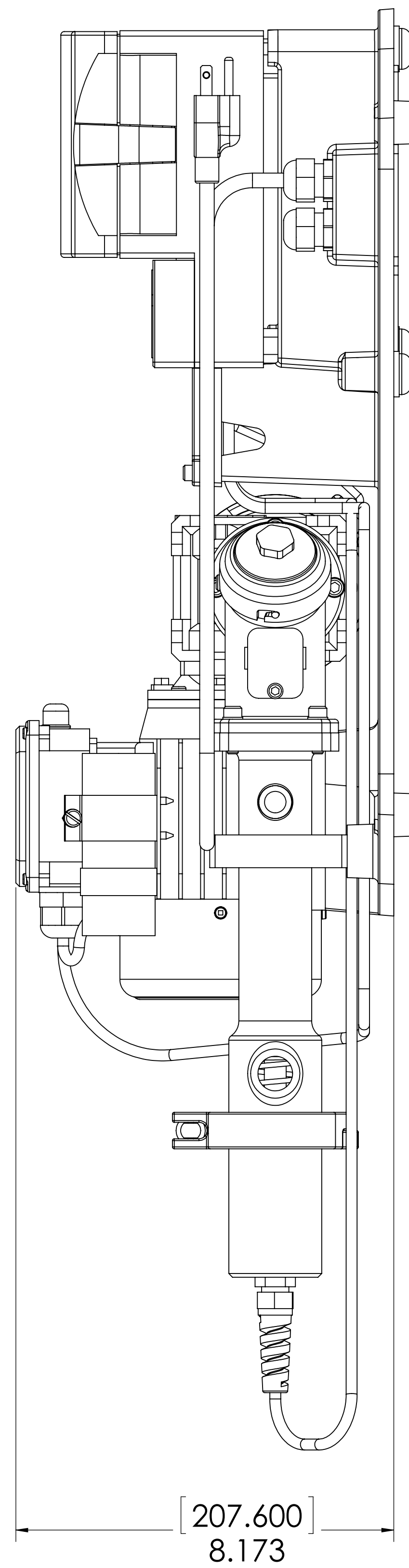
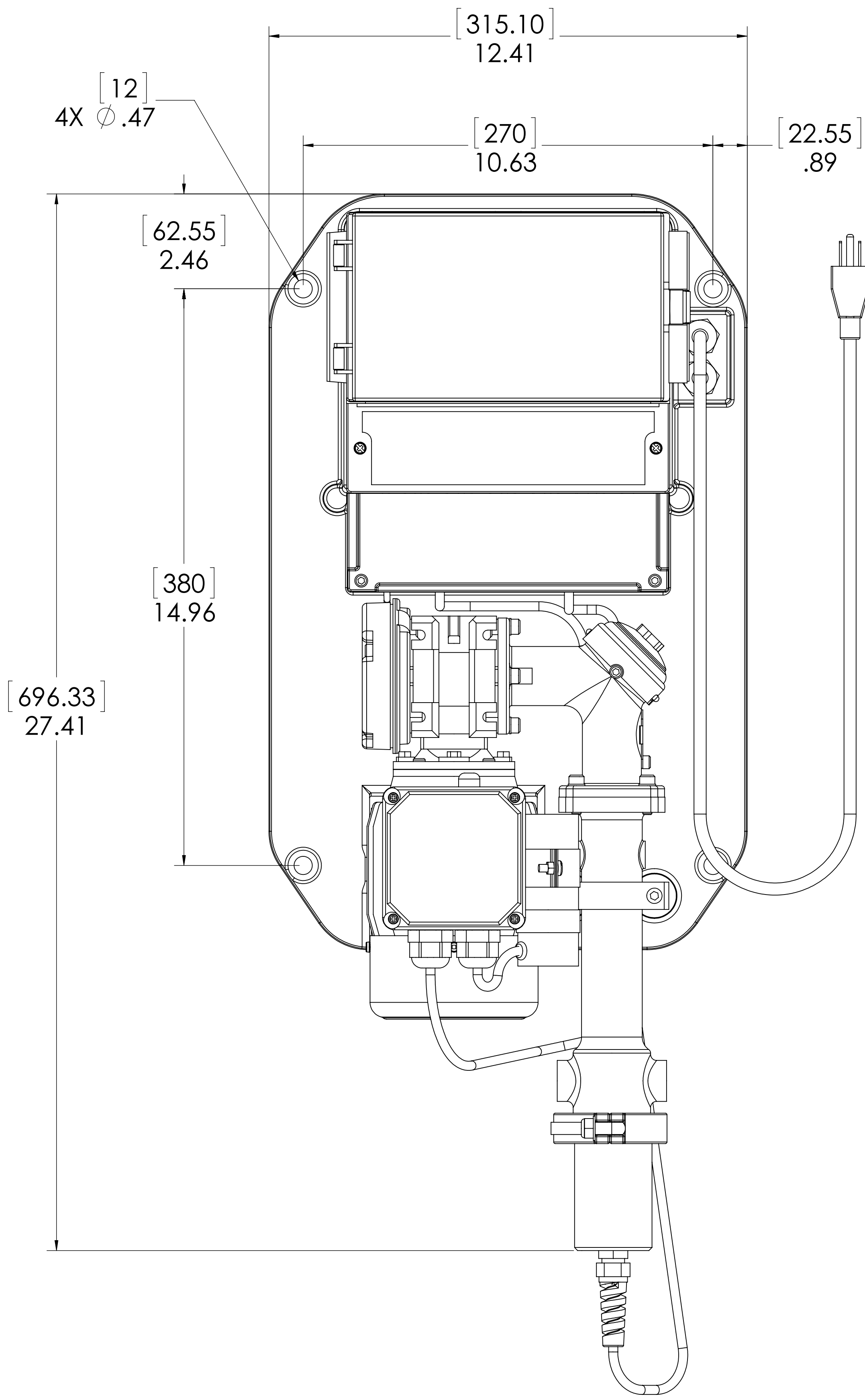


REVISION		
REV	DESCRIPTION	APPROVED
X01	TRANSMITTAL DRAWING	



NOTICE-HACH COMPANY CLAIMS PROPRIETARY RIGHTS IN THE INFORMATION DISCLOSED ON THIS DRAWING. IT IS ISSUED IN CONFIDENCE FOR ENGINEERING INFORMATION ONLY AND MAY NOT, IN WHOLE OR IN PART, BE USED TO MANUFACTURE ANYTHING, WHETHER OR NOT SHOWN HEREON, REPRODUCED OR DISCLOSED TO ANYONE WITHOUT DIRECT PERMISSION FROM HACH COMPANY.

MATERIAL	UNLESS OTHERWISE SPECIFIED:	NAME	DATE	 HACH COMPANY 5600 LINDBERGH DR. LOVELAND, CO. 80539
Material <not specified>	DIMENSIONS ARE IN INCHES TOLERANCES: X = ±.03 XX = ±.01 XXX = ±.005 ANGLES = ±.25°	DRAWN TCS	10/19/12	
	INTERPRET GEOMETRIC TOLERANCING PER: ANSI Y14.5M 1994	ENGINEER TCS	10/19/12	TITLE: TRANSMITTAL, AF7000 SIZE DWG. NO. REV D XXXXXX X01 SCALE: 1:1 WEIGHT: 12.051 SHEET 1 OF 1
	DO NOT SCALE THIS SHEET	THIRD ANGLE PROJECTION		