

RMC Disinfection panel – for offsite calibrations/verifications & adjustments

Applications

- Drinking water



A time-saving total solution for online chlorine measurement with remote access to calibrate and adjust – without the hassle of being on site

The new Hach[®] RMC Disinfection Panel allows you convenient real-time control and calibrations from your office. No need to travel on site, you can make your adjustments very conveniently from your desktop. Extremely reliable and time-saving, equipped with two high performing chlorine analyzers, easy to use plug-and-play controller and latest remote connectivity.

Save time and resources with high performing remote calibrations

Performing verifications and calibrations have never been so easy. Thanks to convenient remote access of our new RMC Disinfection Panel, you can complete multiple routine tasks such as verifications, calibrations, and adjustments of settings from your office. This will save up to 75%* of your time and operating cost through considerably reduced onsite visits.

**Compared to routine maintenance touch times performed on site.*

Peace of mind thanks to continuously validated measurement

Most chlorine measuring issues are due to inconsistent and incorrect results. Thanks to the combination of two core technologies, Amperometry and Colorimetry, you can rely on continuous measurements providing consistent, reliable, and accurate results. Increased disinfection process efficiency and peace of mind are additional positive outcomes for you.

Complete solution

Everything you need from one single-source supplier: pre-configured and mounted panel with local service and technical support. Extensions with other measurements such as turbidity, conductivity, ORP, etc. can be added.

Increased flexibility and easy to use

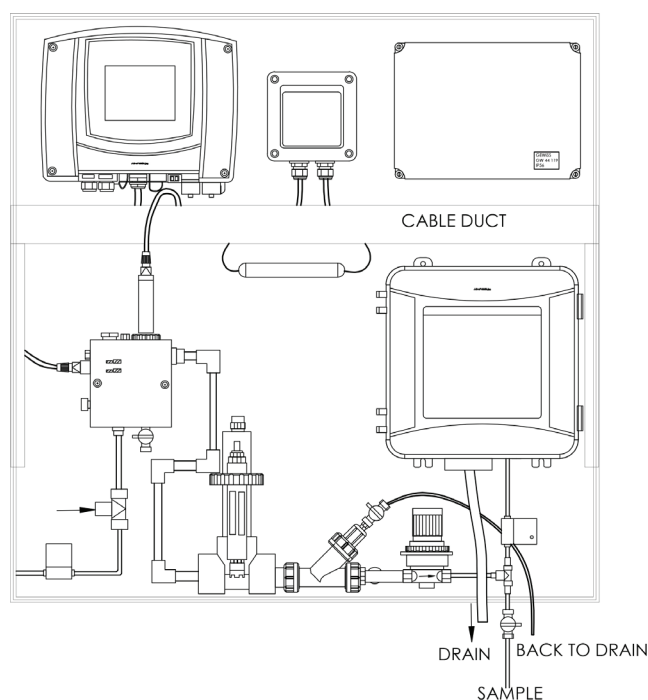
The optional integrated built-in modem of the new RMC Disinfection Panel allows you live access at any time which increases your operating flexibility. The easy-to-read dashboard of the included SC1000 controller provides you instant indications of measurement reliability and service requirements. Easy plug and play operations, there is no complicated wiring or set up necessary.

Always around: Hach service and support will be there for you

Our Technical Support, Field Service, and Central Service Teams work together with over 85+ years of expertise in water analysis to help you maximise instrument uptime, ensure data integrity, maintain operational stability, and reduce compliance risk. You need support? We will be there for you!

Technical Data*

Power consumption	< 82 W
Response time	Continuous
Flow rate	40 L/h
Dimensions	950 x 950 mm
Process connection	¼" BSPF process connection
Protection class	Non-hazardous area
Operating temperature range	5 - 40 °C
Sample temperature	5 - 40 °C
Sample pressure	0.1 - 0.3 bar
Measuring range	0 - 10 mg/L
Measurement method	Dual, colorimetric and amperometric
pH range	4 - 9
Inputs	Up to 6 sensors
Outputs	4 of 4-20 mA; 4 of NC relays; Modbus TCP. Profibus DP, extra relay and 4-20 mA input and outputs are available as additional options.



*Subject to change without notice.

Order Information

RMC Disinfection Panel

The RMC Disinfection panel has 5 operating components:

- CL17sc Colorimetric Chlorine Analyser with a linear peristaltic pump to precisely control the volume of incoming samples and reagents, including indicator and buffer solutions
- CLF10sc and CLT10sc reagentless Chlorine Analyser with a three-electrode amperometric system, where the anode is essentially split into two parts - a reference and an auxiliary (or counter) electrode. The three-electrode design generally makes the measurements more stable and provides longer life for the working and reference electrodes.
- Encapsulated differential pH and ORP sensors for greater reliability and reduced maintenance
- Plug-and-play SC1000 controller with a variety of digital output protocols as additional options
- Optional: Modem with 4G (LTE) for remote monitoring and calibration

Main part number

RMC-DIS KTO Remote Monitoring & Calibration (RMC) Disinfection Panel, without Modem

Options

AVS-HWS Modem, 4G/LTE/WiFi Modem Router with free VPN

DAL-SPS Solar Power Solution

LZY885.99.00002 Prognosys Communication Card for SC1000

Accessories and Consumables

2556900 Reagent Set, Chlorine, Free

8633100 Replacement Membrane Kit for CLF10sc and CLT10sc, SS Tip

9160600 Electrolyte for Free Chlorine Sensor

60-9765-000-001 LCP Salt Bridge, Kynar (PVDF) Outer Junction

25M1A1001-115 Standard Cell Solution for LCP pH-Sensors, pH 7.0 Buffer (equi-transferrant), 500 mL

2283449 pH Buffer Solution, pH 4.01, 500 mL

2283549 Buffer Solution, pH 7, 500 mL

CS-CL-500M Cleaning Acid

6120500 Digital Gateway to connect pH Analog Sensors to a Hach Digital Controller

6122400 Digital Extension Cable, 1 m (3.3 ft.)

Please contact your local Hach Tech Support for more information.