

DOC053.52.90441

Tank rim mount
e-chem / LDO sc sensors
Description & Technical data

Content

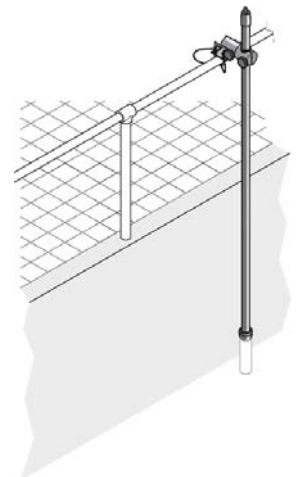
LZY714.99.20x10 page 5+6
Single immersion pole (PVC) for e-chem / LDO sc sensors

LZY714.99.20X20 page 7+8
Single immersion pole (Stainless Steel) for e-chem / LDO sc sensors



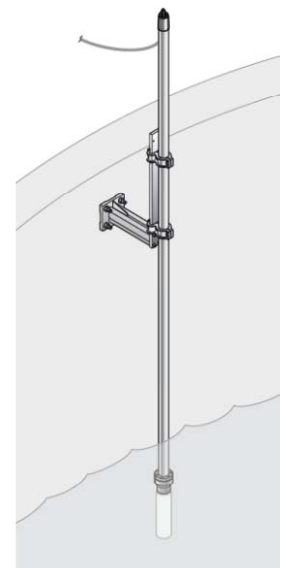
LZY714.99.21x10 page 9+10
Pole Mount Kit swivel (PVC) for e-chem / LDO sc sensors

LZY714.99.21x20 page 11+12
Pole Mount Kit swivel (Stainless Steel) for e-chem / LDO sc sensors



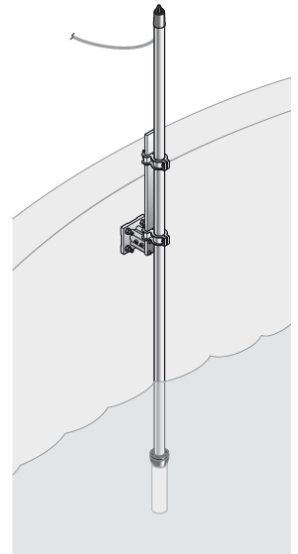
LZY714.99.22x10 page 13+14
Pole Mount Kit 24cm bracket (PVC) for e-chem / LDO sc sensors

LZY714.99.22x20 page 15+16
Pole Mount Kit 24cm bracket (Stainless Steel) for e-chem / LDO sc sensors



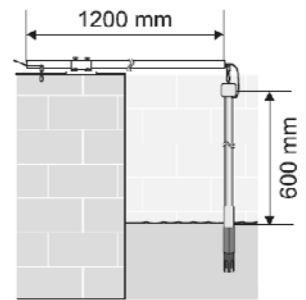
LZY714.99.23x10 page 17+18
Pole Mount Kit 10cm bracket (PVC) for e-chem / LDO sc sensors

LZY714.99.23x20 page 19+20
Pole Mount Kit 10cm bracket (Stainless Steel) for e-chem / LDO sc sensors

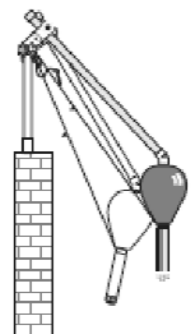


LZX914.99.11200 page 21+22
Chain Mount Kit (Stainless Steel) for e-chem / LDO sc sensors

LZX914.99.12200 page 23+24
Chain Mount Kit (PVC) for e-chem / LDO sc sensors



LZX914.99.42200 page 25+26
Ball float Kit (CPVC) for e-chem / LDO sc sensors



LZY714.99.2xxx0

Tank rim mount for e-chem and LDO sc sensor

L	Z	Y	7	1	4	.	9	9	.	2	X	X	X	0
---	---	---	---	---	---	---	---	---	---	---	---	---	---	---

1" NPT Adapter (PVC)														
----------------------	--	--	--	--	--	--	--	--	--	--	--	--	--	--

<u>Mounting hardware style</u>	
No bracket or swivel.....	0
Swivel (CPVC).....	1
24cm Bracket (SS).....	2
10cm Bracket (SS).....	3

<u>Pipe end cap per parameter /</u>	
Conductivity (purple)	4
ORP (orange)	7
Oxygen (red).....	8
pH (brown)	9

<u>Immersion sensor style</u>	
PVC pole 2m / PVC Rohr 2m.....	1
Stainless steel pole 2m.....	2

LZY714.99.20x10

Single immersion pole (PVC) for e-chem / LDO sc sensors

Part numbers

For conductivity	LZY714.99.20410
For redox (ORP)	LZY714.99.20710
For dissolved oxygen	LZY714.99.20810
For pH	LZY714.99.20910

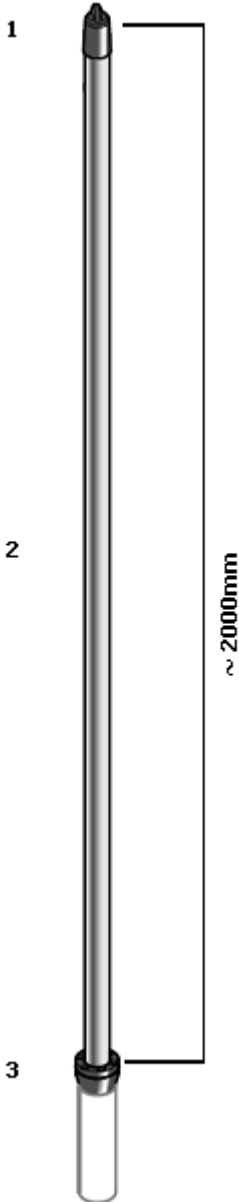
Immersion pole for installing an e-chem / LDO sc sensors

Specifications

- Pole: length x diameter: 2000mm x 40mm
- Material pole: PVC
- Material end cap: PVC
- Material sensor adapter: PVC

Pos.	Description	Qty in: LZY714.99.20x10	Spare part number	Qty
1	End cap Condi	1	LZY714.99.00400	1
	End cap ORP	1	LZY714.99.00700	1
	End cap DO	1	LZY714.99.00800	1
	End cap pH	1	LZY714.99.00900	1
2	Pole with flange	1	LZY714.99.00010	1
3	Sensor adapter Incl. Screws (LZY736)	1	LZY714.99.20000	1

LZY714.99.20x10



LZY714.99.20x20

Single immersion pole (Stainless Steel) for e-chem / LDO sc sensors

Part numbers:

For conductivity:	LZY714.99.20420
For redox:	LZY714.99.20720
For dissolved oxygen:	LZY714.99.20820
For pH:	LZY714.99.20920

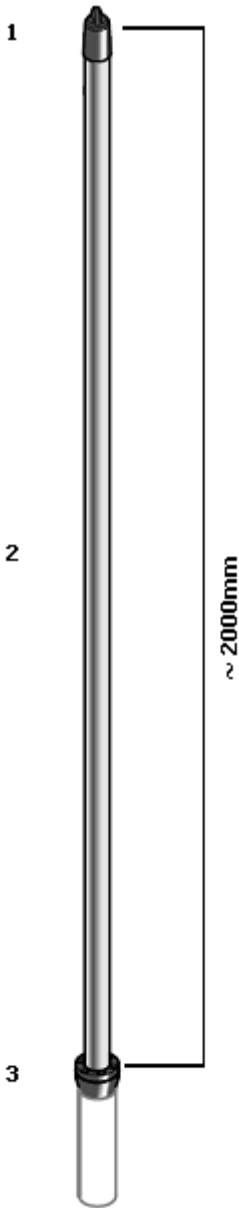
Immersion pole for installing an e-chem / LDO sc sensors

Specifications

- Pole: length x diameter 2000mm x 40mm
- Material pole: SS 1.4301
- Material end cap: PVC
- Material sensor adapter: PVC

Pos.	Description	Qty in: LZY714.99.20x20	Spare part number	Qty
1	End cap Condi	1	LZY714.99.00400	1
	End cap ORP	1	LZY714.99.00700	1
	End cap DO	1	LZY714.99.00800	1
	End cap pH	1	LZY714.99.00900	1
2	Pole with flange	1	LZY714.99.00020	1
3	Sensor adapter Incl. screws (LZY736)	1	LZY714.99.20000	1

LZY714.99.20x20



LZY714.99.21x10

Pole Mount Kit swivel (PVC) for e-chem / LDO sc sensors

Part numbers:

For conductivity:	LZY714.99.21410
For redox (ORP):	LZY714.99.21710
For dissolved oxygen:	LZY714.99.21810
For pH:	LZY714.99.21910

Pole Mount Kit swivel (PVC) for e-chem / LDO sc sensors

Specifications

Mounting: railing (max diameter 50mm)

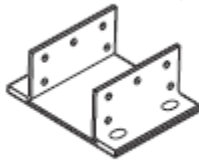
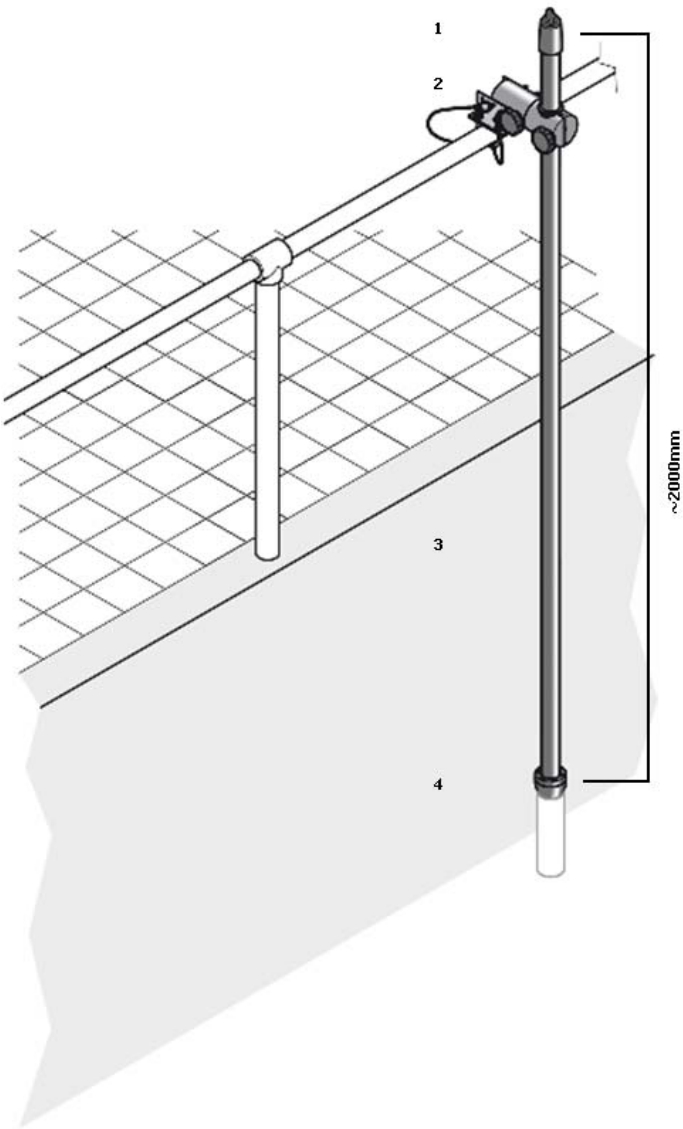
- Pole: length x diameter 2000mm x 40mm
- Material pole: PVC
- Material end cap: PVC
- Material sensor adapter: PVC
- Material swivel: SS 1.4571 & CPVC

Pos.	Description	Qty in: LZY714.99.21x10	Spare part number	Qty
1	End cap Condi	1	LZY714.99.00400	1
	End cap ORP	1	LZY714.99.00700	1
	End cap DO	1	LZY714.99.00800	1
	End cap pH	1	LZY714.99.00900	1
2	Swivel	1	LZY714.99.01000	1
3	Pole with flange	1	LZY714.99.00010	1
4	Sensor adapter Incl. screws (LZY736)	1	LZY714.99.20000	1

LZY714.99.01000, Swivel

Pos.	Description	Qty in: LZY714.99.01000	Spare part number	Qty
2a	SS mounting bracket	1	276A3A1203	1
2b	U-bolt Ø50mm	2	9H1000	1
2c	Clevis pin with lanyard	2	9H1394 & 9H1285-040	1 1
2d	CPVC clamp	1		
2e	Pole adapter	1	LZY714.99.90000	1

LZY714.99.21x10



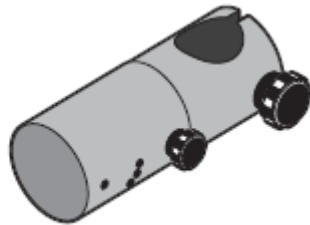
2a



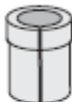
2b



2c



2d



2e

LZY714.99.21x20

Pole Mount Kit swivel (Stainless Steel) for e-chem / LDO sc sensors

Part numbers:

For conductivity:	LZY714.99.21420
For redox (ORP):	LZY714.99.21720
For dissolved oxygen:	LZY714.99.21820
For pH:	LZY714.99.21920

Pole Mount Kit swivel (Stainless Steel) for e-chem / LDO sc sensors

Specifications

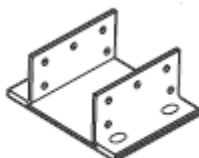
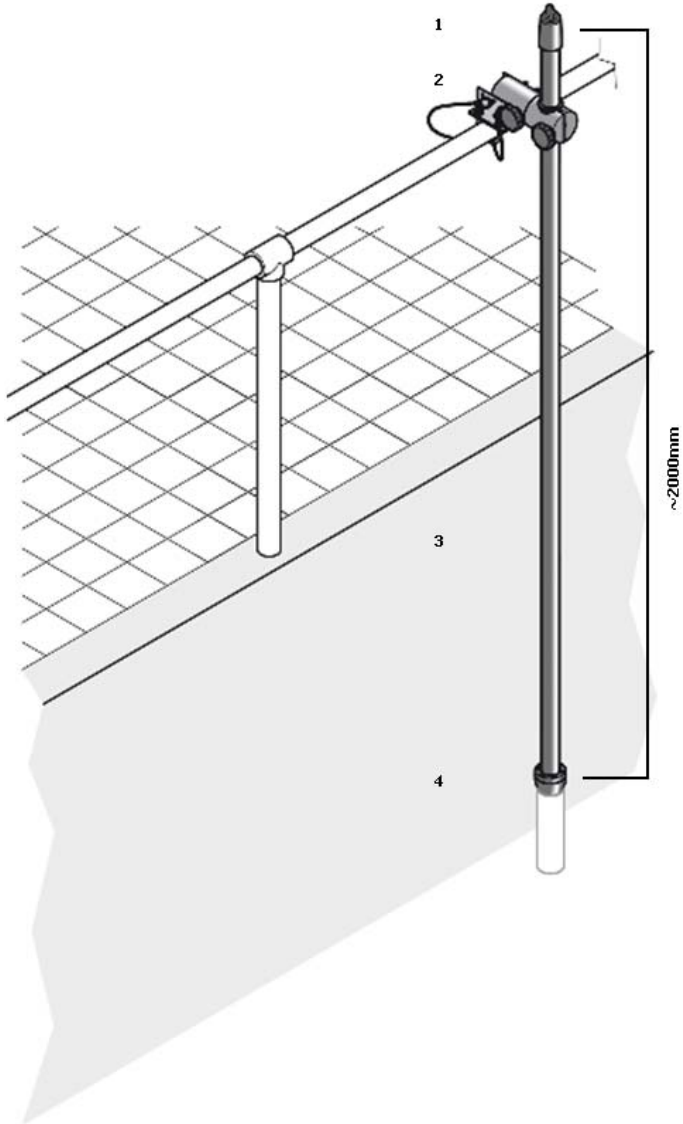
- Mounting: railing (max diameter 50mm)
- Pole: length x diameter 2000mm x 40mm
- Material pole: SS 1.4301
- Material end cap: PVC
- Material sensor adapter: PVC
- Material swivel: SS 1.4571 & CPVC

Pos.	Description	Qty in: LZY714.99.21x20	Spare part number	Qty
1	End cap Condi	1	LZY714.99.00400	1
	End cap ORP	1	LZY714.99.00700	1
	End cap DO	1	LZY714.99.00800	1
	End cap pH	1	LZY714.99.00900	1
2	Swivel	1	LZY714.99.01000	1
3	Pole with flange	1	LZY714.99.00020	1
4	Sensor adapter Incl. screws (LZY736)	1	LZY714.99.20000	1

LZY714.99.01000, Swivel

Pos.	Description	Qty in: LZY714.99.01000	Spare part number	Qty
2a	SS mounting bracket	1	276A3A1203	1
2b	U-bolt Ø50mm	2	9H1000	1
2c	Clevis pin with lanyard	2	9H1394 & 9H1285-040	1 1
2d	CPVC clamp	1		
2e	Pole adapter	1	LZY714.99.90000	1

LZY714.99.21x20



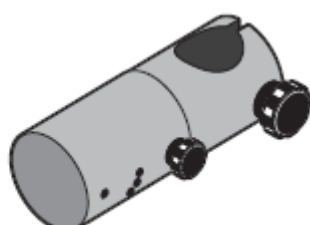
2a



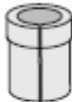
2b



2c



2d



2e

LZY714.99.22x10

Pole Mount Kit 24cm bracket (Stainless Steel) with pole (PVC) for e-chem / LDO sc sensors

Part numbers

For conductivity:	LZY714.99.22420
For redox (ORP):	LZY714.99.22720
For dissolved oxygen:	LZY714.99.22820
For pH:	LZY714.99.22920

Pole Mount Kit 24cm bracket (Stainless Steel) with pole (PVC) for e-chem / LDO sc sensors

Specifications:

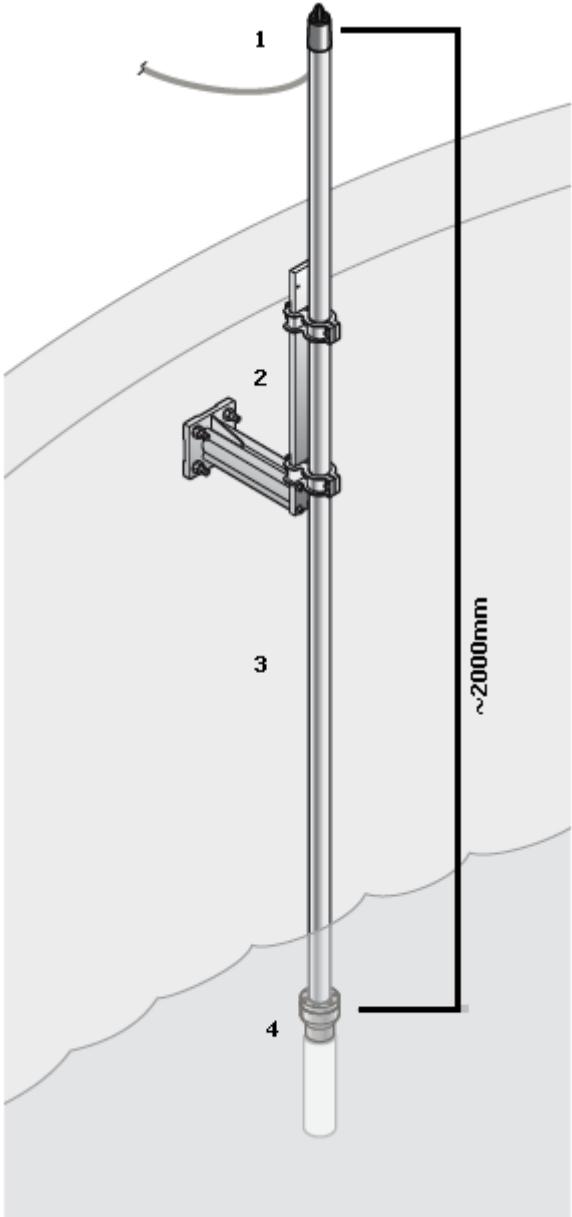
- Pole: length x diameter 2000mm x 40mm
- Material pole: PVC
- Material end cap: PVC
- Material sensor adapter: PVC
- Material bracket: SS

Pos.	Description	Qty in: LZY714.99.22x10	Spare part number	Qty
1	End cap Condi	1	LZY714.99.00400	1
	End cap ORP	1	LZY714.99.00700	1
	End cap DO	1	LZY714.99.00800	1
	End cap pH	1	LZY714.99.00900	1
2	24cm Bracket	1	LZY714.99.02000	1
3	Pole with flange	1	LZY714.99.00010	1
4	Sensor adapter Incl. screws (LZY736)	1	LZY714.99.20000	1

LZY714.99.02000, 24cm Bracket

Pos.	Description	Qty in: LZY714.99.02000	Spare Part Number	Qty
2a	Base 24cm (SS 1.4308)	1	LZY438	1
2b	Plate (SS 1.4571)	1	LZY770	1
2c	Pole clamp set (SS 1.4308)	2	LZY449 (incl. srews)	1
	Screw set (SS)	1	LZY823	1

LZY714.99.22x10



LZY714.99.22x20

Pole Mount Kit 24cm bracket with pole (Stainless Steel) for e-chem / LDO sc sensors

Part numbers:

For conductivity:	LZY714.99.22420
For redox (ORP):	LZY714.99.22720
For dissolved oxygen:	LZY714.99.22820
For pH:	LZY714.99.22920

Pole Mount Kit 24cm bracket with pole (Stainless Steel) for e-chem / LDO sc sensors

Specifications

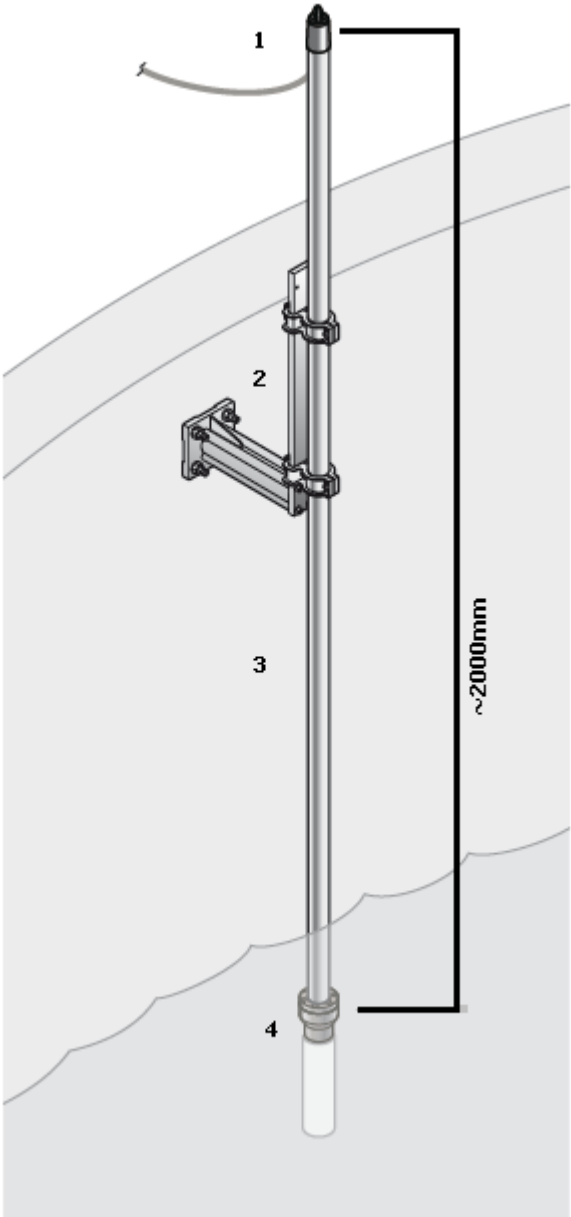
- Pole: length x diameter 2000mm x 40mm
- Material pole: SS 1.4301
- Material end cap: PVC
- Material sensor adapter: PVC
- Material bracket: SS

Pos.	Description	Qty in: LZY714.99.22x20	Spare part number	Qty
1	End cap Condi	1	LZY714.99.00400	1
	End cap ORP	1	LZY714.99.00700	1
	End cap DO	1	LZY714.99.00800	1
	End cap pH	1	LZY714.99.00900	1
2	24cm Bracket	1	LZY714.99.02000	1
3	Pole with flange	1	LZY714.99.00020	1
4	Sensor adapter Incl. screws (LZY736)	1	LZY714.99.20000	1

LZY714.99.02000, 24cm Bracket

Pos.	Description	Qty in: LZY714.99.02000	Spare Part Number	Qty
2a	Base 24cm (SS 1.4308)	1	LZY438	1
2b	Plate (SS 1.4571)	1	LZY770	1
2c	Pole clamp set (SS 1.4308)	2	LZY449 (incl. srews)	1
	Screw set (SS)	1	LZY823	1

LZY714.99.22x20



LZY714.99.23x10

Pole Mount Kit 10cm bracket (Stainless Steel) with pole (PVC) for e-chem / LDO sc sensors

Part numbers:

For conductivity:	LZY714.99.23410
For redox (ORP):	LZY714.99.23710
For dissolved oxygen:	LZY714.99.23810
For pH:	LZY714.99.23910

Pole Mount Kit 10cm bracket (Stainless Steel) with pole (PVC) for e-chem / LDO sc sensors

Specifications:

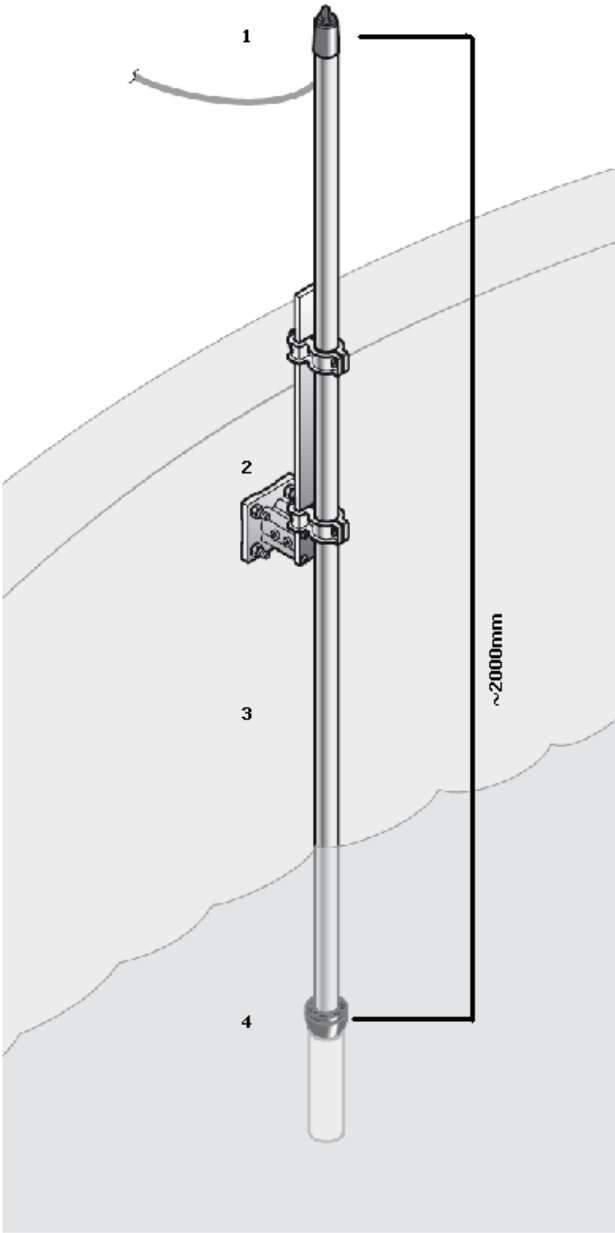
- Pole: length x diameter 2000mm x 40mm
- Material pole: PVC
- Material end cap: PVC
- Material sensor adapter: PVC
- Material bracket: SS

Pos.	Description	Qty in: LZY714.99.23x10	Spare part number	Qty
1	End cap Condi	1	LZY714.99.00400	1
	End cap ORP	1	LZY714.99.00700	1
	End cap DO	1	LZY714.99.00800	1
	End cap pH	1	LZY714.99.00900	1
2	10cm Bracket	1	LZY714.99.03000	1
3	Pole with flange	1	LZY714.99.00010	1
4	Sensor adapter Incl. screws (LZY736)	1	LZY714.99.20000	1

LZY714.99.03000, 10cm Bracket

Pos.	Description	Qty in: LZY714.99.03000	Spare Part Number	Qty
2a	Base (SS 1.4308)	1	LZY827	1
2b	Plate (SS 1.4571)	1	LZY804	1
2c	Pole clamp set (SS 1.4308)	2	LZY449 (incl. srews)	1
	Screw set (SS)	1	LZY823	1

LZY714.99.23x10



2a



2b



2c

LZY714.99.23x20

Pole Mount Kit 10cm bracket with pole (Stainless Steel) for e-chem / LDO sc sensors

Part numbers:

For conductivity:	LZY714.99.23420
For redox (ORP):	LZY714.99.23720
For dissolved oxygen:	LZY714.99.23820
For pH:	LZY714.99.23920

Pole Mount Kit 10cm bracket with pole (Stainless Steel) for e-chem / LDO sc sensors

Specifications:

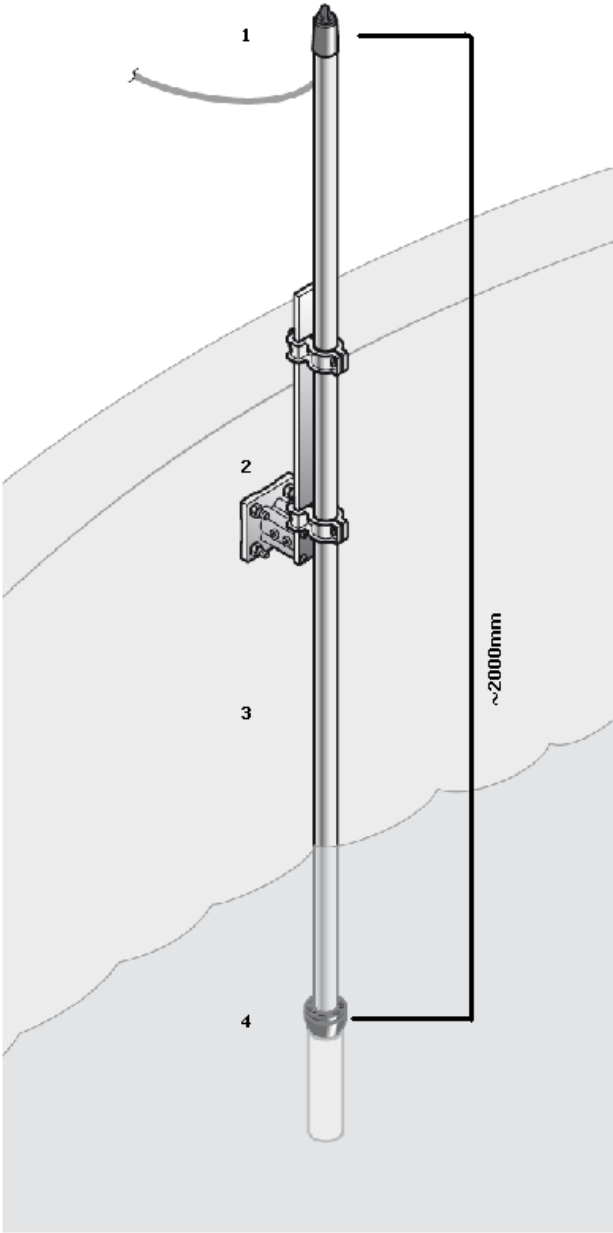
- Pole: length x diameter 2000mm x 40mm
- Material pole SS 1.4301
- Material end cap: PVC
- Material sensor adapter: PVC
- Material bracket: SS 1.4301

Pos.	Description	Qty in: LZY714.99.23x10	Spare part number	Qty
1	End cap Condi	1	LZY714.99.00400	1
	End cap ORP	1	LZY714.99.00700	1
	End cap DO	1	LZY714.99.00800	1
	End cap pH	1	LZY714.99.00900	1
2	10cm Bracket	1	LZY714.99.03000	1
3	Pole with flange	1	LZY714.99.00020	1
4	Sensor adapter Incl. screws (LZY736)	1	LZY714.99.20000	1

LZY714.99.03000, 10cm Bracket

Pos.	Description	Qty in: LZY714.99.03000	Spare Part Number	Qty
2a	Base (SS 1.4308)	1	LZY827	1
2b	Plate (SS 1.4571)	1	LZY804	1
2c	Pole clamp set (SS 1.4308)	2	LZY449 (incl. srews)	1
	Screw set (SS)	1	LZY823	1

LZY714.99.23x20



2a



2b



2c

LZX914.99.11200

Chain mount kit (Stainless Steel) for e-chem / LDO sc sensors

Chain mount kit for simple installation of e-chem / LDO sc sensors on the basin rim (railing or concrete wall). Immersion depth adjustable, total chain length 5m.

Consisting off:

- Pole
- Bracket for pole
- Sensor armature
- Chain

Specifications

- Mounting: railing (max diameter 46mm)
- Wall
- Pole: length x diameter: 1200 x 34mm
- Armature: length x diameter: 600 x 34mm
- Chain length: 5000mm

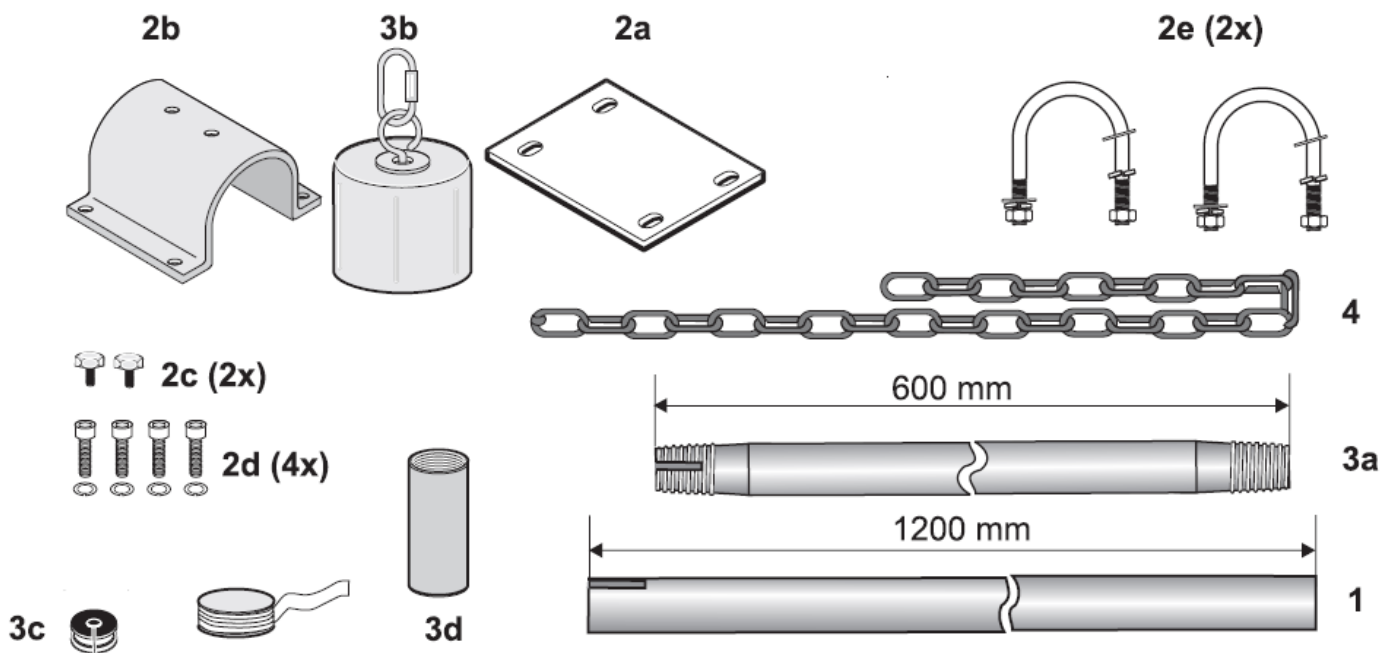
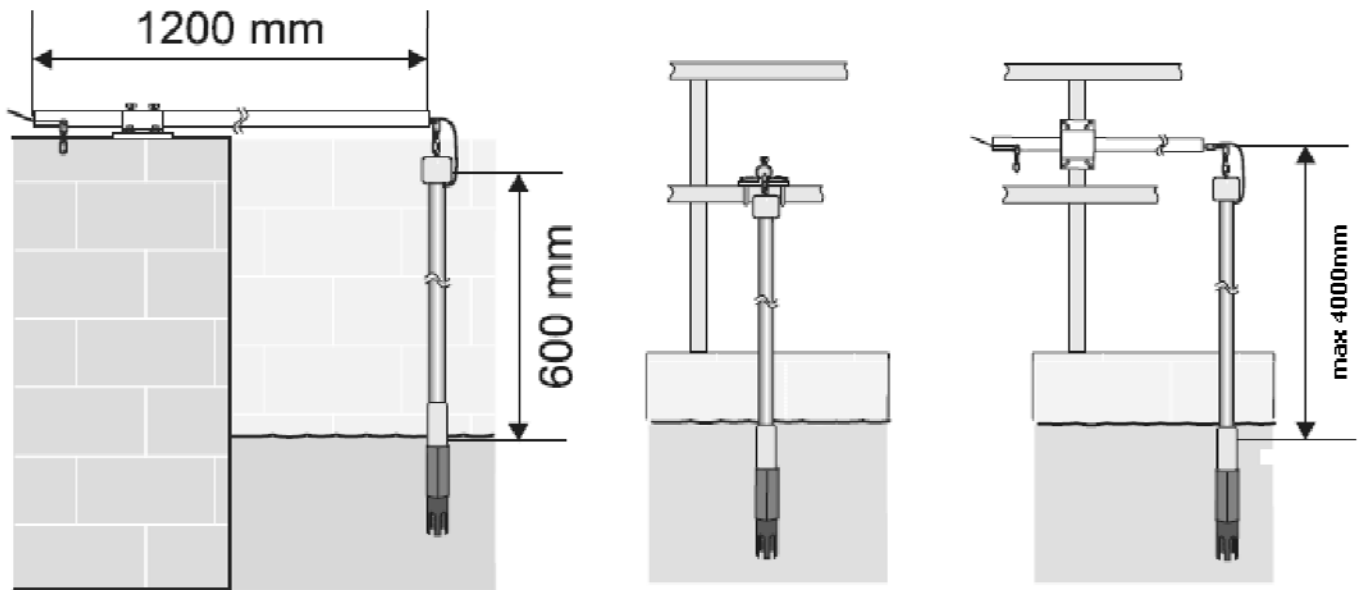
Pole:				
Pos.	Description	Qty in: LZX914.99.11200	Spare part number	Qty
1	Pole (SS 1.4571)	1		

Bracket:				
Pos.	Description	Qty in: LZX914.99.11200	Spare part number	Qty
2a	Mounting plate (SS 1.4571)	1		
2b	Clamp (SS 1.4571)	1		
2c	Pole fixing screw (SS)	2	} LZX843	2
2d	Mounting screws	4		4
2e	U - Bolt (SS 1.4301 /1.4571)	2		2

Sensor armature: LZX914.99.21200				
Pos.	Description	Qty in: LZX914.99.11200	Spare part number	Qty
3a	Pole 600mm (SS 1.4571)			
3b	Screw cap 1"(PVC)	1	LZY290	1
3c	Grommet	1	LZX864	1
3d	Sensor adapter 1" (SS)	1	LZY003	1

Chain:				
Pos.	Description	Qty in: LZX914.99.11200	Spare part number	Qty
4	Chain (SS 1.4571 / 1.4401)	1	LZY232	1

LZX914.99.11200



LZX914.99.12200

Chain mount kit (PVC) for e-chem / LDO sc sensors

Chain mount kit for simple installation of e-chem / LDO sc sensors on the basin rim (railing or concrete wall). Immersion depth adjustable, total chain length 5m.

Consisting off:

- Pole
- Bracket for pole
- Sensor armature
- Chain

Specifications

- Mounting: railing: (max diameter 46mm)
- Wall
- Pole length * diameter: 1200 x 34mm
- Armature: length x diameter: 600 x 48mm
- Chain length: 5000mm

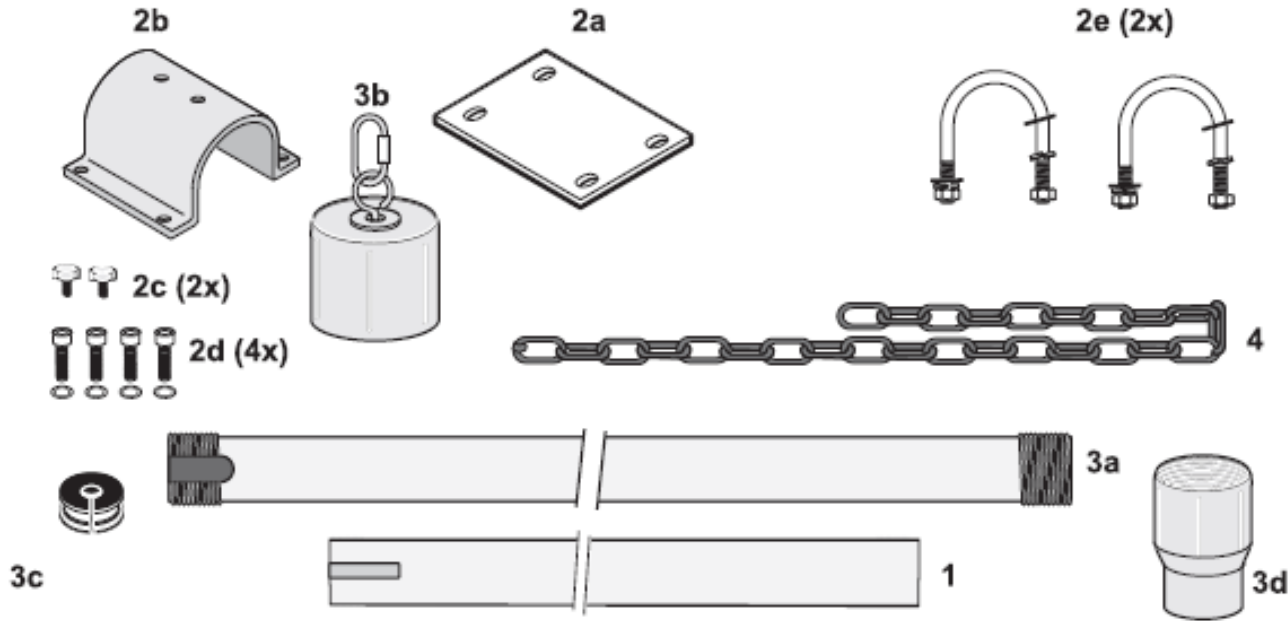
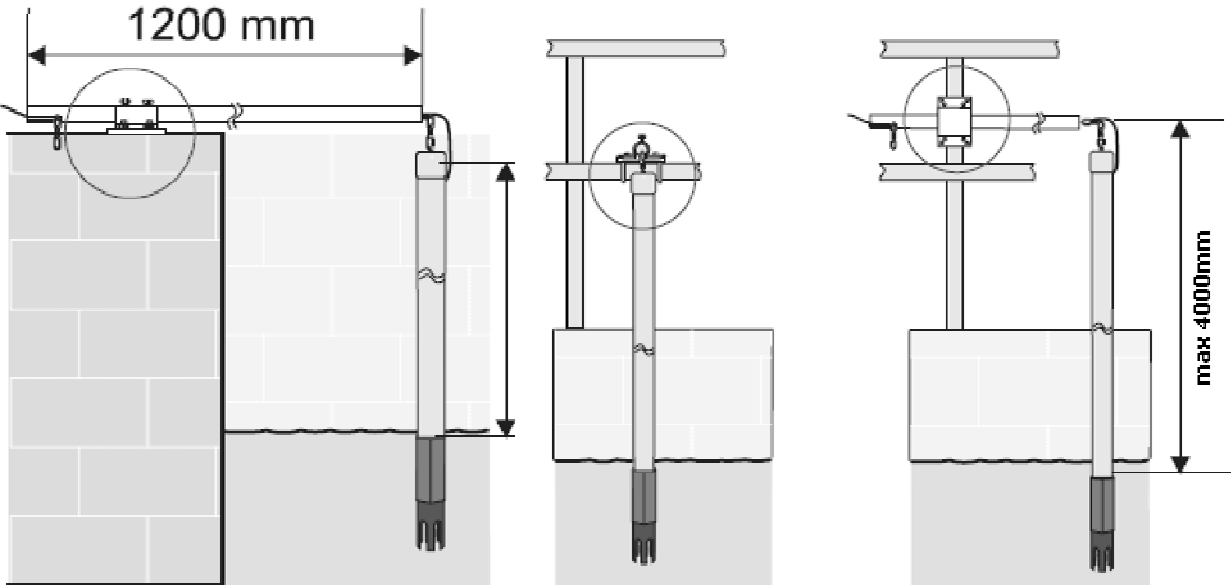
Pole:				
Pos.	Description	Qty in: LZX914.99.12200	Spare part number	Qty
1	Pole (SS 1.4571)	1		

Bracket:				
Pos.	Description	Qty in: LZX914.99.12200	Spare part number	Qty
2a	Mounting plate (SS 1.4571)	1		
2b	Clamp (SS 1.4571)	1		
2c	Pole fixing screw (SS)	2	} LZX843	2
2d	Mounting screws	4		4
2 ^e	U - Bolt (SS 1.4301 /1.4571)	2		2

Sensor armature: LZX914.99.22200				
Pos.	Description	Qty in set	Spare part number	Qty
3a	Pole 600 mm (PVC)			
3b	Screw cap 1,5" (PVC)	1	LZY048	1
3c	Grommet	1		
3d	Sensor adapter (PVC) Reducer 1.5" – 1"	1	LZY276	1

Chain:				
Pos.	Description	Qty in set	Spare part number	Qty
4	Chain (PVC)	1	LZX891	1

LZX914.99.12200



LZX914.99.42200

Float mount kit (PVC) for e-chem / LDO sc sensors

Float mount kit for simple installation of e-chem / LDO sc sensors on the basin rim (railing or concrete wall).

Consisting off:

- PVC pole with ball float
- Swivel
- Support

Specifications

- Mounting: railing (max diameter 50mm)
- Wall
- Pole: length x diameter 2300 x 48mm
- Material pole: PVC
- Material swivel: SS 1.4571 & CPVC

Pole kit				
Pos.	Description	Qty in: LZX914.99.42200	Spare part number	Qty
1a	Pole (PVC)	1	1000F3407-00882	1
1b	Screw cap	1	} LZX942	1
1c	Grommet	1		1
1d	Float	1	5792001	1
1e	Elbow	1	LZY546	1
1f	Sensor adapter Reducer 1.5" – 1"	1	LZY276	1

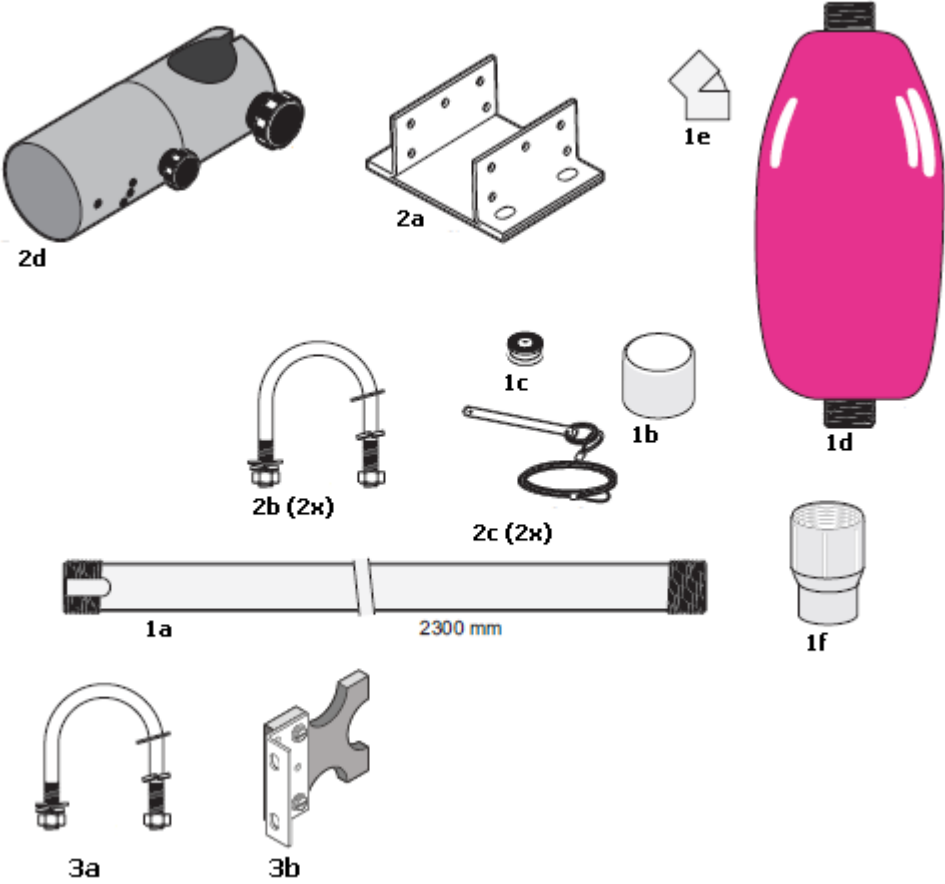
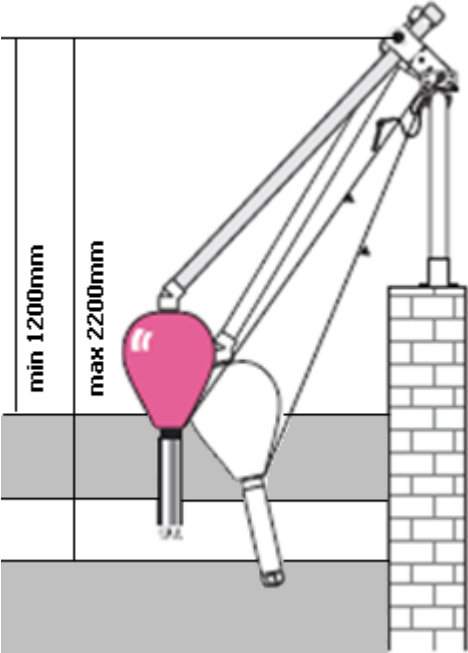
276G1200, Swivel

Pos.	Description	Qty in: 276G1200	Spare part number	Qty
2a	SS mounting bracket	1	276A3A1203	1
2b	U-bolt Ø50mm	2	9H1000	1
2c	Clevis pin with lanyard	2	9H1394 & 9H1285-040	1 1
2d	CPVC clamp	1	276G1200 (complete)	1

276G1206, Support

Pos.	Description	Qty in: 276G1206	Spare part number	Qty
3a	U-bolt Ø50mm	1	9H1000	1
3b	Support	1	276G1206 (complete)	1

LZX914.99.42200



HACH COMPANY World Headquarters

P.O. Box 389, Loveland, CO 80539-0389 U.S.A.

Tel. (970) 669-3050

(800) 227-4224 (U.S.A. only)

Fax (970) 669-2932

orders@hach.com

www.hach.com

HACH LANGE GMBH

Willstätterstraße 11

D-40549 Düsseldorf

Tel. +49 (0) 2 11 52 88-320

Fax +49 (0) 2 11 52 88-210

info@hach-lange.de

www.hach-lange.de

HACH LANGE Sàrl

6, route de Compois

1222 Vérenaz

SWITZERLAND

Tel. +41 22 594 6400

Fax +41 22 594 6499