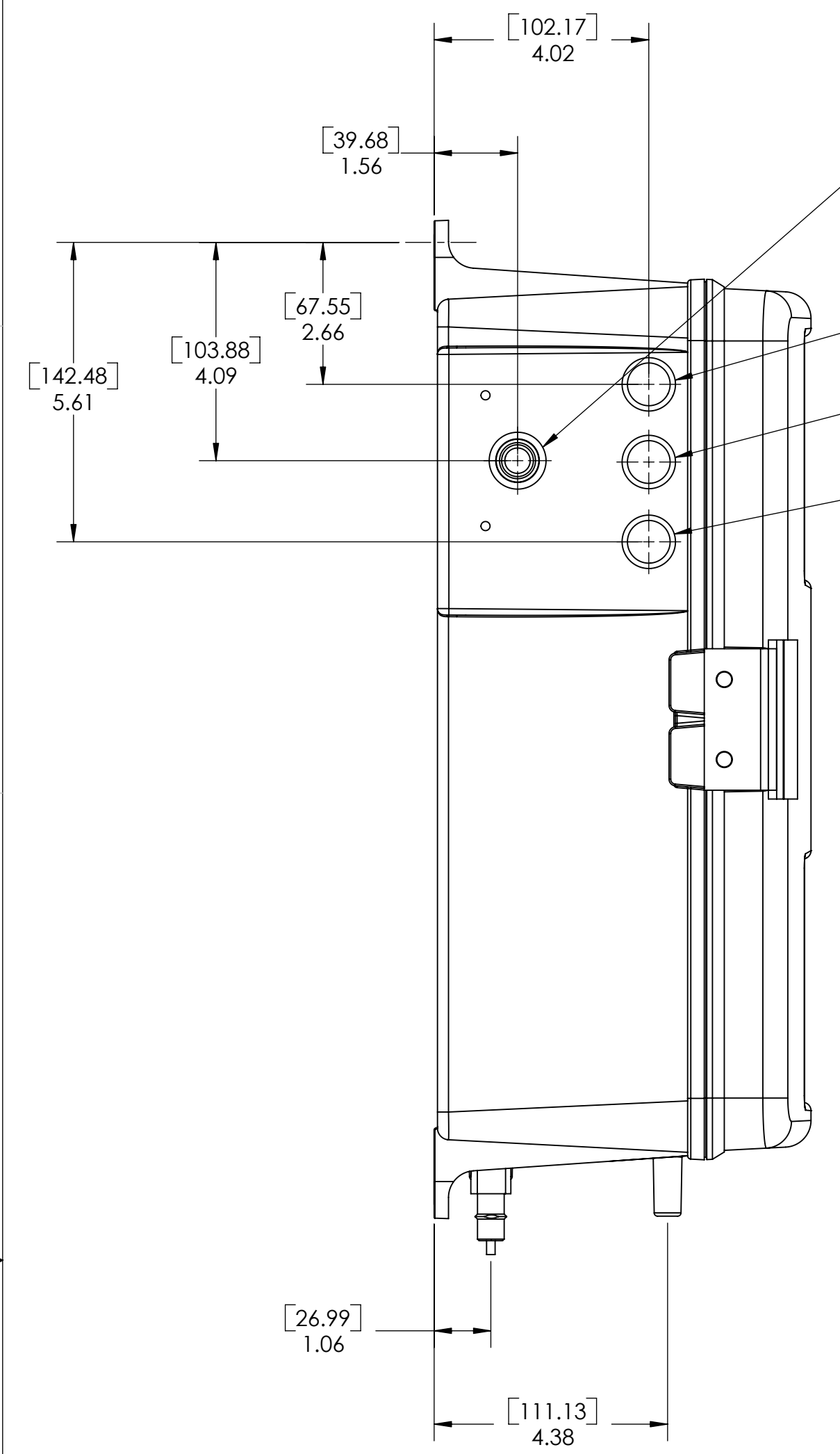


NOTES:  
1. ALL DIMENSIONS ARE IN INCHES [MILLIMETERS].

REVISION		
REV	DESCRIPTION	APPROVED
B	REVISED PER R-2823-06	

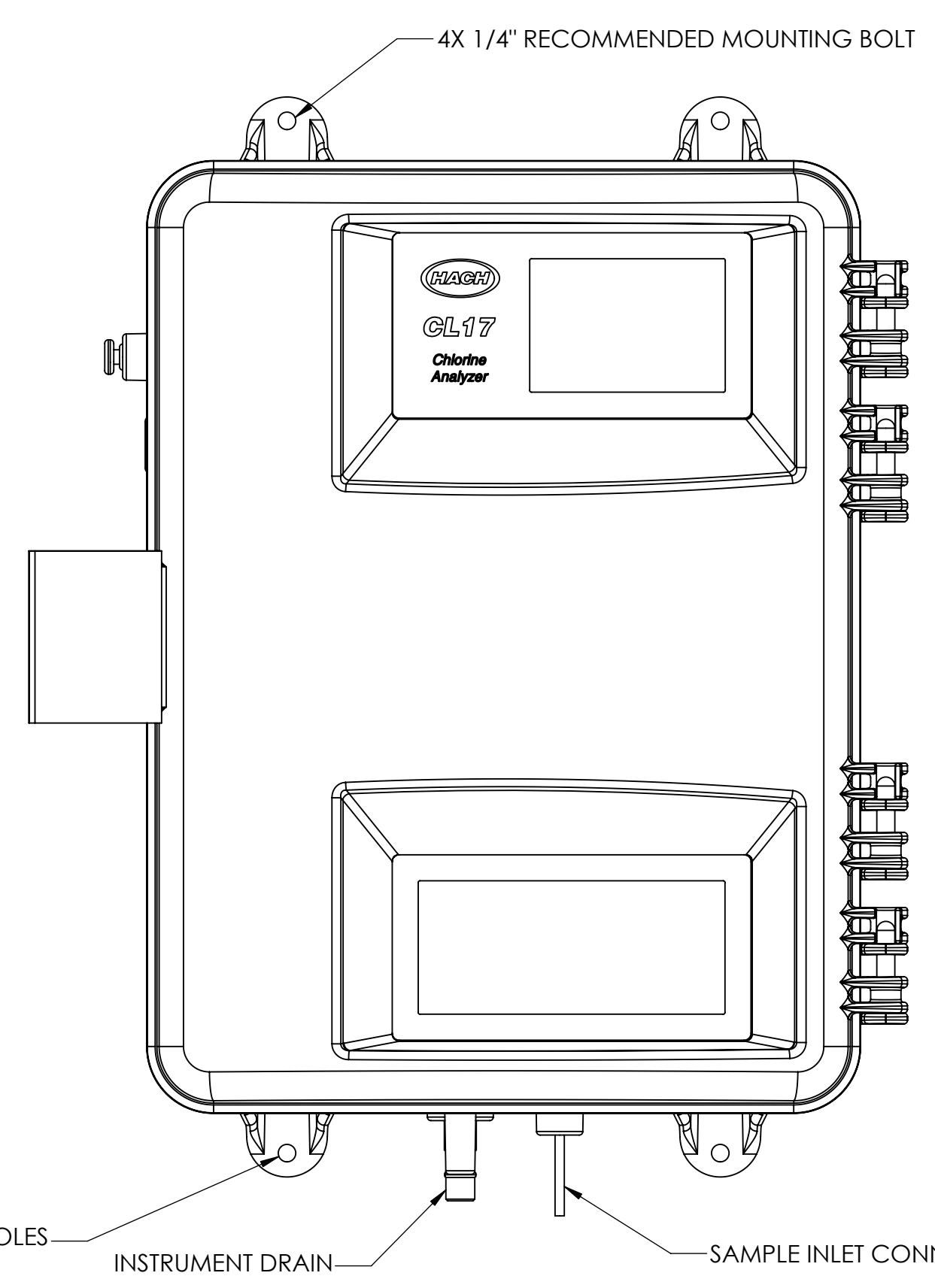


AIR PURGE QUICK CONNECT  
.25 O.D. POLYETHYLENE TUBING  
(CAT. NO. 4743800)

RELAY/ALARM  
CONTACT  
CONNECTIONS

NETWORK AND  
4-20 mA  
CONNECTIONS

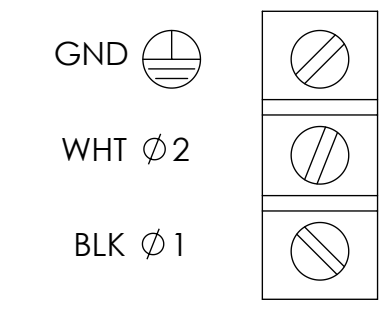
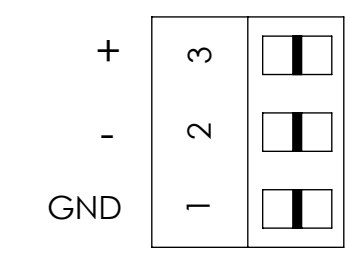
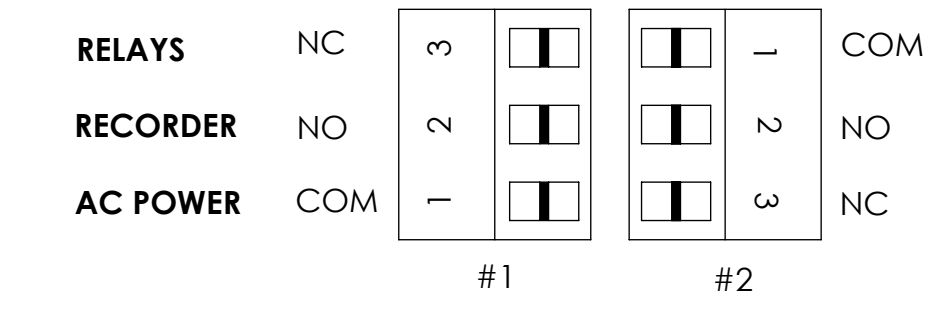
POWER  
CONNECTIONS



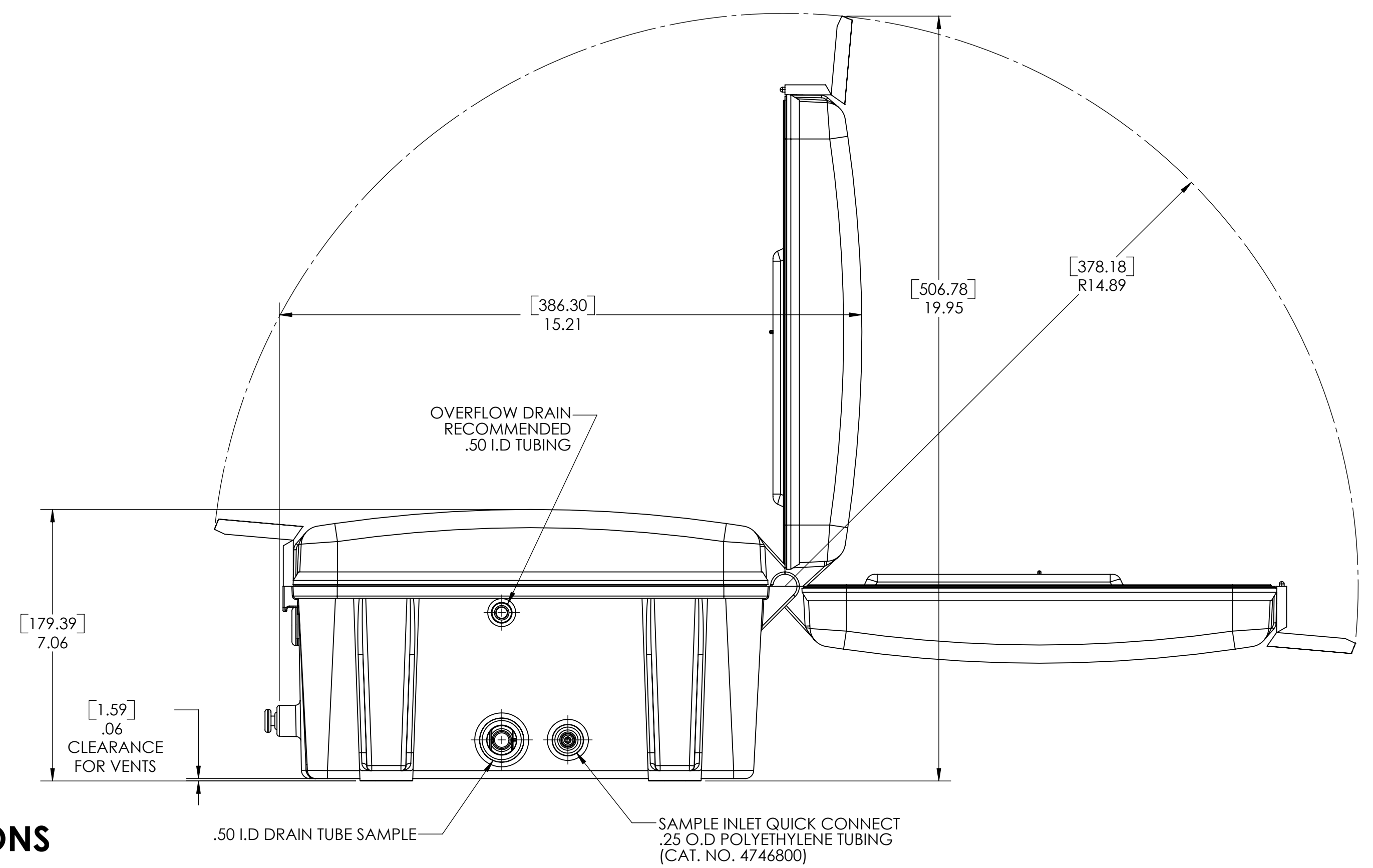
MOUNTING HOLES  
4 PLACES

INSTRUMENT DRAIN

SAMPLE INLET CONNECTION



**CUSTOMER POWER CONNECTIONS TO ANALYZER**  
POWER: 100-115 / 230 Vac, 50/60 Hz, 95 VA (FUSED AT 2.50A)

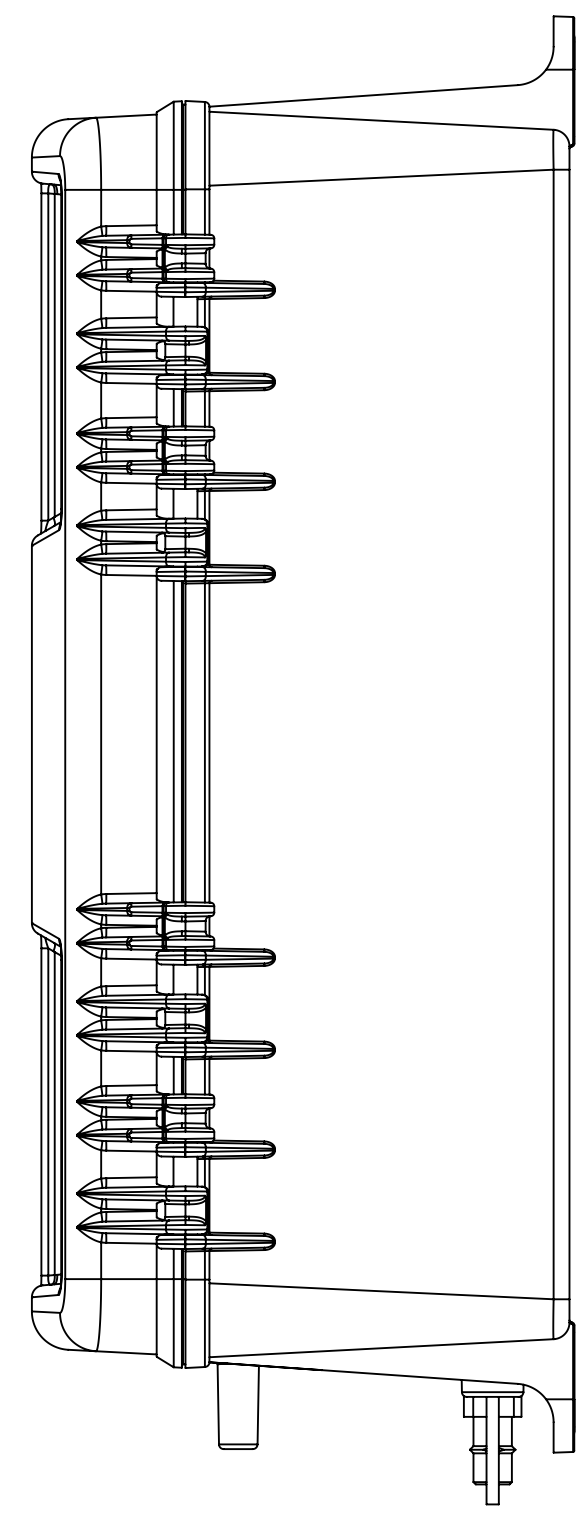


**INSTRUMENT DIMENSIONS**

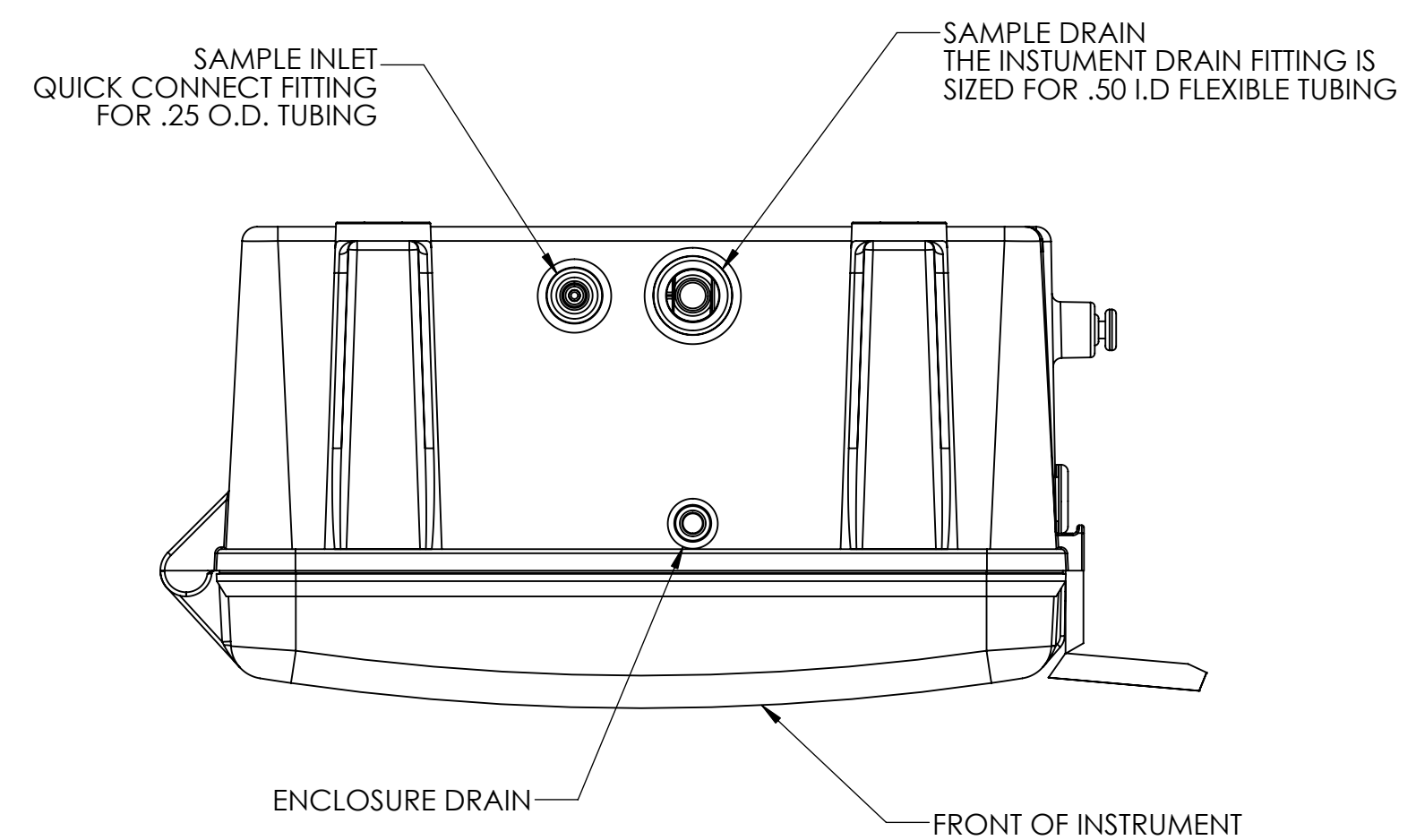
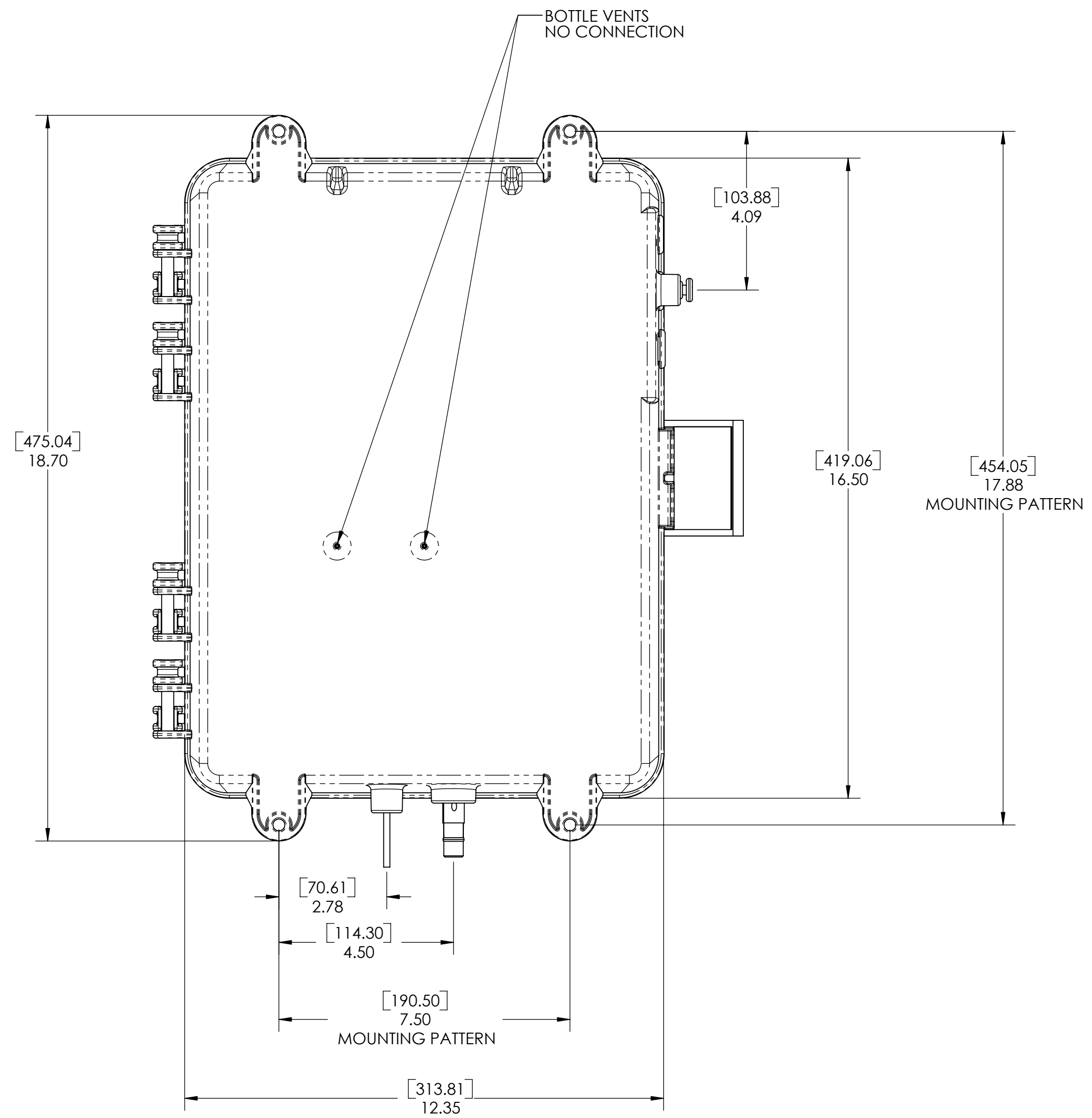
**GENERAL INFORMATION:**

- ENCLOSURE: IP62 - RATED WITH THE GASKETED DOOR LATCHED.
- INSTRUMENT SHIPPING WEIGHT: 11.3 Kg (25 lb).
- INLET PRESSURE TO INSTRUMENT: 1 TO 5 psig.
- SAMPLE FLOW RATE TO SAMPLE CONDITIONING: 200 TO 500 ml/min.

NOTICE-HACH COMPANY CLAIMS PROPRIETARY RIGHTS IN THE INFORMATION DISCLOSED ON THIS DRAWING. IT IS ISSUED IN CONFIDENCE FOR ENGINEERING INFORMATION ONLY AND MAY NOT, IN WHOLE OR IN PART, BE USED TO MANUFACTURE ANYTHING, WHETHER OR NOT SHOWN HEREON, REPRODUCED OR DISCLOSED TO ANYONE WITHOUT DIRECT PERMISSION FROM HACH COMPANY.		UNLESS OTHERWISE SPECIFIED: DIMENSIONS ARE IN INCHES TOLERANCES: X = ± XX = ± XXX = ± ANGLES = ±	NAME DATE	HACH COMPANY 5600 LINDBERGH DR. LOVELAND, CO. 80539
DRAWN ENGINEER	GDR GDR	02/14/00 02/16/00	THIRD ANGLE PROJECTION	TITLE: <b>TRANSMITTAL, CL 17</b>
DO NOT SCALE THIS SHEET				SIZE DWG. NO. REV <b>D 5440087 B</b>
		SCALE: 2:5	WEIGHT:	SHEET 1 OF 2



VIEW A-A  
HINGE SIDE



PLUMMING CONNECTIONS