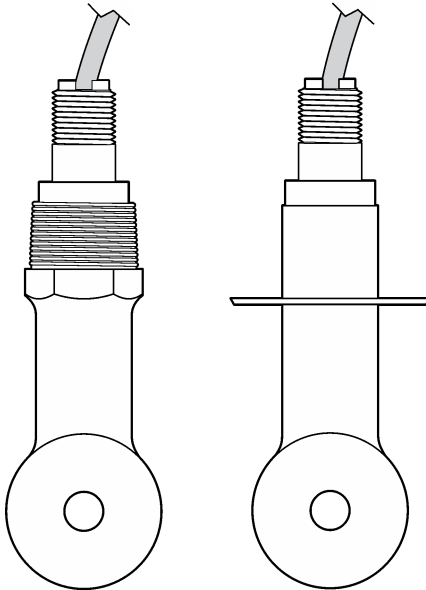




DOC343.97.80079

Inductive Conductivity Sensors

02/2023, Edition 9



User Manual
Manuel d'utilisation
Manual del usuario
Manual do Usuário
用户手册
ユーザーズマニュアル
사용 설명서
ရွှ်မိမိဉ်း

Table of Contents

English.....	3
Français.....	23
Español.....	45
Português.....	67
中文.....	88
日本語.....	106
한국어.....	126
ไทย.....	145

Table of Contents

- 1 Specifications on page 3
- 2 General information on page 3
- 3 Installation on page 6
- 4 Operation on page 9
- 5 Maintenance on page 16
- 6 Troubleshooting on page 17
- 7 Replacement parts and accessories on page 21

Section 1 Specifications

Specifications are subject to change without notice.

Specification	Details
Dimensions	Refer to Figure 1 on page 5.
Pollution degree	2
Overtoltage category	I
Protection class	III
Altitude	2000 m (6562 ft) maximum
Operating temperature	-20 to 60 °C (-4 to 140 °F)
Storage temperature	-20 to 70 °C (-4 to 158 °F)
Weight	Approximately 1 kg (2.2 lbs)
Wetted materials	Polypropylene, PVDF, PEEK or PFA
Sensor cable	5-conductor (plus two isolated shields), 6 m (20 ft); rated at 150 °C (302 °F)—polypropylene
Conductivity range	0.0 to 200.0 µS/cm; 0 to 2,000,000 µS/cm
Accuracy	0.01 % of reading, all ranges
Repeatability/precision	> 500 µS/cm: ±0.5% of reading; < 500 µS/cm: ±5 µS/cm
Maximum flow rate	0–3 m/s (0–10 ft/s)
Temperature/pressure limit	Polypropylene: 100 °C at 6.9 bar (212 °F at 100 psi); PVDF: 120 °C at 6.9 bar (248 °F at 100 psi); PEEK and PFA: 200 °C at 13.8 bar (392 °F at 200 psi)
Transmission distance	200 to 2000 µS/cm: 61 m (200 ft); 2000 to 2,000,000 µS/cm: 91 m (300 ft)
Temperature measurement range	-10 to 135 °C (14 to 275 °F) limited by sensor body material
Temperature sensor	Pt 1000 RTD
Calibration methods	Zero calibration, 1-point conductivity calibration, 1-point temperature calibration
Sensor interface	Modbus
Certifications	Listed by ETL (US/Canada) for use in Class 1, Division 2, Groups A, B, C, D, Temperature Code T4 - Hazardous Locations with Hach SC Controller. Conforms to: CE, UKCA, FCC, ISED, ACMA, KC, CMIM. Sanitary sensors certified by 3A.
Warranty	1 year; 2 years (EU)

Section 2 General information

In no event will the manufacturer be liable for damages resulting from any improper use of product or failure to comply with the instructions in the manual. The manufacturer reserves the right to make

changes in this manual and the products it describes at any time, without notice or obligation. Revised editions are found on the manufacturer's website.





2.1 Safety information

The manufacturer is not responsible for any damages due to misapplication or misuse of this product including, without limitation, direct, incidental and consequential damages, and disclaims such damages to the full extent permitted under applicable law. The user is solely responsible to identify critical application risks and install appropriate mechanisms to protect processes during a possible equipment malfunction.

Please read this entire manual before unpacking, setting up or operating this equipment. Pay attention to all danger and caution statements. Failure to do so could result in serious injury to the operator or damage to the equipment.



Make sure that the protection provided by this equipment is not impaired. Do not use or install this equipment in any manner other than that specified in this manual.

2.1.1 Use of hazard information


▲ DANGER	
	Indicates a potentially or imminently hazardous situation which, if not avoided, will result in death or serious injury.
▲ WARNING	
	Indicates a potentially or imminently hazardous situation which, if not avoided, could result in death or serious injury.
▲ CAUTION	
	Indicates a potentially hazardous situation that may result in minor or moderate injury.
NOTICE	
	Indicates a situation which, if not avoided, may cause damage to the instrument. Information that requires special emphasis.

2.1.2 Precautionary labels

Read all labels and tags attached to the instrument. Personal injury or damage to the instrument could occur if not observed. A symbol on the instrument is referenced in the manual with a precautionary statement.

	This symbol, if noted on the instrument, references the instruction manual for operation and/or safety information.
	Electrical equipment marked with this symbol may not be disposed of in European domestic or public disposal systems. Return old or end-of-life equipment to the manufacturer for disposal at no charge to the user.

2.2 Product overview

▲ DANGER	
	Chemical or biological hazards. If this instrument is used to monitor a treatment process and/or chemical feed system for which there are regulatory limits and monitoring requirements related to public health, public safety, food or beverage manufacture or processing, it is the responsibility of the user of this instrument to know and abide by any applicable regulation and to have sufficient and appropriate mechanisms in place for compliance with applicable regulations in the event of malfunction of the instrument.

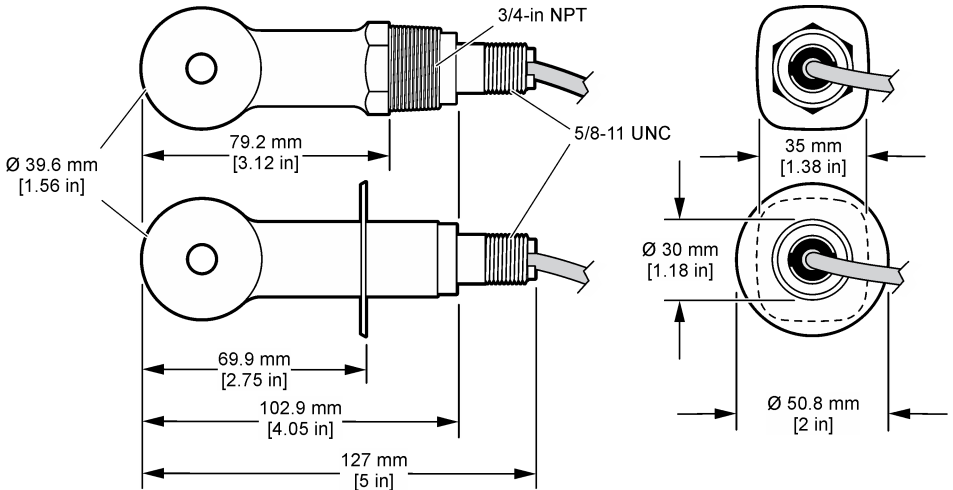
NOTICE

Use of this sensor may lead to fissures of the coating, exposing the underlying substrate to the environment in which the sensor is immersed. Therefore, this sensor has not been developed for, and is not meant for use in applications where the liquid is expected to conform to certain purity or cleanliness parameters and in which contamination could result in substantial damages. These applications typically include semiconductor manufacturing applications and may include other applications in which the user must assess risk of contamination and subsequent impact on product quality. The manufacturer advises against the use of the sensor in these applications and assumes no responsibility for any claims or damages arising as a result of the sensor being used in or in relation to these applications.

This sensor is designed to work with a controller for data collection and operation. Different controllers can be used with this sensor. This document assumes sensor installation and use with an SC4500 Controller. To use the sensor with other controllers, refer to the user manual for the controller that is used.

Refer to [Figure 1](#) for the sensor dimensions.

Figure 1 Dimensions

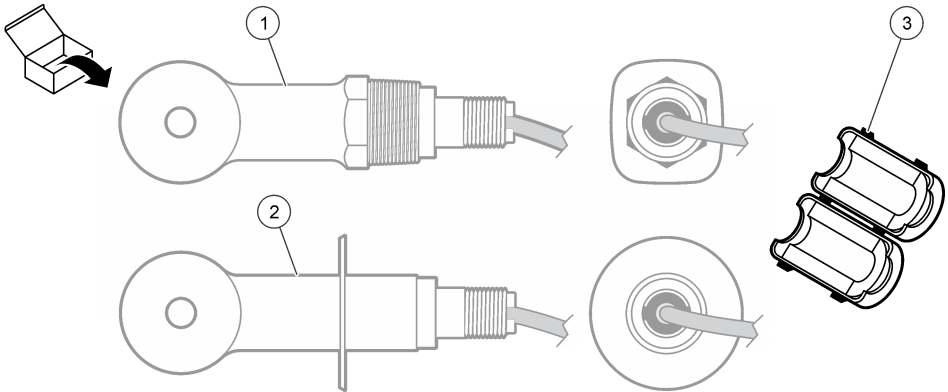


2.3 Product components

Make sure that all components have been received. Refer to [Figure 2](#) and [Figure 3](#). If any items are missing or damaged, contact the manufacturer or a sales representative immediately.

Note: The sensor can be ordered without the digital gateway that is shown in [Figure 3](#).

Figure 2 Sensor components

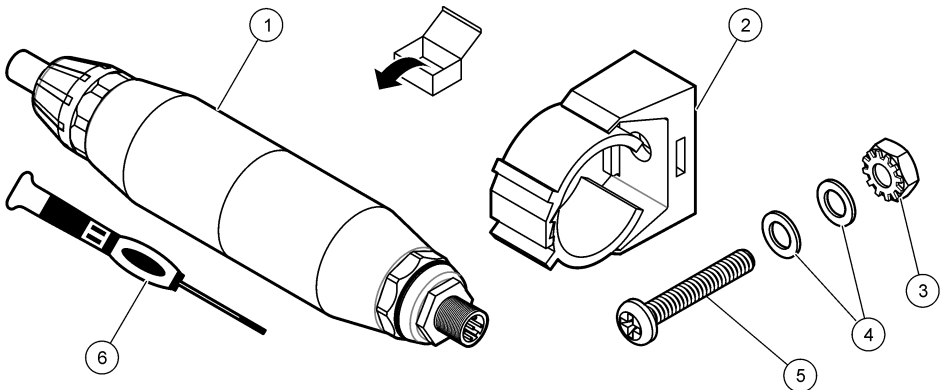


1 Convertible-style sensor—for installation in a pipe tee or an open vessel with applicable mounting hardware

2 Sanitary-style sensor—for installation in a 2-inch sanitary tee

3 Ferrite

Figure 3 Digital gateway components



1 Digital gateway

2 Mounting bracket

3 Nut with lock washer, #8-32

4 Flat washer, #8 (2x)

5 Screw, cross-slot, #8-32 x 1.25 in.

6 Screwdriver (for the terminal block)

Section 3 Installation

⚠ WARNING



Multiple hazards. Only qualified personnel must conduct the tasks described in this section of the document.

3.1 Install the sensor in the sample stream

▲ WARNING



Explosion hazard. For installation in hazardous (classified) locations, refer to the instructions and control drawings in the controller Class 1, Division 2 documentation. Install the sensor according to local, regional and national codes. Do not connect or disconnect the instrument unless the environment is known to be non-hazardous.

▲ WARNING

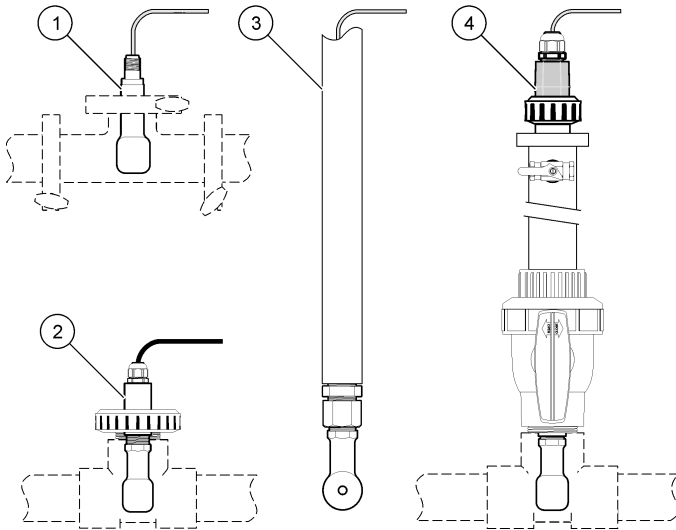


Explosion hazard. Make sure that the mounting hardware for the sensor has a temperature and pressure rating sufficient for the mounting location.

Refer to [Figure 4](#) for installation of the sensor in different applications. The sensor must be calibrated before use. Refer to [Calibrate the sensor](#) on page 12.

Make sure that the routing of the sensor cable prevents exposure to high electromagnetic fields (e.g., transmitters, motors and switching equipment). Exposure to these fields can cause inaccurate results.

Figure 4 Mounting examples



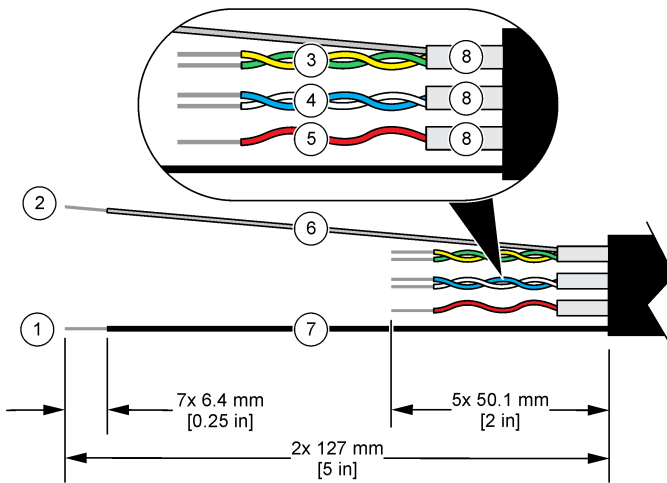
1 Sanitary (CIP) flange mount	3 End of pipe immersion
2 Union T-mount	4 Ball valve insertion

3.2 Electrical installation

3.2.1 Prepare the sensor wires

If the sensor cable length is changed, prepare the wires as shown in [Figure 5](#).

Figure 5 Wire preparation



1 Outer shield wire ¹	5 Red wire
2 Inner shield wire ²	6 Clear heat-shrink tubing ³
3 Twisted pair, yellow wire and green wire	7 Black heat-shrink tubing ³
4 Twisted pair, white wire and blue wire	8 Inner conductor shields ⁴

3.2.2 Electrostatic discharge (ESD) considerations

NOTICE



Potential Instrument Damage. Delicate internal electronic components can be damaged by static electricity, resulting in degraded performance or eventual failure.

Refer to the steps in this procedure to prevent ESD damage to the instrument:

- Touch an earth-grounded metal surface such as the chassis of an instrument, a metal conduit or pipe to discharge static electricity from the body.
- Avoid excessive movement. Transport static-sensitive components in anti-static containers or packages.
- Wear a wrist strap connected by a wire to earth ground.
- Work in a static-safe area with anti-static floor pads and work bench pads.

3.2.3 Connect the sensor to an SC Controller

Use one of the options that follows to connect the sensor to an SC Controller:

- Install a sensor module in the SC Controller. Then, connect the bare wires of the sensor to the sensor module. The sensor module converts the analog signal from the sensor to a digital signal.
- Connect the bare wires of the sensor to an sc digital gateway, then connect the sc digital gateway to the SC Controller. The digital gateway converts the analog signal from the sensor to a digital signal.

¹ The shield wire for the sensor cable

² The shield wire for the green and yellow twisted pair

³ User supplied

⁴ The inner conductor shields are foil tubes with a conductive interior side and a nonconductive exterior side. Make sure to keep the electrical isolation between the interior side of the inner conductor shields. Make sure that the interior side of the inner conductive shields is not exposed.

Refer to the instructions supplied with the sensor module or sc digital gateway. Refer to [Replacement parts and accessories](#) on page 21 for ordering information.

3.2.4 PRO-series Model E3 electrodeless conductivity transmitter

To connect the sensor to a PRO-series Model E3 electrodeless conductivity transmitter, remove power to the transmitter and refer to [Figure 6](#) and [Table 1](#).

Figure 6 Connect the sensor to the transmitter

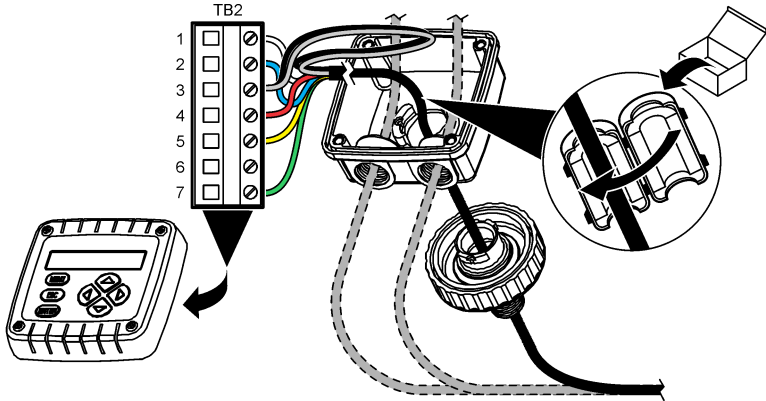


Table 1 Sensor wiring information

Terminal (TB2)	Wire	Terminal (TB2)	Wire
1	White	4	Red
2	Blue	5	Yellow
3	Clear (inner shield) ⁵	6	—
3	Black (outer shield) ⁵	7	Green

Section 4 Operation

⚠ WARNING



Fire hazard. This product is not designed for use with flammable liquids.

4.1 User navigation

Refer to the controller documentation for the touchscreen description and navigation information.

4.2 Configure the sensor

Use the Settings menu to enter identification information for the sensor and to change options for data handling and storage.

1. Select the main menu icon, then select **Devices**. A list of all of the available devices shows.
2. Select the sensor and select **Device menu > Settings**.

⁵ For the best immunity to electrical noise, connect the inner shield wire and the outer shield wire together with solder before they are put in the terminal block.

3. Select an option.

- For sensors connected to a conductivity module, refer to [Table 2](#).
- For sensors connected to an sc digital gateway, refer to [Table 3](#).

Table 2 Sensors connected to conductivity module

Option	Description
Name	Changes the name that corresponds to the sensor on the top of the measurement screen. The name is limited to 16 characters in any combination of letters, numbers, spaces or punctuation.
Sensor S/N	Lets the user enter the serial number of the sensor. The serial number is limited to 16 characters in any combination of letters, numbers, spaces or punctuation.
Measurement type	Changes the measured parameter to Conductivity (default), Concentration, TDS (total dissolved solids) or Salinity. When the parameter is changed, all other configured settings are reset to the default values.
Format	Changes the number of decimal places that are shown on the measurement screen to Auto, X.XXX, XX.XX or XXX.X. When Auto is selected, the decimal places automatically change. Note: <i>The Auto option is only available when the Measurement type setting is set to Conductivity.</i>
Conductivity unit	Note: <i>The Conductivity unit setting is only available when the Measurement type setting is set to Conductivity or Concentration.</i> Changes the conductivity units—Auto, μ S/cm, mS/cm or S/cm.
Temperature	Sets the temperature units to $^{\circ}$ C (default) or $^{\circ}$ F.
T-compensation	Adds a temperature-dependent correction to the measured value—None, Linear (default: 2.0%/ $^{\circ}$ C, 25 $^{\circ}$ C), Natural water or Temperature compensation table. When Temperature compensation table is selected, the user can enter x,y ($^{\circ}$ C, %/ $^{\circ}$ C) points in ascending order. Note: <i>The Natural water option is not available when the Measurement type setting is set to TDS or Concentration.</i>
Concentration measurement	Note: <i>The Concentration measurement setting is only available when the Measurement type setting is set to Concentration.</i> Sets the type of concentration table to use—Built-in (default) or User compensation table. When Built-in is selected, the user can select the chemical that is measured— H_3PO_4 : 0–40%; HCl: 0–18% or 22–36%; NaOH: 0–16%; $CaCl_2$ 0–22%; HNO_3 : 0–28% or 36–96%; H_2SO_4 : 0–30%, 40–80% or 93–99%; HF: 0–30%; NaCl: 0–25%; HBr, KOH, Seawater When User compensation table is selected, the user can enter x,y (conductivity, %) points in ascending order.
TDS (total dissolved solids)	Note: <i>The TDS (total dissolved solids) setting is only available when the Measurement type setting is set to TDS.</i> Sets the factor that is used to convert conductivity to TDS—NaCl (default) or Custom (enter a factor between 0.01 and 99.99 ppm/ μ S, default: 0.49 ppm/ μ S).
Temperature element	Sets the temperature element for automatic temperature compensation to PT100, PT1000 (default) or Manual. If no element is used, set to Manual and set a value for temperature compensation (default: 25 $^{\circ}$ C). When Temperature element is set to PT100 or PT1000, refer to Adjust the T-factor for non-standard cable lengths on page 12 to set the T factor setting. Note: <i>If Temperature element is set to Manual and the sensor is replaced or the sensor days are reset, Temperature element automatically changes back to the default setting (PT1000).</i>
Cell constant parameters	Changes the cell constant to the actual certified K value from the label on the sensor cable. When the certified K value is entered, the calibration curve is defined. Default: 4.70

Table 2 Sensors connected to conductivity module (continued)

Option	Description
Filter	Sets a time constant to increase signal stability. The time constant calculates the average value during a specified time—0 (no effect, default) to 200 seconds (average of signal value for 200 seconds). The filter increases the time for the sensor signal to respond to actual changes in the process.
Data logger interval	Sets the time interval for sensor and temperature measurement storage in the data log—5, 30 seconds or 1, 2, 5, 10, 15 (default), 30, 60 minutes
Reset settings to default values	Sets the Settings menu to the factory default settings and resets the counters. All sensor information is lost.

Table 3 Sensors connected to sc digital gateway

Option	Description
Name	Changes the name that corresponds to the sensor on the top of the measurement screen. The name is limited to 16 characters in any combination of letters, numbers, spaces or punctuation.
Measurement type	Changes the measured parameter to Conductivity (default), Concentration, TDS (total dissolved solids) or Salinity. When the parameter is changed, all other configured settings are reset to the default values.
Conductivity unit	<i>Note: The Conductivity unit setting is only available when the Measurement type setting is set to Conductivity, Concentration or Salinity.</i> Changes the conductivity units— $\mu\text{S/cm}$ (default), mS/cm or S/cm .
Cell constant parameters	<i>Note: The Cell constant parameters setting is only available when the Measurement type setting is set to Conductivity or Salinity.</i> Changes the cell constant to the actual certified K value from the label on the sensor cable. When the certified K value is entered, the calibration curve is defined. Default: 4.70
Concentration measurement	<i>Note: The Concentration measurement setting is only available when the Measurement type setting is set to Concentration.</i> Sets the type of concentration table to use—Built-in (default) or User defined. When Built-in is selected, the user can select the chemical that is measured— H_3PO_4 : 0–40%; HCl : 0–18% or 22–36%; NaOH : 0–16%; CaCl_2 : 0–22%; HNO_3 : 0–28% or 36–96%; H_2SO_4 : 0–30%, 40–80% or 93–99%; HF : 0–30% When User defined is selected, the user can enter x,y (conductivity, %) points in ascending order.
TDS (total dissolved solids)	<i>Note: The TDS (total dissolved solids) setting is only available when the Measurement type setting is set to TDS.</i> Sets the factor that is used to convert conductivity to TDS— NaCl (default) or User defined (enter a factor between 0.01 and 99.99 ppm/ μS , default: 0.49 ppm/ μS).
Temperature	Sets the temperature units to $^{\circ}\text{C}$ (default) or $^{\circ}\text{F}$.
T-compensation	Adds a temperature-dependent correction to the measured value—None, Linear (default: $2.0\%/^{\circ}\text{C}$, 25°C), Natural water or Temperature compensation table. When Temperature compensation table is selected, the user can enter x,y ($^{\circ}\text{C}$, $\%/^{\circ}\text{C}$) points in ascending order. <i>Note: The Natural water option is not available when the Measurement type setting is set to TDS.</i> <i>Note: The T-compensation setting is set to None when the Measurement type setting is set to Concentration.</i>
Data logger interval	Sets the time interval for sensor and temperature measurement storage in the data log—Disabled (default), 5, 10, 15, 30 seconds, 1, 5, 10, 15, 30 minutes or 1, 2, 6, 12 hours
Alternating current frequency	Selects the power line frequency to get the best noise rejection. Options: 50 or 60 Hz (default).

Table 3 Sensors connected to sc digital gateway (continued)

Option	Description
Filter	Sets a time constant to increase signal stability. The time constant calculates the average value during a specified time—0 (no effect, default) to 60 seconds (average of signal value for 60 seconds). The filter increases the time for the sensor signal to respond to actual changes in the process.
Temperature element	<p>Sets the temperature element for automatic temperature compensation to PT1000 (default) or Manual. If no element is used, set to Manual and set a value for temperature compensation (default: 25 °C).</p> <p>When Temperature element is set to PT1000, refer to Adjust the T-factor for non-standard cable lengths on page 12 to set the Factor setting.</p> <p>Note: If Temperature element is set to Manual and the sensor is replaced or the sensor days are reset, Temperature element automatically changes back to the default setting (PT1000).</p>
Last calibration	Sets a reminder for the next calibration (default: 60 days). A reminder to calibrate the sensor shows on the display after the selected interval from the date of the last calibration. For example, if the date of the last calibration was June 15 and Last calibration is set to 60 days, a calibration reminder shows on the display on August 14. If the sensor is calibrated before August 14, on July 15, a calibration reminder shows on the display on September 13.
Sensor days	<p>Sets a reminder for sensor replacement (default: 365 days). A reminder to replace the sensor shows on the display after the selected interval.</p> <p>The Sensor days counter shows on the Diagnostics/Test > Counter menu.</p> <p>When the sensor is replaced, reset the Sensor days counter on the Diagnostics/Test > Counter menu.</p>
Reset setup	Sets the Settings menu to the factory default settings and resets the counters. All sensor information is lost.

4.3 Adjust the T-factor for non-standard cable lengths

When the sensor cable is extended or shortened from the standard 6 m (20 ft), the resistance of the cable changes. This change reduces the accuracy of temperature measurements. To correct for this difference, calculate a new T-factor.

1. Measure the temperature of a solution with the sensor and with an independent, reliable instrument such as a thermometer.
2. Record the difference between the temperature measured from the sensor and from the independent source (actual).
For example, if the actual temperature is 50 °C and the sensor reading is 53 °C, the difference is 3 °C.
3. Multiply this difference by 3.85 to get the adjustment value.
Example: $3 \times 3.85 = 11.55$.
4. Calculate a new T-factor:
 - Sensor temperature > actual—add the adjustment value to the T-factor that is on the label on the sensor cable
 - Sensor temperature < actual—subtract the adjustment value from the T-factor that is on the label on the sensor cable
5. Select **Settings > Temperature element > T factor** (or **Factor**) and enter the new T-factor.

4.4 Calibrate the sensor

▲ WARNING



Fluid pressure hazard. Removal of a sensor from a pressurized vessel can be dangerous. Reduce the process pressure to below 7.25 psi (50 kPa) before removal. If this is not possible, use extreme caution. Refer to the documentation supplied with the mounting hardware for more information.

▲ WARNING



Chemical exposure hazard. Obey laboratory safety procedures and wear all of the personal protective equipment appropriate to the chemicals that are handled. Refer to the current safety data sheets (MSDS/SDS) for safety protocols.

▲ CAUTION



Chemical exposure hazard. Dispose of chemicals and wastes in accordance with local, regional and national regulations.

4.4.1 About sensor calibration

The wet cal method should be used to calibrate the conductivity sensor:

- **Wet cal**—use air (Zero Cal) and a reference solution or process sample of known value to define a calibration curve. A reference solution calibration is recommended for best accuracy. When the process sample is used, the reference value must be determined with a secondary verification instrument. Be sure to enter the T-factor in Temperature element of the Settings menu for accurate temperature compensation.

During calibration, data is not sent to the datalog. Thus, the datalog can have areas where the data is intermittent.

4.4.2 Change calibration options

For sensors connected to a conductivity module, the user can set a reminder or include an operator ID with calibration data from the Calibration options menu.

Note: *This procedure is not applicable to sensors connected to an SC digital gateway.*

1. Select the main menu icon, then select **Devices**. A list of all of the available devices shows.
2. Select the sensor and select **Device menu > Calibration**.
3. Select **Calibration options**.
4. Select an option.

Option	Description
Calibration reminder	Sets a reminder for the next calibration (default: Off). A reminder to calibrate the sensor shows on the display after the selected interval from the date of the last calibration. For example, if the date of the last calibration was June 15 and Last calibration is set to 60 days, a calibration reminder shows on the display on August 14. If the sensor is calibrated before August 14, on July 15, a calibration reminder shows on the display on September 13.
Operator ID for calibration	Includes an operator ID with calibration data—Yes or No (default). The ID is entered during the calibration.

4.4.3 Zero calibration procedure

Use the zero calibration procedure to define the unique zero point of the conductivity sensor. The zero point must be defined before the sensor is calibrated for the first time with a reference solution or process sample.

1. Remove the sensor from the process. Wipe the sensor with a clean towel or use compressed air to make sure the sensor is clean and dry.
2. Select the main menu icon, then select **Devices**. A list of all of the available devices shows.
3. Select the sensor and select **Device menu > Calibration**.
4. Select **Zero calibration** (or **0-point calibration**).

5. Select the option for the output signal during calibration:

Option	Description
Active	The instrument sends the current measured output value during the calibration procedure.
Hold	The sensor output value is held at the current measured value during the calibration procedure.
Transfer	A preset output value is sent during calibration. Refer to the controller user manual to change the preset value.

6. Hold the dry sensor in the air and push OK.
7. Do not push OK until the calibration result shows on the display.
8. Review the calibration result:
 - "The calibration was successfully completed."—The sensor is calibrated and ready to measure samples. The slope and/or offset values are shown.
 - "The calibration failed." —The calibration slope or offset is outside of accepted limits. Repeat the calibration with fresh reference solutions. Clean the sensor if necessary.
9. Push OK.
10. Proceed to the calibration with a reference solution or process sample.

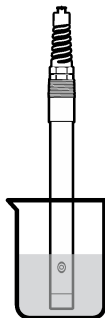
4.4.4 Calibration with a reference solution

Calibration adjusts the sensor reading to match the value of a reference solution. Use a reference solution that is at the same value or higher than the expected measurement readings.

Note: If the sensor is being calibrated for the first time, be sure to complete the zero calibration first.

1. Thoroughly rinse the clean sensor in deionized water.
2. Put the sensor in the reference solution. Support the sensor so that it does not touch the container. Make sure that the sensing area is fully immersed in the solution (Figure 7). Stir the sensor to remove bubbles.

Figure 7 Sensor in reference solution



3. Wait for the sensor and solution temperature to equalize. This can take 30 minutes or more if the temperature difference between the process and reference solution is significant.
4. Select the main menu icon, then select **Devices**. A list of all of the available devices shows.
5. Select the sensor and select **Device menu > Calibration**.
6. Select **Conductivity solution** (or **Conductivity calibration** if the sensor is connected to an sc digital gateway).
7. Select the option for the output signal during calibration:

Option	Description
Active	The instrument sends the current measured output value during the calibration procedure.

Option	Description
Hold	The sensor output value is held at the current measured value during the calibration procedure.
Transfer	A preset output value is sent during calibration. Refer to the controller user manual to change the preset value.

8. Enter the reference temperature of the reference solution and push OK.
9. Enter the slope of the reference solution and push OK.
10. With the sensor in the reference solution, push OK.
11. Wait for the value to stabilize and push OK.
Note: The screen may advance to the next step automatically.
12. Enter the value of the reference solution and push OK.
13. Review the calibration result:
 - "The calibration was successfully completed."—The sensor is calibrated and ready to measure samples. The slope and/or offset values are shown.
 - "The calibration failed." —The calibration slope or offset is outside of accepted limits. Repeat the calibration with fresh reference solutions. Clean the sensor if necessary.
14. Push OK to continue.
15. Return the sensor to the process and push OK.
 The output signal returns to the active state and the measured sample value is shown on the measurement screen.

4.4.5 Calibration with the process sample

The sensor can remain in the process sample, or a portion of the process sample can be removed for calibration. The reference value must be determined with a secondary verification instrument.

Note: If the sensor is calibrated for the first time, be sure to complete the zero calibration first.

1. Select the main menu icon, then select **Devices**. A list of all of the available devices shows.
2. Select the sensor and select **Device menu > Calibration**.
3. Select **Conductivity calibration, TDS calibration or Concentration calibration (or Calibration)**.
Note: Use the Measurement type setting to change the parameter that is calibrated.
4. Select the option for the output signal during calibration:

Option	Description
Active	The instrument sends the current measured output value during the calibration procedure.
Hold	The sensor output value is held at the current measured value during the calibration procedure.
Transfer	A preset output value is sent during calibration. Refer to the controller user manual to change the preset value.

5. With the sensor in the process sample, push OK.
 The measured value is shown.
6. Wait for the value to stabilize and push OK.
Note: The screen may advance to the next step automatically.
7. Measure the conductivity (or other parameter) value with a secondary verification instrument. Use the arrow keys to enter the measured value and push OK.
8. Review the calibration result:
 - "The calibration was successfully completed."—The sensor is calibrated and ready to measure samples. The slope and/or offset values are shown.
 - "The calibration failed." —The calibration slope or offset is outside of accepted limits. Repeat the calibration with fresh reference solutions. Clean the sensor if necessary.

9. Push OK to continue.
10. Return the sensor to the process and push OK.
The output signal returns to the active state and the measured sample value is shown on the measurement screen.

4.4.6 Temperature calibration

The instrument is calibrated at the factory for accurate temperature measurement. The temperature can be calibrated to increase accuracy.

1. Put the sensor in a container of water.
2. Measure the temperature of the water with an accurate thermometer or independent instrument.
3. Select the main menu icon, then select **Devices**. A list of all of the available devices shows.
4. Select the sensor and select **Device menu > Calibration**.
5. Select **1-point temperature calibration** (or **Temperature adjustment**).
6. Enter the exact temperature value and push OK.
7. Return the sensor to the process.

4.4.7 Exit calibration procedure

1. To exit a calibration, push the back icon.
2. Select an option, then push OK.

Option	Description
Quit calibration (or Cancel)	Stop the calibration. A new calibration must start from the beginning.
Return to calibration	Return to the calibration.
Leave calibration (or Exit)	Exit the calibration temporarily. Access to other menus is allowed. A calibration for a second sensor (if present) can be started.

4.4.8 Reset the calibration

The calibration can be reset to the factory default settings. All sensor information is lost.

1. Select the main menu icon, then select **Devices**. A list of all of the available devices shows.
2. Select the sensor and select **Device menu > Calibration**.
3. Select **Reset to default calibration values** or **Reset to calibration defaults** (or **Reset setup**), then push OK.
4. Push OK again.

4.5 Modbus registers

A list of Modbus registers is available for network communication. Refer to the manufacturer's website for more information.

Section 5 Maintenance

⚠ WARNING	
	<p>Multiple hazards. Only qualified personnel must conduct the tasks described in this section of the document.</p>

▲ WARNING



Explosion hazard. Do not connect or disconnect the instrument unless the environment is known to be non-hazardous. Refer to the controller Class 1, Division 2 documentation for hazardous location instructions.

▲ WARNING



Fluid pressure hazard. Removal of a sensor from a pressurized vessel can be dangerous. Reduce the process pressure to below 7.25 psi (50 kPa) before removal. If this is not possible, use extreme caution. Refer to the documentation supplied with the mounting hardware for more information.

▲ WARNING



Chemical exposure hazard. Obey laboratory safety procedures and wear all of the personal protective equipment appropriate to the chemicals that are handled. Refer to the current safety data sheets (MSDS/SDS) for safety protocols.

▲ CAUTION



Chemical exposure hazard. Dispose of chemicals and wastes in accordance with local, regional and national regulations.

5.1 Clean the sensor

Pre-requisite: Prepare a mild soap solution with warm water and dishwashing detergent, Borax hand soap or a similar soap.

Examine the sensor periodically for debris and deposits. Clean the sensor when there is a buildup of deposits or when performance has degraded.

1. Use a clean, soft cloth to remove loose debris from the end of the sensor. Rinse the sensor with clean, warm water.
2. Soak the sensor for 2 to 3 minutes in the soap solution.
3. Use a soft bristle brush to scrub the entire measuring end of the sensor. Scrub the inside of the toroid.
4. If debris remains, soak the measuring end of the sensor in a dilute acid solution such as < 5% HCl for a maximum of 5 minutes.
5. Rinse the sensor with water and then return to the soap solution for 2 to 3 minutes.
6. Rinse the sensor with clean water.

Always calibrate the sensor after maintenance procedures are done.

Section 6 Troubleshooting

6.1 Intermittent data

During calibration, data is not sent to the datalog. Thus, the datalog can have areas where the data is intermittent.

6.2 Test the conductivity sensor

If a calibration fails, first complete the maintenance procedures in [Maintenance](#) on page 16.

1. Disconnect the sensor wires.
2. Use an ohmmeter to test the resistance between the sensor wires as shown in [Table 4](#).

Note: Be sure that the ohmmeter is set to its highest range for all infinite (open circuit) resistance readings.

Table 4 Conductivity resistance measurements

Measurement points	Resistance
Between red and yellow wires	1090–1105 ohms at 23–27 °C ⁶
Between blue and white wires	Less than 5 ohms
Between green and yellow wires	Less than 5 ohms
Between white and shield wires	Infinite (open circuit)

If one or more of the measurements is incorrect, call technical support. Supply technical support with the serial number of the sensor and the resistance values measured.

6.3 Diagnostics/Test menu

The Diagnostics/Test menu shows current and historical information about the sensor. Refer to [Table 5](#). Push the main menu icon, then select **Devices**. Select the device and select **Device menu** > **Diagnostics/Test**.

Table 5 Diagnostics/Test menu

Option	Description
Module information	For sensors connected to a conductivity module only—Shows the version and the serial number of the conductivity module.
Sensor information	For sensors connected to a conductivity module—Shows the sensor name and the serial number entered by the user. For sensors connected to an sc digital gateway—Shows the sensor model number and the sensor serial number. Shows the software version and driver version installed.
Last calibration	For sensors connected to a conductivity module only—Shows the number of days since the last calibration was done.
Calibration history	For sensors connected to a conductivity module—Shows the calibration slope and date of the previous calibrations. For sensors connected to an sc digital gateway—Shows the cell constant parameters, offset correction and date of the last calibration.
Reset calibration history	For sensors connected to a conductivity module only—For service use only
Sensor signals (or Signals)	For sensors connected to a conductivity module only—Shows the current conductivity and temperature reading. For sensors connected to an sc digital gateway—Shows the current temperature analog to digital converter counter. Select Sensor signal to show current measurement analog to digital converter counter or set the sensor range (default: 6). Select Sensor measurement to show the sensor reading.
Sensor days (or Counter)	Shows the number of days that the sensor has been in operation. For sensors connected to an sc digital gateway—Select Counter to show the number of days that the sensor has been in operation. To reset the counter to zero, select Reset . Reset the Sensor days counter when the sensor is replaced.
Reset	For sensors connected to a conductivity module only—Sets the Sensor days counter to zero. Reset the Sensor days counter when the sensor is replaced.
Factory calibration	For sensors connected to a conductivity module only—For service use only

⁶ An infinite value (open circuit) or 0 ohms (short circuit) identifies a failure.

6.4 Error list

When an error occurs, the reading on the measurement screen flashes and all outputs are held when specified in the Controller > Outputs menu. The screen changes to red. The diagnostics bar shows the error. Push on the diagnostic bar to show the errors and warnings. As an alternative, push the main menu icon, then select **Notifications > Errors**.

A list of possible errors is shown in [Table 6](#).

Table 6 Error list

Error	Description	Resolution
Conductivity is too high.	The measured value is > 2 S/cm, 1,000,000 ppm, 200% or 20,000 ppt.	Make sure that the Conductivity unit setting is set for the correct measurement range.
Conductivity is too low.	The measured value is < 0 µS/cm, 0 ppm, 0% or 0 ppt or the sensor cell constant is not correct.	Make sure that the sensor is configured for the correct cell constant.
Zero is too high.	The zero calibration value is > 500,000 counts.	Make sure that the sensor is held in air during zero calibration and is not located near radio frequency or electromagnetic interference. Make sure that the cable is shielded by metal conduit.
Zero is too low.	The zero calibration value is < -500,000 counts.	
Temperature is too high.	The measured temperature is > 130 °C.	Make sure that the correct temperature element is selected. Refer to Configure the sensor on page 9.
Temperature is too low.	The measured temperature is < -10 °C.	
ADC failure	The analog to digital conversion failed.	Power off and power on the controller. Contact technical support.
Sensor is missing.	The sensor is missing or disconnected.	Examine the wiring and connections for the sensor and for the module (or digital gateway). Make sure that the terminal block is fully inserted into the module, if applicable.
Measurement value is out of range.	The sensor signal is outside of the accepted limits (2 S/cm).	Make sure that the Conductivity unit setting is set for the correct measurement range.

6.5 Warning list

A warning does not affect the operation of menus, relays and outputs. The screen changes to an amber color. The diagnostics bar shows the warning. Push on the diagnostic bar to show the errors and warnings. As an alternative, push the main menu icon, then select **Notifications > Warnings**.

A list of possible warnings is shown in [Table 7](#).

Table 7 Warning list

Warning	Description	Resolution
Zero is too high.	The zero calibration value is >300,000 counts.	Make sure that the sensor is held in air during zero calibration and is not located near radio frequency or electromagnetic interference. Make sure that the cable is shielded by metal conduit.
Zero is too low.	The zero calibration value is < -300,000 counts.	
Temperature is too high.	The measured temperature is > 100 °C.	Make sure that the sensor is configured for the correct temperature element.
Temperature is too low.	The measured temperature is < 0 °C.	
Calibration is overdue.	The Cal Reminder time has expired.	Calibrate the sensor.

Table 7 Warning list (continued)

Warning	Description	Resolution
The device is not calibrated.	The sensor has not been calibrated.	Calibrate the sensor.
Replace a sensor.	The Sensor days counter is more than the interval selected for sensor replacement. Refer to Configure the sensor on page 9.	Replace the sensor. Reset the Sensor days counter on the Diagnostics/Test > Reset menu (or Diagnostics/Test > Counter menu.
Calibration is in progress...	A calibration was started but not completed.	Return to calibration.
Outputs on hold	During calibration, the outputs were set to hold for a selected time.	The outputs will become active after the selected time period. As an alternative, remove and then supply power to the controller.
Linear temperature compensation is out of range.	The user-defined linear temperature compensation is out of range.	The value must be between 0 and 4%/°C; 0 to 200 °C.
Temperature compensation table is out of range.	The user-defined temperature compensation table is out of range.	The temperature is above or below the temperature range defined by the table.
Incorrect user concentration table.	The concentration measurement is outside of the range of the user table.	Make sure that the user table is set for the correct measurement range.
Incorrect built-in temperature table.	The measured temperature is outside of the range of the built-in temperature compensation table.	Make sure that the temperature compensation is configured correctly.
Incorrect built-in concentration table.	The concentration measurement is outside of the range of the built-in concentration table.	Make sure that the concentration measurement is configured for the correct chemical and range.

6.6 Event list

The diagnostic bar shows current activities such as configuration changes, alarms, warning conditions, etc. A list of possible events is shown in [Table 8](#). Previous events are recorded in the event log, which can be downloaded from the controller. Refer to the controller documentation for data retrieval options.

Table 8 Event list

Event	Description
Calibration ready	The sensor is ready for calibration.
The calibration is OK.	The current calibration is good.
The time has expired.	The stabilization time during calibration expired.
The calibration failed.	The calibration failed.
The calibration is high.	The calibration value is above the upper limit.
K is out of range.	The cell constant K is out of range for the current calibration.
The reading is unstable.	The reading during calibration was unstable.
Change in configuration float value	The configuration was changed—floating point type.
Change in configuration text value	The configuration was changed—text type.
Change in configurationint value	The configuration was changed—integer value type.

Table 8 Event list (continued)

Event	Description
Change in configuration	The configuration was reset to the default options.
Power is on.	The power was turned on.
ADC failure	The analog to digital conversion failed (hardware failure).
Flash erase	The flash memory was erased.
Temperature	The recorded temperature is too high or too low (-20 to 200 °C).
The sample calibration was started.	Start of calibration for conductivity
The sample calibration is completed.	End of calibration for conductivity
The zero calibration was started.	Start of zero calibration
The zero calibration is completed.	End of zero calibration
The conductivity solution calibration was started.	Start of reference solution calibration for conductivity
The conductivity solution calibration is completed.	End of reference solution calibration for conductivity
TDS calibration was started.	Start of calibration for TDS
TDS calibration is completed.	End of calibration for TDS
The concentration calibration was started.	Start of calibration for concentration
The concentration calibration is completed.	End of calibration for concentration
The salinity calibration was started.	Start of calibration for salinity
The salinity calibration is completed.	End of calibration for salinity

Section 7 Replacement parts and accessories

⚠ WARNING



Personal injury hazard. Use of non-approved parts may cause personal injury, damage to the instrument or equipment malfunction. The replacement parts in this section are approved by the manufacturer.

Note: Product and Article numbers may vary for some selling regions. Contact the appropriate distributor or refer to the company website for contact information.

Consumables

Description	Quantity	Item no.
Conductivity reference solution, 100 µS/cm	1 L	25M3A2000-100
Conductivity reference solution, 500 µS/cm	1 L	25M3A2000-500
Conductivity reference solution, 1000 µS/cm	1 L	25M3A2000-1000
Conductivity reference solution, 1990 µS/cm	100 mL	210542

Parts and accessories

Description	Item no.
Conductivity module for SC4500 Controller	LXZ525.99.D0004
sc digital gateway for inductive conductivity sensor	6120800
Gasket, EDPM, for 2-in. sanitary sensors	9H1327
Junction box, aluminum	60A2053
Junction box, NEMA-4X	76A4010-001
Sanitary clamp, 2-in. heavy duty	9H1132
Cap, 2-inch, sanitary	70F1037-003

Accessories

Description	Item no.
Digital extension cable, 1 m (3.2 ft)	6122400
Digital extension cable, 7.7 m (25 ft)	5796000
Digital extension cable, 15 m (50 ft)	5796100
Digital extension cable, 30 m (100 ft)	5796200

Accessories for C1D2 locations

Description	Item no.
Digital extension cable with two connector safety locks, 1 m (3.2 ft)	6122401
Digital extension cable with two connector safety locks, 7.7 m (25 ft)	5796001
Digital extension cable with two connector safety locks, 15 m (50 ft)	5796101
Digital extension cable with two connector safety locks, 30 m (100 ft)	5796201
Safety lock for quick-connect fitting, Class 1 Division 2 installations	6139900

Table des matières

- 1 [Caractéristiques](#) à la page 23
- 2 [Généralités](#) à la page 23
- 3 [Installation](#) à la page 26
- 4 [Fonctionnement](#) à la page 29

- 5 [Maintenance](#) à la page 37
- 6 [Dépannage](#) à la page 38
- 7 [Pièces et accessoires de rechange](#) à la page 43

Section 1 Caractéristiques

Ces caractéristiques sont susceptibles d'être modifiées sans avis préalable.

Caractéristiques	Détails
Dimensions	Voir la section Figure 1 à la page 25.
Niveau de pollution	2
Catégorie de surtension	I
Classe de protection	III
Altitude	2 000 m (6 562 pieds) maximum
Températures de fonctionnement	-20 à 60 °C (-4 à 140 °F)
Températures de stockage	-20 à 70 °C (-4 à 158 °F)
Poids	Environ 1 kg (2,2 lb)
Matériaux immergés	Polypropylène, PVDF, PEEK ou PFA
Câble du capteur	5 conducteurs (plus deux blindages isolés), 6 m (20 pi) ; température nominale : 150 °C (302 °F) ; polypropylène
Plage de conductivité	0,0 à 200,0 µS/cm ; 0 à 2 000 000 µS/cm
Exactitude	0,01 % de la mesure, toutes plages
Répétabilité/précision	> 500 µS/cm : ±0,5 % de la valeur affichée ; < 500 µS/cm : ±5 µS/cm
Débit maximal	0–3 m/s (0–10 pi/s)
Limite de température/pression	Polypropylène : 100 °C à 6,9 bar (212 °F à 100 psi) ; PVDF : 120 °C à 6,9 bar (248 °F à 100 psi) ; PEEK et PFA : 200 °C à 13,8 bar (392 °F à 200 psi)
Distance de transmission	200 to 2 000 µS/cm : 61 m (200 pi) ; 2 000 à 2 000 000 µS/cm : 91 m (300 pi)
Plage de mesure de température	-10 à 135 °C (14 à 275 °F), limitée par le matériau du corps du capteur
Capteur de température	Pt 1000 RTD
Méthodes d'étalonnage	Étalonnage du zéro, étalonnage de conductivité à 1 point, étalonnage de température à 1 point
Interface capteur	Modbus
Certifications	Listé ETL (Etats-Unis/Canada) pour une utilisation dans les zones dangereuses classe 1, division 2, groupes A, B, C, D, code de température T4 avec un contrôleur SC Hach. Conformité : CE, UKCA, FCC, ISED, ACMA, KC, CMIM. Capteurs sanitaires certifiés par 3A.
Garantie	1 an ; 2 ans (UE)

Section 2 Généralités

En aucun cas le fabricant ne pourra être tenu responsable des dommages résultant d'une utilisation incorrecte du produit ou du non-respect des instructions du manuel. Le constructeur se réserve le

droit d'apporter des modifications à ce manuel et aux produits décrits, à tout moment, sans avertissement ni obligation. Les éditions révisées se trouvent sur le site Internet du fabricant.

2.1 Consignes de sécurité

Le fabricant décline toute responsabilité quant aux dégâts liés à une application ou un usage inappropriés de ce produit, y compris, sans toutefois s'y limiter, des dommages directs ou indirects, ainsi que des dommages consécutifs, et rejette toute responsabilité quant à ces dommages dans la mesure où la loi applicable le permet. L'utilisateur est seul responsable de la vérification des risques d'application critiques et de la mise en place de mécanismes de protection des processus en cas de défaillance de l'équipement.

Veuillez lire l'ensemble du manuel avant le déballage, la configuration ou la mise en fonctionnement de cet appareil. Respectez toutes les déclarations de prudence et d'attention. Le non-respect de cette procédure peut conduire à des blessures graves de l'opérateur ou à des dégâts sur le matériel.

Assurez-vous que la protection fournie avec cet appareil n'est pas défaillante. N'utilisez ni n'installez cet appareil d'une façon différente de celle décrite dans ce manuel.

2.1.1 Informations sur les risques d'utilisation

▲ DANGER

Indique une situation de danger potentiel ou imminent qui, si elle n'est pas évitée, entraîne des blessures graves, voire mortelles.

▲ AVERTISSEMENT

Indique une situation de danger potentiel ou imminent qui, si elle n'est pas évitée, peut entraîner des blessures graves, voire mortelles.

▲ ATTENTION

Indique une situation de danger potentiel qui peut entraîner des blessures mineures ou légères.

AVIS

Indique une situation qui, si elle n'est pas évitée, peut occasionner l'endommagement du matériel. Informations nécessitant une attention particulière.

2.1.2 Etiquettes de mise en garde

Lisez toutes les informations et toutes les étiquettes apposées sur l'appareil. Des personnes peuvent se blesser et le matériel peut être endommagé si ces instructions ne sont pas respectées. Tout symbole sur l'appareil renvoie à une instruction de mise en garde dans le manuel.



Si l'appareil comporte ce symbole, reportez-vous au manuel d'instructions pour consulter les informations de fonctionnement et de sécurité.



Le matériel électrique portant ce symbole ne doit pas être mis au rebut dans les réseaux domestiques ou publics européens. Retournez le matériel usé ou en fin de vie au fabricant pour une mise au rebut sans frais pour l'utilisateur.

2.2 Présentation du produit

▲ DANGER



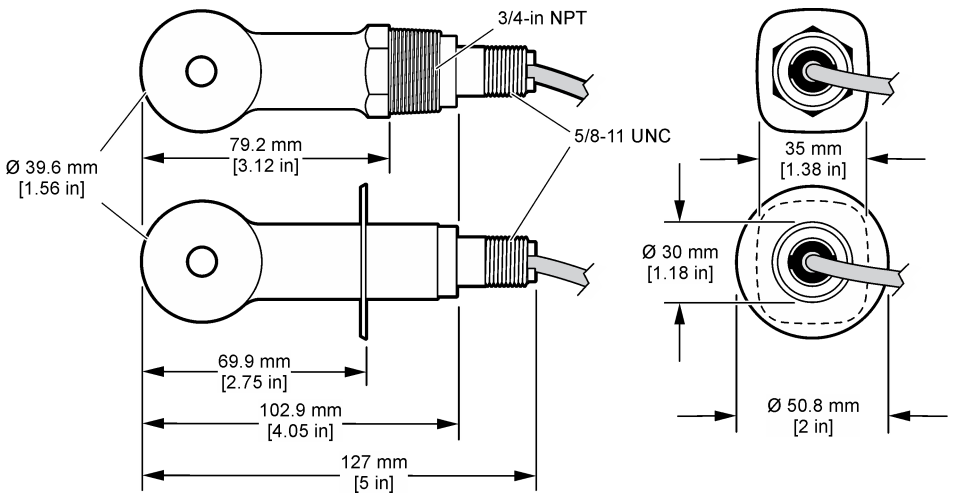
Dangers chimiques ou biologiques. Si cet appareil est utilisé pour la surveillance d'un procédé de traitement et/ou d'un système de dosage de réactifs chimiques auxquels s'appliquent des limites réglementaires et des normes de surveillance motivées par des préoccupations de santé et de sécurité publiques ou de fabrication et de transformation d'aliments ou de boissons, il est de la responsabilité de l'utilisateur de cet appareil de connaître et d'appliquer les normes en vigueur et d'avoir à sa disposition suffisamment de mécanismes pour s'assurer du respect de ces normes dans l'éventualité d'un dysfonctionnement de l'appareil.

L'utilisation de ce capteur peut entraîner des fissures du revêtement, exposant ainsi le substrat sous-jacent à l'environnement dans lequel le capteur est immergé. Par conséquent, ce capteur n'a pas été développé et n'est pas conçu pour pouvoir être utilisé pour les applications où le liquide doit rester conforme à certains paramètres de pureté ou de propreté et dans lesquelles une contamination pourrait provoquer des dommages substantiels. Celles-ci incluent généralement les applications de fabrication de semi-conducteurs et peuvent également comprendre d'autres applications pour lesquelles l'utilisateur doit évaluer les risques de contamination et l'incidence d'une telle contamination sur la qualité du produit. Le fabricant recommande donc d'éviter d'utiliser ce capteur pour ces applications et décline toute responsabilité à l'égard des réclamations ou dommages résultant de l'utilisation du capteur dans ces applications ou en rapport avec celles-ci.

Ce capteur est conçu pour fonctionner avec un transmetteur assurant la collecte de données et le fonctionnement. Différents contrôleurs peuvent être utilisés avec ce capteur. Ce document suppose une installation et une utilisation du capteur avec un contrôleur SC4500. Pour utiliser le capteur avec d'autres transmetteurs, reportez-vous au manuel d'utilisateur du transmetteur utilisé.

Reportez-vous à la [Figure 1](#) pour les dimensions du capteur.

Figure 1 Dimensions

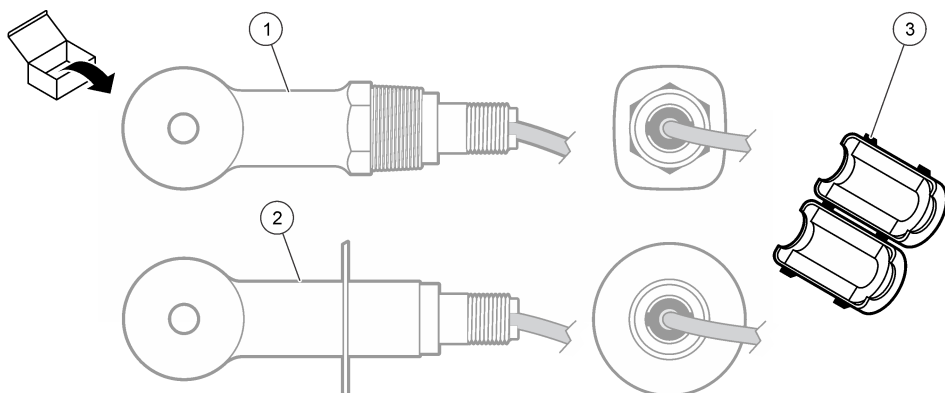


2.3 Composants du produit

Assurez-vous d'avoir bien reçu tous les composants. Voir [Figure 2](#) et [Figure 3](#). Si un élément est manquant ou endommagé, contactez immédiatement le fabricant ou un représentant.

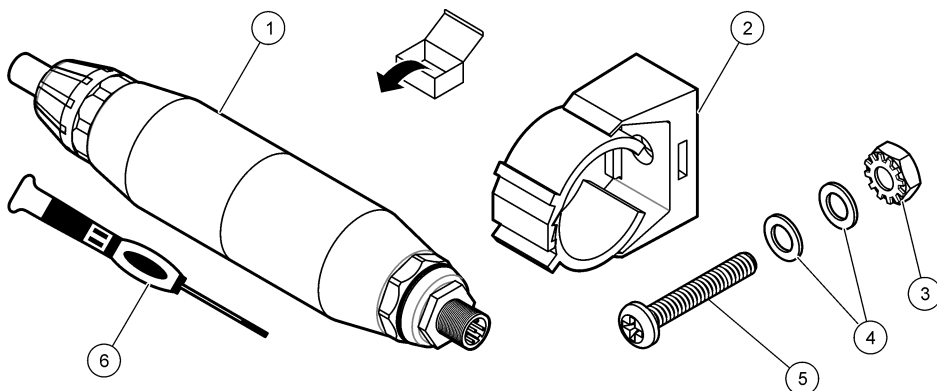
Remarque : le capteur peut être commandé sans la passerelle numérique illustrée à la [Figure 3](#).

Figure 2 Composants du capteur



<p>1 Capteur de type convertible — à installer dans un raccord de tube en T ou un canal ouvert à l'aide des accessoires de montage appropriés</p>	<p>3 Ferrite</p>
<p>2 Capteur de type sanitaire — à installer dans un raccord sanitaire en T de 2 pouces</p>	

Figure 3 Composants de la passerelle numérique



<p>1 Passerelle numérique</p>	<p>4 Rondelle plate, #8 (2x)</p>
<p>2 Etrier de fixation</p>	<p>5 Vis cruciforme, #8-32 x 1,25 pouce</p>
<p>3 Ecrou avec rondelle de blocage, #8-32</p>	<p>6 Tournevis (pour le bornier)</p>

Section 3 Installation

▲ AVERTISSEMENT



Dangers multiples. Seul le personnel qualifié doit effectuer les tâches détaillées dans cette section du document.

3.1 Installation du capteur dans le flux d'échantillon

▲ AVERTISSEMENT



Risque d'explosion. Pour les installations dans les zones dangereuses (classées), reportez-vous aux instructions et aux schémas de contrôle dans la documentation du contrôleur classe 1, division 2. Installez le capteur conformément aux codes locaux, régionaux et nationaux. Ne connectez ou ne déconnectez l'instrument que si l'environnement est connu pour être non dangereux.

▲ AVERTISSEMENT

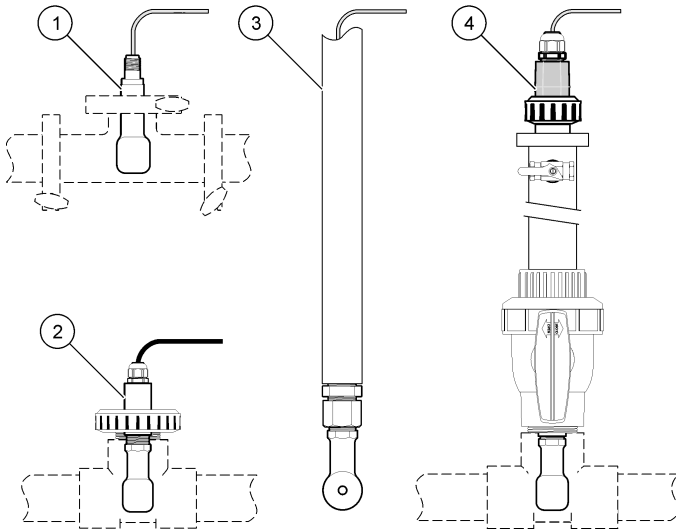


Risque d'explosion. Vérifiez que le matériel de montage du capteur présente une température et une pression nominales suffisantes pour l'emplacement de montage.

Reportez-vous à la [Figure 4](#) pour l'installation du capteur dans différentes applications. Le capteur doit être étalonné avant usage. Voir [Étalonner le capteur](#) à la page 33.

Assurez-vous que le tracé du câble du capteur évite l'exposition à des champs électromagnétiques importants (ex. : émetteurs, moteurs et équipement de commutation). Une exposition à ces champs peut entraîner des résultats inexacts.

Figure 4 Exemples de montage



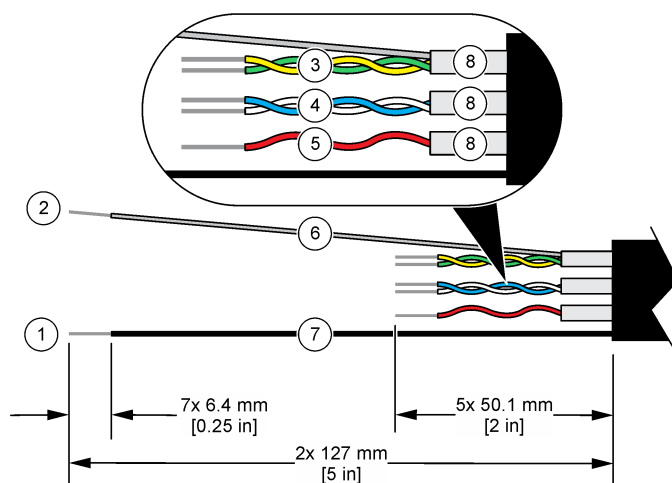
1 Montage sur bride sanitaire (CIP)	3 Immersion en extrémité de canalisation
2 Montage sur T union	4 Insertion de vanne à bille

3.2 Installation électrique

3.2.1 Préparation des fils du capteur

Si la longueur du câble du capteur est modifiée, préparez les fils comme illustré à la [Figure 5](#).

Figure 5 Préparation des fils



1 Fil du blindage externe ¹	5 Fil rouge
2 Fil du blindage interne ²	6 Gaine thermorétractable transparente ³
3 Paire torsadée, fil jaune et fil vert	7 Gaine thermorétractable noire ³
4 Paire torsadée, fil blanc et fil bleu	8 Blindages des conducteurs internes ⁴

3.2.2 Remarques relatives aux décharges électrostatiques (ESD)

AVIS



Dégât potentiel sur l'appareil. Les composants électroniques internes de l'appareil peuvent être endommagés par l'électricité statique, qui risque d'altérer ses performances et son fonctionnement.

Reportez-vous aux étapes décrites dans cette procédure pour éviter d'endommager l'appareil par des décharges électrostatiques.

- Touchez une surface métallique reliée à la terre (par exemple, le châssis d'un appareil, un conduit ou un tuyau métallique) pour décharger l'électricité statique de votre corps.
- Evitez tout mouvement excessif. Transportez les composants sensibles à l'électricité statique dans des conteneurs ou des emballages antistatiques.
- Portez un bracelet spécial relié à la terre par un fil.
- Travaillez dans une zone à protection antistatique avec des tapis de sol et des sous-mains antistatiques.

¹ Fil de blindage pour le câble du capteur

² Fil de blindage pour la paire torsadée vert/jaune

³ Fourni par l'utilisateur

⁴ Les blindages des conducteurs internes sont constitués de gaines en matériau conducteur sur la face interne et non conducteur sur la face externe. Veillez à bien maintenir l'isolation électrique entre la face interne des blindages des conducteurs internes. Assurez-vous que la face interne des blindages des conducteurs internes n'est pas exposée.

3.2.3 Connexion d'un capteur à un contrôleur SC

Utilisez l'une des options suivantes pour connecter le capteur à un contrôleur SC :

- Installez un module de capteur dans le contrôleur SC. Ensuite, connectez les fils dénudés du capteur au module de capteur. Le module de capteur convertit le signal analogique du capteur en un signal numérique.
- Connectez les fils dénudés du capteur à une passerelle numérique sc, puis connectez la passerelle numérique sc au contrôleur SC. La passerelle numérique convertit le signal analogique du capteur en signal numérique.

Reportez-vous aux instructions fournies avec le module de capteur ou la passerelle numérique sc. Reportez-vous à [Pièces et accessoires de rechange](#) à la page 43 pour connaître les modalités de commande.

3.2.4 Transmetteur de conductivité sans électrode Modèle E3 série PRO

Pour connecter le capteur à un transmetteur de conductivité sans électrode Modèle E3 série PRO, coupez l'alimentation du transmetteur et reportez-vous à la [Figure 6](#) et au [Tableau 1](#).

Figure 6 Connexion du capteur au transmetteur

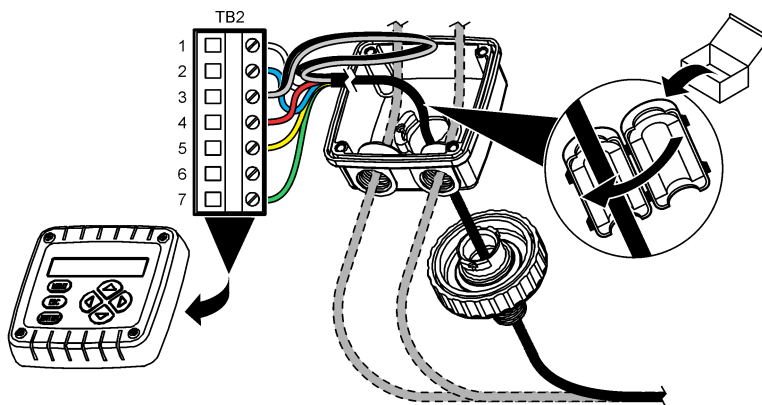


Tableau 1 Données de câblage du capteur

Borne (TB2)	Câble	Borne (TB2)	Câble
1	Blanc	4	Rouge
2	Bleu	5	Jaune
3	Transparent (blindage interne) ⁵	6	—
3	Noir (blindage externe) ⁵	7	Vert

Section 4 Fonctionnement

▲ AVERTISSEMENT



Risque d'incendie. Ce produit n'est pas adapté à l'utilisation avec des liquides inflammables.

⁵ Pour garantir une protection optimale contre le bruit électrique, reliez et soudez les fils du blindage interne et du blindage externe avant de les insérer dans le bornier.

4.1 Navigation utilisateur

Reportez-vous à la documentation du contrôleur pour obtenir une description de l'écran tactile et des informations de navigation.

4.2 Configuration du capteur

Utilisez le menu Paramètres pour saisir les informations d'identification du capteur et modifier les options de traitement et de stockage des données.

1. Appuyez sur l'icône de menu principal, puis sélectionnez **Appareils**. Une liste d'appareils installés s'affiche.
2. Sélectionnez le capteur et sélectionnez **Menu de l'appareil > Paramètres**.
3. Sélection d'une option.
 - Pour les capteurs connectés à un module de conductivité, voir [Tableau 2](#).
 - Pour les capteurs connectés à une passerelle numérique sc, reportez-vous au [Tableau 3](#).

Tableau 2 Capteurs connectés à un module de conductivité

Option	Description
Nom	Permet de modifier le nom du capteur en haut de l'écran de mesure. Le nom est limité à 16 caractères avec n'importe quelle combinaison de lettres, chiffres, espaces ou ponctuation.
N/S capteur	Permet à l'utilisateur de saisir le numéro de série du capteur. Le numéro de série est limité à 16 caractères contenant toute combinaison de lettres, chiffres, espaces ou signes de ponctuation.
Choix cond./TDS	Permet de remplacer le paramètre de mesure par Conductivité (par défaut), Concentration, TDS (total de solides dissous) ou Salinité. Quand le paramètre est modifié, tous les autres paramètres configurés sont réinitialisés sur leurs valeurs par défaut.
Format affich.	Permet de définir le nombre de décimales affichées sur l'écran de mesure sur Auto, X.XXX, XX.XX ou XXX.X. Lorsque le paramètre Auto est sélectionné, le nombre de décimales change automatiquement. <i>Remarque : L'option Auto est disponible uniquement lorsque le paramètre Choix cond./TDS est réglé sur Conductivité.</i>
Unité cond	<i>Remarque : Le paramètre Unité cond est disponible uniquement lorsque le paramètre Choix cond./TDS est réglé sur Conductivité ou sur Concentration.</i> Permet de définir les unités de conductivité sur Auto, µS/cm, mS/cm ou S/cm.
Température	Règle les unités de température en °C (par défaut) ou °F.
Choix compens.	Permet d'ajouter une correction dépendant de la température à la valeur mesurée : Pas de sélect., Linéaire (par défaut : 2,0 %/°C, 25 °C), Eau naturelle ou Progr. table. Lorsque le paramètre Progr. table est sélectionné, l'utilisateur peut saisir les points x,y (°C, %/°C) dans l'ordre croissant. <i>Remarque : L'option Eau naturelle n'est pas disponible lorsque le paramètre Choix cond./TDS est réglé sur TDS ou sur Concentration.</i>
Config concent	<i>Remarque : Le paramètre Config concent est disponible uniquement lorsque le paramètre Choix cond./TDS est réglé sur Concentration.</i> Permet de définir le type de table de concentration à utiliser : Intégré (par défaut) ou Tabl. utilis. Lorsque l'option Intégré est sélectionnée, l'utilisateur peut sélectionner le produit chimique mesuré : H ₃ PO ₄ : 0 - 40 % ; HCl : 0 - 18 % ou 22 - 36 % ; NaOH : 0 - 16 % ; CaCl ₂ 0 - 22 % ; HNO ₃ : 0 - 28 % ou 36 - 96 % ; H ₂ SO ₄ : 0 - 30 %, 40 - 80 % ou 93 - 99 % ; HF : 0 - 30 % ; NaCl : 0 - 25 % ; HBr, KOH, eau de mer Lorsque l'option Tabl. utilis est sélectionnée, l'utilisateur peut saisir les points x,y (conductivité, %) dans l'ordre croissant.

Tableau 2 Capteurs connectés à un module de conductivité (suite)

Option	Description
Config. TDS	<i>Remarque : Le paramètre Config. TDS est uniquement disponible lorsque le paramètre Choix cond./TDS est réglé sur TDS.</i> Permet de définir le facteur utilisé pour convertir la conductivité sur TDS—NaCl (par défaut) ou Personnalisé (saisissez un facteur inclus entre 0,01 et 99,99 ppm/μS, par défaut : 0,49 ppm/μS).
Element température	Permet de régler l'élément de température de la compensation automatique de température sur PT100, PT1000 (par défaut) ou Manuel. Si aucun élément n'est utilisé, réglez sur Manuel et définissez une valeur de compensation de température (par défaut : 25 °C). Lorsque le paramètre Element température est réglé sur PT100 ou PT1000, reportez-vous à Régler le facteur T pour des longueurs de câble non standard à la page 33 pour régler le paramètre Prog. coeff. T. <i>Remarque : Si le paramètre Element température est réglé sur Manuel et que le capteur est remplacé ou que les jours du capteur sont réinitialisés, le paramètre Element température revient automatiquement au paramètre par défaut (PT1000).</i>
Const. cellul.	Change la constante de cellule à la valeur certifiée K réelle indiquée sur l'étiquette du câble du capteur. La saisie de la valeur K certifiée définit la courbe d'étalonnage. Par défaut : 4,70
Filtre	Définit une constante de durée pour augmenter la stabilité du signal. La constante de temps permet de calculer une valeur moyenne pendant un temps spécifié de 0 (aucun effet, par défaut) à 200 secondes (moyenne de la valeur de signal pendant 200 secondes). Le filtre augmente le temps de réponse du signal du capteur aux variations effectives du processus.
Intervalle de l'enregistreur de données	Permet de régler l'intervalle de temps d'enregistrement de la mesure de température ou de capteur dans le journal des données—5, 30 secondes ou 1, 2, 5, 10, 15 (par défaut), 30, 60 minutes
Réinitialiser les paramètres selon les valeurs par défaut	Permet de réinitialiser le menu Paramètres sur les réglages par défaut d'usine et les compteurs. Toutes les informations de capteur sont perdues.

Tableau 3 Capteurs connectés à la passerelle numérique sc

Option	Description
Nom	Permet de modifier le nom du capteur en haut de l'écran de mesure. Le nom est limité à 16 caractères avec n'importe quelle combinaison de lettres, chiffres, espaces ou ponctuation.
Choix cond./TDS	Permet de remplacer le paramètre de mesure par Conductivité (par défaut), Concentration, TDS (total de solides dissous) ou Salinité. Quand le paramètre est modifié, tous les autres paramètres configurés sont réinitialisés sur leurs valeurs par défaut.
Unité cond	<i>Remarque : Le paramètre Unité cond est disponible uniquement lorsque le paramètre Choix cond./TDS est réglé sur Conductivité, sur Concentration ou sur Salinité.</i> Permet de définir les unités de conductivité sur μS/cm (par défaut), mS/cm ou S/cm.
Const. cellul.	<i>Remarque : Le paramètre Const. cellul. est disponible uniquement lorsque le paramètre Choix cond./TDS est réglé sur Conductivité ou sur Salinité.</i> Change la constante de cellule à la valeur certifiée K réelle indiquée sur l'étiquette du câble du capteur. La saisie de la valeur K certifiée définit la courbe d'étalonnage. Par défaut : 4,70

Tableau 3 Capteurs connectés à la passerelle numérique sc (suite)

Option	Description
Config concent	<p><i>Remarque : Le paramètre Config concent est disponible uniquement lorsque le paramètre Choix cond./TDS est réglé sur Concentration.</i></p> <p>Permet de définir le type de table de concentration à utiliser : Intégré (par défaut) ou Tabl. utilisat.</p> <p>Lorsque l'option Intégré est sélectionnée, l'utilisateur peut sélectionner le produit chimique mesuré : H₃PO₄ : 0 - 40 % ; HCl : 0 - 18 % ou 22 - 36 % ; NaOH : 0 - 16 % ; CaCl₂ : 0 - 22 % ; HNO₃ : 0 - 28 % ou 36 - 96 % ; H₂SO₄ : 0 - 30 %, 40 - 80 % ou 93 - 99 % ; HF : 0 - 30 %</p> <p>Lorsque l'option Tabl. utilisat est sélectionnée, l'utilisateur peut saisir les points x,y (conductivité, %) dans l'ordre croissant.</p>
Config. TDS	<p><i>Remarque : Le paramètre Config. TDS est uniquement disponible lorsque le paramètre Choix cond./TDS est réglé sur TDS.</i></p> <p>Permet de définir le facteur utilisé pour convertir la conductivité sur TDS—NaCl (par défaut) ou sur Tabl. utilisat (saisissez un facteur entre 0,01 et 99,99 ppm/μS, par défaut : 0,49 ppm/μS).</p>
Température	<p>Règle les unités de température en °C (par défaut) ou °F.</p>
Choix compens.	<p>Permet d'ajouter une correction dépendant de la température à la valeur mesurée : Pas de sélect., Linéaire (par défaut : 2,0 %/°C, 25 °C), Eau naturelle ou Progr. table.</p> <p>Lorsque le paramètre Progr. table est sélectionné, l'utilisateur peut saisir les points x,y (°C, %/°C) dans l'ordre croissant.</p> <p><i>Remarque : L'option Eau naturelle n'est pas disponible lorsque le paramètre Choix cond./TDS est réglé sur TDS.</i></p> <p><i>Remarque : Le paramètre Choix compens. est réglé sur Pas de sélect. lorsque le paramètre Choix cond./TDS est réglé sur Concentration.</i></p>
Intervalle de l'enregistreur de données	<p>Permet de définir l'intervalle de temps de conservation de la mesure de température ou de capteur dans le journal des données : Désactivé (par défaut), 5, 10, 15, 30 secondes, 1, 5, 10, 15, 30 minutes ou 1, 2, 6, 12 heures</p>
Fréquence alim	<p>Sélectionne la fréquence de la ligne d'alimentation pour obtenir le meilleur taux de réduction des parasites. Options : 50 ou 60 Hz (par défaut).</p>
Filtre	<p>Définit une constante de durée pour augmenter la stabilité du signal. La constante de temps calcule la valeur moyenne pendant une durée spécifiée — 0 (aucun effet, par défaut) à 60 secondes (moyenne de la valeur du signal sur 60 secondes). Le filtre augmente le temps de réponse du signal du capteur aux variations effectives du processus.</p>
Element température	<p>Permet de régler l'élément de température de la compensation automatique de température sur PT1000 (par défaut) ou Manuel. Si aucun élément n'est utilisé, réglez sur Manuel et définissez une valeur de compensation de température (par défaut : 25 °C).</p> <p>Lorsque le paramètre Element température est réglé sur PT1000, reportez-vous à Régler le facteur T pour des longueurs de câble non standard à la page 33 pour définir le paramètre Facteur.</p> <p><i>Remarque : Si le paramètre Element température est réglé sur Manuel et que le capteur est remplacé ou que les jours du capteur sont réinitialisés, le paramètre Element température revient automatiquement au paramètre par défaut (PT1000).</i></p>
Dernière calibration	<p>Permet de définir un rappel pour le prochain étalonnage (par défaut : 60 jours). Un rappel d'étalonnage du capteur s'affiche sur l'écran une fois que l'intervalle à partir du dernier étalonnage a été atteint.</p> <p>Par exemple, si la date du dernier étalonnage était le 15 juin et que l'option Dernière calibration est définie sur 60 jours, un rappel d'étalonnage s'affiche à l'écran le 14 août. Si le capteur est étalonné avant le 14 août, le 15 juillet, un rappel d'étalonnage s'affiche à l'écran le 13 septembre.</p>

Tableau 3 Capteurs connectés à la passerelle numérique sc (suite)

Option	Description
Jours capteur	Permet de définir un rappel pour le remplacement du capteur (par défaut : 365 jours). Un rappel de remplacement du capteur s'affiche à l'écran une fois la durée sélectionnée atteinte. Le compteur Jours capteur est disponible sous le menu Diagnostic/Test > Compteur. Lors du remplacement du capteur, réinitialisez le compteur Jours capteur sous le menu Diagnostic/Test > Compteur.
Valeurs défaut	Permet de réinitialiser le menu Paramètres sur les réglages par défaut d'usine et les compteurs. Toutes les informations de capteur sont perdues.

4.3 Régler le facteur T pour des longueurs de câble non standard

Quand le câble de capteur est allongé ou raccourci par rapport à la longueur standard de 6 m (20 pi), la résistance du câble est modifiée. Cette modification réduit l'exactitude d'une mesure de température. Pour compenser cette différence, calculer un nouveau facteur T.

- Mesurer la température d'une solution avec le capteur et avec un instrument indépendant et fiable tel qu'un thermomètre.
- Noter la différence entre la température mesurée par le capteur et celle de la source indépendante (réelle).
Si par exemple la température réelle est de 50 °C et que la valeur lue par le capteur est de 53 °C, la différence est de 3 °C.
- Multipliez cette différence par 3,85 pour obtenir la valeur de réglage.
Exemple : $3 \times 3,85 = 11,55$.
- Calculer un nouveau facteur T :
 - Température du capteur > à la valeur réelle : ajoutez la valeur de réglage au facteur T indiqué sur l'étiquette du câble du capteur
 - Température du capteur < à la valeur réelle : soustrayez la valeur de réglage du facteur T indiqué sur l'étiquette du câble du capteur
- Sélectionnez **Paramètres > Element température > Prog. coeff. T (ou Facteur)** et saisissez le nouveau facteur T.

4.4 Étalonner le capteur

▲ AVERTISSEMENT



Danger lié à la pression du fluide. Le retrait d'un capteur d'une enceinte pressurisée peut s'avérer dangereux. Réduisez la pression du processus à moins de 7,25 psi (50 kPa) avant le retrait. Si cela n'est pas possible, procédez avec d'extrêmes précautions. Pour plus d'informations, reportez-vous à la documentation fournie avec le matériel de montage.

▲ AVERTISSEMENT



Risque d'exposition chimique. Respectez les procédures de sécurité du laboratoire et portez tous les équipements de protection personnelle adaptés aux produits chimiques que vous manipulez. Consultez les fiches de données de sécurité (MSDS/SDS) à jour pour connaître les protocoles de sécurité applicables.

▲ ATTENTION



Risque d'exposition chimique. Mettez au rebut les substances chimiques et les déchets conformément aux réglementations locales, régionales et nationales.

4.4.1 A propos de l'étalonnage de capteur

La méthode d'étalonnage humide doit être utilisée pour étalonner le capteur de conductivité :

- **Eta. hum** : utilisez l'air (Etal zéro) et une solution de référence ou un échantillon de terrain de valeur connue pour définir une courbe d'étalonnage. Un étalonnage par solution de référence est recommandé pour une meilleure exactitude. En cas d'utilisation d'échantillon de terrain, la valeur de référence doit être déterminée par un instrument de vérification secondaire. Pour obtenir une compensation précise de la température, saisissez bien le facteur T dans le champ Element température du menu Paramètres.

Pendant l'étalonnage, les données ne sont pas envoyées dans le journal. Le journal de données peut donc comporter des zones où les données sont intermittentes.

4.4.2 Modification des options d'étalonnage

Pour les capteurs connectés à un module de conductivité, l'utilisateur peut définir un rappel ou inclure un ID opérateur avec les données d'étalonnage à partir du menu Options d'étalonnage.

Remarque : cette procédure ne s'applique pas aux capteurs connectés à une passerelle numérique sc.

1. Appuyez sur l'icône de menu principal, puis sélectionnez **Appareils**. Une liste d'appareils installés s'affiche.
2. Sélectionnez le capteur et sélectionnez **Menu de l'appareil > Etalonnage**.
3. Sélectionnez **Options d'étalonnage**.
4. Sélection d'une option.

Option	Description
Rappel d'étalonnage	Permet de définir un rappel pour l'étalonnage suivant (par défaut : Arrêt). Un rappel d'étalonnage du capteur s'affiche sur l'écran une fois que l'intervalle à partir du dernier étalonnage a été atteint. Par exemple, si la date du dernier étalonnage était le 15 juin et que l'option Dernière calibration est définie sur 60 jours, un rappel d'étalonnage s'affiche à l'écran le 14 août. Si le capteur est étalonné avant le 14 août, le 15 juillet, un rappel d'étalonnage s'affiche à l'écran le 13 septembre.
ID opérateur pour étalonnage	Inclut un ID d'opérateur avec les données d'étalonnage — Oui ou Non (par défaut). L'identifiant est saisi pendant l'étalonnage.

4.4.3 Procédure d'étalonnage de zéro

Utiliser la procédure d'étalonnage de zéro pour définir le point zéro unique du capteur de conductivité. Le point zéro doit être défini avant le premier étalonnage du capteur avec une solution de référence ou échantillon de processus.

1. Sortez le capteur du fluide traité. Essuyez le capteur à l'aide d'un chiffon propre ou utilisez l'air comprimé pour le nettoyer et le sécher parfaitement.
2. Appuyez sur l'icône de menu principal, puis sélectionnez **Appareils**. Une liste d'appareils installés s'affiche.
3. Sélectionnez le capteur et sélectionnez **Menu de l'appareil > Etalonnage**.
4. Sélectionnez **Calibration du zéro (ou Zéro)**.
5. Sélectionnez l'option de sortie du signal pendant l'étalonnage :

Option	Description
Actif	L'instrument envoie la valeur de sortie mesurée pendant la procédure d'étalonnage.
Mémorisation	La valeur de sortie du capteur est maintenue à la dernière valeur mesurée pendant la procédure d'étalonnage.
Transfert	Une valeur de sortie prédéfinie est envoyée pendant l'étalonnage. Reportez-vous au manuel d'utilisation du transmetteur pour modifier la valeur prédéfinie.

6. Maintenez le capteur de sécheresse dans l'air et appuyez sur OK.
7. N'appuyez pas sur OK tant que le résultat de l'étalonnage n'est pas affiché à l'écran.

8. Consultez le résultat d'étalonnage :

- « L'étalonnage est terminé. » : le capteur est étalonné et prêt pour mesurer les échantillons. Les valeurs de pente et/ou de décalage sont indiquées.
- « La calibration a échoué. » : la pente ou le décalage d'étalonnage est en dehors des limites acceptées. Répétez l'étalonnage avec des solutions de référence neuves. Nettoyez le capteur si nécessaire.

9. Appuyez sur OK.

10. Passer à l'étalonnage avec une solution de référence ou échantillon de processus.

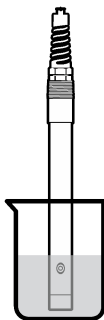
4.4.4 Etalonnage avec une solution de référence

L'étalonnage règle la valeur lue sur le capteur pour la faire correspondre à la valeur d'une solution de référence. Utiliser une solution de référence de valeur égale ou supérieure à la valeur de mesure attendue.

Remarque : Si le capteur est étalonné pour la première fois, veillez à d'abord effectuer l'étalonnage du zéro.

1. Rincer soigneusement le capteur propre à l'eau déminéralisée.
2. Placer le capteur dans la solution de référence. Soutenir le capteur pour éviter qu'il touche le récipient. Assurez-vous que la zone de détection est complètement immergée dans la solution (Figure 7). Agitez le capteur pour éliminer les bulles.

Figure 7 Capteur dans la solution de référence



3. Attendez l'égalisation des températures du capteur et de la solution. Ceci peut prendre 30 minutes ou plus si la différence de température entre la solution de processus et celle de référence est importante.
4. Appuyez sur l'icône de menu principal, puis sélectionnez **Appareils**. Une liste d'appareils installés s'affiche.
5. Sélectionnez le capteur et sélectionnez **Menu de l'appareil > Etalonnage**.
6. Sélectionnez **Solution de conductivité** (ou **Etal. conduct.** si le capteur est connecté à une passerelle numérique sc).
7. Sélectionnez l'option de sortie du signal pendant l'étalonnage :

Option	Description
Actif	L'instrument envoie la valeur de sortie mesurée pendant la procédure d'étalonnage.
Mémorisation	La valeur de sortie du capteur est maintenue à la dernière valeur mesurée pendant la procédure d'étalonnage.
Transfert	Une valeur de sortie prédéfinie est envoyée pendant l'étalonnage. Reportez-vous au manuel d'utilisation du transmetteur pour modifier la valeur prédéfinie.

8. Saisissez la température de référence de la solution de référence et appuyez sur OK.

9. Saisissez la pente de la solution de référence et appuyez sur OK.

10. Avec le capteur dans la solution de référence, appuyez sur OK.
11. Attendez que la valeur se stabilise et appuyez sur OK.
Remarque : L'écran peut passer automatiquement à l'étape suivante.
12. Saisissez la valeur de la solution de référence et appuyez sur OK.
13. Consultez le résultat d'étalonnage :
 - « L'étalonnage est terminé. » : le capteur est étalonné et prêt pour mesurer les échantillons. Les valeurs de pente et/ou de décalage sont indiquées.
 - « La calibration a échoué. » : la pente ou le décalage d'étalonnage est en dehors des limites acceptées. Répétez l'étalonnage avec des solutions de référence neuves. Nettoyez le capteur si nécessaire.
14. Appuyez sur OK pour continuer.
15. Ramenez le capteur dans le fluide de processus et appuyez sur OK.
Le signal de sortie revient dans l'état actif et la valeur d'échantillon mesurée s'affiche sur l'écran de mesure.

4.4.5 Etalonnage avec la solution de processus

Le capteur peut rester dans l'échantillon de processus, mais il est aussi possible de retirer une partie de l'échantillon de processus pour l'étalonnage. La valeur de référence doit être déterminée avec un instrument de vérification secondaire.

Remarque : Si le capteur est étalonné pour la première fois, s'assurer d'effectuer d'abord l'étalonnage de zéro.

1. Appuyez sur l'icône de menu principal, puis sélectionnez **Appareils**. Une liste d'appareils installés s'affiche.
2. Sélectionnez le capteur et sélectionnez **Menu de l'appareil > Etalonnage**.
3. Sélectionnez **Etal. conduct.**, **Etalon. TDS** ou **Etal. concentr** (ou **Etalonnage**).
Remarque : Utilisez le paramètre *Choix cond./TDS* pour modifier le paramètre étalonné.
4. Sélectionnez l'option de sortie du signal pendant l'étalonnage :

Option	Description
Actif	L'instrument envoie la valeur de sortie mesurée pendant la procédure d'étalonnage.
Mémorisation	La valeur de sortie du capteur est maintenue à la dernière valeur mesurée pendant la procédure d'étalonnage.
Transfert	Une valeur de sortie prédéfinie est envoyée pendant l'étalonnage. Reportez-vous au manuel d'utilisation du transmetteur pour modifier la valeur prédéfinie.

5. Avec le capteur dans l'échantillon de processus, appuyez sur OK.
La valeur mesurée apparaît.
6. Attendez que la valeur se stabilise et appuyez sur OK.
Remarque : L'écran peut passer automatiquement à l'étape suivante.
7. Mesurer la valeur de conductivité (ou autre paramètre) avec un instrument de vérification secondaire. Saisissez la valeur mesurée à l'aide des touches fléchées et appuyez sur OK.
8. Consultez le résultat d'étalonnage :
 - « L'étalonnage est terminé. » : le capteur est étalonné et prêt pour mesurer les échantillons. Les valeurs de pente et/ou de décalage sont indiquées.
 - « La calibration a échoué. » : la pente ou le décalage d'étalonnage est en dehors des limites acceptées. Répétez l'étalonnage avec des solutions de référence neuves. Nettoyez le capteur si nécessaire.
9. Appuyez sur OK pour continuer.
10. Ramenez le capteur dans le fluide de processus et appuyez sur OK.
Le signal de sortie revient dans l'état actif et la valeur d'échantillon mesurée s'affiche sur l'écran de mesure.

4.4.6 Etalonnage en température

L'instrument est étalonné en usine pour une mesure de température précise. La température peut être étalonnée pour augmenter la précision.

1. Placez le capteur dans un récipient d'eau.
2. Mesurez la température de l'eau avec un thermomètre ou un instrument indépendant précis.
3. Appuyez sur l'icône de menu principal, puis sélectionnez **Appareils**. Une liste d'appareils installés s'affiche.
4. Sélectionnez le capteur et sélectionnez **Menu de l'appareil > Etalonnage**.
5. Sélectionnez **Etalonnage de la température en 1 point** (ou **Rég temp**).
6. Saisissez la température exacte et appuyez sur OK.
7. Remplacez le capteur dans le système.

4.4.7 Sortie de la procédure d'étalonnage

1. Pour sortir d'un étalonnage, appuyez sur l'icône de retour.
2. Sélectionnez une option, puis appuyez sur OK.

Option	Description
Abandonner l'étalonnage (ou Annuler)	Arrête l'étalonnage. Un nouvel étalonnage devra repartir du début.
Retour étalon.	Revient à l'étalonnage.
Quitter l'étalonnage (ou Quitter)	Quitte temporairement l'étalonnage. L'accès aux autres menus est autorisé. Il est possible de démarrer un étalonnage pour un deuxième capteur (le cas échéant).

4.4.8 Remettez à zéro le calibrage

L'étalonnage peut être réinitialisé aux paramètres par défaut d'usine. Toutes les informations de capteur sont perdues.

1. Appuyez sur l'icône de menu principal, puis sélectionnez **Appareils**. Une liste d'appareils installés s'affiche.
2. Sélectionnez le capteur et sélectionnez **Menu de l'appareil > Etalonnage**.
3. Sélectionnez **Réinitialisation aux valeurs d'étalonnage par défaut** ou **Réinitialiser les valeurs d'étalonnage par défaut**. (ou **Valeurs défaut**), puis appuyez sur OK.
4. Appuyez à nouveau sur OK.

4.5 Registres Modbus

Une liste de registres Modbus est disponible pour la communication réseau. Consultez le site Internet du fabricant de l'instrument pour plus d'informations.

Section 5 Maintenance

▲ AVERTISSEMENT



Dangers multiples. Seul le personnel qualifié doit effectuer les tâches détaillées dans cette section du document.

▲ AVERTISSEMENT



Risque d'explosion. Ne connectez ou ne déconnectez pas l'instrument si l'environnement n'est pas connu pour être non dangereux. Reportez-vous à la documentation du contrôleur Classe 1, Division 2 pour les instructions relatives aux emplacements dangereux.

▲ AVERTISSEMENT



Danger lié à la pression du fluide. Le retrait d'un capteur d'une enceinte pressurisée peut s'avérer dangereux. Réduisez la pression du processus à moins de 7,25 psi (50 kPa) avant le retrait. Si cela n'est pas possible, procédez avec d'extrêmes précautions. Pour plus d'informations, reportez-vous à la documentation fournie avec le matériel de montage.

▲ AVERTISSEMENT



Risque d'exposition chimique. Respectez les procédures de sécurité du laboratoire et portez tous les équipements de protection personnelle adaptés aux produits chimiques que vous manipulez. Consultez les fiches de données de sécurité (MSDS/SDS) à jour pour connaître les protocoles de sécurité applicables.

▲ ATTENTION



Risque d'exposition chimique. Mettez au rebut les substances chimiques et les déchets conformément aux réglementations locales, régionales et nationales.

5.1 Nettoyage du capteur

Prérequis : Préparer une solution de savon doux avec de l'eau chaude et un détergent pour vaisselle, savon à la main au Borax ou équivalent.

Contrôler régulièrement le capteur pour y détecter les débris et dépôts. Nettoyer le capteur en cas d'accumulation de dépôts ou de dégradation des performances.

1. Utiliser un chiffon doux et propre pour éliminer les débris faciles à décoller de l'extrémité du capteur. Rincer le capteur à l'eau propre et tiède.
2. Immergez le capteur dans la solution savonneuse pendant 2 à 3 minutes.
3. Utiliser une brosse à poils doux pour frotter la totalité de l'extrémité de mesure du capteur. Frotter l'intérieur du tore.
4. S'il reste des débris, laissez tremper l'extrémité du capteur dans une solution d'acide dilué telle que <math>< 5\% \text{ HCl}</math> pendant 5 minutes au maximum.
5. Rincer le capteur à l'eau puis le ramener dans la solution de savon pendant 2 à 3 minutes.
6. Rincez le capteur à l'eau propre.

Procédez toujours à l'étalonnage du capteur une fois les procédures de maintenance effectuées.

Section 6 Dépannage

6.1 Données intermittentes

Pendant l'étalonnage, les données ne sont pas envoyées dans le journal. Le journal de données peut donc comporter des zones où les données sont intermittentes.

6.2 Test du capteur de conductivité

En cas d'échec d'étalonnage, commencer par effectuer les opérations d'entretien décrites dans [Maintenance](#) à la page 37.

1. Déconnectez les fils du capteur.
2. Utilisez un ohmmètre pour tester la résistance entre les câbles du capteur comme indiqué dans le [Tableau 4](#).

Remarque : S'assurer que l'ohmmètre est réglé sur la gamme la plus haute pour toutes les valeurs de résistance infinie (circuit ouvert).

Tableau 4 Mesures de résistance de conductivité

Points de mesure	Résistance
Entre les fils rouge et jaune	1090–1105 ohms à 23–27 °C ⁶
Entre les fils bleu et blanc	Moins de 5 ohms
Entre les fils vert et jaune	Moins de 5 ohms
Entre les fils blanc et de blindage	Infinie (circuit ouvert)

Si une ou plusieurs mesures sont incorrectes, appelez le support technique et fournissez à votre correspondant le numéro de série du capteur et les valeurs de résistance mesurées.

6.3 Menu Diagnostic/Test

Le menu Diagnostic/Test affiche les informations actuelles et historiques relatives au capteur. Voir la section [Tableau 5](#). Appuyez sur l'icône de menu principal, puis sélectionnez **Appareils**. Sélectionnez l'appareil, puis **Menu de l'appareil > Diagnostic/Test**.

Tableau 5 Menu Diagnostic/Test

Option	Description
Module information (Informations sur le module)	Pour les capteurs connectés à un module de conductivité uniquement ; contient la version et le numéro de série du module de conductivité.
Informations du capteur	Pour les capteurs connectés à un module de conductivité ; contient le nom et le numéro de série du capteur saisis par l'utilisateur. Pour les capteurs connectés à une passerelle numérique sc ; contient le numéro de modèle et le numéro de série du capteur. Permet d'afficher la version logicielle et du pilote installée.
Dernière calibration	Pour les capteurs connectés à un module de conductivité uniquement ; indique le nombre de jours depuis le dernier étalonnage.
Historique d'étalonnage	Pour les capteurs connectés à un module de conductivité ; contient la pente d'étalonnage et la date des étalonnages précédents. Pour les capteurs connectés à une passerelle numérique sc ; contient les paramètres de constante de cellule, la correction du décalage et la date du dernier étalonnage.
Réinitialiser l'historique d'étalonnage	Pour les capteurs connectés à un module de conductivité uniquement ; pour l'entretien uniquement

⁶ Une valeur infinie (circuit ouvert) ou de 0 ohm (court-circuit) indique une défaillance.

Tableau 5 Menu Diagnostic/Test (suite)

Option	Description
Signaux de capteur (ou Signaux)	<p>Pour les capteurs connectés à un module de conductivité uniquement ; contient les relevés de conductivité et de température actuels.</p> <p>Pour les capteurs connectés à une passerelle numérique sc ; contient le compteur de convertisseur analogique/numérique de température actuel. Sélectionnez Signal sonde pour afficher le compteur de convertisseur analogique/numérique de mesure actuel ou définir la plage du capteur (par défaut : 6). Sélectionnez Mesure capteur pour afficher le relevé du capteur.</p>
Jours capteur (ou Compteur)	<p>Affiche le nombre de jours de fonctionnement du capteur.</p> <p>Pour les capteurs connectés à une passerelle numérique sc ; sélectionnez Compteur pour afficher le nombre de jours de fonctionnement du capteur. Pour réinitialiser le compteur, sélectionnez Réinitialiser.</p> <p>Réinitialisez le compteur Jours capteur lorsque le capteur est remplacé.</p>
Réinitialiser	<p>Pour les capteurs connectés à un module de conductivité uniquement ; permet de réinitialiser le compteur Jours capteur.</p> <p>Réinitialisez le compteur Jours capteur lorsque le capteur est remplacé.</p>
Calibration d'usine	<p>Pour les capteurs connectés à un module de conductivité uniquement ; pour l'entretien uniquement</p>

6.4 Liste d'erreurs

Lorsqu'une erreur se produit, le relevé clignote sur l'écran de mesure, et toutes les sorties sont maintenues lorsqu'elles sont spécifiées dans le menu TRANSMETTEUR > Sorties L'écran devient rouge. La barre de diagnostic indique l'erreur. Appuyez sur la barre de diagnostic pour afficher les erreurs et les avertissements. Vous pouvez également appuyer sur l'icône de menu principale, puis sélectionnez **Notifications > Erreurs**.

Une liste des erreurs possibles apparaît dans le [Tableau 6](#).

Tableau 6 Liste d'erreurs

Erreur	Description	Résolution
La conductivité est trop élevée.	La valeur mesurée est > 2 S/cm, 1 000 000 ppm, 200 % ou 20 000 ppt.	Vérifiez que la plage de mesure définie pour le paramètre Unité cond est correcte.
La conductivité est trop faible.	La valeur mesurée est < 0 µS/cm, 0 ppm, 0 % ou 0 ppt ou la constante de cellule du capteur est incorrecte.	Assurez-vous que le capteur est configuré pour la constante de cellule correcte.
Le point zéro est trop élevé.	La valeur d'étalonnage du zéro est > 500 000 comptages.	S'assurer que le capteur est tenu dans l'air pendant l'étalonnage de zéro et qu'il ne se trouve pas près d'une source d'interférences de fréquences radio ou électromagnétiques. S'assurer que le câble est blindé par une gaine métallique.
Le point zéro est trop bas.	La valeur d'étalonnage du zéro est < -500 000 comptages.	
La température est trop élevée.	La température mesurée est > 130 °C.	Assurez-vous que l'élément de température sélectionné est correct. Voir Configuration du capteur à la page 30.
La température est trop faible.	La température mesurée est < -10 °C.	
Echec de l'ADC	La conversion analogique-numérique a échoué.	Eteindre et rallumer le contrôleur. Contactez l'assistance technique.

Tableau 6 Liste d'erreurs (suite)

Erreur	Description	Résolution
Capteur manquant	Le capteur est manquant ou débranché.	Contrôlez le câblage et les connexions du capteur et du module (ou de la passerelle numérique). Assurez-vous que le bornier est inséré à fond dans le module, le cas échéant.
La valeur mesurée est hors plage.	Le signal du capteur est en dehors des limites acceptées (2 S/cm).	Vérifiez que la plage de mesure définie pour le paramètre Unité cond est correcte.

6.5 Liste d'avertissements

Un avertissement n'affecte pas le fonctionnement des menus, relais et sorties. L'écran devient orange. La barre de diagnostic affiche l'avertissement. Appuyez sur la barre de diagnostic pour afficher les erreurs et les avertissements. Vous pouvez également appuyer sur l'icône de menu principale, puis sélectionnez **Notifications > Avertissements**.

Une liste d'avertissements possibles apparaît dans le [Tableau 7](#).

Tableau 7 Liste avertissements

Avertissement	Description	Résolution
Le point zéro est trop élevé.	La valeur d'étalonnage du zéro est > 300 000 comptages.	S'assurer que le capteur est tenu dans l'air pendant l'étalonnage de zéro et qu'il ne se trouve pas près d'une source d'interférences de fréquences radio ou électromagnétiques. S'assurer que le câble est blindé par une gaine métallique.
Le point zéro est trop bas.	La valeur d'étalonnage du zéro est < -300 000 comptages.	
La température est trop élevée.	La température mesurée est > 100 °C.	S'assurer que le capteur est configuré avec l'élément de température correct.
La température est trop faible.	La température mesurée est < 0 °C.	
Le délai d'étalonnage est dépassé.	Le délai de rappel d'étalonnage est écoulé.	Étalonner le capteur.
L'appareil n'est pas étalonné.	Le capteur n'a pas été étalonné.	Étalonner le capteur.
Rempl. capteur	La valeur du compteur Jours capteur est supérieure à l'intervalle sélectionné pour le remplacement du capteur. Voir Configuration du capteur à la page 30.	Remplacer le capteur. Réinitialiser le compteur Jours capteur dans le menu Diagnostic/Test > Réinitialiser (ou le menu Diagnostic/Test > Compteur).
Étalonnage en cours...	Un étalonnage a été commencé, mais n'a pas été achevé.	Revenir à l'étalonnage.
Sorties en attente	Pendant l'étalonnage, les sorties ont été placées en maintien pendant une durée sélectionnée.	Les sorties redeviendront actives après la durée sélectionnée. Une autre solution consiste à couper l'alimentation du transmetteur puis à la rétablir.
La compensation de température linéaire est hors plage.	La compensation de température linéaire définie par l'utilisateur est hors plage.	La valeur doit être entre 0 et 4%/°C ; 0 à 200 °C.
La table de compensation de température est hors plage.	La table de compensation de température définie par l'utilisateur est hors plage.	La température est au-dessus ou en-dessous de la plage de température définie par la table.
Table de concentration utilisateur incorrecte.	La mesure de concentration est en dehors de la plage de la table utilisateur.	S'assurer que la table utilisateur est définie pour la plage de mesure correcte.

Tableau 7 Liste avertissements (suite)

Avertissement	Description	Résolution
Table de température intégrée incorrecte.	La température mesurée est en dehors de la plage de la table de compensation de température intégrée.	S'assurer que la compensation de température est configurée correctement.
Table de concentration intégrée incorrecte.	La mesure de concentration est en dehors de la plage de la table de concentration intégrée.	S'assurer que la mesure de concentration est configurée pour l'espèce chimique et la plage correctes.

6.6 Liste d'événements

La barre de diagnostic affiche les activités en cours, telles que les modifications de configuration, les alarmes, les avertissements, etc. Une liste des événements possibles apparaît dans le [Tableau 8](#). Les événements précédents sont enregistrés dans le journal d'événements, qui peut être téléchargé depuis le transmetteur. Reportez-vous à la documentation du transmetteur pour connaître les options d'extraction de données.

Tableau 8 Liste d'événements

Événement	Description
Étalonnage prêt	Le capteur est prêt pour l'étalonnage.
L'étalonnage est OK.	L'étalonnage en cours est correct.
Le délai a expiré.	Le temps de stabilisation pendant l'étalonnage est écoulé.
La calibration a échoué.	L'étalonnage a échoué.
L'étalonnage est élevé.	La valeur d'étalonnage est au-dessus de la limite supérieure.
La valeur K est hors plage.	La constante de cellule K est en dehors de la plage d'étalonnage en cours.
Le relevé est instable.	Le relevé pendant l'étalonnage était instable.
Changement de configuration valeur de nombre flottant	La configuration a été modifiée - type virgule flottante.
Changement de configuration valeur textuelle	La configuration a été modifiée - type texte.
Changement de configuration valeur de nombre entier	La configuration a été modifiée - valeur de type entier.
Changement de configuration	La configuration a été réinitialisée aux options par défaut.
Mise sous tension.	L'alimentation a été activée.
Echec de l'ADC	La conversion de l'analogique au numérique a échoué (défaillance matérielle).
Effacer la mise à jour	La mémoire a été effacée.
Température	La température enregistrée est trop haute ou trop basse (-20 à 200 °C).
L'étalonnage d'échantillon a commencé.	Début d'étalonnage en conductivité
L'étalonnage d'échantillon est terminé.	Fin d'étalonnage en conductivité
L'étalonnage zéro a commencé.	Début d'étalonnage de zéro
L'étalonnage zéro est terminé.	Fin d'étalonnage de zéro
L'étalonnage de solution de conductivité a commencé.	Début d'étalonnage de la solution de référence de conductivité

Tableau 8 Liste d'événements (suite)

Evénement	Description
L'étalonnage de solution de conductivité est terminé.	Fin d'étalonnage de la solution de référence de conductivité
L'étalonnage TDS a commencé.	Début de l'étalonnage de TDS
L'étalonnage TDS est terminé.	Fin de l'étalonnage de TDS
L'étalonnage de concentration a commencé.	Début de l'étalonnage de concentration
L'étalonnage de concentration est terminé.	Fin de l'étalonnage de concentration
L'étalonnage de salinité a commencé.	Début de l'étalonnage de salinité
L'étalonnage de salinité est terminé.	Fin de l'étalonnage de salinité

Section 7 Pièces et accessoires de rechange

▲ AVERTISSEMENT



Risque de blessures corporelles. L'utilisation de pièces non approuvées comporte un risque de blessure, d'endommagement de l'appareil ou de panne d'équipement. Les pièces de rechange de cette section sont approuvées par le fabricant.

Remarque : Les numéros de référence de produit et d'article peuvent dépendre des régions de commercialisation. Prenez contact avec le distributeur approprié ou consultez le site web de la société pour connaître les personnes à contacter.

Consommables

Description	Quantité	Article n°
Solution de référence de conductivité, 100 µS/cm	1 L	25M3A2000-100
Solution de référence de conductivité, 500 µS/cm	1 L	25M3A2000-500
Solution de référence de conductivité, 1 000 µS/cm	1 l	25M3A2000-1000
Solution de référence de conductivité, 1 990 µS/cm	100 mL	210542

Pièces et accessoires

Description	Article No.
Module de conductivité pour contrôleur SC4500	LXZ525.99.D0004
Passerelle numérique sc pour capteur de conductivité inductive	6120800
Joint, EPDM, pour capteurs sanitaires 2 po	9H1327
Boîte de dérivation, aluminium	60A2053
Boîte de dérivation, NEMA-4X	76A4010-001
Elément de fixation sanitaire, 2 po renforcé	9H1132
Cache, 2 pouces, sanitaire	70F1037-003

Accessoires

Description	Article n°
Câble d'extension numérique, 1 m (3,2 pi)	6122400
Câble d'extension numérique, 7,7 m (25 pi)	5796000
Câble d'extension numérique, 15 m (50 pi)	5796100
Câble d'extension numérique, 30 m (100 pi)	5796200

Accessoires pour emplacements C1D2

Description	Article n°
Câble d'extension numérique avec deux verrouillages de sécurité de connecteur, 1 m (3,2 pi)	6122401
Câble d'extension numérique avec deux verrouillages de sécurité de connecteur, 7,7 m (25 pi)	5796001
Câble d'extension numérique avec deux verrouillages de sécurité de connecteur, 15 m (50 pi)	5796101
Câble d'extension numérique avec deux verrouillages de sécurité de connecteur, 30 m (100 pi)	5796201
Verrouillage de sécurité pour raccord à connexion rapide, installations de classe 1, division 2	6139900

Tabla de contenidos

- 1 [Especificaciones](#) en la página 45
- 2 [Información general](#) en la página 46
- 3 [Instalación](#) en la página 48
- 4 [Funcionamiento](#) en la página 51
- 5 [Mantenimiento](#) en la página 59
- 6 [Solución de problemas](#) en la página 60
- 7 [Piezas de repuesto y accesorios](#) en la página 65

Sección 1 Especificaciones

Las especificaciones están sujetas a cambios sin previo aviso.

Especificación	Datos
Dimensiones	Consulte la Figura 1 en la página 47.
Grado de contaminación	2
Categoría de sobretensión	I
Clase de protección	III
Altitud	2000 m (6562 pies) máximo
Temperatura de funcionamiento	De -20 a 60 °C (de -4 a 140 °F)
Temperatura de almacenamiento	De -20 a 70 °C (de -4 a 158 °F)
Peso	Aproximadamente 1 kg (2,2 lb)
Materiales en contacto con el agua	Polipropileno, PVDF, PEEK o PFA
Cable del sensor	5 conductores (más dos protecciones aisladas), 6 m (20 pies); con valor nominal de 150 °C (302 °F), polipropileno
Rango de conductividad	De 0,0 a 200,0 µS/cm; de 0 a 2 000 000 µS/cm
Exactitud	0,01 % de la lectura, todos los rangos
Repetibilidad/precisión	>500 µS/cm: ±0,5 % de la lectura; <500 µS/cm: ±5 µS/cm
Velocidad de muestra	0–3 m/s (0–20 pies/s)
Límite de temperatura/presión	Polipropileno: 100 °C a 6,9 bar (212 °F a 100 psi); PVDF: 120 °C a 6,9 bares (248 °F a 100 psi); PEEK y PFA: 200 °C a 13,8 bar (392 °F a 200 psi)
Distancia de transmisión	De 200 a 2000 µS/cm: 61 m (200 pies); de 2000 a 2 000 000 µS/cm: 91 m (300 pies)
Rango de medición de temperatura	De -10 a 135 °C (de 14 a 275 °F) limitado por el material del cuerpo del sensor
Sensor de temperatura	Pt 1000 RTD
Métodos de calibración	Calibración de cero, calibración de 1 punto de la conductividad y calibración de 1 punto de la temperatura
Interfaz del sensor	Modbus
Certificaciones	Indicados por ETL (EE. UU. y Canadá) para su uso en lugares peligrosos de Clase 1, División 2, Grupos A, B, C, D, código de temperatura T4 con un controlador SC de Hach. Conforme a: CE, UKCA, FCC, ISED, ACMA, KC y CMIM. Sensores sanitarios certificados por 3A.
Garantía	1 año; 2 años (UE)

Sección 2 Información general

El fabricante no será responsable en ningún caso de los daños resultantes de un uso inadecuado del producto o del incumplimiento de las instrucciones del manual. El fabricante se reserva el derecho a modificar este manual y los productos que describen en cualquier momento, sin aviso ni obligación. Las ediciones revisadas se encuentran en la página web del fabricante.

2.1 Información de seguridad

El fabricante no es responsable de ningún daño debido a un mal uso de este producto incluyendo, sin limitación, daños directos, fortuitos o circunstanciales y reclamaciones sobre los daños que no estén recogidos en la legislación vigente. El usuario es el único responsable de identificar los riesgos críticos y de instalar los mecanismos adecuados de protección de los procesos en caso de un posible mal funcionamiento del equipo.

Sírvase leer todo el manual antes de desembalar, instalar o trabajar con este equipo. Ponga atención a todas las advertencias y avisos de peligro. El no hacerlo puede provocar heridas graves al usuario o daños al equipo.

Asegúrese de que la protección proporcionada por el equipo no está dañada. No utilice ni instale este equipo de manera distinta a lo especificado en este manual.

2.1.1 Uso de la información relativa a riesgos

PELIGRO

Indica una situación potencial o de riesgo inminente que, de no evitarse, provocará la muerte o lesiones graves.

ADVERTENCIA

Indica una situación potencial o inminentemente peligrosa que, de no evitarse, podría provocar la muerte o lesiones graves.

PRECAUCIÓN



Indica una situación potencialmente peligrosa que podría provocar una lesión menor o moderada.

AVISO

Indica una situación que, si no se evita, puede provocar daños en el instrumento. Información que requiere especial énfasis.

2.1.2 Etiquetas de precaución

Lea todas las etiquetas y rótulos adheridos al instrumento. En caso contrario, podrían producirse heridas personales o daños en el instrumento. El símbolo que aparezca en el instrumento se comentará en el manual con una declaración de precaución.

	Este símbolo (en caso de estar colocado en el equipo) hace referencia a las instrucciones de uso o a la información de seguridad del manual.
	En Europa, el equipo eléctrico marcado con este símbolo no se debe desechar mediante el servicio de recogida de basura doméstica o pública. Devuelva los equipos viejos o que hayan alcanzado el término de su vida útil al fabricante para su eliminación sin cargo para el usuario.

2.2 Descripción general del producto

▲ PELIGRO



Peligro químico o biológico. Si este instrumento se usa para controlar un proceso de tratamiento y/o un sistema de suministro químico para el que existan límites normativos y requisitos de control relacionados con la salud pública, la seguridad pública, la fabricación o procesamiento de alimentos o bebidas, es responsabilidad del usuario de este instrumento conocer y cumplir toda normativa aplicable y disponer de mecanismos adecuados y suficientes que satisfagan las normativas vigentes en caso de mal funcionamiento del equipo.

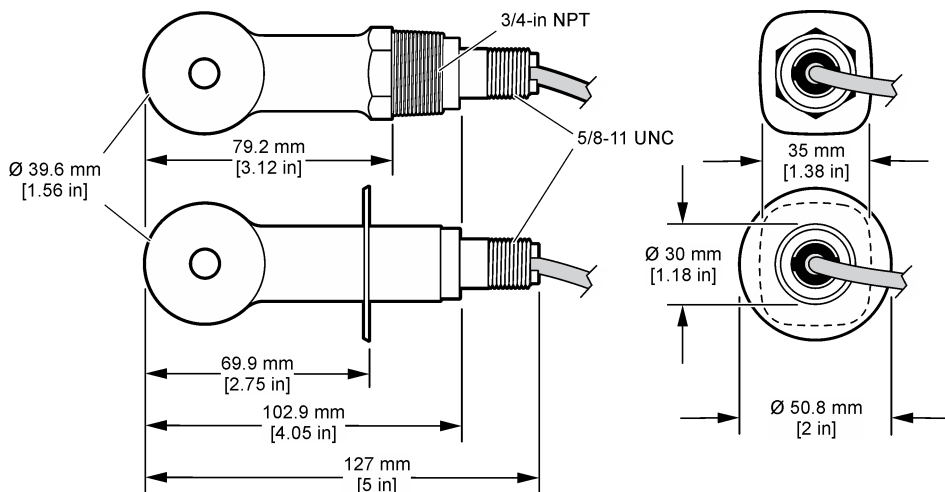
AVISO

Durante el uso de este sensor se pueden producir fisuras en el revestimiento, lo que dejaría expuesto el material interior al entorno en el que se ha sumergido el sensor. Por lo tanto, este sensor no se ha desarrollado ni pensado para utilizarse en aplicaciones en las que el líquido deba cumplir con ciertos parámetros de pureza y limpieza y en las que la contaminación pueda producir daños considerables. Estas aplicaciones normalmente incluyen aplicaciones de fabricación de semiconductores y pueden incluir otras aplicaciones en las que el usuario deba evaluar el riesgo de contaminación y el consecuente impacto en la calidad del producto. El fabricante desaconseja el uso del sensor en estas aplicaciones y no asume responsabilidad alguna sobre las reclamaciones o los daños producidos como resultado del uso del sensor en o en relación a estas aplicaciones.

Este sensor está diseñado para trabajar con un controlador para la recolección de datos y operación. Con este sensor se pueden utilizar diferentes controladores. Este documento da por sentado que el sensor tiene instalado y utiliza un controlador SC4500. Para utilizar el sensor con otros controladores, consulte el manual del usuario del controlador que está utilizando.

Consulte la [Figura 1](#) para ver las dimensiones del sensor.

Figura 1 Dimensiones

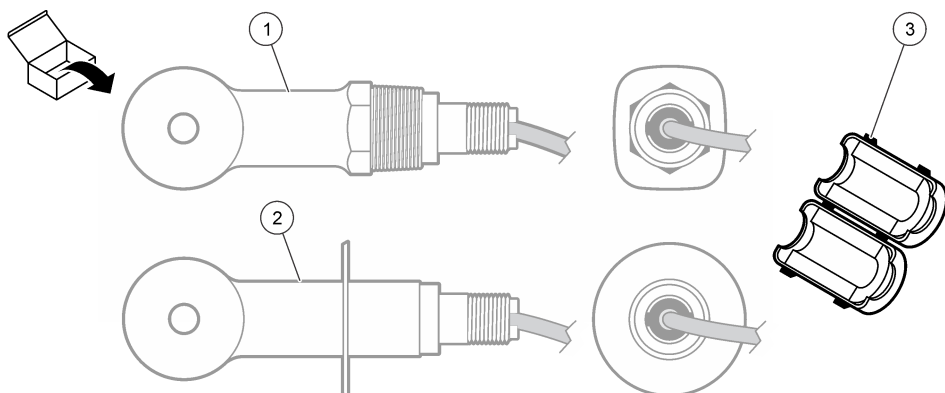


2.3 Componentes del producto

Asegúrese de que ha recibido todos los componentes. Consulte la [Figura 2](#) y la [Figura 3](#). Si faltan artículos o están dañados, póngase en contacto con el fabricante o el representante de ventas inmediatamente.

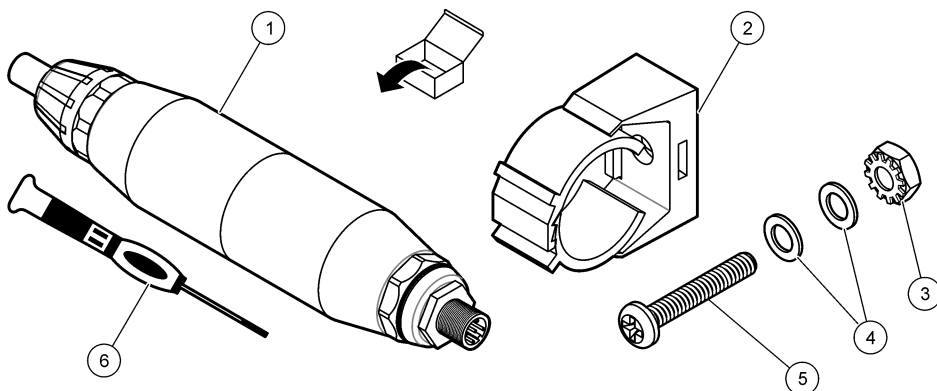
Nota: El sensor se puede solicitar sin el gateway digital que se muestra en la [Figura 3](#).

Figura 2 Componentes del sensor



<p>1 Sensor convertible: para instalación en conectores en T o en un contenedor abierto con el herraje de fijación correspondiente</p>	<p>3 Ferrita</p>
<p>2 Sensor estilo sanitario: para instalación en un tubo en T de dos 2 pulgadas</p>	

Figura 3 Componentes del gateway digital



<p>1 Gateway digital</p>	<p>4 Arandela plana, n.º 8 (2x)</p>
<p>2 Soporte de montaje</p>	<p>5 Tornillo, cabeza hendida en cruz, n.º 8-32 x 1,25 pulg.</p>
<p>3 Tuerca con arandela de seguridad, n.º 8-32</p>	<p>6 Destornillador (para bloque terminal)</p>

Sección 3 Instalación

▲ ADVERTENCIA



Peligros diversos. Solo el personal cualificado debe realizar las tareas descritas en esta sección del documento.

3.1 Instalación del sensor en el caudal de muestra

▲ ADVERTENCIA



Peligro de explosión. Para la instalación en ubicaciones peligrosas (clasificadas como tales), consulte las instrucciones y los diagramas de control de la documentación del controlador Clase 1, División 2. Instale el sensor de conformidad con los códigos locales, regionales y nacionales. No conecte o desconecte el instrumento a menos que se sepa que el entorno no es peligroso.

▲ ADVERTENCIA

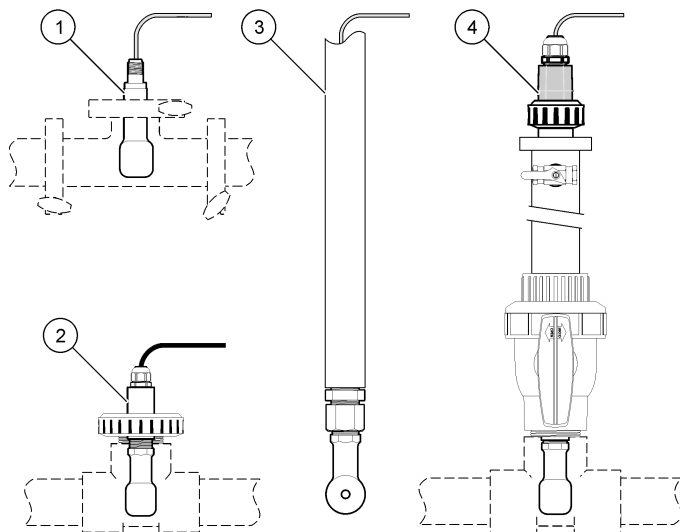


Peligro de explosión. Asegúrese de que el kit de montaje para el sensor tenga la temperatura y el valor nominal de presión adecuados para el lugar de montaje.

Consulte la [Figura 4](#) para obtener información sobre la instalación del sensor en diferentes aplicaciones. Es necesario calibrar el sensor antes de utilizarlo. Consulte la sección [Calibración del sensor](#) en la página 55.

Asegúrese de que el cable del sensor está conectado de forma que se evite la exposición a campos con elevada carga electromagnética (p. ej., transmisores, motores y equipos de conmutación). La exposición a estos campos pueden provocar resultados imprecisos.

Figura 4 Ejemplos de montaje



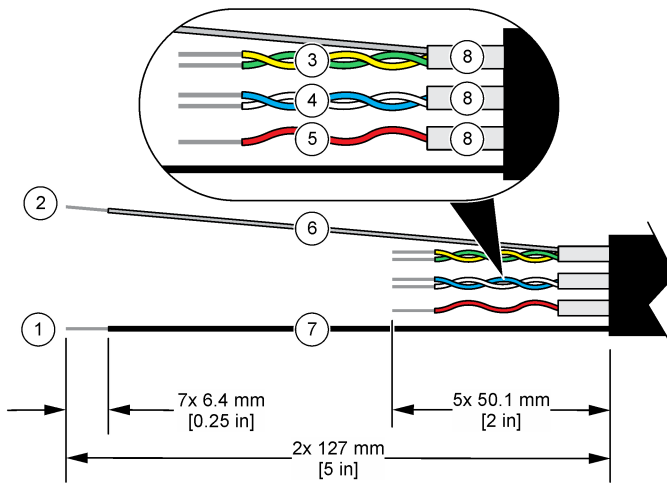
1 Montaje sobre brida sanitaria (CPI)	3 Extremo de la inmersión del tubo
2 Montaje de empalme en T	4 Inserción de válvula esférica

3.2 Instalación eléctrica

3.2.1 Preparación de los cables del sensor

Si cambia la longitud del cable del sensor, prepare los cables como se muestra en la [Figura 5](#).

Figura 5 Preparación de los cables



1 Hilo de blindaje externo ¹	5 Cable rojizo
2 Hilo de blindaje interno ²	6 Tubería transparente contráctil por calentamiento ³
3 Par trenzado, cables amarillo y verde	7 Tubería negra contráctil por calentamiento ³
4 Par trenzado, cables blanco y azul	8 Blindajes con conductor interno ⁴

3.2.2 Indicaciones para la descarga electrostática

AVISO



Daño potencial al instrumento. Los delicados componentes electrónicos internos pueden sufrir daños debido a la electricidad estática, lo que acarrearía una disminución del rendimiento del instrumento y posibles fallos.

Consulte los pasos en este procedimiento para evitar daños de descarga electrostática en el instrumento:

- Toque una superficie metálica a tierra como el chasis de un instrumento, un conducto metálico o un tubo para descargar la electricidad estática del cuerpo.
- Evite el movimiento excesivo. Transporte los componentes sensibles a la electricidad estática en envases o paquetes anti-estáticos.
- Utilice una muñequera conectada a tierra mediante un alambre.
- Trabaje en una zona sin electricidad estática con alfombras antiestáticas y tapetes antiestáticos para mesas de trabajo.

¹ Hilo de blindaje para el cable del sensor

² Hilo de blindaje para los cables trenzados verde y amarillo

³ Suministrado por el usuario

⁴ Los blindajes con conductor interno son tubos metálicos con un interior conductor y un exterior no conductor. Asegúrese de mantener el aislamiento eléctrico del interior conductor con respecto al exterior no conductor. Asegúrese de que el conducto dentro de los blindajes no quede expuesto.

3.2.3 Conexión del sensor a un controlador SC

Utilice una de las siguientes opciones para conectar el sensor a un controlador SC:

- Instale un módulo de sensor en el controlador SC. A continuación, conecte los cables pelados del sensor al módulo del sensor. El módulo del sensor convierte la señal analógica del sensor en una señal digital.
- Conecte los cables pelados del sensor a un gateway digital SC y, seguidamente, conecte el gateway digital SC al controlador SC. El gateway digital convierte la señal analógica del sensor en una señal digital.

Consulte las instrucciones suministradas con el módulo del sensor o el gateway digital SC. Consulte la sección [Piezas de repuesto y accesorios](#) en la página 65 para obtener información sobre la realización de pedidos.

3.2.4 Transmisor de conductividad sin electrodos modelo E3 de la serie PRO

Para conectar el sensor a un transmisor de conductividad sin electrodos modelo E3 de la serie PRO, corte la alimentación del transmisor y consulte la [Figura 6](#) y la [Tabla 1](#).

Figura 6 Conexión del sensor al transmisor

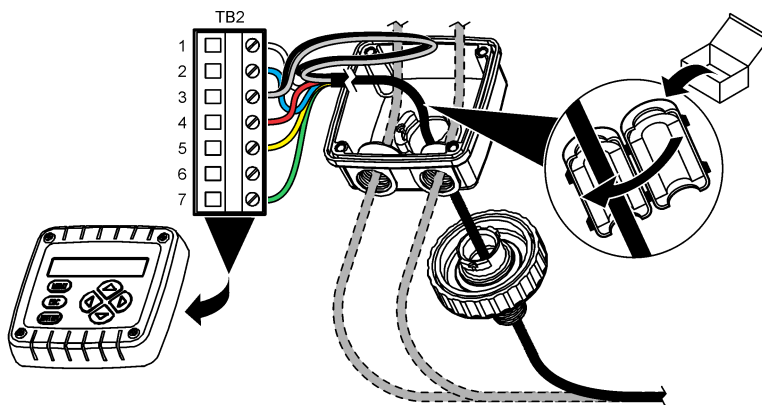


Tabla 1 Información sobre cables del sensor

Terminal (TB2)	Cable	Terminal (TB2)	Cable
1	Blanco	4	Rojo
2	Azul	5	Amarillo
3	Transparente (blindaje interno) ⁵	6	—
3	Negro (blindaje externo) ⁵	7	Verde

Sección 4 Funcionamiento

▲ ADVERTENCIA



Peligro de incendio. Este producto no ha sido diseñado para utilizarse con líquidos inflamables.

⁵ Para lograr la máxima protección del ruido eléctrico, conecte el cable conductor interno protegido y el cable conductor externo con soldadura antes de colocarlos en el bloque terminal.

4.1 Navegación por los menús

Consulte la documentación del controlador para obtener una descripción de la pantalla táctil e información sobre cómo desplazarse por ella.

4.2 Configuración del sensor

Utilice el menú Configuración para introducir la información de identificación del sensor y para cambiar las opciones para el manejo y almacenamiento de datos.

1. Seleccione el icono del menú principal y, a continuación, seleccione **Dispositivos**. Aparecerá una lista de todos los dispositivos disponibles.
2. Seleccione el sensor y, seguidamente, **Menú del dispositivo > Configuración**.
3. Seleccione una opción.
 - Para los sensores conectados a un módulo de conductividad, consulte la [Tabla 2](#).
 - Para los sensores conectados a un gateway digital SC, consulte la [Tabla 3](#).

Tabla 2 Sensores conectados a un módulo de conductividad

Opción	Descripción
Nombre	Cambia el nombre que corresponde al sensor en la parte superior de la pantalla de medición. El nombre puede contener hasta 16 caracteres en cualquier combinación de letras, números, espacios y signos de puntuación.
N.º serie del sensor	Permite al usuario introducir el número de serie del sensor. El número puede contener hasta 16 caracteres en cualquier combinación de letras, números, espacios y signos de puntuación.
Tipo de medición	Cambia el parámetro medido a Conductividad (configuración predeterminada), Concentración, TDS (sólidos totales disueltos) o Salinidad. Al cambiar el parámetro, todos los demás ajustes configurados se restablecen a los valores predeterminados.
Formato	Cambia la cantidad de posiciones decimales que se pueden ver en la pantalla de medición a Auto, X,XXX, XX,XX o XXX,X. Cuando se selecciona Auto, las posiciones decimales cambian automáticamente. <i>Nota: La opción Auto solo está disponible cuando el ajuste Tipo de medición está establecido en Conductividad.</i>
Unidad de conductividad	<i>Nota: El ajuste Unidad de conductividad solo está disponible cuando el ajuste Tipo de medición está establecido en Conductividad o Concentración.</i> Cambia las unidades de conductividad: Auto, µS/cm, mS/cm o S/cm.
Temperatura	Establece las unidades de temperatura en °C (configuración predeterminada) o °F.
Compensación T	Añade una corrección dependiente de la temperatura al valor obtenido en la medición: Ninguno, Lineal (configuración predeterminada: 2,0 %/°C, 25 °C), Agua natural o Tabla de compensación de temperatura. Cuando se selecciona la opción Tabla de compensación de temperatura, el usuario puede introducir puntos x,y (°C, %/°C) en orden ascendente. <i>Nota: La opción Agua natural no está disponible cuando el ajuste Tipo de medición está establecido en TDS o Concentración.</i>
Medición de la concentración	<i>Nota: El ajuste Medición de la concentración solo está disponible cuando el ajuste Tipo de medición está establecido en Concentración.</i> Establece el tipo de tabla de configuración que se va a utilizar: Integrado (configuración predeterminada) o Tabla de compensación del usuario. Al seleccionar Integrado, el usuario puede seleccionar la sustancia química que se está midiendo: H ₃ PO ₄ : 0–40 %; HCl: 0–18 % o 22–36 %; NaOH: 0–16 %; CaCl ₂ : 0–22 %; HNO ₃ : 0–28 % o 36–96 %; H ₂ SO ₄ : 0–30 %, 40–80 % o 93–99 %; IC: 0–30 %; NaCl: 0–25 %; HBr, KOH o agua de mar. Cuando se selecciona la opción Tabla de compensación del usuario, el usuario puede introducir puntos x,y (conductividad, %) en orden ascendente.

Tabla 2 Sensores conectados a un módulo de conductividad (continúa)

Opción	Descripción
TDS (sólidos totales disueltos)	<p><i>Nota: El ajuste TDS (sólidos totales disueltos) solo está disponible cuando el ajuste Tipo de medición está establecido en TDS.</i></p> <p>Establece el factor que se utiliza para convertir la conductividad en TDS: NaCl (configuración predeterminada) o Personalizado (introduzca un factor entre 0,01 y 99,99 ppm/μS, configuración predeterminada: 0,49 ppm/μS).</p>
Elemento de temperatura	<p>Establece el elemento de temperatura para la compensación automática de la temperatura en PT100, PT1000 (configuración predeterminada) o Manual. Si no se utiliza ningún elemento, establézcalo en Manual y establezca un valor para la compensación de temperatura (configuración predeterminada: 25 °C).</p> <p>Cuando la opción Elemento de temperatura se establece en PT100 o PT1000, consulte la sección Regule el factor T para las longitudes de cable que no son los estándar en la página 55 para establecer el ajuste Factor T.</p> <p><i>Nota: Si la opción Elemento de temperatura se establece en Manual y se sustituye el sensor o se restablecen los días del sensor, el Elemento de temperatura vuelve automáticamente a la configuración predeterminada (PT1000).</i></p>
Parámetros de constante de celda	<p>Cambia la constante de la celda al valor K certificado real de la etiqueta en el cable del sensor. Al introducir el valor K certificado, se define la curva de calibración. Configuración predeterminada: 4,70.</p>
Filtro	<p>Establece una constante de tiempo para incrementar la estabilidad de la señal. La constante de tiempo calcula el valor promedio durante un tiempo determinado: desde 0 (sin efecto, configuración predeterminada) hasta 200 segundos (promedio de valor de la señal para 200 segundos). El filtro incrementa el tiempo de la señal del sensor para responder a los cambios reales del proceso.</p>
Intervalo de registro de datos	<p>Establece el intervalo de tiempo para el almacenamiento de mediciones del sensor y la temperatura en el registro de datos: 5 o 30 segundos, 1, 2, 5, 10, 15 (configuración predeterminada), 30 o 60 minutos.</p>
Restablecer valores predeterminados	<p>Establece los valores predeterminados de fábrica en el menú Configuración y pone a cero los contadores. Se perderá toda la información del sensor.</p>

Tabla 3 Sensores conectados a gateway digital SC

Opción	Descripción
Nombre	<p>Cambia el nombre que corresponde al sensor en la parte superior de la pantalla de medición. El nombre puede contener hasta 16 caracteres en cualquier combinación de letras, números, espacios y signos de puntuación.</p>
Tipo de medición	<p>Cambia el parámetro medido a Conductividad (configuración predeterminada), Concentración, TDS (sólidos totales disueltos) o Salinidad. Al cambiar el parámetro, todos los demás ajustes configurados se restablecen a los valores predeterminados.</p>
Unidad de conductividad	<p><i>Nota: El ajuste Unidad de conductividad solo está disponible cuando el ajuste Tipo de medición está establecido en Conductividad, Concentración o Salinidad.</i></p> <p>Cambia las unidades de conductividad: μS/cm (configuración predeterminada), mS/cm o S/cm.</p>
Parámetros de constante de celda	<p><i>Nota: El ajuste Parámetros de constante de celda solo está disponible cuando el ajuste Tipo de medición está establecido en Conductividad o Salinidad.</i></p> <p>Cambia la constante de la celda al valor K certificado real de la etiqueta en el cable del sensor. Al introducir el valor K certificado, se define la curva de calibración. Configuración predeterminada: 4,70.</p>

Tabla 3 Sensores conectados a gateway digital SC (continúa)

Opción	Descripción
Medición de la concentración	<p><i>Nota: El ajuste Medición de la concentración solo está disponible cuando el ajuste Tipo de medición está establecido en Concentración.</i></p> <p>Establece el tipo de tabla de configuración que se va a utilizar: Integrado (configuración predeterminada) o Definido por el usuario.</p> <p>Al seleccionar Integrado, el usuario puede seleccionar la sustancia química que se está midiendo: H₃PO₄: 0–40 %; HCl: 0–18 % o 22–36 %; NaOH: 0–16 %; CaCl₂: 0–22 %; HNO₃: 0–28 % o 36–96 %; H₂SO₄: 0–30 %, 40–80 % o 93–99 %; HF: 0–30 %.</p> <p>Cuando se selecciona la opción Definido por el usuario, el usuario puede introducir puntos x,y (conductividad, %) en orden ascendente.</p>
TDS (sólidos totales disueltos)	<p><i>Nota: El ajuste TDS (sólidos totales disueltos) solo está disponible cuando el ajuste Tipo de medición está establecido en TDS.</i></p> <p>Establece el factor que se utiliza para convertir la conductividad en TDS: NaCl (configuración predeterminada) o Definido por el usuario (introduzca un factor entre 0,01 y 99,99 ppm/μS, configuración predeterminada: 0,49 ppm/μS).</p>
Temperatura	Establece las unidades de temperatura en °C (configuración predeterminada) o °F.
Compensación T	<p>Añade una corrección dependiente de la temperatura al valor obtenido en la medición: Ninguno, Lineal (configuración predeterminada: 2,0 %/°C, 25 °C), Agua natural o Tabla de compensación de temperatura.</p> <p>Cuando se selecciona la opción Tabla de compensación de temperatura, el usuario puede introducir puntos x,y (°C, %/°C) en orden ascendente.</p> <p><i>Nota: La opción Agua natural no está disponible cuando el ajuste Tipo de medición está establecido en TDS.</i></p> <p><i>Nota: El ajuste Compensación T se establece en Ninguno cuando el ajuste Tipo de medición está establecido en Concentración.</i></p>
Intervalo de registro de datos	Establece el intervalo de tiempo para el almacenamiento de mediciones del sensor y la temperatura en el registro de datos: Deshabilitado (configuración predeterminada), 5, 10, 15 o 30 segundos, 1, 5, 10, 15 o 30 minutos o 1, 2, 6 o 12 horas.
Frecuencia de corriente alterna	Permite seleccionar la frecuencia de la línea de alimentación para obtener la mejor reducción de interferencia. Opciones: 50 o 60 Hz (configuración predeterminada).
Filtro	Establece una constante de tiempo para incrementar la estabilidad de la señal. La constante de tiempo calcula el valor promedio durante un tiempo determinado: desde 0 (sin efecto, configuración predeterminada) hasta 60 segundos (promedio de valor de la señal para 60 segundos). El filtro incrementa el tiempo de la señal del sensor para responder a los cambios reales del proceso.
Elemento de temperatura	<p>Establece el elemento de temperatura para la compensación automática de la temperatura en PT1000 (configuración predeterminada) o Manual. Si no se utiliza ningún elemento, establézcalo en Manual y establezca un valor para la compensación de temperatura (configuración predeterminada: 25 °C).</p> <p>Cuando la opción Elemento de temperatura se establece en PT1000, consulte la sección Regule el factor T para las longitudes de cable que no son los estándar en la página 55 para establecer el ajuste Factor.</p> <p><i>Nota: Si la opción Elemento de temperatura se establece en Manual y se sustituye el sensor o se restablecen los días del sensor, el Elemento de temperatura vuelve automáticamente a la configuración predeterminada (PT1000).</i></p>
Última calibración	<p>Establece un recordatorio para la siguiente calibración (configuración predeterminada: 60 días). Aparecerá un recordatorio para calibrar el sensor en la pantalla después del intervalo seleccionado a partir de la fecha de la última calibración.</p> <p>Por ejemplo, si la fecha de la última calibración fue el 15 de junio y la Última calibración se establece en 60 días, aparecerá un recordatorio de calibración en la pantalla el 14 de agosto. Si el sensor se calibra antes del 14 de agosto, el 15 de julio, aparecerá un recordatorio de calibración en la pantalla para el 13 de septiembre.</p>

Tabla 3 Sensores conectados a gateway digital SC (continúa)


Opción	Descripción
Días del sensor	Establece un recordatorio para la sustitución del sensor (configuración predeterminada: 365 días). Después del intervalo seleccionado, aparece un recordatorio de sustitución del sensor en la pantalla. El contador de Días del sensor aparece en el menú Diagnóstico/prueba > Contador. Cuando sustituya el sensor, ponga a cero el contador de Días del sensor del menú Diagnóstico/prueba > Contador.
Restablecer configuración	Establece los valores predeterminados de fábrica en el menú Configuración y pone a cero los contadores. Se perderá toda la información del sensor.


4.3 Regule el factor T para las longitudes de cable que no son los estándar


Al alargar o acortar el cable del sensor de 6 m estándar (20 pies), la resistencia del cable cambia. Este cambio disminuye la exactitud de las mediciones de temperatura. Para corregir esta diferencia, calcule un nuevo factor T.

1. Mida la temperatura de una solución con el sensor y con un instrumento confiable independiente como, por ejemplo, un termómetro.
2. Registre la diferencia entre la temperatura medida con el sensor y la medida con la fuente independiente (real).
Por ejemplo, si la temperatura real es 50 °C y la lectura del sensor es 53 °C, la diferencia es de 3 °C.
3. Multiplique esta diferencia por 3,85 para obtener el valor de ajuste.
Ejemplo: 3 x 3,85 = 11,55.
4. Calcule un factor T nuevo:
 - Temperatura del sensor > real: añada el valor de ajuste al factor T presente en la etiqueta del cable del sensor.
 - Temperatura del sensor < real: reste el valor de ajuste del factor T presente en la etiqueta del cable del sensor.
5. Seleccione **Configuración > Elemento de temperatura > Factor T** (o **Factor**) e introduzca el nuevo factor T.

4.4 Calibración del sensor

⚠ ADVERTENCIA	
	Peligro de presión de líquido. Extraer un sensor de un recipiente presurizado puede ser peligroso. Reduzca la presión del proceso a menos de 7,25 psi (50 kPa) antes de la extracción. Si esto no es posible, tome todas las precauciones al hacerlo. Consulte la documentación suministrada con el kit de montaje para obtener más información.

⚠ ADVERTENCIA	
	Peligro por exposición química. Respete los procedimientos de seguridad del laboratorio y utilice el equipo de protección personal adecuado para las sustancias químicas que vaya a manipular. Consulte los protocolos de seguridad en las hojas de datos de seguridad actuales (MSDS/SDS).

⚠ PRECAUCIÓN	
	Peligro por exposición a productos químicos. Deshágase de los productos químicos y los residuos de acuerdo con las normativas locales, regionales y nacionales.

4.4.1 Acerca de la calibración del sensor

Debe utilizarse el método de calibración en húmedo para calibrar el sensor de conductividad:

- **Calibración en húmedo:** utilice aire (Calibración cero) y una solución de referencia o muestra de valor conocido para definir una curva de calibración. Se recomienda una calibración con solución de referencia para lograr una mejor exactitud. Al utilizar la muestra del proceso, se deberá determinar el valor de referencia con un instrumento de verificación secundario. Asegúrese de introducir el factor T en la opción Elemento de temperatura del menú Configuración para una compensación exacta de la temperatura.

Durante la calibración, los datos no se envían al registro de datos. De este modo, el registro de datos puede tener áreas en las que los datos sean intermitentes.

4.4.2 Cambio de las opciones de calibración

Para sensores conectados a un módulo de conductividad, el usuario puede configurar un recordatorio o incluir un identificador de operador con los datos de calibración del menú Opciones de calibración.

Nota: Este procedimiento no es aplicable a los sensores conectados a un gateway digital SC.

1. Seleccione el icono del menú principal y, a continuación, seleccione **Dispositivos**. Aparecerá una lista de todos los dispositivos disponibles.
2. Seleccione el sensor y, seguidamente, **Menú del dispositivo > Calibración**.
3. Seleccione **Opciones de calibración**.
4. Seleccione una opción.

Opción	Descripción
Recordatorio de calibración	Configura un recordatorio para la siguiente calibración (configuración predeterminada: Apagado). Aparecerá un recordatorio para calibrar el sensor en la pantalla después del intervalo seleccionado a partir de la fecha de la última calibración. Por ejemplo, si la fecha de la última calibración fue el 15 de junio y la Última calibración se establece en 60 días, aparecerá un recordatorio de calibración en la pantalla el 14 de agosto. Si el sensor se calibra antes del 14 de agosto, el 15 de julio, aparecerá un recordatorio de calibración en la pantalla para el 13 de septiembre.
ID de operador para calibración	Incluye una identificación del operador con los datos de calibración: Sí o No (configuración predeterminada). La identificación se ingresa durante la calibración.

4.4.3 Procedimiento de calibración de cero

Utilice el procedimiento de calibración de cero para definir el punto cero exclusivo del sensor de conductividad. El punto cero se debe definir antes de calibrar el sensor por primera vez con una solución de referencia o con una muestra del proceso.

1. Retire el sensor del proceso. Pase un paño limpio por el sensor o utilice aire comprimido para asegurarse de que el sensor está limpio y seco.
2. Seleccione el icono del menú principal y, a continuación, seleccione **Dispositivos**. Aparecerá una lista de todos los dispositivos disponibles.
3. Seleccione el sensor y, seguidamente, **Menú del dispositivo > Calibración**.
4. Seleccione **Calibración del cero** (o **Calibración cero**).
5. Seleccione la opción de la señal de salida durante la calibración:

Opción	Descripción
Activo	Durante el proceso de calibración el instrumento envía el valor de medición actual de salida.
Conservar	Durante el proceso de calibración el valor de salida del sensor se mantiene en el valor de medición actual.
Transferencia	Durante la calibración se envía un valor de salida predeterminado. Consulte el manual del usuario del controlador para cambiar el valor predeterminado.

6. Sostenga el sensor seco en el aire y pulse ACEPTAR.
7. No pulse ACEPTAR hasta que el resultado de la calibración aparezca en la pantalla.

8. Revise el resultado de la calibración:

- "La calibración finalizó correctamente.": el sensor está calibrado y listo para medir muestras. Aparecen los resultados de la pendiente y/o el offset.
- "Fallo de calibración.": la pendiente o la compensación se encuentran fuera de los límites aceptados. Vuelva a realizar la calibración con soluciones de referencia nuevas. Limpie el sensor si es necesario.

9. Pulse ACEPTAR.

10. Proceda con la calibración con una solución de referencia o con una muestra del proceso.

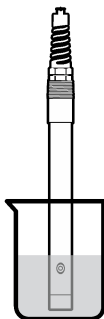
4.4.4 Calibración mediante una solución de referencia

La calibración ajusta la lectura del sensor para que coincida con el valor de una solución de referencia. Utilice una solución de referencia que tenga el mismo valor o un valor mayor a las lecturas de medición deseadas.

Nota: En caso de que sea la primera calibración del sensor, asegúrese de realizar la calibración a cero en primer lugar.

1. Enjuague bien el sensor limpio en agua desionizada.
2. Coloque el sensor en la solución de referencia. Sosténgalo de modo que no toque el recipiente. Asegúrese de que la zona de detección esté completamente sumergida en la solución (Figura 7). Agite el sensor para eliminar las burbujas.

Figura 7 Sensor en la solución de referencia



3. Espere a que la temperatura del sensor y de la solución sean uniformes. Esto puede demorar 30 minutos o más si la diferencia de temperatura entre la solución del proceso y la solución de referencia es significativa.
4. Seleccione el icono del menú principal y, a continuación, seleccione **Dispositivos**. Aparecerá una lista de todos los dispositivos disponibles.
5. Seleccione el sensor y, seguidamente, **Menú del dispositivo > Calibración**.
6. Seleccione **Solución de conductividad** (o **Calibración de conductividad** si el sensor está conectado a un gateway digital SC).
7. Seleccione la opción de la señal de salida durante la calibración:

Opción	Descripción
Activo	Durante el proceso de calibración el instrumento envía el valor de medición actual de salida.
Conservar	Durante el proceso de calibración el valor de salida del sensor se mantiene en el valor de medición actual.
Transferencia	Durante la calibración se envía un valor de salida predeterminado. Consulte el manual del usuario del controlador para cambiar el valor predeterminado.

8. Introduzca la temperatura de referencia de la solución de referencia y pulse ACEPTAR.

9. Introduzca la pendiente de la solución de referencia y pulse ACEPTAR.

10. Con el sensor en la solución de referencia, pulse ACEPTAR.

11. Espere que el valor se estabilice y pulse ACEPTAR.

Nota: Posiblemente la pantalla avance automáticamente al siguiente paso.

12. Introduzca el valor de la solución de referencia y pulse ACEPTAR.

13. Revise el resultado de la calibración:

- "La calibración finalizó correctamente.": el sensor está calibrado y listo para medir muestras. Aparecen los resultados de la pendiente y/o el offset.
- "Fallo de calibración.": la pendiente o la compensación se encuentran fuera de los límites aceptados. Vuelva a realizar la calibración con soluciones de referencia nuevas. Limpie el sensor si es necesario.

14. Pulse ACEPTAR para continuar.

15. Vuelva el sensor al proceso y pulse ACEPTAR.

Se vuelve a activar la señal de salida y en la pantalla de medición aparece el valor de medición de la muestra.

4.4.5 Calibración con la muestra del proceso

El sensor puede permanecer en la muestra del proceso o se puede extraer una parte de la muestra del proceso para la calibración. El valor de referencia se debe determinar con un instrumento de verificación auxiliar.

Nota: En caso de que sea la primera calibración del sensor, asegúrese de realizar la calibración de cero en primer lugar.

1. Seleccione el icono del menú principal y, a continuación, seleccione **Dispositivos**. Aparecerá una lista de todos los dispositivos disponibles.

2. Seleccione el sensor y, seguidamente, **Menú del dispositivo > Calibración**.

3. Seleccione **Calibración de conductividad, Calibración de TDS o Calibración de concentración (o Calibración)**.

Nota: Utilice el ajuste Tipo de medición para cambiar el parámetro calibrado.

4. Seleccione la opción de la señal de salida durante la calibración:

Opción	Descripción
Activo	Durante el proceso de calibración el instrumento envía el valor de medición actual de salida.
Conservar	Durante el proceso de calibración el valor de salida del sensor se mantiene en el valor de medición actual.
Transferencia	Durante la calibración se envía un valor de salida predeterminado. Consulte el manual del usuario del controlador para cambiar el valor predeterminado.

5. Con el sensor en la muestra del proceso, pulse ACEPTAR.

Aparece el valor de la medición.

6. Espere que el valor se estabilice y pulse ACEPTAR.

Nota: Posiblemente la pantalla avance automáticamente al siguiente paso.

7. Mida la conductividad (o cualquiera de los otros parámetros) con un instrumento de verificación auxiliar. Utilice las teclas de las flechas para introducir el valor obtenido en la medición y pulse ACEPTAR.

8. Revise el resultado de la calibración:

- "La calibración finalizó correctamente.": el sensor está calibrado y listo para medir muestras. Aparecen los resultados de la pendiente y/o el offset.
- "Fallo de calibración.": la pendiente o la compensación se encuentran fuera de los límites aceptados. Vuelva a realizar la calibración con soluciones de referencia nuevas. Limpie el sensor si es necesario.

9. Pulse **ACEPTAR** para continuar.
10. Vuelva el sensor al proceso y pulse **ACEPTAR**.
Se vuelve a activar la señal de salida y en la pantalla de medición aparece el valor de medición de la muestra.

4.4.6 Calibración de la temperatura

El instrumento viene calibrado de fábrica para medir la temperatura de forma exacta. Se puede calibrar la temperatura para aumentar la exactitud.

1. Coloque el sensor en un contenedor de agua.
2. Mida la temperatura del agua con un termómetro de exactitud o un instrumento independiente.
3. Seleccione el icono del menú principal y, a continuación, seleccione **Dispositivos**. Aparecerá una lista de todos los dispositivos disponibles.
4. Seleccione el sensor y, seguidamente, **Menú del dispositivo > Calibración**.
5. Seleccione **Calibración de 1 punto de la temperatura (o Ajuste de temperatura)**.
6. Introduzca el valor de temperatura exacto y pulse **ACEPTAR**.
7. Vuelva a colocar el sensor en el proceso.

4.4.7 Salida del procedimiento de calibración

1. Para salir de una calibración, pulse el icono atrás.
2. Seleccione una opción y pulse **ACEPTAR (Aceptar)**.

Opción	Descripción
Salir de la calibración (o Cancelar)	Detiene el proceso de calibración. Se deberá comenzar con una nueva calibración desde el principio.
Volver a la calibración	Vuelve al proceso de calibración.
Salga de la calibración (o Salir)	Sale del proceso de calibración provisionalmente. Se permite el acceso a otros menús. Se puede iniciar la calibración de un segundo sensor (en caso que lo hubiera).

4.4.8 Restablecer la calibración

Se pueden restablecer las opciones predeterminadas de fábrica de la calibración. Se perderá toda la información del sensor.

1. Seleccione el icono del menú principal y, a continuación, seleccione **Dispositivos**. Aparecerá una lista de todos los dispositivos disponibles.
2. Seleccione el sensor y, seguidamente, **Menú del dispositivo > Calibración**.
3. Seleccione **Restablecer valores de calibración predeterminados o Restaurar a valores de calibración (o Restablecer configuración)** y, a continuación, pulse **ACEPTAR**.
4. Vuelva a pulsar **ACEPTAR**.

4.5 Registros de Modbus

Está disponible una lista de registros Modbus para comunicación en red. Consulte la página web del fabricante para obtener más información.

Sección 5 Mantenimiento

▲ ADVERTENCIA



Peligros diversos. Solo el personal cualificado debe realizar las tareas descritas en esta sección del documento.

⚠ ADVERTENCIA



Peligro de explosión. No conecte o desconecte el instrumento a menos que se sepa que el entorno no es peligroso. Consulte la documentación del controlador de Clase 1, División 2 para obtener instrucciones sobre la ubicación peligrosa.

⚠ ADVERTENCIA



Peligro de presión de líquido. Extraer un sensor de un recipiente presurizado puede ser peligroso. Reduzca la presión del proceso a menos de 7,25 psi (50 kPa) antes de la extracción. Si esto no es posible, tome todas las precauciones al hacerlo. Consulte la documentación suministrada con el kit de montaje para obtener más información.

⚠ ADVERTENCIA



Peligro por exposición química. Respete los procedimientos de seguridad del laboratorio y utilice el equipo de protección personal adecuado para las sustancias químicas que vaya a manipular. Consulte los protocolos de seguridad en las hojas de datos de seguridad actuales (MSDS/SDS).

⚠ PRECAUCIÓN



Peligro por exposición a productos químicos. Deshágase de los productos químicos y los residuos de acuerdo con las normativas locales, regionales y nacionales.

5.1 Limpieza del sensor

Requisito previo: Prepare una solución de jabón suave con agua tibia y detergente para lavar la vajilla, jabón de manos Borax o similar.

Revise periódicamente el sensor en busca de residuos y sedimentos. Limpie del sensor cuando haya sedimentos acumulados o cuando el rendimiento haya disminuido.

1. Saque los residuos sueltos del extremo del sensor con un paño limpio de tela suave. Enjuague el sensor con agua limpia y tibia.
2. Ponga en remojo el sensor durante 2 o 3 minutos en la solución jabonosa.
3. Cepille todo el extremo de medición del sensor con un cepillo de cerdas suaves. Cepille el interior del toroide.
4. Si los residuos no salen, sumerja el extremo de medición del sensor en una solución ácida diluida como, por ejemplo, < 5% HCl durante 5 minutos como máximo.
5. Enjuague el sensor con agua y luego vuélvalo a colocar en la solución jabonosa durante 2 a 3 minutos.
6. Enjuague el sensor con agua limpia.

Calibre siempre el sensor después de realizar los procedimientos de mantenimiento.

Sección 6 Solución de problemas

6.1 Datos intermitentes

Durante la calibración, los datos no se envían al registro de datos. De este modo, el registro de datos puede tener áreas en las que los datos sean intermitentes.

6.2 Prueba del sensor de conductividad

En caso de que una calibración no salga bien, primero realice los procedimientos de mantenimiento de la sección [Mantenimiento](#) en la página 59.

1. Desconecte los cables del sensor.
2. Utilice un ohmímetro para probar la resistencia entre los cables del sensor como se muestra en la [Tabla 4](#).

Nota: Asegúrese de que el ohmímetro esté configurado con el rango más alto para todas las lecturas de resistencia infinita (circuito abierto).

Tabla 4 Mediciones de la resistencia de conductividad

Puntos de medición	Resistencia
Entre el cable rojo y el amarillo	1090-1105 ohmios a 23-27 °C ⁶
Entre el cable azul y el blanco	Menos de 5 ohmios
Entre el cable verde y el amarillo	Menos de 5 ohmios
Entre el cable blanco y el cable conductor protegido	Infinita (circuito abierto)

En caso que una o más de las mediciones sea incorrecta, póngase en contacto con la asistencia técnica. Deberá proporcionar al servicio de asistencia técnica el número de serie del sensor y los valores de resistencia que ha medido.

6.3 Menú Diagnóstico/prueba

En el menú Diagnóstico/prueba se muestra información actual e histórica del sensor. Consulte [Tabla 5](#). Pulse el icono del menú principal y, a continuación, seleccione **Dispositivos**. Seleccione el dispositivo y, seguidamente, **Menú del dispositivo > Diagnóstico/prueba**.

Tabla 5 Menú Diagnóstico/prueba

Opción	Descripción
Información del módulo	Solo para sensores conectados a un módulo de conductividad: muestra la versión y el número de serie del módulo de conductividad.
Información del sensor	Para sensores conectados a un módulo de conductividad: muestra el nombre del sensor y el número de serie que haya introducido el usuario. Para sensores conectados a un gateway digital SC: muestra el número de modelo del sensor y el número de serie del sensor. Muestra la versión de software y la versión del controlador instalados.
Última calibración	Solo para sensores conectados a un módulo de conductividad: muestra el número de días transcurridos desde que se realizó la última calibración.
Historial de calibración	Para sensores conectados a un módulo de conductividad: muestra la pendiente de calibración y la fecha de las calibraciones anteriores. Para sensores conectados a un gateway digital SC: muestra los parámetros de constante de celda, la corrección de compensación y la fecha de la última calibración.
Restablecer historial de calibración	Solo para sensores conectados a un módulo de conductividad; solo para el uso del departamento de Servicio.
Señales del sensor (o Señales)	Solo para sensores conectados a un módulo de conductividad: muestra la lectura actual de la conductividad y la temperatura. Para sensores conectados a un gateway digital SC: muestra el contador actual del convertidor analógico-digital de temperatura. Seleccione la opción Señal del sensor para mostrar el contador actual del convertidor analógico-digital de medición o establezca el rango del sensor (valor predeterminado: 6). Seleccione la opción Lectura del sensor para mostrar la lectura del sensor.

⁶ Si observa un valor infinito (circuito abierto) o 0 ohmios (cortocircuito), se ha producido un fallo.

Tabla 5 Menú Diagnóstico/prueba (continúa)

Opción	Descripción
Días del sensor (o Contador)	Muestra el número de días que el sensor ha estado en funcionamiento. Para sensores conectados a un gateway digital SC: seleccione la opción Contador para mostrar el número de días que el sensor ha estado en funcionamiento. Para poner a cero el contador, seleccione Reiniciar . Ponga a cero el contador de Días del sensor cuando sustituya el sensor.
Reiniciar	Solo para sensores conectados a un módulo de conductividad: pone a cero el contador de Días del sensor. Ponga a cero el contador de Días del sensor cuando sustituya el sensor.
Calibración de fábrica	Solo para sensores conectados a un módulo de conductividad; solo para el uso del departamento de Servicio.

6.4 Lista de errores

Cuando se produce un error, la lectura en la pantalla de medición parpadea y se retienen todas las salidas si se especifica en el menú CONTROLADOR > Salidas. La pantalla cambia a rojo. En la barra de diagnóstico se muestra el error. Pulse la barra de diagnóstico para mostrar los errores y las advertencias. O bien, pulse el icono del menú principal y, a continuación, seleccione **Notificaciones > Errores**.

En la [Tabla 6](#) aparece una lista de posibles errores.

Tabla 6 Lista de errores

Error	Descripción	Resolución
Conductividad muy alta.	El valor obtenido en la medición es >2 S/cm, 1 000 000 ppm, 200 % o 20 000 ppt.	Asegúrese de que el ajuste Unidad de conductividad esté configurado con el rango de medición correcto.
Conductividad muy baja.	El valor obtenido en la medición es <0 µS/cm, 0 ppm, 0 % o 0 ppt o la constante de celda del sensor no es correcta.	Asegúrese de que el sensor esté configurado para la constante de celda correcta.
El valor de cero es muy alto.	El valor de calibración de cero es >500 000 recuentos.	Asegúrese de que el sensor esté en el aire durante la calibración de cero y no se encuentre cerca de una radiofrecuencia ni de una interferencia electromagnética. Asegúrese de que el cable esté protegido con un conducto de metal.
El valor de cero muy bajo.	El valor de calibración de cero es <-500 000 recuentos.	
Temperatura muy baja.	La medición de la temperatura es >130 °C.	Asegúrese de haber seleccionado el elemento de temperatura apropiado. Consulte la sección Configuración del sensor en la página 52.
Temperatura muy baja.	La medición de la temperatura es <-10 °C.	
Fallo de ADC	Fallo del convertidor analógico-digital.	Apague y vuelva a encender el controlador. Póngase en contacto con el servicio de asistencia técnica.
Falta el sensor.	El sensor no está instalado o está desconectado.	Examine el cableado y las conexiones del sensor y del módulo (o el gateway digital). Asegúrese de que el bloque de terminales esté completamente introducido en el módulo, si procede.
El valor de medida está fuera de rango.	La señal del sensor está fuera de los límites aceptados (2 S/cm).	Asegúrese de que el ajuste Unidad de conductividad esté configurado con el rango de medición correcto.

6.5 Lista de advertencias

Las advertencias no afectan al funcionamiento de los menús, los relés y las salidas. La pantalla cambia a color ámbar. En la barra de diagnóstico se muestra la advertencia. Pulse la barra de diagnóstico para mostrar los errores y las advertencias. O bien, pulse el icono del menú principal y, a continuación, seleccione **Notificaciones > Advertencias**.

En [Tabla 7](#) aparece una lista de advertencias posibles.

Tabla 7 Lista de advertencias

Advertencia	Descripción	Resolución
El valor de cero es muy alto.	El valor de la calibración de cero es >300 000 unidades.	Asegúrese de que el sensor esté en el aire durante la calibración de cero y no se encuentre cerca de una radiofrecuencia ni de una interferencia electromagnética. Asegúrese de que el cable esté protegido con un conducto de metal.
El valor de cero muy bajo.	El valor de la calibración de cero es <300 000 unidades.	
Temperatura muy baja.	La temperatura obtenida en la medición es >100 °C	Asegúrese de que el sensor esté configurado para el elemento de temperatura apropiado.
Temperatura muy baja.	La medición de la temperatura es <0 °C.	
La calibración ha vencido.	Se ha superado el tiempo del recordatorio de calibración.	Calibre el sensor.
El dispositivo no está calibrado.	El sensor no está calibrado.	Calibre el sensor.
Sustituya un sensor.	El valor del contador de Días del sensor es superior al intervalo seleccionado para la sustitución del sensor. Consulte Configuración del sensor en la página 52.	Sustituya el sensor. Ponga a cero el contador de Días del sensor en el menú Diagnóstico/prueba > Reiniciar o el menú Diagnóstico/prueba > Contador.
Calibración en curso...	La calibración ha iniciado pero aún no ha terminado.	Vuelva al proceso de calibración.
Salidas retenidas	Durante la calibración, las salidas se configuraron en espera durante un tiempo determinado.	Las salidas se activarán una vez transcurrido el tiempo seleccionado. Como alternativa, retírelo y, a continuación, suministre alimentación al controlador.
La compensación de temperatura lineal está fuera de rango.	La compensación de la temperatura lineal definida por el usuario se encuentra fuera de rango.	El valor debe encontrarse entre 0 y 4%/°C; 0 a 200 °C.
La tabla de compensación de temperatura está fuera de rango.	La tabla de compensación de la temperatura lineal definida por el usuario se encuentra fuera de rango.	La temperatura se encuentra por encima o por debajo del rango de temperatura definida en la tabla.
Tabla de concentraciones del usuario incorrecta.	La medición de la concentración se encuentra fuera del rango de la tabla del usuario.	Asegúrese de que la tabla del usuario esté configurada para la escala de medición correcta.
Tabla de temperaturas integrada incorrecta.	La temperatura medida se encuentra fuera del rango de la tabla integrada de compensación de la temperatura.	Asegúrese de que la compensación de la temperatura esté configurada correctamente.
Tabla de concentraciones integrada incorrecta.	La medición de la concentración se encuentra fuera del rango de la tabla integrada de concentración.	Asegúrese de que la medición de la concentración esté configurada para la sustancia química apropiada y el rango apropiado.

6.6 Lista de eventos

En la barra de diagnóstico se muestran las actividades que se están realizando en el momento como, por ejemplo, cambios en la configuración, alarmas, estados de las advertencias, etc. En la [Tabla 8](#) aparece una lista de posibles eventos. Los eventos previos se registran en el registro de eventos, el cual se puede descargar del controlador. Consulte la documentación del controlador para obtener información sobre las opciones de recuperación de datos.

Tabla 8 Lista de eventos

Evento	Descripción
Calibración lista	El sensor está listo para la calibración.
La calibración es correcta.	La calibración actual es correcta.
El tiempo ha expirado.	Se ha rebasado el tiempo de estabilización durante la calibración.
Fallo de calibración.	Fallo de calibración.
La calibración es alta.	El valor de la calibración se encuentra por encima del límite superior.
K está fuera de rango.	El valor de K de la constante de celda se encuentra fuera de rango para la calibración actual.
La lectura es inestable.	Lectura inestable durante la calibración.
Cambio en la configuración valor real	Cambio de configuración: tipo puntos flotantes.
Cambio en la configuración valor de texto	Cambio de configuración: tipo texto.
Cambio en la configuración valor entero	Cambio de configuración: tipo de valores enteros.
Cambio en la configuración	Se ha restablecido las opciones predeterminadas de la configuración.
La alimentación está conectada.	Se encendió el suministro de energía.
Fallo de ADC	Fallo de la conversión de analógico a digital (fallo de hardware).
Borrado de actualización	Se ha borrado la memoria flash.
Temperatura	La temperatura registrada es demasiado alta o demasiado baja (de -20 a 200 °C).
Se ha iniciado la calibración de la muestra.	Inicio de la calibración de conductividad
La calibración de la muestra ha finalizado.	Fin de la calibración de conductividad
Se ha iniciado la calibración a cero.	Inicio de la calibración de cero
La calibración a cero ha finalizado.	Fin de la calibración de cero
Se ha iniciado la calibración de la solución de conductividad.	Inicio de la calibración de la conductividad de la solución de referencia
La calibración de la solución de conductividad ha finalizado.	Fin de la calibración de la conductividad de la solución de referencia
Se ha iniciado la calibración de TDS.	Inicio de la calibración de sólidos disueltos totales
La calibración de TDS ha finalizado.	Fin de la calibración de sólidos disueltos totales
Se ha iniciado la calibración de la concentración.	Inicio de la calibración de la concentración
La calibración de la concentración ha finalizado.	Fin de la calibración de la concentración

Tabla 8 Lista de eventos (continúa)

Evento	Descripción
Se ha iniciado la calibración de la salinidad.	Inicio de la calibración de la salinidad
La calibración de la salinidad ha finalizado.	Fin de la calibración de la salinidad

Sección 7 Piezas de repuesto y accesorios

⚠ ADVERTENCIA



Peligro de lesión personal. El uso de piezas no aprobadas puede causar lesiones personales, daños al instrumento o un mal funcionamiento del equipo. Las piezas de repuesto que aparecen en esta sección están aprobadas por el fabricante.

Nota: Las referencias de los productos pueden variar para algunas regiones de venta. Póngase en contacto con el distribuidor correspondiente o visite la página web de la empresa para obtener la información de contacto.

Consumibles

Descripción	Cantidad	Referencia
Solución de referencia de conductividad, 100 µS/cm	1 L	25M3A2000-100
Solución de referencia de conductividad, 500 µS/cm	1 L	25M3A2000-500
Solución de referencia de conductividad, 1000 µS/cm	1 L	25M3A2000-1000
Solución de referencia de conductividad, 1990 µS/cm	100 mL	210542

Repuestos y accesorios

Descripción	Referencia
Módulo de conductividad para el controlador SC4500	LXZ525.99.D0004
Gateway digital SC para sensor de conductividad inductiva	6120800
Junta de EDPM, para sensores sanitarios de 2 pulg.	9H1327
Caja de conexiones de aluminio	60A2053
Caja de conexiones, NEMA-4X	76A4010-001
Abrazadera sanitaria de 2 pulg. de gran resistencia	9H1132
Tapón sanitario de 2 pulg.	70F1037-003

Accesorios

Descripción	Referencia
Cable de extensión digital, 1 m (3,2 pies)	6122400
Cable de extensión digital, 7,7 m (25 pies)	5796000
Cable de extensión digital, 15 m (50 pies)	5796100
Cable de extensión digital, 30 m (100 pies)	5796200

Accesorios para ubicaciones C1D2

Descripción	Referencia
Cable de extensión digital con dos cierres de seguridad del conector, 1 m (3,2 pies)	6122401
Cable de extensión digital con dos cierres de seguridad del conector, 7,7 m (25 pies)	5796001
Cable de extensión digital con dos cierres de seguridad del conector, 15 m (50 pies)	5796101
Cable de extensión digital con dos cierres de seguridad del conector, 30 m (100 pies)	5796201
Seguro para dispositivo de conexión rápida, instalaciones de Clase 1 División 2	6139900

Índice

- | | |
|-----------------------------------|--|
| 1 Especificações na página 67 | 5 Manutenção na página 81 |
| 2 Informações gerais na página 67 | 6 Solução de problemas na página 82 |
| 3 Instalação na página 70 | 7 Peças e acessórios de reposição na página 86 |
| 4 Operação na página 73 | |

Seção 1 Especificações

As especificações estão sujeitas a alteração sem aviso prévio.

Especificação	Detalhes
Dimensões	Consulte Figura 1 na página 69.
Grau de poluição	2
Capacidade de sobrecarga	I
Classe de proteção	III
Altitude	Máximo de 2.000 m (6.562 pés)
Temperatura de operação	-20 °C a 60 °C (-4 °F a 140°F)
Temperatura de armazenamento	-20 °C a 70 °C (-4 °F a 158 °F)
Peso	Aproximadamente 1 kg (2,2 lbs)
Materiais molhados	Polipropileno, PVDF, PEEK ou PFA
Cabo do sensor	5 condutores (mais duas blindagens isoladas), 6 m (20 pés);classificado a 150 °C (302 °F) — polipropileno
Faixa de condutividade	0,0 a 200,0 µS/cm; 0 a 2.000.000 µS/cm
Precisão	0,01% de leitura, todas as faixas
Repetibilidade/precisão	> 500 µS/cm: ±0,5% da leitura; < 500 µS/cm: ±5 µS/cm
Taxa de fluxo máximo	0–3 m/s (0–10 pés/s)
Limite de temperatura/pressão	Polipropileno: 100 °C a 6,9 bar (212 °F a 100 psi); PVDF: 120 °C a 6,9 bar (248 °F a 100 psi); PEEK e PFA: 200 °C a 13,8 bar (392 °F a 200 psi)
Distância de transmissão	200 a 2.000 µS/cm: 61 m (200 pés); 2.000 a 2.000.000 µS/cm: 91 m (300 pés)
Faixa de medição de temperatura	-10 °C a 135 °C (14 °F a 275 °F) limitado pelo material da carcaça do sensor
Sensor de temperatura	Pt 1000 RTD
Métodos de calibração	Calibração zero, calibração de condutividade de 1 ponto, calibração de temperatura de 1 ponto
Interface do sensor	Modbus
Certificações	Listado pela ETL (EUA/Canadá) para uso na Classe 1, Divisão 2, Grupos A, B, C, D, Código de temperatura T4 - Locais perigosos com controlador Hach SC. Em conformidade com: CE, UKCA, FCC, ISED, ACMA, KC, CMIM. Sensores sanitários certificados pela 3A.
Garantia	1 ano; 2 anos (UE)

Seção 2 Informações gerais

Em hipótese alguma o fabricante será responsável por danos resultantes de qualquer uso inadequado do produto ou não cumprimento das instruções contidas no manual. O fabricante

reserva-se o direito de fazer alterações neste manual e nos produtos aqui descritos a qualquer momento, sem aviso ou obrigação. As edições revisadas podem ser encontradas no site do fabricante.

2.1 Informações de segurança

O fabricante não é responsável por quaisquer danos devido ao uso ou aplicação incorreta deste produto, incluindo, sem limitação, danos diretos, acidentais ou consequenciais, e se isenta desses danos à extensão total permitida pela lei aplicável. O usuário é unicamente responsável por identificar riscos críticos de aplicação e por instalar os mecanismos apropriados para proteger os processos durante um possível mau funcionamento do equipamento.

Leia todo o manual antes de tirar da embalagem, montar ou operar esse equipamento. Preste atenção a todas as declarações de perigo e cuidado. Caso contrário, o operador poderá sofrer ferimentos graves ou o equipamento poderá ser danificado.

Certifique-se de que a proteção oferecida por este equipamento não seja afetada. Não use nem instale este equipamento de nenhuma outra forma além da especificada neste manual.

2.1.1 Uso de informações de risco

▲ PERIGO

Indica uma situação potencial ou iminente perigosa que, se não for evitada, resultará em morte ou lesão grave.

▲ ADVERTÊNCIA

Indica uma situação potencialmente perigosa que, se não for evitada, pode resultar em morte ou ferimento grave.

▲ CUIDADO

Indica uma situação potencialmente perigosa que pode resultar em ferimento leve a moderado.

AVISO

Indica uma situação que, se não evitada, pode causar danos ao instrumento. Informações que necessitam de uma ênfase especial.

2.1.2 Etiquetas de precaução

Leia todas as etiquetas e rótulos fixados no instrumento. Caso não sejam observados, podem ocorrer lesões pessoais ou danos ao instrumento. Um símbolo no instrumento tem sua referência no manual com uma medida preventiva.



Este símbolo, se observado no instrumento, diz respeito ao manual de instruções para operação e/ou informações de segurança.



O equipamento elétrico marcado com este símbolo não pode ser descartado em sistemas de descarte público ou doméstico europeus. Devolva equipamentos antigos ou no final da vida útil para o fabricante para descarte, sem custo adicional para o usuário.

2.2 Visão geral do produto

▲ PERIGO



Riscos químicos ou biológicos. Se esse instrumento for usado para monitorar um processo de tratamento e/ou sistema de alimentação química para o qual existam limites de regulamentação e requisitos de monitoramento relacionados à saúde pública, à produção ou ao processamento de alimentos ou bebidas, é responsabilidade do usuário deste instrumento conhecer e cumprir as regulamentações aplicáveis e ter mecanismos suficientes e apropriados para obter conformidade com as regulamentações aplicáveis no caso de mau funcionamento do instrumento.

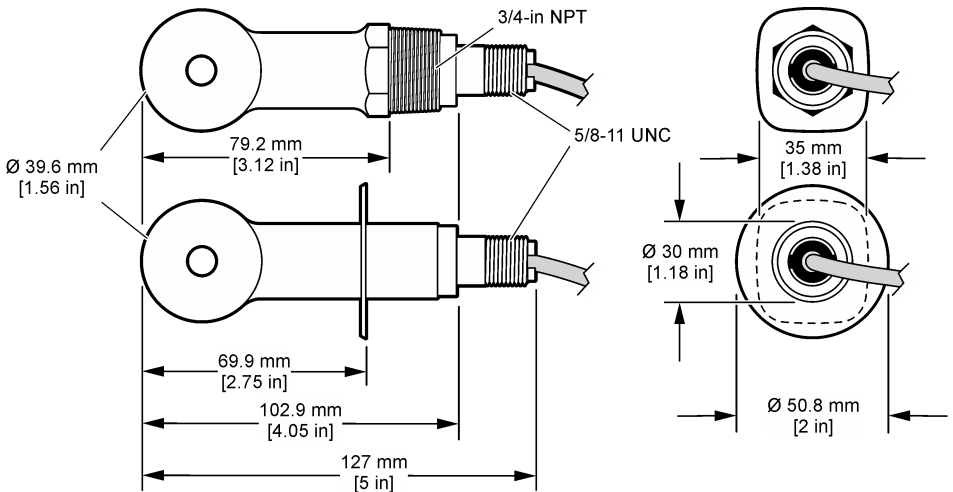
AVISO

A utilização deste sensor pode levar a fissuras do revestimento, expondo o substrato subjacente ao ambiente em que o sensor está imerso. Portanto, este sensor não foi desenvolvido para, e não é destinado para uso em aplicações onde espera-se que o líquido esteja em conformidade com determinados parâmetros de limpeza ou pureza e em que a contaminação possa resultar em danos substanciais. Estas aplicações incluem, normalmente, aplicações de fabricação de semicondutores e podem incluir outras aplicações em que o usuário deve avaliar o risco de contaminação e subsequente impacto na qualidade do produto. O fabricante adverte contra o uso do sensor nestas aplicações e não assume nenhuma responsabilidade por quaisquer reclamações ou danos resultantes do sensor que está sendo usado em ou em relação a estas aplicações.

Este sensor foi projetado para funcionar com um controlador para a operação e armazenamento de dados. É possível usar controladores diferentes neste sensor. Este documento presume a instalação e uso do sensor com um Controlador SC4500. Para usar o sensor com outros controladores, consulte o manual do usuário do controlador utilizado.

Consulte [Figura 1](#) para obter as dimensões do sensor.

Figura 1 Dimensões

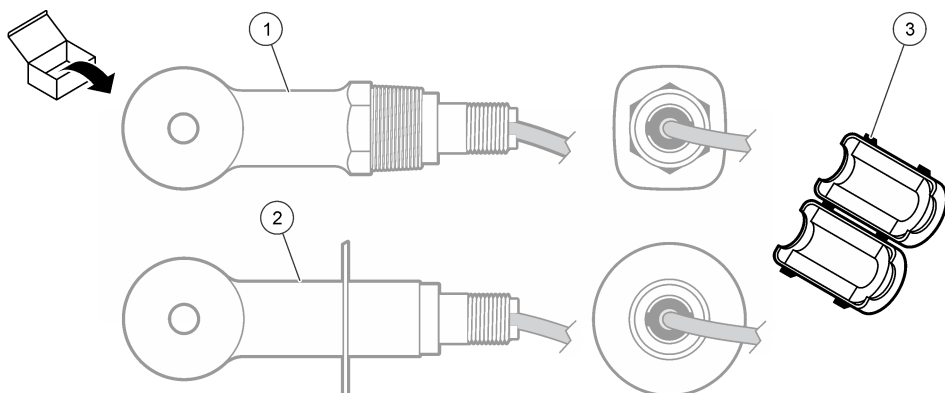


2.3 Componentes do produto

Certifique-se de que todos os componentes foram recebidos. Consulte [Figura 2](#) e [Figura 3](#). Se houver itens ausentes ou danificados, entre em contato imediatamente com o fabricante ou com um representante de vendas.

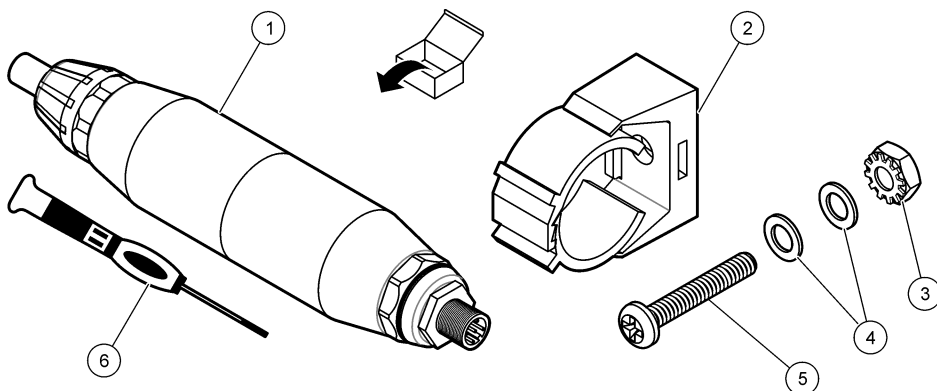
Observação: O sensor pode ser pedido sem o gateway digital mostrado em [Figura 3](#).

Figura 2 Componentes do sensor



<p>1 Sensor estilo conversível — para instalação em cano em T ou recipiente aberto com ferragem de montagem aplicável</p>	<p>3 Ferrite</p>
<p>2 Sensor estilo sanitário — para instalação de um T sanitário de 2 pol</p>	

Figura 3 Componentes do gateway digital



<p>1 Gateway digital</p>	<p>4 Arruela plana, #8 (2x)</p>
<p>2 Suporte de montagem</p>	<p>5 Parafuso, entalhe transversal, #8-32 x 1,25 pol.</p>
<p>3 Porca com contraporca, #8-32</p>	<p>6 Chave de fenda (para o bloco do terminal)</p>

Seção 3 Instalação

⚠ ADVERTÊNCIA



Vários perigos. Somente pessoal qualificado deve realizar as tarefas descritas nesta seção do manual.

3.1 Instale o sensor no fluxo de amostra

⚠ ADVERTÊNCIA



Perigo de explosão. Para instalação em locais perigosos (classificados), consulte as instruções e desenhos de controle na documentação do controlador Classe 1, Divisão 2. Instale o sensor de acordo com os códigos locais, regionais e nacionais. Não conecte ou desconecte o instrumento, a menos que se saiba que o ambiente não é perigoso.

⚠ ADVERTÊNCIA

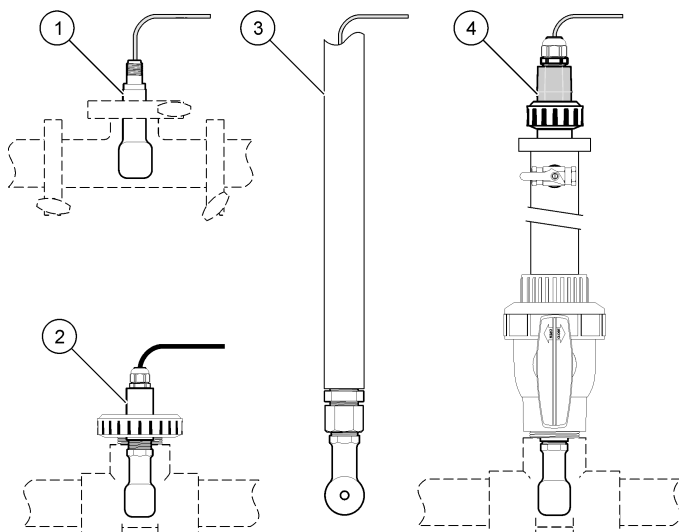


Perigo de explosão. Certifique-se de que o hardware de montagem do sensor tenha uma classificação de temperatura e pressão suficiente para o local de montagem.

Consulte [Figura 4](#) para instalação do sensor em diferentes aplicações. O sensor precisa ser calibrado antes de entrar em uso. Consulte [Calibrar o sensor](#) na página 77.

Certifique-se de que o direcionamento do cabo do sensor não fique exposto a altos campos eletromagnéticos (por exemplo, transmissores, motores e equipamento de comutação). A exposição a esses campos pode causar imprecisão nos resultados.

Figura 4 Exemplos de montagem



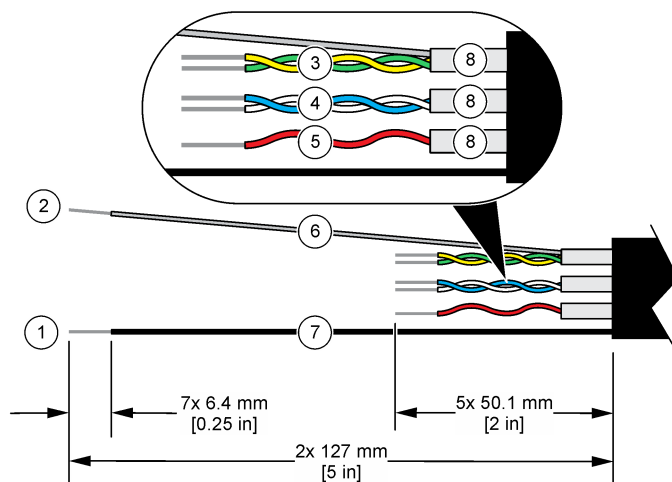
1 Montagem em flange sanitária (CIP)	3 Fim da imersão do cano
2 Montagem em T de união	4 Inserção da válvula de esfera

3.2 Instalação elétrica

3.2.1 Preparar os fios do sensor

Se o comprimento do cabo do sensor for alterado, prepare os fios conforme ilustrado em [Figura 5](#).

Figura 5 Preparo do fio



1 Fio da blindagem externa ¹	5 Fio vermelho
2 Fio da blindagem interna ²	6 Tubo termorretrátil transparente ³
3 Par trançado, fio amarelo e fio verde	7 Tubo termorretrátil preto ³
4 Par trançado, fio branco e fio azul	8 Blindagens do condutor interno ⁴

3.2.2 Considerações da descarga eletrostática (ESD)

AVISO



Dano potencial do instrumento. Componentes eletrônicos internos delicados podem ser danificados devido à eletricidade estática, podendo resultar em degradação do desempenho ou em uma eventual falha.

Consulte as etapas deste procedimento para evitar que a ESD danifique o instrumento:

- Encoste em uma superfície metálica aterrada, como o chassi de um instrumento, um condute ou tubo metálico, para descarregar a eletricidade estática do corpo.
- Evite movimentação excessiva. Transporte componentes sensíveis a estática em recipientes ou embalagens antiestáticas.
- Use uma pulseira conectada a um cabo aterrado.
- Trabalhe em uma área protegida de estática com revestimento antiestático no piso e na bancada.

3.2.3 Conectar o sensor a um Controlador SC

Use uma das opções a seguir para conectar o sensor a um Controlador SC:

- Instale um módulo do sensor no Controlador SC. Então, conecte os fios desencapados do sensor ao módulo do sensor. O módulo do sensor converte o sinal analógico do sensor para um sinal digital.

¹ O fio da blindagem para o cabo do sensor

² O fio da blindagem para o par amarrado verde e amarelo

³ Fornecido pelo usuário

⁴ As blindagens do condutor interno são tubos de folhas com um lado interno condutor e um lado externo não condutor. Certifique-se de que o isolamento elétrico seja mantido entre o lado interno das blindagens do condutor interno. Certifique-se de que o lado interno das blindagens do condutor interno não fique exposto.

- Conecte os cabos desencapados do sensor a um gateway SC digital. Em seguida, conecte o gateway digital SC ao Controlador SC. O gateway digital converte o sinal analógico do sensor em um sinal digital.

Consulte as instruções fornecidas com o módulo do sensor ou do gateway digital SC. Consulte [Peças e acessórios de reposição](#) na página 86 para obter informações sobre pedidos.

3.2.4 Transmissor de condutividade sem eletrodos Modelo E3 série PRO

Para conectar o sensor a um transmissor de condutividade sem eletrodos Modelo E3 série PRO, remova a alimentação do transmissor e consulte [Figura 6](#) e [Tabela 1](#).

Figura 6 Conecte o sensor ao transmissor

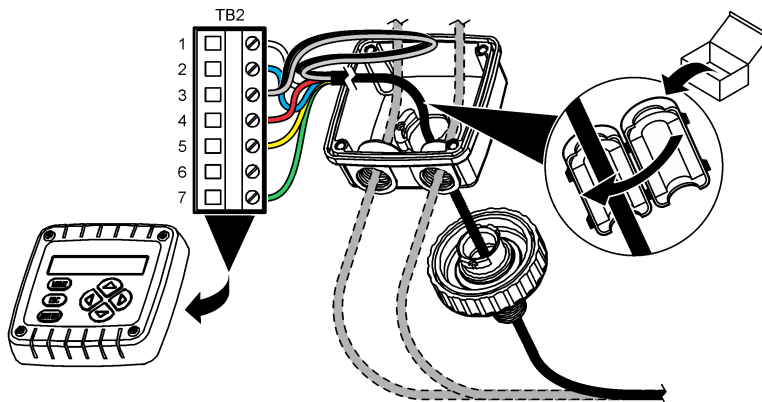


Tabela 1 Informação da fiação do sensor

Terminal (TB2)	Fio	Terminal (TB2)	Fio
1	Branco	4	Vermelho
2	Azul	5	Amarelo
3	Transparente (proteção interna) ⁵	6	—
3	Preto (blindagem externa) ⁵	7	Verde

Seção 4 Operação

⚠ ADVERTÊNCIA



Perigo de incêndio. Este produto não foi projetado para uso com líquidos inflamáveis.

4.1 Navegação do usuário

Consulte a documentação do controlador para obter uma descrição da tela de toque e informações de navegação.

⁵ Para melhor imunidade ao ruído elétrico, conecte o fio da blindagem interna e o fio da blindagem externa juntos com solda, antes de colocá-los no bloco do terminal.

4.2 Configurar o sensor

Use o menu Definições para inserir as informações de identificação do sensor, e para alterar as opções de armazenamento e manuseio dos dados.

1. Selecione o ícone do menu principal e, em seguida, selecione **Dispositivos**. Você verá uma lista com todos os dispositivos disponíveis.
2. Selecione o sensor e, em seguida, selecione **Menu do dispositivo > Definições**.
3. Selecione uma opção.
 - Para sensores conectados a um módulo de condutividade, consulte [Tabela 2](#).
 - Para sensores conectados a um gateway digital sc, consulte [Tabela 3](#).

Tabela 2 Sensores conectados a um módulo de condutividade

Opção	Descrição
Nome	Altera o nome que corresponde ao sensor no topo da tela de medição. O nome é limitado a 16 caracteres com qualquer combinação de letras, números, espaços ou pontuação.
N/S do sensor	Permite que o usuário insira o número de série do sensor. O número de série é limitado a 16 caracteres com qualquer combinação de letras, números, espaços ou pontuação.
Tipo de medição	Altera o parâmetro medido para Condutividade (padrão), Concentração, TDS (total de sólidos dissolvidos) ou Salinidade. Quando o parâmetro é alterado, todas as outras opções configuradas são redefinidas para os valores padrão.
Formato	Muda o número das casas decimais mostradas na tela de medição para Automático, X.XXX, XX.XX ou XXX.X. Quando Automático estiver selecionado, as casas decimais mudam automaticamente. <i>Observação:</i> A opção Automático está disponível somente quando a configuração Tipo de medição estiver definida como Condutividade.
Unidade de condutividade	<i>Observação:</i> A configuração Unidade de condutividade está disponível somente quando a configuração Tipo de medição estiver definida como Condutividade ou Concentração. Muda as unidades de condutividade — Automático, $\mu\text{S/cm}$, mS/cm ou S/cm .
Temperatura	Define a unidade de temperatura para $^{\circ}\text{C}$ (padrão) ou $^{\circ}\text{F}$.
Compensação T	Adiciona a correção dependente da temperatura ao valor medido — Nenhum, Linear (padrão: $2,0\%/^{\circ}\text{C}$, 25°C), Água natural ou Tabela de compensação de temperatura. Quando for selecionado Tabela de compensação de temperatura, o usuário pode inserir pontos x, y ($^{\circ}\text{C}$, $\%/^{\circ}\text{C}$) na ordem crescente. <i>Observação:</i> As opções Água natural não está disponível quando a configuração Tipo de medição estiver definido como TDS ou Concentração.
Medida de concentração	<i>Observação:</i> A configuração Medida de concentração está disponível somente quando a configuração Tipo de medição estiver definida como Concentração. Define o tipo de tabela de concentração para usar — Incorporado (padrão) ou Tabela de compensação do utilizador. Quando Incorporado estiver selecionado, o usuário pode selecionar o elemento químico sendo medido — H_3PO_4 : 0–40%; HCl : 0–18% ou 22–36%; NaOH : 0–16%; CaCl_2 0–22%; HNO_3 : 0–28% ou 36–96%; H_2SO_4 : 0–30%, 40–80% ou 93–99%; HF : 0–30%; NaCl : 0–25%; HBr , KOH , Água do mar Quando for selecionado Tabela de compensação do utilizador, o usuário pode inserir pontos x, y (condutividade, %) na ordem crescente.
TDS (total de sólidos dissolvidos)	<i>Observação:</i> A configuração TDS (total de sólidos dissolvidos) está disponível somente quando a configuração Tipo de medição estiver definida como TDS. Define o fator usado para converter a condutividade para TDS: NaCl (padrão) ou Personalizado (insira um fator entre 0,01 e 99,99 ppm/ μS , padrão: 0.49 ppm/ μS).

Tabela 2 Sensores conectados a um módulo de condutividade (continuação)

Opção	Descrição
Elemento de temperatura	Define o elemento da temperatura, para a compensação automática de temperatura, para PT100 ou PT1000 (padrão), ou Manual. Se não for usado nenhum elemento, define Manual e define um valor para a compensação de temperatura (padrão: 25 °C). Quando o Elemento de temperatura estiver definido como PT100 ou PT1000, consulte Ajustar o fator T para comprimentos de cabo não padrão na página 76 para definir a configuração Factor T. <i>Observação:</i> Se o Elemento de temperatura estiver definido como Manual e o sensor for substituído ou os dias forem reiniciados, o Elemento de temperatura volta automaticamente para a configuração padrão (PT1000).
Parâmetros da constante da célula	Altera a constante de células para o valor K certificado atual no sensor do cabo. Quando ovalor K certificado for digitado, a curva de calibração será definida. Padrão: 4,70
Filtro	Define uma constante de tempo para incrementar a estabilidade do sinal. A constante de tempo calcula o valor médio durante o tempo especificado—0 (nenhum efeito, padrão) para 200 segundos (média do valor do sinal para 200 segundos). O filtro incrementa o tempo de resposta do sinal do sensor para responder às alterações atuais no processo.
Intervalo do registador de dados	Define o intervalo de tempo para armazenamento de medição de sensor e temperatura no registro de dados—5, 30 segundos, ou 1, 2, 5, 10, 15 (padrão), 30, 60 minutos
Repor as definições para os valores predefinidos	Define o menu de Definições aos padrões de fábrica e restaura os contadores. Todas as informações do sensor foram perdidas.

Tabela 3 Sensores conectados ao gateway digital SC

Opção	Descrição
Nome	Altera o nome que corresponde ao sensor no topo da tela de medição. O nome é limitado a 16 caracteres com qualquer combinação de letras, números, espaços ou pontuação.
Tipo de medição	Altera o parâmetro medido para Condutividade (padrão), Concentração, TDS (total de sólidos dissolvidos) ou Salinidade. Quando o parâmetro é alterado, todas as outras opções configuradas são redefinidas para os valores padrão.
Unidade de condutividade	<i>Observação:</i> A configuração Unidade de condutividade está disponível somente quando a configuração Tipo de medição estiver definida como Condutividade, Concentração ou Salinidade. Altera as unidades de condutividade — $\mu\text{S/cm}$ (padrão), mS/cm ou S/cm .
Parâmetros da constante da célula	<i>Observação:</i> A configuração Parâmetros da constante da célula está disponível somente quando a configuração Tipo de medição estiver definida para Condutividade ou Salinidade. Altera a constante de células para o valor K certificado atual no sensor do cabo. Quando ovalor K certificado for digitado, a curva de calibração será definida. Padrão: 4,70
Medida de concentração	<i>Observação:</i> A configuração Medida de concentração está disponível somente quando a configuração Tipo de medição estiver definida como Concentração. Define o tipo de tabela de concentração para usar — Incorporado (padrão) ou Definido pelo utilizador. Quando Incorporado estiver selecionado, o usuário pode selecionar o elemento químico sendo medido— H_3PO_4 : 0–40%; HCl : 0–18% ou 22–36%; NaOH : 0–16%; CaCl_2 0–22%; HNO_3 : 0–28% ou 36–96%; H_2SO_4 : 0–30%, 40–80% ou 93–99%; HF : 0–30% Quando for selecionado Definido pelo utilizador, o usuário pode inserir pontos x, y (condutividade, %) na ordem crescente.
TDS (total de sólidos dissolvidos)	<i>Observação:</i> A configuração TDS (total de sólidos dissolvidos) está disponível somente quando a configuração Tipo de medição estiver definida como TDS. Define o fator que é usado para converter a condutividade para TDS: NaCl (padrão) ou Definido pelo utilizador (insira um fator entre 0,01 e 99,99 ppm/ μS , padrão: 0,49 ppm/ μS).
Temperatura	Define a unidade de temperatura para °C (padrão) ou °F.

Tabela 3 Sensores conectados ao gateway digital SC (continuação)

Opção	Descrição
Compensação T	<p>Adiciona a correção dependente da temperatura ao valor medido — Nenhum, Linear (padrão: 2,0%/°C, 25 °C), Água natural ou Tabela de compensação de temperatura.</p> <p>Quando for selecionado Tabela de compensação de temperatura, o usuário pode inserir pontos x, y (°C, %/°C) na ordem crescente.</p> <p>Observação: A opção Água natural não está disponível quando a configuração Tipo de medição estiver definido como TDS.</p> <p>Observação: A configuração Compensação T está definida como Nenhum quando a configuração Tipo de medição estiver definida como Concentração.</p>
Intervalo do registrador de dados	<p>Define o intervalo de tempo para armazenamento de medição de sensor e temperatura no registro de dados: Desativado (padrão), 5, 10, 15, 30 segundos, 1, 5, 10, 15, 30 minutos, ou 1, 2, 6, 12 horas</p>
Frequência da corrente alternada	<p>Seleciona a frequência da linha de alimentação para obter a melhor rejeição de ruído. Opções: 50 ou 60 Hz (padrão).</p>
Filtro	<p>Define uma constante de tempo para incrementar a estabilidade do sinal. A constante de tempo calcula o valor médio durante o tempo especificado - 0 (nenhum efeito, padrão) para 60 segundos (média do valor do sinal para 60 segundos). O filtro incrementa o tempo de resposta do sinal do sensor para responder às alterações atuais no processo.</p>
Elemento de temperatura	<p>Define o elemento da temperatura, para a compensação automática de temperatura, para PT1000 (padrão), ou Manual. Se não for usado nenhum elemento, defina Manual e defina um valor para a compensação de temperatura (padrão: 25 °C).</p> <p>Quando o Elemento de temperatura estiver definido como PT100 ou PT1000, consulte Ajustar o fator T para comprimentos de cabo não padrão na página 76 para definir a configuração do Factor.</p> <p>Observação: Se o Elemento de temperatura estiver definido como Manual e o sensor for substituído ou os dias forem reiniciados, o Elemento de temperatura volta automaticamente para a configuração padrão (PT1000).</p>
Última calibração	<p>Define um lembrete para a próxima calibração (padrão: 60 dias). Um lembrete para calibrar o sensor aparece na tela após o intervalo selecionado a partir da data da última calibração.</p> <p>Por exemplo, se a data da última calibração for 15 de junho e a Última calibração estiver definida para 60 dias, um lembrete de calibração será exibido na tela em 14 de agosto. Se o sensor for calibrado antes de 14 de agosto, em 15 de julho, um lembrete de calibração será exibido na tela em 13 de setembro.</p>
Dias do sensor	<p>Define um lembrete para a substituição do sensor (padrão: 365 dias). Um lembrete para substituir o sensor aparece na tela após a seleção do intervalo.</p> <p>O contador Dias do sensor aparece no menu Diagnóstico/Teste > Contador.</p> <p>Quando o sensor for substituído, redefina o contador Dias do sensor no menu Diagnóstico/Teste > Contador.</p>
Repor configuração	<p>Define o menu de Definições aos padrões de fábrica e restaura os contadores. Todas as informações do sensor foram perdidas.</p>

4.3 Ajustar o fator T para comprimentos de cabo não padrão

Quando o cabo do sensor for aumentado ou reduzido do comprimento padrão de 6 m (20 pés), a resistência do cabo será alterada. Esta alteração afeta a precisão das medições de temperatura. Para corrigir esta diferença, calcule um fator T novo.




1. Meça a temperatura de uma solução com o sensor e com um outro instrumento confiável, como um termômetro.
2. Registre a diferença entre a temperatura medida a partir do sensor e a partir de uma origem independente (atual).
Por exemplo, se a temperatura atual for 50 °C e a leitura do sensor for 53 °C, a diferença é 3 °C.
3. Multiplique esta diferença por 3,85 para obter o valor de ajuste.
Exemplo: $3 \times 3,85 = 11,55$.

4. Calcule um novo fator T:

- Temperatura do sensor > real — adicione o valor do ajuste do fator T da etiqueta no cabo do sensor
- Temperatura do sensor < real — subtraia o valor do ajuste do fator T da etiqueta no cabo do sensor

5. Selecione **Definições > Elemento de temperatura > Factor T** (ou **Factor**) e insira o novo Fator T.

4.4 Calibrar o sensor

⚠ ADVERTÊNCIA	
	Perigo de pressão do fluido A remoção do sensor de um compartimento pressurizado pode ser perigosa. Antes de fazer a remoção, reduza a pressão do processo para menos de 7,25 psi (50 kPa). Se isso não for possível, tenha muito cuidado. Consulte a documentação fornecida com o hardware de montagem para obter mais informações.
⚠ ADVERTÊNCIA	
	Risco de exposição a produtos químicos. Obedeça aos procedimentos de segurança laboratoriais e use todos os equipamentos de proteção individual adequados aos produtos químicos que estão sendo manipulados. Consulte as planilhas de dados de segurança (MSDS/SDS) atuais para verificar os protocolos de segurança.
⚠ CUIDADO	
	Risco de exposição a produtos químicos. Descarte produtos químicos e dejetos de acordo com as regulamentações locais, regionais e nacionais.

4.4.1 Acerca da calibração do sensor

O método de calibragem molhada deve ser usado para calibrar o sensor de condutividade:

- **Calibragem molhada** — use ar (Calibragem zero) e uma solução de referência ou amostra de processo de valor conhecido para definir a curva de calibragem. Para uma precisão melhor, é recomendada uma calibragem de solução de referência. Quando é usada a amostra de processo, o valor de referência precisa ser determinado com um instrumento de verificação secundário. Certifique-se de inserir o Fator T no Elemento de temperatura do menu Definições para a compensação precisa de temperatura.

Durante a calibragem, os dados não são enviados para o registro de dados. Dessa forma, o registro de dados pode ter áreas nas quais os dados são intermitentes.

4.4.2 Alterar as opções de calibração

Para sensores conectados a um módulo de condutividade, o usuário pode definir um lembrete ou incluir uma ID de operador com os dados de calibração do menu Opções de calibração.

Observação: Este procedimento não deve ser usado em sensores conectados a um gateway digital SC.

1. Selecione o ícone do menu principal e, em seguida, selecione **Dispositivos**. Você verá uma lista com todos os dispositivos disponíveis.
2. Selecione o sensor e, em seguida, selecione **Menu do dispositivo > Calibração**.

3. Selecione **Opções de calibração**.

4. Selecione uma opção.

Opção	Descrição
Lembrete de calibração	Define um lembrete para a próxima calibração (padrão: Desligado). Um lembrete para calibrar o sensor aparece na tela após o intervalo selecionado a partir da data da última calibração. Por exemplo, se a data da última calibração for 15 de junho e a Última calibração estiver definida para 60 dias, um lembrete de calibração será exibido na tela em 14 de agosto. Se o sensor for calibrado antes de 14 de agosto, em 15 de julho, um lembrete de calibração será exibido na tela em 13 de setembro.
ID do operador para calibração	Inclui uma ID de operador com dados da calibração — Sim ou Não (padrão). A ID é digitada durante a calibração.

4.4.3 Procedimento de calibração de zero

Use o procedimento de calibração de zero para definir o ponto zero exclusivo do sensor de condutividade. O ponto zero precisa ser definido antes do sensor ser calibrado pela primeira vez com uma solução de referência ou amostra de processo.

1. Remova o sensor do processo. Limpe o sensor com uma toalha limpa ou use ar comprimido para garantir que o sensor esteja limpo e seco.
2. Selecione o ícone do menu principal e, em seguida, selecione **Dispositivos**. Você verá uma lista com todos os dispositivos disponíveis.
3. Selecione o sensor e, em seguida, selecione **Menu do dispositivo > Calibração**.
4. Selecione **Calibração zero** (ou **Calibração de 0 pontos**).
5. Selecione a opção para o sinal de saída durante a calibração:

Opção	Descrição
Ativo	O instrumento envia para a saída o valor medido atual durante o procedimento de calibração.
Manter	O valor de saída é mantido no valor medido no início do processo de calibração.
Transferir	Um valor de saída pré-definido é enviado para a saída durante a calibração. Consulte o manual do usuário para alterar o valor pré-definido.

6. Segure o sensor seco no ar e pressione OK.
7. Não pressione OK até que o resultado da calibração seja exibida.
8. Revise o resultado da calibração:
 - "A calibração foi concluída com sucesso.": o sensor está calibrado e pronto para medir amostras. Os valores da inclinação (slope) e/ou deslocamento (offset) são mostrados.
 - "A calibração falhou.": a inclinação ou desvio da calibração está fora dos limites aceitos. Repita a calibração com novas soluções de referência. Limpe o sensor, se necessário.
9. Pressione OK.OK
10. Continue para a calibração com uma solução de referência ou amostra de processo.

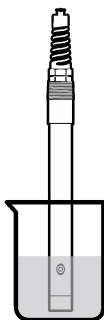
4.4.4 Calibração com uma solução de referência

A calibração ajusta a leitura do sensor para corresponder ao valor de uma solução de referência. Use uma solução de referência que tenha o mesmo valor, ou superior, que as leituras de medição esperadas.

Observação: Se o sensor for calibrado pela primeira vez, certifique-se de completar primeiro a calibração de zero.

1. Lave cuidadosamente o sensor de limpeza em água desionizada.
2. Coloque o sensor na solução de referência. Posicione o sensor de modo que ele não toque no recipiente. Certifique-se de que a área a ser medida está totalmente imersa na solução (Figura 7). Agite o sensor para remover as bolhas.

Figura 7 Sensor na solução de referência



3. Aguarde até que a temperatura do sensor e da solução igualem. Isso pode demorar até 30 minutos, ou mais, se a diferença da temperatura entre a solução de referência e o processo for significativa.
4. Selecione o ícone do menu principal e, em seguida, selecione **Dispositivos**. Você verá uma lista com todos os dispositivos disponíveis.
5. Selecione o sensor e, em seguida, selecione **Menu do dispositivo > Calibração**.
6. Selecione **Solução de condutividade** (ou **Calibração de condutividade** se o sensor estiver conectado a um gateway digital sc).
7. Selecione a opção para o sinal de saída durante a calibração:

Opção	Descrição
Ativo	O instrumento envia para a saída o valor medido atual durante o procedimento de calibração.
Manter	O valor de saída é mantido no valor medido no início do processo de calibração.
Transferir	Um valor de saída pré-definido é enviado para a saída durante a calibração. Consulte o manual do usuário para alterar o valor pré-definido.

8. Digite a temperatura de referência da solução de referência e pressione OK.
9. Digite a inclinação da solução de referência e pressione OK.
10. Com o sensor na solução de referência, pressione OK.
11. Aguarde que o valor estabilize e pressione OK.

Observação: A tela pode avançar para a etapa seguinte automaticamente.

12. Digite o valor da solução de referência e pressione OK.
13. Revise o resultado da calibração:
 - "A calibração foi concluída com sucesso.": o sensor está calibrado e pronto para medir amostras. Os valores da inclinação (slope) e/ou deslocamento (offset) são mostrados.
 - "A calibração falhou.": a inclinação ou desvio da calibração está fora dos limites aceitos. Repita a calibração com novas soluções de referência. Limpe o sensor, se necessário.
14. Pressione OK para continuar.
15. Retome o processo do sensor e pressione OK.
O sinal de saída retorna ao estado ativo e o valor da amostra medida aparece na tela de medição.

4.4.5 Calibração com a amostra do processo

O sensor pode permanecer no processo, ou uma amostra do processo pode ser retirada para a calibração. O valor de referência precisa ser determinado com um instrumento de verificação secundário.

Observação: Se o sensor for calibrado pela primeira vez, certifique-se de que completa primeiro a calibração de zero.

1. Selecione o ícone do menu principal e, em seguida, selecione **Dispositivos**. Você verá uma lista com todos os dispositivos disponíveis.
2. Selecione o sensor e, em seguida, selecione **Menu do dispositivo > Calibração**.
3. Selecione **Calibração de condutividade**, **Calibração de TDS** ou **Calibração da concentração** (ou **Calibração**).

Observação: Use a configuração *Tipo de medição* para alterar o parâmetro calibrado.

4. Selecione a opção para o sinal de saída durante a calibração:

Opção	Descrição
Ativo	O instrumento envia para a saída o valor medido atual durante o procedimento de calibração.
Manter	O valor de saída é mantido no valor medido no início do processo de calibração.
Transferir	Um valor de saída pré-definido é enviado para a saída durante a calibração. Consulte o manual do usuário para alterar o valor pré-definido.

5. Com o sensor na amostra de processo, pressione OK.

O valor medido é mostrado.

6. Aguarde que o valor estabilize e pressione OK.

Observação: A tela pode avançar para a etapa seguinte automaticamente.

7. Meça o valor da condutividade (ou outro parâmetro) com um instrumento de verificação secundário. Use as teclas de seta para inserir o valor medido e pressione OK.

8. Revise o resultado da calibração:

- "A calibração foi concluída com sucesso.": o sensor está calibrado e pronto para medir amostras. Os valores da inclinação (slope) e/ou deslocamento (offset) são mostrados.
- "A calibração falhou.": a inclinação ou desvio da calibração está fora dos limites aceitos. Repita a calibração com novas soluções de referência. Limpe o sensor, se necessário.

9. Pressione OK para continuar.

10. Retome o processo do sensor e pressione OK.

O sinal de saída retorna ao estado ativo e o valor da amostra medida aparece na tela de medição.

4.4.6 Calibração de temperatura

O instrumento é calibrado na fábrica para garantir medidas precisas de temperatura. A temperatura pode ser calibrada para melhorar a precisão.

1. Coloque o sensor em um recipiente de água.
2. Meça a temperatura da água com um termômetro preciso ou instrumento independente.
3. Selecione o ícone do menu principal e, em seguida, selecione **Dispositivos**. Você verá uma lista com todos os dispositivos disponíveis.
4. Selecione o sensor e, em seguida, selecione **Menu do dispositivo > Calibração**.
5. Selecione **Calibração de temperatura de 1 ponto** (ou **Ajuste da temperatura**).
6. Insira o valor exato de temperatura e pressione OK.
7. Retorne o sensor ao processo.

4.4.7 Sair do procedimento de calibração

1. Para encerrar uma calibração, pressione o ícone de retorno.
2. Selecione uma opção e, em seguida, pressione OK.

Opção	Descrição
Sair da calibração (ou Cancelar)	Interrompe a calibração. Uma nova calibração precisa ser reiniciada.
Voltar à calibração	Retornar à calibração.
Abandonar a calibração (ou Sair)	Sair temporariamente da calibração. O acesso a outros menus é permitido. Uma calibração para um segundo sensor (se presente) pode ser iniciada.

4.4.8 Reajuste da calibragem

A calibração pode ser restaurada aos padrões de fábrica. Todas as informações do sensor foram perdidas.

1. Selecione o ícone do menu principal e, em seguida, selecione **Dispositivos**. Você verá uma lista com todos os dispositivos disponíveis.
2. Selecione o sensor e, em seguida, selecione **Menu do dispositivo > Calibração**.
3. Selecione **Repor os valores de calibração predefinidos** ou **Repor as predefinições de calibração**. (ou **Repor configuração**), e então pressione OK.
4. Pressione OK novamente.

4.5 Registradores Modbus

Uma lista de registradores Modbus está disponível para comunicação em rede. Consulte o website do fabricante para obter mais informações.

Seção 5 Manutenção

▲ ADVERTÊNCIA



Vários perigos. Somente pessoal qualificado deve realizar as tarefas descritas nesta seção do manual.

▲ ADVERTÊNCIA



Perigo de explosão. Não ligar ou desligar o instrumento, a menos que se saiba que o ambiente não é perigoso. Consultar a documentação do controlador Classe 1, Divisão 2 para instruções de localização perigosa.

▲ ADVERTÊNCIA



Perigo de pressão do fluido A remoção do sensor de um compartimento pressurizado pode ser perigosa. Antes de fazer a remoção, reduza a pressão do processo para menos de 7,25 psi (50 kPa). Se isso não for possível, tenha muito cuidado. Consulte a documentação fornecida com o hardware de montagem para obter mais informações.

▲ ADVERTÊNCIA



Risco de exposição a produtos químicos. Obedeça aos procedimentos de segurança laboratoriais e use todos os equipamentos de proteção individual adequados aos produtos químicos que estão sendo manipulados. Consulte as planilhas de dados de segurança (MSDS/SDS) atuais para verificar os protocolos de segurança.

⚠ CUIDADO



Risco de exposição a produtos químicos. Descarte produtos químicos e dejetos de acordo com as regulamentações locais, regionais e nacionais.

5.1 Limpar o sensor

Pré-requisito: Prepare uma solução de limpeza suave com água morna e detergente para lavar loiça, sabão para lavagens manuais Borax ou semelhante.

Examine periodicamente o sensor para ver se tem detritos ou materiais depositados. Limpe o sensor quando existirem depósitos acumulados, ou quando o desempenho estiver degradado.

1. Use um pano limpo e macio para remover os detritos soltos da extremidade do sensor. Enxágue o sensor com água limpa e morna.
2. Mergulhe o sensor por 2 a 3 minutos na solução de limpeza.
3. Use uma escova macia para escovar toda a extremidade de medição do sensor. Escove o interior do toróide.
4. Se existirem detritos restantes, mergulhe a extremidade da medição do sensor em uma solução de ácido diluído, como < 5% HCl durante um máximo de 5 minutos.
5. Enxágue o sensor com água e, então, o coloque de novo na solução de limpeza durante 2 a 3 minutos.
6. Enxágue o sensor com água limpa.

Sempre calibre o sensor após os procedimentos de manutenção.

Seção 6 Solução de problemas

6.1 Dados intermitentes

Durante a calibragem, os dados não são enviados para o registro de dados. Dessa forma, o registro de dados pode ter áreas nas quais os dados são intermitentes.

6.2 Testar o sensor de condutividade

Se uma calibração falhar, complete primeiramente os procedimentos de manutenção em [Manutenção](#) na página 81.

1. Desconecte os fios do sensor.
2. Use um multímetro para testar a resistência entre os fios do sensor, como mostrado em [Tabela 4](#).

Observação: *Certifique-se de que o multímetro esteja definido para a faixa mais elevada para todas as leituras de resistência em (circuito aberto) infinitas.*

Tabela 4 Medições da resistência da condutividade

Pontos de medição	Resistência
Entre os fios vermelho e amarelo	1090–1105 ohms a 23–27 °C ⁶
Entre os fios azul e branco	Menos que 5 ohms
Entre os fios verde e amarelo	Menos que 5 ohms
Entre os fios branco e blindado	Infinito (circuito aberto)

⁶ Um valor infinito (circuito aberto) ou 0 ohms (curto-circuito) identifica uma falha.

Se uma ou mais medições estiver incorreta, contate o suporte técnico. Forneça ao suporte técnico o número de série do sensor e os valores de resistência medidos.

6.3 Menu Diagnóstico/Teste

O menu Diagnóstico/Teste exibe as informações atuais e históricas do analisador. Consulte [Tabela 5](#). Pressione o ícone do menu principal e selecione **Dispositivos**. Escolha o dispositivo e selecione **Menu do dispositivo > Diagnóstico/Teste**.

Tabela 5 Menu Diagnóstico/Teste

Opção	Descrição
Informação do módulo	Para sensores conectados apenas a um módulo de condutividade — Exibe a versão e o número de série de um módulo de condutividade.
Informações do sensor	Para sensores conectados a um módulo de condutividade — Exibe o nome e número de série do sensor inseridos pelo usuário. Para sensores conectados a um gateway digital sc — Exibe o número do modelo e o número de série do sensor. Mostra a versão do software e do driver instalados.
Última calibração	Para sensores conectados apenas a um módulo de condutividade — Exibe o número de dias desde a conclusão da última calibração.
Histórico de calibrações	Para sensores conectados a um módulo de condutividade — Exibe o desvio de calibração e data das calibrações anteriores. Para sensores conectados a um gateway digital sc—Exibe os parâmetros da constante da célula, correção do offset e data da última calibração.
Repor histórico de calibração	Para sensores conectados apenas a um módulo de condutividade — Apenas para uso em manutenção
Sinais do sensor (ou Sinais)	Para sensores conectados apenas a um módulo de condutividade — Exibe a condutividade atual e a leitura da temperatura. Para sensores conectados a um gateway digital sc — Exibe o contador do conversor de temperatura atual de analógico para digital. Selecione Sinal do sensor para exibir o contador do conversor de temperatura atual de analógico para digital ou para definir o intervalo do sensor (padrão: 6). Selecione Medição do sensor para exibir a leitura do sensor.
Dias do sensor (ou Contador)	Mostra o número de dias que o sensor esteve em funcionamento. Para sensores conectados a um gateway digital sc — Selecione Contador para exibir o número de dias que o sensor está em operação. Para restaurar o contador para zero, selecione Repor . Restaurar o contador de Dias do sensor ao substituir o sensor.
Repor	Para sensores conectados apenas a um módulo de condutividade — Define o contador de Dias do sensor para zero. Restaurar o contador de Dias do sensor ao substituir o sensor.
Calibração de fábrica	Para sensores conectados apenas a um módulo de condutividade — Apenas para uso em manutenção

6.4 Lista de erros

Quando ocorre um erro, a leitura da tela de medição pisca e todas as saídas são interrompidas quando especificado no menu CONTROLADOR > Saídas. A tela fica vermelha. A barra de diagnóstico mostra o erro. Pressione a barra de diagnóstico para ver os erros e avisos. Como alternativa, pressione o ícone do menu principal e selecione **Notificações > Erros**.

Uma lista dos erros possíveis é mostrada em [Tabela 6](#).

Tabela 6 Lista de erros

Erro	Descrição	Resolução
A condutividade é demasiado alta.	O valor medido é > 2 S/cm, 1.000.000 ppm, 200% ou 20.000 ppt.	Certifique-se de que a configuração da Unidade de condutividade esteja definida para o intervalo de medição correto.
A condutividade é demasiado baixa.	O valor medido é < 0 μ S/cm, 0 ppm, 0% ou 0 ppt; ou a constante da célula do sensor não está correta.	Certifique-se de que o sensor esteja configurado para a constante de células correta.
Zero é demasiado elevado.	A calibração zero é > 500.000 contagens.	Certifique-se de que o sensor esteja no ar durante a calibração de zero, e que não esteja localizado perto de interferência eletromagnética ou frequência de rádio. Certifique-se de que o cabo esteja blindado por proteção de metal.
Zero é demasiado baixo.	A calibração zero é < -500.000 contagens	
A temperatura é demasiado alta.	A temperatura medida é > 130 °C.	Certifique-se de que o elemento de temperatura correto esteja selecionado. Consulte Configurar o sensor na página 74.
A temperatura é demasiado baixa.	A temperatura medida é < -10 °C.	
Falha de ADC	A conversão de analógica para digital falhou.	Desligue e ligue o controlador. Entre em contato com o suporte técnico.
O sensor está em falta.	O sensor está faltando ou desconectado.	Examine a fiação e as conexões do sensor e do módulo (ou gateway digital). Certifique-se de que o bloco terminal esteja totalmente inserido no módulo, se aplicável.
O valor de medição está fora do intervalo.	O sinal do sensor está fora dos limites aceites (2 S/cm).	Certifique-se de que a configuração da Unidade de condutividade está definida para o intervalo de medição correto.

6.5 Lista de aviso

Um aviso não afeta a operação dos menus, relês e saídas. A tela muda para a cor âmbar. A barra de diagnóstico mostra o aviso. Pressione a barra de diagnóstico para ver os erros e avisos. Como alternativa, pressione o ícone do menu principal e selecione **Notificações > Avisos**.

Uma lista dos avisos possíveis é mostrada em [Tabela 7](#).

Tabela 7 Lista de aviso

Advertência	Descrição	Resolução
Zero é demasiado elevado.	O valor de calibração de zero é >300.000 contagens	Certifique-se de que o sensor esteja no ar durante a calibração de zero, e que não esteja localizado perto de interferência eletromagnética ou frequência de rádio. Certifique-se de que o cabo esteja blindado por proteção de metal.
Zero é demasiado baixo.	O valor de calibração de zero é >300.000 contagens.	
A temperatura é demasiado alta.	A temperatura medida é > 100 °C.	Certifique-se de que o sensor esteja configurado para o elemento de temperatura correto.
A temperatura é demasiado baixa.	A temperatura medida é < 0 °C.	
A calibração está em atraso.	O tempo do Lembrete da calibração expirou.	Calibrar o sensor.
O dispositivo não está calibrado.	O sensor não foi calibrado.	Calibrar o sensor.

Tabela 7 Lista de aviso (continuação)

Advertência	Descrição	Resolução
Substituir um sensor.	O contador de Dias do sensor é maior que o intervalo definido para substituição do sensor. Consulte Configurar o sensor na página 74.	Substituir o sensor. Restaure o contador de Dias do sensor no menu Diagnóstico/Teste > Repor (ou no menu Diagnóstico/Teste > Contador)
Calibração em curso...	Uma calibração foi iniciada mas não concluída.	Retornar à calibração.
Saídas em espera	Durante a calibração, as saídas foram definidas para espera durante um período de tempo selecionado.	As saídas se tornarão ativas após o período de tempo selecionado. Como alternativa, faça a remoção e forneça energia para o controlador.
A compensação linear da temperatura está fora do intervalo.	A compensação da temperatura linear definida pelo usuário está fora do intervalo	O valor precisa ser entre 0 e 4%/°C; 0 a 200 °C.
A tabela da compensação de temperatura está fora do intervalo.	A tabela da compensação da temperatura definida pelo usuário está fora do intervalo.	A temperatura está acima ou abaixo do intervalo da temperatura definido pela tabela.
Tabela da concentração introduzida pelo utilizador incorreta.	A medição da concentração está fora do intervalo da tabela do usuário	Certifique-se de que a tabela do usuário esteja definido para o intervalo de medição correto.
Tabela da temperatura incorporada incorreta.	A temperatura medida está fora do intervalo da tabela de compensação da temperatura interna.	Certifique-se de que a compensação da temperatura esteja configurada corretamente.
Tabela da concentração incorporada incorreta.	A medição da concentração está fora do intervalo da tabela de concentração interna.	Certifique-se de que a medição da concentração esteja configurada para o intervalo e químico correto.

6.6 Lista de eventos

A barra de diagnóstico mostra as atividades atuais, como alterações da configuração, alarmes, condições de aviso etc. Uma lista dos eventos possíveis é mostrada na [Tabela 8](#). Os eventos anteriores são gravados no registro de eventos, que pode ser descarregado a partir do controlador. Consulte a documentação do controlador para saber as opções de obtenção de dados.

Tabela 8 Lista de eventos

Evento	Descrição
Calibração pronta	O sensor está preparado para calibração.
A calibração está OK.	A calibração atual está OK.
O tempo expirou.	O tempo de estabilização durante a calibração expirou.
A calibração falhou.	A calibração falhou.
A calibração é elevada.	O valor da calibração é maior que o limite superior.
K está fora do intervalo.	A constante de célula K está fora do intervalo para a calibração atual.
A leitura é instável.	A leitura durante a calibração estava instável.
Alteração na configuração valor flutuante	A configuração foi alterada—tipo de ponto flutuante.
Alteração na configuração valor de texto	A configuração foi alterada—tipo de texto.
Alteração na configuração valor int	A configuração foi alterada — tipo de valor inteiro.

Tabela 8 Lista de eventos (continuação)

Evento	Descrição
Alteração na configuração	A configuração foi restaurada para as opções padrão.
A alimentação está ligada.	A energia foi ligada.
Falha de ADC	A conversão analógica para digital falhou (falha de hardware).
Apagar processo de flash	A memória flash foi apagada.
Temperatura	A temperatura gravada é muito alta ou muito baixa (-20 °C a 200 °C).
A calibração da amostra foi iniciada.	Início da calibração para condutividade
A calibração da amostra foi concluída.	Fim da calibração para condutividade
A calibração zero foi iniciada.	Início da calibração de zero
A calibração zero foi concluída.	Fim da calibração de zero
A calibração da solução de condutividade foi iniciada.	Início da calibração da solução de referência para condutividade
A calibração da solução de condutividade foi concluída.	Fim da calibração da solução de referência para condutividade
A calibração de TDS foi iniciada.	Início da calibração para TDS
A calibração de TDS foi concluída.	Fim da calibração para TDS
A calibração da concentração foi iniciada.	Início da calibração para concentração
A calibração da concentração foi concluída.	Fim da calibração para concentração
A calibração da salinidade foi iniciada.	Início da calibração para salinidade
A calibração da salinidade foi concluída.	Fim da calibração para salinidade

Seção 7 Peças e acessórios de reposição

▲ ADVERTÊNCIA



Risco de lesão corporal. O uso de peças não aprovadas pode causar lesões pessoais, danos ao instrumento ou mau funcionamento do equipamento. As peças de substituição nesta seção foram aprovadas pelo fabricante.

Observação: Os códigos dos produtos podem variar para algumas regiões. Entre em contato com o distribuidor apropriado ou consulte o website da empresa para obter informações de contato.

Consumíveis

Descrição	Quantidade	Nº do item
Solução de referência de condutividade, 100 µS/cm	1 L	25M3A2000-100
Solução de referência de condutividade, 500 µS/cm	1 L	25M3A2000-500
Solução de referência de condutividade, 1.000 µS/cm	1 L	25M3A2000-1000
Solução de referência de condutividade, 1.990 µS/cm	100 ml	210542

Peças e acessórios

Descrição	Nº do item
Módulo de condutividade para Controlador SC4500	LXZ525.99.D0004
gateway digital sc para sensor de condutividade por indução	6120800
Gaxeta, EDPM, para sensores sanitários de 2 pol.	9H1327
Caixa de junção, alumínio	60A2053
Caixa de junção, NEMA-4X	76A4010-001
Conector sanitário, serviço pesado 2 pol.	9H1132
Tampa, 2 pol., sanitário	70F1037-003

Acessórios

Descrição	Nº do item
Cabo de extensão digital; 1 m (3,2 pés)	6122400
Cabo de extensão digital, 7,7 m (25 pés)	5796000
Cabo de extensão digital; 15 m (50 pés)	5796100
Cabo de extensão digital, 30 m (100 pés)	5796200

Acessórios para locais C1D2

Descrição	Nº do item
Cabo de extensão digital com dois conectores de travas de segurança, 1 m (3,2 pés)	6122401
Cabo de extensão digital com dois conectores de travas de segurança, 7,7 m (25 pés)	5796001
Cabo de extensão digital com dois conectores de travas de segurança, 15 m (50 pés)	5796101
Cabo de extensão digital com dois conectores de travas de segurança, 30 m (100 pés)	5796201
Trava de segurança para a conexão rápida, instalações de Classe 1, Divisão 2	6139900

目录

- 1 规格 第 88 页
- 2 基本信息 第 88 页
- 3 安装 第 91 页
- 4 操作 第 94 页
- 5 维护 第 100 页
- 6 故障排除 第 101 页
- 7 更换部件与附件 第 104 页

第 1 节 规格

规格如有更改，恕不另行通知。

规格	详细信息
尺寸	请参阅图 1 第 90 页。
污染等级	2
过电压类别	I
保护等级	III
海拔	最高 2000 m (6562 ft)
工作温度	-20 至 60 °C (-4 至 140 °F)
存储温度	-20 至 70 °C (-4 至 158 °F)
重量	约 1 kg (2.2 lbs)
浸润材料	聚丙烯、PVDF、PEEK 或 PFA
传感器电缆	5 芯（外加两根绝缘屏蔽线），6 m (20 ft)；150 °C (302 °F) 下额定值 — 聚丙烯
电导率范围	0.0 至 200.0 $\mu\text{S/cm}$ ；0 至 2,000,000 $\mu\text{S/cm}$
精度	读数的 0.01%，所有范围
可重复性/精确度	> 500 $\mu\text{S/cm}$ ：读数 $\pm 0.5\%$ ；< 500 $\mu\text{S/cm}$ ： $\pm 5 \mu\text{S/cm}$
最大流速	0–3 m/s (0–10 ft/s)
温度/压力限制	聚丙烯：6.9 bar 时为 100 °C (100 psi 时 212 °F)；PVDF：6.9 bar 时为 120 °C (100 psi 时 248 °F)；PEEK 和 PFA：13.8 bar 时为 200 °C (200 psi 时 392 °F)
传输距离	200 至 2000 $\mu\text{S/cm}$ ：61 m (200 ft)；2000 至 2,000,000 $\mu\text{S/cm}$ ：91 m (300 ft)
温度测量范围	-10 至 135 °C (14 至 275 °F)，受传感器主体材料的限制
温度传感器	Pt 1000 RTD
校准方法	零点校准，1 点值电导率校准，1 点值温度校准
传感器接口	Modbus
认证	Hach SC 控制器适用于 ETL (美国 / 加拿大) 规定的类别 1，第 2 子类，A、B、C、D 组和温度代码为 T4 的危险场所。获得下述认证：CE、UKCA、FCC、ISED、ACMA、KC、CMIM。经过 3A 认证的卫生级传感器。
保修	1 年；2 年 (EU)

第 2 节 基本信息

在任何情况下，对于因产品使用不当或未能遵守手册中的说明而造成的损害，制造商概不负责。制造商保留随时更改本手册和手册中描述的产品的权利，如有更改恕不另行通知或承担有关责任。修订版可在制造商的网站上找到。

2.1 安全信息

对于误用或滥用本产品造成的任何损坏，包括但不限于直接、附带和从属损害，制造商概不负责，并且在适用法律允许的最大范围内拒绝承认这些损害。用户自行负责识别关键应用风险并安装适当的保护装置，以确保在设备可能出现故障时保护工艺流程。

请在拆开本设备包装、安装或使用前，完整阅读本手册。特别要注意所有的危险警告和注意事项。否则，可能导致操作员受到严重伤害或设备受到损坏。



请确保产品拆开时的完整无损伤。请勿以本手册指定方式之外的其它方式使用或安装本设备。

2.1.1 危害指示标识说明


▲ 危险
表示潜在的或紧急的危险情况，如果不加以避免，将会导致死亡或严重伤害。
▲ 警告
表示潜在的或紧急的危险情况，如果不加以避免，将会导致死亡或严重伤害。
▲ 警告
表示潜在的危险情形，可能导致轻度或中度人身伤害。
注意
表明如不加以避免可能会导致仪器损坏的情况。此信息需要特别强调。

2.1.2 警示标签

请阅读贴在仪器上的所有标签和标记。如未遵照这些安全标签的指示操作，则可能造成人身伤害或仪器损坏。仪器上的符号在手册中通过警告说明参考。

	当仪器上标示此符号时，表示需要遵守说明手册中的操作和/或安全信息。
	标有此符号的电气设备在欧洲不能通过家庭或公共垃圾系统进行处理。请将老旧或报废设备寄回至制造商处进行处理，用户无需承担费用。

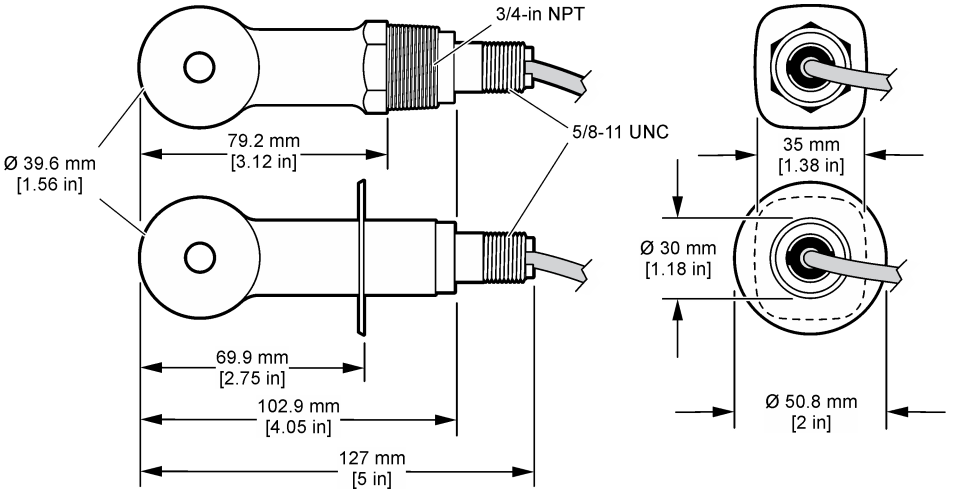
2.2 产品概述

▲ 危险	
	化学或生物危害。如果该仪器用于监测处理过程和/或化学品添加系统，但是存在与公共健康、公共安全、食品或饮料制造或加工有关的相应监管限制和监测要求，则仪器的使用者有责任了解并遵守所有适用的法规，并应建立足够和适当的机制，确保在仪器发生故障时也不会违法这些法规。
注意	
使用该传感器可能导致涂层产生裂痕，使底层基质暴露在传感器浸入的环境中。因此，该传感器的设计不适用此类应用，不得将传感器应用于液体需要符合一定的纯净度或洁净度参数、污染可能导致严重损害的应用。此类应用通常包括半导体的制造，以及用户必须对污染风险及其对产品质量产生的影响进行评估的其他应用。制造商建议用户不得将此传感器用于上述应用。如将该传感器用于上述应用或与之相关的应用，对于由此产生的任何索赔或损害，制造商不承担任何责任。	

此传感器旨在配合控制器使用，用于数据收集和操作。该传感器可与不同控制器配合使用。本文档假定已安装传感器且与 SC4500 控制器配合使用。要将传感器配合其他控制器使用，请参阅所用控制器的用户手册。

请参阅图 1 了解传感器尺寸。

图 1 尺寸

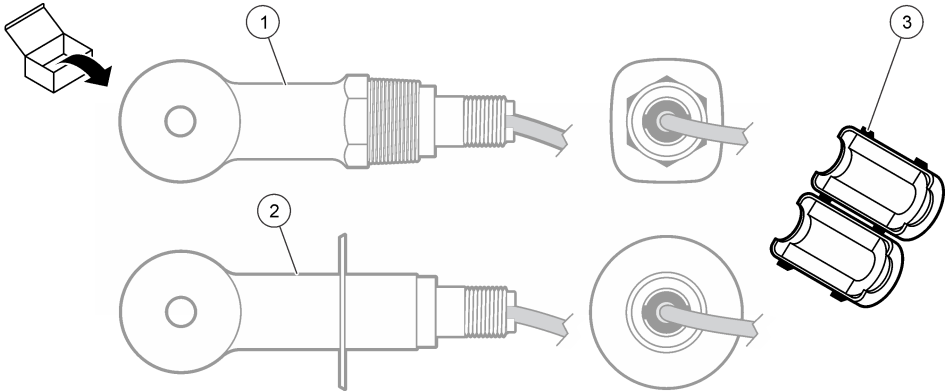


2.3 产品部件

确保已收到所有部件。请参阅图 2 和图 3。如有任何物品缺失或损坏，请立即联系制造商或销售代表。

注：可订购无数字网关的传感器，如图 3 中所示。

图 2 传感器组件

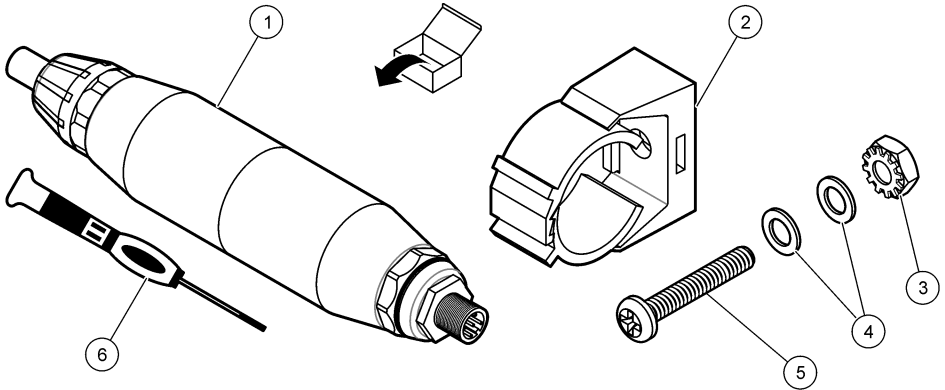


1 转换式传感器 — 使用合适的安装件安装在三通管或开式容器中

2 卫生型传感器 — 安装在 2 英寸双承丁字管中

3 铁氧体

图 3 数字网关部件



1 数字网关	4 平垫圈, #8 (2x)
2 固定支架	5 十字槽螺钉, #8-32 x 1.25 in
3 螺母, 带锁紧垫圈, #8-32	6 螺丝刀 (接线端子接线用)

第 3 节 安装

警告



多重危险。只有符合资质的专业人员才能从事文档本部分所述的任务。

3.1 将传感器安装在样品流中

警告



爆炸危险。对于在危险（分类）场所安装，请参阅控制器 1 类 2 区文件中的说明和控制图。安装传感器时，请遵守当地、地区和国家法规。切勿连接或断开仪器，除非已知环境无危险。

警告

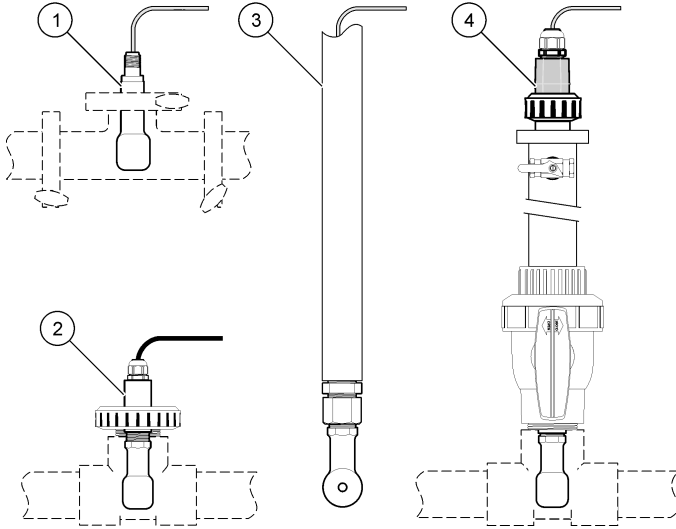


爆炸危险。确保传感器安装紧固件的温度和压力等级足以适合安装场所。

请参阅图 4 以了解如何在不同应用中安装传感器。必须在使用前校准传感器。请参阅[校准传感器](#)第 97 页。

确保传感器电缆的线路避开高频电磁场（例如发射器、电机和交换机）。如果线路经过这些地方可能引起结果不准确。

图 4 安装示例



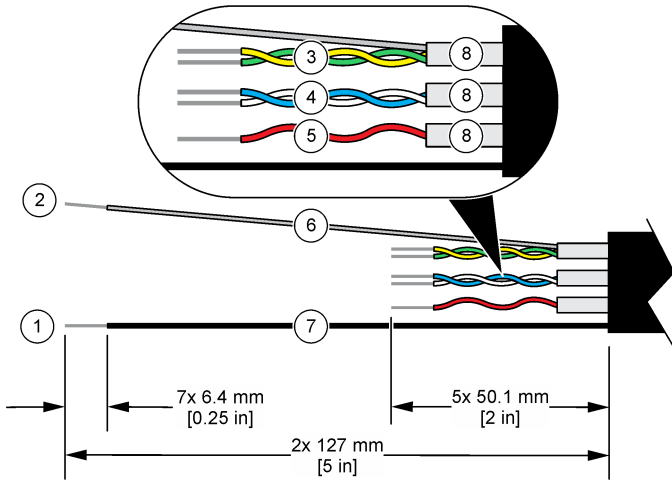
1 卫生级 (CIP) 法兰式安装	3 管浸入端
2 联合式 T 型安装	4 球阀插件

3.2 电气安装

3.2.1 制备传感器导线

如果更改传感器电缆长度，需要按 图 5 所示制备导线。

图 5 制备导线



1 外屏蔽线 ¹	5 红线
2 内屏蔽线 ²	6 无色热缩管 ³
3 双绞线，黄线和绿线	7 黑色热缩管 ³
4 双绞线，白线和蓝线	8 内部导线屏蔽层 ⁴

3.2.2 静电放电 (ESD) 注意事项

注意



可能导致仪器损坏。静电会损害精密的内部电子元件，从而导致仪器性能降低或最终出现故障。

请参阅此流程中的步骤以防止 ESD 损坏仪器：

- 触摸接地金属表面（如仪器外壳、金属导管或管道），泄放人体静电。
- 避免过度移动。运送静电敏感的元件时，请使用抗静电容器或包装。
- 配戴连接到接地线缆的腕带。
- 使用防静电地板垫和工作台垫，以使工作区具备静电安全性。

3.2.3 将传感器连接 SC 控制器

使用以下选项之一将传感器连接 SC 控制器：

- 在 SC 控制器中安装传感器模块。然后，将传感器的裸线连接至传感器模块。传感器模块将传感器的模拟信号转换为数字信号。
- 将传感器的裸线连接至 sc 数字网关，然后将 sc 数字网关连接至 SC 控制器。数字网关将传感器的模拟信号转换为数字信号。

请参阅传感器模块或 sc 数字网关随附的说明书。请参阅[更换部件与附件](#) 第 104 页了解订购信息。

¹ 传感器电缆屏蔽线

² 绿色和黄色双绞线的屏蔽线

³ 用户提供

⁴ 内部导线屏蔽层是一种内侧导电、外侧不导电的箔管。确保内部导线屏蔽层的内侧之间实现绝缘。确保内部导线屏蔽层的内侧不会暴露在外。

3.2.4 PRO 系列 E3 型无电极式电导率变送器

要将传感器连接到 PRO 系列 E3 型无电极式电导率变送器，先断开变送器电源，然后按 图 6 和 表 1 所示操作。

图 6 将传感器连接到变送器。

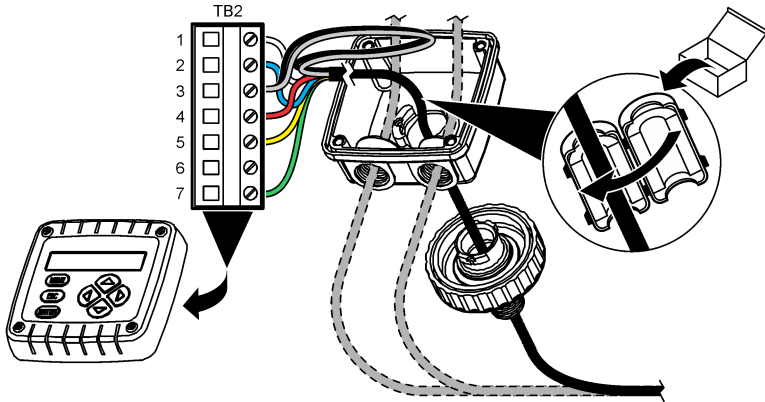


表 1 传感器接线信息

端子 (TB2)	电线	端子 (TB2)	电线
1	白色	4	红色
2	蓝色	5	黄色
3	无色 (内屏蔽线) ⁵	6	—
3	黑色 (外屏蔽线) ⁵	7	绿色

第 4 节 操作

警告



火灾危险。此产品不得与易燃液体一同使用。

4.1 用户导航

有关触摸屏说明和导航信息，请参阅控制器文档。

4.2 配置传感器

使用设置菜单输入传感器的识别信息，或更改数据处理和存储的选项。

1. 选择主菜单图标，然后选择**设备**。所有可用设备的列表随即显示。
2. 选择传感器并选择**设备菜单 > 设置**。
3. 选择一个选项。
 - 对于连接电导率模块的传感器，请参阅**表 2**。
 - 对于连接 **sc** 数字网关的传感器，请参阅**表 3**。

⁵ 为了最大限度地抵抗电噪声，应在电线插入接线端子之前将内外屏蔽线焊接在一起。

表 2 连接电导率模块的传感器

选项	说明
名称	更改测量屏幕顶端上传感器对应的名称。名称最多可包含 16 个字符，可以是字母、数字、空格或标点的任意组合。
传感器 S/N	供用户输入传感器序列号。序列号最多可包含 16 个字符，可以是字母、数字、空格或标点的任意组合。
测量类型	将测量参数更改为电导率（默认）、浓度、TDS（总溶解固体）或盐度。当参数更改时，所有其他配置重置为默认值。
格式	将测量屏幕上显示的小数位数为自动、X.XXX、XX.XX 或 XXX.X。当选择自动时，小数位数自动更改。 注： 自动选项仅在测量类型设置被设为电导率时才可用。
电导率单位	注： 电导率单位设置仅在测量类型设置被设为电导率或浓度时才可用。 更改电导率单位 — 自动、 $\mu\text{S}/\text{cm}$ 、 mS/cm 或 S/cm 。
温度	将温度单位设为 $^{\circ}\text{C}$ （默认值）或 $^{\circ}\text{F}$ 。
T-补偿	向测量值添加基于温度的校正 — 无、线性（默认： $2.0\%/^{\circ}\text{C}$ 、 25°C ）、天然水或温度补偿表。 当选择温度补偿表时，用户可以按升序输入 x、y ($^{\circ}\text{C}$ 、 $\%/^{\circ}\text{C}$) 点。 注： 天然水选项在测量类型设置被设为 TDS 或浓度时不可用。
浓度测量	注： 浓度测量设置仅在测量类型设置被设为浓度时才可用。 设置要使用的浓度表类型 — 内置（默认）或用户补偿表。 当选择内置时，用户可以选择测量的化学品 — H_3PO_4 ：0–40%； HCl ：0–18% 或 22–36%； NaOH ：0–16%； CaCl_2 0–22%； HNO_3 ：0–28% 或 36–96%； H_2SO_4 ：0–30%、40–80% 或 93–99%； HF ：0–30%； NaCl ：0–25%； HBr 、 KOH 、海水 当选择用户补偿表时，用户可以按升序输入 x、y（电导率、%）点。
TDS（总溶解固体）	注： TDS（总溶解固体）设置仅在测量类型设置为 TDS 时才可用。 设置用于将电导率转换为 TDS 的系数 — NaCl （默认）或自定义（输入 0.01 至 99.99 ppm/ μS 之间的系数，默认：0.49 ppm/ μS ）。
温度元件	将自动温度补偿的温度元件设置为 PT100、PT1000（默认）或手动。如果未使用元件，则设置为手动并设置温度补偿的值（默认： 25°C ）。 当温度元件设置为 PT100 或 PT1000 时，请参阅调整非标准电缆长度的温度系数 第 96 页以设置 T 系数设置。 注： 如果温度元件设置为手动且更换了传感器或重置了传感器天数，温度元件将自动更改回默认设置（PT1000）。
电极常数参数	将电极常数更改为传感器电缆标签上实际经认证的 K 值。输入经认证的 K 值后，即可定义校准曲线。默认：4.70
过滤器	设置时间常数，以增加信号的稳定性。时间常数计算指定时间段的平均值 — 0（无影响，默认）至 200 秒（200 秒信号值的平均值）。过滤时间将增加传感器信号响应过程中实际变化的时间。
数据记录器间隔	在数据日志中设置传感器和温度测量存储的时间间隔 — 5、30 秒或 1、2、5、10、15（默认）、30、60 分钟
重置设置为默认值	将设置菜单设为默认出厂设置并重置计数器。届时，所有的传感器信息将会丢失。

表 3 连接 sc 数字网关的传感器

选项	说明
名称	更改测量屏幕顶端上传感器对应的名称。名称最多可包含 16 个字符，可以是字母、数字、空格或标点的任意组合。
测量类型	将测量参数更改为电导率（默认）、浓度、TDS（总溶解固体）或盐度。当参数更改时，所有其他配置重置为默认值。
电导率单位	注： 电导率单位设置仅在测量类型设置被设为电导率、浓度或盐度时才可用。 更改电导率单位 — $\mu\text{S}/\text{cm}$ （默认）、 mS/cm 或 S/cm 。

表 3 连接 sc 数字网关的传感器（续）

选项	说明
电极常数参数	<p>注： 电极常数参数设置仅在测量类型设置被设为电导率或盐度时才可用。</p> <p>将电极常数更改为传感器电缆标签上实际经认证的 K 值。输入经认证的 K 值后，即可定义校准曲线。默认：4.70</p>
浓度测量	<p>注： 浓度测量设置仅在测量类型设置被设为浓度时才可用。</p> <p>设置要使用的浓度表类型 — 内置（默认）或用户定义。</p> <p>当选择内置时，用户可以选择测量的化学品 — H₃PO₄：0–40%；HCl：0–18% 或 22–36%；NaOH：0–16%；CaCl₂ 0–22%；HNO₃：0–28% 或 36–96%；H₂SO₄：0–30%、40–80% 或 93–99%；HF：0–30%</p> <p>当选择用户定义时，用户可以按升序输入 x、y（电导率、%）点。</p>
TDS（总溶解固体）	<p>注： TDS（总溶解固体）设置仅在测量类型设置为 TDS 时才可用。</p> <p>设置用于将电导率转换为 TDS 的系数 — NaCl（默认）或用户定义（输入 0.01 至 99.99 ppm/μS 之间的系数，默认：0.49 ppm/μS）。</p>
温度	将温度单位设为 °C（默认值）或 °F。
T-补偿	<p>向测量值添加基于温度的校正 — 无、线性（默认：2.0%/°C、25°C）、天然水或温度补偿表。</p> <p>当选择温度补偿表时，用户可以按升序输入 x、y（°C、%/°C）点。</p> <p>注： 天然水选项在测量类型设置被设为 TDS 时不可用。</p> <p>注： 当测量类型设置被设为浓度时，T-补偿设置被设为无。</p>
数据记录器间隔	在数据日志中设置传感器和温度测量存储的时间间隔 — 禁用（默认）、5、10、15、30 秒、1、5、10、15、30 分钟或 1、2、6、12 小时
交流电频率	选择电力线频率以实现最佳噪音抑制。选项：50 或 60 Hz（默认值）。
过滤器	设置时间常数，以增加信号的稳定性。时间常数可计算特定时间内的平均值—0（无影响，默认值）至 60 秒（60 秒的信号平均值）。过滤时间将增加传感器信号响应过程中实际变化的时间。
温度元件	<p>将自动温度补偿的温度元件设置为 PT1000（默认）或手动。如果未使用元件，则设置为手动并设置温度补偿的值（默认：25°C）。</p> <p>当温度元件设置为 PT1000 时，请参阅调整非标准电缆长度的温度系数 第 96 页以设置系数设置。</p> <p>注： 如果温度元件设置为手动且更换了传感器或重置了传感器天数，温度元件将自动更改回默认设置（PT1000）。</p>
上次校准	<p>设置下次校准的提醒（默认：60 天）。自上次校准日期起，在选定的间隔后，显示屏会显示校准传感器的提醒。</p> <p>例如，如果上次校准日期是 6 月 15 日且上次校准被设置为 60 天，显示屏会在 8 月 14 日显示校准提醒。若在 8 月 14 日前（如 7 月 15 日）对传感器进行校准，显示屏会在 9 月 13 日显示校准提醒。</p>
传感器天数	<p>设置更换传感器提醒（默认：365 天）。在选定的间隔后，显示屏会显示更换传感器的提醒。传感器天数计数器在诊断/测试 > 计数器菜单上显示。</p> <p>更换传感器时，重置诊断/测试 > 计数器菜单上的传感器天数计数器。</p>
重置设置	将设置菜单设为默认出厂设置并重置计数器。届时，所有的传感器信息将会丢失。

4.3 调整非标准电缆长度的温度系数




当传感器电缆长于或短于 6 m (20 ft) 时，电缆的电阻发生变化。此变化会降低温度测量的准确度。要校正此差异，应计算新的温度系数。

1. 分别使用传感器和独立、可靠的仪器（如温度计）测量溶液的温度。
2. 记录传感器测量的温度与独立源测量的温度（实际温度）之间的差值。
例如，如果实际温度为 50 °C，而传感器读数为 53 °C，则差值为 3 °C。
3. 将此差值乘以 3.85 即得到调整值。
例如：3 × 3.85 = 11.55。
4. 计算新的温度系数：
 - 传感器温度大于实际温度 — 将调整值与传感器电缆的标签上的 T 系数相加

- 传感器温度小于实际温度 — 从传感器电缆的标签上的 T 系数中减去调整值

5. 选择**设置 > 温度元件 > T 系数**（或**系数**）并输入新 T 系数。

4.4 校准传感器

⚠ 警告	
	液压危险。从压力容器上卸下载感器可能存在危险。在拆卸前，将工艺压力降到 7.25 psi (50 kPa) 以下。如果无法做到这一点，要极为小心操作。请参阅安装紧固件随附的文档，了解更多信息。
⚠ 警告	
	化学品暴露风险。遵守实验室安全规程，穿戴适用于所处理化学品的所有个人防护装备。有关安全规程，请参阅当前安全数据表 (MSDS/SDS)。
⚠ 警告	
	化学品暴露风险。请遵循地方、区域和国家法规处置化学品和废弃物。

4.4.1 关于传感器校准

应使用湿校准法校准电导率传感器：

- **湿态校准** — 使用空气（零点校准）和参比溶液或数值已知的过程试样来定义校准曲线。建议使用参比溶液校准，以获得最佳的准确度。若使用过程试样，则必须通过辅助验证仪器确定参考值。务必在设置菜单中的温度元件中输入 T 系数以准确补偿温度。

校准过程中，不会发送数据到数据记录。因此，数据记录可以有间歇数据区域。

4.4.2 更改校准选项

对于连接电导率模块的传感器，用户可以在校准选项菜单中设置提醒或添加操作员 ID 和校准数据。

注： 该步骤不适用于连接 **sc** 数字网关的传感器。

1. 选择主菜单图标，然后选择**设备**。所有可用设备的列表随即显示。
2. 选择传感器并选择**设备菜单 > 校准**。
3. 选择**校准选项**。
4. 选择一个选项。

选项	说明
校准提醒	设置下次校准的提醒（默认：关）。自上次校准日期起，在选定的间隔后，显示屏会显示校准传感器的提醒。 例如，如果上次校准日期是 6 月 15 日且上次校准被设置为 60 天，显示屏会在 8 月 14 日显示校准提醒。若在 8 月 14 日前（如 7 月 15 日）对传感器进行校准，显示屏会在 9 月 13 日显示校准提醒。
校准操作者 ID	包括操作员 ID 和校准数据 - Yes（是）或 No（否）（默认值）。在校准过程中输入 ID。

4.4.3 零点校准程序

使用零点校准程序定义电导率传感器唯一的零点。必须先定义零点，然后再使用参比溶液或过程试样首次校准传感器。

1. 从过程溶液中取出传感器。用干净的毛巾擦净传感器，或用压缩空气吹扫，以确保传感器清洁、干燥。
2. 选择主菜单图标，然后选择**设备**。所有可用设备的列表随即显示。

- 选择传感器并选择**设备菜单 > 校准**。
- 选择**零点校准**（或**0-点校准**）。
- 在校准过程中选择输出信号的选项：

选项	说明
活动	仪器在校准过程中发送当前测量的输出值。
保持	传感器输出值在校准过程中保持为当前测量值。
传输	在校准过程中发送预设的输出值。要更改预设值，请参阅控制器用户手册。

- 将干燥的传感器放在空气中，然后按确定。
- 在显示屏上出现校准结果前，切勿按确定。
- 查看校准结果：
 - "成功完成校准。"— 传感器已经校准并准备测量试样。将显示斜率和/或偏移值。
 - "校准失败。"— 校准斜率或偏移值超出接受的限值。用新的参比溶液重复校准。必要时清洁传感器。
- 按确定。
- 继续使用参比溶液或过程试样校准。

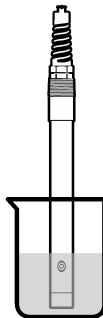
4.4.4 使用参比溶液校准

校准调整传感器读数，以匹配参比溶液的值。使用与预期测量读数相同或比预期测量读数更大的值的参比溶液。

注： 如果首次校准传感器，务必首先完成零点校准。

- 用去离子水彻底冲洗未用过的传感器。
- 将传感器放入参比溶液中。托住传感器，以便它不会接触容器。确保感应区域完全浸入溶液（图 7）。搅动传感器，以去除气泡。

图 7 传感器放入参比溶液



- 等待传感器与溶液温度相等。如果过程溶液与参比溶液的温差很大，此过程可能需要 30 分钟或以上。
- 选择主菜单图标，然后选择**设备**。所有可用设备的列表随即显示。
- 选择传感器并选择**设备菜单 > 校准**。
- 选择**电导溶液**（或**电导率校准**（如果传感器连接至 sc 数字网关））。
- 在校准过程中选择输出信号的选项：

选项	说明
活动	仪器在校准过程中发送当前测量的输出值。

选项	说明
----	----

保持	传感器输出值在校准过程中保持为当前测量值。
----	-----------------------

传输	在校准过程中发送预设的输出值。要更改预设值，请参阅控制器用户手册。
----	-----------------------------------

8. 输入参比溶液的参考温度，然后按确定。

9. 输入参比溶液的斜率，然后按确定。

10. 当传感器在参比溶液中时，按确定。

11. 等待值稳定后按确定。

注：屏幕可能自动进入下一步。

12. 输入参比溶液的值，然后按确定。

13. 查看校准结果：

- "成功完成校准。"— 传感器已经校准并准备测量试样。将显示斜率和/或偏移值。
- "校准失败。"— 校准斜率或偏移值超出接受的限值。用新的参比溶液重复校准。必要时清洁传感器。

14. 按确定继续。

15. 将传感器放回过程溶液，然后按确定。

输出信号恢复激活状态且测量屏幕上将显示测得的试样值。

4.4.5 使用过程试样校准

传感器可以保留在过程试样中，或可倒出一部分过程试样以备校准。必须使用辅助验证仪器确定参考值。

注：如果首次校准传感器，务必首先完成零点校准。

1. 选择主菜单图标，然后选择**设备**。所有可用设备的列表随即显示。

2. 选择传感器并选择**设备菜单 > 校准**。

3. 选择**电导率校准**、**TDS 校准**或**浓度校准（或校准）**。

注：使用测量类型设置更改校准的参数。

4. 在校准过程中选择输出信号的选项：

选项	说明
----	----

活动	仪器在校准过程中发送当前测量的输出值。
----	---------------------

保持	传感器输出值在校准过程中保持为当前测量值。
----	-----------------------

传输	在校准过程中发送预设的输出值。要更改预设值，请参阅控制器用户手册。
----	-----------------------------------

5. 当传感器在过程试样中时，按确定。
测量值随即显示。

6. 等待值稳定后按确定。

注：屏幕可能自动进入下一步。

7. 通过辅助验证仪器测量电导率（或其他参数）值。使用箭头键输入测量值，然后按确定。

8. 查看校准结果：

- "成功完成校准。"— 传感器已经校准并准备测量试样。将显示斜率和/或偏移值。
- "校准失败。"— 校准斜率或偏移值超出接受的限值。用新的参比溶液重复校准。必要时清洁传感器。

9. 按确定继续。

10. 将传感器放回过程溶液，然后按确定。

输出信号恢复激活状态且测量屏幕上将显示测得的试样值。

4.4.6 温度校准

仪器出厂时已经校准为精确的温度测量值。校准温度可以提高精度。

1. 将传感器放入一个含水容器中。
2. 使用精确的温度计或单独的仪器测量水温。
3. 选择主菜单图标，然后选择**设备**。所有可用设备的列表随即显示。
4. 选择传感器并选择**设备菜单 > 校准**。
5. 选择**1 点温度校准**（或**温度调节**）。
6. 输入准确的温度值并按确定。
7. 将传感器重新插入过程溶液。

4.4.7 退出校准过程

1. 要退出校准，请按返回图标。
2. 选择一个选项，然后按确定。

选项	说明
退出校准 (或取消)	停止校准。新校准必须从头开始。
返回校准	返回到校准。
退出校准 (或退出)	暂时退出校准。可访问其他菜单。可开始另一个传感器（如有）的校准。

4.4.8 重置校准

校准可重置为默认出厂设置。届时，所有的传感器信息将会丢失。

1. 选择主菜单图标，然后选择**设备**。所有可用设备的列表随即显示。
2. 选择传感器并选择**设备菜单 > 校准**。
3. 选择**重置为默认校准值**或**重置为校准默认值**。（或**重置设置**），然后按确定。
4. 再按一次确定。

4.5 Modbus 寄存器

Modbus 寄存器列表可供网络通信使用。请参阅制造商的网站了解更多信息。

第 5 节 维护

▲ 警告



多重危险。只有符合资质的专业人员才能从事文档本部分所述的任务。

▲ 警告



爆炸危险。除非已知环境无危险，否则不要连接或断开仪器。有关危险场所的说明，请参考控制器 1 类 2 区的文件。

▲ 警告



液压危险。从压力容器中卸下载感器可能存在危险。在拆卸前，将工艺压力降到 7.25 psi (50 kPa) 以下。如果无法做到这一点，要极为小心操作。请参阅安装紧固件随附的文档，了解更多信息。

▲ 警告



化学品暴露风险。遵守实验室安全规程，穿戴适用于所处理化学品的所有个人防护装备。有关安全规程，请参阅当前安全数据表 (MSDS/SDS)。

▲ 警告



化学品暴露风险。请遵循地方、区域和国家法规处置化学品和废弃物。

5.1 清洗传感器

事先准备：准备温和的肥皂溶液、温水及餐具洗涤剂、硼砂洗手液或类似的脂肪酸盐。定期检查传感器是否存在污垢和沉淀物。当形成沉淀物或性能降低时，清洗传感器。

1. 使用干净的软布清除传感器端壁上的污垢。使用干净的温水冲洗传感器。
2. 将传感器浸入肥皂溶液中 2 到 3 分钟。
3. 使用软毛刷刷洗传感器的整个测量端。擦洗磁环内部。
4. 如果仍有污垢，将传感器的测量端浸入稀酸溶液（如 < 5% HCl）不超过 5 分钟。
5. 用水冲洗传感器，然后将传感器放回肥皂溶液中 2 到 3 分钟。
6. 使用净水冲洗传感器。

维护操作完成后应始终校准传感器。

第 6 节 故障排除

6.1 间歇数据

校准过程中，不会发送数据到数据记录。因此，数据记录可以有间歇数据区域。

6.2 测试电导率传感器

如果校准失败，首先完成[维护](#)第 100 页中的维护步骤。

1. 断开传感器电线。
2. 使用欧姆计测试传感器电线之间的电阻（如表 4 所示）。

注：欧姆计务必设为其所有无穷（断路）电阻读数的最高范围。

表 4 电导率电阻测量

测量点	电阻
红色电线与黄色电线之间	在 23 至 27 °C 时为 1090 至 1105 欧姆 ⁶
蓝色与白色电线之间	小于 5 欧姆
绿色电线与黄色电线之间	小于 5 欧姆
白色电线与屏蔽电线之间	无穷（断路）

如果一个或多个测量不正确，请致电技术支持部门。请向技术支持人员提供传感器序列号和所测电阻值。

⁶ 无穷值（断路）或 0 Ω（短路）表示出现故障。

6.3 诊断/测试菜单

诊断/测试菜单显示有关传感器的当前和历史信息。请参阅表 5。按主菜单图标，然后选择**设备**。选择设备并选择**设备菜单 > 诊断/测试**。

表 5 诊断/测试菜单

选项	说明
模块信息	仅适用于连接电导率模块的传感器 — 显示电导率模块的版本和序列号。
传感器信息	适用于连接电导率模块的传感器 — 显示传感器名称和用户输入的序列号。 适用于连接 sc 数字网关的传感器 — 显示传感器型号和传感器序列号。显示已安装的软件版本和驱动程序版本。
上次校准	仅适用于连接电导率模块的传感器 — 显示自上次校准后的天数。
校准记录	适用于连接电导率模块的传感器 — 显示此前校准的校准斜率和日期。 适用于连接 sc 数字网关的传感器 — 显示电极常数参数、偏差校正和上次校准的日期。
重置校准历史记录	仅适用于连接电导率模块的传感器 — 仅用于维修
传感器信号 (或信号)	仅适用于连接电导率模块的传感器 — 显示当前电导率和温度读数。 仅适用于连接 sc 数字网关的传感器 — 显示当前温度模数转换器计数器。选择传感器信号以显示当前测量模数转换器计数器或设置传感器范围（默认：6）。选择传感器测量以显示传感器读数。
传感器天数 (或计数器)	显示传感器已运行的天数。 适用于连接 sc 数字网关的传感器 — 选择 计数器 以显示传感器已运行的天数。如需将计数器重置为零，请选择 重置 。 在更换传感器时，重置传感器天数计数器。
重置	仅适用于连接电导率模块的传感器 — 将传感器天数计数器设为零。 在更换传感器时，重置传感器天数计数器。
工厂校准	仅适用于连接电导率模块的传感器 — 仅用于维修

6.4 错误列表

当发生错误时，测量屏幕上的读数会闪烁，所有输出将保留（如果在控制器 > 输出菜单中指定）。屏幕变为红色。诊断栏显示错误。按诊断栏以显示错误和警告。或者，也可以按主菜单图标，然后选择**通知 > 错误**。

可能出现的错误列表如表 6 所示。

表 6 错误列表

错误	说明	解决方法
电导率过高。	测量值大于 2 S/cm、1,000,000 ppm、200% 或 20,000 ppt。	确保电导率单位设置已设置为正确的测量范围。
电导率过低。	测量值小于 0 μS/cm、0 ppm、0% 或 0 ppt 或者传感器电极常数不正确。	确保为传感器配置了正确的电极常数。
零点过高。	零点校准值 大于 500,000 点数。	确保传感器在零点校准时置于空气中，且没有置于射频或电磁干扰的附近。确保电缆已由金属导管屏蔽。
零点过低。	零点校准值 小于 -500,000 点数。	

表 6 错误列表 (续)

错误	说明	解决方法
温度过高。	测量的温度大于 130 °C。	确保选择了正确的温度元件。请参阅 配置传感器 第 94 页。
温度过低。	测量的温度小于 -10 °C。	
ADC 故障	模拟与数字转换失败。	关闭再开启控制器。请联系技术支持部门。
传感器缺失。	传感器丢失或断开。	检查传感器和模块（或数字网关）的接线及连接。确保接线板完全插入模块中（若适用）。
测量值超出范围。	传感器信号超出接受限值 (2 S/cm)。	确保电导率单位设置已设置为正确的测量范围。

6.5 警告列表

警告不会影响对菜单、继电器和输出的操作。屏幕变为琥珀色。诊断栏显示警告。按诊断栏以显示错误和警告。或者，也可以按主菜单图标，然后选择**通知 > 警告**。

可能的警告列表如表 7 所示。

表 7 警告列表

警告	说明	解决方法
零点过高。	零点校准值大于 300,000 点数。	确保传感器在零点校准时置于空气中，且没有置于射频或电磁干扰的附近。确保电缆已由金属导管屏蔽。
零点过低。	零点校准值小于 -300,000 点数。	
温度过高。	测得的温度 > 100 °C。	确保已为传感器配置了正确的温度元件。
温度过低。	测量的温度值低于 0 °C。	
校准过期。	校准提醒时间已过。	校准传感器。
设备未校准。	传感器尚未校准。	校准传感器。
更换传感器。	传感器天数计数器超过所选传感器的更换间隔。请参阅 配置传感器 第 94 页。	更换传感器。在 诊断/测试 > 重置菜单 （或 诊断/测试 > 计数器菜单 ）重置传感器天数计数器。
正在进行校准...	校准已开始但尚未完成。	返回校准。
输出暂停	在校准过程中，将输出设为在所选时间保持。	输入将在所选时段过后激活。也可断开控制器电源，然后重新通电。
线性温度补偿超出范围。	用户定义的线性温度补偿超出范围。	该值必须介于 0 至 4%/°C 之间；0 至 200 °C。
温度补偿表超出范围。	用户定义的温度补偿表超出范围。	温度高于或低于表格定义的温度范围。
不正确的用户浓度表。	浓度测量值超出用户表的范围。	确保为用户表设置了正确的测量范围。
不正确的内置温度表。	测量温度超出内置温度补偿表的范围。	确保温度补偿配置正确。
不正确的内置浓度表。	浓度测量值超出内置浓度表的范围。	确保为浓度测量配置了正确的化学品和范围。

6.6 事件列表

诊断栏显示配置更改、警报和警告情况等当前活动。可能发生的事件列表如表 8 所示。先前的事件记录在事件日志中，并可从控制器中下载。数据检索选项请参阅控制器文档。

表 8 事件列表

事件	说明
校准就绪	传感器校准就绪。
校准完成。	当前校准成功。
时间已过。	校准过程中的稳定时间截止。
校准失败。	校准失败。
校准较高。	校准值高于上限。
K 超出范围。	电极常数 K 超出当前校准的范围。
读数不稳定。	校准期间读数不稳定。
配置更改 浮动值	配置已更改—浮点类型。
配置更改 文本值	配置已更改—文本类型。
配置更改 整数值	配置已更改—整数值类型。
配置更改	将配置重设为默认选项。
电源开启。	打开电源。
ADC 故障	模拟与数字转换失败（硬件故障）。
更新擦除	闪存已被擦除。
温度	记录的温度太高或太低（-20 至 200°C）。
样本校准启动。	电导率校准开始
样本校准完成。	电导率校准结束
零点校准启动。	零点校准开始
零点校准完成。	零点校准结束
电导溶液校准启动。	参比溶液电导率校准开始
电导溶液校准完成。	参比溶液电导率校准结束
TDS 校准启动。	TDS 校准开始
TDS 校准完成。	TDS 校准结束
浓度校准启动。	浓度校准开始
浓度校准完成。	浓度校准结束
盐度校准启动。	盐度校准开始
盐度校准完成。	盐度校准结束

第 7 节 更换部件与附件

▲ 警告



人身伤害危险。使用未经批准的部件可能造成人身伤害、仪器损坏或设备故障。本部分中的更换部件均经过制造商的批准。

注：一些销售地区的产品和物品数量可能有所不同。请与相关分销商联系或参考公司网站上的联系信息。

消耗品

说明	数量	物品编号
电导率参比溶液, 100 µS/cm	1 L	25M3A2000-100
电导率参比溶液, 500 µS/cm	1 L	25M3A2000-500
电导率参比溶液, 1000 µS/cm	1 L	25M3A2000-1000
电导率参比溶液, 1990 µS/cm	100 mL	210542

零件和附件

说明	物品编号
SC4500 控制器的电导率模块	LXZ525.99.D0004
感应式电导率传感器的 sc 数字网关	6120800
垫圈, EDPM, 用于 2 英寸卫生级传感器	9H1327
接线盒, 铝	60A2053
接线盒, NEMA-4X 防护等级	76A4010-001
卫生级管夹, 2 英寸重负荷型	9H1132
盖, 2 英寸, 卫生级	70F1037-003

附件

说明	物品编号
数字延长线, 1 m (3.2 ft)	6122400
数字延长线, 7.7 m (25 ft)	5796000
数字延长线, 15 m (50 ft)	5796100
数字延长线, 30 m (100 ft)	5796200

用于 C1D2 位置的附件

说明	物品编号
带两个连接器安全锁的数字延长线, 1 m (3.2 ft)	6122401
带两个连接器安全锁的数字延长线, 7.7 m (25 ft)	5796001
带两个连接器安全锁的数字延长线, 15 m (50 ft)	5796101
带两个连接器安全锁的数字延长线, 30 m (100 ft)	5796201
快捷接头安全锁, 第 1 类第 2 分类装置	6139900

目次

- 1 仕様 106 ページ
- 2 一般情報 106 ページ
- 3 設置 109 ページ
- 4 作動 112 ページ
- 5 メンテナンス 119 ページ
- 6 トラブルシューティング 120 ページ
- 7 交換部品とアクセサリ 124 ページ

第1章 仕様

仕様は予告なく変更されることがあります。

仕様	詳細
寸法	図 1 108 ページを参照してください。
汚染度	2
過電圧区分	I
保護クラス	III
標高	最大 2,000 m (6,562 フィート)
動作温度	-20 ~ 60 °C (-4 ~ 140 °F)
保管温度	-20 ~ 70 °C (-4 ~ 158 °F)
重量	約 1 kg (2.2 ポンド)
接液面の材質	ポリプロピレン、PVDF、PEEK、PFA
センサケーブル	5 芯 (+ 2 x 絶縁シールド)、6 m (20 フィート)、定格 150 °C (302 °F)— ポリプロピレン
導電率範囲	0.0 ~ 200.0 µS/cm、0 ~ 2,000,000 µS/cm
精度	測定値の 0.01 %、すべての範囲
再現性/精度	> 500 µS/cm: 測定値の ±0.5 %、< 500 µS/cm: ±5 µS/cm
最大流量	0 ~ 3 m/s (0 ~ 10 ft/s)
温度/圧力限度	ポリプロピレン: 6.9 bar で 100 °C (100 psi で 212 °F)、PVDF: 6.9 bar で 120 °C (100 psi で 248 °F)、PEEK および PFA: 13.8 bar で 200 °C (200 psi で 392 °F)
伝送距離	200 ~ 2,000 µS/cm: 61 m (200 フィート)、2,000 ~ 2,000,000 µS/cm: 91 m (300 フィート)
温度測定範囲	-10 ~ 135 °C (14 ~ 275 °F) センサ本体の材質によって制限
温度センサ	Pt 1000 RTD
校正方法	ゼロ校正、1 点導電率校正、1 点温度校正
センサイインターフェイス	Modbus
認証	ETL (米国/カナダ) により、Class 1、Division 2、グループ A、B、C、D、温度コード T4 - 危険な場所での使用 (Hach SC 変換器を装備) に適合。CE、UKCA、FCC、ISED、ACMA、KC、CMIM に適合。3A 認証を取得したサンタリーセンサ。
保証	1 年、2 年 (EU)

第2章 一般情報

いかなる場合も、製造元は、製品の不適切な使用またはマニュアルの指示に従わなかったことに起因する損害について責任を負いません。製造元は、通知または義務なしに、随時本マニュアルおよび製品において、その記載を変更する権利を有します。改訂版は、製造元の Web サイト上にあります。

2.1 安全情報

メーカーは、本製品の目的外使用または誤用に起因する直接損害、偶発的損害、結果的損害を含むあらゆる損害に対して、適用法で認められている範囲で一切責任を負わないものとします。ユーザーは、適用に伴う危険性を特定したり、装置が誤作動した場合にプロセスを保護するための適切な機構を設けることに関して、全責任を負うものとします。

この機器の開梱、設定または操作を行う前に、このマニュアルをすべてよく読んでください。危険、警告、注意に記載されている内容をよく読み、遵守してください。これを怠ると、使用者が重傷を負う可能性、あるいは機器が損傷を受ける可能性があります。

Make sure that the protection provided by this equipment is not impaired. この装置は本マニュアルで指定されている方法以外の方法で使用したり、取り付けたりしないでください。

2.1.1 危険情報

▲ 危険

回避しないと死亡または重傷につながる潜在的または切迫した危険な状況を示します。

▲ 警告

回避しなければ、死亡または重傷につながるおそれのある潜在的または切迫した危険な状況を示します。

▲ 注意



軽傷または中程度のけがをする事故の原因となる可能性のある危険な状況を示します。

告知

回避しなければ、本製品を損傷する可能性のある状況や、特に強調したい情報を示します。特に強調する必要がある情報。

2.1.2 使用上の注意ラベル

測定器上に貼付されたラベルや注意書きを全てお読みください。これに従わない場合、人身傷害や装置の損傷につながるおそれがあります。測定器に記載されたシンボルは、使用上の注意と共にマニュアルを参照してください。

	この記号が計器に記載されている場合、操作の指示マニュアル、または安全情報を参照してください。
	このシンボルが付いている電気機器は、ヨーロッパ域内または公共の廃棄処理システムで処分できません。古くなったり耐用年数を経た機器は、廃棄するためにメーカーに無償返却してください。

2.2 製品概要

▲ 危険



化学的および生物学的な危険。この装置の用途が処理工程や薬液注入システムの監視であり、それらに対して公衆衛生、公衆安全、食品/飲料の製造/加工に関する規制や監視要件が存在する場合、この装置の使用者には、該当するすべての規制を把握して遵守する責任、および装置の異常時に関する当該規制に従って十分かつ適切な措置を講じる責任があります。

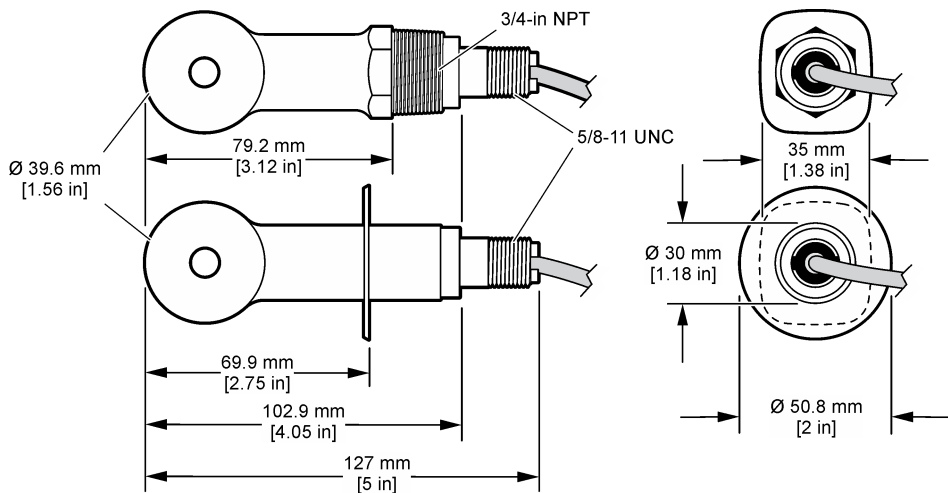
告知

このセンサを使用すると、コーティングに亀裂が生じ、センサが浸されている環境に下にある基板がさらされる可能性があります。そのため、このセンサは、液体が特定の純度や清浄度パラメーターに適合することが期待され、汚染が重大な損害をもたらすような用途向けに開発されたものではなく、またそのような用途での使用は想定されていません。このような用途には通常、半導体製造用途が含まれますが、汚染リスクやその後の製品品質への影響を評価する必要がある他の用途が含まれる場合もあります。製造元は、このような用途でセンサを使用しないようにアドバイスし、このような用途で、またはこのような用途に関連してセンサが使用された結果として生じるいかなる請求または損害についても責任を負いません。

このセンサは変換器と連動して、データ収集や操作を行うように設計されています。このセンサには、さまざまな変換器を使用できます。このドキュメントは、SC4500 変換器にセンサを取り付けて使用することを前提としています。他の変換器でセンサを使用する場合は、使用する変換器のユーザーマニュアルを参照してください。

センサの寸法については、[図 1](#) を参照してください。

図 1 寸法

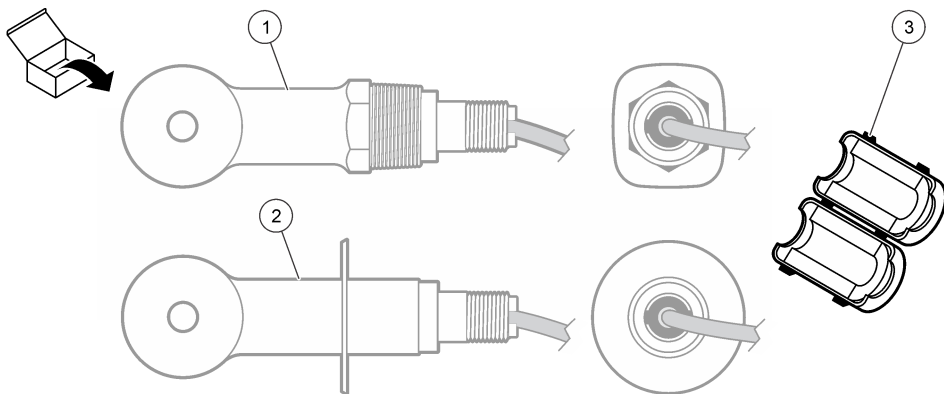


2.3 製品コンポーネント

すべてのコンポーネントが届いていることを確認してください。[図 2](#) および [図 3](#) を参照してください。構成部品に不足や破損がある場合は、直ちに取扱い販売代理店にお問い合わせください。

注: センサは、[図 3](#) に示されているデジタルゲートウェイなしで注文できます。

図 2 センサコンポーネント

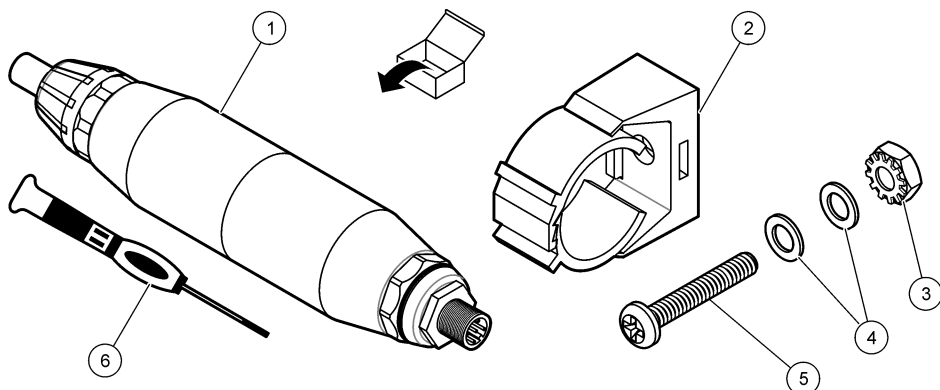


1 コンバーチブル型センサ — 適切な取り付け金具を使用して、T 字管または開口容器に取り付ける場合

2 サニタリー型センサ — 2 インチのサニタリー T 字管に取り付ける場合

3 フェライト

図3 デジタルゲートウェイのコンポーネント



1 デジタルゲートウェイ	4 フラットワッシャー、#8 (2x)
2 取り付けブラケット	5 ネジ、十字穴付き、#8-32 x 1.25 インチ
3 ロックワッシャー付きナット、#8-32	6 ドライバー (端子ブロック用)

第3章 設置

▲ 警告



複合的な危険。本書のこのセクションに記載されている作業は、必ず資格のある作業員が行う必要があります。

3.1 サンプルストリームにセンサを取り付ける

▲ 警告



爆発の危険性があります。危険な (分類された) 場所に設置する場合は、変換器 Class 1, Division 2 のドキュメントにある説明書と制御図を参照してください。現地、地域、および国の規定に従ってセンサを取り付けます。環境が危険でないことがわかっている場合を除き、装置を接続したり切断しないでください。

▲ 警告

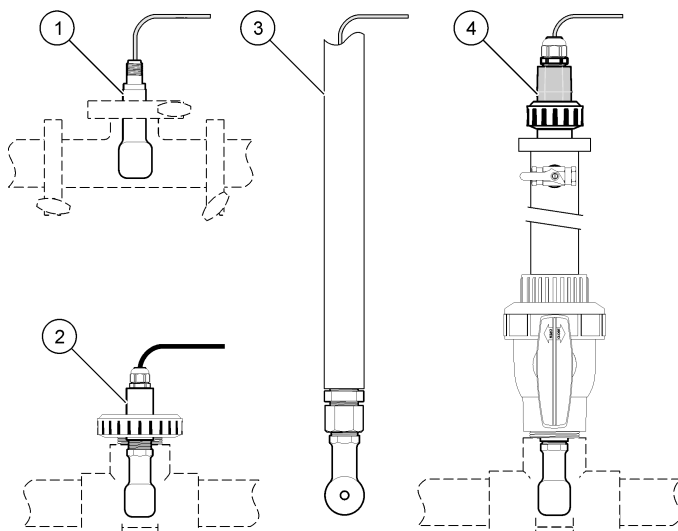


爆発の危険性があります。センサの取り付け金具が取り付け場所に十分な温度および圧力定格を備えていることを確認してください。

さまざまな用途でのセンサの取り付けについては、図4を参照してください。センサは校正してから使用してください。センサの校正 115 ページを参照します。

センサケーブルは、強い電磁場 (送信機、モーター、スイッチング機器など) への曝露を避けるように配線してください。これらの電磁場に曝露すると、正確な結果が得られないことがあります。

図4 取り付け例



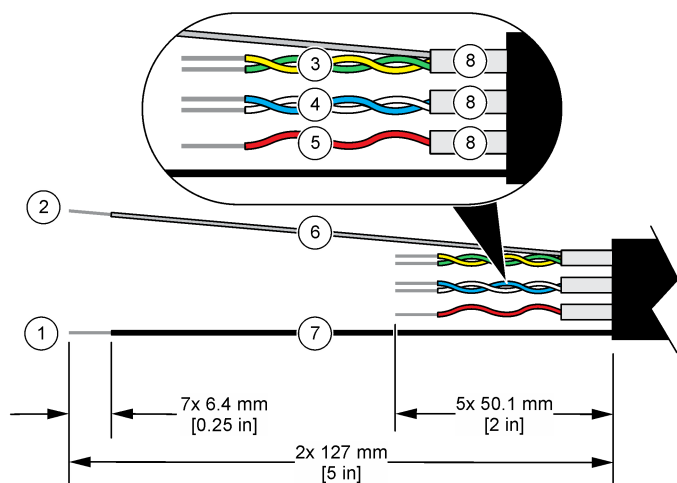
1 サニタリー (CIP) フランジ取り付け	3 パイプ浸漬の端
2 ユニオン T 字取り付け	4 ボール弁挿入

3.2 配線

3.2.1 センサワイヤの準備

センサケーブルの長さを変更する場合は、[図5](#)に示すようにワイヤを準備してください。

図 5 ワイヤの準備



1 外部シールドワイヤ ¹	5 赤のワイヤ
2 内部シールドワイヤ ²	6 透明な熱収縮チューブ ³
3 ツイストペア、黄色のワイヤと緑のワイヤ	7 黒の熱収縮チューブ ³
4 ツイストペア、白のワイヤと青のワイヤ	8 内部導体シールド ⁴

3.2.2 静電気放電 (ESD) への配慮

告知



装置の損傷の可能性。静電気による装置内部の精密な電子部品の破損により、装置の性能低下や故障を招く恐れがあります。

以下の手順を参照して、ESD による装置の損傷を回避してください。

- 機器のシャーシ、金属製導管パイプなど、接地された金属の表面を触り、体から静電気を放電します。
- 過度な移動を避けます。静電気に敏感なコンポーネントは静電気防止コンテナや包装材料内に入れて運搬してください。
- 接地線で接続したリストストラップを身に付けます。
- 静電気防止フロアパッドおよび作業台パッドを用意し、静電気が発生しない場所で作業します。

3.2.3 センサを SC 変換器に接続

次のいずれかのオプションを使用して、センサを SC 変換器に接続します。

- SC 変換器にセンサモジュールを取り付けます。次に、センサの裸線をセンサモジュールに接続します。センサモジュールは、センサからのアナログ信号をデジタル信号に変換します。
- センサの裸線をデジタルゲートウェイに接続し、SC デジタルゲートウェイを SC 変換器に接続します。デジタルゲートウェイは、センサからのアナログ信号をデジタル信号に変換します。

¹ センサケーブル用シールドワイヤ

² 緑と黄色のツイストペアのシールドワイヤ

³ ユーザーが用意

⁴ 内部導体シールドは、内側が導電性で外側が非導電性のホイルチューブです。内側の内部導体シールド間に電氣的絶縁を維持してください。内側の内部導体シールドが露出しないようにしてください。

センサモジュールまたはデジタルゲートウェイに付属の説明書を参照してください。注文情報については、[交換部品とアクセサリ](#) 124 ページを参照してください。

3.2.4 PRO シリーズモデル E3 無電極導電率送信機

センサを PRO シリーズモデル E3 無電極導電率送信機に接続するには、送信機の電源を切り、[図 6](#) および[表 1](#)を参照してください。

図 6 センサを送信機に接続する

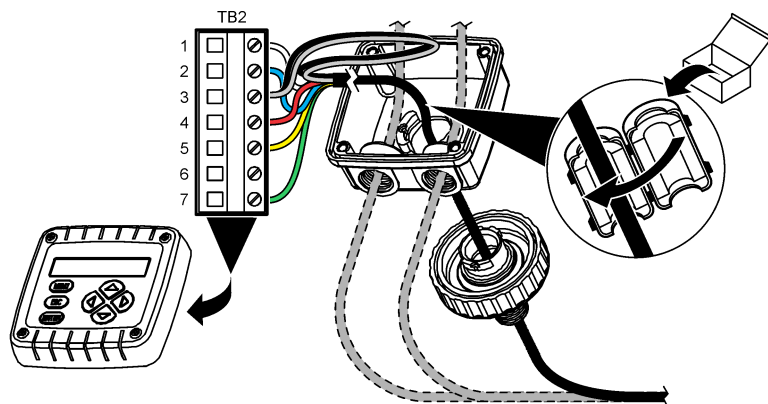


表 1 センサ配線情報

端子 (TB2)	ワイヤ	端子 (TB2)	ワイヤ
1	白	4	赤
2	青	5	黄色
3	透明 (内部シールド) ⁵	6	—
3	黒 (外部シールド) ⁵	7	緑

第 4 章 作動

▲ 警告



火災の危険。本製品は、可燃性の液体を使用するように設計されていません。

4.1 ユーザーナビゲーション

タッチスクリーンの説明とナビゲーション情報については、変換器の説明書を参照します。

⁵ 電氣的ノイズに対する最適な耐性を得るには、内部シールドワイヤと外部シールドワイヤをはんだで接続してから端子ブロックに挿入します。

4.2 センサの設定

設定メニューを使って、センサの識別情報を入力し、データの処理と保存のオプションを変更します。

1. メインメニューアイコンを選択して、**計器**を選択します。使用可能なすべての装置のリストが表示されます。
2. センサを選択し、**計器メニュー > 設定**を選択します。
3. オプションを選択します。
 - ・ 導電率モジュールに接続されたセンサについては、[表 2](#)を参照してください。
 - ・ デジタルゲートウェイに接続されたセンサについては、[表 3](#)を参照してください。

表 2 導電率モジュールに接続されたセンサ

オプション	説明
名前	測定画面の上部に表示されるセンサに対応する名前を変更します。この名前は文字、数字、スペース、または句読点の任意の組み合わせで、16文字に制限されています。
センサ S/N	センサのシリアル番号を入力します。このシリアル番号は、文字、数字、スペース、句読点の組み合わせで16文字に制限されています。
測定タイプ	測定パラメーターを導電率(デフォルト)、濃度、TDS(全蒸発残留物)、または塩分に変更します。パラメーターが変更されると、他の設定はすべてデフォルト値にリセットされます。
形式	測定画面に表示される小数点以下の桁数を自動、X.XXX、XX.XX、またはXXX.Xに変更します。自動を選択すると、小数点以下の桁数が自動的に変更されます。 注: 自動オプションは、測定タイプ設定が導電率に設定されている場合にのみ使用できます。
導電率単位	注: 導電率単位設定は、測定タイプ設定が導電率または濃度に設定されている場合にのみ使用できます。導電率の単位を変更します — 自動、 $\mu\text{S}/\text{cm}$ 、 mS/cm 、 S/cm 。
温度	温度単位を $^{\circ}\text{C}$ (デフォルト)または $^{\circ}\text{F}$ に設定します。
T補償	測定値に温度依存補正を追加します — なし、リニア(デフォルト: 2.0%/ $^{\circ}\text{C}$ 、25 $^{\circ}\text{C}$)、自然水、温度補正テーブル。 温度補正テーブルを選択した場合、x、y($^{\circ}\text{C}$ 、%/ $^{\circ}\text{C}$)点を昇順で入力できます。 注: 測定タイプ設定がTDSまたは濃度に設定されている場合、自然水オプションは使用できません。
濃度測定	注: 濃度測定設定は、測定タイプ設定が濃度に設定されている場合にのみ使用できます。 使用する濃度テーブルのタイプを設定します — ビルトイン(デフォルト)またはユーザー補正テーブル。 ビルトインを選択すると、測定する化学薬品を選択できます — H_3PO_4 : 0–40%、 HCl : 0–18% または 22–36%、 NaOH : 0–16%、 CaCl_2 : 0–22%、 HNO_3 : 0–28% または 36–96%、 H_2SO_4 : 0–30%、40–80% または 93–99%、 HF : 0–30%、 NaCl : 0–25%、 HBr 、 KOH 、海水 ユーザー補正テーブルを選択した場合、x、y(導電率、%)点を昇順で入力できます。
TDS(全蒸発残留物)	注: TDS(全蒸発残留物)設定は、測定タイプ設定がTDSに設定されている場合にのみ使用できます。 導電率をTDS-NaCl(デフォルト)またはカスタムに変換するのに使用する係数を設定します(0.01 ~ 99.99 ppm/ μS の係数を入力、デフォルト: 0.49 ppm/ μS)。
温度素子	自動温度補正の温度素子をPT100、PT1000(デフォルト)、または手動に設定します。素子を使用しない場合は、手動に設定し、温度補正の値を設定します(デフォルト: 25 $^{\circ}\text{C}$)。 温度素子がPT100またはPT1000に設定されている場合は、 非標準ケーブル長に対応してT係数を調整 115 ページを参照してT係数]を設定します。 注: 温度素子が手動に設定されている場合、センサを交換したり、センサ稼働日数をリセットすると、温度素子は自動的にデフォルト設定(PT1000)に戻ります。
セル定数パラメーター	セル定数をセンサケーブルのラベルから実際に認定されたK値に変更します。認定されたK値を入力すると、校正曲線が定義されます。デフォルト: 4.70
フィルター	信号の安定性を高める時定数を設定します。時定数は、0(影響なし、デフォルト) ~ 200秒(200秒間の信号値の平均)までの指定された時間の平均値を計算します。フィルター設定により、実際の変化よりも測定値の応答が遅くなります。

表 2 導電率モジュールに接続されたセンサ (続き)

オプション	説明
データロガー周期	センサと温度測定値をデータログに保存する時間間隔を設定します — 5、30 秒、または 1、2、5、10、15 (デフォルト)、30、60 分。
設定をデフォルト値にリセット	設定メニューを出荷時のデフォルト設定に戻し、カウンタをリセットします。すべてのセンサ情報が失われます。

表 3 デジタル ゲートウェイに接続されたセンサ

オプション	説明
名前	測定画面の上部に表示されるセンサに対応する名前を変更します。この名前は文字、数字、スペース、または句読点の任意の組み合わせで、16 文字に制限されています。
測定タイプ	測定パラメーターを導電率 (デフォルト)、濃度、TDS (全蒸発残留物)、または塩分に変更します。パラメーターが変更されると、他のすべての設定はデフォルト値にリセットされます。
導電率単位	注: 導電率単位設定は、測定タイプ設定が導電率、濃度、または塩分に設定されている場合にのみ使用できます。導電率単位を変更します — $\mu\text{S}/\text{cm}$ (デフォルト)、 mS/cm 、または S/cm 。
セル定数パラメーター	注: セル定数パラメーター設定は、測定タイプ設定が導電率または塩分に設定されている場合にのみ使用できます。セル定数をセンサケーブル上のラベルから実際の保証 K 値に変更します。保証 K 値を入力すると、校正曲線が定義されます。デフォルト: 4.70
濃度測定	注: 濃度測定設定は、測定タイプ設定が濃度に設定されている場合にのみ使用できます。使用する濃度テーブルのタイプを設定します — ビルトイン (デフォルト) またはユーザー定義。ビルトインを選択すると、測定する化学薬品を選択できます — H_3PO_4 : 0–40 %、 HCl : 0–18 % または 22–36 %、 NaOH : 0–16 %、 CaCl_2 : 0–22 %、 HNO_3 : 0–28 % または 36–96 %、 H_2SO_4 : 0–30%、40–80 % または 93–99 %、 HF : 0–30 % ユーザー定義を選択した場合、x、y (導電率、%) 点を昇順で入力できます。
TDS (全蒸発残留物)	注: TDS (全蒸発残留物) 設定は、測定タイプ設定が TDS に設定されている場合にのみ使用できます。導電率を TDS- NaCl (デフォルト) またはユーザー定義に変換するのに使用する係数を設定します (0.01 ~ 99.99 ppm/ μS の係数を入力、デフォルト: 0.49 ppm/ μS)。
温度	温度単位を $^{\circ}\text{C}$ (デフォルト) または $^{\circ}\text{F}$ に設定します。
T 補償	測定値に温度依存補正を追加します — なし、リニア (デフォルト: 2.0 %/ $^{\circ}\text{C}$ 、25 $^{\circ}\text{C}$)、自然水、温度補正テーブル。 温度補正テーブルを選択した場合、x、y ($^{\circ}\text{C}$ 、%/ $^{\circ}\text{C}$) 点を昇順で入力できます。 注: 測定タイプ設定が TDS に設定されている場合、自然水オプションは使用できません。 注: 測定タイプ設定を濃度に設定すると、T 補償設定はなしに設定されます。
データロガー周期	センサと温度測定値をデータログに保存する時間間隔を設定します — 無効 (デフォルト)、5、10、15、30 秒、1、5、10、15、30 分、または 1、2、6、12 時間。
交流周波数	最適なノイズ除去が得られるように電源周波数を選択します。オプション: 50 または 60 Hz (デフォルト)。
フィルター	信号の安定性を向上させる時定数を設定します。時定数は、0 (影響なし、デフォルト) ~ 60 秒 (60 秒間の信号値の平均) までの指定された時間の平均値を計算します。フィルターは、センサ信号がプロセスの実際の変化に応答する時間を増やします。
温度素子	自動温度補正の温度素子を PT1000 (デフォルト) または手動に設定します。素子を使用しない場合は、手動に設定し、温度補正の値を設定します (デフォルト: 25 $^{\circ}\text{C}$)。 温度素子が PT1000 に設定されている場合は、非標準ケーブル長に対応して T 係数を調整 115 ページを参照して係数設定を行ってください。 注: 温度素子が手動に設定されている場合、センサを交換したり、センサ稼働日数をリセットすると、温度素子は自動的にデフォルト設定 (PT1000) に戻ります。

表 3 デジタル ゲートウェイに接続されたセンサ (続き)




オプション	説明
最終校正	次回の校正のリマインダーを設定します (デフォルト: 60 日)。前回の校正日から選択した期間が経過すると、センサを校正するためのリマインダーがディスプレイに表示されます。 例えば、前回の校正日が 6 月 15 日で、最終校正が 60 日に設定されている場合、8 月 14 日に校正リマインダーがディスプレイに表示されます。8 月 14 日より前の 7 月 15 日にセンサを校正した場合、9 月 13 日に校正リマインダーがディスプレイに表示されます。
センサ稼働日数	センサ交換のリマインダーを設定します (デフォルト: 365 日)。選択した期間が経過すると、センサを交換するためのリマインダーがディスプレイに表示されます。 センサ稼働日数カウンタは、診断/テスト > カウンタメニューに表示されます。 センサを交換したら、診断/テスト > カウンタメニューのセンサ稼働日数カウンタをリセットします。
設定のリセット	設定メニューを出荷時のデフォルト設定に戻し、カウンタをリセットします。すべてのセンサ情報が失われます。

4.3 非標準ケーブル長に対応して T 係数を調整

センサケーブルを標準の 6 m (20 フィート) から延長または縮小すると、ケーブルの抵抗が変化します。この変化により、温度測定の精度が低下します。この差を補正するために、新しい T 係数を計算します。

1. センサと、温度計などの独立した信頼性の高い機器を使用して、溶液の温度を測定します。
2. センサから測定された温度と独立したソースから測定された温度 (実測値) の差を記録します。
例えば、実測温度が 50°C でセンサの読み取り値が 53°C の場合、その差異は 3°C になります。
3. この差に 3.85 を掛けると調整値になります。
例: $3 \times 3.85 = 11.55$
4. 新しい T 係数の計算:
 - センサ温度 > 実測値 — センサケーブルのラベルに記載されている T 係数に調整値を加算します
 - センサ温度 < 実測値 — センサケーブルのラベルに記載されている T 係数から調整値を減算します
5. 設定 > 温度素子 > T 係数 (または係数) を選択し、新しい T 係数を入力します。

4.4 センサの校正

▲ 警告	
	液圧の危険性があります。センサを压力容器から外すことは危険を招く恐れがあります。取り外す前に、プロセス圧力を 7.25 psi (50 kPa) 未満に下げてください。これが可能でない場合、特別な注意が必要です。詳細は取り付けのハードウェアに付属のドキュメントを参照します。
▲ 警告	
	化学物質による人体被害の危険。検査室の安全手順に従い、取り扱い薬品に適した個人用保護具をすべて装着してください。安全手順に関する現在の安全性データシート (MSDS/SDS) を参照してください。
▲ 注意	
	化学物質による人体被害の危険。化学物質および廃液は、地域、県、または国の環境規制に従って廃棄してください。

4.4.1 センサの校正について

導電率センサの校正にはウェット校正を使用してください:

- **ウェット校正** - エアー (ゼロ校正) と標準液または既知の値のプロセスサンプルを使って校正曲線を定義します。最高の精度を得るには標準液校正をお勧めします。プロセスサンプルを使う場合は、2 次検証装置で基準値を決定する必要があります。正確な温度補正のために、設定メニューの温度素子に T 係数を入力してください。

校正中はデータはデータログに送信されません。このように、データログはデータが途絶える領域があります。

4.4.2 校正オプションの変更

導電率モジュールに接続されたセンサの場合、校正オプションメニューからリマインダーを設定したり、校正データにオペレータ ID を含めることができます。

注: この手順はデジタルゲートウェイに接続されたセンサには適用されません。

1. メインメニューアイコンを選択して、**計器**を選択します。使用可能なすべての装置のリストが表示されます。
2. センサを選択し、**計器メニュー > 校正**を選択します。
3. **校正オプション**を選択します。
4. オプションを選択します。

オプション	説明
校正通知	次の校正アラームを設定します (デフォルト: オフ)。前回の校正日から選択した間隔が経過すると、センサを校正するためのアラームがディスプレイに表示されます。例えば、前回の校正日が 6 月 15 日で、最終校正が 60 日に設定されている場合、8 月 14 日に校正アラームがディスプレイに表示されます。8 月 14 日より前の 7 月 15 日にセンサを校正した場合、9 月 13 日に校正アラームがディスプレイに表示されます。
校正用オペレータ ID	オペレータ ID を校正データに含めます — [はい] または [いいえ] (デフォルト)。この ID は校正時に入力します。

4.4.3 ゼロ校正手順

ゼロ校正手順に従って導電率センサ固有のゼロ点を定義します。ゼロ点は、標準液またはプロセスサンプルを使用してセンサを初めて校正する前に定義する必要があります。

1. センサをプロセスから取り外します。センサをきれいなタオルで拭くか、圧縮空気を使ってセンサをきれいにして乾かします。
2. メインメニューアイコンを選択して、**計器**を選択します。使用可能なすべての装置のリストが表示されます。
3. センサを選択し、**計器メニュー > 校正**を選択します。
4. **ゼロ校正** (または **0 点校正**) を選択します。
5. 校正時の出力信号のオプションを選択します。

オプション	説明
アクティブ	校正手順中に、本装置が現在の測定出力値を送信します。
ホールド	校正手順中に、センサの出力値が現在の測定値に保持されます。
転送	校正中に、プリセットされた出力値が送信されます。プリセット値を変更するには、変換器のユーザーマニュアルを参照してください。

6. ドライセンサを空中に保持し、**OK** を押します。
7. 校正結果がディスプレイに表示されるまで、**OK** を押さないでください。
8. 校正結果を確認します。
 - 「校正が正常に完了しました。」 — センサが校正され、サンプルを測定する準備ができています。勾配および/またはオフセット値が表示されます。
 - 「校正が失敗しました。」 — 校正勾配またはオフセットが許容範囲外です。新しい標準液で校正を繰り返します。必要に応じてセンサを清掃します。

9. OK を押します。
10. 標準液またはプロセスサンプルを使用して校正に進みます。

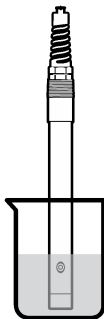
4.4.4 標準液で校正

校正によってセンサの測定値が標準液の値と一致するように調整します。期待される測定値と同等以上の標準液を使用してください。

注: センサを初めて校正する場合は、まずゼロ校正を完了しておいてください。

1. きれいなセンサを脱イオン水で十分にすすぎます。
2. センサを標準液に入れます。センサが容器に触れないように支えてください。感知領域が溶液に完全に浸っていることを確認してください(図7)。センサでかき回して気泡を取り除きます。

図7 標準液中のセンサ



3. センサとサンプルまたは溶液の温度が同じになるのを待ちます。処理液と標準液の温度差が大きい場合は、30分以上かかることもあります。
4. メインメニューアイコンを選択して、**計器**を選択します。使用可能なすべての装置のリストが表示されます。
5. センサを選択し、**計器メニュー > 校正**を選択します。
6. **導電率溶液**(またはセンサがデジタルゲートウェイに接続されている場合は**導電率の校正**)を選択します。
7. 校正時の出力信号のオプションを選択します。

オプション 説明

アクティブ 校正手順中に、本装置が現在の測定出力値を送信します。

ホールド 校正手順中に、センサの出力値が現在の測定値に保持されます。

転送 校正中に、プリセットされた出力値が送信されます。プリセット値を変更するには、変換器のユーザーマニュアルを参照してください。

8. 標準液の基準温度を入力して、OK を押します。
9. 標準液の勾配を入力して、OK を押します。
10. センサを標準液に入れた状態で、OK を押します。
11. 値が安定するまで待って、OK を押します。
注: 画面が自動的に次のステップに進む場合があります。
12. 標準液の値を入力して、OK を押します。
13. 校正結果を確認します。

- 「校正が正常に完了しました。」— センサが校正され、サンプルを測定する準備ができています。勾配および/またはオフセット値が表示されます。
- 「校正が失敗しました。」— 校正勾配またはオフセットが許容範囲外です。新しい標準液で校正を繰り返します。必要に応じてセンサを清掃します。

14. OK を押して続行します。
15. センサをプロセスに戻して、OK を押します。
出力信号がアクティブ状態に戻り、測定サンプル値が測定画面に表示されます。

4.4.5 プロセスサンプルで校正

センサをプロセスサンプルに入れたままでもかまいませんし、プロセスサンプルの一部を取り出して校正することもできます。2 次検証装置で基準値を決定する必要があります。

注: センサを初めて校正する場合は、必ず、最初にゼロ校正を完了しておいてください。

1. メインメニューアイコンを選択して、**計器**を選択します。使用可能なすべての装置のリストが表示されます。
2. センサを選択し、**計器メニュー > 校正**を選択します。
3. **導電率の校正**、**TDS 校正**、または**濃度校正** (または**校正**) を選択します。
注: 測定タイプ設定を使用して、校正するパラメーターを変更します。
4. 校正時の出力信号のオプションを選択します。

オプション 説明

アクティブ 校正手順中に、本装置が現在の測定出力値を送信します。

ホールド 校正手順中に、センサの出力値が現在の測定値に保持されます。

転送 校正中に、プリセットされた出力値が送信されます。プリセット値を変更するには、変換器のユーザーマニュアルを参照してください。

5. センサをプロセスサンプルに入れた状態で、OK を押します。
測定値が表示されます。
6. 値が安定するまで待って、OK を押します。
注: 画面が自動的に次のステップに進む場合があります。
7. 2 次検証装置で導電率 (または他のパラメーター) の値を測定します。矢印キーを使用して測定値を入力し、OK を押します。
8. 校正結果を確認します。
 - 「校正が正常に完了しました。」 — センサが校正され、サンプルを測定する準備ができています。勾配および/またはオフセット値が表示されます。
 - 「校正が失敗しました。」 — 校正勾配またはオフセットが許容範囲外です。新しい標準液で校正を繰り返します。必要に応じてセンサを清掃します。
9. OK を押して続行します。
10. センサをプロセスに戻して、OK を押します。
出力信号がアクティブ状態に戻り、測定サンプル値が測定画面に表示されます。

4.4.6 温度校正

本装置は正確な温度測定のために出荷時に校正されています。温度を校正して精度を高めることができます。

1. センサを水の入った容器に入れます。
2. 正確な温度計または他の装置で水の温度を測定します。
3. メインメニューアイコンを選択して、**計器**を選択します。使用可能なすべての装置のリストが表示されます。
4. センサを選択し、**計器メニュー > 校正**を選択します。
5. **1 点温度校正** (または**温度調整**) を選択します。
6. 正確な温度値を入力し、OK を押します。
7. センサをプロセスに戻します。

4.4.7 校正手順の終了

1. 校正を終了するには、戻るアイコンを押します。
2. オプションを選択し、OK を押します。

オプション	解説
校正の終了 (またはキャンセル)	校正を停止します。最初から新しい校正を開始しなければなりません。
校正に戻る	校正に戻ります。
校正の終了 (または終了)	一時的に校正を終了します。他のメニューにアクセスすることができます。2 番目のセンサ (接続されている場合) の校正を開始できます。

4.4.8 校正のリセット

校正は出荷時のデフォルト設定にリセットできます。すべてのセンサ情報が失われます。

1. メインメニューアイコンを選択して、**計器**を選択します。使用可能なすべての装置のリストが表示されます。
2. センサを選択し、**計器メニュー > 校正**を選択します。
3. **デフォルト校正値にリセット**または**校正のデフォルトにリセット**します。(または**設定のリセット**)を選択し、OK を押します。
4. OK をもう一度押します。

4.5 Modbus レジスタ

ネットワーク通信用に Modbus レジスタのリストを用意しています。詳細は、メーカーの Web サイトを参照してください。

第 5 章 メンテナンス

▲ 警告



複合的な危険。本書のこのセクションに記載されている作業は、必ず資格のある作業員が行う必要があります。

▲ 警告



爆発の危険。危険でないことが分かっている環境では、機器の接続や取り外しを行わないでください。危険な場所での使用方法については、コントローラのクラス 1、ディビジョン 2 の説明書を参照してください。

▲ 警告



液圧の危険性があります。センサを压力容器から外すことは危険を招く恐れがあります。取り外す前に、プロセス圧力を 7.25 psi (50 kPa) 未満に下げてください。これが可能でない場合、特別な注意が必要です。詳細は取り付けるハードウェアに付属の説明書を参照します。

▲ 警告



化学物質による人体被害の危険。検査室の安全手順に従い、取り扱い薬品に適した個人用保護具をすべて装着してください。安全手順に関する現在の安全性データシート (MSDS/SDS) を参照してください。

▲ 注意



化学物質による人体被害の危険。化学物質および廃液は、地域、県、または国の環境規制に従って廃棄してください。

5.1 センサの洗浄

必要条件: ぬるま湯と食器用洗剤、Borax ハンドソープ、または同様の石けんを使用して中性石けん溶液を用意します。

センサにごみや付着物がないか定期的に点検します。付着物があったり性能が低下した場合は、センサを清掃してください。

1. 清潔で柔らかい布を使用して、センサの端から粗いごみを取り除きます。センサをきれいなぬるま湯ですすぎ洗います。
2. センサを石けん液に 2～3 分間浸します。
3. 毛先の柔らかいブラシを使ってセンサの測定端全体をこすり洗います。トロイドの内側をこすり洗います。
4. ごみが残っている場合は、5% 未満の HCl などの希酸溶液にセンサの測定端を最大 5 分間浸します。
5. センサを水ですすぎ、2～3 分間石けん液に再度浸します。
6. センサをきれいな水ですすぎ洗います。

メンテナンス手順が完了したら、必ずセンサを校正してください。

第 6 章 トラブルシューティング

6.1 間歇的データ

校正中はデータはデータログに送信されません。このように、データログはデータが途絶える領域があります。

6.2 導電率センサのテスト

校正に失敗した場合は、まず [メンテナンス 119](#) ページのメンテナンス手順を実施してください。

1. センサケーブルを取り外します。
2. [表 4](#) に示すように、抵抗計を使ってセンサワイヤ間の抵抗をテストします。

注: 抵抗計がすべての無限 (開回路) 抵抗測定値の最高範囲に設定されていることを確認してください。

表 4 導電率抵抗測定

測定点	抵抗
赤いワイヤと黄色のワイヤの間	23～27℃で 1,090～1,105 オーム ⁶
青いワイヤと白いワイヤの間	5 オーム未満
緑のワイヤと黄色のワイヤの間	5 オーム未満
白いワイヤとシールドワイヤの間	無限 (開回路)

1 つ以上の測定値が正しくない場合は、技術サポートに連絡してください。センサのシリアル番号と測定された抵抗値を技術サポートにお伝えください。

⁶ 無限大値 (開回路) または 0 Ω (短絡) は故障を示します。

6.3 診断/テストメニュー

診断/テストメニューには、センサに関する現行および履歴情報が表示されます。表 5 を参照してください。メインメニューアイコンを押して、計器を選択します。装置を選択し、計器メニュー > 診断/テストを選択します。

表 5 診断/テストメニュー

オプション	説明
モジュール情報	導電率モジュールに接続されたセンサのみ — 導電率モジュールのバージョンとシリアル番号が表示されます。
センサ情報	導電率モジュールに接続されたセンサの場合 — ユーザーが入力したセンサ名とシリアル番号が表示されます。 デジタルゲートウェイに接続されたセンサの場合 — センサのモデル番号とセンサのシリアル番号が表示されます。インストールされているソフトウェアのバージョンとドライバのバージョンが表示されます。
最終校正	導電率モジュールに接続されたセンサのみ — 前回の校正が行われてからの日数が表示されます。
校正履歴	導電率モジュールに接続されたセンサの場合 — 以前の校正の校正勾配と日付が表示されます。デジタルゲートウェイに接続されたセンサの場合 — セル定数パラメーター、オフセット補正、および前回の校正の日付が表示されます。
校正履歴のリセット	導電率モジュールのみに接続されたセンサの場合 — サービス用のみ
センサ信号 (または信号)	導電率モジュールに接続されたセンサのみ — 現在の導電率と温度の測定値が表示されます。デジタルゲートウェイに接続されたセンサの場合 — 現在の温度のアナログ/デジタル変換カウンタが表示されます。センサ信号を選択して、現在の測定アナログ/デジタルコンバータカウンタを表示するか、センサ範囲 (デフォルト: 6) を設定します。センサ測定を選択すると、センサ測定値が表示されます。
センサ稼働日数 (またはカウンタ)	センサが動作した日数を表示します。 デジタルゲートウェイに接続されたセンサの場合 — カウンタを選択すると、センサが動作した日数が表示されます。カウンタをゼロにリセットするには、リセットを選択します。 センサを交換したら、センサ稼働日数カウンタをリセットします。
リセット	導電率モジュールに接続されたセンサのみ — センサ稼働日数カウンタをゼロに設定します。センサを交換したら、センサ稼働日数カウンタをリセットします。
出荷時校正	導電率モジュールに接続されたセンサのみ — サービス用のみ

6.4 エラーリスト

エラーが発生すると、測定画面の測定値が点滅し、変換器 > 出力メニューで指定した場合は、すべての出力が保留されます。画面が赤に変わります。診断バーにエラーが表示されます。診断バーを押すと、エラーや警告が表示されます。別の方法として、メインメニューアイコンを押して、通知 > エラーを選択します。

考えられるエラーのリストを表 6 に示します。

表 6 エラーリスト

エラー	説明	解決方法
導電率が高すぎます。	測定値が 2 S/cm、1,000,000 ppm、200 %、または 20,000 ppt を超えています。	導電率単位設定が正しい測定範囲に設定されていることを確認してください。
導電率が低すぎます。	測定値が 0 μ S/cm、0 ppm、0 %、または 0 ppt を超えているか、センサのセル定数が正しくありません。	正しいセル定数に設定されていることを確認してください。

表 6 エラーリスト (続き)

エラー	説明	解決方法
ゼロ値が高すぎます。	ゼロ校正値が 500,000 カウントを超えています。	ゼロ校正中はセンサが空中に保持され、無線周波数または電磁干渉の近くに配置されていないことを確認してください。ケーブルが金属製導管でシールドされていることを確認してください。
ゼロ値が低すぎます。	ゼロ校正値が -500,000 カウント未満です。	
温度が高すぎます。	測定温度が 130 °C を超えています。	正しい温度素子を選択してあることを確認してください。 センサの設定 113 ページを参照します。
温度が低すぎます。	測定温度が -10 °C 未満です。	
ADC 障害	アナログ・デジタル変換に失敗しました。	変換器の電源をオフにしてからオンにします。技術サポートにお問い合わせください。
センサが見つかりません。	センサが見つからないか接続されていません。	センサとモジュール (またはデジタルゲートウェイ) の配線と接続を確認します。端子ブロックがモジュールに完全に挿入されていることを確認します (該当する場合)。
測定値が範囲外です。	センサ信号が許容範囲 (2 S/cm) 外です。	導電率単位設定が正しい測定範囲に設定されていることを確認してください。

6.5 警告リスト

警告はメニュー、リレー、および出力の操作には影響しません。画面がこはく色に変わります。診断バーに警告が表示されます。診断バーを押すと、エラーや警告が表示されます。別の方法として、メインメニューアイコンを押して、**通知 > 警告** を選択します。

考えられる警告のリストを [表 7](#) に示します。

表 7 警告リスト

警告	説明	解決方法
ゼロ値が高すぎます。	ゼロ校正値が 300,000 カウントを超えています。	ゼロ校正中はセンサが空中に保持され、無線周波数または電磁干渉の近くに配置されていないことを確認してください。ケーブルが金属製導管でシールドされていることを確認してください。
ゼロ値が低すぎます。	ゼロ校正値が -300,000 カウント未満です。	
温度が高すぎます。	測定温度が 100 °C を超えています。	センサが正しい温度素子に設定されていることを確認してください。
温度が低すぎます。	測定温度が 0 °C 未満です。	
校正が期限切れです。	校正リマインダーが期限切れです。	センサを校正します。
計器が校正されていません。	センサが校正されていません。	センサを校正します。
センサを交換します。	センサ稼働日数カウンタが、センサ交換に選択された間隔を超えています。 センサの設定 113 ページを参照してください。	センサを交換します。診断/テスト > リセットメニュー (または診断/テスト > カウンタメニュー) でセンサ稼働日数カウンタをリセットします。
校正中です...	校正が開始されましたが、完了していません。	校正に戻ります。
出力ホールド	校正中、出力は選択した時間だけ保留されるように設定されました。	選択した時間が経過すると、出力がアクティブになります。別の方法として、変換器の電源を抜いてから供給します。
線形温度補償が範囲外です。	ユーザー定義の線形温度補正が範囲外です。	この値は 0 ~ 4 %/°C、0 ~ 200 °C でなければなりません。

表 7 警告リスト (続き)

警告	説明	解決方法
温度補償テーブルが範囲外です。	ユーザー定義の温度補正テーブルが範囲外です。	温度がテーブルで定義された温度範囲を上回っているか下回っています。
ユーザー濃度テーブルが正しくありません。	濃度測定値がユーザーテーブルの範囲外です。	ユーザーテーブルが正しい測定範囲に設定されていることを確認してください。
組み込み温度テーブルが正しくありません。	測定温度が組み込み温度補正テーブルの範囲外です。	温度補正が正しく設定されていることを確認してください。
組み込み濃度テーブルが正しくありません。	濃度測定値が組み込み濃度テーブルの範囲外です。	濃度測定が正しい化学薬品と範囲に設定されていることを確認してください。

6.6 イベントリスト

診断バーには構成の変更、アラーム、警告状態など、現在のアクティビティが表示されます。考えられるイベントのリストを表 8 に示します。過去のイベントはイベントログに記録され、変換器からダウンロードできます。データの取得オプションについては、変換器の取扱説明書を参照してください。

表 8 イベントリスト

イベント	説明
校正準備完了	センサは校正の準備ができています。
校正に問題はありません。	現在の校正は良好です。
時間切れです。	校正中の安定化時間が終了しました。
校正が失敗しました。	校正に失敗しました。
精度値が高いです。	校正値が上限を超えています。
K が範囲外です。	セル定数 K が現在の校正の範囲外です。
測定が不安定です。	校正中の測定値が不安定でした。
構成の変更 浮動小数値	設定が変更されました — 浮動小数点型。
構成の変更 テキスト値	設定が変更されました — テキスト型。
構成の変更 整数値	設定が変更されました — 整数値型。
構成の変更	設定がデフォルトオプションにリセットされました。
電源オン。	電源がオンになりました。
ADC 障害	アナログ・デジタル変換に失敗しました (ハードウェア故障)。
フラッシュの消去	フラッシュメモリが消去されました。
温度	記録された温度が高すぎるか低すぎます (-20 ~ 200 °C)。
サンプル校正を開始しました。	導電率校正の開始
サンプル校正が完了しました。	導電率校正の終了
ゼロ校正を開始しました。	ゼロ校正の開始
ゼロ校正が完了しました。	ゼロ校正の終了
導電率溶液校正を開始しました。	導電率標準液校正の開始
導電率溶液校正が完了しました。	導電率標準液校正の終了

表 8 イベントリスト (続き)

イベント	説明
TDS 校正を開始しました。	TDS 校正の開始
TDS 校正が完了しました。	TDS 校正の終了
濃度校正を開始しました。	濃度校正の開始
濃度校正が完了しました。	濃度校正の終了
塩分校正を開始しました。	塩分校正の開始
塩分校正が完了しました。	塩分校正の終了

第 7 章 交換部品とアクセサリ

▲ 警告



人体損傷の危険。未承認の部品を使用すると、負傷、装置の破損、または装置の誤作動を招く危険性があります。このセクションでの交換部品は、メーカーによって承認済みです。

注: プロダクト番号とカタログ番号は、一部の販売地域では異なる場合があります。詳細は、取り扱い販売店にお問い合わせください。お問い合わせ先については、当社の **Web** サイトを参照してください。

消耗品

説明	数量	品番
導電率標準液、100 μ S/cm	1 L	25M3A2000-100
導電率標準液、500 μ S/cm	1 L	25M3A2000-500
導電率標準液、1000 μ S/cm	1 L	25M3A2000-1000
導電率標準液、1990 μ S/cm	100 mL	210542

部品とアクセサリ

説明	品番
SC4500 変換器用導電率モジュール	LXZ525.99.D0004
誘導導電率センサ用デジタルゲートウェイ	6120800
ガasket、EDPM、2 インチサニタリーセンサ用	9H1327
接続ボックス、アルミニウム	60A2053
接続ボックス、NEMA-4X	76A4010-001
サニタリークランプ、2 インチ耐久型	9H1132
キャップ、2 インチ、サニタリー	70F1037-003

アクセサリ

説明	品番
デジタル延長ケーブル、1 m (3.2 フィート)	6122400
デジタル延長ケーブル、7.7 m (25 フィート)	5796000

アクセサリ (続き)

説明	品番
デジタル延長ケーブル、15 m (50 フィート)	5796100
デジタル延長ケーブル、30 m (100 フィート)	5796200

C1D2 ロケーション用アクセサリ

説明	品番
2つのコネクタ安全ロック付きデジタル延長ケーブル、1 m (3.2 フィート)	6122401
2つのコネクタ安全ロック付きデジタル延長ケーブル、7.7 m (25 フィート)	5796001
2つのコネクタ安全ロック付きデジタル延長ケーブル、15 m (50 フィート)	5796101
2つのコネクタ安全ロック付きデジタル延長ケーブル、30 m (100 フィート)	5796201
クイックコネクタ継手用安全ロック、Class 1 Division 2 の設置	6139900

목차

- 1 사양 126 페이지
- 2 일반 정보 126 페이지
- 3 설치 129 페이지
- 4 작동 132 페이지
- 5 유지 보수 139 페이지
- 6 문제 해결 140 페이지
- 7 교체 부품 및 부속품 143 페이지

섹션 1 사양

사양은 사전 예고 없이 변경될 수 있습니다.

사양	세부 사항
치수	그림 1 128 페이지를(를) 참조하십시오.
오염도	2
과전압 범주	I
보호 등급	III
사용 고도	최대 2000 m(6562 ft)
작동 온도	-20~60°C(-4~140°F)
보관 온도	-20~70°C(-4~158°F)
무게	약 1kg(2.2lbs)
습식 재질	폴리프로필렌, PVDF, PEEK 또는 PFA
센서 케이블	5-전도체(2개의 아이솔레이션 차폐 포함), 6m(20피트), 정격 온도 150°C(302°F)— 폴리프로필렌
전도도 범위	0.0~200.0 µS/cm, 0~2,000,000 µS/cm
정확도	판독값의 0.01%, 모든 범위
반복성/정밀도	> 500µS/cm: 판독값의 ±0.5%, < 500µS/cm: ±5µS/cm
최대 유량	0~3 m/s (0~10 ft/s)
온도/압력 제한	폴리프로필렌: 6.9bar에서 100°C(100psi에서 212°F), PVDF: 6.9bar에서 120°C(100psi에서 248°F), PEEK 및 PFA: 13.8bar에서 200°C(200psi에서 392°F)
전송 거리	200~2000µS/cm: 61m(200피트), 2000~2,000,000µS/cm: 91m(300피트)
온도 측정 범위	-10~135°C(14~275°F) 센서 본체의 소재에 의해 제한됨
온도 센서	Pt 1000 RTD
교정법	제로 교정, 1 지점 전도도 교정, 1 지점 온도 교정
센서 인터페이스	Modbus
인증	ETL(미국/캐나다)가 나열한 클래스 1, 부문 2, 그룹 A, B, C, D에 사용하는 온도 코드 T4 - 위험 영역(Hach SC 컨트롤러의 경우). 다음을 준수: CE, UKCA, FCC, ISED, ACMA, KC, CMIM. 3A에 의해 인증된 위생 센서.
보증	1년, 2년(EU)

섹션 2 일반 정보

어떠한 경우에도 제조업체는 제품의 부적절한 사용 또는 설명서의 지침을 준수하지 않아 발생하는 손해에 대해 책임을 지지 않습니다. 제조업체는 본 설명서와 여기에 설명된 제품을 언제라도 통지나 추가적 책임 없이 변경할 수 있습니다. 개정본은 제조업체 웹 사이트에서 확인할 수 있습니다.

2.1 안전 정보

제조사는 본 제품의 잘못된 적용 또는 잘못된 사용으로 인한 직접, 우발적 또는 간접적 손해에 국한하지 않는 모든 손해에 대한 어떠한 책임도 지지 않으며, 관계 법령이 최대한 허용하는 손해에 관한 면책이 있습니다. 사용자는 사용상 중대한 위험을 인지하고 장비 오작동이 발생할 경우에 대비하여 적절한 보호 장치를 설치하여야 합니다.

설치 포장을 풀거나 설치하거나 작동하기 전에 본 설명서를 모두 읽으십시오. 모든 위험 및 주의사항 설명에 유의하시기 바랍니다. 이를 지키지 않으면 사용자가 중상을 입거나 장치가 손상될 수 있습니다.



본 장치의 보호 기능이 손상되지 않도록 본 설명서에서 설명하는 방법이 아닌 다른 방법으로 본 장치를 사용하거나 설치하지 마십시오.

2.1.1 위험 정보 표시


▲ 위험
지키지 않을 경우 사망하거나 또는 심각한 부상을 초래하는 잠재적 위험이나 긴급한 위험 상황을 뜻합니다.
▲ 경고
피하지 않을 경우에 사망이나 심각한 부상을 유발할 수 있는 잠재적 위험이나 긴급한 위험 상황을 나타냅니다.
▲ 주의
경미하거나 심하지 않은 부상을 초래할 수 있는 잠재적인 위험 상황을 뜻합니다.
주의사항
지키지 않으면 기기에 손상을 일으킬 수 있는 상황을 나타냅니다. 특별히 강조할 필요가 있는 정보.

2.1.2 주의 라벨

본 기기에 부착된 모든 라벨 및 태그를 참조하시기 바랍니다. 지침을 따르지 않을 경우 부상 또는 기기 손상이 발생할 수 있습니다. 기기에 있는 기호는 주의사항에 대한 설명과 함께 설명서에서 참조합니다.

	기기에 이 심볼이 표시되어 있으면 지침서에서 작동 및 안전 주의사항을 참조해야 합니다.
	이 심볼이 표시된 전기 장비는 유럽 내 공공 폐기 시스템에 따라 폐기할 수 없습니다.

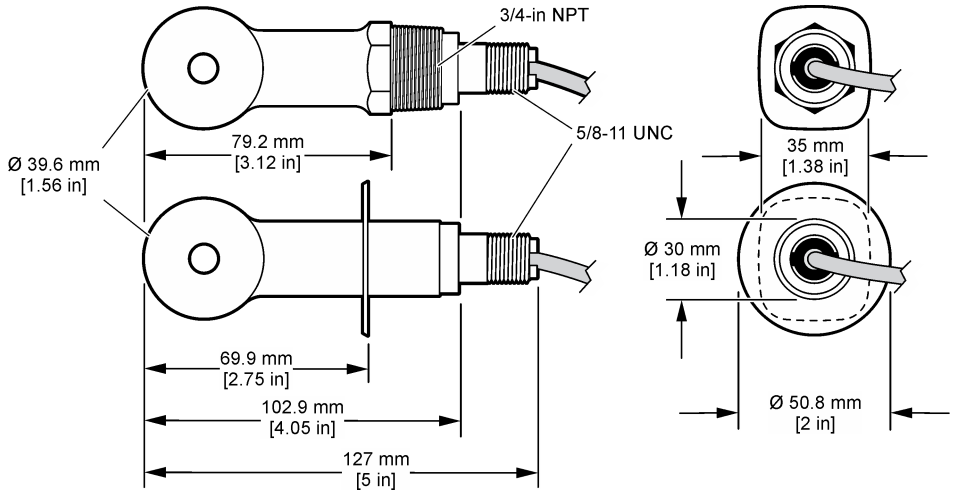
2.2 제품 개요

▲ 위험	
	화학적 또는 생물학적 위험 존재. 본 장비를 공중 위생, 공중 안전, 식음료 제조 또는 가공에 관련된 시행령 및 감시 규정 목적으로 처리공정이나 약품 주입 시스템을 감시하기 위하여 사용하는 경우, 이 장비에 적용되는 모든 규정을 이해하고 준수하며, 장비가 오작동하는 경우 해당 규정에 따라 충분하고 합당한 메커니즘을 보유하는 것은 사용자의 책임입니다.
주의사항	
이 센서를 사용하면 코팅에 갈라짐이 발생하여, 하루 기관이 센서가 있는 환경에 노출될 수 있습니다. 따라서, 이 센서는 해당 액체가 특정 온도 또는 청결도 매개변수에 부합할 것으로 예상하는 용도로 사용하기 위해 개발되지 않았으며 사용하기 위한 것이 아닙니다. 또한 이 오염으로 인해 상당한 손해가 발생할 수 있습니다. 이러한 적용은 일반적으로 반도체 제조 분야의 적용이 포함되며 사용자가 오염 위험 및 제품 품질에 미치는 영향을 평가해야 하는 다른 적용 사항이 포함될 수 있습니다. 제조업체는 이런 적용 상황에 센서를 사용하지 말 것을 권고하며, 이러한 적용 상황에 센서를 사용함으로써 인해 발생하는 배상청구나 손해에 대한 책임을 지지 않습니다.	

본 센서는 컨트롤러와 함께 사용하여 데이터를 수집하고 작업을 수행하도록 설계되었습니다. 다양한 컨트롤러를 이 센서와 함께 사용할 수 있습니다. 본 문서는 센서가 설치되었고 SC4500 컨트롤러와 함께 사용하는 조건에 맞게 작성되었습니다. 센서를 다른 컨트롤러와 함께 사용하려면 사용하는 컨트롤러의 사용 설명서를 참조하십시오.

센서 치수는 **그림 1**을 참조합니다.

그림 1 치수

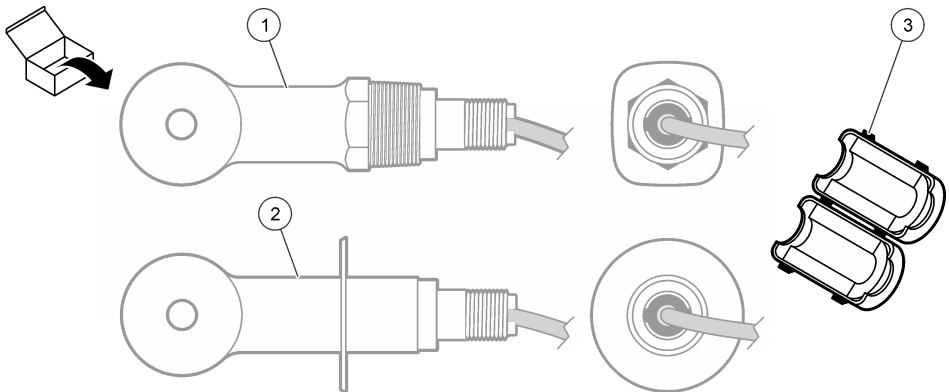


2.3 제품 구성품

모든 구성 요소를 받았는지 확인하십시오. **그림 2** 및 **그림 3**을(를) 참조하십시오. 품목이 누락되었거나 손상된 경우에는 제조업체 또는 영업 담당자에게 즉시 연락하시기 바랍니다.

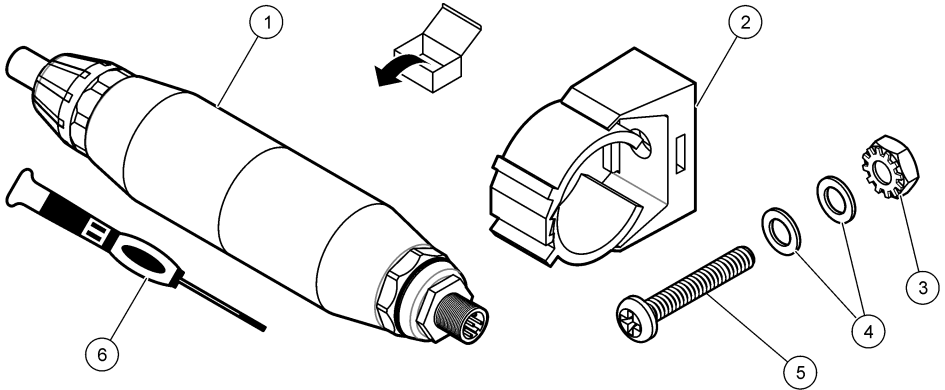
참고: **그림 3**에 표시되는 디지털 게이트웨이 없이 센서를 주문할 수 있습니다.

그림 2 센서 구성 요소



1 전환형 센서—해당 장착 하드웨어로 파이프 티 또는 개방형 용기에 설치하는 경우	3 페라이트
2 위생형 센서—2인치 위생 티에 설치하는 경우	

그림 3 디지털 게이트웨이 구성 요소



1 디지털 게이트웨이	4 플랫 와셔, #8(2개)
2 장착 브래킷	5 나사, 십자, #8-32 x 1.25 in.
3 잠금 와셔가 있는 너트, #8-32	6 스크류드라이버(단자 블록용)

섹션 3 설치

▲ 경고

여러 가지 위험이 존재합니다. 자격을 부여받은 담당자만 본 문서에 의거하여 작업을 수행해야 합니다.

3.1 시료 흐름에서 센서 설치

▲ 경고

폭발 위험. 위험 위치로 분류된 곳에 설치하는 경우 컨트롤러 클래스 1, 부문 2 설명서에 나와 있는 관리 도면 및 지침을 참조하십시오. 현지, 지역, 국가 코드에 따라 센서를 설치하십시오. 안전한 환경으로 확인되지 않으면 기기를 연결하거나 분리하지 마십시오.

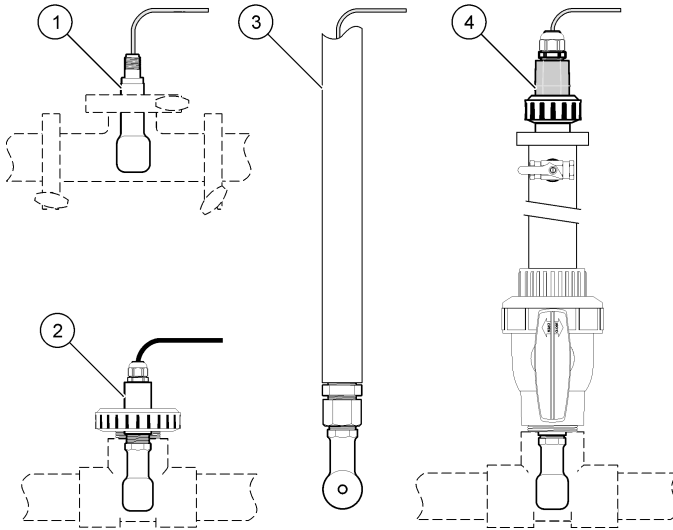
▲ 경고

폭발 위험. 센서에 장착된 하드웨어의 온도 및 압력 등급이 장착 위치에 충분하지 확인합니다.

다양한 애플리케이션에서 센서를 설치하는 방법은 **그림 4**를 참조하십시오. 센서는 사용 전에 교정해야 합니다. **센서 교정 135** 페이지(를) 참조하십시오.

센서 케이블의 라우팅이 높은 전자기장(예: 트랜스미터, 모터 및 스위칭 장비)에 대한 노출을 방지하도록 하십시오. 이러한 전자기장에 노출되면 부정확한 결과가 발생할 수 있습니다.

그림 4 장착 예



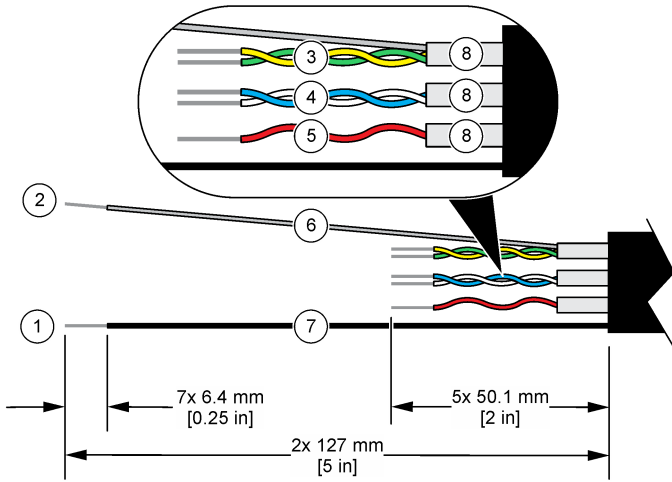
1 위생(CIP) 플랜지 장착부	3 파이프 침적 상한
2 유니언 T-장착부	4 볼 밸브 삽입

3.2 전기 설치

3.2.1 센서 와이어 준비

센서 케이블 길이가 변경된 경우, 그림 5의 그림과 같은 와이어를 준비하십시오.

그림 5 와이어 준비



1 외부 차폐 와이어 ¹	5 빨간색 와이어
2 내부 차폐 와이어 ²	6 투명한 열수축 튜브 ³
3 꼬임 쌍선, 노란색 와이어 및 녹색 와이어	7 검정색 열수축 튜브 ³
4 꼬임 쌍선, 흰색 와이어 및 파란색 와이어	8 내부 전도체 차폐 ⁴

3.2.2 정전기 방전(ESD) 문제

주의사항	
	<p>잠재적인 장치 손상. 정교한 내부 전자 부품이 정전기에 의해 손상되어 장치 성능이 저하되거나 고장이 날 수 있습니다.</p>

기기의 ESD 손상을 방지하려면 이 절차의 단계를 참조하십시오.

- 기기의 새시, 금속 도관 또는 파이프 같은 어스 접지된 금속 표면을 만져 정전기를 방전시키십시오.
- 너무 많이 움직이지 마십시오. 정전기에 민감한 부품은 정전기 방지 용기나 포장재에 넣어 운반하십시오.
- 전선을 통해 접지된 손목 스트랩을 착용하십시오.
- 정전기로부터 안전한 구역에서 정전기 방지 바닥 패드와 작업대 패드를 사용하여 작업하십시오.

3.2.3 센서를 SC 컨트롤러에 연결

다음의 옵션에서 하나를 사용하여 센서를 SC 컨트롤러에 연결합니다.

- 센서 모듈을 SC 컨트롤러에 설치합니다. 그런 다음 센서의 나선을 센서 모듈에 연결합니다. 센서 모듈은 센서에서 아날로그 신호를 디지털 신호로 변환합니다.
- 센서의 나선을 sc 디지털 게이트웨이에 연결한 다음, sc 디지털 게이트웨이를 SC 컨트롤러에 연결합니다. 디지털 게이트웨이는 센서의 아날로그 신호를 디지털 신호로 변환합니다.

1 센서 케이블용 차폐 와이어
 2 녹색 및 노란색 꼬임 쌍선 차폐 와이어
 3 사용자 제공
 4 내부 전도체 차폐는 안쪽은 전도성, 바깥쪽은 비전도성의 호일 튜브입니다. 내부 전도체 차폐의 안쪽 사이에 전기 절연을 유지하십시오. 내부 전도성 차폐의 안쪽이 노출되지 않게 하십시오.

센서 모듈이나 sc 디지털 게이트웨이와 함께 제공되는 지침을 참조하십시오. 주문 정보는 **교체 부품 및 부속품 143** 페이지를(를) 참조하십시오.

3.2.4 PRO 시리즈 모델 E3 무전극 전도도 트랜스미터

PRO 시리즈 모델 E3 무전극 전도도 트랜스미터에 센서를 연결하려면 트랜스미터에 공급되는 전원을 차단하고 **그림 6** 및 **표 1**을 참조하십시오.

그림 6 트랜스미터에 센서 연결

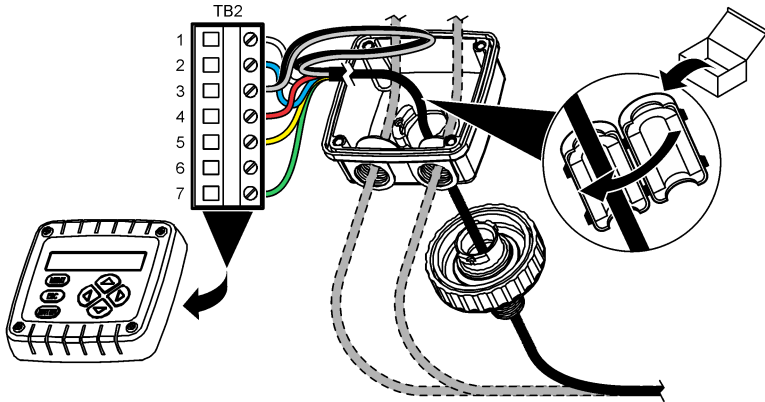


표 1 센서 배선 정보

단자(TB2)	와이어	단자(TB2)	와이어
1	흰색	4	빨간색
2	파란색	5	노란색
3	투명(내부 차폐) ⁵	6	—
3	검정색(외부 차폐) ⁵	7	녹색

섹션 4 작동

▲ 경고



화재 위험. 본 제품은 가연성 액체류와 사용을 금합니다.

4.1 사용자 탐색

터치스크린 설명 및 탐색 정보에 대한 컨트롤러 설명서를 참조하십시오.

4.2 센서 구성

설정 메뉴를 사용하여 센서 ID 정보를 입력하고 데이터 처리 및 보관에 필요한 옵션을 변경합니다.

1. 기본 메뉴 아이콘을 선택한 다음 **장치**를 선택합니다. 사용할 수 있는 모든 장치 목록이 표시됩니다.
2. 센서를 선택하고 **장치 메뉴 > 설정**을 선택합니다.

⁵ 전기 노이즈에 최상의 내성을 제공하려면 단자 블록에 넣기 전에 내부 차폐 와이어와 외부 차폐 와이어를 납땜으로 함께 연결하십시오.

3. 옵션을 선택합니다.

- 센서가 전도도 모듈에 연결된 경우 표 2을(를) 참조하십시오.
- 센서가 sc 디지털 게이트웨이에 연결된 경우 표 3을(를) 참조하십시오.

표 2 전도도 모듈에 연결된 센서

옵션	설명
이름	측정 화면 상단에서 센서에 해당하는 이름을 변경합니다. 이름은 문자, 숫자, 공백, 문장 부호를 조합하여 16자를 넘지 않아야 합니다.
센서 S/N	사용자가 센서의 시리얼 번호를 입력합니다. 시리얼 번호는 문자, 숫자, 공백, 문장 부호를 조합하여 16자를 넘지 않아야 합니다.
측정 유형	측정된 파라미터를 전도도 (기본값), 농도, TDS(총 용존 고형물) 또는 염분로 변경합니다. 파라미터를 변경하면 구성된 다른 모든 설정은 기본값으로 재설정됩니다.
형식	측정 화면에 표시된 소수점 자릿수를 자동, X.XXX, XX.XX 또는 XXX.X로 변경합니다. 자동 선택된 경우 소수점 자리는 자동으로 변경됩니다. 참고: 측정 유형 설정이 전도도로 설정된 경우 자동 옵션만을 사용할 수 있습니다.
전도도 단위	참고: 측정 유형 설정이 전도도 또는 농도로 설정된 경우 전도도 단위 설정만을 사용할 수 있습니다. 전도도 단위 변경—자동, $\mu\text{S}/\text{cm}$, mS/cm or S/cm .
온도	온도 단위를 $^{\circ}\text{C}$ (기본값) 또는 $^{\circ}\text{F}$ 로 설정합니다.
T-보상	측정된 값에 온도 종속적 교정 추가—없음, 선의 (기본값: $2.0\%/^{\circ}\text{C}$, 25°C), 자연수 또는 온도 보상 테이블. 온도 보상 테이블이 선택된 경우 사용자는 오름차순으로 x,y ($^{\circ}\text{C}$, $\%/^{\circ}\text{C}$) 지점을 입력할 수 있습니다. 참고: 측정 유형 설정이 TDS 또는 농도로 설정된 경우 자연수 옵션을 사용할 수 없습니다.
농도 측정	참고: 측정 유형 설정이 농도로 설정된 경우 농도 측정 설정만을 사용할 수 있습니다. 사용할 농도 표의 종류 설정—기본 제공(기본값) 또는 사용자 보상 테이블. 기본 제공이 선택된 경우 사용자는 측정할 화학물질을 선택할 수 있습니다— H_3PO_4 : 0–40%, HCl : 0–18% 또는 22–36%, NaOH : 0–16%, CaCl_2 0–22%, HNO_3 : 0–28% 또는 36–96%, H_2SO_4 : 0–30%, 40–80% 또는 93–99%, HF : 0–30%, NaCl : 0–25%, HBr , KOH , 해수 사용자 보상 테이블이 선택된 경우 사용자는 오름차순으로 x,y (전도도, %) 지점을 입력할 수 있습니다.
TDS(총 용존 고형물)	참고: 측정 유형 설정이 TDS로 설정된 경우 TDS(총 용존 고형물) 설정만을 사용할 수 있습니다. 전도도를 TDS로 변환할 때 사용되는 계수 설정— NaCl (기본값) 또는 커스텀(0.01 ~ 99.99 ppm/ μS 범위에서 계수 입력, 기본값:0.49 ppm/ μS)
온도 요소	자동 온도 보정을 위한 온도 요소를 PT100, PT1000 (기본값) 또는 Manual(수동)으로 설정합니다. 요소를 사용하지 않은 경우 Manual(수동)으로 설정하고 온도 보정 값(기본값: 25°C)을 설정합니다. 온도 요소를 PT100 또는 PT1000으로 설정한 경우 비표준 케이블 길이에 대한 T-계수 조정 135 페이지를(를) 참조하여 T 계수 설정을 설정합니다. 참고: 온도 요소가 Manual(수동)으로 설정되고 센서가 교체되거나 센서 날짜가 리셋되면 온도 요소는 자동으로 기본값 설정(PT1000)으로 다시 변경됩니다.
셀 상수 매개 변수	셀 상수를 센서 케이블의 라벨에 있는 실제 인증된 K 값으로 변경합니다. 인증된 K 값을 입력하면 교정 곡선이 정의됩니다. 기본값: 4.70
필터	신호 안정도를 높이는 시간 상수를 설정합니다. 시간 상수는 지정한 시간 0(효과 없음, 기본값) ~ 200초(200초에 대한 신호 값의 평균) 동안 평균값을 계산합니다. 필터는 센서 신호가 프로세스의 실제 변화에 반응하는 시간을 늘립니다.
데이터 로거 간격	센서와 데이터 로거의 온도 측정 저장에 적용할 시간 간격을 5초, 30초, 1분, 2분, 5분, 10분, 15분 (기본값), 30분, 60분으로 설정합니다.
설정을 기본값으로 재설정	설정 메뉴를 통해 출고 기본값으로 설정하여 카운터를 재설정합니다. 그러면 모든 센서 정보가 손실됩니다.

표 3 sc 디지털 게이트웨이에 연결된 센서




옵션	설명
이름	측정 화면 상단에서 센서에 해당하는 이름을 변경합니다. 이름은 문자, 숫자, 공백, 문자 부호를 조합하여 16자를 넘지 않아야 합니다.
측정 유형	측정된 파라미터를 전도도 (기본값), 농도, TDS(총 용존 고형물) 또는 염분로 변경합니다. 파라미터를 변경하면 구성된 다른 모든 설정은 기본값으로 재설정됩니다.
전도도 단위	참고: 측정 유형 설정이 전도도, 농도 또는 염분로 설정된 경우 전도도 단위 설정만을 사용할 수 있습니다. 전도도 단위 변경— $\mu\text{S}/\text{cm}$ (default), mS/cm 또는 S/cm .
셀 상수 매개 변수	참고: 측정 유형 설정이 전도도 또는 염분로 설정된 경우 셀 상수 매개 변수 설정만을 사용할 수 있습니다. 셀 상수를 센서 케이블의 라벨에 있는 실제 인증된 K 값으로 변경합니다. 인증된 K 값을 입력하면 교정 곡선이 정의됩니다. 기본값: 4.70
농도 측정	참고: 측정 유형 설정이 농도로 설정된 경우 농도 측정 설정만을 사용할 수 있습니다. 사용할 농도 표의 유형 설정—기본 제공 (기본값) 또는 사용자 정의. 기본 제공이 선택된 경우 사용자는 측정할 화학물질을 선택할 수 있습니다— H_3PO_4 : 0–40%, HCl : 0–18% 또는 22–36%, NaOH : 0–16%, CaCl_2 0–22%, HNO_3 : 0–28% 또는 36–96%, H_2SO_4 : 0–30%, 40–80% 또는 93–99%, HF : 0–30% 사용자 정의가 선택된 경우 사용자는 오름차순으로 x,y (전도도, %) 지점을 입력할 수 있습니다.
TDS(총 용존 고형물)	참고: 측정 유형 설정이 TDS로 설정된 경우 TDS(총 용존 고형물) 설정만을 사용할 수 있습니다. 전도도를 TDS로 변환할 때 사용되는 계수 설정— NaCl (기본값) 또는 사용자 정의(0.01 ~ 99.99 ppm/ μS 범위에서 계수 입력, 기본값:0.492 ppm/ μS)
온도	온도 단위를 °C(기본값) 또는 °F로 설정합니다.
T-보상	측정된 값에 온도 종속적 교정 추가—없음, 선의 (기본값: 2.0%/°C, 25 °C), 자연수 또는 온도 보상 테이블. 온도 보상 테이블이 선택된 경우 사용자는 오름차순으로 x,y (°C, %/°C) 지점을 입력할 수 있습니다. 참고: 측정 유형 설정이 TDS로 설정된 경우 자연수 옵션을 사용할 수 없습니다. 참고: 측정 유형 설정이 농도로 설정된 경우 T-보상 설정이 없음으로 설정됩니다.
데이터 로거 간격	센서와 데이터 로그의 온도 측정 저장에 적용할 시간 간격을 비활성화됨(기본값), 5초, 10초, 15초, 30초, 1분, 5분, 10분, 15분, 30분, 1시간, 2시간, 6시간, 12시간으로 설정합니다.
교류 주파수	전력 라인 주파수를 선택하여 노이즈를 완전 제거합니다. 옵션: 50Hz 또는 60Hz(기본값).
필터	신호 안정도를 높이는 시간 상수를 설정합니다. 시간 상수는 지정된 시간 동안 평균값을 계산합니다. 0(효과 없음, 기본값) ~ 60초(60초에 대한 신호 값의 평균) 필터는 센서 신호가 프로세스의 실제 변화에 반응하는 시간을 늘립니다.
온도 요소	자동 온도 보정을 위한 온도 요소를 PT1000(기본값) 또는 Manual(수동)으로 설정합니다. 요소를 사용하지 않은 경우 Manual(수동)으로 설정하고 온도 보정 값(기본값: 25 °C)을 설정합니다. 온도 요소를 PT1000으로 설정한 경우 비표준 케이블 길이에 대한 T-계수 조정 135 페이지를(를) 참조하여 계수 설정을 설정합니다. 참고: 온도 요소가 Manual(수동)으로 설정되고 센서가 교체되거나 센서 날짜가 리셋되면 온도 요소는 자동으로 기본값 설정(PT1000)으로 다시 변경됩니다.
마지막 교정	다음 교정을 위해 알림을 설정합니다(기본값: 60일). 센서 교정 알림은 마지막 교정 날짜로부터 선택된 주기가 지난 다음 화면에 표시됩니다. 가령 마지막 교정 날짜가 6월 15일이고 마지막 교정을 60일로 설정한 경우 교정 알림은 8월 14일 화면에 표시되게 됩니다. 센서가 8월 14일 이전인 7월 15일에 교정되면 교정 알림이 9월 13일 화면에 표시됩니다.
센서 일	센서 교체 알림을 설정합니다(기본값: 365일). 센서 교체 알림은 선택된 주기가 지난 다음 화면에 표시됩니다. 센서 일 카운터는 진단/테스트 > 카운터 메뉴에 표시됩니다. 센서가 교체되면 센서 일 카운터를 진단/테스트 > 카운터 메뉴에서 재설정합니다.
설정 재설정	설정 메뉴를 통해 출고 기본값으로 설정하여 카운터를 재설정합니다. 그러면 모든 센서 정보가 손실됩니다.

4.3 비표준 케이블 길이에 대한 T-계수 조정

센서 케이블이 표준 6 m(20 ft) 길이에서 짧아지거나 길어지면 케이블 저항이 변합니다. 이로 인해 온도 측정의 정확도가 떨어집니다. 이러한 차이를 교정하기 위해 새로운 T-계수를 계산합니다.

1. 센서 및 온도계 등의 독립되고 신뢰할 수 있는 장비를 이용하여 용액의 온도를 측정합니다.
2. 센서와 독립 장비(실제)로부터 측정된 온도 차이를 기록합니다.
예를 들어, 실제 온도가 50 °C이고 센서 관독값이 53 °C라면 차이는 3 °C입니다.
3. 이 차이에 3.85를 곱하여 조정 값을 얻습니다.
예: $3 \times 3.85 = 11.55$.
4. 새로운 T-계수 계산:
 - 센서 온도 > 실제—센서 케이블의 라벨에 있는 T-계수에 조정 값을 추가합니다.
 - 센서 온도 < 실제—센서 케이블의 라벨에 있는 T-계수에서 조정 값을 뺍니다.
5. 설정 > 온도 요소 > T 계수 (또는 계수)를 선택하고 새 T-계수를 입력합니다.

4.4 센서 교정

▲ 경고	
	액체 압력 위험. 가압 용기로부터 센서를 제거하는 작업은 위험할 수 있습니다. 제거하기 전에 공정 압력을 7.25psi(50kPa)보다 낮게 줄이십시오. 압력을 줄이는 것이 불가능하다면 각별한 주의를 기울이십시오. 자세한 내용은 장착 하드웨어와 함께 제공된 설명서를 참조하십시오.
▲ 경고	
	화학물질에 노출될 위험이 있습니다. 실험실의 안전절차를 준수하고, 취급하는 화학 물질에 맞는 개인 보호장비를 안전하게 착용하십시오. 최신 물질안전보건자료(MSDS/SDS)에서 안전 규정을 참조하십시오.
▲ 주의	
	화학물질에 노출될 위험이 있습니다. 화학물질 및 폐기물은 국가 및 지역 규정에 따라 폐기하십시오.

4.4.1 센서 교정 설명

전도도 센서를 교정할 때는 습식 교정 방법을 사용해야 합니다.

- **습식 교정**—공기(제로 교정) 및 기준 용액이나 알려진 값의 공정 시료를 사용하여 교정 곡선을 정의합니다. 최상의 정확도를 위해 기준 용액 교정을 권장합니다. 공정 시료를 사용할 때는 보조 검증 장비를 사용하여 기준 값을 결정해야 합니다. 정확한 온도 보정을 위해 설정 메뉴의 온도 요소에 T-계수를 입력하여야 합니다.

교정하는 동안 데이터가 데이터로그로 전송되지 않습니다. 따라서 데이터가 불연속적인 영역이 데이터로그에 있을 수 있습니다.

4.4.2 교정 옵션 변경

센서가 전도도 모듈에 연결된 경우 사용자가 알림을 설정하거나 교정 옵션 메뉴에서 교정 데이터를 사용하는 작업자 ID를 포함할 수 있습니다.

참고: 이 절차는 센서가 sc 디지털 게이트웨이에 연결된 경우에는 적용되지 않습니다.

1. 기본 메뉴 아이콘을 선택한 다음 **장치**를 선택합니다. 사용할 수 있는 모든 장치 목록이 표시됩니다.
2. 센서를 선택하고 **장치 메뉴 > 교정**을 선택합니다.

3. **교정 옵션**을 선택합니다.
4. 옵션을 선택합니다.

옵션	설명
교정 알림	다음 교정을 위해 알림을 설정합니다(기본값: 꺼짐). 센서 교정 알림은 마지막 교정 날짜로부터 선택된 주기가 지난 다음 화면에 표시됩니다. 가령 마지막 교정 날짜가 6월 15일이고 마지막 교정을 60일로 설정한 경우 교정 알림은 8월 14일 화면에 표시되게 됩니다. 센서가 8월 14일 이전인 7월 15일에 교정되면 교정 알림이 9월 13일 화면에 표시됩니다.
조정 작업자 ID	작업자 ID를 교정 데이터에 포함합니다(예 또는 아니오(기본값)). ID는 교정 중에 입력됩니다.

4.4.3 제로 교정 절차

제로 교정 절차에 따라 전도도 센서의 고유한 영점을 정의합니다. 영점은 센서를 기준 용액이나 공정 시료로 처음 교정하기 전에 정의해야 합니다.

1. 공정에서 센서를 분리합니다. 깨끗한 수건으로 센서를 닦거나 압축 공기를 사용하여 센서를 깨끗하고 건조한 상태로 유지하십시오.
2. 기본 메뉴 아이콘을 선택한 다음 **장치**를 선택합니다. 사용할 수 있는 모든 장치 목록이 표시됩니다.
3. 센서를 선택하고 **장치 메뉴 > 교정**을 선택합니다.
4. **영점 교정** (또는 **0-지점 교정**)을 선택합니다.
5. 교정 중의 출력 신호 옵션을 선택합니다.

옵션	설명
활성	교정 절차 중에 현재 측정된 출력 값이 전송됩니다.
대기	센서 출력 값이 교정 절차 중에 현재 측정된 값으로 유지됩니다.
전송	사전 설정한 출력 값이 교정 중에 전송됩니다. 사전 설정 값을 변경하려면 컨트롤러의 사용 설명서를 참조하십시오.

6. 공중에서 건식 센서를 잡고 정상을 누릅니다.
7. 교정 결과가 디스플레이에 표시될 때까지 정상을 누르지 마십시오.
8. 교정 결과를 검토합니다.
 - "보정이 성공적으로 완료되었습니다." — 센서가 교정되어 샘플을 측정할 수 있습니다. 기울기 및/또는 오프셋 값이 표시됩니다.
 - "보정에 실패했습니다." — 교정 기울기 또는 오프셋 값이 허용 한도를 벗어났습니다. 새 기준 용액으로 교정 작업을 반복합니다. 필요한 경우 센서를 세척합니다.
9. 정상을 누릅니다.
10. 계속해서 기준 용액이나 공정 시료로 교정 작업을 진행합니다.

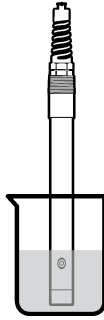
4.4.4 기준 용액을 이용한 교정

교정을 통해 기준 용액의 값과 일치하도록 센서 판독값을 조정합니다. 예상되는 측정 판독값 이상의 값을 갖는 기준 용액을 사용합니다.

참고: 센서를 처음으로 교정하는 경우, 먼저 제로 교정을 완료해야 합니다.

1. 깨끗한 센서를 탈이온수로 말끔하게 헹굽니다.
2. 센서를 기준 용액에 넣습니다. 센서가 용기에 닿지 않도록 잘 지지합니다. 감지 영역이 용액에 완전히 잠기도록 합니다(그림 7). 센서를 가볍게 저어 주며 거품을 제거합니다.

그림 7 기준 용액에 담긴 센서



3. 센서와 용액 온도가 안정될 때까지 기다립니다. 공정과 기준 용액의 온도차가 큰 경우 온도가 같아 지려면 30분 이상 걸릴 수 있습니다.
4. 기본 메뉴 아이콘을 선택한 다음 **장치**를 선택합니다. 사용할 수 있는 모든 장치 목록이 표시됩니다.
5. 센서를 선택하고 **장치 메뉴 > 교정**을 선택합니다.
6. **전도도 솔루션** (또는 센서가 sc 디지털 게이트웨이에 연결된 경우 **전도도 보정**)을 선택합니다.
7. 교정 중의 출력 신호 옵션을 선택합니다.

옵션 설명

활성 교정 절차 중에 현재 측정된 출력 값이 전송됩니다.

대기 센서 출력 값이 교정 절차 중에 현재 측정된 값으로 유지됩니다.

전송 사전 설정한 출력 값이 교정 중에 전송됩니다. 사전 설정 값을 변경하려면 컨트롤러의 사용 설명서를 참조하십시오.

8. 기준 용액의 기준 온도를 입력하고 정상을 누릅니다.
9. 기준 용액의 기울기를 입력하고 정상을 누릅니다.
10. 센서를 기준 용액에 담긴 상태로 정상을 누릅니다.
11. 값이 안정적으로 표시될 때까지 기다린 다음 정상을 누릅니다.
참고: 화면이 다음 단계로 자동으로 넘어갈 수 있습니다.
12. 기준 용액의 값을 입력하고 정상을 누릅니다.
13. 교정 결과를 검토합니다.
 - "보정이 성공적으로 완료되었습니다." — 센서가 교정되어 샘플을 측정할 수 있습니다. 기울기 및/또는 오프셋 값이 표시됩니다.
 - "보정에 실패했습니다." — 교정 기울기 또는 오프셋 값이 허용 한도를 벗어났습니다. 새 기준 용액으로 교정 작업을 반복합니다. 필요한 경우 센서를 세척합니다.
14. 정상을 눌러 계속 진행하십시오.
15. 센서를 해당 공정으로 되돌리고 정상을 누릅니다.
출력 신호가 활성 상태로 돌아가고 측정 샘플 값이 측정 화면에 표시됩니다.

4.4.5 공정 시료를 이용한 교정

센서가 공정 시료에 남아 있거나 공정 시료의 일부가 교정을 위해 제거되었을 수 있습니다. 보조 검증 장비를 이용하여 기준 값을 결정해야 합니다.

참고: 센서를 처음으로 교정하는 경우, 먼저 제조 교정을 완료해야 합니다.

1. 기본 메뉴 아이콘을 선택한 다음 **장치**를 선택합니다. 사용할 수 있는 모든 장치 목록이 표시됩니다.
2. 센서를 선택하고 **장치 메뉴 > 교정**을 선택합니다.
3. **전도도 보정**, **TDS 교정** 또는 **농도 교정** (또는 **교정**)을 선택합니다.
참고: 측정 유형 설정을 사용하여 교정되는 파라미터를 변경합니다.

4. 교정 중의 출력 신호 옵션을 선택합니다.

옵션 설명

활성 교정 절차 중에 현재 측정된 출력 값이 전송됩니다.

대기 센서 출력 값이 교정 절차 중에 현재 측정된 값으로 유지됩니다.

전송 사전 설정한 출력 값이 교정 중에 전송됩니다. 사전 설정 값을 변경하려면 컨트롤러의 사용 설명서를 참조하십시오.

5. 센서를 공정 시료에 넣은 상태로 정상을 누릅니다.
측정 값이 표시됩니다.

6. 값이 안정적으로 표시될 때까지 기다린 다음 정상을 누릅니다.

참고: 화면이 다음 단계로 자동으로 넘어갈 수 있습니다.

7. 보조 검증 장비를 이용하여 전도도(또는 다른 파라미터) 값을 측정합니다. 화살표 키를 사용하여 측정된 값을 입력하고 정상을 누릅니다.

8. 교정 결과를 검토합니다.

- "보정이 성공적으로 완료되었습니다." — 센서가 교정되어 샘플을 측정할 수 있습니다. 기울기 및/또는 오프셋 값이 표시됩니다.
- "보정에 실패했습니다." — 교정 기울기 또는 오프셋 값이 허용 한도를 벗어났습니다. 새 기준 용액으로 교정 작업을 반복합니다. 필요한 경우 센서를 세척합니다.

9. 정상을 눌러 계속 진행하십시오.

10. 센서를 해당 공정으로 되돌리고 정상을 누릅니다.
출력 신호가 활성 상태로 돌아가고 측정 샘플 값이 측정 화면에 표시됩니다.

4.4.6 온도 교정

정확한 온도 측정을 위해 공장에서 장비를 교정합니다. 정확도를 높이기 위해 온도를 교정할 수 있습니다.

1. 물이 담긴 용기에 센서를 넣습니다.
2. 정확한 온도계 같은 별도의 장비를 사용하여 수용액 온도를 측정합니다.
3. 기본 메뉴 아이콘을 선택한 다음 **장치**를 선택합니다. 사용할 수 있는 모든 장치 목록이 표시됩니다.
4. 센서를 선택하고 **장치 메뉴 > 교정**을 선택합니다.
5. **1 지점 온도 조정** (또는 **온도 조정**)을 선택합니다.
6. 정확한 온도 값을 입력하고 정상을 누릅니다.
7. 센서를 공정으로 다시 가져오십시오.

4.4.7 교정 절차 종료

1. 교정을 종료하려면 뒤로 아이콘을 누릅니다.
2. 옵션을 선택한 다음 정상을 누릅니다.

옵션

설명

조정 종료
(또는 취소) 교정을 중단합니다. 새 교정을 처음부터 시작해야 합니다.

교정으로 돌아가기 교정으로 돌아갑니다.

조정 종료
(또는 종료) 교정을 일시적으로 종료합니다. 다른 메뉴에 접근할 수 있습니다. 보조 센서(있는 경우)에 대한 교정을 시작할 수 있습니다.

4.4.8 교정 재설정






교정을 출고 기본 설정값으로 재설정할 수 있습니다. 그러면 모든 센서 정보가 손실됩니다.

1. 기본 메뉴 아이콘을 선택한 다음 **장치**를 선택합니다. 사용할 수 있는 모든 장치 목록이 표시됩니다.
2. 센서를 선택하고 **장치 메뉴 > 교정**을 선택합니다.
3. 기본 **보정 값으로 리셋** 또는 **교정 기본값으로 재설정**합니다. (또는 **설정 재설정**)을 선택한 다음 정상을 누릅니다.
4. 정상을 다시 누릅니다.

4.5 Modbus 레지스터

Modbus 레지스터 목록을 네트워크 통신에 사용할 수 있습니다. 자세한 내용은 제조업체의 웹 사이트를 참조하십시오.

섹션 5 유지 보수

▲ 경고	
	여러 가지 위험이 존재합니다. 자격을 부여받은 담당자만 본 문서에 의거하여 작업을 수행해야 합니다.
▲ 경고	
	폭발 위험. 환경이 위험하지 않은 것으로 알려진 경우가 아니면 기기를 연결하거나 분리하지 마십시오. 위험 장소 지침은 컨트롤러 Class 1, Division 2 문서를 참조하십시오.
▲ 경고	
	액체 압력 위험. 가압 용기로부터 센서를 제거하는 작업은 위험할 수 있습니다. 제거하기 전에 공정 압력을 7.25psi(50kPa)보다 낮게 줄이십시오. 압력을 줄이는 것이 불가능하다면 각별한 주의를 기울이십시오. 자세한 내용은 장작 하드웨어와 함께 제공된 설명서를 참조하십시오.
▲ 경고	
	화학물질에 노출될 위험이 있습니다. 실험실의 안전절차를 준수하고, 취급하는 화학 물질에 맞는 개인 보호장비를 안전하게 착용하십시오. 최신 물질안전보건자료(MSDS/SDS)에서 안전 규정을 참조하십시오.
▲ 주의	
	화학물질에 노출될 위험이 있습니다. 화학물질 및 폐기물은 국가 및 지역 규정에 따라 폐기하십시오.

5.1 센서 세정

사전 조건: 따뜻한 물과 주방 세제, Borax 비누 또는 이와 유사한 비누로 연한 비눗물을 준비합니다. 센서에 불순물 조각이나 찌꺼기가 끼었는지 주기적으로 살핍니다. 찌꺼기가 끼었거나 성능이 저하되는 경우 센서를 세정합니다.

1. 깨끗하고 부드러운 헝겊을 사용하여 센서 끝에서 불순물 조각을 털어냅니다. 깨끗하고 미지근한 물로 센서를 헹구십시오.
2. 비눗물에 센서를 2~3분 동안 담가 놓습니다.
3. 부드러운 솔 브러시를 사용하여 센서 끝의 측정 부위를 전체적으로 문지릅니다. 토로이드의 내부를 문지릅니다.

4. 불순물이 남아 있으면 센서의 측정 끝부분을 < 5% HCl 등의 희석시킨 산성 용액에 최대 5분간 담급니다.
5. 센서를 물로 헹군 다음 다시 비눗물에 2~3분 동안 담급니다.
6. 센서를 깨끗한 물로 헹급니다.

유지관리 절차 후에 항상 센서를 교정하십시오.

섹션 6 문제 해결

6.1 간헐적 데이터

교정하는 동안 데이터가 데이터로그로 전송되지 않습니다. 따라서 데이터가 불연속적인 영역이 데이터로그에 있을 수 있습니다.

6.2 전도도 센서 테스트

교정에 실패하면 먼저 [유지 보수 139](#) 페이지의 유지관리 절차를 수행합니다.

1. 센서 와이어를 분리합니다.
2. 저항계를 사용하여 [표 4](#)와 같이 센서 와이어 사이의 저항을 테스트합니다.

참고: 모든 무한대(개방 회로) 저항 판독에 대해 저항계를 최고 범위로 설정해야 합니다.

표 4 전도도 저항 측정

측정 지점	저항
빨간색 와이어와 노란색 와이어 사이	23–27 °C에서 1090–1105 ohm ⁶
파란색 와이어와 흰색 와이어 사이	5 ohm 미만
녹색 와이어와 노란색 와이어 사이	5 ohm 미만
흰색 와이어와 컷드 와이어 사이	무한대(개방 회로)

하나 이상의 측정이 잘못된 경우, 기술 지원 부서로 연락하십시오. 기술 지원부에 센서의 일련 번호와 측정된 저항 값을 제공하십시오.

6.3 진단/테스트 메뉴

진단/테스트 메뉴에는 센서의 현재 및 기록 정보가 표시됩니다. [표 5](#)을(를) 참조하십시오. 기본 메뉴 아이콘을 누른 다음 **장치**를 선택합니다. 장치를 선택하고 **장치 메뉴 > 진단/테스트**를 선택합니다.

표 5 진단/테스트 메뉴

옵션	설명
모듈 정보	센서가 전도도 모듈에만 연결된 경우—전도도 모듈의 버전 및 일련번호가 표시됩니다.
센서 정보	센서가 전도도 모듈에 연결된 경우—사용자가 입력한 센서 이름 및 일련번호가 표시됩니다. 센서가 sc 디지털 게이트웨이에 연결된 경우—센서 모델 번호 및 센서 일련번호가 표시됩니다. 설치된 소프트웨어 버전 및 드라이버 버전이 표시됩니다.
마지막 교정	센서가 전도도 모듈에만 연결된 경우—마지막 교정이 완료된 이후의 일 수가 표시됩니다.
교정 내역	센서가 전도도 모듈에 연결된 경우—교정 기술기와 이전 교정의 날짜가 표시됩니다. 센서가 sc 디지털 게이트웨이에 연결된 경우—셀 상수 파라미터, 오프셋 보정 및 마지막 교정의 날짜를 표시합니다.

⁶ 무한 값(개방 회로) 또는 0 ohms(단락 회로)는 장애를 나타냅니다.

표 5 진단/테스트 메뉴 (계속)

옵션	설명
교정 내역 재설정	센서가 전도도 모듈에만 연결된 경우—서비스용으로만 사용됩니다.
센서 신호 (또는 신호)	센서가 전도도 모듈에만 연결된 경우—현재 전도도 및 온도 판독값이 표시됩니다. 센서가 sc 디지털 게이트웨이에 연결된 경우—현재 온도 아날로그-디지털 변환기 카운터를 표시합니다. 센서 신호를 선택하여 현재 측정 아날로그-디지털 변환기 카운터를 표시하거나 센서 범위 (기본값: 6)를 설정합니다. 센서 측정을 선택하여 센서 판독값을 표시합니다.
센서 일 (또는 카운터)	센서를 사용한 일 수를 표시합니다. 센서가 sc 디지털 게이트웨이에 연결된 경우—카운터를 선택하여 센서를 사용한 일 수를 표시합니다. 카운터를 제로로 리셋하려면 재설정 을 선택합니다. 센서 일 카운터는 센서가 교체되면 재설정됩니다.
재설정	센서가 전도도 모듈에만 연결된 경우—센서 일 카운터를 제로로 설정합니다. 센서 일 카운터는 센서가 교체되면 재설정됩니다.
출고 시 교정	센서가 전도도 모듈에만 연결된 경우—서비스용으로만 사용됩니다.

6.4 오류 목록

오류가 발생하면 측정 화면의 판독값이 깜박이며 컨트롤러 > 출력 메뉴에서 지정한 경우 모든 출력이 보류됩니다. 화면이 빨간색으로 변경됩니다. 진단 모음에 오류가 표시됩니다. 진단 모음을 누르면 오류와 경고 메시지가 표시됩니다. 또는 기본 메뉴 아이콘 누른 다음 **알림 > 오류**를 선택합니다.

발생 가능한 오류 목록이 표 6에 표시됩니다.

표 6 오류 목록

오류	설명	분해능
전도도가 너무 높습니다.	측정된 값이 2 S/cm, 1,000,000 ppm, 200% 또는 20,000 ppt보다 큼니다.	전도도 단위 설정이 올바른 측정 범위에 설정되어 있는지 확인하십시오.
전도도가 너무 낮습니다.	측정된 값이 0 µS/cm, 0 ppm, 0% 또는 0 ppt보다 작거나 센서 셀 상수가 올바르지 않습니다.	센서가 올바른 셀 상수로 구성되어 있는지 확인하십시오.
제로 값이 너무 높습니다.	제로 교정 값이 500,000 카운트보다 큼니다.	제로 교정 동안 센서를 공기 중에 유지시키고 무선 주파수나 전자기 간섭이 있는 위치 부근에 놓지 않아야 합니다. 케이블을 금속 전도체로 차폐시켜야 합니다.
제로 값이 너무 낮습니다.	제로 교정 값이 -500,000 카운트보다 작습니다.	
온도가 너무 높습니다.	측정된 온도가 130°C보다 큼니다.	올바른 온도 요소를 선택했는지 확인하십시오. 센서 구성 132 페이지를(를) 참조하십시오.
온도가 너무 낮습니다.	측정된 온도가 -10°C보다 작습니다.	
ADC 오류	아날로그에서 디지털로 변환하지 못했습니다.	컨트롤러 전원을 켜다 켜십시오. 기술 지원부에 문의하십시오.
센서가 없습니다.	센서가 없거나 분리되었습니다.	센서 및 모듈 또는 디지털 게이트웨이의 배선과 연결 상태를 검사하십시오. 해당되는 경우 단자 블록이 모듈에 완전히 끼워졌는지 확인하십시오.
측정 값이 범위를 벗어났습니다.	센서 신호가 허용되는 한계를 벗어났습니다(2 S/cm).	전도도 단위 설정이 올바른 측정 범위에 설정되어 있는지 확인하십시오.

6.5 경고 목록

경고는 메뉴, 릴레이 및 출력 작동에 영향을 주지 않습니다. 화면이 황색으로 변경됩니다. 진단 모음에 경고가 표시됩니다. 진단 모음을 누르면 오류와 경고 메시지가 표시됩니다. 또는 기본 메뉴 아이콘 누른 다음 **알림 > 경고**를 선택합니다.

발생 가능한 경고 목록이 **표 7**에 나와 있습니다.

표 7 경고 목록

경고	설명	분해능
제로 값이 너무 높습니다.	제로 교정 값이 300,000 카운트보다 큼니다.	제로 교정 동안 센서를 공기 중에 유지시키고 무선 주파수나 전자기 간섭이 있는 위치 부근에 놓지 않아야 합니다. 케이블을 금속 전도체로 차폐시켜야 합니다.
제로 값이 너무 낮습니다.	제로 교정 값이 -300,000 카운트보다 작습니다.	
온도가 너무 높습니다.	측정 온도가 100°C보다 큼니다.	센서가 올바른 온도 요소로 구성되었는지 확인하십시오.
온도가 너무 낮습니다.	측정된 온도가 0°C 미만입니다.	
보정 기한이 초과되었습니다.	교정 알림 기한이 만료되었습니다.	센서를 조정합니다.
장치가 교정되지 않았습니다.	센서가 교정되지 않았습니다.	센서를 조정합니다.
센서를 교체하십시오.	센서 일 카운터가 센서 교체용으로 선택된 주기보다 큼니다. 센서 구성 132 페이지(를) 참조하십시오.	센서를 교체하십시오. 센서 일 카운터를 진단/테스트 > 재설정 메뉴(또는 진단/테스트 > 카운터 메뉴)에서 재설정합니다.
교정이 진행 중입니다...	교정이 시작되었지만 완료되지 않았습니다.	교정으로 돌아가십시오.
보류 중인 출력	교정 중, 출력이 선택 시간 동안 대기 상태에 놓입니다.	선택 시간이 지나면 출력이 활성화됩니다. 대체 방법으로 제거 후 컨트롤러에 전원을 공급합니다.
선형 온도 교정이 범위를 벗어났습니다.	사용자 정의 선형 온도 보정이 범위를 벗어났습니다.	값은 0 ~ 4%/°C(0 ~ 200 °C) 범위여야 합니다.
온도 교정 표가 범위를 벗어났습니다.	사용자 정의 온도 보정 표가 범위를 벗어났습니다.	온도가 표에 정의된 온도 범위를 초과하거나 미달됩니다.
사용자 농도 표가 잘못되었습니다.	농도 측정이 사용자 표의 범위를 벗어났습니다.	사용자 표가 해당 측정 범위에 맞게 설정되었는지 확인하십시오.
내장 온도 표가 잘못되었습니다.	측정된 온도가 내장 온도 보정 표의 범위를 벗어났습니다.	온도 보정이 올바르게 구성되었는지 확인하십시오.
내장 농도 표가 잘못되었습니다.	농도 측정이 내장 농도 표의 범위를 벗어났습니다.	농도 측정이 해당 화학물질 및 범위에 맞게 구성되었는지 확인하십시오.

6.6 이벤트 목록

진단 모음에는 구성 변경, 알림, 경고 상태 등 현재 작업이 표시됩니다. 가능한 이벤트 목록이 **표 8**에 나와 있습니다. 이전 이벤트는 이벤트 로그에 기록되며 컨트롤러에서 이 로그를 다운로드할 수 있습니다. 데이터 검색 옵션에 대한 자세한 내용은 컨트롤러 설명서를 참조하십시오.


표 8 이벤트 목록

이벤트	설명
교정 준비	센서를 교정할 준비가 되었습니다.
교정 상태가 좋습니다.	현재 교정이 양호합니다.

표 8 이벤트 목록 (계속)

이벤트	설명
시간이 만료되었습니다.	교정 중간에 안정화 시간이 만료되었습니다.
보정에 실패했습니다.	교정에 실패했습니다.
보정이 높습니다.	교정값이 상한을 초과합니다.
K가 범위를 초과합니다.	셀 상수 K가 현재 교정 범위를 벗어났습니다.
판독값이 안정적이지 않습니다.	교정 중간에 판독이 불안정해졌습니다.
부동값 구성 중 변경	구성이 변경되었습니다. 부동 소수점 유형.
텍스트값 구성 중 변경	구성이 변경되었습니다. 텍스트 유형.
정수값구성 중 변경	구성이 변경되었습니다. 정수 값 유형.
구성 중 변경	구성이 기본 옵션으로 재설정되었습니다.
전원이 켜졌습니다.	전원이 켜졌습니다.
ADC 오류	아날로그에서 디지털로 변환하지 못했습니다(하드웨어 장애).
플래시 삭제	플래시 메모리가 지워졌습니다.
온도	기록된 온도가 너무 높거나 너무 낮습니다(-20~200°C).
샘플 교정이 시작되었습니다.	전도도에 대한 교정 시작
샘플 교정이 완료되었습니다.	전도도에 대한 교정 끝
제로 교정이 시작되었습니다.	제로 교정의 시작
제로 교정이 완료되었습니다.	제로 교정의 끝
전도도 솔루션 교정이 시작되었습니다.	전도도에 대한 기준 용액 교정 시작
전도도 솔루션 교정이 완료되었습니다.	전도도에 대한 기준 용액 교정 끝
TDS 교정이 시작되었습니다.	TDS에 대한 교정 시작
TDS 교정이 완료되었습니다.	TDS에 대한 교정 끝
농도 교정이 시작되었습니다.	농도에 대한 교정 시작
농도 교정이 완료되었습니다.	농도에 대한 교정 끝
염도 교정이 시작되었습니다.	염도에 대한 교정 시작
염도 교정이 완료되었습니다.	염도에 대한 교정 끝

섹션 7 교체 부품 및 부속품

▲ 경고	
	<p>신체 부상 위험. 승인되지 않은 부품을 사용하면 부상, 기기 손상 또는 장비 오작동이 발생할 수 있습니다. 이 장에 설명된 교체 부품은 제조업체의 승인을 받았습니다.</p>

참고: 일부 판매 지역의 경우 제품 및 문서 번호가 다를 수 있습니다. 연락처 정보는 해당 대리점에 문의하거나 본사 웹사이트를 참조하십시오.

소모품

설명	수량	품목 번호
전도도 기준 용액, 100 $\mu\text{S/cm}$	1L	25M3A2000-100
전도도 기준 용액, 500 $\mu\text{S/cm}$	1L	25M3A2000-500
전도도 기준 용액, 1000 $\mu\text{S/cm}$	1L	25M3A2000-1000
전도도 기준 용액, 1990 $\mu\text{S/cm}$	100mL	210542

부품 및 부속품

설명	품목 번호
SC4500 컨트롤러용 전도도 모듈	LXZ525.99.D0004
유도식 전도도 센서용 sc 디지털 কে이트웨이	6120800
개스킷, EDPM, 2인치 위생 센서용	9H1327
접속 배선함, 알루미늄	60A2053
접속 배선함, NEMA-4X	76A4010-001
위생 클램프, 2인치 헤비 듀티	9H1132
캡, 2인치, 위생	70F1037-003

부속품

설명	품목 번호
디지털 연장 케이블, 1m(3.2피트)	6122400
디지털 연장 케이블, 7.7m(25피트)	5796000
디지털 연장 케이블, 15m(50피트)	5796100
디지털 연장 케이블, 30m(100피트)	5796200

C1D2 위치용 액세서리

설명	품목 번호
두 개의 커넥터 안전 잠금 장치가 있는 디지털 연장 케이블, 1m(3.2피트)	6122401
두 개의 커넥터 안전 잠금 장치가 있는 디지털 연장 케이블, 7.7m (25피트)	5796001
두 개의 커넥터 안전 잠금 장치가 있는 디지털 연장 케이블, 15m(50피트)	5796101
두 개의 커넥터 안전 잠금 장치가 있는 디지털 연장 케이블, 30m(100피트)	5796201
빠른 연결 피팅을 위한 안전 잠금 장치, Class 1 Division 2 설비	6139900

สารบัญ

- 1 รายละเอียดทางเทคนิค ในหน้า 145
- 2 ข้อมูลทั่วไป ในหน้า 146
- 3 การติดตั้ง ในหน้า 148
- 4 การทำงาน ในหน้า 151
- 5 การบำรุงรักษา ในหน้า 158
- 6 การแก้ไขปัญหา ในหน้า 159
- 7 ส่วนประกอบสำหรับเปลี่ยนแทนและอุปกรณ์เสริม ในหน้า 164

หัวข้อที่ 1 รายละเอียดทางเทคนิค

รายละเอียดทางเทคนิคอาจเปลี่ยนแปลงได้โดยไม่ต้องแจ้งให้ทราบล่วงหน้า

รายละเอียดทางเทคนิค	รายละเอียด
ขนาด	โปรดดูรายละเอียดใน รูปที่ 1 ในหน้า 147
ระดับของมลภาวะ	2
หมวดหมู่ของการเกิดแรงดันไฟฟ้าเกิน	I
ระดับการป้องกัน	III
ระดับความสูง	สูงสุด 2,000 ม. (6,562 ฟุต)
อุณหภูมิในการทำงาน	-20 ถึง 60 °C (-4 ถึง 140 °F)
อุณหภูมิสำหรับจัดเก็บ	-20 ถึง 70 °C (-4 ถึง 158 °F)
น้ำหนัก	ประมาณ 1 กก. (2.2 ปอนด์)
วัสดุเปลือก	พอลิโพรพิลีน, PVDF, PEEK หรือ PFA
สายเคเบิลเซ็นเซอร์	5-ตัวนำไฟฟ้า (และอีกสองจนวนแยก), 6 ม. (20 ฟุต); มีที่กัก 150 °C (302 °F)— พอลิโพรพิลีน
ช่วงการนำไฟฟ้า	0.0 ถึง 200.0 $\mu\text{S}/\text{cm}$; 0 ถึง 2,000,000 $\mu\text{S}/\text{cm}$
ความแม่นยำ	0.01 % ของค่าที่อ่านได้, ตลอดช่วง
การทวนซ้ำ/ความแม่นยำ	> 500 $\mu\text{S}/\text{cm}$: $\pm 0.5\%$ ของค่า; < 500 $\mu\text{S}/\text{cm}$: $\pm 5 \mu\text{S}/\text{cm}$
อัตรากระแสสูงสุด	0–3 m/s (0–10 ft/s)
จำกัดอุณหภูมิ/ความดัน	โพลีโพรพิลีน: 100 °C ที่ 6.9 บาร์ (212 °F ที่ 100 psi); PVDF: 120 °C ที่ 6.9 บาร์ (248 °F ที่ 100 psi); PEEK และ PFA: 200 °C ที่ 13.8 บาร์ (392 °F ที่ 200 psi);
ระยะการส่งผ่าน	200 ถึง 2000 $\mu\text{S}/\text{cm}$: 61 ม. (200 ฟุต); 2000 ถึง 2,000,000 $\mu\text{S}/\text{cm}$: 91 ม. (300 ฟุต)
ช่วงการวัดอุณหภูมิ	-10 ถึง 135 °C (14 ถึง 275 °F) จำกัดโดยวัสดุตัวเซ็นเซอร์
เซ็นเซอร์อุณหภูมิ	Pt 1000 RTD
วิธีการสอบเทียบ	การสอบเทียบเป็นศูนย์, การสอบเทียบการนำ 1-จุด, การสอบเทียบอุณหภูมิ 1-จุด
อินเทอร์เฟซเซ็นเซอร์	Modbus
การรับรอง	กำหนดโดย ETL (US/Canada) สำหรับการใช้งานในตำแหน่งที่อันตราย Class 1, Division 2, Groups A, B, C, D, Temperature Code T4 - กับตัวควบคุม Hach SC สอดคล้องตาม: CE, UKCA, FCC, ISED, ACMA, KC, CMIM เซ็นเซอร์สแตนด์บายรับรองโดย 3A
การรับประกัน	1 ปี 2 ปี (EU)

หัวข้อที่ 2 ข้อมูลทั่วไป

ไม่ว่าจะในกรณีใด ผู้ผลิตจะไม่รับผิดชอบต่อความเสียหายที่เกิดจากการใช้งานผลิตภัณฑ์ที่ไม่เหมาะสมใดๆ หรือความล้มเหลวในการปฏิบัติตามคำแนะนำในคู่มือ ผู้ผลิตสงวนสิทธิ์ในการแก้ไขคู่มือและเปลี่ยนแปลงผลิตภัณฑ์ที่อธิบายได้ตลอดเวลา โดยไม่ต้องแจ้งให้ทราบหรือขออนุญาตใดๆ ข้อมูลฉบับแก้ไขจะมีให้ในเว็บไซต์ของผู้ผลิต

2.1 ข้อมูลเพื่อความปลอดภัย

ผู้ผลิตจะไม่รับผิดชอบต่อความเสียหายใดๆ ที่เกิดจากการนำผลิตภัณฑ์ไปใช้หรือการใช้งานที่ผิดวัตถุประสงค์ รวมถึง แต่ไม่จำกัดเพียงความเสียหายทางตรง ความเสียหายที่ไม่ได้ตั้งใจ และความเสียหายที่ต่อเนื่องตามมา และขอปฏิเสธในการรับผิดชอบต่อความเสียหายเหล่านี้ในระดับสูงสุดเท่าที่กฎหมายที่เกี่ยวข้องจะอนุญาต ผู้ใช้เป็นผู้รับผิดชอบแต่เพียงผู้เดียวในการระบุถึงความเสียหายในการนำไปใช้งานที่สำคัญ และการติดตั้งกลไกที่เหมาะสมเพื่อป้องกันกระบวนการต่างๆ ที่เป็นไปได้ในกรณีอุปกรณ์ทำงานผิดพลาด

กรุณาอ่านคู่มือฉบับนี้ โดยละเอียดก่อนเปิดกล่อง ติดตั้งหรือใช้งานอุปกรณ์นี้ ศึกษาอันตรายและข้อควรระวังต่าง ๆ ที่แจ้งให้ทราบให้ครบถ้วน หากไม่ปฏิบัติตามอาจทำให้เกิดการบาดเจ็บร้ายแรงต่อผู้ใช้หรือเกิดความเสียหายต่ออุปกรณ์



ตรวจสอบว่าชิ้นส่วนป้องกันของอุปกรณ์ไม่มีความเสียหาย ห้ามใช้หรือติดตั้งอุปกรณ์ในลักษณะอื่นใดนอกจากที่ระบุไว้ในคู่มือนี้

2.1.1 การใช้ข้อมูลแจ้งเตือนเกี่ยวกับอันตราย



 อันตราย
ระบุอันตรายที่อาจเกิดขึ้น ซึ่งหากไม่หลีกเลี่ยง อาจทำให้เสียชีวิตหรือได้รับบาดเจ็บร้ายแรงได้
 คำเตือน
ระบุอันตรายที่อาจเกิดขึ้น ซึ่งหากไม่หลีกเลี่ยง อาจทำให้เสียชีวิตหรือได้รับบาดเจ็บร้ายแรงได้
 ข้อควรระวัง
ระบุอันตรายที่อาจเกิดขึ้นซึ่งอาจทำให้เกิดการบาดเจ็บเล็กน้อยถึงปานกลาง
หมายเหตุ
ข้อควรทราบระบุกรณีที่หากไม่หลีกเลี่ยง อาจทำให้อุปกรณ์ได้รับความเสียหายได้ ข้อมูลที่ต้องมีการเน้นย้ำเป็นพิเศษ

2.1.2 ฉลากระบุข้อควรระวัง

อ่านฉลากและป้ายระบุทั้งหมดที่มีมาไว้พร้อมทั้งอุปกรณ์ อาจเกิดการบาดเจ็บหรือความเสียหายต่ออุปกรณ์ หากไม่ปฏิบัติตาม คู่มืออ้างอิงสัญลักษณ์ที่ตัวอุปกรณ์พร้อมข้อความเพื่อเฝ้าระวังเบื้องต้น

	หากปรากฏสัญลักษณ์นี้บนอุปกรณ์ โปรดดูรายละเอียดจากคู่มือการใช้งานและ/หรือข้อมูลเพื่อความปลอดภัย
	อุปกรณ์อิเล็กทรอนิกส์ที่มีเครื่องหมายนี้ไม่สามารถทิ้งแบบขยะปกติในเขตยุโรปหรือระบบกำจัดขยะสาธารณะได้ ส่งคืนอุปกรณ์เก่าหรือทั้งหมดอายุการใช้งานให้กับผู้ผลิตเพื่อการกำจัดไม่มีค่าใช้จ่ายใดๆ กับผู้ใช้

2.2 ภาพรวมผลิตภัณฑ์

 อันตราย	
	อันตรายจากสารเคมีหรืออันตรายทางชีวภาพ หากอุปกรณ์นี้ถูกใช้งานในการตรวจสอบกระบวนการบำบัด และ/หรือระบบบ่อนสารเคมี ซึ่งมีขีดจำกัดตามกฎหมายและมีข้อกำหนดในการตรวจสอบ ซึ่งเกี่ยวข้องกับด้านสาธารณสุข ความปลอดภัยของสาธารณะ การผลิตหรือกระบวนการต่างๆ ของเครื่องดื่มหรืออาหาร ถือเป็นความรับผิดชอบของผู้ใช้ อุปกรณ์นี้ ในการรับทราบและปฏิบัติตามกฎข้อบังคับที่เกี่ยวข้อง รวมถึงการมีกลไกที่เหมาะสมและเพียงพอไว้รองรับ เพื่อให้เป็นไปตามกฎข้อบังคับที่เกี่ยวข้องในกรณีที่อุปกรณ์ทำงานผิดพลาด

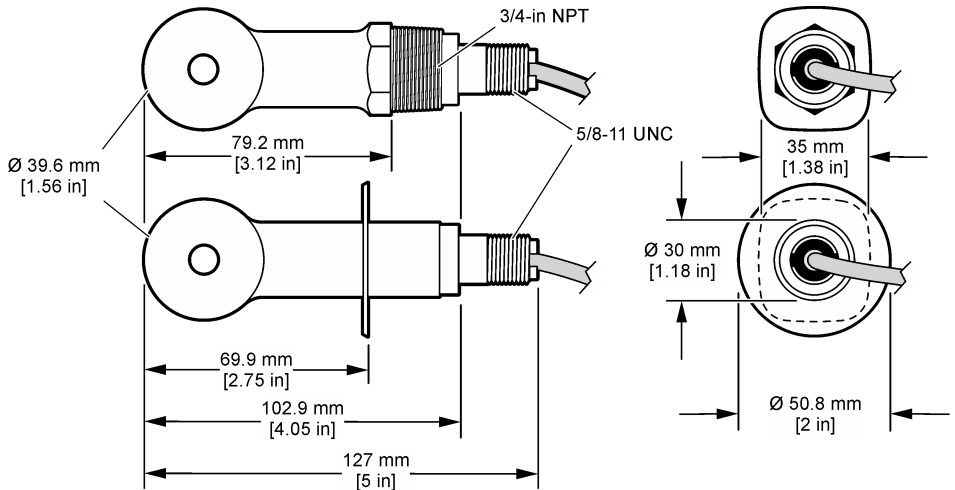
หมายเหตุ

การใช้เซ็นเซอร์นี้อาจทำให้สารเคลือบแตก ทำให้ชำรุดทรุดภายในสัมผัสกับสิ่งแวดล้อมภายนอกที่เซ็นเซอร์จุ่มอยู่ ดังนั้น เซ็นเซอร์นี้ไม่ได้ถูกออกแบบมาสำหรับการใช้งานในสถานการณ์ที่ค่าค่าของเหลวจะมีพารามิเตอร์หรือความสะอาดระดับใดระดับหนึ่ง ที่การปนเปื้อนอาจทำให้เกิดความเสียหายร้ายแรง การใช้งานเหล่านี้มักรวมถึงการผลิตเซมิคอนดักเตอร์ และยังอาจรวมถึงการใช้งานอื่นๆ ที่ผู้ใช้ต้องประเมินความเสี่ยงของการปนเปื้อน และผลกระทบต่อคุณภาพผลิตภัณฑ์ในลำดับต่อมา ผู้ผลิตแนะนำว่าไม่ควรใช้เซ็นเซอร์ในการใช้งานเหล่านี้ และจะไม่รับผิดชอบต่อการเรียกร้องหรือความเสียหายใดๆ อันเป็นผลสืบเนื่องจากการใช้เซ็นเซอร์ในการใช้งานลักษณะนี้

เซ็นเซอร์ออกแบบมาให้สามารถใช้งานร่วมกับชุดควบคุมเพื่อเก็บข้อมูลและเพื่อการประมวลผล สามารถใช้ตัวควบคุมอื่นกับเซ็นเซอร์นี้ เอกสารนี้จัดทำขึ้น โดยถือว่ามีการติดตั้งและใช้งานเซ็นเซอร์ร่วมกับตัวควบคุม SC4500 ใช้งานเซ็นเซอร์กับชุดควบคุมอื่น โดยดูรายละเอียดจากคู่มือผู้ใช้สำหรับชุดควบคุมที่ใช้งาน

โปรดดูขนาดเซ็นเซอร์ได้ที่ **รูปที่ 1**

รูปที่ 1 ขนาด

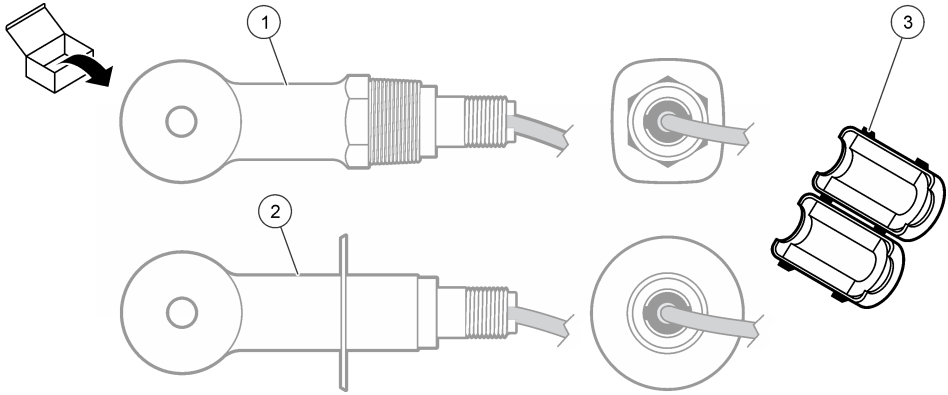


2.3 ส่วนประกอบของผลิตภัณฑ์

ตรวจสอบให้แน่ใจว่าได้รับส่วนประกอบทั้งหมดแล้ว โปรดดูใน **รูปที่ 2** และ **รูปที่ 3** หากพบว่าชิ้นส่วนใดสูญหายหรือชำรุด โปรดติดต่อผู้ผลิตหรือตัวแทนฝ่ายขายทันที

บันทึก: สามารถสั่งซื้อเซ็นเซอร์แบบไม่มีกาวยึดติดอลูมิเนียมที่แสดงใน **รูปที่ 3**

รูปที่ 2 ส่วนประกอบเซ็นเซอร์

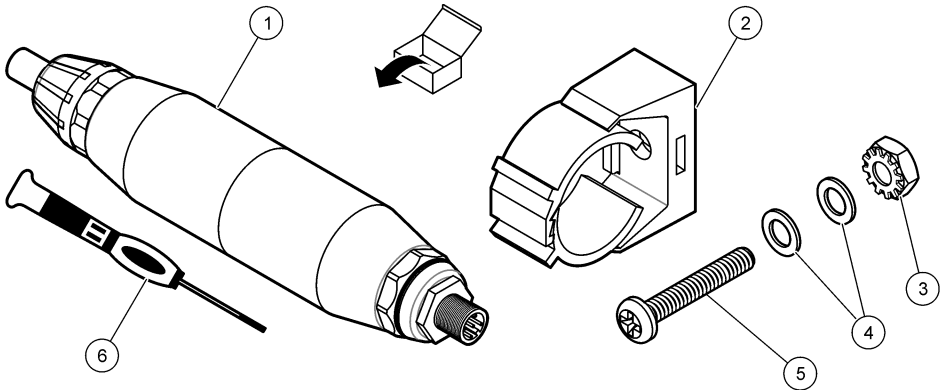


1 เซ็นเซอร์แบบปรับได้—สำหรับติดตั้งในท่อตัวที่ หรือสถานะแบบเปิด ด้วยชิ้นส่วนยึดที่เหมาะสม

3 เฟอร์ไรต์

2 เซ็นเซอร์สแตนเลส—สำหรับติดตั้งในสแตนเลส 2-นิ้วรูปตัวที

รูปที่ 3 องค์ประกอบเกตเวย์ดิจิทัล



1 เกตเวย์ดิจิทัล

4 แหวนแบน, #8 (2x)

2 แท่นยึด

5 สกรู, สล๊อตไขว้, #8-32 x 1.25 นิ้ว

3 น็อตที่มีแหวนสล๊อต, #8-32

6 ไขควง (สำหรับสล็อกซ์ต่อ)



หัวข้อที่ 3 การติดตั้ง

⚠ คำเตือน



อันตรายหลายประการ บุคลากรผู้เชี่ยวชาญเท่านั้นที่ควรดำเนินการตามขั้นตอนที่ระบุในเอกสารส่วนนี้

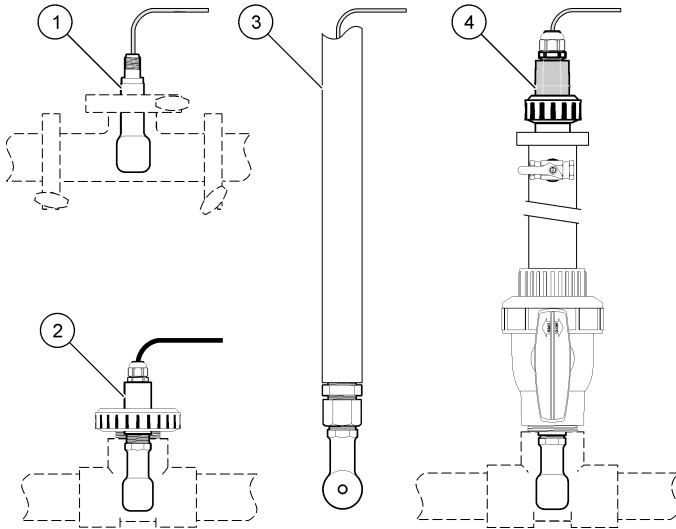
3.1 ติดตั้งเซ็นเซอร์ในท่อเก็บตัวอย่าง

⚠ คำเตือน	
	อันตรายจากการระเบิด สำหรับการติดตั้งในที่ซึ่งที่เป็นอันตราย (เฉพาะ) โปรดอ้างอิงคำแนะนำและสภาพการควบคุม Class 1, เอกสาร Division 2 ติดตั้งเซ็นเซอร์ตามกฎหมายของท้องถิ่น ภูมิภาค และของประเทศ ห้ามเชื่อมต่อหรือถอดอุปกรณ์เว้นแต่จะทราบว่าสภาพแวดล้อมไม่เป็นอันตราย
⚠ คำเตือน	
	อันตรายจากการระเบิด เนื่องจากฮาร์ดแวร์ติดตั้งสำหรับเซ็นเซอร์มีค่าอุณหภูมิและความดันที่รองรับได้ที่เพียงพอสำหรับตำแหน่งที่ติดตั้ง

โปรดอ้างอิง **รูปที่ 4** สำหรับการติดตั้งเซ็นเซอร์ในการใช้งานต่างๆ จะต้องปรับเทียบเซ็นเซอร์ก่อนการใช้งาน ดูรายละเอียดใน **สอบเทียบเซ็นเซอร์** ในหน้า 154

ตรวจสอบให้แน่ใจว่าการจัดเส้นทางของสายเซ็นเซอร์มีการป้องกันไม่ให้สัมผัสกับสนามแม่เหล็กไฟฟ้าแรงสูง (เช่น ตัวส่ง มอเตอร์ หรือ อุปกรณ์ชุมสายโทรศัพท์ (Switching Equipment)) การสัมผัสกับฟิล์มเหล่านี้อาจส่งผลให้ผลลัพธ์ขาดความแม่นยำ

รูปที่ 4 ตัวอย่างการยึด

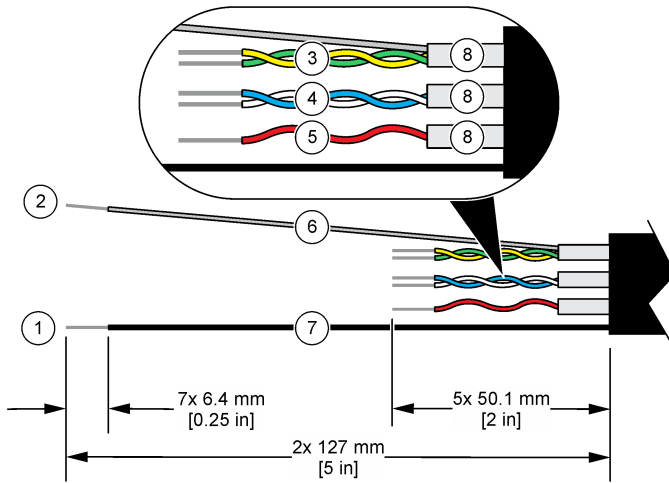


1 หัวยึดหน้าแปลนสแตนเลส (CIP)	3 จุ่มปลายท่อ
2 หัวยึดหัวที่แบบบูนิน	4 ใช้สลักหัว

3.2 การติดตั้งทางไฟฟ้า

3.2.1 เตรียมสายเซ็นเซอร์

ถ้ามีการเปลี่ยนแปลงความยาวสายเซ็นเซอร์ ให้เตรียมสายแบบที่แสดงใน **รูปที่ 5**



1	ฉนวนป้องกันด้านนอกสาย ¹	5	สายสีแดง
2	ฉนวนป้องกันด้านในสาย ²	6	ทอหุ้มความร้อนใส ³
3	สายคู่ตีเกลียวสีเขียวและสีเหลือง	7	ทอหุ้มความร้อนดำ ³
4	สายคู่ตีเกลียวขาวและสีฟ้า	8	ฉนวนป้องกันด้านนำไฟฟ้าด้านใน ⁴

3.2.2 ข้อพิจารณาเกี่ยวกับการปล่อยประจุไฟฟ้าสถิต (ESD)

หมายเหตุ	
	กรณีที่ต้องทำให้เกิดความเสียหายต่ออุปกรณ์ ส่วนประกอบอิเล็กทรอนิกส์ภายในที่มีความบอบบาง อาจได้รับความเสียหายเนื่องจากประจุไฟฟ้าสถิต ทำให้ประสิทธิภาพลดลงหรือการทำงานมีข้อบกพร่อง

โปรดดูขั้นตอนต่างๆ ในขั้นตอนนี้เพื่อป้องกันความเสียหายจาก ESD ที่เกิดกับเครื่องวัด:

- แตะพื้นผิวโลหะที่มีการต่อกราวด์ดิน เช่น ตัวถังของเครื่องวัด รางหรือท่อโลหะ เพื่อปล่อยไฟฟ้าสถิตออกจากร่างกาย
- หลีกเลี่ยงการเคลื่อนไหวที่มากเกินไป ล้าเสียดส่วนประกอบที่ไวต่อไฟฟ้าสถิตในภาชนะหรือบรรจุภัณฑ์ที่ป้องกันไฟฟ้าสถิต
- สวมสายรัดข้อมือที่เชื่อมต่อด้วยสายกับกราวด์ดิน
- ทำงานในบริเวณที่ปลอดภัยจากไฟฟ้าสถิตซึ่งมีแผ่นรองพื้นและแผ่นรองโต๊ะทำงานแบบป้องกันไฟฟ้าสถิต

3.2.3 เชื่อมต่อเซ็นเซอร์เข้ากับตัวควบคุม SC

ใช้หนึ่งในตัวเลือกต่อไปนี้เพื่อเชื่อมต่อเซ็นเซอร์เข้ากับตัวควบคุม SC:

- ดัดตั้งโมดูลเซ็นเซอร์ในตัวควบคุม SC จากนั้น ให้เชื่อมต่อสายเปลือยของเซ็นเซอร์เข้ากับโมดูลเซ็นเซอร์ โมดูลเซ็นเซอร์จะแปลงสัญญาณอะนาล็อกจากเซ็นเซอร์ให้เป็นสัญญาณดิจิทัล
- เชื่อมต่อสายเปลือยของเซ็นเซอร์เข้ากับเกตเวย์ดิจิทัล SC แล้วเชื่อมต่อเกตเวย์ดิจิทัล SC เข้ากับตัวควบคุม SC เกตเวย์ดิจิทัลจะแปลงสัญญาณอะนาล็อกจากเซ็นเซอร์ให้เป็นสัญญาณดิจิทัล

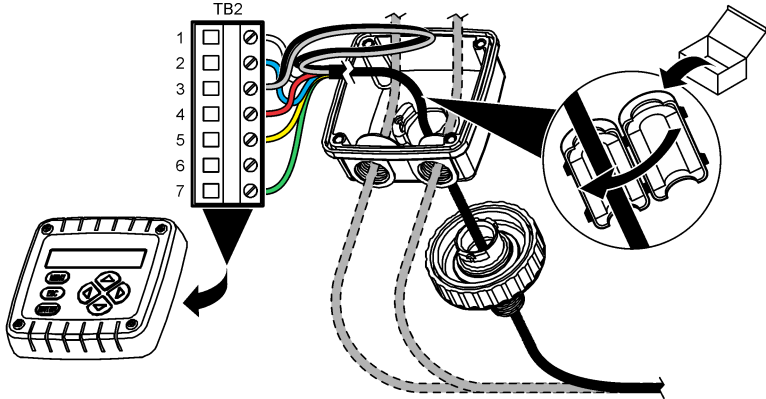
1 ฉนวนป้องกันสายสำหรับสายเคเบิล
 2 สายฉนวนป้องกันสำหรับคู่ตีเกลียวสีเขียวและสีเหลือง
 3 ผู้ใช้จัดหาเอง
 4 ฉนวนป้องกันด้านนำไฟฟ้าด้านในนั้นเป็นทอหุ้มสีที่มีด้านนำไฟฟ้าด้านในและด้านไม่นำไฟฟ้าด้านนอก ให้มีการแยกทางไฟฟ้าระหว่างฉนวนด้านในของด้านนำไฟฟ้าด้านใน ปล่อยให้ด้านในของด้านนำไฟฟ้าด้านในไม่เปิดออกข้างนอก

อ้างอิงคำแนะนำที่มาพร้อมกับโมดูลเซ็นเซอร์ หรือเทคโนโลยีจิลคอล SC โปรดดูที่ ส่วนประกอบสำหรับเปลี่ยนแทนและอุปกรณ์เสริม ในหน้า 164 สำหรับข้อมูลการสั่งซื้อ

3.2.4 ตัวส่งสัญญาณการนำไฟฟ้าแบบไม้อิเล็กโทรด PRO-series Model E3

ในการเชื่อมต่อตัวส่งสัญญาณการนำไฟฟ้าแบบไม้อิเล็กโทรด PRO-series Model E3 ให้ถอดตัวส่งสัญญาณออกจากแหล่งจ่ายไฟ แล้วโปรดดู รูปที่ 6 และ ตาราง 1

รูปที่ 6 เชื่อมต่อเซ็นเซอร์เข้ากับตัวส่งสัญญาณ



ตาราง 1 ข้อมูลการเดินสายเซ็นเซอร์

ขั้วต่อ (TB2)	สาย	ขั้วต่อ (TB2)	สาย
1	สีขาว	4	สีแดง
2	สีน้ำเงิน	5	สีเหลือง
3	สีใส (ถนวนด้านใน) ⁵	6	—
3	สีดำ (ถนวนภายนอก) ⁵	7	สีเขียว

หัวข้อที่ 4 การทำงาน

⚠ คำเตือน

อันตรายจากไฟ ผลัดกันชนนี้ไม่ได้รับการออกแบบมาสำหรับใช้กับของเหลวที่ติดไฟได้

4.1 การนำทางเนื้อหาสำหรับผู้ใช้

ดูเอกสารกำกับชุดควบคุมเพื่อดูคำอธิบายเกี่ยวกับหน้าจอสัมผัสและข้อมูลการนำทางเนื้อหาต่าง ๆ

⁵ เพื่อการปกป้องสัญญาณรบกวนทางไฟฟ้าที่ดีที่สุด ให้เชื่อมต่อสายถนวนภายใน และสายถนวนภายนอกเข้าด้วยกันด้วยการบัดกรี แล้วนำไปใส่ไว้ในบล็อกขั้วต่อ

4.2 กำหนดค่าเซ็นเซอร์

ใช้เมนู **Settings** (การตั้งค่า) เพื่อป้อนค่าสำหรับเซ็นเซอร์และเพื่อเปลี่ยนแปลงตัวเลือกสำหรับการจัดการและจัดเก็บข้อมูล

1. เลือกไอคอนเมนูหลัก แล้วเลือก **Devices (อุปกรณ์)** จะแสดงรายการของอุปกรณ์ทั้งหมดที่พร้อมใช้
2. เลือกเซ็นเซอร์ แล้วเลือก **Device menu (เมนูอุปกรณ์) > Settings (การตั้งค่า)**
3. เลือกตัวเลือก
 - สำหรับเซ็นเซอร์ที่เชื่อมต่อกับโมดูลการนำไฟฟ้า โปรดอ้างอิงถึง ตาราง 2
 - สำหรับเซ็นเซอร์ที่เชื่อมต่อกับเกดเวย์ดิจิทัล โปรดอ้างอิงถึง ตาราง 3

ตาราง 2 สำหรับเซ็นเซอร์ที่เชื่อมต่อกับโมดูลการนำไฟฟ้า

ตัวเลือก	คำอธิบาย
Name (ชื่อ)	เปลี่ยนชื่อที่ตรงกับเซ็นเซอร์ที่ด้านบนของหน้าจอตรวจวัด ชื่อจำกัดความยาวไว้ที่ 16 ตัวอักษร โดยสามารถใส่ตัวอักษรตัวเลข ช่องว่างหรือเครื่องหมายวรรคตอน
Sensor S/N (ซีเรียลนัมเบอร์เซ็นเซอร์)	ให้ผู้ใช้ป้อนซีเรียลนัมเบอร์ของเซ็นเซอร์ ซีเรียลนัมเบอร์จำกัดความยาวไว้ที่ 16 ตัวอักษร โดยสามารถมีได้ทั้งตัวอักษรตัวเลข ช่องว่างและเครื่องหมายวรรคตอน
Measurement type (ประเภทการวัด)	เปลี่ยนพารามิเตอร์การตรวจวัดเป็น Conductivity (การนำไฟฟ้า) (ค่าเริ่มต้น) Concentration (ความเข้มข้น) TDS (TDS) (ของแข็งละลายทั้งหมด) หรือ Salinity (ความเค็ม) ในกรณีที่มีการเปลี่ยนแปลงพารามิเตอร์ ค่าอื่นที่กำหนดไว้ทั้งหมดจะถูกรีเซ็ตเป็นค่าเริ่มต้น
Format (รูปแบบ)	เปลี่ยนตำแหน่งทศนิยมที่แสดงในหน้าจอการตรวจวัดเป็น Auto (อัตโนมัติ), X.XXX , XX.XX หรือ XXX.X เมื่อเลือก Auto (อัตโนมัติ) ตำแหน่งทศนิยมจะเปลี่ยนไปตลอดอัตโนมัติ บันทึก: จะสามารถเลือกตัวเลือก Auto (อัตโนมัติ) ได้เมื่อตั้งค่าการตั้งค่า Measurement type (ประเภทการวัด) เป็น Conductivity (การนำไฟฟ้า)
Conductivity unit (หน่วยการนำไฟฟ้า)	บันทึก: การตั้งค่า Conductivity unit (หน่วยการนำไฟฟ้า) จะใช้งานได้ก็ต่อเมื่อตั้งค่าการตั้งค่า Measurement type (ประเภทการวัด) เป็น Conductivity (การนำไฟฟ้า) หรือ Concentration (ความเข้มข้น) เท่านั้น เปลี่ยนหน่วยการนำไฟฟ้า— Auto (อัตโนมัติ), µS/cm , mS/cm หรือ S/cm
Temperature (อุณหภูมิ)	กำหนดหน่วยอุณหภูมิเป็น °C (ค่าเริ่มต้น) หรือ °F
T-compensation (การชดเชยค่าอุณหภูมิ)	ปรับแก้อุณหภูมิสำหรับค่าที่ตรวจวัดได้— None (ไม่มี), Linear (เชิงเส้น) (ค่าเริ่มต้น: 2.0%/°C, 25 °C), Natural water (น้ำธรรมชาติ) หรือ Temperature compensation table (ตารางการชดเชยอุณหภูมิ) เมื่อเลือก Temperature compensation table (ตารางการชดเชยอุณหภูมิ) ผู้ใช้จะสามารถป้อนจุด x,y (°C, %/°C) ตามลำดับจากน้อยไปหามาก บันทึก: จะไม่มีตัวเลือก Natural water (น้ำธรรมชาติ) เมื่อตั้งค่าการตั้งค่า Measurement type (ประเภทการวัด) เป็น TDS (TDS) หรือ Concentration (ความเข้มข้น)
Concentration measurement (การวัดความเข้มข้น)	บันทึก: การตั้งค่า Concentration measurement (การวัดความเข้มข้น) จะใช้งานได้ก็ต่อเมื่อตั้งค่าการตั้งค่า Measurement type (ประเภทการวัด) เป็น Concentration (ความเข้มข้น) เท่านั้น ตั้งประเภทของการวัดความเข้มข้นที่จะใช้— Built-in (สำเร็จรูป) (ค่าเริ่มต้น) หรือ User compensation table (ตารางชดเชยผู้ใช้) ในกรณีที่เลือก Built-in (สำเร็จรูป) ผู้ใช้จะสามารถเลือกสารเคมีที่จะตรวจวัดได้— H₃PO₄ : 0–40%; HCl : 0–18% หรือ 22–36%; NaOH : 0–16%; CaCl₂ : 0–22%; HNO₃ : 0–28% หรือ 36–96%; H₂SO₄ : 0–30%, 40–80% หรือ 93–99%; HF : 0–30%; NaCl : 0–25%; HBr , KOH , น้ำทะเล เมื่อเลือก User compensation table (ตารางชดเชยผู้ใช้) ผู้ใช้จะสามารถป้อนจุด x,y (การนำไฟฟ้า, %) ตามลำดับจากน้อยไปหามาก
TDS (total dissolved solids) (TDS ปริมาณของแข็งที่ละลายรวม)	บันทึก: การตั้งค่า TDS (total dissolved solids) (TDS (ปริมาณของแข็งที่ละลายรวม)) จะใช้งานได้ก็ต่อเมื่อตั้งค่าการตั้งค่า Measurement type (ประเภทการวัด) เป็น TDS (TDS) เท่านั้น ตั้งค่าที่ใช้เพื่อแปลงค่าการนำไฟฟ้าเป็น TDS— NaCl (ค่าเริ่มต้น) หรือ Custom (กำหนดเอง) (ป้อนค่าระหว่าง 0.01 และ 99.99 ppm/µS, ค่าเริ่มต้น: 0.49 ppm/µS)
Temperature element (องค์ประกอบอุณหภูมิ)	กำหนดค่าเซลล์วัดอุณหภูมิสำหรับชดเชยค่าอุณหภูมิอัตโนมัติเป็น PT100 , PT1000 (ค่าเริ่มต้น) หรือ Manual (แมนนวล) ถ้าไม่มีการใช้องค์ประกอบใด ให้ตั้งเป็น Manual (แมนนวล) แล้วตั้งค่าการชดเชยค่าอุณหภูมิ (ค่าเริ่มต้น: 25 °C) เมื่อตั้ง Temperature element (องค์ประกอบอุณหภูมิ) เป็น PT100 หรือ PT1000 โปรดอ้างอิง ปรับค่า T สำหรับค่าความยาวสายที่ไม่ได้มาตรฐาน ในหน้า 154 สำหรับตั้งค่าการตั้งค่า T factor (ค่าอุณหภูมิ) บันทึก: ถ้าตั้ง Temperature element (องค์ประกอบอุณหภูมิ) เป็น Manual (แมนนวล) แล้วเซ็นเซอร์ถูกเปลี่ยน หรือจำนวนวันเซ็นเซอร์ถูกรีเซ็ต Temperature element (องค์ประกอบอุณหภูมิ) จะเปลี่ยนกลับเป็นการตั้งค่าเริ่มต้น โดยอัตโนมัติ (PT1000)

ตาราง 2 สำหรับเซ็นเซอร์ที่เชื่อมต่อกับโมดูลการนำไฟฟ้า (ต่อ)

ตัวเลือก	คำอธิบาย
Cell constant parameters (พารามิเตอร์ค่าคงที่เซลล์)	เปลี่ยนแปลงค่าคงที่ของเซลล์เป็นค่า K รับรองที่แท้จริงจากฉลากที่สายเซ็นเซอร์ ในกรณีที่กรอกค่า K รับรอง จะมีการกำหนดคราฟการเปรียบเทียบ ค่าเริ่มต้น: 4.70
Filter (ตัวกรอง)	กำหนดค่าเวลาคงที่เพื่อเพิ่มความเสถียรของสัญญาณ ค่าเวลาที่จะคำนวณค่าเฉลี่ยระหว่างเวลาที่กำหนด—0 (ไม่มีผล ค่าเริ่มต้น) เป็น 200 วินาที (เฉลี่ยค่าสัญญาณเป็นเวลา 200 วินาที) ตัวกรองจะเพิ่มเวลาสำหรับสัญญาณเซ็นเซอร์เพื่อตอบสนองต่อการเปลี่ยนแปลงจริงที่เกิดขึ้นในกระบวนการ
Data logger interval (ช่วงเครื่องมือบันทึกข้อมูล)	กำหนดช่วงเวลาสำหรับเซ็นเซอร์และการจัดเก็บข้อมูลการวัดอุณหภูมิในบันทึกข้อมูล—5, 30 วินาที หรือ 1, 2, 5, 10, 15 (ค่าเริ่มต้น) 30, 60 นาที
Reset settings to default values (รีเซ็ตการตั้งค่าเป็นค่าเริ่มต้น)	ตั้งเมนู Settings (การตั้งค่า) ให้เป็นการตั้งค่าเริ่มต้นจากโรงงานแล้วรีเซ็ตตัวนับ ข้อมูลเซ็นเซอร์ทั้งหมดจะหายไป

ตาราง 3 เซ็นเซอร์ที่เชื่อมต่อกับเกตเวย์ดิจิทัล SC

ตัวเลือก	คำอธิบาย
Name (ชื่อ)	เปลี่ยนชื่อที่ตรงกับเซ็นเซอร์ที่ด้านบนของหน้าจอตาววัด ชื่อจำกัดความยาวไว้ที่ 16 ตัวอักษร โดยสามารถใช้ตัวอักษรตัวเลข ช่องว่างหรือเครื่องหมายวรรคตอน
Measurement type (ประเภทการวัด)	เปลี่ยนพารามิเตอร์การตรวจวัดเป็น Conductivity (การนำไฟฟ้า) (ค่าเริ่มต้น) Concentration (ความเข้มข้น) TDS (TDS) (ของแข็งละลายทั้งหมด) หรือ Salinity (ความเค็ม) ในกรณีที่มีการเปลี่ยนแปลงพารามิเตอร์ ค่าอื่นที่กำหนดไว้ทั้งหมดจะถูกรีเซ็ตเป็นค่าเริ่มต้น
Conductivity unit (หน่วยการนำไฟฟ้า)	บันทึก: การตั้งค่า <i>Conductivity unit</i> (หน่วยการนำไฟฟ้า) จะใช้ได้ก็ต่อเมื่อตั้งค่า <i>Measurement type</i> (ประเภทการวัด) เป็น <i>Conductivity</i> (การนำไฟฟ้า) <i>Concentration</i> (ความเข้มข้น) หรือ <i>Salinity</i> (ความเค็ม) เท่านั้น เปลี่ยนค่าหน่วยการนำไฟฟ้า— $\mu\text{S}/\text{cm}$ (ค่าเริ่มต้น), mS/cm หรือ S/cm
Cell constant parameters (พารามิเตอร์ค่าคงที่เซลล์)	บันทึก: การตั้งค่า <i>Cell constant parameters</i> (พารามิเตอร์ค่าคงที่เซลล์) จะใช้ได้ก็ต่อเมื่อตั้งค่า <i>Measurement type</i> (ประเภทการวัด) เป็น <i>Conductivity</i> (การนำไฟฟ้า) หรือ <i>Salinity</i> (ความเค็ม) เท่านั้น เปลี่ยนแปลงค่าคงที่ของเซลล์เป็นค่า K รับรองที่แท้จริงจากฉลากที่สายเซ็นเซอร์ ในกรณีที่กรอกค่า K รับรอง จะมีการกำหนดคราฟการเปรียบเทียบ ค่าเริ่มต้น: 4.70
Concentration measurement (การวัดความเข้มข้น)	บันทึก: การตั้งค่า <i>Concentration measurement</i> (การวัดความเข้มข้น) จะใช้ได้ก็ต่อเมื่อตั้งค่า <i>Measurement type</i> (ประเภทการวัด) เป็น <i>Concentration</i> (ความเข้มข้น) เท่านั้น ตั้งประเภทของตารางความเข้มข้นที่จะใช้—Built-in (สำเร็จรูป) (ค่าเริ่มต้น) หรือ User defined (ผู้ใช้กำหนด) ในกรณีที่เลือก Built-in (สำเร็จรูป) ผู้ใช้จะสามารถเลือกสารเคมีที่จะตรวจวัดได้— H_3PO_4 : 0–40%; HCl : 0–18% หรือ 22–36%; NaOH : 0–16%; CaCl_2 0–22%; HNO_3 : 0–28% หรือ 36–96%; H_2SO_4 : 0–30%, 40–80% หรือ 93–99%; HF : 0–30% เมื่อเลือก User defined (ผู้ใช้กำหนด) ผู้ใช้จะสามารถป้อนจุด x,y (การนำไฟฟ้า, %) ตามลำดับจากน้อยไปมากได้
TDS (total dissolved solids) (TDS ปริมาณของแข็งที่ละลายรวม))	บันทึก: การตั้งค่า <i>TDS (total dissolved solids) (TDS (ปริมาณของแข็งที่ละลายรวม))</i> จะใช้ได้ก็ต่อเมื่อตั้งค่า <i>Measurement type</i> (ประเภทการวัด) เป็น <i>TDS (TDS)</i> เท่านั้น ตั้งค่าที่ใช้เพื่อแปลงการนำไฟฟ้าเป็น TDS—NaCl (ค่าเริ่มต้น) หรือ User defined (ผู้ใช้กำหนด) (ป้อนค่าระหว่าง 0.01 และ 99.99 ppm/ μS , ค่าเริ่มต้น: 0.49 ppm/ μS)
Temperature (อุณหภูมิ)	กำหนดหน่วยอุณหภูมิเป็น °C (ค่าเริ่มต้น) หรือ °F
T-compensation (การชดเชยค่าอุณหภูมิ)	ปรับแก้อุณหภูมิสำหรับค่าที่ตรวจวัดได้—None (ไม่มี), Linear (เชิงเส้น) (ค่าเริ่มต้น: 2.0%/°C, 25 °C), Natural water (น้ำธรรมชาติ) หรือ Temperature compensation table (ตารางการชดเชยอุณหภูมิ) เมื่อเลือก Temperature compensation table (ตารางการชดเชยอุณหภูมิ) ผู้ใช้จะสามารถป้อนจุด x,y (°C, %/°C) ตามลำดับจากน้อยไปมากได้ บันทึก: คิวเลือก <i>Natural water</i> (น้ำธรรมชาติ) จะไม่สามารถใช้งานได้เมื่อตั้งค่า <i>Measurement type</i> (ประเภทการวัด) เป็น <i>TDS (TDS)</i> บันทึก: การตั้งค่า <i>T-compensation</i> (การชดเชยค่าอุณหภูมิ) จะถูกตั้งเป็น <i>None</i> (ไม่มี) เมื่อตั้งค่า <i>Measurement type</i> (ประเภทการวัด) เป็น <i>Concentration</i> (ความเข้มข้น)
Data logger interval (ช่วงเครื่องมือบันทึกข้อมูล)	กำหนดช่วงเวลาสำหรับเซ็นเซอร์และการจัดเก็บข้อมูลการวัดอุณหภูมิในบันทึกข้อมูล—ปิดใช้งาน (ค่าเริ่มต้น) 5, 10, 15, 30 วินาที 1, 5, 10, 15, 30 นาที หรือ 1, 2, 6, 12 ชั่วโมง

ตาราง 3 เซ็นเซอร์ที่เชื่อมต่อกับเกตเวย์ดิจิทัล SC (ต่อ)


ตัวเลือก	คำอธิบาย
Alternating current frequency (ความถี่กระแสไฟฟ้าสลับ)	เลือกความถี่ของสายไฟเพื่อการป้องกันการรบกวนที่ดีที่สุด ตัวเลือก: 50 หรือ 60 Hz (ค่าเริ่มต้น)
Filter (ตัวกรอง)	กำหนดค่าเวลาที่เพื่อเพิ่มความเสถียรของสัญญาณ ค่าเวลาที่จะคำนวณค่าเฉลี่ยระหว่างเวลาที่กำหนด-0 (ไม่มีผล ค่าเริ่มต้น) เป็น 60 วินาที (เฉลี่ยค่าสัญญาณเป็นเวลา 60 วินาที) ตัวกรองจะเพิ่มเวลาสำหรับสัญญาณเซ็นเซอร์เพื่อตอบสนองต่อการเปลี่ยนแปลงจริงที่เกิดขึ้นในกระบวนการ
Temperature element (องค์ประกอบอุณหภูมิ)	กำหนดองค์ประกอบอุณหภูมิสำหรับชุดค่าอุณหภูมิอัตโนมัติเป็น PT1000 (ค่าเริ่มต้น) หรือ Manual (แมนนวล) ถ้าไม่มีการ์ดเลือกประกอบใดๆ ให้ตั้งเป็น Manual (แมนนวล) แล้วตั้งการชุดค่าอุณหภูมิ (ค่าเริ่มต้น: 25 °C) เมื่อตั้ง Temperature element (องค์ประกอบอุณหภูมิ) เป็น PT1000 โปรดอ้างอิง ปรับค่าตัว T สำหรับความยาวสายที่ไม่ได้มาตรฐาน ในหน้า 154 สำหรับตั้งค่า Factor (แฟคเตอร์) <i>บันทึก:</i> ถ้าตั้ง Temperature element (องค์ประกอบอุณหภูมิ) เป็น Manual (แมนนวล) แล้วเซ็นเซอร์ถูกเปลี่ยน หรือจำนวนวันเซ็นเซอร์ถูกรีเซ็ต Temperature element (องค์ประกอบอุณหภูมิ) จะเปลี่ยนกลับเป็นการตั้งค่าเริ่มต้นโดยอัตโนมัติ (PT1000)
Last calibration (การสอบเทียบครั้งล่าสุด)	ตั้งการเตือนสำหรับการสอบเทียบครั้งถัดไป (ค่าเริ่มต้น: 60 วัน) จะแสดงการเตือนให้สอบเทียบเซ็นเซอร์บนหน้าจอ หลังจากผ่านไปช่วงเวลาที่เลือกจากวันที่เลือกจากวันที่ที่สอบเทียบครั้งล่าสุด ตัวอย่าง เช่น ถ้าวันที่ของการสอบเทียบครั้งล่าสุดคือ 15 มิถุนายน และตั้ง Last calibration (การสอบเทียบครั้งล่าสุด) เป็น 60 วัน ระบบจะแสดงการแจ้งเตือนให้สอบเทียบบนหน้าจอในวันที่ 14 สิงหาคม ถ้าสอบเทียบเซ็นเซอร์ก่อนวันที่ 14 สิงหาคม ในวันที่ 15 กรกฎาคมจะแสดงการแจ้งเตือนการสอบเทียบบนหน้าจอในวันที่ 13 กันยายน
Sensor days (จำนวนวันเซ็นเซอร์)	ตั้งการเตือนสำหรับเปลี่ยนเซ็นเซอร์ (ค่าเริ่มต้น: 365 วัน) จะแสดงการเตือนให้เปลี่ยนเซ็นเซอร์บนหน้าจอ หลังจากผ่านไปช่วงเวลาที่เลือก จะแสดงตัวนับ Sensor days (จำนวนวันเซ็นเซอร์) บนเมนู Diagnostics Test (การวินิจฉัย/การทดสอบ) > Counter (ตัวนับ) เมื่อเปลี่ยนเซ็นเซอร์ ให้รีเซ็ตตัวนับ Sensor days (จำนวนวันเซ็นเซอร์) บนเมนู Diagnostics Test (การวินิจฉัย/การทดสอบ) > Counter (ตัวนับ)
Reset setup (รีเซ็ตการตั้งค่า)	ตั้งเมนู Settings (การตั้งค่า) ให้เป็นการตั้งค่าเริ่มต้นจากโรงงานแล้วรีเซ็ตตัวนับ ข้อมูลเซ็นเซอร์ทั้งหมดจะหายไป

4.3 ปรับค่าตัว T สำหรับความยาวสายที่ไม่ได้มาตรฐาน

ในกรณีที่สายเซ็นเซอร์ถูกต่อพ่วงหรือทำให้สั้นลงจากมาตรฐานที่ 6 ม. (20 ฟุต) ความต้านทานของสายจะเปลี่ยนแปลงไป การเปลี่ยนแปลงนี้จะส่งผลต่อความแม่นยำในการตรวจวัดอุณหภูมิ แก้ไขค่าต่างที่เกิดขึ้นโดยคำนวณค่า T ใหม่

1. ตรวจวัดอุณหภูมิสารละลายด้วยเซ็นเซอร์และใช้อุปกรณ์ตรวจวัดเพิ่มเติมที่เชื่อถือได้ เช่น เทอร์โมมิเตอร์
2. บันทึกค่าต่างระหว่างอุณหภูมิที่ตรวจวัดได้จากเซ็นเซอร์และค่าที่ได้จากอุปกรณ์เสริม (ค่าจริง) เช่น หากอุณหภูมิจริงคือ 50 °C และค่าของเซ็นเซอร์คือ 53 °C ค่าต่างอุณหภูมิคือ 3 °C
3. คูณส่วนต่างนี้ด้วย 3.85 เพื่อรับการปรับแก้
เช่น: $3 \times 3.85 = 11.55$
4. คำนวณค่า T ใหม่:
 - อุณหภูมิเซ็นเซอร์ > ค่าจริง—บวกค่าปรับแก้ในค่า T บนฉลากบนสายเซ็นเซอร์
 - อุณหภูมิเซ็นเซอร์ < ค่าจริง—ลบค่าปรับแก้จากค่า T ที่อยู่บนฉลากบนสายเซ็นเซอร์
5. เลือก **Settings (การตั้งค่า) > Temperature element (องค์ประกอบอุณหภูมิ) > T factor (ค่าอุณหภูมิ) (หรือ Factor (แฟคเตอร์))** แล้วป้อนค่า T ใหม่

4.4 สอบเทียบเซ็นเซอร์

⚠ คำเตือน	
	<p>อันตรายจากแรงดันของเหลว การนำเซ็นเซอร์ออกจากภาชนะที่มีแรงดันอาจเป็นอันตรายได้ ลดแรงดันให้ต่ำกว่า 7.25 psi (50 kPa) ก่อนเอาออก หากไม่สามารถทำได้ ให้ใช้ความระมัดระวังเป็นอย่างยิ่ง ดูรายละเอียดเพิ่มเติมจากเอกสารกำกับที่จัดมาให้สำหรับอุปกรณ์ที่ใช้ติดตั้ง</p>

⚠ คำเตือน



อาจได้รับอันตรายจากการสัมผัสสารเคมี ปฏิบัติตามขั้นตอนเพื่อความปลอดภัยในห้องปฏิบัติการ และสวมใส่อุปกรณ์ป้องกันทั้งหมด ให้เหมาะสมในการดำเนินงานกับสารเคมีนั้นๆ โปรดดูกฎระเบียบด้านความปลอดภัยได้ที่เอกสารข้อมูลด้านความปลอดภัยฉบับปัจจุบัน (MSDS/SDS)

⚠ ข้อควรระวัง



อาจได้รับอันตรายจากการสัมผัสสารเคมี การกำจัดสารเคมีและของเสียตามกฎข้อบังคับของท้องถิ่น ภูมิภาค และประเทศ

4.4.1 เกี่ยวกับการสอบเทียบเซ็นเซอร์

วิธีการสอบเทียบแบบเปียกที่จะนำมาใช้เพื่อกำหนดกราฟเซ็นเซอร์การนำไฟฟ้า

- การสอบเทียบแบบเปียก-ใช้อากาศ (การสอบเทียบศูนย์ (Zero Cal)) และสารละลายอ้างอิงหรือตัวอย่างของค่าที่ทราบเพื่อกำหนดโครงสร้างการสอบเทียบ แนะนำให้ใช้การสอบเทียบด้วยสารละลายอ้างอิงเพื่อให้ได้ความแม่นยำสูงสุด ในกรณีที่ใช้ตัวอย่าง จะต้องพิจารณาว่าอ้างอิงร่วมกับอุปกรณ์ตรวจสอบชิ้นอื่นเสริม อย่างไรก็ตามการตั้งค่า T ใน Temperature element (องค์ประกอบอุณหภูมิ) ของเมนู Settings (การตั้งค่า) เพื่อให้การชดเชยค่าอุณหภูมิมีความแม่นยำ

ระหว่างปรับเทียบข้อมูลจะไม่ถูกส่งไปยังบันทึกข้อมูล ดังนั้นบันทึกข้อมูลอาจมีส่วนที่ข้อมูลไม่ต่อเนื่อง

4.4.2 เปลี่ยนตัวเลือกการสอบเทียบ

สำหรับเซ็นเซอร์ที่เชื่อมต่อกับโมดูลการนำไฟฟ้า ผู้ใช้จะสามารถตั้งค่าการแจ้งเตือน หรือระบุ ID ผู้ควบคุมที่มีข้อมูลการสอบเทียบจากเมนู Calibration options (ตัวเลือกการสอบเทียบ)

บันทึก: ไม่สามารถใช้ขั้นตอนนี้ให้กับเซ็นเซอร์ที่เชื่อมต่อกับเกตเวย์ดิจิทัล SC

- เลือกไอคอนเมนูหลัก แล้วเลือก **Devices (อุปกรณ์)** จะแสดงรายการของอุปกรณ์ทั้งหมดที่พร้อมใช้
- เลือกเซ็นเซอร์ แล้วเลือก **Device menu (เมนูอุปกรณ์) > Calibration (การสอบเทียบ)**
- เลือก **Calibration options (ตัวเลือกการสอบเทียบ)** (ตัวเลือกการสอบเทียบ)
- เลือกตัวเลือก

ตัวเลือก	คำอธิบาย
Calibration reminder (แจ้งเตือนสอบเทียบ)	ตั้งการเตือนสำหรับการสอบเทียบครั้งถัดไป (ค่าเริ่มต้น: Off (ปิด)) จะแสดงการเตือนให้สอบเทียบเซ็นเซอร์บนหน้าจอหลังจากผ่านพ้นช่วงเวลาเวลาที่เลือกจากวันที่ที่สอบเทียบครั้งล่าสุด ตัวอย่าง เช่น ถ้าวันที่ของการสอบเทียบครั้งล่าสุดคือ 15 มิถุนายน และตั้ง Last calibration (การสอบเทียบครั้งล่าสุด) (การสอบเทียบครั้งล่าสุด) เป็น 60 วัน ระบบจะแสดงการแจ้งเตือนให้สอบเทียบบนหน้าจอในวันที่ 14 สิงหาคม ถ้าสอบเทียบเซ็นเซอร์ก่อนวันที่ 14 สิงหาคม ในวันที่ 15 กรกฎาคมจะแสดงการแจ้งเตือนการสอบเทียบบนหน้าจอในวันที่ 13 กันยายน
Operator ID for calibration (ID ผู้ควบคุมสำหรับการสอบเทียบ)	ระบุ ID ผู้ใช้ร่วมกับข้อมูลการสอบเทียบ ใช่ หรือ ไม่ (ค่าเริ่มต้น) ID จะถูกกรอกระหว่างการสอบเทียบ

4.4.3 ขั้นตอนการสอบเทียบค่าศูนย์

ใช้ขั้นตอนการสอบเทียบค่าศูนย์เพื่อกำหนดจุดศูนย์เฉพาะของเซ็นเซอร์การนำไฟฟ้า จะตั้งกำหนดจุดศูนย์ก่อนสอบเทียบเซ็นเซอร์เป็นครั้งแรก โดยใช้สารละลายอ้างอิงหรือตัวอย่าง

- นำเซ็นเซอร์ออกจากจุดวัด เซ็นเซ็นเซอร์โดยใช้ผ้าสะอาดหรือใช้อากาศอัดเพื่อให้แน่ใจว่าเซ็นเซอร์แห้งสนิทและสะอาด
- เลือกไอคอนเมนูหลัก แล้วเลือก **Devices (อุปกรณ์)** จะแสดงรายการของอุปกรณ์ทั้งหมดที่พร้อมใช้
- เลือกเซ็นเซอร์ แล้วเลือก **Device menu (เมนูอุปกรณ์) > Calibration (การสอบเทียบ)**
- เลือก **Zero calibration (การสอบเทียบค่าศูนย์)** (หรือ **0-point calibration (การสอบเทียบ 0 จุด)**)

5. เลือกตัวเลือกสำหรับเอาต์พุตระหว่างการสอบเทียบ:

ตัวเลือก	คำอธิบาย
Active (ทำงาน)	อุปกรณ์จะส่งค่ากระแสที่ตรวจวัดได้ระหว่างขั้นตอนการสอบเทียบ
Hold (หยุดชั่วคราว)	กระแสเอาต์พุตของเซ็นเซอร์จะคงค้างไว้สำหรับค่าตรวจวัดระหว่างขั้นตอนการสอบเทียบ
Transfer (โอนถ่าย)	ค่าขาออกที่กำหนดไว้เบื้องต้นจะถูกส่งออกระหว่างการสอบเทียบ คู่มือการเปลี่ยน/ตั้งค่า จากคู่มือการใช้งานอุปกรณ์ควบคุม

6. ถือเซ็นเซอร์ที่แห้งอยู่ในอากาศ จากนั้นกด OK (OK)

7. อย่ากด OK (OK) จนกว่าจะแสดงผลการสอบเทียบบนหน้าจอ

8. พิจารณาผลการสอบเทียบ:

- "The calibration was successfully completed (การสอบเทียบสำเร็จ)" —เซ็นเซอร์ได้รับการสอบเทียบและพร้อมสำหรับตรวจวัดตัวอย่าง ความชื้นและ/หรือค่าออฟเซตจะปรากฏขึ้น
- "The calibration failed. (การสอบเทียบล้มเหลว.)" —ความชื้นการสอบเทียบหรือค่าออฟเซตอยู่นอกช่วงที่ยอมรับได้ ทำการสอบเทียบซ้ำโดยใช้สารละลายอ้างอิงใหม่ ทำความสะอาดเซ็นเซอร์เมื่อจำเป็น

9. กดOK (OK)

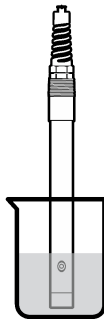
10. เข้าสู่ขั้นตอนการสอบเทียบโดยใช้สารละลายอ้างอิงหรือตัวอย่างต่อไป

4.4.4 การสอบเทียบโดยใช้สารละลายอ้างอิง

การสอบเทียบจะปรับค่าเซ็นเซอร์ให้ตรงกับค่าของสารละลายอ้างอิง ใช้สารละลายอ้างอิงที่มีค่าเดียวกับหรือสูงกว่าค่าตรวจวัดที่คาดการณ์ **บันทึก:** หากทำการสอบเทียบเซ็นเซอร์เป็นครั้งแรก ตรวจสอบให้แน่ใจว่าได้ทำการสอบเทียบแบบ **Zero** ก่อน

1. ล้างเซ็นเซอร์ให้ทั่วด้วยน้ำปราศจากไอออน
2. ใส่เซ็นเซอร์ไว้ในสารละลายอ้างอิง รมักระวังไม่ให้เซ็นเซอร์สัมผัสกับภาชนะ และตรวจสอบให้แน่ใจว่าเซ็นเซอร์ได้จุ่มลงในสารละลายทั้งหมด (รูปที่ 7) แล้วใช้เซ็นเซอร์เพื่อขจัดฟองออก

รูปที่ 7 ลักษณะเซ็นเซอร์ในสารละลายอ้างอิง



3. รอให้อุณหภูมิเซ็นเซอร์และสารละลายเกิดความเสถียรภาพ อาจต้องใช้เวลาประมาณ 30 นาทีหรือเกินกว่านี้หากค่าอุณหภูมิระหว่างอุปกรณ์และสารละลายอ้างอิงต่างกันมาก
4. เลือกไอคอนเมนูหลัก แล้วเลือก **Devices (อุปกรณ์)** จะแสดงรายการของอุปกรณ์ทั้งหมดที่พร้อมใช้
5. เลือกเซ็นเซอร์ แล้วเลือก **Device menu (เมนูอุปกรณ์) > Calibration (การสอบเทียบ)**
6. เลือก **Conductivity solution (สารละลายการนำไฟฟ้า)** (หรือ **Conductivity calibration (การสอบเทียบการนำไฟฟ้า)** หากเซ็นเซอร์เชื่อมต่อกับเกตเวย์ดิจิทัล SC)
7. เลือกตัวเลือกสำหรับเอาต์พุตระหว่างการสอบเทียบ:

ตัวเลือก	คำอธิบาย
Active (ทำงาน)	อุปกรณ์จะส่งค่ากระแสที่ตรวจวัดได้ระหว่างขั้นตอนการสอบเทียบ

ตัวเลือก	คำอธิบาย
Hold (หยุดชั่วคราว)	กระแสดำหนดของเซ็นเซอร์จะคงค้างไว้สำหรับค่าตรวจวัดระหว่างขั้นตอนการสอบเทียบ
Transfer (โอนถ่าย)	ค่าของเวลาที่กำหนดไว้เบื้องต้นจะถูกส่งออกระหว่างการสอบเทียบ ดูวิธีการเปลี่ยน/ตั้งค่า จากคู่มือการใช้งานอุปกรณ์ควบคุม

8. กรอกอุณหภูมิอ้างอิงสำหรับสารละลายอ้างอิง จากนั้นกด OK (OK)

9. กรอกค่าแนวลาดของสารละลายอ้างอิง จากนั้นกด OK (OK)

10. ขณะเซ็นเซอร์อยู่ในสารละลายอ้างอิง ให้กดปุ่ม OK (OK)

11. รอให้ค่านิ่ง จากนั้นกด OK (OK)

บันทึก: หน้าจออาจเข้าสู่ขั้นตอนต่อไปโดยอัตโนมัติ

12. กรอกค่าของสารละลายอ้างอิงแล้วกด OK (OK)

13. พิจารณาผลการสอบเทียบ:

- "The calibration was successfully completed (การสอบเทียบสำเร็จ)" —เซ็นเซอร์ได้รับการสอบเทียบและพร้อมสำหรับตรวจวัดตัวอย่าง ความชื้นและ/หรือค่าออกซิเจนจะปรากฏขึ้น
- "The calibration failed. (การสอบเทียบล้มเหลว.)" —ความชันการสอบเทียบหรือค่าออกซิเจนอยู่นอกช่วงที่ยอมรับได้ ทำการสอบเทียบซ้ำโดยใช้สารละลายอ้างอิงใหม่ ทำความสะอาดเซ็นเซอร์เมื่อจำเป็น

14. กด OK (OK) เพื่อดำเนินการต่อ

15. นำเซ็นเซอร์กลับคืนที่ จากนั้นกดปุ่ม OK (OK)

สัญญาณของออกซิเจนจะปรับเป็นสถานะพร้อมใช้งาน และค่าตัวอย่างตรวจวัดจะปรากฏในหน้าจอการตรวจวัด

4.4.5 การสอบเทียบโดยใช้ตัวอย่าง

เซ็นเซอร์สามารถค้างอยู่ในตัวอย่างใช้งานได้อัตโนมัติ หรือสามารถนำตัวอย่างใช้งานบางส่วนไปใช้เพื่อการสอบเทียบได้ จะต้องพิจารณาค่าอ้างอิงโดยใช้อุปกรณ์อื่นเสริม

บันทึก: หากมีการสอบเทียบเซ็นเซอร์เป็นครั้งแรก อย่าลืมสอบเทียบให้เป็นศูนย์ก่อน

1. เลือกไอคอนเมนูหลัก แล้วเลือก **Devices (อุปกรณ์)** จะแสดงรายการของอุปกรณ์ทั้งหมดที่พร้อมใช้

2. เลือกเซ็นเซอร์ แล้วเลือก **Device menu (เมนูอุปกรณ์) > Calibration (การสอบเทียบ)**

3. เลือก **Conductivity calibration (การสอบเทียบการนำไฟฟ้า), TDS calibration (การสอบเทียบ TDS) หรือ Concentration calibration (การสอบเทียบความเข้มข้น)** (หรือ **Calibration (การสอบเทียบ)**)

บันทึก: ใช้การตั้งค่า Measurement type (ประเภทการวัด) เพื่อเปลี่ยนพารามิเตอร์ที่สอบเทียบ

4. เลือกตัวเลือกสำหรับเอาต์พุตระหว่างการสอบเทียบ:

ตัวเลือก	คำอธิบาย
Active (ทำงาน)	อุปกรณ์จะส่งค่ากระแสที่ตรวจวัดได้ระหว่างขั้นตอนการสอบเทียบ
Hold (หยุดชั่วคราว)	กระแสดำหนดของเซ็นเซอร์จะคงค้างไว้สำหรับค่าตรวจวัดระหว่างขั้นตอนการสอบเทียบ
Transfer (โอนถ่าย)	ค่าของเวลาที่กำหนดไว้เบื้องต้นจะถูกส่งออกระหว่างการสอบเทียบ ดูวิธีการเปลี่ยน/ตั้งค่า จากคู่มือการใช้งานอุปกรณ์ควบคุม

5. ขณะเซ็นเซอร์อยู่ในตัวอย่าง ให้กด OK (OK)

ค่าตรวจวัดจะปรากฏขึ้น

6. รอให้ค่านิ่ง จากนั้นกด OK (OK)

บันทึก: หน้าจออาจเข้าสู่ขั้นตอนต่อไปโดยอัตโนมัติ

7. ตรวจวัดการนำไฟฟ้า (หรือพารามิเตอร์อื่น) โดยใช้อุปกรณ์ตรวจสอบอื่นเสริม ใช้ปุ่มลูกศรเพื่อป้อนค่าที่วัดได้ จากนั้นกด OK (OK)

8. พิจารณาผลการสอบเทียบ:

- "The calibration was successfully completed (การสอบเทียบสำเร็จ)" —เซ็นเซอร์ได้รับการสอบเทียบและพร้อมสำหรับตรวจวัดตัวอย่าง ความชื้นและ/หรือค่าออกซิเจนจะปรากฏขึ้น
- "The calibration failed. (การสอบเทียบล้มเหลว.)" —ความชันการสอบเทียบหรือค่าออกซิเจนอยู่นอกช่วงที่ยอมรับได้ ทำการสอบเทียบซ้ำโดยใช้สารละลายอ้างอิงใหม่ ทำความสะอาดเซ็นเซอร์เมื่อจำเป็น

9. กด OK (OK) เพื่อดำเนินการต่อ
10. นำเซ็นเซอร์กลับคืนที่ จากนั้นกดปุ่ม OK (OK)
สัญญาณขาออกจะปรับเป็นสถานะพร้อมใช้งาน และค่าตัวอย่างตรวจวัดจะปรากฏในหน้าจอการตรวจวัด

4.4.6 การสอบเทียบอุณหภูมิ

อุปกรณ์ได้รับการสอบเทียบจากโรงงานเพื่อให้สามารถตรวจวัดอุณหภูมิได้อย่างแม่นยำ สามารถสอบเทียบอุณหภูมิเพื่อเพิ่มความแม่นยำ

1. ใส่เซ็นเซอร์ลงในภาชนะบรรจุที่มีน้ำ
2. ตรวจวัดอุณหภูมิในน้ำโดยใช้เทอร์โมมิเตอร์ที่เชื่อถือได้หรือเครื่องมือแยกเฉพาะ
3. เลือกไอคอนเมนูหลัก แล้วเลือก **Devices (อุปกรณ์)** จะแสดงรายการของอุปกรณ์ทั้งหมดที่พร้อมใช้
4. เลือกเซ็นเซอร์ แล้วเลือก **Device menu (เมนูอุปกรณ์) > Calibration (การสอบเทียบ)**
5. เลือก **1-point temperature calibration (การสอบเทียบอุณหภูมิ 1 จุด)** (หรือ **Temperature adjustment (การปรับอุณหภูมิ)**)
6. ป้อนค่าอุณหภูมิที่แน่นอน แล้วกด OK (OK)
7. นำเซ็นเซอร์กลับเข้าสู่กระบวนการ

4.4.7 ออกจากการสอบเทียบ

1. กดไอคอนย้อนกลับ เพื่อออกจากการสอบเทียบ
2. เลือกตัวเลือกหนึ่ง แล้วกด OK (OK)

ตัวเลือก	คำอธิบาย
Quit calibration (ออกจากการสอบเทียบ) (หรือ Cancel (ยกเลิก))	หยุดการสอบเทียบ เริ่มการสอบเทียบใหม่ทั้งหมด
Return to calibration (กลับสู่การสอบเทียบ)	กลับไปทำการสอบเทียบ
Leave calibration (ออกจากการสอบเทียบ) (หรือ Exit (ออก))	ออกจากการสอบเทียบชั่วคราว สามารถเข้าสู่เมนูอื่น ๆ ได้ จะสามารถเริ่มการสอบเทียบสำหรับเซ็นเซอร์ตัวที่สอง (ถ้ามีอยู่)

4.4.8 รีเซ็ตการสอบเทียบ

สามารถรีเซ็ตการสอบเทียบกลับเป็นการตั้งค่าเริ่มต้นจากโรงงาน ข้อมูลเซ็นเซอร์ทั้งหมดจะหายไป


1. เลือกไอคอนเมนูหลัก แล้วเลือก **Devices (อุปกรณ์)** จะแสดงรายการของอุปกรณ์ทั้งหมดที่พร้อมใช้
2. เลือกเซ็นเซอร์ แล้วเลือก **Device menu (เมนูอุปกรณ์) > Calibration (การสอบเทียบ)**
3. เลือก **Reset to default calibration values (รีเซ็ตเป็นค่าการสอบเทียบเริ่มต้น)** หรือ **Reset to calibration defaults. (รีเซ็ตค่าเริ่มต้นการสอบเทียบ)** (หรือ **Reset setup (รีเซ็ตการตั้งค่า)**), แล้วกด OK (OK)
4. กด OK (OK) อีกครั้ง

4.5 MODBUS รีจิสเตอร์





รายการรีจิสเตอร์ Modbus สำหรับการเชื่อมต่อเครือข่าย สามารถดูรายละเอียดเพิ่มเติมได้ใน CD

หัวข้อที่ 5 การบำรุงรักษา

⚠ คำเตือน



อันตรายหลายประการ บุคลากรผู้เชี่ยวชาญเท่านั้นที่ควรดำเนินการตามขั้นตอนที่ระบุในเอกสารส่วนนี้

⚠ คำเตือน	
	อันตรายจากการระเบิด ห้ามเชื่อมต่อหรือถอดอุปกรณ์เว้นแต่จะทราบว่าสภาพแวดล้อมไม่เป็นอันตราย โปรดดูเอกสารประกอบกรควบคุม Class 1, Division 2 สำหรับคำแนะนำสถานที่อันตราย
⚠ คำเตือน	
	อันตรายจากแรงดันของเหลว การนำเซ็นเซอร์ออกจากภาชนะที่มีแรงดันอาจเป็นอันตรายได้ ลมแรงดันให้ต่ำกว่า 7.25 psi (50 kPa) ก่อนเอาออก หากไม่สามารถทำได้ ให้ใช้ความระมัดระวังเป็นอย่างยิ่ง ดูรายละเอียดเพิ่มเติมจากเอกสารกำกับที่จัดมาให้สำหรับอุปกรณ์ที่ใช้ติดตั้ง
⚠ คำเตือน	
	อาจได้รับอันตรายจากการสัมผัสสารเคมี ปฏิบัติตามขั้นตอนเพื่อความปลอดภัยในท้องปฏิบัติกร และสวมใส่อุปกรณ์ป้องกันทั้งหมด ให้เหมาะสมในการดำเนินงานกับสารเคมีนั้นๆ โปรดดูกฎระเบียบด้านความปลอดภัยที่ได้เอกสารข้อมูลด้านความปลอดภัยฉบับปัจจุบัน (MSDS/SDS)
⚠ ข้อควรระวัง	
	อาจได้รับอันตรายจากการสัมผัสสารเคมี การกำจัดสารเคมีและของเสียดตามกฎข้อบังคับของท้องถิ่น ภูมิภาค และประเทศ

5.1 การทำความสะอาดเซ็นเซอร์

เงื่อนไขเบื้องต้น: จัดเตรียมน้ำสบู่อ่อน ๆ กับน้ำอุ่น, น้ำยาล้างจาน, สบู่เหลวล้างมือหรือสบู่ที่มีลักษณะใกล้เคียงกัน

ตรวจสอบเซ็นเซอร์เป็นระยะว่ามีสิ่งตกค้างหรือคราบสกปรกหรือไม่ ทำความสะอาดเซ็นเซอร์หากมีคราบสะสมหรือเมื่อประสิทธิภาพลดลง

1. ใช้ผ้านุ่มที่สะอาดเพื่อจัดการคราบสกปรกออกจากปลายเซ็นเซอร์ ล้างเซ็นเซอร์ด้วยน้ำอุ่นที่สะอาด
2. จุ่มเซ็นเซอร์ 2 ถึง 3 นาทีในน้ำสบู่
3. ใช้แปรงขัดเนื้ออ่อนเพื่อขัดทำความสะอาดทั้งหมดของเซ็นเซอร์ ขัดด้านในของห่วง
4. หากมีคราบสกปรก ให้จุ่มด้านตรวจวัดของเซ็นเซอร์ในสารละลายกรดเจือจาง เช่น กรด HCl <5% เป็นเวลาไม่เกิน 5 นาที
5. ล้างเซ็นเซอร์ด้วยน้ำ ใช้น้ำสบู่ทำความสะอาด
6. ล้างเซ็นเซอร์โดยใช้น้ำสะอาด

สอบเทียบเซ็นเซอร์หลังขั้นตอนการดูแลรักษาทุกครั้ง

หัวข้อที่ 6 การแก้ไขปัญหา

6.1 ข้อมูลไม่ต่อเนื่อง

ระหว่างปรับเทียบข้อมูลจะปรากฏส่งไปยังบันทึกข้อมูล ดังนั้นบันทึกข้อมูลอาจมีส่วนที่ข้อมูลไม่ต่อเนื่อง

6.2 ทดสอบเซ็นเซอร์การนำไฟฟ้า

หากการสอบเทียบล้มเหลว ให้ทำการดูแลรักษาในเบื้องต้นตามที่ระบุใน [การบำรุงรักษา](#) ในหน้า 158

1. ถอดสายเซ็นเซอร์
2. ใช้โอห์มมิเตอร์เพื่อทดสอบความต้านทานระหว่างสายเซ็นเซอร์ตามภาพใน [ตาราง 4](#)
บันทึก: โอห์มมิเตอร์จะต้องกำหนดค่าไว้ที่ช่วงสูงสุดเพื่อรองรับค่าความต้านทานเป็นอนันต์ (วงจรมืด)

ตาราง 4 การตรวจวัดความต้านทานการนำไฟฟ้า

จุดการตรวจวัด	ความต้านทาน
ระหว่างสายสีแดงและสีเหลือง	1090-1105 โอห์มที่ 23–27 °C ⁶
ระหว่างสายสีน้ำเงินและสีขาว	ต่ำกว่า 5 โอห์ม
ระหว่างสายสีเขียวและสีเหลือง	ต่ำกว่า 5 โอห์ม
ระหว่างสายสีขาวและสายป้องกัน	ค่าอนันต์ (วงจรถัด)

หากมีการตรวจวัดตั้งแต่หนึ่งรายการ ไม่ถูกต้อง ให้ติดต่อฝ่ายให้บริการทางเทคนิค แจ้งหมายเลขประจำตัวเครื่องของเซ็นเซอร์และค่าความต้านทานที่วัดได้กับฝ่ายให้บริการทางเทคนิค

6.3 เมนู Diagnostics Test (การวินิจฉัย/การทดสอบ)

เมนู Diagnostics Test (การวินิจฉัย/การทดสอบ) จะแสดงข้อมูลปัจจุบันและข้อมูลในอดีตของเซ็นเซอร์ โปรดดูรายละเอียดใน **ตาราง 5** กดไอคอนเมนูหลักแล้วเลือก **Devices (อุปกรณ์)** เลือกอุปกรณ์แล้วเลือก **Device menu (เมนูอุปกรณ์) > Diagnostics Test (การวินิจฉัย/การทดสอบ)**

ตาราง 5 เมนู Diagnostics Test (การวินิจฉัย/การทดสอบ)

ตัวเลือก	คำอธิบาย
Module information (ข้อมูลโมดูล)	สำหรับเซ็นเซอร์ที่เชื่อมต่อกับโมดูลการนำไฟฟ้าเท่านั้น—แสดงเวอร์ชันและหมายเลขประจำเครื่องของโมดูลการนำไฟฟ้า
Sensor information (ข้อมูลเซ็นเซอร์)	สำหรับเซ็นเซอร์ที่เชื่อมต่อกับโมดูลการนำไฟฟ้า—แสดงชื่อและหมายเลขประจำเครื่องที่ป้อนโดยผู้ใช้ สำหรับเซ็นเซอร์ที่เชื่อมต่อกับเกตเวย์ดิจิทัล SC—แสดงหมายเลขรุ่นและหมายเลขประจำเครื่องของเซ็นเซอร์ แสดงเวอร์ชันของซอฟต์แวร์และของไคลเวอร์ที่ติดตั้ง
Last calibration (การสอบเทียบครั้งล่าสุด)	สำหรับเซ็นเซอร์ที่เชื่อมต่อกับโมดูลนำไฟฟ้าเท่านั้น—แสดงจำนวนของวันตั้งแต่วันที่มีการสอบเทียบล่าสุด
Calibration history (ประวัติการสอบเทียบ)	สำหรับเซ็นเซอร์ที่เชื่อมต่อกับโมดูลนำไฟฟ้า—แสดงความถี่ในการสอบเทียบและวันที่ที่สอบเทียบครั้งก่อน สำหรับเซ็นเซอร์ที่เชื่อมต่อกับเกตเวย์ดิจิทัล SC—แสดงพารามิเตอร์ค่าคงที่เซลล์, การแก้ไขออฟเซตและวันที่ของการสอบเทียบครั้งก่อน
Reset calibration history (ประวัติการสอบเทียบ)	สำหรับเซ็นเซอร์ที่เชื่อมต่อกับโมดูลนำไฟฟ้าเท่านั้น—สำหรับการซ่อมบำรุงเท่านั้น
Sensor signals (สัญญาณเซ็นเซอร์) (หรือ Signals (สัญญาณ))	สำหรับเซ็นเซอร์ที่เชื่อมต่อกับโมดูลการนำไฟฟ้าเท่านั้น—แสดงการนำไฟฟ้าและค่าการอ่านอุณหภูมิในปัจจุบัน สำหรับเซ็นเซอร์ที่เชื่อมต่อกับเกตเวย์ดิจิทัล SC—แสดงอุณหภูมิอ่านเลือกในปัจจุบันต่อตัวนับตัวเลขดิจิทัล เลือก Sensor signal (สัญญาณเซ็นเซอร์) เพื่อแสดงการวัดต่อตัวนับตัวเลขอะนาล็อกเป็นดิจิทัลในปัจจุบัน หรือตั้งช่วงเซ็นเซอร์ (ค่าเริ่มต้น: 6) เลือก Sensor measurement (การวัดเซ็นเซอร์) เพื่อแสดงค่าเซ็นเซอร์ที่อ่านได้
Sensor days (จำนวนวันเซ็นเซอร์) (หรือ Counter (ตัวนับ))	จำนวนวันที่ใช้งานเซ็นเซอร์ สำหรับเซ็นเซอร์ที่เชื่อมต่อกับเกตเวย์ดิจิทัล SC—ให้เลือก Counter (ตัวนับ) เพื่อแสดงจำนวนของวันที่เซ็นเซอร์ทำงาน เพื่อรีเซ็ตตัวนับให้เป็นศูนย์ ให้เลือก Reset (รีเซ็ต) รีเซ็ตตัวนับ Sensor days (จำนวนวันเซ็นเซอร์) เมื่อเปลี่ยนเซ็นเซอร์
Reset (รีเซ็ต)	สำหรับเซ็นเซอร์ที่เชื่อมต่อกับโมดูลการนำไฟฟ้าเท่านั้น—ให้ตั้งตัวนับ Sensor days (จำนวนวันเซ็นเซอร์) ให้เป็นศูนย์ รีเซ็ตตัวนับ Sensor days (จำนวนวันเซ็นเซอร์) เมื่อเปลี่ยนเซ็นเซอร์
Factory calibration (การสอบเทียบจากโรงงาน)	สำหรับเซ็นเซอร์ที่เชื่อมต่อกับโมดูลนำไฟฟ้าเท่านั้น—สำหรับการซ่อมบำรุงเท่านั้น

⁶ ค่าอนันต์ (วงจรถัด) หรือ 0 โอห์ม (การลัดวงจร) แสดงถึงความขัดข้อง

6.4 รายการข้อผิดพลาด

เมื่อเกิดข้อผิดพลาด ค่าที่อ่านได้ในหน้าจอกำหนดจะกะพริบและเอาต์พุตทั้งหมดจะคงการแสดงผลไว้เมื่อกำหนดในเมนู **Controller** (ตัวควบคุม) > **Outputs** (เอาต์พุต) หน้าจอจะเปลี่ยนเป็นสีแดง แถบการวินิจฉัยจะแสดงข้อผิดพลาด กดที่แถบการวินิจฉัยเพื่อแสดงข้อผิดพลาดและการแจ้งเตือน หรือกดไอคอนเมนูหลักแล้วเลือก **Notifications** (การแจ้งเตือน) > **Errors** (ข้อผิดพลาด)

รายการข้อผิดพลาดที่อาจเกิดขึ้นจะปรากฏขึ้นใน [ตาราง 6](#)

ตาราง 6 รายการข้อผิดพลาด

ข้อผิดพลาด	คำอธิบาย	ความละเอียด
Conductivity is too high. (การนำไฟฟ้าสูงเกินไป)	ค่าที่ตรวจวัดได้ > 2 S/cm, 1,000,000 ppm, 200% หรือ 20,000 ppt	ตรวจสอบให้แน่ใจว่าได้ตั้งค่าการตั้งค่า Conductivity unit (หน่วยการนำไฟฟ้า) สำหรับช่วงการวัดที่ถูกต้อง
Conductivity is too low. (การนำไฟฟ้าต่ำเกินไป)	ค่าที่วัดได้คือ < 0 µS/cm, 0 ppm, 0% หรือ 0 ppt หรือค่าที่เซลล์ของเซ็นเซอร์ไม่ถูกต้อง	ตรวจสอบว่ากำหนดค่าเซ็นเซอร์ไว้สำหรับค่าคงที่เซลล์ได้ถูกต้อง
Zero is too high. (ค่าศูนย์สูงเกินไป)	ค่าการปรับเทียบศูนย์คือ > 500,000 ครั้ง	ตรวจสอบว่าเซ็นเซอร์อยู่ในอากาศระหว่างการปรับเทียบเป็นศูนย์ และไม่ได้ขู่ใกล้กับที่มีความถี่สัญญาณวิทยุหรือมีการรบกวนจากคลื่นแม่เหล็กไฟฟ้า ตรวจสอบว่าสายมีจำนวนป้องกันเป็นท่อโลหะ
Zero is too low. (ค่าศูนย์ต่ำเกินไป)	ค่าการปรับเทียบศูนย์คือ < -500,000 ครั้ง	
Temperature is too high. (อุณหภูมิสูงเกินไป)	อุณหภูมิที่ตรวจวัดได้คือ > 130 °C	ตรวจสอบว่าเลือกเซลล์วัดอุณหภูมิได้ถูกต้อง ดูรายละเอียดใน กำหนดค่าเซ็นเซอร์ ในหน้า 152
Temperature is too low. (อุณหภูมิต่ำเกินไป)	อุณหภูมิที่ตรวจวัดได้คือ < -10 °C	
ADC failure (ข้อผิดพลาด ADC)	การแปลงข้อมูลจะกลายเป็นดิจิทัลล้มเหลว.	ปิดและเปิดชุดควบคุมใหม่อีกครั้ง คัดต่อสายให้บริกรทางเทคนิค
Sensor is missing (เซ็นเซอร์ขาดหาย)	ไม่มีเซ็นเซอร์หรือไม่ได้ต่ออยู่	ตรวจสอบสายต่อและการเชื่อมต่อต่าง ๆ ของเซ็นเซอร์และโมดูล (หรือเกลียวดีจิตอล) ตรวจสอบว่าบล็อกต่อสอดคล้องกับโมดูลจนสุด ตามความเหมาะสม
Measurement value is out of range. (ค่าที่วัดได้อยู่นอกช่วง)	สัญญาณเซ็นเซอร์อยู่นอกช่วงที่ยอมรับได้ (2 S/cm)	ตรวจสอบให้แน่ใจว่าได้ตั้งค่าการตั้งค่า Conductivity unit (หน่วยการนำไฟฟ้า) สำหรับช่วงการวัดที่ถูกต้อง

6.5 รายการแจ้งเตือน

คำเตือนจะไม่ส่งผลการใช้เมนู รีเลย์และสัญญาณจากต่าง ๆ หน้าจอจะเปลี่ยนเป็นสีอำพัน แถบการวินิจฉัยจะแสดงคำเตือน กดที่แถบการวินิจฉัยเพื่อแสดงข้อผิดพลาดและการแจ้งเตือน หรือกดไอคอนเมนูหลักแล้วเลือก **Notifications** (การแจ้งเตือน) > **Warnings** (คำเตือน)

รายการแจ้งเตือนจะปรากฏขึ้นใน [ตาราง 7](#)

ตาราง 7 รายการแจ้งเตือน

เหตุการณ์	คำอธิบาย	Resolution (ความละเอียด)
Zero is too high. (ค่าศูนย์สูงเกินไป)	การสอบเทียบค่าศูนย์ > 300,000 ครั้ง	ตรวจสอบว่าเซ็นเซอร์อยู่ในอากาศระหว่างการปรับเทียบเป็นศูนย์ และไม่ได้ขู่ใกล้กับที่มีความถี่สัญญาณวิทยุหรือมีการรบกวนจากคลื่นแม่เหล็กไฟฟ้า ตรวจสอบว่าสายมีจำนวนป้องกันเป็นท่อโลหะ
Zero is too low. (ค่าศูนย์ต่ำเกินไป)	การสอบเทียบค่าศูนย์ < -300,000 ครั้ง	

ตาราง 7 รายการแจ้งเตือน (ต่อ)

เหตุการณ์	คำอธิบาย	Resolution (ความละเอียด)
Temperature is too high. (อุณหภูมิสูงเกินไป)	อุณหภูมิที่วัดได้คือ $> 100^{\circ}\text{C}$.	ตรวจสอบว่ากำหนดค่าเซ็นเซอร์ได้ถูกต้องสำหรับเซลล์วัดอุณหภูมิ
Temperature is too low. (อุณหภูมิต่ำเกินไป)	อุณหภูมิที่ตรวจวัดได้ $< 0^{\circ}\text{C}$	
Calibration is overdue. (เกินกำหนดการสอบเทียบ)	เกินกำหนดเวลาแจ้งเตือนการสอบเทียบ	สอบเทียบเซ็นเซอร์
The device is not calibrated. (อุปกรณ์ไม่ได้สอบเทียบ)	ยังไม่ได้สอบเทียบเซ็นเซอร์	สอบเทียบเซ็นเซอร์
Replace a sensor (เปลี่ยนเซ็นเซอร์)	ตัวนับ Sensor days (จำนวนวันเซ็นเซอร์) นั้นเป็นมากกว่าช่วงเวลาที่เลือกเพื่อเปลี่ยนเซ็นเซอร์ ดูรายละเอียดใน กำหนดค่าเซ็นเซอร์ ในหน้า 152	เปลี่ยนเซ็นเซอร์ รีเซ็ตตัวนับ Sensor days (จำนวนวันเซ็นเซอร์) บนเมนู Diagnostics Test (การวินิจฉัย/การทดสอบ) $>$ Reset (รีเซ็ต) (หรือเมนู Diagnostics Test (การวินิจฉัย/การทดสอบ) $>$ Counter (ตัวนับ)
Calibration is in progress... (กำลังทำการสอบเทียบ...)	เริ่มการสอบเทียบแล้วแต่ยังไม่เสร็จสิ้น	กลับสู่การสอบเทียบ
Outputs on hold (เอาต์พุตที่ค้างอยู่)	ระหว่างปรับเทียบ ข้อมูลขาออกถูกตั้งให้เก็บไว้สำหรับเวลาที่เลือก	ข้อมูลขาออกจะสามารถใช้ได้หลังจากผ่านกำหนดเวลาที่เลือก อีกทางเลือกหนึ่งคือ ให้นำออกแล้วจ่ายไฟไปยังแผงควบคุม
Linear temperature compensation is out of range. (การชดเชยอุณหภูมิแบบเส้นตรงอยู่นอกช่วง)	การชดเชยอุณหภูมิแบบเส้นตรงที่ผู้ใช้กำหนดอยู่นอกช่วง	ค่าจะต้องอยู่ระหว่าง 0 และ $4\%/^{\circ}\text{C}$; 0 ถึง 200°C
Temperature compensation table is out of range. (ตารางการชดเชยอุณหภูมิอยู่นอกช่วง)	ตารางชดเชยค่าอุณหภูมิผู้ใช้กำหนดอยู่นอกช่วง	อุณหภูมิเกินหรือต่ำกว่าช่วงอุณหภูมิที่กำหนดในตาราง
Incorrect user concentration table. (ตารางความเข้มข้นผู้ใช้ไม่ถูกต้อง)	การตรวจวัดความเข้มข้นไม่อยู่ในช่วงของตารางของผู้ใช้	ตรวจสอบว่าตารางของผู้ใช้กำหนดค่าช่วงการตรวจวัดได้ถูกต้อง
Incorrect built-in temperature table. (ตารางอุณหภูมิสำเร็จรูปไม่ถูกต้อง)	อุณหภูมิที่ตรวจวัดไม่อยู่ในช่วงของตารางชดเชยค่าอุณหภูมิสำเร็จรูป	ตรวจสอบว่ากำหนดค่าการชดเชยอุณหภูมิได้ถูกต้อง
Incorrect built-in concentration table. (ตารางความเข้มข้นสำเร็จรูปไม่ถูกต้อง)	การตรวจวัดความเข้มข้นไม่อยู่ในช่วงของตารางค่าความเข้มข้นสำเร็จรูป	ตรวจสอบว่ากำหนดค่าตรวจวัดความเข้มข้นสำหรับสารเคมีและช่วงได้ถูกต้อง

6.6 รายการเหตุการณ์

แถบการวินิจฉัยจะแสดงกิจกรรมต่าง ๆ ในปัจจุบัน เช่น การเปลี่ยนแปลงค่า สัญญาณเตือน เนื่องจากการแจ้งเตือน ฯลฯ รายการกรณีที่จะเกิดขึ้นได้จะแสดงอยู่ใน ตาราง 8 เหตุการณ์ก่อนหน้าจะถูกระบุที่กไว้ในวันบันทึกเหตุการณ์ ซึ่งสามารถดาวน์โหลดได้จากชุดควบคุม ให้ดูตัวเลือกการเรียกดูข้อมูลที่เอกสารของชุดควบคุม

ตาราง 8 รายการเหตุการณ์

เหตุการณ์	คำอธิบาย
Calibration ready (การสอบเทียบพร้อมแล้ว)	เซ็นเซอร์พร้อมสำหรับการสอบเทียบ.
The calibration is OK. (การสอบเทียบใช้ได้แล้ว)	การสอบเทียบกระแสนี้ปกติ

ตาราง 8 รายการเหตุการณ์ (ต่อ)

เหตุการณ์	คำอธิบาย
The time has expired. (หมดเวลาแล้ว)	เวลาในการปรับเสถียรภาพระหว่างการสอบเทียบเกินกำหนดเวลา.
The calibration failed. (การสอบเทียบล้มเหลว.)	การสอบเทียบล้มเหลว
The calibration is high. (การสอบเทียบสูง)	ค่าสอบเทียบสูงเกินจำกัดช่วงบน
K is out of range. (K อยู่นอกช่วง)	ค่าคงที่เซลล์ K อยู่นอกช่วงการสอบเทียบกระแส
The reading is unstable. (ค่าที่อ่านไม่นิ่ง)	ค่าระหว่างการสอบเทียบไม่เสถียร
Change in configuration (การกำหนดค่ามีการเปลี่ยนแปลง) float value (ค่าทศนิยม)	ส่วนกำหนดค่ามีการเปลี่ยนแปลง-แบบทศนิยม.
Change in configuration (การกำหนดค่ามีการเปลี่ยนแปลง) text value (ค่าข้อความ)	ส่วนกำหนดค่ามีการเปลี่ยนแปลง-แบบข้อความ
Change in configuration (การกำหนดค่ามีการเปลี่ยนแปลง) int value (ค่าภายใน)	ส่วนกำหนดค่ามีการเปลี่ยนแปลง—ค่าจำนวนเต็ม
Change in configuration (การกำหนดค่ามีการเปลี่ยนแปลง)	ส่วนกำหนดค่าถูกรีเซ็ตเป็นค่าเริ่มต้น
Power is on (เปิดไฟอยู่)	มีการเปิดใช้งานเครื่อง
ADC failure (ข้อผิดพลาด ADC)	การแปลงข้อมูลอะนาล็อกเป็นดิจิทัลล้มเหลว (ฮาร์ดแวร์ล้มเหลว)
Flash erase (ลบแฟลช)	ลบหน่วยความจำแฟลช
Temperature (อุณหภูมิ)	อุณหภูมิที่บันทึกไว้สูงหรือต่ำเกินไป (-20 ถึง 200 °C)
The sample calibration was started. (การสอบเทียบตัวอย่างเริ่มแล้ว)	เริ่มการสอบเทียบสำหรับการนำไฟฟ้า
The sample calibration is completed. (การสอบเทียบตัวอย่างเสร็จแล้ว)	สิ้นสุดการปรับเทียบสำหรับการนำไฟฟ้า
The zero calibration was started. (การสอบเทียบค่าศูนย์เริ่มแล้ว)	เริ่มการสอบเทียบให้เป็นศูนย์
The zero calibration is completed. (การสอบเทียบค่าศูนย์เสร็จแล้ว)	สิ้นสุดการสอบเทียบให้เป็นศูนย์
The conductivity solution calibration was started. (การสอบเทียบสารละลายการนำไฟฟ้าเริ่มแล้ว)	เริ่มการสอบเทียบสารละลายอ้างอิงสำหรับการนำไฟฟ้า
The conductivity solution calibration is completed. (การสอบเทียบสารละลายการนำไฟฟ้าเสร็จแล้ว)	สิ้นสุดการสอบเทียบสารละลายอ้างอิงสำหรับการนำไฟฟ้า
TDS calibration was started. (การสอบเทียบ TDS เริ่มแล้ว)	เริ่มการสอบเทียบสำหรับ TDS
TDS calibration is completed. (การสอบเทียบ TDS เสร็จแล้ว)	สิ้นสุดการสอบเทียบสำหรับ TDS
The concentration calibration was started. (การสอบเทียบความเข้มข้นเริ่มแล้ว)	เริ่มการสอบเทียบสำหรับค่าความเข้มข้น
The concentration calibration is completed. (การสอบเทียบความเข้มข้นเสร็จแล้ว)	สิ้นสุดการสอบเทียบสำหรับค่าความเข้มข้น
The salinity calibration was started. (การสอบเทียบความเค็มเริ่มแล้ว)	เริ่มการสอบเทียบสำหรับค่าความเค็ม
The salinity calibration is completed. (การสอบเทียบความเค็มเสร็จแล้ว)	สิ้นสุดการสอบเทียบสำหรับค่าความเค็ม

หัวข้อที่ 7 ส่วนประกอบสำหรับเปลี่ยนแทนและอุปกรณ์เสริม

คำเตือน



อันตรายต่อการบาดเจ็บของบุคคล การใช้ชิ้นส่วนที่ไม่ได้รับการอนุญาตอาจทำให้เกิดการบาดเจ็บของบุคคล ความเสียหายของเครื่องมือ หรือการทำงานผิดพลาดของอุปกรณ์ ชิ้นส่วนทดแทนในส่วนนี้ได้รับการรับรองโดยผู้ผลิต

บันทึก: หมายเลขผลิตภัณฑ์และส่วนประกอบอาจแตกต่างกันไปตามภูมิภาคที่จัดจำหน่าย ติดต่อตัวแทนจำหน่ายหรือไปที่เว็บไซต์ของบริษัทเพื่อดูข้อมูลการติดต่อวัสดุสิ้นเปลือง

คำอธิบาย	จำนวน	หมายเลขสินค้า
สารละลายอ้างอิงการนำไฟฟ้า 100 µS/cm	1 L	25M3A2000-100
สารละลายอ้างอิงการนำไฟฟ้า 500 µS/cm	1 L	25M3A2000-500
สารละลายอ้างอิงการนำไฟฟ้า 1000 µS/cm	1 L	25M3A2000-1000
สารละลายอ้างอิงการนำไฟฟ้า 1990 µS/cm	100 mL	210542

ชิ้นส่วนและอุปกรณ์เสริม

คำอธิบาย	หมายเลขสินค้า
โมดูลการนำไฟฟ้าสำหรับชุดควบคุม SC4500	LXZ525.99.D0004
เกลียวคิวิตอล SC เพื่อเซ็นเซอร์การนำไฟฟ้าการเหนี่ยวนำไฟฟ้า	6120800
ปะเก็น, EDPM, สำหรับเซ็นเซอร์สแตนเลส 2-นิ้ว	9H1327
กล่องต่อ อะลูมิเนียม	60A2053
กล่องต่อ NEMA-4X	76A4010-001
แคลมป์รีดสแตนเลส, 2-นิ้วสฟิวต์	9H1132
ฝา, 2-นิ้ว, สแตนเลส	70F1037-003

อุปกรณ์เสริม

คำอธิบาย	หมายเลขสินค้า
สายต่อคิวิตอล, 1 ม. (3.2 ฟุต)	6122400
สายต่อคิวิตอล, 7.7 ม. (25 ฟุต)	5796000
สายต่อคิวิตอล, 15 ม. (50 ฟุต)	5796100
สายต่อคิวิตอล, 30 ม (100 ft)	5796200

อุปกรณ์เสริมสำหรับตำแหน่ง C1D2

คำอธิบาย	หมายเลขสินค้า
สายต่อคิวิตอลที่มีสองขั้วต่อเพื่อการสื่อนิรภัย, 1 m (3.2 ft)	6122401
สายต่อคิวิตอลที่มีสองขั้วต่อเพื่อการสื่อนิรภัย, 7.7 m (25 ft)	5796001

อุปกรณ์เสริมสำหรับตำแหน่ง C1D2 (ต่อ)

คำอธิบาย	หมายเลขสินค้า
สายต่อลิจิตอลที่มีสองขั้วต่อเพื่อการสื่อกับ, 15 m (50 ft)	5796101
สายต่อลิจิตอลที่มีสองขั้วต่อเพื่อการสื่อกับ, 30 m (100 ft)	5796201
ลื่อกับสำหรับอุปกรณ์เชื่อมต่อแบบควม, การติดตั้ง Class 1 Division 2	6139900



HACH COMPANY World Headquarters

P.O. Box 389, Loveland, CO 80539-0389 U.S.A.
Tel. (970) 669-3050
(800) 227-4224 (U.S.A. only)
Fax (970) 669-2932
orders@hach.com
www.hach.com

HACH LANGE GMBH

Willstätterstraße 11
D-40549 Düsseldorf, Germany
Tel. +49 (0) 2 11 52 88-320
Fax +49 (0) 2 11 52 88-210
info-de@hach.com
www.de.hach.com

HACH LANGE Sàrl

6, route de Compois
1222 Vézenaz
SWITZERLAND
Tel. +41 22 594 6400
Fax +41 22 594 6499