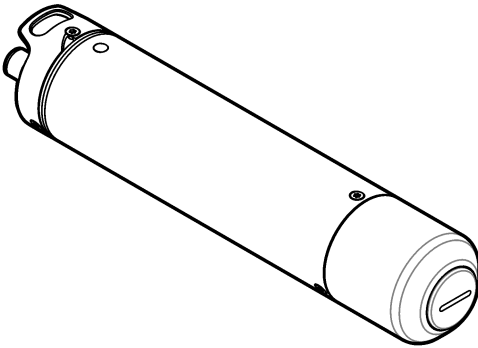




DOC023.97.80656

GS1440, GS2440EX H₂S Sensor

05/2023, Edition 2



User Manual
Manuel d'utilisation
Manual del usuario
Manual do Usuário
用户手册
取扱説明書
사용 설명서
คู่มือผู้ใช้
دليل المستخدم

Table of Contents

English.....	3
Français.....	25
Español.....	48
Português.....	71
中文.....	93
日本語.....	113
한국어.....	135
ไทย.....	156
العربية.....	177

Table of Contents

- | | |
|-------------------------------------|------------------------------------|
| 1 Specifications on page 3 | 5 Maintenance on page 19 |
| 2 General information on page 5 | 6 Troubleshooting on page 22 |
| 3 Attach the cable guard on page 10 | 7 Parts and accessories on page 23 |
| 4 Installation on page 12 | |

Section 1 Specifications

Specifications are subject to change without notice.

Table 1 General specifications


Specification	Details
Dimensions (L x D)	240 mm (9.4 in.), Ø 48.3 mm (1.9 in.)
Weight	1.36 kg (3.00 lb)
Enclosure	Stainless steel EN 1.4404 (316L), IP68
Mounting	Free hanging, in pipe or in air flow cell
Pollution degree	2 (sensor), 4 (installation environment)
Protection class	III
Overvoltage category	I
Environmental conditions	Indoor and outdoor use
Power requirements	12 to 28 VDC (4–20 mA loop) supplied by the CAx440EX field transmitter, a CDx440sc digital sc gateway or a device
Operating temperature	0 to 40 °C (32 to 104 °F)
Storage temperature	0 to 60 °C (32 to 140 °F)
Humidity	0 to 100% relative humidity
Altitude	2000 m (6562 ft) maximum
Depth in water	10 m (32.8 ft) maximum
pH of water	pH 9 maximum; H ₂ S fully converted to non-detectable sulfide forms above pH 9.
Pressure	3 bar (44 psi) maximum
Calibration gas	1000 ppm
Cables	Polyurethane, IP68; 5, 10 or 30 m (16.4, 32.8 or 98.4 ft)
Output signals	RS-232 and 4–20 mA
4–20 mA range	0–5 mg/L or 0–1000 ppm (user configurable)
Certifications—GS1440 and GS2440EX	CE, UKCA, FCC, ISED, RCM, KC
ATEX—GS2440EX	Certificate: ETL22ATEX0113X  II 1 G Ex ia IIC T4 Ga Power/4-20 mA: Ui: 30 V, Ii: 100 mA, Ci: 22 nF Li: 100 µH Pi: 0.70 W RS-232: Ui: 20 V, Ii: 100mA, Ci: 0 nF Li: 0 µH, Pi: 0.30 W Tamb: -20 to +60 °C

Table 1 General specifications (continued)


Specification	Details
UKEX—GS2440EX	Certificate: ITS22UKEX0506X  II 1 G Ex ia IIC T4 Ga -20 °C ≤ Ta ≤ +60 °C
IECEX—GS2440EX	Certificate: IECEX ETL 22.0003X Ex ia IIC T4 Ga Tamb: -20 to +60 °C
North America—GS2440EX	Certificate: ETL21CA104799609X Class I Zone 0 AEx ia IIC T4 Ga Class I Division 1 Groups A–D T4 Ex ia IIC T4 Ga Tamb: -20 to +60 °C
Warranty	1 year

Table 2 Performance specifications

Specification	Details
Measurement range in water	0 to 5 mg/L H ₂ S
Measurement range in air	0 to 1000 ppm H ₂ S
Accuracy	± 5% full scale (discrete measurement accuracy, 90-second purge of 1000 ± 20 ppm H ₂ S standard after one-point calibration)
Response time (t90)	< 30 seconds
Detection limit	1% full scale

Table 3 Interferences

Gas	Interference level in gas (%) ¹	Interference level in liquid (%) ²	Gas	Interference level in gas (%) ¹	Interference level in liquid (%) ²
Methane (CH ₄)	0	0	Hydrogen (H ₂)	0.8	96
Carbon dioxide (CO ₂)	0	0	Carbon monoxide (CO)	0.6	77
Nitrogen (N ₂)	0	0	Dimethyl sulfide ((CH ₃) ₂ S))	18	18
Oxygen (O ₂)	0	0	Methyl mercaptan (CH ₃ SH)	174	44
Air (O ₂ , N ₂ , Ar)	0	0	Ethyl mercaptan (C ₂ H ₆ S)	13	14
Nitrous oxide (N ₂ O)	0	0	Sulfur dioxide (SO ₂)	40	1
Ammonia (NH ₃)	0	0			

¹ Given as a signal for the interfering species in % of H₂S signal at equal partial pressures.

² Given as a signal for the interfering species in % of H₂S signal at equal molar concentrations.

Section 2 General information

In no event will the manufacturer be liable for damages resulting from any improper use of product or failure to comply with the instructions in the manual. The manufacturer reserves the right to make changes in this manual and the products it describes at any time, without notice or obligation. Revised editions are found on the manufacturer's website.

2.1 Safety information

The manufacturer is not responsible for any damages due to misapplication or misuse of this product including, without limitation, direct, incidental and consequential damages, and disclaims such damages to the full extent permitted under applicable law. The user is solely responsible to identify critical application risks and install appropriate mechanisms to protect processes during a possible equipment malfunction.

Please read this entire manual before unpacking, setting up or operating this equipment. Pay attention to all danger and caution statements. Failure to do so could result in serious injury to the operator or damage to the equipment.

Make sure that the protection provided by this equipment is not impaired. Do not use or install this equipment in any manner other than that specified in this manual.

2.1.1 Use of hazard information

DANGER

Indicates a potentially or imminently hazardous situation which, if not avoided, will result in death or serious injury.

WARNING

Indicates a potentially or imminently hazardous situation which, if not avoided, could result in death or serious injury.

CAUTION



Indicates a potentially hazardous situation that may result in minor or moderate injury.

NOTICE

Indicates a situation which, if not avoided, may cause damage to the instrument. Information that requires special emphasis.

2.1.2 Precautionary labels

Read all labels and tags attached to the instrument. Personal injury or damage to the instrument could occur if not observed. A symbol on the instrument is referenced in the manual with a precautionary statement.

	This symbol, if noted on the instrument, references the instruction manual for operation and/or safety information.
	Electrical equipment marked with this symbol may not be disposed of in European domestic or public disposal systems. Return old or end-of-life equipment to the manufacturer for disposal at no charge to the user.

2.1.3 Confined space precautions

DANGER



Explosion hazard. Training in pre-entry testing, ventilation, entry procedures, evacuation/rescue procedures and safety work practices is necessary before entering confined spaces.

The information that follows is supplied to help users understand the dangers and risks that are associated with entry into confined spaces.

On April 15, 1993, OSHA's final ruling on CFR 1910.146, Permit Required Confined Spaces, became law. This standard directly affects more than 250,000 industrial sites in the United States and was created to protect the health and safety of workers in confined spaces.

Definition of a confined space:

A confined space is any location or enclosure that has (or has the immediate potential for) one or more of the following conditions:

- An atmosphere with an oxygen concentration that is less than 19.5% or more than 23.5% and/or a hydrogen sulfide (H₂S) concentration that is more than 10 ppm.
- An atmosphere that can be flammable or explosive due to gases, vapors, mists, dusts or fibers.
- Toxic materials which upon contact or inhalation can cause injury, impairment of health or death.

Confined spaces are not designed for human occupancy. Confined spaces have a restricted entry and contain known or potential hazards. Examples of confined spaces include manholes, stacks, pipes, vats, switch vaults and other similar locations.

Standard safety procedures must always be obeyed before entry into confined spaces and/or locations where hazardous gases, vapors, mists, dusts or fibers can be present. Before entry into a confined space, find and read all procedures that are related to confined space entry.

2.2 Compliance and certification

▲ CAUTION

This equipment is not intended for use in residential environments and may not provide adequate protection to radio reception in such environments.

Canadian Radio Interference-Causing Equipment Regulation, ICES-003, Class A:

Supporting test records reside with the manufacturer.

This Class A digital apparatus meets all requirements of the Canadian Interference-Causing Equipment Regulations.

Cet appareil numérique de classe A répond à toutes les exigences de la réglementation canadienne sur les équipements provoquant des interférences.

FCC Part 15, Class "A" Limits

Supporting test records reside with the manufacturer. The device complies with Part 15 of the FCC Rules. Operation is subject to the following conditions:

1. The equipment may not cause harmful interference.
2. The equipment must accept any interference received, including interference that may cause undesired operation.

Changes or modifications to this equipment not expressly approved by the party responsible for compliance could void the user's authority to operate the equipment. This equipment has been tested and found to comply with the limits for a Class A digital device, pursuant to Part 15 of the FCC rules. These limits are designed to provide reasonable protection against harmful interference when the equipment is operated in a commercial environment. This equipment generates, uses and can radiate radio frequency energy and, if not installed and used in accordance with the instruction manual, may cause harmful interference to radio communications. Operation of this equipment in a residential area is likely to cause harmful interference, in which case the user will be required to correct the interference at their expense. The following techniques can be used to reduce interference problems:

1. Disconnect the equipment from its power source to verify that it is or is not the source of the interference.
2. If the equipment is connected to the same outlet as the device experiencing interference, connect the equipment to a different outlet.
3. Move the equipment away from the device receiving the interference.

4. Reposition the receiving antenna for the device receiving the interference.
5. Try combinations of the above.

2.2.1 Hazardous location

⚠ WARNING	
	Explosion hazard. The GS1440 sensor is not approved for use in hazardous locations.

The GS2440EX sensor is compliant with ATEX (EU), UKEX (UK), IECEx and North American (US/Canada) hazardous location requirements. Refer to [Table 1](#) on page 3. It is important for the user to obey all of the conditions of use to keep safety compliance.

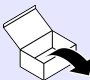

- The GS2440EX sensor is an isolated metal part with a maximum capacitance of 97.2 pF on the enclosure screws. Make sure to use grounding or installation conditions that prevent electrostatic charging of the GS2440EX sensor. Refer to the instruction manual from the manufacturer for instructions on how to prevent electrostatic charging.
- The GS2440EX sensor must not be disassembled.
- If the GS2440EX sensor is installed in a hazardous location, it is the responsibility of the end user to select the correct barriers to use with the sensor.
- Obey all ATEX, UKEX, IECEx, North American Classification Certificate specifications and the national and local regulations.
- Obey the safety warnings of the other intrinsically safe (Ex) equipment installed near the sensor.

2.2.2 EMI (electro-magnetic interference)

The GS1140 and GS2440EX sensors are compliant with the certifications that follow:

- EU EMC Directive 2014/30/EU
- UKCA Electromagnetic Compatibility Regulations 2016
- FCC Part 15B
- ICES-003

2.3 Icons used in illustrations

	
Manufacturer supplied parts	Do not use tools

2.4 Intended use

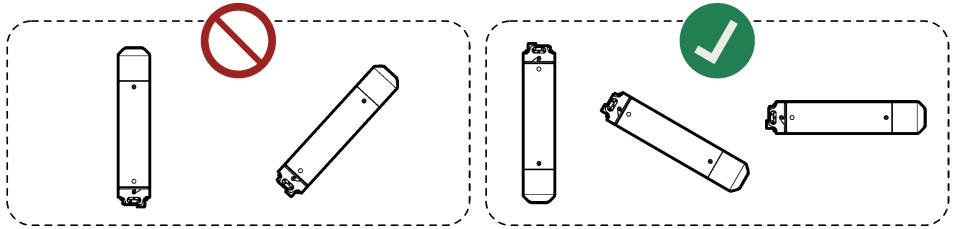
The GS1440 and GS2440EX sensors are intended for use by wastewater professionals to monitor levels of hydrogen sulfide (H₂S) in liquids and air. The GS1440 and GS2440EX sensors are not intended to measure other types of dissolved sulfide, such as HS⁻ or S²⁻. Typical installation locations are primary wastewater treatment, wastewater collection and wastewater conveyance systems.

2.5 Product overview

⚠ DANGER	
	Do not use the GS1440 or GS2440EX sensor as a safety device to identify the hydrogen sulfide concentration in an area. Obey all applicable regulations and occupational health and safety precautions before entry into confined spaces and toxic hazard environments. Get advice from the occupational health and safety department at the workplace or the government regulatory body to identify the possible hazards and safety standards.

NOTICE

Do not point the measuring end of the sensor up or damage to the sensor can occur (e.g., during storage, transport, calibration, installation and operation). Keep the sensor at 0 to 40 °C (32 to 104 °F) or damage to the sensor will occur.

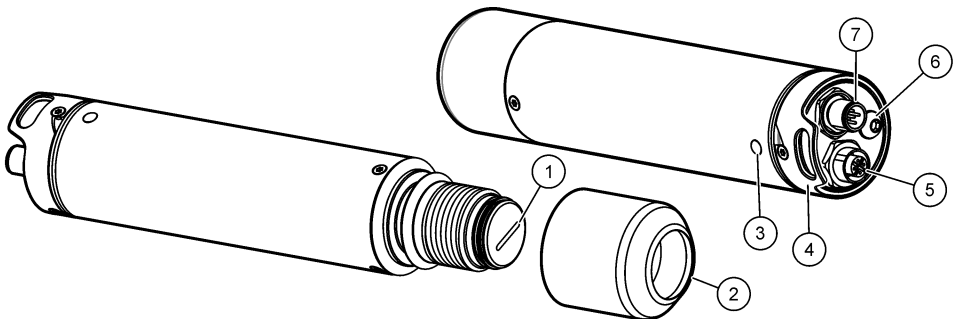


The GS1440 and GS2440EX sensors continuously measure the hydrogen sulfide (H₂S) concentration in liquids and air. Refer to [Figure 1](#).

The sensor is used with a device that supplies 4–20 mA loop power to the sensor and receives the sensor measurements as a 4–20 mA analog signal or RS-232 digital signal.

The GS1440 is made for use in non-hazardous locations. The GS2440EX is made for use in hazardous locations.

Figure 1 GS1440 and GS2440EX



1 Membrane	5 RS-232 connector
2 Sensor cap	6 Grounding screw (M6)
3 Status LED ³ (Table 4)	7 Power/4–20 mA connector
4 Attachment hook	

Table 4 Status LED

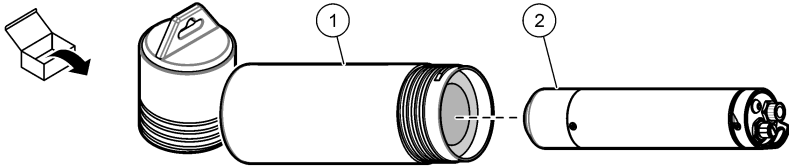
Color	Status
Green, one flash	The 4–20 mA analog output represents 0–5 mg/L (liquids).
Green, two flashes	The 4–20 mA analog output represents 0–1000 ppm (air).
Green and red flashes	The sensor is in calibration/configuration mode.
Red, flashes	Temporary (with calibration cap attached): Calibration was not successful. Continuous (without calibration cap attached): There is a problem with the sensor.

³ The status LED continuously flashes while power is supplied to the sensor.

2.6 Product components

Make sure that all components have been received. Refer to [Figure 2](#). If any items are missing or damaged, contact the manufacturer or a sales representative immediately.

Figure 2 Product components



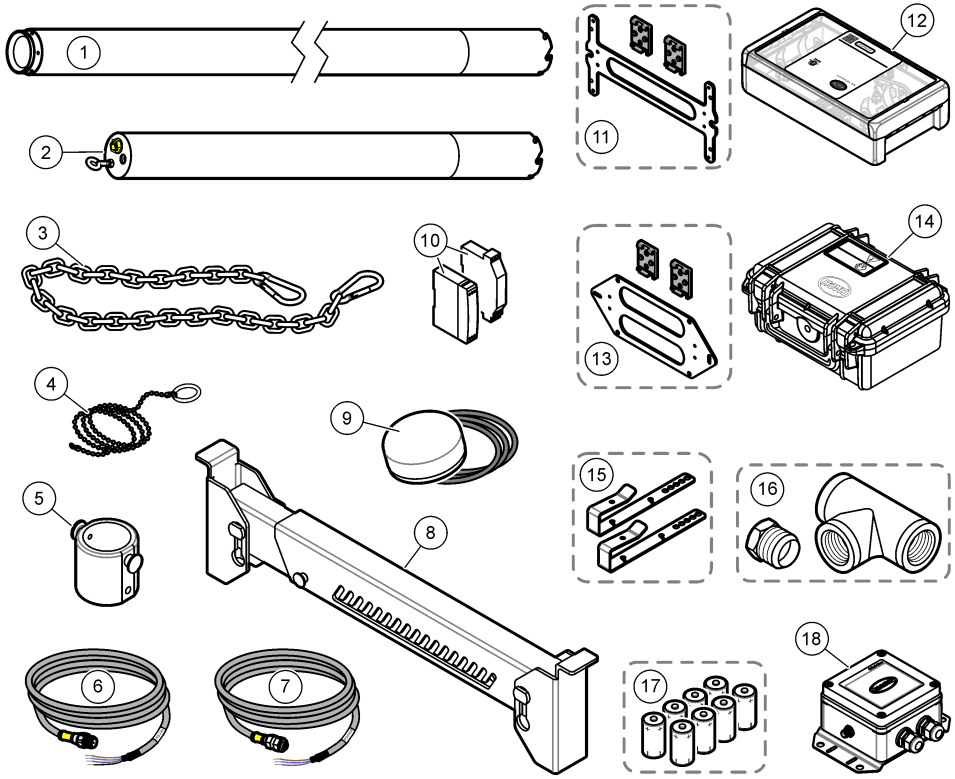
1 Storage tube

2 GS1440 or GS2440EX sensor

2.7 Accessories

[Figure 3](#) shows the accessories for the sensor. Refer to [Parts and accessories](#) on page 23 for ordering information.

Figure 3 Accessories



1 Cable guard extension	10 Power/4–20 mA barrier with power supply
2 Cable guard	11 Mounting bracket for wall or DIN rail, USA and Canada
3 Suspension chain with carabiners	12 CAx440EX field transmitter, USA and Canada
4 Cable pull-through tool	13 Mounting bracket for wall or DIN rail, EU and UK
5 Air flow cell	14 CAx440EX field transmitter, EU and UK
6 RS-232 sensor cable	15 Crossbeam clamps
7 Power/4–20 mA sensor cable	16 Adapter for inline mounting and Tee, 1 ¼-inch BSPT or NPT
8 Crossbeam for manholes	17 Batteries for CAx440EX field transmitter (non-rechargeable)
9 External antenna for CAx440EX field transmitter	18 CDx440sc gateway for SC Controller

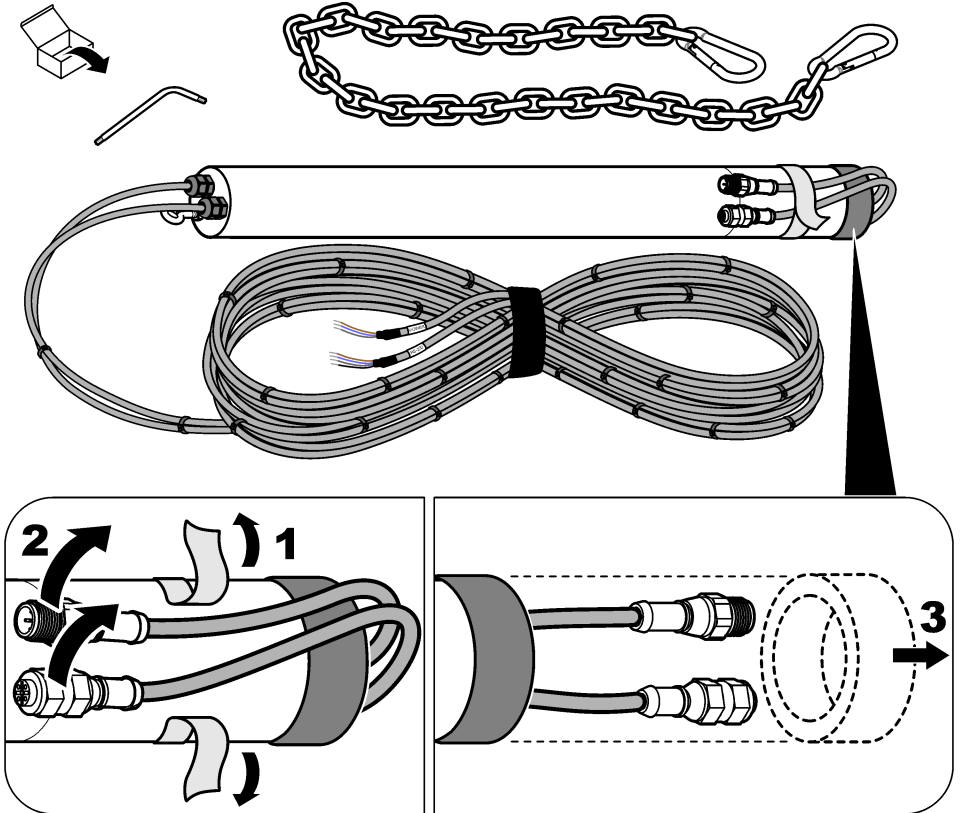
Section 3 Attach the cable guard

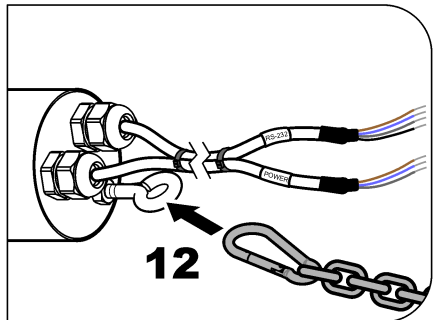
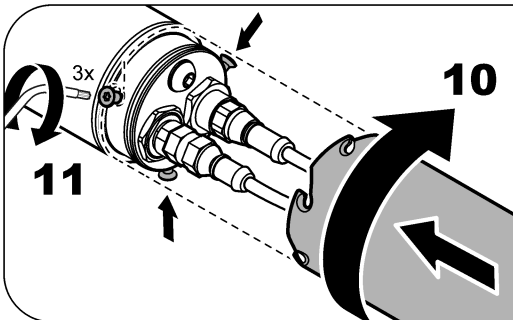
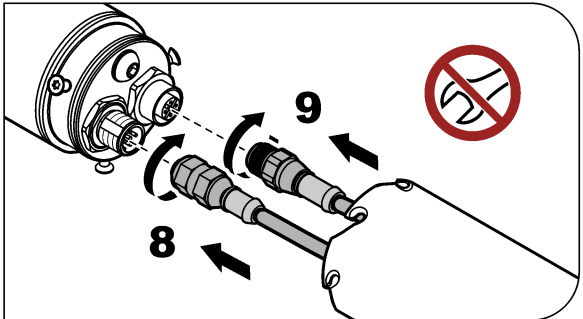
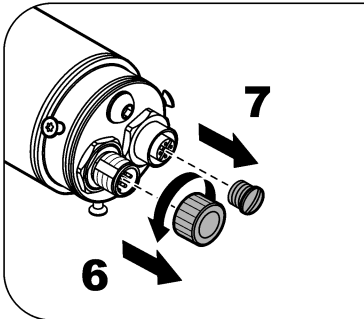
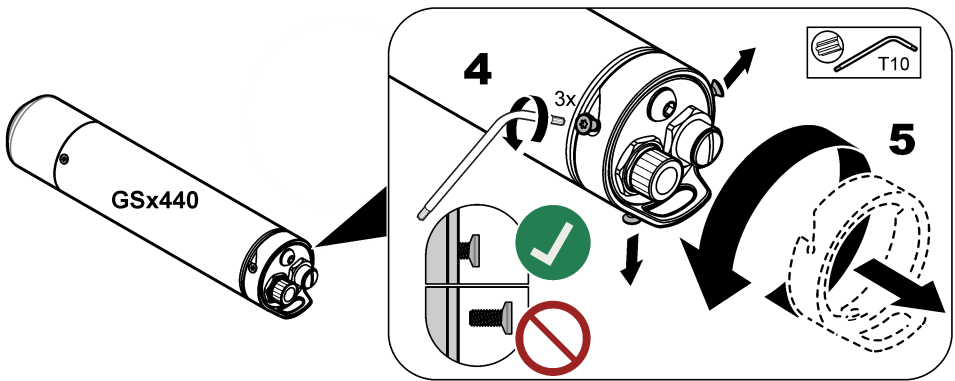
If the sensor will be installed in water (or if an increase in the water level could put the sensor in water), attach the cable guard to the sensor to prevent damage to the sensor connectors and cables. If the sensor cables are already installed in the cable guard, refer to the illustrated steps in [Figure 4](#) to attach the sensor cables and cable guard.

If the sensor cable(s) is not installed in the cable guard, refer to the instructions supplied with the cable guard to install the sensor cable(s) in the cable guard and attach the sensor cables and cable guard.

Note: For measurements in water where large changes in the water depth can occur (e.g., wells and reservoirs), attach the optional cable guard extension (item 1, [Figure 3](#) on page 10) and then the cable guard to the sensor. Refer to the instructions supplied with the cable guard extension.

Figure 4 Attach the cable guard





Section 4 Installation

⚠ DANGER



Explosion hazard. Trained personnel only must install or commission the equipment.

4.1 Electrical installation

⚠ WARNING

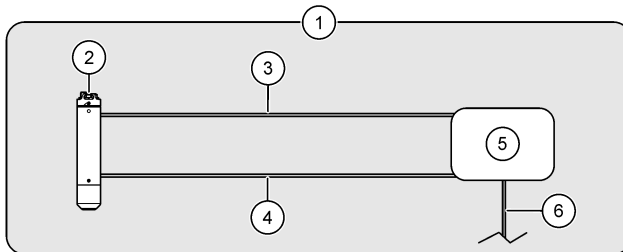


The figures that follow show the options to install the sensor in a non-hazardous location. To install the GS2440EX sensor in a hazardous location, refer to the instructions in the *GS2440EX Hazardous Location Safety Precautions* and *Cx440EX Field Transmitter Hazardous Location Safety Precautions* documents.

Connect the sensor to one of the options that follows:

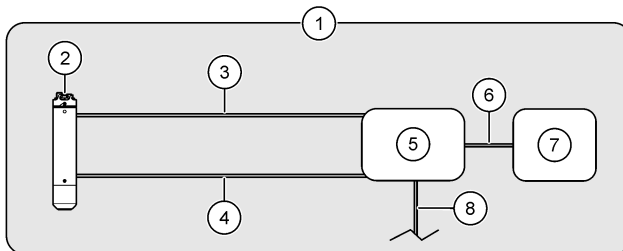
- Cx440EX field transmitter—[Figure 5](#)
- Cx440EX field transmitter and a device—[Figure 6](#)
- CDx440sc gateway and an SC Controller—[Figure 7](#)
- Device—[Figure 8](#)

Figure 5 Cx440EX field transmitter



1 Non-hazardous area	4 RS-232 sensor cable
2 Sensor	5 Field transmitter
3 Power/4–20 mA sensor cable	6 DC power cable (optional, user supplied) ⁴

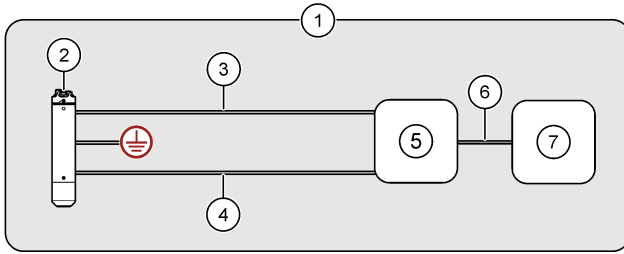
Figure 6 Cx440EX field transmitter and a device



1 Non-hazardous area	5 Field transmitter
2 Sensor	6 Device cable, 4-20 mA analog output of sensor (user supplied)
3 Power/4–20 mA sensor cable	7 Device (e.g., SCADA or PLC)
4 RS-232 sensor cable	8 DC power cable (optional, user supplied) ⁴

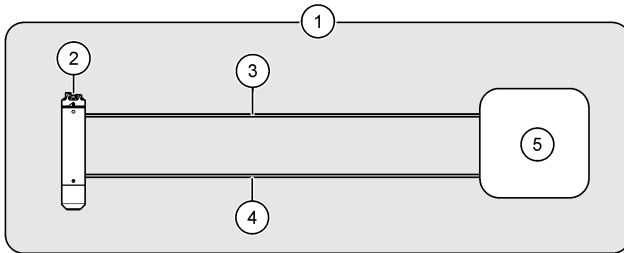
⁴ A DC power supply can be used as an alternative to batteries or with batteries in the field transmitter. Refer to the Cx440EX field transmitter documentation for instructions.

Figure 7 CDx440sc gateway and an SC Controller



1 Non-hazardous area	5 CDx440sc gateway
2 Sensor	6 Digital extension cable
3 Power/4–20 mA sensor cable	7 SC Controller
4 RS-232 cable	

Figure 8 Device—Direct analog (4-20 mA) or digital (RS-232) communication



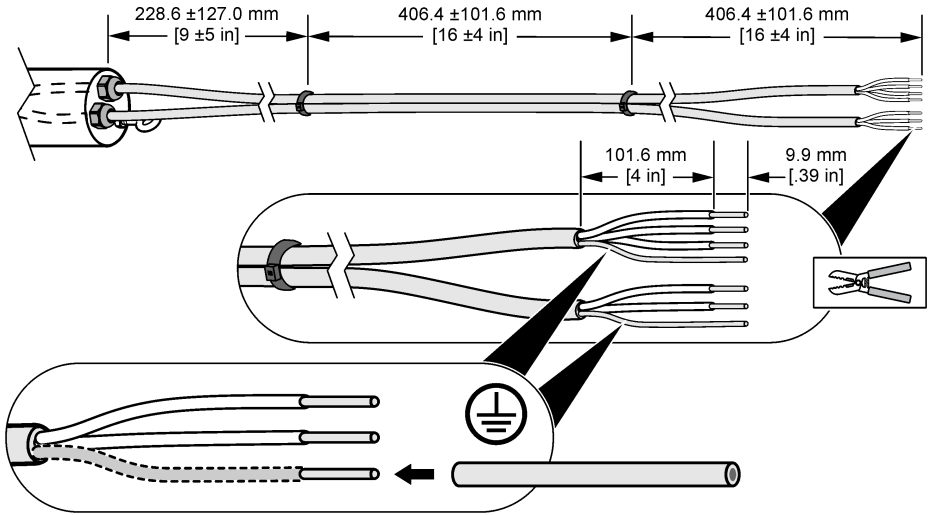
1 Non-hazardous area	4 RS-232 cable (optional)
2 Sensor	5 Device (e.g., SCADA or PLC)
3 Power/4–20 mA sensor cable (12 to 28 VDC, 4-20 mA loop power)	

4.1.1 Cut the sensor cable (optional)

If necessary, cut the sensor cable(s) to decrease the length. After a sensor cable(s) is cut, prepare the sensor wires as shown in Figure 9. Make sure to cover the bare wire of the two shield wires with wire insulation.

Note: When two sensor cables are used, the sensor cables must be attached to each other with zip ties to keep the EMC compliance rating, unless the sensor cables are installed in conduit.

Figure 9 Prepare the sensor cable wires



4.1.2 Wiring information

To connect the sensor to the field transmitter (or the field transmitter and a device), refer to the CAx440EX field transmitter documentation for wiring information.

To connect the sensor to a CDx440sc gateway and an SC Controller, refer to the CDx440sc gateway documentation for wiring information.

To connect the sensor to only a device, refer to [Table 5](#) and [Table 6](#).

Table 5 Power/4–20 mA sensor cable

Connector pin	Wire color	Signal
1	Brown	Positive (12 to 28 VDC, 4-20 mA loop power)
2	White	Not used
3	Blue	Negative
4	Black	Not used
5	Silver	Shield

Table 6 RS-232 sensor cable

Connector pin	Wire color	Signal
1	Brown	Sensor RXD (receive)
2	White	Not used
3	Blue	Sensor TXD (transmit)
4	Black	GND (ground)
5	Silver	Shield

4.2 Calibration

The sensor must be calibrated before initial use. Then, calibrate the sensor again at 1-month intervals for the best accuracy. Refer to the calibration instructions supplied with the calibration kit, which is sold by CertGas (<https://certgas.com>).

Before calibration, make sure that the statements that follow are true:

- The measurement location is within the operating temperature range of the sensor. Refer to [Table 1](#) on page 3.
- The sensor is clean. Refer to [Examine and clean the sensor](#) on page 20.
- The Power/4-20 mA sensor cable supplies power to the sensor.
- The RS-232 sensor cable is attached to the sensor, if applicable.

Note: The sensor may be calibrated less frequently (at 2- to 3-month intervals). However, more frequent calibrations increase the accuracy of the sensor.

Note: More frequent calibration may be necessary for sensors submerged in high-fouling locations (e.g., post-dosing).

4.3 Change the measurement units of the 4–20 mA output

The status LED on the sensor shows the measurement units currently represented by the 4–20 mA analog output. Refer to [Table 7](#).

When only the Power/4-20 mA sensor cable is used (no RS-232 sensor cable) for communication, change the measurement units represented by the 4–20 mA analog output so they are correct for the type of measurement: mg/L (liquid measurements) or ppm (air measurements).

To change the measurement units, do the steps that follow:

Note: This procedure does not change the RS-232 signal from the sensor.

1. Remove the unwanted material that has collected on the sensor. Refer to [Examine and clean the sensor](#) on page 20.
2. Disconnect the cables from the sensor.
3. Install the calibration cap on the sensor. Refer to the instructions supplied with the calibration cap and flow regulator for the correct installation.
4. Connect the Power/4-20 mA cable to the sensor. Make sure that the Power/4-20 mA sensor cable supplies power to the sensor.
5. When the Status LED on the sensor flashes red and green, remove the calibration cap from the sensor.

The status LED flashes green again to show the new measurement units.

Table 7 Status LED

Color	Measurement units
Green, one flash	0–5 mg/L, liquid measurements
Green, two flashes	0–1000 ppm, air measurements

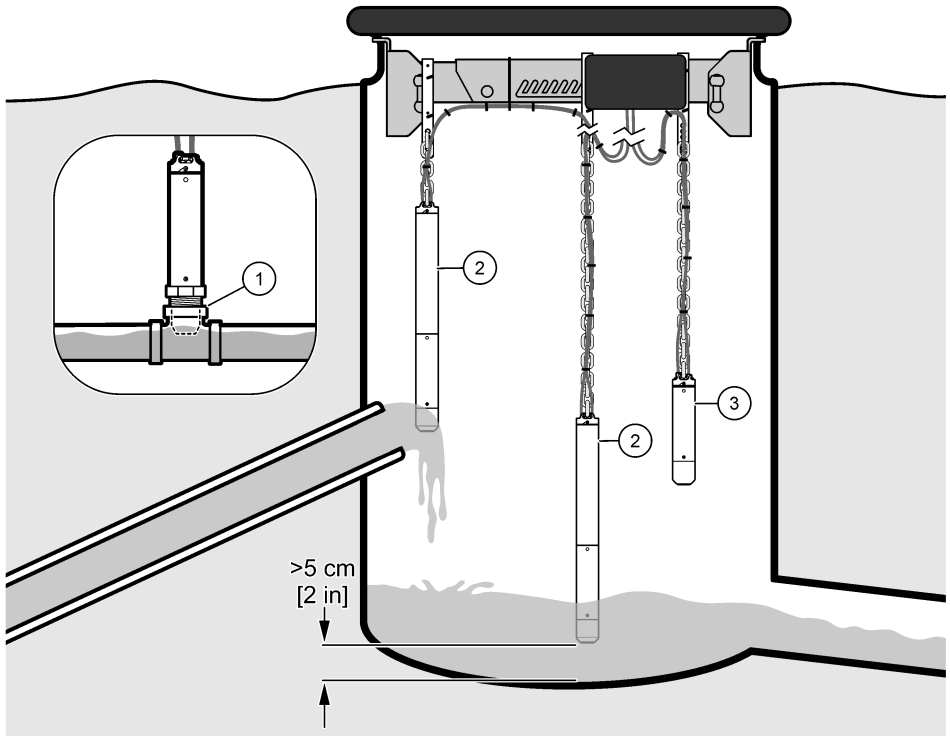
4.4 Mechanical installation

4.4.1 Installation options

[Figure 10](#) and [Figure 11](#) show the different sensor installation options.

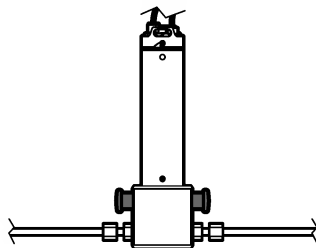
Note: Do not attach the sensor to a wall, because rags and unwanted material will collect on the sensor.

Figure 10 Inline or free-hanging



1 Inline	3 Free-hanging in air
2 Free-hanging in liquid	

Figure 11 Plumbed to a bypass air line



4.4.2 Installation guidelines

- Keep the sensor away from direct sunlight, heat sources, corrosive chemicals or gases (all but H₂S), mechanical impacts, abrasive materials, vibrations, shocks, dust and radioactive emissions.
- Do not use the sensor outside the specified electrical, mechanical, and thermal parameters, or outside the measurement range. Refer to [Specifications](#) on page 3.
- If the sensor will be installed in water (or if an increase in the water level could put the sensor in water), attach the cable guard to the sensor to prevent damage to the sensor connectors and cables. Refer to [Attach the cable guard](#) on page 10.

- For the most accurate measurements, measure the concentration of hydrogen sulfide in the water, not in the air.⁵
- In a gravity system, measure as near to the end of a pressurized water pipe as possible to get an accurate measurement of the initial hydrogen sulfide concentration. Dissolved hydrogen sulfide is released from water when the water enters an aerated well.
- For air measurements, install the sensor so that the measuring end of the sensor is higher than the water level during high-water events so that unwanted material does not collect on the sensor.
- Install the sensor in a location with sufficient flow and turbulence around the sensor so unwanted material does not collect on the sensor.
- Keep the sensor out of stagnant water or biofouling will occur.

4.4.3 Install the sensor

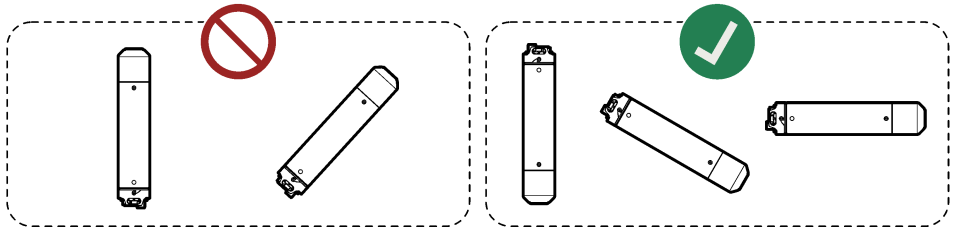
⚠ DANGER



Gas exposure hazard. Hydrogen sulfide is a highly toxic gas. Put on the personal protective equipment identified in the safety data sheet (MSDS/SDS). Refer to the current safety data sheets (MSDS/SDS) for safety protocols.

NOTICE

Do not point the measuring end of the sensor up or damage to the sensor can occur (e.g., during storage, transport, calibration, installation and operation).



NOTICE

If the sensor installation is free-hanging, make sure that the installation prevents damage to the sensor. Do not let the sensor hit objects, walls or bottom surfaces.



Pre-requisites:

- The sensor cables are connected to the sensor and a field transmitter or a device. Refer to [Electrical installation](#) on page 13.
- The sensor has been calibrated at the measurement location. Refer to [Calibration](#) on page 16.

⁵ When hydrogen sulfide is measured in the water, the measurement is not dependent on the daily changes in ventilation conditions in the space above the water or the installation location of the sensor.

- If the sensor will be installed in water (or if an increase in the water level could put the sensor in water), the cable guard is attached to the sensor. Refer to [Attach the cable guard](#) on page 10.
 - The measurement units represented by the 4–20 mA analog output are correct for the type of measurement: mg/L (liquid measurements) or ppm (air measurements). Refer to [Change the measurement units of the 4–20 mA output](#) on page 16.
1. For installation in water, do the steps that follow:
 - a. (Optional, recommended) Connect the eye bolt on the cable guard to earth ground in accordance with local, regional and national requirements.
For hazardous location installation, refer to the *GS2440EX Hazardous Location Safety Precautions* document for the grounding requirements.
 - b. Attach the chain to the eye bolt on the cable guard.
 - c. Attach the other end of the chain to an object that is directly above the water and does not move (e.g., wire grid, crossbeam or the crossbeam clamps for the field transmitter).
 - d. Lower the sensor into the water. Keep the sensor cables out of the water.
 - e. Make sure that the upstream side of the sensor is in a moving stream of water and not near walls.
 - f. Adjust the chain length so the cable guard is out of the water and the sensor is 5 cm (2 inches) or more from the bottom of the channel or well.
 - g. If the sensor could hit a wall or other objects, put the sensor in a 70-mm (2.75-inch) diameter PVC pipe or larger. Make sure that the measuring end of the sensor hangs below the PVC pipe.
Attach the PVC pipe to an object directly above the water that does not move or to the side of the well.
 - h. Wind the loose cables into a coil. Use cable ties to hold the cables in position.
 2. For installation in air, do the steps that follow:
 - a. (Optional, recommended) Connect the grounding screw on the sensor to earth ground in accordance with local, regional and national requirements.
For hazardous location installation, refer to the *GS2440EX Hazardous Location Safety Precautions* document for the grounding requirements.
 - b. Attach a chain (or steel cable) to the attachment hook on the sensor.
 - c. Attach the other end of the chain (or steel cable) to an object that is directly above the water that does not move (e.g., wire grid, crossbeam or the crossbeam clamps for the field transmitter).
 - d. Lower the sensor.
 - e. Adjust the chain length as necessary.
 - f. Wind the loose cables into a coil. Use cable ties to hold the cables in position. Keep the sensor cables out of the water.
 3. For installation in a pressurized water pipe, install the optional adapter for inline mounting. Refer to the instructions supplied with the adapter for inline mounting.
 4. For installation in a pressurized air pipe, plumb a bypass air line to the optional air flow cell. Refer to the instructions supplied with the air flow cell.

Section 5 Maintenance

NOTICE

Do not disassemble, modify or repair the instrument. Disassembly will damage the sensor and void the warranty. If the internal components must be repaired, contact the manufacturer.

5.1 Examine and clean the sensor

NOTICE

Do not use force, abrasive materials, chemicals or high-pressure washers or hoses to clean the sensor as damage to the measuring end of the sensor can occur.

At regular intervals and before calibration, make sure that the measuring end of the sensor is not covered with unwanted material.

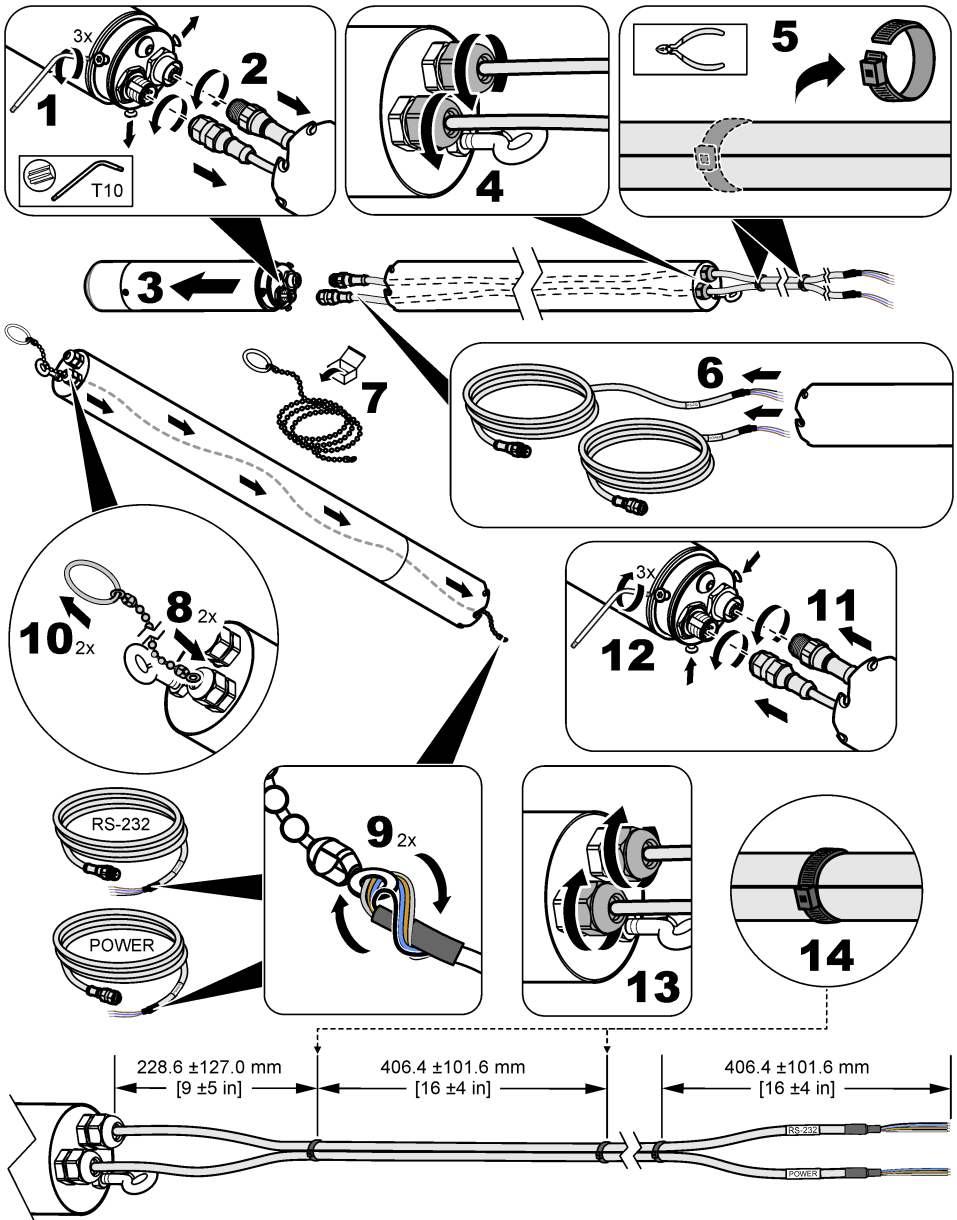
1. Remove the unwanted material that has collected on the sensor.
2. Gently wipe the measuring end of the sensor with a non-abrasive cloth or paper.
3. Use a wet cloth or paper to remove dried material from the sensor.

5.2 Replace the sensor cables

Replace the sensor cables if the sensor cables have damage or as necessary (e.g., to install longer sensor cables).

When a cable guard is installed on the sensor, refer to the illustrated steps that follow to replace the sensor cables.

Note: *When two sensor cables are used, the sensor cables must be attached to each other with zip ties to keep the EMC compliance rating, unless the sensor cables are installed in conduit.*



5.3 Replace the O-ring

If the O-ring at the connector end of the sensor becomes worn and no longer keeps water out of the cable guard and/or cable guard extension, replace the O-ring.

If the O-rings that are seen when the sensor cap is removed become worn and no longer supply a seal when the air flow cell is used, replace the O-rings.

Note: The function of the O-rings that are seen when the sensor cap is removed is to hold the sensor cap and not to keep water out.

A replacement O-ring, O-ring grease and replacement instructions are included in the installation spare parts kit. Refer to [Parts and accessories](#) on page 23 for ordering information.

Section 6 Troubleshooting

Problem	Possible cause	Solution
The measurements are almost zero all of the time, but a grab sample measurement shows there are significant sulfide concentrations.	<ul style="list-style-type: none"> • There is a blockage at the inlet of the sensor. • The pH of the water is higher than 8. 	<p>Make sure that the measuring end of the sensor is not covered with unwanted material.</p> <p>Rinse the sensor and gently wipe the sensor with a wet cloth. Make sure to not apply force around the inlets of the sensing elements.</p> <p>If the pH of the water is higher than 8, the dissolved sulfide is mostly on the HS⁻ form, which is not measured by the sensor. Use the sensor in a low-volume sidestream reactor, where the wastewater is acidified to make sure that all of the dissolved sulfide is on the H₂S form.</p>
The sensor measurements are not correct.	The sensor is not calibrated.	<p>Use the calibration gas to identify the accuracy of the sensor.</p> <ol style="list-style-type: none"> 1. Take the sensor and calibration gas, calibration cap and flow regulator outside. 2. Clean the measuring end of the sensor. Refer to Examine and clean the sensor on page 20. 3. Put the calibration cap near the measuring end of the sensor. 4. Turn the calibration cap 180 degrees relative to the calibration orientation. 5. Fully open the flow regulator. 6. Wait 2 minutes. 7. If the measured value is not within 5% of the value on the calibration gas bottle, calibrate the sensor. Refer to Calibration on page 16 <p>Do not use liquid samples for verification.</p>
The sensor measurements are not correct after calibration.	The sensor was not calibrated correctly.	<p>Make sure to follow all of the instructions supplied with the calibration cap and flow regulator. If the problem continues, contact technical support.</p> <p>For the best accuracy, calibrate the sensor at a temperature equivalent to the temperature of subsequent measurements.</p>

Problem	Possible cause	Solution
The sensor does not enter calibration mode. (LED does not flash green and red.)	<ul style="list-style-type: none"> Power is not supplied to the sensor. The calibration cap is not installed correctly. 	<ul style="list-style-type: none"> Make sure that power is supplied to the sensor. Make sure that the small notch in the calibration cap is aligned with the status LED. Make sure that the sensor is fully in the calibration cap.
Calibration was not successful (LED quickly flashes red.)	<ul style="list-style-type: none"> The gas pressure in the calibration gas bottle is low. There is a gas leak. The calibration cap moved during the calibration. The regulator valve was not fully opened or not opened immediately after the status LED flashed green and red. 	<p>Close the regulator valve. Remove the calibration cap. Then, do a calibration again.</p> <ul style="list-style-type: none"> Make sure that the gas pressure is 5 bar (minimum) in the calibration gas bottle. Look for a gas leak in the hose or fittings. Make sure that the calibration cap does not move during the calibration. Fully open the regulator valve immediately after the status LED flashes green and red.

Section 7 Parts and accessories

⚠ WARNING



Personal injury hazard. Use of non-approved parts may cause personal injury, damage to the instrument or equipment malfunction. The replacement parts in this section are approved by the manufacturer.

Note: Product and Article numbers may vary for some selling regions. Contact the appropriate distributor or refer to the company website for contact information.

Replacement parts

Description	Item no.
Batteries (8x), CAX440EX field transmitter (non-rechargeable)	LXZ449.99.00003
Installation Spare Parts Kit	LXZ449.99.00012
Sensor cap	LXZ449.99.00010

Accessories

Description	Item no.
Adapter for inline mounting, 1 ¼-inch BSPT	LXZ449.99.00004
Adapter for inline mounting and Tee, 1 ¼-inch BSPT	LXZ449.99.00005
Adapter for inline mounting, 1 ¼-inch NPT	LXZ449.99.00015
Adapter for inline mounting and Tee, 1 ¼-inch NPT	LXZ449.99.00019
Air flow cell, 3 bar (44 psi) maximum, stainless steel EN 1.4404	LXZ449.99.00011
Antenna, external for CAX440EX field transmitters, EU, UK, USA and Canada, 2 m (6.5 ft) cable, IP68 Ø100 x 36 mm (Ø3.9 x 1.4 in.), LTE: 6 dBi, Frequency band: 698–3800 MHz	LXZ449.99.00009
Cable guard with 3 m (10 ft) chain and carabiners 600 mm (2 ft), 1.3 kg (2.9 lb), stainless steel EN 1.4404 (316L)	LXZ449.99.00017

Accessories (continued)

Description	Item no.
Cable guard extension, 1.4 m (4.6 ft) 2.9 kg (4.6 lb), stainless steel EN 1.4404 (316L)	LXZ449.99.00006
Cable pull-through tool	101335
CAX440EX field transmitter, wireless 3G, EU and UK	LXV449.98.01000
CAX440EX field transmitter, wireless 4G, EU and UK	LXV449.98.01010
CAX440EX field transmitter, wireless 4G, USA and Canada	LXV449.97.01010
CDx440sc digital sc gateway	LXV449.99.02000
Chain with carabiners, 3 m (10 ft)	LXZ449.99.00002
Crossbeam clamps, CAX440EX field transmitters, EU, UK, USA and Canada	LXZ449.99.00008
Crossbeam for 558–858 mm (22.0–33.8 in.) manhole with crossbeam clamps Stainless steel EN 1.4404, 3.4 kg (7.5 lb), 558–858 x 136 x 71 mm (22.0–33.8 x 5.4 x 2.8 in.)	LXZ449.99.00007
Mounting bracket for CAX440EX field transmitter, EU and UK	LXZ449.99.00014
Mounting bracket for CAX440EX field transmitter, USA and Canada	LXZ449.99.00018
Power/4–20 mA barrier with power supply IECEX certified for signals from all zones, one or two channels, SIL2 certified with full assessment	LXZ449.99.00013
Power/4-20mA sensor cable, 5 m (16.4 ft)	100935-05
Power/4-20mA sensor cable, 10 m (32.8 ft)	100935-10
Power/4-20mA sensor cable, 30 m (98.4 ft)	100935-30
RS-232 sensor cable, 5 m (16.4 ft)	100934-05
RS-232 sensor cable, 10 m (32.8 ft)	100934-10
RS-232 sensor cable, 30 m (98.4 ft)	100934-30
Sensor cables, 5 m (16.4 ft), includes: Power/4-20mA sensor cable and RS-232 sensor cable	LXZ449.99.02G05
Sensor cables, 10 m (32.8 ft), includes: Power/4-20mA sensor cable and RS-232 sensor cable	LXZ449.99.02G10
Sensor cables, 30 m (98.4 ft), includes: Power/4-20mA sensor cable and RS-232 sensor cable	LXZ449.99.02G30
Sensor cables with cable guard, 5 m (16.4 ft), includes: Power/4-20mA sensor cable, RS-232 sensor cable, cable guard, cable pull-through tool, 3-m (10-ft) chain and carabiners	LXZ449.99.02L05
Sensor cables with cable guard, 10 m (32.8 ft), includes: Power/4-20mA sensor cable, RS-232 sensor cable, cable guard, cable pull-through tool, 3-m (10-ft) chain and carabiners	LXZ449.99.02L10
Sensor cables, 30 m (98.4 ft), includes: Power/4-20mA sensor cable, RS-232 sensor cable, cable guard, cable pull-through tool, 3-m (10-ft) chain and carabiners	LXZ449.99.02L30
Tee for inline mounting, 1 ¼-inch BSPT	LXZ449.99.00001
Tee for inline mounting, 1 ¼-inch NPT	LXZ449.99.00022

Table des matières

- 1 [Spécifications](#) à la page 25
- 2 [Généralités](#) à la page 27
- 3 [Fixer la protection de câble](#) à la page 32
- 4 [Installation](#) à la page 34
- 5 [Entretien](#) à la page 42
- 6 [Dépannage](#) à la page 44
- 7 [Pièces et accessoires](#) à la page 45

Section 1 Spécifications

Les spécifications peuvent être modifiées sans préavis.

Tableau 1 Caractéristiques générales


Spécification	Détails
Dimensions (L x P)	240 mm (9,4 po), Ø 48,3 mm (1,9 po)
Poids	1,36 kg (3,00 lb)
Boîtier	Acier inoxydable EN 1.4404 (316L), IP68
Montage	Librement suspendu, dans la conduite ou dans la cellule de débit d'air
Niveau de pollution	2 (capteur), 4 (environnement d'installation)
Classe de protection	III
Catégorie de surtension	I
Conditions environnementales	Utilisation en intérieur et en extérieur
Alimentation électrique requise	12 à 28 V CC (boucle de 4 - 20 mA) fournis par l'émetteur de terrain CAx440EX, une passerelle SC numérique CDx440sc ou un appareil
Température de fonctionnement	0 à 40 °C (32 à 104 °F)
Température de stockage	0 à 60 °C
Humidité	0 à 100 % d'humidité relative
Altitude	2 000 m (6 562 pi) maximum
Profondeur dans l'eau	10 m (32,8 pi) maximum
pH de l'eau	pH 9 maximum ; H ₂ S entièrement converti en sulfure non détectable au-dessus du pH 9.
Pression	3 bar (44 psi) maximum
Gaz d'étalonnage	1 000 ppm
Câbles	Polyuréthane, IP68 ; 5, 10 ou 30 m (16,4, 32,8 ou 98,4 pi)
Signaux de sortie	RS-232 et 4 - 20 mA
Plage de 4 - 20 mA	0 - 5 mg/L ou 0 - 1 000 ppm (peut être configuré par l'utilisateur)
Certifications - GS1440 et GS2440EX	CE, UKCA, FCC, ISED, RCM, KC
ATEX-GS2440EX	Certificat : ETL22ATEX0113X  II 1 G Ex ia IIC T4 Ga Puissance/4-20 mA : Ui : 30 V, li : 100 mA, Ci : 22 nF Li : 100 µH Pi : 0.70 W RS-232 : Ui : 20 V, li : 100mA, Ci : 0 nF Li : 0 µH, Pi : 0.30 W Température ambiante : -20 à +60 °C

Tableau 1 Caractéristiques générales (suite)


Spécification	Détails
UKEX-GS2440EX	Certificat : ITS22UKEX0506X  II 1 G Ex ia IIC T4 Ga -20 °C ≤ Ta ≤ +60 °C
IECEX-GS2440EX	Certificat : IECEX ETL 22.0003X Ex ia IIC T4 Ga Température ambiante : -20 à +60 °C
Amérique du Nord - GS2440EX	Certificat : ETL21CA104799609X Classe I Zone 0 AEx ia IIC T4 Ga Classe I Division 1 Groupes A-D T4 Ex ia IIC T4 Ga Température ambiante : -20 à +60 °C
Garantie	1 an

Tableau 2 Caractéristiques relatives aux performances

Spécification	Détails
Plage de mesure dans l'eau	0 à 5 mg/L H ₂ S
Plage de mesure dans l'air	0 à 1 000 ppm H ₂ S
Exactitude	± 5 % de la pleine échelle (précision de mesure discrète, purge en 90 secondes de l'étalon H ₂ S de 1 000 ± 20 ppm après un étalonnage en un point)
Temps de réponse (t90)	< 30 secondes
Limite de détection	1 % de la pleine échelle

Tableau 3 Interférences

Gaz	Niveau d'interférence dans un gaz (%) ¹	Niveau d'interférence dans un liquide (%) ²	Gaz	Niveau d'interférence dans un gaz (%) ¹	Niveau d'interférence dans un liquide (%) ²
Méthane (CH ₄)	0	0	Hydrogène (H ₂)	0,8	96
Dioxyde de carbone (CO ₂)	0	0	Monoxyde de carbone (CO)	0,6	77
Azote (N ₂)	0	0	Sulfure de diméthyle ((CH ₃) ₂ S)	18	18
Oxygène (O ₂)	0	0	Méthanethiol (CH ₃ SH)	174	44
Air (O ₂ , N ₂ , Ar)	0	0	Ethanethiol (C ₂ H ₆ S)	13	14
Oxyde nitreux (N ₂ O)	0	0	Dioxyde de soufre (SO ₂)	40	1
Ammoniac (NH ₃)	0	0			

¹ Donné sous forme de signal pour les substances interférentes en % de signal H₂S à des pressions partielles égales.

² Donné sous forme de signal pour les substances interférentes en % de signal H₂S à des concentrations molaires égales.

Section 2 Généralités

En aucun cas le fabricant ne pourra être tenu responsable des dommages résultant d'une utilisation incorrecte du produit ou du non-respect des instructions du manuel. Le constructeur se réserve le droit d'apporter des modifications à ce manuel et aux produits décrits, à tout moment, sans avertissement ni obligation. Les éditions révisées se trouvent sur le site Internet du fabricant.

2.1 Consignes de sécurité

Le fabricant décline toute responsabilité quant aux dégâts liés à une application ou un usage inappropriés de ce produit, y compris, sans toutefois s'y limiter, des dommages directs ou indirects, ainsi que des dommages consécutifs, et rejette toute responsabilité quant à ces dommages dans la mesure où la loi applicable le permet. L'utilisateur est seul responsable de la vérification des risques d'application critiques et de la mise en place de mécanismes de protection des processus en cas de défaillance de l'équipement.

Veillez lire l'ensemble du manuel avant le déballage, la configuration ou la mise en fonctionnement de cet appareil. Respectez toutes les déclarations de prudence et d'attention. Le non-respect de cette procédure peut conduire à des blessures graves de l'opérateur ou à des dégâts sur le matériel. Assurez-vous que la protection fournie par cet équipement n'est pas compromise. Ne pas utiliser ou installer cet équipement autrement qu'indiqué dans le présent manuel.

2.1.1 Informations sur les risques d'utilisation

DANGER

Indique une situation de danger potentiel ou imminent qui, si elle n'est pas évitée, entraîne des blessures graves, voire mortelles.

AVERTISSEMENT

Indique une situation de danger potentiel ou imminent qui, si elle n'est pas évitée, peut entraîner des blessures graves, voire mortelles.

ATTENTION



Indique une situation de danger potentiel qui peut entraîner des blessures mineures ou légères.

AVIS

Indique une situation qui, si elle n'est pas évitée, peut occasionner l'endommagement du matériel. Informations nécessitant une attention particulière.

2.1.2 Etiquettes de mise en garde

Lisez toutes les informations et toutes les étiquettes apposées sur l'appareil. Des personnes peuvent se blesser et le matériel peut être endommagé si ces instructions ne sont pas respectées. Tout symbole sur l'appareil renvoie à une instruction de mise en garde dans le manuel.

	Si l'appareil comporte ce symbole, reportez-vous au manuel d'instructions pour consulter les informations de fonctionnement et de sécurité.
	Le matériel électrique portant ce symbole ne doit pas être mis au rebut dans les réseaux domestiques ou publics européens. Retournez le matériel usé ou en fin de vie au fabricant pour une mise au rebut sans frais pour l'utilisateur.

2.1.3 Précautions concernant l'espace confiné

▲ DANGER



Risque d'explosion. Une formation portant sur les tests de pré-entrée, la ventilation, les procédures d'entrée, les procédures d'évacuation/de sauvetage et les mesures de sécurité est nécessaire avant d'entrer dans des lieux confinés.

Les informations suivantes sont fournies dans le but d'aider les utilisateurs à appréhender les dangers et les risques associés aux espaces confinés.

Le 15 avril 1993, le règlement final de l'OSHA concernant le CFR 1910.146, Permit Required Confined Spaces (Espaces confinés nécessitant l'autorisation), est devenue une loi. Cette norme affecte directement plus de 250 000 sites industriels aux États-Unis et a été rédigée dans le but de protéger la santé et la sécurité des travailleurs en espace confiné.

Définition d'un espace confiné :

Tout endroit ou clôture qui présente (ou est susceptible de présenter) une ou plusieurs des conditions suivantes :

- Une atmosphère qui contient une concentration d'oxygène inférieure à 19,5 % ou supérieure à 23,5 % et/ou une concentration de sulfure d'hydrogène (H₂S) supérieure à 10 ppm.
- Une atmosphère qui peut être inflammable ou explosive en présence de gaz, vapeurs, brumes, poussières ou fibres.
- Des matériaux toxiques qui, en cas de contact ou d'inhalation, sont susceptibles d'occasionner des blessures, des problèmes de santé ou la mort.

Les espaces confinés ne sont pas conçus pour l'occupation humaine. Les espaces confinés disposent d'un accès limité et présentent des risques connus ou potentiels. Les trous d'homme, les colonnes, les tuyaux, les cuves, les chambres de commutation et autres emplacements similaires sont des exemples d'espaces confinés.

Il convient de toujours suivre les procédures de sécurité standard avant d'entrer dans des espaces et/ou des endroits confinés soumis à des gaz dangereux, des vapeurs, des brumes, des poussières ou des fibres. Avant de pénétrer dans un espace confiné, veuillez lire l'ensemble des procédures liées à l'accès.

2.2 Conformité et certification

▲ ATTENTION

Cet équipement n'est pas conçu pour être utilisé dans des environnements résidentiels et peut ne pas offrir une protection adéquate à la réception radio dans de tels environnements.

Règlement canadien sur les équipements causant des interférences radio, ICES-003, Classe A :

Les données d'essai correspondantes sont conservées chez le constructeur.

Cet appareil numérique de classe A respecte toutes les exigences du Règlement sur le matériel brouilleur du Canada.

Cet appareil numérique de classe A répond à toutes les exigences de la réglementation canadienne sur les équipements provoquant des interférences.

FCC part 15, limites de classe A :

Les données d'essai correspondantes sont conservées chez le constructeur. L'appareil est conforme à la partie 15 de la réglementation FCC. Le fonctionnement est soumis aux conditions suivantes :

1. Cet équipement ne peut pas causer d'interférence nuisible.
2. Cet équipement doit accepter toutes les interférences reçues, y compris celles qui pourraient entraîner un fonctionnement inattendu.

Les modifications de cet équipement qui n'ont pas été expressément approuvées par le responsable de la conformité pourraient annuler l'autorité dont l'utilisateur dispose pour utiliser cet équipement. Cet équipement a été testé et déclaré conforme aux limites définies pour les appareils numériques

de classe A, conformément à la section 15 de la réglementation FCC. Ces limites ont pour but de fournir une protection raisonnable contre les interférences néfastes lorsque l'équipement fonctionne dans un environnement commercial. Cet équipement génère, utilise et peut irradier l'énergie des fréquences radio et, s'il n'est pas installé ou utilisé conformément au mode d'emploi, il peut entraîner des interférences dangereuses pour les communications radio. Le fonctionnement de cet équipement dans une zone résidentielle risque de causer des interférences nuisibles, dans ce cas l'utilisateur doit corriger les interférences à ses frais. Les techniques ci-dessous peuvent permettre de réduire les problèmes d'interférences :

1. Débrancher l'équipement de la prise de courant pour vérifier s'il est ou non la source des perturbations
2. Si l'équipement est branché sur le même circuit de prises que l'appareil qui subit des interférences, branchez l'équipement sur un circuit différent.
3. Eloigner l'équipement du dispositif qui reçoit l'interférence.
4. Repositionner l'antenne de réception du périphérique qui reçoit les interférences.
5. Essayer plusieurs des techniques ci-dessus à la fois.

2.2.1 Environnements dangereux

▲ AVERTISSEMENT	
	Risque d'explosion. Le capteur GS1440 n'est pas homologué pour une utilisation dans un emplacement dangereux.

Le capteur GS2440EX est conforme aux normes ATEX (Union européenne), UKEX (Royaume-Uni), IECEx et aux normes nord-américaines (Etats-Unis/Canada) relatives aux emplacements dangereux. Voir la section [Tableau 1](#) à la page 25. Il est important que l'utilisateur respecte toutes les conditions d'utilisation afin d'assurer la conformité aux normes de sécurité.

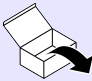

- Le capteur GS2440EX est une pièce métallique isolée avec une capacité maximale de 97,2 pF sur les vis du boîtier. Veillez à utiliser des conditions de mise à la terre ou d'installation empêchant les charges électrostatiques du capteur GS2440EX. Reportez-vous au manuel d'instructions du fabricant pour savoir comment éviter les charges électrostatiques.
- Le capteur GS2440EX ne doit pas être démonté.
- Si le capteur GS2440EX est installé dans un emplacement dangereux, il relève de la responsabilité de l'utilisateur final de sélectionner les barrières correctes à utiliser avec le capteur.
- Respectez toutes les spécifications des certificats de classification ATEX, UKEX, IECEx et nord-américains, ainsi que les réglementations nationales et locales.
- Respectez les avertissements de sécurité des autres équipements à sécurité intrinsèque (Ex) installés à proximité du capteur.

2.2.2 EMI (interférence électromagnétique)

Les capteurs GS1140 et GS2440EX sont conformes aux certifications suivantes :

- Directive européenne CEM 2014/30/UE
- Réglementations UKCA sur la compatibilité électromagnétique de 2016
- FCC Partie 15B
- ICES-003


2.3 Icônes utilisées dans les images

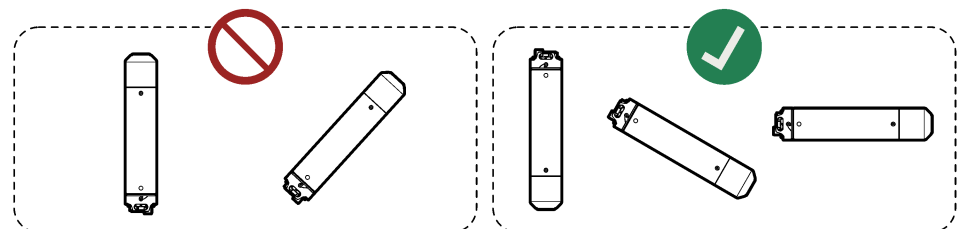
	
Pièces fournies par le fabricant	Ne pas utiliser d'outils

2.4 Usage prévu

Les capteurs GS1440 et GS2440EX sont destinés aux professionnels du traitement des eaux usées ; ils leur permettent de surveiller les niveaux de sulfure d'hydrogène (H_2S) dans les liquides et l'air. Les capteurs GS1440 et GS2440EX ne sont pas conçus pour mesurer d'autres types de sulfure dissous tels que HS^- ou S^{2-} . En général, ils sont principalement utilisés dans les installations de traitement et de collecte des eaux usées, ainsi que dans les systèmes de transport des eaux usées.

2.5 Présentation du produit

⚠ DANGER	
	N'utilisez pas le capteur GS1440 ou GS2440EX comme dispositif de sécurité pour identifier la concentration en sulfure d'hydrogène dans une zone. Respectez toutes les réglementations en vigueur et les précautions en matière de santé et de sécurité au travail avant de pénétrer dans des espaces confinés ou des environnements toxiques dangereux. Demandez conseil au service santé et sécurité au travail sur votre lieu de travail ou à l'organisme de réglementation gouvernemental afin d'identifier les dangers éventuels et les normes de sécurité.
AVIS	
Ne dirigez pas l'extrémité de mesure du capteur vers le haut car cela pourrait endommager le capteur (p. ex. lors du stockage, du transport, de l'étalonnage, de l'installation et du fonctionnement). Maintenez le capteur à une température de 0 à 40 °C (32 à 104 °F), sinon le capteur sera endommagé.	

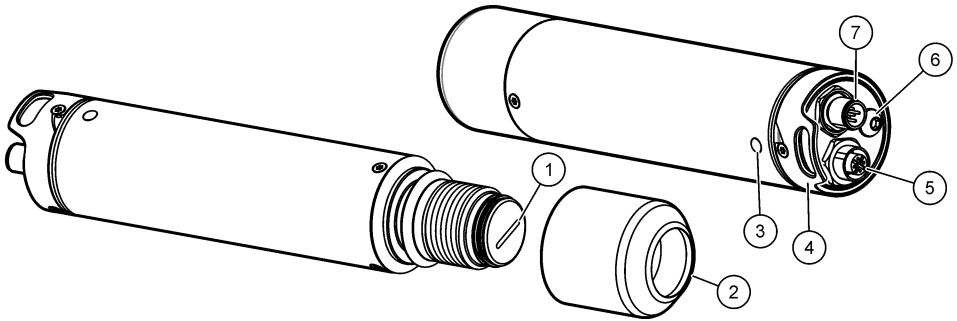


Les capteurs GS1440 et GS2440EX mesurent en permanence la concentration en sulfure d'hydrogène (H_2S) dans les liquides et l'air. Voir la section [Figure 1](#).

Le capteur est utilisé avec un appareil qui fournit une alimentation en boucle de 4 - 20 mA au capteur et reçoit les mesures du capteur sous forme de signal analogique de 4 - 20 mA ou de signal numérique RS-232.

Le capteur GS1440 est conçu pour une utilisation dans des emplacements non dangereux. Le capteur GS2440EX est conçu pour une utilisation dans des emplacements dangereux.

Figure 1 GS1440 et GS2440EX



1 Membrane	5 Connecteur RS-232
2 Capuchon de la sonde	6 Vis de mise à la terre (M6)
3 LED d'état ³ (Tableau 4)	7 Alimentation/Connecteur 4 - 20 mA
4 Crochet de fixation	

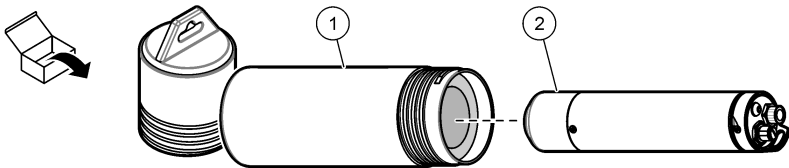
Tableau 4 LED d'état

Couleur	Etat
Vert, clignote une fois	La sortie analogique de 4 - 20 mA représente 0 - 5 mg/L (liquides).
Vert, clignote deux fois	La sortie analogique de 4 - 20 mA représente 0 - 1 000 ppm (air).
Vert et rouge clignotent	Le capteur est en mode étalonnage/configuration.
Rouge, clignote	Temporaire (avec bouchon d'étalonnage en place) : l'étalonnage n'a pas réussi. Continu (sans bouchon d'étalonnage en place) : il y a un problème avec le capteur.

2.6 Composants du produit

Assurez-vous d'avoir bien reçu tous les composants. Reportez-vous à [Figure 2](#). Si un élément est absent ou endommagé, contactez immédiatement le fabricant ou un représentant.

Figure 2 Composants du produit



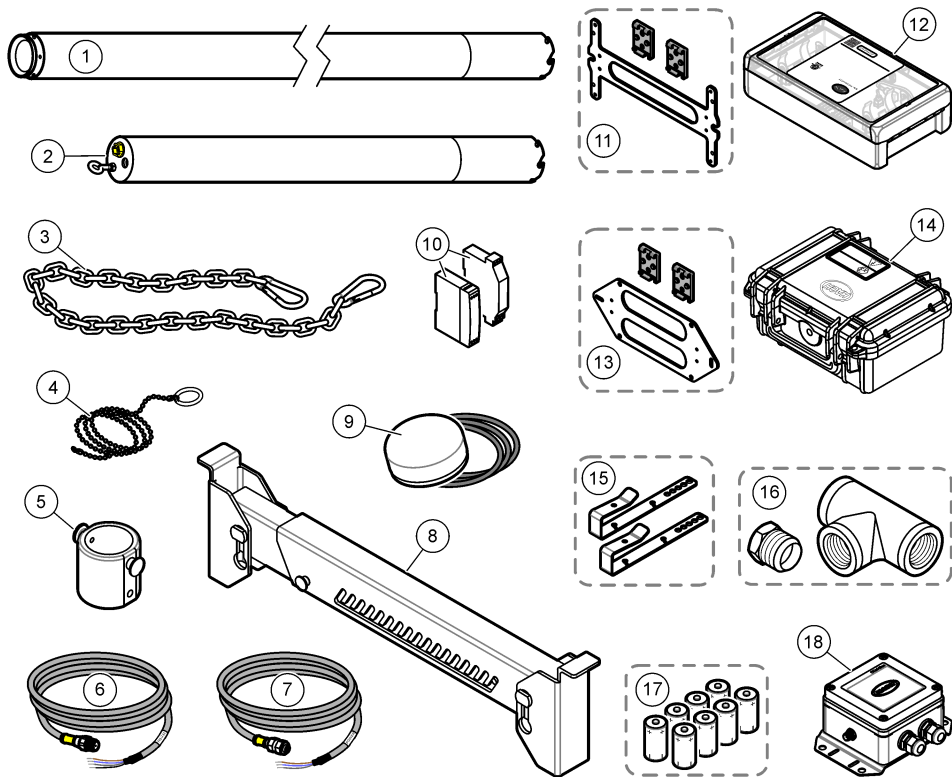
1 Tube de stockage	2 Capteur GS1440 ou GS2440EX
--------------------	------------------------------

2.7 Accessoires

[Figure 3](#) montre les accessoires pour le capteur. Référez-vous à la section [Pièces et accessoires](#) à la page 45 pour les modalités de commande.

³ La LED d'état continue de clignoter tant que le capteur est alimenté.

Figure 3 Accessoires



1 Extension de protection de câble	10 Alimentation/Barrière de 4 - 20 mA avec alimentation
2 Protection de câble	11 Support de montage mural ou sur rail DIN, Etats-Unis et Canada
3 Chaîne de suspension avec mousquetons	12 Emetteur de terrain CAX440EX, Etats-Unis et Canada
4 Outil d'acheminement de câble	13 Support de montage mural ou sur rail DIN, Union européenne et Royaume-Uni
5 Cellule de débit d'air	14 Emetteur de terrain CAX440EX, Union européenne et Royaume-Uni
6 Câble de capteur RS-232	15 Pincettes de traverse
7 Alimentation/Câble de capteur 4 - 20 mA	16 Adaptateur de montage en ligne et té, 1 ¼ pouce BSPT ou NPT
8 Traverse de regard	17 Piles de l'émetteur de terrain CAX440EX (non rechargeables)
9 Antenne externe pour émetteur de terrain CAX440EX	18 Passerelle CDx440sc pour contrôleur SC

Section 3 Fixer la protection de câble

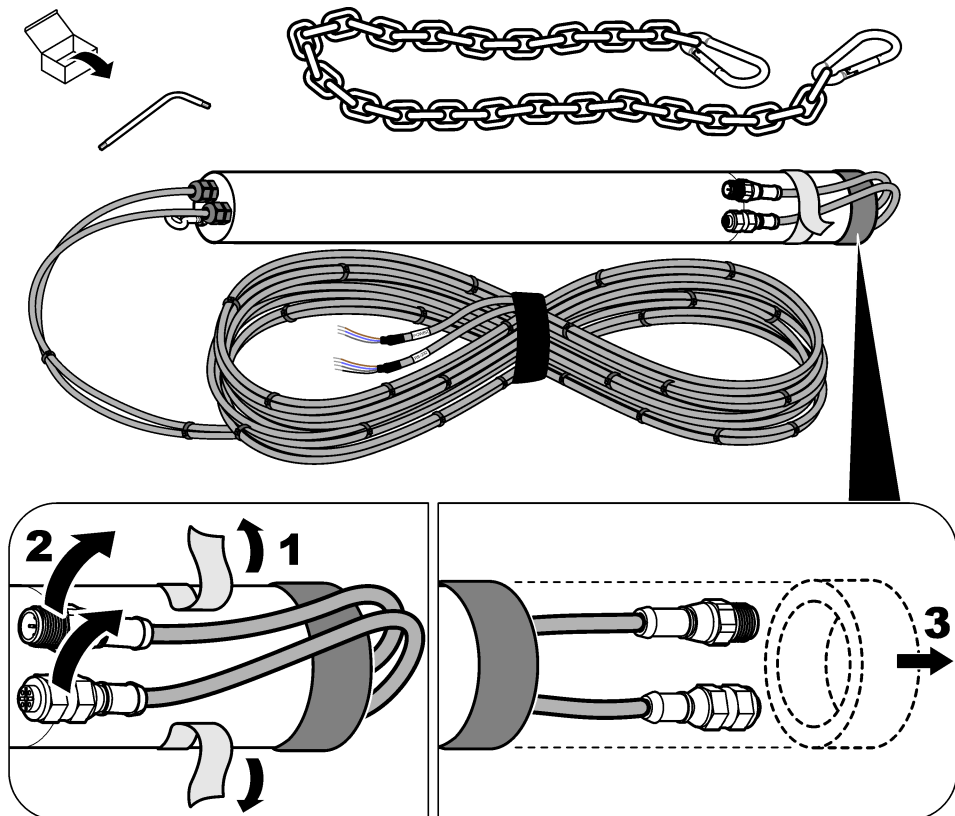
Si le capteur doit être installé dans l'eau (ou si le capteur pourrait se retrouver immergé suite à l'augmentation du niveau d'eau), fixez la protection de câble sur le capteur afin d'empêcher tout dommage au niveau des connecteurs et des câbles du capteur.

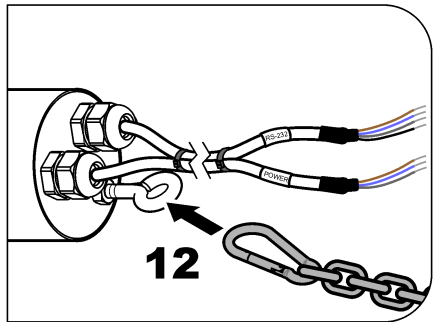
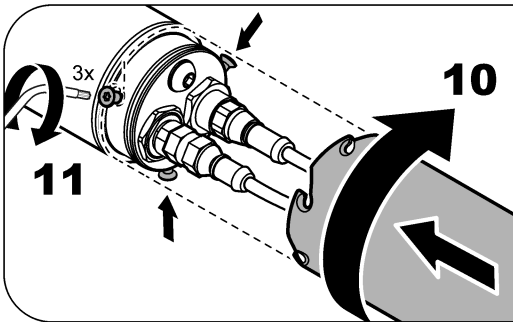
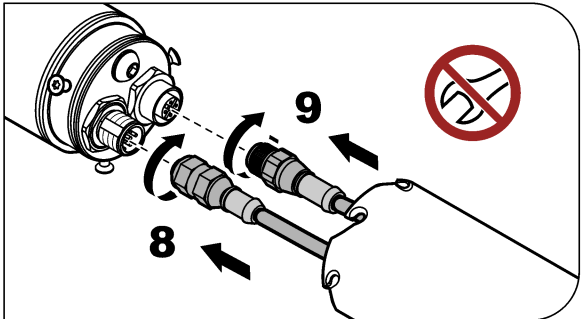
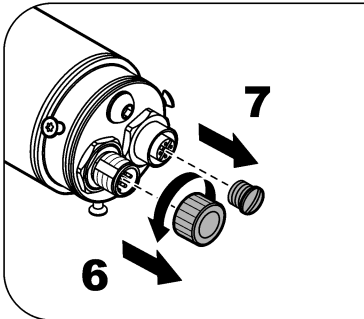
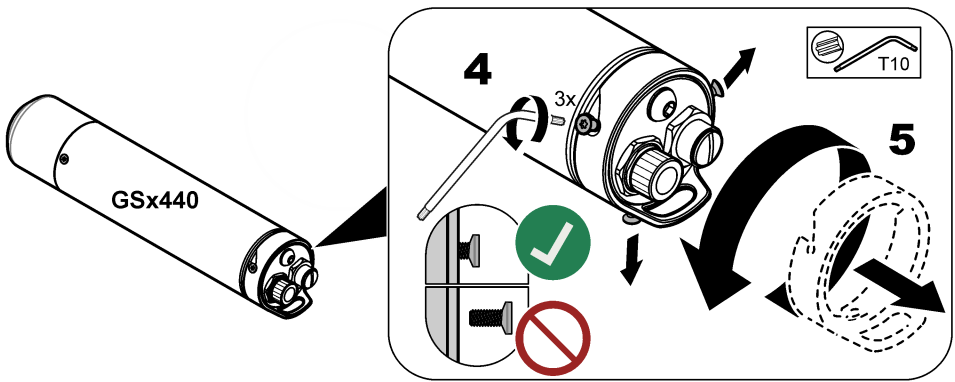
Si les câbles du capteur sont déjà installés dans la protection de câble, reportez-vous aux étapes illustrées dans la section [Figure 4](#) pour fixer les câbles du capteur et la protection de câble.

Si les câbles du capteur ne sont pas installés dans la protection de câble, reportez-vous aux instructions fournies avec la protection de câble pour installer les câbles du capteur dans la protection de câble et fixer les câbles du capteur et la protection de câble.

Remarque : Pour effectuer des mesures dans l'eau là où de fortes variations de profondeur peuvent se produire (p. ex. dans les puits ou les réservoirs), fixez l'extension de protection de câble en option (article 1, [Figure 3](#) à la page 32) puis la protection de câble au capteur. Veuillez vous référer aux instructions fournies avec l'extension de protection de câble.

Figure 4 Fixer la protection de câble





Section 4 Installation

⚠ DANGER



Risque d'explosion. Seul le personnel formé est autorisé à installer ou à mettre en service l'équipement.

4.1 Installation électrique

▲ AVERTISSEMENT

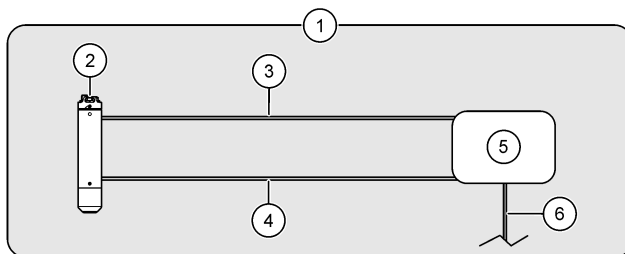


Les figures suivantes montrent les différentes options d'installation du capteur dans un emplacement non dangereux. Pour installer le capteur GS2440EX dans un emplacement dangereux, reportez-vous aux instructions des documents *GS2440EX Hazardous Location Safety Precautions* et *Cx440EX Field Transmitter Hazardous Location Safety Precautions*.

Connectez le capteur à l'une des options suivantes :

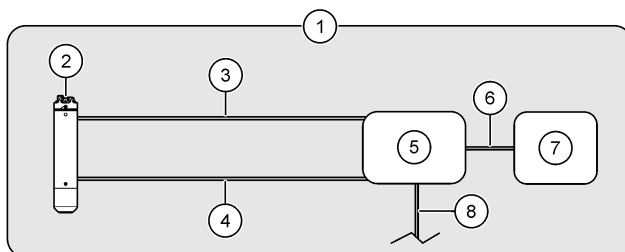
- Emetteur de terrain Cx440EX -[Figure 5](#)
- Emetteur de terrain Cx440EX et un appareil -[Figure 6](#)
- Passerelle CDx440sc et un contrôleur SC -[Figure 7](#)
- Appareil -[Figure 8](#)

Figure 5 Emetteur de terrain Cx440EX



1 Zone non dangereuse	4 Câble de capteur RS-232
2 Capteur	5 Emetteur de terrain
3 Alimentation/Câble de capteur 4 - 20 mA	6 Câble d'alimentation CC (en option, fourni par l'utilisateur) ⁴

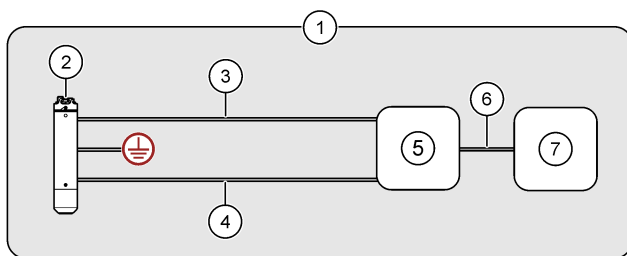
Figure 6 Emetteur de terrain Cx440EX et un appareil



1 Zone non dangereuse	5 Emetteur de terrain
2 Capteur	6 Câble de l'appareil, sortie analogique de 4 - 20 mA du capteur (fournis par l'utilisateur)
3 Alimentation/Câble de capteur 4 - 20 mA	7 Appareil (p. ex. SCADA ou PLC)
4 Câble de capteur RS-232	8 Câble d'alimentation CC (en option, fourni par l'utilisateur) ⁴

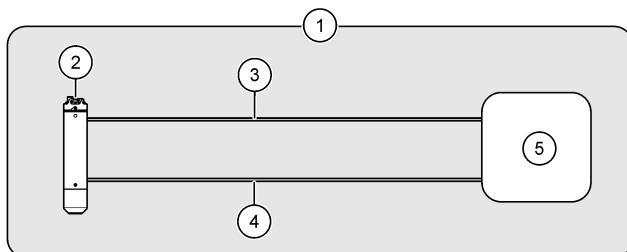
⁴ Une alimentation CC peut être utilisée comme alternative aux piles ou avec des piles dans l'émetteur de terrain. Veuillez vous référer à la documentation relative à l'émetteur de terrain Cx440EX pour les instructions.

Figure 7 Passerelle CDx440sc et un contrôleur SC



1 Zone non dangereuse	5 Passerelle CDx440sc
2 Capteur	6 Câble d'extension numérique
3 Alimentation/Câble de capteur 4 - 20 mA	7 Transmetteur SC
4 Câble RS-232	

Figure 8 Appareil - Communication directe analogique (4 - 20 mA) ou numérique (RS-232)



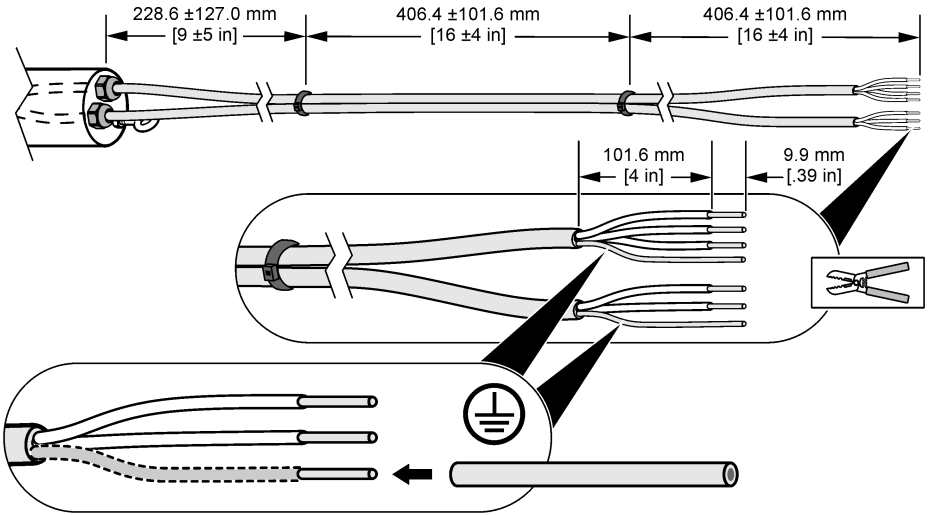
1 Zone non dangereuse	4 Câble RS-232 (en option)
2 Capteur	5 Appareil (p. ex. SCADA ou PLC)
3 Alimentation/Câble du capteur de 4 - 20 mA (12 à 28 V CC, alimentation en boucle de 4 - 20 mA)	

4.1.1 Couper le câble du capteur (en option)

Si nécessaire, coupez le(s) câble(s) du capteur pour en réduire la longueur. Après avoir coupé le(s) câble(s) du capteur, préparez les fils du capteur comme indiqué dans la section [Figure 9](#). Veillez à recouvrir le fil dénudé des deux fils de blindage avec de l'isolant.

Remarque : Lorsque deux câbles de capteur sont utilisés, ils doivent être attachés l'un à l'autre avec des attaches zip pour conserver l'indice de conformité CEM, à moins que les câbles de capteur ne soient installés dans un conduit.

Figure 9 Préparer les fils du câble du capteur



4.1.2 Informations de câblage

Pour raccorder le capteur à l'émetteur de terrain (ou l'émetteur de terrain à un appareil), veuillez vous référer à la documentation relative à l'émetteur de terrain CAX440EX pour obtenir les informations de câblage.

Pour raccorder le capteur à une passerelle CDx440sc et à un contrôleur SC, reportez-vous à la documentation de la passerelle CDx440sc afin d'obtenir des informations relatives au câblage.

Pour raccorder le capteur uniquement à un appareil, veuillez vous référer au [Tableau 5](#) et au [Tableau 6](#).

Tableau 5 Alimentation/Câble de capteur 4 - 20 mA

Broche de connecteur	Couleur du fil	Signal
1	Marron	Positif (12 à 28 V CC, alimentation en boucle de 4 - 20 mA)
2	Blanc	Non utilisé
3	Bleu	Négatif
4	Noir	Non utilisé
5	Argent	Blindage

Tableau 6 Câble de capteur RS-232

Broche de connecteur	Couleur du fil	Signal
1	Marron	Capteur RXD (réception)
2	Blanc	Non utilisé
3	Bleu	Capteur TXD (transmission)
4	Noir	GND (terre)
5	Argent	Blindage

4.2 Etalonnage

Le capteur doit être étalonné avant la première utilisation. Ensuite, étalonnez à nouveau le capteur tous les mois pour garantir une précision optimale. Reportez-vous aux instructions d'étalonnage fournies avec le kit d'étalonnage vendu par CertGas (<https://certgas.com>).

Avant de procéder à l'étalonnage, assurez-vous que les affirmations suivantes sont vraies :

- L'emplacement de mesure se trouve dans la plage de température de fonctionnement du capteur. Voir la section [Tableau 1](#) à la page 25.
- Le capteur est propre. Voir [Examiner et nettoyer le capteur](#) à la page 42.
- L'alimentation/le câble du capteur de 4 - 20 mA alimente le capteur.
- Le câble du capteur RS-232 est connecté au capteur, le cas échéant.

Remarque : *Le capteur peut être étalonné moins souvent (tous les 2 à 3 mois). Cependant, des étalonnages plus fréquents permettent d'augmenter la précision du capteur.*

Remarque : *Un étalonnage plus fréquent peut s'avérer nécessaire pour les capteurs immergés dans des endroits très sales (par exemple, en aval du dosage).*

4.3 Modifier les unités de mesure de la sortie de 4 - 20 mA

La LED d'état qui se trouve sur le capteur indique les unités de mesure qui sont actuellement représentées par la sortie analogique de 4 - 20 mA. Voir la section [Tableau 7](#).

Lorsque seul(e) l'alimentation/le câble du capteur de 4 - 20 mA est utilisé(e) pour la communication (sans câble du capteur RS-232), modifiez les unités de mesure représentées par la sortie analogique de 4 - 20 mA afin qu'elles soient adaptées au type de mesure : mg/L (mesures de liquide) ou ppm (mesures de l'air).

Pour modifier les unités de mesure, procédez comme suit :

Remarque : *Cette procédure ne modifie pas le signal RS-232 provenant du capteur.*

1. Éliminez les matériaux indésirables qui se sont accumulés sur le capteur. Voir [Examiner et nettoyer le capteur](#) à la page 42.
2. Débranchez les câbles du capteur.
3. Installez le bouchon d'étalonnage sur le capteur. Reportez-vous aux instructions fournies avec le bouchon d'étalonnage et le régulateur de débit pour réaliser une installation correcte.
4. Connectez l'alimentation/le câble de 4 - 20 mA au capteur. Assurez-vous que l'alimentation/le câble de capteur de 4 - 20 mA alimente bien le capteur.
5. Lorsque la LED d'état du capteur clignote en rouge et en vert, retirez le bouchon d'étalonnage du capteur.

La LED d'état clignote à nouveau en vert pour indiquer les nouvelles unités de mesure.

Tableau 7 LED d'état

Couleur	Unités de mesure
Vert, clignote une fois	0 - 5 mg/L, mesures de liquide
Vert, clignote deux fois	0 - 1 000 ppm, mesures de l'air

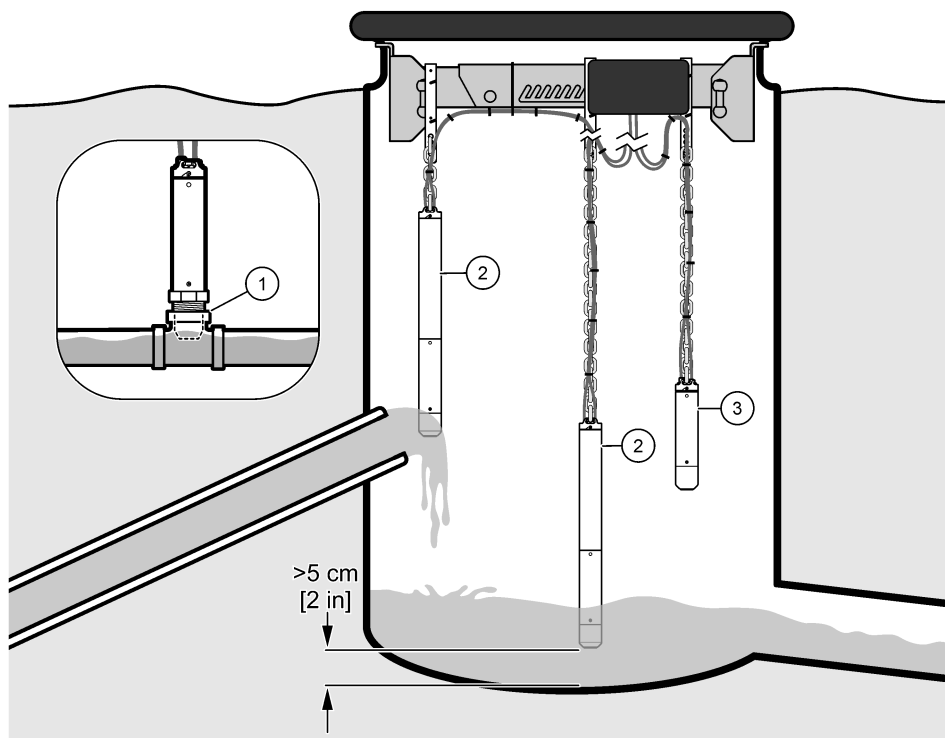
4.4 Installation mécanique

4.4.1 Options d'installation

La [Figure 10](#) et la [Figure 11](#) montrent les différentes options d'installation du capteur.

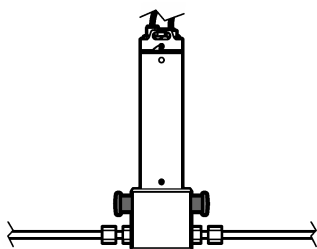
Remarque : *Ne fixez pas le capteur à un mur car des dépôts et des morceaux de tissu s'accumuleront dessus.*

Figure 10 En ligne ou librement suspendu



1 En ligne	3 Librement suspendu dans l'air
2 Librement suspendu dans un liquide	

Figure 11 Raccordé à une conduite d'air de dérivation




4.4.2 Consignes d'installation

- Eloignez le capteur de la lumière directe du soleil, des sources de chaleur, des produits chimiques ou des gaz corrosifs (à l'exception du H₂S), et évitez les impacts mécaniques, les matériaux abrasifs, les vibrations, les chocs, la poussière et les émissions radioactives.
- N'utilisez pas le capteur en dehors des paramètres électriques, mécaniques et thermiques spécifiés, ni en dehors de la plage de mesure. Voir [Spécifications](#) à la page 25.
- Si le capteur doit être installé dans l'eau (ou si le capteur pourrait se retrouver immergé suite à l'augmentation du niveau d'eau), fixez la protection de câble sur le capteur afin d'empêcher tout

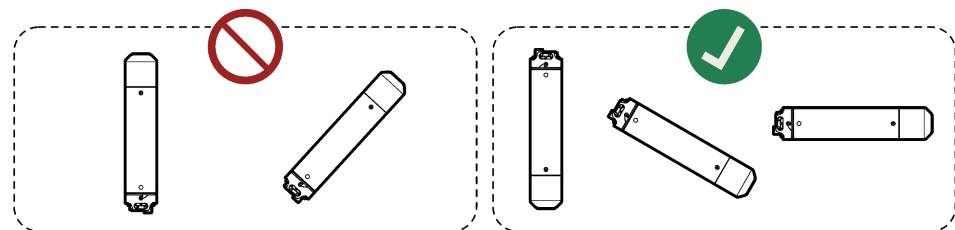
dommage au niveau des connecteurs et des câbles du capteur. Voir [Fixer la protection de câble](#) à la page 32.

- Pour obtenir les mesures les plus précises possibles, mesurez la concentration en sulfure d'hydrogène dans l'eau, et non dans l'air.⁵
- Dans un système par gravité, mesurez aussi près que possible de l'extrémité d'une conduite d'eau pressurisée afin d'obtenir une mesure précise de la concentration initiale en sulfure d'hydrogène. Du sulfure d'hydrogène dissous s'échappe de l'eau lorsque l'eau pénètre dans un puits aéré.
- Pour les mesures dans l'air, installez le capteur de manière à ce que l'extrémité de mesure du capteur soit plus haute que le niveau de l'eau en cas de crues, pour éviter que des matériaux indésirables ne viennent s'accumuler sur le capteur.
- Installez le capteur dans un emplacement où le débit et les turbulences autour du capteur sont suffisants pour éviter que des matériaux indésirables ne viennent s'accumuler sur le capteur.
- Tenez le capteur à l'écart des eaux stagnantes, afin d'éviter tout encrassement biologique.

4.4.3 Installation du capteur

▲ DANGER	
	Risque d'exposition au gaz. Le sulfure d'hydrogène est un gaz hautement toxique. Enfilez l'équipement de protection individuelle identifié dans la fiche de données de sécurité (MSDS/SDS). Consultez les fiches de données de sécurité (MSDS/SDS) à jour pour connaître les protocoles de sécurité applicables.

AVIS
Ne dirigez pas l'extrémité de mesure du capteur vers le haut car cela pourrait endommager le capteur (p. ex. lors du stockage, du transport, de l'étalonnage, de l'installation et du fonctionnement).



AVIS
Si le capteur est installé librement suspendu, assurez-vous que l'installation empêche tout dommage au capteur. Ne laissez pas le capteur toucher des objets, des murs ou des surfaces de base.



⁵ Lorsque le sulfure d'hydrogène est mesuré dans l'eau, la mesure ne dépend pas des changements quotidiens des conditions de ventilation dans l'espace au-dessus de l'eau ni de l'emplacement où le capteur est installé.

Prérequis :

- Les câbles du capteur sont connectés au capteur ainsi qu'à un émetteur de terrain ou à un appareil. Voir [Installation électrique](#) à la page 35.
 - Le capteur a été étalonné à l'emplacement de la mesure. Voir [Etalonnage](#) à la page 38.
 - Si le capteur doit être installé dans l'eau (ou si le capteur pourrait se retrouver immergé suite à l'augmentation du niveau d'eau), la protection de câble est fixée sur le capteur. Voir [Fixer la protection de câble](#) à la page 32.
 - Les unités de mesure représentées par la sortie analogique de 4 - 20 mA sont adaptées au type de mesure : mg/L (mesures de liquide) ou ppm (mesures de l'air). Voir [Modifier les unités de mesure de la sortie de 4 - 20 mA](#) à la page 38.
1. Pour une installation dans l'eau, procédez comme suit :
 - a. (en option, recommandé) Raccordez l'anneau de levage sur la protection de câble à la terre conformément aux exigences locales, régionales et nationales.
Pour une installation dans un emplacement dangereux, reportez-vous au document *Précautions de sécurité relatives aux emplacements dangereux GS2440EX* afin de connaître les exigences de mise à la terre.
 - b. Fixez la chaîne à l'anneau de levage sur la protection de câble.
 - c. Fixez l'autre extrémité de la chaîne à un objet immobile qui se trouve directement au-dessus de l'eau (par exemple une grille métallique, une traverse ou des pinces de traverse pour l'émetteur de terrain).
 - d. Abaissez le capteur dans l'eau. Maintenez les câbles du capteur hors de l'eau.
 - e. Assurez-vous que le côté en amont du capteur se trouve dans un flux d'eau en mouvement, et pas auprès de murs.
 - f. Ajustez la longueur de la chaîne de sorte que la protection de câble soit en dehors de l'eau et que le capteur soit à 5 cm (2 pouces) minimum du bas du canal ou du puits.
 - g. S'il est possible que le capteur touche un mur ou tout autre objet, placez-le dans un tuyau en PVC de 70 mm (2,75 pouces) de diamètre ou plus. Assurez-vous que l'extrémité de mesure du capteur soit suspendue en dessous du tuyau en PVC.
Fixez le tuyau en PVC à un objet immobile se trouvant directement au-dessus de l'eau ou au côté du puits.
 - h. Enroulez les câbles lâches en formant une bobine. Utilisez des colliers de serrage pour maintenir les câbles en position.
 2. Pour une installation dans l'air, procédez comme suit :
 - a. (en option, recommandé) Raccordez la vis de mise à la terre sur le capteur à la terre conformément aux exigences locales, régionales et nationales.
Pour une installation dans un emplacement dangereux, reportez-vous au document *Précautions de sécurité relatives aux emplacements dangereux GS2440EX* afin de connaître les exigences de mise à la terre.
 - b. Fixez une chaîne (ou un câble en acier) au crochet de fixation du capteur.
 - c. Fixez l'autre extrémité de la chaîne (ou du câble en acier) à un objet immobile qui se trouve directement au-dessus de l'eau (par exemple une grille métallique, une traverse ou des pinces de traverse pour l'émetteur de terrain).
 - d. Abaissez le capteur.
 - e. Ajustez la longueur de la chaîne si nécessaire.
 - f. Enroulez les câbles lâches en formant une bobine. Utilisez des colliers de serrage pour maintenir les câbles en position. Maintenez les câbles du capteur hors de l'eau.
 3. Pour une installation dans une conduite d'eau pressurisée, installez l'adaptateur de montage en ligne en option. Reportez-vous aux instructions fournies avec l'adaptateur de montage en ligne.
 4. Pour une installation dans une conduite d'air pressurisée, raccordez une conduite d'air de dérivation à la cellule de débit d'air en option. Reportez-vous aux instructions fournies avec la cellule de débit d'air.

Section 5 Entretien

AVIS

Ne démontez pas, ne modifiez pas et ne réparez pas l'instrument. Si vous le démontez, le capteur sera endommagé et la garantie sera annulée. Si les composants internes doivent être réparés, veuillez contacter le fabricant.

5.1 Examiner et nettoyer le capteur

AVIS

Ne forcez pas et n'utilisez pas de matériaux abrasifs, de produits chimiques ou de nettoyeurs ou tuyaux haute pression pour nettoyer le capteur, car cela pourrait endommager l'extrémité de mesure du capteur.

Assurez-vous que l'extrémité de mesure du capteur n'est pas recouverte de matériaux indésirables à intervalles réguliers et avant l'étalonnage.

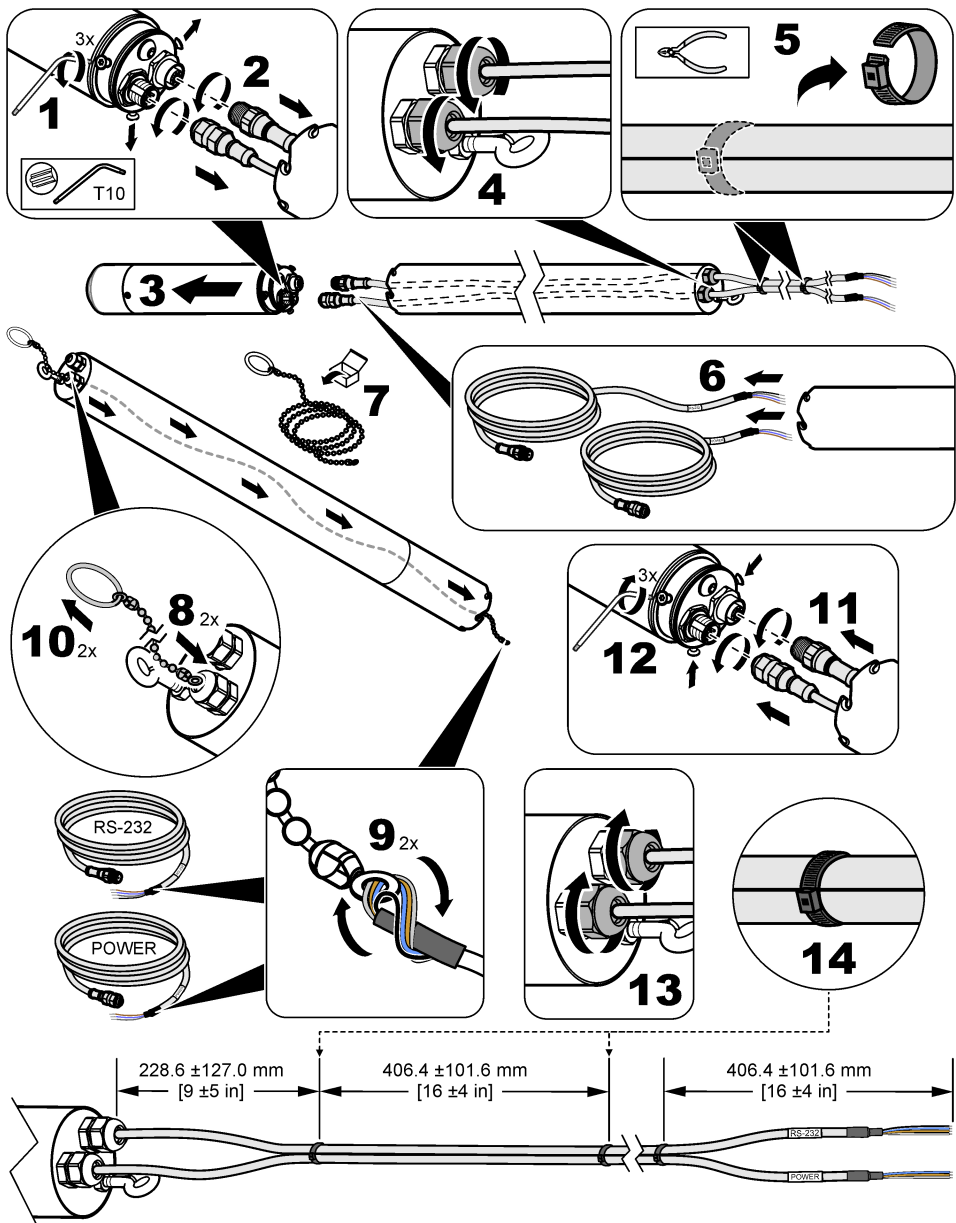
1. Éliminez les matériaux indésirables qui se sont accumulés sur le capteur.
2. Essuyez délicatement l'extrémité de mesure du capteur avec un chiffon ou du papier non abrasif.
3. Utilisez un chiffon ou une serviette en papier humide pour retirer les matériaux séchés du capteur.

5.2 Remplacer les câbles du capteur

Remplacez les câbles du capteur s'ils sont endommagés ou si cela s'avère nécessaire (par exemple, pour installer des câbles plus longs).

Lorsqu'une protection de câble est installée sur le capteur, reportez-vous aux étapes illustrées ci-dessous pour remplacer les câbles du capteur.

Remarque : Lorsque deux câbles de capteur sont utilisés, ils doivent être attachés l'un à l'autre avec des attaches zip pour conserver l'indice de conformité CEM, à moins que les câbles de capteur ne soient installés dans un conduit.



5.3 Remplacer le joint torique

Si le joint torique à l'extrémité du capteur comportant le connecteur est usé et ne retient plus l'eau en dehors de la protection de câble et/ou de l'extension de protection de câble, remplacez le joint torique.

Si les joints toriques visibles lorsque le bouchon du capteur est retiré sont usés et n'assurent plus l'étanchéité lorsque la cellule de débit d'air est utilisée, remplacez-les.

Remarque : Les joints toriques visibles lorsque le bouchon du capteur est retiré servent à maintenir le bouchon du capteur et non à empêcher l'eau de pénétrer.

Un joint torique de rechange, de la graisse pour joint torique et des instructions de remplacement sont inclus dans le kit de pièces de rechange pour l'installation. Référez-vous à la section [Pièces et accessoires](#) à la page 45 pour les modalités de commande.

Section 6 Dépannage

Problème	Cause possible	Solution
Les mesures sont presque tout le temps proches de zéro, mais une mesure d'échantillon ponctuel montre la présence d'importantes concentrations en sulfure.	<ul style="list-style-type: none">• L'entrée du capteur est obstruée.• Le pH de l'eau est supérieur à 8.	<p>Assurez-vous que l'extrémité de mesure du capteur n'est pas recouverte de matériaux indésirables.</p> <p>Rincez le capteur et essuyez-le délicatement avec un chiffon humide. Assurez-vous de n'appliquer aucune force au niveau des entrées des éléments capteurs.</p> <p>Si le pH de l'eau est supérieur à 8, le sulfure dissous se présente principalement sous la forme de HS⁻, lequel n'est pas mesuré par le capteur. Utilisez le capteur dans un réacteur à courant latéral de faible volume, dans lequel les eaux usées sont acidifiées pour garantir que l'ensemble du sulfure dissous se présente sous la forme de H₂S.</p>
Les mesures du capteur sont incorrectes.	Le capteur n'est pas étalonné.	<p>Utilisez le gaz d'étalonnage pour déterminer la précision du capteur.</p> <ol style="list-style-type: none">1. Sortez le capteur et le gaz d'étalonnage, le bouchon d'étalonnage ainsi que le régulateur de débit.2. Nettoyez l'extrémité de mesure du capteur. Voir Examiner et nettoyer le capteur à la page 42.3. Placez le bouchon d'étalonnage près de l'extrémité de mesure du capteur.4. Tournez le bouchon d'étalonnage de 180 degrés par rapport au sens de l'étalonnage.5. Ouvrez complètement le régulateur de débit.6. Attendez 2 minutes.7. Si la valeur mesurée ne se trouve pas dans une plage de 5 % de la valeur figurant sur le flacon de gaz d'étalonnage, étalonnez le capteur. Reportez-vous à la section Etalonnage à la page 38 <p>N'utilisez pas d'échantillons liquides pour la vérification.</p>
Les mesures du capteur ne sont pas correctes après l'étalonnage.	Le capteur n'a pas été étalonné correctement.	<p>Veillez à suivre toutes les instructions fournies avec le bouchon d'étalonnage et le régulateur de débit. Si le problème persiste, contactez l'assistance technique.</p> <p>Pour une précision optimale, étalonnez le capteur à une température équivalente à la température des mesures ultérieures.</p>

Problème	Cause possible	Solution
Le capteur ne passe pas en mode étalonnage (la LED ne clignote pas en rouge et en vert).	<ul style="list-style-type: none"> Le capteur n'est pas alimenté. Le bouchon d'étalonnage n'est pas installé correctement. 	<ul style="list-style-type: none"> Assurez-vous que le capteur est bien alimenté. Assurez-vous que la petite encoche dans le bouchon d'étalonnage est alignée avec la LED d'état. Assurez-vous que le capteur se trouve complètement dans le bouchon d'étalonnage.
L'étalonnage a échoué (la LED clignote rapidement en rouge).	<ul style="list-style-type: none"> La pression du gaz dans le flacon de gaz d'étalonnage est basse. Il y a une fuite de gaz. Le bouchon d'étalonnage a bougé pendant l'étalonnage. La valve du régulateur n'était pas complètement ouverte ou ne s'est pas ouverte immédiatement après que la LED d'état a clignoté en vert et en rouge. 	<p>Fermez la valve du régulateur. Retirez le bouchon d'étalonnage. Puis, effectuez un nouvel étalonnage.</p> <ul style="list-style-type: none"> Assurez-vous que la pression de gaz est de 5 bar (minimum) dans le flacon de gaz d'étalonnage. Vérifiez qu'il n'y a pas de fuite de gaz dans le tuyau ou les raccords. Assurez-vous que le bouchon d'étalonnage ne bouge pas pendant l'étalonnage. Ouvrez complètement la valve du régulateur immédiatement après que la LED d'état a clignoté en vert et en rouge.

Section 7 Pièces et accessoires

▲ AVERTISSEMENT



Risque de blessures corporelles. L'utilisation de pièces non approuvées comporte un risque de blessure, d'endommagement de l'appareil ou de panne d'équipement. Les pièces de rechange de cette section sont approuvées par le fabricant.

Remarque : Les numéros de référence de produit et d'article peuvent dépendre des régions de commercialisation. Prenez contact avec le distributeur approprié ou consultez le site web de la société pour connaître les personnes à contacter.

Pièces de rechange

Description	Article n°
Piles (x 8), émetteur de terrain CAx440EX (non rechargeables)	LXZ449.99.00003
Kit de pièces de rechange pour l'installation	LXZ449.99.00012
Capuchon de la sonde	LXZ449.99.00010

Accessoires

Description	Article n°
Adaptateur de montage en ligne, 1 ¼ pouce BSPT	LXZ449.99.00004
Adaptateur de montage en ligne et té, 1 ¼ pouce BSPT	LXZ449.99.00005
Adaptateur de montage en ligne, 1 ¼ pouce NPT	LXZ449.99.00015
Adaptateur de montage en ligne et té, 1 ¼ pouce NPT	LXZ449.99.00019
Cellule de débit d'air, 3 bar (44 psi) maximum, acier inoxydable EN 1.4404	LXZ449.99.00011
Antenne, externe pour émetteurs de terrain CAx440EX, Union européenne, Royaume-Uni, Etats-Unis et Canada, câble de 2 m (6,5 pi), IP68 Ø 100 x 36 mm (Ø 3,9 x 1,4 in), LTE : 6 dBi, bande de fréquence : 698 - 3 800 MHz	LXZ449.99.00009

Accessoires (suite)

Description	Article n°
Protection de câble avec chaîne de 3 m (10 pi) et mousquetons 600 mm (2 pi), 1,3 kg (2,9 lb), acier inoxydable EN 1.4404 (316L)	LXZ449.99.00017
Extension de protection de câble, 1,4 m (4,6 pi) 2,9 kg (4,6 lb), acier inoxydable EN 1.4404 (316L)	LXZ449.99.00006
Outil d'acheminement de câble	101335
Émetteur de terrain CAx440EX, 3G sans fil, Union européenne et Royaume-Uni	LXV449.98.01000
Émetteur de terrain CAx440EX, 4G sans fil, Union européenne et Royaume-Uni	LXV449.98.01010
Émetteur de terrain CAx440EX, 4G sans fil, États-Unis et Canada	LXV449.97.01010
Passerelle SC numérique CDx440sc	LXV449.99.02000
Chaîne avec mousquetons, 3 m (10 pi)	LXZ449.99.00002
Pincettes de traverse, émetteurs de terrain CAx440EX, Union européenne, Royaume-Uni, États-Unis et Canada	LXZ449.99.00008
Traverse pour trou de 558-858 mm (22,0-33,8 po) avec pincettes de traverse Acier inoxydable EN 1.4404, 3,4 kg (7,5 lb), 558 - 858 x 136 x 71 mm (22,0 - 33,8 x 5,4 x 2,8 po)	LXZ449.99.00007
Support de montage pour émetteur de terrain CAx440EX, Union européenne et Royaume-Uni	LXZ449.99.00014
Support de montage pour émetteur de terrain CAx440EX, États-Unis et Canada	LXZ449.99.00018
Alimentation/Barrière de 4 - 20 mA avec alimentation Certification IECEx pour les signaux provenant de toutes les zones, un ou deux canaux, certification SIL2 avec évaluation complète	LXZ449.99.00013
Alimentation/Câble du capteur de 4 - 20 mA, 5 m (16,4 pi)	100935-05
Alimentation/Câble du capteur de 4 - 20 mA, 10 m (32,8 pi)	100935-10
Alimentation/Câble du capteur de 4 - 20 mA, 30 m (98,4 pi)	100935-30
Câble du capteur RS-232, 5 m (16,4 pi)	100934-05
Câble du capteur RS-232, 10 m (32,8 pi)	100934-10
Câble du capteur RS-232, 30 m (98,4 pi)	100934-30
Câbles du capteur, 5 m (16,4 pi), incluent : Alimentation/Câble du capteur de 4 - 20 mA et câble du capteur RS-232	LXZ449.99.02G05
Câbles du capteur, 10 m (32,8 pi), incluent : Alimentation/Câble du capteur de 4 - 20 mA et câble du capteur RS-232	LXZ449.99.02G10
Câbles du capteur, 30 m (98,4 pi), incluent : Alimentation/Câble du capteur de 4 - 20 mA et câble du capteur RS-232	LXZ449.99.02G30
Câbles du capteur avec protection de câble, 5 m (16,4 pi), incluent : Alimentation/Câble du capteur de 4 - 20 mA, câble du capteur RS-232, protection de câble, outil d'acheminement de câble, chaîne de 3 m (10 pi) et mousquetons	LXZ449.99.02L05
Câbles du capteur avec protection de câble, 10 m (32,8 pi), incluent : Alimentation/Câble du capteur de 4 - 20 mA, câble du capteur RS-232, protection de câble, outil d'acheminement de câble, chaîne de 3 m (10 pi) et mousquetons	LXZ449.99.02L10
Câbles du capteur, 30 m (98,4 pi), incluent : Alimentation/Câble du capteur de 4 - 20 mA, câble du capteur RS-232, protection de câble, outil d'acheminement de câble, chaîne de 3 m (10 pi) et mousquetons	LXZ449.99.02L30

Accessoires (suite)

Description	Article n°
Té de montage en ligne, 1 ¼ pouce BSPT	LXZ449.99.00001
Té de montage en ligne, 1 ¼ pouce NPT	LXZ449.99.00022

Tabla de contenidos

- | | | | |
|---|---|---|--|
| 1 | Especificaciones en la página 48 | 5 | Mantenimiento en la página 64 |
| 2 | Información general en la página 50 | 6 | Solución de problemas en la página 67 |
| 3 | Fijación de la protección de cables en la página 55 | 7 | Repuestos y accesorios en la página 68 |
| 4 | Instalación en la página 57 | | |

Sección 1 Especificaciones

Las especificaciones están sujetas a cambios sin previo aviso.

Tabla 1 Especificaciones generales


Especificación	Datos
Dimensiones (L x P)	240 mm (9,4 pulg.), Ø 48,3 mm (1,9 pulg.)
Peso	1,36 kg (3,00 lb)
Carcasa	Acero inoxidable EN 1.4404 (316L), IP68
Montaje	Colgado, en tubería o en celda de flujo de aire
Grado de contaminación	2 (sensor), 4 (entorno de instalación)
Clase de protección	III
Categoría de sobretensión	I
Condiciones ambientales	Uso en interiores y exteriores
Requisitos de alimentación	De 12 a 28 V CC (bucle de 4 – 20 mA) suministrados por el transmisor de campo CAX440EX, un gateway digital CDx440sc o un dispositivo
Temperatura de funcionamiento	De 0 a 40 °C (de 32 a 104 °F)
Temperatura de almacenamiento	De 0 a 60 °C (32 a 140 °F)
Humedad	De 0 a 100 % de humedad relativa
Altitud	2000 m (6562 pies) máximo
Profundidad en el agua	10 m (32,8 pies) máximo
pH del agua	pH 9 máximo; H ₂ S completamente convertido a formas de sulfuro no detectables por encima de pH 9.
Presión	3 bar (44 psi) como máximo
Gas de calibración	1000 ppm
Cables	Poliuretano, IP68; 5, 10 o 30 m (16,4, 32,8 o 98,4 pies)
Señales de salida	RS-232 y 4 – 20 mA
Rango de 4 – 20 mA	0 – 5 mg/L o 0 – 1000 ppm (configurable por el usuario)
Certificaciones—GS1440 y GS2440EX	CE, UKCA, FCC, ISED, RCM, KC
ATEX—GS2440EX	Certificado: ETL22ATEX0113X  II 1 G Ex ia IIC T4 Ga Alimentación/4 – 20 mA: Ui: 30V, li: 100 mA, Ci: 22 nF Li: 100 µH Pi: 0,70 W RS-232: Ui: 20V, li: 100 mA, Ci: 0 nF Li: 0 µH, Pi: 0,30 W T amb: De –20 a +60 °C

Tabla 1 Especificaciones generales (continúa)


Especificación	Datos
UKEX—GS2440EX	Certificado: ITS22UKEX0506X  II 1 G Ex ia IIC T4 Ga -20 °C ≤ Ta ≤ +60 °C
IECEX: GS2440EX	Certificado: IECEx ETL 22.0003X Ex ia IIC T4 Ga T amb: De -20 a +60 °C
Norteamérica—GS2440EX	Certificado: ETL21CA104799609X Clase I Zona 0 AEx ia IIC T4 Ga Clase I División 1 Grupos A–D T4 Ex ia IIC T4 Ga T amb: De -20 a +60 °C
Garantía	1 año

Tabla 2 Especificaciones de funcionamiento

Especificación	Datos
Rango de medición en agua	De 0 a 5 mg/L H ₂ S
Rango de medición en aire	De 0 a 1000 ppm H ₂ S
Exactitud	± 5 % de escala completa (exactitud de medición discreta, purga de 90 segundos de 1000 ± 20 ppm de patrón de H ₂ S después de la calibración de un solo punto)
Tiempo de respuesta (t90)	<30 segundos
Límite de detección	1 % de escala completa

Tabla 3 Interferencias

Gas	Nivel de interferencia en gas (%) ¹	Nivel de interferencia en líquido (%) ²	Gas	Nivel de interferencia en gas (%) ¹	Nivel de interferencia en líquido (%) ²
Metano (CH ₄)	0	0	Hidrógeno (H ₂)	0,8	96
Dióxido de carbono (CO ₂)	0	0	Monóxido de carbono (CO)	0,6	77
Nitrógeno (N ₂)	0	0	Dimetil sulfuro ((CH ₃) ₂ S)	18	18
Oxígeno (O ₂)	0	0	Metanotiol (CH ₃ SH)	174	44
Aire (O ₂ , N ₂ , Ar)	0	0	Etanotiol (C ₂ H ₆ S)	13	14
Óxido nitroso (N ₂ O)	0	0	Dióxido de azufre (SO ₂)	40	1
Amoniaco (NH ₃)	0	0			

¹ Dado como una señal generada por la sustancia interferente en % de la señal de H₂ S a presiones parciales iguales.

² Dado como una señal generada por la sustancia interferente en % de la señal de H₂ S a concentración molar iguales.

Sección 2 Información general

El fabricante no será responsable en ningún caso de los daños resultantes de un uso inadecuado del producto o del incumplimiento de las instrucciones del manual. El fabricante se reserva el derecho a modificar este manual y los productos que describen en cualquier momento, sin aviso ni obligación. Las ediciones revisadas se encuentran en la página web del fabricante.

2.1 Información de seguridad

El fabricante no es responsable de ningún daño debido a un mal uso de este producto incluyendo, sin limitación, daños directos, fortuitos o circunstanciales y reclamaciones sobre los daños que no estén recogidos en la legislación vigente. El usuario es el responsable de la identificación de los riesgos críticos y de tener los mecanismos adecuados de protección de los procesos en caso de un posible mal funcionamiento del equipo.

Sírvase leer todo el manual antes de desembalar, instalar o trabajar con este equipo. Ponga atención a todas las advertencias y avisos de peligro. El no hacerlo puede provocar heridas graves al usuario o daños al equipo.

Asegúrese de que la protección proporcionada por este equipo no se vea afectada. No use o instale este equipo de una manera diferente a la explicada en este manual.

2.1.1 Uso de la información relativa a riesgos

PELIGRO

Indica una situación potencial o de riesgo inminente que, de no evitarse, provocará la muerte o lesiones graves.

ADVERTENCIA

Indica una situación potencial o inminentemente peligrosa que, de no evitarse, podría provocar la muerte o lesiones graves.

PRECAUCIÓN

Indica una situación potencialmente peligrosa que podría provocar una lesión menor o moderada.

AVISO

Indica una situación que, si no se evita, puede provocar daños en el instrumento. Información que requiere especial énfasis.

2.1.2 Etiquetas de precaución

Lea todas las etiquetas y rótulos adheridos al instrumento. En caso contrario, podrían producirse heridas personales o daños en el instrumento. El símbolo que aparezca en el instrumento se comentará en el manual con una declaración de precaución.



Este símbolo (en caso de estar colocado en el equipo) hace referencia a las instrucciones de uso o a la información de seguridad del manual.



En Europa, el equipo eléctrico marcado con este símbolo no se debe desechar mediante el servicio de recogida de basura doméstica o pública. Devuelva los equipos viejos o que hayan alcanzado el término de su vida útil al fabricante para su eliminación sin cargo para el usuario.

2.1.3 Precauciones para espacios confinados

PELIGRO



Peligro de explosión. Es necesario disponer de formación sobre la realización de pruebas previas de entrada, ventilación, procedimientos de entrada, procedimientos de evacuación/rescate y prácticas de seguridad en el trabajo antes de acceder a espacios confinados.

La información que se incluye a continuación se ofrece para ayudar a los usuarios a comprender los peligros y riesgos asociados a los espacios confinados.

El 15 de abril de 1993, el dictamen definitivo de la OSHA (Administración de Seguridad y Salud Ocupacional) sobre los Espacios Confinados que Requieren Permiso para Ingresar (CFR 1910.146), se hizo ley. Esta nueva norma afecta directamente a más de 250.000 sitios industriales de los Estados Unidos, y fue creada con el fin de proteger la salud y la seguridad de los trabajadores en espacios confinados.

Definición de espacio confinado:

Un espacio confinado es cualquier lugar o recinto que presente (o tenga la posibilidad inmediata de presentar) una o más de las siguientes condiciones:

- Una atmósfera con una concentración de oxígeno que sea inferior al 19,5% o superior al 23,5% y/o una concentración de sulfuro de hidrógeno (H₂S) superior a 10 ppm.
- Una atmósfera que pueda ser inflamable o explosiva debido a gases, vapores, nieblas, polvos o fibras.
- Materiales tóxicos que, ante el contacto o la inhalación, puedan provocar lesiones, el deterioro de la salud o la muerte.

Los espacios confinados no están destinados a ser ocupados por seres humanos. Los espacios confinados tienen entrada restringida y contienen riesgos conocidos o potenciales. Como ejemplos de espacios confinados encontramos las bocas de inspección, las chimeneas, los caños, las tinas, los armarios de distribución y demás lugares similares.

Antes de entrar en espacios confinados y/o lugares con presencia de gases, vapores, nieblas, polvos o fibras peligrosos, se deben seguir siempre procedimientos de seguridad estándares. Antes de entrar en un espacio confinado, lea todos los procedimientos relacionados con la entrada a espacios confinados.

2.2 Normativa y certificación

▲ PRECAUCIÓN

Este equipo no está diseñado para su uso en entornos residenciales y puede que no brinde la protección adecuada para la recepción de radio en dichos entornos.

Reglamentación canadiense sobre equipos que provocan interferencia, ICES-003, Clase A

Registros de pruebas de control del fabricante.

Este aparato digital de clase A cumple con todos los requerimientos de las reglamentaciones canadienses para equipos que producen interferencias.

Cet appareil numérique de classe A répond à toutes les exigences de la réglementation canadienne sur les équipements provoquant des interférences.

FCC Parte 15, Límites Clase "A"


Registros de pruebas de control del fabricante. Este dispositivo cumple con la Parte 15 de las normas de la FCC estadounidense. Su operación está sujeta a las siguientes dos condiciones:

1. El equipo no puede causar interferencias perjudiciales.
2. Este equipo debe aceptar cualquier interferencia recibida, incluyendo las interferencias que pueden causar un funcionamiento no deseado.

Los cambios o modificaciones a este equipo que no hayan sido aprobados por la parte responsable podrían anular el permiso del usuario para operar el equipo. Este equipo ha sido probado y encontrado que cumple con los límites para un dispositivo digital Clase A, de acuerdo con la Parte 15 de las Reglas FCC. Estos límites están diseñados para proporcionar una protección razonable contra las interferencias perjudiciales cuando el equipo está operando en un entorno comercial. Este equipo genera, utiliza y puede irradiar energía de radio frecuencia, y si no es instalado y utilizado de acuerdo con el manual de instrucciones, puede causar una interferencia dañina a las radio comunicaciones. La operación de este equipo en un área residencial es probable que produzca interferencias dañinas, en cuyo caso el usuario será requerido para corregir la interferencia bajo su propio cargo. Pueden utilizarse las siguientes técnicas para reducir los problemas de interferencia:

1. Desconecte el equipo de su fuente de alimentación para verificar si éste es o no la fuente de la interferencia.
2. Si el equipo está conectado a la misma toma eléctrica que el dispositivo que experimenta la interferencia, conecte el equipo a otra toma eléctrica.
3. Aleje el equipo del dispositivo que está recibiendo la interferencia.
4. Cambie la posición de la antena del dispositivo que recibe la interferencia.
5. Pruebe combinaciones de las opciones descritas.

2.2.1 Lugares que presentan riesgos

⚠ ADVERTENCIA	
	Peligro de explosión. El sensor GS1440 no ha sido aprobado para su uso en lugares peligrosos.

El sensor GS2440EX cumple con los requisitos para zonas peligrosas ATEX (UE), UKEX (Reino Unido), IECEx y Norteamérica (EE. UU./Canadá). Consulte la [Tabla 1](#) en la página 48. Es importante que el usuario obedezca todas las condiciones de uso para mantener el cumplimiento de las normas de seguridad.

- El sensor GS2440EX es una pieza metálica aislada con una capacitancia máxima de 97.2 pF en los tornillos de la caja. Asegúrese de utilizar una conexión a tierra o condiciones de instalación que impidan la carga electrostática del sensor GS2440EX. Consulte el manual de instrucciones del fabricante para obtener instrucciones sobre cómo evitar la carga electrostática.
- El sensor de GS2440EX no se debe desmontar.
- Si el sensor GS2440EX se instala en un lugar peligroso, es responsabilidad del usuario final seleccionar las barreras correctas que se deben utilizar con el sensor.
- Obedezca todas las especificaciones de los certificados de clasificación ATEX, UKEX, IECEx y norteamericanos, así como las normativas nacionales y locales.
- Obedezca las advertencias de seguridad de los demás equipos de seguridad intrínseca (Ex) instalados cerca del sensor.

2.2.2 EMI (interferencia electromagnética)

Los sensores GS1140 y GS2440EX cumplen con las siguientes certificaciones:

- Directiva sobre compatibilidad electromagnética 2014/30/EC de la UE
- Reglamentos sobre compatibilidad electromagnética UKCA de 2016
- FCC Parte 15B
- ICES-003

2.3 Iconos usados en las ilustraciones

	
Piezas suministradas por el fabricante	No use herramientas

2.4 Uso previsto

Los sensores GS1440 y GS2440EX están diseñados para su uso por parte de profesionales de aguas residuales para controlar los niveles de sulfuro de hidrógeno (H₂S) en líquidos y aire. Los sensores GS1440 y GS2440EX no están diseñados para medir otros tipos de sulfuro disuelto, como HS⁻ o S²⁻. Las ubicaciones típicas de instalación son el tratamiento primario de aguas residuales, la recogida de aguas residuales y los sistemas de transporte de aguas residuales.

2.5 Descripción general del producto

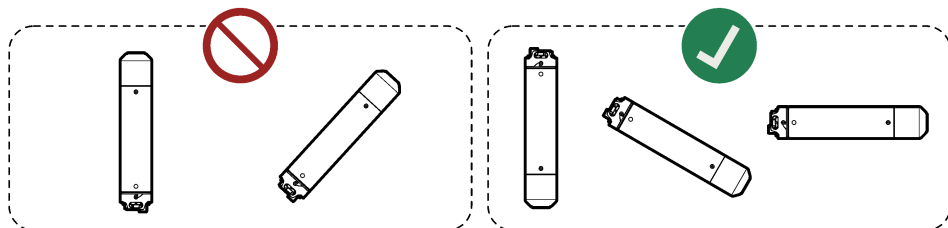
⚠ PELIGRO



No utilice los sensores GS1440 o GS2440EX como dispositivos de seguridad para identificar la concentración de sulfuro de hidrógeno en un área. Respete todas las normativas y las precauciones de seguridad y salud en el trabajo aplicables antes de entrar en espacios confinados y en entornos de peligro tóxico. Pida asesoramiento al departamento de salud y seguridad laboral del lugar de trabajo o al organismo regulador del gobierno para identificar los posibles riesgos y las normas de seguridad.

AVISO

No apunte el extremo de medición del sensor hacia arriba o se pueden producir daños en el sensor (p. ej., durante el almacenamiento, el transporte, la calibración, la instalación y el funcionamiento). Mantenga el sensor a una temperatura de entre 0 y 40 °C (32 y 104 °F) o se producirán daños en el sensor.

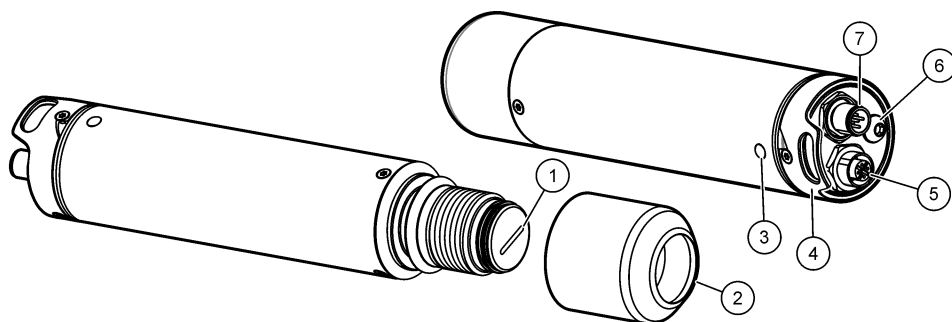


Los sensores GS1440 y GS2440EX miden continuamente la concentración de sulfuro de hidrógeno (H_2S) en líquidos y aire. Consulte la [Figura 1](#).

El sensor se utiliza con un dispositivo que suministra alimentación de bucle de 4 – 20 mA al sensor y recibe las mediciones del sensor como una señal analógica de 4 – 20 mA o una señal digital RS-232.

El GS1440 está diseñado para su uso en lugares no peligrosos. El GS2440EX no ha sido fabricado para su uso en lugares peligrosos.

Figura 1 GS1440 y GS2440EX



1 Membrana	5 Conector RS-232
2 Cápsula del sensor	6 Tornillo de conexión a tierra (M6)
3 LED de estado ³ (Tabla 4)	7 Conector de alimentación/4 – 20 mA
4 Gancho de sujeción	

³ El LED de estado parpadea continuamente mientras se suministra alimentación al sensor.

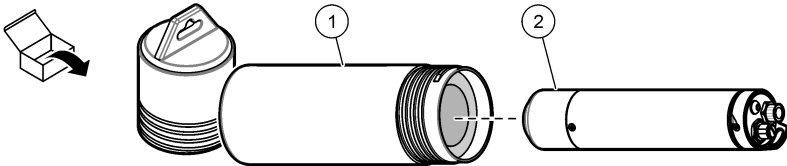
Tabla 4 LED de estado

Color	Estado
Verde, un parpadeo	La salida analógica de 4 – 20 mA representa 0 – 5 mg/L (líquidos).
Verde, dos parpadeos	La salida analógica de 4 – 20 mA representa 0 – 1000 ppm (aire).
Parpadea en verde y rojo	El sensor está en modo de calibración/configuración.
Rojos, parpadea	Temporal (con cabezal de calibración acoplado): La calibración no se ha realizado correctamente. Continuo (sin cabezal de calibración acoplado): Hay un problema con el sensor.

2.6 Componentes del producto

Asegúrese de que ha recibido todos los componentes. Consulte la [Figura 2](#). Si faltasen artículos o estuvieran dañados, póngase en contacto con el fabricante o un representante de ventas inmediatamente.

Figura 2 Componentes del producto



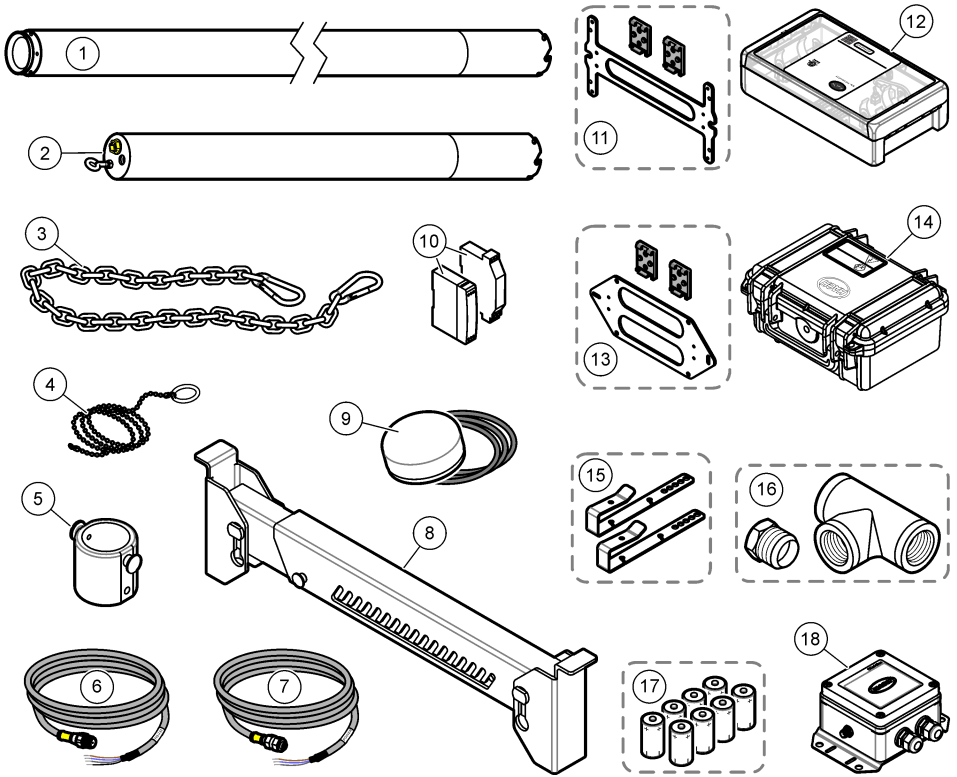
1 Tubo de almacenamiento

2 Sensor GS1440 o GS2440EX

2.7 Accesorios

[Figura 3](#) muestra los accesorios del sensor. Consulte [Repuestos y accesorios](#) en la página 68 para obtener información sobre la realización de pedidos.

Figura 3 Accesorios



1 Extensión de la protección de cables	10 Barrera de alimentación/4 – 20 mA con fuente de alimentación
2 Protección de cables	11 Soporte de montaje para pared o raíl DIN, EE. UU. y Canadá
3 Cadena de suspensión con mosquetones	12 Transmisor de campo CAx440EX, EE. UU. y Canadá
4 Herramienta de extracción de cables	13 Soporte de montaje para pared o raíl DIN, UE y Reino Unido
5 Celda de flujo de aire	14 Transmisor de campo CAx440EX, UE y Reino Unido
6 Cable de sensor RS-232	15 Abrazaderas para cruceta telescópica
7 Cable del sensor de alimentación/4 – 20 mA	16 Adaptador para montaje en línea y conexión en T, 1 ¼ pulg. BSPT o NPT
8 Cruceta telescópica para bocas de arquetas	17 Pilas para transmisor de campo CAx440EX (no recargables)
9 Antena externa para transmisor de campo CAx440EX	18 Gateway CDx440sc para controlador SC

Sección 3 Fijación de la protección de cables

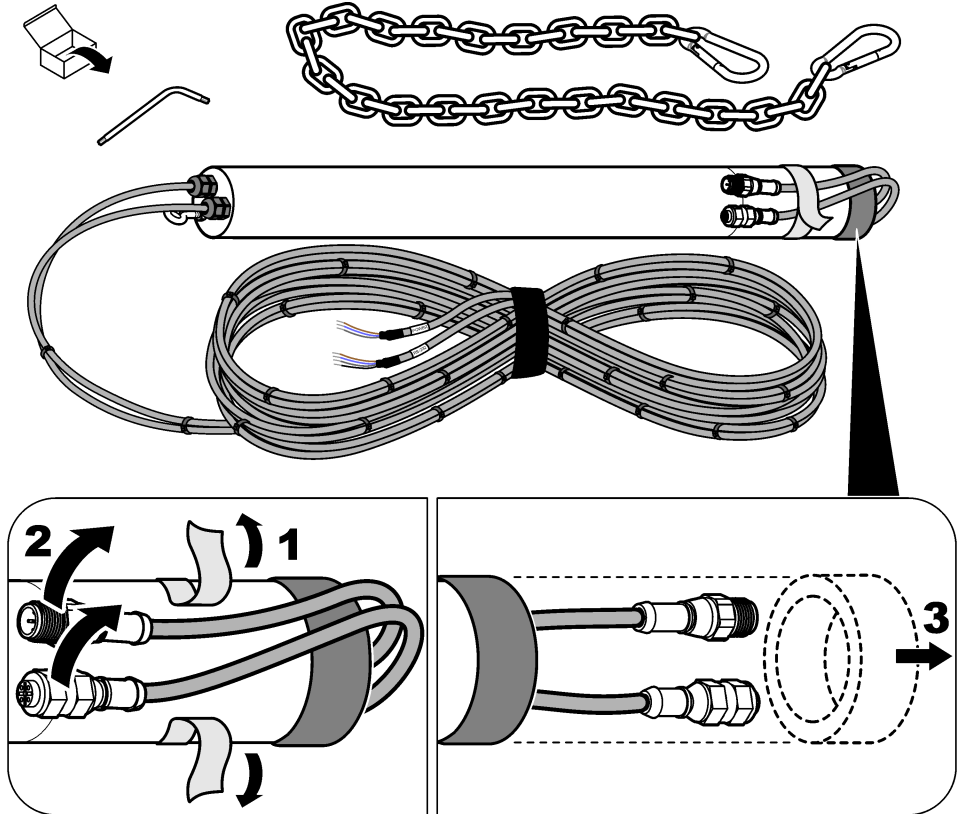
Si el sensor se va a instalar en agua (o si un aumento del nivel del agua puede introducir el sensor en el agua), fije la protección de cables al sensor para evitar que se dañen los conectores y los cables del sensor.

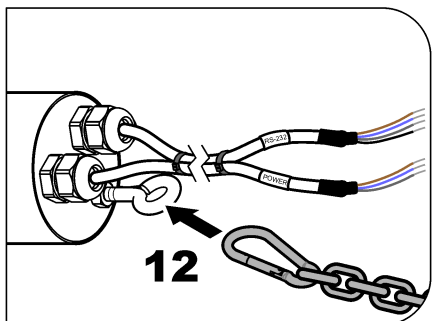
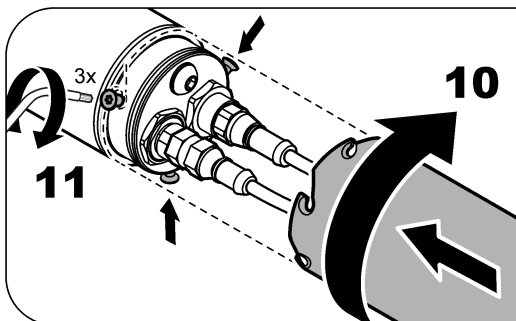
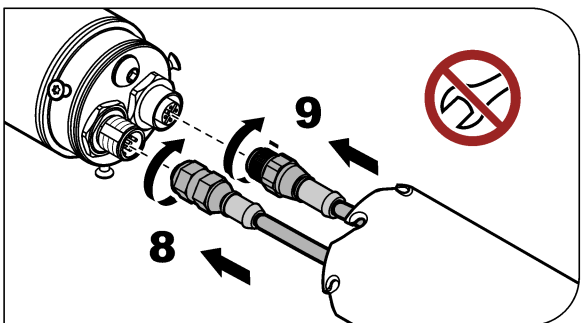
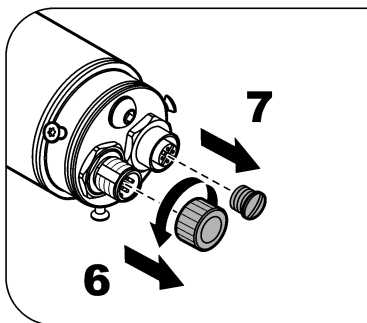
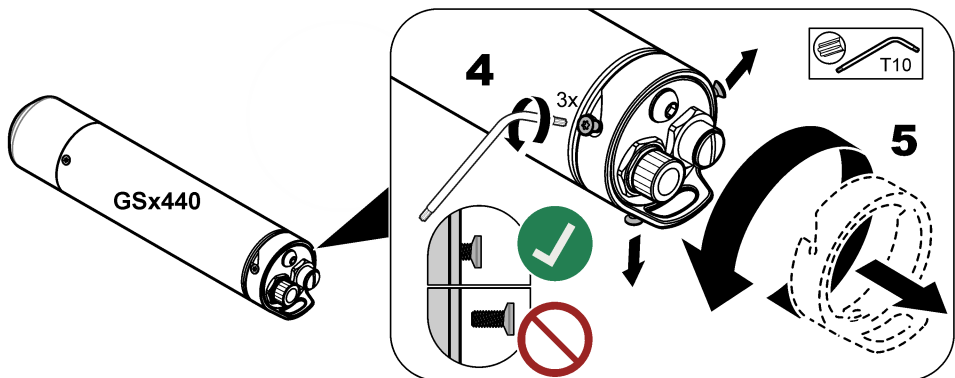
Si los cables del sensor ya están instalados en la protección de cables, consulte los pasos que se describen en la **Figura 4** para fijar los cables del sensor y la protección de cables.

Si el cable (o cables) del sensor no está instalado en la protección de cables, consulte las instrucciones suministradas con la protección de cables para instalar el cable (o cables) del sensor en la protección del cable y fijar los cables del sensor y la protección de cables.

Nota: Para las mediciones en agua en las que se pueden producir grandes cambios en la profundidad del agua (por ejemplo, pozos y depósitos), conecte la extensión de protección de cables opcional (elemento 1, **Figura 3** en la página 55) y, a continuación, la protección de cables al sensor. Consulte las instrucciones suministradas con la extensión del protector de cables.

Figura 4 Fijación de la protección de cables





Sección 4 Instalación

⚠ PELIGRO



Peligro de explosión. Los equipos sólo pueden ser instalados y puestos en funcionamiento por personal capacitado.

4.1 Instalación eléctrica

⚠ ADVERTENCIA

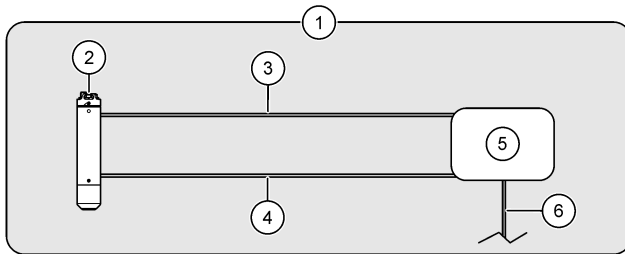


Las siguientes figuras muestran las opciones para instalar el sensor en un lugar no peligroso. Para instalar el sensor GS2440EX en un lugar peligroso, consulte las instrucciones de los documentos *GS2440EX Hazardous Location Safety Precautions* y *CAX440EX Field Transmitter Hazardous Location Safety Precautions*.

Conecte el sensor a una de las siguientes opciones:

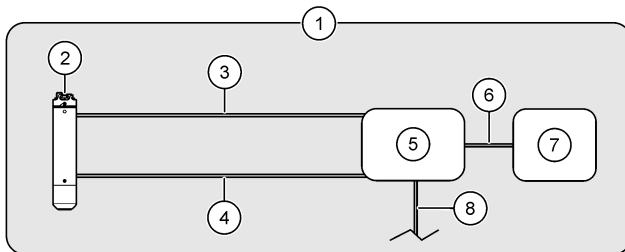
- Transmisor de campo CAX440EX—Figura 5
- Transmisor de campo CAX440EX y un dispositivo—Figura 6
- Gateway CDx440sc y un controlador SC—Figura 7
- Dispositivo—Figura 8

Figura 5 Transmisor de campo CAX440EX



1 Zona no peligrosa	4 Cable de sensor RS-232
2 Sensor	5 Transmisor de campo
3 Cable del sensor de alimentación/4 – 20 mA	6 Cable de alimentación de CC (opcional, suministrado por el usuario) ⁴

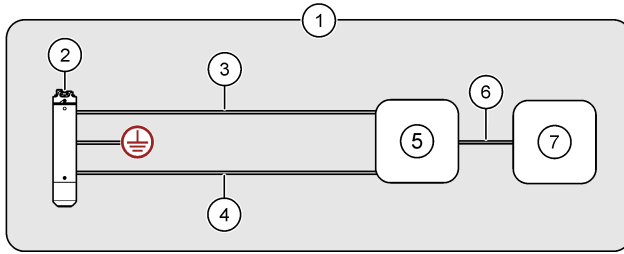
Figura 6 Transmisor de campo CAX440EX y un dispositivo



1 Zona no peligrosa	5 Transmisor de campo
2 Sensor	6 Cable de dispositivo, salida analógica de 4-20 mA del sensor (suministrado por el usuario)
3 Cable del sensor de alimentación/4 – 20 mA	7 Dispositivo (p. ej., SCADA o PLC)
4 Cable de sensor RS-232	8 Cable de alimentación de CC (opcional, suministrado por el usuario) ⁴

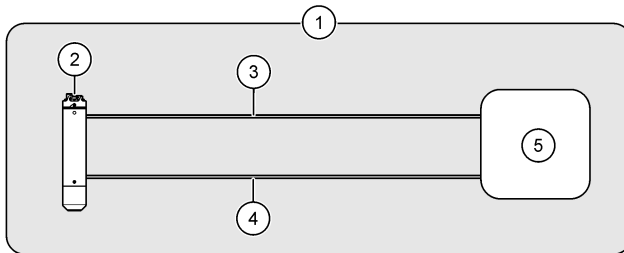
⁴ Se puede utilizar una fuente de alimentación de CC como alternativa a las pilas o con pilas en el transmisor de campo. Consulte la documentación del transmisor de campo CAX440EX para obtener instrucciones.

Figura 7 Gateway CDx440sc y un controlador SC



1 Zona no peligrosa	5 Gateway CDx440sc
2 Sensor	6 Cable de extensión digital
3 Cable del sensor de alimentación/4 – 20 mA	7 Controlador SC
4 Cable RS-232	

Figura 8 Dispositivo—Comunicación directa analógica (4 – 20 mA) o digital (RS-232)



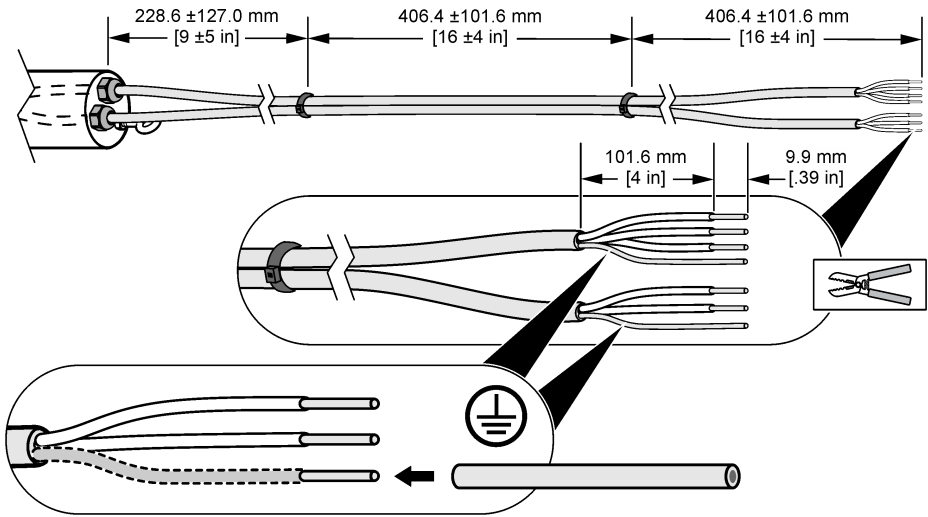
1 Zona no peligrosa	4 Cable RS-232 (opcional)
2 Sensor	5 Dispositivo (p. ej., SCADA o PLC)
3 Cable de alimentación/sensor de 4 – 20 mA (de 12 a 28 V CC, alimentación de bucle de 4 – 20 mA)	

4.1.1 Corte el cable del sensor (opcional)

Si es necesario, corte el cable (o cables) del sensor para reducir la longitud. Después de cortar el cable (o cables) del sensor, prepare los cables del sensor como se muestra en la [Figura 9](#). Asegúrese de cubrir el cable desnudo de los dos cables de apantallamiento con aislante.

Nota: Cuando se utilicen dos cables de sensor, éstos deben estar unidos entre sí con bridas para mantener la clasificación de conformidad CEM, a menos que los cables de sensor estén instalados en conductos.

Figura 9 Prepare los hilos de los cables del sensor



4.1.2 Información sobre el cableado

Para conectar el sensor al transmisor de campo (o el transmisor de campo y un dispositivo), consulte la documentación del transmisor de campo CAx440EX para obtener información sobre el cableado.

Para conectar el sensor a un gateway CDx440sc y un controlador SC, consulte la documentación del gateway CDx440sc para obtener información sobre el cableado.

Para conectar el sensor solo a un dispositivo, consulte la [Tabla 5](#) y la [Tabla 6](#).

Tabla 5 Cable del sensor de alimentación/4 – 20 mA

Pin del conector	Color del cable	Señal
1	Marrón	Positivo (De 12 a 28 V CC, alimentación de bucle de 4 – 20 mA)
2	Blanco	No se utiliza
3	Azul	Negativo
4	Negro	No se utiliza
5	Plata	Blindaje

Tabla 6 Cable de sensor RS-232

Pin del conector	Color del cable	Señal
1	Marrón	Sensor RXD (recepción)
2	Blanco	No se utiliza
3	Azul	Sensor TXD (transmisión)
4	Negro	GND (tierra)
5	Plata	Blindaje

4.2 Calibración

Es necesario calibrar el sensor antes de utilizarlo por primera vez. A continuación, vuelva a calibrar el sensor a intervalos de 1 mes para obtener la mayor exactitud. Consulte las instrucciones de calibración suministradas con el kit de calibración, que comercializa CertGas (<https://certgas.com>).

Antes de la calibración, asegúrese de que se cumplan las siguientes situaciones:

- La ubicación de medición se encuentra dentro del rango de temperaturas de funcionamiento del sensor. Consulte la [Tabla 1](#) en la página 48.
- El sensor está limpio. Consulte [Inspección y limpieza del sensor](#) en la página 65.
- El cable del sensor de alimentación/4 – 20 mA suministra alimentación al sensor.
- El cable del sensor RS-232 está conectado al sensor, si corresponde.

Nota: El sensor puede calibrarse con menos frecuencia (a intervalos de 2 a 3 meses). Sin embargo, cuanto más frecuentes sean las calibraciones, mayor será la exactitud del sensor.

Nota: Es posible que sea necesario realizar calibraciones más frecuentes de los sensores sumergidos en lugares donde se acumule mucha suciedad (p. ej., después de la dosificación).

4.3 Cambie las unidades de medida de la salida de 4 – 20 mA

El LED de estado del sensor muestra las unidades de medición representadas actualmente por la salida analógica de 4 – 20 mA. Consulte la [Tabla 7](#).

Cuando solo se utilice el cable del sensor de alimentación/4-20 mA (sin cable del sensor RS-232) para la comunicación, cambie las unidades de medición representadas por la salida analógica de 4 – 20 mA para que sean correctas para el tipo de medición: mg/L (mediciones de líquido) o ppm (mediciones de aire).

Para cambiar las unidades de medición, siga estos pasos:

Nota: Este procedimiento no cambia la señal RS-232 del sensor.

1. Retire el material no deseado que se haya acumulado en el sensor. Consulte [Inspección y limpieza del sensor](#) en la página 65.
2. Desconecte los cables del sensor.
3. Coloque el cabezal de calibración en el sensor. Consulte las instrucciones suministradas con el cabezal de calibración para una instalación correcta.
4. Conecte el cable de alimentación/4 – 20 mA al sensor. Asegúrese de que el cable del sensor de alimentación/4 – 20 mA suministre alimentación al sensor.
5. Cuando el LED de estado del sensor parpadee en rojo y verde, retire el cabezal de calibración del sensor.

El LED de estado vuelve a parpadear en verde para mostrar las nuevas unidades de medición.

Tabla 7 LED de estado

Color	Unidades de medición
Verde, un parpadeo	0–5 mg/L, mediciones de líquidos
Verde, dos parpadeos	0–1000 ppm, mediciones de aire

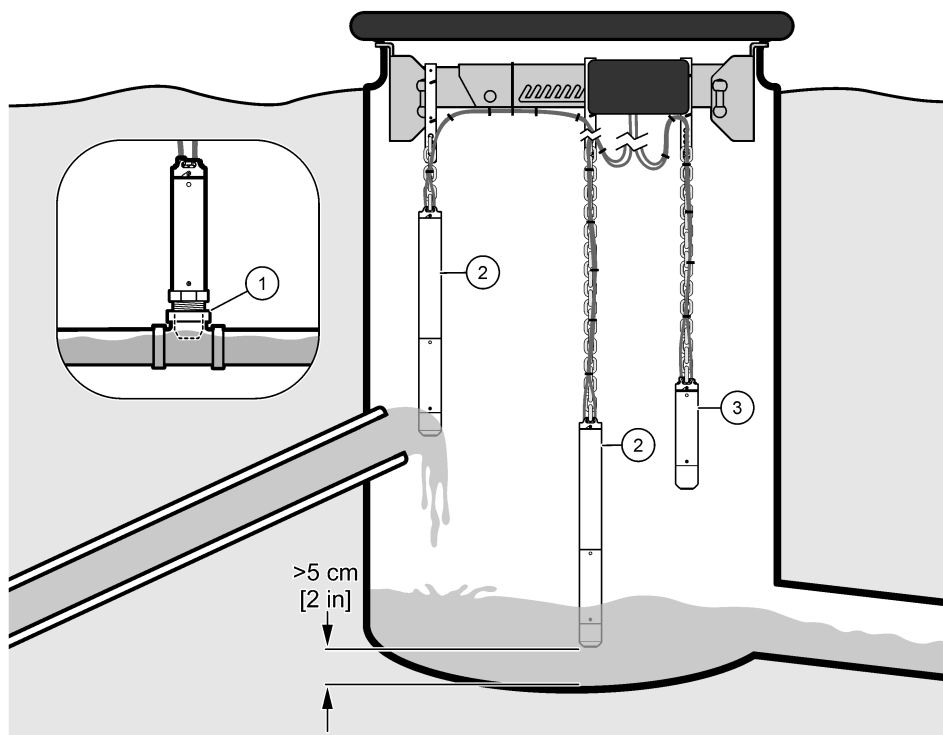
4.4 Instalación mecánica

4.4.1 Opciones de instalación

[Figura 10](#) y la [Figura 11](#) muestran las diferentes opciones de instalación del sensor.

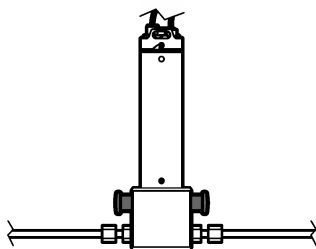
Nota: No fije el sensor a una pared, ya que se acumularán residuos y material no deseado en el sensor.

Figura 10 En línea o en suspensión libre



1 En línea	3 Suspensión libre en aire
2 Suspensión libre en líquido	

Figura 11 Conectado a un conducto de aire de derivación



4.4.2 Instrucciones de instalación

- Mantenga el sensor alejado de la luz solar directa, las fuentes de calor, los productos químicos corrosivos o los gases (todos menos H₂S), los impactos mecánicos, los materiales abrasivos, las vibraciones, los golpes, el polvo y las emisiones radiactivas.
- No utilice el sensor fuera de los parámetros eléctricos, mecánicos y térmicos especificados, ni fuera del rango de medición. Consulte [Especificaciones](#) en la página 48.
- Si el sensor se va a instalar en agua (o si un aumento del nivel del agua puede introducir el sensor en el agua), fije la protección de cables al sensor para evitar que se dañen los conectores y los cables del sensor. Consulte [Fijación de la protección de cables](#) en la página 55.

- Para obtener las mediciones más exactas, mida la concentración de sulfuro de hidrógeno en el agua, no en el aire.⁵
- En un sistema por gravedad, mida lo más cerca posible del extremo de una tubería de agua presurizada para obtener una medición exacta de la concentración inicial de sulfuro de hidrógeno. El sulfuro de hidrógeno disuelto se libera del agua cuando el agua entra en un pozo aireado.
- Para las mediciones de aire, instale el sensor de manera que el extremo de medición del sensor esté más alto que el nivel del agua durante los eventos de crecidas de las aguas para que no se acumule material no deseado en el sensor.
- Instale el sensor en un lugar con suficiente caudal y turbulencia alrededor del sensor para que no se acumule material no deseado en el sensor.
- Mantenga el sensor fuera del agua estancada o se producirán bioincrustaciones.

4.4.3 Instalación del sensor

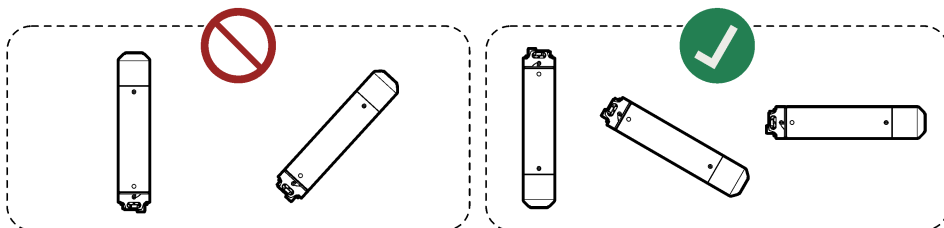
▲ PELIGRO



Riesgo de exposición al gas. El sulfuro de hidrógeno es un gas altamente tóxico. Póngase el equipo de protección personal que se indica en la hoja de datos de seguridad (MSDS/SDS). Consulte los protocolos de seguridad en las hojas de datos de seguridad actuales (MSDS/SDS).

AVISO

No apunte el extremo de medición del sensor hacia arriba o se pueden producir daños en el sensor (p. ej., durante el almacenamiento, el transporte, la calibración, la instalación y el funcionamiento).



AVISO

Si la instalación del sensor es de suspensión libre, asegúrese de que la instalación evita que se dañe el sensor. No permita que el sensor golpee objetos, paredes o superficies inferiores.



Requisitos previos:

- Los cables del sensor están conectados al sensor y a un transmisor de campo o a un dispositivo. Consulte [Instalación eléctrica](#) en la página 58.
- El sensor se ha calibrado en la ubicación de medición. Consulte [Calibración](#) en la página 61.

⁵ Cuando se mide el sulfuro de hidrógeno en el agua, la medición no depende de los cambios diarios en las condiciones de ventilación del espacio por encima del agua ni del lugar de instalación del sensor.

- Si el sensor se va a instalar en agua (o si un aumento del nivel del agua puede introducir el sensor en el agua), fije la protección de cables al sensor. Consulte [Fijación de la protección de cables](#) en la página 55.
 - Las unidades de medición representadas por la salida analógica de 4 – 20 mA son correctas para el tipo de medición: mg/L (mediciones de líquido) o ppm (mediciones de aire). Consulte [Cambie las unidades de medida de la salida de 4 – 20 mA](#) en la página 61.
1. Para la instalación en agua, siga los pasos que se indican a continuación:
 - a. (Opcional, recomendado) Conecte el cáncamo de la protección de cables a tierra de acuerdo con los requisitos locales, regionales y nacionales.
Para la instalación en ubicaciones peligrosas, consulte el documento *GS2440EX Hazardous Location Safety Precautions* para conocer los requisitos de conexión a tierra.
 - b. Fije la cadena al cáncamo de la protección de cables.
 - c. Fije el otro extremo de la cadena a un objeto que esté directamente por encima del agua y que no se mueva (por ejemplo, una rejilla, una cruceta telescópica o las abrazaderas de la cruceta telescópica del transmisor de campo).
 - d. Baje el sensor hacia el agua. Mantenga los cables del sensor fuera del agua.
 - e. Asegúrese de que el sensor está en una corriente de agua en movimiento y no cerca de las paredes.
 - f. Ajuste la longitud de la cadena para que el protector del cable esté fuera del agua y el sensor esté a 5 cm (2 pulgadas) o más del fondo del canal o del pozo.
 - g. En caso de que el sensor pueda golpear una pared u otros objetos, coloque el sensor en un tubo de PVC con un diámetro de 70 mm (2,75 pulgadas) o superior. Asegúrese de que el extremo de medición del sensor cuelgue por debajo del tubo de PVC.
Conecte el tubo de PVC a un objeto situado directamente sobre el agua que no se mueva o a un lado del pozo.
 - h. Enrolle los cables sueltos en una bobina. Utilice bridas para sujetar los cables en su sitio.
 2. Para la instalación en aire, siga los pasos que se indican a continuación:
 - a. (Opcional, recomendado) Conecte el tornillo de conexión a tierra del sensor a tierra de acuerdo con los requisitos locales, regionales y nacionales.
Para la instalación en ubicaciones peligrosas, consulte el documento *GS2440EX Hazardous Location Safety Precautions* para conocer los requisitos de conexión a tierra.
 - b. Conecte una cadena (o cable de acero) al gancho de sujeción del sensor.
 - c. Fije el otro extremo de la cadena (o cable de acero) a un objeto que esté directamente por encima del agua y que no se mueva (por ejemplo, una rejilla, una cruceta telescópica o las abrazaderas de la cruceta telescópica del transmisor de campo).
 - d. Baje el sensor.
 - e. Ajuste la longitud de la cadena según sea necesario.
 - f. Enrolle los cables sueltos en una bobina. Utilice bridas para sujetar los cables en su sitio. Mantenga los cables del sensor fuera del agua.
 3. Para la instalación en una tubería de agua presurizada, instale el adaptador opcional para el montaje en línea. Consulte las instrucciones suministradas con el adaptador para el montaje en línea.
 4. Para la instalación en una tubería de aire presurizada, conecte un conducto de aire de derivación a la celda de flujo de aire opcional. Consulte las instrucciones que se suministran con la celda de flujo de gas.

Sección 5 Mantenimiento

AVISO

No desmonte, modifique ni repare el instrumento. Si se desmonta, el sensor podría sufrir daños y la garantía quedaría anulada. Si es necesario reparar los componentes internos, póngase en contacto con el fabricante.

5.1 Inspección y limpieza del sensor

AVISO

No utilice la fuerza, materiales abrasivos, productos químicos ni dispositivos de lavado o mangueras de alta presión para limpiar el sensor, ya que pueden producirse daños en el extremo de medición del sensor.

A intervalos regulares y antes de la calibración, asegúrese de que el extremo de medición del sensor no esté cubierto de material no deseado.

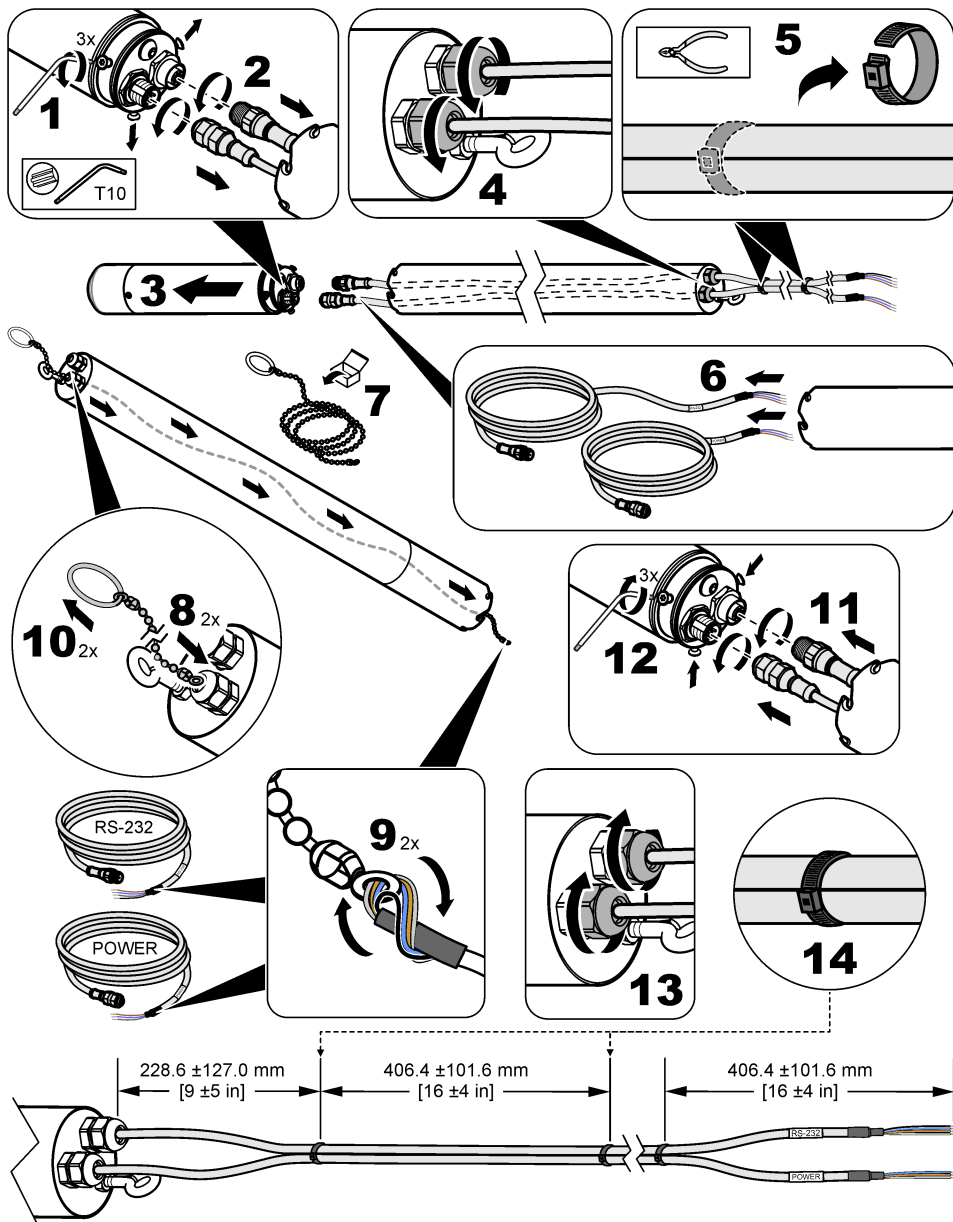
1. Retire el material no deseado que se haya acumulado en el sensor.
2. Limpie suavemente el extremo de medición del sensor con un paño o papel no abrasivo.
3. Utilice un paño húmedo o papel para retirar el material seco del sensor.

5.2 Sustitución de los cables del sensor

Sustituya los cables del sensor si están dañados o si es necesario (p. ej., para instalar cables del sensor más largos).

Cuando haya una protección de cables instalada en el sensor, consulte los pasos ilustrados que se muestran a continuación para sustituir los cables del sensor.

Nota: Cuando se utilicen dos cables de sensor, éstos deben estar unidos entre sí con bridas para mantener la clasificación de conformidad CEM, a menos que los cables de sensor estén instalados en conductos.



5.3 Sustitución de juntas tóricas

Si la junta tórica del extremo del conector del sensor se desgasta y deja de mantener el agua fuera de la protección del cable o de la extensión de la protección del cable, sustituya la junta tórica.

Si las juntas tóricas que se ven al retirar la cápsula del sensor se desgastan y dejan de ofrecer sellado cuando se utiliza la celda de flujo de aire, sustituya las juntas tóricas.

Nota: La función de las juntas tóricas que se ven cuando se retira la cápsula del sensor es sujetar esta última, y no impedir la entrada de agua.

En el kit de piezas de repuesto para la instalación se incluye una junta tórica de repuesto, grasa para juntas tóricas e instrucciones de sustitución. Consulte [Repuestos y accesorios](#) en la página 68 para obtener información sobre la realización de pedidos.

Sección 6 Solución de problemas

Problema	Posible causa	Solución
Las mediciones son casi nulas todo el tiempo, pero una medición de una muestra discreta indica que hay concentraciones significativas de sulfuro.	<ul style="list-style-type: none"> Hay una obstrucción en la entrada del sensor. El pH del agua es superior a 8. 	<p>Asegúrese de que el extremo de medición del sensor no esté cubierto de material no deseado.</p> <p>Enjuague el sensor y límpielo suavemente con un paño húmedo. Asegúrese de no aplicar fuerza alrededor de las entradas de los elementos sensores.</p> <p>Si el pH del agua es superior a 8, el sulfuro disuelto se encuentra mayoritariamente en la forma HS⁻ que el sensor no mide. Utilice el sensor en un tanque de pequeño volumen, donde el agua residual se acidifique para asegurarse de que todo el sulfuro disuelto esté en la forma H₂S.</p>
Las mediciones del sensor no son correctas.	El sensor no está calibrado.	<p>Utilice el gas de calibración para identificar la exactitud del sensor.</p> <ol style="list-style-type: none"> Saque el sensor y el gas de calibración, el cabezal de calibración y el regulador de flujo. Limpie el extremo de medición del sensor. Consulte Inspección y limpieza del sensor en la página 65. Coloque el cabezal de calibración cerca del extremo de medición del sensor. Gire el cabezal de calibración 180 grados con respecto a la orientación de la calibración. Abra completamente el regulador de flujo. Espere 2 minutos. Si el valor medido no está dentro del 5 % del valor de la botella de gas de calibración, calibre el sensor. Consulte Calibración en la página 61 <p>No utilice muestras líquidas para la verificación.</p>
Las mediciones del sensor no son correctas después de la calibración.	El sensor no se calibró correctamente	<p>Asegúrese de seguir todas las instrucciones suministradas con el cabezal de calibración y el regulador de flujo. Si el problema persiste, póngase en contacto con el servicio de asistencia técnica.</p> <p>Para obtener la mejor exactitud, calibre el sensor a una temperatura equivalente a la temperatura de las mediciones posteriores.</p>

Problema	Posible causa	Solución
El sensor no entra en modo de calibración. (El LED no parpadea en verde y rojo.)	<ul style="list-style-type: none"> El sensor no recibe alimentación. El cabezal de calibración no está instalado correctamente. 	<ul style="list-style-type: none"> Asegúrese de que el sensor esté recibiendo alimentación. Asegúrese de que la pequeña muesca del cabezal de calibración esté alineada con el LED de estado. Asegúrese de que el sensor esté completamente dentro del cabezal de calibración.
La calibración no se ha realizado correctamente (El LED parpadea rápidamente en rojo).	<ul style="list-style-type: none"> La presión del gas en la botella de gas de calibración es baja. Se ha detectado una fuga de gas. El cabezal de calibración se movió durante la calibración. La válvula reguladora no se abrió completamente o no se abrió inmediatamente después de que el LED de estado parpadeara en verde y rojo. 	<p>Cierre la válvula reguladora. Retire el cabezal de calibración. A continuación, vuelva a realizar la calibración.</p> <ul style="list-style-type: none"> Asegúrese de que la presión del gas sea de 5 bar (mínimo) en la botella de gas de calibración. Busque una fuga de gas en el tubo o en las conexiones. Asegúrese de que el cabezal de calibración no se mueva durante la calibración. Abra completamente la válvula reguladora inmediatamente después de que el LED de estado parpadee en verde y rojo.

Sección 7 Repuestos y accesorios

⚠ ADVERTENCIA



Peligro de lesión personal. El uso de piezas no aprobadas puede causar lesiones personales, daños al instrumento o un mal funcionamiento del equipo. Las piezas de repuesto que aparecen en esta sección están aprobadas por el fabricante.

Nota: Las referencias de los productos pueden variar para algunas regiones de venta. Póngase en contacto con el distribuidor correspondiente o visite la página web de la empresa para obtener la información de contacto.

Piezas de repuesto

Descripción	Referencia
Pilas (8x), transmisor de campo CAx440EX (no recargables)	LXZ449.99.00003
Kit de piezas de repuesto de instalación	LXZ449.99.00012
Cápsula del sensor	LXZ449.99.00010

Accesorios

Descripción	Referencia
Adaptador para montaje en línea, BSPT de 1 ¼ pulg.	LXZ449.99.00004
Adaptador para montaje en línea y conector en T, BSPT de 1 ¼ pulg.	LXZ449.99.00005
Adaptador para montaje en línea, NPT de 1 ¼ pulg.	LXZ449.99.00015
Adaptador para montaje en línea y conexión en T, NPT de 1 ¼ pulg.	LXZ449.99.00019
Celda de flujo de aire, 3 bar (44 psi) máximo, acero inoxidable EN 1.4404	LXZ449.99.00011
Antena, externa para transmisores de campo CAx440EX, UE, Reino Unido, EE. UU. y Canadá, cable de 2 m (6,5 pies), IP68 Ø100 x 36 mm (Ø3,9 x 1,4 pulg.), LTE: 6 dBi, banda de frecuencia: 698 – 3800 MHz	LXZ449.99.00009

Accesorios (continúa)

Descripción	Referencia
Protector de cables con cadena de 3 m (10 pies) y mosquetones 600 mm (2 pies), 1,3 kg (2,9 lb), acero inoxidable EN 1.4404 (316L)	LXZ449.99.00017
Extensión de protección de cables - 1,4 m (4,6 pies) 2,9 kg (4,6 lb), acero inoxidable EN 1.4404 (316L)	LXZ449.99.00006
Herramienta de extracción de cables	101335
Transmisor de campo CAX440EX, inalámbrico 3G, UE y Reino Unido	LXV449.98.01000
Transmisor de campo CAX440EX, inalámbrico 4G, UE y Reino Unido	LXV449.98.01010
Transmisor de campo CAX440EX, 4G inalámbrico, EE. UU. y Canadá	LXV449.97.01010
Gateway digital SC CDx440sc	LXV449.99.02000
Cadena con mosquetones, 3 m (10 pies)	LXZ449.99.00002
Abrazaderas para cruceta telescópica, transmisores de campo CAX440EX, UE, Reino Unido, EE. UU. y Canadá	LXZ449.99.00008
Cruceta telescópica para boca de arqueta de 558 - 858 mm (22,0 - 33,8 pulg.) con abrazaderas para cruceta telescópica Acero inoxidable EN 1.4404, 3,4 kg (7,5 lb), 558 - 858 x 136 x 71 mm (22,0 - 33,8 x 5,4 x 2,8 pulg.)	LXZ449.99.00007
Soporte de montaje para transmisor de campo CAX440EX, UE y Reino Unido	LXZ449.99.00014
Soporte de montaje para transmisor de campo CAX440EX, EE. UU. y Canadá	LXZ449.99.00018
Barrera de alimentación/4 - 20 mA con fuente de alimentación Certificación IECEx para señales de todas las zonas, uno o dos canales, certificación SIL2 con evaluación completa	LXZ449.99.00013
Cable de alimentación/4 - 20 mA, 5 m (16,4 pies)	100935-05
Cable de alimentación/4 - 20 mA, 10 m (32,8 pies)	100935-10
Cable de alimentación/4 - 20 mA, 30 m (98,4 pies)	100935-30
Cable de sensor RS-232, 5 m (16,4 pies)	100934-05
Cable de sensor RS-232, 10 m (32,8 pies)	100934-10
Cable de sensor RS-232, 30 m (98,4 pies)	100934-30
Cables de sensor, 5 m (16,4 pies), incluye: Cable de alimentación/sensor 4 - 20 mA y cable de sensor RS-232	LXZ449.99.02G05
Cables de sensor, 10 m (32,8 pies), incluye: Cable de alimentación/sensor 4 - 20 mA y cable de sensor RS-232	LXZ449.99.02G10
Cables de sensor, 30 m (98,4 pies), incluye: Cable de alimentación/sensor 4 - 20 mA y cable de sensor RS-232	LXZ449.99.02G30
Cables de sensor con protección de cables, 5 m (16,4 pies), incluye: Cable de sensor de alimentación/4 - 20 mA, cable de sensor RS-232, protección de cables, herramienta de extracción de cables, cadena de 3 m (10 pies) y mosquetones	LXZ449.99.02L05
Cables de sensor con protección de cables, 10 m (32,8 pies), incluye: Cable de sensor de alimentación/4 - 20 mA, cable de sensor RS-232, protección de cables, herramienta de extracción de cables, cadena de 3 m (10 pies) y mosquetones	LXZ449.99.02L10
Cables de sensor, 30 m (98,4 pies), incluye: Cable de sensor de alimentación/4 - 20 mA, cable de sensor RS-232, protección de cables, herramienta de extracción de cables, cadena de 3 m (10 pies) y mosquetones	LXZ449.99.02L30

Accesorios (continúa)

Descripción	Referencia
Pieza en T para montaje en línea, BSPT de 1 ¼ pulg.	LXZ449.99.00001
Pieza en T para montaje en línea, NPT de 1 ¼ pulg.	LXZ449.99.00022

Índice

- | | |
|--|---------------------------------------|
| 1 Especificações na página 71 | 5 Manutenção na página 87 |
| 2 Informações gerais na página 73 | 6 Resolução de problemas na página 90 |
| 3 Fixação da proteção do cabo na página 78 | 7 Peças e acessórios na página 91 |
| 4 Instalação na página 80 | |

Seção 1 Especificações

As especificações estão sujeitas a alteração sem aviso prévio.

Tabela 1 Especificações gerais


Especificação	Detalhes
Dimensões (C x L x P)	240 mm (9,4 pol.), Ø 48,3 mm (1,9 pol.)
Peso	1,36 kg (3 lb)
Gabinete	Aço inoxidável EN 1.4404 (316L), IP68
Montagem	Suspenso, no tubo ou na célula de fluxo de ar
Grau de poluição	2 (sensor), 4 (ambiente de instalação)
Classe de proteção	III
Capacidade de sobrecarga	I
Condições ambientais	Uso interno e externo
Requisitos de energia	12 a 28 VCC (loop de 4 a 20 mA) fornecido pelo transmissor de campo CAx440EX, um gateway sc digital CDx440sc ou um dispositivo
Temperatura de operação	0 °C a 40 °C (32 °F a 104 °F)
Temperatura de armazenamento	0 a 60 °C (32 a 140 °F)
Umidade	0 a 100% de umidade relativa
Altitude	Máximo de 2.000 m (6.562 pés)
Profundidade na água	Máximo de 10 m (32,8 pés)
pH da água	pH máximo: 9; H ₂ S totalmente convertido em formas de sulfeto não detectáveis acima de pH 9.
Pressão	Máximo de 3 bar (44 psi)
Gás de calibração	1.000 ppm
Cabos	Poliuretano, IP68; 5, 10 ou 30 m (16,4, 32,8 ou 98,4 pés)
Sinais de saída	RS-232 e 4 mA a 20 mA
Faixa de 4 mA a 20 mA	0 mg/L a 5 mg/L ou 0 ppm a 1.000 ppm (configurável pelo usuário)
Certificações — GS1440 e GS2440EX	CE, UKCA, FCC, ISED, RCM, KC
ATEX—GS2440EX	Certificação: ETL22ATEX0113X  II 1 G Ex ia IIC T4 Ga Potência/4-20 mA: Ui: 30 V, li: 100 mA, Ci: 22 nF Li: 100 µH Pi: 0.70 W RS-232: Ui: 20 V, li: 100mA, Ci: 0 nF Li: 0 µH, Pi: 0.30 W Tamb: -20 a +60 °C

Tabela 1 Especificações gerais (continuação)


Especificação	Detalhes
UKEX—GS2440EX	Certificação: ITS22UKEX0506X  II 1 G Ex ia IIC T4 Ga -20 °C ≤ Ta ≤ +60 °C
IECEX—GS2440EX	Certificado: IECEX ETL 22.0003X Ex ia IIC T4 Ga Tamb: -20 a +60 °C
América do Norte—GS2440EX	Certificação: ETL21CA104799609X Classe I Zona 0 AEx ia IIC T4 Ga Classe I Divisão 1 Grupos A–D T4 Ex ia IIC T4 Ga Tamb: -20 a +60 °C
Garantia	1 ano

Tabela 2 Especificações de desempenho

Especificação	Detalhes
Faixa de medição na água	0 mg/L a 5 mg/L H ₂ S
Faixa de medição no ar	0 ppm a 1.000 ppm H ₂ S
Precisão	± 5% da escala total (precisão de medição discreta, purga de 90 segundos de 1.000 ± 20 ppm H ₂ S padrão após calibração de um ponto)
Tempo de resposta (t90)	<30 segundos
Limite de detecção	1% de escala total

Tabela 3 Interferências

Gás	Nível de interferência em meio gasoso (%) ¹	Nível de interferência em meio líquido (%) ²	Gás	Nível de interferência em meio gasoso (%) ¹	Nível de interferência em meio líquido (%) ²
Metano (CH ₄)	0	0	Hidrogênio (H ₂)	0,8	96
Dióxido de carbono (CO ₂)	0	0	Monóxido de carbono (CO)	0,6	77
Nitrogênio (N ₂)	0	0	Sulfeto de dimetila ((CH ₃) ₂ S)	18	18
Oxigênio (O ₂)	0	0	Metanotiol (CH ₃ SH)	174	44
Ar (O ₂ , N ₂ , Ar)	0	0	Etanotiol (C ₂ H ₆ S)	13	14
Óxido nitroso (N ₂ O)	0	0	Dióxido de enxofre (SO ₂)	40	1
Amônia (NH ₃)	0	0			

¹ Dado como um sinal para espécie interferente em % de sinais de H₂S em pressões parciais iguais.

² Dado como um sinal para espécie interferente em % de sinais de H₂S em concentrações molares iguais.

Seção 2 Informações gerais

Em hipótese alguma o fabricante será responsável por danos resultantes de qualquer uso inadequado do produto ou não cumprimento das instruções contidas no manual. O fabricante reserva-se o direito de fazer alterações neste manual e nos produtos aqui descritos a qualquer momento, sem aviso ou obrigação. As edições revisadas podem ser encontradas no site do fabricante.

2.1 Informações de segurança

O fabricante não é responsável por quaisquer danos devido ao uso ou aplicação incorreta deste produto, incluindo, sem limitação, danos diretos, acidentais ou consequenciais, e se isenta desses danos à extensão total permitida pela lei aplicável. O usuário é unicamente responsável por identificar riscos críticos de aplicação e por instalar os mecanismos apropriados para proteger os processos durante um possível mau funcionamento do equipamento.

Leia todo o manual antes de tirar da embalagem, montar ou operar esse equipamento. Preste atenção a todos os avisos de perigo e advertência. Caso contrário, o operador poderá sofrer ferimentos graves ou o equipamento poderá ser danificado.

Certifique-se de que a proteção fornecida por este equipamento não seja prejudicada. Não use ou instale este equipamento de qualquer modo diferente do especificado neste manual.

2.1.1 Uso de informações de risco

▲ PERIGO	
	Indica uma situação potencial ou iminentemente perigosa que, se não for evitada, resultará em morte ou lesão grave.



▲ ADVERTÊNCIA	
	Indica uma situação potencialmente perigosa que, se não for evitada, pode resultar em morte ou ferimento grave.

▲ CUIDADO	
	Indica uma situação potencialmente perigosa que pode resultar em ferimento leve a moderado.

AVISO	
	Indica uma situação que, se não evitada, pode causar danos ao instrumento. Informações que necessitam de uma ênfase especial.

2.1.2 Avisos de precaução

Leia todas as etiquetas e rótulos fixados no instrumento. Caso não sejam observados, podem ocorrer lesões pessoais ou danos ao instrumento. Um símbolo no instrumento tem sua referência no manual com uma medida preventiva.

	Este símbolo, se observado no instrumento, diz respeito ao manual de instruções para operação e/ou informações de segurança.
	O equipamento elétrico marcado com este símbolo não pode ser descartado em sistemas de descarte público ou doméstico europeus. Devolva equipamentos antigos ou no final da vida útil para o fabricante para descarte, sem custo adicional para o usuário.

2.1.3 Precauções em espaços confinados

▲ PERIGO	
	Perigo de explosão. Treinamento em testes pré-entrada, ventilação, procedimentos de entrada, procedimentos de evacuação/resgate e práticas de trabalho de segurança são necessárias antes de entrar em espaços confinados.

As informações a seguir são fornecidas para ajudar os usuários a entenderem os perigos e os riscos associados com a entrada em espaços confinados.

Em 15 de abril de 1993, a decisão final da OSHA sobre o CFR 1910.146, Autorização Requerida para Espaços Confinados, se tornou lei. Este padrão afeta diretamente mais de 250.000 locais industriais nos EUA e foi criado para proteger a saúde e a segurança dos trabalhadores em espaços confinados.

Definição de um espaço confinado:

Um espaço confinado é qualquer local ou recinto que apresente (ou tenha potencial imediato para apresentar) uma ou mais das seguintes condições:

- Uma atmosfera com uma concentração de oxigênio menor que 19,5% ou maior que 23,5% e/ou uma concentração de sulfeto de hidrogênio (H₂S) que seja maior que 10 ppm.
- Uma atmosfera que possa ser inflamável ou explosiva devido a gases, vapores, névoas, poeira ou fibras.
- Materiais tóxicos que, mediante contato ou inalação, podem causar lesões, danos à saúde ou morte.

Os espaços confinados não são feitos para ocupação humana. Os espaços confinados têm uma entrada restrita e contêm riscos conhecidos ou potenciais. Exemplos de espaços confinados incluem câmaras subterrâneas, chaminés, tanques, subterrâneos de troca e outros locais semelhantes.

Os procedimentos de segurança padrão devem sempre ser obedecidos antes da entrada nos espaços confinados e/ou locais onde possam estar presentes gases perigosos, vapores, névoas, poeiras ou fibras. Antes de entrar em um local confinado, encontre e leia todos os procedimentos relacionados à entrada em um espaço confinado.

2.2 Conformidade e certificação

▲ CUIDADO

Esse equipamento não se destina para uso em ambientes residenciais e pode não fornecer a proteção adequada para a recepção de rádio nesses ambientes.

Canadian Radio Interference-Causing Equipment Regulation (Regulamentação para equipamentos de rádio causadores de interferência do Canadá), ICES-003, Classe A:

Os registros de testes de comprovação encontram-se com o fabricante.

Este aparelho digital Classe A atende a todos os requisitos de regulamentações canadenses sobre equipamentos que causam interferências.

Cet appareil numérique de classe A répond à toutes les exigences de la réglementation canadienne sur les équipements provoquant des interférences.

FCC parte 15, limites Classe "A"


Os registros de testes de comprovação encontram-se com o fabricante. O dispositivo está em conformidade com a Parte 15 das Regras da FCC. A operação está sujeita às seguintes condições:

1. O equipamento não deve causar interferência prejudicial.
2. O equipamento deve aceitar todas as interferências recebidas, inclusive interferências que podem causar funcionamento indesejado.

Alterações ou modificações a este equipamento não aprovadas expressamente pela parte responsável pela conformidade podem anular a autoridade do usuário de operar o equipamento. Este equipamento foi testado e está em conformidade com os limites de dispositivo digital Classe A, de acordo com a Parte 15 das Regras da FCC. Esses limites foram estabelecidos para proporcionar uma razoável proteção contra interferências nocivas quando o equipamento for operado em ambientes comerciais. Este equipamento gera, utiliza e pode irradiar energia de radiofrequência e, se não instalado e usado de acordo com o manual de instruções, poderá causar interferências prejudiciais às comunicações de rádio. É provável que o funcionamento deste equipamento em área residencial possa causar interferência indesejada, caso em que o usuário será solicitado a corrigir a interferência por conta própria. As seguintes técnicas podem ser usadas para reduzir problemas de interferência:

1. Desconecte o equipamento de sua fonte de alimentação para verificar se ele é ou não a origem da interferência.
2. Se o equipamento está conectado à mesma tomada do dispositivo que está sofrendo interferência, conecte o equipamento a uma tomada diferente.
3. Afaste o equipamento do dispositivo que estiver recebendo a interferência.
4. Reposicione a antena de recebimento do dispositivo que está sofrendo interferência.
5. Tente algumas combinações das opções acima.

2.2.1 Local perigoso

⚠ ADVERTÊNCIA	
	Perigo de explosão. O sensor GS1440 não é aprovado para uso em locais perigosos.

O sensor GS2440EX está em conformidade com os requisitos de locais perigosos da ATEX (UE), UKEX (Reino Unido), IECEx e da América do Norte (EUA/Canadá). Consulte [Tabela 1](#) na página 71. É importante que o usuário obedeça a todas as condições de uso para manter a conformidade com a segurança.


- O sensor GS2440EX é uma peça metálica isolada com uma capacitância máxima de 97,2 pF nos parafusos do gabinete. Certifique-se de usar condições de aterramento ou instalação que impeçam a carga eletrostática do sensor GS2440EX. Consulte o manual de instruções do fabricante para obter instruções sobre como evitar o carregamento eletrostático.
- O sensor GS2440EX não deve ser desmontado.
- Se o sensor GS2440EX for instalado em um local perigoso, é responsabilidade do usuário final selecionar as barreiras corretas para usar com o sensor.
- Obedeça a todas as especificações da ATEX, UKEX, IECEx, do certificado de classificação norte-americano e às regulamentações nacionais e locais.
- Obedeça aos avisos de segurança de outros equipamentos intrinsecamente seguros (Ex) instalados próximos ao sensor.

2.2.2 EMI (interferência eletromagnética)

Os sensores GS1140 e GS2440EX estão em conformidade com as seguintes certificações:

- Diretiva EMC da UE 2014/30/UE
- Regulamentos de Compatibilidade Eletromagnética da UKCA 2016
- FCC Parte 15B
- ICES-003

2.3 Ícones usados nas ilustrações

	
Peças fornecidas pelo fabricante	Não use ferramentas

2.4 Uso pretendido

Os sensores GS1440 e GS2440EX são indicados para uso por profissionais de águas residuais para monitorar os níveis de sulfeto de hidrogênio (H₂S) em líquidos e ar. Os sensores GS1440 e GS2440EX não são indicados para medir outros tipos de sulfetos dissolvidos, como HS⁻ ou S²⁻. Os locais típicos de instalação são os sistemas de tratamento de águas residuais primários, coleta de águas residuais e distribuição de águas residuais.

2.5 Visão geral do produto

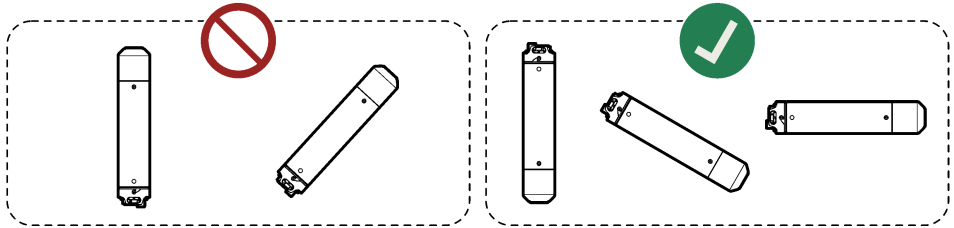
⚠ PERIGO



Não use o sensor GS1440 ou GS2440EX como um dispositivo de segurança para identificar a concentração de sulfeto de hidrogênio em uma área. Obedeça a todas as regulamentações, precauções de saúde e segurança no trabalho aplicáveis antes de entrar em espaços confinados e ambientes com perigo de toxicidade. Consulte o departamento de saúde e segurança no trabalho do local ou do órgão regulatório governamental para identificar os possíveis perigos e conhecer as normas de segurança.

AVISO

Não aponte a extremidade de medição do sensor para cima, caso contrário poderá haver danos no sensor (por exemplo, durante o armazenamento, transporte, calibração, instalação e operação). Mantenha o sensor entre 0 °C e 40 °C (32 °F e 104 °F), caso contrário poderá haver danos no sensor.

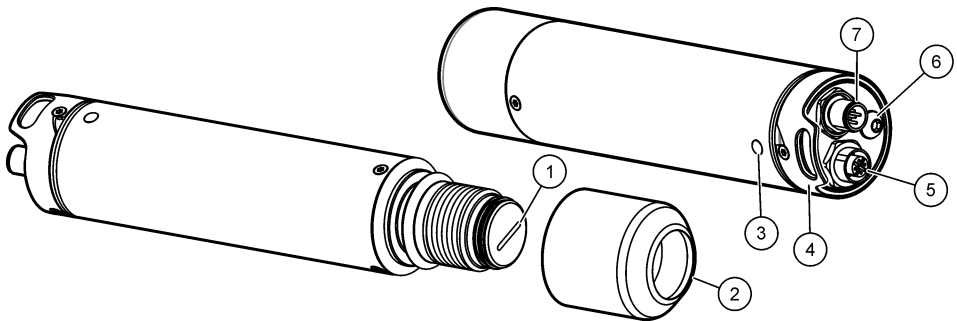


Os sensores GS1440 e GS2440EX medem continuamente as concentrações de sulfeto de hidrogênio (H₂S) em líquidos e ar. Consulte [Figura 1](#).

O sensor é utilizado com um dispositivo que fornece alimentação em loop de 4 mA a 20 mA para o sensor, e recebe medições do sensor como sinal analógico de 4 mA a 20 mA ou sinal digital RS-232.

O GS1440 foi projetado para uso em locais sem riscos. O GS2440EX foi projetado para uso em locais perigosos.

Figura 1 GS1440 e GS2440EX



1 Membrana	5 Conector RS-232
2 Tampa do sensor	6 Parafuso de aterramento (M6)
3 LED de status ³ (Tabela 4)	7 Conector de alimentação de 4 mA a 20 mA
4 Gancho de fixação	

³ O LED de status pisca continuamente enquanto houver alimentação de energia para o sensor.

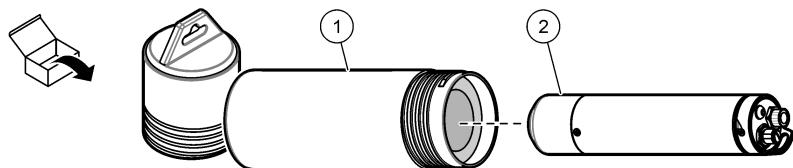
Tabela 4 LED de status

Cor	Status
Verde, um flash	A saída analógica de 4 mA a 20 mA representa 0 mg/L a 5 mg/L (líquidos).
Verde, dois flashes	A saída analógica de 4 a 20 mA representa 0 a 1.000 ppm (ar).
Verde e vermelho, piscando	O sensor está no modo de calibração/configuração.
Vermelho, piscando	Temporário (com tampa de calibração anexada): A calibração não foi bem-sucedida. Contínuo (sem tampa de calibração anexada): Há um problema com o sensor.

2.6 Componentes do produto

Certifique-se de que todos os componentes foram recebidos. Consulte [Figura 2](#). Se houver itens ausentes ou danificados, entre em contato imediatamente com o fabricante ou com um representante de vendas.

Figura 2 Componentes do produto



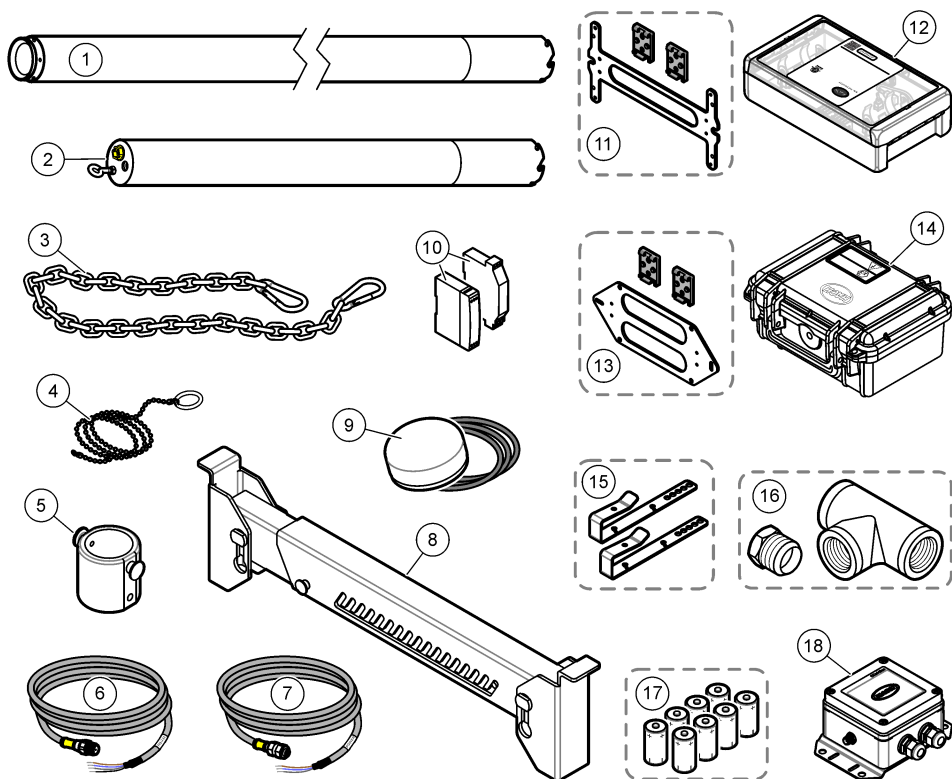
1 Tubo de armazenamento

2 Sensor GS1440 ou GS2440EX

2.7 Acessórios

[Figura 3](#) mostra os acessórios do sensor. Consulte [Peças e acessórios](#) na página 91 para obter informações sobre pedidos.

Figura 3 Acessórios



1 Extensão da proteção do cabo	10 Barreira de alimentação/4 a 20 mA com fonte de alimentação
2 Proteção do cabo	11 Suporte de montagem para parede ou trilho DIN, EUA e Canadá
3 Corrente de suspensão com mosquetão	12 Transmissor de campo CAX440EX, EUA e Canadá
4 Ferramenta de passagem de cabo	13 Suporte de montagem para parede ou calha DIN, UE e Reino Unido
5 Célula de fluxo de ar	14 Transmissor de campo CAX440EX, UE e Reino Unido
6 Cabo do sensor RS-232	15 Grampos para viga
7 Cabo de alimentação de 4 a 20 mA do sensor	16 Adaptador para montagem em linha e T, 1 ¼ de polegada BSPT ou NPT
8 Viga para câmaras subterrâneas	17 Baterias para o transmissor de campo CAX440EX (não recarregáveis)
9 Antena externa para transmissor de campo CAX440EX	18 Gateway CDx440sc para controlador SC

Seção 3 Fixação da proteção do cabo

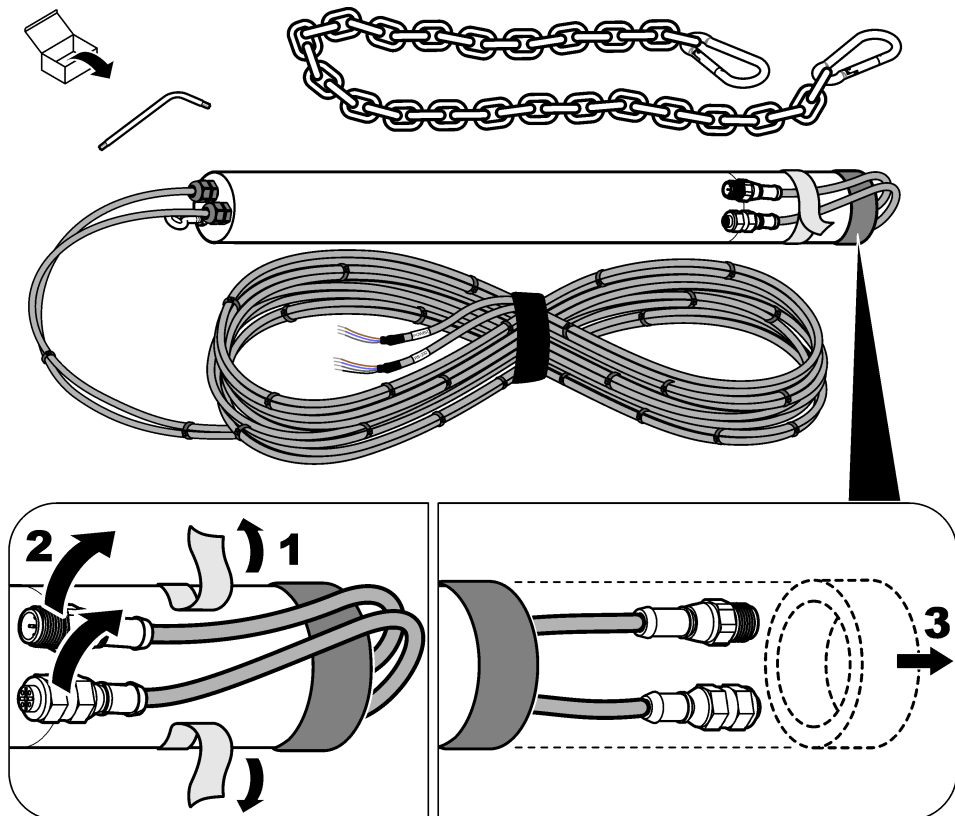
Se o sensor for instalado na água (ou se a elevação do nível da água ocasionar a imersão em água), prenda a proteção do cabo no sensor para evitar danos aos conectores e cabos do sensor.

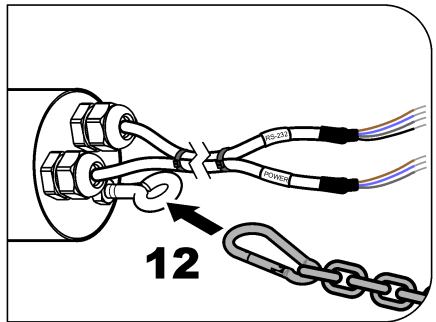
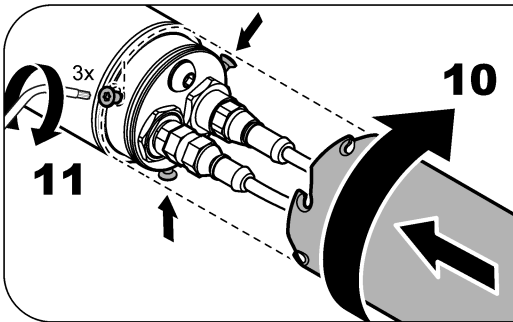
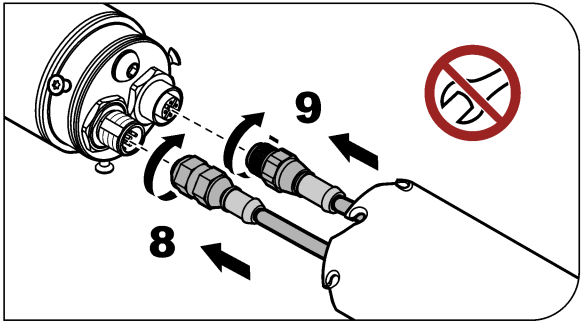
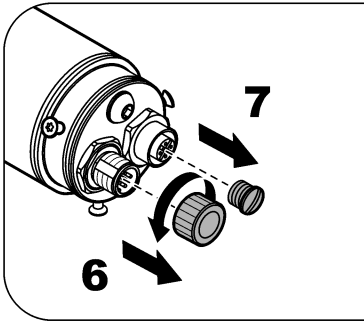
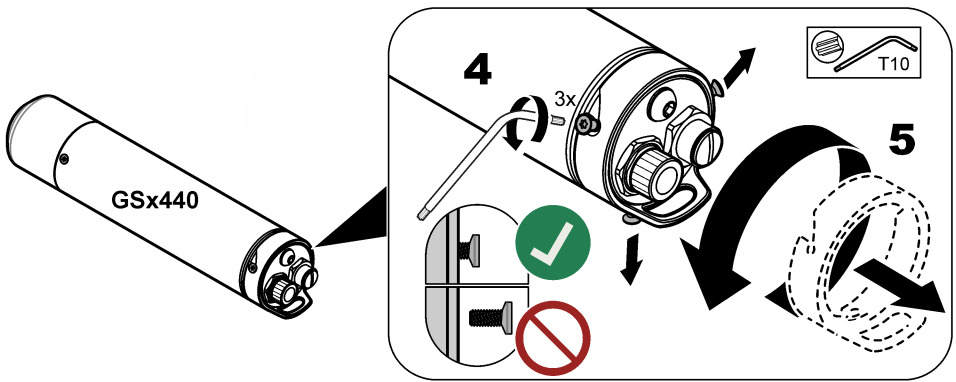
Se os cabos do sensor já estiverem instalados na proteção para cabos, consulte as etapas ilustradas em [Figura 4](#) para conectar os cabos do sensor e a proteção para cabos.

Se os cabos do sensor não estiverem instalados na proteção para cabos, consulte as instruções fornecidas com a proteção para cabos para instalar o(s) cabo(s) do sensor na proteção para cabos e conecte os cabos do sensor e a proteção para cabos.

Observação: Para medições em água onde podem ocorrer grandes mudanças na profundidade da água (por exemplo, poços e reservatórios), conecte a extensão de proteção do cabo opcional (item 1, [Figura 3](#) na página 78) e, em seguida, a proteção do cabo no sensor. Consulte as instruções fornecidas com a extensão da proteção do cabo.

Figura 4 Fixação da proteção do cabo





Seção 4 Instalação

▲ PERIGO



Perigo de explosão. Apenas pessoas treinadas devem instalar ou operar o equipamento.

4.1 Instalação elétrica

⚠ ADVERTÊNCIA

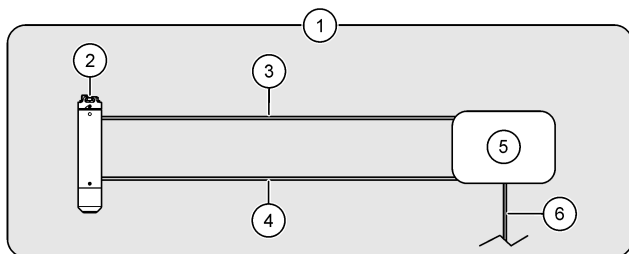


As figuras a seguir mostram as opções de instalação do sensor em um local sem riscos. Para instalar o sensor GS2440EX em um local perigoso, consulte as instruções nos documentos *Precauções de segurança para locais perigosos GS2440EX* e *Precauções de segurança para locais perigosos do transmissor de campo CAx440EX*.

Conecte o sensor a uma das opções a seguir:

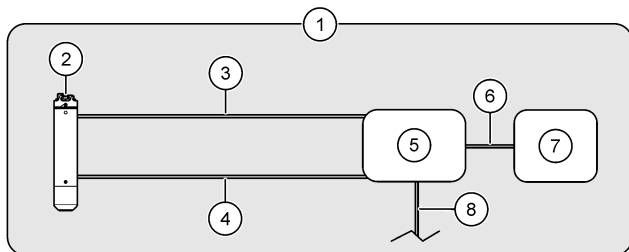
- Transmissor de campo CAx440EX—[Figura 5](#)
- Transmissor de campo CAx440EX e um dispositivo—[Figura 6](#)
- Gateway CDx440sc e um Controlador SC—[Figura 7](#)
- Dispositivo—[Figura 8](#)

Figura 5 Transmissor de campo CAx440EX



1 Área sem riscos	4 Cabo do sensor RS-232
2 Sensor	5 Transmissor de campo
3 Cabo de alimentação de 4 mA a 20 mA do sensor	6 Cabo de alimentação por CC (opcional, fornecido pelo usuário) ⁴

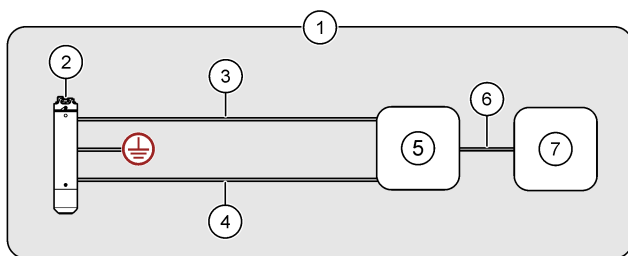
Figura 6 Transmissor de campo CAx440EX e um dispositivo



1 Área sem riscos	5 Transmissor de campo
2 Sensor	6 Cabo do dispositivo, saída analógica de 4 a 20 mA do sensor (fornecido pelo usuário)
3 Cabo de alimentação de 4 mA a 20 mA do sensor	7 Dispositivo (por exemplo, SCADA ou PLC)
4 Cabo do sensor RS-232	8 Cabo de alimentação por CC (opcional, fornecido pelo usuário) ⁴

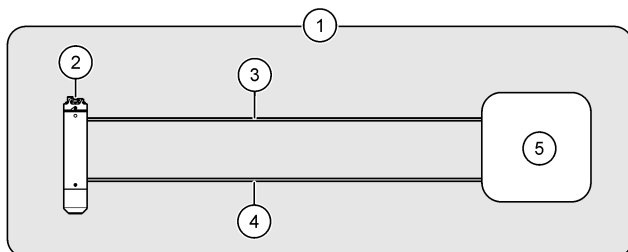
⁴ A alimentação de energia por CC pode ser usada para uma alternativa às baterias, ou com baterias no transmissor de campo. Consulte a documentação do transmissor de campo CAx440EX para obter mais informações.

Figura 7 Gateway CDx440sc e um Controlador SC—



1 Área sem riscos	5 Gateway CDx440sc
2 Sensor	6 Cabo de extensão digital
3 Cabo de alimentação de 4 mA a 20 mA do sensor	7 Controlador SC
4 Cabo RS-232	

Figura 8 Dispositivo — Comunicação direta analógica (4 a 20 mA) ou digital (RS-232)



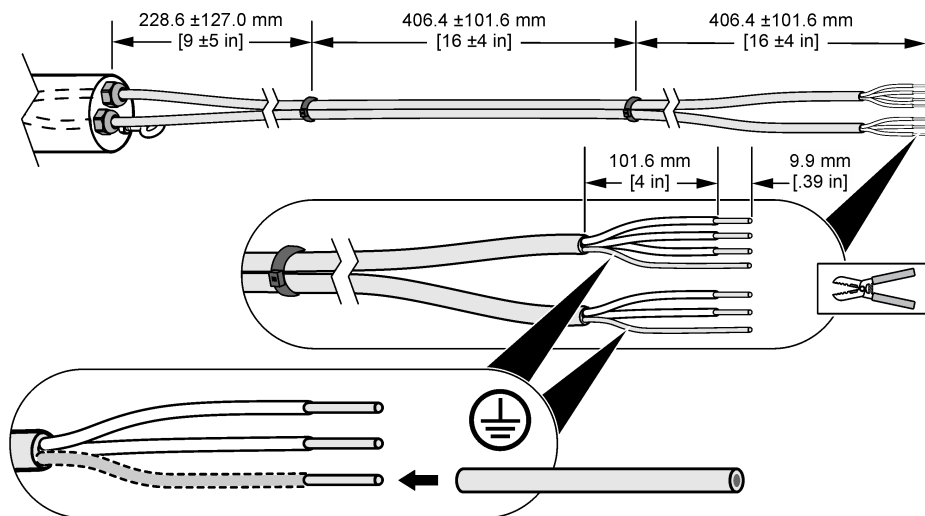
1 Área sem riscos	4 Cabo RS-232 (opcional)
2 Sensor	5 Dispositivo (por exemplo, SCADA ou PLC)
3 Cabo do sensor de alimentação/4 a 20 mA (12 a 28 VCC, alimentação de loop de 4 a 20 mA)	

4.1.1 Corte o cabo do sensor (opcional)

Se necessário, corte o(s) cabo(s) do sensor para diminuir o comprimento. Depois de cortar o(s) cabo(s) do sensor(es), prepare os fios do sensor conforme mostrado em [Figura 9](#). Certifique-se de cobrir o fio desencapado dos dois fios de blindagem com isolamento de fio.

Observação: Quando dois cabos do sensor são usados, os cabos do sensor devem ser presos um ao outro com abraçadeiras para manter a classificação de conformidade EMC, a menos que os cabos do sensor sejam instalados em conduítes.

Figura 9 Prepare os fios do cabo do sensor



4.1.2 Informações de conexão

Para conectar o sensor a um transmissor de campo (ou a um transmissor de campo e a um dispositivo), consulte a documentação do transmissor de campo CAX440EX para obter mais informações sobre cabeamento.

Para conectar o sensor a um gateway CDx440sc e um controlador SC, consulte a documentação do gateway CDx440sc para obter informações sobre fiação.

Para conectar o sensor apenas a um dispositivo, consulte [Tabela 5](#) e [Tabela 6](#).

Tabela 5 Cabo de alimentação de 4 mA a 20 mA do sensor

Pino do conector	Cor do fio	Sinal
1	Marrom	Positivo (12 VCC a 28 VCC, 4 mA a 20 mA de alimentação em loop)
2	Branco	Não usado
3	Azul	Negativo
4	Preto	Não usado
5	Prata	Blindagem

Tabela 6 Cabo do sensor RS-232

Pino do conector	Cor do fio	Sinal
1	Marrom	RXD do sensor (recepção)
2	Branco	Não usado
3	Azul	TXD do sensor (transmissão)
4	Preto	GND (aterramento)
5	Prata	Blindagem

4.2 Calibração

O sensor precisa ser calibrado antes de ser usado. Depois, calibre o sensor novamente em intervalos de um mês, para obter maior precisão. Consulte as instruções de calibração fornecidas com o kit de calibração, que é vendido pela CertGas (<https://certgas.com>).

Antes da calibração, certifique-se de que as afirmações a seguir sejam verdadeiras:

- O local de medição está dentro da faixa de temperatura operacional do sensor. Consulte [Tabela 1](#) na página 71.
- O sensor está limpo. Consulte [Exame e limpeza do sensor](#) na página 88.
- O cabo de alimentação de 4 a 20 mA do sensor fornece energia ao sensor.
- O cabo do sensor RS-232 está preso ao sensor, se aplicável.

Observação: O sensor pode ser calibrado com menor frequência (em intervalos de dois a três meses). No entanto, calibrações mais frequentes aumentam a precisão do sensor.

Observação: Calibrações mais frequentes podem ser necessárias para sensores submersos em locais com alto índice de incrustação (por exemplo, pós-dosagem).

4.3 Altere as unidades de medida da saída de 4 a 20 mA

O LED de status do sensor mostra as unidades de medida atualmente representadas pela saída analógica de 4 mA a 20 mA. Consulte [Tabela 7](#).

Quando for usado apenas o cabo do sensor de alimentação/4 a 20 mA (sem cabo do sensor RS-232) para comunicação, altere as unidades de medida representadas pela saída analógica de 4 a 20 mA para que estejam corretas para o tipo de medição: mg/L (medidas de líquidos) ou ppm (medidas de ar).

Para alterar as unidades de medida siga as etapas a seguir:

Observação: Este procedimento não altera o sinal RS-232 do sensor.

1. Remova o material indesejado acumulado no sensor. Consulte [Exame e limpeza do sensor](#) na página 88.
2. Desconecte os cabos do sensor.
3. Instale a tampa de calibração no sensor. Consulte as instruções fornecidas com a tampa de calibração e regulador de fluxo para a instalação correta.
4. Conecte o cabo de alimentação de 4 mA a 20 mA no sensor. Assegure-se que o cabo de alimentação de 4 mA a 20 mA do sensor forneça energia ao sensor.
5. Quando o LED do status do sensor piscar em vermelho e verde, remova a tampa de calibração do sensor.

O LED de status piscará em verde de novo para mostrar as novas unidades de medida.

Tabela 7 LED de status

Cor	Unidades de medida
Verde, um flash	0–5 mg/L, medições de líquidos
Verde, dois flashes	0–1.000 ppm, medições de ar

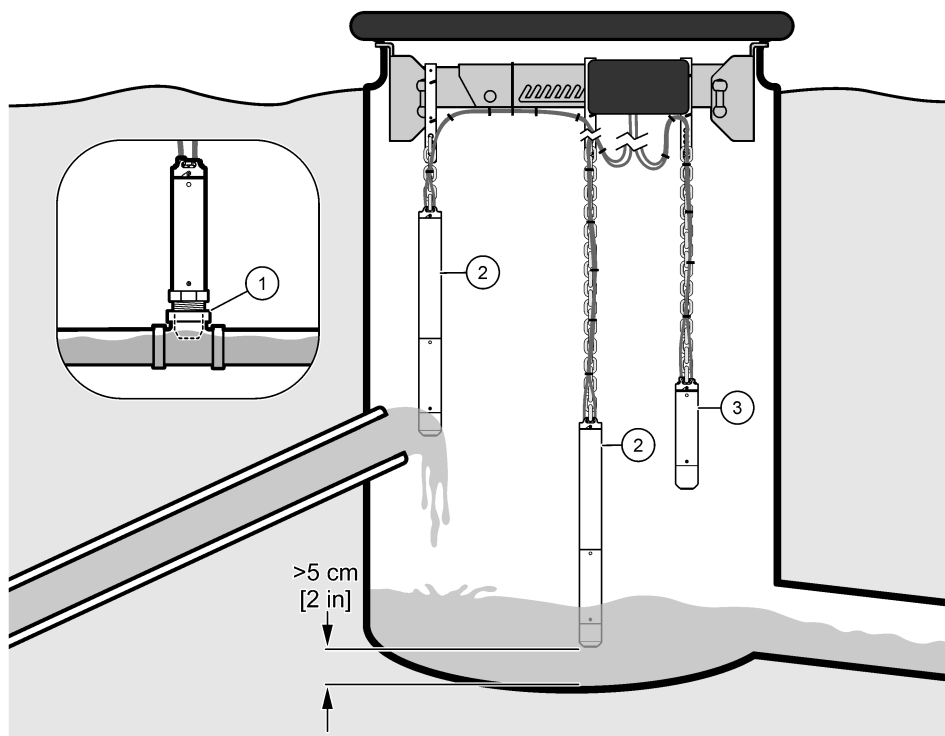
4.4 Instalação mecânica

4.4.1 Opções de instalação

A [Figura 10](#) e [Figura 11](#) mostram as diferentes opções de instalação do sensor.

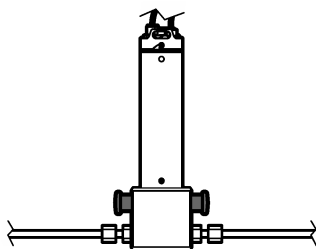
Observação: Não prenda o sensor em uma parede, pois poderá haver acúmulo de trapos e material indesejado no sensor.

Figura 10 Alinhado ou suspenso



1 Alinhado	3 Suspenso no ar
2 Suspenso em meio líquido	

Figura 11 Encaminhado para uma linha de ar de derivação




4.4.2 Diretrizes de instalação

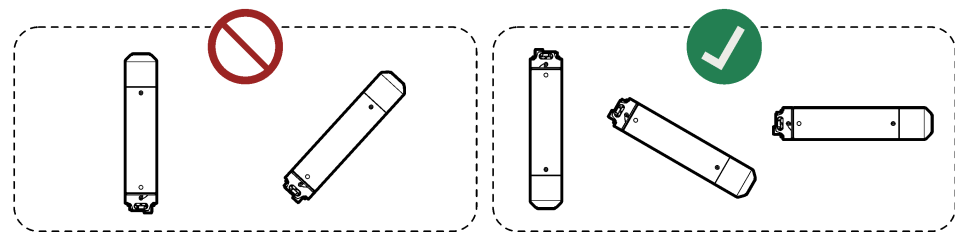
- Mantenha o sensor longe da luz solar direta, fontes de calor, produtos químicos corrosivos ou gases (exceto H₂S), evite impactos mecânicos, materiais abrasivos, vibrações, choques, poeira e emissões de radiação.
- Não use o sensor fora dos parâmetros elétricos, mecânicos e térmicos ou fora do intervalo de medição. Consulte [Especificações](#) na página 71.
- Se o sensor for instalado na água (ou se a elevação do nível da água ocasionar a imersão em água), prenda a proteção do cabo no sensor para evitar danos aos conectores e cabos do sensor. Consulte [Fixação da proteção do cabo](#) na página 78.

- Para obter medições mais precisas, meça a concentração de sulfeto de hidrogênio na água, em vez de no ar.⁵
- Em um sistema de gravidade, realize a medição o mais próximo possível da extremidade de um cano de água pressurizada para obter uma medição precisa da concentração inicial de sulfeto de hidrogênio. O sulfeto de hidrogênio dissolvido é liberado da água quando esta entra em um poço aerado.
- Para medições no ar, instale o sensor de forma que a extremidade de medição fique acima do nível da água durante eventos de elevação do nível, de forma que o material indesejado não acumule no sensor.
- Instale o sensor em um local com fluxo e turbulência suficientes ao redor do sensor, de forma que o material indesejado não se acumule no sensor.
- Não use o sensor em água parada, caso contrário poderá ocorrer bioincrustação.

4.4.3 Instalar o sensor

⚠ PERIGO	
	Perigo de exposição a gás. O sulfeto de hidrogênio é um gás altamente tóxico. Coloque o equipamento de proteção pessoal identificado na folha de dados de segurança (MSDS/SDS). Consulte as planilhas de dados de segurança (MSDS/SDS) atuais para verificar os protocolos de segurança.

AVISO
Não aponte a extremidade de medição do sensor para cima, caso contrário poderá haver danos no sensor (por exemplo, durante o armazenamento, transporte, calibração, instalação e operação).



AVISO
Se o sensor for instalado de forma suspensa, certifique-se de que a instalação não cause danos ao sensor. Não permita que o sensor se choque contra objetos, paredes ou no fundo.



Pré-requisitos:

- Os cabos do sensor são conectados ao sensor e a um transmissor de campo ou a um dispositivo. Consulte [Instalação elétrica](#) na página 81.

⁵ Quando o sulfeto de hidrogênio é medido na água, a medição não depende das variações diárias das condições de ventilação no espaço acima da água ou do local de instalação do sensor.

- O sensor foi calibrado no local de medição. Consulte [Calibração](#) na página 84.
 - Se o sensor for instalado na água (ou se a elevação do nível da água ocasionar a imersão em água), a proteção do cabo deve ficar presa ao sensor. Consulte [Fixação da proteção do cabo](#) na página 78.
 - As unidades de medição representadas pela saída analógica de 4 a 20 mA são as corretas para o tipo de medição: mg/L (medidas de líquido) ou ppm (medidas de ar). Consulte [Altere as unidades de medida da saída de 4 a 20 mA](#) na página 84.
1. Para instalação na água, siga as etapas a seguir:
 - a. (Opcional, recomendado) Conecte o parafuso com olhal na proteção do cabo ao aterramento de acordo com as exigências locais, regionais e nacionais.
Para instalação em locais perigosos, consulte o documento *Precauções de segurança para locais perigosos GS2440EX* para obter os requisitos de aterramento.
 - b. Prenda a corrente ao parafuso com olhal na proteção do cabo.
 - c. Prenda a outra extremidade da corrente a um objeto que esteja diretamente acima da água e não se mova (por exemplo, grade de arame, viga ou grampos para viga para o transmissor de campo).
 - d. Desça o sensor até a água. Mantenha os cabos do sensor fora da água.
 - e. Certifique-se de que a parte superior do sensor está em uma corrente de água em movimento e não esteja próxima das paredes.
 - f. Ajuste o comprimento da corrente de forma que a proteção do cabo fique para fora d'água, e que o sensor fique longe do fundo do canal ou do poço em 5 cm (2 pol.) ou mais.
 - g. Se houver a possibilidade de o sensor bater na parede ou em outros objetos, coloque o sensor em um tubo de PVC de 70 mm (2,75 pol.) ou mais. Certifique-se que a extremidade de medição do sensor fique suspenso abaixo do tubo de PVC.
Prenda o tubo de PVC a um objeto imóvel que estiver diretamente acima da água ou à lateral do poço.
 - h. Enrole os cabos soltos em uma bobina. Use lacres para cabo para prender os cabos na posição.
 2. Para instalação no ar, siga as etapas a seguir:
 - a. (Opcional, recomendado) Conecte o parafuso de aterramento no sensor ao aterramento de acordo com as exigências locais, regionais e nacionais.
Para instalação em locais perigosos, consulte o documento *Precauções de segurança para locais perigosos GS2440EX* para obter os requisitos de aterramento.
 - b. Prenda a corrente (ou cabo e aço) ao gancho de fixação no sensor.
 - c. Prenda a outra extremidade da corrente (ou cabo de aço) a um objeto que esteja diretamente acima da água e que não se mova (por exemplo, grade de arame, viga ou grampos para viga para o transmissor de campo).
 - d. Desça o sensor.
 - e. Ajuste o comprimento da corrente conforme for necessário.
 - f. Enrole os cabos soltos em uma bobina. Use lacres para cabo para prender os cabos na posição. Mantenha os cabos do sensor fora da água.
 3. Para instalação em um tubo de água pressurizado, instale o adaptador opcional para montagem alinhada. Consulte as instruções fornecidas com o adaptador para montagem alinhada.
 4. Para instalação em um tubo de ar pressurizado, instale uma linha de derivação de ar na célula de fluxo de ar opcional. Consulte as instruções fornecidas com a célula de fluxo de ar.

Seção 5 Manutenção

AVISO

Não desmonte, modifique nem faça reparos no instrumento. Ao desmontar, o sensor será danificado e perderá a garantia. Caso seja necessário realizar o reparo dos componentes internos, entre em contato com o fabricante.

5.1 Exame e limpeza do sensor

AVISO

Não aplique força, não use materiais abrasivos, produtos químicos ou mangueiras e lavadores de alta pressão para limpar o sensor, pois pode haver danos na extremidade de medição do sensor.

Em intervalos regulares e antes da calibração, certifique-se de que a extremidade de medição do sensor não esteja coberta por material indesejado.

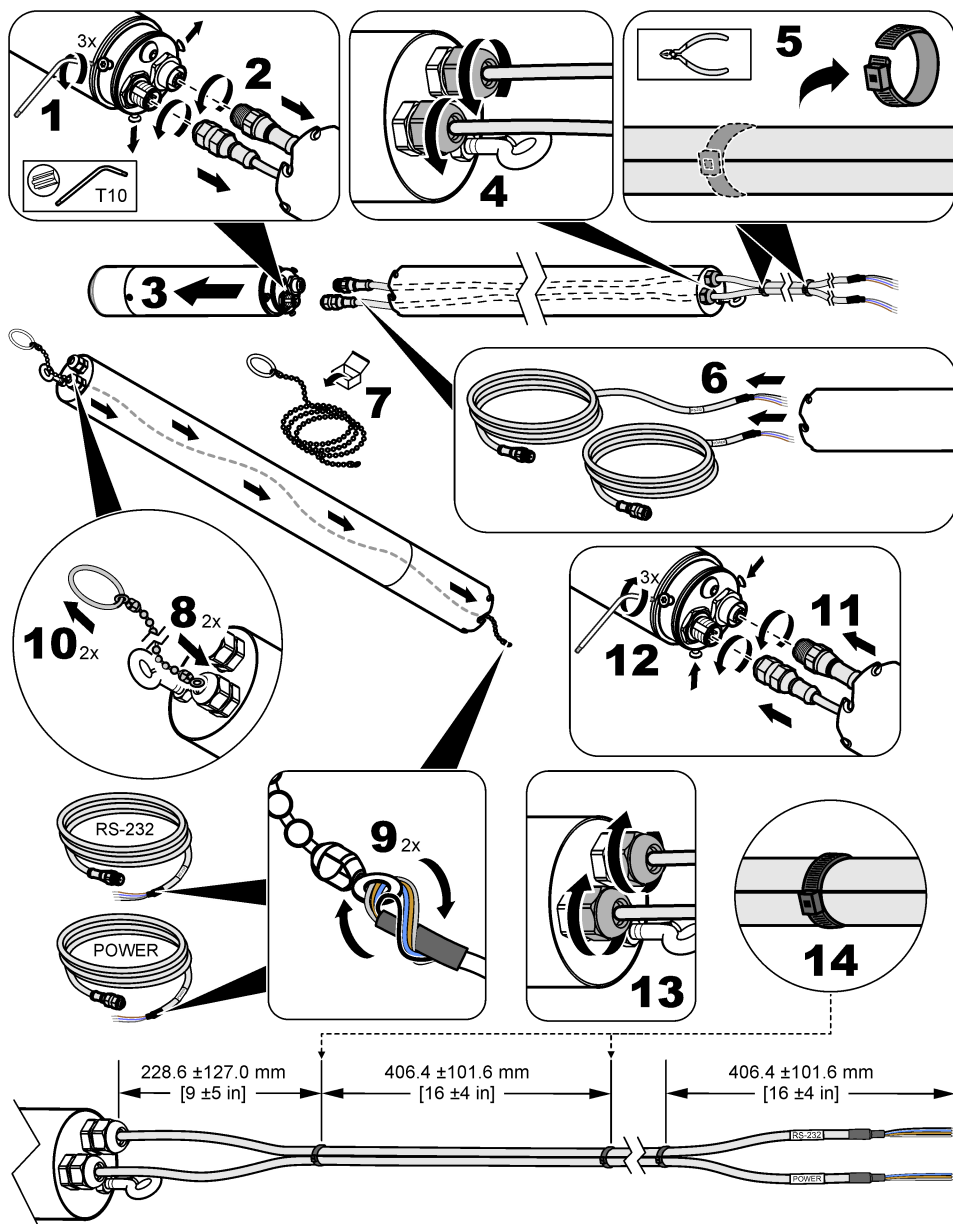
1. Remova o material indesejado acumulado no sensor.
2. Limpe suavemente a extremidade de medição do sensor com um papel ou pano não abrasivo.
3. Use um papel ou pano úmido para remover material seco do sensor.

5.2 Substitua os cabos do sensor

Substitua os cabos do sensor se eles estiverem danificados ou conforme necessário (por exemplo, para instalar cabos mais longos).

Quando uma proteção para cabos estiver instalada no sensor, consulte as etapas ilustradas a seguir para substituir os cabos do sensor.

Observação: Quando dois cabos do sensor são usados, os cabos do sensor devem ser presos um ao outro com abraçadeiras para manter a classificação de conformidade EMC, a menos que os cabos do sensor sejam instalados em condutas.



5.3 Substituição dos anéis O-ring

Se o anel O-ring na extremidade do conector ficar desgastado e não for mais capaz de manter a água fora da proteção do cabo e/ou da extensão da proteção do cabo, substitua o anel O-ring.

Se os anéis O-rings que são vistos quando a tampa do sensor é removida ficarem gastos e não fornecerem mais uma vedação quando a célula de fluxo de ar for usada, substitua-os.

Observação: A função dos anéis O-ring que são vistos quando a tampa do sensor é removida é segurar a tampa do sensor e não impedir a entrada de água.

Estão incluídos no kit de instalação de peças sobressalentes: um anel O-ring sobressalente, graxa para anel O-ring e instruções para substituição. Consulte [Peças e acessórios](#) na página 91 para obter informações sobre pedidos.

Seção 6 Resolução de problemas

Problema	Causa possível	Solução
As medições são quase zero o tempo todo, mas uma medição de amostragem rápida (grab sample) mostra a presença de concentrações significativas de sulfuretos.	<ul style="list-style-type: none">• Existência de bloqueio na entrada do sensor.• O pH da água é maior que 8.	<p>Certifique-se de que a extremidade de medição do sensor não esteja coberta por material indesejado.</p> <p>Enxágue e limpe suavemente o sensor com um pano úmido. Certifique-se de não forçar as áreas ao redor das entradas dos elementos sensores.</p> <p>Se o pH da água for superior a 8, o sulfeto dissolvido está principalmente na forma HS⁻, que não é medida pelo sensor. Use o sensor em um reator de fluxo lateral de baixo volume, em que as águas residuais são convertidas em ácido para certificar-se de que todos os sulfuretos dissolvidos estejam na forma de H₂S.</p>
As medições do sensor estão incorretas.	O sensor não está calibrado.	<p>Use o gás de calibração para identificar a precisão do sensor.</p> <ol style="list-style-type: none">1. Leve o sensor e o gás de calibração, tampa de calibração e regulador de fluxo para fora.2. Limpe a extremidade de medição do sensor. Consulte Exame e limpeza do sensor na página 88.3. Coloque a tampa de calibração próxima da extremidade de medição do sensor.4. Gire a tampa de calibração 180 graus em relação à orientação de calibração.5. Abra totalmente o regulador de fluxo.6. Aguarde 2 minutos.7. Se o valor medido não estiver dentro dos 5% do valor indicado na garrafa do gás de calibração, calibre o sensor. Consulte Calibração na página 84 <p>Não use amostras líquidas para a verificação.</p>
As medições do sensor estão incorretas após a calibração.	O sensor não foi calibrado corretamente.	<p>Certifique-se de seguir todas as instruções fornecidas com a tampa de calibração e regulador de fluxo. Se o problema persistir, entre em contato com o suporte técnico.</p> <p>Para maior precisão, calibre o sensor a uma temperatura equivalente à temperatura das medições subsequentes.</p>

Problema	Causa possível	Solução
O sensor não entra no modo de calibração. (Os LEDs não piscam, verde e vermelho)	<ul style="list-style-type: none"> O sensor está sem alimentação de energia. A tampa de calibração não está instalada corretamente. 	<ul style="list-style-type: none"> O sensor está sem alimentação de energia. Certifique-se de que todos os entalhes da tampa de calibração estejam alinhados com o LED de status. Certifique-se de que o sensor esteja totalmente inserido na tampa de calibração.
A calibração não foi bem sucedida. (O LED pisca rapidamente em vermelho)	<ul style="list-style-type: none"> A pressão do gás na garrafa do gás de calibração está baixa. Existe um vazamento de gás. A tampa de calibração se moveu durante a calibração. A válvula de regulação não foi aberta completamente ou não foi aberta imediatamente após o LED de status piscar em verde e vermelho. 	<p>Feche a válvula de regulação. Remova a tampa de calibração. Em seguida, faça a calibração novamente.</p> <ul style="list-style-type: none"> Certifique-se de que a pressão do gás seja de 5 bar (mínimo) na garrafa de gás de calibração. Procure por vazamentos de gás na mangueira ou nos encaixes. Certifique-se de que a tampa de calibração não tenha se movido durante a calibração. Abra completamente a válvula de regulação após o LED de status piscar em verde e vermelho.

Seção 7 Peças e acessórios

⚠ ADVERTÊNCIA



Risco de lesão corporal. O uso de peças não aprovadas pode causar lesões pessoais, danos ao instrumento ou mau funcionamento do equipamento. As peças de substituição nesta seção foram aprovadas pelo fabricante.

Observação: Os códigos dos produtos podem variar para algumas regiões. Entre em contato com o distribuidor apropriado ou consulte o website da empresa para obter informações de contato.

Peças de reposição

Descrição	Nº do item
Baterias (8x), transmissor de campo CAX440EX (não recarregáveis)	LXZ449.99.00003
Kit de peças de reposição para instalação	LXZ449.99.00012
Tampa do sensor	LXZ449.99.00010

Acessórios

Descrição	Nº do item
Adaptador para montagem alinhada, 1 ¼ de polegada BSPT	LXZ449.99.00004
Adaptador para montagem alinhada e T, 1 ¼ de polegada BSPT	LXZ449.99.00005
Adaptador para montagem alinhada, 1 ¼ de polegada NPT	LXZ449.99.00015
Adaptador para montagem alinhada e T, 1 ¼ de polegada NPT	LXZ449.99.00019
Célula de fluxo de ar, máximo de 3 bar (44 psi), aço inoxidável EN 1.4404	LXZ449.99.00011
Antena, externa para transmissores de campo CAX440EX, UE, Reino Unido, EUA e Canadá, cabo de 2 m (6,5 pés), IP68 Ø100 x 36 mm (Ø3,9 x 1,4 pol.), LTE: 6 dBi, banda de frequência: 698–3800 MHz	LXZ449.99.00009

Acessórios (continuação)

Descrição	Nº do item
Proteção do cabo com 3 m (10 pés), corrente e mosquetões 600 mm (2 pés), 1,3 kg (2,9 lb), aço inoxidável EN 1.4404 (316L)	LXZ449.99.00017
Extensão da proteção para cabo, 1,4 m (4,6 pés) 2,9 kg (4,6 lb), aço inoxidável EN 1.4404 (316L)	LXZ449.99.00006
Ferramenta de passagem de cabo	101335
Transmissor de campo CAX440EX, sem fio 3G, UE e Reino Unido	LXV449.98.01000
Transmissor de campo CAX440EX, sem fio 4G, UE e Reino Unido	LXV449.98.01010
Transmissor de campo CAX440EX, sem fio 4G, EUA e Canadá	LXV449.97.01010
Gateway sc digital CDx440sc	LXV449.99.02000
Corrente com mosquetões, 3 m (10 pés)	LXZ449.99.00002
Grampos para viga, transmissores de campo CAX440EX, UE, Reino Unido, EUA e Canadá	LXZ449.99.00009
Viga para bueiro de 558-858 mm (22,0-33,8 pol.) com grampos para viga Aço inoxidável EN 1.4404, 3,4 kg (7,5 lb), 558-858 x 136 x 71 mm (22,0-33,8 x 5,4 x 2,8 pol.)	LXZ449.99.00009
Suporte de montagem para transmissor de campo CAX440EX, UE e Reino Unido	LXZ449.99.00014
Suporte de montagem para transmissor de campo CAX440EX, EUA e Canadá	LXZ449.99.00018
Barreira de alimentação/4 a 20 mA com fonte de alimentação Certificado IECEx para sinais em todas as zonas, um ou dois canais, Certificado SIL2 com avaliação completa	LXZ449.99.00013
Cabo do sensor de alimentação/4 a 20 mA, 5 m (16,4 pés)	100935-05
Cabo do sensor de alimentação/4 a 20 mA, 10 m (32,8 pés)	100935-10
Cabo do sensor de alimentação/4 a 20 mA, 30 m (98,4 pés)	100935-30
Cabo do sensor RS-232, 5 m (16,4 pés)	100934-05
Cabo do sensor RS-232, 10 m (32,8 pés)	100934-10
Cabo do sensor RS-232, 30 m (98,4 pés)	100934-30
Cabos do sensor, 5 m (16,4 pés), inclui: Cabo do sensor de alimentação/4 a 20 mA e cabo do sensor RS-232	LXZ449.99.02G05
Cabos do sensor, 10 m (32,8 pés), inclui: Cabo do sensor de alimentação/4 a 20 mA e cabo do sensor RS-232	LXZ449.99.02G10
Cabos do sensor, 30 m (98,4 pés), inclui: Cabo do sensor de alimentação/4 a 20 mA e cabo do sensor RS-232	LXZ449.99.02G30
Cabos do sensor com proteção, 5 m (16,4 pés), inclui: Cabo do sensor de alimentação/4 a 20 mA, cabo do sensor RS-232, protetor para cabos, ferramenta de passagem de cabo, corrente de 3 m (10 pés) e mosquetões	LXZ449.99.02L05
Cabos do sensor com proteção, 10 m (32,8 pés), inclui: Cabo do sensor de alimentação/4 a 20 mA, cabo do sensor RS-232, protetor para cabos, ferramenta de passagem de cabo, corrente de 3 m (10 pés) e mosquetões	LXZ449.99.02L10
Cabos do sensor, 30 m (98,4 pés), inclui: Cabo do sensor de alimentação/4 a 20 mA, cabo do sensor RS-232, protetor para cabos, ferramenta de passagem de cabo, corrente de 3 m (10 pés) e mosquetões	LXZ449.99.02L30
T para montagem alinhada, 1 ¼ de polegada BSPT	LXZ449.99.00001
T para montagem alinhada, 1 ¼ de polegada NPT	LXZ449.99.00022

目录

- | | |
|-----------------|-----------------|
| 1 规格 第 93 页 | 5 维护 第 108 页 |
| 2 基本信息 第 94 页 | 6 故障排除 第 110 页 |
| 3 安装电缆护罩 第 99 页 | 7 零件和附件 第 110 页 |
| 4 安装 第 101 页 | |

第 1 节 规格

规格如有更改，恕不另行通知。

表 1 一般技术指标

规格	详细信息
尺寸 (L x D)	240 mm (9.4 in.), Ø 48.3 mm (1.9 in.)
重量	1.36 kg (3.00 lb)
外壳	不锈钢 EN 1.4404 (316L), IP68
安装方式	在管内或空气流通池内自由悬挂
污染等级	2 (传感器)、4 (安装环境)
保护等级	III
过电压类别	I
使用环境	室内和室外使用
电源要求	CAx440EX 现场变送器、CDx440sc 数字 sc 网关或设备提供的 12 至 28 VDC (4–20 mA 回路)
工作温度	0 至 40 °C (32 至 104 °F)
存储温度	0 至 60 °C (32 至 140 °F)
湿度	0 至 100% 相对湿度
海拔	最高 2000 m (6562 ft)
入水深度	最深 10 m (32.8 ft)
水 pH 值	最高 pH 值为 9; H ₂ S 在 pH 值为 9 时完全转化成无法检出的硫化物形式。
压力	最大压力 3 bar (44 psi)
校准气体	1000 ppm
电缆	聚氨酯, IP68; 5、10 或 30 m (16.4、32.8 或 98.4 ft)
输出信号	RS-232 和 4–20 mA
4–20 mA 范围	0–5 mg/L 或 0–1000 ppm (用户配置)
认证—GS1440 和 GS2440EX	CE、UKCA、FCC、ISED、RCM、KC
ATEX—GS2440EX	证书: ETL22ATEX0113X  II 1 G Ex ia IIC T4 Ga 功率/4-20 mA: Ui: 30 V, Ii: 100 mA, Ci: 22 nF Li: 100 µH Pi: 0.70 W RS-232: Ui: 20 V, Ii: 100mA, Ci: 0 nF Li: 0 µH, Pi: 0.30 W Tamb: -20 至 +60 °C

表 1 一般技术指标 (续)

规格	详细信息
UKEX—GS2440EX	证书: ITS22UKEX0506X Ex II 1 G Ex ia IIC T4 Ga -20 °C ≤ Ta ≤ +60 °C
IECEX—GS2440EX	证书: IECEX ETL 22.0003X Ex ia IIC T4 Ga Tamb: -20 至 +60 °C
北美—GS2440EX	证书: ETL21CA104799609X I类 0 区 AEx ia IIC T4 Ga I级第 1 组 A-D 组 T4 Ex ia IIC T4 Ga Tamb: -20 至 +60 °C
保修	1 年

表 2 性能规格

规格	详细信息
水中测量范围	0 至 5 mg/L H ₂ S
空气中测量范围	0 至 1000 ppm H ₂ S
精度	± 5% 满刻度 (分散测量精度, 单点校准后进行 1000 ± 20 ppm H ₂ S 标气吹扫 90 s)
反应时间 (t90)	< 30 秒
检测限值	1% 满刻度

表 3 干扰

气体	干扰水平 气体中 (%) ¹	干扰水平 液体中 (%) ²	气体	干扰水平 气体中 (%) ¹	干扰水平 液体中 (%) ²
甲烷 (CH ₄)	0	0	氢气 (H ₂)	0.8	96
二氧化碳 (CO ₂)	0	0	一氧化碳 (CO)	0.6	77
氮气 (N ₂)	0	0	二甲基硫醚 ((CH ₃) ₂ S)	18	18
氧气 (O ₂)	0	0	甲硫醇 (CH ₃ SH)	174	44
空气 (O ₂ , N ₂ , Ar)	0	0	乙硫醇 (C ₂ H ₆ S)	13	14
一氧化二氮 (N ₂ O)	0	0	二氧化硫 (SO ₂)	40	1
氨 (NH ₃)	0	0			

第 2 节 基本信息

在任何情况下, 对于因产品使用不当或未能遵守手册中的说明而造成的损害, 制造商概不负责。制造商保留随时更改本手册和手册中描述的产品的权利, 如有更改恕不另行通知或承担有关责任。修订版可在制造商的网站上找到。

¹ 结果为同等分压下, 干扰试样信号所占 H₂S 信号的百分比。

² 结果为同等摩尔浓度下, 干扰试样信号所占 H₂S 信号的百分比。

2.1 安全信息

对于误用或滥用本产品造成的任何损坏，包括但不限于直接、附带和从属损害，制造商概不负责，并且在适用法律允许的最大范围内拒绝承认这些损害。用户独自负责识别重大应用风险并安装适当的保护装置，以在设备可能出现故障时保护工艺流程。

请在拆开本设备包装、安装或使用前，完整阅读本手册。特别要注意所有的危险警告和注意事项。否则，可能导致操作员受到严重伤害或设备受到损坏。



请确保产品拆开时的完整无损伤。请勿以本手册指定方式之外的其它方式使用或安装本设备。

2.1.1 危害指示标识说明


▲ 危险
表示潜在的或紧急的危险情况，如果不加以避免，将会导致死亡或严重伤害。
▲ 警告
表示潜在的或紧急的危险情况，如果不加以避免，将会导致死亡或严重伤害。
▲ 警告
表示潜在的危险情形，可能导致轻度或中度人身伤害。
注意
表明如不加以避免可能会导致仪器损坏的情况。此信息需要特别强调。

2.1.2 警告标签

请阅读贴在仪器上的所有标签和标记。如未遵照这些安全标签的指示操作，则可能造成人身伤害或仪器损坏。仪器上的符号在手册中通过警告说明参考。

	当仪器上标示此符号时，表示需要遵守说明手册中的操作和/或安全信息。
	标有此符号的电气设备在欧洲不能通过家庭或公共垃圾系统进行处理。请将老旧或报废设备寄回至制造商处进行处置，用户无需承担费用。

2.1.3 密闭空间预防措施

	▲ 危险
	爆炸危险。在进入密闭空间之前，需要进行有关进入之前测试、通风、进入过程、疏散救援过程以及安全工作做法的培训。

下列信息旨在帮助用户了解进入密闭空间时可能遇到的危险和风险。

1993年4月15日，OSHA 最终颁布法律规定 CFR 1910.146，密闭空间作业许可 (Permit Required Confined Spaces)。该标准对美国 250000 多个工业场地具有直接影响，用于保护狭窄空间内工人的健康和 safety。

密闭空间定义：

密闭空间是指具有下列一种或多种情况（或具有直接可能性）的任何位置或壳体：

- 氧气浓度低于 19.5% 或高于 23.5% 并且/或者硫化氢 (H₂S) 浓度高于 10 ppm 的空气。
- 含有易燃易爆的气体、蒸气、雾气、粉尘或纤维的空气。
- 有毒材料，接触或吸入时会引起受伤、损害健康或致死。

密闭空间不适用于人类居住。密闭空间限制进入，其中含有已知的或潜在的危害。密闭空间包括检修孔、堆栈、管道、大桶、开关地下室及其他类似位置。

进入可能含有危险气体、蒸气、雾气、粉尘或纤维的密闭空间和/或位置之前，务必遵守标准的安全规程。进入密闭空间之前，请首先查找并阅读所有相关的规程。

2.2 合规性和证明

▲ 警告

本设备不适合在住宅环境中使用，在此类环境中可能无法为无线电接收提供充分的保护。

加拿大无线电干扰产生设备法规 (Canadian Radio Interference-Causing Equipment Regulation), ICES-003, A 类:

支持性测试结果在制造商处保存。

此 A 类数字设备符合加拿大由于无线电干扰所产生的设备法规的所有要求。

Cet appareil numérique de classe A répond à toutes les exigences de la réglementation canadienne sur les équipements provoquant des interférences.

FCC 第 15 部分, “A”类限制

支持性测试结果在制造商处保存。该设备符合 FCC 规定第 15 部分的要求。设备操作满足以下两个条件:

1. 本设备不会造成有害干扰。
2. 设备会接收任何干扰，包括可能造成意外的干扰。

若未经负责出具符合声明的一方明确同意擅自对本设备进行改动或改装，可能会导致取消用户操作该设备的权限。本设备已经过测试，符合 FCC 规定第 15 部分中确定的 A 类数字设备限制。这些限制专门提供当设备在商业环境下工作时针对有害干扰的合理保护。该设备产生、使用和放射无线电射频能量，如果不按照说明书手册的要求对其进行安装和使用，可能会对无线电通讯造成有害干扰。本设备在居民区工作时可能会产生有害干扰，这种情况下用户须自行承担费用消除这种干扰。以下方法可用于减少干扰问题:

1. 断开设备的电源，以便确定它是干扰源与否。
2. 如果设备与遭受干扰的仪器连接到相同的插座，将设备连接到其他插座。
3. 将设备从接受干扰的仪器边上移开。
4. 重新定位受干扰仪器的接收天线。
5. 同时尝试以上多项措施。

2.2.1 危险位置

▲ 警告



爆炸危险。GS1440 传感器未获在危险场所使用的批准。

GS2440EX 传感器符合 ATEX (欧盟)、UKEX (英国)、IECEX 和北美 (美国/加拿大) 危险位置要求。请参阅表 1 第 93 页。用户必须遵循所有使用条件，才能始终符合安全要求。

- GS2440EX 传感器是一个隔离的金属部件，外壳螺丝上的最大电容为 97.2 pF。务必使用防止 GS2440EX 传感器静电放电的接地或安装条件。有关如何防止静电放电的说明，请参阅制造商的说明手册。
- 不得拆解 GS2440EX 传感器。
- 如果 GS2440EX 传感器装在危险位置，由最终用户负责选择适合与传感器配合使用的隔离装置。
- 遵守所有 ATEX、UKEX、IECEX、北美分类证书的规范以及国家和地方法规。
- 服从安装在传感器附近的其他本质安全 (Ex) 设备的安全警告。

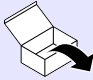

2.2.2 EMI (电磁干扰)

GS1140 和 GS2440EX 传感器符合以下认证:

- 欧盟 EMC 指令 2014/30/EU
- 2016 年 UKCA 电磁兼容性法规

- FCC 第 15B 部分
- ICES-003


2.3 插图中使用的图标

	
制造商提供的零件	不得使用工具

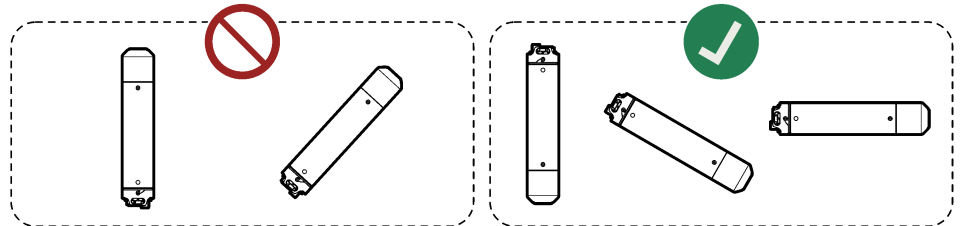
2.4 预期用途

GS1440 和 GS2440EX 传感器旨在供污水处理专业人员监测液体和空气中的硫化氢 (H₂S) 水平。GS1440 和 GS2440EX 传感器无法测量其他类型的溶解硫化物，如 HS⁻ 或 S²⁻。安装场所通常为污水一级处理、污水收集和污水输送系统。

2.5 产品概述

⚠ 危险	
	不要将 GS1440 或 GS2440EX 传感器用作安全设备，来确定某个区域的硫化氢浓度。在进入密闭空间和有毒危险环境之前，请遵守所有适用法规和职业健康与安全预防措施。从工作场所的职业健康和安全部门或政府监管机构获得建议，以确定潜在危险和安全性标准。

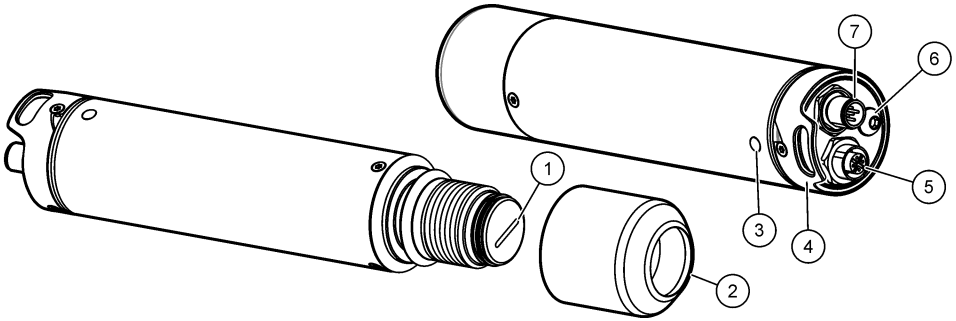
注意	
请勿将传感器测量端朝上，以免损坏传感器（如在储存、运输、校准、安装和工作过程中）。将传感器温度保持在 0 至 40°C（32 至 104°F），否则会损坏传感器。	



GS1440 和 GS2440EX 传感器可连续测量液体与空气中的硫化氢 (H₂S) 浓度。请参阅图 1。传感器与能提供 4–20 mA 回路电源的设备联用，并且此设备可以通过 4–20 mA 模拟信号或 RS-232 数字信号形式接收传感器测量结果。

GS1440 适用于非防爆场所。GS2440EX 适用于防爆场所。

图 1 GS1440 和 GS2440EX



1 膜	5 RS-232 接头
2 传感器盖	6 接地螺丝 (M6)
3 LED 状态 ³ (表 4)	7 电源/4–20 mA 接头
4 连接挂钩	

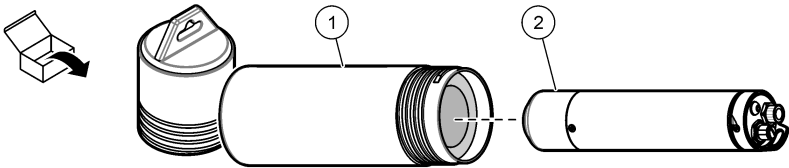
表 4 LED 状态

颜色	状态
绿色，一次闪烁	以 4–20 mA 模拟输出表示 0–5 mg/L (液体)。
绿色，两次闪烁	4–20 mA 模拟输出表示 0–1000 ppm (气体)。
绿色和红色交替闪烁	传感器正处于校准/配置模式。
红色，闪烁	暂时 (连接校准盖时)： 未成功校准。 持续 (未连接校准盖)： 传感器出现问题。

2.6 产品组件

确保已收到所有组件。请参阅图 2。如有任何物品缺失或损坏，请立即联系制造商或销售代表。

图 2 产品部件



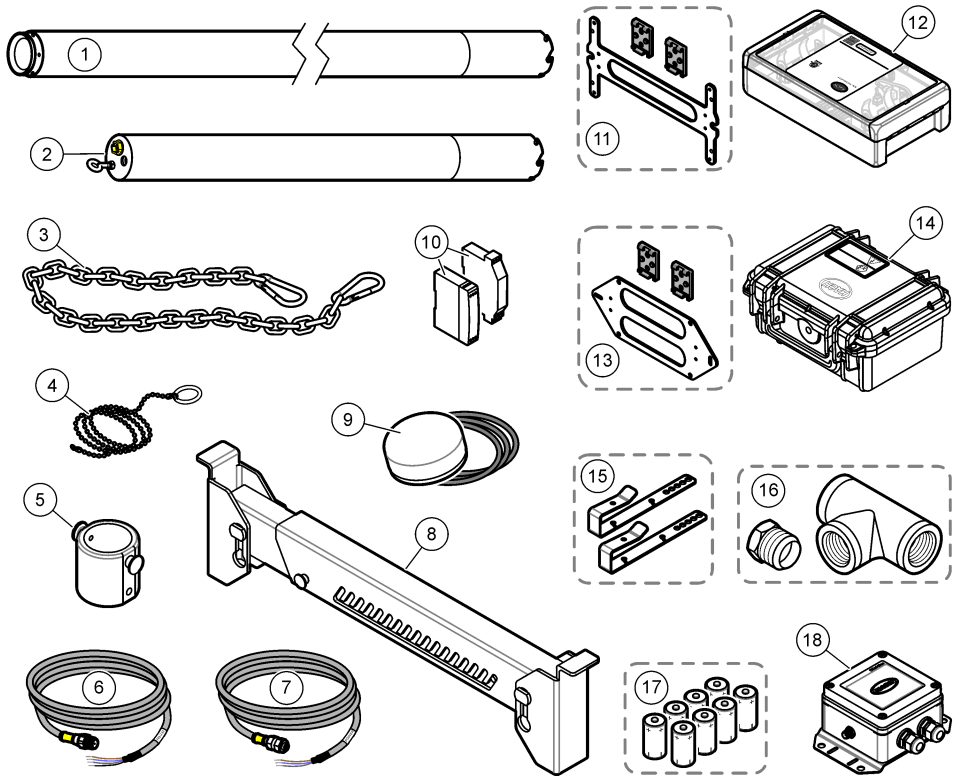
1 存储管	2 GS1440 或 GS2440EX 传感器
-------	-------------------------

2.7 附件

图 3 所示为传感器附件。请参阅零件和附件 第 110 页了解订购信息。

³ 当向传感器供电时，状态 LED 会持续闪烁。

图 3 附件



1 电缆护罩延长件	10 电源/4–20 mA 隔离装置（带电源）
2 电缆护罩	11 壁挂式安装支架或 DIN 导轨，美国和加拿大
3 带锁扣的吊链	12 CAx440EX 现场变送器，美国和加拿大
4 电缆穿过工具	13 壁挂式安装支架或 DIN 导轨，欧盟和英国
5 空气流通孔	14 CAx440EX 现场变送器，欧盟和英国
6 RS-232 传感器电缆	15 横梁夹
7 电源/4–20 mA 传感器电缆	16 串联安装接头和三通接头，1 ¼ 英寸 BSPT 或 NPT
8 检修孔横梁	17 CAx440EX 现场变送器的电池（不可充电）
9 CAx440EX 现场变送器外置天线	18 用于 SC 控制器的 CDx440sc 网关

第 3 节 安装电缆护罩

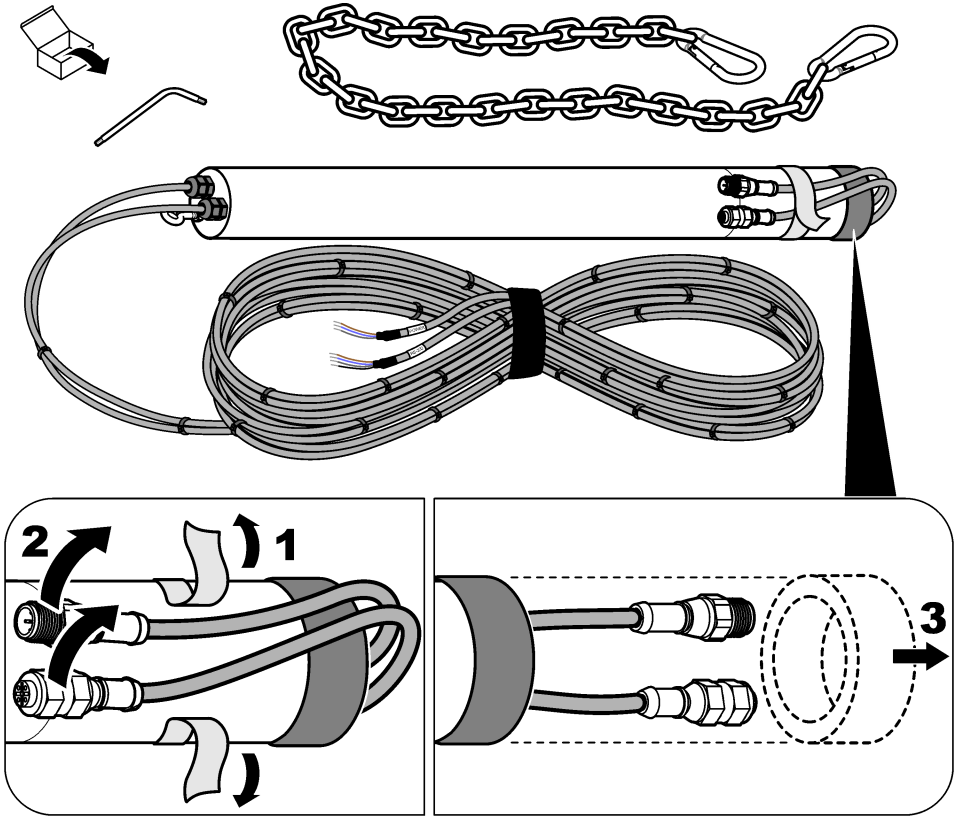
若要将传感器安装于水下（或水位升高致使传感器浸没于水中），请为传感器安装电缆护罩，防止传感器接头及电缆受损。

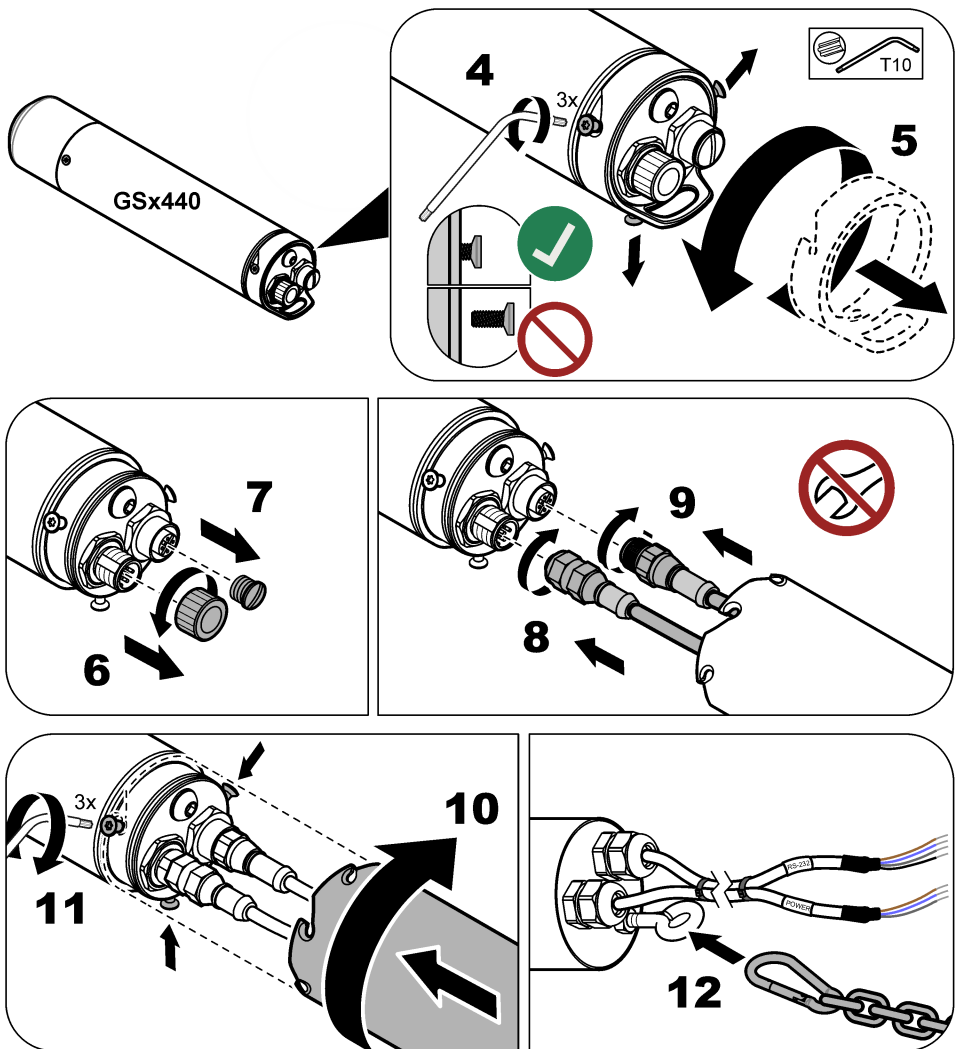
如果传感器电缆已经装入电缆护罩中，请参阅图 4 中的图示步骤固定传感器电缆与电缆护罩。

如果传感器电缆未装入电缆护罩中，请参阅随电缆护罩提供的说明将传感器电缆装入电缆护罩中并固定传感器电缆和电缆护罩。

注： 若要在水深度变化较大的水域中测量（例如水井和水库），请安装可选的电缆护罩延长件（物件 1，图 3 第 99 页）及传感器电缆护罩。请参阅电缆护罩延长件的随附说明。

图 4 安装电缆护罩





第 4 节 安装

▲ 危险



爆炸危险。仅经过培训的人员才能安装或调试设备。

4.1 电气安装

▲ 警告

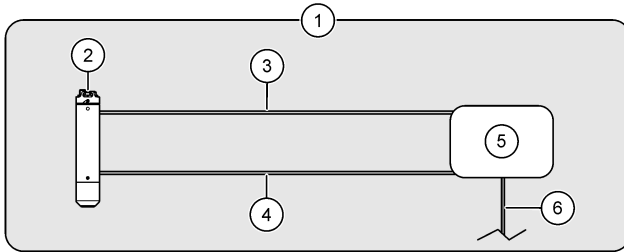


以下图片所示为在非危险场所安装传感器的选项。要在危险位置安装 GS2440EX 传感器，请参阅 GS2440EX 危险场所安全注意事项和 CAx440EX 现场变送器危险场所安全注意事项文档中的说明。

将传感器连接到以下选项之一：

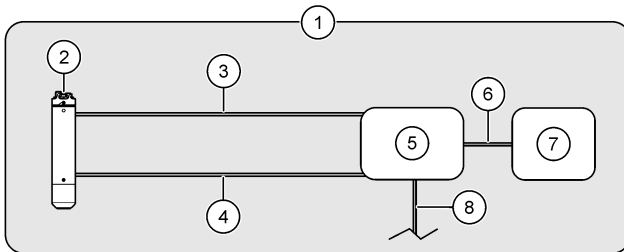
- CAx440EX 现场变送器—图 5
- CAx440EX 现场变送器及设备—图 6
- CDx440sc 网关和 SC 控制器—图 7
- 设备—图 8

图 5 CAx440EX 现场变送器



1 非防爆区域	4 RS-232 传感器电缆
2 传感器	5 现场变送器
3 电源/4–20 mA 传感器电缆	6 直流电源线（可选，用户自备） ⁴

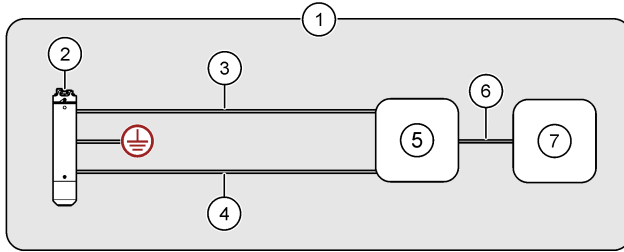
图 6 CAx440EX 现场变送器及设备



1 非防爆区域	5 现场变送器
2 传感器	6 设备电缆，传感器的 4-20 mA 模拟输出（用户提供）
3 电源/4–20 mA 传感器电缆	7 设备（如 SCADA 或 PLC）
4 RS-232 传感器电缆	8 直流电源线（可选，用户自备） ⁴

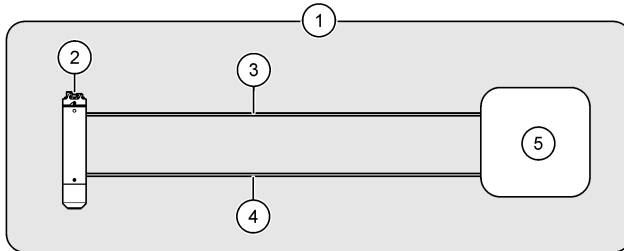
⁴ 现场变送器可使用直流电源替代电池或与电池合用。请参阅 CAx440EX 现场变送器文档的说明。

图 7 CDx440sc 网关和 SC 控制器



1 非防爆区域	5 CDx440sc 网关
2 传感器	6 数字延长线
3 电源/4–20 mA 传感器电缆	7 SC 控制器
4 RS-232 电缆	

图 8 设备—直接模拟 (4-20 mA) 或数字 (RS-232) 通信



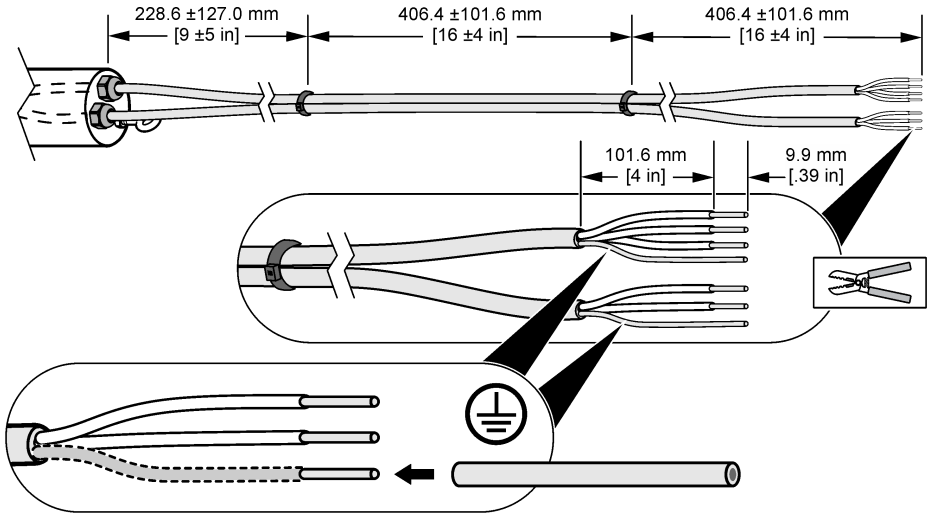
1 非防爆区域	4 RS-232 电缆 (可选)
2 传感器	5 设备 (如 SCADA 或 PLC)
3 电源/4–20 mA 传感器电缆 (12 至 28 VDC, 4-20 mA 回路电源)	

4.1.1 切断传感器电缆 (可选)

如果需要，切断传感器电缆以缩短长度。切断传感器电缆后，按图 9 中所示准备传感器电线。请确保用电线绝缘层覆盖两根屏蔽线的裸线。

注： 当使用两根传感器电缆时，传感器电缆必须用拉链捆绑在一起，以保持 EMC 符合性等级，除非传感器电缆安装在管道中。

图 9 准备传感器电缆的电线



4.1.2 接线信息

如需将传感器连接至现场变送器（或现场变送器和设备），请参阅 CAx440EX 现场变送器文档，了解接线信息。

要将传感器连接至 CDx440sc 网关和 SC 控制器，请参阅 CDx440sc 网关文档了解接线信息。

如需将传感器连接至单一设备，请参阅表 5 和表 6。

表 5 电源/4–20 mA 传感器电缆

接头引脚	线颜色	信号
1	棕色	正极 (12 至 28 VDC, 4-20 mA 回路电源)
2	白色	未使用
3	蓝色	负极
4	黑色	未使用
5	银	屏蔽

表 6 RS-232 传感器电缆

接头引脚	线颜色	信号
1	棕色	传感器 RXD (接收)
2	白色	未使用
3	蓝色	传感器 TXD (发射)
4	黑色	GND (接地)
5	银	屏蔽

4.2 校准

在初次使用前，必须校准传感器。然后每间隔 1 个月再次校准传感器，以便获得最佳精度。请参阅随校准套件（由 CertGas (<https://certgas.com>) 销售）提供的校准说明。

在校准前，确保以下陈述正确：

- 测量位置在传感器的工作温度范围内。请参阅表 1 第 93 页。
- 传感器干净。请参阅检查并清洁传感器 第 108 页。
- 电源/4-20 mA 传感器电缆向传感器供电。
- RS-232 传感器电缆连接至传感器（若适用）。

注： 也可降低传感器校准频率（间隔 2 至 3 个月）。但经常校准可提高传感器精度。

注： 对于在易积垢位置没入水中的传感器（如计量后），可能需要提高校准频率。

4.3 更改 4–20 mA 输出的测量单位

传感器上的状态 LED 显示了当前由 4–20 mA 模拟输出表示的测量单位。请参阅表 7。

只使用电源/4-20 mA 传感器电缆（无 RS-232 传感器电缆）进行通信时，更改 4–20 mA 模拟输出表示的测量单位，使其适合测量类型：mg/L（液体测量值）或 ppm（空气测量值）。

请按以下步骤更改测量单位：

注： 此过程不会更改传感器发出的 RS-232 信号。

1. 去除聚集在传感器上的异物。请参阅检查并清洁传感器 第 108 页。
2. 从传感器上拔下电缆。
3. 在传感器上安装校准盖。为了正确安装，请参阅校准盖和流量调整器随附的说明。
4. 将电源/4-20 mA 电缆连接至传感器。确保电源/4-20 mA 传感器电缆可向传感器供电。
5. 当传感器上的状态 LED 呈红色绿色交替闪烁时，取下传感器上的校准盖。

状态 LED 会再次呈绿色闪烁，显示新的测量单位。

表 7 LED 状态

颜色	测量单位
绿色，一次闪烁	0–5 mg/L，液体测量值
绿色，两次闪烁	0–1000 ppm，空气测量值

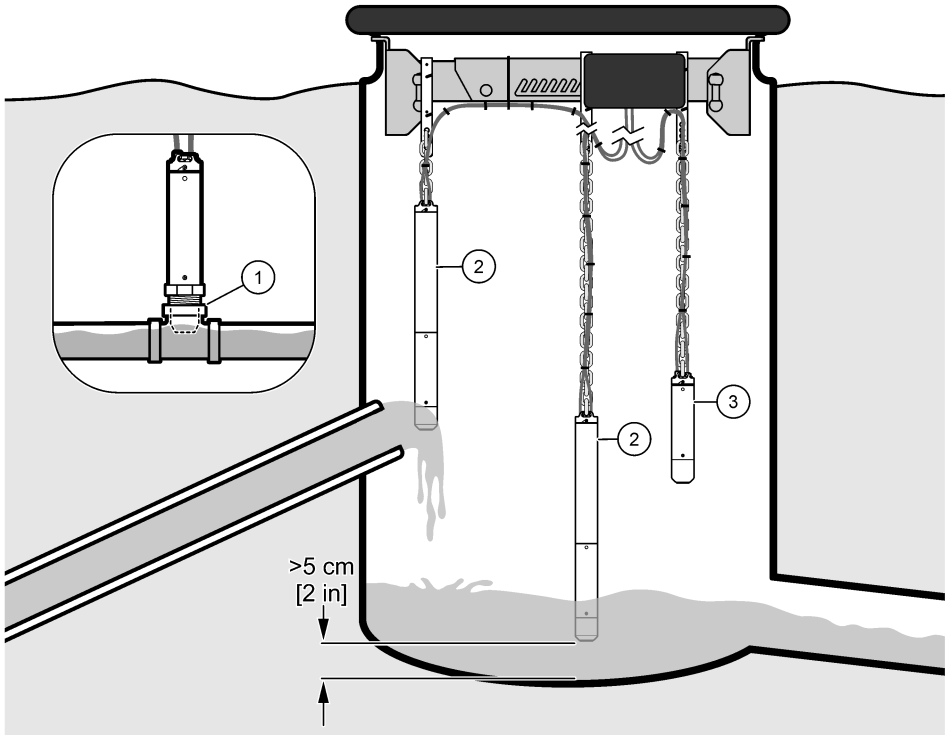
4.4 机械安装

4.4.1 安装选项

如图 10 和图 11 所示为传感器的不同安装选项。

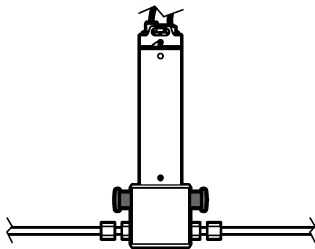
注： 请勿在墙面安装传感器，以免碎布和异物聚集到传感器上。

图 10 串联或自由悬挂



1 串联	3 自由悬挂于空气中
2 自由悬挂于液体中	

图 11 连接空气旁路



4.4.2 安装指南

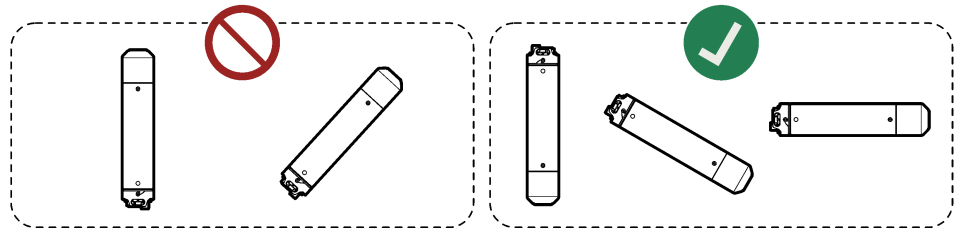
- 传感器需避免阳光直射，远离热源、腐蚀性化学品或气体（H₂S 除外）、磨蚀性材料、灰尘和放射性辐射，避免机械撞击、振动和电击。
- 不要在规定的电气、机械和热参数或测量范围之外使用传感器。请参阅规格 第 93 页。
- 若要将传感器安装于水下（或水位升高致使传感器浸没于水中），请为传感器安装电缆护罩，防止传感器接头及电缆受损。请参阅安装电缆护罩 第 99 页。

- 为获得最准确的测量结果，请测量水中而非空气中的硫化氢浓度。⁵
- 在重力自流系统中，尽可能靠近加压水管末端进行测量，以获得准确的初始硫化氢浓度测量结果。当水进入曝气井时，溶解硫化氢会从水中释放出来。
- 对于测量空气，请安装传感器并使其测量端高于高水位事件期间的水位，这样可避免异物聚集到传感器上。
- 将传感器安装在周围流量和湍流充足的位置，以避免异物聚集到传感器上。
- 传感器需远离滞水，避免生物淤积。

4.4.3 安装传感器

▲ 危险	
	气体暴露危险。硫化氢是一种剧毒气体。穿戴安全数据表 (MSDS/SDS) 中指定的个人防护装备。有关安全规程，请参阅当前安全数据表 (MSDS/SDS)。

注意	
请勿将传感器测量端朝上，以免损坏传感器（如在储存、运输、校准、安装和工作过程中）。	



注意	
如果传感器为自由悬挂式安装，请确保这样安装不会使其受损。请勿让传感器撞击到物体、墙壁或触底。	



前提条件:

- 传感器电缆连接传感器和现场变送器或设备。请参阅[电气安装](#) 第 101 页。
- 已经在测量位置校准传感器。请参阅[校准](#) 第 104 页。
- 若要将传感器安装于水下（或水位升高可使传感器浸没水中），传感器需安装电缆护罩。请参阅[安装电缆护罩](#) 第 99 页。
- 4–20 mA 模拟输出表示的测量单位适合测量类型：**mg/L**（液体测量值）或 **ppm**（空气测量值）。请参阅[更改 4–20 mA 输出的测量单位](#) 第 105 页。

1. 对于水下安装，请按以下步骤进行:

- a. （可选，建议）根据当地、地区和国家的有关要求，请将电缆护罩上的环首螺栓接地。

⁵ 测量水中的硫化氢时，测量结果不受水面上方区域的每日通风条件变化或传感器的安装位置影响。

对于危险位置安装，请参阅 **GS2440EX 危险场所安全注意事项** 文档了解接地要求。

- b. 将链条连接至电缆护罩上的环首螺栓。
 - c. 将链条另一端连接水面正上方的静止物体（如线栅、横梁或现场变送器的横梁夹）。
 - d. 将传感器放低，置于水中。使传感器电缆在水面之上。
 - e. 请确保传感器的上游一侧在水流之中，而非贴近墙壁。
 - f. 调整链条长度至电缆护罩高于水面，使传感器距通道底部或井底 5 cm（2 英尺）或更远。
 - g. 若传感器可能撞击到墙壁或其他物体，请将传感器置于直径为 70-mm（2.75 英尺）或以上的 PVC 管中。请确保传感器测量端悬挂于 PVC 管之下。
将 PVC 管与水面正上方的静止物体相连接或固定在井底。
 - h. 将松散的电缆缠绕成一个线圈。使用电缆扎带将电缆固定就位。
2. 对于在空气中安装，请按以下步骤进行：
- a. （可选，建议）根据当地、地区和国家的有关要求，请将传感器上的接地螺丝接地。
对于危险位置安装，请参阅 **GS2440EX 危险场所安全注意事项** 文档了解接地要求。
 - b. 将链条（或钢缆）连接至传感器上的连接挂钩。
 - c. 将链条（或钢缆）另一端连接水面正上方的静止物体（如线栅、横梁或现场变送器的横梁夹）。
 - d. 将传感器下放。
 - e. 按需调整链条长度。
 - f. 将松散的电缆缠绕成一个线圈。使用电缆扎带将电缆固定就位。使传感器电缆保持在水面之上。
3. 对于在加压水管内安装，请安装可选的串联安装接头。请参阅串联安装接头随附的说明。
4. 对于在加压空气管道内安装，将空气旁路连接可选的空气流通池。请参阅空气流通池随附的说明。

第 5 节 维护

注意

请勿拆卸、更改或维修本仪器。拆卸会损坏传感器并导致保修失效。如果必须维修内部组件，请联系制造商。

5.1 检查并清洁传感器

注意

请勿使用强力、磨蚀性材料、化学品或高压型垫圈或软管来清洁传感器，以免损坏传感器的测量端。

在定期间隔校准中和校准之前，请确保传感器的测量端未被异物覆盖。

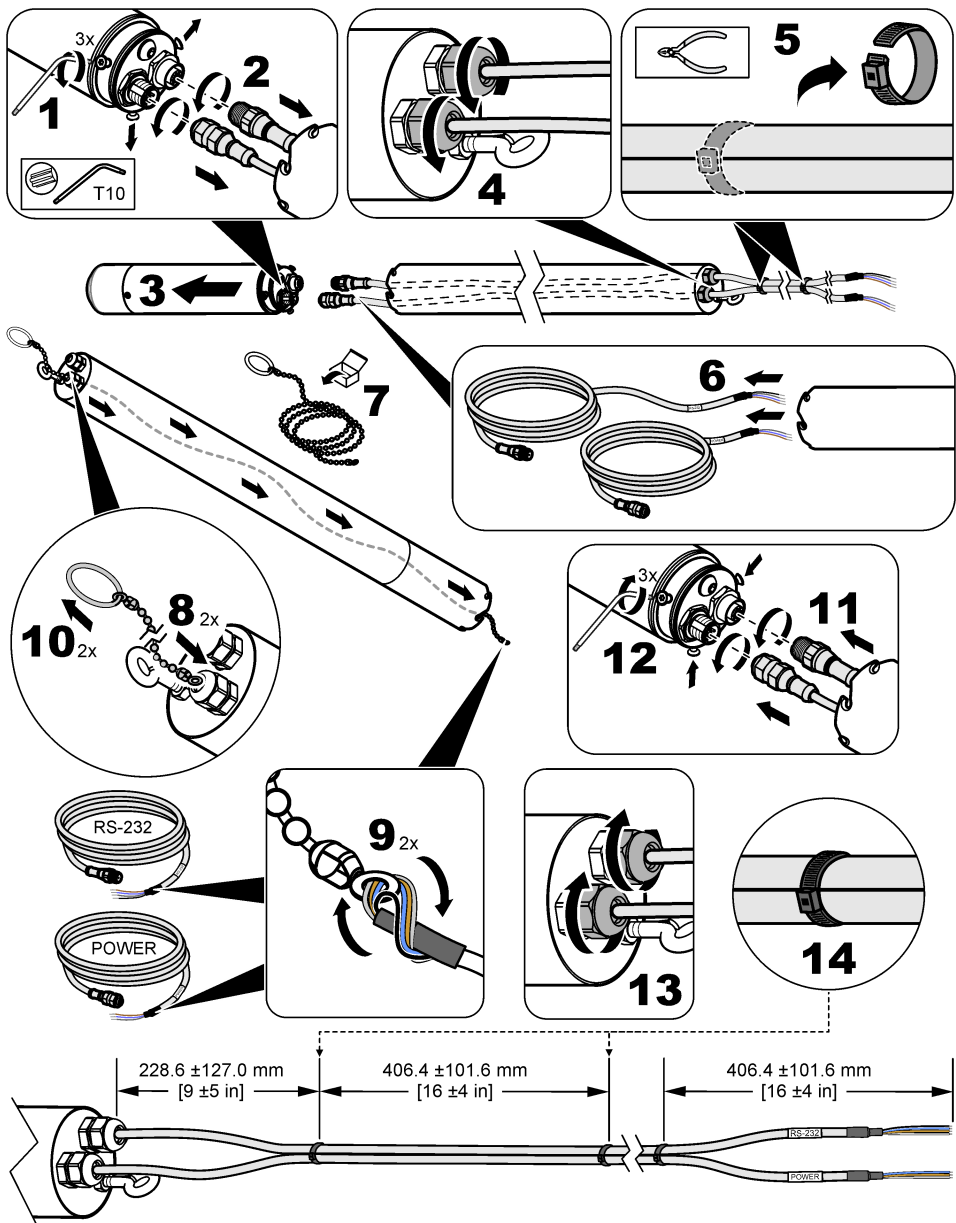
1. 去除聚集在传感器上的异物。
2. 使用无磨蚀性的布料或纸张，轻轻擦拭传感器的测量端。
3. 使用湿的布料或纸张去除传感器上的干性物质。

5.2 更换传感器电缆

如果传感器电缆损坏或根据需要（如，为了安装更长的传感器电缆），更换传感器电缆。

当传感器上装有电缆护罩时，请参阅以下图示步骤更换传感器电缆。

注： 当使用两根传感器电缆时，传感器电缆必须用拉链捆绑在一起，以保持 EMC 符合性等级，除非传感器电缆安装在管道中。



5.3 更换 O 型圈

如果传感器接头端的 O 型圈出现磨损，无法继续阻挡水进入电缆护罩和/或电缆护罩延长件，请更换 O 型圈。

在使用空气流通池时，如果在拆下传感器盖时看到的 O 型圈磨损和不再密封，请更换 O 型圈。


注： 在拆下传感器盖时看到的 O 型圈的作用是固定传感器盖而非防水。

安装备件包内含供更换的 O 型圈、O 型圈润滑脂和更换说明。请参阅**零件和附件** 第 110 页了解订购信息。

第 6 节 故障排除

问题	可能的原因	解决方法
测量结果几乎始终为零，但抓取试样的测量结果显示硫化物浓度显著。	<ul style="list-style-type: none"> • 传感器入口堵塞。 • 水的 pH 值高于 8。 	<p>请确保传感器的测量端未被异物覆盖。</p> <p>冲洗传感器并用湿布轻轻擦拭。请确保不在感应元件的入口周围施力。</p> <p>若水的 pH 高于 8，溶解硫化物大多以传感器无法测出的 HS⁻ 形式存在。请在低量侧流反应器中使用该传感器，此时废水经酸化，可确保所有溶解硫化物为 H₂S 形式。</p>
传感器测量结果有误。	传感器未经校准。	<p>利用校准用气体确定传感器精度。</p> <ol style="list-style-type: none"> 1. 将传感器、校准气体、校准盖和流量调整器带到外面。 2. 清洁传感器测量端。请参阅检查并清洁传感器 第 108 页。 3. 将校准盖靠近传感器测量端放置。 4. 将校准盖相对于校准方向转动 180 度。 5. 完全打开流量调整器。 6. 等待 2 分钟。 7. 若测量值不在校准用气体罐数值的 5% 以内，请校准传感器。请参阅校准 第 104 页 <p>请勿使用液体试样进行验证。</p>
校准后传感器测量结果有误。	传感器未正确校准。	<p>务必遵循校准盖和流量调整器随附的所有说明。如果问题仍未解决，请联系技术支持部门。</p> <p>为了获得最佳精度，请在与后续测量温度相同的温度下校准传感器。</p>
传感器未进入校准模式。 (LED 未呈绿色红色交替闪烁。)	<ul style="list-style-type: none"> • 未向传感器供电。 • 校准盖安装有误。 	<ul style="list-style-type: none"> • 确保向传感器供电。 • 确保校准盖上的小凹槽对准状态 LED。 • 确保传感器完全嵌入校准盖。
校准失败 (LED 呈红色快速闪烁。)	<ul style="list-style-type: none"> • 校准用气体罐内气体压力低。 • 存在气体泄漏。 • 校准盖在校准过程发生移动。 • 调节阀未完全打开，或在状态 LED 呈绿色红色闪烁后未立即打开。 	<p>关闭调节阀。拆下校准盖。之后再次校准。</p> <ul style="list-style-type: none"> • 确保校准气体罐中的气体压力至少为 5 bar。 • 寻找软管或接头的气体泄漏点。 • 确保在校准过程中不移动校准盖。 • 在状态 LED 呈绿色红色闪烁后，立即完全打开调节阀。

第 7 节 零件和附件

▲ 警告	
	人身伤害危险。使用未经批准的部件可能造成人身伤害、仪器损坏或设备故障。本部分中的更换部件均经过制造商的批准。

注： 一些销售地区的产品和物品数量可能有所不同。请与相关分销商联系或参考公司网站上的联系信息。

备件

说明	物品编号
电池（8 个），CAx440EX 现场变送器（不可充电）	LXZ449.99.00003
安装备件包	LXZ449.99.00012
传感器盖	LXZ449.99.00010

附件

说明	物品编号
串联安装接头，1 ¼ 英寸 BSPT	LXZ449.99.00004
串联安装接头和三通接头，1 ¼ 英寸 BSPT	LXZ449.99.00005
串联安装接头，1 ¼ 英寸 NPT	LXZ449.99.00015
串联安装接头和三通接头，1 ¼ 英寸 NPT	LXZ449.99.00019
空气流通池，最高 3 bar (44 psi)，不锈钢 EN 1.4404	LXZ449.99.00011
CAx440EX 现场变送器外部的天线，欧盟、英国、美国和加拿大，2 m (6.5 ft) 电缆，IP68 Ø100 x 36 mm (Ø3.9 x 1.4 in.)，LTE: 6 dBi，频段：698–3800 MHz	LXZ449.99.00009
带 3 m (10 ft) 链条及锁扣的电缆护罩 600 mm (2 ft)，1.3 kg (2.9 lb)，不锈钢 EN 1.4404 (316L)	LXZ449.99.00017
电缆护罩延伸件，1.4 m (4.6 ft) 2.9 kg (4.6 lb)，不锈钢 EN 1.4404 (316L)	LXZ449.99.00006
电缆穿过工具	101335
CAx440EX 现场变送器，无线 3G，欧盟和英国	LXV449.98.01000
CAx440EX 现场变送器，无线 4G，欧盟和英国	LXV449.98.01010
CAx440EX 现场变送器，无线 4G，美国和加拿大	LXV449.97.01010
CDx440sc 数字 sc 网关	LXV449.99.02000
带锁扣的链条，3 m (10 ft)	LXZ449.99.00002
横梁夹，CAx440EX 现场变送器，欧盟、英国、美国和加拿大	LXZ449.99.00008
558–858 mm (22.0–33.8 in.) 检修孔的横梁，带横梁夹 不锈钢 EN 1.4404，3.4 kg (7.5 lb)，558–858 x 136 x 71 mm (22.0–33.8 x 5.4 x 2.8 in.)	LXZ449.99.00007
CAx440EX 现场变送器的固定支架，欧盟和英国	LXZ449.99.00014
CAx440EX 现场变送器的固定支架，美国和加拿大	LXZ449.99.00018
电源/4–20 mA 隔离装置（带电源） 所有区域、单通道或双通道的信号均经 IECEx 认证，经 SIL2 全面评估认证	LXZ449.99.00013
电源/4-20mA 传感器电缆，5 m (16.4 ft)	100935-05
电源/4-20mA 传感器电缆，10 m (32.8 ft)	100935-10
电源/4-20mA 传感器电缆，30 m (98.4 ft)	100935-30
RS-232 传感器电缆，5 m (16.4 ft)	100934-05
RS-232 传感器电缆，10 m (32.8 ft)	100934-10
RS-232 传感器电缆，30 m (98.4 ft)	100934-30

附件（续）

说明	物品编号
传感器电缆，5 m (16.4 ft)，包括： 电源/4-20mA 传感器电缆和 RS-232 传感器电缆	LXZ449.99.02G05
传感器电缆，10 m (32.8 ft)，包括： 电源/4-20mA 传感器电缆和 RS-232 传感器电缆	LXZ449.99.02G10
传感器电缆，30 m (98.4 ft)，包括： 电源/4-20mA 传感器电缆和 RS-232 传感器电缆	LXZ449.99.02G30
带电缆护罩的传感器电缆，5 m (16.4 ft)，包括： 电源/4-20mA 传感器电缆、RS-232 传感器电缆、电缆护罩、电缆穿过工具、3-m (10-ft) 链条和锁扣	LXZ449.99.02L05
带电缆护罩的传感器电缆，10 m (32.8 ft)，包括： 电源/4-20mA 传感器电缆、RS-232 传感器电缆、电缆护罩、电缆穿过工具、3-m (10-ft) 链条和锁扣	LXZ449.99.02L10
传感器电缆，30 m (98.4 ft)，包括： 电源/4-20mA 传感器电缆、RS-232 传感器电缆、电缆护罩、电缆穿过工具、3-m (10-ft) 链条和锁扣	LXZ449.99.02L30
串联安装三通接头，1 ¼ 英寸 BSPT	LXZ449.99.00001
串联安装三通接头，1 ¼ 英寸 NPT	LXZ449.99.00022

目次

- | | |
|------------------------|-----------------------|
| 1 仕様 113 ページ | 5 メンテナンス 129 ページ |
| 2 一般情報 115 ページ | 6 トラブルシューティング 132 ページ |
| 3 ケーブルガードの取り付け 120 ページ | 7 部品と補用品 133 ページ |
| 4 設置 122 ページ | |

第1章 仕様

仕様は予告なく変更されることがあります。

表1 一般仕様

仕様	詳細
寸法 (長さ × 直径)	240 mm (9.4 in.), Ø 48.3 mm (1.9 in.)
重量	1.36 kg (3.00 lb)
筐体	ステンレス鋼 EN 1.4404 (316L)、IP68
設置	吊り下げ式、インライン、または空中吊り下げ式
汚染度	2 (センサ)、4 (設置環境)
保護クラス	III
過電圧カテゴリ	I
環境条件	屋内外使用
電源要件	12 ~ 28 VDC (4 ~ 20 mA ループ)、CAx440EX フィールド送信機、CDx440sc デジタル sc ゲートウェイ、またはデバイスから供給
使用環境温度	0 ~ 40 °C (32 ~ 104 °F)
保管温度	0 ~ 60 °C (32 ~ 140 °F)
湿度	相対湿度 0 ~ 100%
標高	最大 2,000 m (6,562 フィート)
水深	最大 10 m (32.8 ft)
pH	最大 pH 9。pH が 9 より高い場合、H ₂ S は検出されない形の硫化物に完全に交換。
圧力	最大 3 bar (44 psi)
校正ガス	1000 ppm
ケーブル	ポリウレタン、IP68、5、10、または 30 m (16.4、32.8、または 98.4 ft)
出力信号	RS-232 および 4–20 mA
4 ~ 20 mA 範囲	0–5 mg/L または 0–1000 ppm (ユーザー設定可能)
認証—GS1440 および GS2440EX	CE、UKCA、FCC、ISED、RCM、KC
ATEX—GS2440EX	認証: ETL22ATEX0113X  II 1 G Ex ia IIC T4 Ga 電源/4-20mA : Ui : 30V、Ii : 100mA、Ci : 22nF Li : 100µH Pi : 0.70 W RS-232 : Ui : 20V、Ii : 100mA、Ci : 0nF Li : 0µH、Pi : 0.30 W Tamb: -20 ~ +60 °C

表 1 一般仕様 (続き)

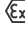
仕様	詳細
UKEX—GS2440EX	認証: ITS22UKEX0506X  II 1 G Ex ia IIC T4 Ga -20 °C ≤ Ta ≤ +60 °C
IECEX—GS2440EX	証明書 IECEX ETL 22.0003X Ex ia IIC T4 Ga Tamb: -20 ~ +60 °C
北米—GS2440EX	認証: ETL21CA104799609X クラス I ゾーン 0 AEx ia IIC T4 Ga クラス区分 1 グループ A~D T4 Ex ia IIC T4 Ga Tamb: -20 ~ +60 °C
保証	1 年

表 2 性能仕様

仕様	詳細
水中での測定範囲	0 ~ 5 mg/L H ₂ S
気中での測定範囲	0 ~ 1000 ppm H ₂ S
精度	± 5% フルスケール (ディスクリット測定精度、1 点校正後 1000 ± 20 ppm H ₂ S 標準液の 90 秒間バージ)
応答時間 (t90)	< 30 秒
検出限界	1% フルスケール

表 3 干渉

ガス	干渉レベル ガス中 (%) ¹	干渉レベル 水中 (%) ²	ガス	干渉レベル ガス中 (%) ¹	干渉レベル 水中 (%) ²
メタン (CH ₄)	0	0	水素 (H ₂)	0.8	96
二酸化炭素 (CO ₂)	0	0	一酸化炭素 (CO)	0.6	77
窒素 (N ₂)	0	0	硫化ジメチル (CH ₃) ₂ S))	18	18
酸素 (O ₂)	0	0	メチルメルカプタン (CH ₃ SH)	174	44
空気 (O ₂ , N ₂ , Ar)	0	0	エチルメルカプタン (C ₂ H ₆ S)	13	14
亜酸化窒素 (N ₂ O)	0	0	二酸化硫黄 (SO ₂)	40	1
アンモニア (NH ₃)	0	0			

¹ 干渉の種類に応じた信号として、等しい分圧での H₂S 信号の % で示されます。

² 干渉の種類に応じた信号として、等しいモル濃度での H₂S 信号の % で示されます。

第2章 一般情報

いかなる場合も、製造元は、製品の不適切な使用またはマニュアルの指示に従わなかったことに起因する損害について責任を負いません。製造元は、通知または義務なしに、随時本マニュアルおよび製品において、その記載を変更する権利を有します。改訂版は、製造元の Web サイト上にあります。

2.1 安全情報

メーカーは、本製品の目的外使用または誤用に起因する直接損害、偶発的損害、結果的損害を含むあらゆる損害に対して、適用法で認められている範囲で一切責任を負わないものとします。ユーザーは、適用に伴う危険性を特定したり、装置が誤作動した場合にプロセスを保護するための適切な機構を設けることに関して、全責任を負うものとします。

この機器の開梱、設定または操作を行う前に、このマニュアルをすべてよく読んでください。危険、警告、注意に記載されている内容をよく読み、遵守してください。これを怠ると、使用者が重傷を負う可能性、あるいは機器が損傷を受ける可能性があります。



この機器による保護機能が損なわれていないことを確認してください。この装置は本マニュアルで指定されている方法以外の方法で使用したり、取り付けたりしないでください。

2.1.1 危険情報


▲ 危険	
	回避しないと死亡または重傷につながる潜在的または切迫した危険な状況を示します。
▲ 警告	
	回避しなければ、死亡または重傷につながるおそれのある潜在的または切迫した危険な状況を示します。
▲ 注意	
	軽傷または中程度のけがをする事故の原因となる可能性のある危険な状況を示します。
告知	
	回避しなければ、本製品を損傷する可能性のある状況や、特に強調したい情報を示します。特に強調する必要がある情報。

2.1.2 使用上の注意ラベル

測定器上に貼付されたラベルや注意書きを全てお読みください。これに従わない場合、人身傷害や装置の損傷につながるおそれがあります。測定器に記載されたシンボルは、使用上の注意と共にマニュアルを参照してください。

	この記号が計器に記載されている場合、操作の指示マニュアル、または安全情報を参照してください。
	このシンボルが付いている電気機器は、ヨーロッパ域内または公共の廃棄処理システムで処分できません。古くなったり耐用年数を経た機器は、廃棄するためにメーカーに無償返却してください。

2.1.3 閉鎖空間に関する注意事項

▲ 危険	
	爆発の危険。プリエントリ試験トレーニング、換気、エントリ手順、排気/レスキュー手順および安全作業の実行は閉じ込められたスペースに入る前に必要です。

次に示す情報は、閉鎖空間への立ち入りに関連して発生する危険およびリスクについて理解するためのものです。

1993年4月15日に、CFR 1910.146「Permit Required Confined Spaces」に関するOSHAの最終的な決定が法制化されました。この標準は米国の250,000を超える産業用地に直接影響し、閉鎖空間で働く作業者の健康と安全を保護することを目的としています。

閉鎖空間の定義:

閉鎖空間は、次の条件が1つ以上該当する(またはすぐにも該当する可能性のある)場所または密閉状態のことです。

- 酸素濃度が19.5%未満または23.5%を超える、あるいは硫化水素(H₂S)濃度が10ppmを超える雰囲気
- ガス、蒸気、霧、塵、または繊維による引火性のある雰囲気、または爆発の可能性がある
- 接触または吸引すると怪我、健康障害、または死亡を引き起こす可能性のある有毒物質が存在する

閉鎖空間は人間が滞在することを意図していません。閉鎖空間への立ち入りが制限され、既知の危険が存在するか、危険が発生する可能性があります。閉鎖空間の例には、マンホール、煙突、パイプ、タンク、スイッチ保管所、およびその他の同様な場所などです。

危険なガス、蒸気、霧、塵、または繊維が存在する可能性のある閉鎖的な空間または場所に立ち入る場合は、事前に標準的な保護手順を実行する必要があります。閉鎖空間に立ち入る前に、閉鎖空間への立ち入りに関連したすべての手順を検索し、参照してください。

2.2 準拠および認証

▲ 注意

本機器は、住宅環境での使用を意図しておらず、そのような環境ではラジオの聴取に対する十分な保護が得られない可能性があります。

カナダ電波妨害装置規則、ICES-003、クラス A:

これを裏付けるテスト記録はメーカーにあります。

このクラス A デジタル装置は、カナダの障害発生機器規則の要件をすべて満たしています。

Cet appareil numérique de classe A répond à toutes les exigences de la réglementation canadienne sur les équipements provoquant des interférences.

FCC PART 15、クラス「A」 限度値


これを裏付けるテスト記録はメーカーにあります。この機器は FCC 規則のパート 15 に準拠します。この機器の動作は以下の条件を前提としています:

1. この装置が有害な干渉の原因とならないこと。
2. この装置が望ましくない動作の原因となる可能性のある干渉を含めた、いかなる干渉にも対応しなければなりません。

これらの規格への準拠に責任を持つ当事者による明示的承認を伴わずにこの装置に対する改変または改造を行うと、ユーザーはこの機器を使用する権限を失う可能性があります。この装置は、FCC 規則のパート 15 に従って、クラス A のデジタル機器の制限に準拠することが試験によって確認されています。これらの制限は、この機器が商用の環境で使用されたときに、有害な干渉から適切に保護することを目的に設定されています。この機器は、無線周波数エネルギーを生成および使用するもので、取扱説明書に従って取り付けおよび使用しない場合にはそれを放射する場合があります、無線通信に対して有害な干渉を発生させる可能性があります。住宅地域における本装置の使用は有害な電波妨害を引き起こすことがあり、その場合ユーザーは自己負担で電波妨害の問題を解決する必要があります。干渉の問題を軽減するために以下の手法が利用可能です。

1. 装置から電源を取り外して、装置が干渉源かどうかを確認します。
2. 装置が干渉を受けている装置と同じコンセントに接続されている場合は、装置を別のコンセントに接続してください。
3. 妨害を受けている装置から本装置を離します。
4. 干渉を受けるデバイスの受信アンテナの位置を変更します。
5. 上記の措置を組み合わせてください。

2.2.1 危険な場所

▲ 警告	
	爆発の危険性があります。GS1440 センサは、危険な場所での使用は許可されていません。

GS2440EX センサは ATEX (EU)、UKEX (UK)、IECEX、北米 (US/カナダ) の防爆指令に準拠していません。表 1 113 ページを参照してください。ユーザーは使用条件に従うことで、安全上の規制に準拠することが重要です。



- GS2440EX のセンサーは絶縁金属部品であり、筐体ネジの最大静電容量は 97.2pF です。必ず、接地を使用するか、GS2440EX センサの静電帯電を防止する取り付け条件を使用してください。静電帯電を防止する方法については、メーカーが提供するマニュアルを参照してください。
- GS2440EX センサは分解してはいけません。
- GS2440EX センサが危険な場所に取り付けられる場合、センサ使用時に適切なバリアを選択することはエンドユーザーの責任です。
- ATEX、UKEX、IECEX、北米分類証明書仕様および国や地域の規制を遵守してください。
- センサーの近くに設置された他の本質安全防爆 (Ex) 機器の安全警告に従います。

2.2.2 EMI (電磁障害)

GS1140 センサと GS2440EX センサは次の認証に準拠しています:

- EU EMC 指令 2014/30/EU
- UKCA 電磁両立性規制 2016
- FCC Part 15B
- ICES-003


2.3 イラストで使用されているアイコン

	
メーカー 供給部品	工具を使用しない

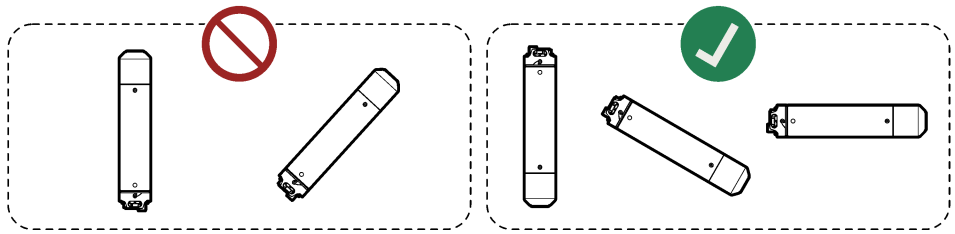
2.4 使用目的

GS1440 および GS2440EX センサは、廃水の専門家が水中および気中の硫化水素 (H_2S) のレベルを監視するのに使用することを目的としています。GS1440 および GS2440EX センサは、他の種類の溶存硫化物 (HS^- や S^{2-} など) の測定には使用できません。一般的な設置場所は一次廃水処理、廃水収集、および廃水搬送システムです。

2.5 製品概要

▲ 危険	
	GS1440 または GS2440EX センサを安全装置として使用して、領域内の硫化水素濃度の確認用として使用しないでください。閉鎖空間や有害な危険環境に立ち入る前に、適用される規制および労働安全衛生上の注意事項にすべて従ってください。職場の労働安全衛生部門や政府の規制機関から助言を受けて、考えられる危険性と安全基準を確認してください。

告知	
センサの測定部を上に向けないでください。センサが破損する可能性があります (保管中、輸送中、校正中、設置中、操作中など)。 センサを 0 ~ 40 °C (32 ~ 104 °F) に維持しないと、センサが破損します。	

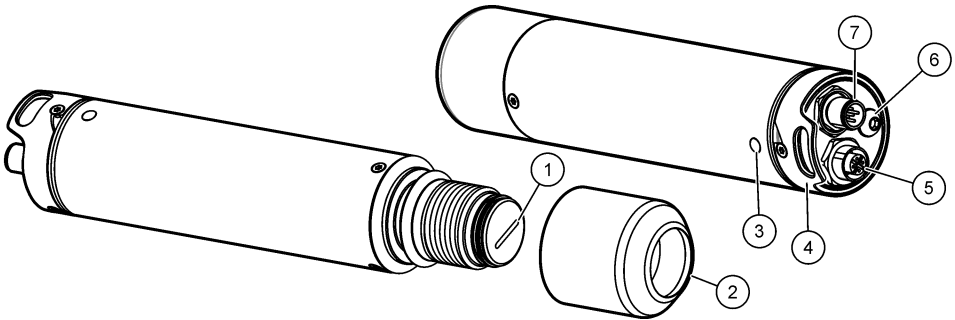


GS1440 および GS2440EX センサは、水中および気中の硫化水素 (H₂S) 濃度を連続的に測定します。
 図 1 を参照してください。

このセンサは、4–20 mA ループ電源をセンサに供給し、センサの測定値を 4–20 mA アナログ信号または RS-232 デジタル信号として受信するデバイスとともに使用します。

GS1440 は非危険区域での使用を前提に作られています。GS2440EX は危険な場所での使用を前提に作られています。

図 1 GS1440 および GS2440EX



1 隔膜	5 RS-232 コネクター
2 センサキャップ	6 接地ネジ (M6)
3 ステータス LED ³ (表 4)	7 電源/4–20 mA コネクター
4 取り付けフック	

表 4 ステータス LED

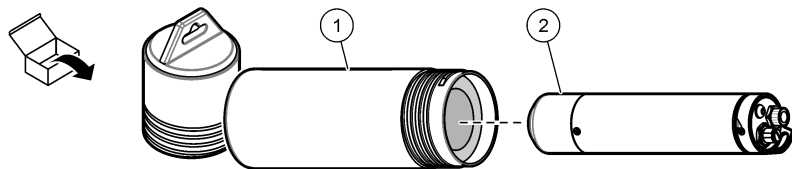
色	ステータス
緑、1 回点滅	4–20 mA アナログ出力は 0–5 mg/L (液体) を表します。
緑、2 回点滅	4–20 mA アナログ出力は 0–1000 ppm (エア) を表します。
緑と赤の点滅	センサが校正/設定モードになっています。
赤、点滅	一時的 (校正キャップ取り付け時): 校正に失敗しました。 連続的 (校正キャップ取り付けなし): センサに問題があります。

2.6 構成部品

すべての構成部品が揃っていることを確認します。図 2 を参照してください。構成部品に不足や破損がある場合は、直ちに取扱い販売代理店にお問い合わせください。

³ センサに電源が供給されている間は、ステータス LED が点滅し続けます。

図 2 製品の構成部品



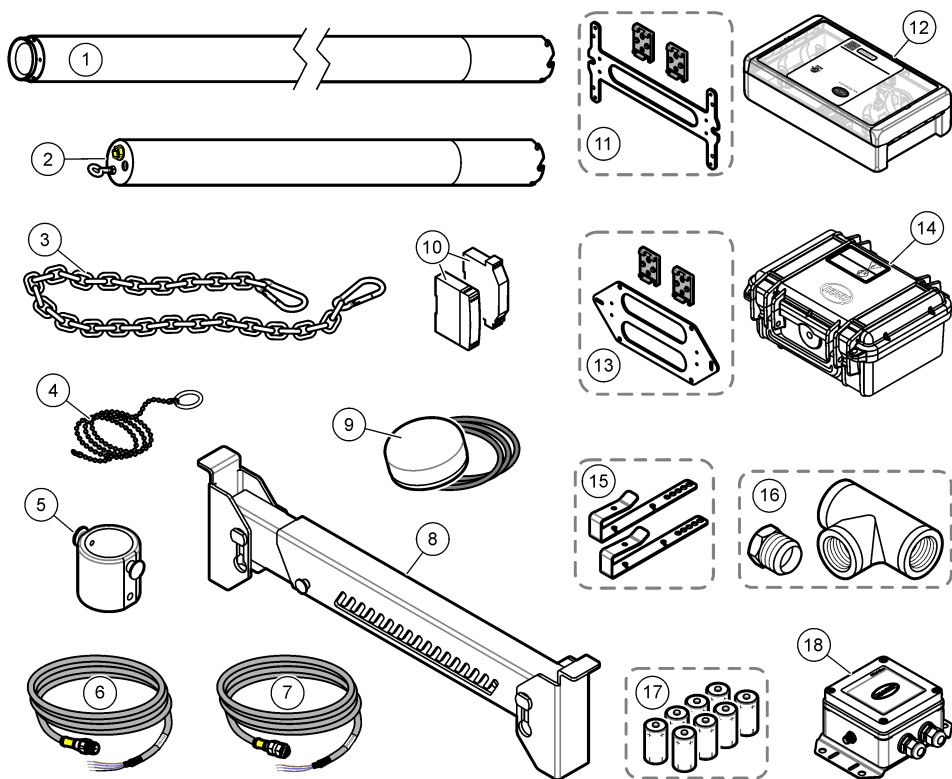
1 保存チューブ

2 GS1440 または GS2440EX センサ

2.7 補用品

図 3 センサの補用品を示します。ご注文情報については、[部品と補用品](#) 133 ページを参照してください。

図 3 補用品



1 ケーブルガード延長	10 電源付き 電源/4-20 mA バリア
2 ケーブルガード	11 壁または DIN レール用の取り付けブラケット、USA およびカナダ
3 カラビナ付き吊り下げチェーン	12 CAX440EX フィールド送信機、USA およびカナダ
4 ケーブル引き通しツール	13 壁または DIN レール用の取り付けブラケット、EU および UK
5 エアフローセル	14 CAX440EX フィールド送信機、EU および UK
6 RS-232 センサケーブル	15 クロスビームクランプ
7 電源/4-20 mA センサケーブル	16 インライン取り付け用アダプターと T 字管、1 ¼ インチ BSPT または NPT
8 マンホール用クロスビーム	17 CAX440EX フィールド送信機用バッテリー (充電不可)
9 CAX440EX フィールド送信機用外部アンテナ	18 SC Controller 用ゲートウェイ CDx440sc

第 3 章 ケーブルガードの取り付け

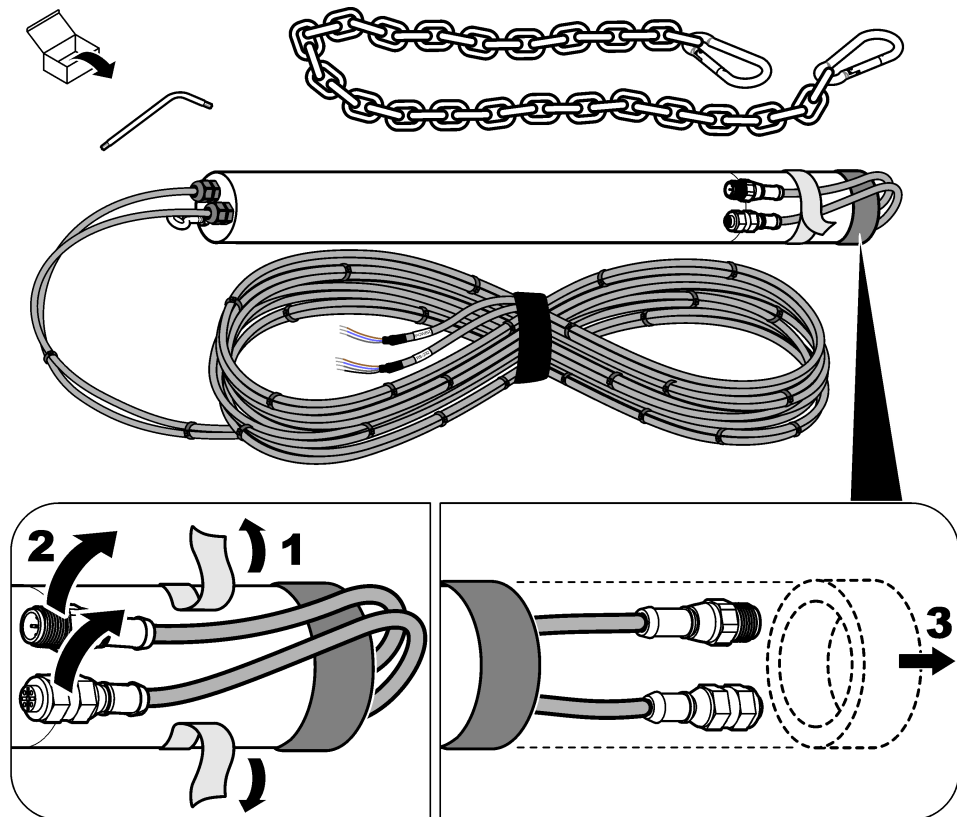
センサを水中に設置する場合 (または水位の上昇によりセンサが水中に入る可能性がある場合) は、ケーブルガードをセンサに取り付けて、センサのコネクターとケーブルの破損を防ぎます。

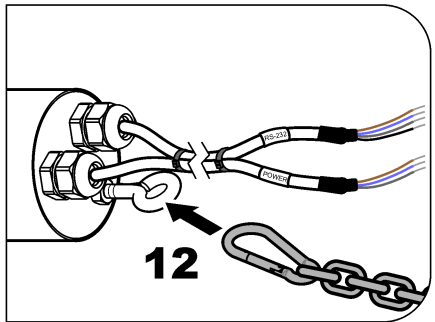
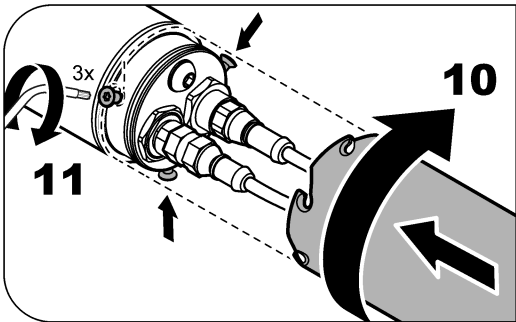
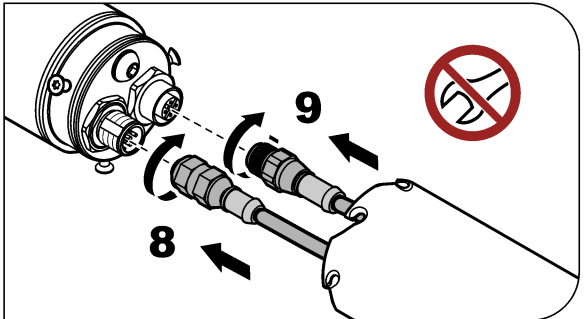
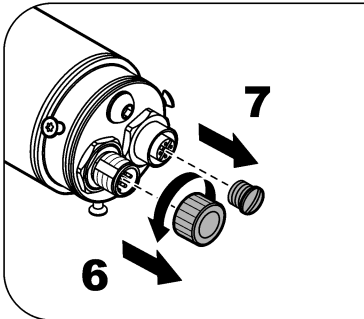
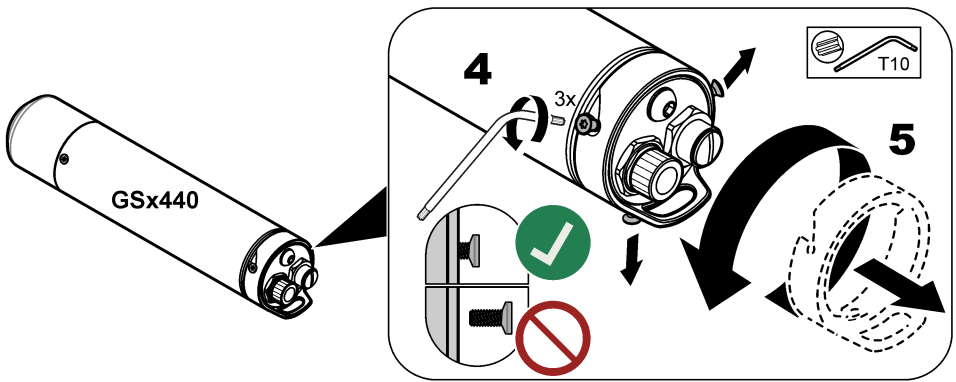
センサケーブルがすでにケーブルガード内に取り付けられている場合は、図 4 に示されている手順を参照してセンサケーブルとケーブルガードを取り付けます。

センサケーブルがケーブルガード内に取り付けられていない場合は、ケーブルガードに付属の手順書を参照してセンサケーブルをケーブルガード内に取り付けてから、センサケーブルとケーブルガードを取り付けます。

注: 水深が大きく変化する可能性がある水中での測定 (井戸や貯水池など) では、オプションのケーブルガード延長 (項目 1、[図 3](#) 120 ページ) をセンサに取り付けてから、ケーブルガードをセンサに取り付けます。ケーブルガード延長に付属の説明書を参照してください。

図 4 ケーブルガードの取り付け





第4章 設置

▲ 危険



爆発の危険。装置の設置または試運転は、訓練を受けた要員のみが実施してください。

4.1 配線

▲ 警告

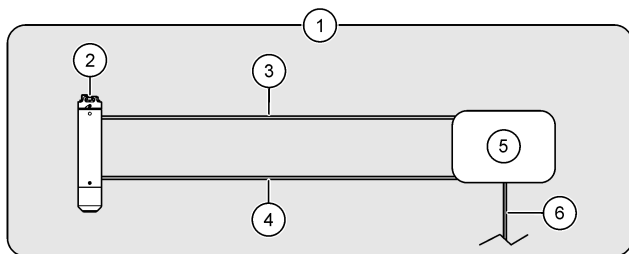


次の図は、危険でない場所にセンサを取り付けるためのオプションを示しています。GS2440EX センサを危険な場所に取り付ける場合、**GS2440EX Hazardous Location Safety Precautions** および **Cx440EX Field Transmitter Hazardous Location Safety Precautions** の文書の指示を参照してください。

センサを次のいずれかのオプションに接続します:

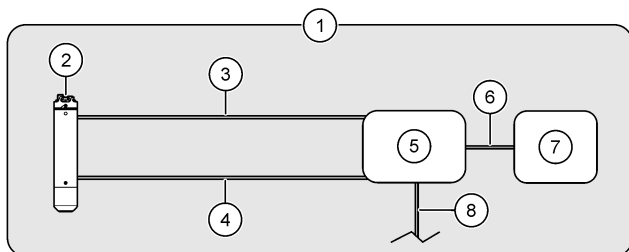
- CAx440EX フィールド送信機 — 図 5
- CAx440EX フィールド送信機とデバイス — 図 6
- CDx440sc ゲートウェイと SC 変換器 — 図 7
- デバイス — 図 8

図 5 CAx440EX フィールド送信機



1 非危険区域	4 RS-232 センサケーブル
2 センサ	5 フィールド送信機
3 電源/4–20 mA センサケーブル	6 DC 電源ケーブル (オプション、ユーザー提供) ⁴

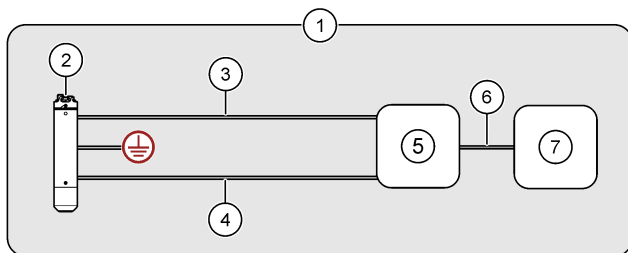
図 6 CAx440EX フィールド送信機とデバイス



1 非危険区域	5 フィールド送信機
2 センサ	6 デバイスカابل、センサの 4-20 mA アナログ出力 (ユーザーが用意)
3 電源/4–20 mA センサケーブル	7 デバイス (SCADA や PLC など)
4 RS-232 センサケーブル	8 DC 電源ケーブル (オプション、ユーザー提供) ⁴

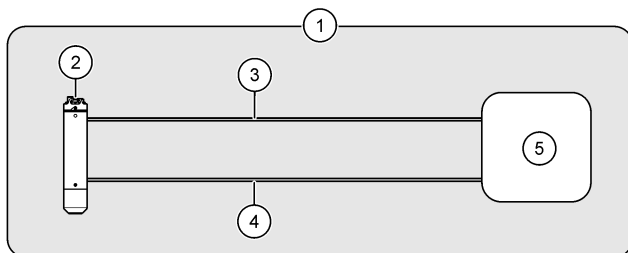
⁴ DC 電源はバッテリーの代わりとして、またはフィールド送信機の電池とともに使用できます。詳細については、CAx440EX フィールド送信機の説明書を参照してください。

図 7 CDx440sc ゲートウェイと SC 変換器



1 非危険区域	5 CDx440sc ゲートウェイ
2 センサ	6 デジタル延長ケーブル
3 電源/4-20 mA センサケーブル	7 SC 変換器
4 RS-232 ケーブル	

図 8 デバイス—直接アナログ (4-20 mA) またはデジタル (RS-232) 通信



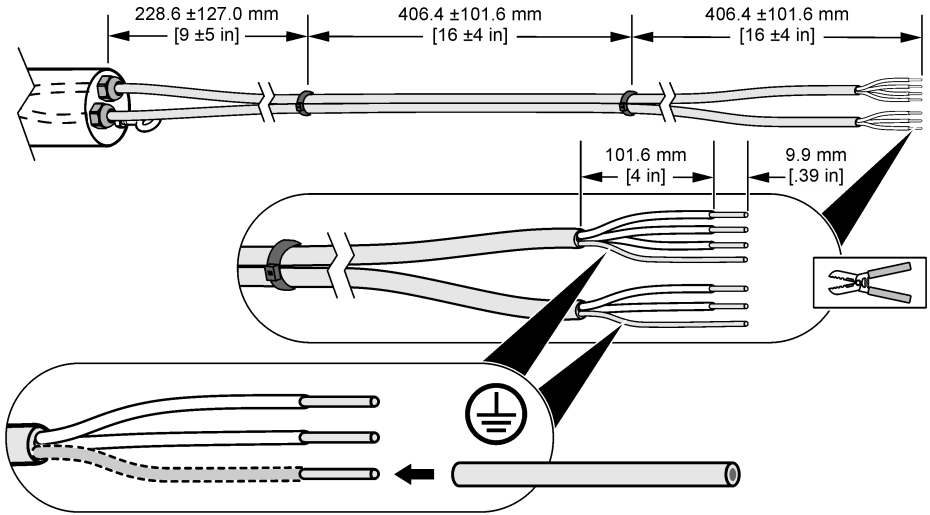
1 非危険区域	4 RS-232 ケーブル (オプション)
2 センサ	5 デバイス (SCADA や PLC など)
3 電源/4-20 mA センサケーブル (12 ~ 28 VDC、4-20 mA ループ電源)	

4.1.1 センサケーブルの切断 (オプション)

必要に応じて、センサケーブルを短く切断することができます。センサケーブルを切断した後は、[図 9](#)に示すように末端処理を行います。シールド線 2 本の裸線は、必ず電線被覆で覆ってください。

注: センサケーブルを 2 本使用する場合、EMC 規格準拠のために、ケーブルを電線管内に設置するか、ケーブル同士を結束バンドで束ねる必要があります。

図 9 センサケーブルの準備



4.1.2 配線情報

センサをフィールド送信機 (またはフィールド送信機とデバイス) に接続するには、CAx440EX フィールド送信機の説明書の配線情報を参照してください。

センサを CDx440sc ゲートウェイと SC 変換器に接続するには、CDx440sc ゲートウェイの説明書の配線に関する情報を参照してください。

センサをデバイスのみに接続するには、表 5 と表 6 を参照してください。

表 5 電源/4-20 mA センサケーブル

接続ピン	線の色	信号
1	茶	プラス (12 ~ 28 VDC、4-20 mA ループ電源)
2	白	未使用
3	青	マイナス
4	黒	未使用
5	銀	シールド

表 6 RS-232 センサケーブル

接続ピン	線の色	信号
1	茶	センサ RXD (受信)
2	白	未使用
3	青	センサ TXD (送信)
4	黒	GND (接地)
5	銀	シールド

4.2 校正

センサを設置後初めて使用する場合は、使用する前にセンサを校正する必要があります。その後は、精度を維持するために、1 ヶ月周期でセンサの校正が必要です。CertGas が販売する校正キットに付属している校正手順書を参照してください (<https://certgas.com>)。

校正を行う前に、以下の条件に当てはまっていることを確認します。

- 測定場所がセンサの動作温度範囲内にある。表 1 113 ページを参照してください。
- センサが汚れていない。センサの検査と清掃 129 ページを参照してください。
- 電源/4-20 mA センサケーブルがセンサに電源を供給している。
- RS-232 センサケーブルがセンサに接続している (該当する場合)。

注: 頻繁に校正する必要はありません (2 ~ 3 ヶ月間隔)。ただし、頻繁に校正を行うと、センサの精度が向上しませ

注: 汚れやすい場所に設置する場合 (薬注後など) は、校正周期を短くする必要があります。

4.3 4-20 mA 出力の測定単位の変更

センサのステータス LED は、現在 4-20 mA のアナログ出力で表されている測定単位を示します。表 7 を参照してください。

通信に電源/4-20 mA センサケーブルのみを使用する場合 (RS-232 センサケーブルなし)、4-20 mA アナログ出力が表す測定単位を、測定の種類に応じて適切なものに変更します: mg/L (液体測定) または ppm (エア測定)。

測定単位を変更するには、次の手順に従ってください:

注: この手順では、センサからの RS-232 信号は変更されません。

- センサに溜まった異物を取り除きます。センサの検査と清掃 129 ページを参照してください。
- センサからケーブルを外します。
- センサに校正キャップを取り付けます。正しい取り付けについては、校正キャップと流量レギュレーターに付属の説明書を参照してください。
- 電源/4-20 mA ケーブルをセンサに接続します。電源/4-20 mA センサケーブルがセンサに電力を供給していることを確認します。
- センサのステータス LED が赤と緑に点滅したら、センサから校正キャップを取り外します。ステータス LED が再び緑に点滅し、新しい測定単位が表示されます。

表 7 ステータス LED

色	測定単位
緑、1 回点滅	0-5 mg/L、液体測定
緑、2 回点滅	0-1000 ppm、エア測定

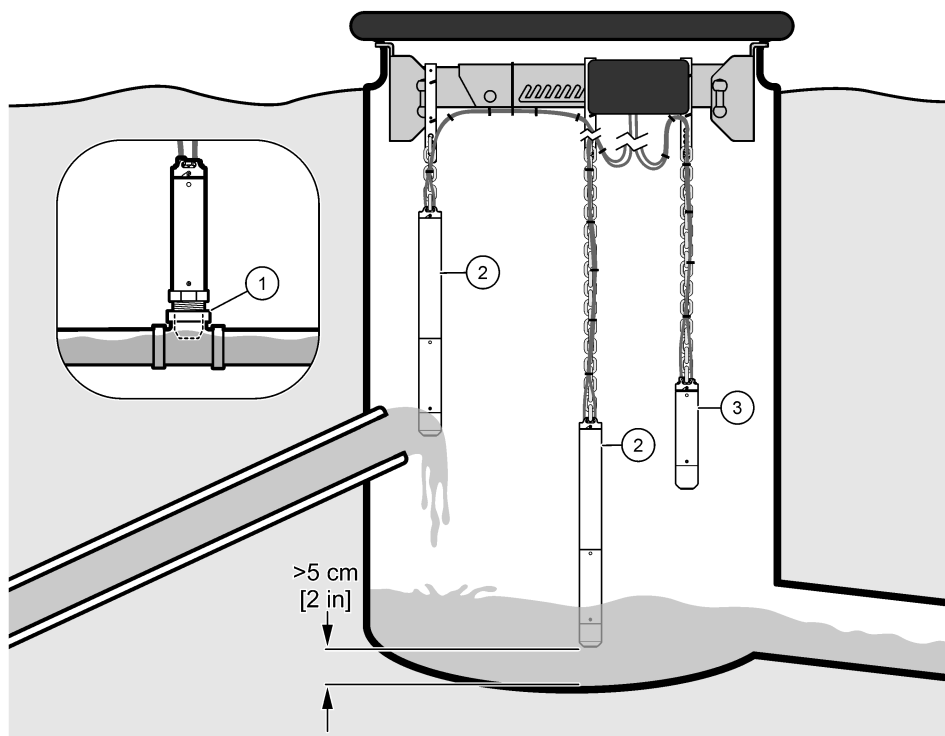
4.4 設置

4.4.1 設置オプション

図 10 と 図 11 に、さまざまなセンサの取り付けオプションを示します。

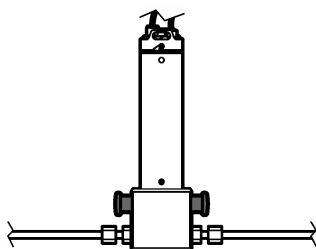
注: センサを壁に取り付けしないでください。くずや異物などがセンサに溜まります。

図 10 インラインまたは吊り下げ



1 インライン	3 気中に吊り下げ
2 水中に吊り下げ	

図 11 バイパスエアラインに配管



4.4.2 設置ガイドライン

- センサは直射日光、熱源、腐食性化学物質またはガス (H_2S を除くすべて)、機械的衝撃、研磨材、振動、衝撃、ほこり、放射性物質のない場所に保管してください。
- 指定された電氣的、機械的、および熱的パラメーター以外、または測定範囲外でセンサを使用しないでください。仕様 113 ページ を参照してください。
- センサを水中に設置する場合 (または水位の上昇によりセンサが水中に入る可能性がある場合) は、ケーブルガードをセンサに取り付けて、センサのコネクターとケーブルの破損を防ぎます。ケーブルガードの取り付け 120 ページ を参照してください。

- 最も正確な測定を行うには、気中ではなく水中の硫化水素の濃度を測定します。⁵
- 重力式システムでは、初期の硫化水素濃度を正確に測定するために、できるだけ加圧水管の端に近いところで測定してください。通気井戸に水が入ると、水から溶存硫化水素が放出されます。
- 空気測定の場合は、高水位時にセンサの測定部が水位より高くなるように設置し、センサに異物などが溜まらないようにしてください。
- 異物などがセンサに溜まらないように、センサの周囲に十分な流れと乱流がある場所にセンサを取り付けます。
- センサを浚いだ水に近づけないでください。生物付着が発生します。

4.4.3 センサの取り付け

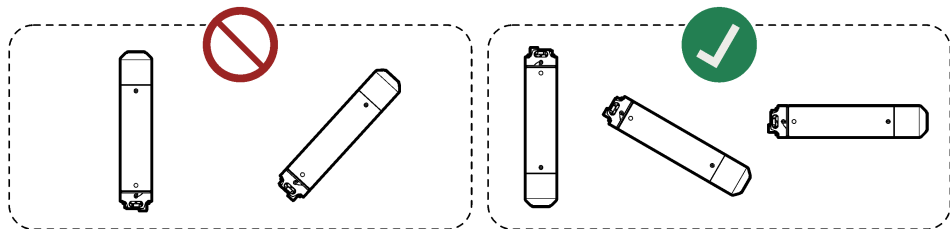
⚠ 危険



ガス暴露の危険。硫化水素は毒性の強いガスです。安全データシート (MSDS/SDS) で指定されている個人用保護具を着用してください。安全手順に関する現在の安全性データシート (MSDS/SDS) を参照してください。

告知

センサの測定部を上に向けないでください。センサが破損する可能性があります (保管中、輸送中、校正中、設置中、操作中など)。



告知

センサの取り付けが吊り下げの場合は、センサが破損しないよう、物、壁面や底面に当たらないように取り付けてください。



必要条件:

- センサケーブルがセンサとフィールド送信機またはデバイスに接続されていること。配線 123 ページを参照してください。
- センサが測定場所で校正済みであること。校正 126 ページを参照してください。
- センサを水中に設置する場合 (または水位の上昇によりセンサが水中に入る可能性がある場合)、センサへのケーブルガードの取り付け。ケーブルガードの取り付け 120 ページを参照してください。

⁵ 水中の硫化水素測定は、空間の喚起状態や経時変化、また設置場所により測定が左右されることはありません。

- 4–20 mA アナログ出力が表す測定単位が測定の種類に対して適切である: mg/L (液体測定) または ppm (エア測定)。4–20 mA 出力の測定単位の変更 126 ページ を参照してください。

1. 水中に設置する場合は、次の手順に従ってください:

- (オプション、推奨) 地方、地域、および国の要件に従って、ケーブルガードのアイボルトをアースに接続します。
危険な場所に設置する場合は、GS2440EX 安全上の注意事項文書の接地要件を参照してください。
- ケーブルガードのアイボルトにチェーンを取り付けます。
- チェーンのもう一方の端を、水の真上にあって動かないもの (ワイヤグリッド、クロスビーム、フィールド送信機のクロスビームクランプなど) に取り付けます。
- センサを水中に下ろします。センサケーブルは水につけないでください。
- センサの上流側の水の流れにより、壁面近くにならないようにしてください。
- ケーブルガードが水面から出し、センサが水路や井戸の底から 5 cm 以上離れているように、チェーンの長さを調整します。
- センサが壁やその他の物に当たる可能性がある場合は、センサを直径 70 mm (2.75 inch) 以上の PVC パイプに入れます。センサの測定部が PVC パイプの下にぶら下がるようにしてください。
PVC パイプは、水の真上にあって動かないものや井戸の側面などに取り付けてください。
- 緩んだケーブルをコイル状に巻きます。ケーブルタイを使用して、ケーブルを所定の位置に固定します。

2. 気中に設置する場合は、次の手順に従ってください:

- (オプション、推奨) 地方、地域、および国の要件に従って、センサの接地ネジをアースに接続します。
危険な場所に設置する場合は、GS2440EX 安全上の注意事項文書の接地要件を参照してください。
 - チェーン (またはスチールケーブル) をセンサの取り付けフックに取り付けます。
 - チェーン (またはスチールケーブル) のもう一方の端を、水の真上にあって動かないもの (ワイヤグリッド、クロスビーム、フィールド送信機のクロスビームクランプなど) に取り付けます。
 - センサを下ろします。
 - 必要に応じてチェーンの長さを調整してください。
 - 緩んだケーブルをコイル状に巻きます。ケーブルタイを使用して、ケーブルを所定の位置に固定します。センサケーブルは水に浸さないでください。
3. 加圧水管に設置する場合は、オプションのインライン取り付け用アダプターを取り付けてください。インライン取り付けについては、アダプターに付属の説明書を参照してください。
4. 加圧エア管に設置する場合は、オプションのエアフローセルにバイパスエアラインを配管します。エアフローセルに付属の説明書を参照してください。

第 5 章 メンテナンス

告知

本装置を分解、改造、修理しないでください。分解するとセンサが破損し、保証が無効になります。内部コンポーネントを修理する必要がある場合は、製造元に連絡してください。

5.1 センサの検査と清掃

告知

センサの測定部が破損する可能性があるため、力、研磨材、化学薬品、高压洗浄機またはホースを使用してセンサを清掃しないでください。

定期的に、また校正の前に、センサの測定部が異物などで覆われていないことを確認してください。

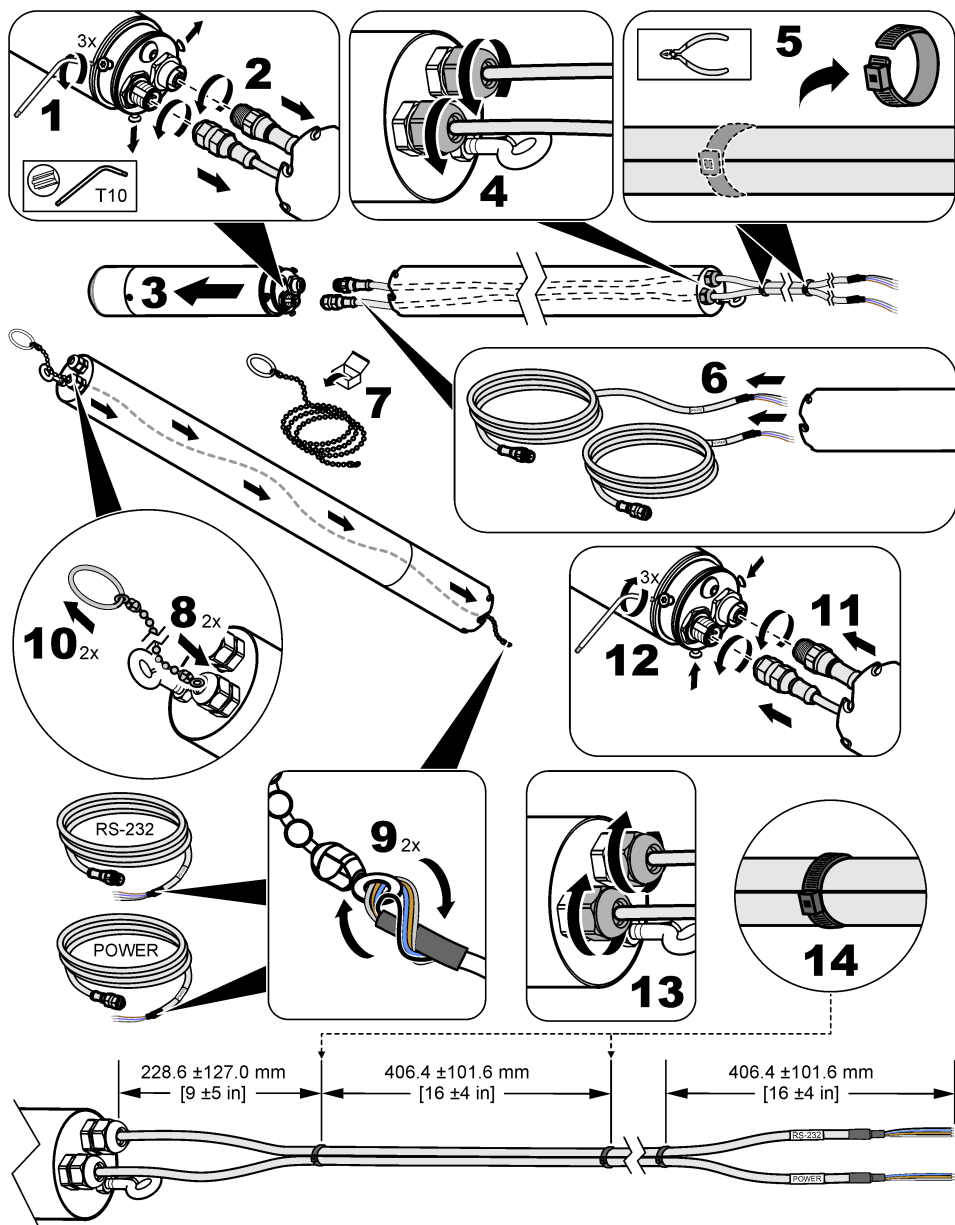
1. センサに溜まった異物を取り除きます。
2. センサの測定部を研磨性のない布や紙でやさしく拭いてください。
3. 湿った布や紙を使用して、センサから乾燥した汚れなどを取り除きます。

5.2 センサケーブルの交換

センサケーブルが損傷した場合、または必要に応じて (より長いセンサケーブルを取り付けるなど)、センサケーブルを交換します。

センサにケーブルガードが取り付けられている場合は、以下の図に示されている手順を参照してセンサケーブルを交換してください。

注: センサケーブルを2本使用する場合、EMC規格準拠のために、ケーブルを電線管内に設置するか、ケーブル同士を結束バンドで束ねる必要があります。



5.3 O リングの交換

センサのコネクター端の O リングが摩耗し、ケーブルガードおよび/またはケーブルガード延長に水が入らなくなった場合は、O リングを交換します。

センサキャップを取り外したときに見える O リングが劣化し、エアフローセルを使用したときにシール機能を果たさなくなった場合は、O リングを交換します。

注: センサキャップを取り外したときに見える O リングの機能は、センサキャップを保持することで、水の侵入を防ぐことではありません。

交換用 O リング、O リング グリース、および交換説明書は、取り付けスペア 部品キットに含まれています。ご注文情報については、**部品と補用品 133** ページを参照してください。

第 6 章 トラブルシューティング

問題	考えられる原因	解決策
測定値はほぼゼロで、手分析測定ではかなりの硫化物濃度があります。	<ul style="list-style-type: none"> センサの入口に詰まりがあります。 水の pH が 8 を超えています。 	<p>センサの測定部が異物などで覆われていないことを確認してください。</p> <p>センサをすぎ、湿った布でセンサをやさしく拭いてください。センサ素子の入口付近に力を加えないようにしてください。</p> <p>水の pH が 8 より高い場合、溶存硫化物はほとんど HS⁻ 型であり、センサでは測定されません。このセンサは、廃水が酸性化され、溶存硫化物がすべて H₂S 型であることを確認した上で、低容量の副流リアクターで使用します。</p>
センサの測定値が正しくありません。	センサが校正されていません。	<p>校正ガスを使用して、センサの精度を確認します。</p> <ol style="list-style-type: none"> センサと校正ガス、校正キャップ、流量レギュレーターを外に取り出します。 センサの測定部を清掃します。センサの検査と清掃 129 ページを参照してください。 校正キャップをセンサの測定部の近くに置きます。 校正キャップを校正方向に対して 180 度回転させます。 流量レギュレーターを完全に開きます。 2 分待ちます。 測定値が校正ガスボトルの値の 5% 以内でない場合は、センサを校正します。校正 126 ページを参照してください。 <p>検証用の液体サンプルは使用しないでください。</p>
校正後、センサの測定値が正しくありません。	センサが正しく校正されていません。	必ず、校正キャップと流量レギュレーターに付属の説明書の全指示に従ってください。問題が解決しない場合は、技術サポートにお問い合わせください。 より良い精度を得るには、測定温度に近い温度でセンサを校正します。
センサが校正モードになりません。(LED が緑と赤に点滅しません。)	<ul style="list-style-type: none"> センサに電源が供給されていません。 校正キャップが正しく取り付けられていません。 	<ul style="list-style-type: none"> センサに電源が供給されていることを確認します。 校正キャップの小さなノッチがステータス LED に合っていることを確認します。 センサが校正キャップに完全に収まっていることを確認します。
校正に失敗しました (LED がすばやく赤に点滅します。)	<ul style="list-style-type: none"> 校正ガスボトルのガス圧が低下しています。 ガス漏れがあります。 校正中に校正キャップが動きました。 レギュレーターバルブが全開になっていないか、ステータス LED が緑と赤に点滅した直後に開いていません。 	<p>レギュレーターバルブを閉じます。校正キャップを取り外します。その後、再度校正を行います。</p> <ul style="list-style-type: none"> 校正ガスボトル内のガスの圧力が 5 bar (最低) であることを確認します。 ホースや継手からガスが漏れていないか確認します。 校正中に校正キャップが動かないようにしてください。 ステータス LED が緑と赤に点滅したら、すぐにレギュレーターバルブを全開にします。

第7章 部品と補用品

▲ 警告



人体損傷の危険。未承認の部品を使用すると、負傷、装置の破損、または装置の誤作動を招く危険性があります。このセクションでの交換部品は、メーカーによって承認済みです。

注: プロダクト番号とカタログ番号は、一部の販売地域では異なる場合があります。詳細は、取り扱い販売店にお問い合わせください。お問い合わせ先については、当社の **Web** サイトを参照してください。

交換部品

説明	品番
バッテリー (8x)、CAx440EX フィールド送信機 (充電不可)	LXZ449.99.00003
取り付けスペア部品キット	LXZ449.99.00012
センサキャップ	LXZ449.99.00010

補用品

説明	品番
インライン取り付け用アダプター、1 ¼ インチ BSPT	LXZ449.99.00004
インライン取り付け用アダプターと T 字管、1 ¼ インチ BSPT	LXZ449.99.00005
インライン取り付け用アダプター、1 ¼ インチ NPT	LXZ449.99.00015
インライン取り付け用アダプターと T 字管、1 ¼ インチ NPT	LXZ449.99.00019
エアフローセル、最大 3 bar (44 psi)、ステンレス鋼 EN 1.4404	LXZ449.99.00011
アンテナ、CAx440EX フィールド送信機外部、EU、UK、USA、カナダ、2 m (6.5 ft) ケーブル、IP68 Ø100 x 36 mm (Ø3.9 x 1.4 in.)、LTE: 6 dBi、周波数帯域: 698–3800 MHz	LXZ449.99.00009
3 m (10 ft) のチェーンとカラビナ付きのケーブルガード 600 mm (2 ft)、1.3 kg (2.9 lb)、ステンレス鋼 EN 1.4404 (316L)	LXZ449.99.00017
ケーブルガード延長管、1.4 m (4.6 ft) 2.9 kg (4.6 lb)、ステンレス鋼 EN 1.4404 (316L)	LXZ449.99.00006
ケーブル引き通しツール	101335
CAx440EX フィールド送信機、ワイヤレス 3G、EU および UK	LXV449.98.01000
CAx440EX フィールド送信機、ワイヤレス 4G、EU および UK	LXV449.98.01010
CAx440EX フィールド送信機、ワイヤレス 4G、USA およびカナダ	LXV449.97.01010
CDx440sc デジタル sc ゲートウェイ	LXV449.99.02000
カラビナ付きチェーン、3 m (10 ft)	LXZ449.99.00002
クロスビームクランプ、CA x 440EX フィールド送信機、EU、UK、USA、カナダ	LXZ449.99.00008
558–858 mm (22.0–33.8 in.) マンホール用クロスビーム、クロスビームクランプ付き ステンレス鋼 EN 1.4404、3.4 kg (7.5 lb)、558–858 x 136 x 71 mm (22.0–33.8 x 5.4 x 2.8 in.)	LXZ449.99.00007
CAx440EX フィールド送信機用取り付けブラケット、EU、UK	LXZ449.99.00014
CAx440EX フィールド送信機用取り付けブラケット、米国、カナダ	LXZ449.99.00018

補用品 (続き)

説明	品番
電源付き 電源/4-20 mA バリア すべてのゾーンからの信号に対して IECEx 認証、1 または 2 チャンネル、完全な評価 で SIL2 認証	LXZ449.99.00013
電源/4-20mA センサケーブル、5 m (16.4 ft)	100935-05
電源/4-20mA センサケーブル、10 m (32.8 ft)	100935-10
電源/4-20mA センサケーブル、30 m (98.4 ft)	100935-30
RS-232 センサケーブル、5 m (16.4 ft)	100934-05
RS-232 センサケーブル、10 m (32.8 ft)	100934-10
RS-232 センサケーブル、30 m (98.4 ft)	100934-30
センサケーブル、5 m (16.4 ft)、次を含む: 電源/4-20mA センサケーブルと RS-232 センサケーブル	LXZ449.99.02G05
センサケーブル、10 m (32.8 ft)、次を含む: 電源/4-20mA センサケーブルと RS-232 センサケーブル	LXZ449.99.02G10
センサケーブル、30 m (98.4 ft)、次を含む: 電源/4-20mA センサケーブルと RS-232 センサケーブル	LXZ449.99.02G30
ケーブルガード付きセンサケーブル、5 m (16.4 ft)、次を含む: 電源/4-20mA センサケーブル、RS-232 センサケーブル、ケーブルガード、ケーブル引 き通しツール、3 m (10 ft) チェーン、カラビナ	LXZ449.99.02L05
ケーブルガード付きセンサケーブル、10 m (32.8 ft)、次を含む: 電源/4-20mA センサケーブル、RS-232 センサケーブル、ケーブルガード、ケーブル引 き通しツール、3 m (10 ft) チェーン、カラビナ	LXZ449.99.02L10
センサケーブル、30 m (98.4 ft)、次を含む: 電源/4-20mA センサケーブル、RS-232 センサケーブル、ケーブルガード、ケーブル引 き通しツール、3 m (10 ft) チェーン、カラビナ	LXZ449.99.02L30
インライン取り付け用 T 字管、1 ¼ インチ BSPT	LXZ449.99.00001
インライン取り付け用 T 字管、1 ¼ インチ NPT	LXZ449.99.00022

목차

- 1 사양 135 페이지
- 2 일반 정보 136 페이지
- 3 케이블 카드 부착 141 페이지
- 4 설치 143 페이지
- 5 유지관리 150 페이지
- 6 문제 해결 153 페이지
- 7 부품 및 부속품 154 페이지

섹션 1 사양

사양은 사전 통지 없이 변경될 수 있습니다.

표 1 일반 사양


사양	세부 사항
크기(길이 x 깊이)	240mm(9.4인치), Ø 48.3mm(1.9인치)
무게	1.36kg(3.00lb)
엔클로저	스테인리스 스틸 EN 1.4404(316L), IP68
장착	자유 거치, 파이프 또는 공기 흐름 셀 내
오염도	2(센서), 4(설치 환경)
보호 등급	III
과전압 카테고리	I
환경 조건	실내 및 실외 사용
전원 조건	CAx440EX 현장 발신기, CDx440sc 디지털 sc 게이트웨이 또는 장치가 공급하는 12~28VDC(4~20mA 루프)
작동 온도	0~40°C(32~104°F)
보관 온도	0~60°C(32~140°F)
습도	0~100% 상대 습도
사용 고도	최대 2000m(6562ft)
수심	최대 10m(32.8ft)
용수 pH	최대 pH 9, pH 9 이상에서 검출 불가능한 황화물 형태로 H ₂ S 완전 변환
압력	최대 3bar(44psi)
보정 가스	1000ppm
케이블	폴리우레탄, IP68, 5m, 10m 또는 30m(16.4ft, 32.8ft 또는 98.4ft)
출력 신호	RS-232 및 4~20mA
4~20mA 범위	0~5mg/L 또는 0~1000ppm(사용자 구성 가능)
인증—GS1440 및 GS2440EX	CE, UKCA, FCC, ISED, RCM, KC
ATEX—GS2440EX	인증서: ETL22ATEX0113X  II 1 G Ex ia IIC T4 Ga 전력/4-20mA: Ui: 30V, Ii: 100mA, Ci: 22nF Li: 100µH Pi: 0.70 W RS-232: Ui: 20V, Ii: 100mA, Ci: 0nF Li: 0µH, Pi: 0.30 W 주변 온도: -20~+60°C

표 1 일반 사양 (계속)

사양	세부 사항
UKEX—GS2440EX	인증서: ITS22UKEX0506X Ex II 1 G Ex ia IIC T4 Ga -20°C ≤ Ta ≤ +60°C
IECEX—GS2440EX	인증서: IECEX ETL 22.0003X Ex ia IIC T4 Ga 주변 온도: -20~+60°C
북미—GS2440EX	인증서: ETL21CA104799609X 클래스 I 구역 0 AExia IIC T4 Ga 클래스 I 디비전 1 그룹 A-D T4 Ex ia IIC T4 Ga 주변 온도: -20~+60°C
보증	1년

표 2 성능 사양

사양	세부 사항
수중 측정 범위	0~5mg/L H ₂ S
대기 중 측정 범위	0~1000ppm H ₂ S
정확도	±5% 풀 스케일(개별 측정 정확도, 1 포인트 보정 후 90초 퍼지의 1000±20ppm H ₂ S 표준)
응답 시간(t90)	<30초
검출 한계	1% 풀 스케일

표 3 방해물질

기체	방해물질 수 준 기체 내(%) ¹	방해물질 수 준 액체 내(%) ²	기체	방해물질 수 준 기체 내(%) ¹	방해물질 수 준 액체 내(%) ²
메탄(CH ₄)	0	0	수소(H ₂)	0.8	96
이산화탄소(CO ₂)	0	0	일산화탄소(CO)	0.6	77
질소(N ₂)	0	0	디메틸 황화물(CH ₃) ₂ S)	18	18
산소(O ₂)	0	0	메테인싸이올(CH ₃ SH)	174	44
공기(O ₂ , N ₂ , Ar)	0	0	에틸메르캅탄(C ₂ H ₆ S)	13	14
아산화질소(N ₂ O)	0	0	이산화황(SO ₂)	40	1
암모니아(NH ₃)	0	0			

섹션 2 일반 정보

어떠한 경우에도 제조업체는 제품의 부적절한 사용 또는 설명서의 지침을 준수하지 않아 발생하는 손해에 대해 책임을 지지 않습니다. 제조업체는 본 설명서와 여기에 설명된 제품을 언제라도 통지나 추가적 책임 없이 변경할 수 있습니다. 개정본은 제조업체 웹 사이트에서 확인할 수 있습니다.

¹ 동일 부분 압력에서 H₂S 신호 내 방해물질 비율에 대한 신호로 제공됩니다.

² 동일 분자 농도에서 H₂S 신호 내 방해물질 비율에 대한 신호로 제공됩니다.

2.1 안전 정보

제조사는 본 제품의 잘못된 적용 또는 잘못된 사용으로 인한 직접, 우발적 또는 간접적 손해에 국한하지 않는 모든 손해에 대한 어떠한 책임도 지지 않으며, 관계 법령이 최대한 허용하는 손해에 관한 면책이 있습니다. 사용자는 사용상 중대한 위험을 인지하고 장비 오작동이 발생할 경우에 대비하여 적절한 보호 장치를 설치하여야 합니다.

장치 포장을 풀거나 설치하거나 작동하기 전에 본 설명서를 모두 읽으십시오. 모든 위험 및 주의사항 설명에 유의하시기 바랍니다. 이를 지키지 않으면 사용자가 중상을 입거나 장치가 손상될 수 있습니다.



이 장비가 제공하는 보호 기능이 손상되지 않았는지 확인하세요. 본 설명서에서 설명하는 방법이 아닌 다른 방법으로 본 장비를 사용하거나 설치하지 마십시오.

2.1.1 위험 정보 표시


⚠ 위험
지키지 않을 경우 사망하거나 또는 심각한 부상을 초래하는 잠재적 위험이나 긴급한 위험 상황을 뜻합니다.
⚠ 경고
피하지 않을 경우에 사망이나 심각한 부상을 유발할 수 있는 잠재적 위험이나 긴급한 위험 상황을 나타냅니다.
⚠ 주의
경미하거나 심하지 않은 부상을 초래할 수 있는 잠재적인 위험 상황을 뜻합니다.
주의사항
지키지 않으면 기기에 손상을 일으킬 수 있는 상황을 나타냅니다. 특별히 강조할 필요가 있는 정보.

2.1.2 주의 경고

본 기기에 부착된 모든 라벨 및 태그를 참조하시기 바랍니다. 지침을 따르지 않을 경우 부상 또는 기기 손상이 발생할 수 있습니다. 기기에 있는 기호는 주의사항에 대한 설명과 함께 설명서에서 참조합니다.

	기기에 이 심볼이 표시되어 있으면 지침서에서 작동 및 안전 주의사항을 참조해야 합니다.
	이 심볼이 표시된 전기 장비는 유럽 내 공공 폐기 시스템에 따라 폐기할 수 없습니다.

2.1.3 밀폐 공간 주의사항

⚠ 위험	
	폭발 위험 XXX

다음 정보는 사용자가 밀폐 공간에 들어갈 때 발생할 수 있는 위험을 이해하도록 돕기 위해 제공되는 것입니다.

1993년 4월 15일, OSHA의 CFR 1910.146, 작업 허가 필요 밀폐 공간에 대한 최종 판결이 입법되었습니다. 이 표준은 미국 내 250,000여 사이트에 직접적인 영향을 미치며, 밀폐 공간에서의 작업자 보건 및 안전을 보호하기 위해 제정되었습니다.

밀폐 공간의 정의:

밀폐 공간은 다음 중 하나 이상의 조건을 가지는 (또는 그럴 가능성이 임박한) 위치 또는 외함입니다.

- 산소 농도가 19.5% 미만 또는 23.5% 초과 및/또는 황화수소(H₂S) 농도가 10 ppm 초과하는 대기
- 가스, 증기, 연무, 분진 또는 파이버로 인해 가연성 또는 폭발성이 될 수 있는 대기
- 접촉 또는 흡입 시 부상, 건강 유해성 또는 사망을 초래할 수 있는 독성 물질

밀폐 공간은 인간이 접하도록 설계된 것이 아닙니다. 밀폐 공간은 출입이 제한되며, 알려진 또는 잠재적인 위험을 가지고 있습니다. 밀폐 공간의 예로는 맨홀, 스택, 파이프, 대형 통, 스위치 볼트 및 기타 유사한 위치가 포함됩니다.

밀폐 공간 및/또는 유해 가스, 증기, 연무, 분진 또는 파이버가 존재할 수 있는 위치에 들어가기 전에 항상 표준 안전 절차를 준수해야 합니다. 밀폐 공간에 들어가기 전에 밀폐 공간 출입과 관련된 모든 절차를 찾아 숙지하십시오.

2.2 규정 준수 및 인증

▲ 주의

이 장비는 거주 환경에서는 사용할 수 없으며 이러한 환경에서의 주파수 수신에 대한 적절한 보호를 제공하지 않을 수 있습니다.

캐나다 무선 간섭 유발 장치 규정, IECS-003, 등급 A:

보조 테스트 기록은 제조업체가 제공합니다.

본 등급 A 디지털 장치는 캐나다 간섭 유발 장치 규제의 모든 요구조건을 만족합니다.

Cet appareil numérique de classe A répond à toutes les exigences de la réglementation canadienne sur les équipements provoquant des interférences.

FCC Part 15, Class "A" 제한

보조 테스트 기록은 제조업체가 제공합니다. 본 장치는 FCC 규칙, Part 15를 준수합니다. 본 장치는 다음 조건에 따라 작동해야 합니다.

1. 유해한 간섭을 일으키지 않아야 합니다.
2. 오작동을 유발할 수 있는 간섭을 포함하여 수신되는 모든 간섭에도 정상적으로 작동해야 합니다.

본 장치의 준수 책임이 있는 측이 명시적으로 허용하지 않은 변경 또는 수정을 가하는 경우 해당 사용자의 장치 작동 권한이 무효화될 수 있습니다. 본 장치는 FCC 규칙, Part 15에 의거하여 등급 A 디지털 장치 제한 규정을 준수합니다. 이러한 제한은 상업 지역에서 장치를 작동할 때 유해한 간섭으로부터 적절하게 보호하기 위하여 제정되었습니다. 본 장치는 무선 주파수 에너지를 생성 및 사용하며 방출할 수 있고 사용 설명서에 따라 설치하고 사용하지 않을 경우 무선 통신에 해로운 간섭을 일으킬 수 있습니다. 주거 지역에서 본 장치를 사용하면 해로운 간섭을 일으킬 수 있으며, 이 경우 사용자는 자비를 들여 간섭 문제를 해결해야 합니다. 다음과 같은 방법으로 간섭 문제를 줄일 수 있습니다.

1. 장치를 전원에서 분리하여 장치가 간섭의 원인인지 여부를 확인합니다.
2. 장치가 간섭을 받는 장치와 동일한 콘센트에 연결된 경우, 장치를 다른 콘센트에 연결해보십시오.
3. 장치를 간섭을 받는 장치로부터 멀리 분리하여 놓으십시오.
4. 간섭을 받는 장치의 안테나 위치를 바꿔보십시오.
5. 위의 방법들을 함께 적용해보십시오.

2.2.1 유해 위치

▲ 경고



폭발 위험. GS1440 센서는 유해 위치에서 사용하도록 승인되지 않았습니다.

GS2440EX 센서는 ATEX(EU), UKEX(영국), IECEx 및 북미(미국/캐나다) 유해 위치 요구 사항을 준수합니다. 표 1 135 페이지의 내용을 참조하십시오. 사용자는 안전 규정을 준수하기 위해 모든 사용 조건을 따라야 합니다.

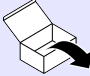

- GS2440EX 센서는 인클로저 나사의 최대 정전 용량이 97.2pF인 절연 금속 부품입니다. GS2440EX 센서의 정전기 방지를 위한 접지 또는 설치 조건을 반드시 참조하십시오. 정전기 방지에 대한 지침은 제조업체의 사용 설명서를 참조하십시오.
- GS2440EX 센서는 분해해서는 안 됩니다.
- GS2440EX 센서가 유해 위치에 설치된 경우 최종 사용자가 센서와 함께 사용할 올바른 배리어를 선택해야 합니다.
- 모든 ATEX, UKEX, IECEx, 북미 선급 인증 사양 및 국가 및 현지 규정을 준수합니다.
- 센서 근처에 설치된 다른 본질 안전(예) 장비의 안전 경고를 준수하세요.

2.2.2 EMI(전자기 간섭)

GS1140 및 GS2440EX 센서는 다음 인증을 준수합니다.

- EU EMC 지침 2014/30/EU
- UKCA 전자기 호환성 규정 2016
- FCC Part 15B
- ICES-003


2.3 일러스트에 사용 된 아이콘

	
제조업체 공급 부품	도구를 사용하지 마십시오.

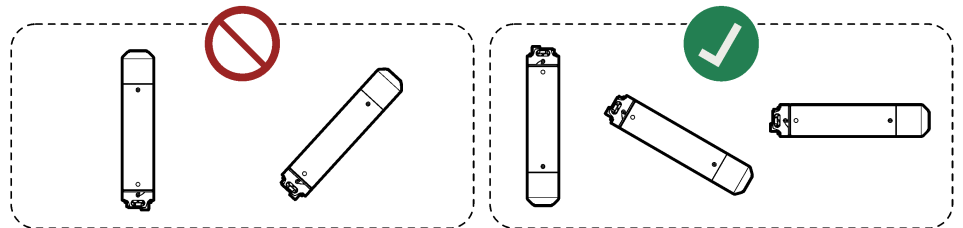
2.4 사용 목적

GS1440 및 GS2440EX 센서는 폐수 전문가가 액체 및 기체 내 황화수소(H₂S) 수치를 모니터링하기 위해 제작되었습니다. GS1440 및 GS2440EX 센서는 HS⁻ 또는 S²⁻와 같이 다른 용해 황화물을 측정하는 장비가 아닙니다. 주요 설치 위치는 주로 폐수 처리장, 폐수 보관소, 폐수 운반 시스템입니다.

2.5 제품 개요

⚠ 위험	
	GS1440 또는 GS2440EX 센서를 구역 내 황화수소 농도를 확인하는 안전 장치로 사용하지 마십시오. 밀폐된 공간 및 유독하고 위험한 환경에 들어가기 전에 해당되는 모든 규제 및 직무상의 보건 안전 예방 조치를 따르십시오. 근무처 또는 정부 규제 기관의 직무상 보건 안전 부서에서 예상되는 위험 및 안전 기준에 대한 조언을 얻으십시오.

주의사항	
센서가 손상될 수 있으므로 센서 측정부를 위로 향하지 마십시오(예: 보관, 운송, 보정, 설치 및 작동 중). 센서가 손상될 수 있으므로 센서를 0~40°C(32~104°F)로 유지하십시오.	

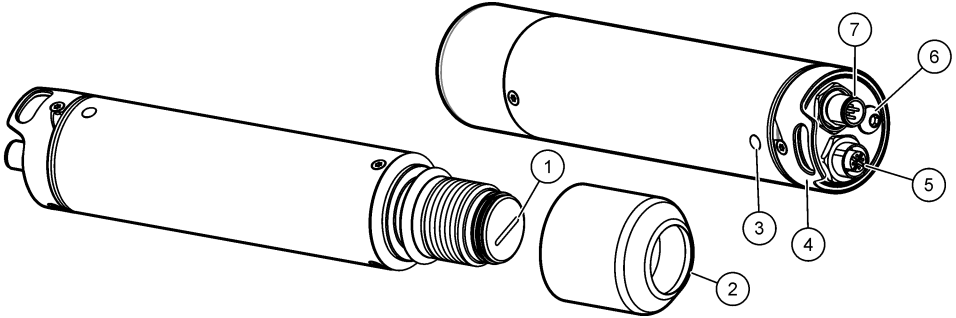


GS1440 및 GS2440EX 센서는 액체 및 기체 내 황화수소(H₂S) 농도를 지속적으로 측정합니다. **그림 1**의 내용을 참조하십시오.

센서는 4~20mA 루프 전원을 센서에 공급하는 장치와 함께 사용되며 4~20mA 아날로그 신호 또는 RS-232 디지털 신호로 센서 측정 값을 수신합니다.

GS1440은 유해 위치에서 사용하도록 제작되었습니다. GS2440EX는 유해 위치에서 사용하도록 제작되었습니다.

그림 1 GS1440 및 GS2440EX



1 멤브레인	5 RS-232 커넥터
2 센서 캡	6 접지 나사(M6)
3 상태 LED ³ (표 4)	7 전원/4~20mA 커넥터
4 부착 고리	

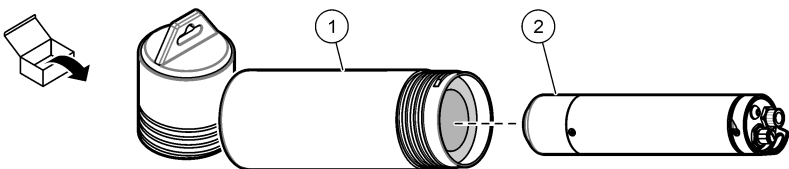
표 4 상태 LED

색상	상태
녹색, 한 번 깜박임	4~20mA 아날로그 출력이 0~5mg/L(액체)을 나타냅니다.
녹색, 두 번 깜박임	4~20mA 아날로그 출력이 0~1000ppm(기체)을 나타냅니다.
녹색 및 적색 깜박임	센서가 보정/구성 모드입니다.
적색, 깜박임	잠시 켜짐(보정 잭이 부착된 상태): 보정에 실패했습니다. 계속 켜짐(보정 잭이 부착되지 않은 상태): 센서에 문제가 있습니다.

2.6 제품 구성품

모든 구성품을 수령했는지 확인하십시오. **그림 2**을(를) 참조하십시오. 품목이 누락되었거나 손상된 경우에는 제조업체 또는 판매 담당자에게 즉시 연락하시기 바랍니다.

그림 2 제품 구성품



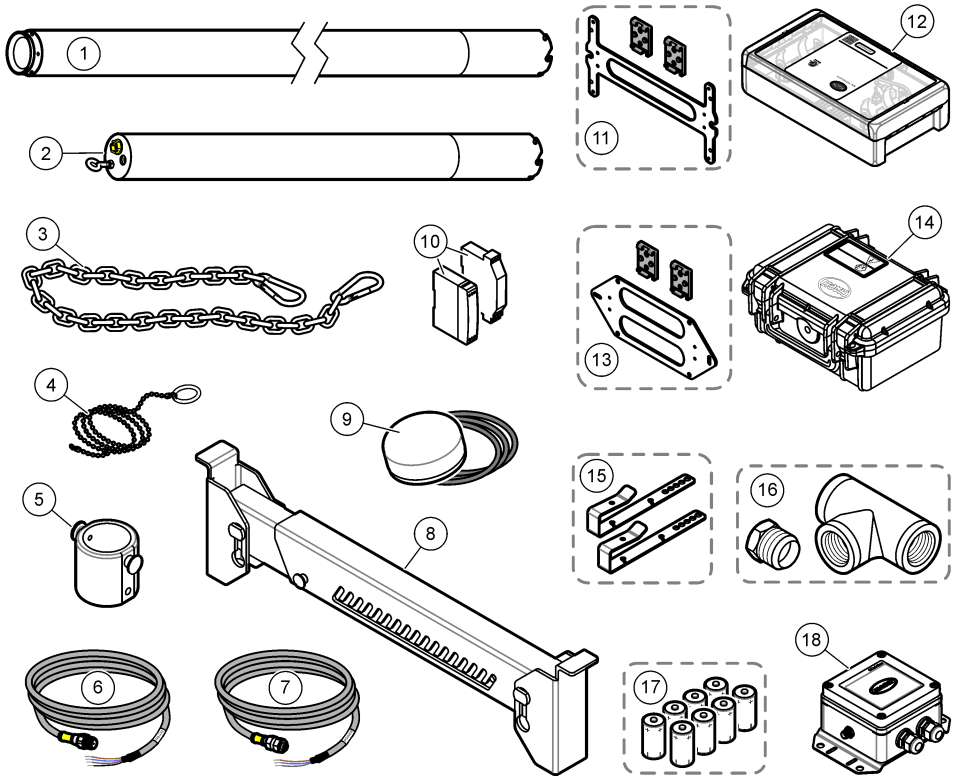
1 보관 튜브	2 GS1440 또는 GS2440EX 센서
---------	-------------------------

³ 센서에 전원이 공급되는 동안 상태 LED는 지속적으로 깜박입니다.

2.7 부속품

그림 3 센서용 부속품을 표시합니다. 주문 정보는 **부품 및 부속품 154** 페이지를(를) 참조하십시오.

그림 3 부속품



1 케이블 가드 연장	10 전원/4~20mA 배리어(전원 공급 장치 포함)
2 케이블 가드	11 벽면 또는 DIN 레일용 장착 브래킷, 미국 및 캐나다
3 카라비너 포함 서스펜션 체인	12 CAX440EX 현장 발신기, 미국 및 캐나다
4 케이블 폴스루 공구	13 벽면 또는 DIN 레일용 장착 브래킷, EU 및 영국
5 공기 흐름 셸	14 CAX440EX 현장 발신기, EU 및 영국
6 RS-232 센서 케이블	15 크로스빔 클램프
7 전원/4~20mA 센서 케이블	16 티 및 인라인 장착용 어댑터, 1/4인치 BSPT 또는 NPT
8 맨홀용 크로스빔	17 CAX440EX 현장 발신기(비충전식)용 배터리
9 CAX440EX 현장 발신기용 외부 안테나	18 SC 컨트롤러용 CDx440sc 게이트웨이

섹션 3 케이블 가드 부착

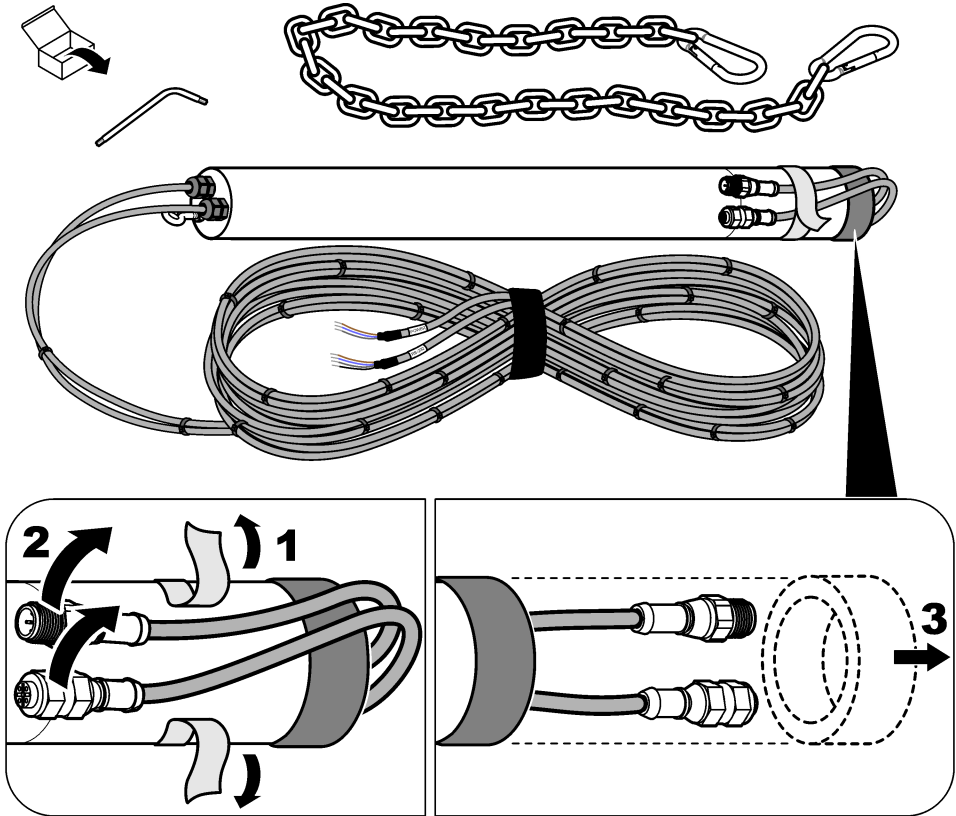
센서를 물에 설치하는 경우 또는 수면 상층으로 센서가 물에 잠기는 경우 케이블 가드를 센서에 부착해 센서 커넥터와 케이블 손상을 방지하십시오.

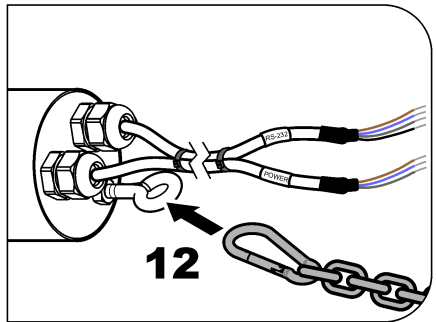
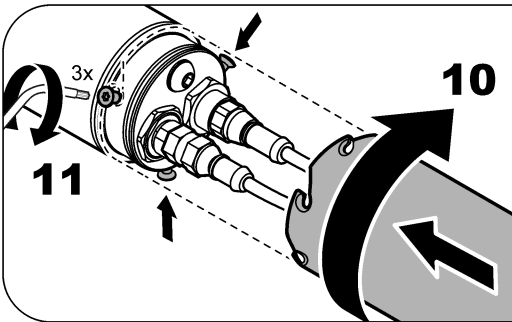
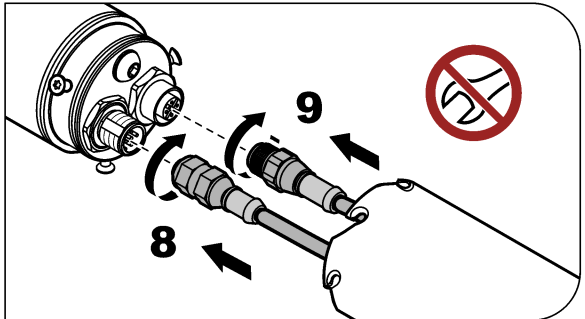
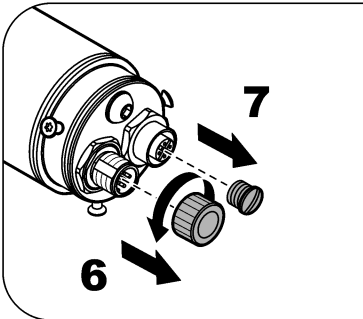
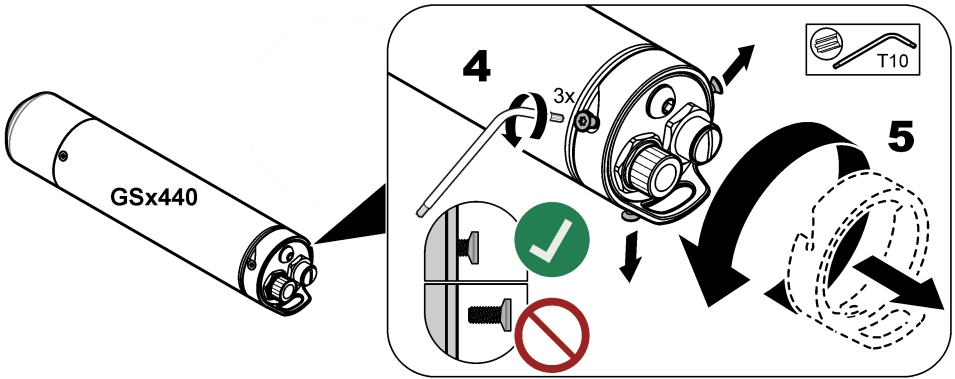
센서 케이블이 케이블 가드에 이미 설치되어 있는 경우 **그림 4**의 그림에 나와 있는 단계를 참조하여 센서 케이블과 케이블 가드를 부착하십시오.

센서 케이블이 케이블 가드에 설치되어 있지 않은 경우 케이블 가드와 함께 제공된 지침을 참조하여 케이블 가드에 센서 케이블을 설치하고, 센서 케이블과 케이블 가드를 부착하십시오.

참고: 수심이 크게 변동될 수 있는 물 속 측정(예: 우물 및 저수지)의 경우 선택 사양으로 제공되는 케이블 가드 연장(품목 1, **그림 3** 141 페이지)을 부착하고 케이블 가드를 센서에 부착하십시오. 케이블 가드 연장과 함께 제공된 지침을 참조하십시오.

그림 4 케이블 가드 부착





섹션 4 설치

⚠ 위험



폭발 위험. 교육을 받은 직원만 장비를 설치 또는 사용해야 합니다.

4.1 전기 설치

⚠ 경고

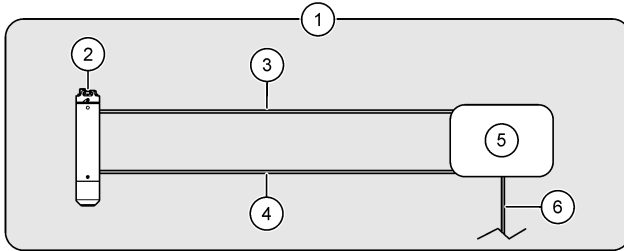


다음 그림은 유해 위치가 아닌 장소에 센서를 설치하는 옵션입니다. GS2440EX 센서를 유해 위치에 설치하려면 *GS2440EX Hazardous Location Safety Precautions* 및 *CAX440EX Field Transmitter Hazardous Location Safety Precautions* 문서의 지침을 참조하십시오.

센서를 다음 옵션 중 하나에 연결합니다.

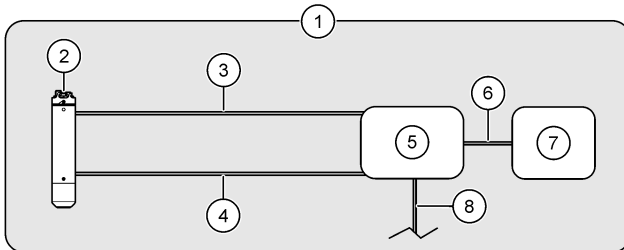
- CAx440EX 현장 발신기—**그림 5**
- CAx440EX 현장 발신기 및 장치 -**그림 6**
- CDx440sc 게이트웨이 및 SC 컨트롤러—**그림 7**
- 장치 -**그림 8**

그림 5 CAx440EX 현장 발신기



1 유태 위치 외 구역	4 RS-232 센서 케이블
2 센서	5 현장 발신기
3 전원/4~20mA 센서 케이블	6 DC 전원 케이블(선택 사양, 사용자 준비 품목) ⁴

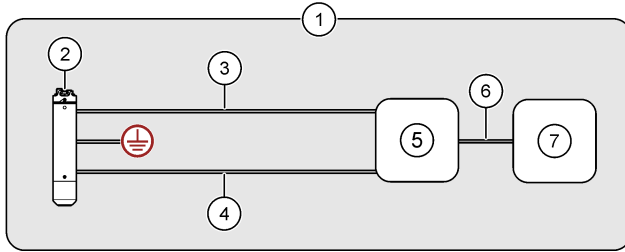
그림 6 CAx440EX 현장 발신기 및 장비



1 유태 위치 외 구역	5 현장 발신기
2 센서	6 장치 케이블, 센서의 4~20mA 아날로그 출력(사용자 준비 품목)
3 전원/4~20mA 센서 케이블	7 장치(예: SCADA 또는 PLC)
4 RS-232 센서 케이블	8 DC 전원 케이블(선택 사양, 사용자 준비 품목) ⁴

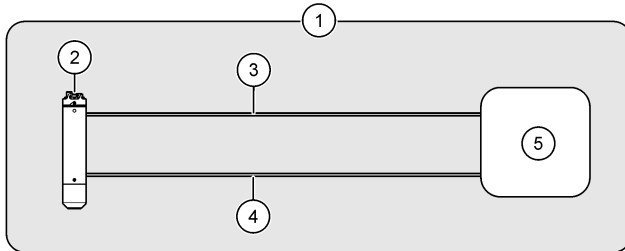
⁴ DC 전원 공급 장치를 현장 발신기의 배터리 대신 사용하거나 배터리와 함께 사용할 수 있습니다. 지침은 CAx440EX 현장 발신기 문서를 참조하십시오.

그림 7 CDx440sc 게이트웨이 및 SC 컨트롤러



1 유해 위치 외 구역	5 CDx440sc 게이트웨이
2 센서	6 디지털 연장 케이블
3 전원/4~20mA 센서 케이블	7 SC 컨트롤러
4 RS-232 케이블	

그림 8 장치—직접 아날로그(4~20mA) 또는 디지털(RS-232) 통신



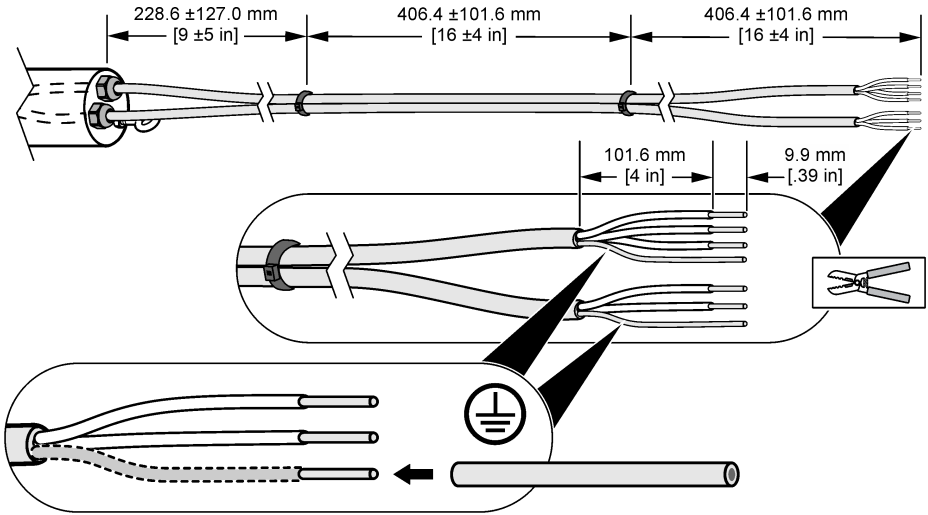
1 유해 위치 외 구역	4 RS-232 케이블(선택 사항)
2 센서	5 장치(예: SCADA 또는 PLC)
3 전원/4~20mA 센서 케이블(12~28VDC, 4~20mA 루프 전력)	

4.1.1 센서 케이블 절단(선택 사항)

필요한 경우 센서 케이블을 절단하여 길이를 줄입니다. 센서 케이블을 절단한 후 그림 9에 나와 있듯이 센서 배선을 준비합니다. 두 실드 와이어의 노출된 와이어를 전선 절연체로 덮어야 합니다.

참고: 두 개의 센서 케이블을 사용하는 경우, 센서 케이블을 도관에 설치하지 않는 한 EMC 규정 준수 등급을 유지하기 위해 센서 케이블을 지퍼 타이로 서로 연결해야 합니다.

그림 9 센서 케이블 배선 준비



4.1.2 배선 정보

현장 발신기 (또는 현장 발신기와 장치)에 센서를 연결하려면 CAX440EX 현장 발신기 문서에서 배선 정보를 참조하십시오.

센서를 CDx440sc 게이트웨이 및 SC 컨트롤러에 연결하려면 CDx440sc 게이트웨이 문서에서 배선 정보를 참조하십시오.

센서를 장치에만 연결하려면 표 5 및 표 6을(를) 참조하십시오.

표 5 전원/4~20mA 센서 케이블

커넥터 핀	와이어 색상	신호
1	갈색	양극 (12~28VDC, 4~20mA 루프 전원)
2	흰색	사용되지 않음
3	파란색	음극
4	검은색	사용되지 않음
5	은색	차폐

표 6 RS-232 센서 케이블

커넥터 핀	와이어 색상	신호
1	갈색	센서 RXD(수신)
2	흰색	사용되지 않음
3	파란색	센서 TXD(전송)
4	검은색	GND(접지)
5	은색	차폐

4.2 보정

처음 사용하기 전에 센서를 보정해야 합니다. 그 뒤에는 최고의 정확도를 위해 1개월 간격으로 센서를 다시 보정합니다. CertGas(<https://certgas.com>)에서 판매하는 보정 키트와 함께 제공되는 보정 지침을 참조하십시오.

보정하기 전에 다음 조건을 충족하는지 확인하십시오.

- 측정 위치가 센서의 작동 온도 범위 내에 있습니다. 표 1 135 페이지의 내용을 참조하십시오.
- 센서가 깨끗합니다. 센서 검사 및 세척 150 페이지의 내용을 참조하십시오.
- 전원/4~20mA 센서 케이블로 센서에 전원을 공급합니다.
- 해당하는 경우 RS-232 센서 케이블이 센서에 부착되어 있습니다.

참고: 센서 보정 빈도는 더 짧을 수 있습니다(2~3개월 간격). 그러나 보정을 자주 하는 경우 센서 정확도가 높아집니다.

참고: 오염도가 높은 장소에 있는 센서의 경우(예: 투여 후) 더 자주 보정해야 할 수도 있습니다.

4.3 4~20mA 출력의 측정 단위 변경

센서의 상태 LED는 현재 4~20mA 아날로그 출력으로 표시되는 측정 단위를 보여줍니다. 표 7의 내용을 참조하십시오.

RS-232 센서 케이블이 아닌 전원/4~20mA 센서 케이블만 통신에 사용되는 경우, 4~20mA 아날로그 출력으로 표시되는 측정 단위를 mg/L(액체 측정) 또는 ppm(기체 측정) 측정 유형에 맞게 변경합니다.

측정 단위를 변경하려면 다음 단계를 따르십시오.

참고: 이 절차는 센서의 RS-232 신호를 변경하는 것이 아닙니다.

1. 센서에 쌓인 원치 않는 이물질을 제거합니다. 센서 검사 및 세척 150 페이지의 내용을 참조하십시오.
2. 센서와 케이블을 분리합니다.
3. 센서에 보정 캡을 설치합니다. 올바른 설치를 위해 보정 캡 및 유량 조절기와 함께 제공된 지침을 참조하십시오.
4. 전원/4~20mA 케이블을 센서에 연결합니다. 전원/4~20mA 센서 케이블로 센서에 전원을 공급합니다.
5. 센서의 상태 LED가 적색 및 녹색으로 깜박이면 센서에서 보정 캡을 제거합니다. 상태 LED가 다시 녹색으로 깜박이며 새 측정 단위를 표시합니다.

표 7 상태 LED

색상	측정 단위
녹색, 한 번 깜박임	0~5mg/L, 액체 측정
녹색, 두 번 깜박임	0~1000ppm, 기체 측정

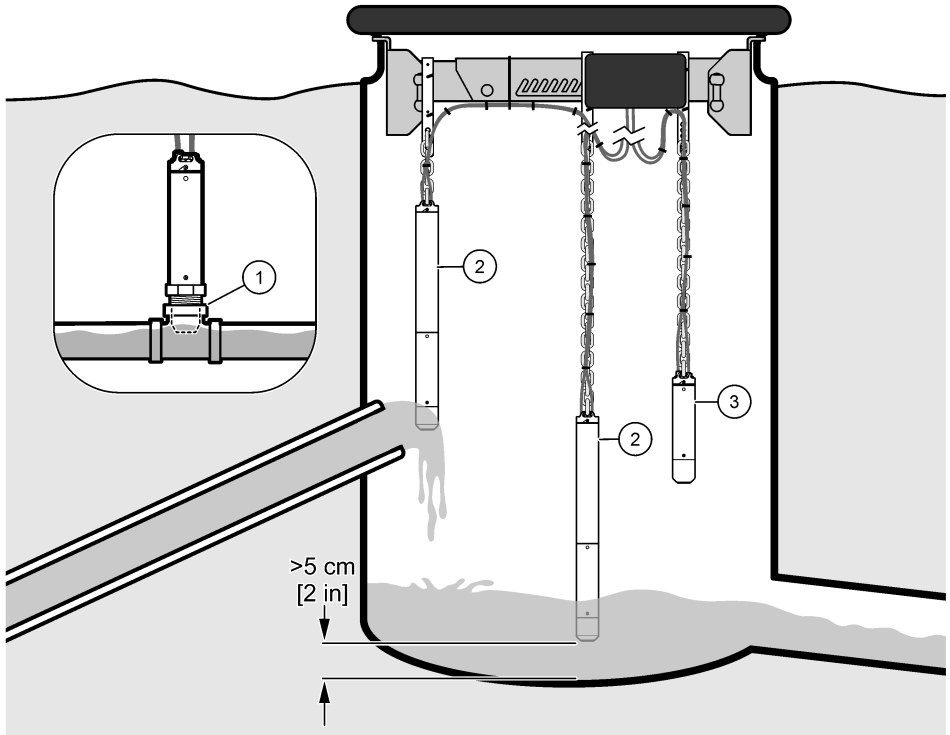
4.4 기계 설치

4.4.1 설치 옵션

그림 10 및 그림 11에서는 다양한 센서 설치 옵션을 보여줍니다.

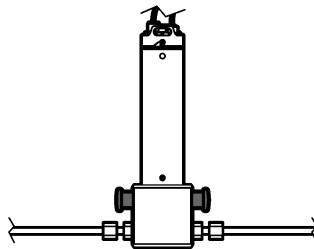
참고: 천 조각 및 원치 않는 이물질이 센서에 달라붙을 수 있으니 센서를 벽에 부착하지 마십시오.

그림 10 인라인 또는 자유 거치



1 인라인	3 대기 중 자유 거치
2 액체 내 자유 거치	

그림 11 우회 공기관에 연결




4.4.2 설치 지침

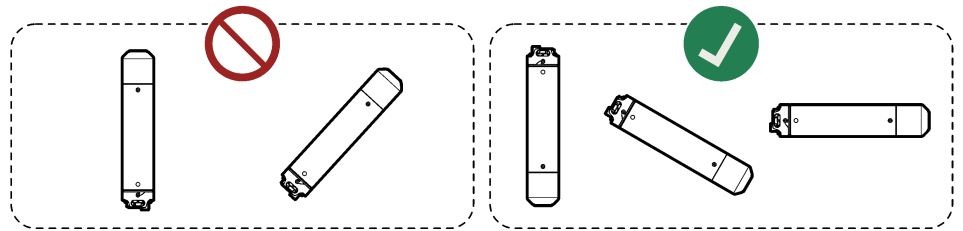
- 센서를 직사광선, 화기, 부식성 화학물질 또는 가스(H₂S 제외), 기계적 충격, 연마성 물질, 진동, 충격, 먼지, 방사성에 노출시키지 않도록 합니다.
- 지정된 전기적, 기계적, 열적 매개 변수 또는 측정 범위를 벗어난 상태로 센서를 사용하지 마십시오. **사양 135** 페이지의 내용을 참조하십시오.
- 센서를 물에 설치하는 경우 또는 수면 상승으로 센서가 물에 잠기는 경우 케이블 가드를 센서에 부착해 센서 커넥터와 케이블 손상을 방지하십시오. **케이블 가드 부착 141** 페이지의 내용을 참조하십시오.

- 가장 정확한 측정을 위해 대기 중이 아닌 수중의 황화수소 농도를 측정하십시오.⁵
- 중력 시스템의 경우 가압 수도관 끝과 최대한 가까운 곳에서 측정해야 초기 황화수소 농도의 정확한 측정 값을 얻을 수 있습니다. 물이 탄산이 있는 수원에 진입하는 경우 물에 용해된 황화수소가 배출됩니다.
- 기체 측정을 위해 센서를 설치할 때는 센서에 원치않는 이물질이 쌓이지 않도록 센서 측정부를 고수위일 때보다 높은 위치에 설치하십시오.
- 센서에 원치않는 이물질이 쌓이지 않도록 센서 주변의 흐름 및 난류가 충분한 곳에 센서를 설치하십시오.
- 생물이 부착될 수 있으므로 센서를 고인 물에 설치하지 마십시오.

4.4.3 센서 설치

⚠ 위험	
	<p>가스 노출 위험. 황화수소는 유독성이 높은 기체입니다. 안전 데이터 시트(MSDS/SDS)에서 식별된 개인 보호 장비를 착용합니다. 최신 안전 데이터 시트(MSDS/SDS)에서 안전 규정을 참조하십시오.</p>

주의사항
<p>센서가 손상될 수 있으므로 센서 측정부를 위로 향하지 마십시오(예: 보관, 운송, 보정, 설치 및 작동 중).</p>



주의사항
<p>센서를 자유 거치식으로 설치한 경우 설치 시 센서가 손상되지 않는지 확인하십시오. 센서가 사물, 벽, 바닥에 닿지 않도록 하십시오.</p>



사전 준비:

- 센서 케이블을 센서와 현장 발신기 또는 장치에 연결합니다. **전기 설치 143** 페이지의 내용을 참조하십시오.
- 센서를 측정 위치에서 보정합니다. **보정 147** 페이지의 내용을 참조하십시오.
- 센서가 수중에 설치되는 경우 또는 수위 상승으로 센서가 물에 잠길 수 있는 경우 케이블 가드를 센서에 부착합니다. **케이블 가드 부착 141** 페이지의 내용을 참조하십시오.
- 4~20mA 아날로그 출력으로 표시되는 측정 단위가 mg/L(액체 측정) 또는 ppm(기체 측정) 측정 유형에 적합합니다. **4~20mA 출력의 측정 단위 변경 147** 페이지의 내용을 참조하십시오.

⁵ 황화수소를 수중에서 측정하는 경우 측정 값은 수면 위 공간의 환기 상태에 따른 일일 변화나 센서의 설치 위치에 영향받지 않습니다.

1. 수중 설치는 다음 단계를 따르십시오.

- a. (선택 사항, 권장) 현지, 지역, 국가 요구 사항에 따라 케이블 가드에 아이볼트를 접지 연결합니다.
유해 위치에 설치할 때는 **GS2440EX Hazardous Location Safety Precautions** 문서에서 접지 요구 사항을 참조하십시오.
- b. 케이블 가드의 아이볼트에 체인을 부착합니다.
- c. 체인의 반대쪽 끝을 물 바로 위에 고정된 물체(예: 와이어 그리드, 크로스빔 또는 현장 발신기용 크로스빔 클램프)에 부착합니다.
- d. 센서를 물 속으로 집어넣습니다. 센서 케이블은 물 밖에 둡니다.
- e. 센서의 위쪽이 벽 가까이 가 아닌 흐르는 물 속에 들어가도록 하십시오.
- f. 체인 길이를 조절하여 케이블 가드가 물 속으로 들어가지 않게 하고 센서도 5cm(2인치) 이상 운하 또는 우물 바닥에서 떨어지도록 하십시오.
- g. 센서가 벽 또는 다른 물체에 닿을 경우 센서를 직경 70mm(2.75인치) 이상의 PVC 파이프에 넣으십시오. 센서 측정부가 PVC 파이프보다 아래로 나오도록 하십시오.
PVC 파이프를 벽 옆이나 물 바로 위의 움직이지 않는 물체에 바로 부착하십시오.
- h. 여분의 케이블을 코일에 감습니다. 케이블 타이를 사용해 케이블을 고정합니다.

2. 대기 중에 설치할 경우 다음 단계를 따르십시오.

- a. (선택 사항, 권장) 현지, 지역, 국가 요구 사항에 따라 센서의 접지 나사를 접지 연결합니다.
유해 위치에 설치할 때는 **GS2440EX Hazardous Location Safety Precautions** 문서에서 접지 요구 사항을 참조하십시오.
 - b. 체인 또는 철제 케이블을 센서의 부착 고리에 연결합니다.
 - c. 체인 또는 철제 케이블의 반대쪽 끝을 물 바로 위에 고정된 물체(예: 와이어 그리드, 크로스빔 또는 현장 발신기용 크로스빔 클램프)에 부착합니다.
 - d. 센서를 내립니다.
 - e. 필요하다면 체인 길이를 조절합니다.
 - f. 여분의 케이블을 코일에 감습니다. 케이블 타이를 사용해 케이블을 고정합니다. 센서 케이블은 물 밖에 둡니다.
3. 가압 수도관에 설치할 때는 인라인 장착을 위한 어댑터(선택 사양)를 설치합니다. 인라인 장착용 어댑터와 함께 제공된 지침을 참조하십시오.
4. 가압 공기관에 설치할 때는 공기 흐름 셀(선택 사양)에 우회 공기관을 배관으로 연결합니다. 공기 흐름 셀과 함께 제공된 지침을 참조하십시오.

섹션 5 유지관리

주의사항

장치를 분해, 변경, 수리하지 마십시오. 분해할 경우 센서가 손상되고 보증이 무효가 됩니다. 내부 부품을 교체해야 할 경우 제조업체에 문의하십시오.

5.1 센서 검사 및 세척

주의사항

센서의 측정부 손상이 발생할 수 있으므로 힘을 가하거나, 연마제, 화학 물질, 고압 워셔 또는 호스를 사용하지 않고 센서를 세척합니다.

정기적으로 보정 전에 센서의 측정부가 불필요한 물질로 덮여 있지 않은지 확인합니다.

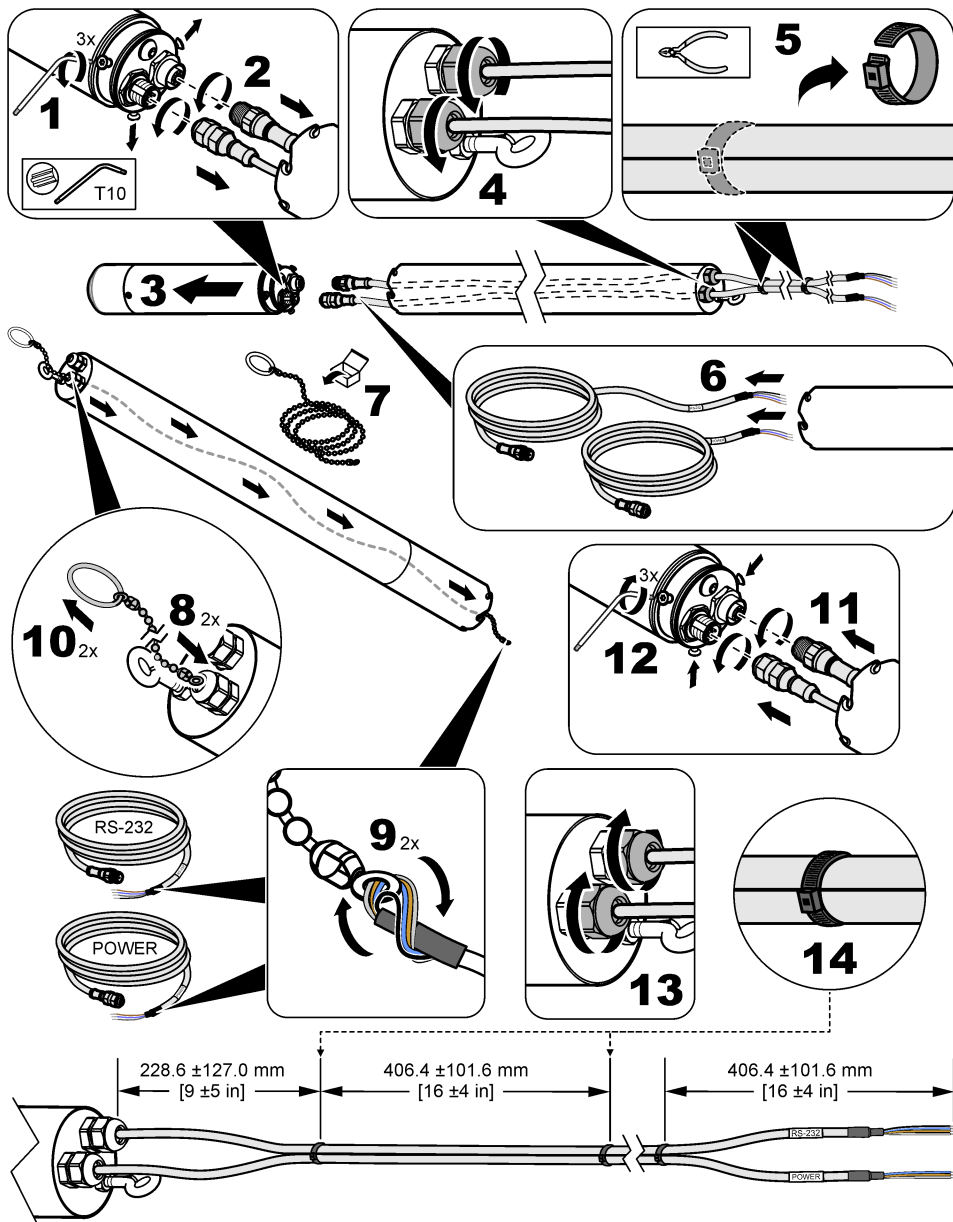
- 1. 센서에 수집된 불필요한 물질을 제거합니다.
- 2. 연마제가 포함되지 않은 천 또는 종이로 센서의 측정부를 부드럽게 닦습니다.
- 3. 젖은 천 또는 종이를 사용해 센서의 건조된 물질을 제거합니다.

5.2 센서 케이블 교체

센서 케이블이 손상된 경우 또는 필요에 따라(예: 더 긴 센서 케이블 설치) 센서 케이블을 교체하십시오.

센서에 케이블 가드를 설치한 경우 다음 그림에 나와 있는 단계를 참조하여 센서 케이블을 교체합니다.

참고: 두 개의 센서 케이블을 사용하는 경우, 센서 케이블을 도관에 설치하지 않는 한 EMC 규정 준수 등급을 유지하기 위해 센서 케이블을 지퍼 타이로 서로 연결해야 합니다.



5.3 O-링 교체

센서 커넥터 끝의 O-링이 마모되어 케이블 가드 및/또는 케이블 가드 연장 of 방수 기능이 떨어지는 경우 O-링을 교체하십시오.

센서 캡을 제거할 때 보이는 O-링이 마모되어 공기 흐름 셀을 사용할 때 더 이상 밀폐되지 않는 경우 O-링을 교체하십시오.

참고: 센서 캡을 제거할 때 보이는 O-링은 센서 캡을 고정하여 물이 새지 않도록 하는 역할을 합니다.

교체용 O-링, O-링 윤활유, 교체 지침은 설치 예비 부품 키트에 포함되어 있습니다. 주문 정보는 **부품 및 부속품 154** 페이지를(를) 참조하십시오.

섹션 6 문제 해결

문제	발생 원인	해결 방법
측정 값은 항상 거의 0이지만 시료 채취 측정에서 황화물 농도가 상당히 높습니다.	<ul style="list-style-type: none"> • 센서 입구가 막혔습니다. • 용수의 pH가 8보다 높습니다. 	<p>센서 측정부가 원치 않는 이물질로 덮여 있지 않은지 확인하십시오.</p> <p>센서를 행구고 젖은 천으로 부드럽게 닦으십시오. 센서 구성부 입구 주변에 힘을 가하지 않도록 하십시오.</p> <p>용수의 pH가 8보다 높은 경우 용해된 황화물이 대부분 HS⁻ 형태에서 센서에 측정되지 않습니다. 폐수가 산성화되는 저장 측면 흐름 반응로에 센서를 사용해 모든 용해된 황화물이 H₂S 형태임을 확인하십시오.</p>
센서 측정 값이 올바르게 없습니다.	센서가 보정되지 않았습니다.	<p>보정 가스를 사용해 센서의 정확도를 확인하십시오.</p> <ol style="list-style-type: none"> 1. 센서 및 보정 가스, 보정 캡 및 유량 조절기를 밖으로 꺼내십시오. 2. 센서 측정부를 닦으십시오. 센서 검사 및 세척 150 페이지의 내용을 참조하십시오. 3. 센서 측정부 주변에 보정 캡을 씌우십시오. 4. 보정 캡을 보정 방향을 기준으로 180도 돌리십시오. 5. 유량 조절기를 완전히 여십시오. 6. 2분간 기다리십시오. 7. 측정 값이 보정 가스병의 값 5% 이내가 아닌 경우 센서를 보정하십시오. 보정 147 페이지의 내용을 참조하십시오. <p>확인을 위해 액체 시료를 사용하지 마십시오.</p>
보정 후 센서 측정 값이 올바르게 않습니다.	센서가 올바르게 보정되지 않았습니다.	<p>보정 캡 및 유량 조절기와 함께 제공되는 모든 지침을 따르십시오. 문제가 계속되는 경우 기술 지원부에 문의하십시오. 최대한 정확도를 보장할 수 있도록 후속 측정 온도와 동일하게 센서를 보정하십시오.</p>
센서가 보정 모드에 진입하지 않습니다. (LED가 녹색 및 적색으로 깜박이지 않습니다.)	<ul style="list-style-type: none"> • 전원이 센서에 공급되지 않습니다. • 보정 캡이 올바르게 설치되지 않았습니다. 	<ul style="list-style-type: none"> • 센서에 전원이 공급되는지 확인하십시오. • 보정 캡의 작은 홈이 상태 LED와 일치하는지 확인하십시오. • 센서가 보정 캡에 완전히 들어갔는지 확인하십시오.
보정에 실패했습니다. (LED가 적색으로 빠르게 깜박입니다.)	<ul style="list-style-type: none"> • 보정 가스병의 가스 압력이 낮습니다. • 가스 누출이 있습니다. • 보정 중 보정 캡이 움직였습니다. • 상태 LED가 녹색과 적색으로 깜박인 후 조절기 밸브를 완전히 열지 않았거나 즉시 열지 않았습니다. 	<p>조절기 밸브를 닫습니다. 보정 캡을 제거합니다. 그리고 다시 보정합니다.</p> <ul style="list-style-type: none"> • 보정 가스병의 가스 압력이 5bar(최소)인지 확인하십시오. • 호스 또는 피팅에 가스 누출이 있는지 확인하십시오. • 보정 중 보정 캡이 움직이지 않도록 하십시오. • 상태 LED가 녹색 및 적색으로 깜박인 후 즉시 조절기 밸브를 완전히 엽니다.

섹션 7 부품 및 부속품

▲ 경고



신체 부상 위험. 승인되지 않은 부품을 사용하면 부상, 기기 손상 또는 장비 오작동이 발생할 수 있습니다. 이 장에 설명된 교체 부품은 제조업체의 승인을 받았습니다.

참고: 일부 판매 지역의 경우 제품 및 문서 번호가 다를 수 있습니다. 연락처 정보는 해당 대리점에 문의하거나 본사 웹사이트를 참조하십시오.

교체 부품

설명	품목 번호
배터리(8개), CAx440EX 현장 발신기(비충전식)	LXZ449.99.00003
설치 예비 부품 키트	LXZ449.99.00012
센서 캡	LXZ449.99.00010

부속품

설명	품목 번호
인라인 장착용 어댑터, 1 ¼인치 BSPT	LXZ449.99.00004
티 및 인라인 장착용 어댑터, 1 ¼인치 BSPT	LXZ449.99.00005
인라인 장착용 어댑터, 1 ¼인치 NPT	LXZ449.99.00015
트 및 인라인 장착용 어댑터, 1 ¼인치 NPT	LXZ449.99.00019
공기 흐름 셀, 최대 3바(44psi), 스테인리스 스틸 EN 1.4404	LXZ449.99.00011
CAx440EX 현장 발신기용 외부 안테나, EU, 영국, 미국 및 캐나다, 2m(6.5ft) 케이블, IP68 Ø100 x 36mm(Ø3.9 x 1.4인치), LTE: 6dBi, 주파수 대역: 698~3800MHz	LXZ449.99.00009
3m(10ft) 체인 및 카라비너 포함 케이블 가드 600mm(2ft), 1.3kg(2.9lb), 스테인리스 스틸 EN 1.4404(316L)	LXZ449.99.00017
연장 케이블 가드, 1.4m(4.6ft) 2.9kg(4.6lb), 스테인리스 스틸 EN 1.4404(316L)	LXZ449.99.00006
케이블 풀스루 공구	101335
CAx440EX 현장 발신기, 무선 3G, EU 및 영국	LXV449.98.01000
CAx440EX 현장 발신기, 무선 4G, EU 및 영국	LXV449.98.01010
CAx440EX 현장 발신기, 무선 4G, 미국 및 캐나다	LXV449.97.01010
CDx440sc 디지털 sc 게이트웨이	LXV449.99.02000
카라비너 포함 체인, 3m(10ft)	LXZ449.99.00002
크로스빔 클램프, CAx440EX 현장 발신기, EU, 영국, 미국 및 캐나다	LXZ449.99.00008
크로스빔 클램프가 있는 558~858mm(22.0~33.8인치) 맨홀용 크로스빔 스테인리스 스틸 EN 1.4404, 3.4kg(7.5lb), 558~858 x 136 x 71mm(22.0~33.8 x 5.4 x 2.8인치)	LXZ449.99.00007
CAx440EX 현장 발신기용 장착 브래킷, EU 및 영국	LXZ449.99.00014
CAx440EX 현장 발신기용 장착 브래킷, 미국 및 캐나다	LXZ449.99.00018

부속품 (계속)

설명	품목 번호
전원/4~20mA 배리어(전원 공급 장치 포함) 모든 지역의 신호용 IECEx 인증, 1~2개 채널, 전체 평가 포함 SIL2 인증	LXZ449.99.00013
전원/4~20mA 센서 케이블, 5m(16.4ft)	100935-05
전원/4~20mA 센서 케이블, 10m(32.8ft)	100935-10
전원/4~20mA 센서 케이블, 30m(98.4ft)	100935-30
RS-232 센서 케이블, 5m(16.4ft)	100934-05
RS-232 센서 케이블, 10m(32.8ft)	100934-10
RS-232 센서 케이블, 30m(98.4ft)	100934-30
센서 케이블, 5m(16.4ft), 포함 품목: 전원/4~20mA 센서 케이블 및 RS-232 센서 케이블	LXZ449.99.02G05
센서 케이블, 10m(32.8ft), 포함 품목: 전원/4~20mA 센서 케이블 및 RS-232 센서 케이블	LXZ449.99.02G10
센서 케이블, 30m(98.4ft), 포함 품목: 전원/4~20mA 센서 케이블 및 RS-232 센서 케이블	LXZ449.99.02G30
센서 케이블(케이블 가드 포함), 5m(16.4ft), 포함 품목: 전원/4~20mA 센서 케이블, RS-232 센서 케이블, 케이블 가드, 케이블 풀스루 공구, 3m(10ft) 체인 및 카라비너	LXZ449.99.02L05
센서 케이블(케이블 가드 포함), 10m(32.8ft), 포함 품목: 전원/4~20mA 센서 케이블, RS-232 센서 케이블, 케이블 가드, 케이블 풀스루 공구, 3m(10ft) 체인 및 카라비너	LXZ449.99.02L10
센서 케이블, 30m(98.4ft), 포함 품목: 전원/4~20mA 센서 케이블, RS-232 센서 케이블, 케이블 가드, 케이블 풀스루 공구, 3m(10ft) 체인 및 카라비너	LXZ449.99.02L30
인라인 장착용 티, 1 ¼인치 BSPT	LXZ449.99.00001
인라인 장착용 티, 1 ¼인치 NPT	LXZ449.99.00022

สารบัญ

- 1 รายละเอียดทางเทคนิค ในหน้า 156
- 2 ข้อมูลทั่วไป ในหน้า 158
- 3 ดัดตั้งชิ้นส่วนปกป้องสายเคเบิล ในหน้า 163
- 4 การติดตั้ง ในหน้า 165
- 5 การบำรุงรักษา ในหน้า 172
- 6 การแก้ไขปัญหา ในหน้า 174
- 7 ชิ้นส่วนและอุปกรณ์เสริม ในหน้า 175



หัวข้อที่ 1 รายละเอียดทางเทคนิค

รายละเอียดทางเทคนิคอาจเปลี่ยนแปลงได้โดยไม่ต้องแจ้งให้ทราบล่วงหน้า

ตาราง 1 รายละเอียดทางเทคนิคทั่วไป

รายละเอียดทางเทคนิค	รายละเอียด
ขนาด (ยาว x ลึก)	240 มม. (9.4 นิ้ว), Ø 48.3 มม. (1.9 นิ้ว)
น้ำหนัก	1.36 กก. (3.00 ปอนด์)
ตัวเครื่อง	สแตนเลส EN 1.4404 (316L), IP68
การยึด	แขวนอิสระ ในท่อ หรือโมเดลการไหลของอากาศ
ระดับของมลภาวะ	2 (เซ็นเซอร์), 4 (สภาพแวดล้อมการติดตั้ง)
ระดับการป้องกัน	III
หมวดหมู่ของการเกิดแรงดันไฟฟ้าเกิน	I
สภาพแวดล้อม	การใช้งานภายในอาคารและกลางแจ้ง
ข้อกำหนดด้านพลังงาน	12 ถึง 28 VDC (รูป 4–20 mA) ที่จ่ายไฟโดยตัวส่งสัญญาณภาคสนาม CAx440EX, เกตเวย์ SC ดิจิตอล CDx440sc หรืออุปกรณ์
อุณหภูมิในการทำงาน	0 ถึง 40 °C (32 ถึง 104 °F)
อุณหภูมิสำหรับจัดเก็บ	0 ถึง 60 °C (32 ถึง 140 °F)
ความชื้น	ความชื้นสัมพัทธ์ 0 ถึง 100%
ระดับความสูง	สูงสุด 2,000 ม. (6,562 ฟุต)
ความลึกในน้ำ	สูงสุด 10 ม. (32.8 ฟุต)
ค่า pH ของน้ำ	สูงสุด pH 9; H ₂ S แปลงโดยสมบูรณ์ไปเป็นรูปแบบซัลไฟด์ที่ตรวจจับไม่ได้มากกว่า pH 9
แรงดัน	สูงสุด 3 บาร์ (44 psi)
ก๊าซปรับเทียบ	1000 ppm
สายเคเบิล	หุ้มโพลียูรีเทน, IP68; 5, 10 หรือ 30 ม. (16.4, 32.8 หรือ 98.4 ฟุต)
สัญญาณเอาต์พุต	RS-232 และ 4–20 mA
ช่วง 4–20 mA	0–5 มก./ลิตร หรือ 0–1000 ppm (ผู้ใช้กำหนดค่าได้)
การรับรอง—GS1440 และ GS2440EX	CE, UKCA, FCC, ISED, RCM, KC

ตาราง 1 รายละเอียดทางเทคนิคทั่วไป (ต่อ)

รายละเอียดทางเทคนิค	รายละเอียด
ATEX—GS2440EX	ใบรับรอง: ETL22ATEX0113X  II 1 G Ex ia IIC T4 Ga Power/4-20 mA: Ui: 30V, li: 100mA, Ci: 22nF Li: 100 µH Pi: 0.70W RS-232: Ui: 20V, li: 100mA, Ci: 0nF Li: 0 µH, Pi: 0.30W Tamb: -20 ถึง +60 °C
UKEX—GS2440EX	ใบรับรอง: ITS22UKEX0506X  II 1 G Ex ia IIC T4 Ga -20 °C ≤ Tamb ≤ +60 °C
IECEX—GS2440EX	ใบรับรอง: IECEX ETL 22.0003X II 1 G Ex ia IIC T4 Ga Tamb: -20 ถึง +60 °C
อเมริกาเหนือ—GS2440EX	ใบรับรอง: ETL21CA104799609X Class I Zone 0 AEx ia IIC T4 Ga Class I Division 1 Groups A–D T4 II 1 G Ex ia IIC T4 Ga Tamb: -20 ถึง +60 °C
การรับประกัน	1 ปี

ตาราง 2 รายละเอียดทางเทคนิคด้านประสิทธิภาพ

รายละเอียดทางเทคนิค	รายละเอียด
ช่วงการตรวจวัดในน้ำ	H ₂ S 0 ถึง 5 มก./ลิตร
ช่วงการตรวจวัดในอากาศ	H ₂ S 0 ถึง 1000 ppm
ความแม่นยำ	± 5% สเกลแบบเต็ม (ความแม่นยำในการวัดแบบแยก, ชำระล้าง 90 วินาทีด้วยมาตรฐาน H ₂ S 1000 ± 20 ppm หลังจากการปรับเทียบจุดเดียว)
เวลาในการตอบสนอง (t90)	< 30 วินาที
ค่าต่ำสุดที่ตรวจจับได้	1% สเกลแบบเต็ม

ตาราง 3 สิ่งรบกวนในการวัด

ก๊าซ	ระดับสิ่งรบกวนในก๊าซ (%) ¹	ระดับสิ่งรบกวนในของเหลว (%) ²	ก๊าซ	ระดับสิ่งรบกวนในก๊าซ (%) ¹	ระดับสิ่งรบกวนในของเหลว (%) ²
มีเทน (CH ₄)	0	0	ไฮโดรเจน (H ₂)	0.8	96
คาร์บอนไดออกไซด์ (CO ₂)	0	0	คาร์บอนมอนอกไซด์ (CO)	0.6	77
ไนโตรเจน (N ₂)	0	0	ไดเมทิลซัลไฟด์ ((CH ₃) ₂ S))	18	18
ออกซิเจน (O ₂)	0	0	เมทิลเมอร์แคปแทน (CH ₃ SH)	174	44

¹ ระบุในฐานะสัญญาณสำหรับปีซีซีที่รบกวนเป็น % ของสัญญาณ H₂S ที่แรงดันบางส่วนที่เท่ากัน

² ระบุในฐานะสัญญาณสำหรับปีซีซีที่รบกวนเป็น % ของสัญญาณ H₂S ที่ความเข้มข้นของ Molar เท่ากัน

ตาราง 3 สิ่งรบกวนในการวัด (ต่อ)

ก๊าซ	ระดับสิ่งรบกวนในก๊าซ (%) ¹	ระดับสิ่งรบกวนในของเหลว (%) ²	ก๊าซ	ระดับสิ่งรบกวนในก๊าซ (%) ¹	ระดับสิ่งรบกวนในของเหลว (%) ²
อากาศ (O ₂ , N ₂ , Ar)	0	0	เอทิลเมอร์แคปแทน (C ₂ H ₆ S)	13	14
ไนตรัสออกไซด์ (N ₂ O)	0	0	ซัลเฟอร์ไดออกไซด์ (SO ₂)	40	1
แอมโมเนีย (NH ₃)	0	0			

หัวข้อที่ 2 ข้อมูลทั่วไป

ไม่ว่าจะในกรณีใด ผู้ผลิตจะไม่รับผิดชอบต่อความเสียหายที่เกิดจากการใช้งานผลิตภัณฑ์ที่ไม่เหมาะสมใดๆ หรือความล้มเหลวในการปฏิบัติตามคำแนะนำในคู่มือ ผู้ผลิตสงวนสิทธิ์ในการแก้ไขคู่มือและเปลี่ยนแปลงผลิตภัณฑ์ที่อธิบายไว้ตลอดเวลา โดยไม่ต้องแจ้งให้ทราบหรือขออนุญาตใดๆ ข้อมูลฉบับแก้ไขจะมีให้ในเว็บไซต์ของผู้ผลิต

2.1 ข้อมูลเพื่อความปลอดภัย

ผู้ผลิตจะไม่รับผิดชอบต่อความเสียหายใดๆ ที่เกิดจากการนำผลิตภัณฑ์ไปใช้หรือการใช้งานที่ผิดวัตถุประสงค์ รวมถึง แต่ไม่จำกัดเพียงความเสียหายทางตรง ความเสียหายที่ไม่ได้ตั้งใจ และความเสียหายที่ต่อเนื่องตามมา และขอปฏิเสธในการรับผิดชอบต่อความเสียหายเหล่านี้ในระดับสูงสุดเท่าที่กฎหมายที่เกี่ยวข้องจะอนุญาต ผู้ใช้เป็นผู้รับผิดชอบแต่เพียงผู้เดียวในการระบุถึงความเสียหายในการนำไปใช้งานที่สำคัญ และการติดตั้งกลไกที่เหมาะสมเพื่อป้องกันกระบวนการต่างๆ ที่เป็นไปได้ในกรณีอุปกรณ์ทำงานผิดพลาด

กฎเกณฑ์ฉบับนี้โดยละเอียดก่อนเปิดกล่อง ติดตั้งหรือใช้งานอุปกรณ์นี้ ศึกษาอันตรายและข้อควรระวังต่าง ๆ ที่แจ้งให้ทราบให้ครบถ้วน หากไม่ปฏิบัติตามอาจทำให้เกิดการบาดเจ็บร้ายแรงต่อผู้ใช้หรือเกิดความเสียหายต่ออุปกรณ์

ตรวจสอบให้แน่ใจว่าการป้องกันที่ได้รับจากอุปกรณ์นี้ไม่บกพร่อง ห้ามใช้หรือติดตั้งอุปกรณ์นี้ในลักษณะอื่นนอกเหนือจากที่ระบุไว้ในคู่มือนี้

2.1.1 การใช้ข้อมูลแจ้งเตือนเกี่ยวกับอันตราย



▲ อันตราย
ระบุนอันตรายที่อาจเกิดขึ้น ซึ่งหากไม่หลีกเลี่ยง อาจทำให้เสียชีวิตหรือได้รับบาดเจ็บร้ายแรงได้
▲ คำเตือน
ระบุนอันตรายที่อาจเกิดขึ้น ซึ่งหากไม่หลีกเลี่ยง อาจทำให้เสียชีวิตหรือได้รับบาดเจ็บร้ายแรงได้
▲ ข้อควรระวัง
ระบุนอันตรายที่อาจเกิดขึ้นซึ่งอาจทำให้เกิดการบาดเจ็บเล็กน้อยถึงปานกลาง
หมายเหตุ
ข้อควรทราบระบุนกรณีที่หากไม่หลีกเลี่ยง อาจทำให้อุปกรณ์ได้รับความเสียหายได้ ข้อมูลที่ต้องมีการเน้นเข้าเป็นพิเศษ

2.1.2 ผลกระทบข้อควรระวัง

อ่านฉลากและป้ายระบุทั้งหมดที่มีมาให้พร้อมกับอุปกรณ์ อาจเกิดการบาดเจ็บหรือความเสียหายต่ออุปกรณ์ หากไม่ปฏิบัติตาม คู่มืออ้างอิงสัญลักษณ์ที่ตัวอุปกรณ์พร้อมข้อความเพื่อเสีาระวังเบื้องต้น

¹ ระบุในฐานะสัญญาณสำหรับสปีชีส์ที่รบกวนเป็น % ของสัญญาณ H₂S ที่แรงดันบางส่วนที่เท่ากัน

² ระบุในฐานะสัญญาณสำหรับสปีชีส์ที่รบกวนเป็น % ของสัญญาณ H₂S ที่ความเข้มข้นของ Molar เท่ากัน

	<p>หากปรากฏสัญลักษณ์บนอุปกรณ์ โปรดดูรายละเอียดจากคู่มือการใช้งานและ/หรือข้อมูลเพื่อความปลอดภัย</p>
	<p>อุปกรณ์อิเล็กทรอนิกส์ที่มีเครื่องหมายนี้ไม่สามารถทิ้งแบบขยะปกติในเขตยุโรปหรือระบบกำจัดขยะสาธารณะได้ สังกั้นอุปกรณ์เก่าหรือที่หมดอายุการใช้งานให้กับผู้ผลิตเพื่อการกำจัดไม่มีค่าใช้จ่ายใดๆ กับผู้ใช้</p>

2.1.3 ข้อควรระวังสำหรับพื้นที่อวกาศ

 อันตราย	
	<p>อันตรายจากกระเบิด การเกิดออรอนในเรือการทดสอบก่อนเข้าดำเนินงาน การหมุนเวียนอากาศ ชั้นตอนการเข้าดำเนินงาน ชั้นตอนการอพยพ/ช่วยชีวิต แนวทางปฏิบัติในเรื่องความปลอดภัยในการทำงานเป็นสิ่งจำเป็นก่อนการเข้าในสถานที่ที่ถูกจำกัด</p>

ข้อมูลต่อไปนี้เพื่อให้ช่วยให้ผู้ใช้เข้าใจในอันตรายและความเสี่ยงที่สัมพันธ์กับการเข้าสู่พื้นที่อวกาศ

เมื่อวันที่ 15 เมษายน 1993 คำวินิจฉัยขั้นสุดท้ายของ OSHA ว่าด้วย CFR 1910.146 พื้นที่อวกาศที่จำเป็นต้องได้รับอนุญาต ได้กลายมาเป็นกฎหมาย มาตรฐานนี้ส่งผลกระทบต่อองค์กรก่อสร้างที่อุตสาหกรรมมากกว่า 250,000 แห่งในสหรัฐอเมริกา และถูกจัดทำขึ้นเพื่อคุ้มครองสุขภาพและความปลอดภัยของผู้ปฏิบัติงานในพื้นที่อวกาศ

จำกัดความของพื้นที่อวกาศ:

พื้นที่อวกาศคือตำแหน่งหรือพื้นที่อวกาศใดๆ ที่มี (หรือมีแนวโน้มโดยตรงที่จะเกิด) เงื่อนไขดังต่อไปนี้ตั้งแต่หนึ่งข้อขึ้นไป:

- สภาพแวดล้อมที่มีความเข้มข้นของออกซิเจนน้อยกว่า 19.5% หรือมากกว่า 23.5% และ/หรือความเข้มข้นของไฮโดรเจนซัลไฟด์ (H₂S) มากกว่า 10 ppm
- สภาพแวดล้อมที่อาจติดไฟหรือเกิดระเบิดเนื่องจากก๊าซ ไอ น้ำ หมอก ฝุ่น หรือเส้นใย
- วัสดุมีพิษซึ่งหากสัมผัสหรือสูดดมเข้าไปอาจก่อให้เกิดการบาดเจ็บ ความบกพร่องทางสุขภาพ หรือความตาย

พื้นที่อวกาศไม่ได้ออกแบบมาเพื่อการเข้าไปโดยมนุษย์ พื้นที่อวกาศมีช่องทางเข้าที่จำกัด และมีอันตรายที่ทราบอยู่แล้วหรือที่อาจเกิดขึ้น ตัวอย่างของพื้นที่อวกาศได้แก่ ท่อระบายน้ำ กองสิ่งของ ท่อน้ำ ถังน้ำ ตู้สวิตช์ และสถานที่อื่นๆ ที่คล้ายคลึงกัน

กระบวนการด้านความปลอดภัยมาตรฐานต้องได้รับการปฏิบัติตามตลอดเวลาก่อนเข้าสู่พื้นที่อวกาศและ/หรือสถานที่ที่อาจมีก๊าซ ไอ น้ำ หมอก ฝุ่น หรือเส้นใยที่อันตรายอยู่ ก่อนเข้าสู่พื้นที่อวกาศ โปรดค้นหาและอ่านขั้นตอนทั้งหมดที่เกี่ยวข้องกับการเข้าสู่พื้นที่อวกาศ

2.2 การปฏิบัติตามและรับรอง

 ข้อควรระวัง
<p>อุปกรณ์เครื่องนี้ไม่ได้ออกแบบสำหรับการใช้งานในที่อาศัยและอาจมีการรบกวนการรับสัญญาณวิทยุที่ไม่พึงพอใจในสภาพแวดล้อมดังกล่าว</p>

หลักเกณฑ์เกี่ยวกับอุปกรณ์ที่ทำให้เกิดสัญญาณรบกวนของแคนาดา **ICES-003, Class A:**

รองรับข้อมูลการทดสอบของผู้ผลิต

อุปกรณ์ดิจิทัล Class A นี้ได้มาตรฐานตามเงื่อนไขภายใต้หลักเกณฑ์เกี่ยวกับอุปกรณ์ที่ทำให้เกิดสัญญาณรบกวนของแคนาดา

Cet appareil numérique de classe A répond à toutes les exigences de la réglementation canadienne sur les équipements provoquant des interférences.

FCC Part 15, Class "A" Limits

รองรับข้อมูลการทดสอบของผู้ผลิต อุปกรณ์นี้ได้มาตรฐานตาม Part 15 ของ FCC Rules การใช้งานจะต้องอยู่ภายใต้เงื่อนไขดังต่อไปนี้:


1. อุปกรณ์จะต้องไม่ทำให้เกิดอันตรายจากสัญญาณรบกวน
2. อุปกรณ์จะต้องสามารถทนรับสัญญาณรบกวนที่ได้รับ รวมทั้งสัญญาณรบกวนอื่น ๆ ที่อาจทำให้การทำงานไม่เป็นไปตามที่คาดหวัง

การเปลี่ยนแปลงหรือปรับแต่งอุปกรณ์นี้ซึ่งไม่ได้รับการรับรองโดยผู้เกี่ยวข้องเพื่อควบคุมมาตรฐาน อาจทำให้ผู้ใช้เสียสิทธิ์ในการใช้งานอุปกรณ์ อุปกรณ์นี้ผ่านการทดสอบและพบว่าได้มาตรฐานตามข้อกำหนดสำหรับอุปกรณ์ดิจิทัล Class A ภายใต้ Part 15 ของ FCC

Rules ข้อจำกัดนี้กำหนดขึ้นเพื่อเป็นการป้องกันสัญญาณรบกวนที่เป็นอันตรายเมื่อมีการใช้งานอุปกรณ์ในเชิงพาณิชย์ อุปกรณ์นี้ทำให้เกิดใช้ และสามารถแพร่คลื่นความถี่วิทยุ และหากมีการติดตั้งและใช้งานไม่เป็นไปตามคู่มือการใช้งาน อาจทำให้เกิดสัญญาณรบกวนที่เป็นอันตรายต่อเครื่องสื่อสารทางวิทยุ การทำงานของอุปกรณ์ในที่ที่อาศัยอาจทำให้เกิดสัญญาณรบกวนที่เป็นอันตราย ซึ่งในกรณีนี้ผู้ใช้จะต้องแก้ไขปัญหาสัญญาณรบกวนด้วยตัวเอง สามารถใช้เทคนิคต่อไปนี้เพื่อลดปัญหาจากสัญญาณรบกวน:

1. ปลดอุปกรณ์จากแหล่งจ่ายไฟเพื่อยืนยันว่าอุปกรณ์เป็นสาเหตุของสัญญาณรบกวนหรือไม่
2. หากต่ออุปกรณ์เข้ากับเต้ารับไฟฟ้าเดียวกันกับอุปกรณ์ที่มีปัญหาสัญญาณรบกวน ให้ต่ออุปกรณ์กับเต้ารับไฟฟ้าอื่น
3. ย้ายอุปกรณ์ออกจากอุปกรณ์ที่ได้รับสัญญาณรบกวน
4. ปรับตำแหน่งสายอากาศสำหรับอุปกรณ์ที่ได้รับสัญญาณรบกวน
5. ลองดำเนินการตามวิธีการต่าง ๆ ข้างต้น

2.2.1 พื้นที่อันตราย

⚠ คำเตือน	
	อันตรายจากการระเบิด เช่น เซอร์ GS1440 ไม่ได้รับการรับรองสำหรับการใช้ในพื้นที่ยุติ

เซ็นเซอร์ GS2440EX เป็นไปตามมาตรฐานข้อกำหนด ATEX (ยุโรป), UKEX (สหราชอาณาจักร), IECEx และอเมริกาเหนือ (สหรัฐ/แคนาดา) โปรดดูรายละเอียดใน ตาราง 1 ในหน้า 156 เป็นสิ่งสำคัญที่ผู้ใช้จะต้องปฏิบัติตามเงื่อนไขทั้งหมดในการใช้งานเพื่อรักษามาตรฐานด้านความปลอดภัย

- เซ็นเซอร์ GS2440EX เป็นชิ้นส่วนโลหะแยกที่มีความจุสูงสุด 97.2 pF บนสกรูของตู้ ตรวจสอบให้แน่ใจว่าใช้สภาพในการต่อสายดินหรือการติดตั้งที่ป้องกันไฟฟ้าสถิตของเซ็นเซอร์ GS2440EX โปรดดูคู่มือคำแนะนำจากผู้ผลิตสำหรับคำแนะนำเกี่ยวกับวิธีการป้องกันไฟฟ้าสถิต
- เซ็นเซอร์ GS2440EX จะต้องไม่ถูกแยกชิ้นส่วน
- หากติดตั้งเซ็นเซอร์ GS2440EX ในพื้นที่อันตราย เป็นความรับผิดชอบของผู้ใช้ปลายทางในการเลือกอุปกรณ์จำกัดกำลังที่ถูกต้องในการใช้กับเซ็นเซอร์
- ปฏิบัติตามข้อกำหนดของ ATEX, UKEX, IECEx, North American Classification Certificate ทั้งหมด รวมถึงระเบียบข้อบังคับระดับชาติและระดับท้องถิ่น
- ปฏิบัติตามคำเตือนด้านความปลอดภัยของอุปกรณ์ภายในที่ปลอดภัย (EX) อื่นๆ ที่ติดตั้งไว้กับเซ็นเซอร์

2.2.2 EMI (สัญญาณรบกวนทางแม่เหล็กไฟฟ้า)

เซ็นเซอร์ GS1140 และ GS2440EX เป็นไปตามมาตรฐานพร้อมการรับรองดังต่อไปนี้:

- EU EMC Directive 2014/30/EU
- UKCA Electromagnetic Compatibility Regulations 2016
- FCC Part 15B
- ICES-003

2.3 สัญลักษณ์


	
ชิ้นส่วนจัดมา โดยผู้ผลิต	ห้ามใช้อุปกรณ์

2.4 วัตถุประสงค์การใช้งาน

เซ็นเซอร์ GS1440 และ GS2440EX มีวัตถุประสงค์เพื่อใช้โดยผู้เชี่ยวชาญด้านน้ำเสียในการตรวจสอบระดับของไฮโดรเจนซัลไฟด์ (H₂S) ในของเหลวและอากาศ เซ็นเซอร์ GS1440 และ GS2440EX ไม่ได้มีวัตถุประสงค์เพื่อตรวจวัดซัลไฟด์เนื่องจากประเภทอื่นๆ เช่น HS⁻ หรือ S²⁻ ตำแหน่งการติดตั้งทั่วไปได้แก่ ระบบบำบัดน้ำเสียหลัก ระบบกักเก็บน้ำเสีย และระบบบำบัดน้ำเสีย

2.5 ภาพรวมผลิตภัณฑ์

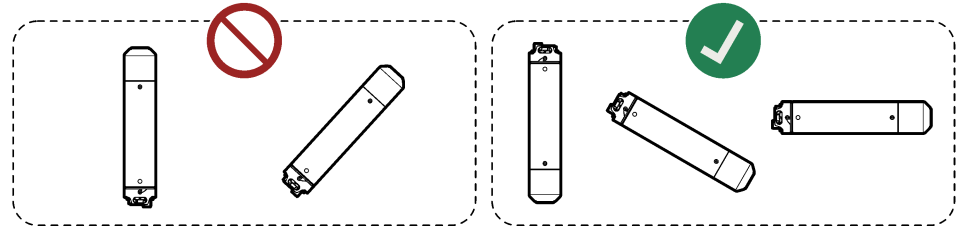
⚠️ อันตราย



ห้ามใช้เซ็นเซอร์ GS1440 หรือ GS2440EX เป็นอุปกรณ์รักษาความปลอดภัยเพื่อระบุความเข้มข้นของไฮโดรเจนซัลไฟด์ในพื้นที่หนึ่ง ปฏิบัติตามกฎเกณฑ์และข้อควรระวังด้านสุขภาพและความปลอดภัยในการทำงานที่เกี่ยวข้องก่อนเข้าสู่พื้นที่อับอากาศและสภาพแวดล้อมที่เป็นอันตรายจากสารพิษ รับคำแนะนำจากแผนกสุขภาพและความปลอดภัยในการทำงานหรือหน่วยงานกำกับดูแลของรัฐบาลเพื่อระบุภัยอันตรายที่อาจเกิดขึ้นและมาตรฐานด้านความปลอดภัย

หมายเหตุ

ห้ามใช้ปลายสำหรับการตรวจวัดของเซ็นเซอร์ขึ้นด้านบน มิเช่นนั้นเซ็นเซอร์อาจเสียหายได้ (เช่น ระหว่างการจัดเก็บ การขนส่ง การปรับเทียบ การติดตั้ง หรือการใช้งาน)
เก็บรักษาเซ็นเซอร์ในอุณหภูมิ 0 ถึง 40 °C (32 ถึง 104 °F) มิเช่นนั้นจะทำให้เซ็นเซอร์เสียหาย

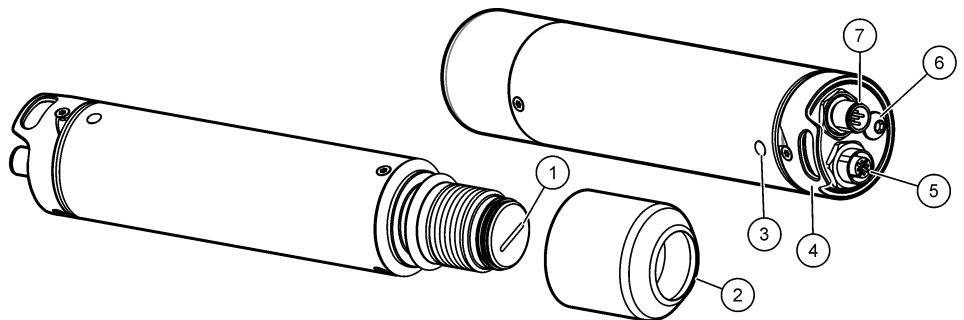


เซ็นเซอร์ GS1440 และ GS2440EX จะตรวจวัดความเข้มข้นของไฮโดรเจนซัลไฟด์ (H₂S) ในของเหลวและอากาศอย่างต่อเนื่อง โปรดดูรายละเอียดใน **รูปที่ 1**

เซ็นเซอร์มีวัตถุประสงค์เพื่อใช้กับอุปกรณ์ที่จ่ายรูปแบบวอร์ 4–20 mA ไปยังเซ็นเซอร์และรับค่าการวัดของเซ็นเซอร์เป็นสัญญาณอะนาล็อก 4–20 mA หรือสัญญาณดิจิทัล RS-232

GS1440 ผลิดขึ้นเพื่อใช้ในสถานที่ที่ไม่เป็นอันตราย GS2440EX ผลิดขึ้นเพื่อใช้ในสถานที่อันตราย

รูปที่ 1 GS1440 และ GS2440EX



1 เมมเบรน	5 ขั้วต่อ RS-232
2 ฝาเซ็นเซอร์	6 สกรูกราด (M6)
3 LED แสดงสถานะ ³ (ตาราง 4)	7 ขั้วต่อ Power/4–20 mA
4 ตะขอติดตั้ง	

³ LED แสดงสถานะจะกะพริบอย่างต่อเนื่องในขณะที่มีการจ่ายกำลังไฟไปยังเซ็นเซอร์

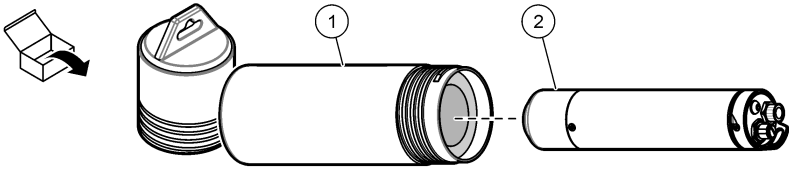
ตาราง 4 LED แสดงสถานะ

สี	สถานะ
สีเขียว กะพริบหนึ่งครั้ง	อะนาล็อกเอาต์พุต 4–20 mA แทนค่า 0–5 มก./ลิตร (ของเหลว)
สีเขียว กะพริบสองครั้ง	เอาต์พุตอะนาล็อก 4–20 mA แทนค่า 0–1000 ppm (อากาศ)
ไฟกะพริบสีเขียวและสีแดง	เซ็นเซอร์อยู่ในโหมดการปรับเทียบ/การกำหนดค่า
สีแดง กะพริบ	ชั่วคราว (พร้อมคิดค่างปรับเทียบ): การปรับเทียบไม่สำเร็จ ต่อเนื่อง (โดยไม่ได้คิดค่างปรับเทียบ): เซ็นเซอร์มีปัญหา

2.6 ส่วนประกอบของผลิตภัณฑ์

ตรวจสอบให้แน่ใจว่าได้รับส่วนประกอบทั้งหมดแล้ว โปรดดูรายละเอียดใน [รูปที่ 2](#) หากพบว่ามีชิ้นส่วนใดสูญหายหรือชำรุด โปรดติดต่อผู้ผลิตหรือตัวแทนฝ่ายขายทันที

รูปที่ 2 ส่วนประกอบของผลิตภัณฑ์

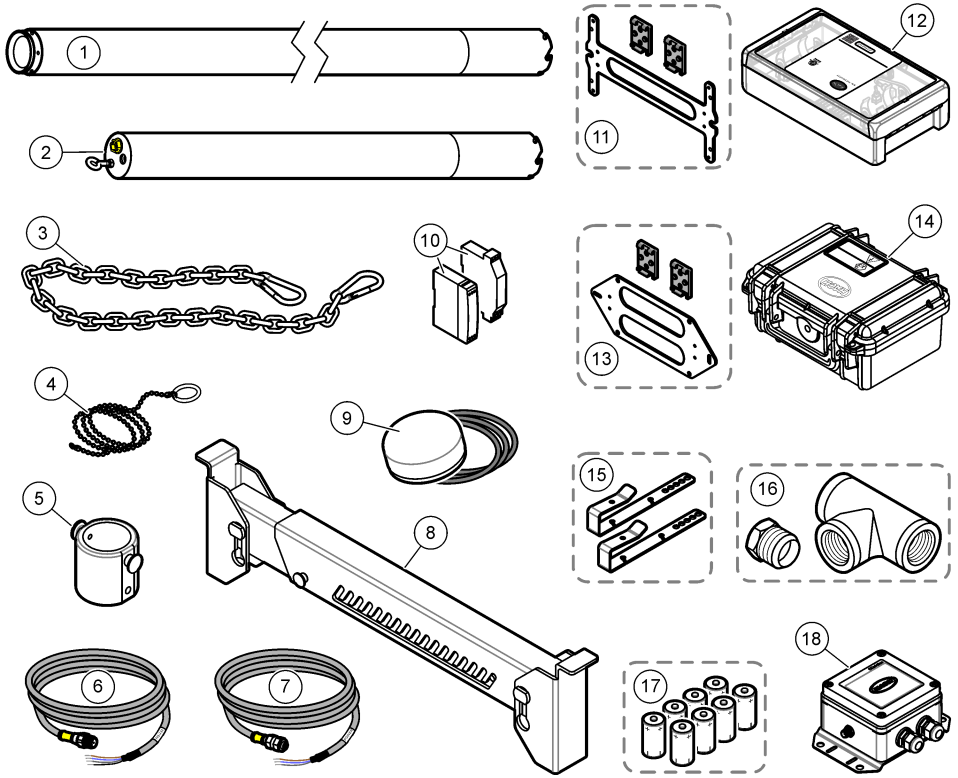


1 ท่อจัดเก็บ	2 เซ็นเซอร์ GS1440 หรือ GS2440EX
--------------	----------------------------------

2.7 อุปกรณ์เสริม

[รูปที่ 3](#) แสดงอุปกรณ์เสริมสำหรับเซ็นเซอร์ โปรดดูที่ [ชิ้นส่วนและอุปกรณ์เสริม](#) ในหน้า 175 สำหรับข้อมูลการสั่งซื้อ

รูปที่ 3 อุปกรณ์เสริม



1 สายต่อชิ้นส่วนปกป้องสายเคเบิล	10 อุปกรณ์จำกัดกำลัง Power/4–20 mA หรือระบบจ่ายไฟ
2 ชิ้นส่วนปกป้องสายเคเบิล	11 แท่นยึดสำหรับยึดติดคานึงหรือราง DIN, สหรัฐอเมริกาและแคนาดา
3 โซ่เชนหรือคาร์บอนีนอร์	12 ตัวส่งสัญญาณภาคสนาม CAX440EX, สหรัฐอเมริกาและแคนาดา
4 เครื่องมือดึงสายเคเบิล	13 แท่นยึดสำหรับยึดติดคานึงหรือราง DIN, ยุโรปและสหราชอาณาจักร
5 เซลล์การไหลของอากาศ	14 ตัวส่งสัญญาณภาคสนาม CAX440EX, สหรัฐอเมริกาและแคนาดา
6 สายเคเบิลเซ็นเซอร์ RS-232	15 แคลมป์คานขวาง
7 สายเคเบิลเซ็นเซอร์ Power/4–20 mA	16 อะแดปเตอร์สำหรับการยึดในท่อและตัวที่, 1 ¼ นิ้ว BSPT หรือ NPT
8 คานขวางสำหรับใส่ท่อ	17 แบตเตอรี่สำหรับตัวส่งสัญญาณภาคสนาม CAX440EX (ชนิดชาร์จไม่ได้)
9 เสาอากาศภายนอกสำหรับตัวส่งสัญญาณภาคสนาม CAX440EX	18 เกดเวย์ CDx440sc สำหรับตัวควบคุม SC

หัวข้อที่ 3 ติดตั้งชิ้นส่วนปกป้องสายเคเบิล

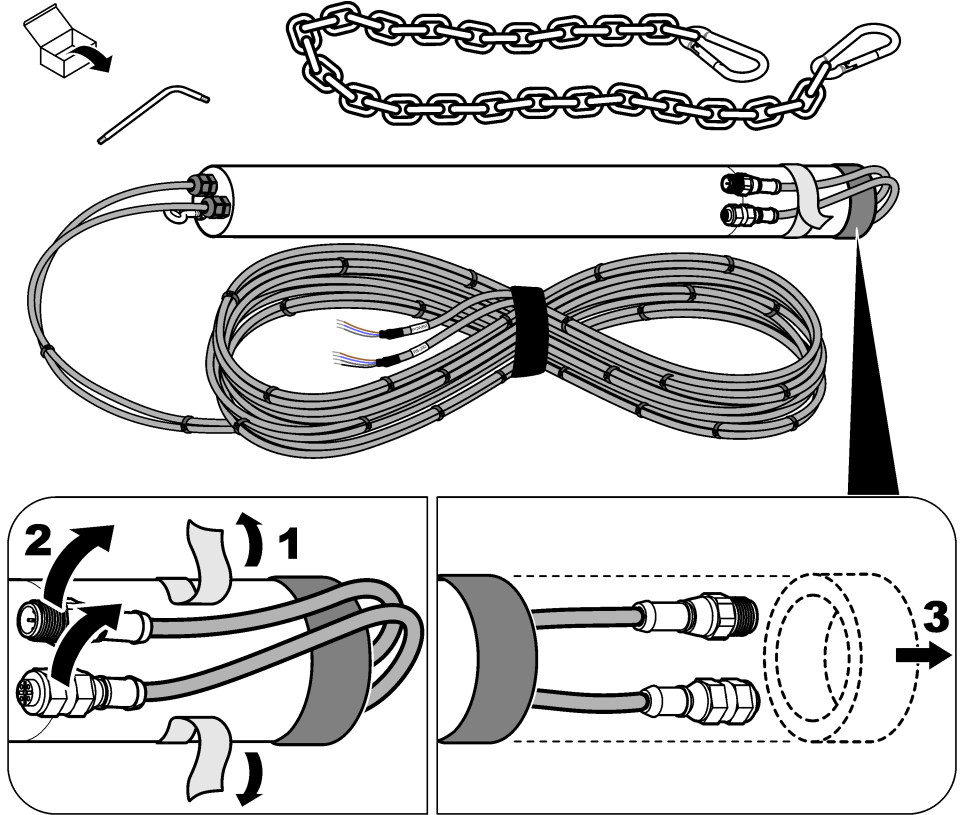
หากจะติดตั้งเซ็นเซอร์ในน้ำ (หรือหากการเพิ่มระดับของน้ำอาจทำให้เซ็นเซอร์ต้องอยู่ในน้ำ) ให้ติดตั้งชิ้นส่วนปกป้องสายเคเบิลเข้ากับตัวเซ็นเซอร์เพื่อป้องกันความเสียหายต่อขั้วต่อและสายเคเบิลของเซ็นเซอร์

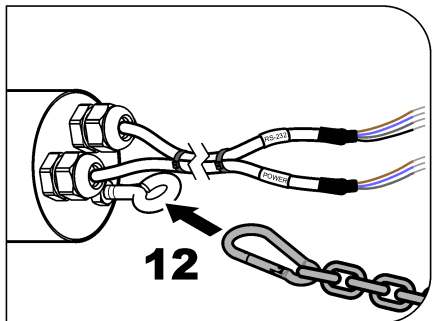
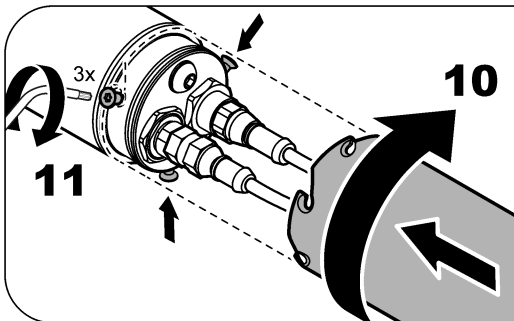
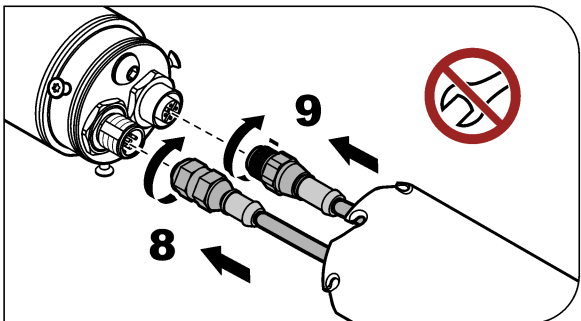
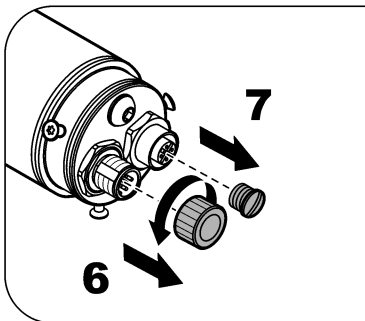
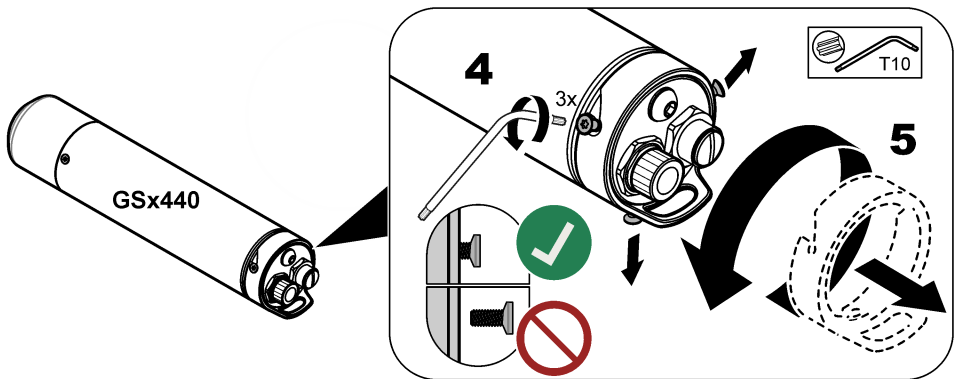
หากสายเคเบิลเซ็นเซอร์ติดตั้งไว้อยู่แล้วในชิ้นส่วนปกป้องสายเคเบิล ให้ดูขั้นตอนที่แสดงในรูปภาพ รูปที่ 4 เพื่อติดตั้งสายเคเบิลเซ็นเซอร์และชิ้นส่วนปกป้องสายเคเบิล

หากสายเคเบิลเซ็นเซอร์ไม่ได้ติดตั้งไว้ในชิ้นส่วนปกป้องสายเคเบิล ให้ดูคำแนะนำที่ให้กับกับชิ้นส่วนปกป้องสายเคเบิลเพื่อติดตั้งสายเคเบิลเซ็นเซอร์ในชิ้นส่วนปกป้องสายเคเบิล และติดตั้งสายเคเบิลเซ็นเซอร์และชิ้นส่วนปกป้องสายเคเบิล

บันทึก: สำหรับการตรวจวัดในน้ำซึ่งอาจมีการเปลี่ยนแปลงความลึกของน้ำในปริมาณมากเกิดขึ้นได้ (เช่น บ่อน้ำ และอ่างเก็บน้ำ) ให้ติดตั้งสายต่อชิ้นส่วนปกป้องสายเคเบิล (รายการที่ 1 รูปที่ 3 ในหน้า 163) ตามด้วยชิ้นส่วนปกป้องสายเคเบิลเข้ากับเซ็นเซอร์ ตู้อ่านค่าที่นำมาพร้อมกับสายต่อชิ้นส่วนปกป้องสายเคเบิล

รูปที่ 4 ติดตั้งชิ้นส่วนปกป้องสายเคเบิล





หัวข้อที่ 4 การติดตั้ง

⚠️ อันตราย



อันตรายจากการระเบิด ใช้เฉพาะเจ้าหน้าที่ที่ผ่านการฝึกอบรมในการติดตั้งหรือตรวจสอบอุปกรณ์

4.1 การติดตั้งทางไฟฟ้า

คำเตือน

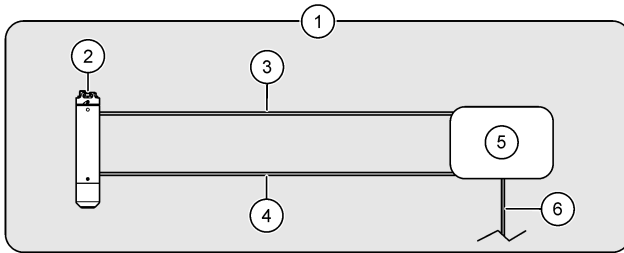


รูปภาพต่อไปนี้แสดงตัวเลือกในการติดตั้งเซ็นเซอร์ในสถานที่ที่ไม่เป็นอันตราย ในการติดตั้งเซ็นเซอร์ GS2440EX ในพื้นที่อันตราย โปรดดูคำแนะนำในเอกสาร GS2440EX Hazardous Location Safety Precautions และ CAX440EX Field Transmitter Hazardous Location Safety Precautions

เชื่อมต่อเซ็นเซอร์เข้ากับหนึ่งในตัวเลือกดังต่อไปนี้:

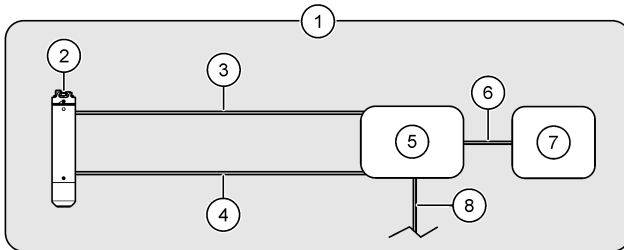
- ตัวส่งสัญญาณภาคสนาม CAX440EX—รูปที่ 5
- ตัวส่งสัญญาณภาคสนาม CAX440EX และอุปกรณ์—รูปที่ 6
- เกตเวย์ CDX440sc และตัวควบคุม SC—รูปที่ 7
- อุปกรณ์—รูปที่ 8

รูปที่ 5 ตัวส่งสัญญาณภาคสนาม CAX440EX



1 พื้นที่ที่ไม่เป็นอันตราย	4 สายเคเบิลเซ็นเซอร์ RS-232
2 เซ็นเซอร์	5 ตัวส่งสัญญาณภาคสนาม
3 สายเคเบิลเซ็นเซอร์ Power/4–20 mA	6 สายจ่ายไฟ DC (อุปกรณ์เสริม จัดหาโดยผู้ใช้) ⁴

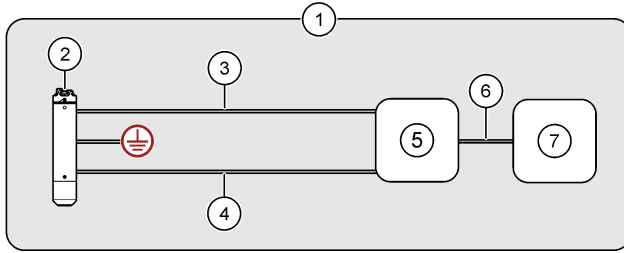
รูปที่ 6 ตัวส่งสัญญาณภาคสนาม CAX440EX และอุปกรณ์



1 พื้นที่ที่ไม่เป็นอันตราย	5 ตัวส่งสัญญาณภาคสนาม
2 เซ็นเซอร์	6 สายเคเบิลอุปกรณ์, เอาต์พุตอะนาล็อก 0–20 mA ของเซ็นเซอร์ (ผู้ใช้จัดหาเอง)
3 สายเคเบิลเซ็นเซอร์ Power/4–20 mA	7 อุปกรณ์ (เช่น SCADA หรือ PLC)
4 สายเคเบิลเซ็นเซอร์ RS-232	8 สายจ่ายไฟ DC (อุปกรณ์เสริม จัดหาโดยผู้ใช้) ⁴

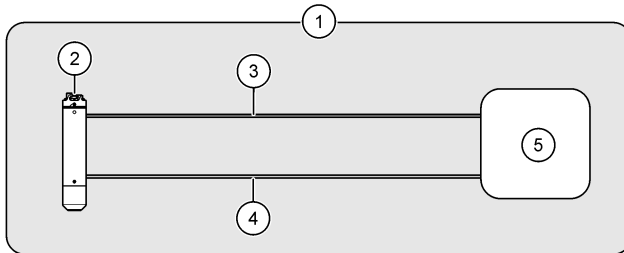
⁴ สามารถใช้ระบบจ่ายไฟ DC แทนแบตเตอรี่หรือร่วมกับแบตเตอรี่ในตัวส่งสัญญาณภาคสนาม โปรดดูคำแนะนำในเอกสารประกอบสำหรับตัวส่งสัญญาณภาคสนาม CAX440EX

รูปที่ 7 เกตเวย์ CDx440sc และตัวควบคุม SC



1 พื้นที่ที่ไม่เป็นอันตราย	5 เกตเวย์ CDx440sc
2 เซ็นเซอร์	6 สายต่อดิจิทัล
3 สายเคเบิลเซ็นเซอร์ Power/4–20 mA	7 ตัวควบคุม SC
4 สายเคเบิล RS-232	

รูปที่ 8 อุปกรณ์—การสื่อสารอะนาล็อกโดยตรง(4-20 mA) หรือดิจิทัล (RS-232)



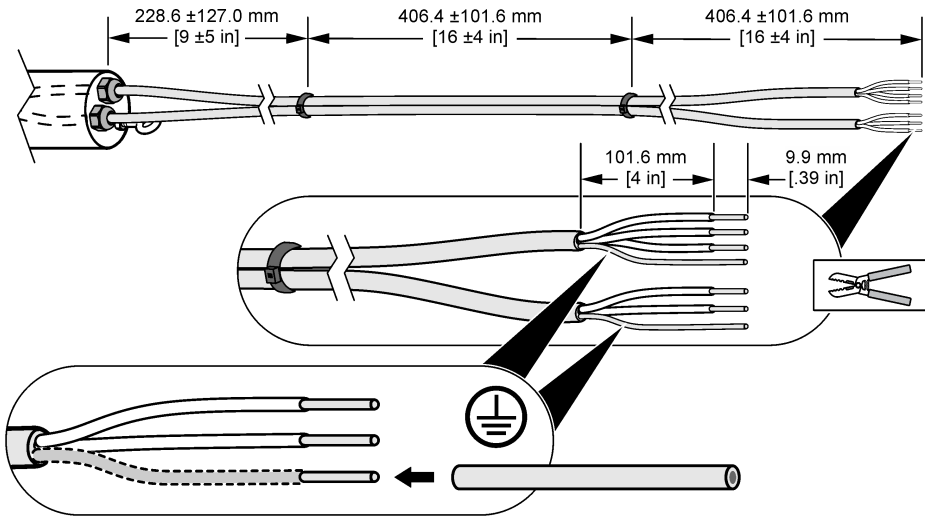
1 พื้นที่ที่ไม่เป็นอันตราย	4 สายเคเบิล RS-232 (อุปกรณ์เสริม)
2 เซ็นเซอร์	5 อุปกรณ์ (เช่น SCADA หรือ PLC)
3 สายเคเบิลเซ็นเซอร์ Power/4–20 mA (12 ถึง 28 VDC, อุปกรณ์เวอร์ 4-20 mA)	

4.1.1 ตัดสายเคเบิลเซ็นเซอร์ (ไม่บังคับ)

หากจำเป็น ให้ตัดสายเคเบิลเซ็นเซอร์เพื่อลดความยาวลง หลังจากตัดสายเคเบิลเซ็นเซอร์แล้ว ให้เตรียมสายเซ็นเซอร์ตามที่แสดงใน รูปที่ 9 ตรวจสอบให้แน่ใจว่าได้หุ้มสายเปลือยของสายซิลค์ทั้งสองด้วยฉนวนสาย

บันทึก: เมื่อใช้สายเซ็นเซอร์สองสาย ต้องต่อสายเซ็นเซอร์เข้าด้วยกันโดยใช้สายรัดเพื่อให้เป็นไปตามมาตรฐาน EMC เว้นแต่จะติดตั้งสายเซ็นเซอร์ไว้ในตัวร้อยสาย

รูปที่ 9 เตรียมสายเคเบิลเซ็นเซอร์



4.1.2 ข้อมูลการต่อสาย

ในการเชื่อมต่อเซ็นเซอร์เข้ากับตัวส่งสัญญาณภาคสนาม (หรือตัวส่งสัญญาณภาคสนามและอุปกรณ์) โปรดดูข้อมูลการต่อสายในเอกสารของตัวส่งสัญญาณภาคสนาม **CAx440EX**

ในการเชื่อมต่อเซ็นเซอร์เข้ากับเกตเวย์ **CDx440sc** และแผงควบคุม **SC** ให้ดูที่เอกสารเกตเวย์ **CDx440sc** สำหรับข้อมูลการต่อสาย หากต้องการเชื่อมต่อเซ็นเซอร์เข้ากับอุปกรณ์เพียงอย่างเดียว โปรดดู **ตาราง 5** และ **ตาราง 6**

ตาราง 5 สายเคเบิลเซ็นเซอร์ **Power/4-20 mA**

ขาคือ	สีสายต่อ	สัญญาณ
1	สีน้ำตาล	บวก (12 ถึง 28 VDC, อุปหาวอร์ 4-20 mA)
2	สีขาว	ไม่ได้ใช้
3	สีน้ำเงิน	เนกาทีฟ
4	สีดำ	ไม่ได้ใช้
5	สีเงิน	ฉนวนป้องกัน

ตาราง 6 สายเคเบิลเซ็นเซอร์ **RS-232**

ขาคือ	สีสายต่อ	สัญญาณ
1	สีน้ำตาล	เซ็นเซอร์ RXD (รับ)
2	สีขาว	ไม่ได้ใช้
3	สีน้ำเงิน	เซ็นเซอร์ RXD (ส่ง)
4	สีดำ	GND (กราวด์)
5	สีเงิน	ฉนวนป้องกัน

4.2 การเปรียบเทียบ

จะต้องเปรียบเทียบเซ็นเซอร์ก่อนการใช้งานครั้งแรก จากนั้น เปรียบเทียบเซ็นเซอร์อีกครั้งโดยเว้นช่วงเวลา 1 เดือนเพื่อความแม่นยำสูงสุด ให้อุทธานำในการเปรียบเทียบที่ห้ามพร้อมกับชุดอุปกรณ์เปรียบเทียบ ซึ่งจำหน่ายโดย CertGas (<https://certgas.com>)

ก่อนการเปรียบเทียบ ตรวจสอบให้แน่ใจว่าเป็นจริงตามข้อความดังต่อไปนี้:

- ตำแหน่งในการวัดอยู่ภายในช่วงอุณหภูมิในการทำงานของเซ็นเซอร์ โปรดดูรายละเอียดใน ตาราง 1 ในหน้า 156
- เซ็นเซอร์นั้นสะอาด โปรดดูรายละเอียดใน ตรวจสอบและทำความสะอาดเซ็นเซอร์ ในหน้า 172
- สายเคเบิลเซ็นเซอร์ Power/4-20 mA จ่ายไฟไปยังเซ็นเซอร์
- คิดตั้งสายเคเบิลเซ็นเซอร์ RS-232 เข้ากับเซ็นเซอร์แล้ว ถ้ามี

บันทึก: สามารถเปรียบเทียบเซ็นเซอร์ด้วยความถี่ที่น้อยกว่านี้ได้ (ทุกๆ 2 ถึง 3 เดือน) อย่างไรก็ตาม การเปรียบเทียบที่บ่อยครั้งกว่านี้จะเพิ่มความแม่นยำของเซ็นเซอร์

บันทึก: อาจจำเป็นต้องทำการเปรียบเทียบบ่อยขึ้นสำหรับเซ็นเซอร์ที่จมอยู่ในตำแหน่งที่มีความกระตกรันสูง (เช่น หลังจ่าน้ำยาล้างกระจก)

4.3 เปลี่ยนหน่วยการวัดของเอาต์พุต 4–20 mA

LED แสดงสถานะบนเซ็นเซอร์แสดงหน่วยการวัดในปัจจุบัน แทนค่าด้วยเอาต์พุตอะนาล็อก 4–20 mA โปรดดูรายละเอียดใน ตาราง 7 เมื่อใช้สายเคเบิลเซ็นเซอร์ Power/4-20 mA เพียงสายเดียว (ไม่ใช่สายเคเบิลเซ็นเซอร์ RS-232) สำหรับการสื่อสาร ให้เปลี่ยนหน่วยการวัดที่แสดงโดยอะนาล็อกเอาต์พุต 4-20 mA เพื่อให้ประเภทหน่วยการวัดถูกต้อง: มก./ลิตร (การวัดของเหลว) หรือ ppm (การวัดอากาศ)

หากต้องการเปลี่ยนหน่วยการวัด ให้ทำตามขั้นตอนดังต่อไปนี้:

บันทึก: ขั้นตอนนี้จะไม่เปลี่ยนสัญญาณ RS-232 จากเซ็นเซอร์:

1. นำวัสดุไม่พึ่งประสงค์ที่สะสมบนตัวเซ็นเซอร์ออก ดูรายละเอียดใน ตรวจสอบและทำความสะอาดเซ็นเซอร์ ในหน้า 172
2. ถอดสายเคเบิลออกจากเซ็นเซอร์
3. คิดตั้งฝาปรับเทียบบนเซ็นเซอร์ โปรดดูคำแนะนำที่ห้ามพร้อมกับฝาปรับเทียบและตัวควบคุมการไหลสำหรับการติดตั้งที่ถูกต้อง
4. เชื่อมต่อสายเคเบิล Power/4-20 mA เข้ากับเซ็นเซอร์ ตรวจสอบให้แน่ใจว่าสายเคเบิล Power/4-20 mA จ่ายไฟไปยังเซ็นเซอร์
5. เมื่อ LED แสดงสถานะบนเซ็นเซอร์กะพริบเป็นสีแดงและสีเขียว ให้ถอดฝาปรับเทียบออกจากเซ็นเซอร์

LED แสดงสถานะกะพริบเป็นสีเขียวอีกครั้งเพื่อแสดงหน่วยการวัดใหม่

ตาราง 7 LED แสดงสถานะ

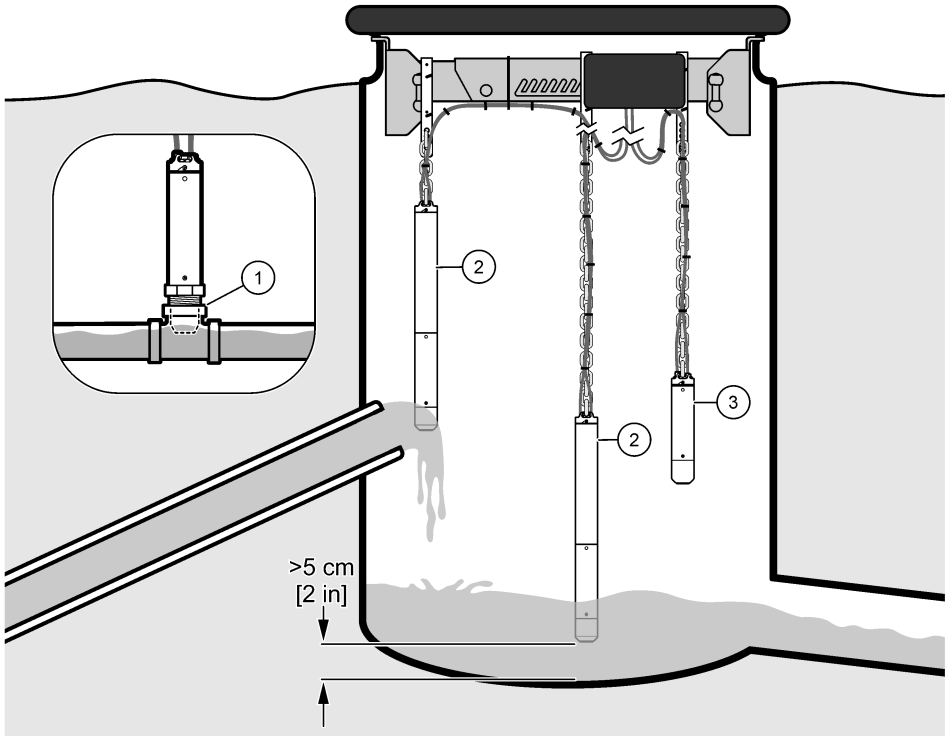
สี	หน่วยวัด
สีเขียว กะพริบหนึ่งครั้ง	0–5 มก./ลิตร, การวัดของเหลว
สีเขียว กะพริบสองครั้ง	0–1000 ppm, การวัดอากาศ

4.4 การติดตั้งเครื่องมือ

4.4.1 ตัวเลือกการติดตั้ง

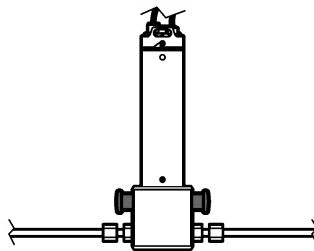
รูปที่ 10 และ รูปที่ 11 แสดงตัวเลือกการติดตั้งเซ็นเซอร์ที่แตกต่างกัน

บันทึก: ห้ามติดตั้งเซ็นเซอร์กับผนัง เนื่องจากแผงฝุ่นและวัสดุไม่พึ่งประสงค์จะสะสมบนเซ็นเซอร์



1 ในท่อ	3 แขวนอิสระในอากาศ
2 แขวนอิสระในของเหลว	

รูปที่ 11 ต่อท่อเพื่อบายพาสท่ออากาศ



4.4.2 คำแนะนำในการติดตั้ง

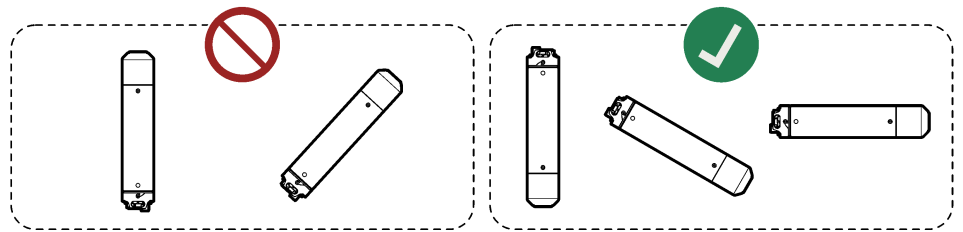
- เก็บรักษาเซ็นเซอร์ให้ห่างจากแสงแดดโดยตรง แหล่งความร้อน สารเคมีกัดกร่อน หรือก๊าซ (ทั้งหมดยกเว้น H₂S) แรงกระแทกเชิงกล วัสดุกัดกร่อน แรงสั่นสะเทือน การกระตุ้นด้วยไฟฟ้า ฝุ่น และการปล่อยกัมมันตภาพรังสี
- ห้ามใช้เซ็นเซอร์นอกพารามิเตอร์ทางไฟฟ้า เชิงกล และความร้อนที่ระบุ หรือนอกช่วงการวัด ดูรายละเอียดทางเทคนิค ในหน้า 156
- หากจะติดตั้งเซ็นเซอร์ในน้ำ (หรือหากการเพิ่มระดับของน้ำอาจทำให้เซ็นเซอร์ต้องอยู่ในน้ำ) ให้ติดตั้งชิ้นส่วนปกป้องสายเคเบิลกับเซ็นเซอร์เพื่อป้องกันความเสียหายต่อขั้วต่อและสายเคเบิลของเซ็นเซอร์ ดูรายละเอียดใน **ติดตั้งชิ้นส่วนปกป้องสายเคเบิล** ในหน้า 163

- เพื่อการตรวจวัดที่แม่นยำที่สุด ให้ตรวจวัดความเข้มข้นของไฮโดรเจนซัลไฟด์ในน้ำ ไม่ใช่ในอากาศ⁵
- ในระบบแรงโน้มถ่วง ตรวจวัดใกล้กับปลายท่อที่มีแรงดันให้มากที่สุดเท่าที่ทำได้เพื่อให้สามารถตรวจวัดความเข้มข้นของไฮโดรเจนซัลไฟด์เบื้องต้นได้อย่างแม่นยำ ไฮโดรเจนซัลไฟด์เจือจางจะถูกปล่อยออกจากราน้ำเมื่อน้ำเข้าสู่รูป้อนน้ำที่มีการเติมอากาศ
- สำหรับการตรวจวัดอากาศ ติดตั้งเซ็นเซอร์เพื่อให้ปลายสำหรับการตรวจวัดของเซ็นเซอร์อยู่สูงกว่าระดับน้ำระหว่างช่วงน้ำขึ้นเพื่อไม่ให้วัสดุไม่พึงประสงค์สะสมบนเซ็นเซอร์
- ติดตั้งเซ็นเซอร์ในตำแหน่งที่มีกระแสและการไหลเวียนอากาศเพียงพอรอบๆ เซ็นเซอร์เพื่อไม่ให้วัสดุไม่พึงประสงค์สะสมบนเซ็นเซอร์
- รักษาเซ็นเซอร์ให้ห่างจากน้ำนิ่ง มิเช่นนั้นการเปื้อนทางชีวภาพจะเกิดขึ้นได้

4.4.3 ติดตั้งเซ็นเซอร์

⚠️ อันตราย	
	อันตรายจากการสัมผัสกับก๊าซ ไฮโดรเจนซัลไฟด์คือก๊าซที่เป็นพิษสูง สามารถบ่งชี้ถึงพื้นที่ระบุในแผ่นข้อมูลความปลอดภัย (MSDS/SDS) โปรดดูคู่มือระดับความปลอดภัยได้ที่เอกสารข้อมูลด้านความปลอดภัยฉบับปัจจุบัน (MSDS/SDS)

หมายเหตุ	
ห้ามขี้ปลายสำหรับการตรวจวัดของเซ็นเซอร์ขึ้นด้านบน มิเช่นนั้นเซ็นเซอร์อาจเสียหายได้ (เช่น ระหว่างการจัดเก็บ การขนส่ง การปรับเทียบ การติดตั้ง หรือการใช้งาน)	



หมายเหตุ	
หากการติดตั้งเซ็นเซอร์เป็นแบบแฉวยอิสระ ตรวจสอบให้แน่ใจว่าการติดตั้งจะป้องกันความเสียหายต่อเซ็นเซอร์ ห้ามให้เซ็นเซอร์ชนกับวัตถุ ผนัง หรือพื้นผิวใต้น้ำ	



กำหนดล่วงหน้า:

- สายเคเบิลเซ็นเซอร์เชื่อมต่อกับเซ็นเซอร์และตัวส่งสัญญาณภาคสนามหรืออุปกรณ์ ดูรายละเอียดใน **การติดตั้งทางไฟฟ้า** ในหน้า 166
- เซ็นเซอร์ผ่านการปรับเทียบแล้วที่ตำแหน่งการวัด ดูรายละเอียดใน **การปรับเทียบ** ในหน้า 169
- หากจะติดตั้งเซ็นเซอร์ในน้ำ (หรือหากการเพิ่มระดับของน้ำอาจทำให้เซ็นเซอร์ต้องอยู่ในน้ำ) ต้องติดตั้งชิ้นส่วนปกป้องสายเคเบิลเข้ากับเซ็นเซอร์ ดูรายละเอียดใน **ติดตั้งชิ้นส่วนปกป้องสายเคเบิล** ในหน้า 163
- หน่วยการวัดที่แสดงโดยอะนาล็อกอาจผิดพลาด 4–20 mA นั้นถูกต้องสำหรับประเภทหน่วยการวัด: มก./ลิตร (การวัดของเหลว) หรือ ppm (การวัดอากาศ) ดูรายละเอียดใน **เปลี่ยนหน่วยการวัดของค่าชุด 4–20 mA** ในหน้า 169

⁵ เมื่อตรวจวัดไฮโดรเจนซัลไฟด์ในน้ำ การตรวจวัดจะไม่ขึ้นอยู่กับการเปลี่ยนแปลงสภาพการระบายอากาศรายวันในพื้นที่เหนือน้ำหรือตำแหน่งการติดตั้งของเซ็นเซอร์

1. สำหรับการติดตั้งในน้ำ ให้ทำตามขั้นตอนต่อไปนี้:

- a. (ไม่บังคับ แนะนำ) เชื่อมต่อสายโบลท์บนชิ้นส่วนปกป้องสายดินตามข้อกำหนดประจำท้องถิ่น ภูมิภาค และประเทศ สำหรับการติดตั้งในพื้นที่อันตราย โปรดดูเอกสาร **GS2440EX Hazardous Location Safety Precautions** สำหรับข้อกำหนดด้านการติดตั้งสายดิน
- b. ติดตั้งโซ่เข้ากับสายโบลท์บนชิ้นส่วนปกป้องสายเคเบิล
- c. ติดตั้งอีกด้านหนึ่งของโซ่เข้ากับวัตถุที่อยู่เหนือน้ำโดยตรงและไม่เคลื่อนไหว (เช่น ตะแกรงลวด ลานขวาง หรือแกลมปีคานขวาง สำหรับตัวส่งสัญญาณภาคสนาม)
- d. หย่อนเซ็นเซอร์ลงในน้ำ อย่าให้สายเคเบิลของเซ็นเซอร์จุ่มลงในน้ำ
- e. ตรวจสอบให้แน่ใจว่าด้านคั้นน้ำของเซ็นเซอร์อยู่ในกระแสที่เคลื่อนที่และไม่ใกล้กับผนัง
- f. ปรับความยาวของโซ่เพื่อให้ชิ้นส่วนปกป้องสายเคเบิลอยู่เหนือน้ำ และเซ็นเซอร์อยู่ห่างจากก้นของร่อนน้ำหรือบ่อน้ำตั้งแต่ 5 ซม. (2 นิ้ว) ขึ้นไป
- g. หากเซ็นเซอร์สามารถชนกับผนังหรือวัตถุอื่นๆ ให้ใส่เซ็นเซอร์ไว้ในท่อ PVC ที่มีเส้นผ่านศูนย์กลางตั้งแต่ 70 มม. (2.75 นิ้ว) ขึ้นไป ตรวจสอบให้แน่ใจว่าปลายสำหรับการตรวจวัดของเซ็นเซอร์แขวนอยู่ใต้ท่อ PVC ติดตั้งท่อ PVC เข้ากับวัตถุเหนือน้ำที่ไม่เคลื่อนไหวโดยตรง หรือที่ด้านข้างของบ่อน้ำ
- h. ม้วนสายเคเบิลที่หวมให้เป็นขด ใช้เข็มขัดรัดสายเพื่อยึดสายเคเบิลให้อยู่ในตำแหน่ง

2. สำหรับการติดตั้งในอากาศ ให้ทำตามขั้นตอนด้านล่างนี้:

- a. (ไม่บังคับ แนะนำ) เชื่อมต่อสกรูราวคันบนเซ็นเซอร์เข้ากับสายกราวด์ลงดินตามข้อกำหนดประจำท้องถิ่น ภูมิภาค และประเทศ สำหรับการติดตั้งในพื้นที่อันตราย โปรดดูเอกสาร **GS2440EX Hazardous Location Safety Precautions** สำหรับข้อกำหนดด้านการติดตั้งสายดิน
 - b. ติดตั้งโซ่ (หรือลวดเหล็ก) เข้ากับตะขอสำหรับติดตั้งบนตัวเซ็นเซอร์
 - c. ติดตั้งปลายอีกด้านหนึ่งของโซ่ (หรือลวดเหล็ก) เข้ากับวัตถุที่อยู่เหนือนี้ที่ไม่เคลื่อนไหวโดยตรง (เช่น ตะแกรงลวด ลานขวาง หรือแกลมปีคานขวางสำหรับตัวส่งสัญญาณภาคสนาม)
 - d. หย่อนเซ็นเซอร์ลง
 - e. ปรับความยาวของโซ่ตามความจำเป็น
 - f. ม้วนสายเคเบิลที่หวมให้เป็นขด ใช้เข็มขัดรัดสายเพื่อยึดสายเคเบิลให้อยู่ในตำแหน่ง อย่าให้สายเคเบิลของเซ็นเซอร์จุ่มลงในน้ำ
3. สำหรับการติดตั้งในท่อที่มีแรงดัน ติดตั้งอะแดปเตอร์เสริมสำหรับการติดตั้งในท่อ โปรดดูคำแนะนำที่นำมาพร้อมกับอะแดปเตอร์สำหรับการติดตั้งในท่อ
4. สำหรับการติดตั้งในท่ออากาศที่มีแรงดัน ต่อท่ออากาศขยายพาสเข้ากับเซลล์การไหลของอากาศเสริม โปรดดูคำแนะนำที่นำมาพร้อมกับเซลล์การไหลของอากาศ

หัวข้อที่ 5 การบำรุงรักษา

หมายเหตุ

ห้ามถอดประกอบ ดัดแปลง หรือซ่อมแซมเครื่องมือ การถอดประกอบจะทำให้เซ็นเซอร์เสียหายและทำให้การรับประกันเป็นโมฆะ หากจำเป็นต้องซ่อมแซมส่วนประกอบภายใน โปรดติดต่อผู้ผลิต

5.1 ตรวจสอบและทำความสะอาดเซ็นเซอร์

หมายเหตุ

ห้ามใช้แรง วัสดุคัดร่อน สารเคมี หรือเครื่องล้างหรือสายยางแรงดันสูงเพื่อทำความสะอาดเซ็นเซอร์ เนื่องจากอาจทำให้เกิดความเสียหายต่อปลายสำหรับตรวจวัดของเซ็นเซอร์

ตรวจสอบให้แน่ใจอย่างเป็นประจำและก่อนการปรับเทียบว่าปลายสำหรับตรวจวัดของเซ็นเซอร์ไม่ถูกปกคลุมไปด้วยวัสดุที่ไม่พึงประสงค์

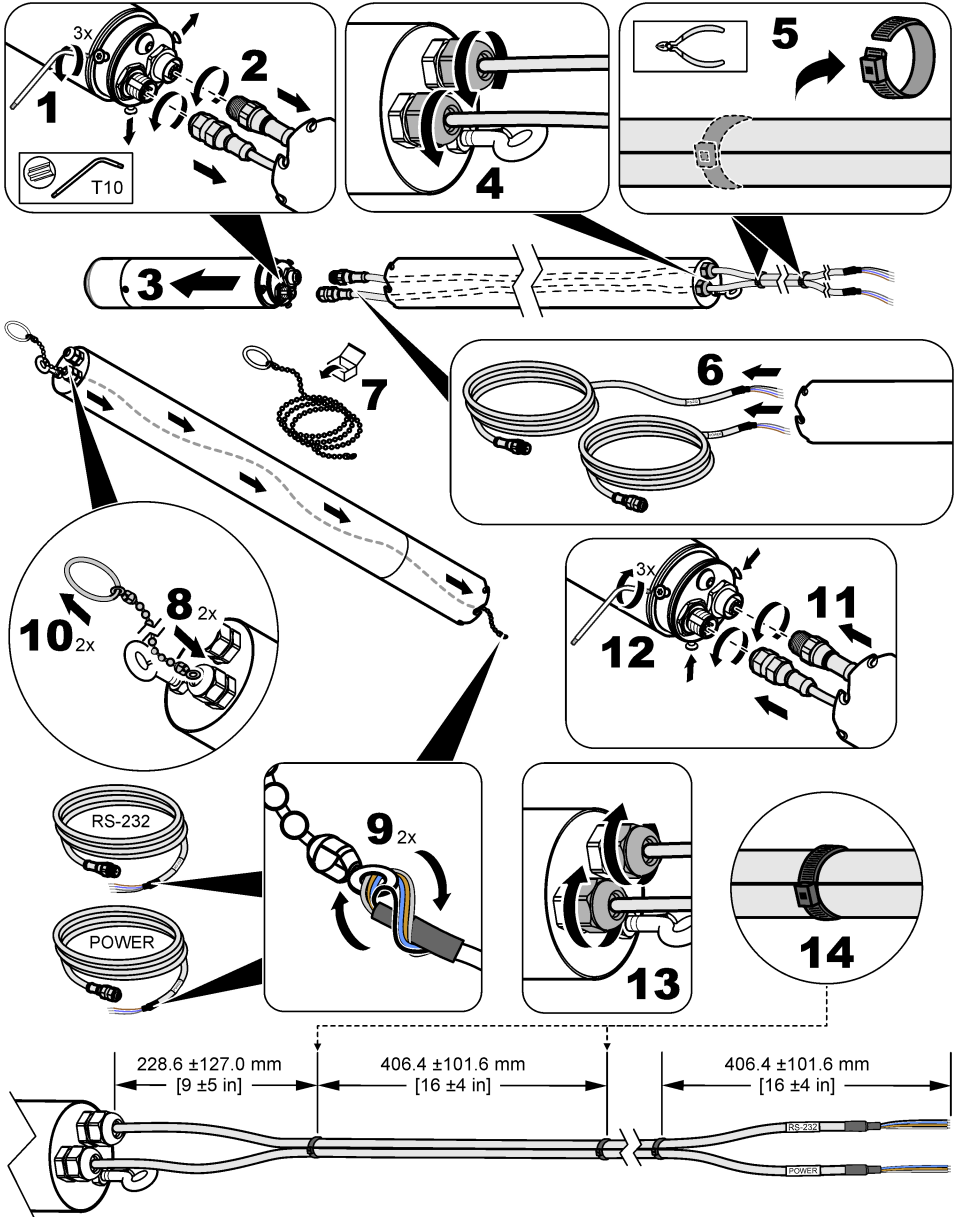
1. นำวัสดุไม่พึงประสงค์ที่สะสมบนตัวเซ็นเซอร์ออก
2. เช็ดปลายสำหรับตรวจวัดของเซ็นเซอร์อย่างอ่อน โยนด้วยผ้าหรือกระดาษที่ไม่คัดร่อน
3. ใช้ผ้าหรือกระดาษเปียกเพื่อจัดวัสดุที่แห้งติดบนเซ็นเซอร์ออก

5.2 เปลี่ยนสายเคเบิลเซ็นเซอร์

เปลี่ยนสายเคเบิลเซ็นเซอร์หากสายเคเบิลเซ็นเซอร์เสียหายหรือตามความจำเป็น (เช่น เพื่อติดตั้งสายเคเบิลเซ็นเซอร์ที่ยาวขึ้น)

เมื่อมีการติดตั้งชิ้นส่วนปกป้องสายเคเบิลที่เซ็นเซอร์ ให้ทำตามขั้นตอนที่แสดงไว้ในรูปภาพเพื่อเปลี่ยนสายเคเบิลเซ็นเซอร์

บันทึก: เมื่อใช้สายเซนเซอร์สองสาย ต้องต่อสายเซนเซอร์เข้าด้วยกันโดยใช้สายรัดเพื่อให้เป็นไปตามมาตรฐาน EMC เว้นแต่จะติดตั้งสายเซนเซอร์ไว้ในท่อร้อยสาย



5.3 เปลี่ยนโอรัง

หากโอรังที่ปลาน้ำจืดของเซ็นเซอร์สึกหรอหรือไม่ป้องกันน้ำไม่ให้เข้าสู่ชิ้นส่วนป้องกันสายเคเบิลและ/หรือสายต่อชิ้นส่วนป้องกันสายเคเบิลได้อีกต่อไป ให้เปลี่ยนโอรัง

หากโอรังที่พบเมื่อถอดฝาเซ็นเซอร์เสื่อมสภาพและไม่สามารถใช้ป็นซิลได้อีกต่อไปเมื่อมีการใช้เซลล์การไหลของอากาศ ให้เปลี่ยนโอรัง

บันทึก: หน้าที่ของโอรังที่พบเมื่อถอดฝาเซ็นเซอร์คือยึดฝาเซ็นเซอร์ให้เข้าที่และไม่ปล่อยให้มันไหลออกไป

โอรังสำรอง จะระบุสำหรับโอรัง และคำแนะนำการเปลี่ยนรวมอยู่ในชุดอะไหล่สำหรับติดตั้ง โปรดดูที่ **ชิ้นส่วนและอุปกรณ์เสริม** ในหน้า 175 สำหรับข้อมูลการสั่งซื้อ

หัวข้อที่ 6 การแก้ไขปัญหา

ปัญหา	สาเหตุที่เป็นไปได้	แนวทางแก้ไขปัญหา
ค่าการวัดจะเหวี่ยงเป็นศูนย์ตลอดเวลา แต่การวัดตัวอย่างที่เก็บแบบช่วงแสดงให้เห็นถึงความเข้มข้นของซิลิโพลีในปริมาณมาก	<ul style="list-style-type: none"> มีการอุดตันที่ช่องทางเข้าของเซ็นเซอร์ ค่า pH ของน้ำสูงกว่า 8 	<p>ตรวจสอบให้แน่ใจว่าปลายสายสำหรับการตรวจวัดของเซ็นเซอร์ไม่ถูกปกคลุมด้วยวัสดุที่ไม่พึงประสงค์</p> <p>ล้างเซ็นเซอร์และท่อๆ เซลล์เซ็นเซอร์ด้วยน้ำสะอาด ตรวจสอบให้แน่ใจว่าคุณไม่ออกแรงกดบนช่องทางเข้าของส่วนประกอบการตรวจวัด</p> <p>หากค่า pH ของน้ำสูงกว่า 8 ซิลิโพลีเจือจางอยู่ในรูปแบบ HS⁻ เป็นส่วนใหญ่ ซึ่งไม่ได้รับการตรวจวัดโดยเซ็นเซอร์ ใช้เซ็นเซอร์ในปฏิกรณ์ Sidestream ปริมาณต่ำ ที่ซึ่งน้ำเสียจะได้รับการทำให้เป็นกรดเพื่อให้น้ำซิลิโพลีเจือจางทั้งหมดจะอยู่ในรูปแบบ H₂S</p>
ค่าการวัดของเซ็นเซอร์ไม่ถูกต้อง	เซ็นเซอร์ไม่ได้รับการปรับเทียบ	<p>ใช้ก๊าซปรับเทียบเพื่อระบุความแม่นยำของเซ็นเซอร์</p> <ol style="list-style-type: none"> 1. ให้นำเซ็นเซอร์และก๊าซปรับเทียบ ฝาปรับเทียบและตัวควบคุมการไหลออกไปไว้ข้างนอก 2. ทำความสะอาดปลายสายสำหรับการตรวจวัดของเซ็นเซอร์ ดูรายละเอียดใน ตรวจสอบและทำความสะอาดเซ็นเซอร์ ในหน้า 172 3. นำฝาปรับเทียบไปไว้ใกล้กับปลายสายสำหรับการตรวจวัดของเซ็นเซอร์ 4. หมุนฝาปรับเทียบ 180 องศาไปตามแนวของการปรับเทียบ 5. เปิดตัวควบคุมการไหลเต็มที่ 6. รอ 2 นาที 7. หากค่าที่วัดได้ไม่อยู่ภายใน 5% ของค่าบนขวดก๊าซปรับเทียบ ให้ปรับเทียบเซ็นเซอร์ โปรดดูรายละเอียดใน การปรับเทียบ ในหน้า 169 <p>ห้ามใช้ตัวอย่างของเหลวในการตรวจสอบอื่น</p>
ค่าการวัดของเซ็นเซอร์ไม่ถูกต้องหลังจากการปรับเทียบ	เซ็นเซอร์ไม่ได้รับการปรับเทียบอย่างถูกต้อง	<p>ตรวจสอบให้แน่ใจว่าทำตามคำแนะนำทั้งหมดที่ให้มาพร้อมกับฝาปรับเทียบและตัวควบคุมการไหล หากปัญหายังเกิดขึ้นอยู่ โปรดติดต่อฝ่ายให้บริการทางเทคนิค</p> <p>เพื่อความแม่นยำสูงสุด ให้ปรับเทียบเซ็นเซอร์ที่อุณหภูมิเท่ากับอุณหภูมิของการวัดที่จะดำเนินการในภายหลัง</p>
เซ็นเซอร์ไม่เข้าสู่โหมดการปรับเทียบ (LED ไม่กะพริบเป็นสีเขียวและสีแดง)	<ul style="list-style-type: none"> ไม่มีการจ่ายไฟไปยังเซ็นเซอร์ ฝาปรับเทียบไม่ได้รับการติดตั้งอย่างถูกต้อง 	<ul style="list-style-type: none"> ตรวจสอบให้แน่ใจว่ามีการจ่ายไฟไปยังเซ็นเซอร์ ตรวจสอบให้แน่ใจว่าร่องขนาดลึกในฝาปรับเทียบอยู่ในแนวเดียวกับ LED แสดงสถานะ ตรวจสอบให้แน่ใจว่าเซ็นเซอร์อยู่ในฝาปรับเทียบโดยสมบูรณ์
การปรับเทียบไม่สำเร็จ (LED กะพริบเป็นสีแดงอย่างรวดเร็ว)	<ul style="list-style-type: none"> แรงดันก๊าซในขวดก๊าซปรับเทียบอยู่ในระดับต่ำ มีการรั่วไหลของก๊าซ ฝาปรับเทียบเคลื่อนไหวระหว่างการปรับเทียบ ไม่ได้เปิดขวดควบคุมอย่างเต็มที่หรือไม่ได้ปิดทันทีหลังจากที่ LED แสดงสถานะกะพริบเป็นสีเขียวและสีแดง 	<p>ปิดขวดควบคุม ออกฝาควบคุมออก จากนั้น ทำการปรับเทียบอีกครั้ง</p> <ul style="list-style-type: none"> ตรวจสอบให้แน่ใจว่าแรงดันก๊าซอยู่ที่ 5 บาร์ (ขั้นต่ำ) ในขวดก๊าซปรับเทียบ กั้นการรั่วไหลของก๊าซในท่อหรือข้อต่อ ตรวจสอบให้แน่ใจว่าฝาปรับเทียบไม่เคลื่อนไหวระหว่างการปรับเทียบ ปิดขวดควบคุมจนสุดทันทีหลังจากที่ LED แสดงสถานะกะพริบเป็นสีเขียวและสีแดง

หัวข้อที่ 7 ชิ้นส่วนและอุปกรณ์เสริม

คำเตือน



อันตรายต่อการบาดเจ็บของบุคคล การใช้ชิ้นส่วนที่ไม่ได้รับการอนุญาตอาจทำให้เกิดการบาดเจ็บของบุคคล ความเสียหายของเครื่องมือ หรือ การทำงานผิดพลาดของอุปกรณ์ ชิ้นส่วนทดแทนในชิ้นนี้ได้รับการรับรองโดยผู้ผลิต

บันทึก: หมายเลขผลิตภัณฑ์และส่วนประกอบอาจแตกต่างกันไปตามภูมิภาคที่จัดจำหน่าย คิดต่อตัวแทนจำหน่ายหรือไปที่เว็บไซต์ของบริษัทเพื่อดูข้อมูลการติดตั้ง

ชิ้นส่วนอะไหล่

คำอธิบาย	หมายเลขสินค้า
แบตเตอรี่ (8x), ตัวส่งสัญญาณภาคสนาม CAx440EX (ชนิดชาร์จไม่ได้)	LXZ449.99.00003
ชุดชิ้นส่วนอะไหล่สำหรับการติดตั้ง	LXZ449.99.00012
ฝาเซ็นเซอร์	LXZ449.99.00010

อุปกรณ์เสริม

คำอธิบาย	หมายเลขสินค้า
อะแดปเตอร์สำหรับการยึดในท่อ, 1 ¼ นิ้ว BSPT	LXZ449.99.00004
อะแดปเตอร์สำหรับการยึดในท่อและตัวที่, 1 ¼ นิ้ว BSPT	LXZ449.99.00005
อะแดปเตอร์สำหรับการยึดในท่อ, 1 ¼ นิ้ว NPT	LXZ449.99.00015
อะแดปเตอร์สำหรับการยึดในท่อและตัวที่, 1 ¼ นิ้ว NPT	LXZ449.99.00019
เซลล์การไหลของอากาศ, สูงสุด 3 บาร์ (44 psi), สแตนเลสสตีล EN 1.4404	LXZ449.99.00011
เสาอากาศภายนอกสำหรับตัวส่งสัญญาณภาคสนาม CAx440EX, ยุโรป สหราชอาณาจักร สหรัฐอเมริกา และ แคนาดา 2 เมตร (6.5 ฟุต) IP68 Ø100 x 36 มม. (Ø3.9 x 1.4 นิ้ว), LTE: 6 dBi ย่านความถี่: 698–3800 MHz	LXZ449.99.00009
ชิ้นส่วนปกป้องสายเคเบิลพร้อมโซ่และคารามิเนอร์ 3 ม. (10 ฟุต) 600 มม. (2 ฟุต), 1.3 กก. (2.9 ปอนด์), สแตนเลส EN 1.4404 (316L)	LXZ449.99.00017
สายยึดชิ้นส่วนปกป้องสายเคเบิล, 1.4 ม. (4.6 ฟุต) 2.9 กก. (4.6 ปอนด์), สแตนเลส EN 1.4404 (316L)	LXZ449.99.00006
เครื่องมือดึงสายเคเบิล	101335
ตัวส่งสัญญาณภาคสนาม CAx440EX, 3G ไร้สาย, สหรัฐอเมริกาและแคนาดา	LXV449.98.01000
ตัวส่งสัญญาณภาคสนาม CAx440EX, 4G ไร้สาย, สหรัฐอเมริกาและแคนาดา	LXV449.98.01010
ตัวส่งสัญญาณภาคสนาม CAx440EX, 4G ไร้สาย, สหรัฐอเมริกาและแคนาดา	LXV449.97.01010
เกตเวย์ SC ดิจิตอล CDx440sc	LXV449.99.02000
โซ่พร้อมคารามิเนอร์, 3 ม. (10 ฟุต)	LXZ449.99.00002
แคลมป์กานขวาง, ตัวส่งสัญญาณภาคสนาม CAx440EX, ยุโรป สหราชอาณาจักร สหรัฐอเมริกา และแคนาดา	LXZ449.99.00008
กานขวางสำหรับท่อ 558-858 มม. (22.0-33.8 นิ้ว) พร้อมแคลมป์กานขวาง สแตนเลส EN 1.4404, 3.4 กก. (7.5 ปอนด์), 558–858 x 136 x 71 มม. (22.0–33.8 x 5.4 x 2.8 นิ้ว)	LXZ449.99.00007
แท่นยึดสำหรับตัวส่งสัญญาณภาคสนาม CAx440EX, ยุโรปและสหราชอาณาจักร	LXZ449.99.00014

อุปกรณ์เสริม (ต่อ)

คำอธิบาย	หมายเลขสินค้า
แท่นยึดสำหรับตัวส่งสัญญาณภาคสนาม CAX440EX, สหรัฐอเมริกาและแคนาดา	LXZ449.99.00018
อุปกรณ์จำกัดกำลัง Power/4–20 mA พร้อมระบบจ่ายไฟ ได้รับการรับรอง IECEx สำหรับสัญญาณจากทุกโซน หนึ่งหรือสองช่องสัญญาณ ได้รับการรับรอง SIL2 พร้อมการ ประเมินเต็มรูปแบบ	LXZ449.99.00013
สายเคเบิลเซ็นเซอร์ Power/4-20mA, 5 ม. (16.4 ฟุต)	100935-05
สายเคเบิลเซ็นเซอร์ Power/4-20mA, 10 ม. (32.8 ฟุต)	100935-10
สายเคเบิลเซ็นเซอร์ Power/4-20mA, 30 ม. (98.4 ฟุต)	100935-30
สายเคเบิลเซ็นเซอร์ RS-232, 5 ม. (16.4 ฟุต)	100934-05
สายเคเบิลเซ็นเซอร์ RS-232, 10 ม. (32.8 ฟุต)	100934-10
สายเคเบิลเซ็นเซอร์ RS-232, 30 ม. (98.4 ฟุต)	100934-30
สายเคเบิลเซ็นเซอร์, 5 ม. (16.4 ฟุต), รวมถึง: สายเคเบิลเซ็นเซอร์ Power/4-20mA และสายเคเบิลเซ็นเซอร์ RS-232	LXZ449.99.02G05
สายเคเบิลเซ็นเซอร์, 10 ม. (32.8 ฟุต), รวมถึง: สายเคเบิลเซ็นเซอร์ Power/4-20mA และสายเคเบิลเซ็นเซอร์ RS-232	LXZ449.99.02G10
สายเคเบิลเซ็นเซอร์, 30 ม. (98.4 ฟุต), รวมถึง: สายเคเบิลเซ็นเซอร์ Power/4-20mA และสายเคเบิลเซ็นเซอร์ RS-232	LXZ449.99.02G30
สายเคเบิลเซ็นเซอร์พร้อมชิ้นส่วนปกป้องสายเคเบิล, 5 ม. (16.4 ฟุต), รวมถึง: สายเคเบิลเซ็นเซอร์ Power/4-20mA, สายเคเบิลเซ็นเซอร์ RS-232, ชิ้นส่วนปกป้องสายเคเบิล, เครื่องมือดึงสาย เคเบิล, โช้ 3 ม. (10 ฟุต) และคาราบินเนอร์	LXZ449.99.02L05
สายเคเบิลเซ็นเซอร์พร้อมชิ้นส่วนปกป้องสายเคเบิล, 10 ม. (32.8 ฟุต), รวมถึง: สายเคเบิลเซ็นเซอร์ Power/4-20mA, สายเคเบิลเซ็นเซอร์ RS-232, ชิ้นส่วนปกป้องสายเคเบิล, เครื่องมือดึงสาย เคเบิล, โช้ 3 ม. (10 ฟุต) และคาราบินเนอร์	LXZ449.99.02L10
สายเคเบิลเซ็นเซอร์, 30 ม. (98.4 ฟุต), รวมถึง: สายเคเบิลเซ็นเซอร์ Power/4-20mA, สายเคเบิลเซ็นเซอร์ RS-232, ชิ้นส่วนปกป้องสายเคเบิล, เครื่องมือดึงสาย เคเบิล, โช้ 3 ม. (10 ฟุต) และคาราบินเนอร์	LXZ449.99.02L30
ตัวที่สำหรับการยึดในท่อ, 1 ¼ นิ้ว BSPT	LXZ449.99.00001
ตัวที่สำหรับการยึดในท่อ, 1 ¼ นิ้ว NPT	LXZ449.99.00022

جدول المحتويات

1	المواصفات في صفحة 177
2	معلومات عامة في صفحة 178
3	تركيب واقي الكابل في صفحة 183
4	التركيب في صفحة 185
5	الصيانة في صفحة 192
6	استكشاف الأخطاء وإصلاحها في صفحة 194
7	قطع الغيار والملحقات في صفحة 194

القسم 1 المواصفات

تخضع المواصفات للتغيير من دون إخطار بذلك.

الجدول 1 المواصفات العامة

المواصفات	التفاصيل
الأبعاد (الطول × العمق)	240 مم (9.4 بوصة)، القطر 48.3 مم (1.9 بوصة)
الوزن	1.36 كجم (3.00 أرطال)
الحاوية	فولاذ مقاوم للصدأ EN 1.4404 (316L)، معيار IP68
التركيب	التعليق الحر أو في الأنبوب أو في خلية تدفق الهواء
درجة التلوث	2 (جهاز استشعار)، 4 (بيئة تركيب)
فئة الحماية	الثالثة
فئة الجهد الزائد	الأولى
الظروف البيئية	للاستخدام الداخلي والخارجي
متطلبات الطاقة	من 12 إلى 28 فولت تيار مستمر (بطاقة حلقة 4-20 مللي أمبير) يوفرها جهاز الإرسال الميداني CAx440EX أو مدخل SC الرقمي CDx440sc أو جهاز
درجة الحرارة في أثناء التشغيل	من 0 إلى 40 درجة مئوية (من 32 إلى 104 درجات فهرنهايت)
درجة حرارة التخزين	من 0 إلى 60 درجة مئوية (من 32 إلى 140 درجة فهرنهايت)
الرطوبة	من 0 إلى 100% رطوبة نسبية
الارتفاع	2000 م (6562 قدمًا) كحد أقصى
العمق في الماء	10 م (32.8 قدمًا) كحد أقصى
درجة حموضة الماء	درجة الحموضة 9 كحد أقصى؛ تم تحويل H ₂ S بالكامل إلى أشكال كبريتيد غير قابلة للاكتشاف أعلى من الرقم الهيدروجيني 9.
الضغط	3 بار (44 رطلًا لكل بوصة مربعة) كحد أقصى
غاز المعايرة	1000 جزء في المليون
الكابلات	البولي يوريثان، معيار IP68؛ 5 أو 10 أو 30 م (16.4 أو 32.8 أو 98.4 قدمًا)
إشارات الإخراج	RS-232 و 20-4 مللي أمبير
نطاق 20-4 مللي أمبير	0-5 مجم/لتر أو 1000-0 جزء في المليون (قابل للتكوين بواسطة المستخدم)
الشهادات—GS2440EX و GS1440	CE · UKCA · FCC · ISED · RCM · KC
ATEX—GS2440EX	شهادة: ETL22ATEX0113X II 1 G Ex ia IIC T4 Ga (Ex) الطاقة / 20-4 مللي أمبير: 100 ، Ii: 30 V ، U: 30 مللي أمبير ، Ci: 22 nF Li: 100 µH Pi: 0.70 W U: 20 V، Ii: 100mA· Ci: 0 nF Li: 0 µH· Pi: 0.30 W :RS-232 درجة الحرارة المحيطة: من -20 إلى +60 درجة مئوية

الجدول 1 المواصفات العامة (يتبع)

المواصفات	التفاصيل
UKEX—GS2440EX	شهادة: ITS22UKEX0506X II 1 G Ex ia IIC T4 Ga (Ex) 20- درجة مئوية \geq درجة الحرارة المحيطة \geq 60+ درجة مئوية
IECEX—GS2440EX	الشهادة: IECEX ETL 22.0003X Ex ia IIC T4 Ga درجة الحرارة المحيطة: من -20 إلى 60+ درجة مئوية
أمريكا الشمالية—GS2440EX	شهادة: ETL21CA104799609X Class I Zone 0 AEx ia IIC T4 Ga Class I Division 1 Groups A–D T4 Ex ia IIC T4 Ga درجة الحرارة المحيطة: من -20 إلى 60+ درجة مئوية
الضمان	عام واحد

الجدول 2 مواصفات الأداء

المواصفات	التفاصيل
نطاق القياس في الماء	من 0 إلى 5 مجم/لتر من غاز H ₂ S
نطاق القياس في الهواء	من 0 إلى 1000 جزء في المليون من غاز H ₂ S
الدقة	مقياس كامل \pm 5% (دقة قياس منفصلة، تنظيف 90 ثانية بمقدار 1000 ± 20 جزءًا في المليون من H ₂ S القياسي بعد معايرة من نقطة واحدة)
وقت الاستجابة (t90)	> 30 ثانية
حد الاكتشاف	1% مقياس كامل

الجدول 3 التداخلات

الغاز	مستوى التداخل في الغاز (%) 1	الغاز	مستوى التداخل في الغاز (%) 2	مستوى التداخل في الغاز (%) 1	الغاز
الميثان (CH ₄)	0	الهيدروجين (H ₂)	0	0.8	96
ثاني أكسيد الكربون (CO ₂)	0	أول أكسيد الكربون (CO)	0	0.6	77
النيتروجين (N ₂)	0	كبريتيد ثنائي الميثيل ((CH ₃) ₂ S)	0	18	18
الأكسجين (O ₂)	0	الميثانثيول (CH ₃ SH)	0	174	44
الهواء (Ar, N ₂ , O ₂)	0	الإيثانثيول (C ₂ H ₆ S)	0	13	14
أكسيد النيتروز (N ₂ O)	0	ثاني أكسيد الكبريت (SO ₂)	0	40	1
الأمونيا (NH ₃)	0		0		

القسم 2 معلومات عامة

لن تتحمل الشركة المصنعة بأي حال من الأحوال المسؤولية عن الأضرار الناتجة عن أي استخدام غير لائق للمنتج أو عدم الامتثال للتعليمات الواردة في الدليل. وتحفظ الشركة المصنعة بالحق في إجراء تغييرات على هذا الدليل والمنتجات الموضحة به في أي وقت، دون إشعار أو التزام مسبق. يمكن العثور على الإصدارات التي تمت مراجعتها على موقع الشركة المصنعة على الويب.

1 يُعطى كإشارة للأنواع المتداخلة في % من إشارة H₂S عند ضغوط جزئية متساوية.

2 يُعطى كإشارة للأنواع المتداخلة في % من إشارة H₂S عند تركيزات مولية متساوية.

2.1 معلومات السلامة

الشركة المصنعة غير مسؤولة عن أية أضرار تنتج عن سوء استخدام هذا المنتج، بما في ذلك على سبيل المثال لا الحصر الأضرار المباشرة والعرضية واللاحقة، وتخلي مسؤوليتها عن مثل هذه الأضرار إلى الحد الكامل المسموح به وفق القانون المعمول به. يتحمل المستخدم وحده المسؤولية الكاملة عن تحديد مخاطر الاستخدام الحرجة وتركيب الأليات المناسبة لحماية العمليات أثناء أي قصور محتمل في تشغيل الجهاز. يُرجى قراءة هذا الدليل بالكامل قبل تفريغ محتويات العبوة أو إعداد هذا الجهاز أو تشغيله. انتبه جيداً لجميع بيانات الخطر والتنبيه. فإن عدم الالتزام بذلك قد يؤدي إلى إصابة خطيرة تلحق المشغل أو تلف الجهاز.



تأكد من الحماية التي يوفرها هذا الجهاز لم تضعف. تجنب استخدام هذا الجهاز أو تركيبه بأية طريقة بخلاف الموضحة في هذا الدليل.

2.1.1 استخدام معلومات الخطر


⚠️ خطر
يشير إلى موقف خطير محتمل أو وشيك والذي إذا لم يتم تجنبه، فسوف يؤدي إلى الوفاة أو يتسبب في حدوث إصابة خطيرة.
⚠️ تحذير
يشير إلى موقف خطير محتمل أو وشيك والذي إذا لم يتم تجنبه، فسوف يؤدي إلى الوفاة أو يتسبب في حدوث إصابة خطيرة.
⚠️ تنبيه
يشير إلى موقف خطير محتمل يمكن أن يؤدي إلى إصابة طفيفة أو متوسطة.
⚠️ إشعار
يشير إلى موقف، إذا لم يتم تجنبه، يمكن أن يؤدي إلى تلف الجهاز. معلومات تتطلب تأكيداً خاصاً.

2.1.2 الملصقات الوقائية

اقرأ جميع الملصقات والعلامات المرفقة بالجهاز. فمن الممكن أن تحدث إصابة شخصية أو يتعرض الجهاز للتلف في حالة عدم الانتباه لها. لاحظ أن كل رمز على الجهاز يُشار إليه في الدليل من خلال بيان وقائي.

هذا الرمز إذا تمت ملاحظته على الجهاز، فإنه يشير إلى دليل الإرشادات لمعرفة معلومات التشغيل و/أو السلامة.	
لا يمكن التخلص من الأجهزة الكهربائية التي تحمل هذا الرمز في الأنظمة الأوروبية للتخلص من النفايات المحلية أو العامة. لكن يتم إرجاع الجهاز القديم أو منتهي الصلاحية إلى الشركة المصنعة للتخلص منه بدون أن يتحمل المستخدم أي رسوم.	

2.1.3 احتياطات الأماكن المحصورة

⚠️ خطر	
خطر الانفجار. إن التدريب على اختبار ما قبل الإدخال والتهوئة وإجراءات الإدخال وإجراءات الإخلاء/الإنتقاذ وممارسات أعمال السلامة ضرورية قبل الدخول إلى المساحات الضيقة.	

يتم توفير المعلومات التالية لمساعدة المستخدمين على فهم الأخطار والمخاطر المرتبطة بالدخول إلى الأماكن المحصورة.

وفي 15 أبريل 1993، أصبح الحكم النهائي من إدارة الصحة والسلامة المهنية بشأن CFR 1910.146، تصريح الأماكن المحصورة، قانوناً. ويؤثر هذا المعيار تأثيراً مباشراً على أكثر من 250000 موقع صناعي في الولايات المتحدة وتم إنشاؤه لحماية صحة وسلامة العمال في الأماكن المحصورة.

تعريف المكان المحصور:

المكان المحصور هو أي موقع أو حاوية تحظى (أو لها إمكانية مباشرة لتحظى) بشرط واحد أو أكثر من الشروط التالية:

- جو يحتوي على تركيز أكسجين أقل من 19,5% أو أكثر من 23,5% و/أو تركيز كبريتيد الهيدروجين (H₂S) الذي يزيد عن 10 أجزاء في المليون.
- جو قابل للاشتعال أو الانفجار بسبب الغازات أو الأبخرة أو القبضات أو الغبار أو الألياف.
- المواد السامة التي قد تتسبب عند ملامستها أو استنشاقها في وقوع الإصابة أو الإضرار بالصحة أو الوفاة.

الأمكان المحصورة غير مصممة ليشغلها الإنسان. الأماكن المحصورة لها دخول مقيد وتنطوي على مخاطر معروفة أو محتملة. ومن أمثلة الأماكن المحصورة ما يلي: غرف التفتيش، والمدخن، والأديب، والأوعية، وخزائن المفاتيح وغيرها من المواقع المماثلة. يجب الالتزام بإجراءات السلامة القياسية دائمًا قبل الدخول إلى الأماكن المحصورة ولأول الأماكن التي يمكن فيها وجود غازات أو أبخرة أو ضباب أو غبار أو ألياف خطرة. قبل الدخول إلى مكان محصور، ابحث عن جميع الإجراءات المتعلقة بدخول مكان محصور واقرأ هذه الإجراءات.

2.2 التوافق وشهادة الاعتماد

▲ ت ن ب ي ه

لم يتم تصميم هذا الجهاز لاستخدامه في البيئات السكنية وقد لا يوفر الحماية الكاملة من استقبال الراديو في هذه البيئات.

الوائح الكندية للأجهزة المسببة للتداخل اللاسلكي، ICES-003، الفئة "A":

يتوافق مع سجلات الاختبارات التي تجريها الشركة المصنعة.

هذا الجهاز الرقمي من الفئة "A" يفي بجميع متطلبات اللوائح الكندية للأجهزة المسببة للتداخل.

Cet appareil numérique de classe A répond à toutes les exigences de la réglementation canadienne sur les équipements provoquant des interférences.

الفقرة 15 من قواعد لجنة الاتصالات الفيدرالية، قيود الفئة "A"

يتوافق مع سجلات الاختبارات التي تجريها الشركة المصنعة. يتوافق الجهاز مع الفقرة 15 من قواعد لجنة الاتصالات الفيدرالية. تخضع عملية التشغيل للشروط التالية:

1. قد لا يتسبب الجهاز في حدوث تداخل ضار.
2. يجب أن يتقبل الجهاز أي تداخل وارد، بما في ذلك التداخل الذي قد يؤدي إلى تشغيل غير مرغوب فيه.

إن إحداث تغييرات أو إدخال تعديلات على هذا الجهاز بدون الاعتماد الصريح بذلك من الجهة المسؤولة عن التوافق من شأنه أن يبطل حق المستخدم في تشغيل الجهاز. خضع هذا الجهاز للاختبارات ونُتبت أنه يمثل لقيود الأجهزة الرقمية من الفئة "A"، والمطابقة للجزء 15 من قواعد لجنة الاتصالات الفيدرالية (FCC). إن الغرض من هذه القيود هو توفير حماية معقولة من أي تداخل ضار عند تشغيل الجهاز في بيئة تجارية. يولد هذا الجهاز طاقة من الترددات اللاسلكية ويستخدمها ومن الممكن أن يشعها كذلك، وإذا لم يتم تركيبه واستخدامه وفقًا لدليل الإرشادات، فقد يتسبب في حدوث تداخل ضار مع الاتصالات اللاسلكية. قد يؤدي تشغيل هذا الجهاز في منطقة سكنية إلى حدوث تداخل ضار، وفي هذه الحالة يتعين على المستخدم تصحيح هذا التداخل على نفقته الخاصة. يمكن استخدام الأساليب التالية للحد من مشكلات التداخل:

1. أفضل الجهاز عن مصدر الطاقة للتأكد أنه مصدر التداخل أو أن هناك مصدرًا آخر للتداخل.
2. إذا كان الجهاز متصلًا بالمخرج ذاته الذي يتصل به الجهاز الذي يتعرض للتداخل، فصل الجهاز بمخرج آخر.
3. انقل الجهاز بعيدًا عن الجهاز الذي يستقبل التداخل.
4. عدّل موضع هوائي الاستقبال الخاص بالجهاز الذي يستقبل التداخل.
5. جرب مجموعات مما تم ذكره أعلاه.

2.2.1 موقع خطر

▲ ت ح ذ ي ر

خطر الانفجار. جهاز الاستشعار GS1440 غير معتمد للاستخدام في المواقع الخطرة.



جهاز الاستشعار GS2440EX متوافق مع توجيه ATEX (الاتحاد الأوروبي) و UKEX (المملكة المتحدة) و IECEx ومتطلبات المواقع الخطرة في أمريكا الشمالية (الولايات المتحدة/كندا). راجع الجدول 1 في صفحة 177. من المهم أن يلتزم المستخدم بجميع شروط الاستخدام للحفاظ على الامتثال للسلامة.


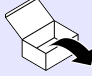
- مستشعر GS2440EX عبارة عن جزء معنوي معزول بسبعة قصوى تبلغ 97.2 بيكو فاراد على براغي الهيكل. تأكد من استخدام شروط التآريض أو التركيب التي تمنع الشحن الإلكترونياتيكي لجهاز الاستشعار GS2440EX. راجع دليل التعليمات من الشركة المصنعة للحصول على إرشادات حول كيفية منع الشحن الإلكترونياتيكي.
- يجب ألا يُفكك جهاز الاستشعار GS2440EX.
- إذا تم تركيب جهاز الاستشعار GS2440EX في موقع خطر، فإن مسؤولية تحديد الحواجز الصحيحة لاستخدامها مع جهاز الاستشعار تقع على عاتق المستخدم النهائي.
- التزم بجميع مواصفات شهادة تصنيف ATEX و UKEX و IECEx وأمريكا الشمالية واللوائح الوطنية والمحلية.
- التزم بتحديدات السلامة الخاصة بالمعدات الأخرى الآمنة جوهريًا (على سبيل المثال) المثبتة بالقرب من المستشعر.

2.2.2 EMI (التداخل الكهرومغناطيسي)

جهاز الاستشعار GS1140 وGS2440EX متوافقان مع الاعتمادات الآتية:

- توجيه التوافق الكهرومغناطيسي في الاتحاد الأوروبي EU/2014/30
- لوائح التوافق الكهرومغناطيسي UKCA لعام 2016
- الفقرة 15B من قواعد لجنة الاتصالات الفيدرالية ICES-003


2.3 الرموز المستخدمة في الرسوم التوضيحية

	
لا تستخدم الأدوات	القطع التي توفرها الشركة المصنعة

2.4 الاستخدام المقصود

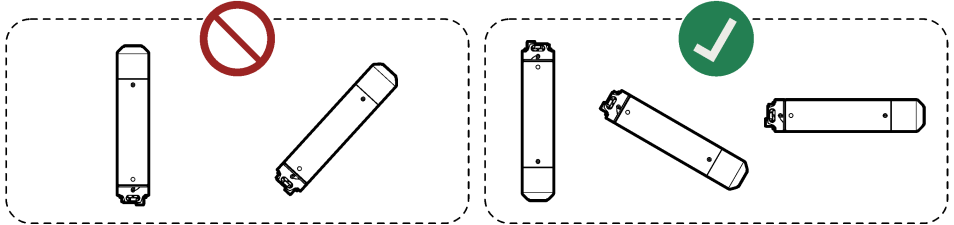
تم تصميم جهاز الاستشعار GS1440 وGS2440EX للاستخدام بواسطة مهنيي معالجة مياه الصرف الصحي لمراقبة مستويات كبريتيد الهيدروجين (H_2S) في السوائل والهواء. لم يتم تصميم جهاز الاستشعار GS1440 وGS2440EX لقياس الأنواع الأخرى من الكبريتيد المذاب، مثل HS^- أو S^{2-} . مواقع التركيب النموذجية هي الأنظمة الأولية لمعالجة مياه الصرف الصحي، وجمعها، ونقلها.

2.5 نظرة عامة على المنتج

⚠️ خطر	
لا تستخدم جهاز الاستشعار GS1440 أو GS2440EX كجهاز أمان لتحديد تركيز كبريتيد الهيدروجين في المنطقة. التزم بجميع اللوائح المعمول بها واحتياطات الصحة والسلامة المهنية قبل الدخول إلى الأماكن المحصورة وبيئات الخطر السامة. واحصل على المشورة من قسم الصحة والسلامة المهنية في مكان العمل أو الهيئة التنظيمية الحكومية لتحديد الأخطار المحتملة ومعايير السلامة.	

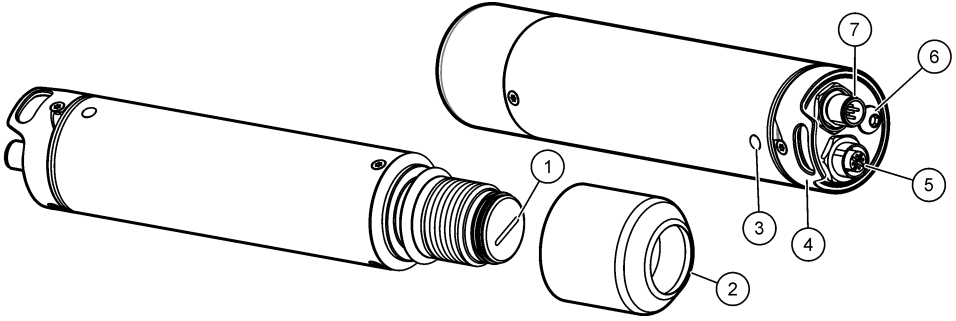
إشعار

لا توجه طرف القياس الخاص بجهاز الاستشعار إلى أعلى وإلا فسيتلف الجهاز (على سبيل المثال، في أثناء التخزين والنقل والمعايرة والتركيب والتشغيل). احتفظ بجهاز الاستشعار في درجة حرارة تتراوح بين 0 و40 درجة مئوية (32 و104 درجات فهرنهايت) وإلا فسيتلف الجهاز.



يقيس جهاز الاستشعار GS1440 وGS2440EX تركيز كبريتيد الهيدروجين (H_2S) بشكل مستمر في السوائل والهواء. راجع الشكل 1. يُستخدم جهاز الاستشعار مع جهاز يمد بطاقة حلقة 20-4 مللي أمبير ويستقبل قياساته كإشارة تناظرية 4-20 مللي أمبير أو إشارة رقمية RS-232.

صنّع جهاز الاستشعار GS1440 للاستخدام في المواقع غير الخطرة، بينما صنّع جهاز الاستشعار GS2440EX للاستخدام في المواقع الخطرة.



1 الغشاء	5 موصل RS-232
2 غطاء جهاز الاستشعار	6 مسمار التثبيت (M6)
3 مؤشر LED للحالة ³ (الجدول 4)	7 موصل الطاقة/20-4 مللي أمبير
4 خطاف التوصيل	

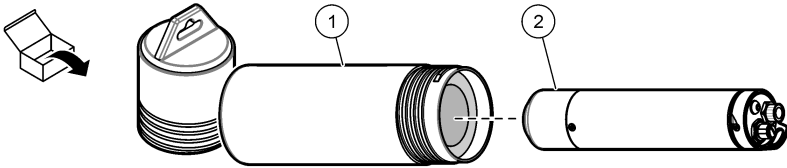
الجدول 4 مؤشر LED للحالة

اللون	الحالة
أخضر، ومضئة واحدة	يمثل الإخراج التناظري 20-4 مللي أمبير 0-5 مجم/لتر (السوائل).
أخضر، ومضتان	يمثل الإخراج التناظري 20-4 مللي أمبير 0-1000 جزء في المليون (الهواء).
أخضر وأحمر، ومضات	جهاز الاستشعار في وضع المعايرة/التكوين.
أحمر، ومضات	موقت (مع إرفاق غطاء المعايرة): لم تنتج المعايرة. مستمر (من دون إرفاق غطاء المعايرة): توجد مشكلة في جهاز الاستشعار.

2.6 مكونات المنتج

تأكد من استلام جميع المكونات. راجع الشكل 2. في حال فقد أي عناصر أو تلفها، اتصل بالشركة المصنعة أو مندوب المبيعات على الفور.

الشكل 2 مكونات المنتج

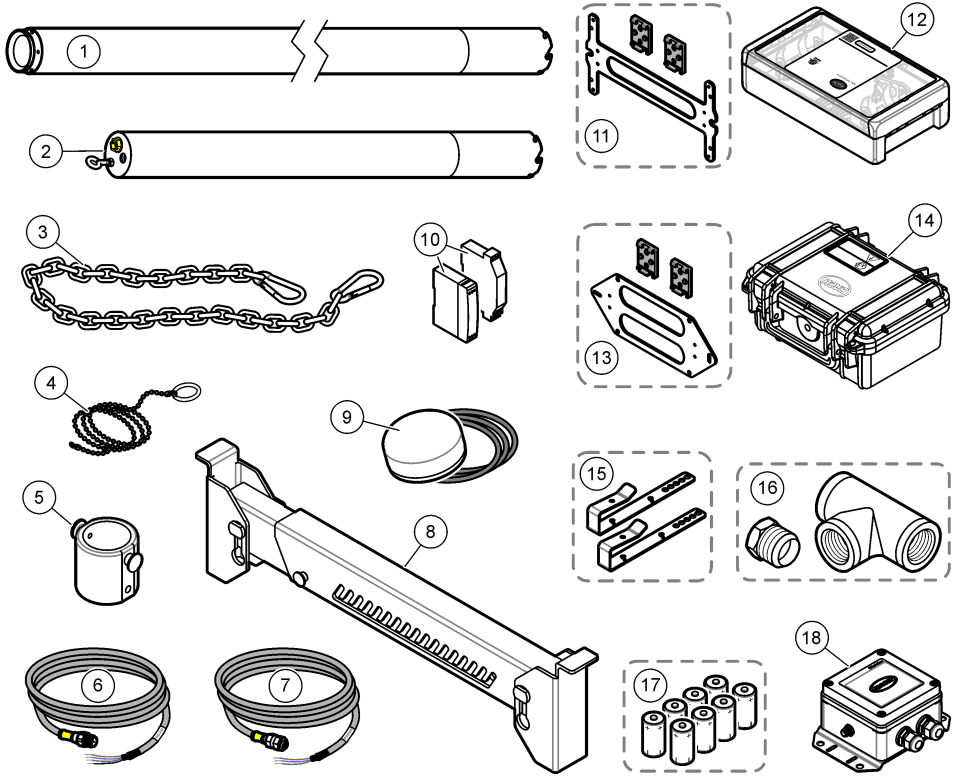


1 أنبوب التخزين	2 جهاز الاستشعار GS1440 أو GS2440EX
-----------------	-------------------------------------

2.7 الملحقات

الشكل 3 يعرض ملحقات جهاز الاستشعار راجع قطع الغيار والملحقات في صفحة 194 للحصول على معلومات حول الطلب.

³ يومض مؤشر LED للحالة باستمرار في أثناء تزويد جهاز الاستشعار بالطاقة.



10	حاجز طاقة/4-20 مللي أمبير مزود بمصدر طاقة	1	عمود إطالة واقى الكابل
11	دعامة تركيب للحائط أو قضيب DIN، الولايات المتحدة الأمريكية وكندا	2	واقى الكابل
12	جهاز إرسال ميداني CAX440EX، الولايات المتحدة الأمريكية وكندا	3	سلسلة تعليق مزودة بمشبكين معدنيين
13	دعامة تركيب للحائط أو قضيب DIN، الاتحاد الأوروبي والمملكة المتحدة	4	أداة سحب الكابل
14	جهاز إرسال ميداني CAX440EX، الاتحاد الأوروبي والمملكة المتحدة	5	خلية تدفق الهواء
15	مشابك للعارضة	6	كابل جهاز الاستشعار RS-232
16	محول لتركيب inline ووصلة على شكل حرف T، سن لولبية للأنابيب قياسية بريطانية مقياس 1/4 بوصة أو وصلة NPT	7	كابل طاقة/4-20 مللي أمبير لجهاز الاستشعار
17	بطاريات لجهاز الإرسال الميداني CAX440EX (غير قابلة لإعادة الشحن)	8	عارضه للثقحات
18	بوابة CDx440sc لوحدة تحكم SC	9	هوائي خارجي لجهاز الإرسال الميداني CAX440EX

القسم 3 تركيب واقى الكابل

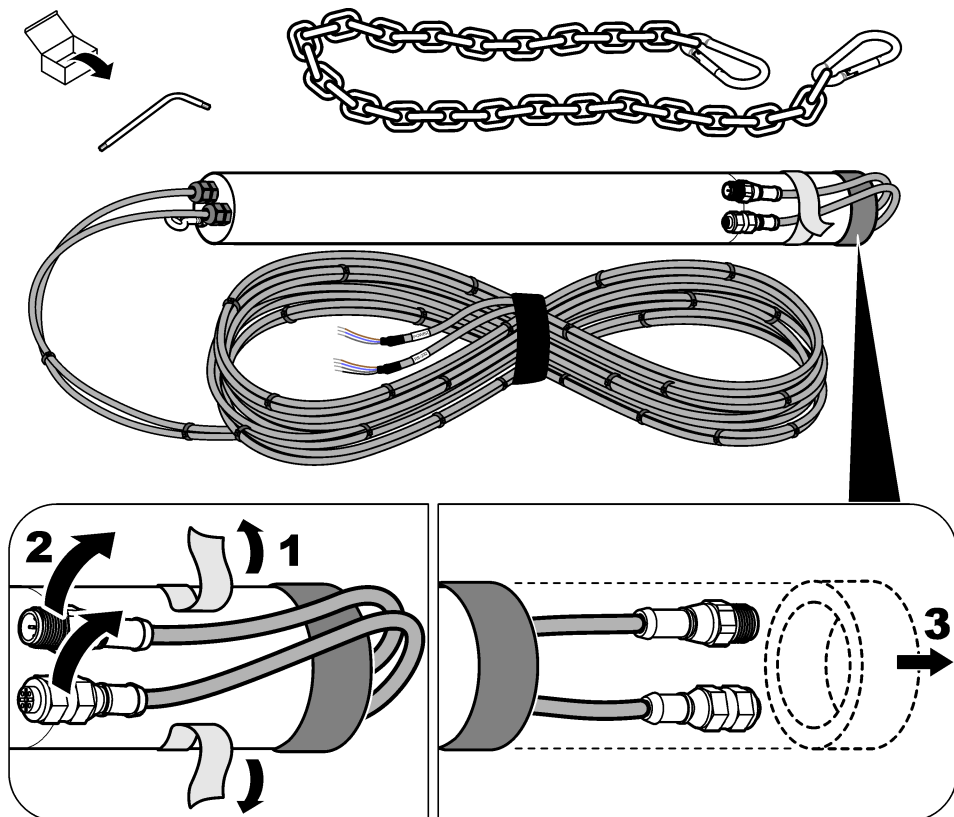
إذا كان سيتم تركيب جهاز الاستشعار في الماء (أو إذا كان من الممكن للزيادة في مستوى الماء أن تؤدي إلى غمر جهاز الاستشعار)، فقم بتركيب واقى الكابل في جهاز الاستشعار لمنع تلف الموصلات والكابلات الخاصة به.

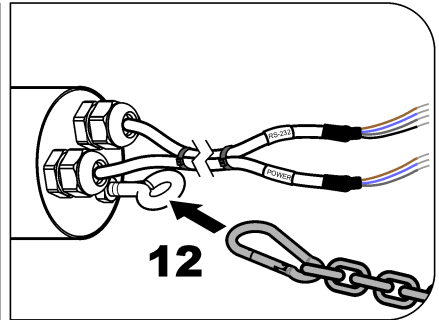
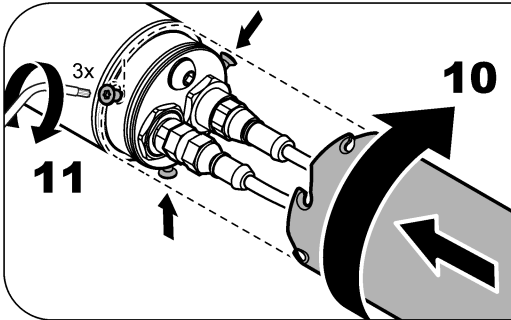
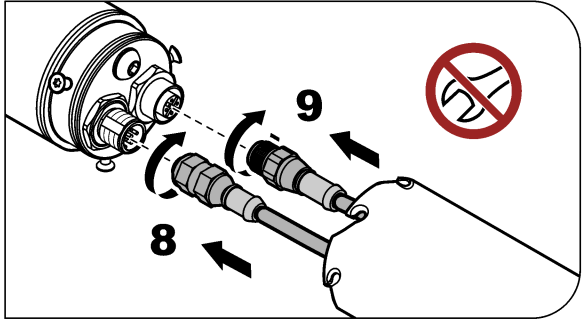
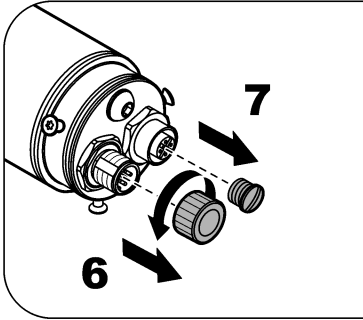
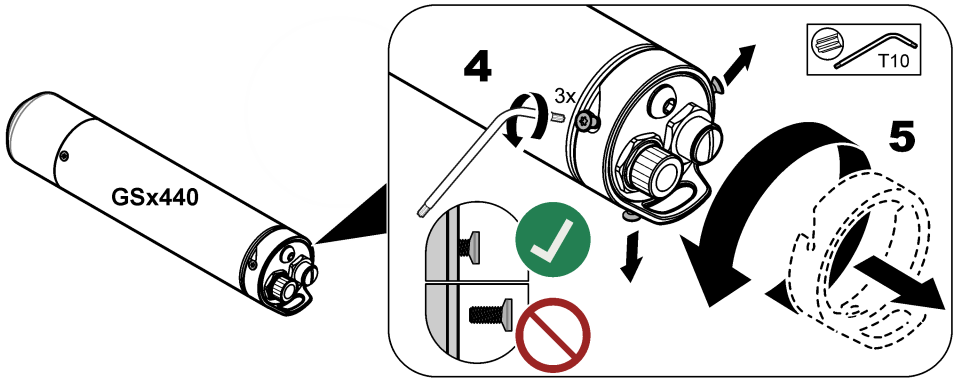
إذا كانت كابلات جهاز الاستشعار مثبتة بالفعل في واقى الكابل، فراجع الخطوات الموضحة في الشكل 4 لتوصيل كابلات جهاز الاستشعار وواقى الكابل.

إذا كان كابل (كابلات) جهاز الاستشعار غير مثبت في وافي الكابل، فراجع التعليمات المرفقة مع وافي الكابل لتركيب كابل (كابلات) جهاز الاستشعار في وافي الكابل وتوصيل كابلات جهاز الاستشعار ووافي الكابل.

ملاحظة: بالنسبة إلى القياسات في الماء حيث يمكن أن تحدث تغييرات كبيرة في عمق الماء (على سبيل المثال، الأبار والخزانات)، قم بتركيب عمود إطفالة وافي الكابل الاختياري (العنصر 1، الشكل 3 في صفحة 183) ثم وافي الكابل في جهاز الاستشعار. راجع التعليمات المرفقة مع عمود إطفالة وافي الكابل.

الشكل 4 تركيب وافي الكابل





القسم 4 التركيب

⚠ خطر

خطر الانفجار. لا يجوز تركيب الجهاز أو اختبار جاهزيته إلا بواسطة الموظفين المدربين لذلك.



4.1 تركيب الأجزاء الكهربائية

⚠ تحذير

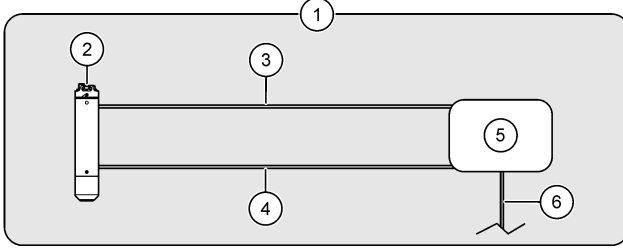
توضح الأشكال الأتية خيارات تركيب جهاز الاستشعار في موقع غير خطر. لتركيب جهاز استشعار GS2440EX في موقع خطر، راجع التعليمات الواردة في مستند GS2440EX Hazardous Location Safety Precautions ومستند CAx440EX Field Transmitter Hazardous Location Safety Precautions.



قم بتوصيل جهاز الاستشعار بأحد الخيارات الآتية:

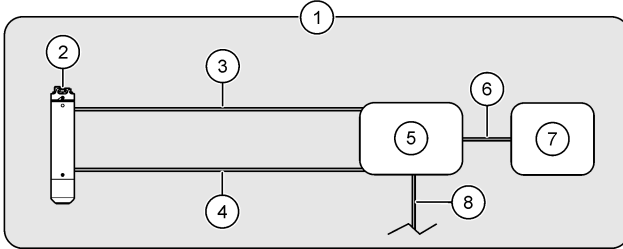
- جهاز الإرسال الميداني CAX440EX—الشكل 5
- جهاز الإرسال الميداني CAX440EX والجهاز—الشكل 6
- بوابة CDx440sc ووحدة تحكم SC—الشكل 7
- الجهاز—الشكل 8

الشكل 5 جهاز الإرسال الميداني CAX440EX



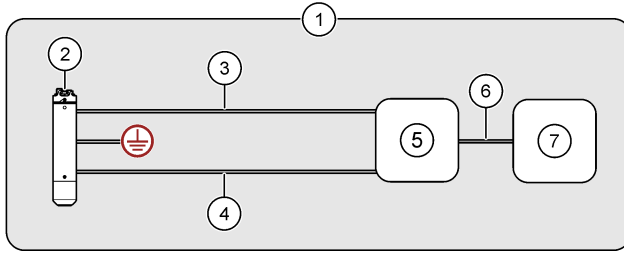
1	منطقة غير خطرة	4	كابل جهاز الاستشعار RS-232
2	جهاز الاستشعار	5	جهاز الإرسال الميداني
3	كابل طاقة/20-4 مللي أمبير لجهاز الاستشعار	6	كابل طاقة تيار مستمر (اختياري، يوفره المستخدم) ⁴

الشكل 6 جهاز الإرسال الميداني CAX440EX والجهاز



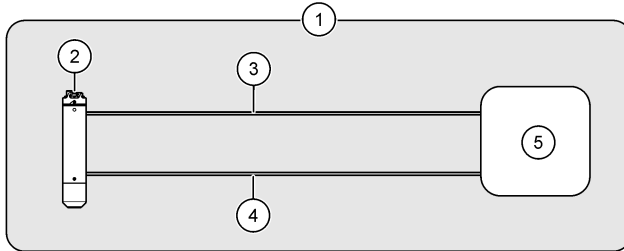
1	منطقة غير خطرة	5	جهاز الإرسال الميداني
2	جهاز الاستشعار	6	كابل الجهاز، إخراج تناظري 20-4 مللي أمبير لجهاز الاستشعار (يوفره المستخدم)
3	كابل طاقة/20-4 مللي أمبير لجهاز الاستشعار	7	الجهاز (على سبيل المثال SCADA أو PLC)
4	كابل جهاز الاستشعار RS-232	8	كابل طاقة تيار مستمر (اختياري، يوفره المستخدم) ⁴

⁴ يمكن استخدام مصدر طاقة تيار مستمر بوصفه بديلاً للبطاريات أو مع البطاريات في جهاز الإرسال الميداني. راجع وثائق جهاز الإرسال الميداني CAX440EX للحصول على التعليمات.



منطقة غير خطرة	1
جهاز الاستشعار	2
كابل طاقة 20-4 مللي أمبير لجهاز الاستشعار	3
كابل RS-232	4
بوابة CDx440sc	5
وحدة تحكم SC	7
كابل التمديد الرقمي	6

الشكل 8 الجهاز - اتصال تناظري مباشر (20-4 مللي أمبير) أو رقمي (RS-232)



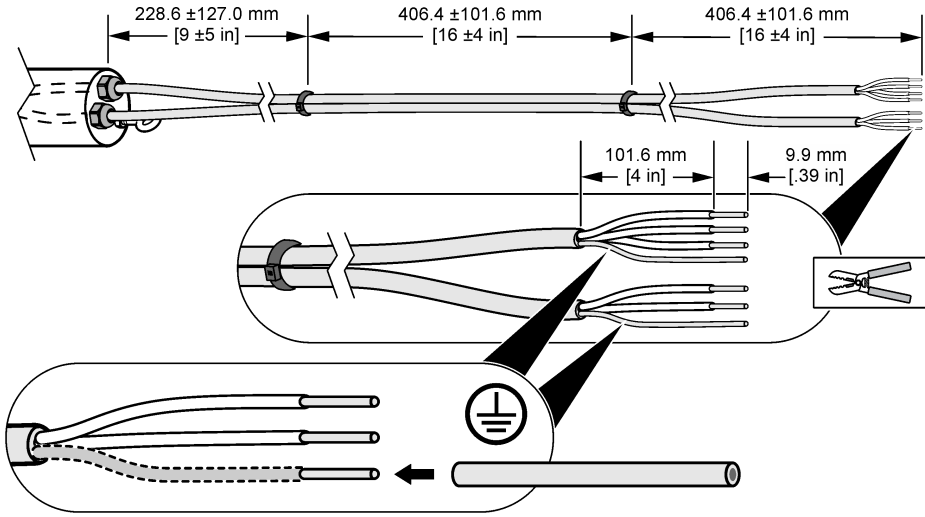
منطقة غير خطرة	1
جهاز الاستشعار	2
كابل طاقة 20-4 مللي أمبير لجهاز الاستشعار (12 إلى 28 فولت تيار مستمر، طاقة الحلقة 4-20 مللي أمبير)	3
الكابل RS-232 (اختياري)	4
الجهاز (على سبيل المثال SCADA أو PLC)	5

4.1.1 قطع كابل جهاز الاستشعار (اختياري)

اقطع كابل (كابلات) جهاز الاستشعار لتقليل الطول إذا لزم الأمر. بعد قطع كابل (كابلات) جهاز الاستشعار، قم بإعداد أسلاك جهاز الاستشعار كما هو موضح في الشكل 9. تأكد من تغطية السلك العاري لسلكين الدرع بعزل الأسلاك.

ملاحظة: عند استخدام كبلتي مستشعرات، يجب توصيل كبلات المستشعر ببعضها البعض بواسطة روابط مضمغطة للحفاظ على معدل التوافق مع EMC، ما لم يتم تثبيت كبلات المستشعر في القناة.

الشكل 9 إعداد أسلاك كابل جهاز الاستشعار



4.1.2 معلومات توصيل الأسلاك

لتوصيل جهاز الاستشعار بجهاز الإرسال الميداني (أو جهاز الإرسال الميداني والجهاز)، راجع وثائق جهاز الإرسال الميداني CAX440EX للحصول على معلومات توصيل الأسلاك.

لتوصيل جهاز الاستشعار ببوابة CDx440sc الرقمية ووحدة تحكم SC، راجع وثائق بوابة CDx440sc الرقمية للحصول على معلومات توصيل الأسلاك.

لتوصيل جهاز الاستشعار بجهاز فقط، راجع الجدول 5 والجدول 6.

الجدول 5 كابل طاقة/20-4 مللي أمبير لجهاز الاستشعار

سن الموصل	لون السلك	الإشارة
1	بني	موجبة (من 12 إلى 28 فولت تيار مستمر، طاقة الحلقة 20-4 مللي أمبير)
2	أبيض	غير مستخدمة
3	أزرق	سلبية
4	أسود	غير مستخدمة
5	فضي	العازل

الجدول 6 كابل جهاز الاستشعار RS-232

سن الموصل	لون السلك	الإشارة
1	بني	جهاز استشعار RXD (استقبال)
2	أبيض	غير مستخدمة
3	أزرق	جهاز استشعار TXD (إرسال)
4	أسود	GND (أرضي)
5	فضي	العازل

4.2 المعايير

تجب معايرة جهاز الاستشعار قبل الاستخدام الأولي. بعد ذلك، قم بمعايرته مرة أخرى كل شهر للحصول على أفضل دقة. راجع تعليمات المعايرة المرفقة مع مجموعة المعايرة التي تبيعها (CertGas) (<https://certgas.com>).

قبل المعايرة، تأكد من صحة العبارات الآتية:

- موقع القياس ضمن نطاق درجة حرارة التشغيل لجهاز الاستشعار. راجع الجدول 1 في صفحة 177.
- جهاز الاستشعار نظيف. راجع فحص جهاز الاستشعار وتنظيفه في صفحة 192.
- كابل طاقة/4-20 مللي أمبير لجهاز الاستشعار يمد جهاز الاستشعار بالطاقة.
- كابل جهاز الاستشعار RS-232 موصل لجهاز الاستشعار، إن وُجد.

ملاحظة: يمكن معايرة جهاز الاستشعار بشكل أقل تكراراً (كل شهرين أو ثلاثة أشهر). ومع ذلك، فإن عمليات المعايرة الأكثر تكراراً تزيد من دقته.
ملاحظة: قد يلزم إجراء عمليات المعايرة بتكرار أكبر لأجهزة الاستشعار المغمورة في مواقع شديدة الاتساح (على سبيل المثال، بعد الجرعات).

4.3 تغيير وحدات القياس لإخراج 4-20 مللي أمبير

يُظهر مؤشر LED للحالة الموجود على جهاز الاستشعار وحدات القياس التي يمثلها حالياً الإخراج التناظري 4-20 مللي أمبير. راجع الجدول 7.

عند استخدام كابل طاقة 4-20 مللي أمبير لجهاز الاستشعار (من دون كابل جهاز استشعار RS-232) للاتصال، فقم بتغيير وحدات القياس التي يمثلها الإخراج التناظري 4-20 مللي أمبير بحيث تكون صحيحة لنوع القياس: مجم/لتر (قياسات السائل) أو جزء في المليون (قياسات الهواء).

لتغيير وحدات القياس، اتبع الخطوات الآتية:

ملاحظة: هذا الإجراء لا يغير إشارة RS-232 من جهاز الاستشعار.

1. أزل المواد غير المرغوب فيها المتجمعة على جهاز الاستشعار. راجع فحص جهاز الاستشعار وتنظيفه في صفحة 192.
2. افصل الكابلات عن جهاز الاستشعار.
3. ركب غطاء المعايرة على جهاز الاستشعار. راجع التعليمات المرفقة مع غطاء المعايرة ومنظم التدفق لمعرفة التركيب الصحيح.
4. قم بتوصيل كابل الطاقة/4-20 مللي أمبير بجهاز الاستشعار. تأكد من أن كابل الطاقة/4-20 مللي أمبير لجهاز الاستشعار يمد بالطاقة.
5. عندما يومض مؤشر LED للحالة الموجود على جهاز الاستشعار باللونين الأحمر والأخضر، أزل غطاء المعايرة من جهاز الاستشعار. يومض مؤشر الحالة باللون الأخضر مرة أخرى لإظهار وحدات القياس الجديدة.

الجدول 7 مؤشر LED للحالة

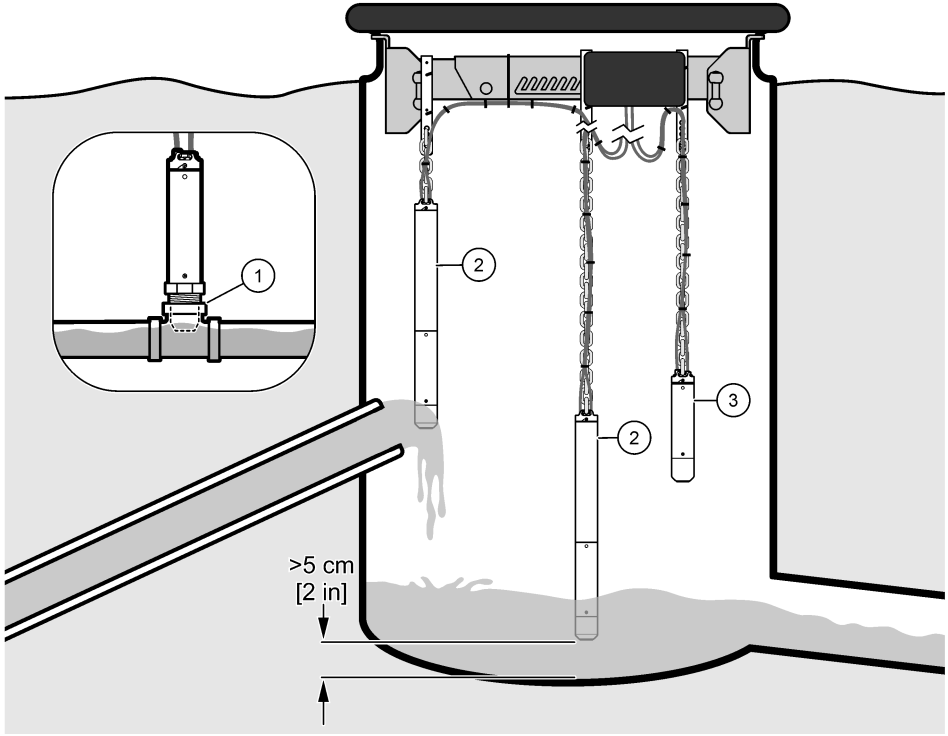
اللون	وحدات القياس
أخضر، ومضبة واحدة	0-5 مجم/لتر، قياسات السوائل
أخضر، ومضتان	0-1000 جزء في المليون، قياسات الهواء

4.4 تركيب الأجزاء الميكانيكية

4.4.1 خيارات التركيب

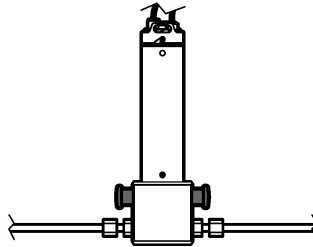
يعرض كل من الشكل 10 والشكل 11 خيارات تركيب جهاز الاستشعار المختلفة.

ملاحظة: لا تقم بتركيب جهاز الاستشعار على الحائط، إذ ستتجمع قطع القماش والمواد غير المرغوب فيها عليه.



3	التعليق الحر في الهواء	1	Inline
		2	التعليق الحر في السائل

الشكل 11 موصل بخط هواء تحويلي



4.4.2 إرشادات التركيب

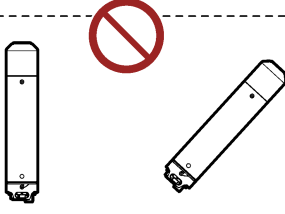
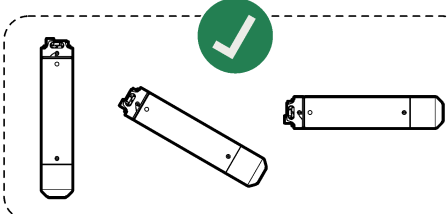
- احتفظ بالمستشعر بعيداً عن أشعة الشمس المباشرة ومصادر الحرارة والمواد الكيميائية أو الغازات المسببة للتآكل (جميعها باستثناء H_2S) والتأثيرات الميكانيكية والمواد الكاشطة والاهتزازات والصدمات والغبار والانبعاثات المشعة.
- لا تستخدم جهاز الاستشعار خارج المعلمات الكهربائية والميكانيكية والحرارية المحددة، أو خارج نطاق القياس. راجع المواصفات في صفحة 177.
- إذا كان سيتم تركيب جهاز الاستشعار في الماء (أو إذا كان من الممكن للزيادة في مستوى الماء أن تؤدي إلى غمر جهاز الاستشعار)، فقم بتركيب واقي الكابل في جهاز الاستشعار لمنع تلف الموصلات والكابلات الخاصة به. راجع تركيب واقي الكابل في صفحة 183.

- للحصول على أدق القياسات، قم بقياس تركيز كبريتيد الهيدروجين في الماء وليس في الهواء.⁵
- في نظام جاذبية، قم بالقياس بالقرب من نهاية أنبوب الماء المضغوط قدر الإمكان للحصول على قياس دقيق للتركيز الأولي لكبريتيد الهيدروجين. يتم تحرير كبريتيد الهيدروجين المذاب من الماء عندما يدخل الماء إلى بئر معرضة للهواء.
- بالنسبة إلى قياسات الهواء، ركب جهاز الاستشعار بحيث يكون طرف القياس الخاص به أعلى من مستوى الماء في أثناء أحداث ارتفاع الماء حتى لا تتجمع المواد غير المرغوب فيها على جهاز الاستشعار.
- ركب جهاز الاستشعار في موقع به تدفق واضطراب كافين حول جهاز الاستشعار حتى لا تتجمع المواد غير المرغوب فيها عليه.
- أبعد جهاز الاستشعار عن الماء الراكد والإفسيح حشف حيوي.

4.4.3 تركيب جهاز الاستشعار

⚠️ خطر	
خطر التعرض للغاز. كبريتيد الهيدروجين غاز شديد السمية. ارتد معدات الحماية الشخصية المحددة في صحيفة بيانات السلامة (MSDS/SDS). اطلع على صحائف بيانات السلامة (MSDS/SDS) الحالية للتعرف على بروتوكولات السلامة.	

إشعار	
لا توجه طرف القياس الخاص بجهاز الاستشعار إلى أعلى وإلا فسيفتح الجهاز (على سبيل المثال، في أثناء التخزين والنقل والمعايرة والتركيب والتشغيل).	

	
---	--

إشعار	
إذا قمت بتركيب جهاز الاستشعار بطريقة التعليق الحر، فتأكد من أن التركيب يمنع تلفه. لا تدع جهاز الاستشعار يصطدم بالأشياء أو الحوائط أو الأسطح السفلية.	



المتطلبات الأساسية:

- كابلات جهاز الاستشعار موصلة بجهاز الاستشعار وجهاز إرسال ميداني أو جهاز. راجع تركيب الأجزاء الكهربائية في صفحة 185.
- تمت معايرة جهاز الاستشعار في موقع القياس. راجع المعايرة في صفحة 188.
- إذا كان سيتم تركيب جهاز الاستشعار في الماء (أو إذا كان من الممكن للزيادة في مستوى الماء أن تؤدي إلى غمر جهاز الاستشعار)، فقم بتركيب واقي الكابل في جهاز الاستشعار. راجع تركيب واقي الكابل في صفحة 183.
- وحدات القياس التي يمثلها الإخراج التناظري 20-4 مللي أمبير صحيحة لنوع القياس: مج/لتر (قياسات السائل) أو جزء في المليون (قياسات الهواء). راجع تغيير وحدات القياس لإخراج 20-4 مللي أمبير في صفحة 189.

⁵ عند قياس كبريتيد الهيدروجين في الماء، فإن القياس لا يعتمد على التغيرات اليومية في ظروف التهوية في المساحة فوق الماء أو موقع تركيب جهاز الاستشعار.

1. بالنسبة إلى التركيب في الماء، اتبع الخطوات الآتية:

- a. (اختياري، موصى به) قم بتوصيل المسمار ذا العروة الموجود على وافي الكابل بطرف التسرب الأرضي وفقًا للمتطلبات المحلية والإقليمية والوطنية.
 - للتربك في المواقع الخطرة، راجع مستند *GS2440EX Hazardous Location Safety Precautions* للاطلاع على متطلبات التأريض.
 - b. قم بتوصيل السلسلة بالمسمار ذي العروة الموجود على وافي الكابل.
 - c. قم بتوصيل الطرف الآخر من السلسلة بجسم يقع فوق الماء مباشرة ولا يتحرك (على سبيل المثال، شبكة سلكية أو عارضة أو مشابك العارضة لجهاز الإرسال الميداني).
 - d. اخفض جهاز الاستشعار في الماء. وأبعد كابلات جهاز الاستشعار عن الماء.
 - e. تأكد من أن جانب مدخل جهاز الاستشعار يوجد في تيار ماء متحرك وليس بالقرب من الحواظ.
 - f. اضبط طول السلسلة بحيث يكون وافي الكابل خارج الماء ويكون جهاز الاستشعار على بُعد 5 سم (بوصتين) أو أكثر من قاع القناة أو البئر.
 - g. إذا استخدم المستشعر بحايط أو بأجسام أخرى، فضعه في أنبوب PVC قطره 70 مم (2.75 بوصة) أو أكبر. وتأكد من أن طرف القياس الخاص بجهاز الاستشعار يتنلى أسفل أنبوب PVC.
 - h. قم بتوصيل أنبوب PVC بجسم يقع مباشرة فوق الماء ولا يتحرك أو بجانب البئر.
 - قم بلف الكابلات المرترخية في ملف. واستخدم روابط الكابلات لتثبيت الكابلات في موضعها.
- ## 2. بالنسبة إلى التركيب في الهواء، اتبع الخطوات الآتية:
- a. (اختياري، موصى به) قم بتوصيل مسمار التأريض الموجود على جهاز الاستشعار بطرف التسرب الأرضي وفقًا للمتطلبات المحلية والإقليمية والوطنية.
 - للتربك في المواقع الخطرة، راجع مستند *GS2440EX Hazardous Location Safety Precautions* للاطلاع على متطلبات التأريض.
 - b. قم بتوصيل سلسلة (أو كابل من الفولاذ) بخطاف التوصيل الموجود على جهاز الاستشعار.
 - c. قم بتوصيل الطرف الآخر من السلسلة (أو كابل من الفولاذ) بجسم يقع فوق الماء مباشرة ولا يتحرك (على سبيل المثال، شبكة سلكية أو عارضة أو مشابك العارضة لجهاز الإرسال الميداني).
 - d. اخفض جهاز الاستشعار.
 - e. اضبط طول السلسلة حسب الضرورة.
 - f. قم بلف الكابلات المرترخية في ملف. واستخدم روابط الكابلات لتثبيت الكابلات في موضعها. وأبعد كابلات جهاز الاستشعار عن الماء.
- ## 3. بالنسبة إلى التركيب في أنبوب ماء مضغوط، ركب المهايئ الاختياري لتربك inline. راجع التعليمات المرفقة مع المهايئ لتربك inline.
- ## 4. بالنسبة إلى التركيب في أنبوب هواء مضغوط، قم بتوصيل خط هواء تحويلي بخلية تدفق الهواء الاختيارية. راجع التعليمات المرفقة مع خلية تدفق الهواء.

القسم 5 الصيانة

إشعار

تجنب تفكيك الجهاز أو تعديله أو إصلاحه. سيؤدي تفكيك جهاز الاستشعار إلى إبطال الضمان. وفي حال ضرورة إصلاح المكونات الداخلية، اتصل بالشركة المصنعة.

5.1 فحص جهاز الاستشعار وتنظيفه

إشعار

لا تستخدم القوة، أو المواد الكاشطة، أو المواد الكيميائية، أو الغاسلات أو الخراطيم عالية الضغط لتنظيف جهاز الاستشعار إذ يمكن أن يُلغ طرف القياس الخاص بجهاز الاستشعار.

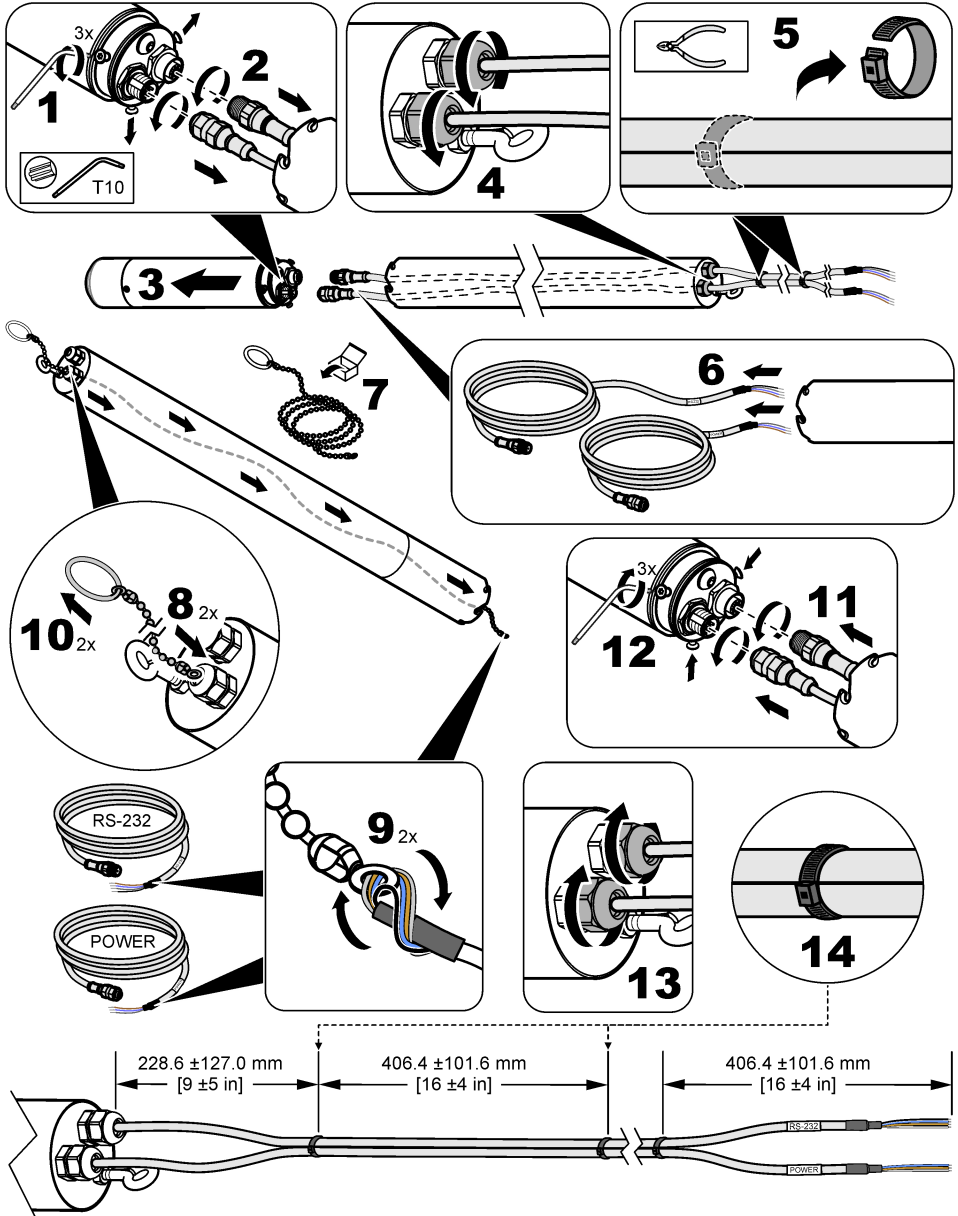
على فترات منتظمة وقبل المعايرة، تأكد من أن طرف القياس الخاص بجهاز الاستشعار لا تغطيه مواد غير مرغوب فيها.

1. أزل المواد غير المرغوب فيها المتجمعة على جهاز الاستشعار.
2. امسح طرف القياس الخاص بجهاز الاستشعار برفق باستخدام قطعة قماش أو منديل ورقي غير كاشطين.
3. استخدم قطعة قماش مبللة أو منديل ورقي مبلل لإزالة المواد الجافة من جهاز الاستشعار.

5.2 استبدال كابلات جهاز الاستشعار

استبدل كابلات جهاز الاستشعار إذا تعرضت للتلف أو عند الضرورة (على سبيل المثال، لتربك كابلات أجهزة استشعار أطول).

عند تثبيت واقي الكابل على جهاز الاستشعار، راجع الخطوات الموضحة الآتية لاستبدال كابلات جهاز الاستشعار.
ملاحظة: عند استخدام كبلتي مستشعرات، يجب توصيل كبلات المستشعر ببعضها البعض بواسطة روابط مضمغطة للحفاظ على معدل التوافق مع EMC، ما لم يتم تثبيت كبلات المستشعر في القناة.



5.3 استبدال الحلقة الدائرية

إذا أصبحت الحلقة الدائرية الموجودة في طرف الموصل الخاص بجهاز الاستشعار بالية ولم تعد تُبقي الماء بعيداً عن واقي الكابل وأو عمود إضاءة واقي الكابل، فاستبدلها.

إذا أصبحت الحلقات الدائرية التي تظهر عند إزالة غطاء جهاز الاستشعار تالفة ولم تعد توفر سداً عند استخدام خلية تدفق الهواء، فاستبدلها. **ملاحظة:** تتمثل وظيفة الحلقات الدائرية التي تظهر عند إزالة غطاء جهاز الاستشعار في الإسكاف بغطاء جهاز الاستشعار وعدم إبعاد الماء. يتم تضمين حلقة دائرية بديلة وشحم الحلقة الدائرية وإرشادات الاستبدال في مجموعة التركيب لقطع الغيار. راجع قطع الغيار والملحقات في صفحة 194 للحصول على معلومات حول الطلب.

القسم 6 استكشاف الأخطاء وإصلاحها

المشكلة	السبب المحتمل	الحل
القياسات صفرية تقريباً طوال الوقت، لكن قياس عينة عشوائية يُظهر وجود تركيزات كبيرة من الكبريتيد.	<ul style="list-style-type: none"> يوجد انسداد في مدخل جهاز الاستشعار. درجة حموضة الماء أعلى من 8. 	<p>تأكد من أن طرف القياس الخاص بجهاز الاستشعار لا تغطيه مواد غير مرغوب فيها. اشطف جهاز الاستشعار وامسحه برفق بقطعة قماش مبللة. وتأكد من عدم استخدام القوة حول مداخل عناصر الاستشعار.</p> <p>إذا كانت درجة حموضة الماء أعلى من 8، فإن الكبريتيد المذاب يكون في الغالب في الصيغة HS⁻ التي لا يقيسها جهاز الاستشعار. استخدم جهاز الاستشعار في مفاعل تيار جانبي ذي حجم منخفض، حيث يتم تحميض مياه الصرف الصحي للتأكد من أن كل الكبريتيد المذاب موجود في الصيغة H₂S.</p>
قياسات جهاز الاستشعار غير صحيحة.	لم تتم معايرة جهاز الاستشعار.	<p>استخدم غاز المعايرة لتحديد دقة جهاز الاستشعار.</p> <ol style="list-style-type: none"> أخرج جهاز الاستشعار وغاز المعايرة وغطاء المعايرة ومنظم التدفق. نظّف طرف القياس الخاص بجهاز الاستشعار. راجع فحص جهاز الاستشعار وتنظيفه في صفحة 192. ضع غطاء المعايرة بالقرب من طرف القياس الخاص بجهاز الاستشعار. قم بتدوير غطاء المعايرة 180 درجة بالنسبة إلى اتجاه المعايرة. افتح منظم التدفق بالكامل. انتظر لمدة دقيقتين. إذا لم تكن القيمة المقیسة في حدود 5% من القيمة الموجودة على أسطوانة غاز المعايرة، فقم بمعايرة جهاز الاستشعار. راجع المعايرة في صفحة 188 <p>لا تستخدم عينات سائلة للتحقق.</p>
قياسات جهاز الاستشعار غير صحيحة بعد المعايرة.	لم تتم معايرة جهاز الاستشعار بشكل صحيح.	<p>تأكد من اتباع جميع التعليمات المرفقة مع غطاء المعايرة ومنظم التدفق. في حال استمرار المشكلة، اتصل بالدعم الفني.</p> <p>للحصول على أفضل دقة، قم بمعايرة جهاز الاستشعار في درجة حرارة تعادل درجة حرارة القياسات اللاحقة.</p>
لا يدخل جهاز الاستشعار إلى وضع المعايرة (لا يوميض مؤشر LED باللونين الأخضر والأحمر).	<ul style="list-style-type: none"> لا يتم تزويد جهاز الاستشعار بالطاقة. لم يتم تركيب غطاء المعايرة بشكل صحيح. 	<ul style="list-style-type: none"> تأكد من تزويد جهاز الاستشعار بالطاقة. تأكد من محاذاة الحز الصغير في غطاء المعايرة مع مؤشر LED للحالة. تأكد من أن جهاز الاستشعار داخل غطاء المعايرة بالكامل.
لم تنجح المعايرة (يوميض مؤشر LED باللون الأحمر بسرعة).	<ul style="list-style-type: none"> ضغط الغاز في أسطوانة غاز المعايرة منخفض. يوجد تسرب غازي. تحرك غطاء المعايرة في أثناء المعايرة. لم يتم فتح صمام المنظم بالكامل أو لم يتم فتحه فور وميض مؤشر LED للحالة باللونين الأخضر والأحمر. 	<p>أغلق صمام المنظم، وأزل غطاء المعايرة. ثم أجر المعايرة مرة أخرى.</p> <ul style="list-style-type: none"> تأكد من أن ضغط الغاز يساوي 5 بار (كحد أدنى) في أسطوانة غاز المعايرة. ابحث عن تسرب غازي في الخرطوم أو الوصلات. تأكد من أن غطاء المعايرة لا يتحرك في أثناء المعايرة. افتح صمام المنظم بالكامل فور وميض مؤشر LED للحالة باللونين الأخضر والأحمر.

القسم 7 قطع الغيار والملحقات

⚠️ تحذير

خطر الإصابة الشخصية. قد يؤدي استخدام الأجزاء غير المعتمدة إلى الإصابة الشخصية أو تلف الجهاز أو قصور في تشغيله. قطع الغيار الواردة في هذا القسم هي قطع معتمدة من الشركة المصنعة.



ملاحظة: تختلف أرقام المنتج والبنود حسب بعض مناطق البيع. اتصل بالموزع المناسب أو راجع موقع الشركة على الويب لمعرفة جهة الاتصال.

رقم العنصر	الوصف
LXZ449.99.00003	بطاريات (8x)، جهاز الإرسال الميداني CAX440EX (غير قابلة لإعادة الشحن)
LXZ449.99.00012	مجموعة التركيب لقطع الغيار
LXZ449.99.00010	غطاء جهاز الاستشعار

الملحقات

رقم العنصر	الوصف
LXZ449.99.00004	مهايئ لتركيب inline، سن لولبية للأنايب قياسية بريطانية مقياس 1/4 بوصة
LXZ449.99.00005	مهايئ لتركيب inline ووصلة على شكل حرف T، سن لولبية للأنايب قياسية بريطانية مقياس 1/4 بوصة
LXZ449.99.00015	مهايئ لتركيب inline، وصلة NPT مقياس 1/4 بوصة
LXZ449.99.00019	مهايئ لتركيب inline ووصلة على شكل حرف T، وصلة NPT مقياس 1/4 بوصة
LXZ449.99.00011	خلية تدفق هواء، 3 بار (44 رطلاً لكل بوصة مربعة) بحد أقصى، فولاذ مقاوم للصدأ EN 1.4404
LXZ449.99.00009	هوائي خارجي لأجهزة الإرسال الميدانية CAX440EX، الاتحاد الأوروبي والمملكة المتحدة والولايات المتحدة الأمريكية وكندا، كابل 2 متر (6.5 أقدام)، IP68، 1.4 x 3.9 مم (القطر 1.4 x 3.9 بوصة)، LTE: 6 ديسيبل، نطاق التردد: 3800-698 ميجاهرتز
LXZ449.99.00017	واقي الكابل مع سلسلة بطول 3 م (10 أقدام) ومشبكين معدنيين 600 مم (قدمان)، 1.3 كجم (2.9 رطل)، فولاذ مقاوم للصدأ EN 1.4404 (316L)
LXZ449.99.00006	عمود إضاءة واقي الكابل، 1.4 متر (4.6 أقدام) 2.9 كجم (4.6 أرطال)، فولاذ مقاوم للصدأ EN 1.4404 (316L)
101335	أداة سحب الكابل
LXV449.98.01000	جهاز إرسال ميداني CAX440EX، لا سلكي 3G، الاتحاد الأوروبي والمملكة المتحدة
LXV449.98.01010	جهاز إرسال ميداني CAX440EX، لا سلكي 4G، الاتحاد الأوروبي والمملكة المتحدة
LXV449.97.01010	جهاز إرسال ميداني CAX440EX، لا سلكي 4G، الولايات المتحدة الأمريكية وكندا
LXV449.99.02000	بوابة sc رقمية CDx440sc
LXZ449.99.00002	سلسلة مزودة بمشبكين معدنيين، 3 م (10 أقدام)
LXZ449.99.00008	مشابك العارضة، أجهزة إرسال ميدانية CAX440EX، الاتحاد الأوروبي والمملكة المتحدة والولايات المتحدة الأمريكية وكندا
LXZ449.99.00007	عارضة لفتحة مقياس 558-858 مم (22.0-33.8 بوصة) مع مشابك عارضة فولاذ مقاوم للصدأ EN 1.4404، 3.4 كجم (7.5 أرطال)، 71 x 136 x 858-558 مم (22.0-33.8 x 5.4 x 2.8 بوصة)
LXZ449.99.00014	دعامة تركيب جهاز الإرسال الميداني CAX440EX، الاتحاد الأوروبي والمملكة المتحدة
LXZ449.99.00018	دعامة تركيب جهاز الإرسال الميداني CAX440EX، الولايات المتحدة الأمريكية وكندا
LXZ449.99.00013	حاجز طاقة 4-20 مللي أمبير مزود بمصدر طاقة شهادة IECEx للإشارات من جميع المناطق، قناة واحدة أو قناتان، شهادة SIL2 بتقييم كامل
100935-05	كابل طاقة 4-20 مللي أمبير لجهاز الاستشعار، 5 م (16.4 قدمًا)
100935-10	كابل طاقة 4-20 مللي أمبير لجهاز الاستشعار، 10 م (32.8 قدمًا)
100935-30	كابل طاقة 4-20 مللي أمبير لجهاز الاستشعار، 30 م (98.4 قدمًا)
100934-05	كابل جهاز الاستشعار RS-232، 5 م (16.4 قدمًا)
100934-10	كابل جهاز الاستشعار RS-232، 10 م (32.8 قدمًا)
100934-30	كابل جهاز الاستشعار RS-232، 30 م (98.4 قدمًا)

رقم العنصر	الوصف
LXZ449.99.02G05	كابلات جهاز الاستشعار، م 5 (16.4 قدمًا)، تتضمن: كابيل طاقة/4-20 مللي أمبير لجهاز الاستشعار وكابيل جهاز استشعار RS-232
LXZ449.99.02G10	كابلات جهاز الاستشعار، م 10 (32.8 قدمًا)، تتضمن: كابيل طاقة/4-20 مللي أمبير لجهاز الاستشعار وكابيل جهاز استشعار RS-232
LXZ449.99.02G30	كابلات جهاز الاستشعار، م 30 (98.4 قدمًا)، تتضمن: كابيل طاقة/4-20 مللي أمبير لجهاز الاستشعار وكابيل جهاز استشعار RS-232
LXZ449.99.02L05	كابلات جهاز الاستشعار مع وافي كابل، م 5 (16.4 قدمًا)، تتضمن: كابيل طاقة/4-20 مللي أمبير لجهاز الاستشعار، كابل جهاز الاستشعار RS-232، وافي كابل، أداة سحب الكابل، سلسلة بطول 3 م (10 أقدام) ومشبك معدنيان
LXZ449.99.02L10	كابلات جهاز استشعار مع وافي كابل، م 10 (32.8 قدمًا)، تتضمن: كابيل طاقة/4-20 مللي أمبير لجهاز الاستشعار، كابل جهاز الاستشعار RS-232، وافي كابل، أداة سحب الكابل، سلسلة بطول 3 م (10 أقدام) ومشبك معدنيان
LXZ449.99.02L30	كابلات جهاز الاستشعار، م 30 (98.4 قدمًا)، تتضمن: كابيل طاقة/4-20 مللي أمبير لجهاز الاستشعار، كابل جهاز الاستشعار RS-232، وافي كابل، أداة سحب الكابل، سلسلة بطول 3 م (10 أقدام) ومشبك معدنيان
LXZ449.99.00001	وصلة على شكل حرف T لتركيب inline، سن لولبية للأنايبب قياسية بريطانية مقاس 1/4 بوصة
LXZ449.99.00022	وصلة على شكل حرف T لتركيب inline، وصلة NPT مقاس 1/4 بوصة



HACH COMPANY World Headquarters

P.O. Box 389, Loveland, CO 80539-0389 U.S.A.
Tel. (970) 669-3050
(800) 227-4224 (U.S.A. only)
Fax (970) 669-2932
orders@hach.com
www.hach.com

HACH LANGE GMBH

Willstätterstraße 11
D-40549 Düsseldorf, Germany
Tel. +49 (0) 2 11 52 88-320
Fax +49 (0) 2 11 52 88-210
info-de@hach.com
www.de.hach.com

HACH LANGE Sàrl

6, route de Compois
1222 Vézenaz
SWITZERLAND
Tel. +41 22 594 6400
Fax +41 22 594 6499