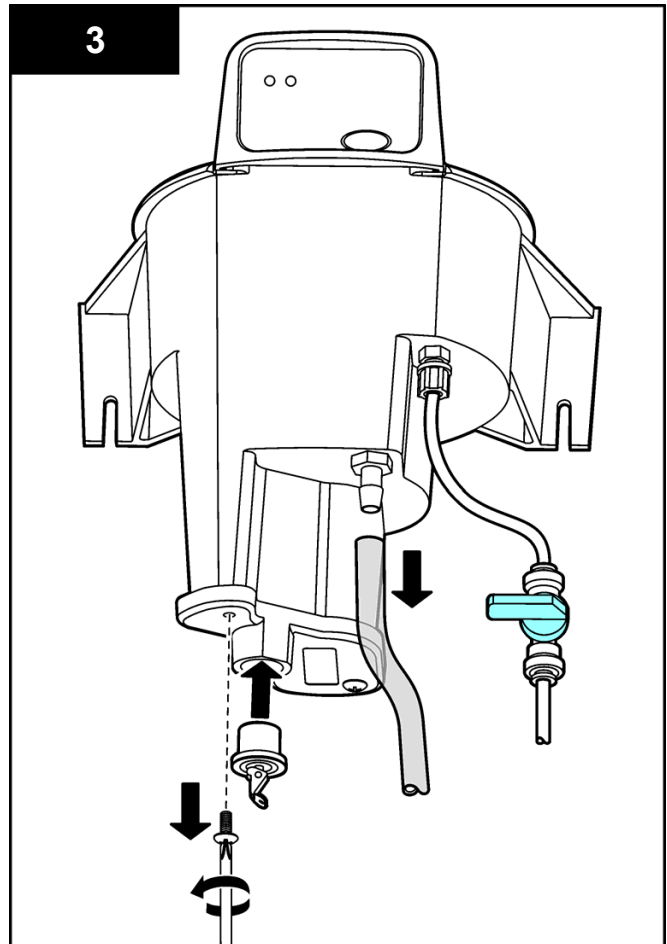
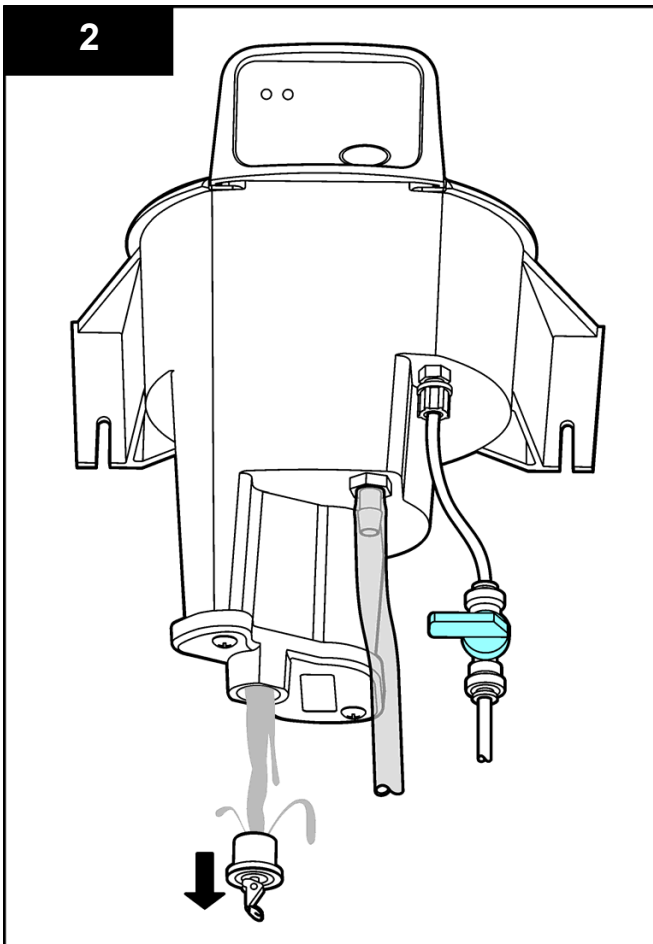
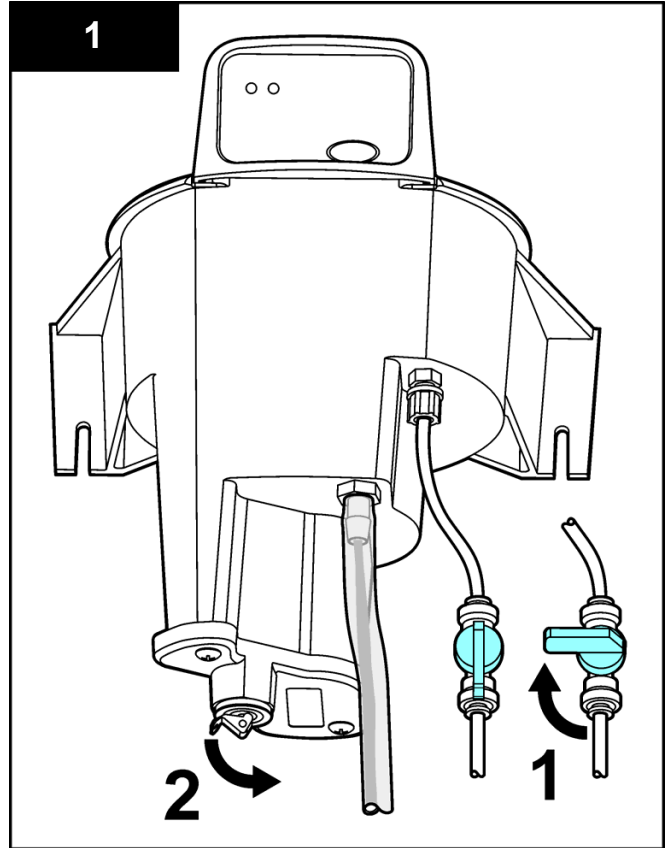
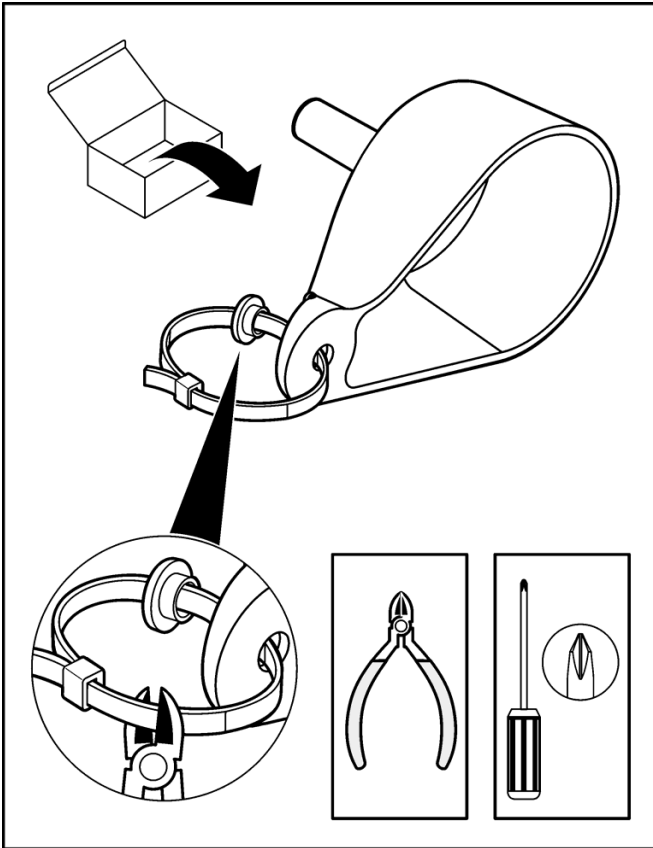
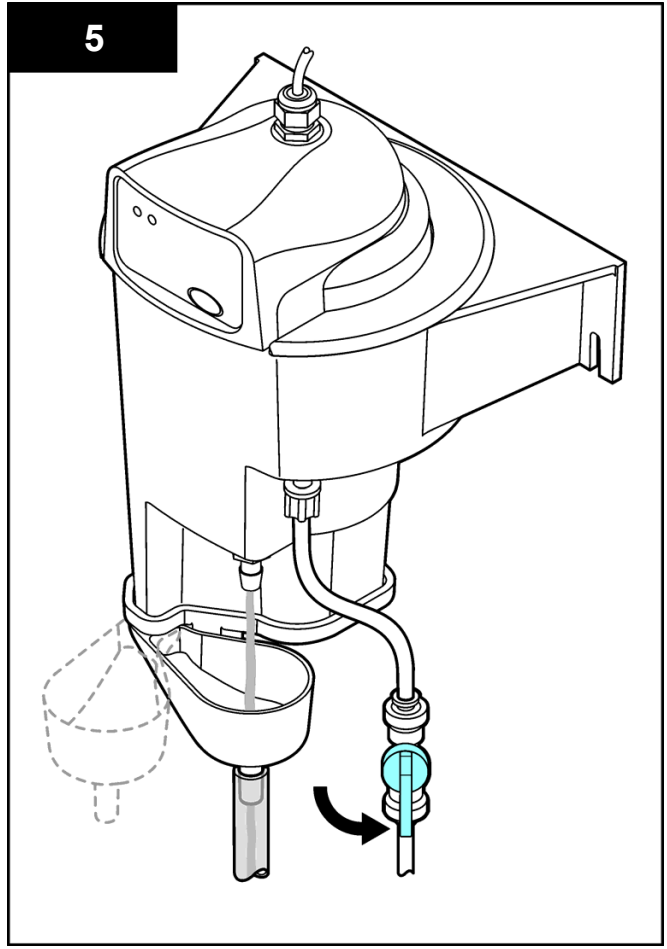
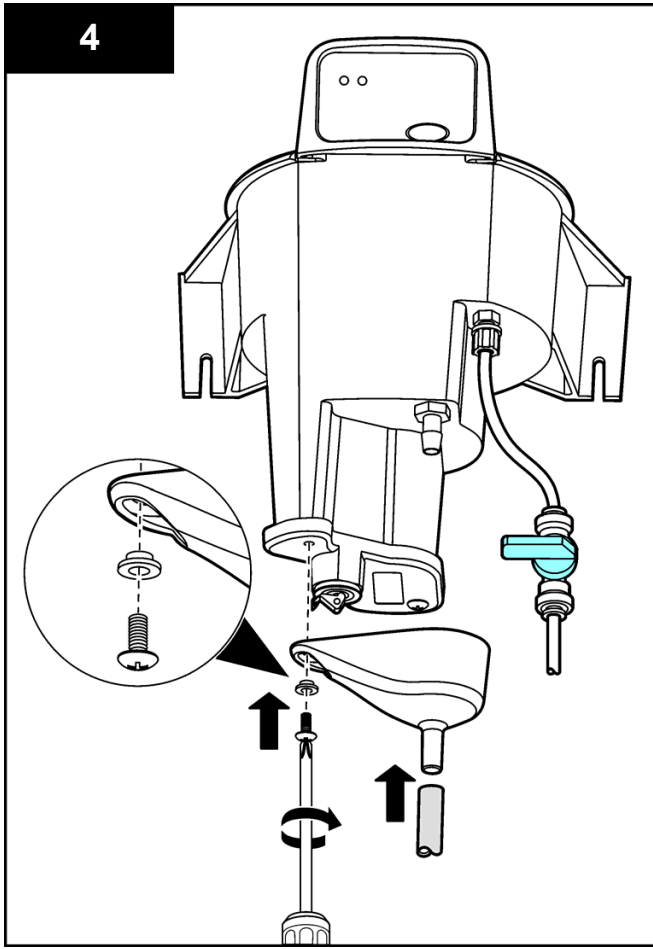


User Instructions

Drain Assembly Funnel Kit 9142000 for 1720D, 1720E, FilterTrak 660 sc





HACH Company World Headquarters

P.O. Box 389
 Loveland, Colorado 80539-0389 U.S.A.
 Tel (800) -227-4224 (U.S.A. only)
 Fax (970) 669-2932
 orders@hach.com • www.hach.com

International customers:
 Tel +001 (970) 669-3050
 Fax +001 (970) 669-2932
 intl@hach.com

