



Single Parameter Monitoring Panel with SC4500 and CL17sc or ULRCL17sc

Applications

- Drinking Water
- Wastewater
- Food and Beverage
- Pharmaceutical
- Power Generation
- Semiconductor
- Field Use



Expertise + Simplicity

Quality from start to finish

Our panel configurations allows you to maximize the inherent quality of the instruments, providing peace of mind while leveraging Hach's 100 years of water quality innovations.

Up and running in no time

Our preassembled, ready-to-use solutions streamline the process between purchasing and startup.

Ease of installation

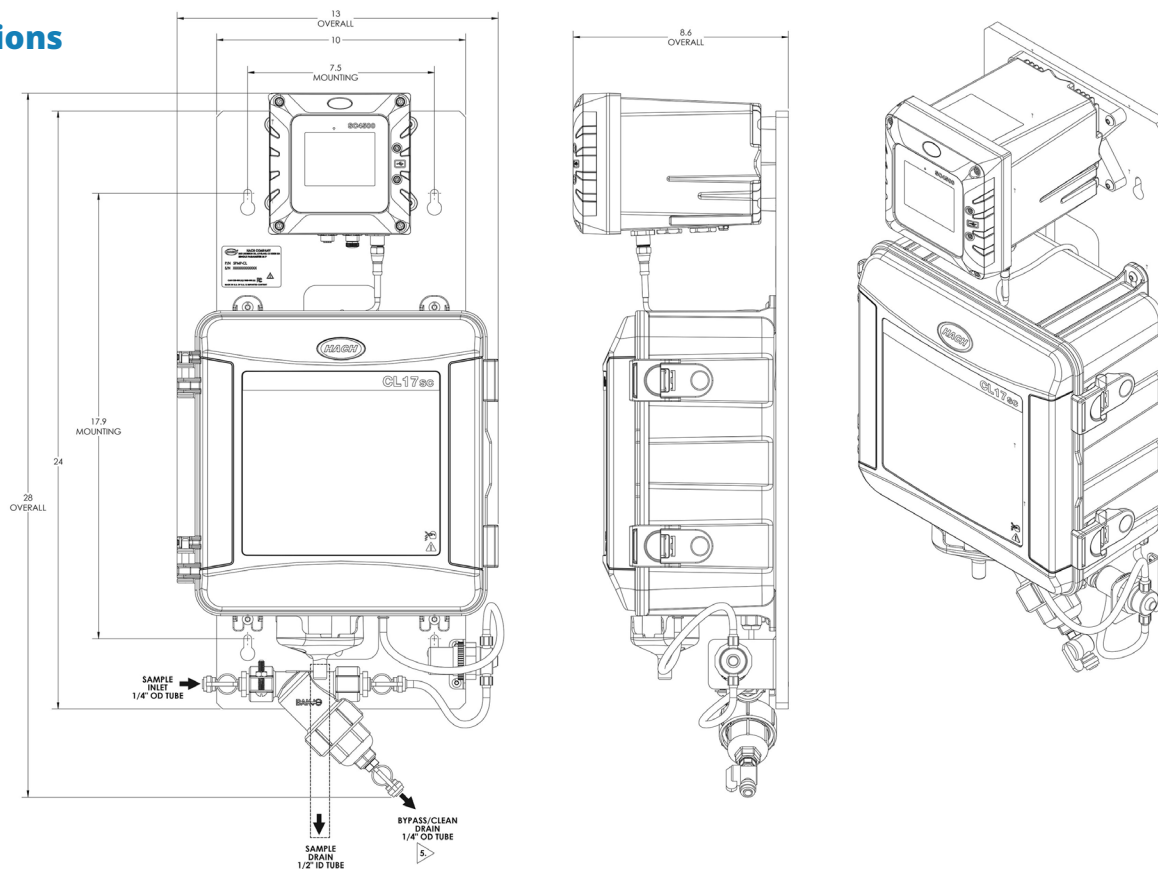
When you buy a water quality monitoring station from Hach, you'll receive an expertly designed, preassembled panel that makes installation straightforward and user friendly.

Technical Data*

Range	CL17sc: 0 - 10 mg/L free or total residual chlorine ULRCL17sc: 0.008 - 5 mg/L Cl ₂
Controller	SC4500
Mounting	Wall or rack mounting
Sample Inlet Connection	¼" OD tubing
Process connection	Sample drain: ½" NPT or hose barb
Weight	9 kg / 20 lbs
Dimensions (H x W x D)	711 mm x 330 mm x 218 mm
Sample Temperature	5 - 40°C (41 - 104°F)
Sample Pressure	4.5 - 75 psi
Sample Flow Rate	60 - 200 mL/min.
Power Requirements (Voltage)	100-240 VAC ±10%, 50/60 Hz; 1 A
Solution Type	Drinking water, raw and treated

*Subject to change without notice.

Dimensions



Order Information

Panel

SPMP-CL Single Parameter Monitoring Panel with SC4500 and CL17sc

SPMP-ULRCL Single Parameter Monitoring Panel with SC4500 and Ultra Low Range CL17sc



World Headquarters: Loveland, Colorado USA | hach.com

United States 800-227-4224 fax: 970-669-2932 email: orders@hach.com
Outside United States 970-669-3050 fax: 970-461-3939 email: intl@hach.com

©Hach Company, 2023. All rights reserved.

In the interest of improving and updating its equipment, Hach Company reserves the right to alter specifications to equipment at any time.

DOC053.53.35346.Dec24