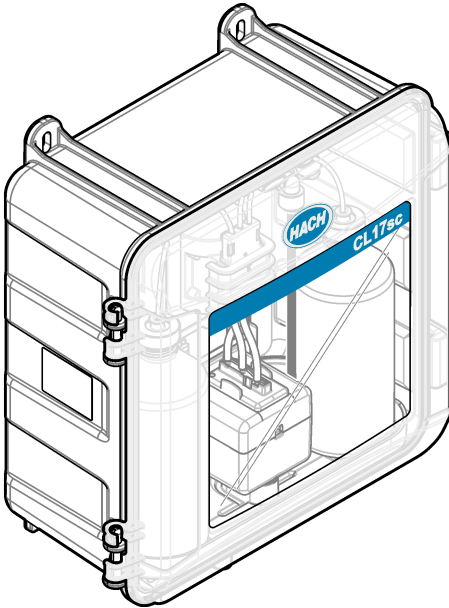




DOC023.97.80614

CL17sc

10/2020, Edition 6



User Manual
Manuel de l'utilisateur
Manual del usuario
Manual do Usuário
用户手册
取扱説明書
사용 설명서
តួនាទី

Table of Contents

English.....	3
Français.....	28
Español.....	56
Português.....	83
中文.....	109
日本語.....	133
한글.....	160
ไทย.....	185

Table of Contents

- 1 [Specifications](#) on page 3
- 2 [General information](#) on page 4
- 3 [Installation](#) on page 8
- 4 [Configuration](#) on page 17
- 5 [Operation](#) on page 19
- 6 [Calibration and adjustment](#) on page 19
- 7 [Maintenance](#) on page 19
- 8 [Troubleshooting](#) on page 25
- 9 [Replacement parts and accessories](#) on page 27

Section 1 Specifications

Specifications are subject to change without notice.

Table 1 General specifications

Specification	Details
Dimensions (W x H x D)	32.9 x 34.2 x 17.7 cm (12.9 x 13.5 x 7.0 in.)
Enclosure	IP66 per IEC 60529 with the door closed and latched ¹
Shipping weight	4.1 kg (9 lb) without bottles; 5.1 kg (11.2 lb) with full bottles
Mounting	Wall mount
Protection class	III
Pollution degree	3
Electrical installation category	I (indoor installation)
Power requirements	12 VDC, 400 mA maximum (supplied by the controller)
Operating temperature	5 to 40 °C (41 to 104 °F)
Operating humidity	0 to 90% non-condensing relative humidity
Storage temperature	-40 to 60 °C (-40 to 140 °F)
Fittings	Sample line: ¼-in. OD quick-connect fitting for plastic tubing Drain lines: slip-on fitting for ½-in. ID soft plastic tubing
Indicator lights	Analyzer status and measurement cycle
Certifications	CE DoC, FCC SDoC, IC, RCM, KC
Warranty	1 year (EU: 2 years)

Table 2 Sample requirements

Specification	Details
Pressure	0.31 to 5.17 bar (4.5 to 75 psig) supplied to Y-strainer; 0.1 to 0.34 bar (1.5 to 5 psig) supplied to analyzer
Flow rate	60 to 200 mL/min through the instrument (measured at analyzer drain)
Temperature	5 to 40 °C (41 to 104 °F)
Filtration	Y-strainer with 40 mesh screen or higher

¹ Drain holes closed with plugs for testing requirements.

Table 3 Measurement specifications

Specification	Details
Light source	LED, measurement at 510 nm; 1 cm light pathlength
Measurement range	0.03–10 mg/L free or total residual chlorine as Cl ₂
Measurement interval	150 seconds
Accuracy	±5% or ±0.04 mg/L from 0 to 5 mg/L (the larger value) as Cl ₂ ±10% from 5 to 10 mg/L as Cl ₂
Precision	±5% or ±0.01 mg/L (the larger value) as Cl ₂
Limit of detection	0.03 mg/L as Cl ₂
Limit of quantitation	0.07 mg/L
Calibration	Factory calibration Optional: 2-point user calibration with calibration standards in Calibration Verification Kit
Reagent usage	0.5 L of buffer solution and 0.5 L of indicator solution in 31 days

Section 2 General information

In no event will the manufacturer be liable for direct, indirect, special, incidental or consequential damages resulting from any defect or omission in this manual. The manufacturer reserves the right to make changes in this manual and the products it describes at any time, without notice or obligation. Revised editions are found on the manufacturer's website.

2.1 Safety information

NOTICE

The manufacturer is not responsible for any damages due to misapplication or misuse of this product including, without limitation, direct, incidental and consequential damages, and disclaims such damages to the full extent permitted under applicable law. The user is solely responsible to identify critical application risks and install appropriate mechanisms to protect processes during a possible equipment malfunction.

Please read this entire manual before unpacking, setting up or operating this equipment. Pay attention to all danger and caution statements. Failure to do so could result in serious injury to the operator or damage to the equipment.

Make sure that the protection provided by this equipment is not impaired. Do not use or install this equipment in any manner other than that specified in this manual.

2.1.1 Use of hazard information

▲ DANGER

Indicates a potentially or imminently hazardous situation which, if not avoided, will result in death or serious injury.

▲ WARNING

Indicates a potentially or imminently hazardous situation which, if not avoided, could result in death or serious injury.

▲ CAUTION

Indicates a potentially hazardous situation that may result in minor or moderate injury.

NOTICE

Indicates a situation which, if not avoided, may cause damage to the instrument. Information that requires special emphasis.

2.1.2 Precautionary labels

Read all labels and tags attached to the instrument. Personal injury or damage to the instrument could occur if not observed. A symbol on the instrument is referenced in the manual with a precautionary statement.



Electrical equipment marked with this symbol may not be disposed of in European domestic or public disposal systems. Return old or end-of-life equipment to the manufacturer for disposal at no charge to the user.

2.1.3 Compliance and certification

▲ CAUTION

This equipment is not intended for use in residential environments and may not provide adequate protection to radio reception in such environments.

Canadian Radio Interference-Causing Equipment Regulation, ICES-003, Class A:

Supporting test records reside with the manufacturer.

This Class A digital apparatus meets all requirements of the Canadian Interference-Causing Equipment Regulations.

Cet appareil numérique de classe A répond à toutes les exigences de la réglementation canadienne sur les équipements provoquant des interférences.

FCC Part 15, Class "A" Limits

Supporting test records reside with the manufacturer. The device complies with Part 15 of the FCC Rules. Operation is subject to the following conditions:

1. The equipment may not cause harmful interference.
2. The equipment must accept any interference received, including interference that may cause undesired operation.

Changes or modifications to this equipment not expressly approved by the party responsible for compliance could void the user's authority to operate the equipment. This equipment has been tested and found to comply with the limits for a Class A digital device, pursuant to Part 15 of the FCC rules. These limits are designed to provide reasonable protection against harmful interference when the equipment is operated in a commercial environment. This equipment generates, uses and can radiate radio frequency energy and, if not installed and used in accordance with the instruction manual, may cause harmful interference to radio communications. Operation of this equipment in a residential area is likely to cause harmful interference, in which case the user will be required to correct the interference at their expense. The following techniques can be used to reduce interference problems:

1. Disconnect the equipment from its power source to verify that it is or is not the source of the interference.
2. If the equipment is connected to the same outlet as the device experiencing interference, connect the equipment to a different outlet.
3. Move the equipment away from the device receiving the interference.
4. Reposition the receiving antenna for the device receiving the interference.
5. Try combinations of the above.

2.2 Product overview

⚠ DANGER



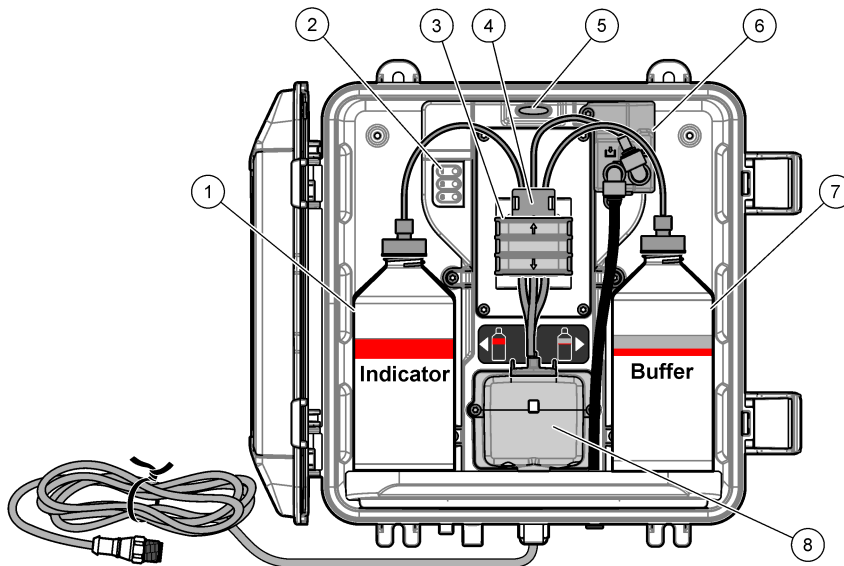
Chemical or biological hazards. If this instrument is used to monitor a treatment process and/or dialysis feed water for which there are regulatory limits and monitoring requirements related to public health, public safety, food or beverage manufacture or processing, it is the responsibility of the user of this instrument to know and abide by any applicable regulation and to have sufficient and appropriate mechanisms in place for compliance with applicable regulations in the event of malfunction of the instrument.

The CL17sc analyzer measures the free chlorine or total chlorine concentration in water in the range of 0.03 to 10 mg/L at 150 second intervals. [Figure 1](#) gives an overview of the analyzer.

Connect the analyzer to an SC Controller for power, operation, data collection, data transmission and diagnostics. Refer to the SC Controller manual for an overview of the controller.

Note: More than one analyzer can be connected to an SC Controller if the controller has more than one quick-connect fitting.

Figure 1 CL17sc



1 Indicator bottle	5 Analyzer status light (Table 5 on page 7)
2 Measurement cycle lights (Table 4 on page 7)	6 Flow meter
3 Pump clamp	7 Buffer bottle
4 Tubing clip	8 Colorimetric cell

2.2.1 Flow meter

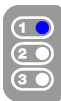
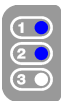

The analyzer has a flow meter that measures the sample flow through the analyzer. Refer to [Figure 1](#) on page 6.

Sample flows through the analyzer only when the analyzer flushes the cell. At other times, there is no sample flow and the flow rate shown is zero. Push the **RIGHT** arrow on the controller to show the flow rate.

2.2.2 Measurement cycle lights

The measurement cycle lights show the step of the measurement cycle being done. Refer to [Table 4](#).

Table 4 Measurement cycle lights

Lights on			
Description	The cell is flushed with water.	The buffer solution and the indicator solution are added to the cell.	The sample is measured.

2.2.3 Analyzer status light

The analyzer status light changes from green to yellow when there is a warning or to red when there is an error. Refer to [Table 5](#).

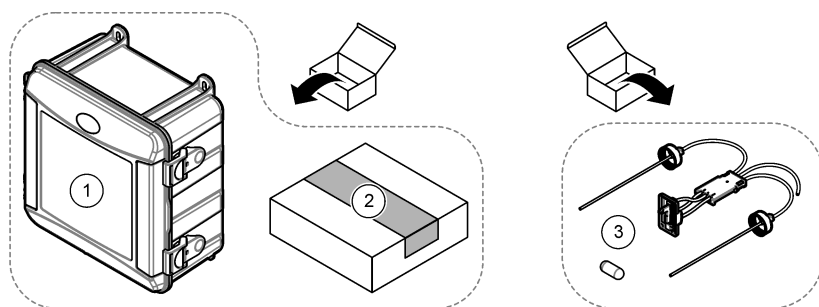
Table 5 Analyzer status light

Color	Description
Green	Normal operation
Yellow	The system needs attention to prevent a failure in the future. Measurements continue. To show the warnings, push menu and select DIAGNOSTICS > [select analyzer] > WARNING LIST. Refer to Warnings—Yellow light on page 25.
Red	The system needs immediate attention. Measurements have stopped. To show the errors, push menu and select DIAGNOSTICS > [select analyzer] > ERROR LIST. Refer to Errors—Red light on page 25.

2.3 Product components

Make sure that all components have been received. Refer to [Figure 2](#). If any items are missing or damaged, contact the manufacturer or a sales representative immediately.

Figure 2 Product components



1 CL17sc analyzer	3 Tubing Kit (tubing harness and stir bar)
2 Installation kit	

Section 3 Installation

⚠ CAUTION



Multiple hazards. Only qualified personnel must conduct the tasks described in this section of the document.

3.1 Installation guidelines

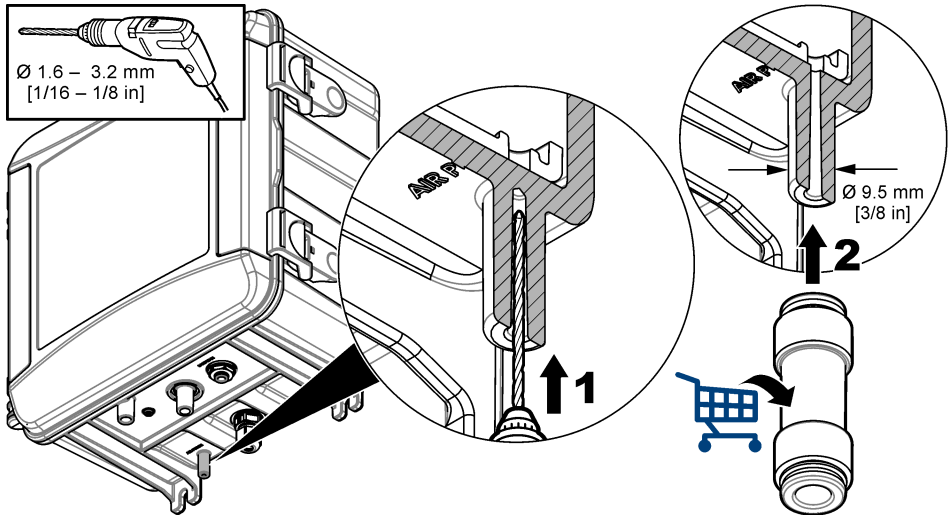
- The analyzer is supplied with a standpipe installation kit or a pressure regulator installation kit to control the water pressure to the analyzer. The user selects the installation kit at the time of purchase.
- Install the analyzer indoors in an environment with minimum vibration. Refer to the operating temperature and humidity specifications in [Specifications](#) on page 3.
- Do not install the analyzer in direct sunlight or near a heat source.
- For standpipe installations, install the analyzer in a location with 61 cm (2 ft) of free space above the analyzer for the standpipe mounting.
- Install the analyzer near an open drain. Refer to local regulatory agency instructions for disposal.

3.2 Step 1: Air purge (optional)

Air purge may be necessary if the analyzer is installed in a location with high humidity and/or fumes that cause corrosion. The air purge keeps positive pressure in the instrument with dry and clean air.

Supply clean, dry instrument-quality air at 0.003 m³/minute (0.1 ft³/minute) at 20 psig maximum.

Refer to the illustrated steps that follow. The $\frac{3}{8}$ -inch quick-connect fitting and tubing is supplied by the user.



3.3 Step 2: Mount and plumb the analyzer

▲ CAUTION



Only the tubing specified by Hach Company may be used with the instrument. Other tubing may absorb chlorine that is in the sample water and have a negative effect on chlorine readings (decrease the chlorine readings).

NOTICE

Incorrect plumbing of the analyzer can cause damage because of excess sample pressure. Always obey the instructions that follow to mount and plumb the analyzer.

1. Attach the analyzer (item 9) to a wall with four screws. Make sure that the analyzer is level.

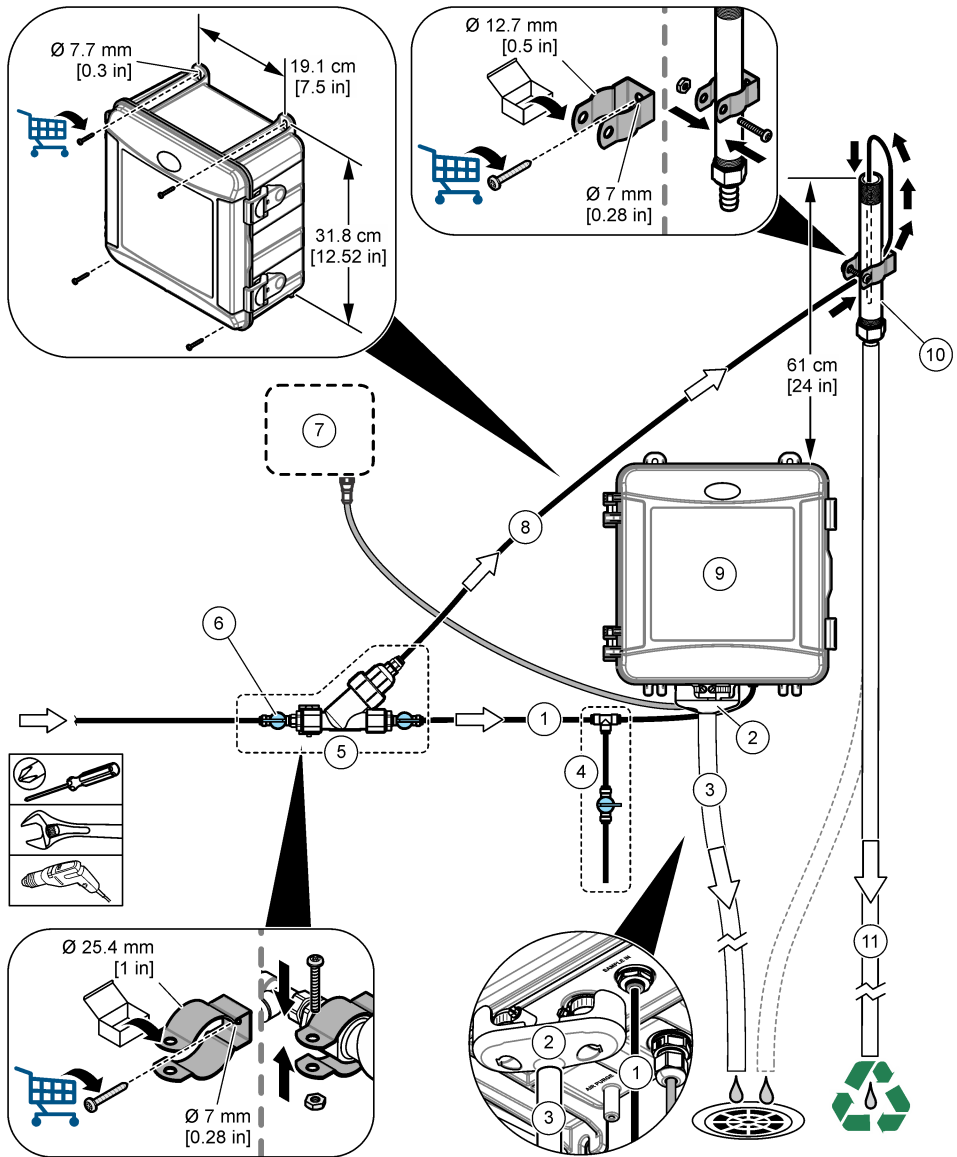
Note: *The user supplies the mounting hardware.*

2. Attach the SC Controller (item 7) to a wall, panel or pipe. Refer to the SC Controller documentation for instructions.
3. Assemble the Y-strainer. Refer to the instructions on the packing list.
4. Use the 1-inch conduit clamp to mount the Y-strainer assembly (item 5 in [Figure 3](#) or [Figure 4](#)).
5. Install the external air break on the analyzer (item 2 in [Figure 3](#) or [Figure 4](#)). Refer to the instructions on the packing list.
6. Do step [7](#) or [8](#).

The analyzer is supplied with a standpipe installation kit (refer to [Figure 3](#)) or a pressure regulator installation kit (refer to [Figure 4](#)) to control the water pressure to the analyzer. The user selects the installation kit at the time of purchase.

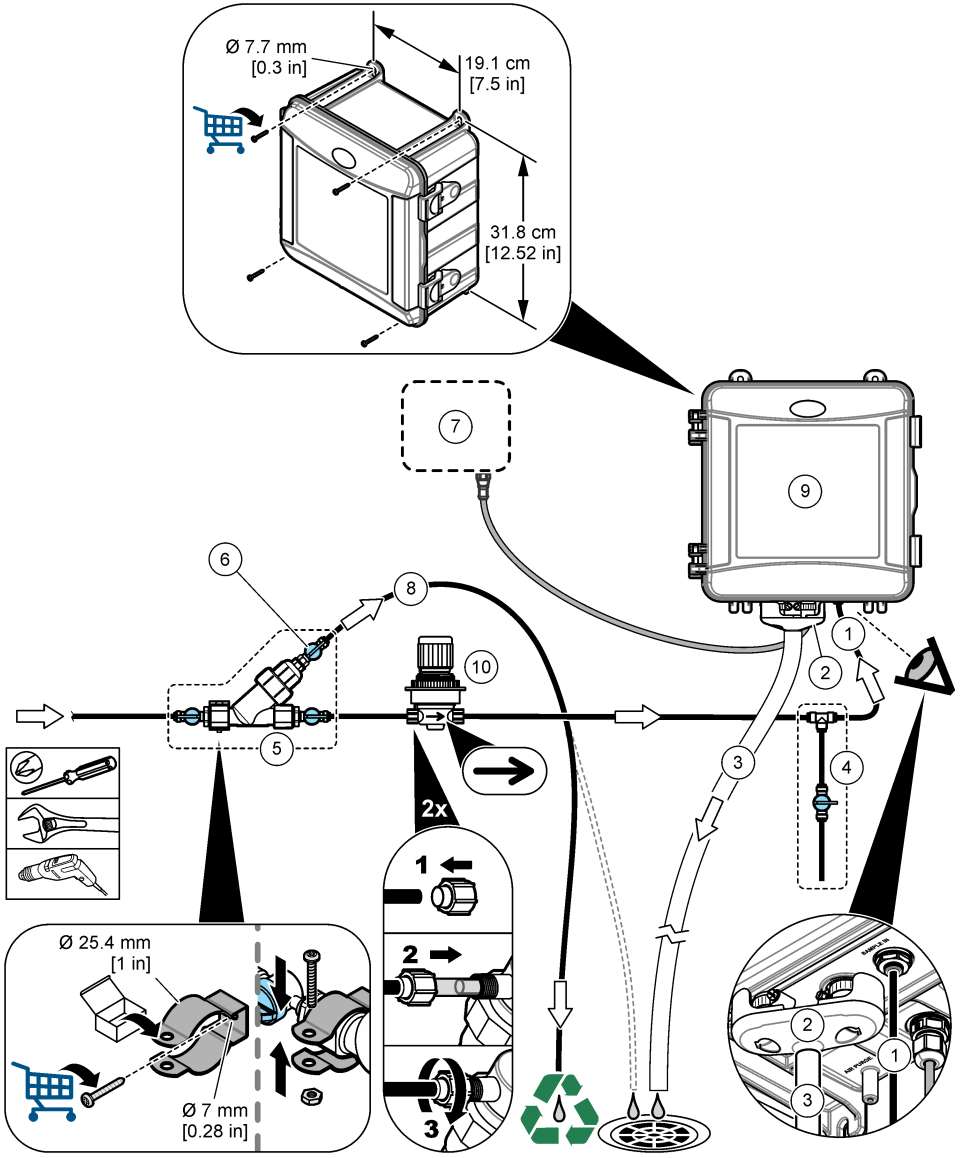
7. If a standpipe installation kit was selected at the time of purchase, install the standpipe as follows:
 - a. Assemble the standpipe. Refer to the instructions on the packing list.
 - b. Use the smaller conduit clamp to mount the standpipe assembly a minimum of 61 cm (24 in.) above the top of the analyzer. Refer to item 10 in [Figure 3](#).
 - c. With the black tubing, install the sample bypass tubing (item 8). Push the tubing behind and then into the standpipe. Put the tubing 10–13 cm (4–5 in.) in the top of the standpipe.
 - d. Cut a length of tubing from the sample drain tubing (item 3). Use the tubing to plumb the bottom of the standpipe to an open drain (item 11 in [Figure 3](#)). Refer to [Drain line guidelines](#) on page 12.
8. If a pressure regulator installation kit was selected at the time of purchase, install the pressure regulator (item 10 in [Figure 4](#)).
9. With the black tubing, connect the Y-strainer inlet (item 5) to the sample source.
Refer to [Sample line guidelines](#) on page 12 and [Sample requirements](#) on page 12.
10. With the black tubing, connect the Y-strainer outlet (or the outlet of the pressure regulator) to the sample inlet fitting (item 1) on the bottom of the analyzer. Make the tubing as short as possible and a maximum of 2.5 m (8 ft).
11. If a pressure regulator was installed, install the sample bypass tubing (item 8 in [Figure 4](#)).
12. Assemble and plumb the grab sample assembly (item 4) as follows:
 - a. Assemble the grab sample assembly.
 - b. Plumb the tee fitting between the Y-strainer and the analyzer. Refer to [Figure 3](#) or [Figure 4](#).
13. Plumb the sample drain tubing (item 3) to an open drain. Refer to [Drain line guidelines](#) on page 12.

Figure 3 Installation with a standpipe



1 Sample inlet tubing	7 SC Controller
2 External air break	8 Sample bypass tubing
3 Sample drain tubing	9 Analyzer
4 Grab sample assembly	10 Standpipe
5 Y-strainer assembly	11 Standpipe drain tubing
6 Shut-off valve at Y-strainer inlet	

Figure 4 Installation with a pressure regulator



1 Sample inlet tubing	6 Shut-off valve at Y-strainer bypass
2 External air break	7 SC Controller
3 Sample drain tubing	8 Sample bypass tubing
4 Grab sample assembly	9 Analyzer
5 Y-strainer assembly	10 Pressure regulator

3.3.1 Sample line guidelines

Select a good, representative sampling point for the best instrument performance. The sample must be representative of the entire system.

To prevent erratic readings:

- Collect samples from locations that are sufficiently distant from points of chemical additions to the process stream.
- Make sure that the samples are sufficiently mixed.
- Make sure that all chemical reactions are complete.
- Install the analyzer as near the sample source as possible (4.6 m (15 ft) maximum).

3.3.2 Sample requirements

The water from the sample source(s) must agree with the specifications in [Specifications](#) on page 3. Keep the sample flow rate and operating temperature as constant as possible for best performance.

3.3.3 Drain line guidelines

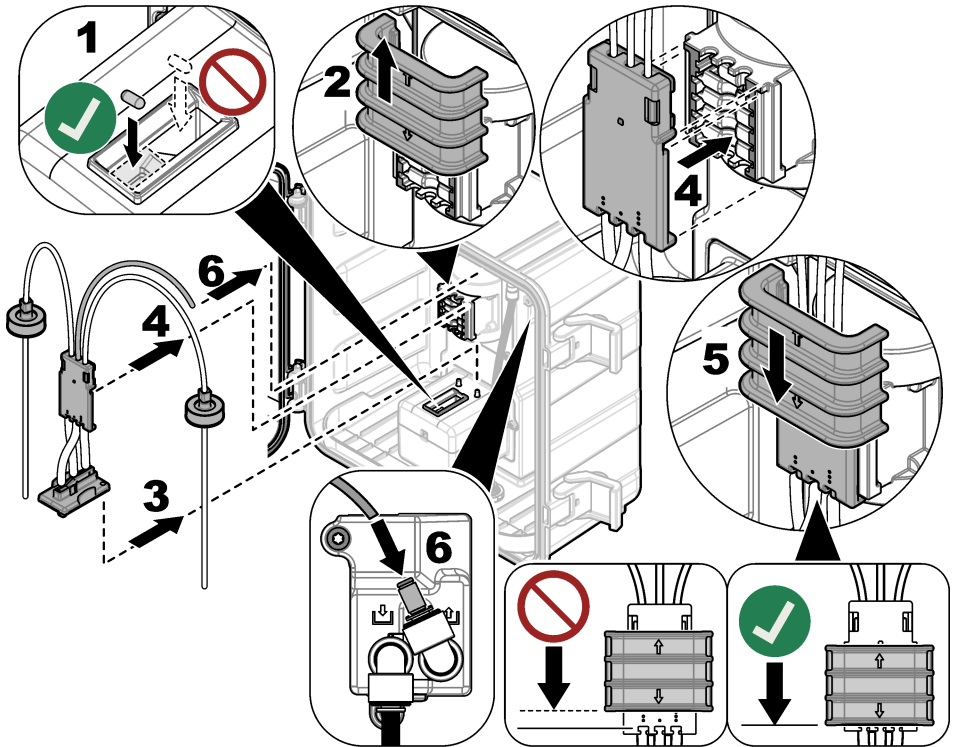
NOTICE

Incorrect installation of the drain lines can cause liquid to go back into the instrument and cause damage.

- Make sure to install the external air break. Refer to [Figure 3](#) on page 10 or [Figure 4](#) on page 11.
- Make the drain lines as short as possible.
- Make sure that the drain lines have a constant slope down.
- Make sure that the drain lines do not have sharp bends and are not pinched.

3.4 Step 3: Install the stir bar and tubing harness

Do the illustrated steps that follow.



3.5 Step 4: Install the reagent bottles

⚠ CAUTION



Chemical exposure hazard. Obey laboratory safety procedures and wear all of the personal protective equipment appropriate to the chemicals that are handled. Refer to the current safety data sheets (MSDS/SDS) for safety protocols.

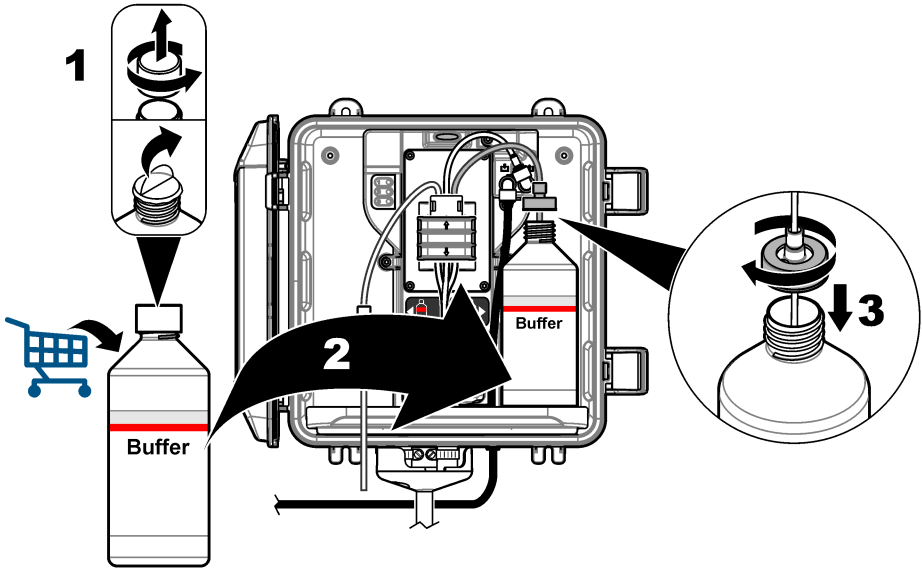
Items to collect:

- Personal protective equipment (refer to MSDS/SDS)
- Indicator bottle
- Buffer bottle
- DPD compound bottle

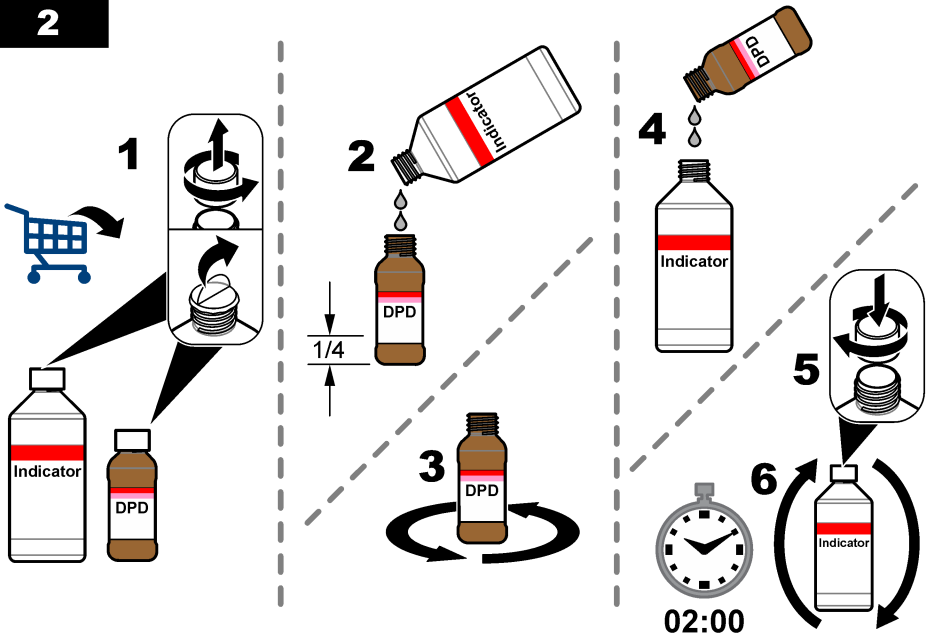
1. Put on the personal protective equipment identified in the safety data sheets (MSDS/SDS).
2. Install the buffer bottle on the right side and the indicator bottle on the left side. Refer to the illustrated steps that follow.

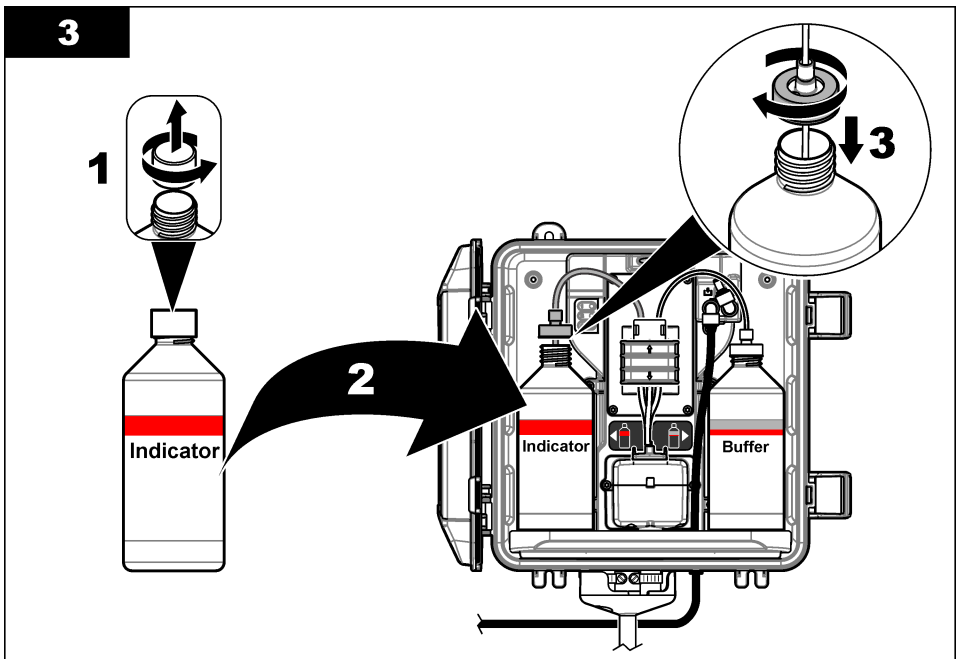
Note: (Optional) Use the top of the analyzer as a shelf.

1



2





3.6 Step 5: Set the sample flow to on

1. Slowly turn the shut-off valve(s) to the open position $\frac{1}{4}$ turn.
2. Make sure that there are no leaks at the plumbing connections. If there is a leak, push the tube farther into the fitting or tighten the connection with a wrench.
3. For standpipe installations, do the steps that follow:
 - a. Fully open the shut-off valve at the Y-strainer outlet.
 - b. Turn the shut-off valve at the Y-strainer inlet (item 6 in [Figure 3](#) on page 10) until a small stream of water comes out of the standpipe drain tubing.
4. For pressure regulator installations, do the steps that follow:
 - a. Fully open the shut-off valves at the Y-strainer inlet and outlet.
 - b. Turn the shut-off valve at the Y-strainer bypass (item 6 in [Figure 4](#) on page 11) until a small stream of water comes out of the Y-strainer bypass tubing.

3.7 Step 6: Electrical installation

3.7.1 Connect the analyzer to the controller

⚠ WARNING



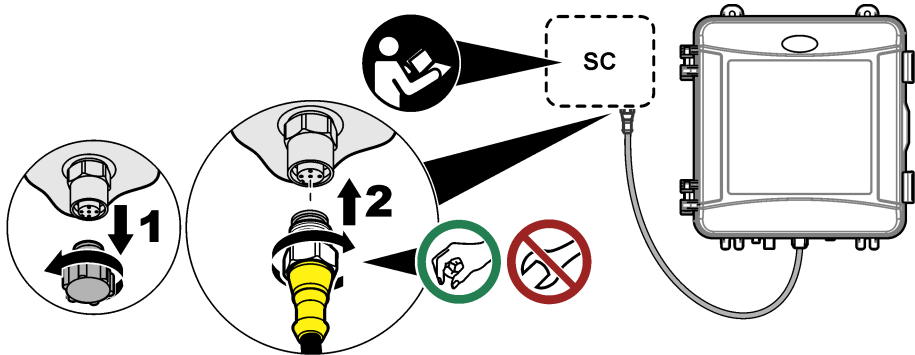
Electrical shock hazard. Externally connected equipment must have an applicable country safety standard assessment.

Connect the analyzer cable to the quick-connect fitting of the SC controller. Refer to [Figure 5](#).

Keep the connector cap to seal the connector opening in case the cable must be removed.

Note: Extension cables are available. Refer to [Replacement parts and accessories](#) on page 27. The maximum cable length is 15 m (49 ft).

Figure 5 Connect the cable to a quick-connect fitting



3.7.2 Connect the controller to power

Connect the controller to line power by hard-wiring in conduit or wiring to a power cord. Refer to the controller documentation for instructions.

3.7.3 Connect external devices to the controller

Connect the controller relays, analog outputs and digital inputs to external devices as necessary. Refer to the controller documentation for instructions.

3.8 Step 7: Set up and prime the analyzer

1. Push **menu**, then select SENSOR SETUP > [select analyzer] > PRIME.
2. If the controller does not recognize the analyzer is connected, do the steps that follow:
 - a. Push **menu**, then select TEST/MAINT > SCAN SENSORS.
 - b. When the sensor is found and installed, do step 1 again.

3.9 Step 8: Set the flow rate

1. Push the **RIGHT** arrow on the controller to show the flow rate. Sample flows through the analyzer only when the analyzer flushes the cell. At other times, there is no sample flow and the flow rate shown is zero. Refer to [Table 4](#) on page 7 for descriptions of the measurement cycle steps.

Note: To manually measure the flow rate through the analyzer, measure the flow rate at the analyzer drain when the analyzer flushes the cell with water.

2. For standpipe installations, turn the shut-off valve at the Y-strainer outlet to set the flow rate between 60 and 200 mL/min when the analyzer flushes the cell with water.
3. For pressure regulator installations, adjust the pressure regulator to set the flow rate between 60 and 200 mL/min when the analyzer flushes the cell with water.

3.10 Step 9: Install the latest software

Make sure that the SC Controller has the latest software installed. Use an SD card to install the latest software on the SC Controller.

1. Go to the product page for the applicable SC Controller on <http://hach.com>.
2. Click the "Downloads" tab.
3. Scroll down to "Software/Firmware".
4. Click the link for the SC Controller software.
5. Save the files to an SD card.
6. Install the files on the SC Controller. Refer to the software installation instructions supplied with the software files.

Section 4 Configuration

4.1 Step 10: Configure the analyzer

Set the analyzer name, signal average, type of chlorine measured, bubble reject and chlorine alarm setpoints.

1. Push **menu**, then select SENSOR SETUP > [select analyzer] > CONFIGURE.
2. Select and configure each option.

Option	Description
EDIT NAME	Sets the name of the analyzer. The name of the analyzer shows on the controller display and in the log files.
SIGNAL AVERAGE	<p>Sets the number of measurements used to calculate the average measurement shown on the display. Options: 1 (default), 2, 3 or IRREGULAR VALUE.</p> <p>When SIGNAL AVERAGE is set to 1, signal averaging is disabled.</p> <p>When SIGNAL AVERAGE is set to 2 or 3, an average reading shows on the display. For example, the measurement on the display is equal to the last and previous measurement divided by two when SIGNAL AVERAGE is set to 2.</p> <p>When SIGNAL AVERAGE is set to IRREGULAR VALUE, the analyzer rejects a reading that is unusually higher or lower than the latest readings. When a reading is rejected, the last good reading shows on the display and is saved to the data log. No more than three consecutive readings are rejected.</p> <p>Signal averaging corrects for incorrect reading fluctuations that are caused by bubbles and/or larger particles in the sample.</p>
MEASUREMENT	<p>Sets the type of chlorine measured. If the buffer and indicator bottles have "Free Chlorine" on their labels, select FREE CHLORINE (default).</p> <p>If the buffer and indicator bottles have "Total Chlorine" on their labels, select TOTAL CHLORINE.</p>
BUBBLE REJECT	Sets the bubble reject to on or off (default). Set BUBBLE REJECT to ON to decrease noise caused by bubbles in the sample. Air bubbles in the sample can cause the readings to not be stable.
HIGH CL ALARMS	Sets the chlorine concentration setpoint for the high chlorine alarm—0.00 to 10.00 mg/L (default: 4.00 mg/L).
LOW CL ALARMS	Sets the chlorine concentration setpoint for the low chlorine alarm—0.00 to 10.00 mg/L (default: 0.20 mg/L).
SENSOR INFO	Shows the analyzer serial number, software version, boot version and driver version.
DEFAULT SETTINGS	Select YES to change the configuration settings back to the factory default values.
SERVICE	For service use only

4.2 System configuration

Refer to the controller documentation for system configuration, general controller settings and setup for outputs and communications.

4.3 User navigation

Refer to the controller documentation for keypad description and navigation information.

Push the **RIGHT** arrow key on the controller multiple times to show more information on the home screen and to show a graphical display.

Section 5 Operation

5.1 Data, event and service logs

The controller provides access to a data log, event log and service log for each connected instrument. The CL17sc measurements are saved automatically to the data log at 150 second intervals. The event log shows the events that have occurred. The event and data logs keep approximately 2 weeks of data when the analyzer operates continuously. The service log keeps approximately 24 hours of data when the analyzer operates continuously.

Refer to the controller documentation to download the data log, event log and/or service log. The data log is an XML file that can be saved in CSV or Excel format. The event log and service log are files in CSV format.

5.2 Measure a GRAB SAMPLE IN

Use the GRAB SAMPLE IN menu to add a water sample of known chlorine concentration to the cell for measurement. When necessary, measure a grab sample for verification or to measure a water sample collected from another location.

1. Push **menu**, then select **SENSOR SETUP > [select analyzer] > GRAB SAMPLE IN**.
2. Complete the steps that show on the display. When prompted, remove the cell lid and add 50 mL of the grab sample to the cell. Some of the sample will flow to the sample drain.

5.3 Modbus registers

A list of Modbus registers is available for network communication. Refer to the manufacturer's website for more information.

Section 6 Calibration and adjustment

The calibration curve of the analyzer is set at the factory for performance to specifications. Calibration can be done for performance verification.

No user adjustments to the factory calibration curve are recommended unless required by a regulatory agency for compliance reporting purposes, or a large repair of the analyzer is done.

For more information, refer to the instructions in the Calibration Verification Kit or contact technical support.

Section 7 Maintenance

▲ CAUTION



Multiple hazards. Only qualified personnel must conduct the tasks described in this section of the document.

NOTICE

Do not disassemble the instrument for maintenance. If the internal components must be cleaned or repaired, contact the manufacturer.

7.1 Maintenance schedule

Table 6 shows the recommended schedule of maintenance tasks. Facility requirements and operating conditions may increase the frequency of some tasks.

Table 6 Maintenance schedule

Task	1 month	6 months	As necessary
Clean the cell on page 20	X ²		
Replace the reagent bottles on page 21	X		
Replace the stir bar and tubing harness ³		X	
Clean the screen in the Y-strainer on page 22			X

7.2 Clean the cell

▲ CAUTION



Chemical exposure hazard. Obey laboratory safety procedures and wear all of the personal protective equipment appropriate to the chemicals that are handled. Refer to the current safety data sheets (MSDS/SDS) for safety protocols.

Clean the cell at 1-month intervals or more frequently if necessary.

Items to collect:



Cotton swabs⁴



5.25 N Sulfuric Acid Solution⁵

- Put on the personal protective equipment identified in the safety data sheets (MSDS/SDS).
- Push **menu**, then select SENSOR SETUP > [select analyzer] > TASKS > CLEAN CELL.
Note: To stop a selected task, push home.
- Push **enter** to stop measurements.
- Select an option.

Option	Description
HOLD	The controller outputs are held at the last measured value.
TRANSFER	The controller outputs change to the transfer value.

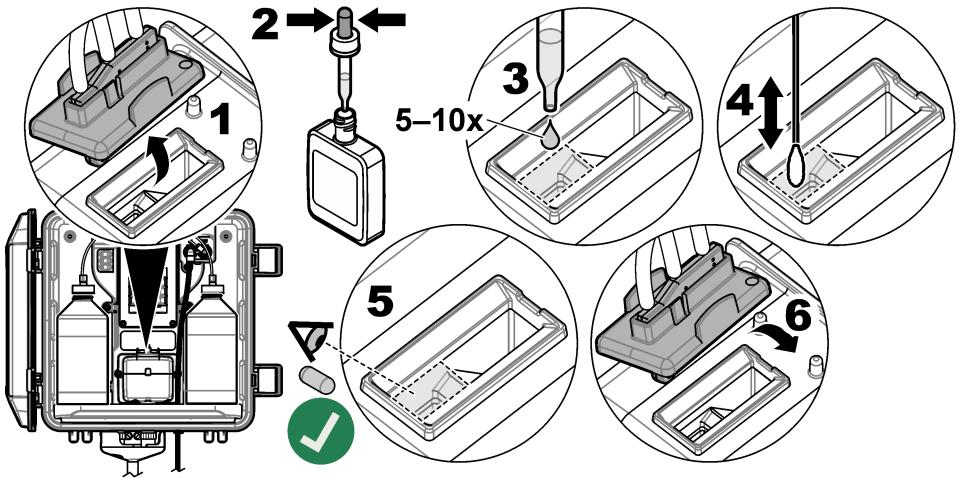
- When the status light flashes, do the illustrated steps that follow. Make sure that there is no unwanted material in the cell. When done, push **enter**.

² Clean the cell more or less frequently as necessary.

³ Refer to the instructions supplied with the Tubing Kit.

⁴ Refer to [Replacement parts and accessories](#) on page 27.

⁵ Do not use other cleaning solutions. Refer to [Replacement parts and accessories](#) on page 27.



6. When "TASK COMPLETE" shows on the display, push **enter**.
The analyzer starts a measurement cycle in approximately 30 seconds.

7.3 Replace the reagent bottles

⚠ CAUTION	
	Chemical exposure hazard. Obey laboratory safety procedures and wear all of the personal protective equipment appropriate to the chemicals that are handled. Refer to the current safety data sheets (MSDS/SDS) for safety protocols.
⚠ CAUTION	
	Chemical exposure hazard. Dispose of chemicals and wastes in accordance with local, regional and national regulations.

Replace the reagents bottles at 1-month intervals.

- Put on the personal protective equipment identified in the safety data sheets (MSDS/SDS).
- Push **menu**, then select SENSOR SETUP > [select analyzer] > TASKS > CHANGE REAGENTS.
Note: To stop a selected task, push home.

- Push **enter** to stop measurements.
- Select an option.

Option	Description
HOLD	The controller outputs are held at the last measured value.
TRANSFER	The controller outputs change to the transfer value.

- Wait for the status light to flash.
- Replace the buffer bottle as follows:
Note: (Optional) Use the top of the analyzer as a shelf.
 - Remove the cap and seal from the new buffer bottle.
 - Remove the used buffer bottle from the analyzer.
 - Put the buffer tubing in the new buffer bottle on the right side of the analyzer. Tighten the cap.

7. Replace the indicator bottle as follows:

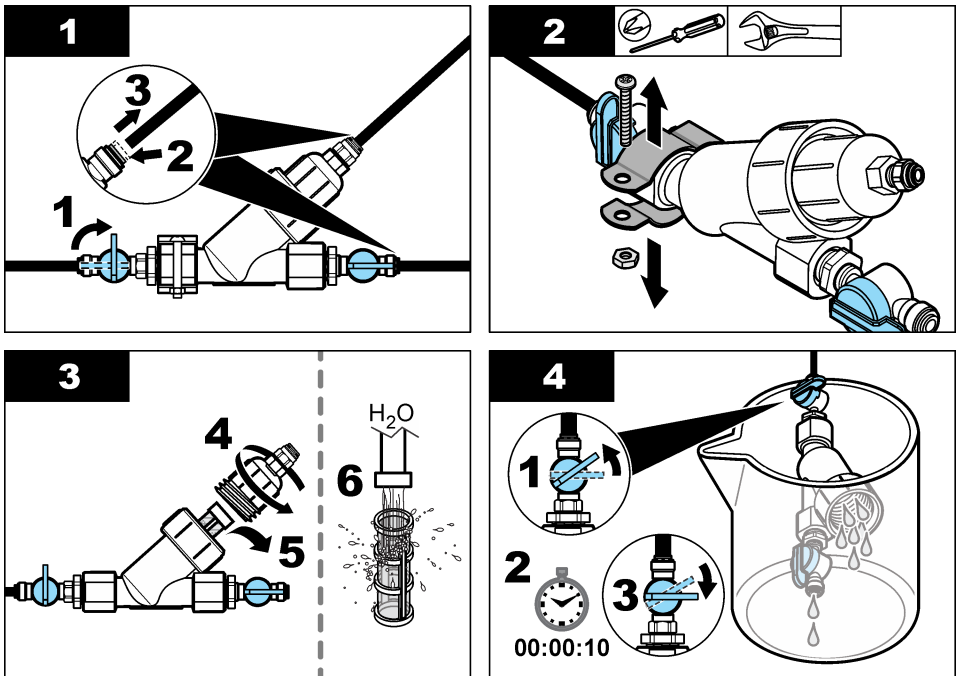
- a. Remove the cap and seal from the indicator bottle and the brown DPD bottle.
- b. Fill the brown DPD bottle approximately $\frac{1}{4}$ full with indicator solution.
- c. Swirl the DPD bottle to mix.
- d. Put the contents of the DPD bottle into the indicator bottle.
- e. Invert the indicator bottle until all of the powder is dissolved (2 minutes).
- f. Remove the used indicator bottle from the analyzer.
- g. Put the indicator tubing in the new indicator bottle on the left side of the analyzer. Tighten the cap.

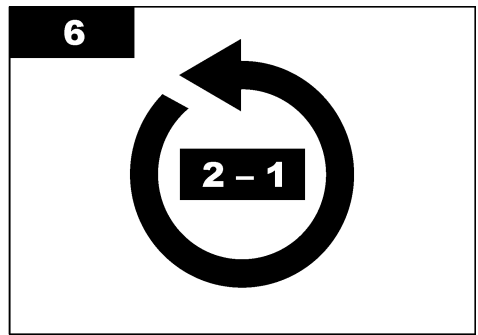
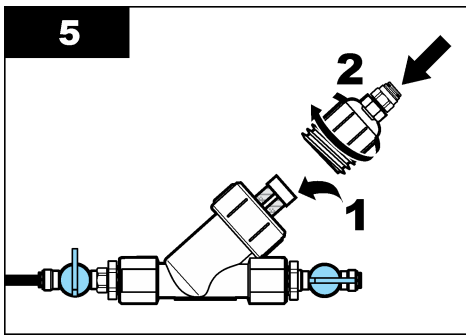
8. Push **enter**.

9. When "TASK COMPLETE" shows on the display, push **enter**. The analyzer starts a measurement cycle in approximately 30 seconds.

7.4 Clean the screen in the Y-strainer

Clean the screen in the Y-strainer when there is a blockage, which is identified with a LOW SAMPLE FLOW warning. Complete the illustrated steps that follow.





7.5 Prepare for storage

▲ CAUTION



Chemical exposure hazard. Obey laboratory safety procedures and wear all of the personal protective equipment appropriate to the chemicals that are handled. Refer to the current safety data sheets (MSDS/SDS) for safety protocols.

If power to the analyzer will be removed for more than 3 days or the analyzer will not be used for more than 3 days, prepare the analyzer for storage.

Items to collect:



Beaker with deionized water (2x)

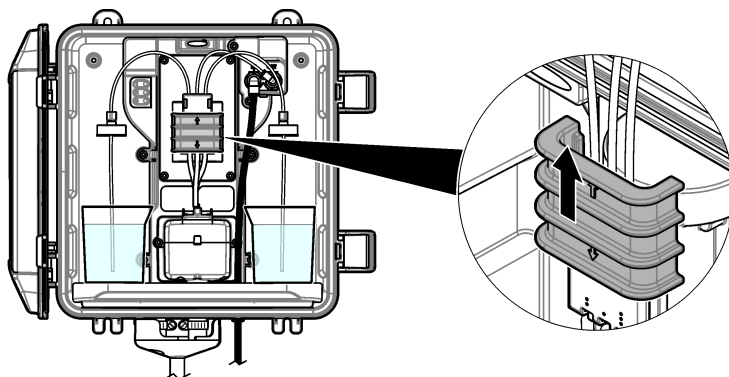


Disposable dropper or no-lint cloth

1. Remove the reagents from the reagent lines as follows:
 - a. Remove the indicator bottle and buffer bottle from the analyzer.
 - b. Put two beakers (or containers) that contain deionized water in the analyzer.
 - c. Put the indicator bottle tubing and the buffer bottle tubing in the beakers.
 - d. Push **menu**, then select **SENSOR SETUP** > [select analyzer] > **PRIME**.
The analyzer removes the reagents from the reagent lines.
2. Remove the deionized water from the reagent lines as follows:
 - a. Remove the indicator bottle tubing and the buffer bottle tubing from the beakers.
 - b. Remove the two beakers from the analyzer.
 - c. Push **menu**, then select **SENSOR SETUP** > [select analyzer] > **PRIME**.
The analyzer removes all of the liquid from the reagent lines.
3. Disconnect the analyzer cable from the controller (or remove power to the controller).
4. Turn the shut-off valve to the closed position to stop sample flow to the Y-strainer.
5. Remove the pump clamp. Refer to [Figure 6](#). Keep the pump clamp for later use.
6. Remove the water from the cell as follows:
 - a. Remove the lid from the cell.
 - b. Remove the water from the cell with a disposable dropper or a no-lint cloth.
 - c. Install the lid on the cell.
7. To start the analyzer after storage, do the steps that follow:
 - a. Install the pump clamp. Refer to [Figure 6](#).
 - b. Install reagent bottles. Refer to [Step 4: Install the reagent bottles](#) on page 13.

- c. Set the shut-off valve to open to start sample flow to the Y-strainer.
- d. Connect the analyzer cable to the controller, if the cable was disconnected.
- e. Supply power to the controller, if power was removed.
- f. Push **menu**, then select SENSOR SETUP > [select analyzer] > PRIME.

Figure 6 Remove the pump clamp



7.6 Prepare for shipping

⚠ CAUTION



Chemical exposure hazard. Obey laboratory safety procedures and wear all of the personal protective equipment appropriate to the chemicals that are handled. Refer to the current safety data sheets (MSDS/SDS) for safety protocols.

To prepare the analyzer for shipping, do the steps that follow.

Items to collect:



Beaker with deionized water (2x)



Original packaging

1. Remove the reagents from the reagent lines as follows:
 - a. Remove the indicator bottle and buffer bottle from the analyzer.
 - b. Put two beakers (or containers) that contain deionized water in the analyzer.
 - c. Put the indicator bottle tubing and the buffer bottle tubing in the beakers.
 - d. Push **menu**, then select SENSOR SETUP > [select analyzer] > PRIME.
The analyzer removes the reagents from the reagent lines.
2. Remove the deionized water from the reagent lines as follows:
 - a. Remove the indicator bottle tubing and the buffer bottle tubing from the beakers.
 - b. Remove the two beakers from the analyzer.
 - c. Push **menu**, then select SENSOR SETUP > [select analyzer] > PRIME.
The analyzer removes all of the liquid from the reagent lines.
3. Disconnect the analyzer cable from the controller.
4. Turn the shut-off valve to the closed position to stop sample flow to the Y-strainer.
5. Disconnect the sample inlet (black) tubing and drain (clear) tubing from the analyzer.
6. Remove the external air break from the analyzer.

7. Remove the pump clamp. Refer to [Figure 6](#) on page 24.
8. Remove the tubing harness and stir bar from the analyzer. Keep the tubing harness for shipment with the analyzer. Refer to [Step 3: Install the stir bar and tubing harness](#) on page 13.
9. Install the pump clamp without the tubing harness. Put tape on the tubing clamp to hold the tubing clamp tightly.
10. Remove the water from the cell with a disposable dropper or a no-lint cloth.
11. Remove the analyzer from the wall.
12. Put the analyzer back in the original packaging.

7.7 Clean the instrument

NOTICE

Never use cleaning agents such as turpentine, acetone or similar products to clean the instrument including the display and accessories.

Clean the exterior of the instrument with a moist cloth and a mild soap solution.

7.8 Clean spills

CAUTION



Chemical exposure hazard. Dispose of chemicals and wastes in accordance with local, regional and national regulations.

1. Obey all facility safety protocols for spill control.
2. Discard the waste according to applicable regulations.

Section 8 Troubleshooting

8.1 Errors—Red light

To show the errors, push **menu** and select DIAGNOSTICS > [select analyzer] > ERROR LIST. A list of possible errors is shown in [Table 7](#).

The analyzer status light changes to red when an error occurs. When an error occurs, measurements stop, the measurement screen flashes and all outputs are held as specified in the controller menu.

Table 7 Error messages

Error	Description	Solution
DETECTOR ERROR	A detector does not operate correctly.	Contact technical support.
DIRTY CELL	The cell is stained or dirty.	Clean the cell. Refer to Clean the cell on page 20.
CODE ERROR	A firmware error occurred.	Contact technical support.
LED ERROR	The light in the cell does not operate correctly.	Contact technical support.
PUMP ERROR	The pump does not operate correctly.	Contact technical support.
SAMPLE LEAK	There is a sample leak in the analyzer.	Contact technical support.

8.2 Warnings—Yellow light

To show the warnings, push **menu** and select DIAGNOSTICS > [select analyzer] > WARNING LIST. A list of possible warnings is shown in [Table 8](#).

The status indicator light changes to yellow when a warning occurs. If sufficient sample flow is available, a warning does not affect the operation of menus. A warning does not affect the operation of the relays and outputs. A warning icon flashes and a message is shown on the bottom of the controller display.

Table 8 Warning messages

Warning	Description	Solution
BUBBLES DETECTED	There are bubbles in the cell.	Clean the cell. Refer to Clean the cell on page 20. (Optional) Set the BUBBLE REJECT setting to on. Refer to Step 10: Configure the analyzer on page 17.
CLEAN CELL SOON	The cell is getting stained or dirty and should be cleaned soon to prevent an error.	Clean the cell. Refer to Clean the cell on page 20.
HIGH CHLORINE	The chlorine concentration is at or more than the HIGH CL ALARMS setpoint.	Increase the HIGH CL ALARMS setting. Refer to Step 10: Configure the analyzer on page 17. Or Decrease the chlorine concentration of the sample supplied to the analyzer.
LOW CHLORINE	The chlorine concentration is at or less than the LOW CL ALARMS setpoint.	Decrease the LOW CL ALARMS setting. Refer to Step 10: Configure the analyzer on page 17. Or Increase the chlorine concentration of the sample supplied to the analyzer.
LOW SAMPLE FLOW	The sample flow measured is less than the minimum sample flow rate. Refer to Specifications on page 3.	Set the sample flow rate. Refer to Step 8: Set the flow rate on page 16. Clean the filter in the Y-strainer if necessary to remove a blockage. Refer to Clean the screen in the Y-strainer on page 22. <i>Note: When a LOW SAMPLE FLOW warning occurs, the analyzer temporarily stops measurements. When the flow rate is again within the flow rate specification, the analyzer automatically starts measurements.</i>
HIGH SAMPLE FLOW	The sample flow measured is more than the maximum sample flow rate. Refer to Specifications on page 3.	Set the sample flow rate. Refer to Step 8: Set the flow rate on page 16.

Section 9 Replacement parts and accessories

⚠ WARNING



Personal injury hazard. Use of non-approved parts may cause personal injury, damage to the instrument or equipment malfunction. The replacement parts in this section are approved by the manufacturer.

Note: Product and Article numbers may vary for some selling regions. Contact the appropriate distributor or refer to the company website for contact information.

Consumables

Description	Quantity	Item no.
Reagent Set, Free Chlorine, includes: Buffer bottle, indicator bottle and DPD bottle	1	2556900
Reagent Set, Total Chlorine, includes: Buffer bottle, indicator bottle and DPD bottle	1	2557000
Cell cleaning kit, includes: Sulfuric Acid, 5.25 N, 100 mL, dropper bottle and cotton swabs (10x)	1	8573100
Calibration Verification Kit	1	8568200
Calibration Verification Refill Kit	1	8573200

Replacement parts

Description	Item no.
Tubing Kit, includes: Tubing harness and stir bar	8560400
Installation kit with standpipe	8560500
Installation kit with pressure regulator	8565700

Accessories

Description	Item no.
Extension cable for analyzer, 1 m (3.2 ft)	6122400
Extension cable for analyzer, 7.7 m (25 ft)	5796000
Extension cable for analyzer, 15 m (50 ft)	5796100
Tubing adapter, 6 mm OD to 1/4-inch OD	09184=A=4020

Table des matières

- | | |
|--|--|
| 1 Caractéristiques techniques à la page 28 | 6 Etalonnage et réglage à la page 46 |
| 2 Généralités à la page 29 | 7 Maintenance à la page 46 |
| 3 Installation à la page 33 | 8 Dépannage à la page 52 |
| 4 Configuration à la page 44 | 9 Pièces de rechange et accessoires à la page 55 |
| 5 Fonctionnement à la page 46 | |

Section 1 Caractéristiques techniques

Ces caractéristiques sont susceptibles d'être modifiées sans avis préalable.

Tableau 1 Caractéristiques générales

Caractéristique	Détails
Dimensions (L x H x P)	32,9 x 34,2 x 17,7 cm (12,9 x 13,5 x 7,0 po)
Boîtier	IP66 conformément à la norme CEI 60529 avec porte fermée et verrouillée ¹
Poids d'expédition	4,1 kg (9 lb) sans les flacons ; 5,1 kg (11,2 lb) avec tous les flacons
Montage	Montage mural
Classe de protection	III
Niveau de pollution	3
Catégorie d'installation électrique	I (installation intérieure)
Alimentation électrique	12 V CC, 400 mA maximum (fournie par le transmetteur)
Température de fonctionnement	5 à 40 °C (41 à 104 °F)
Humidité de fonctionnement	0 à 90 % humidité relative sans condensation
Température de stockage	-40 à 60 °C (-40 à 140 °F)
Raccords	Conduite d'échantillon : raccord à connexion rapide de diamètre externe ¼ po pour tuyaux en plastique Conduites d'évacuation : raccord coulissant de diamètre interne 0,5 po pour tuyaux en plastique souple
Voyants indicateurs	Etat de l'analyseur et cycle de mesure
Certifications	CE DoC, FCC SDoC, IC, RCM, KC
Garantie	1 an (UE : 2 ans)

Tableau 2 Exigences relatives à l'échantillon

Caractéristique	Détails
Pression	0,31 à 5,17 bar (4,5 à 75 psig) fournis au filtre en Y ; 0,1 à 0,34 bar (1,5 à 5 psig) fournis à l'analyseur
Débit	60 à 200 mL/min dans l'appareil(mesuré lors de la vidange de l'analyseur)

¹ Trous d'évacuation fermés avec fiches pour les exigences de test.

Tableau 2 Exigences relatives à l'échantillon (suite)

Caractéristique	Détails
Température	5 à 40 °C (41 à 104 °F)
Filtration	Filtre en Y avec crépine avec mailles de 40 ou plus

Tableau 3 Caractéristiques relatives aux mesures

Caractéristique	Détails
Source de lumière	LED, mesure à 510 nm ; 1 cm de trajectoire lumineuse
Plage de mesure	0.03 à 10 mg/L de chlore résiduel libre ou total pour Cl ₂
Intervalle de mesure	150 secondes
Exactitude	±5 % ou ±0,04 mg/L de 0 à 5 mg/L (la plus grande valeur) pour Cl ₂ ±10 % de 5 à 10 mg/L pour Cl ₂
Précision	±5 % ou ±0,01 mg/L (valeur la plus élevée) pour Cl ₂
Limite de détection	0.03 mg/l pour Cl ₂
Limite de quantification	0.07 mg/L
Etalonnage	Etalonnage en usine Facultatif : étalonnage de l'utilisateur en deux points avec des solutions étalons dans le kit de vérification de l'étalonnage
Utilisation de réactif	0,5 L de solution tampon et 0,5 L de solution témoin en 31 jours

Section 2 Généralités

En aucun cas le constructeur ne saurait être responsable des dommages directs, indirects, spéciaux, accessoires ou consécutifs résultant d'un défaut ou d'une omission dans ce manuel. Le constructeur se réserve le droit d'apporter des modifications à ce manuel et aux produits décrits, à tout moment, sans avertissement ni obligation. Les éditions révisées se trouvent sur le site Internet du fabricant.

2.1 Consignes de sécurité

A V I S

Le fabricant décline toute responsabilité quant aux dégâts liés à une application ou un usage inappropriés de ce produit, y compris, sans toutefois s'y limiter, des dommages directs ou indirects, ainsi que des dommages consécutifs, et rejette toute responsabilité quant à ces dommages dans la mesure où la loi applicable le permet. L'utilisateur est seul responsable de la vérification des risques d'application critiques et de la mise en place de mécanismes de protection des processus en cas de défaillance de l'équipement.

Veuillez lire l'ensemble du manuel avant le déballage, la configuration ou la mise en fonctionnement de cet appareil. Respectez toutes les déclarations de prudence et d'attention. Le non-respect de cette procédure peut conduire à des blessures graves de l'opérateur ou à des dégâts sur le matériel. Assurez-vous que la protection fournie avec cet appareil n'est pas défaillante. N'utilisez ni n'installez cet appareil d'une façon différente de celle décrite dans ce manuel.

2.1.1 Informations sur les risques d'utilisation

▲ D A N G E R

Indique une situation de danger potentiel ou imminent qui, si elle n'est pas évitée, entraîne des blessures graves, voire mortelles.

▲ AVERTISSEMENT

Indique une situation de danger potentiel ou imminent qui, si elle n'est pas évitée, peut entraîner des blessures graves, voire mortelles.

▲ ATTENTION

Indique une situation de danger potentiel qui peut entraîner des blessures mineures ou légères.

AVIS

Indique une situation qui, si elle n'est pas évitée, peut occasionner l'endommagement du matériel. Informations nécessitant une attention particulière.

2.1.2 Étiquettes de mise en garde

Lisez toutes les informations et toutes les étiquettes apposées sur l'appareil. Des personnes peuvent se blesser et le matériel peut être endommagé si ces instructions ne sont pas respectées. Tout symbole sur l'appareil renvoie à une instruction de mise en garde dans le manuel.



Le matériel électrique portant ce symbole ne doit pas être mis au rebut dans les réseaux domestiques ou publics européens. Retournez le matériel usé ou en fin de vie au fabricant pour une mise au rebut sans frais pour l'utilisateur.

2.1.3 Conformité et certification

▲ ATTENTION

Cet équipement n'est pas conçu pour être utilisé dans des environnements résidentiels et peut ne pas offrir une protection adéquate à la réception radio dans de tels environnements.

Règlement canadien sur les équipements causant des interférences radio, ICES-003, Classe A :

Les données d'essai correspondantes sont conservées chez le constructeur.

Cet appareil numérique de classe A respecte toutes les exigences du Règlement sur le matériel brouilleur du Canada.

Cet appareil numérique de classe A répond à toutes les exigences de la réglementation canadienne sur les équipements provoquant des interférences.

FCC part 15, limites de classe A :

Les données d'essai correspondantes sont conservées chez le constructeur. L'appareil est conforme à la partie 15 de la réglementation FCC. Le fonctionnement est soumis aux conditions suivantes :

1. Cet équipement ne peut pas causer d'interférence nuisible.
2. Cet équipement doit accepter toutes les interférences reçues, y compris celles qui pourraient entraîner un fonctionnement inattendu.

Les modifications de cet équipement qui n'ont pas été expressément approuvées par le responsable de la conformité aux limites pourraient annuler l'autorité dont l'utilisateur dispose pour utiliser cet équipement. Cet équipement a été testé et déclaré conforme aux limites définies pour les appareils numériques de classe A, conformément à la section 15 de la réglementation FCC. Ces limites ont pour but de fournir une protection raisonnable contre les interférences néfastes lorsque l'équipement fonctionne dans un environnement commercial. Cet équipement génère, utilise et peut irradier l'énergie des fréquences radio et, s'il n'est pas installé ou utilisé conformément au mode d'emploi, il peut entraîner des interférences dangereuses pour les communications radio. Le fonctionnement de cet équipement dans une zone résidentielle risque de causer des interférences nuisibles, dans ce cas l'utilisateur doit corriger les interférences à ses frais. Les techniques ci-dessous peuvent permettre de réduire les problèmes d'interférences :

1. Débrancher l'équipement de la prise de courant pour vérifier s'il est ou non la source des perturbations
2. Si l'équipement est branché sur le même circuit de prises que l'appareil qui subit des interférences, branchez l'équipement sur un circuit différent.
3. Eloigner l'équipement du dispositif qui reçoit l'interférence.
4. Repositionner l'antenne de réception du périphérique qui reçoit les interférences.
5. Essayer plusieurs des techniques ci-dessus à la fois.

2.2 Présentation générale du produit

⚠ DANGER



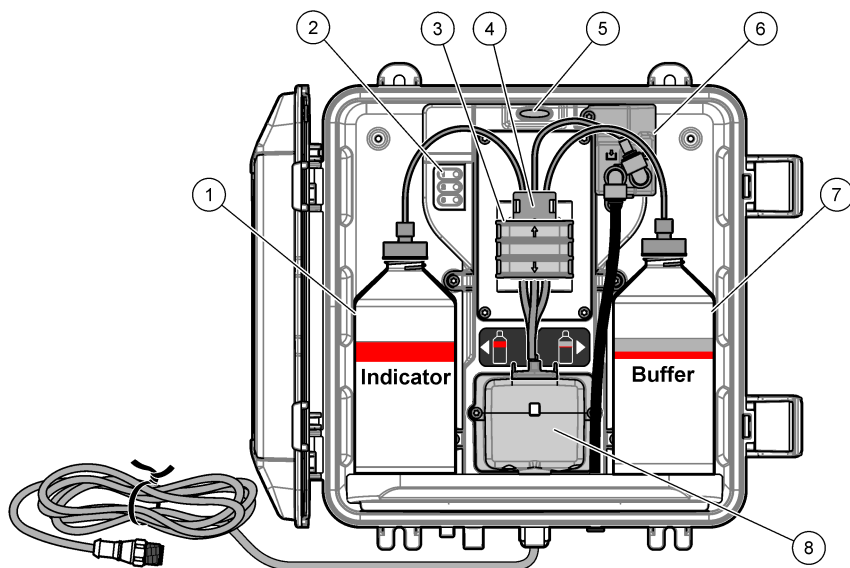
Dangers chimiques ou biologiques. Si cet instrument est utilisé pour la surveillance d'un procédé de traitement et/ou des eaux d'alimentation de dialyse auxquels s'appliquent des limites réglementaires et des normes de surveillance motivées par des préoccupations de santé et de sécurité publiques ou de fabrication et de transformation d'aliments ou de boissons, il est de la responsabilité de l'utilisateur de cet instrument de connaître et d'appliquer les normes en vigueur et d'avoir à sa disposition suffisamment de mécanismes pour s'assurer du bon respect de ces normes dans l'éventualité d'un dysfonctionnement de l'appareil.

L'analyseur CL17sc mesure la concentration de chlore libre ou celle de chlore total entre 0.03 et 10 mg/L à intervalles de 150 secondes. La [Figure 1](#) donne une vue d'ensemble de l'analyseur.

Connectez l'analyseur à un transmetteur SC pour assurer son alimentation électrique, son fonctionnement, la collecte de données, la transmission de données et les diagnostics. Reportez-vous au manuel du transmetteur SC pour bénéficier d'une vue d'ensemble du transmetteur.

Remarque : *Plusieurs analyseurs peuvent être connectés à un transmetteur SC si celui-ci dispose de plus d'un raccord à connexion rapide.*

Figure 1 CL17sc



1 Flacon de solution témoin	5 Voyant d'état de l'analyseur (Tableau 5 à la page 33)
2 Voyants du cycle de mesure (Tableau 4 à la page 32)	6 Débitmètre
3 Collier de la pompe	7 Flacon de solution tampon
4 Clip	8 Cellule colorimétrique

2.2.1 Débitmètre

L'analyseur est équipé d'un débitmètre mesurant le débit d'échantillon dans l'analyseur. Reportez-vous à la section [Figure 1](#) à la page 32.

L'échantillon circule uniquement dans l'analyseur lorsque l'analyseur rince la cellule. Dans les autres cas, il n'y a pas de débit d'échantillon et le débit affiché est zéro. Appuyez sur la flèche **RIGHT (DROITE)** du transmetteur pour afficher le débit.

2.2.2 Voyants du cycle de mesure

Les voyants du cycle de mesure indiquent l'étape du cycle de mesure en cours. Reportez-vous au [Tableau 4](#).

Tableau 4 Voyants du cycle de mesure

Voyants allumés			
Description	La cellule est en phase de rinçage.	La solution tampon et la solution témoin sont ajoutées à la cellule.	L'échantillon est mesuré.

2.2.3 Voyant d'état de l'analyseur

Le voyant d'état de l'analyseur passe du vert au jaune lorsqu'un avertissement survient ou au rouge en cas d'erreur. Reportez-vous à la section [Tableau 5](#).

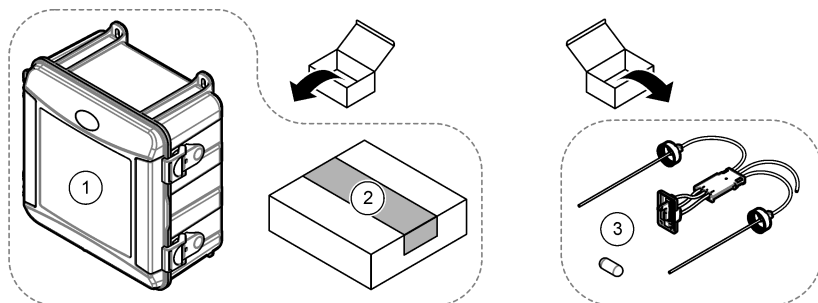
Tableau 5 Voyant d'état de l'analyseur

Couleur	Description
Vert	Fonctionnement normal
Jaune	Le système doit être surveillé pour prévenir une défaillance future. Les mesures se poursuivent. Pour afficher les avertissements, appuyez sur menu , puis sélectionnez DIAGNOSTIQUE > [sélectionner l'analyseur] > LISTE AVERTIS.. Reportez-vous à la section Avertissements - Voyant jaune à la page 53.
Rouge	Le système a besoin d'une attention immédiate. Les mesures ont cessé. Pour afficher les erreurs, appuyez sur menu , puis sélectionnez DIAGNOSTIQUE > [sélectionner l'analyseur] > LISTE ERREURS. Reportez-vous à la section Erreurs - Voyant rouge à la page 52.

2.3 Composants du produit

Assurez-vous d'avoir bien reçu tous les composants. Reportez-vous à la [Figure 2](#). Si un élément est absent ou endommagé, contactez immédiatement le fabricant ou un représentant.

Figure 2 Composants du produit



1 Analyseur CL17sc	3 Kit de tuyaux (harnais de tuyau et agitateur)
2 Kit d'installation	

Section 3 Installation

⚠ ATTENTION



Dangers multiples. Seul le personnel qualifié doit effectuer les tâches détaillées dans cette section du document.

3.1 Conseils d'installation

- L'analyseur est fourni avec un kit d'installation à tube vertical ou un kit d'installation à régulateur de pression pour contrôler la pression de l'eau vers l'analyseur. L'utilisateur sélectionne le kit d'installation au moment de l'achat.
- Installez l'analyseur à l'intérieur dans un environnement soumis à un minimum de vibrations. Reportez-vous aux spécifications relatives à la température de fonctionnement et à l'humidité de la section [Caractéristiques techniques](#) à la page 28.

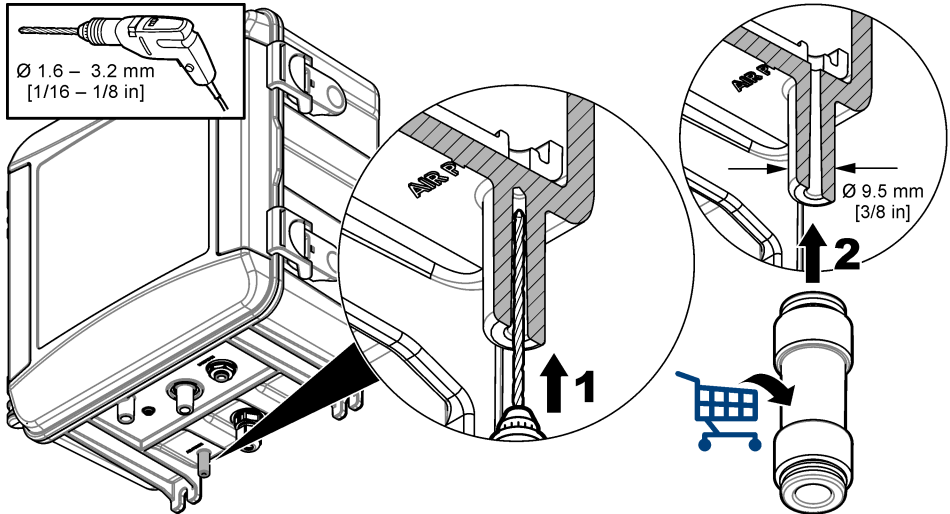
- N'exposez pas l'analyseur aux rayons directs du soleil et ne l'installez pas à proximité d'une source de chaleur.
- Pour les installations à tube vertical, installez l'analyseur sur un emplacement offrant un dégagement de 61 cm (2 pieds) au-dessus de l'analyseur pour le montage en tube vertical.
- Installez l'analyseur près d'un égout à ciel ouvert. Reportez-vous aux instructions des organismes de réglementation locaux concernant la mise au rebut.

3.2 Etape 1 : Purge d'air (en option)

Une purge d'air peut se révéler nécessaire si l'analyseur est installé dans un endroit exposé à une humidité élevée et/ou des vapeurs provoquant de la corrosion. La purge d'air maintient une pression positive dans l'appareil avec de l'air sec et propre.

Envoyez de l'air propre, sec et de qualité pour l'instrument à 0,003 m³/minute (0,1 pi³/min) à 20 psig maximum.

Reportez-vous aux étapes illustrées ci-dessous. Le raccord et les tuyaux à connexion rapide de 3/8 de pouce sont fournis par l'utilisateur.



3.3 Etape 2 : Montage et raccordement de l'analyseur

▲ ATTENTION



Seuls les tuyaux spécifiés par Hach Company peuvent être utilisés avec l'instrument. D'autres peuvent absorber le chlore présent dans l'eau d'échantillonnage et ont un effet négatif sur les mesures de chlore (diminution des mesures de chlore).

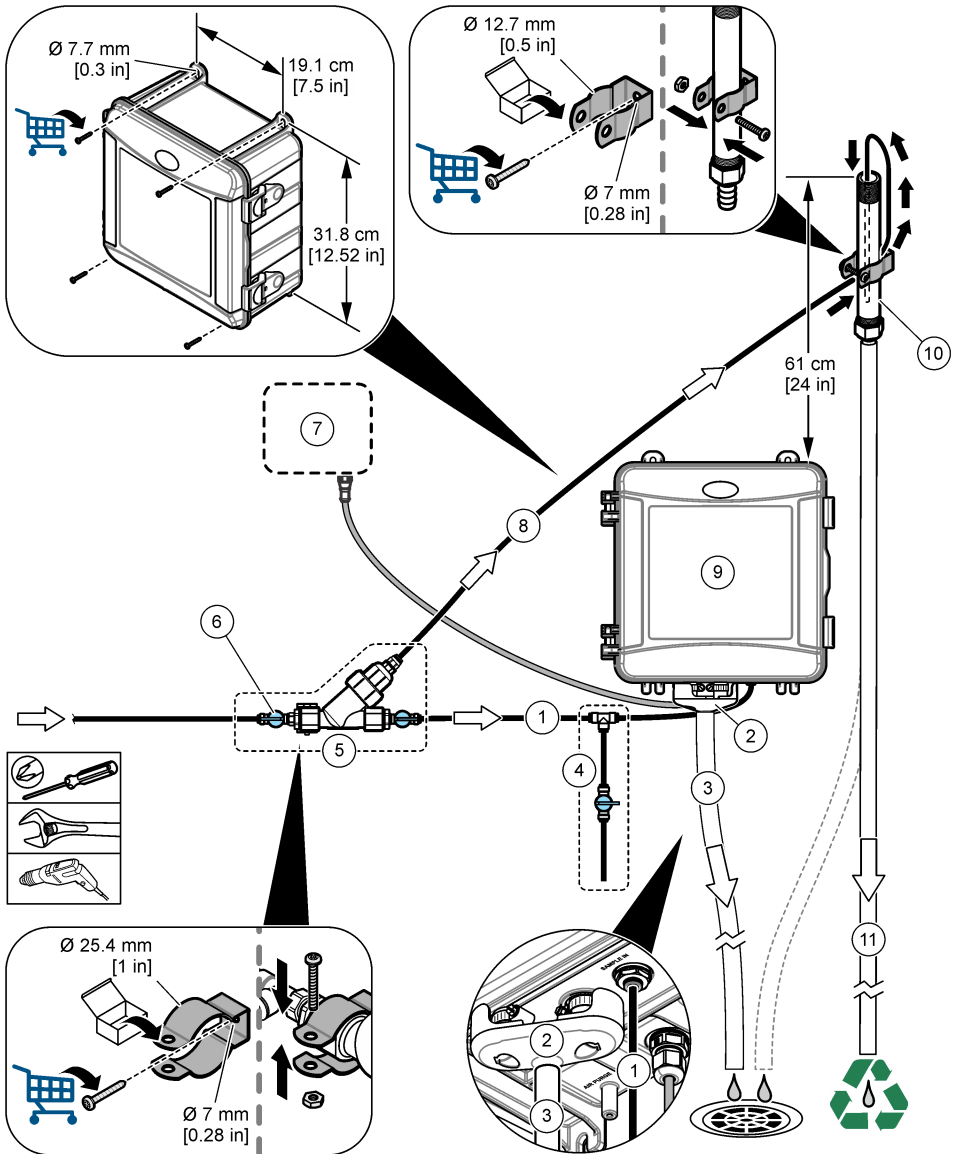
AVIS

Une installation défectueuse de la plomberie de l'analyseur peut entraîner une détérioration due à une pression d'échantillonnage excessive. Respectez toujours les instructions suivantes pour monter et raccorder l'analyseur.

1. Fixez l'analyseur (élément 9) à un mur à l'aide de quatre vis. Assurez-vous que l'analyseur est à niveau.
Remarque : L'utilisateur fournit le matériel de montage.
2. Fixez le transmetteur SC (élément 7) à un mur, à un panneau ou à un tuyau. Pour obtenir des instructions, reportez-vous à la documentation du transmetteur SC.
3. Assemblage du filtre en Y. Reportez-vous aux instructions figurant sur la liste d'emballage.
4. Utilisez le collier de conduite de 1 pouce pour monter l'ensemble pour filtre en Y (élément 5 de la [Figure 3](#) ou de la [Figure 4](#)).
5. Installez la coupure anti-retour externe sur l'analyseur (élément 2 de la [Figure 3](#) ou de la [Figure 4](#)). Reportez-vous aux instructions figurant sur la liste d'emballage.
6. Suivez l'étape 7 ou 8.
L'analyseur est fourni avec un kit d'installation à tube vertical (voir [Figure 3](#)) ou un kit d'installation à régulateur de pression (voir [Figure 4](#)) pour contrôler la pression de l'eau vers l'analyseur. L'utilisateur sélectionne le kit d'installation au moment de l'achat.
7. Si vous avez sélectionné un kit d'installation à tube vertical au moment de l'achat, installez le tube vertical comme suit :
 - a. Assemblez le tube vertical. Reportez-vous aux instructions figurant sur la liste d'emballage.
 - b. Utilisez le plus petit collier de conduite pour monter l'assemblage du tube vertical à un minimum de 61 cm (24 pouces) au-dessus du haut de l'analyseur. Reportez-vous à l'élément 10 sur la [Figure 3](#).
 - c. A l'aide du tuyau noir, installez le tube de dérivation de l'échantillon (élément 8). Poussez le tube par derrière, puis dans le tube vertical. Placez le tuyau 10–13 cm (4–5 po) en haut du tube vertical.
 - d. Coupez une longueur de tube du tuyau d'évacuation de l'échantillon (élément 3). Utilisez le tuyau pour raccorder le bas du tube vertical à une évacuation ouverte (élément 11 de la [Figure 3](#)). Reportez-vous à la section [Instructions des conduites d'évacuation](#) à la page 39.
8. Si vous avez sélectionné un kit d'installation à régulateur de pression au moment de l'achat, installez le régulateur de pression (élément 10 dans la [Figure 4](#)).
9. A l'aide du tuyau noir, connectez l'entrée du filtre en Y (élément 5) à la source d'échantillon. Reportez-vous aux sections [Directives de conduite d'échantillonnage](#) à la page 39 et [Exigences relatives à l'échantillon](#) à la page 39.
10. A l'aide du tuyau noir, connectez la sortie du filtre en Y (ou la sortie du régulateur de pression) au raccord d'entrée de l'échantillon (élément 1) en bas de l'analyseur. Faites en sorte que le tuyau soit le plus court possible et mesure au maximum 2,5 m (8 pi).
11. Si un régulateur de pression a été installé, installez le tuyau de dérivation de l'échantillon (élément 8 de la [Figure 4](#)).
12. Assemblez et raccordez l'ensemble d'échantillonnage ponctuel (élément 4) comme suit :
 - a. Assemblez l'ensemble d'échantillonnage ponctuel.

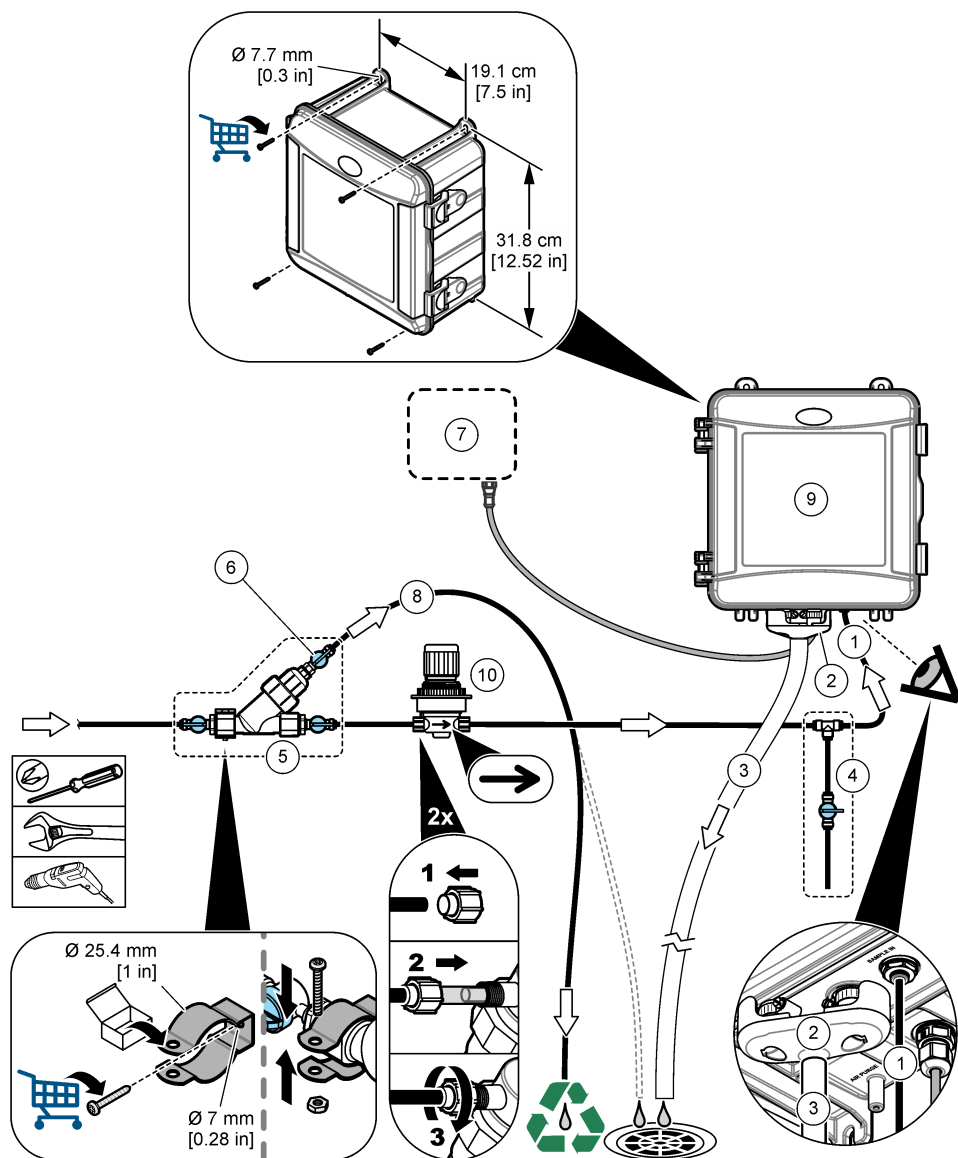
- b. Raccordez le raccord en T entre le filtre en Y et l'analyseur. Reportez-vous à [Figure 3](#) ou [Figure 4](#).
- 13. Raccordez le tuyau d'évacuation de l'échantillon (élément 3) à une évacuation ouverte. Reportez-vous à la section [Instructions des conduites d'évacuation](#) à la page 39.

Figure 3 Installation avec un tube vertical



1	Tube d'entrée de l'échantillon	7	Transmetteur SC
2	Coupure anti-retour externe	8	Tuyau de dérivation de l'échantillon
3	Tuyau d'évacuation de l'échantillon	9	Analyseur
4	Ensemble pour échantillonnage ponctuel	10	Tube vertical
5	Ensemble pour filtre en Y	11	Tuyau d'évacuation du tube vertical
6	Vanne d'arrêt au niveau de l'entrée du filtre en Y		

Figure 4 Installation avec un régulateur de pression



1 Tube d'entrée de l'échantillon	6 Vanne d'arrêt au niveau de la dérivation du filtre en Y
2 Coupure anti-retour externe	7 Transmetteur SC
3 Tuyau d'évacuation de l'échantillon	8 Tuyau de dérivation de l'échantillon
4 Ensemble pour échantillonnage ponctuel	9 Analyseur
5 Ensemble pour filtre en Y	10 Régulateur de pression

3.3.1 Directives de conduite d'échantillonnage

Choisissez un point d'échantillonnage adapté et représentatif pour garantir le fonctionnement optimal de l'instrument. L'échantillon doit être représentatif de l'ensemble du système.

Pour éviter les relevés irréguliers :

- prélevez les échantillons à des endroits suffisamment éloignés des points d'ajout de produits chimiques du flux à traiter ;
- assurez-vous que les échantillons sont suffisamment mélangés ;
- assurez-vous que toutes les réactions chimiques sont bien terminées.
- Installez l'analyseur le plus près possible de la source de l'échantillon (4,6 m (15 pieds) maximum).

3.3.2 Exigences relatives à l'échantillon

La composition des échantillons doit être conforme aux spécifications (voir [Caractéristiques techniques](#) à la page 28).

Maintenez un débit et une température de fonctionnement aussi constants que possible pour obtenir des performances optimales.

3.3.3 Instructions des conduites d'évacuation

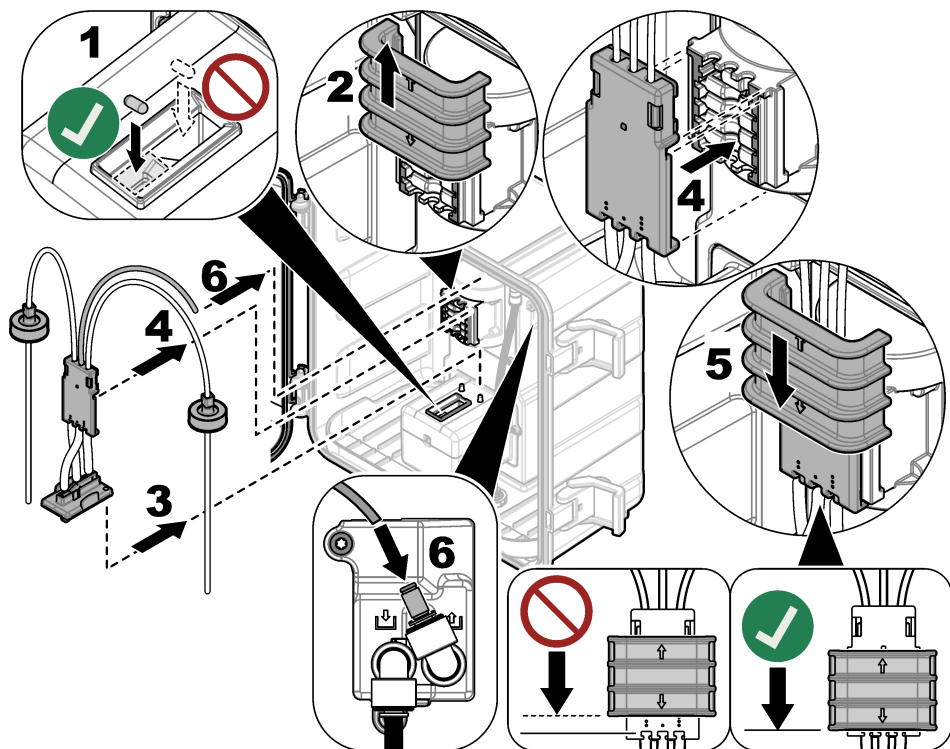
A V I S

Une installation incorrecte des conduites d'évacuation peut entraîner le retour du liquide dans l'instrument et causer des dommages.

- Veillez à installer la coupure anti-retour externe. Reportez-vous à la [Figure 3](#) à la page 37 ou à la [Figure 4](#) à la page 38.
- Faites les conduites d'évacuation aussi courtes que possible.
- Assurez-vous que les conduites d'évacuation ont une pente constante vers le bas.
- Assurez-vous que les conduites d'évacuation ne sont ni pliées ni pincées.

3.4 Etape 3 : Installation de l'agitateur et du harnais de tuyau

Procédez aux étapes illustrées suivantes.



3.5 Etape 4 : Installation des flacons de réactif

▲ ATTENTION



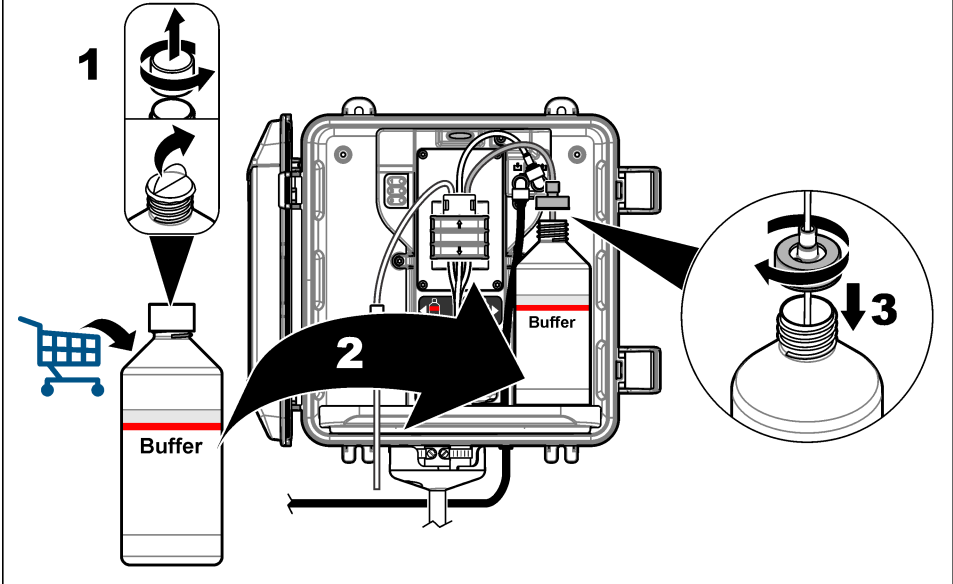
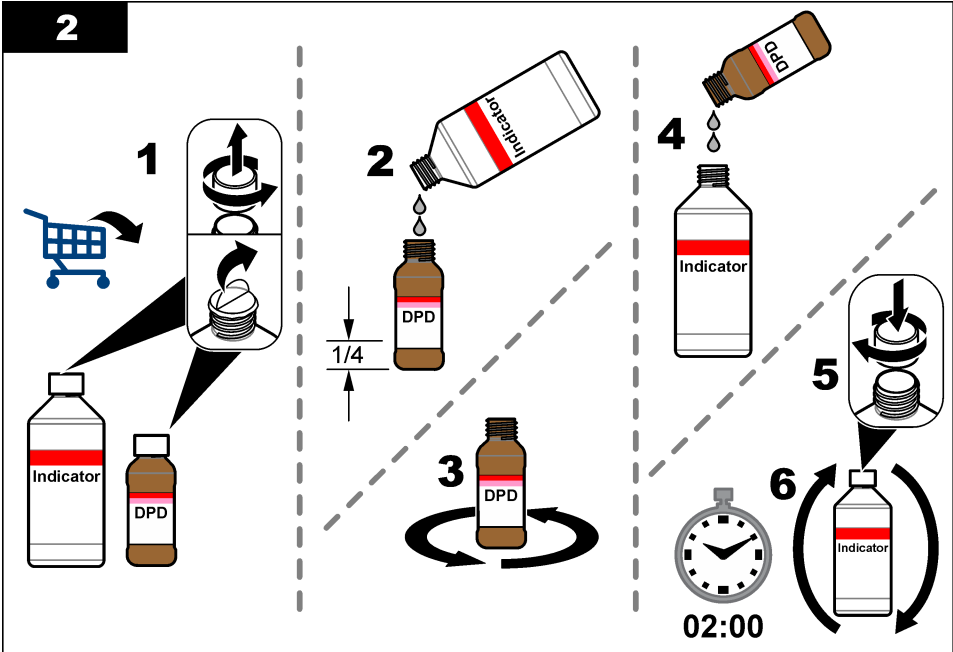
Risque d'exposition chimique. Respectez les procédures de sécurité du laboratoire et portez tous les équipements de protection personnelle adaptés aux produits chimiques que vous manipulez. Consultez les fiches de données de sécurité (MSDS/SDS) à jour pour connaître les protocoles de sécurité applicables.

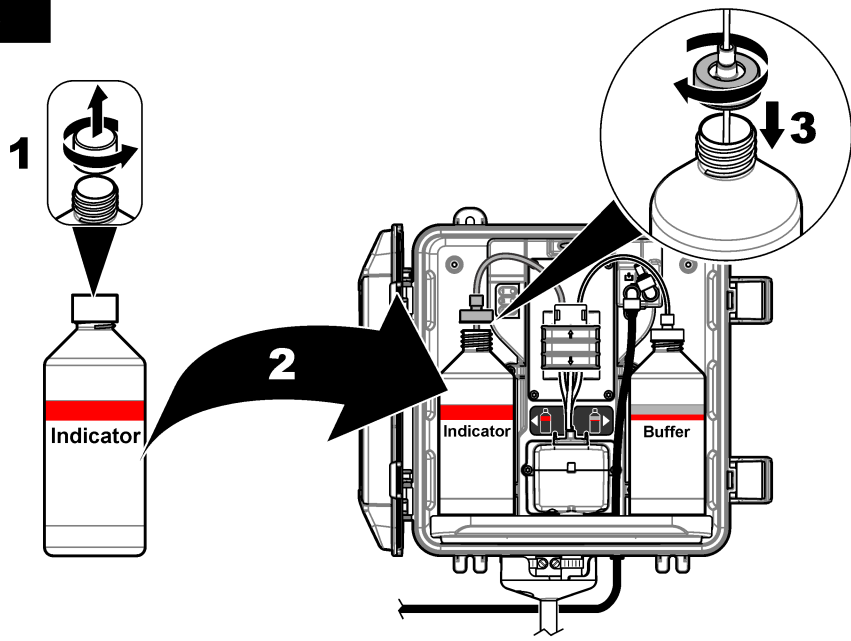
Eléments à réunir :

- Equipement de protection individuelle (reportez-vous aux fiches de données de sécurité [MSDS/SDS])
- Flaçon de solution témoin
- Flaçon de solution tampon
- Flaçon de composé DPD

1. Portez l'équipement de protection individuelle identifié dans les fiches de données de sécurité (MSDS/SDS).
2. Installez le flaçon de solution tampon sur le côté droit et le flaçon de solution témoin sur le côté gauche. Reportez-vous aux étapes illustrées ci-dessous.

Remarque : (facultatif) Utilisez le haut de l'analyseur comme une étagère.

1**2**

3

3.6 Etape 5 : Activation du débit d'échantillon

1. Ouvrez progressivement les vannes d'arrêt ($\frac{1}{4}$ de tour).
2. Assurez-vous qu'il n'y a aucune fuite au niveau des connexions des raccords. En cas de fuite, poussez plus loin le tube dans le raccord ou serrez la connexion à l'aide d'une clé.
3. Pour les installations à tube vertical, procédez comme suit :
 - a. Ouvrez complètement la vanne d'arrêt à la sortie du filtre en Y.
 - b. Tournez la vanne d'arrêt à l'entrée du filtre en Y (élément 6 de la [Figure 3](#) à la page 37) jusqu'à ce qu'une petite voie d'eau s'écoule du tube d'évacuation du tube vertical.
4. Pour les installations à régulateur de pression, procédez comme suit :
 - a. Ouvrez complètement les vannes d'arrêt à l'entrée et la sortie du filtre en Y.
 - b. Tournez la vanne d'arrêt au niveau de la dérivation du filtre en Y (élément 6 de la [Figure 4](#) à la page 38) jusqu'à ce qu'une petite voie d'eau s'écoule du tube de dérivation du filtre en Y.

3.7 Etape 6 : Installation électrique

3.7.1 Connexion de l'analyseur au transmetteur

▲ AVERTISSEMENT



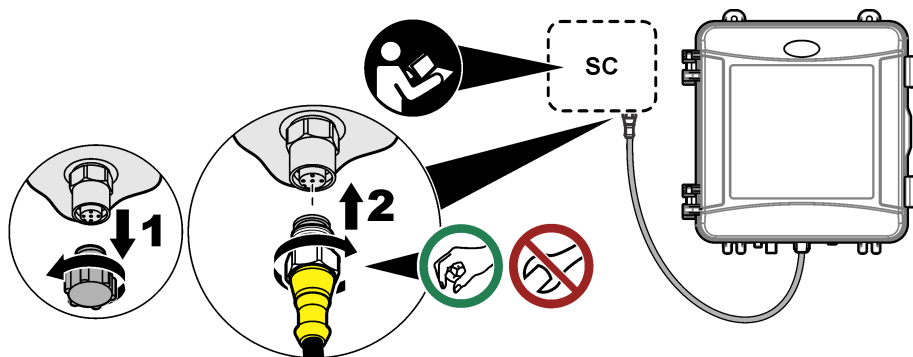
Risque d'électrocution. Tout équipement externe relié doit avoir fait l'objet d'un contrôle de sécurité conformément aux normes nationales applicables.

Connectez le câble de l'analyseur au raccord rapide du transmetteur SC. Reportez-vous à la [Figure 5](#).

Conservez le bouchon du connecteur pour en sceller l'ouverture au cas où le câble devrait être retiré.

Remarque : Des câbles d'extension sont disponibles. Reportez-vous à la section [Pièces de rechange et accessoires](#) à la page 55. La longueur de câble maximale est de 15 m (49 pi).

Figure 5 Connexion du câble à un système de raccordement rapide



3.7.2 Connexion du transmetteur à l'alimentation

Connectez le transmetteur à l'alimentation électrique par passage des câbles dans un conduit ou par connexion à un câble d'alimentation. Pour obtenir des instructions, reportez-vous à la documentation du transmetteur.

3.7.3 Connexion des appareils externes au transmetteur

Connectez les relais, les sorties analogiques et les entrées numériques du transmetteur aux appareils externes selon les besoins. Pour obtenir des instructions, reportez-vous à la documentation du transmetteur.

3.8 Etape 7 : Configuration et amorçage de l'analyseur

1. Appuyez sur **menu**, puis sélectionnez **PROGR. CAPTEUR > [sélectionner l'analyseur] > AMORÇ.**
2. Si le transmetteur ne détecte pas que l'analyseur est connecté, procédez comme suit :
 - a. Appuyez sur **menu**, puis sélectionnez **TEST/CONTROLE > SCANNER CAPT..**
 - b. Une fois le capteur détecté et installé, répétez l'étape 1.

3.9 Etape 8 : Réglage du débit

1. Appuyez sur la flèche **RIGHT (DROITE)** du transmetteur pour afficher le débit. L'échantillon circule uniquement dans l'analyseur lorsque l'analyseur rince la cellule. Dans les autres cas, il n'y a pas de débit d'échantillon et le débit affiché est zéro. Reportez-vous à la [Tableau 4](#) à la page 32 pour les descriptions des étapes du cycle de mesure.

Remarque : Pour mesurer manuellement le débit dans l'analyseur, mesurez le débit lors de la vidange de l'analyseur, lorsqu'il rince la cellule.

2. Pour les installations à tube vertical, tournez la vanne d'arrêt à la sortie du filtre en Y pour régler le débit entre 60 et 200 mL/min lorsque l'analyseur rince la cellule.
3. Pour les installations à régulateur de pression, ajustez le régulateur de pression pour régler le débit entre 60 et 200 mL/min lorsque l'analyseur rince la cellule.

3.10 Etape 9 : Installation de la dernière version du logiciel

Vérifiez que le transmetteur SC dispose de la dernière version du logiciel. Utilisez une carte SD pour installer la dernière version du logiciel sur le transmetteur SC.

1. Rendez-vous à la page produit du site <http://hach.com> pour connaître le contrôleur SC applicable.
2. Cliquez sur l'onglet « Téléchargements ».
3. Faites défiler jusqu'à « Logiciel/Micrologiciel ».

4. Cliquez sur le lien pour télécharger le logiciel du transmetteur SC.
5. Enregistrez les fichiers sur une carte SD.
6. Installez les fichiers sur le transmetteur SC. Reportez-vous aux instructions d'installation du logiciel fournies avec les fichiers du logiciel.

Section 4 Configuration

4.1 Etape 10 : Configuration de l'analyseur

Définissez le nom de l'analyseur ainsi que les points de consigne de moyenne du signal, de type de chlore mesuré, de rejet des bulles et d'alerte de chlore.

1. Appuyez sur **menu**, puis sélectionnez **PROGR. CAPTEUR > [sélectionner l'analyseur] > CONFIGURATION**.
2. Sélectionnez et configurez chaque option.

Option	Description
EDITER NOM	Permet de définir le nom de l'analyseur. Le nom de l'analyseur s'affiche sur l'écran du transmetteur ainsi que dans les fichiers journaux.
MOYENNE SIGNAL	<p>Permet de définir le nombre de mesures utilisées pour calculer la mesure moyenne qui s'affiche à l'écran. Options : 1 (par défaut), 2, 3 ou VAL IRREGULIERE.</p> <p>Lorsque le paramètre MOYENNE SIGNAL est défini sur 1, le calcul de la moyenne du signal est désactivé.</p> <p>Lorsque le paramètre MOYENNE SIGNAL est défini sur 2 ou 3, une valeur moyenne s'affiche à l'écran. Par exemple, la mesure à l'écran est égale à celle de la dernière et précédente mesure divisée par deux lorsque le paramètre MOYENNE SIGNAL est défini sur 2.</p> <p>Lorsque le paramètre MOYENNE SIGNAL est défini sur VAL IRREGULIERE, l'analyseur écarte une valeur qui est anormalement plus élevée ou plus basse que les dernières mesures. Lorsqu'une mesure est écartée, la dernière mesure correcte s'affiche à l'écran et est enregistrée dans le journal de données. Trois mesures consécutives au maximum peuvent être écartées.</p> <p>Le calcul de la moyenne du signal corrige les fluctuations incorrectes des mesures engendrées par les bulles et/ou les particules plus grandes présentes dans l'échantillon.</p>
MESURE	<p>Permet de définir le type de chlore mesuré. Si les flacons de solution tampon et de solution témoin mentionnent « Chlore libre » sur leurs étiquettes, sélectionnez CHLORE LIBRE (option par défaut).</p> <p>Si les flacons de solution tampon et de solution témoin mentionnent « Chlore total » sur leurs étiquettes, sélectionnez CHLORE TOTAL.</p>
ELIMIN. BULLES	Permet d'activer ou de désactiver (par défaut) l'option Rejet bulles . Définissez ELIMIN. BULLES sur MARCHE pour réduire le bruit causé par la présence de bulles dans l'échantillon. La formation de bulles d'air dans l'échantillon peut nuire à la stabilité des relevés.
ALAR CHL ELEVE	Permet de définir le point de consigne de concentration en chlore pour l'alarme de chlore élevé, entre 0,00 et 10,00 mg/L (valeur par défaut : 4,00 mg/L).
ALAR CHL BAS	Permet de définir le point de consigne de concentration en chlore pour l'alarme de chlore bas, entre 0,00 et 10,00 mg/L (valeur par défaut : 0,20 mg/L).

Option	Description
INFOS CAPT	Permet d'afficher le numéro de série de l'analyseur, la version du logiciel, la version du programme de démarrage et la version du pilote.
PARAM PAR DEF	Sélectionnez OUI pour rétablir les valeurs d'usine par défaut des paramètres de configuration.
SERVICE	Réservé au SAV.

4.2 Configuration du système

Reportez-vous à la documentation relative au contrôleur pour obtenir la configuration système, les paramètres généraux du contrôleur et les instructions de configuration pour les sorties et les communications.

4.3 Navigation utilisateur

Consultez la documentation du transmetteur pour une description du clavier et des informations de navigation.

Appuyez plusieurs fois sur la touche flèche vers la **DROITE** du transmetteur pour afficher plus d'informations sur l'écran d'accueil ainsi qu'un graphique.

Section 5 Fonctionnement

5.1 Journaux de données, des événements et de service

Le transmetteur donne accès à un journal de données, un journal des événements et un journal de service pour chaque instrument connecté. Les mesures du CL17sc sont enregistrées automatiquement dans le journal de données à intervalle de 150 secondes. Le journal des événements indique les événements qui ont eu lieu. Les journaux d'événements et de données contiennent environ 2 semaines de données lorsque l'analyseur fonctionne en continu. Le journal de service conserve environ 24 heures de données lorsque l'analyseur fonctionne en continu.

Reportez-vous à la documentation du transmetteur pour télécharger le journal de données, le journal des événements et/ou le journal de service. Le journal de données est un fichier XML qui peut être enregistré au format CSV ou Excel. Le journal des événements et le journal de service sont des fichiers au format CSV.

5.2 Mesure de PRENDRE ECH DS

Utilisez le menu PRENDRE ECH DS afin d'ajouter à la cellule un échantillon d'eau possédant une concentration en chlore connue pour la mesure. Si nécessaire, mesurez un échantillon ponctuel pour vérification ou pour mesurer un échantillon d'eau prélevé à partir d'un autre emplacement.

1. Appuyez sur **menu**, puis sélectionnez **PROGR. CAPTEUR > [sélectionner l'analyseur] > PRENDRE ECH DS**.
2. Effectuez les étapes qui s'affichent à l'écran. Lorsque vous y êtes invité, retirez le couvercle de la cellule, puis ajoutez 50 mL de l'échantillon prélevé à la cellule. Une partie de l'échantillon s'écoulera vers le drain d'échantillon.

5.3 Registres Modbus

Une liste de registres Modbus est disponible pour la communication réseau. Consultez le site Internet du fabricant de l'instrument pour plus d'informations.

Section 6 Etalonnage et réglage

La courbe d'étalonnage de l'analyseur est réglée en usine pour garantir des performances conformes aux spécifications. L'étalonnage peut être effectué pour la vérification des performances.

Il est déconseillé à l'utilisateur d'ajuster la courbe d'étalonnage d'usine, sauf si ces modifications sont requises par un organisme de réglementation afin de répondre aux exigences de conformité et de production de rapports, ou si l'analyseur fait l'objet d'une réparation importante.

Pour plus d'informations, reportez-vous aux instructions fournies avec le kit de vérification de l'étalonnage ou contactez l'assistance technique.

Section 7 Maintenance

▲ ATTENTION



Dangers multiples. Seul le personnel qualifié doit effectuer les tâches détaillées dans cette section du document.

AVIS

Ne pas démonter l'appareil pour entretien. Si les composants internes doivent être nettoyés ou réparés, contacter le fabricant.

7.1 Calendrier de maintenance

Le [Tableau 6](#) présente le calendrier recommandé pour les tâches de maintenance. Les exigences du site et les conditions d'utilisation peuvent augmenter la fréquence de certaines tâches.

Tableau 6 Calendrier de maintenance

Tâche	1 mois	6 mois	Au besoin
Nettoyage de la cellule à la page 47	X ²		
Remplacement des flacons de réactif à la page 48	X		
Remplacez l'agitateur et le harnais de tuyau ³		X	
Nettoyage de la crépine du filtre en Y à la page 49			X

7.2 Nettoyage de la cellule

⚠ ATTENTION



Risque d'exposition chimique. Respectez les procédures de sécurité du laboratoire et portez tous les équipements de protection personnelle adaptés aux produits chimiques que vous manipulez. Consultez les fiches de données de sécurité (MSDS/SDS) à jour pour connaître les protocoles de sécurité applicables.

Nettoyez la cellule tous les mois ou plus fréquemment si nécessaire.

Éléments à réunir :



Cotons-tiges⁴



Solution d'acide sulfurique 5,25 N⁵

1. Portez l'équipement de protection individuelle identifié dans les fiches de données de sécurité (MSDS/SDS).
2. Appuyez sur **menu**, puis sélectionnez **PROGR. CAPTEUR > [sélectionner l'analyseur] > TACHES > NETT CELL.**
Remarque : Pour arrêter une tâche sélectionnée, appuyez sur le bouton **home**.
3. Appuyez sur **entrée** pour arrêter les mesures.
4. Sélectionnez une option.

Option	Description
MEMORISATION	Les sorties du transmetteur sont maintenues à la dernière valeur mesurée.
TRANSFERT	Les sorties du transmetteur sont modifiées à la valeur de transfert.

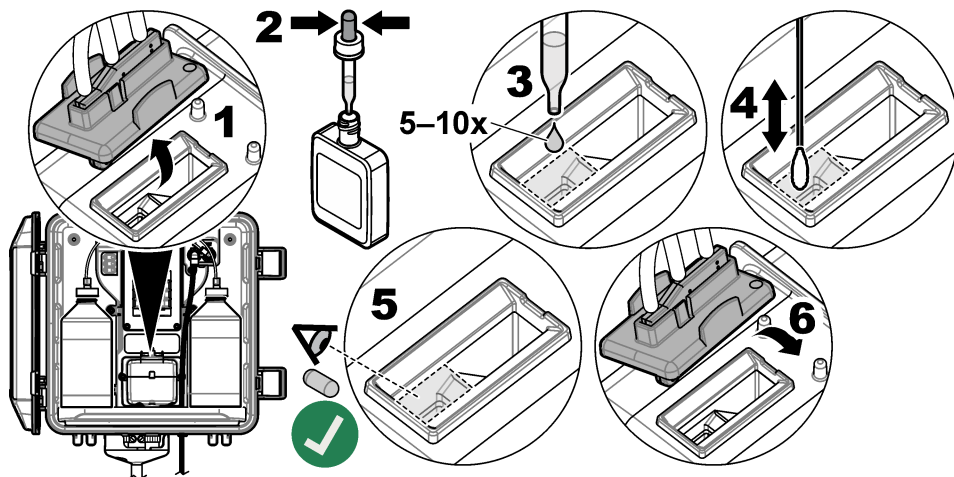
5. Lorsque le voyant d'état clignote, suivez les étapes illustrées ci-dessous. Vérifiez qu'aucun matériau indésirable n'est présent dans la cellule. Lorsque vous avez terminé, appuyez sur **entrée**.

² Nettoyez la cellule aussi souvent que nécessaire.

³ Reportez-vous aux instructions fournies avec le kit des tuyaux.

⁴ Reportez-vous à la section [Pièces de rechange et accessoires](#) à la page 55.

⁵ N'utilisez pas d'autres solutions de nettoyage. Reportez-vous à la section [Pièces de rechange et accessoires](#) à la page 55.



6. Lorsque « TACHE TERMIN. » s'affiche à l'écran, appuyez sur **entrée**.
L'analyseur commence un cycle de mesure environ 30 secondes plus tard.

7.3 Remplacement des flacons de réactif

▲ ATTENTION



Risque d'exposition chimique. Respectez les procédures de sécurité du laboratoire et portez tous les équipements de protection personnelle adaptés aux produits chimiques que vous manipulez. Consultez les fiches de données de sécurité (MSDS/SDS) à jour pour connaître les protocoles de sécurité applicables.

▲ ATTENTION



Risque d'exposition chimique. Mettez au rebut les substances chimiques et les déchets conformément aux réglementations locales, régionales et nationales.

Remplacez les flacons de réactif tous les mois.

1. Portez l'équipement de protection individuelle identifié dans les fiches de données de sécurité (MSDS/SDS).
2. Appuyez sur **menu**, puis sélectionnez **PROGR. CAPTEUR > [sélectionner l'analyseur] > TACHES > MOD REACTIFS**.
*Remarque : Pour arrêter une tâche sélectionnée, appuyez sur le bouton **home**.*
3. Appuyez sur **entrée** pour arrêter les mesures.
4. Sélectionnez une option.

Option

Description

MEMORISATION Les sorties du transmetteur sont maintenues à la dernière valeur mesurée.

TRANSFERT Les sorties du transmetteur sont modifiées à la valeur de transfert.

5. Attendez que le voyant d'état clignote.
6. Remplacez le flacon de solution tampon comme suit :

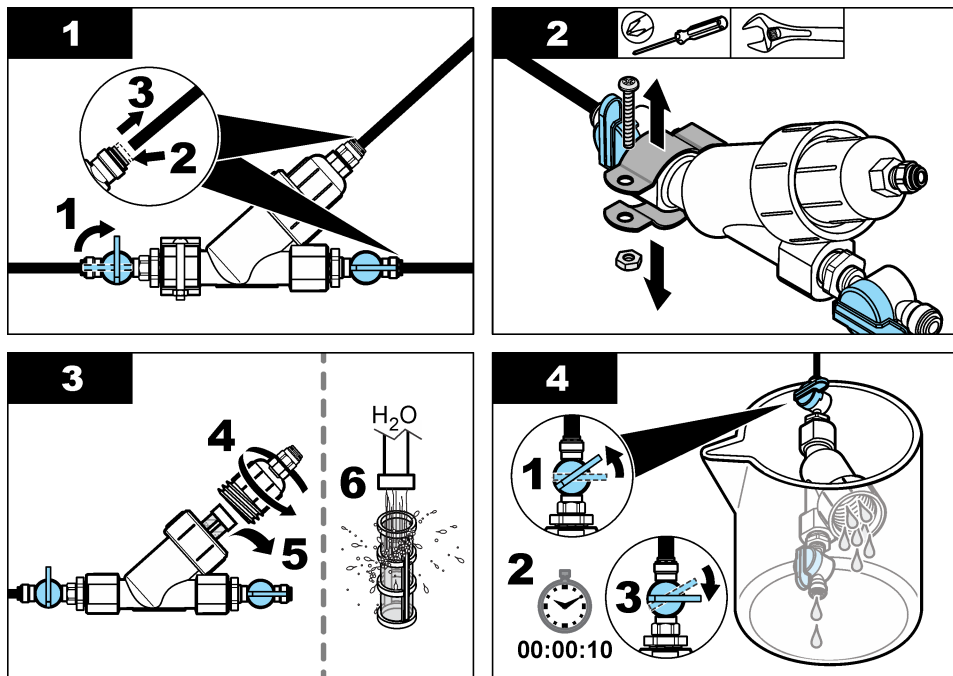
Remarque : (facultatif) Utilisez le haut de l'analyseur comme une étagère.

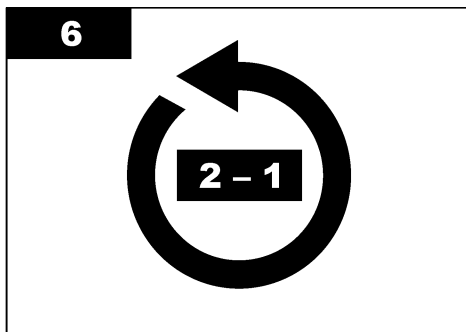
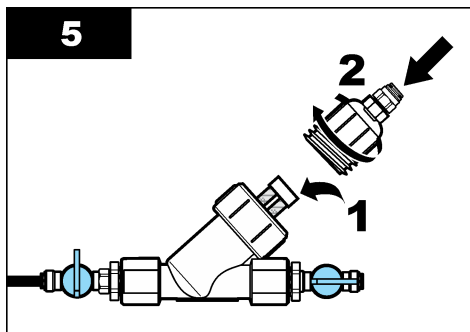
- a. Retirez le bouchon et l'opercule du nouveau flacon de solution tampon.
- b. Retirez le flacon de solution tampon usagé de l'analyseur.

- c. Placez le tuyau de solution tampon dans le nouveau flacon de solution tampon sur le côté droit de l'analyseur. Resserrez le bouchon.
7. Remplacez le flacon de solution témoin comme suit :
- a. Retirez le bouchon et l'opercule du flacon de solution témoin et du flacon DPD marron.
 - b. Remplissez le flacon DPD marron au ¼ environ avec la solution témoin.
 - c. Agitez le flacon DPD pour mélanger son contenu.
 - d. Versez le contenu du flacon DPD dans le flacon de solution témoin.
 - e. Retournez le flacon de solution témoin jusqu'à ce que toute la poudre soit dissoute (2 minutes).
 - f. Retirez le flacon de solution témoin usagé de l'analyseur.
 - g. Placez le tuyau de solution témoin dans le nouveau flacon de solution témoin sur le côté gauche de l'analyseur. Resserrez le bouchon.
8. Appuyez sur **enter**.
9. Lorsque « TACHE TERMIN. » s'affiche à l'écran, appuyez sur **entrée**. L'analyseur commence un cycle de mesure environ 30 secondes plus tard.

7.4 Nettoyage de la crépine du filtre en Y

Nettoyez la crépine du filtre en Y lorsque celui-ci est obstrué, ce qui est identifié par un avertissement DEBIT PREL BAS. Réalisez les étapes illustrées suivantes.





7.5 Préparation du stockage

⚠ ATTENTION



Risque d'exposition chimique. Respectez les procédures de sécurité du laboratoire et portez tous les équipements de protection personnelle adaptés aux produits chimiques que vous manipulez. Consultez les fiches de données de sécurité (MSDS/SDS) à jour pour connaître les protocoles de sécurité applicables.

S'il est prévu que l'alimentation de l'analyseur soit retirée pendant plus de 3 jours ou que l'analyseur ne soit pas utilisé pendant plus de 3 jours, préparez l'analyseur pour le stockage.

Éléments à réunir :



Bécher contenant de l'eau désionisée (2x)

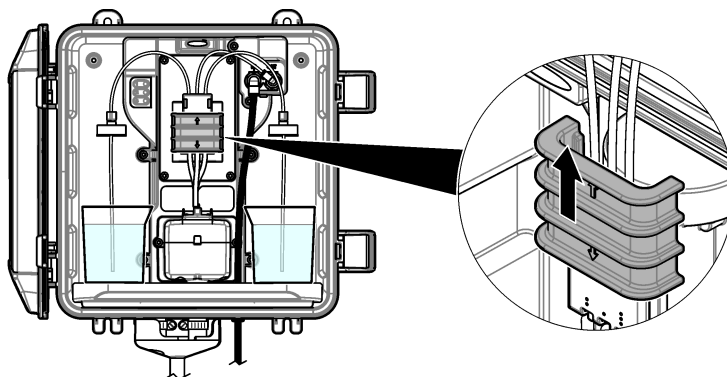


Pipette à usage unique ou chiffon non pelucheux

1. Retirez les réactifs des conduites de réactif comme suit :
 - a. Retirez le flacon de solution témoin et le flacon de solution tampon de l'analyseur.
 - b. Placez deux béchers (ou récipients) contenant de l'eau désionisée dans l'analyseur.
 - c. Placez le tuyau du flacon de solution témoin et celui du flacon de solution tampon dans les béchers.
 - d. Appuyez sur **menu**, puis sélectionnez **PROGR. CAPTEUR** > [sélectionner l'analyseur] > **AMORÇ**.
L'analyseur retire les réactifs des conduites de réactif.
2. Retirez l'eau désionisée des conduites de réactif comme suit :
 - a. Retirez le tuyau du flacon de solution témoin et le tuyau du flacon de solution tampon des béchers.
 - b. Retirez les deux béchers de l'analyseur.
 - c. Appuyez sur **menu**, puis sélectionnez **PROGR. CAPTEUR** > [sélectionner l'analyseur] > **AMORÇ**.
L'analyseur retire tous les liquides des conduites de réactif.
3. Débranchez le câble de l'analyseur du transmetteur (ou mettez le transmetteur hors tension).
4. Fermez la vanne d'arrêt pour arrêter l'écoulement de l'échantillon dans le filtre en Y.
5. Retirez le collier de la pompe. Reportez-vous à la section [Figure 6](#). Conservez le collier de la pompe pour une utilisation ultérieure.
6. Retirez l'eau de la cellule comme suit :
 - a. Retirez le couvercle de la cellule.
 - b. Retirez l'eau de la cellule à l'aide d'une pipette à usage unique ou d'un chiffon non pelucheux.

- c. Installez le couvercle sur la cellule.
- 7. Pour démarrer l'analyseur après stockage, procédez comme suit :
 - a. Installez le collier de la pompe. Reportez-vous à la [Figure 6](#).
 - b. Installez les flacons de réactifs. Reportez-vous à la section [Etape 4 : Installation des flacons de réactif](#) à la page 40.
 - c. Ouvrez la vanne d'arrêt pour lancer l'écoulement de l'échantillon dans le filtre en Y.
 - d. Connectez le câble de l'analyseur au transmetteur, si le câble est déconnecté.
 - e. Branchez le transmetteur, si l'alimentation a été retirée.
 - f. Appuyez sur **menu**, puis sélectionnez **PROGR. CAPTEUR > [sélectionner l'analyseur] > AMORÇ.**

Figure 6 Retrait du collier de la pompe



7.6 Préparation à l'expédition

⚠ ATTENTION



Risque d'exposition chimique. Respectez les procédures de sécurité du laboratoire et portez tous les équipements de protection personnelle adaptés aux produits chimiques que vous manipulez. Consultez les fiches de données de sécurité (MSDS/SDS) à jour pour connaître les protocoles de sécurité applicables.

Pour préparer l'analyseur à être expédié, procédez comme suit.

Éléments à réunir :



Bécher contenant de l'eau désionisée (2x)



Emballage d'origine

1. Retirez les réactifs des conduites de réactif comme suit :
 - a. Retirez le flacon de solution témoin et le flacon de solution tampon de l'analyseur.
 - b. Placez deux béchers (ou récipients) contenant de l'eau désionisée dans l'analyseur.
 - c. Placez le tuyau du flacon de solution témoin et celui du flacon de solution tampon dans les béchers.
 - d. Appuyez sur **menu**, puis sélectionnez **PROGR. CAPTEUR > [sélectionner l'analyseur] > AMORÇ.**
L'analyseur retire les réactifs des conduites de réactif.

2. Retirez l'eau désionisée des conduites de réactif comme suit :
 - a. Retirez le tuyau du flacon de solution témoin et le tuyau du flacon de solution tampon des béchers.
 - b. Retirez les deux béchers de l'analyseur.
 - c. Appuyez sur **menu**, puis sélectionnez **PROGR. CAPTEUR** > [sélectionner l'analyseur] > **AMORÇ**.
L'analyseur retire tous les liquides des conduites de réactif.
3. Débranchez le câble de l'analyseur du transmetteur.
4. Fermez la vanne d'arrêt pour arrêter l'écoulement de l'échantillon dans le filtre en Y.
5. Débranchez le tuyau d'entrée d'échantillon (noir) et le tuyau d'évacuation (transparent) de l'analyseur.
6. Retirez la coupure anti-retour de l'analyseur.
7. Retirez le collier de la pompe. Reportez-vous à la section [Figure 6](#) à la page 51.
8. Retirez le harnais de tuyau et l'agitateur de l'analyseur. Conservez le harnais de tuyau avec l'analyseur en cas d'expédition. Reportez-vous à la section [Etape 3 : Installation de l'agitateur et du harnais de tuyau](#) à la page 40.
9. Installez le collier de la pompe sans le harnais de tuyau. Placez du ruban adhésif sur le tube de pompe pour le maintenir fermement en place.
10. Retirez l'eau de la cellule à l'aide d'une pipette à usage unique ou d'un chiffon non pelucheux.
11. Retirez l'analyseur du mur.
12. Placez l'analyseur dans son emballage d'origine.

7.7 Nettoyage de l'appareil

AVIS

N'utilisez jamais d'agents de nettoyage tels que térébenthine, acétone ou autres produits similaires pour nettoyer l'appareil, ni son écran et ses accessoires.

Nettoyez l'extérieur de l'appareil avec un chiffon humide et une solution de détergent doux.

7.8 Nettoyage des débordements

▲ ATTENTION



Risque d'exposition chimique. Mettez au rebut les substances chimiques et les déchets conformément aux réglementations locales, régionales et nationales.

1. Respectez toutes les règles de sécurité du site concernant le contrôle des débordements.
2. Jetez les déchets en suivant les règles applicables.

Section 8 Dépannage

8.1 Erreurs - Voyant rouge

Pour afficher les erreurs, appuyez sur **menu**, puis sélectionnez **DIAGNOSTIQUE** > [sélectionner l'analyseur] > **LISTE ERREURS**. Une liste des erreurs possibles apparaît dans le [Tableau 7](#).

Le voyant d'état de l'analyseur passe au rouge lorsqu'une erreur se produit. Lorsqu'une erreur se produit, les mesures s'arrêtent, l'écran de mesure clignote et toutes les sorties sont maintenues, telles que spécifiées dans le menu du transmetteur.

Tableau 7 Messages d'erreur

Erreur	Description	Solution
ERR DETECTEUR	Un détecteur ne fonctionne pas correctement.	Contactez l'assistance technique.
CELL SALE	La cellule est tachée ou sale.	Nettoyez la cellule. Reportez-vous à la section Nettoyage de la cellule à la page 47.
CODE ERR.	Une erreur de micrologiciel s'est produite.	Contactez l'assistance technique.
ERR LED	Le voyant de la cellule ne fonctionne pas correctement.	Contactez l'assistance technique.
ERR POMPE	La pompe ne fonctionne pas correctement.	Contactez l'assistance technique.
FUITE ECH	Il y a une fuite d'échantillon dans l'analyseur.	Contactez l'assistance technique.

8.2 Avertissements - Voyant jaune

Pour afficher les avertissements, appuyez sur **menu**, puis sélectionnez DIAGNOSTIQUE > [sélectionner l'analyseur] > LISTE AVERTIS.. La liste des avertissements possibles est présentée dans le [Tableau 8](#).

Le voyant d'état passe au jaune lorsqu'un avertissement survient. Si un débit d'échantillon suffisant est disponible, un avertissement n'affecte pas le fonctionnement des menus. Un avertissement n'affecte pas le fonctionnement des relais et des sorties. Une icône d'avertissement clignote et un message s'affiche en bas de l'écran du transmetteur.

Tableau 8 Messages d'avertissement

Avertissement	Description	Solution
BULLES DETECT	Il y a des bulles dans la cellule.	Nettoyez la cellule. Reportez-vous à la section Nettoyage de la cellule à la page 47. (Optionnel) Activez le paramètre ELIMIN. BULLES. Reportez-vous à la section Etape 10 : Configuration de l'analyseur à la page 44.
NETT CELL URGENT	La cellule est sale ou tachée et doit être nettoyée rapidement afin d'éviter toute erreur de mesure.	Nettoyez la cellule. Reportez-vous à la section Nettoyage de la cellule à la page 47.
CHLORE ELEVE	La concentration en chlore est égale ou supérieure au point de consigne ALAR CHL ELEVE.	Augmentez la valeur du paramètre ALAR CHL ELEVE. Reportez-vous à la section Etape 10 : Configuration de l'analyseur à la page 44. ou Diminuez la concentration en chlore de l'échantillon fourni vers l'analyseur.

Tableau 8 Messages d'avertissement (suite)

Avertissement	Description	Solution
CHLORE BAS	La concentration en chlore est égale ou inférieure au point de consigne ALAR CHL BAS.	<p>Diminuez la valeur du paramètre ALAR CHL BAS. Reportez-vous à la section Etape 10 : Configuration de l'analyseur à la page 44.</p> <p>ou</p> <p>Augmentez la concentration en chlore de l'échantillon fourni vers l'analyseur.</p>
DEBIT PREL BAS	Le débit d'échantillon mesuré est inférieur au débit d'échantillon minimum. Reportez-vous au Caractéristiques techniques à la page 28.	<p>Réglage du débit d'échantillon. Reportez-vous au Etape 8 : Réglage du débit à la page 43.</p> <p>Nettoyez le filtre du filtre en Y si nécessaire afin d'éliminer toute obstruction. Reportez-vous au Nettoyage de la crépine du filtre en Y à la page 49.</p> <p><i>Remarque : Lorsqu'un avertissement DEBIT PREL BAS se produit, l'analyseur arrête temporairement les mesures. Lorsque le débit est de nouveau conforme aux spécifications de débit, l'analyseur commence automatiquement les mesures.</i></p>
FLUX D'ECH ELEV	Le débit d'échantillon mesuré est supérieur au débit d'échantillon maximum. Reportez-vous à la section Caractéristiques techniques à la page 28.	<p>Réglage du débit d'échantillon. Reportez-vous à la section Etape 8 : Réglage du débit à la page 43.</p>

Section 9 Pièces de rechange et accessoires

▲ AVERTISSEMENT



Risque de blessures corporelles. L'utilisation de pièces non approuvées comporte un risque de blessure, d'endommagement de l'appareil ou de panne d'équipement. Les pièces de rechange de cette section sont approuvées par le fabricant.

Remarque : Les numéros de référence de produit et d'article peuvent dépendre des régions de commercialisation. Prenez contact avec le distributeur approprié ou consultez le site web de la société pour connaître les personnes à contacter.

Consommables

Description	Quantité	Article n°
Kit de réactifs, chlore libre, comprend : flacon de solution tampon, flacon de solution témoin et flacon DPD	1	2556900
Kit de réactifs, chlore total, comprend : flacon de solution tampon, flacon de solution témoin et flacon DPD	1	2557000
Kit de nettoyage de cellule, comprenant : Acide sulfurique, 5,25 N, 100 mL, flacon compte-gouttes et cotons-tiges (x10)	1	8573100
Kit de vérification de l'étalonnage	1	8568200
Kit de remplissage pour la vérification de l'étalonnage	1	8573200

Pièces de rechange

Description	Article n°
Kit de tuyaux, comprend : Harnais de tuyau et agitateur	8560400
Kit d'installation avec tuyau vertical	8560500
Kit d'installation avec régulateur de pression	8565700

Accessoires

Description	Article n°
Câble d'extension pour analyseur, 1 m (3,2 pi)	6122400
Câble d'extension pour analyseur, 7,7 m (25 pi)	5796000
Câble d'extension pour analyseur, 15 m (50 pi)	5796100
Adaptateur de tube, 6 mm de diamètre extérieur à 1/4 pouce de diamètre extérieur	09184=A=4020

Tabla de contenidos

- | | |
|---------------------------------------|---|
| 1 Especificaciones en la página 56 | 6 Calibración y ajustes en la página 73 |
| 2 Información general en la página 57 | 7 Mantenimiento en la página 73 |
| 3 Instalación en la página 61 | 8 Solución de problemas en la página 79 |
| 4 Configuración en la página 71 | 9 Piezas de repuesto y accesorios en la página 82 |
| 5 Funcionamiento en la página 73 | |

Sección 1 Especificaciones

Las especificaciones están sujetas a cambios sin previo aviso.

Tabla 1 Especificaciones generales

Especificación	Datos
Dimensiones (An. x Al. x Pr.)	32,9 x 34,2 x 17,7 cm (12,9 x 13,5 x 7,0 pulg.)
Carcasa	IP66 según IEC 60529 con la puerta cerrada y bloqueada ¹
Peso del equipo	4,1 kg (9 lb) sin botellas; 5,1 kg (11,2 lb) con botellas llenas
Montaje	Montaje en pared
Clase de protección	III
Grado de contaminación	3
Categoría de la instalación eléctrica	I (instalación en interiores)
Requisitos de alimentación	12 V CC, 400 mA máximo (suministrados por el controlador)
Temperatura de funcionamiento	De 5 a 40 °C (de 41 a 104 °F)
Humedad de funcionamiento	0 a 90% de humedad relativa, sin condensación
Temperatura de almacenamiento	De -40 a 60 °C (de -40 a 140 °F)
Conexiones	Línea de muestra: racor de conexión rápida de ¼" de diámetro exterior para tubos de plástico Líneas de drenaje: racor insertable para tubos de plástico blando de ½" de diámetro interior
Luces indicadoras	Estado del analizador y ciclo de medición
Certificaciones	CE DoC, FCC SDoC, IC, RCM, KC
Garantía	1 año (UE: 2 años)

Tabla 2 Requisitos de la muestra

Especificación	Datos
Presión	0,31 a 5,17 bares (4,5 a 75 psig) suministrados al filtro en Y; 0,1 a 0,34 bares (1,5 a 5 psig) suministrados al analizador
Caudal	60 a 200 ml/min a través del instrumento (medido en el drenaje del analizador)
Temperatura	De 5 a 40 °C (de 41 a 104 °F)
Filtración	Filtro en Y con malla de 40 o superior

¹ Orificios de drenaje cerrados con tapones para la realización de pruebas.

Tabla 3 Especificaciones de medición

Especificación	Datos
Fuente de luz	LED, medición a 510 nm; trayectoria de la luz de 1 cm
Rango de medición	0.03 a 10 mg/l de cloro residual libre o total como Cl ₂
Intervalo de medición	150 segundos
Exactitud	±5 % o ±0,04 mg/l de 0 a 5 mg/l (el valor más alto) como Cl ₂ ±10 % de 5 a 10 mg/l como Cl ₂
Precisión	±5 % o ±0,01 mg/l (el valor más alto) como Cl ₂
Límite de detección	0.03 mg/l como Cl ₂
Límite de cuantificación	0.07 mg/l
Calibración	Calibración de fábrica Opcional: calibración del usuario de 2 puntos con patrones de calibración del Kit de verificación de la calibración
Uso de reactivo	0,5 L de solución tampón y 0,5 L de solución indicadora en 31 días

Sección 2 Información general

En ningún caso el fabricante será responsable de ningún daño directo, indirecto, especial, accidental o resultante de un defecto u omisión en este manual. El fabricante se reserva el derecho a modificar este manual y los productos que describen en cualquier momento, sin aviso ni obligación. Las ediciones revisadas se encuentran en la página web del fabricante.

2.1 Información de seguridad

AVISO

El fabricante no es responsable de ningún daño debido a un mal uso de este producto incluyendo, sin limitación, daños directos, fortuitos o circunstanciales y reclamaciones sobre los daños que no estén recogidos en la legislación vigente. El usuario es el responsable de la identificación de los riesgos críticos y de tener los mecanismos adecuados de protección de los procesos en caso de un posible mal funcionamiento del equipo.

Lea todo el manual antes de desembalar, instalar o trabajar con este equipo. Ponga atención a todas las advertencias y avisos de peligro. El no hacerlo puede provocar heridas graves al usuario o daños al equipo.

Asegúrese de que la protección proporcionada por el equipo no está dañada. No utilice ni instale este equipo de manera distinta a lo especificado en este manual.

2.1.1 Uso de la información relativa a riesgos

▲ PELIGRO

Indica una situación potencial o de riesgo inminente que, de no evitarse, provocará la muerte o lesiones graves.

▲ ADVERTENCIA

Indica una situación potencial o inminentemente peligrosa que, de no evitarse, podría provocar la muerte o lesiones graves.

▲ PRECAUCIÓN

Indica una situación potencialmente peligrosa que podría provocar una lesión menor o moderada.

AVISO

Indica una situación que, si no se evita, puede provocar daños en el instrumento. Información que requiere especial énfasis.

2.1.2 Etiquetas de precaución

Lea todas las etiquetas y rótulos adheridos al instrumento. En caso contrario, podrían producirse heridas personales o daños en el instrumento. El símbolo que aparezca en el instrumento se comentará en el manual con una declaración de precaución.



En Europa, el equipo eléctrico marcado con este símbolo no se debe desechar mediante el servicio de recogida de basura doméstica o pública. Devuelva los equipos viejos o que hayan alcanzado el término de su vida útil al fabricante para su eliminación sin cargo para el usuario.

2.1.3 Normativa y certificación

▲ PRECAUCIÓN

Este equipo no está diseñado para su uso en entornos residenciales y puede que no brinde la protección adecuada para la recepción de radio en dichos entornos.

Reglamentación canadiense sobre equipos que provocan interferencia, ICES-003, Clase A

Registros de pruebas de control del fabricante.

Este aparato digital de clase A cumple con todos los requerimientos de las reglamentaciones canadienses para equipos que producen interferencias.

Cet appareil numérique de classe A répond à toutes les exigences de la réglementation canadienne sur les équipements provoquant des interférences.

FCC Parte 15, Límites Clase "A"

Registros de pruebas de control del fabricante. Este dispositivo cumple con la Parte 15 de las normas de la FCC estadounidense. Su operación está sujeta a las siguientes dos condiciones:

1. El equipo no puede causar interferencias perjudiciales.
2. Este equipo debe aceptar cualquier interferencia recibida, incluyendo las interferencias que pueden causar un funcionamiento no deseado.

Los cambios o modificaciones a este equipo que no hayan sido aprobados por la parte responsable podrían anular el permiso del usuario para operar el equipo. Este equipo ha sido probado y encontrado que cumple con los límites para un dispositivo digital Clase A, de acuerdo con la Parte 15 de las Reglas FCC. Estos límites están diseñados para proporcionar una protección razonable contra las interferencias perjudiciales cuando el equipo está operando en un entorno comercial. Este equipo genera, utiliza y puede irradiar energía de radio frecuencia, y si no es instalado y utilizado de acuerdo con el manual de instrucciones, puede causar una interferencia dañina a las radio comunicaciones. La operación de este equipo en un área residencial es probable que produzca interferencias dañinas, en cuyo caso el usuario será requerido para corregir la interferencia bajo su propio cargo. Pueden utilizarse las siguientes técnicas para reducir los problemas de interferencia:

1. Desconecte el equipo de su fuente de alimentación para verificar si éste es o no la fuente de la interferencia.
2. Si el equipo está conectado a la misma toma eléctrica que el dispositivo que experimenta la interferencia, conecte el equipo a otra toma eléctrica.
3. Aleje el equipo del dispositivo que está recibiendo la interferencia.
4. Cambie la posición de la antena del dispositivo que recibe la interferencia.
5. Pruebe combinaciones de las opciones descritas.

2.2 Descripción general del producto

▲ PELIGRO



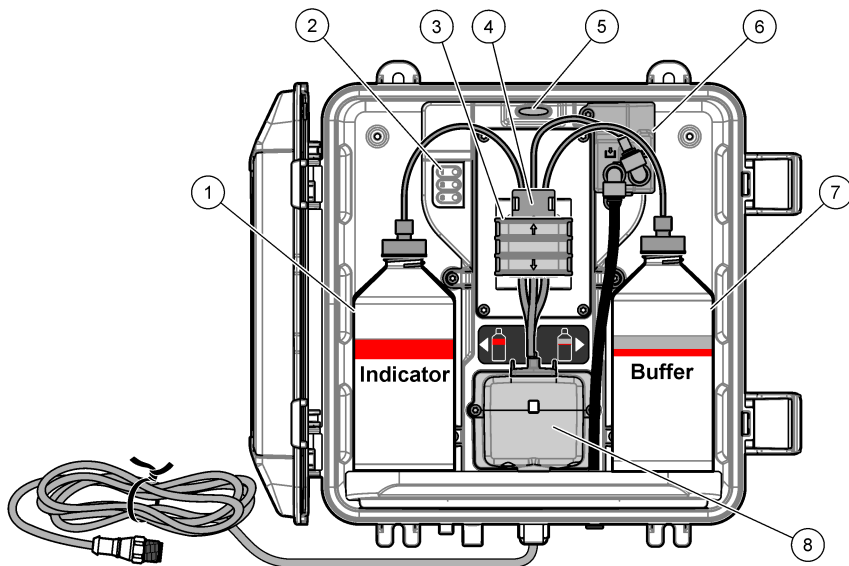
Peligro químico o biológico. Si este instrumento se va a utilizar para controlar un proceso de tratamiento o como agua de alimentación para diálisis, procesos para los que existen límites normativos y requisitos de control relacionados con la salud pública, la seguridad pública, la fabricación o el procesamiento de alimentos o bebidas, será responsabilidad del usuario del instrumento conocer y cumplir toda la normativa aplicable y disponer de mecanismos adecuados y suficientes que satisfagan las normativas vigentes en caso de avería del equipo.

El analizador CL17sc mide la concentración de cloro libre o cloro total en el agua, en el rango de 0.03 a 10 mg/l a intervalos de 150 segundos. En la [Figura 1](#) se muestra una imagen y descripción general del analizador.

Conecte el analizador a un controlador SC para el encendido, el funcionamiento, la recopilación de datos, la transmisión de datos y el diagnóstico. Consulte la descripción general del controlador en el manual del controlador SC.

Nota: Si el controlador SC dispone de más de un racor de conexión rápida, podrá conectarse más de un analizador al controlador.

Figura 1 CL17sc



1 Botella de solución indicadora	5 Luz de estado del analizador (Tabla 5 en la página 60)
2 Luces del ciclo de medición (Tabla 4 en la página 60)	6 Caudalímetro
3 Abrazadera de la bomba	7 Botella de tampón
4 Abrazadera para tubos	8 Celda colorimétrica

2.2.1 Caudalímetro

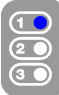
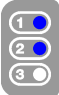
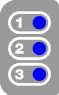
El analizador dispone de un caudalímetro para medir el caudal de muestra que pasa por el analizador. Consulte la [Figura 1](#) en la página 59.

La muestra únicamente pasa por el analizador cuando el analizador lava la celda. El resto del tiempo no hay flujo de muestra y el caudal indicado es cero. Pulse la flecha **HACIA LA DERECHA** del controlador para ver el caudal.

2.2.2 Luces del ciclo de medición

Las luces del ciclo de medición indican el paso del ciclo de medición que se está realizando. Consulte la [Tabla 4](#).

Tabla 4 Luces del ciclo de medición

Luces encendidas			
Descripción	La celda se está enjuagando con agua.	La solución tampón y la solución indicadora se añaden a la celda.	La muestra se está midiendo.

2.2.3 Luz de estado del analizador

La luz de estado del analizador cambia de verde a amarillo cuando se genera una advertencia o a rojo cuando se produce un error. Consulte la [Tabla 5](#).

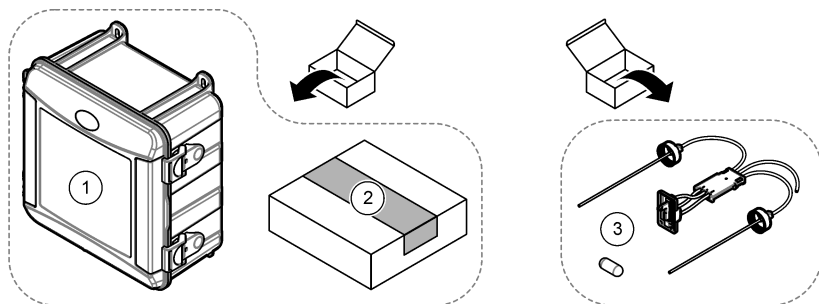
Tabla 5 Luz de estado del analizador

Color	Descripción
Verde	Funcionamiento normal
Amarillo	Se debe prestar atención al sistema para evitar que se produzca un fallo en el futuro. Las mediciones continúan. Para ver las advertencias, pulse menú y seleccione DIAGNOSTICOS > [seleccione el analizador] > ADVERTENCIAS. Consulte Advertencias: luz amarilla en la página 80.
Rojo	El sistema requiere atención inmediata. Las mediciones se han detenido. Para ver los errores, pulse menú y seleccione DIAGNOSTICOS > [seleccione el analizador] > LISTA ERRORES. Consulte Errores: luz roja en la página 79.

2.3 Componentes del producto

Asegúrese de haber recibido todos los componentes. Consulte la [Figura 2](#). Si faltan artículos o están dañados, contacte con el fabricante o el representante de ventas inmediatamente.

Figura 2 Componentes del producto



1 Analizador CL17sc	3 Kit de tubos (set de tubos con tapa y barra agitadora)
2 Kit de instalación	

Sección 3 Instalación

⚠ PRECAUCIÓN



Peligros diversos. Solo el personal cualificado debe realizar las tareas descritas en esta sección del documento.

3.1 Instrucciones de instalación

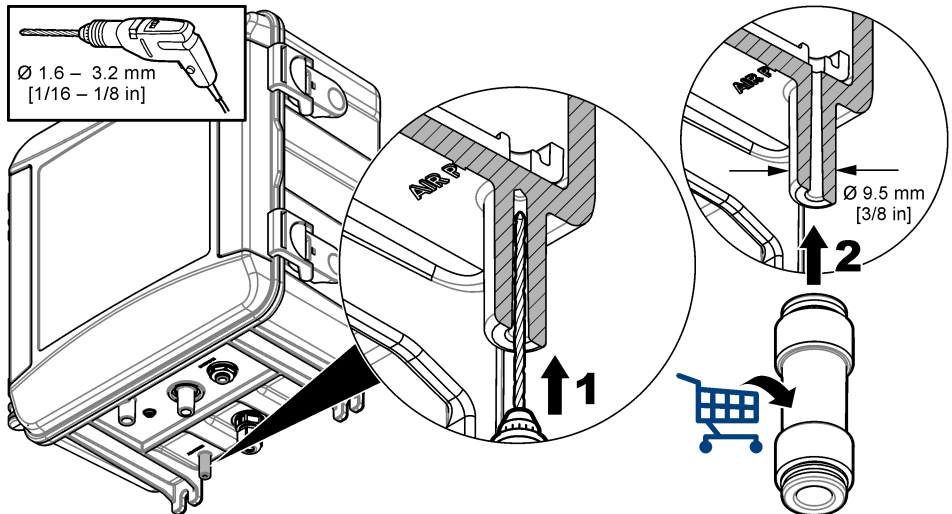
- El analizador se entrega con un kit de instalación con cilindro de rotura de carga o con un kit de instalación con regulador de presión para controlar la presión del agua del analizador. El usuario elige el kit de instalación en el momento de la compra.
- Instale el analizador en interiores, en un lugar en el que las vibraciones sean mínimas. Consulte las especificaciones de temperatura y humedad de funcionamiento en [Especificaciones](#) en la página 56.
- No instale el analizador en un lugar expuesto a la luz solar directa o cerca de una fuente de calor.
- En instalaciones con cilindro de rotura de carga, instale el analizador en una ubicación que disponga de 61 cm (2 pies) de espacio libre por encima del analizador para poder montar la rotura de carga.
- Instale el analizador cerca de un drenaje abierto. Consulte las instrucciones de los organismos reguladores locales respecto a los residuos.

3.2 Paso 1: Purga de aire (opcional)

Puede ser necesario realizar una purga de aire si el analizador está instalado en una ubicación con un alto nivel de humedad o en el que haya vapores que generen corrosión. La purga de aire mantiene una presión positiva en el instrumento con aire seco y limpio.

Suministre aire limpio y seco de calidad apta para instrumentos a 0,003 m³/minuto (0,1 pies³/minuto) a un máximo de 20 psig.

Consulte los pasos que se muestran en las siguientes ilustraciones. El usuario debe suministrar el racor de conexión rápida de 3/8" y los tubos.



3.3 Paso 2: Montaje y conexión de los tubos del analizador

▲ PRECAUCIÓN



En el instrumento solo se pueden utilizar los tubos especificados por Hach Company. El uso de otros tubos podría provocar la absorción del cloro presente en la muestra de agua y tener un efecto negativo sobre las lecturas de cloro (reducir las lecturas de cloro).

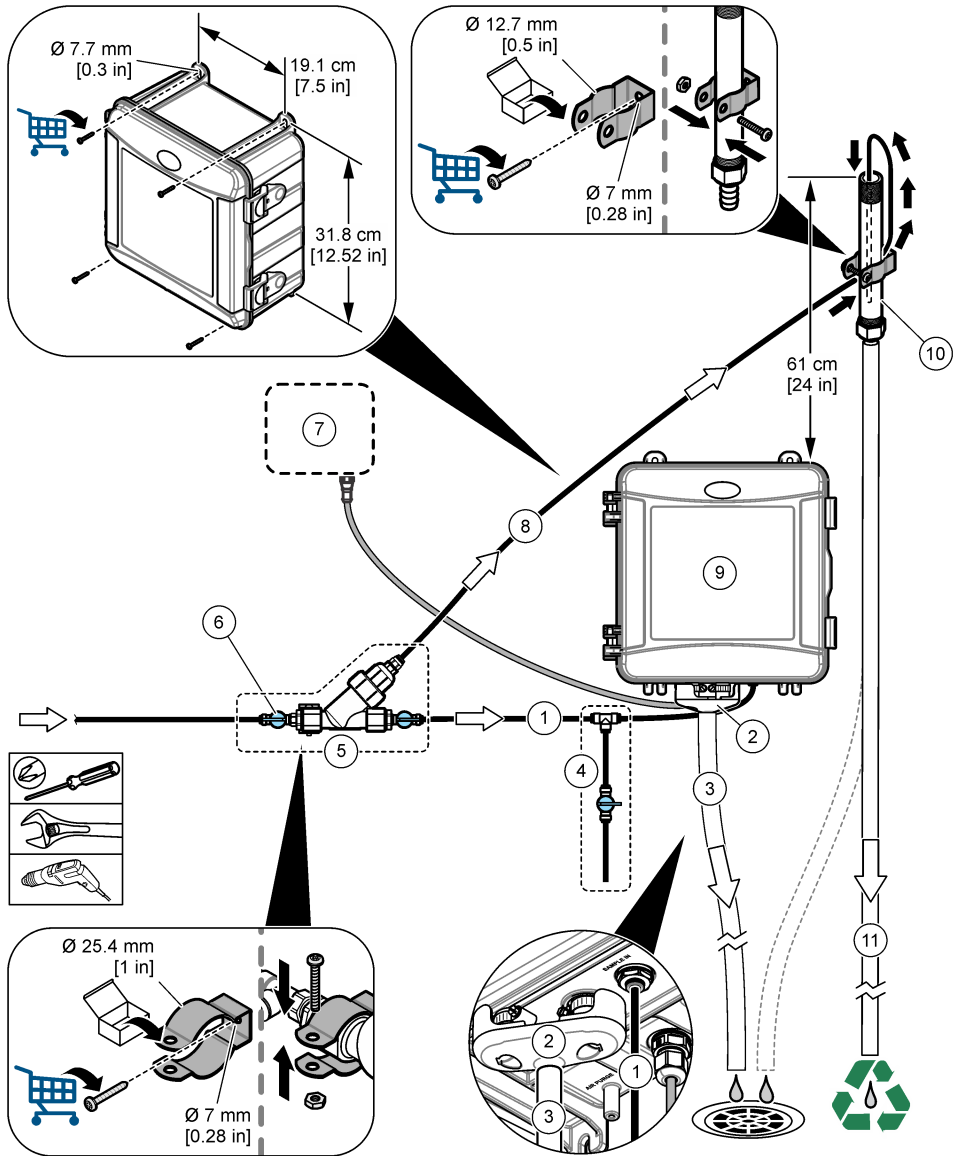
AVISO

La conexión incorrecta de los tubos del analizador puede causar daños debido al exceso de presión de la muestra. Siga siempre las instrucciones que se indican a continuación para el montaje y la conexión de los tubos del analizador.

1. Instale el analizador (elemento 9) en la pared utilizando cuatro tornillos. Compruebe que el analizador está nivelado.
Nota: *La tornillería de montaje la debe proporcionar el usuario.*
2. Instale el controlador SC (elemento 7) en una pared, panel o pértiga. Consulte las instrucciones en la documentación del controlador SC.
3. Monte el filtro en Y. Consulte las instrucciones suministradas en el embalaje.
4. Utilice la abrazadera de conductos de 1 pulgada para montar el conjunto del filtro en Y (elemento 5 en la [Figura 3](#) o la [Figura 4](#)).
5. Instale la abertura de aire externa en el analizador (elemento 2 en la [Figura 3](#) o la [Figura 4](#)). Consulte las instrucciones suministradas en el embalaje.
6. Lleve a cabo el paso 7 o 8.
El analizador se suministra con un kit de instalación con pértiga (consulte la [Figura 3](#)) o con un kit de instalación con regulador de presión (consulte la [Figura 4](#)) para controlar la presión del agua del analizador. El usuario elige el kit de instalación en el momento de la compra.
7. Si eligió el kit de instalación con pértiga en el momento de la compra, instale la pértiga como se indica a continuación:
 - a. Monte la pértiga. Consulte las instrucciones suministradas en el embalaje.
 - b. Utilice la abrazadera de conductos más pequeña para instalar la pértiga a una distancia mínima de 61 cm (24 pulg.) respecto a la parte superior del analizador. Consulte el elemento 10 en la [Figura 3](#).
 - c. Con el tubo negro, instale el tubo de derivación de muestra (elemento 8). Pase el tubo por detrás y después insértelo en la pértiga. Coloque el tubo a 10-13 cm (4-5 pulg.) de la parte superior de la pértiga.
 - d. Corte una parte del tubo de drenaje de muestra (elemento 3). Utilice el tubo para conectar la parte inferior de la pértiga a un drenaje abierto (elemento 11 en la [Figura 3](#)). Consulte la [Instrucciones sobre la línea de drenaje](#) en la página 66.
8. Si eligió el kit de instalación con regulador de presión en el momento de la compra, instale el regulador de presión (elemento 10 de la [Figura 4](#)).
9. Con el tubo negro, conecte la entrada del filtro en Y (elemento 5) a la toma de la muestra. Consulte [Directrices sobre la línea de muestra](#) en la página 66 y [Requisitos de la muestra](#) en la página 66.
10. Con el tubo negro, conecte la salida del filtro en Y (o la salida del regulador de presión) al racor de la entrada de muestra (elemento 1) de la parte inferior del analizador. Procure que el tubo sea lo más corto posible, con una longitud máxima de 2,5 m (8 pies).
11. Si se ha instalado un regulador de presión, instale el tubo de derivación de muestra (elemento 8 en la [Figura 4](#)).
12. Monte y conecte el conjunto de muestra manual (elemento 4) como se indica a continuación:
 - a. Monte el conjunto de muestra manual.

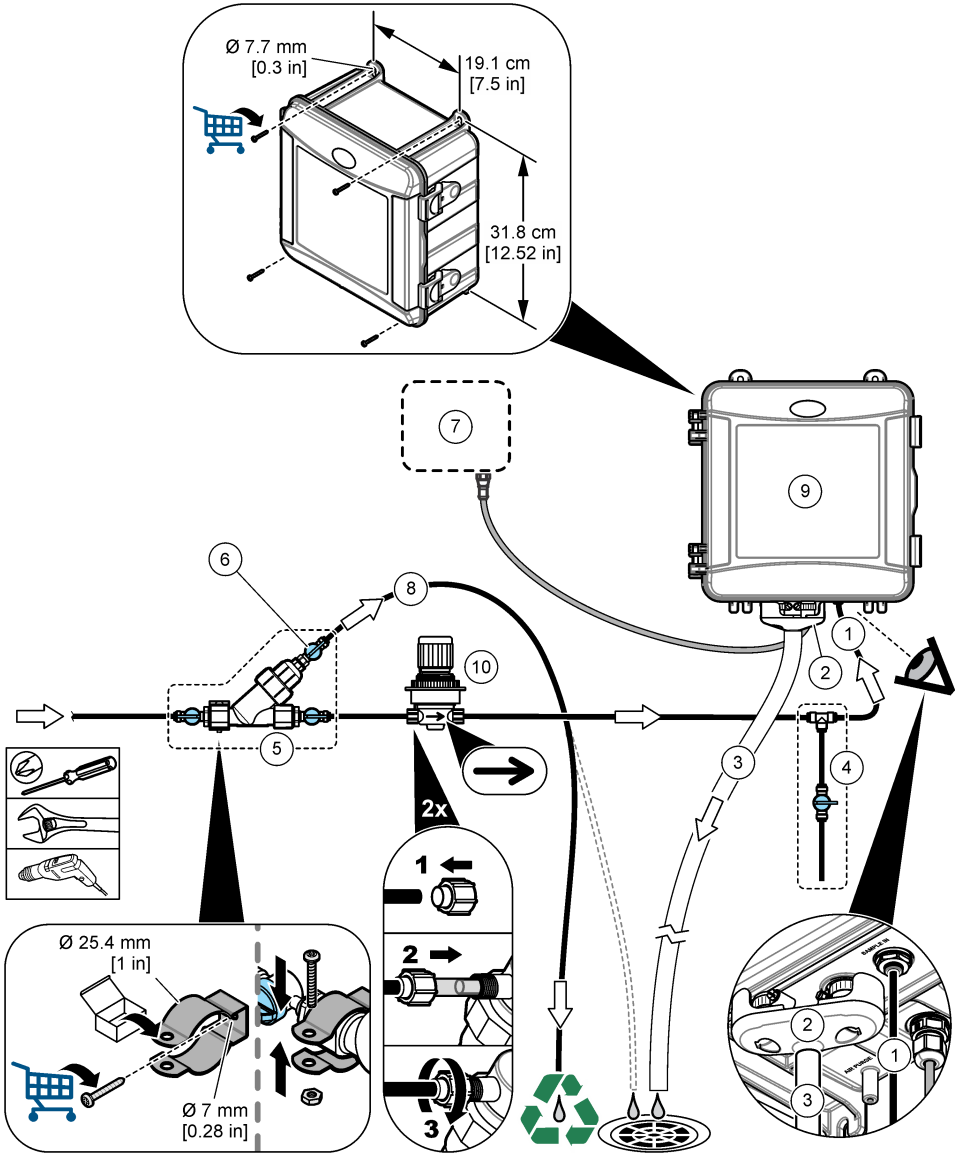
- b. Conecte el racor en T entre el filtro en Y y el analizador. Consulte la [Figura 3](#) o la [Figura 4](#).
13. Conecte el tubo de drenaje de muestra (elemento 3) a un drenaje abierto. Consulte [Instrucciones sobre la línea de drenaje](#) en la página 66.

Figura 3 Instalación con pértiga



1 Racor de entrada de muestra	7 Controlador SC
2 Abertura de aire externa	8 Tubo de derivación de muestra
3 Tubo de drenaje de muestra	9 Analizador
4 Conjunto de muestra manual	10 Pértiga
5 Conjunto del filtro en Y	11 Tubo de drenaje de la pértiga
6 Válvula de corte en la entrada del filtro en Y	

Figura 4 Instalación con regulador de presión



1 Racor de entrada de muestra	6 Válvula de corte en la derivación del filtro en Y
2 Abertura de aire externa	7 Controlador SC
3 Tubo de drenaje de muestra	8 Tubo de derivación de muestra
4 Conjunto de muestra manual	9 Analizador
5 Conjunto del filtro en Y	10 Regulador de presión

3.3.1 Directrices sobre la línea de muestra

Seleccione un punto de muestreo adecuado que sea representativo para conseguir un rendimiento óptimo del instrumento. La muestra debe ser representativa de todo el sistema.

Para evitar las lecturas erróneas:

- Haga la toma de muestra en puntos suficientemente alejados de los puntos en los que se añaden productos químicos a la corriente del proceso.
- Asegúrese de que las muestras están lo suficientemente mezcladas.
- Asegúrese de que todas las reacciones químicas se han completado.
- Instale el analizador lo más cerca posible de la fuente de la muestra (4,6 m [15 pies] como máximo).

3.3.2 Requisitos de la muestra

El agua de la que proceda la muestra debe cumplir con las especificaciones indicadas en el apartado de [Especificaciones](#) en la página 56.

Para obtener los mejores resultados, mantenga el caudal y la temperatura de funcionamiento de la muestra lo más constantes posible.

3.3.3 Instrucciones sobre la línea de drenaje

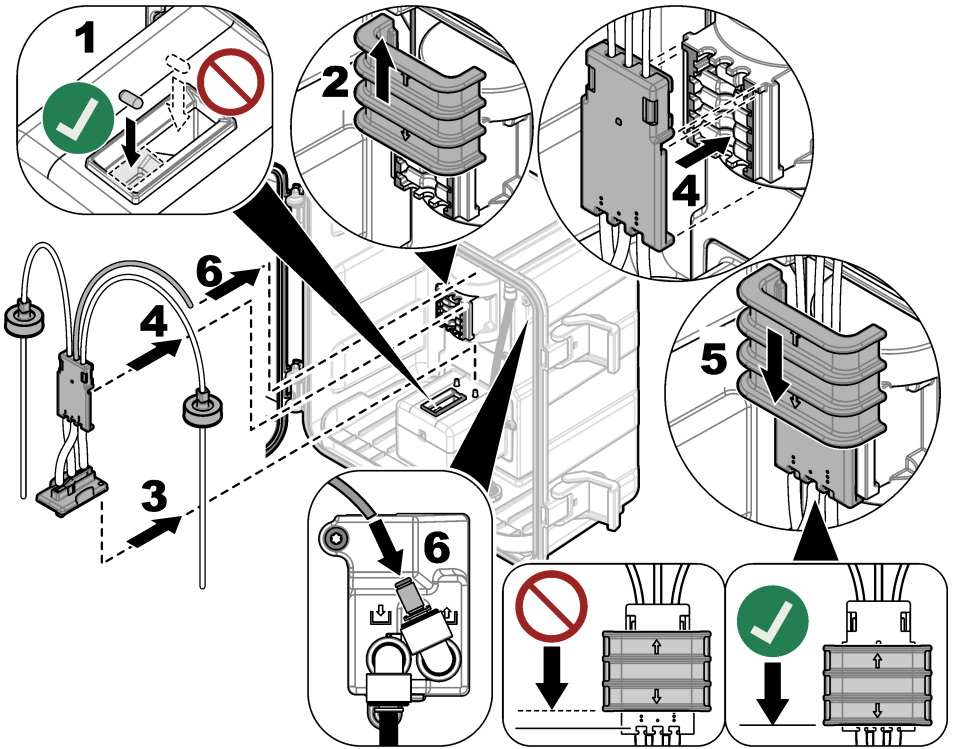
AVISO

Una instalación incorrecta de las líneas de drenaje puede provocar que el líquido regrese al instrumento y lo dañe.

- Asegúrese de instalar la abertura de aire externa. Consulte la [Figura 3](#) en la página 64 o la [Figura 4](#) en la página 65.
- Asegúrese de que las líneas de drenaje sean lo más cortas posible.
- Asegúrese de que las líneas de drenaje tengan un descenso constante.
- Asegúrese de que las líneas de drenaje no se doblen en exceso y de que no se retuerzan.

3.4 Paso 3: Instalación de la barra agitadora y el set de tubos con tapa

Lleve a cabo los pasos que se ilustran a continuación.



3.5 Paso 4: Instalación de las botellas de reactivo

⚠ PRECAUCIÓN



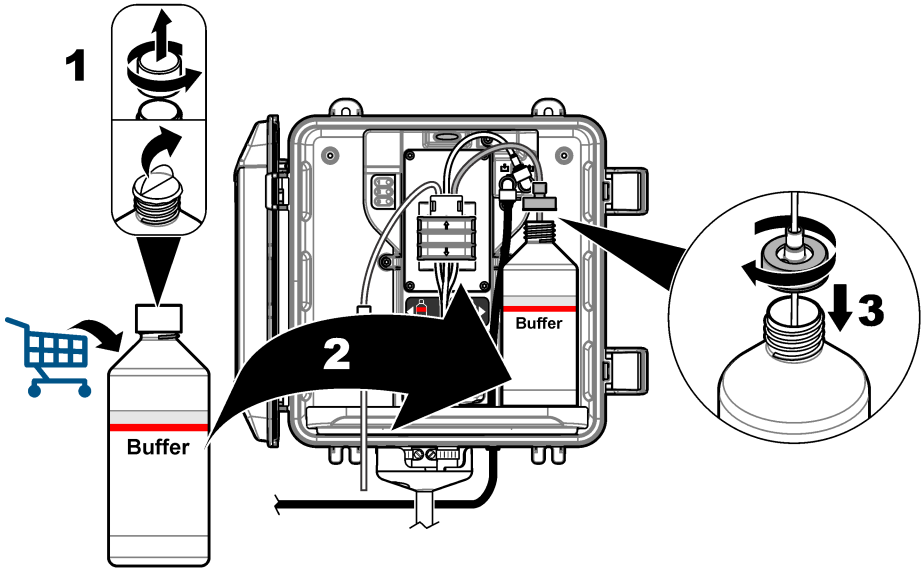
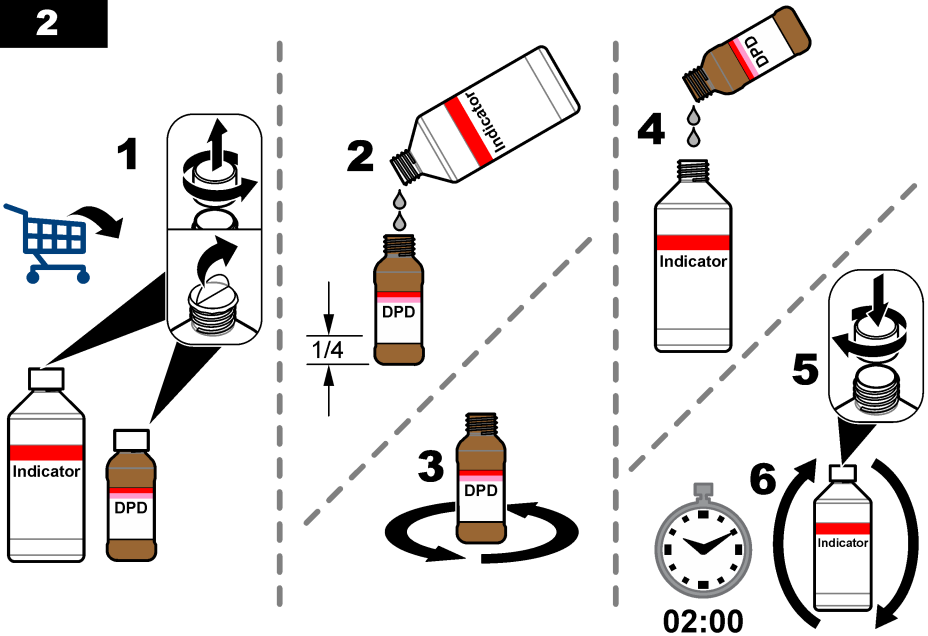
Peligro por exposición química. Respete los procedimientos de seguridad del laboratorio y utilice el equipo de protección personal adecuado para las sustancias químicas que vaya a manipular. Consulte los protocolos de seguridad en las hojas de datos de seguridad actuales (MSDS/SDS).

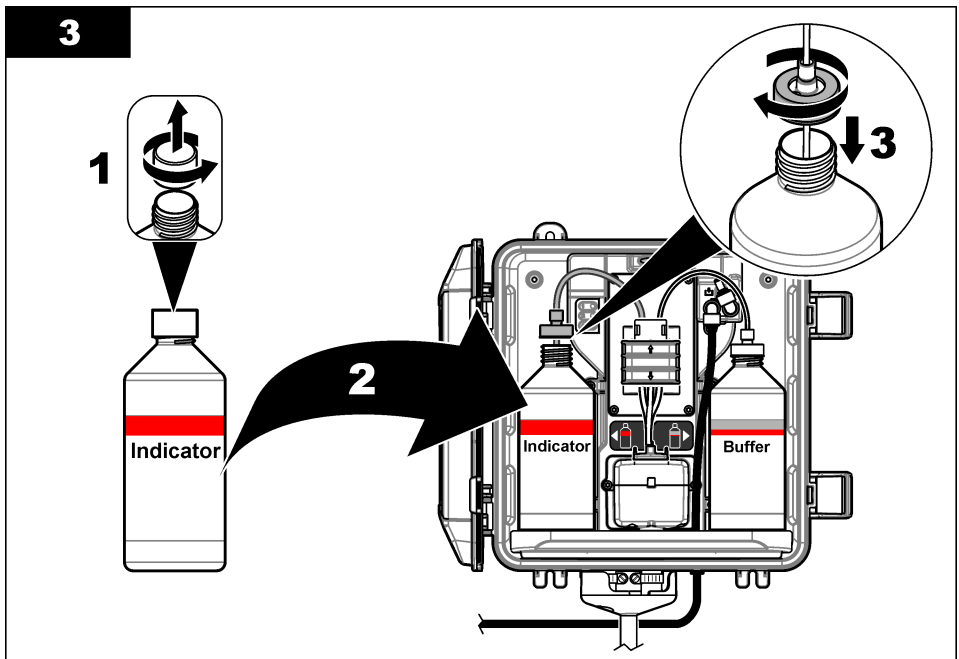
Material necesario:

- Equipo de protección personal (consulte la MSDS o la SDS)
- Botella de solución indicadora
- Botella de tampón
- Botella de compuesto DPD

1. Póngase el equipo de protección personal indicado en las hojas de datos de seguridad (MSDS/SDS).
2. Instale la botella de tampón en el lado derecho y la botella de solución indicadora en el lado izquierdo. Consulte los pasos que se muestran en las siguientes ilustraciones.

Nota: (Opcional) Utilice la parte superior del analizador a modo de estante.

1**2**



3.6 Paso 5: Activación del caudal de muestra

1. Gire lentamente las válvulas de corte un cuarto de vuelta hacia la posición de apertura.
2. Asegúrese de que no haya fugas en las conexiones de bombeo. Si detecta una fuga, inserte más el tubo en el racor o apriete la conexión con una llave.
3. En instalaciones con cilindro de rotura de carga, siga los pasos que se detallan a continuación:
 - a. Abra completamente la válvula de corte en la salida del filtro en Y.
 - b. Gire la válvula de corte de la entrada del filtro en Y (elemento 6 de la [Figura 3](#) en la página 64) hasta que salga un pequeño chorro de agua por el tubo de drenaje del cilindro de rotura de carga.
4. En instalaciones con regulador de presión, siga los pasos que se indican a continuación:
 - a. Abra completamente las válvulas de corte de la entrada y la salida del filtro en Y.
 - b. Gire la válvula de corte de la derivación del filtro en Y (elemento 6 de la [Figura 4](#) en la página 65) hasta que salga un pequeño chorro de agua por el tubo de derivación del filtro en Y.

3.7 Paso 6: Instalación eléctrica

3.7.1 Conexión del analizador al controlador

▲ ADVERTENCIA

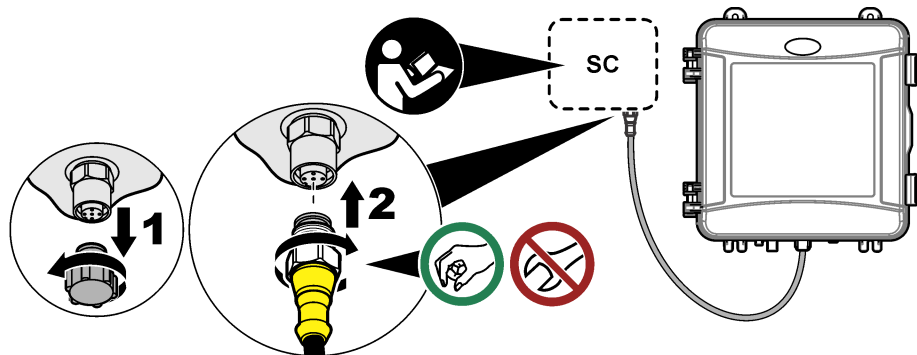


Peligro de descarga eléctrica. El equipo conectado de forma externa debe someterse a una evaluación estándar de seguridad aplicable.

Conecte el cable del analizador al racor de conexión rápida del controlador SC. Consulte la [Figura 5](#).
 Conserve la tapa del conector para cerrar la abertura del conector en caso de que deba desmontar el cable.

Nota: Hay disponibles cables alargadores. Consulte las [Piezas de repuesto y accesorios](#) en la página 82. La longitud máxima del cable es de 15 m (49 pies).

Figura 5 Conexión del cable a un racor de conexión rápida



3.7.2 Conexión del controlador a la alimentación

Conecte el controlador a una línea de alimentación a través de un conducto de conexión física o de un cable de alimentación. Consulte las instrucciones en la documentación del controlador.

3.7.3 Conexión de dispositivos externos al controlador

Conecte los relés del controlador, las salidas analógicas y las entradas digitales de dispositivos externos como sea necesario. Consulte las instrucciones en la documentación del controlador.

3.8 Paso 7: Configurar y cebar el analizador

1. Pulse **menú** y seleccione MONTAR SENSOR > [seleccione el analizador] > CEBAR.
2. Si el controlador no reconoce que el analizador está conectado, siga estos pasos:
 - a. Pulse **menu** y, a continuación, seleccione PRUEBA/MANT. > BUSCAR SENSOR.
 - b. Cuando encuentre e instale el sensor, vuelva a realizar el paso 1.

3.9 Paso 8: Ajuste del caudal

1. Pulse la flecha **HACIA LA DERECHA** del controlador para ver el caudal. La muestra únicamente pasa por el analizador cuando el analizador lava la celda. El resto del tiempo no hay flujo de muestra y el caudal indicado es cero. Consulte en la [Tabla 4](#) en la página 60 las descripciones de los pasos del ciclo de medición.

Nota: Para medir manualmente el caudal a través del analizador, mida el caudal en el drenaje del analizador cuando este enjuague la celda con agua.

2. En instalaciones con pértiga, gire la válvula de corte de la salida del filtro en Y para ajustar el caudal entre 60 y 200 mL/min cuando el analizador enjuague la celda con agua.
3. En instalaciones con regulador de presión, ajuste el regulador de presión para configurar el caudal entre 60 y 200 mL/min cuando el analizador enjuague la celda con agua.

3.10 Paso 9: Instalación de la última versión de software

Compruebe que el controlador SC tiene instalada la última versión de software. Utilice una tarjeta SD para instalar el software más reciente en el controlador SC.

1. Vaya a la página de producto del controlador SC correspondiente en <http://hach.com>.
2. Haga clic en la pestaña "Descargas".
3. Desplácese hacia abajo hasta la sección "Software/Firmware".

- Haga clic en el vínculo del software del controlador SC.
- Guarde los archivos en una tarjeta SD.
- Instale los archivos en el controlador SC. Consulte las instrucciones de instalación del software incluidas con los archivos de software.

Sección 4 Configuración

4.1 Paso 10: Configuración del analizador

Defina el nombre del analizador, la media de la señal, el tipo de cloro medido, la eliminación de burbujas y los valores de consigna de las alarmas de cloro.

- Pulse **menu** y seleccione MONTAR SENSOR > [seleccione el analizador] > CONFIGURAR.
- Seleccione y configure las opciones.

Opción	Descripción
EDITAR NOMBRE	Establece el nombre del analizador. El nombre del analizador se muestra en la pantalla del controlador y en los archivos de registro.
MEDIA SEÑAL	<p>Establece el número de mediciones utilizadas para calcular la medición media que se muestra en la pantalla. Opciones: 1 (predeterminada), 2, 3 o VALOR IRREGULAR.</p> <p>Cuando MEDIA SEÑAL se establece en 1, el cálculo de la media de la señal se desactiva.</p> <p>Cuando MEDIA SEÑAL se establece en 2 o 3, se muestra una lectura de la media en la pantalla. Por ejemplo, la medición de la pantalla equivale a la última y anterior medición dividida entre dos cuando el valor de MEDIA SEÑAL es 2.</p> <p>Si MEDIA SEÑAL se establece en VALOR IRREGULAR, el analizador rechaza las lecturas que sean inusualmente superiores o inferiores a las más recientes. Cuando se rechaza una lectura, la última lectura correcta se muestra en pantalla y se guarda en el registro de datos. No se pueden rechazar más de tres lecturas consecutivas.</p> <p>El promediado de la señal corrige las fluctuaciones de lectura incorrectas causadas por la presencia de burbujas o partículas de gran tamaño en la muestra.</p>
MEDICIÓN	<p>Establece el tipo de cloro medido. Si las botellas de solución tampón y solución indicadora llevan una etiqueta que indica "Cloro libre", seleccione CLORO LIBRE (valor predeterminado).</p> <p>Si las botellas de solución tampón y solución indicadora llevan una etiqueta que indica "Cloro total", seleccione CLORO TOTAL.</p>
ELIM BURBUJAS	Activa o desactiva (valor predeterminado) la eliminación de burbujas. Configure la opción ELIM BURBUJAS en ENCENDIDO para reducir el ruido causado por las burbujas presentes en la muestra. La presencia de burbujas de aire en la muestra puede generar lecturas inestables.
ALARMA CL ALTO	Establece el valor de consigna de la concentración de cloro para la alarma de cloro alto: de 0,00 a 10,00 mg/l (valor predeterminado: 4,00 mg/l).
ALARMA CL BAJO	Establece el valor de consigna de la concentración de cloro para la alarma de cloro bajo: de 0,00 a 10,00 mg/l (valor predeterminado: 0,20 mg/l).
INFO SENSOR	Muestra el número de serie del analizador, la versión de software, la versión de arranque y la versión del controlador.

Opción	Descripción
AJUSTES PREDETERMINAD	Seleccione SI para cambiar la configuración de nuevo a los valores predeterminados de fábrica.
SERVICIO	Solo para uso de Service

4.2 Configuración del sistema

Consulte la documentación del controlador para obtener información sobre la configuración del sistema, los ajustes generales del controlador y la configuración para las salidas y las comunicaciones.

4.3 Navegación por los menús

Consulte la documentación del controlador para ver la descripción del teclado e información sobre cómo desplazarse por los menús.

Pulse la tecla de flecha a la **DERECHA** en el controlador varias veces para ver más información en la pantalla de inicio y mostrar una pantalla gráfica.

Sección 5 Funcionamiento

5.1 Registros de datos, eventos y servicio

El controlador permite el acceso a un registro de datos, un registro de eventos y un registro de servicio para cada instrumento conectado. Las mediciones del CL17sc se guardan automáticamente en el registro de datos a intervalos de 150 segundos. El registro de eventos muestra los eventos que se han producido. Los registros de eventos y de datos conservan datos de 2 semanas aproximadamente cuando el analizador funciona de forma continua. El registro de servicio conserva datos de 24 horas aproximadamente cuando el analizador funciona de forma continua.

Consulte la documentación del controlador para descargar el registro de datos, el de eventos o el de servicio. El registro de datos es un archivo XML que se puede guardar en formato CSV o Excel. Los registros de eventos y de servicio son archivos en formato CSV.

5.2 Medición con INTRO. MUESTRA

Utilice el menú INTRO. MUESTRA para añadir a la celda una muestra de agua con una concentración de cloro conocida para la medición. Cuando sea necesario, mida una muestra discreta como verificación o para medir una muestra de agua obtenida de otra ubicación.

1. Pulse **menú** y seleccione MONTAR SENSOR > [seleccione el analizador] > INTRO. MUESTRA.
2. Lleve a cabo los pasos que se indican en la pantalla. Cuando se le solicite, quite la tapa de la celda y añada 50 ml de muestra discreta a la celda. Una parte de la muestra pasará al drenaje de muestras.

5.3 Registros de Modbus

Está disponible una lista de registros Modbus para comunicación en red. Consulte la página web del fabricante para obtener más información.

Sección 6 Calibración y ajustes

La curva de calibración del analizador se establece en fábrica para ajustar su rendimiento a las especificaciones. La calibración puede realizarse para verificar el rendimiento.

No se recomienda que el usuario realice ningún ajuste en la curva de calibración de fábrica, salvo que lo exija un organismo regulador para la elaboración de informes de cumplimiento o cuando se realice una reparación importante en el analizador.

Para obtener más información, consulte las instrucciones del Kit de verificación de la calibración o póngase en contacto con el servicio de asistencia técnica.

Sección 7 Mantenimiento

⚠ PRECAUCIÓN



Peligros diversos. Solo el personal cualificado debe realizar las tareas descritas en esta sección del documento.

AVISO

No desmonte el instrumento para el mantenimiento. Si es necesario limpiar o reparar los componentes internos, póngase en contacto con el fabricante.

7.1 Cronograma de mantenimiento

En la [Tabla 6](#) se muestra el cronograma recomendado para las tareas de mantenimiento. Los requisitos de las instalaciones y las condiciones de funcionamiento pueden aumentar la frecuencia de algunas tareas.

Tabla 6 Cronograma de mantenimiento

Tarea	1 mes	6 meses	Según sea necesario
Limpieza de la celda en la página 74	X ²		
Cambio de las botellas de reactivo en la página 75	X		
Sustituya la barra agitadora y el set de tubos con tapa ³		X	
Limpieza del tamiz del filtro en Y en la página 76			X

7.2 Limpieza de la celda

▲ PRECAUCIÓN



Peligro por exposición química. Respete los procedimientos de seguridad del laboratorio y utilice el equipo de protección personal adecuado para las sustancias químicas que vaya a manipular. Consulte los protocolos de seguridad en las hojas de datos de seguridad actuales (MSDS/SDS).

Limpie la celda a intervalos de 1 mes o con más frecuencia si es necesario.

Material necesario:



Bastoncillos de algodón⁴



Solución de ácido sulfúrico 5,25 N⁵

1. Póngase el equipo de protección personal indicado en las hojas de datos de seguridad (MSDS/SDS).
2. Pulse **menu** y seleccione MONTAR SENSOR > [seleccione el analizador] > TAREAS > LIMP CELDA.
Nota: Para detener una tarea seleccionada, pulse Inicio.
3. Pulse **Enter** para detener las mediciones.
4. Seleccione una opción.

Opción	Descripción
--------	-------------

SIN CAMBIO	Las salidas del controlador se mantienen en el último valor medido.
-------------------	---

TRANSFERIR	Las salidas del controlador cambian al valor de transferencia.
-------------------	--

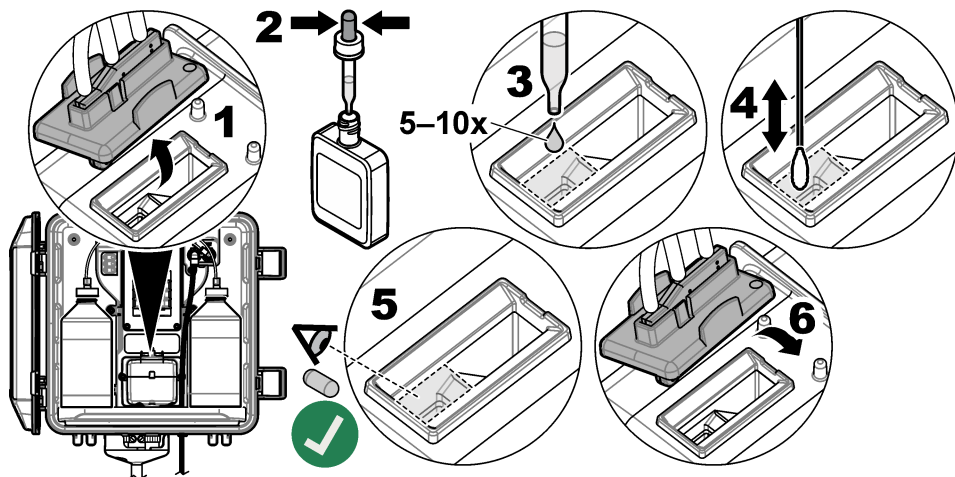
5. Cuando la luz de estado parpadee, siga los pasos que se muestran a continuación. Asegúrese de que no haya materiales no deseados en la celda. Cuando termine, pulse **Enter**.

² Limpie la celda con más o menos frecuencia si es necesario.

³ Consulte las instrucciones incluidas con el kit de tubos.

⁴ Consulte la [Piezas de repuesto y accesorios](#) en la página 82.

⁵ No use otras soluciones de limpieza. Consulte la [Piezas de repuesto y accesorios](#) en la página 82.



6. Cuando se muestre el mensaje "TAREA COMPLETA" en la pantalla, pulse **Enter**.
El analizador iniciará un ciclo de medición en aproximadamente 30 segundos.

7.3 Cambio de las botellas de reactivo

⚠ PRECAUCIÓN



Peligro por exposición química. Respete los procedimientos de seguridad del laboratorio y utilice el equipo de protección personal adecuado para las sustancias químicas que vaya a manipular. Consulte los protocolos de seguridad en las hojas de datos de seguridad actuales (MSDS/SDS).

⚠ PRECAUCIÓN



Peligro por exposición a productos químicos. Deshágase de los productos químicos y los residuos de acuerdo con las normativas locales, regionales y nacionales.

Sustituya las botellas de reactivo a intervalos de 1 mes.

1. Póngase el equipo de protección personal indicado en las hojas de datos de seguridad (MSDS/SDS).
2. Pulse **menu** y seleccione MONTAR SENSOR > [seleccione el analizador] > TAREAS > CAMBIA REACTIVO.

Nota: Para detener una tarea seleccionada, pulse Inicio.

3. Pulse **Enter** para detener las mediciones.
4. Seleccione una opción.

Opción	Descripción
SIN CAMBIO	Las salidas del controlador se mantienen en el último valor medido.
TRANSFERIR	Las salidas del controlador cambian al valor de transferencia.

5. Espere a que la luz de estado parpadee.
6. Cambie la botella de tampón como se indica a continuación:

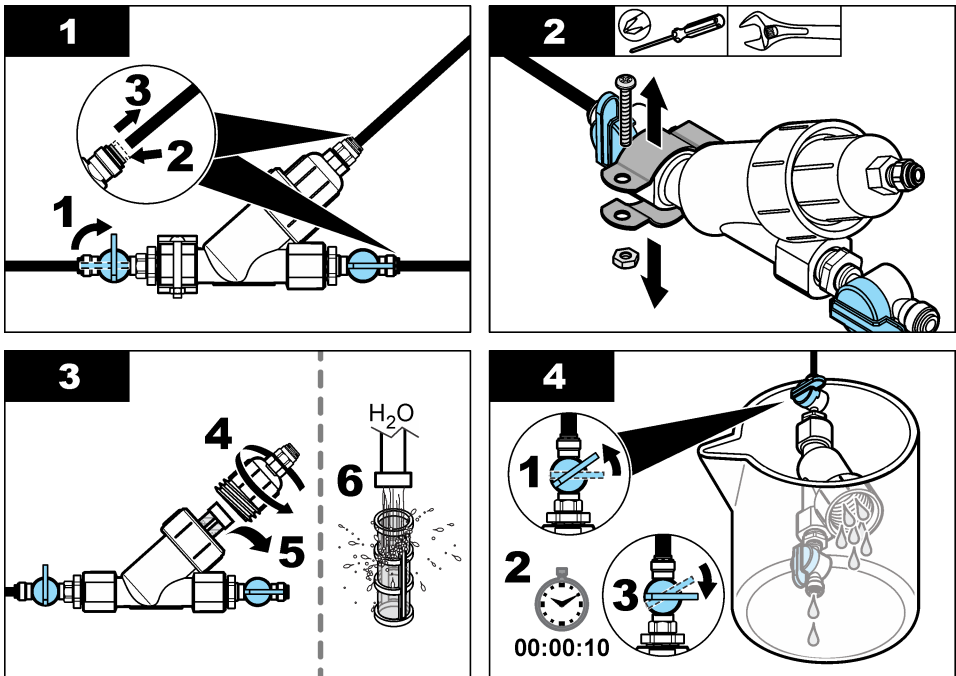
Nota: (Opcional) Utilice la parte superior del analizador a modo de estante.

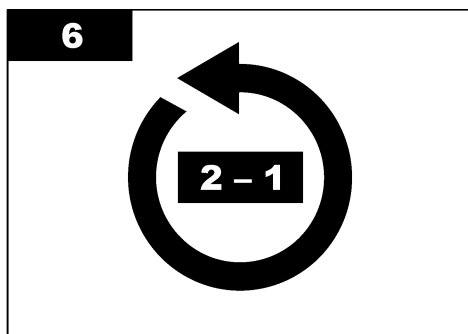
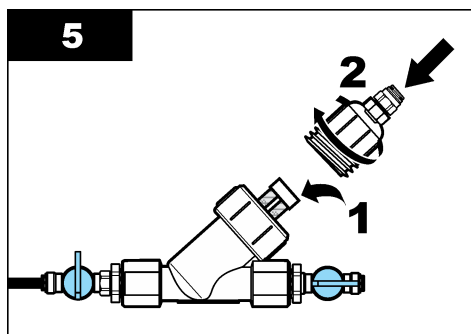
- a. Quite el tapón y el sello de la botella nueva de tampón.
- b. Retire la botella de tampón usada del analizador.

- c. Coloque los tubos de solución tampón en la nueva botella de tampón del lado derecho del analizador. Cierre la tapa.
7. Cambie la botella de solución indicadora como se indica a continuación:
- a. Quite la tapa y el sello de la botella de solución indicadora y de la botella de DPD marrón.
 - b. Llene aproximadamente un cuarto de la botella de DPD marrón con solución indicadora.
 - c. Agite la botella de DPD para mezclar el contenido.
 - d. Vierta el contenido de la botella de DPD en la botella de solución indicadora.
 - e. Invierta la botella de solución indicadora hasta que se disuelva todo el polvo (2 minutos).
 - f. Retire la botella de solución indicadora usada del analizador.
 - g. Coloque los tubos de solución indicadora en la nueva botella de solución indicadora del lado izquierdo del analizador. Cierre la tapa.
8. Pulse **Enter**.
9. Cuando se muestre el mensaje "TAREA COMPLETA" en la pantalla, pulse **Enter**. El analizador iniciará un ciclo de medición en aproximadamente 30 segundos.

7.4 Limpieza del tamiz del filtro en Y

Limpie el tamiz del filtro en Y cuando haya una obstrucción, lo cual se identifica mediante la advertencia CAUDAL MUESTR BAJO. Lleve a cabo los pasos que se ilustran a continuación.





7.5 Preparación para el almacenamiento

⚠ PRECAUCIÓN



Peligro por exposición química. Respete los procedimientos de seguridad del laboratorio y utilice el equipo de protección personal adecuado para las sustancias químicas que vaya a manipular. Consulte los protocolos de seguridad en las hojas de datos de seguridad actuales (MSDS/SDS).

Si la alimentación del analizador se va a desconectar durante más de 3 días o si el analizador no se va a utilizar durante más de 3 días, prepárelo para el almacenamiento.

Material necesario:



Vaso de precipitados con agua desionizada (2x)

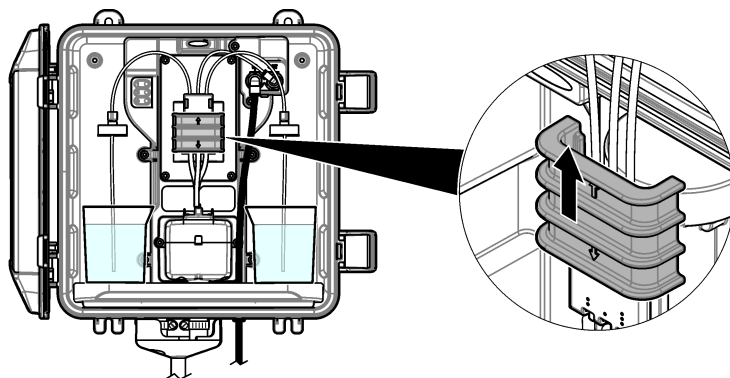


Cuentagotas desechable o paño que no suelte pelusas

1. Vacíe los reactivos de las líneas de reactivo como se indica a continuación:
 - a. Retire la botella de solución indicadora y la botella de tampón del analizador.
 - b. Coloque dos vasos de precipitados (o recipientes) que contengan agua desionizada en el analizador.
 - c. Inserte los tubos de la botella de solución indicadora y los de la botella de tampón en los vasos.
 - d. Pulse **menú** y seleccione MONTAR SENSOR > [seleccione el analizador] > CEBAR. El analizador vaciará los reactivos de las líneas de reactivo.
2. Extraiga el agua desionizada de las líneas de reactivo de la siguiente manera:
 - a. Saque los tubos de la botella de solución indicadora y los de la botella de tampón de los vasos.
 - b. Retire los dos vasos del analizador.
 - c. Pulse **menú** y seleccione MONTAR SENSOR > [seleccione el analizador] > CEBAR. El analizador vaciará todo el líquido de las líneas de reactivo.
3. Desconecte el cable del analizador del controlador (o corte la alimentación del controlador).
4. Gire la válvula de corte hasta la posición de cierre para detener el caudal de muestra hacia el filtro en Y.
5. Quite la abrazadera de la bomba. Consulte la [Figura 6](#). Guarde la abrazadera de la bomba para utilizarla posteriormente.
6. Vacíe el agua de la celda como se indica a continuación:
 - a. Quite la tapa de la celda.
 - b. Vacíe el agua de la celda con un cuentagotas desechable o un trapo que no suelte pelusa.

- c. Instale la tapa de la celda.
- 7. Para poner en marcha el analizador después del almacenamiento, lleve a cabo los siguientes pasos:
 - a. Instale la abrazadera de la bomba. Consulte la [Figura 6](#).
 - b. Instale las botellas de reactivo. Consulte el [Paso 4: Instalación de las botellas de reactivo](#) en la página 67.
 - c. Coloque la válvula de corte en posición abierta para iniciar el caudal de muestra hacia el filtro en Y.
 - d. Conecte el cable del analizador al controlador si lo había desconectado previamente.
 - e. Conecte la alimentación del controlador si la había desconectado previamente.
 - f. Pulse **menú** y seleccione MONTAR SENSOR > [seleccione el analizador] > CEBAR.

Figura 6 Desmontaje de la abrazadera de la bomba



7.6 Preparación para el envío

⚠ PRECAUCIÓN



Peligro por exposición química. Respete los procedimientos de seguridad del laboratorio y utilice el equipo de protección personal adecuado para las sustancias químicas que vaya a manipular. Consulte los protocolos de seguridad en las hojas de datos de seguridad actuales (MSDS/SDS).

Para preparar el analizador para su envío, lleve a cabo los siguientes pasos.

Material necesario:



Vaso de precipitados con agua desionizada (2x)



Embalaje original

1. Vacíe los reactivos de las líneas de reactivo como se indica a continuación:
 - a. Retire la botella de solución indicadora y la botella de tampón del analizador.
 - b. Coloque dos vasos de precipitados (o recipientes) que contengan agua desionizada en el analizador.
 - c. Inserte los tubos de la botella de solución indicadora y los de la botella de tampón en los vasos.
 - d. Pulse **menú** y seleccione MONTAR SENSOR > [seleccione el analizador] > CEBAR. El analizador vaciará los reactivos de las líneas de reactivo.

2. Extraiga el agua desionizada de las líneas de reactivo de la siguiente manera:
 - a. Saque los tubos de la botella de solución indicadora y los de la botella de tampón de los vasos.
 - b. Retire los dos vasos del analizador.
 - c. Pulse **menú** y seleccione MONTAR SENSOR > [seleccione el analizador] > CEBAR. El analizador vaciará todo el líquido de las líneas de reactivo.
3. Desconecte el cable del analizador del controlador.
4. Gire la válvula de corte hasta la posición de cierre para detener el caudal de muestra hacia el filtro en Y.
5. Desconecte el tubo de la entrada de muestras (negro) y el tubo de drenaje (transparente) del analizador.
6. Retire la abertura de aire externa del analizador.
7. Quite la abrazadera de la bomba. Consulte la [Figura 6](#) en la página 78.
8. Retire el set de tubos con tapa y la barra agitadora del analizador. Guarde el set de tubos con tapa para enviarlo con el analizador. Consulte el [Paso 3: Instalación de la barra agitadora y el set de tubos con tapa](#) en la página 67.
9. Instale la abrazadera de la bomba sin el set de tubos. Coloque cinta adhesiva en la abrazadera de los tubos para sujetarla firmemente.
10. Vacíe el agua de la celda con un cuentagotas desechable o un trapo que no suelte pelusa.
11. Desmonte el analizador de la pared.
12. Coloque el analizador en su embalaje original.

7.7 Limpieza del instrumento

AVISO

Nunca utilice productos de limpieza como aguarrás, acetona o productos similares para limpiar el instrumento, incluidos la pantalla y los accesorios.

Limpie el exterior del instrumento con un paño húmedo y una solución jabonosa suave.

7.8 Limpieza de los derrames

⚠ PRECAUCIÓN



Peligro por exposición a productos químicos. Deshágase de los productos químicos y los residuos de acuerdo con las normativas locales, regionales y nacionales.

1. Cumpla todos los protocolos de seguridad del centro relativos al control de derrames.
2. Deseche los residuos conforme a las normativas vigentes.

Sección 8 Solución de problemas

8.1 Errores: luz roja

Para ver los errores, pulse **menú** y seleccione DIAGNOSTICOS > [seleccione el analizador] > LISTA ERRORES. En la [Tabla 7](#) aparece una lista de posibles errores.

La luz de estado del analizador cambia a rojo cuando se produce un error. Cuando se produce un error, las mediciones se detienen, la pantalla de medición parpadea y todas las salidas se mantienen del modo especificado en el menú del controlador.

Tabla 7 Mensajes de error

Error	Descripción	Solución
ERROR DETECTOR	Un detector no funciona correctamente.	Póngase en contacto con el servicio de asistencia técnica.
CELDA SUCIA	La celda está sucia o manchada.	Limpie la celda. Consulte Limpieza de la celda en la página 74.
ERROR CÓDIGO	Se ha producido un error en el firmware.	Póngase en contacto con el servicio de asistencia técnica.
ERROR LED	La luz de la celda no funciona correctamente.	Póngase en contacto con el servicio de asistencia técnica.
ERROR BOMBA	La bomba no funciona correctamente.	Póngase en contacto con el servicio de asistencia técnica.
FUGA MUESTRA	Hay una fuga de muestra en el analizador.	Póngase en contacto con el servicio de asistencia técnica.

8.2 Advertencias: luz amarilla

Para ver las advertencias, pulse **menú** y seleccione DIAGNOSTICOS > [seleccione el analizador] > ADVERTENCIAS. En la [Tabla 8](#) aparece una lista de posibles advertencias.

La luz del indicador de estado cambia a amarillo cuando se activa una advertencia. Si hay suficiente caudal de muestra, la advertencia no afecta el funcionamiento de los menús. Las advertencias no afectan al funcionamiento de los relés y las salidas. El icono de advertencia parpadea y se muestra un mensaje en la parte inferior de la pantalla del controlador.

Tabla 8 Mensajes de advertencia

Advertencia	Descripción	Solución
BURBUJA DETECT	Hay burbujas en la celda.	Limpie la celda. Consulte Limpieza de la celda en la página 74. (Opcional) Habilite la opción ELIM BURBUJAS. Consulte Paso 10: Configuración del analizador en la página 71.
LIMPIAR CELDA PRONTO	La celda se está ensuciendo y debe limpiarse pronto para evitar errores.	Limpie la celda. Consulte Limpieza de la celda en la página 74.
COLORO ALTO	La concentración de cloro es igual o mayor que el valor de consigna de ALARMA CL ALTO.	Aumente el ajuste de ALARMA CL ALTO. Consulte Paso 10: Configuración del analizador en la página 71. O bien Reduzca la concentración de cloro de la muestra suministrada al analizador.
COLORO BAJO	La concentración de cloro es igual o menor que el valor de consigna de ALARMA CL BAJO.	Reduzca el ajuste de ALARMA CL BAJO. Consulte Paso 10: Configuración del analizador en la página 71. O bien Aumente la concentración de cloro de la muestra suministrada al analizador.

Tabla 8 Mensajes de advertencia (continúa)

Advertencia	Descripción	Solución
CAUDAL MUESTR BAJO	El caudal de muestra medido es inferior al caudal de muestra mínimo. Consulte Especificaciones en la página 56.	<p>Configure el caudal de la muestra. Consulte Paso 8: Ajuste del caudal en la página 70.</p> <p>Si es necesario, limpie el tamiz del filtro en Y para eliminar una posible obstrucción. Consulte Limpieza del tamiz del filtro en Y en la página 76.</p> <p><i>Nota: Cuando se muestra la advertencia CAUDAL MUESTR BAJO, el analizador detiene temporalmente las mediciones. Cuando el caudal se vuelve a encontrar dentro de la especificación, el analizador inicia automáticamente las mediciones.</i></p>
CAUDAL MUESTRA ALTO	El caudal de muestra medido es superior al caudal de muestra máximo. Consulte Especificaciones en la página 56.	Configure el caudal de la muestra. Consulte Paso 8: Ajuste del caudal en la página 70.

Sección 9 Piezas de repuesto y accesorios

⚠ ADVERTENCIA



Peligro de lesión personal. El uso de piezas no aprobadas puede causar lesiones personales, daños al instrumento o un mal funcionamiento del equipo. Las piezas de repuesto que aparecen en esta sección están aprobadas por el fabricante.

Nota: Las referencias de los productos pueden variar para algunas regiones de venta. Póngase en contacto con el distribuidor correspondiente o visite la página web de la empresa para obtener la información de contacto.

Consumibles

Descripción	Cantidad	Referencia
El set de reactivos para cloro libre, incluye: Botella de tampón, botella de solución indicadora y botella de DPD	1	2556900
El set de reactivos para cloro total, incluye: Botella de tampón, botella de solución indicadora y botella de DPD	1	2557000
El kit de limpieza de la celda incluye: Ácido sulfúrico, 5,25 N, 100 mL, frasco cuentagotas y bastoncillos de algodón (10 unidades)	1	8573100
Kit de verificación de la calibración	1	8568200
Kit de relleno para verificación de la calibración	1	8573200

Piezas de repuesto

Descripción	Referencia
El kit de tubos incluye: Set de tubos con tapa y barra agitadora	8560400
Kit de instalación con pértiga	8560500
Kit de instalación con regulador de presión	8565700

Accesorios

Descripción	Referencia
Cable de extensión para el analizador, 1 m (3,2 pies)	6122400
Cable de extensión para el analizador, 7,7 m (25 pies)	5796000
Cable de extensión para el analizador, 15 m (50 pies)	5796100
Adaptador de tubos, DE de 6 mm a ¼ pulg.	09184=A=4020

Índice

- | | |
|-----------------------------------|---|
| 1 Especificações na página 83 | 6 Calibração e ajuste na página 100 |
| 2 Informações gerais na página 84 | 7 Manutenção na página 100 |
| 3 Instalação na página 88 | 8 Solução de problemas na página 106 |
| 4 Configuração na página 98 | 9 Peças e acessórios de reposição na página 108 |
| 5 Operação na página 100 | |

Seção 1 Especificações

As especificações estão sujeitas a alterações sem aviso prévio.

Tabela 1 Especificações gerais

Especificação	Detalhes
Dimensões (L x A x P)	32.9 x 34.2 x 17.7 cm (12.9 x 13.5 x 7.0 pol.)
Involúcro	IP66 por IEC 60529 com a porta fechada e travada ¹
Peso de envio	4,1 kg (9 lb) sem frascos; 5,1 kg (11,2 lb) com frascos cheios
Montagem	Montagem em parede
Classe de proteção	III
Grau de poluição	3
Categoria de instalação elétrica	I (instalação interna)
Alimentação elétrica	12 VCC, 400 mA máx. (fornecida pelo controlador)
Temperatura de operação	5 a 40°C (41 a 104°F)
Umidade de operação	0 a 90% umidade relativa, sem condensação
Temperatura de armazenamento	-40 a 60 °C (-40 a 140 °F)
Encaixes	Linha de amostra: ¼-pol. Encaixe de conexão rápida OD para tubulação de plástico Linhas de drenagem: encaixe deslizante para tubulação de plástico flexível ID de ½-pol.
Luzes indicadoras	Status do analisador e ciclo de medição
Certificações	CE DoC, FCC SDoC, IC, RCM, KC
Garantia	1 ano (UE: 2 anos)

Tabela 2 Requisitos de amostra

Especificação	Detalhes
Pressão	0,31 a 5,17 bar (4,5 a 75 psig) fornecido ao filtro Y; 0,1 a 0,34 bar (1,5 a 5 psig) fornecido ao analisador
Vazão	60 a 200 ml/min por meio do instrumento (medido no dreno do analisador)
Temperatura	5 a 40°C (41 a 104°F)
Filtragem	Filtro Y com tela de 40 malhas ou superior

¹ Buracos de drenagem fechados com bujões para fins de teste.

Tabela 3 Especificações de medição

Especificação	Detalhes
Fonte de luz	LED, medição a 510 nm; 1 cm de comprimento do caminho da luz
Faixa de medição	0.03 a 10 mg/L sem ou com resíduos de cloro como Cl ₂
Intervalo de medição	150 segundos
Precisão	±5% ou ±0,04 mg/L de 0 a 5 mg/L (o valor maior) como Cl ₂ ±10% de 5 a 10 mg/L como Cl ₂
Precisão	±5% ou ±0,01 mg/L (o valor maior) como Cl ₂
Limite de detecção	0.03 mg/L como Cl ₂
Limite de quantificação	0.07 mg/L
Calibração	Calibração feita pela fábrica Opcional: calibração do usuário em 2 pontos com os padrões de calibração do Kit de verificação de calibração
Uso do reagente	0,5 L de solução do buffer e 0,5 L de solução do indicador em 31 dias

Seção 2 Informações gerais

Em hipótese alguma o fabricante será responsável por danos diretos, indiretos, especiais, incidentais ou consequenciais resultantes de qualquer defeito ou omissão neste manual. O fabricante reserva-se o direito de fazer alterações neste manual e nos produtos aqui descritos a qualquer momento, sem aviso ou obrigação. As edições revisadas podem ser encontradas no site do fabricante.

2.1 Informações de segurança

AVISO

O fabricante não é responsável por quaisquer danos devido ao uso ou aplicação incorreta deste produto, incluindo, sem limitação, danos diretos, acidentais ou consequenciais, e se isenta desses danos à extensão total permitida pela lei aplicável. O usuário é unicamente responsável por identificar riscos críticos de aplicação e por instalar os mecanismos apropriados para proteger os processos durante um possível mau funcionamento do equipamento.

Leia todo o manual antes de tirar da embalagem, montar ou operar esse equipamento. Preste atenção a todas as declarações de perigo e cuidado. Caso contrário, o operador poderá sofrer ferimentos graves ou o equipamento poderá ser danificado.

Certifique-se de que a proteção oferecida por este equipamento não seja afetada. Não use nem instale este equipamento de nenhuma outra forma além da especificada neste manual.

2.1.1 Uso de informações de risco

▲ PERIGO

Indica uma situação potencial ou iminente perigosa que, se não for evitada, resultará em morte ou lesão grave.

▲ ADVERTÊNCIA

Indica uma situação potencialmente perigosa que, se não for evitada, pode resultar em morte ou ferimento grave.

▲ CUIDADO

Indica uma situação potencialmente perigosa que pode resultar em ferimento leve a moderado.

AVISO

Indica uma situação que, se não evitada, pode causar danos ao instrumento. Informações que necessitam de uma ênfase especial.

2.1.2 Avisos de precaução

Leia todas as etiquetas e rótulos fixados no instrumento. Caso não sejam observados, podem ocorrer lesões pessoais ou danos ao instrumento. Um símbolo no instrumento tem sua referência no manual com uma medida preventiva.



O equipamento elétrico marcado com este símbolo não pode ser descartado em sistemas de descarte público ou doméstico europeus. Devolva equipamentos antigos ou no final da vida útil para o fabricante para descarte, sem custo adicional para o usuário.

2.1.3 Conformidade e certificação

▲ CUIDADO

Esse equipamento não se destina para uso em ambientes residenciais e pode não fornecer a proteção adequada para a recepção de rádio nesses ambientes.

Canadian Radio Interference-Causing Equipment Regulation (Regulamentação para equipamentos de rádio causadores de interferência do Canadá), ICES-003, Classe A:

Os registros de testes de comprovação encontram-se com o fabricante.

Este aparelho digital Classe A atende a todos os requisitos de regulamentações canadenses sobre equipamentos que causam interferências.

Cet appareil numérique de classe A répond à toutes les exigences de la réglementation canadienne sur les équipements provoquant des interférences.

FCC parte 15, limites Classe "A"

Os registros de testes de comprovação encontram-se com o fabricante. O dispositivo está em conformidade com a Parte 15 das Regras da FCC. A operação está sujeita às seguintes condições:

1. O equipamento não deve causar interferência prejudicial.
2. O equipamento deve aceitar todas as interferências recebidas, inclusive interferências que podem causar funcionamento indesejado.

Alterações ou modificações a este equipamento não aprovadas expressamente pela parte responsável pela conformidade podem anular a autoridade do usuário de operar o equipamento. Este equipamento foi testado e está em conformidade com os limites de dispositivo digital Classe A, de acordo com a Parte 15 das Regras da FCC. Esses limites foram estabelecidos para proporcionar uma razoável proteção contra interferências nocivas quando o equipamento for operado em ambientes comerciais. Este equipamento gera, utiliza e pode irradiar energia de radiofrequência e, se não instalado e usado de acordo com o manual de instruções, poderá causar interferências prejudiciais às comunicações de rádio. É provável que o funcionamento deste equipamento em área residencial possa causar interferência indesejada, caso em que o usuário será solicitado a corrigir a interferência por conta própria. As seguintes técnicas podem ser usadas para reduzir problemas de interferência:

1. Desconecte o equipamento de sua fonte de alimentação para verificar se ele é ou não a origem da interferência.
2. Se o equipamento está conectado à mesma tomada do dispositivo que está sofrendo interferência, conecte o equipamento a uma tomada diferente.
3. Afaste o equipamento do dispositivo que estiver recebendo a interferência.
4. Reposicione a antena de recebimento do dispositivo que está sofrendo interferência.
5. Tente algumas combinações das opções acima.

2.2 Visão geral do produto

⚠ PERIGO



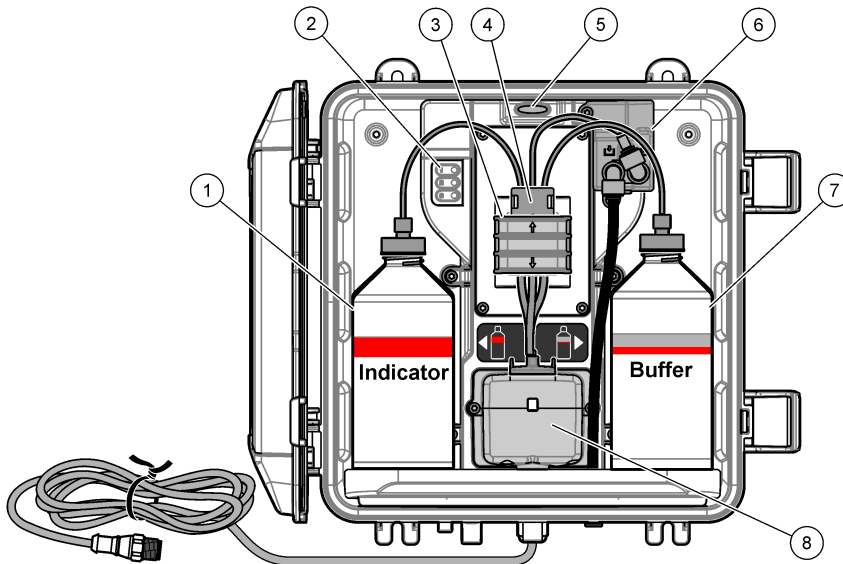
Riscos químicos ou biológicos. Se esse instrumento for usado para monitorar um processo de tratamento e/ou alimentação com dialisador alimentado por água para o qual exista limites de regulamentação e requisitos de monitoramento relacionados à saúde e segurança pública, à produção ou ao processamento de alimentos ou bebidas, é responsabilidade do usuário deste instrumento conhecer e cumprir as regulamentações aplicáveis e ter mecanismos suficientes e apropriados em vigor para estar em conformidade com as regulamentações aplicáveis no caso de mau funcionamento do instrumento.

O analisador CL17sc mede a concentração livre de cloro ou de cloro total da água na faixa de 0.03 a 10 mg/L em intervalos de 150 segundos. [Figura 1](#) fornece uma visão geral do analisador.

Conecte o analisador a um Controlador SC para alimentação, operação, coleta de dados, transmissão de dados e diagnóstico. Consulte o manual do Controlador SC para obter uma visão geral do controlador.

Observação: É possível conectar mais de um analisador a um Controlador SC se o controlador tiver mais de um encaixe de conexão rápida.

Figura 1 CL17sc



1 Frasco indicador	5 Luz de status do analisador (Tabela 5 na página 87)
2 Luzes do ciclo de medição (Tabela 4 na página 87)	6 Medidor de fluxo
3 Braçadeira da bomba	7 Frasco de buffer
4 Clipe de tubulação	8 Célula colorimétrica

2.2.1 Medidor de fluxo

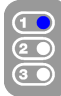
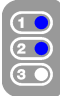
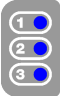
O analisador tem um medidor que mede o fluxo de amostra pelo analisador. Consulte [Figura 1](#) na página 86.

A amostra flui pelo analisador somente quando ele limpa a célula. Em outras ocasiões, não há fluxo de amostra e a vazão mostrada é zero. Pressione a seta para a **DIREITA** no controlador para mostrar a vazão.

2.2.2 Luzes do ciclo de medição

As luzes do ciclo de medição mostram a etapa do ciclo de medição que está sendo realizada. Consulte [Tabela 4](#).

Tabela 4 Luzes do ciclo de medição

Luzes acesas			
Descrição	A célula é limpa com água.	A solução do buffer e a solução do indicador são adicionadas à célula.	A amostra é medida.

2.2.3 Luz de status do analisador

A luz de status do analisador muda de verde para amarelo quando há uma advertência ou para vermelho quando há um erro. Consulte [Tabela 5](#).

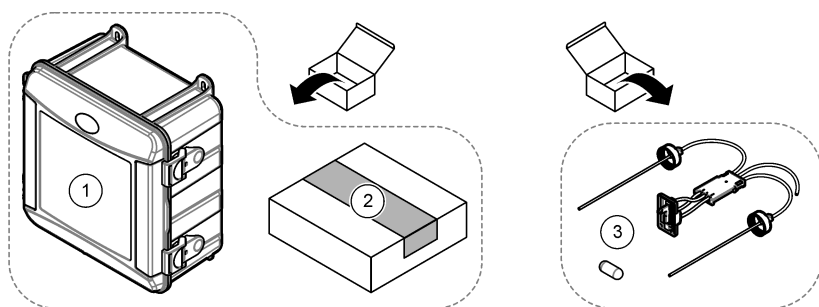
Tabela 5 Luz de status do analisador

Cor	Descrição
Verde	Operação normal
Amarelo	O sistema precisa de atenção para evitar uma falha no futuro. As medições continuam. Para mostrar as advertências, pressione a tecla menu e selecione DIAGNÓSTICO > [selecione o analisador] > LISTA AVISOS . Consulte Advertências - Luz amarela na página 107.
Vermelho	O sistema precisa de atenção imediata. As medições foram interrompidas. Para mostrar os erros, pressione a tecla menu e selecione DIAGNÓSTICO > [selecione o analisador] > LISTA ERROS . Consulte Erros - Luz vermelha na página 106.

2.3 Componentes do produto

Certifique-se de que todos os componentes foram recebidos. Consulte [Figura 2](#). Se houver itens ausentes ou danificados, entre em contato imediatamente com o fabricante ou com um representante de vendas.

Figura 2 Componentes do produto



1 Analisador CL17sc

2 Kit de instalação

3 Kit de tubulação (chicote da tubulação e barra de mistura)

Seção 3 Instalação

▲ CUIDADO



Vários perigos. Somente pessoal qualificado deve realizar as tarefas descritas nesta seção do manual.

3.1 Diretrizes de instalação

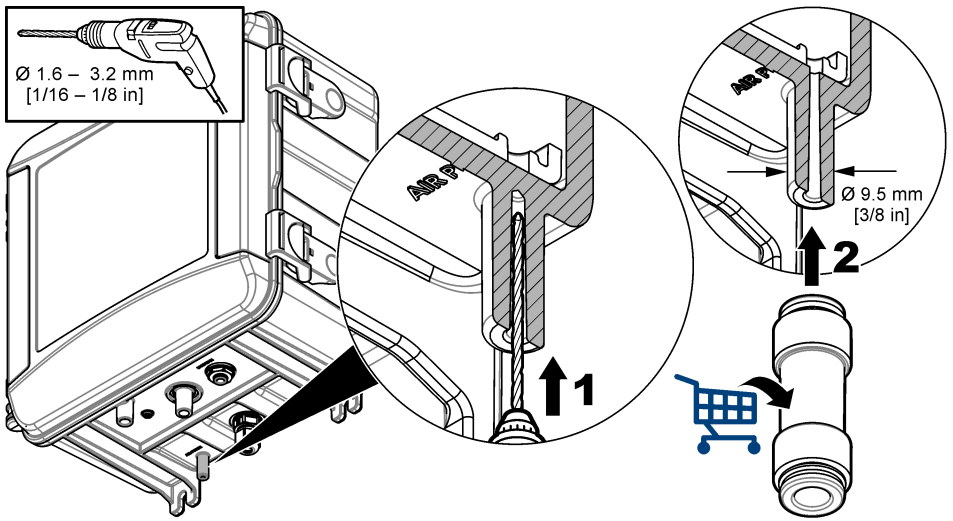
- O analisador é fornecido com um kit de instalação de tubo vertical ou um kit de instalação do regulador de pressão para controlar a pressão da água no analisador. O usuário seleciona o kit de instalação no momento da compra.
- Instale o analisador em ambientes internos com o mínimo de vibração. Consulte as especificações de temperatura e umidade de operação em [Especificações](#) na página 83.
- Não instale o analisador sob luz solar direta ou próximo de uma fonte de calor.
- Para instalações de tubo vertical, instale o analisador em um local com 61 cm (2 pés) de espaço livre acima do analisador.
- Instale o analisador perto de um dreno aberto. Consulte as instruções do órgão regulador local para descarte.

3.2 Etapa 1: Purga de ar (opcional)

A purga de ar pode ser necessária se o analisador estiver instalado em um local com alta umidade e/ou vapores que causam corrosão. A purga de ar mantém a pressão positiva no instrumento com ar seco e limpo.

Fornecer ar limpo e seco com qualidade para instrumentos a 0,003 m³/minuto (0,1 pé³/minuto) a 20 psig no máximo.

Consulte as etapas ilustradas a seguir. O tubo e o encaixe de conexão rápida de 3/8 polegadas devem ser adquiridos pelo usuário.



3.3 Etapa 2: Monte e conecte o analisador

⚠ CUIDADO



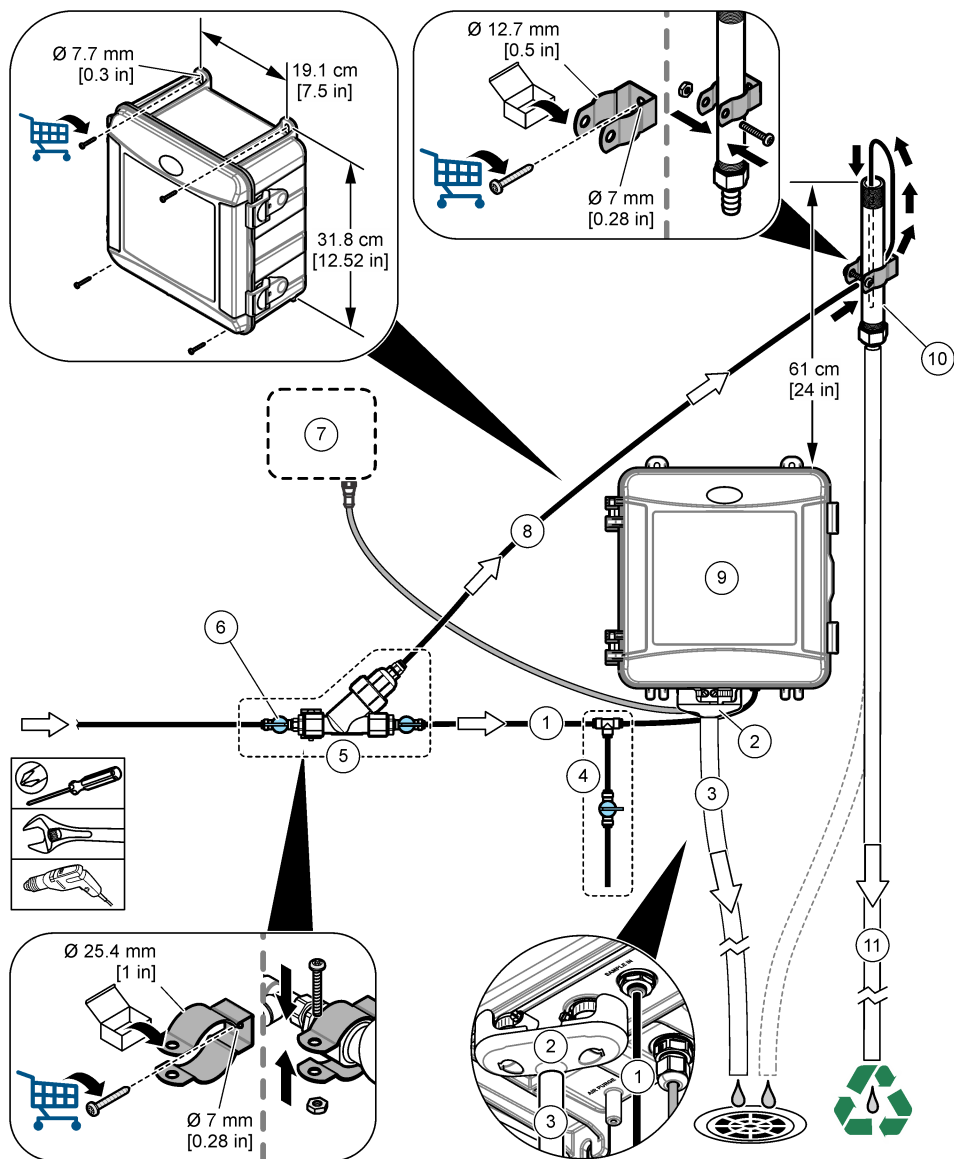
Somente os tubos especificados pela Hach Company podem ser usados com o instrumento. Outros tubos podem absorver o cloro presente na amostra de água e ter um efeito negativo nas leituras de cloro (diminuir as leituras de cloro).

AVISO

A tubulação incorreta do analisador pode causar danos provenientes do excesso de pressão da amostra. Sempre obedeça às instruções a seguir para montar e conectar o analisador.

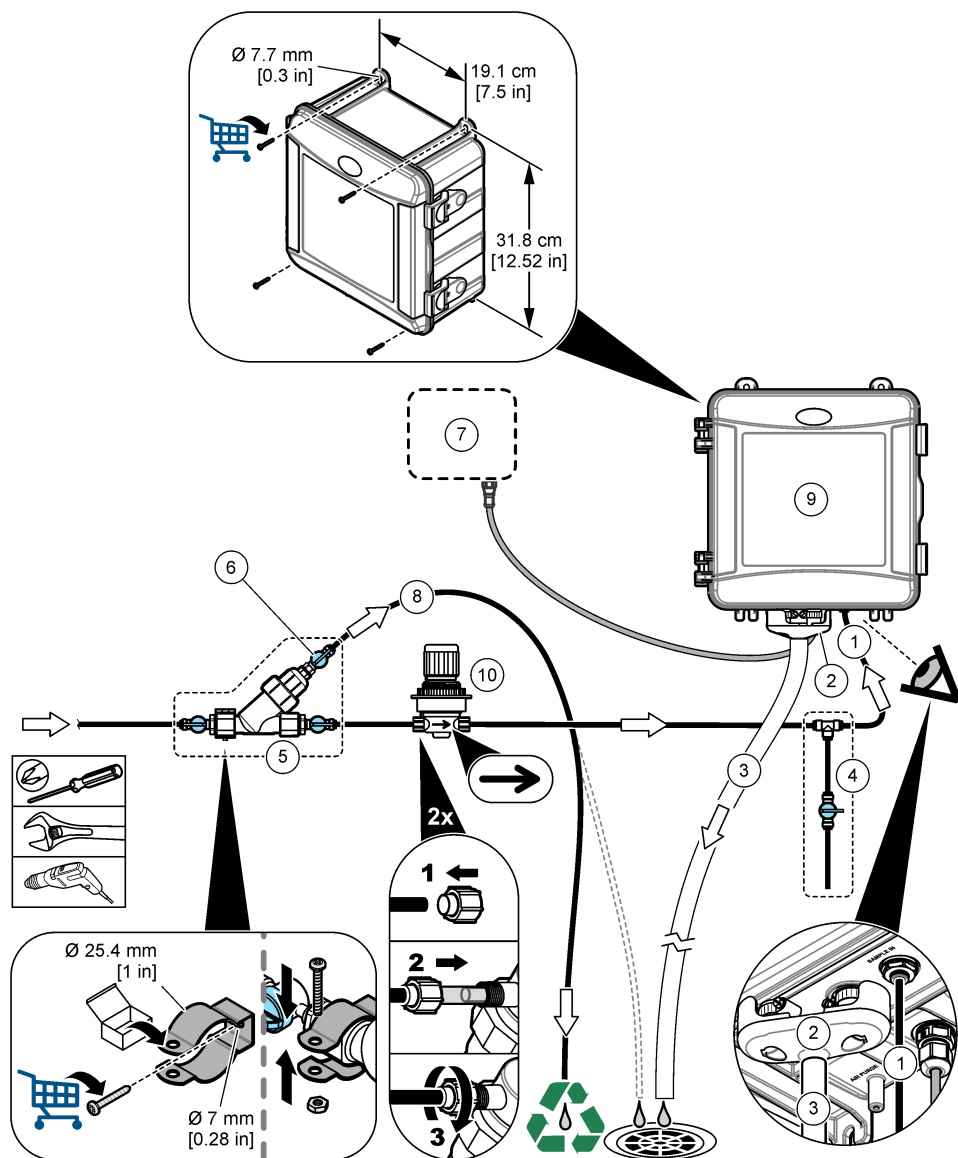
1. Conecte o analisador (item 9) a uma parede com quatro parafusos. Certifique-se de que o analisador esteja nivelado.
Observação: O usuário deverá adquirir o equipamento de montagem.
2. Conecte o Controlador SC (item 7) a uma parede, painel ou tubo. Consulte a documentação do Controlador SC para obter instruções.
3. Monte o filtro Y. Consulte as instruções na embalagem.
4. Use a braçadeira do conduíte de 1 polegada para montar o conjunto do filtro Y (item 5 na [Figura 3](#) ou [Figura 4](#)).
5. Instale o freio de ar externo no analisador (item 2 na [Figura 3](#) ou [Figura 4](#)). Consulte as instruções na embalagem.
6. Siga a etapa 7 ou 8.
O analisador é fornecido com um kit de instalação de tubo vertical (consulte [Figura 3](#)) ou um kit de instalação do regulador de pressão (consulte [Figura 4](#)) para controlar a pressão da água no analisador. O usuário seleciona o kit de instalação no momento da compra.
7. Se o kit de instalação do tubo vertical foi selecionado no momento da compra, instale-o da seguinte forma:
 - a. Monte o tubo vertical. Consulte as instruções na embalagem.
 - b. Use a braçadeira do conduíte menor para montar o conjunto do tubo vertical a no mínimo 61 cm (24 pol.) acima da parte superior do analisador. Consulte o item 10 em [Figura 3](#).
 - c. Com o tubo preto, instale o tubo de passagem de amostra (item 8). Empurre a tubulação para trás e, em seguida, para dentro do tubo vertical. Coloque a tubulação de 10 a 13 cm (4 a 5 pol.) na parte superior do cano vertical.
 - d. Corte o pedaço do tubo a partir da tubulação de drenagem de amostra (item 3). Use a tubulação para conectar a parte inferior do tubo de suporte a um dreno aberto (item 11 na [Figura 3](#)). Consulte [Diretrizes da linha de drenagem](#) na página 93.
8. Se um kit de instalação do regulador de pressão foi selecionado no momento da compra, instale-o (item 10 em [Figura 4](#)).
9. Com o tubo preto, conecte a entrada do filtro Y (item 5) à fonte de amostra.
Consulte a [Diretrizes de linha de amostra](#) na página 93 e a [Requisitos de amostra](#) na página 93.
10. Com o tubo preto, conecte a saída do filtro Y (ou a saída do regulador de pressão) ao encaixe de entrada da amostra (item 1) na parte inferior do analisador. Deixe a tubulação o mais curta possível com no máximo 2,5 m (8 pés).
11. Se um regulador de pressão foi instalado, instale o tubo de passagem da amostra (item 8 em [Figura 4](#)).
12. Monte e conecte o conjunto da amostragem rápida (item 4) da seguinte forma:
 - a. Monte o conjunto da amostragem rápida.
 - b. Conecte o encaixe em T entre o filtro Y e o analisador. Consulte [Figura 3](#) ou [Figura 4](#).
13. Conecte o tubo de drenagem da amostra (item 3) a um dreno aberto. Consulte [Diretrizes da linha de drenagem](#) na página 93.

Figura 3 Instalação com um tubo vertical



1	Tubos de entrada da amostra	7	Controlador SC
2	Freio de ar externo	8	Tubos de passagem da amostra
3	Tubulação de drenagem da amostra	9	Analizador
4	Montagem da amostragem rápida	10	Tubo vertical
5	Montagem do filtro Y	11	Drenagem do tubo vertical
6	Válvula de corte na entrada do filtro Y		

Figura 4 Instalação com um regulador de pressão



1 Tubos de entrada da amostra	6 Válvula de corte de passagem do filtro Y
2 Freio de ar externo	7 Controlador SC
3 Tubulação de drenagem da amostra	8 Tubos de passagem da amostra
4 Montagem da amostragem rápida	9 Analisador
5 Montagem do filtro Y	10 Regulador de pressão

3.3.1 Diretrizes de linha de amostra

Selecione um ponto de amostragem representativo e adequado para obter o melhor desempenho do instrumento. A amostra deve ser representativa do sistema inteiro.

Para prevenir leituras irregulares:

- Colete as amostras de locais que sejam suficientemente distantes dos pontos de dosagem dos produtos químicos na amostra.
- Certifique-se de que as amostras estão suficientemente misturadas.
- Certifique-se de que todas as reações químicas estejam concluídas.
- Instale o analisador o mais próximo possível da fonte de amostra (4,6 m (15 pés) no máximo).

3.3.2 Requisitos de amostra

A água da fonte de amostra deve estar de acordo com as especificações em [Especificações](#) na página 83.

Mantenha a vazão da amostra e a temperatura de operação o mais constante possível para obter o melhor desempenho.

3.3.3 Diretrizes da linha de drenagem

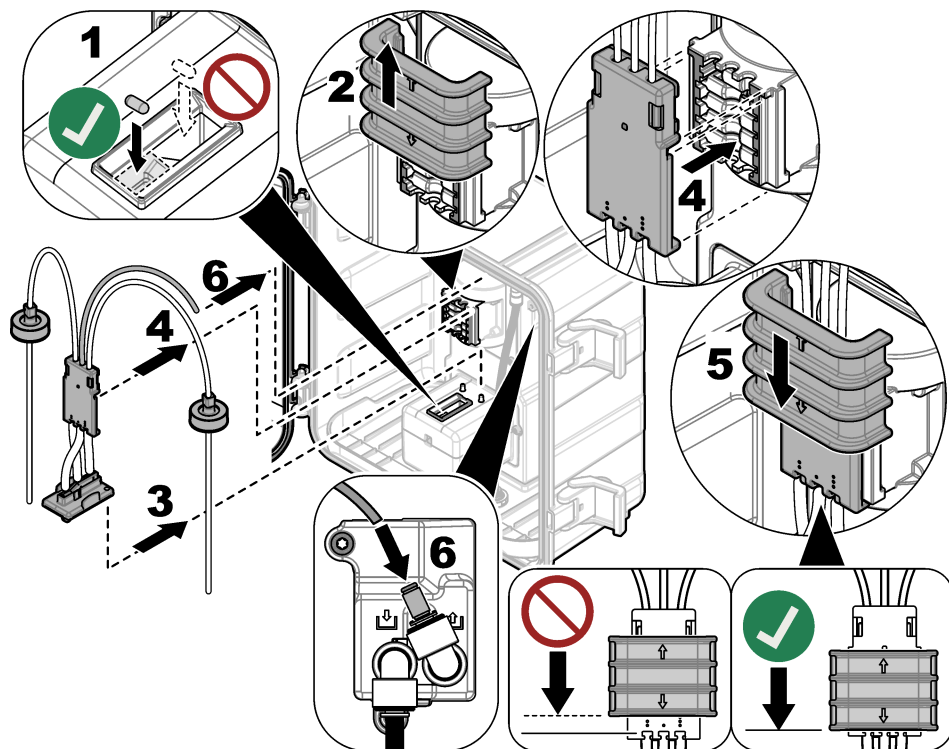
AVISO

A instalação incorreta das linhas de drenagem pode fazer com que o líquido volte para o instrumento e cause danos.

- Certifique-se de instalar o freio de ar externo. Consulte [Figura 3](#) na página 91 ou [Figura 4](#) na página 92.
- Encurte as linhas de drenagem o máximo possível.
- Certifique-se de que as linhas de drenagem tenham uma constante inclinação para baixo.
- Certifique-se de que as linhas de drenagem não tenham curvas acentuadas e não estejam dobradas.

3.4 Etapa 3: Instale a barra de mistura e o chicote da tubulação

Siga as etapas abaixo.



3.5 Etapa 4: Instalar os frascos de reagentes

⚠ CUIDADO

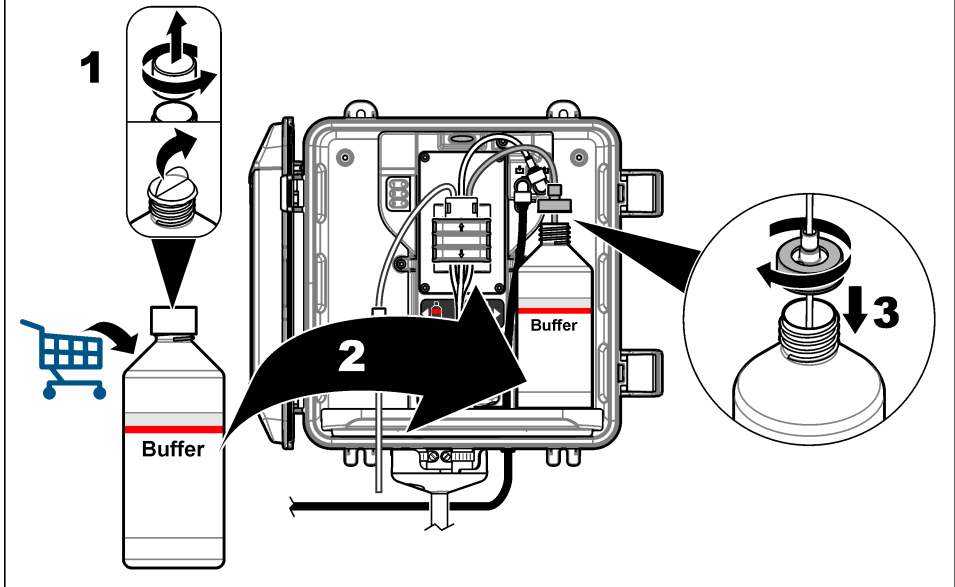
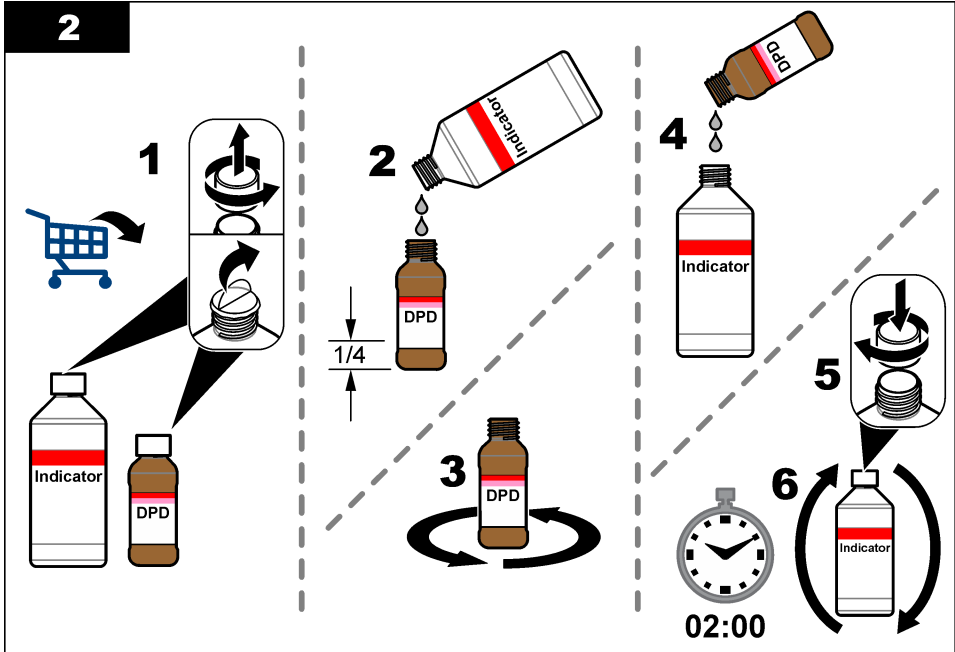


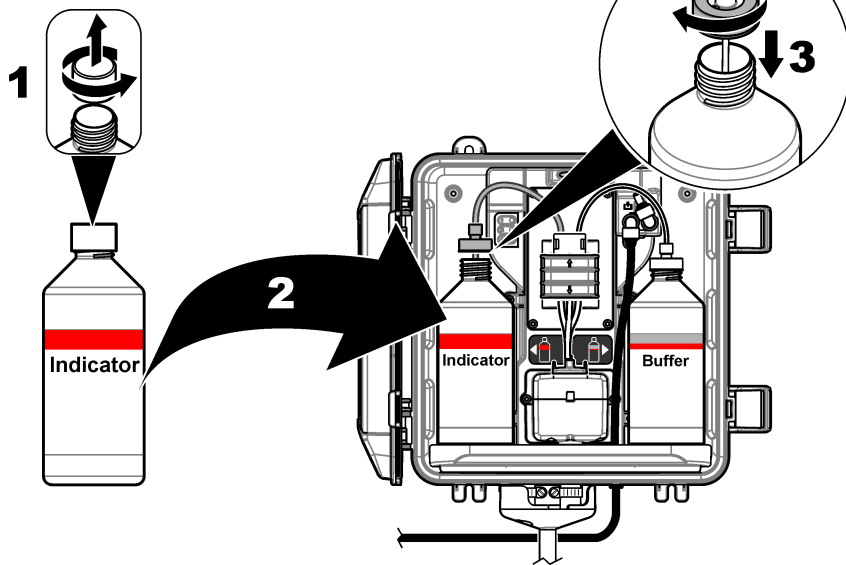
Risco de exposição a produtos químicos. Obedeça aos procedimentos de segurança laboratoriais e use todos os equipamentos de proteção individual adequados aos produtos químicos que estão sendo manipulados. Consulte as planilhas de dados de segurança (MSDS/SDS) atuais para verificar os protocolos de segurança.

Ferramentas necessárias:

- Equipamento de proteção individual (consulte MSDS/SDS)
 - Frasco indicador
 - Frasco de buffer
 - Frasco DPD composto
1. Coloque o equipamento de proteção pessoal identificado nas folhas de dados de segurança (MSDS/SDS).
 2. Instale frasco de buffer no lado direito e o frasco indicador no lado esquerdo. Consulte as etapas ilustradas a seguir.

Observação: (Opcional) Use a parte superior do analisador como uma prateleira.

1**2**

3

3.6 Etapa 5: Ative o fluxo da amostra

1. Gire lentamente a(s) válvula(s) de corte para a posição aberta a ¼.
2. Certifique-se de que não haja vazamentos nas conexões de tubulação. Se houver vazamento, empurre o tubo mais para dentro do encaixe ou aperte a conexão com uma chave.
3. Para instalar a tubulação vertical, siga estas etapas:
 - a. Abra totalmente a válvula de corte na saída do filtro Y.
 - b. Gire a válvula de corte na entrada do filtro Y (item 6 em [Figura 3](#) na página 91) até que um pequeno fluxo de água saia pelo tubo de drenagem do tubo vertical.
4. Para instalar o regulador de pressão, siga as etapas a seguir:
 - a. Abra totalmente as válvulas de corte na entrada e na saída do filtro Y.
 - b. Gire a válvula de corte na passagem do filtro Y (item 6 em [Figura 4](#) na página 92) até que um pequeno fluxo de água saia pela passagem do tubo Y.

3.7 Etapa 6: Instalação elétrica

3.7.1 Conecte o analisador ao controlador

⚠ ADVERTÊNCIA



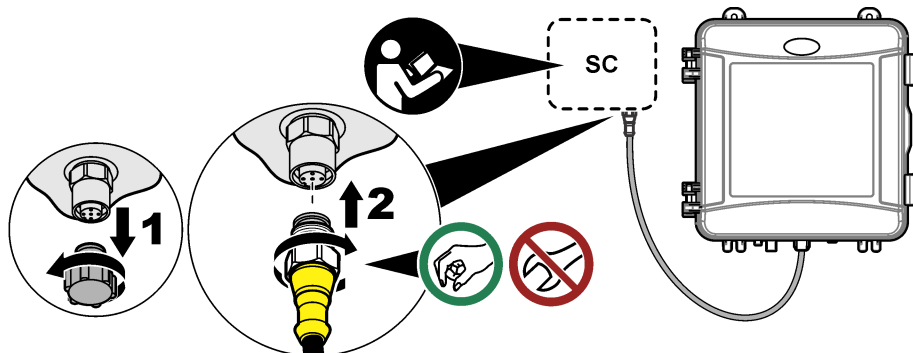
Risco de choque elétrico. Equipamento conectado externamente deve ter uma avaliação apropriada do padrão de segurança do país.

Conecte o cabo do analisador ao encaixe de conexão rápida do Controlador SC. Consulte [Figura 5](#).

Deixe a tampa do conector para vedar a abertura do conector no caso do cabo ter de ser removido.

Observação: Cabos de extensão estão disponíveis. Consulte [Peças e acessórios de reposição](#) na página 108. O comprimento máximo do cabo é de 15 m (49 pés).

Figura 5 Conecte o cabo a um encaixe de conexão rápida



3.7.2 Conecte o controlador à energia

Conecte o controlador à linha de alimentação por meio de cabeamento de conexão física no conduto ou fiação até um cabo de alimentação. Consulte a documentação do controlador para obter instruções.

3.7.3 Conecte dispositivos externos ao controlador

Conecte os relés do controlador, as saídas analógicas e as entradas digitais a dispositivos externos, conforme necessário. Consulte a documentação do controlador para obter instruções.

3.8 Etapa 7: Configurar e preparar o analisador

1. Pressione **menu** e selecione CFG SENSOR > [selecione o analisador] > PREPARAR.
2. Se o controlador não reconhecer que o analisador está conectado, realize as etapas a seguir:
 - a. Pressione **menu** e, em seguida, selecione TESTE/MANUT > PROC SENSORES.
 - b. Quando o sensor for encontrado e instalado, realize a etapa 1 novamente.

3.9 Etapa 8: Definir a vazão

1. Pressione a seta para a **DIREITA** no controlador para mostrar a vazão. A amostra flui pelo analisador somente quando ele limpa a célula. Em outras ocasiões, não há fluxo de amostra e a vazão mostrada é zero. Consulte [Tabela 4](#) na página 87 para obter as descrições das etapas do ciclo de medição.

Observação: Para medir manualmente a taxa de fluxo através do analisador, meça a taxa de fluxo no dreno do analisador quando o analisador limpar a célula com água.

2. Para instalações de tubos padrão, gire a válvula de corte na saída do filtro Y para definir a taxa de fluxo entre 60 e 200 mL/min quando o analisador limpar a célula com água.
3. Para instalações de regulador de pressão, ajuste o regulador de pressão para definir a taxa de fluxo entre 60 e 200 mL/min quando o analisador descarregar a célula com água.

3.10 Etapa 9: Instale o software mais recente

Certifique-se de que o Controlador SC esteja com o software mais recente instalado. Use um cartão SD para instalar o software mais recente no Controlador SC.

1. Acesse a página do Controlador SC em questão em <http://hach.com>.
2. Clique na guia "Transferências".
3. Role para baixo até "Software/Firmware".
4. Clique no link do software do Controlador SC.

5. Salve os arquivos em um cartão SD.
6. Instale os arquivos no Controlador SC. Consulte as instruções de instalação do software fornecidas com os arquivos do software.

Seção 4 Configuração

4.1 Etapa 10: Configurar o analisador

Defina o nome do analisador, a média do sinal, o tipo de cloro medido, os pontos de ajuste do alarme de rejeição de bolhas e cloro.

1. Pressione **menu** e selecione CFG SENSOR > [selecione o analisador] > CONFIDURAR.
2. Selecione e configure cada opção.

Opção	Descrição
EDITAR NOME	Define o nome do analisador. O nome do analisador é exibido na tela do controlador e nos arquivos de log.
MÉDIA SINAL	<p>Define o número de medições usadas para calcular a média da medição mostrada na tela. Opções: 1 (default) (padrão), 2, 3 ou VALOR IRREGULAR.</p> <p>Quando a MÉDIA SINAL é definida como 1, a média do sinal é desativada.</p> <p>Quando a MÉDIA SINAL é definida como 2 ou 3, uma leitura média é exibida na tela. Por exemplo, a medição na tela é igual à última medição e à anterior dividida por dois quando a MÉDIA SINAL é definida como 2.</p> <p>Quando MÉDIA SINAL é definida como VALOR IRREGULAR, o analisador rejeita uma leitura que seja excepcionalmente maior ou menor do que as leituras mais recentes. Quando uma leitura é rejeitada, a última leitura aceita é exibida na tela e salva no log de dados. Não são rejeitadas mais do que três leituras consecutivas.</p> <p>A média de sinal corrige as oscilações incorretas de leitura causadas por bolhas e/ou partículas maiores na amostra.</p>
MEDIÇÃO	<p>Define o tipo de cloro medido. Se os frascos de buffer e indicador tiverem rótulos indicando que são "Free Chlorine" (Sem Cloro), selecione CLORO LIVRE (default) (padrão).</p> <p>Se os frascos de buffer e indicador tiverem rótulos indicando que são "Chlorine Total" (Cloro Total), selecione CLORO TOTAL .</p>
REJ. BOLHAS	Define a rejeição de bolhas como ligado ou desligado (padrão). Defina REJ. BOLHAS como LIGADO para diminuir o ruído causado por bolhas na amostra. Bolhas de ar na amostra podem fazer com que as leituras fiquem instáveis.
ALARMES DE CL ELEV.	Define o ponto de ajuste da concentração de cloro para o alarme de cloro elevado - 0,00 a 10,00 mg/L (padrão: 4,00 mg/L).
ALARMES DE CL BAIXO	Define o ponto de ajuste da concentração de cloro para o alarme de cloro baixo-0,00 a 10,00 mg/L (padrão: 0,20 mg/L).
INF. DO SENSOR	Mostra o número de série do analisador, a versão do software, a versão de inicialização e a versão do driver.
PREDEFINIÇÕES	Selecione SIM para alterar as definições de configuração para os valores padrão de fábrica.
SERVIÇO	Para uso somente em serviço

4.2 System configuration

Refer to the controller documentation for system configuration, general controller settings and setup for outputs and communications.

4.3 Navegação do usuário

Consulte a documentação do controlador para obter uma descrição do teclado e informações de navegação.

Pressione a tecla de seta para a **DIREITA** no controlador várias vezes para exibir mais informações na tela inicial e uma tela com gráficos.

Seção 5 Operação

5.1 Logs de dados, eventos e serviços

O controlador concede acesso a logs de dados, eventos e serviços para cada instrumento conectado. As medições do CL17sc são salvas automaticamente no log de dados, em intervalos de 150 segundos. O log de eventos mostra os eventos que ocorreram. Os logs de eventos e dados mantêm, aproximadamente, 2 semanas de dados quando o analisador opera continuamente. O log de serviços mantêm, aproximadamente, 24 horas de dados quando o analisador opera continuamente.

Consulte a documentação do controlador para baixar o log de dados, eventos e/ou serviços. O log de dados é um arquivo XML que pode ser salvo no formato CSV ou Excel. O log de eventos e o log de serviços são arquivos no formato CSV.

5.2 Medir uma AMOSTRA EXTEMP. EM

Use o menu AMOSTRA EXTEMP. EM para adicionar uma determinada concentração de cloro na água a ser usada na célula de medição. Quando necessário, meça uma amostragem rápida para verificar ou para medir uma amostra de água coletada em outro local.

1. Pressione o **menu**, depois selecione CFG SENSOR > [selecione o analisador] > AMOSTRA EXTEMP. EM.
2. Conclua as etapas exibidas na tela. Quando solicitado, remova a tampa da célula e adicione 50 ml de amostragem rápida à célula. Parte da amostra fluirá para a drenagem da amostra.

5.3 Registradores Modbus

Uma lista de registradores Modbus está disponível para comunicação em rede. Consulte o website do fabricante para obter mais informações.

Seção 6 Calibração e ajuste

A curva de calibração do analisador vem definida de fábrica para que o desempenho seja de acordo com as especificações. A calibração pode ser feita para verificar o desempenho.

Não é recomendado que o usuário faça alterações aos ajustes de fábrica da curva de calibração, a menos que exigido por uma agência reguladora para fins de geração de relatório de conformidade, ou que seja feito um grande reparo no analisador.

Para obter mais informações, consulte as instruções no Kit de verificação de calibração ou entre em contato com o suporte técnico.

Seção 7 Manutenção

▲ CUIDADO



Vários perigos. Somente pessoal qualificado deve realizar as tarefas descritas nesta seção do manual.

AVISO

Não desmonte o instrumento para manutenção. Caso seja necessário limpar ou reparar componentes internos, entre em contato com o fabricante.

7.1 Rotina de manutenção

A [Tabela 6](#) mostra o cronograma recomendado de tarefas de manutenção. Os requisitos da instalação e as condições operacionais podem aumentar a frequência de algumas tarefas.

Tabela 6 Rotina de manutenção

Tarefa	1 mês	6 meses	Conforme necessário
Limpar a célula na página 101	X ²		
Substituir os frascos de reagente na página 102	X		
Substitua a barra de mistura e o chicote da tubulação ³		X	
Limpe a tela no filtro Y na página 103			X

7.2 Limpar a célula

⚠ CUIDADO



Risco de exposição a produtos químicos. Obedeça aos procedimentos de segurança laboratoriais e use todos os equipamentos de proteção individual adequados aos produtos químicos que estão sendo manipulados. Consulte as planilhas de dados de segurança (MSDS/SDS) atuais para verificar os protocolos de segurança.

Limpe a célula em intervalos de 1 mês ou com mais frequência, se necessário.

Ferramentas necessárias:



Cotonetes de algodão⁴



Solução de ácido sulfúrico de 5,25 N⁵

1. Coloque o equipamento de proteção pessoal identificado nas folhas de dados de segurança (MSDS/SDS).
2. Pressione o **menu**, depois selecione CFG SENSOR > [selecione o analisador] > TAREFAS > LIMPAR CÉLULA.
Observação: Para interromper uma tarefa selecionada, pressione **home**.
3. Pressione **enter** para interromper a medição.
4. Selecione uma opção.

Opção	Descrição
-------	-----------

RETER	As saídas do controlador são mantidas no último valor medido.
--------------	---

TRANSFERIR	As saídas do controlador mudam para o valor de transferência.
-------------------	---

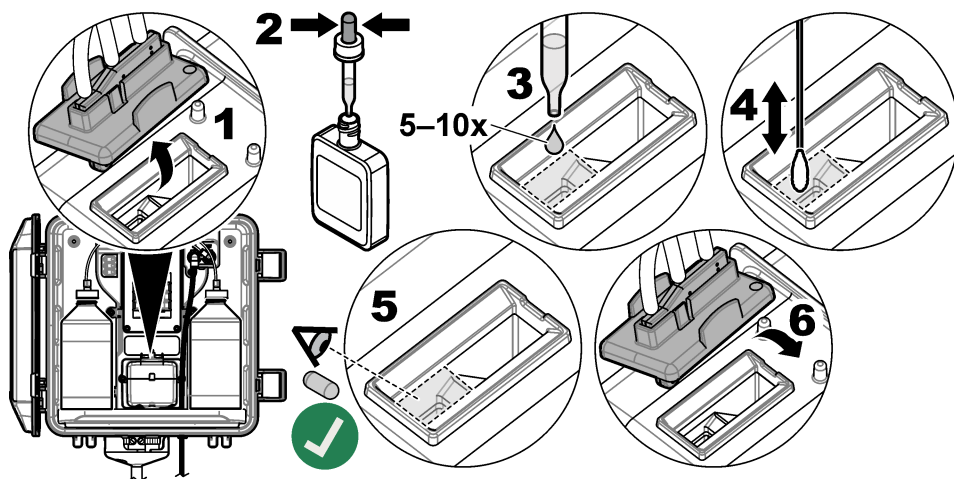
5. Quando a luz de status piscar, siga as etapas ilustradas a seguir. Certifique-se de que não exista nenhuma obstrução na célula. Quando terminar, pressione **enter**.

² Limpe a célula com certa frequência, ou conforme necessário.

³ Consulte as instruções fornecidas com o kit de tubulação.

⁴ Consulte [Peças e acessórios de reposição](#) na página 108.

⁵ Não use outras soluções de limpeza. Consulte [Peças e acessórios de reposição](#) na página 108.



6. Quando "TAREFA CONCLUÍDA." aparecer na tela, pressione **enter**.
O analisador inicia um ciclo de medição em aproximadamente 30 segundos.

7.3 Substituir os frascos do reagente

⚠ CUIDADO	
	Risco de exposição a produtos químicos. Obedeça aos procedimentos de segurança laboratoriais e use todos os equipamentos de proteção individual adequados aos produtos químicos que estão sendo manipulados. Consulte as planilhas de dados de segurança (MSDS/SDS) atuais para verificar os protocolos de segurança.
⚠ CUIDADO	
	Risco de exposição a produtos químicos. Descarte produtos químicos e dejetos de acordo com as regulamentações locais, regionais e nacionais.

Substitua os frascos do reagentes em intervalos de 1 mês.

1. Coloque o equipamento de proteção pessoal identificado nas folhas de dados de segurança (MSDS/SDS).
2. Pressione o **menu**, depois selecione CFG SENSOR > [selecione o analisador] > TAREFAS > ALTERAR REAG..
Observação: Para interromper uma tarefa selecionada, pressione **home**.
3. Pressione **enter** para interromper a medição.
4. Selecione uma opção.

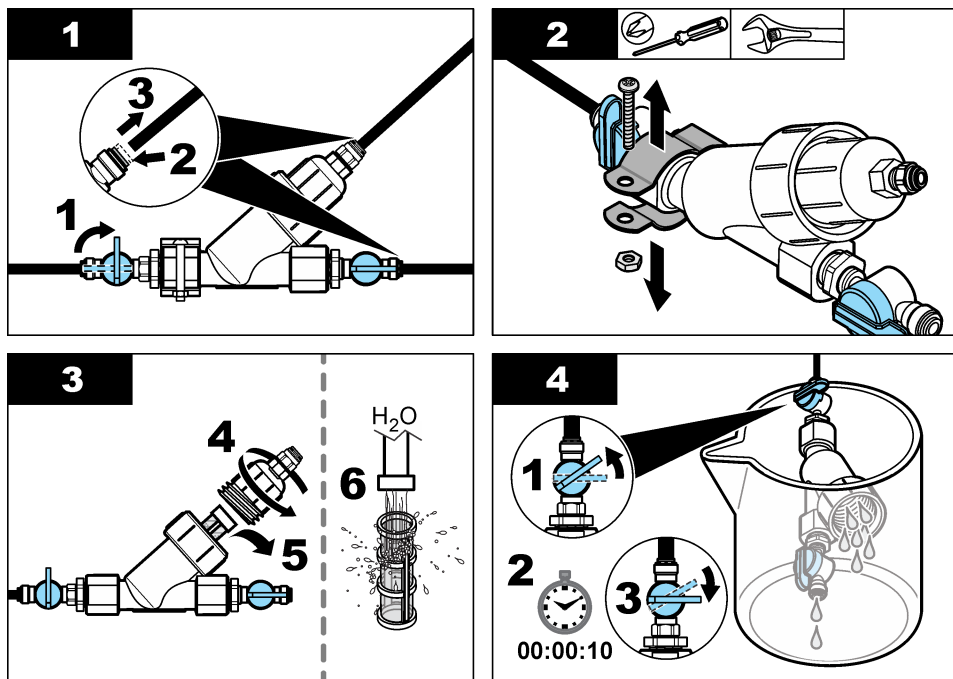
Opção	Descrição
RETER	As saídas do controlador são mantidas no último valor medido.
TRANSFERIR	As saídas do controlador mudam para o valor de transferência.

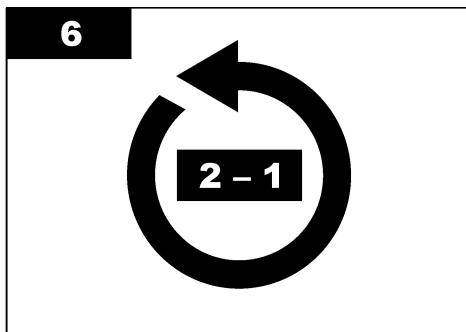
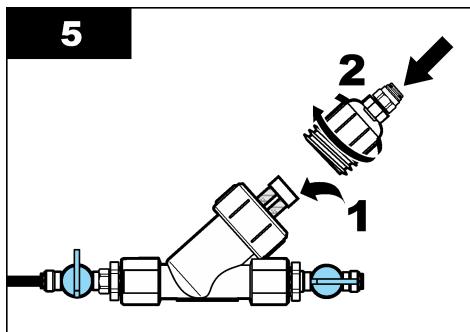
5. Aguarde até que a luz de status pisque.
6. Substitua o frasco buffer da seguinte forma:
Observação: (Opcional) Use a parte superior do analisador como uma prateleira.
 - a. Remova a tampa e o selo de vedação do novo frasco de buffer.
 - b. Remova o frasco de buffer antigo do analisador.

- c. Coloque o tubo de buffer no novo frasco de buffer pelo lado direito do analisador. Aperte a tampa.
7. Substitua o frasco indicador da seguinte forma:
 - a. Remova a tampa e a vedação do frasco indicador e do frasco DPD marrom.
 - b. Encha aproximadamente $\frac{1}{4}$ do frasco DPD marrom com a solução do indicador.
 - c. Mexa o frasco DPD para misturar.
 - d. Coloque o conteúdo do frasco DPD no frasco indicador.
 - e. Inverta o frasco indicador até que todo o pó seja dissolvido (2 minutos).
 - f. Remova o frasco indicador antigo do analisador.
 - g. Coloque o tubo indicador no novo frasco indicador pelo lado esquerdo do analisador. Aperte a tampa.
8. Pressione **enter**.
9. Quando "TAREFA CONCLUÍDA." aparecer na tela, pressione **enter**. O analisador inicia um ciclo de medição em aproximadamente 30 segundos.

7.4 Limpe a tela no filtro Y

Limpe a tela no filtro Y quando houver um bloqueio, que é identificado com uma advertência de FLUXO AMOS BAIXO. Complete as etapas abaixo.





7.5 Preparo para armazenamento

⚠ CUIDADO



Risco de exposição a produtos químicos. Obedeça aos procedimentos de segurança laboratoriais e use todos os equipamentos de proteção individual adequados aos produtos químicos que estão sendo manipulados. Consulte as planilhas de dados de segurança (MSDS/SDS) atuais para verificar os protocolos de segurança.

Se o analisador ficar sem energia por mais de 3 dias ou se o analisador não for usado por mais de 3 dias, armazene-o.

Ferramentas necessárias:



Copo com água deionizada (2x)

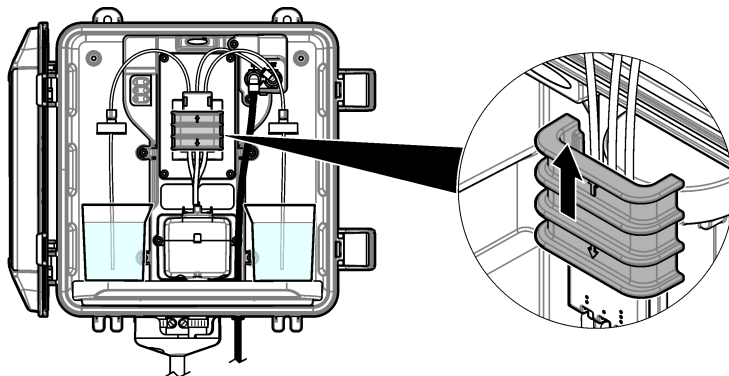


Conta-gotas ou pano sem fiapos descartáveis

1. Remova os reagentes das linhas de reagentes da seguinte forma:
 - a. Remova o frasco indicador e o frasco do buffer do analisador.
 - b. Coloque dois copos (ou recipientes) que contenham água deionizada no analisador.
 - c. Coloque o tubo do frasco indicador e do frasco buffer no copo.
 - d. Pressione **menu** e selecione CFG SENSOR > [selecione o analisador] > PREPARAR. O analisador remove os reagentes das linhas de reagentes.
2. Remova a água deionizada das linhas de reagentes da seguinte forma:
 - a. Remova o tubo do frasco indicador e do frasco buffer do copo.
 - b. Remova os dois copos do analisador.
 - c. Pressione **menu** e selecione CFG SENSOR > [selecione o analisador] > PREPARAR. O analisador remove todo o líquido das linhas de reagentes.
3. Desconecte o cabo do analisador no controlador (ou corte a energia do controlador).
4. Gire a válvula de corte para a posição fechada para interromper o fluxo da amostra no filtro Y.
5. Remova a braçadeira da bomba. Consulte [Figura 6](#). Guarde a braçadeira da bomba para uso posterior.
6. Remova a água da célula da seguinte forma:
 - a. Remova a tampa do analisador.
 - b. Remova a água da célula com um conta-gotas descartável ou um pano sem fiapos.
 - c. Instale a tampa na célula.
7. Para iniciar o analisador após o armazenamento, siga as etapas abaixo:
 - a. Instale a braçadeira da bomba. Consulte [Figura 6](#).

- b. Instale os frascos de reagentes. Consulte [Etapa 4: Instalar os frascos de reagentes](#) na página 94.
- c. Ajuste a válvula de corte para a posição aberta para liberar o fluxo da amostra para o filtro Y.
- d. Conecte o cabo do analisador ao controlador, caso tenha sido desconectado.
- e. Ligue o controlador na energia, caso tenha sido desligada.
- f. Pressione **menu** e selecione CFG SENSOR > [selecione o analisador] > PREPARAR.

Figura 6 Remova a braçadeira da bomba



7.6 Preparar para envio

⚠ CUIDADO



Risco de exposição a produtos químicos. Obedeça aos procedimentos de segurança laboratoriais e use todos os equipamentos de proteção individual adequados aos produtos químicos que estão sendo manipulados. Consulte as planilhas de dados de segurança (MSDS/SDS) atuais para verificar os protocolos de segurança.

Para preparar o analisador para envio, siga as etapas a seguir.

Ferramentas necessárias:



Copo com água deionizada (2x)



Embalagem original

1. Remova os reagentes das linhas de reagentes da seguinte forma:
 - a. Remova o frasco indicador e o frasco do buffer do analisador.
 - b. Coloque dois copos (ou recipientes) que contenham água deionizada no analisador.
 - c. Coloque o tubo do frasco indicador e do frasco buffer no copo.
 - d. Pressione **menu** e selecione CFG SENSOR > [selecione o analisador] > PREPARAR. O analisador remove os reagentes das linhas de reagentes.
2. Remova a água deionizada das linhas de reagentes da seguinte forma:
 - a. Remova o tubo do frasco indicador e do frasco buffer do copo.
 - b. Remova os dois copos do analisador.
 - c. Pressione **menu** e selecione CFG SENSOR > [selecione o analisador] > PREPARAR. O analisador remove todo o líquido das linhas de reagentes.
3. Desconecte o cabo do analisador do controlador.
4. Gire a válvula de corte para a posição fechada para interromper o fluxo da amostra no filtro Y.

5. Desconecte o tubo de entrada de amostra (preto) e o tubo de drenagem (transparente) do analisador.
6. Remova o freio de ar externo do analisador.
7. Remova a braçadeira da bomba. Consulte [Figura 6](#) na página 105.
8. Remova o chicote da tubulação e a barra de mistura do analisador. Coloque o chicote da tubulação para ser enviado com o analisador. Consulte [Etapa 3: Instale a barra de mistura e o chicote da tubulação](#) na página 94.
9. Instale a braçadeira da bomba sem o chicote da tubulação. Coloque uma fita na braçadeira da tubulação para prendê-la firmemente.
10. Remova a água da célula com um conta-gotas descartável ou um pano sem fiapos.
11. Remova o analisador da parede.
12. Coloque o analisador de volta à embalagem original.

7.7 Como limpar o instrumento

A V I S O

Nunca use agentes de limpeza tais como terebintina, acetona ou produtos semelhantes para limpar o instrumento, inclusive o monitor e os acessórios.

Limpe o exterior do instrumento com um pano úmido e uma solução de sabão neutro.

7.8 Limpar derramamento

▲ CUIDADO



Risco de exposição a produtos químicos. Descarte produtos químicos e dejetos de acordo com as regulamentações locais, regionais e nacionais.

1. Obedeça a todos os protocolos de segurança da instalação para controle de derramamento.
2. Descarte o resíduo de acordo com as regulamentações aplicáveis.

Seção 8 Solução de problemas

8.1 Erros - Luz vermelha

Para mostrar os erros, pressione a tecla **menu** e selecione **DIAGNÓSTICO > [selecione o analisador] > LISTA ERROS**. Uma lista dos erros possíveis é mostrada na [Tabela 7](#).

A luz de status do analisador muda para vermelha quando ocorre um erro. Quando ocorre um erro, a medição é interrompida, a tela de medição pisca e todas as saídas são interrompidas conforme especificado no menu do controlador.

Tabela 7 Mensagens de erro

Erro	Descrição	Solução
ERRO DO DETECTOR.	Um detector não está funcionando corretamente.	Entre em contato com o suporte técnico.
CÉLULA SUJA	A célula está manchada ou suja.	Limpar a célula. Consulte Limpar a célula na página 101.
ERRO DO CÓD.	Ocorreu um erro de firmware.	Entre em contato com o suporte técnico.
ERRO DO LED	A luz da célula não está funcionando corretamente.	Entre em contato com o suporte técnico.

Tabela 7 Mensagens de erro (continuação)

Erro	Descrição	Solução
ERRO DA BOMBA	A bomba não está funcionando corretamente.	Entre em contato com o suporte técnico.
FUGA DA AMOSTRA	Há um vazamento de amostra no analisador.	Entre em contato com o suporte técnico.

8.2 Advertências - Luz amarela

Para mostrar as advertências, pressione a tecla **menu** e selecione **DIAGNÓSTICO** > [selecione o analisador] > **LISTA AVISOS**. Uma lista dos avisos possíveis é mostrada na [Tabela 8](#).

A luz indicadora de status muda para amarelo quando ocorre uma advertência. Se houver fluxo de amostra suficiente disponível, uma advertência não afetará a operação dos menus. Uma advertência não afeta a operação dos relés e saídas. Um ícone de advertência pisca e uma mensagem é mostrada no fundo da tela do controlador.

Tabela 8 Mensagens de aviso

Advertência	Descrição	Solução
BOLHAS DETECT.	Há bolhas na célula.	Limpar a célula. Consulte Limpar a célula na página 101. (Opcional) Defina a configuração REJ. BOLHAS como ativada. Consulte Etapa 10: Configurar o analisador na página 98.
LIMPAR CÉLULA EM BREVE	A célula está manchada ou suja e deve ser limpa o quanto antes para evitar erros.	Limpar a célula. Consulte Limpar a célula na página 101.
CLORO ELEVADO	A concentração de cloro é igual ou superior ao ponto de ajuste de ALARMES DE CL ELEV..	Aumente os ALARMES DE CL ELEV. nas configurações. Consulte Etapa 10: Configurar o analisador na página 98. Ou Diminua a concentração de cloro na amostra colocada no analisador.
CLORO BAIXO	A concentração de cloro é igual ou inferior ao ponto de ajuste de ALARMES DE CL BAIXO.	Diminua os ALARMES DE CL BAIXO nas configurações. Consulte Etapa 10: Configurar o analisador na página 98. Ou Aumente a concentração de cloro na amostra colocada no analisador.
FLUXO AMOS BAIXO	O fluxo de amostra medido é menor que a vazão mínima de amostra. Consulte Especificações na página 83.	Definir a vazão de amostra. Consulte Etapa 8: Definir a vazão na página 97. Se necessário, limpe o filtro Y para remover a obstrução. Consulte Limpe a tela no filtro Y na página 103. <i>Observação: Quando ocorre uma advertência de FLUXO AMOS BAIXO, o analisador interrompe temporariamente as medições. Quando a vazão estiver novamente dentro da especificação, o analisador iniciará as medições automaticamente.</i>
FLUXO AMOSTRA ELEV	O fluxo de amostra medido é maior que a vazão máxima da amostra. Consulte Especificações na página 83.	Definir a vazão de amostra. Consulte Etapa 8: Definir a vazão na página 97.

Seção 9 Peças e acessórios de reposição

⚠ ADVERTÊNCIA



Risco de lesão corporal. O uso de peças não aprovadas pode causar lesões pessoais, danos ao instrumento ou mau funcionamento do equipamento. As peças de substituição nesta seção foram aprovadas pelo fabricante.

Observação: Os códigos dos produtos podem variar para algumas regiões. Entre em contato com o distribuidor apropriado ou consulte o website da empresa para obter informações de contato.

Consumíveis

Descrição	Quantidade	Nº do item.
Conjunto de reagentes, Sem cloro, inclui: Frasco de buffer, frasco indicador e frasco DPD	1	2556900
Conjunto de reagentes, Cloro total, inclui: Frasco de buffer, frasco indicador e frasco DPD	1	2557000
O kit de limpeza de células inclui: Ácido sulfúrico, 5,25 N, 100 mL, conta-gotas para frasco e cotonetes (10x)	1	8573100
Kit de verificação da calibração	1	8568200
Refil do kit de verificação de calibração	1	8573200

Peças de reposição

Descrição	Nº do item.
O kit de tubulação inclui: Chicote de tubulação e barra de mistura	8560400
Kit de instalação com tubo vertical	8560500
Kit de instalação com regulador de pressão	8565700

Acessórios

Descrição	Nº do item.
Cabo de extensão para o analisador, 1 m (3,2 pés)	6122400
Cabo de extensão para o analisador, 7,7 m (25 pés)	5796000
Cabo de extensão para o analisador, 15 m (50 pés)	5796100
Adaptador de tubulação, 6 mm de diâmetro externo a 1/4 polegada de diâmetro externo	09184=A=4020

目录

1 规格	第 109 页	6 校准和调整	第 124 页
2 基本信息	第 110 页	7 维护	第 124 页
3 安装	第 113 页	8 故障排除	第 130 页
4 配置	第 122 页	9 备件与附件	第 132 页
5 操作	第 124 页		

第 1 节 规格

产品规格如有变化，恕不另行通知。

表 1 一般技术指标

规格	详细信息
尺寸 (W x H x D)	32.9 x 34.2 x 17.7 cm (12.9 x 13.5 x 7.0 in)
外壳	IP66, 符合 IEC 60529 标准 (关门上锁情况下) ¹
货运重量	不含瓶时为 4.1 kg (9 lb); 瓶装满时为 5.1 kg (11.2 lb)
安装方式	壁挂式
防护等级	III
污染等级	3
电气安装类别	I (室内安装)
电源要求	最大 12 VDC、400 mA (由控制器提供)
工作温度	5 至 40 °C (41 至 104 °F)
工作湿度	0 至 90% 非冷凝相对湿度
存储温度	-40 至 60°C (-40 至 140 °F)
接头	样品管线: ¼ in. 外径快接接头, 用于塑料管 排样管线: 推入式接头, 用于 ½ in. 内径的软塑料管
指示灯	分析仪状态和测量周期
认证	CE DoC、FCC SDoC、IC、RCM、KC
保修期	1 年 (EU: 2 年)

表 2 取样要求

规格	详细信息
压力	0.31 至 5.17 bar (4.5 至 75 psig) 供应至 Y 型滤网; 0.1 至 0.34 bar (1.5 至 5 psig) 供应至分析仪
流速	通过仪器的流速为 60 至 200 mL/min (在分析仪排放管处测量)
温度	5 至 40 °C (41 至 104 °F)
过滤装置	带 40 网目或更大网目的 Y 型滤网

¹ 用塞子堵住排水孔, 以满足测试要求。

表 3 测量规格

规格	详细信息
光源	LED, 在 510 nm 处测量; 1 cm 光程长度
测量范围	0.03–10 mg/L 游离氯或总氯, 以 Cl ₂ 计
测量间隔时间	150 秒
准确度	在 0 到 5 mg/L 的范围内为 ±5% 或 ±0.04 mg/L (取较大值), 以 Cl ₂ 计 在 5 到 10 mg/L 的范围内为 ±10%, 以 Cl ₂ 计
精度	±5% 或 ±0.01 mg/L (取较大值), 以 Cl ₂ 计
检测限值	0.03 mg/L, 以 Cl ₂ 计
定量限	0.07 mg/L
校准	工厂校准 可选: 使用校准标准溶液进行 2 点用户校准在校准验证套件中
试剂用量	0.5 L 缓冲溶液和 0.5 L 指示剂溶液, 31 天内

第 2 节 基本信息

对于因本手册中的任何不足或遗漏造成的直接、间接、特别、附带或结果性损失, 制造商概不负责。制造商保留随时更改本手册和手册中描述的产品的权利, 如有更改恕不另行通知或承担有关责任。修订版可在制造商的网站上找到。

2.1 安全信息

注意

对于误用和滥用造成的产品损坏, 制造商概不负责, 包括但不限于: 直接、附带和间接的损坏, 并且对于适用法律允许的最大程度的损坏也不承担任何责任。用户独自负责识别重大应用风险并安装适当的保护装置, 以在设备可能出现故障时保护工艺流程。

请在拆开本设备包装、安装或使用前, 完整阅读本手册。特别要注意所有的危险警告和注意事项。否则, 可能会对操作者造成严重的人身伤害, 或者对设备造成损坏。

请确保产品拆开时的完整无损伤。请勿以本手册指定方式之外的其它方式使用或安装本设备。

2.1.1 危害指示标识说明

▲ 危险

表示潜在的或紧急的危险情况, 如果不加以避免, 将会导致死亡或严重伤害。

▲ 警告

表示潜在的或紧急的危险情况, 如果不加以避免, 将会导致死亡或严重伤害。

▲ 警告

表示潜在的或紧急的危险情形, 可能导致轻度或中度人身伤害。

注意

表明如不加以避免可能会导致仪器损坏的情况。此信息需要特别强调。

2.1.2 警告标签

请阅读贴在仪器上的所有标签和标记。如未遵照这些安全标签的指示操作，则可能造成人身伤害或仪器损坏。仪器上的符号在手册中通过警告说明参考。



标有此符号的电气设备在欧洲不能通过家庭或公共垃圾系统进行处理。请将老旧或报废设备寄回至制造商处进行处置，用户无需承担费用。

2.1.3 合规性和证明

▲ 警告

本设备不适合在住宅环境中使用，在此类环境中可能无法为无线电接收提供充分的保护。

加拿大无线电干扰产生设备法规 (Canadian Radio Interference-Causing Equipment Regulation), ICES-003, A类:

支持性测试结果在制造商处保存。

此 A 类数字设备符合加拿大由于无线电干扰所产生的设备法规的所有要求。

Cet appareil numérique de classe A répond à toutes les exigences de la réglementation canadienne sur les équipements provoquant des interférences.

FCC 第 15 部分, “A”类限制

支持性测试结果在制造商处保存。该设备符合 FCC 规定第 15 部分的要求。设备操作满足以下两个条件:

1. 本设备不会造成有害干扰。
2. 设备会接收任何干扰，包括可能造成意外的干扰。

若未经负责出具符合声明的一方明确同意擅自对本设备进行改动或改装，可能会导致取消用户操作该设备的权限。本设备已经过测试，符合 FCC 规定第 15 部分中确定的 A 类数字设备限制。这些限制专门提供当设备在商业环境下工作时针对有害干扰的合理保护。该设备产生、使用和放射无线电射频能量，如果不按照说明手册的要求对其进行安装和使用，可能会对无线电通讯造成有害干扰。本设备在居民区工作时可能会产生有害干扰，这种情况下用户须自行承担费用消除这种干扰。以下方法可用于减少干扰问题:

1. 断开设备的电源，以便确证它是干扰源与否。
2. 如果设备与遭受干扰的仪器连接到相同的插座，将设备连接到其他插座。
3. 将设备从接受干扰的仪器边上移开。
4. 重新定位受干扰仪器的接收天线。
5. 同时尝试以上多项措施。

2.2 产品概述

▲ 危险



化学或生物危害。如果本仪器用于监测具有与公众健康、公众安全、食品或饮料生产或加工相关的法规限制和监测要求的处理过程和/或透析给水，仪器的使用者有责任了解并遵守所有适用的法规，并且要建立充分适当的机制，确保在仪器发生故障时遵守这些适用的法规。

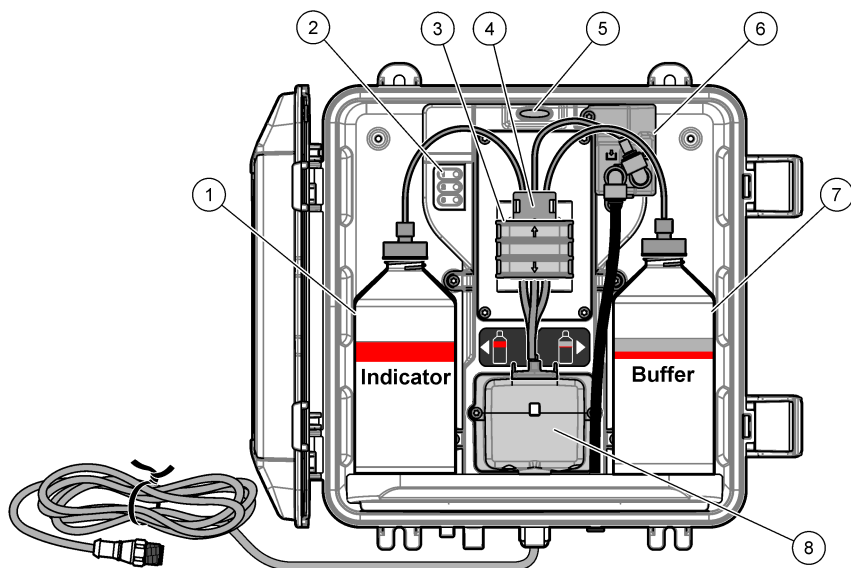
CL17sc 分析仪可每隔 150 秒测量一次水中的游离氯或总氯浓度（浓度范围为 0.03 至 10 mg/L）。

图 1 所示为分析仪的概览图。

将分析仪连接到 SC 控制器获取电源，以便进行操作、数据收集、数据传输和诊断。有关控制器的概述，请参阅 SC 控制器手册。

注：如果控制器有多个快捷接头，则可将多个分析仪连接到 SC 控制器。

图 1 CL17sc



1 指示剂瓶	5 分析仪状态指示灯 (表 5 第 113 页)
2 测量周期指示灯 (表 4 第 112 页)	6 流量计
3 泵夹	7 缓冲液瓶
4 管道夹	8 比色样品池

2.2.1 流量计

分析仪配有一个流量计，用于测量通过分析仪的样品流量。请参阅图 1 第 112 页。

只有当分析仪冲洗样品池时，样品才会流经分析仪。在其他时候，没有样品流量，显示的流速为零。按下控制器上的向右箭头以显示流速。

2.2.2 测量周期指示灯

测量周期指示灯显示正在完成的测量周期的步骤。请参阅表 4。

表 4 测量周期指示灯

指示灯亮起			
说明	用水冲洗样品池。	将缓冲溶液和指示剂溶液加入样品池中。	测量样品。

2.2.3 分析仪状态指示灯

当出现警告时，分析仪状态指示灯将从绿色变为黄色；当出现错误时，分析仪状态指示灯将从绿色变为红色。请参阅表 5。

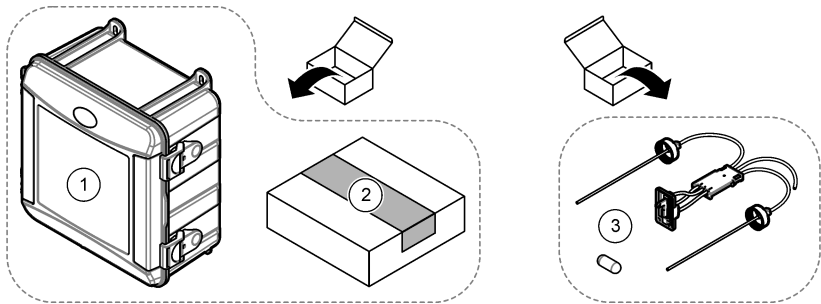
表 5 分析仪状态指示灯

颜色	说明
绿色	正常工作
黄色	需要对系统进行关注，以防止后序出现故障。测量会继续进行。要显示报警，请按 menu (菜单) ，然后依次选择 诊断 > [选择分析仪] > 报警列表 。请参阅 报警 — 黄色指示灯 第 130 页。
红色	系统需要立即引起注意。测量已停止。要显示错误，请按 menu (菜单) ，然后依次选择 诊断 > [选择分析仪] > 错误列表 。请参阅 错误 — 红灯 第 130 页。

2.3 产品部件

确保已收到所有部件。请参阅 图 2。如有任何物品缺失或损坏，请立即联系制造商或销售代表。

图 2 产品部件



1 CL17sc 分析仪	3 管路套件（管束和搅拌棒）
2 安装套件	

第 3 节 安装

▲ 警告



多重危险。只有符合资质的专业人员才能从事文档本部分所述的任务。

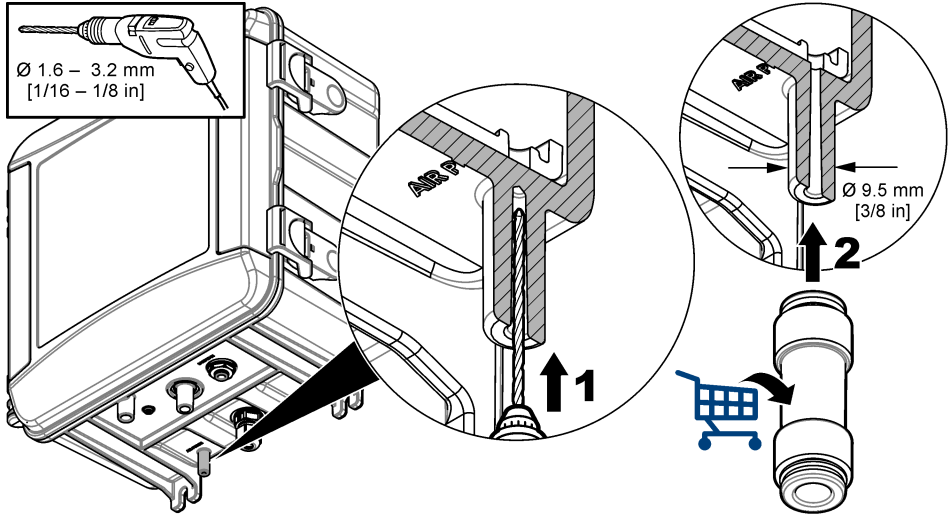
3.1 安装指南

- 分析仪配有竖管安装套件或压力调节器安装套件，用于控制分析仪管路中的水压。用户需要在购买时选择该安装套件。
- 将分析仪安装在室内振动最小的位置。请参阅 **规格** 第 109 页中的工作温度和湿度技术指标。
- 切勿将分析仪安装在阳光直晒或靠近热源的位置。
- 对于竖管安装，请将分析仪安装在一个适当的位置，确保分析仪上方留有 **61 cm (2 ft)** 的可用空间，以用于安装竖管。
- 将分析仪安装在排水明沟附近。请参阅当地监管机构的处置说明。

3.2 第 1 步：空气吹扫（可选）

如果分析仪被安装在高湿度或有腐蚀性烟雾的位置，那么可能必须进行空气吹扫。空气吹扫可以用干燥清洁的空气使仪器中保持正压。

以 0.003 m³/分钟 (0.1 ft³/分钟) 的流量、20 psig 的最大压力供应仪器所需洁净干燥的空气。
请参阅以下图示步骤。由用户提供 3/8 英寸快接头和管路。



3.3 第 2 步：安装和连接分析仪

警告



仅哈希公司指定的管路可用于连接分析仪。其他管路可能会吸收水样中的氯，并对氯值产生负向影响（减小氯值）。

注意

分析仪管道连接错误可能导致因样品压力过大而引起的损坏。应始终遵循以下说明安装和连接分析仪。

1. 用四颗螺钉将分析仪 (9) 固定到墙壁上。处于水平状态。

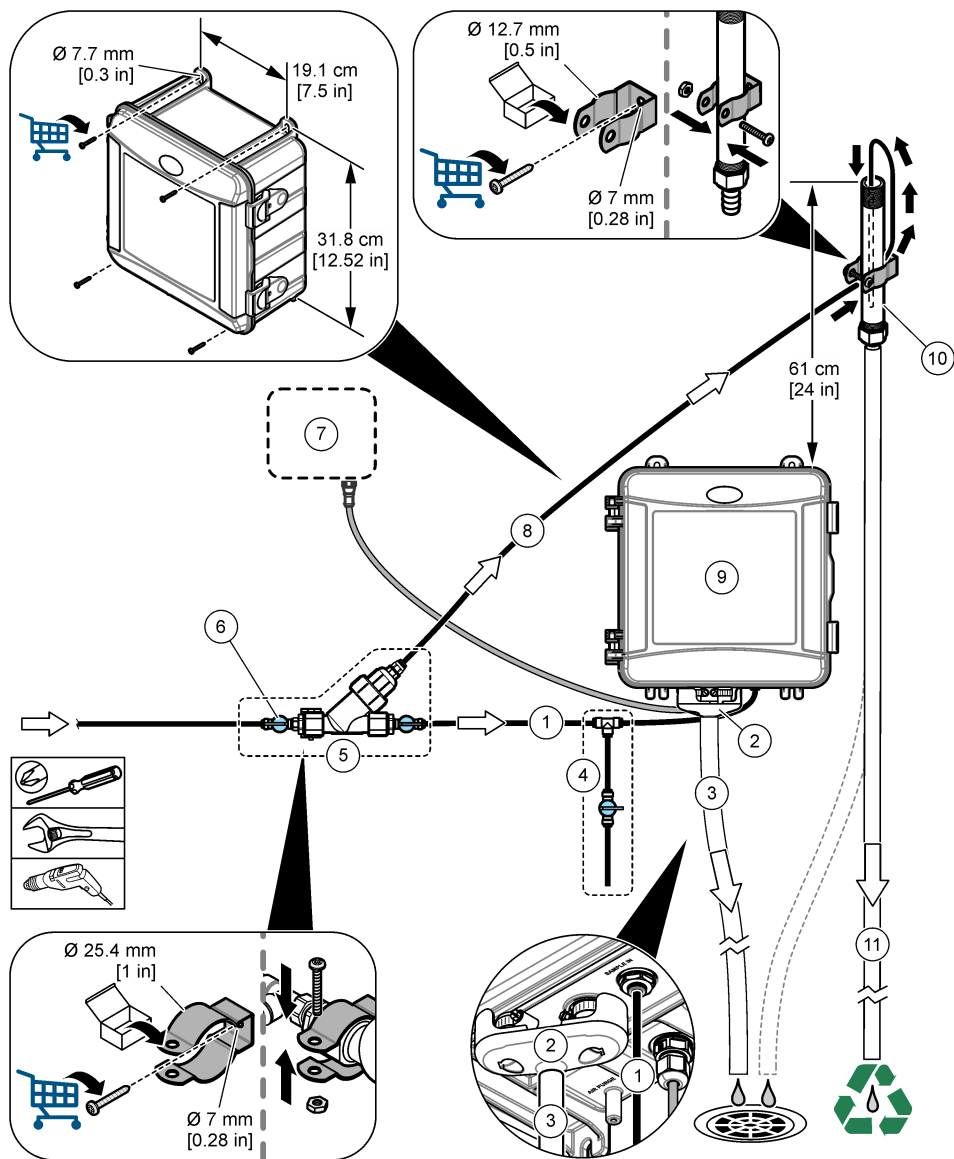
注： 安装五金件由用户提供。

2. 将 SC 控制器 (7) 固定到墙壁、面板或管道上。请参阅 SC 控制器文档以了解相关说明。
3. 安装 Y 型滤网。请参阅装箱单上的说明。
4. 使用 1 英寸导管夹安装 Y 型滤网组件（图 3 或图 4 中的 5）。
5. 安装分析仪上的外部空气隔断阀（图 3 或图 4 中的 2）。请参阅装箱单上的说明。
6. 执行步骤 7 或 8。

分析仪配有竖管安装套件（请参阅图 3）或压力调节器安装套件（请参阅图 4），用于控制分析仪管路中的水压。用户需要在购买时选择该安装套件。

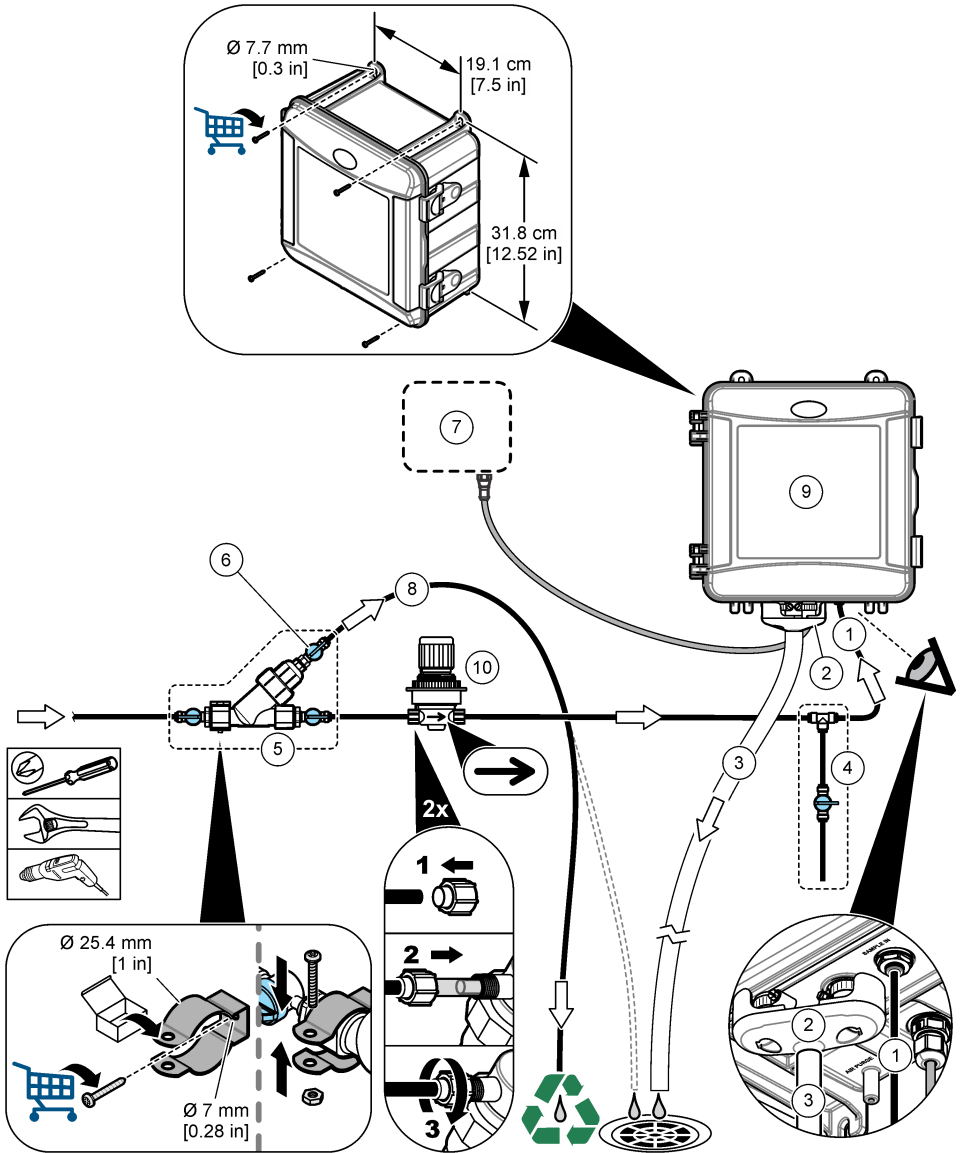
7. 如果在购买时选择了竖管安装套件，请按以下步骤安装竖管：
 - a. 安装竖管。请参阅装箱单上的说明。
 - b. 使用较小的导管夹将竖管组件安装在高于分析仪顶部至少 61 cm (24 in.)处。请参阅图 3 中的第 10 项。
 - c. 使用黑色管路，安装样品旁路管 (8)。将该管推到后面，然后推入竖管。将管路置于竖管顶部 10–13 cm (4–5 in.)处。
 - d. 从排样管 (3) 切下一段软管。使用这段软管从立管底部竖直连接到排水地漏（图 3 中的 11）。请参见排样管线指南第 118 页。
8. 如果在购买时选择了压力调节器安装套件，请安装压力调节器（图 4 中的第 10 项）。
9. 使用黑色管，将 Y 型滤网入口 (5) 连接到样品源。
请参阅 采样管线准则 第 118 页 和 取样要求 第 118 页。
10. 使用黑色管将 Y 型滤网出口（或调压阀出口）连接到分析仪底部的样品入口接头 (1)。管路要尽可能短，最大长度为 2.5 m (8 ft)。
11. 如果安装了调压阀，请安装样品旁通管（图 4 中的 8）。
12. 请按以下步骤安装和连接抓样组件 (4):
 - a. 安装抓样组件。
 - b. 将三通接头连接到 Y 型滤网与分析仪之间。请参阅图 3 或图 4。
13. 将排样管 (3) 垂直引至排水地漏。请参见排样管线指南第 118 页。

图 3 使用竖管的安装



1 进样管	7 SC 控制器
2 外部空气隔断阀	8 样品旁通管
3 排样管	9 分析仪
4 抓样组件	10 竖管
5 Y 型滤网组件	11 竖管排样管
6 Y 型滤网进口处的流量调节阀	

图 4 使用调压阀的安装



1 进样管	6 Y 型滤网旁路处的流量调节阀
2 外部空气隔断阀	7 SC 控制器
3 排样管	8 样品旁通管
4 抓样组件	9 分析仪
5 Y 型滤网组件	10 压力调节器

3.3.1 采样管线准则

选取具有代表性的良好采样点，以使仪器达到最佳性能。样品必须能代表整个被测体系。避免不稳定读数：

- 在远离过程样品流的化学添加剂的地点进行采样。
- 确保样品充分混合。
- 确保所有化学反应已完成。
- 将分析仪安装在尽可能靠近样品源的位置（最远 4.6 m (15 ft)）。

3.3.2 取样要求

样品源中所取水样必须符合 [规格](#) 第 109 页 中的规格要求。尽可能保持样品流量和工作温度恒定，以获得最佳性能。

3.3.3 排样管线指南

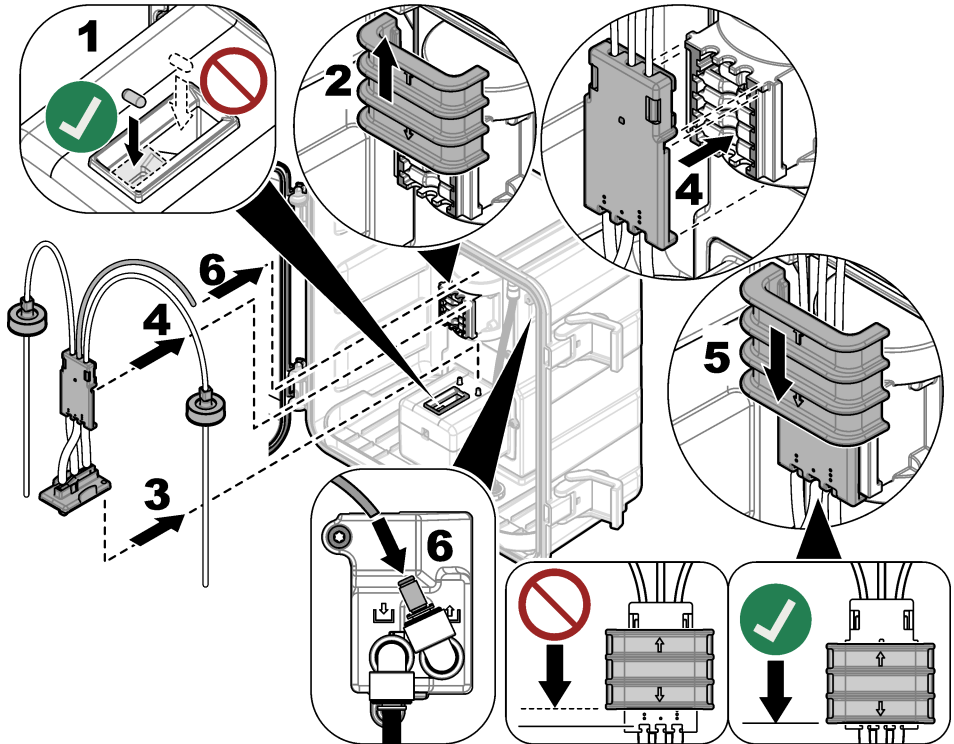
注意

排样管线安装不当可能导致液体流回仪器，造成仪器损坏。

- 确保安装外部空气隔断阀。请参阅 [图 3](#) 第 116 页 或 [图 4](#) 第 117 页。
- 使排样管线尽可能短。
- 确保排样管线连续向下倾斜。
- 确保排样管线没有急弯或未受到挤压。

3.4 第 3 步：安装搅拌棒和管束

按下列图示步骤进行操作。



3.5 第 4 步：安装试剂瓶

警告



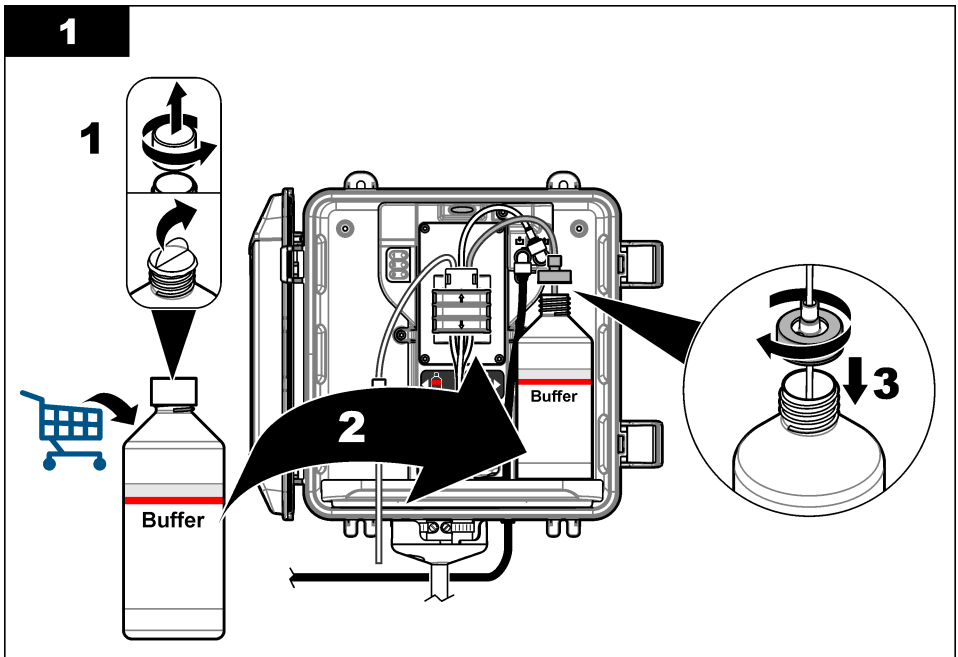
化学品暴露风险。遵守实验室安全规程，穿戴适用于所处理化学品的所有个人防护装备。有关安全规程，请参阅当前安全数据表(MSDS/SDS)。

需准备的物品：

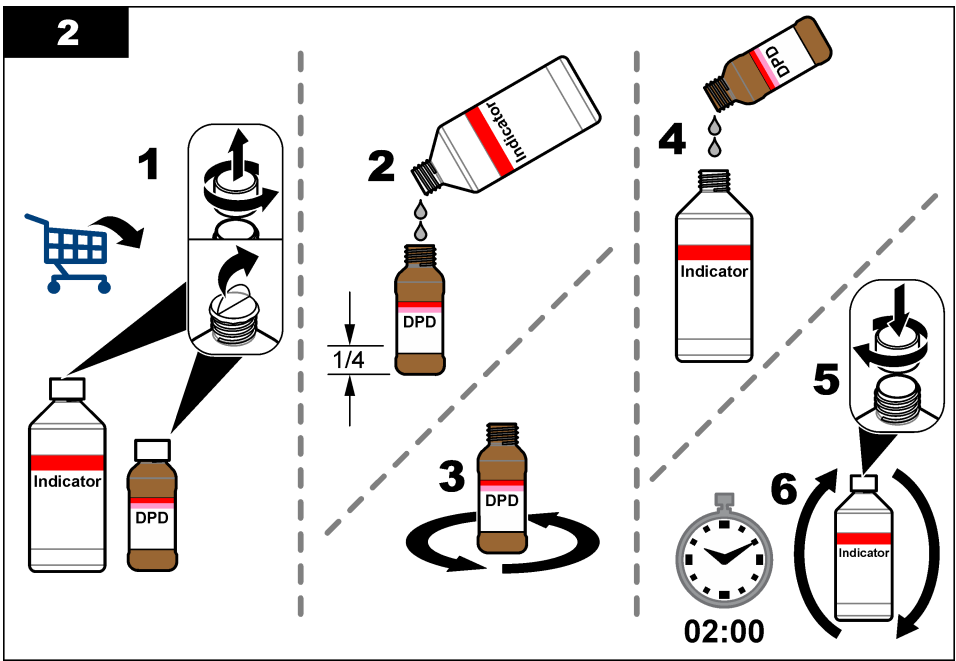
- 个人防护装备（请参阅 MSDS/SDS）
- 指示剂瓶
- 缓冲液瓶
- DPD 化合物瓶

1. 穿戴安全数据表 (MSDS/SDS) 上指明的个人防护装备。
2. 将缓冲液瓶安装在右侧，并将指示剂瓶安装在左侧。请参阅以下图示步骤。

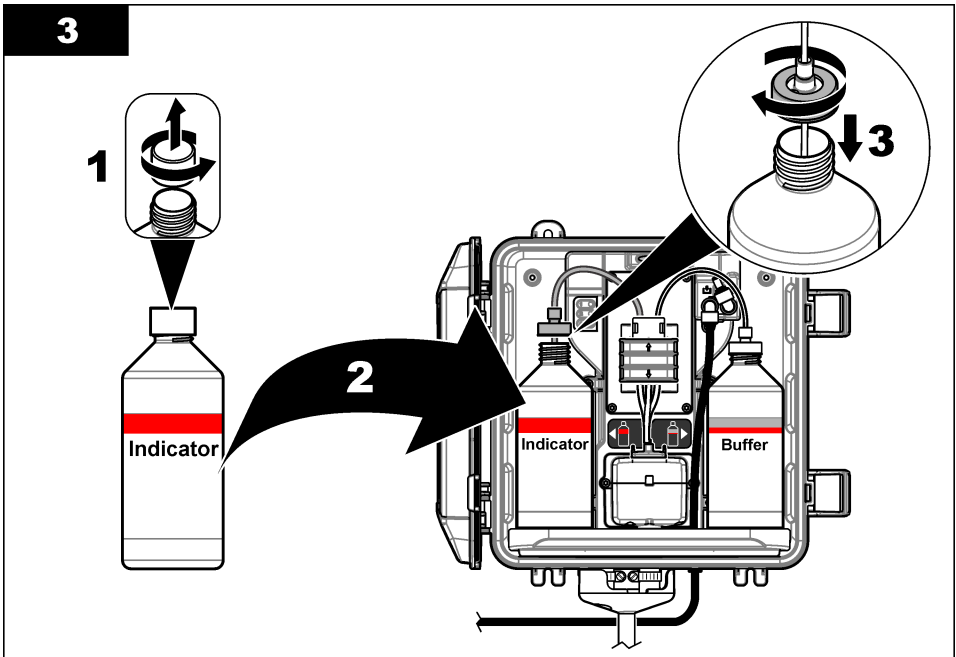
注：（可选）使用分析仪顶部作为架子。



2



3




3.6 第 5 步：将样品流量设置为 ON（开）

1. 将流量调节阀缓慢转动 $\frac{1}{4}$ 圈，以转到开启位置。
2. 确保管路连接处没有泄漏。如果存在泄漏，将管路进一步推入接头中，或用扳手拧紧接头。
3. 对于竖管安装，请执行以下步骤：
 - a. 请完全打开 Y 型滤网出口处的流量调节阀。
 - b. 转动 Y 型滤网入口处的流量调节阀（图 3 第 116 页 中的第 6 项），直到有少量的水从竖管排样管中流出。
4. 对于调压阀安装，请执行以下步骤：
 - a. 请完全打开 Y 型滤网入口和出口处的流量调节阀。
 - b. 转动 Y 型滤网旁路处的流量调节阀（图 4 第 117 页 中的第 6 项），直到有少量的水从 Y 型滤网旁通管中流出。

3.7 第 6 步：电气安装

3.7.1 将分析仪连接到控制器

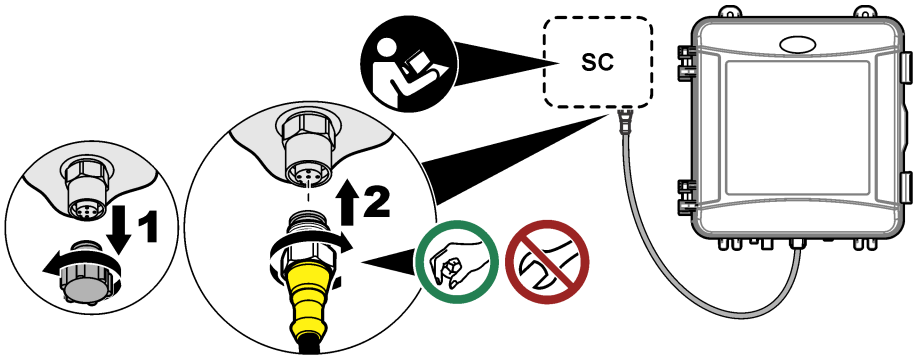
⚠ 警告	
	电击危险。外部连接的设备必须通过适用的国家安全标准评估。

将分析仪线缆连接到 SC 控制器的快接接头。请参阅 图 5。

请保留连接器护帽，以便在必须拆下线缆时用于密封连接器的开口。

注： 可使用延长线。请参阅 备件与附件 第 132 页。线缆的最大长度为 15 m (49 ft)。

图 5 将线缆连接到快接接头



3.7.2 将控制器连接到电源

使用硬接线（敷设在线管内）或连接到电源线的方式，将控制器连接到电源。请参阅控制器文档以了解相关说明。

3.7.3 将外部设备连接到控制器

根据需要将控制器继电器、模拟输出和数字输入连接到外部设备。请参阅控制器文档以了解相关说明。

3.8 第 7 步：设置和灌注分析仪

1. 按 **menu** (菜单)，然后依次选择 传感器设置 > [选择分析仪] > 灌注。
2. 如果控制器未识别到分析仪已连接，请执行以下步骤：
 - a. 按 **menu**，然后选择测试/维护 > 扫描传感器。
 - b. 找到并安装了传感器后，请再次执行步骤 1。

3.9 第 8 步：设置流速

1. 按下控制器上的**向右**箭头以显示流速。只有当分析仪冲洗样品池时，样品才会流经分析仪。在其他时候，没有样品流量，显示的流速为零。有关测量周期步骤的说明，请参阅表 4 第 112 页。
注：要手动测量流经分析仪的流速，请在分析仪用水冲洗样品池时测量分析仪排放管处的流速。
2. 如果使用了竖管安装套件，在分析仪用水冲洗样品池时，转动 Y 型滤网出口处的流量调节阀，以将流速设置在 60 至 200 mL/min 之间。
3. 如果使用了压力调节器安装套件，在分析仪用水冲洗样品池时，使用压力调节器将流速设置在 60 至 200 mL/min 之间。

3.10 第 9 步：安装最新的软件

确保 SC 控制器安装了最新的软件。使用 SD 卡在 SC 控制器上安装最新软件。

1. 转至 <http://hach.com> 上适用 SC 控制器的产品页面。
2. 单击“下载”选项卡。
3. 向下滚动浏览至“软件/固件”。
4. 单击 SC 控制器软件的链接。
5. 将文件保存到 SD 卡。
6. 将文件安装到 SC 控制器上。请参阅软件文件随附的软件安装说明。

第 4 节 配置

4.1 第 10 步：配置分析仪

设置分析仪名称、信号平均值、被测氯类型、排除气泡和氯报警设定点。

1. 按 **menu** (菜单)，然后选择传感器设置 > [选择分析仪] > 组态。
2. 选择并配置各个选项。

选项	说明
编辑名号	设置分析仪的名称。分析仪的名称会显示在控制器显示屏和日志文件中。
信号平均值	设置用于计算显示屏上所示平均测量值的测量次数。选项：1（默认值）、2、3 或异常值。 当信号平均值设置为 1 时，将禁用信号平均值。 当信号平均值设置为 2 或 3 时，显示屏上会显示平均读数。例如，当信号平均值设置为 2 时，显示屏上的测量值最后一个和前一个测量值之和除以 2。 当信号平均值设置为异常值时，分析仪会排除异常高于或低于最新读数的读数。排除读数后，最后一个正常读数会显示在显示屏上并被保存至数据日志。最多排除三个连续的读数。 信号平均值可校正由样品中的气泡和/或较大颗粒引起的错误读数波动。
测量	设置被测氯的类型。如果缓冲液瓶和指示剂瓶的标签上有“游离氯”，请选择 游离氯（默认）。 如果缓冲液瓶和指示剂瓶的标签上有“总氯”，请选择 总氯值。

选项	说明
排除气泡	将“排除气泡”设置为开启或关闭（默认）。将排除气泡设置为开，以减少样品中气泡导致的噪音。样品中有气泡会导致读数不稳定。
高氯警报	设置高氯警报的氯浓度设定值 — 0.00 至 10.00 mg/L（默认值：4.00 mg/L）。
低氯警报	设置低氯警报的氯浓度设定值 — 0.00 至 10.00 mg/L（默认值：0.20 mg/L）。
传感器信息	显示分析仪序列号、软件版本、引导版本和驱动程序版本。
默认设置	选择是将配置设置更改回出厂默认值。
服务	仅用于服务

4.2 系统配置

请参阅控制器文档，了解有关系统配置、控制器一般设置以及输出和通信设置的信息。

4.3 用户导航

有关键盘说明和导航信息，请参阅控制器文档。

多次按控制器上的 **RIGHT（右）** 箭头键，以在主屏幕上显示更多信息并显示图形显示。

第 5 节 操作

5.1 数据、事件和服务日志

控制器可提供对每台已连接仪器的数据日志、事件日志和服务日志的访问。CL17sc 测量值按照 150 秒的间隔自动保存到数据日志中。事件日志显示已发生的事件。分析仪连续运行时，事件日志和数据日志的数据大约保存 2 周。分析仪连续运行时，服务日志的数据大约保存 24 小时。

如果要下载数据日志、事件日志和/或服务日志，请参阅控制器文档。数据日志是 XML 文件，可以保存为 CSV 或 Excel 格式。事件日志和服务日志是 CSV 格式的文件。

5.2 测量 采样倒入

使用 采样倒入菜单将已知氯浓度的水样添加到样品池中以进行测量。必要时，测量抓样以进行验证，或测量从其他位置采集的水样。

1. 按 **menu (菜单)**，然后选择传感器设置 > [选择分析仪] > 采样倒入。
2. 执行屏幕上显示的步骤。出现提示时，取下样品池盖，并向样品池中加入 50 mL 抓样。部分样品将会流入排样管。

5.3 Modbus 寄存器

Modbus 寄存器列表可供网络通信使用。请参阅制造商的网站了解更多信息。

第 6 节 校准和调整

为了使性能符合规格，分析仪的校准曲线在出厂时已经过设置。可以进行校准以进行性能验证。

除非监管机构出于合规报告的需要，或者执行了大量的分析仪维修，否则建议用户不要调整工厂校准曲线。

有关更多信息，请参阅校准验证套件中的说明或联系技术支持。

第 7 节 维护

▲ 警告



多重危险。只有符合资质的专业人员才能从事文档本部分所述的任务。

注意

请勿拆卸仪器进行维护。如果必须清洁或维修内部组件，请联系制造商。

7.1 维护计划

表 6 列出了建议的维护任务计划。不同的设施要求和工作条件可能导致维护与保养的频率增加。

表 6 维护计划

任务	1 个月	6 个月	按需要
清洁样品池 第 125 页	X ²		
更换试剂瓶 第 126 页	X		

² 根据需要增加或减少清洁样品池的次数。

表 6 维护计划 (续)

任务	1 个月	6 个月	按需要
更换搅拌棒和管束 ³		X	
清洁 Y 型滤网中的滤网 第 127 页			X

7.2 清洁样品池

▲ 警告	
	化学品暴露风险。遵守实验室安全规程，穿戴适用于所处理化学品的所有个人防护装备。有关安全规程，请参阅当前安全数据表(MSDS/SDS)。

每隔 1 个月清洁一次样品池，必要时可更频繁地清洁。

需准备的物品：



棉签⁴



5.25 N 硫酸溶液⁵

1. 穿戴安全数据表 (MSDS/SDS) 上指明的个人防护装备。
2. 按 **menu** (菜单)，然后选择传感器设置 > [选择分析仪] > 任务 > 清洁样品池。
*注：要停止某个选定的任务，请按 **home** (归位) 键。*
3. 按 **Enter** (输入) 键停止测量。
4. 选择一个选项。

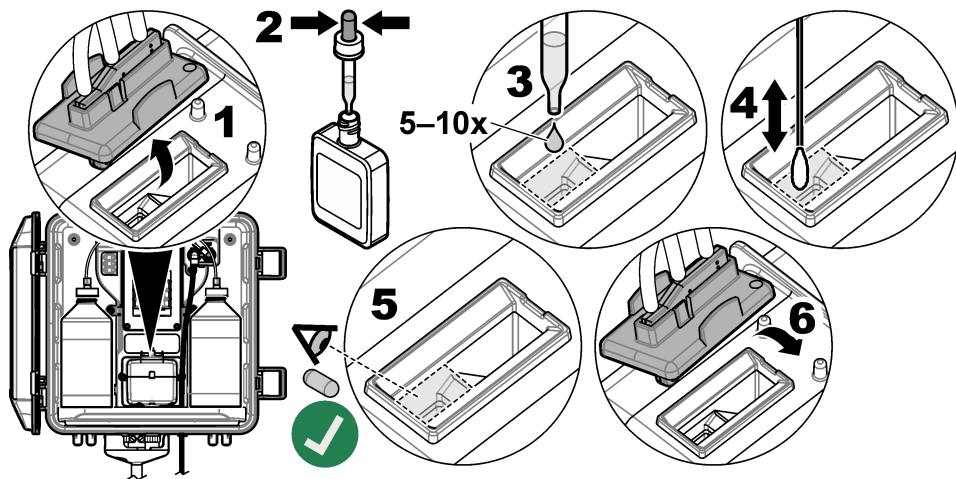
选项	说明
保持	控制器输出保持上一次的测量值。
转换	控制器输出更改为转换值。

5. 当状态指示灯闪烁时，请按照下列图示步骤进行操作。确保样品池中没有任何无用的材料。完成后，按 **Enter** (输入) 键。

³ 请参阅管路套件随附的说明。

⁴ 请参见**备件与附件** 第 132 页。

⁵ 请勿使用其他清洗液。请参见**备件与附件** 第 132 页。



6. 显示屏上显示“任务完成。”时，按 **Enter（输入）** 键。
分析仪将在大约 30 秒内开始测量周期。

7.3 更换试剂瓶

▲ 警告



化学品暴露风险。遵守实验室安全规程，穿戴适用于所处理化学品的所有个人防护装备。有关安全规程，请参阅当前安全数据表(MSDS/SDS)。

▲ 警告



化学品暴露风险。请遵循地方、区域和国家法规处置化学品和废弃物。

每隔 1 个月更换一次试剂瓶。

1. 穿戴安全数据表 (MSDS/SDS) 上指明的个人防护装备。
2. 按 **menu（菜单）**，然后选择传感器设置 > [选择分析仪] > 任务 > 更改试剂。
*注：要停止某个选定的任务，请按 **home（归位）** 键。*
3. 按 **Enter（输入）** 键停止测量。
4. 选择一个选项。

选项

说明

保持

控制器输出保持上一次的测量值。

转换

控制器输出更改为转换值。

5. 等待状态指示灯闪烁。
6. 请按以下步骤更换缓冲液瓶：

注：（可选）使用分析仪顶部作为架子。

 - a. 取下新缓冲液瓶的瓶盖和密封。
 - b. 从分析仪中取出用过的缓冲液瓶。
 - c. 将缓冲液管放入分析仪右侧的新缓冲液瓶中。拧紧瓶盖。

7. 请按以下步骤更换指示剂瓶:

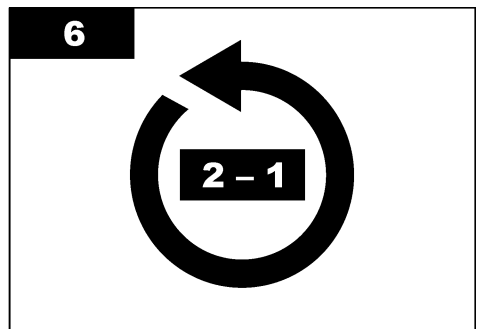
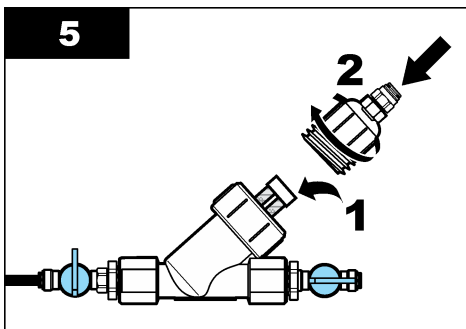
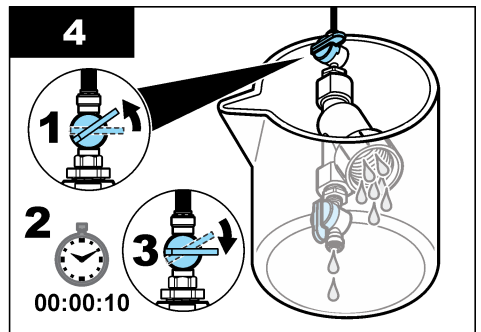
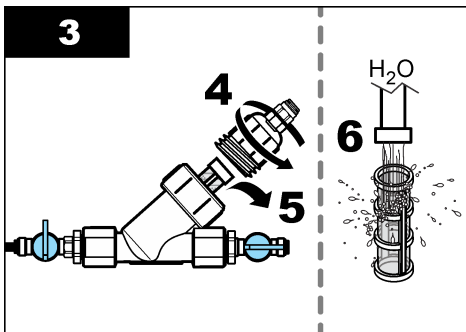
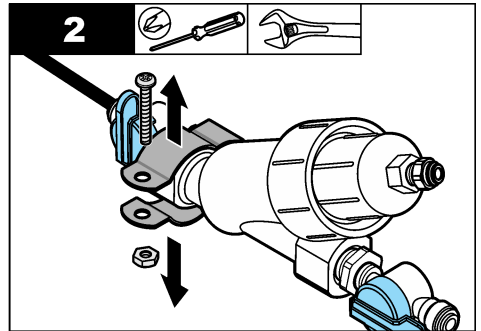
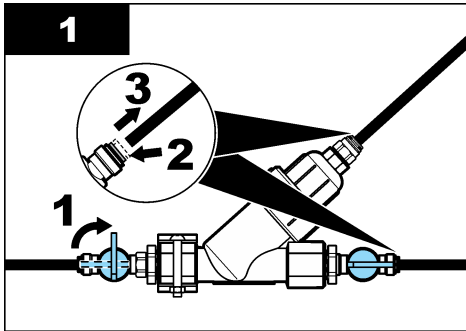
- a. 取下指示剂瓶和棕色 DPD 瓶的瓶盖和密封。
- b. 在棕色 DPD 瓶中 加入指示剂溶液 (至瓶子的约 $\frac{1}{4}$ 处)。
- c. 晃动 DPD 瓶以摇匀。
- d. 将 DPD 瓶内的液体倒入指示剂瓶。
- e. 倒转指示剂瓶, 直到所有粉末都溶解 (2 分钟)。
- f. 从分析仪中取出用过的指示剂瓶。
- g. 将指示剂管放入分析仪左侧的新指示剂瓶中。拧紧瓶盖。

8. 按 **Enter (输入)** 键。

9. 显示屏上显示“任务完成。”时, 按 **Enter (输入)** 键。分析仪将在大约 30 秒内开始测量周期。

7.4 清洁 Y 型滤网中的滤网

如果 Y 型滤网发生堵塞, 系统会显示一条 样品流量过低的警告消息, 在这种情况下请清洁 Y 型滤网中的滤网。完成下列图示步骤。



7.5 存放准备

警告



化学品暴露风险。遵守实验室安全规程，穿戴适用于所处理化学品的所有个人防护装备。有关安全规程，请参阅当前安全数据表(MSDS/SDS)。

如果分析仪要断电超过 3 天，或者分析仪要停止使用 3 天以上，请做好分析仪存放准备。

需准备的物品：



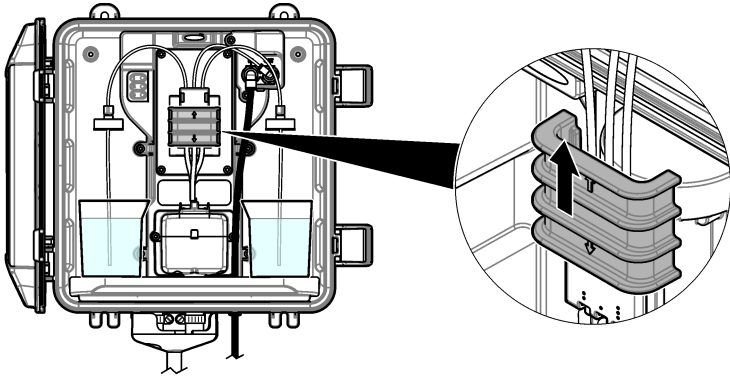
装有去离子水的烧杯（2 个）



一次性滴管或无绒布

1. 请按以下步骤将试剂管线中的试剂排空：
 - a. 从分析仪中取出指示剂瓶和缓冲液瓶。
 - b. 将两个装有去离子水的烧杯（或容器）放入分析仪中。
 - c. 将指示剂瓶管和缓冲液瓶管放入烧杯中。
 - d. 按 **menu**（菜单），然后依次选择 传感器设置 > [选择分析仪] > 灌注。分析仪从试剂管线中排出试剂。
2. 请按以下步骤将试剂管线中的去离子水排空：
 - a. 从烧杯中取出指示剂瓶管和缓冲液瓶管。
 - b. 从分析仪中取出两个烧杯。
 - c. 按 **menu**（菜单），然后选择传感器设置 > [选择分析仪] > 灌注。分析仪从试剂管线中排出所有液体。
3. 将分析仪线缆从控制器拔下（或断开控制器的电源）。
4. 将流量调节阀转到关闭位置，使样品停止流入 Y 型滤网。
5. 拆下泵夹。请参阅 图 6。保留泵夹以备将来使用。
6. 请按以下步骤，将样品池的水清理干净：
 - a. 取下样品池的盖子。
 - b. 使用一次性滴管或无绒布将样品池中的水清理干净。
 - c. 将盖子装回样品池。
7. 要在存放后启动分析仪，请执行以下步骤：
 - a. 安装泵夹。请参阅 图 6。
 - b. 安装试剂瓶。请参阅 第 4 步：安装试剂瓶 第 119 页。
 - c. 将流量调节阀设置为开启，使样品开始流入 Y 型滤网。
 - d. 如果已断开分析仪线缆，请将线缆连接到控制器。
 - e. 如果已断开电源，请为控制器供电。
 - f. 按 **menu**（菜单），然后依次选择 传感器设置 > [选择分析仪] > 灌注。

图 6 拆下泵夹



7.6 装运前的准备工作

▲警告



化学品暴露风险。遵守实验室安全规程，穿戴适用于所处理化学品的所有个人防护装备。有关安全规程，请参阅当前安全数据表(MSDS/SDS)。

在装运分析仪前，请按以下步骤操作做好准备工作。

需准备的物品：



装有去离子水的烧杯（2个）



原始包装

- 请按以下步骤将试剂管线中的试剂排空：
 - 从分析仪中取出指示剂瓶和缓冲液瓶。
 - 将两个装有去离子水的烧杯（或容器）放入分析仪中。
 - 将指示剂瓶管和缓冲液瓶管放入烧杯中。
 - 按 **menu**（菜单），然后依次选择 传感器设置 > [选择分析仪] > 灌注。分析仪从试剂管线中排出试剂。
- 请按以下步骤将试剂管线中的去离子水排空：
 - 从烧杯中取出指示剂瓶管和缓冲液瓶管。
 - 从分析仪中取出两个烧杯。
 - 按 **menu**（菜单），然后依次选择 传感器设置 > [选择分析仪] > 灌注。分析仪从试剂管线中排出所有液体。
- 将分析仪线缆从控制器上拔下。
- 将流量调节阀转到关闭位置，使样品停止流入 Y 型滤网。
- 从分析仪上断开进样管（黑色）和排样管（透明）。
- 将外部空气隔断阀从分析仪上拆下。
- 拆下泵夹。请参阅 图 6 第 129 页。
- 从分析仪上取下管束和搅拌棒。将管束与分析仪一起装运。请参阅 第 3 步：安装搅拌棒和管束 第 118 页。
- 安装不带管束的泵夹。将胶带贴在管夹上，以紧紧固定管夹。

10. 使用一次性滴管或无绒布将样品池中的水清理干净。
11. 从墙壁上拆下分析仪。
12. 将分析仪放回原始包装中。

7.7 清洁仪器

注意

切勿使用松节油、丙酮或类似清洁剂来清洁仪器，包括显示屏和附件。

使用湿布和加温的肥皂溶液清洁仪器的外部。

7.8 清洁溅出物

警告



化学品暴露风险。请遵循地方、区域和国家法规处置化学品和废弃物。

1. 遵守所有与泄漏控制有关的设备安全协议。
2. 根据适用法规处理废液。

第 8 节 故障排除

8.1 错误 — 红灯

要显示错误，请按 **menu (菜单)**，然后依次选择 **诊断 > [选择分析仪] > 错误列表**。可能出现的错误列表显示在表 7 中。
发生错误时，分析仪状态指示灯会变成红色。发生错误时，测量停止，测量屏幕上的读数将会闪烁，在控制器菜单中指定的所有输出将被暂停。

表 7 错误消息

错误	说明	解决方法
检测器错误。	检测器工作不正常。	请联系技术支持部门。
样品池变脏。	样品池被污染或变脏。	清洁样品池。请参阅 清洁样品池 第 125 页。
代码错误。	出现固件错误。	请联系技术支持部门。
LED 错误。	样品池中的指示灯工作不正常。	请联系技术支持部门。
泵错误。	泵工作不正常。	请联系技术支持部门。
样品泄漏	分析仪存在样品泄漏。	请联系技术支持部门。

8.2 报警 — 黄色指示灯

要显示报警，请按 **menu (菜单)**，然后依次选择 **诊断 > [选择分析仪] > 报警列表**。可能的报警列表如表 8 所示。

发生警告时，状态指示灯变为黄色。如果有足够的样品流量，那么警告不会影响对菜单的操作。警告不会影响对继电器和输出的操作。警告图标闪烁，控制器显示屏的底部会显示一条消息。

表 8 警告消息

警告	说明	解决方法
检测到气泡	样品池中有气泡。	清洁样品池。请参阅 清洁样品池 第 125 页。 (可选) 将排除气泡设置为开。请参阅 第 10 步：配置分析仪 第 122 页。
尽快清洁样品池	样品池被污染或变脏，应尽快清洁以防止出现错误。	清洁样品池。请参阅 清洁样品池 第 125 页。
高氯	氯浓度等于或大于高氯警报设定点。	上调高氯警报的设置。请参阅 第 10 步：配置分析仪 第 122 页。 或者 降低供应至分析仪的样品的氯浓度。
低氯	氯浓度等于或小于低氯警报设定点。	调低低氯警报设置。请参阅 第 10 步：配置分析仪 第 122 页。 或者 增加供应至分析仪的样品的氯浓度。
样品流量过低	测量的样品流量小于最小样品流速。请参阅 规格 第 109 页。	设置样品流速。请参阅 第 8 步：设置流速 第 122 页。 必要时清洁 Y 型滤网中的过滤器，以清除堵塞。请参阅 清洁 Y 型滤网中的滤网 第 127 页。 注： 当出现 样品流量过低警告时，分析仪会暂时停止测量。当流速再次符合流速规格时，分析仪将自动开始测量。
样品流量高	测量的样品流量大于最大样品流速。请参阅 规格 第 109 页。	设置样品流速。请参阅 第 8 步：设置流速 第 122 页。

第 9 节 备件与附件

▲ 警告



人身伤害危险。使用未经批准的部件可能造成人身伤害、仪器损坏或设备故障。本部分中的更换部件均经过制造商的批准。

注：一些销售地区的产品和物品数量可能有所不同。请与相关分销商联系或参考公司网站上的联系信息。

消耗品

说明	数量	物品编号
试剂套件，游离氯，包括： 缓冲液瓶、指示剂瓶和 DPD 瓶	1	2556900
试剂套件，总氯，包括： 缓冲液瓶、指示剂瓶和 DPD 瓶	1	2557000
样品池清洁套件，包括： 硫酸，5.25 N，100 mL，滴管瓶 和棉签（10 支）	1	8573100
校准验证套件	1	8568200
校准验证加注套件	1	8573200

备件

说明	物品编号
管路套件，包括： 管束和搅拌棒	8560400
带竖管的安装套件	8560500
带调压阀的安装套件	8565700

附件

说明	物品编号
分析仪延长线，1 m (3.2 ft)	6122400
分析仪延长线，7.7 m (25 ft)	5796000
分析仪延长线，15 m (50 ft)	5796100
管转接头，6 mm 外径至 1/4 in 外径	09184=A=4020

目次

- | | |
|----------------|-----------------------|
| 1 仕様 133 ページ | 6 校正と調整 150 ページ |
| 2 総合情報 134 ページ | 7 メンテナンス 150 ページ |
| 3 設置 138 ページ | 8 トラブルシューティング 156 ページ |
| 4 設定 148 ページ | 9 交換部品とアクセサリ 159 ページ |
| 5 作動 150 ページ | |

第1章 仕様

この仕様は予告なく変更されることがあります。

表1 一般仕様

仕様	詳細
寸法 (W x H x D)	32.9 x 34.2 x 17.7 cm
筐体	IEC 60529 に基づいた IP66 (ドアを閉じロックした状態) ¹
出荷時重量	4.1 kg (試薬ボトルなし)、5.1 kg (試薬ボトルあり)
取り付け	壁取り付け
保護クラス	III
汚染度	3
配線カテゴリ	I (屋内配線)
電源要件	12VDC、最大 400 mA (変換器により供給)
使用温度	5 ~ 40 °C
動作周囲湿度	0 ~ 90 % の相対湿度、結露のないこと
保管温度	-40 ~ 60 °C
接続継手	サンプルライン: ¼ インチプラスチックチューブ用 OD クイックコネク ト継手 ドレインライン: ½ インチ ID 軟質プラスチックチューブ用クイック継手
インジケータライト	分析装置ステータスと測定サイクル
認証	CE DoC、FCC SDoC、IC、RCM、KC
保証	1 年 (EU: 2 年)

表2 試料要件

仕様	詳細
圧力	0.31 ~ 5.17 バール (Y 型ストレーナーの場合)、0.1 ~ 0.34 バール (分析装置の場合)
流量	60 ~ 200 mL/分 (装置からの流量)(分析装置のドレインで測定)
温度	5 ~ 40 °C
ろ過	Y 型ストレーナー、40 メッシュスクリーン以上

¹ 検査要件を満たすために排水口を栓で閉じています。

表 3 測定仕様

仕様	詳細
光源	LED、510 nm 光路長 1 cm
測定範囲	0.03–10 mg/L 遊離または全残留塩素 (Cl ₂)
測定間隔	150 秒
精度	0 ~ 5 mg/L: ±5 % または ±0.04 mg/L (Cl ₂) (どちらか大きい方) 5 ~ 10 mg/L: ±10 % (Cl ₂)
再現性	±5 % または ±0.01 mg/L (大きい方の値) (Cl ₂)
検出限界	0.03 mg/L (Cl ₂)
定量限度	0.07 mg/L
校正	出荷時校正 オプション: 2 点ユーザー校正 (校正検証キットの校正規格)
試薬使用量	緩衝液 0.5 L と指示薬溶液 0.5 L (31 日以内)

第 2 章 総合情報

いかなる場合も、例えそのような損害が生じる可能性について報告を受けていたとしても、製造元は、本マニュアルに含まれるいかなる瑕疵または脱落から生じる直接的、間接的、特定の、付随的または結果的に生じる損害に関して責を負いません。製造元は、通知または義務なしに、随時本マニュアルおよび製品において、その記載を変更する権利を留保します。改訂版は、製造元の Web サイト上にあります。

2.1 安全情報

告知

メーカーは、本製品の目的外使用または誤用に起因する直接損害、偶発的損害、結果的損害を含むあらゆる損害に対して、適用法で認められている範囲で一切責任を負わないものとします。ユーザーは、適用に伴う危険性を特定したり、装置が誤作動した場合にプロセスを保護するための適切な機構を設けることに関して、全責任を負うものとします。

この機器の開梱、設定または操作を行う前に、このマニュアルをすべてよく読んでください。危険および注意の注意事項に注意を払ってください。これを怠ると、使用者が重傷を負う可能性、あるいは機器が損傷を受ける可能性があります。

本装置に備わっている保護機能が故障していないことを確認します。本マニュアルで指定されている以外の方法で本装置を使用または設置しないでください。

2.1.1 危険情報

▲ 危険

回避しないと死亡または重傷につながる潜在的または切迫した危険な状況を示します。

▲ 警告

回避しなければ、死亡または重傷につながるおそれのある潜在的または切迫した危険な状況を示します。

▲ 注意

軽傷または中程度のけがををする事故の原因となる可能性のある危険な状況を示します。

告知

回避しなければ、本製品を損傷する可能性のある状況や、特に強調したい情報を示します。特に注意を要する情報。

2.1.2 使用上の注意ラベル

測定器上に貼付されたラベルや注意書きを全てお読みください。これに従わない場合、人身傷害や装置の損傷につながるおそれがあります。測定器に記載されたシンボルは、使用上の注意と共にマニュアルを参照してください。



このシンボルが付いている電気機器は、ヨーロッパ域内または公共の廃棄処理システムで処分できません。古くなったり耐用年数を経た機器は、廃棄するためにメーカーに無償返却してください。

2.1.3 準拠および認証

▲ 注意

本機器は、住宅環境での使用を意図しておらず、そのような環境ではラジオの聴取に対する十分な保護が得られない可能性があります。

カナダ電波妨害装置規則、ICES-003、クラス A:

これを裏付けるテスト記録はメーカーにあります。

このクラス A デジタル装置は、カナダの障害発生機器規則の要件をすべて満たしています。

FCC PART 15、クラス「A」 限度値

これを裏付けるテスト記録はメーカーにあります。この機器は FCC 規則のパート 15 に準拠します。この機器の動作は以下の条件を前提としています:

1. この装置が有害な干渉の原因とならないこと。
2. この装置が望ましくない動作の原因となる可能性のある干渉を含めた、いかなる干渉にも対応しなければなりません。

これらの規格への準拠に責任を持つ当事者による明示的承認を伴わずにこの装置に対する改変または改造を行うと、ユーザーはこの機器を使用する権限を失う可能性があります。この装置は、FCC 規則のパート 15 に従って、クラス A のデジタル機器の制限に準拠することが試験によって確認されています。これらの制限は、この機器が商用の環境で使用されたときに、有害な干渉から適切に保護することを目的に設定されています。この機器は、無線周波数エネルギーを生成および使用するもので、取扱説明書に従って取り付けおよび使用しない場合にはそれを放射する場合があります、無線通信に対して有害な干渉を発生させる可能性があります。住宅地域における本装置の使用は有害な電波妨害を引き起こすことがあり、その場合ユーザーは自己負担で電波妨害の問題を解決する必要があります。干渉の問題を軽減するために以下の手法が利用可能です。

1. 装置から電源を取り外して、電源が干渉源かどうかを確認します。
2. 装置が干渉を受けている装置と同じコンセントに接続されている場合は、装置を別のコンセントに接続してください。
3. 妨害を受けている装置から本装置を離します。
4. 妨害を受けている装置の受信アンテナの方向および位置を変えてみます。
5. 上記の措置を組み合わせてみます。

2.2 製品の概要

▲ 危険



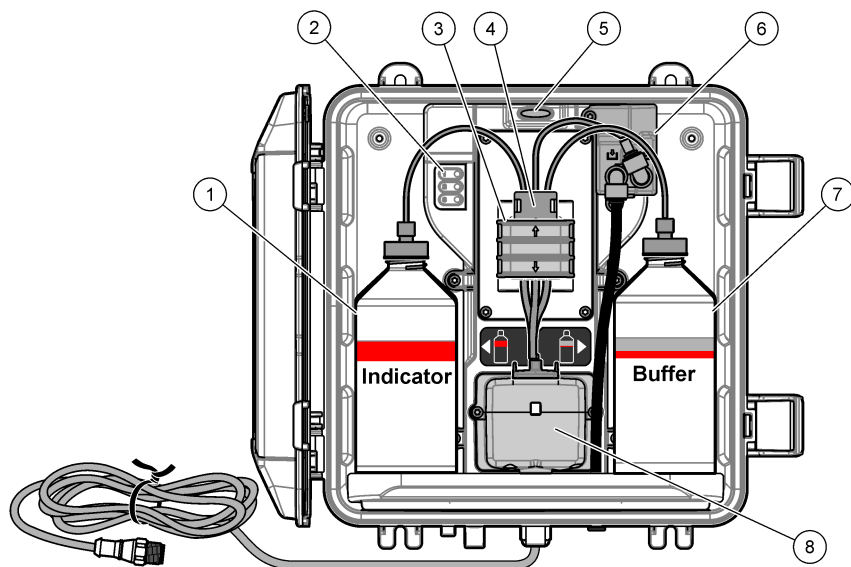
化学的および生物学的な危険。この装置の用途が処理工程や透析給水の監視であり、それらに対して公衆衛生、公衆安全、食品/飲料の製造/加工に関する規制や監視要件が存在する場合、この装置の使用者には、該当するすべての規制を把握して遵守する責任、および装置の異常時に関する当該規制に従って十分かつ適切な措置を講じる責任があります。

CL17sc 分析装置は、試料水中の遊離塩素または全塩素濃度を 150 秒ごとに 0.03 ~ 10 mg/L の範囲で測定します。図 1 に分析装置の概要を示します。

電源、操作、データ収集、データ転送、および診断のために分析装置を SC 変換器に接続します。SC 変換器の概要については、取扱説明書を参照してください。

注: SC 変換器に 1 つ以上のクイックコネクト継手が付いている場合、1 台以上の分析装置を接続する必要があります。

図 1 CL17sc



1 指示薬溶液ボトル	5 分析装置ステータスライト (表 5 137 ページ)
2 測定サイクルライト (表 4 137 ページ)	6 フローメーター
3 ポンプクランプ	7 緩衝溶液ボトル
4 チューブクリップ	8 比色計セル

2.2.1 フローメーター

分析装置には、分析装置へのサンプルフローを測定する流量計が付いています。図 1 136 ページを参照してください。

分析装置がセルを洗浄する場合のみ、サンプルが分析装置に流れます。通常は、サンプルは流れず、流量の表示はゼロになります。変換器の右矢印を押して、流量を表示します。

2.2.2 測定サイクルライト

測定サイクルライトは、実行済みの測定サイクルの手順を表示します。表 4 を参照してください。

表 4 測定サイクルライト

ライト点灯			
説明	セルが水で洗浄されています。	緩衝液と指示薬溶液がセルに追加されています。	サンプルが測定されています。

2.2.3 分析装置ステータスライト

分析装置ステータスライトは、警告が発生した場合は緑色から黄色に、エラーが発生した場合は緑色から赤色に変わります。表 5 を参照してください。

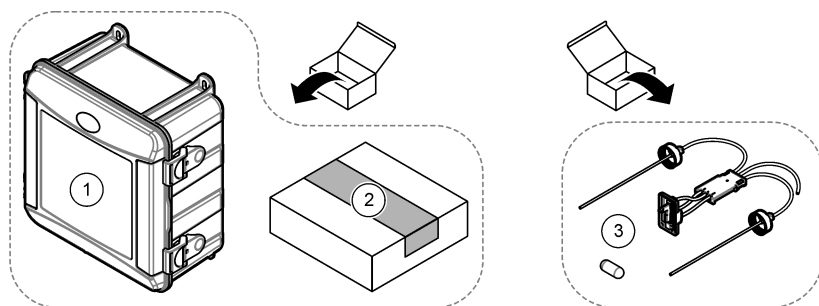
表 5 分析装置ステータスライト

色	説明
緑	定常
黄	今後障害が発生しないよう機器に注意を払う必要があります。測定は継続されます。警告を表示するには、 [menu (メニュー)] を押し、 診断 > (分析装置を選択) > 警告リスト の順に選択します。 警告 (ステータスライト: 黄色) 157 ページ を参照してください。
赤	すぐに機器に注意を払う必要があります。測定が停止しました。エラーを表示するには、 [menu (メニュー)] を押し、 診断 > (分析装置を選択) > エラーリスト の順に選択します。 エラー (ステータスライト: 赤) 156 ページ を参照してください。

2.3 製品の梱包

すべての構成部品が揃っていることを確認します。図 2 を参照してください。構成部品が不足していたり損傷していたりする場合は、直ちに取扱販売代理店にお問い合わせください。

図 2 製品の構成部品



1 CI17sc 分析装置	3 チューブキット (チューブハーネスとかくはん子)
2 取り付けキット	

第3章 設置

▲ 注意



複合的な危険。本書のこのセクションに記載されている作業は、必ず資格のある要員が行う必要があります。

3.1 設置ガイドライン

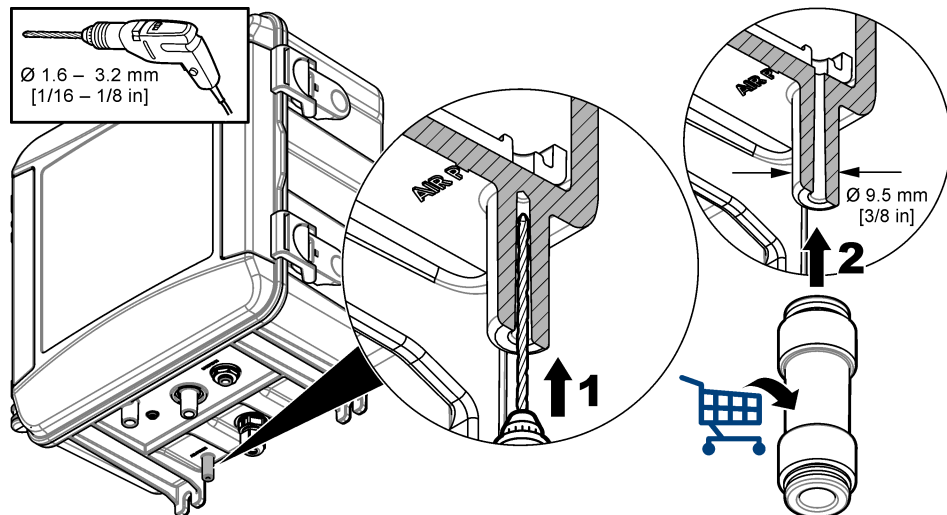
- 分析装置には、スタンドパイプ取り付けキット、または分析装置への水圧を制御する圧力レギュレーター取り付けキットが付属しています。ユーザーは購入時に取り付けキットを選択できます。
- 振動の少ない環境で分析装置内部に取り付けます。仕様 133 ページで動作温度と湿度の仕様について、確認してください。
- 直射日光の当たる場所や熱源の近くに分析装置を設置しないでください。
- スタンドパイプを取り付ける場合、分析装置の上部に 61 cm の空間を確保して、スタンドパイプを取り付けられるようにします。
- 開口ドレインのそばに分析装置を設置します。廃棄方法については、地域の規制機関の指示に従ってください。

3.2 手順 1: エアパージ (オプション)

エアパージは、分析装置が高湿度や蒸気など腐食の原因が発生する場所に設置されている場合に必要になります。エアパージは、乾いた清浄な空気ですぐに機器に正圧をかけ続けることができます。

清浄で乾燥した空気を最大 20 psig で 1 分間あたり 0.003 m³ (0.1 ft³) 供給します。

下図に示す手順を参照してください。3/8 インチクイックコネクト継手とチューブはユーザーが用意します。



3.3 手順 2: 分析装置の取り付けと配管

▲ 注意



Hach Company が指定したチューブのみ装置で使用できます。その他のチューブは、試料水中の塩素を吸収し、塩素の測定値に悪影響を与える可能性があります (塩素の測定値の減少)。

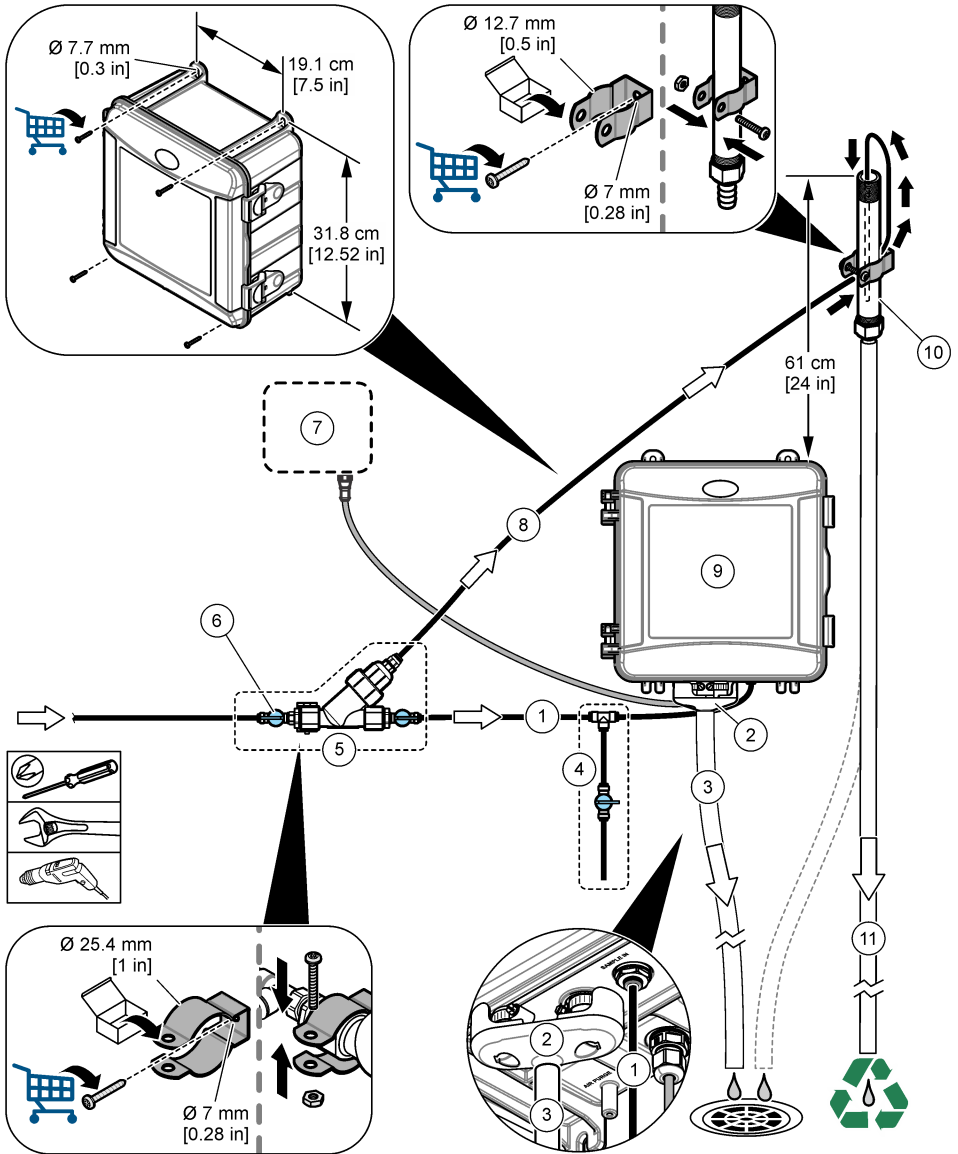
告知

分析装置の配管が不適切な場合、サンプル圧力が過剰になるため破損につながるおそれがあります。分析装置の取付けと配管は、必ず以下の指示に従ってください。

- 4本のネジを使用して分析装置 (アイテム 9) を壁に取り付けます。分析装置が水平になっていることを確認してください。
注: 取付金具はユーザーが用意します。
- SC 変換器 (アイテム 7) を壁、パネル、またはパイプに取り付けます。手順については、SC 変換器の取扱説明書を参照してください。
- Y 型ストレーナーの組み立てパッキングリストについては、取扱説明書を参照してください。
- 1 インチのコンジットクランプを使用して、Y 型ストレーナーアセンブリを取り付けます (図 3 または 図 4 のアイテム 5)。
- 外部エアブレーキを分析装置に取り付けます (図 3 または 図 4 のアイテム 2)。パッキングリストについては、取扱説明書を参照してください。
- 手順 7 または 8 を実行します。
分析装置は、スタンドパイプ取り付けキット (図 3 を参照)、または分析装置への水圧を制御する圧力レギュレーター取り付けキット (図 4 を参照) が付属しています。ユーザーは購入時に取り付けキットを選択できます。
- 購入時にスタンドパイプ取り付けキットを選択した場合、次の手順に従って、スタンドパイプを取り付けます。
 - スタンドパイプの組み立てパッキングリストについては、取扱説明書を参照してください。
 - 小型のコンジットクランプを使用して、分析装置の上 61 cm 以内の位置にスタンドパイプアセンブリを取り付けます。図 3 の項目 10 を参照してください。
 - 黒いチューブを使用して、試料バイパスチューブ (アイテム 8) を取り付けます。チューブを後ろに押し込んでから、スタンドパイプに押し込みます。スタンドパイプの上部 10 ~ 13 cm の位置にチューブを配置します。
 - サンプルドレインチューブから適切な長さのチューブを切り取ります (アイテム 3)。チューブを使用して、スタンドパイプの底部に開口ドレイン (図 3 のアイテム 11) を配管します。ドレインラインのガイドライン 143 ページを参照してください。
- 購入時に圧力レギュレーター取り付けキットを選択した場合、圧力レギュレーターを取り付けます (図 4 のアイテム 10)。
- 黒いチューブを使用して、Y 型ストレーナーインレット (アイテム 5) をサンプルソースに接続します。
試料ラインガイドライン 143 ページ および 試料要件 143 ページ を参照してください。
- 黒いチューブを使用して、Y 型ストレーナーアウトレット (または圧力レギュレーターのアウトレット) を分析装置底部のサンプル吸気用継手 (アイテム 1) に接続します。チューブは可能な限り短くしてください (最長 2.5 m)。
- 圧力レギュレーターが取り付けられている場合、試料バイパスチューブを取り付けます (図 4 のアイテム 8)。
- 次のように、グラブサンプルアセンブリを組み立てて、配管します (アイテム 4)。
 - グラブサンプルアセンブリを組み立てます。

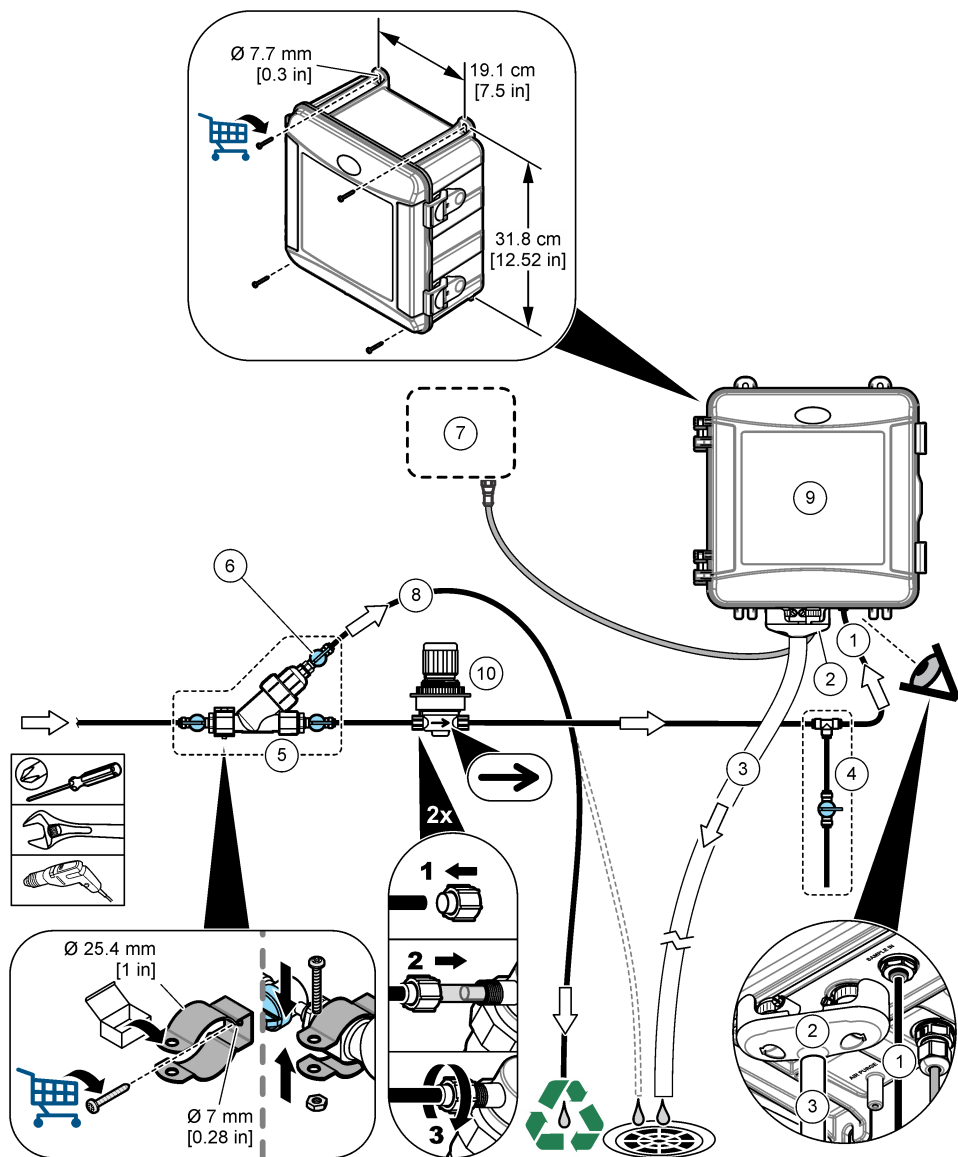
- b. Y型ストレーナーと分析装置間のティー継手で配管します。図3または図4を参照してください。
13. サンプルドレインチューブ (アイテム 3) を開口ドレインに配管します。ドレインラインのガイドライン 143 ページを参照してください。

図3 スタンドパイプの取り付け



1 サンプルインレットチューブ	7 SC 変換器
2 外部エアブレーキ	8 試料バイパスチューブ
3 サンプルドレインチューブ	9 分析装置
4 グラブサンプルアセンブリ	10 スタンドパイプ
5 Y型ストレーナーアセンブリ	11 スタンドパイプドレイン管
6 Y型ストレーナーインレットの遮断バルブ	

図4 圧力レギュレーターを使用した取り付け



1 サンプルインレットチューブ	6 Y型ストレーナーバイパスの遮断バルブ
2 外部エアブレイキ	7 SC変換器
3 サンプルドレインチューブ	8 試料バイパスチューブ
4 グラブサンプルアセンブリ	9 分析装置
5 Y型ストレーナーアセンブリ	10 圧力レギュレーター

3.3.1 試料ラインガイドライン

最良の性能が得られるよう、良好かつ代表的なサンプリングポイントを選んでください。サンプルは水処理装置の代表となるものでなければなりません。

測定エラーを防ぐには:

- サンプルは、プロセスラインに化学薬品が追加される位置より十分に離れた場所からサンプリングしてください。
- サンプルは十分に混合されていることを確認してください。
- すべての化学反応が完了していることを確認してください。
- 分析装置をできる限りサンプルソースの近くに取り付けます (最大 4.6 m)。

3.3.2 試料要件

試料ソースの水は、仕様 133 ページ の仕様と一致する必要があります。

性能を上げるためには、試料の流量と稼働温度を可能な限り一定とします。

3.3.3 ドレインラインのガイドライン

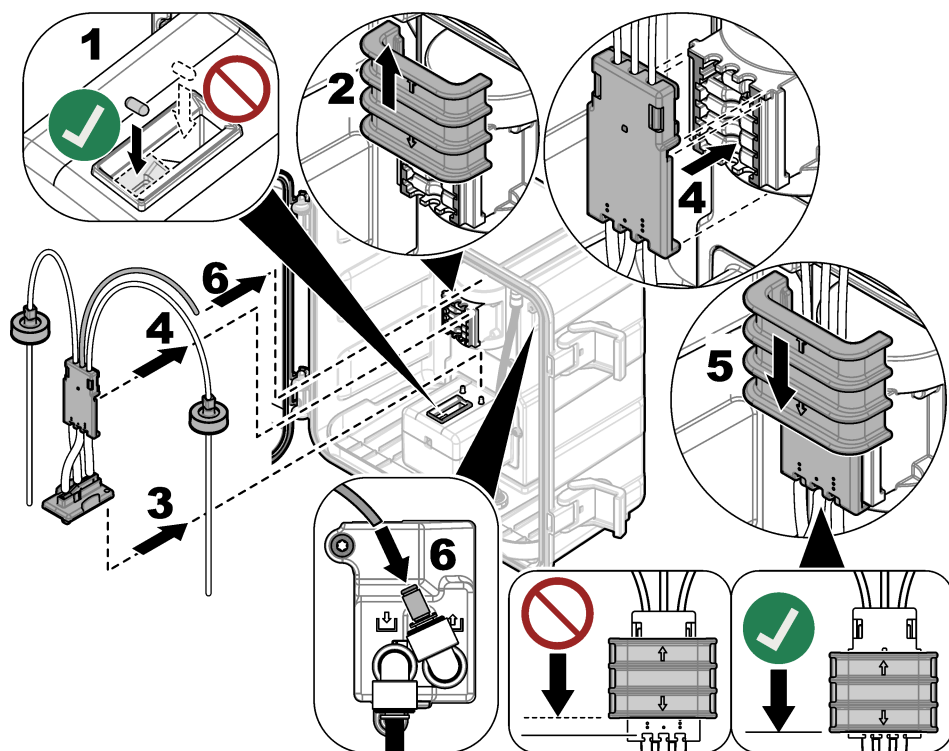
告知

ドレインラインを正しく取り付けしていないと、液体が装置に逆流し、装置が損傷する可能性があります。

- 必ず外部エアブレーキを取り付けてください。図 3 141 ページ または 図 4 142 ページ を参照してください。
- ドレインラインはできるだけ短くします。
- ドレインラインに一定の下り傾斜があることを確認します。
- ドレインラインが大きく折れ曲がっていたり、何かに挟まれていたりしないことを確認します。

3.4 手順3: かくはん子、チューブハーネスの取り付け

下図に示す手順を実行してください。



3.5 手順4: 試薬ボトルの取り付け

▲ 注意



化学物質による人体被害の危険。検査室の安全手順に従い、取り扱う薬品に適した個人用保護具をすべて装着してください。安全手順に関する現在の安全性データシート (MSDS/SDS) を参照してください。

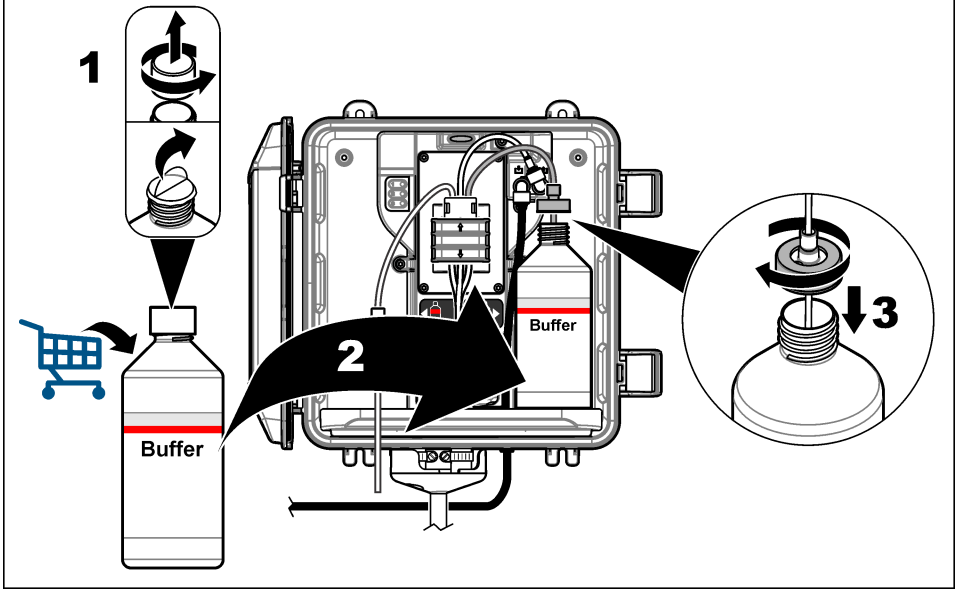
用意するもの:

- 個人用保護具 (MSDS/SDS を参照)
- 指示薬溶液ボトル
- 緩衝溶液ボトル
- DPD 化合物ボトル

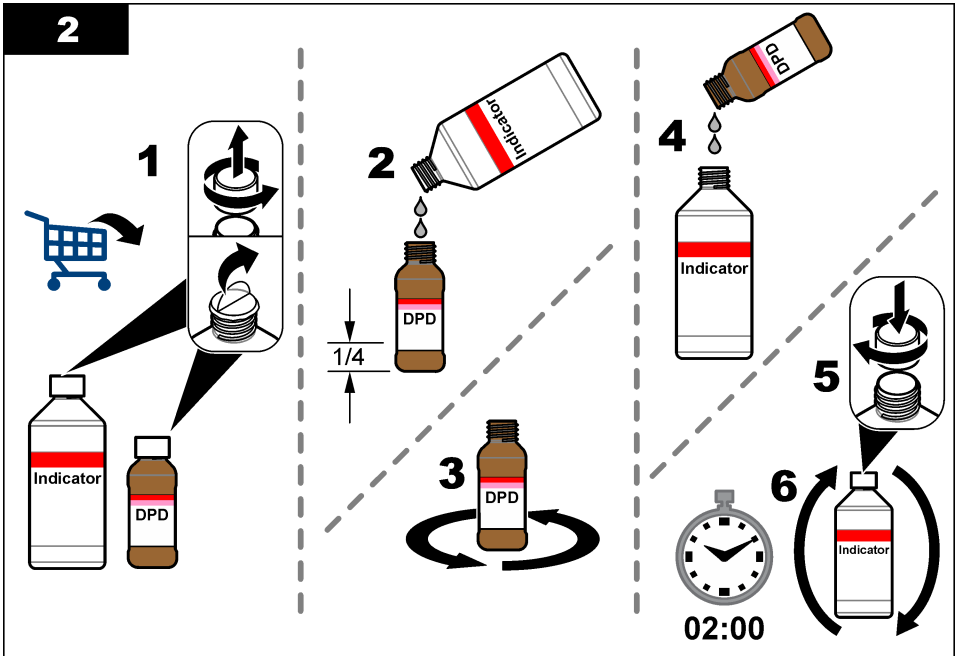
1. 安全データシート (MSDS/SDS) で規定されている個人用保護具を着用してください。
2. 緩衝溶液ボトルを右側に、指示薬溶液ボトルを左側に取り付けます。下図に示す手順を参照してください。

注: (オプション) 分析装置の上部を棚として使用します。

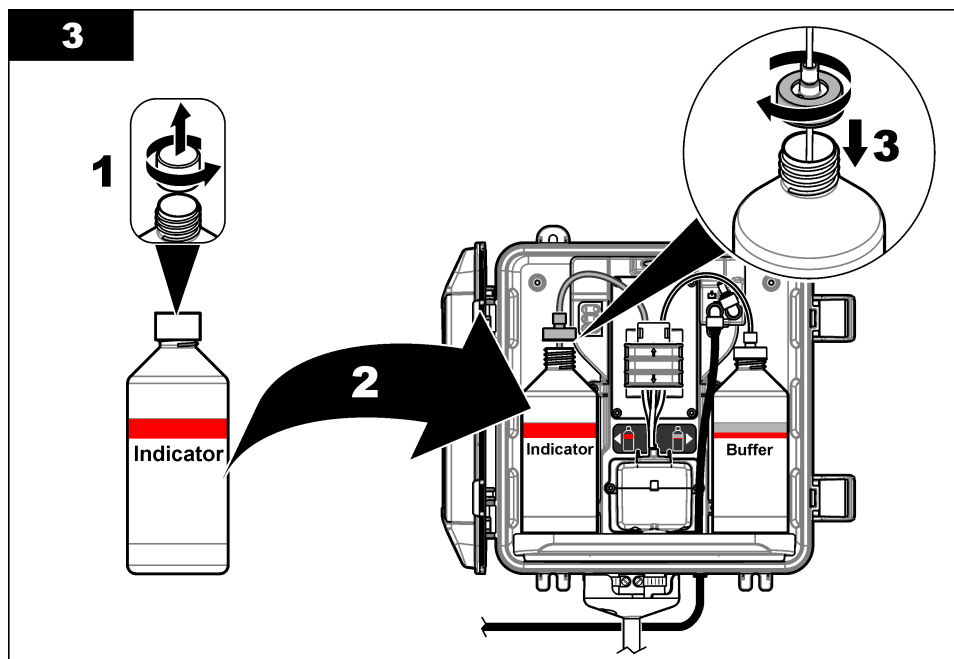
1



2



3



3.6 手順 5: サンプルを通水する

1. 遮断バルブを開位置の $\frac{1}{4}$ までゆっくりと回します。
2. 配管接続部に漏れがないことを確認してください。漏れがある場合、チューブを継手にさらに押し込むか、レンチで接続部を締め付けます。
3. スタンドパイプの取り付けの場合、次の手順を実行します。
 - a. Y 型ストレーナーアウトレットで遮断バルブを完全に開きます。
 - b. スタンドパイプのドレインチューブから少量の水が流れ出るまで、Y 型ストレーナーインレット (図 3 141 ページのアイテム 6) で遮断バルブを回します。
4. 圧力レギュレーター取り付けの場合、次の手順を実行します。
 - a. Y 型ストレーナーインレットとアウトレットで遮断バルブを完全に開きます。
 - b. Y 型ストレーナーバイパスチューブから少量の水が流れ出るまで、Y 型ストレーナーバイパス (図 4 142 ページのアイテム 6) で遮断バルブを回します。

3.7 手順 6: 配線

3.7.1 分析装置と変換器の配線

▲ 警告

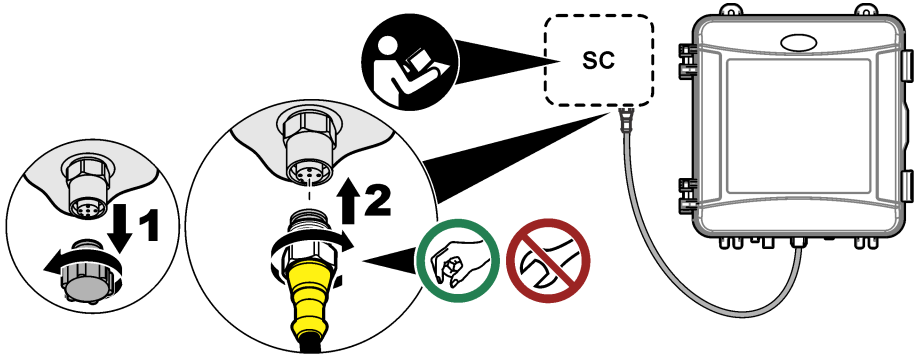


電気ショックの危険。外部接続された機器には、該当する国の安全標準評価が必要です。

分析装置のケーブルを SC 変換器のクイックコネク継手に接続します。図 5 を参照してください。ケーブルを取り外す必要がある場合に、コネクタの開口部を塞ぐことができるように、コネクタキャップは保管しておきます。

注: 延長ケーブルが使用できます。交換部品とアクセサリ 159 ページを参照してください。最大ケーブル長は 15 m です。

図 5 ケーブルをクイックコネクト継手に接続します。



3.7.2 変換器を電源に接続する

コンジット内の配線または電源コードへの配線により変換器を電源に接続します。手順については、変換器の取扱説明書を参照してください。

3.7.3 外部デバイスと変換器の配線

必要に応じて、変換器のリレー、アナログ出力、デジタル入力を外部デバイスに接続します。手順については、変換器の取扱説明書を参照してください。

3.8 手順 7: 分析装置の設定とプライミング

1. [menu (メニュー)] を押して、センサの設定 > (分析装置を選択) > 試薬送液 の順に選択します。
2. 変換器が分析装置の接続を認識しない場合は、以下の手順に従います。
 - a. menu を押して、テスト・メンテ > センサスキャン を選択します。
 - b. センサを検出し、設定したら、手順 1 を再度実施します。

3.9 手順 8: 流量の設定

1. 変換器の右矢印を押して、流量を表示します。分析装置がセルを洗浄する場合のみ、サンプルが分析装置に流れます。通常は、サンプルは流れず、流量の表示はゼロになります。測定サイクルの詳細については、表 4 137 ページを参照してください。

注: 分析装置を用いて流量を手動で測定するには、分析装置が水でセルを洗浄する際に分析装置のドレインで流量を測定します。
2. スタンドパイプを取り付ける場合は、分析装置が水でセルを洗浄する際に、Y 型ストレーナーアウトレットの遮断バルブを回して流量を 60 ~ 200 mL/分の間に設定します。
3. 圧力レギュレーターを取り付ける場合は、分析装置が水でセルを洗浄する際に、圧力レギュレーターを調整して流量を 60 ~ 200 mL/分の間に設定します。

3.10 手順 9: 最新のソフトウェアのインストール

SC 変換器に最新のソフトウェアがインストールされていることを確認してください。SD カードを使用して、SC 変換器に最新のソフトウェアをインストールします。

1. 該当する SC 変換器については、<http://hach.com> で製品ページを参照してください。
2. Downloads タブをクリックします。
3. Software/firmware まで下にスクロールします。
4. SC 変換器ソフトウェアのリンクをクリックします。

5. ファイルを SD カードに保存します。
6. SC 変換器にファイルをインストールします。ソフトウェアファイルに付属の説明書を参照してください。

第 4 章 設定

4.1 手順 10: 分析装置の設定

分析装置の名前、信号の平均化、測定された塩素の種類、気泡除去および塩素アラーム設定点を設定します。

1. **[menu (メニュー)]** を押して、**センサの設定 > (分析装置を選択) > 設定** の順に選択します。
2. 各オプションを選択して設定します。

オプション	解説
計器名の編集	分析装置の名前を設定します。分析装置の名前が変換器のディスプレイとログファイルに表示されます。
測定値の平均化	<p>ディスプレイに表示される測定値の平均を計算するのに使用する測定回数を設定します。オプション: 1 (デフォルト)、2、3 または不規則な測定値除去。</p> <p>測定値の平均化が 1 に設定されている場合、信号の平均化は無効になります。</p> <p>測定値の平均化が 2 または 3 に設定されている場合、ディスプレイに平均値が表示されます。たとえば、測定値の平均化が 2 に設定されている場合、ディスプレイ上の測定値は、最後とその前の測定値を 2 で割った値に等しくなります。</p> <p>測定値の平均化が不規則な測定値除去に設定されている場合、分析装置は、最新の測定値より大きいまたは小さい値を拒否します。測定値が拒否されると、最新の適切な測定値がディスプレイに表示され、データログに保存されます。3 回以上連続する値は拒否されません。</p> <p>信号の平均化は、試料内の気泡や大きな粒子による誤った測定値の変動を補正します。</p>
測定値	<p>測定される塩素の種類を設定します。緩衝溶液ボトルと指示薬溶液ボトルに「遊離塩素」というラベルが貼られている場合、遊離塩素 (デフォルト) を選択します。</p> <p>緩衝溶液ボトルと指示薬溶液ボトルに「全塩素」というラベルが貼られている場合、全塩素 を選択します。</p>
気泡影響除去	気泡除去をオンまたはオフに設定します (デフォルト)。気泡影響除去 を ON に設定して、試料内の気泡により発生するノイズを削減します。試料内の気泡により、測定値が安定しなくなる場合があります。
高濃度アラーム	高塩素アラームに、0.00 から 10.00 mg/L (デフォルト: 4.00 mg/L) で塩素濃度設定点を設定します。
低濃度アラーム	低塩素アラームに、0.00 から 10.00 mg/L (デフォルト: 0.20 mg/L) で塩素濃度設定点を設定します。
計器情報	分析装置のシリアル番号、ソフトウェアバージョン、ブートバージョン、およびドライババージョンを表示します。
設定値の初期化	はいを選択すると、設定が工場出荷時設定に戻ります。
サービス	サービス使用専用

4.2 システム設定

システム設定、変換器の一般設定、および出力と通信の設定については、変換器の説明書を参照してください。

4.3 ユーザーナビゲーション

キーパッドの説明とナビゲーション情報は変換器の説明書を参照してください。

変換器の**右**矢印キーを数回押すと、ホーム画面に情報が表示され、グラフィカル表示が表示されます。

第5章 作動

5.1 データ、イベント、およびサービスのログ

変換器により、接続されている各装置のデータログ、イベントログ、およびサービスログにアクセスできるようになります。CL17sc の測定値は、150 秒ごとに自動的にデータログに保存されます。イベントログは、発生した警告などを示します。イベントログとデータログには、分析装置が継続して動作している場合、約 2 週間分のデータが記録されます。サービスログには、分析装置が継続して動作している場合、約 24 時間分のデータが記録されます。

データログ、イベントログ、またはサービスログのダウンロードについては、変換器の説明書を参照してください。データログは XML ファイルで生成され、CSV や Excel 形式で保存できます。イベントログとサービスログは、CSV 形式で生成されます。

5.2 手動測定 の測定

手動測定 メニューを使用して、既知の塩素濃度の試料水をセルに追加して測定します。必要に応じて、グラフサンプルを測定して検証するか、別の場所から収集した試料水を測定します。

1. [menu (メニュー)] を押して、センサの設定 > (分析装置を選択) > 手動測定 > の順に選択します。
2. ディスプレイに表示される手順を遂行します。プロンプトが表示されたら、セルのふたを外して、セルにグラフサンプルを 50 mL 追加します。サンプルの一部は、サンプルドレインに流れます。

5.3 Modbus レジスタ

ネットワーク通信用に Modbus レジスタのリストを用意しています。詳細は、メーカーの Web サイトを参照してください。

第6章 校正と調整

分析装置の検量線は、仕様書の性能に適合するよう工場出荷時に設定されています。校正は、性能検証のために実行されます。

規制機関へのコンプライアンス報告のため、または分析装置に大規模な修理を実行した場合を除き、工場での校正済みの検量線は変更しないでください。

詳細については、校正検証キットの手順を参照するか、テクニカルサポートにお問い合わせください。

第7章 メンテナンス

▲ 注意



複合的な危険。本書のこのセクションに記載されている作業は、必ず資格のある要員が行う必要があります。

告知

メンテナンスのために装置を分解しないでください。内部のコンポーネントを清掃するか、または修理する場合は、メーカーにお問い合わせください。

7.1 メンテナンススケジュール

表 6 に、メンテナンス作業の推奨スケジュールを示します。設備条件および運用条件によっては、一部の作業頻度が多くなる可能性があります。

表 6 メンテナンススケジュール

作業	1 か月	6 か月	必要に応じて
セルの洗浄 151 ページ	X ²		
試薬ボトルの交換 152 ページ	X		
かくはん子、チューブハーネスの交換 ³		X	
Y 型ストレーナーのスクリーンフィルタの洗浄 153 ページ			X

7.2 セルの洗浄

▲ 注意



化学物質による人体被害の危険。検査室の安全手順に従い、取り扱う薬品に適した個人用保護具をすべて装着してください。安全手順に関する現在の安全性データシート (MSDS/SDS) を参照してください。

必要に応じて、1 か月に 1 回以上の割合でセルを洗浄してください。

用意するもの:



綿棒⁴



5.25N 硫酸溶液⁵

1. 安全データシート (MSDS/SDS) で規定されている個人用保護具を着用してください。
2. **[menu (メニュー)]** を押して、センサの設定 > (分析装置を選択) > 保守作業 > 比色計セルの洗浄の順に選択します。
*注: 選択したタスクを停止するには、**[home (ホーム)]** を押します。*
3. **[enter (入力)]** を押して、測定を停止します。
4. オプションを選択します。

オプション

解説

ホールド 変換器出力は、最後の測定値を保持します。

転送 変換器出力は、転送値に変更されます。

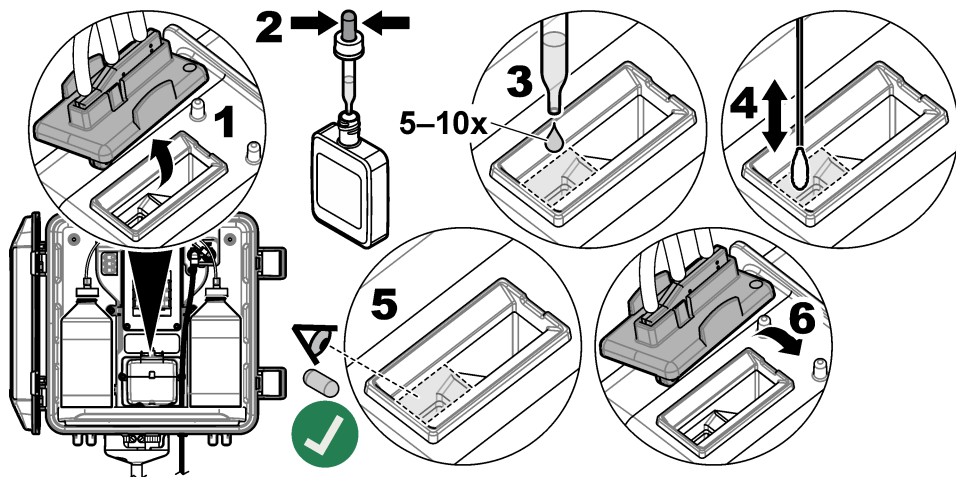
5. ステータスライトが点滅している場合、下図に示す手順に従ってください。セル内に異物がないことを確認してください。実行したら、**[enter (入力)]** を押します。

² 必要に応じて、適切な頻度でセルを洗浄します。

³ チューブキットに付属の取扱説明書を参照してください。

⁴ **交換部品とアクセサリ** 159 ページを参照してください。

⁵ 他の洗浄液は使用しないでください。**交換部品とアクセサリ** 159 ページを参照してください。



6. ディスプレイに、作業完了。と表示されたら、**[enter (入力)]**を押します。
約 30 秒以内に分析装置が測定サイクルを開始します。

7.3 試薬ボトルの交換

▲ 注意



化学物質による人体被害の危険。検査室の安全手順に従い、取り扱う薬品に適した個人用保護具をすべて装着してください。安全手順に関する現在の安全性データシート (MSDS/SDS) を参照してください。

▲ 注意



化学物質による人体被害の危険。化学物質および廃液は、地域、県、または国の環境規制に従って廃棄してください。

1 か月に 1 回の頻度で試薬ボトルを交換します。

- 安全データシート (MSDS/SDS) で規定されている個人用保護具を着用してください。
- [menu (メニュー)]** を押して、センサの設定 > (分析装置を選択) > 保守作業 > 試薬の交換の順に選択します。
*注: 選択したタスクを停止するには、**[home (ホーム)]** を押します。*
- [enter (入力)]** を押して、測定を停止します。
- オプションを選択します。

オプション

解説

ホールド

変換器出力は、最後の測定値を保持します。

転送

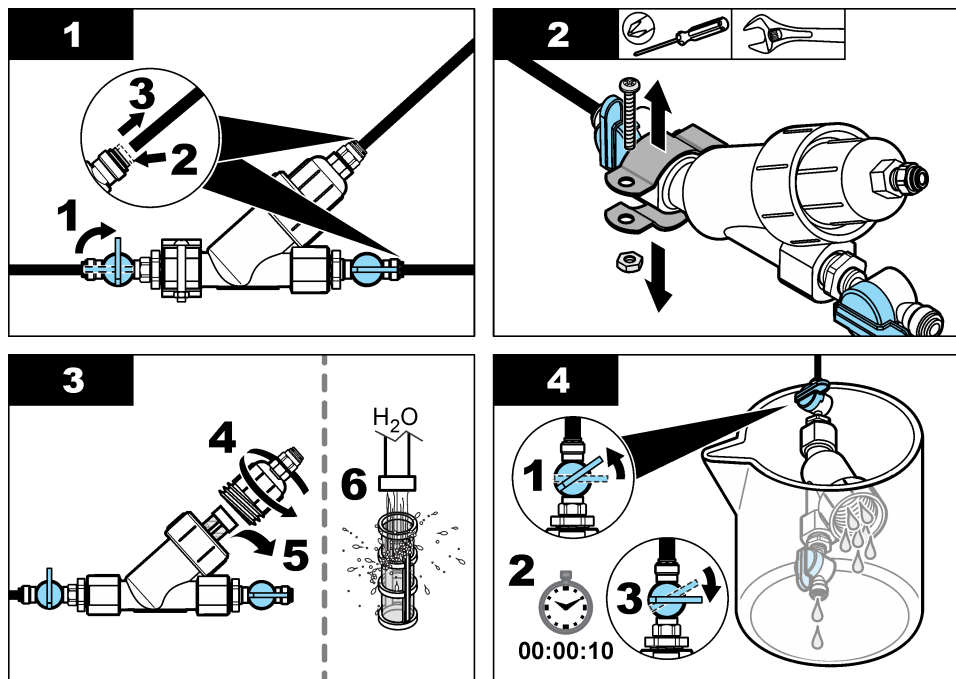
変換器出力は、転送値に変更されます。

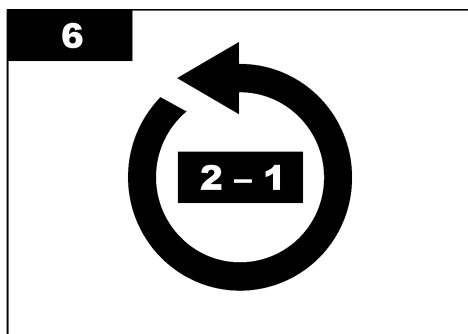
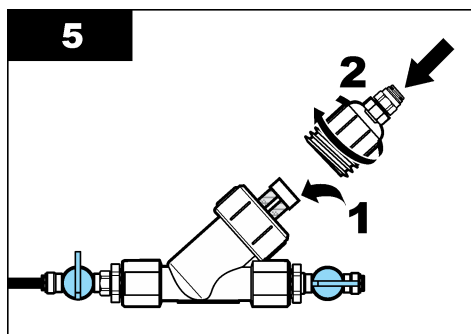
- ステータスライトが点滅するまで待ちます。
- 以下の手順に従って、緩衝溶液ボトルを交換します。
注: (オプション) 分析装置の上部を棚として使用します。
 - 新しい緩衝溶液ボトルから赤の液体ボトルからキャップおよびシールを外します。
 - 分析装置から使用済みの緩衝溶液ボトルを取り外します。

- c. 新しい緩衝溶液ボトルの緩衝溶液チューブを分析装置の右側に配置します。キャップをしっかりと締めます。
7. 以下の手順に従って、指示薬溶液ボトルを交換します。
 - a. 指示薬溶液ボトルと茶色の DPD ボトルからキャップとシールを取り外します。
 - b. 茶色の DPD ボトルの約 ¼ まで、指示薬溶液を入れます。
 - c. DPD をかき混ぜます。
 - d. DPD ボトルの溶液を指示薬溶液ボトルに移します。
 - e. 粉末が溶けてなくなるまで、指示薬溶液ボトルを振ります (2 分間)。
 - f. 分析装置から使用済みの指示薬溶液ボトルを取り外します。
 - g. 新しい指示薬溶液ボトルの指示薬溶液チューブを分析装置の左側に配置します。キャップをしっかりと締めます。
 8. **[enter]** を押します。
 9. ディスプレイに、作業完了。と表示されたら、**[enter (入力)]** を押します。約 30 秒以内に分析装置が測定サイクルを開始します。

7.4 Y 型ストレーナーのスクリーンフィルタの洗浄

試料水流量低 警告により詰まりが報告された場合、Y 型ストレーナーのスクリーンフィルタを洗浄します。下図に示す手順を実行してください。





7.5 保管準備

▲ 注意



化学物質による人体被害の危険。検査室の安全手順に従い、取り扱う薬品に適した個人用保護具をすべて装着してください。安全手順に関する現在の安全性データシート (MSDS/SDS) を参照してください。

分析装置に 3 日以上電源を入れない、または分析装置を 3 日以上使用しない場合は、分析装置を保管してください。

用意するもの:



純水を入れたビーカー (x2)

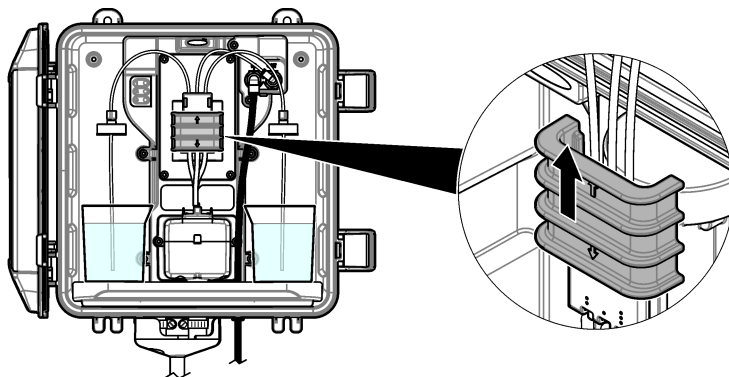


使い捨てスポイトや毛羽立たない布

1. 次のように試薬ラインから試薬を取り除きます。
 - a. 分析装置から指示薬溶液ボトルと緩衝溶液ボトルを取り外します。
 - b. 分析装置に純水を入れたビーカー (またはコンテナ) を置きます。
 - c. 各ビーカーに指示薬溶液ボトルチューブと緩衝溶液ボトルチューブを入れます。
 - d. **[menu (メニュー)]** を押して、センサの設定 > (分析装置を選択) > 試薬送液 の順に選択します。
分析装置により試薬ラインから試薬が除去されます。
2. 次のように試薬ラインから純水を取り除きます。
 - a. 各ビーカーから指示薬溶液ボトルチューブと緩衝溶液ボトルチューブを取り外します。
 - b. 分析装置から 2 つのビーカー取り外してください。
 - c. **[menu (メニュー)]** を押して、センサの設定 > (分析装置を選択) > 試薬送液 の順に選択します。
分析装置により試薬ラインからすべての液体が除去されます。
3. 変換器から分析装置のケーブルを取り外します (または変換器の電源を切ります)。
4. 遮断バルブを閉位置に回して、Y 型ストレーナーへのサンプルの流れを止めます。
5. ポンプクランプを取り外します。図 6 を参照してください。後で使えるように、ポンプクランプは保管してください。
6. 次のように、セルから水を取り除きます。
 - a. セルのふたを取り外します。
 - b. 使い捨てのスポイトや毛羽立たない布を使用して、セルから水分を取り除きます。

- c. セルにふたを取り付けます。
- 7. 分析装置を保管するには、次の手順を実行します。
 - a. ポンプクランプを取り付けます。図 6 を参照してください。
 - b. 試薬ボトルを取り付けます。手順 4: 試薬ボトルの取り付け 144 ページを参照してください。
 - c. 遮断バルブを開位置に回して、サンプルを Y 型ストレーナーに流します。
 - d. ケーブルが外れている場合は、変換器に分析装置のケーブルを接続します。
 - e. 電源が外れている場合、変換器に電源を接続します。
 - f. **[menu (メニュー)]** を押して、センサの設定 > (分析装置を選択) > 試薬送液 の順に選択します。

図 6 ポンプクランプを取り外します。



7.6 出荷の準備

▲ 注意



化学物質による人体被害の危険。検査室の安全手順に従い、取り扱う薬品に適した個人用保護具をすべて装着してください。安全手順に関する現在の安全性データシート (MSDS/SDS) を参照してください。

分析装置を出荷するには、次の手順を実行します。

用意するもの:



純水を入れたビーカー (x 2)



元の梱包箱

1. 次のように試薬ラインから試薬を取り除きます。
 - a. 分析装置から指示薬溶液ボトルと緩衝溶液ボトルを取り外します。
 - b. 分析装置に純水を入れたビーカー (またはコンテナ) を置きます。
 - c. 各ビーカーに指示薬溶液ボトルチューブと緩衝溶液ボトルチューブを入れます。
 - d. **[menu (メニュー)]** を押して、センサの設定 > (分析装置を選択) > 試薬送液 の順に選択します。
分析装置により試薬ラインから試薬が除去されます。
2. 次のように試薬ラインから純水を取り除きます。
 - a. 各ビーカーから指示薬溶液ボトルチューブと緩衝溶液ボトルチューブを取り外します。
 - b. 分析装置から 2 つのビーカーを取り外してください。

- c. **[menu (メニュー)]** を押して、センサの設定 > (分析装置を選択) > 試薬送液 の順に選択します。

分析装置により試薬ラインからすべての液体が除去されます。

- 変換器から分析装置のケーブルを取り外します。
- 遮断バルブを閉位置に回して、Y 型ストレーナーへのサンプルの流れを止めます。
- 分析装置から試料インレット (黒) チューブとドレイン (透明) チューブを取り外します。
- 分析装置から外部エアブレイキを取り外します。
- ポンプクランプを取り外します。図 6 155 ページを参照してください。
- 分析装置からチューブハーネスと、かくはん子を取り外します。チューブハーネスと分析装置は一緒に出荷します。手順 3: かくはん子、チューブハーネスの取り付け 144 ページを参照してください。
- チューブハーネスを使用せずにポンプクランプを取り付けます。チューブクランプにテープを貼って、チューブクランプをしっかりと固定します。
- 使い捨てのスポイトや毛羽立たない布を使用して、セルから水分を取り除きます。
- 分析装置を壁から外します。
- 分析装置を元の箱に入れます。

7.7 装置の清掃

告知

装置 (ディスプレイや付属品を含む) の洗浄に、テレピン油、アセトンまたは類似の製品等の洗浄剤を使用しないでください。

装置の外部を湿った布と中性洗剤で清掃してください。

7.8 流出液の洗浄

▲ 注意



化学物質による人体被害の危険。化学物質および廃液は、地域、県、または国の環境規制に従って廃棄してください。

- 流出液の扱いに関するすべての安全上の注意事項を遵守してください。
- 廃棄物は該当する規定に従って廃棄します。

第 8 章 トラブルシューティング

8.1 エラー (ステータスライト: 赤)

エラーを表示するには、**[menu (メニュー)]** を押して、診断 > (分析装置を選択) > エラーリスト の順に選択します。発生する可能性のあるエラーのリストを表 7 に示します。

エラーが発生すると、分析装置のステータスライトが赤色に変わります。エラーが発生すると、測定が停止し、測定画面が点滅し、変換器メニューに指定されている場合はすべての出力が一時停止します。

表 7 エラーメッセージ

エラー	説明	対処方法
比色計異常	検出器が適切に作動しません。	技術サポートにお問い合わせください。
比色計セル汚れ	セルに染みや汚れがあります。	セルを洗浄してください。 セルの洗浄 151 ページ を参照してください。

表 7 エラーメッセージ (続き)

エラー	説明	対処方法
コードエラー	ファームウェアエラーが発生しました。	技術サポートにお問い合わせください。
比色計セル異常	セル内の LED が正しく作動していません。	技術サポートにお問い合わせください。
ポンプ異常	ポンプが正しく作動していません。	技術サポートにお問い合わせください。
試料水漏れ	分析装置内で試料が漏れています。	技術サポートにお問い合わせください。

8.2 警告 (ステータスライト: 黄色)

警告を表示するには、**[menu (メニュー)]** を押して、**診断 > (分析装置を選択) > 警告リスト** の順に選択します。発生する可能性のある警告を表 8 に示します。

警告が発生すると、ステータスインジケータライトが黄色に変わります。サンプルの流量が十分にある場合、警告はメニューの操作には影響を与えません。警告は、リレー、出力の操作には影響を与えません。警告アイコンが点滅して、変換器画面の下部にメッセージが表示されます。

表 8 警告メッセージ

警告	説明	対処方法
気泡検知	セルに泡があります。	セルを洗浄してください。 セルの洗浄 151 ページ を参照してください。 (オプション) 気泡影響除去設定をオンに設定します。 手順 10: 分析装置の設定 148 ページ を参照してください。
すぐにセルを洗浄してください	セルに染みや汚れがあります。エラーが発生しないように、すぐに洗浄する必要があります。	セルを洗浄してください。 セルの洗浄 151 ページ を参照してください。
高濃度	塩素濃度が高濃度アラーム設定点以上になっています。	高濃度アラーム設定を上げます。 手順 10: 分析装置の設定 148 ページ を参照してください。 または 分析装置に供給する試料の塩素濃度を下げます。
低濃度	塩素濃度が低濃度アラーム設定点未満になっています。	低濃度アラーム設定を下げます。 手順 10: 分析装置の設定 148 ページ を参照してください。 または 分析装置に供給するサンプルの塩素濃度を上げます。

表 8 警告メッセージ (続き)

警告	説明	対処方法
試料水 流量低	測定されたサンプルフロー量が、最小サンプル流量未満です。 仕様 133 ページを参照してください。	<p>試料の流量を設定します。手順 8: 流量の設定 147 ページを参照してください。</p> <p>詰まりを解消する必要がある場合は、Y型ストレーナーのフィルターを洗浄します。Y型ストレーナーのスクリーンフィルタの洗浄 153 ページを参照してください。</p> <p>注: 試料水流量低 警告が発生した場合、分析装置が一時的に測定を停止します。流量が流量の仕様の値に戻ると、分析装置は自動的に測定を開始します。</p>
試料水 流量高	測定されたサンプル流量が、最大サンプル流量を超えています。 仕様 133 ページを参照してください。	試料の流量を設定します。 手順 8: 流量の設定 147 ページを参照してください。

第9章 交換部品とアクセサリ

▲ 警告



人体損傷の危険。未承認の部品を使用すると、負傷、装置の破損、または装置の誤作動を招く危険性があります。このセクションでの交換部品は、メーカーによって承認済みです。

注: プロダクト番号とカタログ番号は、一部の販売地域では異なる場合があります。詳細は、取り扱い販売店にお問い合わせください。お問い合わせ先については、当社の Web サイトを参照してください。

消耗品

説明	数量	アイテム番号
試薬セット、遊離塩素の内容: 緩衝溶液ボトル、指示薬溶液ボトル、DPD ボトル	1	2556900
試薬セット、全塩素の内容: 緩衝溶液ボトル、指示薬溶液ボトル、DPD ボトル	1	2557000
セル洗浄キットの内容: 硫酸、5.25 N、100 mL、スポイトボトル および綿棒 (x 10)	1	8573100
校正検証キット	1	8568200
校正検証補充キット	1	8573200

交換部品

説明	アイテム番号
チューブキットの内容: チューブハーネスとかくはん子	8560400
取り付けキット、スタンドパイプ用	8560500
取り付けキット、圧力レギュレーター用	8565700

アクセサリ

説明	アイテム番号
分析装置用延長コード (1 m)	6122400
分析装置用延長コード (7.7 m)	5796000
分析装置用延長コード (15 m)	5796100
チューブアダプター、外径 6 mm から外径 1/4 インチ	09184=A=4020

목차

- 1 사양 160 페이지
- 2 일반 정보 161 페이지
- 3 설치 164 페이지
- 4 설정 174 페이지
- 5 작동 176 페이지
- 6 교정 및 조정 176 페이지
- 7 유지관리 176 페이지
- 8 문제 해결 182 페이지
- 9 교체 부품 및 부속품 184 페이지

섹션 1 사양

사양은 사진 예고 없이 변경될 수 있습니다.

표 1 일반 사양

사양	세부 사항
치수(W x H x D)	32.9 x 34.2 x 17.7cm(12.9 x 13.5 x 7.0인치)
외함	도어를 닫고 래치로 잠근 상태에서 IEC 60529에 따른 IP66 ¹
제품 무게	병을 포함하지 않은 경우 4.1kg(9lb), 전체 병을 포함한 경우 5.1kg(11.2lb)
장착	벽 부착
보호 등급	III
오염도	3
전기 설치 범주	I(실내 설치)
전원 조건	12VDC, 400mA 최대(컨트롤러에서 공급)
작동 온도	5-40°C(41-104°F)
작동 습도	0 - 90% 비응축 상대 습도
보관 온도	섭씨 -40 - 60도(화씨 -40 - 140)
피팅	Sample line: ¼인치 플라스틱 튜브용 OD 빠른 연결 피팅 배출 라인: ½인치용 slip-on 피팅 ID 소프트 플라스틱 튜브
표시등	분석기 상태 및 측정 주기
인증	CE DoC, FCC SDoC, IC, RCM, KC
보증	1년(EU: 2년)

표 2 샘플 요구 사항

사양	세부 사항
압력	0.31~5.17bar(4.5~75 psig)를 Y 여과기로 공급, 0.1~0.34bar(1.5~5psig)를 분석기에 공급
유속	기기를 통한 60~200mL/min(분석기 배수구에서 측정)
온도	5-40°C(41-104°F)
여과	40 메시 스크린 이상의 Y 여과기

¹ 테스트 요구 사항을 위해 배출구를 플러그로 닫았습니다.

표 3 측정 사양

사양	세부 사항
광원	LED, 510nm에서 측정, 1cm 광 경로 길이
측정 범위	0.03 ~ 10mg/L 유리 또는 총 잔류 염소(as Cl ₂)
측정 간격	150초
정확도	0~5mg/L에서 ±5% 또는 ±0.04mg/L 중에서 큰 값(as Cl ₂) 5~10mg/L에서 ±10%(as Cl ₂)
정밀도	±5% 또는 ±0.01mg/L 중에서 큰 값(as Cl ₂)
감지 한계	0.03mg/L(as Cl ₂)
정량화 한계	0.07mg/L
교정	출고 시 교정 옵션: 교정 표준을 사용한 2 지점 사용자 교정교정 확인 키트 내
시약 사용	31일 내 0.5L의 버퍼 용액 및 0.5L의 지시계 용액

섹션 2 일반 정보

제조업체는 본 설명서에 존재하는 오류나 누락에 의해 발생하는 직접, 간접, 특수, 우발적 또는 결과적 손해에 대해 어떠한 경우에도 책임을 지지 않습니다. 제조업체는 본 설명서와 여기에 설명된 제품을 언저라도 통지나 추가적 책임 없이 변경할 수 있습니다. 개정본은 제조업체 웹 사이트에서 확인할 수 있습니다.

2.1 안전 정보

주의사항

제조사는 본 제품의 잘못된 적용 또는 잘못된 사용으로 인한 직접, 우발적 또는 간접적 손해에 국한하지 않는 모든 손해에 대한 어떠한 책임도 지지 않으며, 관계 법령이 최대한 허용하는 손해에 관한 면책이 있습니다. 사용자는 사용상 중대한 위험을 인지하고 장비 오작동이 발생할 경우에 대비하여 적절한 보호 장치를 설치하여야 합니다.

장치 포장을 풀거나 설치하거나 작동하기 전에 본 설명서를 모두 읽으십시오. 모든 위험 및 주의사항 설명에 유의하시기 바랍니다. 이를 지키지 않으면 사용자가 증상을 입거나 장치가 손상될 수 있습니다.

본 장치의 보호 기능이 손상되지 않도록 본 설명서에서 설명하는 방법이 아닌 다른 방법으로 본 장치를 사용하거나 설치하지 마십시오.

2.1.1 위험 정보 표시

▲ 위험

지키지 않을 경우 사망하거나 또는 심각한 부상을 초래하는 잠재적 위험이나 긴급한 위험 상황을 뜻합니다.

▲ 경고

피하지 않을 경우에 사망이나 심각한 부상을 유발할 수 있는 잠재적 위험이나 긴급한 위험 상황을 나타냅니다.

▲ 주의

경미하거나 심하지 않은 부상을 초래할 수 있는 잠재적인 위험 상황을 뜻합니다.

주의사항

지키지 않으면 기기에 손상을 일으킬 수 있는 상황을 나타냅니다. 특별히 강조할 필요가 있는 정보.

2.1.2 주의 라벨

본 기기에 부착된 모든 라벨 및 태그를 참조하시기 바랍니다. 지침을 따르지 않을 경우 부상 또는 기기 손상이 발생할 수 있습니다. 기기에 있는 기호는 주의사항에 대한 설명과 함께 설명서에서 참조합니다.



이 심볼이 표시된 전기 장비는 유럽 내 공공 폐기 시스템에 따라 폐기할 수 없습니다.

2.1.3 규정 준수 및 인증

▲ 주의

이 장비는 거주 환경에서는 사용할 수 없으며 이러한 환경에서의 주파수 수신에 대한 적절한 보호를 제공하지 않을 수 있습니다.

캐나다 무선 간섭 유발 장치 규정, IECS-003, 등급 A:

보조 테스트 기록은 제조업체가 제공합니다.

본 등급 A 디지털 장치는 캐나다 간섭 유발 장치 규제의 모든 요구조건을 만족합니다.

Cet appareil numérique de classe A répond à toutes les exigences de la réglementation canadienne sur les équipements provoquant des interférences.

FCC Part 15, Class "A" 제한

보조 테스트 기록은 제조업체가 제공합니다. 본 장치는 FCC 규칙, Part 15를 준수합니다. 본 장치는 다음 조건에 따라 작동해야 합니다.

1. 유해한 간섭을 일으키지 않아야 합니다.
2. 오작동을 유발할 수 있는 간섭을 포함하여 수신되는 모든 간섭에도 정상적으로 작동해야 합니다.

본 장치의 준수 책임이 있는 측이 명시적으로 허용하지 않은 변경 또는 수정을 가하는 경우 해당 사용자의 장치 작동 권한이 무효화될 수 있습니다. 본 장치는 FCC 규칙, Part 15에 의거하여 등급 A 디지털 장치 제한 규정을 준수합니다. 이러한 제한은 상업 지역에서 장치를 작동할 때 유해한 간섭으로부터 적절하게 보호하기 위하여 제정되었습니다. 본 장치는 무선 주파수 에너지를 생성 및 사용하며 방출할 수 있고 사용 설명서에 따라 설치하고 사용하지 않을 경우 무선 통신에 해로운 간섭을 일으킬 수 있습니다. 주거 지역에서 본 장치를 사용하면 해로운 간섭을 일으킬 수 있으며, 이 경우 사용자는 자비를 들여 간섭 문제를 해결해야 합니다. 다음과 같은 방법으로 간섭 문제를 줄일 수 있습니다.

1. 장치를 전원에서 분리하여 장치가 간섭의 원인인지 여부를 확인합니다.
2. 장치가 간섭을 받는 장치와 동일한 콘센트에 연결된 경우, 장치를 다른 콘센트에 연결해보십시오.
3. 장치를 간섭을 받는 장치로부터 멀리 분리하여 놓으십시오.
4. 간섭을 받는 장치의 안테나 위치를 바꿔보십시오.
5. 위의 방법들을 함께 적용해보십시오.

2.2 제품 개요

▲ 위험



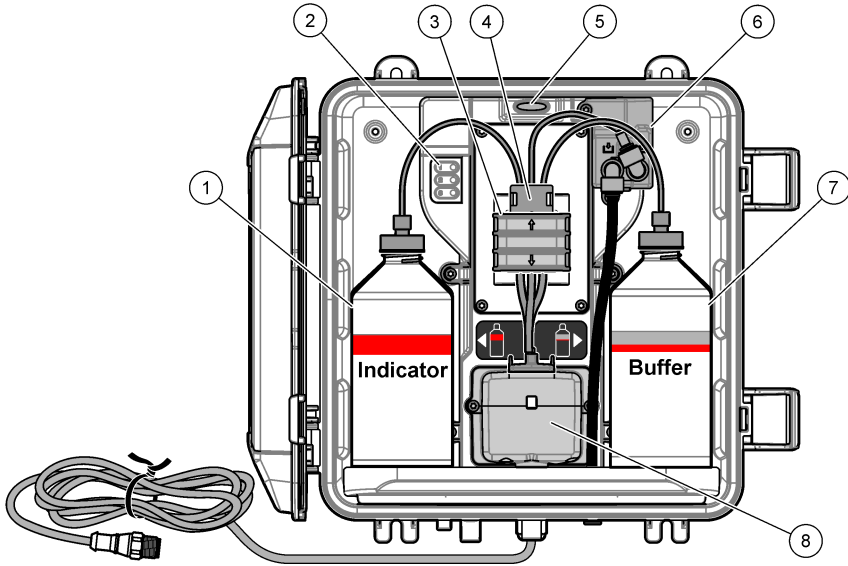
화학적 또는 생물학적 위험 존재. 본 장비를 공중 위생, 공중 안전, 식음료 제조 또는 가공에 관련된 시행령 및 감시 규정 목적으로 처리공정 및/또는 투석 공급수를 모니터링하기 위하여 사용하는 경우, 이 장비에 적용되는 모든 규정을 이해하고 준수하며, 장비가 오작동하는 경우 해당 규정에 따라 충분하고 합당한 메커니즘을 보유하는 것은 사용자의 책임입니다.

CL17sc 분석기는 150초 간격으로 0.03 ~ 10mg/L의 범위의 물에서 유리 염소 또는 총 염소 농도를 측정합니다. **그림 1**에 분석기의 개요가 나와 있습니다.

전원, 작동, 데이터 수집, 데이터 전송 및 진단을 수행하기 위해 분석기를 SC 컨트롤러에 연결합니다. 컨트롤러 개요는 SC 컨트롤러 설명서를 참조하십시오.

참고: 컨트롤러에 둘 이상의 빠른 연결 피팅이 있는 경우에는 둘 이상의 분석기를 SC 컨트롤러에 연결할 수 있습니다.

그림 1 CL17sc



1 표시기 병	5 분석기 상태 표시등(표 5 164 페이지)
2 측정 주기 표시등(표 4 163 페이지)	6 유량계
3 펌프 클램프	7 버퍼 병
4 튜브 클립	8 비색 셀

2.2.1 유량계

분석기에는 분석기를 통과하는 샘플 흐름을 측정하는 유량계가 있습니다. **그림 1 163** 페이지를 참조하십시오.

분석기가 셀을 세척하는 경우에만 샘플이 분석기를 통과합니다. 다른 경우에는 샘플 흐름이 없으며 표시된 유속은 0입니다. 컨트롤러에서 **RIGHT(오른쪽)** 화살표를 눌러 유속을 표시합니다.

2.2.2 측정 주기 표시등

측정 주기 표시등에 수행 중인 측정 주기의 단계가 표시됩니다. **표 4**을(를) 참조하십시오.

표 4 측정 주기 표시등

Lights on(표시등 켜짐)			
Description(설명)	셀이 물로 세척됩니다.	버퍼 용액 및 표시기 용액이 셀에 추가됩니다.	샘플이 측정됩니다.

2.2.3 분석기 상태 표시등

경고가 발생하면 분석기 상태 표시등이 녹색에서 노란색으로, 에러가 발생하면 빨간색으로 바뀝니다. 표 5을(를) 참조하십시오.

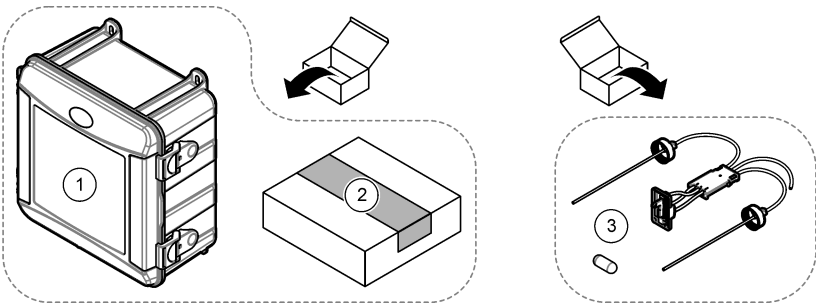
표 5 분석기 상태 표시등

색상	설명
녹색	일반 작업
노란색	고장을 방지하려면 앞으로 시스템에 주의를 기울여야 합니다. 측정이 계속됩니다. 경고를 표시하려면 menu(메뉴) 를 누르고 진단 > [select analyzer(분석기 선택)] > 경고목록을 선택합니다. 경고 - 노란색 표시등 183 페이지을(를) 참조하십시오.
빨간색	즉각적으로 시스템에 주의를 기울여야 합니다. 측정이 중지되었습니다. 에러를 표시하려면 menu(메뉴) 를 누르고 진단 > [select analyzer(분석기 선택)] > 에러목록을 선택합니다. 에러 - 빨간색 표시등 182 페이지을(를) 참조하십시오.

2.3 제품 구성품

모든 구성품을 수령했는지 확인하십시오. 그림 2을(를) 참조하십시오. 품목이 누락되었거나 손상된 경우에는 제조업체 또는 판매 담당자에게 즉시 연락하시기 바랍니다.

그림 2 제품 구성품



1 CL17sc 분석기	3 튜브 키트(튜브 하니스 및 교반용 막대)
2 설치 키트	

섹션 3 설치

⚠ 주의



여러 가지 위험이 존재합니다. 해당 전문가만 본 문서에 의거하여 작업을 수행해야 합니다.

3.1 설치 지침

- 분석기에는 분석기로의 수압을 제어하기 위한 스탠드 파이프 설치 키트 또는 압력 조절기 설치 키트가 제공됩니다. 구입 시 사용자는 설치 키트를 선택합니다.
- 진동이 가장 작은 환경의 실내에 분석기를 설치합니다. **사양 160** 페이지의 작동 온도 및 습도 사양을 참조하십시오.
- 분석기를 직사광선이 비치는 곳이나 열원 가까운 곳에 설치하지 마십시오.
- 스탠드 파이프 설치의 경우, 스탠드 파이프 장착을 위해 분석기 위에 **61cm(2ft)**의 여유 공간이 있는 위치에 분석기를 설치합니다.

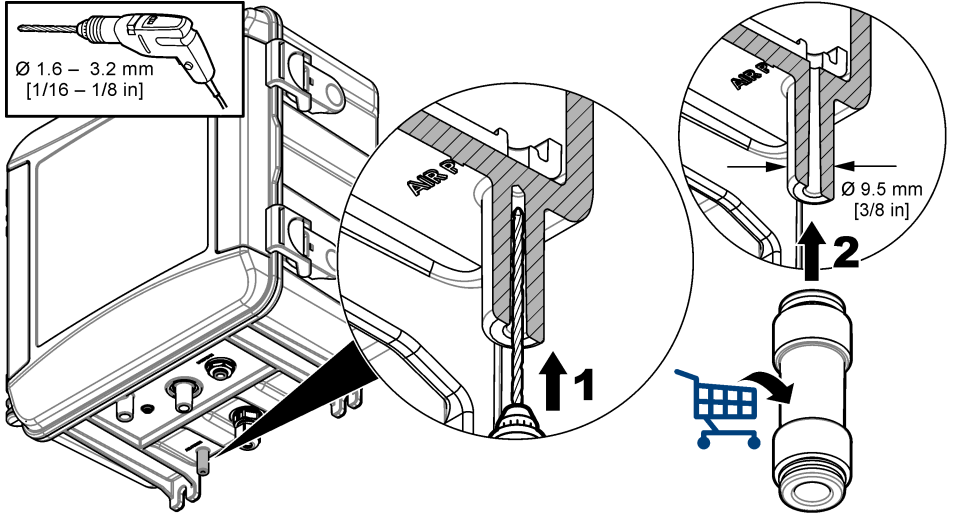
- 개방된 배수구 근처에 분석기를 설치합니다. 폐기에 대해서는 현지 규제 기관의 지침을 참조하십시오.

3.2 1단계: 공기 정화(옵션)

습도가 높거나 부식성 증기가 존재하는 위치에 분석기를 설치한 경우 공기 정화가 필요할 수 있습니다. 공기 정화는 건조하고 깨끗한 공기로 기기에 정압을 유지합니다.

20psig 최대에서 0.003m³/분(0.1ft³/분)의 속도로 깨끗하고 건조한 계장용 품질 등급의 공기를 공급합니다.

아래의 단계별 그림 설명을 참조하십시오. 3/8인치 빠른 연결 피팅 및 튜브는 사용자가 제공합니다.



3.3 2단계: 분석기 장착 및 배관 연결

▲ 주의



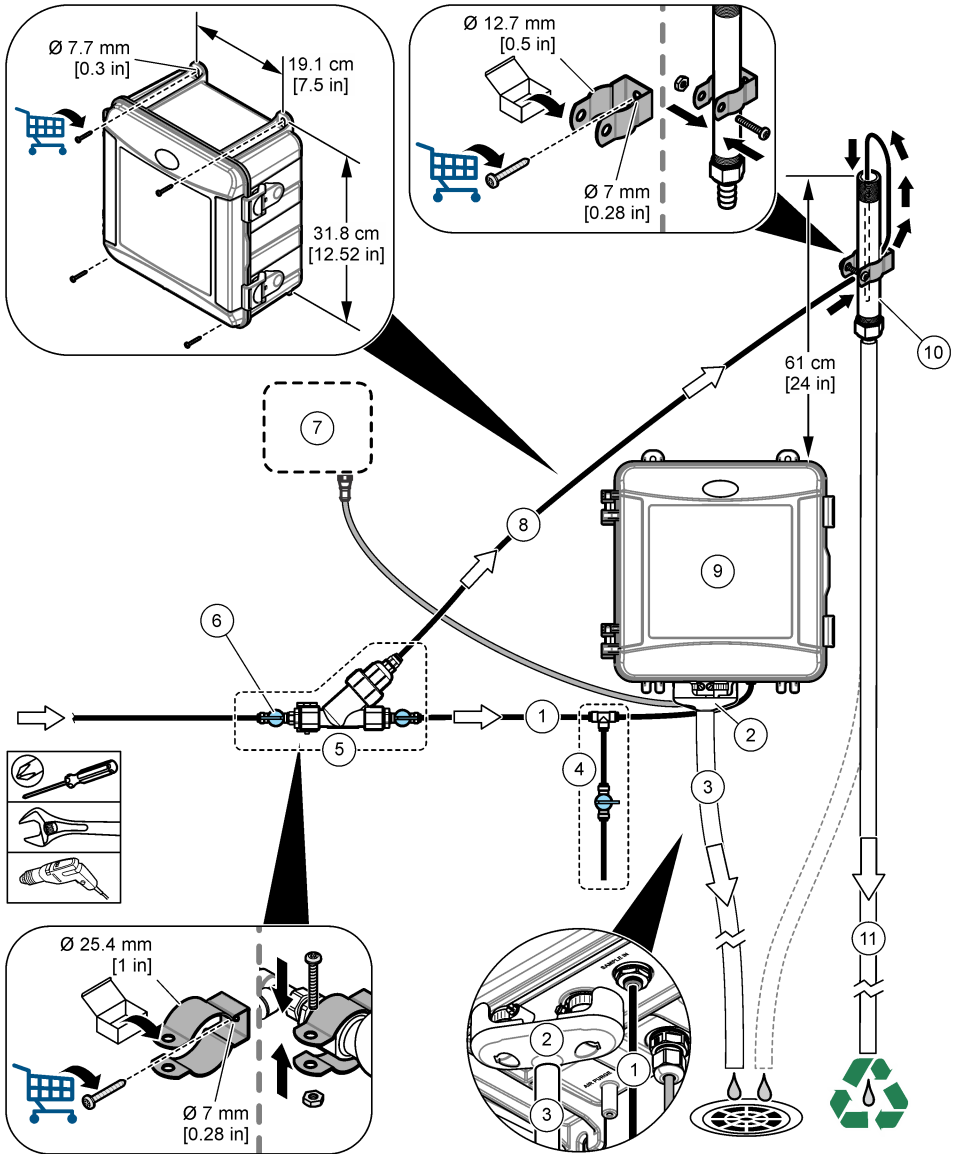
Hach Company에서 지정한 튜브만 기기와 함께 사용할 수 있습니다. 다른 튜브는 샘플 물에 있는 염소를 흡수하여 염소 측정값에 부정적인 영향을 줄 수도 있습니다(염소 측정값 감소).

주의사항

분석기의 배관이 잘못되면 과도한 샘플 압력으로 인해 손상될 수 있습니다. 분석기를 장착하고 배관을 연결할 때 항상 다음 지침을 따르십시오.

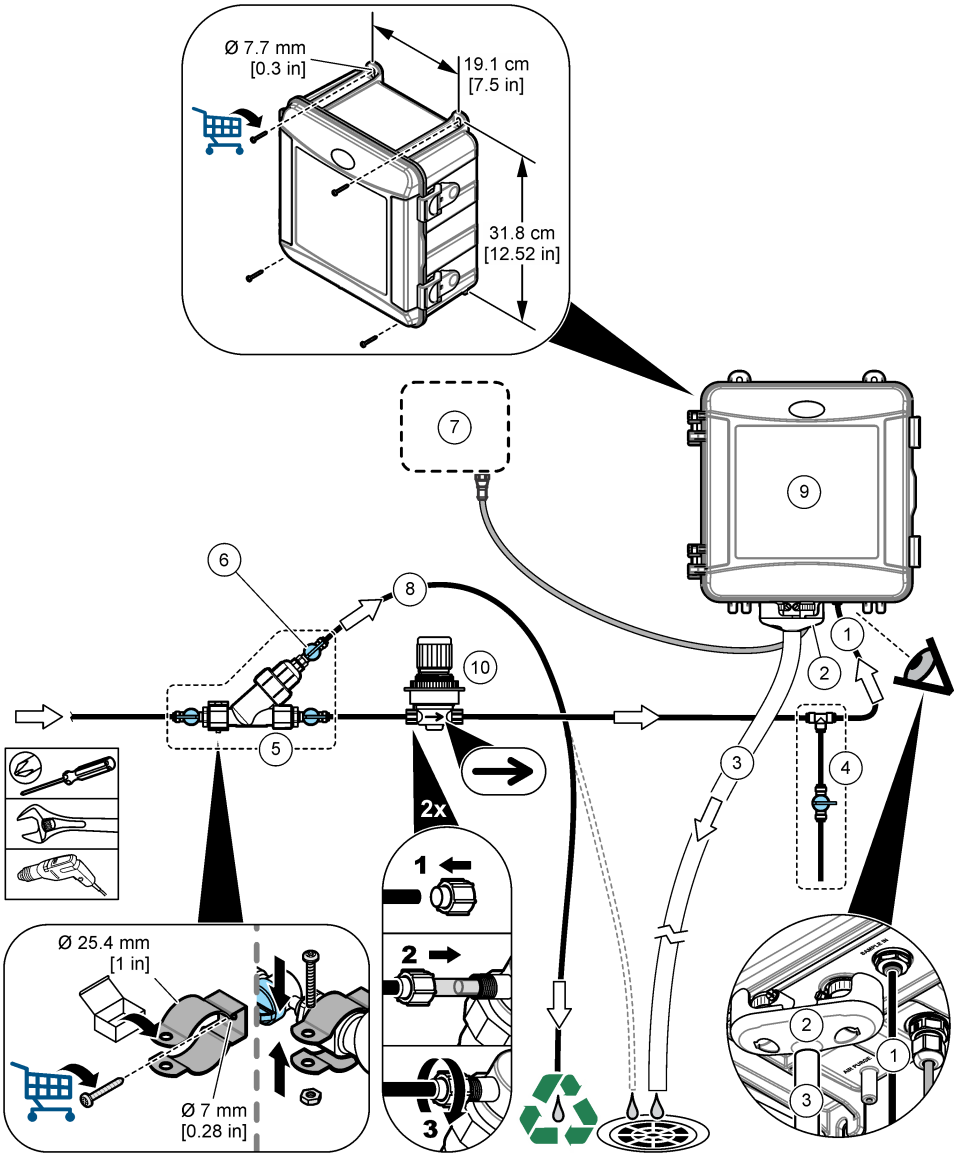
1. 나사 4개로 분석기(항목 9)를 벽에 부착합니다. 분석기가 수평인지 확인합니다.
참고: 사용자가 장착 하드웨어를 제공합니다.
2. SC 컨트롤러(항목 7)를 벽, 패널 또는 파이프에 부착합니다. 지침은 SC 컨트롤러 설명서를 참조하십시오.
3. Y 여과기 조립. 포장 목록의 지침을 참조하십시오.
4. 1인치 도관 클램프를 사용하여 Y 여과기 어셈블리(그림 3 또는 그림 4의 항목 5)를 장착합니다.
5. 분석기에 외부 공기 분리를 설치합니다(그림 3 또는 그림 4의 항목 2). 포장 목록의 지침을 참조하십시오.
6. 7 또는 8단계를 수행합니다.
분석기에는 분석기로의 수압을 제어하기 위한 스탠드 파이프 설치 키트(그림 3 참조) 또는 압력 조절기 설치 키트(그림 4 참조)가 제공됩니다. 구입 시 사용자는 설치 키트를 선택합니다.
7. 구입 시 스탠드 파이프 설치 키트를 선택한 경우, 다음과 같이 스탠드 파이프를 설치합니다.
 - a. 스탠드 파이프 조립. 포장 목록의 지침을 참조하십시오.
 - b. 작은 쪽의 도관 클램프를 사용하여 최소 61cm(24인치)로 스탠드 파이프 어셈블리를 장착합니다. 분석기 상단 위쪽에 장착합니다. 그림 3의 항목 10을 참조하십시오.
 - c. 검은색 튜브를 사용하여 샘플 바이패스 튜브(항목 8)를 설치합니다. 튜브를 뒤로 밀어 스탠드 파이프에 넣습니다. 10-13cm(4-5인치)의 튜브를 스탠드 파이프의 상단에 놓습니다.
 - d. 샘플 배출 튜브(항목 3)에서 튜브의 길이 만큼 자릅니다. 튜브를 사용하여 스탠드 파이프의 하단과 개방된 배수구(그림 3의 항목 11)를 연결합니다. 배출 라인 지침 169 페이지(를) 참조하십시오.
8. 구매 시 압력 조절기 설치 키트를 선택한 경우 압력 조절기(그림 4의 항목 10)를 설치하십시오.
9. 검은색 튜브를 사용하여 Y 여과기 주입구(항목 5)를 샘플 소스에 연결하십시오.
샘플 라인 지침 169 페이지 및 샘플 요구 사항 169 페이지의 내용을 참조하십시오.
10. 검은색 튜브를 사용하여 Y 여과기 배출구(또는 압력 조절기의 배출구)를 분석기 하단의 샘플 주입구 피팅(항목 1)에 연결합니다. 튜브를 가능한 짧게 만들어서 최대 2.5m(8ft)를 넘지 않게 합니다.
11. 압력 조절기를 설치한 경우에는 샘플 바이패스 튜브(그림 4의 항목 8)를 설치합니다.
12. 다음과 같이 그래프 샘플 어셈블리(항목 4)를 조립하고 배관을 연결합니다.
 - a. 그래프 샘플 어셈블리를 조립합니다.
 - b. Y 여과기와 분석기 사이에 티 피팅을 배관 연결합니다. 그림 3 또는 그림 4을(를) 참조하십시오.
13. 샘플 배출 튜브(항목 3)를 열린 배출구에 연결합니다. 배출 라인 지침 169 페이지(를) 참조하십시오.

그림 3 스탠드 파이프를 사용한 설치



1 샘플 주입구 튜브	7 SC 컨트롤러
2 외부 공기 분리기	8 샘플 바이패스 튜브
3 샘플 배수구 튜브	9 분석기
4 그랩 샘플 어셈블리	10 스탠드 파이프
5 Y여과기 어셈블리	11 스탠드 파이프 배수구 튜브
6 Y여과기 주입구의 차단 밸브	

그림 4 압력 조절기를 이용한 설치



1 샘플 주입구 튜브	6 Y여과기 바이패스의 차단 밸브
2 외부 공기 분리기	7 SC 컨트롤러
3 샘플 배수구 튜브	8 샘플 바이패스 튜브
4 그래프 샘플 어셈블리	9 분석기
5 Y여과기 어셈블리	10 압력 조절기

3.3.1 샘플 라인 지칭

기기가 최상의 성능을 발휘할 수 있도록 전체를 대표하기에 적합한 샘플 채취 지점을 선택합니다. 샘플은 전체 시스템을 대표할 수 있어야 합니다.

판독 오류를 방지하려면:

- 프로세스 흐름에 화학제를 첨가한 지점으로부터 충분히 떨어진 곳에서 샘플을 수집합니다.
- 샘플을 충분히 혼합합니다.
- 모든 화학 반응이 완전이 이루어지도록 합니다.
- 분석기를 가능한 한 샘플 소스 근처(최대 4.6m(15ft))에 설치합니다.

3.3.2 샘플 요구 사항

샘플 소스 물은 [사양 160](#) 페이지의 사양을 따라야 합니다.

최상의 성능을 내기 위해서는 샘플 유속 및 작동 온도를 가능한 일정하게 유지하십시오.

3.3.3 배출 라인 지칭

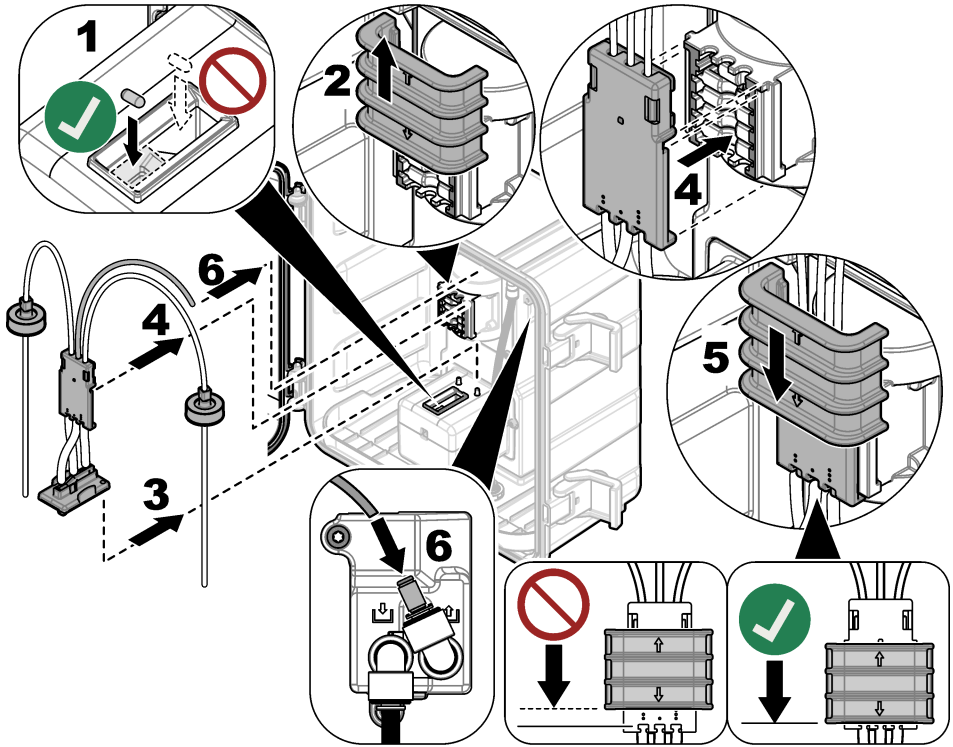
주의사항

배출 라인을 잘못 설치하면 액체가 기기로 되돌아가 손상을 야기할 수 있습니다.

- 외부 공기 분리기를 반드시 설치하십시오. [그림 3 167](#) 페이지 또는 [그림 4 168](#) 페이지(를) 참조하십시오.
- 배출 라인은 가능한 한 짧게 만드십시오.
- 모든 배출 라인은 지속적 하향 기울기를 갖도록 하십시오.
- 배출 라인에 급격한 굽힘과 조임이 없도록 하십시오.

3.4 3단계: 교반용 막대와 튜브 하니스를 설치합니다.

아래의 단계별 그림 설명을 수행합니다.



3.5 4단계: 시약 병 설치

▲ 주의



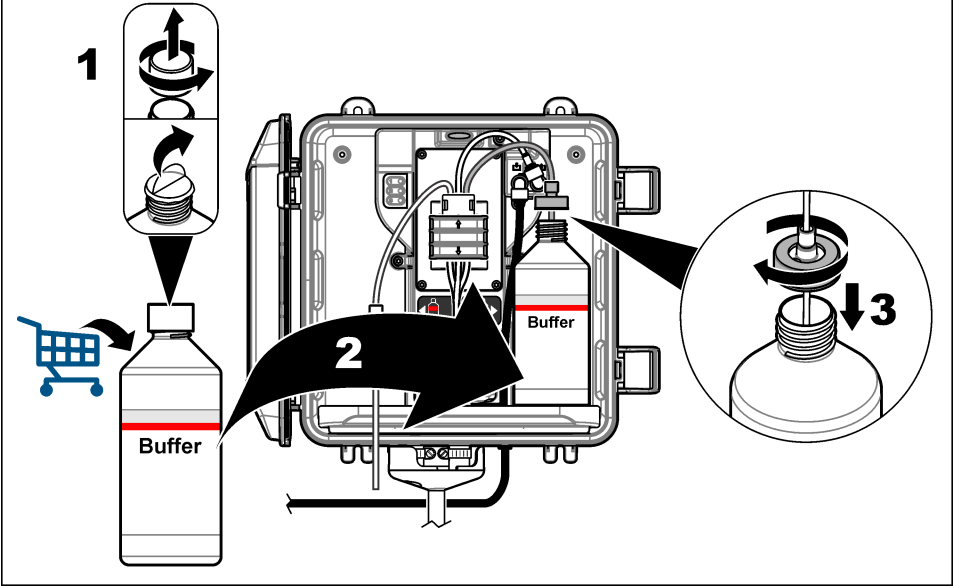
화학물질에 노출될 위험이 있습니다. 실험실의 안전절차를 준수하고, 취급하는 화학 물질에 맞는 개인보호장비를 안전하게 착용하십시오. 최신 물질안전보건자료(MSDS/SDS)에서 안전 규정을 참조하십시오.

Items to collect(준비 항목):

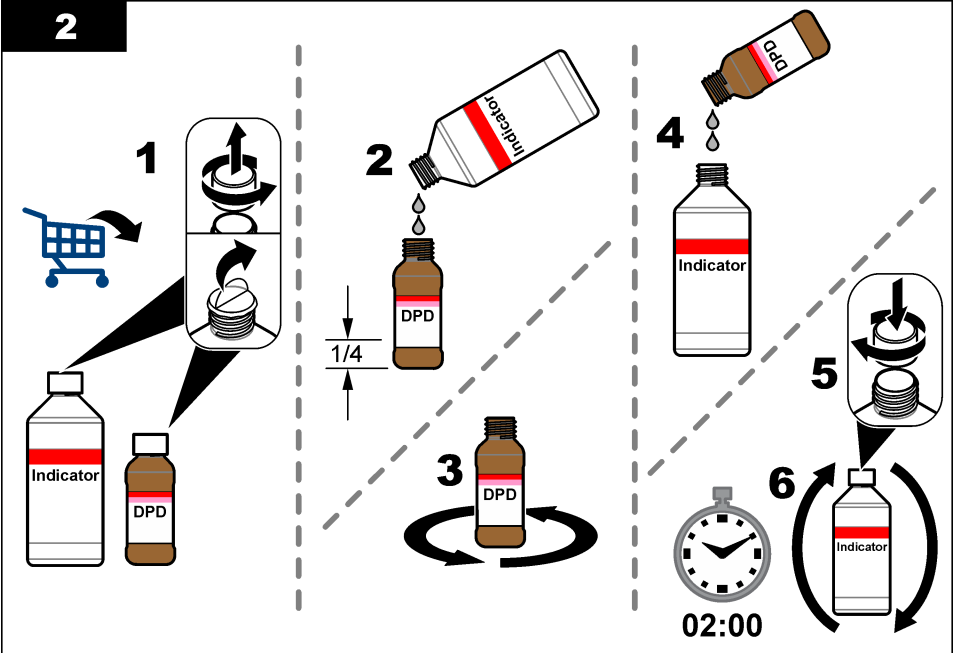
- 개인 보호 장비(MSDS/SDS 참조)
- 표시기 병
- 버퍼 병
- DPD 화합물 병

1. 안전 데이터 시트(MSDS/SDS)에서 식별된 개인 보호 장구를 착용합니다.
2. 버퍼 병을 오른쪽에, 표시기 병을 왼쪽에 설치합니다. 아래의 단계별 그림 설명을 참조하십시오.
참고: (옵션) 분석기 상단을 선반으로 사용합니다.

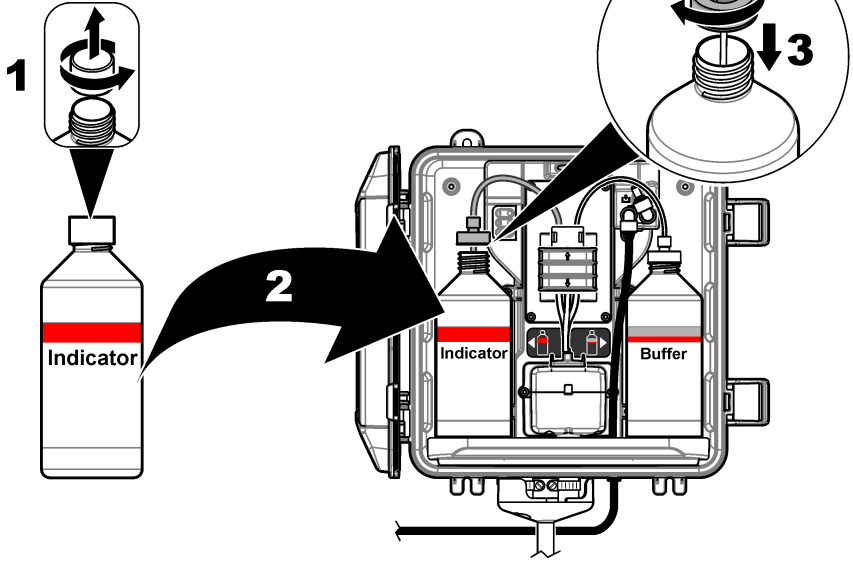
1



2



3



3.6 5단계: 샘플 흐름을 켜기로 설정합니다.

1. 천천히 차단 밸브를 개방 위치로 ¼ 바퀴 돌립니다.
2. 배관 연결부의 누출 유무를 확인합니다. 누출이 있는 경우에는 튜브를 더 깊이 피팅에 밀어 넣거나 렌치를 사용하여 연결부를 조입니다.
3. 스탠드 파이프 설치의 경우 다음 단계를 수행합니다.
 - a. Y 여과기 배출구의 차단 밸브를 완전히 엽니다.
 - b. 소량의 물이 스탠드 파이프 배수구 튜브에서 나올 때까지 Y 여과기 주입구의 차단 밸브를 돌립니다(그림 3 167 페이지의 항목 6).
4. 압력 조절기 설치의 경우 다음 단계를 수행하십시오.
 - a. Y 여과기 주입구 및 배출구의 차단 밸브를 완전히 엽니다.
 - b. Y 여과기 바이패스 튜브에서 소량의 물이 나올 때까지 Y 여과기 바이패스의 차단 밸브를 돌립니다(그림 4 168 페이지의 항목 6).

3.7 6단계: 전기 설치

3.7.1 분석기를 컨트롤러에 연결합니다.

⚠ 경고



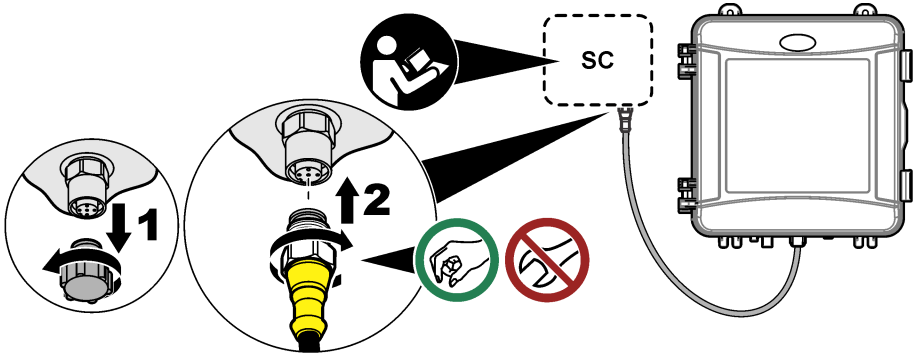
전기쇼크 위험. 외부 연결된 장비는 해당하는 국가 안전 표준에 따라 평가를 마쳐야 합니다.

분석기 케이블을 SC 컨트롤러의 빠른 연결 피팅에 연결합니다. **그림 5**을(를) 참조하십시오.

케이블을 제거해야 하는 경우에는 커넥터 캡을 유지하여 커넥터 입구를 밀봉합니다.

참고: 연장 케이블을 사용할 수 있습니다. **교체 부품 및 부속품 184** 페이지(를) 참조하십시오. 최대 케이블 길이는 15m(49ft)입니다.

그림 5 케이블을 빠른 연결 피팅에 연결합니다.



3.7.2 컨트롤러를 전원에 연결합니다.

도관을 사용하여 하드 와이어링하거나 전원 코드에 배선하는 식으로 컨트롤러를 라인 전원에 연결합니다. 컨트롤러 문서의 지침을 참조하십시오.

3.7.3 컨트롤러에 외부 장치 연결

필요에 따라 컨트롤러 릴레이, 아날로그 출력 및 디지털 입력을 외부 장치에 연결합니다. 컨트롤러 문서의 지침을 참조하십시오.

3.8 7단계: 분석기 설정 및 프라이밍

1. **menu**를 누른 다음에 **센서설정 > [분석기 선택] > 프라임**을 선택합니다.
2. 컨트롤러가 분석기의 연결을 인식하지 못하는 경우 다음 단계를 수행합니다.
 - a. **menu**를 누른 다음에 **시험/ 보수유지 > 센서 탐색**을 선택합니다.
 - b. 센서를 찾아 설치한 후 **1** 단계를 다시 수행합니다.

3.9 8단계: 유량 설정

1. 컨트롤러에서 **RIGHT(오른쪽)** 화살표를 눌러 유속을 표시합니다. 분석기가 셀을 세척하는 경우에만 샘플이 분석기를 통과합니다. 다른 경우에는 샘플 흐름이 없으며 표시된 유속은 **0**입니다. 측정 주기 단계에 대한 설명은 **표 4 163** 페이지를 참조하십시오.

참고: 분석기로 유량을 수동으로 측정하려면 분석기가 셀을 물로 세척할 때 분석기 배수구에서 유량을 측정합니다.

2. 스탠드 파이프 설치의 경우, 분석기가 셀을 물로 세척할 때 유속을 **60-200 mL/min** 사이로 설정하려면 **Y- 스트레이너** 배출구의 차단 밸브를 돌리십시오.
3. 압력 레귤레이터 설치의 경우, 분석기가 셀을 물로 세척할 때 유속을 **60-200 mL/min** 사이로 설정하려면 압력 레귤레이터를 조정하십시오.

3.10 9단계: 최신 소프트웨어 설치

SC 컨트롤러에 최신 소프트웨어가 설치되어 있는지 확인합니다. SD 카드를 사용하여 SC 컨트롤러에 최신 소프트웨어를 설치합니다.

1. <http://hach.com>에서 해당 SC 컨트롤러에 대한 제품 페이지로 이동합니다.
2. "다운로드" 탭을 클릭합니다.
3. "Software/Firmware"로 스크롤합니다.
4. SC 컨트롤러 소프트웨어에 대한 링크를 클릭합니다.

- 파일을 SD 카드에 저장합니다.
- SC 컨트롤러에 파일을 설치합니다. 소프트웨어 파일과 함께 제공된 소프트웨어 설치 지침을 참조하십시오.

섹션 4 설정

4.1 10단계: 분석기 구성

분석기 이름, 신호 평균, 측정된 염소의 유형, 거품 제거 및 염소 경고 설정값을 설정합니다.

- menu를 누른 다음에 센서설정 > [분석기 선택] > 설정을 선택합니다.
- 각 옵션을 선택하고 설정합니다.

옵션	설명
이름 수정	분석기 이름을 설정합니다. 분석기의 이름이 컨트롤러 디스플레이와 로그 파일에 표시됩니다.
신호 평균	디스플레이에 표시되는 평균 측정을 계산하는 데 사용되는 측정 수를 설정합니다. 옵션: 1(기본), 2, 3 또는 불규칙 값. 신호 평균이 1로 설정되면 신호 평균 계산이 비활성화됩니다. 신호 평균이 2 또는 3으로 설정되면 평균 관독값이 디스플레이에 표시됩니다. 예를 들어 신호 평균이 2로 설정되면 디스플레이에 표시되는 측정값은 마지막 및 이전 측정값을 2로 나눈 값과 같습니다. 신호 평균이 불규칙 값으로 설정되면 최신 측정값보다 비정상적으로 높거나 낮은 측정값을 분석기에서 거부합니다. 관독값이 거부되면 마지막 양호한 관독값이 디스플레이에 표시되고 데이터 로그에 저장됩니다. 최대 3개의 연속되는 측정값이 거부됩니다. 신호 평균 계산은 샘플에 있는 비교적 큰 입자 및/또는 거품 때문에 발생하는 잘못된 관독 변동을 교정합니다.
측정	측정되는 염소의 유형을 설정합니다. 버퍼 및 표시기 병 라벨에 "유리 염소"가 있으면 유리 염소를 선택합니다(기본). 버퍼 및 표시기 병 라벨에 "총 염소"가 있으면 총 염소를 선택합니다.
거품 제거	거품 제거를 켜기 또는 끄기(기본)로 설정합니다. 샘플의 거품 때문에 발생하는 노이즈를 줄이려면 거품 제거를 켜짐으로 설정합니다. 샘플에 기포가 있으면 관독값이 안정적이지 않을 수 있습니다.
높은 CL값 알람	높은 CL값 알람에 대한 염소 농도 설정값을 0.00 ~ 4.00mg/L로 설정합니다(기본: 10.00mg/L).
낮은 CL값 알람	낮은 CL값 알람에 대한 염소 농도 설정값을 0.20 ~ 10.00mg/L로 설정합니다(기본: 0.20mg/L).
센서 정보	분석기 일련 번호, 소프트웨어 버전, 부팅 버전 및 드라이버 버전을 표시합니다.
기본 설정	구성 설정을 출고 시 기본값으로 되돌리려면 예를 선택합니다.
서비스	서비스 전용

4.2 시스템 구성

시스템 구성, 일반적인 컨트롤러 설정, 그리고 출력 및 통신 설정에 대해서는 컨트롤러 설명서를 참조하십시오.

4.3 사용자 탐색

키패드 설명 및 탐색 정보에 대해서는 컨트롤러 설명서를 참조하십시오.

홈 화면에서 자세한 내용을 표시하고 그래픽 디스플레이를 표시하려면 컨트롤러의 **오른쪽** 화살표 키를 여러 번 누릅니다.

섹션 5 작동

5.1 데이터, 이벤트 및 서비스 로그

컨트롤러는 연결된 각 기기에 대한 데이터 로그, 이벤트 로그 및 서비스 로그에 대한 액세스를 제공합니다. CL17sc 측정값은 150초 간격으로 데이터 로그에 자동 저장됩니다. 이벤트 로그에는 발생한 이벤트가 표시됩니다. 분석기가 계속 작동하면 이벤트 및 데이터 로그는 약 2주간의 데이터를 보관합니다. 분석기가 계속 작동할 경우 서비스 로그는 약 24시간의 데이터를 보관합니다.

데이터 로그, 이벤트 로그 및/또는 서비스 로그를 다운로드하려면 컨트롤러 설명서를 참조하십시오. 데이터 로그는 CSV 또는 Excel 형식으로 저장할 수 있는 XML 파일입니다. 이벤트 로그 및 서비스 로그는 CSV 형식의 파일입니다.

5.2 GRAB 샘플 투입 측정

GRAB 샘플 투입 메뉴를 사용하여 측정을 위해 알려진 염소 농도의 물 샘플에 물을 추가합니다. 필요한 경우 확인을 위해 그랩 샘플을 측정하거나 다른 위치에서 채취한 물 샘플을 측정합니다.

1. **menu(메뉴)**를 누른 다음에 **센서설정 > [select analyzer(분석기 선택)] > GRAB** 샘플 투입을 선택합니다.
2. 디스플레이에 나타나는 단계를 완료합니다. 메시지가 표시되면 셀 뚜껑을 제거하고 그랩 샘플 50mL를 셀에 추가합니다. 일부 샘플이 샘플 배수구로 흐릅니다.

5.3 Modbus 레지스터

Modbus 레지스터 목록을 네트워크 통신에 사용할 수 있습니다. 자세한 내용은 제조업체의 웹사이트를 참조하십시오.

섹션 6 교정 및 조정

분석기의 교정 곡선은 성능에서 사양에 따라 공장에서 설정됩니다. 성능 확인을 위해 교정을 수행할 수 있습니다.

규제 기관에서 규정 준수 보고 목적을 위해 요구하거나 분석기의 대규모 수리를 수행하지 않는 한, 공장 교정 곡선은 사용자가 조정하지 않는 것이 좋습니다.

자세한 내용은 교정 검증 키트의 지침을 참조하거나 기술 지원팀에 문의하십시오.

섹션 7 유지관리

▲ 주의



여러 가지 위험이 존재합니다. 해당 전문가만 본 문서에 의거하여 작업을 수행해야 합니다.

주의사항

유지관리를 위해 기기를 해체하지 마십시오. 내부 구성 부품을 세척 또는 수리해야 하는 경우에는 제조업체에 연락하십시오.

7.1 유지 보수 일정

표 6에는 유지관리 태스크에 대한 권장 일정이 나와 있습니다. 일부 태스크의 빈도는 시설의 요구 사항 및 작동 조건에 따라 늘어날 수 있습니다.

표 6 유지 보수 일정

태스크	1개월	6개월	필요한 경우
셀을 청소하십시오. 177 페이지	X ²		
시약 병을 교체합니다 178 페이지	X		
교반용 막대와 튜브 하니스를 교체합니다. ³		X	
Y 여과기 스크린 청소 179 페이지			X

7.2 셀을 청소하십시오.

▲ 주의



화학물질에 노출될 위험이 있습니다. 실험실의 안전절차를 준수하고, 취급하는 화학 물질에 맞는 개인보호장비를 안전하게 착용하십시오. 최신 물질안전보건자료(MSDS/SDS)에서 안전 규정을 참조하십시오.

1개월 간격으로 셀을 청소하고 필요하면 더 자주 청소합니다.

준비 항목:



면봉⁴



5.25 N 황산 용액⁵

1. 안전 데이터 시트(MSDS/SDS)에서 식별된 개인 보호 장구를 착용합니다.
2. menu(메뉴)를 누른 다음에 센서설정 > [분석기 선택] > 태스크 > 셀 청소를 선택합니다.
참고: 선택한 작업을 중지하려면 home(홈) 을 누릅니다.
3. 측정을 중지하려면 ENTER 키를 누릅니다.
4. 옵션을 선택합니다.

옵션 설명

중지 컨트롤러 출력은 마지막에 측정된 값으로 유지됩니다.

전송 컨트롤러 출력이 전송 값으로 변경됩니다.

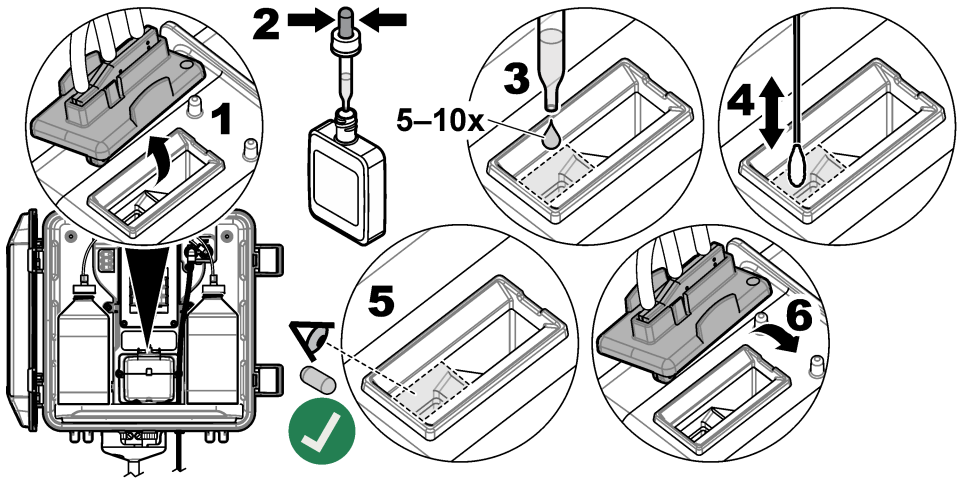
5. 상태 표시등이 깜박이면 아래의 그림 단계를 수행합니다. 셀에 불필요한 물질이 없는지 확인합니다. 완료되면 ENTER 키를 누릅니다.

² 필요한 만큼 셀의 청소 빈도를 변경합니다.

³ 튜브 키트와 함께 제공되는 지침을 참조하십시오.

⁴ 교체 부품 및 부속품 184 페이지(를) 참조하십시오.

⁵ 다른 세척액을 사용하지 마십시오. 교체 부품 및 부속품 184 페이지(를) 참조하십시오.



6. 디스플레이에 "테스크 완료"가 표시되면 **ENTER** 키를 누릅니다.
 약 30초 후에 분석기에서 측정 주기를 시작합니다.

7.3 시약 병을 교체합니다

▲ 주의	
	화학물질에 노출될 위험이 있습니다. 실험실의 안전절차를 준수하고, 취급하는 화학 물질에 맞는 개인보호장비를 안전하게 착용하십시오. 최신 물질안전보건자료(MSDS/SDS)에서 안전 규정을 참조하십시오.
▲ 주의	
	화학물질에 노출될 위험이 있습니다. 화학물질 및 폐기물은 국가 및 지역 규정에 따라 폐기하십시오.

시약병을 1개월 간격으로 교체합니다.

1. 안전 데이터 시트(MSDS/SDS)에서 식별된 개인 보호 장구를 착용합니다.
2. **menu(메뉴)**를 누른 다음에 **센서설정 > [분석기 선택] > 테스크 > 시약 교체**를 선택합니다.
참고: 선택한 작업을 중지하려면 **HOME(홈)** 을 누릅니다.
3. 측정을 중지하려면 **ENTER** 키를 누릅니다.
4. 옵션을 선택합니다.

옵션	설명
중지	컨트롤러 출력은 마지막에 측정된 값으로 유지됩니다.
전송	컨트롤러 출력이 전송 값으로 변경됩니다.

5. 상태 표시등이 깜박일 때까지 기다립니다.
6. 버퍼 병을 다음과 같이 교체합니다.

참고: (옵션) 분석기 상단을 선반으로 사용합니다.

- a. 새 버퍼 병에서 캡과 실을 제거합니다.
- b. 분석기에서 사용한 버퍼 병을 제거합니다.
- c. 분석기 오른쪽의 새 버퍼 병에 버퍼 튜브를 넣습니다. 캡을 조입니다.

7. 표시기 병을 다음과 같이 교체합니다.

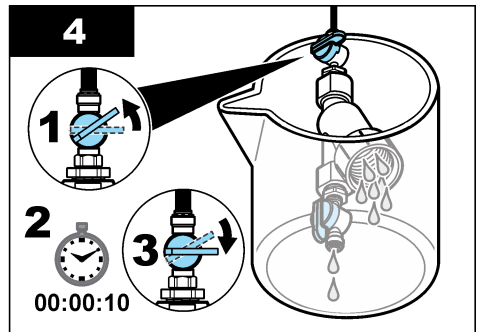
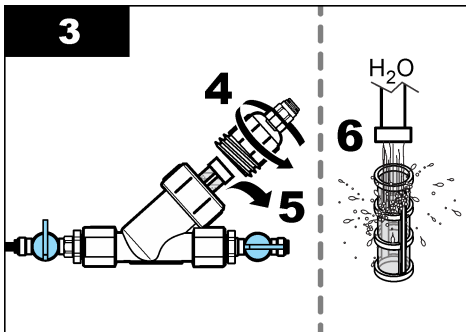
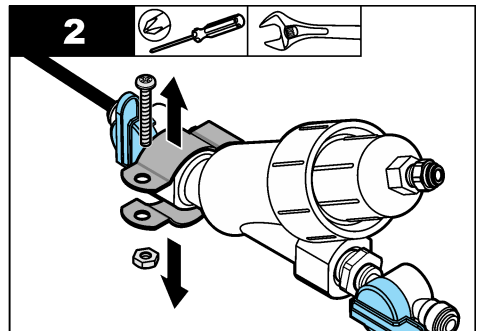
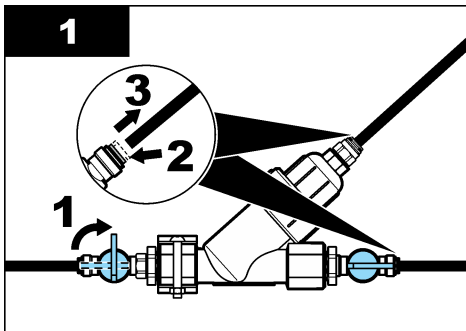
- 표시기 병과 갈색 DPD 병에서 캡과 쉘을 제거합니다.
- 갈색 DPD 병에 표시기 용액을 약 1/4 채웁니다.
- DPD 병을 흔들어 섞습니다.
- DPD 병의 내용물을 표시기 병에 넣습니다.
- 모든 분말이 녹을 때까지(2분) 표시기 병을 거꾸로 뒤집습니다.
- 분석기에서 사용된 표시기 병을 제거합니다.
- 분석기 왼쪽의 새 지시계 병에 지시계 튜브를 넣습니다. 캡을 조입니다.

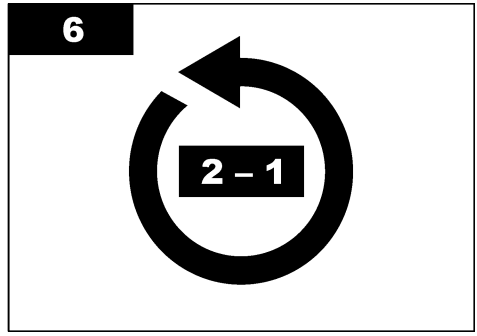
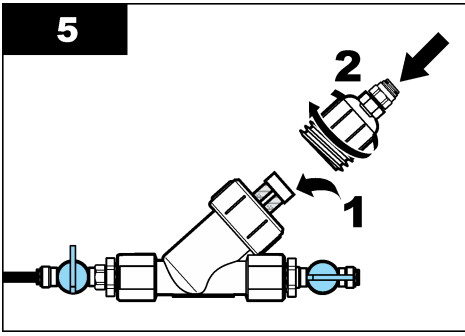
8. **ENTER** 키를 누릅니다.

9. 디스플레이에 "테스트 완료"가 표시되면 **ENTER** 키를 누릅니다. 약 30초 후에 분석기에서 측정 주기를 시작합니다.

7.4 Y 여과기 스크린 청소

샘플유량 적음 경고가 표시된 막힌 부분이 있으면 Y 여과기 스크린을 청소하십시오. 아래의 단계별 그림 설명을 수행합니다.





7.5 보관 준비

⚠ 주의



화학물질에 노출될 위험이 있습니다. 실험실의 안전절차를 준수하고, 취급하는 화학 물질에 맞는 개인보호장비를 안전하게 착용하십시오. 최신 물질안전보건자료(MSDS/SDS)에서 안전 규정을 참조하십시오.

분석기 전원을 3일 이상 제거하거나 분석기를 3일 이상 사용하지 않을 경우에는 분석기 보관 준비를 합니다.

Items to collect(준비 항목):



탈이온수가 있는 비커(2x)

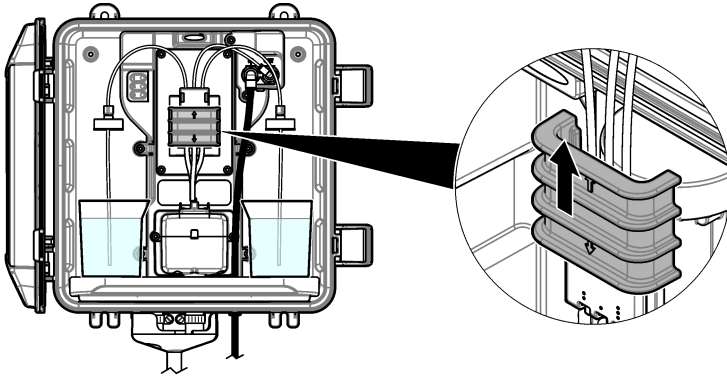


일회용 점적기 또는 보풀 없는 천

1. 다음과 같이 시약 라인에서 시약을 제거하십시오.
 - a. 분석기에서 표시기 병과 버퍼 병을 제거합니다.
 - b. 분석기에 탈이온수가 포함된 2개의 비커(또는 용기)를 넣습니다.
 - c. 비커에 표시기 병 튜브 및 버퍼 병 튜브를 넣습니다.
 - d. **menu(메뉴)**를 누른 다음에 **센서설정 > [select analyzer(분석기 선택)] > 프라임**을 선택합니다. 분석기가 시약 라인에서 시약을 제거합니다.
2. 다음과 같이 시약 라인에서 탈이온수를 제거합니다.
 - a. 비커에서 표시기 병 튜브와 버퍼 병 튜브를 제거합니다.
 - b. 분석기에서 비커 2개를 제거합니다.
 - c. **menu(메뉴)**를 누른 다음에 **센서설정 > [select analyzer(분석기 선택)] > 프라임**을 선택합니다. 분석기가 시약 라인에서 모든 액체를 제거합니다.
3. 컨트롤러에서 분석기 케이블을 분리합니다(또는 컨트롤러에 대한 전원을 제거합니다).
4. 차단 밸브를 닫힌 위치로 돌려 Y 여과기에 대한 샘플 흐름을 정지시킵니다.
5. 펌프 클램프를 제거합니다. **그림 6**을(를) 참조하십시오. 펌프 클램프를 나중에 사용할 수 있도록 보관합니다.
6. 다음과 같이 셀에서 물을 제거합니다.
 - a. 셀에서 뚜껑을 제거합니다.
 - b. 일회용 점적기 또는 보풀 없는 천으로 셀에서 물을 제거합니다.
 - c. 셀에 뚜껑을 설치합니다.
7. 보관 후에 분석기를 시작하려면 다음 단계를 수행합니다.
 - a. 펌프 클램프를 설치합니다. **그림 6**을(를) 참조하십시오.

- b. 시약 병을 설치합니다. **4단계: 시약 병 설치 170** 페이지를(를) 참조하십시오.
- c. 차단 밸브를 열어 Y 여과기에 대한 샘플 흐름을 시작합니다.
- d. 케이블이 분리된 경우에는 컨트롤러에 분석기 케이블을 연결합니다.
- e. 전원이 분리된 경우에는 컨트롤러에 전원을 공급합니다.
- f. **menu(메뉴)**를 누른 다음에 **센서설정 > [select analyzer(분석기 선택)] > 프라임**을 선택합니다.

그림 6 펌프 클램프를 제거합니다.



7.6 배송 준비

⚠ 주의



화학물질에 노출될 위험이 있습니다. 실험실의 안전절차를 준수하고, 취급하는 화학 물질에 맞는 개인보호장비를 안전하게 착용하십시오. 최신 물질안전보건자료(MSDS/SDS)에서 안전 규정을 참조하십시오.

분석기 배송 준비를 하려면 다음 단계를 수행합니다.

Items to collect(준비 항목):



탈이온수가 있는 비커(2x)



원래 포장

1. 다음과 같이 시약 라인에서 시약을 제거하십시오.
 - a. 분석기에서 표시기 병과 버퍼 병을 제거합니다.
 - b. 분석기에 탈이온수가 포함된 2개의 비커(또는 용기)를 넣습니다.
 - c. 비커에 표시기 병 튜브 및 버퍼 병 튜브를 넣습니다.
 - d. **menu(메뉴)**를 누른 다음에 **센서설정 > [분석기 선택] > 프라임**을 선택합니다. 분석기가 시약 라인에서 시약을 제거합니다.
2. 다음과 같이 시약 라인에서 탈이온수를 제거합니다.
 - a. 비커에서 표시기 병 튜브와 버퍼 병 튜브를 제거합니다.
 - b. 분석기에서 비커 2개를 제거합니다.
 - c. **menu(메뉴)**를 누른 다음에 **센서설정 > [분석기 선택] > 프라임**을 선택합니다. 분석기가 시약 라인에서 모든 액체를 제거합니다.
3. 컨트롤러에서 분석기 케이블을 분리합니다.
4. 차단 밸브를 닫힌 위치로 돌려 Y 여과기에 대한 샘플 흐름을 정지시킵니다.
5. 분석기에서 샘플 주입구(검은색) 튜브와 배수구(투명) 튜브를 분리합니다.

6. 분석기에서 외부 공기 분리기를 제거합니다.
7. 펌프 클램프를 제거합니다. **그림 6 181** 페이지을(를) 참조하십시오.
8. 분석기에서 튜브 하니스와 교반용 막대를 제거합니다. 배송할 튜브 하니스를 분석기와 함께 보관합니다. **3단계: 교반용 막대와 튜브 하니스를 설치합니다. 170** 페이지을(를) 참조하십시오.
9. 튜브 하니스 없이 펌프 클램프를 설치하십시오. 튜브 클램프에 테이프를 붙여 튜브 클램프를 단단히 고정시킵니다.
10. 일회용 점적기 또는 보풀 없는 천으로 셀에서 물을 제거합니다.
11. 분석기를 벽에서 제거합니다.
12. 분석기를 원래 포장에 다시 넣습니다.

7.7 기기 세척

주의사항

디스플레이 및 액세서리가 포함된 기기를 청소할 때 테레빈, 아세톤 또는 유사한 성질의 세정제를 사용하지 마십시오.

젖은 천과 부드러운 비눗액을 사용하여 기기 외부를 닦아냅니다.

7.8 유출물 청소

주의



화학물질에 노출될 위험이 있습니다. 화학물질 및 폐기물은 국가 및 지역 규정에 따라 폐기하십시오.

1. 시설 내 유출물 관리와 관련된 모든 안전 프로토콜을 따르십시오.
2. 해당 규정에 따라 폐기물을 처리하십시오.

섹션 8 문제 해결

8.1 에러 - 빨간색 표시등

에러를 표시하려면 **menu(메뉴)**를 누르고 진단 > [분석기 선택] > 에러목록을 선택합니다. 가능한 에러 목록이 **표 7**에 나와 있습니다.

에러가 발생하면 분석기 상태 표시등이 빨간색으로 바뀝니다. 에러가 발생하면 측정이 멈추고 측정 화면이 깜박이며 컨트롤러 메뉴에서 지정한 경우 모든 출력이 보류됩니다.

표 7 에러 메시지

에러	설명	해결책
디텍터 에러	감지기가 올바르게 작동하지 않습니다.	기술 지원부에 문의하십시오.
오염된 셀	셀이 얼룩지거나 더러워졌습니다.	셀을 청소하십시오. 셀을 청소하십시오. 177 페이지을(를) 참조하십시오.
코드 에러.	펌웨어 에러가 발생했습니다.	기술 지원부에 문의하십시오.
LED 에러	셀의 표시등이 제대로 작동하지 않습니다.	기술 지원부에 문의하십시오.
펌프에러	펌프가 올바르게 작동하지 않습니다.	기술 지원부에 문의하십시오.
샘플 누수	분석기에 샘플 누출이 있습니다.	기술 지원부에 문의하십시오.

8.2 경고 - 노란색 표시등

경고를 표시하려면 **menu**를 누르고 진단 > [분석기 선택] > 경고목록을 선택합니다. 발생 가능한 경고 목록이 **표 8**에 나와 있습니다.

경고가 발생하면 상태 표시등이 노란색으로 바뀝니다. 충분한 샘플 유량을 사용할 수 있는 경우 경고 메시지는 메뉴 작동에 영향을 주지 않습니다. 경고는 릴레이 및 출력 작동에 영향을 주지 않습니다. 컨트롤러 디스플레이 하단에 메시지가 표시되고 경고 아이콘이 깜박입니다.

표 8 경고 메시지

경고	설명	해결책
거품 감지	셀에 거품이 있습니다.	셀을 청소하십시오. 셀을 청소하십시오. 177 페이지을(를) 참조하십시오. 거품 제거 설정을 커짐으로 설정합니다(선택 사항). 10 단계: 분석기 구성 174 페이지을(를) 참조하십시오.
셀 즉시 청소	셀이 얼룩이 지거나 오염되기 때문에 에러를 막기 위해 즉시 청소해야 합니다.	셀을 청소하십시오. 셀을 청소하십시오. 177 페이지을(를) 참조하십시오.
염소 높음	염소 농도가 높은 CL값 알람 설정값 이상입니다.	높은 CL값 알람 설정을 증가시킵니다. 10단계: 분석기 구성 174 페이지을(를) 참조하십시오. 또는 분석기에 공급되는 샘플의 염소 농도를 낮춥니다.
염소 낮음	염소 농도가 낮은 CL값 알람 설정값 이하입니다.	낮은 CL값 알람 설정을 낮춥니다. 10단계: 분석기 구성 174 페이지을(를) 참조하십시오. 또는 분석기에 공급되는 샘플의 염소 농도를 높입니다.
샘플유량 적음	측정된 샘플 유량이 최소 샘플 유량보다 작습니다. 사양 160 페이지을(를) 참조하십시오.	샘플 유량 설정. 8단계: 유량 설정 173 페이지을(를) 참조하십시오. 필요하면 Y 여과기의 필터를 청소하여 막힘을 제거합니다. Y 여과기 스크린 청소 179 페이지을(를) 참조하십시오. 참고: 샘플유량 적음 경기가 발생하면 분석기가 일시적으로 측정을 중지합니다. 유속이 유속 사양 내에 다시 들어오면 분석기가 자동으로 측정을 시작합니다.
높은 샘플 흐름	측정된 샘플 유량이 최대 샘플 유량보다 큼니다. 사양 160 페이지을(를) 참조하십시오.	샘플 유량 설정. 8단계: 유량 설정 173 페이지을(를) 참조하십시오.

섹션 9 교체 부품 및 부속품

▲ 경고



신체 부상 위험. 승인되지 않은 부품을 사용하면 부상, 기기 손상 또는 장비 오작동이 발생할 수 있습니다. 이 장에 설명된 교체 부품은 제조업체의 승인을 받았습니다.

참고: 일부 판매 지역의 경우 제품 및 문서 번호가 다를 수 있습니다. 연락처 정보는 해당 대리점에 문의하거나 본사 웹사이트를 참조하십시오.

소모품

설명	수량	품목 번호
시약 세트, 유리 염소, 다음 포함: 버퍼 병, 표시기 병, DPD 병	1	2556900
시약 세트, 총 염소, 다음 포함: 버퍼 병, 표시기 병, DPD 병	1	2557000
셀 세척 키트의 포함물 황산, 5.25N, 100mL, 집적기 병 및 먼봉(10x)	1	8573100
교정 확인 키트	1	8568200
교정 확인 리필 키트	1	8573200

교체 부품

설명	품목 번호
튜브 키트, 다음 포함: 튜브 하니스 및 교반 바	8560400
스탠드 파이프가 있는 설치 키트	8560500
압력 조절기가 있는 설치 키트	8565700

부속품

설명	품목 번호
분석기용 연장 케이블, 1m(3.2ft)	6122400
분석기용 연장 케이블, 7.7m(25ft)	5796000
분석기용 연장 케이블, 15m(50ft)	5796100
튜브 어댑터, 6mm OD~¼인치 OD	09184=A=4020

สารบัญ

- | | |
|----------------------------------|--|
| 1 รายละเอียดทางเทคนิค ในหน้า 185 | 6 การสอบเทียบการปรับแต่ง ในหน้า 201 |
| 2 ข้อมูลทั่วไป ในหน้า 186 | 7 การบำรุงรักษา ในหน้า 201 |
| 3 การติดตั้ง ในหน้า 190 | 8 การแก้ไขปัญหา ในหน้า 207 |
| 4 การกำหนดค่า ในหน้า 199 | 9 ชิ้นส่วนอะไหล่และอุปกรณ์เสริม ในหน้า 210 |
| 5 การทำงาน ในหน้า 201 | |

หัวข้อที่ 1 รายละเอียดทางเทคนิค

รายละเอียดทางเทคนิคอาจเปลี่ยนแปลงได้โดยไม่ต้องแจ้งให้ทราบล่วงหน้า

ตาราง 1 ข้อมูลจำเพาะทั่วไป

รายละเอียดทางเทคนิค	รายละเอียด
ขนาด (ก. x ส. x ล.)	32.9 x 34.2 x 17.7 ซม. (12.9 x 13.5 x 7.0 นิ้ว)
ตัวเครื่อง	IP66 ต่อ IEC 60529 ขณะปิดฝาและล็อก ¹
น้ำหนักในการจัดส่ง	4.1 กก. (9 ปอนด์) โคชไม่มีขวด; 5.1 กก. (11.2 ปอนด์) มีขวดเต็ม
การยึด	การยึดกับผนัง
ระดับการป้องกัน	III
ระดับของมลภาวะ	3
ประเภทการติดตั้งทางไฟฟ้า	I (การติดตั้งในอาคาร)
ข้อกำหนดด้านพลังงาน	สูงสุด 12 VDC, 400 mA (จัดหาโดยชุดควบคุม)
อุณหภูมิในการทำงาน	5 ถึง 40 °C (41 ถึง 104 °F)
ความชื้นในการทำงาน	0 ถึง 90% ความชื้นสัมพัทธ์ที่ไม่มีกรดควบแน่น
อุณหภูมิสำหรับจัดเก็บ	-40 ถึง 60 °C (-40 ถึง 140 °F)
การต่อท่อ	สายตัวอย่าง: ¼ นิ้ว อุปกรณ์เชื่อมต่อแบบคว้น OD สำหรับท่อพลาสติก ท่อระบาย: ท่อแบบ Slip-on สำหรับ ½ นิ้ว ท่อพลาสติกแบบอ่อน ID
ไฟบอกสถานะ	สถานะเครื่องวิเคราะห์และรอบการวัด
การรับรอง	CE DoC, FCC SDoC, IC, RCM, KC
การรับประกัน	1 ปี (สหภาพยุโรป: 2 ปี)

¹ ปิดดูชำระล้างด้วยปลั๊กสำหรับความต้องการด้านการทดสอบ

ตาราง 2 ข้อกำหนดเกี่ยวกับสารตัวอย่าง

รายละเอียดทางเทคนิค	รายละเอียด
แรงดัน	0.31 ถึง 5.17 บาร์ (4.5 ถึง 75 psig) ที่จ่ายให้ตัวกรองสารไหลแบบตัว Y; 0.1 ถึง 0.34 บาร์ (1.5 ถึง 5 psig) ที่จ่ายให้เครื่องวิเคราะห์
อัตราการไหล	60 ถึง 200 มล./นาที ผ่านอุปกรณ์(วัดที่การระบายของเครื่องวิเคราะห์)
อุณหภูมิ	5 ถึง 40 °C (41 ถึง 104 °F)
การกรอง	ตัวกรองสารไหลแบบตัว Y พร้อมตัวกรอง 40 mesh หรือสูงกว่า

ตาราง 3 ข้อมูลจำเพาะการวัด

รายละเอียดทางเทคนิค	รายละเอียด
แหล่งกำเนิดแสง	LED, การวัดที่ 510 nm; ความยาวเส้นทางของแสง 1 ซม.
ช่วงการวัด	0.03–10 mg/L ปราศจากคลอรีน หรือมีคลอรีนตกค้างทั้งหมด Cl ₂
รอบตรวจวัด	150 วินาที
ความแม่นยำ	±5% หรือ ±0.04 mg/L จาก 0 ถึง 5 mg/L (ค่าที่สูงกว่า) เป็น Cl ₂ ±10% จาก 5 ถึง 10 mg/L เป็น Cl ₂
ความแม่นยำ	±5% หรือ ±0.01 mg/L (ค่าที่สูงกว่า) เป็น Cl ₂
ขีดจำกัดที่วัดได้	0.03 mg/L เป็น Cl ₂
ขีดจำกัดการวัดปริมาณ	0.07 มก./ลิตร
การสอบเทียบ	การสอบเทียบจากโรงงาน ไม่มีบันทึก: การสอบเทียบของผู้ใช้แบบ 2 จุดด้วยมาตรฐานการสอบเทียบในชุดการสอบเทียบ การขึ้นชั้น
การใช้สารตัวกระทำ	สารละลายบัฟเฟอร์ 0.5 L และสารละลายซีวีดี 0.5 L ใน 31 วัน

หัวข้อที่ 2 ข้อมูลทั่วไป

ผู้ผลิตไม่มีส่วนรับผิดชอบใด ๆ ต่อความเสียหายโดยตรง โดยอ้อม ความเสียหายพิเศษ ความเสียหายจากอุบัติเหตุหรือความเสียหายอันเป็นผลต่อเนื่องเนื่องจากข้อบกพร่องหรือการละเว้นข้อมูลใด ๆ ของคู่มือชุดนี้ ผู้ผลิตสงวนสิทธิ์ในการแก้ไขคู่มือและเปลี่ยนแปลงผลิตภัณฑ์ที่อ้างถึงได้โดยไม่ต้องแจ้งให้ทราบ ข้อมูลฉบับแก้ไขจะมีจัดไว้ให้ในเว็บไซค์ของผู้ผลิต

2.1 ข้อมูลเพื่อความปลอดภัย

หมายเหตุ

ผู้ผลิตจะไม่รับผิดชอบต่อความเสียหายใดๆ ที่เกิดจากการนำผลิตภัณฑ์ไปใช้หรือการใช้งานที่ผิดวัตถุประสงค์ รวมถึงแต่ไม่จำกัดเพียงความเสียหายทางตรง ความเสียหายที่ไม่ได้ตั้งใจ และความเสี่ยงที่ต่อเนื่องตามมา และขอปฏิเสธในการรับผิดชอบต่อความเสียหายเหล่านี้ในระดับสูงสุดเท่าที่กฎหมายที่เกี่ยวข้องจะอนุญาต ผู้ใช้เป็นผู้รับผิดชอบแต่เพียงผู้เดียวในการระบุถึงความเสี่ยงในการนำไปใช้งานที่สำคัญ และการติดตั้งกลไกที่เหมาะสมเพื่อป้องกันกระบวนการต่างๆ ที่เป็นไปได้อันเนื่องมาจากการทำงานผิดพลาด

กรุณาอ่านคู่มือฉบับนี้โดยละเอียดก่อนเปิดกล่อง ติดตั้งหรือใช้งานอุปกรณ์นี้ ศึกษาอันตรายและข้อควรระวังต่าง ๆ ที่แจ้งให้ทราบให้ครบถ้วน หากไม่ปฏิบัติตามอาจทำให้เกิดการบาดเจ็บร้ายแรงต่อผู้ใช้หรือเกิดความเสียหายต่ออุปกรณ์


ตรวจดูว่าชิ้นส่วนป้องกันของอุปกรณ์ไม่มีความเสียหาย ห้ามใช้หรือติดตั้งอุปกรณ์ในลักษณะอื่นใดนอกจากที่ระบุไว้ในคู่มือนี้

2.1.1 การใช้ข้อมูลแจ้งเตือนเกี่ยวกับอันตราย

⚠️ อันตราย
ระบุนอันตรายที่อาจเกิดขึ้น ซึ่งหากไม่หลีกเลี่ยง อาจทำให้เสียชีวิตหรือได้รับบาดเจ็บร้ายแรงได้
⚠️ คำเตือน
ระบุนอันตรายที่อาจเกิดขึ้น ซึ่งหากไม่หลีกเลี่ยง อาจทำให้เสียชีวิตหรือได้รับบาดเจ็บร้ายแรงได้
⚠️ ข้อควรระวัง
ระบุนอันตรายที่อาจเกิดขึ้นซึ่งอาจทำให้เกิดการบาดเจ็บเล็กน้อยถึงปานกลาง
หมายเหตุ
ข้อควรทราบระบุกรณีที่หากไม่หลีกเลี่ยง อาจทำให้อุปกรณ์ได้รับความเสียหายได้ ข้อมูลที่ต้องมีการเน้นย้ำเป็นพิเศษ

2.1.2 ฉลากระบุข้อควรระวัง

อ่านฉลากและป้ายระบุทั้งหมดที่มีมาให้พร้อมกับอุปกรณ์ อาจเกิดการบาดเจ็บหรือความเสียหายต่ออุปกรณ์ หากไม่ปฏิบัติตาม คู่มืออ้างอิง สัญลักษณ์ที่ตัวอุปกรณ์พร้อมข้อความเพื่อเผยแพร่ไว้เบื้องต้น

	อุปกรณ์อิเล็กทรอนิกส์ที่มีเครื่องหมายนี้ไม่สามารถทิ้งแบบขยะปกติในเขตยุโรปหรือระบบกำจัดขยะสาธารณะได้ ส่งคืนอุปกรณ์เก่าหรือที่หมดอายุการใช้งานให้กับผู้ผลิตเพื่อการกำจัดไม่มีค่าใช้จ่ายใดๆ กับผู้ใช้
--	--

2.1.3 การปฏิบัติตามและใบรับรอง

⚠️ ข้อควรระวัง
อุปกรณ์เครื่องนี้ไม่ได้ออกแบบสำหรับการใช้งานในที่ท้ออาศัยและอาจมีการป้องกันการรับสัญญาณวิทยุที่ไม่เพียงพอสภาพแวดล้อมดังกล่าว

หลักเกณฑ์เกี่ยวกับอุปกรณ์ที่ทำให้เกิดสัญญาณรบกวนของแคนาดา **ICES-003, Class A:**

รองรับข้อมูลการทดสอบของผู้ผลิต

อุปกรณ์ดิจิทัล Class A นี้ได้มาตรฐานตามเงื่อนไขภายใต้หลักเกณฑ์เกี่ยวกับอุปกรณ์ที่ทำให้เกิดสัญญาณรบกวนของแคนาดา

Cet appareil numérique de classe A répond à toutes les exigences de la réglementation canadienne sur les équipements provoquant des interférences.

FCC Part 15, Class "A" Limits

รองรับข้อมูลการทดสอบของผู้ผลิต อุปกรณ์นี้ได้มาตรฐานตาม Part 15 ของ FCC Rules การใช้งานจะต้องอยู่ภายใต้เงื่อนไขดังต่อไปนี้:

1. อุปกรณ์จะต้องไม่ทำให้เกิดอันตรายจากสัญญาณรบกวน
2. อุปกรณ์จะต้องสามารถทนรับสัญญาณรบกวนที่ได้รับ รวมทั้งสัญญาณรบกวนอื่น ๆ ที่อาจทำให้การทำงานไม่เป็นไปตามที่คาดหวัง

การเปลี่ยนแปลงหรือปรับตั้งอุปกรณ์นี้ซึ่งไม่ได้ได้รับการรับรองโดยผู้เกี่ยวข้องเพื่อควบคุมมาตรฐาน อาจทำให้ผู้ใช้เสียชีวิตหรือบาดเจ็บ อุปกรณ์ อุปกรณ์นี้ผ่านการทดสอบและพบว่าได้มาตรฐานตามข้อกำหนดสำหรับอุปกรณ์ดิจิทัล Class A ภายใต้ Part 15 ของ FCC Rules ข้อกำหนดนี้กำหนดขึ้นเพื่อเป็นการป้องกันสัญญาณรบกวนที่เป็นอันตรายเมื่อมีการใช้งานอุปกรณ์ในเชิงพาณิชย์ อุปกรณ์นี้ทำให้เกิดใช้ และสามารถแพร่คลื่นความถี่วิทยุ และหากมีการติดตั้งและใช้งานไม่เป็นไปตามคู่มือการใช้งาน อาจทำให้เกิดสัญญาณรบกวนที่เป็นอันตรายต่อการสื่อสารทางวิทยุ การทำงานของอุปกรณ์ในที่ที่ท้ออาศัยอาจทำให้เกิดสัญญาณรบกวนที่เป็นอันตราย ซึ่งในกรณีนี้ผู้ใช้จะต้องแก้ไขปัญหาสัญญาณรบกวนด้วยตัวเอง สามารถใช้เทคนิคต่อไปนี้เพื่อลดปัญหาจากสัญญาณรบกวน:

1. ปลดอุปกรณ์จากแหล่งจ่ายไฟเพื่อยืนยันว่าอุปกรณ์เป็นสาเหตุของสัญญาณรบกวนหรือไม่
2. หากต่ออุปกรณ์เข้ากับตัวรับไฟฟ้าเดียวกันกับอุปกรณ์ที่มีปัญหาสัญญาณรบกวน ให้ต่ออุปกรณ์กับตัวรับไฟฟ้าอื่น
3. ย้ายอุปกรณ์ออกจากอุปกรณ์ที่ได้รับสัญญาณรบกวน

4. ปรับตำแหน่งสายอากาศสำหรับอุปกรณ์ที่ได้รับสัญญาณรบกวน
5. ลองดำเนินการตามวิธีการต่าง ๆ ข้างต้น

2.2 ภาพรวมของผลิตภัณฑ์

⚠️ อันตราย

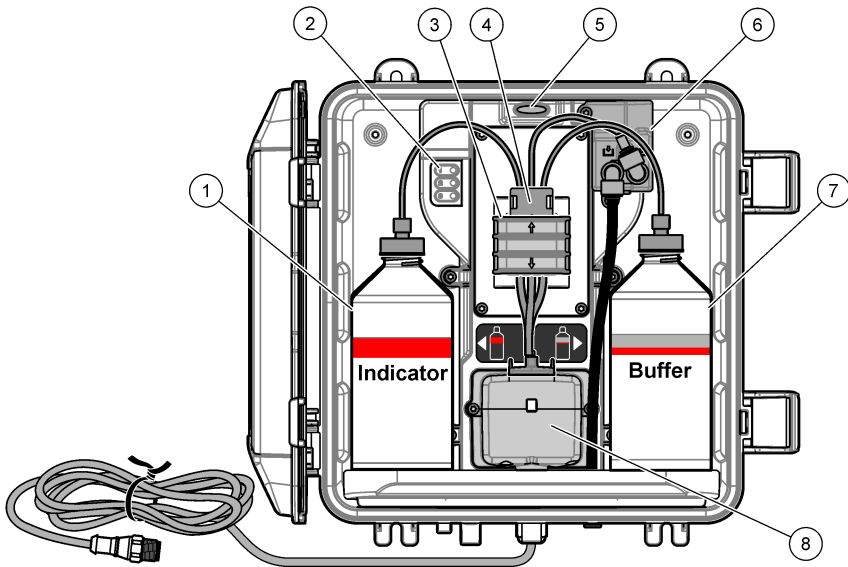
อันตรายจากสารเคมีหรืออันตรายทางชีวภาพ หากอุปกรณ์นี้ถูกใช้งานในการตรวจสอบกระบวนการทรีตเมนต์ และ/หรือน้ำฟีดไดอะไลซิส ซึ่งมีขีดจำกัดตามกฎหมายข้อบังคับและมีข้อกำหนดในการตรวจสอบ ซึ่งเกี่ยวข้องกับด้านสาธารณสุข ความปลอดภัยของสาธารณะ การผลิตหรือกระบวนการต่างๆ ของเครื่องดื่มหรืออาหาร ถือเป็นความรับผิดชอบของผู้ใช้อุปกรณ์นี้ในการรับทราบและปฏิบัติตามกฎข้อบังคับที่เกี่ยวข้อง รวมถึงการมีกลไกที่เหมาะสมและเพียงพอไว้รองรับ เพื่อให้เป็นไปตามกฎหมายข้อบังคับที่เกี่ยวข้องในกรณีที่อุปกรณ์ทำงานผิดพลาด

เครื่องวิเคราะห์ CL17sc จะวัดความเข้มข้นของคลอรีนอิสระหรือคลอรีนทั้งหมดในน้ำในช่วง 0.03 ถึง 10 mg/L ทุก 150 วินาที **รูปที่ 1** ให้ภาพรวมของเครื่องวิเคราะห์

เชื่อมต่อเครื่องวิเคราะห์เข้ากับตัวควบคุม SC สำหรับปลังงาน, การทำงาน, การจัดเก็บข้อมูล, การส่งข้อมูลและการวินิจฉัย โปรดดูคู่มือตัวควบคุม SC สำหรับภาพรวมของตัวควบคุม

บันทึก: สามารถเชื่อมต่อเครื่องวิเคราะห์ได้มากกว่า 1 เครื่องกับตัวควบคุม SC หากตัวควบคุมมีมากกว่า 1 อุปกรณ์เชื่อมต่อแบบตัว

รูปที่ 1 CL17sc



1 ขวดใส่สารเคมี	5 ไฟแรงสถานะเครื่องวิเคราะห์ (ตาราง 5 ในหน้า 189)
2 ไฟแสดงรอบการวัด (ตาราง 4 ในหน้า 189)	6 โฟลว์มิเตอร์
3 แคลมป์บี้ม	7 ขวดใส่สัฟเฟอร์
4 คลิปหนีบท่อ	8 เซลล์กัลเลียมอิเล็กโทรด

2.2.1 โฟลว์มิเตอร์

เครื่องวิเคราะห์ที่มีโฟลว์มิเตอร์ที่ใช้วัดการไหลของสารตัวอย่างผ่านเครื่องวิเคราะห์ ดูรายละเอียดใน **รูปที่ 1** ในหน้า 188

สารตัวอย่างจะไหลผ่านเครื่องวิเคราะห์เมื่อเครื่องวิเคราะห์ชำระล้างเซลล์ ในเวลานั้น จะไม่มีการไหลของสารตัวอย่างและอัตราการไหลจะแสดงเป็นศูนย์ กด **RIGHT** (ลูกศรชี้ไปทางขวา) ที่ชุดควบคุมเพื่อแสดงอัตราการไหล

2.2.2 ไฟแสดงรอบการวัด

ไฟแสดงรอบการวัดจะแสดงขั้นตอนของรอบการวัดที่กำลังทำงานใกล้จะเสร็จสิ้น ดูรายละเอียดใน ตาราง 4

ตาราง 4 ไฟแสดงรอบการวัด

ไฟส่องสว่าง			
คำอธิบาย	เซลล์ถูกชำระด้วยน้ำ	สารละลายบัฟเฟอร์และสารละลายชี้วัดเพิ่มเข้าไปในเซลล์แล้ว	วัดสารตัวอย่างแล้ว

2.2.3 ไฟแจ้งสถานะเครื่องวิเคราะห์

ไฟแจ้งสถานะเครื่องวิเคราะห์จะเปลี่ยนจากสีเขียวเป็นสีเหลืองเมื่อมีค่าเตือนหรือเป็นสีแดงเมื่อมีข้อผิดพลาด ดูรายละเอียดใน ตาราง 5

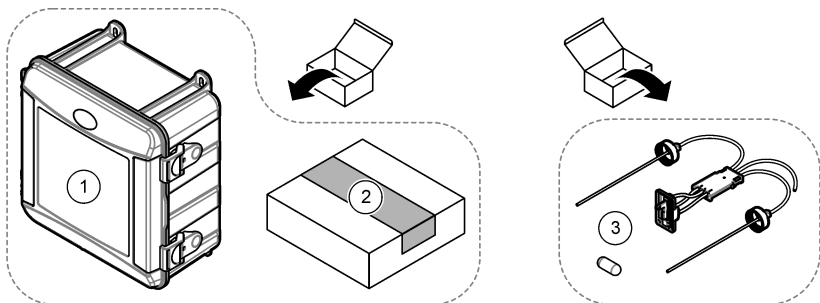
ตาราง 5 ไฟแจ้งสถานะเครื่องวิเคราะห์

สี	คำอธิบาย
สีเขียว	การใช้งานปกติ
สีเหลือง	ต้องเอาใจใส่ระบบ เพื่อป้องกันความล้มเหลวในอนาคต กำหนดการวัดต่อ เพื่อแสดงค่าเตือน ให้กด Menu (เมนู) แล้วเลือก DIAGNOSTICS > [select analyzer (เลือกเครื่องวิเคราะห์)] > WARNING LIST (รายการเตือน) ดูรายละเอียดใน การแจ้งเตือน—ไฟสีเหลือง ในหน้า 208
สีแดง	ระบบต้องการความเอาใจใส่ในทันที การวัดหยุดลงแล้ว เพื่อแสดงข้อผิดพลาด ให้กด Menu (เมนู) แล้วเลือก DIAGNOSTICS > [select analyzer (เลือกเครื่องวิเคราะห์)] > ERROR LIST (รายการผิดพลาด) ดูรายละเอียดใน ข้อผิดพลาด ไฟสีแดง ในหน้า 207

2.3 ส่วนประกอบของผลิตภัณฑ์

ตรวจสอบให้แน่ใจว่าได้รับส่วนประกอบทั้งหมดแล้ว ดูรายละเอียดใน รูปที่ 2 หากพบว่าชิ้นส่วนใดสูญหายหรือชำรุด โปรดติดต่อผู้ผลิตหรือพนักงานขายทันที

รูปที่ 2 ส่วนประกอบของผลิตภัณฑ์



1 เครื่องวิเคราะห์ CL17sc	3 ชุดต่อ (ชุดสายท่อและแท่งแม่เหล็ก)
2 ชุดติดตั้ง	

หัวข้อที่ 3 การติดตั้ง

⚠️ ข้อควรระวัง



อันตรายหลายประการ บุคลากรผู้เชี่ยวชาญเท่านั้นที่ควรดำเนินการตามขั้นตอนที่ระบุในเอกสารส่วนนี้

3.1 คำแนะนำในการติดตั้ง

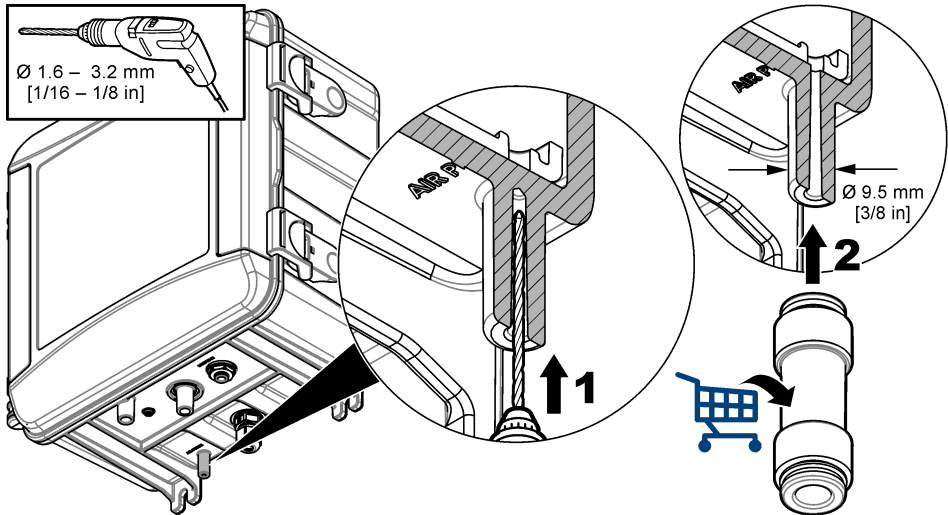
- เครื่องวิเคราะห์หม่าพร้อมกับเครื่องมือติดตั้งท่อขึ้นหรือเครื่องมือติดตั้งอุปกรณ์ปรับแรงดันเพื่อควบคุมแรงดันน้ำไปยังเครื่องวิเคราะห์ ผู้ใช้เลือกอุปกรณ์ติดตั้งในตอนที่ซื้อ
- ติดตั้งเครื่องวิเคราะห์ที่ภายในอาคารในสภาพแวดล้อมที่สั้นไหวน้อยที่สุด โปรดดูที่อุณหภูมิในการทำงานและรายละเอียดความชื้นใน **รายละเอียดทางเทคนิค** ในหน้า 185
- ห้ามติดตั้งเครื่องวิเคราะห์ในจุดที่ถูกแสงแดดโดยตรงหรือใกล้แหล่งความร้อน
- สำหรับการติดตั้งท่อขึ้นนั้น ให้ติดตั้งเครื่องวิเคราะห์ในพื้นที่ที่โล่งเหนือเครื่องวิเคราะห์ 61 ซม. (2 ฟุต) ในการติดตั้งท่อขึ้น
- ติดตั้งเครื่องวิเคราะห์ให้ใกล้ท่อระบาย โปรดศึกษาคู่มือจากหน่วยงานท้องถิ่นด้านกฎระเบียบในการกำจัดของเหลว

3.2 ขั้นตอนที่ 1: ระบบปล่อยอากาศ (อุปกรณ์เสริม)

ระบบปล่อยอากาศจำเป็นหากเครื่องวิเคราะห์ได้รับการติดตั้งในบริเวณที่มีความชื้นสูง และ/หรือไอที่ก่อให้เกิดการกัดกร่อน ระบบปล่อยอากาศจะรักษาความดันบวกในอุปกรณ์ด้วยอากาศที่แห้งและสะอาด

ซึ่งจะส่งอากาศที่แห้งและสะอาดในอัตรา 0.003 ม.³/นาที (0.1 ฟุต³/นาที) ที่มากที่สุด 20 psig

โปรดดูขั้นตอนที่แนะนำด้านล่างนี้ อุปกรณ์เชื่อมต่อแบบคว้น 3/8 นิ้ว และท่อที่ผู้จัดหาโดยผู้ซื้อ



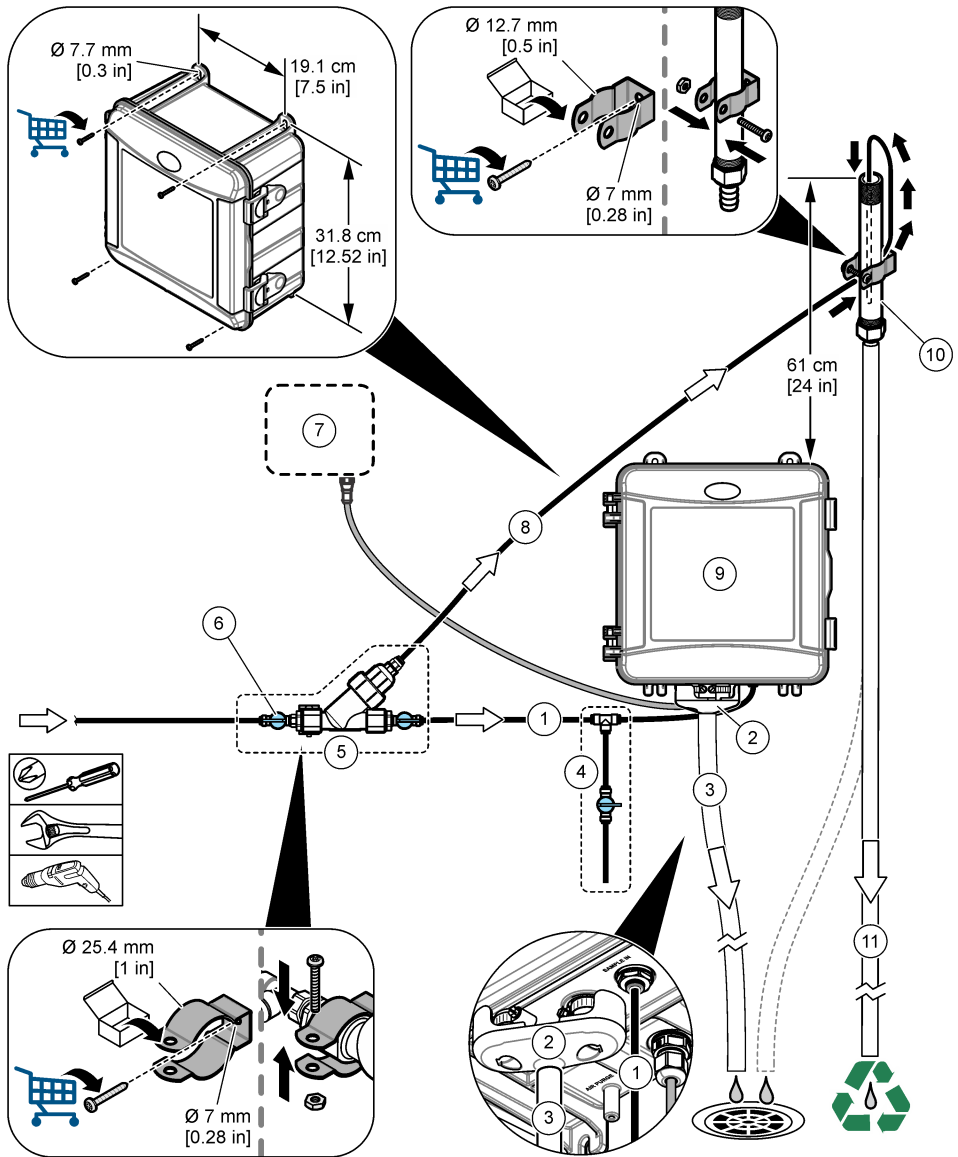
3.3 ขั้นตอนที่ 2: ติดตั้งและติดตั้งท่อเครื่องวิเคราะห์

⚠️ ข้อควรระวัง	
	เฉพาะท่อที่ผ่านกรรรับรองโดย Hach Company อาจนำมาใช้กับอุปกรณ์ได้ ที่อื่นอาจดูคลืนคลอรินที่อยู่ในน้ำ ตัวอย่างและมีผลกระทบทางลบต่อการอ่านค่าคลอริน (ลดการอ่านค่าคลอริน)

หมายเหตุ
การต่อท่อเครื่องวิเคราะห์ไม่ถูกต้องสามารถทำให้เกิดความเสียหายเนื่องจากแรงดันตัวอย่างส่วนเกินได้ โปรดปฏิบัติตามคู่มืออย่างเคร่งครัดในการติดตั้งและต่อท่อเครื่องวิเคราะห์

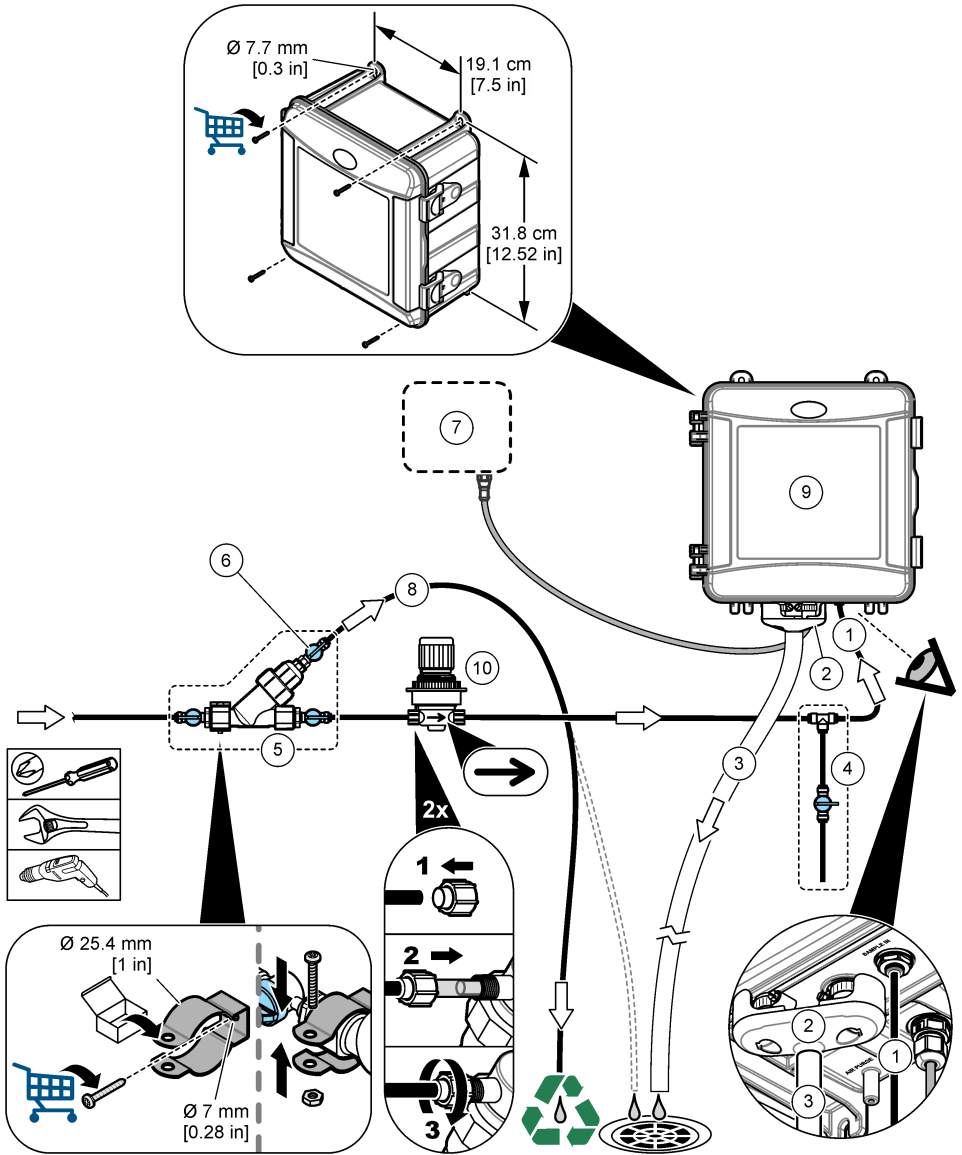
1. ติดเครื่องวิเคราะห์ (ขั้นที่ 9) ที่ผนังด้วยสกรู 4 ชั้น ตรวจสอบให้แน่ใจว่าเครื่องวิเคราะห์ที่อยู่ในระดับที่ถูกต้อง
บันทึก: ผู้ใช้จัดอุปกรณ์ที่ใช้ติดตั้ง
2. ติดตัวควบคุม SC (ขั้นที่ 7) ที่ผนัง แผงควบคุม หรือท่อ โปรดดูวิธีใช้ในเอกสารของตัวควบคุม SC
3. ประกอบตัวกรองสารไหลแบบตัว Y โปรดดูคู่มือรายการสิ่งบรรจุ
4. ใช้เคลมปีท่อขนาด 1 นิ้วติดประกอบตัวกรองสารไหลแบบตัว Y (ขั้นที่ 5 ในรูปที่ 3หรือรูปที่ 4)
5. ติดตั้งตัวเข้าอากาศภายนอกที่เครื่องวิเคราะห์ (ขั้นที่ 2 ใน รูปที่ 3 หรือ รูปที่ 4) โปรดดูคู่มือรายการสิ่งบรรจุ
6. ทำตามขั้นตอนที่ 7หรือ 8
เครื่องวิเคราะห์ห้าพร้อมกับการติดตั้งท่ออื่น (โปรดดู รูปที่ 3) หรืออุปกรณ์การติดตั้งอุปกรณ์ปรับแรงดัน (โปรดดูรายละเอียดใน รูปที่ 4) เพื่อควบคุมความดันน้ำไปยังเครื่องวิเคราะห์ ผู้ใช้เลือกอุปกรณ์ติดตั้งในตอนที่ซื้อ
7. หากเลือกอุปกรณ์การติดตั้งท่ออื่นในตอนที่ซื้อ ติดตั้งท่ออื่นตามขั้นตอนดังต่อไปนี้:
 - a. ประกอบท่ออื่น โปรดดูคู่มือรายการสิ่งบรรจุ
 - b. ใช้เคลมปีท่อขนาดเล็กเพื่อติดประกอบท่ออื่นอย่างน้อย 61 ซม. (24 นิ้ว) ที่ด้านบนของเครื่องวิเคราะห์ โปรดดูที่ขั้นที่ 10 ใน รูปที่ 3
 - c. ติดตั้งท่อปล่อยผ่านตัวอย่างด้วยท่อเปล่า ดันท่อด้านหลังจากนั้นก็ท่ออื่น วางท่อ 10 ถึง 13 ซม. (4 ถึง 5 นิ้ว) ที่ยอดของท่ออื่น
 - d. ตัดความยาวของท่อจากท่อระบายตัวอย่าง (ขั้นที่ 3) ใช้ท่อเพื่อติดตั้งท่อส่วนล่างของท่ออื่นไปยังท่อระบายตัวอย่างท่อใส (ขั้นที่ 11 ใน รูปที่ 3) โปรดดูรายละเอียดใน **แนวทางเกี่ยวกับท่อระบาย** ในหน้า 194
8. หากเลือกอุปกรณ์ติดตั้งอุปกรณ์ปรับแรงดันในตอนที่ซื้อ ติดตั้งอุปกรณ์ปรับแรงดัน (ขั้นที่ 10 ในรูปที่ 4)
9. เชื่อมช่องทางเข้าตัวกรองสารไหลแบบตัว Y (ขั้นที่ 5) ไปยังแหล่งตัวอย่างด้วยท่อสีดำ
โปรดดูใน **คำแนะนำในการวางสายท่อเก็บตัวอย่าง** ในหน้า 194 และ **ข้อกำหนดเกี่ยวกับตัวอย่างน้ำ** ในหน้า 194
10. เชื่อมช่องทางออกตัวกรองสารไหลแบบตัว Y (หรือช่องทางออกอุปกรณ์ปรับแรงดัน) ไปยังที่เสียบช่องทำเข้าตัวอย่าง (ขั้นที่ 1) ที่ด้านล่างของเครื่องวิเคราะห์ ทำให้ท่อสั้นที่สุดและยาวได้สูงสุด 2.5 ม. (8 ฟุต)
11. หากติดตั้งอุปกรณ์ปรับแรงดันแล้ว ให้ติดตั้งท่อปล่อยผ่านตัวอย่าง (ขั้นที่ 8 ใน รูปที่ 4)
12. ประกอบและติดตั้งของชุดตัวอย่างที่เลือก (ขั้นที่ 4) ดังต่อไปนี้:
 - a. ประกอบชุดตัวอย่างที่เลือก
 - b. ติดตั้งท่อตัวที่ระหว่างตัวกรองสารไหลแบบตัว Y และเครื่องวิเคราะห์ โปรดดู รูปที่ 3 หรือ รูปที่ 4
13. ติดตั้งท่อระบายตัวอย่าง (ขั้นที่ 3) ไปยังท่อระบายตัวอย่างท่อใส โปรดดูรายละเอียดใน **แนวทางเกี่ยวกับท่อระบาย** ในหน้า 194

รูปที่ 3 การติดตั้งด้วยท่ออื่น



1	ท่อทางเข้าตัวอย่าง	7	ตัวควบคุม SC
2	ตัวจ่ายอากาศภายนอก	8	ท่อแข็งตัวอย่าง
3	ท่อระบายตัวอย่าง	9	เครื่องวิเคราะห์
4	ชุดตัวอย่างที่เลือก	10	ท่ออื่น
5	ชุดตัวกรองสารไหลแบบตัว Y	11	ท่อระบายท่ออื่น
6	วาล์วปิด/เปิดที่ทางเข้าตัวกรองสารไหลแบบตัว Y		

รูปที่ 4 การติดตั้งด้วยตัวปรับแรงดัน



1	ท่อทางเข้าตัวอย่าง	6	วาล์วเปิด/ปิดที่ตัวเม็ขงตัวกรองสารไหลแบบตัว Y
2	ตัวจ่ายอากาศภายนอก	7	ตัวควบคุม SC
3	ท่อระบายตัวอย่าง	8	ท่อเม็ขงตัวอย่าง
4	ชุดตัวอย่างที่เลือก	9	เครื่องวิเคราะห์
5	ชุดตัวกรองสารไหลแบบตัว Y	10	อุปกรณ์ปรับแรงดัน

3.3.1 คำแนะนำในการวางสายท่อเก็บตัวอย่าง

เลือกจุดเก็บตัวอย่างที่ดีและเหมาะสมสำหรับใช้เป็นตัวอย่าง เพื่อให้อุปกรณ์สามารถทำงานได้อย่างมีประสิทธิภาพมากที่สุด ตัวอย่างที่เก็บได้ต้องเป็นตัวแทนของทั้งระบบ

เพื่อป้องกันการอ่านค่าที่ผิดพลาด ควรที่จะ:

- เก็บตัวอย่างจากสถานที่หลายๆ แห่ง ซึ่งอยู่ห่างพอสมควรจากจุดที่มีการเติมสารเคมีในน้ำที่ใช้ในกระบวนการผลิต
- ตัวอย่างต้องคลุกกันมากเพียงพอ
- ปฏิบัติตามวิธีทั้งหมดต้องสมบูรณ์แล้ว
- ติดตั้งเครื่องวิเคราะห์ให้ใกล้กับแหล่งที่มาของตัวอย่างให้มากที่สุดเท่าที่จะทำได้ (สูงสุด 4.6 m (15 ft))

3.3.2 ข้อกำหนดเกี่ยวกับตัวอย่างน้ำ

น้ำจากแหล่งที่มาของตัวอย่างจะต้องเป็นไปตามข้อกำหนดใน **รายละเอียดทางเทคนิค** ในหน้า **185**

รักษาอัตราการไหลของตัวอย่างและอุณหภูมิการทำงานให้คงที่มากที่สุดเท่าที่จะเป็นไปได้เพื่อประสิทธิภาพการทำงานที่ดีที่สุด

3.3.3 แนวทางเกี่ยวกับท่อระบาย

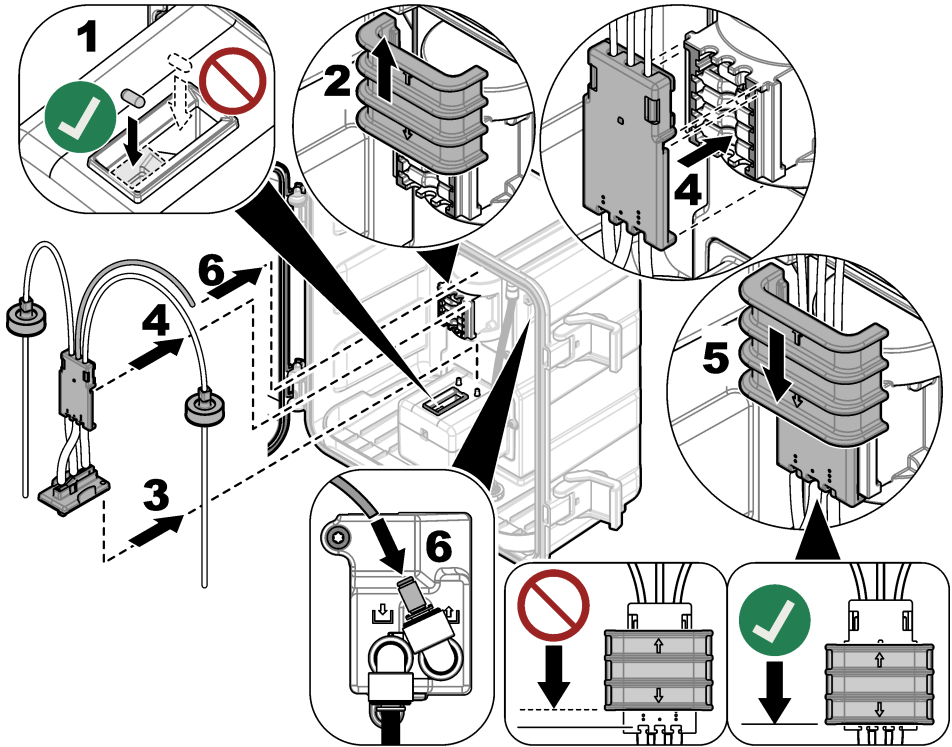
หมายเหตุ

การติดตั้งท่อระบายที่ไม่ถูกต้องอาจทำให้ของเหลวไหลกลับเข้าเครื่องและทำให้เกิดความเสียหาย


- ตรวจสอบให้แน่ใจว่าติดตั้งตัวจ่ายอากาศภายนอก โปรดดู **รูปที่ 3** ในหน้า 192 หรือ **รูปที่ 4** ในหน้า 193
- ทำท่อระบายให้สั้นที่สุดเท่าที่เป็นไปได้
- ตรวจสอบให้แน่ใจว่าท่อระบายมีมุมลาดลงโดยตลอด
- ตรวจสอบให้แน่ใจว่าท่อระบายไม่มีการหักมุมและไม่ถูกบีบให้แคบ

3.4 ขั้นตอนที่ 3: ติดตั้งแท่งแม่เหล็กและชุดสายท่อ

ทำตามขั้นตอนที่แสดงไว้ในรูปภาพต่อไปนี้



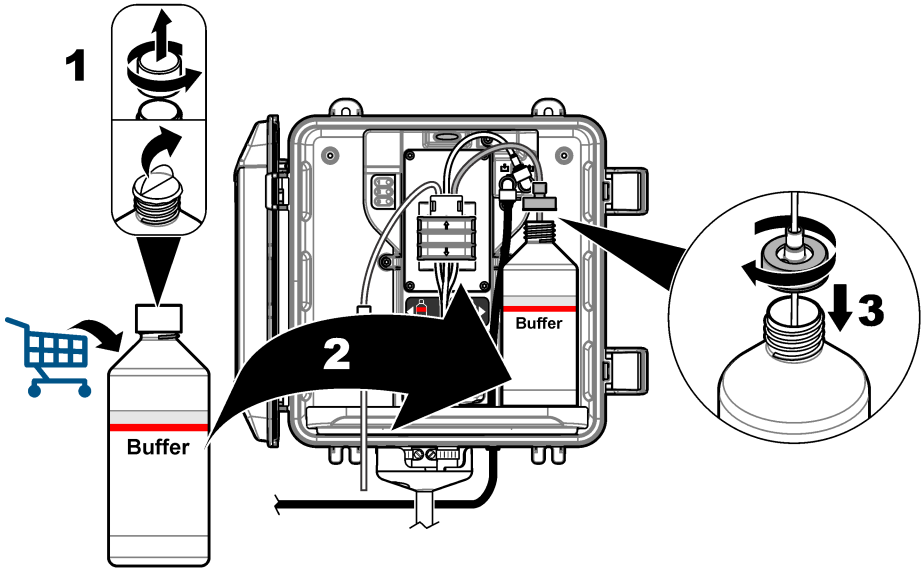
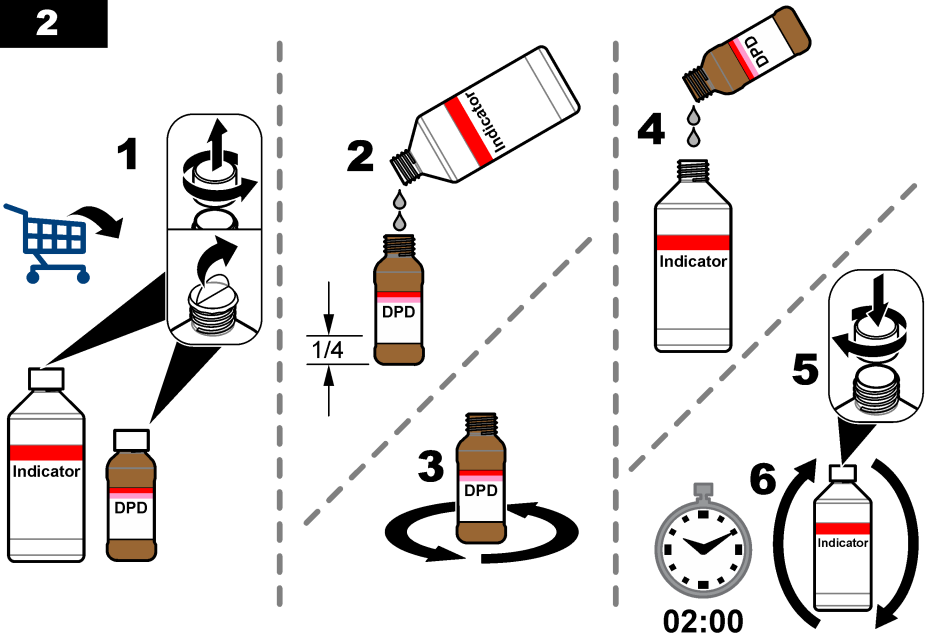
3.5 ขั้นตอนที่ 4: ติดตั้งขวดสารตัวกระทำ

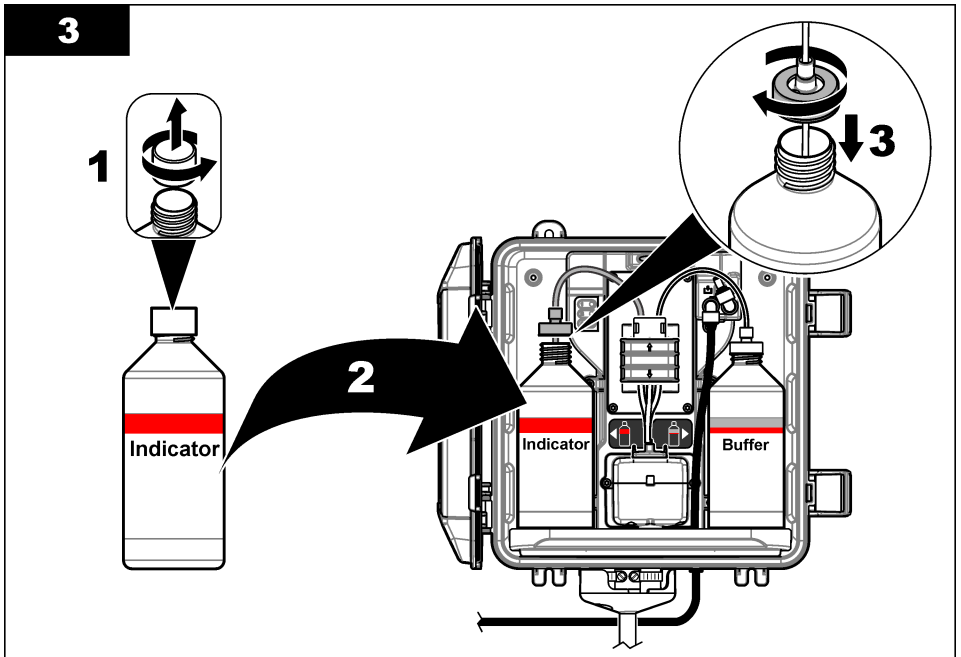
⚠ ข้อควรระวัง	
	<p>อาจได้รับอันตรายจากการสัมผัสสารเคมี ปฏิบัติตามขั้นตอนเพื่อความปลอดภัยในห้องปฏิบัติการ และสวมใส่อุปกรณ์ป้องกันทั้งหมด ให้เหมาะสมในการดำเนินงานกับสารเคมีนั้นๆ โปรดดูกฎระเบียบด้านความปลอดภัยได้ที่เอกสารข้อมูลด้านความปลอดภัยฉบับปัจจุบัน (MSDS/SDS)</p>

สิ่งที่ต้องเตรียม:

- อุปกรณ์ป้องกัน (ดูรายละเอียดใน MSDS/SDS)
- ขวดใส่สารเคมี
- ขวดใส่บัพเฟอร์
- ขวดผสม DPD

1. สวมอุปกรณ์ป้องกันที่ระบุในแผ่นข้อมูลความปลอดภัย (MSDS/SDS)
2. ติดตั้งขวดบัพเฟอร์ทางด้านขวาและขวดใส่สารเคมีทางด้านซ้าย โปรดดูขั้นตอนที่แนะนำด้านล่างนี้
บันทึก: (ไม่บังคับ) ใช้ด้านบนของเครื่องวิเคราะห์เป็นชั้นวาง

1**2**

3

3.6 ขั้นตอนที่ 5: ตั้งการไหลของตัวอย่างให้เป็นเปิด

1. หมุนวาล์วเปิด/ปิดให้เปิดอย่างช้าๆ ¼ รอบ
2. ตรวจสอบให้แน่ใจว่าไม่มีการรั่วไหลที่ตำแหน่งการเชื่อมต่อต่างๆ หากมีการรั่วไหล ให้ค้นหอกำลึกลงไปในหัวต่อ หรือขันข้อต่อให้แน่นด้วยประแจ
3. ในการติดตั้งท่ออื่น ให้ทำตามขั้นตอนต่อไปนี้:
 - a. เปิดวาล์วเปิด/ปิดออกเต็มๆ ที่ทางออกของตัวกรองสารไหลแบบตัว Y
 - b. หมุนวาล์วเปิด/ปิดที่ทางเข้าตัวกรองสารไหลแบบตัว Y (ขั้นที่ 6 นี้ **รูปที่ 3** ในหน้า 192) จนกว่าจะมีน้ำไหลออกมาจากท่อระบายท่อขึ้น
4. ในการติดตั้งอุปกรณ์ปรับแรงดัน ให้ทำตามขั้นตอนต่อไปนี้:
 - a. เปิดวาล์วเปิด/ปิดออกเต็มๆ ที่ทางเข้าและทางออกของตัวกรองสารไหลแบบตัว Y
 - b. หมุนวาล์วเปิด/ปิดที่เบี่ยงตัวกรองสารไหลแบบตัว Y (ขั้นที่ 6 นี้ **รูปที่ 4** ในหน้า 193) จนกว่าจะมีน้ำไหลออกมาจากท่อเบี่ยงตัวกรองสารไหลแบบตัว Y

3.7 ขั้นตอนที่ 6: การติดตั้งทางไฟฟ้า

3.7.1 เชื่อมต่อเครื่องวิเคราะห์กับชุดควบคุม

⚠ คำเตือน



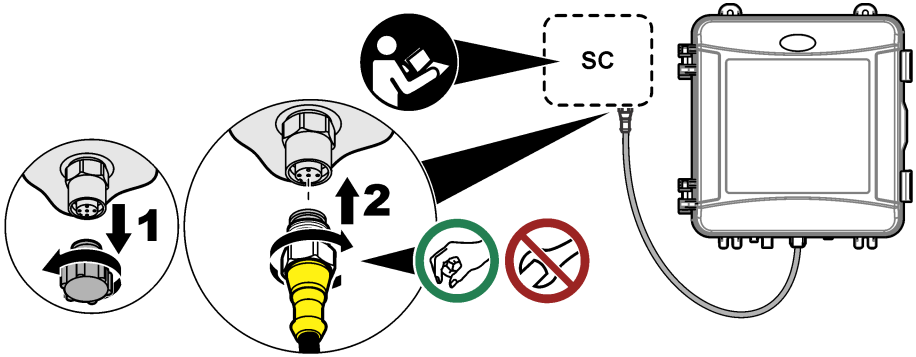
อันตรายจากการถูกไฟฟ้าช็อต อุปกรณ์ที่เชื่อมต่อกากภายนอกจะต้องมีการประเมินตามมาตรฐานด้านความปลอดภัยของประเทศที่ใช้บังคับ

เชื่อมต่อเคเบิลเครื่องวิเคราะห์กับอุปกรณ์เชื่อมต่อแบบคววนของตัวควบคุม SC ดูรายละเอียดใน **รูปที่ 5**

ทิ้งให้ฝาครอบเนกเดอริปิดช่องว่างของคอนเนคเตอร์ในกรณีที่ต้องถอดเคเบิลออก

บันทึก: มีสายต่อพ่วง ดูรายละเอียดใน **ชิ้นส่วนอะไหล่และอุปกรณ์เสริม** ในหน้า 210 ความยาวสายสูงสุดคือ 15 ม. (49 ฟุต)

รูปที่ 5 เชื่อมต่อเคเบิลกับอุปกรณ์เชื่อมต่อแบบตัวน



3.7.2 เชื่อมต่อชุดควบคุมกับไฟฟ้า

เชื่อมต่อชุดควบคุมไปยังสายไฟฟ้าโดยการเดินสายไฟในรางไฟหรือต่อผ่านสายไฟ ดูวิธีใช้ในเอกสารของแผงควบคุม

3.7.3 เชื่อมต่ออุปกรณ์ภายนอกกับตัวควบคุม

เชื่อมต่อรีเลย์ชุดควบคุม ช่องสัญญาณอะนาล็อก และอินพุตดิจิทัลกับอุปกรณ์ภายนอกตามความจำเป็น ดูวิธีใช้ในเอกสารของแผงควบคุม

3.8 ขั้นตอนที่ 7: ตั้งค่าและโปรแกรมเครื่องวิเคราะห์

1. กด **Menu** (เมนู) จากนั้นเลือก **SENSOR SETUP** (ตั้งค่าหัววัด) > [select analyzer (เลือกเครื่องวิเคราะห์)] > **PRIME** (เตรียมสารเคมี)
2. หากชุดควบคุมไม่ยอมรับเมื่อเครื่องวิเคราะห์ที่เชื่อมต่ออยู่ ให้ทำตามขั้นตอนดังต่อไปนี้:
 - a. กด **Menu** (เมนู) จากนั้นเลือก **TEST/MAINT** (ทดสอบ/บำรุงฯ) > **SCAN SENSORS** (ค้นหาหัววัด)
 - b. เมื่อพบเซนเซอร์และติดตั้งแล้ว ให้ทำตามขั้นตอน 1 อีกครั้ง

3.9 ขั้นตอนที่ 8: กำหนดอัตราการไหล

1. กด **RIGHT** (ลูกศรชี้ไปทางขวา) ที่ชุดควบคุมเพื่อแสดงอัตราการไหล สารตัวอย่างจะไหลผ่านเครื่องวิเคราะห์เมื่อเครื่องวิเคราะห์ชำระล้างเซลล์ ในเวลานั้น จะไม่มีการไหลของสารตัวอย่างและอัตราการไหลจะแสดงเป็นศูนย์ โปรดดู **ตาราง 4** ในหน้า 189 สำหรับค่าอธิบายขั้นตอนรอบการวัด
บันทึก: ในการวัดอัตราการไหลผ่านเครื่องวิเคราะห์ด้วยตนเอง ให้วัดอัตราการไหลที่กระบอกของเครื่องวิเคราะห์เมื่อเครื่องวิเคราะห์ชำระล้างเซลล์ด้วยน้ำ
2. สำหรับการติดตั้งท่ออื่น หมุนวาล์วเปิด/ปิดที่ตัวกรองสารไหลแบบตัว Y เพื่อตั้งอัตราการไหลระหว่าง 60 ถึง 200 มล./นาที เมื่อเครื่องวิเคราะห์ชำระล้างเซลล์ด้วยน้ำ
3. สำหรับการติดตั้งอุปกรณ์ปรับแรงดัน ให้ปรับอุปกรณ์ปรับแรงดันเพื่อตั้งอัตราการไหลระหว่าง 60 ถึง 20 มล./นาที เมื่อเครื่องวิเคราะห์ชำระล้างเซลล์ด้วยน้ำ

3.10 ขั้นตอนที่ 9: ติดตั้งซอฟต์แวร์เวอร์ชันล่าสุด

ตรวจสอบให้แน่ใจว่าชุดควบคุม SC มีซอฟต์แวร์เวอร์ชันล่าสุดติดตั้งอยู่ ใช้การ์ด SD เพื่อติดตั้งซอฟต์แวร์เวอร์ชันล่าสุดบนชุดควบคุม SC

1. ไปที่หน้าผลิตภัณฑ์สำหรับชุดควบคุม SC ที่ใช้งานได้ที่ <http://hach.com>
2. คลิกที่แท็บ “Downloads (ดาวน์โหลด)”
3. เลื่อนลงมาที่ “Software/Firmware”
4. คลิกที่ลิงก์สำหรับซอฟต์แวร์ชุดควบคุม SC
5. บันทึกไฟล์ที่การ์ด SD
6. ติดตั้งไฟล์ลงในชุดควบคุม SC โปรดดูที่เอกสารคู่มือการติดตั้งที่มาพร้อมกับไฟล์ซอฟต์แวร์

หัวข้อที่ 4 การกำหนดค่า

4.1 ขั้นตอนที่ 10: กำหนดค่าเครื่องวิเคราะห์

ตั้งค่าชื่อเครื่องวิเคราะห์ ค่าเฉลี่ยสัญญาณ ประเภทของค่าคลอรีน การปฏิเสฟอง และจุดตั้งเตือนคลอรีน

- กด**Menu (เมนู)**จากนั้นเลือก**SENSOR SETUP (ตั้งค่าหัววัด) > [select analyzer (เลือกเครื่องวิเคราะห์)] > CONFIGURE (ตั้งค่า)**
- เลือกและปรับแต่งแต่ละตัวเลือก

ตัวเลือก	คำอธิบาย
EDIT NAME (แก้ไขชื่อ)	ตั้งค่าชื่อเครื่องวิเคราะห์ ชื่อของเครื่องวิเคราะห์จะปรากฏบนหน้าจอของตัวควบคุม และในไฟล์บันทึกข้อมูล
SIGNAL AVERAGE (สัญญาณเฉลี่ย)	ตั้งค่าจำนวนการวัดที่จะใช้ในการคำนวณค่าเฉลี่ยการวัดที่ปรากฏบนจอแสดงผล ตัวเลือก: 1 (ค่าเริ่มต้น), 2, 3 หรือ IRREGULAR VALUE (ค่าไม่ปกติ) เมื่อ SIGNAL AVERAGE (สัญญาณเฉลี่ย) ตั้งไว้ที่ 1 ค่าเฉลี่ยสัญญาณจะถูกปิดใช้งาน เมื่อ SIGNAL AVERAGE (สัญญาณเฉลี่ย) ตั้งไว้ที่ 2 หรือ 3 ค่าเฉลี่ยที่อ่านได้จะแสดงบนจอแสดงผล ตัวอย่างเช่น การวัดที่จอแสดงผลเท่ากับการวัดครั้งล่าสุดและก่อนหน้า จะถูกหารด้วยสองเมื่อ SIGNAL AVERAGE (สัญญาณเฉลี่ย) ตั้งไว้ที่ 2 เมื่อทำการตั้ง SIGNAL AVERAGE (สัญญาณเฉลี่ย) เป็น IRREGULAR VALUE (ค่าไม่ปกติ) เครื่องวิเคราะห์จะปฏิเสธการอ่านค่าที่สูงหรือต่ำกว่าครั้งล่าสุด เมื่อการอ่านถูกปฏิเสธ การอ่านที่คิดครั้งล่าสุดจะแสดงบนจอแสดงผล และบันทึกไปยังบันทึกข้อมูล จะไม่มีการปฏิเสธการอ่านต่อเนื่องกันสามครั้ง การเฉลี่ยสัญญาณให้ถูกต้องเพื่อการอ่านค่าผันผวนที่ไม่ถูกต้องซึ่งเกิดจากฟองอากาศ และ/หรืออนุภาคที่ใหญ่กว่าตัวอย่าง
MEASUREMENT (การวัด)	ตั้งค่าประเภทของค่าคลอรีน หากบัพเฟอร์และขวดใส่สารเคมีมีฉลาก "คลอรีนอิสระ" ให้เลือก FREE CHLORINE (การวัดคลอรีนอิสระ) (ค่าเริ่มต้น) หากบัพเฟอร์และขวดใส่สารเคมีมีฉลาก "คลอรีนทั้งหมด" ให้เลือก TOTAL CHLORINE (คลอรีนทั้งหมด)
BUBBLE REJECT (สถานะชุดใส่ฟอง)	ตั้งค่าปฏิเสฟองเป็นเปิดหรือปิด (ค่าเริ่มต้น) ตั้งค่า BUBBLE REJECT (สถานะชุดใส่ฟอง) ให้เป็น ON (เปิด) เพื่อลดสัญญาณรบกวนที่เกิดจากฟองอากาศในตัวอย่าง ฟองอากาศในตัวอย่างสามารถทำให้การอ่านค่าไม่คงที่
HIGH CL ALARMS (การเตือนคลอรีนสูง)	ตั้งค่าเป้าหมายความเข้มข้นคลอรีนสำหรับสัญญาณเตือนคลอรีนสูงให้เป็น 0.00 ถึง 10.00 มก./ลิตร (ค่าเริ่มต้น: 4.00 มก./ลิตร)
LOW CL ALARMS (การเตือนคลอรีนต่ำ)	ตั้งค่าเป้าหมายความเข้มข้นคลอรีนสำหรับสัญญาณเตือนคลอรีนต่ำให้เป็น 0.00 ถึง 10.00 มก./ลิตร (ค่าเริ่มต้น: 0.20 มก./ลิตร)
SENSOR INFO (ข้อมูลเซนเซอร์)	แสดงหมายเลขซีเรียลเครื่องวิเคราะห์ เวอร์ชันซอฟต์แวร์ เวอร์ชันของ Boot และเวอร์ชันไดร์เวอร์
DEFAULT SETTINGS (การตั้งค่าพื้นฐาน)	เลือก YES (ใช่) เพื่อเปลี่ยนแปลงการตั้งค่ากลับไปเป็นค่าเริ่มต้นจากโรงงาน
SERVICE (เซอร์วิส)	สำหรับการซ่อมบำรุงเท่านั้น

4.2 การกำหนดค่าระบบ

โปรคดูที่เอกสารของแผงควบคุมสำหรับการกำหนดค่าระบบ การตั้งค่าตัวควบคุมทั่วไป และการตั้งค่าเอาต์พุตและการสื่อสาร

4.3 การใส่เนื้อหาสำหรับผู้ใช้

ดูเอกสารกำกับชุดควบคุมเพื่อดูคำอธิบายเกี่ยวกับเป็นกกดและข้อมูลการใส่เนื้อหาต่าง ๆ

กดลูกศรด้าน**RIGHT** (ลูกศรชี้ไปทางขวา) บนชุดควบคุมหลายๆ ครั้งเพื่อแสดงข้อมูลเพิ่มเติมบนหน้าจอหลัก และเพื่อแสดงการแสดงผลกราฟฟิค

หัวข้อที่ 5 การทำงาน

5.1 บันทึกข้อมูล บันทึกเหตุการณ์ และบันทึกบริการ

ชุดควบคุมช่วยให้เข้าถึงบันทึกข้อมูล บันทึกเหตุการณ์ และบันทึกบริการสำหรับอุปกรณ์ที่เชื่อมต่อแต่ละอัน การวัด CI17sc ได้บันทึกเป็นบันทึกข้อมูลในช่วงเวลา 150 วินาทีโดยอัตโนมัติ บันทึกเหตุการณ์จะแสดงเหตุการณ์ที่เกิดขึ้น บันทึกข้อมูลและบันทึกเหตุการณ์จะเก็บข้อมูลไว้ประมาณ 3 สัปดาห์เมื่อเครื่องวิเคราะห์ทำงานต่อเนื่อง บันทึกบริการจะเก็บข้อมูลไว้ประมาณ 24 ชั่วโมงเมื่อเครื่องวิเคราะห์ทำงานต่อเนื่อง

โปรโตคอลที่เอกสารชุดควบคุมในการดาวน์โหลดบันทึกข้อมูล บันทึกเหตุการณ์ และ/หรือบันทึกบริการ บันทึกข้อมูลเป็นไฟล์รูปแบบ XML ที่สามารถบันทึกเป็นไฟล์รูปแบบ CSV หรือ Excel ได้ บันทึกเหตุการณ์และบันทึกบริการเป็นไฟล์ชนิด CSV

5.2 วัตต์ว GRAB SAMPLE IN (นำตัวอย่างการวัด)

ใช้เมนู GRAB SAMPLE IN (นำตัวอย่างการวัด) เพื่อเพิ่มน้ำตัวอย่างของความเข้มข้นคลอรีนที่บันทึกแล้วไปยังการวัดเซลล์ หากจำเป็น วัตต์วอย่างแยกสำหรับการขึ้นชั้นหรือวัตต์วนำตัวอย่างที่เก็บมาจากพื้นที่อื่น

- กด **Menu (เมนู)** จากนั้นเลือก **SENSOR SETUP (ตั้งค่าหัววัด)** > **[select analyzer (เลือกเครื่องวิเคราะห์)]** > **GRAB SAMPLE IN (นำตัวอย่างการวัด)**
- ทำตามขั้นตอนที่แสดงอยู่บนหน้าจอ เมื่อแจ้งเตือน ให้เอาเซลล์ออกและเพิ่มตัวอย่างแยก 50 มล. ไปยังเซลล์ บางตัวอย่างจะไหลไปตามการระบายตัวอย่าง

5.3 MODBUS รีจิสเตอร์

รายการรีจิสเตอร์ Modbus สำหรับการเชื่อมต่อเครือข่าย สามารถดูรายละเอียดเพิ่มเติมได้ใน CD


หัวข้อที่ 6 การสอบเทียบการปรับแต่ง

โค้งสอบเทียบของเครื่องวิเคราะห์ที่กำหนดมาจากโรงงานสำหรับประสิทธิภาพในการและรายละเอียดทางเทคนิค การสอบเทียบสามารถดำเนินการได้สำหรับการขึ้นชั้นประสิทธิภาพ

แนะนำให้ไม่ต้องปรับข้อมูลผู้ใช้ไปยังการโค้งสอบเทียบจากโรงงานนอกจากกำหนดจากเจ้าหน้าที่ด้านกฎข้อบังคับสำหรับจุดประสงค์ในการรายงานการรับรองมาตรฐาน หรือการซ่อมแซมใหญ่เครื่องวิเคราะห์เสร็จสิ้นแล้ว

สำหรับข้อมูลเพิ่มเติม โปรดดูคู่มือในอุปกรณ์ทำการขึ้นชั้นการสอบเทียบ หรือติดต่อฝ่ายสนับสนุนทางเทคนิค

หัวข้อที่ 7 การบำรุงรักษา

⚠ ข้อควรระวัง	
	อันตรายหลายประการ บุคลากรผู้เชี่ยวชาญเท่านั้นที่ควรดำเนินการตามขั้นตอนที่ระบุในเอกสารส่วนนี้
หมายเหตุ	
ห้ามถอดแชงชั้นส่วนอุปกรณ์ในการบำรุงรักษา หากจำเป็นต้องทำความสะอาดหรือซ่อมแซมส่วนประกอบภายใน ให้ทำการติดต่อผู้ผลิต	

7.1 กำหนดการบำรุงรักษา


ตาราง 6 แสดงกำหนดการปฏิบัติงานบำรุงรักษาที่แนะนำ ข้อกำหนดเกี่ยวกับสถานที่และสภาพการทำงานอาจทำให้ความถี่ในการปฏิบัติงานบางอย่างเพิ่มขึ้น

ตาราง 6 กำหนดการบำรุงรักษา

งาน	1 เดือน	6 เดือน	ตามความจำเป็น
ทำความสะอาดเซลล์ ในหน้า 202	X ²		
เปลี่ยนขวดสารตัวกระทำ ในหน้า 203	X		
เปลี่ยนแท่งแม่เหล็กและชุดสายท่อ ³		X	
ทำความสะอาดภายในตัวกรองสารไหลแบบตัว Y ในหน้า 204			X

7.2 ทำความสะอาดเซลล์

⚠️ ข้อควรระวัง



อาจได้รับอันตรายจากการสัมผัสสารเคมี ปฏิบัติตามขั้นตอนเพื่อความปลอดภัยในห้องปฏิบัติการ และสวมใส่อุปกรณ์ป้องกันทั้งหมด ให้เหมาะสมในการดำเนินงานกับสารเคมีนั้นๆ โปรดดูกฎระเบียบด้านความปลอดภัยได้ที่เอกสารข้อมูลด้านความปลอดภัยฉบับปัจจุบัน (MSDS/SDS)

ทำความสะอาดเซลล์ที่ช่วงเวลา 1 เดือน หรือถี่กว่าหากจำเป็น

สิ่งที่ต้องเตรียม:



สาลีพันก้อน⁴



สารละลายกรดซัลฟูริก 5.25 N⁵

- สวมอุปกรณ์ป้องกันที่ระบุในแผ่นข้อมูลความปลอดภัย (MSDS/SDS)
- กด **Menu** (เมนู) จากนั้นเลือก **SENSOR SETUP** (ตั้งค่าหัววัด) > [select analyzer (เลือกเครื่องวิเคราะห์)] > **TASKS** (การปฏิบัติงาน) > **CLEAN CELL** (ทำความสะอาดเซลล์)
บันทึก: หากต้องการหยุดงานที่เลือก กด **Home** (หลัก)
- กด **Enter** (ตกลง) เพื่อหยุดการวัด
- เลือกตัวเลือก

ตัวเลือก	คำอธิบาย
HOLD (คงค้าง)	ชุดควบคุมขาออกจะอยู่ที่ค่าที่วัดครั้งสุดท้าย
TRANSFER (ส่งต่อ)	ชุดควบคุมขาออกจะเปลี่ยนเป็นค่าการถ่ายโอน

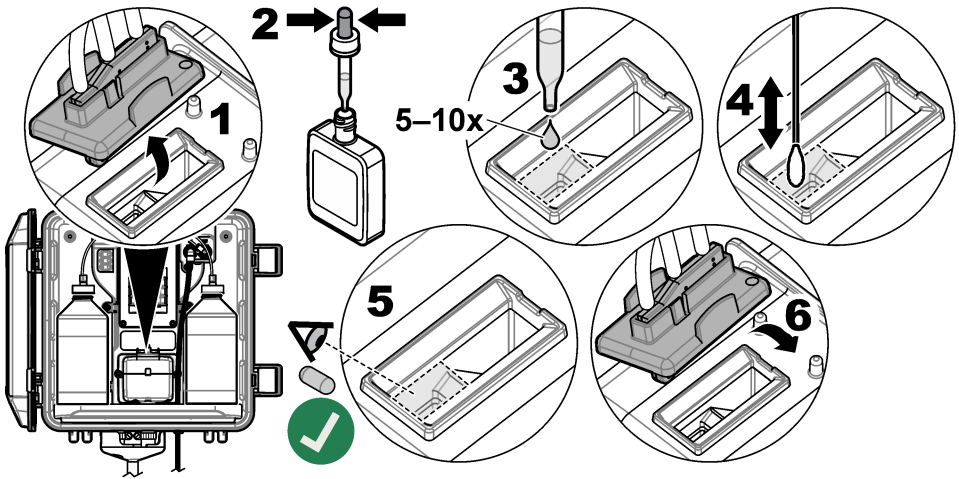
- เมื่อไฟแสดงสถานะกะพริบ ทำตามขั้นตอนในภาพดังนี้ ตรวจสอบให้แน่ใจว่าไม่มีส่วนประกอบที่ไม่พึงประสงค์อยู่ในเซลล์ เมื่อเสร็จสิ้นให้กด **Enter** (ตกลง)

² ทำความสะอาดเซลล์ตามความถี่มากขึ้นเท่าที่จำเป็น

³ โปรดดูคู่มือที่ให้มาพร้อมชุดท่อ

⁴ ดูรายละเอียดใน **ชิ้นส่วนอะไหล่และอุปกรณ์เสริม** ในหน้า 210

⁵ ห้ามใช้สารละลายอื่นทำความสะอาด ดูรายละเอียดใน **ชิ้นส่วนอะไหล่และอุปกรณ์เสริม** ในหน้า 210



6. เมื่อจอภาพแสดงข้อความ "TASK COMPLETE (งานเสร็จสิ้น)" ให้กด **Enter** (ตกลง)
 เครื่องวิเคราะห์จะเริ่มรอบการวัดในเวลาประมาณ 30 วินาที

7.3 เปลี่ยนขวดสารตัวกระทำ

⚠️ ข้อควรระวัง	
	อาจได้รับอันตรายจากการสัมผัสสารเคมี ปฏิบัติตามขั้นตอนเพื่อความปลอดภัยในห้องปฏิบัติการ และสวมใส่อุปกรณ์ป้องกันทั้งหมด ให้เหมาะสมในการดำเนินงานกับสารเคมีนั้นๆ โปรดดูกฎระเบียบด้านความปลอดภัยได้ที่เอกสารข้อมูลด้านความปลอดภัยฉบับปัจจุบัน (MSDS/SDS)
⚠️ ข้อควรระวัง	
	อาจได้รับอันตรายจากการสัมผัสสารเคมี การกำจัดสารเคมีและของเสียตามกฎหมายข้อบังคับของท้องถิ่น ภูมิภาค และประเทศ

เปลี่ยนขวดสารตัวกระทำทุก 1 เดือน

1. สวมอุปกรณ์ป้องกันที่ระบุในแผ่นข้อมูลความปลอดภัย (MSDS/SDS)
2. กด **Menu** (เมนู) จากนั้นเลือก **SENSOR SETUP** (ตั้งค่าหัววัด) > [select analyzer (เลือกเครื่องวิเคราะห์)] > **TASKS** (การปฏิบัติงาน) > **CHANGE REAGENTS** (เปลี่ยนสารเคมี)
 บันทึก: หากต้องการหยุดงานที่เลือก กด **Home** (หลัก)
3. กด **Enter** (ตกลง) เพื่อหยุดการวัด
4. เลือกตัวเลือก

ตัวเลือก	คำอธิบาย
HOLD (คงค้าง)	ชุดควบคุมขาออกจะอยู่ที่ค่าที่วัดครั้งสุดท้าย
TRANSFER (ส่งต่อ)	ชุดควบคุมขาออกจะเปลี่ยนเป็นค่าการถ่ายโอน

5. รอให้ไฟสถานะกะพริบ
6. เปลี่ยนขวดใส่บัพเฟอร์ต่อไปนี้:
 บันทึก: (ไม่บังคับ) ใช้ด้านบนของเครื่องวิเคราะห์เป็นชั้นวาง
 - a. เปิดฝาและซีลจากขวดใส่บัพเฟอร์ใหม่
 - b. นำขวดใส่บัพเฟอร์ที่ใช้แล้วออกจากเครื่องวิเคราะห์

- c. ใส่ท่อบัพเฟอร์ลงในขวดใส่บัพเฟอร์ใหม่ที่ด้านขวาของเครื่องวิเคราะห์ ปิดฝาให้แน่น
7. เปลี่ยนขวดใส่สารเคมีดังต่อไปนี้:

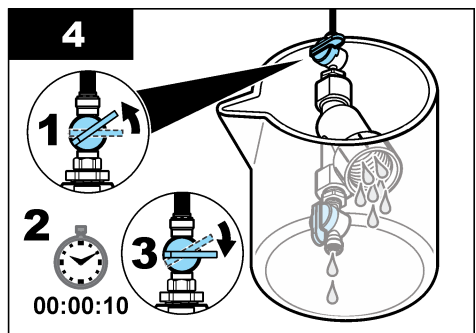
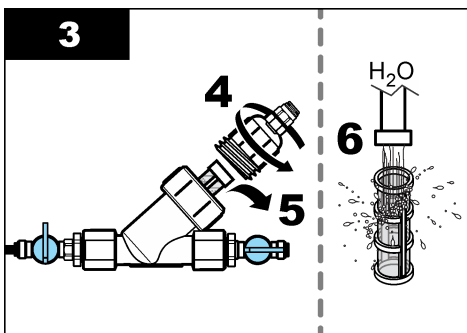
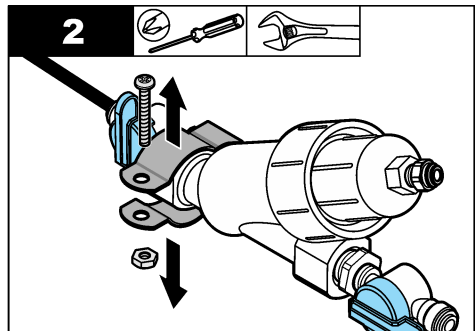
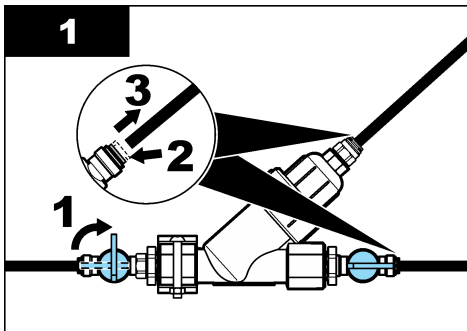
- a. เปิดฝาและซีลออกจากขวดใส่สารเคมี และขวด DPD สีน้ำตาล
- b. เติมขวด DPD สีน้ำตาลด้วยสารละลายซีลัดประมาณ 1/4
- c. คนสารในขวด DPD เพื่อให้เข้ากัน
- d. ใส่สิ่งบรรจุของขวด DPD ลงในขวดใส่สารเคมี
- e. พลิกขวดใส่สารเคมีจนกว่าผงทั้งหมดจะละลาย (2 นาที)
- f. นำขวดใส่สารเคมีที่ใช้แล้วออกจากเครื่องวิเคราะห์
- g. ใส่ท่อสารเคมีลงในขวดใส่สารเคมีใหม่ที่ด้านซ้ายของเครื่องวิเคราะห์ ปิดฝาให้แน่น

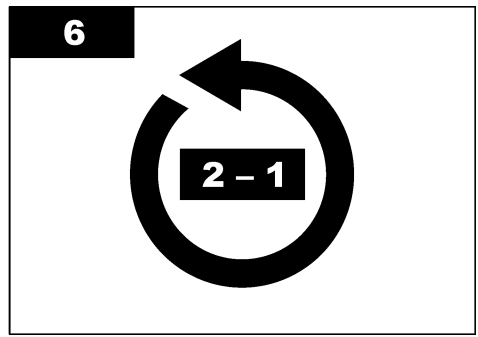
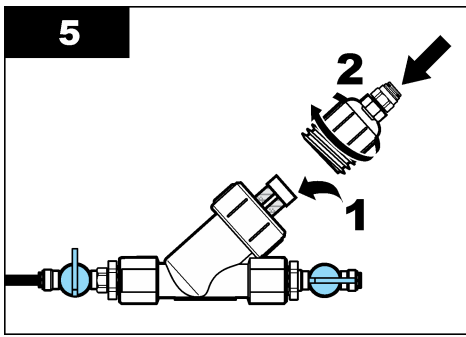
8. กด **Enter** (ตกลง)

9. เมื่อจอภาพแสดงข้อความ "TASK COMPLETE (งานเสร็จสิ้น)" ให้กด **Enter** (ตกลง) เครื่องวิเคราะห์จะเริ่มรอบการวัดในเวลาประมาณ 30 วินาที

7.4 ทำความสะอาดภายในตัวกรองสารไหลแบบตัว Y

ทำความสะอาดภายในตัวกรองสารไหลแบบตัว Y เมื่อมีสิ่งอุดตัน ซึ่งสามารถระบุได้ด้วยค่าเดือน LOW SAMPLE FLOW (การไหลของน้ำตัวอย่างต่ำ) ทำตามขั้นตอนที่แสดงไว้ในรูปภาพด้านล่างให้สำเร็จ





7.5 เตรียมเครื่องสำหรับการจัดเก็บ

⚠️ ข้อควรระวัง	
	อาจได้รับอันตรายจากการสัมผัสสารเคมี ปฏิบัติตามขั้นตอนเพื่อความปลอดภัยในห้องปฏิบัติการ และสวมใส่อุปกรณ์ป้องกันทั้งหมด ให้เหมาะสมในการดำเนินงานกับสารเคมีนั้นๆ โปรดดูกฎระเบียบด้านความปลอดภัยได้ที่เอกสารข้อมูลด้านความปลอดภัยฉบับปัจจุบัน (MSDS/SDS)

หากจะไม่จ่ายกระแสไฟให้เครื่องวิเคราะห์เป็นเวลานานกว่า 3 วัน หรือจะไม่ใช้เครื่องวิเคราะห์เป็นเวลานานกว่า 3 วัน ให้เตรียมเครื่องวิเคราะห์เพื่อการจัดเก็บ

สิ่งที่ต้องเตรียม:



บีกเกอร์ที่มีน้ำปราศจากไอออน (2x)



ที่หยดแบบใช้แล้วทิ้งหรือผ้าที่ปราศจากขุย

1. นำสารตัวกระทำออกจากสายตัวกระทำต่อไปนี้:

- นำขวดใส่สารเคมีและขวดใส่บัฟเฟอร์ออกจากเครื่องวิเคราะห์
- ใส่บีกเกอร์ (หรือภาชนะ) 2 ใบที่มีน้ำปราศจากไอออนลงในเครื่องวิเคราะห์
- ใส่ท่อขวดใส่สารเคมีและท่อขวดใส่บัฟเฟอร์ลงในบีกเกอร์
- กด**Menu (เมนู)**จากนั้นเลือก**SENSOR SETUP (ตั้งค่าหัววัด) > [select analyzer (เลือกเครื่องวิเคราะห์)] > PRIME (เตรียมสารเคมี)**
เครื่องวิเคราะห์จะนำสารตัวกระทำออกจากสายตัวกระทำ

2. นำน้ำปราศจากไอออนออกจากสายตัวกระทำต่อไปนี้:

- นำท่อขวดใส่สารเคมีและท่อขวดใส่บัฟเฟอร์ออกจากบีกเกอร์
- นำบีกเกอร์ 2 ใบออกจากเครื่องวิเคราะห์
- กด**Menu (เมนู)**จากนั้นเลือก**SENSOR SETUP (ตั้งค่าหัววัด) > [select analyzer (เลือกเครื่องวิเคราะห์)] > PRIME (เตรียมสารเคมี)**
เครื่องวิเคราะห์จะนำของเหลวทั้งหมดออกจากสายตัวกระทำ

3. ถอดสายเครื่องวิเคราะห์ออกจากตัวควบคุม (หรือถอดสายไฟออกจากตัวควบคุม)

4. หมุนวาล์วเปิด/ปิดไปที่ตำแหน่งปิดเพื่อหยุดการไหลของตัวอย่างไปยังตัวกรองสารไหลแบบตัว Y

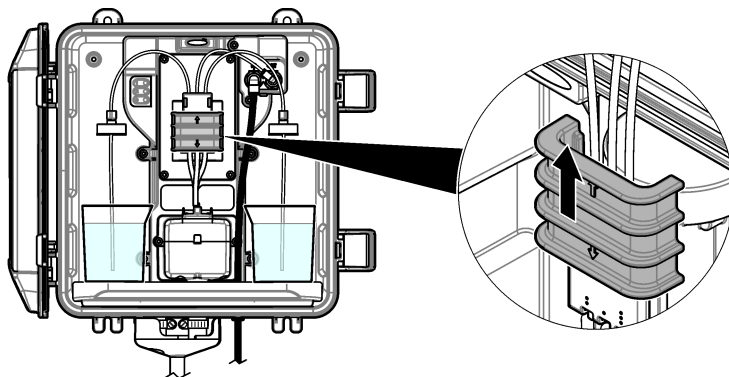
5. ถอดแคลมป์บีบ ครอบละเอียดใน **รูปที่ 6** เก็บแคลมป์บีบไว้ใช้คราวต่อไป

6. นำน้ำออกจากเซลล์ดังต่อไปนี้:

- นำฝาออกจากเซลล์
- นำน้ำออกจากเซลล์ด้วยที่หยดแบบใช้ครั้งเดียว หรือผ้าที่ปราศจากขุย

- c. ปิดฝาถังบนเซลล์
7. ในการเริ่มเครื่องวิเคราะห์หลังจากจัดเก็บ ให้ทำตามขั้นตอนต่อไปนี้:
- ติดตั้งแคลมป์บี้ม ดูรายละเอียดใน **รูปที่ 6**
 - ติดตั้งขวดตัวกระทำ ดูรายละเอียดใน **ขั้นตอนที่ 4: ติดตั้งขวดสารตัวกระทำ** ในหน้า 195
 - ตั้งาล์วเปิด/ปิดไปที่เปิด เพื่อเริ่มการไหลของตัวอย่างไปยังตัวกรองสารไหลแบบตัว Y
 - เชื่อมต่อสายเครื่องวิเคราะห์เข้ากับตัวควบคุม หากไม่ได้เชื่อมต่อสายอยู่
 - จ่ายกระแสไฟให้ตัวควบคุม หากไม่ได้เชื่อมต่อพลังงาน
 - กด**Menu (เมนู)**จากนั้นเลือก**SENSOR SETUP (ตั้งค่าหัววัด)** > [select analyzer (เลือกเครื่องวิเคราะห์)] > **PRIME (เตรียมสารเคมี)**

รูปที่ 6 ถอดแคลมป์บี้ม



7.6 เตรียมการจัดส่ง

⚠️ ข้อควรระวัง	
	<p>อาจได้รับอันตรายจากการสัมผัสสารเคมี ปฏิบัติตามขั้นตอนเพื่อความปลอดภัยในห้องปฏิบัติการ และสวมใส่อุปกรณ์ป้องกันทั้งหมด ให้เหมาะสมในการดำเนินงานกับสารเคมีนั้นๆ โปรดดูกฎระเบียบด้านความปลอดภัยได้ที่เอกสารข้อมูลด้านความปลอดภัยฉบับปัจจุบัน (MSDS/SDS)</p>

ในการเตรียมการจัดส่งเครื่องวิเคราะห์ ให้ทำตามขั้นตอนต่อไปนี้

สิ่งที่ต้องเตรียม:



บีกเกอร์ที่มีน้ำปราศจากไอออน (2x)



บรรจุภัณฑ์แบบดั้งเดิม

- นำสารตัวกระทำออกจากสายตัวกระทำต่อไปนี้:
 - นำขวดใส่สารเคมีและขวดใส่บัพเฟอ์ออกจากเครื่องวิเคราะห์
 - ใส่บีกเกอร์ (หรือภาชนะ) 2 ใบที่มีน้ำปราศจากไอออนลงในเครื่องวิเคราะห์
 - ใส่ท่อขวดใส่สารเคมีและท่อขวดใส่บัพเฟอ์ลงในบีกเกอร์
 - กด**Menu (เมนู)**จากนั้นเลือก**SENSOR SETUP (ตั้งค่าหัววัด)** > [select analyzer (เลือกเครื่องวิเคราะห์)] > **PRIME (เตรียมสารเคมี)**
เครื่องวิเคราะห์จะนำสารตัวกระทำออกจากสายตัวกระทำ
- นำน้ำปราศจากไอออนออกจากสายตัวกระทำต่อไปนี้:
 - นำท่อขวดใส่สารเคมีและท่อขวดใส่บัพเฟอ์ออกจากบีกเกอร์

- b. นำบีกเกอร์ 2 ใบออกจากเครื่องวิเคราะห์
- c. กด**Menu (เมนู)**จากนั้นเลือก**SENSOR SETUP (ตั้งค่าหัววัด) > [select analyzer (เลือกเครื่องวิเคราะห์)] > PRIME (เตรียมสารเคมี)**
เครื่องวิเคราะห์จะนำของเหลวทั้งหมดออกจากสายตัวกระทำ
3. ถอดสายเครื่องวิเคราะห์ออกจากตัวควบคุม
4. หมุนวาล์วเปิด/ปิดไปที่ตำแหน่งปิดเพื่อหยุดการไหลของตัวอย่างไปยังตัวกรองสารไหลแบบตัว Y
5. ถอดสายทางเข้าตัวอย่าง (สีดำ) และท่อระบาย (ใส) ออกจากเครื่องวิเคราะห์
6. ถอดตัวจ่ายอากาศภายนอกออกจากเครื่องวิเคราะห์
7. ถอดแคลมป์บี้ม ดูรายละเอียดใน **รูปที่ 6** ในหน้า 206
8. ถอดชุดสายท่อและแท่งแม่เหล็กออกจากเครื่องวิเคราะห์ เก็บชุดสายท่อไว้เพื่อจัดส่งไปพร้อมกับเครื่องวิเคราะห์ ดูรายละเอียดใน **ขั้นตอนที่ 3: ติดตั้งแท่งแม่เหล็กและชุดสายท่อ** ในหน้า 195
9. ติดตั้งแคลมป์บี้มโดยไม่มีชุดสายท่อ ติดแท่งที่แคลมป์ท่อเพื่อยึดแคลมป์ท่อให้แน่น
10. นำน้ำออกจากเซลล์ด้วยที่หยดแบบใช้ครั้งเดียว หรือผ้าที่ปราศจากขุย
11. นำเครื่องวิเคราะห์ออกจากผนัง
12. ใส่เครื่องวิเคราะห์ลงในบรรจุภัณฑ์แบบดั้งเดิม

7.7 การทำความสะอาดอุปกรณ์

หมายเหตุ

ห้ามใช้ผลิตภัณฑ์ทำความสะอาดที่มีส่วนประกอบของน้ำมันสน, อะซิโตน หรือผลิตภัณฑ์ที่คล้ายกันนี้ ในการทำความสะอาดอุปกรณ์ รวมถึงจอแสดงผล และอุปกรณ์เสริม

ทำความสะอาดด้านนอกของอุปกรณ์ด้วยผ้าเปียก ชุบด้วยน้ำสบู่อ่อนๆ

7.8 ทำความสะอาดสิ่งที่หกล้น

⚠️ ข้อควรระวัง



อาจได้รับอันตรายจากการสัมผัสสารเคมี การกำจัดสารเคมีและของเสียตามกฎหมายข้อบังคับของท้องถิ่น ภูมิภาค และประเทศ

1. โปรดเชื้อเพลิงเกี่ยวกับความปลอดภัยของสถานที่ในการควบคุมการรั่วไหล
2. ทั้งของเสียตามระเบียบที่ใช้บังคับ

หัวข้อที่ 8 การแก้ไขปัญหา

8.1 ข้อผิดพลาด ไฟสีแดง

เพื่อแสดงข้อผิดพลาด ให้กด **Menu (เมนู)** แล้วเลือก **DIAGNOSTICS > [select analyzer (เลือกเครื่องวิเคราะห์)] > ERROR LIST (รายการผิดพลาด)** รายการข้อผิดพลาดที่อาจเกิดขึ้นจะปรากฏขึ้น **ตาราง 7**

ไฟแจ้งสถานะเครื่องวิเคราะห์เปลี่ยนเป็นสีแดงเมื่อมีข้อผิดพลาดเกิดขึ้น เมื่อเกิดข้อผิดพลาด การวัดจะหยุดลง หน้าจอการวัดจะกะพริบและเอาท์พุทจะหยุดชะงักตามที่ระบุไว้ในเมนูชุดควบคุม

ตาราง 7 ข้อความระบุข้อผิดพลาด

ข้อผิดพลาด	คำอธิบาย	แนวทางแก้ไขปัญหา
DETECTOR ERROR (เซนเซอร์ตรวจจับผิดพลาด)	เครื่องตรวจจับทำงานไม่ถูกต้อง	ติดต่อฝ่ายให้บริการทางเทคนิค
DIRTY CELL (เซลล์สกปรก)	เซลล์มีคราบหรือสกปรก	ทำความสะอาดเซลล์ ดูรายละเอียดใน ทำความสะอาดเซลล์ ในหน้า 202

ตาราง 7 ข้อความระบุข้อผิดพลาด (ต่อ)

ข้อผิดพลาด	คำอธิบาย	แนวทางแก้ไขปัญหา
CODE ERROR (โค้ดผิดพลาด)	เฟิร์มแวร์เกิดข้อผิดพลาด	ติดต่อฝ่ายให้บริการทางเทคนิค
LED ERROR (LED ผิดพลาด)	ไฟฟู่อยู่ในเซลล์ทำงาน ไม่ถูกต้อง	ติดต่อฝ่ายให้บริการทางเทคนิค
PUMP ERROR (ปั๊มผิดพลาด)	ปั๊มทำงานได้ไม่ถูกต้อง	ติดต่อฝ่ายให้บริการทางเทคนิค
SAMPLE LEAK (น้ำตัวอย่างรั่วไหล)	สารตัวอย่างในเครื่องวิเคราะห์เกิดการรั่วไหล	ติดต่อฝ่ายให้บริการทางเทคนิค

8.2 การแจ้งเตือน—ไฟสีเหลือง

เพื่อแสดงคำเตือน ให้กด **Menu (เมนู)** แล้วเลือก **DIAGNOSTICS > [select analyzer (เลือกเครื่องวิเคราะห์)] > WARNING LIST (รายการเตือน)** รายการเตือนจะปรากฏขึ้นใน **ตาราง 8**

ไฟบอกสถานะจะเปลี่ยนเป็นสีเหลืองเมื่อเกิดการแจ้งเตือน มีการไหลของตัวอย่างที่เพียงพอ การเตือนจะไม่ส่งผลการใช้เมนู คำเตือนจะไม่ส่งผลการใช้รีเซ็ตและสัญญาณของออกต่างๆ ไอคอนเตือนจะกะพริบและข้อความจะปรากฏขึ้นที่ด้านล่างของหน้าจอควบคุม

ตาราง 8 ข้อความเตือน

เหตุการณ์	คำอธิบาย	แนวทางแก้ไขปัญหา
BUBBLES DETECTED (ตรวจพบฟองอากาศ)	มีฟองอากาศในเซลล์	ทำความสะอาดเซลล์ ดูรายละเอียดใน ทำความสะอาดเซลล์ ในหน้า 202 (ไม่บังคับ) ตั้งค่า BUBBLE REJECT (สถานะขูดไล่ฟอง) เป็นเปิด ดูรายละเอียดใน ขั้นตอนที่ 10: กำหนดค่าเครื่องวิเคราะห์ ในหน้า 199
CLEAN CELL SOON (ทำความสะอาดเซลล์เร็วๆ นี้)	เซลล์เกิดคราบหรือสกปรกและต้องทำความสะอาดเร็วๆ นี้เพื่อป้องกันข้อผิดพลาด	ทำความสะอาดเซลล์ ดูรายละเอียดใน ทำความสะอาดเซลล์ ในหน้า 202
HIGH CHLORINE (คลอรีนสูง)	ความเข้มข้นของคลอรีนมีค่าเท่ากับหรือน้อยกว่าค่าเป้าหมาย HIGH CL ALARMS (การเตือนคลอรีนสูง)	เพิ่มการตั้งค่า HIGH CL ALARMS (การเตือนคลอรีนสูง) ดูรายละเอียดใน ขั้นตอนที่ 10: กำหนดค่าเครื่องวิเคราะห์ ในหน้า 199 หรือ ลดความเข้มข้นของคลอรีนของตัวอย่างที่จ่ายให้กับเครื่องวิเคราะห์
LOW CHLORINE (คลอรีนต่ำ)	ความเข้มข้นของคลอรีนมีค่าเท่ากับหรือน้อยกว่าค่าเป้าหมาย LOW CL ALARMS (การเตือนคลอรีนต่ำ)	ลดการตั้งค่า LOW CL ALARMS (การเตือนคลอรีนต่ำ) ดูรายละเอียดใน ขั้นตอนที่ 10: กำหนดค่าเครื่องวิเคราะห์ ในหน้า 199 หรือ เพิ่มความเข้มข้นของคลอรีนของตัวอย่างที่จ่ายให้กับเครื่องวิเคราะห์

ตาราง 8 ข้อความเตือน (ต่อ)

เหตุการณ์	คำอธิบาย	แนวทางแก้ไขปัญหา
<p>LOW SAMPLE FLOW (การไหลของน้ำตัวอย่างต่ำ)</p>	<p>การไหลของตัวอย่างที่วัดได้นั้นน้อยกว่าอัตราการไหลของตัวอย่างขั้นต่ำ คูราละเอียดใน รายละเอียดทางเทคนิค ในหน้า 185</p>	<p>กำหนดอัตราการไหลของตัวอย่าง คูราละเอียดใน ขั้นตอนที่ 8: กำหนดอัตราการไหล ในหน้า 198</p> <p>ทำความสะอาดตัวกรองในตัวกรองสารไหลแบบตัว Y หากจำเป็น เพื่อจัดการอุดตัน คูราละเอียดใน ทำความสะอาดในตัวกรองสารไหลแบบตัว Y ในหน้า 204</p> <p><i>บันทึก:</i> เมื่อมีการเตือน LOW SAMPLE FLOW (การไหลของน้ำตัวอย่างต่ำ) เครื่องวิเคราะห์จะหยุดวัดชั่วคราว เมื่ออัตราการไหลกลับมาอยู่ในช่วงของข้อมูลจำเพาะ เครื่องวิเคราะห์จะเริ่มวัดโดยอัตโนมัติ</p>
<p>HIGH SAMPLE FLOW (การไหลของน้ำตัวอย่างสูง)</p>	<p>การไหลของตัวอย่างที่วัดได้นั้นมากกว่าอัตราการไหลของตัวอย่างสูงสุด คูราละเอียดใน รายละเอียดทางเทคนิค ในหน้า 185</p>	<p>กำหนดอัตราการไหลของตัวอย่าง คูราละเอียดใน ขั้นตอนที่ 8: กำหนดอัตราการไหล ในหน้า 198</p>

หัวข้อที่ 9 ชิ้นส่วนอะไหล่และอุปกรณ์เสริม

คำเตือน



อันตรายต่อการบาดเจ็บของบุคคล การใช้ชิ้นส่วนที่ไม่ได้รับการอนุญาตอาจทำให้เกิดการบาดเจ็บของบุคคล ความเสียหายของเครื่องมือ หรือการทำงานผิดพลาดของอุปกรณ์ ชิ้นส่วนทดแทนในชิ้นนี้ได้รับการรับรองโดยผู้ผลิต

บันทึก: หมายเลขผลิตภัณฑ์และส่วนประกอบอาจแตกต่างกันไปตามภูมิภาคที่จัดจำหน่าย คิดคือตัวแทนจำหน่ายหรือไปที่เว็บไซต์ของบริษัทเพื่อดูข้อมูลการติดต่อวัสดุสิ้นเปลือง

คำอธิบาย	จำนวน	หมายเลขสินค้า
ชุดสารตัวกระทำ, คลอรีนอิสระ, ประกอบด้วย: ขวดใส่บัพเฟอร์, ขวดใส่สารเคมี และขวด DPD	1	2556900
ชุดสารตัวกระทำ, คลอรีนทั้งหมด, ประกอบด้วย: ขวดใส่บัพเฟอร์, ขวดใส่สารเคมี และขวด DPD	1	2557000
ชุดทำความสะอาดเซลล์, ประกอบด้วย: กรดซัลฟูริก, 5.25 N, 100 mL, ขวดหยด และสำลีพันก้าน (10x)	1	8573100
อุปกรณ์ทำการขึ้นชั้นการสอบเทียบ	1	8568200
อุปกรณ์เติมทำการขึ้นชั้นการสอบเทียบ	1	8573200

ชิ้นส่วนอะไหล่

คำอธิบาย	หมายเลขสินค้า
ชุดท่อ ประกอบด้วย: ชุดสายท่อและแท่งแม่เหล็ก	8560400
ชุดติดตั้งพร้อมท่ออื่น	8560500
ชุดติดตั้งพร้อมอุปกรณ์ปรับแรงดัน	8565700

อุปกรณ์เสริม

คำอธิบาย	หมายเลขสินค้า
สายท่อสำหรับเครื่องวิเคราะห์ 1 m (3.2 ft)	6122400
สายท่อสำหรับเครื่องวิเคราะห์ 7.7 m (25 ft)	5796000
สายท่อสำหรับเครื่องวิเคราะห์ 15 m (50 ft)	5796100
อะแดปเตอร์ท่อแบบ OD 6 มม. ถึง OD 1/4 นิ้ว	09184=A=4020



HACH COMPANY World Headquarters

P.O. Box 389, Loveland, CO 80539-0389 U.S.A.
Tel. (970) 669-3050
(800) 227-4224 (U.S.A. only)
Fax (970) 669-2932
orders@hach.com
www.hach.com

HACH LANGE GMBH

Willstätterstraße 11
D-40549 Düsseldorf, Germany
Tel. +49 (0) 2 11 52 88-320
Fax +49 (0) 2 11 52 88-210
info-de@hach.com
www.de.hach.com

HACH LANGE Sàrl

6, route de Compois
1222 Vézenaz
SWITZERLAND
Tel. +41 22 594 6400
Fax +41 22 594 6499