

EZ3000 Series Fluoride Analysers

Applications

- Drinking water
- Surface water



Online ion-selective Fluoride measurements in industrial and environmental applications

ISE technology for optimal analytical performance

With limited maintenance requirements and reduced reagent consumption, the EZ3000 Series are the ideal choice for a wide range of water monitoring applications where ion-selective electrodes are the preferred analytical technique. Outstanding precision and stability is guaranteed by the temperature-controlled measurement.

Direct, discontinuous ISE method

The EZ3000 Series uses discontinuous ISE analysis which enhances control over conversion of ion activity to electric potential. It also eliminates risk of cross-contamination between cycles and reduces overall reagents consumption.

The EZ3007 Fluoride Analysers combine unique technology with a set of analysis, control and communication features in an industrial analyser mainframe with designed for the highest performance:

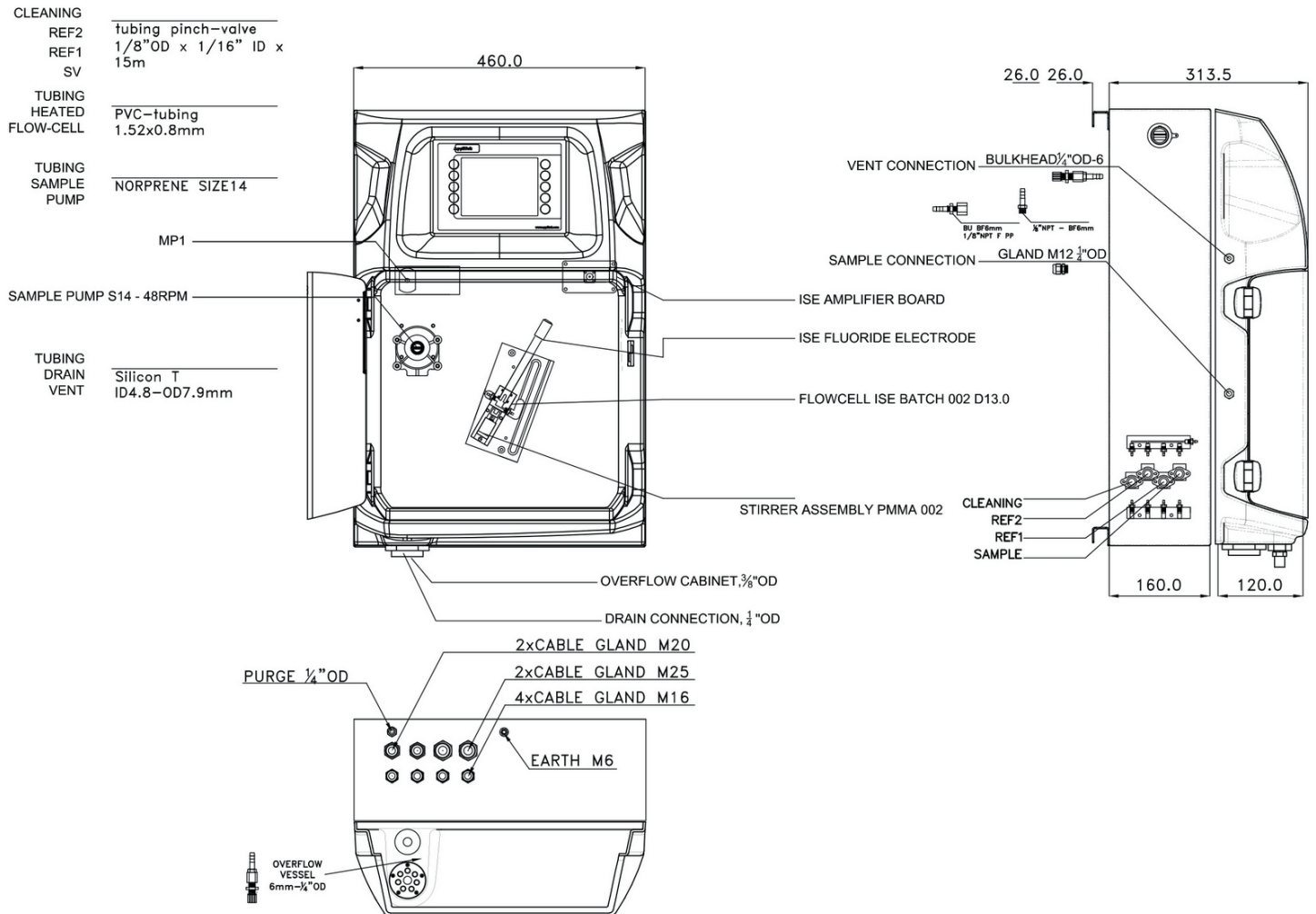
- Smart automatic features
- Control and communication via industrial panel PC
- Analogue and digital output options
- Multiple stream analysis (up to 8 streams)

Technical Data*

Parameter	Fluoride
Measurement method	Discontinuous, direct measurement by combined ion-selective electrode, conform with standard methods EPA 9214 and ASTM D1179
Measuring range	1 - 10 mg/L F ⁻ Optional: 0.25 - 2.5 mg/L F ⁻ 0.5 - 5 mg/L F ⁻ Please note that low range Fluoride concentrations require more frequent replenishment of the electrolyte. Please check the level of electrolyte two times per week. For technical support contact our TechSupport team.
Precision	Better than 2% full scale range for standard test solutions
Detection limit	≤ 0.1 mg/L
Interferences	Metal ions like aluminium > 72 mg/L, calcium > 108 mg/L and iron > 150 mg/L. Fats, oil, proteins, surfactants and tar.
Cycle time	5 minutes
Automatic cleaning	Yes
Calibration	Automatic, 2-point; frequency freely programmable
Validation	Automatic; frequency freely programmable
Ambient temperature	10 - 30 °C ± 4 °C deviation at 5 - 95% relative humidity (non-condensing)
Reagent requirements	Keep between 10 - 30 °C
Sample pressure	By external overflow vessel
Flow rate	100 - 300 mL/min
Sample temperature	10 - 30 °C
Sample quality	Maximum particle size 100 µm, < 0.1 g/L; Turbidity < 50 NTU
Power	110 - 240 VAC, 4 A, 50/60 Hz Max. power consumption: 150 VA
Instrument air	Dry and oil free according to ISA-S7.0.01-1996 quality standard for instrument air
Demineralised water	For rinsing
Drain	Atmospheric pressure, vented, min. Ø 64 mm
Earth connection	Dry and clean earth pole with low impedance (< 1 Ohm) using an earth cable of > 2.5 mm ²
Analogue outputs	Active 4 - 20 mA max. 500 Ohm load, standard 1, max. 8 (option)
Digital outputs	Optional: RS232, Modbus (TCP/IP, RS485)
Alarm	1 x malfunctioning, 4 x user-configurable, max. 24 VDC/0.5 A, potential free contacts
Protection class	Analyser cabinet: IP55 / Panel PC: IP65
Material	Hinged part: Thermoform ABS, door: plexiglass Wall section: Galvanised steel, powder coated
Dimensions (H x W x D)	690 mm x 465 mm x 330 mm
Weight	25 kg
Certifications	CE compliant / UL certified

*Subject to change without notice.

Dimensions



Hach Service

With Hach Service, you have a global partner who understands your needs and cares about delivering timely, high-quality service you can trust. Our Service Team brings unique expertise to help you maximise instrument uptime, ensure data integrity, maintain operational stability, and reduce compliance risk.

Order Information - Part Number Configurator

Standard range, 1-10 mg/L F ⁻	EZ3007.99	X	X	X	X	X	2
Measurement range settings / Dilution options							
25% of standard range		B					
50% of standard range		C					
Standard range		0					
Customised		Z					
Power supply							
Standard 110 - 240 VAC; 50/60 Hz			0				
Customised			Z				
Number of sample streams							
1 stream				1			
2 streams				2			
3 streams				3			
4 streams				4			
5 streams				5			
6 streams				6			
7 streams				7			
8 streams				8			
Outputs							
1x mA					1		
2x mA					2		
3x mA					3		
4x mA					4		
5x mA					5		
6x mA					6		
7x mA					7		
8x mA					8		
RS232					A		
Modbus TCP/IP					B		
Modbus RS485					C		
1x mA + Modbus RS485					E		
2x mA + Modbus RS485					F		
3x mA + Modbus RS485					G		
4x mA + Modbus RS485					H		
1x mA + Modbus TCP/IP					I		
2x mA + Modbus TCP/IP					J		
3x mA + Modbus TCP/IP					K		
4x mA + Modbus TCP/IP					L		
Customised / combined					Z		
Specials							
No adaption, standard version						0	
Customer specific adaptations required, to specify						S	