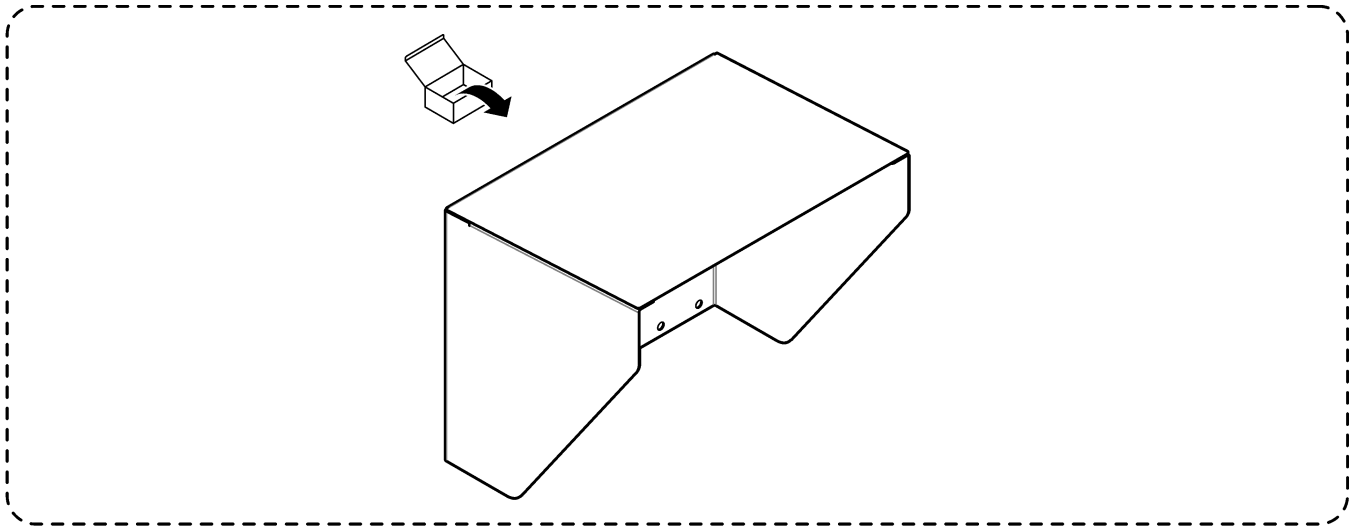


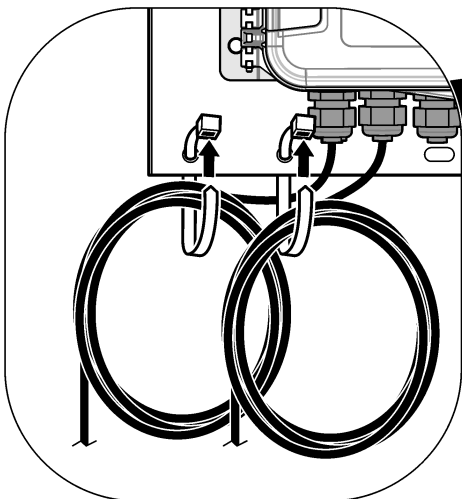
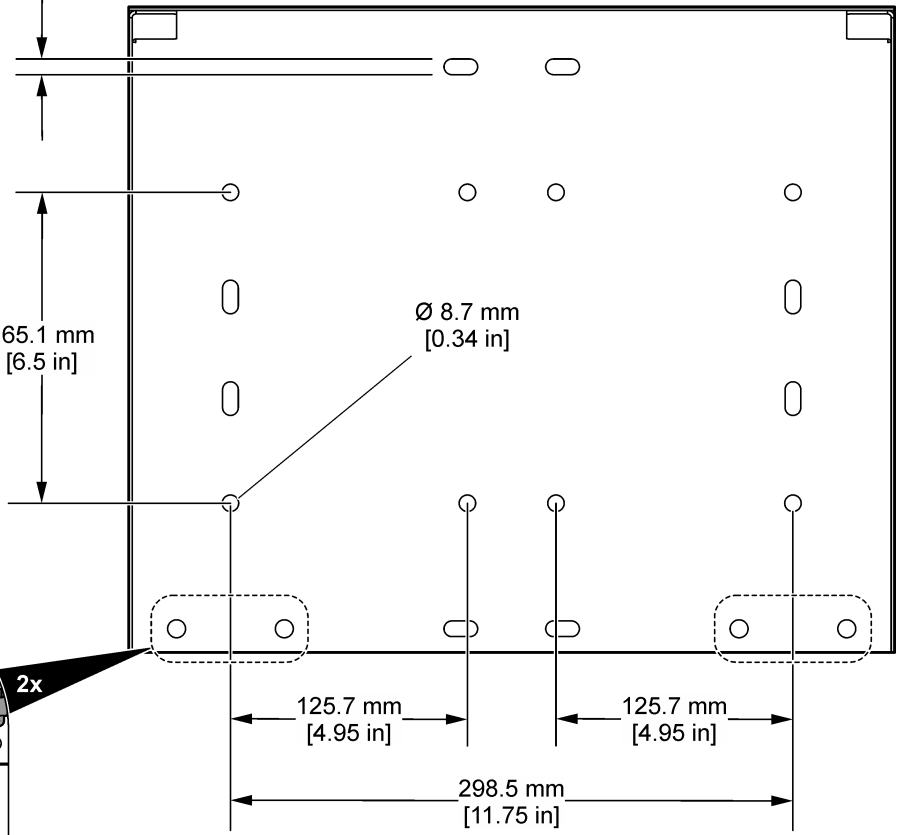
8319200

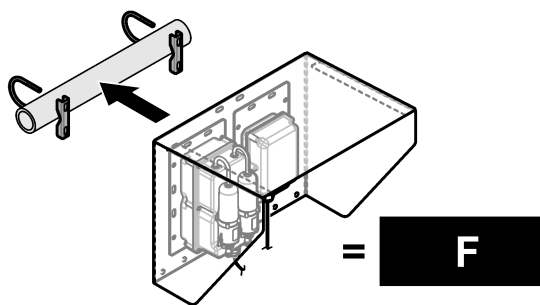
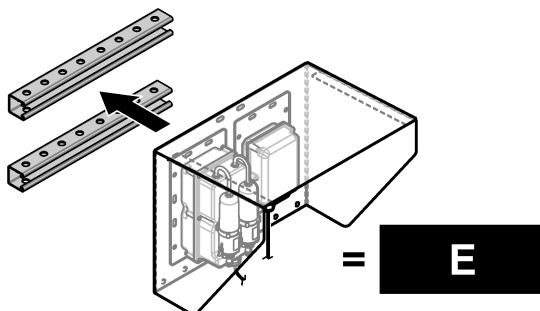
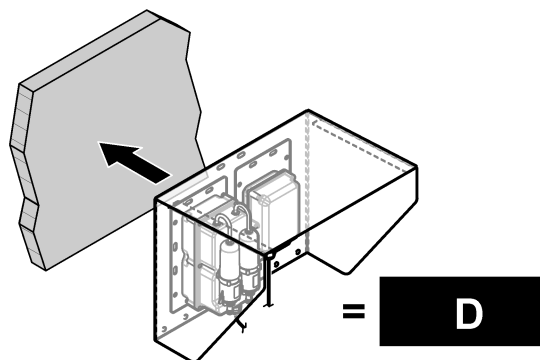
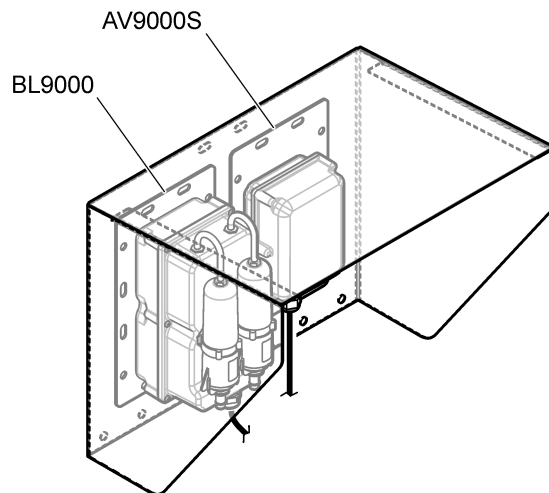
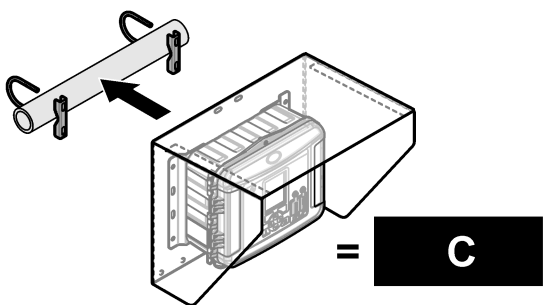
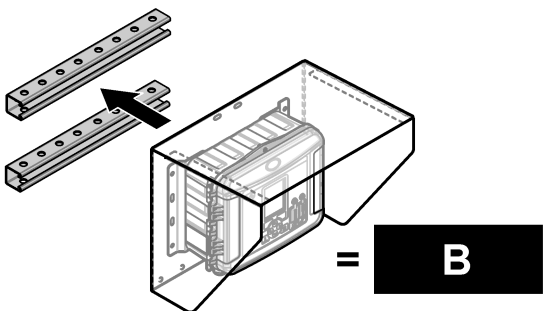
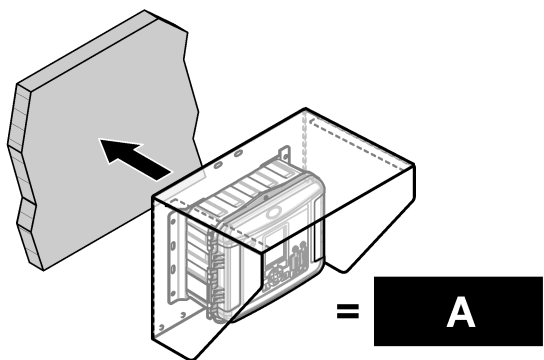
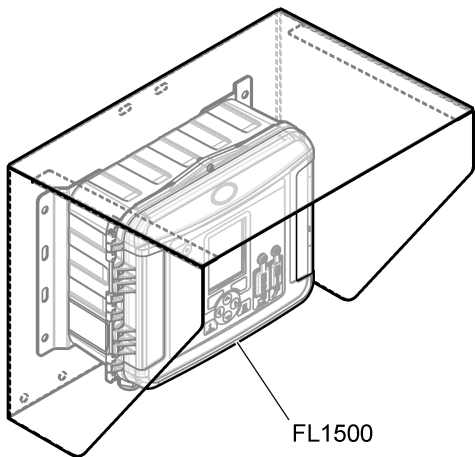


8.3 mm  
[0.33 in]

165.1 mm  
[6.5 in]

Ø 8.7 mm  
[0.34 in]

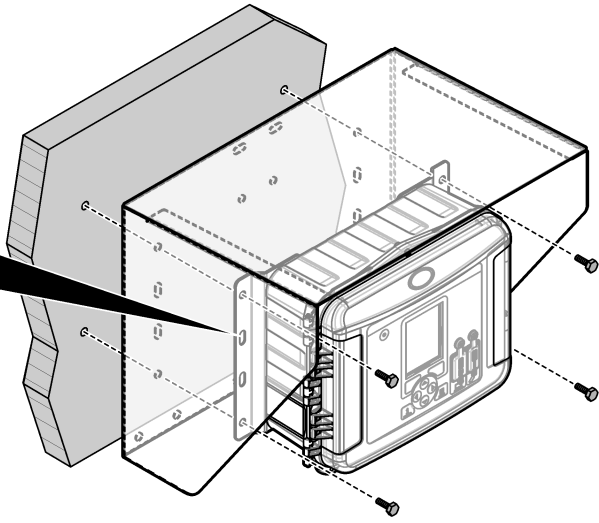




**A**



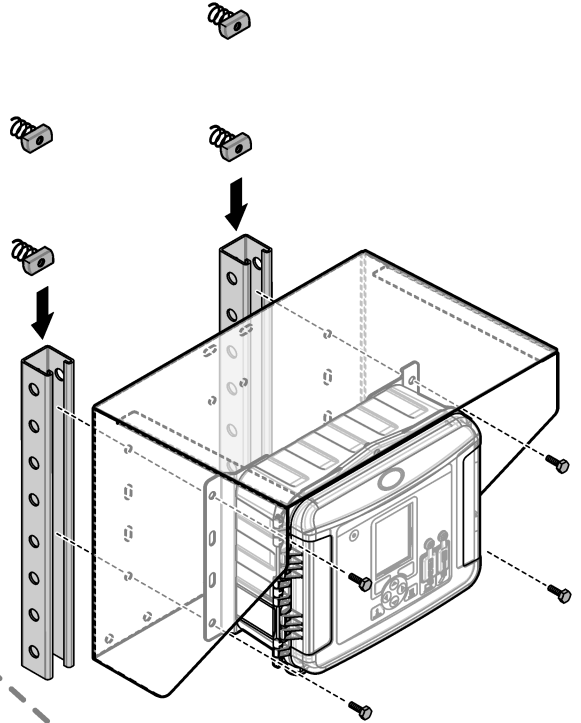
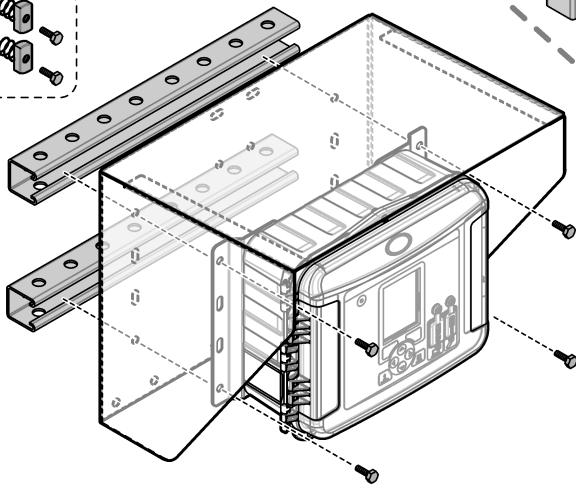
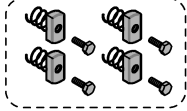
FL1500



**B**



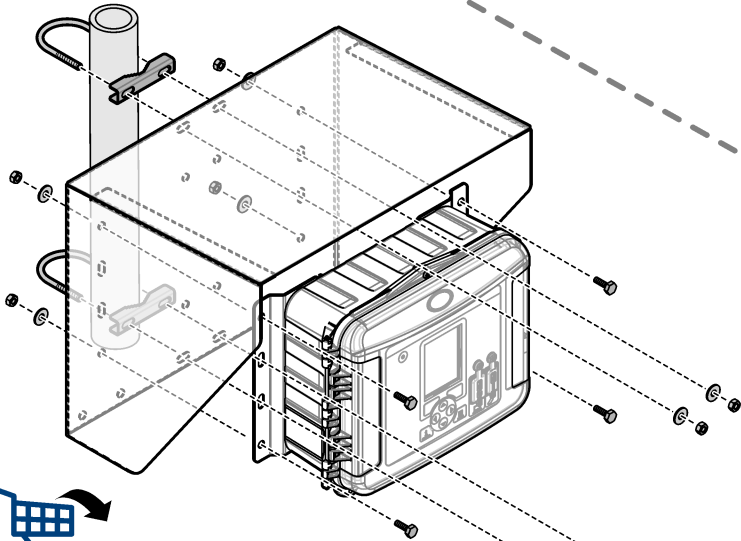
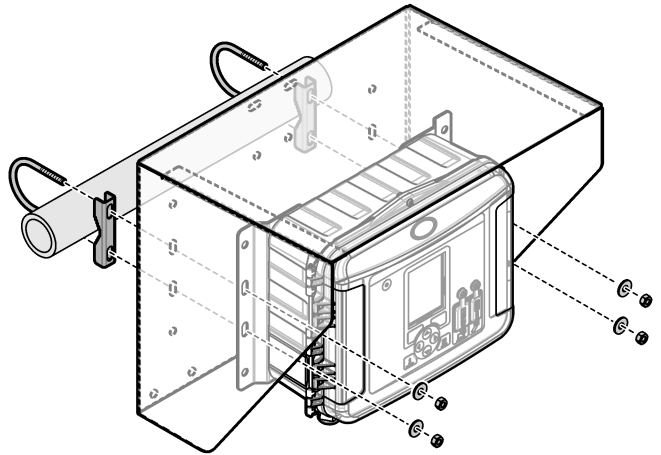
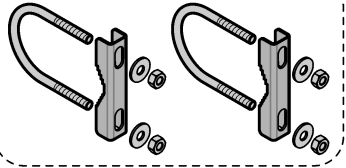
FL1500



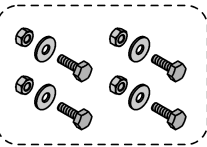
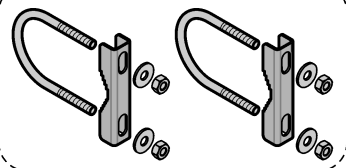
C



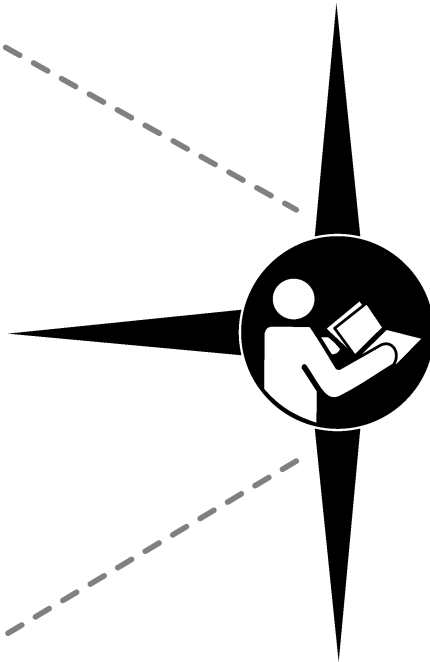
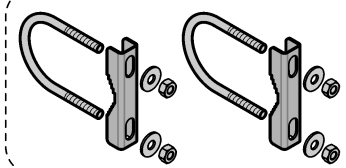
8319000



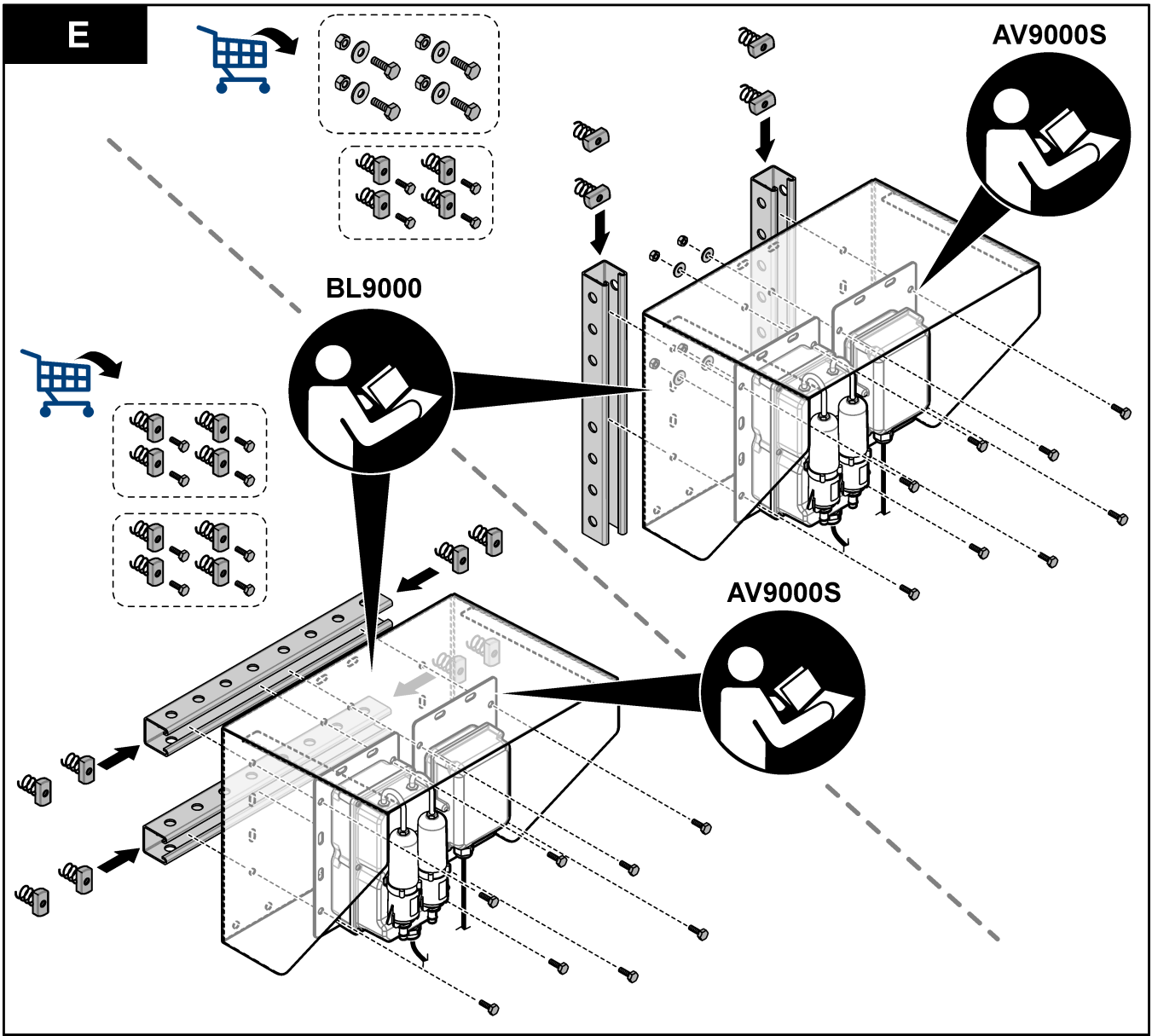
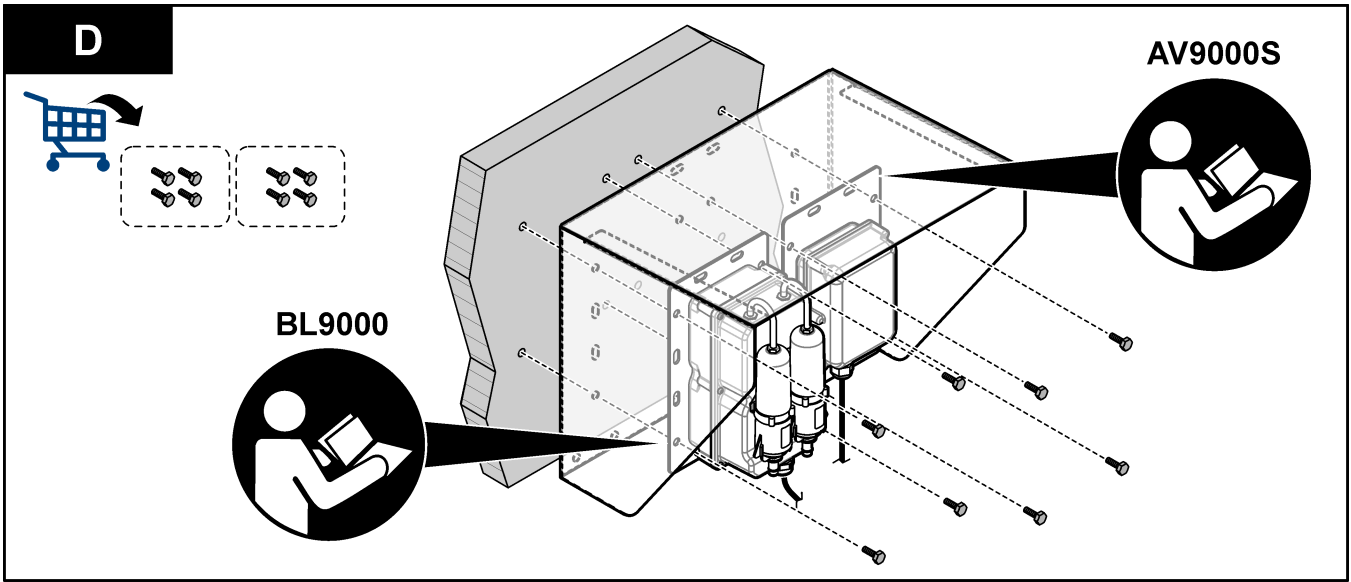
8319000



8319000



FL1500

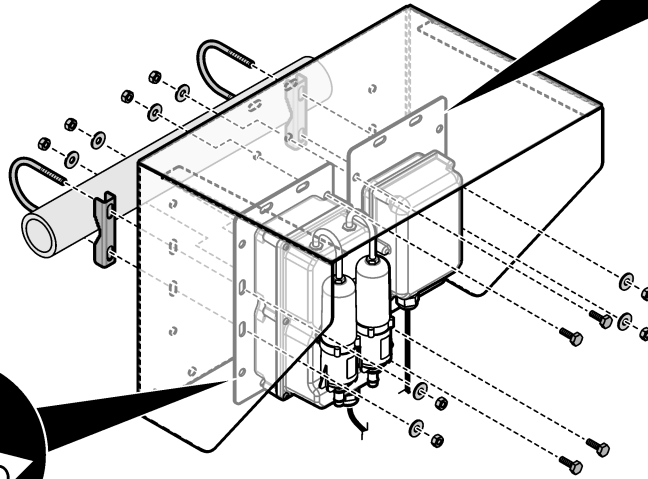
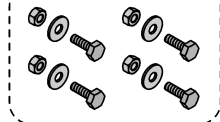
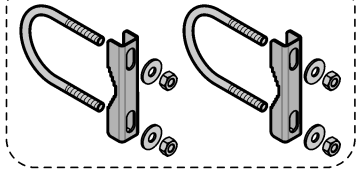


F

AV9000S



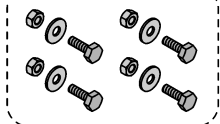
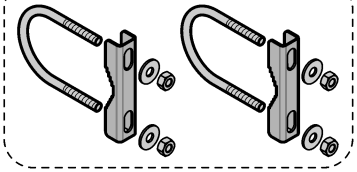
8319000



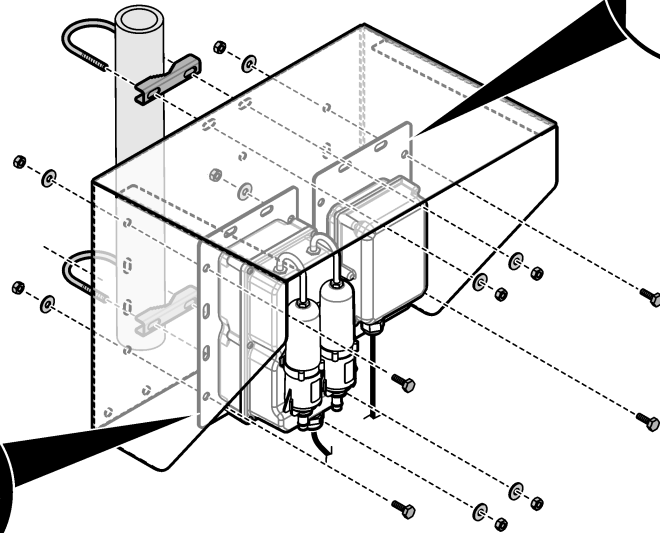
BL9000



8319000



AV9000S



BL9000



**McCrometer, Inc.**  
3255 West Stetson Avenue  
Hemet, CA 92545 USA  
Tel: 951-652-6811  
800-220-2279  
Fax: 951-652-3078  
hachflowtechsupport@mccrometer.com  
www.hach.com/flow



USA Copyright © McCrometer, Inc. All printed material should not be changed or altered without permission of McCrometer. Any published pricing, technical data, and instructions are subject to change without notice. Contact your McCrometer representative for current pricing, technical data, and instructions.

