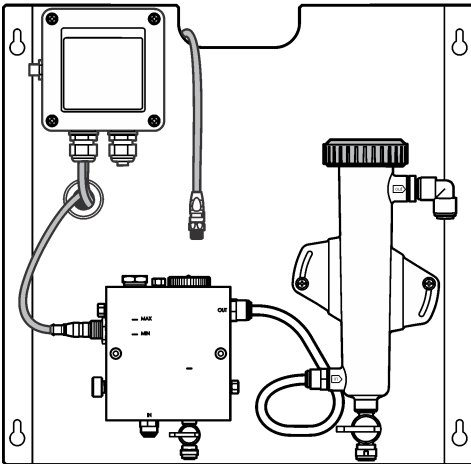




DOC023.97.80087

CLF10sc and CLT10sc Reagentless Chlorine Analyzer

08/2020, Edition 5



User Manual
Manuel d'utilisation
Manual de usuario
Manual do Usuário
ユーザー手册
ユーザーマニュアル
사용 설명서
دليل المستخدم

Table of Contents

English.....	3
Français.....	23
Español.....	44
Português.....	64
中文.....	84
日本語.....	103
한글.....	122
العربية.....	142

Table of Contents

- 1 [Table of contents](#) on page 3
- 2 [Specifications](#) on page 3
- 3 [General information](#) on page 3
- 4 [Installation](#) on page 9
- 5 [Operation](#) on page 12
- 6 [Maintenance](#) on page 13
- 7 [Troubleshooting](#) on page 17
- 8 [Replacement parts and accessories](#) on page 20

Section 1 Table of contents

- [Specifications](#) on page 3
- [General information](#) on page 3
- [Installation](#) on page 9
- [Operation](#) on page 12
- [Maintenance](#) on page 13
- [Troubleshooting](#) on page 17
- [Replacement parts and accessories](#) on page 20

Section 2 Specifications

Specifications are subject to change without notice.

Specification	Detail
Component description	Amperometric reagentless chlorine monitoring analyzer panel, with chlorine, flow, optional pH combination or pH sensor, flow cells, sc controller and digital gateway
Operating temperature	0 to 45 °C (0 to 113 °F)
Storage temperature (panel only)	–20 to 60 °C (–4 to 149 °F)
Power requirements	12 VDC ± 10%, 100 mA maximum (supplied by sc controller)
Panel dimensions (L x W x D)	48.3 x 49.5 x 15.1 cm (19 x 19.5 x 5.95 in.) with panel-mounted components
Weight	Approximately 5.4 kg (12 lb) (panel and empty panel-mounted components only)
Flow rate	Range: 30–50 L/hour (7.9–13.2 gal/hour) Optimal: 40 L/hour (10.5 gal/hour)
Controller platform	sc controller models

Section 3 General information

In no event will the manufacturer be liable for direct, indirect, special, incidental or consequential damages resulting from any defect or omission in this manual. The manufacturer reserves the right to make changes in this manual and the products it describes at any time, without notice or obligation. Revised editions are found on the manufacturer's website.

3.1 Safety information

NOTICE

The manufacturer is not responsible for any damages due to misapplication or misuse of this product including, without limitation, direct, incidental and consequential damages, and disclaims such damages to the full extent permitted under applicable law. The user is solely responsible to identify critical application risks and install appropriate mechanisms to protect processes during a possible equipment malfunction.

Please read this entire manual before unpacking, setting up or operating this equipment. Pay attention to all danger and caution statements. Failure to do so could result in serious injury to the operator or damage to the equipment.

Make sure that the protection provided by this equipment is not impaired. Do not use or install this equipment in any manner other than that specified in this manual.

3.2 Use of hazard information

▲ DANGER

Indicates a potentially or imminently hazardous situation which, if not avoided, will result in death or serious injury.

▲ WARNING

Indicates a potentially or imminently hazardous situation which, if not avoided, could result in death or serious injury.

▲ CAUTION

Indicates a potentially hazardous situation that may result in minor or moderate injury.

NOTICE

Indicates a situation which, if not avoided, may cause damage to the instrument. Information that requires special emphasis.

3.3 Precautionary labels

Read all labels and tags attached to the instrument. Personal injury or damage to the instrument could occur if not observed. A symbol on the instrument is referenced in the manual with a precautionary statement.



This symbol, if noted on the instrument, references the instruction manual for operation and/or safety information.



Electrical equipment marked with this symbol may not be disposed of in European domestic or public disposal systems. Return old or end-of-life equipment to the manufacturer for disposal at no charge to the user.

3.4 Product overview

This product is primarily intended for use in municipal drinking-water applications. Wastewater and industrial applications must be identified to be applicable by the manufacturer before installation.

The Reagentless Chlorine Analyzer monitors the concentration of free or total residual chlorine in water, and is most reliable at residual chlorine concentrations higher than 0.1 ppm (mg/L). The combination of a sc model controller with a three-electrode chlorine sensor, optional pH sensor and a flow sensor give the best monitoring function. Both sensors read sample temperature. The pH sensor transmits the temperature reading to the controller display. The chlorine sensor uses its temperature

measurement internally and does not transmit the measurement to the controller display. A pressure regulator kit and an acidification and cleaning kit are available as accessories.

The chlorine and pH sensors rest in panel-mounted, series-connected flow cells. The flow cells maintain the sensor-to-sample contact and help prevent the sensors from drying out when the system is not in operation. [Figure 1](#), [Figure 2](#), [Figure 3](#) show overviews of the system and the flow cells.

Each sensor connects to the controller through the gateway mounted on the panel. The gateway converts analog signals from the sensors to digital signals used by the controller. The controller converts the digital signals to the chlorine, pH and temperature measurement values and shows the readings in the display. The controller supplies power to the sensors and to the digital gateway.

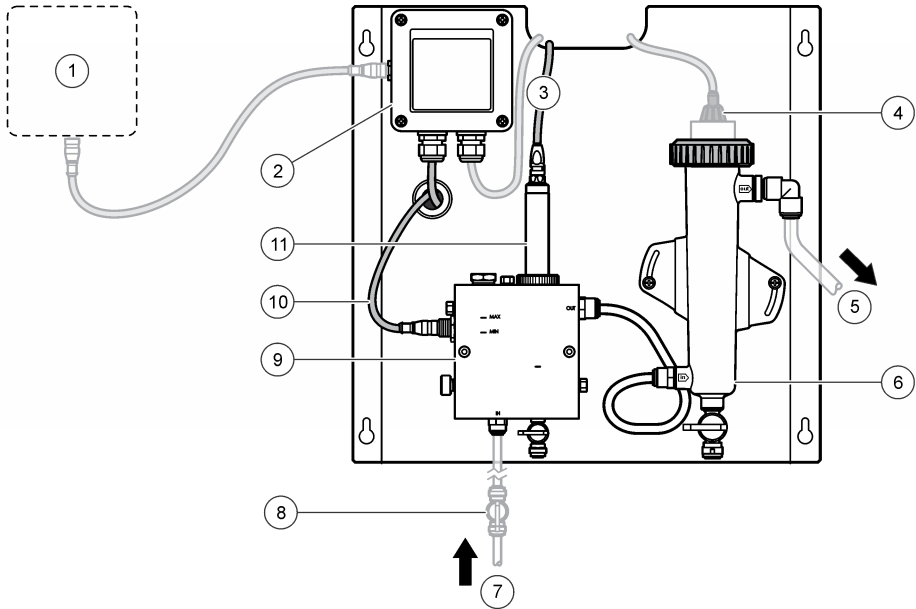
The controller can be configured to cause an alarm condition or warning if measurement values rise above or fall below specified values. For information on controller alarms, refer to the controller user manual.

Note: Refer to the sensor user manual for information about how to store the sensors when the system is not in operation.

Two analyzer configurations are available: a Grab Sample option (without pH sensor) and a pH option. The Grab Sample option includes the mounting panel, the chlorine sensor and flow cell, a pH flow cell without sensor, a flow sensor, the digital gateway and the controller. The pH option includes these items plus a pH sensor.

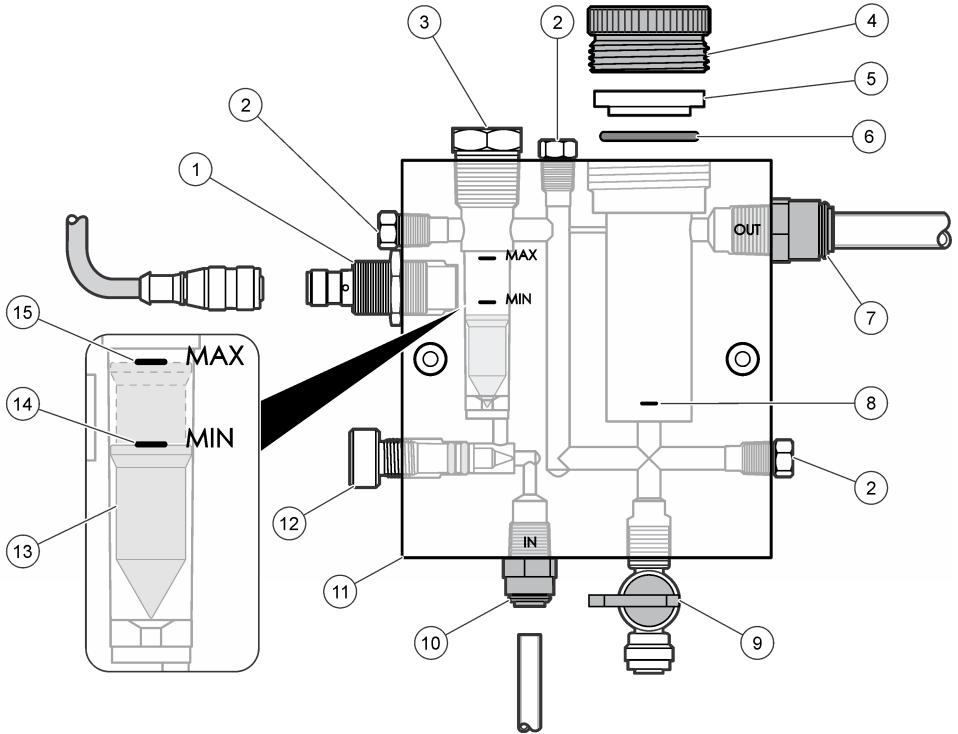
A flow control valve regulates the sample flow. A constant flow rate of 30-50 L/h is recommended for correct sensor operation (see [Figure 1](#)). The optimal flow rate is 40 L/hour. A single LED on the flow sensor shows if the sample flow rate is sufficient. If the LED is not on, the flow rate must be adjusted until the LED is on. The exact flow rate is not important as long as the LED is on, but the flow must stay constant within the specifications.

Figure 1 System overview



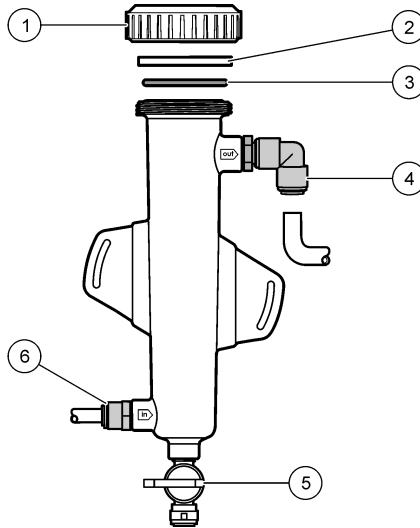
1 Controller	7 Sample in
2 Gateway	8 Valve, shutoff (customer-supplied)
3 Chlorine sensor cable	9 Chlorine flow cell
4 pH sensor (optional)	10 Flow sensor cable
5 Sample drain	11 Chlorine sensor
6 pH flow cell	

Figure 2 Chlorine flow cell overview



1 Flow sensor	9 Valve, cleaning port, 1/4 in. OD tube
2 Plug, 1/8 in. NPTF	10 Flow cell inlet <ul style="list-style-type: none"> • English: Speed-fit fitting—1/4 in. OD tube • Metric: Speed-fit fitting—6 mm OD tube
3 Plug, 1/2 in. NPTF	11 Flow cell
4 Lock ring	12 Flow control valve
5 Sealing hub	13 Float
6 O-ring	14 Float alignment mark; MIN
7 Sample out fitting <ul style="list-style-type: none"> • English: Speed-fit fitting—3/8 in. OD tube • Metric: Speed-fit fitting—10 mm OD tube 	15 Float alignment mark; MAX
8 Chlorine sensor alignment mark	

Figure 3 pH flow cell overview

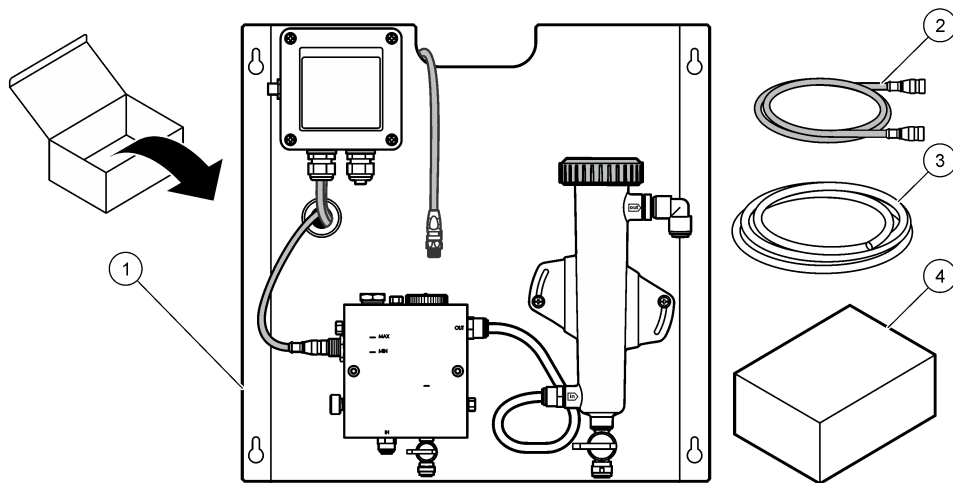


<p>1 Lock ring</p>	<p>4 Sample out fitting English: Speed-fit elbow fitting—1/2 in. OD Metric: Speed-fit elbow fitting—12 mm OD</p>
<p>2 Sealing blank</p>	<p>5 Grab sample port</p>
<p>3 O-ring</p>	<p>6 Flow cell inlet</p> <ul style="list-style-type: none"> • English: Speed-fit fitting—3/8 in. OD • Metric: Speed-fit fitting—10 mm OD

3.5 Product components

Make sure that all components have been received. Refer to [Figure 1](#) on page 6. If any items are missing or damaged, contact the manufacturer or a sales representative immediately.

Figure 4 Reagentless chlorine analyzer panel



1 System panel	3 Tubing, 12 mm (½ in.)
2 Connector cable for connecting gateway to controller, 1 m (3.3 ft)	4 Chlorine sensor

Section 4 Installation

4.1 Installation considerations

- Do the mechanical installation tasks first, the electrical installation tasks second, and the plumbing installation tasks last.
- All fittings are designed to be tightened by hand only.
- The panel is designed to be wall or rack mounted indoors. Mount or position the panel in an accessible location.
- Do not place the panel next to a heat source.
- Do not mount the panel in an environment with frequent vibrations
- Do not mount the panel in direct sunlight, which may affect chlorine readings.
- Install the panel indoors or in an environmental enclosure.
- Prevent condensation from collecting on the panel and panel components, especially the flow cell, sensor and where the sensor and cable connect.
- Use PFA or PVDF linear low-density polyethylene tubing for the sample supply line and keep the tubing as short as possible to minimize lag time.
- Sample pressure must be sufficient to keep a continuous water supply to the sensors. An LED indicator on the flow sensor will be lit as long as the flow is sufficient.
- Keep the flow rate as constant as possible for best sensor operation.

4.2 Sample line guidelines

Select a good, representative sampling point for the best instrument performance. The sample must be representative of the entire system.

To prevent erratic readings:

- Collect samples from locations that are sufficiently distant from points of chemical additions to the process stream.
- Make sure that the samples are sufficiently mixed.

- Make sure that all chemical reactions are complete.

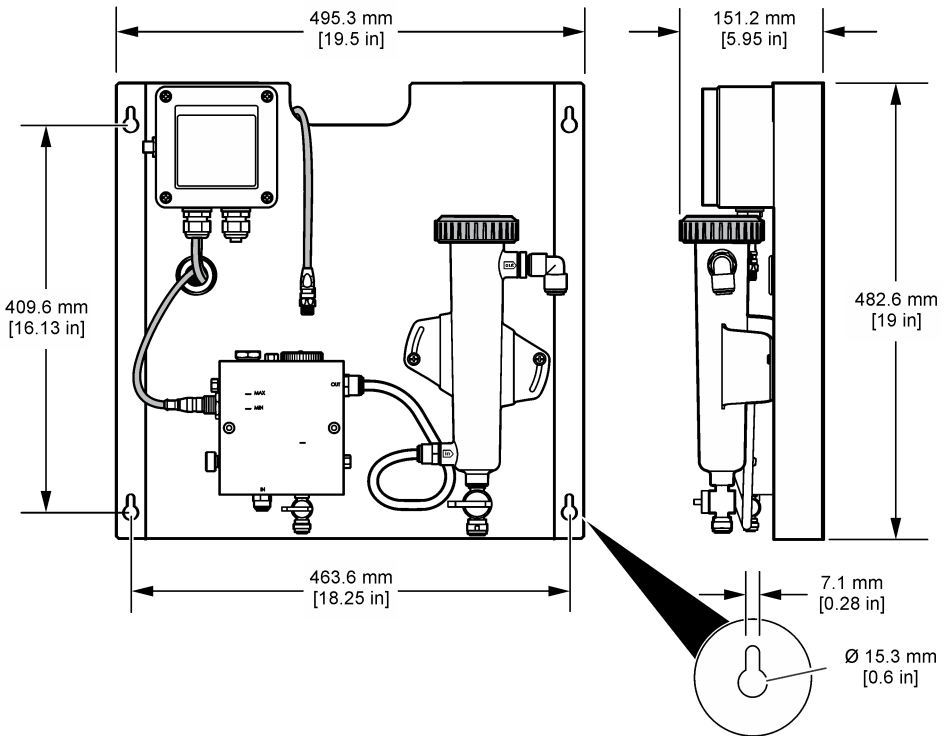
4.3 Mechanical installation

4.3.1 Mount the panel

Figure 5 shows the mounting dimensions. Refer to the figure and follow the steps to mount the panel.

1. Attach mounting screws to the mounting surface. Mount on wall studs or use wall anchors. Leave enough room between the head of each screw and the mounting surface so the panel will fit in between.
2. Slide the panel mounting holes over the heads of the mounting screws and allow the panel to slide down until the top of each mounting hole rests on the screw body.
3. Tighten each screw to secure the panel to the mounting surface.
4. Install the chlorine and pH sensor (optional) in the flow cells. For information on how to install a sensors, refer to the sensor user manual.

Figure 5 Reagentless chlorine analyzer panel dimensions



4.4 Electrical installation

4.4.1 Wire the panel

⚠ WARNING



Potential Electrocution Hazard. Always disconnect power to the instrument when making electrical connections.

The controller supplies power to the sensors and the digital gateway.

1. Remove power from the controller.
2. Connect the pH sensor (optional) wires to the gateway. For information on how to install sensors in the flow cells, or how to connect the sensor to the gateway, refer to the sensor user manual.
3. Connect the chlorine sensor to the gateway. For information on how to connect the sensor to the gateway, refer to the sensor user manual. Carefully read the labels on the cable connectors to avoid mismatches.
Note: *When the panel is shipped, the chlorine sensor cable is taped to the front of the panel near the location of the sensor connection.*
4. Connect the controller to the gateway with the 1 m connector cable that is supplied with the panel. Connect the controller to the power source only when all other connections are finished and checked.

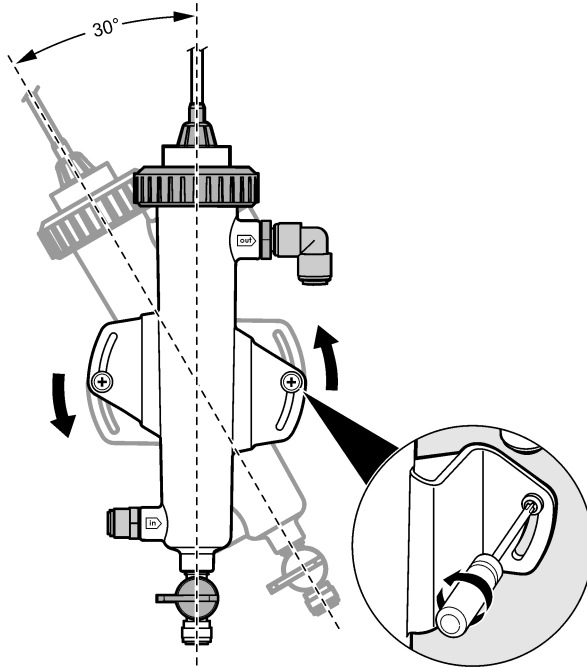
4.5 Plumbing

4.5.1 Plumb the panel

Make sure to follow the size specifications for all panel tubing and fittings. The flow path must increase in diameter as water flows through the system to prevent build-up of backpressure. [Figure 1](#) on page 6 shows an overview of the plumbing connections.

1. Attach tubing to the sample inlet and outlet fittings.
2. Make sure the cleaning port on the chlorine flow cell is closed.
3. Make sure the grab sample port on the pH flow cell is closed.
4. Install chlorine and pH (optional) sensors according to the instructions found in the corresponding user manuals, prior to running the sample through the system.
5. Open the flow valve on the sample line and allow water to move through the system.
6. Make sure there are no leaks from the tubing, valve fittings or the flow cells.
7. To minimize air bubbles, the pH flow cell may be tilted between 0° and 30° as shown in [Figure 6](#).

Figure 6 pH flow cell tilt



Section 5 Operation

5.1 User navigation

Refer to the controller documentation for keypad description and navigation information.

Push the **RIGHT** arrow key on the controller multiple times to show more information on the home screen and to show a graphical display.

5.2 System configuration

Sensor configuration and calibration are done through the controller user interface. For more information on how to configure or calibrate a sensor, refer to the sensor user manual.

An sc model controller must be connected to the gateway.

1. From the controller main menu, select Sensor Setup.
The Chlorine Gateway (CGW) Setup menu is displayed.
2. Select Configure and customize the entries. Confirm after each entry to save the changes and go back to the Configure menu.

Option	Description
Edit name	Edit the sensor name

Option	Description
Select Parameter—Chlorine (Total or Free), pH (optional), Temperature (optional)	Selects the parameter to be configured. Configuring the selected parameter requires additional steps. Refer to the sensor user manual for more information.
Reset Defaults—Confirm to do the reset.	Resets all settings to the factory default values.

5.3 System start up

Make sure all mechanical, electrical and plumbing tasks have been correctly done before starting flow through the system.

1. Apply power to the controller.
When powered on for the first time, the controller displays the Language, Date Format and Date/Time screens in order.
2. Set the language, date and time in the controller if this has not been done. Refer to the controller user manual for more information on how to set these options.
The controller scans for connected devices.
3. Make sure the cleaning port and the grab sample port are closed, then open the ON/OFF valve on the sample line to start the flow of water through the system.
The chlorine and pH flow cells will fill with water.
4. Make sure the flow sensor LED is on and the float is between the MIN and MAX marks. If the LED is not on, adjust the flow control valve to increase or decrease the flow.
The flow sensor LED will be on when the flow is sufficient for good sensor operation. If the flow is too high, the LED may not be lit. Make sure the float is between the MIN and MAX marks.
5. Check for leaks or blockages in the tubing and the flow cells. Shut off the flow to the panel if any problems are discovered and make the necessary repairs.
6. When the system has sufficient flow, clear any warnings that appear on the controller display by following the on-screen messages and prompts.
7. Push the **HOME** key.
The main measurement screen appears and shows the chlorine, temperature and pH (if a pH sensor is connected) measurement values.

Section 6 Maintenance

▲ CAUTION



Multiple hazards. Only qualified personnel must conduct the tasks described in this section of the document.

6.1 Tubing replacement

Replace the tubing at least once a year. Replace brittle, cracked or leaky tubing immediately. Replace old, discolored, fouled or damaged tubing with tubing of the same diameter and type (PFA or PVDF tubing is preferred).

6.2 Clean a sensor flow cell

Clean a flow cell as necessary to remove deposits. Clean a flow cell if it becomes heavily contaminated. Replace a flow cell if it becomes damaged, discolored or not transparent. It is not necessary to remove a flow cell from the panel in order to clean it.

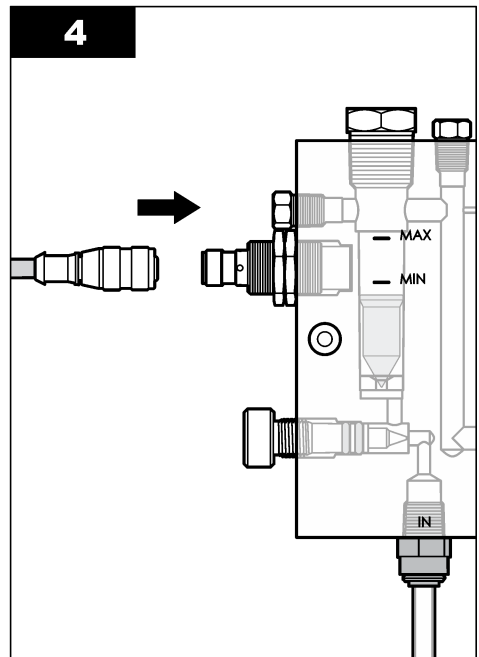
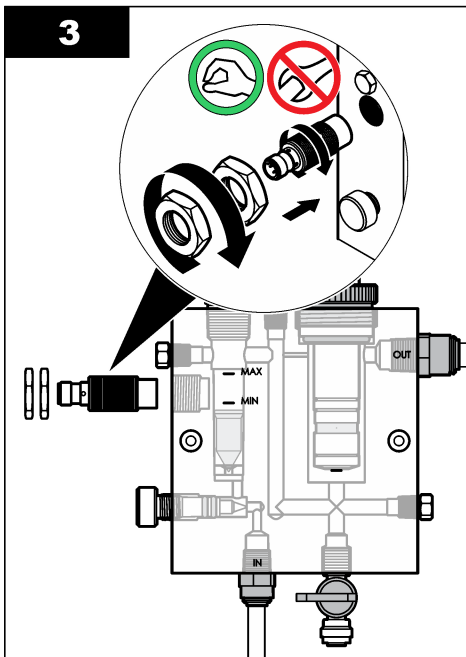
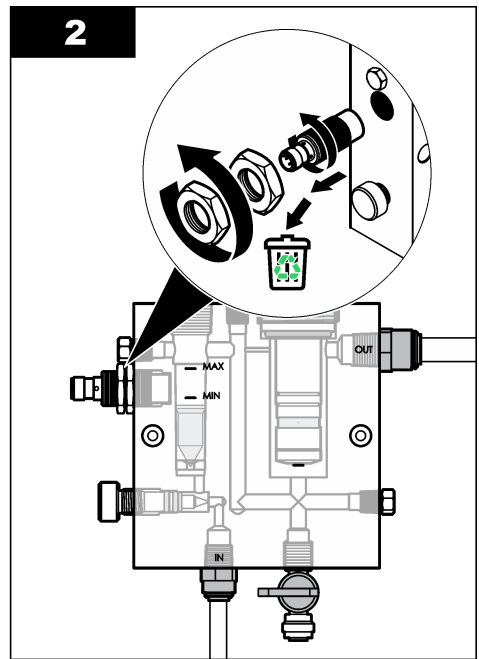
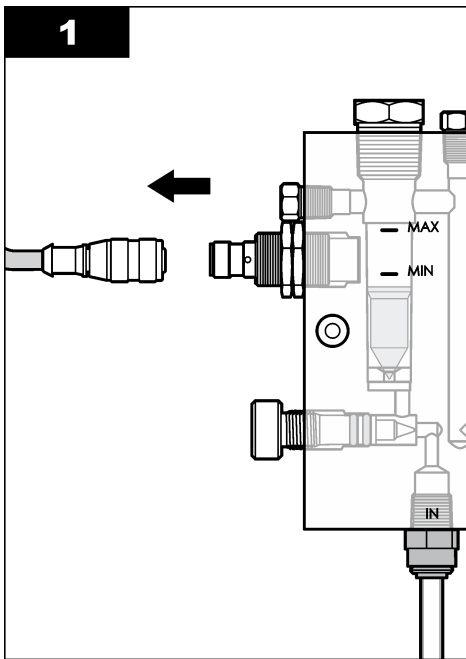
Note: Never use detergents or surfactants to clean a chlorine flow cell.

1. Stop the source flow to the panel.
2. Remove the chlorine sensor and put the sensor in a container filled with a sample of the chlorinated water.
Note: Do not disconnect the sensor from the power. If power is removed from the chlorine sensor, the sensor must be conditioned and calibrated before use.
Note: The removal of a sensor from a flow cell with the sensor cable attached will cause a change in the sensor signal outputs. Refer to the controller manual for more information on the Hold Output feature.
3. Rinse the flow cell with water and scrub the flow cell with a soft bristle brush to remove deposits.
4. Rinse the flow cell with water.
5. If the flow cell is not sufficiently clean, soak the flow cell for 10 to 15 minutes in a 1:3 mixture of 3-5% hydrogen peroxide solution and vinegar.
Note: Commercial rust removal liquids may be used in case of heavy contamination. However, this is not recommended because they can cause damage to the flow cell material.
6. Rinse the flow cell with water.
7. Install the sensor in the flow cell and start the sample flow.

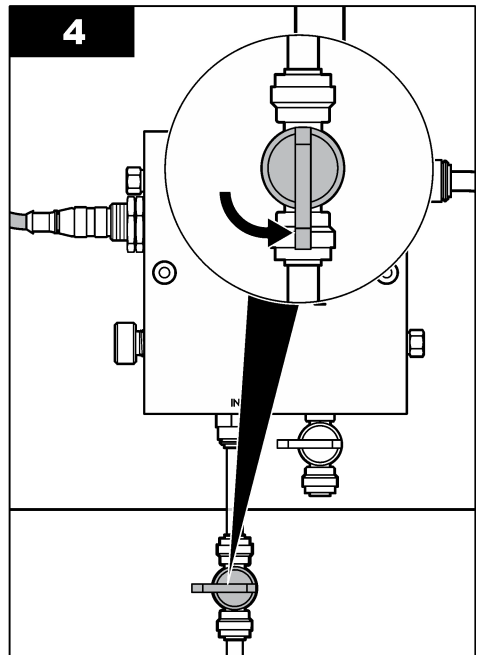
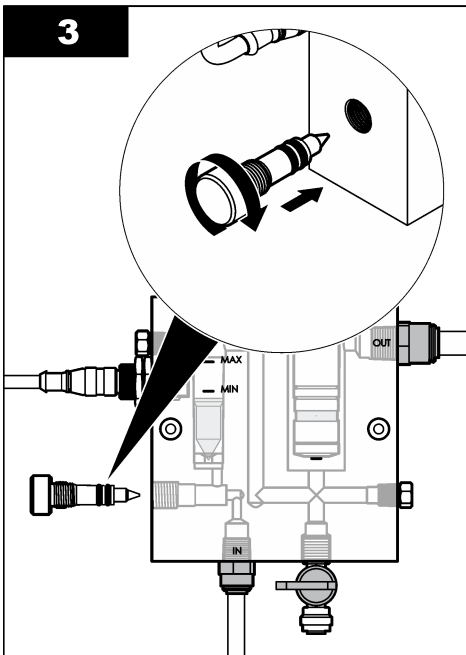
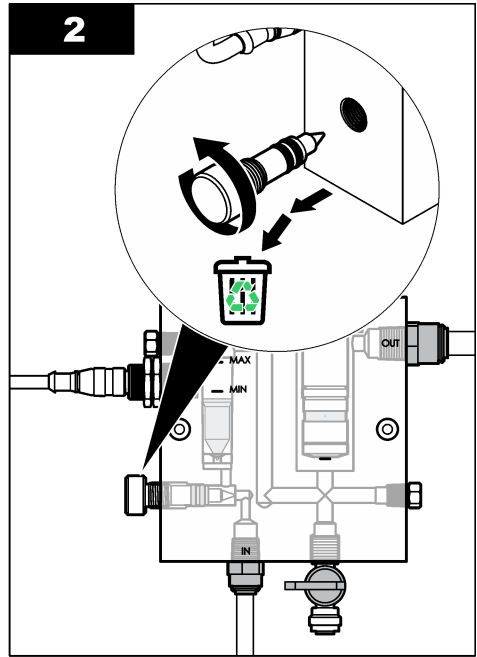
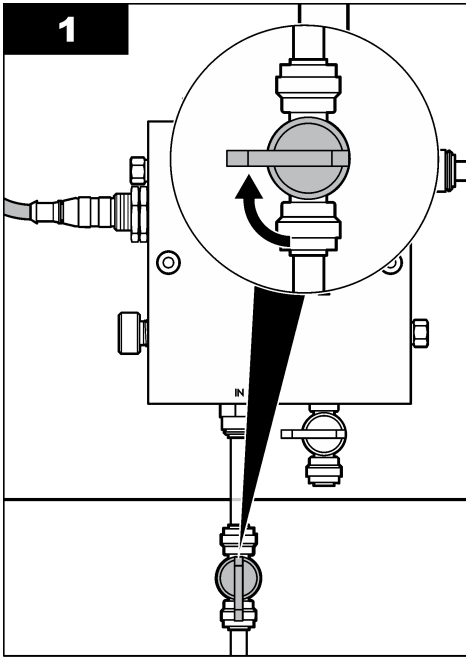
6.3 Replace the flow sensor

Under normal conditions, the flow sensor does not require regular maintenance or replacement. However, if the LED flow indicator does not light when the float is between the MIN and MAX marks and power is applied, the sensor may need to be replaced. To replace the flow sensor, do the illustrated steps that follow.

Note: It is not necessary to remove the chlorine sensor, drain the flow cell or power down the controller to replace the flow sensor.



6.4 Replace the flow control valve assembly



Section 7 Troubleshooting

7.1 Event log

The controller provides one event log for each sensor. The event log stores a variety of events that occur on the devices such as calibrations done, calibration options changed, etc. A list of possible events is shown below. The event log can be read out in a CSV format. For instructions on downloading the logs, refer to the controller user manual.

Table 1 Event log

Event	Description
Power On	The power was turned on.
Flash Failure	The external flash has failed or is corrupted.
1pointpHCalibration_Start	Start of one-point sample calibration for pH
1pointpHCalibration_End	End of one-point sample calibration for pH
2pointpHCalibration_Start	Start of two-point sample calibration for pH
2pointpHCalibration_End	End of two-point sample calibration for pH
1pointBufferpHCalibration_Start	Start of one-point buffer calibration for pH
1pointBufferpHCalibration_End	End of one-point buffer calibration for pH
2pointBufferpHCalibration_Start	Start of two-point buffer calibration for pH
2pointBufferpHCalibration_End	End of two-point buffer calibration for pH
TempCalibration_Start	Start of temperature calibration
TempCalibration_End	End of temperature calibration
1pointChemZeroCL2_Start	Start of one-point chemical zero calibration for chlorine
1pointChemZeroCL2_End	End of one-point chemical zero calibration for chlorine
1pointElecZeroCL2_Start	Start of one-point electrical zero calibration for chlorine
1pointElecZeroCL2_End	End of one-point electrical zero calibration for chlorine
1pointProcessConc_Start	Start of one-point process concentration for chlorine
1pointProcessConc_End	End of one-point process concentration for chlorine
2pointChemCL2_Start	Start of two-point chemical calibration for chlorine
2pointChemCL2_End	End of two-point chemical calibration for chlorine
2pointElecCL2_Start	Start of two-point electrical calibration for chlorine
2pointElecCL2_End	End of two-point electrical calibration for chlorine
CL2CalSetDefault	The chlorine calibration was reset to the default.
pHCalSetDefault	The pH calibration data was reset to the default.
TempCalSetDefault	The temperature calibration data was reset to the default.
AllCalSetDefault	All sensor calibration data was reset to the default.
CL2CalOptionChanged	The chlorine calibration option was changed.
pHCalOptionChanged	The pH calibration option was changed.

Table 1 Event log (continued)

Event	Description
TempCalOptionChanged	The temperature calibration option was changed.
SensorConfChanged	The sensor configuration was changed.
ResetCL2CalHist	The CL2 calibration history was reset.
ResetpH CalHist	The pH calibration history was reset.
ResetTemp CalHist	The temperature calibration history was reset.
ResetAllSensorsCalHist	All sensor calibration history was reset.
ResetCL2Sensor	The CL2 calibration data (sensor days, calibration history and calibration data) was reset to the default.
ResetpHSensor	The pH calibration data (sensor days, calibration history and calibration data) was reset to the default.
ResetTempSensor	The temperature calibration data (sensor days, calibration history and calibration data) was reset to the default.
ResetAllSensors	All sensor calibration data (sensor days, calibration history and calibration data) was reset to the default.
Flow Detection	The state of the proximity sensor has changed (sufficient or not sufficient flow).

7.2 Error list

Errors may occur for various reasons. The sensor reading on the measurement screen flashes. All outputs are held when specified in the controller menu. To show the sensor errors, push the **MENU** key and select Sensor Diag, Error List. A list of possible errors is shown below.

Table 2 Error list for the sensor

Error	Description	Resolution
CL CAL REQD	A chlorine calibration and/or pH calibration is required. The chlorine and/or pH measurement has changed enough to cause a Cal Watch alarm to occur. Refer to the chlorine sensor manual for more information.	Calibrate the chlorine sensor and/or pH sensor.
CL MAINT REQD	Chlorine sensor maintenance is required. The slope is less than 30% or more than 300% of the default. The default slope is 100 mV/ppm (100%).	Do sensor maintenance and then repeat the calibration, or replace the sensor. Refer to the chlorine sensor manual for more information.
CL MAINT REQD	Chlorine sensor maintenance is required. The offset is too high (more than ± 50 mV).	Do sensor maintenance and then repeat the calibration, or replace the sensor. Refer to the chlorine sensor manual for more information.
PH TOO LOW	The pH value is less than 0 pH.	Calibrate or replace the pH sensor.
PH TOO HIGH	The pH value is more than 14 pH.	

Table 2 Error list for the sensor (continued)

Error	Description	Resolution
PH SLOPE FAIL	The slope is outside of the -45 to -65 mV/pH range.	Clean the pH sensor, then repeat the calibration with a fresh buffer or sample, or replace the sensor.
PH OFFSET FAIL	The offset is outside of ± 60 mV.	Clean the pH sensor and then repeat the calibration with a fresh buffer or sample, or replace the sensor.
PH OFFSET FAIL	The offset is outside of ± 60 mV.	Clean the pH sensor and replace the salt bridge and standard cell solution. Repeat the calibration with a fresh buffer or sample, or replace the sensor.
TEMP TOO LOW	The temperature is less than 0 °C.	Calibrate the temperature or replace the pH sensor.
TEMP TOO HIGH	The temperature is more than 100 °C.	
TEMP FAIL	The offset is higher than 5.0 °C or lower than -5.0 °C.	Calibrate the temperature or replace the pH sensor.
NO FLOW	The flow level is too low.	Increase the flow.

7.3 Warning list

A warning does not affect the operation of menus, relays and outputs. A warning icon flashes and a message is shown on the bottom of the measurement screen. To show the sensor warnings, push the **MENU** key and select Sensor Diag, Warning List. A list of possible warnings is shown below.

Table 3 Warning list for the sensor

Warning	Description	Resolution
CL CAL RECD	A chlorine and/or pH calibration is recommended. The chlorine and/or pH measurement has changed enough to cause a Cal Watch warning alarm to occur. Refer to the sensor manuals for more information.	Calibrate the chlorine sensor and/or pH sensor.
CL CAL RECD	A chlorine calibration is recommended. Chlorine calibration data is not available (sensor with default calibration data).	Calibrate the chlorine sensor.
PH CAL RECD	A pH calibration is recommended. pH calibration data is not available (sensor with default calibration data).	Calibrate the pH sensor.
TEMP CAL RECD	A temperature calibration is recommended. Temperature calibration data is not available (sensor with default calibration data).	Calibrate the temperature.
CL CAL TO DO	The Sensor Days value for the chlorine sensor is greater than the Cal Reminder value.	Calibrate the chlorine sensor.
PH CAL TO DO	The Sensor Days value for the pH sensor is greater than the Cal Reminder value.	Calibrate the pH sensor.

Table 3 Warning list for the sensor (continued)

Warning	Description	Resolution
TEMP CAL TO DO	The Sensor Days value for the temperature sensor is greater than the Cal Reminder value.	Calibrate the temperature.
CL MAINT RECD	Chlorine sensor maintenance is recommended. The slope is 30 to 45% of default or the slope is 250 to 300% of default. The default slope is 100 mV/ppm (100%).	Do sensor maintenance and then repeat the calibration, or replace the sensor.
CL MAINT RECD	Chlorine sensor maintenance is recommended. The offset is -50 mV to 45 mV or the offset is 45 mV to 50 mV.	Do sensor maintenance and then repeat the calibration, or replace the sensor.
PH MAINT RECD	pH sensor maintenance is recommended. The slope is outside of the -50 to -61 mV/pH range.	Clean the pH sensor, then repeat the calibration with a fresh buffer or sample, or replace the sensor.
PH MAINT RECD	pH sensor maintenance is recommended. The offset is outside of ± 45 mV but within ± 60 mV.	Clean the sensor and then repeat the calibration, or replace the sensor.
PH MAINT RECD	pH sensor maintenance is recommended. The offset is outside of ± 45 mV but within ± 60 mV.	Clean the sensor and replace the salt bridge and standard cell solution and then repeat the calibration, or replace the sensor.
T MAINT RECD	The temperature offset is outside of ± 3 °C but within ± 5 °C.	Calibrate the temperature.

Section 8 Replacement parts and accessories

▲ WARNING



Personal injury hazard. Use of non-approved parts may cause personal injury, damage to the instrument or equipment malfunction. The replacement parts in this section are approved by the manufacturer.

Note: Product and Article numbers may vary for some selling regions. Contact the appropriate distributor or refer to the company website for contact information.

Parts

Description	Item no.
Cable, gateway to controller, 1 m	6122400
Cable assembly, 4 pin, shielded, flow sensor, 2 m	9160900
Cable assembly, 5 pin, shielded, M12, chlorine sensor, 1 m	9160300
Fitting, inlet port for chlorine flow cell	9159200 (1/4 in.) 9196400 (6 mm)
Fitting, speed fit, outlet port for chlorine flow cell or inlet port for pH flow cell	9159300 (3/8 in.) 9196500 (10 mm)

Parts (continued)

Description	Item no.
Fitting, elbow, outlet port for pH flow cell	9196900 (1/2 in.) 9197000 (12 mm)
Float, flow sensor	9159100
Flow cell assembly, chlorine	English: 9198400 Metric: 9198500
Flow cell assembly, pH combination	English: 9180200 Metric: 9180400
Flow cell assembly, pH includes sealing hub	English: 9180100 Metric: 9180300
Flow cell body only (pH)	9159700
Flow cell block, chlorine	9158900
Flow control valve	9159000
Flow control valve kit	9198600
Flow sensor	9160800
Gateway, digital	9180500
Lock ring, chlorine flow cell	9196200
Lock ring, pH flow cell	60F2032-001
O-ring, flow control valve (2x) (#2-108, Viton)	9159600
O-ring, pH flow cell (#2-228, Viton)	5H1223
O-ring, sealing hub, chlorine flow cell (#2-123, Viton)	9196300
O-ring, Split Ring (M25 x 2.5)	9181800
Plug, chlorine flow cell, 1/2 in.	9159500
Screw, chlorine flow cell (2x) (10-32 x 1.75 Lg Phillips pan head)	4422200
Screw, pH flow cell (2x) (10-32 x .5 Lg Phillips pan head)	561211
Sealing blank, pH flow cell	9198000
Sealing hub, chlorine flow cell	9196100
Sealing hub, pH combination sensor, 3/4 in.	9159800
Sealing hub, pHD flow cell, 1 in.	60F2021-001
Split ring, chlorine flow cell	9181700
Tubing, sample stream, 1/4 in. x 2 m	4743800
Tubing, sample stream, 3/8 in. x 18 in.	9198100
Tubing, waste stream, 1/2 in. x 2 m	9198200
Valve, grab sample port	9005300
Valve, speed fit, cleaning port	6166300

Accessories

Description	Item no.
Acidification/Auto-Cleaning Kit	LZY051
Pressure Regulator Sample Conditioning Kit	9159900

Table des matières

- 1 [Table des matières](#) à la page 23
- 2 [Caractéristiques](#) à la page 23
- 3 [Généralités](#) à la page 23
- 4 [Installation](#) à la page 29
- 5 [Fonctionnement](#) à la page 32
- 6 [Maintenance](#) à la page 33
- 7 [Dépannage](#) à la page 37
- 8 [Pièces de rechange et accessoires](#) à la page 42

Section 1 Table des matières

- [Caractéristiques](#) à la page 23
- [Généralités](#) à la page 23
- [Installation](#) à la page 29
- [Fonctionnement](#) à la page 32
- [Maintenance](#) à la page 33
- [Dépannage](#) à la page 37
- [Pièces de rechange et accessoires](#) à la page 42

Section 2 Caractéristiques

Les caractéristiques techniques peuvent être modifiées sans préavis.

Caractéristique	Détails
Description des composants	Panneau chloromètre ampérométrique autonome avec capteur de chlore, capteur de débit et capteur de combinaison pH ou de pH/D optionnel, cuves à circulation, transmetteur sc et passerelle numérique
Température de fonctionnement	0 à 45 °C (0 à 113 °F)
Température de stockage (panneau uniquement)	-20 à 60 °C (-4 à 149 °F)
Alimentation électrique nécessaire	12 Vcc ± 10 %, 100 mA maximum (fournie par le transmetteur sc)
Dimensions du panneau (L x l x P)	48,3 x 49,5 x 15,1 cm (19 x 19,5 x 5,95 po) composants montés sur le panneau inclus
Poids	Environ 5,4 kg (12 lb) (panneau et composants vides montés sur le panneau uniquement)
Débit	Plage : 30-50 l/h (7,9-13,2 gal/h) Optimal : 40 l/h (10,5 gal/h)
Plate-forme de transmetteur	Modèles de transmetteur sc

Section 3 Généralités

En aucun cas le constructeur ne saurait être responsable des dommages directs, indirects, spéciaux, accessoires ou consécutifs résultant d'un défaut ou d'une omission dans ce manuel. Le constructeur se réserve le droit d'apporter des modifications à ce manuel et aux produits décrits, à tout moment, sans avertissement ni obligation. Les éditions révisées se trouvent sur le site Internet du fabricant.

3.1 Consignes de sécurité

AVIS

Le fabricant décline toute responsabilité quant aux dégâts liés à une application ou un usage inappropriés de ce produit, y compris, sans toutefois s'y limiter, des dommages directs ou indirects, ainsi que des dommages consécutifs, et rejette toute responsabilité quant à ces dommages dans la mesure où la loi applicable le permet. L'utilisateur est seul responsable de la vérification des risques d'application critiques et de la mise en place de mécanismes de protection des processus en cas de défaillance de l'équipement.

Veillez lire l'ensemble du manuel avant le déballage, la configuration ou la mise en fonctionnement de cet appareil. Respectez toutes les déclarations de prudence et d'attention. Le non-respect de cette procédure peut conduire à des blessures graves de l'opérateur ou à des dégâts sur le matériel.

Assurez-vous que la protection fournie avec cet appareil n'est pas défaillante. N'utilisez ni n'installez cet appareil d'une façon différente de celle décrite dans ce manuel.

3.2 Informations sur les risques d'utilisation

▲ DANGER

Indique une situation de danger potentiel ou imminent qui entraînera la mort ou de graves blessures si elle n'est pas évitée.

▲ AVERTISSEMENT

Indique une situation de danger potentiel ou imminent qui peut entraîner la mort ou de graves blessures si elle n'est pas évitée.

▲ ATTENTION

Indique une situation de danger potentiel qui peut entraîner des blessures mineures ou modérées.

AVIS

Indique une situation qui, si elle n'est pas évitée, peut occasionner l'endommagement du matériel. Informations qui doivent être soulignées.

3.3 Etiquettes de mise en garde

Lisez toutes les étiquettes et tous les repères apposés sur l'instrument. Des personnes peuvent se blesser et le matériel peut être endommagé si ces instructions ne sont pas respectées. Un symbole sur l'appareil est désigné dans le manuel avec une instruction de mise en garde.



Si l'appareil comporte ce symbole, reportez-vous au manuel d'instructions pour consulter les informations de fonctionnement et de sécurité.



Le matériel électrique portant ce symbole ne doit pas être mis au rebut dans les réseaux domestiques ou publics européens. Retournez le matériel usé ou en fin de vie au fabricant pour une mise au rebut sans frais pour l'utilisateur.

3.4 Aperçu général du produit

Ce produit est destiné aux installations municipales de distribution d'eau potable. Les installations industrielles et de traitement des eaux usées doivent vérifier avant l'installation auprès du constructeur si cet équipement est compatible avec leur activité.

Le chloromètre autonome surveille la concentration en chlore résiduel libre ou total dans l'eau, et offre une précision optimale dans des concentrations en chlore résiduel supérieures à 0,1 mg/l (ppm). L'association d'un transmetteur sc, d'un capteur de chlore doté de trois électrodes, d'un

capteur de pH optionnel et d'un capteur de débit offre les meilleures fonctionnalités en matière de contrôle. Les deux capteurs lisent la température de l'échantillon. Le capteur de pH affiche la mesure de température sur l'écran du transmetteur. Le capteur de chlore utilise la mesure de température de manière interne, sans l'afficher sur l'écran du transmetteur. Des kits de régulation de pression, d'acidification et de nettoyage sont disponibles parmi les accessoires.

Les capteurs de chlore et de pH sont placés dans des cuves à circulation reliées et fixées sur le panneau. Les cuves à circulation maintiennent le contact entre le capteur et l'échantillon et permettent d'éviter la dégradation du capteur lorsque le système n'est pas en cours de fonctionnement. Les [Figure 1](#), [Figure 2](#) et [Figure 3](#) présentent une vue d'ensemble du système et des cuves à circulation.

Chaque capteur se connecte au transmetteur via la passerelle montée sur le panneau. La passerelle convertit les signaux analogiques des capteurs en signaux numériques interprétés par le transmetteur. Le transmetteur convertit les signaux numériques en mesures de température, de chlore et de pH et affiche la valeur des mesures à l'écran. Le transmetteur fournit l'alimentation électrique aux capteurs et à la passerelle numérique.

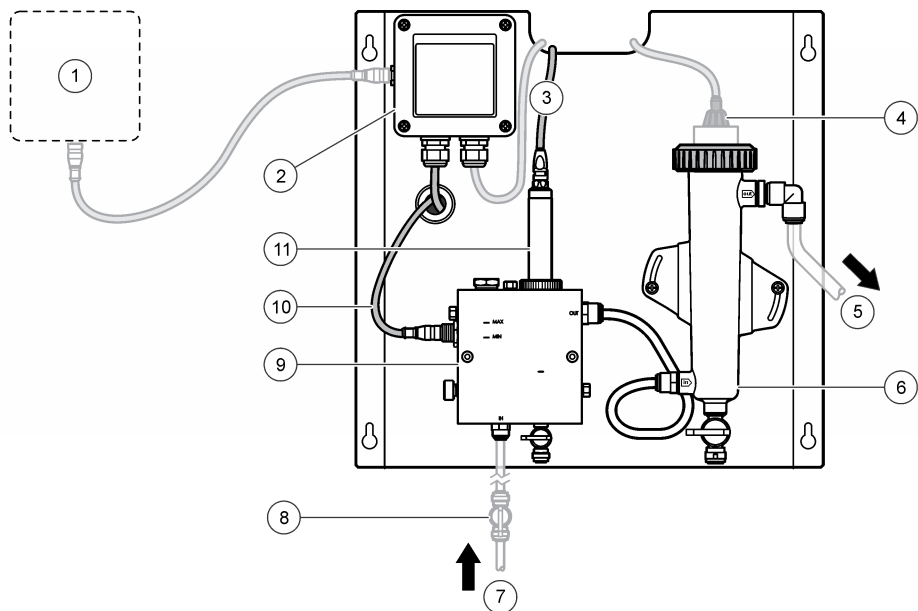
Vous pouvez configurer le transmetteur de sorte qu'une alarme ou un avertissement se déclenche si les mesures sont supérieures ou inférieures aux valeurs spécifiées. Pour plus d'informations sur les alarmes du transmetteur, reportez-vous au manuel d'utilisation du transmetteur.

Remarque : Reportez-vous au manuel d'utilisation du capteur pour savoir comment ranger correctement les capteurs lorsque le système est inactif.

Deux configurations d'analyse sont disponibles : une option de circulation d'échantillon (sans capteur de pH) et une option d'analyse de pH. L'option de prélèvement d'échantillon inclut le panneau de montage, le capteur et la cuve à circulation de chlore, une cuve à circulation de pH sans capteur, un capteur de débit, la passerelle numérique et le transmetteur. L'option pH inclut ces composants plus un capteur de pH.

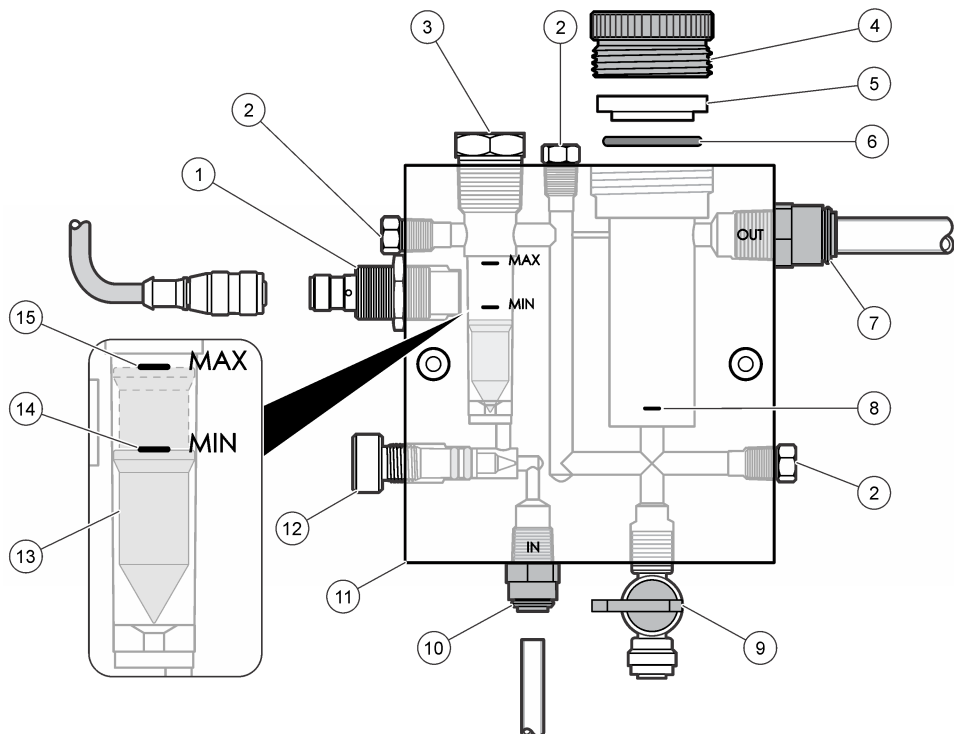
Une soupape de contrôle du flux permet de réguler le débit de l'échantillon. Un débit constant de 30 - 50 L/h est recommandé pour que le capteur fonctionne correctement (voir la [Figure 1](#)). Le débit optimal est de 40 l/h. Un seul voyant sur le capteur de débit permet de vérifier si le débit est suffisant. Si le voyant est éteint, vous devez ajuster le débit jusqu'à ce que le voyant s'allume. Peu importe le débit exact tant que le voyant est allumé, mais le débit doit être constant et se maintenir dans les limites spécifiées.

Figure 1 Vue d'ensemble du système



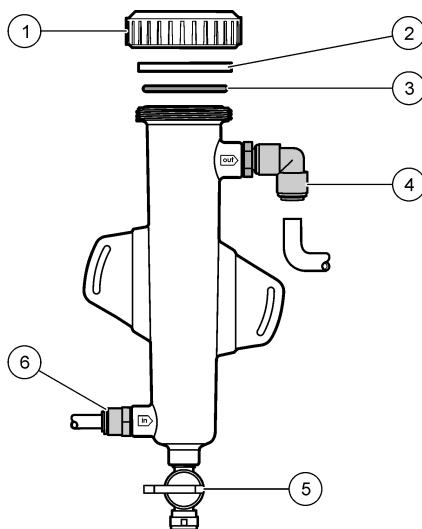
1 Transmetteur	7 Entrée de l'échantillon
2 Passerelle	8 Valve, arrêt (fournie par le client)
3 Câble du capteur de chlore	9 Cuve à circulation de chlore
4 Capteur de pH (optionnel)	10 Câble du capteur de débit
5 Orifice de vidange d'échantillon	11 Capteur de chlore
6 Cuve à circulation de pH	

Figure 2 Vue d'ensemble de la cuve à circulation de chlore



1 Capteur de débit	9 Valve, orifice de nettoyage, tube de 1/4 pouce de diamètre extérieur
2 Bouchon, 1/8 pouce NPTF	10 Entrée de la cuve à circulation <ul style="list-style-type: none"> • Impérial : raccord à fixation rapide, tube de 1/4 pouce de diamètre extérieur • Métrique : raccord à fixation rapide, tube de 6 mm de diamètre extérieur
3 Bouchon, 1/2 pouce NPTF	11 Cuve à circulation
4 Bague de serrage	12 Soupape de contrôle du flux
5 Joint d'étanchéité	13 Flotteur
6 Joint torique	14 Marquage pour l'alignement du flotteur, MIN
7 Raccord de sortie d'échantillon <ul style="list-style-type: none"> • Impérial : raccord à fixation rapide, tube de 3/8 pouce de diamètre extérieur • Métrique : raccord à fixation rapide, tube de 10 mm de diamètre extérieur 	15 Marquage pour l'alignement du flotteur, MAX
8 Marque d'alignement du capteur de chlore	

Figure 3 Vue d'ensemble de la cuve à circulation de pH

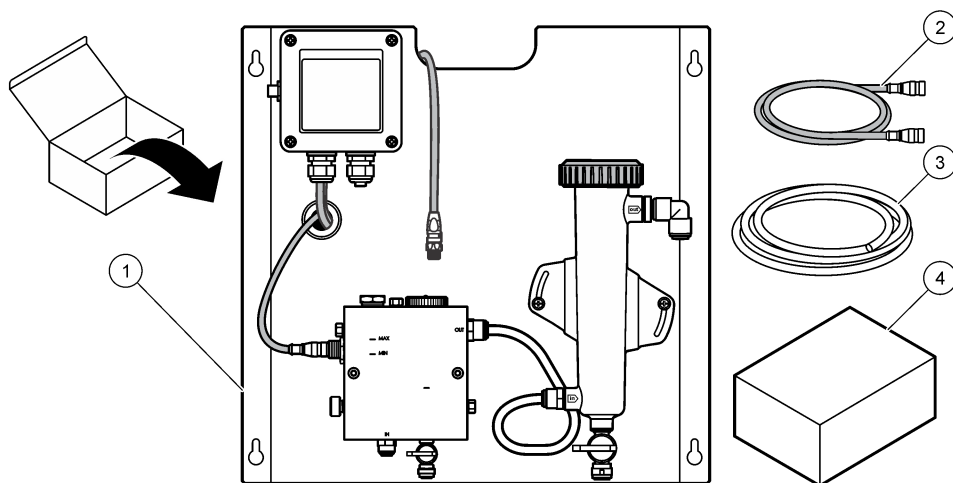


<p>1 Bague de serrage</p>	<p>4 Raccord de sortie d'échantillon Impérial : raccord à coude à fixation rapide, 1/2 pouce de diamètre extérieur Métrique : raccord à coude à fixation rapide, 12 mm de diamètre extérieur</p>
<p>2 Pastille d'étanchéité</p>	<p>5 Orifice de prélèvement d'échantillon</p>
<p>3 Joint torique</p>	<p>6 Entrée de la cuve à circulation</p> <ul style="list-style-type: none"> • Impérial : raccord à fixation rapide, 3/8 pouce de diamètre extérieur • Métrique : raccord à fixation rapide, 10 mm de diamètre extérieur

3.5 Composants du produit

Assurez-vous d'avoir bien reçu tous les composants. Voir [Figure 1](#) à la page 26. Si des éléments manquent ou sont endommagés, contactez immédiatement le fabricant ou un représentant commercial.

Figure 4 Panneau chloromètre autonome



1 Panneau du système	3 Tube, 12 mm (0,5 po)
2 Câble reliant la passerelle au transmetteur, 1 m (3,3 pieds)	4 Capteur de chlore

Section 4 Installation

4.1 Remarques relatives à l'installation

- Procédez d'abord à l'installation mécanique, puis à l'installation électrique et enfin à l'installation de la plomberie.
- Toutes les fixations sont conçues pour être serrées à la main uniquement.
- Le panneau est conçu pour un montage mural ou sur rack en intérieur. Montez ou placez le panneau à un emplacement accessible.
- Ne placez pas le panneau à proximité d'une source de chaleur.
- Ne montez pas le panneau dans un environnement soumis à de fréquentes vibrations.
- Ne montez pas le panneau dans un endroit directement exposé à la lumière du soleil, au risque d'affecter la mesure du chlore.
- Installez le panneau en intérieur ou dans un environnement fermé.
- Évitez que de la condensation ne se forme sur le panneau et les composants du panneau, notamment sur la cuve à circulation, le capteur et à l'endroit où le capteur et le câble se rejoignent.
- Utilisez des tuyaux linéaires en polyéthylène faible densité PFA ou PVDF pour la ligne d'approvisionnement d'échantillonnage et faites en sorte que les tubes soient aussi courts que possible afin de limiter les décalages.
- La pression d'échantillonnage doit être suffisamment élevée pour maintenir un flux d'alimentation continu vers les capteurs. Un voyant relié au capteur de débit reste allumé tant que le débit est suffisant.
- Pour optimiser le fonctionnement du capteur, maintenez un débit aussi constant que possible.

4.2 Directives de ligne d'échantillonnage

Choisissez un point d'échantillonnage adapté et représentatif pour garantir le fonctionnement optimal de l'instrument. L'échantillon doit être représentatif de l'ensemble du système.

Pour éviter les relevés irréguliers :

- prélevez les échantillons à des endroits suffisamment éloignés des points d'ajout de produits chimiques au flux à traiter ;
- assurez-vous que les échantillons sont suffisamment mélangés ;
- assurez-vous que toutes les réactions chimiques sont bien terminées.

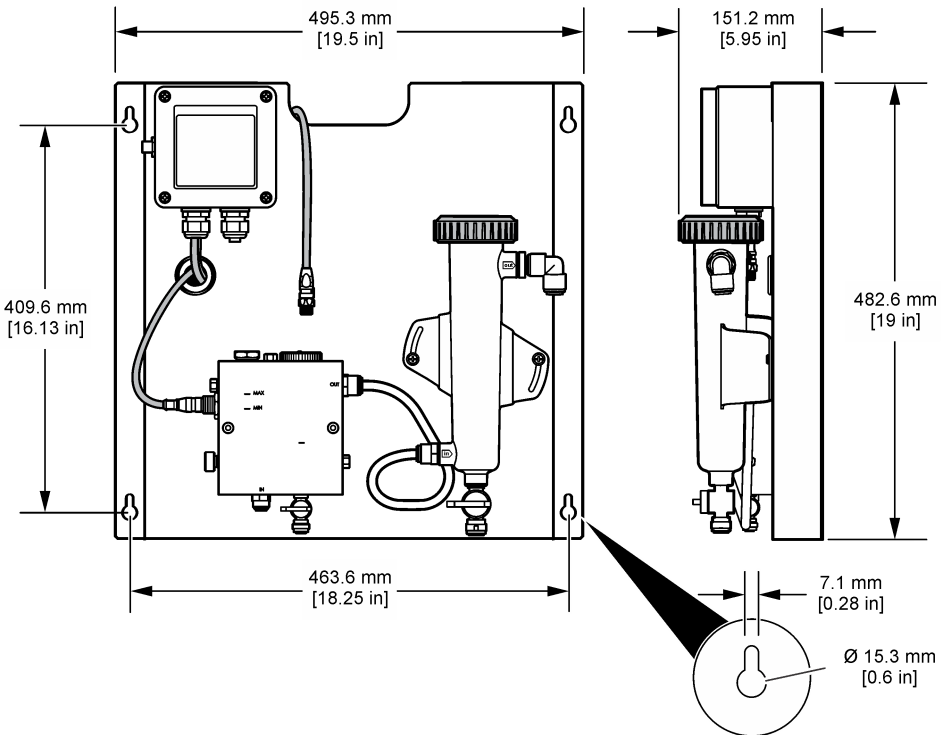
4.3 Installation mécanique

4.3.1 Monter le panneau

La **Figure 5** indique les dimensions du montage. Reportez-vous à la figure et suivez les instructions de montage du panneau.

1. Fixez les vis de montage sur la surface de montage. Procédez au montage sur un poteau mural ou à l'aide de dispositifs d'ancrage au mur. Laissez suffisamment d'espace entre la tête de chaque vis et la surface de montage pour pouvoir y glisser le panneau.
2. Faites glisser les vis de montage dans les trous de fixation du panneau, puis faites glisser le panneau vers le bas, jusqu'à ce que le haut de chaque trou de fixation enserre la vis.
3. Serrez chaque vis pour fixer le panneau à la surface de montage.
4. Installez le capteur de chlore et le capteur de pH (optionnel) dans les cuves à circulation. Pour plus d'informations sur l'installation d'un capteur, reportez-vous au manuel d'utilisation du capteur en question.

Figure 5 Dimensions du panneau chloromètre autonome



4.4 Installation électrique

4.4.1 Raccorder le panneau

▲ AVERTISSEMENT



Risque potentiel d'électrocution Coupez systématiquement l'alimentation de l'appareil lors de branchements électriques.

Le transmetteur fournit l'alimentation électrique aux capteurs et à la passerelle numérique.

1. Coupez l'alimentation du transmetteur.
2. Connectez les câbles du capteur de pH (optionnel) à la passerelle. Pour plus d'informations sur l'installation des capteurs dans les cuves à circulation ou sur la connexion du capteur à la passerelle, reportez-vous au manuel d'utilisation du capteur.
3. Connectez le capteur de chlore à la passerelle. Pour plus d'informations sur la connexion du capteur à la passerelle, reportez-vous au manuel d'utilisation du capteur. Lisez attentivement les étiquettes sur les connecteurs des câbles afin d'éviter les erreurs de raccordement.
Remarque : lors de la livraison du panneau, le câble du capteur de chlore est fixé à l'avant du panneau à l'aide de ruban adhésif, près de l'emplacement de la connexion au capteur.
4. Connectez le régulateur à la passerelle à l'aide du câble de connexion de 1 m fourni avec le panneau. Connectez le transmetteur à la source d'alimentation uniquement une fois que les autres connexions ont été effectuées et vérifiées.

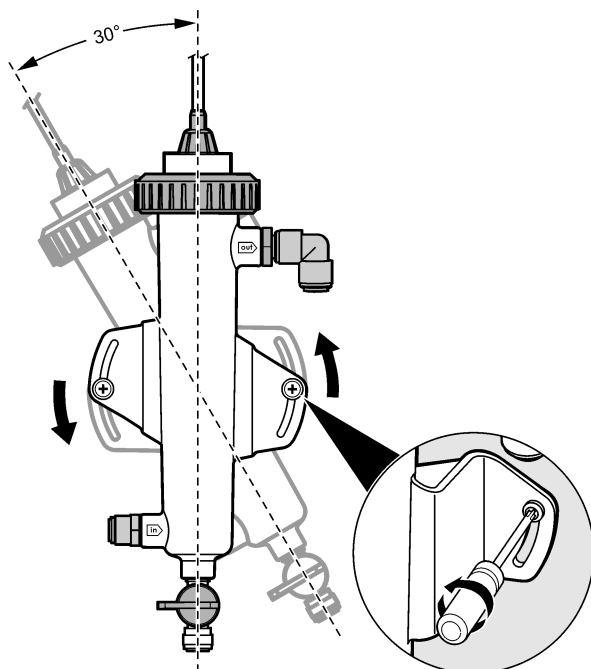
4.5 Plomberie

4.5.1 Raccorder la plomberie du panneau

Assurez-vous de bien respecter les dimensions indiquées pour tous les tubes et les raccords du panneau. Le circuit d'écoulement doit augmenter en diamètre à mesure que l'eau avance dans le système afin d'éviter l'accumulation de contre-pression. La [Figure 1](#) à la page 26 présente une vue d'ensemble des raccordements de plomberie.

1. Fixez les tubes aux raccords d'entrée et de sortie d'échantillon.
2. Assurez-vous que l'orifice de nettoyage de la cuve à circulation de chlore est bien fermé.
3. Assurez-vous que l'orifice de prélèvement d'échantillon de la cuve à circulation de pH est bien fermé.
4. Installez les capteurs de chlore et de pH (en option) conformément aux instructions fournies dans les manuels d'utilisation respectifs avant de soumettre l'échantillon dans le système.
5. Ouvrez la valve de la ligne d'échantillonnage et laissez l'eau s'écouler à travers le système.
6. Assurez-vous de l'absence de toute fuite au niveau des tubes, des raccords de valve ou des cuves à circulation.
7. Pour limiter la présence de bulles d'air, inclinez la cuve à circulation de pH selon un angle compris entre 0 et 30°, tel qu'indiqué dans la [Figure 6](#).

Figure 6 Inclinaison de la cuve à circulation de pH



Section 5 Fonctionnement

5.1 Navigation utilisateur

Consultez la documentation du transmetteur pour une description du clavier et des informations de navigation.

Appuyez plusieurs fois sur la touche flèche vers la **DROITE** du transmetteur pour afficher plus d'informations sur l'écran d'accueil ainsi qu'un graphique.

5.2 Configuration du système

Procédez à la configuration et à l'étalonnage des capteurs via l'interface utilisateur du transmetteur. Pour plus d'informations sur la configuration ou l'étalonnage d'un capteur, reportez-vous au manuel d'utilisation du capteur en question.

Un transmetteur modèle sc doit être connecté à la passerelle.

1. Dans le menu principal du transmetteur, sélectionnez Sensor Setup (Configuration capteur). Le menu de configuration de la passerelle chlore (CGW, Conf Pass. CL2) s'affiche.
2. Sélectionnez Configurer et personnalisez les entrées. Confirmez votre sélection pour chaque entrée afin d'enregistrer vos modifications et revenez au menu de configuration.

Option	Description
Edit name (Modifier le nom)	Permet de modifier le nom du capteur.

Option	Description
Select Parameter (Sélectionner paramètre) : Chlorine (Total or Free) [Chlore (Total ou Libre)], pH (optionnel), Temperature [Température (optionnel)]	Permet de sélectionner le paramètre à configurer. La configuration du paramètre sélectionné nécessite de suivre des étapes supplémentaires. Pour plus d'informations, reportez-vous au manuel d'utilisation du capteur.
Réin. défauts : Confirm to do the reset (Confirmer réinitialisation)	Permet de réinitialiser tous les paramètres à leur valeur par défaut.

5.3 Démarrage du système

Assurez-vous que toutes les opérations mécaniques, électriques et de plomberie ont été correctement effectuées avant de démarrer le flux du système.

1. Mettez le transmetteur sous tension.
Lors de la première mise sous tension, le transmetteur affiche les écrans de sélection de la langue, du format de date et de date/heure.
2. Définissez la langue, la date et l'heure du transmetteur, si ce n'est pas déjà fait. Pour plus d'informations sur la définition de ces options, reportez-vous au manuel d'utilisation du transmetteur.
Le transmetteur recherche les périphériques connectés.
3. Assurez-vous que les orifices de nettoyage et de prélèvement d'échantillon sont bien fermés, puis ouvrez la valve ON/OFF de la ligne d'échantillonnage pour démarrer l'écoulement de l'eau à travers le système.
Les cuves à circulation de chlore et de pH se remplissent alors d'eau.
4. Assurez-vous que la LED du capteur de débit est allumée et que le flotteur se trouve bien entre les marquages MIN et MAX. Si la LED est éteinte, réglez la vanne de contrôle du débit afin d'augmenter ou de diminuer ce dernier.
Le voyant du capteur de débit s'allume lorsque le débit est suffisant pour permettre le bon fonctionnement des capteurs. Si le débit est trop élevé, le voyant peut ne pas s'allumer. Assurez-vous que le flotteur se trouve entre les marquages MIN et MAX.
5. Recherchez tout blocage ou toute fuite dans les tubes et les cuves à circulation. Au moindre problème détecté, arrêtez l'écoulement dans le panneau et procédez aux réparations nécessaires.
6. Quand le débit au niveau du système est suffisant, effacez les avertissements apparaissant à l'écran du transmetteur en suivant les invites et messages qui s'affichent.
7. Appuyez sur la touche **HOME** (Accueil).
L'écran principal de mesure s'affiche et indique les valeurs de mesure du chlore, de la température et du pH (si un capteur de pH est connecté).

Section 6 Maintenance

⚠ ATTENTION



Dangers multiples. Seul le personnel qualifié doit effectuer les tâches détaillées dans cette section du document.

6.1 Remplacement de la tuyauterie

Remplacez la tuyauterie au moins une fois par an. Remplacez immédiatement tout tuyau fragile, fendu ou percé. Remplacez les tuyaux usés, décolorés, sales ou endommagés par des tuyaux de diamètre égal et de même type (de préférence, des tuyaux PFA ou PVDF).

6.2 Nettoyer les cuves à circulation de capteur

Nettoyez les cuves à circulation aussi souvent que nécessaire afin d'en retirer les dépôts. Nettoyez les cuves à circulation lorsqu'elles présentent un taux de contamination élevé. Remplacez toute cuve à circulation dès lors qu'elle est endommagée, décolorée ou opaque. Il n'est pas nécessaire de déposer la cuve à circulation pour la nettoyer.

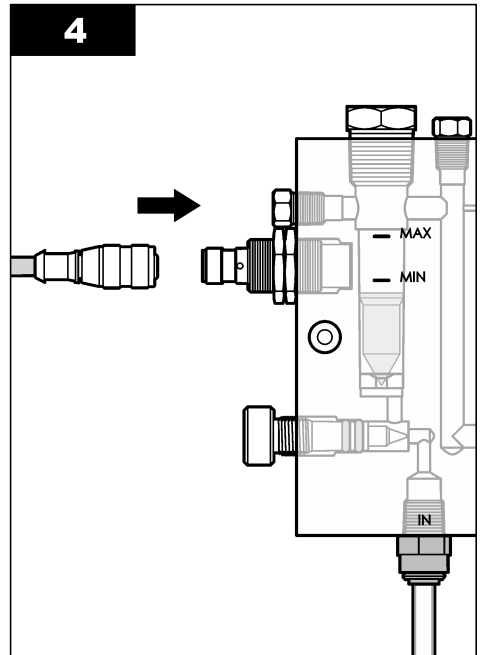
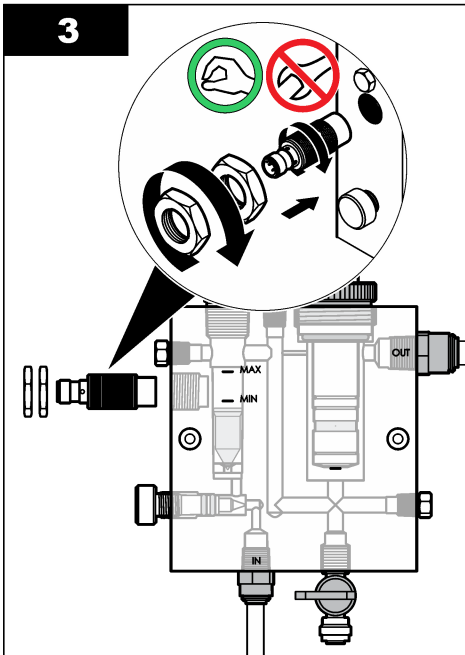
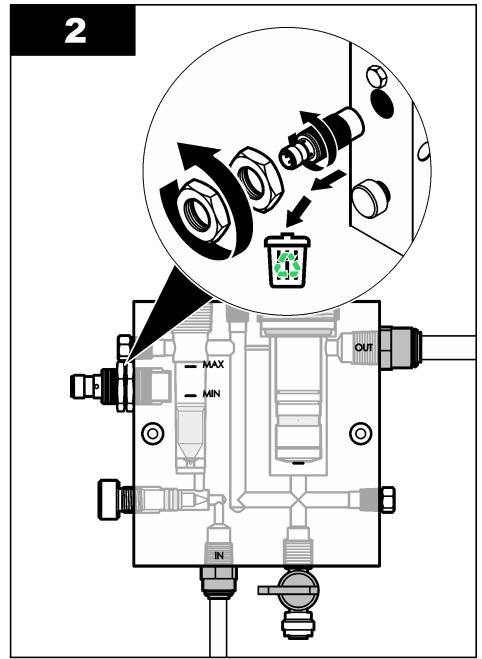
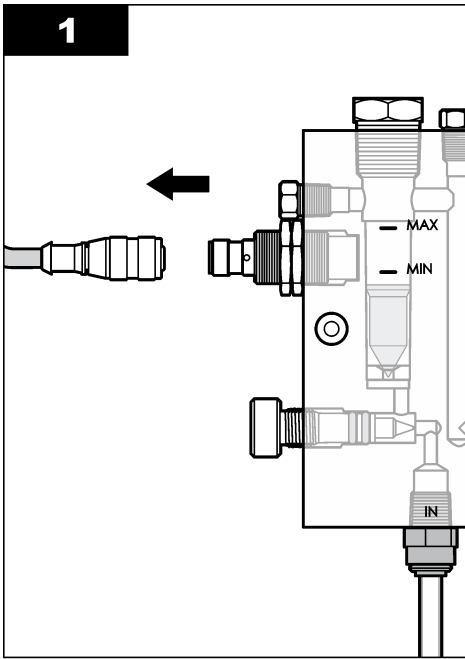
Remarque : *ne jamais utiliser de détergent ou d'agent de surface pour le nettoyage d'une cuve à circulation de chlore.*

1. Arrêtez l'écoulement vers le panneau.
2. Retirez le capteur de chlore et placez-le dans un récipient contenant un échantillon d'eau chlorée.
Remarque : *ne pas débrancher l'alimentation électrique du capteur. En cas d'interruption de l'alimentation du capteur de chlore, vous devez préparer et étalonner le capteur avant de l'utiliser.*
Remarque : *le retrait d'un capteur d'une cuve à circulation alors que le câble en est encore branché entraîne une modification des données transmises. Pour plus d'informations sur l'utilisation de la fonction de mémorisation des sorties, reportez-vous au manuel du transmetteur.*
3. Rincez la cuve à circulation avec de l'eau et retirez les dépôts à l'aide d'une brosse souple.
4. Rincez la cuve à circulation avec de l'eau.
5. Si cela ne suffit pas à nettoyer correctement la cuve à circulation, plongez-la pendant 10 à 15 minutes dans un mélange dilué à 33 % d'une solution de dioxyde d'hydrogène à 3 ou 5 % et de vinaigre.
Remarque : *En cas de contamination importante, il est possible d'utiliser des liquides détachants contre la rouille disponibles dans le commerce. Toutefois, nous vous le déconseillons, car ces derniers peuvent endommager le matériau de la cellule d'écoulement.*
6. Rincez la cuve à circulation avec de l'eau.
7. Placez le capteur dans la cuve à circulation et laissez s'écouler l'échantillon.

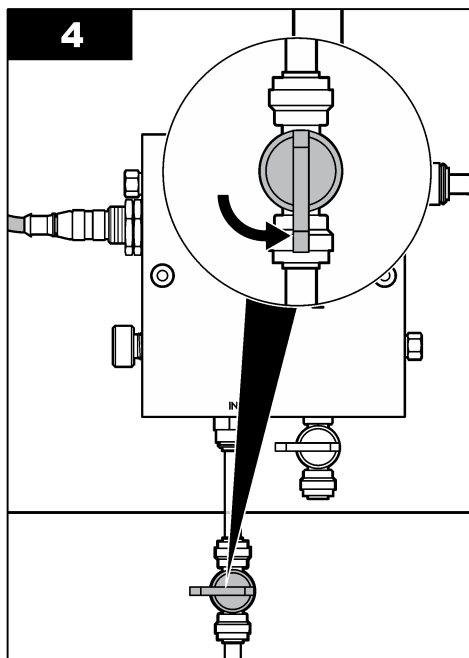
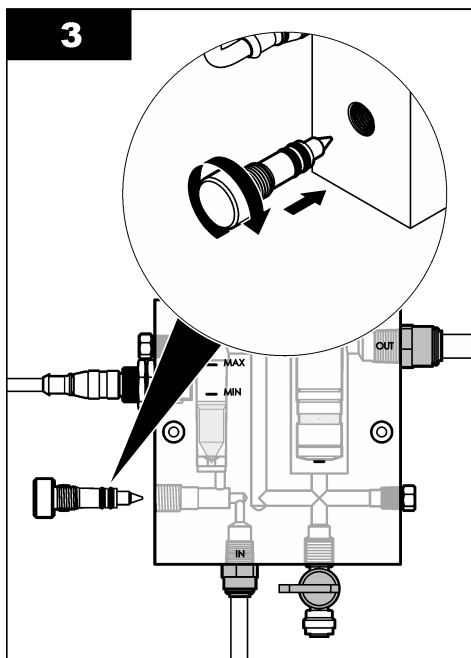
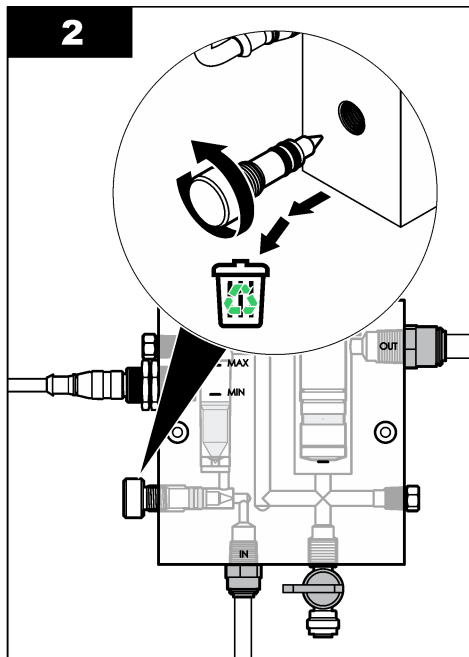
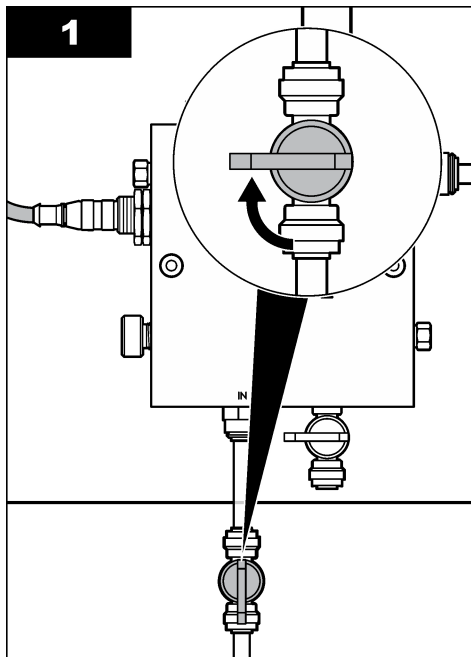
6.3 Remplacer le capteur de débit

En temps normal, le capteur de débit ne nécessite ni entretien régulier ni remplacement. Cependant, si l'indicateur LED de débit ne s'allume pas lorsque le flotteur se trouve entre les marquages MIN et MAX alors que l'appareil est sous tension, il se peut que le remplacement du capteur soit nécessaire. Pour remplacer le capteur de débit, suivez les étapes indiquées ci-dessous.

Remarque : *il n'est pas nécessaire de retirer le capteur de chlore, de vider la cuve à circulation ou de couper l'alimentation électrique du transmetteur pour remplacer le capteur de débit.*



6.4 Remplacer la soupape de contrôle du flux



Section 7 Dépannage

7.1 Journal des événements

Le transmetteur fournit un journal des événements pour chaque capteur. Le journal des événements stocke les divers événements qui se produisent sur les appareils, tels que les étalonnages effectués, les modifications apportées aux options d'étalonnage, etc. La liste suivante répertorie les événements possibles. Vous pouvez consulter le journal des événements au format CSV (valeurs séparées par une virgule). Pour consulter les instructions relatives au téléchargement des fichiers journaux, reportez-vous au manuel d'utilisation du transmetteur.

Tableau 1 Journal des événements

Événement	Description
Power On (Mise en marche)	L'alimentation a été activée.
Flash Failure (Echec Flash)	Le flash externe présente un défaut ou est endommagé..
1pointpHCalibration_Start (EtalonnagepHmonopoint_Début)	Début d'un étalonnage de pH à l'aide d'un échantillon sur un point
1pointpHCalibration_End (EtalonnagepHmonopoint_Fin)	Fin d'un étalonnage de pH à l'aide d'un échantillon sur un point
2pointpHCalibration_Start (EtalonnagepH2points_Début)	Début d'un étalonnage de pH à l'aide d'un échantillon sur deux points
2pointpHCalibration_End (EtalonnagepH2points_Fin)	Fin d'un étalonnage de pH à l'aide d'un échantillon sur deux points
1pointBufferpHCalibration_Start (EtalonnagepHTampon1point_Début)	Début d'un étalonnage de pH à l'aide d'un tampon sur un point
1pointBufferpHCalibration_End (EtalonnagepHTampon1point_Fin)	Fin d'un étalonnage de pH à l'aide d'un tampon sur un point
2pointBufferpHCalibration_Start (EtalonnagepHTampon2points_Début)	Début d'un étalonnage de pH à l'aide d'un tampon sur deux points
2pointBufferpHCalibration_End (EtalonnagepHTampon2points_Fin)	Fin d'un étalonnage de pH à l'aide d'un tampon sur deux points
TempCalibration_Start (EtalonnageTemp_Début)	Début d'étalonnage de la température
TempCalibration_End (EtalonnageTemp_Fin)	Fin d'étalonnage de la température
1pointChemZeroCL2_Start (ZéroChim1pointCL2_Début)	Début d'un étalonnage de zéro chimique pour le chlore sur un point
1pointChemZeroCL2_End (ZéroChim1pointCL2_Fin)	Fin d'un étalonnage de zéro chimique pour le chlore sur un point
1pointElecZeroCL2_Start (ZéroElec1pointCL2_Début)	Début d'un étalonnage de zéro électrique pour le chlore sur un point
1pointElecZeroCL2_End (ZéroElec1pointCL2_Fin)	Fin d'un étalonnage de zéro électrique pour le chlore sur un point
1pointProcessConc_Start (Concentration1point_Début)	Début de concentration pour le chlore sur un point

Tableau 1 Journal des événements (suite)

Événement	Description
1pointProcessConc_End (Concentration1point_Fin)	Fin de concentration pour le chlore sur un point
2pointChemCL2_Start (EtalChim2pointsCL2_Début)	Début d'un étalonnage chimique pour le chlore sur deux points
2pointChemCL2_End (EtalChim2pointsCL2_Fin)	Fin d'un étalonnage chimique pour le chlore sur deux points
2pointElecCL2_Start (EtalElec2pointsCL2_Début)	Début d'un étalonnage électrique pour le chlore sur deux points
2pointElecCL2_End (EtalElec2pointsCL2_Fin)	Fin d'un étalonnage électrique pour le chlore sur deux points
CL2CalSetDefault (RéinitDéfautEtalCL2)	L'étalonnage pour le chlore a été réinitialisé à la valeur par défaut..
pHCalSetDefault (RéinitDéfautEtalpH)	Les données d'étalonnage du pH ont été réinitialisées à leur valeur par défaut..
TempCalSetDefault (RéinitDéfautEtalTemp)	Les données d'étalonnage de la température ont été réinitialisées à leur valeur par défaut..
AllCalSetDefault (RéinitDéfautEtalTous)	Les données d'étalonnage de tous les capteurs ont été réinitialisées à leur valeur par défaut..
CL2CalOptionChanged (ModifOptionEtalCL2)	L'option d'étalonnage du chlore a été modifiée..
pHCalOptionChanged (ModifOptionEtalpH)	L'option d'étalonnage du pH a été modifiée..
TempCalOptionChanged (ModifOptionEtalTemp)	L'option d'étalonnage de la température a été modifiée..
SensorConfChanged (ModifConfigCapteur)	La configuration du capteur a été modifiée..
ResetCL2CalHist (RéinitHistEtalCL2)	L'historique d'étalonnage du chlore a été réinitialisé..
ResetpH CalHist (RéinitHistEtalpH)	L'historique d'étalonnage du pH a été réinitialisé..
ResetTemp CalHist (RéinitHistEtalTemp)	L'historique d'étalonnage de la température a été réinitialisé..
ResetAllSensorsCalHist (RéinitHistEtalTous)	L'historique d'étalonnage de tous les capteurs a été réinitialisé..
ResetCL2Sensor (RéinitCapteurCL2)	Les données d'étalonnage du chlore (jours de fonctionnement du capteur, historique d'étalonnage, données d'étalonnage) ont été réinitialisées à leur valeur par défaut..
ResetpHSensor (RéinitCapteurpH)	Les données d'étalonnage du pH (jours de fonctionnement du capteur, historique d'étalonnage et données d'étalonnage) ont été réinitialisées à leur valeur par défaut..
ResetTempSensor (RéinitCapteurTemp)	Les données d'étalonnage de la température (jours de fonctionnement du capteur, historique d'étalonnage et données d'étalonnage) ont été réinitialisées à leur valeur par défaut..

Tableau 1 Journal des événements (suite)

Événement	Description
ResetAllSensors (RéinitTousCapteurs)	Les données d'étalonnage de tous les capteurs (jours de fonctionnement des capteurs, historique d'étalonnage et données d'étalonnage) ont été réinitialisées à leur valeur par défaut..
Flow Detection (Détection de débit)	L'état du capteur de proximité a changé (débit suffisant ou insuffisant)..

7.2 Liste d'erreurs

Des erreurs peuvent survenir pour diverses raisons. La valeur de mesure à l'écran clignote alors. Toutes les sorties sont suspendues lorsque l'option est spécifiée dans le menu du transmetteur. Pour afficher les erreurs du capteur, appuyez sur la touche **MENU**, puis sélectionnez Sensor Diag (Diagn. capteur), Error List (Liste erreurs). La liste suivante répertorie les erreurs possibles.

Tableau 2 Liste d'erreurs du capteur

Erreur	Description	Résolution
ÉTAL CL2 NÉCES	Vous devez étalonner le capteur de chlore et/ou le capteur de pH.. La modification des mesures de chlore et/ou de pH est suffisamment importante pour déclencher une alarme Surveill. Étal. Pour plus d'informations, reportez-vous au manuel d'utilisation du capteur de chlore.	Étalonnez le capteur de chlore et/ou le capteur de pH.
MAINT CL2 NÉC.	Il est nécessaire de procéder à l'entretien du capteur de chlore. La pente est inférieure à 30 % ou supérieure à 300 % de la valeur par défaut.. La pente par défaut est de 100 mV/ppm (100 %).	Procédez à l'entretien du capteur, puis répétez l'étalonnage, ou remplacez le capteur. Pour plus d'informations, reportez-vous au manuel d'utilisation du capteur de chlore.
MAINT CL2 NÉC.	Il est nécessaire de procéder à l'entretien du capteur de chlore. Le décalage est trop important (supérieur à ± 50 mV)..	Procédez à l'entretien du capteur, puis répétez l'étalonnage, ou remplacez le capteur. Pour plus d'informations, reportez-vous au manuel d'utilisation du capteur de chlore.
PH TOO LOW (PH trop bas)	La valeur de pH est inférieure à 0..	Étalonnez ou remplacez le capteur.
PH TOO HIGH (PH trop élevé)	La valeur de pH est supérieure à 14..	
ÉCHEC PENTE pH	La pente est en dehors de la plage -45 à -65 mV/pH..	Nettoyez le capteur de pH, puis répétez l'étalonnage avec un nouveau tampon ou un nouvel échantillon, ou remplacez le capteur.

Tableau 2 Liste d'erreurs du capteur (suite)

Erreur	Description	Résolution
ÉCHEC DÉC. pH	Le décalage excède ± 60 mV..	Nettoyez le capteur de pH, puis répétez l'étalonnage avec un nouveau tampon ou un nouvel échantillon, ou remplacez le capteur.
ÉCHEC DÉC. pH	Le décalage excède ± 60 mV..	Nettoyez le capteur de pH et remplacez le pont salin et la solution étalon pour cuve. Répétez l'étalonnage avec un nouveau tampon ou un nouvel échantillon, ou remplacez le capteur.
TEMP TOO LOW (Température trop basse)	La température est inférieure à 0 °C..	Étalonnez la température ou remplacez le capteur de pH.
TEMP TOO HIGH (Température trop haute)	La température est supérieure à 100 °C..	
TEMP FAIL (Erreur temp.)	Le décalage est supérieur à 5 °C ou inférieur à -5 °C..	Étalonnez la température ou remplacez le capteur de pH.
PAS DE DÉBIT	Le débit est trop faible..	Augmentez le débit.

7.3 Liste d'avertissements

Un avertissement n'affecte pas le fonctionnement des menus, relais et sorties. Une icône d'avertissement clignote et un message apparaît en bas de l'écran de mesure. Pour afficher les avertissements des capteurs, appuyez sur la touche **MENU**, puis sélectionnez Sensor Diag (Diagn. capteur), Warning List (Liste avertis.). La liste suivante répertorie les avertissements possibles.

Tableau 3 Liste d'avertissements du capteur

Avertissement	Description	Résolution
ÉTAL CL2 REC	Il est recommandé d'étalonner le capteur de chlore et/ou le capteur de pH. La modification des mesures de chlore et/ou de pH est suffisamment importante pour déclencher un avertissement SURVEILL. ÉTAL. Pour plus d'informations, reportez-vous au manuel d'utilisation du capteur.	Étalonnez le capteur de chlore et/ou le capteur de pH.
ÉTAL CL2 REC	Il est recommandé d'étalonner le capteur de chlore.. Les données d'étalonnage du chlore ne sont pas disponibles (le capteur utilise les données d'étalonnage par défaut)..	Étalonnez le capteur de chlore.
ÉTAL pH REC	Il est recommandé d'étalonner le capteur de pH.. Les données d'étalonnage du pH ne sont pas disponibles (le capteur utilise les données d'étalonnage par défaut)..	Étalonnez le capteur de pH.

Tableau 3 Liste d'avertissements du capteur (suite)

Avertissement	Description	Résolution
ÉTAL TEMP REC	Il est recommandé d'étalonner la température.. Les données d'étalonnage de la température ne sont pas disponibles (le capteur utilise les données d'étalonnage par défaut)..	Étalonnez la température.
FAIRE ETAL CL2	La valeur Sensor Days (Jours de fonctionnement du capteur) du capteur de chlore est supérieure à la valeur RAPPEL ÉTAL..	Étalonnez le capteur de chlore.
FAIRE ETAL Ph	La valeur Sensor Days (Jours de fonctionnement du capteur) du capteur de pH est supérieure à la valeur RAPPEL ÉTAL..	Étalonnez le capteur de pH.
ÉTAL T À FAIRE	La valeur Sensor Days (Jours de fonctionnement du capteur) du capteur de température est supérieure à la valeur RAPPEL ÉTAL..	Étalonnez la température.
MAINT CL2 REC.	Il est recommandé de procéder à l'entretien du capteur de chlore. La pente correspond à 30 à 45 % de la valeur par défaut ou lui est supérieure de 250 à 300 %. La pente par défaut est de 100 mV/ppm (100 %).	Procédez à l'entretien du capteur, puis répétez l'étalonnage, ou remplacez le capteur.
MAINT CL2 REC.	Il est recommandé de procéder à l'entretien du capteur de chlore. Le décalage est compris entre -50 mV et 45 mV ou entre 45 mV et 50 mV.	Procédez à l'entretien du capteur, puis répétez l'étalonnage, ou remplacez le capteur.
MAINT pH REC.	Il est recommandé de procéder à l'entretien du capteur de pH.. La pente n'est pas comprise dans la plage -50 à -61 mV/pH..	Nettoyez le capteur de pH, puis répétez l'étalonnage avec un nouveau tampon ou un nouvel échantillon, ou remplacez le capteur.
MAINT pH REC.	Il est recommandé de procéder à l'entretien du capteur de pH.. Le décalage excède ± 45 mV, mais reste dans les limites de ± 60 mV..	Nettoyez le capteur, puis répétez l'étalonnage, ou remplacez le capteur.
MAINT pH REC.	Il est recommandé de procéder à l'entretien du capteur de pH.. Le décalage excède ± 45 mV, mais reste dans les limites de ± 60 mV..	Nettoyez le capteur et remplacez le pont salin et la solution étalon pour cellule, puis répétez l'étalonnage, ou remplacez le capteur.
MAINT T REC.	Le décalage de température excède ± 3 °C, mais reste dans les limites de ± 5 °C..	Étalonnez la température.

Section 8 Pièces de rechange et accessoires

▲ AVERTISSEMENT



Risque de blessures corporelles. L'utilisation de pièces non approuvées comporte un risque de blessure, d'endommagement de l'appareil ou de panne d'équipement. Les pièces de rechange de cette section sont approuvées par le fabricant.

Remarque : Les numéros de référence de produit et d'article peuvent dépendre des régions de commercialisation. Prenez contact avec le distributeur approprié ou consultez le site web de la société pour connaître les personnes à contacter.

Pièces

Description	Article n°
Câble, passerelle vers transmetteur, 1 m	6122400
Câble, 4 broches, blindé, capteur de débit, 2 m	9160900
Câble, 5 broches, blindé, M12, capteur de chlore, 1 m	9160300
Raccord, orifice d'entrée de la cellule d'écoulement de chlore	9159200 (1/4 po.) 9196400 (6 mm)
Raccord, fixation rapide, orifice de sortie de la cellule d'écoulement de chlore ou orifice d'entrée de la cellule d'écoulement de pH	9159300 (3/8 po.) 9196500 (10 mm)
Raccord, coude, orifice de sortie de la cellule d'écoulement de pH	9196900 (1/2 po.) 9197000 (12 mm)
Flotteur, capteur de débit	9159100
Cellule d'écoulement, chlore	Impérial : 9198400 Métrique : 9198500
Cellule d'écoulement, combinaison de pH	Impérial : 9180200 Métrique : 9180400
Cellule d'écoulement, pH avec joint d'étanchéité	Impérial : 9180100 Métrique : 9180300
Cellule d'écoulement vide (pH)	9159700
Bloc de cellule d'écoulement, chlore	9158900
Vanne de régulation de débit	9159000
Kit de soupape de contrôle du flux	9198600
Capteur de débit	9160800
Passerelle, numérique	9180500
Anneau de serrage, cellule d'écoulement de chlore	9196200
Anneau de verrouillage, cellule d'écoulement de pH	60F2032-001
Joint torique, soupape de contrôle du flux (2x) (n°2-108, Viton)	9159600
Joint torique, cellule d'écoulement de pH (n°2-228, Viton)	5H1223
Joint torique, joint d'étanchéité, cellule d'écoulement de chlore (n°2-123, Viton)	9196300

Pièces (suite)

Description	Article n°
Joint torique, bague fendue (M25 x 2,5)	9181800
Bouchon, cellule d'écoulement de chlore, 1/2 pouce	9159500
Vis, cellule d'écoulement de chlore (2x) (10-32 x 1,75 Lg Phillips à tête cylindrique large)	4422200
Vis, cellule d'écoulement de pH (2x) (10-32 x 0,5 Lg Phillips à tête cylindrique large)	561211
Pastille d'étanchéité, cellule d'écoulement de pH	9198000
Joint d'étanchéité, cellule d'écoulement de chlore	9196100
Joint d'étanchéité, capteur de combinaison de pH, 3/4 pouce	9159800
Joint d'étanchéité, cellule d'écoulement de pH, 1 pouce	60F2021-001
Bague fendue, cellule d'écoulement de chlore	9181700
Tube, flux d'échantillonnage, 1/4 pouce x 2 m	4743800
Tube, flux d'échantillonnage, 3/8 pouce x 18(po)	9198100
Tube, flux d'évacuation, 1/2 pouce x 2 m	9198200
Vanne, orifice de prélèvement d'échantillon ponctuel	9005300
Vanne, fixation rapide, orifice de nettoyage	6166300

Accessoires

Description	Article n°
Kit d'acidification / nettoyage automatique	LZY051
Kit de préparation d'échantillon du régulateur de pression	9159900

Tabla de contenidos

- 1 [Tabla de contenidos](#) en la página 44
- 2 [Especificaciones](#) en la página 44
- 3 [Información general](#) en la página 44
- 4 [Instalación](#) en la página 50
- 5 [Funcionamiento](#) en la página 53
- 6 [Mantenimiento](#) en la página 54
- 7 [Solución de problemas](#) en la página 58
- 8 [Piezas de repuesto y accesorios](#) en la página 62

Sección 1 Tabla de contenidos

- [Especificaciones](#) en la página 44
- [Información general](#) en la página 44
- [Instalación](#) en la página 50
- [Funcionamiento](#) en la página 53
- [Mantenimiento](#) en la página 54
- [Solución de problemas](#) en la página 58
- [Piezas de repuesto y accesorios](#) en la página 62

Sección 2 Especificaciones

Las especificaciones están sujetas a cambios sin previo aviso.

Especificación	Detalles
Descripción del componente	Panel del analizador de control cloro amperométrico sin reactivos, con sensor de cloro, de flujo, pH de combinación opcional o pH diferencial, celdas de flujo, controlador sc y gateway digital
Temperatura de servicio	0 a 45 °C (0 a 113 °F)
Temperatura de almacenamiento (sólo el panel)	-20 a 60 °C (-4 a 149 °F)
Requerimientos de alimentación	12 V CC \pm 10%, 100 mA máximo (suministrada por el controlador sc)
Dimensiones del panel (L x A x P)	48,3 x 49,5 x 15,1 cm (19 x 19,5 x 5,95 pulg.) con componentes instalados en el panel
Peso	Aproximadamente 5,4 kilos (12 lb) (sólo panel y componentes instalados en el panel vacío)
Caudal	Rango: 30–50 l/hora (7,9–13,2 gal/hora) Óptimo: 40 l/hora (10,5 gal/hora)
Plataforma del controlador	Modelos de controlador sc

Sección 3 Información general

En ningún caso el fabricante será responsable de ningún daño directo, indirecto, especial, accidental o resultante de un defecto u omisión en este manual. El fabricante se reserva el derecho a modificar este manual y los productos que describen en cualquier momento, sin aviso ni obligación. Las ediciones revisadas se encuentran en la página web del fabricante.

3.1 Información de seguridad

AVISO

El fabricante no es responsable de ningún daño debido a un mal uso de este producto incluidos, sin limitación, los daños directos, fortuitos o circunstanciales y las reclamaciones sobre los daños que no estén recogidos en la legislación vigente. El usuario es el responsable de la identificación de los riesgos críticos y de tener los mecanismos adecuados de protección de los procesos en caso de un posible mal funcionamiento del equipo.

Lea todo el manual antes de desembalar, instalar o trabajar con este equipo. Ponga atención a todas las advertencias y avisos de peligro. El no hacerlo puede provocar heridas graves al usuario o daños al equipo.

Asegúrese de que la protección proporcionada por el equipo no está dañada. No utilice ni instale este equipo de manera distinta a lo especificado en este manual.

3.2 Uso de la información relativa a riesgos

⚠ PELIGRO

Indica una situación potencial o de riesgo inminente que, de no evitarse, provocará la muerte o lesiones graves.

⚠ ADVERTENCIA

Indica una situación potencial o inminentemente peligrosa que, de no evitarse, podría provocar la muerte o lesiones graves.

⚠ PRECAUCIÓN



Indica una situación potencialmente peligrosa que podría provocar una lesión menor o moderada.

AVISO

Indica una situación que, si no se evita, puede provocar daños en el instrumento. Información que requiere especial énfasis.

3.3 Etiquetas de precaución

Lea todas las etiquetas y rótulos adheridos al instrumento. En caso contrario, podrían producirse heridas personales o daños en el instrumento. El símbolo que aparezca en el instrumento se comentará en el manual con una declaración de precaución.

	Este símbolo (en caso de estar colocado en el equipo) hace referencia a las instrucciones de uso o a la información de seguridad del manual.
	En Europa, el equipo eléctrico marcado con este símbolo no se debe desechar mediante el servicio de recogida de basura doméstica o pública. Devuelva los equipos viejos o que hayan alcanzado el término de su vida útil al fabricante para su eliminación sin cargo para el usuario.

3.4 Generalidades del producto

Este producto está diseñado principalmente para ser utilizado en aplicaciones de agua potable municipal. El fabricante debe establecer si se aprueba la aplicación industrial y en aguas residuales antes de la instalación.

El analizador de cloro sin reactivos controla la concentración de cloro residual libre o total en agua, y es altamente fiable en concentraciones de cloro residual superiores a 0,1 ppm (mg/l). Gracias a la combinación de un controlador de modelo sc y de un sensor de cloro de tres electrodos, con un sensor de pH opcional y un sensor de flujo, se obtiene la mejor función de control. Ambos sensores

leen la temperatura de las muestras. El sensor de pH transmite la lectura de la temperatura a la pantalla del controlador. El sensor de cloro utiliza su medición de la temperatura de forma interna y no transmite la medición a la pantalla del controlador. Hay disponibles como accesorios un kit de regulador de presión y un kit de limpieza y acidificación.

Los sensores de cloro y pH se encuentran en celdas de flujo montadas en el panel y conectadas en serie. Las celdas de flujo mantienen el contacto entre el sensor y la muestra, y ayudan a evitar que los sensores se sequen cuando el sistema no está funcionando. [Figura 1](#), [Figura 2](#) y [Figura 3](#) muestran descripciones generales del sistema y las celdas de flujo.

Cada sensor se conecta al controlador a través del gateway instalado en el panel. El gateway convierte las señales analógicas de los sensores en señales digitales que utiliza el controlador. El controlador convierte las señales digitales en los valores de medición del cloro, el pH y la temperatura, y muestra las lecturas en la pantalla. El controlador suministra alimentación a los sensores y al gateway digital.

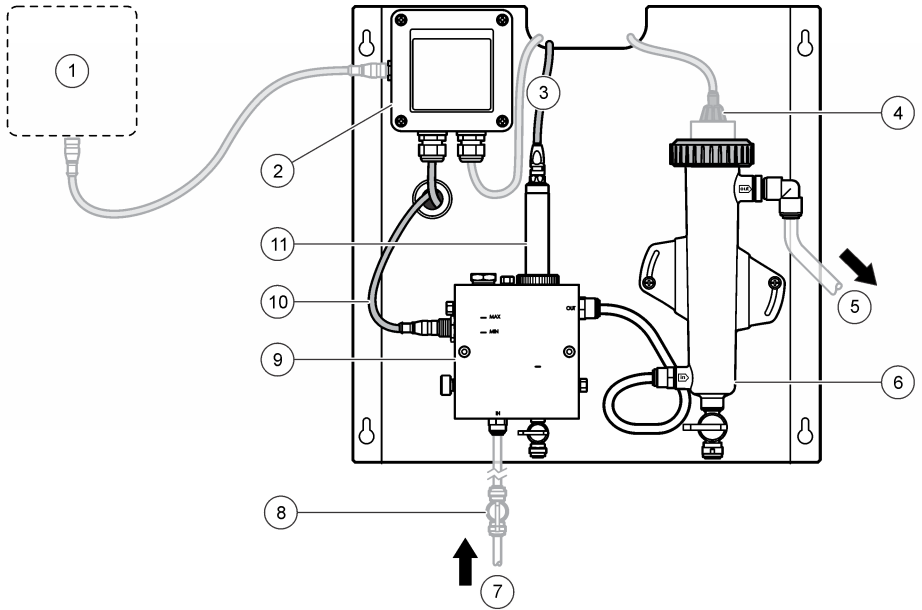
El controlador se puede configurar para que se produzca una situación de alarma o advertencia si los valores de medición están por encima o por debajo de los valores especificados. Para obtener más información sobre las alarmas del controlador, consulte el manual de usuario del controlador.

Nota: Consulte el manual del usuario del sensor para obtener información acerca del almacenamiento de los sensores cuando el sistema no está en funcionamiento.

Hay disponibles dos configuraciones del analizador: una opción de muestra manual (sin sensor de pH) y una opción de pH. La opción de muestra manual incluye el panel de montaje, el sensor de cloro y la celda de flujo, una celda de flujo de pH sin sensor, un sensor de flujo, el gateway y el controlador. La opción de pH incluye estos elementos más un sensor de pH.

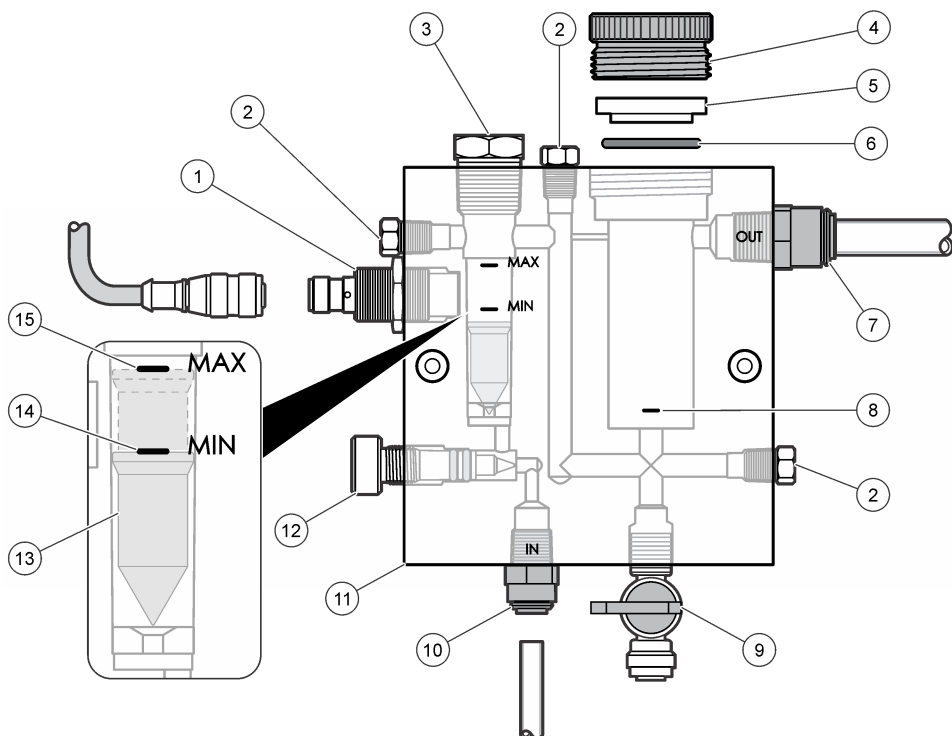
Una válvula de control de flujo regula el flujo de la muestra. Se recomienda un caudal constante a 30-50 l/h para que el sensor funcione correctamente (consulte la [Figura 1](#)). El caudal óptimo es 40 l/hora. En el sensor de flujo hay un LED que indica si el caudal de flujo de la muestra es suficiente. Si este LED no está encendido, hay que ajustar el caudal de flujo hasta que el LED se encienda. El caudal de flujo exacto no es importante, siempre y cuando el LED esté encendido, pero debe permanecer constante, de acuerdo con las especificaciones.

Figura 1 Componentes del sistema



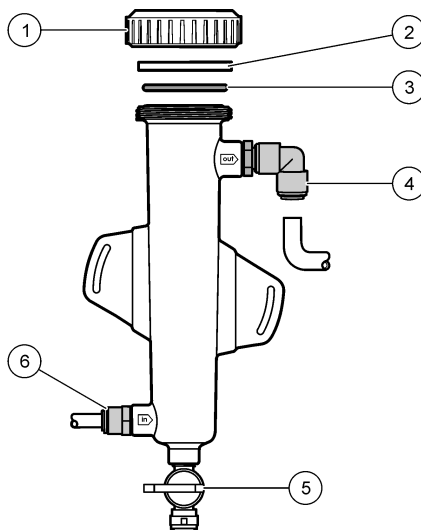
1 Controlador	7 Entrada de muestra
2 Gateway	8 Válvula, cierre (suministrado por el cliente)
3 Cable del sensor de cloro	9 Celda de flujo de cloro
4 Sensor de pH (opcional)	10 Cable del sensor de flujo
5 Drenaje de muestra	11 Sensor de cloro
6 Celda de flujo de pH	

Figura 2 Descripción general de la celda de flujo de cloro



1 Sensor de flujo	9 Válvula, puerto de limpieza, 1/4 pulg. diámetro externo (DE) de tubo
2 Tapón, 1/8 pulg. NPTF	10 Entrada de celda de flujo <ul style="list-style-type: none"> • Inglés: Racor de conexión rápida—1/4 pulg. diámetro externo (DE) de tubo • Métrico: Racor de conexión rápida—DE de tubo de 6 mm
3 Tapón, 1/2 pulg. NPTF	11 Celda de flujo
4 Tuerca de sujeción	12 Válvula de control de flujo
5 Adaptador de sellado	13 Flotador
6 Junta tórica	14 Marca de alineación del flotador; MÍN.
7 Accesorio de salida de muestras <ul style="list-style-type: none"> • Inglés: Racor de conexión rápida—3/8 pulg. diámetro externo (DE) de tubo • Métrico: racor de conexión rápida—DE de tubo de 10 mm 	15 Marca de alineación del flotador; MÁX.
8 Marca de alineación del sensor de cloro	

Figura 3 Descripción general de la celda de flujo de pH

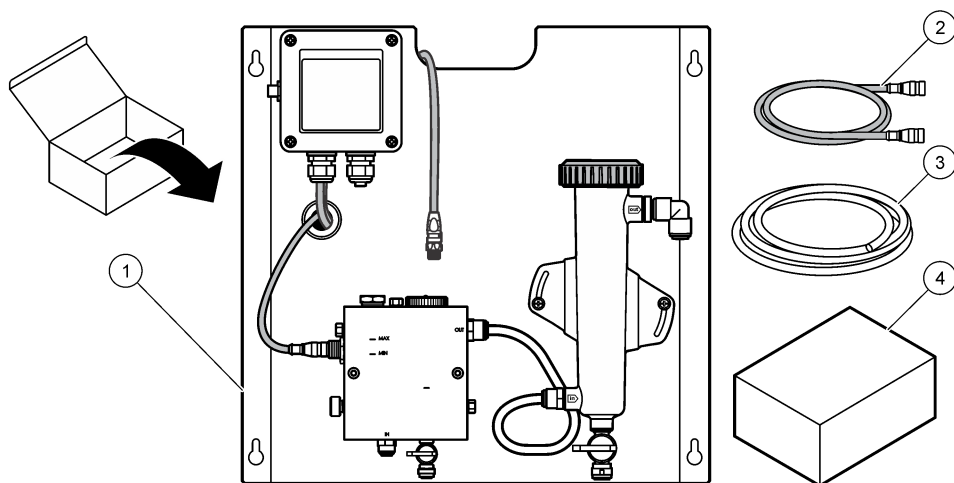


<p>1 Tuerca de sujeción</p>	<p>4 Accesorio de salida de muestras Inglés: Racor acodado de conexión rápida—1/2 pulg. DE Métrico: Racor acodado de conexión rápida—DE de 12 mm</p>
<p>2 Adaptador de sellado</p>	<p>5 Puerto de muestras manuales</p>
<p>3 Junta tórica</p>	<p>6 Entrada de celda de flujo</p> <ul style="list-style-type: none"> • Inglés: Racor de conexión rápida—3/8 pulg. DE • Métrico: Racor de conexión rápida—DE de 10 mm

3.5 Componentes del producto

Asegúrese de haber recibido todos los componentes. Consulte la [Figura 1](#) en la página 47. Si faltan artículos o están dañados, póngase en contacto con el fabricante o el representante de ventas inmediatamente.

Figura 4 Panel del analizador de cloro sin reactivos



1 Panel del sistema	3 Tubos, 12 mm (½ pulg.)
2 Cable de conexión para conectar el gateway al controlador, 1 m (3,3 pies)	4 Sensor de cloro

Sección 4 Instalación

4.1 Aspectos importantes sobre la instalación

- Realice primero las labores de instalación mecánica, luego las de instalación eléctrica y en último lugar las de instalación hidráulica.
- Todos los accesorios están diseñados para ser ajustados únicamente de forma manual.
- El panel está diseñado para instalarse en interiores en la pared o sobre rack. Monte o coloque el panel en un lugar accesible.
- No lo coloque cerca de una fuente de calor.
- El montaje del panel no se debe realizar en un entorno en el que haya vibraciones frecuentes
- No monte el panel de forma que quede expuesto a la luz solar directa, ya que esto podría afectar a las lecturas de cloro.
- Instale el panel en interiores o en un recinto cerrado al aire libre.
- Evite la acumulación de condensación en el panel y sus componentes, especialmente en la celda de flujo, el sensor y el punto de conexión entre el sensor y el cable.
- Use tubos de PFA o de polietileno de baja densidad lineal PVDF para la línea de alimentación de las muestras y procure que los tubos sean lo más cortos posibles para minimizar el retardo.
- La presión de la muestra debe ser suficiente para mantener una provisión continua de agua a los sensores. Un indicador LED del sensor de flujo se enciende cuando el flujo es suficiente.
- Mantenga el caudal lo más constante posible para que el sensor funcione de manera óptima.

4.2 Directrices sobre la línea de muestra

Seleccione un buen punto de muestreo que sea representativo para obtener el mejor rendimiento del instrumento. La muestra debe ser representativa para todo el sistema.

Para evitar las lecturas erróneas:

- Recopile muestras de lugares lo suficientemente alejados de los puntos en los que se añaden productos químicos a la corriente del proceso.

- Asegúrese de que las muestras están lo suficientemente mezcladas.
- Asegúrese de que todas las reacciones químicas se han completado.

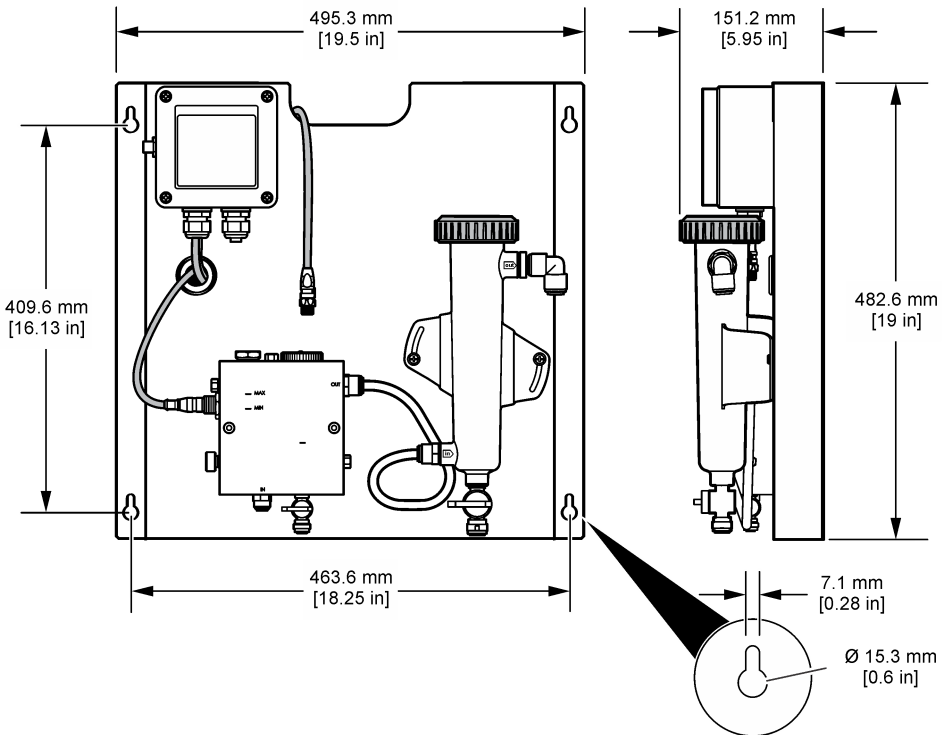
4.3 Instalación mecánica

4.3.1 Montaje del panel

Figura 5 muestra las dimensiones de montaje. Consulte la figura y siga los pasos para montar el panel.

1. Coloque tornillos de montaje en la superficie de montaje. Móntelo sobre tacos o utilice anclajes de pared. Deje suficiente espacio entre la cabeza de cada tornillo y la superficie de montaje para que el panel quepa entre medias.
2. Deslice los orificios de montaje del panel sobre las cabezas de los tornillos de montaje y deje que el panel se deslice hacia abajo hasta que la parte superior de cada orificio de montaje se apoye sobre el cuerpo del tornillo.
3. Apriete cada tornillo para asegurar el panel a la superficie de montaje.
4. Instale el sensor de cloro y de pH (opcional) en las celdas de flujo. Para obtener más información acerca de la instalación de sensores, consulte el manual de usuario del sensor.

Figura 5 Dimensiones del panel del analizador de cloro sin reactivos



4.4 Instalación eléctrica

4.4.1 Cableado del panel

⚠ ADVERTENCIA



Posible peligro de electrocución. Desconecte siempre el instrumento del suministro eléctrico antes de realizar conexiones eléctricas.

El controlador suministra alimentación a los sensores y al gateway digital.

1. Corte la energía del controlador.
2. Conecte los cables del sensor de pH (opcional) al gateway. Para obtener más información acerca de cómo instalar sensores en las celdas de flujo, o cómo conectar el sensor al gateway, consulte el manual del usuario del sensor.
3. Conecte el sensor de cloro al gateway. Para obtener más información acerca de cómo conectar el sensor al gateway, consulte el manual del usuario del sensor. Lea atentamente las etiquetas de los conectores del cable para evitar cometer errores.
Nota: Cuando se entrega el panel, el cable del sensor de cloro está pegado con cinta a la parte delantera del panel, cerca del lugar en el que se encuentra la conexión del sensor.
4. Conecte el controlador al gateway con el cable del conector de 1 m que se entrega con el panel. No conecte el controlador a la fuente de alimentación hasta que se hayan realizado y comprobado el resto de conexiones.

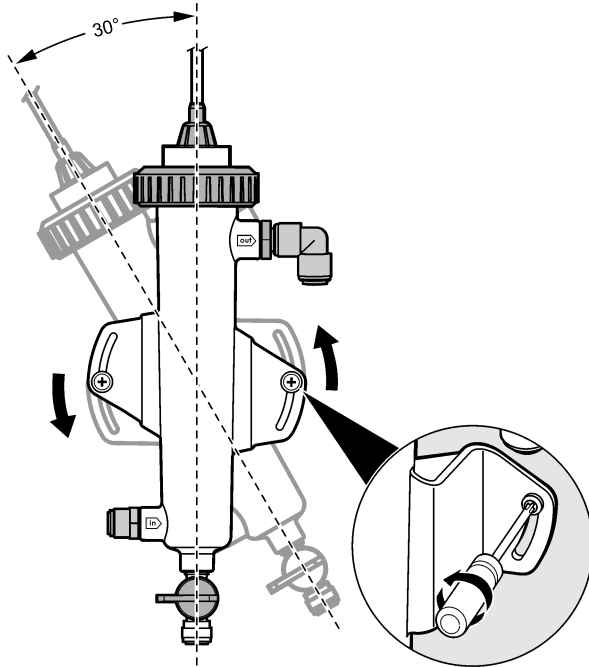
4.5 Conexiones hidráulicas

4.5.1 Instalación hidráulica del panel

Procure cumplir las especificaciones de tamaño en todos los accesorios y tubos del panel. El diámetro de los conductos debe aumentar a medida que el agua fluye a través del sistema para evitar que se acumule contrapresión. [Figura 1](#) en la página 47 muestra una descripción general de las conexiones hidráulicas.

1. Conecte las tuberías a los conectores de entrada y salida de las muestras.
2. Asegúrese de que el puerto de limpieza de la celda de flujo de cloro está cerrado.
3. Asegúrese de que el puerto de muestras manuales de la celda de flujo de pH está cerrado.
4. Instale sensores de cloro y pH (opcionales), de acuerdo con las instrucciones recogidas en los manuales de usuario correspondientes, antes de procesar la muestra en el sistema.
5. Abra la válvula de flujo en la línea de muestras y deje que el agua pase por el sistema.
6. Asegúrese de que no hay fugas en las tuberías, los conectores de las válvulas o las celdas de flujo.
7. Para que no haya burbujas de aire, la celda de flujo de pH se puede inclinar entre 0° y 30°, tal y como se muestra en [Figura 6](#).

Figura 6 Inclinación de la celda de flujo de pH



Sección 5 Funcionamiento

5.1 Navegación por los menús

Consulte la documentación del controlador para ver la descripción del teclado e información sobre cómo desplazarse por los menús.

Pulse la tecla de flecha a la **DERECHA** en el controlador varias veces para ver más información en la pantalla de inicio y mostrar una pantalla gráfica.

5.2 Configuración del sistema

La configuración del sensor y la calibración se realizan en la interfaz de usuario del controlador. Para obtener más información acerca de la configuración o la calibración de un sensor, consulte el manual del usuario del sensor.

Debe conectarse al gateway un controlador modelo sc.

1. Desde el menú principal del controlador, seleccione Sensor Setup (Montar sensor). Aparece el menú Chlorine Gateway (CGW) Setup (Configuración de gateway de cloro [CGW]).
2. Seleccione Configurar y personalice las entradas. Confirme cada entrada para guardar los cambios y regrese al menú Configurar.

Opción	Descripción
Edit name (Editar nombre)	Edite el nombre del sensor.

Opción	Descripción
Select Parameter (Seleccionar parámetro)—Cloro (Total o Libre), pH (opcional), Temperatura (opcional)	Se selecciona el parámetro que se va a configurar. Para configurar el parámetro seleccionado, se necesitan una serie de pasos adicionales. Para obtener más información, consulte el manual del usuario del sensor.
Reset Defaults (Restablecer valores predeterminados): Confirme el restablecimiento de los valores predeterminados.	Restablece los valores predeterminados de fábrica de todos los parámetros.

5.3 Arranque del sistema

Asegúrese de que se han realizado correctamente todas las labores mecánicas, eléctricas e hidráulicas antes de iniciar el flujo por el sistema.

1. Establezca la alimentación de corriente al controlador.
La primera vez que se enciende, el controlador muestra las pantallas de idioma, formato de fecha y fecha/hora por orden.
2. Defina el idioma, la fecha y la hora en el controlador si no lo ha hecho aún. Consulte el manual del usuario del controlador para obtener más información acerca de cómo definir estas opciones. El controlador busca los dispositivos conectados.
3. Asegúrese de que el puerto de limpieza y el puerto de muestras manuales están cerrados y, a continuación, abra la válvula de ENCENDIDO/APAGADO en la línea de muestras para iniciar el flujo de agua a través del sistema.
Las celdas de flujo de cloro y pH se llenan de agua.
4. Asegúrese de que el indicador de flujo LED se enciende y de que el flotador se encuentra entre las marcas MÍN. y MÁX. De lo contrario, ajuste la válvula de control de flujo para aumentar o reducir el flujo.
El LED del sensor de flujo estará encendido cuando el flujo sea suficiente para su buen funcionamiento. Si el flujo es demasiado alto, puede que el LED no se encienda. Asegúrese de que el flotador se encuentra entre las marcas MÍN. y MÁX.
5. Compruebe si las tuberías y las celdas de flujo tienen fugas o están bloqueadas. Corte el flujo al panel si se detecta algún problema y realice las reparaciones necesarias.
6. Cuando el sistema tenga el flujo suficiente, borre las advertencias que aparecen en la pantalla del controlador siguiendo los mensajes e indicaciones que se muestran en la pantalla.
7. Presione la tecla **HOME**.
Aparece la pantalla de medición principal que muestra los valores de la medición del cloro, la temperatura y el pH (si hay conectado un sensor de pH).

Sección 6 Mantenimiento

⚠ PRECAUCIÓN



Peligros diversos. Solo el personal cualificado debe realizar las tareas descritas en esta sección del documento.

6.1 Cambio de tubos

Cambie los tubos al menos una vez al año. Cambie los tubos inmediatamente si están quebradizos, agrietados o tienen fugas. Cambie los tubos si están viejos, decolorados, sucios o dañados por otros del mismo tipo y diámetro (tubo de PFA o PVDF).

6.2 Limpieza de la celda de flujo del sensor

Limpie la celda de flujo, si es preciso, para quitar los depósitos. Limpie la celda de flujo si está muy contaminada. Cambie una celda de flujo si se avería, se decolora o no es transparente. No es necesario quitar una celda de flujo del panel para limpiarla.

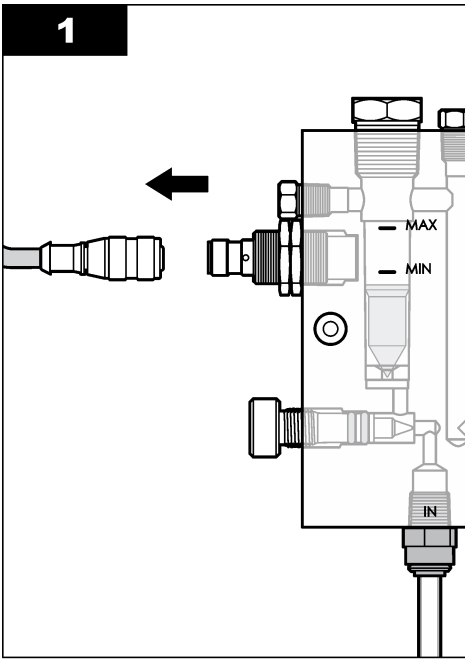
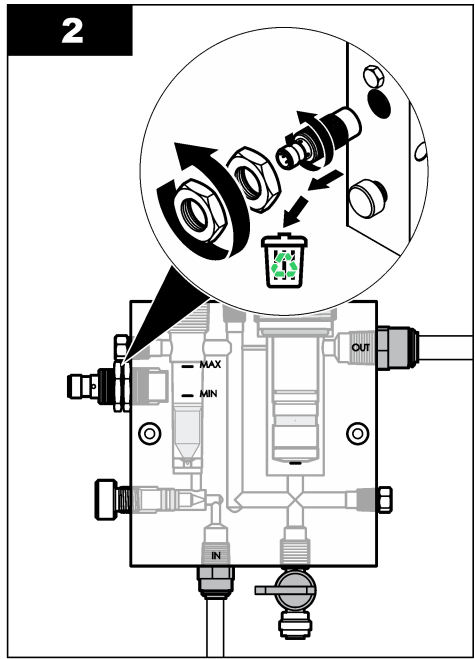
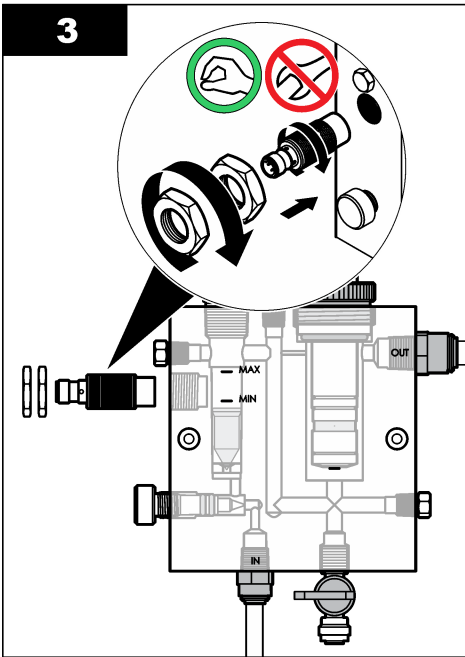
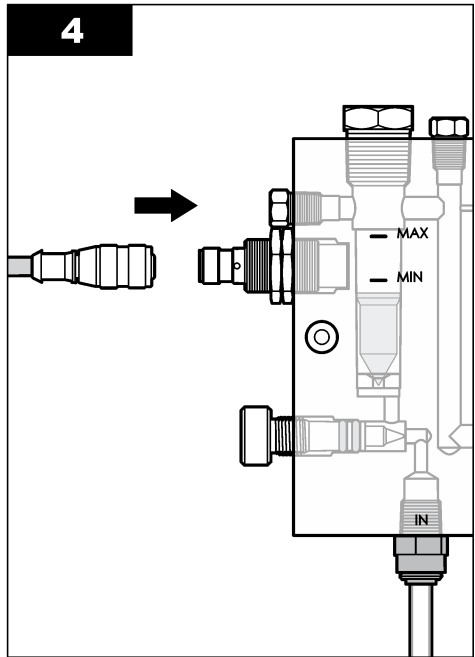
Nota: Nunca utilice detergentes ni agentes tensoactivos para limpiar una celda de flujo de cloro.

1. Detenga el flujo de origen al panel.
2. Quite el sensor de cloro y colóquelo en un contenedor lleno de una muestra del agua con cloro.
Nota: No desconecte el sensor de la corriente eléctrica. Si desconecta el sensor de cloro, habrá que acondicionarlo y calibrarlo antes de usarlo.
Nota: Si quita un sensor de una celda de flujo con el cable del sensor conectado, se producirá un cambio en las salidas de la señal del sensor. Consulte el manual del controlador si desea más información sobre la opción de retención de salida.
3. Enjuague la celda de flujo con agua y frótelas con un cepillo de cerdas suaves para quitar los depósitos.
4. Enjuague la celda de flujo con agua.
5. Si la celda de flujo no está lo suficientemente limpia, deje que se empape entre 10 y 15 minutos en una mezcla de solución de peróxido de hidrógeno al 3-5% y vinagre en una proporción de 1:3.
Nota: En caso de una contaminación grave, puede utilizar líquidos para la eliminación del óxido. Sin embargo, no se recomiendan porque se pueden producir daños en el material de la celda de flujo.
6. Enjuague la celda de flujo con agua.
7. Instale el sensor en la celda de flujo e inicie el flujo de la muestra.

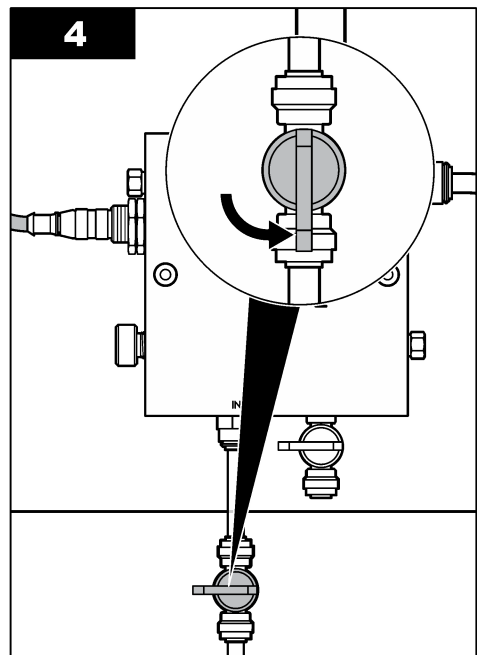
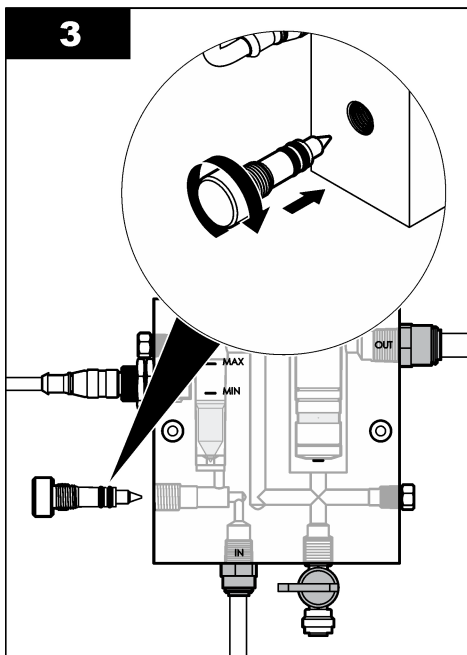
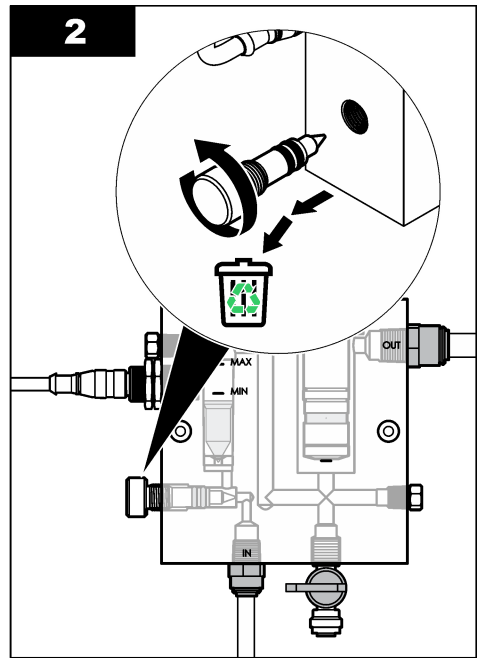
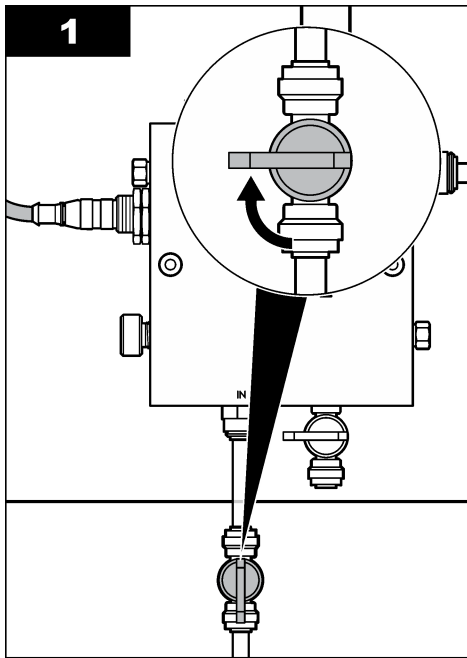
6.3 Sustitución del sensor de flujo

En condiciones normales, el sensor de flujo no necesita un mantenimiento regular ni sustituciones. Sin embargo, si el indicador de flujo LED no se enciende cuando el flotador se encuentra entre las marcas MÍN. o MÁX. y se conecta a la corriente eléctrica, puede que haya que cambiar el sensor. Para sustituir el sensor de flujo, siga los pasos que se ilustran a continuación.

Nota: No es necesario quitar el sensor de cloro, drenar la celda de flujo ni apagar el controlador para cambiar el sensor de flujo.

1**2****3****4**

6.4 Sustitución del conjunto de la válvula de control de flujo



Sección 7 Solución de problemas

7.1 Registro de eventos

El controlador dispone de un registro de eventos para cada sensor. El registro de eventos almacena un número de eventos que se producen en los dispositivos, tales como las calibraciones realizadas, las opciones de calibración cambiadas, etc. A continuación, aparece una lista de posibles eventos. El registro de eventos se puede leer en formato CSV. Para obtener más información sobre la descarga de los registros, consulte el manual de usuario del controlador.

Tabla 1 Registro de eventos

Evento	Descripción
Encendido	Se encendió el suministro de energía.
Fallo flash	El flash externo ha fallado o está dañado..
1pointpHCalibration_Start	Inicio de la calibración de muestras en un punto para el pH
1pointpHCalibration_End	Final de la calibración de muestras en un punto para el pH
2pointpHCalibration_Start	Inicio de la calibración de muestras en dos puntos para el pH
2pointpHCalibration_End	Final de la calibración de muestras en dos puntos para el pH
1pointBufferpHCalibration_Start	Inicio de la calibración del tampón de un punto para el pH
1pointBufferpHCalibration_End	Final de la calibración del tampón de un punto para el pH
2pointBufferpHCalibration_Start	Inicio de la calibración del tampón de dos puntos para el pH
2pointBufferpHCalibration_End	Final de la calibración del tampón de dos puntos para el pH
TempCalibration_Start	Inicio de la calibración de la temperatura
TempCalibration_End	Final de la calibración de la temperatura
1pointChemZeroCL2_Start	Inicio de la calibración cero química de un punto para el cloro
1pointChemZeroCL2_End	Final de la calibración cero química de un punto para el cloro
1pointElecZeroCL2_Start	Inicio de la calibración cero eléctrica de un punto para el cloro
1pointElecZeroCL2_End	Final de la calibración cero eléctrica de un punto para el cloro
1pointProcessConc_Start	Inicio de la concentración del proceso de un punto para el cloro
1pointProcessConc_End	Final de la concentración del proceso de un punto para el cloro
2pointChemCL2_Start	Inicio de la calibración química de dos puntos para el cloro
2pointChemCL2_End	Final de la calibración química de dos puntos para el cloro
2pointElecCL2_Start	Inicio de la calibración eléctrica de dos puntos para el cloro
2pointElecCL2_End	Final de la calibración eléctrica de dos puntos para el cloro
CL2CalSetDefault	Se han restablecido los valores predeterminados de la calibración de cloro.
pHCalSetDefault	Se han restablecido los valores predeterminados de los datos de calibración del pH.
TempCalSetDefault	Se han restablecido los valores predeterminados de los datos de calibración de la temperatura.

Tabla 1 Registro de eventos (continúa)

Evento	Descripción
AllCalSetDefault	Se han restablecido los valores predeterminados de todos los datos de calibración del sensor.
CL2CalOptionChanged	Se ha cambiado la opción de calibración del cloro.
pHCalOptionChanged	Se ha cambiado la opción de calibración del pH.
TempCalOptionChanged	Se ha cambiado la opción de calibración de la temperatura.
SensorConfChanged	Se ha cambiado la configuración del sensor.
ResetCL2CalHist	Se ha restablecido el historial de calibración de cloro.
ResetpH CalHist	Se ha restablecido el historial de calibración del pH.
ResetTemp CalHist	Se ha restablecido el historial de calibración de la temperatura.
ResetAllSensorsCalHist	Se ha restablecido el historial de calibración de todos los sensores.
ResetCL2Sensor	Se han restablecido los valores predeterminados de los datos de calibración de CL2 (días del sensor, historial de calibración y datos de calibración).
ResetpHSensor	Se han restablecido los valores predeterminados de los datos de calibración del pH (días del sensor, historial de calibración y datos de calibración).
ResetTempSensor	Se han restablecido los valores predeterminados de los datos de calibración de la temperatura (días del sensor, historial de calibración y datos de calibración).
ResetAllSensors	Se han restablecido los valores predeterminados de los datos de calibración de todos los sensores (días del sensor, historial de calibración y datos de calibración).
Detección del flujo	El estado del sensor de proximidad ha cambiado (flujo suficiente o insuficiente).

7.2 Lista de errores

Los errores se pueden producir por varias razones. La lectura del sensor en la pantalla de medición aparece y desaparece. Se mantienen todas las salidas cuando se especifican en el menú del

controlador. Para ver los errores del sensor, pulse la tecla **MENU** y seleccione Diag del sensor, Lista de errores. A continuación, aparece una lista de posibles errores.

Tabla 2 Lista de errores del sensor

Error	Descripción	Resolución
CAL CL REQUER	Se necesita realizar una calibración de cloro y/o pH.. La medición del cloro y/o pH ha cambiado lo suficiente para producir una alarma de advertencia de la calibración. Para obtener más información, consulte el manual del sensor de cloro.	Calibre el sensor de cloro y/o el sensor de pH.
MANT CL REQUER	Se necesita realizar el mantenimiento del sensor de cloro.. La pendiente es inferior al 30% o superior al 300% del valor predeterminado.. La pendiente predeterminada es 100 mV/ppm (100%)	Realice el mantenimiento del sensor y repita la calibración, o sustituya el sensor. Para obtener más información, consulte el manual del sensor de cloro.
MANT CL REQUER	Se necesita realizar el mantenimiento del sensor de cloro.. El desplazamiento es demasiado alto (más de ± 50 mV).	Realice el mantenimiento del sensor y repita la calibración, o sustituya el sensor. Para obtener más información, consulte el manual del sensor de cloro.
PH MUY BAJO	El valor de pH es inferior a 0 pH.	Calibre o cambie el sensor de pH.
PH MUY ALTO	El valor de pH es superior a 14 pH.	
PENDI pH FALLA	La pendiente está fuera del rango de -45 a -65 mV/pH.	Limpie el sensor de pH, repita la calibración con un tampón o una muestra nueva, o cambie el sensor.
COMPEN pH FALLA	El desplazamiento está fuera de los ± 60 mV.	Limpie el sensor de pH, repita la calibración con un tampón o una muestra nueva, o cambie el sensor.
COMPEN pH FALLA	El desplazamiento está fuera de los ± 60 mV.	Limpie el sensor de pH y cambie el puente salino y la solución de celda estándar. Repita la calibración con un tampón o una muestra nueva, o cambie el sensor.
TEMP MUY BAJA	La temperatura es inferior a 0 °C.	Calibre la temperatura o cambie el sensor de pH.
TEMP MUY ALTA	La temperatura es superior a 100 °C.	
TEMP FALLA	El desplazamiento es superior a $5,0$ °C o inferior a $-5,0$ °C.	Calibre la temperatura o cambie el sensor de pH.
SIN FLUJO	El nivel de flujo es demasiado bajo.	Aumente el flujo

7.3 Lista de advertencias

Una advertencia no afecta el funcionamiento de los menús, relés y salidas. En la parte inferior de la pantalla de medición empieza a parpadear un icono de advertencia y aparece un mensaje. Para ver

las advertencias del sensor, pulse la tecla **MENU** y seleccione Diag del sensor, Lista de advertencias. A continuación, se muestra una lista de posibles advertencias.

Tabla 3 Lista de advertencias del sensor

Advertencia	Descripción	Resolución
CAL CL RECOM	Se recomienda realizar una calibración de cloro y/o pH. La medición del cloro y/o pH ha cambiado lo suficiente para producir una alarma de advertencia de la calibración. Para obtener más información, consulte los manuales del sensor.	Calibre el sensor de cloro y/o el sensor de pH.
CAL CL RECOM	Se recomienda realizar una calibración de cloro.. Los datos de la calibración de cloro no están disponibles (sensor con datos de calibración predeterminados).	Calibre el sensor de cloro.
CAL pH RECOM	Se recomienda realizar una calibración de pH.. Los datos de la calibración de pH no están disponibles (sensor con datos de calibración predeterminados).	Calibre el sensor de pH.
CAL TEMP RECOM	Se recomienda realizar una calibración de la temperatura.. Los datos de la calibración de la temperatura no están disponibles (sensor con datos de calibración predeterminados).	Calibre la temperatura.
CAL CL NECES	El valor de los días del sensor para el sensor de cloro es superior al valor del recordatorio de calibración..	Calibre el sensor de cloro.
CAL pH NECES	El valor de los días del sensor para el sensor de pH es superior al valor del recordatorio de calibración..	Calibre el sensor de pH.
CAL TEMP NECES	El valor de los días del sensor para el sensor de temperatura es superior al valor del recordatorio de calibración..	Calibre la temperatura.
MANT CL RECOM	Se recomienda realizar el mantenimiento del sensor de cloro.. La pendiente es del 30 al 45% o del 250 al 300% del valor predeterminado. La pendiente predeterminada es 100 mV/ppm (100%)	Realice el mantenimiento del sensor y repita la calibración, o sustituya el sensor.
MANT CL RECOM	Se recomienda realizar el mantenimiento del sensor de cloro.. El desplazamiento es de -50 mV a - 45 mV o de 45 mV a 50 mV.	Realice el mantenimiento del sensor y repita la calibración, o sustituya el sensor.
MANT pH RECOM	Se recomienda realizar el mantenimiento del sensor de pH.. La pendiente está fuera del rango de -50 a -61 mV/pH.	Limpie el sensor de pH, repita la calibración con un tampón o una muestra nueva, o cambie el sensor.

Tabla 3 Lista de advertencias del sensor (continúa)

Advertencia	Descripción	Resolución
MANT pH RECOM	Se recomienda realizar el mantenimiento del sensor de pH.. El desplazamiento está fuera de ± 45 mV, pero dentro de ± 60 mV.	Limpie el sensor, luego repita la calibración o cambie el sensor.
MANT pH RECOM	Se recomienda realizar el mantenimiento del sensor de pH.. El desplazamiento está fuera de ± 45 mV, pero dentro de ± 60 mV.	Limpie el sensor y cambie el puente salino y la solución de la celda estándar. A continuación, repita la calibración o cambie el sensor.
MANT TEM RECOM	El desplazamiento de la temperatura está fuera de ± 3 °C, pero dentro de ± 5 °C.	Calibre la temperatura.

Sección 8 Piezas de repuesto y accesorios

▲ ADVERTENCIA



Peligro de lesión personal. El uso de piezas no aprobadas puede causar lesiones personales, daños al instrumento o un mal funcionamiento del equipo. Las piezas de repuesto que aparecen en esta sección están aprobadas por el fabricante.

Nota: Las referencias de los productos pueden variar para algunas regiones de venta. Póngase en contacto con el distribuidor correspondiente o visite la página web de la empresa para obtener la información de contacto.

Piezas

Descripción	Referencia
Cable, gateway al controlador, 1 m	6122400
Conjunto de cables, 4 pins, blindado, sensor de flujo, 2 m	9160900
Conjunto de cables, 5 pins, blindado, M12, sensor de cloro, 1 m	9160300
Accesorio, puerto de entrada de celda de flujo de cloro	9159200 (1/4 pulg.) 9196400 (6 mm)
Accesorio, conector rápido, puerto de salida para celda de flujo de cloro o puerto de entrada para celda de flujo de pH	9159300 (3/8 pulg.) 9196500 (10 mm)
Accesorio acodado, puerto de salida para celda de flujo de pH	9196900 (1/2 pulg.) 9197000 (12 mm)
Flotador, sensor de flujo	9159100
Conjunto de celda de flujo, cloro	Inglés: 9198400 Métrico: 9198500
Conjunto de celda de flujo, combinación de pH	Inglés: 9180200 Métrico: 9180400
Conjunto de celda de flujo, pH incluye adaptador de sellado	Inglés: 9180100 Métrico: 9180300
Sólo cuerpo de celda de flujo (pH)	9159700

Piezas (continúa)

Descripción	Referencia
Bloque de celda de flujo, cloro	9158900
Válvula de control de flujo	9159000
Kit de válvula de control de flujo	9198600
Sensor de flujo	9160800
Gateway, digital	9180500
Tuerca de sujeción, celda de flujo de cloro	9196200
Tuerca de sujeción, celda de flujo de pH	60F2032-001
Junta tórica, válvula de control de flujo (2x) (#2-108, Viton)	9159600
Junta tórica, celda de flujo de pH (#2-228, Viton)	5H1223
Junta tórica, adaptador de sellado, celda de flujo de cloro (#2-123, Viton)	9196300
Junta tórica, arandela rebajada (M25 x 2,5)	9181800
Tapón, celda de flujo de cloro, 1/2 pulg.	9159500
Tornillo, celda de flujo de cloro (2x) (10-32 x 1,75 Lg, cabeza troncocónica de Phillips)	4422200
Tornillo, celda de flujo de pH (2x) (10-32 x 5 Lg, cabeza troncocónica de Phillips)	561211
Adaptador de sellado, celda de flujo de pH	9198000
Adaptador de sellado, celda de flujo de cloro	9196100
Adaptador de sellado, sensor de combinación de pH, 3/4 pulg.	9159800
Adaptador de sellado, celda de flujo de pH, 1 pulg.	60F2021-001
Arandela rebajada, celda de flujo de cloro	9181700
Tubos, corriente de muestra, 1/4 pulg. x 2 m	4743800
Tubos, corriente de muestra, 3/8 pulg. x 18 pulg.	9198100
Tubos, corriente de desagüe, 1/2 pulg. x 2 m	9198200
Válvula, puerto de muestras manuales	9005300
Válvula, conexión rápida, puerto de limpieza	6166300

Accesorios

Descripción	Referencia
Kit de acidificación/limpieza automática	LZY051
Kit de acondicionamiento de muestras con regulador de presión	9159900

Índice

- 1 Índice na página 64
- 2 Especificações na página 64
- 3 Informações gerais na página 64
- 4 Instalação na página 70
- 5 Operação na página 73
- 6 Manutenção na página 74
- 7 Solução de problemas na página 78
- 8 Peças e acessórios de reposição na página 82

Seção 1 Índice

- Especificações na página 64
- Informações gerais na página 64
- Instalação na página 70
- Operação na página 73
- Manutenção na página 74
- Solução de problemas na página 78
- Peças e acessórios de reposição na página 82

Seção 2 Especificações

As especificações estão sujeitas a alterações sem aviso prévio.

Especificação	Detalhes
Descrição do componente	Analisador de cloro amperométrico, sem reagentes, com sensor de cloro, vazão, sensor de pH opcional tipo combinado ou diferencial, células de fluxo, controlador sc e conversor analógico-digital
Temperatura de operação	0 a 45°C (0 a 113°F)
Temperatura de armazenamento (somente painel)	-20 a 60°C (-4 a 149°F)
Requisitos de alimentação	12 VCC ± 10%, 100 mA, no máximo (fornecido pelo controlador sc)
Dimensões do painel (C x L x P)	48.3 x 49.5 x 15.1 cm (19 x 19.5 x 5.95 pol.) com componentes montados no painel
Peso	Aproximadamente 5,4 Kg (12 lb) (somente painel sem componentes)
Vazão	Faixa: 30 a 50 L/hora (7,9 a 13,2 galões/hora) Ideal: 40 L/hora (10,5 galões/hora)
Plataforma do controlador	Controladores modelo sc

Seção 3 Informações gerais

Em hipótese alguma o fabricante será responsável por danos diretos, indiretos, especiais, incidentais ou consequenciais resultantes de qualquer defeito ou omissão neste manual. O fabricante reserva-se o direito de fazer alterações neste manual e nos produtos aqui descritos a qualquer momento, sem aviso ou obrigação. As edições revisadas podem ser encontradas no site do fabricante.

3.1 Informações de segurança

AVISO

O fabricante não é responsável por quaisquer danos devido ao uso ou aplicação incorreta deste produto, incluindo, sem limitação, danos diretos, acidentais ou consequenciais, e se isenta desses danos à extensão total permitida pela lei aplicável. O usuário é unicamente responsável por identificar riscos críticos de aplicação e por instalar os mecanismos apropriados para proteger os processos durante um possível mau funcionamento do equipamento.

Leia todo o manual antes de tirar da embalagem, montar ou operar esse equipamento. Preste atenção a todas as declarações de perigo e cuidado. Caso contrário, o operador poderá sofrer ferimentos graves ou o equipamento poderá ser danificado.

Certifique-se de que a proteção oferecida por este equipamento não seja afetada. Não use nem instale este equipamento de nenhuma outra forma além da especificada neste manual.

3.2 Uso de informações de risco

▲ PERIGO

Indica uma situação potencial ou iminente perigosa que, se não for evitada, resultará em morte ou lesão grave.

▲ ADVERTÊNCIA

Indica uma situação potencialmente perigosa que, se não for evitada, pode resultar em morte ou ferimento grave.

▲ CUIDADO



Indica uma situação potencialmente perigosa que pode resultar em ferimento leve a moderado.

AVISO

Indica uma situação que, se não evitada, pode causar danos ao instrumento. Informações que necessitam de uma ênfase especial.

3.3 Avisos de precaução

Leia todas as etiquetas e rótulos fixados no instrumento. Caso não sejam observadas, podem ocorrer lesões pessoais ou danos ao instrumento. Um símbolo no instrumento tem sua referência no manual com uma medida preventiva.

	Este símbolo, se observado no instrumento, diz respeito ao manual de instruções para operação e/ou informações de segurança.
	O equipamento elétrico marcado com este símbolo não pode ser descartado em sistemas de descarte público ou doméstico europeus. Devolva equipamentos antigos ou no final da vida útil para o fabricante para descarte, sem custo adicional para o usuário.

3.4 Visão geral do produto

Este produto destina-se originalmente a aplicações em sistemas de água potável. Antes da instalação, o fabricante deve identificar se as aplicações de tratamento de efluentes e industriais são viáveis.

O Analisador de cloro sem reagente monitora a concentração de resíduos livres ou totais de cloro na água e é mais confiável em concentrações de resíduos de cloro superiores a 0,1 ppm (mg/L). A combinação de um controlador modelo sc com um sensor de cloro com três eletrodos, um sensor de pH opcional e um sensor de fluxo oferece a melhor opção de monitoramento. Ambos os sensores

medem a temperatura da amostra. O sensor de pH transmite a leitura de temperatura para o visor do controlador. O sensor de cloro utiliza sua medição de temperatura internamente e não transmite a medição para o visor do controlador. O kit regulador de pressão e um kit de acidificação e purificação estão disponíveis como acessórios.

Os sensores de cloro e pH permanecem em células de fluxo montadas em série. As células de fluxo mantêm o contato do sensor com a amostra e ajudam a evitar que os sensores sequem quando o sistema estiver fora de operação. A [Figura 1](#), [Figura 2](#) e [Figura 3](#) apresentam visões gerais do sistema e das células de fluxo.

Cada sensor conecta-se ao controlador através do conversor analógico-digital montado no painel. A porta de entrada converte sinais analógicos dos sensores em sinais digitais utilizados pelo controlador. O controlador converte os sinais digitais em valores de medição de cloro, pH e temperatura e exibe as leituras no display. O controlador fornece energia para os sensores e para o conversor analógico-digital.

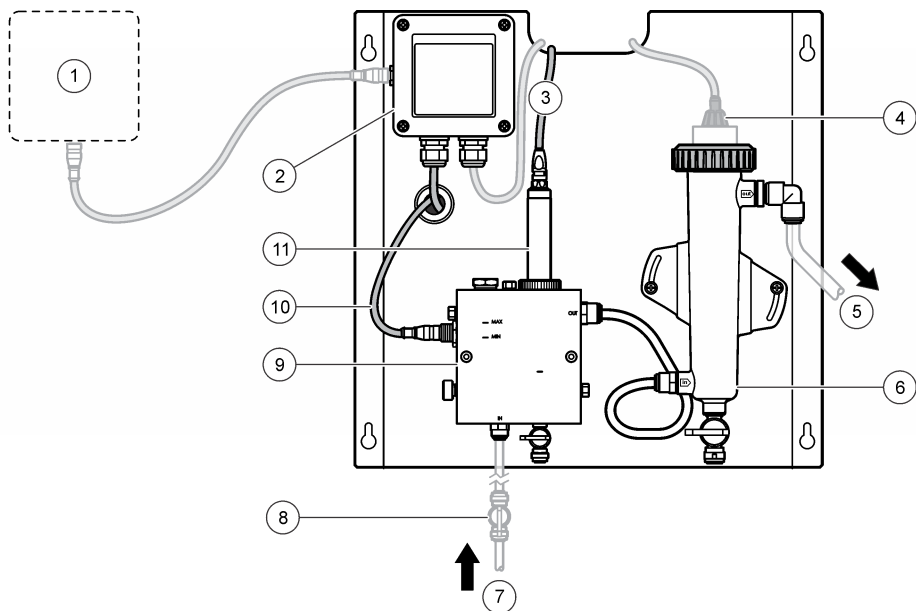
O controlador poderá ser configurado para sinalizar uma condição de alarme se as medições alcançarem valores superiores ou inferiores aos valores programados. Para obter mais informações sobre os alarmes do controlador, consulte o manual de operações.

Observação: Consulte o manual do usuário do sensor para obter informações sobre como armazenar os sensores quando o sistema não estiver em operação.

Existem duas configurações disponíveis para o analisador: uma opção de Coleta de amostra (sem sensor de pH) e uma opção de pH. A opção de Coleta de amostra inclui o painel de montagem, sensor de cloro com célula de fluxo, célula de fluxo para pH sem o sensor, sensor de fluxo, conversor analógico-digital e o controlador. A opção de pH inclui os mesmos itens e mais o sensor de pH.

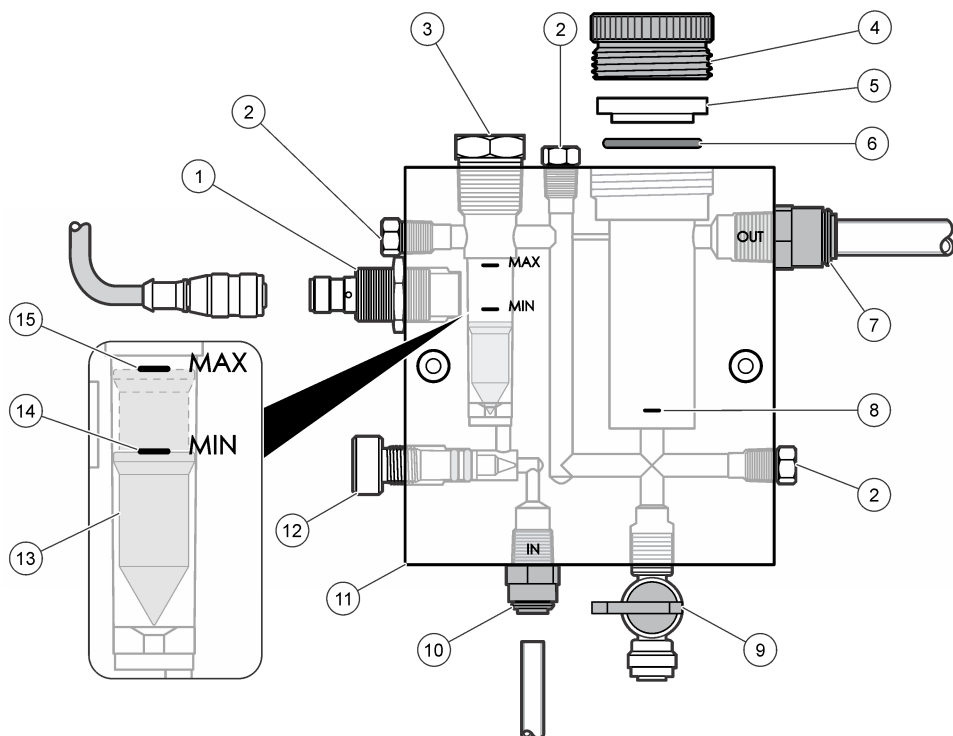
Uma válvula de controle de fluxo regula o fluxo de amostras. É recomendada uma taxa de fluxo constante de 30-50 L/h para a operação correta do sensor (consulte [Figura 1](#)). A vazão ideal é de 40L/h. Um LED de indicação no sensor de fluxo mostra se a vazão é suficiente. Se o LED não estiver ligado, a vazão deverá ser ajustada até que o LED se ilumine. A vazão exata não é importante, contanto que o LED esteja ligado, mas o fluxo deverá permanecer constante dentro dos valores especificados.

Figura 1 Visão geral do sistema



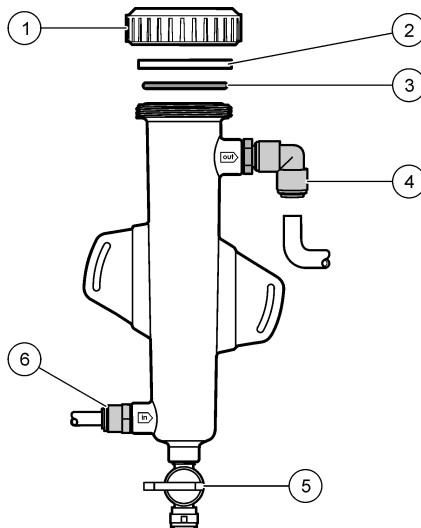
1 Controlador	7 Entrada da amostra
2 Conversor analógico-digital	8 Válvula de desligamento (fornecida pelo cliente)
3 Cabo do sensor de cloro	9 Célula de fluxo de cloro
4 Sensor de pH (opcional)	10 Cabo do sensor de fluxo
5 Dreno de amostra	11 Sensor de cloro
6 Célula de fluxo de pH	

Figura 2 Visão geral da célula de fluxo de cloro



1 Sensor de fluxo	9 Válvula, porta de limpeza, 1/4 pol. Tubo com diâmetro externo
2 Plugue, 1/8 pol. NPTF	10 Entrada da célula de fluxo <ul style="list-style-type: none"> • Inglês: Conexão de engate rápido - 1/4 pol. Tubo com diâmetro externo • Métrico: Conexão de engate rápido - Tubo com diâmetro externo de 6 mm
3 Plugue, 1/2 pol. NPTF	11 Célula de fluxo
4 Anel de travamento	12 Válvula de controle de fluxo
5 Cubo de vedação	13 Flutuante
6 O-ring	14 Marca de alinhamento de fluxo; MIN
7 Conexão de saída da amostra <ul style="list-style-type: none"> • Inglês: Conexão de engate rápido - 3/8 pol. Tubo com diâmetro externo • Métrico: Guarnição de ajuste de velocidade — Tubo com diâmetro externo de 10 mm 	15 Marca de alinhamento de fluxo; MAX
8 Marca de alinhamento do sensor de cloro	

Figura 3 Visão geral da célula de fluxo de pH

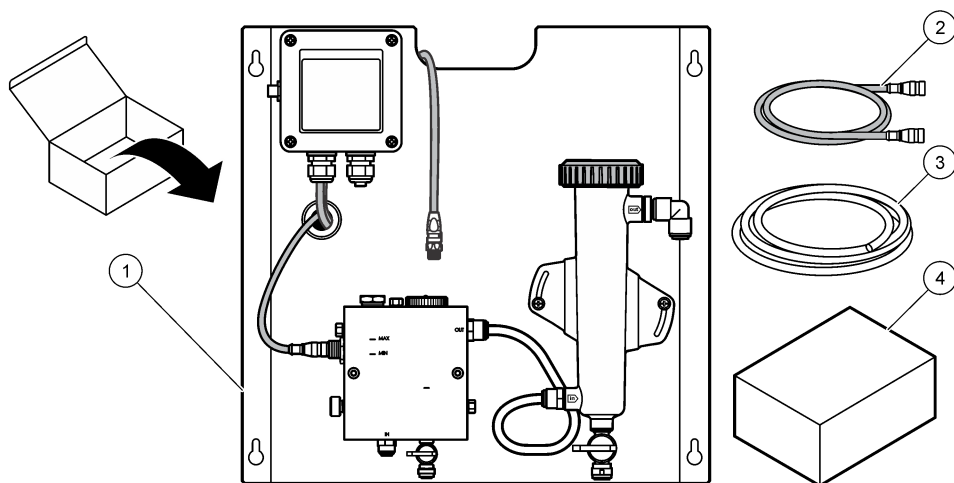


<p>1 Anel de travamento</p>	<p>4 Conexão de saída da amostra Inglês: Conexão de engate rápido tipo cotovelo - 1/2 pol. diâmetro externo Métrico: Conexão de engate rápido tipo cotovelo - 12 mm diâmetro externo</p>
<p>2 Vedação central</p>	<p>5 Porta de coleta de amostra</p>
<p>3 O-ring</p>	<p>6 Entrada da célula de fluxo</p> <ul style="list-style-type: none"> • Inglês: Conexão de engate rápido - 3/8 pol. diâmetro externo • Métrico: Conexão de engate rápido - 10 mm de diâmetro externo

3.5 Componentes do produto

Certifique-se de que todos os componentes foram recebidos. Consulte [Figura 1](#) na página 67. Se houver itens ausentes ou danificados, entre em contato imediatamente com o fabricante ou com um representante de vendas.

Figura 4 Painel do analisador de cloro sem reagentes



1 Painel do sistema	3 Tubos, 12 mm (½ pol.)
2 Cabo conector para conectar o gateway ao controlador, 1 m (3,3 pés)	4 Sensor de cloro

Seção 4 Instalação

4.1 Considerações sobre a instalação

- Primeiro, execute as tarefas relacionadas ao aspecto mecânico da instalação; depois, as tarefas relacionadas ao aspecto elétrico da instalação e, em seguida, as tarefas relacionadas à instalação da tubulação.
- Todas as conexões foram projetadas para serem apertadas manualmente.
- O painel foi projetado para ser montado internamente em uma parede ou suporte. Monte ou posicione o painel em um local acessível.
- Não coloque o painel próximo a uma fonte de calor.
- Não monte o painel em um ambiente que sofra vibrações frequentes
- Não monte o painel em um local com luz do sol direta, o que pode afetar as leituras do cloro.
- Instale o painel em local fechado ou em um recinto adaptado ao ambiente.
- Evite o acúmulo de condensação no painel e nos componentes do painel, especialmente na célula de fluxo, no sensor e na conexão entre o sensor e o cabo.
- Utilize tubulações de PFA ou PVDF linear de baixa densidade para a linha de chegada da amostra e mantenha a tubulação tão curta quanto possível para reduzir atrasos.
- A pressão da amostra deve ser suficiente para manter um fornecimento de água contínuo para os sensores. Um indicador LED no sensor de fluxo ficará aceso enquanto a vazão for suficiente.
- Mantenha a vazão o mais constante possível para que o sensor opere de forma ideal.

4.2 Diretrizes de entrada de amostra

Selecione um ponto de amostragem representativo e adequado para obter o melhor desempenho do instrumento. A amostra deve ser representativa do sistema inteiro.

Para prevenir leituras irregulares:

- Colete as amostras de locais que sejam suficientemente distantes dos pontos de dosagem dos produtos químicos na amostra.

- Certifique-se de que as amostras estão suficientemente misturadas.
- Certifique-se de que todas as reações químicas estejam concluídas.

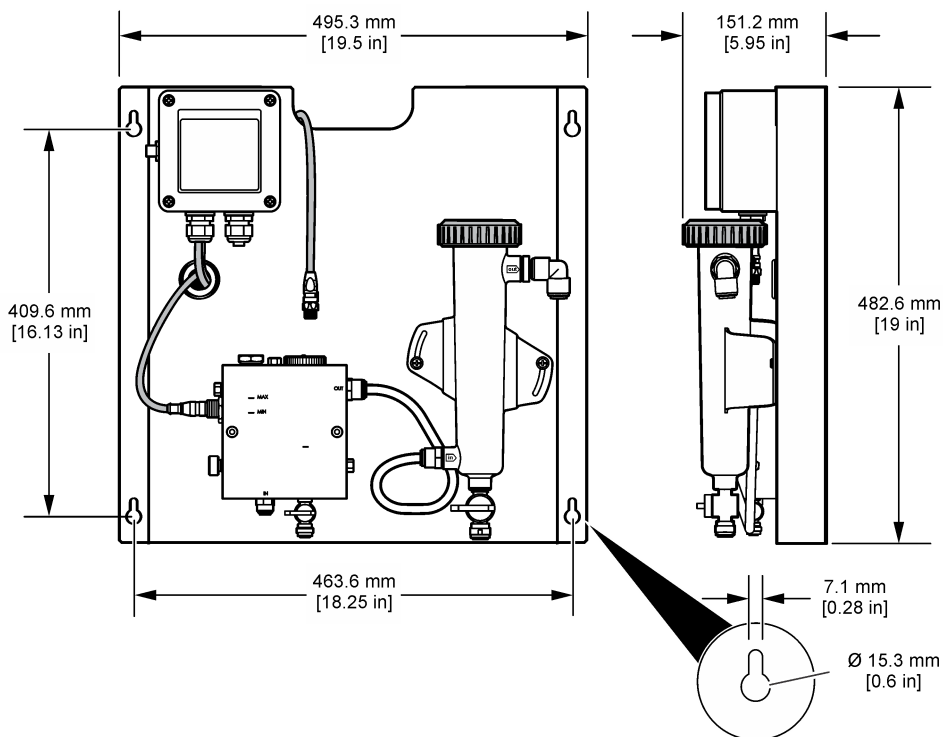
4.3 Instalação mecânica

4.3.1 Montagem do painel

A **Figura 5** mostra as dimensões da montagem. Consulte a figura e siga as etapas para montar o painel.

1. Fixe os parafusos na superfície de montagem. Realize a montagem com rebites de parede ou buchas. Deixe espaço suficiente entre a cabeça de cada parafuso e a superfície de montagem de forma que o painel se encaixe no meio.
2. Deslize os furos do suporte do painel sobre as cabeças dos parafusos e deixe o painel deslizar para baixo até que a parte de cima de cada furo repouse sobre o corpo do parafuso.
3. Aperte cada parafuso para prender o painel à superfície do suporte.
4. Instale o sensor de cloro e pH (opcional) nas células de fluxo. Para obter mais informações sobre a instalação do sensor, consulte o manual de operação do sensor.

Figura 5 Dimensões do painel analisador de cloro sem reagente



4.4 Instalação elétrica

4.4.1 Conexão do painel

⚠ ADVERTÊNCIA



Perigo potencial de eletrocussão. Desconecte sempre a energia do instrumento quando efetuar as conexões elétricas.

O controlador fornece energia para os sensores e para o conversor analógico-digital.

1. Remova a energia do controlador.
2. Conecte os fios do sensor de pH (opcional) ao conversor. Para mais informações sobre como instalar os sensores nas células de fluxo ou como conectar o sensor ao conversor analógico-digital, consulte o manual de operações do sensor.
3. Conecte o sensor de cloro à porta de entrada. Para obter informações sobre como conectar o sensor à porta de entrada, consulte o manual do usuário do sensor. Leia cuidadosamente as etiquetas nos conectores do cabo para evitar incompatibilidade.
Observação: Quando o painel é fornecido, o cabo do sensor de cloro fica preso por uma fita, na parte frontal do painel, próximo do local de conexão do sensor.
4. Conecte o controlador ao conversor através do cabo de conexão de 1 m que é fornecido com o instrumento. Conecte o controlador com a fonte de alimentação somente quando todas as outras conexões forem concluídas e verificadas.

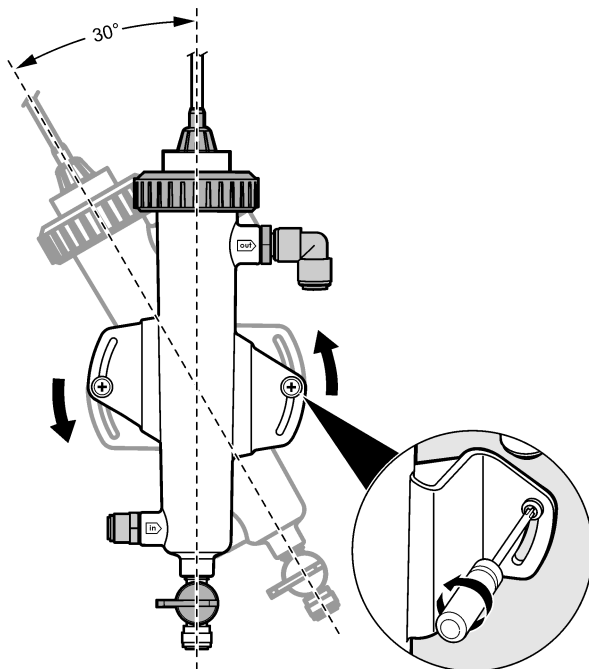
4.5 Instalação

4.5.1 Instalação da tubulação no painel

É imprescindível seguir as especificações de tamanho das tubulações e conexões do painel. O circuito da amostra deve aumentar em diâmetro, conforme a água flui através do sistema, para evitar a criação de contrapressão. A [Figura 1](#) na página 67 apresenta uma visão geral das conexões das tubulações.

1. Conecte as tubulações nas conexões de entrada e saída de amostras.
2. Certifique-se de que a porta de limpeza na célula de fluxo do sensor de cloro esteja fechada.
3. Certifique-se de que a porta de coleta de amostras na célula de fluxo do sensor de pH esteja fechada.
4. Instale os sensores de cloro e pH (opcional) de acordo com as instruções encontradas nos manuais de usuário correspondentes antes de passar a amostra através do sistema.
5. Abra a válvula de fluxo na linha de amostra e permita que a água se desloque através do sistema.
6. Certifique-se de que não haja nenhum vazamento na tubulação, nas conexões da válvula ou nas células de fluxo.
7. Para minimizar as bolhas de ar, a célula de fluxo de pH pode ser inclinada entre 0° e 30°, como mostrado na [Figura 6](#).

Figura 6 Inclinação da célula de fluxo de pH



Seção 5 Operação

5.1 Navegação do usuário

Consulte a documentação do controlador para obter uma descrição do teclado e informações de navegação.

Pressione a tecla de seta para a **DIREITA** no controlador várias vezes para exibir mais informações na tela inicial e uma tela com gráficos.

5.2 Configuração do sistema

A configuração e calibração do sensor são efetuadas através da interface do usuário no controlador. Para obter mais informações sobre como configurar ou calibrar, consulte o manual de operações do sensor.

Um controlador modelo sc deve estar conectado ao gateway.

1. No menu principal do controlador, selecione Sensor Setup (Configuração do sensor). Será exibido o menu Chlorine Gateway (CGW) Setup (Configuração da porta de entrada de cloro).
2. Selecione a opção Configure (Configurar) e personalize as entradas. Após cada entrada, confirme para salvar as alterações e voltar ao menu Configure (Configurar).

Opção	Descrição
Editar nome	Editar o nome do sensor

Opção	Descrição
Selecionar Parâmetro - Cloro (Total ou Livre), pH (opcional), Temperatura (opcional)	Seleciona o parâmetro a ser configurado. A configuração do parâmetro selecionado requer etapas adicionais. Consulte o manual do usuário do sensor para obter mais informações.
Restaurar padrões - Confirmar para restaurar.	Redefine todas as configurações para os valores de fábrica.

5.3 Inicialização do sistema

Certifique-se de que todas as tarefas mecânicas, elétricas e de conexões de tubulação foram executadas corretamente antes de iniciar o fluxo da amostra através do sistema.

1. Ligue a energia do controlador.
Quando ligado pela primeira vez, o controlador exibe as telas de idioma, formato de data e data/hora, nessa ordem.
2. Caso ainda não tenha sido feito, defina o idioma, a data e a hora. Consulte o manual do usuário do controlador para obter informações sobre como definir essas opções.
O controlador procura por dispositivos conectados.
3. Certifique-se de que a porta de limpeza e a porta de coleta de amostra estejam fechadas e, em seguida, abra a válvula ON/OFF (Ligar/Desligar) na linha de amostra para iniciar o fluxo de água através do sistema.
As células de fluxo de cloro e de pH serão preenchidas com água.
4. Certifique-se de que o LED do sensor de fluxo está aceso e que a flutuação está entre as marcas de MIN e MAX. Se o LED não estiver aceso, ajuste a válvula de controle de fluxo para aumentar ou diminuir o fluxo.
O LED do sensor de fluxo ligará quando a vazão for suficiente para a operação adequada do sensor. Se o fluxo estiver muito alto, é possível que o LED não acenda. Certifique-se de que a flutuação está entre as marcas de MIN e MAX.
5. Verifique se não há vazamentos ou obstruções na tubulação e nas células de fluxo. Caso seja encontrado algum problema, interrompa a vazão para o equipamento e faça os devidos reparos.
6. Quando o sistema tiver fluxo o suficiente, remova qualquer aviso que tenha aparecido no display do controlador seguindo as mensagens e comandos na tela.
7. Pressione a tecla **HOME**.
A tela de medição principal será exibida e mostrará os valores de medição de cloro, temperatura e pH (se houver um sensor de pH conectado).

Seção 6 Manutenção

⚠ CUIDADO



Vários perigos. Somente pessoal qualificado deve realizar as tarefas descritas nesta seção do manual.

6.1 Substituição da tubulação

Substitua a tubulação ao menos uma vez por ano. Substitua imediatamente as tubulações quebradiças, rachadas ou com vazamento. Substitua as tubulações antigas, descoloridas, contaminadas ou danificadas por tubulações do mesmo diâmetro e tipo (preferência por tubulação de PFA ou PVDF).

6.2 Limpeza de uma célula de fluxo

Se necessário, limpe uma célula de fluxo para remover sedimentos. Limpe uma célula de fluxo se ela ficar extremamente contaminada. Substitua uma célula de fluxo caso ela esteja danificada,

manchada ou se deixar de ficar transparente. Não é necessário remover uma célula de fluxo do painel para limpá-la.

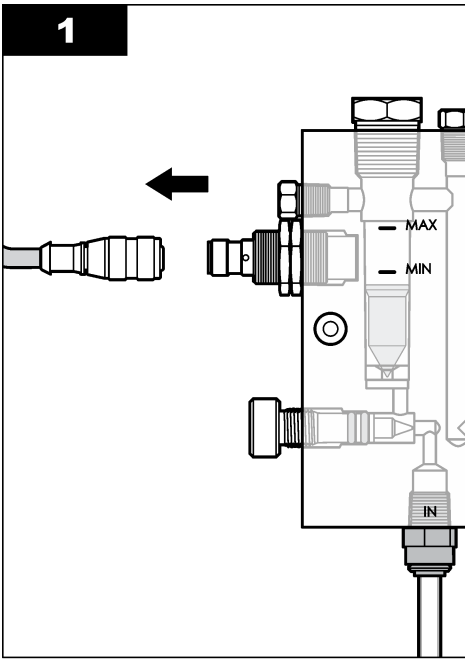
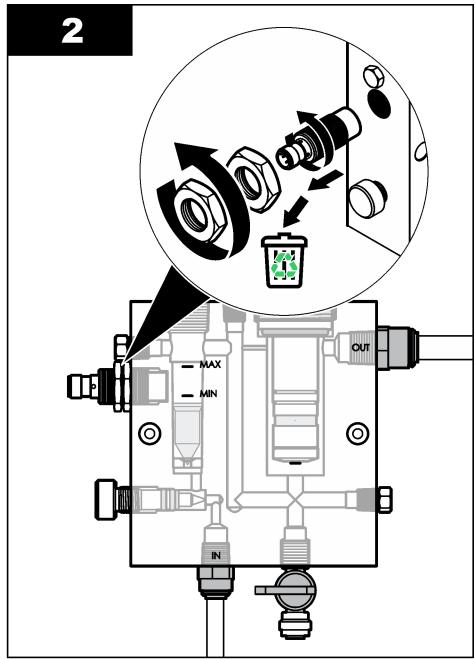
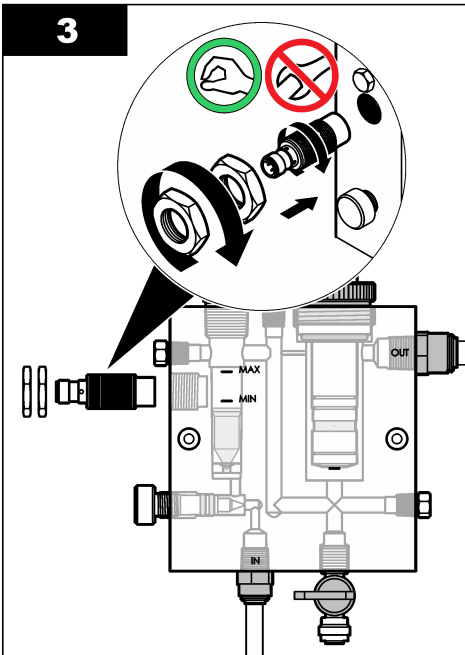
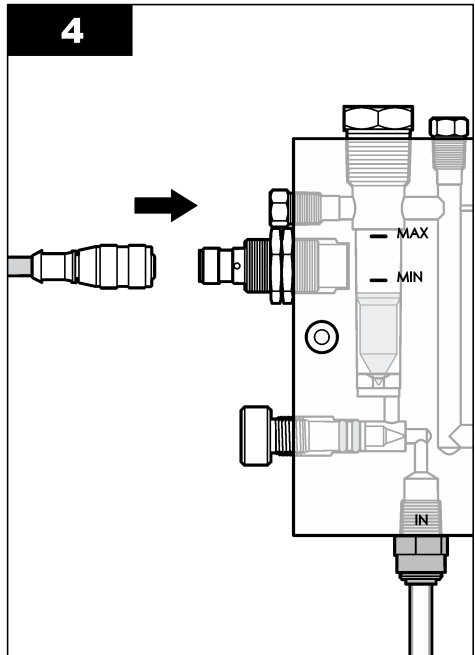
Observação: *Nunca use detergentes ou surfactantes para limpar uma célula de fluxo de cloro.*

1. Interrompa o fluxo de amostra para o painel.
2. Remova o sensor de cloro e coloque-o em um recipiente com uma amostra de água clorada.
Observação: *Não desconecte o sensor da energia. Se a energia for cortada, o sensor de cloro deverá ser condicionado e calibrado antes de ser usado.*
Observação: *A remoção de um sensor de uma célula de fluxo com o cabo do sensor conectado, causará uma alteração nas saídas de sinal do sensor. Consulte o manual do controlador para obter mais informações sobre o recurso de Retenção de saída.*
3. Enxágue a célula de fluxo com água e esfregue-a com uma escova de cerdas macias.
4. Enxágue a célula de fluxo com água.
5. Se a célula de fluxo não estiver totalmente limpa, deixe-a embebida, por 10 a 15 minutos, em uma mistura 1:3 de solução de peróxido de hidrogênio 3-5% e vinagre.
Observação: *Líquidos comerciais para a remoção de ferrugem podem ser usados em caso de contaminação pesada. Porém, isso não é recomendado, já que eles podem causar danos ao material da célula de fluxo.*
6. Enxágue a célula de fluxo com água.
7. Instale o sensor na célula de fluxo e inicie o fluxo de amostra.

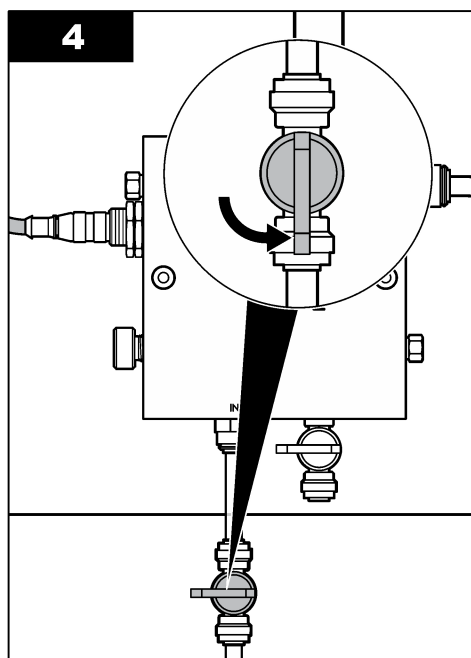
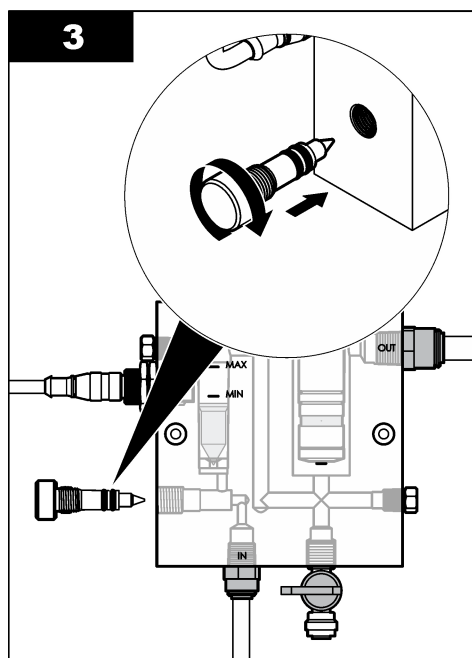
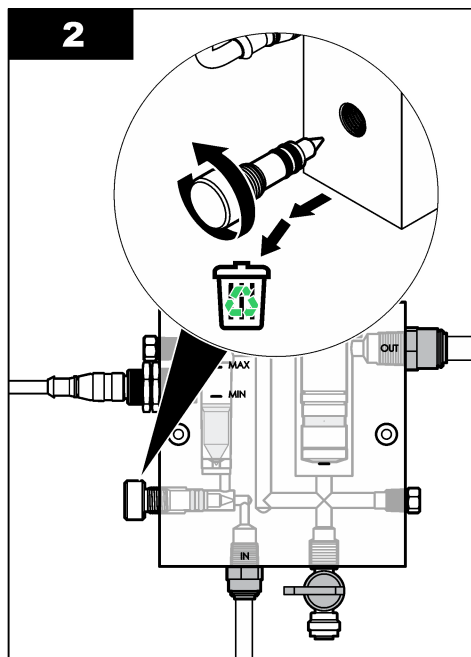
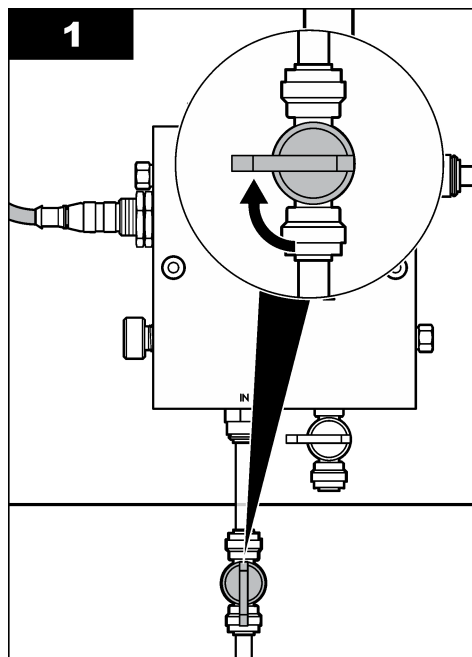
6.3 Substituição do sensor de fluxo

Em condições normais, o sensor de fluxo não requer manutenção frequente ou substituição. No entanto, se o LED de indicador de fluxo não acender quando a flutuação estiver entre as marcas de MIN e MAX e estiver recebendo energia, pode ser necessário substituir o sensor. Para substituir o sensor de fluxo, execute as etapas ilustradas a seguir.

Observação: *Não é necessário remover o sensor de cloro, drenar a célula de fluxo ou desligar o controlador para substituir o sensor de fluxo.*

1**2****3****4**

6.4 Substituição do conjunto de válvulas de controle de fluxo



Seção 7 Solução de problemas

7.1 Registro de eventos

O controlador oferece um registro de eventos para cada sensor. O registro de eventos armazena uma grande variedade de eventos que ocorrem nos dispositivos, como calibrações realizadas, opções de calibração alteradas etc. Uma lista dos possíveis eventos é mostrada abaixo. O registro de eventos pode ser lido no formato CSV. Consulte o manual do usuário do controlador para obter mais informações sobre o download de registros.

Tabela 1 Registro de eventos

Evento	Descrição
Power On	A energia foi ligada.
Flash Failure	O flash externo falhou ou foi corrompido.
1pointpHCalibration_Start	Início da calibração de pH de 1 ponto com amostra
1pointpHCalibration_End	Término da calibração de pH de 1 ponto com amostra
2pointpHCalibration_Start	Início da calibração de pH de 2 pontos com amostra
2pointpHCalibration_End	Término da calibração de pH de 2 ponto com amostra
1pointBufferpHCalibration_Start	Início da calibração de pH de 1 ponto com tampão
1pointBufferpHCalibration_End	Término da calibração de pH de 1 ponto com tampão
2pointBufferpHCalibration_Start	Início da calibração de pH de 2 pontos com tampão
2pointBufferpHCalibration_End	Término da calibração de pH de 2 pontos com tampão
TempCalibration_Start	Início da calibração da temperatura
TempCalibration_End	Término da calibração da temperatura
1pointChemZeroCL2_Start	Início da calibração zero química de um ponto para cloro
1pointChemZeroCL2_End	Término da calibração zero química de um ponto para cloro
1pointElecZeroCL2_Start	Início da calibração zero elétrica de um ponto para cloro
1pointElecZeroCL2_End	Término da calibração zero elétrica de um ponto para cloro
1pointProcessConc_Start	Início da concentração do processo de um ponto para cloro
1pointProcessConc_End	Término da concentração do processo de um ponto para cloro
2pointChemCL2_Start	Início da calibração química de dois pontos para cloro
2pointChemCL2_End	Término da calibração química de dois pontos para cloro
2pointElecCL2_Start	Início da calibração elétrica de dois pontos para cloro
2pointElecCL2_End	Término da calibração elétrica de dois pontos para cloro
CL2CalSetDefault	A calibração de cloro foi reiniciada para o valor padrão.
pHCalSetDefault	Os dados da calibração de pH foram redefinidos para o valor padrão.
TempCalSetDefault	Os dados da calibração de temperatura foram redefinidos para os valores padrão.
AllCalSetDefault	Todos os dados de calibração do sensor foram redefinidos para os valores padrão.

Tabela 1 Registro de eventos (continuação)

Evento	Descrição
CL2CalOptionChanged	A opção de calibração de cloro foi alterada.
pHCalOptionChanged	A opção de calibração de pH foi alterada.
TempCalOptionChanged	A opção de calibração de temperatura foi alterada.
SensorConfChanged	A configuração do sensor foi alterada.
ResetCL2CalHist	O histórico de calibração CL2 foi reiniciado.
ResetPH CalHist	O histórico de calibração de pH foi reiniciado.
ResetTemp CalHist	O histórico de calibração da temperatura foi reiniciado.
ResetAllSensorsCalHist	O histórico de calibração de todos os sensores foi reiniciado.
ResetCL2Sensor	Os dados de calibração CL2 (dias de sensor, histórico de calibração e dados de calibração) foram reiniciados para o valor padrão.
ResetPHSensor	Os dados de calibração de pH (dias de sensor, histórico de calibração e dados de calibração) foram reiniciados para o valor padrão.
ResetTempSensor	Os dados da calibração de temperatura (dias de sensor, histórico de calibração e dados de calibração) foram reiniciados para o valor padrão.
ResetAllSensors	Os dados da calibração de todos os sensores (dias de sensor, histórico de calibração e dados de calibração) foram reiniciados para o valor padrão.
Flow Detection	O estado do sensor de proximidade foi alterado (fluxo suficiente ou insuficiente).

7.2 Lista de erro

Podem ocorrer erros por várias razões. A leitura na tela de medição pisca. Todas as saídas estão retidas quando especificadas no menu do controlador. Para mostrar os erros do sensor pressione a

tecla **MENU** e selecione Sensor Diag (Diagnóstico do sensor), Error List (Lista de erros). Uma lista dos possíveis erros é mostrada abaixo.

Tabela 2 Lista de erros do sensor

Error (Erro)	Descrição	Resolução
CL CAL REQD	É necessária uma calibração de cloro e/ou de pH. A medição de cloro e/ou pH sofreu alteração o suficiente para acionar um alarme de Cal Watch (Observar calibração). Consulte o manual do sensor de cloro para obter mais informações.	Calibre o sensor de cloro e/ou sensor de pH.
CL MAINT REQD	É necessária a manutenção do sensor de cloro. A inclinação é inferior a 30% ou superior a 300% do valor padrão. A inclinação padrão é de 100 mV/ppm (100%).	Faça a manutenção do sensor e repita a calibração ou substitua o sensor. Consulte o manual do sensor de cloro para obter mais informações.
CL MAINT REQD	É necessária a manutenção do sensor de cloro. A compensação é muito alta (mais de ± 50 mV).	Faça a manutenção do sensor e repita a calibração ou substitua o sensor. Consulte o manual do sensor de cloro para obter mais informações.
PH TOO LOW	O valor pH é inferior a 0 pH.	Calibre ou substitua o sensor de pH.
PH TOO HIGH	O valor pH é superior a 14 pH.	
PH SLOPE FAIL	A inclinação está fora da faixa -45 a -65 mV/pH.	Limpe o sensor de pH e repita a calibração com um tampão novo ou amostra nova ou substitua o sensor.
PH OFFSET FAIL	A compensação está fora de ± 60 mV.	Limpe o sensor de pH e repita a calibração com um tampão novo ou amostra nova ou substitua o sensor.
PH OFFSET FAIL	A compensação está fora de ± 60 mV.	Limpe o sensor de pH e substitua a ponte salina e a solução eletrolítica. Repita a calibração com uma amostra ou tampão novo ou substitua o sensor.
TEMP TOO LOW	Temperatura inferior a 0 °C.	Calibre a temperatura ou substitua o sensor de pH.
TEMP TOO HIGH	Temperatura superior a 100 °C.	
TEMP FAIL	Compensação superior a 5,0 °C ou inferior a -5,0 °C.	Calibre a temperatura ou substitua o sensor de pH.
NO FLOW	O nível de fluxo é muito baixo.	Aumente o fluxo.

7.3 Lista de aviso

Um aviso não afeta a operação dos menus, relês e saídas. Um ícone de aviso pisca e uma mensagem é mostrada no fundo da tela de medição. Para mostrar os avisos do sensor, pressione a

tecla **MENU** e selecione Sensor Diag (Diagnósticos do sensor), Warning List (Lista de avisos). Uma lista dos possíveis avisos é mostrada abaixo.

Tabela 3 Lista de avisos do sensor

Advertência	Descrição	Resolução
CL CAL RECD	Calibração de cloro e/ou pH recomendada. A medição de cloro e/ou pH foi alterada o suficiente para emitir um alarme Cal Watch. Consulte os manuais do sensor para obter mais informações.	Calibre o sensor de cloro e/ou sensor de pH.
CL CAL RECD	Calibração de cloro recomendada. Dados de calibração de cloro indisponíveis (sensor com dados de calibração padrão).	Calibre o sensor de cloro.
PH CAL RECD	Calibração de pH recomendada. Dados de calibração de pH indisponíveis (sensor com dados de calibração padrão).	Calibre o sensor de pH.
TEMP CAL RECD	Calibração de temperatura recomendada. Dados de calibração de temperatura indisponíveis (sensor com dados de calibração padrão).	Calibre a temperatura.
CL CAL TO DO	O valor Sensor Days (Dias do sensor) do sensor de cloro é superior ao valor de Cal Reminder (Lembrete de calibração).	Calibre o sensor de cloro.
PH CAL TO DO	O valor Sensor Days (Dias do sensor) do sensor de pH é superior ao valor de Cal Reminder (Lembrete de calibração).	Calibre o sensor de pH.
TEMP CAL TO DO	O valor Sensor Days (Dias do sensor) do sensor de temperatura é superior ao valor de Cal Reminder (Lembrete de calibração).	Calibre a temperatura.
CL MAINT RECD	Manutenção do sensor de cloro recomendada. A inclinação é de 30% a 45% do padrão ou a inclinação é de 250% a 300% do padrão. A inclinação padrão é de 100 mV/ppm (100%).	Faça a manutenção do sensor e repita a calibração ou substitua o sensor.
CL MAINT RECD	Manutenção do sensor de cloro recomendada. A compensação é de -50 mV a 45 mV ou a compensação é de 45 mV a 50 mV.	Faça a manutenção do sensor e repita a calibração ou substitua o sensor.
PH MAINT RECD	Manutenção do sensor de pH recomendada. O slope está fora da faixa -50 a -61 mV/pH.	Limpe o sensor de pH e repita a calibração com um tampão novo ou amostra nova ou substitua o sensor.
PH MAINT RECD	Manutenção do sensor de pH recomendada. A compensação está fora de ± 45 mV, mas dentro de ± 60 mV.	Limpe o sensor e repita a calibração ou substitua o sensor.

Tabela 3 Lista de avisos do sensor (continuação)

Advertência	Descrição	Resolução
PH MAINT RECD	Manutenção do sensor de pH recomendada. A compensação está fora de ± 45 mV, mas dentro de ± 60 mV.	Limpe o sensor e substitua a ponte salina e a solução de célula padrão e repita a calibração ou substitua o sensor.
T MAINT RECD	A compensação de temperatura está fora de ± 3 °C, mas dentro de ± 5 °C.	Calibre a temperatura.

Seção 8 Peças e acessórios de reposição

▲ ADVERTÊNCIA



Risco de lesão corporal. O uso de peças não aprovadas pode causar lesões pessoais, danos ao instrumento ou mau funcionamento do equipamento. As peças de substituição nesta seção foram aprovadas pelo fabricante.

Observação: Os códigos dos produtos podem variar para algumas regiões. Entre em contato com o distribuidor apropriado ou consulte o website da empresa para obter informações de contato.

Peças

Descrição	Nº do item
Cabo, gateway para controlador, 1 m	6122400
Montagem de cabos, 4 pinos, protegido, sensor de fluxo, 2 m	9160900
Montagem de cabos, 5 pinos, protegido, M12, sensor de cloro, 1 m	9160300
Conexão, porta de entrada para célula de fluxo de cloro	9159200 (1/4 pol.) 9196400 (6 mm)
Conexão, ajuste de velocidade, porta de saída para célula de fluxo de cloro ou porta de entrada para célula de fluxo de pH	9159300 (3/8 pol.) 9196500 (10 mm)
Conexão, cotovelo, porta de saída para célula de fluxo de pH	9196900 (1/2 pol.) 9197000 (12 mm)
Flutuação, sensor de fluxo	9159100
Montagem de célula de fluxo, cloro	Sistema inglês: 9198400 Sistema métrico: 9198500
Montagem de célula de fluxo, combinação de pH	Sistema inglês: 9180200 Sistema métrico: 9180400
Montagem de célula de fluxo, pH inclui hub de vedação	Sistema inglês: 9180100 Sistema métrico: 9180300
Somente corpo da célula de fluxo (pH)	9159700

Peças (continuação)

Descrição	Nº do item
Bloco de célula de fluxo, cloro	9158900
Válvula de controle de fluxo	9159000
Kit da válvula de controle de fluxo	9198600
Sensor de fluxo	9160800
Gateway, digital	9180500
Anel de travamento, célula de fluxo de cloro	9196200
Anel de travamento, célula de fluxo de pH	60F2032-001
O-ring, válvula de controle de fluxo (2x) (#2-108, Viton)	9159600
O-ring, célula de fluxo de pH (#2-228, Viton)	5H1223
O-ring, hub vedado, célula de fluxo de cloro (#2-123, Viton)	9196300
O-ring, Split Ring (M25 x 2,5)	9181800
Plugue, célula de fluxo de cloro, 1/2 pol.	9159500
Tarraxa, célula de fluxo de cloro (2x) (10-32 x 1,75 Lg Phillips cabeça cruz)	4422200
Tarraxa, célula de fluxo de pH (2x) (10-32 x 0,5 Lg Phillips cabeça cruz)	561211
Sealing blank, célula de fluxo de pH	9198000
Hub de vedação, célula de fluxo de cloro	9196100
Hub de vedação, sensor de combinação de pH, 3/4 pol.	9159800
Hub de vedação, célula de fluxo de pH, 1 pol.	60F2021-001
Split ring, célula de fluxo de cloro	9181700
Tubos, fluxo de amostra, 1/4 pol. x 2 m	4743800
Tubos, fluxo de amostra, 3/8 pol. x 18 pol.	9198100
Tubos, fluxo de resíduos, 1/2 pol. x 2 m	9198200
Válvula, porta de amostra	9005300
Válvula, ajuste de velocidade, porta de limpeza	6166300

Acessórios

Descrição	Nº do item
Kit de acidificação/autolimpeza	LZY051
Kit de Condicionamento de Amostra do Regulador de Pressão	9159900

目录

- 1 目录 第 84 页
- 2 技术指标 第 84 页
- 3 基本信息 第 84 页
- 4 安装 第 89 页
- 5 操作 第 92 页
- 6 维护 第 93 页
- 7 故障排除 第 97 页
- 8 更换零件与附件 第 100 页

第 1 节 目录

- 技术指标 第 84 页
- 基本信息 第 84 页
- 安装 第 89 页
- 操作 第 92 页
- 维护 第 93 页
- 故障排除 第 97 页
- 更换零件与附件 第 100 页

第 2 节 技术指标

产品规格如有变化，恕不另行通知。

规格	详细信息
组件说明	测量电流的无试剂氯监控分析器面板，配备氯、流量、可选 pH 值复合或 pHD 传感器、流通池、sc 控制器以及数字网关
操作温度	0 至 45 °C (0 至 113 °F)
存储温度 (仅限于面板)	-20 至 60 °C (-4 至 149 °F)
电源要求	12 VDC ± 10%，100 mA 最大值 (由 sc 控制器提供)
面板尺寸 (长 x 宽 x 深)	48.3 x 49.5 x 15.1 cm (19 x 19.5 x 5.95 in.)带安装于面板的组件
重量	约 5.4 kg (12 lb) (仅面板和空面板安装的组件)
流率	范围: 30-50 L/h (7.9-13.2 gal/h) 最佳: 40 L/h (10.5 gal/h)
控制器平台	sc 控制器模块

第 3 节 基本信息

对于因本手册中的任何不足或遗漏造成的直接、间接、特别、附带或结果性损失，制造商概不负责。制造商保留随时更改本手册和手册中描述的产品的权利，如有更改恕不另行通知或承担有关责任。修订版可在制造商的网站上找到。

3.1 安全信息

注意

对于误用和滥用造成的产品损坏，制造商概不负责，包括但不限于：直接、附带和间接的损坏，并且对于适用法律允许的最大程度的损坏也不承担任何责任。用户独自负责识别重大应用风险并安装适当的保护装置，以在设备可能出现故障时保护工艺流程。

请在拆开本设备包装、安装或使用前，完整阅读本手册。特别要注意所有的危险警告和注意事项。否则，可能会对操作者造成严重的人身伤害，或者对设备造成损坏。



请确保产品拆开时的完整无损伤。请勿以本手册指定方式之外的其它方式使用或安装本设备。

3.2 危害指示标识说明

▲ 危险
表示潜在的或紧急的危险情况，如果不加以避免，将会导致死亡或严重伤害。
▲ 警告
表示潜在的或紧急的危险情况，如果不加以避免，将会导致死亡或严重伤害。
▲ 警告
表示潜在的或紧急的危险情形，可能导致轻度或中度人身伤害。
注意
表明如不加以避免可能会导致仪器损坏的情况。此信息需要特别强调。

3.3 警告标签

请阅读贴在仪器上的所有标签和标记。如未遵照这些安全标签的指示操作，则可能造成人身伤害或仪器损坏。仪器上的符号在手册中通过警告说明参考。

	当仪器上标示此符号时，表示需要遵守说明手册中的操作和/或安全信息。
	标有此符号的电气设备在欧洲不能通过家庭或公共垃圾系统进行处理。请将老旧或报废设备寄回至制造商处进行处置，用户无需承担费用。

3.4 产品概述

本产品主要用于城市饮用水应用。安装之前，必须由制造商确认是否适用于废水和工业应用领域。

无试剂氯分析仪可监控水中游离性余氯或总余氯的浓度，并且最适用于浓度大于 0.1 ppm (mg/L) 的余氯。sc 模块控制器与三电极氯传感器、可选的 pH 值传感器和流量传感器相结合，可提供最佳的监控功能。两个传感器均可读取样品温度。pH 值传感器会将温度读数传输至控制器显示屏。氯传感器在内部使用其温度测量值，不会将该测量值传输至控制器显示屏。压力调节器套件、酸化试剂盒与清洁套件已作为附件提供。

氯传感器和 pH 值传感器放置在面板安装、串行连接的流通池中。流通池维持传感器与样品相接触，并在系统未工作时，帮助防止传感器变干燥。图 1、图 2、图 3 显示系统与流通池的概览。

每个传感器均通过安装在面板上的网关连接至控制器。网关将传感器的模拟信号转换为控制器使用的数字信号。控制器将数字信号转换为氯、pH 和温度测量值，并在显示屏上显示读数。控制器为传感器和数字网关供电。

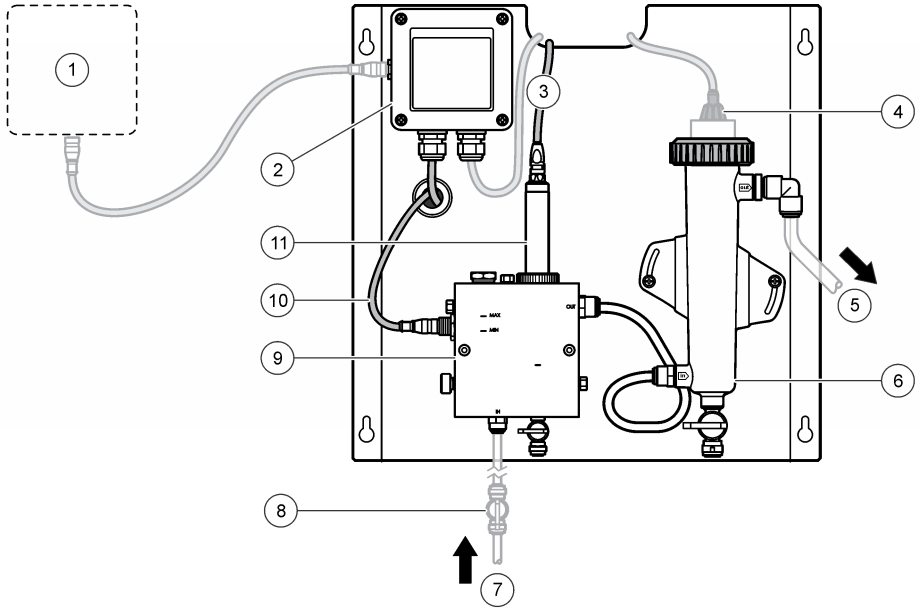
控制器可配置为在测量值高于或低于指定值时引起报警条件或警告。有关控制器报警的信息，请参考控制器用户手册。

注： 有关在系统未工作时如何存放传感器的信息，请参考传感器用户手册。

提供了两种分析仪器配置：抓取样品选项（不带 pH 传感器）和 pH 值选项。抓取样品选项包括安装面板、氯传感器和流通池、不带传感器的 pH 值流通池、流量传感器、数字网关以及控制器。pH 选项包括这些项目以及 pH 传感器。

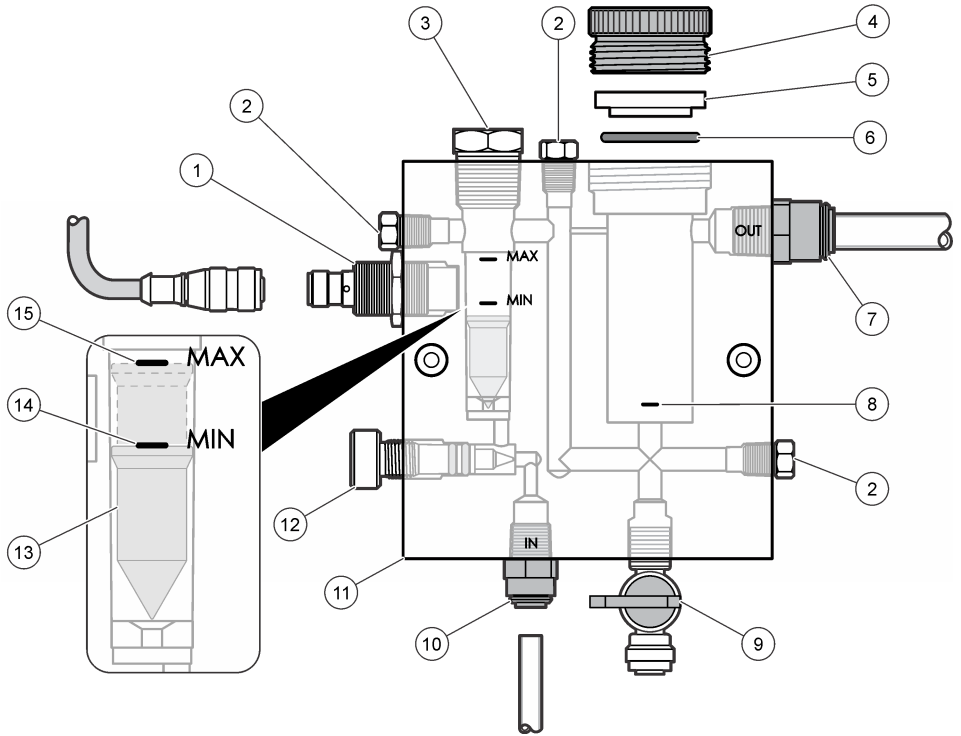
流量控制阀可调节样品流量。为使传感器正常运行，建议采用 30-50 L/h 的恒定流速（请参考图 1）。最佳流速为 40 L/h。流量传感器上的一个 LED 指示灯可显示样品流速是否充足。如果 LED 指示灯未亮起，您必须调节流速，直至该 LED 指示灯亮起为止。只要该 LED 指示灯亮起，精确的流速并不重要，但流量在规定范围内必须保持恒定。

图 1 系统概述



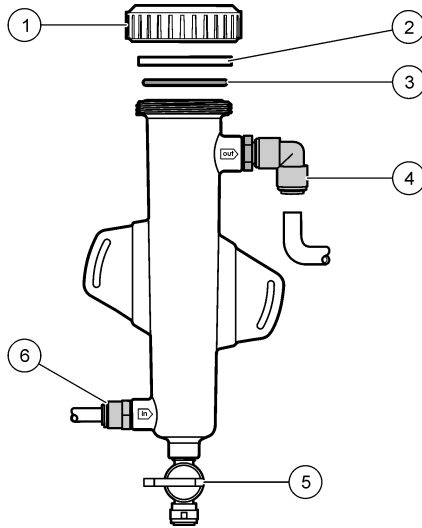
1 控制器	7 试样入口
2 网关	8 阀, 关闭 (客户提供的)
3 氯传感器电缆	9 氯流通池
4 pH 值传感器 (可选)	10 流量传感器电缆
5 样品出口	11 氯传感器
6 pH 值流通池	

图 2 氯流通池概览



1 流量传感器	9 阀，清洗口，1/4 英寸外径管道
2 塞子，1/8 英寸 NPTF	10 流通池入口 <ul style="list-style-type: none"> • 英制：快速接头装置—1/4 英寸外径管道 • 公制：快速接头装置—6 毫米外径管道
3 塞子，1/2 英寸 NPTF	11 流通池
4 锁环	12 流量控制阀
5 密封轮毂	13 浮点
6 O 形环	14 浮动对齐标记；最低
7 样品出口装置 <ul style="list-style-type: none"> • 英制：快速接头装置—3/8 英寸外径管道 • 公制：快速接头装置—10 毫米外径管道 	15 浮动对齐标记；最高
8 氯传感器对齐标记	

图 3 pH 值流通池概览

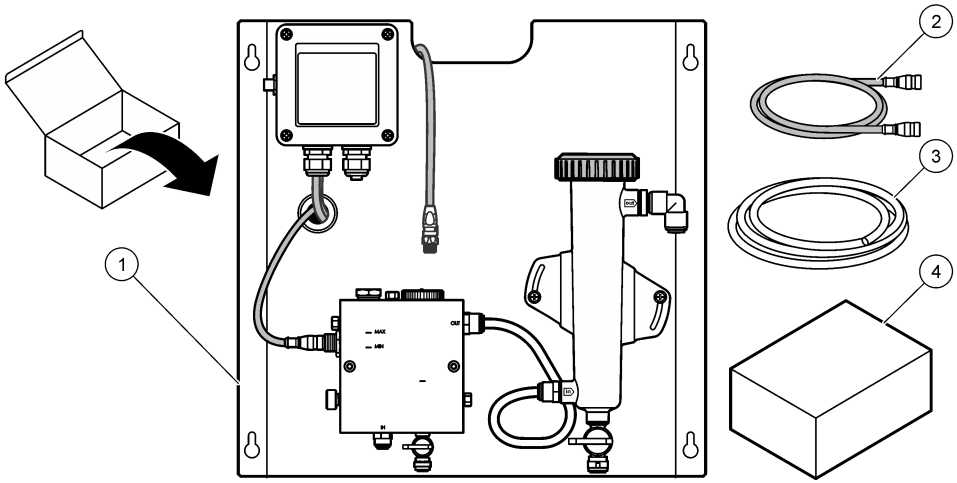


<p>1 锁环</p>	<p>4 样品出口装置 英制：快速接头弯管装置—1/2 英寸外径 公制：快速接头弯管装置—12 毫米外径</p>
<p>2 空心密封圈</p>	<p>5 抓取样品口</p>
<p>3 O 形环</p>	<p>6 流通池入口</p> <ul style="list-style-type: none"> • 英制：快速接头装置—3/8 英寸外径 • 公制：快速接头装置—10 毫米外径

3.5 产品组件

确保已收到所有组件。请参阅 图 1 第 86 页。如有任何物品丢失或损坏，请立即联系制造商或销售代表。

图 4 无试剂氯分析器面板



1 系统面板	3 管道, 12 mm (½ in.)
2 用于连接网关和控制器的电缆接头, 1 m (3.3 ft)	4 氯传感器

第 4 节 安装

4.1 安装注意事项

- 首先执行机械安装任务，接着执行电气安装任务，最后才执行管道安装任务。
- 所有装置均已设计为可徒手固定。
- 面板设计为室内壁挂式或机架安装式。将该面板安装或放置在可接近的位置。
- 切勿将该面板置于热源旁边。
- 切勿将该面板安装在频繁振动的环境中。
- 切勿将该面板安装在阳光直射的位置，这可能会影响氯的读数。
- 将面板安装在室内或密闭的环境中。
- 防止面板和面板组件，尤其是流动室、传感器以及传感器和电缆的连接处发生冷凝。
- 样品供给管路应采用尽可能短的 PFA 或 PVDF 线性低密度聚乙烯管道，以最大程度减少延迟时间。
- 样品压力必须充足，以便连续不断地向传感器供水。只要流量充足，流量传感器上的 LED 指示灯将亮起。
- 为了最佳的传感器操作，请尽量保持恒定的流率。

4.2 取样线指南

选取良好代表性的采样点使仪器性能最佳。此试样在整个系统中具有代表性。

避免不稳定读数：

- 在远离过程样品流的化学添加剂的地点进行采样。
- 确保样品充分混合。
- 确保所有化学反应已完成。

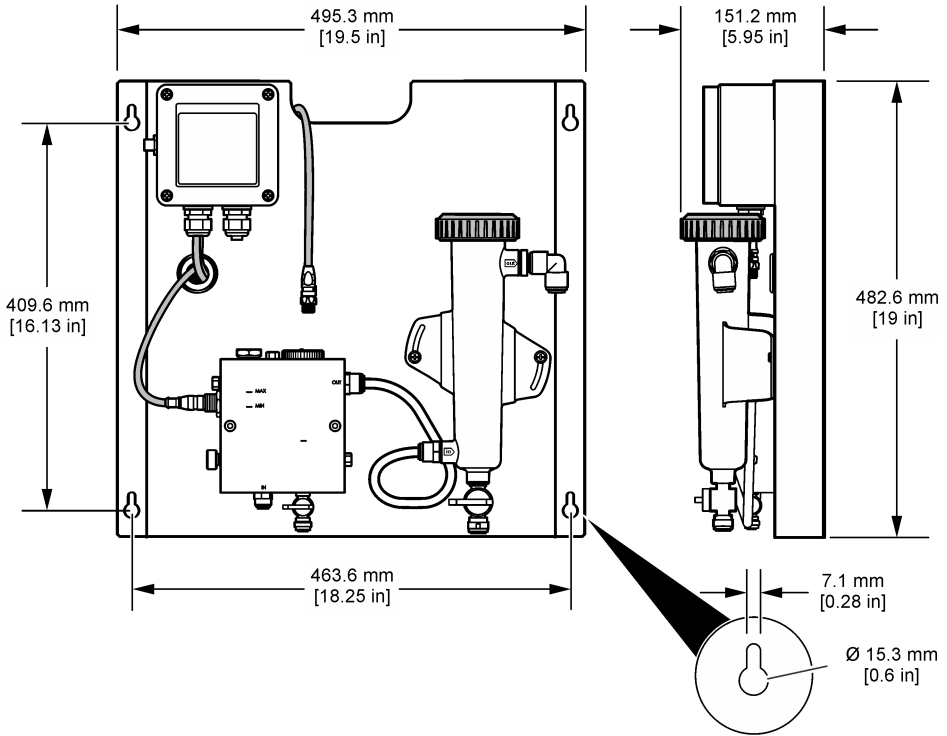
4.3 机械安装

4.3.1 安装面板

图 5 显示安装尺寸。请参考该图，并按照步骤来安装该面板。


1. 将安装螺丝固定到安装表面。安装在壁柱上或使用墙壁锚栓件。在每个螺丝头与安装表面之间留下足够的空间，以便正好安装该面板。
2. 在安装螺丝头上滑动面板安装孔，并允许面板向下滑，直至每个安装孔的顶部搁在螺丝主体上。
3. 拧紧每枚螺丝，以将面板固定到安装表面。
4. 在流通池中安装氯和 pH 值传感器（可选）。有关如何安装传感器的信息，请参考传感器用户手册。

图 5 无试剂氯分析器面板尺寸



4.4 电气安装

4.4.1 对面板进行布线

▲ 警告	
	可能存在电击致命危险。进行任何电气连接时，请务必断开仪器的电源。

控制器为传感器和数字网关供电。

1. 断开控制器的电源。
2. 将 pH 值传感器（可选项）缆线连接至网关。有关如何在流通池中安装传感器或如何将传感器连接至网关的信息，请参考传感器用户手册。
3. 将氯传感器连接至网关。有关如何将传感器连接至网关的信息，请参考传感器用户手册。为避免错配，请仔细阅读电缆连接器上的标签。
注： 当装运面板时，已用胶带将氯传感器电缆粘贴在面板前端靠近传感器连接位置处。
4. 使用随面板提供的 1 米长的连接电缆，将控制器连接至网关。仅当所有其他连接均已完成并经过检查后方可将控制器连接至电源。

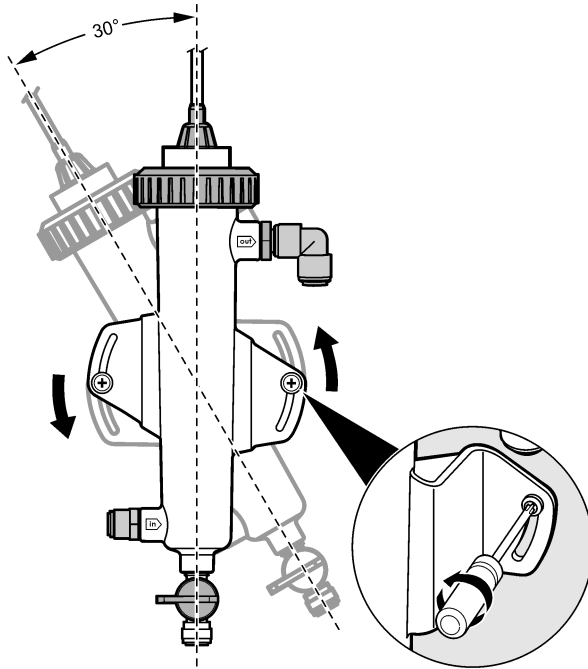
4.5 装设管线

4.5.1 为面板装设管道

确保遵循所有面板管道与装置的尺寸规格。当水流经系统时，流路径的直径必须增大，以防止背压上升。[图 1](#) 第 86 页 显示管道连接的概览。

1. 将管道连接至样品入口和出口装置。
2. 确保氯流通池上的清洗口已关闭。
3. 确保 pH 值流通池上的抓取样品口已关闭。
4. 在让样品流经系统之前，先按照相应用户手册中的说明安装氯传感器和 pH 值传感器（可选）。
5. 打开样品线上的流量阀，让水通过该系统。
6. 确保管道、阀装置或流通池不存在泄漏情况。
7. 为了最大程度减少气泡，可以在 0° 至 30° 之间摇动 pH 值流通池，如[图 6](#) 中所示。

图 6 摇动 pH 值流通池



第 5 节 操作

5.1 用户导航

有关键盘说明和导航信息，请参阅控制器文档。

多次按控制器上的 **RIGHT (右)** 箭头键，以在主屏幕上显示更多信息并显示图形显示。

5.2 系统配置

已通过控制器用户界面完成传感器配置和校准。有关如何配置或校准传感器的更多信息，请参考传感器用户手册。

必须将 **sc** 型号控制器连接至网关。

1. 从控制器主菜单中选择“Sensor Setup (传感器设置)”。这时会显示“Chlorine Gateway (CGW) Setup (氯网关设置)”菜单。
2. 选择“Configure (配置)”并自定义条目。在每个条目后进行确认，以保存更改并返回至“Configure (配置)”菜单。

选项	说明
Edit name (编辑名称)	编辑传感器名称


选项	说明
依次选择“Parameter (参数)”、“Chlorine (Total or Free) (总氯量或游离氯)”、“pH” (可选项)、“Temperature (温度)” (可选项)	选择要配置的参数。配置所选参数还需要执行其它步骤。请参考传感器用户手册，了解详细信息。
依次选择“Reset Defaults (重置默认值)”、“Confirm (确认)”以进行重置。	将所有设置重置为工厂默认值。

5.3 系统启动

确保所有机械、电气和管道任务均已正确完成，然后液体才开始流经系统。

1. 接通控制器电源。
首次打开电源时，控制器会按照顺序显示语言、日期格式和日期/时间屏幕。
2. 如果尚未在控制器中设置语言、日期和时间，则执行这些操作。有关如何设置这些选项的更多信息，请参考控制器用户手册。
控制器将扫描以查找已连接的设备。
3. 确保清洗口和抓取样品口已关闭，然后打开样品线上的开/关闭，以使水开始流经系统。
氯和 pH 值流通池将充满水。
4. 确保流量传感器 LED 指示灯亮起且浮点位于最低和最高标记之间。如果该 LED 指示灯未亮起，则调节流量控制阀以增大或减小流量。
当流量足以使传感器良好运转时，流量传感器 LED 指示灯将亮起。如果流量过高，该 LED 指示灯可能不会亮起。确保浮点位于最低和最高标记之间。
5. 检查管道和流通池中是否存在泄漏或堵塞问题。如果发现任何问题，则关闭通往面板的流量，并进行必要的维修。
6. 当系统具有足够的流量时，请按照屏幕上的信息和提示清除控制器显示屏上出现的任何警告。
7. 按 HOME 键。
这时会出现主测量屏幕，并显示氯、温度和 pH (如果已连接 pH 值传感器) 测量值。

第 6 节 维护

⚠ 警告	
	多重危险。只有符合资质的专业人员才能从事文档本部分所述的任务。

6.1 更换管道

至少每年更换一次管道。立即更换脆的、破裂的或泄漏的管道。使用相同直径和类型的管道（首选 PFA 或 PVDF 管道）来更换褪色、肮脏或损坏的旧管道。

6.2 清洗传感器流通池

在必要时，清洗流通池以除去沉淀物。如果流通池受到严重污染，则对其进行清洗。如果流通池损坏、褪色或变得不清晰，则对其进行更换。没必要为了清洗流通池而将其从面板中卸下。

注：切勿使用清洁剂或表面活性剂清洗氯流通池。

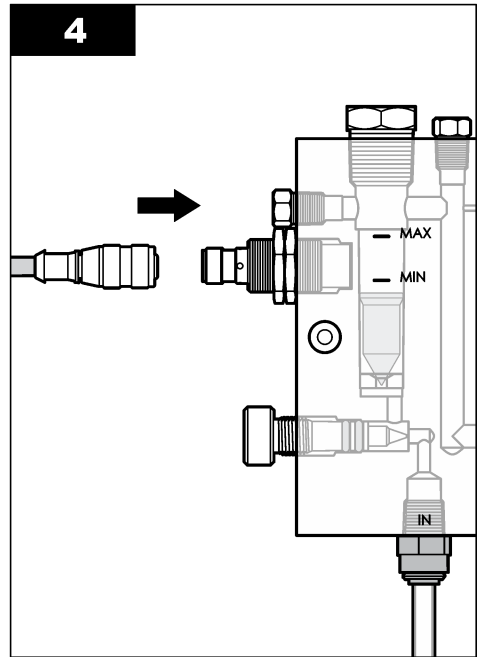
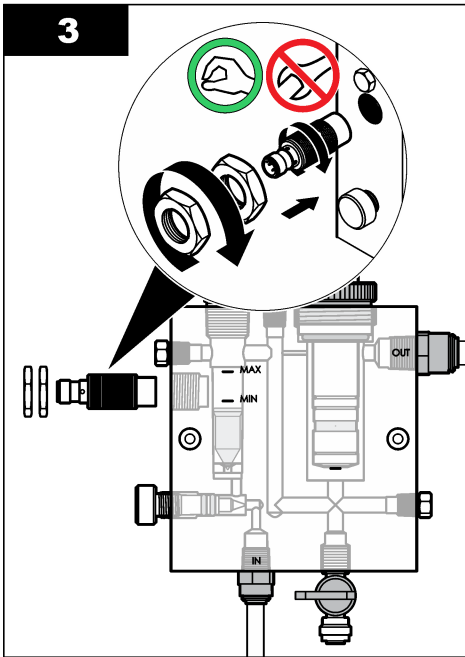
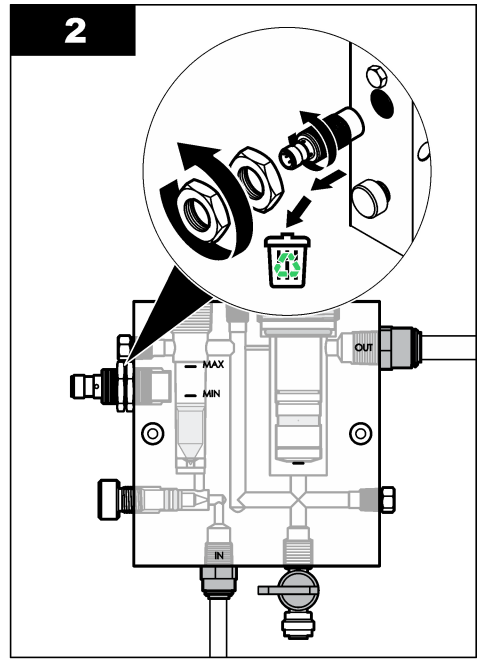
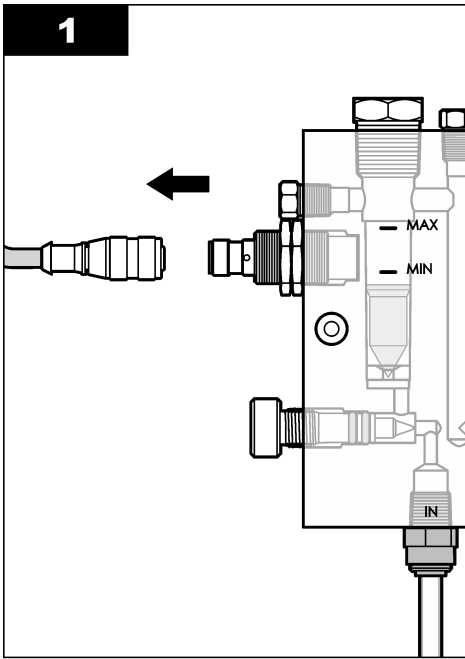
1. 停止通往面板的源流。
2. 卸下该氯传感器，将其置于装满氯化水样品的容器。
注：切勿断开传感器的电源。如果断开氯传感器的电源，则该传感器必须已调节和校准好，然后才能使用。
注：从流通池卸下连接着传感器电缆的传感器，将导致传感器信号输出发生变化。有关“保持输出”功能的详细信息，请参考控制器手册。
3. 用水冲洗流通池，然后通过柔软的鬃刷擦洗流通池以除去沉淀物。
4. 用水冲洗流通池。

5. 如果流通池不是十分干净，则将其浸泡在按照 1:3 比例混合的 3-5% 双氧水与醋的混合液中 10 至 15 分钟。
注：出现严重污染时可使用商用除锈液。但是除锈液可能导致流通池材料损坏，因而不推荐使用。
6. 用水冲洗流通池。
7. 将传感器安装在流通池中，然后启动样品流。

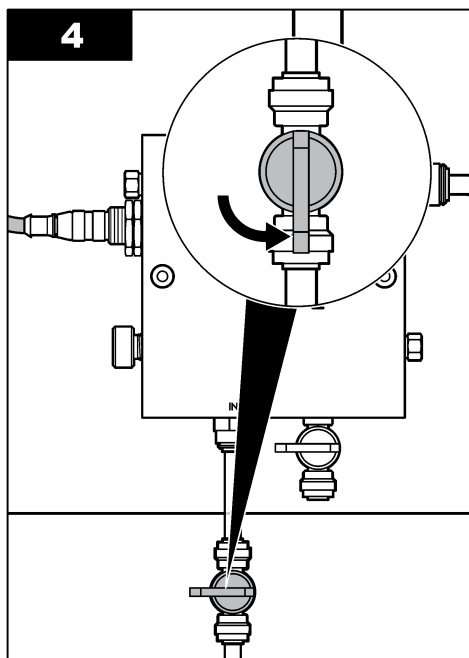
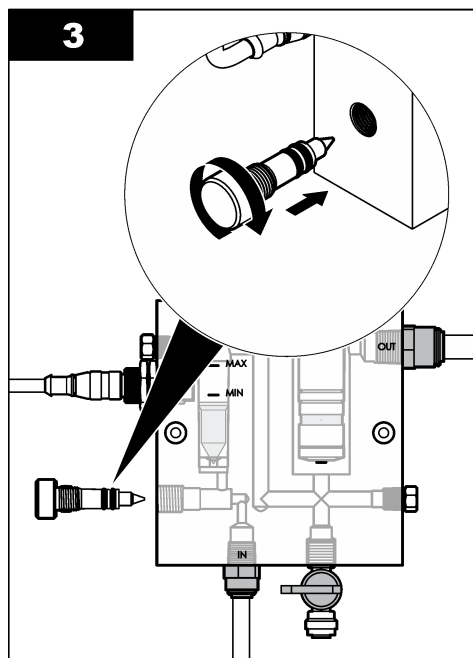
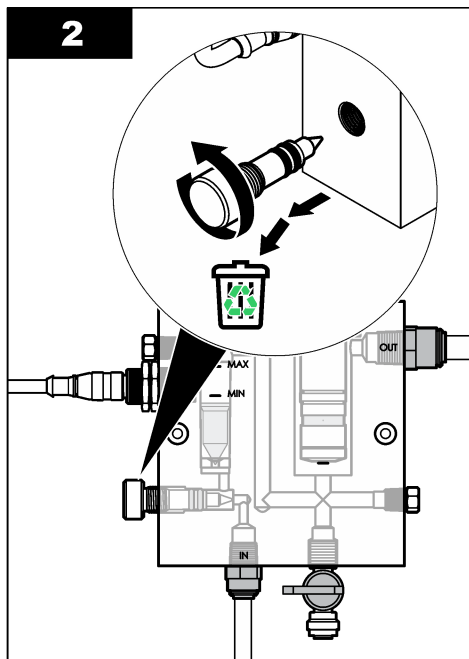
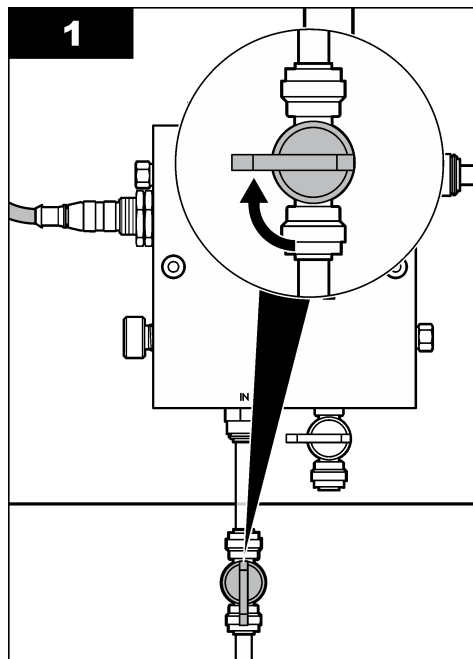
6.3 更换流量传感器

在正常条件下，流量传感器不需要定期维护或更换。然而，当浮点位于最低和最高标记之间且电源已接通时，如果 LED 流量指示灯未亮起，则可能需要更换传感器。要更换流量传感器，请遵循以下的演示步骤。

注：更换流量传感器时，不必卸下氯传感器，也不必排干流通池或关闭控制器的电源。



6.4 更换流量控制阀组件



第 7 节 故障排除

7.1 事件日志

控制器为每个传感器提供一个事件日志。事件日志存储设备上发生的各种事件，如完成校准、已更改校准选项等。以下显示可能的事件列表。可以采用 CSV 格式读出事件日志。有关下载日志的说明，请参阅控制器用户手册。

表 1 事件日志

事件	说明
Power On (接通电源)	打开电源。
Flash Failure (闪存故障)	外部闪存出现故障或已损坏。
1pointpHCalibration_Start	开始 pH 值的单点试样校准
1pointpHCalibration_End	结束 pH 值的单点试样校准
2pointpHCalibration_Start	开始 pH 值的两点试样校准
2pointpHCalibration_End	结束 pH 值的两点试样校准
1pointBufferpHCalibration_Start	开始 pH 值的单点缓冲液校准
1pointBufferpHCalibration_End	结束 pH 值的单点缓冲液校准
2pointBufferpHCalibration_Start	开始 pH 值的两点缓冲液校准
2pointBufferpHCalibration_End	结束 pH 值的两点缓冲液校准
TempCalibration_Start	开始校准温度
TempCalibration_End	结束校准温度
1pointChemZeroCL2_Start	开始氯的单点化学零校准
1pointChemZeroCL2_End	结束氯的单点化学零校准
1pointElecZeroCL2_Start	开始氯的单点电气零校准
1pointElecZeroCL2_End	结束氯的单点电气零校准
1pointProcessConc_Start	开始氯的单点过程浓缩
1pointProcessConc_End	结束氯的单点过程浓缩
2pointChemCL2_Start	开始氯的两点化学校准
2pointChemCL2_End	结束氯的两点化学校准
2pointElecCL2_Start	开始氯的两点电气校准
2pointElecCL2_End	结束氯的两点电气校准
CL2CalSetDefault	氯校准已重置为默认值。
pHCalSetDefault	pH 值校准数据已重置为默认值。
TempCalSetDefault	温度校准数据已重置为默认值。
AllCalSetDefault	所有传感器校准数据已重置为默认值。
CL2CalOptionChanged	已更改氯校准选项。
pHCalOptionChanged	已更改 pH 值校准选项。

表 1 事件日志 (续)

事件	说明
TempCalOptionChanged	已更改温度校准选项。
SensorConfChanged	已更改传感器配置。
ResetCL2CalHist	已重置 CL2 校准历史记录。
ResetpH CalHist	已重置 pH 值校准历史记录。
ResetTemp CalHist	已重置温度校准历史记录。
ResetAllSensorsCalHist	已重置所有传感器校准历史记录。
ResetCL2Sensor	CL2 校准数据 (传感器天数、校准历史记录和校准数据) 已重置为默认值。
ResetpHSensor	pH 值校准数据 (传感器天数、校准历史记录和校准数据) 已重置为默认值。
ResetTempSensor	温度校准数据 (传感器天数、校准历史记录和校准数据) 已重置为默认值。
ResetAllSensors	所有传感器校准数据 (传感器天数、校准历史记录和校准数据) 已重置为默认值。
Flow Detection (流量检测)	接近传感器的状态已更改 (流量充分或不充分)。

7.2 错误列表

可能因多种原因发生错误。测量屏幕上的传感器读数闪烁。在控制器菜单中指定时, 所有输出均保持。要显示传感器错误, 请按 **MENU** 键, 然后选择 **Sensor Diag** (传感器诊断)、**Error List** (错误列表)。以下显示可能的错误列表。

表 2 传感器错误列表

错误	说明	解决方案
CL CAL REQD (需要校准氯)	需要校准氯和/或 pH 值。 氯和/或 pH 测量值已变化很大, 足以导致发生“监视校准”报警。请参考氯传感器手册, 了解详细信息。	校准氯传感器和/或 pH 值传感器。
CL MAINT REQD (需要维护氯)	需要维护氯传感器。 斜率小于默认值的 30% 或大于默认值的 300%。 默认斜率为 100 mV/ppm (100%)。	维护传感器, 然后重复该校准操作, 或更换传感器。请参考氯传感器手册, 了解详细信息。
CL MAINT REQD (需要维护氯)	需要维护氯传感器。 偏移值过高 (超过 ± 50 mV)。	维护传感器, 然后重复该校准操作, 或更换传感器。请参考氯传感器手册, 了解详细信息。
PH TOO LOW (PH 值太低)	pH 值小于 0 pH。	校准或更换 pH 值传感器。
PH TOO HIGH (PH 值太高)	pH 值大于 14 pH。	
PH SLOPE FAIL (PH 值斜率故障)	斜率超出 -45 至 -65 mV/pH 范围。	清洗 pH 值传感器, 然后采用新的缓冲液或试样重复校准操作, 或更换传感器。

表 2 传感器错误列表（续）

错误	说明	解决方案
PH OFFSET FAIL (PH 值偏移值故障)	偏移值超出 ± 60 mV。	清洗 pH 值传感器，然后采用新的缓冲液或试样重复校准操作，或更换传感器。
PH OFFSET FAIL (PH 值偏移值故障)	偏移值超出 ± 60 mV。	清洗 pH 值传感器，更换盐桥和标准池溶液，然后采用新的缓冲液或试样重复校准操作，或更换传感器。
TEMP TOO LOW (温度太低)	温度低于 0°C 。	校准温度或更换 pH 值传感器。
TEMP TOO HIGH (温度太高)	温度高于 100°C 。	
TEMP FAIL (温度故障)	偏移值高于 5.0°C 或低于 -5.0°C 。	校准温度或更换 pH 值传感器。
NO FLOW (无流量)	流量水平太低。	增大流量。

7.3 警告列表

警告不会影响菜单操作、继电器和电流输出。警告图标闪烁，且消息将显示在测量屏幕的底部。要显示传感器警告，请按 **MENU** 键，然后选择 **Sensor Diag**（传感器诊断）、**Warning List**（警告列表）。以下显示可能的警告列表。

表 3 传感器警告列表

警告	说明	溶液
CL CAL RECD (建议氯校准)	建议校准氯和/或 pH 值。 氯和/或 pH 测量值已变化很大，足以导致发生 Cal Watch （监视校准）报警。请参考传感器手册，了解详细信息。	校准氯传感器和/或 pH 值传感器。
CL CAL RECD (建议氯校准)	建议校准氯。 氯校准数据不可用（具有默认校准数据的传感器）。	校准氯传感器。
PH CAL RECD (建议 PH 校准)	建议校准 pH 值。 pH 值校准数据不可用（具有默认校准数据的传感器）。	校准 pH 值传感器。
TEMP CAL RECD (建议温度校准)	建议校准温度。 温度校准数据不可用（具有默认校准数据的传感器）。	校准温度。
CL CAL TO DO (需要氯校准)	氯传感器的传感器天数大于校准提示值。	校准氯传感器。
PH CAL TO DO (需要 PH 校准)	pH 值传感器的传感器天数大于校准提示值。	校准 pH 值传感器。
TEMP CAL TO DO (需要温度校准)	温度传感器的传感器天数大于校准提示值。	校准温度。

表 3 传感器警告列表 (续)

警告	说明	溶液
CL MAINT RECD (建议氯维护)	建议维护氯传感器。 斜率为默认值的 30 至 45%，或者斜率为默认值的 250 至 300%。 默认斜率为 100 mV/ppm (100%)。	维护传感器，然后重复该校准操作，或更换传感器。
CL MAINT RECD (建议氯维护)	建议维护氯传感器。 偏移值为 -50 mV 至 45 mV，或者偏移值为 45 mV 至 50 mV。	维护传感器，然后重复该校准操作，或更换传感器。
PH MAINT RECD (建议 PH 维护)	建议维护 pH 值传感器。 斜率超出 -50 至 -61 mV/pH 范围。	清洗 pH 值传感器，然后采用新的缓冲液或试样重复校准操作，或更换传感器。
PH MAINT RECD (建议 PH 维护)	建议维护 pH 值传感器。 偏移值超出 ± 45 mV，但在 ± 60 mV 内。	清洗传感器，然后重复校准操作或更换传感器。
PH MAINT RECD (建议 PH 维护)	建议维护 pH 值传感器。 偏移值超出 ± 45 mV，但在 ± 60 mV 内。	清洗传感器，更换盐桥和标准池溶液，然后重复校准操作或更换传感器。
T MAINT RECD (建议温度维护)	温度偏移值超出 ± 3 °C，但在 ± 5 °C 内。	校准温度。

第 8 节 更换零件与附件

警告



人身伤害危险。使用未经批准的部件可能造成人身伤害、仪器损坏或设备故障。本部分中的更换部件均经过制造商的批准。

注：一些销售地区的产品和物品数量可能有所不同。请与相关分销商联系或参考公司网站上的联系信息。

零件

说明	物品编号
缆线，网关至控制器，1 米	6122400
缆线组件，4 针，屏蔽，流量传感器，2 米	9160900
缆线组件，5 针，屏蔽，M12，氯传感器，1 米	9160300
接头，氯流通池的入口	9159200 (1/4 英寸)
	9196400 (6 毫米)
	9159300 (3/8 英寸)
接头，快速接头，氯流通池的出口或 pH 值流通池的入口	9196500 (10 毫米)

零件 (续)

说明	物品编号
接头, 弯管, pH 值流通池的出口	9196900 (1/2 英寸)
	9197000 (12 毫米)
浮标, 流量传感器	9159100
流通池组件, 氯	英制: 9198400
	公制: 9198500
流通池组件, pH 值组合	英制: 9180200
	公制: 9180400
流通池组件, pH 包括密封毂	英制: 9180100
	公制: 9180300
仅限流通池主体 (pH)	9159700
流通池控制块, 氯	9158900
流量控制阀	9159000
流量控制阀套件	9198600
流量传感器	9160800
网关, 数字	9180500
锁环, 氯流通池	9196200
锁环, pH 值流通池	60F2032-001
O 形环, 流量控制阀 (2x) (#2-108, 氟橡胶)	9159600
O 形环, pH 值流通池 (#2-228, 氟橡胶)	5H1223
O 形环, 密封毂, 氯流通池 (#2-123, 氟橡胶)	9196300
O 形环, 开口环 (M25 x 2.5)	9181800
塞子, 氯流通池, 1/2 英寸	9159500
螺丝, 氯流通池 (2x) (10-32 x 1.75 Lg 十字槽盘头)	4422200
螺丝, pH 值流通池 (2x) (10-32 x .5 Lg 十字槽盘头)	561211
密封盘, pH 值流通池	9198000
密封毂, 氯流通池	9196100
密封毂, pH 值组合传感器, 3/4 英寸	9159800
密封毂, pH 流通池, 1 英寸	60F2021-001
开口环, 氯流通池	9181700
管道, 试样流, 1/4 英寸 x 2 米	4743800
管道, 试样流, 3/8 英寸 x 18 英寸	9198100
管道, 废水, 1/2 英寸 x 2 米	9198200

零件 (续)

说明	物品编号
阀, 抓取试样口	9005300
阀, 快速接头, 清除门	6166300

附件

说明	物品编号
酸化试剂盒/自动清洁套件	LZY051
压力调节器试样调节套件	9159900

目次

- | | |
|----------------|-----------------------|
| 1 目次 103 ページ | 5 操作 111 ページ |
| 2 仕様 103 ページ | 6 メンテナンス 112 ページ |
| 3 総合情報 103 ページ | 7 トラブルシューティング 116 ページ |
| 4 設置 108 ページ | 8 交換部品とアクセサリ 119 ページ |

第 1 章 目次

- | | |
|--------------|---------------------|
| 仕様 103 ページ | メンテナンス 112 ページ |
| 総合情報 103 ページ | トラブルシューティング 116 ページ |
| 設置 108 ページ | 交換部品とアクセサリ 119 ページ |
| 操作 111 ページ | |

第 2 章 仕様

この仕様は予告なく変更されることがあります。

項目	仕様
装置の構成	定電位電解無試薬塩素分析計パネル、フロー式塩素センサ、複合 pH センサまたは pHD センサ (オプション)、フローセル、sc 変換器、デジタルゲートウェイ
動作周囲温度	0～45 °C(0～113 °F)
保管周囲温度 (パネルのみ)	-20 ～ 60 °C
電源	12VDC ±10%、最大 100mA (sc 変換器により供給)
パネル外形寸法 (高さ x 幅 x 奥行き)	48.3 x 49.5 x 15.1 cm(19 x 19.5 x 5.95 インチ) パネル取り付けコンポーネント含む
質量	約 5.4 kg (パネルと空の状態のパネル取り付けコンポーネントのみ)
流速	範囲: 30 ～ 50 リットル/時 最適値: 40 リットル/時
変換器	sc 変換器

第 3 章 総合情報

いかなる場合も、例えそのような損害が生じる可能性について報告を受けていたとしても、製造元は、本マニュアルに含まれるいかなる瑕疵または脱落から生じる直接的、間接的、特定、付随的または結果的に生じる損害に関して責を負いません。製造元は、通知または義務なしに、随時本マニュアルおよび製品において、その記載を変更する権利を留保します。改訂版は、製造元の Web サイト上にあります。

3.1 安全情報

告知

メーカーは、本製品の目的外使用または誤用に起因する直接損害、偶発的損害、結果的損害を含むあらゆる損害に対して、適用法で認められている範囲で一切責任を負わないものとします。ユーザーは、適用に伴う危険性を特定したり、装置が誤作動した場合にプロセスを保護するための適切な機構を設けることに関して、全責任を負うものとします。

この機器の開梱、設定または操作を行う前に、このマニュアルをすべてよく読んでください。危険および注意の注意事項に注意を払ってください。これを怠ると、使用者が重傷を負う可能性、あるいは機器が損傷を受ける可能性があります。

本装置に備わっている保護機能が故障していないことを確認します。本マニュアルで指定されている以外の方法で本装置を使用または設置しないでください。

3.2 危険情報

▲ 危険

回避しないと死亡または重傷につながる潜在的または切迫した危険な状況を示します。

▲ 警告

回避しなければ、死亡または重傷につながるおそれのある潜在的または切迫した危険な状況を示します。

▲ 注意



軽傷または中程度のけがをする事故の原因となる可能性のある危険な状況を示します。

告知

回避しなければ、本製品を損傷する可能性のある状況や、特に強調したい情報を示します。特に注意を要する情報。

3.3 使用上の注意ラベル

測定器上に貼付されたラベルやプレートを全てお読みください。これを怠ると、人身傷害や装置の損傷につながるおそれがあります。測定器に記載されたシンボルについては、使用上の注意のあるマニュアルを参照してください。

	この記号が測定器に記載されている場合、操作の指示マニュアル、または安全情報を参照してください。
	このシンボルが付いている電気機器は、ヨーロッパ域内または公共の廃棄処理システムで処分できません。古くなったり耐用年数を経た機器は、廃棄するためにメーカーに無償返却してください。

3.4 製品概要

本製品は、主に水道水の測定での使用を目的としています。設置前に、適用できる廃水および産業用途をメーカーに確認してください。

無試薬塩素分析計は、水中の遊離残留塩素および全残留塩素の濃度を監視し、0.1 ppm (mg/L) を超える残留塩素濃度で高い信頼性を発揮します。sc 変換器とフロー型の三電極塩素センサおよびオプションの pH センサ、およびフロー・センサの組み合わせにより、優れた監視機能を実現しています。どちらのセンサも試料温度を読み取ります。pH センサからの温度測定値を変換器のディスプレイに表示します。一方、塩素センサの温度測定値は内部的に使用し、変換器のディスプレイには表示しません。圧力調整キットと酸性化および清掃キットは、オプションとして入手可能です。

塩素センサと pH センサは、パネルに取り付けられた各フロー・セルに格納されています。これらのフロー・セルは直列接続されています。フロー・セルは、センサと試料が接した状態を保つとともに、システムが動作していないときにセンサが乾燥するのを防止します。図 1、図 2、図 3 に、システムとフロー・セルの全体図を示しています。

各センサは、パネルに取り付けられたゲートウェイ経由で変換器に接続されます。ゲートウェイは、センサからのアナログ信号を、変換器で使用されるデジタル信号に変換します。変換器はデジタル信号を、塩素、pH、および温度の測定値に変換し、測定値をディスプレイに表示します。変換器は、センサとデジタル・ゲートウェイに電源を供給します。

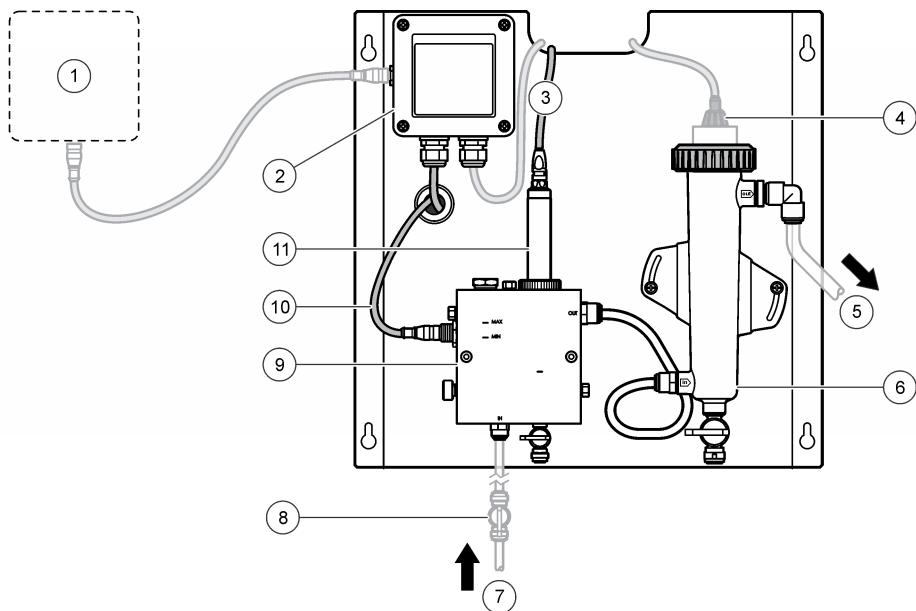
変換器は、測定値が指定の値を上回った場合、または下回った場合に、警報状態または警告を発するように設定できます。変換器の警報については、変換器の取扱説明書を参照してください。

注: システムが動作していないときのセンサの保管方法については、センサの取扱説明書を参照してください。

分析計の装置構成には、測定試料オプション (pH センサなし) と pH オプションの 2 つがあります。試料オプションは、取り付けパネル、塩素センサとフロー・セル、pH フロー・セル (センサなし)、フロー・センサ、デジタル・ゲートウェイ、変換器で構成されます。pH オプションには、この構成に加えて pH センサが含まれています。

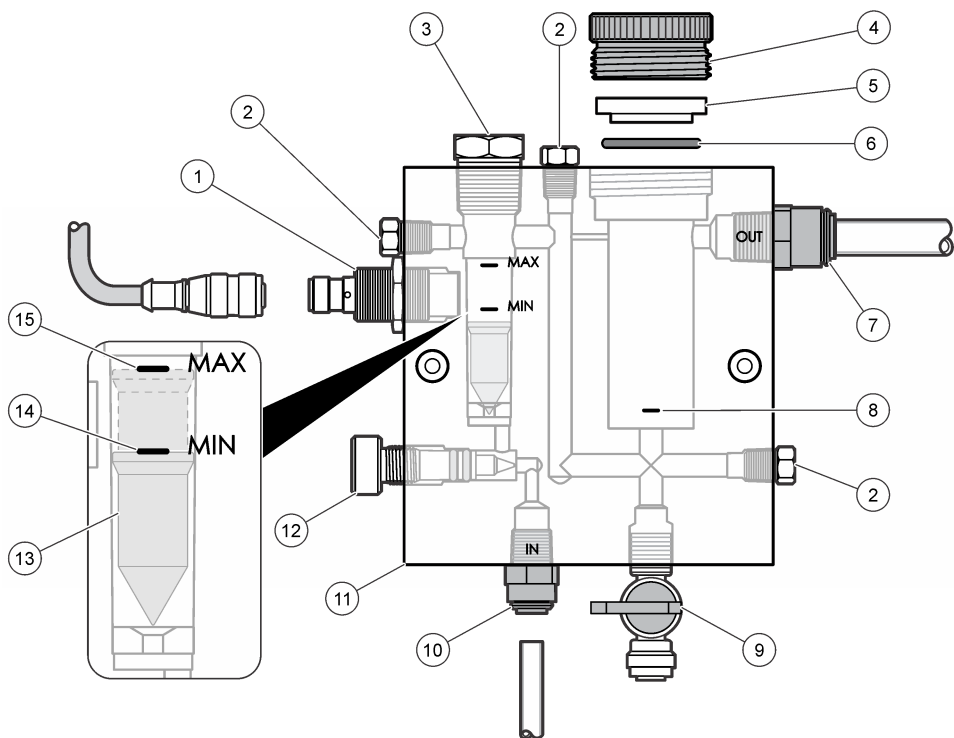
フロー制御バルブは、試料の流量を制御します。センサを正しく動作させるためには、流量を 30 ~ 50 リットル/時で一定に保つことを推奨します (図 1 参照)。最適な流量は 40 リットル/時です。試料の流量が十分な場合は、フロー・センサの 1 つの LED が点灯します。LED が点灯していない場合は、点灯するまで流量を調整する必要があります。LED が点灯している限り、流量を正確に調整する必要はありませんが、流量は仕様範囲内で一定に保たれている必要があります。

図 1 システムの全体図



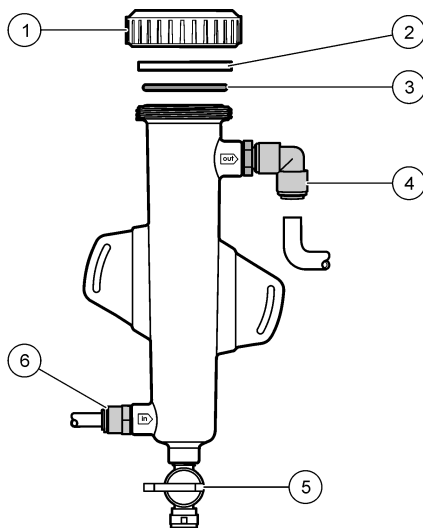
1 変換器	7 試料入口
2 ゲートウェイ	8 バルブ、注入停止用 (ユーザーが用意)
3 塩素センサ・ケーブル	9 塩素フロー・セル
4 pH センサ (オプション)	10 フロー・センサ・ケーブル
5 サンプル・ドレイン	11 塩素センサ
6 pH フロー・セル	

図 2 塩素フロー・セルの概観



1 フロー・センサ	9 バルブ、清掃用ポート、1/4 インチ(外径) チューブ
2 プラグ、1/8 インチ NPTF	10 フロー・セル入口 <ul style="list-style-type: none"> ・ インチ: ワンタッチ継手 1/4 インチ(外径) チューブ ・ メートル: ワンタッチ継手 6mm (外径) チューブ
3 プラグ、1/2 インチ NPTF	11 フロー・セル
4 固定ナット	12 フロー制御バルブ
5 シーリング	13 フロート
6 O リング	14 フロート合わせマーク: MIN
7 試料出口継手 <ul style="list-style-type: none"> ・ インチ: ワンタッチ継手 3/8 インチ(外径) チューブ ・ メートル: ワンタッチ継手 10mm (外径) チューブ 	15 フロート合わせマーク: MAX
8 塩素センサ合わせマーク	

図3 pH フロー・セルの概観

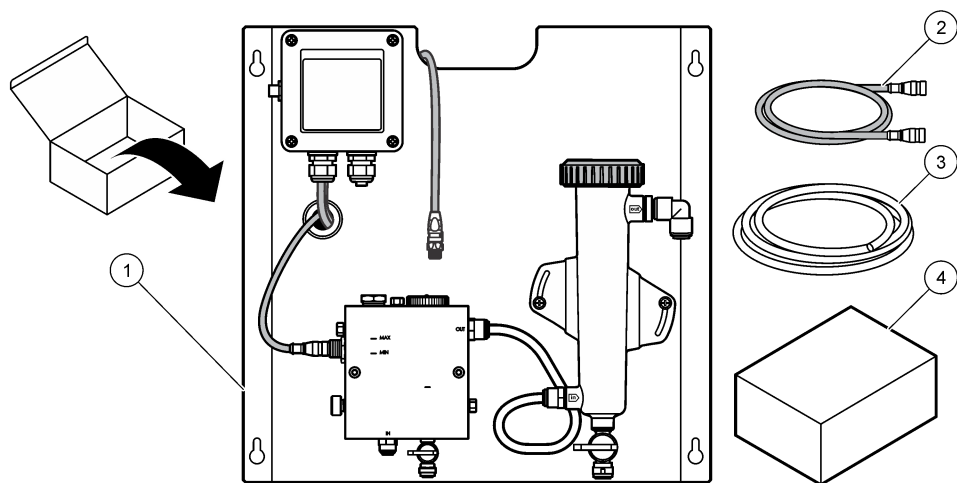


<p>1 固定ナット</p>	<p>4 試料出口継手 インチ: ワンタッチ継手 (エルボ) 1/2 インチ (外径) メートル: ワンタッチ継手 (エルボ) 12mm (外径)</p>
<p>2 シーリング</p>	<p>5 測定試料用ポート</p>
<p>3 Oリング</p>	<p>6 フロー・セル入口</p> <ul style="list-style-type: none"> • インチ: ワンタッチ継手 3/8 インチ (外径) • メートル: ワンタッチ継手 10mm (外径)

3.5 製品コンポーネント

すべてのコンポーネントが正しく納品されたことを確認してください。図1 105 ページを参照してください。コンポーネントが不足していたり損傷していたりした場合は、直ちに HACH Japan または弊社販売代理店にお問い合わせください。

図 4 無試薬塩素分析計パネル



1 システムパネル	3 チューブ、12 mm (½ インチ)
2 ゲートウェイと変換器を接続するコネクタケーブル、1 m (3.3 フィート)	4 塩素センサ

第 4 章 設置

4.1 設置に関する注意事項

- 設置作業は、機械、電気、配管の順に実施してください。
- すべての継手は、手で締め付けるように設計されています。
- パネルは、屋内の壁やラックに設置するように設計されています。パネルは手の届きやすい場所に設置してください。
- 熱源の近くにパネルを設置しないでください。
- 振動の多い場所にパネルを設置しないでください。
- 直射日光の当たる場所にパネルを設置しないでください。塩素の読み取りに影響します。
- パネルは屋内または囲いのある場所に設置してください。
- パネルやパネル・コンポーネント、特にフロー・セル、センサ、およびセンサとケーブルの接続部に結露が生じないようにしてください。
- 試料供給チューブには PFA または PVDF リニア低密度ポリエチレン・チューブを使用し、チューブの長さは、試料供給の遅れが最小限になるよう可能な限り短くしてください。
- 試料の圧力は、センサに継続的な給水を行うのに十分な値にする必要があります。流量が十分である場合は、フロー・センサの LED インジケータが点灯します。
- センサを良好な状態で動作させるために、流量は可能な限り一定に保ってください。

4.2 試料ラインガイドライン

最良の性能が得られたため、良好かつ代表的なサンプリングポイントを選んでください。サンプルは水処理装置の代表となるものでなければなりません。

測定エラーを防ぐには:

- サンプルは、プロセスラインに化学薬品が追加される位置より十分に離れた場所からサンプリングしてください。
- サンプルは十分に混合されていることを確認してください。

- すべての化学反応が完了していることを確認してください。

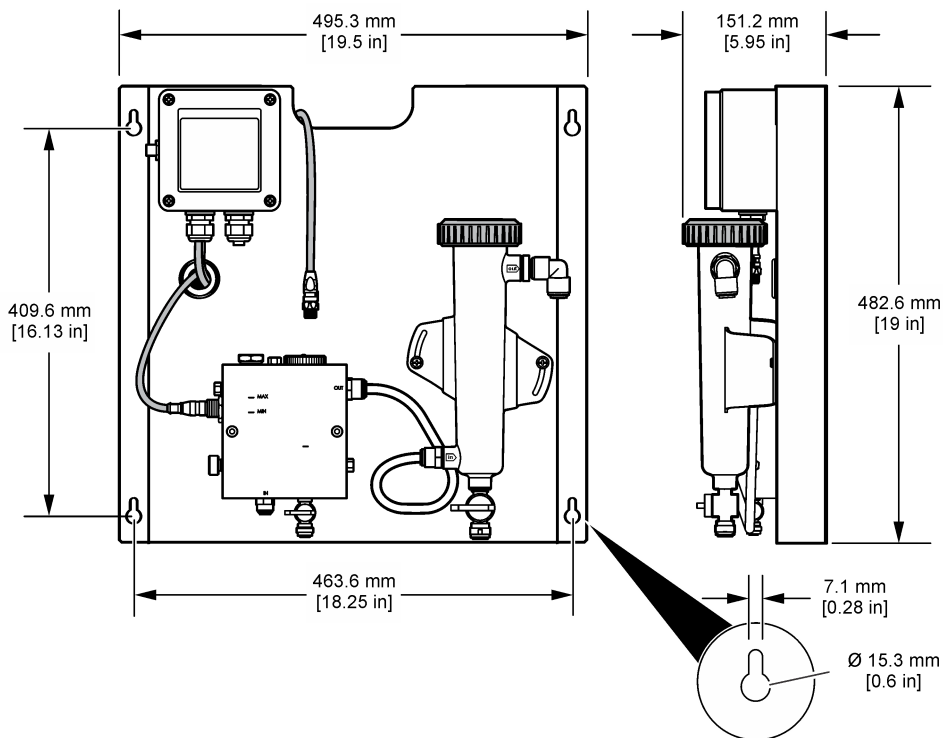
4.3 設置

4.3.1 パネルの取り付け

図5に、取り付け寸法を示します。この図を参照して、手順に従ってパネルを取り付けます。

1. 取り付け面に、取り付けねじを付けます。壁用スタッドに取り付けるか、壁用アンカーを使用してください。ねじの頭と取り付け面の間に、パネルを取り付けるのに十分な間隔が残るようにしてください。
2. パネルの取り付け穴を取り付けねじに合わせ、ねじを穴に通し、各取り付け穴の上部がねじの軸部に載るまで下にスライドさせます。
3. 各ねじを締めて、パネルを取り付け面に固定します。
4. 塩素センサと pH センサ (オプション) をフローセルに設置します。センサの設置方法については、センサの取扱説明書を参照してください。

図5 無試薬塩素分析計パネルの寸法



4.4 配線

4.4.1 パネルの配線

▲警告



感電の危険の可能性。電気の接続を行う際には、常に装置の電源は切ってください。

変換器からセンサとデジタル・ゲートウェイに電源が供給されます。

1. 変換器の電源を切ります。
2. pH センサ (オプション) の線をゲートウェイに接続します。センサをフロー・セルに取り付ける方法、またはセンサをゲートウェイに接続する方法については、センサの取扱説明書を参照してください。
3. 塩素センサをゲートウェイに接続します。センサをゲートウェイに接続する方法については、センサの取扱説明書を参照してください。ケーブル・コネクタのラベルをよく読んで正しいものを選択してください。
注: パネル出荷時に、塩素センサ・ケーブルはパネル前面のセンサ接続位置の近くにテープで留められています。
4. パネルに付属する 1m の接続ケーブルで変換器をゲートウェイに接続します。他の接続をすべて完了し問題がないことを確認したら、変換器を電源に接続します。

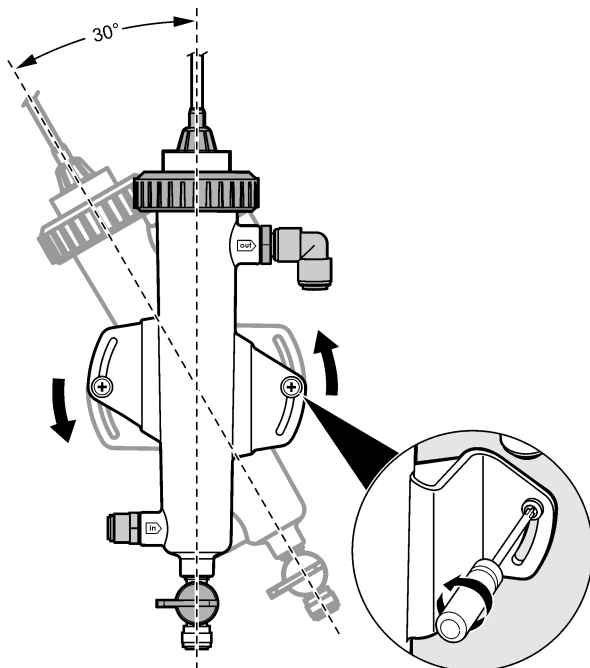
4.5 配管

4.5.1 パネルの配管

パネルのすべてのチューブおよび継手には、必ず仕様に従ったサイズのものを使用してください。水がシステム内を流れる際には、背圧が生じないように流路の直径を大きくする必要があります。図 1 105 ページに、配管の全体図を示しています。

1. チューブを試料の入口継手および出口継手に取り付けます。
2. 塩素フロー・セルの清掃用ポートが閉じていることを確認します。
3. pH フロー・セルの測定試料用ポートが閉じていることを確認します。
4. 試料をシステムに注入する前に、該当の取扱説明書に記載された手順に沿って塩素センサと pH センサ (オプション) を取り付けます。
5. 試料管路のフローバルブを開き、システム内に水を流します。
6. チューブ、バルブの継手、フロー・セルに水漏れがないことを確認します。
7. 図 6 に示すように pH フロー・セルを 0°～30°傾けて、気泡を取り除くことができます。

図 6 pH フロー・セルの傾け方



第 5 章 操作

5.1 ユーザーナビゲーション

キーパッドの説明とナビゲーション情報は変換器の説明書を参照してください。

変換器の右矢印キーを数回押すと、ホーム画面に情報が表示され、グラフィカル表示が表示されます。

5.2 システム設定

センサの設定と校正は、変換器のユーザーインターフェイスを使用して実行します。センサの設定または校正方法については、センサの取扱説明書を参照してください。

sc モデル変換器はゲートウェイに接続してください。

1. 変換器のメインメニューで [Sensor Setup (センサ設定)] を選択します。
[Chlorine Gateway (CGW) Setup (塩素ゲートウェイ (CGW) 設定)] メニューが表示されます。
2. [Configure (設定)] を選択して、項目を変更します。各項目を確定して変更内容を保存し、
[Configure (設定)] メニューに戻ります。

オプション

Edit name (センサ名の編集)

説明

センサ名を編集します。

オプション	説明
Select Parameter-Chlorine (Total or Free), pH (optional), Temperature (optional) (パラメータの選択 - 塩素 (全塩素または遊離塩素)、pH (オプション)、温度 (オプション))	設定するパラメータを選択します。選択したパラメータを設定するには、追加手順を実行する必要があります。詳細は、センサのユーザーマニュアルを参照してください。
Reset Defaults-Confirm to do the reset. (デフォルト - リセットを実行するか確認してください。)	すべての設定を工場出荷時のデフォルト値にリセットします。

5.3 システムの起動

システムに水を流す前に、すべての機械、電気、および配管の作業を正しく行ったことを確認してください。

1. 変換器の電源を入れます。
初めて電源を入れたときには、変換器に [Language (言語)], [Date Format (日付形式)], [Date/Time (日付/時間)] の画面が順に表示されます。
2. 言語、日付、時刻が設定されていない場合は、変換器でそれらを設定します。これらのオプションの設定方法については、変換器の取扱説明書を参照してください。
変換器は、接続されている装置のスキャンを行います。
3. 清掃用ポートと測定試料用ポートが閉じていることを確認し、試料管路の ON/OFF バルブを開いて、システムに水を流します。
塩素フロー・セルと pH フロー・セルに水が充填されます。
4. フロー・センサ LED が点灯し、フロートが MIN と MAX のマークの間にあることを確認します。
LED が点灯していない場合は、フロー制御バルブを調節して、流量を増減します。
センサが良好な状態で動作するのに十分な流量になると、フロー・センサ LED が点灯します。流量が多すぎると LED は点灯しません。フロートが MIN と MAX のマークの間にあることを確認します。
5. チューブとフロー・セルに漏れや詰まりがないことを確認します。問題が見つかった場合は、パネルへのフローを遮断して、必要な修理を行います。
6. システムの流量が十分である場合は、画面上のメッセージと指示に従って変換器のディスプレイに表示されている警告をクリアします。
7. [HOME (ホーム)] キーを押します。
メインの測定画面が表示され、塩素、温度、pH (pH センサが接続されている場合) の測定値が表示されます。

第 6 章 メンテナンス

▲ 注意



複合的な危険。本書のこのセクションに記載されている作業は、必ず資格のある要員が行う必要があります。

6.1 チューブの交換

チューブは、少なくとも年 1 回交換してください。チューブがもろくなっている、ひび割れている、または漏れが発生している場合は、直ちに交換してください。古いチューブ、変色しているチューブ、汚れたチューブ、または損傷しているチューブは、同じ径と種類のチューブに交換してください (PFA または PVDF チューブを推奨)。

6.2 センサ・フロー・セルの清掃

フロー・セルは、沈殿物を除去する必要がある場合に清掃してください。激しく汚れた場合も清掃してください。損傷または変色した場合、あるいは透明でなくなった場合は、フロー・セルを交換し

てください。フロー・セルを清掃するために、フロー・セルをパネルから取り外す必要はありません。

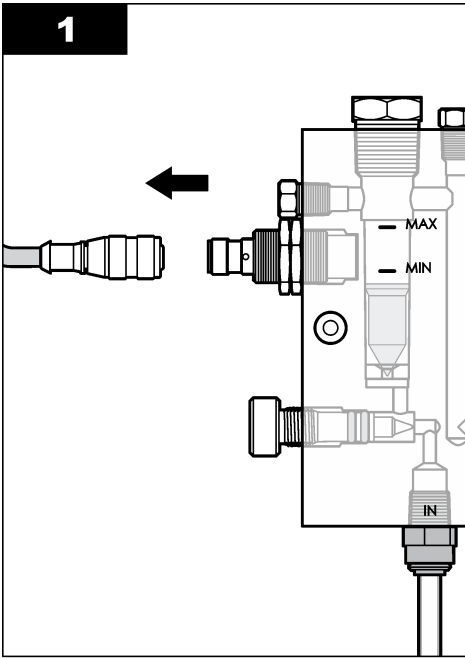
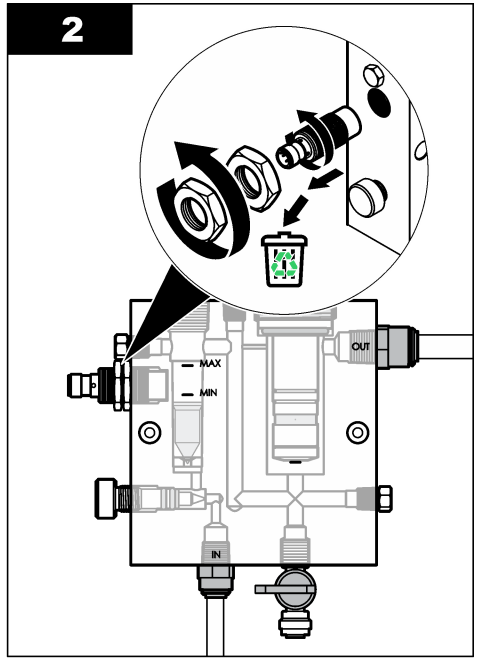
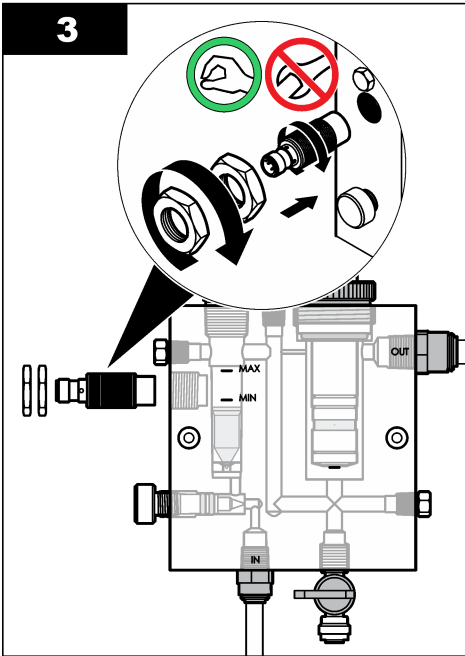
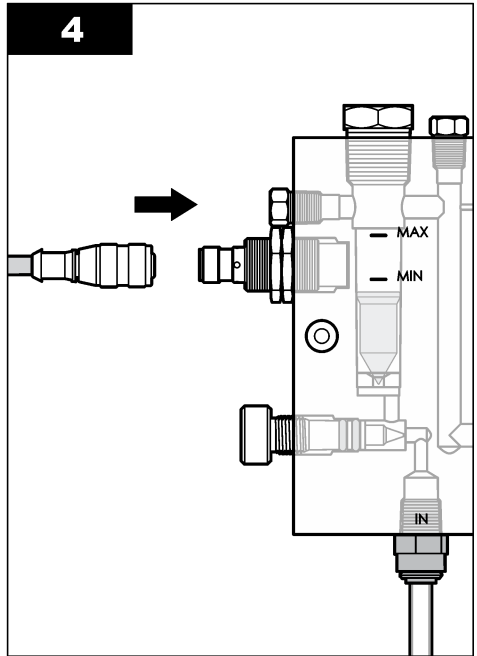
注: 塩素フロー・セルの清掃には、洗浄剤や界面活性剤は使用しないでください。

1. パネルの試料の注入を停止します。
2. 塩素センサを取り外して、塩素水が入ったコンテナにセンサを入れます。
注: センサの電源は取り外さないでください。塩素センサの電源を取り外した場合は、使用前にセンサを調整および校正する必要があります。
注: センサ・ケーブルが装着された状態でフロー・セルからセンサを取り外すと、センサの信号出力が変更されます。**Hold Output (出力保持)** 機能の詳細については、変換器の取扱説明書を参照してください。
3. フロー・セルを水ですすぎ、柔らかい毛ブラシで沈殿物を除去します。
4. フロー・セルを水ですすぎます。
5. フロー・セルがきれいにならない場合は、3～5%の過酸化水素溶液と酢の割合が1:3の混合液にフロー・セルを10～15分を浸します。
注: 汚れがひどい場合は、市販の除錆液を使用できますが、フロー・セルの材質を傷める場合があるため推奨しません。
6. フロー・セルを水ですすぎます。
7. フロー・セルにセンサを取り付けて、試料のフローを開始します。

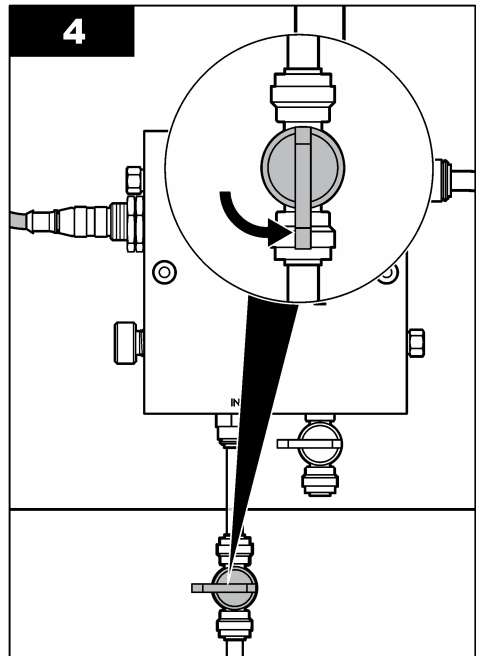
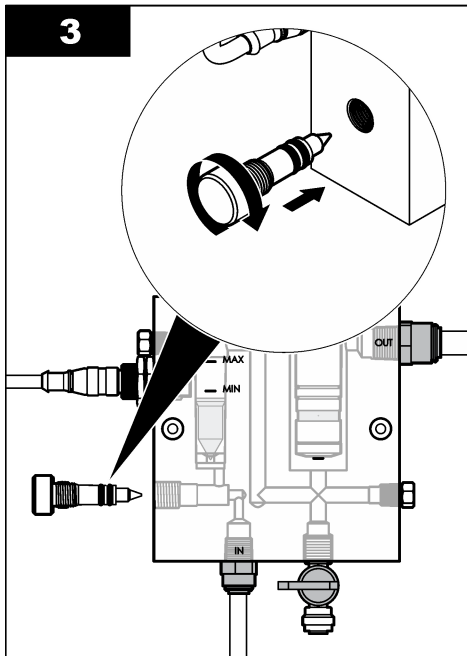
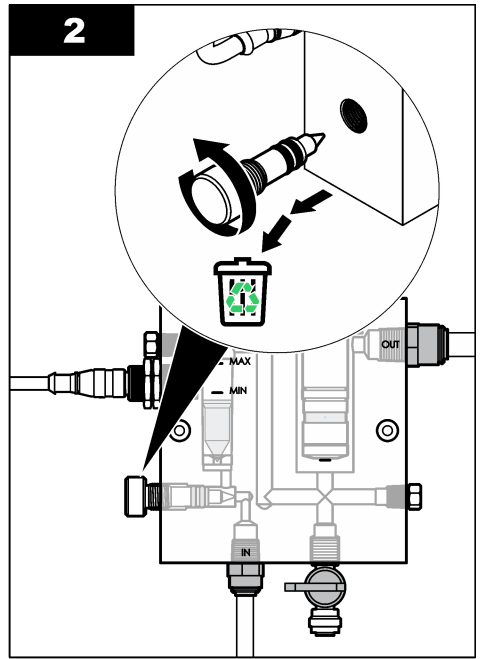
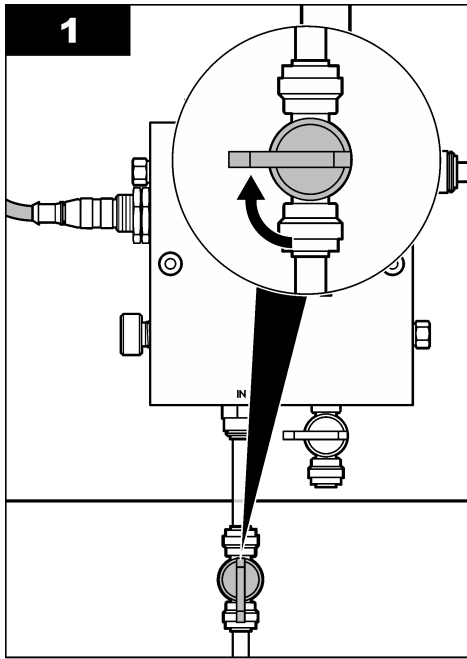
6.3 フロー・センサの交換

通常の状況では、フロー・センサを定期的にメンテナンスまたは交換する必要はありません。ただし、フロートがMINとMAXのマークの間にあり、電源も供給されているのに、LEDフロー・インジケータが点灯しない場合は、センサを交換する必要があります。フロー・センサを交換するには、以下の図の手順に従ってください。

注: フロー・センサを交換するときに、塩素センサを取り外したり、フロー・セルから水を排出したり、変換器の電源をオフにする必要はありません。

1**2****3****4**

6.4 フロー制御バルブアセンブリの交換



第7章 トラブルシューティング

7.1 イベントログ

変換器では、センサごとに1つのイベントログが作成されます。イベントログには、実行された校正や変更された校正オプションなど、装置で発生した各種イベントが記録されます。発生する可能性のあるイベントを以下に示します。イベントログは、CSV形式で読み出すことができます。ログのダウンロード方法については、変換器の取扱説明書を参照してください。

表1 イベントログ

イベント	説明
Power On	電源がオンになりました。
Flash Failure	外部フラッシュが故障したか、破損しました。
1pointpHCalibration_Start	pHの1点試料校正の開始
1pointpHCalibration_End	pHの1点試料校正の終了
2pointpHCalibration_Start	pHの2点試料校正の開始
2pointpHCalibration_End	pHの2点試料校正の終了
1pointBufferpHCalibration_Start	pHの1点緩衝液校正の開始
1pointBufferpHCalibration_End	pHの1点緩衝液校正の終了
2pointBufferpHCalibration_Start	pHの2点緩衝液校正の開始
2pointBufferpHCalibration_End	pHの2点緩衝液校正の終了
TempCalibration_Start	温度校正の開始
TempCalibration_End	温度校正の終了
1pointChemZeroCL2_Start	塩素の1点濃度ゼロ校正の開始
1pointChemZeroCL2_End	塩素の1点濃度ゼロ校正の終了
1pointElecZeroCL2_Start	塩素の1点電氣的ゼロ校正の開始
1pointElecZeroCL2_End	塩素の1点電氣的ゼロ校正の終了
1pointProcessConc_Start	塩素の1点プロセス濃度測定の開始
1pointProcessConc_End	塩素の1点プロセス濃度測定の終了
2pointChemCL2_Start	塩素の2点濃度校正の開始
2pointChemCL2_End	塩素の2点濃度校正の終了
2pointElecCL2_Start	塩素の2点電氣的校正の開始
2pointElecCL2_End	塩素の2点電氣的校正の終了
CL2CalSetDefault	塩素校正がデフォルト値にリセットされました。
pHCalSetDefault	pH校正データがデフォルト値にリセットされました。
TempCalSetDefault	温度校正データがデフォルト値にリセットされました。
AllCalSetDefault	すべてのセンサ校正データがデフォルト値にリセットされました。

表 1 イベントログ (続き)

イベント	説明
CL2CalOptionChanged	塩素校正オプションが変更されました。
pHCalOptionChanged	pH 校正オプションが変更されました。
TempCalOptionChanged	温度校正オプションが変更されました。
SensorConfChanged	センサ校正が変更されました。
ResetCL2CalHist	CL2 校正履歴がリセットされました。
ResetpH CalHist	pH 校正履歴がリセットされました。
ResetTemp CalHist	温度校正履歴がリセットされました。
ResetAllSensorsCalHist	すべてのセンサ校正履歴がリセットされました。
ResetCL2Sensor	CL2 校正データ (センサ使用日数、校正履歴、校正データ) がデフォルト値にリセットされました。
ResetpHSensor	pH 校正データ (センサ使用日数、校正履歴、校正データ) がデフォルト値にリセットされました。
ResetTempSensor	温度校正データ (センサ使用日数、校正履歴、校正データ) がデフォルト値にリセットされました。
ResetAllSensors	すべてのセンサ校正データ (センサ使用日数、校正履歴、校正データ) がデフォルト値にリセットされました。
フロー検出	近接センサの状態が変化しました (流量が十分または不十分)。

7.2 エラーリスト

エラーは様々な理由によって発生します。エラーが発生した場合は、測定画面のセンサ読み取り値が点滅します。変換器のメニューで指定した場合、すべての出力が保持されます。センサのエラーを表示するには、**[MENU (メニュー)]**キーを押して、**[Sensor Diag (センサ診断)]**、**[Error List (エラーリスト)]**を選択します。発生する可能性のあるエラーを以下に示します。

表 2 センサのエラーリスト

エラー	説明	解決方法
CL CAL REQD	塩素センサまたは pH センサを校正する必要があります。 塩素または pH 測定値が、Cal Watch (校正監視) 警報の発生基準値を超える値に変更されました。詳細は、塩素センサの取扱説明書を参照してください。	塩素センサまたは pH センサを校正してください。
CL メンテ必要	塩素センサのメンテナンスが必要です。 スロープがデフォルト値の 30% 未満であるか、デフォルト値の 300% を超えています。 スロープのデフォルト値は 100mV/ppm (100%) です。	センサのメンテナンスを実行してから再度校正するか、センサを交換してください。詳細は、塩素センサの取扱説明書を参照してください。

表 2 センサのエラーリスト (続き)

エラー	説明	解決方法
CL メンテ必要	塩素センサのメンテナンスが必要です。 . オフセットが高すぎます ($\pm 50\text{mV}$ を超えています)。	センサのメンテナンスを実行してから再度校正するか、センサを交換してください。詳細は、塩素センサの取扱説明書を参照してください。
PH TOO LOW	pH 値が 0pH 未満です。 .	pH センサを校正するか交換してください。
PH TOO HIGH	pH 値が 14pH を超えています。 .	
pH 勾配範囲外	スロープが $-45 \sim -65\text{mV/pH}$ の範囲外です。 .	pH センサを清掃してから新しい緩衝液または試料で再度校正するか、センサを交換してください。
pH オフセット外	オフセットが $\pm 60\text{mV}$ の範囲外です。 .	pH センサを清掃してから新しい緩衝液または試料で再度校正するか、センサを交換してください。
pH オフセット外	オフセットが $\pm 60\text{mV}$ の範囲外です。 .	pH センサを清掃して、塩橋と標準セル溶液を交換してから新しい緩衝液または試料で再度校正するか、センサを交換してください。
TEMP TOO LOW	温度が 0°C 未満です。 .	温度を校正するか、pH センサを交換してください。
TEMP TOO HIGH	温度が 100°C を超えています。 .	
TEMP FAIL	オフセットが 5.0°C を超えているか、 -5.0°C 未満です。 .	温度を校正するか、pH センサを交換してください。
流量未検出	フローレベルが低すぎます。 .	流量を増やしてください。

7.3 警告リスト

警告は、メニュー、リレー、出力の操作には影響を与えません。警告アイコンが点滅して、測定画面の下部にメッセージが表示されます。センサの警告を表示するには、**[MENU (メニュー)]** キーを押して、**[Sensor Diag (センサ診断)]**、**[Warning List (警告リスト)]** を選択します。発生する可能性のある警告を以下に示します。

表 3 センサの警告リスト

Warning(警告)	説明	解決方法
CL 校正を推奨	塩素センサまたは pH センサの校正を推奨します。 . 塩素または pH 測定値が、Cal Watch (校正監視) 警告の発生基準値を超える値に変更されました。詳細は、センサの取扱説明書を参照してください。	塩素センサまたは pH センサを校正してください。
CL 校正を推奨	塩素センサの校正を推奨します。 . 塩素センサの校正データが利用できません (デフォルトの校正データのあるセンサ)。	塩素センサを校正してください。
PH 校正を推奨	pH センサの校正を推奨します。 . pH センサの校正データが利用できません (デフォルトの校正データのあるセンサ)。	pH センサを校正してください。

表 3 センサの警告リスト (続き)

Warning(警告)	説明	解決方法
温度校正を推奨	温度センサの校正を推奨します。 温度センサの校正データが利用できません (デフォルトの校正データのあるセンサ)。	温度センサを校正してください。
CL 校正必要	塩素センサの [Sensor Days (センサ使用日数)] の値が、[Cal Reminder (校正残日数)] の値よりも大きくなっています。	塩素センサを校正してください。
PH 校正必要	pH センサの [Sensor Days (センサ使用日数)] の値が、[Cal Reminder (校正通知)] の値よりも大きくなっています。	pH センサを校正してください。
温度校正必要	温度センサの [Sensor Days (センサ使用日数)] の値が、[Cal Reminder (校正通知)] の値よりも大きくなっています。	温度センサを校正してください。
CL メンテ推奨	塩素センサのメンテナンスを推奨します。 スロープがデフォルト値の 30 ~ 45%、またはデフォルト値の 250 ~ 300% になっています。 スロープのデフォルト値は 100mV/ppm (100%) です。	センサのメンテナンスを実行してから再度校正するか、センサを交換してください。
CL メンテ推奨	塩素センサのメンテナンスを推奨します。 オフセットが -50mV ~ 45mV または 45mV ~ 50mV になっています。	センサのメンテナンスを実行して再度校正するか、センサを交換してください。
PH メンテ推奨	pH センサのメンテナンスを推奨します。 スロープが -50 ~ -61mV/pH の範囲外です。	pH センサを清掃してから新しい緩衝液または試料で再度校正するか、センサを交換してください。
PH メンテ推奨	pH センサのメンテナンスを推奨します。 オフセットが $\pm 45\text{mV}$ の範囲外ですが、 $\pm 60\text{mV}$ の範囲内です。	センサを清掃してから再度校正するか、センサを交換してください。
PH メンテ推奨	pH センサのメンテナンスを推奨します。 オフセットが $\pm 45\text{mV}$ の範囲外ですが、 $\pm 60\text{mV}$ の範囲内です。	センサを清掃して、塩橋と標準セル溶液を交換してから再度校正するか、センサを交換してください。
温度メンテ推奨	温度オフセットが $\pm 3^\circ\text{C}$ の範囲外ですが、 $\pm 5^\circ\text{C}$ の範囲内です。	温度センサを校正してください。

第 8 章 交換部品とアクセサリ

▲ 警告



人体損傷の危険。未承認の部品を使用すると、負傷、装置の破損、または装置の誤作動を招く危険性があります。このセクションでの交換部品は、メーカーによって承認済みです。

注: プロダクト番号とカタログ番号は、一部の販売地域では異なる場合があります。詳細は、取り扱い販売店にお問い合わせください。お問い合わせ先については、当社の Web サイトを参照してください。

部品

解説	アイテム番号
ケーブル、ゲートウェイと変換器の接続用、1m	6122400
ケーブル・アセンブリ、4ピン、シールド、フロー・センサ、2m	9160900
ケーブル・アセンブリ、5ピン、シールド、M12、塩素センサ、1m	9160300
継手、塩素フロー・セルの入口ポート	9159200 (1/4 インチ)
	9196400 (6mm)
継手、ワンタッチ継手、塩素フロー・セルの出口ポートまたは pH フロー・セルの入口ポート	9159300 (3/8 インチ)
	9196500 (10mm)
継手、エルボ、pH フロー・セルの出口ポート	9196900 (1/2 インチ)
	9197000 (12 mm)
フロート、フロー・センサ	9159100
フロー・セル・アセンブリ、塩素	インチ: 9198400
	メートル: 9198500
フロー・セル・アセンブリ、複合 pH	インチ: 9180200
	メートル: 9180400
フロー・セル・アセンブリ、pHD シーリング付属	インチ: 9180100
	メートル: 9180300
フロー・セル・ボディのみ (pH)	9159700
フロー・セル・ブロック、塩素	9158900
フロー制御バルブ	9159000
フロー制御バルブ・キット	9198600
フロー・センサ	9160800
ゲートウェイ、デジタル	9180500
固定ナット、塩素フロー・セル	9196200
固定ナット、pH フロー・セル	60F2032-001
Oリング、フロー制御バルブ (2x) (#2-108、Viton)	9159600
Oリング、pH フロー・セル (#2-228、Viton)	5H1223
Oリング、シーリング、塩素フロー・セル (#2-123、Viton)	9196300
Oリング、スプリット・リング (M25 x 2.5)	9181800
プラグ、塩素フロー・セル、1/2 インチ	9159500
ねじ、塩素フロー・セル (2x) (10-32 x 1.75 (長さ)、Phillips、なべ頭)	4422200
ねじ、pH フロー・セル (2x) (10-32 x 0.5 (長さ) Phillips、なべ頭)	561211
シーリング、pH フロー・セル	9198000

部品（続き）

解説	アイテム番号
シーリング、塩素フロー・セル	9196100
シーリング、複合 pH センサ、3/4 インチ	9159800
シーリング、pHD フロー・セル、1 インチ	60F2021-001
スプリット・リング、塩素フロー・セル	9181700
チューブ、試料供給側、1/4 インチ x 2m	4743800
チューブ、試料供給側、3/8 インチ x 18 インチ	9198100
チューブ、排水側、1/2 インチ x 2m	9198200
バルブ、測定試料用ポート	9005300
バルブ、ワンタッチ取り付け、清掃用ポート	6166300

アクセサリ

解説	アイテム番号
酸性化/自動清掃キット	LZY051
圧力調整器試料調整キット	9159900

목차

- 1 목차 122 페이지
- 2 사양 122 페이지
- 3 일반 정보 122 페이지
- 4 설치 128 페이지
- 5 작동 131 페이지
- 6 유지관리 132 페이지
- 7 문제 해결 136 페이지
- 8 교체 부품 및 부속품 139 페이지

섹션 1 목차

- 사양 122 페이지
- 일반 정보 122 페이지
- 설치 128 페이지
- 작동 131 페이지
- 유지관리 132 페이지
- 문제 해결 136 페이지
- 교체 부품 및 부속품 139 페이지

섹션 2 사양

사양은 사전 예고 없이 변경될 수 있습니다.

사양	설명
구성 부품 설명	염소 센서, 유량 센서, 옵션인 pH 복합 센서 또는 pHD 센서, 플로우 셀, sc 컨트롤러 및 디지털 게이트웨이 가 포함된 전류 측정 방식 무시약 염소 모니터링 분석기 패널
작동 온도	0-45 °C (0-113 °F)
보관 온도(패널만 해당)	-20-60 °C (-4-149 °F)
전원 요구 사항	12 VDC ± 10%, 100 mA 최대(sc 컨트롤러에서 공급)
패널 크기(L x W x D)	48.3 x 49.5 x 15.1 cm (19 x 19.5 x 5.95 in.) 패널 장착 구성 부품 포함
무게	약 5.4 kg (12 lb) (패널 및 비어 있는 패널 장착 구성 부품만 포함)
유속	범위: 30-50 L/h (7.9-13.2 gal/h) 최적: 40 L/h (10.5 gal/h)
컨트롤러 플랫폼	sc 컨트롤러 모델

섹션 3 일반 정보

제조업체는 본 설명서에 존재하는 오류나 누락에 의해 발생하는 직접, 간접, 특수, 우발적 또는 결과적 손해에 대해 어떠한 경우에도 책임을 지지 않습니다. 제조업체는 본 설명서와 여기에 설명된 제품을 언제라도 통지나 추가적 책임 없이 변경할 수 있습니다. 개정본은 제조업체 웹 사이트에서 확인할 수 있습니다.

3.1 안전 정보

주의사항

제조사는 본 제품의 잘못된 적용 또는 잘못된 사용으로 인한 직접, 우발적 또는 간접적 손해에 국한하지 않는 모든 손해에 대한 어떠한 책임도 지지 않으며, 관계 법령이 최대한 허용하는 손해에 관한 면책이 있습니다. 사용자는 사용상 중대한 위험을 인지하고 장비 오작동이 발생할 경우에 대비하여 적절한 보호 장치를 설치하여야 합니다.

장치 포장을 풀거나 설치하거나 작동하기 전에 본 설명서를 모두 읽으십시오. 모든 위험 및 주의사항 설명에 유의하시기 바랍니다. 이를 지키지 않으면 사용자가 증상을 입거나 장치가 손상될 수 있습니다.

본 장치의 보호 기능이 손상되지 않도록 본 설명서에서 설명하는 방법이 아닌 다른 방법으로 본 장치를 사용하거나 설치하지 마십시오.

3.2 위험 정보 표시

⚠ 위험

지키지 않을 경우 사망하거나 또는 심각한 부상을 초래하는 잠재적 위험이나 긴급한 위험 상황을 뜻합니다.

⚠ 경고

피하지 않을 경우에 사망이나 심각한 부상을 유발할 수 있는 잠재적 위험이나 긴급한 위험 상황을 나타냅니다.

⚠ 주의



경미하거나 심하지 않은 부상을 초래할 수 있는 잠재적인 위험 상황을 뜻합니다.

주의사항

지키지 않으면 기기에 손상을 일으킬 수 있는 상황을 나타냅니다. 특별히 강조할 필요가 있는 정보.

3.3 주의 경고 라벨

본 기기에 부착된 모든 라벨 및 태그를 참조하시기 바랍니다. 지침을 따르지 않을 경우 부상 또는 기기 손상이 발생할 수 있습니다. 기기에 있는 기호는 주의사항에 대한 설명과 함께 설명서에서 참조합니다.

	<p>기기에 이 심볼이 표시되어 있으면 지침서에서 작동 및 안전 주의사항을 참조해야 합니다.</p>
	<p>이 심볼이 표시된 전기 장비는 유럽 내 공공 폐기 시스템에 따라 폐기할 수 없습니다.</p>

3.4 제품 소개

이 제품은 상수도용으로 사용하도록 설계되었습니다. 설치 전에 제조업체는 폐수 및 산업용인지 확인해야 합니다.

무시약 염소 분석기는 물에 함유된 유리 염소 또는 총 잔류 염소의 농도를 모니터링하며, 0.1 ppm (mg/L)보다 높은 잔류 염소 농도에서 가장 신뢰할 수 있습니다. sc 모델 컨트롤러에 3전극 염소 센서, 옵션인 pH 센서 및 유량 센서가 결합되어 최상의 모니터링 성능을 제공합니다. 두 센서는 샘플 온도를 측정합니다. pH 센서는 온도 판독값을 컨트롤러 디스플레이로 전송합니다. 염소 센서는 이 온도 측정

값을 내부적으로 사용하며 컨트롤러 디스플레이로 전송하지 않습니다. 압력 조절기 키트와 산성화 및 세척 키트는 부속품으로 사용할 수 있습니다.

염소 및 pH 센서는 패널 장착, 직렬 연결 플로우 셀에 위치합니다. 플로우 셀은 센서와 샘플 간 접촉을 유지하며 시스템이 작동하지 않을 때 센서가 건조해지는 것을 방지합니다. **그림 1**, **그림 2**, **그림 3**은 시스템 및 플로우 셀을 개략적으로 보여줍니다.

각 센서는 패널에 장착된 게이트웨이를 통해 컨트롤러에 연결됩니다. 게이트웨이는 센서의 아날로그 신호를 컨트롤러에서 사용되는 디지털 신호로 변환합니다. 컨트롤러는 디지털 신호를 염소, pH 및 온도 측정값으로 변환하고 디스플레이에 해당 관독값을 표시합니다. 컨트롤러는 센서와 디지털 게이트웨이에 전원을 공급합니다.

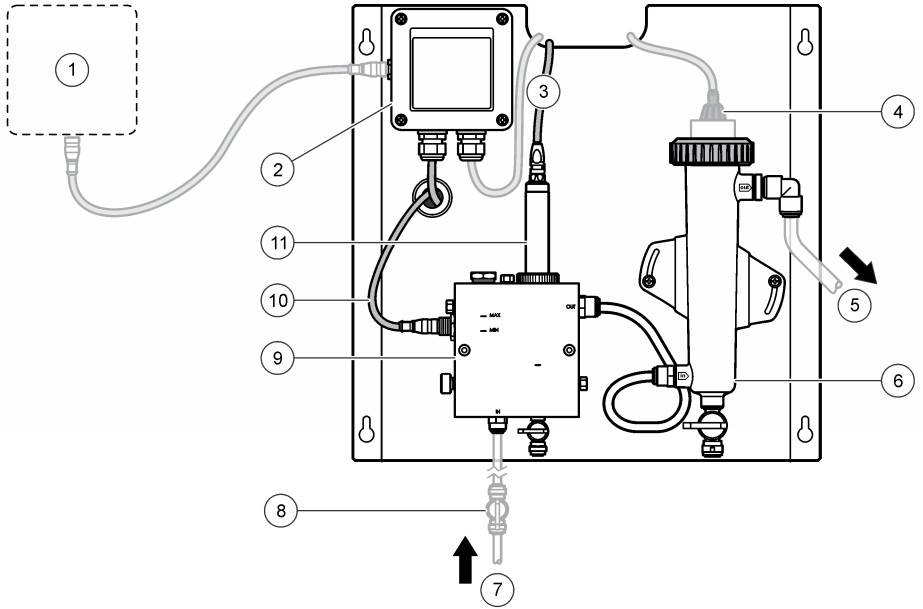
측정값이 지정된 값을 초과하거나 그 미만으로 낮아지면 알람 또는 경고를 발생시키도록 컨트롤러를 구성할 수 있습니다. 컨트롤러 알람에 대한 자세한 내용은 컨트롤러 사용 설명서를 참조하십시오.

참고: 시스템이 작동하지 않는 동안 센서를 보관하는 방법에 대해서는 *센서 사용 설명서*를 참조하십시오.

Grab Sample 옵션 (pH 센서 없음)과 pH 옵션의 두 가지 분석기 구성을 사용할 수 있습니다. **Grab Sample**(임의 샘플 채취) 옵션에는 장착 패널, 염소 센서 및 플로우 셀, 센서 없는 pH 플로우 셀, 유량 센서, 디지털 게이트웨이 및 컨트롤러가 포함됩니다. pH 옵션에는 이러한 항목 외에 pH 센서가 추가로 포함됩니다.

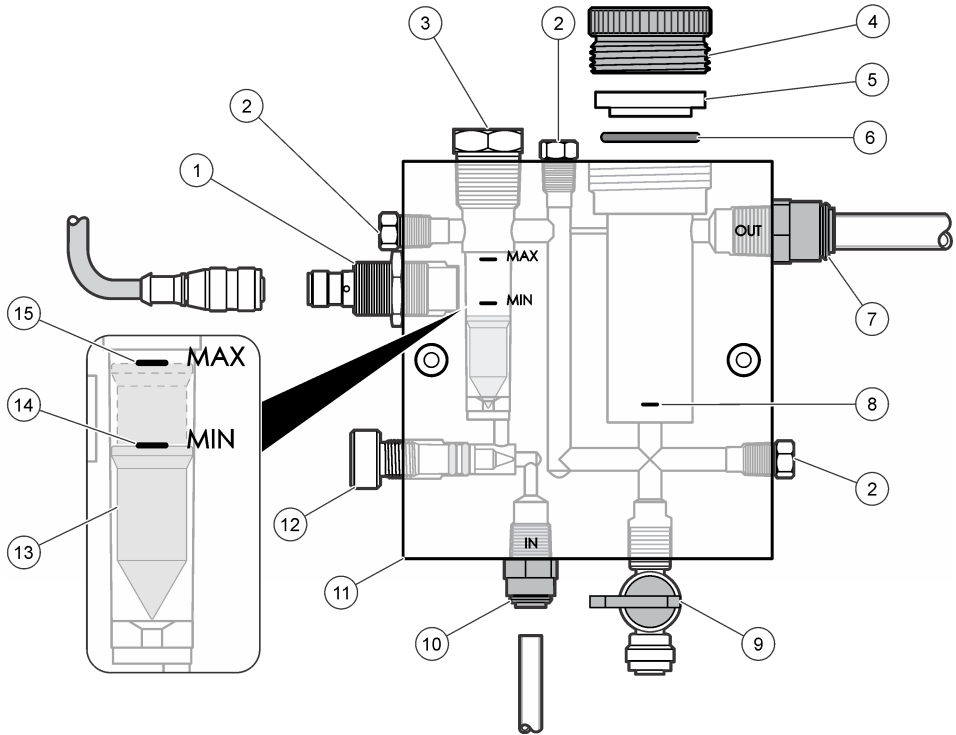
유량 제어 밸브는 샘플 유량을 조절합니다. 센서가 정확하게 작동할 수 있도록 30 ~ 50 L/h의 일정한 유속을 유지하는 것이 좋습니다(**그림 1** 참조). 최적의 유속은 40 L/h입니다. 유량 센서에 있는 단일 LED를 통해 샘플 유속이 충분한지 확인할 수 있습니다. LED가 꺼져 있으면 LED가 켜질 때까지 유속을 조정해야 합니다. LED가 켜져 있는 경우 정확한 유속은 크게 중요하지 않지만 사양 내에서 유속을 일정하게 유지해야 합니다.

그림 1 시스템 개요



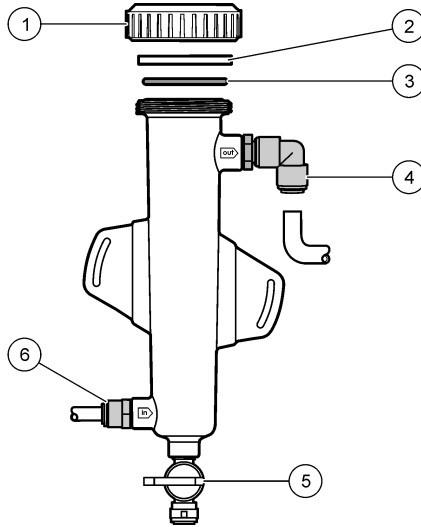
1 컨트롤러	7 샘플 급수
2 게이트웨이	8 밸브, 차단(고객 자급 장치)
3 염소 센서 케이블	9 염소 플로우 셀
4 pH 센서(옵션)	10 유량 센서 케이블
5 샘플 배수구	11 염소 센서
6 pH 플로우 셀	

그림 2 염소 플로우 셀 개요



1 유량 센서	9 밸브, 세척 포트, 1/4 in. OD 튜브
2 플러그, 1/8 in. NPTF	10 플로우 셀 유입구 <ul style="list-style-type: none"> • 영국식: 스피드 피트 피팅 - 1/4 in. OD 튜브 • 미터법: 스피드 피트 피팅 - 6 mm OD 튜브
3 플러그, 1/2 in. NPTF	11 플로우 셀
4 로크 링	12 유량 제어 밸브
5 실링 허브	13 플로트
6 오링	14 플로트 정렬 표시: MIN
7 샘플 배출 피팅 <ul style="list-style-type: none"> • 영국식: 스피드 피트 피팅 - 3/8 in. OD 튜브 • 미터법: 스피드 피트 피팅 - 10 mm OD 튜브 	15 플로트 정렬 표시: MAX
8 염소 센서 정렬 표시	

그림 3 pH 플로우 셀 개요

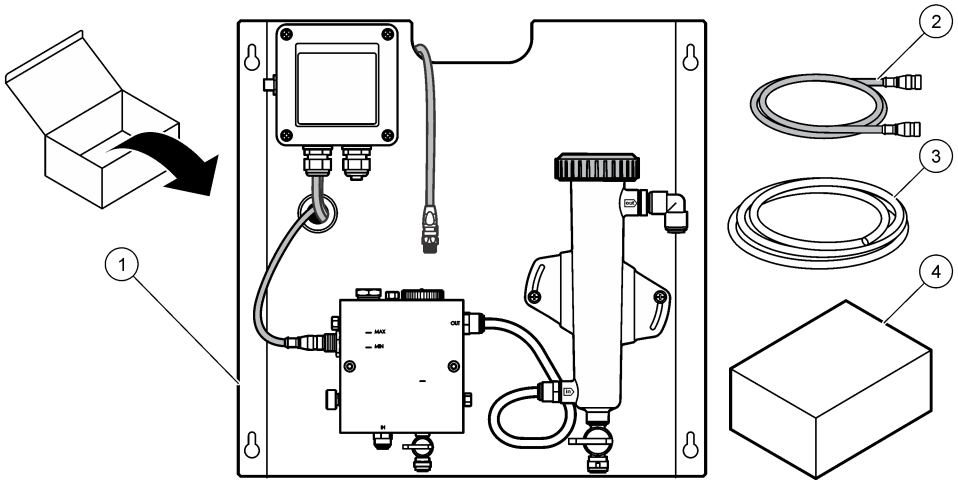


<p>1 로크 링</p>	<p>4 샘플 배출 피팅 영국식: 스피드 피트 엘보 피팅 - 1/2 in. OD 미터법: 스피드 피트 엘보 피팅 - 12 mm OD</p>
<p>2 실링 블랭크</p>	<p>5 임의 샘플 채취 포트</p>
<p>3 오링</p>	<p>6 플로우 셀 유입구</p> <ul style="list-style-type: none"> • 영국식: 스피드 피트 피팅 - 3/8 in. OD • 미터법: 스피드 피트 피팅 - 10 mm OD

3.5 제품 구성 부품

구성 부품을 모두 받았는지 확인하십시오. [그림 1](#) 125 페이지를 참조하십시오. 품목이 누락되었거나 손상된 경우에는 제조업체 또는 판매 담당자에게 즉시 연락하십시오.

그림 4 무시약 염소 분석기 패널



1 시스템 패널	3 튜브, 12 mm (½ in.)
2 컨트롤러에 게이트웨이를 연결하기 위한 커넥터 케이블, 1 m (3.3 ft)	4 염소 센서

섹션 4 설치

4.1 설치 시 고려 사항

- 먼저 기계 설치를 수행한 다음 전기 설치와 배관 설치 작업을 차례대로 수행하십시오.
- 모든 피팅은 손으로만 조일 수 있도록 설계되었습니다.
- 패널은 실내 벽이나 랙에 장착하도록 설계되었습니다. 접근이 용이한 장소에 패널을 장착 또는 배치하십시오.
- 패널을 열원 근처에 놓지 마십시오.
- 진동이 발생하기 쉬운 환경에는 패널을 장착하지 마십시오.
- 패널을 직사광선에 노출되는 곳에 장착하지 마십시오. 염소 측정에 영향을 끼칠 수 있습니다.
- 패널을 실내 또는 환경 엔클로저에 설치하십시오.
- 패널과 패널 구성 부품, 특히 플로우 셀, 센서 및 센서가 연결된 곳의 응결을 방지합니다.
- 샘플 공급 라인으로 PFA 또는 PVDF 선형 저밀도 폴리에틸렌 튜브를 사용하고 지연 시간을 최소화하기 위해 가능한 한 튜브를 짧게 유지하십시오.
- 센서에 지속적으로 물 공급이 이루어질 수 있을 정도로 샘플 압력이 충분해야 합니다. 유량이 충분하면 유량 센서의 LED 표시등이 켜집니다.
- 센서가 최상의 성능을 발휘하도록 유속을 가능한 한 일정하게 유지하십시오.

4.2 샘플 라인 지침

기기가 최상의 성능을 발휘할 수 있도록 전체를 대표하기에 적합한 샘플 채취 지점을 선택합니다. 샘플은 전체 시스템을 대표할 수 있어야 합니다.

판독 오류를 방지하려면:

- 프로세스 흐름에 화학제를 첨가한 지점으로부터 충분히 떨어진 곳에서 샘플을 수집합니다.
- 샘플을 충분히 혼합합니다.
- 모든 화학 반응이 완전이 이루어지도록 합니다.

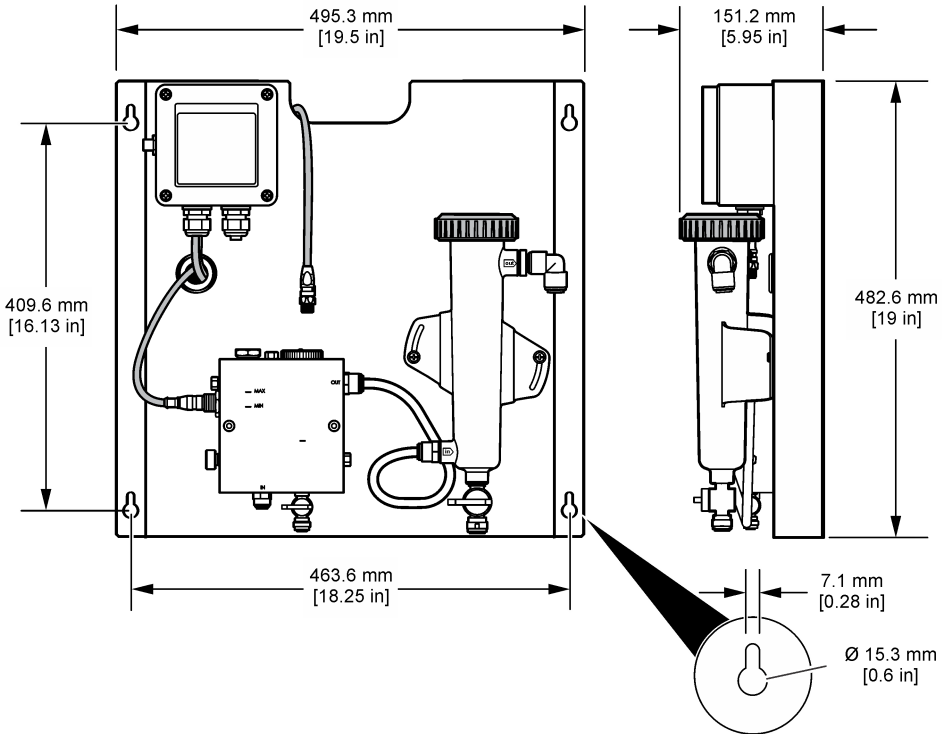
4.3 기계 설치

4.3.1 패널 장착

그림 5는 장착 시 고려해야 할 치수를 보여줍니다. 그림을 참조하여 단계에 따라 패널을 장착하십시오.

1. 장착 면에 장착용 나사를 부착합니다. 벽면 스테드에 장착하거나 나사못 앵커를 사용합니다. 각 나사와 장착 면 사이에 패널이 설치될 수 있도록 충분한 공간을 두십시오.
2. 장착 나사 헤드 위에 패널 장착 홈을 놓고 패널을 밀어내려 각 장착 홈의 상단이 나사 몸체에 놓이도록 합니다.
3. 나사를 조여 패널을 장착 면에 고정합니다.
4. 염소 및 pH 센서(옵션)를 플로우 셀에 설치합니다. 센서 설치 방법에 대한 자세한 내용은 센서 사용 설명서를 참조하십시오.

그림 5 무시약 염소 분석기 패널 치수



4.4 전기 설치

4.4.1 패널 배선 연결

▲ 경고



잠재적 감전 위험. 장치를 전기적으로 연결할 경우 반드시 전원 연결을 분리하십시오.

컨트롤러는 센서 및 디지털 게이트웨이에 전원을 공급합니다.

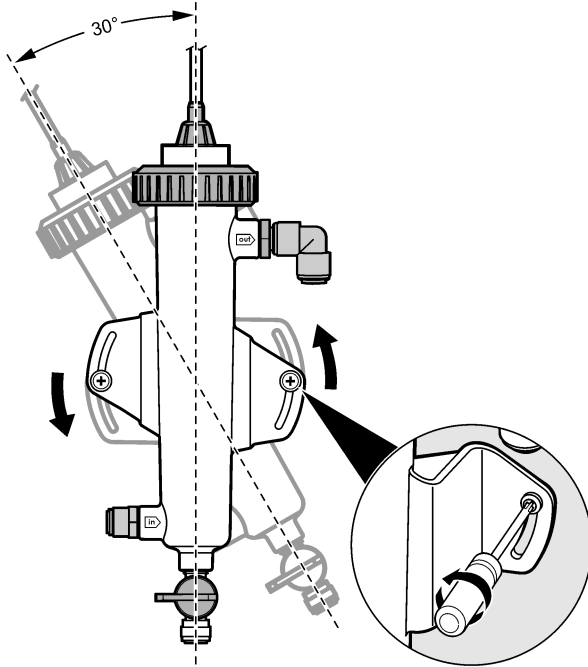
1. 컨트롤러에서 전원을 제거합니다.
2. pH 센서(옵션)의 선을 게이트웨이에 연결합니다. 유량 센서에 센서를 설치하는 방법이나 게이트웨이에 센서를 연결하는 방법은 센서 사용 설명서를 참조하십시오.
3. 염소 센서를 게이트웨이에 연결합니다. 센서를 게이트웨이에 연결하는 방법은 센서 사용 설명서를 참조하십시오. 잘못된 연결을 방지하기 위해 케이블 커넥터의 라벨을 주의해서 확인하십시오.
참고: 패널 출하시 염소 센서 케이블은 패널 전면에서 센서가 연결되는 부분 근처에 테이프로 부착되어 있습니다.
4. 패널과 함께 제공되는 1 m 커넥터 케이블을 사용하여 컨트롤러를 게이트웨이에 연결합니다. 모든 다른 연결이 완료되고 확인되었을 때에만 컨트롤러를 전원에 연결하십시오.

4.5 배관

4.5.1 패널 배관

모든 패널 튜브 및 피팅에 대한 치수 사양을 따르십시오. 배압이 증가하는 것을 방지하려면 물이 시스템을 통과해감에 따라 흐름 경로의 직경이 커져야 합니다. [그림 1 125](#) 페이지는 배관 연결 모습을 개략적으로 보여줍니다.

1. 샘플 흡입 및 배출 피팅에 튜브를 부착합니다.
2. 염소 플로우 셀의 세척 포트가 닫혀 있는지 확인하십시오.
3. pH 플로우 셀의 임의 샘플 채취 포트가 닫혀 있는지 확인하십시오.
4. 샘플을 시스템에 통과시키기 전에 염소 및 pH 센서(옵션)를 해당 사용 설명서의 지침을 따라 설치하십시오.
5. 샘플 라인의 유량 밸브를 열고 물이 시스템을 통과해 흐르도록 합니다.
6. 튜브, 밸브 피팅 또는 플로우 셀에서 누수 되는 부분이 없는지 확인하십시오.
7. 기포가 발생하는 것을 최소화하기 위해 [그림 6](#)에서와 같이 pH 플로우 셀을 0° ~ 30° 기울일 수 있습니다.



섹션 5 작동

5.1 사용자 탐색

키패드 설명 및 탐색 정보에 대해서는 컨트롤러 설명서를 참조하십시오.

홈 화면에서 자세한 내용을 표시하고 그래픽 디스플레이를 표시하려면 컨트롤러의 **오른쪽** 화살표 키를 여러 번 누릅니다.

5.2 시스템 구성

센서 구성 및 교정은 컨트롤러 사용자 인터페이스를 통해 수행합니다. 센서 구성 또는 교정 방법은 센서 사용 설명서를 참조하십시오.

sc 모델 컨트롤러는 게이트웨이에 연결되어야 합니다.

1. 컨트롤러의 메인 메뉴에서 센서 설정을 선택합니다. 염소 게이트웨이(CGW) 설정 메뉴가 표시됩니다.
2. 구성을 선택한 다음 필요에 따라 항목을 입력합니다. 입력 후 확인을 선택하면 변경 내용이 저장되고 구성 메뉴로 돌아갑니다.

옵션	설명
이름 편집	센서 이름을 편집합니다.

옵션

설명

매개변수 선택 - 염소(총 또는 유리), pH(옵션), 온도(옵션)

구성할 매개변수를 선택합니다. 선택한 매개변수를 구성하려면 추가 단계를 수행해야 합니다. 자세한 내용은 센서 사용 설명서를 참조하십시오.

기본값 재설정 - 재설정을 실행합니다.

모든 설정이 출고 시 기본 설정 값으로 재설정됩니다.

5.3 시스템 가동

시스템에 물을 흘려보내기 전에 기계, 전기 및 배관 작업이 올바르게 완료되었는지 확인하십시오.

1. 컨트롤러에 전원을 공급하십시오.
처음 전원을 켜면 컨트롤러에 언어, 날짜 형식, 날짜/시간 화면이 차례로 표시됩니다.
2. 설정되지 않은 경우 언어, 날짜 및 시간을 설정하십시오. 이러한 옵션을 선택하는 방법은 컨트롤러 사용 설명서를 참조하십시오.
컨트롤러가 연결된 장치를 식별합니다.
3. 세척 포트 및 임의의 샘플 채취 포트가 닫혀 있는지 확인한 다음 샘플 라인의 ON/OFF(열림/닫힘) 밸브를 열어 물이 시스템을 통해 흐르도록 합니다.
염소 및 pH 플로우 셀에 물이 채워집니다.
4. 유량 센서 LED가 켜져 있고 수위가 MIN(최소) MAX(최대) 표시 사이에 있는지 확인합니다. LED가 켜져 있지 않을 경우 유량 제어 밸브를 조정해 유량을 늘리거나 줄이십시오.
유량 센서 LED가 켜져 있으면 센서가 작동하기에 유량이 충분하다는 의미입니다. 유량이 지나치게 많으면 LED가 켜지지 않습니다. 수위가 MIN(최소) MAX(최대) 표시 사이에 있는지 확인하십시오.
5. 튜브나 플로우 셀에 누수 되거나 막히는 부분이 있는지 확인하십시오. 문제가 발견될 경우 패널로의 흐름을 차단하고 필요에 따라 수리합니다.
6. 시스템의 유량이 충분하면 화면 상의 메시지 및 절차에 따라 컨트롤러 디스플레이에 표시된 경고를 제거하십시오.
7. HOME 키를 누릅니다.
메인 측정 화면이 나타나고 염소, 온도 및 pH(pH 센서가 연결된 경우) 측정값이 표시됩니다.

섹션 6 유지관리

▲ 주의



여러 가지 위험이 존재합니다. 해당 전문가만 본 문서에 의거하여 작업을 수행해야 합니다.

6.1 튜브 교체

일 년에 1회 이상 튜브를 교체합니다. 낡거나 균열이 발생하거나 누수가 발견된 튜브는 즉시 교체합니다. 낡거나 변색, 오염 또는 손상된 튜브는 직경이 같은 동일한 종류의 튜브(PFA 또는 PVDF 튜브 권장)로 교체합니다.

6.2 센서 플로우 셀 세척

필요 시 플로우 셀을 세척하여 침전물을 제거합니다. 심하게 오염된 경우 플로우 셀을 세척합니다. 손상 또는 변색되었거나 투명하지 않은 경우 플로우 셀을 교체합니다. 플로우 셀을 세척하기 위해 패널에서 분리할 필요는 없습니다.

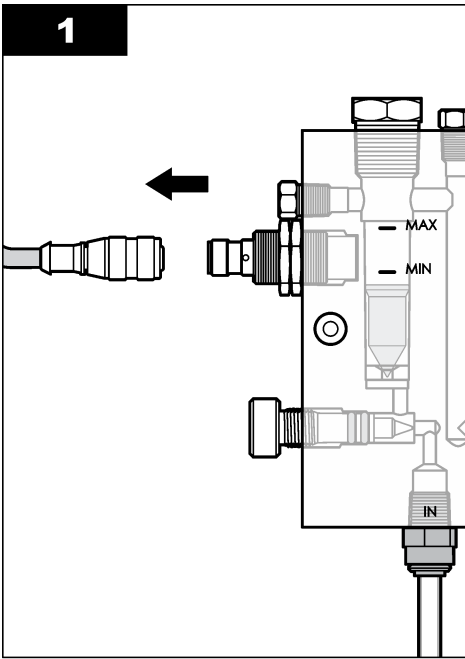
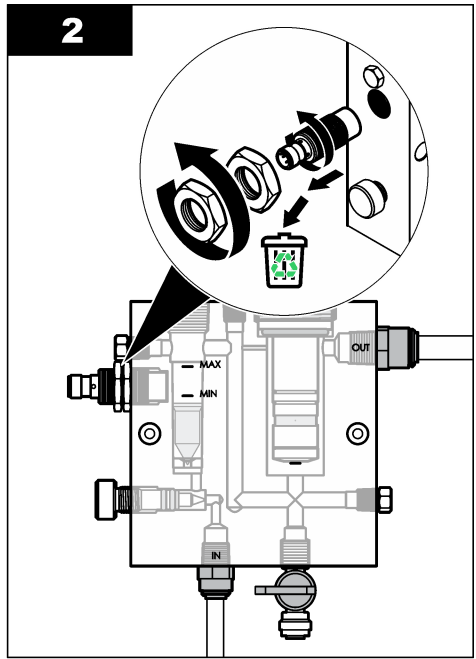
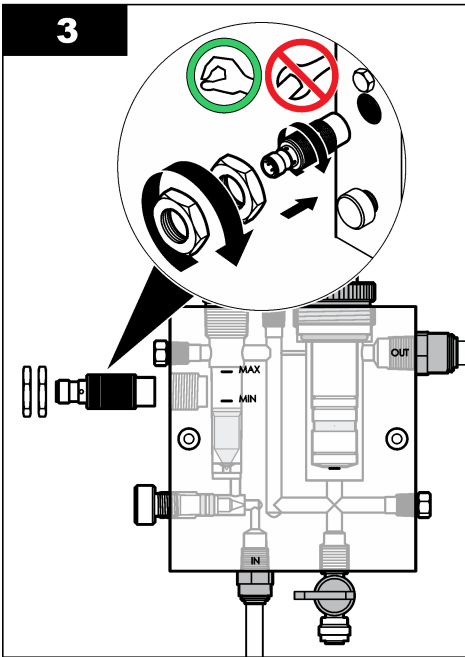
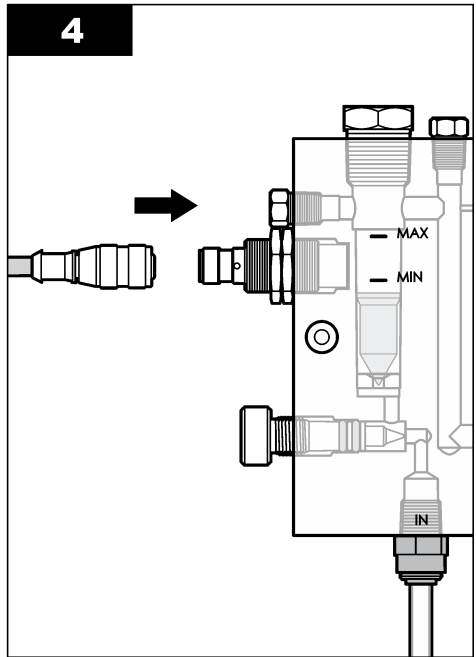
참고: 세제 또는 계면활성제를 사용해 염소 플로우 셀을 세척하지 마십시오.

1. 패널로의 소스 흐름을 중단시킵니다.
2. 염소 센서를 분리해 염소수 샘플을 채운 용기에 놓습니다.
참고: 센서의 전원을 분리하지 마십시오. 염소 센서에서 전원을 분리하면 사용 전에 센서를 조정 및 교정해야 합니다.
참고: 센서 케이블이 연결된 상태로 플로우 셀에서 센서를 제거하면 센서 신호 출력이 바뀝니다. 출력 중지 기능에 관한 자세한 내용은 컨트롤러 사용 설명서를 참조하십시오.
3. 플로우 셀을 물로 행군 후 부드러운 브러시로 침전물을 털어냅니다.
4. 플로우 셀을 물로 행급니다.
5. 충분히 세척한 플로우 셀을 3 ~ 5% 과산화 수소 용액과 식초를 1:3 비율로 혼합한 용액에 10 ~ 15분 동안 담가 놓습니다.
참고: 오염이 심할 경우 상업용 녹 제거 용액을 사용할 수 있습니다. 하지만 이 방법은 플로우 셀 재질에 손상을 입힐 수 있으므로 권장하지는 않습니다.
6. 플로우 셀을 물로 행급니다.
7. 플로우 셀에 센서를 설치한 후 샘플을 흘려 보내기 시작합니다.

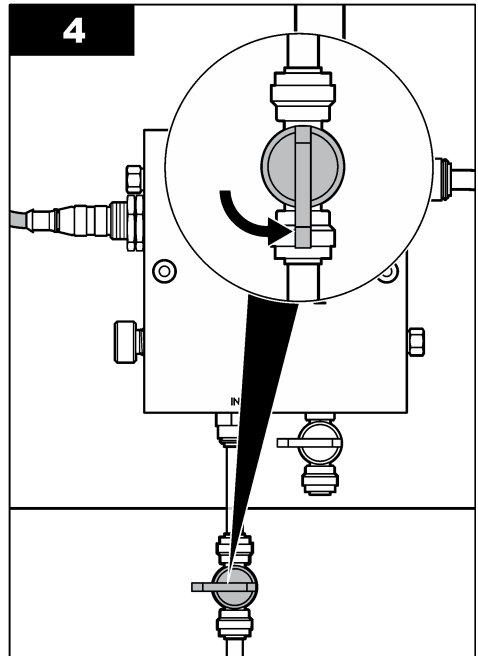
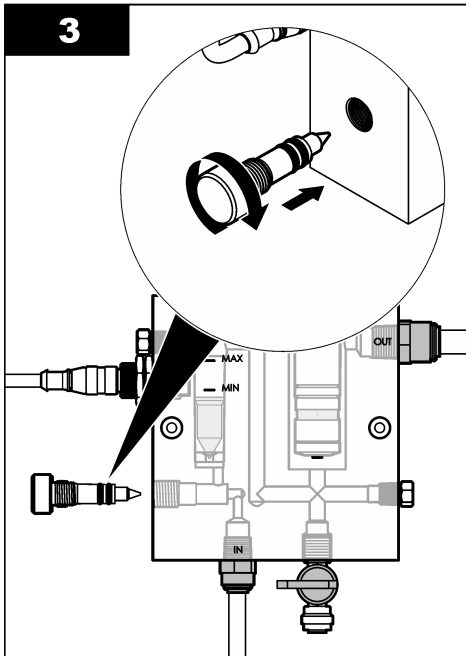
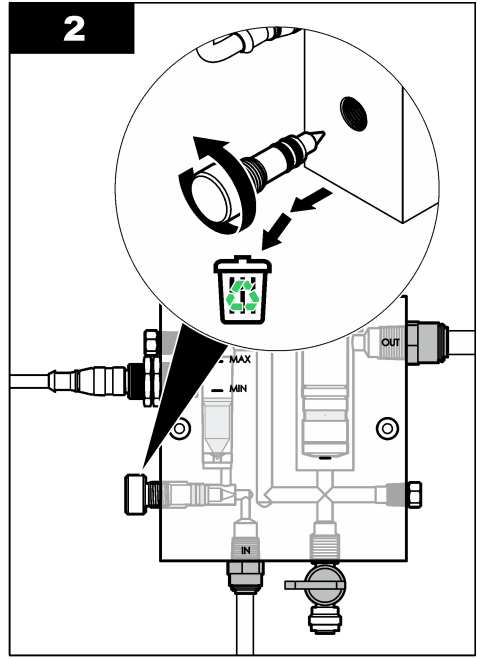
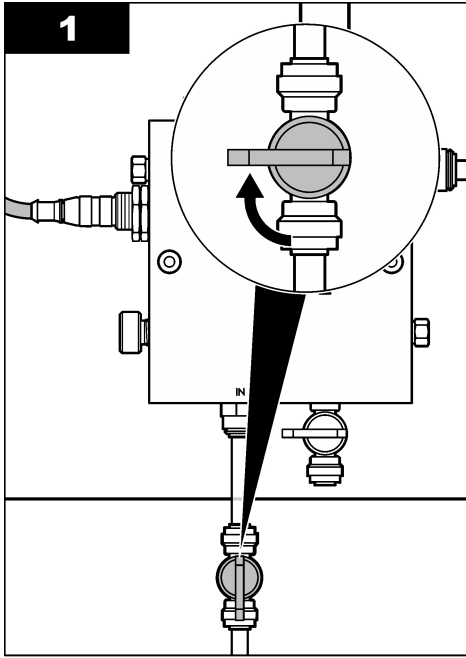
6.3 유량 센서 교체

정상적인 사용 조건에서는 유량 센서를 정기적으로 관리하거나 교체할 필요가 없습니다. 그러나 수위가 MIN(최소) MAX(최대) 표시 사이이고 전원이 공급되고 있는 동안에도 LED 흐름 표시등이 켜지지 않을 경우에는 센서를 교체해야 합니다. 플로우 센서를 교체하려면 이어지는 각 단계별 그림 설명을 참조하십시오.

참고: 유량 센서를 교체할 때 염소 센서를 분리하거나 플로우 셀을 비우거나 컨트롤러 전원을 차단하지 않아도 됩니다.

1**2****3****4**

6.4 유량 제어 밸브 어셈블리 교체



섹션 7 문제 해결

7.1 이벤트 로그

각 센서에 대해 이벤트 로그가 하나씩 제공됩니다. 이벤트 로그에는 교정 완료, 교정 옵션 변경 등 장치에서 발생하는 다양한 이벤트가 저장됩니다. 발생 가능한 이벤트 목록은 다음과 같습니다. 이벤트 로그는 CSV 형식으로 읽을 수 있습니다. 로그 다운로드에 대한 지침은 컨트롤러 사용 설명서를 참조하십시오.

표 1 이벤트 로그

이벤트	설명
전원 켜짐	전원이 켜졌습니다.
플래시 장애	외부 플래시에 문제가 있거나 손상되었습니다.
1지점pH교정_시작	pH에 대한 1지점 샘플 교정이 시작되었습니다.
1지점pH교정_종료	pH에 대한 1지점 샘플 교정이 종료되었습니다.
2지점pH교정_시작	pH에 대한 2지점 샘플 교정이 시작되었습니다.
2지점pH교정_종료	pH에 대한 2지점 샘플 교정이 종료되었습니다.
1지점버퍼pH교정_시작	pH에 대한 1지점 버퍼 교정이 시작되었습니다.
1지점버퍼pH교정_종료	pH에 대한 1지점 버퍼 교정이 종료되었습니다.
2지점버퍼pH교정_시작	pH에 대한 2지점 버퍼 교정이 시작되었습니다.
2지점버퍼pH교정_종료	pH에 대한 2지점 버퍼 교정이 종료되었습니다.
온도교정_시작	온도 교정이 시작되었습니다.
온도교정_종료	온도 교정이 종료되었습니다.
1지점화학제로CL2_시작	염소에 대한 1지점 화학제로교정이 시작되었습니다.
1지점화학제로CL2_종료	염소에 대한 1지점 화학제로교정이 종료되었습니다.
1지점전기제로CL2_시작	염소에 대한 1지점 전기제로교정이 시작되었습니다.
1지점전기제로CL2_종료	염소에 대한 1지점 전기제로교정이 종료되었습니다.
1지점처리농도_시작	염소에 대한 1지점 처리 농도가 시작되었습니다.
1지점처리농도_종료	염소에 대한 1지점 처리 농도가 종료되었습니다.
2지점화학CL2_시작	염소에 대한 2지점 화학교정이 시작되었습니다.
2지점화학CL2_종료	염소에 대한 2지점 화학교정이 종료되었습니다.
2지점전기CL2_시작	염소에 대한 2지점 전기교정이 시작되었습니다.
2지점전기CL2_종료	염소에 대한 2지점 전기교정이 종료되었습니다.
CL2교정기본값설정	염소 교정이 기본값으로 재설정되었습니다.
pH교정기본값설정	pH 교정 데이터가 기본값으로 재설정되었습니다.
온도교정기본값설정	온도 교정 데이터가 기본값으로 재설정되었습니다.
모든교정기본값설정	모든 센서 교정 데이터가 기본값으로 재설정되었습니다.
CL2교정옵션변경됨	염소 교정 옵션이 변경되었습니다.

표 1 이벤트 로그 (계속)

이벤트	설명
pH교정옵션변경됨	pH 교정 옵션이 변경되었습니다.
온도교정옵션변경됨	온도 교정 옵션이 변경되었습니다.
센서구성변경됨	센서 구성이 변경되었습니다.
CL2교정내역재설정	CL2 교정 내역이 재설정되었습니다.
pH 교정내역재설정	pH 교정 내역이 재설정되었습니다.
온도 교정내역재설정	온도 교정 내역이 재설정되었습니다.
모든센서교정내역재설정	모든 센서 교정 내역이 재설정되었습니다.
CL2센서재설정	CL2 교정 데이터(센서 일 수, 교정 내역 및 교정 데이터)가 기본값으로 재설정되었습니다.
pH센서재설정	pH 교정 데이터(센서 일 수, 교정 내역 및 교정 데이터)가 기본값으로 재설정되었습니다.
온도센서재설정	온도 교정 데이터(센서 일 수, 교정 내역 및 교정 데이터)가 기본값으로 재설정되었습니다.
모든센서재설정	모든 센서 교정 데이터(센서 일 수, 교정 내역 및 교정 데이터)가 기본값으로 재설정되었습니다.
흐름 감지	근접 센서의 상태가 변경되었습니다(충분한 유량 또는 충분하지 못한 유량).

7.2 오류 목록

다양한 이유로 오류가 발생할 수 있습니다. 측정 화면의 센서 판독값이 깜박입니다. 컨트롤러 메뉴에서 지정한 출력이 모두 보류됩니다. 센서 오류를 표시하려면 **MENU** 키를 누르고 센서 진단, 오류 목록을 선택하십시오. 발생 가능한 오류 목록은 다음과 같습니다.

표 2 센서 오류 목록

오류	설명	해결 방법
CL 교정 필요	염소 교정 및/또는 pH 교정이 필요합니다. 염소 및/또는 pH 측정값이 변경되어 교정 감시 알람이 발생했습니다. 자세한 내용은 염소 센서 설명서를 참조하십시오.	염소 센서 및/또는 pH 센서를 교정합니다.
CL 관리 필요	염소 센서 유지관리가 필요합니다. 기울기가 기본값의 30% 미만이거나 300%를 초과합니다. 기본 기울기는 100 mV/ppm (100%)입니다.	센서 유지관리를 수행한 후 교정을 반복하거나 센서를 교체합니다. 자세한 내용은 염소 센서 설명서를 참조하십시오.
CL 관리 필요	염소 센서 유지관리가 필요합니다. 오프셋이 지나치게 높습니다(±50 mV 초과).	센서 유지관리를 수행한 후 교정을 반복하거나 센서를 교체합니다. 자세한 내용은 염소 센서 설명서를 참조하십시오.

표 2 센서 오류 목록 (계속)

오류	설명	해결 방법
PH 너무 낮음	pH 값이 0 pH 미만입니다.	pH 센서를 교정하거나 교체합니다.
PH 너무 높음	pH 값이 14 pH를 초과합니다.	
PH 기울기 실패	기울기가 -45 ~ -65 mV/pH 범위를 벗어납니다.	pH 센서를 세척한 후 새 버퍼 또는 샘플로 교정을 반복하거나 센서를 교체합니다.
PH 오프셋 실패	오프셋이 ±60 mV를 벗어납니다.	pH 센서를 세척한 후 새 버퍼 또는 샘플로 교정을 반복하거나 센서를 교체합니다.
PH 오프셋 실패	오프셋이 ±60 mV를 벗어납니다.	pH 센서를 세척하고 염다리와 표준 셀 용액을 교체합니다. 새 버퍼 또는 샘플로 교정을 반복하거나 센서를 교체합니다.
온도 너무 낮음	온도가 0°C 미만입니다.	온도를 교정하거나 pH 센서를 교체합니다.
온도 너무 높음	온도가 100°C를 초과합니다.	
온도 실패	오프셋이 5.0°C를 초과하거나 -5.0°C 미만입니다.	온도를 교정하거나 pH 센서를 교체합니다.
흐름 없음	흐름 수준이 지나치게 낮습니다.	흐름을 증가시킵니다.

7.3 경고 목록

경고는 메뉴, 릴레이 및 출력 작동에 영향을 주지 않습니다. 경고 아이콘이 깜박이고 측정 화면 하단에 메시지가 표시됩니다. 센서 경고를 표시하려면 **MENU** 키를 누르고 센서 진단, 경고 목록을 선택하십시오. 발생 가능한 경고 목록은 다음과 같습니다.


표 3 센서 경고 목록

경고	설명	해결 방법
CL 교정 권장	염소 및/또는 pH 교정이 권장됩니다. 염소 및/또는 pH 측정값이 변경되어 교정 감시 경고 알람이 발생했습니다. 자세한 내용은 센서 설명서를 참조하십시오.	염소 센서 및/또는 pH 센서를 교정합니다.
CL 교정 권장	염소 교정이 권장됩니다. 염소 교정 데이터를 사용할 수 없습니다(기본 교정 데이터가 있는 센서).	염소 센서를 교정합니다.
PH 교정 권장	pH 교정이 권장됩니다. pH 교정 데이터를 사용할 수 없습니다(기본 교정 데이터가 있는 센서).	pH 센서를 교정합니다.
온도 교정 권장	온도 교정이 권장됩니다. 온도 교정 데이터를 사용할 수 없습니다(기본 교정 데이터가 있는 센서).	온도를 교정합니다.
CL 교정	염소 센서의 센서 일 수 값이 교정 알람 값을 초과합니다.	염소 센서를 교정합니다.
PH 교정	pH 센서의 센서 일 수 값이 교정 알람 값을 초과합니다.	pH 센서를 교정합니다.

표 3 센서 경고 목록 (계속)

경고	설명	해결 방법
온도 교정	온도 센서의 센서 일 수 값이 교정 알람 값을 초과합니다.	온도를 교정합니다.
CL 관리 권장	염소 센서 유지관리가 권장됩니다. 기울기가 기본값의 30~45% 또는 250~300%입니다. 기본 기울기는 100 mV/ppm(100%)입니다.	센서 유지관리를 수행한 후 교정을 반복하거나 센서를 교체합니다.
CL 관리 권장	염소 센서 유지관리가 권장됩니다. 오프셋이 -50~45 mV 또는 45~50 mV입니다.	센서 유지관리를 수행한 후 교정을 반복하거나 센서를 교체합니다.
PH 관리 권장	pH 센서 유지관리가 권장됩니다. 기울기가 -50 ~ -61 mV/pH 범위를 벗어납니다.	pH 센서를 세척한 후 새 버퍼 또는 샘플로 교정을 반복하거나 센서를 교체합니다.
PH 관리 권장	pH 센서 유지관리가 권장됩니다. 오프셋이 ±45 mV를 벗어나 ±60 mV 사이입니다.	센서를 세척한 후 교정을 반복하거나, 센서를 교체합니다.
PH 관리 권장	pH 센서 유지관리가 권장됩니다. 오프셋이 ±45 mV를 벗어나 ±60 mV 사이입니다.	센서를 세척하고 염다리 및 표준 셀 용액을 교체한 다음 교정을 반복하거나, 센서를 교체합니다.
온도 관리 권장	온도 오프셋이 ±3°C를 벗어나 ±5°C 사이입니다.	온도를 교정합니다.

섹션 8 교체 부품 및 부속품

▲ 경고	
	<p>신체 부상 위험. 승인되지 않은 부품을 사용하면 부상, 기기 손상 또는 장비 오작동이 발생할 수 있습니다. 이 장에 설명된 교체 부품은 제조업체의 승인을 받았습니다.</p>

참고: 일부 판매 지역의 경우 제품 및 문서 번호가 다를 수 있습니다. 연락처 정보는 해당 대리점에 문의하거나 본사 웹사이트를 참조하십시오.

부품

설명	품목 번호
케이블, 컨트롤러에 게이트웨이 연결, 1 m	6122400
케이블 어셈블리, 4핀, 차폐형, 유량 센서, 2 m	9160900
케이블 어셈블리, 5핀, 차폐형, M12, 염소 센서, 1 m	9160300
피팅, 염소 플로우 셀 유입 포트	9159200(1/4 in.)
	9196400(6 mm)
피팅, 스피드 피트, 염소 플로우 셀 배출 포트 또는 pH 플로우 셀 유입 포트	9159300(3/8 in.)
	9196500(10 mm)
피팅, 엘보, pH 플로우 셀 배출 포트	9196900(1/2 in.)
	9197000(12 mm)

부품 (계속)

설명	품목 번호
플로트, 유량 센서	9159100
플로우 셀 어셈블리, 염소	영국식: 9198400 미터법: 9198500
플로우 셀 어셈블리, pH 복합	영국식: 9180200 미터법: 9180400
플로우 셀 어셈블리, pH 실링 허브 포함	영국식: 9180100 미터법: 9180300
플로우 셀 본체만(pH)	9159700
플로우 셀 블록, 염소	9158900
흐름 제어 밸브	9159000
흐름 제어 밸브 키트	9198600
유량 센서	9160800
게이트웨이, 디지털	9180500
로크 링, 염소 플로우 셀	9196200
로크 링, pH 플로우 셀	60F2032-001
오링, 흐름 제어 밸브(2개)(#2-108, Viton)	9159600
오링, pH 플로우 셀(#2-228, Viton)	5H1223
오링, 실링 허브, 염소 플로우 셀(#2-123, Viton)	9196300
오링, 스플릿 링(M25 x 2.5)	9181800
플러그, 염소 플로우 셀, 1/2 in.	9159500
나사, 염소 플로우 셀(2개)(10-32 x 1.75 Lg Phillips 팬 헤드)	4422200
나사, pH 플로우 셀(2개)(10-32 x .5 Lg Phillips 팬 헤드)	561211
실링 블랭크, pH 플로우 셀	9198000
실링 허브, 염소 플로우 셀	9196100
실링 허브, pH 복합 센서, 3/4 in.	9159800
실링 허브, pH 플로우 셀, 1 in.	60F2021-001
스플릿 링, 염소 플로우 셀	9181700
튜브, 샘플 흐름, 1/4 in. x 2 m	4743800
튜브, 샘플 흐름, 3/8 in. x 18 in.	9198100
튜브, 폐기물 흐름, 1/2 in. x 2 m	9198200
밸브, 샘플 채취 포트	9005300
밸브, 스피드 피트, 세척 포트	6166300

부속품

설명	품목 번호
산성화/자동 세척 키트	LZY051
압력 조절기 샘플 컨디셔닝 키트	9159900

جدول المحتويات

5	التشغيل في صفحة 150	1	جدول المحتويات في صفحة 142
6	الصيانة في صفحة 151	2	المواصفات في صفحة 142
7	استكشاف الأخطاء وإصلاحها في صفحة 155	3	معلومات عامة في صفحة 142
8	قطع الغيار والملحقات في صفحة 158	4	التركيب في صفحة 147

القسم 1 جدول المحتويات

الصيانة في صفحة 151	المواصفات في صفحة 142
استكشاف الأخطاء وإصلاحها في صفحة 155	معلومات عامة في صفحة 142
قطع الغيار والملحقات في صفحة 158	التركيب في صفحة 147
	التشغيل في صفحة 150

القسم 2 المواصفات

تخضع المواصفات للتغيير من دون إشعار.

المواصفات	التفاصيل
وصف الجهاز	لوحة تحليل أمبيرية لمراقبة الكلور من دون كاشف، مع جهاز استشعار الكلور والتدفق ومجموعة درجة الحموضة أو القطب التفاضلي لمقياس درجة الحموضة الاختياري، وخلايا التدفق، ووحدة تحكم SC، والبوابة الرقمية
درجة حرارة التشغيل	من 0 إلى 45 درجة مئوية (من 0 إلى 113 درجة فهرنهايت)
درجة حرارة التخزين (اللوحة فقط)	من -20 إلى 60 درجة مئوية (من -4 إلى 149 درجة فهرنهايت)
متطلبات الطاقة	12 فولت تيار مستمر $\pm 10\%$ ، 100 مللي أمبير كحد أقصى (يتم توفيره بواسطة وحدة تحكم SC)
أبعاد اللوحة (الطول x العرض x العمق)	48.3 x 49.5 x 15.1 سم (19 x 19.5 x 5.95 بوصات) مع المكونات المركبة على اللوحة
الوزن	5.4 كجم (12 رطلاً) تقريباً (اللوحة والمكونات الفارغة المركبة على اللوحة فقط)
معدل التدفق	النطاق: 30-50 لتر/ساعة (7,9-13,2 جالوناً/ساعة) الأمثل: 40 لتر/ساعة (5,10 جالونات/ساعة)
منصة وحدة التحكم	طرزات وحدة تحكم SC

القسم 3 معلومات عامة

لا تتحمل الشركة المصنعة بأي حال من الأحوال المسؤولية عن الأضرار المباشرة أو غير المباشرة أو الخاصة أو العرضية أو اللاحقة الناتجة عن أي سهو أو خطأ في هذا الدليل. وتحتفظ الشركة المصنعة بالحق في إجراء تغييرات على هذا الدليل والمنتجات الموضحة به في أي وقت، دون إشعار أو التزام مسبق. يمكن العثور على الإصدارات التي تمت مراجعتها على موقع الشركة المصنعة على الويب.

3.1 معلومات السلامة

إشعار

الشركة المصنعة غير مسؤولة عن أية أضرار تنتج عن سوء استخدام هذا المنتج، بما في ذلك على سبيل المثال لا الحصر الأضرار المباشرة والعرضية واللاحقة، وتخلي مسؤوليتها عن مثل هذه الأضرار إلى الحد الكامل المسموح به وفق القانون المعمول به. يتحمل المستخدم وحده المسؤولية الكاملة عن تحديد مخاطر الاستخدام الحرجة وتركيب الأليات المناسبة لحماية العمليات أثناء أي قصور محتمل في تشغيل الجهاز.

يرجى قراءة هذا الدليل بالكامل قبل تفريغ محتويات العبوة أو إعداد هذا الجهاز أو تشغيله. انتبه جيداً لجميع بيانات الخطر والتنبيه. فإن عدم الالتزام بذلك قد يؤدي إلى إصابة خطيرة تلحق بالمشغل أو تلف بالجهاز.



تأكد أن الحماية التي يوفرها هذا الجهاز لم تضعف. تجنب استخدام هذا الجهاز أو تركيبه بأية طريقة بخلاف الموضحة في هذا الدليل.

3.2 استخدام معلومات الخطر

⚠️ خطر
يشير إلى موقف خطير محتمل أو وشيك والذي إذا لم يتم تجنبه، سوف يؤدي إلى الوفاة أو يتسبب في حدوث إصابة خطيرة.
⚠️ تحذير
يشير إلى موقف خطير محتمل أو وشيك والذي إذا لم يتم تجنبه، سوف يؤدي إلى الوفاة أو يتسبب في حدوث إصابة خطيرة.
⚠️ تنبيه
يشير إلى موقف خطير محتمل يمكن أن يؤدي إلى إصابة طفيفة أو متوسطة.
إشعار
يشير إلى موقف، إذا لم يتم تجنبه، يمكن أن يؤدي إلى تلف الجهاز. معلومات تتطلب تأكيداً خاصاً.

3.3 الملصقات الوقائية

اقرأ جميع الملصقات والعلامات المرفقة بالجهاز. فمن الممكن أن تحدث إصابة شخصية أو يتعرض الجهاز للتلف في حالة عدم الانتباه لها. ويُشار في الدليل إلى كل رمز على الجهاز من خلال بيان وقائي.

هذا الرمز إذا تمت ملاحظته على الجهاز، فإنه يشير إلى دليل الإرشادات لمعرفة معلومات التشغيل و/أو السلامة.	
لا يمكن التخلص من الأجهزة الكهربائية التي تحمل هذا الرمز في الأنظمة الأوروبية للتخلص من النفايات المحلية أو العامة. لكن يتم إرجاع الجهاز القديم أو منتهي الصلاحية إلى الشركة المصنعة للتخلص منه بدون أن يتحمل المستخدم أي رسوم.	

3.4 نظرة عامة على المنتج

هذا المنتج مخصص للاستخدام في تطبيقات مياه الشرب من البلدية بشكل أساسي. يجب تحديد تطبيقات مياه الصرف الصحي والتطبيقات الصناعية لتكون قابلة للتطبيق من قبل جهة التصنيع قبل التركيب.

يراقب محلل الكلور من دون كاشف تركيز الكلور الحر المتبقي أو الكلي في الماء، وهو أكثر موثوقية في قياس تراكيز الكلور المتبقية التي تزيد عن 0,1 جزء في المليون (ملغ/لتر). إن الجمع بين وحدة تحكم طراز SC وجهاز استشعار الكلور ثلاثي الأقطاب وجهاز استشعار درجة الحموضة الاختياري وجهاز استشعار التدفق يوفر أفضل وظيفة مراقبة. يقرأ جهاز الاستشعار درجة حرارة العينة. يقوم جهاز استشعار درجة الحموضة بإرسال قراءة درجة الحرارة إلى شاشة وحدة التحكم. يستخدم جهاز استشعار الكلور قياس درجة الحرارة داخلياً ولا ينقل القياس إلى شاشة وحدة التحكم. تتوفر مجموعة منظم الضغط ومجموعة التخمض والتنظيف كملحقات.

يستقر جهاز استشعار الكلور ودرجة الحموضة في خلايا تدفق متصلة على التوالي ومركبة على اللوحة. تحافظ خلايا التدفق على تلامس جهاز الاستشعار بالعينة وتساعد على منع جفاف جهازي الاستشعار عندما لا يكون النظام قيد التشغيل. يقدم الشكل 1 والشكل 2 والشكل 3 نظرة عامة على النظام وخلايا التدفق.

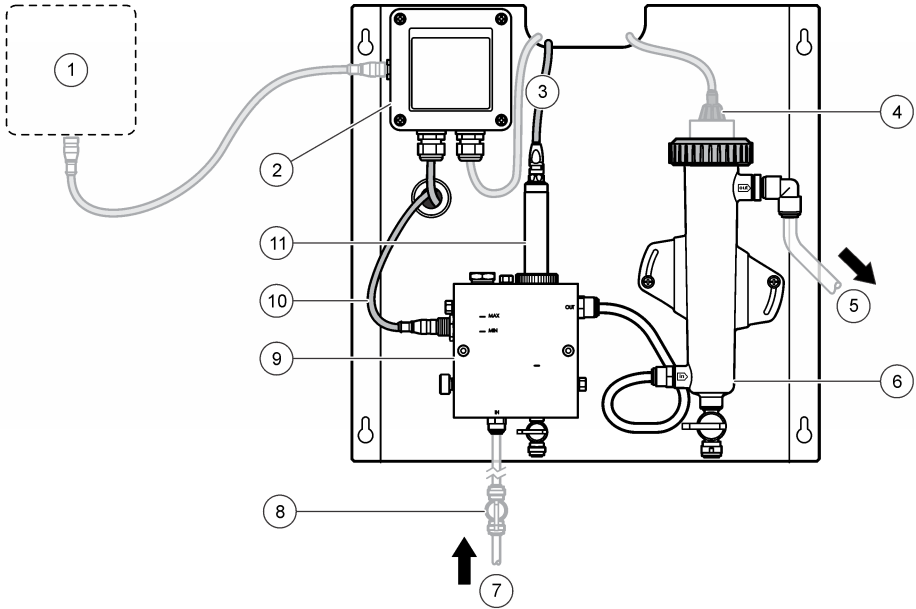
يتصل كل جهاز استشعار بوحدة التحكم من خلال البوابة المركبة على اللوحة. تقوم البوابة بتحويل الإشارات التناظرية من أجهزة الاستشعار إلى إشارات رقمية تستخدمها وحدة التحكم. تقوم وحدة التحكم بتحويل الإشارات الرقمية إلى قيم قياس الكلور ودرجة الحموضة ودرجة الحرارة وتعرض القراءات على الشاشة. تقوم وحدة التحكم بتوفير الطاقة لأجهزة الاستشعار والبوابة الرقمية.

يمكن تكوين وحدة التحكم بحيث تسبب حالة إنذار أو تحذيراً إذا ارتفعت قيم القياس فوق القيم المحددة أو انخفضت عنها. للحصول على معلومات حول إنذارات وحدة التحكم، راجع دليل مستخدم وحدة التحكم.

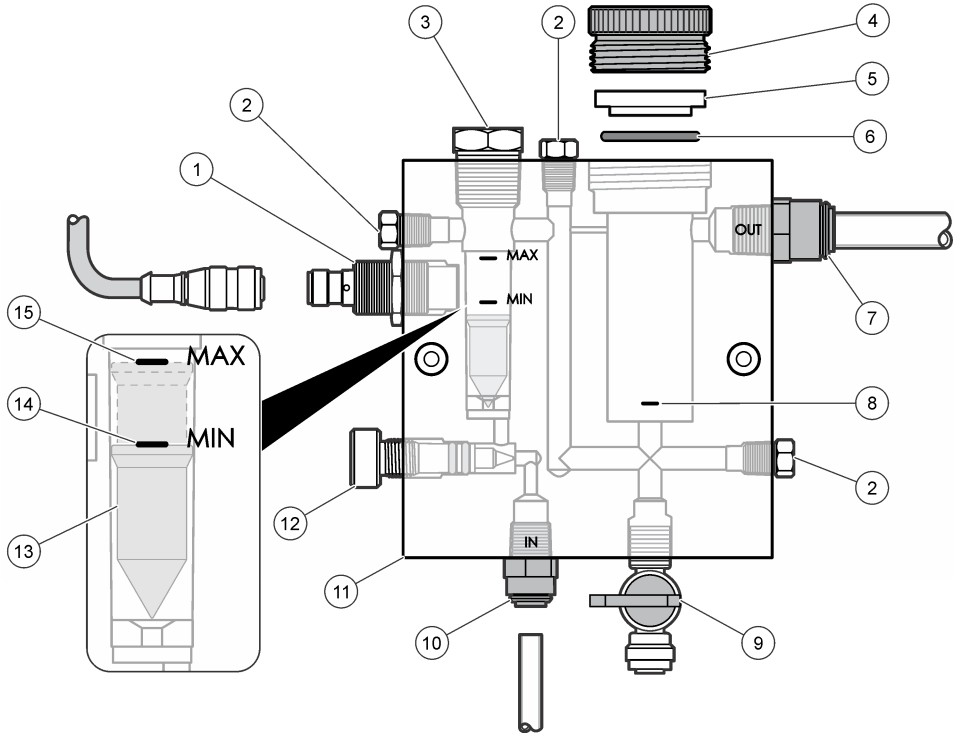
ملاحظة: راجع دليل مستخدم جهاز الاستشعار للحصول على معلومات حول كيفية تخزين أجهزة الاستشعار عندما لا يكون النظام قيد التشغيل.

يوفر تكوينان للمحلل: خيار العينة العشوائية (من دون جهاز استشعار درجة الحموضة) وخيار درجة الحموضة. يتضمن خيار العينة العشوائية لوحة التركيب وجهاز استشعار الكلور وخلية التدفق وخلية تدفق درجة الحموضة من دون جهاز استشعار وجهاز استشعار التدفق والبوابة الرقمية ووحدة التحكم. يتضمن خيار درجة الحموضة هذه العناصر بالإضافة إلى جهاز استشعار درجة الحموضة.

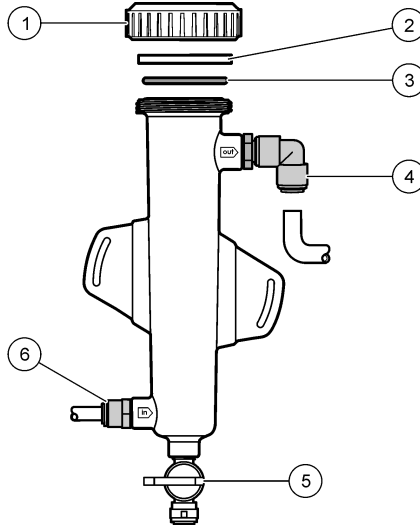
يقوم صمام التحكم في التدفق بتنظيم تدفق العينة. يوصى بمعدل تدفق ثابت يتراوح بين 30 و50 لتر/ساعة لتشغيل جهاز الاستشعار بشكل صحيح (انظر الشكل 1). يبلغ معدل التدفق الأمثل 40 لتر/ساعة. يظهر مؤشر LED واحد على جهاز استشعار التدفق ما إذا كان معدل تدفق العينة كافياً. إذا لم يكن مؤشر LED مضاءً، فيجب ضبط معدل التدفق حتى يضيء مؤشر LED. لا يعد معدل التدفق الدقيق مهماً ما دام مؤشر LED مضاءً، ولكن يجب أن يظل التدفق ثابتاً في نطاق المواصفات.



7	مدخل العينة	1	وحدة التحكم
8	صمام إغلاق (يوفره العميل)	2	البوابة
9	خلية تدفق الكلور	3	كابل جهاز استشعار الكلور
10	كابل جهاز استشعار التدفق	4	جهاز استشعار درجة الحموضة (اختياري)
11	جهاز استشعار الكلور	5	تصريف العينة
		6	خلية تدفق درجة الحموضة



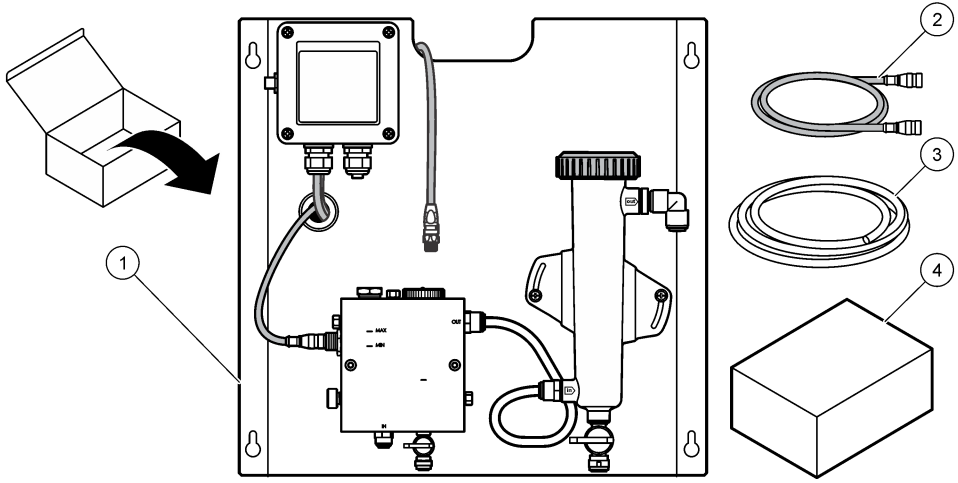
9 الصمام، منفذ التنظيف، أنبوب بقطر مقياس 1/4 بوصة	1 جهاز استشعار التدفق
10 مدخل خلية التدفق	2 قابس، 1/8 بوصة بسن لولبة الأنابيب القياسية الوطنية
<ul style="list-style-type: none"> • نظام إنجليزي: تجهيز سريعة التركيب - أنبوب بقطر خارجي 1/4 بوصة • نظام متري: تجهيز سريعة التركيب - أنبوب بقطر خارجي 6 مم 	3 قابس، 1/2 بوصة بسن لولبة الأنابيب القياسية الوطنية
11 خلية تدفق	4 حلقة القفل
12 صمام التحكم في التدفق	5 جلبة منع التسرب
13 عوامة	6 مانع تسرب حلقي
14 علامة محاذاة العوامة؛ الحد الأدنى	7 تجهيز خروج العينة
15 علامة محاذاة العوامة؛ الحد الأقصى	<ul style="list-style-type: none"> • نظام إنجليزي: تجهيز سريعة التركيب - أنبوب بقطر خارجي 3/8 بوصة • نظام متري: تجهيز سريعة التركيب - أنبوب بقطر خارجي 10 مم
	8 علامة محاذاة جهاز استشعار الكلور



<p>4 تجهيزة خروج العينه نظام إنجليزي: تجهيزة المرفق سريعة التركيب - بقطر خارجي 1/2 بوصة نظام متري: تجهيزة المرفق سريعة التركيب - بقطر خارجي 12 مم</p>	<p>1 حلقة القفل</p>
<p>5 منفذ العينه العشوائية</p>	<p>2 مانع تسرب سهلة التشكيل</p>
<p>6 مدخل خلية التدفق</p> <ul style="list-style-type: none"> • نظام إنجليزي: تجهيزة سريعة التركيب - أنبوب بقطر خارجي 3/8 بوصة • نظام متري: تجهيزة سريعة التركيب - بقطر خارجي 10 مم 	<p>3 مانع تسرب حلقي</p>

3.5 مكونات المنتج

تأكد من استلام جميع المكونات. راجع الشكل 1 في صفحة 144. في حالة فقدان أي عناصر أو تلفها، اتصل بالشركة المصنعة أو مندوب المبيعات على الفور.



1	لوحة النظام	3	الأنابيب، 12 مم (1/2 بوصة)
2	كابل موصل لتوصيل البوابة بوحدة التحكم، 1 متر (3,3 أقدام)	4	جهاز استشعار الكلور

القسم 4 التركيب

4.1 اعتبارات التركيب

- قم بتنفيذ مهام التركيب الميكانيكي أولاً، ثم مهام التركيب الكهربائي بعد ذلك، ثم مهام تركيب توصيل الأنابيب في النهاية.
- تم تصميم كل التجهيزات ليتم ربطها بيدياً فحسب.
- تم تصميم اللوحة بحيث تكون مثبتة على الحائط أو مثبتة على حامل في الداخل. قم بتركيب اللوحة أو وضعها في مكان يسهل الوصول إليه.
- لا تضع اللوحة بجانب مصدر حرارة.
- لا تتركب اللوحة في بيئة تتسم باهتزازات متكررة.
- لا تتركب اللوحة في أشعة الشمس المباشرة، ما قد يؤثر على قراءات الكلور.
- ركب اللوحة في الداخل أو في حاوية بيئية.
- امنع التكاثر من التجمع على اللوحة ومكوناتها، وخاصة خلية التدفق وجهاز الاستشعار ومكان توصيل جهاز الاستشعار والكابل.
- استخدم أنابيب البولي إيثيلين الخطية ذات الكثافة المنخفضة من بيرفلورو الألكوسي (PFA) أو ثنائي فلوريد البولي فينيلدين (PVDF) لخط إدخال العينة وأبق الأنابيب قصيرة قدر الإمكان لتقليل مدة الانتقال.
- يجب أن يكون ضغط العينة كافياً للحفاظ على إمداد مستمر بالماء لأجهزة الاستشعار. سيضيء مؤشر LED على جهاز استشعار التدفق طالما كان التدفق كافياً.
- حافظ على معدل التدفق ثابتاً قدر الإمكان للحصول على أفضل تشغيل لجهاز الاستشعار.

4.2 إرشادات خط العينة

اختر نقطة جيدة لأخذ العينات التمثيلية منها لتحقيق الأداء الأمثل للجهاز. يجب أن تكون العينة تمثيلية للنظام بأكمله. لتجنب القراءات غير المنتظمة:

- اجمع عينات من مواقع بعيدة بشكل كاف عن نقاط الإضافات الكيميائية وصولاً إلى مسار العملية.
- تأكد من أن محتويات العينات مختلطة معاً بشكل كاف.
- تأكد من اكتمال جميع التفاعلات الكيميائية.

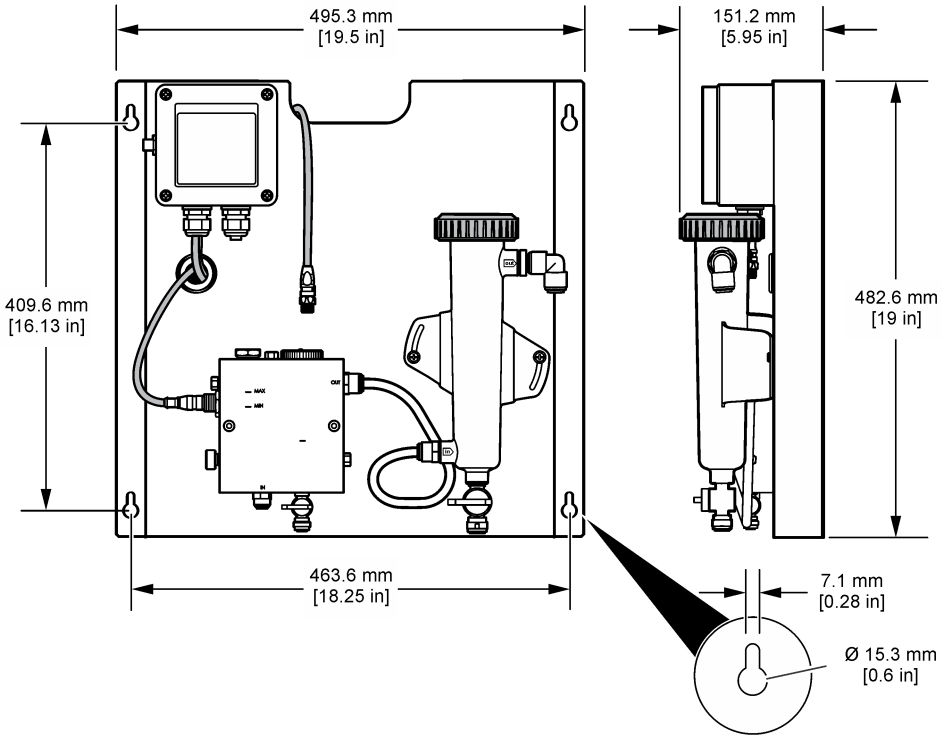
4.3 تركيب الأجزاء الميكانيكية

4.3.1 تركيب اللوحة

يعرض الشكل 5 أبعاد التركيب. راجع الشكل واتبع الخطوات لتركيب اللوحة.

1. اربط براغي التثبيت في سطح التركيب. قم بالتركيب على مسامير الحائط أو استخدم المثبتات على الحائط. اترك مساحة كافية بين رأس كل برغي ووسط التركيب بحيث تتسع للوحة بينهما.
2. حرك فتحات تركيب اللوحة فوق رؤوس براغي التركيب واسمح بتحريك اللوحة لأسفل حتى يستقر الجزء العلوي من كل فتحة تثبيت على ساق البرغي.
3. أحكم ربط كل برغي لتثبيت اللوحة على سطح التركيب.
4. قم بتركيب جهاز استشعار الكلور والحموضة (اختياري) في خلايا التدفق. للحصول على معلومات حول كيفية تركيب أجهزة الاستشعار، راجع دليل مستخدم جهاز الاستشعار.

الشكل 5 أبعاد لوحة محلل الكلور من دون كاشف



4.4 تركيب الأجزاء الكهربائية

4.4.1 توصيل اللوحة بالأسلاك

⚠ تحذير

خطر الصعقات الكهربائية المحتملة. أفضل الطاقة دوماً عن الجهاز عند إجراء توصيلات كهربائية.



تقوم وحدة التحكم بتوفير الطاقة لأجهزة الاستشعار والبوابة الرقمية.

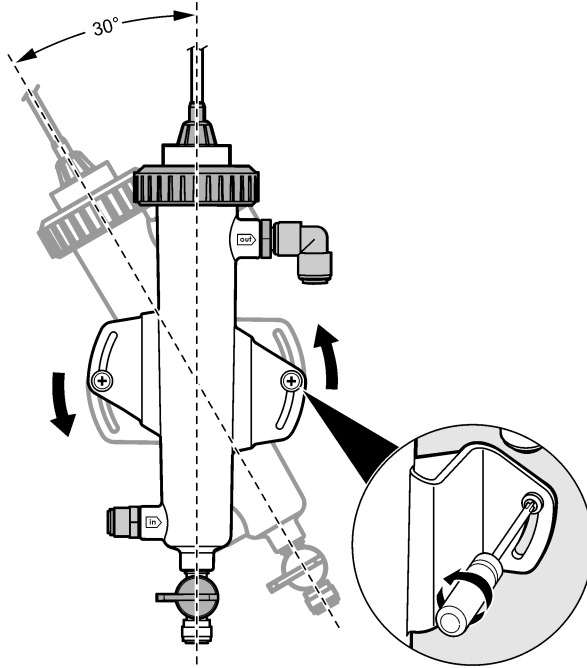
1. افصل الطاقة عن وحدة التحكم.
2. قم بتوصيل أسلاك جهاز استشعار درجة الحموضة (اختياري) بالبوابة. للحصول على معلومات حول كيفية تركيب أجهزة الاستشعار في خلايا التندف، أو كيفية توصيل جهاز الاستشعار بالبوابة، راجع دليل مستخدم جهاز الاستشعار.
3. قم بتوصيل جهاز استشعار الكلور بالبوابة. للحصول على معلومات حول كيفية توصيل جهاز الاستشعار بالبوابة، راجع دليل مستخدم جهاز الاستشعار. اقرأ الملصقات الموجودة على موصلات الكابل بعناية لتجنب عدم التطابق.
ملاحظة: عند شحن اللوحة، يتم تثبيت كابل جهاز استشعار الكلور بشرط لاصق في الجزء الأمامي من اللوحة بالقرب من موقع وصلة جهاز الاستشعار.
4. قم بتوصيل وحدة التحكم بالبوابة باستخدام كابل التوصيل بطول متر واحد المتوفر مع اللوحة. لا تقم بتوصيل أداة التحكم بمصدر الطاقة إلا عند الانتهاء من جميع التوصيلات الأخرى وفحصها.

4.5 توصيل الأنابيب

4.5.1 توصيل اللوحة بالأنابيب

تأكد من اتباع مواصفات الحجم الخاصة بكل الأنابيب والتجهيزات الخاصة باللوحة. يجب أن يزيد قطر مسار التندف مع تدفق المياه عبر النظام لمنع تراكم الضغط المرتد. يعرض الشكل 1 في صفحة 144 نظرة عامة لتوصيلات الأنابيب.

1. قم بتوصيل الأنابيب بتجهيزات مدخل ومخرج العينة.
2. تأكد من إغلاق منفذ التنظيف في خلية تدفق الكلور.
3. تأكد من إغلاق منفذ العينة العشوائية على خلية التندف الخاصة بدرجة الحموضة.
4. ركب جهازي استشعار الكلور ودرجة الحموضة (اختيارية) وفقاً للتعليمات الواردة في أدلة المستخدم المناسبة، قبل إدخال العينة في النظام.
5. افتح صمام التندف على خط العينة واسمح للماء بالتندف عبر النظام.
6. تأكد من عدم وجود تسربات من الأنابيب أو تجهيزات الصمامات أو خلايا التندف.
7. لتقليل فقاعات الهواء، يمكن إمالة خلية تدفق درجة الحموضة بين 0 و30 درجة كما هو موضح في الشكل 6.



القسم 5 التشغيل

5.1 تنقل المستخدم

راجع وثائق وحدة التحكم للاطلاع على وصف لوحة المفاتيح ومعلومات التنقل. اضغط على مفتاح السهم **RIGHT** (إلى اليمين) في وحدة التحكم عدة مرات لإظهار معلومات أكثر على الشاشة الرئيسية ولإظهار عرض رسومي.

5.2 تكوين النظام

يتم إجراء تكوين جهاز الاستشعار ومعايرته من خلال واجهة مستخدم وحدة التحكم. لمزيد من المعلومات حول كيفية تكوين جهاز الاستشعار أو معايرته، راجع دليل مستخدم جهاز الاستشعار. يجب توصيل وحدة تحكم طراز SC بالبوابة.

1. من القائمة الرئيسية لوحدة التحكم، حدد **Sensor Setup** (إعداد جهاز الاستشعار). يتم عرض قائمة **Chlorine Gateway (CGW) Setup** (إعداد بوابة الكلور).
2. حدد **Configure** (تكوين) وخصص الإعدادات. قم بالتأكيد بعد كل إدخال لحفظ التغييرات والعودة إلى قائمة **Configure** (تكوين).

الوصف

الخيار

تحرير اسم جهاز الاستشعار

Edit name (تحرير الاسم)

لتحديد المعلمة المطلوب تكوينها. يتطلب تكوين المعلمة المحددة خطوات إضافية. راجع دليل مستخدم جهاز الاستشعار للحصول على مزيد من المعلومات.

Select Parameter—Chlorine (Total or Free), pH (optional), Temperature (optional) (تحديد المعلمة - الكلور (الكلّي أو الحر)، درجة الحموضة (اختياري)، درجة الحرارة (اختياري))

إعادة تعيين كل الإعدادات إلى قيم المصنع الافتراضية.

Reset Defaults—Confirm to do the reset (إعادة تعيين الإعدادات الافتراضية - التأكيد لإعادة التعيين).

5.3 بدء تشغيل النظام

تأكد من إتمام كافة المهام الميكانيكية والكهربائية ومهام توصيل الأنابيب بشكل صحيح قبل بدء التدفق عبر النظام.

1. قم بتزويد وحدة التحكم بالطاقة. عند التشغيل للمرة الأولى، تعرض وحدة التحكم شاشات Language (اللغة) و Date Format (تنسيق التاريخ) و Date/Time (التاريخ/الوقت) بالترتيب.
2. اضبط اللغة والتاريخ والوقت في وحدة التحكم إذا لم يحدث ذلك. راجع دليل مستخدم وحدة التحكم للحصول على مزيد من المعلومات حول كيفية ضبط هذه الخيارات. تقوم وحدة التحكم بالمتابعة عن أجهزة متصلة.
3. تأكد من إغلاق منفذ التنظيف ومنفذ العينة العشوائية، ثم افتح صمام ON/OFF (التشغيل/إيقاف التشغيل) على خط العينة لبدء تدفق الماء عبر النظام. ستمتلئ خلايا تدفق الكلور ودرجة الحموضة بالماء.
4. تأكد من إضاءة مؤشر LED الخاص بجهاز استشعار التدفق ومن وجود العوامة بين العلامتين MIN (الحد الأدنى) و MAX (الحد الأقصى). إذا لم يكن مؤشر LED مضاءً، فاضبط صمام التحكم في التدفق لزيادة التدفق أو خفضه. سيضيء مؤشر LED الخاص بجهاز استشعار التدفق عندما يكون التدفق كافيًا لتشغيل الجيد لجهاز الاستشعار. إذا كان التدفق عاليًا جدًا، فقد لا يضيء مؤشر LED. تأكد من أن العوامة بين العلامتين MIN (الحد الأدنى) و MAX (الحد الأقصى).
5. تحقق من عدم وجود تسريبات أو انسدادات في الأنابيب وخلايا التدفق. أوقف تشغيل التدفق إلى اللوحة في حال اكتشاف أي مشكلات وقم بإجراء الإصلاحات الضرورية.
6. عندما يكون تدفق النظام كافيًا، امسح أي تحذيرات تظهر على شاشة وحدة التحكم بتابع الرسائل والمطالبات التي تظهر على الشاشة.
7. اضغط على مفتاح HOME (الشاشة الرئيسية). تظهر شاشة القياس الرئيسية وتعرض قيم قياس الكلور ودرجة الحرارة ودرجة الحموضة (إذا كان جهاز استشعار درجة الحموضة متصلًا).

القسم 6 الصيانة

⚠️ تنبيه

مخاطر متعددة. يجب عدم إجراء المهام الموضحة في هذا القسم من المستند إلا بواسطة الموظفين المؤهلين لذلك فقط.



6.1 استبدال الأنابيب

استبدل الأنابيب مرة واحدة على الأقل كل عام. استبدل الأنابيب الهشة أو المشقوقة أو المسربة على الفور. استبدل الأنابيب القديمة أو التي تغير لونها أو الملوثة أو التالفة وركب أنابيب بقطر ونوع مماثلين (تفضل أنابيب PFA أو PVDF).

6.2 تنظيف خلية تدفق جهاز الاستشعار

نظف خلية التدفق حسب الضرورة لإزالة الرواسب. ونظف خلية التدفق إذا أصبحت ملوثة بشدة. واستبدل خلية التدفق إذا أصبحت تالفة أو غير شفافا أو تغير لونها. لا تلام إزالة خلية التدفق من اللوحة لتنظيفها. **ملاحظة:** لا تستخدم أبدا المنظفات أو مواد تقطيل التوتر السطحي لتنظيف خلية تدفق الكلور.

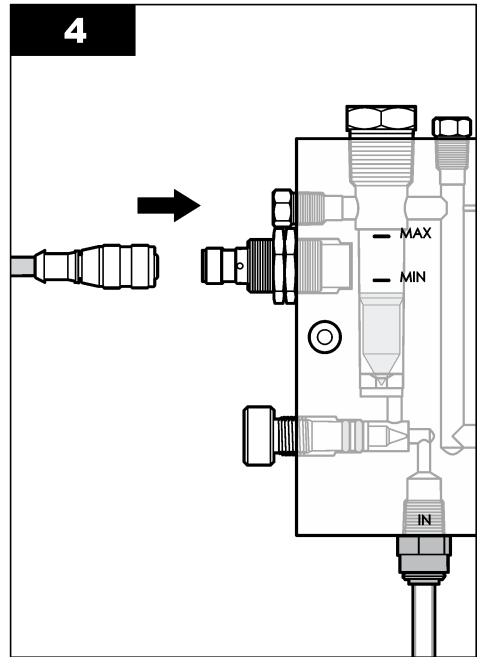
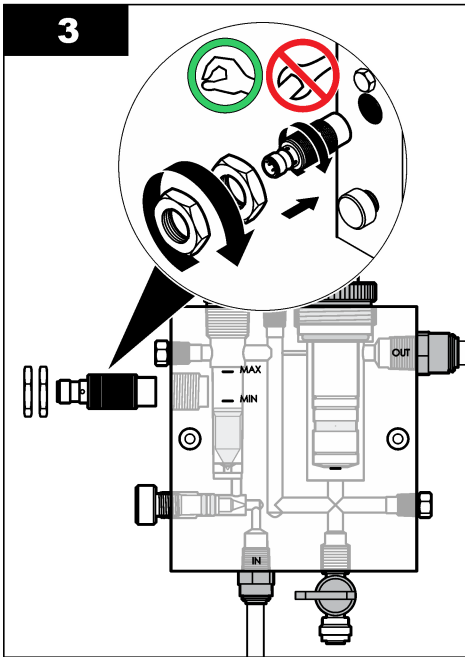
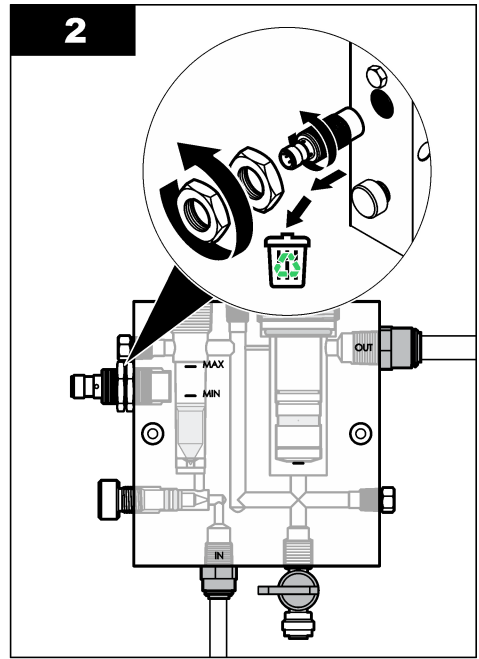
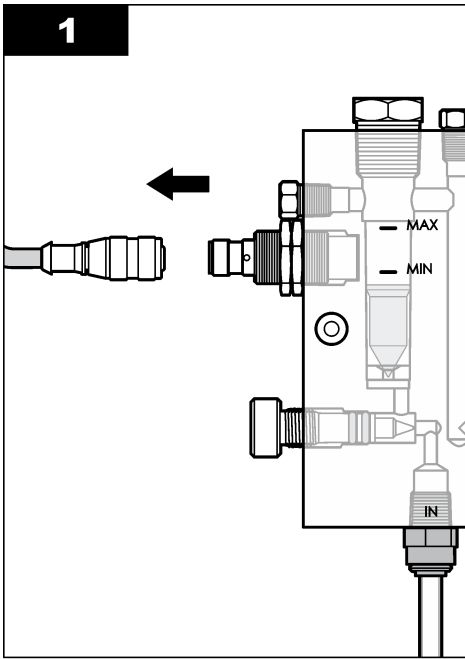
1. أوقف تدفق المصدر إلى اللوحة.
2. قم بإزالة جهاز استشعار الكلور وضع جهاز الاستشعار في حاوية مملوءة بعينة من الماء المكور. **ملاحظة:** لا اتصل جهاز الاستشعار عن الطاقة. إذا تم فصل الطاقة عن جهاز استشعار الكلور، فحجب تهيئة جهاز الاستشعار ومعايرته قبل الاستخدام. **ملاحظة:** ستؤدي إزالة جهاز الاستشعار من خلية التدفق مع توصيل كابل جهاز الاستشعار إلى حدوث تغيير في مخرجات إشارة جهاز الاستشعار. راجع دليل وحدة التحكم للحصول على مزيد من المعلومات حول ميزة تعليق الإخراج.

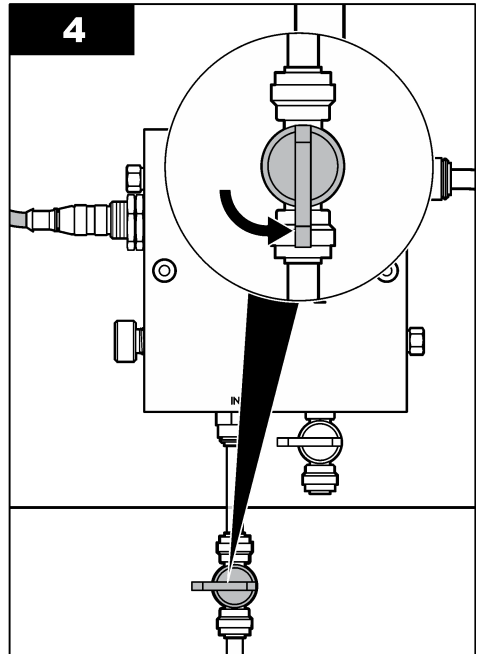
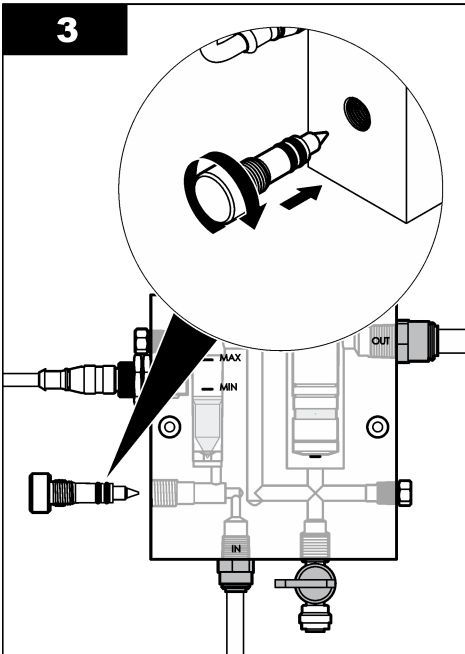
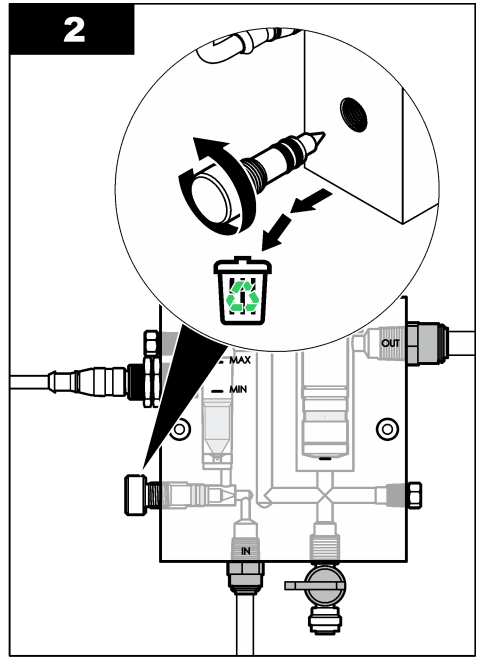
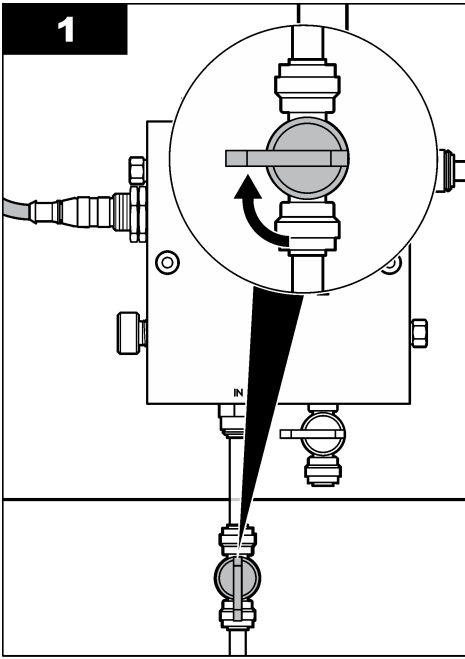
3. اشطف خلية التدفق بالماء وافركها باستخدام فرشاة ذات شعيرات ناعمة لإزالة الرواسب.
4. اشطف خلية التدفق بالماء.
5. إذا لم تكن خلية التدفق نظيفة بشكل كافٍ، فانقع خلية التدفق لمدة 10 إلى 15 دقيقة في خليط بنسبة 1:3 من محلول بيروكسيد الهيدروجين والخل بنسبة 3-5%.
- ملاحظة: يمكن استخدام سوائل إزالة الصدأ التجارية في حالة حدوث تلوث شديد. ومع ذلك، لا يوصى بهذا لأنه قد يتسبب في تلف مادة خلية التدفق.
6. اشطف خلية التدفق بالماء.
7. ركب جهاز الاستشعار في خلية التدفق وابدأ تدفق العينة.

6.3 استبدال جهاز استشعار التدفق

في الظروف العادية، لا يحتاج جهاز استشعار التدفق إلى الصيانة أو الاستبدال بصفة دورية. ومع ذلك، إذا لم يضيئ مؤشر تدفق LED عندما تكون العوامة بين العلامتين MIN (الحد الأدنى) و MAX (الحد الأقصى) ويتم استخدام الطاقة، فقد يلزم استبدال جهاز الاستشعار. لاستبدال جهاز استشعار التدفق، اتبع الخطوات الموضحة في ما يلي.

ملاحظة: لا تلمز إزالة جهاز استشعار الكلور أو تصريف خلية التدفق أو إيقاف تشغيل وحدة التحكم لاستبدال جهاز استشعار التدفق.





7.1 سجل الأحداث

توفر وحدة التحكم سجل أحداث واحدًا لكل جهاز استشعار. يخزن سجل الأحداث مجموعة متنوعة من الأحداث التي تحدث على الأجهزة مثل عمليات المعايرة التي تمت وخيارات المعايرة التي تغيرت وغير ذلك. تظهر أدناه قائمة بالأحداث المحتملة. يمكن قراءة سجل الأحداث بتنسيق CSV. للاطلاع على تعليمات حول تنزيل السجلات، راجع دليل مستخدم وحدة التحكم.

الجدول 1 سجل الأحداث

الحدث	الوصف
Power On (تشغيل)	تم تشغيل الطاقة.
Flash Failure (فشل الذاكرة المحمولة)	فشلت الذاكرة المحمولة الخارجية أو تعرضت للتلف.
1pointpHCalibration_Start	بداية معايرة عينة من مرحلة واحدة لدرجة الحموضة
1pointpHCalibration_End	نهاية معايرة عينة من مرحلة واحدة لدرجة الحموضة
2pointpHCalibration_Start	بداية معايرة عينة من مرحلتين لدرجة الحموضة
2pointpHCalibration_End	نهاية معايرة عينة من مرحلتين لدرجة الحموضة
1pointBufferpHCalibration_Start	بداية معايرة المحلول المنظم من مرحلة واحدة لدرجة الحموضة
1pointBufferpHCalibration_End	نهاية معايرة المحلول المنظم من مرحلة واحدة لدرجة الحموضة
2pointBufferpHCalibration_Start	بداية معايرة المحلول المنظم من مرحلتين لدرجة الحموضة
2pointBufferpHCalibration_End	نهاية معايرة المحلول المنظم من مرحلتين لدرجة الحموضة
TempCalibration_Start	بدء معايرة درجة الحرارة
TempCalibration_End	نهاية معايرة درجة الحرارة
1pointChemZeroCL2_Start	بداية المعايرة الصفيرية الكيميائية من مرحلة واحدة للكlor
1pointChemZeroCL2_End	نهاية المعايرة الصفيرية الكيميائية من مرحلة واحدة للكlor
1pointElecZeroCL2_Start	بداية المعايرة الصفيرية الكهربائية من مرحلة واحدة للكlor
1pointElecZeroCL2_End	نهاية المعايرة الصفيرية الكهربائية من مرحلة واحدة للكlor
1pointProcessConc_Start	بداية عملية التركيز من مرحلة واحدة للكlor
1pointProcessConc_End	نهاية عملية التركيز من مرحلة واحدة للكlor
2pointChemCL2_Start	بداية المعايرة الكيميائية من مرحلتين للكlor
2pointChemCL2_End	نهاية المعايرة الكيميائية من مرحلتين للكlor
2pointElecCL2_Start	بداية المعايرة الكهربائية من مرحلتين للكlor
2pointElecCL2_End	نهاية المعايرة الكهربائية من مرحلتين للكlor
CL2CalSetDefault	تمت إعادة تعيين معايرة الكلور إلى الإعداد الافتراضي.
pHCalSetDefault	تمت إعادة تعيين بيانات معايرة درجة الحموضة إلى الإعداد الافتراضي.
TempCalSetDefault	تمت إعادة تعيين بيانات معايرة درجة الحرارة إلى الإعداد الافتراضي.
AllCalSetDefault	تمت إعادة تعيين كل بيانات معايرة جهاز الاستشعار إلى الإعداد الافتراضي.
CL2CalOptionChanged	تم تغيير خيار معايرة الكلور.
pHCalOptionChanged	تم تغيير خيار معايرة درجة الحموضة.

الجدول 1 سجل الأحداث (يتبع)

الحدث	الوصف
TempCalOptionChanged	تم تغيير خيار معايرة درجة الحرارة.
SensorConfChanged	تم تغيير تكوين جهاز الاستشعار.
ResetCL2CalHist	تمت إعادة تعيين سجل معايرة الكلور.
ResetpH CalHist	تمت إعادة تعيين سجل معايرة درجة الحموضة.
ResetTemp CalHist	تمت إعادة تعيين سجل معايرة درجة الحرارة.
ResetAllSensorsCalHist	تمت إعادة تعيين سجل معايرة جهاز الاستشعار بالكامل.
ResetCL2Sensor	تمت إعادة تعيين بيانات معايرة الكلور (أيام جهاز الاستشعار وسجل المعايرة وبيانات المعايرة) إلى الإعداد الافتراضي.
ResetpHSensor	تمت إعادة تعيين بيانات معايرة درجة الحموضة (أيام جهاز الاستشعار وسجل المعايرة وبيانات المعايرة) إلى الإعداد الافتراضي.
ResetTempSensor	تمت إعادة تعيين بيانات معايرة درجة الحرارة (أيام جهاز الاستشعار وسجل المعايرة وبيانات المعايرة) إلى الإعداد الافتراضي.
ResetAllSensors	تمت إعادة تعيين كل بيانات معايرة جهاز الاستشعار (أيام جهاز الاستشعار وسجل المعايرة وبيانات المعايرة) إلى الإعداد الافتراضي.
اكتشاف التدفق	تغيرت حالة جهاز استشعار التقارب (تدفق كافٍ أو غير كافٍ).

7.2 قائمة الأخطاء

قد تحدث أخطاء نتيجة أسباب متعددة. تومض قراءة جهاز الاستشعار على شاشة القياس. كما يتم تعليق كل المخرجات عند تحديدها في قائمة وحدة التحكم. لعرض أخطاء جهاز الاستشعار، اضغط على مفتاح **MENU (القائمة)** وحدد **Sensor Diag** (تشخيص جهاز الاستشعار)، و**Error List** (قائمة الأخطاء). تظهر أثناء قائمة بالأخطاء المحتملة.

الجدول 2 قائمة أخطاء جهاز الاستشعار

الخطأ	الوصف	الحل
CL CAL REQD (معايرة الكلور مطلوبة)	تتطلب معايرة الكلور و/أو معايرة درجة الحموضة. تغير قياس الكلور و/أو درجة الحموضة بما يكفي لصدور إنذار Cal Watch (راقب المعايرة). راجع دليل جهاز استشعار الكلور للحصول على مزيد من المعلومات.	قم بمعايرة جهاز استشعار الكلور و/أو جهاز استشعار درجة الحموضة.
CL MAINT REQD (تتطلب صيانة جهاز استشعار الكلور)	تتطلب صيانة جهاز استشعار الكلور. الانحدار أقل من 30% أو أكثر من 300% من الإعداد الافتراضي. الانحدار الافتراضي هو 100 مللي فولت/جزء في المليون (100%).	قم بصيانة جهاز الاستشعار ثم كرر المعايرة أو استبدل جهاز الاستشعار. راجع دليل جهاز استشعار الكلور للحصول على مزيد من المعلومات.
CL MAINT REQD (تتطلب صيانة جهاز استشعار الكلور)	تتطلب صيانة جهاز استشعار الكلور. الانحراف مرتفع للغاية (أكثر من ± 50 مللي فولت).	قم بصيانة جهاز الاستشعار ثم كرر المعايرة أو استبدل جهاز الاستشعار. راجع دليل جهاز استشعار الكلور للحصول على مزيد من المعلومات.
PH TOO LOW (الحموضة منخفضة للغاية)	قيمة الحموضة أقل من 0 درجة حموضة.	عاير جهاز استشعار درجة الحموضة أو استبدله.
PH TOO HIGH (الحموضة مرتفعة للغاية)	قيمة الحموضة أعلى من 14 درجة حموضة.	

الجدول 2 قائمة أخطاء جهاز الاستشعار (يتبع)

الخطأ	الوصف	الحل
PH SLOPE FAIL (فشل انحدار درجة الحموضة)	الانحدار خارج النطاق من -45 إلى 65 مللي فولت/درجة حموضة.	نظف جهاز استشعار درجة الحموضة ثم كرر المعايرة باستخدام محلول منظم أو عينة جديدة، أو استبدل جهاز الاستشعار.
PH OFFSET FAIL (فشل معادلة درجة الحموضة)	الانحراف خارج نطاق ± 60 مللي فولت.	نظف جهاز استشعار درجة الحموضة ثم كرر المعايرة باستخدام محلول منظم جديد أو عينة جديدة، أو استبدل جهاز الاستشعار.
PH OFFSET FAIL (فشل معادلة درجة الحموضة)	الانحراف خارج نطاق ± 60 مللي فولت.	نظف جهاز استشعار درجة الحموضة واستبدل الجسر الملحي ومحلول الخلية القياسي. كرر المعايرة باستخدام محلول منظم جديد أو عينة جديدة أو استبدل جهاز الاستشعار.
TEMP TOO LOW (درجة الحرارة منخفضة للغاية)	درجة الحرارة أقل من 0 درجة مئوية.	عاير درجة الحرارة أو استبدل جهاز استشعار درجة الحموضة.
TEMP TOO HIGH (درجة الحرارة مرتفعة للغاية)	درجة الحرارة أعلى من 100 درجة مئوية.	عاير درجة الحرارة أو استبدل جهاز استشعار درجة الحموضة.
TEMP FAIL (فشل درجة الحرارة)	الانحراف أعلى من 5.0 درجة مئوية أو أقل من -5.0 درجة مئوية.	عاير درجة الحرارة أو استبدل جهاز استشعار درجة الحموضة.
NO FLOW (بلا تدفق)	مستوى التدفق منخفض للغاية.	قم بزيادة التدفق.

7.3 قائمة التحذيرات

لا يؤثر التحذير على تشغيل القوائم، والمرحلات والإخراجات. يومض رمز التحذير وتظهر رسالة أسفل شاشة القياس. لعرض تحذيرات جهاز الاستشعار، اضغط على مفتاح **MENU (القائمة)**، وحدد **Sensor Diag** (تشخيص جهاز الاستشعار)، و**Warning List** (قائمة التحذيرات). تظهر أذناه قائمة بالتحذيرات المحتملة.

الجدول 3 قائمة تحذيرات جهاز الاستشعار

التحذير	الوصف	الحل
CL CAL RECD (بمعايرة الكلور)	يوصى بمعايرة الكلور و/أو درجة الحموضة. تغيير قياس الكلور و/أو درجة الحموضة بما يكفي لصدور تحذير Cal Watch (راقب المعايرة). راجع أدلة جهاز الاستشعار للحصول على مزيد من المعلومات.	قم بمعايرة جهاز استشعار الكلور و/أو جهاز استشعار درجة الحموضة.
CL CAL RECD (بمعايرة الكلور)	يوصى بمعايرة الكلور. لا تتوفر بيانات معايرة الكلور (جهاز استشعار بيانات المعايرة الافتراضية).	قم بمعايرة جهاز استشعار الكلور.
PH CAL RECD (بمعايرة درجة الحموضة)	يوصى بمعايرة درجة الحموضة. لا تتوفر بيانات معايرة درجة الحموضة (جهاز استشعار بيانات المعايرة الافتراضية).	قم بمعايرة جهاز استشعار درجة الحموضة.
TEMP CAL RECD (يوصى بمعايرة درجة الحرارة)	يوصى بمعايرة درجة الحرارة. لا تتوفر بيانات معايرة درجة الحرارة (يظهر جهاز الاستشعار بيانات المعايرة الافتراضية).	قم بمعايرة درجة الحرارة.
CL CAL TO DO (معايرة الكلور)	قيمة Sensor Days (أيام جهاز الاستشعار) لجهاز استشعار الكلور أكبر من قيمة Cal Reminder (أداة تذكير المعايرة).	قم بمعايرة جهاز استشعار الكلور.
PH CAL TO DO (معايرة درجة الحموضة)	قيمة Sensor Days (أيام جهاز الاستشعار) لجهاز استشعار درجة الحموضة أكبر من قيمة Cal Reminder (أداة تذكير المعايرة).	قم بمعايرة جهاز استشعار درجة الحموضة.

الجدول 3 قائمة تحذيرات جهاز الاستشعار (بتبع)

التحذير	الوصف	الحل
TEMP CAL TO DO (مهام معايرة درجة الحرارة)	قيمة Sensor Days (أيام جهاز الاستشعار) لجهاز استشعار درجة الحرارة أكبر من قيمة Cal Reminder (أداة تذكير المعايرة).	قم بمعايرة درجة الحرارة.
CL MAINT RECD (يوصى بصيانة جهاز استشعار الكلور)	يوصى بصيانة جهاز استشعار الكلور. يبلغ الانحدار 30 إلى 45% من الإعداد الافتراضي أو يبلغ الانحدار 250 إلى 300% من الإعداد الافتراضي. الانحدار الافتراضي هو 100 مللي فولت/جزء في المليون (%100).	قم بصيانة جهاز الاستشعار ثم كرر المعايرة أو استبدل جهاز الاستشعار.
CL MAINT RECD (يوصى بصيانة جهاز استشعار الكلور)	يوصى بصيانة جهاز استشعار الكلور. يبلغ الانحراف -50 مللي فولت إلى 45 مللي فولت أو يبلغ الانحراف 45 مللي فولت إلى 50 مللي فولت.	قم بصيانة جهاز الاستشعار ثم كرر المعايرة أو استبدل جهاز الاستشعار.
PH MAINT RECD (يوصى بصيانة جهاز استشعار درجة الحموضة)	يوصى بصيانة جهاز استشعار درجة الحموضة. الانحدار خارج النطاق من -50 إلى -61 مللي فولت/درجة الحموضة.	نظف جهاز استشعار درجة الحموضة ثم كرر المعايرة باستخدام محلول منظم أو عينة جديدة، أو استبدل جهاز الاستشعار.
PH MAINT RECD (يوصى بصيانة جهاز استشعار درجة الحموضة)	يوصى بصيانة جهاز استشعار درجة الحموضة. الانحراف خارج المجال ± 45 مللي فولت لكنه ضمن المجال ± 60 مللي فولت.	قم بتنظيف جهاز الاستشعار، ثم كرر المعايرة أو استبدل جهاز الاستشعار.
PH MAINT RECD (يوصى بصيانة جهاز استشعار درجة الحموضة)	يوصى بصيانة جهاز استشعار درجة الحموضة. الانحراف خارج المجال ± 45 مللي فولت لكنه ضمن المجال ± 60 مللي فولت.	نظف جهاز الاستشعار واستبدل الجسر الملحي ومحلول الخلية القياسي ثم كرر المعايرة أو استبدل جهاز الاستشعار.
T MAINT RECD (يوصى بصيانة جهاز استشعار درجة الحرارة)	معادلة درجة الحرارة خارج نطاق ± 3 درجات مئوية لكنها ضمن نطاق ± 5 درجات مئوية.	قم بمعايرة درجة الحرارة.

القسم 8 قطع الغيار والملحقات

⚠ تحذير	
خطر الإصابة الشخصية. قد يؤدي استخدام الأجزاء غير المعتمدة إلى الإصابة الشخصية أو تلف الجهاز أو قصور في تشغيله. قطع الغيار الواردة في هذا القسم هي قطع معتمدة من الشركة المصنعة.	

ملاحظة: تختلف أرقام المنتج والبنود حسب بعض مناطق البيع. اتصل بالموزع المناسب أو راجع موقع الشركة على الويب لمعرفة جهة الاتصال.

القطع

رقم العنصر	الوصف
6122400	الكابل، من المنفذ إلى وحدة التحكم، 1 م
9160900	مجموعة الكابلات، 4 سنون، مغلف بطبقة خارجية، جهاز استشعار التدفق، 2 م
9160300	مجموعة الكابل، 5 سنون، مغلف بطبقة خارجية، M12، جهاز استشعار الكلور، 1 م
9159200 (بوصة 1/4)	تركيبية، منفذ إدخال لخلية تدفق الكلور
9196400 (6 مم)	
9159300 (بوصة 3/8)	تركيبية، تركيب سريع، منفذ إخراج لخلية تدفق الكلور أو منفذ إدخال لخلية تدفق درجة الحموضة
9196500 (10 مم)	

رقم العنصر	الوصف
9196900 (بوصة 1/2) 9197000 (م 12)	تركيب، مرفق، منفذ إخراج لخلية تدفق درجة الحموضة
9159100	عائم، جهاز استشعار التدفق
9198400 إنجليزي: 9198500 متري:	مجموعة خلية التدفق، كلور
9180200 إنجليزي: 9180400 متري:	مجموعة خلية التدفق، مجموعة درجة الحموضة
9180100 إنجليزي: 9180300 متري:	مجموعة خلية التدفق، pH تتضمن جلبة منع التسرب
9159700	هيكل خلية التدفق فقط (pH)
9158900	كتلة خلية التدفق، كلور
9159000	صمام التحكم في التدفق
9198600	مجموعة صمام التحكم في التدفق
9160800	جهاز استشعار التدفق
9180500	البوابة الرقمية
9196200	حلقة القفل، خلية تدفق الكلور
60F2032-001	حلقة القفل، خلية تدفق درجة الحموضة
9159600	حلقة على شكل O، صمام التحكم في التدفق (الثنان) (#108-2، Viton)
5H1223	حلقة على شكل O، خلية تدفق درجة الحموضة، (#228-2، Viton)
9196300	حلقة على شكل O، جلبة منع التسرب، خلية تدفق الكلور (#123-2، Viton)
9181800	حلقة على شكل O، حلقة مشقوقة (2.5 x M25)
9159500	سدادة، خلية تدفق الكلور، 1/2 بوصة
4422200	برغي، خلية تدفق الكلور (اثنان) (مسمار Phillips برأس مسطح بطول 1.75 32-10 x)
561211	برغي، خلية تدفق درجة الحموضة (اثنان) (مسمار Phillips برأس مسطح بطول 1.5 32-10 x)
9198000	قطعة غفل مانعة للتسرب، خلية تدفق درجة الحموضة
9196100	جلبة منع التسرب، تدفق خلية الكلور
9159800	جلبة منع التسرب، جهاز استشعار مجموعة درجة الحموضة، 3/4 بوصة
60F2021-001	جلبة منع التسرب، خلية تدفق 1 pH، بوصة
9181700	حلقة مشقوقة، خلية تدفق الكلور
4743800	الأنايبب، تدفق العينات، 1/4 بوصة × 2 متر
9198100	الأنايبب، تدفق العينات، 3/8 بوصة × 18 بوصة
9198200	الأنايبب، تدفق الفضلات، 1/2 بوصة × 2 متر
9005300	الصمام، منفذ العينة العشوائية
6166300	صمام، تركيب سريع، منفذ التنظيف

رقم العنصر	الوصف
LZY051	مجموعة أدوات التحمض/التنظيف النلقاني
9159900	مجموعة تهيئة عينة منظم الضغط



HACH COMPANY World Headquarters

P.O. Box 389, Loveland, CO 80539-0389 U.S.A.
Tel. (970) 669-3050
(800) 227-4224 (U.S.A. only)
Fax (970) 669-2932
orders@hach.com
www.hach.com

HACH LANGE GMBH

Willstätterstraße 11
D-40549 Düsseldorf, Germany
Tel. +49 (0) 2 11 52 88-320
Fax +49 (0) 2 11 52 88-210
info-de@hach.com
www.de.hach.com

HACH LANGE Sàrl

6, route de Compois
1222 Vézenaz
SWITZERLAND
Tel. +41 22 594 6400
Fax +41 22 594 6499