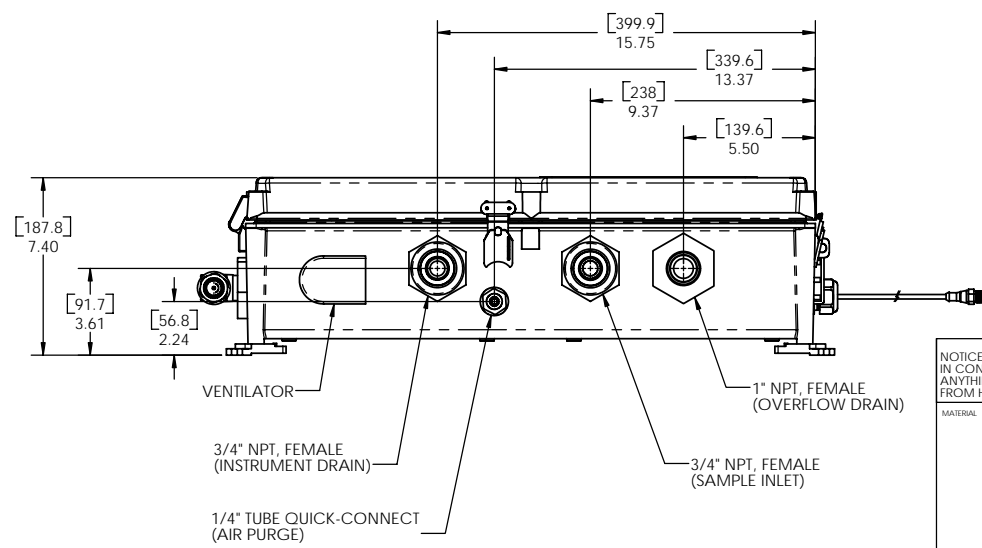
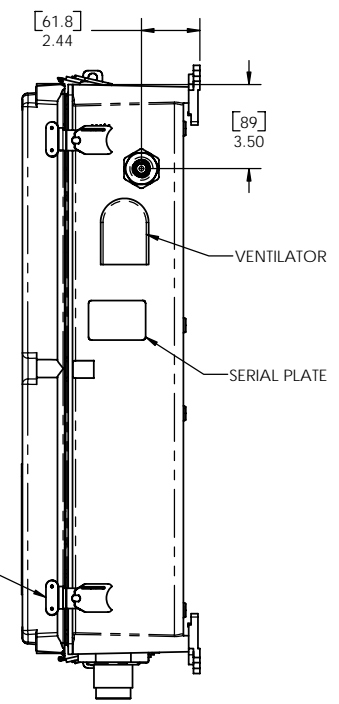
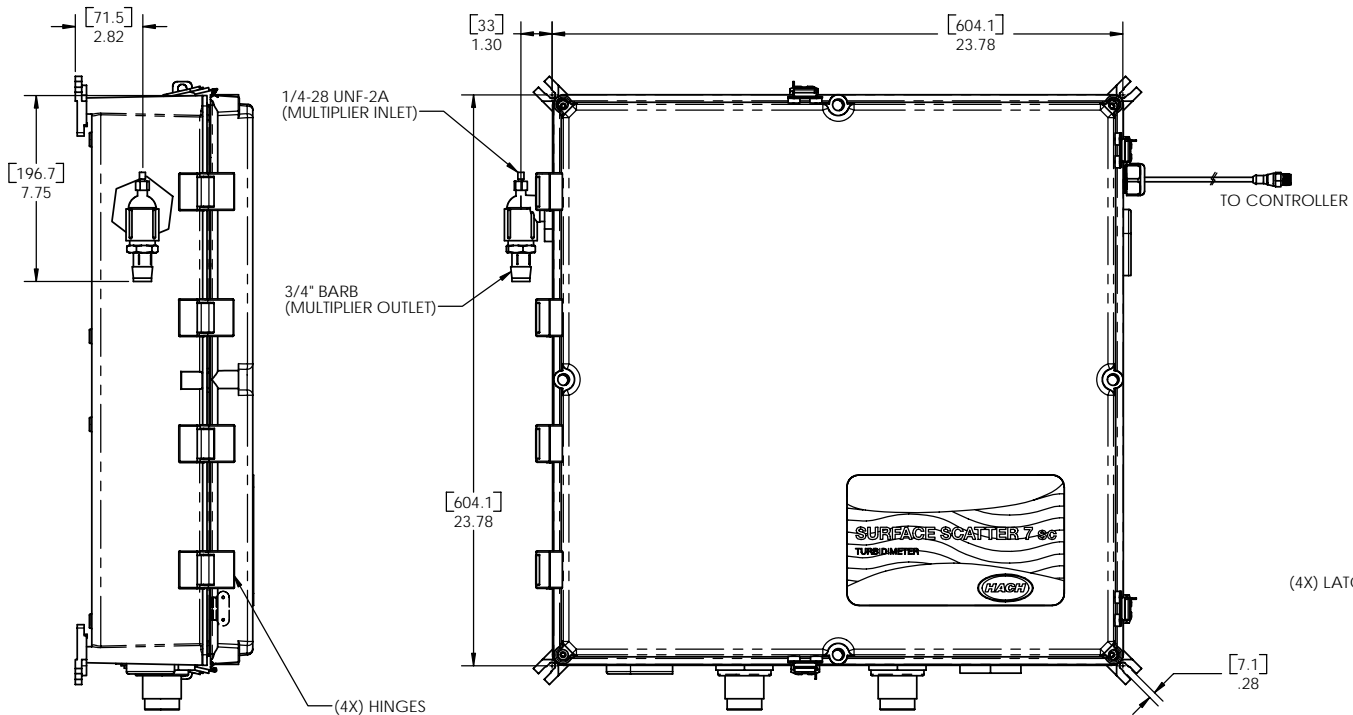


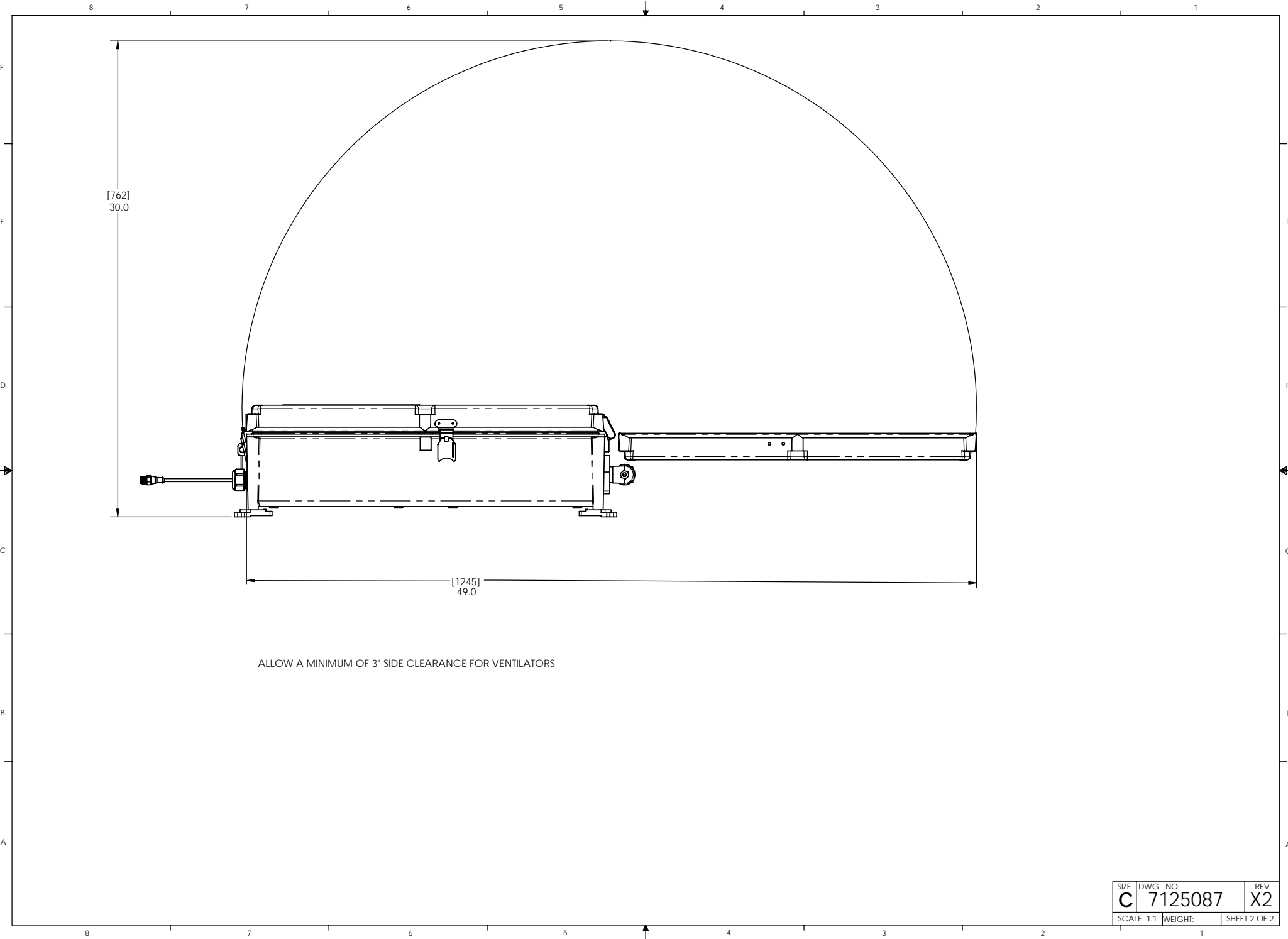
REVISION		
REV	DESCRIPTION	APPROVED
X2	Concept	PIENKA



DIMENSIONS = [MILLIMETERS]
.....
INCHES

NOTICE-HACH COMPANY CLAIMS PROPRIETARY RIGHTS IN THE INFORMATION DISCLOSED ON THIS DRAWING. IT IS ISSUED IN CONFIDENCE FOR ENGINEERING INFORMATION ONLY AND MAY NOT, IN WHOLE OR IN PART, BE USED TO MANUFACTURE ANYTHING, WHETHER OR NOT SHOWN HEREON, REPRODUCED OR DISCLOSED TO ANYONE WITHOUT DIRECT PERMISSION FROM HACH COMPANY.

MATERIAL	UNLESS OTHERWISE SPECIFIED:	NAME	DATE		HACH COMPANY 5600 LINDBERGH DR. LOVELAND, CO. 80539
	DIMENSIONS ARE IN INCHES TOLERANCES: X - ±.03 XX - ±.01 XXX - ±.005 ANGLES - ±.25°	DRAWN	PIENKA		
INTERPRET GEOMETRIC TOLERANCING PER: ANSI Y14.5M 1994	ENGINEER	PIENKA	7-ARP-06	TITLE: TRANSMITTAL, SS7sc	
DO NOT SCALE DRAWING	THIRD ANGLE PROJECTION				SIZE DWG. NO. C 7125087
				SCALE: 1:1	WEIGHT: 24.437
				SHEET 1 OF 2	REV X2



ALLOW A MINIMUM OF 3" SIDE CLEARANCE FOR VENTILATORS

SIZE	DWG. NO.	REV
C	7125087	X2
SCALE: 1:1	WEIGHT:	SHEET 2 OF 2