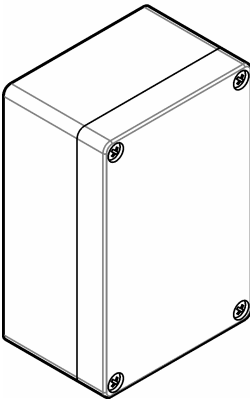




DOC273.98.90703

# SC4500 External USB box WiFi

05/2021, Edition 1



**User Instructions**  
**Bedienungsanleitung**  
**Istruzioni per l'uso**  
**Instructions d'utilisation**  
**Instrucciones para el usuario**  
**Instruções do utilizador**  
**Návod pro uživatele**  
**Gebruiksaanwijzingen**  
**Brugervejledninger**  
**Instrukcja obsługi**  
**Bruksanvisning**  
**Käyttöohje**  
**Инструкции за потребителя**  
**Felhasználói útmutató**  
**Instruțiuni de utilizare**  
**Naudotojo instrukcijos**  
**Руководство пользователя**  
**Kullanma talimatları**  
**Návod na použitie**  
**Navodila za uporabo**  
**Korisničke upute**  
**Οδηγίες χρήσης**  
**Kasutusjuhend**  
**Korisnička uputstva**

## Table of Contents

---

English.....	3
Deutsch.....	15
Italiano.....	27
Français.....	39
Español.....	51
Português.....	63
Čeština.....	75
Nederlands.....	87
Dansk.....	99
Polski.....	111
Svenska.....	123
Suomi.....	135
български.....	147
Magyar.....	159
Română.....	171
lietuvių kalba.....	183
Русский.....	195
Türkçe.....	208
Slovenský jazyk.....	220
Slovenski.....	232
Hrvatski.....	244
Ελληνικά.....	256
eesti keel.....	269
Српски.....	281

# Table of Contents

- |                                 |                            |
|---------------------------------|----------------------------|
| 1 Specifications on page 3      | 5 Configuration on page 13 |
| 2 General information on page 3 | 6 Maintenance on page 13   |
| 3 Installation on page 8        | 7 Accessories on page 14   |
| 4 Startup on page 12            |                            |

## Section 1 Specifications

Specifications are subject to change without notice.

Specification	Details
Dimensions (W x H x D)	80 x 120 x 55 mm (4.7 x 7.9 x 2.2 in.)
Enclosure	IP66 <sup>1</sup> , Polycarbonate UL94-V0
Weight	169 g (0.37 lb)
Pollution degree	4
Installation category	I
Protection class	III
Operating temperature	-20 to 60 °C (-4 to 140 °F)
Storage temperature	-20 to 70 °C
Relative humidity	0 to 95%, non-condensing
Altitude	2000 m (6562 ft) maximum
Communication options	Wi-Fi adapter with USB connector 2.4 GHz and 5 GHz ISM band
Certifications	CE, FCC, IC, UKCA
Warranty	1 year (EU: 2 years)

## Section 2 General information

In no event will the manufacturer be liable for direct, indirect, special, incidental or consequential damages resulting from any defect or omission in this manual. The manufacturer reserves the right to make changes in this manual and the products it describes at any time, without notice or obligation. Revised editions are found on the manufacturer's website.

### 2.1 Safety information

The manufacturer is not responsible for any damages due to misapplication or misuse of this product including, without limitation, direct, incidental and consequential damages, and disclaims such damages to the full extent permitted under applicable law. The user is solely responsible to identify critical application risks and install appropriate mechanisms to protect processes during a possible equipment malfunction.

Please read this entire manual before unpacking, setting up or operating this equipment. Pay attention to all danger and caution statements. Failure to do so could result in serious injury to the operator or damage to the equipment.

Make sure that the protection provided by this equipment is not impaired. Do not use or install this equipment in any manner other than that specified in this manual.





<sup>1</sup> Only with the USB box connection cable installed.

### 2.1.1 Use of hazard information


<b>▲ DANGER</b>	
Indicates a potentially or imminently hazardous situation which, if not avoided, will result in death or serious injury.	
<b>▲ WARNING</b>	
Indicates a potentially or imminently hazardous situation which, if not avoided, could result in death or serious injury.	
<b>▲ CAUTION</b>	
Indicates a potentially hazardous situation that may result in minor or moderate injury.	
<b>NOTICE</b>	
Indicates a situation which, if not avoided, may cause damage to the instrument. Information that requires special emphasis.	

### 2.1.2 Precautionary labels

Read all labels and tags attached to the instrument. Personal injury or damage to the instrument could occur if not observed. A symbol on the instrument is referenced in the manual with a precautionary statement.

	This symbol, if noted on the instrument, references the instruction manual for operation and/or safety information.
	This symbol indicates that a risk of electrical shock and/or electrocution exists.
	This symbol indicates the presence of devices sensitive to Electro-static Discharge (ESD) and indicates that care must be taken to prevent damage with the equipment.
	Electrical equipment marked with this symbol may not be disposed of in European domestic or public disposal systems. Return old or end-of-life equipment to the manufacturer for disposal at no charge to the user.

### 2.1.3 Certification

<b>▲ WARNING</b>	
	Pacemaker precautions. If electromagnetic interference (EMI) occurs, it can either: <ul style="list-style-type: none"><li>• Stop the stimulating pulses from the pacemaker that control the rhythm of the heart.</li><li>• Cause the pacemaker to supply the pulses irregularly.</li><li>• Cause the pacemaker to ignore the rhythm of the heart and supply pulses at a set interval.</li></ul>
	Current research shows that cellular devices are not a significant health problem for most pacemakers wearers. However, persons with pacemakers should use precautions to make sure that their device does not cause a problem. Keep the device a minimum of 20 cm (7.9 in.) from the user.

## ⚠ CAUTION



Electromagnetic radiation hazard. Make sure that the antenna is kept at a minimum distance of 20 cm (7.9 in.) from all personnel in normal use. The antenna cannot be co-located or operated in conjunction with any other antenna or transmitters.

## NOTICE

This is a Class A product intended for use in an industrial environment. In a domestic environment this product may cause radio interference in which case the user may be required to take adequate measures.

## NOTICE

Network and access point security is the responsibility of the customer that uses the wireless instrument. The manufacturer will not be liable for any damages, inclusive however not limited to indirect, special, consequential or incidental damages, that have been caused by a gap in, or breach of network security.

### Regulatory RF Device Approvals: US and Canada

Contains Wi-Fi USB adapter: LM808 from LM technologies

FCC ID: VVX808-04XX

IC: 10531A-80804XX

**Table 1 Power for Wi-Fi adapter**

Specification, issue and date	Frequency range (MHz)	Emission designation	R.F. power (watts)	Antenna
RSS-247, Issue 2, 02/2017	5180—5240	17M1D1D	0.005	Integral, 4.7 dBi
RSS-247, Issue 2, 02/2017	5210	75M8D1D	0.005	Integral, 4.7 dBi
RSS-247, Issue 2, 02/2017	5745—5825	17M9D1D	0.005	Integral, 4.7 dBi
RSS-247, Issue 2, 02/2017	5775	75M6D1D	0.004	Integral, 4.7 dBi
RSS-247, Issue 2, 02/2017	2412—2462	15M0D1D	0.027	Integral, 0.1 dBi
RSS-247, Issue 2, 02/2017	2412—2462	16M5D1D	0.016	Integral, 0.1 dBi
RSS-247, Issue 2, 02/2017	2422—2452	35M1D1D	0.011	Integral, 0.1 dBi

### Wi-Fi USB adapter LM808—Important FCC Grant Conditions:

Power listed is conducted. SAR compliance for USB dongle has been evaluated as described in this filing. The antenna(s) used for this transmitter must not transmit simultaneously with any other antenna or transmitter, except in accordance with FCC multi-transmitter product procedures or as described in this filing. The highest reported SAR value is 0.26 W/kg. This device has 20 MHz and 40 MHz bandwidth modes.

### Regulatory RF Device Approvals: EU

Contains Wifi USB Adapter: LM808

**Table 2 Frequency bands**

Specification	Details
Frequency band	2.4 GHz ISM band
	5 GHz ISM band
RF output power (tolerance $\pm 2$ dBm)	17 dBm, 802.11b at 11 Mbps
	15 dBm, 802.11g at 54 Mbps
	13 dBm, 802.11a at 54 Mbps
	13 dBm, 802.11n at MCS7_HT20
	13 dBm, 802.11n at MCS7_HT40
	11 dBm, 802.11ac at NSS1 MCS9_BW20, BW40, BW80
	-82 dBm, 802.11b at 11 Mbps—71 dB0, 802.11g at 54 Mbps
Receiver sensitivity	-67 dBm, 802.11n at MCS7_BW20
	-64 dBm, 802.11n at MCS7_BW40
	-57 dBm, 802.11ac at NSS1_MCS9_BW20
	-54 dBm, 802.11ac at MSS1_MCS9_BW40
	-51 dBm, 802.11ac at MSS1_MCS9_BW80

**Canada (IC)**

Contains Wifi USB Adapter: LM808 from LM technologies IC: 10531A-80804XX

This class (A) digital apparatus complies with Canadian ICES-003. This device complies with Industry Canada license exempt RSS standard(s). Operation is subject to the following two conditions:

- (1) this device may not cause interference, and
- (2) this device must accept any interference, including interference that may cause undesired operation of the device.

*Cet appareil numérique de la classe (A) respect toutes les exigences de la norme NMB-003 du Canada. Le présent appareil est conforme aux CNR d'Industrie Canada applicables aux appareils radio exempts de licence. L'exploitation est autorisée aux deux conditions suivantes:*

- (1) l'appareil ne doit pas produire de brouillage, et*
- (2) l'utilisateur de l'appareil doit accepter tout brouillage radioélectrique subi, même si le brouillage est susceptible d'en compromettre le fonctionnement.*

**United States (FCC)**

Contains Wifi USB Adapter: LM808 from LM technologies FCC ID: VVX808-04XX

Modifications not expressly approved by this company could void the user's authority to operate this equipment (FCC section 15.21).

This equipment has been tested and found to comply with the limits for a Class A digital device, pursuant to Part 15 of the FCC Rules. These limits are designed to provide reasonable protection against harmful interference when the equipment is operated in a commercial environment. This equipment generates, uses, and can radiate radio frequency energy and, if not installed and used in accordance with the instruction manual, may cause harmful interference to radio communications. Operation of this equipment in a residential area is likely to cause harmful interference in which case the user will be required to correct the interference at his own expense (FCC section 15.105).

**Multitech RF Module FCC/IC Regulatory notices****Modification statement**

LM technologies has not approved any changes or modifications to this device by the user. Any changes or modifications could void the user's authority to operate the equipment.

*LM technologies n'approuve aucune modification apportée à l'appareil par l'utilisateur, quelle qu'en soit la nature. Tout changement ou modification peuvent annuler le droit d'utilisation de l'appareil par l'utilisateur.*

### **Interference statement**

This device complies with Part 15 of the FCC Rules and Industry Canada licence-exempt RSS standard(s). Operation is subject to the following two conditions: (1) this device may not cause interference, and (2) this device must accept any interference, including interference that may cause undesired operation of the device.

*Le présent appareil est conforme aux CNR d'Industrie Canada applicables aux appareils radio exempts de licence. L'exploitation est autorisée aux deux conditions suivantes : (1) l'appareil ne doit pas produire de brouillage, et (2) l'utilisateur de l'appareil doit accepter tout brouillage radioélectrique subi, même si le brouillage est susceptible d'en compromettre le fonctionnement. Cet appareil est conforme aux limites d'exposition aux rayonnements de la IC pour un environnement non contrôlé.*

### **FCC 5G Statement:**

LE-LAN devices are restricted to indoor operation only in the band 5150-5250 MHz

### **Europe—Radio Equipment Directive (RED)**



The 5.15-5.35 GHz WiFi band is restricted to indoor use in the countries that follow:

**Table 3 European countries**

Andorra (AD)	Denmark (DK)	Ireland (IE)	Montenegro (ME)	Slovakia (SK)
Austria (AT)	Estonia (EE)	Italy (IT)	Netherlands (NL)	Slovenia (SL)
Belgium (BE)	Finland (FI)	Latvia (LV)	Norway (NO)	Spain (ES)
Bosnia and Herzegovina (BA)	France (FR)	Liechtenstein (LI)	Poland (PL)	Sweden (SE)
Bulgaria (BG)	Germany (DE)	Lithuania (LT)	Portugal (PT)	Switzerland (CH)
Croatia (HR)	Greece (GR)	Luxembourg (LU)	Romania (RO)	Macedonia (MK)
Cyprus (CY)	Hungary (HU)	Malta (MT)	San Marino (SM)	United Kingdom (GB)
Czech Republic (CZ)	Iceland (IS)	Monaco (MC)	Serbia (RS)	Vatican city state (VA)

## **2.2 Product overview**

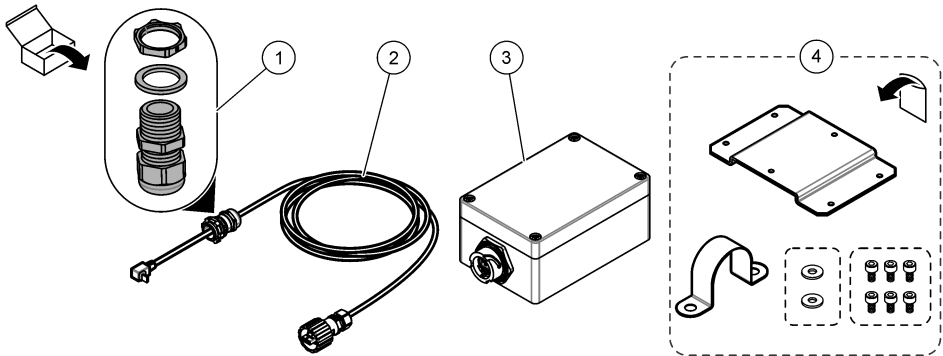
The external USB box is used to connect a USB device to the SC4500 Controller (e.g., a Wi-Fi adapter).

**Note:** All of the items (i.e, adapter and internal connections) are assembled at the factory.

## 2.3 Product components

Make sure that all components have been received. Refer to [Figure 1](#). If any items are missing or damaged, contact the manufacturer or a sales representative immediately.

**Figure 1 Product components**



1 Strain relief, washer and nut	3 USB box
2 USB box connection cable	4 Pole mounting hardware <sup>2</sup>

## Section 3 Installation

### 3.1 Mounting

#### NOTICE

Use the mounting holes to install the USB box. Do not make holes in the rear of the USB box or damage to the internal components can occur.

#### NOTICE



Close the USB box cover and make sure that the cover screws are tight to keep the environmental rating of the enclosure.

Install the USB box in a location where the power disconnect device for the controller is easily operated. Install the USB box in the location with the highest Wi-Fi signal strength. Use a mobile device to find the location with the highest Wi-Fi signal strength.

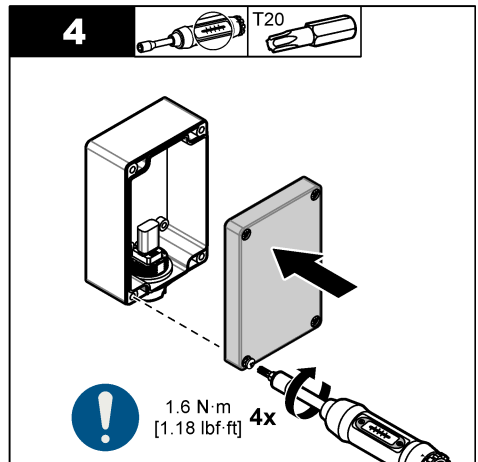
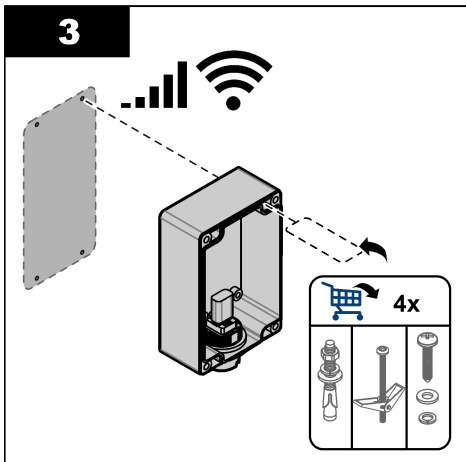
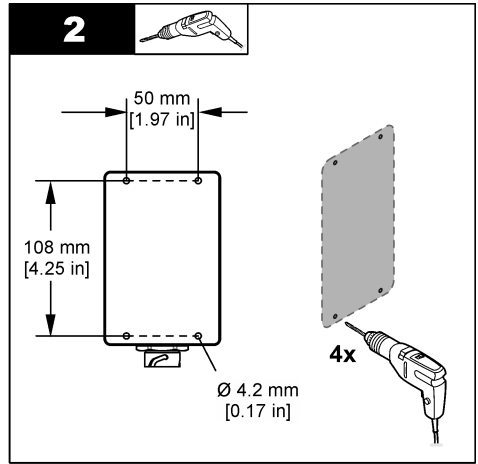
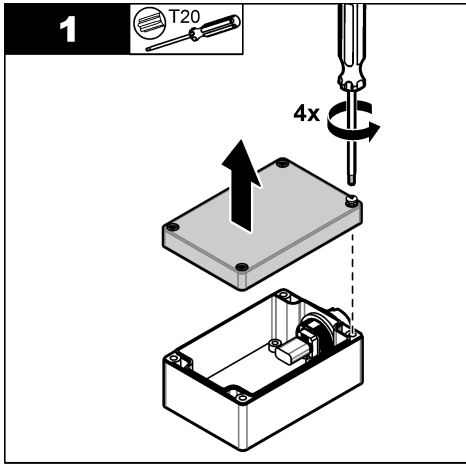
Attach the USB box to a wall, vertical pole or horizontal pole.

**Note:** Wall mounting hardware is supplied by the user. Screws/fittings must be suitable for the wall/ceiling properties and possess sufficient bearing capacity.

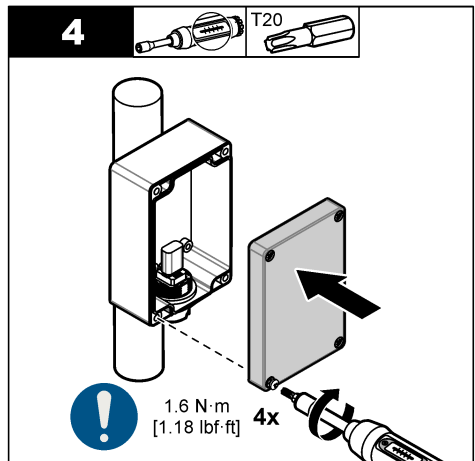
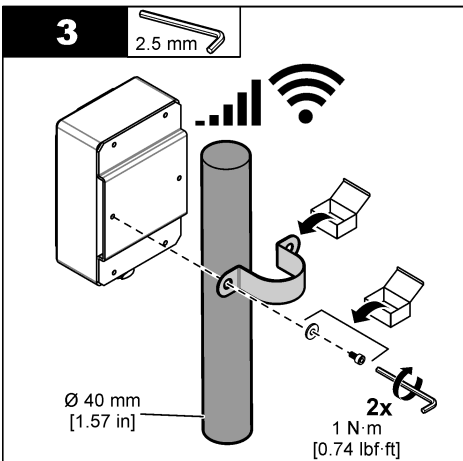
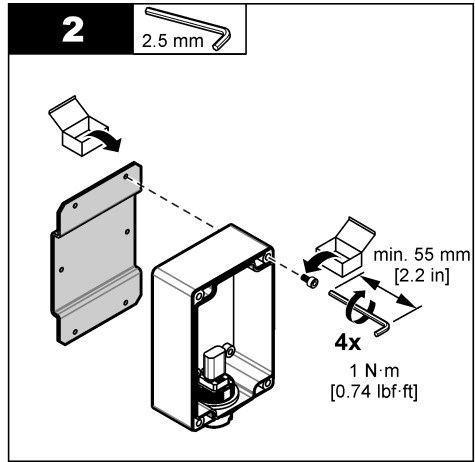
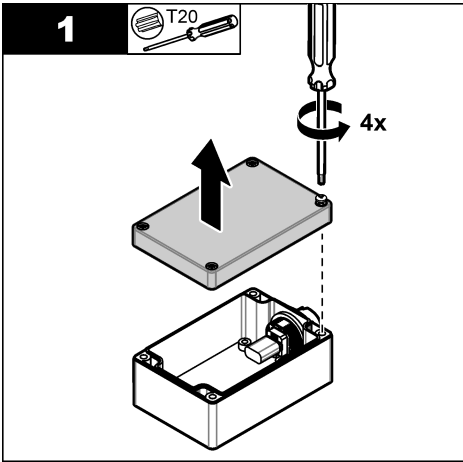
<sup>2</sup> The pole mounting hardware is for a 40–mm (1.57–inch) diameter pole.



Refer to the illustrated steps that follow for the USB box wall mounting.



Refer to the illustrated steps that follow for the USB box pole mounting.



### 3.2 Connect the cable

#### NOTICE

The manufacturer recommends the use of manufacturer-supplied electrical components, such as power cord, connectors and strain relief fittings.

#### NOTICE



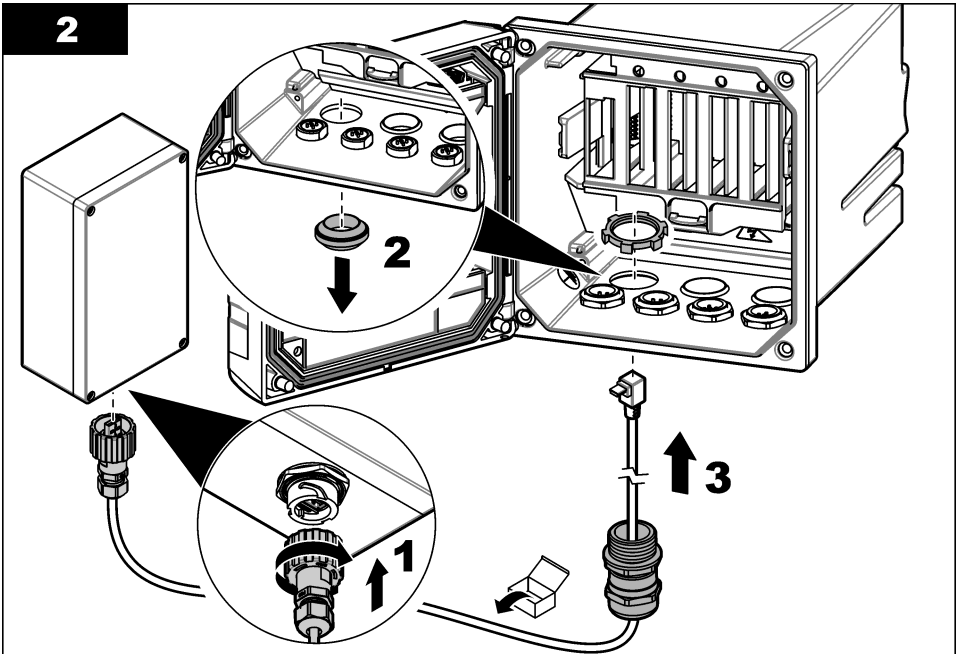
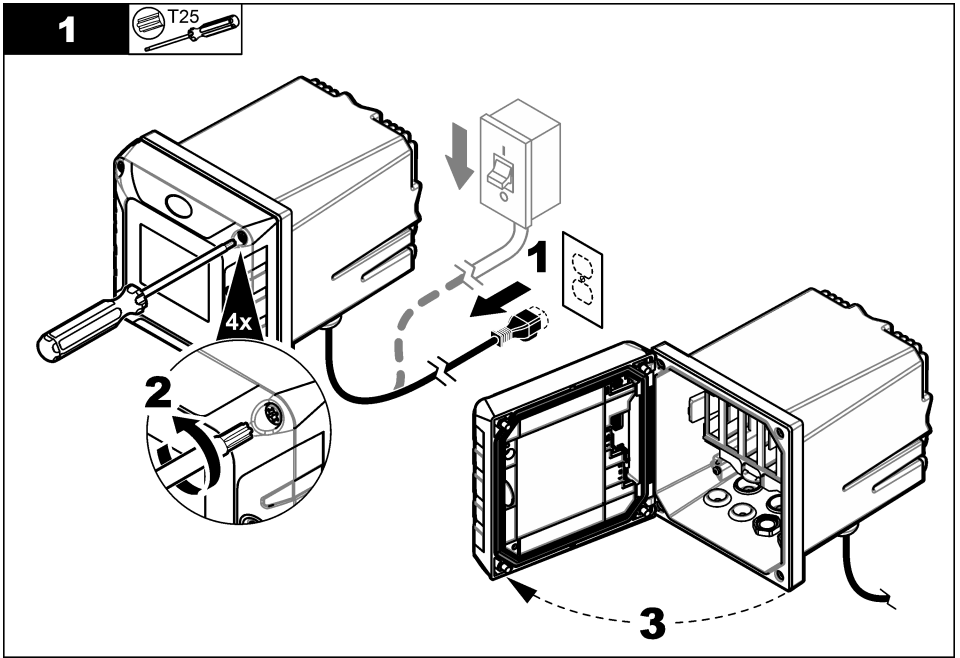
Make sure that the cable sheath goes through the inner side of the enclosure to keep the environmental rating of the enclosure.

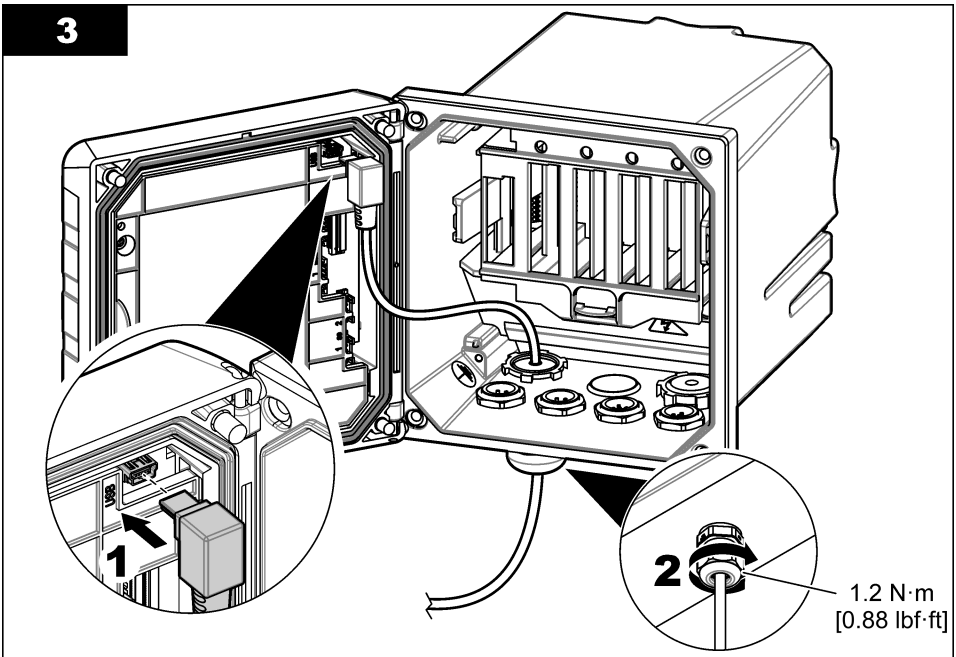
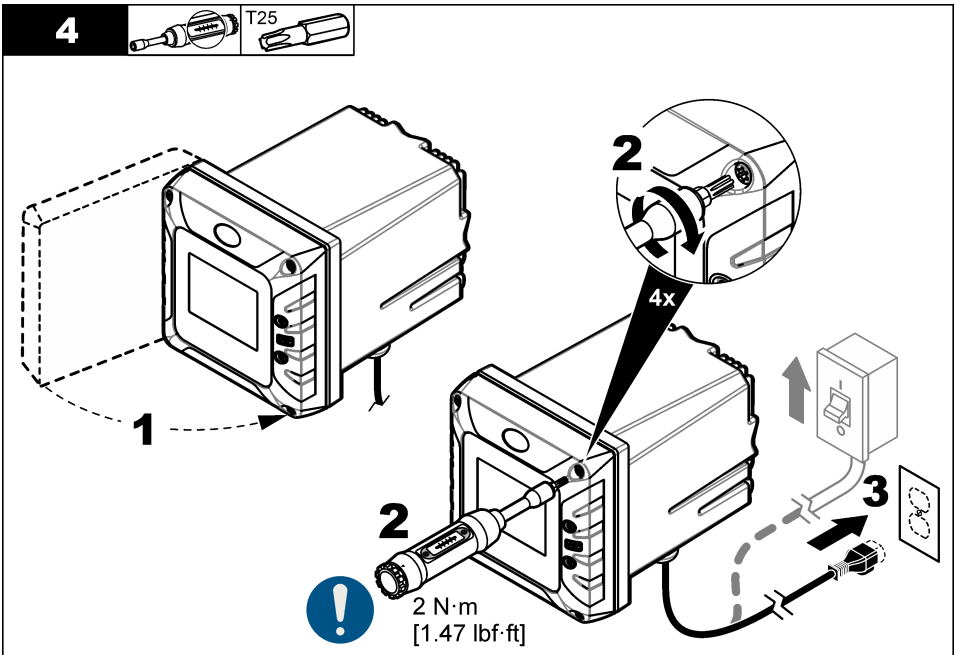
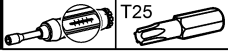
#### NOTICE



Close the controller cover and make sure that the cover screws are tight to keep the environmental rating of the enclosure.

Connect the supplied cable to the USB box and to the internal USB connector in the controller. Refer to the illustrated steps that follow.



**3****4**

## Section 4 Startup

**Note:** The WiFi adapter is factory assembled and connected. If necessary, refer to [Replace the WiFi adapter](#) on page 13 to replace the WiFi adapter.

After installation is complete, do the steps that follow:

1. Remove the cover from the USB box.
2. Supply power to the controller.
3. Make sure that the WiFi adapter is energized.
4. Wait a minimum of 5 minutes.
5. Examine the signal strength and network connection condition. Refer to the controller documentation.
6. Install the cover on the USB box.

## Section 5 Configuration

Refer to the controller documentation for instructions. Refer to the expanded user manual on the manufacturer's website for more information.

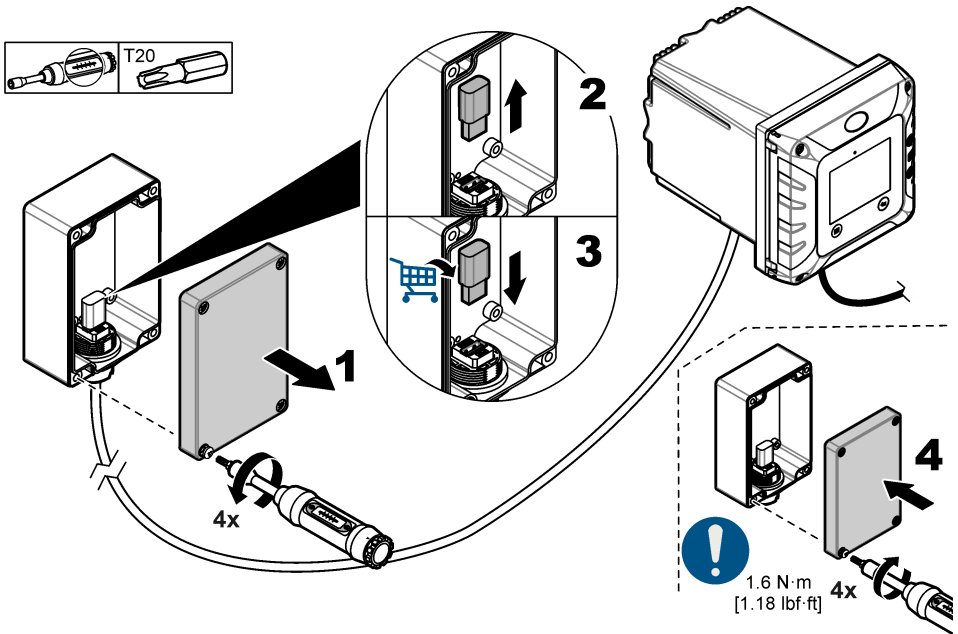
## Section 6 Maintenance

### 6.1 Replace the WiFi adapter

If necessary, replace the WiFi adapter. Refer to the illustrated steps in [Figure 2](#).

**Items to collect:** WiFi adapter

**Figure 2** Replace the WiFi adapter



## Section 7 Accessories

### ⚠ WARNING



Personal injury hazard. Use of non-approved parts may cause personal injury, damage to the instrument or equipment malfunction. The replacement parts in this section are approved by the manufacturer.

**Note:** Product and Article numbers may vary for some selling regions. Contact the appropriate distributor or refer to the company website for contact information.

Description	Item no.
USB-Box connection cable, WiFi, 4.5 m	LXZ525.99.00019
Mounting hardware kit	8806200
WiFi USB adapter for US, 2.4/5 GHz	LZY996
WiFi USB adapter for EU, 2.4/5 GHz	LZY997

# Inhaltsverzeichnis

- |   |                              |
|---|------------------------------|
| 1 Technische Daten auf Seite 15         | 5 Konfiguration auf Seite 25 |
| 2 Allgemeine Informationen auf Seite 15 | 6 Wartung auf Seite 25       |
| 3 Installation auf Seite 20             | 7 Zubehör auf Seite 26       |
| 4 Inbetriebnahme auf Seite 24           |                              |

## Kapitel 1 Technische Daten

Änderungen vorbehalten.

Technische Daten	Details
Abmessungen (B x H x T)	80 x 120 x 55 mm (4.7 x 7.9 x 2.2")
Gehäuse	IP66 <sup>1</sup> , Polycarbonat UL94-V0
Gewicht	169 g (0,37 lb)
Verschmutzungsgrad	4
Installationskategorie	I
Schutzklasse	III
Betriebstemperatur	-20 bis 60 °C
Lagerungstemperatur	-20 bis 70 °C
Relative Luftfeuchtigkeit	0 bis 95 %, nicht kondensierend
Höhe	Maximal 2000 m (6562 ft)
Kommunikationsoptionen	WLAN-Adapter mit USB-Anschluss 2,4 GHz- und 5 GHz-ISM-Band
Zertifizierungen	CE, FCC, IC, UKCA
Garantie	1 Jahr (EU: 2 Jahre)

## Kapitel 2 Allgemeine Informationen

Der Hersteller ist nicht verantwortlich für direkte, indirekte, versehentliche oder Folgeschäden, die aus Fehlern oder Unterlassungen in diesem Handbuch entstanden. Der Hersteller behält sich jederzeit und ohne vorherige Ankündigung oder Verpflichtung das Recht auf Verbesserungen an diesem Handbuch und den hierin beschriebenen Produkten vor. Überarbeitete Ausgaben der Bedienungsanleitung sind auf der Hersteller-Webseite erhältlich.

### 2.1 Sicherheitshinweise

Der Hersteller ist nicht für Schäden verantwortlich, die durch Fehlanwendung oder Missbrauch dieses Produkts entstehen, einschließlich, aber ohne Beschränkung auf direkte, zufällige oder Folgeschäden, und lehnt jegliche Haftung im gesetzlich zulässigen Umfang ab. Der Benutzer ist selbst dafür verantwortlich, schwerwiegende Anwendungsrisiken zu erkennen und erforderliche Maßnahmen durchzuführen, um die Prozesse im Fall von möglichen Gerätefehlern zu schützen.

Bitte lesen Sie dieses Handbuch komplett durch, bevor Sie dieses Gerät auspacken, aufstellen oder bedienen. Beachten Sie alle Gefahren- und Warnhinweise. Nichtbeachtung kann zu schweren Verletzungen des Bedienpersonals oder Schäden am Gerät führen.

<sup>1</sup> Nur mit installiertem USB-Box-Anschlusskabel.

Stellen Sie sicher, dass die durch dieses Messgerät gebotene Sicherheit nicht beeinträchtigt wird. Verwenden bzw. installieren Sie das Messgerät nur wie in diesem Handbuch beschrieben.

### 2.1.1 Bedeutung von Gefahrenhinweisen

#### ▲ GEFAHR

Kennzeichnet eine mögliche oder drohende Gefahrensituation, die, wenn sie nicht vermieden wird, zum Tod oder zu schweren Verletzungen führt.

#### ▲ WARNUNG

Kennzeichnet eine mögliche oder drohende Gefahrensituation, die, wenn sie nicht vermieden wird, zum Tod oder zu schweren Verletzungen führen kann.

#### ▲ VORSICHT





Kennzeichnet eine mögliche Gefahrensituation, die zu leichteren Verletzungen führen kann.

#### ACHTUNG

Kennzeichnet eine Situation, die, wenn sie nicht vermieden wird, das Gerät beschädigen kann. Informationen, die besonders beachtet werden müssen.

### 2.1.2 Warnhinweise

Lesen Sie alle am Gerät angebrachten Aufkleber und Hinweise. Nichtbeachtung kann Verletzungen oder Beschädigungen des Geräts zur Folge haben. Im Handbuch wird in Form von Warnhinweisen auf die am Gerät angebrachten Symbole verwiesen.

	Dieses Symbol am Gerät weist auf Betriebs- und/oder Sicherheitsinformationen im Handbuch hin.
	Dieses Symbol weist auf die Gefahr eines elektrischen Schlages hin, der tödlich sein kann.
	Dieses Symbol zeigt das Vorhandensein von Geräten an, die empfindlich auf elektrostatische Entladung reagieren. Es müssen Vorsichtsmaßnahmen getroffen werden, um die Geräte nicht zu beschädigen.
	Elektrogeräte, die mit diesem Symbol gekennzeichnet sind, dürfen nicht im normalen öffentlichen Abfallsystem entsorgt werden. Senden Sie Altgeräte an den Hersteller zurück. Dieser entsorgt die Geräte ohne Kosten für den Benutzer.



## 2.1.3 Zertifizierung

### ⚠️ WARNUNG



Vorsichtsmaßnahmen bei Herzschrittmachern. Wenn elektromagnetische Störausstrahlungen auftreten, kann dies:

- die stimulierenden Impulse des Herzschrittmachers, die den Herzrhythmus steuern, stoppen.
- dazu führen, dass der Herzschrittmacher unregelmäßige Impulse abgibt.
- dazu führen, dass der Herzschrittmacher den Herzrhythmus vernachlässigt und Impulse in verschiedenen Intervallen abgibt.

Nach heutigem Stand der Forschung stellen Mobilfunkgeräte kein erhebliches Gesundheitsproblem für den Großteil von Personen mit einem Herzschrittmacher dar. Jedoch sollten Personen mit einem Herzschrittmacher Vorsichtsmaßnahmen treffen, um sicherzustellen, dass ihr Mobilfunkgerät kein Problem verursacht. Halten Sie das Gerät bei der Benutzung mindestens 20 cm von sich entfernt.

### ⚠️ VORSICHT



Gefahr von elektromagnetischer Strahlung. Stellen Sie sicher, dass alle Antennen beim normalen Gebrauch einen Mindestabstand von 20 cm (7,9 Zoll) zum Benutzer einhalten. Die Antenne darf nicht gemeinsam mit anderen Antennen oder Sendern verwendet werden.

### ACHTUNG

Dieses Produkt der Klasse A ist für industrielle Anwendungen bestimmt. In Haushaltsumgebungen kann dieses Produkt Funkstörungen verursachen, die dazu führen können, dass der Benutzer entsprechende Gegenmaßnahmen ergreifen muss.

### ACHTUNG

Die Sicherheit von Netzwerk und Zugangspunkt liegt in der Verantwortung des Kunden, der das drahtlose Gerät verwendet. Der Hersteller ist nicht haftbar für Schäden, die durch einen Eingriff oder eine Verletzung der Netzwerksicherheit verursacht wurden, einschließlich aber nicht nur begrenzt auf indirekte, spezielle, zufällige oder Folgeschäden.

#### Behördliche HF-Gerätezulassungen: USA und Kanada

Enthält WLAN-USB-Adapter: LM808 von LM technologies

FCC-ID: VVX808-04XX

IC: 10531A-80804XX

**Tabelle 1 Stromversorgung für den WLAN-Adapter**

Spezifikation, Ausgabe und Datum	Frequenzbereich (MHz)	Emissionsbezeichnung	HF-Leistung (Watt)	Antenne
RSS-247, Ausgabe 2, 02/2017	5180—5240	17M1D1D	0,005	Integriert, 4,7 dBi
RSS-247, Ausgabe 2, 02/2017	5210	75M8D1D	0,005	Integriert, 4,7 dBi
RSS-247, Ausgabe 2, 02/2017	5745—5825	17M9D1D	0,005	Integriert, 4,7 dBi
RSS-247, Ausgabe 2, 02/2017	5775	75M6D1D	0,004	Integriert, 4,7 dBi
RSS-247, Ausgabe 2, 02/2017	2412—2462	15M0D1D	0,027	Integriert, 0,1 dBi

**Tabelle 1 Stromversorgung für den WLAN-Adapter (fortgesetzt)**

Spezifikation, Ausgabe und Datum	Frequenzbereich (MHz)	Emissionsbezeichnung	HF-Leistung (Watt)	Antenne
RSS-247, Ausgabe 2, 02/2017	2412—2462	16M5D1D	0,016	Integriert, 0,1 dBi
RSS-247, Ausgabe 2, 02/2017	2422—2452	35M1D1D	0,011	Integriert, 0,1 dBi

**WLAN-USB-Adapter LM808—Wichtige FCC-Empfangsbedingungen:**

Wird mit aufgeführter Leistung betrieben. Die SAR-Konformität für den USB-Dongle wurde wie in dieser Erklärung beschrieben bewertet. Die für diesen Sender verwendete(n) Antenne(n) darf/dürfen nicht gleichzeitig mit einer anderen Antenne oder einem anderen Sender übertragen, außer in Übereinstimmung mit den FCC-Mehrfachsender-Produktverfahren oder wie in dieser Erklärung beschrieben. Der höchste gemeldete SAR-Wert beträgt 0,26 W/kg. Dieses Gerät verfügt über Bandbreiten von 20 MHz und 40 MHz.

**Behördliche HF-Gerätezulassungen: EU**

Enthält WLAN-USB-Adapter: LM808

**Tabelle 2 Frequenzbänder**

Technische Daten	Details
Frequenzband	2,4 GHz ISM-Band
	5 GHz ISM-Band
HF-Ausgangsleistung (Toleranz $\pm 2$ dBm)	17 dBm, 802.11b bei 11 MBit/s
	15 dBm, 802.11g bei 54 MBit/s
	13 dBm, 802.11a bei 54 MBit/s
	13 dBm, 802.11n bei MCS7_HT20
	13 dBm, 802.11n bei MCS7_HT40
	11 dBm, 802.11ac an NSS1 MCS9_BW20, BW40, BW80
	-82 dBm, 802.11b bei 11 MBit/s—71 dB0, 802.11g bei 54 MBit/s
Empfängerempfindlichkeit	-67 dBm, 802.11n bei MCS7_BW20
	-64 dBm, 802.11n bei MCS7_BW40
	-57 dBm, 802.11ac bei NSS1_MCS9_BW20
	-54 dBm, 802.11ac bei MSS1_MCS9_BW40
	-51 dBm, 802.11ac bei MSS1_MCS9_BW80

**Kanada (IC)**

Enthält WLAN-USB-Adapter: LM808 von LM technologies IC: 10531A-804XX

Dieses digitale Gerät der Klasse (A) entspricht der kanadischen Norm ICES-003. Dieses Gerät entspricht Industry Canada genehmigungsfreien RSS-Standard(s). Der Betrieb unterliegt den folgenden beiden Bedingungen:

(1) Dieses Gerät darf keine Störungen verursachen, und

(2) dieses Gerät muss jegliche Störung, die es erhält, einschließlich jener Störungen, die zu unerwünschtem Betrieb führen, annehmen.

*Cet appareil numérique de la classe (A) respect toutes les exigences de la norme NMB-003 du Canada. Le présent appareil est conforme aux CNR d'Industrie Canada applicables aux appareils radio exempts de licence. L'exploitation est autorisée aux deux conditions suivantes:*

*(1) l'appareil ne doit pas produire de brouillage, et*

*(2) l'utilisateur de l'appareil doit accepter tout brouillage radioélectrique subi, même si le brouillage est susceptible d'en compromettre le fonctionnement.*

### **Vereinigte Staaten (FCC)**

Enthält WLAN-USB-Adapter: LM808 von LM technologies FCC ID: VVX808-04XX

Modifizierungen, die nicht ausdrücklich von diesem Unternehmen gestattet sind, können für den Benutzer den Entzug der Betriebserlaubnis zur Folge haben. (FCC Abschnitt 15.21).

Dieses Gerät wurde geprüft und es wurde festgestellt, dass es die Grenzwerte für digitale Geräte der Klasse A entsprechend Teil 15 der FCC-Vorschriften einhält. Diese Grenzwerte sollen einen angemessenen Schutz gegen schädliche Störungen gewährleisten, wenn dieses Gerät in einer gewerblichen Umgebung betrieben wird. Dieses Gerät erzeugt und nutzt hochfrequente Energie und kann diese auch abstrahlen, und es kann, wenn es nicht in Übereinstimmung mit der Bedienungsanleitung installiert und eingesetzt wird, schädliche Störungen der Funkkommunikation verursachen. Der Einsatz dieses Geräts in einem Wohngebiet kann zu schädlichen Störungen führen. In diesem Fall muss der Benutzer die Störungen auf eigene Kosten beheben (FCC Abschnitt 15.105).

### **FCC/IC Regulierungsmittelungen zum Multitech HF Modul**

#### **Erklärung zu Modifizierungen**

LM technologies hat keinerlei Änderungen oder Modifizierungen dieses Geräts durch den Benutzer gestattet. Jegliche Änderung oder Modifizierung kann für den Benutzer den Entzug der Betriebserlaubnis zur Folge haben.

*LM technologies n'approuve aucune modification apportée à l'appareil par l'utilisateur, quelle qu'en soit la nature. Tout changement ou modification peuvent annuler le droit d'utilisation de l'appareil par l'utilisateur.*

#### **Erklärung zu Störungen**

Dieses Gerät entspricht Teil 15 der FCC-Vorschriften und Industry Canada genehmigungsfreien RSS-Standard(s). Der Betrieb unterliegt den folgenden beiden Bedingungen: (1) Dieses Gerät darf keine Störungen verursachen, und (2) dieses Gerät muss jegliche Störung annehmen, einschließlich jener Störungen, die zu unerwünschtem Betrieb führen können.

*Le présent appareil est conforme aux CNR d'Industrie Canada applicables aux appareils radio exempts de licence. L'exploitation est autorisée aux deux conditions suivantes : (1) l'appareil ne doit pas produire de brouillage, et (2) l'utilisateur de l'appareil doit accepter tout brouillage radioélectrique subi, même si le brouillage est susceptible d'en compromettre le fonctionnement. Cet appareil est conforme aux limites d'exposition aux rayonnements de la IC pour un environnement non contrôlé.*

### **FCC 5G-Erklärung:**

LE-LAN-Geräte sind nur auf den Betrieb in geschlossenen Räumen im Bereich 5150 bis 5250 MHz beschränkt.

### **Europa – Funkanlagenrichtlinie (RED)**



Das 5,15-5,35 GHz WLAN-Band ist auf die Verwendung in geschlossenen Räumen in den folgenden Ländern beschränkt:

**Tabelle 3 Europäische Länder**

Andorra (AD)	Dänemark (DK)	Irland (IE)	Montenegro (ME)	Slowakei (SK)
Österreich (AT)	Estland (EE)	Italien (IT)	Niederlande (NL)	Slowenien (SL)

**Tabelle 3 Europäische Länder (fortgesetzt)**

Belgien (BE)	Finnland (FI)	Lettland (LV)	Norwegen (NO)	Spanien (ES)
Bosnien und Herzegowina (BA)	Frankreich (FR)	Liechtenstein (LI)	Polen (PL)	Schweden (SE)
Bulgarien (BG)	Deutschland (DE)	Litauen (LT)	Portugal (PT)	Schweiz (CH)
Kroatien (HR)	Griechenland (GR)	Luxemburg (LU)	Rumänien (RO)	Mazedonien (MK)
Zypern (CY)	Ungarn (HU)	Malta (MT)	San Marino (SM)	Großbritannien (GB)
Tschechische Republik (CZ)	Island (IS)	Monaco (MC)	Serbien (RS)	Vatikanstadt (VA)

## 2.2 Produktübersicht

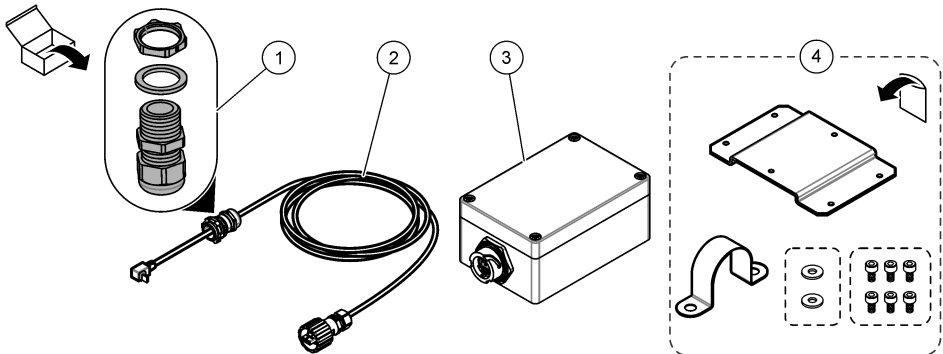
Die externe USB-Box wird zum Anschließen eines USB-Geräts an den SC4500 Controller (z. B. ein WLAN-Adapter) verwendet.

*Hinweis: Alle Teile (z. B. Adapter und interne Anschlüsse) werden werkseitig montiert.*

## 2.3 Produktkomponenten

Stellen Sie sicher, dass Sie alle Teile erhalten haben. Siehe [Abbildung 1](#). Wenn Komponenten fehlen oder beschädigt sind, kontaktieren Sie bitte umgehend den Hersteller oder Verkäufer.

**Abbildung 1 Produktkomponenten**



1 Zugentlastung, Unterlegscheibe und Mutter	3 USB-Box
2 USB-Box mit Anschlusskabel	4 Stangenmontage-Befestigungsmaterial <sup>2</sup>

## Kapitel 3 Installation

### 3.1 Befestigen

#### ACHTUNG

Verwenden Sie zur Installation der USB-Box die Befestigungslöcher. Machen Sie keine Löcher an der Rückseite der USB-Box, da dies zu Schäden an den internen Komponenten führen kann.

<sup>2</sup> Das Stangenmontagematerial ist für eine Stange mit 40 mm (1,57 Zoll) Durchmesser.

## ACHTUNG



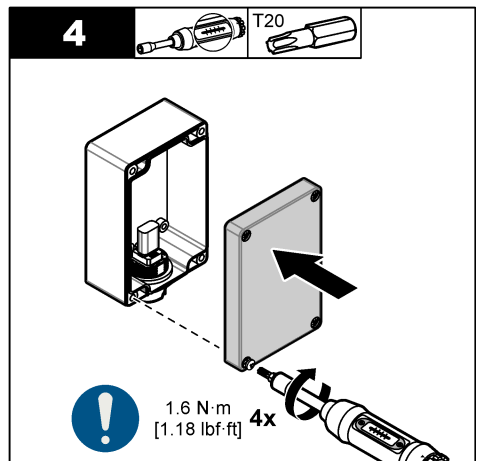
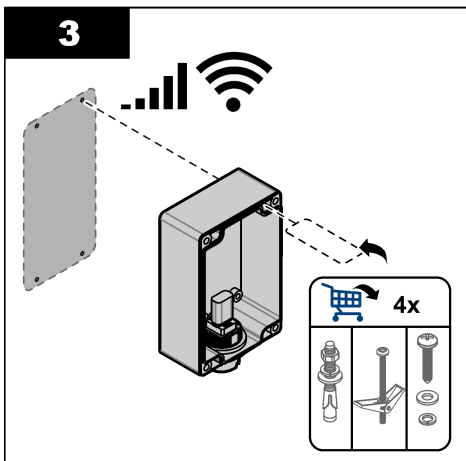
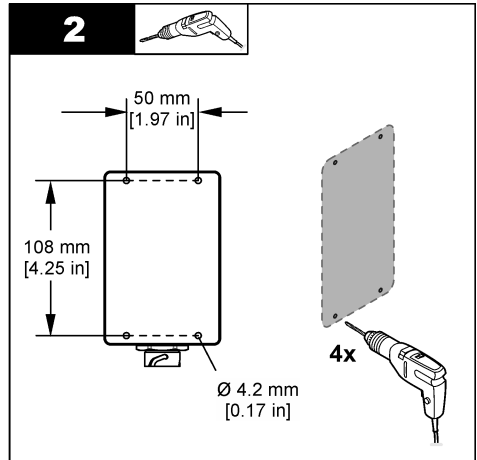
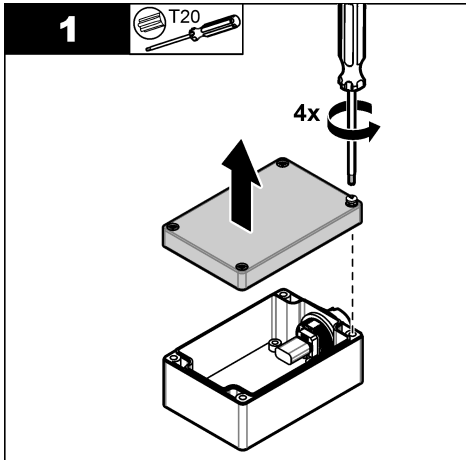
Schließen Sie die Abdeckung der USB-Box und stellen Sie sicher, dass die Schrauben der Abdeckung angezogen sind, um die Gehäuseschutzklasse nicht zu beeinträchtigen.

Installieren Sie die USB-Box an einem Ort, an dem die Netztrennvorrichtung für den Controller leicht betätigt werden kann. Installieren Sie die USB-Box an dem Ort mit der größten WLAN-Funksignalstärke. Lokalisieren Sie mit einem Mobilgerät benutzt, den Ort mit der größten WLAN-Funksignalstärke.

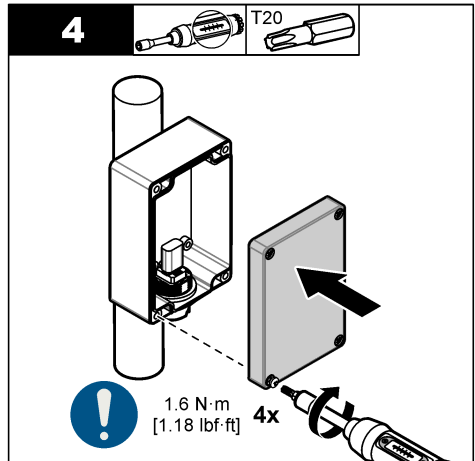
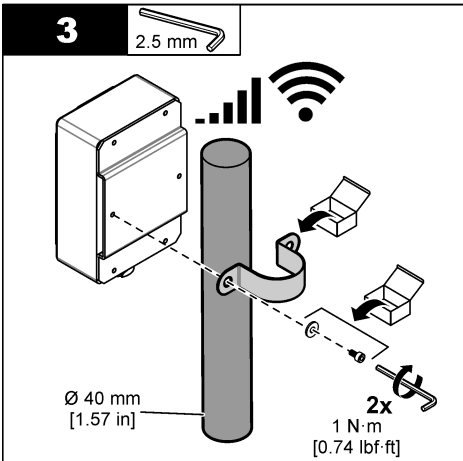
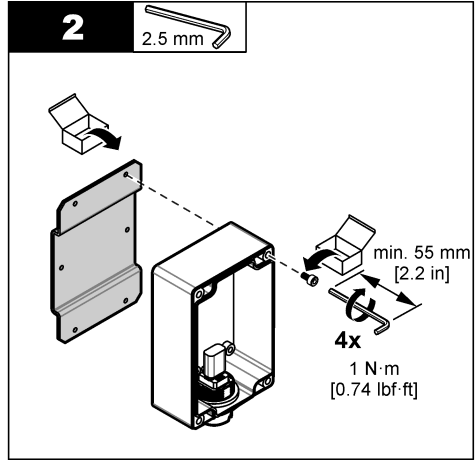
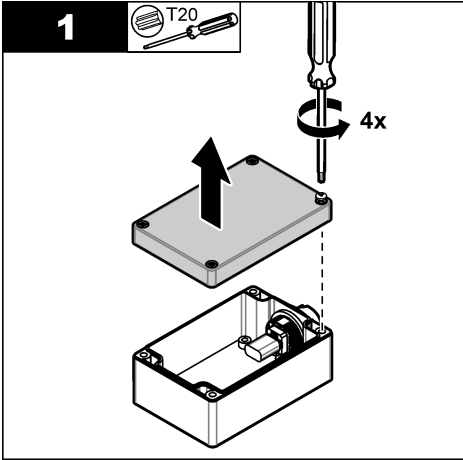
Befestigen Sie die USB-Box an einer Wand oder einer senkrechten oder waagerechten Stange.

**Hinweis:** Das Befestigungsmaterial für die Wandmontage ist vom Benutzer zu stellen. Es sind Schrauben/Beschläge entsprechend der Wand-Deckenbeschaffenheit und mit genügend Tragfähigkeit zu verwenden.

Beachten Sie die folgenden bebilderten Schritte für die Wandmontage der USB-Box.



Beachten Sie die folgenden bebilderten Schritte für die Stangenmontage der USB-Box.



### 3.2 Anschließen des Kabels

#### ACHTUNG

Der Hersteller empfiehlt die Verwendung von herstellereitig bereitgestellten elektrischen Komponenten, wie beispielsweise Netzkabel, Anschlüsse und Zugentlastungsverschraubungen.

#### ACHTUNG



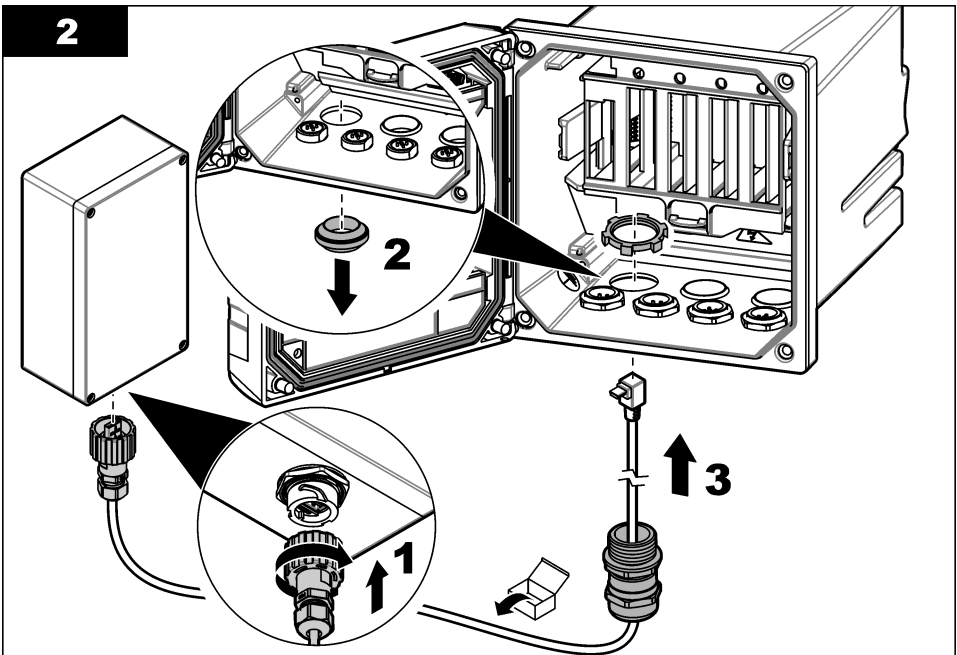
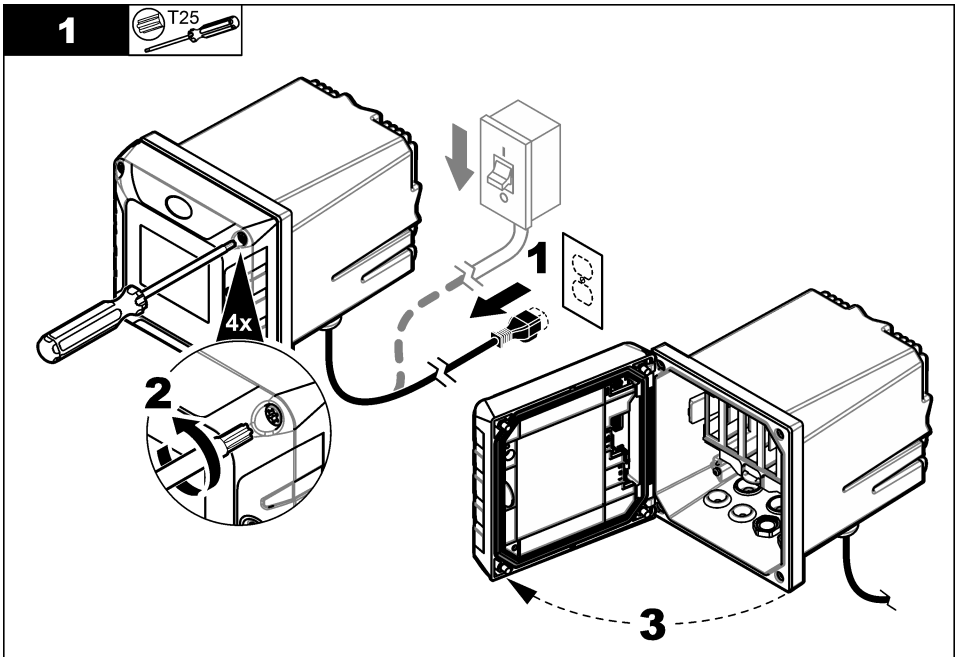
Stellen Sie sicher, dass die Kabelummantelung durch die Innenseite des Gehäuses führt, um die Gehäuseschutzklasse nicht zu beeinträchtigen.

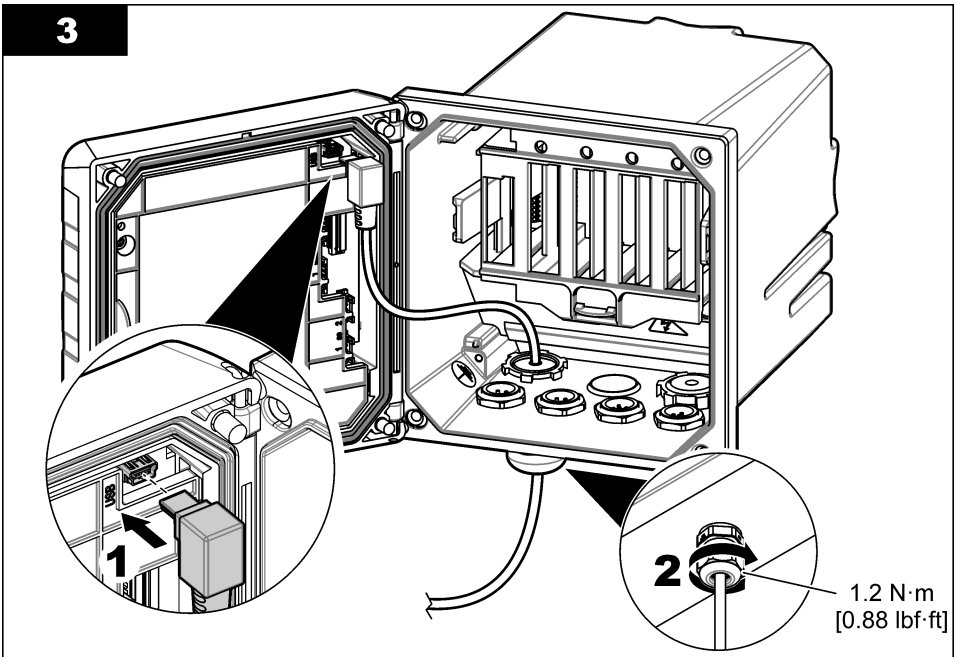
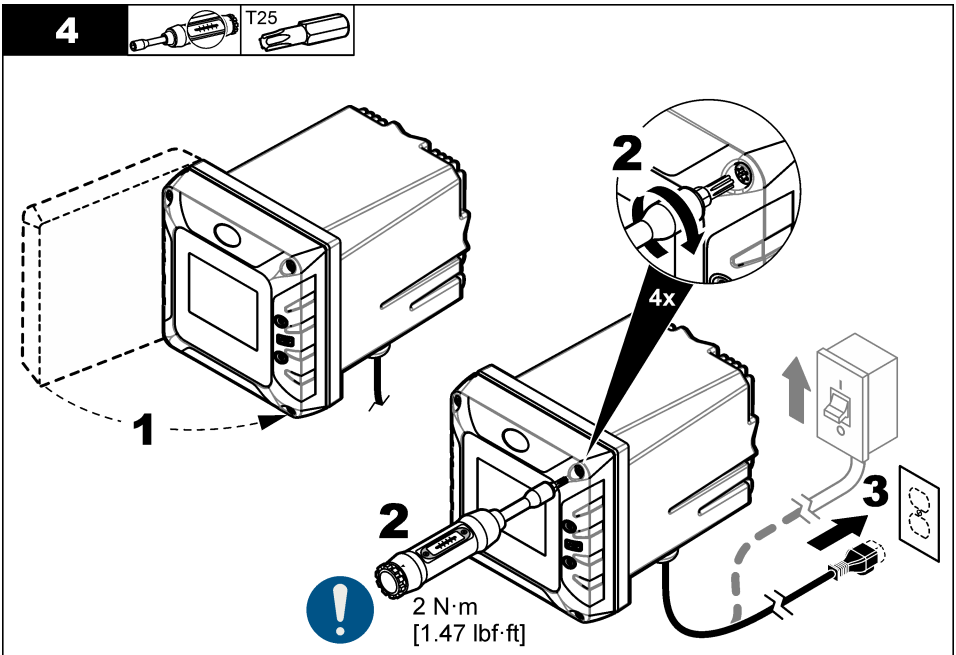
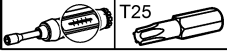
#### ACHTUNG



Schließen Sie die Abdeckung des Controllers und stellen Sie sicher, dass die Schrauben der Abdeckung angezogen sind, um die Gehäuseschutzklasse nicht zu beeinträchtigen.

Schließen Sie das mitgelieferte Kabel an die USB-Box und an den internen USB-Anschluss im Controller an. Berücksichtigen Sie die folgenden bebilderten Schritte.



**3****4**

## Kapitel 4 Inbetriebnahme

*Hinweis: Der WLAN-Adapter ist werkseitig montiert und angeschlossen. Falls nötig, Informationen zum Austauschen des WLAN-Adapters finden Sie unter [Ersetzen des WLAN-Adapters](#) auf Seite 25.*



Führen Sie nach Abschluss der Installation die folgenden Schritte aus:

1. Entfernen Sie die Abdeckung von der USB-Box.
2. Schließen Sie den Controller an die Stromversorgung an.
3. Stellen Sie sicher, dass der WLAN-Adapter eingeschaltet ist.
4. Warten Sie mindestens 5 Minuten.
5. Überprüfen Sie die Signalstärke und die Netzwerkverbindung. Siehe Controller-Dokumentation.
6. Setzen Sie die Abdeckung auf die USB-Box.

## Kapitel 5 Konfiguration

Anweisungen finden Sie im Handbuch des Controllers. Weitere Informationen finden Sie in der ausführlichen Bedienungsanleitung auf der Webseite des Herstellers.

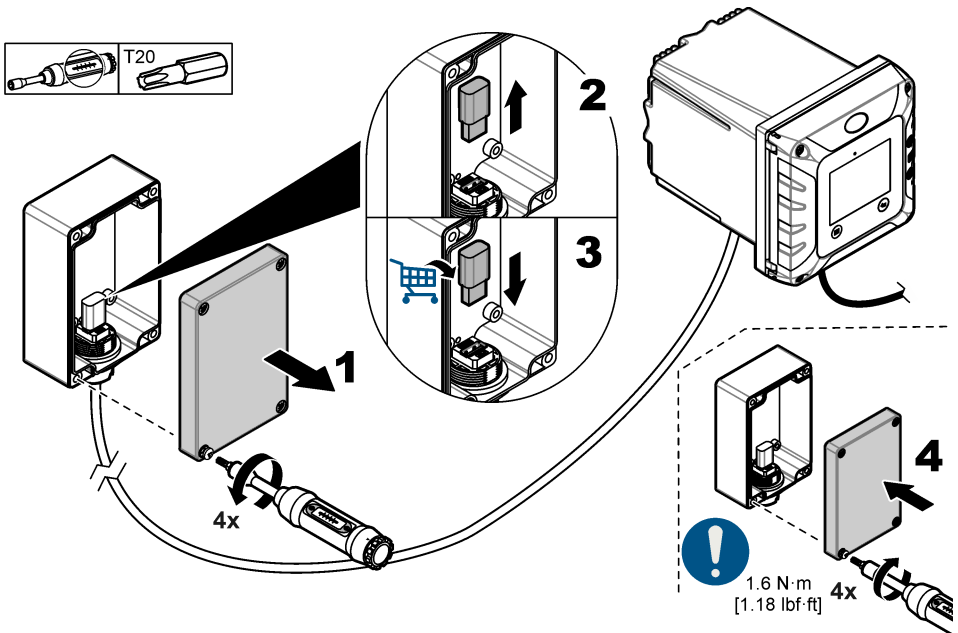
## Kapitel 6 Wartung

### 6.1 Ersetzen des WLAN-Adapters

Tauschen Sie den WLAN-Adapter bei Bedarf aus. Beachten Sie dabei die dargestellten Schritte in [Abbildung 2](#).

**Zu entnehmende Gegenstände:** WLAN-Adapter

**Abbildung 2 Ersetzen Sie den WLAN-Adapter.**



## Kapitel 7 Zubehör

### ⚠ WARNUNG



Verletzungsgefahr. Die Verwendung nicht zugelassener Teile kann zur Verletzung von Personen, zu Schäden am Messgerät oder zu Fehlfunktionen der Ausrüstung führen. Die Ersatzteile in diesem Abschnitt sind vom Hersteller zugelassen.

*Hinweis: Produkt- und Artikelnummern können für einige Verkaufsgebiete abweichen. Wenden Sie sich an die zuständige Vertriebsgesellschaft oder an die auf der Webseite des Unternehmens aufgeführten Kontaktinformationen.*

Beschreibung	Artikelnr.
USB-Box-Verbindungskabel, WLAN, 4,5 m	LXZ525.99.00019
Montagesatz	8806200
WLAN-USB-Adapter für USA, 2,4/5 GHz	LZY996
WLAN-USB-Adapter für EU, 2,4/5 GHz	LZY997

## Sommario

- |   |   |   |  |
|---|---|---|--|
| 1 | <a href="#">Specifiche tecniche</a> a pagina 27   | 5 | <a href="#">Configurazione</a> a pagina 37 |
| 2 | <a href="#">Informazioni generali</a> a pagina 27 | 6 | <a href="#">Manutenzione</a> a pagina 37   |
| 3 | <a href="#">Installazione</a> a pagina 32         | 7 | <a href="#">Accessori</a> a pagina 38      |
| 4 | <a href="#">Avvio</a> a pagina 36                 |   |  |

## Sezione 1 Specifiche tecniche

Le specifiche tecniche sono soggette a modifica senza preavviso.

Dato tecnico	Dettagli
Dimensioni (L x A x P)	80 x 120 x 55 mm (4.7 x 7.9 x 2.2 poll.)
Alloggiamento	IP66 <sup>1</sup> , policarbonato UL94-V0
Peso	169 g (0.37 lb)
Grado di inquinamento	4
Categoria di installazione	I
Classe di protezione	III
Temperatura di esercizio	Da -20 a 60 °C (da -4 a 140 °F)
Temperatura di stoccaggio	–da 20 a 70 °C
Umidità relativa	Dallo 0 al 95%, senza condensa
Altitudine	2000 m (6562 piedi) massimo
Opzioni di comunicazione	Adattatore Wi-Fi con connettore USB Banda ISM a 2,4 GHz e 5 GHz
Certificazioni	CE, FCC, IC, UKCA
Garanzia	1 anno (UE: 2 anni)

## Sezione 2 Informazioni generali

In nessun caso, il produttore potrà essere ritenuto responsabile per danni diretti, indiretti o accidentali per qualsiasi difetto o omissione relativa al presente manuale. Il produttore si riserva il diritto di apportare eventuali modifiche al presente manuale e ai prodotti ivi descritti in qualsiasi momento senza alcuna notifica o obbligo preventivi. Le edizioni riviste sono presenti nel sito Web del produttore.

### 2.1 Informazioni sulla sicurezza

Il produttore non sarà da ritenersi responsabile in caso di danni causati dall'applicazione errata o dall'uso errato di questo prodotto inclusi, a puro titolo esemplificativo e non limitativo, i danni diretti, incidentali e consequenziali; inoltre declina qualsiasi responsabilità per tali danni entro i limiti previsti dalle leggi vigenti. La responsabilità relativa all'identificazione dei rischi critici dell'applicazione e all'installazione di meccanismi appropriati per proteggere le attività in caso di eventuale malfunzionamento dell'apparecchiatura compete unicamente all'utilizzatore.

Prima di disimballare, installare o utilizzare l'apparecchio, si prega di leggere l'intero manuale. Si raccomanda di leggere con attenzione e rispettare le istruzioni riguardanti note di pericolosità. La non osservanza di tali indicazioni potrebbe comportare lesioni gravi all'operatore o danni all'apparecchio.

<sup>1</sup> Solo con il cavo di collegamento USB box installato.





Assicurarsi che i dispositivi di sicurezza insiti nell'apparecchio siano efficaci all'atto della messa in servizio e durante l'utilizzo dello stesso. Non utilizzare o installare questa apparecchiatura in modo diverso da quanto specificato nel presente manuale.

### 2.1.1 Indicazioni e significato dei segnali di pericolo

<b>▲ PERICOLO</b>
Indica una situazione di pericolo potenziale o imminente che, se non evitata, causa lesioni gravi anche mortali.
<b>▲ AVVERTENZA</b>
Indica una situazione di pericolo potenziale o imminente che, se non evitata, potrebbe comportare lesioni gravi, anche mortali.
<b>▲ ATTENZIONE</b>
Indica una situazione di pericolo potenziale che potrebbe comportare lesioni lievi o moderate.
<b>AVVISO</b>
Indica una situazione che, se non evitata, può danneggiare lo strumento. Informazioni che richiedono particolare attenzione da parte dell'utente.

### 2.1.2 Etichette di avvertimento

Leggere tutte le etichette e i contrassegni presenti sullo strumento. La mancata osservanza di questi avvertimenti può causare lesioni personali o danni allo strumento. Un simbolo sullo strumento è indicato nel manuale unitamente a una frase di avvertenza.

	Tale simbolo, se apposto sullo strumento, fa riferimento al manuale delle istruzioni per il funzionamento e/o informazioni sulla sicurezza.
	Questo simbolo indica un rischio di scosse elettriche e/o elettrocuzione.
	Questo simbolo indica la presenza di dispositivi sensibili alle scariche elettrostatiche (ESD, Electro-static Discharge) ed è pertanto necessario prestare la massima attenzione per non danneggiare l'apparecchiatura.
	Le apparecchiature elettriche contrassegnate con questo simbolo non possono essere smaltite attraverso sistemi domestici o pubblici europei. Restituire le vecchie apparecchiature al produttore il quale si occuperà gratuitamente del loro smaltimento.

## 2.1.3 Certificazioni

### ▲ AVVERTENZA



Precauzioni per portatori di pacemaker. Le eventuali interferenze elettromagnetiche (EMI) possono:

- Interrompere gli impulsi provenienti dal pacemaker che controllano il ritmo cardiaco.
- Provocare impulsi irregolari da parte del pacemaker.
- Causare l'invio di impulsi preimpostati da parte del pacemaker che allo stesso tempo ignorerà il ritmo cardiaco.

Recenti ricerche hanno dimostrato che i dispositivi cellulari non rappresentano un significativo rischio per la salute per la maggior parte dei portatori di pacemaker. Tuttavia, i portatori di pacemaker devono prendere precauzioni per assicurarsi che il loro dispositivo non causi problemi. Mantenere il dispositivo a una distanza minima di 20 cm (7,9 poll.) dal corpo.

### ▲ ATTENZIONE



Pericolo di radiazioni elettromagnetiche. Assicurarsi che l'antenna si trovi a una distanza minima di 20 cm (7,9 pollici) da tutto il personale durante le normali operazioni. L'antenna non può essere collocata nella stessa posizione o utilizzata insieme ad altre antenne o trasmettitori.

### AVVISO

Questo è un prodotto di Classe A destinato all'utilizzo in ambienti industriali. In un ambiente domestico questo prodotto può causare interferenze radio per cui l'utente è tenuto ad adottare adeguate misure preventive.

### AVVISO

La responsabilità per la sicurezza della rete e dei punti di accesso è del cliente che utilizza lo strumento wireless. Il produttore non può essere ritenuto responsabile per eventuali danni, inclusi ma non limitati a danni indiretti, speciali, consequenziali o accidentali, causati da un'interruzione o dalla violazione della sicurezza della rete.

#### Approvazioni normative dispositivi RF: USA e Canada

Contiene un adattatore USB Wi-Fi: LM808 di LM Technologies

ID FCC: VVX808-04XX

IC: 10531A-80804XX

**Tabella 1 Alimentazione per adattatore Wi-Fi**

Specifica, rilascio e data	Gamma di frequenza (MHz)	Denominazione delle emissioni	Potenza R.F. (watt)	Antenna
RSS-247, rilascio 2, 02/2017	5180—5240	17M1D1D	0,005	Integrale, 4,7 dBi
RSS-247, rilascio 2, 02/2017	5210	75M8D1D	0,005	Integrale, 4,7 dBi
RSS-247, rilascio 2, 02/2017	5745—5825	17M9D1D	0,005	Integrale, 4,7 dBi
RSS-247, rilascio 2, 02/2017	5775	75M6D1D	0,004	Integrale, 4,7 dBi
RSS-247, rilascio 2, 02/2017	2412—2462	15M0D1D	0,027	Integrale, 0,1 dBi

**Tabella 1 Alimentazione per adattatore Wi-Fi (continua)**

Specifica, rilascio e data	Gamma di frequenza (MHz)	Denominazione delle emissioni	Potenza R.F. (watt)	Antenna
RSS-247, rilascio 2, 02/2017	2412—2462	16M5D1D	0,016	Integrale, 0,1 dBi
RSS-247, rilascio 2, 02/2017	2422—2452	35M1D1D	0,011	Integrale, 0,1 dBi

**Adattatore USB Wi-Fi LM808 - Importanti condizioni di concessione FCC:**

La potenza elencata è di tipo condotta. La conformità SAR per il dongle USB è stata valutata come descritto in questa documentazione. Le antenne utilizzate per questo trasmettitore non devono trasmettere contemporaneamente con altre antenne o trasmettitori, se non in conformità alle procedure dei prodotti di tipo multi-trasmettitore FCC o come descritto in questa documentazione. Il valore SAR più alto riportato è 0,26 W/kg. Questo dispositivo dispone di modalità di larghezza di banda da 20 MHz e 40 MHz.

**Approvazioni normative dispositivi RF: UE**

Contiene l'adattatore USB Wi-Fi: LM808

**Tabella 2 Bande di frequenza**

Dato tecnico	Dettagli
Banda di frequenza	Banda ISM 2,4 GHz
	Banda ISM 5 GHz
Potenza in uscita RF (tolleranza $\pm 2$ dBm)	17 dBm, 802,11b a 11 Mbps
	15 dBm, 802,11g a 54 Mbps
	13 dBm, 802,11a a 54 Mbps
	13 dBm, 802,11n a MCS7_HT20
	13 dBm, 802,11n a MCS7_HT40
	11 dBm, 802,11ac a NSS1 MCS9_BW20, BW40, BW80
	-82 dBm, 802,11b a 11 Mbps—71 dB0, 802,11g a 54 MBps
Sensibilità del ricevitore	-67 dBm, 802,11n a MCS7_BW20
	-64 dBm, 802,11n a MCS7_BW40
	-57 dBm, 802,11ac a NSS1_MCS9_BW20
	-54 dBm, 802,11ac a MSS1_MCS9_BW40
	-51 dBm, 802,11ac a MSS1_MCS9_BW80

**Canada (IC)**

Contiene adattatore USB Wi-Fi: LM808 di LM Technologies IC: 10531A-80804XX

Apparecchiatura digitale di classe (A) conforme allo standard ICES-003 canadese. Il dispositivo è conforme agli standard RSS dell'industria canadese per l'esenzione di licenza. Il funzionamento è soggetto alle seguenti due condizioni:

- (1) Il dispositivo non deve causare interferenze dannose, e
- (2) Il dispositivo deve essere in grado di accettare qualsiasi interferenza, anche quelle che possono incidere sul corretto funzionamento.

*Cet appareil numérique de la classe (A) respect toutes les exigences de la norme NMB-003 du Canada. Le présent appareil est conforme aux CNR d'Industrie Canada applicables aux appareils radio exempts de licence. L'exploitation est autorisée aux deux conditions suivantes:*

*(1) l'appareil ne doit pas produire de brouillage, et*

*(2) l'utilisateur de l'appareil doit accepter tout brouillage radioélectrique subi, même si le brouillage est susceptible d'en compromettre le fonctionnement.*

### **Stati Uniti (FCC)**

Contiene adattatore USB Wi-Fi: LM808 di LM Technologies ID FCC: VVX808-04XX

Le modifiche non espressamente approvate dall'azienda possono annullare la facoltà dell'utente di utilizzo dell'apparecchio (FCC sezione 15.21).

Questo apparecchio è stato testato ed è conforme con i limiti per un dispositivo digitale di Classe A, secondo la Parte 15 delle norme FCC. Questi limiti sono progettati per fornire una protezione adeguata contro interferenze dannose quando l'apparecchiatura è utilizzata in un ambiente commerciale. L'apparecchiatura produce, utilizza e può irradiare energia a radiofrequenza e, se non installata e utilizzata in accordo a quanto riportato nel manuale delle istruzioni, potrebbe causare interferenze nocive per le radiocomunicazioni. L'utilizzo di questo apparecchio in una zona residenziale potrebbe causare interferenze nocive. In questo caso, l'utente sarà tenuto a risolvere il problema a proprie spese (FCC sezione 15.105).

### **Note sulla normativa FCC/IC relativa al modulo RF Multitech**

#### **Dichiarazione sulle modifiche**

LM Technologies non ha approvato alcuna modifica o variazione al dispositivo da parte dell'utente. Eventuali modifiche o variazioni apportate possono annullare la facoltà dell'utente di utilizzo dell'apparecchio.

*LM technologies n'approuve aucune modification apportée à l'appareil par l'utilisateur, quelle qu'en soit la nature. Tout changement ou modification peuvent annuler le droit d'utilisation de l'appareil par l'utilisateur.*

#### **Dichiarazione sulle interferenze**

Il dispositivo è conforme alla Parte 15 della normativa sugli standard RSS dell'industria canadese e FCC per l'esenzione di licenza. Il funzionamento è soggetto alle seguenti due condizioni: (1) il dispositivo non deve causare interferenze dannose, e (2) il dispositivo deve essere in grado di accettare qualsiasi interferenza, anche quelle che possono incidere sul corretto funzionamento.

*Le présent appareil est conforme aux CNR d'Industrie Canada applicables aux appareils radio exempts de licence. L'exploitation est autorisée aux deux conditions suivantes : (1) l'appareil ne doit pas produire de brouillage, et (2) l'utilisateur de l'appareil doit accepter tout brouillage radioélectrique subi, même si le brouillage est susceptible d'en compromettre le fonctionnement. Cet appareil est conforme aux limites d'exposition aux rayonnements de la IC pour un environnement non contrôlé.*

### **Dichiarazione FCC 5G:**

I dispositivi LE-LAN possono essere utilizzati solo in ambienti interni nella banda 5150-5250 MHz

### **Europa - Direttiva sulle apparecchiature radio (RED)**



La banda WiFi 5,15-5,35 GHz è limitata all'uso in ambienti interni nei seguenti paesi:

**Tabella 3 Paesi europei**

Andorra (AD)	Danimarca (DK)	Irlanda (IE)	Montenegro (ME)	Slovacchia (SK)
Austria (AT)	Estonia (EE)	Italia (IT)	Paesi Bassi (NL)	Slovenia (SL)
Belgio (BE)	Finlandia (FI)	Lettonia (LV)	Norvegia (NO)	Spagna (ES)
Bosnia ed Erzegovina (BA)	Francia (FR)	Liechtenstein (LI)	Polonia (PL)	Svezia (SE)
Bulgaria (BG)	Germania (DE)	Lituania (LT)	Portogallo (PT)	Svizzera (CH)

**Tabella 3 Paesi europei (continua)**

Croazia (HR)	Grecia (GR)	Lussemburgo (LU)	Romania (RO)	Macedonia (MK)
Cipro (CY)	Ungheria (HU)	Malta (MT)	San Marino (SM)	Regno Unito (GB)
Repubblica Ceca (CZ)	Islanda (IS)	Monaco (MC)	Serbia (RS)	Città del Vaticano (VA)

## 2.2 Panoramica del prodotto

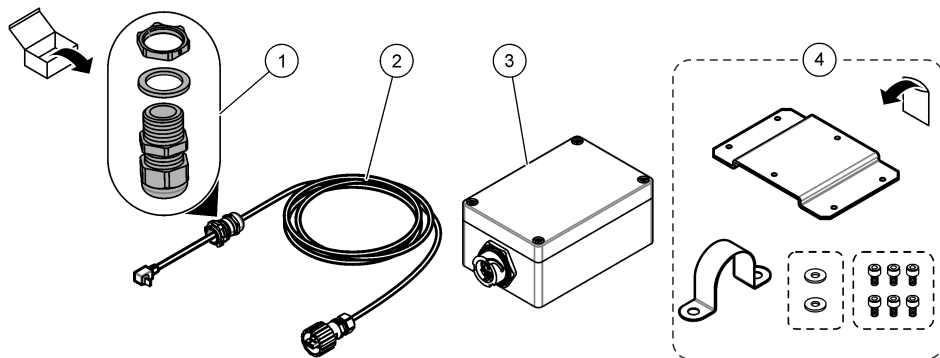
La USB box esterna viene utilizzata per collegare un dispositivo USB al controller SC4500 (ad esempio, un adattatore Wi-Fi).

*Nota: Tutti gli elementi (ad esempio adattatore e collegamenti interni) sono assemblati in fabbrica.*

## 2.3 Componenti del prodotto

Accertarsi che tutte le parti oggetto della fornitura siano state ricevute. Fare riferimento alla sezione [Figura 1](#). In caso di componenti mancanti o danneggiati, contattare immediatamente il produttore o il rappresentante.

**Figura 1 Componenti del prodotto**



1 Pressacavo, rondella e dado	3 USB box
2 Cavo di collegamento USB box	4 Hardware per il montaggio su palo <sup>2</sup>

## Sezione 3 Installazione

### 3.1 Montaggio

#### AVVISO

Utilizzare i fori di montaggio per installare la USB box. Non praticare fori sul retro della USB box altrimenti si potrebbero danneggiare i componenti interni.

#### AVVISO



Chiudere il coperchio della USB box e verificare che le viti del coperchio siano serrate, per mantenere inalterato il valore nominale dell'involucro.

<sup>2</sup> L'hardware per il montaggio è per un palo del diametro di 40 mm (1,57 pollici).

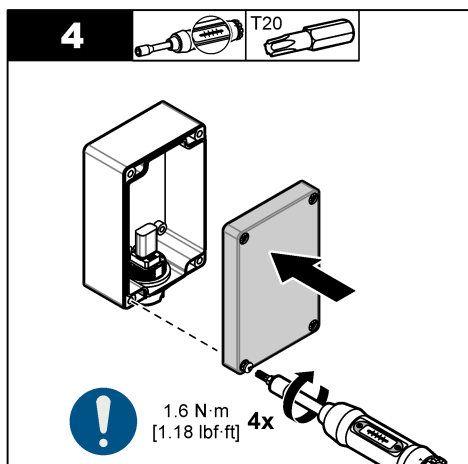
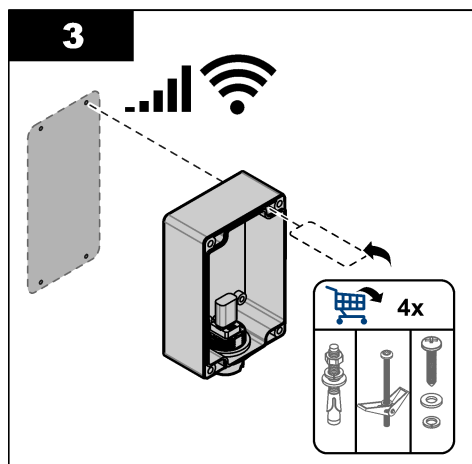
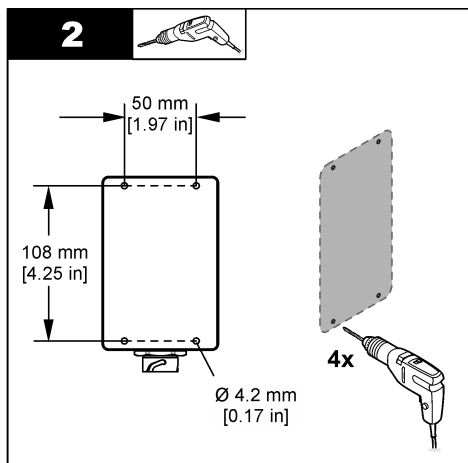
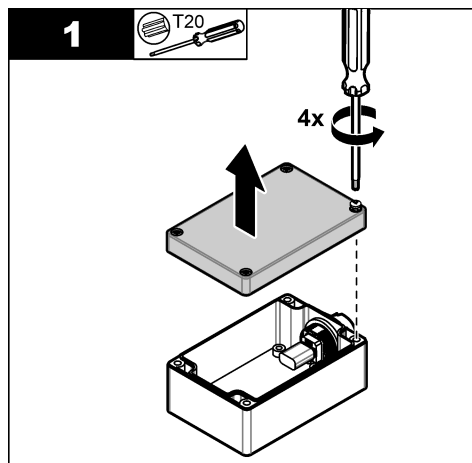


Installare la USB box in una posizione tale da poter azionare facilmente il dispositivo di disconnessione dell'alimentazione del controller. Installare la USB box nella posizione con la massima potenza del segnale Wi-Fi del . Utilizzare un dispositivo mobile e ricercare la posizione con la massima potenza del segnale Wi-Fi del .

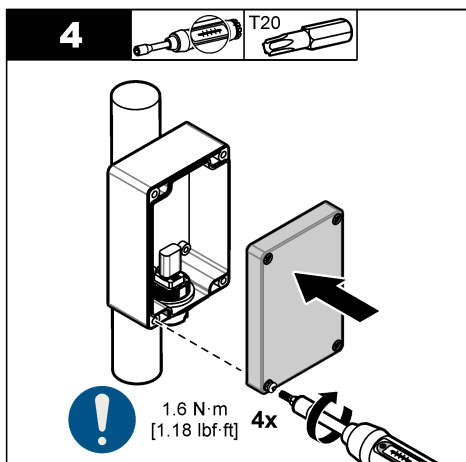
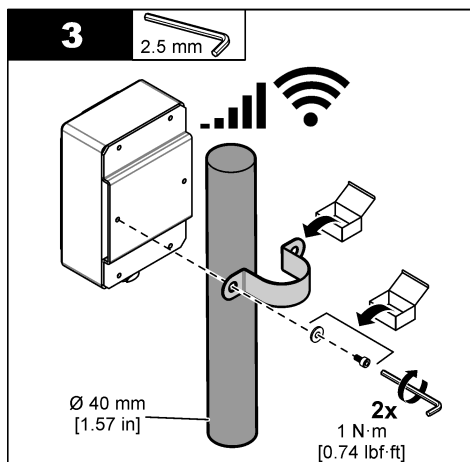
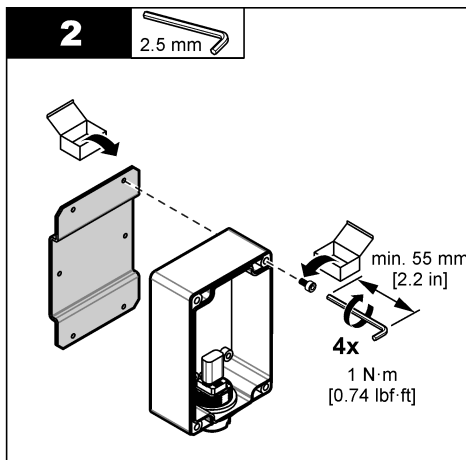
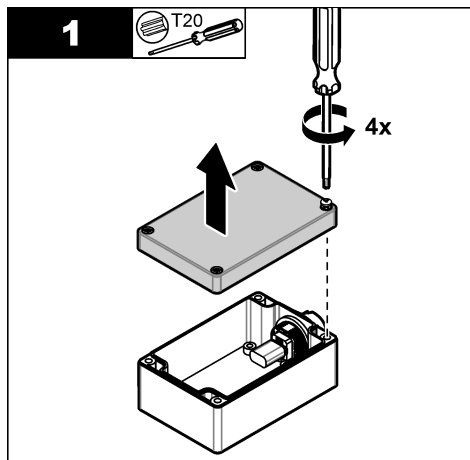
Fissare la USB box su una parete, un palo verticale o un palo orizzontale.

**Nota:** Il materiale di montaggio a parete è a carico dell'utente. Viti/raccordi devono essere appropriati per le proprietà di pareti/soffitti e possedere una capacità di supporto sufficiente.

Per il montaggio a parete della USB box, fare riferimento alla procedura illustrata di seguito.



Per il montaggio su palo della USB box, fare riferimento alla procedura illustrata di seguito.



## 3.2 Collegamento del cavo

### AVVISO

Il produttore consiglia di utilizzare i componenti elettrici da esso forniti (cavo di alimentazione, connettori e raccordi pressacavo).

### AVVISO



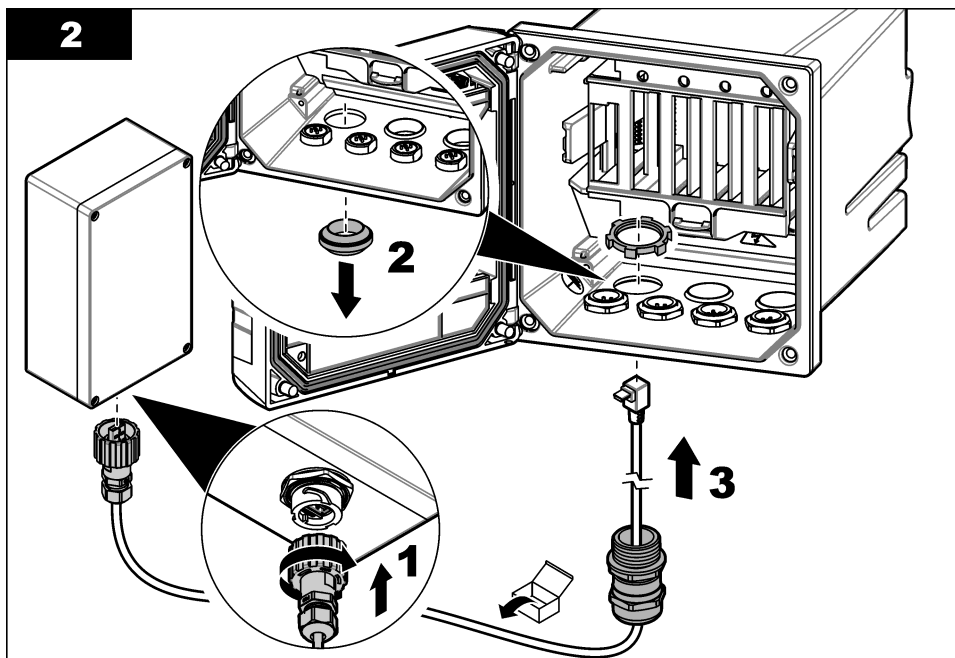
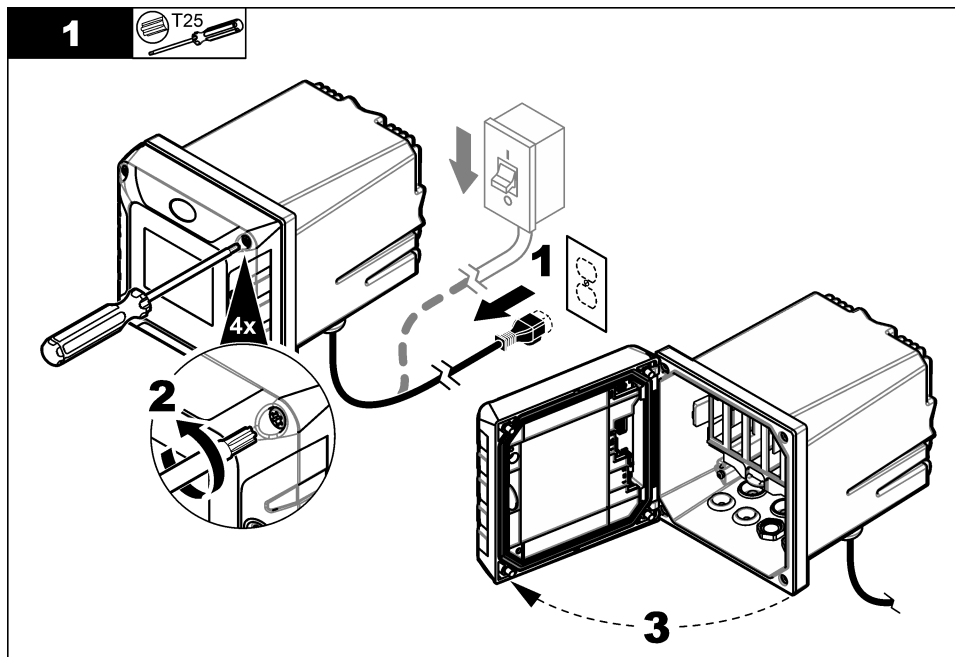
Per mantenere inalterato il valore nominale dell'involucro, verificare che la guaina del cavo attraversi il lato interno dell'involucro.

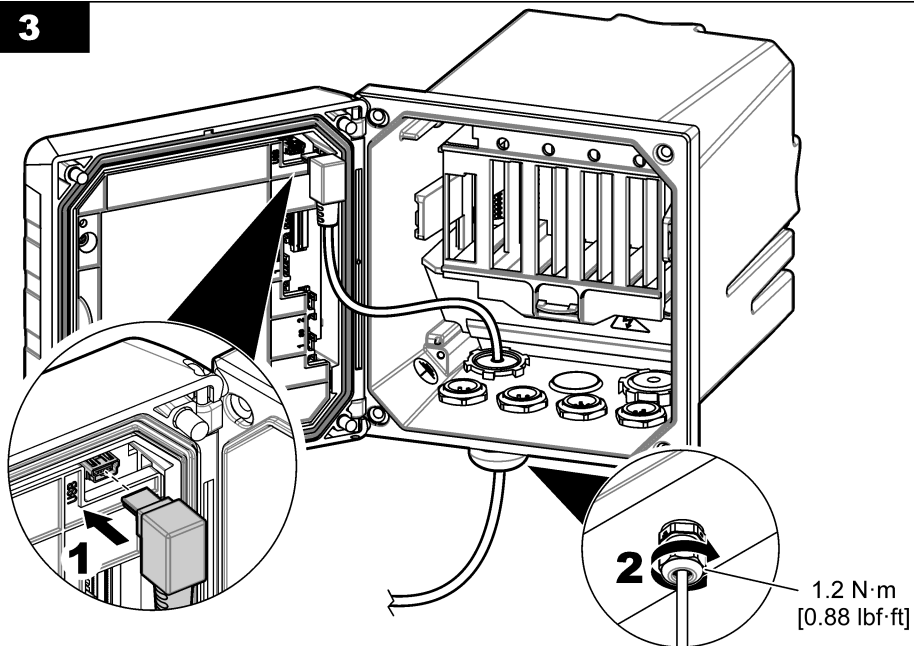
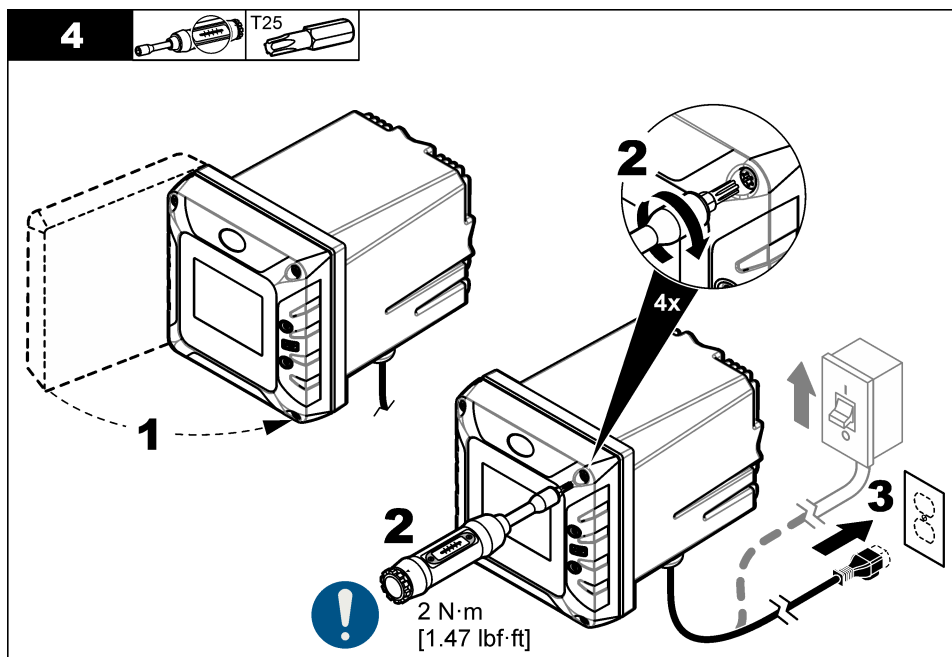
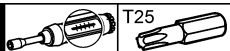
### AVVISO



Chiudere il coperchio del controller e verificare che le viti del coperchio siano serrate, per mantenere inalterato il valore nominale dell'involucro.

Collegare il cavo in dotazione alla USB box al connettore USB all'interno del controller. Fare riferimento ai passaggi illustrati di seguito.



**3****4**

## Sezione 4 Avvio

**Nota:** L'adattatore WiFi è assemblato e collegato in fabbrica. Se necessario, fare riferimento a [Sostituire l'adattatore WiFi](#) a pagina 37 per sostituire l'adattatore WiFi.

Al termine dell'installazione, eseguire i passaggi riportati di seguito:

1. Rimuovere il coperchio dalla USB box.
2. Alimentare il controller.
3. Assicurarsi che l'adattatore WiFi sia alimentato.
4. Attendere almeno 5 minuti.
5. Esaminare la potenza del segnale e lo stato della connessione di rete. Fare riferimento alla documentazione del controller.
6. Montare il coperchio sulla USB box.

## Sezione 5 Configurazione

Per le istruzioni, fare riferimento alla documentazione del controller. Per ulteriori informazioni, fare riferimento al manuale per l'utente completo sul sito Web del produttore.

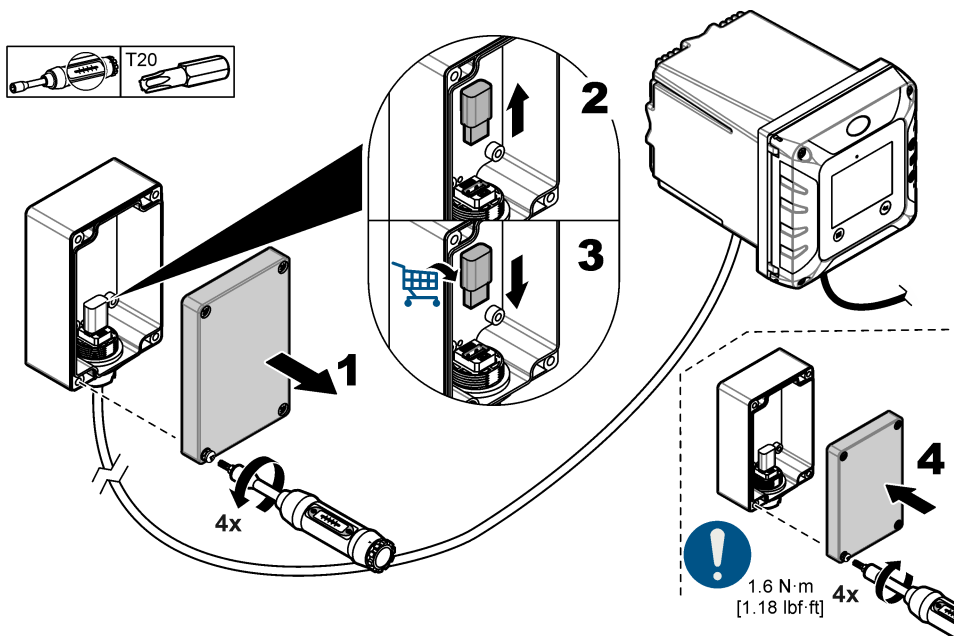
## Sezione 6 Manutenzione

### 6.1 Sostituire l'adattatore WiFi

Se necessario, sostituire l'adattatore WiFi. Fare riferimento alla procedura illustrata nella [Figura 2](#).

**Materiale richiesto:** adattatore WiFi

**Figura 2** Sostituire l'adattatore WiFi



## Sezione 7 Accessori

### ▲ AVVERTENZA



Pericolo di lesioni personali. L'uso di parti non approvate può causare lesioni personali, danni alla strumentazione o malfunzionamenti dell'apparecchiatura. Le parti di ricambio riportate in questa sezione sono approvate dal produttore.

*Nota: numeri di prodotti e articoli possono variare per alcune regioni di vendita. Contattare il distributore appropriato o fare riferimento al sito Web dell'azienda per dati di contatto.*

Descrizione	Articolo n.
Cavo di collegamento USB-Box, WiFi, 4,5 m.	LXZ525.99.00019
Kit hardware per il montaggio	8806200
Adattatore USB WiFi per US, 2,4/5 GHz	LZY996
Adattatore USB WiFi per UE, 2,4/5 GHz	LZY997

## Table des matières

- |   |                             |              |   |               |              |
|---|-----------------------------|--------------|---|---------------|--------------|
| 1 | Caractéristiques techniques | à la page 39 | 5 | Configuration | à la page 49 |
| 2 | Généralités                 | à la page 39 | 6 | Maintenance   | à la page 49 |
| 3 | Installation                | à la page 44 | 7 | Accessoires   | à la page 50 |
| 4 | Mise en marche              | à la page 48 |   |               |              |

## Section 1 Caractéristiques techniques

Ces caractéristiques sont susceptibles d'être modifiées sans avis préalable.

Caractéristique	Détails
Dimensions (L x H x P)	80 x 120 x 55 mm (4,7 x 7,9 x 2,2 po)
Boîtier	IP66 <sup>1</sup> , polycarbonate UL94-V0
Poids	169 g (0.37 livres)
Niveau de pollution	4
Catégorie d'installation	I
Classe de protection	III
Température de fonctionnement	-20 à 60 °C (-4 à 140 °F)
Température de stockage	-De 20 à 70°C
Humidité relative	0 à 95 %, sans condensation
Altitude	2 000 m (6 562 pieds) maximum
Options de communication	Adaptateur Wi-Fi avec connecteur USB Bande ISM 2,4 GHz et 5 GHz
Certifications	CE, FCC, IC, UKCA
Garantie	1 an (UE : 2 ans)

## Section 2 Généralités

En aucun cas le constructeur ne saurait être responsable des dommages directs, indirects, spéciaux, accessoires ou consécutifs résultant d'un défaut ou d'une omission dans ce manuel. Le constructeur se réserve le droit d'apporter des modifications à ce manuel et aux produits décrits, à tout moment, sans avertissement ni obligation. Les éditions révisées se trouvent sur le site Internet du fabricant.

### 2.1 Consignes de sécurité

Le fabricant décline toute responsabilité quant aux dégâts liés à une application ou un usage inappropriés de ce produit, y compris, sans toutefois s'y limiter, des dommages directs ou indirects, ainsi que des dommages consécutifs, et rejette toute responsabilité quant à ces dommages dans la mesure où la loi applicable le permet. L'utilisateur est seul responsable de la vérification des risques d'application critiques et de la mise en place de mécanismes de protection des processus en cas de défaillance de l'équipement.

Veuillez lire l'ensemble du manuel avant le déballage, la configuration ou la mise en fonctionnement de cet appareil. Respectez toutes les déclarations de prudence et d'attention. Le non-respect de cette procédure peut conduire à des blessures graves de l'opérateur ou à des dégâts sur le matériel.

<sup>1</sup> Uniquement avec le câble de connexion du boîtier USB installé.

Assurez-vous que la protection fournie avec cet appareil n'est pas défectueuse. N'utilisez ni n'installez cet appareil d'une façon différente de celle décrite dans ce manuel.

### 2.1.1 Informations sur les risques d'utilisation

#### ▲ DANGER

Indique une situation de danger potentiel ou imminent qui, si elle n'est pas évitée, entraîne des blessures graves, voire mortelles.

#### ▲ AVERTISSEMENT

Indique une situation de danger potentiel ou imminent qui, si elle n'est pas évitée, peut entraîner des blessures graves, voire mortelles.

#### ▲ ATTENTION





Indique une situation de danger potentiel qui peut entraîner des blessures mineures ou légères.

#### AVIS

Indique une situation qui, si elle n'est pas évitée, peut occasionner l'endommagement du matériel. Informations nécessitant une attention particulière.

### 2.1.2 Etiquettes de mise en garde

Lisez toutes les étiquettes et tous les repères apposés sur l'instrument. Des personnes peuvent se blesser et le matériel peut être endommagé si ces instructions ne sont pas respectées. Un symbole sur l'appareil est désigné dans le manuel avec une instruction de mise en garde.

	Si l'appareil comporte ce symbole, reportez-vous au manuel d'instructions pour consulter les informations de fonctionnement et de sécurité.
	Ce symbole indique qu'il existe un risque de choc électrique et/ou d'électrocution.
	Ce symbole indique la présence d'appareils sensibles aux décharges électrostatiques et indique que des précautions doivent être prises afin d'éviter d'endommager l'équipement.
	Le matériel électrique portant ce symbole ne doit pas être mis au rebut dans les réseaux domestiques ou publics européens. Retournez le matériel usé ou en fin de vie au fabricant pour une mise au rebut sans frais pour l'utilisateur.



## 2.1.3 Certification

### ▲ AVERTISSEMENT



Précautions relatives aux stimulateurs cardiaques. Si des interférences électromagnétiques (IEM) se produisent, elles peuvent :

- Interrompre les impulsions du stimulateur cardiaque qui contrôle le rythme du cœur.
- Perturber la régularité des impulsions du stimulateur cardiaque.
- Empêcher le stimulateur cardiaque de tenir compte du rythme du cœur, l'obligeant à donner des impulsions à un intervalle défini.

Des recherches en cours montrent que les appareils cellulaires ne posent pas de problème de santé significatif pour les porteurs de stimulateur cardiaque. Cependant, les personnes portant un stimulateur cardiaque doivent faire preuve de prudence et s'assurer que leur appareil ne leur pose pas de problème. Maintenez l'appareil à une distance d'au moins 20 cm (7,9 pouces) de l'utilisateur.

### ▲ ATTENTION



Risque lié au rayonnement électromagnétique. Assurez-vous que l'antenne se trouve à une distance minimum de 20 cm (7,9 pouces) de l'ensemble du personnel dans des conditions d'utilisation dites normales. L'antenne ne peut pas être colocalisée ou utilisée en combinaison avec une autre antenne ou d'autres transmetteurs.

### AVIS

Ce produit appartient à la Classe A et il est prévu pour un usage dans un milieu industriel. Dans un environnement domestique ce produit peut provoquer des interférences radio auquel cas l'utilisateur peut être amené à prendre des mesures adéquates.

### AVIS

La sécurité du réseau et du point d'accès relève de la responsabilité du client utilisant l'appareil sans fil. Le fabricant ne peut être tenu pour responsable des dommages, y compris mais sans s'y limiter, indirects, particuliers, fortuits ou accessoires occasionnés en raison d'une brèche dans la sécurité du réseau ou d'une violation de la sécurité du réseau.

### Approbations réglementaires des appareils à fréquence radio : Etats-Unis et Canada

Contient un adaptateur USB Wi-Fi : LM808 de LM Technologies

ID FCC : VVX808-04XX

IC : 10531A-80804XX

Tableau 1 Alimentation de l'adaptateur Wi-Fi

Caractéristiques, émission et date	Plage de fréquence (MHz)	Désignation des émissions	Puissance R.F. (watts)	Antenne
RSS-247, édition 2, 02/2017	5180—5240	17M1D1D	0,005	Intégrale, 4,7 dBi
RSS-247, édition 2, 02/2017	5210	75M8D1D	0,005	Intégrale, 4,7 dBi
RSS-247, édition 2, 02/2017	5745—5825	17M9D1D	0,005	Intégrale, 4,7 dBi
RSS-247, édition 2, 02/2017	5775	75M6D1D	0,004	Intégrale, 4,7 dBi
RSS-247, édition 2, 02/2017	2412—2462	15M0D1D	0,027	Intégrale, 0,1 dBi

**Tableau 1 Alimentation de l'adaptateur Wi-Fi (suite)**

Caractéristiques, émission et date	Plage de fréquence (MHz)	Désignation des émissions	Puissance R.F. (watts)	Antenne
RSS-247, édition 2, 02/2017	2412—2462	16M5D1D	0,016	Intégrale, 0,1 dBi
RSS-247, édition 2, 02/2017	2422—2452	35M1D1D	0,011	Intégrale, 0,1 dBi

**Adaptateur USB Wi-Fi LM808 - Conditions importantes pour l'agrément par la FCC :**

La vérification de la puissance a été effectuée. La conformité SAR pour le dongle USB a été évaluée telle que décrite dans ce document. Les antennes utilisées pour cet émetteur ne doivent pas émettre simultanément avec d'autres antennes ou émetteurs, si ce n'est conformément aux procédures FCC relatives aux multi-émetteurs ou à la procédure décrite dans ce document. La valeur SAR la plus élevée déclarée est de 0,26 W/kg. Cet appareil dispose de modes de bande passante de 20 MHz et 40 MHz.

**Homologation des appareils à fréquence radio : Union européenne**

Contient un adaptateur USB Wi-Fi : LM808

**Tableau 2 Bandes de fréquence**

Caractéristique	Détails
Bande de fréquence	Bande ISM 2,4 GHz
	Bande ISM 5 GHz
Puissance de sortie RF (tolérance $\pm 2$ dBm)	17 dBm, 802.11b à 11 Mb/s
	15 dBm, 802.11g à 54 Mb/s
	13 dBm, 802.11a à 54 Mb/s
	13 dBm, 802.11n à MCS7_HT20
	13 dBm, 802.11n à MCS7_HT40
	11 dBm, 802.11ac à NSS1 MCS9_BW20, BW40, BW80
	-82 dBm, 802.11b à 11 Mb/s - 71 dB0, 802.11g à 54 Mb/s
Sensibilité du récepteur	-67 dBm, 802.11n à MCS7_BW20
	-64 dBm, 802.11n à MCS7_BW40
	-57 dBm, 802.11ac à NSS1_MCS9_BW20
	-54 dBm, 802.11ac à MSS1_MCS9_BW40
	-51 dBm, 802.11ac à MSS1_MCS9_BW80

**Canada (IC)**

Contient un adaptateur USB Wi-Fi : LM808 de LM Technologies IC : 10531A-80804XX

Cet appareil numérique de classe (A) est conforme à la norme canadienne ICES-003. Cet appareil est conforme aux normes RSS ne nécessitant pas de licence Industrie Canada. Le fonctionnement est soumis aux deux conditions suivantes :

- (1) l'appareil ne doit pas produire de brouillage, et
- (2) l'utilisateur de l'appareil doit accepter tout brouillage radioélectrique subi, même si le brouillage est susceptible d'en compromettre le fonctionnement.

Cet appareil numérique de la classe (A) respect toutes les exigences de la norme NMB-003 du Canada. Le présent appareil est conforme aux CNR d'Industrie Canada applicables aux appareils radio exempts de licence. L'exploitation est autorisée aux deux conditions suivantes:

(1) l'appareil ne doit pas produire de brouillage, et

(2) l'utilisateur de l'appareil doit accepter tout brouillage radioélectrique subi, même si le brouillage est susceptible d'en compromettre le fonctionnement.

### Etats-Unis (FCC)

Contient un adaptateur USB Wi-Fi : LM808 de LM Technologies ID FCC : VVX808-04XX

Des modifications non expressément approuvées par cette société peuvent entraîner l'annulation de l'autorisation d'utilisation de l'équipement (FCC, section 15.21).

Cet appareil numérique de la classe A été testé et respecte toutes les limites selon la partie 15 des règles de la FCC. Ces limites ont pour but de fournir une protection raisonnable contre les interférences néfastes lorsque l'équipement fonctionne dans un environnement commercial. Cet équipement émet et utilise une énergie radioélectrique et, s'il n'est pas installé ou utilisé conformément aux présentes instructions, peut causer des interférences néfastes avec les communications radio. L'utilisation de cet équipement dans une zone résidentielle est susceptible d'entraîner un brouillage préjudiciable, auquel cas l'utilisateur sera dans l'obligation de corriger ce brouillage à ses frais (FCC, section 15.21).

### Avis réglementaires FCC/IC relatifs au module RF Multitech

#### Déclaration de modification

LM Technologies n'a pas approuvé les modifications apportées à cet appareil par l'utilisateur. Tout changement ou modification peut entraîner l'annulation de l'autorisation d'utilisation de l'équipement.

*LM technologies n'approuve aucune modification apportée à l'appareil par l'utilisateur, quelle qu'en soit la nature. Tout changement ou modification peuvent annuler le droit d'utilisation de l'appareil par l'utilisateur.*

#### Déclaration d'interférences

Cet appareil est conforme à la partie 15 de la réglementation FCC et aux normes RSS ne nécessitant pas de licence Industry Canada. Le fonctionnement est soumis aux deux conditions suivantes : (1) Cet appareil ne doit pas causer de brouillage préjudiciable, et (2) cet appareil doit accepter toutes les interférences reçues, y compris celles qui pourraient entraîner un fonctionnement non souhaité.

*Le présent appareil est conforme aux CNR d'Industrie Canada applicables aux appareils radio exempts de licence. L'exploitation est autorisée aux deux conditions suivantes : (1) l'appareil ne doit pas produire de brouillage, et (2) l'utilisateur de l'appareil doit accepter tout brouillage radioélectrique subi, même si le brouillage est susceptible d'en compromettre le fonctionnement. Cet appareil est conforme aux limites d'exposition aux rayonnements de la IC pour un environnement non contrôlé.*

#### Déclaration FCC concernant la 5G :

Les appareils LE-LAN sont limités au fonctionnement en intérieur uniquement sur la bande 5 150 – 5 250 MHz

### Europe - Directive sur les équipements hertziens (RED)



La bande Wi-Fi 5,15 – 5,35 GHz est limitée à une utilisation en intérieur dans les pays suivants :

**Tableau 3 Pays européens**

Andorre (AD)	Danemark (DK)	Irlande (IE)	Monténégro (ME)	Slovaquie (SK)
Autriche (AT)	Estonie (EE)	Italie (IT)	Pays-Bas (NL)	Slovénie (SL)
Belgique (BE)	Finlande (FI)	Lettonie (LV)	Norvège (NO)	Espagne (ES)
Bosnie-Herzégovine (BA)	France (FR)	Liechtenstein (LI)	Pologne (PL)	Suède (SE)

**Tableau 3 Pays européens (suite)**

Bulgarie (BG)	Allemagne (DE)	Lituanie (LT)	Portugal (PT)	Suisse (CH)
Croatie (HR)	Grèce (GR)	Luxembourg (LU)	Roumanie (RO)	Macédoine (MK)
Chypre (CY)	Hongrie (HU)	Malte (MT)	Saint-Marin (SM)	Royaume-Uni (GB)
République tchèque (CZ)	Islande (IS)	Monaco (MC)	Serbie (RS)	Etat de la cité du Vatican (VA)

## 2.2 Présentation du produit

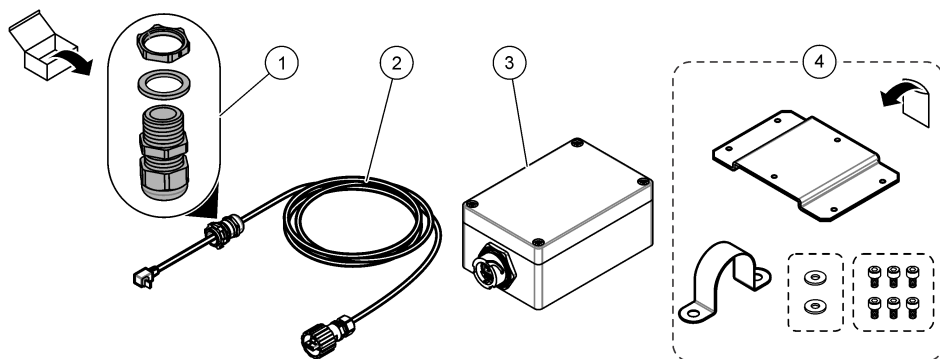
Le boîtier USB externe est utilisé pour connecter un périphérique USB au transmetteur SC4500 (par exemple, et un adaptateur Wi-Fi).

**Remarque :** Tous les éléments (par exemple adaptateurs et connexions internes) sont assemblés en usine.

## 2.3 Composants du produit

Assurez-vous d'avoir bien reçu tous les composants. Reportez-vous à la [Figure 1](#). Si un élément est absent ou endommagé, contactez immédiatement le fabricant ou un représentant.

**Figure 1 Composants du produit**



1 Passe-câble, rondelle et écrou	3 Boîtier USB
2 Câble de connexion du boîtier USB	4 Matériel de montage sur poteau <sup>2</sup>

## Section 3 Installation

### 3.1 Montage

#### AVIS

Utilisez les trous de montage pour installer le boîtier USB. Ne percez pas de trous à l'arrière du boîtier USB au risque d'endommager les composants internes.

#### AVIS



Fermez le couvercle du boîtier USB et vérifiez que les vis du couvercle sont bien serrées pour conserver les propriétés environnementales du boîtier.

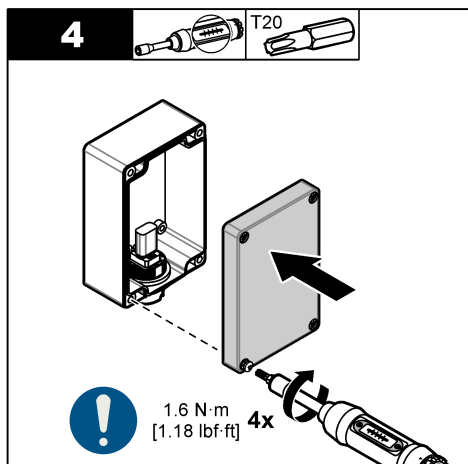
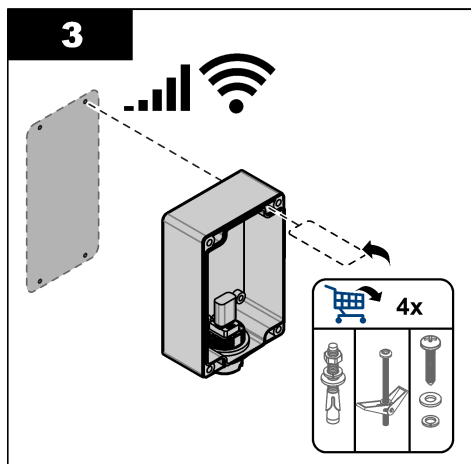
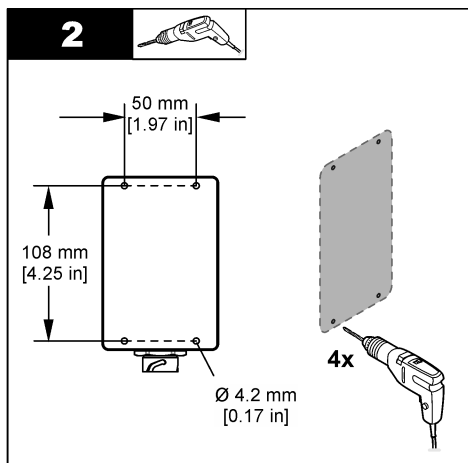
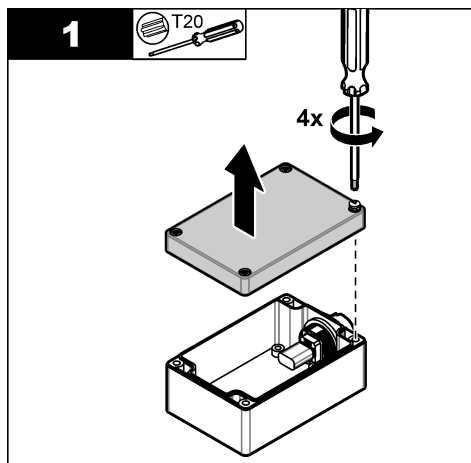
<sup>2</sup> Le matériel de montage sur poteau est conçu pour un poteau de 40 mm de diamètre (1,57 pouce).

Installez le boîtier USB à un endroit où le dispositif de sectionnement est facilement accessible. Installez le boîtier USB à un emplacement où les signaux Wi-Fi sont aussi forts que possible. Utilisez un appareil mobile pour trouver l'emplacement ayant la plus haute intensité de signal Wi-Fi.

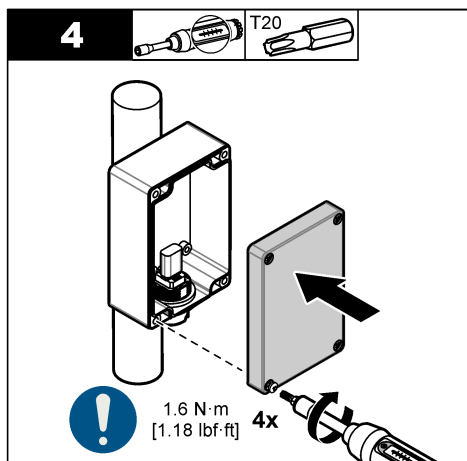
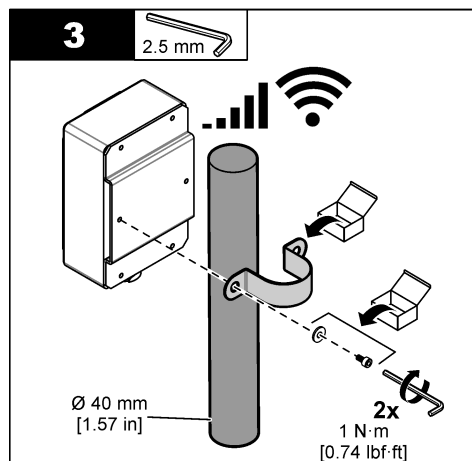
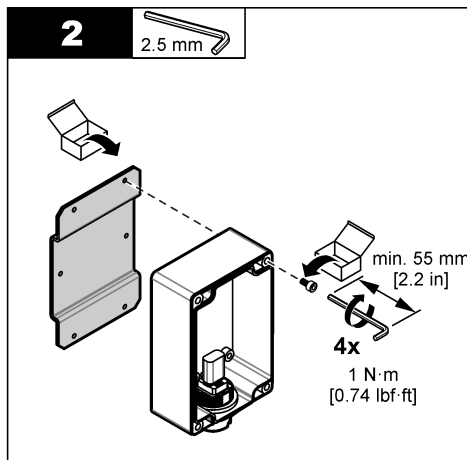
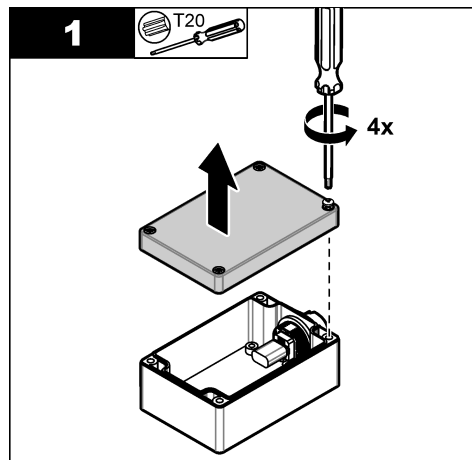
Fixez le boîtier USB sur un mur, ou sur un poteau vertical ou horizontal.

**Remarque :** Le matériel de montage mural est fourni par l'utilisateur. Les vis et fixations doivent être adaptées aux propriétés des murs et plafonds ; de plus, elles doivent disposer d'une capacité portante suffisante.

Reportez-vous aux étapes illustrées ci-dessous pour le montage mural du boîtier USB.



Reportez-vous aux étapes illustrées ci-dessous pour le montage sur poteau du boîtier USB.



### 3.2 Connexion du câble

#### AVIS

Le fabricant recommande l'utilisation de composants électriques fournis par le fabricant, tels que le câble d'alimentation, les connecteurs et les fixations de protection des cordons.

#### AVIS



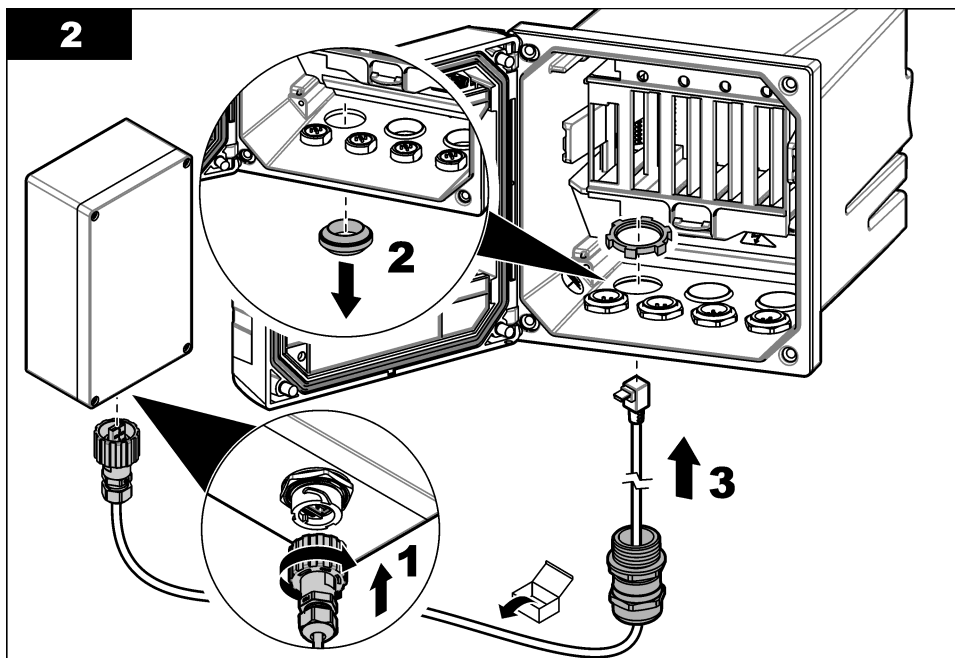
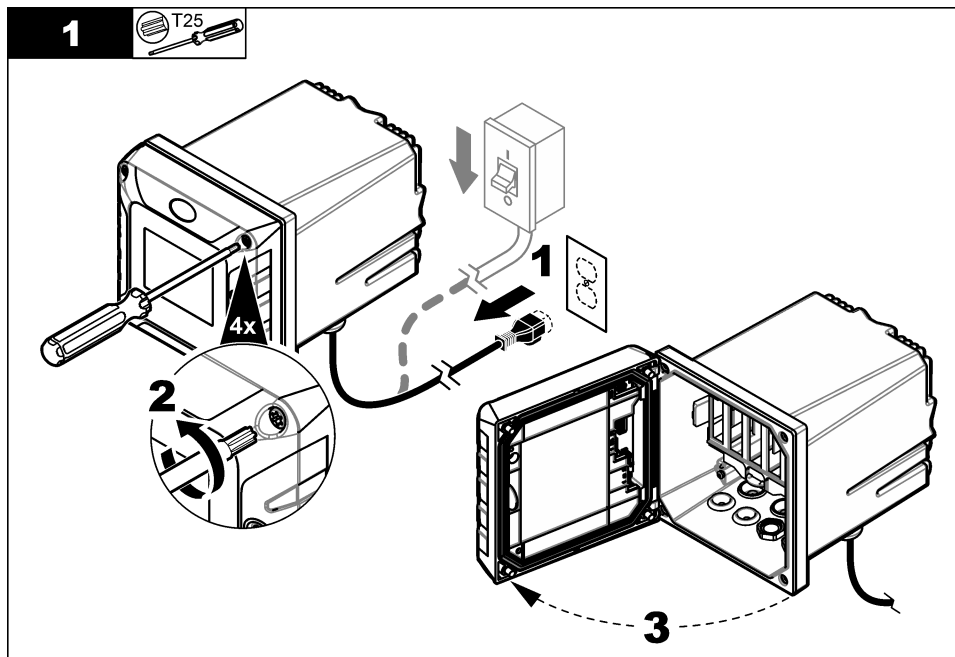
Assurez-vous que la gaine du câble passe par l'intérieur du boîtier pour conserver ses caractéristiques environnementales.

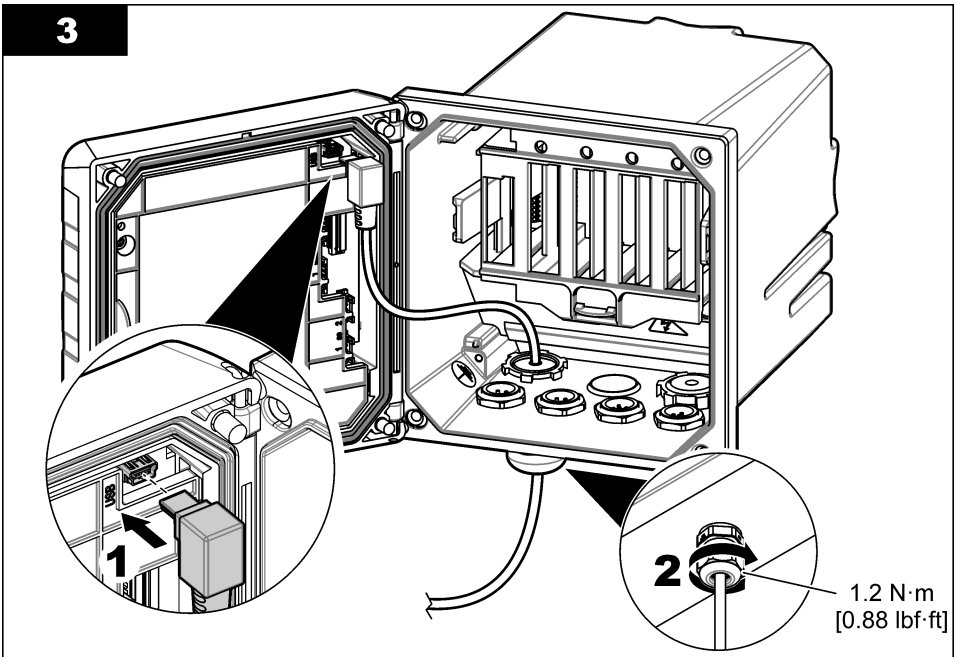
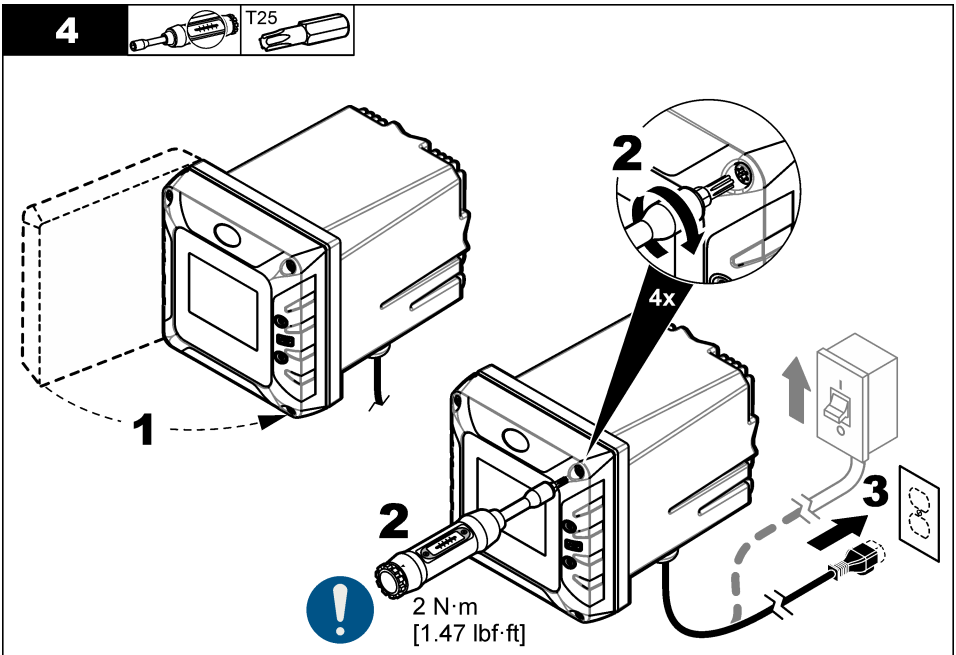
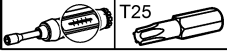
#### AVIS



Fermez le couvercle du transmetteur et vérifiez que les vis du couvercle sont bien serrées pour conserver les propriétés environnementales du boîtier.

Connectez le câble fourni au boîtier USB et au connecteur USB interne du transmetteur. Reportez-vous aux étapes illustrées ci-dessous.



**3****4**

## Section 4 Mise en marche

*Remarque* : L'adaptateur Wi-Fi est assemblé et branché en usine. Si nécessaire, consultez la section [Remplacer l'adaptateur Wi-Fi](#) à la page 49 pour remplacer l'adaptateur Wi-Fi.



Après l'installation, procédez de la façon suivante :

1. Retirez le couvercle du boîtier USB.
2. Mettez le transmetteur sous tension.
3. Assurez-vous que l'adaptateur WiFi est sous tension.
4. Attendez au moins 5 minutes.
5. Examinez l'intensité du signal et l'état de la connexion réseau. Consultez la documentation du transmetteur.
6. Installez le couvercle sur le boîtier USB.

## Section 5 Configuration

Pour obtenir des instructions, reportez-vous à la documentation du transmetteur. Pour plus d'informations, reportez-vous au manuel d'utilisation complet sur le site Web du fabricant.

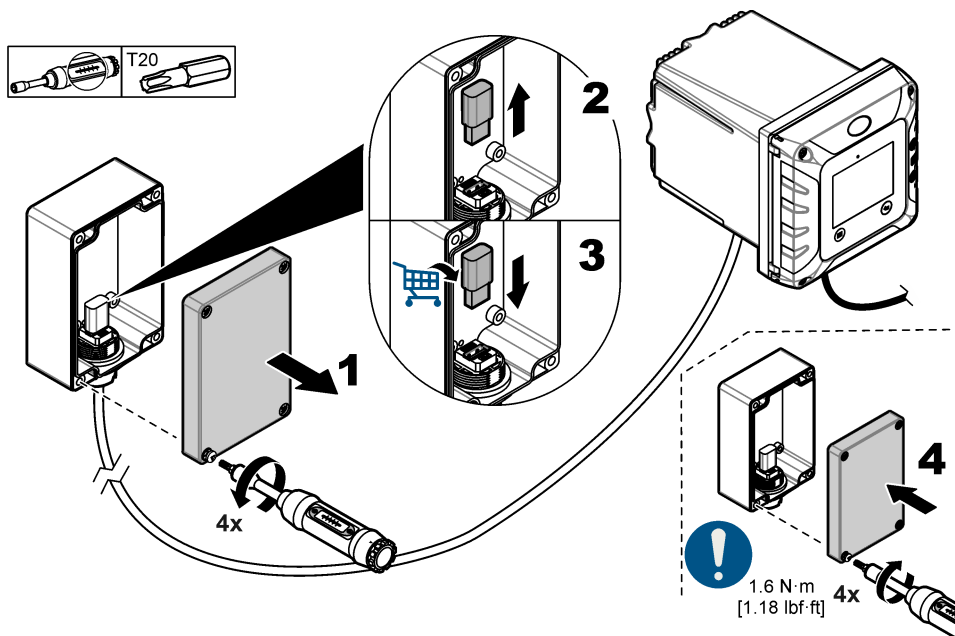
## Section 6 Maintenance

### 6.1 Remplacer l'adaptateur Wi-Fi

Si nécessaire, remplacez l'adaptateur Wi-Fi. Reportez-vous aux étapes illustrées dans la section [Figure 2](#).

Éléments à rassembler : adaptateur Wi-Fi

Figure 2 Remplacer l'adaptateur Wi-Fi



## Section 7 Accessoires

### ▲ AVERTISSEMENT



Risque de blessures corporelles. L'utilisation de pièces non approuvées comporte un risque de blessure, d'endommagement de l'appareil ou de panne d'équipement. Les pièces de rechange de cette section sont approuvées par le fabricant.

**Remarque :** Les numéros de référence de produit et d'article peuvent dépendre des régions de commercialisation. Prenez contact avec le distributeur approprié ou consultez le site web de la société pour connaître les personnes à contacter.

Description	Article n°
Câble de connexion boîtier-USB, WiFi, 4,5 m	LXZ525.99.00019
Kit de matériel de montage	8806200
Adaptateur USB Wi-Fi pour les États-Unis, 2,4/5 GHz	LZY996
Adaptateur USB Wi-Fi pour l'UE, 2,4/5 GHz	LZY997

## Tabla de contenidos

- |   |   |
|---|---|
| 1 <a href="#">Especificaciones</a> en la página 51    | 5 <a href="#">Configuración</a> en la página 61 |
| 2 <a href="#">Información general</a> en la página 51 | 6 <a href="#">Mantenimiento</a> en la página 61 |
| 3 <a href="#">Instalación</a> en la página 56         | 7 <a href="#">Accesorios</a> en la página 62    |
| 4 <a href="#">Puesta en marcha</a> en la página 60    |   |

## Sección 1 Especificaciones

Las especificaciones están sujetas a cambios sin previo aviso.

Especificación	Datos
Dimensiones (An.× Al.× Pr.)	80 x 120 x 55 mm (4,7 x 7,9 x 2,2 pulg.)
Carcasa	IP66 <sup>1</sup> , Policarbonato UL94-V0
Peso	169 g (0,37 lb)
Grado de contaminación	4
Categoría de instalación	I
Clase de protección	III
Temperatura de funcionamiento	De -20 a 60 °C (de -4 a 140 °F)
Temperatura de almacenamiento	De -20 a 70 °C
Humedad relativa	Del 0 al 95% sin condensación
Altitud	2000 m (6562 pies) máximo
Opciones de comunicación	Adaptador WiFi con conector USB Banda ISM de 2,4 GHz y 5 GHz
Certificaciones	CE, FCC, IC, UKCA
Garantía	1 año (UE: 2 años)

## Sección 2 Información general

En ningún caso el fabricante será responsable de ningún daño directo, indirecto, especial, accidental o resultante de un defecto u omisión en este manual. El fabricante se reserva el derecho a modificar este manual y los productos que describen en cualquier momento, sin aviso ni obligación. Las ediciones revisadas se encuentran en la página web del fabricante.

### 2.1 Información de seguridad

El fabricante no es responsable de ningún daño debido a un mal uso de este producto incluyendo, sin limitación, daños directos, fortuitos o circunstanciales y reclamaciones sobre los daños que no estén recogidos en la legislación vigente. El usuario es el único responsable de identificar los riesgos críticos y de instalar los mecanismos adecuados de protección de los procesos en caso de un posible mal funcionamiento del equipo.

Sírvase leer todo el manual antes de desembalar, instalar o trabajar con este equipo. Ponga atención a todas las advertencias y avisos de peligro. El no hacerlo puede provocar heridas graves al usuario o daños al equipo.

Asegúrese de que la protección proporcionada por el equipo no está dañada. No utilice ni instale este equipo de manera distinta a lo especificado en este manual.

<sup>1</sup> Solo con el cable de conexión de la caja USB instalado.

### 2.1.1 Uso de la información relativa a riesgos

#### ▲ PELIGRO

Indica una situación potencial o de riesgo inminente que, de no evitarse, provocará la muerte o lesiones graves.

#### ▲ ADVERTENCIA

Indica una situación potencial o inminentemente peligrosa que, de no evitarse, podría provocar la muerte o lesiones graves.

#### ▲ PRECAUCIÓN





Indica una situación potencialmente peligrosa que podría provocar una lesión menor o moderada.

#### AVISO

Indica una situación que, si no se evita, puede provocar daños en el instrumento. Información que requiere especial énfasis.


### 2.1.2 Etiquetas de precaución

Lea todas las etiquetas y rótulos adheridos al instrumento. En caso contrario, podrían producirse heridas personales o daños en el instrumento. Cada símbolo que aparezca en el instrumento se comentará en el manual con una indicación de precaución.

	Este símbolo (en caso de estar colocado en el equipo) hace referencia a las instrucciones de uso o a la información de seguridad del manual.
	Este símbolo indica que hay riesgo de descarga eléctrica y/o electrocución.
	Este símbolo indica la presencia de dispositivos susceptibles a descargas electrostáticas. Asimismo, indica que se debe tener cuidado para evitar que el equipo sufra daño.
	En Europa, el equipo eléctrico marcado con este símbolo no se debe desechar mediante el servicio de recogida de basura doméstica o pública. Devuelva los equipos viejos o que hayan alcanzado el término de su vida útil al fabricante para su eliminación sin cargo para el usuario.

### 2.1.3 Certificación

#### ▲ ADVERTENCIA

	<p>Precauciones para el uso con marcapasos. Si se dan interferencias electromagnéticas (EMI), podrían:</p> <ul style="list-style-type: none"><li>• Detener los impulsos del marcapasos que controlan el ritmo cardíaco.</li><li>• Provocar que los estímulos del marcapasos sean irregulares.</li><li>• Provocar que el marcapasos ignore el ritmo cardíaco y transmita impulsos a un intervalo fijo.</li></ul> <p>Según investigaciones recientes, los dispositivos móviles no suponen un problema de salud importante para las personas con marcapasos. No obstante, los usuarios con marcapasos deben extremar las precauciones para asegurarse de que su dispositivo no tenga problemas. Mantenga el dispositivo alejado a un mínimo de 20 cm (7,9 pulg.) del usuario.</p>
--	--

## ⚠ PRECAUCIÓN



Peligro de radiación electromagnética. Asegúrese de que la antena se mantiene a una distancia mínima de 20 cm (7,9 pulg.) de todo el personal durante el uso normal. La antena no puede colocarse ni utilizarse conjuntamente con ninguna otra antena o transmisor.

## AVISO

Este es un producto de clase A diseñado para usarse en un entorno industrial. En un entorno doméstico, el producto puede provocar interferencias radioeléctricas, en cuyo caso puede que el usuario deba adoptar las medidas oportunas.

## AVISO

La seguridad de la red y del punto de acceso es responsabilidad del cliente que utiliza el instrumento inalámbrico. El fabricante no se hará responsable de ningún daño, incluyendo, sin limitación, daños indirectos, especiales, fortuitos o circunstanciales provocados por el incumplimiento o la violación de la seguridad en la red.

### Aprobaciones regulatorias de dispositivos de RF: EE. UU. y Canadá

Incluye un adaptador WiFi USB: LM808 de LM technologies

ID FCC: VVX808-04XX

IC: 10531A-80804XX

Tabla 1 Potencia de adaptador WiFi

Especificación, edición y fecha	Rango de la frecuencia (MHz)	Designación de emisiones	Potencia de RF (vatios)	Antena
RSS-247, Edición 2, 02/2017	5180—5240	17M1D1D	0,005	Integral, 4,7 dBi
RSS-247, Edición 2, 02/2017	5210	75M8D1D	0,005	Integral, 4,7 dBi
RSS-247, Edición 2, 02/2017	5745—5825	17M9D1D	0,005	Integral, 4,7 dBi
RSS-247, Edición 2, 02/2017	5775	75M6D1D	0,004	Integral, 4,7 dBi
RSS-247, Edición 2, 02/2017	2412—2462	15M0D1D	0,027	Integral, 0,1 dBi
RSS-247, Edición 2, 02/2017	2412—2462	16M5D1D	0,016	Integral, 0,1 dBi
RSS-247, Edición 2, 02/2017	2422—2452	35M1D1D	0,011	Integral, 0,1 dBi

### Adaptador WiFi USB LM808, condiciones importantes de concesión FCC:

Se mantiene la alimentación indicada. Se ha evaluado el cumplimiento SAR para el dongle USB, tal y como se describe en este documento. Las antenas utilizadas para este transmisor no deben transmitir simultáneamente con cualquier otra antena o transmisor, excepto de acuerdo con los procedimientos del producto multitransmisor FCC o tal como se describe en este documento. El valor SAR más alto que se ha registrado es 0,26 W/kg. Este dispositivo cuenta con los modos de ancho de banda de 20 MHz y 40 MHz.

### Aprobaciones regulatorias de dispositivos de RF: UE

Incluye el adaptador USB WiFi: LM808

**Tabla 2 Bandas de frecuencias**

<b>Especificación</b>	<b>Datos</b>
Banda de frecuencias	Banda ISM de 2,4 GHz
	Banda ISM de 5 GHz
Potencia de salida de RF (tolerancia $\pm 2$ dBm)	17 dBm, 802,11b a 11 Mbps
	15 dBm, 802,11g a 54 Mbps
	13 dBm, 802,11a a 54 Mbps
	13 dBm, 802,11n a MCS7_HT20
	13 dBm, 802,11n a MCS7_HT40
	11 dBm, 802,11ca a NSS1 MCS9_BW20, BW40, BW80
	-82 dBm, 802,11b a 11 Mbps—71 dB0, 802,11g a 54 Mbps
Sensibilidad del receptor	-67 dBm, 802,11n a MCS7_BW20
	-64 dBm, 802,11n a MCS7_BW40
	-57 dBm, 802,11ca a NSS1_MCS9_BW20
	-54 dBm, 802,11ca a MSS1_MCS9_BW40
	-51 dBm, 802,11ca a MSS1_MCS9_BW80

### **Canadá (IC)**

Incluye un adaptador Wi-Fi USB: LM808 de LM technologies IC: 10531A-80804XX

Este aparato digital de clase (A) cumple con la norma canadiense ICES-003. Este dispositivo cumple con los estándares canadienses RSS exentos de licencia. El funcionamiento está sujeto a las dos condiciones siguientes:

(1) este dispositivo puede no causar interferencias, y

(2) este dispositivo debe aceptar toda interferencia recibida, lo que incluye las interferencias que pueden causar un funcionamiento no deseado del dispositivo.

*Cet appareil numérique de la classe (A) respect toutes les exigences de la norme NMB-003 du Canada. Le présent appareil est conforme aux CNR d'Industrie Canada applicables aux appareils radio exempts de licence. L'exploitation est autorisée aux deux conditions suivantes:*

*(1) l'appareil ne doit pas produire de brouillage, et*

*(2) l'utilisateur de l'appareil doit accepter tout brouillage radioélectrique subi, même si le brouillage est susceptible d'en compromettre le fonctionnement.*

### **Estados Unidos (FCC)**

Incluye un adaptador WiFi USB: LM808 de LM technologies FCC ID: VVX808-04XX

Aquellas modificaciones que se realicen sin la autorización expresa de esta compañía podrían anular la autoridad del usuario para manejar este equipo (sección 15.21 de la normativa FCC).

Este equipo ha sido probado y encontrado que cumple con los límites para un dispositivo digital Clase A, de acuerdo con el Apartado 15 de la normativa FCC. Estos límites están diseñados para proporcionar una protección razonable contra las interferencias perjudiciales cuando el equipo está operando en un entorno comercial. Este equipo genera, utiliza y puede irradiar energía de radio frecuencia y, si no se lo instala y utiliza según las instrucciones del manual, puede producir una interferencia perjudicial en las comunicaciones de radio. La utilización de este equipo en una zona residencial es probable que cause interferencias perjudiciales, en cuyo caso el usuario deberá corregirlas haciéndose cargo del coste correspondiente (sección 15.105 de la normativa FCC).

## Avisos normativos FCC/IC del módulo de RF de Multitech

### Declaración de modificación

LM technologies no autoriza al usuario a que realice ningún cambio o modificación en este dispositivo. Cualquier cambio o modificación podría anular la autoridad del usuario para manejar el equipo.

*LM technologies n'approuve aucune modification apportée à l'appareil par l'utilisateur, quelle qu'en soit la nature. Tout changement ou modification peuvent annuler le droit d'utilisation de l'appareil par l'utilisateur.*

### Declaración de interferencias

Este dispositivo cumple con el Apartado 15 de la normativa FCC y los estándares canadienses RSS exentos de licencia. El funcionamiento está sujeto a las dos condiciones siguientes: (1) este dispositivo puede no causar interferencias y (2) este dispositivo debe aceptar toda interferencia recibida, lo que incluye las interferencias que pueden causar un funcionamiento no deseado del dispositivo.

*Le présent appareil est conforme aux CNR d'Industrie Canada applicables aux appareils radio exempts de licence. L'exploitation est autorisée aux deux conditions suivantes : (1) l'appareil ne doit pas produire de brouillage, et (2) l'utilisateur de l'appareil doit accepter tout brouillage radioélectrique subi, même si le brouillage est susceptible d'en compromettre le fonctionnement. Cet appareil est conforme aux limites d'exposition aux rayonnements de la IC pour un environnement non contrôlé.*

### Declaración FCC 5G:

El funcionamiento en interiores de los dispositivos LE-LAN está restringido únicamente a la banda 5150-5250 MHz

### Europa: Directiva sobre equipos radioeléctricos (RED por sus siglas en inglés)



El funcionamiento en interiores de la banda Wi-Fi 5,15-5,35 Ghz está restringido en los siguientes países:

**Tabla 3 Países europeos**

Andorra (AD)	Dinamarca (DK)	Irlanda (IE)	Montenegro (ME)	Eslovaquia (SK)
Austria (AT)	Estonia (EE)	Italia (IT)	Países Bajos (NL)	Eslovenia (SI)
Bélgica (BE)	Finlandia (FI)	Letonia (LV)	Noruega (NO)	España (ES)
Bosnia Herzegovina (BA)	Francia (FR)	Liechtenstein (LI)	Polonia (PL)	Suecia (SE)
Bulgaria (BG)	Alemania (DE)	Lituania (LT)	Portugal (PT)	Suiza (CH)
Croacia (HR)	Grecia (GR)	Luxemburgo (LU)	Rumania (RO)	Macedonia (MK)
Chipre (CY)	Hungría (HU)	Malta (MT)	San Marino (SM)	Reino Unido (GB)
República Checa (CZ)	Islandia (IS)	Mónaco (MC)	Serbia (RS)	Estado de la Ciudad del Vaticano (VA)

## 2.2 Descripción general del producto

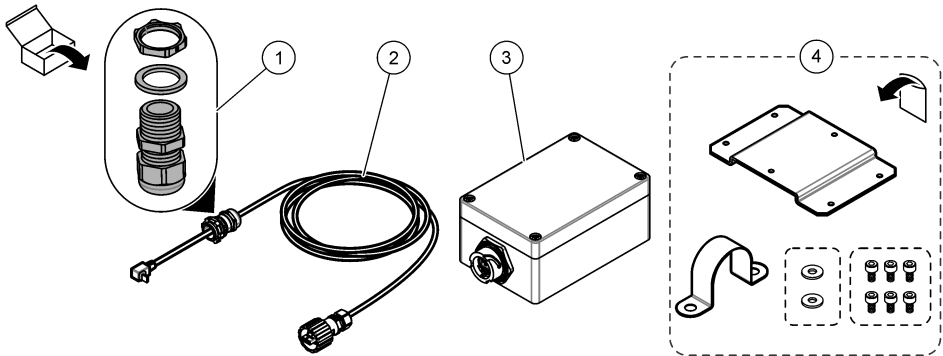
La caja USB externa se utiliza para conectar un dispositivo USB al controlador SC4500 (por ejemplo, un adaptador Wi-Fi).

**Nota:** Todos los elementos (es decir, adaptador y conexiones internas) se montan en la fábrica.

## 2.3 Componentes del producto

Asegúrese de haber recibido todos los componentes. Consulte [Figura 1](#). Si faltan artículos o están dañados, contacte con el fabricante o el representante de ventas inmediatamente.

**Figura 1 Componentes del producto**



1 Prensacables, arandela y tuerca	3 Caja USB
2 Cable de conexión de la caja USB	4 Hardware de montaje en poste <sup>2</sup>

## Sección 3 Instalación

### 3.1 Montaje

#### AVISO

Utilice los orificios de montaje para instalar la caja USB. No realice orificios en la parte posterior de la caja USB, ya que podrían producirse daños en los componentes internos.

#### AVISO



Cierre la tapa de la caja USB y asegúrese de que los tornillos estén bien apretados para preservar el grado de protección de la carcasa.

Instale la caja USB en una ubicación en la que pueda acceder con facilidad al dispositivo de desconexión de la alimentación eléctrica del controlador. Instale la caja USB en la ubicación que reciba la señal WiFi más potente. Utilice un dispositivo móvil para encontrar la ubicación con la señal WiFi más potente.

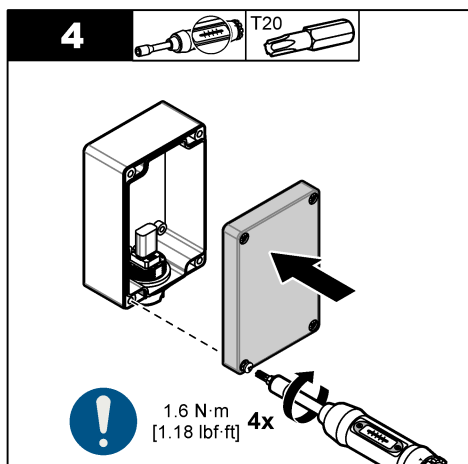
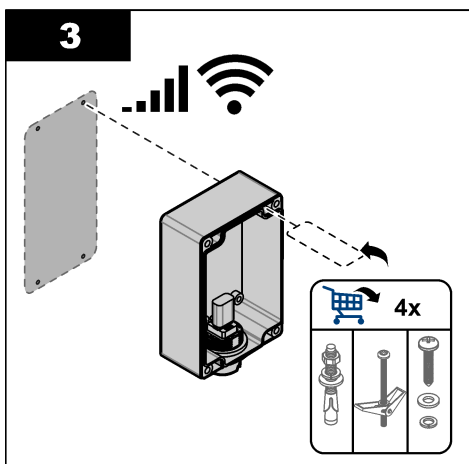
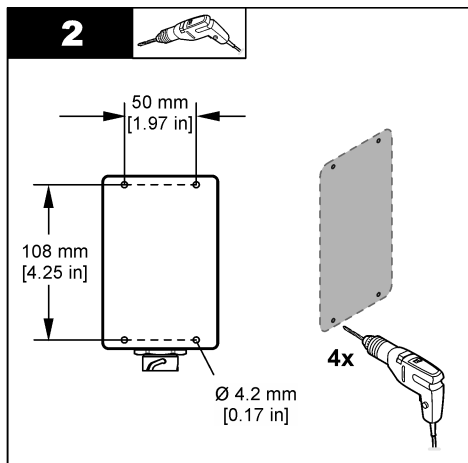
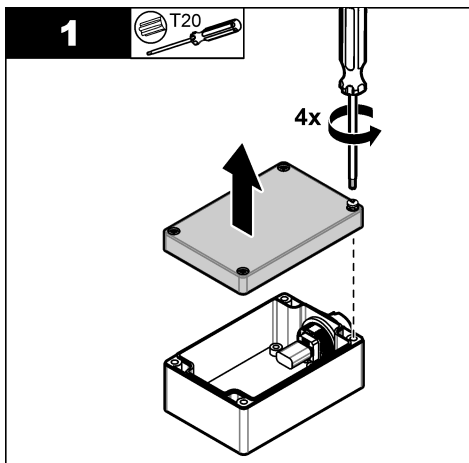
Monte la caja USB en una pared, una barra vertical o una barra horizontal.

**Nota:** El material para el montaje en pared lo proporciona el usuario. Los tornillos y las piezas de unión deben ser adecuados para las propiedades de la pared/techo y tener suficiente resistencia.

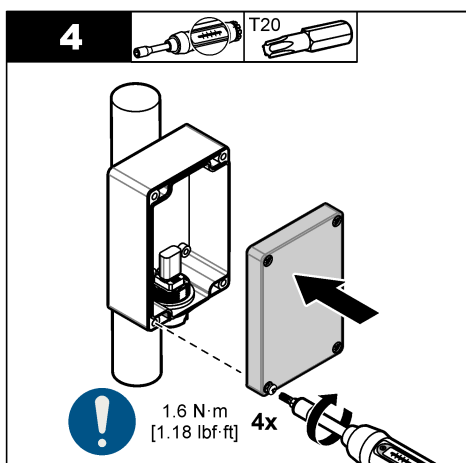
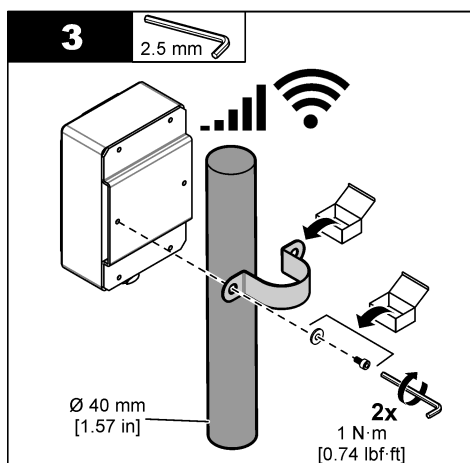
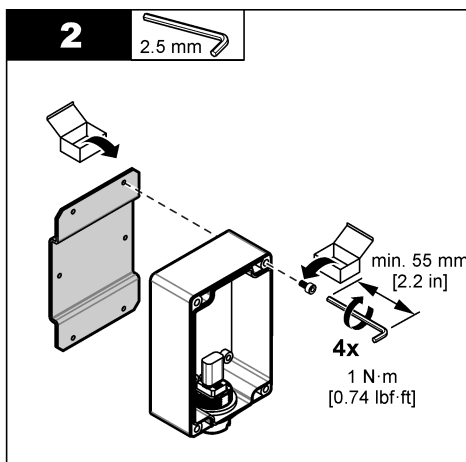
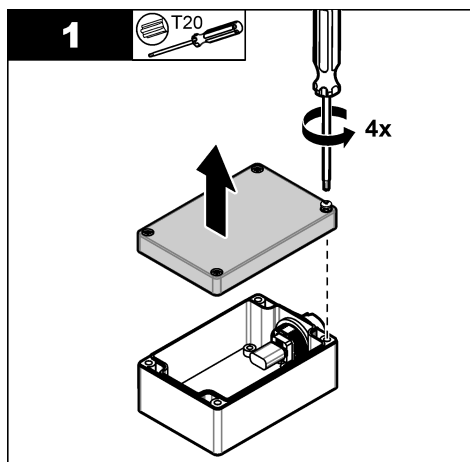
<sup>2</sup> El soporte de montaje en poste corresponde a un poste de 40 mm de diámetro (1,57 pulg.).



Consulte los pasos que se muestran en las siguientes ilustraciones para el montaje en pared de la caja USB.



Consulte los pasos que se muestran en las siguientes ilustraciones para el montaje sobre barra de la caja USB.



### 3.2 Conexión del cable

#### AVISO

El fabricante recomienda el uso de los componentes eléctricos que él mismo suministra, como el cable de alimentación, los conectores y los prensables.

#### AVISO



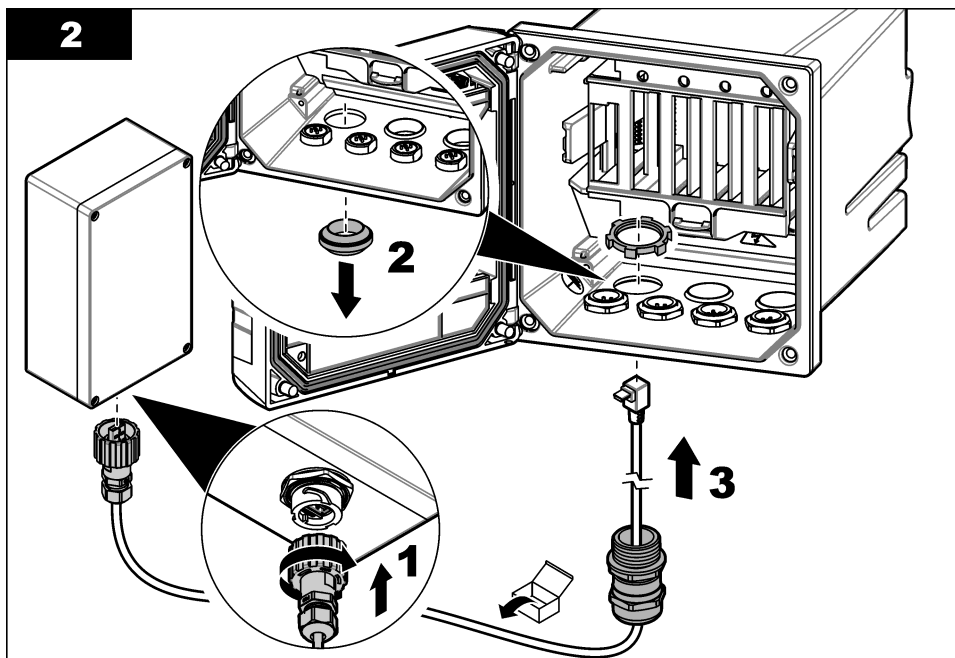
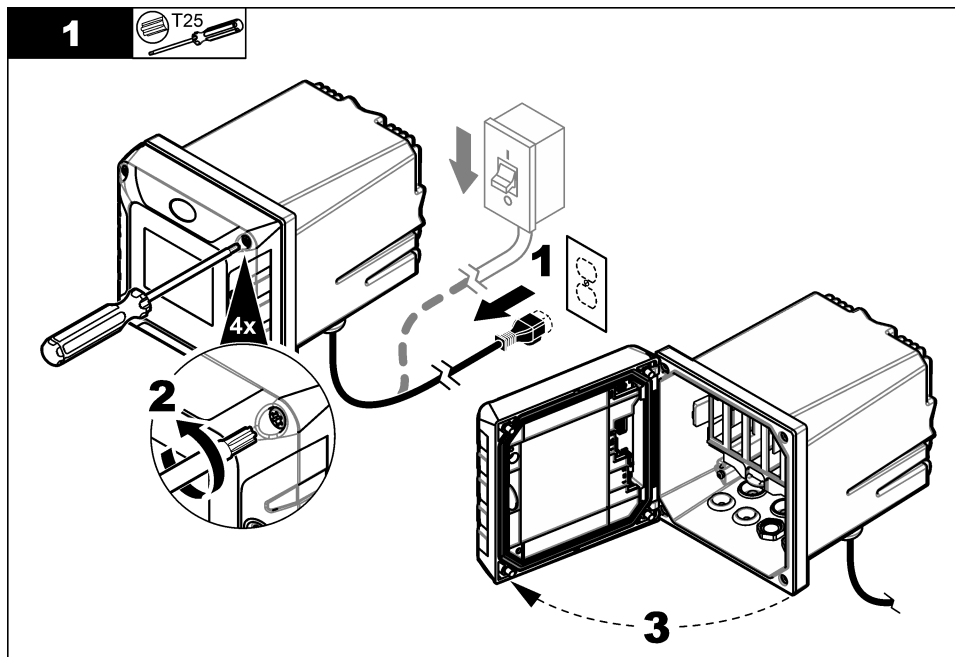
Asegúrese de que la envoltura del cable pasa hasta la parte interior de la carcasa para preservar el grado de protección ambiental de esta.

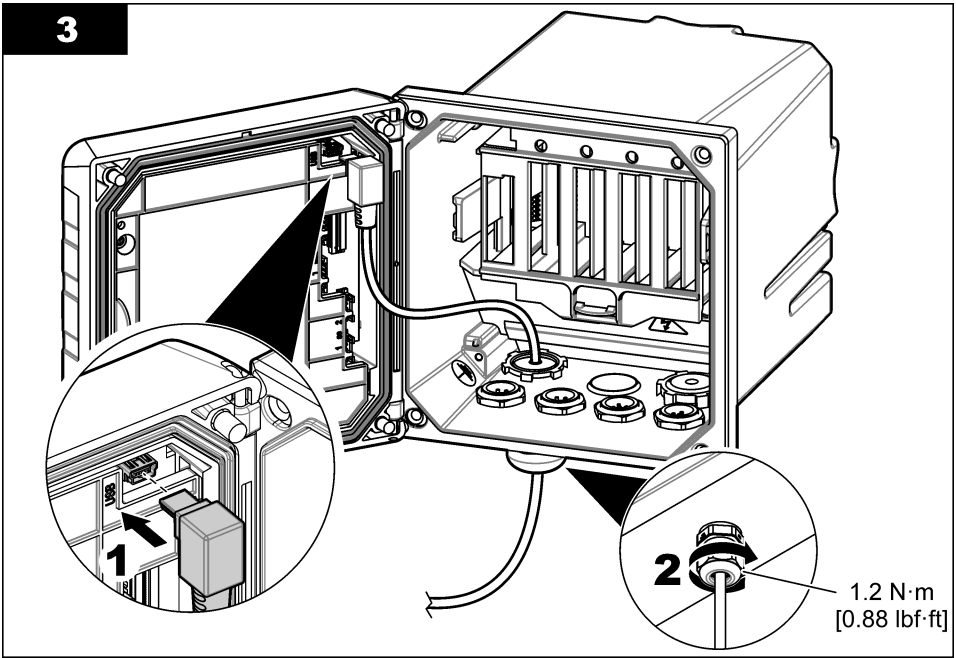
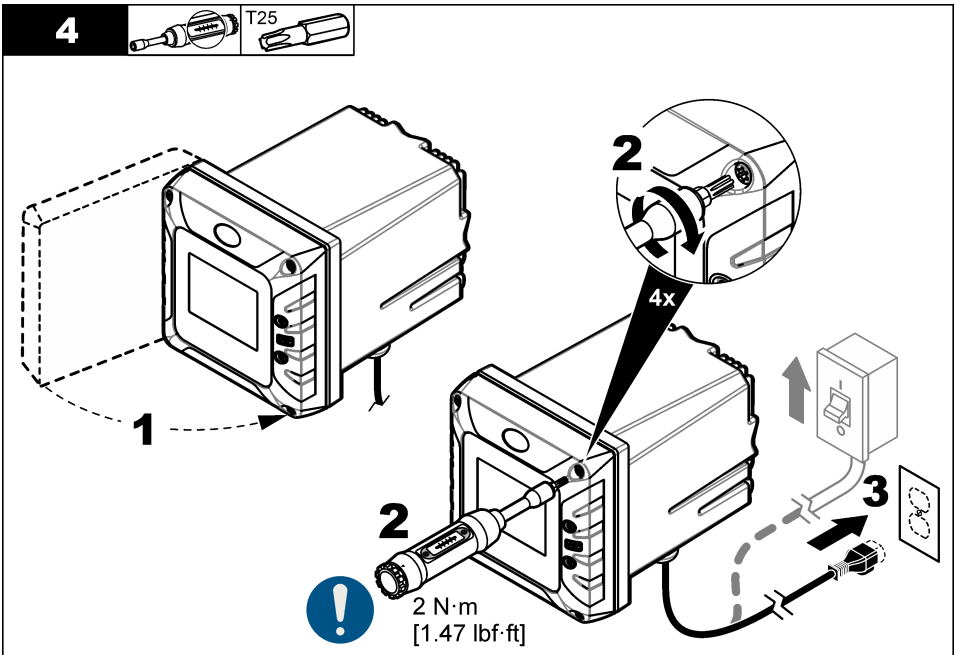
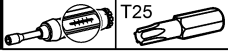
#### AVISO



Cierre la tapa del controlador y asegúrese de que los tornillos de esta se aprietan a fin de preservar el grado de protección de la carcasa.

Conecte el cable suministrado a la caja USB y al conector USB interno del controlador. Consulte los pasos ilustrados que se muestran a continuación.



**3****4**

## Sección 4 Puesta en marcha

**Nota:** El adaptador WiFi viene montado y conectado de fábrica. Si es necesario, consulte el apartado [Sustitución del adaptador WiFi](#) en la página 61 para sustituir el adaptador WiFi.

Una vez completada la instalación, lleve a cabo los pasos indicados a continuación:

1. Retire la cubierta de la caja USB.
2. Suministre alimentación al controlador.
3. Asegúrese de que el adaptador WiFi esté energizado.
4. Espere un mínimo de 5 minutos.
5. Examine la intensidad de la señal y el estado de la conexión de red. Consulte la documentación del controlador.
6. Coloque la cubierta de la caja USB.

## Sección 5 Configuración

Consulte las instrucciones en la documentación del controlador. Para obtener más información, consulte la versión ampliada del manual del usuario disponible en la página web del fabricante.

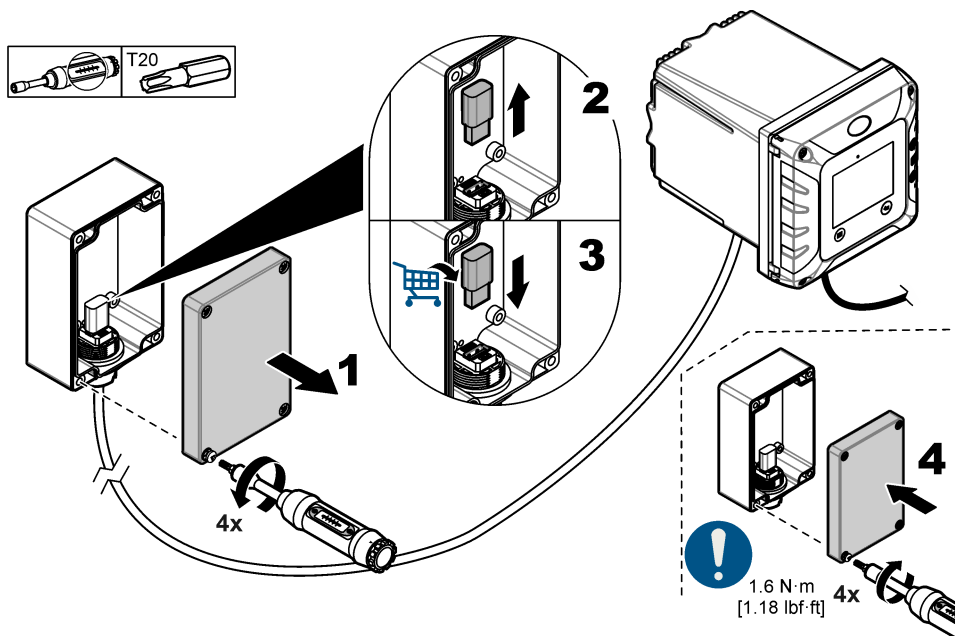
## Sección 6 Mantenimiento

### 6.1 Sustitución del adaptador WiFi

Si es necesario, sustituya el adaptador WiFi. Consulte los siguientes pasos ilustrados en la [Figura 2](#).

**Material necesario:** adaptador WiFi

Figura 2 Sustitución del adaptador WiFi



## Sección 7 Accesorios

### ⚠ ADVERTENCIA



Peligro de lesión personal. El uso de piezas no aprobadas puede causar lesiones personales, daños al instrumento o un mal funcionamiento del equipo. Las piezas de repuesto que aparecen en esta sección están aprobadas por el fabricante.

*Nota: Las referencias de los productos pueden variar para algunas regiones de venta. Póngase en contacto con el distribuidor correspondiente o visite la página web de la empresa para obtener la información de contacto.*

Descripción	Referencia
Cable de conexión USB-Box, WiFi, 4,5 m	LXZ525.99.00019
Kit de montaje	8806200
Adaptador Wi-Fi USB para EE. UU., 2,4/5 GHz	LZY996
Adaptador Wi-Fi USB para la UE, 2,4/5 GHz	LZY997

# Índice

- |                                 |                             |
|---------------------------------|-----------------------------|
| 1 Especificações na página 63   | 5 Configuração na página 73 |
| 2 Informação geral na página 63 | 6 Manutenção na página 73   |
| 3 Instalação na página 68       | 7 Acessórios na página 74   |
| 4 Arranque na página 72         |                             |

## Secção 1 Especificações

As especificações podem ser alteradas sem aviso prévio.

Especificação	Detalhes
Dimensões (L x A x P)	80 x 120 x 55 mm (4,7 x 7,9 x 2,2 pol.)
Estrutura	IP66 <sup>1</sup> , policarbonato UL94-V0
Peso	169 g (0,37 lb)
Nível de poluição	4
Categoria de instalação	I
Classe de protecção	III
Temperatura de funcionamento	-20 °C a 60 °C (-4 °C a 140 °F)
Temperatura de armazenamento	-20 °C a 70 °C
Humidade relativa	0% a 95%, sem condensação
Altitude	2000 m (6562 pés), no máximo
Opções de comunicação	Adaptador de WiFi com conector USB Banda ISM de 2,4 GHz e 5 GHz
Certificações	CE, FCC, IC, UKCA
Garantia	1 ano (UE: 2 anos)

## Secção 2 Informação geral

Em caso algum o fabricante será responsável por quaisquer danos directos, indirectos, especiais, acidentais ou consequenciais resultantes de qualquer incorrecção ou omissão deste manual. O fabricante reserva-se o direito de, a qualquer altura, efectuar alterações neste manual ou no produto nele descrito, sem necessidade de o comunicar ou quaisquer outras obrigações. As edições revistas encontram-se disponíveis no website do fabricante.

### 2.1 Informações de segurança

O fabricante não é responsável por quaisquer danos resultantes da aplicação incorrecta ou utilização indevida deste produto, incluindo, mas não limitado a, danos directos, incidentais e consequenciais, não se responsabilizando por tais danos ao abrigo da lei aplicável. O utilizador é o único responsável pela identificação de riscos de aplicação críticos e pela instalação de mecanismos adequados para a protecção dos processos na eventualidade de uma avaria do equipamento.

Leia este manual até ao fim antes de desembalar, programar ou utilizar o aparelho. Dê atenção a todos os avisos relativos a perigos e precauções. A não leitura destas instruções pode resultar em lesões graves para o utilizador ou em danos para o equipamento.

<sup>1</sup> Apenas com o cabo de ligação da caixa USB instalado.

Certifique-se de que a protecção oferecida por este equipamento não é comprometida. Não o utilize ou instale senão da forma especificada neste manual.

### 2.1.1 Uso da informação de perigo

#### ▲ PERIGO

Indica uma situação de perigo potencial ou eminente que, se não for evitada, resultará em morte ou lesões graves.

#### ▲ ADVERTÊNCIA

Indica uma situação de perigo potencial ou eminente que, se não for evitada, poderá resultar em morte ou lesões graves.

#### ▲ AVISO





Indica uma situação de perigo potencial, que pode resultar em lesões ligeiras a moderadas.

#### ATENÇÃO

Indica uma situação que, se não for evitada, pode causar danos no equipamento. Informação que requer ênfase especial.

### 2.1.2 Avisos de precaução

Leia todas as etiquetas presentes no aparelho. A sua não observação pode resultar em lesões para as pessoas ou em danos para o aparelho. Um símbolo no aparelho é referenciado no manual com uma frase de precaução.

	Quando encontrar este símbolo no equipamento, isto significa que deverá consultar o manual de instruções para obter informações sobre o funcionamento do equipamento e/ou de segurança.
	Este símbolo indica que existe um risco de choque eléctrico e/ou electrocussão.
	Este símbolo indica a presença de dispositivos sensíveis a descargas electrostáticas (DEE) e indica que é necessário ter cuidado para evitar danos no equipamento.
	O equipamento eléctrico marcado com este símbolo não pode ser eliminado nos sistemas europeus de recolha de lixo doméstico e público. Devolva os equipamentos antigos ou próximos do final da sua vida útil ao fabricante para que os mesmos sejam eliminados sem custos para o utilizador.



## 2.1.3 Certificação

### ⚠️ ADVERTÊNCIA



Precauções a ter com o pacemaker. Se ocorrer interferência eletromagnética (EMI), esta pode:

- Parar os impulsos estimulantes do pacemaker que controlam o ritmo do coração.
- Fazer com que o pacemaker forneça os impulsos de forma irregular.
- Fazer com que o pacemaker ignore o ritmo do coração e forneça os impulsos a um intervalo definido.

A investigação atual demonstra que os dispositivos celulares não representam um problema de saúde significativo para a maioria de portadores de pacemakers. Contudo, as pessoas com pacemakers devem ter as devidas precauções de forma a garantir que o seu dispositivo não causa problemas. Mantenha o dispositivo a uma distância mínima de 20 cm (7,9 pol.) do utilizador.

### ⚠️ AVISO



Perigo de radiação electromagnética. Certifique-se de que a antena permanece a uma distância mínima de 20 cm (7,9 pol.) do pessoal durante a sua utilização normal. A antena não pode ser colocada nouro local ou utilizada em conjunto com qualquer outra antena ou transmissores.

### ATENÇÃO

Trata-se de um produto de Classe A que se destina a ser utilizado num ambiente industrial. Em ambientes domésticos, este produto poderá provocar interferências. Se for o caso, poderá ser necessário tomar medidas adequadas.

### ATENÇÃO

A segurança da rede e do ponto de acesso é da responsabilidade do cliente que utiliza o equipamento sem fios. O fabricante não é responsável por quaisquer danos, incluindo, entre outros, danos indiretos, especiais, incidentais ou consequenciais, causados por uma lacuna ou por uma violação da segurança da rede.

#### Aprovações regulatórias de dispositivos RF: EUA e Canadá

Contém adaptador WiFi USB: LM808 da LM Technologies

ID da FCC: VVX808-04XX

IC: 10531A-80804XX

Tabela 1 Alimentação do adaptador de WiFi

Especificação, edição e data	Gama de frequências (MHz)	Designação da emissão	Potência de RF (watts)	Antena
RSS-247, edição 2, 02/2017	5180—5240	17M1D1D	0,005	Integral, 4,7 dBi
RSS-247, edição 2, 02/2017	5210	75M8D1D	0,005	Integral, 4,7 dBi
RSS-247, edição 2, 02/2017	5745—5825	17M9D1D	0,005	Integral, 4,7 dBi
RSS-247, edição 2, 02/2017	5775	75M6D1D	0,004	Integral, 4,7 dBi
RSS-247, edição 2, 02/2017	2412—2462	15M0D1D	0,027	Integral, 0,1 dBi

**Tabela 1 Alimentação do adaptador de WiFi (continuação)**

Especificação, edição e data	Gama de frequências (MHz)	Designação da emissão	Potência de RF (watts)	Antena
RSS-247, edição 2, 02/2017	2412—2462	16M5D1D	0,016	Integral, 0,1 dBi
RSS-247, edição 2, 02/2017	2422—2452	35M1D1D	0,011	Integral, 0,1 dBi

**Adaptador de WiFi USB LM808 – Condições de concessão importantes da FCC:**

A potência indicada é por condução. A conformidade SAR do dongle USB foi avaliada conforme descrito neste documento. A(s) antena(s) utilizada(s) com este transmissor não deve(m) transmitir em simultâneo com qualquer outra antena ou transmissor, exceto em conformidade com os procedimentos da FCC para produtos multitransmissores ou conforme descrito neste documento. O valor mais elevado de SAR registado é de 0,26 W/kg. Este dispositivo tem modos de largura de banda de 20 MHz e 40 MHz.

**Aprovações regulatórias de dispositivos RF: UE**

Contém adaptador de WiFi USB: LM808

**Tabela 2 Bandas de frequência**

Especificação	Detalhes
Banda de frequência	Banda ISM de 2,4 GHz
	Banda ISM de 5 GHz
Potência de saída de RF (tolerância $\pm 2$ dBm)	17 dBm, 802.11b (11 Mbps)
	15 dBm, 802.11g (54 Mbps)
	13 dBm, 802.11a (54 Mbps)
	13 dBm, 802.11n (MCS7_HT20)
	13 dBm, 802.11n (MCS7_HT40)
	11 dBm, 802.11ac (NSS1 MCS9_BW20, BW40, BW80)
	-82 dBm, 802.11b (11 Mbps) – 71 dB0, 802.11g (54 Mbps)
Sensibilidade do recetor	-67 dBm, 802.11n (MCS7_BW20)
	-64 dBm, 802.11n (MCS7_BW40)
	-57 dBm, 802.11ac (NSS1_MCS9_BW20)
	-54 dBm, 802.11ac (MSS1_MCS9_BW40)
	-51 dBm, 802.11ac (MSS1_MCS9_BW80)

**Canadá (IC)**

Contém adaptador de WiFi USB: LM808 da LM Technologies IC: 10531A-80804XX

Este aparelho digital de classe A está em conformidade com as normas canadianas ICES-003. Este dispositivo está em conformidade com as normas RSS de isenção de licença da Industry Canada. O funcionamento está sujeito às duas seguintes condições:

- (1) este dispositivo não pode causar interferências, e
- (2) este dispositivo tem de aceitar qualquer interferência, incluindo interferências susceptíveis de provocar um funcionamento indesejado do dispositivo.

*Cet appareil numérique de la classe (A) respect toutes les exigences de la norme NMB-003 du Canada. Le présent appareil est conforme aux CNR d'Industrie Canada applicables aux appareils radio exempts de licence. L'exploitation est autorisée aux deux conditions suivantes:*

*(1) l'appareil ne doit pas produire de brouillage, et*

*(2) l'utilisateur de l'appareil doit accepter tout brouillage radioélectrique subi, même si le brouillage est susceptible d'en compromettre le fonctionnement.*

### **Estados Unidos da América (FCC)**

Contém adaptador de WiFi USB: LM808 da LM Technologies, ID da FCC: VVX808-04XX

As modificações que não sejam expressamente aprovadas por esta empresa podem retirar ao utilizador a legitimidade de utilizar o equipamento (FCC, secção 15.21).

Este equipamento foi testado e considerado conforme os limites para os dispositivos digitais de Classe A, de acordo com a Secção 15 das Normas da FCC. Estes limites estão desenhados para fornecer protecção razoável contra interferências prejudiciais quando o equipamento for operado num ambiente comercial. Este equipamento gera, usa e pode radiar energia de frequência de rádio e, caso não seja instalado e usado de acordo com as instruções do manual, poderá provocar interferências prejudiciais às comunicações rádio. O funcionamento deste equipamento numa área residencial é propício a provocar interferência prejudicial e, neste caso, o utilizador terá de corrigir esta interferência pelos seus próprios meios (FCC, secção 15.105).

### **Avisos de regulamentação FCC/IC do módulo de RF da Multitech**

#### **Declaração de modificação**

A LM Technologies não aprovou quaisquer alterações ou modificações efetuadas a este dispositivo pelo utilizador. Quaisquer alterações ou modificações podem retirar ao utilizador a legitimidade de utilizar o equipamento.

*LM technologies n'approuve aucune modification apportée à l'appareil par l'utilisateur, quelle qu'en soit la nature. Tout changement ou modification peuvent annuler le droit d'utilisation de l'appareil par l'utilisateur.*

#### **Declaração de interferência**

Este dispositivo está conforme com a secção 15 das normas da FCC e com as normas RSS de isenção de licença da Industry Canada. O funcionamento está sujeito às duas condições seguintes: (1) este dispositivo não pode provocar interferência, e (2) este dispositivo tem de aceitar qualquer interferência, incluindo interferências susceptíveis de provocar um funcionamento indesejado do dispositivo.

*Le présent appareil est conforme aux CNR d'Industrie Canada applicables aux appareils radio exempts de licence. L'exploitation est autorisée aux deux conditions suivantes : (1) l'appareil ne doit pas produire de brouillage, et (2) l'utilisateur de l'appareil doit accepter tout brouillage radioélectrique subi, même si le brouillage est susceptible d'en compromettre le fonctionnement. Cet appareil est conforme aux limites d'exposition aux rayonnements de la IC pour un environnement non contrôlé.*

#### **Declaração de 5G da FCC:**

Os dispositivos LE-LAN estão limitados à utilização no interior apenas na banda dos 5150–5250 MHz

### **Europa – Diretiva relativa aos equipamentos de rádio (Radio Equipment Directive, RED)**



A banda de WiFi dos 5,15–5,35 GHz está limitada à utilização no interior nos seguintes países:

**Tabela 3 Países europeus**

Andorra (AD)	Dinamarca (DK)	Irlanda (IE)	Montenegro (ME)	Eslováquia (SK)
Áustria (AT)	Estónia (EE)	Itália (IT)	Países Baixos (NL)	Eslovénia (SL)
Bélgica (BE)	Finlândia (FI)	Letónia (LV)	Noruega (NO)	Espanha (ES)
Bósnia e Herzegovina (BA)	França (FR)	Liechtenstein (LI)	Polónia (PL)	Suécia (SE)

**Tabela 3 Países europeus (continuação)**

Bulgária (BG)	Alemanha (DE)	Lituânia (LT)	Portugal (PT)	Suíça (CH)
Croácia (HR)	Grécia (GR)	Luxemburgo (LU)	Roménia (RO)	Macedónia (MK)
Chipre (CY)	Hungria (HU)	Malta (MT)	São Marino (SM)	Reino Unido (GB)
República Checa (CZ)	Islândia (IS)	Mónaco (MC)	Sérvia (RS)	Cidade do Vaticano (VA)

## 2.2 Descrição geral do produto

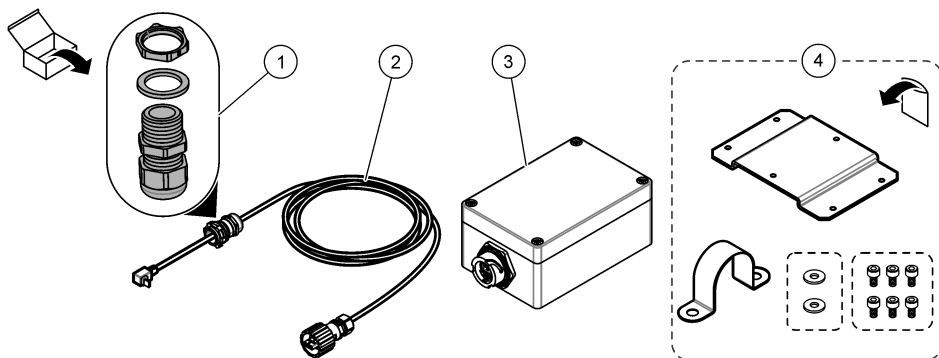
A caixa USB externa é utilizada para ligar um dispositivo USB ao controlador SC4500 (p. ex., um adaptador de Wi-Fi).

**Nota:** Todos os itens (ou seja, adaptador e ligações internas) estão montados de fábrica.

## 2.3 Componentes do produto

Certifique-se de que recebeu todos os componentes. Consulte [Figura 1](#). Se algum dos itens estiver em falta ou apresentar danos, contacte imediatamente o fabricante ou um representante de vendas.

**Figura 1 Componentes do produto**



1 Alívio de tensão, anilha e porca	3 Caixa USB
2 Cabo de ligação da caixa USB	4 Hardware para montagem em coluna <sup>2</sup>

## Secção 3 Instalação

### 3.1 Montagem

#### ATENÇÃO

Utilize os orifícios de montagem para instalar a caixa USB. Não perfure a parte posterior da caixa USB, pois tal pode danificar os componentes internos.

#### ATENÇÃO



Feche a tampa da caixa USB e certifique-se de que os parafusos da tampa estão bem apertados, para manter a classificação ambiental da estrutura.

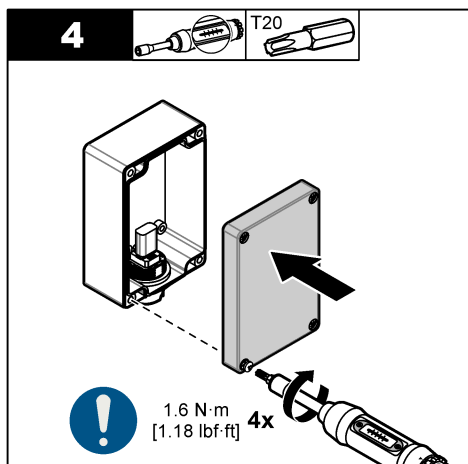
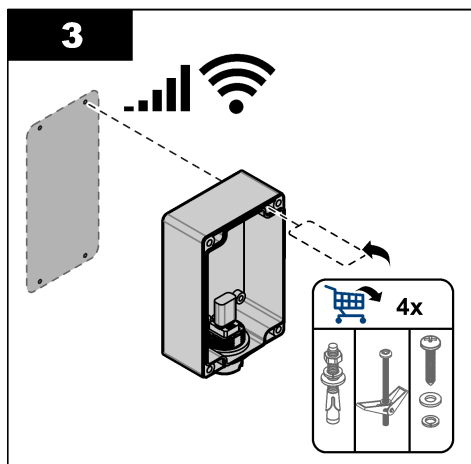
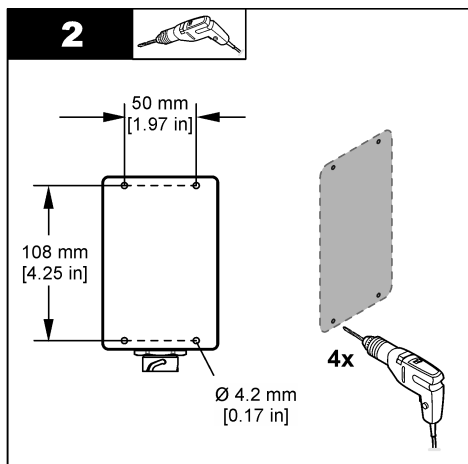
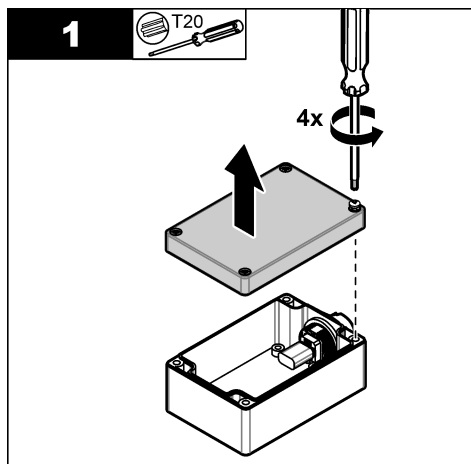
<sup>2</sup> O material de montagem em coluna destina-se a colunas com 40 mm (1,57 pol.) de diâmetro.

Instale a caixa USB num local onde o dispositivo de desconexão de alimentação do controlador seja facilmente accionado. Instale a caixa USB no local com a intensidade máxima de sinal Wi-Fi. Utilize um dispositivo móvel para encontrar o local com a intensidade máxima de sinal Wi-Fi.

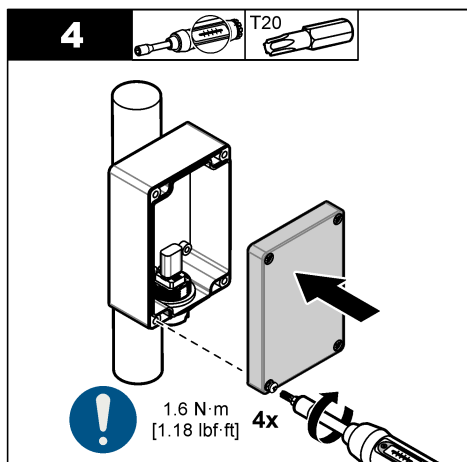
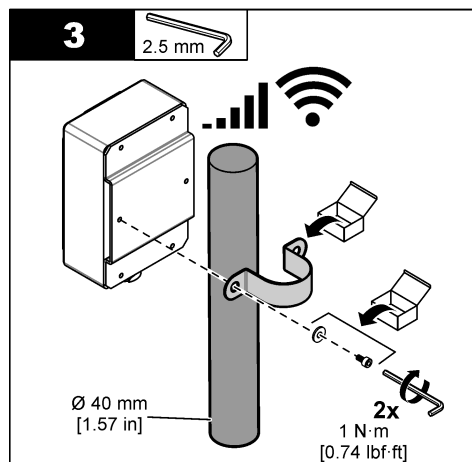
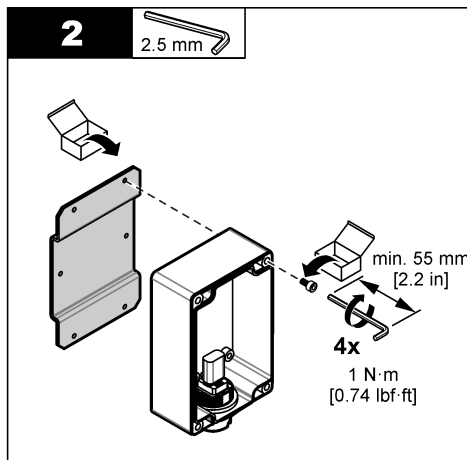
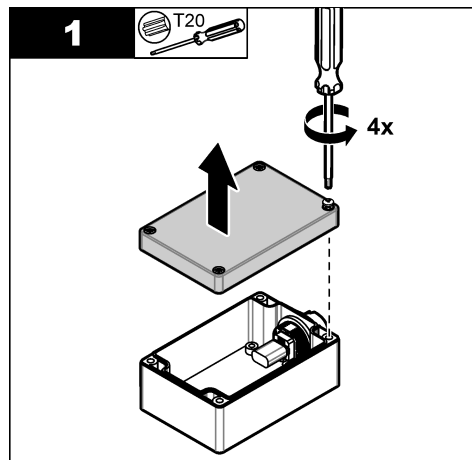
Fixe a caixa USB a uma parede, a uma coluna vertical ou a uma coluna horizontal.

**Nota:** O material de montagem na parede é fornecido pelo utilizador. Os parafusos/acessórios devem ser adequados às características da parede/tecto e ter uma capacidade de resistência suficiente para suportar o produto.

Consulte os passos ilustrados que se seguem para a montagem da caixa USB na parede.



Consulte os passos ilustrados que se seguem para a montagem da caixa USB em coluna.



### 3.2 Ligar o cabo

#### ATENÇÃO

O fabricante recomenda a utilização de componentes elétricos fornecidos pelo fabricante, tais como o cabo de alimentação, conectores e encaixes de alumínio de tensão.

#### ATENÇÃO



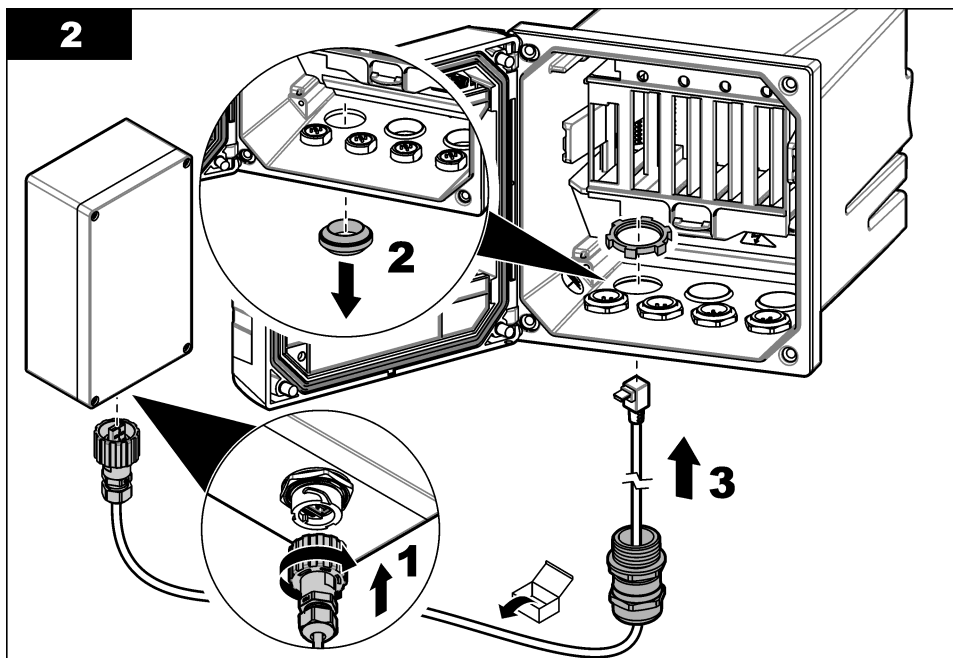
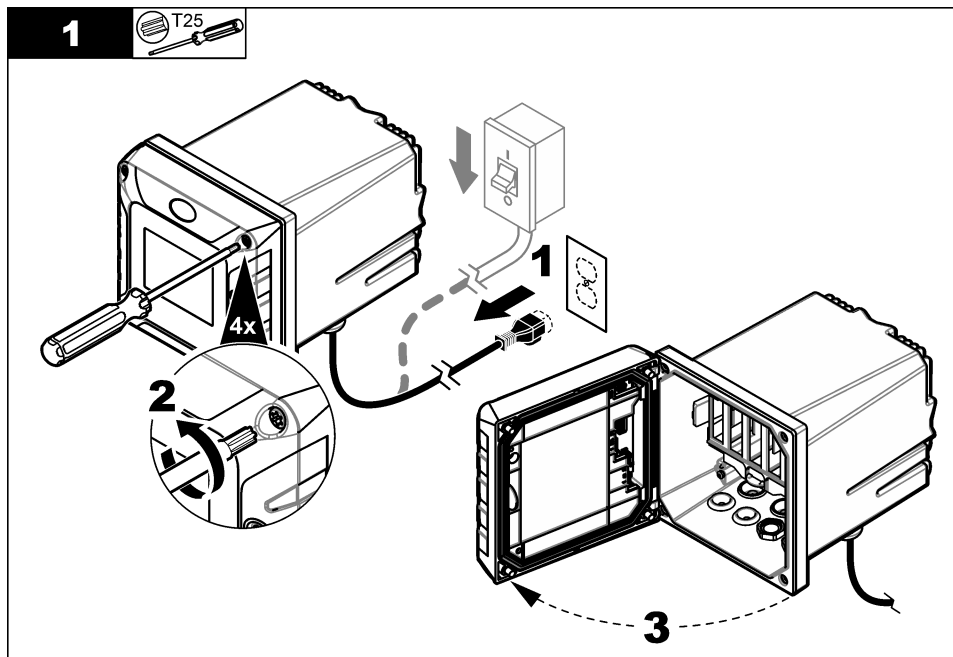
Certifique-se de que o revestimento do cabo atravessa o lado interior do encaixe para manter a classificação ambiental da estrutura.

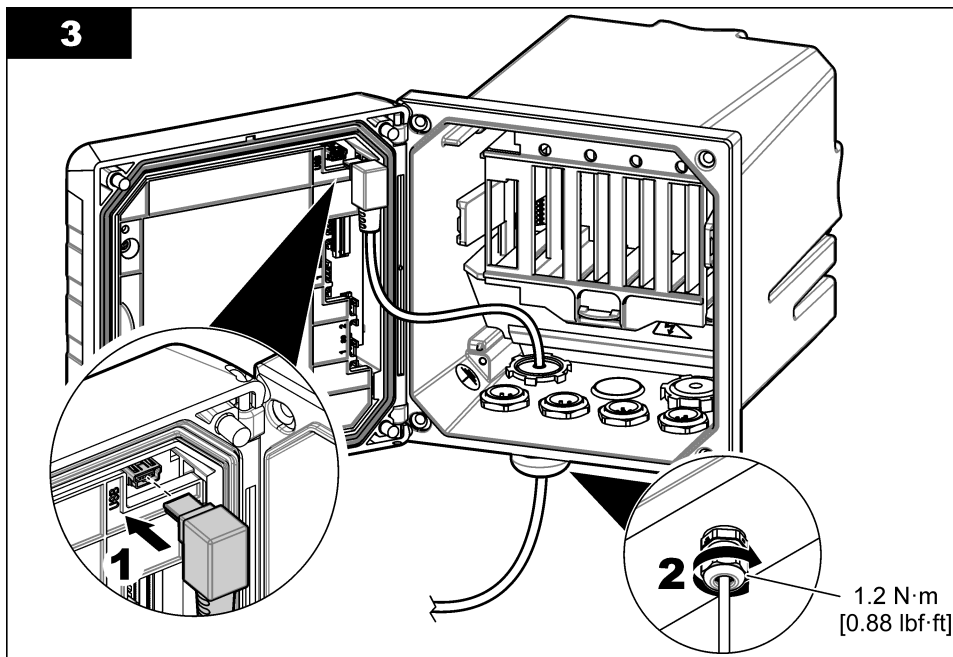
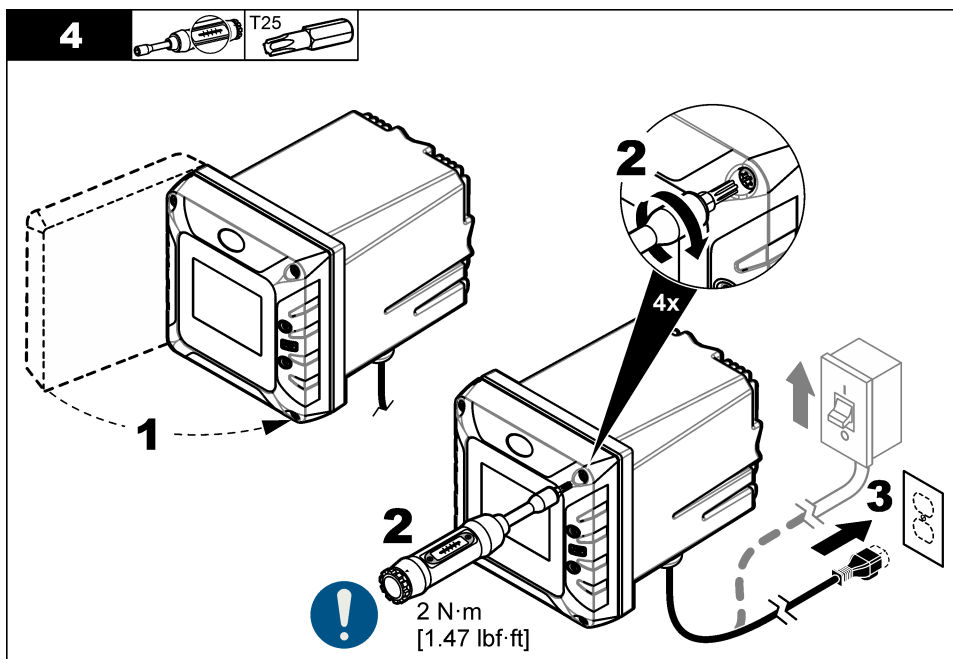
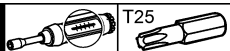
#### ATENÇÃO



Feche a tampa do controlador e certifique-se de que os parafusos da tampa estão bem apertados para manter a classificação ambiental da estrutura.

Ligue o cabo fornecido à caixa USB e ao conector USB interno no controlador. Consulte os passos abaixo ilustrados.



**3****4**

## Secção 4 Arranque

**Nota:** O adaptador Wi-Fi está montado e ligado de fábrica. Se necessário, consulte a secção [Substituição do adaptador de WiFi](#) na página 73 para substituir o adaptador Wi-Fi.



Após a instalação estar concluída, execute os passos que se seguem:

1. Remova a tampa da caixa USB.
2. Ligue o controlador à corrente.
3. Certifique-se de que o adaptador WiFi está energizado.
4. Aguarde um mínimo de 5 minutos.
5. Examine a intensidade do sinal e o estado da ligação de rede. Consulte a documentação do controlador.
6. Instale a tampa na caixa USB.

## Secção 5 Configuração

Consulte a documentação do controlador para obter instruções. Para obter mais informações, consulte a versão completa do manual do utilizador no website do fabricante.

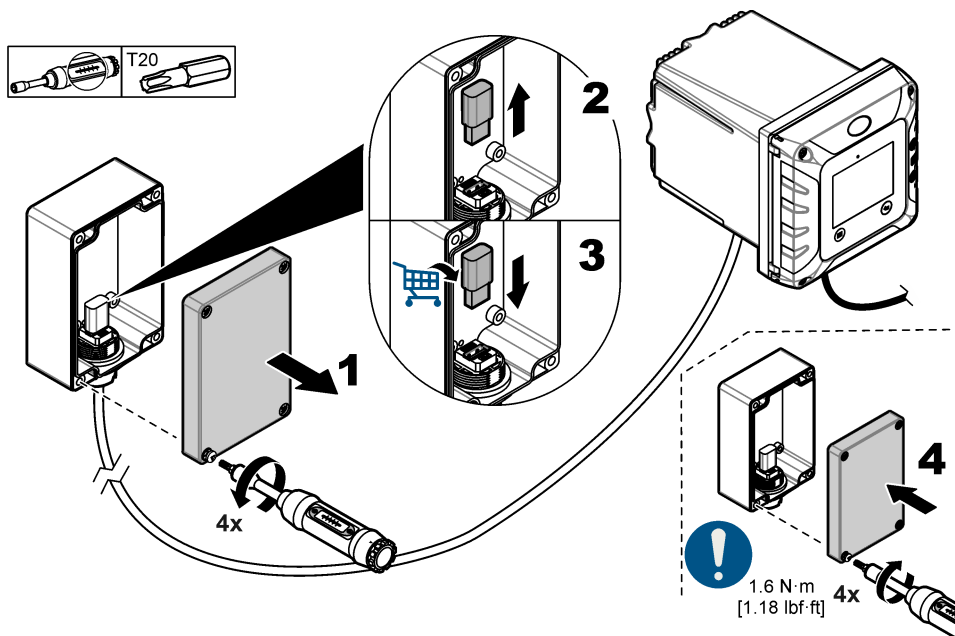
## Secção 6 Manutenção

### 6.1 Substituição do adaptador de WiFi

Se necessário, substitua o adaptador de WiFi. Consulte os passos ilustrados na [Figura 2](#).

**Itens a preparar:** adaptador de WiFi

**Figura 2** Substituição do adaptador de WiFi



## Secção 7 Acessórios

### ▲ ADVERTÊNCIA



Perigo de danos pessoais. A utilização de peças não aprovadas poderá causar ferimentos, danos ou avarias no equipamento. As peças de substituição mencionadas nesta secção foram aprovadas pelo fabricante.

*Nota: Os números do Produto e Artigo podem variar consoante as regiões de venda. Para mais informações de contacto, contacte o distribuidor apropriado ou consulte o site web da empresa.*

Descrição	Item n.º
Cabo de ligação da caixa USB, WiFi, 4,5 m	LXZ525.99.00019
Kit de material de montagem	8806200
Adaptador USB WiFi para EUA, 2,4/5 GHz	LZY996
Adaptador USB WiFi para UE, 2,4/5 GHz	LZY997

## Obsah

- |   |  |
|---|--|
| 1 <a href="#">Technické údaje</a> na straně 75  | 5 <a href="#">Konfigurace</a> na straně 85   |
| 2 <a href="#">Obecné informace</a> na straně 75 | 6 <a href="#">Údržba</a> na straně 85        |
| 3 <a href="#">Instalace</a> na straně 80        | 7 <a href="#">Příslušenství</a> na straně 85 |
| 4 <a href="#">Spuštění</a> na straně 84         |  |

## Kapitola 1 Technické údaje

Technické údaje podléhají změnám bez předchozího upozornění.

Specifikace	Podrobnosti
Rozměry (Š × V × H)	80 × 120 × 55 mm (4,7 × 7,9 × 2,2 palce)
Kryt	IP66 <sup>1</sup> , polykarbonát UL94-V0
Hmotnost	169 g (0,37 lb)
Stupeň znečištění	4
Instalační kategorie	I
Třída ochrany	III
Provozní teplota	-20 až 60 °C (-4 až 140 °F)
Skladovací teplota	-20 až 70 °C
Relativní vlhkost	0 až 95 %, bez kondenzace
Nadmořská výška	maximálně 2000 m (6562 ft)
Možnosti komunikace	Adaptér Wi-Fi s konektorem USB ISM pásma 2,4 GHz a 5 GHz
Certifikáty	CE, FCC, IC, UKCA
Záruka	1 rok (EU: 2 roky)

## Kapitola 2 Obecné informace

Výrobce není v žádném případě zodpovědný za nepřímé, zvláštní, náhodné či následné škody, které jsou výsledkem jakékoli chyby nebo opomenutí v tomto návodu. Výrobce si vyhrazuje právo provádět v tomto návodu a výrobcích v něm popisovaných změny, a to kdykoliv, bez předchozích oznámení či jakýchkoli následných závazků. Revidovaná vydání jsou dostupná na internetových stránkách výrobce.

### 2.1 Bezpečnostní informace

Výrobce neodpovídá za škody způsobené nesprávnou aplikací nebo nesprávným použitím tohoto produktu včetně (nikoli pouze) přímých, náhodných a následných škod a zřídka se odpovědnosti za takové škody v plném rozsahu, nakolik to umožňuje platná legislativa. Uživatel je výhradně zodpovědný za určení kritických rizik aplikace a za instalaci odpovídajících mechanismů ochrany procesů během potenciální nesprávné funkce zařízení.

Před vybalením, montáží a uvedením přístroje do provozu si prosím pozorně přečtete celý tento návod. Zvláštní pozornost věnujte všem upozorněním na možná nebezpečí a výstražným informacím. V opačném případě může dojít k vážným poraněním obsluhy a poškození přístroje.

<sup>1</sup> Pouze s instalovaným propojovacím kabelem pro USB box.

Ujistěte se, že nedošlo k poškození obalu tohoto zařízení a přístroj nepoužívejte a neinstalujte jinak, než jak je uvedeno v tomto návodu.

### 2.1.1 Informace o možném nebezpečí

#### ▲ NEBEZPEČÍ

Označuje možnou nebo bezprostředně rizikovou situaci, jež může v případě, že jí nezabráníte, vést k usmrcení nebo vážnému zranění.

#### ▲ VAROVÁNÍ

Upozorňuje na možné nebo skryté nebezpečné situace, jež by bez vhodných preventivních opatření mohly vést k úmrtí nebo vážnému poranění.

#### ▲ POZOR





Upozorňuje na možnou nebezpečnou situaci, jež by mohla mít za následek menší nebo mírné poranění.

#### UPOZORNĚNÍ

Označuje situaci, která může způsobit poškození přístroje, pokud se nezabrání jejímu vzniku. Upozorňuje na informace vyžadující zvláštní pozornost.

### 2.1.2 Výstražné symboly

Věnujte pozornost všem nálepkám a štítkům umístěným na zařízení. V opačném případě může dojít k poranění osob nebo poškození přístroje. Odkazy na symboly na přístroji naleznete v návodu spolu s výstražnou informací.

	Tento symbol, pokud je uveden na zařízení, odkazuje na provozní a/nebo bezpečnostní informace uvedené v návodu k obsluze.
	Symbol upozorňuje na možnost úrazu nebo usmrcení elektrickým proudem.
	Tento symbol označuje přítomnost zařízení citlivého na elektrostatický výboj a znamená, že je třeba dbát opatrnosti, aby nedošlo k poškození zařízení.
	Elektrické zařízení označené tímto symbolem se nesmí likvidovat v evropských systémech domácího nebo veřejného odpadu. Staré nebo vysloužilé zařízení vraťte výrobci k bezplatné likvidaci.

## 2.1.3 Certifikace

### ▲ VAROVÁNÍ



Upozornění týkající se kardiostimulátorů. Výskyt elektromagnetické interference (EMI) může:

- Zastavit stimulační impulzy z kardiostimulátoru, které řídí rytmus srdce.
- Způsobit, že kardiostimulátor bude impulzy dodávat nepravidelně.
- Způsobit, že kardiostimulátor bude ignorovat rytmus srdce a dodávat impulzy v nastaveném intervalu.

Nejnovější výzkum ukazuje, že mobilní zařízení nepředstavují pro většinu uživatelů kardiostimulátorů žádný závažný zdravotní problém. Uživatelé kardiostimulátorů by však měli učinit preventivní opatření, která zajistí, aby jejich zařízení nezpůsobovalo žádný problém. Udržujte zařízení minimálně 20 cm od uživatele.

### ▲ POZOR



Nebezpečí elektromagnetického záření. Zkontrolujte, že je anténa ve vzdálenosti minimálně 20 cm od všech pracovníků při běžném provozu. Anténa nesmí být společně umístěna nebo provozována ve spojení s jakýmkoli dalšími anténami nebo vysílači.

### UPOZORNĚNÍ

Toto je zařízení třídy A, určené pro použití v průmyslovém prostředí. V domácím prostředí může tento výrobek způsobit rádiové rušení. V takovém případě by měl uživatel učinit náležitá opatření.

### UPOZORNĚNÍ

Zabezpečení sítě a přístupového bodu je na odpovědnosti zákazníka, který používá bezdrátový přístroj. Výrobce nebude zodpovědný za žádné škody, včetně avšak nikoli pouze za nepřímá, zvláštní, následná či náhodná poškození, která byla způsobena nedostatečným zabezpečením sítě nebo jeho porušením.

### Schválení orgány regulujícími vysokofrekvenční zařízení: USA a Kanada

Obsahuje Wi-Fi adaptér USB: LM808 od společnosti LM technologies

FCC ID: VVX808-04XX

IC: 10531A-80804XX

Tabulka 1 Napájení pro Wi-Fi adaptér

Specifikace, vydání a datum	Rozsah frekvencí (MHz)	Výkonové poměry	RF výkon (watty)	Anténa
RSS-247, 2. vydání, 02/2017	5180—5240	17M1D1D	0,005	Integrální, 4,7 dBi
RSS-247, 2. vydání, 02/2017	5210	75M8D1D	0,005	Integrální, 4,7 dBi
RSS-247, 2. vydání, 02/2017	5745—5825	17M9D1D	0,005	Integrální, 4,7 dBi
RSS-247, 2. vydání, 02/2017	5775	75M6D1D	0,004	Integrální, 4,7 dBi
RSS-247, 2. vydání, 02/2017	2412—2462	15M0D1D	0,027	Integrální, 0,1 dBi

**Tabulka 1 Napájení pro Wi-Fi adaptér (pokračování)**

Specifikace, vydání a datum	Rozsah frekvencí (MHz)	Výkonové poměry	RF výkon (watty)	Anténa
RSS-247, 2. vydání, 02/2017	2412—2462	16M5D1D	0,016	Integrální, 0,1 dBi
RSS-247, 2. vydání, 02/2017	2422—2452	35M1D1D	0,011	Integrální, 0,1 dBi

**Wi-Fi adaptér USB LM808 – důležité podmínky udělení povolení FCC:**

Je předáván uvedený výkon. Dodržení limitů specifické míry absorpce (SAR) hardwarového klíče USB bylo zhodnoceno tak, jak je popsáno v této dokumentaci. Anténa/y použitá/é pro tento vysílač nesmí vysílat současně s žádnou další anténou či vysílačem, pokud nebyly dodrženy postupy FCC týkající se více vysílačů nebo pokyny uvedené v této dokumentaci. Nejvyšší naměřená hodnota SAR činí 0,26 W/kg. Toto zařízení využívá režimy šířky pásma 20 Mhz a 40 MHz.

**Schválení orgány regulujícími vysokofrekvenční zařízení: EU**

Obsahuje Wi-Fi adaptér USB: LM808

**Tabulka 2 Frekvenční pásma**

Specifikace	Podrobnosti
Frekvenční pásmo	ISM pásmo 2,4 GHz
	ISM pásmo 5 GHz
Výstupní výkon RF (tolerance $\pm 2$ dBm)	17 dBm, 802.11b při 11 Mbps
	15 dBm, 802.11g při 54 Mbps
	13 dBm, 802.11a při 54 Mbps
	13 dBm, 802.11n při MCS7_HT20
	13 dBm, 802.11n při MCS7_HT40
	11 dBm, 802.11ac při NSS1 MCS9_BW20, BW40, BW80
	-82 dBm, 802.11b při 11 Mbps až 71 dB0, 802.11g při 54 MBps
Citlivost přijímače	-67 dBm, 802.11n při MCS7_BW20
	-64 dBm, 802.11n při MCS7_BW40
	-57 dBm, 802.11ac při NSS1_MCS9_BW20
	-54 dBm, 802.11ac při MSS1_MCS9_BW40
	-51 dBm, 802.11ac při MSS1_MCS9_BW80

**Kanada (IC)**

Obsahuje Wi-Fi adaptér USB: LM808 od společnosti LM technologies, IC: 10531A-80804XX

Tento digitální přístroj třídy (A) splňuje požadavky kanadské normy ICES-003. Toto zařízení splňuje požadavky normy (norem) RSS s licenční výjimkou Industry Canada. Jeho provoz je dovolen jen při splnění následujících dvou podmínek:

- (1) Toto zařízení nesmí působit interference a
- (2) toto zařízení musí akceptovat veškeré interference, včetně takových, která mohou působit nežádoucí provoz.

*Cet appareil numérique de la classe (A) respect toutes les exigences de la norme NMB-003 du Canada. Le présent appareil est conforme aux CNR d'Industrie Canada applicables aux appareils radio exempts de licence. L'exploitation est autorisée aux deux conditions suivantes:*

*(1) l'appareil ne doit pas produire de brouillage, et*

*(2) l'utilisateur de l'appareil doit accepter tout brouillage radioélectrique subi, même si le brouillage est susceptible d'en compromettre le fonctionnement.*

### **Spojené státy (FCC)**

Obsahuje Wi-Fi adaptér USB: LM808 od společnosti LM technologies, FCC ID: VVX808-04XX

Modifikace, které nejsou touto společností výslovně schváleny, mohou mít za následek ztrátu oprávnění uživatele k provozu tohoto zařízení (část 15.21 pravidel FCC).

Přístroj byl přezkoušen a sledán způsobilým provozu podle vymezení Třídy A digitálních zařízení a ve shodě s Částí 15 pravidel FCC. Uvedené meze byly stanoveny za účelem poskytnutí dostatečné ochrany před škodlivými interferencemi, je-li zařízení v provozu v komerčním prostředí. Zařízení vytváří, používá a může vyzařovat vysokofrekvenční energii a – je-li instalováno a používáno v rozporu s provozním návodem – může způsobovat škodlivé rušení rádiového spojení. Provoz tohoto zařízení v obytných oblastech může způsobovat škodlivé rušení. V takovýchto případech je povinností provozovatele rušivé účinky eliminovat na vlastní náklady (část 15.105 pravidel FCC).

### **Poznámky k předpisům FCC/IC ohledně vysokofrekvenčního modulu Multitech Prohlášení ohledně modifikace**

Společnost LM Technologies neschválila žádné změny ani modifikace tohoto zařízení uživatelem. Jakékoli změny nebo modifikace mohou mít za následek ztrátu oprávnění uživatele k provozu tohoto zařízení.

*LM technologies n'approuve aucune modification apportée à l'appareil par l'utilisateur, quelle qu'en soit la nature. Tout changement ou modification peuvent annuler le droit d'utilisation de l'appareil par l'utilisateur.*

### **Prohlášení ohledně interferencí**

Toto zařízení splňuje požadavky části 15 pravidel FCC a normy (norem) RSS s licenční výjimkou Industry Canada. Jeho provoz je dovolen jen při splnění následujících dvou podmínek: (1) toto zařízení nesmí působit interference a (2) toto zařízení musí akceptovat veškeré interference včetně takových, která mohou působit jeho nežádoucí provoz.

*Le présent appareil est conforme aux CNR d'Industrie Canada applicables aux appareils radio exempts de licence. L'exploitation est autorisée aux deux conditions suivantes : (1) l'appareil ne doit pas produire de brouillage, et (2) l'utilisateur de l'appareil doit accepter tout brouillage radioélectrique subi, même si le brouillage est susceptible d'en compromettre le fonctionnement. Cet appareil est conforme aux limites d'exposition aux rayonnements de la IC pour un environnement non contrôlé.*

### **Prohlášení FCC ohledně 5G připojení:**

Zařízení LE-LAN jsou omezena pouze na vnitřní provoz, a to v pásmu 5150–5250 MHz

### **Směrnice EU o rádiových zařízeních (RED)**



V následujících zemích je WiFi pásmo 5,15–5,35 GHz omezeno pouze na vnitřní provoz:

**Tabulka 3 Evropské země**

Andorra (AD)	Dánsko (DK)	Irsko (IE)	Černá Hora (ME)	Slovensko (SK)
Rakousko (AT)	Estonsko (EE)	Itálie (IT)	Nizozemsko (NL)	Slovinsko (SL)
Belgie (BE)	Finsko (FI)	Lotyšsko (LV)	Norsko (NO)	Španělsko (ES)
Bosna a Hercegovina (BA)	Francie (FR)	Lichtenštejnsko (LI)	Polsko (PL)	Švédsko (SE)
Bulharsko (BG)	Německo (DE)	Litva (LT)	Portugalsko (PT)	Švýcarsko (CH)

**Tabulka 3 Evropské země (pokračování)**

Chorvatsko (HR)	Řecko (GR)	Lucembursko (LU)	Rumunsko (RO)	Makedonie (MK)
Kypr (CY)	Maďarsko (HU)	Malta (MT)	San Marino (SM)	Velká Británie (GB)
Česká republika (CZ)	Island (IS)	Monako (MC)	Srbsko (RS)	Vatikán (VA)

## 2.2 Popis výrobku

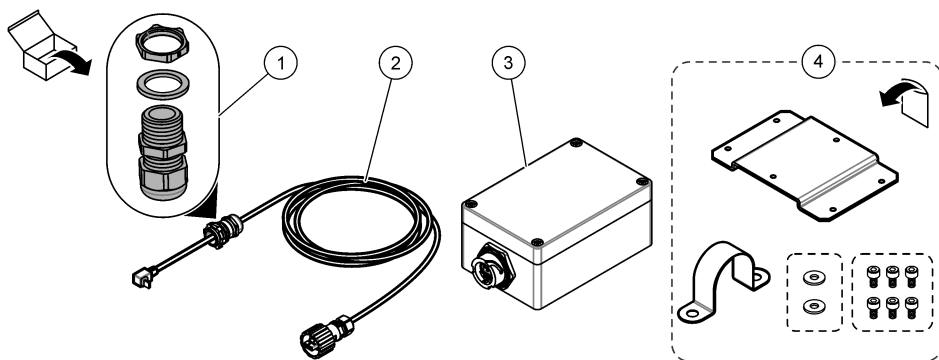
Externí USB box se používá k připojení zařízení USB ke kontroléru SC4500 (např. , Wi-Fi adaptér).

**Poznámka:** Všechny položky (tj. adaptér a interní konektory) jsou sestaveny ve výrobě.

## 2.3 Součásti výrobku

Ujistěte se, že byly dodány všechny součásti. Viz část **Obr. 1**. V případě, že některé položky chybí nebo jsou poškozené, se ihned obraťte na výrobce nebo příslušného obchodního zástupce.

**Obr. 1** Součásti výrobku



1 Uvolnění napětí, podložka a matice	3 USB box
2 Propojovací kabel pro USB box	4 Materiál pro montáž na stojan <sup>2</sup>

## Kapitola 3 Instalace

### 3.1 Montáž

#### UPOZORNĚNÍ

Použijte montážní otvory pro instalaci USB boxu. Nedělejte otvory do zadní části USB boxu, mohlo by dojít k poškození vnitřních komponentů.

#### UPOZORNĚNÍ



Zavřete kryt boxu USB a kvůli zachování stupně krytí se ujistěte, že jsou všechny jeho šrouby utažené.

USB box nainstalujte na místě, kde se dá snadno ovládat zařízení pro odpojení napájení kontroléru. USB box nainstalujte na místo s nejsilnějším Wi-Fi signálem. Použijte mobilní zařízení k vyhledání místa s nejsilnějším Wi-Fi signálem.

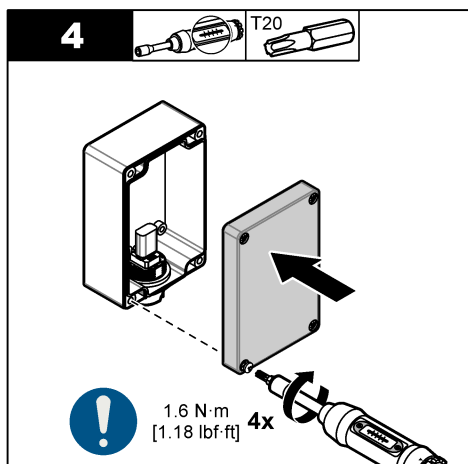
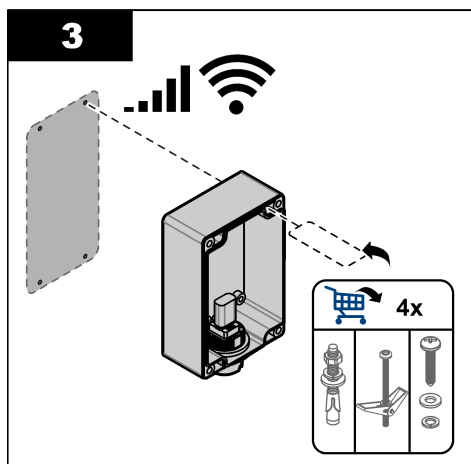
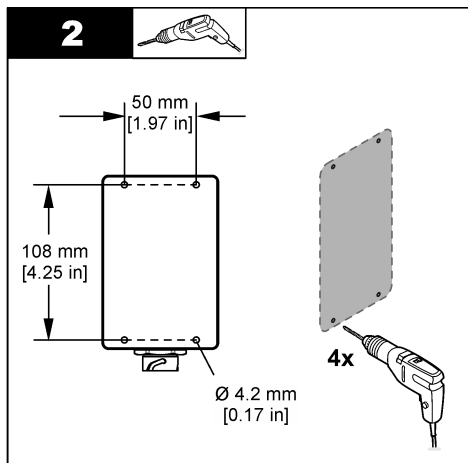
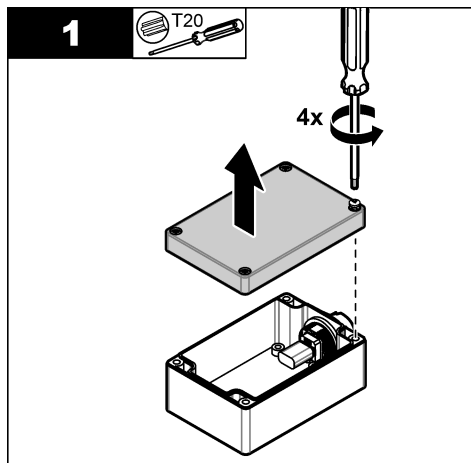
<sup>2</sup> Materiál pro montáž na stojan je určen pro stojan o průměru 40 mm (1,57 palce).



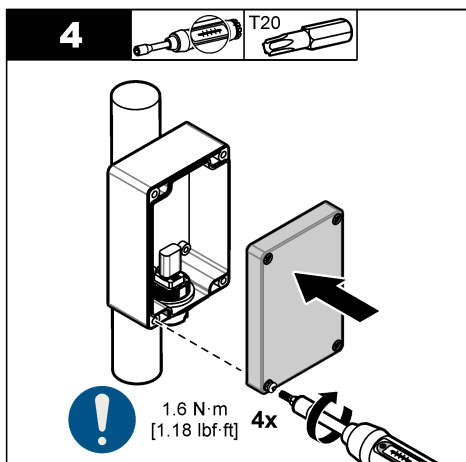
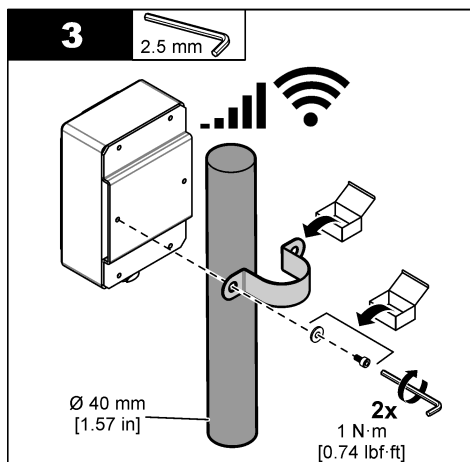
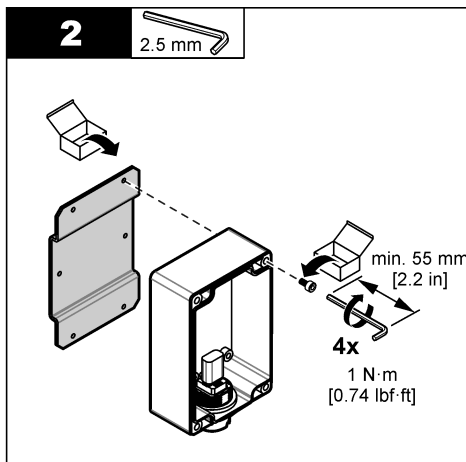
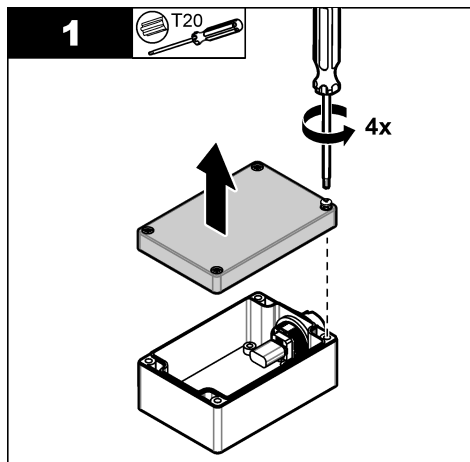
USB box připevněte na stěnu, svislou tyč nebo vodorovnou tyč.

**Poznámka:** Materiál pro montáž na stěnu dodá uživatel. Šrouby/úchyty musí odpovídat vlastnostem zdi/stropu a musí mít dostatečnou nosnost.

Viz následující ilustrovaný postup pro montáž USB boxu na stěnu.



Viz následující ilustrovaný postup pro montáž USB boxu na stojan.



## 3.2 Připojení kabelu

### UPOZORNĚNÍ

Výrobce doporučuje používat výrobcem dodané elektrické komponenty, například napájecí kabel, konektory a kabelové průchodky.

### UPOZORNĚNÍ



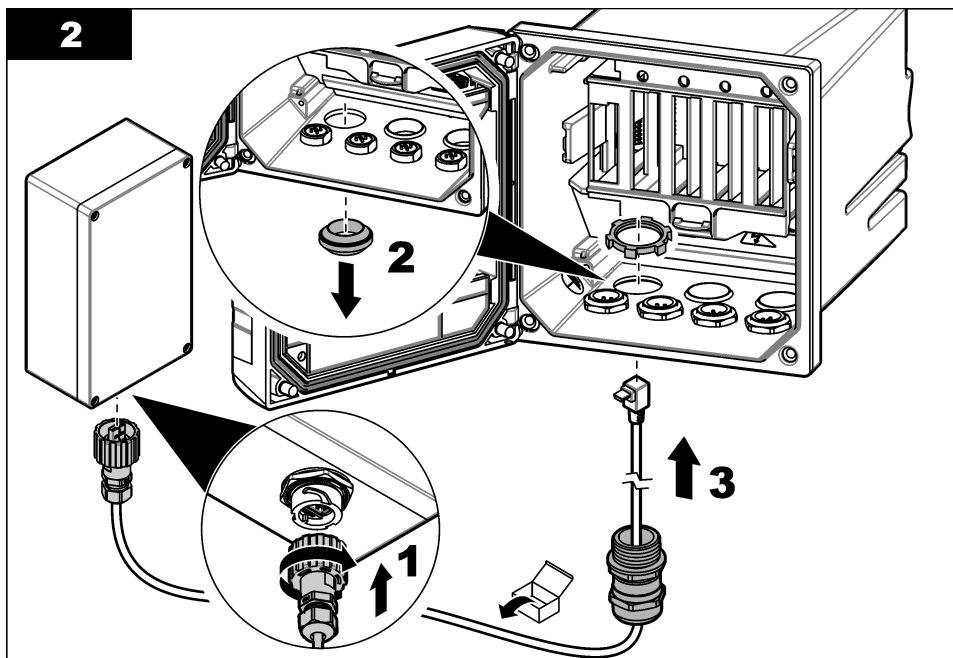
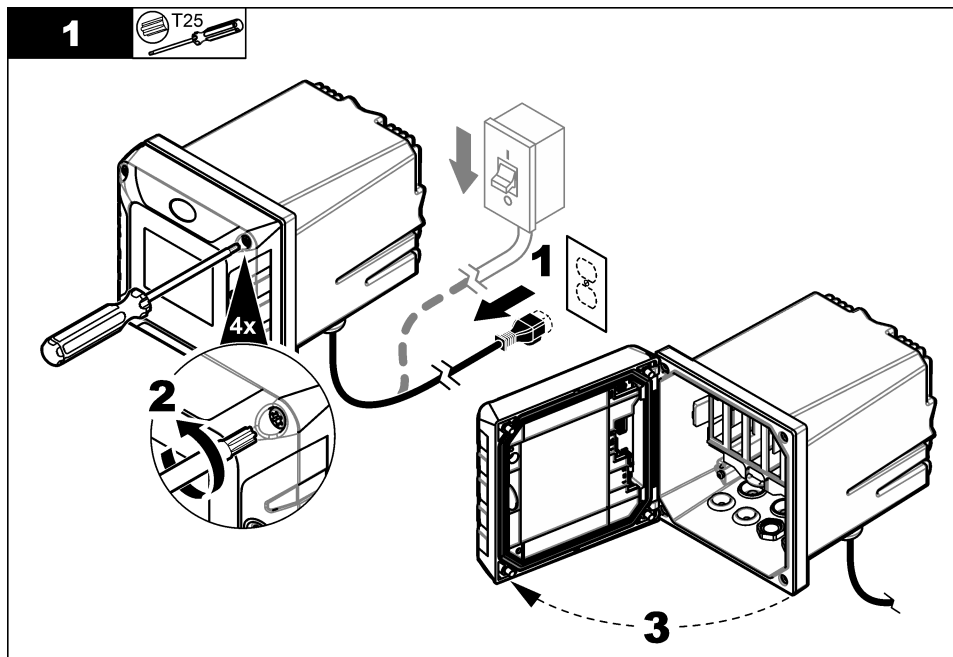
Kvůli zachování stupně krytí se ujistěte, že pouzdro kabelu prochází po vnitřní straně krytu.

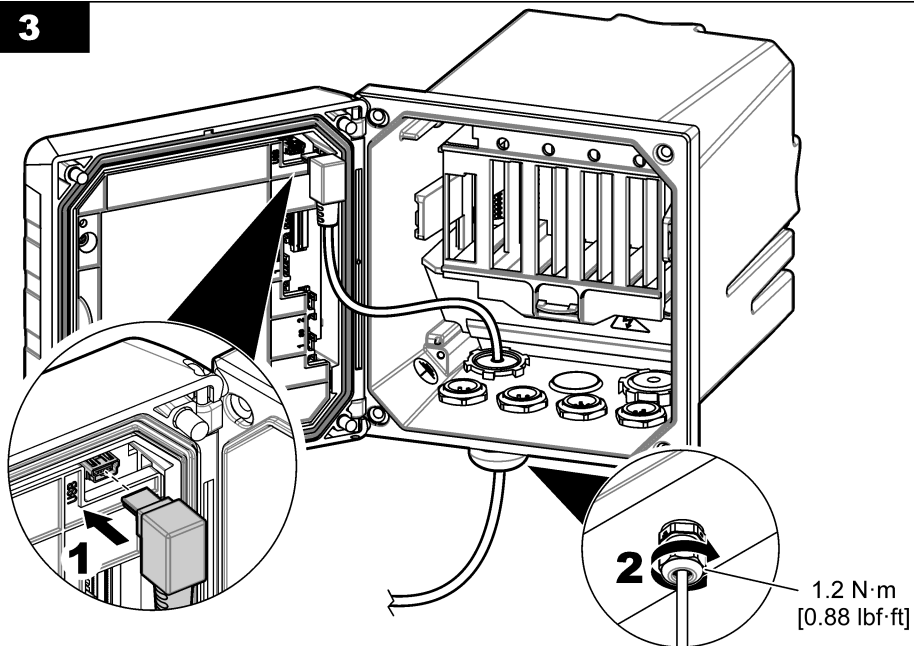
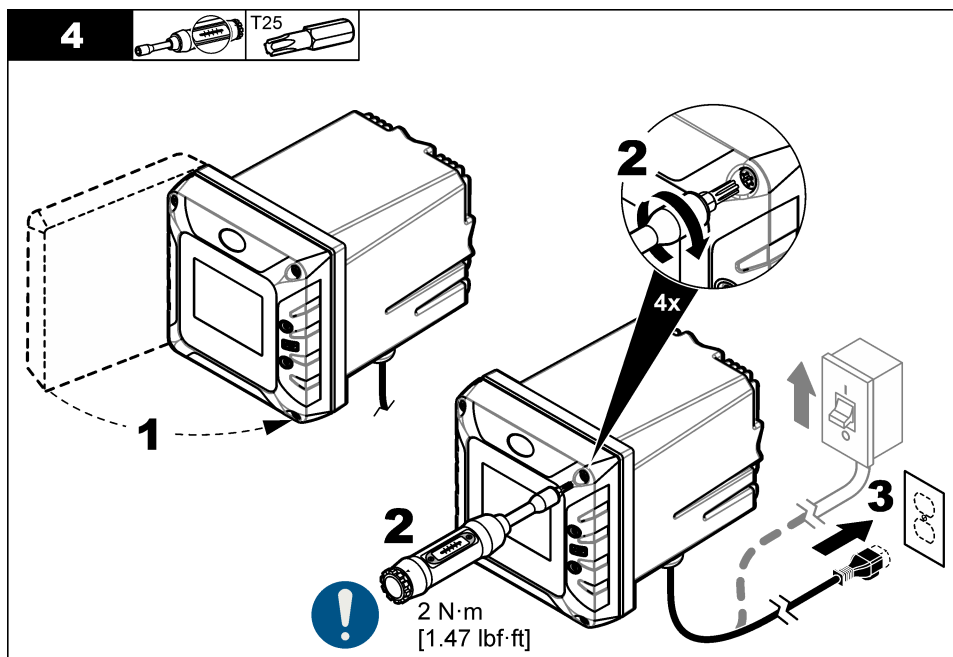
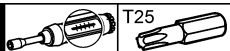
### UPOZORNĚNÍ



Zavřete kryt kontroléru a kvůli zachování stupně krytí se ujistěte, že jsou všechny jeho šrouby utažené.

Připojte dodaný kabel k USB boxu a k internímu konektoru USB v kontroléru. Řiďte se následujícími vyobrazenými kroky.



**3****4**

## Kapitola 4 Spuštění

*Poznámka: WiFi adaptér je sestaven a připojen ve výrobě. Je-li třeba, viz [Výměna adaptéru WiFi](#) na straně 85 ohledně výměny WiFi adaptéru.*

Po dokončení instalace proveďte následující kroky:

1. Sejměte kryt z USB boxu.
2. Připojte napájení kontroléru.
3. Ujistěte se, že je WiFi adaptér pod napětím.
4. Vyčkejte minimálně 5 minut.
5. Vyzkoušejte sílu signálu a podmínky síťového připojení. Viz dokumentace k řídicí jednotce.
6. Vraťte kryt na USB box.

## Kapitola 5 Konfigurace

Pokyny naleznete v dokumentaci ke kontroléru. Další informace naleznete v rozšířené uživatelské příručce na webových stránkách výrobce.

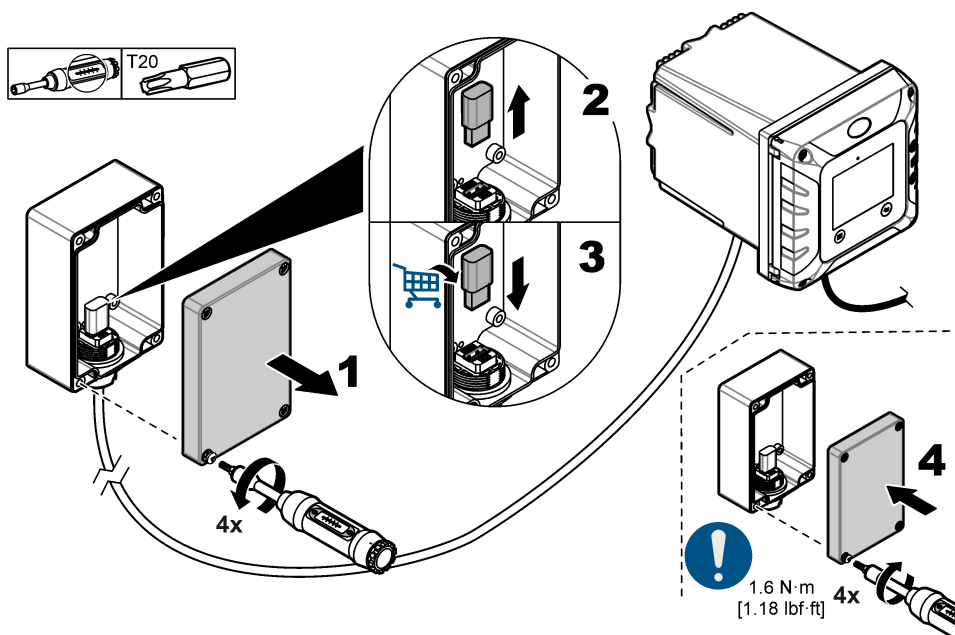
## Kapitola 6 Údržba

### 6.1 Výměna adaptéru WiFi

Je-li třeba, vyměňte adaptér WiFi. Viz ilustrované kroky v [Obr. 2](#).

**Potřebné vybavení:** adaptér WiFi

Obr. 2 Výměna adaptéru WiFi



## Kapitola 7 Příslušenství

### ▲ VAROVÁNÍ



Nebezpečí poranění osob. Použití neschválených součástí může způsobit poranění osob, poškození nebo nesprávné fungování přístroje či vybavení. Náhradní díly v tomto oddíle jsou schváleny výrobcem.

**Poznámka:** Čísla produktů a položek se mohou v různých regionech prodeje lišit. Obrátte se na příslušného distributora, kontaktní informace naleznete na webových stránkách společnosti.

<b>Popis</b>	<b>Katalogové číslo</b>
Propojovací kabel pro USB-Box, WiFi, 4,5 m	LXZ525.99.00019
Sada pro montáž hardwaru	8806200
Adaptér WiFi-USB pro USA, 2,4/5 GHz	LZY996
Adaptér WiFi-USB pro EU, 2,4/5 GHz	LZY997

## Inhoudsopgave

- |                                    |                             |
|------------------------------------|-----------------------------|
| 1 Specificaties op pagina 87       | 5 Configuratie op pagina 97 |
| 2 Algemene informatie op pagina 87 | 6 Onderhoud op pagina 97    |
| 3 Installatie op pagina 92         | 7 Accessoires op pagina 97  |
| 4 Opstarten op pagina 96           |                             |

## Hoofdstuk 1 Specificaties

Specificaties kunnen zonder kennisgeving vooraf worden gewijzigd.

Specificatie	Details
Afmetingen (B x H x D)	80 x 120 x 55 mm (4,7 x 7,9 x 2,2 inch)
Behuizing	IP66 <sup>1</sup> , polycarbonaat UL94-V0
Gewicht	169 g (0,37 lb)
Vervuilingsgraad	4
Installatiecategorie	I
Beschermingsklasse	III
Bedrijfstemperatuur	-20 tot 60 °C (-4 tot 140 °F)
Opslagtemperatuur	-20 tot 70 °C
Relatieve vochtigheid	0 tot 95 %, niet-condenserend
Hoogte	2000 m (6562 ft) maximaal
Communicatieopties	WiFi-adapter met USB-connector 2,4 GHz en 5 GHz ISM-band
Certificeringen	CE, FCC, IC, UKCA
Garantie	1 jaar (EU: 2 jaar)

## Hoofdstuk 2 Algemene informatie

De fabrikant kan onder geen enkele omstandigheid aansprakelijk worden gesteld voor directe, indirecte, speciale, incidentele of continue schade die als gevolg van enig defect of onvolledigheid in deze handleiding is ontstaan. De fabrikant behoudt het recht om op elk moment, zonder verdere melding of verplichtingen, in deze handleiding en de producten die daarin worden beschreven, wijzigingen door te voeren. Gewijzigde versies zijn beschikbaar op de website van de fabrikant.

### 2.1 Veiligheidsinformatie

De fabrikant is niet verantwoordelijk voor enige schade door onjuist toepassen of onjuist gebruik van dit product met inbegrip van, zonder beperking, directe, incidentele en gevolgschade, en vrijwaart zich volledig voor dergelijke schade voor zover dit wettelijk is toegestaan. Uitsluitend de gebruiker is verantwoordelijk voor het identificeren van kritische toepassingsrisico's en het installeren van de juiste mechanismen om processen te beschermen bij een mogelijk onjuist functioneren van apparatuur.

Lees deze handleiding voor het uitpakken, installeren of gebruiken van het instrument. Let op alle waarschuwingen. Wanneer u dit niet doet, kan dit leiden tot ernstig persoonlijk letsel of schade aan het instrument.

<sup>1</sup> Alleen met de verbindingkabel voor de USB-box aangebracht.

Controleer voor gebruik of het instrument niet beschadigd is. Het instrument mag op geen andere wijze gebruikt worden dan als in deze handleiding beschreven.

### 2.1.1 Gebruik van gevareninformatie

#### ▲ GEVAAR

Geeft een potentieel gevaarlijke of dreigende situatie aan die, als deze niet kan worden voorkomen, kan resulteren in dodelijk of ernstig letsel.

#### ▲ WAARSCHUWING

Geeft een potentieel of op handen zijnde gevaarlijke situatie aan, die als deze niet wordt vermeden, kan leiden tot de dood of ernstig letsel.

#### ▲ VOORZICHTIG





Geeft een mogelijk gevaarlijke situatie aan die kan resulteren in minder ernstig letsel of lichte verwondingen.

#### LET OP

Duidt een situatie aan die (indien niet wordt voorkomen) kan resulteren in beschadiging van het apparaat. Informatie die speciaal moet worden benadrukt.

### 2.1.2 Waarschuwingslabels

Lees alle labels en etiketten die op het instrument zijn bevestigd. Het niet naleven van deze waarschuwingen kan leiden tot letsel of beschadiging van het instrument. In de handleiding wordt door middel van een veiligheidsvoorschrift uitleg gegeven over een symbool op het instrument.

	Dit symbool, indien op het instrument aangegeven, verwijst naar de handleiding voor bediening en/of veiligheidsinformatie.
	Dit symbool geeft aan dat er een risico op een elektrische schok en/of elektrocutie bestaat.
	Dit symbool wijst op de aanwezigheid van apparaten die gevoelig zijn voor elektrostatische ontlading en geeft aan dat voorzichtigheid betracht dient te worden om schade aan de apparatuur te voorkomen.
	Elektrische apparatuur gemarkeerd met dit symbool mag niet worden afgevoerd via Europese systemen voor afvoer van huishoudelijk of openbaar afval. Oude apparatuur of apparatuur aan het einde van zijn levensduur kan naar de fabrikant worden geretourneerd voor kosteloze verwerking.



## 2.1.3 Certificering

### ⚠ WAARSCHUWING



Voorzorgsmaatregelen voor pacemakerdragers. Als er sprake is van elektromagnetische interferentie (EMI) kan deze:

- de stimulerende pulsen van de pacemaker die het hartritme bewaken, stoppen;
- ertoe leiden dat de pacemaker onregelmatig pulsen stuurt;
- ertoe leiden dat de pacemaker het hartritme negeert en met een vast interval pulsen stuurt.

Huidig onderzoek toont aan dat mobiele apparaten geen aanzienlijk gezondheidsrisico vormen voor de meeste mensen met een pacemaker. Mensen met een pacemaker moeten echter voorzorgsmaatregelen nemen om ervoor te zorgen dat hun apparaat geen problemen oplevert. Houd het apparaat minstens 20 cm (7,9 inch) van de gebruiker.

### ⚠ VOORZICHTIG



Gevaar voor elektromagnetische straling. Bij normaal gebruik dient er door iedereen een afstand van ten minste 20 cm (7,9 inch) ten opzichte van de antenne te worden aangehouden. De antenne kan niet samen met andere antennes of zenders worden gedeeld of beheerd.

### LET OP

Dit is een Klasse-A product en bedoeld voor gebruik in een industriële omgeving. In een woonomgeving kan dit product radio-interferentie veroorzaken waar de gebruiker mogelijk maatregelen tegen moet treffen.

### LET OP

Beveiliging van het netwerk en het toegangspunt is de verantwoordelijkheid van de klant die het draadloze instrument gebruikt. De fabrikant is niet aansprakelijk voor enige schade, met inbegrip van maar niet beperkt tot indirecte, speciale, incidentele of gevolgschade die veroorzaakt is door een hiaat in, of schending van de netwerkbeveiliging.

### Wettelijke goedkeuringen voor RF-apparaat: VS en Canada

Bevat WiFi USB-adapter: LM808 van LM technologies

FCC ID: VVX808-04XX

IC: 10531A-80804XX

Tabel 1 Voeding voor WiFi-adapter

Specificatie, uitgave en datum	Frequentiebereik (MHz)	Emissie-aanduiding	R.F.-vermogen (watt)	Antenne
RSS-247, Uitgave 2, 02/2017	5180—5240	17M1D1D	0,005	Integraal, 4,7 dBi
RSS-247, Uitgave 2, 02/2017	5210	75M8D1D	0,005	Integraal, 4,7 dBi
RSS-247, Uitgave 2, 02/2017	5745—5825	17M9D1D	0,005	Integraal, 4,7 dBi
RSS-247, Uitgave 2, 02/2017	5775	75M6D1D	0,004	Integraal, 4,7 dBi
RSS-247, Uitgave 2, 02/2017	2412—2462	15M0D1D	0,027	Integraal, 0,1 dBi

**Tabel 1 Voeding voor WiFi-adapter (vervolg)**

Specificatie, uitgave en datum	Frequentiebereik (MHz)	Emissie-aanduiding	R.F.-vermogen (watt)	Antenne
RSS-247, Uitgave 2, 02/2017	2412—2462	16M5D1D	0,016	Integraal, 0,1 dBi
RSS-247, Uitgave 2, 02/2017	2422—2452	35M1D1D	0,011	Integraal, 0,1 dBi

**WiFi USB-adapter LM808—Belangrijke FCC Grant-voorwaarden:**

Vermeld vermogen is geleid. SAR-conformiteit voor USB-dongle is geëvalueerd zoals beschreven in dit document. De antenne(s) die is/zijn gebruikt voor deze transmitter mogen niet gelijktijdig met een andere antenne of transmitter worden gebruikt, tenzij dit in overeenstemming is met FCC-procedures voor producten met meerdere transmitters of zoals beschreven in dit document. De hoogste gerapporteerde SAR-waarde is 0,26 W/kg. Dit apparaat heeft bandbreedtemodi van 20 MHz en 40 MHz.

**Wettelijke goedkeuringen voor RF-apparaat: EU**

Bevat WiFi USB-adapter: LM808

**Tabel 2 Frequentiebanden**

Specificatie	Details
Frequentieband	2,4 GHz ISM-band
	5 GHz ISM-band
RF-uitgangsvermogen (tolerantie $\pm 2$ dBm)	17 dBm, 802.11b bij 11 Mbps
	15 dBm, 802.11g bij 54 Mbps
	13 dBm, 802.11a bij 54 Mbps
	13 dBm, 802.11n bij MCS7_HT20
	13 dBm, 802.11n bij MCS7_HT40
	11 dBm, 802.11ac bij NSS1 MCS9_BW20, BW40, BW80
	-82 dBm, 802.11b bij 11 Mbps—71 dB0, 802.11g bij 54 MBps
Gevoeligheid ontvanger	-67 dBm, 802.11n bij MCS7_BW20
	-64 dBm, 802.11n bij MCS7_BW40
	-57 dBm, 802.11ac bij NSS1_MCS9_BW20
	-54 dBm, 802.11ac bij MSS1_MCS9_BW40
	-51 dBm, 802.11ac bij MSS1_MCS9_BW80

**Canada (IC)**

Bevat WiFi USB-adapter: LM808 van LM technologies IC: 10531A-80804XX

Dit digitale apparaat van klasse (A) voldoet aan de Canadese norm ICES-003. Dit apparaat voldoet aan de Industry Canada-licentievrijstelling voor RSS-norm(en). De werking is aan de twee volgende voorwaarden onderworpen:

(1) dit apparaat mag geen storing veroorzaken, en

(2) dit apparaat moet bestand zijn tegen alle storingen, inclusief storingen die mogelijk een ongewenste werking van het apparaat tot gevolg hebben.

*Cet appareil numérique de la classe (A) respect toutes les exigences de la norme NMB-003 du Canada. Le présent appareil est conforme aux CNR d'Industrie Canada applicables aux appareils radio exempts de licence. L'exploitation est autorisée aux deux conditions suivantes:*

*(1) l'appareil ne doit pas produire de brouillage, et*

*(2) l'utilisateur de l'appareil doit accepter tout brouillage radioélectrique subi, même si le brouillage est susceptible d'en compromettre le fonctionnement.*

### **Verenigde Staten (FCC)**

Bevat WiFi USB-adapter: LM808 van LM technologies FCC ID: VVX808-04XX

Aanpassingen die niet uitdrukkelijk zijn goedgekeurd door dit bedrijf kunnen ertoe leiden dat de autoriteit van de gebruiker om deze uitrusting te gebruiken komt te vervallen (FCC, sectie 15.21).

Deze uitrusting is getest en voldoet aan de voorwaarden voor een digitaal toestel Klasse A, in overeenstemming met Deel 15 van de FCC Voorschriften. Deze bepalingen zijn vastgesteld om een redelijke bescherming te bieden tegen hinderlijke storingen wanneer het instrument in een commerciële omgeving wordt gebruikt. Deze uitrusting genereert, gebruikt, en kan radiofrequentie-energie uitstralen en kan, indien niet in overeenstemming met de bedrijfshandleiding geïnstalleerd en gebruikt, schadelijke storingen aan radiocommunicaties veroorzaken. Gebruik van dit instrument in een woonomgeving zal waarschijnlijk zorgen voor hinderlijke storing, in welk geval de gebruiker de storing op eigen kosten dient te verhelpen (FCC, sectie 15.105).

### **Multitech RF-module FCC/IC berichtgeving met betrekking tot wetgeving Aanpassingsverklaring**

LM technologies heeft geen goedkeuring gegeven voor wijzigingen of aanpassingen aan dit apparaat door de gebruiker. Enige wijzigingen of aanpassingen kunnen ertoe leiden dat de autoriteit van de gebruiker om de uitrusting te gebruiken komt te vervallen.

*LM technologies n'approuve aucune modification apportée à l'appareil par l'utilisateur, quelle qu'en soit la nature. Tout changement ou modification peuvent annuler le droit d'utilisation de l'appareil par l'utilisateur.*

### **Storingsverklaring**

Dit apparaat voldoet aan Deel 15 van de FCC-regels en Industry Canada-licentievrijstelling voor RSS-norm(en). Gebruik is aan de volgende twee voorwaarden onderworpen: (1) dit apparaat mag geen storing veroorzaken, en (2) dit apparaat moet bestand zijn tegen externe storingen, inclusief storingen die mogelijk een ongewenste werking tot gevolg hebben.

*Le présent appareil est conforme aux CNR d'Industrie Canada applicables aux appareils radio exempts de licence. L'exploitation est autorisée aux deux conditions suivantes : (1) l'appareil ne doit pas produire de brouillage, et (2) l'utilisateur de l'appareil doit accepter tout brouillage radioélectrique subi, même si le brouillage est susceptible d'en compromettre le fonctionnement. Cet appareil est conforme aux limites d'exposition aux rayonnements de la IC pour un environnement non contrôlé.*

### **FCC 5G-verklaring:**

LE-LAN-apparaten zijn beperkt tot gebruik binnen uitsluitend in de band 5150-5250 MHz

### **Europa—Radio Equipment Directive (RED)**



De WiFi-band van 5,15-5,35 GHz is beperkt tot gebruik binnen in de volgende landen:

**Tabel 3 Europese landen**

Andorra (AD)	Denemarken (DK)	Ierland (IE)	Montenegro (ME)	Slowakije (SK)
Oostenrijk (AT)	Estland (EE)	Italië (IT)	Nederland (NL)	Slovenië (SL)
België (BE)	Finland (FI)	Letland (LV)	Noorwegen (NO)	Spanje (ES)
Bosnië en Herzegovina (BA)	Frankrijk (FR)	Liechtenstein (LI)	Polen (PL)	Zweden (SE)

**Tabel 3 Europese landen (vervolg)**

Bulgarije (BG)	Duitsland (DE)	Litouwen (LT)	Portugal (PT)	Zwitserland (CH)
Kroatië (HR)	Griekenland (GR)	Luxemburg (LU)	Roemenië (RO)	Macedonië (MK)
Cyprus (CY)	Hongarije (HU)	Malta (MT)	San Marino (SM)	Verenigd Koninkrijk (GB)
Tsjechië (CZ)	IJsland (IS)	Monaco (MC)	Servië (RS)	Vaticaanstad (VA)

## 2.2 Productoverzicht

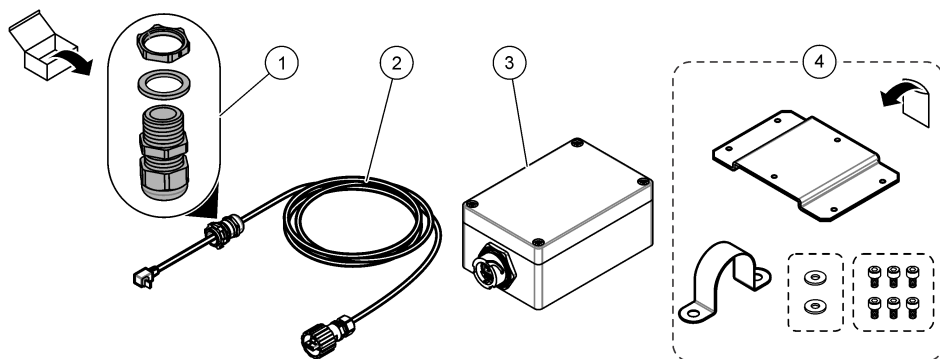
De externe USB-box wordt gebruikt om een USB-apparaat aan te sluiten op de SC4500-controller (bijv., een WiFi-adapter).

**Opmerking:** Alle items (d.w.z. adapter en interne aansluitingen) worden in de fabriek geassembleerd.

## 2.3 Productcomponenten

Controleer of alle componenten zijn ontvangen. Raadpleeg [Afbeelding 1](#). Neem onmiddellijk contact op met de fabrikant of een verkoopvertegenwoordiger in geval van ontbrekende of beschadigde onderdelen.

**Afbeelding 1 Productcomponenten**



1 Trekontlasting, onderlegging en moer	3 USB-box
2 Verbindingskabel USB-box	4 Bevestigingsmateriaal voor buismontage <sup>2</sup>

## Hoofdstuk 3 Installatie

### 3.1 Montage

#### LET OP

Gebruik de montagegaten om de USB-box te monteren. Breng geen gaten aan in de achterzijde van de USB-box omdat er anders schade aan de interne onderdelen kan optreden.

#### LET OP



Sluit de kap van de USB-box en zorg dat de schroeven van het deksel goed zijn vastgedraaid om te blijven voldoen aan de milieuclassificatie van de behuizing.

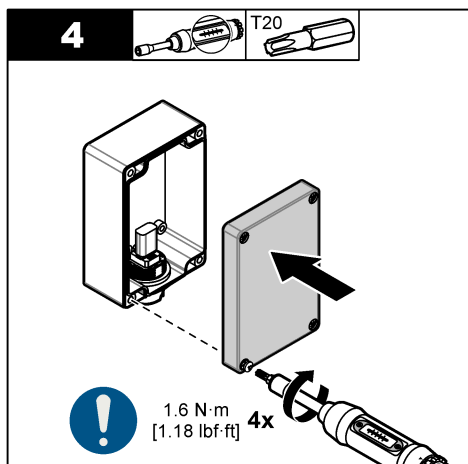
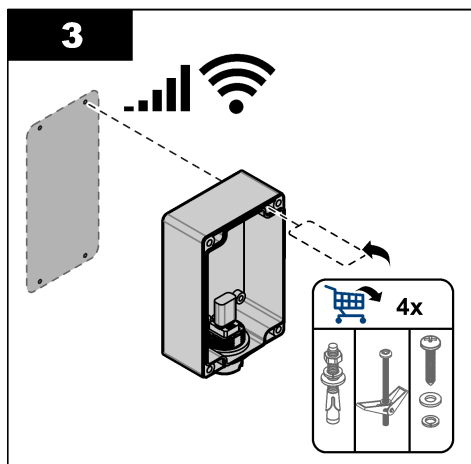
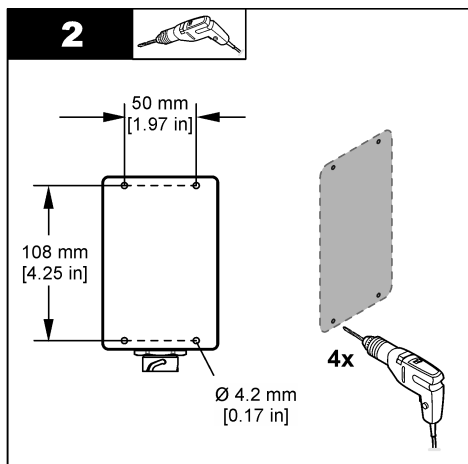
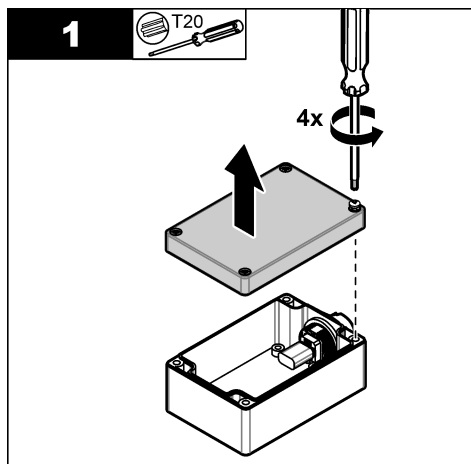
<sup>2</sup> Het bevestigingsmateriaal voor buismontage is geschikt voor een buis met een diameter van 40 mm (1.57 inch).

Installeer de USB-box op een locatie waar de stroomonderbreker voor de controller gemakkelijk kan worden bediend. Installeer de USB-box op de locatie waar het signaal van de Wi-Fi het sterkst is. Gebruik een mobiel apparaat, om te bepalen waar het signaal van de WiFi het sterkst is.

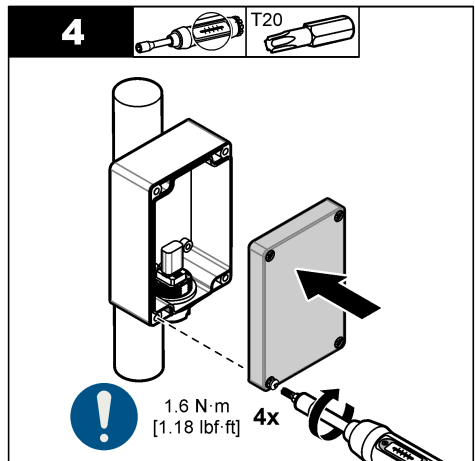
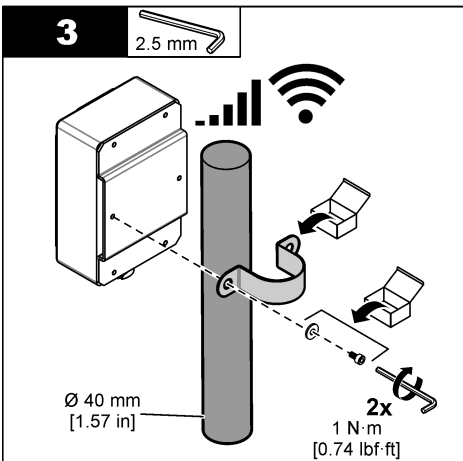
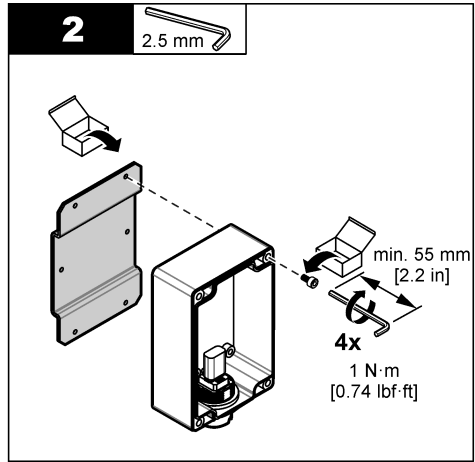
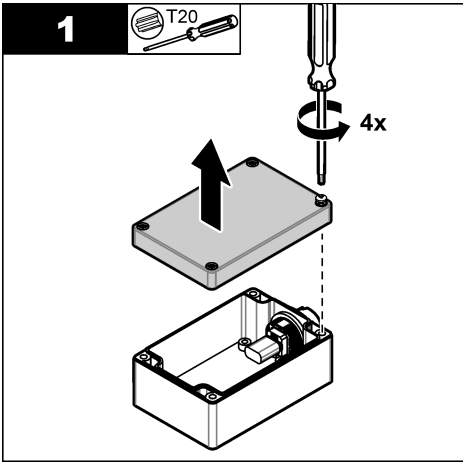
Bevestig de USB-box aan een wand, verticale buis of horizontale buis.

**Opmerking:** De gebruiker dient voor de bevestigingsmiddelen voor wandmontage te zorgen. Bouten/fittingen moeten geschikt zijn voor de eigenschappen van de wand of het plafond en moeten voldoende draagvermogen hebben.

Raadpleeg de volgende geïllustreerde stappen voor wandmontage van de USB-box.



Raadpleeg de volgende geïllustreerde stappen voor buismontage van de USB-box.



### 3.2 De kabel aansluiten

#### LET OP

De fabrikant raadt het gebruik aan van door de fabrikant geleverde elektrische componenten, zoals netsnoeren, connectoren en treklastingsfittingen.

#### LET OP



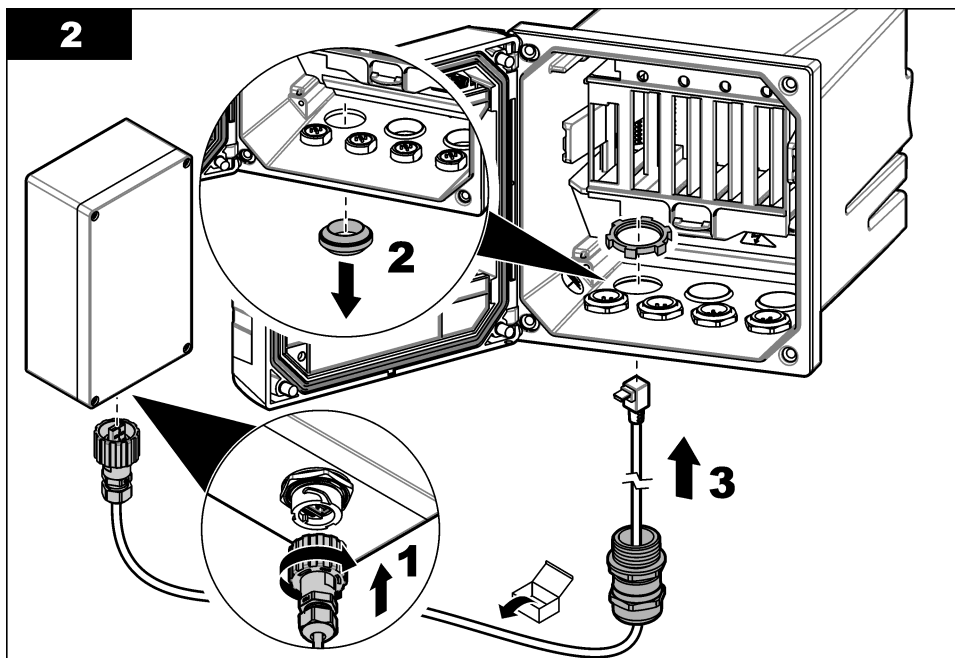
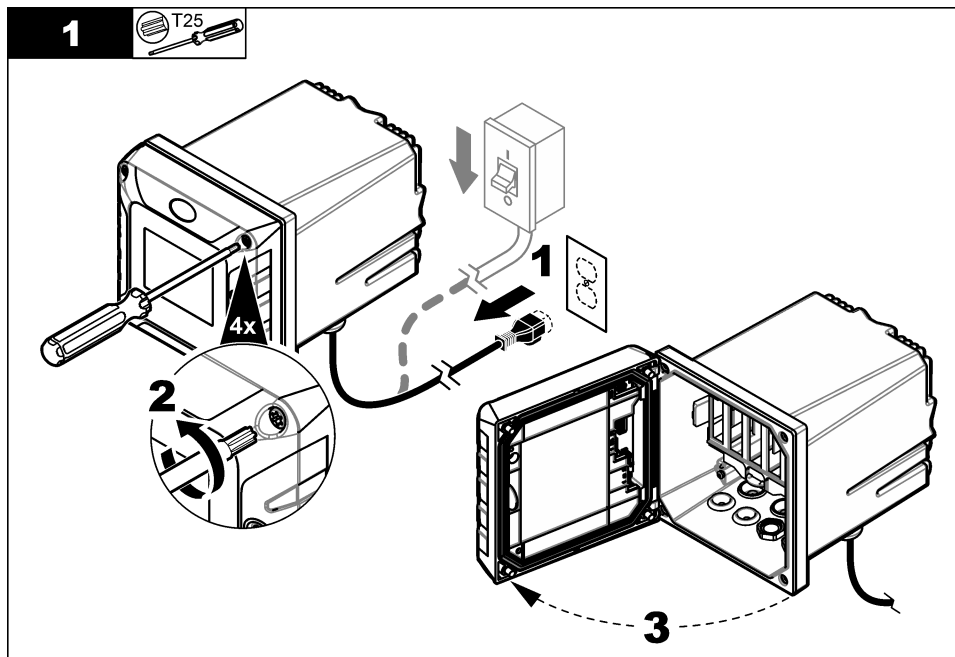
Zorg dat de kabelmantel door de binnenzijde van de behuizing loopt om de milieuclassificatie van de behuizing te behouden.

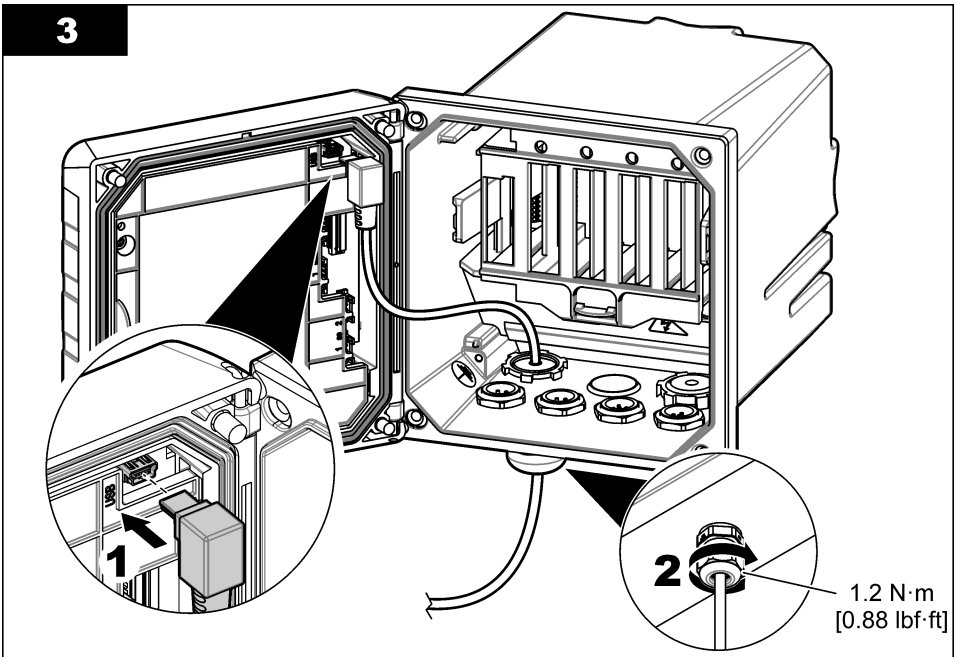
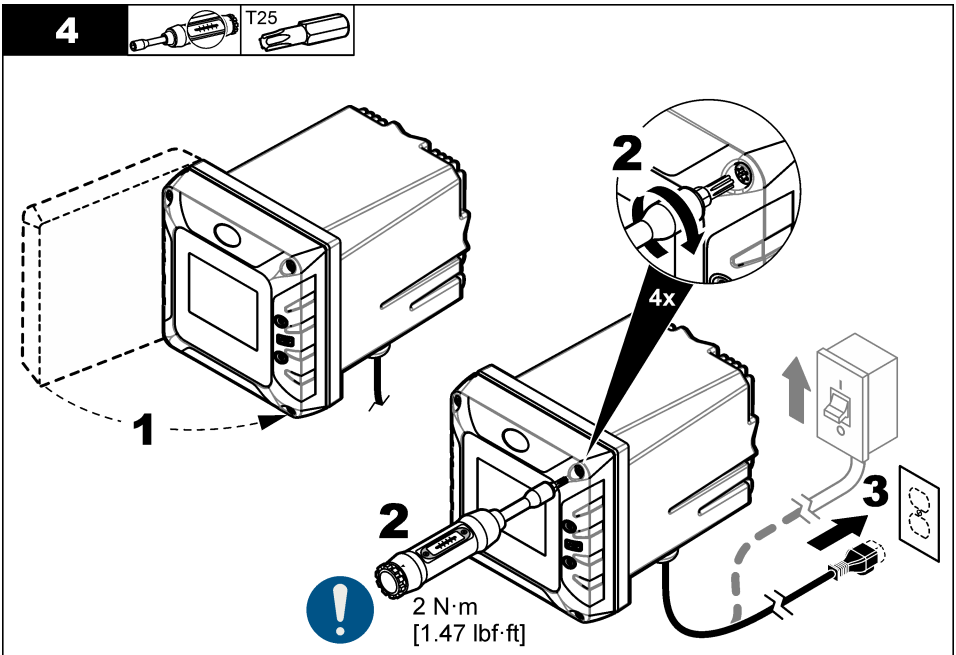
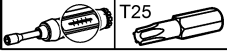
#### LET OP



Sluit de kap van de controller en zorg dat de schroeven van het deksel goed zijn vastgedraaid om te blijven voldoen aan de milieuclassificatie.

Sluit de geleverde kabel aan op de USB-box en op de interne USB-connector in de controller. Volg de volgende afgebeelde stappen.



**3****4**

## Hoofdstuk 4 Opstarten

**Opmerking:** De WiFi-adaptor is in de fabriek geassembleerd en aangesloten. Raadpleeg indien nodig [De WiFi-adaptor vervangen](#) op pagina 97 voor het vervangen van de WiFi-adaptor.



Voer de volgende stappen uit nadat de installatie is voltooid:

1. Verwijder de afdekking van de USB-box.
2. Schakel de voeding van de controller in.
3. Zorg ervoor dat de wifi-adapter onder stroom staat.
4. Wacht minimaal 5 minuten.
5. Controleer de signaalsterkte en de netwerkverbinding. Raadpleeg de controllerdocumentatie.
6. Installeer de afdekking op de USB-box.

## Hoofdstuk 5 Configuratie

Raadpleeg de documentatie van de controller voor instructies. Raadpleeg de uitgebreide gebruikershandleiding op de website van de fabrikant voor meer informatie.

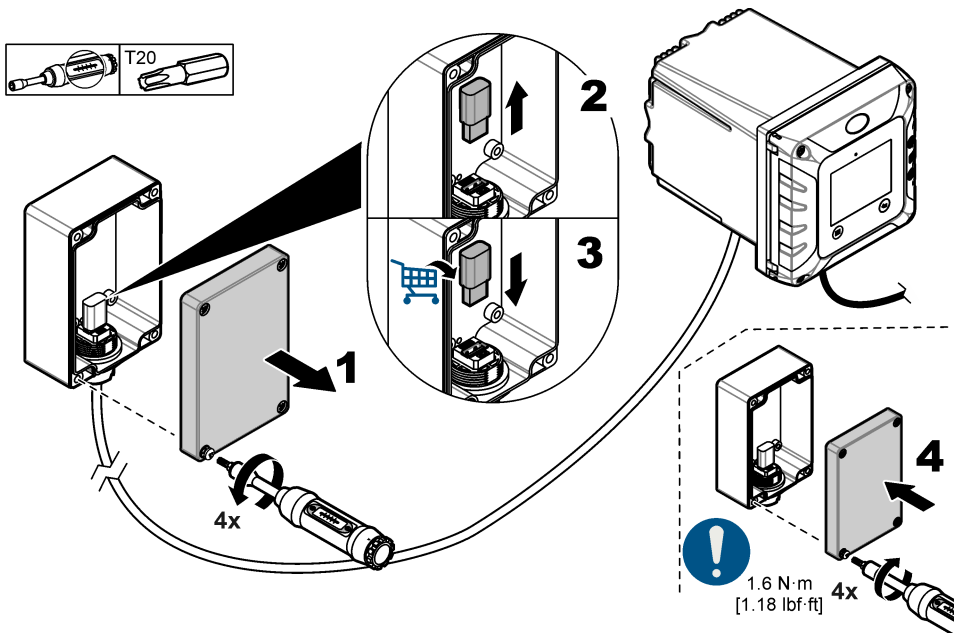
## Hoofdstuk 6 Onderhoud

### 6.1 De WiFi-adapter vervangen

Vervang indien nodig de WiFi-adapter. Raadpleeg de geïllustreerde stappen in [Afbeelding 2](#).

**Te verzamelen items:** WiFi-adapter

Afbeelding 2 De WiFi-adapter vervangen



## Hoofdstuk 7 Accessoires

### ⚠ WAARSCHUWING



Gevaar voor letsel. Het gebruik van niet-goedgekeurde onderdelen kan leiden tot letsel, beschadiging van het instrument of onjuiste werking van apparatuur. De reserveonderdelen in dit hoofdstuk zijn goedgekeurd door de fabrikant.

**Opmerking:** Product- en artikelnummers kunnen verschillen per regio. Neem contact op met de desbetreffende distributeur of bezoek de website voor contactgegevens.

<b>Beschrijving</b>	<b>Artikelnr.</b>
Verbindingskabel USB-box, WiFi, 4,5 m	LXZ525.99.00019
Kit met montagemateriaal	8806200
WiFi-USB-adapter voor VS, 2,4/5 GHz	LZY996
WiFi-USB-adapter voor EU, 2,4/5 GHz	LZY997

# Indholdsfortegnelse

- |   |  |   |   |
|---|--|---|---|
| 1 | <a href="#">Specifikationer</a> på side 99       | 5 | <a href="#">Konfiguration</a> på side 109   |
| 2 | <a href="#">Generelle oplysninger</a> på side 99 | 6 | <a href="#">Vedligeholdelse</a> på side 109 |
| 3 | <a href="#">Installation</a> på side 104         | 7 | <a href="#">Tilbehør</a> på side 109        |
| 4 | <a href="#">Opstart</a> på side 108              |   |   |

## Sektion 1 Specifikationer

Specifikationer kan ændres uden varsel.

Specifikation	Detaljer
Mål (B x H x D)	80 x 120 x 55 mm (4.7 x 7.9 x 2.2")
Kapsling	IP66 <sup>1</sup> Polykarbonat UL94-V0
Vægt	169 g (0.37 lb)
Forureningsgrad	4
Installationskategori	I
Beskyttelsesklasse	III
Driftstemperatur	-20 til 60 °C (-4 til 140 °F)
Opbevaringstemperatur	-20 til 70 °C
Relativ fugtighed	0 til 95 %, ikke kondenserende
Højde	2000 m maksimum
Kommunikationsmuligheder	Wi-Fi-adapter med USB-stik 2,4 GHz og 5 GHz ISM-bånd
Certificeringer	CE, FCC, IC, UKCA
Garanti	1 år (EU: 2 år)

## Sektion 2 Generelle oplysninger

Producenten kan under ingen omstændigheder holdes ansvarlig for direkte, indirekte, specielle, hændelige eller følgeskader der opstår på baggrund af en defekt eller udeladelse i denne vejledning. Producenten forbeholder sig ret til når som helst at foretage ændringer i denne manual og de beskrevne produkter uden varsel eller forpligtelser. Reviderede udgaver kan findes på producentens webside.

### 2.1 Sikkerhedsoplysninger

Producenten er ikke ansvarlig for eventuelle skader på grund af forkert anvendelse eller misbrug af dette produkt, herunder uden begrænsning direkte skader, hændelige skader eller følgeskader, og fraskriver sig ansvaret for sådanne skader i det fulde omfang, som tillades ifølge gældende lov. Kun brugeren er ansvarlig for at identificere alvorlige risici ved anvendelsen og installere relevante mekanismer til beskyttelse af processerne i forbindelse med en eventuel fejl på udstyret.

Læs hele manualen inden udpakning, installation eller betjening af dette udstyr. Overhold alle sikkerhedshenvisninger og advarsler. Unladdelse heraf kan medføre, at brugeren kommer alvorligt til skade, eller det kan medføre beskadigelse af analysatoren.

<sup>1</sup> Kun med USB-boksens forbindelseskabel monteret.

Kontroller, at den beskyttelse, som dette udstyr giver, ikke forringes. Du må ikke bruge eller installere dette udstyr på nogen anden måde end den, der er angivet i denne manual.

### 2.1.1 Brug af sikkerhedsoplysninger

#### ▲ FARE

Angiver en eventuel eller overhængende farlig situation, der vil medføre dødsfald eller alvorlige kvæstelser, hvis den ikke undgås.

#### ▲ ADVARSEL

Angiver en potentiel eller umiddelbart farlig situation, som kan resultere i død eller alvorlig tilskadekomst, hvis den ikke undgås.

#### ▲ FORSIGTIG





Indikerer en potentiel farlig situation, der kan resultere i mindre eller moderat tilskadekomst.

#### BEMÆRKNING

Angiver en situation, der kan medføre skade på instrumentet, hvis ikke den undgås. Oplysninger, der er særligt vigtige.

### 2.1.2 Sikkerhedsmærkater

Læs alle skilte og mærkater, som er placeret på apparatet. Der kan opstå person- eller instrumentskade, hvis forholdsreglerne ikke respekteres. I håndbogen refereres der til et symbol på instrumentet med en forholdsregelklæring.

	Hvis dette symbol findes på instrumentet, henviser det til instruktionsmanualen vedrørende drifts- og/eller sikkerhedsoplysninger.
	Dette symbol angiver, at der er risiko for elektrisk stød og/eller dødsfald pga. elektrisk stød.
	Dette symbol angiver tilstedeværelsen af enheder, der er følsomme over for elektrostatisk afladning (ESD) og angiver, at der skal udvises forsigtighed for at forhindre beskadigelse af udstyret.
	Elektrisk udstyr mærket med dette symbol må, i Europa, ikke bortskaffes i sammen med husholdningsaffald eller offentligt affald. Returner gammelt eller udtjent udstyr til producenten til bortskaffelse uden gebyr.

### 2.1.3 Certificering

#### ▲ ADVARSEL

Forholdsregler for pacemaker. Hvis elektromagnetisk interferens (EMI) forekommer, kan den enten:



- Stoppe de stimulerende impulser fra pacemakeren, der kontrollerer hjerterytmen.
- Få pacemakeren til at sende impulser uregelmæssigt.
- Få pacemakeren til at ignorere hjerterytmen og sende impulser med et fast interval.

Aktuel forskning viser, at mobile enheder ikke udgør et stort sundhedsproblem for de fleste pacemakerbærere. Personer med pacemaker bør anvende forholdsregler for at sikre, at deres enhed ikke medfører problemer. Hold enheden i en afstand af mindst 20 cm (7,9") fra brugeren.

## ▲ FORSIGTIG



Fare for elektromagnetisk stråling. Kontroller, at antennen holdes på en afstand på mindst 20 cm (7,9") fra alle personer ved normal anvendelse. Antennen må ikke omplaceres eller betjenes sammen med andre antenner eller sendere.

## BEMÆRKNING

Dette er et klasse A-produkt til brug i industrimiljøer. I hjemlige omgivelser kan dette produkt forårsage radiointerferens hvorfor det er brugerens ansvar at tage fornødne tiltag.

## BEMÆRKNING

Brugeren som anvender det trådløse instrument har ansvaret for sikkerheden i netværks- og adgangspunktet. Producenten hæfter ikke for skader, inklusive, men ikke begrænset til, indirekte eller særlige skader, følgeskader eller hændelige skader, der er forårsaget af et hul i, eller brud på netværkssikkerheden.

### Lovgivningsmæssige godkendelser af RF-enhed: USA og Canada

Indeholder Wi-Fi USB-adapter: LM808 fra LM Technologies

FCC ID: VX808-04XX

IC: 10531A-80804XX

**Tabel 1 Strøm til Wi-Fi-adapter**

Specifikation, nummer og dato	Frekvensområde (MHz)	Emissionsbetegnelse	Effekt (watt)	Antenne
RSS-247, nummer 2, 02/2017	5180—5240	17M1D1D	0,005	Integreret, 4,7 dBi
RSS-247, nummer 2, 02/2017	5210	75M8D1D	0,005	Integreret, 4,7 dBi
RSS-247, nummer 2, 02/2017	5745—5825	17M9D1D	0,005	Integreret, 4,7 dBi
RSS-247, nummer 2, 02/2017	5775	75M6D1D	0,004	Integreret, 4,7 dBi
RSS-247, nummer 2, 02/2017	2412—2462	15M0D1D	0,027	Integreret, 0,1 dBi
RSS-247, nummer 2, 02/2017	2412—2462	16M5D1D	0,016	Integreret, 0,1 dBi
RSS-247, nummer 2, 02/2017	2422—2452	35M1D1D	0,011	Integreret, 0,1 dBi

### Wi-Fi USB-adapter LM808 – vigtige FCC Grant-betingelser:

Effekt på listen er udført. SAR-overensstemmelse for USB-dongle er blevet evalueret som beskrevet i denne arkivering. Den/de antenne(r), der anvendes til denne sender, må ikke sende samtidig med nogen anden antenne eller sender, undtagen i overensstemmelse med FCC-procedurerne for produkter med flere sendere eller som beskrevet i denne arkivering. Den højeste rapporterede SAR-værdi er 0,26 W/kg. Denne enhed har 20 MHz- og 40 MHz-båndbredde.

### Regulatoriske RF Godkendelser: EU

Indeholder WiFi USB-adapter: LM808

**Tabel 2 Frekvensbånd**

Specifikation	Detaljer
Frekvensbånd	2,4 GHz ISM-bånd
	5 GHz ISM-bånd
RF-udgangseffekt (tolerance $\pm 2$ dBm)	17 dBm, 802.11b ved 11 Mbps
	15 dBm, 802.11g ved 54 Mbps
	13 dBm, 802.11a ved 54 Mbps
	13 dBm, 802.11n ved MCS7_HT20
	13 dBm, 802.11n ved MCS7_HT40
	11 dBm, 802.11ac ved NSS1 MCS9_BW20, BW40, BW80
	-82 dBm, 802.11b ved 11 Mbps – 71 dB0, 802.11g ved 54 Mbps
Modtagerfølsomhed	-67 dBm, 802.11n ved MCS7_BW20
	-64 dBm, 802.11n ved MCS7_BW40
	-57 dBm, 802.11ac ved NSS1_MCS9_BW20
	-54 dBm, 802.11ac ved MSS1_MCS9_BW40
	-51 dBm, 802.11ac ved MSS1_MCS9_BW80

### Canada (IC)

Indeholder WiFi USB-adapter: LM808 fra LM Technologies IC: 10531A-80804XX

Dette Klasse A digitale apparat overholder canadisk ICES-003. Denne enhed overholder Industry Canada licens undtagen RSS Standard(er). Drift er underkastet de følgende 2 betingelser:

- (1) denne enhed må ikke forårsage interferens, og
- (2) denne enhed må ikke påvirkes af nogen interferens inklusive interferens, der kan forårsage uønskede funktion af enheden.

*Cet appareil numérique de la classe (A) respect toutes les exigences de la norme NMB-003 du Canada. Le présent appareil est conforme aux CNR d'Industrie Canada applicables aux appareils radio exempts de licence. L'exploitation est autorisée aux deux conditions suivantes:*

- (1) *l'appareil ne doit pas produire de brouillage, et*
- (2) *l'utilisateur de l'appareil doit accepter tout brouillage radioélectrique subi, même si le brouillage est susceptible d'en compromettre le fonctionnement.*

### USA (FCC)

Indeholder WiFi USB adapter: LM808 fra LM Technologies FCC ID: VX808-04XX

Modifikationer, der ikke udtrykkeligt er godkendt af selskabet, kan ugyldiggøre brugerens ret til at betjene dette udstyr (FCC afsnit 15.21).

Dette udstyr er blevet testet og fundet i stand til at leve op til grænser for klasse A digital-udstyr, i henhold til del 15 i FCC reglerne. Disse grænser er udformet til at yde rimelig beskyttelse mod skadelig interferens, når udstyret betjenes i et kommercielt miljø. Dette udstyr genererer, bruger og kan udstråle radiofrekvens-energi og kan, hvis det ikke er installeret og brugt i overensstemmelse med instruktionsmanualen, forårsage skadelig interferens af radiokommunikation. Anvendelse af dette udstyr i et beboet område kan forventes at skabe skadelig interferens, i så fald vil brugeren blive bedt om at korrigere interferensen for egen regning (FCC afsnit 15.105).

### Multitech RF Modul FCC/IC Lovgivningsoplysninger Erklæring om ændring

LM Technologies har ikke godkendt ændringer eller modifikationer af dette udstyr over for brugeren. Eventuelle ændringer eller modifikationer kan ugyldiggøre brugerens ret til at betjene udstyret.

*LM technologies n'approuve aucune modification apportée à l'appareil par l'utilisateur, quelle qu'en soit la nature. Tout changement ou modification peut annuler le droit d'utilisation de l'appareil par l'utilisateur.*

### **Interferensklæring**

Denne enhed er i overensstemmelse med del 15 af FCC Rules og Industry Canada license-exempt RSS standard(er). Betjening er underlagt følgende to betingelser: (1) enheden må ikke forårsage interferens, og (2) enheden skal acceptere al modtaget interferens, inklusive interferens der kan forårsage uønsket anvendelse.

*Le présent appareil est conforme aux CNR d'Industrie Canada applicables aux appareils radio exempts de licence. L'exploitation est autorisée aux deux conditions suivantes : (1) l'appareil ne doit pas produire de brouillage, et (2) l'utilisateur de l'appareil doit accepter tout brouillage radioélectrique subi, même si le brouillage est susceptible d'en compromettre le fonctionnement. Cet appareil est conforme aux limites d'exposition aux rayonnements de la IC pour un environnement non contrôlé.*

### **Erklæring FCC 5G:**

LE-LAN-enheder må kun betjenes indendørs i båndvidden 5150-5250 MHz

### **Europa – Direktivet om radioudstyr (RED)**



5,15-5,35 GHz WiFi-båndet er begrænset til indendørs brug i følgende lande:

**Tabel 3 Europæiske lande**

Andorra (AD)	Danmark (DK)	Irland (IE)	Montenegro (ME)	Slovakiet (SK)
Østrig (AT)	Estland (EE)	Italien (IT)	Holland (NL)	Slovenien (SL)
Belgien (BE)	Finland (FI)	Letland (LV)	Norge (NO)	Spanien (ES)
Bosnien-Hercegovina (BA)	Frankrig (FR)	Liechtenstein (LI)	Polen (PL)	Sverige (se)
Bulgarien (BG)	Tyskland (DE)	Litauen (LT)	Portugal (PT)	Schweiz (CH)
Kroatien (HR)	Grækenland (GR)	Luxembourg (LU)	Rumænien (RO)	Makedonien (MK)
Cypern (CY)	Ungarn (HU)	Malta (MT)	San Marino (SM)	Storbritannien (GB)
Tjekkiet (CZ)	Island (IS)	Monaco (MC)	Serbien (RS)	Vatikanstaten (VA)

## **2.2 Produktoversigt**

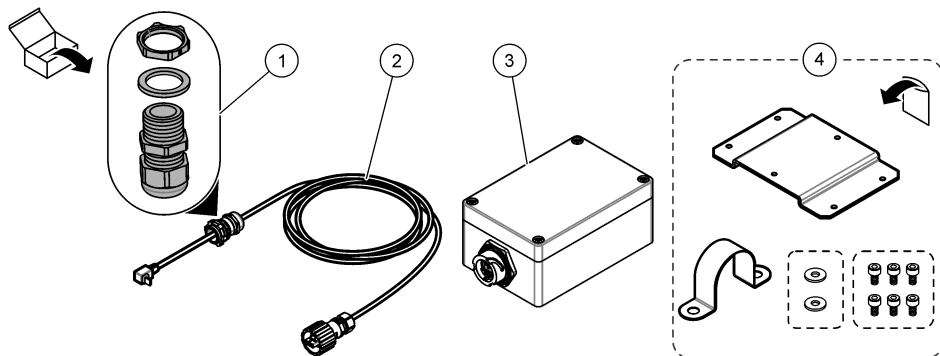
Den eksterne USB-boks bruges til at tilslutte en USB-enhed til SC4500-controlleren (f.eks. og en Wi-Fi-adapter).

**BEMÆRK:** Alle elementer (dvs. adapter og interne forbindelser) er samlet fra fabrikken.

## 2.3 Produktkomponenter

Sørg for, at alle komponenter er modtaget. Se i [Figur 1](#). Kontakt producenten eller forhandleren med det samme, hvis der er mangler eller defekte dele i sendingen.

**Figur 1 Produktkomponenter**



1 Trækaflastning, skive og møtrik	3 USB-boks
2 Tilslutningskabel til USB-boks	4 Stangmonteringsdele <sup>2</sup>

## Sektion 3 Installation

### 3.1 Montering

#### **BEMÆRKNING**

Brug monteringshullerne til at installere USB-boksen. Du må ikke lave huller på bagsiden af USB-boksen, da det kan beskadige de interne komponenter.

#### **BEMÆRKNING**



Luk dækslet til USB-boksen og kontrollér, at dækslet sidder fast, så de miljømæssige krav til vurdering af afskærmningen overholdes.

Monter USB-boksen et sted, hvor enheden til afbrydelse af strømforsyning til USB-boksen er nem at betjene. Monter USB-boksen på det sted, der har den højeste Wi-Fi-signalstyrke. Brug en mobil enhed for at finde stedet med den højeste Wi-Fi-signalstyrke.

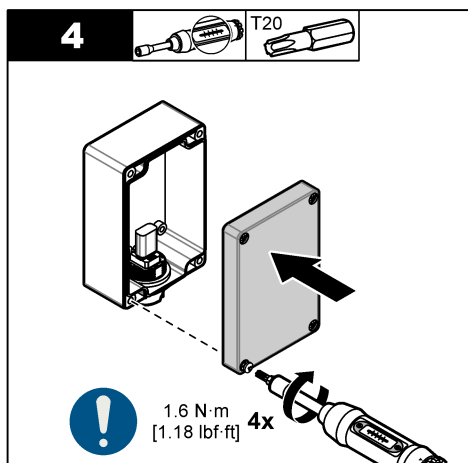
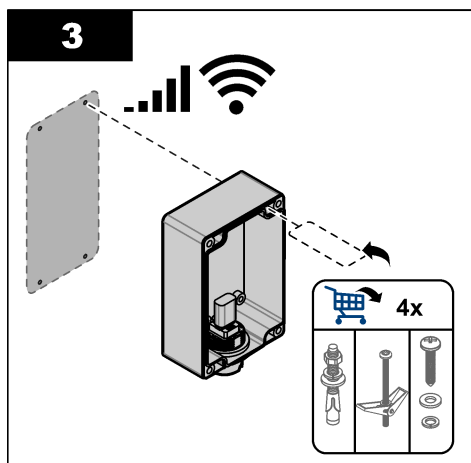
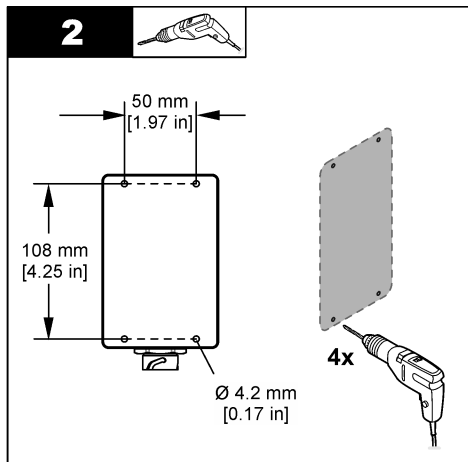
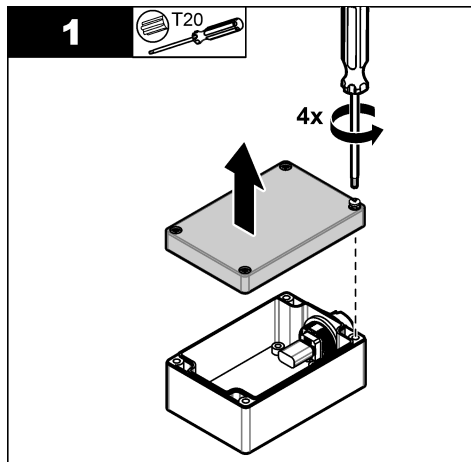
Fastgør USB-boksen på væggen eller på en lodret eller vandret stang.

**BEMÆRK:** Vægmonteringsdele leveres af brugeren. Skrue/beslag skal passe til væggen/loftets egenskaber og have tilstrækkelig bæreevne.

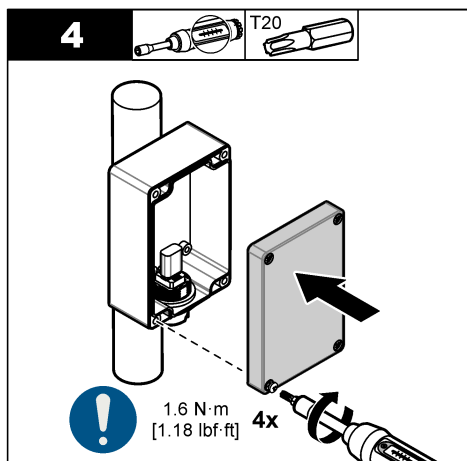
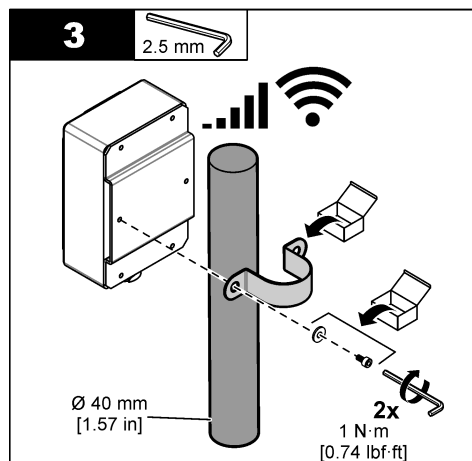
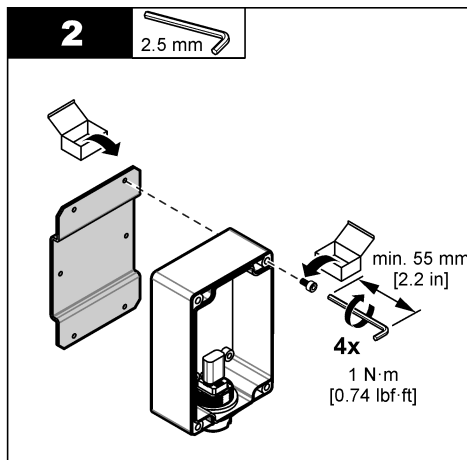
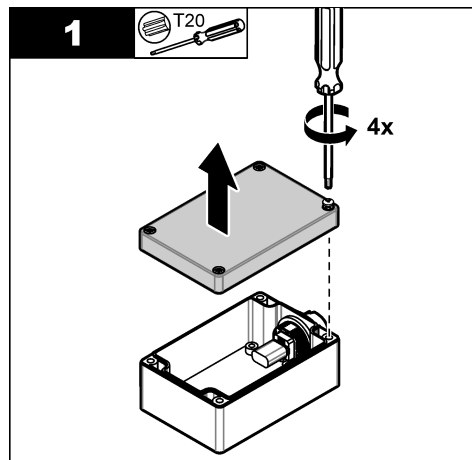
<sup>2</sup> Monteringsdelene til stagemontering er til en stang med en diameter på 40 mm (1,57").



Se de illustrerede trin, der følger for vægmontering af USB-boksen.



Se de illustrerede trin, der følger for stangmontering af USB-boksen.



## 3.2 Tilslut kablet

### BEMÆRKNING

Producenten anbefaler brug af producentleverede elektriske komponenter, såsom strømkabel, stik og trækaflastningsbeslag.

### BEMÆRKNING



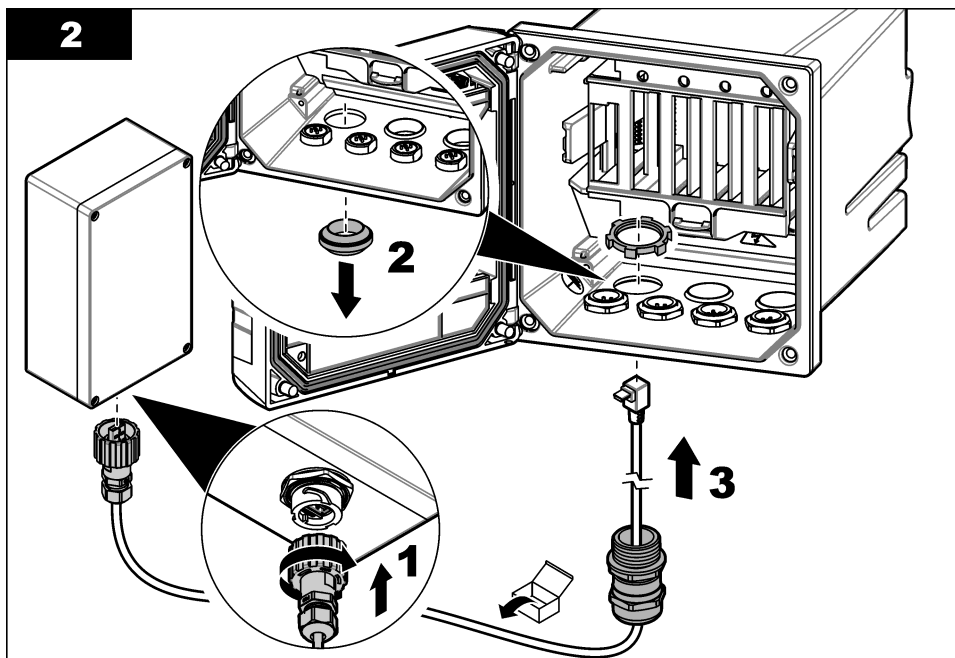
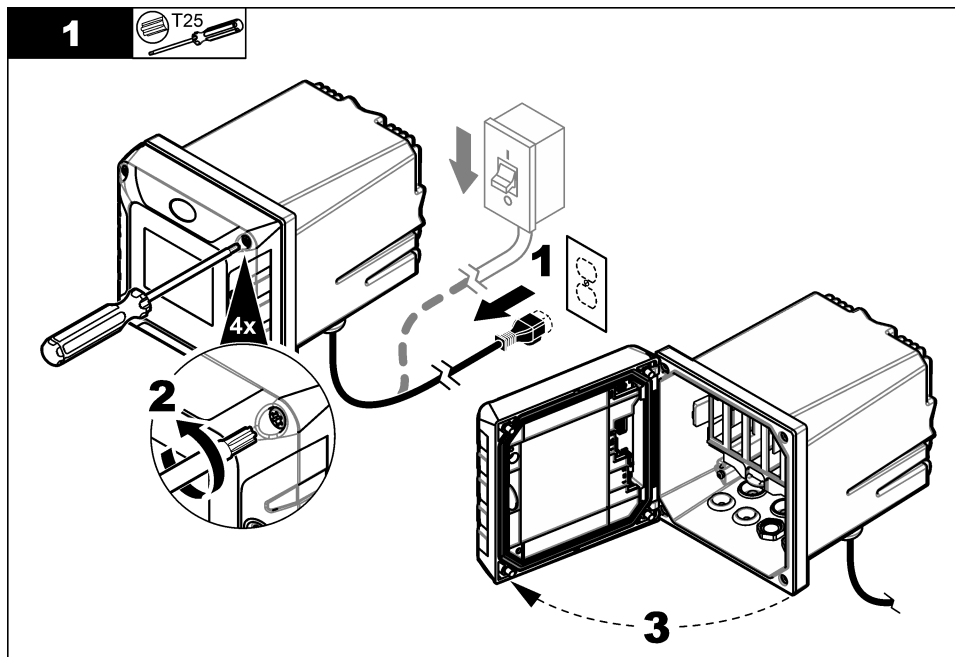
Kontrollér at kabelhylsteret går gennem den indvendige side af kabinettet for at overholde de miljømæssige krav til kabinettet.

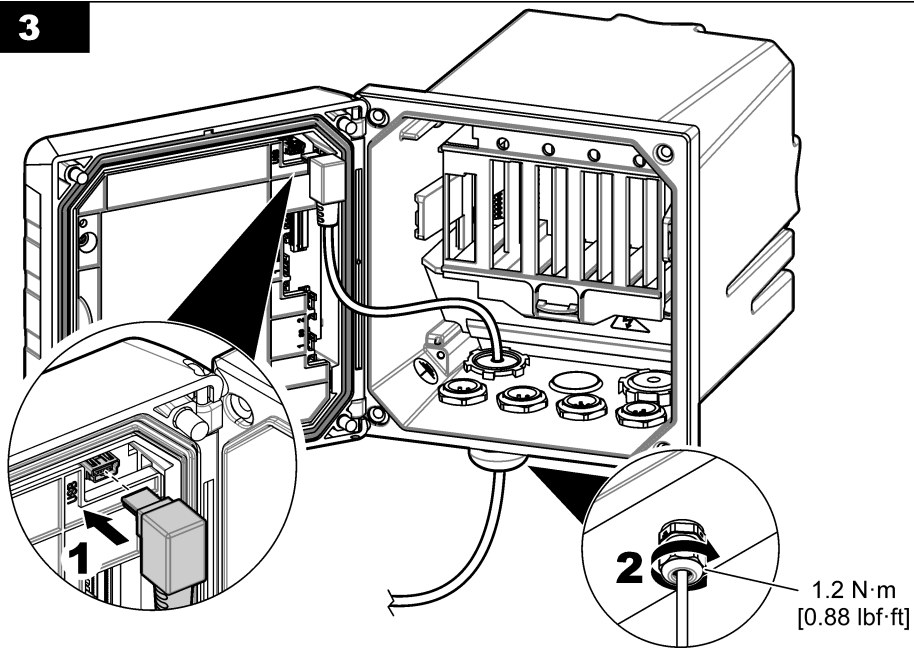
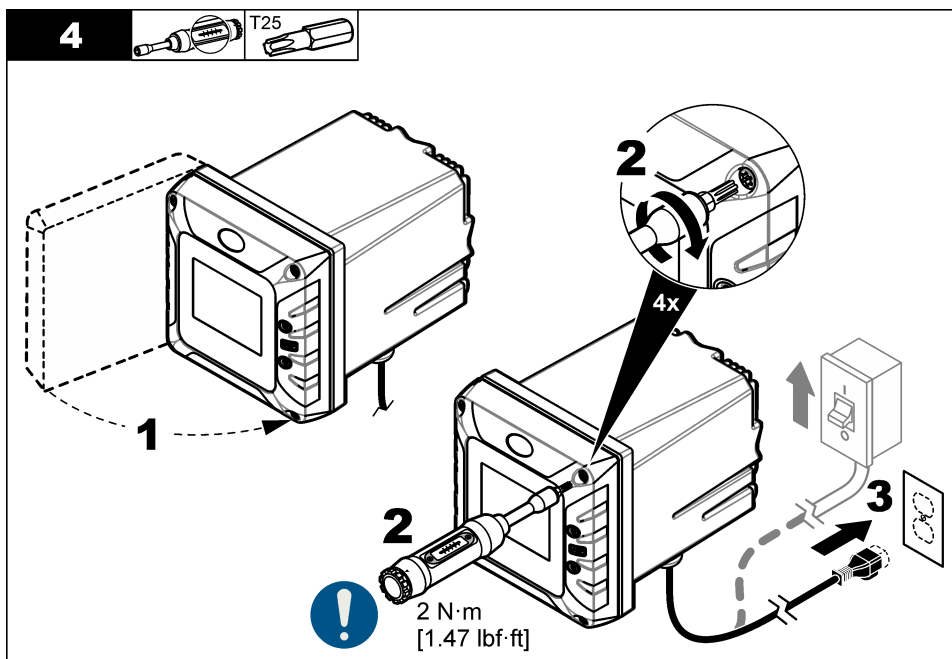
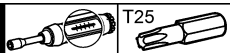
### BEMÆRKNING



Luk dækslet til kontrolløren og kontrollér, at dækslet sidder fast, så de miljømæssige krav til vurdering af afskærmningen overholdes.

Tilslut det medfølgende kabel til USB-boksen og til det interne USB-stik i controlleren. Se de efterfølgende illustrerede trin.



**3****4**

## Sektion 4 Opstart

**BEMÆRK:** Wi-Fi-adapteren er fabriksmonteret og tilsluttet. Se [Udskift WiFi-adapteren](#) på side 109, hvis det er nødvendigt at udskifte Wi-Fi-adapteren.

Når installationen er fuldført, følges nedenstående trin:

1. Fjern dækslet fra USB-boksen.
2. Sæt strøm til kontrolenheden.
3. Sørg for, at WiFi-adapteren er strømforsynet.
4. Vent mindst 5 minutter.
5. Undersøg signalstyrken og netværksforbindelsen. Se controllerens dokumentation.
6. Monter dækslet på USB-boksen.

## Sektion 5 Konfiguration

Se i dokumentationen til kontrolenheden for instruktioner. Se den originale brugermanual på producentens hjemmeside for yderligere information.

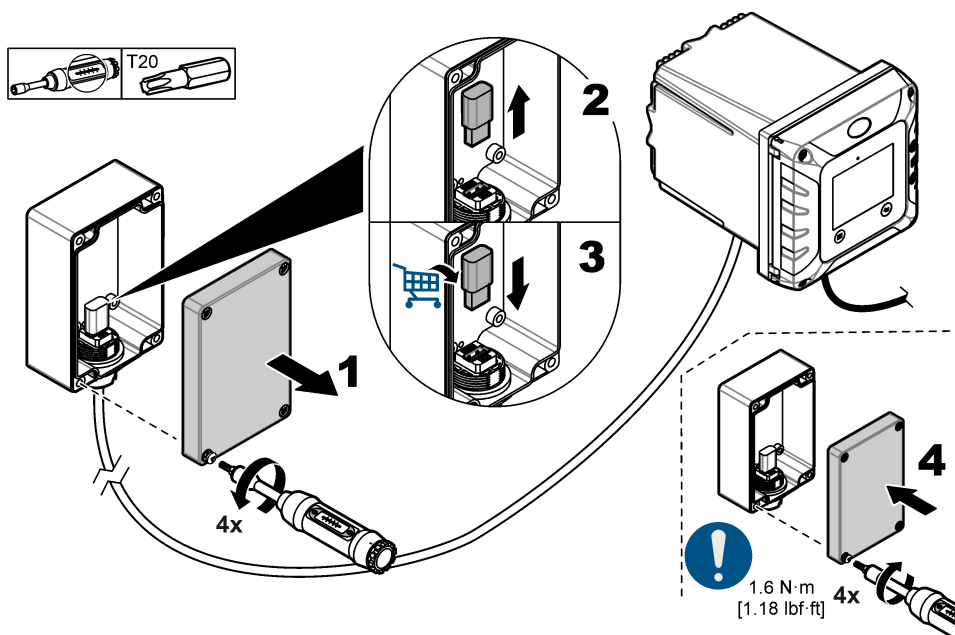
## Sektion 6 Vedligeholdelse

### 6.1 Udskift WiFi-adapteren

Udskift om nødvendigt WiFi-adapteren. Se de illustrerede trin i [Figur 2](#).

**Elementer, der skal indsamles:** WiFi-adapter

Figur 2 Udskift WiFi-adapteren



## Sektion 7 Tilbehør

### ⚠ ADVARSEL



Fare for personskade. Anvendelse af ikke-godkendte dele kan medføre personskade, beskadigelse af instrumentet eller fejlfunktion af udstyret. Reservedelene i dette afsnit er godkendt af producenten.

**BEMÆRK:** Produkt- og varenumre kan variere i visse salgsregioner. Kontakt den relevante distributør, eller se virksomhedens webside for kontaktinformation.

<b>Beskrivelse</b>	<b>Varenr.</b>
USB-Box tilslutningskabel, WiFi, 4,5 m	LXZ525.99.00019
Monteringsæt	8806200
WiFi USB-adapter til US, 2,4/5 GHz	LZY996
WiFi USB-adapter til EU, 2,4/5 GHz	LZY997

## Spis treści

- |                                    |                               |
|------------------------------------|-------------------------------|
| 1 Dane techniczne na stronie 111   | 5 Konfiguracja na stronie 121 |
| 2 Ogólne informacje na stronie 111 | 6 Konserwacja na stronie 121  |
| 3 Instalacja na stronie 116        | 7 Akcesoria na stronie 122    |
| 4 Rozruch na stronie 120           |                               |

## Rozdział 1 Dane techniczne

Dane techniczne mogą ulec zmianie bez wcześniejszego powiadomienia.

Dane techniczne	Informacje szczegółowe
Wymiary (szer. × wys. × dł.)	80 × 120 × 55 mm (4,7 × 7,9 × 2,2 in.)
Obudowa	IP66 <sup>1</sup> , poliwęglan UL94-V0
Waga	169 g (0,37 lb)
Stopień zanieczyszczenia	4
Kategoria instalacyjna	I
Klasa ochrony	III
Temperatura pracy	od -20 do 60°C (od -4 do 140°F)
Temperatura przechowywania	Od -20 do 70°C
Wilgotność względna	Od 0 do 95%, bez kondensacji
Wysokość nad poziomem morza	maks. 2000 m (6562 ft)
Opcje komunikacji	Adapter Wi-Fi ze złączem USB Pasmu ISM 2,4 GHz i 5 GHz
Certyfikaty	CE, FCC, IC, UKCA
Gwarancja	1 rok (UE: 2 lata)

## Rozdział 2 Ogólne informacje

W żadnym przypadku producent nie ponosi odpowiedzialności za bezpośrednie, pośrednie, specjalne, przypadkowe lub wtórne szkody wynikające z błędu lub pominięcia w niniejszej instrukcji obsługi. Producent zastrzega sobie prawo do dokonania zmian w niniejszej instrukcji obsługi i w produkcie, której dotyczy w dowolnym momencie, bez powiadomienia lub zobowiązania. Na stronie internetowej producenta można znaleźć poprawione wydania.

### 2.1 Informacje dotyczące bezpieczeństwa

Producent nie ponosi odpowiedzialności za ewentualne szkody wynikłe z niewłaściwego stosowania albo użytkowania tego produktu, w tym, bez ograniczeń za szkody bezpośrednie, przypadkowe i wtórne, oraz wyklucza odpowiedzialność za takie szkody w pełnym zakresie dozwolonym przez obowiązujące prawo. Użytkownik jest wyłącznie odpowiedzialny za zidentyfikowanie krytycznych zagrożeń aplikacji i zainstalowanie odpowiednich mechanizmów ochronnych procesów podczas ewentualnej awarii sprzętu.

Prosimy przeczytać całą niniejszą instrukcję obsługi przed rozpakowaniem, włączeniem i rozpoczęciem użytkowania urządzenia. Należy zwrócić uwagę na wszystkie informacje dotyczące

<sup>1</sup> Tylko przy zainstalowanym kablu połączeniowym modemu USB.

niebezpieczeństwa i kroków zapobiegawczych. Niezastosowanie się do tego może spowodować poważne obrażenia obsługującego lub uszkodzenia urządzenia.

Należy upewnić się, czy systemy zabezpieczające wbudowane w urządzenie pracują prawidłowo. Nie używać ani nie instalować tego urządzenia w inny sposób, aniżeli podany w niniejszej instrukcji.

### 2.1.1 Korzystanie z informacji o zagrożeniach

#### **▲ NIEBEZPIECZEŃSTWO**

Wskazuje potencjalnie lub bezpośrednio niebezpieczną sytuację, która — jeśli się jej nie zapobiegnie — doprowadzi do śmierci lub poważnych obrażeń.

#### **▲ OSTRZEŻENIE**

Wskazuje na potencjalną lub bezpośrednio niebezpieczną sytuację, która, jeżeli się jej nie uniknie, może doprowadzić do śmierci lub ciężkich obrażeń.

#### **▲ UWAGA**





Wskazuje na potencjalnie niebezpieczną sytuację, która może doprowadzić do mniejszych lub umiarkowanych obrażeń.

#### **POWIADOMIENIE**

Wskazuje sytuację, która — jeśli się jej nie zapobiegnie — może doprowadzić do uszkodzenia urządzenia. Informacja, która wymaga specjalnego podkreślenia.

### 2.1.2 Etykiety ostrzegawcze

Należy przeczytać wszystkie etykiety i przywieszki dołączone do urządzenia. Nieprzestrzeganie tych instrukcji może spowodować obrażenia ciała lub uszkodzenie przyrządu. Symbol umieszczony na przyrządzie jest zamieszczony w podręczniku i opatrzony informacją o stosownych środkach ostrożności.

	Ten symbol, jeżeli znajduje się na przyrządzie, odsyła do instrukcji obsługi i/lub informacji dotyczących bezpieczeństwa.
	Ten symbol wskazuje niebezpieczeństwo szoku elektrycznego i/lub porażenia prądem elektrycznym.
	Ten symbol informuje o obecności urządzeń wrażliwych na wyładowania elektrostatyczne (ESD) i oznacza, że należy zachować ostrożność, aby nie uszkodzić urządzeń.
	Urządzeń elektrycznych oznaczonych tym symbolem nie wolno wyrzucać do europejskich publicznych systemów utylizacji odpadów. Wyeksploatowane urządzenia należy zwrócić do producenta w celu ich utylizacji. Producent ma obowiązek przyjąć je bez pobierania dodatkowych opłat.



## 2.1.3 Certyfikaty

### ⚠ OSTRZEŻENIE



Środki ostrożności dotyczące rozruszników serca. Wystąpienie zakłóceń elektromagnetycznych (EMI) może:

- Zatrzymać impulsy stymulacyjne z rozrusznika, które kontrolują rytm serca.
- Spowodować nieregularne przesyłanie impulsów przez rozrusznik.
- Spowodować, że rozrusznik będzie ignorował rytm serca i dostarczał impulsy w ustawionych odstępach czasu.

Aktualne badania wskazują, że urządzenia komórkowe nie stanowią poważnego zagrożenia dla zdrowia użytkowników rozruszników serca. Jednakże osoby z wszczepionym rozrusznikiem serca powinny zachować ostrożność, aby mieć pewność, że ich urządzenie nie zakłóca pracy rozrusznika. Urządzenie powinno znajdować się w odległości co najmniej 20 cm (7,9 cala) od użytkownika.

### ⚠ UWAGA



Zagrożenie promieniowaniem elektromagnetycznym. Dbać, aby antena znajdowała się w odległości przynajmniej 20 cm (7,9 cala) od wszystkich osób podczas typowego użytkowania urządzenia. Anteny nie wolno umieszczać ani wykorzystywać w połączeniu z innymi antenami lub nadajnikami.

### POWIADOMIENIE

Jest to produkt klasy A przeznaczony do użytku w środowisku przemysłowym. W środowiskach domowych ten produkt może powodować zakłócenia radiowe i może być wymagane podjęcie odpowiednich środków przez jego użytkownika.

### POWIADOMIENIE

za bezpieczeństwo sieci i punktu dostępu odpowiada użytkownik, który korzysta z bezprzewodowego urządzenia. Producent nie ponosi odpowiedzialności za żadne szkody, w tym za szkody pośrednie, specjalne, wtórne lub przypadkowe, które zostały spowodowane przez lukę lub naruszenie bezpieczeństwa sieci.

**Zgodność urządzenia radiowego (RF) z wymogami wynikającymi z przepisów: USA i Kanada**  
Zawiera adapter USB Wi-Fi: LM808 firmy LM technologies

Identyfikator FCC: VVX808-04XX

IC: 10531A-80804XX

**Tabela 1 Zasilanie adaptera Wi-Fi**

Dane techniczne, wydanie i data	Zakres częstotliwości (MHz)	Oznaczenie emisji	Moc częst. radiowej (W)	Antena
RSS-247, wydanie 2, 02/2017	5180–5240	17M1D1D	0,005	Zintegrowana, 4,7 dBi
RSS-247, wydanie 2, 02/2017	5210	75M8D1D	0,005	Zintegrowana, 4,7 dBi
RSS-247, wydanie 2, 02/2017	5745–5825	17M9D1D	0,005	Zintegrowana, 4,7 dBi
RSS-247, wydanie 2, 02/2017	5775	75M6D1D	0,004	Zintegrowana, 4,7 dBi
RSS-247, wydanie 2, 02/2017	2412–2462	15M0D1D	0,027	Zintegrowana, 0,1 dBi

**Tabela 1 Zasilanie adaptera Wi-Fi (ciąg dalszy)**

Dane techniczne, wydanie i data	Zakres częstotliwości (MHz)	Oznaczenie emisji	Moc częst. radiowej (W)	Antena
RSS-247, wydanie 2, 02/2017	2412–2462	16M5D1D	0,016	Zintegrowana, 0,1 dBi
RSS-247, wydanie 2, 02/2017	2422–2452	35M1D1D	0,011	Zintegrowana, 0,1 dBi

**Adapter USB Wi-Fi LM808 — istotne warunki dopuszczenia przez FCC:**

Podana moc wyjściowa jest przewodzona. Klucz sprzętowy USB poddano ocenie pod kątem zgodności z SAR i opisano w niniejszym dokumencie. Anteny stosowane w tym nadajniku nie mogą jednocześnie nadawać sygnałów poprzez inną antenę lub nadajnik, z wyjątkiem sytuacji zgodnych z procedurami FCC dotyczącymi produktów wieloprzebieżnikowych lub opisanych w niniejszym dokumencie. Najwyższa zarejestrowana wartość SAR wynosi 0,26 W/kg. To urządzenie obsługuje pasma o szerokości 20 MHz i 40 MHz.

**Zgodność urządzenia radiowego (RF) z wymogami wynikającymi z przepisów: UE**

Zawiera adapter USB Wi-Fi: LM808

**Tabela 2 Pasma częstotliwości**

Dane techniczne	Informacje szczegółowe
Pasma częstotliwości	Pasma ISM 2,4 GHz
	Pasma ISM 5 GHz
Moc wyjściowa częst. radiowej (tolerancja $\pm 2$ dBm)	17 dBm, 802.11b przy 11 Mb/s
	15 dBm, 802.11g przy 54 Mb/s
	13 dBm, 802.11a przy 54 Mb/s
	13 dBm, 802.11n przy MCS7_HT20
	13 dBm, 802.11n przy MCS7_HT40
	11 dBm, 802.11ac przy NSS1 MCS9_BW20, BW40, BW80
	-82 dBm, 802.11b przy 11 Mb/s — 71 dB0, 802.11g przy 54 MB/s
Czułość odbiornika	-67 dBm, 802.11n przy MCS7_BW20
	-64 dBm, 802.11n przy MCS7_BW40
	-57 dBm, 802.11ac przy NSS1_MCS9_BW20
	-54 dBm, 802.11ac przy MSS1_MCS9_BW40
	-51 dBm, 802.11ac przy MSS1_MCS9_BW80

**Kanada (IC)**

Zawiera adapter USB Wi-Fi: LM808 firmy LM technologies, IC: 10531A-80804XX

Niniejsze cyfrowe urządzenie klasy A spełnia wymagania kanadyjskiej normy ICES-003. Niniejsze urządzenie jest zgodne z licencją Industry Canada z wyłączeniem standardu(ów) RSS. Przy pracy obowiązują poniższe dwa warunki:

(1) To urządzenie nie może powodować zakłóceń oraz

(2) musi zezwalać na odbiór wszelkich zakłóceń, łącznie z tymi, które mogą powodować jego nieprawidłowe działanie.

*Cet appareil numérique de la classe (A) respect toutes les exigences de la norme NMB-003 du Canada. Le présent appareil est conforme aux CNR d'Industrie Canada applicables aux appareils radio exempts de licence. L'exploitation est autorisée aux deux conditions suivantes:*

*(1) l'appareil ne doit pas produire de brouillage, et*

*(2) l'utilisateur de l'appareil doit accepter tout brouillage radioélectrique subi, même si le brouillage est susceptible d'en compromettre le fonctionnement.*

### **Stany Zjednoczone (FCC)**

Zawiera adapter USB Wi-Fi: LM808 firmy LM technologies, identyfikator FCC: VVX808-04XX

Modyfikacje niezatwierdzone wyraźnie przez tę firmę mogą spowodować utratę zezwolenia na korzystanie z urządzenia (przepisy FCC, część 15.21).

Niniejsze urządzenie zostało przetestowane oraz spełnia warunki ograniczeń dla urządzeń cyfrowych klasy A, zgodnie z częścią 15 przepisów FCC. Ograniczenia te zostały wprowadzone w celu zapewnienia należytej ochrony przed szkodliwymi zakłóceniami, gdy urządzenie jest użytkowane w środowisku komercyjnym. To urządzenie wytwarza, wykorzystuje i może emitować energię o częstotliwości fal radiowych i, jeżeli nie jest zainstalowane i używane zgodnie z instrukcją, może spowodować szkodliwe zakłócenia w komunikacji radiowej. Istnieje prawdopodobieństwo, że wykorzystywanie tego urządzenia w terenie mieszkalnym może spowodować szkodliwe zakłócenia. W takim przypadku użytkownik jest zobowiązany do usunięcia zakłóceń na własny koszt (przepisy FCC, część 15.105).

### **Informacje prawne FCC/IC dotyczące modułu radiowego Multitech**

#### **Oświadczenie o modyfikacjach**

Firma LM technologies nie zatwierdziła możliwości wprowadzania jakichkolwiek zmian lub modyfikacji w niniejszym urządzeniu przez użytkownika. Wszelkie zmiany lub modyfikacje mogą spowodować utratę zezwolenia na korzystanie z urządzenia.

*LM technologies n'approuve aucune modification apportée à l'appareil par l'utilisateur, quelle qu'en soit la nature. Tout changement ou modification peuvent annuler le droit d'utilisation de l'appareil par l'utilisateur.*

#### **Oświadczenie o zakłóceniach**

Niniejsze urządzenie jest zgodne z częścią 15 przepisów FCC oraz licencją Industry Canada z wyłączeniem standardu(ów) RSS. Przy pracy obowiązują poniższe dwa warunki: (1) to urządzenie nie może powodować zakłóceń oraz (2) musi zezwalać na odbiór wszelkich zakłóceń, łącznie z tymi, które mogą powodować jego nieprawidłowe działanie.

*Le présent appareil est conforme aux CNR d'Industrie Canada applicables aux appareils radio exempts de licence. L'exploitation est autorisée aux deux conditions suivantes : (1) l'appareil ne doit pas produire de brouillage, et (2) l'utilisateur de l'appareil doit accepter tout brouillage radioélectrique subi, même si le brouillage est susceptible d'en compromettre le fonctionnement. Cet appareil est conforme aux limites d'exposition aux rayonnements de la IC pour un environnement non contrôlé.*

#### **Oświadczenie FCC dot. 5G:**

Urządzenia LE-LAN mogą być używane wyłącznie wewnątrz budynków przy paśmie 5150–5250 MHz

### **Europa — Dyrektywa dotycząca urządzeń radiowych (RED)**



Pasma Wi-Fi 5,15–5,35 GHz jest przeznaczone wyłącznie do użytku wewnątrz budynków w następujących krajach:

**Tabela 3 Kraje europejskie**

Andora (AD)	Dania (DK)	Irlandia (IE)	Czarnogóra (ME)	Słowacja (SK)
Austria (AT)	Estonia (EE)	Włochy (IT)	Holandia (NL)	Słowenia (SL)

**Tabela 3 Kraje europejskie (ciąg dalszy)**

Belgia (BE)	Finlandia (FI)	Łotwa (LV)	Norwegia (NO)	Hiszpania (ES)
Bośnia i Hercegowina (BA)	Francja (FR)	Liechtenstein (LI)	Polska (PL)	Szwecja (SE)
Bułgaria (BG)	Niemcy (DE)	Litwa (LT)	Portugalia (PT)	Szwajcaria (CH)
Chorwacja (HR)	Grecja (GR)	Luksemburg (LU)	Rumunia (RO)	Macedonia (MK)
Cypr (CY)	Węgry (HU)	Malta (MT)	San Marino (SM)	Wielka Brytania (GB)
Republika Czeska (CZ)	Islandia (IS)	Monako (MC)	Serbia (RS)	Państwo Watykańskie (VA)

## 2.2 Charakterystyka produktu

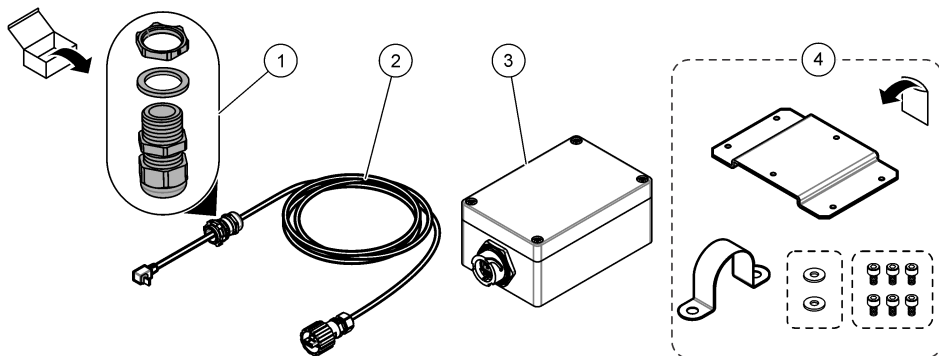
Zewnętrzny modem USB służy do podłączania urządzenia USB do przetwornika SC4500 (np. , adaptera Wi-Fi).

**Uwaga:** Wszystkie elementy (tj. adapter i połączenia wewnętrzne) są montowane fabrycznie.

## 2.3 Komponenty urządzenia

Upewnić się, że zostały dostarczone wszystkie komponenty. Patrz [Rysunek 1](#). W przypadku braku lub uszkodzenia jakiegokolwiek elementu należy niezwłocznie skontaktować się z producentem lub z jego przedstawicielem handlowym.

**Rysunek 1 Komponenty urządzenia**



1 Reduktor naprężeń, podkładka i nakrętka	3 Modem USB
2 Kabel połączeniowy modemu USB	4 Osprzęt montażowy na rurze <sup>2</sup>

## Rozdział 3 Instalacja

### 3.1 Montaż

#### **POWIADOMIENIE**

Zamontować modem USB, korzystając z otworów montażowych. Nie należy wywiercać otworów w tylnej części modemu USB, ponieważ może to spowodować uszkodzenie podzespołów wewnętrznych.

<sup>2</sup> Osprzęt montażowy na rurze jest przeznaczony do montażu na rurze o średnicy 40 mm (1,57 cala).

## POWIADOMIENIE



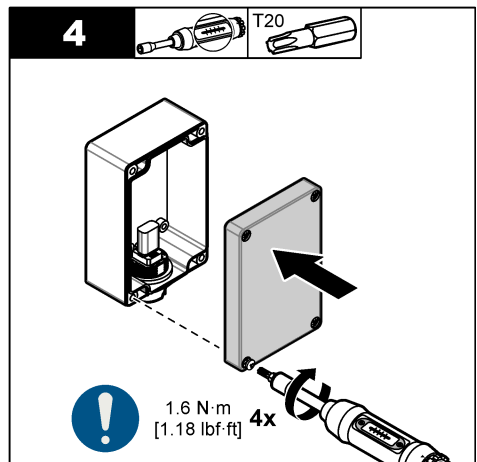
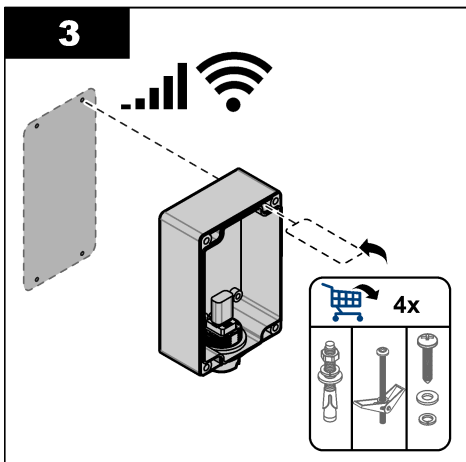
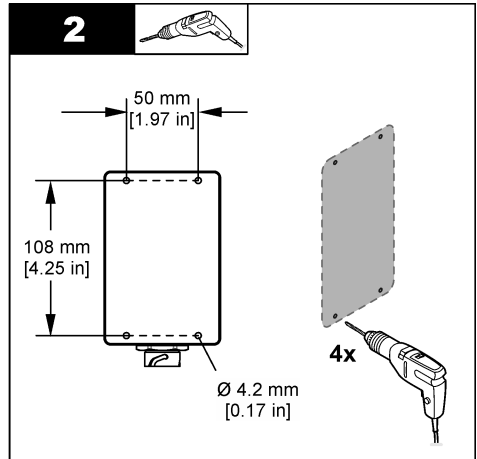
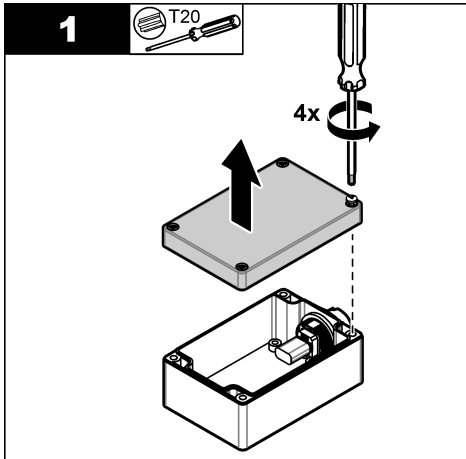
Aby utrzymać stopień ochrony obudowy, należy zamknąć pokrywę modemu USB i sprawdzić, czy jej śruby są dobrze dokręcone.

Modem USB należy zamontować w miejscu, w którym jest łatwy dostęp do jego wyłącznika zasilania. Zamontować modem USB w miejscu o największej sile sygnału /Wi-Fi. W celu odzyskania takiego miejsca należy skorzystać z urządzenia przenośnego.

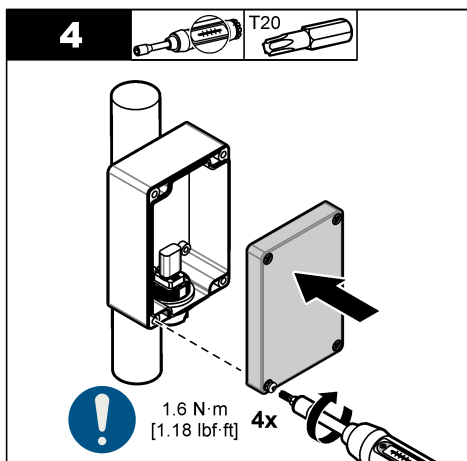
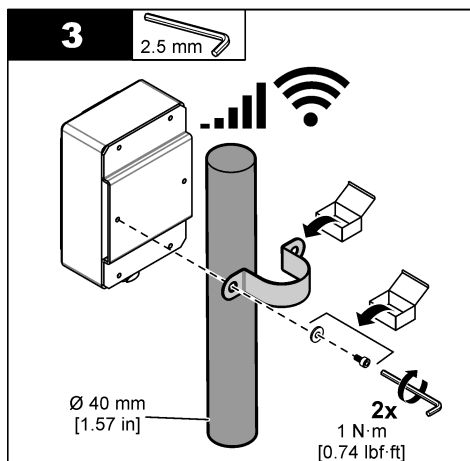
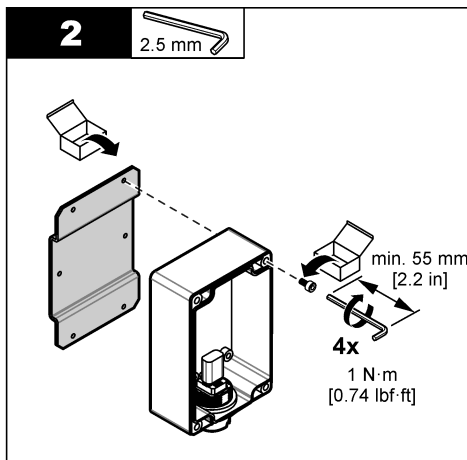
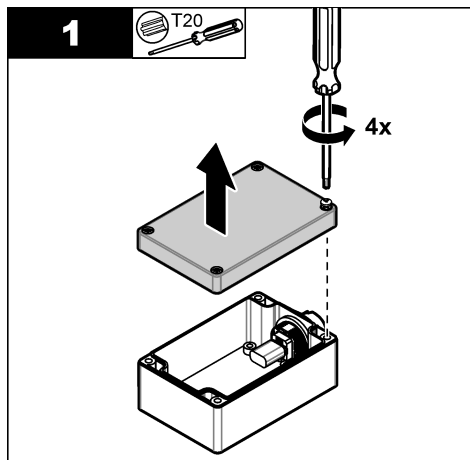
Przymocować modem USB do ściany, rury pionowej lub poziomej.

**Uwaga:** Osprzęt montażowy ścienny jest dostarczany przez użytkownika. Śruby/elementy mocujące muszą być odpowiednio dobrane do właściwości ściany/stropu i charakteryzować się wystarczającą wytrzymałością.

Zapoznać się z poniższymi instrukcjami montażu modemu USB na ścianie.



Zapoznać się z poniższymi instrukcjami montażu modemu USB na rurze.



## 3.2 Podłączenie kabla

### POWIADOMIENIE

Producent zaleca stosowanie dostarczonych przez niego elementów elektrycznych, takich jak kabel zasilający, złącza i reduktory naprężeń.

### POWIADOMIENIE



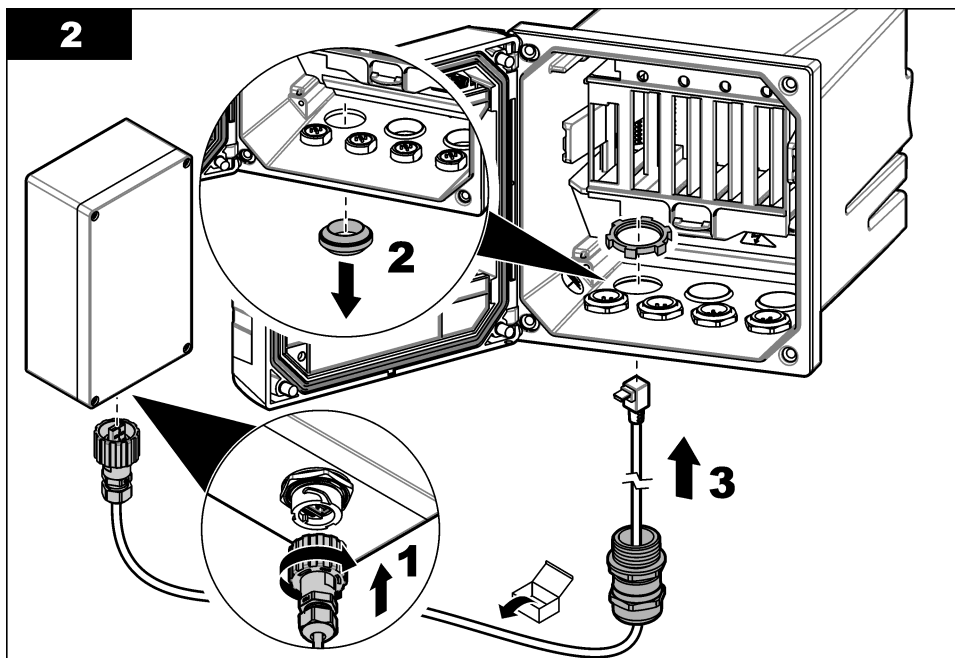
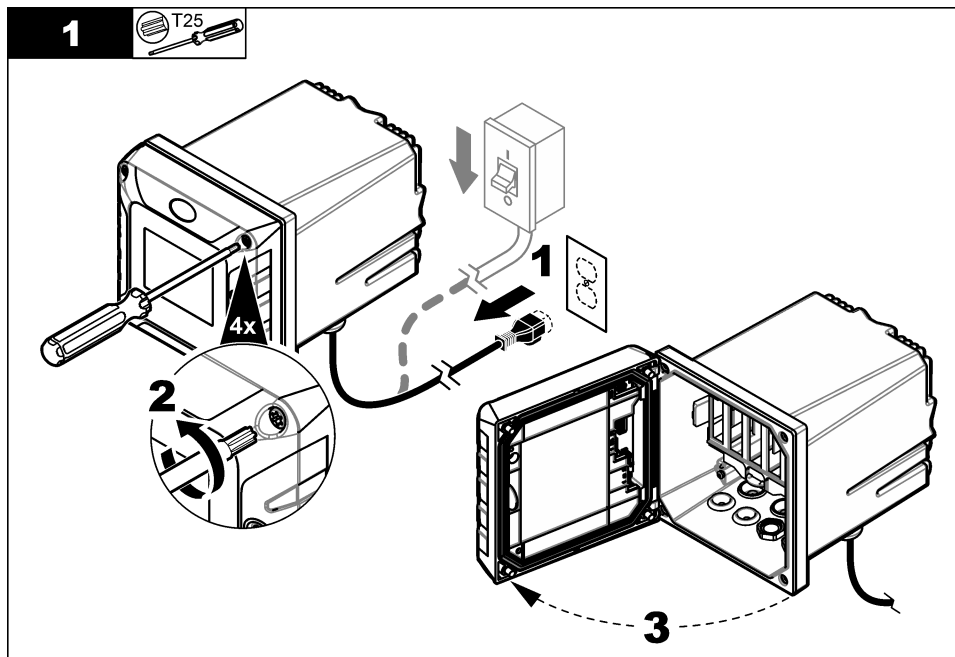
Aby utrzymać stopień ochrony obudowy, należy upewnić się, że osłona kabla przechodzi do wnętrza obudowy.

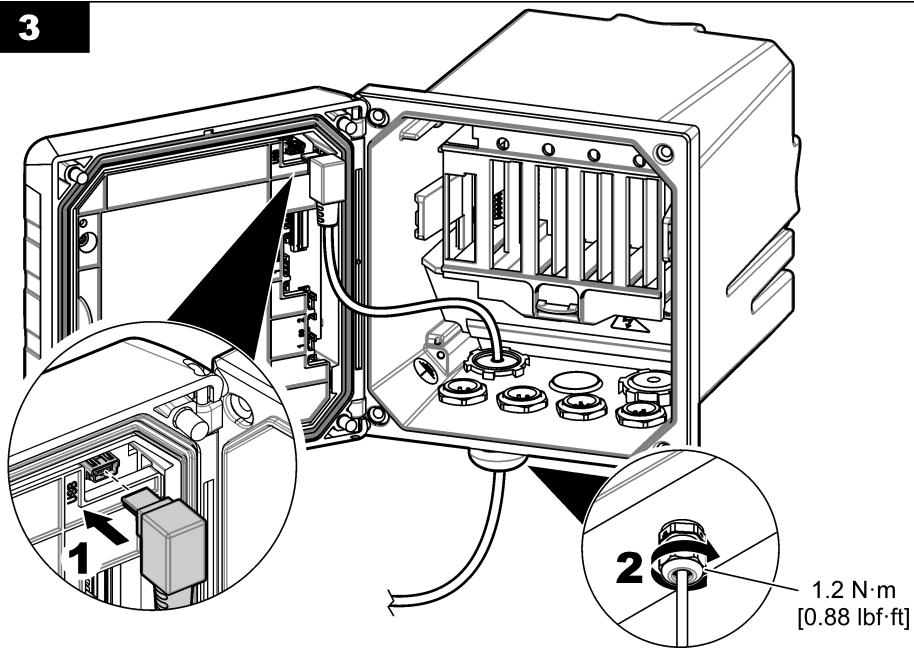
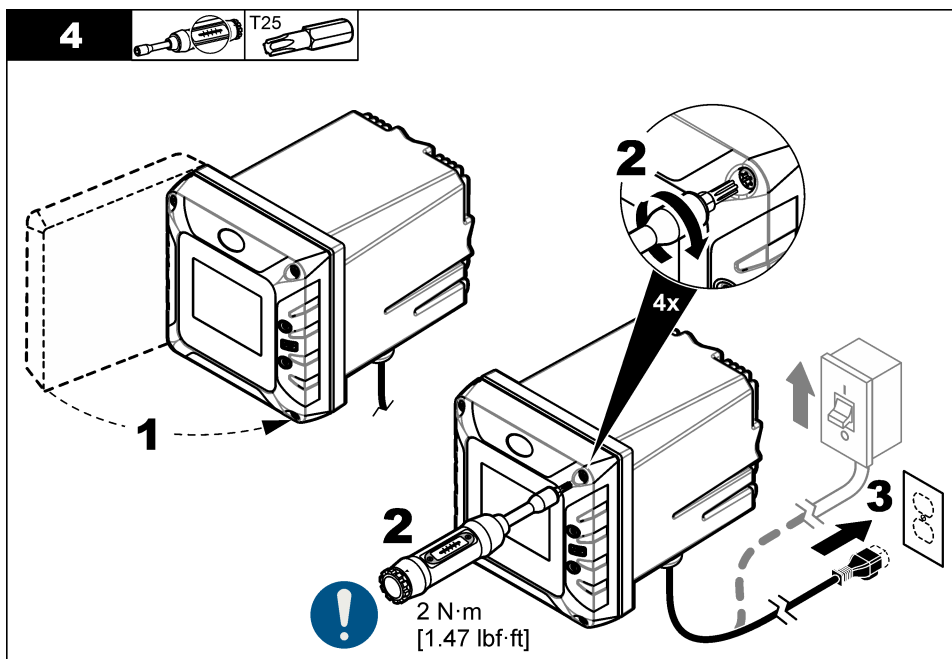
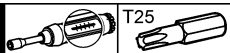
### POWIADOMIENIE



Aby utrzymać stopień ochrony obudowy, należy zamknąć pokrywę przetwornika i sprawdzić, czy jej śruby są dobrze dokręcone.

Podłączyć dołączony kabel do modemu USB i do wewnętrznego złącza USB w przetworniku. Instrukcje przedstawiono w ilustrowanych krokach poniżej.



**3****4**

## Rozdział 4 Rozruch

**Uwaga:** Adapter Wi-Fi jest montowany i podłączany fabrycznie. W razie potrzeby zapoznać się z sekcją [Wymiana adaptera Wi-Fi](#) na stronie 121, aby wymienić adapter Wi-Fi.



Po zakończeniu montażu należy wykonać poniższe kroki:

1. Zdjąć pokrywę z modułu USB.
2. Podłączyć zasilanie do przetwornika.
3. Upewnić się, że karta WiFi jest zasilana.
4. Odczekać co najmniej 5 min.
5. Sprawdzić siłę sygnału i stan połączenia sieciowego. Należy skorzystać z dokumentacji przetwornika
6. Założyć pokrywę na moduł USB.

## Rozdział 5 Konfiguracja

Instrukcje znajdują się w dokumentacji przetwornika. Więcej informacji zamieszczono w rozszerzonym podręczniku użytkownika na stronie internetowej producenta.

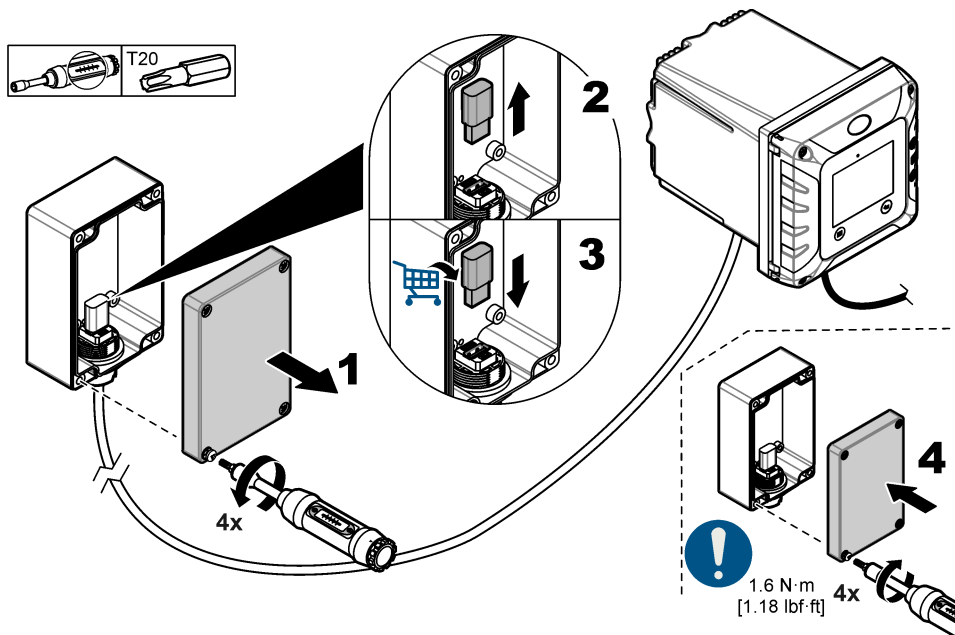
## Rozdział 6 Konserwacja

### 6.1 Wymiana adaptera Wi-Fi

W razie potrzeby należy wymienić adapter Wi-Fi. [Rysunek 2](#) przedstawia kolejne kroki postępowania.

**Co należy przygotować:** adapter Wi-Fi

**Rysunek 2 Wymiana adaptera Wi-Fi**



## Rozdział 7 Akcesoria

### ▲ OSTRZEŻENIE



Niebezpieczeństwo uszkodzenia ciała. Stosowanie niezatwierdzonych części grozi obrażeniami ciała, uszkodzeniem urządzenia lub nieprawidłowym działaniem osprzętu. Części zamienne wymienione w tym rozdziale zostały zatwierdzone przez producenta.

*Uwaga: Numery produktów i części mogą być różne w różnych regionach. Należy skontaktować się z odpowiednim dystrybutorem albo znaleźć informacje kontaktowe na stronie internetowej firmy.*

Opis	Nr poz.
Kabel połączeniowy modemu USB, WiFi, 4,5 m	LXZ525.99.00019
Zestaw elementów montażowych	8806200
Adapter USB Wi-Fi dla USA, 2,4/5 GHz	LZY996
Adapter USB Wi-Fi dla UE, 2,4/5 GHz	LZY997

# Innehållsförteckning

- |   |   |   |  |
|---|---|---|--|
| 1 | <a href="#">Specifikationer</a> på sidan 123    | 5 | <a href="#">Konfigurering</a> på sidan 133 |
| 2 | <a href="#">Allmän information</a> på sidan 123 | 6 | <a href="#">Underhåll</a> på sidan 133     |
| 3 | <a href="#">Installation</a> på sidan 128       | 7 | <a href="#">Tillbehör</a> på sidan 133     |
| 4 | <a href="#">Start</a> på sidan 132              |   |  |

## Avsnitt 1 Specifikationer

Specifikationerna kan ändras utan föregående meddelande.

Specifikation	Information
Mått (B x H x D)	80 x 120 x 55 mm (4.7 x 7.9 x 2.2 tum)
Hölje	IP66 <sup>1</sup> , polykarbonat UL94-V0
Vikt	169 g (0.37 lb)
Föroreningsgrad	4
Installationskategori	I
Skyddsklass	III
Drifttemperatur	-20 till 60 °C (-4 till 140 °F)
Förvaringstemperatur	-20 till 70 °C
Relativ fuktighet	0 till 95 %, icke-kondenserande
Höjd	2000 m (6562 ft) maximalt
Kommunikationstillval	WiFi-kort med USB-anslutning 2,4 GHz och 5 GHz ISM-band
Certifieringar	CE, FCC, IC, UKCA
Garanti	1 år (EU: 2 år)

## Avsnitt 2 Allmän information

Tillverkaren är under inga omständigheter ansvarig för direkta, särskilda, indirekta eller följdskador som orsakats av eventuellt fel eller utelämnande i denna bruksanvisning. Tillverkaren förbehåller sig rätten att göra ändringar i denna bruksanvisning och i produkterna som beskrivs i den när som helst och utan föregående meddelande och utan skyldigheter. Reviderade upplagor finns på tillverkarens webbsida.

### 2.1 Säkerhetsinformation

Tillverkaren tar inget ansvar för skador till följd av att produkten används på fel sätt eller missbrukas. Det omfattar utan begränsning direkta skador, oavsiktliga skador eller följdskador. Tillverkaren avsäger sig allt ansvar i den omfattning gällande lag tillåter. Användaren är ensam ansvarig för att identifiera kritiska användningsrisker och installera lämpliga mekanismer som skyddar processer vid eventuella utrustningsfel.

Läs igenom hela handboken innan instrumentet packas upp, monteras eller startas. Följ alla färo- och varningshänvisningar. Om dessa anvisningar inte följs kan användaren utsättas för fara eller utrustningen skadas.

<sup>1</sup> Endast med USB-dosans anslutningskabel installerad.

Kontrollera att skyddet som ges av den här utrustningen inte är skadat. Utrustningen får inte användas eller installeras på något annat sätt än så som specificeras i den här handboken.

### 2.1.1 Anmärkning till information om risker

#### ▲ FARA

Indikerar en potentiellt eller överhängande riskfylld situation som kommer att leda till livsfarliga eller allvarliga skador om den inte undviks.

#### ▲ VARNING

Indikerar en potentiellt eller överhängande riskfylld situation som kan leda till livsfarliga eller allvarliga skador om situationen inte undviks.

#### ▲ FÖRSIKTIGHET





Indikerar en potentiellt riskfylld situation som kan resultera i lindrig eller måttlig skada.

#### ANMÄRKNING:

Indikerar en potentiellt riskfylld situation som kan medföra att instrumentet skadas. Information som användaren måste ta hänsyn till vid hantering av instrumentet.


### 2.1.2 Varningsskyltar

Beakta samtliga dekaler och märken på instrumentet. Personskador eller skador på instrumentet kan uppstå om dessa ej beaktas. En symbol på instrumentet beskrivs med en försiktighetsvarning i handboken.

	Denna symbol, om den finns på instrumentet, refererar till bruksanvisningen angående drifts- och/eller säkerhetsinformation.
	Denna symbol indikerar risk för elektrisk stöt och/eller elchock.
	Denna symbol indikerar utrustning som är känslig för elektrostatisk urladdning (ESD). Särskilda åtgärder måste vidtas för att förhindra att utrustningen skadas.
	Elektrisk utrustning markerad med denna symbol får inte avyttras i europeiska hushållsavfallssystem eller allmänna avfallssystem. Returnera utrustning som är gammal eller har nått slutet på sin livscykel till tillverkaren för avyttring, utan kostnad för användaren.

### 2.1.3 Certifiering

#### ▲ VARNING

	<p>Pacemaker försiktighetsåtgärder. Om elektromagnetisk interferens (EMI) förekommer, kan det antingen:</p> <ul style="list-style-type: none"><li>• Stoppa de stimulerande pulserna från pacemakern som styr hjärtats rytm.</li><li>• Orsaka att pacemakern avger oregelbundna pulser.</li><li>• Orsaka att pacemakern ignorerar hjärtats rytm och avger pulser med ett fast intervall.</li></ul> <p>Aktuell forskning visar att mobilenheter inte utgör ett betydande hälsoproblem för majoriteten av de som har pacemaker. Men, personer med pacemaker bör iaktta försiktighetsåtgärder för att vara säkra på att enheten inte orsakar några problem. Håll enheten på minst 20 cm avstånd (7,9 tum) från användaren.</p>
--	--

## ⚠ FÖRSIKTIGHET



Risk för elektromagnetisk strålning. Se till att antennen är på ett avstånd på minst 20 cm (7,9 tum) från all personal vid normal användning. Antennen får inte placeras eller användas tillsammans med någon annan antenn eller sändare.

## ANMÄRKNING:

Detta är en klass A-produkt avsedd att användas i industriell miljö. I hemmiljö kan denna produkt orsaka radiostörningar, och då kan användaren behöva vidta lämpliga åtgärder.

## ANMÄRKNING:

Kunden som använder det trådlösa instrumentet ansvarar för säkerhet i nätverk och åtkomstpunkter. Tillverkaren ansvarar inte för skador, inklusive men inte begränsat till indirekta, särskilda, underordnade eller följdskador som orsakas av hål i, eller kränkning av nätverkssäkerheten.

### Godkännanden enligt regler för RF-enheter: USA och Kanada

Innehåller Wi-Fi USB-kort: LM808 från LM Technologies

FCC ID: VVX808-04XX

IC: 10531A-80804XX

Tabell 1 Ström för Wi-Fi-kort

Specifikation, utgåva och datum	Frekvensområde (MHz)	Utsläppsbeteckning	R.F. effekt (watt)	Antenn
RSS-247, utgåva 2, 02/2017	5180 - 5240	17M1D1D	0,005	Inbyggd, 4,7 dBi
RSS-247, utgåva 2, 02/2017	5210	75M8D1D	0,005	Inbyggd, 4,7 dBi
RSS-247, utgåva 2, 02/2017	5745 - 5825	17M9D1D	0,005	Inbyggd, 4,7 dBi
RSS-247, utgåva 2, 02/2017	5775	75M6D1D	0,004	Inbyggd, 4,7 dBi
RSS-247, utgåva 2, 02/2017	2412 - 2462	15M0D1D	0,027	Inbyggd, 0,1 dBi
RSS-247, utgåva 2, 02/2017	2412 - 2462	16M5D1D	0,016	Inbyggd, 0,1 dBi
RSS-247, utgåva 2, 02/2017	2422 - 2452	35M1D1D	0,011	Inbyggd, 0,1 dBi

### Wi-Fi USB-kort LM808 – Viktiga FCC-beviljandeförhållanden:

Effekten som anges har utförts. SAR-överensstämmelse för USB-dongel har utvärderats enligt beskrivningen i denna registrering. Antennerna som används för den här sändaren får inte sända samtidigt med någon annan antenn eller sändare, förutom i enlighet med FCC:s produktprocedurer för flera sändare eller enligt beskrivningen i den här registreringen. Det högsta rapporterade SAR-värdet är 0,26 W/kg. Den här enheten har bandbreddslågen på 20 MHz och 40 MHz.

### Godkännanden enligt regler för RF-enheter: EU

Innehåller WiFi USB-kort: LM808

**Tabell 2 Frekvensband**

Specifikation	Information
Frekvensband	2,4 GHz ISM-band
	5 GHz ISM-band
RF-uteffekt (tolerans $\pm 2$ dBm)	17 dBm, 802.11b vid 11 Mbit/s.
	15 dBm, 802.11g vid 54 Mbit/s.
	13 dBm, 802.11a vid 54 Mbit/s.
	13 dBm, 802.11n vid MCS7_HT20
	13 dBm, 802.11n vid MCS7_HT40
	11 dBm, 802.11ac vid NSS1 MCS9_BW20, BW40, BW80
	-82 dBm, 802.11b vid 11 Mbit/s – 71 dB0, 802.11g vid 54 Mbit/s.
Mottagarens känslighet	-67 dBm, 802.11n vid MCS7_BW20
	-64 dBm, 802.11n vid MCS7_BW40
	-57 dBm, 802.11ac vid NSS1_MCS9_BW20
	-54 dBm, 802.11ac vid MSS1_MCS9_BW40
	-51 dBm, 802.11ac vid MSS1_MCS9_BW80

### Kanada (IC)

Innehåller WiFi USB-kort: LM808 från LM Technologies IC: 10531A-80804XX

Denna klass (A)-digitala utrustning överensstämmer med den kanadensiska standarden ICES-003. Den här enheten överensstämmer med Industry Canadas licensundantagna RSS-standard(er). Drift ska ske under följande två villkor:

- (1) den här enheten får inte orsaka skadlig störning, och
- (2) denna enhet måste tåla all störning den utsätts för, inklusive störning som kan orsaka driftsstörning.

*Cet appareil numérique de la classe (A) respect toutes les exigences de la norme NMB-003 du Canada. Le présent appareil est conforme aux CNR d'Industrie Canada applicables aux appareils radio exempts de licence. L'exploitation est autorisée aux deux conditions suivantes:*

- (1) l'appareil ne doit pas produire de brouillage, et*
- (2) l'utilisateur de l'appareil doit accepter tout brouillage radioélectrique subi, même si le brouillage est susceptible d'en compromettre le fonctionnement.*

### USA (FCC)

Innehåller Wifi USB-kort: LM808 från LM Technologies FCC ID: VVX808-04XX

Modificeringar som inte uttryckligen godkänts av företaget kan upphäva användarens rätt att använda utrustningen (FCC-avsnitt 15.21).

Denna utrustning har testats och funnits uppfylla de gränser som gäller för digital utrustning i klass A, motsvarande del 15 i FCC-reglerna. Dessa gränser har tagits fram för att ge rimligt skydd mot skadlig störning när utrustningen används i en kommersiell omgivning. Utrustningen genererar, använder och kan utstråla radiofrekvent energi och kan, om den inte installeras och används enligt handboken, leda till skadlig störning på radiokommunikation. Drift av utrustningen i bostadsmiljö kan leda till skadlig störning. Användaren ansvarar då för att på egen bekostnad korrigera störningen (FCC-avsnitt 15.105).

### Multitech RF-modulen FCC/IC-regelnoteringar Ändringsinformation

LM Technologies har inte godkänt några ändringar eller modifieringar av denna enhet från användaren. Eventuella ändringar eller modifieringar kan upphäva användarens rätt att använda utrustningen.

*LM technologies n'approuve aucune modification apportée à l'appareil par l'utilisateur, quelle qu'en soit la nature. Tout changement ou modification peuvent annuler le droit d'utilisation de l'appareil par l'utilisateur.*

### Störningsinformation

Denna enhet uppfyller kraven i del 15 i FCC-reglerna och Industry Canadas licensbefriade RSS-standard(er). Användningen gäller under följande två villkor: (1) enheten får inte orsaka störningar och (2) enheten måste klara av alla störningar, inklusive störningar som kan orsaka oönskad drift av enheten.

*Le présent appareil est conforme aux CNR d'Industrie Canada applicables aux appareils radio exempts de licence. L'exploitation est autorisée aux deux conditions suivantes : (1) l'appareil ne doit pas produire de brouillage, et (2) l'utilisateur de l'appareil doit accepter tout brouillage radioélectrique subi, même si le brouillage est susceptible d'en compromettre le fonctionnement. Cet appareil est conforme aux limites d'exposition aux rayonnements de la IC pour un environnement non contrôlé.*

### FCC 5G-deklaration:

LE-LAN-enheter får endast användas inomhus i 5150 - 5250 MHz

### Europa – Radio Equipment Directive (RED)



WiFi-bandet 5,15 - 5,35 GHz är begränsat till inomhusanvändning i följande länder:

**Tabell 3 Europeiska länder**

Andorra (AD)	Danmark (DK)	Irland (IE)	Montenegro (ME)	Slovakien (SK)
Österrike (AT)	Estland (EE)	Italien (IT)	Nederländerna (NL)	Slovenien (SL)
Belgien (BE)	Finland (FI)	Lettland (LV)	Norge (NO)	Spanien (ES)
Bosnien och Hercegovina (BA)	Frankrike (FR)	Liechtenstein (LI)	Polen (PL)	Sverige (SE)
Bulgarien (BG)	Tyskland (DE)	Litauen (LT)	Portugal (PT)	Schweiz (CH)
Kroatien (HR)	Grekland (GR)	Luxemburg (LU)	Rumänien (RO)	Makedonien (MK)
Cypern (CY)	Ungern (HU)	Malta (MT)	San Marino (SM)	Storbritannien (GB)
Tjeckien (CZ)	Island (IS)	Monaco (MC)	Serbien (RS)	Vatikanstaten (VA)

## 2.2 Produktöversikt

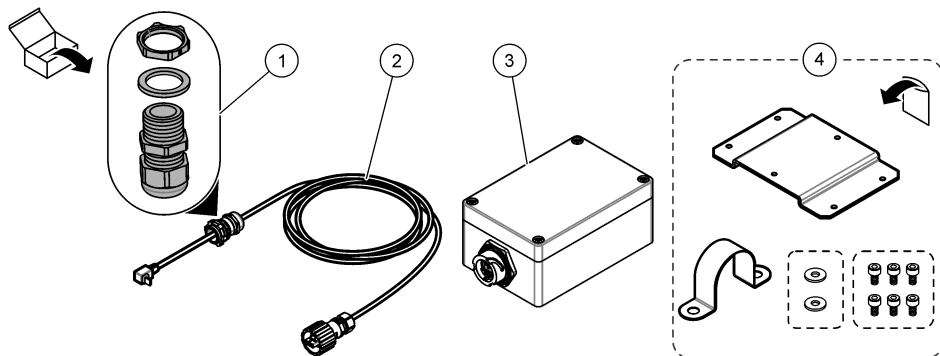
Den externa USB-dosan används för att ansluta en USB-enhet till SC4500-styrenheten (t.ex. ett Wi-Fi-kort).

**Observera:** Alla delar (dvs. kort och interna anslutningar) monteras på fabriken.

## 2.3 Produktens komponenter

Se till att alla delar har tagits emot. Mer information finns i [Figur 1](#). Om några komponenter saknas eller är skadade ska du genast kontakta tillverkaren eller en återförsäljare.

**Figur 1 Produktens komponenter**



1 Dragavlastning, bricka och mutter	3 USB-dosa
2 USB-dosans anslutningskabel	4 Utrustning för stolpmontering <sup>2</sup>

## Avsnitt 3 Installation

### 3.1 Montering

#### **ANMÄRKNING:**

Använd monteringshålen för att installera USB-dosan. Gör inga hål i USB-dosans baksida eftersom det kan skada de interna komponenterna.

#### **ANMÄRKNING:**



Stäng USB-dosans kåpa och se till att kåpens skruvar är ordentligt åtdragna för att bibehålla höljetts miljöklassning.

Installera USB-dosan på en plats där kretsbrytareheten till styrenheten är lätt att manövrera. Installera USB-dosan på den plats som har högst Wi-Fi-signalstyrka. Använd en mobil enhet för att hitta den plats som har högst Wi-Fi-signalstyrka.

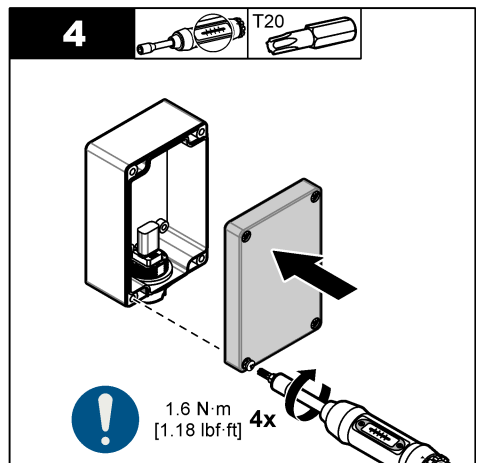
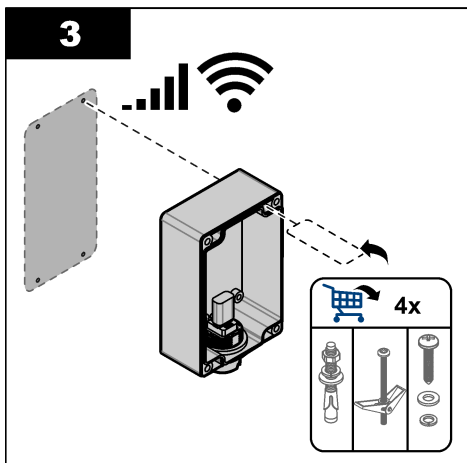
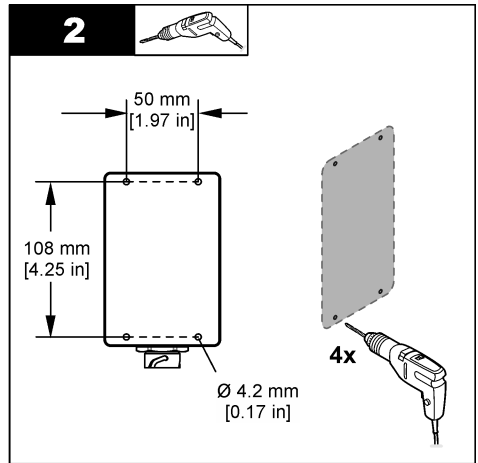
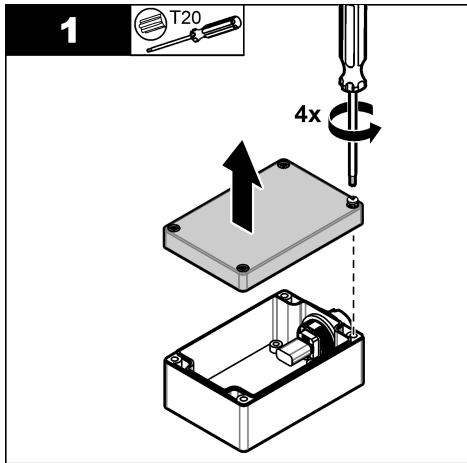
Montera USB-dosan på väggen, eller på en vertikal eller horisontell stolpe.

**Observera:** Utrustning för väggmontering tillhandahålls av användaren. Skruvar/fästningar måste vara anpassade för vägg-/takegenskaperna och ha tillräcklig belastningskapacitet.

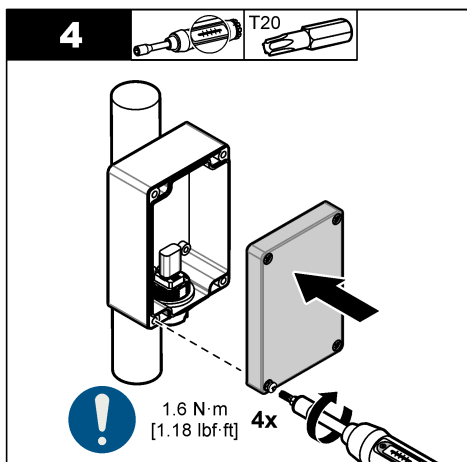
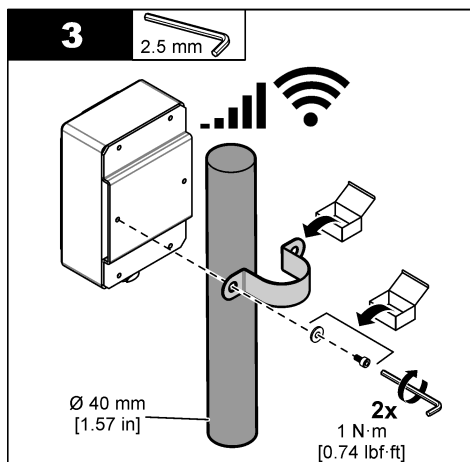
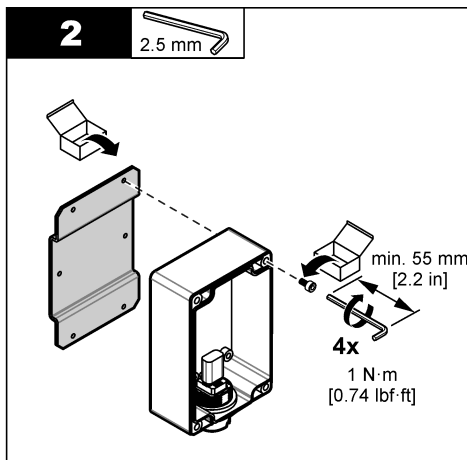
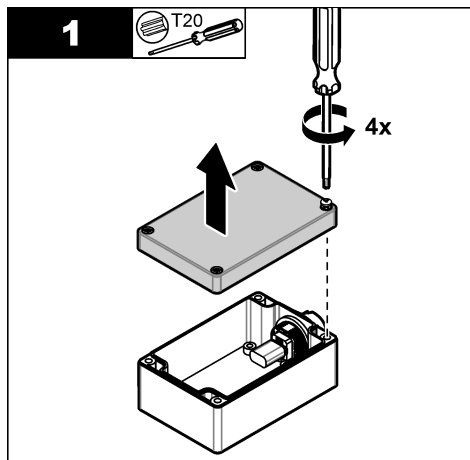
<sup>2</sup> Monteringsutrustningen är till för en stolpe med 40 mm (1,57 tum) i diameter.



Se de illustrerade stegen för väggmontering av USB-dosan.



Se de illustrerade stegen nedan för stolpmontering av USB-dosan.



### 3.2 Ansluta kabeln

#### ANMÄRKNING:

Tillverkaren rekommenderar användning av elektriska komponenter från tillverkaren, t.ex. strömledare, kontakter och dragavlastningar.

#### ANMÄRKNING:



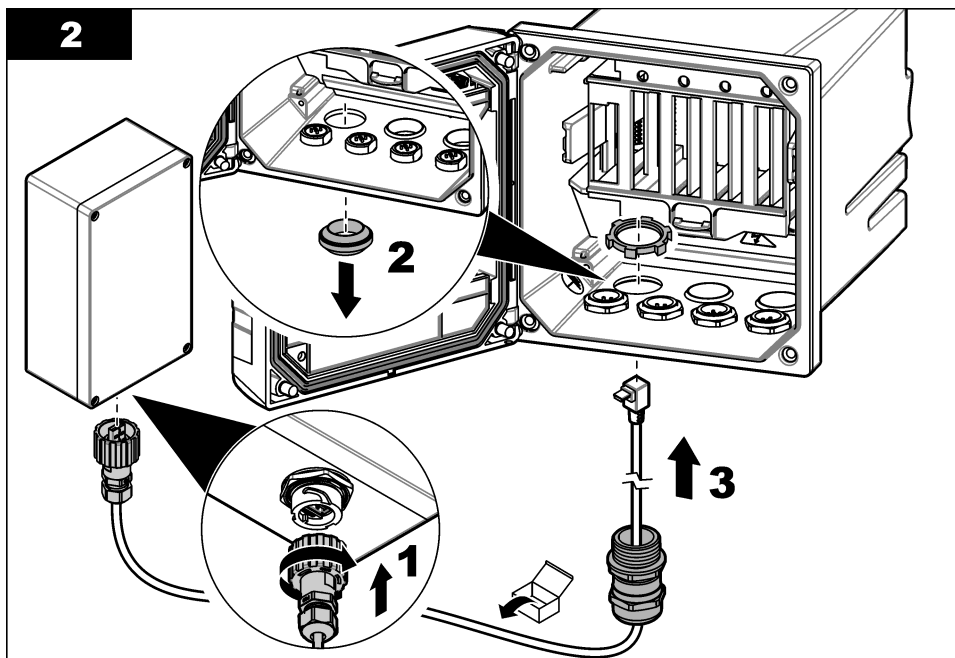
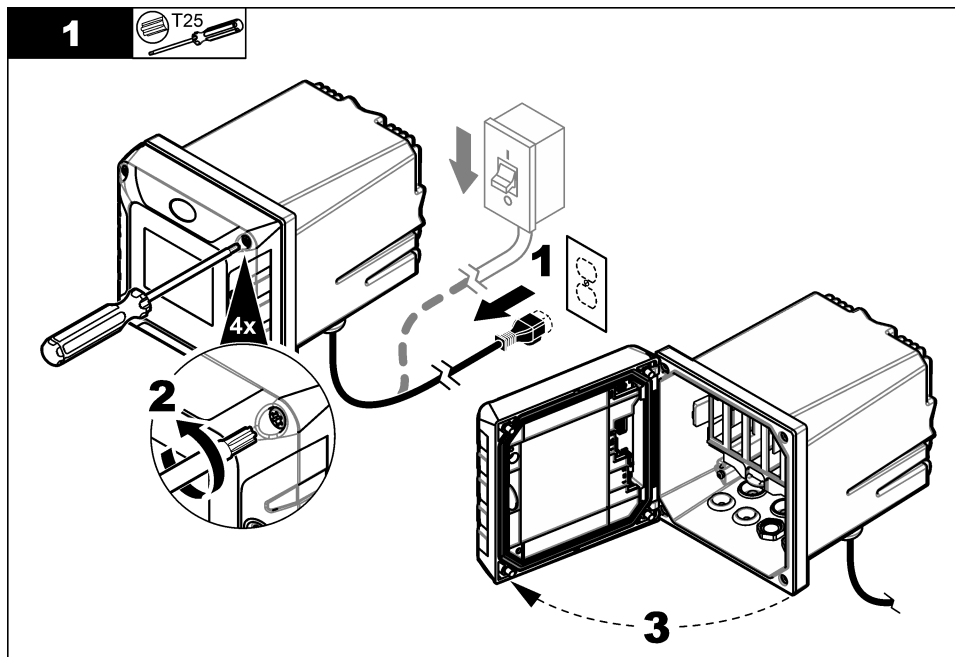
Se till att kabelhöljet går igenom insidan av skåpet för att bibehålla skåpets miljöklassning.

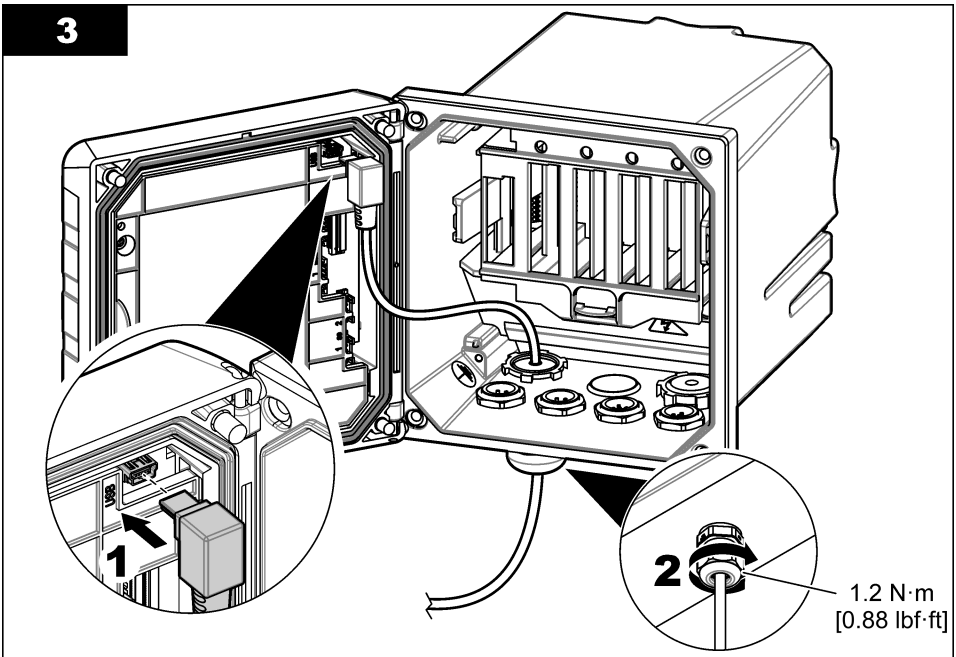
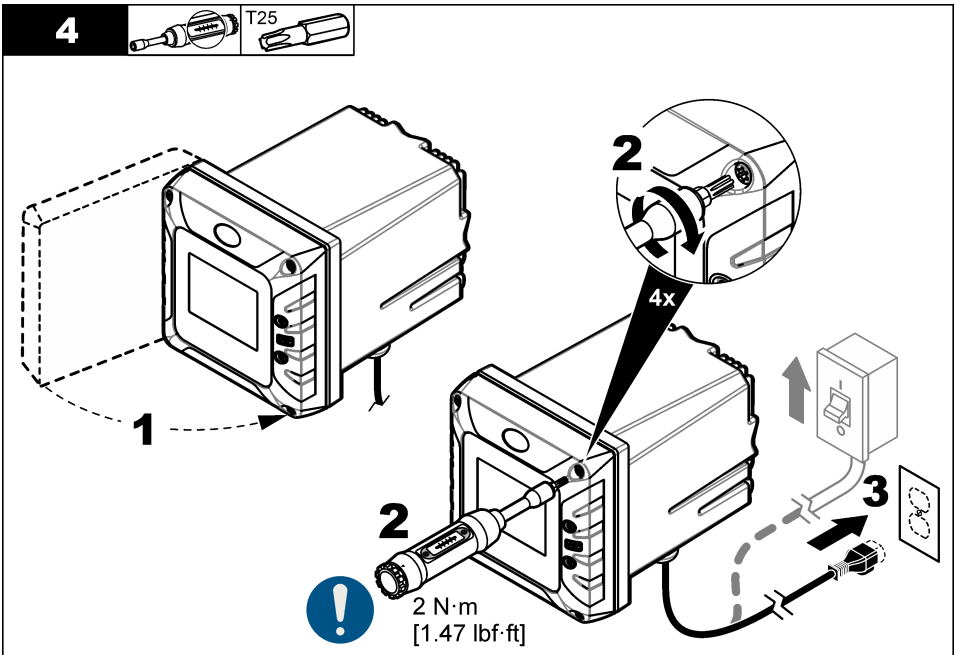
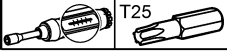
#### ANMÄRKNING:



Stäng styrenhetskåpan och se till att kåpans skruvar är ordentligt åtdragna för att bibehålla skåpets miljöklassning.

Anslut den medföljande kabel till USB-dosan och till styrenhetens interna USB-kontakt. Se de illustrerade stegen som följer.



**3****4**

## Avsnitt 4 Start

**Observera:** WiFi-kortet är fabriksmonterat och anslutet. Om det behövs, se [Byta ut WiFi-kortet](#) på sidan 133 om hur du byter ut WiFi-kortet.

Gör så här när installationen är klar:

1. Ta bort höljet från USB-dosan.
2. Sätt på strömmen till styrenheten.
3. Se till att WiFi-adaptorn är strömförande.
4. Vänta i minst fem minuter.
5. Undersök signalstyrkan och anslutningen. Läs mer i dokumentationen till styrenheten.
6. Sätt dit kåpan på USB-dosan.

## Avsnitt 5 Konfigurering

Instruktioner finns i dokumentationen för styrenheten. Se den utökade användarhandboken på tillverkarens webbplats för mer information.

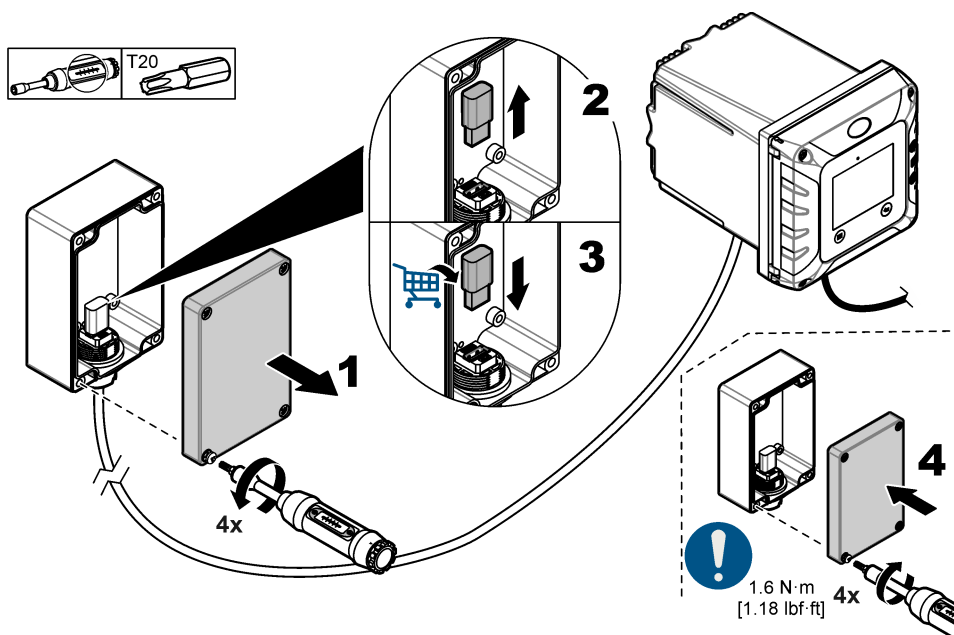
## Avsnitt 6 Underhåll

### 6.1 Byta ut WiFi-kortet

Om det behövs byter du ut WiFi-kortet. Se de illustrerade stegen i [Figur 2](#).

**Objekt att samla in:** WiFi-kort

**Figur 2** Byta ut WiFi-kortet



## Avsnitt 7 Tillbehör

### ⚠ VARNING



Risk för personskada. Användning av icke godkända delar kan orsaka personskador eller skador på maskinen eller utrustningen. Reservdelar i detta avsnitt är godkända av tillverkaren.

**Observera:** Produkt- och artikelnummer kan variera i olika försäljningsregioner. Kontakta lämplig återförsäljare eller se företagets webbsida för att få kontaktinformation.

Beskrivning	Produktnr
USB-dosans anslutningskabel, WiFi, 4,5 m	LXZ525.99.00019
Monteringsatts	8806200
WiFi USB-kort för USA, 2,4/5 GHz	LZY996
WiFi USB-kort för EU, 2,4/5 GHz	LZY997

# Sisällysluettelo

- 1 Tekniset tiedot sivulla 135
- 2 Yleistietoa sivulla 135
- 3 Asentaminen sivulla 140
- 4 Käynnistys sivulla 144

- 5 Asetukset sivulla 145
- 6 Huoltaminen sivulla 145
- 7 Lisävarusteet sivulla 146

## Osa 1 Tekniset tiedot

Tekniset tiedot voivat muuttua ilman ennakoilmoitusta.

Ominaisuus	Tiedot
Mitat (L x K x S)	80 x 120 x 55 mm (4,7 x 7,9 x 2,2 in)
Kotelointi	IP66 <sup>1</sup> , polykarbonaatti UL94-V0
Paino	169 g (0,37 lb)
Ympäristöhaittaluokka	4
Asennusluokka	I
Suojausluokka	III
Käyttölämpötila	-20...60 °C (-4...140 °F)
Säilytyslämpötila	-20...70 °C
Suhteellinen kosteus	0–95 %, tiivistymätön
Korkeus	Enintään 2 000 m (6 562 ft)
Tiedonsiirtovaihtoehdot	Wi-Fi-sovitin, jossa USB-liitin 2,4 GHz:n ja 5 GHz:n ISM-kaista
Sertifioinnit	CE, FCC, IC, UKCA
Takuu	1 vuosi (EU: 2 vuotta)

## Osa 2 Yleistietoa

Valmistaja ei ole missään tapauksessa vastuussa suorista, epäsuorista, erityisistä, tuottamuksellisista tai välillisistä vahingoista, jotka johtuvat mistään tämän käyttöohjeen virheestä tai puutteesta. Valmistaja varaa oikeuden tehdä tähän käyttöohjeeseen ja kuvaamaan tuotteeseen muutoksia koska tahansa ilman eri ilmoitusta tai velvoitteita. Päivitetty käyttöohjeet ovat saatavilla valmistajan verkkosivuilta.

### 2.1 Turvallisuustiedot

Valmistaja ei ole vastuussa mistään virheellisestä käytöstä aiheuvista vahingoista mukaan lukien rajoituksetta suorista, satunnaisista ja välillisistä vahingoista. Valmistaja sanoutuu irti tällaisista vahingoista soveltuvien lakien sallimissa rajoissa. Käyttäjä on yksin vastuussa sovellukseen liittyvien kriittisten riskien arvioinnista ja sellaisten asianmukaisten mekanismien asentamisesta, jotka suojaavat prosesseja laitteen toimintahäiriön aikana.

Lue nämä käyttöohjeet kokonaan ennen tämän laitteen pakkauksesta purkamista, asennusta tai käyttöä. Kiinnitä huomiota kaikkiin vaara- ja varotoimilausekkeisiin. Niiden laiminlyönti voi johtaa käyttäjän vakavaan vammaan tai laitteistovaurioon.

<sup>1</sup> Vain, kun USB-rasian liitäntäkaapeli on asennettu.

Jotta laitteen suojaus ei heikentyisi, sitä ei saa käyttää tai asentaa muuten kuin näissä ohjeissa kuvatulla tavalla.

### 2.1.1 Vaaratilanteiden merkintä

#### ▲ VAARA

Ilmoittaa mahdollisesti vaarallisesta tai välittömän vaaran aiheuttavasta tilanteesta, joka aiheuttaa kuoleman tai vakavan vamman.

#### ▲ VAROITUS

Ilmoittaa potentiaalisesti tai uhkaavasti vaarallisen tilanteen, joka, jos sitä ei vältetä, voi johtaa kuolemaan tai vakavaan vammaan.

#### ▲ VAROTOIMI





Ilmoittaa mahdollisesti vaarallisesta tilanteesta, joka voi aiheuttaa lievän tai kohtalaisen vamman.

#### HUOMAUTUS

Ilmoittaa tilanteesta, joka saattaa aiheuttaa vahinkoa laitteelle. Nämä tiedot edellyttävät erityistä huomiota.

### 2.1.2 Varoitustarrat

Lue kaikki laitteen tarrat ja merkinnät. Ohjeiden laiminlyönnistä voi seurata henkilövamma tai laitevaurio. Laitteen symboliin viitataan käsikirjassa, ja siihen on liitetty varoitus.

	Tämä symboli, jos se on merkitty laitteeseen, viittaa laitteen käyttöohjeeseen käyttö- ja/tai turvallisuustietoja varten.
	Tämä symboli ilmoittaa sähköiskun ja/tai hengenvaarallisen sähköiskun vaarasta.
	Tämä symboli ilmoittaa, että laitteet ovat herkkiä sähköstaattisille purkauksille (ESD) ja että laitteita on varottava vahingoittamasta.
	Sähkölaitteita, joissa on tämä symboli, ei saa hävittää yleisille tai kotitalousjätteille tarkoitetuissa eurooppalaisissa jätteiden hävitysjärjestelmissä. Vanhat tai käytöstä poistetut laitteet voi palauttaa maksutta valmistajalle hävittämistä varten.

### 2.1.3 Sertifiointi

#### ▲ VAROITUS

Varoitimet sydämentahdistinta käyttäville henkilöille. Sähkömagneettisesta häirinnästä (EMI) voi aiheutua jokin seuraamus:

- Tahdistin lakkaa lähettämästä sydämen sykettä sääteleviä impulsseja.
- Tahdistimen impulssit muuttuvat epäsäännöllisiksi.
- Tahdistin ei tunnista sydämen sykettä vaan lähettää impulsseja määrättyssä tahdissa.



Viimeaikaisen tutkimuksen mukaan mobiililaitteet eivät aiheuta merkittävää terveysongelmaa useimpien sydämentahdistimia käyttävien joukossa. Sydämentahdistimia käyttävien on kuitenkin syytä varoa, että heidän laitteensa eivät aiheuta ongelmaa. Käyttäjän on pidettävä laite vähintään 20 cm:n (7,9 in.) etäisyydellä itsestään.



## ▲ VAROTOIMI



Elektromagneettisen säteilyn vaara. Varmista, että antenni on vähintään 20 cm:n (7,9 tuuman) etäisyydellä ihmisistä tavanomaisen käytön aikana. Antennia ei voi käyttää muiden antennien tai lähettimien kanssa.

## HUOMAUTUS

Tämä on luokan A tuote, joka on tarkoitettu käytettäväksi teollisuusympäristössä. Tämä tuote saattaa kotikäytössä aiheuttaa radiohäiriöitä, jolloin käyttäjän on ryhdyttävä asianmukaisiin toimenpiteisiin.

## HUOMAUTUS

Verkko- ja liitäntäpisteturvallisuus on langatonta laitetta käyttävän asiakkaan vastuulla. Valmistaja ei vastaa verkkoturvallisuusaukon tai -rikkomuksen aiheuttamista vahingoista, mukaan lukien mutta ei niihin rajoittuen epäsuorat, erityiset, välilliset ja satunnaiset vahingot.

### RF-laitteiden säädöstenmukaisuus: Yhdysvallat ja Kanada

Sisältää Wi-Fi–USB-sovittimen: LM808 (LM technologies)

FCC ID: VVX808-04XX

IC: 10531A-80804XX

Taulukko 1 Wi-Fi-sovittimen virta

Tekniset tiedot, numero ja päivämäärä	Taajuusalue (MHz)	Päästömerkintä	Radiotaajuuden teho (wattia)	Antenni
RSS-247, numero 2, 02/2017	5180–5240	17M1D1D	0,005	Kiinteä, 4,7 dBi
RSS-247, numero 2, 02/2017	5210	75M8D1D	0,005	Kiinteä, 4,7 dBi
RSS-247, numero 2, 02/2017	5745–5825	17M9D1D	0,005	Kiinteä, 4,7 dBi
RSS-247, numero 2, 02/2017	5775	75M6D1D	0,004	Kiinteä, 4,7 dBi
RSS-247, numero 2, 02/2017	2412–2462	15M0D1D	0,027	Kiinteä, 0,1 dBi
RSS-247, numero 2, 02/2017	2412–2462	16M5D1D	0,016	Kiinteä, 0,1 dBi
RSS-247, numero 2, 02/2017	2422–2452	35M1D1D	0,011	Kiinteä, 0,1 dBi

### Wi-Fi–USB-sovitin LM808 – Tärkeät FCC:n hyväksyntää koskevat ehdot:

Ilmoitettu teho on toteutettu. USB-sovittimen SAR-vaatimustenmukaisuus on arvioitu tässä tiedostossa kuvatulla tavalla. Lähettimen antennit eivät saa lähettää samanaikaisesti minkään muun antennin tai lähettimen kanssa. Poikkeuksena tästä ovat FCC:n hyväksymät monilähetinmenetelmät tai tässä tiedostossa kuvatut tavat. Suurin ilmoitettu SAR-arvo on 0,26 W/kg. Tässä laitteessa on 20 MHz:n ja 40 MHz:n kaistanleveystillat.

### RF-laitteiden säädöstenmukaisuus: EU

Sisältää Wi-Fi–USB-sovittimen LM808

**Taulukko 2 Taajuusalueet**

Ominaisuus	Tiedot
Taajuusalue	2,4 GHz:n ISM-kaista
	5 GHz:n ISM-kaista
RF-lähtöteho (toleranssi $\pm 2$ dBm)	17 dBm, 802.11b nopeudella 11 Mbit/s
	15 dBm, 802.11g nopeudella 54 Mbit/s
	13 dBm, 802.11a nopeudella 54 Mbit/s
	13 dBm, 802.11n, MCS7_HT20
	13 dBm, 802.11n, MCS7_HT40
	11 dBm, 802.11ac, NSS1 MCS9_BW20, BW40, BW80
	-82 dBm, 802.11b nopeudella 11 Mbit/s – 71 dB0, 802.11g nopeudella 54 Mbit/s
Vastaanottimen herkkyys	-67 dBm, 802.11n, MCS7_BW20
	-64 dBm, 802.11n, MCS7_BW40
	-57 dBm, 802.11ac, NSS1_MCS9_BW20
	-54 dBm, 802.11ac, MSS1_MCS9_BW40
	-51 dBm, 802.11ac, MSS1_MCS9_BW80

**Kanada (IC)**

Sisältää Wi-Fi-USB-sovittimen: LM808 (LM technologies), IC: 10531A-80804XX

Tämä luokan (A) digitaalinen laite on Kanadan ICES-003-standardin mukainen. Tämä laite vastaa Industry Canadan lisenssiä RSS-standardeja lukuun ottamatta. Laitteen toimintaa säätelevät seuraavat ehdot:

- (1) Tämä laite ei saa aiheuttaa radiotaajuushäiriöitä eikä
- (2) tämä laite saa vastaanottaa häiriöitä, mukaan lukien häiriöt, jotka saattavat aiheuttaa epätoivottua toimintaa.

*Cet appareil numérique de la classe (A) respect toutes les exigences de la norme NMB-003 du Canada. Le présent appareil est conforme aux CNR d'Industrie Canada applicables aux appareils radio exempts de licence. L'exploitation est autorisée aux deux conditions suivantes:*

- (1) *l'appareil ne doit pas produire de brouillage, et*
- (2) *l'utilisateur de l'appareil doit accepter tout brouillage radioélectrique subi, même si le brouillage est susceptible d'en compromettre le fonctionnement.*

**Yhdysvallat (FCC)**

Sisältää Wi-Fi-USB-sovittimen: LM808 (LM technologies), FCC ID: VVX808-04XX

Muutokset, joita tämä yritys ei ole nimenomaisesti hyväksynyt, voivat mitätöidä käyttäjän oikeuden käyttää tätä laitetta (FCC-säädösten osa 15.21).

Tämä laite on testattu ja sen on todettu olevan luokan A digitaalinen laite, joka vastaa FCC-säädösten osaa 15. Nämä rajoitukset on laadittu antamaan kohtuullinen suoja haitallisilta häiriöiltä, kun laitetta käytetään kaupallisessa ympäristössä. Tämä laite kehittää, käyttää ja saattaa säteillä radiotaajuusenergiaa, ja näiden ohjeiden vastaisesti asennettuna tai käytettynä se saattaa aiheuttaa haitallisia häiriöitä radioliikenteeseen. Tämän laitteen käyttö asuinalueella aiheuttaa todennäköisesti haitallisia häiriöitä, missä tapauksessa käyttäjän on korjattava tilanne omalla kustannuksellaan (FCC-säädösten osa 15.105).

**Multitechin RF-moduuli – FCC/IC-säädöksiin liittyvät ilmoitukset**  
**Muutoksia koskeva lauseke**

LM technologies ei ole hyväksynyt käyttäjän tekemiä muutoksia tähän laitteeseen. Mikä tahansa muutos voi mitätöidä käyttäjän oikeuden käyttää laitetta.

*LM technologies n'approuve aucune modification apportée à l'appareil par l'utilisateur, quelle qu'en soit la nature. Tout changement ou modification peut annuler le droit d'utilisation de l'appareil par l'utilisateur.*

### **Häiriöitä koskeva lauseke**

Tämä laite on FCC-säädösten osan 15 ja Industry Canada -lisenssin mukainen RSS-standardeja lukuun ottamatta. Laitteen toimintaa säätelevät seuraavat ehdot: (1) tämä laite ei saa aiheuttaa radiotaajuushäiriöitä eikä (2) tämä laite saa vastaanottaa häiriöitä, mukaan lukien häiriöt, jotka saattavat aiheuttaa epätoivottua toimintaa.

*Le présent appareil est conforme aux CNR d'Industrie Canada applicables aux appareils radio exempts de licence. L'exploitation est autorisée aux deux conditions suivantes : (1) l'appareil ne doit pas produire de brouillage, et (2) l'utilisateur de l'appareil doit accepter tout brouillage radioélectrique subi, même si le brouillage est susceptible d'en compromettre le fonctionnement. Cet appareil est conforme aux limites d'exposition aux rayonnements de la IC pour un environnement non contrôlé.*

### **FCC:n 5G-lauseke:**

LE-LAN-laitteita saa käyttää vain sisätiloissa taajuusalueella 5150–5250 MHz

### **Euroopan radiolaitedirektiivi (RED)**



5,15–5,35 GHz:n Wi-Fi-kaista on tarkoitettu vain sisäkäyttöön seuraavissa maissa:

**Taulukko 3 Euroopan maat**

Andorra (AD)	Tanska (DK)	Irlanti (IE)	Montenegro (ME)	Slovakia (SK)
Itävalta (AT)	Viro (EE)	Italia (IT)	Alankomaat (NL)	Slovenia (SL)
Belgia (BE)	Suomi (FI)	Latvia (LV)	Norja (NO)	Espanja (ES)
Bosnia ja Hertsegovina (BA)	Ranska (FR)	Liechtenstein (LI)	Puola (PL)	Ruotsi (SE)
Bulgaria (BG)	Saksa (DE)	Liettua (LT)	Portugali (PT)	Sveitsi (CH)
Kroatia (HR)	Kreikka (GR)	Luxemburg (LU)	Romania (RO)	Makedonia (MK)
Kypros (CY)	Unkari (HU)	Malta (MT)	San Marino (SM)	Yhdistynyt kuningaskunta (GB)
Tšekin tasavalta (CZ)	Islanti (IS)	Monaco (MC)	Serbia (RS)	Vatikaanivaltio (VA)

## **2.2 Tuotteen yleiskuvaus**

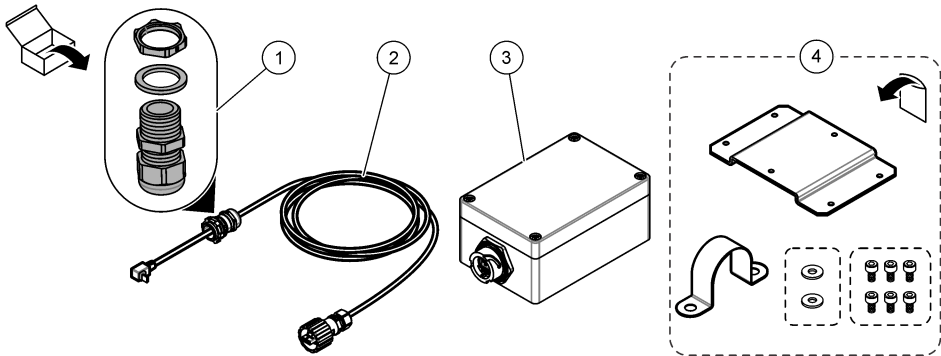
Ulkoista USB-rasiaa käytetään USB-laitteen liittämiseen SC4500-ohjaimen (esim. Wi-Fi-sovittimeen).

**Huomautus:** Kaikki osat (esim. sovitin ja sisäiset liitännät) on koottu tehtaalla.

## 2.3 Tuotteen osat

Varmista, että laitteen mukana on toimitettu kaikki tarvittavat osat. Katso [Kuva 1](#). Jos jokin tarvikkeista puuttuu tai on viallinen, ota välittömästi yhteys valmistajaan tai toimittajaan.

**Kuva 1 Tuotteen osat**



1 Vedonpoistaja, aluslevy ja mutteri	3 USB-rasia
2 USB-rasian liitäntäkaapeli	4 Pylväsasennustarvikkeet <sup>2</sup>

## Osa 3 Asentaminen

### 3.1 Kiinnitys

#### **HUOMAUTUS**

Asenna USB-rasia asennusreikien avulla. Älä tee reikiä USB-rasian takaosaan, sillä laitteen sisäiset osat voivat vaurioitua.

#### **HUOMAUTUS**



Sulje USB-rasian kansi ja varmista, että kannen ruuvit ovat kireällä, jotta kotelon ympäristöluokitus säilyy.

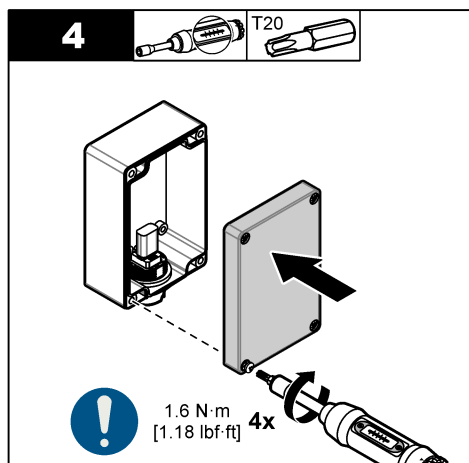
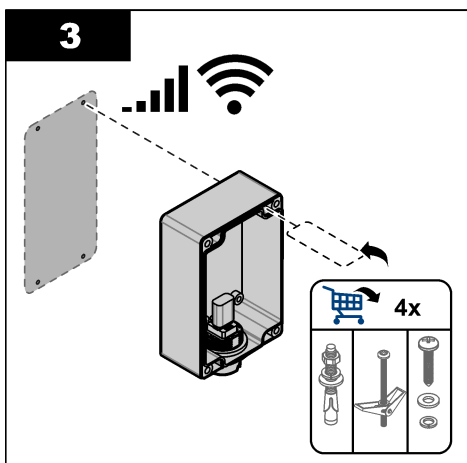
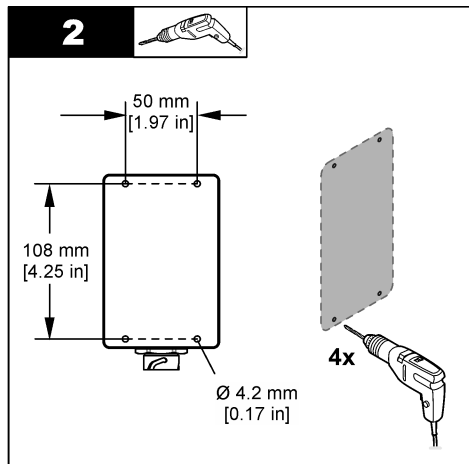
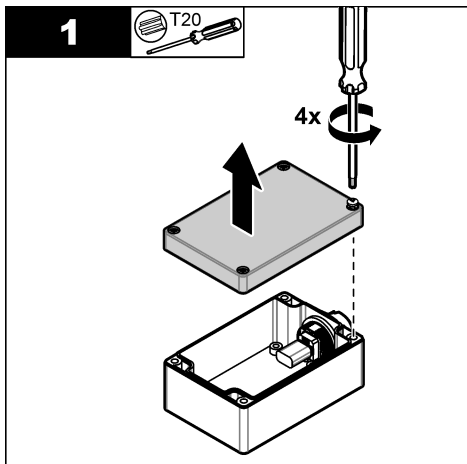
Asenna USB-rasia paikkaan, josta sen virrankatkaisinta on helppo käyttää. Asenna USB-rasia paikkaan, jossa Wi-Fi-signaali on mahdollisimman voimakas. Käytä mobiililaitetta operaattoria, ja etsi paikka, jossa Wi-Fi-signaali on mahdollisimman voimakas.

Kiinnitä USB-rasia seinään tai pystysuuntaiseen tai vaakasuuntaiseen pylväaseen.

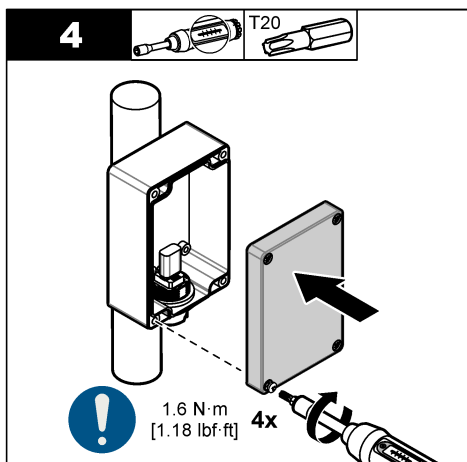
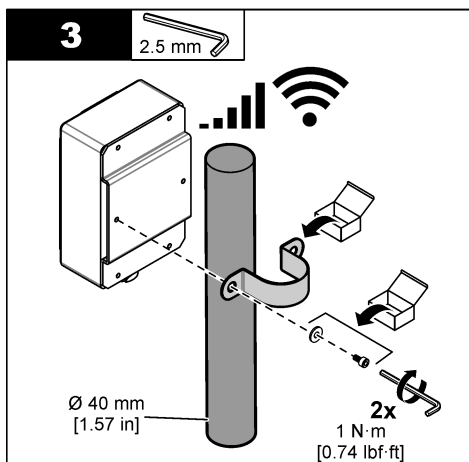
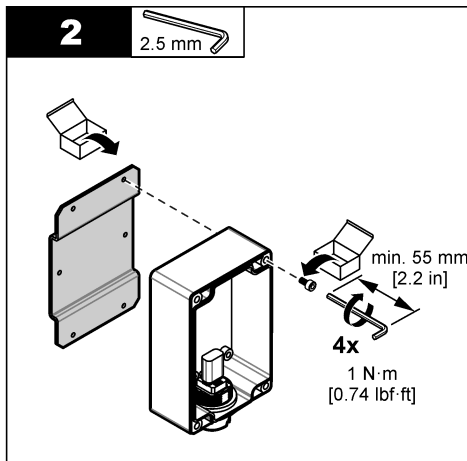
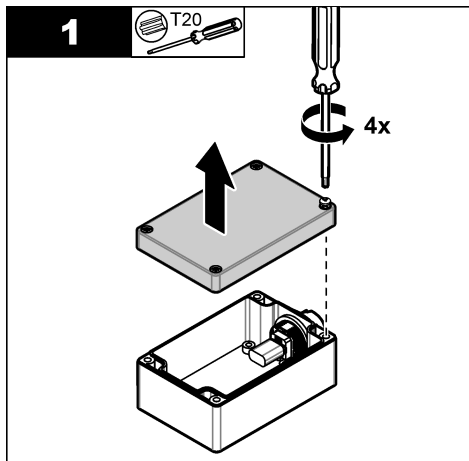
**Huomautus:** Seinäkiinnitysvälineiden hankkiminen on käyttäjän vastuulla. Ruuvit ja liitokset on valittava seinän ja katon ominaisuuksien mukaan, ja niiden kantokyvyyn on oltava riittävä.

<sup>2</sup> Pylväsasennustarvikkeet on tarkoitettu halkaisijaltaan 40 mm:n (1,57 tuuman) pylväälle.

Katso USB-rasian seinäasennusta koskevat kuvitetut vaiheet.



Katso USB-rasian pylväsasennusta koskevat kuvitetut vaiheet.



## 3.2 Kaapelin kytkeminen

### HUOMAUTUS

Valmistaja suosittelee käyttämään valmistajan toimittamia sähkökomponentteja, kuten virtajohtoa, liittimiä ja vedonpoistajaa.

### HUOMAUTUS



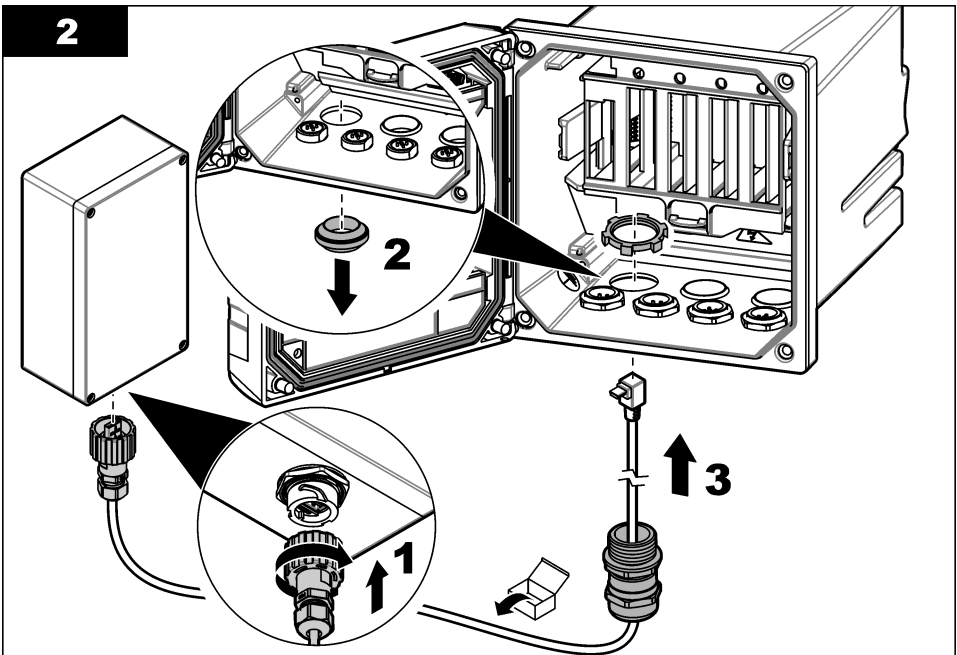
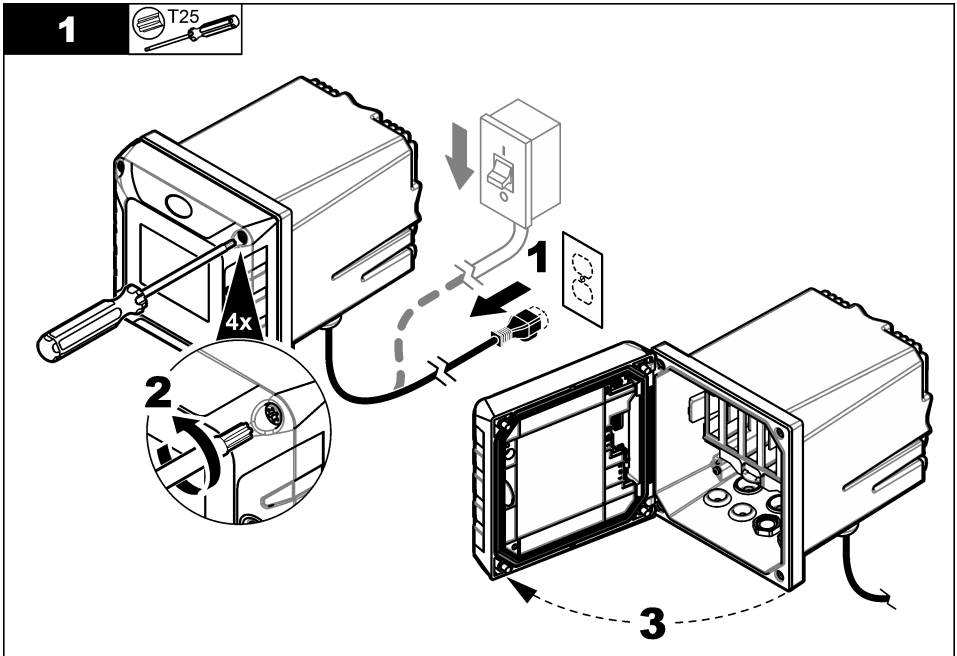
Varmista, että kaapelin suojus kulkee kotelon sisäosan läpi, jotta kotelon ympäristöluokitus säilyy.

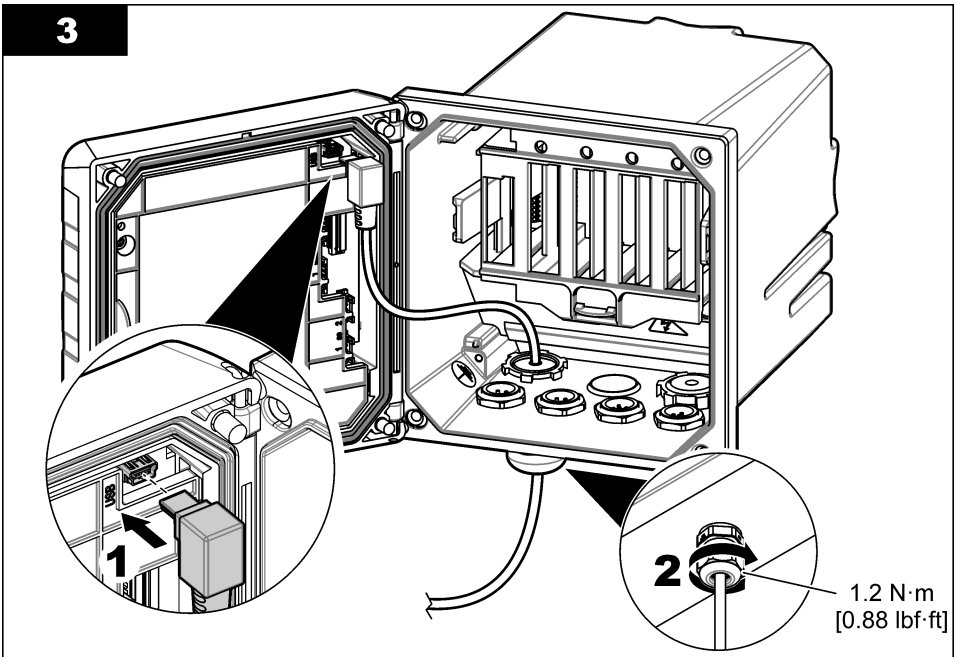
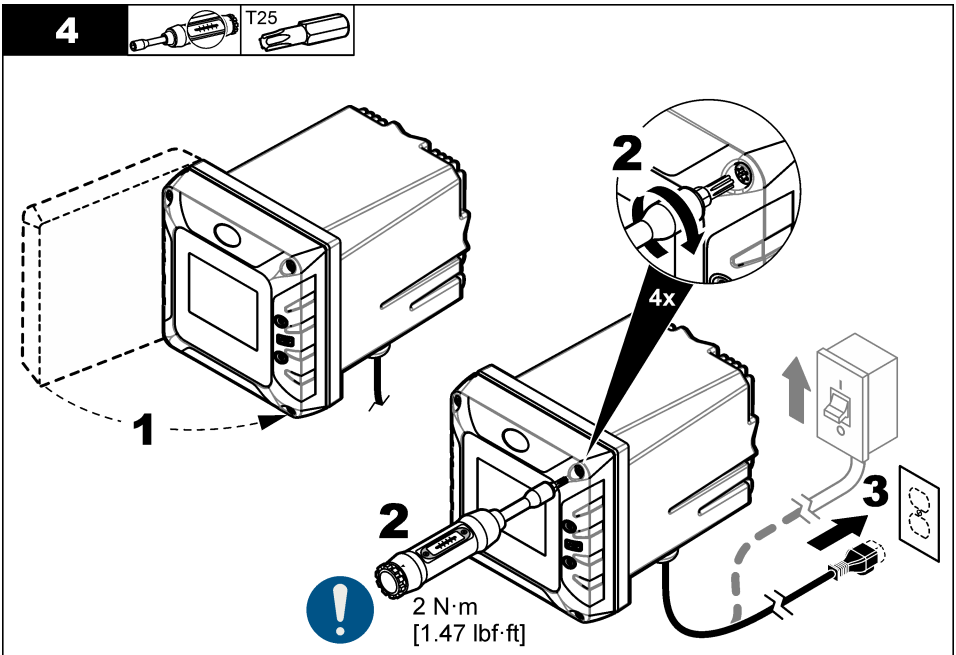
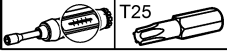
### HUOMAUTUS



Sulje ohjaimen kansi ja varmista, että kannen ruuvit ovat kireällä, jotta kotelon ympäristöluokitus säilyy.

Kytke mukana toimitettu kaapeli USB-rasiaan ja ohjaimen sisäiseen USB-liitäntään. Lue seuraavat kuvaohjeet.



**3****4**

## Osa 4 Käynnistys

**Huomautus:** Wi-Fi-sovitin on koottu ja yhdistetty tehtaalla. Katso tarvittaessa ohjeet Wi-Fi-sovittimen vaihtamiseen kohdasta [Wi-Fi-sovittimen vaihtaminen](#) sivulla 145.



Toimi seuraavasti asennuksen jälkeen:

1. Irrota USB-rasian kansi.
2. Kytke virta ohjaimen.
3. Varmista, että WiFi-sovittimeen on kytketty virta.
4. Odota vähintään 5 minuuttia.
5. Tarkista signaalin voimakkuus ja verkkoyhteyden kunto. Katso lisäohjeita ohjaimen dokumentaatiosta.
6. Asenna USB-rasian kansi.

## Osa 5 Asetukset

Lue ohjeet ohjaimen asiakirjoista. Katso lisätietoja valmistajan sivustolla olevasta laajennetusta käyttöoppaasta.

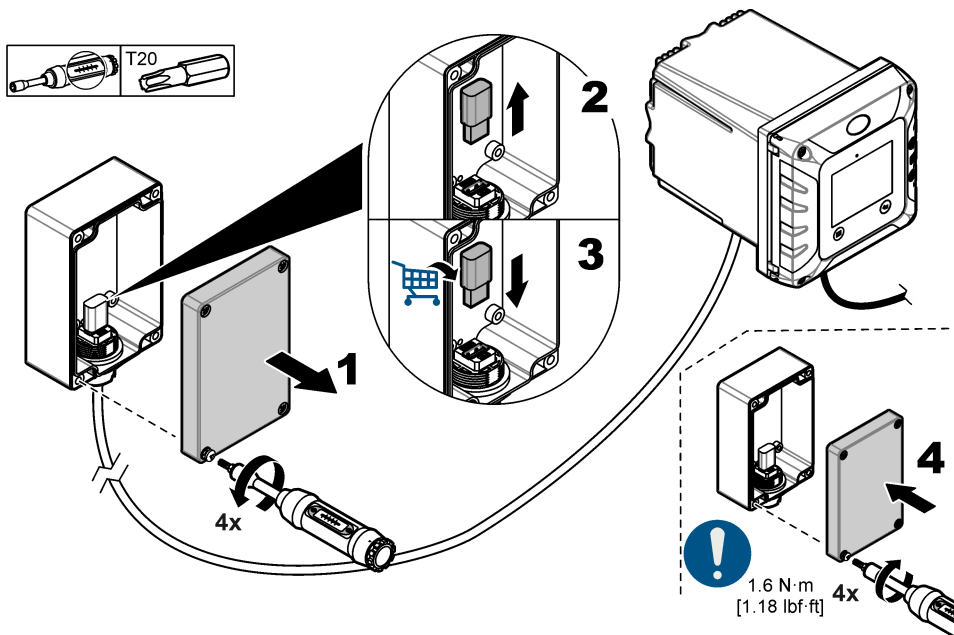
## Osa 6 Huoltaminen

### 6.1 Wi-Fi-sovittimen vaihtaminen

Vaihda Wi-Fi-sovitin tarvittaessa. Katso kuvitetut vaiheet kohdasta [Kuva 2](#).

**Tarvittavat osat:** Wi-Fi-sovitin

**Kuva 2 Wi-Fi-sovittimen vaihtaminen**



## Osa 7 Lisävarusteet

### ⚠ VAROITUS



Henkilövahinkojen vaara. Hyväksymättömien osien käyttö voi aiheuttaa henkilövahingon tai laitteen toimintahäiriön tai vaurioittaa laitetta. Tässä osassa esitellyt varaosat ovat valmistajan hyväksymiä.

**Huomautus:** Tuote- ja artikkelinumerot voivat vaihdella joillain markkina-alueilla. Ota yhteys asianmukaiseen jälleenmyyjään tai hae yhteystiedot yhtiön Internet-sivustolta.

Kuvaus	Osanumero
USB-rasian liitäntäkaapeli, WiFi, 4,5 m	LXZ525.99.00019
Asennustarvikesarja	8806200
Wi-Fi-USB-sovitin (Yhdysvallat), 2,4/5 GHz	LZY996
Wi-Fi-USB-sovitin (EU), 2,4/5 GHz	LZY997

## Съдържание

- |                                   |                                |
|-----------------------------------|--------------------------------|
| 1 Спецификации на страница 147    | 5 Конфигурация на страница 157 |
| 2 Обща информация на страница 147 | 6 Поддръжка на страница 157    |
| 3 Инсталиране на страница 152     | 7 Аксесоари на страница 158    |
| 4 Стартване на страница 156       |                                |

## Раздел 1 Спецификации

Спецификациите подлежат на промяна без уведомяване.

Спецификация	Подробности
Размери (Ш x В x Д)	80 x 120 x 55 mm (4,7 x 7,9 x 2,2 in)
Корпус	IP66 <sup>1</sup> , поликарбонат UL94-V0
Тегло	169 g (0,37 lb)
Степен на замърсяване	4
Категория на инсталацията	I
Клас на защита	III
Работна температура	-20 до 60°C (-4 до 140°F)
Температура на съхранение	-20 до 70°C
Относителна влажност	От 0 до 95%, без конденз
Надморска височина	Максимум 2000 m (6562 ft)
Опции за комуникация	Wi-Fi адаптер с USB конектор 2,4 GHz и 5 GHz ISM лента
Сертификати	CE, FCC, IC, UKCA
Гаранция	1 година (ЕС: 2 години)

## Раздел 2 Обща информация

При никакви обстоятелства производителят няма да носи отговорност за преки, непреки, специални, инцидентни или последващи щети, които са резултат от дефект или пропуск в това ръководство. Производителят си запазва правото да прави промени в това ръководство и в описаните в него продукти във всеки момент и без предупреждение или поемане на задължения. Коригираните издания можете да намерите на уебсайта на производителя.

### 2.1 Информация за безопасността

Производителят не носи отговорност за никакви повреди, възникнали в резултат на погрешно приложение или използване на този продукт, включително, без ограничения, преки, случайни или възникнали впоследствие щети, и се отхвърля всяка отговорност към такива щети в пълната позволена степен от действащото законодателство. Потребителят носи пълна отговорност за установяване на критични за приложението рискове и монтаж на подходящите механизми за подсигуряване на процесите по време на възможна неизправност на оборудването.

Моля, внимателно прочетете ръководството преди разопаковане, инсталиране и експлоатация на оборудването. Обръщайте внимание на всички твърдения за опасност и предпазливост.

<sup>1</sup> Само при монтиран свързващ кабел на USB кутията.

Пренебрегването им може да доведе до сериозни наранявания на оператора или повреда на оборудването.

(Уверете се, че защитата, осигурена от това оборудване, не е занижена. Не го използвайте и не го монтирайте по начин, различен от определения в това ръководство.

### 2.1.1 Използване на информация за опасностите

#### ▲ ОПАСНОСТ

Указва наличие на потенциална или непосредствена опасна ситуация, която, ако не бъде избегната, ще предизвика смърт или сериозно нараняване.

#### ▲ ПРЕДУПРЕЖДЕНИЕ

Указва потенциално или непосредствено опасна ситуация, която, ако не бъде избегната, може да доведе до смърт или сериозно нараняване.

#### ▲ ВНИМАНИЕ





Указва наличие на потенциално опасна ситуация, която може да предизвика леко или средно нараняване.

#### Забележка

Показва ситуация, която ако не бъде избегната, може да предизвика повреда на инструмента. Информация, която изисква специално изтъкване.


### 2.1.2 Предупредителни надписи

Прочетете всички надписи и етикети, поставени на инструмента. Неспазването им може да доведе до физическо нараняване или повреда на инструмента. Символът върху инструмента е описан в ръководството с препоръка за повишено внимание.


	Ако е отбелязан върху инструмента, настоящият символ означава, че е необходимо да се направи справка с ръководството за работа и/или информацията за безопасност.
	Този символ показва, че съществува риск от електрически удар и/или късо съединение.
	Този символ обозначава наличието на устройства, които са чувствителни към електростатичен разряд (ESD) и посочва, че трябва да сте внимателни, за да предотвратите повреждането на оборудването.
	Електрическо оборудване, което е обозначено с този символ, не може да бъде изхвърляно в европейските частни или публични системи за изхвърляне на отпадъци. Оборудването, което е остаряло или е в края на жизнения си цикъл, трябва да се връща на производителя, без да се начисляват такси върху потребителя.

## 2.1.3 Сертифициране

### ▲ ПРЕДУПРЕЖДЕНИЕ

	<p>Предпазни мерки във връзка с пейсмейкъри. При възникването на електромагнитни смущения (EMI) това може да:</p> <ul style="list-style-type: none"><li>• Спре стимулиращите импулси от пейсмейкъра, които контролират ритъма на сърцето.</li><li>• Доведе до нередовно подаване на импулси от пейсмейкъра.</li><li>• Доведе до пренебрегване на ритъма на сърцето и подаване на импулси при зададен интервал от пейсмейкъра.</li></ul> <p>Текущо изследване показва, че клетъчните устройства не представляват сериозен проблем за здравето за повечето потребители на пейсмейкъри. Въпреки това лицата с пейсмейкъри трябва да използват предпазни мерки, за да са сигурни, че устройството не причинява проблем. Поддържайте 20 cm (7,9 in) минимално разстояние между устройството и потребителя.</p>
---	---

### ▲ ВНИМАНИЕ

	<p>Опасност от електромагнитно излъчване. Уверете се, че по време на обичайна употреба антената е разположена на разстояние поне 20 cm (7,9 инча.) от всички служители. Антената не може да бъде разположена или управлявана съвместно с друга антена или трансмитери.</p>
---	--

### Забележка

Този продукт е с клас А и е предназначен за употреба в промишлена среда. В домашна среда този продукт може да причини радиосмущения, като заради това може да се наложи потребителят да вземе подходящи мерки.

### Забележка

Клиент, който използва инструмент с безжична мрежова връзка, отговаря за безопасността на мрежата и на точката за достъп. Производителят не носи отговорност за каквито и да било щети, включително, но не само косвени, специални, случайни или последващи щети, които са причинени от пробив или нарушаване на безопасността на мрежата.

**Разрешения от регулаторните органи за радиочестотно (RF) устройство: САЩ и Канада**  
Съдържа Wi-Fi USB адаптер: LM808 от LM technologies

ИД на FCC: VVX808-04XX

IC: 10531A-80804XX

**Таблица 1 Захранване за Wi-Fi адаптер**

Спецификации, издание и дата	Честотен диапазон (MHz)	Обозначение на емисии	Радиочестотна мощност (вата)	Антенa
RSS-247, издание 2, 02.2017 г.	5180 - 5240	17M1D1D	0,005	Вградена, 4,7 dBi
RSS-247, издание 2, 02.2017 г.	5210	75M8D1D	0,005	Вградена, 4,7 dBi
RSS-247, издание 2, 02.2017 г.	5745 - 5825	17M9D1D	0,005	Вградена, 4,7 dBi
RSS-247, издание 2, 02.2017 г.	5775	75M6D1D	0,004	Вградена, 4,7 dBi
RSS-247, издание 2, 02.2017 г.	2412 - 2462	15M0D1D	0,027	Вградена, 0,1 dBi

**Таблица 1 Захранване за Wi-Fi адаптер (продължава)**

Спецификации, издание и дата	Честотен диапазон (MHz)	Обозначение на емисии	Радиочестотна мощност (вата)	Антенa
RSS-247, издание 2, 02.2017 г.	2412 - 2462	16M5D1D	0,016	Вградена, 0,1 dBi
RSS-247, издание 2, 02.2017 г.	2422 - 2452	35M1D1D	0,011	Вградена, 0,1 dBi

**Wi-Fi USB адаптер LM808 – важни условия на предоставяне на разрешение от FCC:**

Предават се сигнали с посочената мощност. Съответствие със SAR за USB донгъл е оценено според посоченото в тази регистрация. Антените, използвани за този предавател, не трябва да предават едновременно с друга антена или предавател, освен ако не е в съответствие с процедурите на FCC за продукт с няколко предавателя или според описаното в тази регистрация. Най-високата стойност на SAR е 0,26 W/kg. Това устройство има режими на честотна лента 20 MHz и 40 MHz.

**Разрешения от регулаторните органи за радиочестотно (RF) устройство: EC**

Съдържа Wifi USB адаптер: LM808

**Таблица 2 Честотни ленти**

Спецификация	Подробности
Честотна лента	2,4 GHz ISM лента
	5 GHz ISM лента
Радиочестотна изходна мощност (допуск $\pm 2$ dBm)	17 dBm, 802.11b при 11 Mbps
	15 dBm, 802.11g при 54 Mbps
	13 dBm, 802.11a при 54 Mbps
	13 dBm, 802.11n при MCS7_HT20
	13 dBm, 802.11n при MCS7_HT40
	11 dBm, 802.11ac при NSS1 MCS9_BW20, BW40, BW80
	- 82 dBm, 802.11b при 11 Mbps - 71 dB0, 802.11g при 54 MBps
Чувствителност на приемника	- 67 dBm, 802.11n при MCS7_BW20
	- 64 dBm, 802.11n при MCS7_BW40
	- 57 dBm, 802.11ac при NSS1_MCS9_BW20
	- 54 dBm, 802.11ac при MSS1_MCS9_BW40
	- 51 dBm, 802.11ac при MSS1_MCS9_BW80

**Канада (IC)**

Съдържа Wifi USB адаптер: LM808 от LM technologies IC: 10531A-80804XX

Този клас (A) цифрови апарати съответства на канадския ICES-003. Това устройство съответства на RSS стандарта(ите), освобождаващи от изискването за лицензиране на Министерството на промишлеността на Канада. Работата му съответства на следните две условия:

(1) това устройство не трябва да причинява смущения, и

(2) това устройство трябва да може да приема всякакви смущения, включително смущенията, които биха могли да причинят нежелано действие на устройството.

*Cet appareil numérique de la classe (A) respect toutes les exigences de la norme NMB-003 du Canada. Le présent appareil est conforme aux CNR d'Industrie Canada applicables aux appareils radio exempts de licence. L'exploitation est autorisée aux deux conditions suivantes:*

(1) *l'appareil ne doit pas produire de brouillage, et*

(2) *l'utilisateur de l'appareil doit accepter tout brouillage radioélectrique subi, même si le brouillage est susceptible d'en compromettre le fonctionnement.*

### **САЩ (FCC)**

Съдържа Wifi USB адаптер: LM808 от LM technologies ИД на FCC: VVX808-04XX

Модификации, които не са изрично разрешени от тази компания, биха анулирали разрешението на потребителя да използва това оборудване (FCC, част 15.21).

Оборудването е тествано, като е установена неговата съвместимост с ограниченията за цифрово устройство клас „А“, в съответствие с част 15 от правилника на FCC. Тези ограничения са предназначени да осигурят разумна защита срещу вредни смущения при работа на оборудването, когато това става в търговска среда. Това оборудване генерира, използва и може да излъчва високочестотна електромагнитна енергия и ако не е монтирано правилно и използвано в съответствие с инструкциите, може да причини вредни смущения на радиокомуникациите. Експлоатацията на това оборудване в населени участъци е вероятно да предизвика неблагоприятни смущения, като в такива случаи от потребителя се изисква да предприеме за своя сметка мерки, необходими за елиминиране на смущенията (FCC, част 15.105).

### **Регулаторни забележки по FCC/IC за радиочестотния модул Multitech**

#### **Декларация за модификации**

Не е разрешено от LM technologies да се правят каквито и да било промени или модификации на това устройство от потребителя. Всички промени или модификации биха анулирали разрешението на потребителя да използва оборудването.

*LM technologies n'approuve aucune modification apportée à l'appareil par l'utilisateur, quelle qu'en soit la nature. Tout changement ou modification peuvent annuler le droit d'utilisation de l'appareil par l'utilisateur.*

#### **Декларация за смущения**

Това устройство съответства на част 15 от FCC разпоредбите и RSS стандарта(ите), освобождаващи от изискването за лицензиране на Министерството на промишлеността на Канада. Работата му съответства на следните две условия: (1) това устройство не трябва да причинява смущения, и (2) това устройство трябва да може да приема всякакви смущения, включително смущенията, които биха могли да причинят нежелано действие на устройството.

*Le présent appareil est conforme aux CNR d'Industrie Canada applicables aux appareils radio exempts de licence. L'exploitation est autorisée aux deux conditions suivantes : (1) l'appareil ne doit pas produire de brouillage, et (2) l'utilisateur de l'appareil doit accepter tout brouillage radioélectrique subi, même si le brouillage est susceptible d'en compromettre le fonctionnement. Cet appareil est conforme aux limites d'exposition aux rayonnements de la IC pour un environnement non contrôlé.*

#### **Декларация за 5G на FCC:**

Устройствата LE-LAN са ограничени до работа на закрито само в честотната лента 5150 - 5250 MHz

### **Европа – Директива за радиооборудване (RED)**



WiFi лентата 5,15 - 5,35 GHz е ограничена до използване на закрито в следните държави:

**Таблица 3 Европейски държави**

Андора (AD)	Дания (DK)	Ирландия (IE)	Черна гора (ME)	Словакия (SK)
Австрия (AT)	Естония (EE)	Италия (IT)	Нидерландия (NL)	Словения (SL)

**Таблица 3 Европейски държави (продължава)**

Белгия (BE)	Финландия (FI)	Латвия (LV)	Норвегия (NO)	Испания (ES)
Босна и Херцеговина (BA)	Франция (FR)	Лихтенщайн (LI)	Полша (PL)	Швеция (SE)
България (BG)	Германия (DE)	Литва (LT)	Португалия (PT)	Швейцария (CH)
Хърватия (HR)	Гърция (GR)	Люксембург (LU)	Румъния (RO)	Македония (MK)
Кипър (CY)	Унгария (HU)	Малта (MT)	Сан Марино (SM)	Обединено кралство (GB)
Чехия (CZ)	Исландия (IS)	Монако (MC)	Сърбия (RS)	Град държава Ватикан (VA)

## 2.2 Общ преглед на продукта

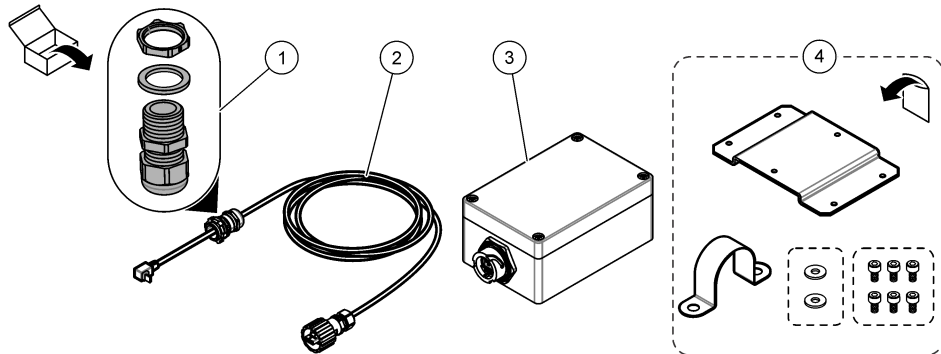
Външната USB кутия се използва за свързване на USB устройство към контролера SC4500 (напр. Wi-Fi адаптер).

**Забележка:** Всички артикули (т.е. адаптер и вътрешни връзки) са сглобени фабрично.

## 2.3 Компоненти на продукта

Проверете дали всички компоненти са получени. Направете справка с [Фигура 1](#). Ако някои от тях липсват или са повредени, се свържете незабавно с производителя или с търговския представител.

**Фигура 1 Компоненти на продукта**



1 Еластична муфа, шайба и гайка	3 USB кутия
2 Свързващ кабел на USB кутия	4 Крепежни елементи за стълб <sup>2</sup>

## Раздел 3 Инсталиране

### 3.1 Монтиране

#### **Забележка**

Използвайте отворите за монтаж, за да монтирате USB кутията. Не правете отвори в задната част на USB кутията или може да повредите вътрешните компоненти.

<sup>2</sup> Хардуерът за монтаж на стълб е за стълб с диаметър от 40 mm (1,57 инча).



## Забележка



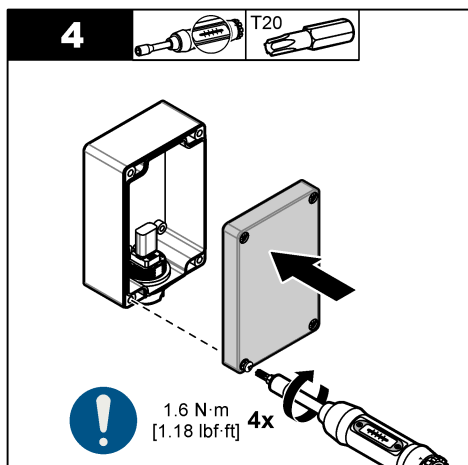
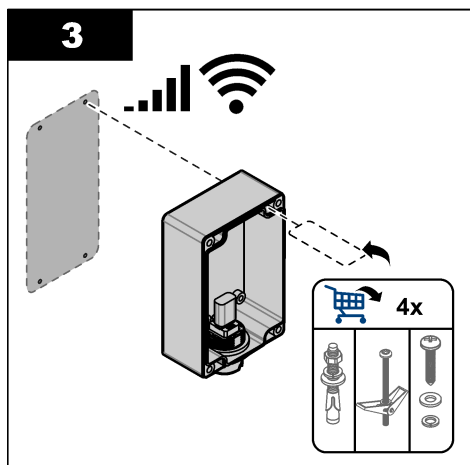
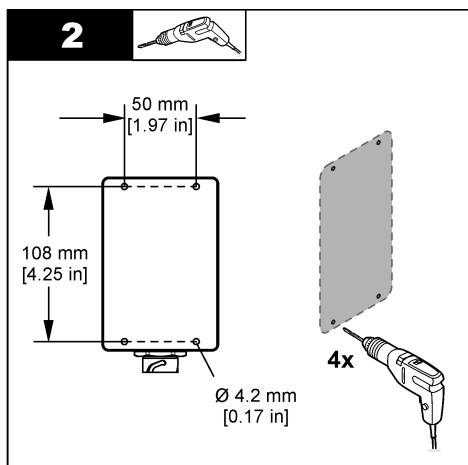
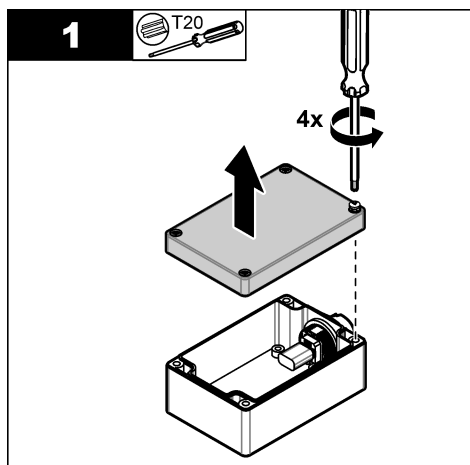
Затворете капака на USB кутията и се уверете, че винтовете на капака са затегнати за запазване на екологичната класификация на корпуса.

Инсталирайте USB кутията на място, където можете лесно да задействате устройството за изключване на захранването на контролера. Монтирайте USB кутията на мястото с най-голяма сила на Wi-Fi сигнал. Използвайте мобилно устройство, за да намерите мястото с най-голяма сила на Wi-Fi сигнал.

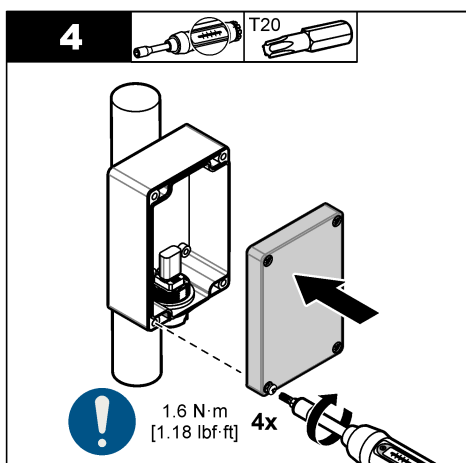
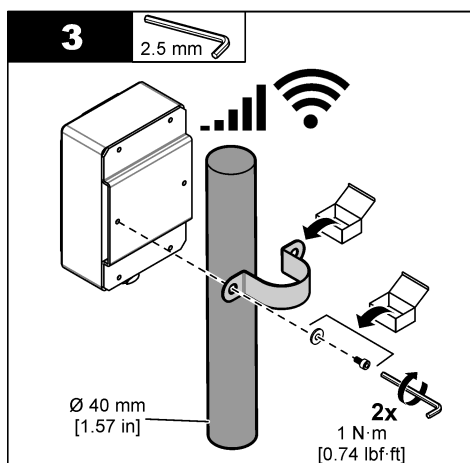
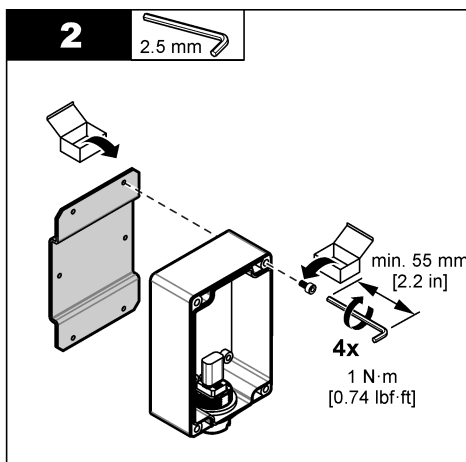
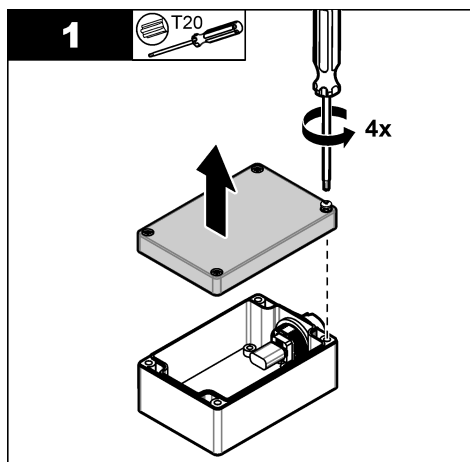
Прикрепете USB кутията към стена, вертикален или хоризонтален стълб.

**Забележка:** Крепежните елементи за стена се осигуряват от потребителя. Винтовете/фитингите трябва да са подходящи за монтаж на стена/таван и да са с достатъчен капацитет на товароносимост.

Направете справка с илюстрираните стъпки, които следват, за монтирането на USB кутията на стената.



Направете справка с илюстрираните стъпки, които следват, за монтирането на USB кутията на стълб.



### 3.2 Свързване на кабела

#### Забележка

Производителят препоръчва употребата на електрически компоненти, доставени от производителя, като захранващ кабел, конектори и фитинги за еластични муфи.

#### Забележка



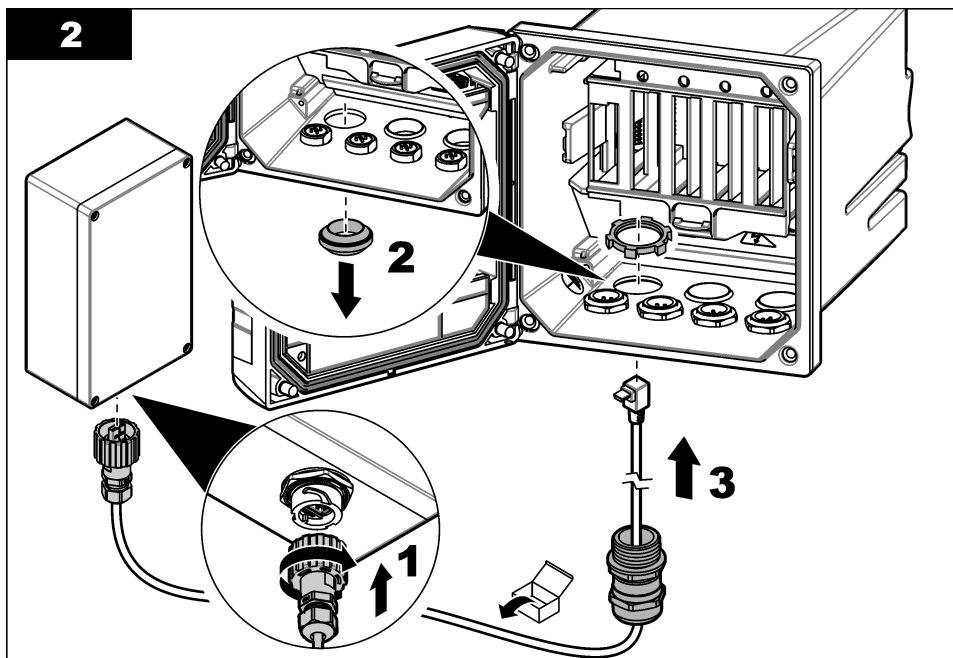
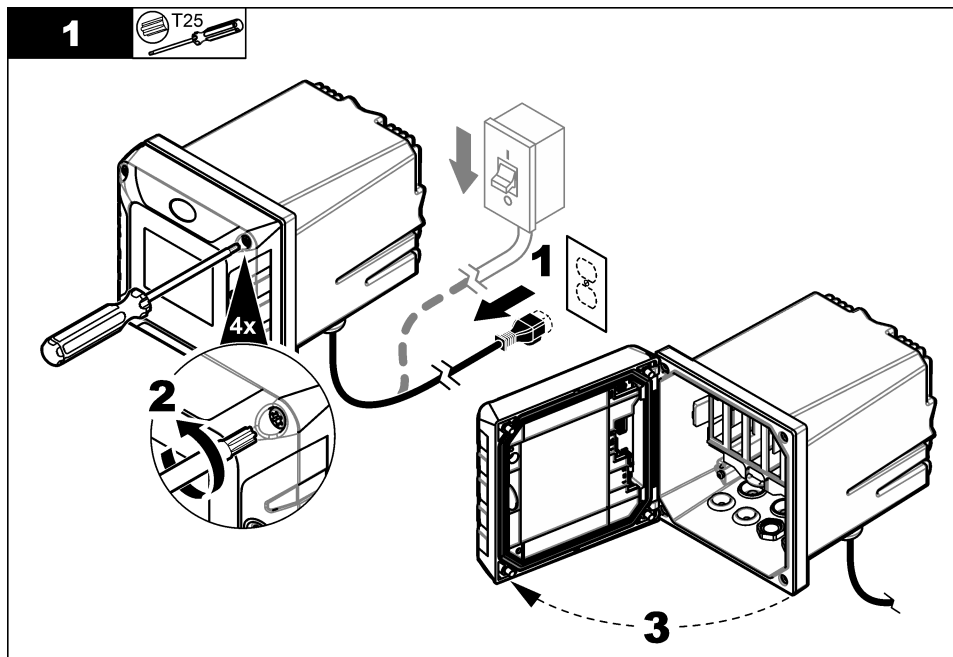
Уверете се, че обвивката на кабела преминава през вътрешната страна на корпуса за запазване на екологичния рейтинг на корпуса.

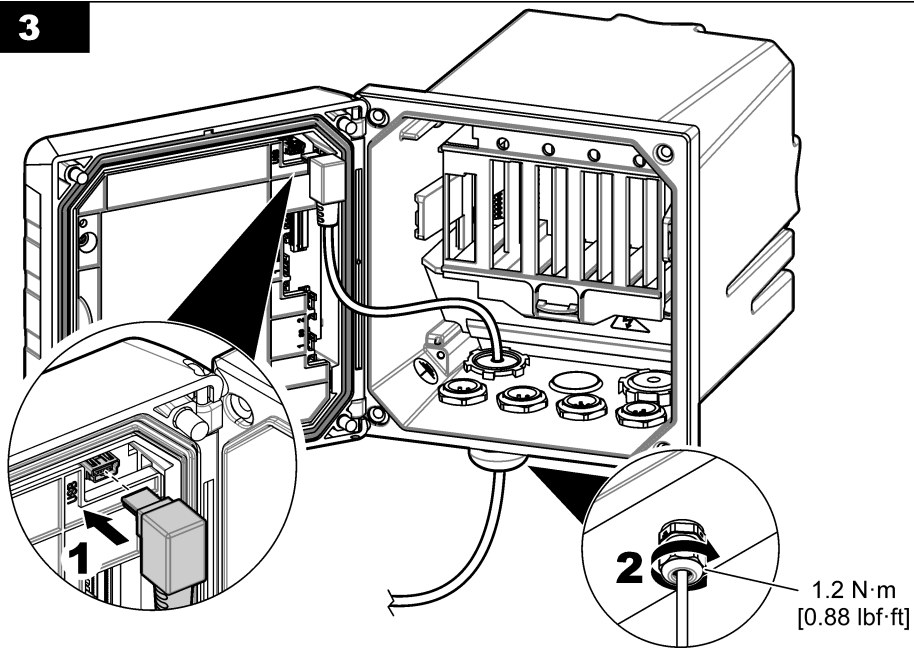
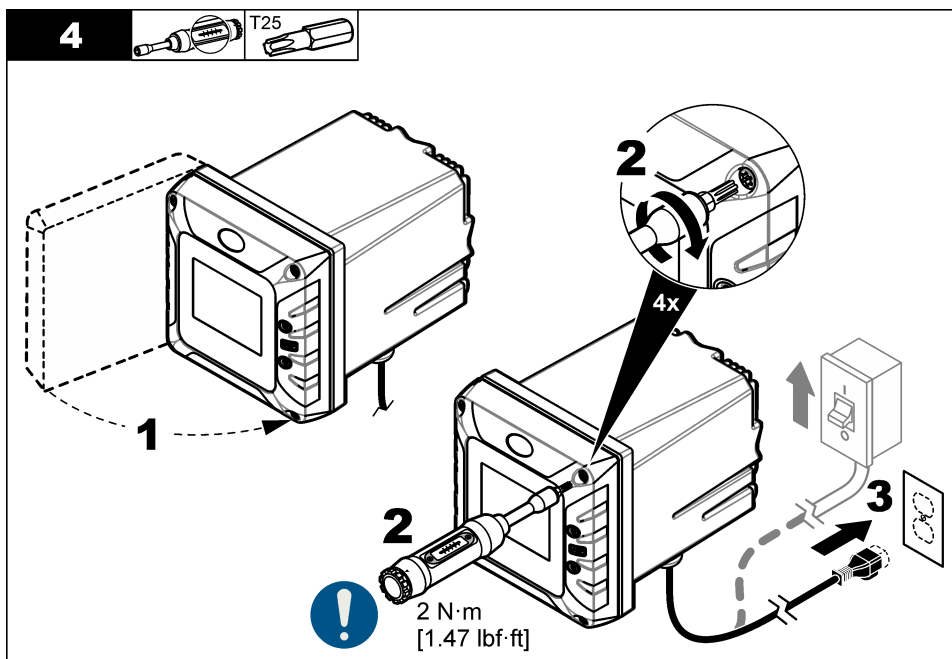
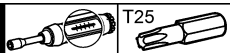
#### Забележка



Затворете капака на контролера и се уверете, че винтовете на капака са затегнати за запазване на екологичната класификация на корпуса.

Свържете предоставения кабел към USB кутията и към вътрешния USB конектор в контролера. Направете справка с илюстрираните стъпки, които следват.



**3****4**

## Раздел 4 Стартиране

**Забележка:** WiFi адаптерът е сглобен и свързан фабрично. Ако е необходимо, направете справка с [Подменете WiFi адаптера](#) на страница 157 за подмяна на WiFi адаптера.

След приключване на монтирането, извършете следните стъпки:

1. Отстранете капака от USB кутията.
2. Включете захранването на контролера.
3. Уверете се, че WiFi адаптерът е захранван.
4. Изчакайте минимум 5 минути.
5. Проверете силата на сигнала и състоянието на мрежовата връзка. Направете справка с документацията на контролера.
6. Монтирайте капака върху USB кутията.

## Раздел 5 Конфигурация

Направете справка с документацията на контролера за инструкции. За повече информация направете справка с разширеното ръководство за потребителя на уебсайта на производителя.

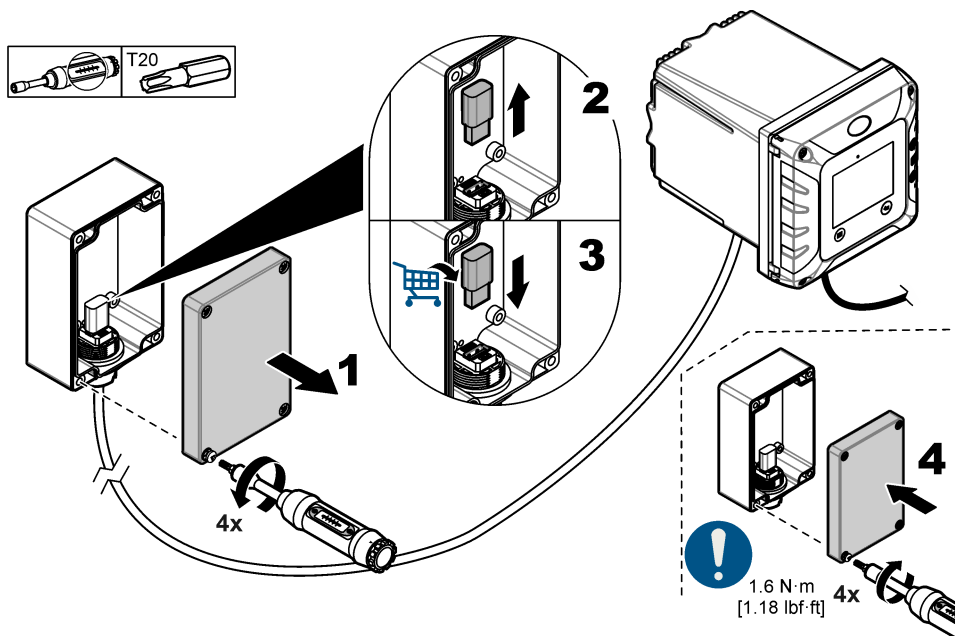
## Раздел 6 Поддръжка

### 6.1 Подменете WiFi адаптера

Ако е необходимо, подменете WiFi адаптера. Направете справка с илюстрираните стъпки в [Фигура 2](#).

Артикули за събиране: WiFi адаптер

Фигура 2 Подменете WiFi адаптера



## Раздел 7 Аксесоари

### ▲ ПРЕДУПРЕЖДЕНИЕ



Опасност от нараняване. Използването на части, които не са одобрени за употреба, може да причини нараняване, повреда на инструмента или неизправност на оборудването. Резервните части, упоменати в този раздел, са одобрени от производителя.

**Забележка:** Продуктовите и каталожните номера може да се различават в някои региони на продажба. Свържете се със съответния дистрибутор или посетете уебсайта на компанията за информация за контакт.

Описание	Каталожен номер
USB-Вох свързващ кабел, WiFi, 4,5 m	LXZ525.99.00019
Комплект за монтаж на хардуер	8806200
WiFi USB адаптер за САЩ, 2,4/5 GHz	LZY996
WiFi USB адаптер за ЕС, 2,4/5 GHz	LZY997

# Tartalomjegyzék

- |                                   |                            |
|-----------------------------------|----------------------------|
| 1 Műszaki adatok oldalon 159      | 5 Konfiguráció oldalon 169 |
| 2 Általános tudnivaló oldalon 159 | 6 Karbantartás oldalon 169 |
| 3 Telepítés oldalon 164           | 7 Tartozékok oldalon 169   |
| 4 Üzembe helyezés oldalon 168     |                            |

## Szakasz 1 Műszaki adatok

A műszaki adatok előzetes bejelentés nélkül változhatnak.

Műszaki adatok	Részletes adatok
Méreték (Sz x Ma x Mé)	80 x 120 x 55 mm (4,7 x 7,9 x 2,2 hüvelyk)
Ház	IP66 <sup>1</sup> , polikarbonát UL94-V0
Tömeg	169 g (0.37 lb)
Szennyezési fok	4
Telepítési kategória	I
Védelmi osztály	III
Üzemi hőmérséklet	-20–60 °C (-4–140 °F) között
Tárolási hőmérséklet	-20 - 70 °C
Relatív páratartalom	0 - 95%, kondenzáció nélkül
Magasság	Legfeljebb 2000 m (6562 láb)
Kommunikációs opciók	Wi-Fi-adapter USB-csatlakozóval 2,4 GHz-es és 5 GHz-es ISM-sáv
Tanúsítványok	CE, FCC, IC, UKCA
Jótállás	1 év (EU: 2 év)

## Szakasz 2 Általános tudnivaló

A gyártó semmilyen körülmények között sem felelős a jelen kézikönyv hibájából, vagy hiányosságaiból eredő közvetlen, közvetett, véletlenszerű, vagy következményként bekövetkezett kárért. A gyártó fenntartja a kézikönyv és az abban leírt termékek megváltoztatásának jogát minden értesítés vagy kötelezettség nélkül. Az átdolgozott kiadások a gyártó webhelyén találhatóak.

### 2.1 Biztonsági tudnivalók

A gyártó nem vállal felelősséget a termék nem rendeltetésszerű alkalmazásából vagy használatából eredő semmilyen kárért, beleértve de nem kizárólag a közvetlen, véletlen vagy közvetett károkat, és az érvényes jogszabályok alapján teljes mértékben elhárítja az ilyen kárigényeket. Kizárólag a felhasználó felelőssége, hogy felismerje a komoly alkalmazási kockázatokat, és megfelelő mechanizmusokkal védje a folyamatokat a berendezés lehetséges meghibásodása esetén.

Kérjük, olvassa végig ezt a kézikönyvet a készülék kicsomagolása, beállítása vagy működtetése előtt. Szenteljen figyelmet az összes veszélyjelző és óvatosságra intő mondatra. Ennek elmulasztása a kezelő súlyos sérüléséhez vagy a berendezés megrongálódásához vezethet.

A berendezés nyújtotta védelmi funkciók működését nem szabad befolyásolni. Csak az útmutatóban előírt módon használja és telepítse a berendezést.





<sup>1</sup> Csak az USB-doboz csatlakozókábelének felszerelése esetén.

### 2.1.1 A veszélyekkel kapcsolatos tudnivalók alkalmazása


<b>▲ VESZÉLY</b>	
	Lehetséges vagy közvetlenül veszélyes helyzetet jelez, amely halálhoz vagy súlyos sérüléshez vezet.
<b>▲ FIGYELMEZTETÉS</b>	
	Lehetséges vagy közvetlenül veszélyes helyzetet jelez, amely halálhoz vagy súlyos sérüléshez vezethet.
<b>▲ VIGYÁZAT</b>	
	Lehetséges veszélyes helyzetet jelez, amely enyhe vagy kevésbé súlyos sérüléshez vezethet.
<b>MEGJEGYZÉS</b>	
	A készülék esetleges károsodását okozó helyzet lehetőségét jelzi. Különleges figyelmet igénylő tudnivaló.

### 2.1.2 Figyelmeztető címkék

Olvasson el a műszeren található minden feliratot és címkét. Az utasítások be nem tartása esetén személyi sérülés történhet, vagy a műszer károsodhat. A műszeren látható szimbólum jelentését a kézikönyv egy óvintézkedési mondattal adja meg.

	Ha a készüléken ez a szimbólum látható, az a használati útmutató kezelési és/vagy biztonsági tudnivalóira utal.
	Ez a szimbólum áramütés, illetőleg halálos áramütés kockázatára figyelmeztet.
	Ez a szimbólum elektrosztatikus kisülésre (ESD) érzékeny eszközök jelenlétére figyelmeztet, és hogy intézkedni kell az ilyen eszközök megvédése érdekében.
	Az ezzel a szimbólummal jelölt elektromos készülékek Európában nem helyezhetők háztartási vagy lakossági hulladékfeldolgozó rendszerekbe. A gyártó köteles ingyenesen átvenni a felhasználóktól a régi vagy elhasznált elektromos készülékeket.

### 2.1.3 Tanúsítvány

<b>▲ FIGYELMEZTETÉS</b>	
	<p>Szívritmus-szabályozóra vonatkozó óvintézkedések. Az elektromágneses interferencia (EMI) a következőket okozhatja:</p> <ul style="list-style-type: none"><li>• leállíthatja a szív ritmusát szabályozó, a pacemakerből származó impulzusok stimulálását.</li><li>• a szívritmus-szabályozóból az impulzusok rendszertelen kibocsátását okozhatja.</li><li>• a szív ritmusának és az impulzusok megadott időközönként történő kibocsátásának a szívritmus-szabályozó által történő figyelmen kívül hagyását eredményezheti.</li></ul> <p>A jelenlegi kutatások szerint a mobil eszközök nem okoznak jelentős egészségügyi problémákat a pacemaker viselőknél. Mindemellett a pacemaker viselőknél elővigyázatosnak kell lenni, hogy az eszközük ne okozzon problémát. A készülék legalább 20 cm (7,9 hüvelyk) távolságban legyen a felhasználótól.</p>



## ⚠ VIGYÁZAT



Elektromágneses sugárzás kockázata. Ügyeljen rá, hogy normál használat esetén az antenna a kezelőktől legalább 20 cm távolságra legyen elhelyezve. Az antenna nem telepíthető azonos helyre és nem üzemeltethető összekötve semmilyen más antennával vagy adó-vevővel.

## MEGJEGYZÉS

Ipari környezetben való felhasználásra szánt, A osztályú termék. Háztartási környezetben ez a termék rádióinterferenciát okozhat, és ebben az esetben a felhasználónak megfelelő intézkedéseket kell tennie.

## MEGJEGYZÉS

A hálózat és a hozzáférési pont biztonságáért az az ügyfél viseli a felelősséget, aki a vezeték nélküli berendezést használja. A gyártó nem vonható felelősségre a hálózati biztonság hiányosságai miatt vagy annak megsértéséből adódó károkért, beleértve – nem kizárólagosan – a közvetett, speciális és véletlenszerűen bekövetkezett károkat.

### RF eszközök jóváhagyási szabályai: USA és Kanada

Wi-Fi USB-adaptert tartalmaz: LM808 az LM technologies vállalatától

FCC ID: VVX808-04XX

IC: 10531A-80804XX

1. táblázat Tápellátás a Wi-Fi-adapter számára

Specifikáció, kiadás és dátum	Frekvenciatartomány (MHz)	Emissziós megjelölés	R.F.-teljesítmény (watt)	Antenna
RSS-247, 2. kiadás, 02/2017	5180—5240	17M1D1D	0,005	Integrált, 4,7 dBi
RSS-247, 2. kiadás, 02/2017	5210	75M8D1D	0,005	Integrált, 4,7 dBi
RSS-247, 2. kiadás, 02/2017	5745—5825	17M9D1D	0,005	Integrált, 4,7 dBi
RSS-247, 2. kiadás, 02/2017	5775	75M6D1D	0,004	Integrált, 4,7 dBi
RSS-247, 2. kiadás, 02/2017	2412—2462	15M0D1D	0,027	Integrált, 0,1 dBi
RSS-247, 2. kiadás, 02/2017	2412—2462	16M5D1D	0,016	Integrált, 0,1 dBi
RSS-247, 2. kiadás, 02/2017	2422—2452	35M1D1D	0,011	Integrált, 0,1 dBi

### Wi-Fi USB-adapter, LM808—Az FCC engedélyezés fontosabb feltételei:

A berendezés a megnevezett teljesítményt leadja. Az USB-hardverkulcs SAR-megfelelősége a jelen dokumentumban leírtak szerint került kiértékelésre. Az ezen jeladóhoz használt antenna/antennák nem végezhet(nek) jelátvitelt más antennával vagy jeladóval egy időben, kivéve ha az megfelel az FCC által meghatározott, többjeladós termékekre vonatkozó eljárásoknak, vagy a jelen dokumentumban leírt feltételeknek. A legmagasabb jelentett SAR-érték 0,26 W/kg. Ez az eszköz 20 MHz-es és 40 MHz-es sávzélességi módokkal rendelkezik.

### RF eszközök jóváhagyási szabályai: EU

WiFi USB-adaptert tartalmaz: LM808

**2. táblázat Frekvenciasávok**

<b>Műszaki adatok</b>	<b>Részletes adatok</b>
Frekvenciasáv	2,4 GHz-es ISM-sáv
	5 GHz-es ISM-sáv
RF kimeneti teljesítmény (tűrés: ±2 dBm)	17 dBm, 802.11b 11 Mbps esetén
	15 dBm, 802.11g 54 Mbps esetén
	13 dBm, 802.11a 54 Mbps esetén
	13 dBm, 802.11n MCS7_HT20 esetén
	13 dBm, 802.11n MCS7_HT40 esetén
	11 dBm, 802.11ac NSS1 MCS9_BW20, BW40, BW80 esetén
	-82 dBm, 802.11b 11 Mbps esetén—71 dB0, 802.11g 54 MBps esetén
Vevő érzékenysége	-67 dBm, 802.11n MCS7_BW20 esetén
	-64 dBm, 802.11n MCS7_BW40 esetén
	-57 dBm, 802.11ac NSS1_MCS9_BW20 esetén
	-54 dBm, 802.11ac MSS1_MCS9_BW40 esetén
	-51 dBm, 802.11ac MSS1_MCS9_BW80 esetén

### **Kanada (IC)**

WiFi USB-adaptert tartalmaz: LM808 az LM technologies vállalatától, IC: 10531A-80804XX

Ez az (A) osztályú digitális készülék megfelel a kanadai ICES-003 szabványnak. Az eszköz megfelel az Industry Canada nem engedélyköteles RSS szabványának (szabványainak). Üzemelését az alábbi két feltétel befolyásolja:

- (1) a készülék nem okozhat káros interferenciát, és
- (2) a készüléknek minden interferenciát el kell fogadnia, beleértve azokat az interferenciákat is, amelyek a készülék nem kívánatos működéséhez vezethetnek.

*Cet appareil numérique de la classe (A) respect toutes les exigences de la norme NMB-003 du Canada. Le présent appareil est conforme aux CNR d'Industrie Canada applicables aux appareils radio exempts de licence. L'exploitation est autorisée aux deux conditions suivantes:*

- (1) *l'appareil ne doit pas produire de brouillage, et*
- (2) *l'utilisateur de l'appareil doit accepter tout brouillage radioélectrique subi, même si le brouillage est susceptible d'en compromettre le fonctionnement.*

### **Egyesült Államok (FCC)**

WiFi USB-adaptert tartalmaz: LM808 az LM technologies vállalatától, FCC ID: VVX808-04XX

A vállalat által kifejezetten nem jóváhagyott módosítások érvényteleníthetik a felhasználó jogosultságát a berendezés üzemeltetésére (FCC Szabályzat 15.21. szakasza).

Az eszközt tesztelték, és úgy találták, hogy megfelel az A osztályú digitális eszközökre vonatkozó korlátozásoknak az FCC Szabályzat 15. Fejezete értelmében. E határértékek kialakítása elfogadható védelmet biztosít káros interferenciák ellen, amikor a berendezést kereskedelmi környezetben használják. Ez a berendezés rádiófrekvenciás energiát gerjeszt, használ, és sugározhat ki, és ha nem a Kezelési utasítás szerint telepítik, ill. használják, káros interferenciát okozhat a rádióhullámmal működő kommunikációban. A berendezés lakóterületen való üzemeltetése vélhetően káros interferenciát okozhat, és ebben az esetben a felhasználó feladata, hogy saját költségére gondoskodjon az interferencia elhárításáról (FCC Szabályzat 15.105. szakasza).

## **A Multitech RF modulra vonatkozó FCC/IC szabályozási nyilatkozatok Módosításra vonatkozó nyilatkozat**

A LM technologies a felhasználó számára a készülék semmilyen változtatását vagy módosítását nem engedélyezi. A változtatások vagy módosítások érvényteleníthetik a felhasználó jogosultságát a berendezés üzemeltetésére.

*LM technologies n'approuve aucune modification apportée à l'appareil par l'utilisateur, quelle qu'en soit la nature. Tout changement ou modification peuvent annuler le droit d'utilisation de l'appareil par l'utilisateur.*

### **Interferenciára vonatkozó nyilatkozat**

Az eszköz megfelel az FCC Szabályzat 15. szakaszának, valamint az Industry Canada nem engedélyköteles RSS szabványának (szabványainak). Üzemelését az alábbi két feltétel befolyásolja: (1) a készülék nem okozhat káros interferenciát, és (2) a készüléknek minden interferenciát el kell fogadnia, beleértve azokat az interferenciákat is, amelyek a készülék nem kívánatos működéséhez vezethetnek.

*Le présent appareil est conforme aux CNR d'Industrie Canada applicables aux appareils radio exempts de licence. L'exploitation est autorisée aux deux conditions suivantes : (1) l'appareil ne doit pas produire de brouillage, et (2) l'utilisateur de l'appareil doit accepter tout brouillage radioélectrique subi, même si le brouillage est susceptible d'en compromettre le fonctionnement. Cet appareil est conforme aux limites d'exposition aux rayonnements de la IC pour un environnement non contrôlé.*

### **FCC 5G-nyilatkozat:**

Az LE-LAN eszközök kizárólag beltérben használhatók, 5150-5250 MHz frekvenciasávon

### **Európa—Rádiós berendezésekre vonatkozó irányelv (RED)**



Az 5,15-5,35 GHz-es WiFi-sáv kizárólag beltérben használható az alábbi országokban:

**3. táblázat Európai országok**

Andorra (AD)	Dánia (DK)	Írország (IE)	Montenegró (ME)	Szlovákia (SK)
Ausztria (AT)	Észtország (EE)	Olaszország (IT)	Hollandia (NL)	Szlovénia (SL)
Belgium (BE)	Finnország (FI)	Lettország (LV)	Norvégia (NO)	Spanyolország (ES)
Bosznia-Hercegovina (BA)	Franciaország (FR)	Liechtenstein (LI)	Lengyelország (PL)	Svédország (SE)
Bulgária (BG)	Németország (DE)	Litvánia (LT)	Portugália (PT)	Svájc (CH)
Horvátország (HR)	Görögország (GR)	Luxemburg (LU)	Románia (RO)	Macedónia (MK)
Ciprus (CY)	Magyarország (HU)	Málta (MT)	San Marino (SM)	Egyesült Királyság (GB)
Csehország (CZ)	Izland (IS)	Monaco (MC)	Szerbia (RS)	Vatikánvárosi Állam (VA)

## **2.2 A termék áttekintése**

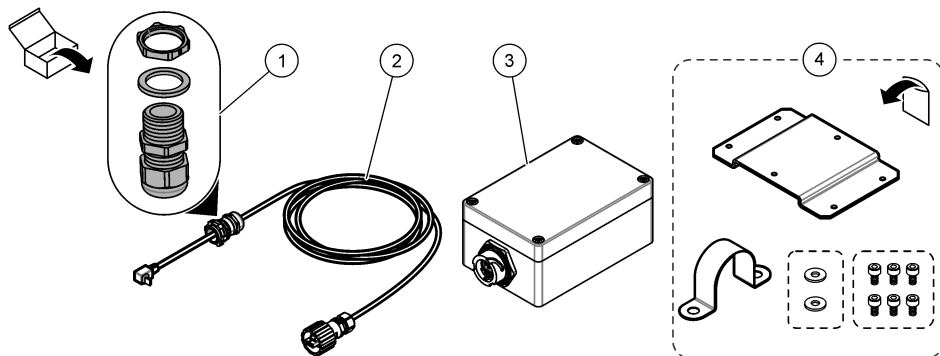
A külső USB-doboz egy USB-eszköznek az SC4500 vezérlőhöz történő csatlakoztatására használható (pl. Wi-Fi-adapter).

**Megjegyzés:** Minden elem (pl. az adapterek és belső csatlakozások) összeszerelése a gyárban történik.

## 2.3 A termék részegységei

Győződjön meg arról, hogy minden részegységet megkapott. Lásd: 1. ábra. Ha valamelyik tétel hiányzik vagy sérült, forduljon azonnal a gyártóhoz vagy a forgalmazóhoz.

1. ábra A termék részegységei



1 Kábelfeszültség-mentesítő, alátét és anyacsavar	3 USB-doboz
2 USB-doboz csatlakozókábele	4 Rögzítőkonzol oszlopra történő rögzítéshez <sup>2</sup>

## Szakasz 3 Telepítés

### 3.1 Felerősítés

#### MEGJEGYZÉS

A rögzítőfuratok segítségével szerelje fel az USB-dobozt. Ne fúrjon lyukakat az USB-doboz hátuljába, különben a belső alkatrészek károsodhatnak.

#### MEGJEGYZÉS



Zárja le az USB-doboz fedelét, majd a környezeti besorolás megőrzése érdekében ellenőrizze, hogy a csavarok megfelelően vannak-e meghúzva.

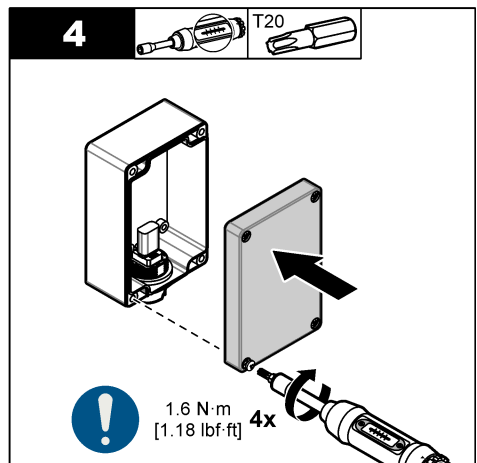
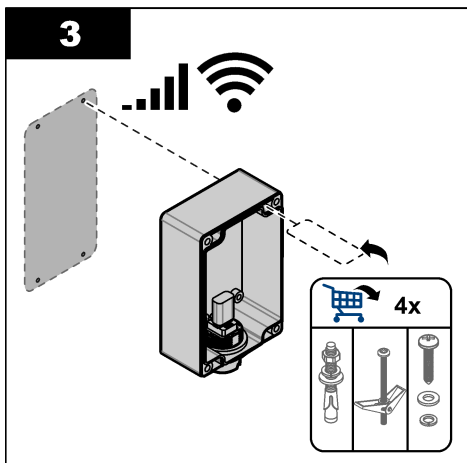
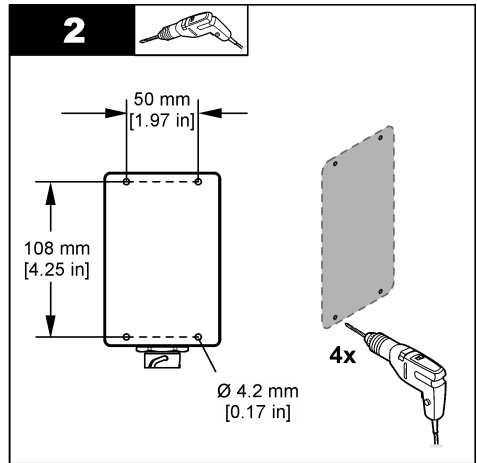
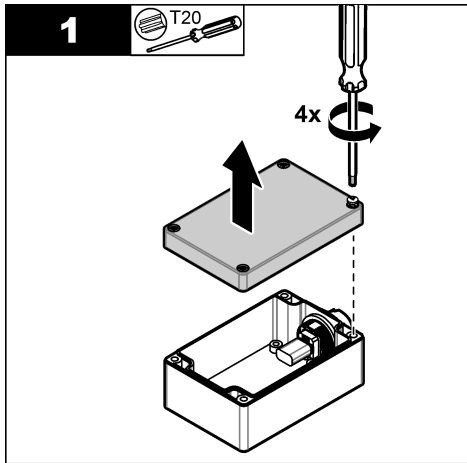
Olyan helyre telepítse az USB-dobozt, ahol a hozzá tartozó árammegszakító eszköz könnyedén működtethető. Az USB-dobozt a legnagyobb Wi-Fi jelerősséggel rendelkező helyre telepítse. A legnagyobb Wi-Fi jelerősséggel rendelkező helyre történő telepítéshez olyan mobileszközt használjon, .

Rögzítse az USB-dobozt a falra, illetve egy vízszintes vagy függőleges oszlopra.

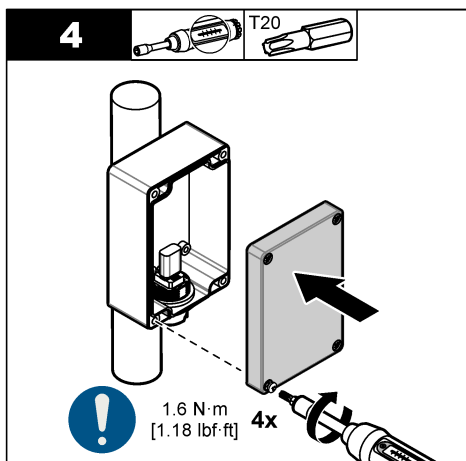
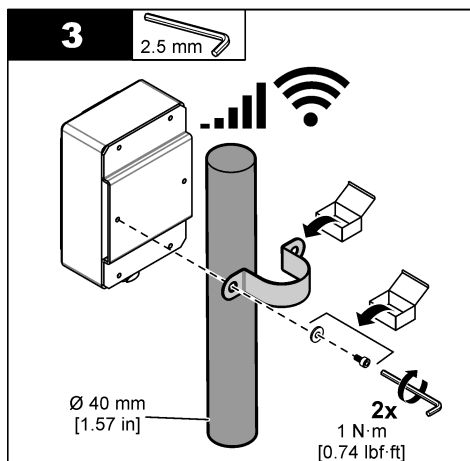
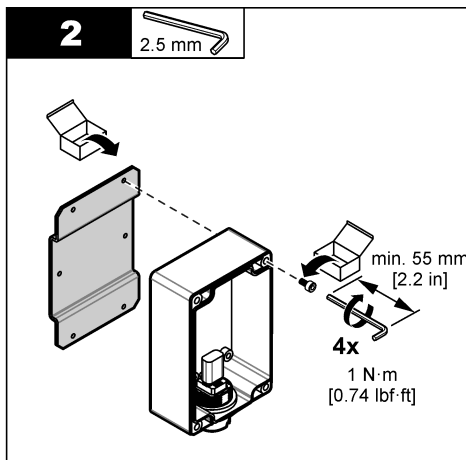
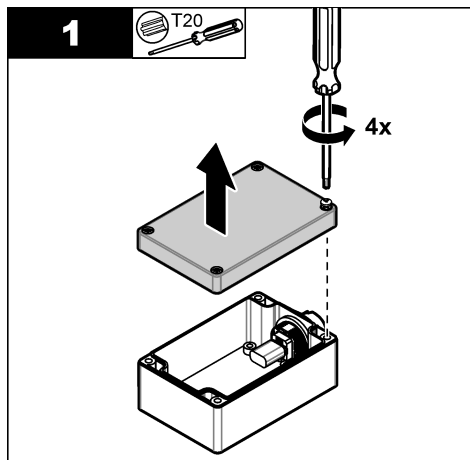
**Megjegyzés:** A fali konzolról a felhasználónak kell gondoskodnia. A csavaroknak és egyéb rögzítőszerelvényeknek alkalmasnak kell lenniük fali/mennyezeti felszerelésre, valamint megfelelő teherbírással kell rendelkezniük.

<sup>2</sup> Az oszloprögzítő-konzol 40 mm-es (1,57 hüvelykes) átmérőjű oszlop esetén használható.

Az USB-doboz falra történő szereléséhez kövesse alábbi képeken bemutatott lépéseket.



Az USB-doboz oszlopra történő szereléséhez kövesse alábbi képeken bemutatott lépéseket.



### 3.2 Csatlakoztassa a kábelt

#### MEGJEGYZÉS

A gyártó az általa szállított elektromos alkatrészek használatát javasolja, például tápkábel, csatlakozók és tömszelencék.

#### MEGJEGYZÉS



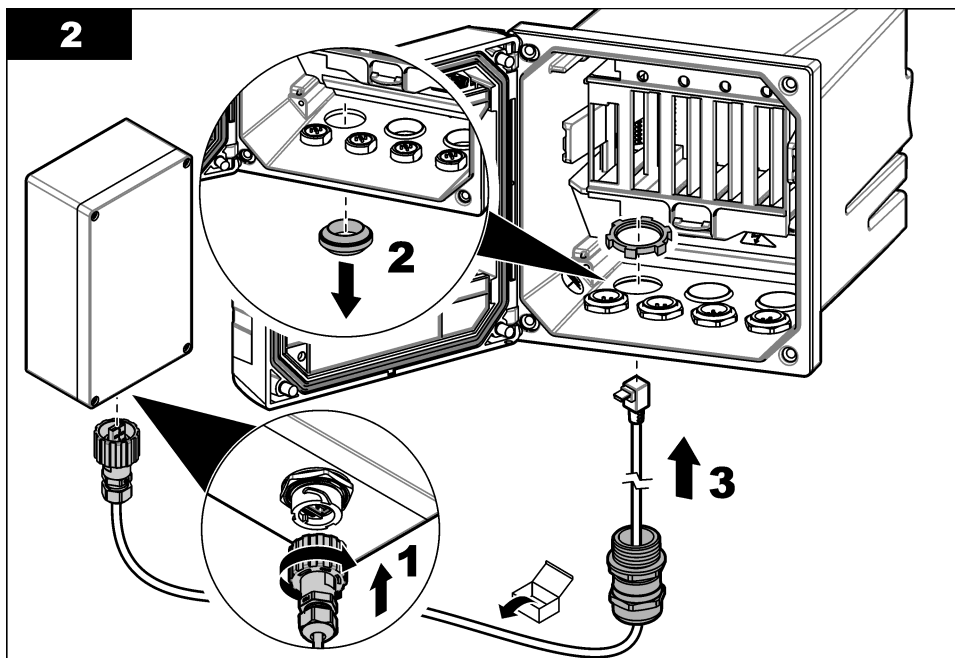
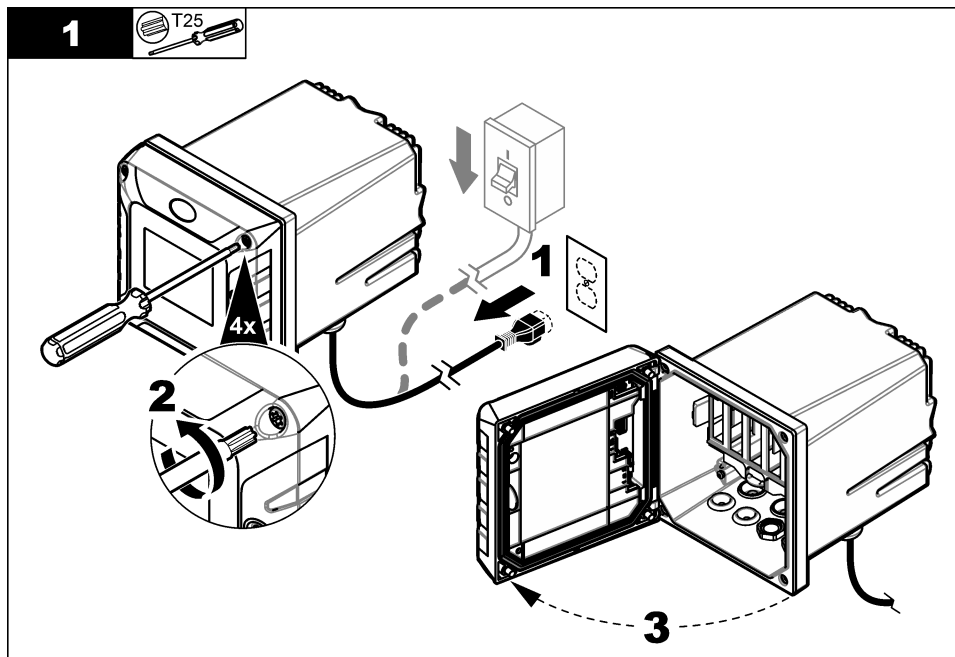
A burkolat környezeti besorolásának megőrzése érdekében biztosítsa, hogy a kábeköpeny a ház belső oldalán is keresztülfusson.

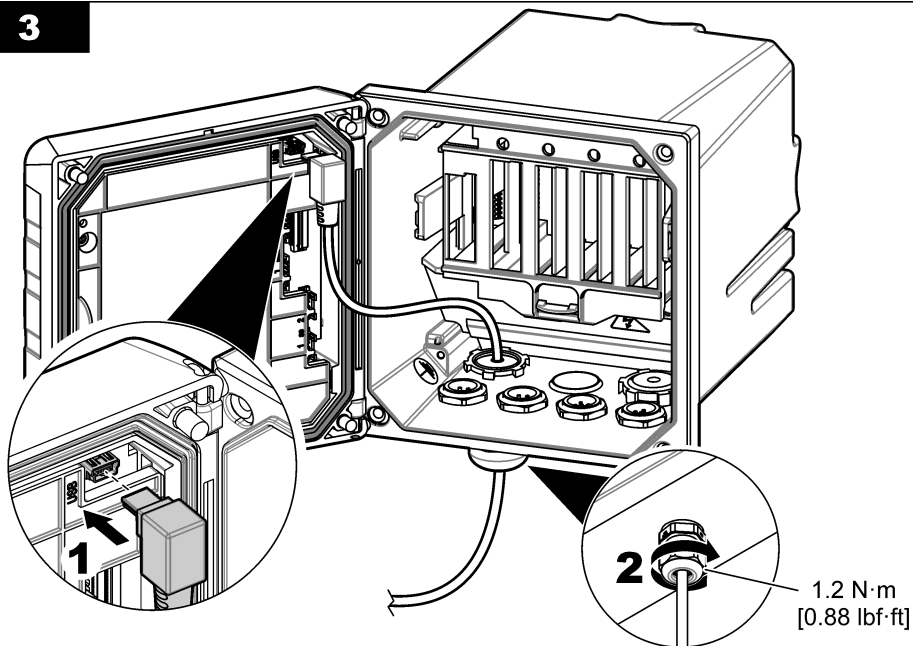
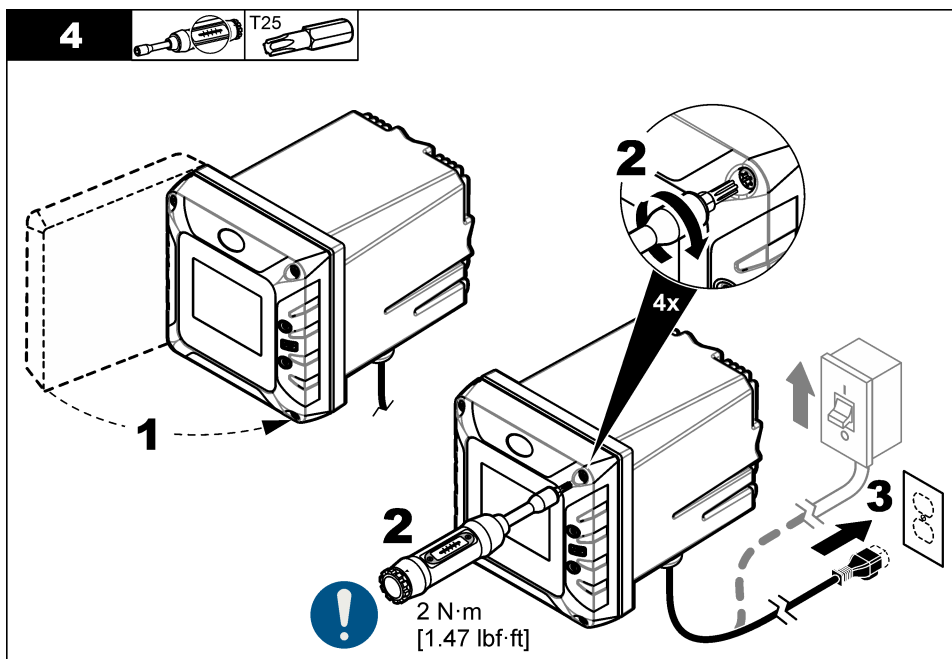
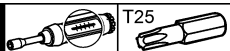
#### MEGJEGYZÉS



Zárja vissza a vezérlő fedelét, majd a környezeti besorolás megőrzése érdekében ellenőrizze, hogy a csavarok megfelelően vannak-e meghúzva.

Csatlakoztassa a mellékelt kábelt az USB-dobozhoz és a vezérlőben lévő belső USB-csatlakozóhoz. Lásd az alábbi képeken bemutatott lépéseket.



**3****4**

## Szakasz 4 Üzembe helyezés

**Megjegyzés:** A WiFi-adapter gyárilag össze van szerelve és csatlakoztatva van. Ha a WiFi-adapter cseréjére van szükség, tekintse meg a következő fejezetet: [A WiFi-adapter cseréje](#) oldalon 169.



A telepítés befejezése után végezze el az alábbi lépéseket:

1. Szerelje le a fedőt az USB-dobozról.
2. Csatlakoztassa a vezérlőt áramforráshoz.
3. Győződjön meg arról, hogy a WiFi adapter feszültség alatt van.
4. Várjon legalább 5 percet.
5. Ellenőrizze a térerőt és a hálózati kapcsolat állapotát. Lásd a vezérlő dokumentációját.
6. Szerelje fel a fedőt az USB-dobozra.

## Szakasz 5 Konfiguráció

Az utasításokért olvassa el a vezérlő dokumentációját. A további tájékoztatásért nézze meg a gyártó webhelyén a részletes felhasználói útmutatót.

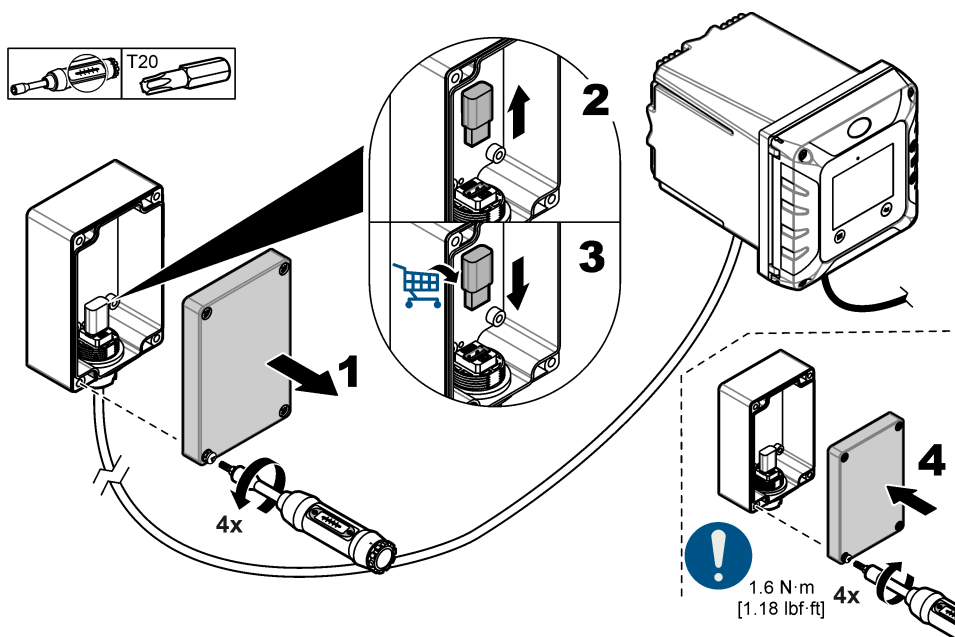
## Szakasz 6 Karbantartás

### 6.1 A WiFi-adapter cseréje

Szükség esetén cserélje ki a WiFi-adaptert. A képeken bemutatott lépésekért lásd: [2. ábra](#).

**Előkészítendő elemek:** WiFi-adapter

2. ábra A WiFi-adapter cseréje



## Szakasz 7 Tartozékok

### ▲ FIGYELMEZTETÉS



Személyi sérülés veszélye. A nem jóváhagyott alkatrészek használata személyi sérüléshez, a műszer károsodásához vagy a berendezés meghibásodásához vezethet. Az ebben a fejezetben található cserealkatrészek a gyártó által jóváhagyott alkatrészek.

**Megjegyzés:** A termék- és cikkszámok értékesítési régióként eltérhetnek. Lépjen kapcsolatba a megfelelő viszonteladóval, vagy látogasson el a cég honlapjára a kapcsolattartási tudnivalókért.

<b>Leírás</b>	<b>Cikksz.</b>
USB-doboz csatlakozókábele, WiFi, 4,5 m	LXZ525.99.00019
Rögzítési szerelvénykészlet	8806200
WiFi USB-adapter az USA típushoz, 2,4/5 GHz	LZY996
WiFi USB-adapter az EU típushoz, 2,4/5 GHz	LZY997

## Cuprins

- |   |                                      |   |                               |
|---|--------------------------------------|---|-------------------------------|
| 1 | Specificații de la pagina 171        | 5 | Configurarea de la pagina 181 |
| 2 | Informații generale de la pagina 171 | 6 | Întreținerea de la pagina 181 |
| 3 | Instalarea de la pagina 176          | 7 | Accesorii de la pagina 181    |
| 4 | Pornirea sistemului de la pagina 180 |   |                               |

## Secțiunea 1 Specificații

Specificațiile pot fi modificate fără notificare prealabilă.

Specificație	Detalii
Dimensiuni (l x Î x D)	80 x 120 x 55 mm (4,7 x 7,9 x 2,2 in)
Incintă	IP66 <sup>1</sup> , Policarbonat UL94-V0
Greutate	169 g (0,37 lb)
Gradul de poluare	4
Categoria de instalare	I
Clasă de protecție	III
Temperatură de funcționare	-20 până la 60 °C (-4 până la 140 °F)
Temperatură de depozitare	-20 - 70 °C
Umiditate relativă	Între 0 și 95%, fără condens
Altitudine	2000 m (6562 ft) maxim
Opțiuni pentru comunicații	Adaptor Wi-Fi cu conector USB Bandă ISM de 2,4 GHz și 5 GHz
Certificări	CE, FCC, IC, UKCA
Garanție	1 an (UE: 2 ani)

## Secțiunea 2 Informații generale

Producătorul nu se face responsabil în nicio situație de deteriorări directe, indirecte, speciale, accidentale sau pe cale de consecință ce ar rezulta din orice defect sau omisiune din acest manual. Producătorul își rezervă dreptul de a efectua modificări în acest manual și produselor pe care le descrie, în orice moment, fără notificare sau obligații. Edițiile revizuite pot fi găsite pe site-ul web al producătorului.

### 2.1 Informații referitoare la siguranță

Producătorul nu este responsabil pentru daunele cauzate de utilizarea incorectă a acestui produs, inclusiv și fără a se limita la daunele directe, accidentale sau pe cale de consecință și neagă responsabilitatea pentru astfel de daune în măsura maximă permisă de lege. Utilizatorul este unicul responsabil pentru identificarea riscurilor critice și pentru instalarea de mecanisme corespunzătoare pentru protejarea proceselor în cazul unei posibile defectări a echipamentului.

Citiți în întregime manualul înainte de a despacheta, configura și utiliza aparatura. Respectați toate atenționările de pericol și avertismentele. Nerespectarea acestei recomandări poate duce la vătămări serioase ale operatorului sau la deteriorarea echipamentului.

<sup>1</sup> Doar cu cablul pentru conexiunea cutiei USB instalat.

Verificați dacă protecția cu care este prevăzută aparatura nu este defectă. Nu utilizați sau nu instalați aparatura în niciun alt mod decât cel specificat în prezentul manual.

### 2.1.1 Informații despre utilizarea produselor periculoase

#### ▲ PERICOL

Indică o situație periculoasă în mod potențial sau iminent care, dacă nu este evitată, va avea ca rezultat decesul sau vătămarea corporală gravă.

#### ▲ AVERTISMENT

Indică o situație periculoasă în mod potențial sau iminent care, dacă nu este evitată, poate conduce la deces sau la o vătămare corporală gravă.

#### ▲ ATENȚIE





Indică o situație periculoasă în mod potențial care poate conduce la o vătămare corporală minoră sau moderată.

#### NOTĂ

Indică o situație care, dacă nu este evitată, poate provoca defectarea aparatului. Informații care necesită o accentuare deosebită.

### 2.1.2 Etichete de avertizare

Citiți toate etichetele și toate avertismentele cu care este prevăzut instrumentul. În caz de nerespectare se pot produce vătămări personale sau avarieri ale instrumentului. Toate simbolurile de pe instrument sunt menționate în manual cu câte o afirmație de avertizare.

	Acest simbol, dacă este notat pe instrument, se regăsește în manualul de instrucțiuni referitoare la funcționare și/sau siguranță.
	Acest simbol indică existența unui risc de electrocutare.
	Acest simbol indică prezența dispozitivelor sensibile la descărcări electrostatice (ESD) și faptul că trebuie să acționați cu grijă pentru a preveni deteriorarea echipamentului.
	Echipamentele electrice inscripționate cu acest simbol nu pot fi eliminate în sistemele publice europene de deșeuri. Returnați producătorului echipamentele vechi sau la sfârșitul duratei de viață în vederea eliminării, fără niciun cost pentru utilizator.

## 2.1.3 Certificare

### ▲ AVERTISMENT



Precauții referitoare la stimulatoarele cardiace. Dacă apare interferența electromagnetică (EMI), aceasta poate:

- Opri impulsurile de stimulare de la stimulatorul cardiac ce controlează ritmul inimii.
- Determina stimulatorul cardiac să emită neregulat impulsurile.
- Determina stimulatorul cardiac să ignore ritmul inimii și să emită impulsuri la un interval stabilit.

Cercetările actuale arată că dispozitivele celulare nu reprezintă o problemă semnificativă de sănătate pentru majoritatea purtătorilor de stimulatoare cardiace. Cu toate acestea, persoanele cu stimulatoare cardiace ar trebui să ia măsuri de precauție pentru a se asigura că dispozitivul lor nu cauzează o problemă. Țineți dispozitivul la o distanță minimă de 20 cm (7,9 in.) față de utilizator.

### ▲ ATENȚIE



Pericol de radiații electromagnetice. Asigurați-vă că antena este menținută la o distanță de minim 20 cm (7,9 in.) față de orice membru al personalului în condiții de utilizare normală. Antena nu poate fi amplasată în același loc cu sau utilizată împreună cu orice antenă sau emițătoare.

### NOTĂ

Acesta este un produs din categoria A, pentru uz industrial. Într-un mediu casnic, acest produs poate cauza interferențe radio, caz în care utilizatorul trebuie să ia măsurile adecvate.

### NOTĂ

Securitatea rețelei și a punctului de acces este responsabilitatea clientului care utilizează instrumentul wireless. Producătorul nu va fi responsabil pentru nicio daună, inclusiv, dar fără a se limita la daunele indirecte, speciale, incidentale sau pe cale de consecință, determinate de o breșă în securitatea rețelei.

### Aprobările dispozitivului RF de reglementare: SUA și Canada

Conține adaptor USB Wi-Fi: LM808 de la LM Technologies

ID FCC: VVX808-04XX

IC: 10531A-80804XX

**Tabelul 1 Alimentare pentru adaptorul Wi-Fi**

Specificație, ediție și dată	Interval de frecvențe (MHz)	Denumirea emisiilor	Putere R.F. (wați)	Antenă
RSS-247, Ediția 2, 02/2017	5180-5240	17M1D1D	0,005	Integral, 4,7 dBi
RSS-247, Ediția 2, 02/2017	5210	75M8D1D	0,005	Integral, 4,7 dBi
RSS-247, Ediția 2, 02/2017	5745 - 5825	17M9D1D	0,005	Integral, 4,7 dBi
RSS-247, Ediția 2, 02/2017	5775	75M6D1D	0,004	Integral, 4,7 dBi
RSS-247, Ediția 2, 02/2017	2412 - 2462	15M0D1D	0,027	Integral, 0,1 dBi

**Tablul 1 Alimentare pentru adaptorul Wi-Fi (continuare)**

Specificație, ediție și dată	Interval de frecvențe (MHz)	Denumirea emisiilor	Putere R.F. (wați)	Antenă
RSS-247, Ediția 2, 02/2017	2412 - 2462	16M5D1D	0,016	Integral, 0,1 dBi
RSS-247, Ediția 2, 02/2017	2422 - 2452	35M1D1D	0,011	Integral, 0,1 dBi

**Adaptor USB Wi-Fi LM808 – Condiții importante de grant FCC:**

Puterea listată este condusă. Conformitatea SAR pentru dongle-ul USB a fost evaluată așa cum este descris în această înregistrare. Antena(ele) utilizată(e) pentru acest transmițător nu trebuie să emită simultan cu nicio altă antenă sau transmițător, cu excepția procedurilor FCC privind produsele cu mai multe transmițătoare sau așa cum este descris în această înregistrare. Cea mai mare valoare SAR raportată este de 0,26 W/kg. Acest dispozitiv are moduri de lățime de bandă de 20 MHz și 40 MHz.

**Aprobările dispozitivului RF de reglementare: UE**

Conține adaptor USB Wi-Fi: LM808

**Tablul 2 Benzi de frecvență**

Specificație	Detalii
Bandă de frecvență	Bandă ISM de 2,4 GHz
	Bandă ISM de 5 GHz
Putere de ieșire RF (toleranță $\pm 2$ dBm)	17 dBm, 802.11b la 11 Mbps
	15 dBm, 802.11g la 54 Mbps
	13 dBm, 802.11a la 54 Mbps
	13 dBm, 802.11n la MCS7_HT20
	13 dBm, 802.11n la MCS7_HT40
	11 dBm, 802.11ac la NSS1 MCS9_BW20, BW40, BW80
	-82 dBm, 802.11b la 11 Mbps – 71 dB0, 802.11g la 54 Mbps
Sensibilitatea receptorului	-67 dBm, 802.11n la MCS7_BW20
	-64 dBm, 802.11n la MCS7_BW40
	-57 dBm, 802.11ac la NSS1_MCS9_BW20
	-54 dBm, 802.11ac la MSS1_MCS9_BW40
	-51 dBm, 802.11ac la MSS1_MCS9_BW80

**Canada (IC)**

Conține adaptor USB Wi-Fi: LM808 de la LM Technologies IC: 10531A-80804XX

Acest aparat digital de clasa (A) este conform cu standardul canadian ICES-003. Acest dispozitiv este conform cu standardul/standardele RSS scutite de licență ale Industry Canada. Exploatarea dispozitivului se face cu următoarele două condiții:

- (1) acest dispozitiv nu poate cauza interferențe și
- (2) acest dispozitiv trebuie să accepte orice interferență primită, inclusiv interferențe care pot cauza funcționarea nedorită a dispozitivului.

Cet appareil numérique de la classe (A) respect toutes les exigences de la norme NMB-003 du Canada. Le présent appareil est conforme aux CNR d'Industrie Canada applicables aux appareils radio exempts de licence. L'exploitation est autorisée aux deux conditions suivantes:

(1) l'appareil ne doit pas produire de brouillage, et

(2) l'utilisateur de l'appareil doit accepter tout brouillage radioélectrique subi, même si le brouillage est susceptible d'en compromettre le fonctionnement.

### Statele Unite (FCC)

Conține adaptor USB Wi-Fi: LM808 de la LM Technologies ID FCC: VVX808-04XX

Modificările care nu sunt aprobate explicit de această companie pot anula autoritatea utilizatorului de a opera acest echipament (FCC secțiunea 15.21).

Acest aparat a fost testat și s-a constatat că respectă limitele pentru aparate digitale de clasă A, conform Părții 15 a Regulilor FCC. Aceste limite sunt stabilite pentru a asigura o protecție rezonabilă împotriva interferențelor dăunătoare atunci când echipamentul este exploatat în condiții comerciale. Această aparatură generează, utilizează și poate radia energie pe frecvența radio și, în cazul în care nu este instalată și utilizată conform manualului de instrucțiuni, poate provoca interferențe dăunătoare comunicațiilor radio. Funcționarea acestui echipament într-o zonă rezidențială poate cauza interferențe dăunătoare, caz în care utilizatorului i se va cere să corecteze interferențele pe propria cheltuială (FCC secțiunea 15.105).

### Modul RF Multitech Notificări de reglementare FCC/IC

#### Declarație privind modificările

LM Technologies nu a aprobat nicio schimbare sau modificare a acestui dispozitiv realizată de utilizator. Orice schimbare sau modificare poate anula autoritatea utilizatorului de a opera echipamentul.

*LM technologies n'approuve aucune modification apportée à l'appareil par l'utilisateur, quelle qu'en soit la nature. Tout changement ou modification peuvent annuler le droit d'utilisation de l'appareil par l'utilisateur.*

#### Declarație privind interferențele

Acest dispozitiv este conform cu Partea 15 din reglementările Comisiei Federale de Comunicații (FCC) și standardele RSS Industry Canada scutite de licență. Funcționarea se supune următoarelor condiții: (1) acest dispozitiv trebuie să nu cauzeze interferențe și (2) acest dispozitiv trebuie să accepte orice interferență primită, inclusiv interferențele care pot cauza o funcționare nedorită.

*Le présent appareil est conforme aux CNR d'Industrie Canada applicables aux appareils radio exempts de licence. L'exploitation est autorisée aux deux conditions suivantes : (1) l'appareil ne doit pas produire de brouillage, et (2) l'utilisateur de l'appareil doit accepter tout brouillage radioélectrique subi, même si le brouillage est susceptible d'en compromettre le fonctionnement. Cet appareil est conforme aux limites d'exposition aux rayonnements de la IC pour un environnement non contrôlé.*

### Declarație FCC 5G:

Dispozitivele LE-LAN sunt limitate la funcționarea în interior numai în banda 5150-5250 MHz

### Europa – Directiva privind echipamente radio (RED)



Banda Wi-Fi de 5,15-5,35 GHz este limitată la utilizarea în interior în țările care urmează:

**Tabelul 3 Țări europene**

Andorra (AD)	Danemarca (DK)	Irlanda (IE)	Muntele Negru (ME)	Slovacia (SK)
Austria (AT)	Estonia (EE)	Italia (IT)	Olanda (NL)	Slovenia (SL)
Belgia (BE)	Finlanda (FI)	Letonia (LV)	Norvegia (NU)	Spania (ES)
Bosnia și Herțegovina (BA)	Franța (FR)	Liechtenstein (LI)	Polonia (PL)	Suedia (SE)
Bulgaria (BG)	Germania (DE)	Lituania (LT)	Portugalia (PT)	Elveția (CH)

**Tabelul 3 Țări europene (continuare)**

Croația (HR)	Grecia (GR)	Luxemburg (LU)	România (RO)	Macedonia (MK)
Cipru (CY)	Ungaria (HU)	Malta (MT)	San Marino (SM)	Regatul Unit (GB)
Republica Cehă (CZ)	Islanda (IS)	Monaco (MC)	Serbia (RS)	Statul orașului Vatican (VA)

## 2.2 Prezentarea generală a produsului

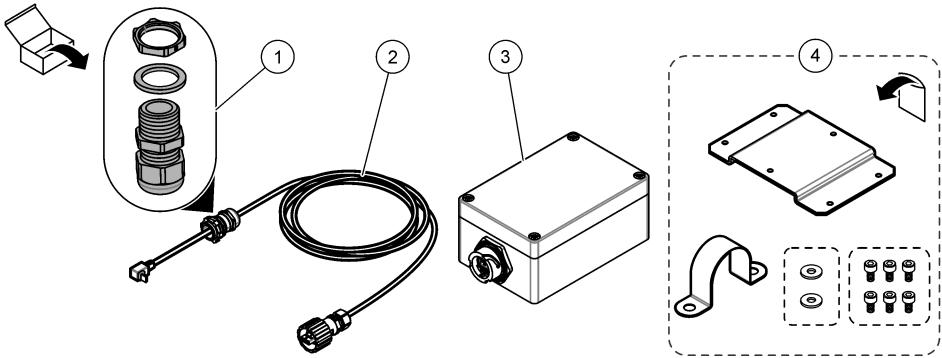
Cutia USB externă este folosită pentru conectarea unui dispozitiv USB la controllerul SC4500 (de ex., un adaptor Wi-Fi).

**Notă:** Toate elementele (adică, adaptorul și conexiunile interne) sunt asamblate din fabrică.

## 2.3 Componentele produsului

Asigurați-vă că ați primit toate componentele. Consultați **Figura 1**. Dacă oricare dintre elemente lipsește sau este deteriorat, contactați imediat fie producătorul, fie un reprezentant de vânzări.

**Figura 1 Componentele produsului**



1 Manșoane flexibile, șaibă și piuliță	3 Cutie USB
2 Cablu cutie conexiune USB	4 Echipament de montare pe tije <sup>2</sup>

## Secțiunea 3 Instalarea

### 3.1 Montarea

#### NOTĂ

Utilizați orificiile de montare pentru a instala cutia USB. Nu realizați orificii în partea din spate a cutiei USB deoarece componentele interne se pot avaria.

#### NOTĂ



Închideți carcasa cutiei USB și asigurați-vă că șuruburile carcasei sunt suficient de strânse pentru a păstra clasificarea de mediu a incintei.

Instalați cutia USB într-o locație în care dispozitivul de deconectare de la alimentare al controllerului poate fi operat cu ușurință. Instalați cutia USB în locația cu cea mai mare putere a semnalului Wi-Fi. Utilizați un dispozitiv mobil pentru a găsi locația cu cea mai mare putere a semnalului Wi-Fi.

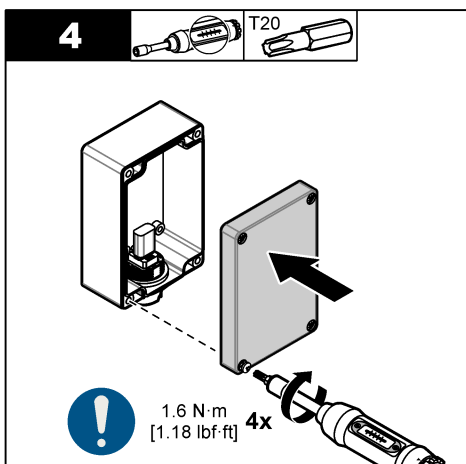
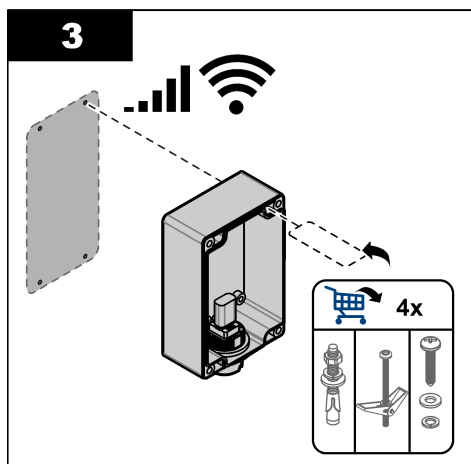
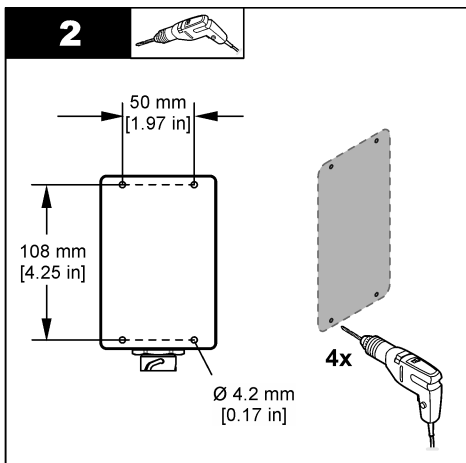
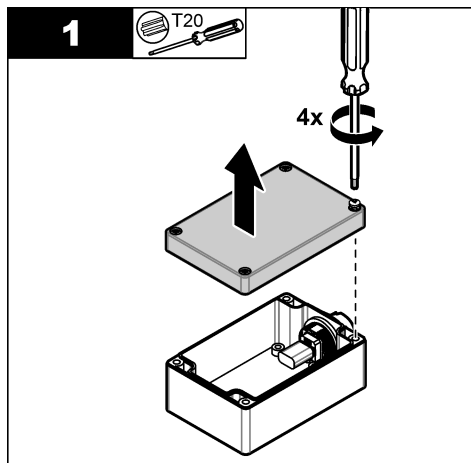
<sup>2</sup> Echipamentul de montare pe tije este conceput pentru o tijă cu diametrul de 40 mm (1,57 inch).



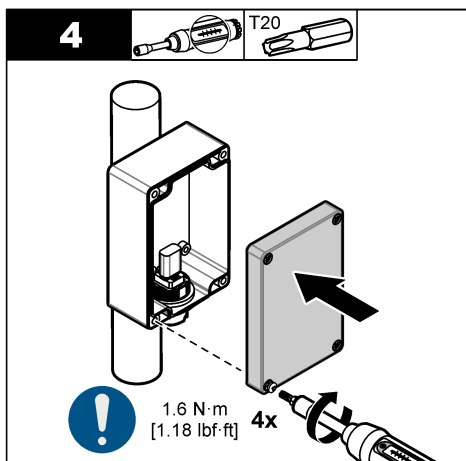
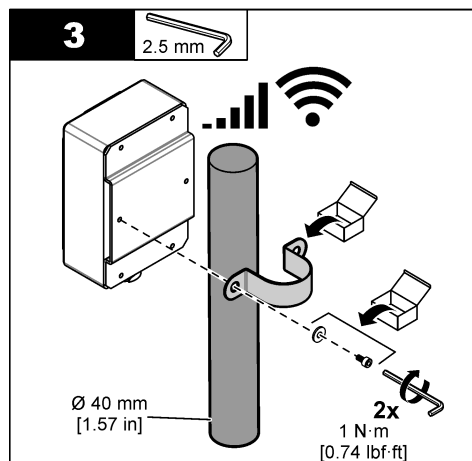
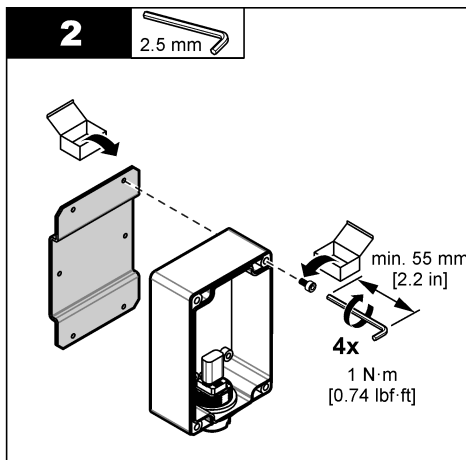
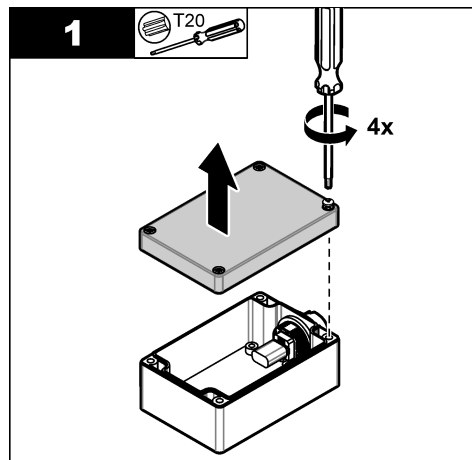
Atașați cutia USB pe un perete, pe o tijă verticală sau pe o tijă orizontală.

**Notă:** Componentele de montare pe perete sunt furnizate de către utilizator. Șuruburile/racordurile trebuie să fie potrivite pentru perete/plafon și să aibă o capacitate portantă suficientă.

Consultați pașii ilustrați din continuare pentru montarea cutiei USB pe perete.



Consultați pașii ilustrați din continuare pentru montarea cutiei USB pe tijă.



## 3.2 Conectarea cablului

### NOTĂ

Producătorul recomandă utilizarea componentelor electrice furnizate de producător, cum ar fi cablu de alimentare, conectori și manșoane flexibile.

### NOTĂ



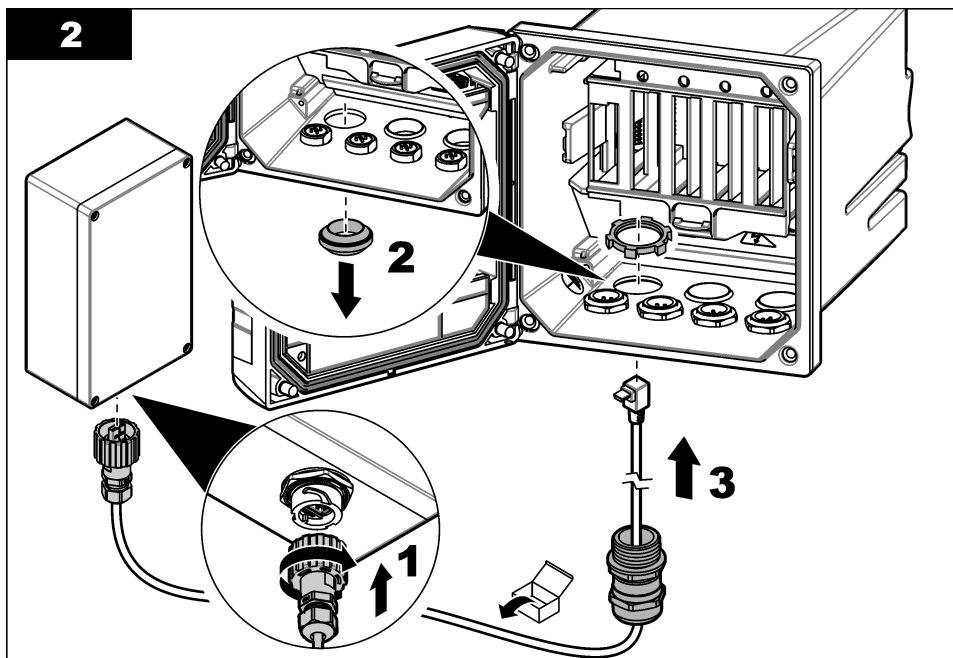
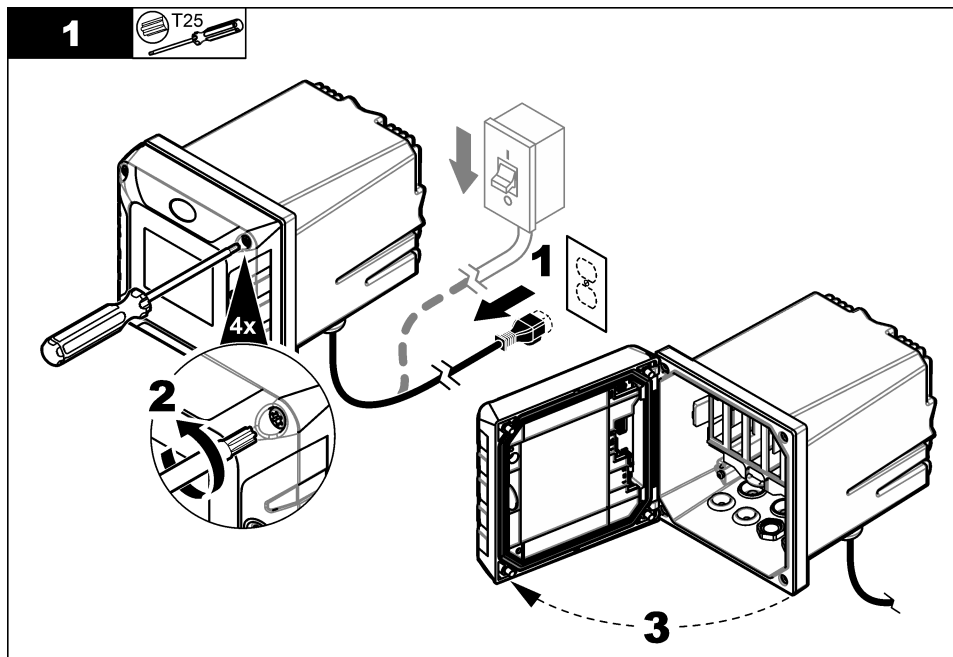
Asigurați-vă că teaca pentru cablu trece prin partea interioară a incintei pentru a păstra clasificarea ecologică a incintei.

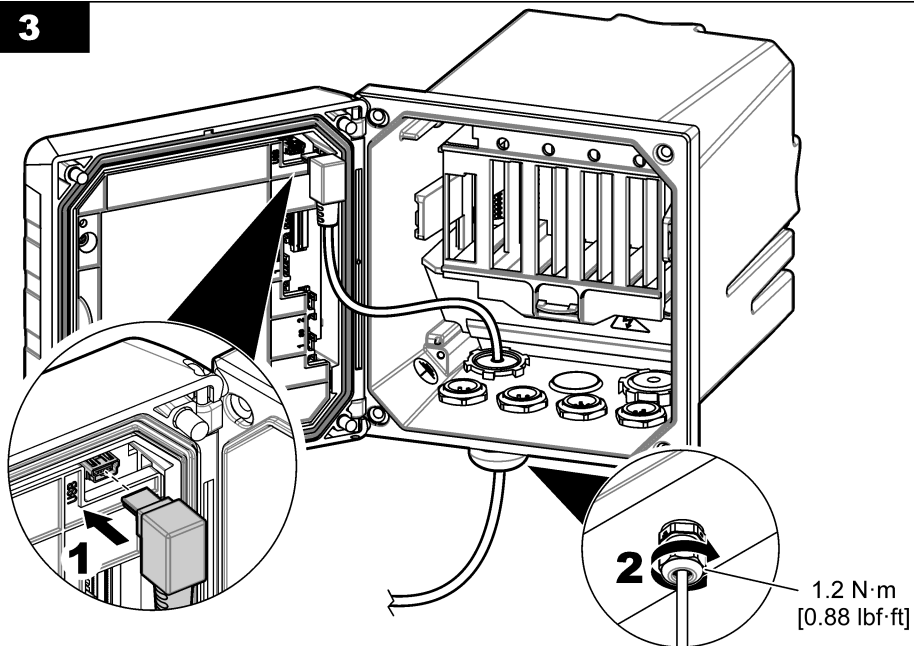
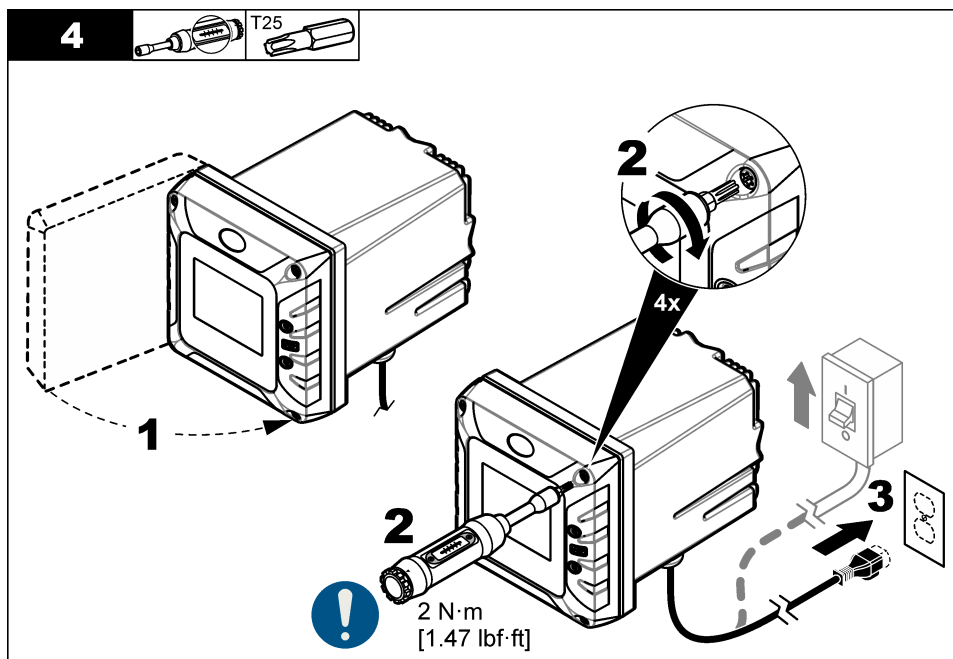
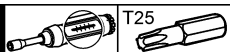
### NOTĂ



Închideți carcasa controllerului și asigurați-vă că șuruburile carcasei sunt suficient de strânse pentru a păstra clasificarea de mediu a incintei.

Conectați cablul furnizat la cutia USB și conectorul USB intern în controller. Consultați pașii ilustrați care urmează.



**3****4**

## Secțiunea 4 Pornirea sistemului

**Notă:** Adaptorul Wi-Fi este asamblat și conectat din fabrică. Dacă este necesar, consultați [Înlocuiți adaptorul Wi-Fi](#) de la pagina 181 pentru a înlocui adaptorul Wi-Fi.

După finalizarea instalării, parcurgeți pașii care urmează:

1. Demontați capacul cutiei USB.
2. Alimentați controllerul.
3. Asigurați-vă că adaptorul WiFi este alimentat.
4. Așteptați minim 5 minute.
5. Examinați puterea semnalului și starea conexiunii la rețea. Consultați documentația controllerului.
6. Instalați carcasa pe cutia USB.

## Secțiunea 5 Configurarea

Pentru instrucțiuni, consultați documentația controllerului. Consultați manualul de utilizare extins de pe site-ul web al producătorului pentru mai multe informații.

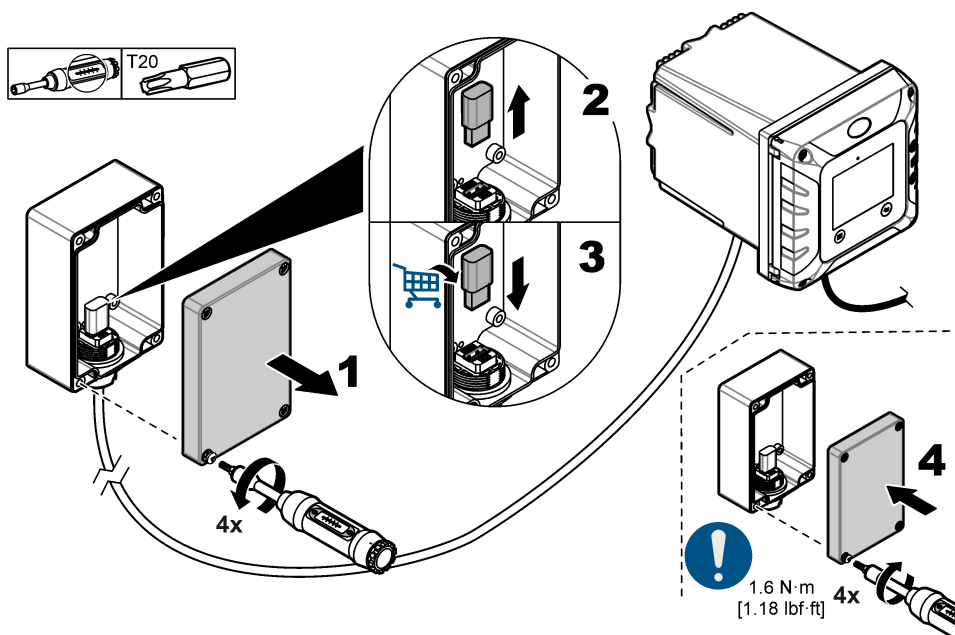
## Secțiunea 6 Întreținerea

### 6.1 Înlocuiți adaptorul Wi-Fi

Dacă este necesar, înlocuiți adaptorul Wi-Fi. Consultați pașii ilustrați în [Figura 2](#).

**Articole de colectat:** Adaptor Wi-Fi

**Figura 2** Înlocuiți adaptorul Wi-Fi



## Secțiunea 7 Accesorii

### ▲ AVERTISMENT



Pericol de vătămare corporală. Utilizarea pieselor neaprobate poate cauza vătămare corporală, deteriorarea instrumentului sau defectarea echipamentului. Piese de schimb din această secțiune sunt aprobate de producător.

**Notă:** Numerele pentru produs și articol pot varia în anumite regiuni de comercializare. Contactați distribuitorul respectiv sau consultați site-ul Web al companiei pentru informațiile de contact.

<b>Descriere</b>	<b>Nr. articol</b>
Cablu de conexiune cutie USB, WiFi, 4,5 m	LXZ525.99.00019
Kit componente de montare	8806200
Adaptor USB Wi-Fi pentru SUA, 2,4/5 GHz	LZY996
Adaptor USB Wi-Fi pentru UE, 2,4/5 GHz	LZY997

## Turinys

- |   |                               |               |   |                    |               |
|---|-------------------------------|---------------|---|--------------------|---------------|
| 1 | Techniniai duomenys           | Puslapyje 183 | 5 | Konfigūravimas     | Puslapyje 193 |
| 2 | Bendrojo pobūdžio informacija | Puslapyje 183 | 6 | Techninė priežiūra | Puslapyje 193 |
| 3 | Montavimas                    | Puslapyje 188 | 7 | Priedai            | Puslapyje 193 |
| 4 | Paleidimas                    | Puslapyje 192 |   |                    |               |

## Skyrius 1 Techniniai duomenys

Techniniai duomenys gali būti keičiami neperspėjus.

Techniniai duomenys	Išsami informacija
Matmenys (P x A x G)	80 x 120 x 55 mm (4.7 x 7.9 x 2.2 col.)
Gaubtas	IP66 <sup>1</sup> , polikarbonatas UL94-V0
Svoris	169 g (0.37 sv.)
Taršos laipsnis	4
Montavimo kategorija	I
Apsaugos klasė	III
Darbinė temperatūra	-20–60 °C (-4–140 °F)
Laikymo temperatūra	-20–70 °C
Santykinis drėgnis	0–95 %, be kondensacijos
Aukštis virš jūros lygio	2000 m (6562 pėd.) maks.
Ryšio parinktys	„Wi-Fi“ adapteris su USB jungtimi 2,4 GHz ir 5 GHz ISM diapazonuose
Sertifikatai	CE, FCC, IC, UKCA
Garantija	1 metai (ES: 2 metai)

## Skyrius 2 Bendrojo pobūdžio informacija

Gamintojas jokiū būdu nėra atsakingas už tiesioginę, netiesioginę, specialią, atsitiktinę arba didelę žalą, kuri būtų padaryta dėl šio vadovo bet kokio defekto ar praleidimo. Gamintojas pasilieka teisę bet kada iš dalies pakeisti šį vadovą ir jame aprašytus produktus nepranešdamas apie keitimą ir neprisiimdamas įsipareigojimų. Pataisytuosius leidimus rasite gamintojo žiniatinklio svetainėje.

### 2.1 Saugos duomenys

Gamintojas nėra atsakingas už jokiū nuostolius dėl netinkamo šio gaminio taikymo ar naudojimo, įskaitant tiesioginius, atsitiktinius ir šalutinius nuostolius, bet tuo neapsiribojant, ir nepažįsta jokios atsakomybės už tokiū nuostolius, kiek tai leidžia galiojantys įstatymai. Tik naudotojas yra atsakingas už taikymo lemiamo pavojaus nustatymą ir tinkamų mechanizmų procesams apsaugoti per galimą įrangos triktį įrengimą.

Perskaitykite visą šį dokumentą prieš išpakuodami, surinkdami ir pradėdami naudoti šį įrenginį. Atkreipkite dėmesį į visus įspėjimus apie pavojų ir atsargom priemones. Priešingu atveju įrenginio naudotojas gali smarkiai susižeisti arba sugadinti įrenginį.

Įsitinkite, kad šio įrenginio apsauga nepažeista. Nenaudokite ir nemontuokite šio įrenginio kitokiu būdu, nei nurodyta šiame vadove.

<sup>1</sup> Tik su sumontuotu USB dėžės jungties kabeliu.

### 2.1.1 Informacijos apie pavojų naudojimas

#### ▲ PAVOJUS

Žymi galimą arba neišvengiamą pavojingą situaciją, į kurią pakliuvus galima mirtinai ar stipriai susižeisti.

#### ▲ ĮSPĖJIMAS

Žymi galimą arba neišvengiamą pavojingą situaciją, kurios nevengiant gali grėsti mirtis ar stiprus sužeidimas.

#### ▲ ATSARGIAI





Žymi galimą pavojingą situaciją, dėl kurios galima lengvai ar vidutiniškai susižeisti.

#### PASTABA

Žymi situaciją, kurios neišvengus gali būti sugadintas prietaisas. Informacija, kuriai reikia skirti ypatingą dėmesį.


### 2.1.2 Apie pavojų perspėjančios etiketės

Perskaitykite visas prie prietaiso pritvirtintas etiketes ir žymas. Nesilaikant nurodytų įspėjimų galima, susižaloti arba sugadinti prietaisą. Simbolis, kuriuo pažymėtas prietaisas, instrukcijose yra nurodytas su įspėjamoju pareiškimu.

	Šis simbolis, jeigu juo pažymėtas įtaisas, reiškia, kad turite skaityti naudojimo vadovą ir (arba) saugos informaciją.
	Šis simbolis reiškia elektros smūgio arba mirties nuo elektros smūgio pavojų.
	Šis simbolis reiškia, kad prietaisas yra jautrus elektrostatinei iškrovai (ESD), todėl būtina imtis atsargumo priemonių siekiant išvengti įrangos apgadinimo.
	Šiuo simboliu pažymėto elektros įrenginio negalima išmesti namų arba viešosiose atliekų išmetimo vietose Europoje. Nemokamai grąžinkite nebenaudojamą įrangą gamintojui, kad ji būtų再利用uota.

### 2.1.3 Sertifikavimas

#### ▲ ĮSPĖJIMAS

	<p>Atsargumo priemonės dėl širdies stimuliatorių. Kilus elektromagnetiniams trukdžiams, jie gali:</p> <ul style="list-style-type: none"><li>• sustabdyti širdies stimulatoriaus skleidžiamus stimuliavimo impulsus, kuriais valdomas širdies ritmas;</li><li>• sukelti neregulius širdies stimulatoriaus impulsus;</li><li>• lemti situaciją, kai širdies stimulatorius nepaiso širdies ritmo ir siunčia nustatyto intervalo impulsus.</li></ul> <p>Naujausiais tyrimais nustatyta, kad daugumai širdies ritmo stimuliatorių turinčių asmenų korinio ryšio įrenginiai nesukelia reikšmingų sveikatos problemų. Tačiau širdies ritmo stimuliatorių naudojančias asmenys turėtų imtis atsargumo priemonių, kad įsitikintų, jog jų prietaisas jiems nekelia problemų. Laikykite prietaisą bent 20 cm (7,9 col.) atstumu nuo naudotojo.</p>
--	---



**⚠ ATSAUGIAI**

Elektromagnetinės spinduliuotės pavojus. Įsitikinkite, kad įprastai naudojama antena yra mažiausiai 20 cm (7,9 col.) atstumu nuo darbuotojų. Antena negali būti vienoje vietoje ar veikti kartu su kita antena ar siųstuvais.

**PASTABA**

Tai yra A klasės produktas, skirtas naudoti pramoninėje aplinkoje. Buitinėje aplinkoje šis gaminys gali kelti radijo trukdžius, tokiu atveju naudotojui gali tecti imtis atitinkamų priemonių.

**PASTABA**

Už tinklo ir prieigos taško saugumą atsako belaidį prietaisą naudojantis klientas. Gamintojas neatsako už jokią žalą, įskaitant (tačiau neapsiribojant) netiesioginę, tyčinę, pasekmę ar netyčinę žalą, kuri įvyko dėl tinklo saugumo spragos ar pažeidimo.

**Radio ryšio įrenginių reguliavimo patvirtinimai: JAV ir Kanada**

Yra „Wi-Fi“ USB adapteris: LM808 iš LM technologijų

FCC ID: VVX808-04XX

IC: 10531A-80804XX

**Lentelė 1 „Wi-Fi“ adapterio maitinimas**

Specifikacija, išdavimas ir data	Dažnio diapazonas (MHz)	Išmetamųjų teršalų kiekio nustatymas	RD galia (vatais)	Antena
RSS-247, 2 leidimas, 2017 m. vasario mėn.	5180—5240	17M1D1D	0.005	Integralas, 4,7 dBi
RSS-247, 2 leidimas, 2017 m. vasario mėn.	5210	75M8D1D	0.005	Integralas, 4,7 dBi
RSS-247, 2 leidimas, 2017 m. vasario mėn.	5745—5825	17M9D1D	0.005	Integralas, 4,7 dBi
RSS-247, 2 leidimas, 2017 m. vasario mėn.	5775	75M6D1D	0.004	Integralas, 4,7 dBi
RSS-247, 2 leidimas, 2017 m. vasario mėn.	2412—2462	15M0D1D	0.027	Integralas, 0,1 dBi
RSS-247, 2 leidimas, 2017 m. vasario mėn.	2412—2462	16M5D1D	0.016	Integralas, 0,1 dBi
RSS-247, 2 leidimas, 2017 m. vasario mėn.	2422—2452	35M1D1D	0.011	Integralas, 0,1 dBi

**„Wi-Fi“ USB adapteris LM808 Svarbios FCC suteikimo sąlygos:**

Išvardytas maitinimas tiekiamas. USB rakto SAR atitiktis buvo įvertinta, kaip aprašyta šiame faile. Šiam siųstuvui naudojama (-os) antena (-os) negali būti perduodama (-os) vienu metu su jokia kita antena ar siųstuvu, išskyrus atvejus, kai laikomasi FCC kelių siųstuvų gaminio procedūrų arba kaip aprašyta šiame aprašyme. Didžiausia užregistruota SAR vertė yra 0,26 W/kg. Šis įrenginys turi 20 MHz ir 40 MHz dažnių juostos pločio režimus.

**Radio ryšio įrenginių reguliavimo patvirtinimai: ES**

Yra „Wi-Fi“ USB adapteris: LM808

**Lentelė 2 Dažnio juostos**

<b>Techniniai duomenys</b>	<b>Išsami informacija</b>
Dažnio juosta	2,4 GHz ISM juosta
	5 GHz ISM juosta
RD išvesties galia (leistinasis nuokrypis ±2 dBm)	17 dBm, 802.11b esant 11 Mbps
	15 dBm, 802.11g esant 54 Mbps
	13 dBm, 802.11a esant 54 Mbps
	13 dBm, 802.11n esant MCS7_HT20
	13 dBm, 802.11n esant MCS7_HT40
	11 dBm, 802.11ac esant NSS1 MCS9_BW20, BW40, BW80
	-82 dBm, 802.11b esant 11 Mbps–71 dB0, 802.11g esant 54 MBps
Imtuvo jautrumas	-67 dBm, 802.11n esant MCS7_BW20
	-64 dBm, 802.11n esant MCS7_BW40
	-57 dBm, 802.11ac esant NSS1_MCS9_BW20
	-54 dBm, 802.11ac esant MSS1_MCS9_BW40
	-51 dBm, 802.11ac esant MSS1_MCS9_BW80

**Kanada (IC)**

Yra „Wi-Fi“ USB adapteris: LM808 iš LM technologijų IC: 10531A-80804XX

Šios klasės (A) skaitmeninis aparatas atitinka Kanados ICES-003. Šis įrenginys atitinka „Industry Canada“ licencijos nereikalaujantį RSS standartą (-us). Naudojimui taikomos šios dvi sąlygos:

- (1) šis įrenginys negali sukelti trikdžių, ir
- (2) šis įrenginys turi priimti visus trikdžius, įskaitant tuos, dėl kurių prietaisas gali veikti netinkamai.

*Cet appareil numérique de la classe (A) respect toutes les exigences de la norme NMB-003 du Canada. Le présent appareil est conforme aux CNR d'Industrie Canada applicables aux appareils radio exempts de licence. L'exploitation est autorisée aux deux conditions suivantes:*

- (1) l'appareil ne doit pas produire de brouillage, et*
- (2) l'utilisateur de l'appareil doit accepter tout brouillage radioélectrique subi, même si le brouillage est susceptible d'en compromettre le fonctionnement.*

**Jungtinės Amerikos Valstijos (FCC)**

Yra „Wi-Fi“ USB adapteris: LM808 iš LM technologijų FCC ID: VVX808-04XX

Modifikacijos, kurių įmonė aiškiai nepatvirtino, gali atimti naudotojo teisę dirbti su šia įranga (FCC skyrius 15.21).

Ši įranga yra patikrinta ir nustatyta, kad ji atitinka A klasės skaitmeninių prietaisų apribojimuose keliamus reikalavimus pagal FCC taisyklių 15 dalį. Šie apribojimai taikomi siekiant suteikti tinkamą apsaugą nuo žalingųjų trukdžių poveikio, kai įranga yra naudojama komercinėse patalpose. Ši įranga sukuria, naudoja ir sklaidžia radijo bangų energiją ir, jei naudojama nesilaikant naudotojo instrukcijoje pateiktų nurodymų, gali kelti radijo ryšio žalinguosius trukdžius. Šią įrangą naudojant gyvenamosiose patalpose gali būti keliami žalingieji trukdžiai ir tokiu atveju naudotojas juos turės pašalinti savo lėšomis (FCC skyrius 15.105).

**„Multitech“ radijo ryšio modulio FCC/IC reguliavimo pranešimai  
Modifikavimo pareiškimas**

LM technologijos nepatvirtino jokių šio įrenginio pakeitimų ar modifikacijų. Bet kokie pakeitimai arba modifikacijos gali atimti naudotojo teisę dirbti su įranga.

*LM technologies n'approuve aucune modification apportée à l'appareil par l'utilisateur, quelle qu'en soit la nature. Tout changement ou modification peut annuler le droit d'utilisation de l'appareil par l'utilisateur.*

### **Pareiškimas dėl trukdžių**

Šis įrenginys atitinka FCC taisyklių 15 dalies reikalavimus ir „Industry Canada“ licencijos nereikalaujantį RSS standartą (-us). Naudojimui taikomos šios dvi sąlygos: (1) šis įrenginys negali sukelti trikdžių; ir (2) šis įrenginys turi priimti visus trikdžius, įskaitant tuos, dėl kurių prietaisas gali veikti netinkamai.

*Le présent appareil est conforme aux CNR d'Industrie Canada applicables aux appareils radio exempts de licence. L'exploitation est autorisée aux deux conditions suivantes : (1) l'appareil ne doit pas produire de brouillage, et (2) l'utilisateur de l'appareil doit accepter tout brouillage radioélectrique subi, même si le brouillage est susceptible d'en compromettre le fonctionnement. Cet appareil est conforme aux limites d'exposition aux rayonnements de la IC pour un environnement non contrôlé.*

### **FCC 5G pareiškimas:**

LE-LAN prietaisai veikia tik patalpose 5150-5250 MHz dažnių juostoje

### **Europai – Radijo įrangos direktyva (RĪD)**



5,15–5,35 GHz „Wi-Fi“ juosta skirta naudoti tik patalpose šioje šalyse:

**Lentelė 3 Europos šalys**

Andora (AD)	Danija (DK)	Airija (IE)	Juodkalnija (ME)	Slovakija (SK)
Austrija (AT)	Estija (EE)	Italija (IT)	Nyderlandai (NL)	Slovėnija (SL)
Belgija (BL)	Suomija (FI)	Latvija (LV)	Norvegija (NO)	Ispanija (ES)
Bosnija ir Hercegovina (BA)	Prancūzija (FR)	Lichtenšteinas (LI)	Lenkija (PL)	Švedija (SE)
Bulgarija (BG)	Vokietija (DE)	Lietuva (LT)	Portugalija (PT)	Šveicarija (CH)
Kroatija (HR)	Graikija (GR)	Liuksemburgas (LU)	Rumunija (RO)	Makedonija (MK)
Kipras (CY)	Vengrija (HU)	Malta (MT)	San Marinas (SM)	Jungtinė Karalystė (BG)
Čekija (CZ)	Islandija (IS)	Monakas (MC)	Serbija (RS)	Vatikano miesto valstybė (VA)

## **2.2 Gaminio apžvalga**

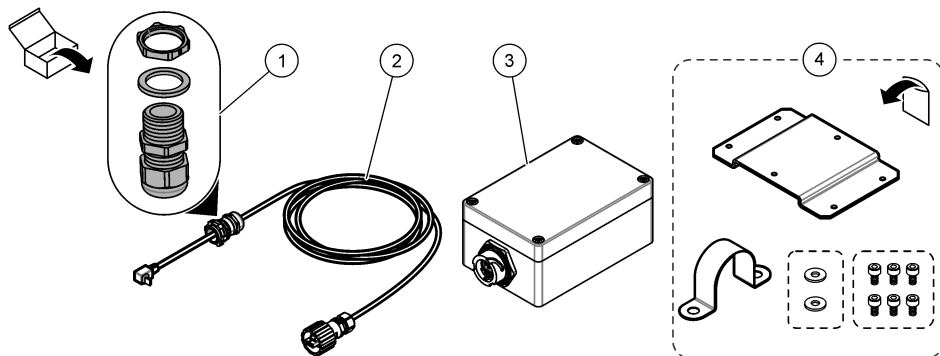
Išorinė USB dėžė naudojama USB įrenginiui prie SC4500 valdiklio (pvz., „Wi-Fi“ adapterio) prijungti.

**Pastaba:** Visos dalys (t. y. adapteris ir vidinės jungtys) surenkamos gamykloje.

## 2.3 Gaminio sudedamosios dalys

Išitikinkite, kad gavote visas sudedamąsias dalis. Žr. [Paveikslėlis 1](#). Jei dalių trūksta ar jos yra apgadintos, nedelsdami susisieki su gamintoju ar prekybos atstovu.

### Paveikslėlis 1 Gaminio sudedamosios dalys



1 Apsauga nuo apkrovos, poveržlė, veržlė	3 USB dėžė
2 USB dėžės jungties kabelis	4 Stulpo montavimo įranga <sup>2</sup>

## Skyrius 3 Montavimas

### 3.1 Įrengimas

#### PASTABA

USB dėžei sumontuoti naudokite įrengimui skirtas skyles. Negręžkite skylių galinėje USB dėžės pusėje, antraip galite sugadinti vidinius komponentus.

#### PASTABA



Uždarykite USB dėžės dangtį ir tvirtai priveržkite dangčio varžtus, kad užtikrintumėte korpuso aplinkos poveikio klasę.

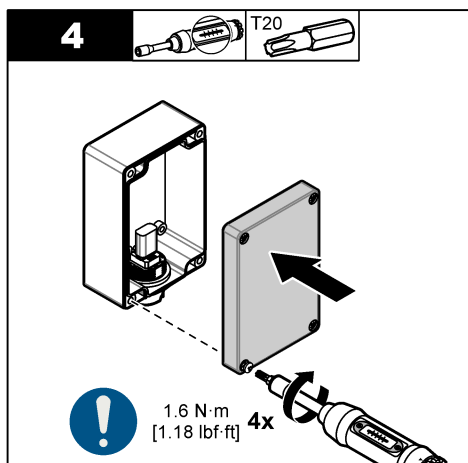
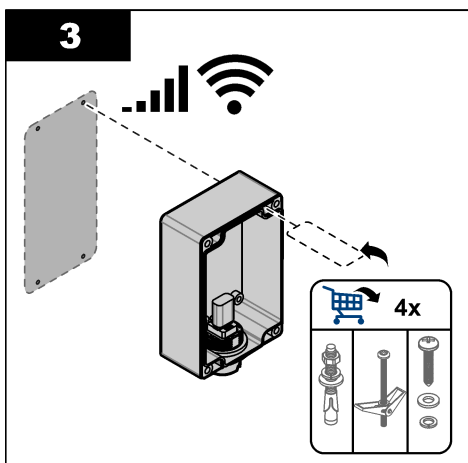
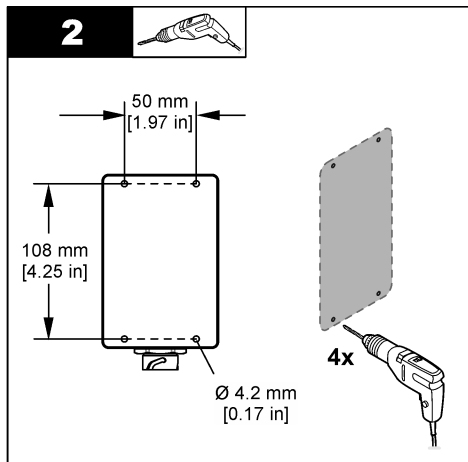
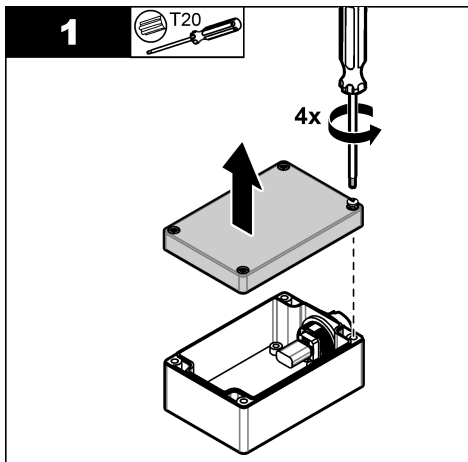
Sumontuokite USB dėžę tokioje vietoje, kur būtų galima lengvai panaudoti valdiklio atjungimo įrenginį. Sumontuokite USB dėžę tokioje vietoje, kur yra stipriausias „WiFi“ signalas. Naudokite to paties mobiliojo ryšio paslaugos teikėjo mobilųjį įrenginį, kad surastumėte vietą, kurioje yra stipriausias „WiFi“ signalas.

USB dėžę pritvirtinkite prie sienos, vertikalaus arba horizontalaus strypo.

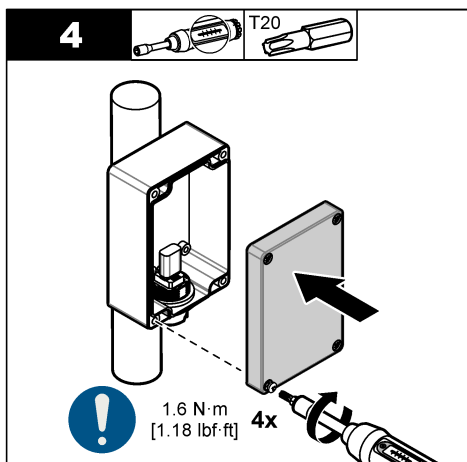
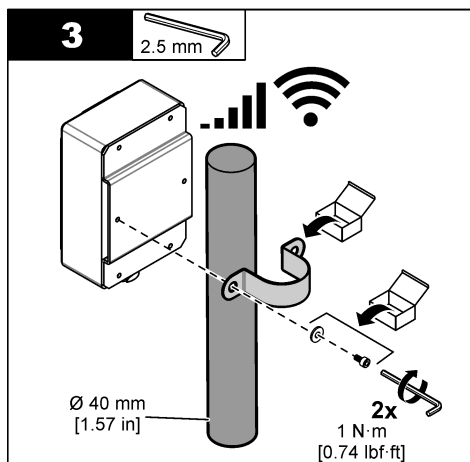
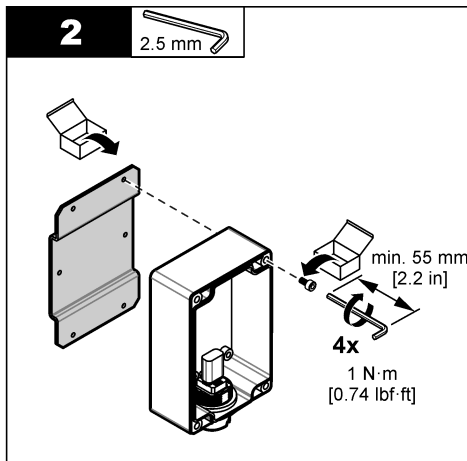
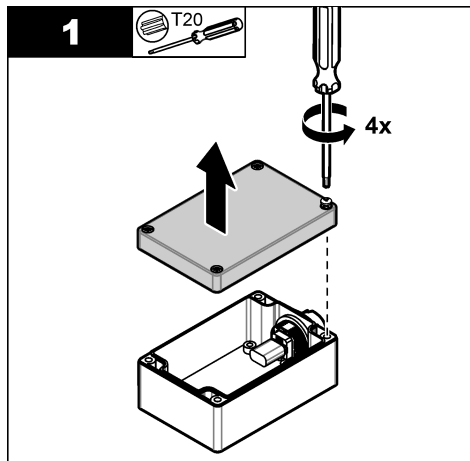
**Pastaba:** Montavimo ant sienos įranga pasirūpina naudotojas. Varžtai / jungiamosios detalės turi atitikti sienos ar lubų savybes ir turėti pakankamą keliamąją galią.

<sup>2</sup> Stulpo montavimo įranga yra skirta 40 mm (1,57 col.) skersmens stulpui.

Žr. toliau pateiktas iliustracijas dėl USB dėžės tvirtinimo prie sienos.



Žr. toliau pateiktas iliustracijas dėl USB dėžės tvirtinimo prie stulpo.



## 3.2 Prijunkite kabelį

### PASTABA

Gamtojas rekomenduoja naudoti gamintojo tiekiamus elektrinius komponentus, tokius kaip maitinimo laidas, jungtys ir nuo apkrovos apsaugančios jungtys.

### PASTABA



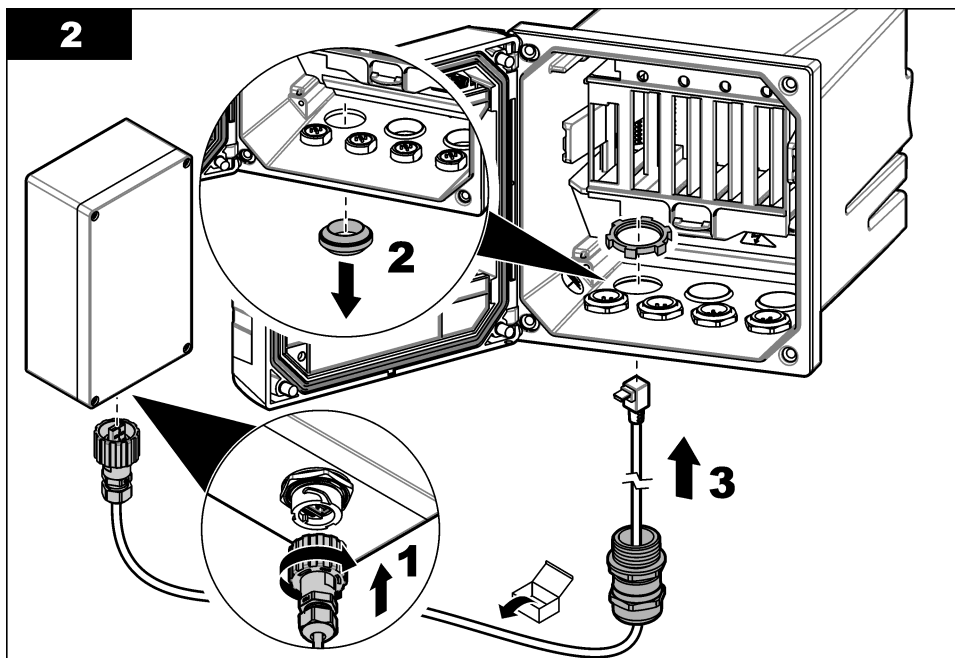
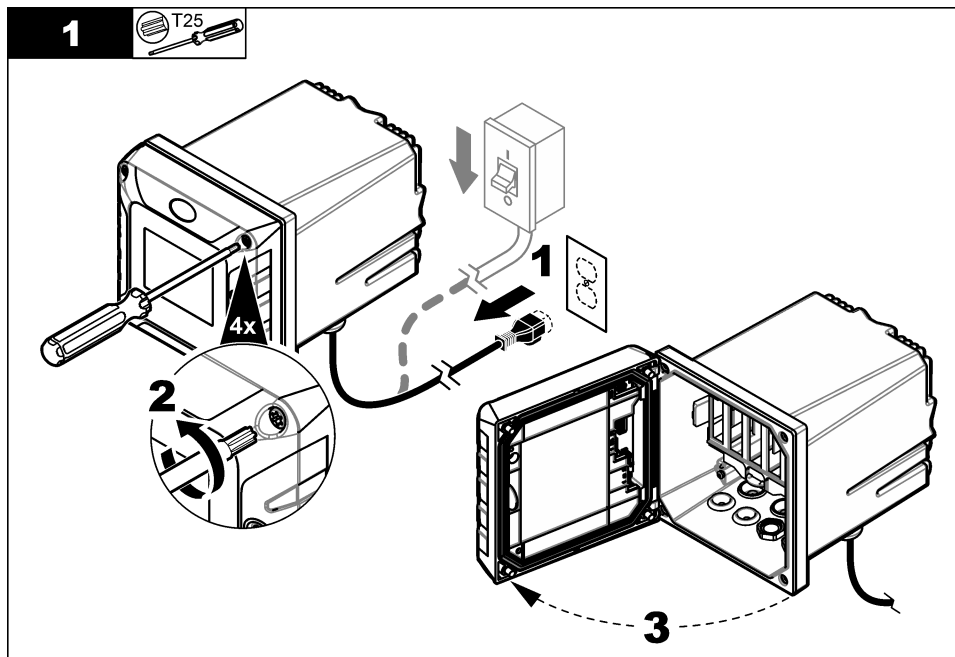
Įsitinkinkite, kad kabelio apvalkalas tiesiasi vidinėje korpuso dalyje, kad užtikrintumėte korpuso aplinkos poveikio klasę.

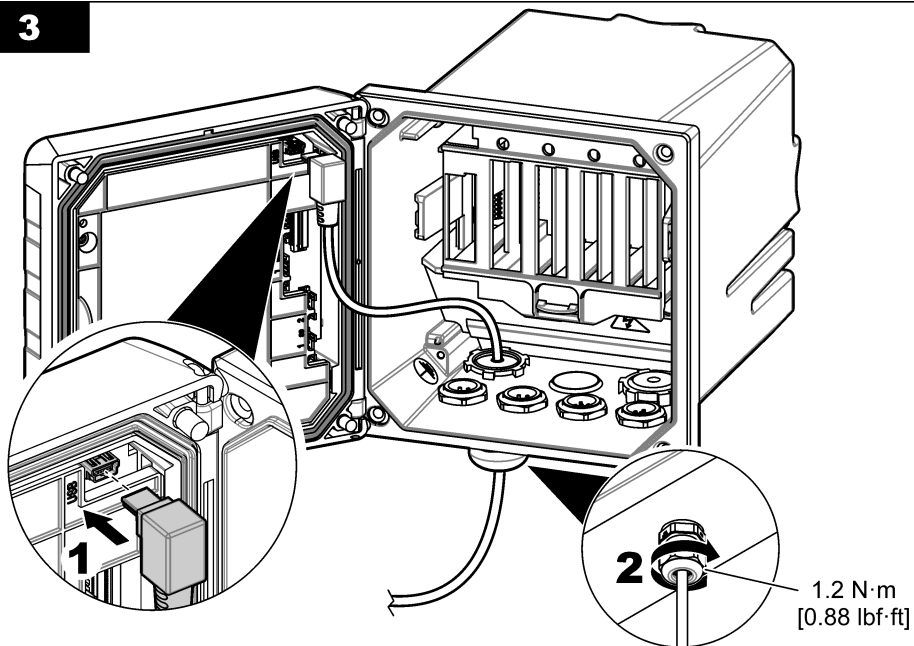
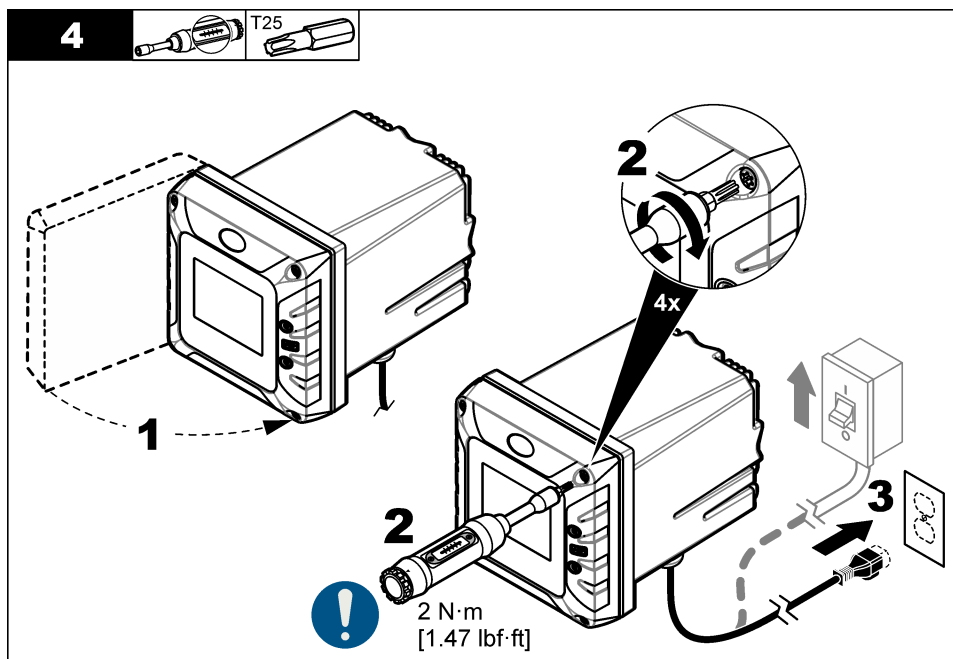
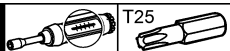
### PASTABA



Uždarykite valdiklio dangtelį ir tvirtai priveržkite dangtelio varžtus, kad užtikrintumėte korpuso aplinkos poveikio klasę.

Prijunkite tiekiamą kabelį prie USB dėžės ir vidinės valdiklio USB jungties. Žr. toliau pateiktas iliustracijas.



**3****4**

## Skyrius 4 Paleidimas

*Pastaba: „WiFi“ adapteris surenkamas ir prijungiamas gamykloje. Jei reikia, žiūrėkite Pakeiskite „Wi-Fi“ adapterį Puslapyje 193, kaip pakeisti „WiFi“ adapterį.*



Užbaigę montavimą atlikite šiuos veiksmus:

1. Nuimkite USB dėžės dangtį.
2. Prijunkite valdiklio maitinimą.
3. Įsitinkinkite, kad „WiFi“ adapteris yra maitinamas.
4. Palaukite bent 5 minutes.
5. Patikrinkite signalo stiprumą ir tinklo ryšio būklę. Žiūrėkite valdiklio dokumentus.
6. Ant USB dėžės uždėkite dangtį.

## Skyrius 5 Konfigūravimas

Nurodymus žr. valdiklio dokumentuose. Daugiau informacijos rasite gamintojo svetainėje esančiame išplėstiniame naudotojo vadove.

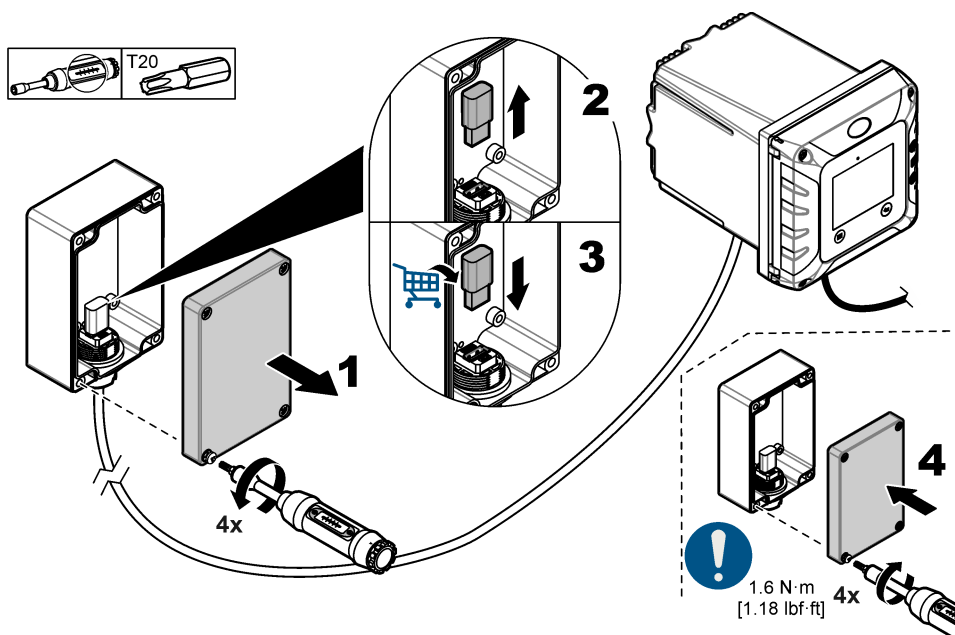
## Skyrius 6 Techninė priežiūra

### 6.1 Pakeiskite „Wi-Fi“ adapterį

Jeigu reikia, pakeiskite „Wi-Fi“ adapterį. Žr. iliustruotus veiksmus [Paveikslėlis 2](#).

**Rinktiniai elementai:** „Wi-Fi“ adapteris

**Paveikslėlis 2** Pakeiskite „Wi-Fi“ adapterį



## Skyrius 7 Priedai

### ⚠ ĮSPĖJIMAS



Pavojus susižeisti. Naudojant nepatvirtintas dalis galima sužaloti žmones, sugadinti prietaisą arba įrangą gali netinkamai veikti. Šiame skyriuje nurodytos atsarginės dalys yra patvirtintos gamintojo.

**Pastaba:** Kai kuriuose pardavimo regionuose gaminių ir prekių numeriai gali skirtis. Kreipkitės į atitinkamą pardavimo agentą arba apsilankykite bendrovės tinklalapyje, kur rasite informaciją apie asmenis, į kuriuos galite kreiptis.

<b>Aprašas</b>	<b>Prekės Nr.</b>
USB dėžės jungties kabelis, "WiFi", 4,5 m	LXZ525.99.00019
Montavimo įrangos rinkinys	8806200
„Wi-Fi“ USB adapteris, skirtas JAV, 2,4/5 GHz	LZY996
„Wi-Fi“ USB adapteris, skirtas ES, 2,4/5 GHz	LZY997

## Оглавление

- |   |                  |             |   |              |             |
|---|------------------|-------------|---|--------------|-------------|
| 1 | Характеристики   | на стр. 195 | 5 | Настройка    | на стр. 206 |
| 2 | Общая информация | на стр. 195 | 6 | Обслуживание | на стр. 206 |
| 3 | Монтаж           | на стр. 201 | 7 | Аксессуары   | на стр. 207 |
| 4 | Запуск           | на стр. 205 |   |              |             |

## Раздел 1 Характеристики

Характеристики могут быть изменены без предварительного уведомления.

Характеристика	Подробная информация
Размеры (Ш x В x Г)	80 x 120 x 55 мм
Корпус	IP66 <sup>1</sup> , поликарбонат UL94-V0
Масса	169 г
Класс загрязнения	4
Категория установки	I
Класс защиты	III
Рабочая температура	от -20 до 60 °C
Температура хранения	от -20 до 70°C
Относительная влажность	от 0 до 95%, без конденсации
Высота	Максимум 2000 м
Варианты подключения	Адаптер Wi-Fi с разъемом USB 2,4 ГГц и 5 ГГц, промышленный, научный и медицинский диапазон (ISM)
Сертификаты	CE, FCC, IC, UKCA
Гарантия	1 год (ЕС: 2 года)

## Раздел 2 Общая информация

Производитель ни при каких обстоятельствах не несет ответственности за прямой, не прямой, умысленный, неумысленный или косвенный ущерб в результате любых недочетов или ошибок, содержащихся в данном руководстве. Производитель оставляет за собой право вносить изменения в руководство или описанную в нем продукцию без извещений и обязательств. Обновленные версии руководства можно найти на веб-сайте производителя.

### 2.1 Информация по безопасности

Изготовитель не несет ответственности за любые повреждения, вызванные неправильным применением или использованием изделия, включая, без ограничения, прямой, неумысленный или косвенный ущерб, и снимает с себя ответственность за подобные повреждения в максимальной степени, допускаемой действующим законодательством. Пользователь несет исключительную ответственность за выявление критических рисков в работе и установку соответствующих механизмов для защиты обследуемой среды в ходе возможных неполадок оборудования.

<sup>1</sup> Только при установленном соединительном кабеле USB-блока.

Внимательно прочтите все руководство пользователя, прежде чем распаковывать, устанавливать или вводить в эксплуатацию оборудование. Соблюдайте все указания и предупреждения относительно безопасности. Их несоблюдение может привести к серьезной травме обслуживающего персонала или выходу из строя оборудования.

Чтобы гарантировать, что обеспечиваемая оборудованием защита не нарушена, не используйте или не устанавливайте данное оборудование никаким иным способом, кроме указанного в данном руководстве.

### 2.1.1 Информация о потенциальных опасностях

#### ▲ ОПАСНОСТЬ

Указывает на потенциально или неизбежно опасные ситуации, которые, если их не избежать, приведут к смерти или серьезным травмам.

#### ▲ ПРЕДУПРЕЖДЕНИЕ

Указывает на потенциально или неизбежно опасные ситуации, которые, если их не избежать, могут привести к смерти или серьезным травмам.

#### ▲ ОСТОРОЖНО





Указывает на потенциально опасную ситуацию, которая может привести к травмам малой и средней тяжести.

#### УВЕДОМЛЕНИЕ

Указывает на ситуацию, которая, если ее не избежать, может привести к повреждению оборудования. Информация, на которую следует обратить особое внимание.


### 2.1.2 Предупредительные надписи

Прочтите все бирки и этикетки на корпусе прибора. При их несоблюдении возникает опасность телесных повреждений или повреждений прибора. Символ на приборе вместе с предостережением об опасности включен в руководство.

	Если данный символ нанесен на прибор, в руководстве по эксплуатации необходимо найти информацию об эксплуатации и/или безопасности.
	Этот символ указывает на опасность поражения электрическим током и/или на возможность получения смертельной электротравмы.
	Этот символ указывает на наличие устройств, чувствительных к электростатическому разряду, и указывает, что следует быть очень внимательными во избежание их повреждения.
	Возможен запрет на утилизацию электрооборудования, отмеченного этим символом, в европейских домашних и общественных системах утилизации. Пользователь может бесплатно вернуть старое или неработающее оборудование производителю для утилизации.

## 2.1.3 Сертификация

### ▲ ПРЕДУПРЕЖДЕНИЕ




Меры предосторожности для лиц, использующих кардиостимуляторы. Возникшие электромагнитные помехи могут:

- Остановить стимулирующие импульсы кардиостимулятора, которые контролируют ритм сердца.
- Привести к нерегулярной подаче импульсов кардиостимулятора.
- Привести к тому, что кардиостимулятор не будет учитывать ритм сердца и будет подавать импульсы с заданным интервалом.

Результаты современных исследований показывают, что использование сотовых устройств не представляет значительной угрозы для здоровья большинства лиц, использующих кардиостимуляторы. Тем не менее, лица, использующие кардиостимуляторы, должны соблюдать меры предосторожности, чтобы исключить возникновение проблем по причине использования устройства. Устройство должно находиться на расстоянии не менее 20 см от пользователя.

### ▲ ОСТОРОЖНО



Опасное электромагнитное излучение. Убедитесь в том, что антенна в рабочем режиме находится на расстоянии не менее 20 см (7,9 дюйма) от всех сотрудников. Антенну нельзя размещать вблизи или использовать совместно с другими антеннами или приемопередатчиками.

### УВЕДОМЛЕНИЕ

Это прибор Класса А, предназначенный для использования в промышленной среде. В жилых помещениях данный прибор может создавать радиопомехи. В таком случае пользователю нужно принять соответствующие меры.

### УВЕДОМЛЕНИЕ

За безопасность сети и точки доступа несет ответственность пользователь беспроводного оборудования. Производитель не несет ответственности за любые повреждения, включая, но не ограничиваясь косвенными, фактическими, последующими или случайными повреждениями, вызванными нарушением правил сетевой безопасности или ненадлежащим их соблюдением.

**Сертификация прибора регулирующими организациями: США и Канада**

Содержит USB-адаптер Wi-Fi: LM808 от LM technologies

FCC ID: VVX808-04XX

IC: 10531A-80804XX

**Таблица 1 Питание для адаптера Wi-Fi**

Спецификация, выпуск и дата	Диапазон частот (МГц)	Обозначение выбросов	Мощность радиочастоты (Вт)	Антенна
RSS-247, выпуск 2, 02/2017	5180—5240	17M1D1D	0,005	Интегральная, 4,7 дБи
RSS-247, выпуск 2, 02/2017	5210	75M8D1D	0,005	Интегральная, 4,7 дБи
RSS-247, выпуск 2, 02/2017	5745—5825	17M9D1D	0,005	Интегральная, 4,7 дБи
RSS-247, выпуск 2, 02/2017	5775	75M6D1D	0,004	Интегральная, 4,7 дБи

**Таблица 1 Питание для адаптера Wi-Fi (продолжение)**

Спецификация, выпуск и дата	Диапазон частот (МГц)	Обозначение выбросов	Мощность радиочастоты (Вт)	Антенна
RSS-247, выпуск 2, 02/2017	2412—2462	15M0D1D	0,027	Интегральная, 0,1 дБи
RSS-247, выпуск 2, 02/2017	2412—2462	16M5D1D	0,016	Интегральная, 0,1 дБи
RSS-247, выпуск 2, 02/2017	2422—2452	35M1D1D	0,011	Интегральная, 0,1 дБи

**Содержит USB-адаптер Wi-Fi LM808—Важные условия FCC:**

Осуществляется указанная подача электропитания. Была произведена оценка на соответствие ключа USB нормативам по удельному коэффициенту поглощения (SAR), как описано в этом документе. Антенна(ы), используемая для этого трансмиттера не должна осуществлять передачу одновременно с любой другой антенной или трансмиттером, за исключением процедур, соответствующих инструкциям FCC по использованию нескольких трансмиттеров, или процедур, описанных в этом документе. Максимальное значение удельного коэффициента поглощения (SAR), о котором сообщается, — 0,26 Вт/кг. Данное устройство имеет режимы полосы пропускания 20 МГц и 40 МГц.

**Сертификация прибора регулирующими организациями: EC**

Содержит USB-адаптер Wi-Fi: LM808

**Таблица 2 Полосы частот**

Характеристика	Подробная информация
Полоса частот	2,4 ГГц, промышленный, научный и медицинский диапазон (ISM)
	5 ГГц, промышленный, научный и медицинский диапазон (ISM)
Выходная мощность RF (допуск $\pm 2$ дБм)	17 дБм, 802.11b при 11 Мбит/с
	15 дБм, 802.11g при 54 Мбит/с
	13 дБм, 802.11a при 54 Мбит/с
	13 дБм, 802.11n при MCS7_HT20
	13 дБм, 802.11n при MCS7_HT40
	11 дБм, 802.11ac при NSS1 MCS9_BW20, BW40, BW80
	-82 дБм, 802.11b при 11 Мбит/с—71 dB0, 802.11g при 54 Мбит/с
Чувствительность приемника	-67 дБм, 802.11n при MCS7_BW20
	-64 дБм, 802.11n при MCS7_BW40
	-57 дБм, 802.11ac при NSS1_MCS9_BW20
	-54 дБм, 802.11ac при MSS1_MCS9_BW40
	-51 дБм, 802.11ac при MSS1_MCS9_BW80

## Канада (IC)

Содержит USB-адаптер Wi-Fi: LM808 от LM technologies IC: 10531A-80804XX

Данное цифровое устройство класса (A) соответствует канадскому стандарту ICES-003. Данное устройство соответствует промышленным стандартам Канады и освобождается от лицензирования по стандартам стандартной спецификации радиооборудования (RSS). Эксплуатация может производиться при выполнении двух следующих условий:

- (1) данное устройство не должно быть источником помех,
- (2) должно выдерживать любые помехи, в том числе помехи, которые могут вызвать неправильную работу устройства.

*Cet appareil numérique de la classe (A) respect toutes les exigences de la norme NMB-003 du Canada. Le présent appareil est conforme aux CNR d'Industrie Canada applicables aux appareils radio exempts de licence. L'exploitation est autorisée aux deux conditions suivantes:*

- (1) l'appareil ne doit pas produire de brouillage, et*
- (2) l'utilisateur de l'appareil doit accepter tout brouillage radioélectrique subi, même si le brouillage est susceptible d'en compromettre le fonctionnement.*

## США (FCC)

Содержит USB-адаптер Wi-Fi: LM808 от LM technologies FCC ID: VVX808-04XX

Модификации без явного на то согласия этой компании могут привести к лишению пользователя прав на эксплуатацию данного оборудования (FCC раздел 15.21).

Данное оборудование было проверено и соответствовало ограничениям для цифровых устройств класса А, изложенным в части 15 правил FCC. Данные ограничения предназначены для обеспечения разумной защиты от вредных помех при работе оборудования в коммерческой среде. Данное оборудование генерирует, использует и может излучать радиочастотную энергию и, если оно установлено и используется не в соответствии с руководством по эксплуатации, может оказывать вредные воздействия на радиосвязь. Эксплуатация данного оборудования в жилых районах может привести к возникновению опасных помех — в этом случае пользователь будет обязан устранить их за свой счет (FCC раздел 15.105).

## Радиочастотный модуль Multitech FCC/Информация о соответствии нормативным требованиям IC

### Заявление о модификации

Компания LM technologies не одобрила никаких изменений или модификаций данного устройства пользователем. Любые изменения или модификации могут привести к лишению пользователя прав на эксплуатацию данного оборудования.

*LM technologies n'approuve aucune modification apportée à l'appareil par l'utilisateur, quelle qu'en soit la nature. Tout changement ou modification peuvent annuler le droit d'utilisation de l'appareil par l'utilisateur.*

### Заявление о помехах

Данное устройство соответствует части 15 правил FCC и освобождается от лицензирования по стандартам стандартной спецификации радиооборудования (RSS) Министерства промышленности Канады. Эксплуатация должна осуществляться при соблюдении двух следующих условий: (1) это устройство не должно быть источником помех, и (2) это устройство должно выдерживать любые помехи, в том числе помехи, которые могут вызвать неправильную работу устройства.

*Le présent appareil est conforme aux CNR d'Industrie Canada applicables aux appareils radio exempts de licence. L'exploitation est autorisée aux deux conditions suivantes : (1) l'appareil ne doit pas produire de brouillage, et (2) l'utilisateur de l'appareil doit accepter tout brouillage radioélectrique subi, même si le brouillage est susceptible d'en compromettre le fonctionnement. Cet appareil est conforme aux limites d'exposition aux rayonnements de la IC pour un environnement non contrôlé.*

### Заявление FCC о 5G:

Устройства LE-LAN могут использоваться только в помещениях и только в полосе частот 5150-5250 МГц

## Европа—Директива по радиооборудованию (RED)



Диапазон частот WiFi 5,15-5,35 ГГц может использоваться только в помещениях в следующих странах:

**Таблица 3 Европейские страны**

Андорра (AD)	Дания (DK)	Ирландия (IE)	Черногория (ME)	Словакия (SK)
Австрия (AT)	Эстония (EE)	Италия (IT)	Нидерланды (NL)	Словения (SL)
Бельгия (BE)	Финляндия (FI)	Латвия (LV)	Норвегия (NO)	Испания (ES)
Босния и Герцеговина (BA)	Франция (FR)	Лихтенштейн (LI)	Польша (PL)	Швеция (SE)
Болгария (BG)	Германия (DE)	Литва (LT)	Португалия (PT)	Швейцария (CH)
Хорватия (HR)	Греция (GR)	Люксембург (LU)	Румыния (RO)	Македония (MK)
Кипр (CY)	Венгрия (HU)	Мальта (MT)	Сан-Марино (SM)	Великобритания (GB)
Чехия (CZ)	Исландия (IS)	Монако (MC)	Сербия (RS)	Ватикан (VA)

## 2.2 Основная информация о приборе

Внешний USB-блок используется для подключения USB-устройства к контроллеру SC4500 (например адаптера Wi-Fi).

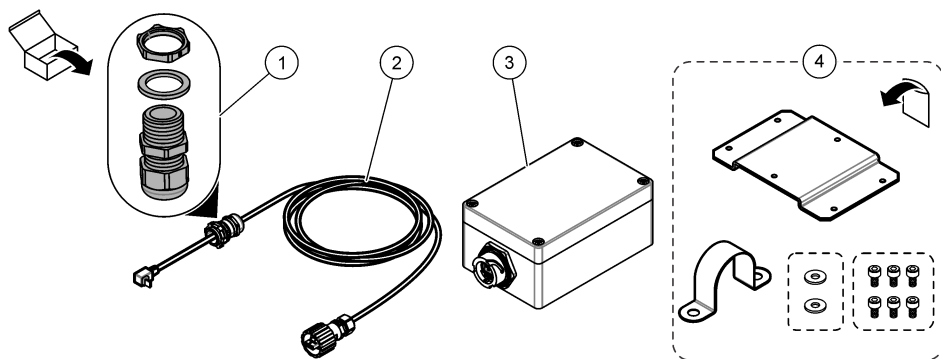
**Примечание:** Все компоненты (т.е. адаптер и внутренние разъемы) монтируются на заводе-изготовителе.



## 2.3 Компоненты прибора

Убедитесь в том, что все компоненты в наличии. См. [Рисунок 1](#). Если какой-либо элемент отсутствует или поврежден, немедленно свяжитесь с производителем или торговым представителем.

**Рисунок 1** Компоненты прибора



1 Разгрузочная муфта, шайба и гайка	3 USB-блок
2 Соединительный кабель USB-блока	4 Монтажные приспособления для крепления на штанге <sup>2</sup>

## Раздел 3 Монтаж

### 3.1 Установка

#### УВЕДОМЛЕНИЕ

Используйте монтажные отверстия для установки USB-блока. Не делайте отверстий в задней части USB-блока, так как это может привести к повреждению внутренних компонентов.

#### УВЕДОМЛЕНИЕ



Закройте крышку USB-блока и убедитесь, что винты крышки затянуты, и таким образом обеспечивается требуемая степень защиты корпуса.

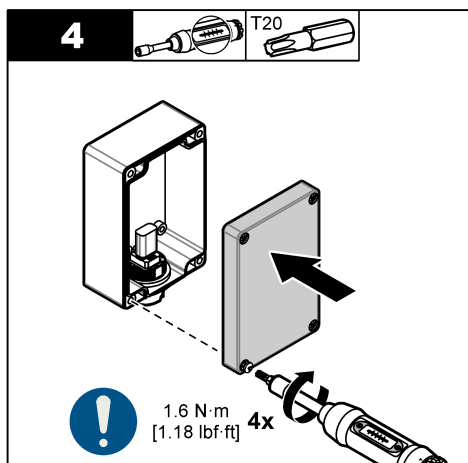
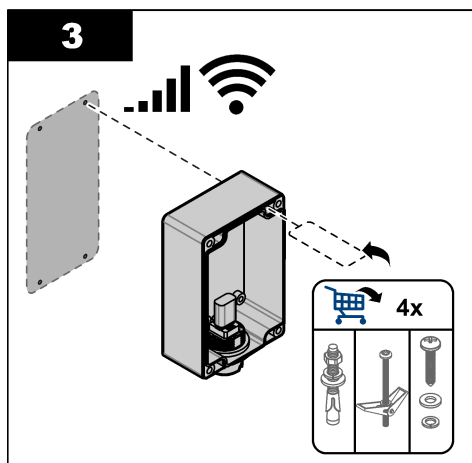
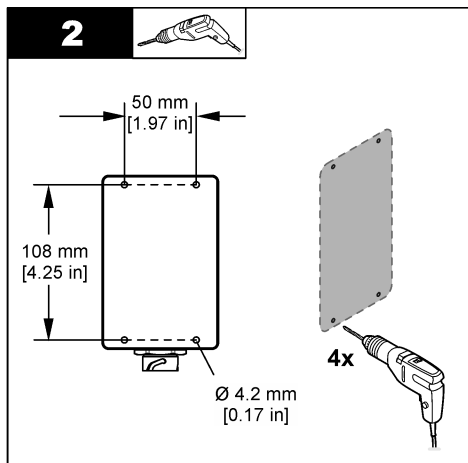
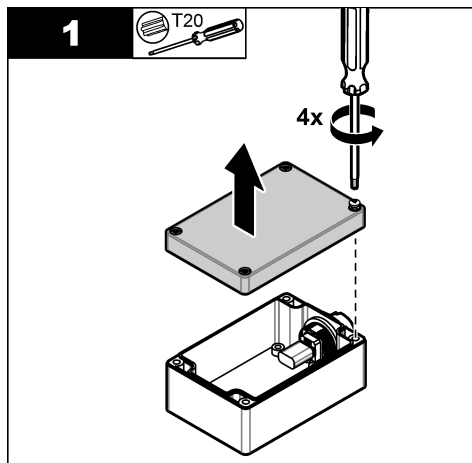
Устанавливайте USB-блок в таком месте, где можно легко управлять устройством для отключения питания контроллера. Устанавливайте USB-блок в месте с самым сильным уровнем Wi-Fi сигнала. Используйте мобильное устройство, для поиска места с самым сильным уровнем Wi-Fi сигнала.

USB-блок можно закрепить на стене, на вертикальной или горизонтальной штанге.

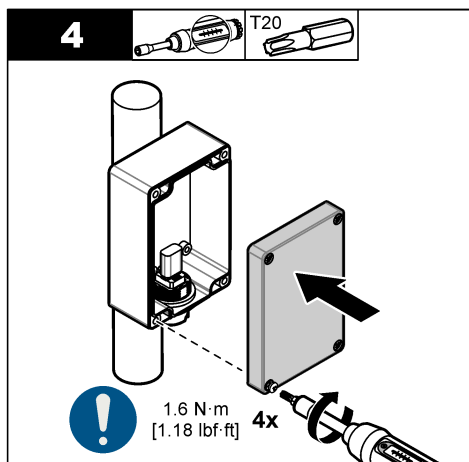
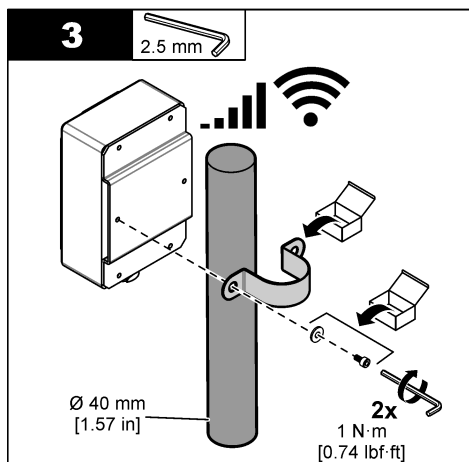
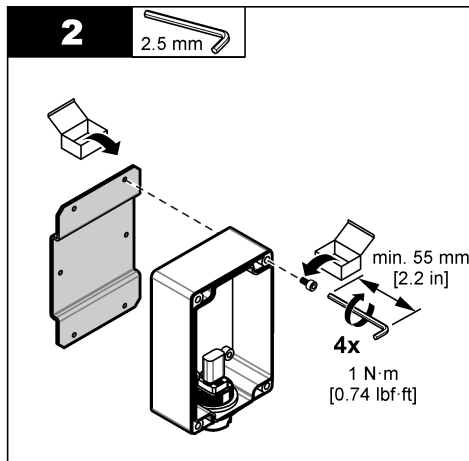
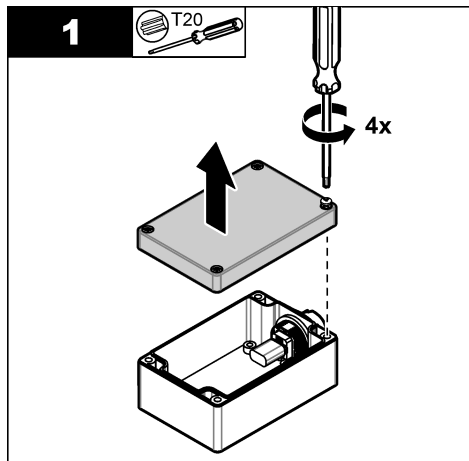
**Примечание:** Элементы крепления на стене предоставляет пользователь. Винты и другие крепежные детали должны выбираться с учетом свойств стен/потолка и возможной нагрузки.

<sup>2</sup> Монтажные приспособления для крепления на штанге предназначены для штанги диаметром 40 мм.

Для крепления USB-блока на стене выполните действия, представленные на рисунках ниже.



Для крепления USB-блока на штанге выполните действия, представленные на рисунках ниже.



### 3.2 Подключение кабеля

#### УВЕДОМЛЕНИЕ

Производитель рекомендует использовать поставляемые производителем электрические компоненты, такие как кабели питания, разъемы и фитинги с разгрузкой натяжения.

#### УВЕДОМЛЕНИЕ



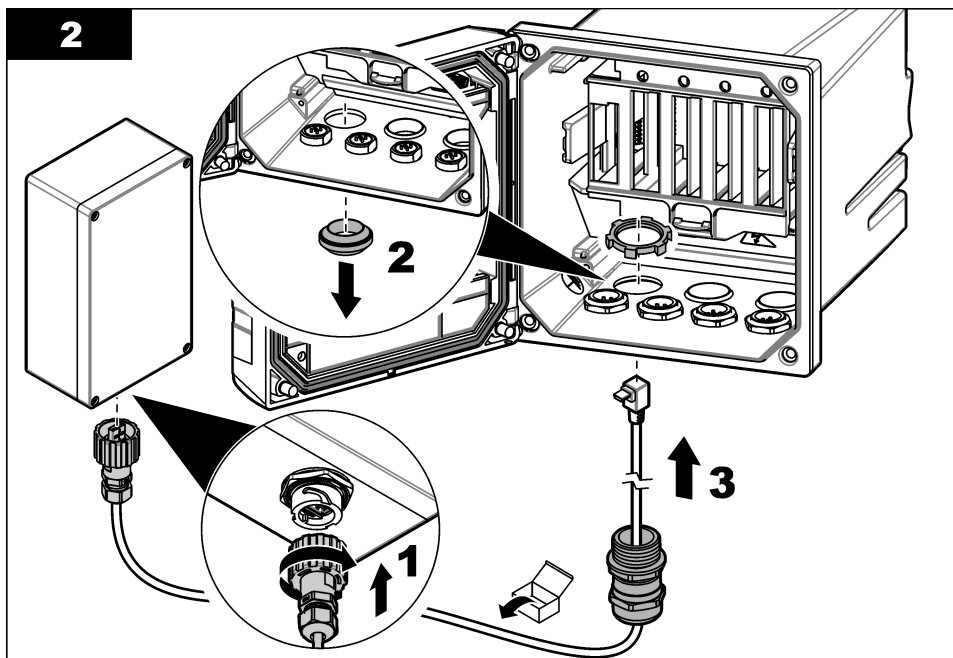
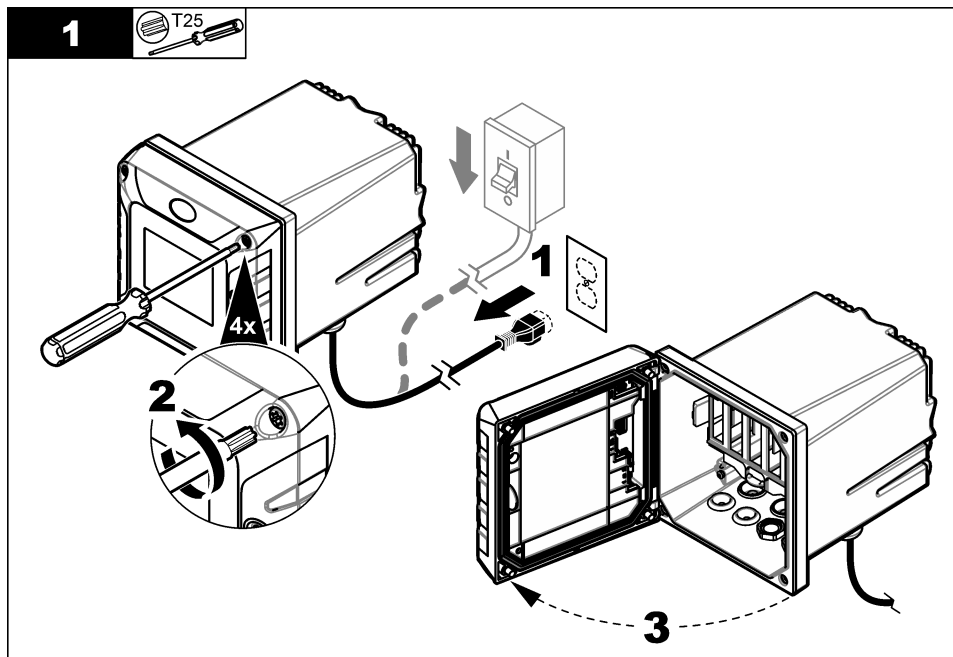
Убедитесь, что оплетка кабеля проходит через внутреннюю сторону корпуса, и таким образом обеспечивается требуемая степень защиты корпуса.

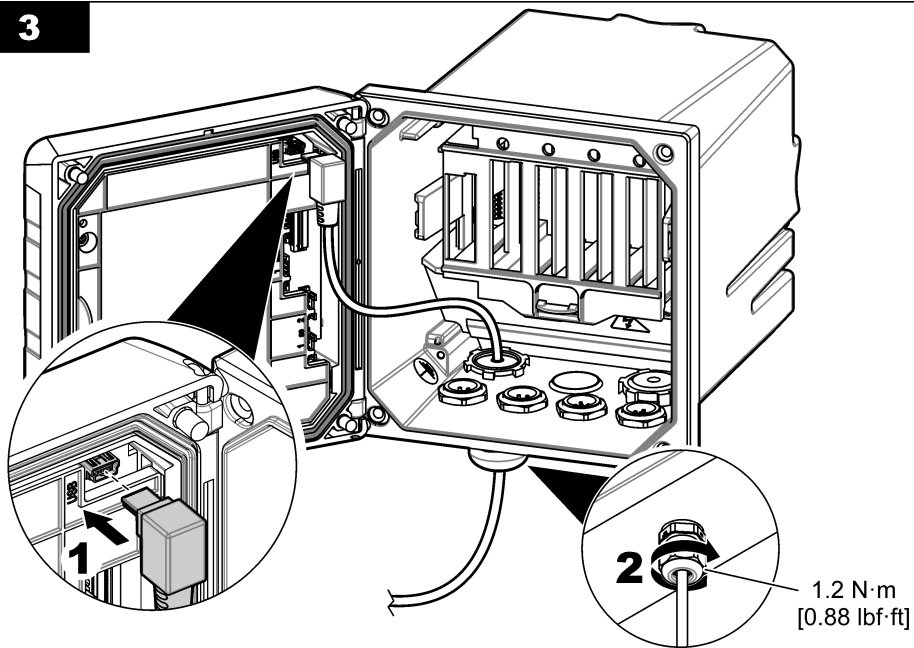
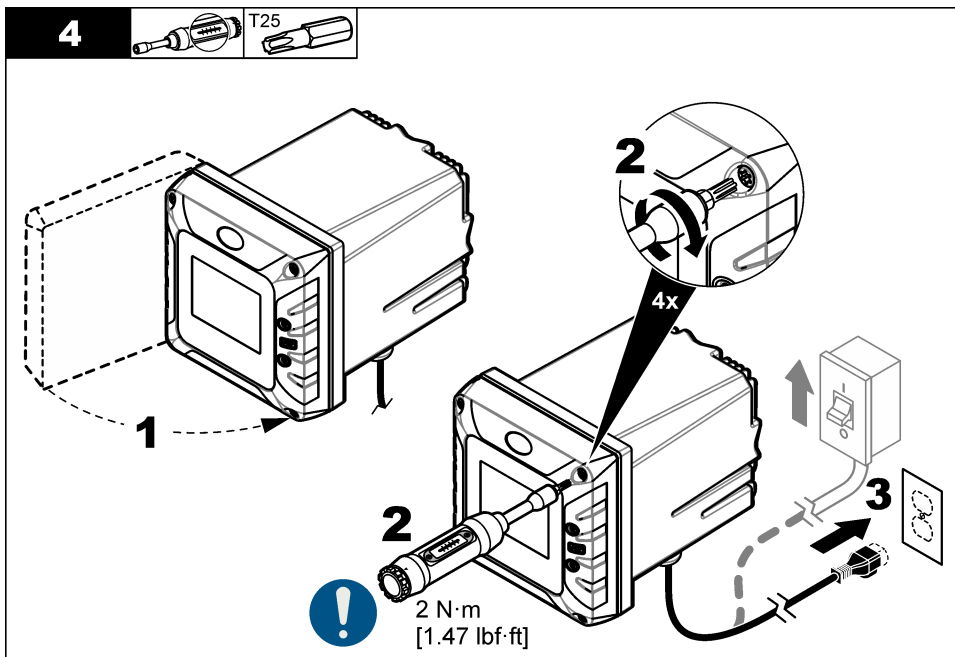
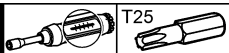
#### УВЕДОМЛЕНИЕ



Закройте крышку контроллера и убедитесь, что винты крышки затянуты, и таким образом обеспечивается требуемая степень защиты корпуса.

Подключите кабель, который входит в комплект поставки, к USB-блоку и внутреннему USB-разъему на контроллере. Следуйте инструкциям на представленных ниже рисунках.



**3****4**

## Раздел 4 Запуск

**Примечание:** Монтаж и подключение адаптера WiFi осуществляются на заводе-изготовителе. При необходимости замены адаптера WiFi см. раздел [Замена адаптера WiFi](#) на стр. 206.

После завершения установки выполните следующие действия:

1. Снимите крышку с USB-блока.
2. Подключите контроллер к электропитанию.
3. Убедитесь, что адаптер WiFi находится под напряжением.
4. Подождите не менее 5 минут.
5. Проверьте уровень сигнала и состояние сетевого соединения. См. документацию контроллера.
6. Установите крышку на USB-блок.

## Раздел 5 Настройка

Инструкции см. в документации на контроллер. Дополнительную информацию см. в расширенном руководстве пользователя на сайте производителя.

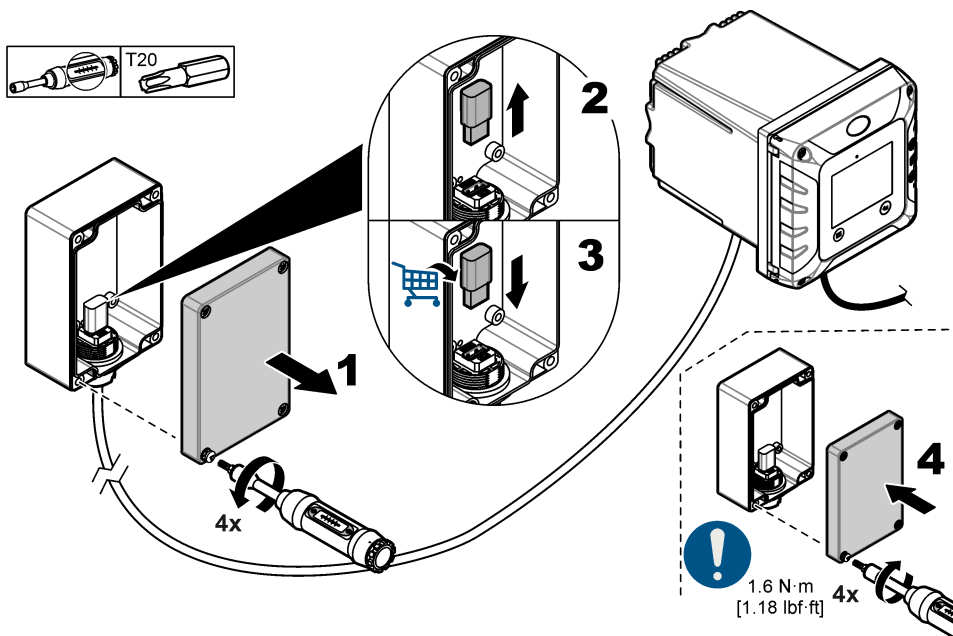
## Раздел 6 Обслуживание

### 6.1 Замена адаптера WiFi

При необходимости замените адаптер WiFi. См. иллюстрации на [Рисунок 2](#).

**Что требуется:** адаптер WiFi

**Рисунок 2** Замена адаптера WiFi



## Раздел 7 Аксессуары

### ▲ ПРЕДУПРЕЖДЕНИЕ



Риск получения травмы. Использование несогласованных деталей может стать причиной травм, повреждения прибора или нарушения в работе оборудования. Запасные детали, описанные в данном разделе, одобрены производителем.

*Примечание: Номера изделия и товара могут меняться для некоторых регионов продаж. Свяжитесь с соответствующим дистрибьютором или см. контактную информацию на веб-сайте компании.*

Описание	№ для заказа
Соединительный кабель USB-блока, WiFi, 4,5 м	LXZ525.99.00019
Комплект крепежных элементов	8806200
USB-адаптер WiFi для США, 2,4/5 ГГц	LZY996
USB-адаптер WiFi для ЕС, 2,4/5 ГГц	LZY997

# İçindekiler

- 1 Teknik özellikler sayfa 208
- 2 Genel bilgiler sayfa 208
- 3 Kurulum sayfa 213
- 4 Başlatma sayfa 217
- 5 Yapılandırma sayfa 218
- 6 Bakım sayfa 218
- 7 Aksesuarlar sayfa 218

## Bölüm 1 Teknik özellikler

Teknik özellikler önceden bildirilmeksizin değiştirilebilir.

Teknik Özellik	Ayrıntılar
Boyutlar (G x Y x D)	80 x 120 x 55 mm (4,7 x 7,9 x 2,2 inç)
Muhafaza	IP66 <sup>1</sup> , Polikarbonat UL94-V0
Ağırlık	169 g (0,37 lb)
Kirlilik derecesi	4
Kurulum kategorisi	I
Koruma sınıfı	III
Çalışma sıcaklığı	-20 ila 60°C (-4 ila 140°F)
Saklama sıcaklığı	-20 ila 70 °C
Bağıl nem	%0 ila 95, yoğuşmasız
Yükseklik	Maksimum 2000 m (6562 ft)
İletişim seçenekleri	USB konektörlü Wi-Fi adaptörü 2,4 GHz ve 5 GHz ISM bandı
Sertifikalar	CE, FCC, IC, UKCA
Garanti	1 yıl (AB: 2 yıl)

## Bölüm 2 Genel bilgiler

Hiçbir durumda üretici, bu kılavuzdaki herhangi bir hata ya da eksiklikten kaynaklanan doğrudan, dolaylı, özel, tesadüfi ya da sonuçta meydana gelen hasarlardan sorumlu olmayacaktır. Üretici, bu kılavuzda ve açıkladığı ürünlerde, önceden haber vermeden ya da herhangi bir zorunluluğa sahip olmadan değişiklik yapma hakkını saklı tutmaktadır. Güncellenmiş basımlara, üreticinin web sitesinden ulaşılabilir.

### 2.1 Güvenlik bilgileri

Üretici, doğrudan, arıza ve sonuç olarak ortaya çıkan zararlar dahil olacak ancak bunlarla sınırlı olmayacak şekilde bu ürünün hatalı uygulanması veya kullanılmasından kaynaklanan hiçbir zarardan sorumlu değildir ve yürürlükteki yasaların izin verdiği ölçüde bu tür zararları reddeder. Kritik uygulama risklerini tanımlamak ve olası bir cihaz arızasında prosesleri koruyabilmek için uygun mekanizmaların bulunmasını sağlamak yalnızca kullanıcının sorumluluğundadır.

Bu cihazı paketinden çıkarmadan, kurmadan veya çalıştırmadan önce lütfen bu kılavuzun tümünü okuyun. Tehlikeler ve uyarılarla ilgili tüm ifadeleri dikkate alın. Aksi halde, kullanıcının ciddi şekilde yaralanması ya da ekipmanın hasar görmesi söz konusu olabilir.

<sup>1</sup> Yalnızca takılmış olan USB kutusu bağlantı kablosu ile.



Bu cihazın korumasının bozulmadığından emin olun. Cihazı bu kılavuzda belirtilenden başka bir şekilde kullanmayın veya kurmayın.

### 2.1.1 Tehlikeyle ilgili bilgilerin kullanılması

#### ▲ TEHLİKE

Kaçınılmadığı takdirde ölüm veya ciddi yaralanmaya yol açabilecek potansiyel veya tehdit oluşturacak tehlikeli bir durumu belirtir.

#### ▲ UYARI

Kaçınılmadığı takdirde ölüm veya ciddi yaralanmaya yol açabilecek potansiyel veya tehdit oluşturabilecek tehlikeli bir durumu belirtir.

#### ▲ DİKKAT





Küçük veya orta derecede yaralanmalarla sonuçlanabilecek potansiyel bir tehlikeli durumu gösterir.

#### BİLGİ

Engellenmediği takdirde cihazda hasara neden olabilecek bir durumu belirtir. Özel olarak vurgulanması gereken bilgiler.


### 2.1.2 Önlem etiketleri

Cihazın üzerindeki tüm etiketleri okuyun. Talimatlara uyulmadığı takdirde yaralanma ya da cihazda hasar meydana gelebilir. Cihaz üzerindeki bir simge, kılavuzda uyarı ibaresiyle belirtilir.

	Bu sembol cihazın üzerinde mevcutsa çalışma ve/veya güvenlik bilgileri için kullanım kılavuzuna referansta bulunur.
	Bu sembol elektrik çarpması ve/veya elektrik çarpması sonucu ölüm riskinin bulunduğunu gösterir.
	Bu sembol Elektrostatik Boşalmaya (ESD-Electro-static Discharge) duyarlı cihaz bulunduğunu ve ekipmana zarar gelmemesi için dikkatli olunması gerektiğini belirtir.
	Bu sembolü taşıyan elektrikli cihazlar, Avrupa evsel ya da kamu atık toplama sistemlerine atılamaz. Eski veya kullanım ömrünü doldurmuş cihazları, kullanıcı tarafından ücret ödenmesine gerek olmadan atılması için üreticiye iade edin.

### 2.1.3 Sertifikasyon

#### ▲ UYARI

	<p>Kalp pili önlemleri. Elektromanyetik parazit (EMI) oluşursa şunlardan biri olur:</p> <ul style="list-style-type: none"><li>• Kalp ritmini kontrol eden, kalp pilinden gelen uyarıcı nabızları durdurabilir.</li><li>• Kalp pilinin düzensiz bir şekilde nabız vermesine yol açabilir.</li><li>• Kalp pilinin kalp ritmini yok sayarak belirli aralıklarla nabız vermesine yol açabilir.</li></ul> <p>Güncel bir araştırmada hücresel cihazların kalp pili bulunan çoğu kişide önemli bir sağlık sorunu oluşturmadığı belirtiliyor. Ancak cihazların sorun çıkarmaması için kalp pili bulunan kişilerin önlemler alması gerekiyor. Cihazı kullanıcıdan en az 20 cm (7,9 inç) uzaklıkta tutun.</p>
---	---

## ⚠ DİKKAT



Elektromanyetik radyasyon tehlikesi. Antenin personelden minimum 20 cm (7,9 inç) uzaklıkta olduğundan emin olun tutulduğundan emin olun. Anten diğer anten ya da vericilerle bağlantılı olarak ortak yerleştirilemez ya da çalıştırılmaz.

## BİLGİ

Bu, endüstriyel ortamda kullanılması amaçlanan bir A Sınıfı üründür. Bu ürün, ev çevresinde radyo girişimine neden olabilir; böyle bir durumda kullanıcının uygun önlemleri alması gerekebilir.

## BİLGİ

Ağ ve erişim noktası güvenliği, kablosuz cihazı kullanan müşterinin sorumluluğundadır. Ağ güvenliğindeki bir boşluktan veya ihlalden kaynaklanan dolaylı, özel, arızı veya nihai zararlar dahil ancak bunlarla sınırlı olmamak üzere hiçbir zarardan üretici sorumlu tutulamaz.

### Düzenleyici RF Cihazı Onayları: ABD ve Kanada

Wi-Fi USB adaptörü içerir: LM technologies LM808

FCC Kimliği: VVX808-04XX

IC: 10531A-80804XX

Tablo 1 Wi-Fi adaptörü için güç

Teknik özellikler, sayı ve tarih	Frekans aralığı (MHz)	Emisyon tanımı	R.F. gücü (watt)	Anten
RSS-247, Sayı 2, 02/2017	5180—5240	17M1D1D	0,005	Dahil, 4,7 dBi
RSS-247, Sayı 2, 02/2017	5210	75M8D1D	0,005	Dahil, 4,7 dBi
RSS-247, Sayı 2, 02/2017	5745—5825	17M9D1D	0,005	Dahil, 4,7 dBi
RSS-247, Sayı 2, 02/2017	5775	75M6D1D	0,004	Dahil, 4,7 dBi
RSS-247, Sayı 2, 02/2017	2412—2462	15M0D1D	0,027	Dahil, 0,1 dBi
RSS-247, Sayı 2, 02/2017	2412—2462	16M5D1D	0,016	Dahil, 0,1 dBi
RSS-247, Sayı 2, 02/2017	2422—2452	35M1D1D	0,011	Dahil, 0,1 dBi

### Wi-Fi USB adaptörü LM808—Önemli FCC Grant Koşulları:

Listelenen güç iletilir. USB donanım kilidinin SAR uyumluluğu, bu dosyada açıklandığı şekilde değerlendirilmiştir. Bu verici için kullanılan antenler, FCC çok vericili ürün prosedürleri veya bu dosyada açıklanan işlemler dışında aynı anda başka bir anten veya vericiyle simultane iletim yapmamalıdır. Bildirilen en yüksek SAR değeri 0,26 W/kg'dir. Bu cihaz 20 MHz ve 40 MHz bant genişliği modlarına sahiptir.

### Düzenleyici RF Cihazı Onayları: AB

WiFi USB Adaptörü içerir: LM808

**Tablo 2 Frekans bandı**

<b>Teknik Özellik</b>	<b>Ayrıntılar</b>
Frekans bandı	2,4 GHz ISM bandı
	5 GHz ISM bandı
RF çıkış gücü (tolerans $\pm 2$ dBm)	11 Mb/sn'de 17 dBm, 802.11b
	54 Mb/sn'de 15 dBm, 802.11g
	54 Mb/sn'de 13 dBm, 802.11a
	MCS7_HT20'de 13 dBm, 802.11n
	MCS7_HT40'de 13 dBm, 802.11n
	NSS1 MCS9_BW20, BW40, BW80'de 11 dBm, 802.11ac
	-11 Mb/sn'de 82dBm, 802.11 b—54 Mb/sn'de 71 dB0, 802.11g
Alıcı hassasiyeti	MCS7_BW20'de -67 dBm, 802.11n
	MCS7_BW40'de -64 dBm, 802.11n
	-NSS1_MCS9_BW20'de 57 dBm, 802.11ac
	-MSS1_MCS9_BW40'ta 54 dBm, 802.11ac
	-MSS1_MCS9_BW80'de 51 dBm, 802.11ac

**Kanada (IC)**

WiFi USB Adaptörü içerir: LM technologies LM808 IC: 10531A-80804XX

Bu sınıf (A) dijital aparat, Kanada ICES-003 ile uyumludur. Bu cihaz, Industry Canada lisanstan muaf RSS standartları ile uyumludur. Çalıştırma aşağıdaki iki koşula bağlıdır:

(1) bu cihaz parazite neden olmamalı ve

(2) bu cihaz, istenmeyen şekilde çalışmasına neden olabilecek parazitler de dahil olmak üzere tüm parazitleri kabul etmelidir.

*Cet appareil numérique de la classe (A) respect toutes les exigences de la norme NMB-003 du Canada. Le présent appareil est conforme aux CNR d'Industrie Canada applicables aux appareils radio exempts de licence. L'exploitation est autorisée aux deux conditions suivantes:*

*(1) l'appareil ne doit pas produire de brouillage, et*

*(2) l'utilisateur de l'appareil doit accepter tout brouillage radioélectrique subi, même si le brouillage est susceptible d'en compromettre le fonctionnement.*

**Amerika Birleşik Devletleri (FCC)**

WiFi USB Adaptörü içerir: LM technologies LM808 FCC Kimliği: VVX808-04XX

Bu şirket tarafından açıkça onaylanmayan değişiklikler, kullanıcının bu ekipmanı kullanma yetkisini (FCC bölüm 15.21) geçersiz kılabilir.

Bu cihaz, test edilmiş ve FCC Kuralları, Bölüm 15 uyarınca A Sınıfı bir dijital cihaz sınırlarını karşıladığı tespit edilmiştir. Bu sınırlar, ekipmanın bir işyeri ortamında çalıştırılması durumunda zararlı parazitlere karşı uygun koruma sağlayacak şekilde tasarlanmıştır. Bu cihaz, radyo frekansında enerji üretir, kullanır ve yayabilir ve kullanım kılavuzuna uygun olarak kurulmazsa ve kullanılmazsa radyo bandında zararlı parazitlere neden olabilir. Bu cihazın bir konut alanında kullanılması zararlı girişimlere neden olabilir. Böyle bir durumda kullanıcının, masrafları kendisine ait olmak üzere bu girişimleri düzeltmesi gerekecektir (FCC bölüm 15.105).

**Multitech RF Modülü FCC/IC Düzenleyici bildirimler  
Değişiklik beyanı**

LM Technologies, bu cihazda kullanıcı tarafından değişiklik veya modifikasyon yapılmasını onaylamaz. Cihazda yapılan değişiklikler veya modifikasyonlar kullanıcının ekipmanı çalıştırma yetkisini geçersiz kılabilir.

*LM technologies n'approuve aucune modification apportée à l'appareil par l'utilisateur, quelle qu'en soit la nature. Tout changement ou modification peuvent annuler le droit d'utilisation de l'appareil par l'utilisateur.*

### **Parazit beyanı**

Bu cihaz, FCC Kurallarının 15. Kısmı ve Industry Canada lisanstan muaf RSS standartları ile uyumludur. Çalıştırma şu iki koşula tabidir: (1) Bu cihaz parazite neden olmamalı ve (2) bu cihaz, istenmeyen şekilde çalışmasına neden olabilecek parazitler de dahil olmak üzere tüm parazitleri kabul etmelidir

*Le présent appareil est conforme aux CNR d'Industrie Canada applicables aux appareils radio exempts de licence. L'exploitation est autorisée aux deux conditions suivantes : (1) l'appareil ne doit pas produire de brouillage, et (2) l'utilisateur de l'appareil doit accepter tout brouillage radioélectrique subi, même si le brouillage est susceptible d'en compromettre le fonctionnement. Cet appareil est conforme aux limites d'exposition aux rayonnements de la IC pour un environnement non contrôlé.*

### **FCC 5G Bildirimi:**

LE-LAN cihazları, yalnızca 5150-5250 MHz bandında iç mekan çalışmasıyla sınırlıdır

### **Avrupa—Telsiz Ekipman Direktifi (RED)**



5,15-5,35 GHz WiFi bandı, aşağıdaki ülkelerde iç mekan kullanımı ile sınırlıdır:

**Tablo 3 Avrupa ülkeleri**

Andorra (AD)	Danimarka (DK)	İrlanda (IE)	Karadağ (ME)	Slovakya (SK)
Avusturya (AT)	Estonya (EE)	İtalya (IT)	Hollanda (NL)	Slovenya (SL)
Belçika (BE)	Finlandiya (FI)	Letonya (LV)	Norveç (NO)	İspanya (ES)
Bosna-Hersek (BA)	Fransa (FR)	Lihtenştayn (LI)	Polonya (PL)	İsveç (SE)
Bulgaristan (BG)	Almanya (DE)	Litvanya (LT)	Portekiz (PT)	İsviçre (CH)
Hırvatistan (HR)	Yunanistan (GR)	Lüksemburg (LU)	Romanya (RO)	Makedonya (MK)
Kıbrıs (CY)	Macaristan (HU)	Malta (MT)	San Marino (SM)	Birleşik Krallık (GB)
Çek Cumhuriyeti (CZ)	İzlanda (IS)	Monako (MC)	Sırbistan (RS)	Vatikan (VA)

## **2.2 Ürüne genel bakış**

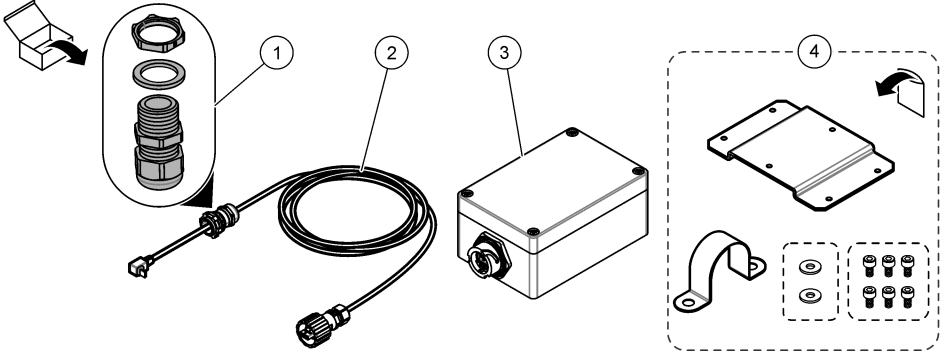
Harici USB kutusu, SC4500 Kontrol Ünitesine bir USB cihazı bağlamak için kullanılır (ör. Wi-Fi adaptörü).

**Not:** Tüm parçaların (ör. adaptör ve dahili bağlantılar) montajı fabrikada gerçekleştirilmiştir.

## 2.3 Ürün bileşenleri

Bütün bileşenlerin teslim alındığından emin olun. Bkz. Şekil 1. Eksik veya hasarlı bir öge varsa derhal üretici ya da satış temsilcisiyle iletişime geçin.

Şekil 1 Ürün bileşenleri



1 Gerilim azaltıcı, rondela ve somun	3 USB kutusu
2 USB kutusu bağlantı kablosu	4 Direk montajı donanımı <sup>2</sup>

## Bölüm 3 Kurulum

### 3.1 Montaj

#### BİLGİ

USB kutusunu takmak için montaj deliklerini kullanın. USB kutusunun arkasında delik açmayın; aksi takdirde dahili bileşenler zarar görebilir.

#### BİLGİ



Muhafazanın çevresel değerini korumak için USB kutusunun kapağını kapatın ve kapak vidalarının sıkı olduğundan emin olun.

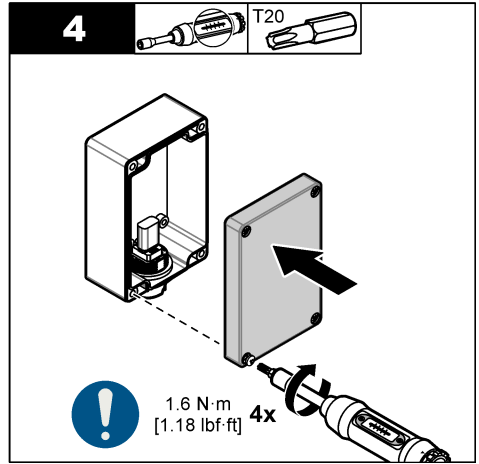
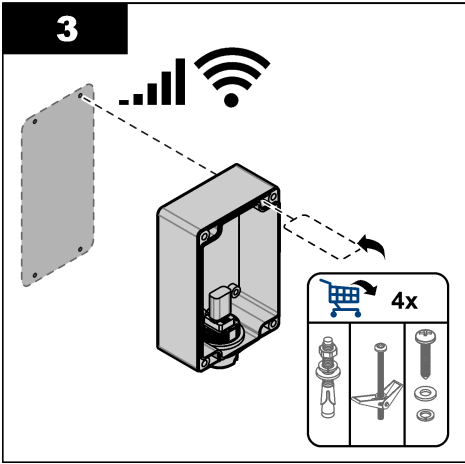
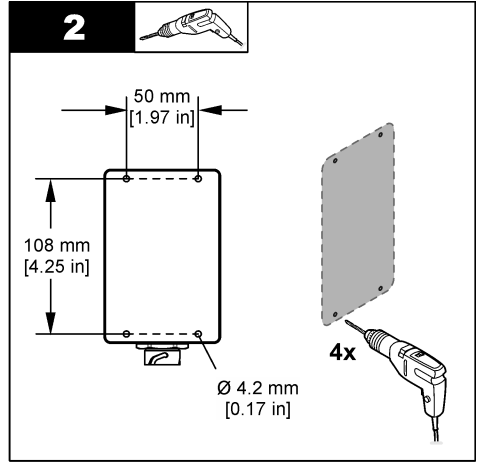
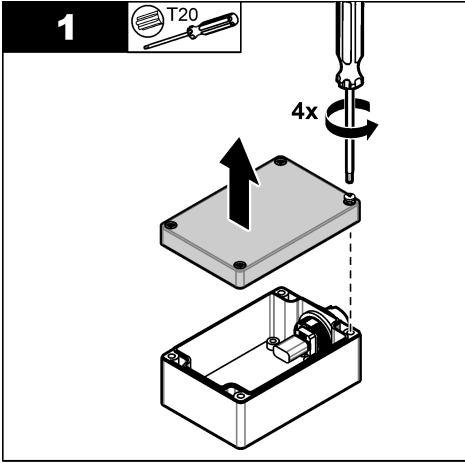
USB kutusunun kurulumunu, kontrol ünitesinin güç ayırıcı cihazının kolayca çalıştırılabildiği bir konuma yapın. USB kutusunun kurulumunu, hücreselWi-Fi sinyalinin en yüksek olduğu konumda yapın. Hücresel Wi-Fi sinyalinin en yüksek olduğu konumu belirlemek için SC4x00 kontrol ünitesinin hücresel hizmet sağlayıcısına sahip bir mobil cihaz kullanın.

USB kutusunu bir duvara, dikey bir direğe veya yatay bir direğe takın.

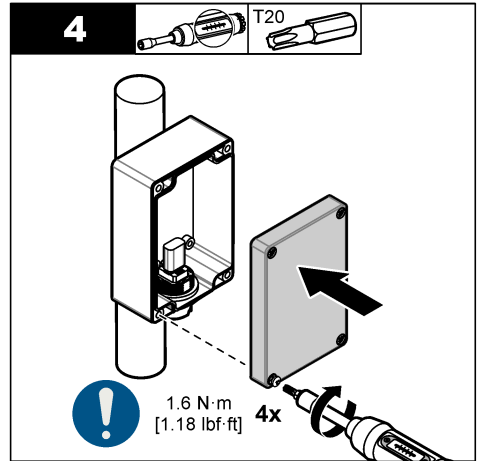
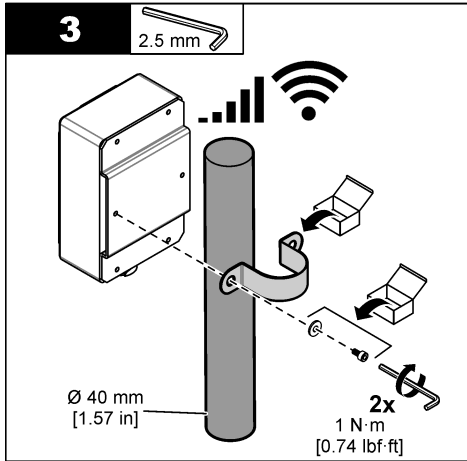
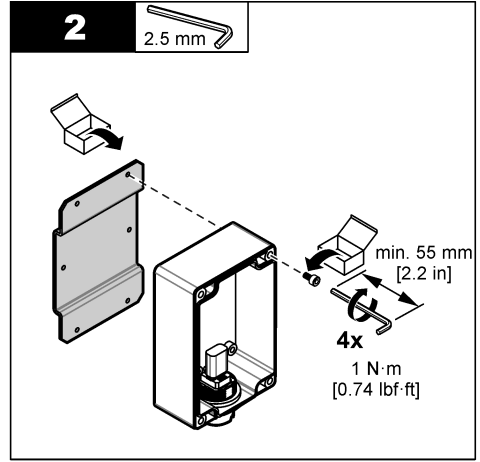
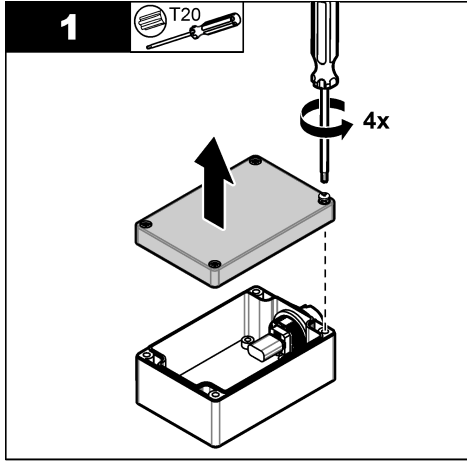
**Not:** Duvar montajı donanımı kullanıcı tarafından sağlanır. Vidalar/bağlantı parçaları, duvar/tavan özelliklerine uygun ve yeterli taşıma kapasitesine sahip olmalıdır.

<sup>2</sup> Direk montajı donanımı 40 mm (1,57 inç) çapındaki bir direk içindir.

USB kutusu duvar montajı için aşağıda gösterilen resimli adımlara bakın.



USB kutusu direk montajı için aşağıda gösterilen resimli adımlara bakın.



### 3.2 kablosunun bağlanması

#### BİLGİ

Üretici; güç kablosu, konektörler ve gerilim azaltıcı elemanlar gibi üretici tarafından sağlanan elektrikli bileşenlerin kullanılmasını önerir.

#### BİLGİ



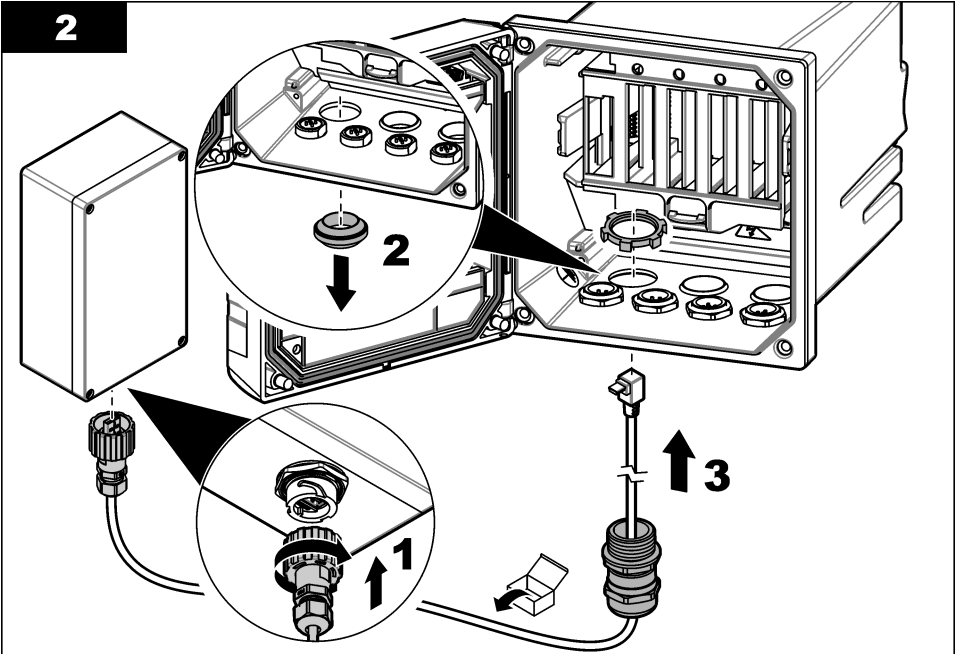
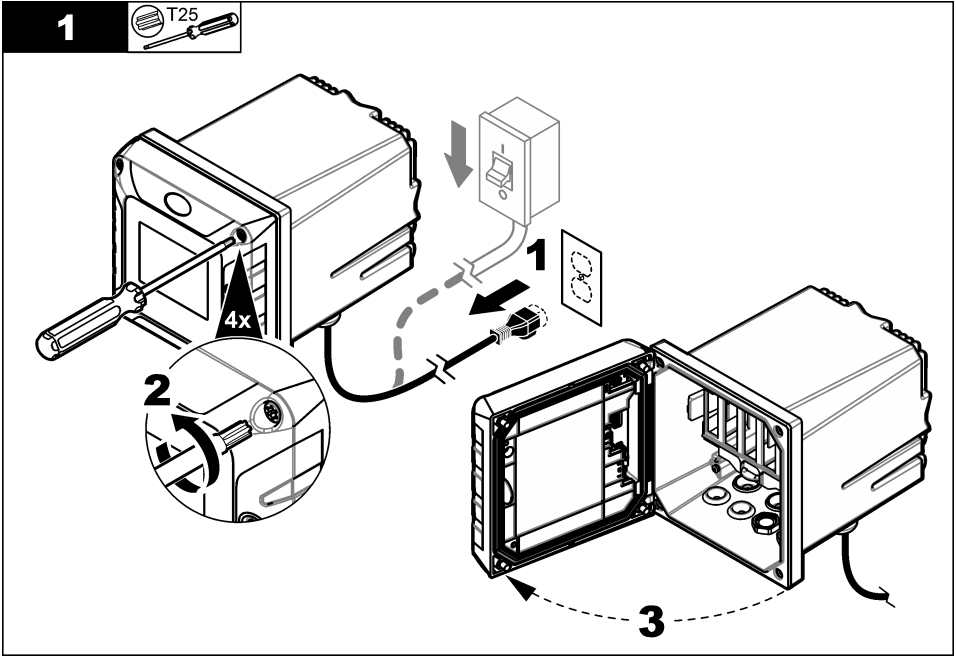
Muhafazanın çevresel değerini korumak için kablo kılıfının muhafazanın iç tarafından geçtiğinden emin olun.

#### BİLGİ

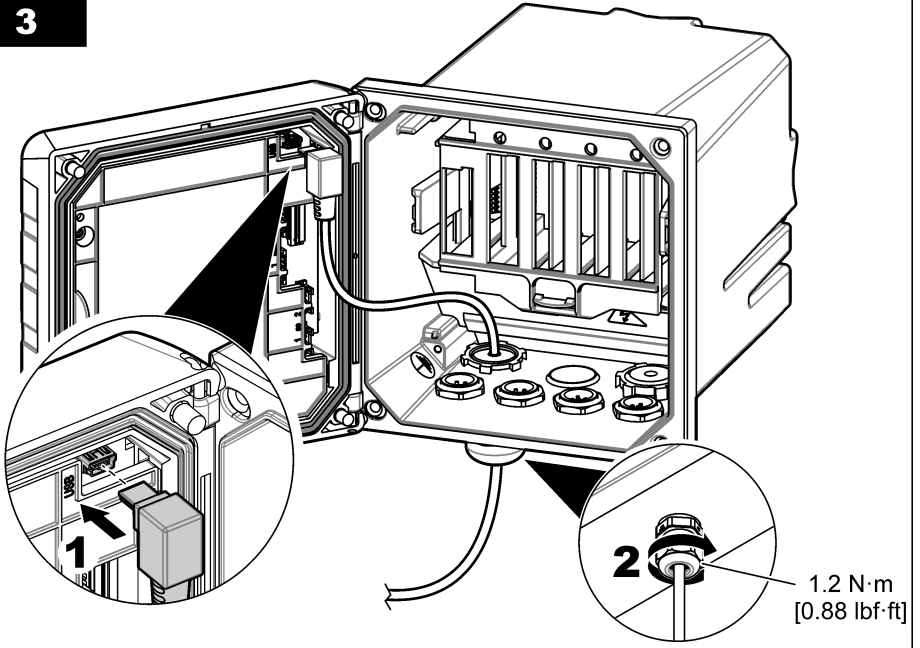
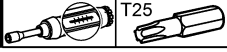


Muhafazanın çevresel değerini korumak için kontrol ünitesinin kapağını kapatın ve kapak vidalarının sıkı olduğundan emin olun.

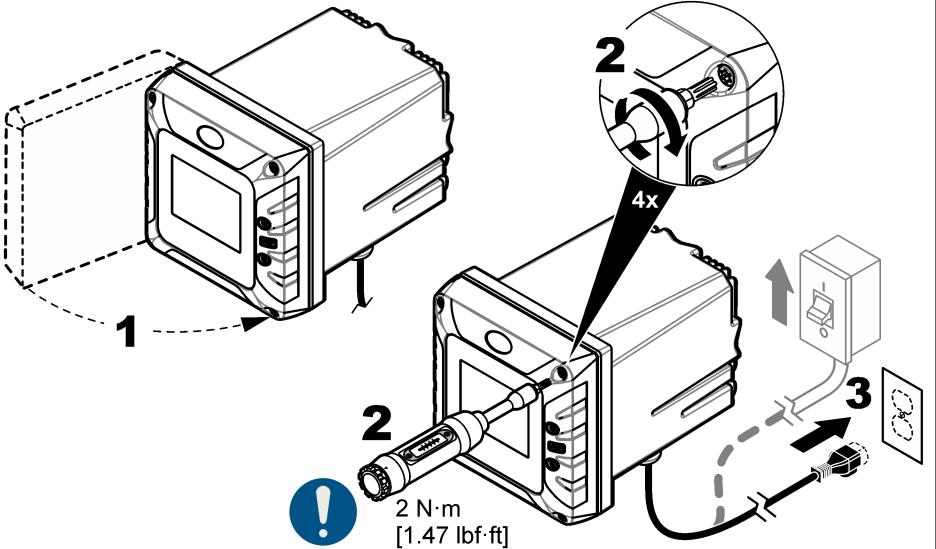
Birlikte verilen kabloyu USB kutusuna ve kontrol cihazındaki dahili USB konektörüne bağlayın.  
Aşağıda gösterilen resimli adımlara bakın.





**3****4**

T25



## Bölüm 4 Başlatma

**Not:** WiFi adaptörü fabrikada monte edilmiş ve bağlanmıştır. Gerekirse WiFi adaptörünü değiştirmek için bkz. [WiFi adaptörünü değiştirme](#) sayfa 218.

Yükleme tamamlandıktan sonra aşağıdaki adımları uygulayın:

1. USB kutusunun kapağını çıkarın.
2. Kontrolöre güç verin.
3. WiFi bağdaştırıcısına enerji verildiğinden emin olun.
4. En az 5 dakika bekleyin.
5. Sinyal gücünü ve ağ bağlantısının durumunu kontrol edin. Kontrolör belgelerine bakın.
6. USB kutusunun kapağını takın.

## Bölüm 5 Yapılandırma

Talimatlar için kontrol ünitesi belgelerine bakın. Daha fazla bilgi için üreticinin web sitesinde bulunan kapsamlı kullanım kılavuzuna bakın.

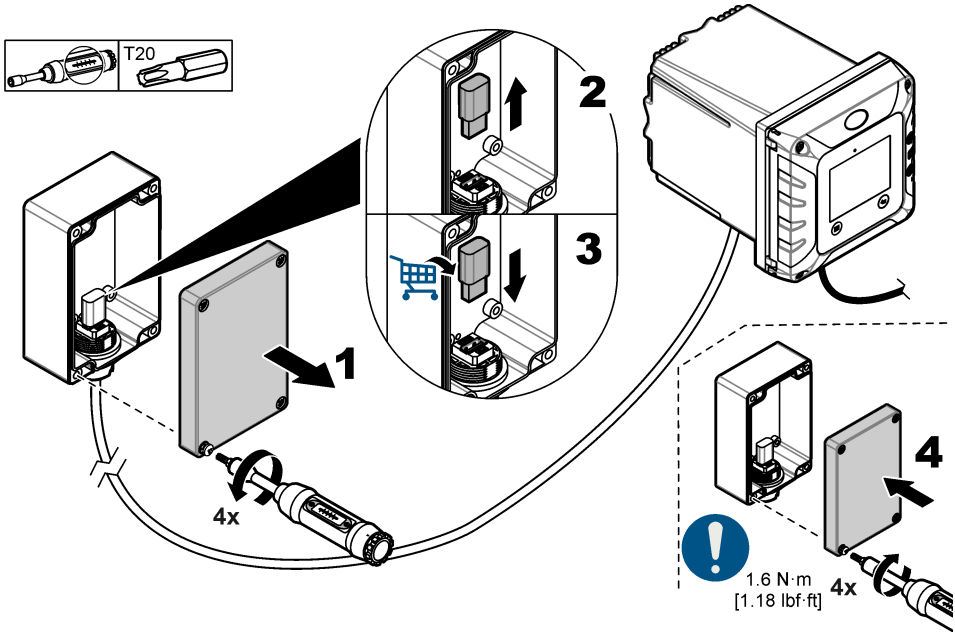
## Bölüm 6 Bakım

### 6.1 WiFi adaptörünü değiştirme

Gerekirse WiFi adaptörünü değiştirin. Resimli adımlar için bkz. [Şekil 2](#).

**Toplanacak öğeler:** WiFi adaptörü

**Şekil 2 WiFi adaptörünü değiştirme**



## Bölüm 7 Aksesuarlar

### ⚠ UYARI



Fiziksel yaralanma tehlikesi. Onaylanmayan parçaların kullanımı kişisel yaralanmalara, cihazın zarar görmesine ya da donanım arızalarına neden olabilir. Bu bölümdeki yedek parçalar üretici tarafından onaylanmıştır.

**Not:** Bazı satış bölgelerinde Ürün ve Madde numaraları değişebilir. İrtibat bilgileri için ilgili distribütörle iletişime geçin veya şirketin web sitesine başvurun.

Açıklama	Öge no.
USB Kutusu bağlantı kablosu, WiFi, 4,5 m	LXZ525.99.00019
Montaj donanım kiti	8806200
ABD tipi WiFi USB adaptörü, 2,4/5 GHz	LZY996
AB tipi WiFi USB adaptörü, 2,4/5 GHz	LZY997

## Obsah

- |   |  |   |   |
|---|--|---|---|
| 1 | <a href="#">Technické údaje</a> na strane 220      | 5 | <a href="#">Konfigurácia</a> na strane 230  |
| 2 | <a href="#">Všeobecné informácie</a> na strane 220 | 6 | <a href="#">Údržba</a> na strane 230        |
| 3 | <a href="#">Inštalácia</a> na strane 225           | 7 | <a href="#">Prislušenstvo</a> na strane 230 |
| 4 | <a href="#">Spustenie</a> na strane 229            |   |   |

## Odsek 1 Technické údaje

Technické údaje podliehajú zmenám bez upozornenia.

Technické údaje	Podrobnosti
Rozmery (Š x V x H)	80 x 120 x 55 mm (4,7 x 7,9 x 2,2 palca)
Kryt	IP66 <sup>1</sup> , Polykarbonát UL94-V0
Hmotnosť	169 g (0,37 libry)
Stupeň znečisťovania	4
Inštalčná kategória	I
Trieda ochrany	III
Prevádzková teplota	-20 až 60 °C (-4 až 140 °F)
Teplota skladovania	-20 až 70 °C
Relatívna vlhkosť	0 až 95 %, nekondenzujúca
Nadmorská výška	Maximálne 2000 m (6562 stôp)
Komunikačné možnosti	Adaptér Wi-Fi s konektorom USB Pásmo ISM 2,4 GHz a 5 GHz
Certifikácie	CE, FCC, IC, UKCA
Záruka	1 rok (EÚ: 2 roky)

## Odsek 2 Všeobecné informácie

Výrobca v žiadnom prípade nenesie zodpovednosť za priame, nepriame, mimoriadne, náhodné alebo následné škody spôsobené chybou alebo opomenutím v tomto návode na použitie. Výrobca si vyhradzuje právo na vykonávanie zmien v tomto návode alebo na predmetnom zariadení kedykoľvek, bez oznámenia alebo záväzku. Revidované vydania sú k dispozícii na webových stránkach výrobcu.

### 2.1 Bezpečnostné informácie

Výrobca nie je zodpovedný za škody spôsobené nesprávnym alebo chybným používaním tohto zariadenia vrátane, okrem iného, priamych, náhodných a následných škôd, a odmieta zodpovednosť za takéto škody v plnom rozsahu povolenom príslušným zákonom. Používateľ je výhradne zodpovedný za určenie kritického rizika pri používaní a zavedenie náležitých opatrení na ochranu procesov počas prípadnej poruchy prístroja.

Pred vybalením, nastavením alebo prevádzkou tohto zariadenia si prečítajte celý návod. Venujte pozornosť všetkým výstrahám a upozorneniam na nebezpečenstvo. Zanedbanie môže mať za následok vznik vážnych zranení obsluhy alebo poškodenie zariadenia.

<sup>1</sup> Iba a nainštalovaným pripájacím káblom skrinky USB.

Ak si chcete byť istí, že ochrana tohto zariadenia nebude porušená, toto zariadenie nepoužívajte ani nemontujte iným spôsobom, ako je uvedený v tomto návode.

### 2.1.1 Informácie o možnom nebezpečenstve

#### ▲ NEBEZPEČIE

Označuje potenciálne alebo bezprostredne nebezpečnú situáciu, ktorá, ak sa jej nezabráni, spôsobí smrť alebo vážne zranenie.

#### ▲ VAROVANIE

Označuje potenciálne alebo bezprostredne nebezpečnú situáciu, ktorá, ak sa jej nezabráni, by mohla spôsobiť smrť alebo vážne zranenie.

#### ▲ UPOZORNENIE





Označuje potenciálne ohrozenie s možným ľahkým alebo stredne ťažkým poranením.

#### POZNÁMKA

Označuje situáciu, ktorá, ak sa jej nezabráni, môže spôsobiť poškodenie prístroja. Informácie, ktoré vyžadujú zvýšenú pozornosť.

### 2.1.2 Výstražné štítky

Preštudujte si všetky nálepky a značky, ktoré sa nachádzajú na zariadení. Pri nedodržaní pokynov na nich hrozí poranenie osôb alebo poškodenie prístroja. Symbol na prístroji je vysvetlený v príručke s bezpečnostnými pokynmi.

	Tento symbol na prístroji upozorňuje na prevádzkovú alebo bezpečnostnú informáciu v príručke s pokynmi.
	Tento symbol indikuje, že hrozí riziko zásahu elektrickým prúdom a/alebo možnosť usmrtenia elektrickým prúdom.
	Tento symbol indikuje prítomnosť zariadení citlivých na elektrostatické výboje (ESD) a upozorňuje na to, že je potrebné postupovať opatrne, aby sa vybavenie nepoškodilo.
	Elektrické zariadenie označené týmto symbolom sa v rámci Európy nesmie likvidovať v systémoch likvidácie domového alebo verejného odpadu. Staré zariadenie alebo zariadenie na konci životnosti vráťte výrobcovi na bezplatnú likvidáciu.

## 2.1.3 Certifikáty

### ▲ VAROVANIE



Bezpečnostné opatrenia týkajúce sa kardiostimulátora. Výskyt elektromagnetickej interferencie (EMI) môže:

- zastaviť stimulačné impulzy z kardiostimulátorov, ktoré riadia srdcový rytmus;
- spôsobiť, že impulzy sa budú dodávať nepravidelne;
- spôsobiť, že kardiostimulátor bude ignorovať rytmus srdca a dodávať impulzy v nastavenom intervale.

Z najnovších výskumov vyplýva, že mobilné zariadenia nepredstavujú pre väčšinu osôb s kardiostimulátorom žiadnu významnejší zdravotný problém. Pri osobách s kardiostimulátorom je však nutné uplatňovať preventívne opatrenia, ktoré zaisťujú, aby ich zariadenia nespôsobili žiadne problémy. Udržujte zariadenie vo vzdialenosti minimálne 20 cm (7,9 palca) od používateľa.

### ▲ UPOZORNENIE



Nebezpečenstvo elektromagnetického žiarenia. Zabezpečte, aby sa anténa počas bežného používania nachádzala vo vzdialenosti minimálne 20 cm (7,9 palca) od personálu. Anténa sa nesmie nachádzať v blízkosti žiadnych iných antén alebo vysielačov ani s nimi nesmie byť prepojená.

### POZNAMKA

Toto je výrobok triedy A určený na používanie v priemyselnom prostredí. V prostredí domácnosti môže tento produkt spôsobiť rádiové rušenie. V takom prípade musí používateľ vykonať príslušné opatrenia.

### POZNAMKA

Za zabezpečenie siete a prístupového bodu zodpovedá zákazník, ktorý používa bezdrôtový prístroj. Výrobca nebude zodpovedný za akékoľvek škody vrátane, nie však výhradne, nepriamych, špeciálnych, následných alebo náhodných škôd, ktoré vznikli medzerou v zabezpečení siete alebo jej porušením.

### Regulačné schválenia RF zariadenia: USA a Kanada

Obsahuje adaptér Wi-Fi USB: LM808 od LM technologies

FCC ID: VVX808-04XX

IC: 10531A-80804XX

Tabuľka 1 Napájanie pre adaptér Wi-Fi

Špecifikácie, vydanie a dátum	Frekvenčný rozsah (MHz)	Označenie emisií	RF výkon (W)	Anténa
RSS-247, vydanie 2, 02/2017	5180 – 5240	17M1D1D	0,005	Integrálna, 4,7 dBi
RSS-247, vydanie 2, 02/2017	5210	75M8D1D	0,005	Integrálna, 4,7 dBi
RSS-247, vydanie 2, 02/2017	5745 – 5825	17M9D1D	0,005	Integrálna, 4,7 dBi
RSS-247, vydanie 2, 02/2017	5775	75M6D1D	0,004	Integrálna, 4,7 dBi
RSS-247, vydanie 2, 02/2017	2412 – 2462	15M0D1D	0,027	Integrálna, 0,1 dBi

**Tabuľka 1 Napájanie pre adaptér Wi-Fi (pokračovanie)**

Špecifikácie, vydanie a dátum	Frekvenčný rozsah (MHz)	Označenie emisii	RF výkon (W)	Anténa
RSS-247, vydanie 2, 02/2017	2412 – 2462	16M5D1D	0,016	Integrálna, 0,1 dBi
RSS-247, vydanie 2, 02/2017	2422 – 2452	35M1D1D	0,011	Integrálna, 0,1 dBi

**Adaptér Wi-Fi USB LM808 – dôležité podmienky udelenia FCC:**

Uvedený výkon je vedený. Súlad SAR pre kľúč USB bol overený v súlade s týmto súborom. Antény používané pre tento vysielač nesmú súčasne vysielať spolu s inými anténami alebo vysielačmi, okrem prípadov, ak sú v súlade s postupmi pre výrobky s viacerými vysielačmi FCC alebo postupom opísaným v tomto súbore. Najvyššia nahlásená hodnota SAR je 0,26 W/kg. Toto zariadenie má režimy so šírkami pásma 20 MHz a 40 MHz.

**Regulačné schválenia RF zariadenia: EÚ**

Obsahuje adaptér Wi-Fi USB: LM808

**Tabuľka 2 Frekvenčné pásma**

Technické údaje	Podrobnosti
Frekvenčné pásmo	Pásmo ISM 2,4 GHz
	Pásmo ISM 5 GHz
Výstupný výkon RF (tolerancia $\pm 2$ dBm)	17 dBm, 802.11b pri 11 Mb/s
	15 dBm, 802.11g pri 54 Mb/s
	13 dBm, 802.11a pri 54 Mb/s
	13 dBm, 802.11n pri MCS7_HT20
	13 dBm, 802.11n pri MCS7_HT40
	11 dBm, 802.11ac pri NSS1 MCS9_BW20, BW40, BW80
	-82 dBm, 802.11b pri 11 Mb/s – 71 dB0, 802.11g pri 54 Mb/s
Citlivosť prijímača	-67 dBm, 802.11n pri MCS7_BW20
	-64 dBm, 802.11n pri MCS7_BW40
	-57 dBm, 802.11ac pri NSS1_MCS9_BW20
	-54 dBm, 802.11ac pri MSS1_MCS9_BW40
	-51 dBm, 802.11ac pri MSS1_MCS9_BW80

**Kanada (IC)**

Obsahuje adaptér Wi-Fi USB: LM808 od LM technologies IC: 10531A-80804XX

Tento digitálny prístroj triedy (A) vyhovuje požiadavkám kanadskej normy ICES-003. Toto zariadenie vyhovuje požiadavkám licencie Industry Canada – oslobodené od noriem RSS. Používanie zariadenia podlieha nasledujúcim dvom podmienkam:

(1) toto zariadenie nesmie spôsobovať elektromagnetické rušenie a

(2) toto zariadenie musí akceptovať akékoľvek elektromagnetické rušenie vrátane rušenia, ktoré môže na zariadení spôsobiť nežiaducu prevádzku.

*Cet appareil numérique de la classe (A) respect toutes les exigences de la norme NMB-003 du Canada. Le présent appareil est conforme aux CNR d'Industrie Canada applicables aux appareils radio exempts de licence. L'exploitation est autorisée aux deux conditions suivantes:*

*(1) l'appareil ne doit pas produire de brouillage, et*

*(2) l'utilisateur de l'appareil doit accepter tout brouillage radioélectrique subi, même si le brouillage est susceptible d'en compromettre le fonctionnement.*

#### **USA (FCC)**

Obsahuje adaptér Wi-Fi USB: LM808 od LM technologies FCC ID: VVX808-04XX

Úpravy, ktoré výhradne neschválila táto spoločnosť, by mohli viesť k zrušeniu oprávnenia používateľa obsluhovať toto zariadenie (FCC, časť 15.21).

Skúškou bolo potvrdené, že toto zariadenie vyhovuje obmedzeniam pre digitálne zariadenia Triedy A podľa Časti 15 smernice FCC. Tieto obmedzenia sú určené na zabezpečenie primeranej miery ochrany proti elektromagnetickému rušeniu pri prevádzke zariadenia v priemyselnom prostredí. Toto zariadenie vytvára, využíva a môže vyžarovať energiu v pásme rádiových frekvencií a ak nie je nainštalované a používané v súlade s návodom na obsluhu, môže spôsobovať rušenie rádiovkej komunikácie. Pri používaní tohto zariadenia v obytnej zóne je pravdepodobné, že dôjde k takémuto škodlivému rušeniu. V takom prípade je používateľ zariadenia povinný obmedziť elektromagnetické rušenie na vlastné náklady (FCC, časť 15.105).

#### **Regulačné upozornenia podľa FCC/IC pre RF modul Multitech**

##### **Vyhľadanie týkajúce sa úprav**

Spoločnosť LM technologies neschválila žiadne zmeny ani úpravy tohto zariadenia, ktoré by mohol vykonať používateľ. Akékoľvek zmeny alebo úpravy by mohli viesť k zrušeniu oprávnenia používateľa obsluhovať toto zariadenie.

*LM technologies n'approuve aucune modification apportée à l'appareil par l'utilisateur, quelle qu'en soit la nature. Tout changement ou modification peuvent annuler le droit d'utilisation de l'appareil par l'utilisateur.*

##### **Vyhľadanie týkajúce sa rušenia**

Toto zariadenie vyhovuje časti 15 pravidiel FCC a licencií Industry Canada – oslobodené od RSS noriem. Prevádzkovanie zariadenia podlieha nasledovným dvom podmienkam: (1) toto zariadenie nesmie spôsobovať elektromagnetické rušenie a (2) toto zariadenie musí akceptovať akékoľvek elektromagnetické rušenie vrátane rušenia, ktoré môže na zariadení spôsobiť nežiaducu prevádzku.

*Le présent appareil est conforme aux CNR d'Industrie Canada applicables aux appareils radio exempts de licence. L'exploitation est autorisée aux deux conditions suivantes : (1) l'appareil ne doit pas produire de brouillage, et (2) l'utilisateur de l'appareil doit accepter tout brouillage radioélectrique subi, même si le brouillage est susceptible d'en compromettre le fonctionnement. Cet appareil est conforme aux limites d'exposition aux rayonnements de la IC pour un environnement non contrôlé.*

#### **Vyhľadanie o 5G podľa FCC:**

Zariadenia LE-LAN sa môžu používať iba v interiéri v pásme 5150 – 5250 MHz

#### **Európa – smernica o rádiových zariadeniach (RED)**



Pásmo Wi-Fi 5, 15 – 5,35 GHz Wi-Fi sa môže používať iba v interiéri v nasledujúcich krajinách:

**Tabuľka 3 Európske krajiny**

Andora (AD)	Dánsko (DK)	Írsko (IE)	Čierna Hora (ME)	Slovensko (SK)
Rakúsko (AT)	Estónsko (EE)	Taliansko (IT)	Holandsko (NL)	Slovinsko (SL)
Belgicko (BE)	Fínsko (FI)	Lotyšsko (LV)	Nórsko (NO)	Španielsko (ES)
Bosna a Hercegovina (BA)	Francúzsko (FR)	Lichtenštajnsko (LI)	Poľsko (PL)	Švédsko (SE)
Bulharsko (BG)	Nemecko (DE)	Litva (LT)	Portugalsko (PT)	Švajčiarsko (CH)



**Tabuľka 3 Európske krajiny (pokračovanie)**

Chorvátsko (HR)	Grécko (GR)	Luxembursko (LU)	Rumunsko (RO)	Macedónsko (MK)
Cyprus (CY)	Maďarsko (HU)	Malta (MT)	San Marino (SM)	Spojené kráľovstvo (GB)
Česká republika (CZ)	Island (IS)	Monako (MC)	Srbsko (RS)	Vatikán, mestský štát (VA)

## 2.2 Popis výrobku

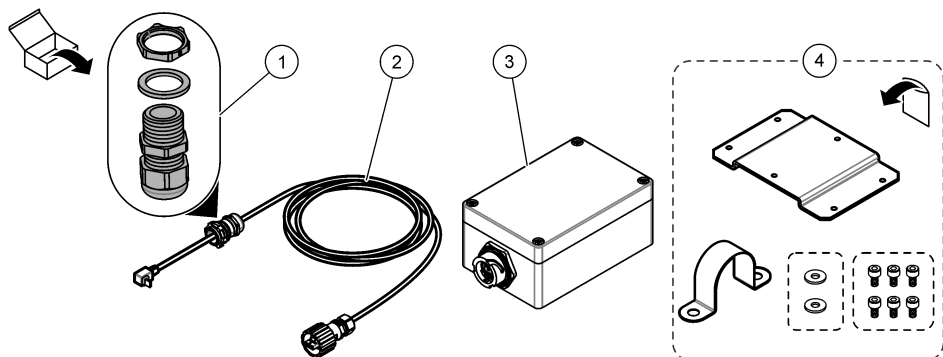
Externá skrinka USB sa používa na pripojenie zariadenia USB ku kontroléru SC4500 (napr. Wi-Fi adaptér).

**Poznámka:** Všetky položky (napr. adaptéry a interné pripojky) sa montujú v závode.

## 2.3 Súčasti produktu

Uistite sa, že vám boli doručené všetky súčasti. Pozrite časť **Obrázok 1**. Ak nejaká položka chýba alebo je poškodená, okamžite kontaktujte výrobcu alebo obchodného zástupcu.

**Obrázok 1 Súčasti produktu**



1 Objímka s odľahčením ťahu, podložka a matica	3 USB skrinka
2 Pripájací kábel skrinky USB	4 Príslušenstvo na montáž na stĺp <sup>2</sup>

## Odsek 3 Inštalácia

### 3.1 Uchytenie

#### POZNÁMKA

Skrinku USB namontujte pomocou montážnych otvorov. Nerobte otvory v zadnej stene skrinky USB, pretože môže dôjsť k poškodeniu interných komponentov.

#### POZNÁMKA



Zatvorte kryt skrinky USB a dbajte na to, aby boli skrutky krytu utiahnuté, aby sa v skrinke zachovalo nominálne prostredie.

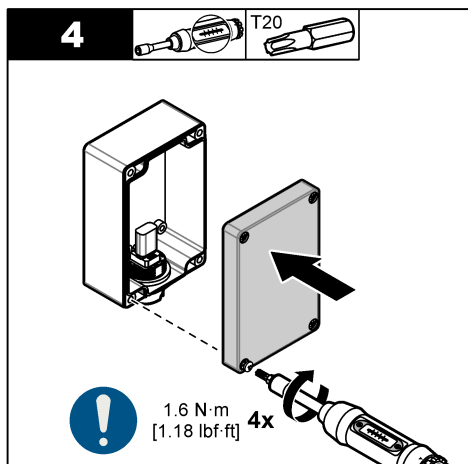
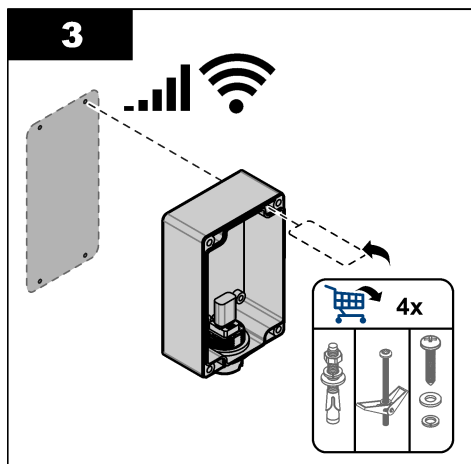
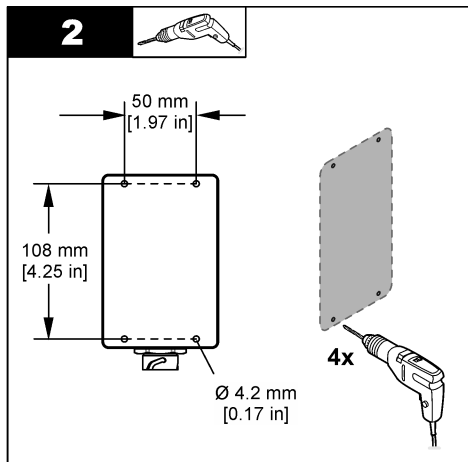
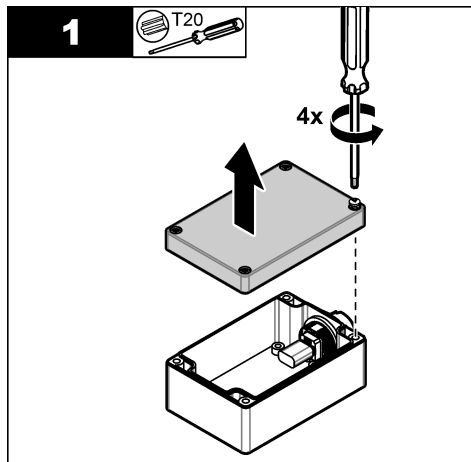
<sup>2</sup> Príslušenstvo na montáž na stĺp je pre stĺp s priemerom 40 mm (1,57 palca)

Kontrolér inštalujte na také miesto, kde sa dá zariadenie na odpojenie kontroléra od napájania ľahko ovládať. Skrinku USB namontujte na miesto s najsilnejším Wi-Fi signálom. Použite mobilné zariadenie, aby ste našli miesto s najsilnejším signálom.

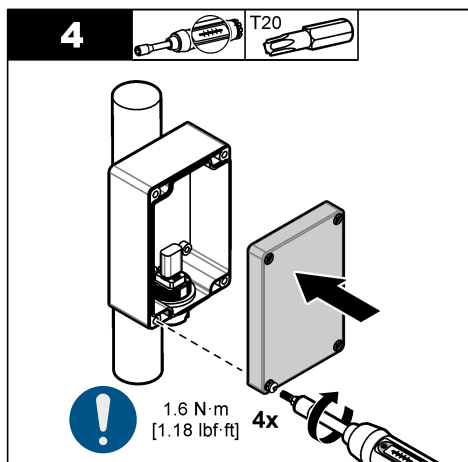
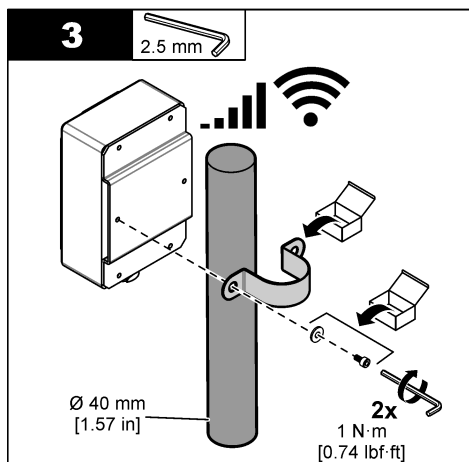
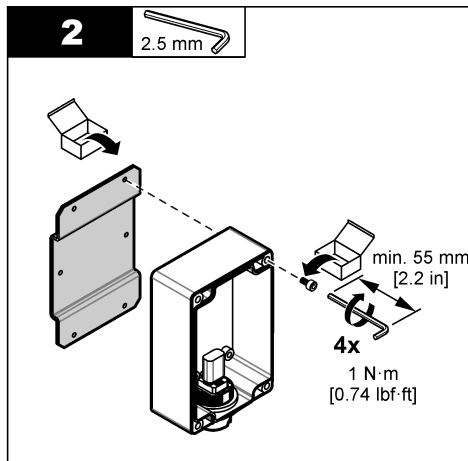
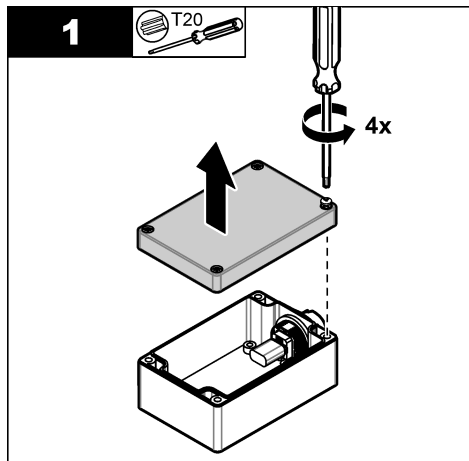
USB skrinku namontujte na stenu, vertikálnu alebo horizontálnu tyč.

**Poznámka:** Vybavenie montáže na stenu zabezpečí používateľ. Skrutky/upevnenia musia byť vhodné z hľadiska vlastností steny alebo stropu a musia mať dostatočnú nosnú kapacitu.

Pozrite si nasledujúci ilustrovaný postup týkajúci sa montáže skrinky USB na stenu.



Pozrite si nasledujúci ilustrovaný postup týkajúci sa montáže skrinky USB na stĺp.



### 3.2 Pripojenie kábla

#### POZNÁMKA

Výrobca odporúča používať výrobcom dodávané elektrické komponenty, ako je napájací kábel, konektory a fittingy odľahčenia kábla.

#### POZNÁMKA



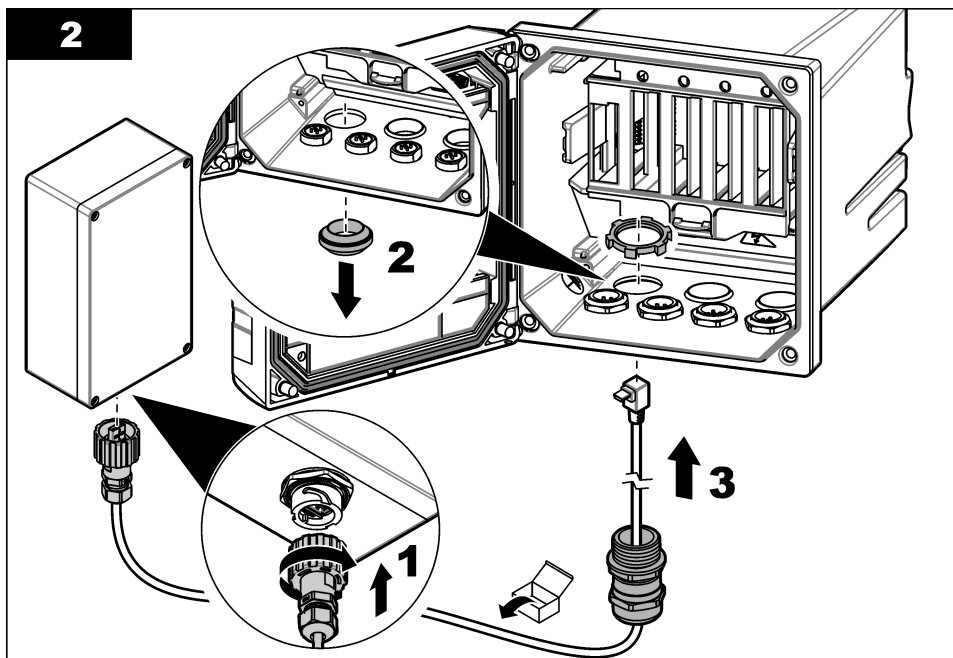
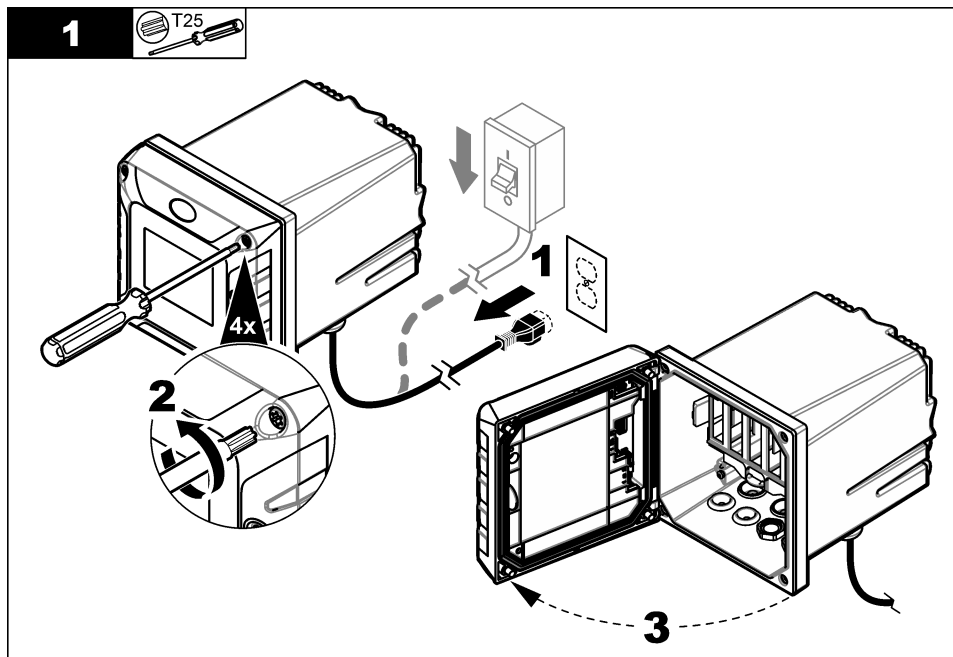
Uistite sa, či plášť kábla prechádza vnútornou stranou skrinky s cieľom zachovať stupeň environmentálnej ochrany skrinky.

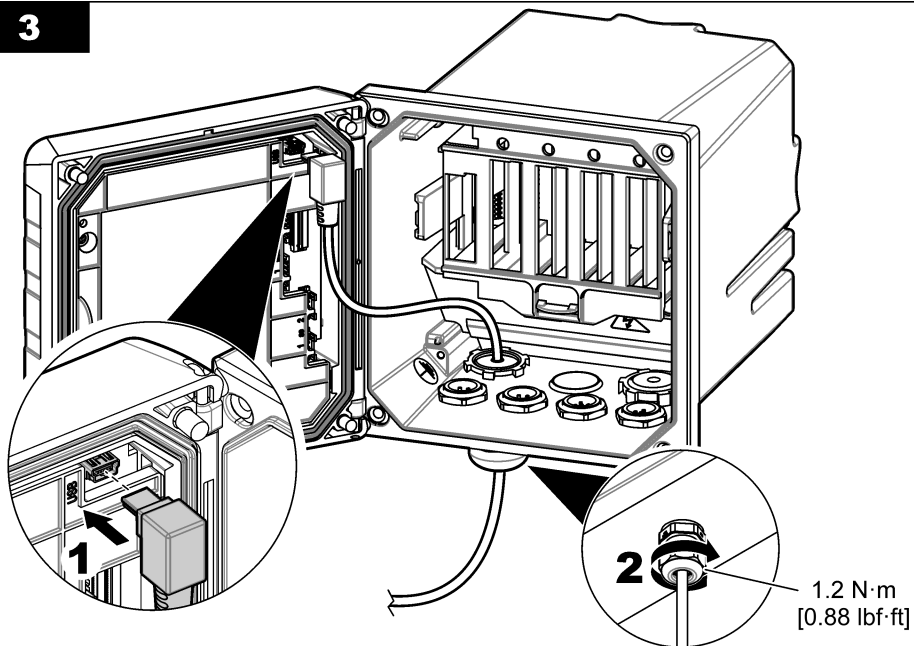
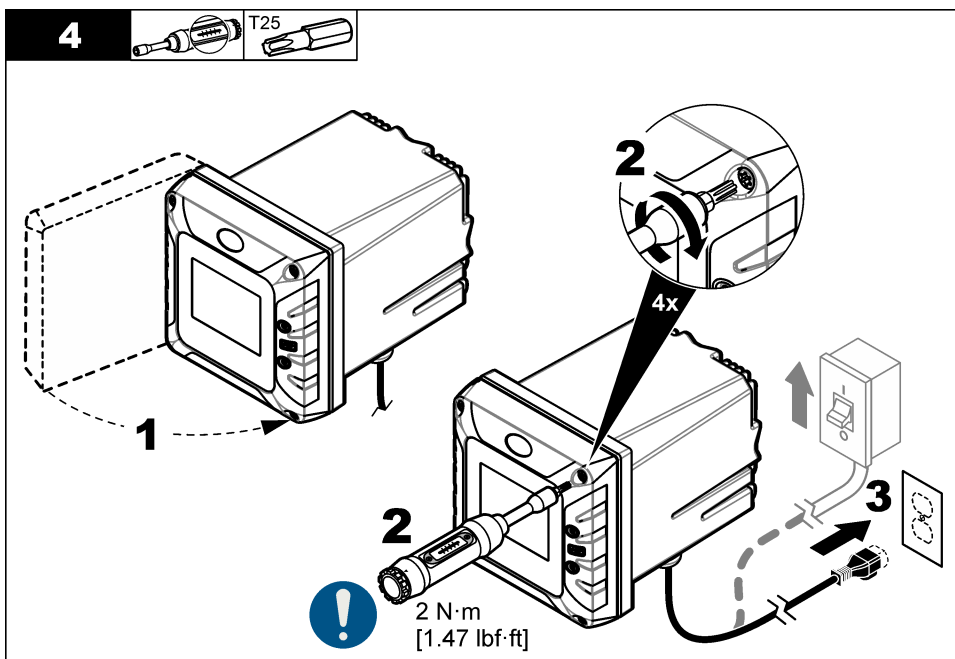
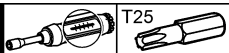
#### POZNÁMKA



Zatvorte kryt kontroléra a uistite sa, či sú skrutky krytu pevne zaskrutkované, aby sa zachoval stupeň environmentálnej ochrany krytu.

Dodaný kábel pripojte k skrinke USB a k internému konektoru USB v kontroléri. Pozrite si nasledujúci ilustrovaný postup.



**3****4**

## Odsek 4 Spustenie

**Poznámka:** WiFi adaptér sa montuje a pripája v závode. V prípade potreby si pozrite časť [Výmena adaptéra Wi-Fi](#) na strane 230Výmena WiFi adaptéra.

Po dokončení inštalácie vykonajte nasledujúce kroky:

1. Odoberte kryt z USB skrinky.
2. Pripojte napájanie do kontroléra.
3. Uistite sa, že je WiFi adaptér pod napätím.
4. Počkejte minimálne 5 minút.
5. Skontrolujte silu signálu a stav sieťového pripojenia. Pozrite si dokumentáciu ku kontroléru.
6. Nasadte na USB skrinku kryt.

## Odsek 5 Konfigurácia

Pokyny nájdete v dokumentácii ku kontroléru. Viac informácií nájdete v rozšírenom návode na použitie na webovej stránke výrobcu.

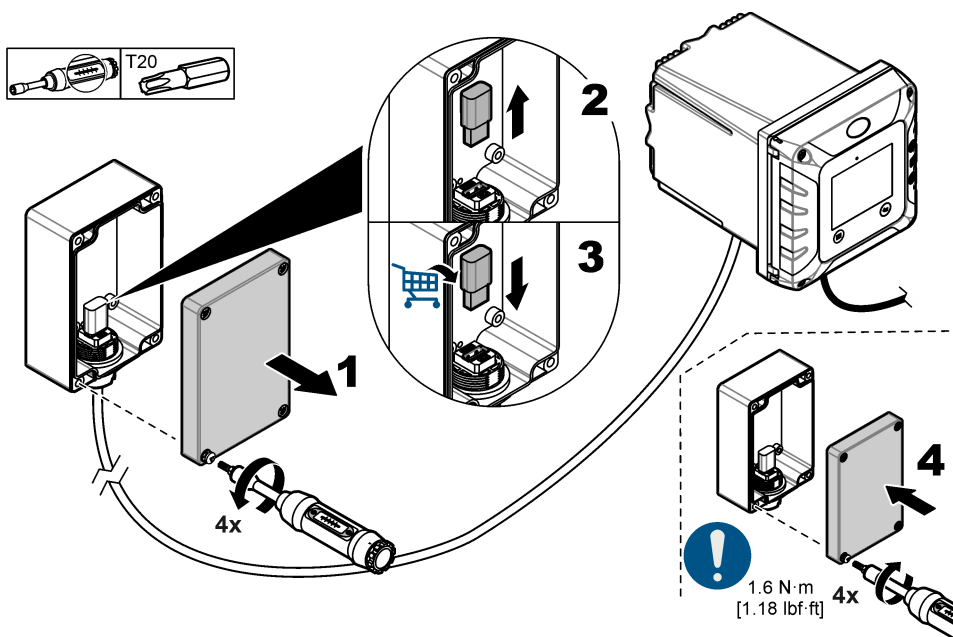
## Odsek 6 Údržba

### 6.1 Výmena adaptéra Wi-Fi

V prípade potreby vymeňte adaptér Wi-Fi. Pozrite si ilustrovaný postup [Obrázok 2](#).

**Položky na zobrazenie:** adaptér Wi-Fi

**Obrázok 2** Výmena adaptéra Wi-Fi



## Odsek 7 Príslušenstvo

### ▲ VAROVANIE



Nebezpečenstvo poranenia osôb. Používanie neschválených častí môže spôsobiť poranenie osôb, poškodenie prístroja alebo poruchy zariadenia. Náhradné diely uvedené v tejto časti sú schválené výrobcom.

**Poznámka:** Čísla produktov a položiek sa môžu odlišovať v niektorých predajných oblastiach. Pre kontaktné informácie sa obráťte na príslušného distribútora alebo si pozrite webovú stránku spoločnosti.

<b>Popis</b>	<b>Katalógové číslo</b>
Pripájací kábel skrinky USB, WiFi, 4,5 m	LXZ525.99.00019
Súprava na montáž príslušenstva	8806200
Adaptér Wi-Fi USB pre USA, 2,4/5 GHz	LZY996
Adaptér Wi-Fi USB adaptér pre EÚ, 2,4/5 GHz	LZY997

## Vsebina

- |   |                               |   |                              |
|---|-------------------------------|---|------------------------------|
| 1 | Specifikacije na strani 232   | 5 | Konfiguracija na strani 242  |
| 2 | Splošni podatki na strani 232 | 6 | Vzdrževanje na strani 242    |
| 3 | Namestitvev na strani 237     | 7 | Dodatna oprema na strani 242 |
| 4 | Zagon na strani 241           |   |                              |

## Razdelek 1 Specifikacije

Pridržana pravica do spremembe tehničnih podatkov brez predhodnega obvestila.

Tehnični podatki	Podrobnosti
Mere (Š × D × G)	80 × 120 × 55 mm (4.7 × 7.9 × 2.2 in)
Ohišje	IP 66 <sup>1</sup> , polikarbonat UL94-V0
Teža	169 g (0.37 lb)
Stopnja onesnaževanja	4
Namestitvena kategorija	I
Razred zaščite	III
Delovna temperatura	od –20 do 60 °C (od –4 do 140 °F)
Temperatura shranjevanja	–20 do 70 °C
Relativna vlažnost	0 do 95 %, brez kondenzacije
Nadmorska višina	Največ 2000 m (6562 ft)
Komunikacijske možnosti	Vmesnik Wi-Fi s priključkom USB Pas 2,4 GHz in 5 GHz ISM
Certifikati	CE, FCC, IC, UKCA
Garancija	1 leto (EU: 2 leti)

## Razdelek 2 Splošni podatki

V nobenem primeru proizvajalec ne prevzema odgovornosti za neposredno, posredno, posebno, nezgodno ali posledično škodo, nastalo zaradi kakršnekoli napake ali izpusta v teh navodilih. Proizvajalec si pridruže pravico do sprememb v navodilih in izdelku, ki ga opisuje, brez vnaprejšnjega obvestila. Prenovljene različice najdete na proizvajalčevi spletni strani.

### 2.1 Varnostni napotki

Proizvajalec ne odgovarja za škodo, ki bi nastala kot posledica napačne aplikacije ali uporabe tega izdelka, kar med drugim zajema neposredno, naključno in posledično škodo, in zavrača odgovornost za vso škodo v največji meri, dovoljeni z zadevno zakonodajo. Uporabnik je v celoti odgovoren za prepoznavo tveganj, ki jih predstavljajo kritične aplikacije, in namestitvev ustreznih mehanizmov za zaščito procesov med potencialno okvaro opreme.

Še pred razpakiranjem, zagonom ali delovanjem te naprave v celoti preberite priložena navodila. Še posebej upoštevajte vse napotke o nevarnostih in varnostne napotke. V nasprotnem primeru obstaja nevarnost hudih poškodb uporabnika oz. škode na opremi.

Zaščita te opreme mora biti brezhibna. Uporabljajte in nameščajte jo izključno tako, kot je navedeno v tem priročniku.

<sup>1</sup> Samo z nameščenim povezovalnim kablom za škatlico USB.







## 2.1.1 Uporaba varnostnih informacij


<b>▲ NEVARNOST</b>
Označuje možno ali neposredno nevarno situacijo, ki lahko povzroči smrt ali hude poškodbe.
<b>▲ OPOZORILO</b>
Označuje možno ali neposredno nevarno situacijo, ki lahko privede do hude poškodbe ali povzroči smrt, če se ji ne izognete.
<b>▲ PREVIDNO</b>
Označuje možno nevarno situacijo, ki lahko povzroči manjše ali srednje težke poškodbe.
<b>OPOMBA</b>
Označuje situacijo, ki lahko, če se ji ne izognete, povzroči poškodbe instrumenta. Informacija, ki zahteva posebno pozornost.

## 2.1.2 Opozorilne oznake

Upoštevajte vse oznake in tablice, ki so nameščene na napravo. Neupoštevanje tega lahko privede do telesnih poškodb ali škode na inštrumentu. Simbol na napravi se nanaša na opozorilo, ki je navedeno v navodilih.

	Če je na napravi ta simbol, preberite podrobnosti o njem v navodilih za uporabo in/ali v razdelku za informacije o varnosti.
	Ta simbol opozarja, da obstaja tveganje električnega udara in/ali smrti zaradi elektrike.
	Ta simbol kaže na prisotnost naprav, ki so občutljive na elektrostatično razelektritev (ESD), in opozarja na to, da morate z ustreznimi ukrepi preprečiti nastanek škode in poškodb opreme.
	Električne opreme, označene s tem simbolom, v EU ni dovoljeno odlagati v domačih ali javnih sistemih za odstranjevanje odpadkov. Staro ali izrabljeno opremo vrnite proizvajalcu, ki jo mora odstraniti brez stroškov za uporabnika.

## 2.1.3 Potrdila

<b>▲ OPOZORILO</b>	
	<p>Previdnostna opozorila glede srčnih spodbujevalnikov. Če se pojavijo elektromagnetne motnje (EMI), lahko:</p> <ul style="list-style-type: none"><li>• Prekinejo stimulacijske impulze, s katerimi srčni spodbujevalnik uravnava ritem srca.</li><li>• Povzročijo neredno dovajanje impulzov spodbujevalnika.</li><li>• Povzročijo, da spodbujevalnik prezre ritem srca ter začne impulze dovajati po nastavljenem intervalu.</li></ul> <p>Glede na najnovejše raziskave brezžične naprave ne predstavljajo resnejšega zdravstvenega tveganja za uporabnike večine srčnih spodbujevalnikov. Osebe s srčnimi spodbujevalniki pa morajo kljub temu paziti, da naprave ne povzročajo težav. Naprava naj bo najmanj 20 cm (7,9 in) oddaljena od uporabnika.</p>

**⚠ PREVIDNO**

Nevarnost elektromagnetnega sevanja. Pri normalni uporabi se prepričajte, da je antena oddaljena vsaj 20 cm od vseh oseb. Antene ne smete postaviti blizu druge antene in ne more delovati skupaj s katero koli drugo anteno ali oddajnikom.

**OPOMBA**

To je izdelek razreda A, namenjen za uporabo v industrijskem okolju. V gospodinjstvem okolju lahko ta izdelek povzroči radijske motnje, ki jih bo uporabnik morda moral odpraviti z ustreznimi ukrepi.

**OPOMBA**

Za varnost omrežja in točke dostopa je v celoti odgovorna stranka, ki uporablja brezžični instrument. Proizvajalec ni odškodninsko odgovoren za nikakršno škodo, kar med drugim vključuje neposredne, posebne, posledične ali naključne poškodbe zaradi nezadostne zaščite omrežja ali kršitev omrežne varnosti.

**Uradna dovoljenja za RF-naprave: ZDA in Kanada**

Vključuje vmesnik Wifi USB: LM808 družbe LM Technologies

ID organa FCC: VVX808-04XX

IC: 10531A-80804XX

**Tabela 1 Napajanje vmesnika Wi-Fi**

Specifikacija, izdaja in datum	Frekvenčno območje (MHz)	Oznaka emisij	Moč RF (v W)	Antena
RSS-247, izdaja 2, 02/2017	5180–5240	17M1D1D	0,005	Integral, 4,7 dBi
RSS-247, izdaja 2, 02/2017	5210	75M8D1D	0,005	Integral, 4,7 dBi
RSS-247, izdaja 2, 02/2017	5745–5825	17M9D1D	0,005	Integral, 4,7 dBi
RSS-247, izdaja 2, 02/2017	5775	75M6D1D	0,004	Integral, 4,7 dBi
RSS-247, izdaja 2, 02/2017	2412–2462	15M0D1D	0,027	Integral, 0,1 dBi
RSS-247, izdaja 2, 02/2017	2412–2462	16M5D1D	0,016	Integral, 0,1 dBi
RSS-247, izdaja 2, 02/2017	2422–2452	35M1D1D	0,011	Integral, 0,1 dBi

**Vmesnik Wi-Fi USB LM808 – pomembni pogoji za izdajo odobritve FCC:**

Navedena moč se prevaja. Skladnost vrednosti SAR za zaščitni ključ USB je ocenjena, kot je opisano v tej vlogi. Antena, ki se uporablja za ta oddajnik, ne sme oddajati sočasno s katero koli drugo anteno ali oddajnikom, razen v skladu s postopki FCC glede sočasnega oddajanja ali kot je opisano v tej vlogi. Najvišja navedena vrednost SAR je 0,26 W/kg. Ta naprava ima načina delovanja v pasovnih širinah 20 MHz in 40 MHz.

**Uradna dovoljenja za RF-naprave: EU**

Vključuje vmesnik Wi-Fi USB: LM808

**Tabela 2 Frekvenčni pasovi**

<b>Tehnični podatki</b>	<b>Podrobnosti</b>
Frekvenčni pas	2,4 GHz ISM
	5 GHz ISM
Izhodna moč RF (toleranca $\pm 2$ dBm)	17 dBm, 802.11b pri 11 Mb/s
	15 dBm, 802.11g pri 54 Mb/s
	13 dBm, 802.11a pri 54 Mb/s
	13 dBm, 802.11n pri MCS7_HT20
	13 dBm, 802.11n pri MCS7_HT40
	11 dBm, 802.11ac pri NSS1 MCS9_BW20, BW40, BW80
	-82 dBm, 802.11b pri 11 Mb/s-71 dB0, 802.11g pri 54 MB/s
Občutljivost sprejemnika	-67 dBm, 802.11n pri MCS7_BW20
	-64 dBm, 802.11n pri MCS7_BW40
	-57 dBm, 802.11ac pri NSS1_MCS9_BW20
	-54 dBm, 802.11ac pri MSS1_MCS9_BW40
	-51 dBm, 802.11ac pri MSS1_MCS9_BW80

**Kanada (IC)**

Vključuje vmesnik Wi-Fi USB: LM808 družbe LM Technologies; IC: 10531A-80804XX

Ta razred (A) digitalne naprave je skladen s kanadskim standardom ICES-003. Naprava izpolnjuje pogoje licence Industry Canada z izvetimi standardi RSS. Delovanje mora ustrezati naslednjima pogojema:

(1) naprava ne sme povzročati motenj; in

(2) naprava mora biti odporna vse sprejete motnje, vključno z motnjami, ki lahko povzročajo neželeno delovanje.

*Cet appareil numérique de la classe (A) respect toutes les exigences de la norme NMB-003 du Canada. Le présent appareil est conforme aux CNR d'Industrie Canada applicables aux appareils radio exempts de licence. L'exploitation est autorisée aux deux conditions suivantes:*

*(1) l'appareil ne doit pas produire de brouillage, et*

*(2) l'utilisateur de l'appareil doit accepter tout brouillage radioélectrique subi, même si le brouillage est susceptible d'en compromettre le fonctionnement.*

**Združene države (FCC)**

Vključuje vmesnik Wi-Fi USB: LM808 družbe LM Technologies; FCC ID: VVX808-04XX

Spremembe, ki jih ta družba ni izrecno odobrila, lahko razveljavijo uporabnikovo pravico do uporabe te opreme (FCC, del 15.21).

Naprava je bila preizkušena in je skladna z omejitvami za digitalne naprave razreda A glede na 15. del pravil FCC. Te omejitve omogočajo razumno zaščito pred škodljivimi motnjami, če napravo uporabljate v komercialnem okolju. Ta naprava ustvarja, uporablja in lahko oddaja radiofrekvenčno energijo, ki lahko moti radijske komunikacije, če naprava ni uporabljena v skladu z navodili. Delovanje naprave v stanovanjskem območju lahko povzroči škodljive motnje, ki jih bo moral uporabnik odpraviti na lastne stroške (FCC, del 15.105).

**Uradna obvestila FCC/IC podjetja Multitech za modul RF  
Izjava o spremembah**

LM Technologies ni odobril nikakršnih uporabniških sprememb ali prilagoditev te naprave. Spremembe ali prilagoditve te naprave lahko razveljavijo uporabnikovo pravico do uporabe te opreme.

*LM technologies n'approuve aucune modification apportée à l'appareil par l'utilisateur, quelle qu'en soit la nature. Tout changement ou modification peuvent annuler le droit d'utilisation de l'appareil par l'utilisateur.*

### **Izjava o motnjah**

Naprava je skladna s 15. delom pravilnika FCC in standardi RSS agencije Industry Canada za naprave, izvzete iz licenciranja RSS. Za uporabo veljata naslednja pogoja: (1) naprava ne sme povzročati motenj; in (2) naprava mora biti odporna vse sprejete motnje, vključno z motnjami, ki lahko povzročajo neželeno delovanje.

*Le présent appareil est conforme aux CNR d'Industrie Canada applicables aux appareils radio exempts de licence. L'exploitation est autorisée aux deux conditions suivantes : (1) l'appareil ne doit pas produire de brouillage, et (2) l'utilisateur de l'appareil doit accepter tout brouillage radioélectrique subi, même si le brouillage est susceptible d'en compromettre le fonctionnement. Cet appareil est conforme aux limites d'exposition aux rayonnements de la IC pour un environnement non contrôlé.*

### **Izjava FCC glede 5G:**

Uporaba naprav LE-LAN je omejena na delovanje v zaprtih prostorih in na frekvenčni pas 5150–5250 MHz

### **Evropa – Direktiva o radijski opremi (RED)**



Pas Wi-Fi 5,15–5,35 GHz je omejen na uporabo v zaprtih prostorih v naslednjih državah:

**Tabela 3 Evropske države**

Andora (AD)	Danska (DK)	Irska (IE)	Črna gora (ME)	Slovaška (SK)
Avstrija (AT)	Estonija (EE)	Italija (IT)	Nizozemska (NL)	Slovenija (SL)
Belgija (BE)	Finska (FI)	Latvija (LV)	Norveška (NO)	Španija (ES)
Bosna in Hercegovina (BA)	Francija (FR)	Lihtenštajn (LI)	Poljska (PL)	Švedska (SE)
Bolgarija (BG)	Nemčija (DE)	Litva (LT)	Portugalska (PT)	Švica (CH)
Hrvaška (HR)	Grčija (GR)	Luksemburg (LU)	Romunija (RO)	Severna Makedonija (MK)
Ciper (CY)	Madžarska (HU)	Malta (MT)	San Marino (SM)	Združeno kraljestvo (GB)
Češka (CZ)	Islandija (IS)	Monako (MC)	Srbija (RS)	Vatikan (VA)

## **2.2 Pregled izdelka**

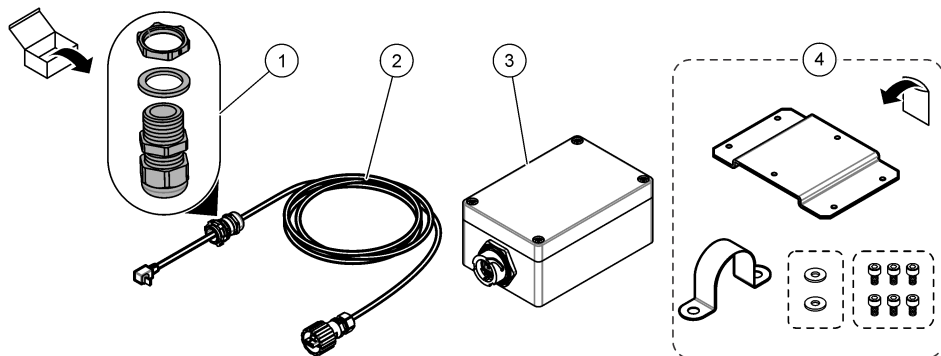
Zunanja škatlica USB se uporablja za priključitev naprave USB (npr. vmesnika Wi-Fi) v kontrolno enoto SC4500.

**Napotek:** Vsi elementi (tj. vmesnik in notranji priključki) so nameščeni v tovarni.

## 2.3 Sestavni deli izdelka

Preverite, ali ste prejeli vse sestavne dele. Glejte [Slika 1](#). Če kateri koli del manjka ali je poškodovan, se nemudoma obrnite na proizvajalca ali prodajnega zastopnika.

**Slika 1 Sestavni deli izdelka**



1 Uvodnica, podložka in matica	3 Škatlica USB
2 Priključni kabel škatlice USB	4 Oprema za namestitev na drog <sup>2</sup>

## Razdelek 3 Namestitev

### 3.1 Nameščanje

#### OPOMBA

Za namestitev škatlice USB uporabite odprtine za namestitev. Ne vrtajte odprtin v hrbtno stran škatlice USB, sicer lahko poškodujete notranje dele.

#### OPOMBA



Zaprte pokrov škatlice USBE in preverite, ali so vijaki pokrova tesno priviti, da ohranite stopnjo zaščite pred okoljskimi vplivi.

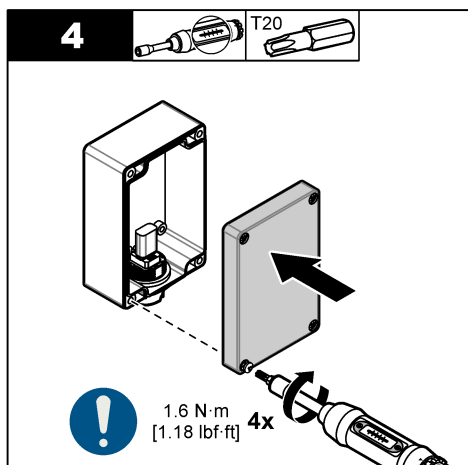
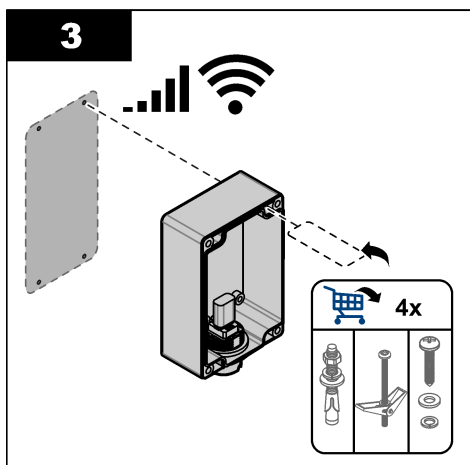
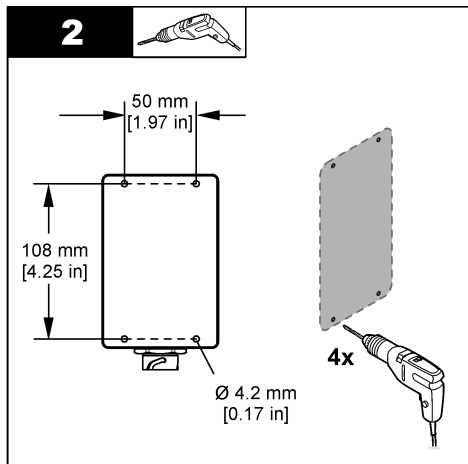
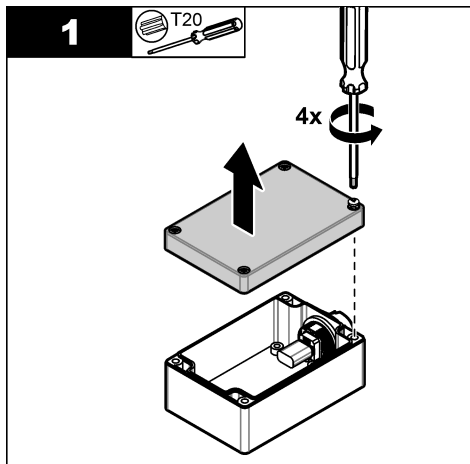
Škatlico USB namestite na mesto, ki omogoča preprosto upravljanje naprave za odklop električnega toka kontrolne enote. Škatlico USB namestite na mesto z največjo močjo signala omrežja Wi-Fi. Uporabite mobilno napravo da poiščete mesto z največjo močjo Wi-Fi signala.

Škatlico USB namestite na steno ali na navpičen ali vodoraven drog.

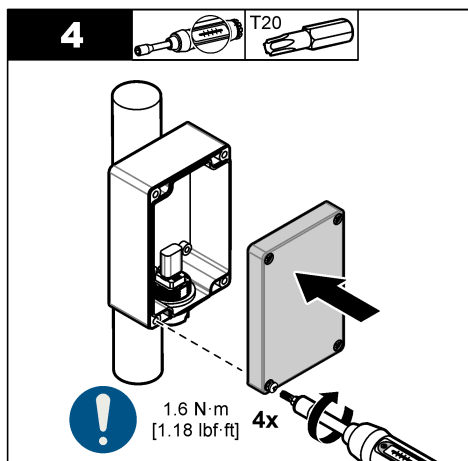
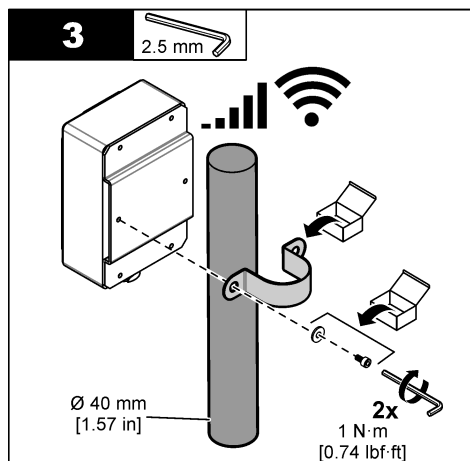
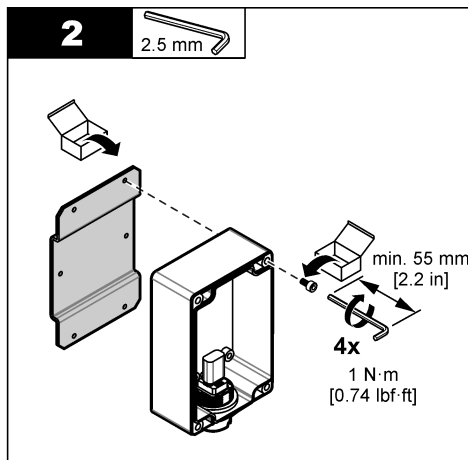
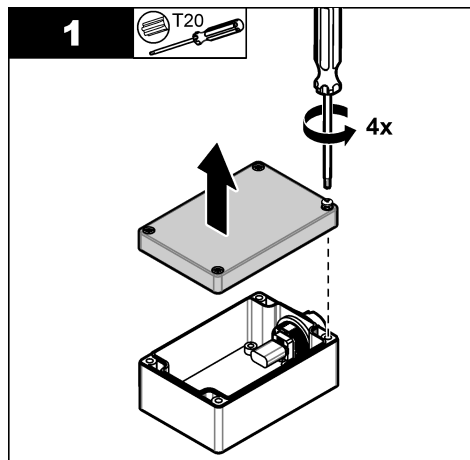
**Napotek:** Opremo za namestitev na steno priskrbi uporabnik. Vijaki/nastavki morajo biti primerni za stensko/stropno namestitev in ustrezne nosilnosti.

<sup>2</sup> Oprema za namestitev na drog je primerna za drog s premerom 40 mm (1,57 in).

Za stensko namestitev škatlice USB glejte ilustrirana navodila v nadaljevanju.



Za namestitev škatlice USB na drog glejte ilustrirana navodila v nadaljevanju.



### 3.2 Priklop kabla

#### OPOMBA

Proizvajalec priporoča uporabo električnega materiala, kot so napajalni kabli, priključki in kabelske uvodnice, ki jih dobavlja sam.

#### OPOMBA



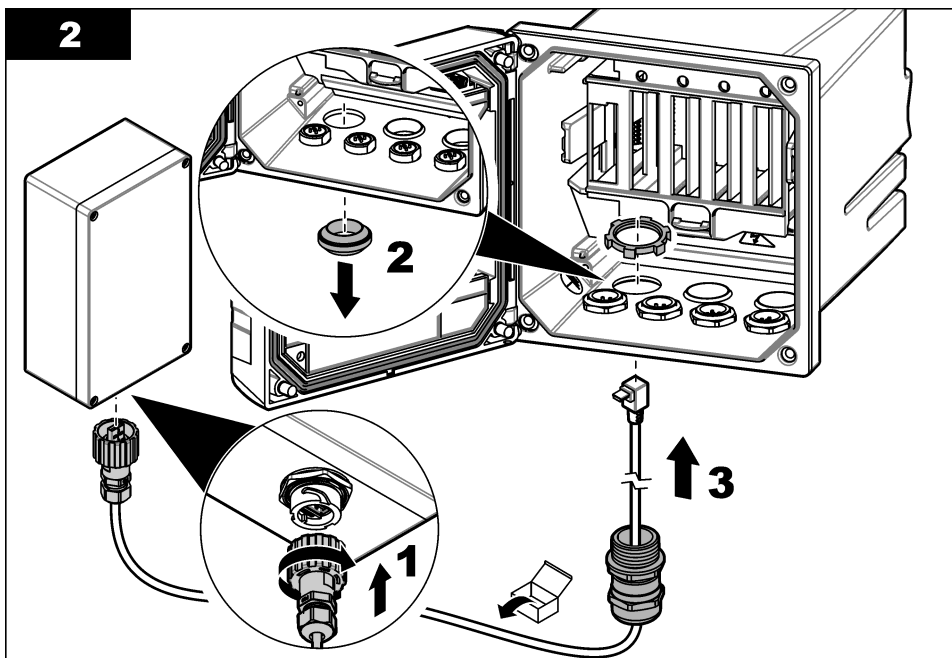
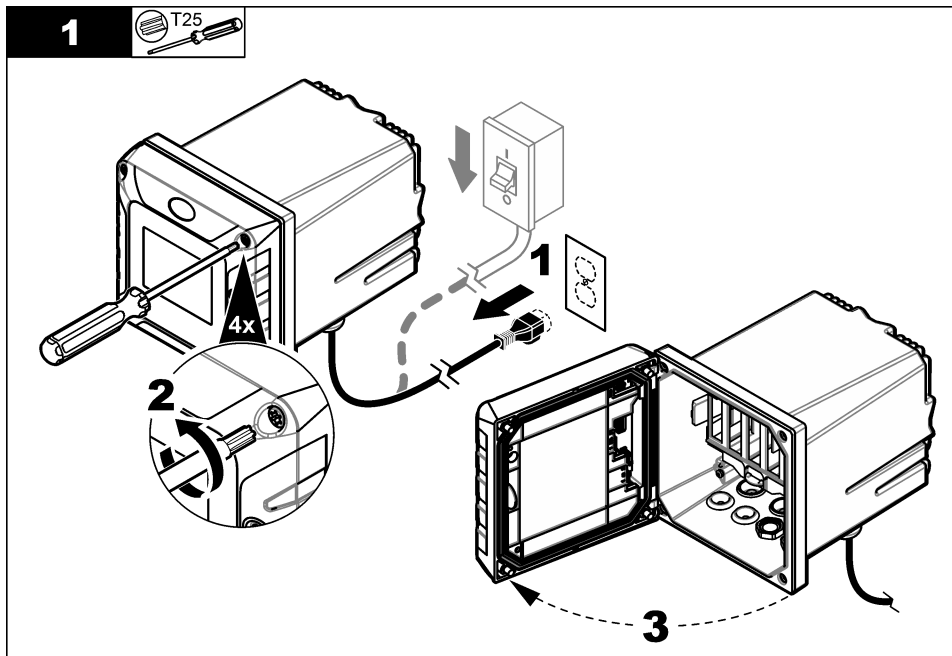
Kabelska ovojnica mora potekati skozi notranjo stran ohišja, da ohranite stopnjo zaščite pred okoljskimi vplivi.

#### OPOMBA

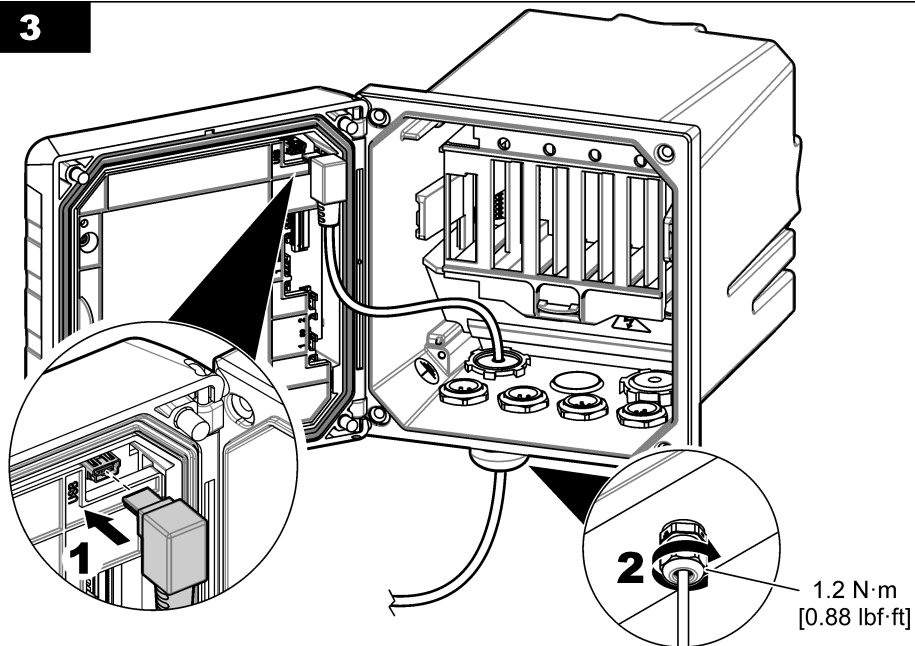
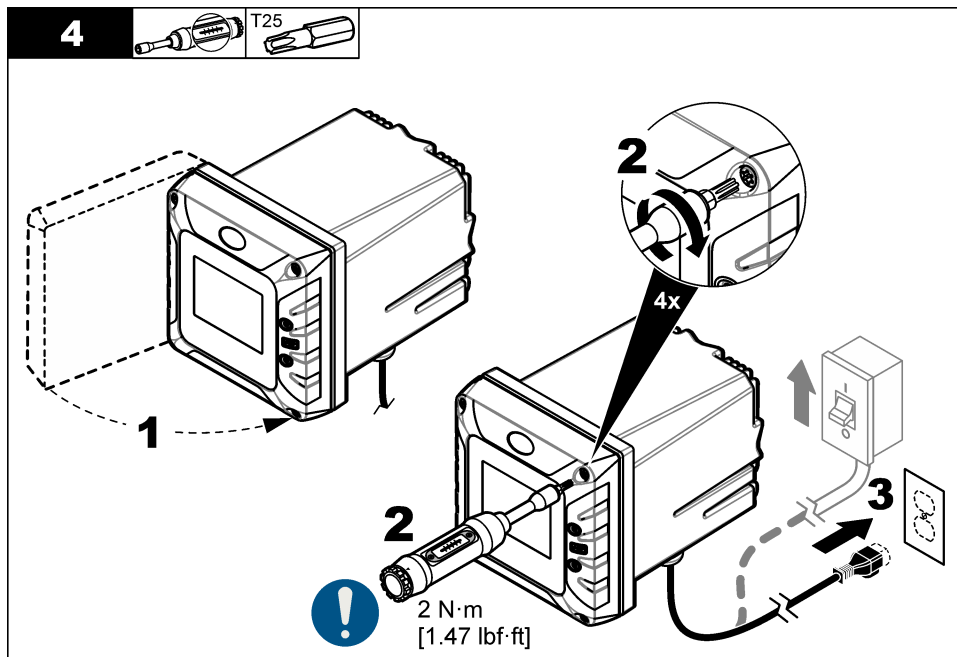
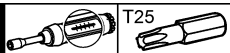


Zaprte pokrov analizatorja in preverite, ali so vijaki pokrova tesno priviti, da ohranite stopnjo zaščite pred okoljskimi vplivi.

Priloženi kabel priključite v škatlico USB in v notranji priključek USB na kontrolni enoti. Glejte ilustrirana navodila v nadaljevanju.





**3****4**

## Razdelek 4 Zagon

**Napotek:** Vmesnik WiFi je tovarniško sestavljen in povezan. Po potrebi za zamenjavo vmesnika WiFi glejte [Zamenjava vmesnika Wi-Fi](#) na strani 242.

Po končani namestitvi sledite korakom v nadaljevanju:

1. Odstranite pokrov s škatlice za USB.
2. Kontrolno enoto povežite z napajanjem.
3. Prepričajte se, da je WiFi adapter pod napetostjo.
4. Počakajte najmanj 5 minut.
5. Preverite moč signala in stanje omrežne povezave. Glejte dokumentacijo za kontrolno enoto.
6. Namestite pokrov na škatlico USB.

## Razdelek 5 Konfiguracija

Navodila najdete v dokumentaciji kontrolne enote. Več podatkov poiščite v razširjenem uporabniškem priročniku na proizvajalčevem spletnem mestu.

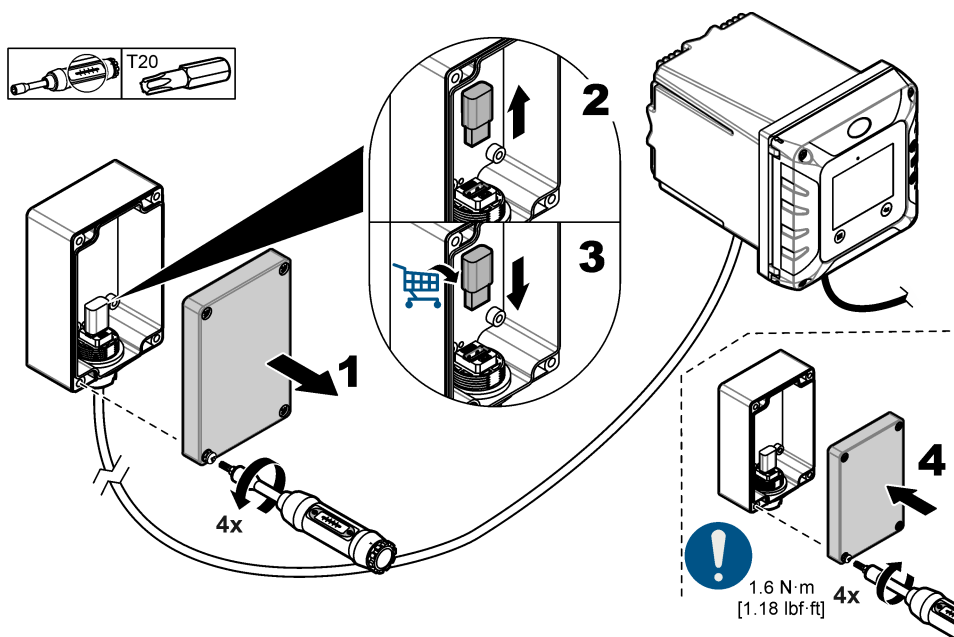
## Razdelek 6 Vzdrževanje

### 6.1 Zamenjava vmesnika Wi-Fi

Po potrebi zamenjajte vmesnik Wi-Fi. Glejte ilustrirana navodila v razdelku [Slika 2](#).

**Potrebujete:** vmesnik Wi-Fi

**Slika 2 Zamenjava vmesnika Wi-Fi**



## Razdelek 7 Dodatna oprema

### ▲ OPOZORILO



Nevarnost telesnih poškodb. Z uporabo neodobrenih delov tvegate telesne poškodbe, materialno škodo na instrumentih ali okvaro opreme. Nadomestne dele v tem razdelku je odobril proizvajalec.

**Napotek:** Za nekatere prodajne regije se lahko številka izdelka in artikla razlikuje. Za kontaktne informacije stopite v stik z ustreznim prodajalcem ali pa jih poiščite na spletni strani podjetja.

Opis	Št. dela
Priključni kabel škatlice USB, WiFi, 4,5 m	LXZ525.99.00019
Komplet pripomočkov za namestitev	8806200
USB-vmesnik za Wi-Fi za ZDA, 2,4/5 GHz	LZY996
USB-vmesnik za Wi-Fi za EU, 2,4/5 GHz	LZY997

## Sadržaj

- |   |                               |   |                               |
|---|-------------------------------|---|-------------------------------|
| 1 | Specifikacije na stranici 244 | 5 | Konfiguracija na stranici 254 |
| 2 | Opći podaci na stranici 244   | 6 | Održavanje na stranici 254    |
| 3 | Ugradnja na stranici 249      | 7 | Dodaci na stranici 254        |
| 4 | Pokretanje na stranici 253    |   |                               |

## Odjeljak 1 Specifikacije

Specifikacije se mogu promijeniti bez prethodne najave.

Specifikacije	Pojedinosti
Dimenzije (Š x V x D)	80 x 120 x 55 mm (4.7 x 7.9 x 2.2 inča)
Kućište	IP66 <sup>1</sup> , polikarbonat UL94-V0
Težina	169 g (0,37 lb)
Razina zagađenja	4
Kategorija instalacije	I
Klasa zaštite	III
Radna temperatura	-20 do 60 °C (-4 do 140 °F)
Temperatura za pohranu	-20 do 70 °C
Relativna vlažnost	od 0 do 95 %, bez kondenzacije
Visina	Maksimalno 2000 m (6562 ft)
Mogućnosti komunikacije	Wi-Fi adapter s USB priključkom ISM pojas od 2,4 GHz i 5 GHz
Certifikati	CE, FCC, IC, UKCA
Jamstvo	1 godina (EU: 2 godine)

## Odjeljak 2 Opći podaci

Ni u kojem slučaju proizvođač neće biti odgovoran za direktne, indirektne, specijalne, slučajne ili posljedične štete uzrokovane nedostacima ili propustima u ovom priručniku. Proizvođač zadržava pravo na izmjene u ovom priručniku te na opise proizvoda u bilo kojem trenutku, bez prethodne najave ili obaveze. Izmijenjena izdanja se nalaze na proizvođačevoj web stranici.

### 2.1 Sigurnosne informacije

Proizvođač nije odgovoran za štetu nastalu nepravilnom primjenom ili nepravilnom upotrebom ovog proizvoda, uključujući, bez ograničenja, izravnu, slučajnu i posljedičnu štetu, te se odriče odgovornosti za takvu štetu u punom opsegu, dopuštenom prema primjenjivim zakonima. Korisnik ima isključivu odgovornost za utvrđivanje kritičnih rizika primjene i za postavljanje odgovarajućih mehanizama za zaštitu postupaka tijekom mogućeg kvara opreme.

Prije raspakiranja, postavljanja ili korištenja opreme pročitajte cijeli ovaj korisnički priručnik. Poštujte sva upozorenja na opasnost i oprez. Nepoštivanje ove upute može dovesti do tjelesnih ozljeda operatera ili oštećenja na opremi.

Uvjerite se da zaštita koja se nalazi uz ovu opremu nije oštećena. Ne koristite i ne instalirajte ovu opremu na bilo koji način koji nije naveden u ovom priručniku.

<sup>1</sup> Samo s instaliranim priključnim kablom USB kućišta.

### 2.1.1 Korištenje informacija opasnosti

#### ▲ OPASNOST

Označava potencijalno ili neposredno opasnu situaciju koja će, ako se ne izbjegne, dovesti do smrti ili ozbiljnih ozljeda.

#### ▲ UPOZORENJE

Označava potencijalno ili neposredno opasnu situaciju koja će, ako se ne izbjegne, dovesti do smrti ili ozbiljnih ozljeda.

#### ▲ OPREZ





Označava potencijalno opasnu situaciju koja će dovesti do manjih ili umjerenih ozljeda.

#### OBAVIJEST

Označava situaciju koja, ako se ne izbjegne će dovesti do oštećenja instrumenta. Informacije koje je potrebno posebno istaknuti.


### 2.1.2 Naljepnice za upozorenje na oprez

Pročitajte sve naljepnice i oznake na instrumentu. Ako se ne poštuju može doći do tjelesnih ozljeda ili oštećenja instrumenta. Simbol na instrumentu odgovara simbolu u priručniku uz navod o mjerama predostrožnosti.

	Ovaj simbol, ako se nalazi na instrumentu, navodi korisnički priručnik kao referencu za informacije o radu i/ili zaštiti.
	Ovaj simbol naznačuje da postoji opasnost od električnog i/ili strujnog udara.
	Ovaj simbol naznačuje prisutnost uređaja osjetljivih na električne izboje (ESD) te je potrebno poduzeti sve mjere kako bi se spriječilo oštećivanje opreme.
	Električna oprema označena ovim simbolom ne smije se odlagati u europskim domaćim ili javnim odlagalištima. Staru ili isteklu opremu vratite proizvođaču koji će je odložiti bez naknade.

### 2.1.3 Certifikati

#### ▲ UPOZORENJE

	<p>Mjere opreza za elektrostimulatore srca. Dođe li do elektromagnetskih smetnji (EMI), to može:</p> <ul style="list-style-type: none"><li>• Zaustaviti stimulativne impulse iz elektrostimulatora srca koji kontroliraju ritam srca.</li><li>• Izazvati neredovito slanje impulsa iz elektrostimulatora srca.</li><li>• Uzrokovati da elektrostimulator zanemari srčani ritam i šalje impulse prema postavljenom intervalu.</li></ul> <p>Trenutačna istraživanja ukazuju na to da mobilni uređaji ne predstavljaju značajan zdravstveni problem za većinu osoba s ugrađenim elektrostimulatorom srca. Međutim, osobe s elektrostimulatorom srca trebaju poduzeti mjere opreza kako bi bile sigurne da njihov uređaj neće izazvati problem. Neka uređaj bude najmanje 20 cm (7,9 inča) od korisnika.</p>
---	--

**⚠ OPREZ**

Opasnost od elektromagnetskog zračenja. Antena se mora nalaziti na udaljenosti od minimalno 20 cm (7,9 inča) od članova osoblja prilikom svakodnevnog korištenja. Antena se ne može postaviti ili da radi zajedno s drugim bilo kakvim antenama ili odašiljačima.

**OBAVIJEST**

Ovo je proizvod klase A i namijenjen je za upotrebu u industrijskom okruženju. Ovaj proizvod može u kućanstvima izazvati elektromagnetske smetnje, pa će u tom slučaju korisnik možda trebati poduzeti odgovarajuće korake.

**OBAVIJEST**

Odgovornost za sigurnost mreže i pristupne točke leži na korisniku bežičnog instrumenta. Proizvođač nije odgovoran za štetu, uključujući i ne ograničavajući se na izravnu, posebnu, posljedičnu ili slučajnu štetu koja je izazvana propustom u mrežnoj sigurnosti ili povredom mrežne sigurnosti.

**Regulativna odobrenja za RF uređaj: SAD i Kanada**

Sadrži Wi-Fi USB adapter: LM808 tvrtke LM technologies

FCC ID: VVX808-04XX

IC: 10531A-80804XX

**Tablica 1 Napajanje za Wi-Fi adapter**

Specifikacija, izdanje i datum	Raspon frekvencije (MHz)	Oznaka emisije	Radiofrekvencijsko napajanje (vat)	Antena
RSS-247, 2. izdanje, 2/2017.	5180—5240	17M1D1D	0,005	Integralni, 4,7 dBi
RSS-247, 2. izdanje, 2/2017.	5210	75M8D1D	0,005	Integralni, 4,7 dBi
RSS-247, 2. izdanje, 2/2017.	5745—5825	17M9D1D	0,005	Integralni, 4,7 dBi
RSS-247, 2. izdanje, 2/2017.	5775	75M6D1D	0,004	Integralni, 4,7 dBi
RSS-247, 2. izdanje, 2/2017.	2412—2462	15M0D1D	0,027	Integralni, 0,1 dBi
RSS-247, 2. izdanje, 2/2017.	2412—2462	16M5D1D	0,016	Integralni, 0,1 dBi
RSS-247, 2. izdanje, 2/2017.	2422—2452	35M1D1D	0,011	Integralni, 0,1 dBi

**Wi-Fi USB adapter LM808 – važni uvjeti komisije FCC:**

Navedeno napajanje je provedeno. Sukladnost s Izvještajem o sumnjivim aktivnostima (SAR) za USB ključić procijenjena je kako je navedeno u ovoj prijavi. Antene koje se upotrebljavaju za ovaj odašiljač ne smiju istovremeno emitirati s bilo kojom drugom antenom ili odašiljačem, osim u skladu s postupcima proizvođača s više odašiljača komisije FCC ili kako je navedeno u ovoj prijavi. Najviša prijavljena vrijednost SAR-a iznosi 0,26 W/kg. Ovaj uređaj ima načine rada širine pojasa 20 MHz i 40 MHz.

**Regulativna odobrenja za RF uređaj: EU**

Sadrži Wi-Fi USB adapter: LM808

**Tablica 2 Frekvencijski pojasi**

Specifikacije	Pojednosti
Frekvencijski pojas	2,4 GHz ISM pojas
	5 GHz ISM pojas
Radiofrekvencijska izlazna snaga (tolerancija ±2 dBm)	17 dBm, 802,11b pri 11 Mbps
	15 dBm, 802,11g pri 54 Mbps
	13 dBm, 802,11a pri 54 Mbps
	13 dBm, 802,11n pri MCS7_HT20
	13 dBm, 802,11n pri MCS7_HT40
	11 dBm, 802,11ac pri NSS1 MCS9_BW20, BW40, BW80
	-82 dBm, 802,11b pri 11 Mbps – 71 dB0, 802,11g pri 54 Mbps
Osjetljivost prijemnika	-67 dBm, 802,11n pri MCS7_BW20
	-64 dBm, 802,11n pri MCS7_BW40
	-57 dBm, 802,11ac pri NSS1_MCS9_BW20
	-54 dBm, 802,11ac pri MSS1_MCS9_BW40
	-51 dBm, 802,11ac pri MSS1_MCS9_BW80

### Kanada (IC)

Sadrži Wi-Fi USB adapter: LM808 tvrtke LM technologies IC: 10531A-80804XX

Ovaj digitalni uređaj klase A sukladan je s kanadskim standardom ICES-003. Ovaj uređaj sukladan je s RSS standardima Industry Canada za uređaje za koje nije potrebna dozvola. Rad uređaja mora ispunjavati sljedeće uvjete:

- (1) uređaj ne smije uzrokovati smetnje te
- (2) uređaj mora prihvatiti sve primijene smetnje, uključujući smetnje koje mogu uzrokovati neželjeni rad.

*Cet appareil numérique de la classe (A) respect toutes les exigences de la norme NMB-003 du Canada. Le présent appareil est conforme aux CNR d'Industrie Canada applicables aux appareils radio exempts de licence. L'exploitation est autorisée aux deux conditions suivantes:*

- (1) *l'appareil ne doit pas produire de brouillage, et*
- (2) *l'utilisateur de l'appareil doit accepter tout brouillage radioélectrique subi, même si le brouillage est susceptible d'en compromettre le fonctionnement.*

### Sjedinjene Države (FCC)

Sadrži Wi-Fi USB adapter: LM808 tvrtke LM technologies FCC ID: VVX808-04XX

Izmjene koje nije izričito odobrila ova tvrtka mogu poništiti ovlaštenje korisnika da rukuje ovom opremom (FCC odjeljak 15.21).

Ova je oprema testirana i u sukladnosti je s ograničenjima za digitalne uređaje klase A, koja su u skladu s dijelom 15 FCC pravila. Ta ograničenja osmišljena su da bi se zajamčila razmjerna zaštita od štetnih smetnji kada se oprema upotrebljava u poslovnom okruženju. Ova oprema proizvodi, upotrebljava i odašilje energiju radiofrekvencije te može prouzročiti smetnje u radiokomunikaciji ako se ne instalira i upotrebljava prema korisničkom priručniku. Upotrebljavate li ovu opremu u naseljenim područjima, ona može prouzročiti štetne smetnje u kojem slučaju će korisnik sam snositi odgovornost uklanjanja smetnji o vlastitom trošku (FCC odjeljak 15.105).

## RF Modul tvrtke Multitech – FCC/IC regulativne obavijesti

### Izjava o izmjenama

Tvrtka LM technologies nije odobrila promjene ili izmjene na ovom uređaju koje je učinio korisnik. Sve promjene ili izmjene mogu poništiti ovlaštenje korisnika da rukuje opremom.

*LM technologies n'approuve aucune modification apportée à l'appareil par l'utilisateur, quelle qu'en soit la nature. Tout changement ou modification peuvent annuler le droit d'utilisation de l'appareil par l'utilisateur.*

### Izjava o smetnjama

Uređaj je sukladan s dijelom 15 FCC propisa i RSS standarda Industry Canada za uređaje za koje nije potrebna dozvola. Rad uređaja mora ispunjavati sljedeća dva uvjeta: (1) uređaj ne smije uzrokovati smetnje te (2) uređaj mora prihvatiti sve smetnje, uključujući smetnje koje mogu uzrokovati neželjeni rad uređaja.

*Le présent appareil est conforme aux CNR d'Industrie Canada applicables aux appareils radio exempts de licence. L'exploitation est autorisée aux deux conditions suivantes : (1) l'appareil ne doit pas produire de brouillage, et (2) l'utilisateur de l'appareil doit accepter tout brouillage radioélectrique subi, même si le brouillage est susceptible d'en compromettre le fonctionnement. Cet appareil est conforme aux limites d'exposition aux rayonnements de la IC pour un environnement non contrôlé.*

### FCC 5G izjava:

LE-LAN uređaji ograničeni su na unutarnji rad samo u pojasu 5150 – 5250 MHz.

### Europa – Direktiva za radijsku opremu (RED)



Wi-Fi pojas od 5,15 – 5,35 GHz ograničen je na unutarnju upotrebu u zemljama koje slijede:

**Tablica 3 Europske države**

Andora (AD)	Danska (DK)	Irska (IE)	Crna Gora (ME)	Slovačka (SK)
Austrija (AT)	Estonija (EE)	Italija (IT)	Nizozemska (NL)	Slovenija (SL)
Belgija (BE)	Finska (FI)	Latvija (LV)	Norveška (NO)	Španjolska (ES)
Bosna i Hercegovina (BA)	Francuska (FR)	Lihtenštajn (LI)	Poljska (PL)	Švedska (SE)
Bugarska (BG)	Njemačka (DE)	Litva (LT)	Portugal (PT)	Švicarska (CH)
Hrvatska (HR)	Grčka (GR)	Luksemburg (LU)	Rumunjska (RO)	Makedonija (MK)
Cipar (CY)	Mađarska (HU)	Malta (MT)	San Marino (SM)	Ujedinjeno Kraljevstvo (GB)
Češka Republika (CZ)	Island (IS)	Monako (MC)	Srbija (RS)	Vatikan (VA)

## 2.2 Pregled proizvoda

Vanjsko USB kućište upotrebljava se za priključivanje USB uređaja na kontroler SC4500 (npr. adapter za Wi-Fi mrežu).

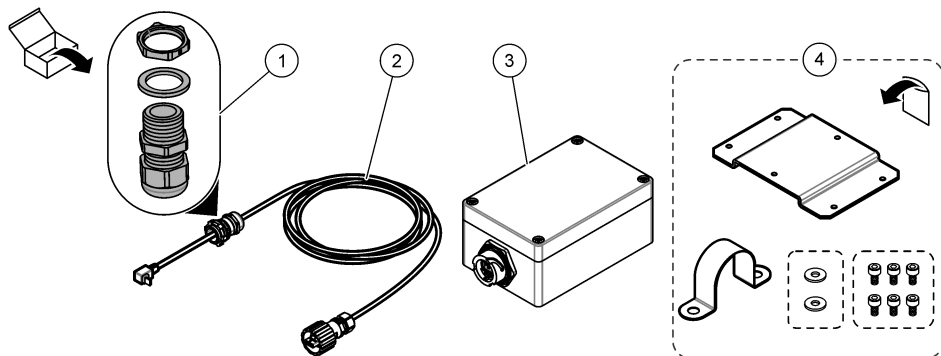
**Napomena:** Sve stavke (to jest, adapter i unutarnje veze) sastavljaju se u tvornici.



## 2.3 Komponente proizvoda

Provjerite jeste li dobili sve komponente. Pročitajte [Slika 1](#). Ako neki od ovih elemenata nedostaje ili je oštećen, odmah se obratite proizvođaču ili prodajnom predstavniku.

**Slika 1 Komponente proizvoda**



1 Kabelaška uvodnica, podloška i matice	3 USB kućište
2 Priklučni kabel USB kućišta	4 Oprema za montiranje na šipku <sup>2</sup>

## Odjeljak 3 Ugradnja

### 3.1 Montaža

#### **OBAVIJEST**

Upotrijebite montažne rupe za postavljanje USB kućišta. Ne pravite rupe na stražnjoj strani USB kućišta jer mogu nastati oštećenja na unutarnjim komponentama.

#### **OBAVIJEST**



Zatvorite poklopac USB kućišta i provjerite jesu li svi vijci poklopcu zategnuti kako bi se održale nazivne vrijednosti okoline kućišta.

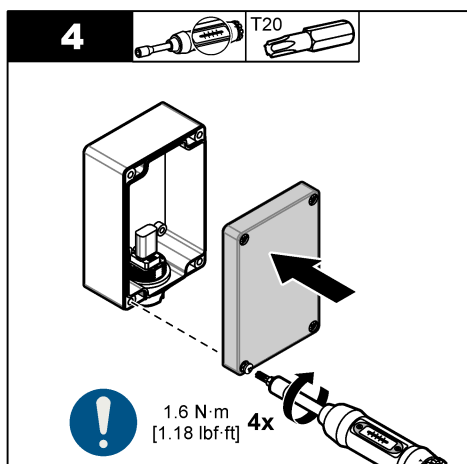
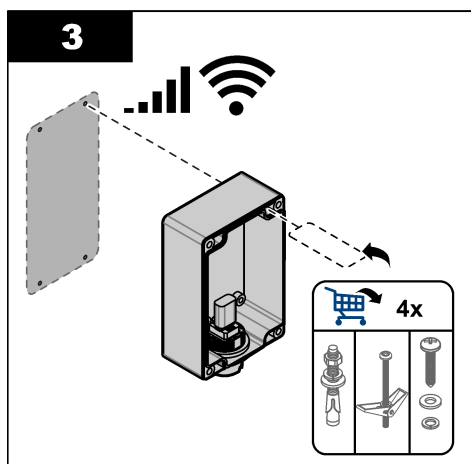
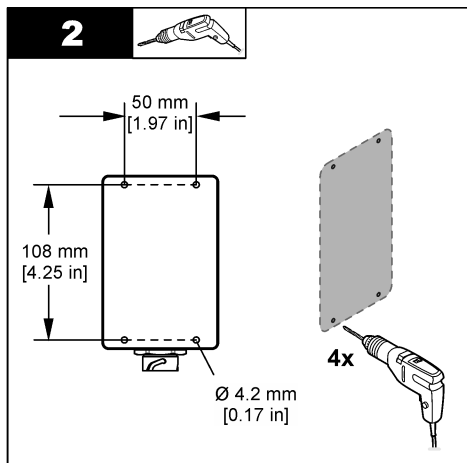
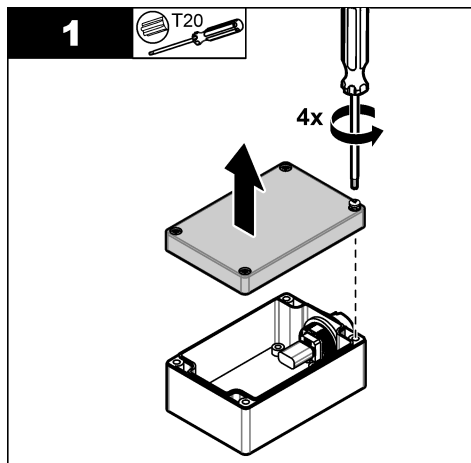
USB kućište postavite na mjesto s kojeg možete lako upravljati uređajem za isključivanje napajanja upravljača. USB kućište postavite na mjesto s najjačim Wi-Fi signalom. Upotrijebite mobilni uređaj kako biste pronašli mjesto s najjačim Wi-Fi signalom.

USB kućište pričvrstite na zid, okomitu ili vodoravnu šipku.

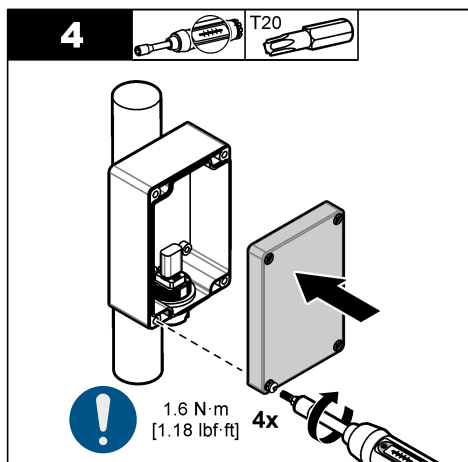
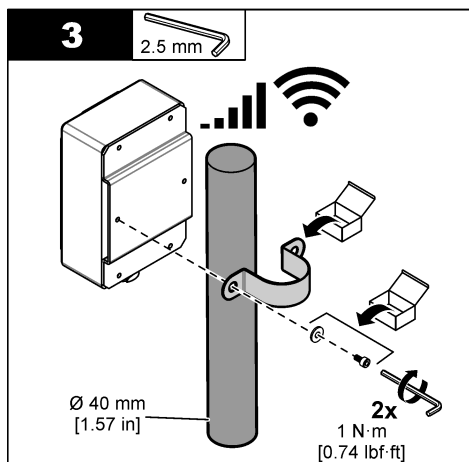
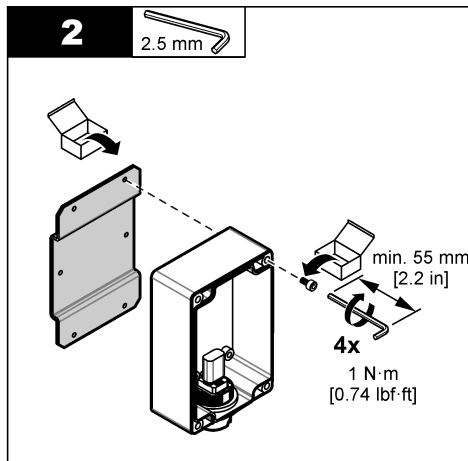
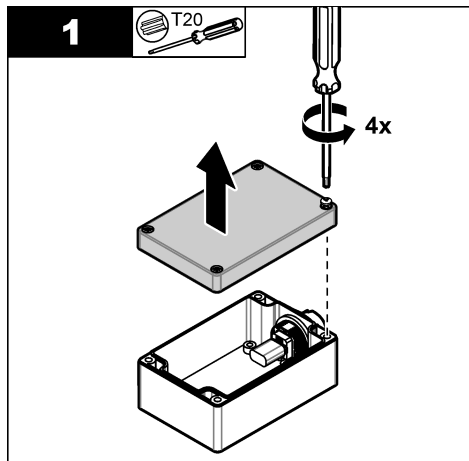
**Napomena:** Opremu za montiranje na zid nabavlja korisnik. Vijci/oprema moraju odgovarati svojstvima zida/stropa i moraju imati odgovarajuću nosivost.

<sup>2</sup> Oprema za montiranje na šipku je za šipku promjera 40 mm (1,57 inča).

Pogledajte ilustrirane korake u nastavku za zidnu montažu USB kućišta.



Pogledajte ilustrirane korake u nastavku za montažu USB kućišta na šipku.



### 3.2 Priključite kabel

#### OBAVIJEST

Proizvođač preporučuje upotrebu električnih dijelova koje dostavlja proizvođač, kao što su kabel napajanja, priključci i priključci kabelaške ulaznice.

#### OBAVIJEST



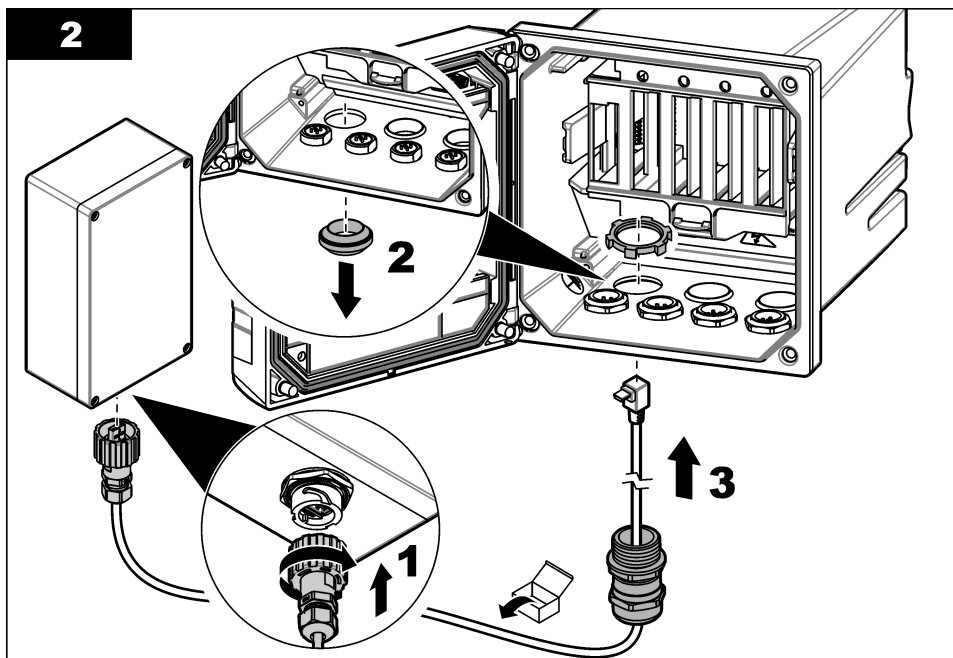
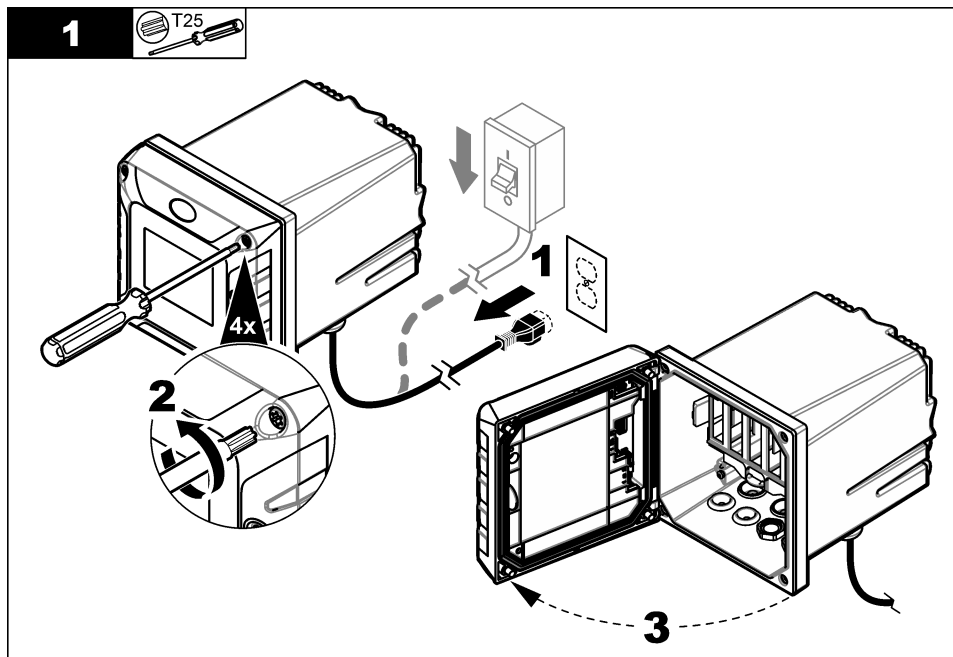
Uvjerite se da zaštita kabela prolazi kroz unutarnji dio kućišta kako bi se zadržale nazivne vrijednosti okoline kućišta.

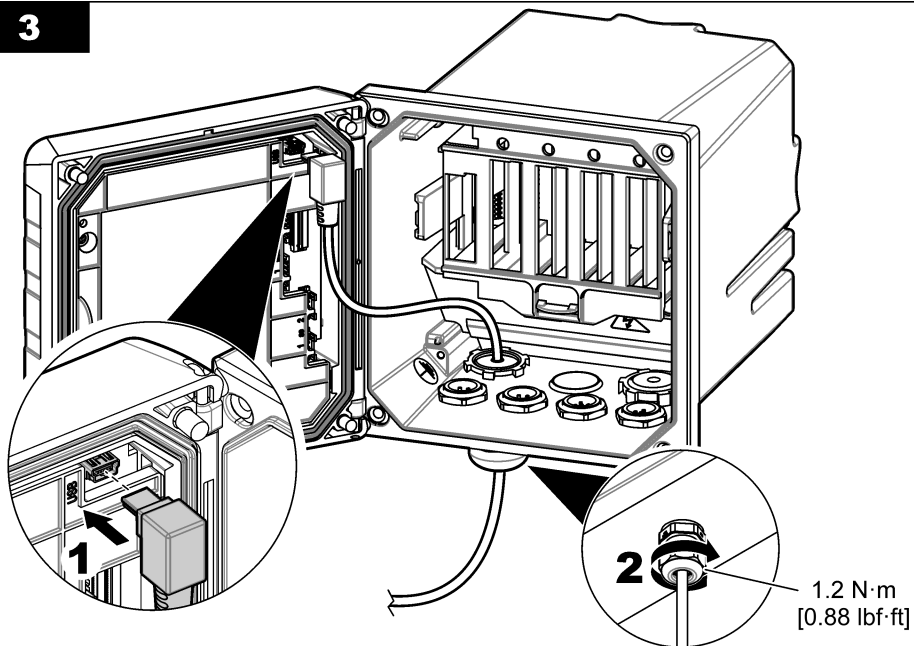
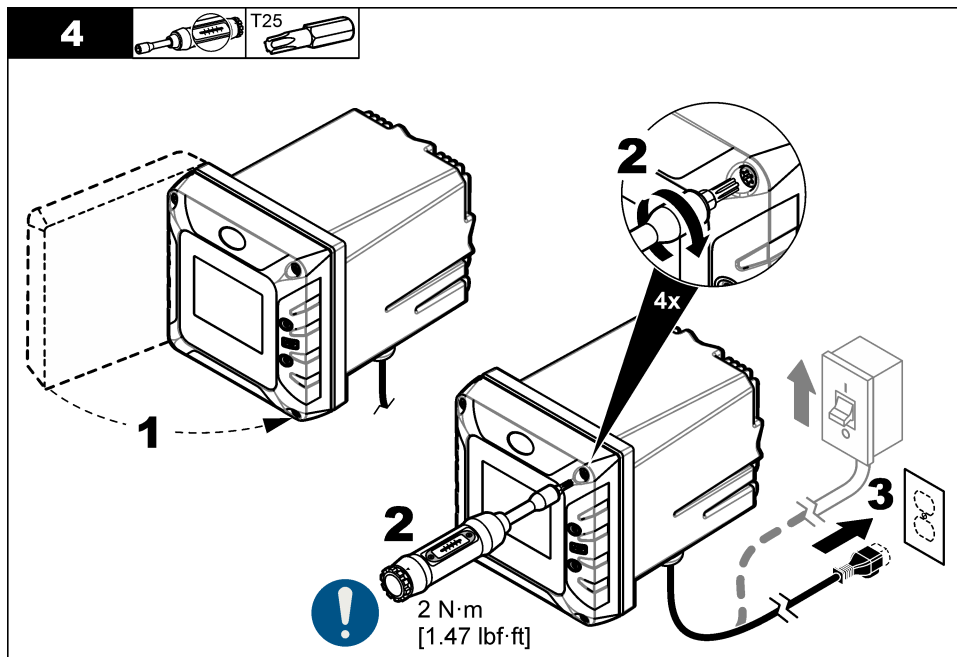
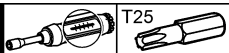
#### OBAVIJEST



Zatvorite poklopac kontrolera i provjerite jesu li svi vijci poklopcu zategnuti kako bi se održale nazivne vrijednosti okoline kućišta.

Priključite isporučeni kabel na USB kucište i na vanjski USB priključak kontrolera. Pogledajte ilustrirane korake u nastavku.



**3****4**

## Odjeljak 4 Pokretanje

**Napomena:** Adapter za Wi-Fi vezu sastavlja se i priključuje u tvornici. Ako je potrebno, obratite se [Zamijenite Wi-Fi adapter](#) na stranici 254 za zamjenu Wi-Fi adaptera.

Nakon završetka instalacije slijedite korake u nastavku:

1. Uklonite poklopac s USB kućišta.
2. Priključite kontroler na napajanje.
3. Provjerite je li WiFi adapter pod naponom.
4. Pričekajte najmanje pet minuta.
5. Ispitajte jačinu signala i stanje mrežne veze. Pročitajte dokumentaciju za upravljač.
6. Postavite poklopac na USB kućište.

## Odjeljak 5 Konfiguracija

Upute potražite u dokumentaciji kontrolera. Pogledajte prošireno izdanje korisničkog priručnika na web-mjestu proizvođača za više informacija.

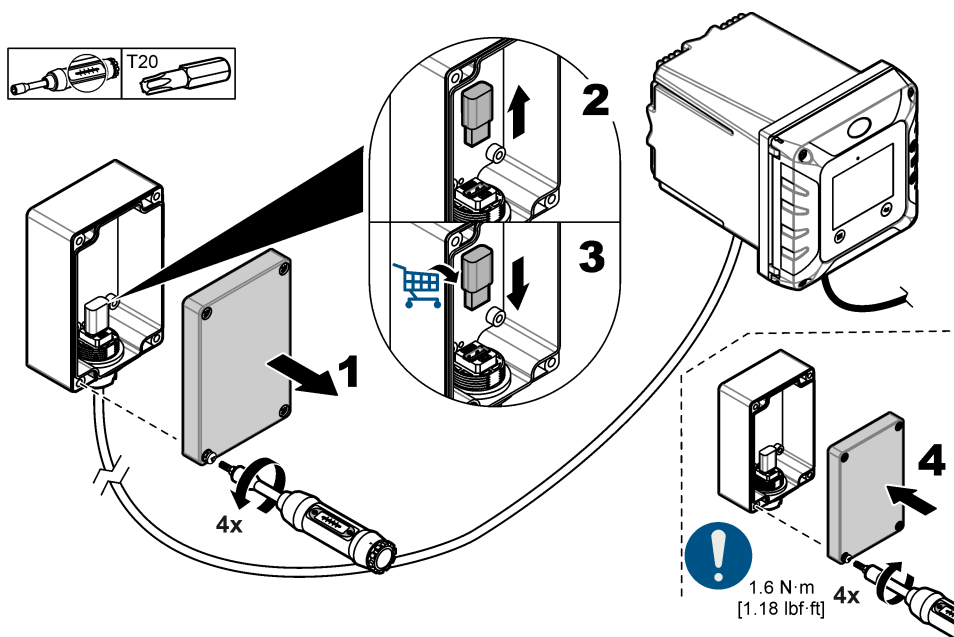
## Odjeljak 6 Održavanje

### 6.1 Zamijenite Wi-Fi adapter

Zamijenite Wi-Fi adapter ako je potrebno. Pogledajte ilustrirane korake u odjeljku [Slika 2](#).

**Potrebne stavke:** Wi-Fi adapter

**Slika 2** Zamijenite Wi-Fi adapter



## Odjeljak 7 Dodaci

### ▲ UPOZORENJE



Opasnost od ozljede. Korištenje neodobrenih dijelova može uzrokovati osobne ozljede, oštećenje instrumenta ili neispravno funkcioniranje opreme. Proizvođač je odobrio upotrebu rezervnih dijelova navedenih u ovom odjeljku.

**Napomena:** Brojevi proizvoda i artikla mogu varirati za neke regije prodaje. Obratite se odgovarajućem distributeru ili pogledajte web stranicu tvrtke za kontaktne podatke.

Opis	Broj proizvoda
USB kućište priključnog kabela, WiFi, 4,5 m	LXZ525.99.00019
Komplet opreme za montiranje	8806200
WiFi USB adapter za SAD, 2,4/5 GHz	LZY996
WiFi USB adapter za EU, 2,4/5 GHz	LZY997

## Πίνακας περιεχομένων

- |                                      |                              |
|--------------------------------------|------------------------------|
| 1 Προδιαγραφές στη σελίδα 256        | 5 Διαμόρφωση στη σελίδα 267  |
| 2 Γενικές πληροφορίες στη σελίδα 256 | 6 Συντήρηση στη σελίδα 267   |
| 3 Εγκατάσταση στη σελίδα 262         | 7 Παρελκόμενα στη σελίδα 268 |
| 4 Εκκίνηση στη σελίδα 267            |                              |

## Ενότητα 1 Προδιαγραφές

Οι προδιαγραφές ενδέχεται να αλλάξουν χωρίς προειδοποίηση.

Προδιαγραφή	Λεπτομέρειες
Διαστάσεις (Π x Υ x Β)	80 x 120 x 55 mm (4,7 x 7,9 x 2,2 in.)
Περίβλημα	IP66 <sup>1</sup> , Πολυανθρακικό UL94-V0
Βάρος	169 g (0,37 lb)
Βαθμός ρύπανσης	4
Κατηγορία εγκατάστασης	I
Κατηγορία προστασίας	III
Θερμοκρασία λειτουργίας	-20 έως 60 °C (-4 έως 140 °F)
Θερμοκρασία αποθήκευσης	-20 έως 70 °C
Σχετική υγρασία	0 έως 95%, χωρίς συμπύκνωση
Υψόμετρο	2000 m (6562 ft) το μέγιστο
Επιλογές επικοινωνίας	Προσαρμογέας Wi-Fi με σύνδεσμο USB Ζώνη ISM 2,4 GHz και 5 GHz
Πιστοποιήσεις	CE, FCC, IC, UKCA
Εγγύηση	1 έτος (EE: 2 έτη)

## Ενότητα 2 Γενικές πληροφορίες

Σε καμία περίπτωση ο κατασκευαστής δεν είναι υπεύθυνος για άμεσες, έμμεσες, ειδικές, τυχαίες ή παρεπόμενες ζημιές που προκύπτουν από οποιοδήποτε ελάττωμα ή παράλειψη του παρόντος εγχειριδίου. Ο κατασκευαστής διατηρεί το δικαίωμα να πραγματοποιήσει αλλαγές στο παρόν εγχειρίδιο και στα προϊόντα που περιγράφει ανά στιγμή, χωρίς ειδοποίηση ή υποχρέωση. Αναθεωρημένες εκδόσεις διατίθενται από τον ιστοχώρο του κατασκευαστή.

### 2.1 Πληροφορίες σχετικά με την ασφάλεια

Ο κατασκευαστής δεν φέρει ευθύνη για τυχόν ζημιές που οφείλονται σε λανθασμένη εφαρμογή ή κακή χρήση αυτού του προϊόντος, συμπεριλαμβανομένων, χωρίς περιορισμό, των άμεσων, συμπτωματικών και παρεπόμενων ζημιών, και αποποιείται την ευθύνη για τέτοιες ζημιές στο μέγιστο βαθμό που επιτρέπει το εφαρμοστέο δίκαιο. Ο χρήστης είναι αποκλειστικά υπεύθυνος για την αναγνώριση των σημαντικών κινδύνων εφαρμογής και την εγκατάσταση των κατάλληλων μηχανισμών για την προστασία των διεργασιών κατά τη διάρκεια μιας πιθανής δυσλειτουργίας του εξοπλισμού.

Παρακαλούμε διαβάστε ολόκληρο αυτό το εγχειρίδιο προτού αποσυσκευάσετε, ρυθμίσετε ή λειτουργήσετε αυτόν τον εξοπλισμό. Προσέξτε όλες τις υποδείξεις κινδύνου και προσοχής. Η παράλειψη μπορεί να οδηγήσει σε σοβαρούς τραυματισμούς του χειριστή ή σε ζημιές της συσκευής.

<sup>1</sup> Μόνο με το καλώδιο σύνδεσης κουτιού USB τοποθετημένο.







Διασφαλίστε ότι δεν θα προκληθεί καμία βλάβη στις διατάξεις προστασίας αυτού του εξοπλισμού. Μην χρησιμοποιείτε και μην εγκαθιστάτε τον συγκεκριμένο εξοπλισμό με κανέναν άλλον τρόπο, εκτός από αυτούς που προσδιορίζονται στο παρόν εγχειρίδιο.

### 2.1.1 Χρήση των πληροφοριών προειδοποίησης κινδύνου

<b>⚠ ΚΙΝΔΥΝΟΣ</b>
Υποδεικνύει κάποια ενδεχόμενη ή επικείμενη επικίνδυνη κατάσταση, η οποία, εάν δεν αποτραπεί, θα οδηγήσει σε θάνατο ή σοβαρό τραυματισμό.
<b>⚠ ΠΡΟΕΙΔΟΠΟΙΗΣΗ</b>
Υποδεικνύει μια ενδεχόμενη ή επικείμενη επικίνδυνη κατάσταση, η οποία, αν δεν αποτραπεί, μπορεί να προκαλέσει θάνατο ή σοβαρό τραυματισμό.
<b>⚠ ΠΡΟΣΟΧΗ</b>
Υποδεικνύει κάποια ενδεχόμενη επικίνδυνη κατάσταση, η οποία μπορεί να καταλήξει σε ελαφρό ή μέτριο τραυματισμό.
<b>ΕΙΔΟΠΟΙΗΣΗ</b>
Υποδεικνύει κατάσταση που, εάν δεν αποτραπεί, μπορεί να προκληθεί βλάβη στο όργανο. Πληροφορίες που απαιτούν ειδική έμφαση.

### 2.1.2 Ετικέτες προειδοποίησης

Διαβάστε όλες τις ταμπέλες και τις ετικέτες που είναι επικολημένες στο όργανο. Μπορεί να προκληθεί τραυματισμός ή βλάβη στο όργανο αν δεν τηρηθούν. Το κάθε σύμβολο που θα δείτε στο όργανο, αναφέρεται στο εγχειρίδιο μαζί με την αντίστοιχη δήλωση προειδοποίησης.

	Το σύμβολο αυτό, εάν υπάρχει επάνω στο όργανο, παραπέμπει σε πληροφορίες σχετικά με την ασφάλεια ή/και το χειρισμό, στο εγχειρίδιο λειτουργίας.
	Το σύμβολο αυτό υποδεικνύει ότι υπάρχει κίνδυνος ηλεκτροπληξίας.
	Το σύμβολο αυτό υποδεικνύει την παρουσία συσκευών ευαίσθητων σε ηλεκτροστατική εκκένωση και επισημαίνει ότι πρέπει να δοθεί ιδιαίτερη προσοχή, ώστε να αποφευχθεί η πρόκληση βλάβης στον εξοπλισμό.
	Αν ο ηλεκτρικός εξοπλισμός φέρει το σύμβολο αυτό, δεν επιτρέπεται η απόρριψή του σε ευρωπαϊκά οικιακά και δημόσια συστήματα συλλογής απορριμμάτων. Μπορείτε να επιστρέψετε παλιό εξοπλισμό ή εξοπλισμό του οποίου η ωφέλιμη διάρκεια ζωής έχει παρέλθει στον κατασκευαστή για απόρριψη, χωρίς χρέωση για το χρήστη.

### 2.1.3 Πιστοποίηση

#### ▲ ΠΡΟΕΙΔΟΠΟΙΗΣΗ



Προφυλάξτε για βηματοδότες. Εάν προκύψει ηλεκτρομαγνητική παρεμβολή (EMI), μπορεί να:

- Σταματήσει τους παλμούς διέγερσης, που ελέγχουν τον ρυθμό της καρδιάς, από τον βηματοδότη.
- Κάνει τον βηματοδότη να παρέχει τους παλμούς με ακανόνιστο ρυθμό.
- Κάνει τον βηματοδότη να αγνοεί τον ρυθμό της καρδιάς και να παρέχει παλμούς σε προκαθορισμένα χρονικά διαστήματα.

Σύμφωνα με τρέχουσα έρευνα, οι κινητές συσκευές δεν προκαλούν σημαντικό πρόβλημα υγείας για τα περισσότερα άτομα με βηματοδότες. Ωστόσο, τα άτομα με βηματοδότες θα πρέπει να χρησιμοποιούν προφυλάξεις ώστε να βεβαιώνονται ότι η συσκευή τους δεν προκαλεί πρόβλημα. Διατηρείτε τη συσκευή σε ελάχιστη απόσταση 20 cm (7,9 ίντσες) από τον χρήστη.

#### ▲ ΠΡΟΣΟΧΗ



Κίνδυνος ηλεκτρομαγνητικής ακτινοβολίας. Βεβαιωθείτε ότι, κατά την κανονική λειτουργία, η κεραία βρίσκεται σε απόσταση τουλάχιστον 20 εκ. (7,9 ιντσών) από οποιοδήποτε μέλος του προσωπικού. Δεν είναι δυνατή η τοποθέτηση ή λειτουργία της κεραίας μαζί με άλλες κεραίες ή πομπές.

#### ΕΙΔΟΠΟΙΗΣΗ

Το παρόν είναι προϊόν κατηγορίας A και προορίζεται για χρήση σε βιομηχανικό περιβάλλον. Σε οικιακό περιβάλλον, αυτό το προϊόν ενδέχεται να προκαλέσει παρεμβολές ραδιοσυχνοτήτων, οπότε σε αυτήν την περίπτωση ο χρήστης μπορεί να χρειαστεί να λάβει κατάλληλα μέτρα.

#### ΕΙΔΟΠΟΙΗΣΗ

Η ασφάλεια του δικτύου και του σημείου πρόσβασης αποτελεί ευθύνη του πελάτη που χρησιμοποιεί την ασύρματη συσκευή. Ο κατασκευαστής δεν είναι υπεύθυνος για τυχόν ζημιές, συμπεριλαμβανομένων, μεταξύ άλλων, έμμεσων, ειδικών, παρεπόμενων ή τυχαίων βλαβών που οφείλονται σε κενό στην ασφάλεια δικτύου ή σε παραβίασή της.

#### Κανονιστικές εγκρίσεις συσκευής RF: Η.Π.Α. και Καναδάς

Περιέχει προσαρμογέα Wi-Fi USB: LM808 από την LM Technologies

Κωδικός FCC: VVX808-04XX

IC: 10531A-80804XX

Πίνακας 1 Ισχύς για τον προσαρμογέα Wi-Fi

Προδιαγραφές, έκδοση και ημερομηνία	Εύρος συχνότητας (MHz)	Προσδιορισμός εκπομπών	Ισχύς ραδιοσυχνότητας (Watt)	Κεραία
RSS-247, Έκδοση 2, 02/2017	5180—5240	17M1D1D	0,005	Ενσωματωμένη, 4,7 dBi
RSS-247, Έκδοση 2, 02/2017	5210	75M8D1D	0,005	Ενσωματωμένη, 4,7 dBi
RSS-247, Έκδοση 2, 02/2017	5745—5825	17M9D1D	0,005	Ενσωματωμένη, 4,7 dBi
RSS-247, Έκδοση 2, 02/2017	5775	75M6D1D	0,004	Ενσωματωμένη, 4,7 dBi
RSS-247, Έκδοση 2, 02/2017	2412—2462	15M0D1D	0,027	Ενσωματωμένη, 0,1 dBi

**Πίνακας 1 Ισχύς για τον προσαρμογέα Wi-Fi (συνέχεια)**

Προδιαγραφές, έκδοση και ημερομηνία	Εύρος συχνοτήτων (MHz)	Προσδιορισμός εκπομπών	Ισχύς ραδιοσυχνοτήτων (Watt)	Κεραία
RSS-247, Έκδοση 2, 02/2017	2412—2462	16M5D1D	0,016	Ενσωματωμένη, 0,1 dBi
RSS-247, Έκδοση 2, 02/2017	2422—2452	35M1D1D	0,011	Ενσωματωμένη, 0,1 dBi

**Προσαρμογέας Wi-Fi USB LM808—Σημαντικές προϋποθέσεις εκχώρησης έγκρισης FCC:**

Ισχύει η αναφερόμενη ισχύς. Η συμμόρφωση SAR για το κλειδί USB αξιολογήθηκε όπως περιγράφεται στο παρόν έντυπο. Οι κεραίες που χρησιμοποιούνται για αυτόν τον μεταδότη δεν πρέπει να εκπέμπουν ταυτόχρονα με καμία άλλη κεραία ή μεταδότη, εκτός εάν αυτό γίνεται σύμφωνα με τις διαδικασίες προϊόντος πολλαπλού μεταδότη της FCC ή όπως περιγράφεται στο παρόν έντυπο. Η υψηλότερη αναφερόμενη τιμή SAR είναι 0,26 W/kg. Η συσκευή διαθέτει λειτουργίες εύρους ζώνης 20 MHz και 40 MHz.

**Κανονιστικές εγκρίσεις συσκευής RF: E.E.**

Περιέχει προσαρμογέα Wifi USB: LM808

**Πίνακας 2 Ζώνες συχνοτήτων**

Προδιαγραφή	Λεπτομέρειες
Ζώνη συχνοτήτων	Ζώνη ISM 2,4 GHz
	Ζώνη ISM 5 GHz
Ισχύς εξόδου ραδιοσυχνοτήτων (ανοχή ±2 dBm)	17 dBm, 802.11b στα 11 Mbps
	15 dBm, 802.11g στα 54 Mbps
	13 dBm, 802.11a στα 54 Mbps
	13 dBm, 802.11n σε MCS7_HT20
	13 dBm, 802.11n σε MCS7_HT40
	11 dBm, 802.11ac σε NSS1 MCS9_BW20, BW40, BW80
Ευαισθησία δέκτη	-82 dBm, 802.11b στα 11 Mbps—71 dB0, 802.11g στα 54 MBps
	-67 dBm, 802.11n σε MCS7_BW20
	-64 dBm, 802.11n σε MCS7_BW40
	-57 dBm, 802.11ac σε NSS1_MCS9_BW20
	-54 dBm, 802.11ac σε MSS1_MCS9_BW40
-51 dBm, 802.11ac σε MSS1_MCS9_BW80	

**Καναδάς (IC)**

Περιέχει προσαρμογέα Wifi USB: LM808 από την LM Technologies IC: 10531A-80804XX

Η παρούσα ψηφιακή συσκευή κατηγορίας (Α) συμμορφώνεται με τον κανονισμό ICES-003 του Καναδά. Η παρούσα συσκευή συμμορφώνεται με τα πρότυπα RSS που εξαιρούνται από την υποχρέωση εξασφάλισης άδειας από το Τμήμα Βιομηχανίας του Καναδά. Η λειτουργία υπόκειται στις εξής δύο συνθήκες:

(1) Η παρούσα συσκευή δεν μπορεί να προκαλέσει παρεμβολές, και

(2) Η παρούσα συσκευή πρέπει να δέχεται οποιοσδήποτε παρεμβολές, συμπεριλαμβανομένων των παρεμβολών που μπορεί να προκαλέσουν ανεπιθύμητη λειτουργία της συσκευής.

*Cet appareil numérique de la classe (A) respect toutes les exigences de la norme NMB-003 du Canada. Le présent appareil est conforme aux CNR d'Industrie Canada applicables aux appareils radio exempts de licence. L'exploitation est autorisée aux deux conditions suivantes:*

(1) *l'appareil ne doit pas produire de brouillage, et*

(2) *l'utilisateur de l'appareil doit accepter tout brouillage radioélectrique subi, même si le brouillage est susceptible d'en compromettre le fonctionnement.*

### **Ηνωμένες Πολιτείες (FCC)**

Περιέχει προσαρμογέα Wifi USB: LM808 από την LM Technologies Κωδικός FCC: VVX808-04XX

Τυχόν τροποποιήσεις που δεν έχουν εγκριθεί ρητά από την εταιρεία ενδέχεται να ακυρώσουν το δικαίωμα του χρήστη να χρησιμοποιεί τον παρόντα εξοπλισμό (ενότητα 15.21 των κανονισμών FCC).

Ο εξοπλισμός αυτός έχει ελεγχθεί και πληροί τα όρια για μια ψηφιακή συσκευή Κατηγορίας A, σύμφωνα με το Μέρος 15 των κανονισμών FCC. Αυτά τα όρια έχουν σχεδιαστεί για να παρέχουν εύλογη προστασία από τις επιβλαβείς παρεμβολές όταν ο εξοπλισμός λειτουργεί σε εμπορικό περιβάλλον. Αυτό ο εξοπλισμός λειτουργεί, χρησιμοποιεί και μπορεί να εκπέμπει ενέργεια ραδιοσυχνοτήτων και, εάν δεν τοποθετηθεί και δεν χρησιμοποιηθεί σύμφωνα με το εγχειρίδιο οδηγιών, ενδέχεται να προκαλέσει επιβλαβείς παρεμβολές στις ραδιοεπικοινωνίες. Η λειτουργία του εξοπλισμού σε οικιστική περιοχή ενδεχομένως να προκαλέσει επιζήμιες παρεμβολές. Σε μια τέτοια περίπτωση, ο χρήστης θα χρειαστεί να καλύψει με δικά του έξοδα τις εργασίες εξάλειψης των παρεμβολών (ενότητα 15.105 των κανονισμών FCC).

### **Ανακοινώσεις σχετικά με τους κανονισμούς FCC/IC για τη μονάδα RF Multitech**

#### **Δήλωση για τις τροποποιήσεις**

Η LM Technologies δεν έχει εγκρίνει καμία αλλαγή ή τροποποίηση στη συσκευή από τον χρήστη.

Τυχόν αλλαγές ή τροποποιήσεις ενδέχεται να ακυρώσουν το δικαίωμα του χρήστη να χρησιμοποιεί τον εξοπλισμό.

*LM technologies n'approuve aucune modification apportée à l'appareil par l'utilisateur, quelle qu'en soit la nature. Tout changement ou modification peuvent annuler le droit d'utilisation de l'appareil par l'utilisateur.*

#### **Δήλωση για τις παρεμβολές**

Η παρούσα συσκευή συμμορφώνεται με το Μέρος 15 των κανόνων FCC και τα πρότυπα RSS που εξαιρούνται από την υποχρέωση εξασφάλισης άδειας από το Τμήμα Βιομηχανίας του Καναδά. Η λειτουργία υπόκειται στις εξής δύο συνθήκες: (1) Η παρούσα συσκευή δεν μπορεί να προκαλέσει παρεμβολές και (2) η παρούσα συσκευή πρέπει να δέχεται οποιοσδήποτε παρεμβολές, συμπεριλαμβανομένων των παρεμβολών που μπορεί να προκαλέσουν ανεπιθύμητη λειτουργία της συσκευής.

*Le présent appareil est conforme aux CNR d'Industrie Canada applicables aux appareils radio exempts de licence. L'exploitation est autorisée aux deux conditions suivantes : (1) l'appareil ne doit pas produire de brouillage, et (2) l'utilisateur de l'appareil doit accepter tout brouillage radioélectrique subi, même si le brouillage est susceptible d'en compromettre le fonctionnement. Cet appareil est conforme aux limites d'exposition aux rayonnements de la IC pour un environnement non contrôlé.*

### **Δήλωση FCC 5G:**

Οι συσκευές LE-LAN περιορίζονται αποκλειστικά για λειτουργία σε εσωτερικούς χώρους στη ζώνη 5150-5250 MHz

### **Ευρώπη—Οδηγία για τον ραδιοεξοπλισμό (RED)**



Η ζώνη WiFi 5, 15-5,35 GHz περιορίζεται αποκλειστικά για λειτουργία σε εσωτερικούς χώρους στις ακόλουθες χώρες:

### Πίνακας 3 Ευρωπαϊκές χώρες

Ανδώρα (AD)	Δανία (DK)	Ιρλανδία (IE)	Μαυροβούνιο (ME)	Σλοβακία (SK)
Αυστρία (AT)	Εσθονία (EE)	Ιταλία (IT)	Ολλανδία (NL)	Σλοβενία (SL)
Βέλγιο (BE)	Φινλανδία (FI)	Λετονία (LV)	Νορβηγία (NO)	Ισπανία (ES)
Βοσνία και Ερζεγοβίνη (BA)	Γαλλία (FR)	Λίχτενστάιν (LI)	Πολωνία (PL)	Σουηδία (SE)
Βουλγαρία (BG)	Γερμανία (DE)	Λιθουανία (LT)	Πορτογαλία (PT)	Ελβετία (CH)
Κροατία (HR)	Ελλάδα (GR)	Λουξεμβούργο (LU)	Ρουμανία (RO)	Βόρεια Μακεδονία (MK)
Κύπρος (CY)	Ουγγαρία (HU)	Μάλτα (MT)	Άγιος Μαρίνος (SM)	Ηνωμένο Βασίλειο (GB)
Τσεχική Δημοκρατία (CZ)	Ισλανδία (IS)	Μονακό (MC)	Σερβία (RS)	Βατικανό (VA)

## 2.2 Επισκόπηση προϊόντος

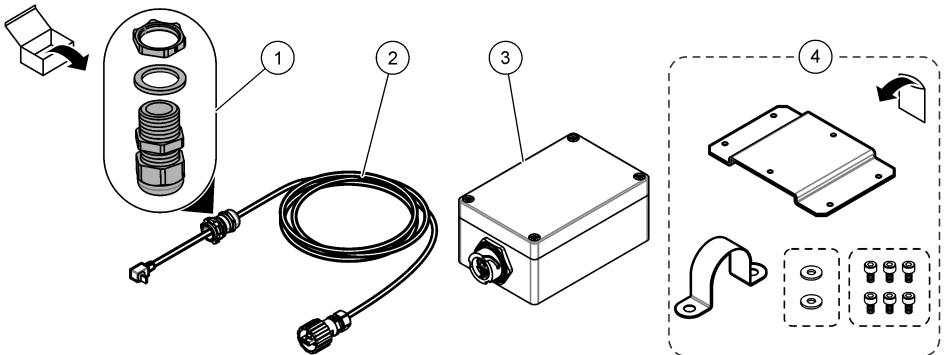
Το εξωτερικό κουτί USB χρησιμοποιείται για τη σύνδεση μιας συσκευής USB με τον ελεγκτή SC4500 (π.χ., έναν προσαρμογέα Wi-Fi).

**Σημείωση:** Όλα τα στοιχεία (δηλ. προσαρμογέας και εσωτερικές συνδέσεις) συναρμολογούνται στο εργοστάσιο.

## 2.3 Εξαρτήματα προϊόντος

Βεβαιωθείτε ότι έχετε λάβει όλα τα εξαρτήματα. Ανατρέξτε στην [Εικόνα 1](#). Εάν κάποιο αντικείμενο λείπει ή έχει υποστεί ζημιά, επικοινωνήστε αμέσως με τον κατασκευαστή ή με έναν αντιπρόσωπο πωλήσεων.

**Εικόνα 1 Εξαρτήματα προϊόντος**



1 Εξάρτημα μείωσης μηχανικής καταπόνησης, ροδέλα και παξιμάδι	3 Κουτί USB
2 Καλώδιο σύνδεσης κουτιού USB	4 Υλικό τοποθέτησης σε στύλο <sup>2</sup>

<sup>2</sup> Ο υλικός εξοπλισμός στερέωσης σε στύλο προορίζεται για στύλο διαμέτρου 40 mm (1,57 in).

## Ενότητα 3 Εγκατάσταση

### 3.1 Στερέωση

#### ΕΙΔΟΠΟΙΗΣΗ

Χρησιμοποιήστε τις οπές στερέωσης για να τοποθετήσετε το κουτί USB. Μην ανοίξετε οπές στο πίσω μέρος του κουτιού USB, καθώς μπορεί να προκληθεί ζημιά στα εσωτερικά εξαρτήματα.

#### ΕΙΔΟΠΟΙΗΣΗ



Κλείστε το κάλυμμα του κουτιού USB και βεβαιωθείτε ότι οι βίδες του καλύμματος είναι σφιγμένες, για να διατηρηθεί η περιβαλλοντική διαβάθμιση του περιβλήματος.

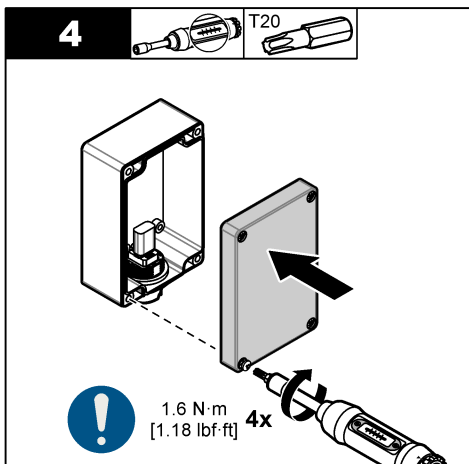
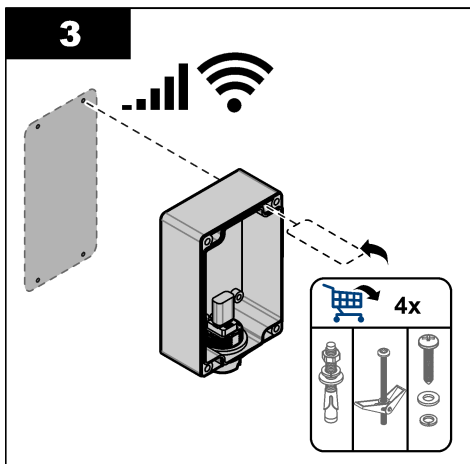
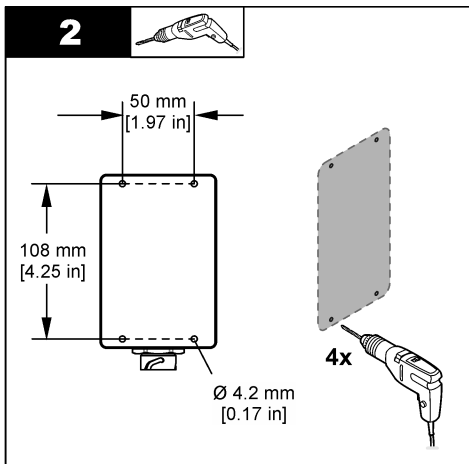
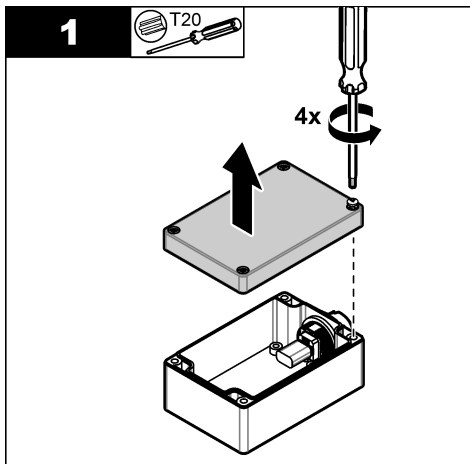
Τοποθετήστε το κουτί USB σε θέση με εύκολο χειρισμό της συσκευής αποσύνδεσης τροφοδοσίας για τον ελεγκτή. Τοποθετήστε το κουτί USB στη θέση με την υψηλότερη ισχύ σήματος Wi-Fi.

Χρησιμοποιήστε μια κινητή συσκευή, για να βρείτε τη θέση με την υψηλότερη ισχύ σήματος Wi-Fi.

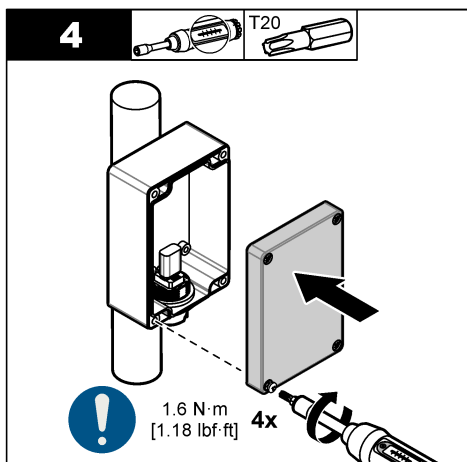
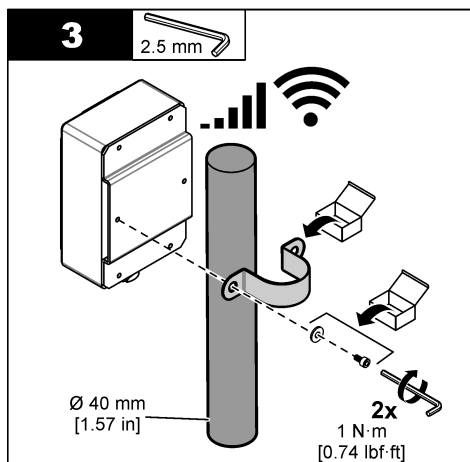
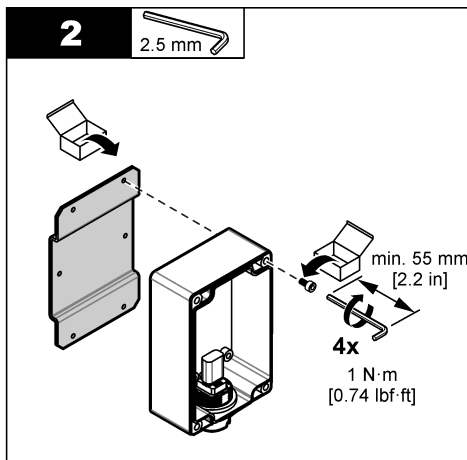
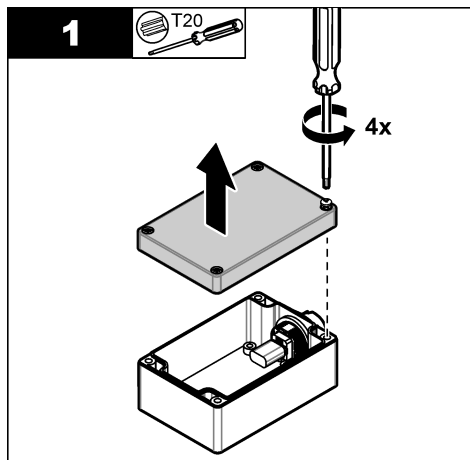
Προσαρτήστε το κουτί USB σε έναν επιτοίχιο, κατακόρυφο ή οριζόντιο στύλο.

**Σημείωση:** Ο εξοπλισμός τοποθέτησης σε τοίχο παρέχεται από τον χρήστη. Οι βίδες/τα εξαρτήματα στερέωσης πρέπει να είναι κατάλληλα για τον τύπο του τοίχου/της οροφής και να διαθέτουν επαρκή ικανότητα στήριξης.

Ανατρέξτε στα εικονογραφημένα βήματα που ακολουθούν για τη στερέωση του κουτιού USB σε τοίχο.



Ανατρέξτε στα εικονογραφημένα βήματα που ακολουθούν για τη στερέωση του κουτιού USB σε στύλο.



### 3.2 Σύνδεση του καλωδίου

#### ΕΙΔΟΠΟΙΗΣΗ

Ο κατασκευαστής συνιστά τη χρήση ηλεκτρικών εξαρτημάτων που παρέχονται από τον κατασκευαστή, όπως καλώδιο ρεύματος, σύνδεσμοι και εξαρτήματα μείωσης μηχανικής καταπόνησης.

#### ΕΙΔΟΠΟΙΗΣΗ



Βεβαιωθείτε ότι η θωράκιση του καλωδίου εισέρχεται στο εσωτερικό του περιβλήματος ώστε να διατηρείται η περιβαλλοντική διαβάθμιση του περιβλήματος.

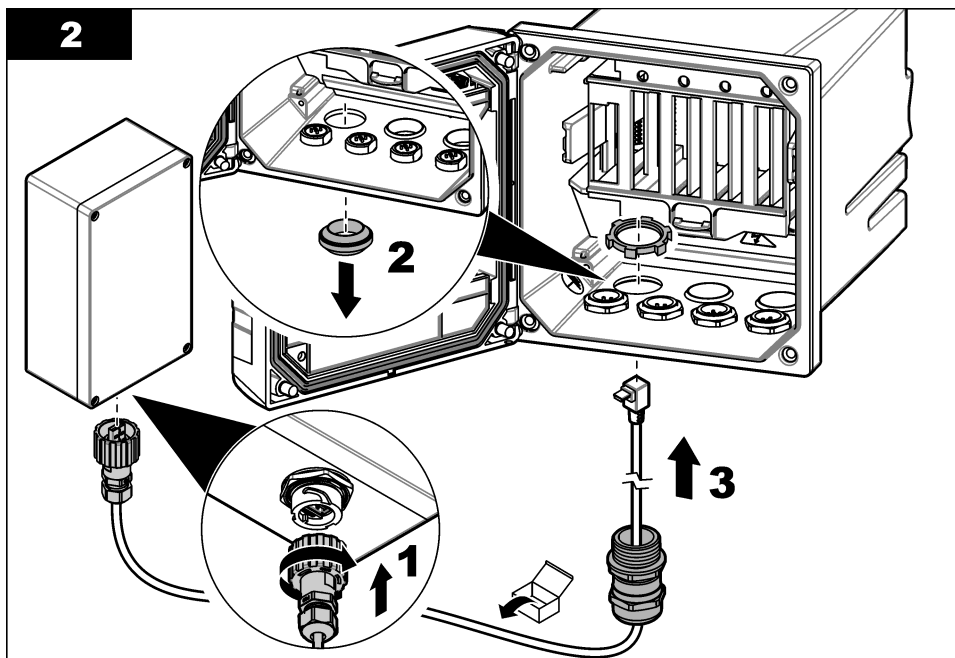
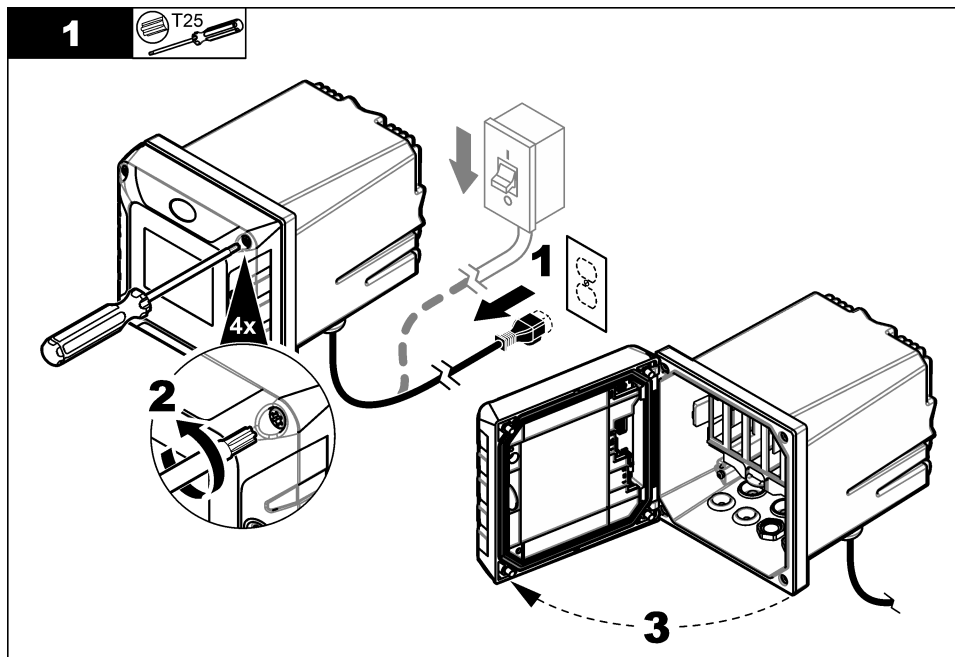
#### ΕΙΔΟΠΟΙΗΣΗ



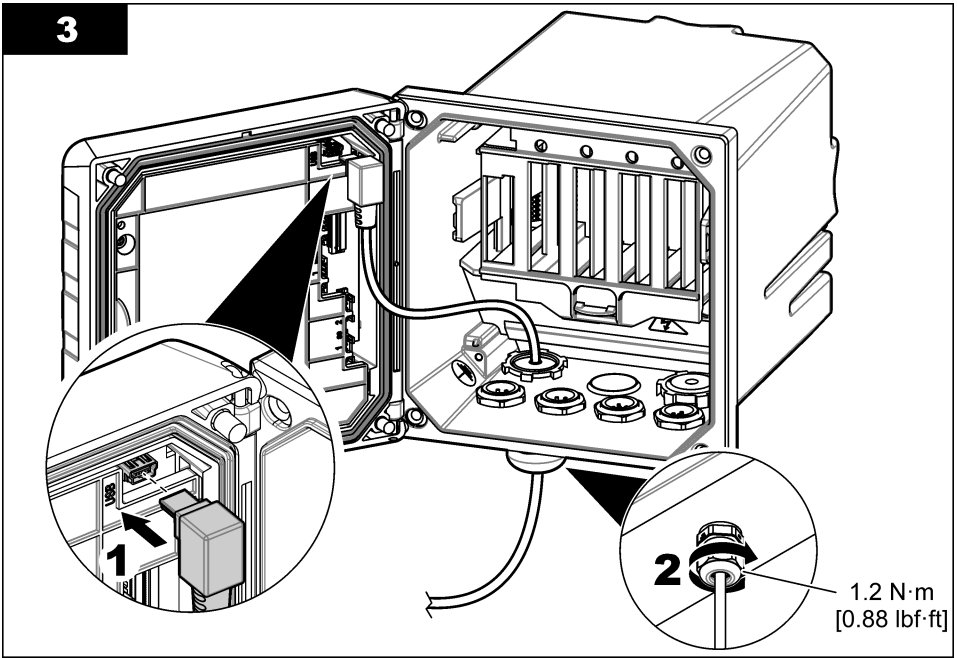
Κλείστε το κάλυμμα του ελεγκτή και βεβαιωθείτε ότι οι βίδες του καλύμματος είναι σφιγμένες για να διατηρηθεί η περιβαλλοντική διαβάθμιση του περιβλήματος.



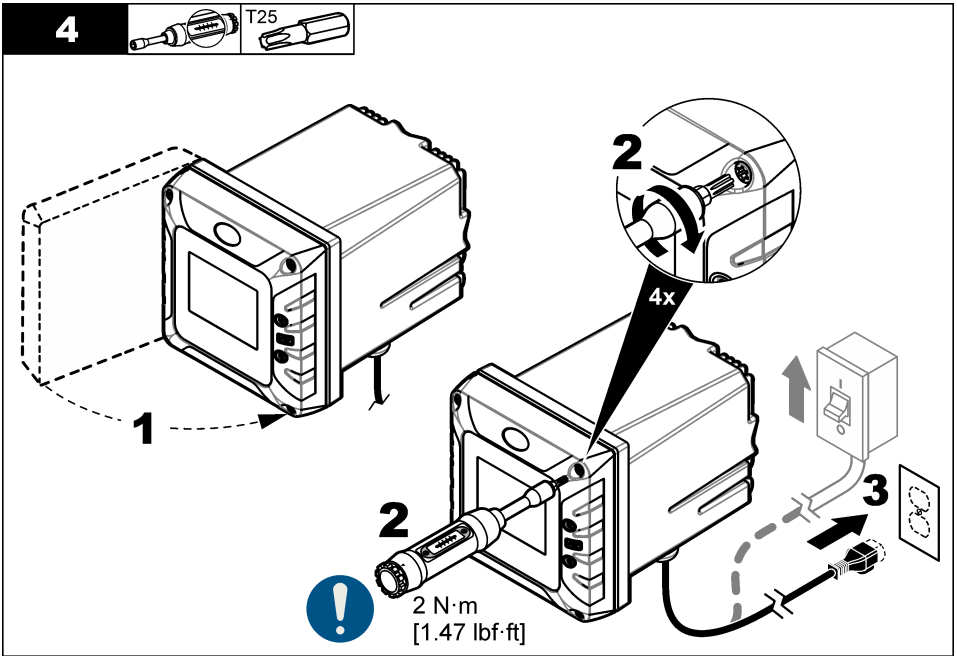
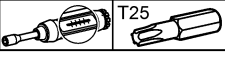
Συνδέστε το παρεχόμενο καλώδιο στο κουτί USB και στον εσωτερικό σύνδεσμο USB στον ελεγκτή. Ανατρέξτε στις εικόνες βημάτων που ακολουθούν.



**3**



**4**



## Ενότητα 4 Εκκίνηση

**Σημείωση:** Ο προσαρμογέας WiFi συναρμολογείται και συνδέεται στο εργοστάσιο. Εάν είναι απαραίτητο, ανατρέξτε στην ενότητα [Αντικατάσταση του προσαρμογέα WiFi](#) στη σελίδα 267 για να αντικαταστήσετε τον προσαρμογέα WiFi.

Όταν ολοκληρωθεί η εγκατάσταση, εκτελέστε τα εξής βήματα:

1. Αφαιρέστε το κάλυμμα από το κουτί USB.
2. Τροφοδοτήστε τον ελεγκτή με ρεύμα.
3. Βεβαιωθείτε ότι ο προσαρμογέας WiFi είναι ενεργοποιημένος.
4. Περιμένετε τουλάχιστον 5 λεπτά.
5. Εξετάστε την ισχύ σήματος και την κατάσταση σύνδεσης δικτύου. Ανατρέξτε στο υλικό τεκμηρίωσης του ελεγκτή.
6. Εγκαταστήστε το κάλυμμα στο κουτί USB.

## Ενότητα 5 Διαμόρφωση

Για οδηγίες, ανατρέξτε στο υλικό τεκμηρίωσης του ελεγκτή. Ανατρέξτε στο πλήρες εγχειρίδιο λειτουργίας στον ιστότοπο του κατασκευαστή για περισσότερες πληροφορίες.

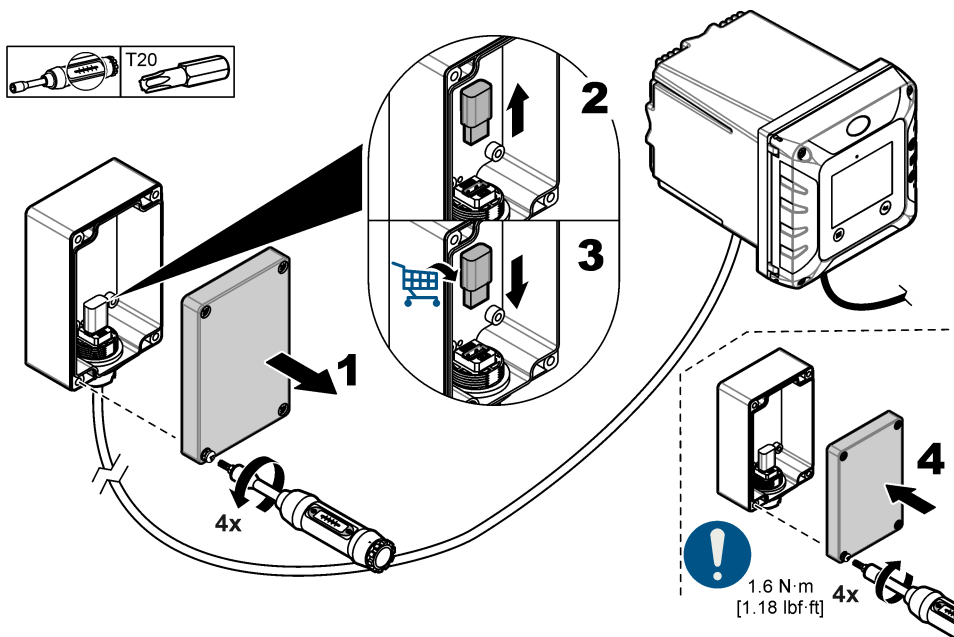
## Ενότητα 6 Συντήρηση

### 6.1 Αντικατάσταση του προσαρμογέα WiFi

Εάν είναι απαραίτητο, αντικαταστήστε τον προσαρμογέα WiFi. Ανατρέξτε στα εικονογραφημένα βήματα στην [Εικόνα 2](#).

**Απαιτούμενα εξαρτήματα:** Προσαρμογέας WiFi

**Εικόνα 2 Αντικατάσταση του προσαρμογέα WiFi**



## Ενότητα 7 Παρελκόμενα

### ▲ ΠΡΟΕΙΔΟΠΟΙΗΣΗ



Κίνδυνος τραυματισμού. Η χρήση μη εγκεκριμένων εξαρτημάτων ενδέχεται να προκαλέσει τραυματισμό, ζημιά στο όργανο ή δυσλειτουργία του εξοπλισμού. Τα ανταλλακτικά εξαρτήματα της παρούσας ενότητας είναι εγκεκριμένα από τον κατασκευαστή.

**Σημείωση:** Οι κωδικοί προϊόντος και οι αριθμοί καταλόγου μπορεί να διαφέρουν σε ορισμένες περιοχές πώλησης. Επικοινωνήστε με τον κατάλληλο διανομέα ή ανατρέξτε στη δικτυακή τοποθεσία της εταιρείας για τα στοιχεία επικοινωνίας.

Περιγραφή	Αρ. προϊόντος
Καλώδιο σύνδεσης USB-Box, WiFi, 4,5 m	LXZ525.99.00019
Κιτ υλικού εξοπλισμού στερέωσης	8806200
Προσαρμογέας USB WiFi για Η.Π.Α., 2,4/5 GHz	LZY996
Προσαρμογέας USB WiFi για ΕΕ, 2,4/5 GHz	LZY997

## Sisukord

- |                                    |                               |
|------------------------------------|-------------------------------|
| 1 Tehnilised andmed leheküljel 269 | 5 Seadistamine leheküljel 279 |
| 2 Üldteave leheküljel 269          | 6 Hooldus leheküljel 279      |
| 3 Paigaldamine leheküljel 274      | 7 Tarvikud leheküljel 279     |
| 4 Käivitamine leheküljel 278       |                               |

## Osa 1 Tehnilised andmed

Tehnilisi andmeid võidakse ette teatamata muuta.

Tehniline näitaja	Üksikasjad
Mõõtmed (L×K×S)	80 × 120 × 55 mm (4.7 × 7.9 × 2.2 tolli)
Korpus	IP66 <sup>1</sup> , polükarbonaat UL94-V0
Kaal	169 g (0.37 naela)
Saasteaste	4
Paigalduskategooria	I
Kaitseklass	III
Töötemperatuur	−20 kuni 60 °C (−4 kuni 140 °F)
Hoiutemperatuur	−20 kuni 70 °C
Suhteline niiskus	0 kuni 95%, mittecondenseeruv
Kõrgus merepinnast	Kuni 2000 m (6562 jalga)
Kommunikatsioonivõimalused	USB-konnektoriga Wi-Fi adapter 2,4 GHz ja 5 GHz ISM-raadiosagedusala
Sertifikaadid	CE, FCC, IC, UKCA
Garantii	1 aasta (EL: 2 aastat)

## Osa 2 Üldteave

Tootja ei ole mingil juhul vastutav otseste, kaudsete, erijuhtudest tingitud, kaasnevate või tulenevate vigastuste eest, mis on tingitud käesoleva kasutusjuhendi vigadest või puudustest. Tootja jätab endale õiguse igal ajal teha käesolevas kasutusjuhendis ja tootes muudatusi, ilma neist teatamata või kohustusi võtmata. Uuendatud väljaanded on kättesaadavad tootja veebilehel.

### 2.1 Ohutusteave

Tootja ei vastuta mis tahes kahjude eest, mida põhjustab toote vale kasutamine, sealhulgas (kuid mitte ainult) otsesed, juhuslikud ja tegevuse tulemusest tingitud kahjud, ning ütleb sellistest kahjunõuetest lahti kohaldatava seadusega lubatud täielikul määral. Kasutaja vastutab ainuisikuliselt oluliste kasutusohutude tuvastamise ja sobivate kaitsemeetodite rakendamise eest protsesside kaitsmiseks seadme võimaliku rikke puhul.

Palun lugege enne lahtipakkimist, häälestamist või kasutamist läbi kogu käesolev juhend. Järgige kõiki ohutus- ja ettevaatusjuhiseid. Vastasel juhul võib kasutaja saada raskeid kehavigastusi või võib seade vigasta saada.

Tagage, et seadmega tarnitud ohutusseadised ei ole vigastatud. Ärge kasutage või paigaldage seadet mingil muul viisil kui käesolevas kasutusjuhendis kirjeldatud.

<sup>1</sup> Ainult koos paigaldatud USB-karbi ühenduskaabliga.

### 2.1.1 Ohutusteabe kasutamine

#### ▲ OHT

Näitab võimalikku või vahetult ohtlikku olukorda, mis selle eiramisel põhjustab surma või raskeid vigastusi.

#### ▲ HOIATUS

Näitab võimalikku või vahetult ohtlikku olukorda, mis selle eiramisel võib põhjustada surma või raskeid vigastusi.

#### ▲ ETTEVAATUST





Näitab võimalikku ohtlikku olukorda, mis selle eiramisel võib põhjustada kergeid või keskmisi vigastusi.

#### TEADE

Tähistab olukorda, mis selle eiramisel võib seadet kahjustada. Eriti tähtis teave.

### 2.1.2 Hoiatussildid

Lugege läbi kõik seadmele kinnitatud sildid ja märgised. Juhiste eiramise korral võite saada kehavigastusi või võib seade kahjustada saada. Mõõteriistal olevad sümbolid viitavad kasutusjuhendis esitatud ettevaatusabinõudele.

	See mõõteriistal olev sümbol viitab kasutusjuhendile ja/või ohutuseeskirjadele.
	See sümbol osutab elektrilöögi ohule ja/või ohule elektrilöögist surma saada.
	See sümbol näitab, et seadmed on tundlikud elektrostaatilise laengu (ESD) suhtes ja selle vastu tuleb seadmeid kaitsta.
	Selle sümboliga tähistatud elektriseadmeid ei tohi käidelda Euroopa kodustes või avalikes jäätmekäitlussüsteemides. Tagastage vanad ja kasutuskõlbmatud seadmed tasuta utiliseerimiseks tootjale.

### 2.1.3 Sertifikaadid

#### ▲ HOIATUS

Ettevaatusabinõud südamerüturi kasutamisel. Elektromagnetiliste häirete (EMI) korral võib see teha järgmist.



- Peatada südamerüturi stimuleerivad impulsid, mis reguleerivad südame rütmi.
- Panna südamerüturi impulsse ebakorrapäraselt andma.
- Panna südamerüturi eirama südame rütmi ja andma impulsse kindla intervalliga.

Praegused uuringud näitavad, et mobiilsideseadmed ei kujuta endast märkimisväärset terviseprobleemi enamikele südamerüturi kasutajatele. Siiski tasub südamerüturiga inimestel tarvitusele võtta abinõud, et veenduda, et nende seade ei põhjusta probleeme. Hoidke seade min 20 cm (7,9 tolli) kaugusel. kasutajast.

**⚠ ETTEVAATUST**

Elektromagnetilise kiirguse oht. Veenduge, et antenn oleks tavakasutuse käigus kogu personalist vähemalt 20 cm kaugusel. Antenn ei tohi asuda ühes ruumis koos ühegi teise antenni või saatjaga ning seda ei tohi koos nendega kasutada.

**TEADE**

See on A-klassi toode, mis on ette nähtud kasutamiseks tööstuslikus keskkonnas. Kodukeskkonnas võib toode põhjustada raadiohäireid, mille korral kasutaja peab rakendama vastavaid abinõusid.

**TEADE**

Võrgu ja pääsupunkti turbe eest vastutab klient, kes kasutab traadita side seadet. Tootja ei vastuta mitte mingisuguste, sh (kuid mitte ainult) kaudsete, tulenevate, kaasnevate või juhuslike kahjude eest, mille on põhjustanud auk võrguturbes või mis tahes võrguturbe rikkumine.

**Regulatiivsed raadiosagedusliku seadme heakskiidud: USA ja Kanada**

Komplektis on Wi-Fi USB-adapter LM808, mille tootis LM Technologies

FCC ID: VVX808-04XX

IC: 10531A-80804XX

**Tabel 1 Wi-Fi adapteri võimsus**

Tehniline näitaja, versioon ja kuupäev	Sagedusvahemik (MHz)	Kiirguse tähis	Raadioseadme võimsus (vattides)	Antenn
RSS-247, versioon 2, veebruar 2017	5180—5240	17M1D1D	0,005	Sisseehitatud; 4,7 dBi
RSS-247, versioon 2, veebruar 2017	5210	75M8D1D	0,005	Sisseehitatud; 4,7 dBi
RSS-247, versioon 2, veebruar 2017	5745—5825	17M9D1D	0,005	Sisseehitatud; 4,7 dBi
RSS-247, versioon 2, veebruar 2017	5775	75M6D1D	0,004	Sisseehitatud; 4,7 dBi
RSS-247, versioon 2, veebruar 2017	2412—2462	15M0D1D	0,027	Sisseehitatud; 0,1 dBi
RSS-247, versioon 2, veebruar 2017	2412—2462	16M5D1D	0,016	Sisseehitatud; 0,1 dBi
RSS-247, versioon 2, veebruar 2017	2422—2452	35M1D1D	0,011	Sisseehitatud; 0,1 dBi

**Wi-Fi USB-adapter LM808 – tähtsad FCC toetuse tingimused**

Loetletud teave on juhitud sisendvõimsuse kohta. USB-tongli vastavust erineelduvuskiiruse nõuetele on selles dokumendis kirjeldatu kohaselt hinnatud. Selle saatja antenni ei tohi muu antenni või saatjaga üheaegselt signaali edastada, välja arvatud FCC mitme saatjaga toodetele kehtestatud korra või selles dokumendis kirjeldatu kohaselt. Suurim esitatav erineelduvuskiiruse väärtus on 0,26 W/kg. Seadmel on 20 MHz ja 40 MHz ribalaiuse režiim.

**Regulatiivsed raadiosagedusliku seadme heakskiidud: EL**  
Komplektis on Wi-Fi USB-adapter LM808

**Tabel 2 Sagedusribad**

Tehniline näitaja	Üksikasjad
Sagedusriba	2,4 GHz ISM-raadiosagedusala
	5 GHz ISM-raadiosagedusala
Raadioseadme väljundvõimsus (tolerants $\pm 2$ dBm)	17 dBm, 802.11b kiirusel 11 Mbit/s
	15 dBm, 802.11g kiirusel 54 Mbit/s
	13 dBm, 802.11a kiirusel 54 Mbit/s
	13 dBm, 802.11n tasemel MCS7_HT20
	13 dBm, 802.11n tasemel MCS7_HT40
	11 dBm, 802.11ac tasemel NSS1 MCS9_BW20, BW40, BW80
	-82 dBm, 802.11b kiirusel 11 Mbit/s kuni -71 dB0, 802.11g kiirusel 54 Mbit/s
Vastuvõtja tundlikkus	-67 dBm, 802.11n tasemel MCS7_BW20
	-64 dBm, 802.11n tasemel MCS7_BW40
	-57 dBm, 802.11ac tasemel NSS1_MCS9_BW20
	-54 dBm, 802.11ac tasemel MSS1_MCS9_BW40
	-51 dBm, 802.11ac tasemel MSS1_MCS9_BW80

**Kanada (IC)**

Komplektis on Wi-Fi USB-adapter LM808, mille tootis LM Technologies; IC: 10531A-80804XX

See klassi (A) digitaalaparaat vastab Kanada standardile ICES-003. See seade vastab Industry Canada litsentsist vabastatud RSS standardi(te)le. Kasutamisele kehtib kaks tingimust:

- 1) seade ei tohi tekitada häireid;
- 2) seade peab vastu võtma mis tahes häired, sealhulgas häired, mis võivad põhjustada seadmes soovimatuid tulemusi.

*Cet appareil numérique de la classe (A) respect toutes les exigences de la norme NMB-003 du Canada. Le présent appareil est conforme aux CNR d'Industrie Canada applicables aux appareils radio exempts de licence. L'exploitation est autorisée aux deux conditions suivantes:*

- (1) l'appareil ne doit pas produire de brouillage, et*
- (2) l'utilisateur de l'appareil doit accepter tout brouillage radioélectrique subi, même si le brouillage est susceptible d'en compromettre le fonctionnement.*

**USA (FCC)**

Komplektis on Wi-Fi USB-adapter LM808, mille tootis LM Technologies; FCC ID: VVX808-04XX

Selle ettevõtte poolt sõnaselgelt heaks kiitmata muudatused võivad muuta kasutaja õiguse antud seadet kasutada kehtetuks (FCC jaotis 15.21).

Seda seadet on testitud ning on leitud selle vastavus klass A digitaalsete seadmete piirangutele, vastavalt FCC reeglite osale 15. Need piirangud on loodud, et tagada mõistlik kaitse kahjulike häirete eest, kui seda seadet kasutatakse ärikeskkonnas. See seade genereerib, kasutab ja võib kiirata raadiosageduse energiat ja kui seda ei paigaldata ja kasutata vastavalt kasutusjuhendile, võib põhjustada raadiosidet häirivat interferentsi. Selle seadme kasutamine elamupiirkonnas võib põhjustada kahjulikku interferentsi, millisel juhul peab kasutaja interferentsi omal kulul parandama (FCC jaotis 15.105).



## Multitech raadiosageduslik moodul FCC/IC regulatiivsed teatised Modifitseerimise avaldus

LM Technologies pole heaks kiitnud kasutajapoolset seadme muutmist ja modifitseerimist. Mis tahes muudatused või modifikatsioonid võivad muuta kasutaja õiguse seadet kasutada kehtetuks.

*LM technologies n'approuve aucune modification apportée à l'appareil par l'utilisateur, quelle qu'en soit la nature. Tout changement ou modification peuvent annuler le droit d'utilisation de l'appareil par l'utilisateur.*

### Häirete avaldus

See seade on kooskõlas FCC eeskirjade osaga 15 ja Industry Canada litsentsivabastusega RSS-i standardi(te)ga. Kasutamisele kehtivad järgmised kaks tingimust: 1) seade ei tohi tekitada häireid, ja 2) seade peab vastu võtma mis tahes häired, sealhulgas häired, mis võivad põhjustada seadmes soovimatuid tulemusi.

*Le présent appareil est conforme aux CNR d'Industrie Canada applicables aux appareils radio exempts de licence. L'exploitation est autorisée aux deux conditions suivantes : (1) l'appareil ne doit pas produire de brouillage, et (2) l'utilisateur de l'appareil doit accepter tout brouillage radioélectrique subi, même si le brouillage est susceptible d'en compromettre le fonctionnement. Cet appareil est conforme aux limites d'exposition aux rayonnements de la IC pour un environnement non contrôlé.*

### FCC 5G-avaldus

Litsentsita kasutatavaid kohtvõrguseadmeid tohib kasutada ainult siseruumides sagedusalas 5150–5250 MHz.

### Euroopa – raadioseadmete direktiiv



Järgmistes riikides tohib 5,15–5,35 GHz WiFi sagedusala kasutada ainult siseruumides.

**Tabel 3 Euroopa riigid**

Andorra (AD)	Taani (DK)	Iirimaa (IE)	Montenegro (ME)	Slovakkia (SK)
Austria (AT)	Eesti (EE)	Itaalia (IT)	Holland (NL)	Sloveenia (SL)
Belgia (BE)	Soome (FI)	Läti (LV)	Norra (NO)	Hispaania (ES)
Bosnia ja Hertsegoviina (BA)	Prantsusmaa (FR)	Liechtenstein (LI)	Poola (PL)	Rootsi (SE)
Bulgaaria (BG)	Saksamaa (DE)	Leedu (LT)	Portugal (PT)	Šveits (CH)
Horvaatia (HR)	Kreeka (GR)	Luxembourg (LU)	Rumeenia (RO)	Makedoonia (MK)
Küpros (CY)	Ungari (HU)	Malta (MT)	San Marino (SM)	Ühendkuningriik (GB)
Tšehhi Vabariik (CZ)	Island (IS)	Monaco (MC)	Serbia (RS)	Vatikani Linnriik

## 2.2 Toote ülevaade

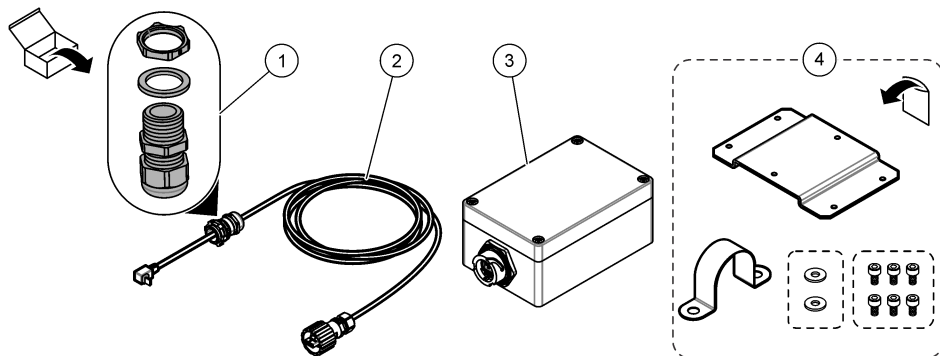
Välis USB-karpi kasutatakse USB-seadme ühendamiseks SC4500 juhtseadmega (näiteks Wi-Fi adapter).

**Märkus.** Kõik komponendid (st adapter ja siseühendused) on paigaldatud tehases.

## 2.3 Toote osad

Veenduge, et olete kõik osad kätte saanud. Vt [Joonis 1](#). Kui mõned esemed puuduvad või on kahjustatud, siis pöörduge kohe tootja või müügiesindaja poole.

Joonis 1 Toote osad



1 Tõmbetõkis, seib ja mutter	3 USB-karp
2 USB-karbi ühenduskaabel	4 Postile kinnitamise tarvikud <sup>2</sup>

## Osa 3 Paigaldamine

### 3.1 Paigaldamine

#### TEADE

Kasutage USB-karbi paigaldamiseks kinnitusavasid. Ärge tehke USB-karbi tagaküljele avasid – see võib kahjustada seadme sisekomponente.

#### TEADE



Ümbrise keskkonnamärgise säilitamiseks sulgege USB-kaas ja veenduge, et kaanekruvid on tugevalt kinni.

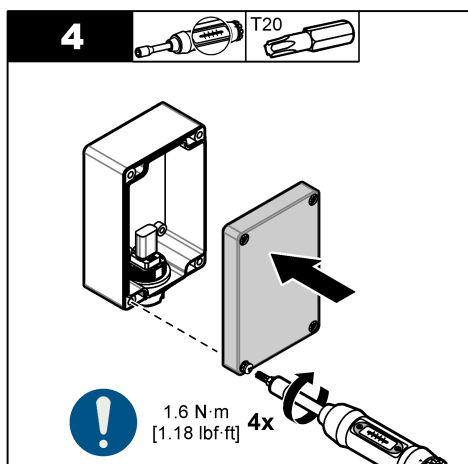
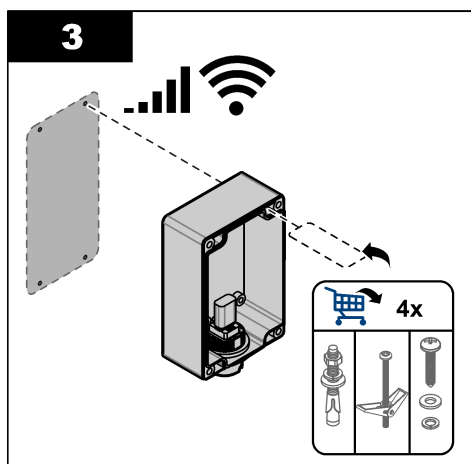
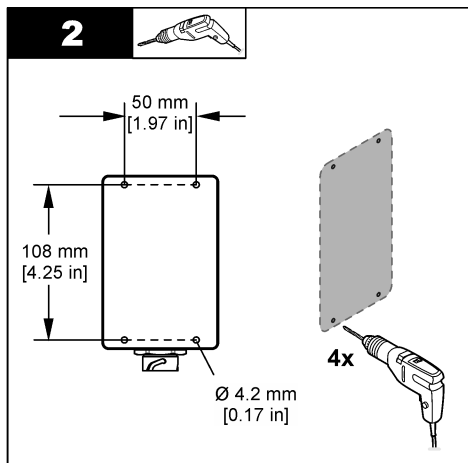
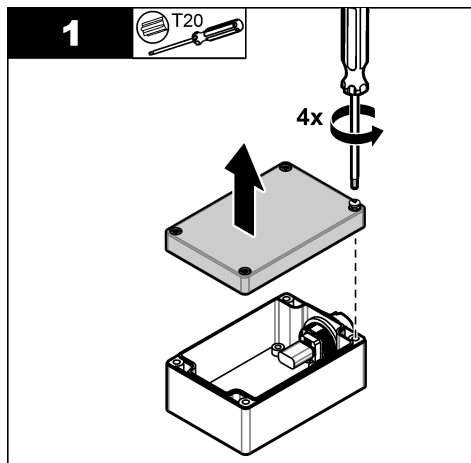
Paigaldage USB-karp kohta, kus juhtseadme elektritoite lahutamise seadet saab lihtsasti käsitseda. Paigaldage USB-karp Wi-Fi-signaali suurima tugevusega kohta. Kasutage Wi-Fi-signaali suurima tugevuse leidmiseks mobiilseadet, mille mobiilsideteenuse pakkuja on sama, mis juhtseadmel SC4x00.

Kinnitage USB-karp seinale, vertikaalsele või horisontaalsele postile.

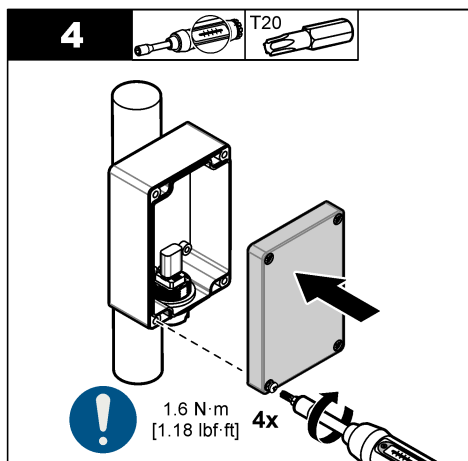
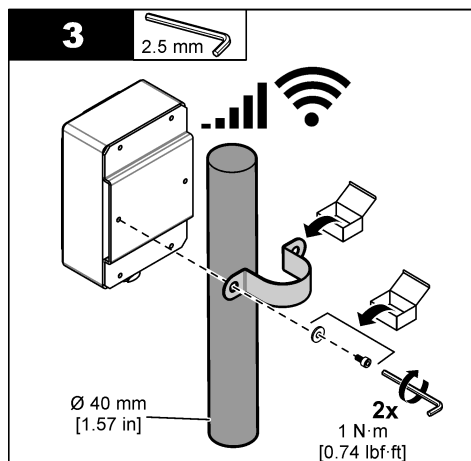
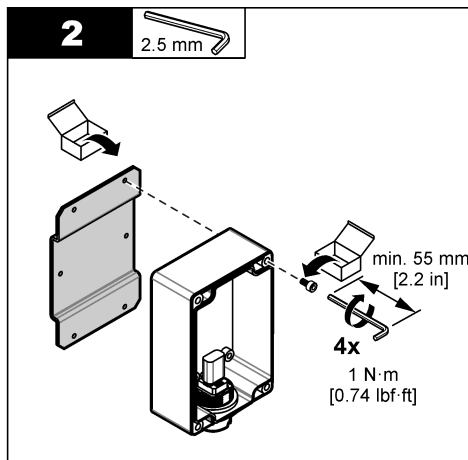
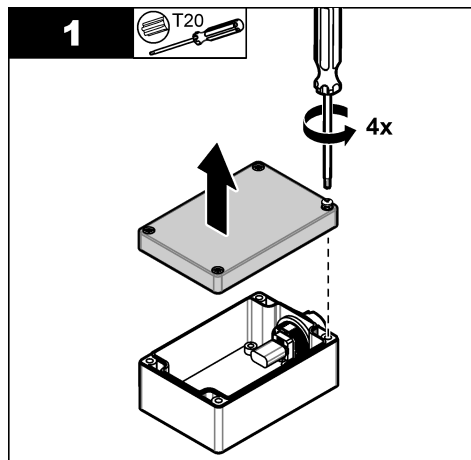
**Märkus.** Seinale paigaldamiseks vajalikud vahendid hangib kasutaja. Kruvid/kinnitusdetailid peavad sobima seinala/omadustega ning neil peab olema piisav kandevõime.

<sup>2</sup> Postile kinnitamise tarvikud on ette nähtud 40 mm (1,57 tolli) läbimõelduga postile.

USB-karbi seinale paigaldamisel juhenduge järgmistest illustreeritud tegevustest.



USB-karbi postile paigaldamisel juhendude järgmistest illustreeritud tegevustest.



## 3.2 Kaabli ühendamine

### TEADE

Tootja soovib kasutada tootja tarnitud elektrikomponente, nagu toitejuhe, konnectorid ja pingeleevendusliitmikud.

### TEADE



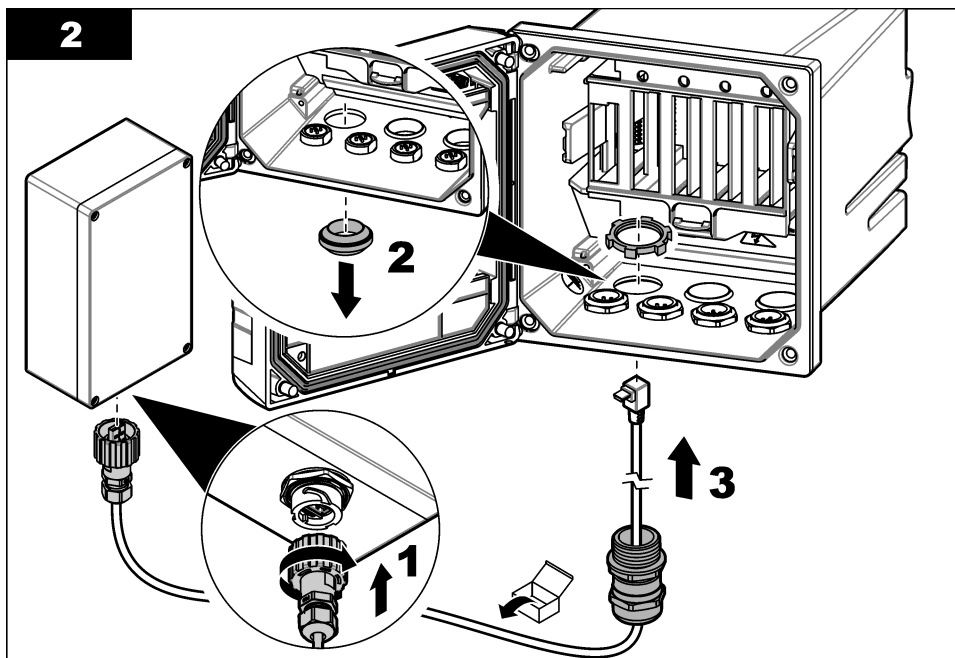
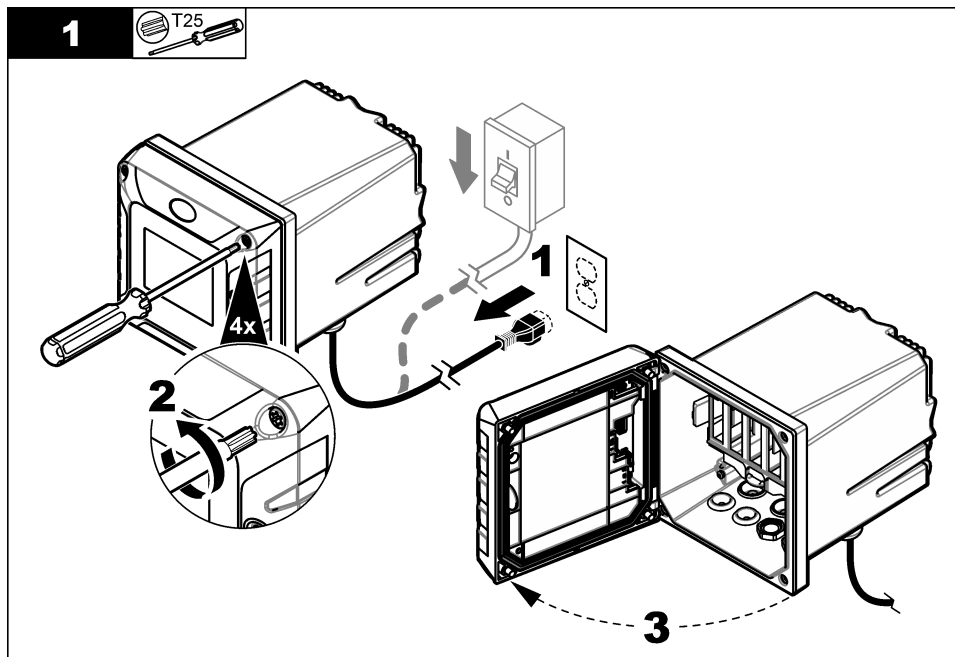
Ümbrise keskkonnamärgise säilitamiseks jälgige, et kaabli kest ulatuks läbi ümbrise sisekülje.

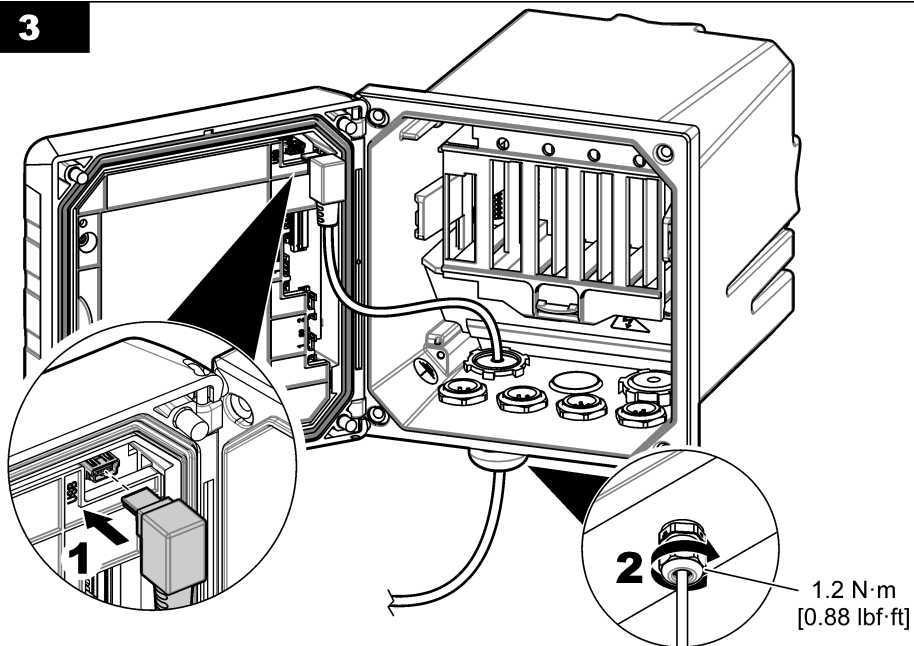
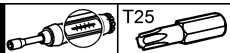
### TEADE



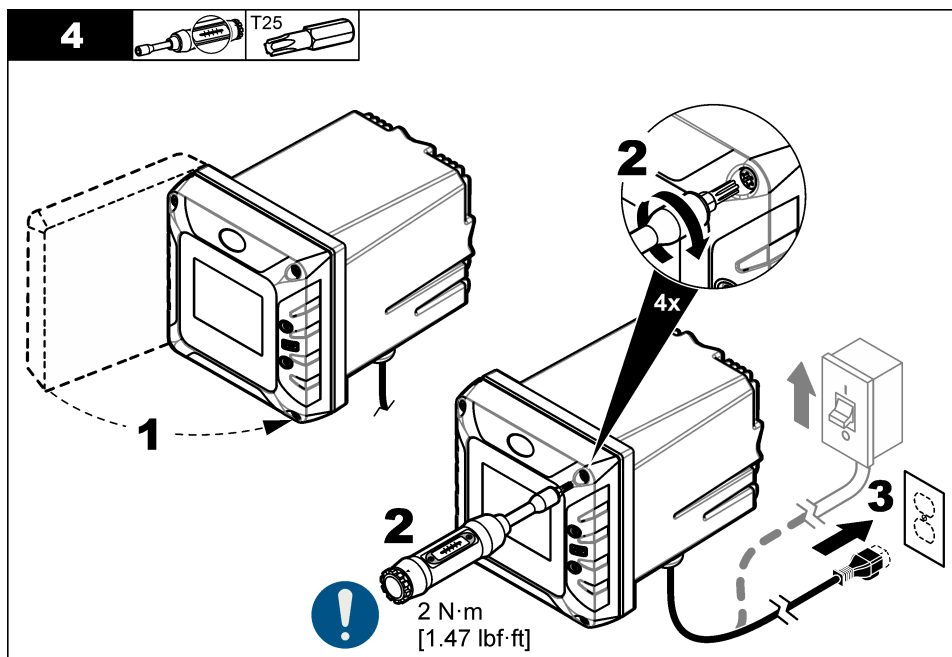
Ümbrise keskkondliku reitingu säilitamiseks sulgege kontrolleri kaas ja veenduge, et kaanekruvid on tugevalt kinni.

Ühendage komplekti kuuluv kaabel USB-karbi ja juhtseadme sees asuva USB-konnektoriga. Järgige alltoodud illustreeritud juhiseid.



**3****4**

T25



## Osa 4 Käivitamine

**Märkus.** WiFi-adapter on tehases kokkupandud ja ühendatud. Vajaduse korral vaadake WiFi-adapteri vahetamise kohta lähemalt jaotisest [WiFi adapteri väljavahetamine](#) leheküljel 279.

Pärast paigaldamist tegutsege järgmiselt.

1. Eemaldage USB-karbilt kate.
2. Juhtimispuldi toitega varustamine.
3. Veenduge, et WiFi-adapter oleks pingestatud.
4. Oodake vähemalt 5 minutit.
5. Uurige signaali tugevust ja võrguühenduse seisukorda. Vt juhtseadme dokumentatsiooni.
6. Paigaldage USB-karbil kate.

## Osa 5 Seadistamine

Juhiseid vt kontrolleri dokumentatsioonist. Rohkem teavet leiate tootja veebilehel olevast põhjalikumast kasutusjuhendist.

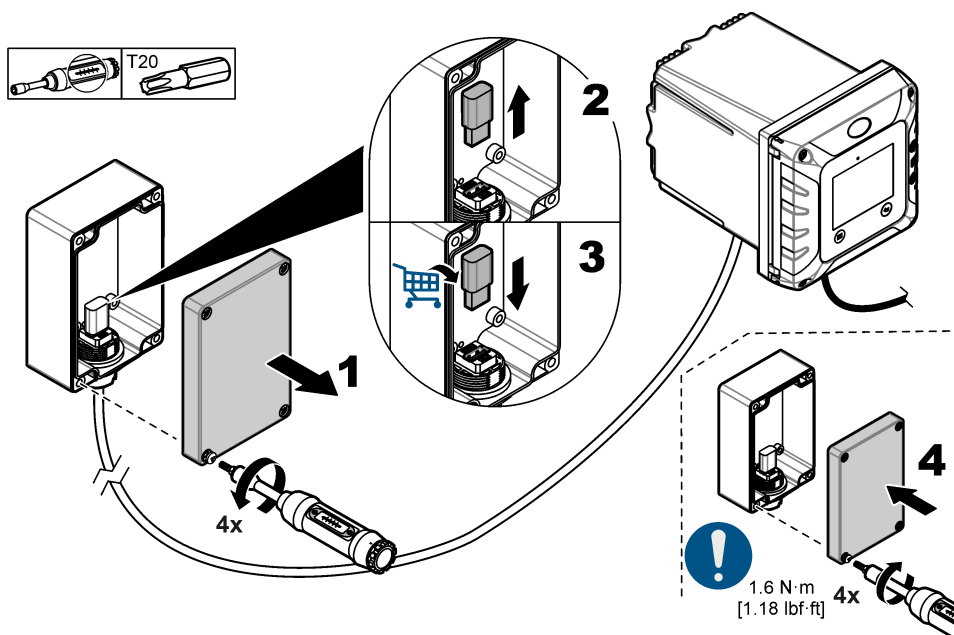
## Osa 6 Hooldus

### 6.1 WiFi adapteri väljavahetamine

Vajaduse korral vahetage välja WiFi adapter. Lugege piltidega toiminguid joonisel [Joonis 2](#).

**Hangitav ese:** WiFi adapter

Joonis 2 WiFi adapteri väljavahetamine



## Osa 7 Tarvikud

### ▲ HOIATUS



Kehavigastuse oht. Heakskiitmata osade kasutamine võib põhjustada kehavigastusi, kahjustada seadet või põhjustada selle talitlushäireid. Selles jaotises kirjeldatud varuosad on tootja heaks kiitnud.

**Märkus.** Toote- ja artiklinumbrid võivad müügipiirkonniti erineda. Lisateavet saate edasimüüjatelt või firma veebilehelt.

<b>Kirjeldus</b>	<b>Tootekood</b>
USB-karbi ühenduskaabel, WiFi, 4,5 m	LXZ525.99.00019
Kinnitusvahendite komplekt	8806200
WiFi USB-adapter (Ameerika Ühendriigid); 2,4/5 GHz	LZY996
WiFi USB-adapter (EL); 2,4/5 GHz	LZY997



# Sadržaj

- |   |                                   |   |                               |
|---|-----------------------------------|---|-------------------------------|
| 1 | Specifikacije na stranici 281     | 5 | Konfiguracija na stranici 291 |
| 2 | Opšte informacije na stranici 281 | 6 | Održavanje na stranici 291    |
| 3 | Postavljanje na stranici 286      | 7 | Pribor na stranici 291        |
| 4 | Uključenje na stranici 290        |   |                               |

## Odeljak 1 Specifikacije

Specifikacije su podložne promeni bez najave.

Specifikacija	Detalji
Dimenzije (Š x V x D)	80 x 120 x 55 mm (4,7 x 7,9 x 2,2 in)
Kućište	IP 66 <sup>1</sup> , polikarbonat UL94-V0
Težina	169 g (0,37 lb)
Stepen zagađenja	4
Kategorija instalacije	I
Klasifikacija zaštite	III
Radna temperatura	od -20 do 60°C (od -4 do 140°F)
Temperatura skladištenja	-od 20 do 70°C
Relativna vlažnost	0 do 95%, bez kondenzacije
Nadmorska visina	Maksimalno 2000 m (6562 ft)
Opcije za komunikaciju	Wi-Fi adapter sa USB konektorom ISM opseg od 2,4 GHz i 5 GHz
Sertifikati	CE, FCC, IC, UKCA
Garancija	1 godina (EU: 2 godine)

## Odeljak 2 Opšte informacije

Proizvođač neće ni u kom slučaju biti odgovoran za direktna, indirektna, posebna, slučajna ili posledična oštećenja nastala usled greške ili propusta u ovom priručniku. Proizvođač zadržava pravo da u bilo kom trenutku, bez obaveštavanja ili obaveza, izmeni ovaj priručnik i uređaj koji on opisuje. Revizije priručnika mogu se pronaći na veb-lokaciji proizvođača.

### 2.1 Bezbednosne informacije

Proizvođač nije odgovoran ni za kakvu štetu nastalu usled pogrešne primene ili pogrešnog korišćenja ovog uređaja, što obuhvata, ali se ne ograničava na direktna, slučajna i posledična oštećenja, i u potpunosti odriče odgovornost za takva oštećenja u skladu sa zakonom. Prepoznavanje opasnosti od kritičnih primena i instaliranje odgovarajućih mehanizama za zaštitu procesa tokom mogućeg kvara opreme predstavljaju isključivu odgovornost korisnika.

Pažljivo pročitajte celo ovo uputstvo pre nego što raspakujete, podesite i počnete da koristite ovaj uređaj. Obratite pažnju na sve izjave o opasnosti i upozorenju. Ukoliko se toga ne budete pridržavali, može doći do teških povreda operatera ili oštećenja opreme.

Obezbedite da se zaštita koja se isporučuje uz uređaj ne ošteti. Nemojte da koristite ovu opremu na bilo koji način koji se razlikuje od onog opisanog u ovom priručniku.

<sup>1</sup> Samo sa instaliranim priključnim kablom USB uređaja.

### 2.1.1 Korišćenje informacija o opasnosti

#### ▲ OPASNOST

Označava potencijalnu ili predstojeću opasnu situaciju koja će, ukoliko se ne izbegne, dovesti do smrti ili teških povreda.

#### ▲ UPOZORENJE

Označava potencijalnu ili predstojeću opasnu situaciju koja, ukoliko se ne izbegne, može dovesti do smrti ili teških povreda.

#### ▲ OPREZ





Označava potencijalno opasnu situaciju koja može dovesti do lakših ili umerenih povreda.

#### OBAVEŠTENJE

Označava situaciju koja, ukoliko se ne izbegne, može dovesti do oštećenja instrumenta. Informacije koje zahtevaju posebno isticanje.


### 2.1.2 Oznake predostrožnosti

Pročitajte sve oznake postavljene na instrument. Ukoliko ne vodite računa o njima, može doći do povređivanja ili oštećenja instrumenta. Na simbol na instrumentu upućuje priručnik pomoću izjave o predostrožnosti.

	Ukoliko se ovaj simbol nalazi na instrumentu, to znači da je neophodno informacije o načinu korišćenja i/ili bezbednosti potražiti u priručniku za korišćenje.
	Ovaj simbol označava da postoji rizik od električnog udara i/ili smrti.
	Ovaj simbol označava prisustvo uređaja osetljivih na elektrostatička pražnjenja, kao i da je neophodno povesti računa o sprečavanju oštećenja opreme.
	Elektronska oprema označena ovim simbolom ne sme da se odlaže u evropskim sistemima kućnog ili komunalnog otpada. Vratite staru ili dotrajalu opremu proizvođaču radi odlaganja bez troškova po korisnika.

### 2.1.3 Sertifikati

#### ▲ UPOZORENJE

	<p>Mere predostrožnosti u vezi sa pejsmejkerom Ako dođe do elektromagnetne smetnje, ona može da:</p> <ul style="list-style-type: none"><li>• Zaustavi stimuliranje pulsa koje proizvodi pejsmejker i koje kontroliše otkucaje srca.</li><li>• Uzrokuje nepravilnosti kod pejsmejкера u stimuliranju pulsa.</li><li>• Dovede do toga da pejsmejker zanemari ritam otkucaja srca i da stimulira puls u intervalima.</li></ul> <p>Najnovija istraživanja su pokazala da mobilni telefoni ne predstavljaju značajan zdravstveni problem kod većine osoba sa ugrađenim pejsmejkerom. Međutim, osobe sa ugrađenim pejsmejkerom treba da preduzmu mere predostrožnosti po tom pitanju kako bi se uverile da njihov uređaj ne predstavlja problem. Držite instrument udaljen najmanje 20 cm (7,9 in.) od korisnika.</p>
--	---

**⚠ OPREZ**

Opasnost od elektromagnetnog zračenja. Vodite računa da antena bude postavljena na rastojanju od bar 20 cm (7.9 in.) od osoblja tokom normalne upotrebe. Antena ne može biti na istoj lokaciji sa drugim antenama ili predajnicima niti može da radi zajedno sa njima.

**OBAVEŠTENJE**

Ovo je proizvod klase A koji je namenjen za upotrebu u industrijskim uslovima. U kućnom okruženju, ovaj proizvod može da prouzrokuje radio-smetnje kada korisnik treba da preduzme adekvatne mere.

**OBAVEŠTENJE**

Za bezbednost mreže i pristupne tačke odgovoran je klijent koji koristi bežični instrument. Proizvođač se neće smatrati odgovornim ni za kakvu štetu uključujući, između ostalog, indirektnu, posebnu, posledičnu ili slučajnu štetu izazvanu propustima ili narušavanjem mrežne bezbednosti.

**Regulatorna odobrenja RF uređaja: SAD i Kanada**

Sadrži Wi-Fi USB adapter: LM808 proizvođača LM technologies

FCC ID: VVX808-04XX

IC: 10531A-80804XX

**Tabela 1 Snaga Wi-Fi adaptera**

Specifikacija, izdanje i datum	Frekventni opseg (MHz)	Oznaka emisije	RF snaga (W)	Antena
RSS-247, izdanje 2, 02/2017	5180—5240	17M1D1D	0,005	Integral, 4,7 dBi
RSS-247, izdanje 2, 02/2017	5210	75M8D1D	0,005	Integral, 4,7 dBi
RSS-247, izdanje 2, 02/2017	5745—5825	17M9D1D	0,005	Integral, 4,7 dBi
RSS-247, izdanje 2, 02/2017	5775	75M6D1D	0,004	Integral, 4,7 dBi
RSS-247, izdanje 2, 02/2017	2412—2462	15M0D1D	0,027	Integral, 0,1 dBi
RSS-247, izdanje 2, 02/2017	2412—2462	16M5D1D	0,016	Integral, 0,1 dBi
RSS-247, izdanje 2, 02/2017	2422—2452	35M1D1D	0,011	Integral, 0,1 dBi

**Wi-Fi USB adapter LM808—Važni uslovi za FCC grant:**

Implementirana je navedena snaga. Usklađenost sa SAR-om za USB opremu je procenjena kako je opisano u ovoj prijavi. Antene koje se koriste za ovaj predajnik ne smeju istovremeno da emituju sa bilo kojom drugom antenom ili predajnikom, osim u skladu sa FCC procedurama proizvoda sa više predajnika ili kao što je opisano u ovoj prijavi. Najviša prijavljena SAR vrednost je 0,26 W/kg. Ovaj uređaj ima režim sa širinom opsega 20 MHz i 40 MHz.

**Regulatorna odobrenja RF uređaja: EU**

Sadrži Wi-Fi USB adapter: LM808

**Tabela 2 Frekventni opsezi**

Specifikacija	Detalji
Frekventni opseg	ISM opseg 2,4 GHz
	ISM opseg 5 GHz
RF izlazna snaga (tolerancija $\pm 2$ dBm)	17 dBm, 802.11b na 11 Mb/s
	15 dBm, 802.11g na 54 Mb/s
	13 dBm, 802.11a na 54 Mb/s
	13 dBm, 802.11n na MCS7_HT20
	13 dBm, 802.11n na MCS7_HT40
	11 dBm, 802.11ac na NSS1 MCS9_BW20, BW40, BW80
	-82 dBm, 802.11b na 11 Mb/s—71 dB0, 802.11g na 54 MB/s
Osetljivost prijemnika	-67 dBm, 802.11n na MCS7_BW20
	-64 dBm, 802.11n na MCS7_BW40
	-57 dBm, 802.11ac na NSS1_MCS9_BW20
	-54 dBm, 802.11ac na MSS1_MCS9_BW40
	-51 dBm, 802.11ac na MSS1_MCS9_BW80

#### **Kanada (IC)**

Sadrži Wi-Fi USB adapter: LM808 proizvođača LM technologies IC: 10531A-80804XX

Ovaj digitalni aparat klase (A) je u skladu sa kanadskim ICES-003. Ovaj uređaj je u skladu sa standardima RSS koji su izuzeti od licenci Industry Canada. Režim rada podleže sledećim uslovima:

- (1) ovaj uređaj ne sme da izaziva smetnje i
- (2) ovaj uređaj mora da prihvati sve smetnje, uključujući smetnje koje mogu izazvati neželjeni rad uređaja.

*Cet appareil numérique de la classe (A) respect toutes les exigences de la norme NMB-003 du Canada. Le présent appareil est conforme aux CNR d'Industrie Canada applicables aux appareils radio exempts de licence. L'exploitation est autorisée aux deux conditions suivantes:*

- (1) l'appareil ne doit pas produire de brouillage, et
- (2) l'utilisateur de l'appareil doit accepter tout brouillage radioélectrique subi, même si le brouillage est susceptible d'en compromettre le fonctionnement.

#### **Sjedinjene Američke Države (FCC)**

Sadrži Wi-Fi USB adapter: LM808 proizvođača LM technologies FCC ID: VVX808-04XX

Modifikacije koje ova kompanija nije izričito odobrila mogu lišiti prava korisnika da upravlja ovom opremom (odeljak FCC-a 15.21).

Ova oprema je ispitana i ustanovljeno je da je usklađena sa granicama za digitalne uređaje klase A, shodno Delu 15 pravila FCC. Te granice su projektovane kako bi obezbedile razumnu zaštitu od štetnih smetnji kada oprema radi u komercijalnom okruženju. Ova oprema generiše, koristi i može da emituje radiofrekventnu energiju i, ako nije montirana i ako se ne koristi u skladu sa uputstvom za rukovanje, može izazvati štetne smetnje radio vezama. Rad ove opreme u stambenom području može da izazove štetne smetnje, i u takvom slučaju od korisnika će se zahtevati da o svom trošku koriguje smetnje (FCC, odeljak 15.105).

#### **FCC/IC regulatorna obaveštenja za Multitech RF modul Izjava o modifikacijama**

LM technologies nije odobrio nikakve izmene ili modifikacije od strane korisnika na ovom uređaju. Bilo kakve promene ili modifikacije mogu lišiti prava korisnika na upravljanje opremom.

*LM technologies n'approuve aucune modification apportée à l'appareil par l'utilisateur, quelle qu'en soit la nature. Tout changement ou modification peuvent annuler le droit d'utilisation de l'appareil par l'utilisateur.*

### **Izjava o smetnjama**

Ovaj uređaj je u skladu sa Delom 15 pravila FCC i standardima RSS koji su izuzeti od licenci Industry Canada. Režim rada podleže sledećim uslovima: (1) ovaj uređaj ne sme da izaziva smetnje i (2) ovaj uređaj mora da prihvati sve smetnje, uključujući smetnje koje mogu izazvati neželjeni rad uređaja.

*Le présent appareil est conforme aux CNR d'Industrie Canada applicables aux appareils radio exempts de licence. L'exploitation est autorisée aux deux conditions suivantes : (1) l'appareil ne doit pas produire de brouillage, et (2) l'utilisateur de l'appareil doit accepter tout brouillage radioélectrique subi, même si le brouillage est susceptible d'en compromettre le fonctionnement. Cet appareil est conforme aux limites d'exposition aux rayonnements de la IC pour un environnement non contrôlé.*

### **FCC izjava za 5G:**

LE-LAN uređaji su ograničeni na rad u zatvorenim prostorima samo u opsegu 5150-5250 MHz

### **Evropa — Direktiva o radio opremi (RED)**



WiFi opseg od 5,15-5,35 GHz ograničen je samo na upotrebu u zatvorenim prostorima u sledećim državama:

**Tabela 3 Evropske države**

Andora (AD)	Danska (DK)	Iraska (IE)	Crna Gora (ME)	Slovačka (SK)
Austrija (AT)	Estonija (EE)	Italija (IT)	Holandija (NL)	Slovenija (SL)
Belgija (BE)	Finska (FI)	Litvanija (LV)	Norveška (NO)	Španija (ES)
Bosna i Hercegovina (BA)	Francuska (FR)	Lihtenštajn (LI)	Poljska (PL)	Švedska (SE)
Bugarska (BG)	Nemačka (DE)	Litvanija (LT)	Portugalija (PT)	Švajcarska (CH)
Hrvatska (HR)	Grčka (GR)	Luksemburg (LU)	Rumunija (RO)	Makedonija (MK)
Kipar (CY)	Mađarska (HU)	Malta (MT)	San Marino (SM)	Ujedinjeno Kraljevstvo (GB)
Republika Češka (CZ)	Island (IS)	Monako (MC)	Srbija (RS)	Država Vatikan (VA)

## **2.2 Pregled proizvoda**

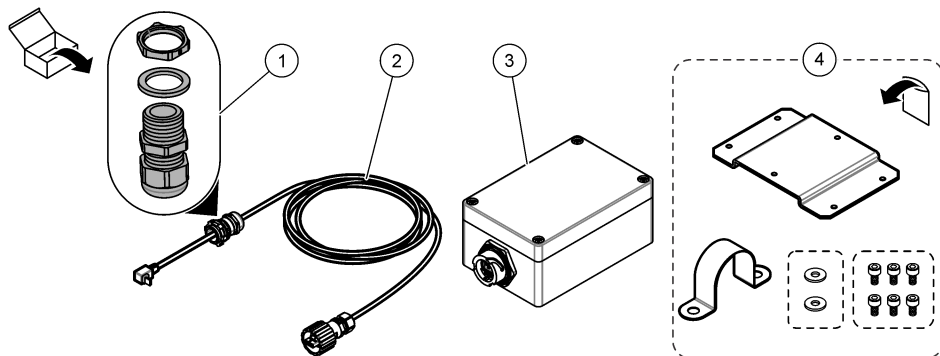
Eksterni USB uređaj se koristi za povezivanje USB uređaja sa SC4500 kontrolerom (npr., Wi-Fi adapter).

**Napomena:** Sve komponente (tj., adapter i interne veze) su fabrički montirane.

## 2.3 Komponente uređaja

Proverite da li ste dobili sve komponente. Pogledajte [Slika 1](#). Ukoliko bilo koja komponenta nedostaje ili je oštećena, odmah se obratite proizvođaču ili distributeru.

**Slika 1 Komponente uređaja**



1 Rasterećenje istežanja, podloška i navrtka	3 USB uređaj
2 Priključni kabl USB uređaja	4 Oprema za montažu na stub <sup>2</sup>

## Odeljak 3 Postavljanje

### 3.1 Montiranje

#### **OBAVEŠTENJE**

Za instalaciju USB uređaja koristite montažne otvore. Nemojte da pravite otvore na zadnjoj strani USB uređaja jer može doći do oštećenja unutrašnjih komponenti.

#### **OBAVEŠTENJE**



Zatvorite poklopac USB uređaja i uverite se da su zavrtjni poklopca pritegnuti da biste zadržali ekološku klasu kućišta.

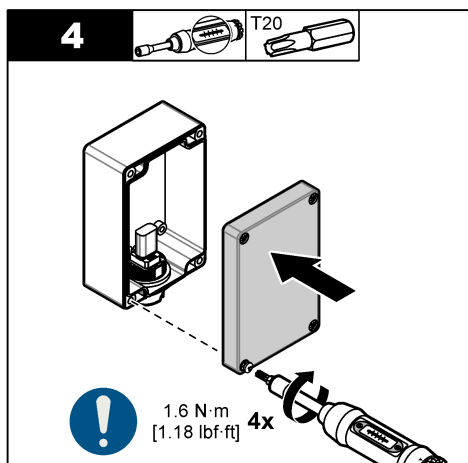
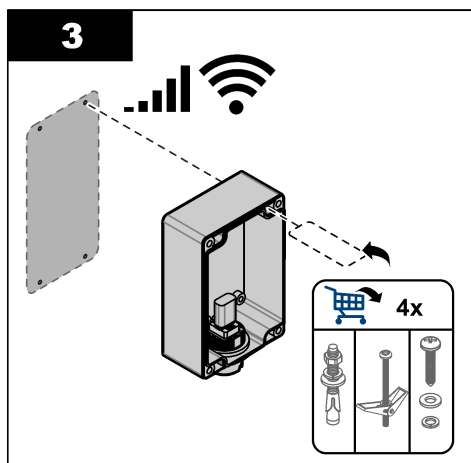
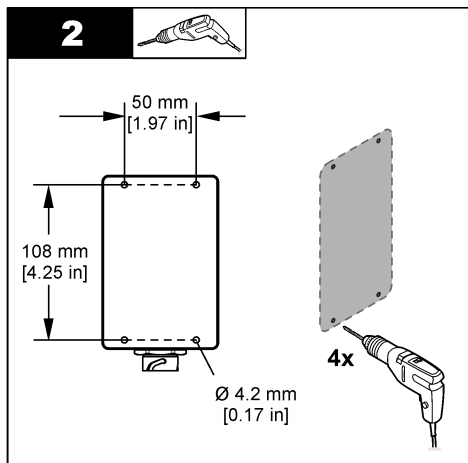
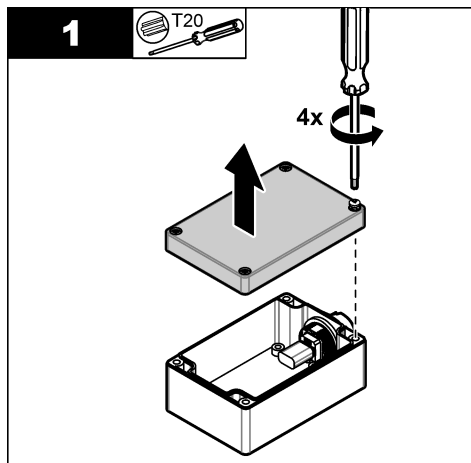
Instalirajte USB uređaj tamo gde je uređaj za isključivanje napajanja kontrolera pristupačan. Instalirajte USB uređaj na mestu sa najvećom Wi-Fi signala. Koristite mobilni uređaj da biste pronašli mesto sa najvećom jačinom Wi-Fi signala.

Pričvrstite USB uređaj na zid, vertikalni stub ili horizontalni stub.

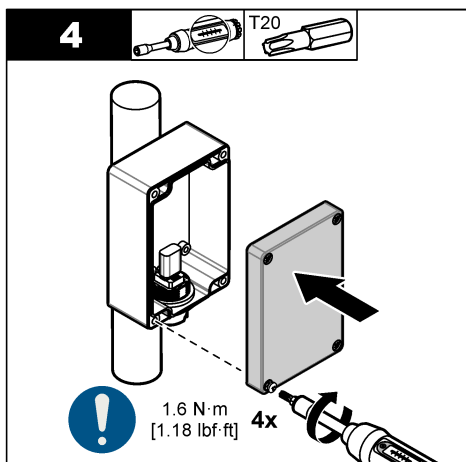
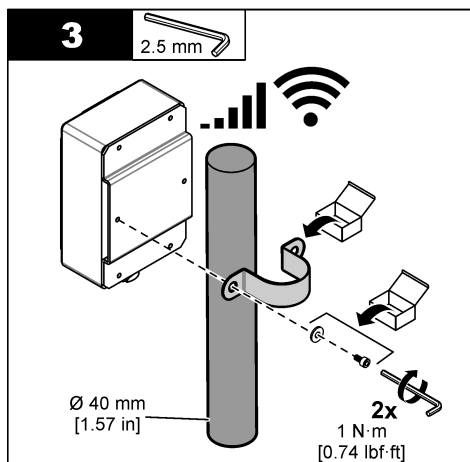
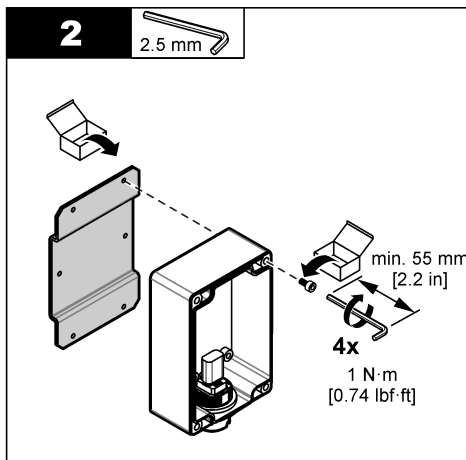
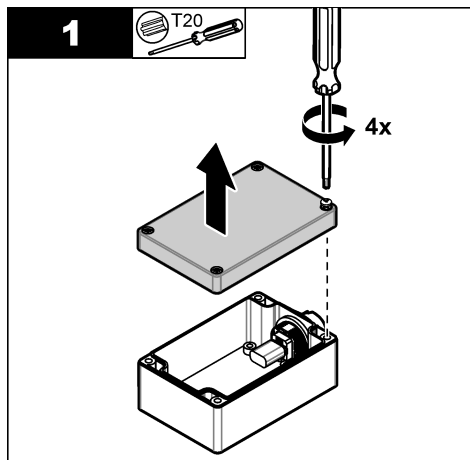
**Napomena:** Opremu za montiranje na zid nabavlja korisnik. Vijci/oprema moraju da odgovaraju svojstvima zida/plafona i moraju da imaju odgovarajuću nosivost.

<sup>2</sup> Oprema za montažu na stub je predviđena za stub prečnika 40 mm (1,57 in).

Pogledajte ilustrovane korake koji slede za montažu USB uređaja na zidu.



Pogledajte ilustrovane korake koji slede za montažu USB uređaja na stubu.



## 3.2 Povezivanje kabla

### OBAVEŠTENJE

Proizvođač preporučuje upotrebu električnih komponentata koje isporučuje proizvođač, kao što su kabl za napajanje, konektori i oprema za rasterećenje istezanja.

### OBAVEŠTENJE



Pobrinite se da omotač kabla prolazi kroz unutrašnju stranu kućišta da bi se održala ocena zaštite životne sredine za kućište.

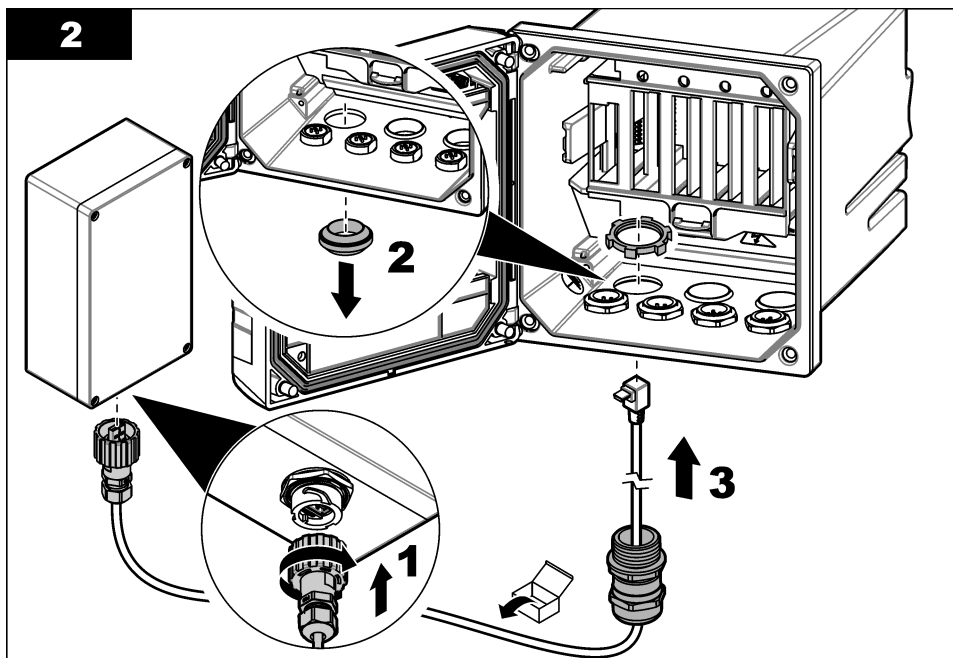
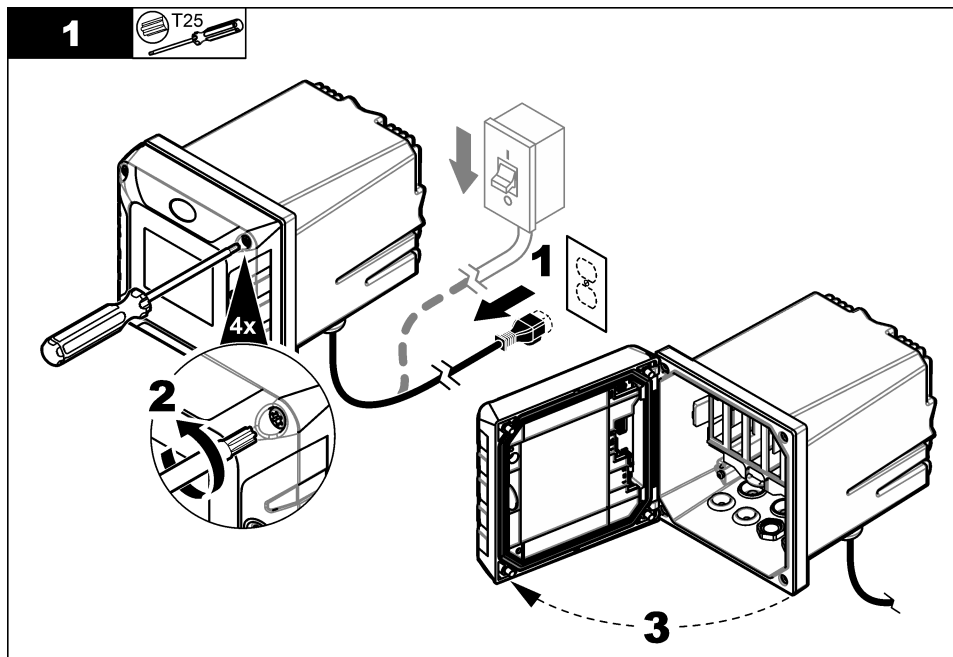
### OBAVEŠTENJE

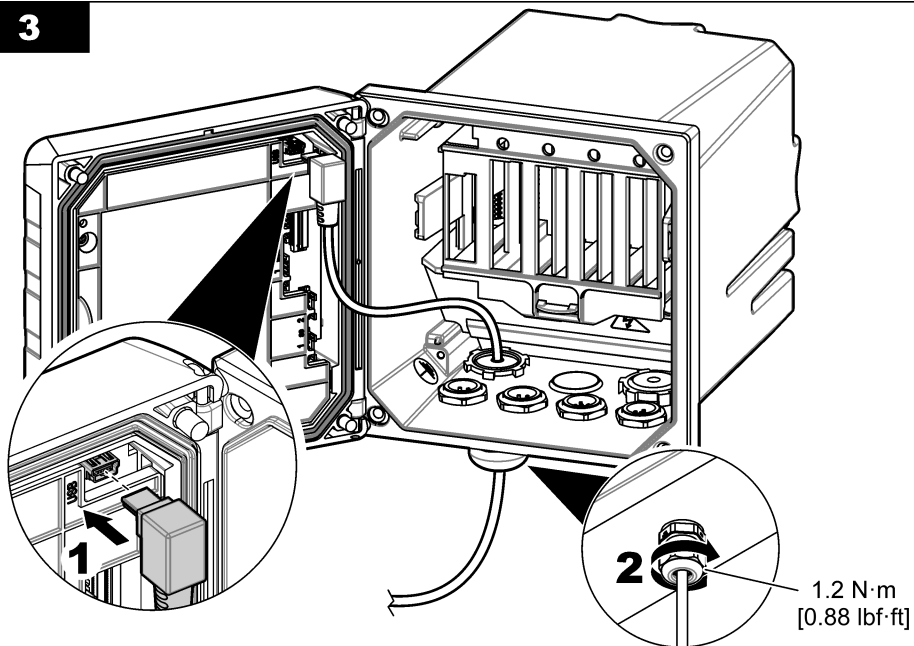
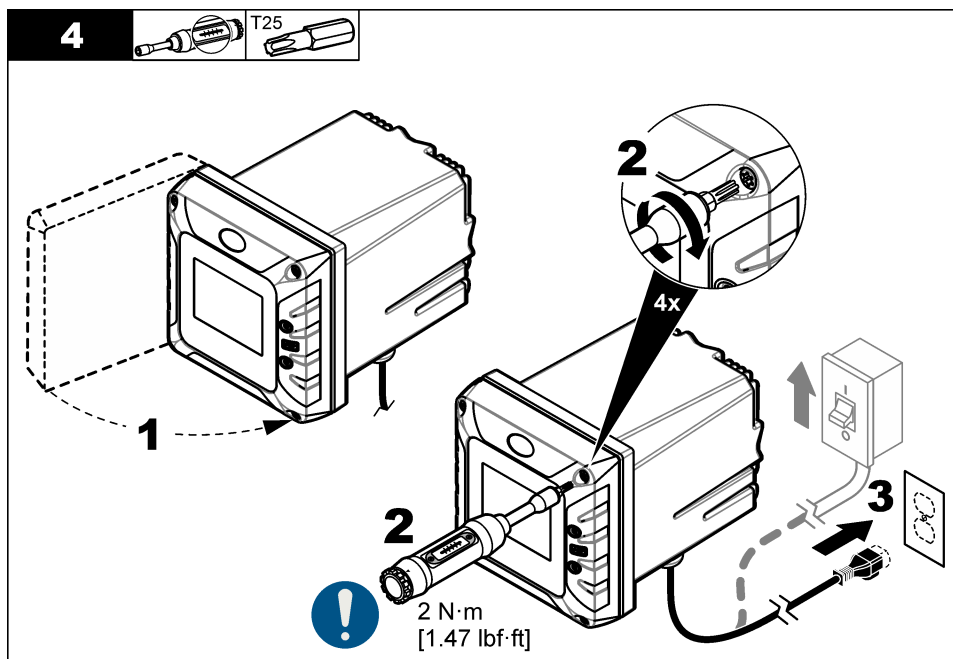
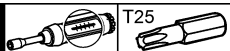


Zatvorite poklopac kontrolera i uverite se da su zavrtnji poklopca pritegnuti da biste zadržali ekološku klasu kućišta.



Povežite isporučeni kabl sa USB uređajem i internim USB konektorom u kontroleru. Pogledajte prikazane korake koji slede.



**3****4**

## Odeljak 4 Uključenje

**Napomena:** WiFi adapter je fabrički montiran i povezan. Ako je potrebno, pogledajte [Zamenite WiFi adapter](#) na stranici 291 za zamenu WiFi adaptera.

Kada završite instalaciju, preduzmite sledeće korake:

1. Uklonite poklopac sa USB uređaja.
2. Uključite napajanje kontrolera.
3. Uverite se da je WiFi adapter pod naponom.
4. Sačekajte najmanje 5 minuta.
5. Proverite jačinu signala i stanje mrežne konekcije. Pogledajte dokumentaciju za kontroler.
6. Postavite poklopac na USB uređaj.

## Odeljak 5 Konfiguracija

Uputstvo potražite u dokumentaciji kontrolera. Za više informacija pogledajte prošireni korisnički priručnik na veb-lokaciji proizvođača.

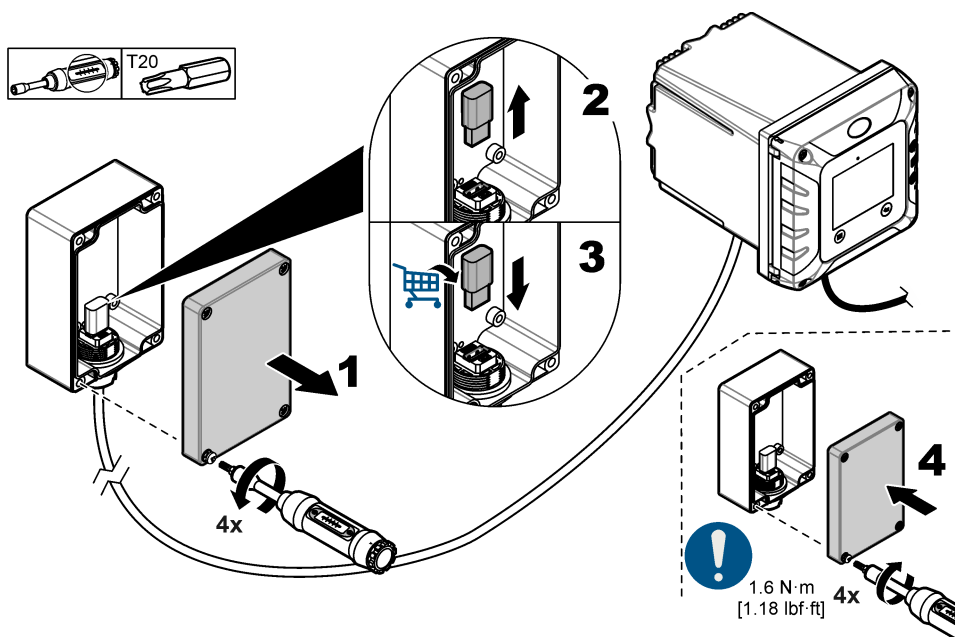
## Odeljak 6 Održavanje

### 6.1 Zamenite WiFi adapter

Ako je potrebno, zamenite WiFi adapter. Pogledajte prikazane korake [Slika 2](#).

**Stavke za nabavku:** WiFi adapter

**Slika 2 Zamenite WiFi adapter**



## Odeljak 7 Pribor

### ⚠ UPOZORENJE



Opasnost od povređivanja. Korišćenje neodobrenih delova može da dovede do telesne povrede, oštećenja instrumenta ili kvara opreme. Rezervne delove u ovom odeljku je odobrio proizvođač.

**Napomena:** Brojevi proizvoda i artikala mogu se razlikovati na nekim tržištima. Informacije za kontakt potražite od odgovarajućeg distributera ili na veb-lokaciji kompanije.

<b>Opis</b>	<b>Br. stavke</b>
Priključni kabl USB uređaja, ViFi, 4,5 m	LXZ525.99.00019
Komplet montažne opreme	8806200
WiFi USB adapter za SAD, 2,4/5 GHz	LZY996
WiFi USB adapter za EU, 2,4/5 GHz	LZY997





**HACH COMPANY World Headquarters**

P.O. Box 389, Loveland, CO 80539-0389 U.S.A.  
Tel. (970) 669-3050  
(800) 227-4224 (U.S.A. only)  
Fax (970) 669-2932  
orders@hach.com  
www.hach.com

**HACH LANGE GMBH**

Willstätterstraße 11  
D-40549 Düsseldorf, Germany  
Tel. +49 (0) 2 11 52 88-320  
Fax +49 (0) 2 11 52 88-210  
info-de@hach.com  
www.de.hach.com

**HACH LANGE Sàrl**

6, route de Compois  
1222 Vézenaz  
SWITZERLAND  
Tel. +41 22 594 6400  
Fax +41 22 594 6499