

POWER REQUIREMENTS:

115 Vac, 60 Hz (230 Vac, 50 Hz OPTIONAL)
 COMPRESSOR CURRENT: 1.5 TO 2.0 A, RUNNING
 LOCKED ROTOR CURRENT: 12A
 OVERLOAD PROTECTION: 5 A DC LINE FUSE TO PUMP,
 1 A DC LINE FUSE (AC POWER CONVERTER)
 COMPRESSOR: THERMAL OVERLOAD RELAY
 OPENS AT 100 TO 110 °C (209 TO 230 °F)

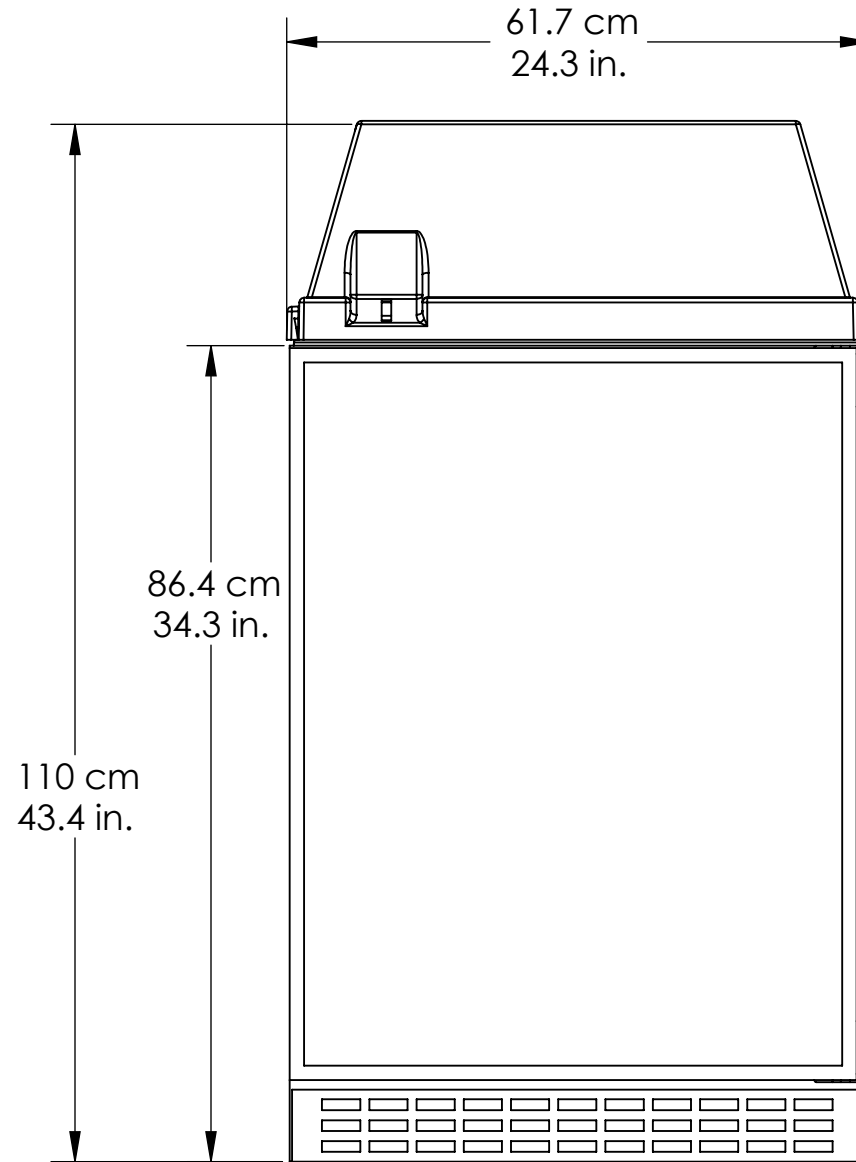
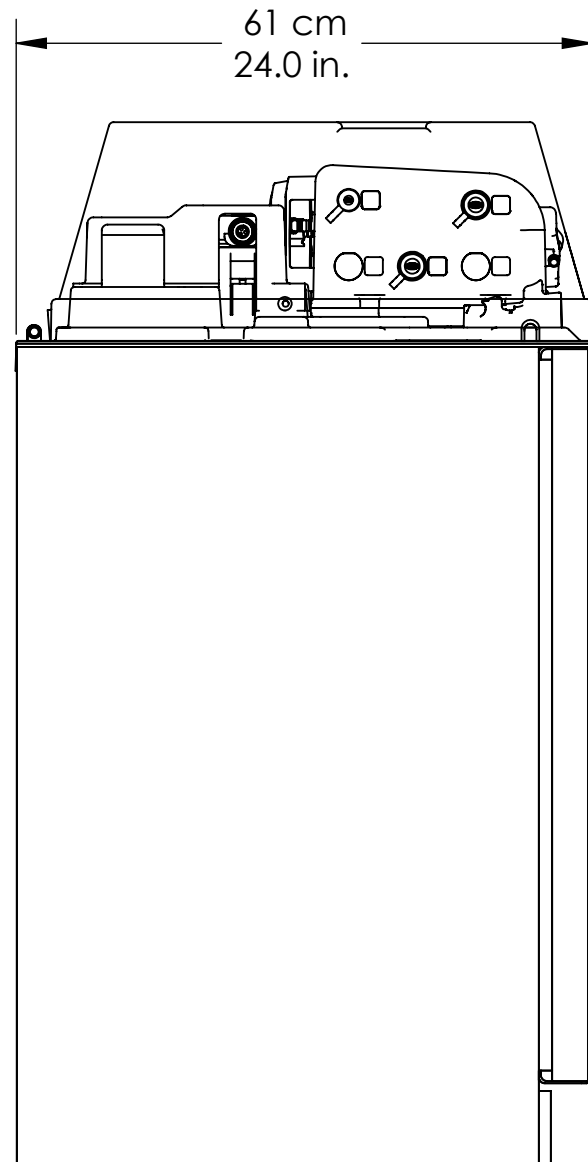
TEMPERATURE:

GENERAL USE: 0 TO 50 °C (32 TO 122 °F)
 STORAGE: -30 TO 60 °C (-22 TO 140 °F)


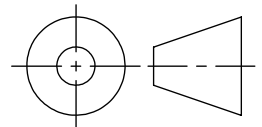
WEIGHT:

63 kg (140lbs)

REVISION		
REV	DESCRIPTION	APPROVED
A	Production Release	Jeff Archer



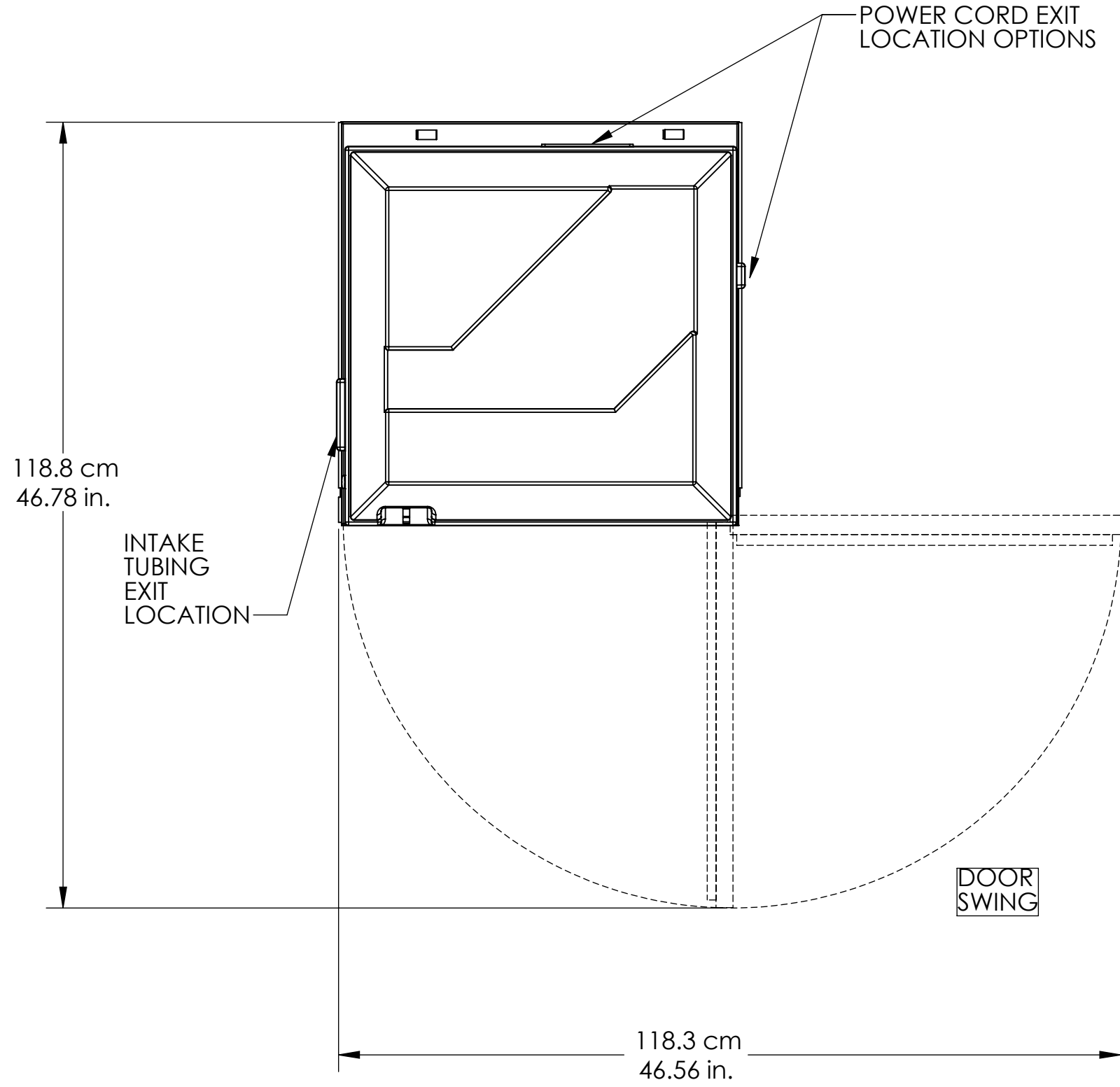
NOTICE--HACH COMPANY CLAIMS PROPRIETARY RIGHTS IN THE INFORMATION DISCLOSED ON THIS DRAWING. IT IS ISSUED IN CONFIDENCE FOR ENGINEERING INFORMATION ONLY AND MAY NOT, IN WHOLE OR IN PART, BE USED TO MANUFACTURE ANYTHING, WHETHER OR NOT SHOWN HEREON, REPRODUCED OR DISCLOSED TO ANYONE WITHOUT DIRECT PERMISSION FROM HACH COMPANY.

MATERIAL	UNLESS OTHERWISE SPECIFIED: DIMENSIONS ARE IN INCHES TOLERANCES: .X = ±.03 .XX = ±.01 .XXX = ±.005 ANGLES = ±.25° INTERPRET GEOMETRIC TOLERANCING PER: ANSI Y14.5M 1994 DO NOT SCALE DRAWING	NAME	DATE	 HACH COMPANY 5600 LINDBERGH DR. LOVELAND, CO. 80539
		DRAWN	KJ 11/07/2007	
		ENGINEER	KJ 11/07/2007	TITLE: REFRIGERATOR ASSY SUBMITTAL DRAWING
		THIRD ANGLE PROJECTION		
				SIZE DWG. NO. REV B 8970SD87 A
		SCALE: 1:1 WEIGHT:		SHEET 1 OF 2

8 7 6 5 4 3 2 1

D
C
B
A

D
C
B
A



SIZE	DWG. NO.	REV
B	8970SD87	A
SCALE: 1:16 WEIGHT:		SHEET 2 OF 2

8 7 6 5 4 3 2 1