

Surcharge-Velocity Sensor (SVS) to Flo-Dar Installation

Safety Information

The manufacturer is not responsible for any damages due to misapplication or misuse of this product including, without limitation, direct, incidental and consequential damages, and disclaims such damages to the full extent permitted under applicable law. The user is solely responsible to identify critical application risks and install appropriate mechanisms to protect processes during a possible equipment malfunction.

Please read this entire manual before unpacking, setting up or operating this equipment. Pay attention to all danger and caution statements. Failure to do so could result in serious injury to the operator or damage to the equipment.

Make sure that the protection provided by this equipment is not impaired. Do not use or install this equipment in any manner other than that specified in this manual.

Precautionary Labels

Read all labels and tags attached to the instrument. Personal injury or damage to the instrument could occur if not observed. A symbol on the instrument is referenced in the manual with a precautionary statement.



Electrical equipment marked with this symbol may not be disposed of in European domestic or public disposal systems. Return old or end-of-life equipment to the manufacturer for disposal at no charge to the user.

General overview

This document gives the instructions on how to attach an SVS sensor to a Flo-Dar when a shipment is sent with the Flo-Dar and SVS sensor disconnected. Ignore this document, if a shipment is received with the SVS already attached to the Flo-Dar.

This document also gives the instructions on how to add an SVS to an existing Flo-Dar in the field.

Attach the SVS to the Flo-Dar

To attach a SVS to an existing Flo-Dar, holes must be drilled on the Flo-Dar. The SVS clamp is not used (ignore step 5). To add drill holes, put the SVS sensor on the Flo-Dar. Use the SVS sensor as a template to add the holes on the Flo-Dar. Drill two screw holes with a diameter of 0.159 and a depth of 0.75 inches (Figure 1, item 9). Do not drill through the Flo-Dar enclosure.

Procedure to attach the SVS to the Flo-Dar:

1. Remove the Flo-Dar handle (Figure 1, item 1 and 2).
2. Put the SVS on the Flo-Dar with the holes on the SVS aligned with the drill holes on the two sides of the Flo-dar (Figure 1, item 9).
3. Attach the SVS to the Flo-dar with the 3/4-inch screws.
4. Put the SVS cable through the handle.
5. Remove the SVS cable clamp screws. Attach the SVS cable with the cable clamp and the 1-1/4 inch screws (Figure 1, item 3 and 4)

6. Loosen the Flo-Dar cable clamp screws and install the Flo-Dar handle. Adjust the Flo-Dar cable and tighten the Flo-Dar cable clamp screws (Figure 1, item 6).
7. Attach the Flo-Dar cable and the SVS cable with zip-ties. Start 1 inch away from the Flo-Dar handle, attach a zip-tie every 5 feet (Figure 1, item 5).

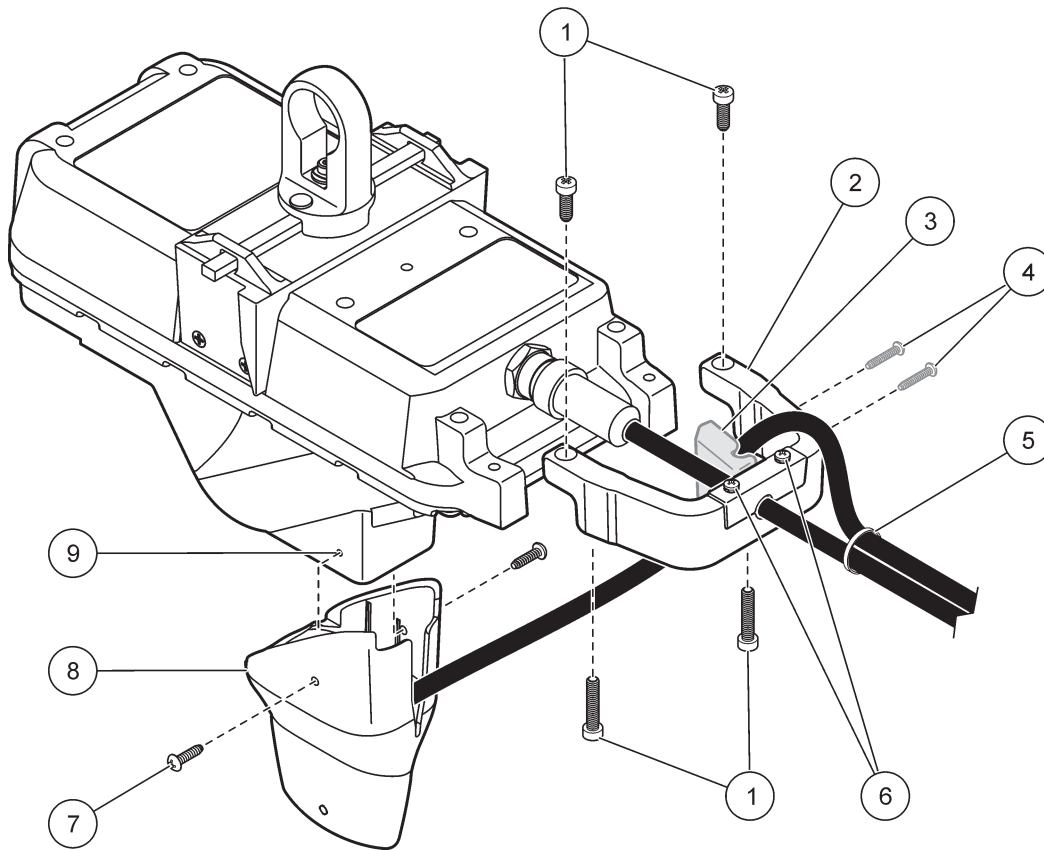


Figure 1 SVS to Flo-Dar assembly

1	Handle screws	6	Flo-Dar cable clamp screws
2	Handle	7	Screws
3	SVS cable clamp	8	SVS
4	SVS cable clamp screws	9	Screw hole depth and diameter $\varnothing 0.159 \times 0.75$ deep (2x)
5	Cable tie		

McCrometer, Inc.
 3255 West Stetson Avenue
 Hemet, CA 92545 USA
 Tel: 951-652-6811
 800-220-2279
 Fax: 951-652-3078
 hachflowtechsupport@mccrometer.com
 www.hach.com/flow



USA Copyright © McCrometer, Inc. All printed material should not be changed or altered without permission of McCrometer. Any published pricing, technical data, and instructions are subject to change without notice. Contact your McCrometer representative for current pricing, technical data, and instructions.