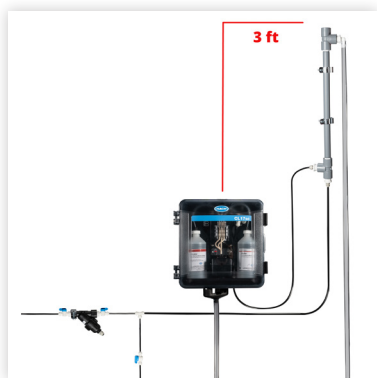
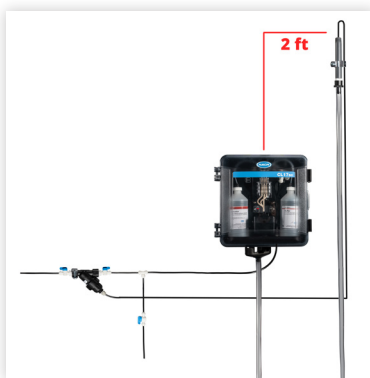




# Hach Colorimetric Chlorine Analyzer Product Guide



CL17sc +  
Modified Standpipe  
8572300



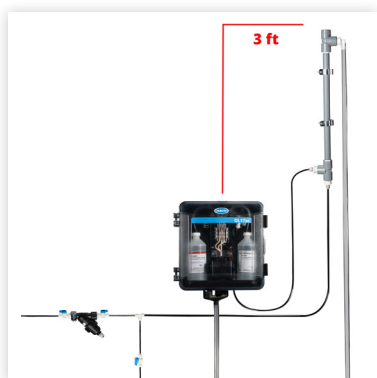
CL17sc +  
Regular Standpipe  
8572350



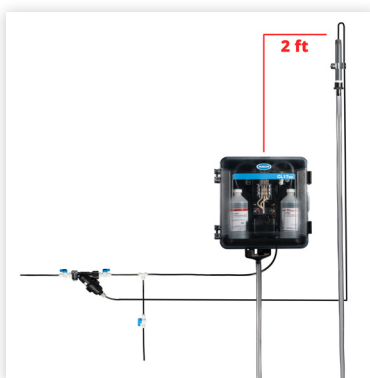
CL17sc +  
Pressure Regulator  
8572400



CL17sc + SC4500 +  
Pressure Regulator Panel  
SPMP-CL



ULR CL17sc +  
Modified Standpipe  
TBD



ULR CL17sc +  
Regular Standpipe  
9790200



ULR CL17sc +  
Pressure Regulator  
9790300



ULR CL17sc + SC4500 +  
Pressure Regulator Panel  
SPMP-ULRCL



Free Chlorine Reagents  
2556900



Total Chlorine Reagents  
2557000



World Headquarters: Loveland, Colorado USA | [hach.com](http://hach.com)

United States  
Outside United States

800-227-4224  
970-669-3050

[orders@hach.com](mailto:orders@hach.com)  
[intl@hach.com](mailto:intl@hach.com)

©Hach Company, 2024. All rights reserved.  
In the interest of improving and updating its  
equipment, Hach Company reserves the right  
to alter specifications to equipment at any time.

DOC063.53.30852.Mar25