

# SC4200c Claros Connector

## Applications

- Wastewater
- Drinking water
- Industrial water
- Other



## Enhance your controller with remote accessibility

Connect your existing Hach SC200 or SC1000 for remote access to online systems data anytime, anywhere.

### Ensure Instrument Accuracy

Step-by-step instructions on any connected device help ensure operators perform maintenance correctly, simplifying training, minimizing downtime, and assuring accurate instrument performance.

### Remote Monitoring

Capture 24/7 oversight of your plant and process with continual remote access to your measurements and instrumentation.

### Condition-based Maintenance

Predictive diagnostic software constantly monitors your instruments' health, allowing you to optimize your maintenance schedule and prioritize according to true need.

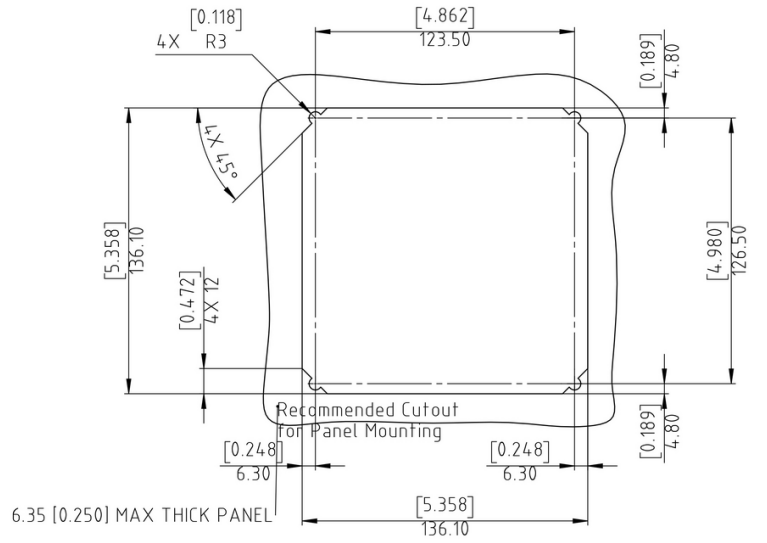
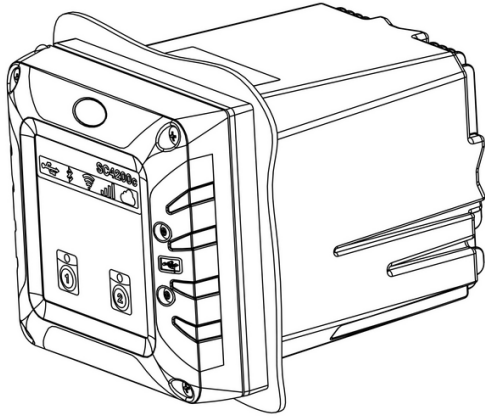
## Technical Data\*

<b>Description</b>	Microprocessor-controlled and menu-driven gateway that connects to SC200 or SC1000	<b>USB Port</b>	Used for data download and software upload. The controller records approximately 20,000 data points for each connected sensor.
<b>Dimensions</b>	½ DIN - 144 x 144 x 192 mm (5.7 x 5.7 x 7.6 in.)	<b>Compliance certifications</b>	CE approved (with all sensor types). Listed for use in general locations to UL and CSA safety standards by ETL (with all sensor types).  Certain AC mains powered models are listed for use in general safety locations to UL and CSA safety standards by Underwriters Laboratories (with all sensor types).
<b>Weight</b>	1.7 kg (controller only, w/o modules)	<b>Warranty</b>	2 years
<b>Enclosure waterproof rating</b>	NEMA 4X/IP66 metal enclosure with a corrosion-resistant finish	<b>Compatible network technologies</b>	GSM 3G/4G (e.g. AT&T, T-Mobile, Rogers, Vodafone etc.)  External CDMA (e.g. Verizon)
<b>Operating temperature range</b>	LAN version: -20 - 60 °C Cellular version: -20 - 55 °C	<b>Compatible instruments</b>	Ammonium: Amtax sc, AN-ISE sc, A-ISE sc  Nitrate: Nitratax sc, N-ISE sc, Nitratax clear/eco/plus sc  Phosphate: Phosphax sc, Phosphax sc LR  Organics: Uvas sc  pH/ORP: pHD sc, 1200-S sc, 8362sc  Conductivity: 3700sc, 3798-S sc, 3400sc  Ozone: 9185sc  Dissolved Oxygen: LDO 2 sc  Chlorine: CL10sc, CL17sc, 9184sc  Chlorine dioxide: 9187sc  Suspended Solids: Solitax sc, TSS sc  Sludge Level: Sonatax sc  Turbidity: TU5300sc/TU5400sc, Ultraturb sc, SS7 sc
<b>Storage conditions</b>	-20 - 70 °C, 0 - 95% relative humidity, non-condensing		
<b>Altitude</b>	2000 m maximum		
<b>Installation category</b>	Category II		
<b>Pollution degree</b>	2		
<b>Protection class</b>	I, connected to protective earth		
<b>Power requirements (Voltage)</b>	100 - 240 V AC		
<b>Power requirements (Hz)</b>	50/60 Hz		
<b>Measurements</b>	One connection to SC controller		
<b>Relays</b>	High voltage: Two relays (SPDT) Maximum switching voltage: 250 VAC Maximum switching current: 5 A (resistive only load) Maximum switching power: 1250 VA, 125 W (resistive only load) Wire gauge: 0.75 to 2.5 mm <sup>2</sup> (18 to 12 AWG)  Low voltage: Four relays on each low voltage relay module		
<b>Communication capabilities</b>	Profibus DPV1 card		
<b>Network connectivity</b>	LAN version: Two Ethernet connectors (10/100 Mbps), switch function, M12 female D-coding connector.  Cellular version: SIM card holder (3G/4G).  The type of connection is dependent on controller configuration.		

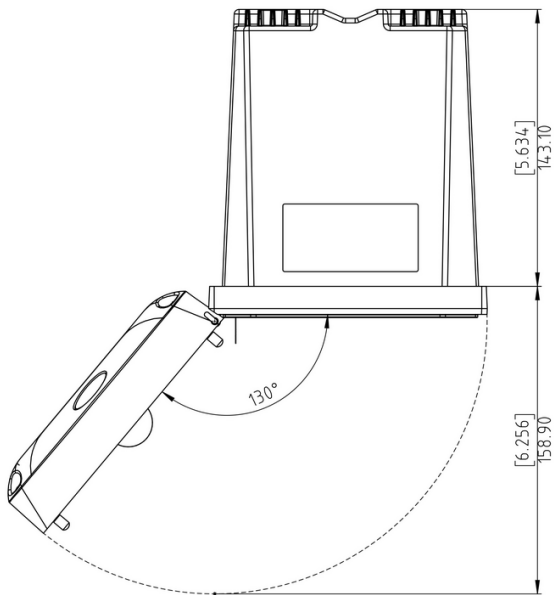
\*Subject to change without notice.

Dimensions

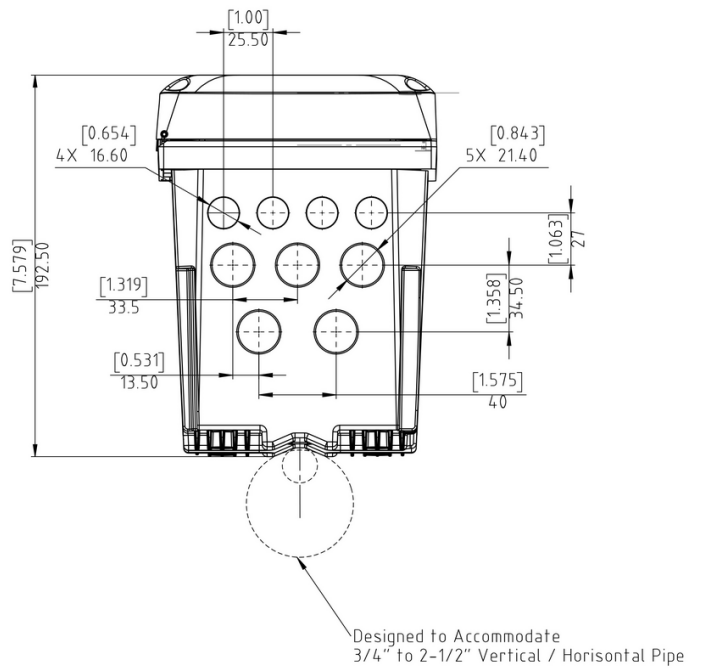
Panel mounting dimensions



Top and bottom views



Door Opening Details



## Order Information

### Claros Connector

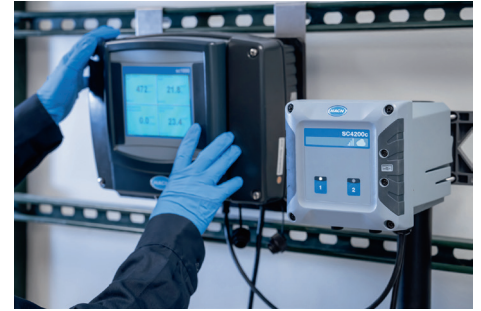
- LXV524.99.100A0** SC4200c Claros Connector, LAN, with plug
- LXV524.99.110A0** SC4200c Claros Connector, 3G/4G AT&T US, with plug
- LXV524.99.130A0** SC4200c Claros Connector, 3G/4G Europe, with plug
- LXV524.99.140A0** SC4200c Claros Connector, External Box for Wi-Fi/Cellular, with plug

*Other configurations are available.*

*Please contact Hach Technical Support or your Hach representative.*

### Accessories

- LXZ524.99.00046** Remote Service Connector for SC200
- LXZ524.99.00043** Remote Service Connector for SC1000
- LXZ524.99.00004** UV Protection Screen
- LXZ524.99.00033** Sunroof Visor
- LXZ524.99.00037** Sunroof



This instrument connects to Claros, Hach's innovative Water Intelligence System. Claros allows you to seamlessly connect and manage instruments, data, and process – anywhere, anytime. The result is greater confidence in your data and improved efficiencies in your operations. To unlock the full potential of Claros, insist on Claros Enabled instruments.



With Hach Service, you have a global partner who understands your needs and cares about delivering timely, high-quality service you can trust. Our Service Team brings unique expertise to help you maximise instrument uptime, ensure data integrity, maintain operational stability, and reduce compliance risk.