

SC4200c Claros Connector

Applications

- Wastewater
- Drinking water
- Industrial water
- Other



Enhance your controller with remote accessibility

Connect your existing Hach SC200 or SC1000* for remote access to online systems data anytime, anywhere.

Ensure Instrument Accuracy

Step-by-step instructions on any connected device help ensure operators perform maintenance correctly, simplifying training, minimizing downtime, and assuring accurate instrument performance.

Remote Monitoring

Capture 24/7 oversight of your plant and process with continual remote access to your measurements and instrumentation.

Condition-based Maintenance

Predictive diagnostic software constantly monitors your instruments' health, allowing you to optimize your maintenance schedule and prioritize according to true need.

**Claros Connector for SC1000 available Q4 2020*

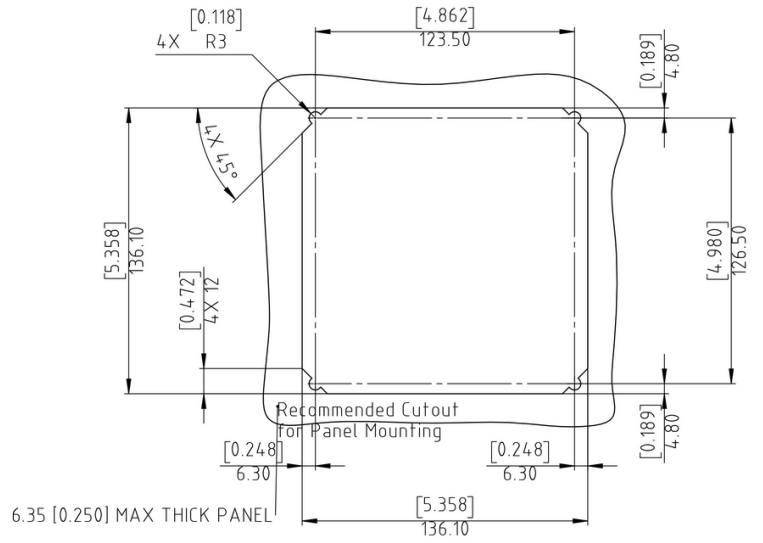
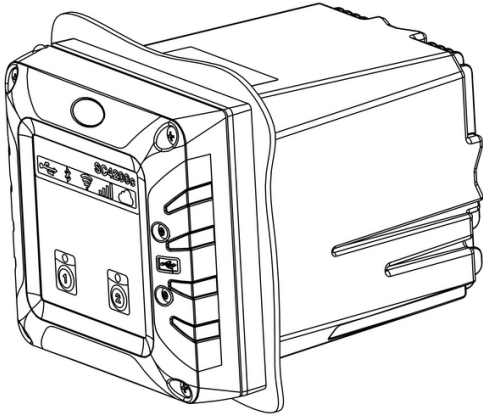
Technical Data*

Description	Microprocessor-controlled and menu-driven gateway that connects to SC200 or SC1000	USB Port	Used for data download and software upload. The controller records approximately 20,000 data points for each connected sensor.
Dimensions	½ DIN - 144 x 144 x 192 mm (5.7 x 5.7 x 7.6 in.)	Compliance certifications	CE approved (with all sensor types). Listed for use in general locations to UL and CSA safety standards by ETL (with all sensor types). Certain AC mains powered models are listed for use in general safety locations to UL and CSA safety standards by Underwriters Laboratories (with all sensor types).
Weight	1.7 kg (controller only, w/o modules)	Warranty	2 years
Enclosure waterproof rating	NEMA 4X/IP66 metal enclosure with a corrosion-resistant finish	Compatible network technologies	GSM 3G/4G (e.g. AT&T, T-Mobile, Rogers, Vodafone etc.) External CDMA (e.g. Verizon)
Operating temperature range	LAN version: -20 - 60 °C Cellular version: -20 - 55 °C	Compatible instruments	Ammonium: Amtax sc, AN-ISE sc, A-ISE sc Nitrate: Nitratax sc, N-ISE sc, Nitratax clear/eco/plus sc Phosphate: Phosphax sc, Phosphax sc LR Organics: Uvas sc pH/ORP: pHD sc, 1200-S sc, 8362sc Conductivity: 3700sc, 3798-S sc, 3400sc Ozone: 9185sc Dissolved Oxygen: LDO 2 sc Chlorine: CL10sc, CL17sc, 9184sc Chlorine dioxide: 9187sc Suspended Solids: Solitax sc, TSS sc Sludge Level: Sonatax sc Turbidity: TU5300sc/TU5400sc, Ultraturb sc, SS7 sc
Storage conditions	-20 - 70 °C, 0 - 95% relative humidity, non-condensing		
Altitude	2000 m maximum		
Installation category	Category II		
Pollution degree	2		
Protection class	I, connected to protective earth		
Power requirements (Voltage)	100 - 240 V AC		
Power requirements (Hz)	50/60 Hz		
Measurements	One connection to SC controller		
Relays	High voltage: Two relays (SPDT) Maximum switching voltage: 250 VAC Maximum switching current: 5 A (resistive only load) Maximum switching power: 1250 VA, 125 W (resistive only load) Wire gauge: 0.75 to 2.5 mm ² (18 to 12 AWG) Low voltage: Four relays on each low voltage relay module		
Communication capabilities	Profibus DPV1 card		
Network connectivity	LAN version: Two Ethernet connectors (10/100 Mbps), switch function, M12 female D-coding connector. Cellular version: SIM card holder (3G/4G). The type of connection is dependent on controller configuration.		

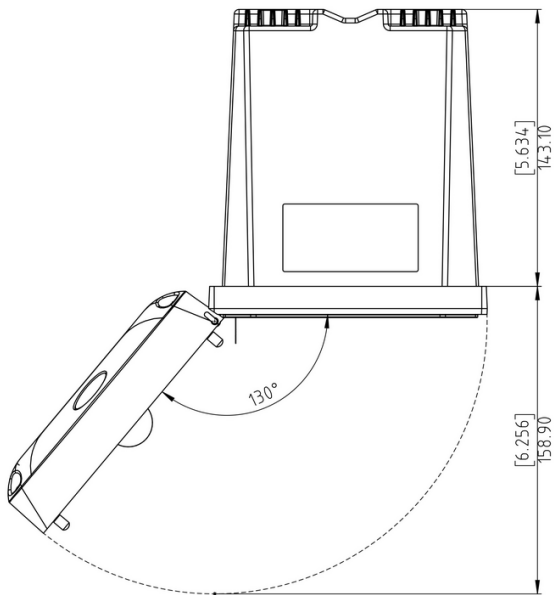
*Subject to change without notice.

Dimensions

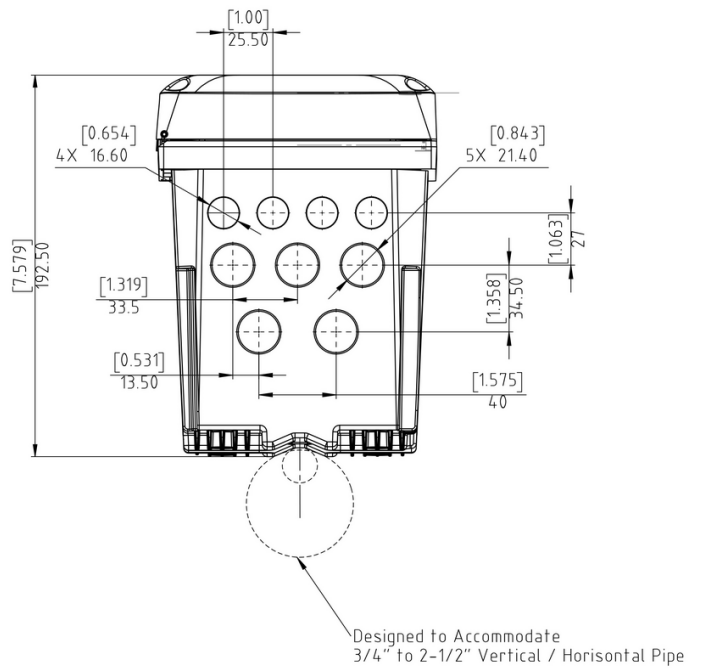
Panel mounting dimensions



Top and bottom views



Door Opening Details



Order Information

Claros Connector

- LXV524.99.100A0** SC4200c Claros Connector, LAN, with plug
- LXV524.99.110A0** SC4200c Claros Connector, 3G/4G AT&T US, with plug
- LXV524.99.130A0** SC4200c Claros Connector, 3G/4G Europe, with plug
- LXV524.99.140A0** SC4200c Claros Connector, External Box for Wi-Fi/Cellular, with plug

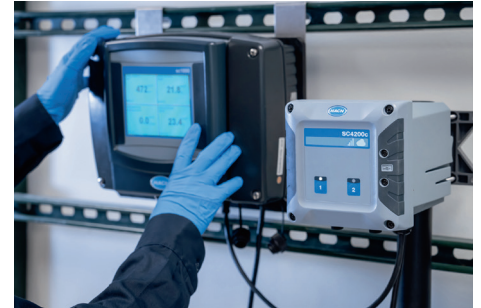
Other configurations are available.

Please contact Hach Technical Support or your Hach representative.

Accessories

- LXZ524.99.00046** Remote Service Connector for SC200
- LXZ524.99.00043** Remote Service Connector for SC1000*
- LXZ524.99.00004** UV Protection Screen
- LXZ524.99.00033** Sunroof Visor
- LXZ524.99.00037** Sunroof

**Claros Connector for SC1000 available Q4 2020*



Enable the Benefits of Smart Monitoring

This instrument connects to Claros, Hach's innovative Water Intelligence System. Claros allows you to seamlessly connect and manage instruments, data, and process – anywhere, anytime. The result is greater confidence in your data and improved efficiencies in your operations. To unlock the full potential of Claros, insist on Claros Enabled instruments.

Hach Service Protects Your Investment

With Hach Service, you have a global partner who understands your needs and cares about delivering timely, high-quality service you can trust. Our Service Team brings unique expertise to help you maximise instrument uptime, ensure data integrity, maintain operational stability, and reduce compliance risk.