



# EZ2729sc Total Nitrogen Analyzer

## Applications

- Wastewater
- Drinking Water
- Power Generation
- Surface Water



## Reliable, Scalable Systems Designed for Peak Performance

The EZ sc Series of online analyzers delivers robust, efficient, and future-ready solutions for facilities striving to maximize operational uptime and meet evolving demands. Engineered with precision and backed by expert support, EZ sc systems integrate flexibility, providing durable performance, intuitive tools, and the ability to scale, all while minimizing downtime and maintenance requirements.

### Trusted Equipment for Critical Operations

The EZ sc Series combines robust engineering with high-quality materials to ensure reliability 24/7. Designed for long-term performance, EZ sc Series minimizes breakdowns and supports sustained operational success.

### Scalable Solutions for Growing Needs

Built to evolve alongside your needs, online analyzers from the EZ sc Series offer adaptable parameters and easier integration. They ensure your facility remains future proof without requiring expensive upgrades. Easily adjust parameter testing ranges and expand sample streams to accommodate innovation and growth.

### Real-Time Data for Faster Decisions

The EZ sc Series offers advanced connectivity and real-time monitoring, delivering immediate access to actionable insights. Facilities utilizing this technology benefit from improved reaction times, empowering more informed decision-making and quicker responses during critical situations.

### Simplified Troubleshooting with Expert Support

Built-in diagnostics combined with secure remote data access make the EZ sc Series simplify issue resolution. Supported by a highly responsive team of experts, it ensures uninterrupted functionality and minimizes operational downtime. By addressing and identifying issues early, EZ sc Series of online analyzers helps prevent costly disruptions and repairs while maintaining system efficiency.

### Clear Workflows for Predictable Outcomes

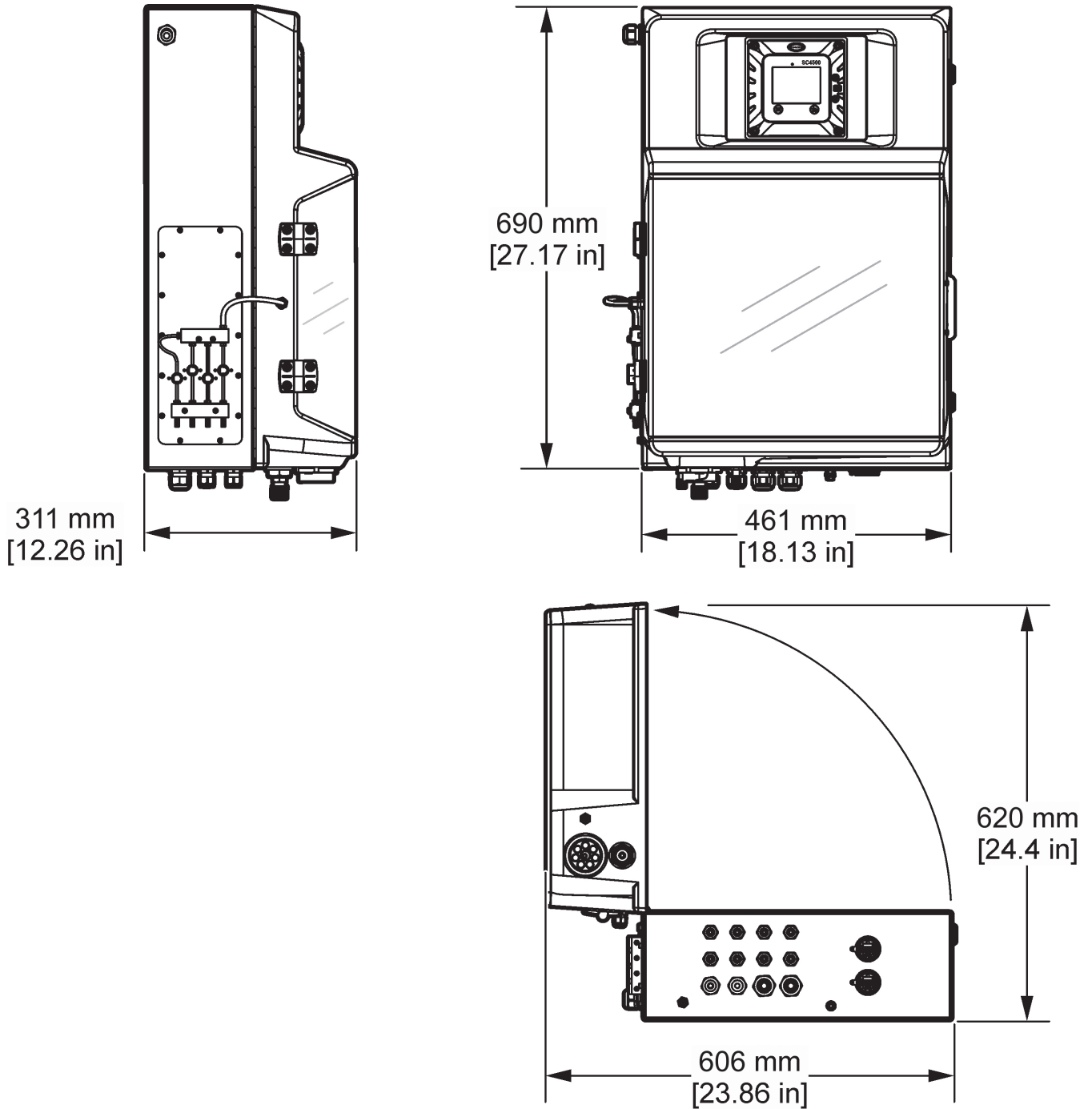
Standardized tools and guided workflows ensure consistent implementation and operation. The EZ sc Series minimizes miscommunication, sets clear expectations, and reduces process inconsistencies, driving greater efficiency.

## Technical Data\*

<b>Model</b>	<b>EZ2729sc</b>
<b>Parameter</b>	Nitrogen, Total
<b>Measurement method</b>	NEDD colorimetric method after reduction with hydrazine
<b>Range</b>	Internal Dilution 0.25 - 10 mg/L TN 0.5 - 20 mg/L TN 1.25 - 50 mg/L TN 2.5 - 100 mg/L TN
<b>Lower Limit of Detection (LOD)</b>	0.25 - 10 mg/L TN: 0.25 mg/L 0.5 - 20 mg/L TN: 0.5 mg/L 1.25 - 50 mg/L TN: 1.25 mg/L 2.5 - 100 mg/L TN: 2.5 mg/L
<b>Precision</b>	Better than 4% full scale range for standard test solutions
<b>Cycle Time</b>	Default: 45 min. Continuous: 36 min.
<b>Sample Temperature</b>	50 - 86 °F (10 - 30 °C)
<b>Reagent Requirements</b>	Keep reducing and color solution refrigerated: 10 - 15 °C (50 - 59 °F). All other between 10 - 30 °C (50 - 86 °F)
<b>Sample Quality</b>	Maximum particle size 100 µm, < 0.1 g/L; Turbidity < 50 NTU
<b>Interferences</b>	Ions, e.g., antimony (III) (Sb <sup>3+</sup> ), bismuth (III) (Bi <sup>3+</sup> ), chloroplatinate (PtCl <sub>6</sub> <sup>2-</sup> ), gold (III) (Au <sup>3+</sup> ), iron (III) (Fe <sup>3+</sup> ), lead (II) (Pb <sup>2+</sup> ), mercury (II) (Hg <sup>2+</sup> ), metavanadate (VO <sub>3</sub> <sup>-</sup> ) and silver (I) (Ag <sup>+</sup> ) can cause precipitation with nitrate. Copper (Cu <sup>2+</sup> ) ions can decompose the diazonium salt and cause a low result. NCl <sub>3</sub> can cause a red color. Strong oxidizing agents interfere. Large quantities of color and turbidity interfere. Fats, oil, proteins, surfactants and tar interfere.
<b>Demineralized Water</b>	Internal dilution option: Rinse water & Dilution water
<b>Power</b>	120 VAC, 50/60 Hz Max. power consumption: 240 VA
<b>Automatic cleaning</b>	Yes; Frequency freely programmable: 6 hours, 12 hours, daily, weekly
<b>Calibration</b>	Automatic; 2-point; offset or slope; Frequency freely programmable: 6 hours, 12 hours, daily, weekly. Note: manufacturer recommends that a calibration is done when the reagents are replaced
<b>Validation</b>	Automatic; Frequency freely programmable: 6 hours, 12 hours, daily, weekly
<b>Ambient Temperature</b>	50 - 86 °F (10 - 30 °C) ± 4 °C deviation at 5 - 95% relative humidity (non-condensing)
<b>Sample Pressure</b>	By external overflow vessel (open to atmospheric pressure)
<b>Sample Flow Rate</b>	100 - 300 mL/min
<b>Instrument Air</b>	Dry and oil free according to ISA-S7.0.01-1996 quality standard for instrument air. Used to flush the instrument in corrosive environment. Min. 0.2 bar - Max. 0.5 bar
<b>Drain</b>	Atmospheric pressure, vented, min. Ø 32 mm
<b>Earth Connection</b>	Dry and clean earth pole with low impedance (< 1 Ohm) using an earth cable of > 2.5 mm <sup>2</sup>
<b>Analog Outputs</b>	Active 0 - 20 mA (or 4 - 20 mA) max. 500 Ohm load, standard: 4, optional: 8
<b>Outputs</b>	Optional: Claros Ethernet connection and Modbus TCP/IP Ethernet connector; LAN version; 10/100 Mbps or Profinet or Ethernet IP
<b>Digital Outputs</b>	Profibus DP or Modbus RTU
<b>Relays</b>	5 contacts, not user configurable: Malfunction, maintenance, analysis ready, sample ready, sample ready (EZ9150)
<b>Protection Class</b>	IP44
<b>Material</b>	Hinged part: Thermoform ABS, door: PMMA Wall section: Galvanized steel, powder coated
<b>Dimensions (H x W x D)</b>	688 mm x 460 mm x 340 mm
<b>Weight</b>	Max. 77 lb (35 kg)
<b>Certifications</b>	CE, ETL certified to UL and CSA safety standards, UKCA

\*Subject to change without notice.

## Dimensions



### Enable the Benefits of Smart Monitoring

This instrument connects to Claros, Hach's innovative Water Intelligence System. Claros allows you to seamlessly connect and manage instruments, data, and process – anywhere, anytime. The result is greater confidence in your data and improved efficiencies in your operations. To unlock the full potential of Claros, insist on Claros Enabled instruments.

### Hach Service Protects Your Investment

With Hach Service, you have a global partner who understands your needs and cares about delivering timely, high-quality service you can trust. Our Service Team brings unique expertise to help you maximize instrument uptime, ensure data integrity, maintain operational stability, and reduce compliance risk.

## Order Information

EZ2729.97	X	X	X	X	X
<b>Measurement range</b>					
Internal Dilution	V				
0.25 - 10 mg/L TN					
0.5 - 20 mg/L TN					
1.25 - 50 mg/L TN					
2.5 - 100 mg/L TN					
<b>Power supply</b>					
230 VAC, 50/60 Hz		A			
120 VAC, 50/60 Hz		B			
Max. power consumption: 240 VA					
<b>Number of sample streams</b>					
1 stream			1		
<b>Outputs</b>					
4x mA				4	
8x mA				8	
4x mA + Modbus RTU				D	
8x mA + Modbus RTU				E	
4x mA + Modbus TCP/IP				I	
8x mA + Modbus TCP/IP				J	
4x mA + Profinet				N	
8x mA + Profinet				O	
4x mA + Profinet DP				S	
8x mA + Profinet DP				T	
4x mA + Ethernet/IP				X	
8x mA + Ethernet/IP				Y	
No adaption, "SC4500" version					OT

## Accessories

APPAZ0080002 - Moduplex, 2 streams, Pinch Valve, 1/8" OD

APPAZ0080004 - Moduplex, 4 streams, Pinch Valve, 1/8" OD

APPAZ0080008 - Moduplex, 8 streams, Pinch Valve, 1/8" OD

