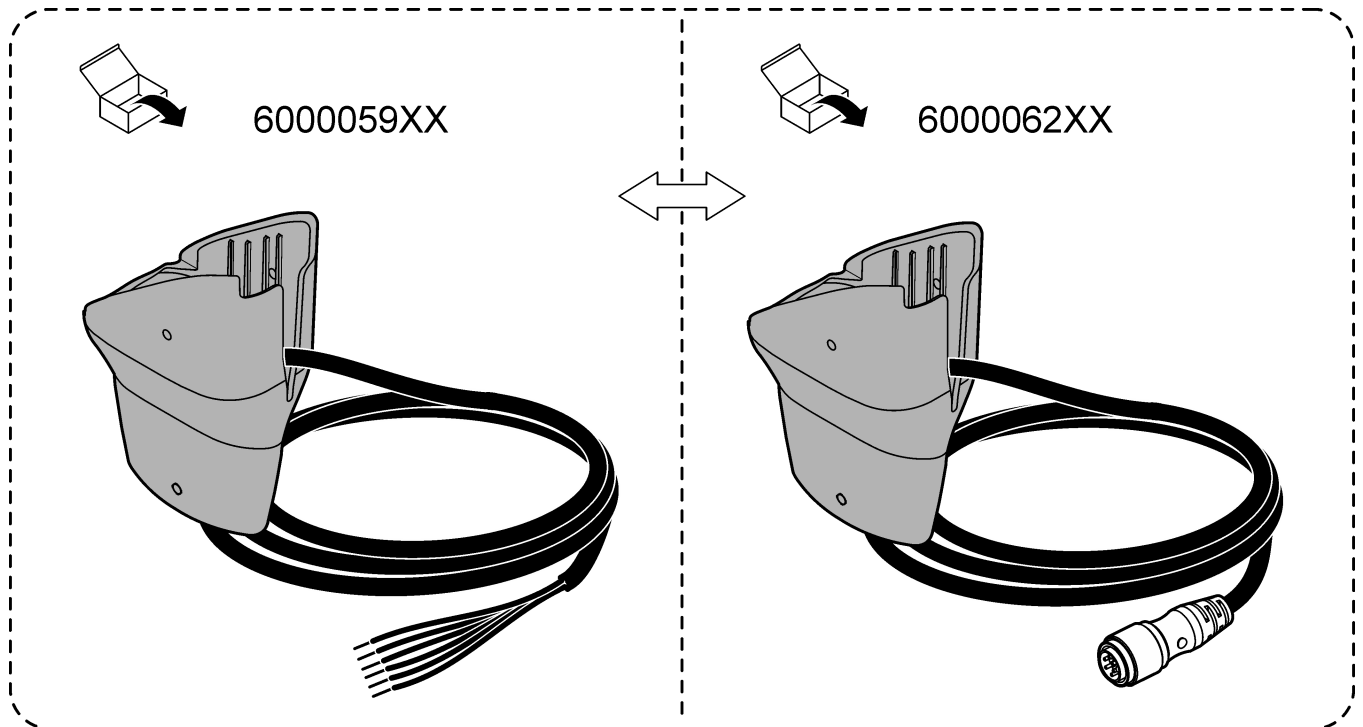
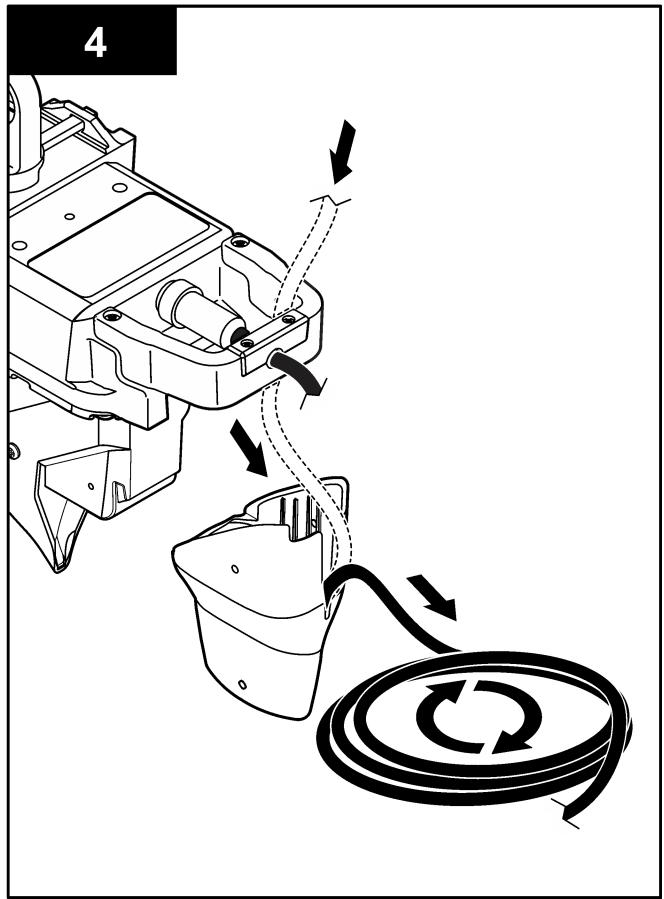
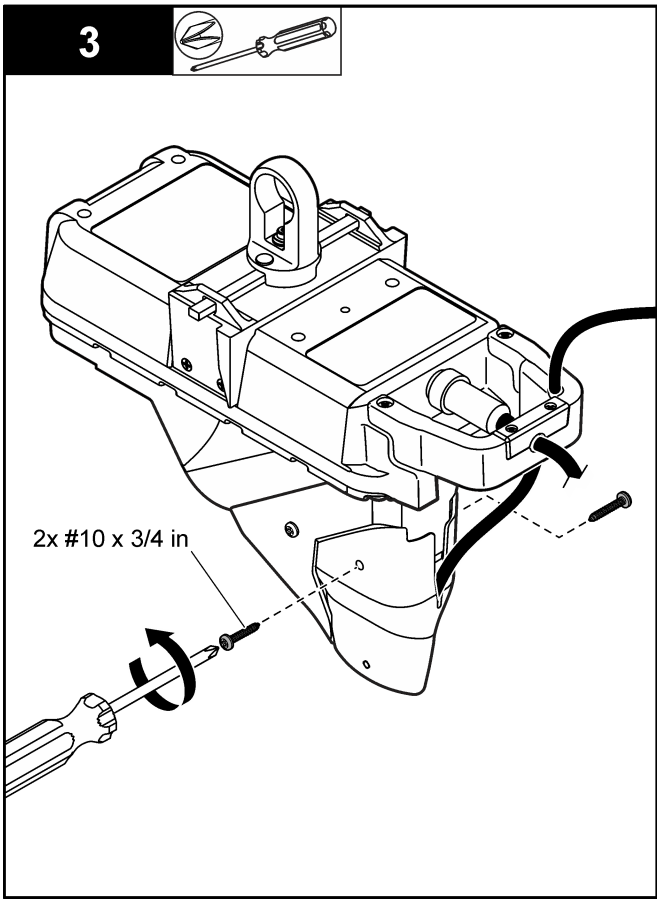
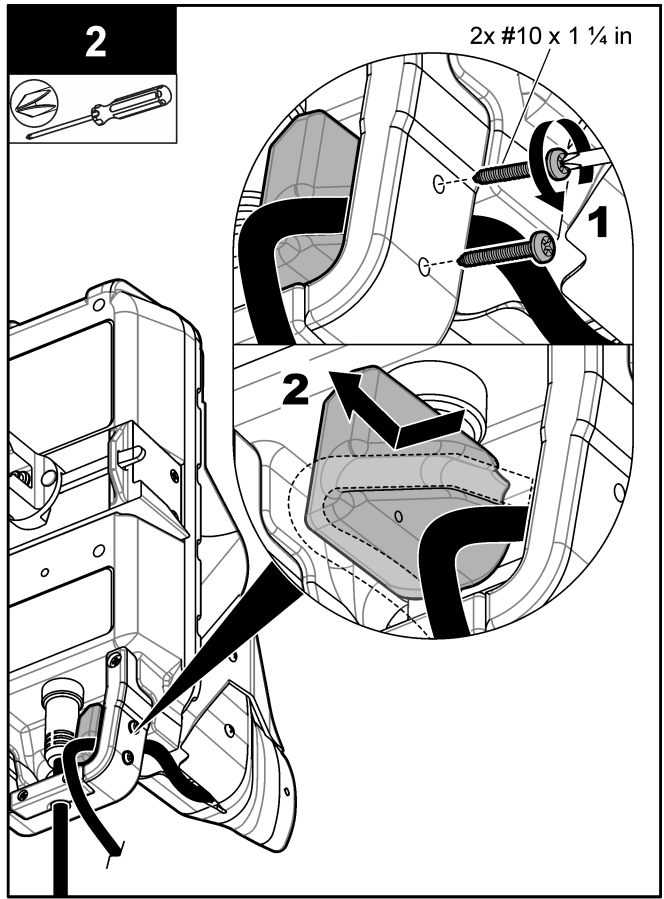
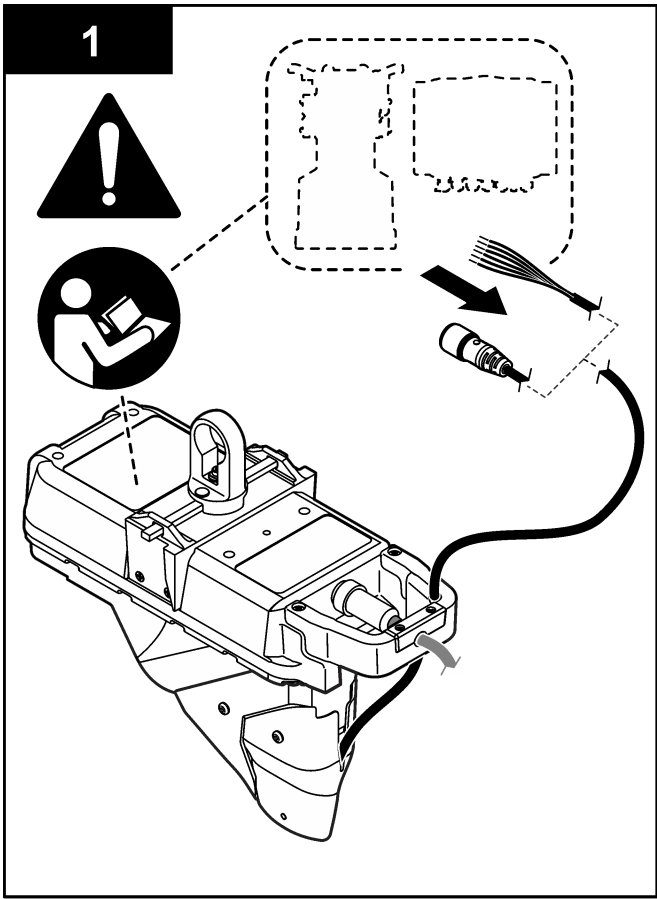
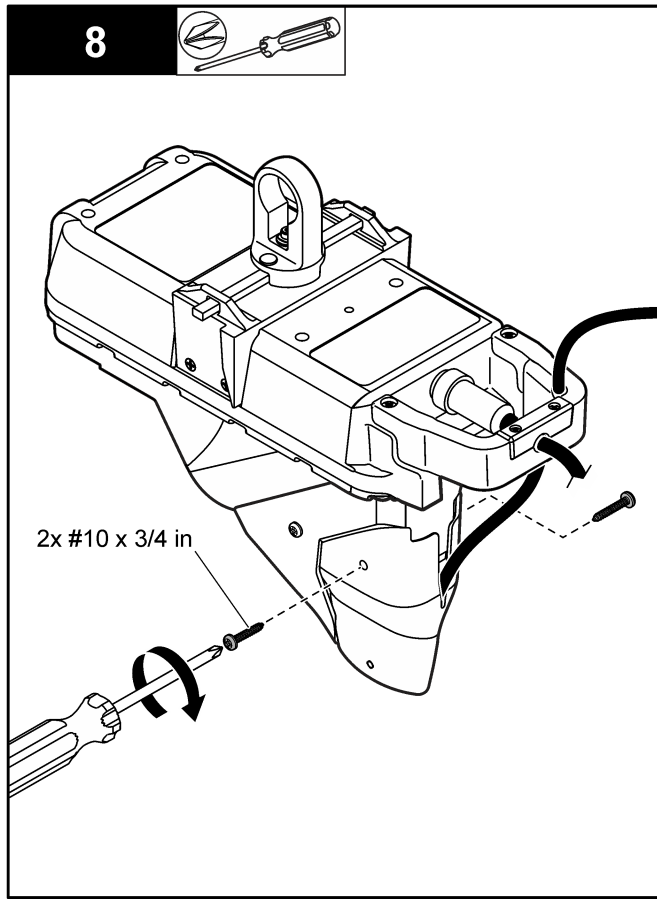
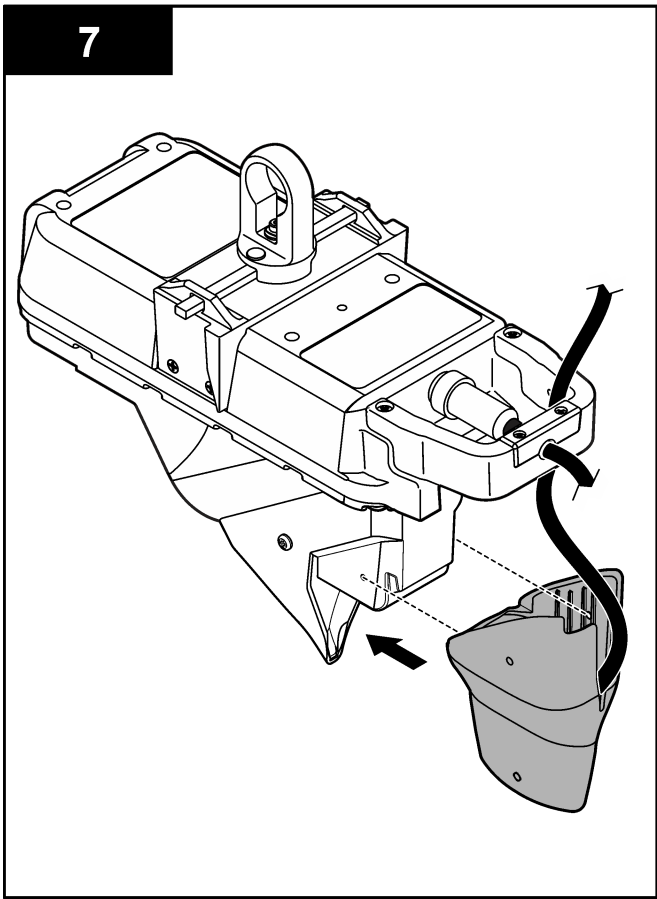
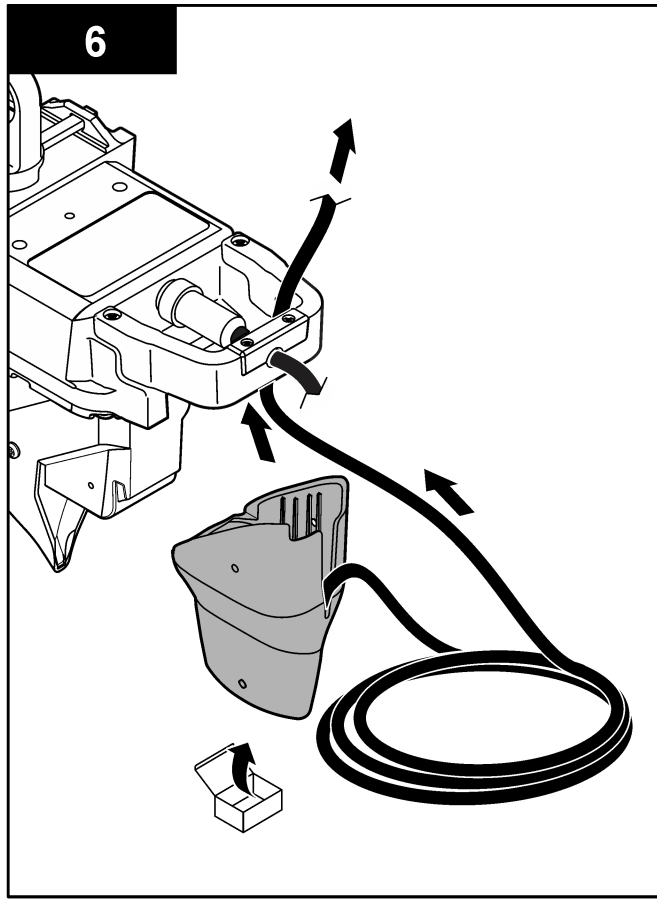
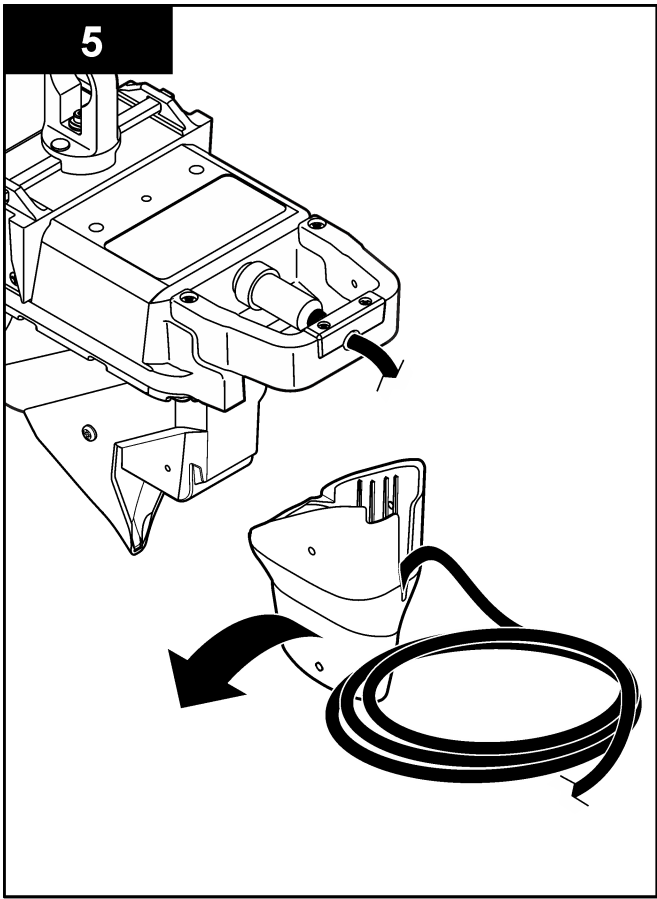


**6000059XX, 6000062XX****⚠ DANGER**

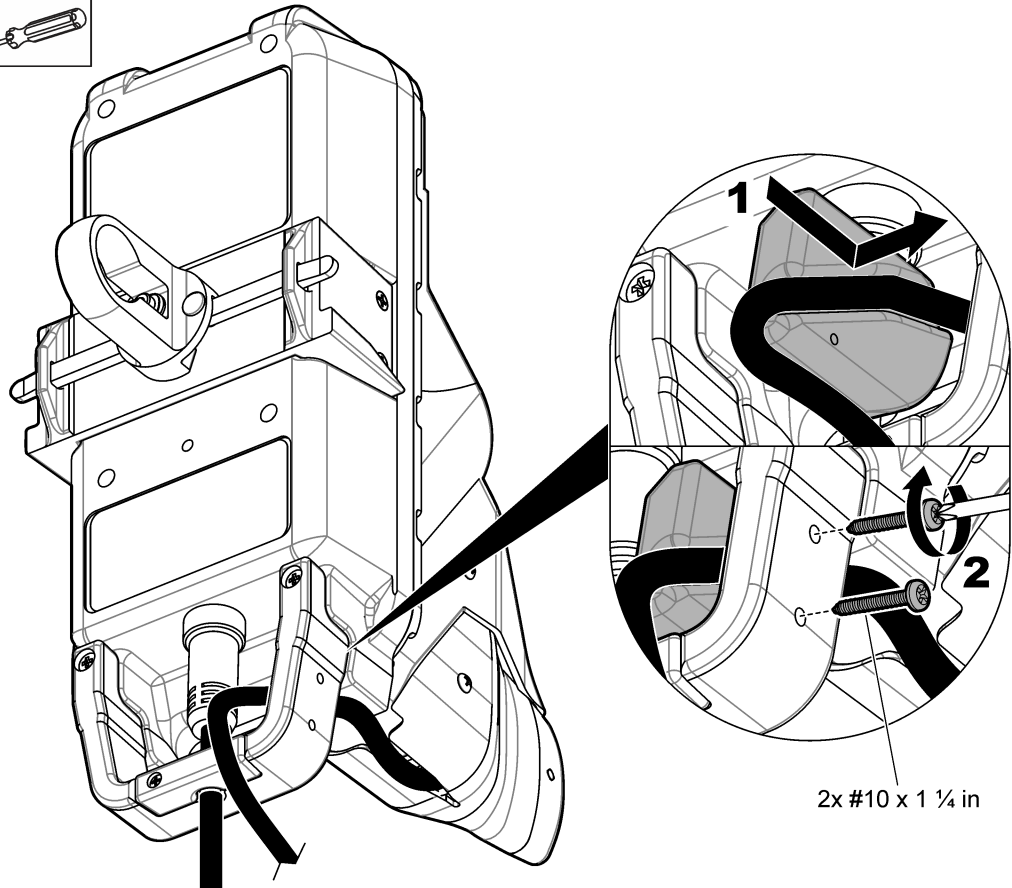
Multiple hazards. For complete safety information, refer to the user manual of the primary instrument.







9



**McCrometer, Inc.**  
3255 West Stetson Avenue  
Hemet, CA 92545 USA  
Tel: 951-652-6811  
800-220-2279  
Fax: 951-652-3078  
hachflowtechsupport@mccrometer.com  
www.mccrometer.com



USA Copyright © McCrometer, Inc. All printed material should not be changed or altered without permission of McCrometer. Any published pricing, technical data, and instructions are subject to change without notice. Contact your McCrometer representative for current pricing, technical data, and instructions.

