

APA6000 ALKALINITY ANALYZER

Applications

- Drinking Water
- Wastewater
- Cooling water
- Boiler Water
- Industrial Water
- Food and Beverage
- Pharmaceutical
- Chemical



Accurate, reliable, continuous measurement of alkalinity.

Alkalinity, a measure of a sample's acidneutralizing capacity, is an important factor in a wide variety of applications, from drinking water and beverages to boiler/cooling water and wastewater treatment, as well as many types of manufacturing and chemical production. Hach's APA6000 Alkalinity Process Analyzer provides accurate, continuous monitoring of alkalinity, allowing precise control of your process.

Accurate, continuous analysis

The APA6000 provides an accurate measurement of alkalinity for your process.

Completely automated

The analyzer autocalibrates, set-and-forget operation frees time for other tasks.

Very low maintenance

The analyzer is self-cleaning, self-calibrating, and selfpriming. Reduced sample volume minimizes reagent use and allows instrument to run up to 30 days in clean water applications before maintenance and reagent replenishment.

Advanced process control

Two 4-20 mA outputs and two alarm relays allow quick configuration into standard PID control loop. Can be expanded up to 14 4-20 mA outputs and 14 alarm relays.

Constant protection

Fast and accurate response minimizes process excursions.

Technical Data*

Range	1 to 1000 mg/L total alkalinity as CaCO ₃ 5 to 1000 mg/L CaCO ₃ as phenolphthalein alkalinity
Accuracy	Better than ± 5 % of reading or ± 1 mg/L whichever is greater
Repeatability	Better than 3 % of reading or ± 0.6 mg/L, whichever is greater
Response Time	Less than 10 minutes for 90% response to setup change at instrument sample fitting
Cycle Time	8 minutes
Calibration Interval	60 minutes
Sample Temperature	5 to 50 °C
Analog Outputs	Two 4-20 mA outputs suitable for recorders or PID control. Output span programmable over any portion of the 1 to 500 mg/L range (130 Vac isolation from earth ground)
Relay Output	Two SPDT relays with contacts rated for 5A resistive load at 230 Vac. Additional relays available through optional Signal Output Module.
Power Requirements (Voltage)	90 - 240 V AC
Power Requirements (Hz)	50/60 Hz

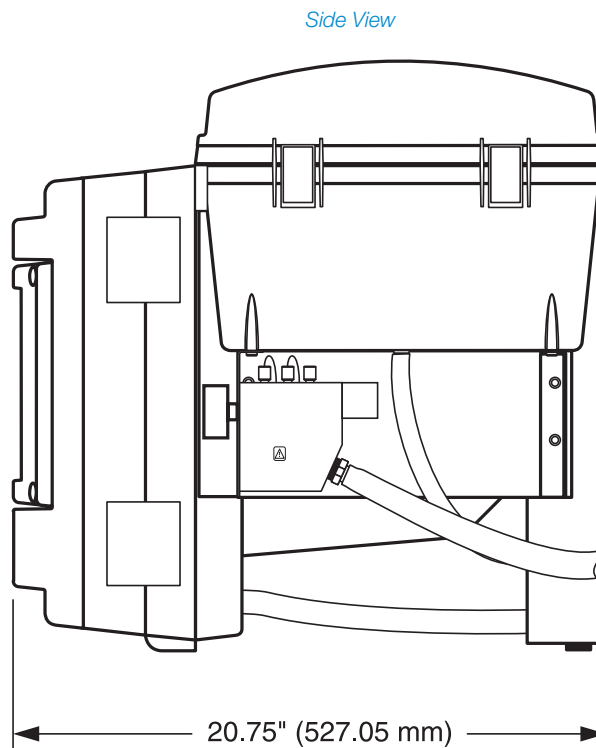
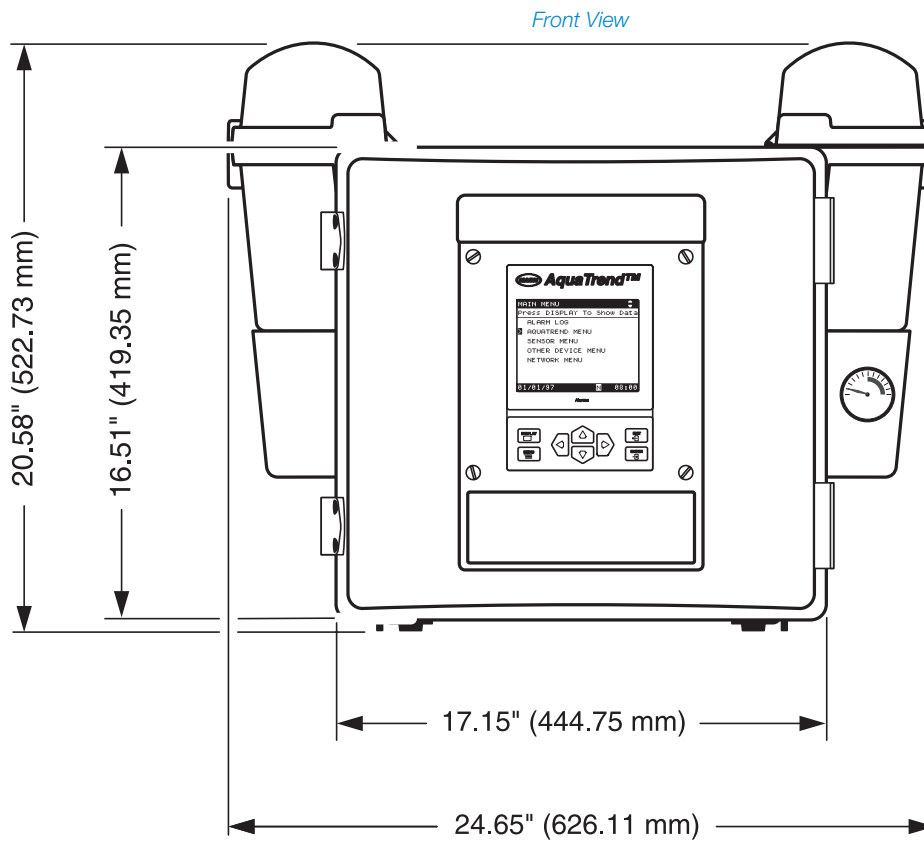
Sample Interval	Optionally capable of analyzing up to three sample streams
Enclosure Rating	NEMA 4X (indoor)/IEC 529 (IP66) with provision for air purge. Reagent enclosure is drip-proof.
Drain	Gravity, air break or vent recommended
Grab Sample	100 mL minimum
Sample Flow Rate	20 to 1000 mL/min
Inlet	Sample filter: 3/4" NPT male or female
Sample Pressure	0.35 to 6.9 bar
Drain Fitting	1/4" OD NPT barbed hose fitting
Certifications	NRTL certified to UL and CSA standards and CE approved
Dimensions (H x W x D)	522 mm x 627 mm x 526 mm
Data Communications Distance	Maximum node-to-node distance is 400 m (1312'). Maximum total wire length is 500 m (1640')
Mounting	Wall, bench and panel
Weight	56.22 lbs. (25.5 kg)

**Subject to change without notice.*

Principle of Operation

The analyzer employs a unique, patented Carrierless Sequential Injection Analysis technique to perform titrations. The sample is mixed with a pH indicator solution comprised of m-cresol purple and bromocresol green. The combination of pH indicators provides a continuous colorimetric response to pH at 600 nm, the wavelength of the detector. The instrument performs titrations to two endpoints and determines total and phenolphthalein alkalinity.

Dimensions



Order Information

Instrument

5100010 APA6000 Alkalinity Analyzer, includes an installation kit, one month's supply of reagents, a maintenance kit, and a manual.

Reagents

6001100 Alkalinity Standards Set
6001000 Alkalinity Reagents Set
2697053 Alkalinity Cleaning Solution
2696653 Alkalinity Reagent 2, Indicator Solution, 1 L
2696753 Alkalinity Standard 1, Zero Standard, 1 L
2826253 Alkalinity Standard 2, 500 mg/L, 1 L
2826153 Alkalinity Reagent 1, Acid Titrant, 1 L

Accessories

5104500 Sample Conditioning Kit
6200900 Sample Sequencing Kit
5133900 Micro Filter System, 115 V
5133901 Micro Filter System, 230 V

Service Option

WRTUPGAPA6000 APA6000 Analyzer WarrantyPlus Instrument Protection and Service

HACH World Headquarters: Loveland, Colorado USA

United States: 800-227-4224 tel 970-669-2932 fax orders@hach.com

Outside United States: 970-669-3050 tel 970-461-3939 fax int@hach.com

hach.com

Printed in U.S.A.

©Hach Company, 2016. All rights reserved.

In the interest of improving and updating its equipment, Hach Company reserves the right to alter specifications to equipment at any time.

