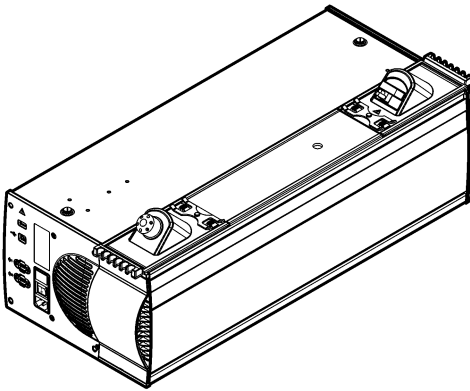




DOC022.97.80339

QuikChem[®] 8500 Series 2

04/2015, Edition 2



Installation
Installation
Instalación
安装

English 3

Français 21

Español 40

中文 59

Table of contents

[Specifications](#) on page 3

[General information](#) on page 4

[Installation](#) on page 7

Additional information

Additional information is available on the manufacturer's website.

Specifications

Specifications are subject to change without notice.

Specification	Details
Dimensions bench space (W x D x H)	2.72 x 0.83 x 0.58 m (9 x 2.75 x 2 ft) (recommended)
Location	Laboratory (indoor use only)
Pollution degree/installation category	II
Protection class	I
Operating temperature	5 to 40 °C (41 to 104 °F), maximum 80% relative humidity non-condensing for temperatures up to 31 °C and decreases linearly to 50% relative humidity at 40 °C
Storage temperature	-20 to 70 °C (-4 to 158 °F)
Altitude limit	Up to 3000 m (10,000 feet) above sea level
Certifications	CE: IEC/EN 61010-1 per LV Directive (2006/95/EC), IEC/EN 61326 per EMC: Directive (2004/108/EC)
	cETL: CSA C22.2 No 61010-1
	ETLus: UL 61010-1
Warranty	1 year
System unit (5 channels)	
Dimensions (W x D x H)	70.5 x 71.2 x 26.7 cm (27.7 x 28.0 x 10.5 in.)
Weight	46.5 kg (102.51 lb)
Power requirements	100–115 V ±10%, 230 V ±10%; 50–60 Hz, 800 W
Fuse rating	T, 8 A, 100–115 V, T, 4 A, 230 V
Lamp	Tungsten/Halogen, 12 V, 50 W, MR16
Sample processing module (SPM)	
Dimensions (W x D x H)	69 x 9 x 26 cm (27.2 x 3.5 x 10.2 in.)
Weight	4 kg (8.8 lb)
Power requirements	115 VAC, 1.2 A, 60 Hz or 230 VAC, 0.8 A, 50 Hz
Fuse rating	T, 1.6 A, 250 V, 5 mm x 20 mm
Pump (12 position)	
Dimensions (W x D x H)	15 x 26 x 26.7 cm (5.9 x 10.2 x 10.5 in.)
Weight	5.6 kg (12.3 lb)

Specification	Details
Power requirements	100 or 120 VAC, 220 or 240 VAC; 50–60 Hz, 15 VA
Fuse rating	T, ½ A, 250 V
ASX-520 sampler	
Dimensions (W x D x H)	52.5 x 46 x 25 cm (20.6 x 18.1 x 9.8 in.)
Weight	10 kg (22 lb)
Power requirements	100–240 VAC; 50–60 Hz, 1.5 A
Fuse rating	Not user-replaceable
ASX-260 sampler	
Dimensions (W x D x H)	30 x 50.8 x 61 cm (13 x 20 x 24 in.)
Weight	8.4 kg (18.5 lb)
Power requirements	100–240 VAC; 50–60 Hz, 1.5 A
Fuse rating	Not user-replaceable
PDS200 dilutor (optional)	
Dimensions (W x D x H)	12.7 x 22.5 x 23.4 cm (5 x 8.9 x 9.2 in.)
Weight	4 kg (8.8 lb)
Power requirements	110–240 VAC; 50–60 Hz, 0.5 A
Fuse rating	T, ½ A, 250 V

General information

In no event will the manufacturer be liable for direct, indirect, special, incidental or consequential damages resulting from any defect or omission in this manual. The manufacturer reserves the right to make changes in this manual and the products it describes at any time, without notice or obligation. Revised editions are found on the manufacturer's website.

Safety information

NOTICE

The manufacturer is not responsible for any damages due to misapplication or misuse of this product including, without limitation, direct, incidental and consequential damages, and disclaims such damages to the full extent permitted under applicable law. The user is solely responsible to identify critical application risks and install appropriate mechanisms to protect processes during a possible equipment malfunction.

Please read this entire manual before unpacking, setting up or operating this equipment. Pay attention to all danger and caution statements. Failure to do so could result in serious injury to the operator or damage to the equipment.

Make sure that the protection provided by this equipment is not impaired. Do not use or install this equipment in any manner other than that specified in this manual.

Use of hazard information

▲ DANGER

Indicates a potentially or imminently hazardous situation which, if not avoided, will result in death or serious injury.

▲ WARNING

Indicates a potentially or imminently hazardous situation which, if not avoided, could result in death or serious injury.

⚠ CAUTION








Indicates a potentially hazardous situation that may result in minor or moderate injury.

NOTICE

Indicates a situation which, if not avoided, may cause damage to the instrument. Information that requires special emphasis.

Precautionary labels

Read all labels and tags attached to the instrument. Personal injury or damage to the instrument could occur if not observed. A symbol on the instrument is referenced in the manual with a precautionary statement.

	This symbol, if noted on the instrument, references the instruction manual for operation and/or safety information.
	Electrical equipment marked with this symbol may not be disposed of in European public disposal systems after 12 August of 2005. In conformity with European local and national regulations (EU Directive 2002/96/EC), European electrical equipment users must now return old or end-of-life equipment to the Producer for disposal at no charge to the user. <i>Note: For return for recycling, please contact the equipment producer or supplier for instructions on how to return end-of-life equipment, producer-supplied electrical accessories, and all auxiliary items for proper disposal.</i>
	This symbol indicates that a risk of electrical shock and/or electrocution exists.
	This symbol indicates the need for protective eye wear.
	This symbol indicates that the marked item can be hot and should not be touched without care.
	This symbol, when noted on the product, identifies the location of a fuse or current limiting device.
	This symbol indicates that the object is heavy.

Certification

Canadian Radio Interference-Causing Equipment Regulation, IECS-003, Class A:

Supporting test records reside with the manufacturer.

This Class A digital apparatus meets all requirements of the Canadian Interference-Causing Equipment Regulations.

Cet appareil numérique de classe A répond à toutes les exigences de la réglementation canadienne sur les équipements provoquant des interférences.

FCC Part 15, Class "A" Limits



Supporting test records reside with the manufacturer. The device complies with Part 15 of the FCC Rules. Operation is subject to the following conditions:

1. The equipment may not cause harmful interference.
2. The equipment must accept any interference received, including interference that may cause undesired operation.

Changes or modifications to this equipment not expressly approved by the party responsible for compliance could void the user's authority to operate the equipment. This equipment has been tested and found to comply with the limits for a Class A digital device, pursuant to Part 15 of the FCC rules. These limits are designed to provide reasonable protection against harmful interference when the equipment is operated in a commercial environment. This equipment generates, uses and can radiate radio frequency energy and, if not installed and used in accordance with the instruction manual, may cause harmful interference to radio communications. Operation of this equipment in a residential area is likely to cause harmful interference, in which case the user will be required to correct the interference at their expense. The following techniques can be used to reduce interference problems:

1. Disconnect the equipment from its power source to verify that it is or is not the source of the interference.
2. If the equipment is connected to the same outlet as the device experiencing interference, connect the equipment to a different outlet.
3. Move the equipment away from the device receiving the interference.
4. Reposition the receiving antenna for the device receiving the interference.
5. Try combinations of the above.

System overview

▲ DANGER	
	<p>Chemical or biological hazards. If this instrument is used to monitor a treatment process and/or chemical feed system for which there are regulatory limits and monitoring requirements related to public health, public safety, food or beverage manufacture or processing, it is the responsibility of the user of this instrument to know and abide by any applicable regulation and to have sufficient and appropriate mechanisms in place for compliance with applicable regulations in the event of malfunction of the instrument.</p>
▲ WARNING	
	<p>Fire hazard. The user is responsible to make sure that sufficient precautions are taken when the equipment is used with methods that use flammable liquids. Make sure to obey correct user precautions and safety protocols. This includes, but is not limited to, spill and leak controls, proper ventilation, no unattended use, and that the instrument is never left unattended while power is applied.</p>

The QuikChem[®] 8500 Series 2 FIA (Flow Injection Analysis) System Unit is configured to complete a flow injection analysis with a photometric detection. Alternate configurations, such as potentiometric and amperometric detection methods are described in the analytical method where they are necessary. For complete information on the software, refer to the online help system in the software.

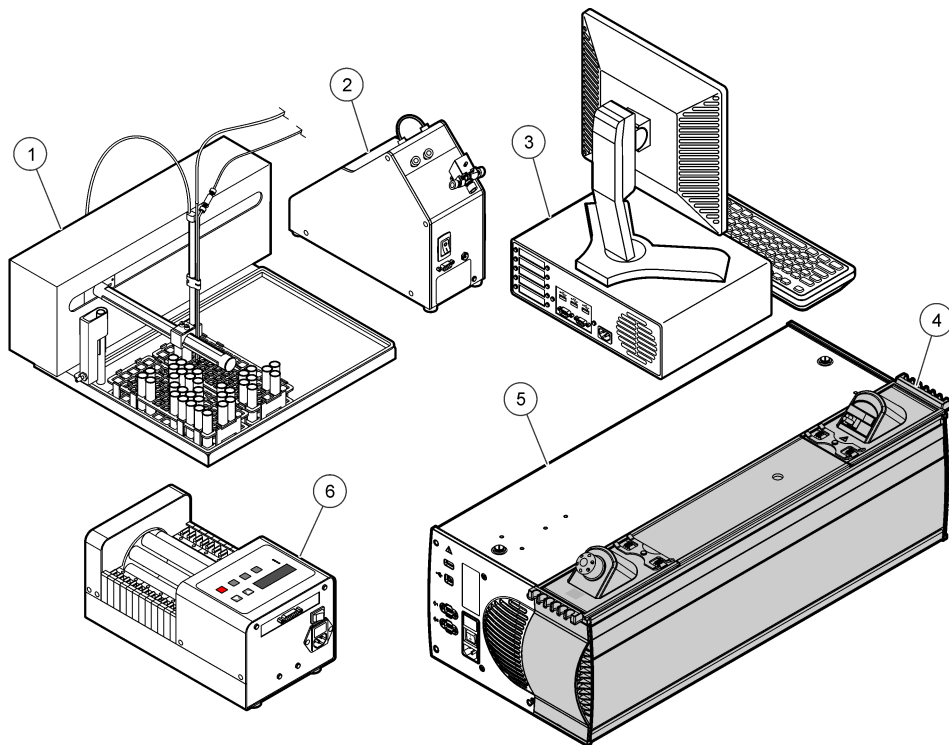
The QuikChem[®] 8500 Series 2 analyzer is modular in design and includes the modules that follow. Refer to [Figure 1](#).

- **QuikChem[®] FIA System Unit**—The System Unit includes the core unit and the sample processing modules (SPM). The core unit supplies power, light and electronic signals to and from each SPM. An SPM or a channel has an injection valve, a manifold, a photometric detector and a heating module (optional). A System Unit can have up to five channels that operate simultaneously. A single computer controls two System Units in order to operate up to eight channels at once. A chemical reaction module or a manifold is installed on a channel for the quantitative analysis of an analyte. There are 450 QuikChem methods available to find over 40 analytes. There are many methods in several matrices.
- **Sampler**—The QuikChem[®] 8500 Series 2 analyzer operates with either the ASX-260 or the ASX-520 series autosamplers.
- **Pump (12 or 16 cartridges)**—The multichannel pump is used to pump reagents to the manifold. It also aspirates sample aliquots and moves them from the sampler to the valve. These portions are then loaded into the sample loop and moved to the manifold by the carrier stream to mix with the reagents.

- Computer with Omnion software loaded
- Printer (optional)
- Dilutor (optional)—The PDS200 uses positive displacement to pull diluent water to mix with non-flammable samples for analysis.

Make sure that all components have been received. If any items are missing or damaged, contact the manufacturer or a sales representative immediately.

Figure 1 System overview



1 Sampler	4 Channel (1–5 on 1 system, up to 8 on 2 systems)
2 Dilutor (optional)	5 QuikChem® FIA System Unit
3 Computer with Omnion software loaded	6 Pump

Installation

▲ DANGER



Multiple hazards. Only qualified personnel must conduct the tasks described in this section of the document.

▲ DANGER



Personal injury hazard. Make sure that the equipment is stable and use assistance to install and move.

Attach the Z-drive to the sampler

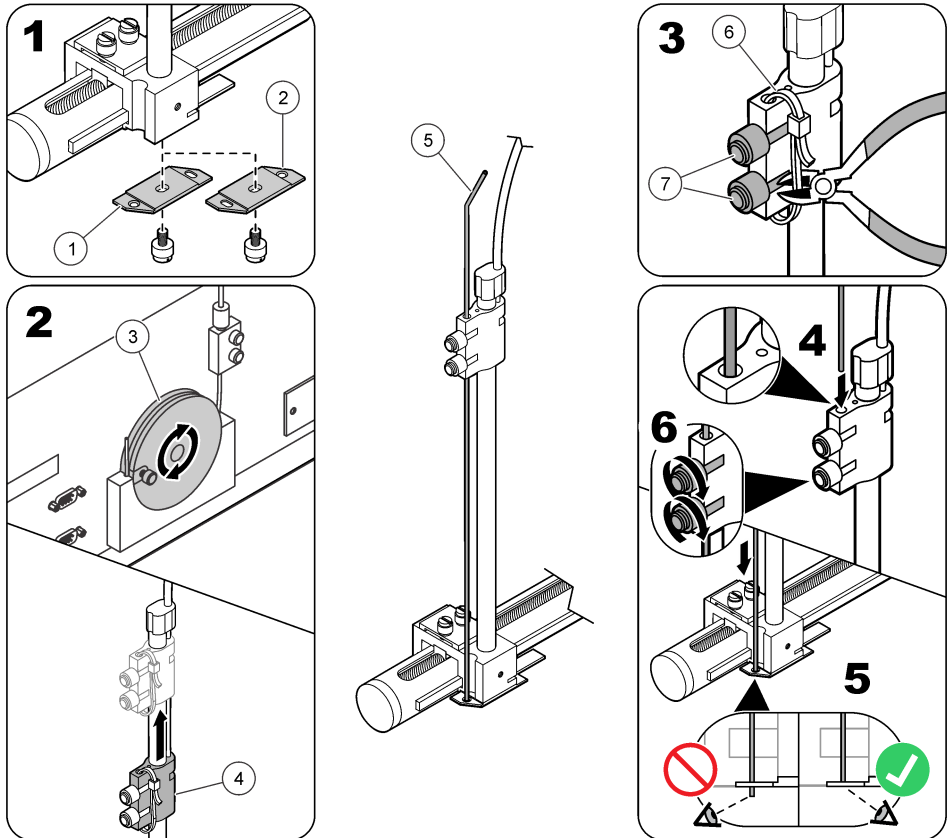
Refer to the instructions that come with the sampler.

Attach the probe to the sampler

When the probe is installed, make sure that the probe is flush with the hole in the guide plate. Refer to [Figure 2](#).

Note: Always move the sliders with the wheel on the sampler to prevent damage to the tubing.

Figure 2 Probe installation



1 Probe guide plate (single probe installation)	4 Probe slider	7 Slider knobs
2 Probe guide plate (dual probe installation)	5 Probe	
3 Slider wheel	6 Tie wrap	

Install additional channels

If additional channels were ordered, attach the channels that are shipped separately. Use the documentation that is shipped with the channels.

Electrical installation

⚠ DANGER



Electrocution hazard. Always remove power to the instrument before making electrical connections.

⚠ DANGER



Electrocution hazard. Do not connect AC power directly to a DC powered instrument.

⚠ DANGER



Electrocution hazard. If this equipment is used outdoors or in potentially wet locations, a Ground Fault Circuit Interrupt (GFCI/GFI) device must be used for connecting the equipment to its main power source.

⚠ DANGER



Electrocution hazard. Protective Earth Ground (PE) connection is required.

⚠ DANGER



Electrocution and fire hazards. For instruments with a power cord, make sure that there is easy access to the local power disconnect.

⚠ WARNING



Electrical shock hazard. Externally connected equipment must have an applicable country safety standard assessment.

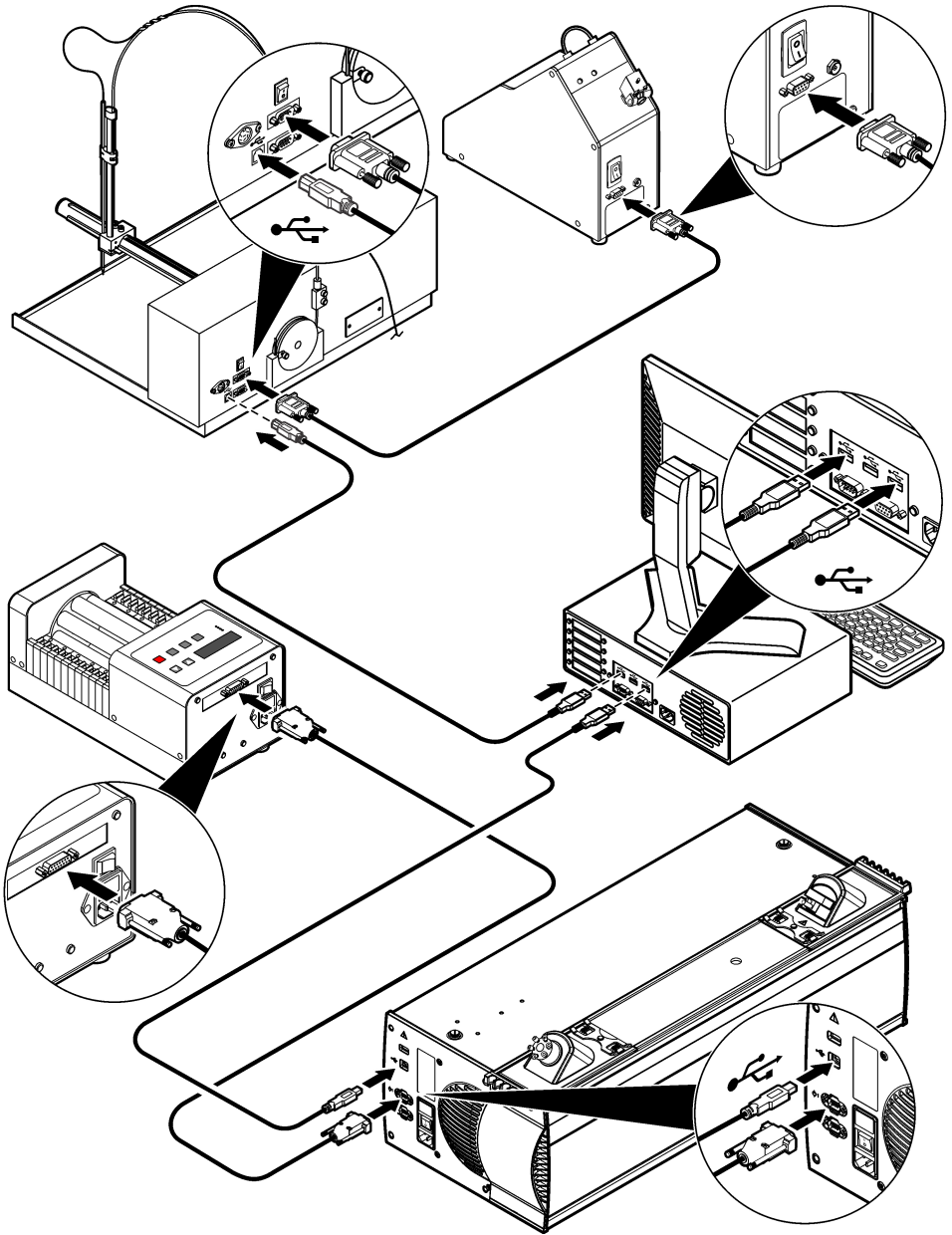
NOTICE

Make sure that the equipment is connected to the instrument in accordance with local, regional and national requirements.

Connect the interfaces

Refer to [Figure 3](#).

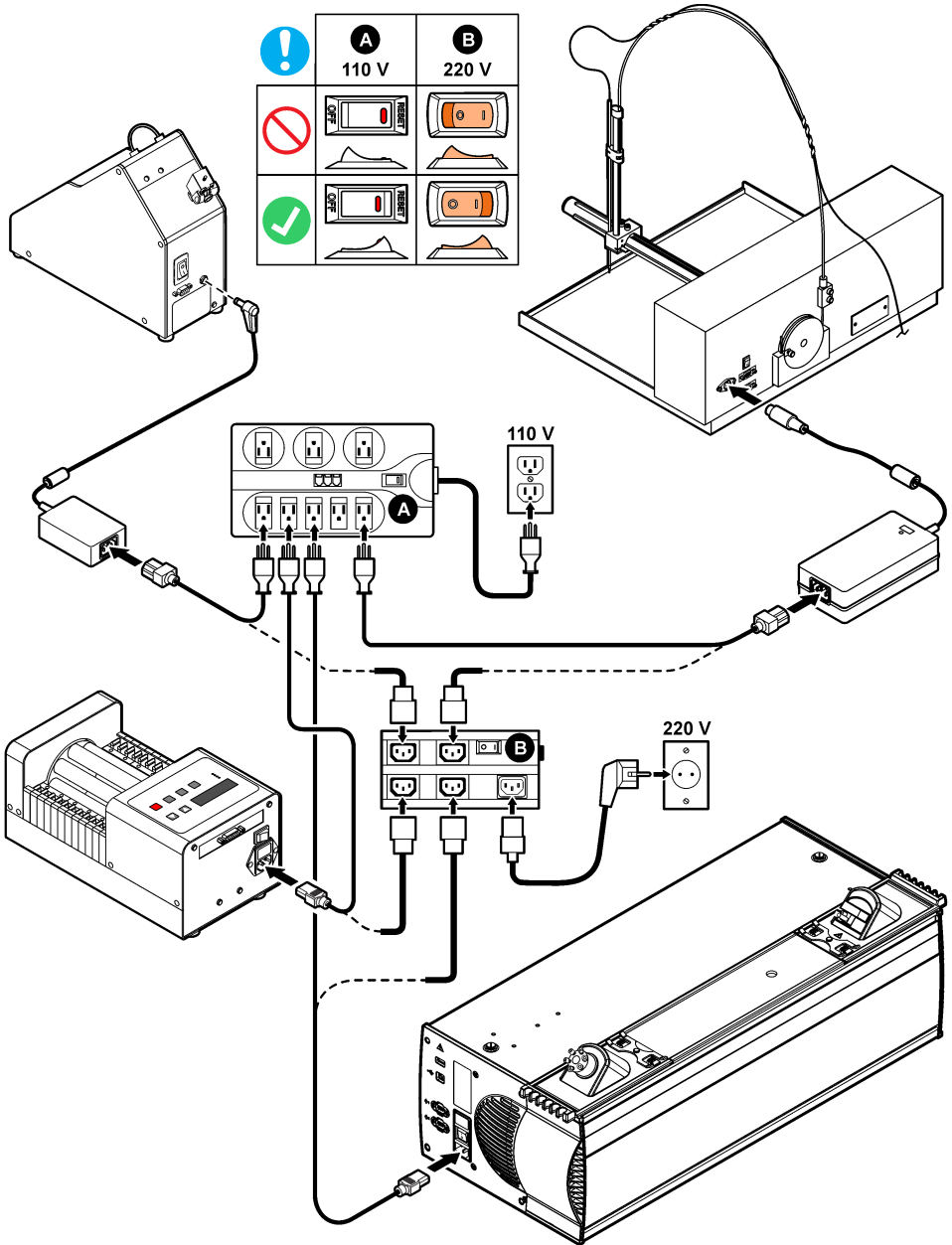
Figure 3 System interface connections



Connect to power

Do not set the power to on for these instruments or the power strip. Refer to [Figure 4](#).

Figure 4 System power connections



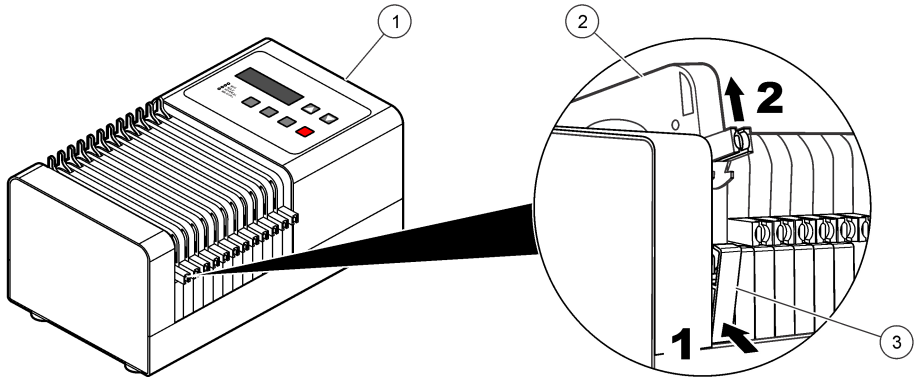
Plumbing

The plumbing includes tubing attachment to the pump, sampler and dilutor. Make sure to use the specified tubing size. Refer to the QuikChem method for details.

Install the pump tubing

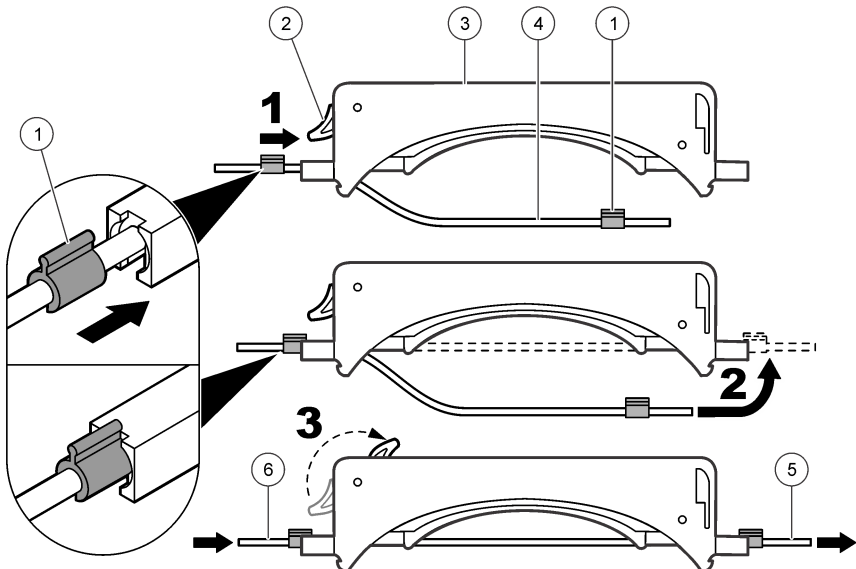
1. Remove all of the cartridges from the pump. Refer to [Figure 5](#).
2. Attach the tubing to the cartridge. Refer to [Figure 6](#).
3. Attach the cartridge to the pump. Set the tension lever one click to the left. Refer to [Figure 7](#).

Figure 5 Cartridge removal



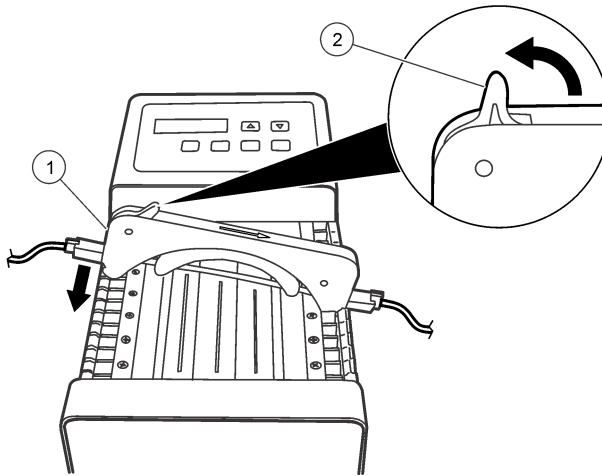
1 Pump	2 Pump cartridge	3 Cartridge holder
--------	------------------	--------------------

Figure 6 Attach cartridge and tabs to the tubing



1 Color-coded tab	3 Pump cartridge	5 To injection valve, wash station or manifold
2 Tension lever	4 Pump tubing	6 From reagent, sample, wash solution, buffer or other chemicals (varies with method)

Figure 7 Cartridge installation



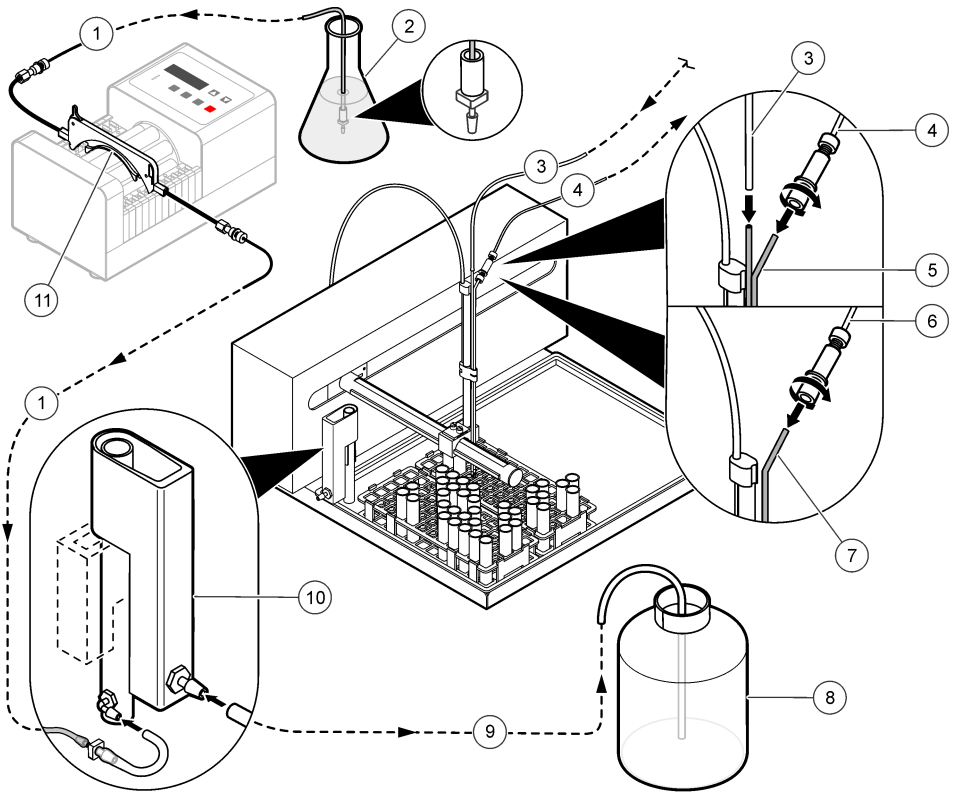
1 Pump cartridge

2 Tension lever at 12 o'clock position

Install the sampler tubing

To install the sampler tubing, refer to [Figure 8](#).

Figure 8 Sampler tubing installation

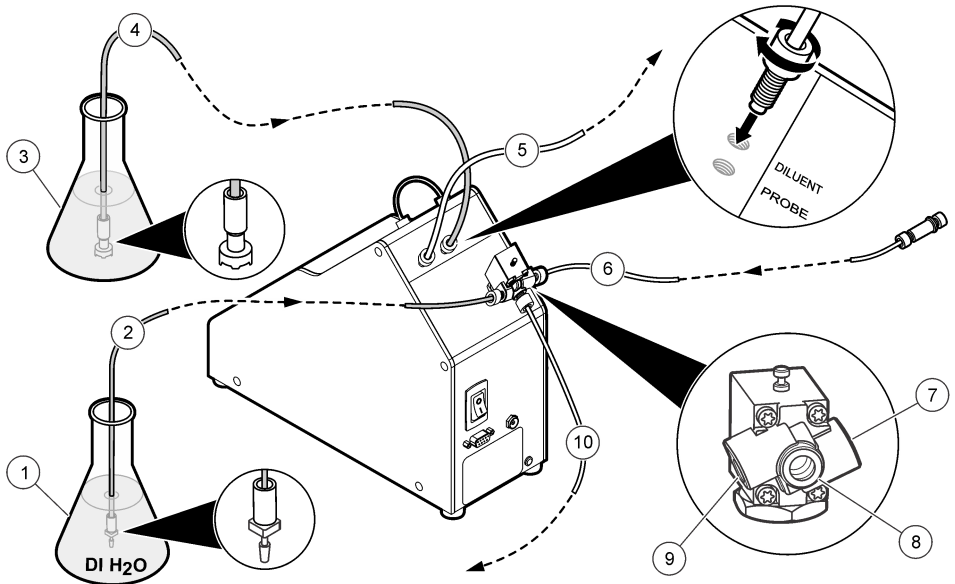


1 Rinse solution tube assembly	5 Dual probe (for dilutor option)	9 Rinse station waste tube
2 Rinse solution	6 Sample tubing to pump and injection valve	10 Sampler rinse station
3 Dilution tube from dilutor	7 Sample probe	11 Pump cartridge
4 Sample tube to dilutor	8 Waste container	

Install the dilutor tubing

To install the dilutor tubing, refer to [Figure 9](#).

Figure 9 Dilutor tubing connections



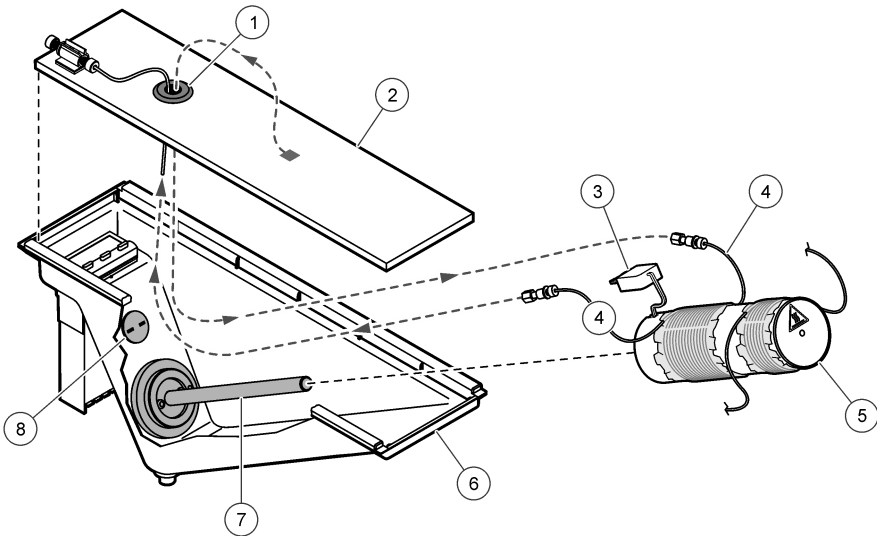
1 DI water	5 Tube to sampler probe	9 Solenoid valve port 1
2 Tube to solenoid valve	6 Sample tube from sample probe	10 Sample tube to pump and injection valve
3 Diluent solution	7 Solenoid valve port 2	
4 Tube to dilutor	8 Solenoid valve port 3	

Install the heater mandrel

If the instrument has a heater module, a heater mandrel must be installed. To install a heater mandrel:

1. Make sure that the heater mandrel has the applicable wrapping.
2. Remove the channel cover. Refer to [Figure 10](#).
3. Install the mandrel, the tubing and the thermocouple jack.
4. Install the manifold board.

Figure 10 Heater mandrel installation

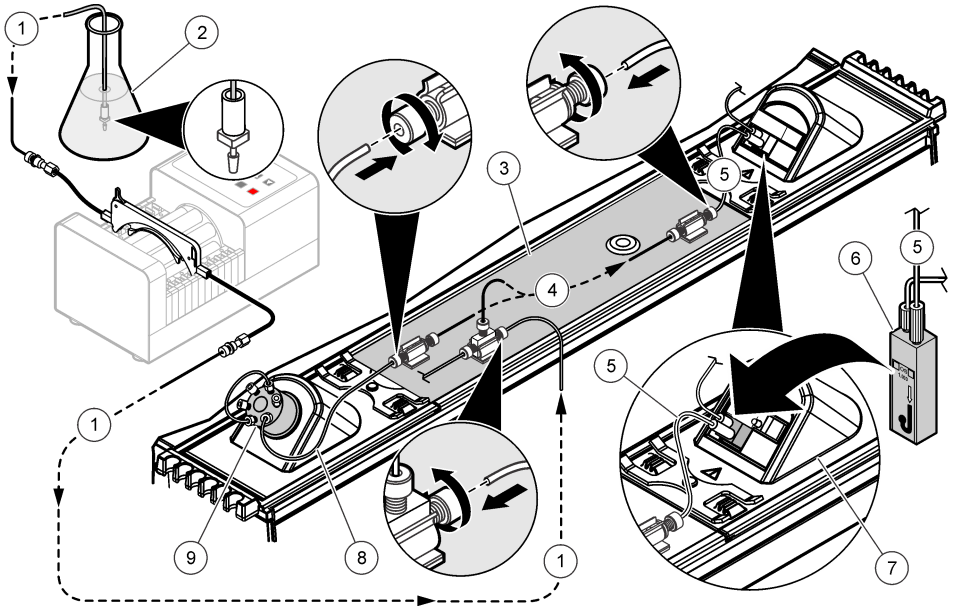


1 Access hole for heater tubing	4 Tubing to manifold	7 Heater element
2 Manifold board	5 Heater mandrel	8 Thermocouple jack
3 Thermocouple plug	6 Drip tub	

Install the external manifold plumbing

Connect the tubing to the manifold. Refer to [Figure 11](#).

Figure 11 External manifold plumbing

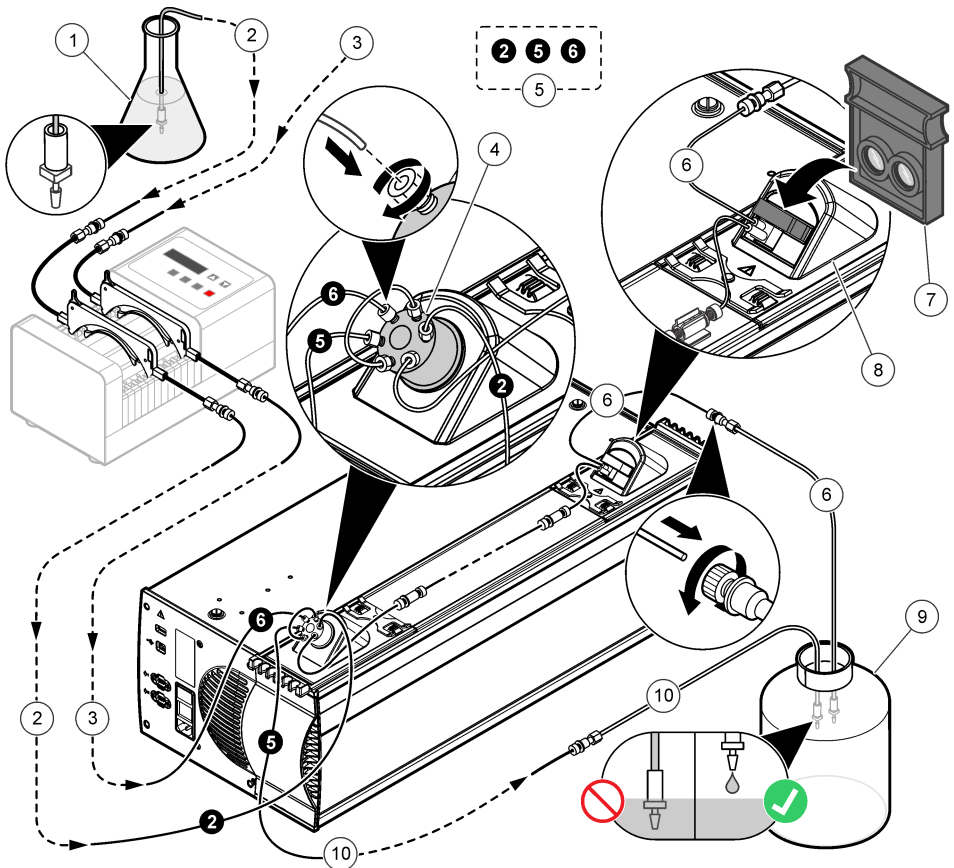


1 Transmission solution tubing to manifold	4 Manifold plumbing (varies with method)	7 Detector
2 Reagent solution (varies with method)	5 Tubing from manifold to flow cell	8 Tubing from valve port 3 to manifold
3 Manifold board	6 Flow cell	9 Injection valve

Install the channel plumbing

Connect the tubing to the channel ([Figure 12](#)).

Figure 12 Channel plumbing



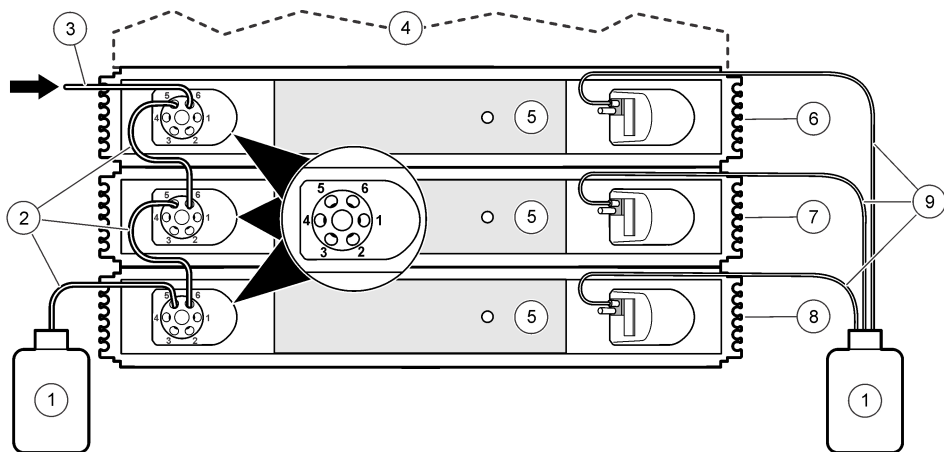
1 Carrier solution (varies with QuikChem method)	5 Injection valve port numbers	9 Waste container
2 Carrier tubing to injection valve	6 Waste tubing from flow cell	10 Waste tubing from injection valve
3 Sample tubing to injection valve	7 Interference filter	
4 Injection valve	8 Detector	

Install the plumbing to multiple channels

When multiple channels are used, use 15 cm of 0.8 mm Teflon® tubing to connect port 5 on the first valve to port 6 on the next valve (Figure 13).

Note: Do not put the tubing in the waste solution, or back pressure and flow restrictions can occur. Make sure that the waste solution always drips in the container.

Figure 13 Multi-channel plumbing



1 Waste container	4 System unit	7 Channel 2
2 Injection valve waste tubing	5 Manifolds	8 Channel 3
3 Sample tubing in	6 Channel 1	9 Flow cell waste tubing

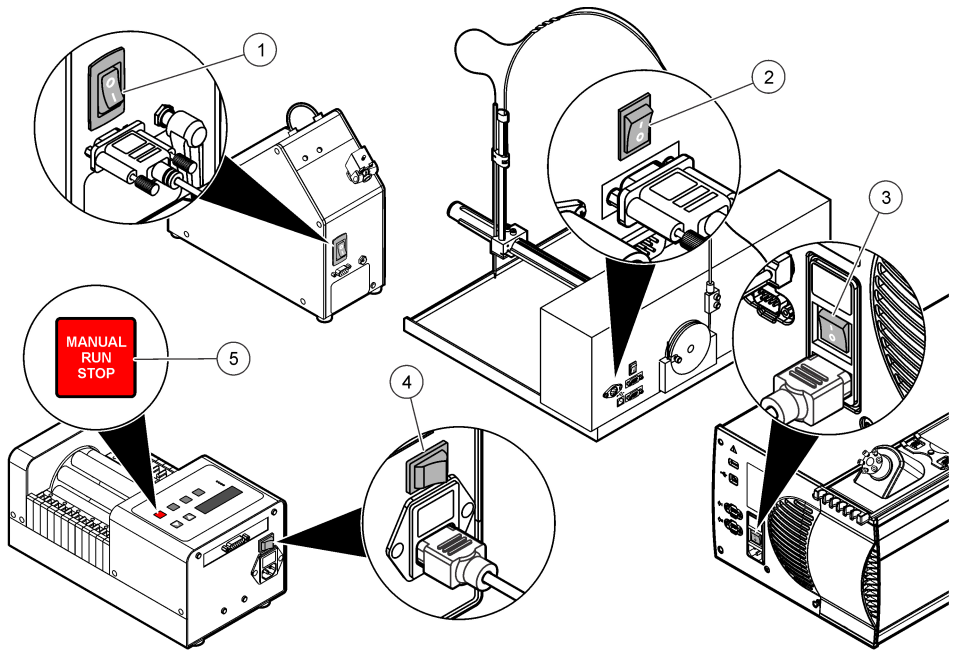
Non-photometric detectors

Other types of detectors are necessary for some methods, such as fluoride, flame photometers, conductivity or pH. The regular flow cell or interference filters are not necessary for non-photometric detectors, such as an ISE detector for fluoride determination. Refer to the instructions in the QuikChem method for fluidic connections.

Set the power to on

1. Set the power to on for each instrument. Refer to [Figure 14](#).
2. Set the power to on for the power strip.

Figure 14 Power switches and buttons



1 Dilutor power switch	4 Pump power switch
2 Sampler power button	5 Pump start/stop button
3 System unit power switch	

Do the initial pump test

1. Make sure that the Omnion software is not on at this time. Push the **NORMAL RUN** button. Make sure that the pump operates at a normal speed of 35. The NORMAL LED illuminates. If the display shows a different speed, push the **ARROW** button to change the setting to 35.
2. Push the **MIN** button. The MIN LED illuminates. The display shows a speed of 4.
3. Hold down the **MAX** button until the MAX LED illuminates. The display shows a speed of 999. The pump goes back to the original speed when the **MAX** button is released.
4. To stop the pump, push the **MANUAL RUN/STOP** button. No LEDs illuminate, but the display shows "35" (the pump speed).
5. Push the **MANUAL RUN/STOP** button again. The MANUAL LED illuminates. The pump operates at a normal speed of 35.
6. Push the **MANUAL RUN/STOP** button to stop the pump. To do a step from above again, set the pump power to off and then to on. Start with step 1.
7. If there is a failure on a step from above, contact technical support.

Table des matières

[Caractéristiques](#) à la page 21

[Généralités](#) à la page 22

[Installation](#) à la page 26

Informations supplémentaires

Des informations supplémentaires sont disponibles sur le site Web du fabricant.

Caractéristiques

Les caractéristiques techniques peuvent être modifiées sans préavis.

Caractéristique	Détails
Dimensions de l'espace du banc (l x P x H)	2,72 x 0,83 x 0,58 m (9 x 2,75 x 2 pieds) (recommandé)
Emplacement	Laboratoire (utilisation en intérieur uniquement)
Degré de pollution/catégorie de l'installation	II
Classe de protection	I
Température de fonctionnement	De 5 à 40 °C, maximum 80 % d'humidité relative sans condensation, pour des températures de plus de 31 °C, et baisse linéaire jusqu'à 50 % d'humidité relative à 40 °C
Température de stockage	-20 à 70 °C
Altitude maximale	Jusqu'à 3000 m au-dessus du niveau de la mer
Certifications	CE: IEC/EN 61010-1 per LV Directive (2006/95/EC), IEC/EN 61326 per EMC: Directive (2004/108/EC)
	cETL: CSA C22.2 No 61010-1
	ETLus: UL 61010-1
Garantie	1 an
Unité de système (5 canaux)	
Dimensions (l x P x H)	70,5 x 71,2 x 26,7 cm (27,7 x 28 x 10,5 pouces)
Poids	46,5 kg (102,51 lb)
Alimentation requise	100–115 V ±10 %, 230 V ±10 %; 50–60 Hz, 800 W
Valeur nominale fusible	T, 8 A, 100–115 V, T, 4 A, 230 V
Ampoule	Tungstène/Halogène, 12 V, 50 W, MR16
Module de traitement de l'échantillon (SPM)	
Dimensions (l x P x H)	69 x 9 x 26 cm (27,2 x 3,5 x 10,2 pouces)
Poids	4 kg (8,8 lb)
Alimentation requise	115 V c.a., 1,2 A, 60 Hz ou 230 V c.a., 0,8 A, 50 Hz
Valeur nominale fusible	T, 1,6 A, 250 V, 5 mm x 20 mm
Pompe (12 positions)	
Dimensions (l x P x H)	15 x 26 x 26,7 cm (5,9 x 10,2 x 10,5 pouces)
Poids	5,6 kg (12,3 lb)

Caractéristique	Détails
Alimentation requise	100 ou 120 V c.a., 220 ou 240 V c.a. ; 50–60 Hz, 15 VA
Valeur nominale fusible	T, ½ A, 250 V
Echantillonneur ASX-520	
Dimensions (l x P x H)	52,5 x 46 x 25 cm (20,6 x 18,1 x 9,8 pouces)
Poids	10 kg (22 lb)
Alimentation requise	100–240 V c.a. ; 50–60 Hz, 1..5 A
Valeur nominale fusible	Ne doit pas être remplacé par l'utilisateur
Echantillonneur ASX-260	
Dimensions (l x P x H)	30 x 50,8 x 61 cm (13 x 20 x 24 pouces)
Poids	8,4 kg (18,5 lb)
Alimentation requise	100–240 V c.a. ; 50–60 Hz, 1..5 A
Valeur nominale fusible	Ne doit pas être remplacé par l'utilisateur
Diluteur PDS200 (en option)	
Dimensions (l x P x H)	12,7 x 22,5 x 23,4 cm (5 x 8,9 x 9,2 pouces)
Poids	4 kg (8,8 lb)
Alimentation requise	110–240 V c.a. ; 50–60 Hz, 0,5 A
Valeur nominale fusible	T, ½ A, 250 V

Généralités

En aucun cas le constructeur ne saurait être responsable des dommages directs, indirects, spéciaux, accessoires ou consécutifs résultant d'un défaut ou d'une omission dans ce manuel. Le constructeur se réserve le droit d'apporter des modifications à ce manuel et aux produits décrits à tout moment, sans avertissement ni obligation. Les éditions révisées se trouvent sur le site Internet du fabricant.

Consignes de sécurité

AVIS

Le fabricant décline toute responsabilité quant aux dégâts liés à une application ou un usage inappropriés de ce produit, y compris, sans toutefois s'y limiter, des dommages directs ou indirects, ainsi que des dommages consécutifs, et rejette toute responsabilité quant à ces dommages dans la mesure où la loi applicable le permet. L'utilisateur est seul responsable de la vérification des risques d'application critiques et de la mise en place de mécanismes de protection des processus en cas de défaillance de l'équipement.

Veuillez lire l'ensemble du manuel avant le déballage, la configuration ou la mise en fonctionnement de cet appareil. Respectez toutes les déclarations de prudence et d'attention. Le non-respect de cette procédure peut conduire à des blessures graves de l'opérateur ou à des dégâts sur le matériel.

Assurez-vous que la protection fournie avec cet appareil n'est pas défaillante. N'utilisez ni n'installez cet appareil d'une façon différente de celle décrite dans ce manuel.

Interprétation des indications de risques

▲ DANGER

Indique une situation de danger potentiel ou imminent qui, si elle n'est pas évitée, entraîne des blessures graves, voire mortelles.

▲ AVERTISSEMENT

Indique une situation de danger potentiel ou imminent qui, si elle n'est pas évitée, peut entraîner des blessures graves, voire mortelles.

▲ ATTENTION








Indique une situation de danger potentiel qui peut entraîner des blessures mineures ou légères.

AVIS

Indique une situation qui, si elle n'est pas évitée, peut occasionner l'endommagement du matériel. Informations nécessitant une attention particulière.

Étiquettes de mise en garde

Lisez toutes les étiquettes et tous les repères apposés sur l'instrument. Des personnes peuvent se blesser et le matériel peut être endommagé si ces instructions ne sont pas respectées. Un symbole sur l'appareil renvoie à une instruction de mise en garde dans le manuel.

	Si l'appareil comporte ce symbole, reportez-vous au manuel d'utilisation pour consulter les informations de fonctionnement et de sécurité.
	En Europe, depuis le 12 août 2005, les appareils électriques comportant ce symbole ne doivent pas être jetés avec les autres déchets. Conformément à la réglementation nationale et européenne (Directive 2002/96/CE), les appareils électriques doivent désormais être, à la fin de leur service, renvoyés par les utilisateurs au fabricant, qui se chargera de les éliminer à ses frais. <i>Remarque : Pour le retour à des fins de recyclage, veuillez contacter le fabricant ou le fournisseur d'équipement pour obtenir les instructions sur la façon de renvoyer l'équipement usagé, les accessoires électriques fournis par le fabricant, et tous les articles auxiliaires pour une mise au rebut appropriée.</i>
	Ce symbole indique qu'il existe un risque de choc électrique et/ou d'électrocution.
	Ce symbole indique la nécessité de porter des lunettes de protection.
	Ce symbole indique que l'élément signalé peut être chaud et que des précautions doivent être prises avant de le toucher.
	Ce symbole, s'il figure sur le produit, indique l'emplacement d'un fusible ou d'un dispositif limiteur de courant.
	Ce symbole signale que l'objet est lourd.

Certification

Règlement canadien sur les équipements causant des interférences radio, IECS-003, Classe A:

Les données d'essai correspondantes sont conservées chez le constructeur.

Cet appareil numérique de classe A respecte toutes les exigences du Règlement sur le matériel brouilleur du Canada.

Cet appareil numérique de classe A répond à toutes les exigences de la réglementation canadienne sur les équipements provoquant des interférences.

FCC part 15, limites de classe A :


Les données d'essai correspondantes sont conservées chez le constructeur. L'appareil est conforme à la partie 15 de la réglementation FCC. Le fonctionnement est soumis aux conditions suivantes :


1. Cet équipement ne peut pas causer d'interférence nuisible.
2. Cet équipement doit accepter toutes les interférences reçues, y compris celles qui pourraient entraîner un fonctionnement inattendu.

Les modifications de cet équipement qui n'ont pas été expressément approuvées par le responsable de la conformité aux limites pourraient annuler l'autorité dont l'utilisateur dispose pour utiliser cet équipement. Cet équipement a été testé et déclaré conforme aux limites définies pour les appareils numériques de classe A, conformément à la section 15 de la réglementation FCC. Ces limites ont pour but de fournir une protection raisonnable contre les interférences néfastes lorsque l'équipement fonctionne dans un environnement commercial. Cet équipement génère, utilise et peut irradier l'énergie des fréquences radio et, s'il n'est pas installé ou utilisé conformément au mode d'emploi, il peut entraîner des interférences dangereuses pour les communications radio. Le fonctionnement de cet équipement dans une zone résidentielle risque de causer des interférences nuisibles, dans ce cas l'utilisateur doit corriger les interférences à ses frais. Les techniques ci-dessous peuvent permettre de réduire les problèmes d'interférences :

1. Débrancher l'équipement de la prise de courant pour vérifier s'il est ou non la source des perturbations
2. Si l'équipement est branché sur le même circuit de prises que l'appareil qui subit des interférences, branchez l'équipement sur un circuit différent.
3. Éloigner l'équipement du dispositif qui reçoit l'interférence.
4. Repositionner l'antenne de réception du périphérique qui reçoit les interférences.
5. Essayer plusieurs des techniques ci-dessus à la fois.

Vue d'ensemble du système

⚠ DANGER	
	Dangers chimiques ou biologiques. Si cet instrument est utilisé pour la surveillance d'un procédé de traitement et/ou d'un système de dosage de réactifs chimiques auxquels s'appliquent des limites réglementaires et des normes de surveillance motivées par des préoccupations de santé et de sécurité publiques ou de fabrication et de transformation d'aliments ou de boissons, il est de la responsabilité de l'utilisateur de cet instrument qu'il connaisse et applique les normes en vigueur et qu'il ait à sa disposition suffisamment de mécanismes pour s'assurer du bon respect de ces normes dans l'éventualité d'un dysfonctionnement de l'appareil.

⚠ AVERTISSEMENT	
	Risque d'incendie. L'utilisateur doit s'assurer de prendre les précautions nécessaires lors de l'utilisation de l'équipement avec des méthodes impliquant des liquides inflammables. Veillez à respecter les précautions d'utilisation et les protocoles de sécurité adéquats. Cela inclut, sans y être limité, le contrôle de tout déversement et de toute fuite, une ventilation appropriée, une utilisation contrôlée et la surveillance continue de l'instrument lorsqu'il est sous tension.

L'unité de système QuikChem® 8500 Series 2 FIA (Flow Injection Analysis) est configurée pour effectuer une analyse du flux d'injection grâce à une détection photométrique. Les autres configurations proposées, telles que les méthodes de détection potentiométriques et ampérométriques sont décrites dans les procédés analytiques où elles sont exigées. Pour obtenir des informations détaillées sur le logiciel, reportez-vous au système d'aide en ligne intégré au logiciel.

L'analyseur QuikChem® 8500 Series 2 est de conception modulaire et inclut les modules suivants : Reportez-vous à la [Figure 1](#).

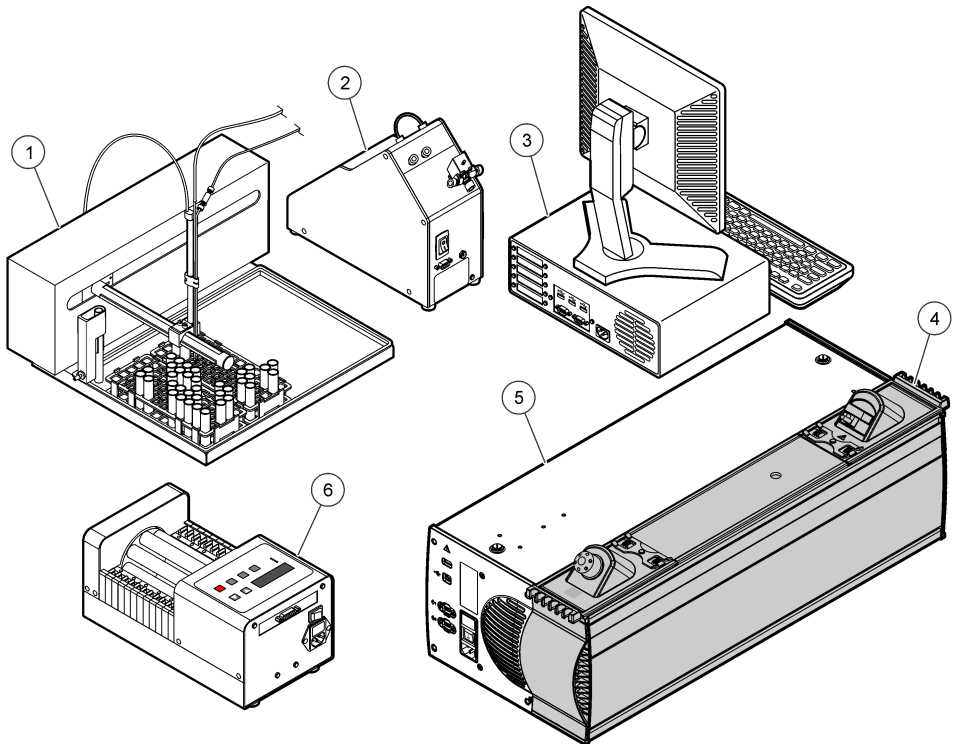
- L'unité de système QuikChem® FIA comprend l'unité de base et les modules de traitement de l'échantillon (SPM). L'unité de base transmet les signaux électriques, lumineux et électroniques depuis et vers chaque SPM. Un SPM ou un canal présente une valve d'injection, un collecteur, un détecteur photométrique et un module chauffant (en option). Une unité de système peut avoir jusqu'à cinq canaux qui fonctionnent simultanément. Un simple ordinateur contrôle deux unités de

système et fait fonctionner jusqu'à huit canaux à la fois. Un module de réaction chimique ou un collecteur est installé sur un canal pour l'analyse quantitative d'un analyte. Il existe 450 méthodes QuikChem pour trouver plus de 40 analytes. De nombreuses méthodes sont disponibles dans plusieurs matrices.

- Echantillonneur : l'analyseur QuikChem® 8500 Series 2 analyzer operates with either the ASX-260 or the ASX-520 series autosamplers.
- Pompe (12 ou 16 cartouches) - La pompe multicanal sert à pomper des réactifs dans le collecteur. Elle aspire également des quantités d'échantillon et les envoie de l'échantillonneur vers la valve. Ensuite, ces solutions sont chargées dans la boucle d'échantillon et déplacées vers le collecteur grâce à un flux de solution conductrice en vue d'être mélangées aux réactifs.
- Ordinateur avec logiciel Omnion chargé
- Imprimante (option)
- Le diluteur PDS200 (en option) utilise le déplacement positif pour forcer l'eau de dilution à se mélanger aux échantillons non inflammables en vue de l'analyse.

Assurez-vous d'avoir bien reçu tous les composants. Si des éléments manquent ou sont endommagés, contactez immédiatement le fabricant ou un représentant commercial.

Figure 1 Vue d'ensemble du système



1 Echantillonneur	4 Canal (de 1 à 5 sur 1 système, jusqu'à 8 sur 2 systèmes)
2 Diluteur (en option)	5 Unité de système QuikChem® FIA
3 Ordinateur avec logiciel Omnion chargé	6 Pompe

Installation

⚠ DANGER



Dangers multiples. Seul le personnel qualifié doit effectuer les tâches détaillées dans cette section du document.

⚠ DANGER



Risque de blessures corporelles. Assurez-vous que l'équipement est stable et demandez l'aide d'une autre personne pour l'installer et le déplacer.

Connexion du lecteur-Z à l'échantillonneur

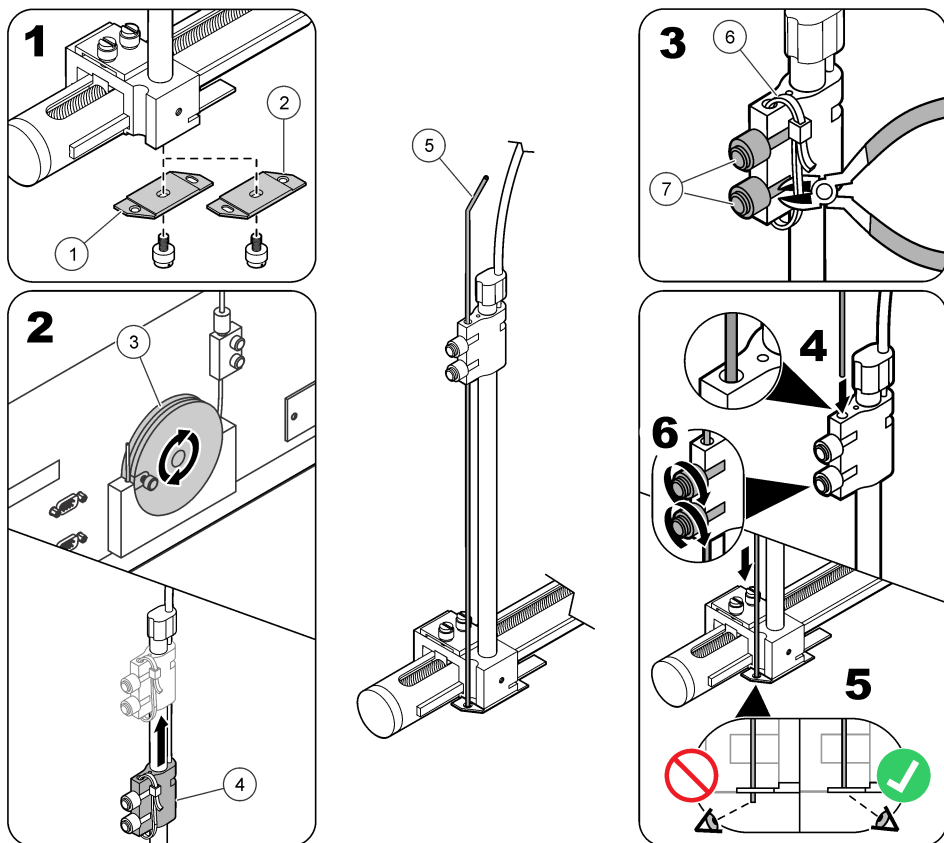
Référez-vous aux instructions fournies avec l'échantillonneur.

Fixation de la sonde à l'échantillonneur

Lorsque la sonde est installée, assurez-vous que sa position coïncide avec l'orifice de la plaque de guidage. Voir [Figure 2](#).

Remarque : Déplacez toujours les curseurs avec la roue sur l'échantillonneur pour éviter d'endommager le tube.

Figure 2 Installation de la sonde



1	Plaque de guidage de la sonde (installation d'une sonde unique)	4	Courseur de sonde	7	Boutons de courseur
2	Plaque de guidage de la sonde (installation d'une sonde double)	5	Sonde		
3	Roue de courseur	6	Collier à câble		

Installation de canaux supplémentaires

Si des canaux supplémentaires ont été commandés, connectez les canaux qui sont livrés séparément. Utilisez la documentation fournie avec les canaux.

Installation électrique

⚠ DANGER



Risque d'électrocution Débranchez systématiquement l'alimentation de l'appareil avant tout branchement électrique.

⚠ DANGER



Risque d'électrocution Ne branchez pas directement l'alimentation en courant alternatif un instrument alimenté en courant continu.

⚠ DANGER



Risque d'électrocution Si cet équipement est utilisé à l'extérieur ou dans des lieux potentiellement humides, un disjoncteur de fuite à la terre (GFCI/GFI) doit être utilisé pour le branchement de l'équipement à sa source d'alimentation secteur.

⚠ DANGER



Risque d'électrocution Un raccordement à la terre est nécessaire.

⚠ DANGER



Risque d'électrocution et d'incendie. Pour les instruments disposant d'un cordon d'alimentation, assurez-vous que le dispositif de déconnexion local est facile d'accès.

⚠ AVERTISSEMENT



Risque d'électrocution. Tout équipement externe relié doit avoir fait l'objet d'un contrôle de sécurité conformément aux normes nationales applicables.

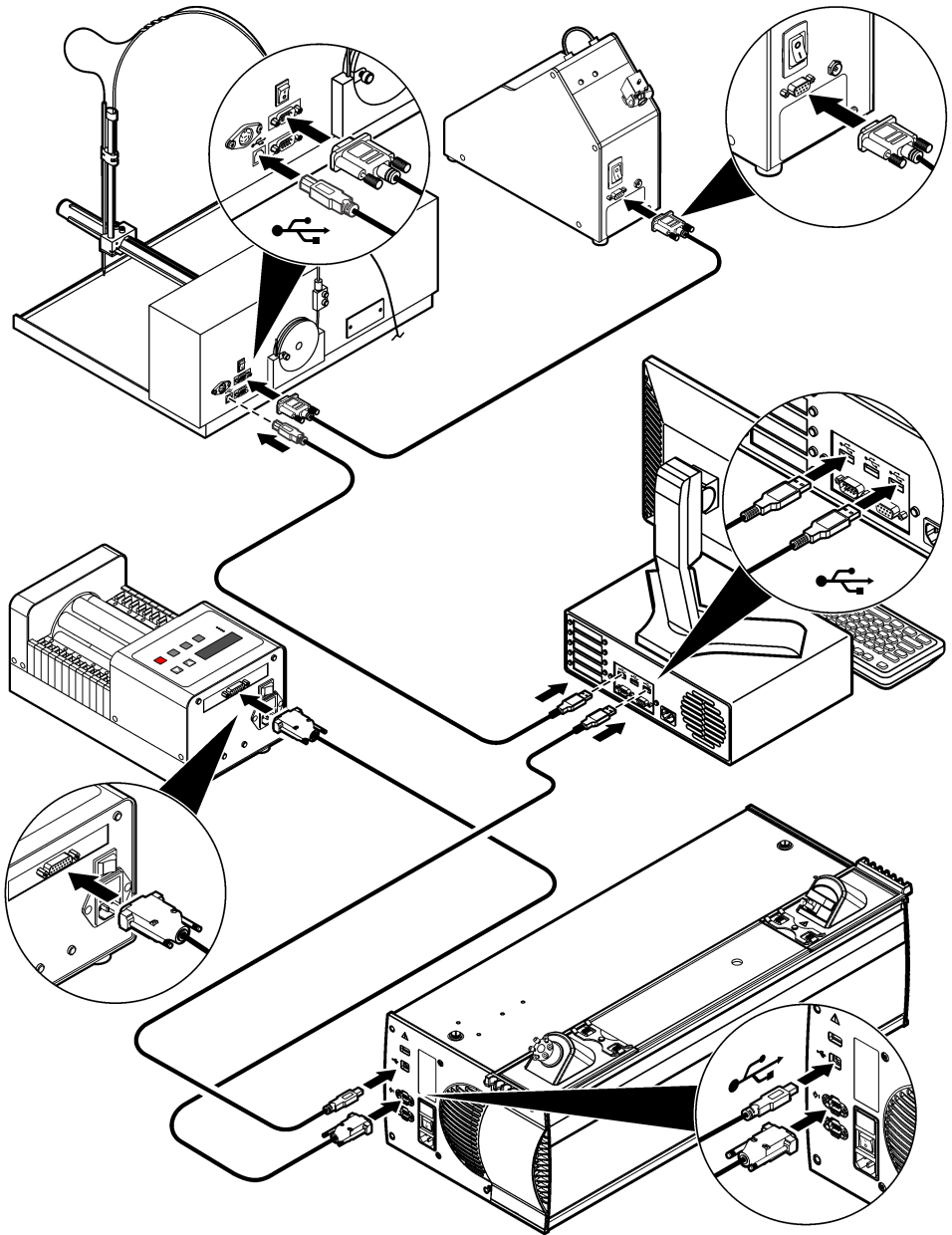
AVIS

L'équipement doit être branché sur l'instrument conformément aux exigences locales, régionales et nationales.

Connexion des interfaces

Voir [Figure 3](#).

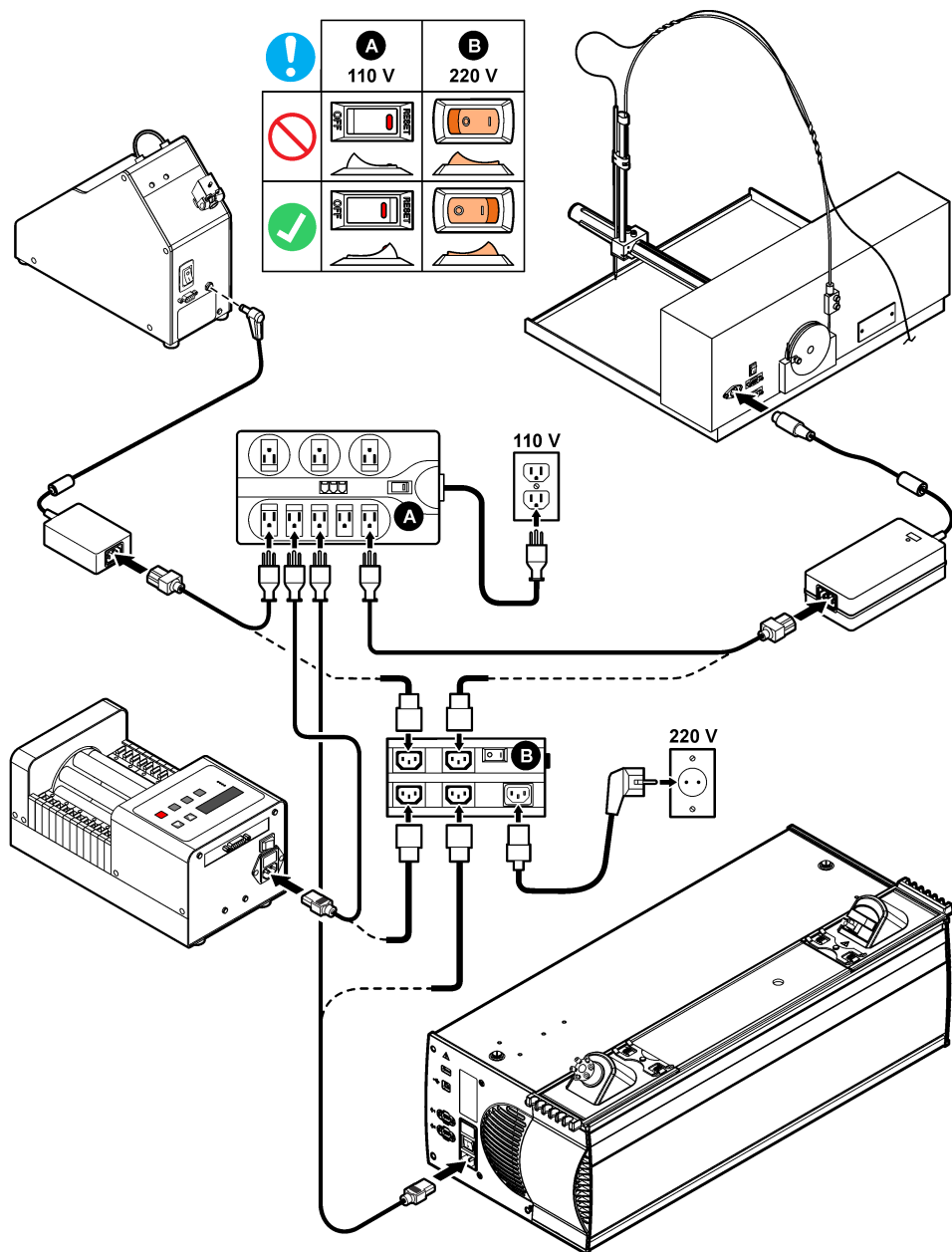
Figure 3 Connexion des interfaces du système



Branchement de l'alimentation

Ne pas placer l'interrupteur sur ON pour ces instruments ou pour le bloc multiprise. Voir [Figure 4](#).

Figure 4 Connexions électriques du système



Plomberie

La plomberie inclut le raccordement des tubes à la pompe, à l'échantillonneur et au diluteur. Veillez à utiliser des tubes de la dimension indiquée. Reportez-vous à la méthode QuikChem pour plus de détails.

Raccordement des tubes de la pompe

1. Retirez toutes les cartouches de la pompe. Voir [Figure 5](#).
2. Raccordez le tube à la cartouche. Voir [Figure 6](#).
3. Reliez la cartouche à la pompe. Déplacez le levier de tension d'un cran vers la gauche. Voir [Figure 7](#).

Figure 5 Retrait de la cartouche

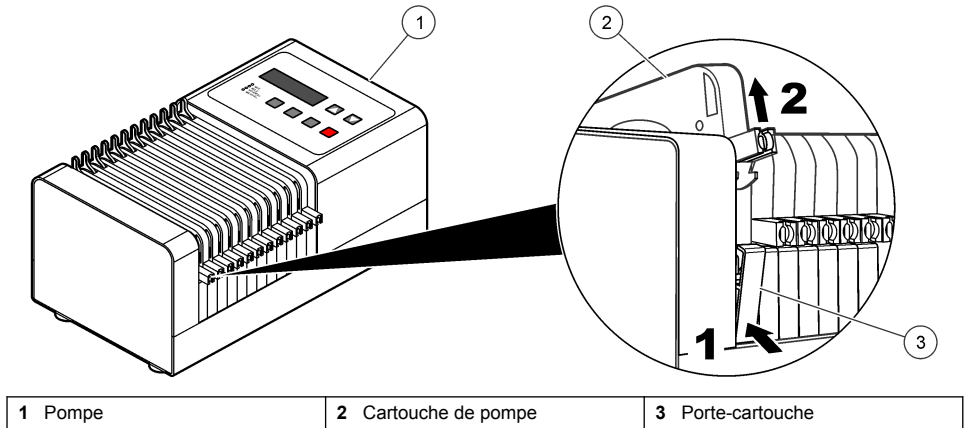
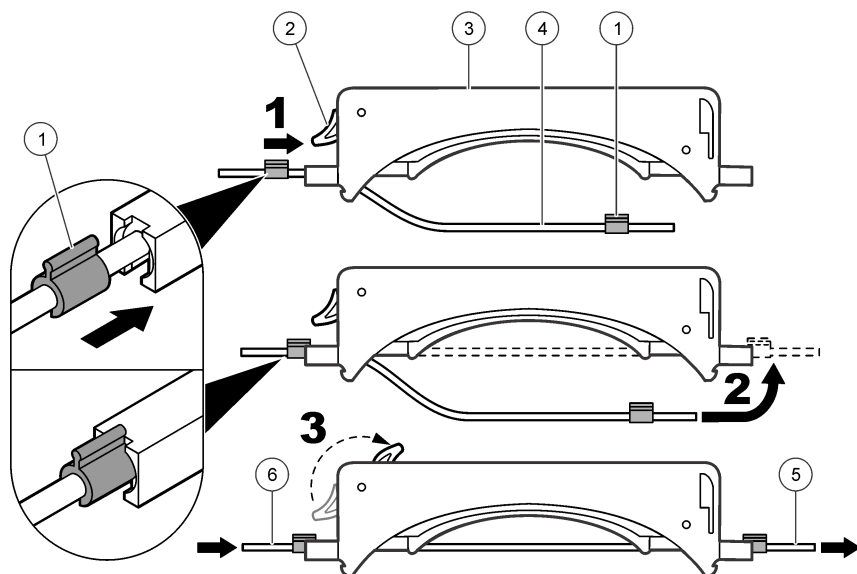
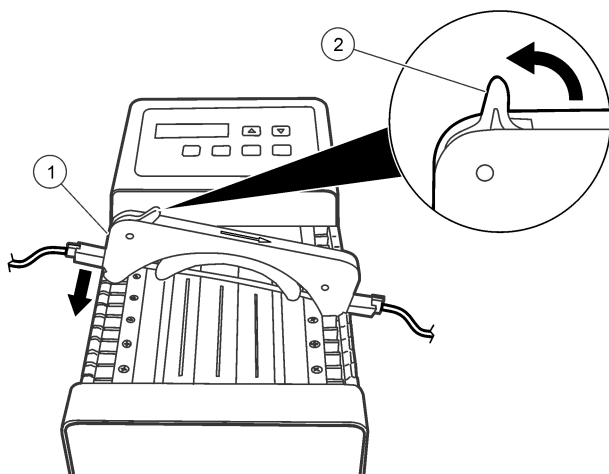


Figure 6 Fixez la cartouche et les languettes au tube



1 Languette à code couleur	3 Cartouche de pompe	5 Vers la valve d'injection, la station de lavage ou le collecteur
2 Levier tenseur	4 Tube de la pompe	6 Depuis le réactif, l'échantillon, la solution de lavage, le tampon ou autre produit chimique (varie selon la méthode)

Figure 7 Installation de la cartouche

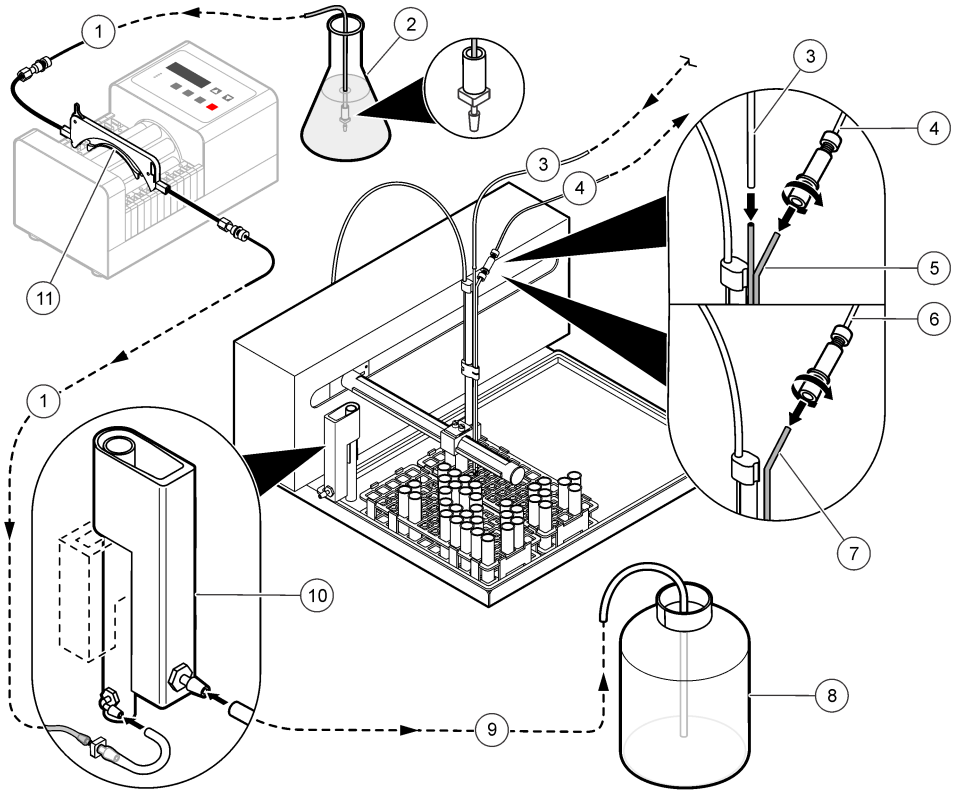


1 Cartouche de pompe	2 Levier de tension en position douze heures
----------------------	--

Raccordement des tubes de l'échantillonneur

Reportez-vous à la [Figure 8](#) pour raccorder les tubes de l'échantillonneur.

Figure 8 Raccordement des tubes de l'échantillonneur

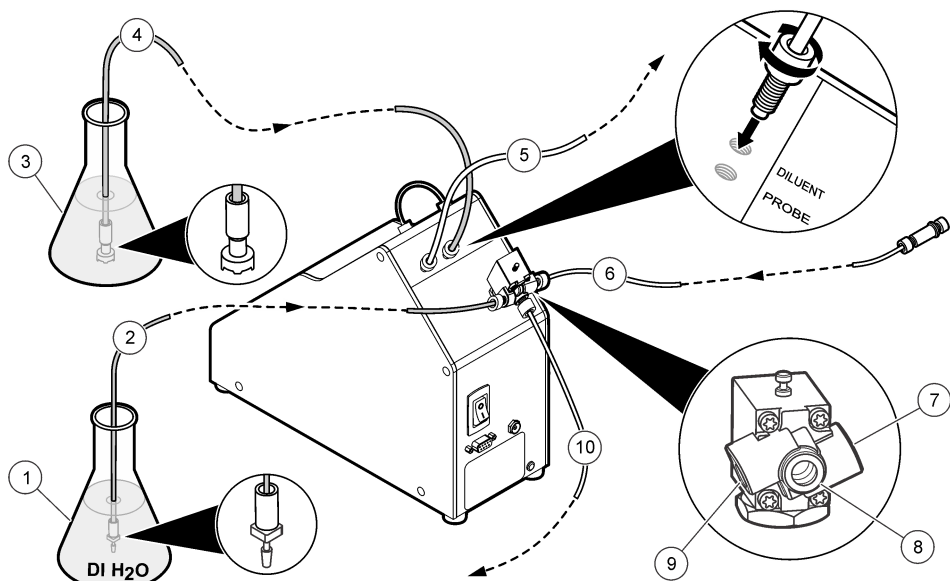


1 Tube de la solution de rinçage	5 Sonde double (pour l'option diluteur)	9 Tube d'évacuation de la station de rinçage
2 Solution de rinçage	6 Tube d'échantillon vers la pompe et la valve d'injection	10 Station de rinçage de l'échantillonneur
3 Tube de dilution sortant du diluteur	7 Sonde d'échantillon	11 Cartouche de pompe
4 Tube d'échantillon vers le diluteur	8 Conteneur de déchets	

Raccordement des tubes du diluteur

Reportez-vous à la [Figure 9](#) pour raccorder les tubes du diluteur.

Figure 9 Connexions des tubes du diluteur



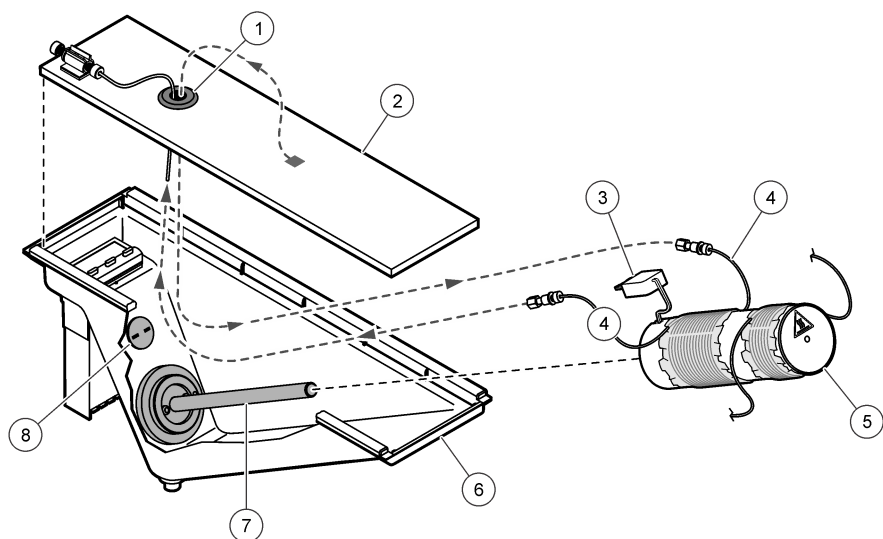
1 Eau déminéralisée	5 Tube vers la sonde de l'échantillonneur	9 Port 1 de l'électrovalve
2 Tube vers l'électrovalve	6 Tube d'échantillon sortant de la sonde d'échantillon	10 Tube d'échantillon vers la pompe et la valve d'injection
3 Solution de dilution	7 Port 2 de l'électrovalve	
4 Tube vers le diluteur	8 Port 3 de l'électrovalve	

Installation du mandrin chauffant

Si l'instrument comporte un module chauffant, il est nécessaire d'installer un mandrin chauffant. Pour installer un mandrin chauffant :

1. Assurez-vous que le mandrin chauffant a l'enroulement correct.
2. Retirez le couvercle du canal. Voir [Figure 10](#).
3. Installez le mandrin, les tubes et le jack pour thermocouple.
4. Installez le panneau du collecteur.

Figure 10 Installation du mandrin chauffant

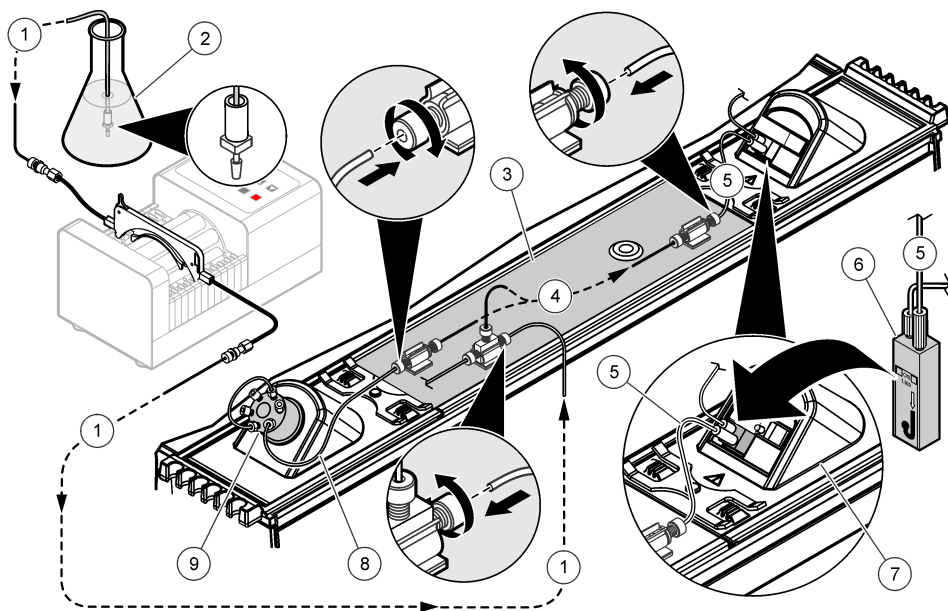


1 Orifice d'accès pour le tuyau du chauffage	4 Tube vers le collecteur	7 Élément chauffant
2 Panneau du collecteur	5 Mandrin chauffant	8 Jack de thermocouple
3 Fiche de thermocouple	6 Cuve d'égouttage	

Raccordement des tubes du collecteur externe

Connectez le tube au collecteur. Voir [Figure 11](#).

Figure 11 Raccordement des tubes du collecteur externe

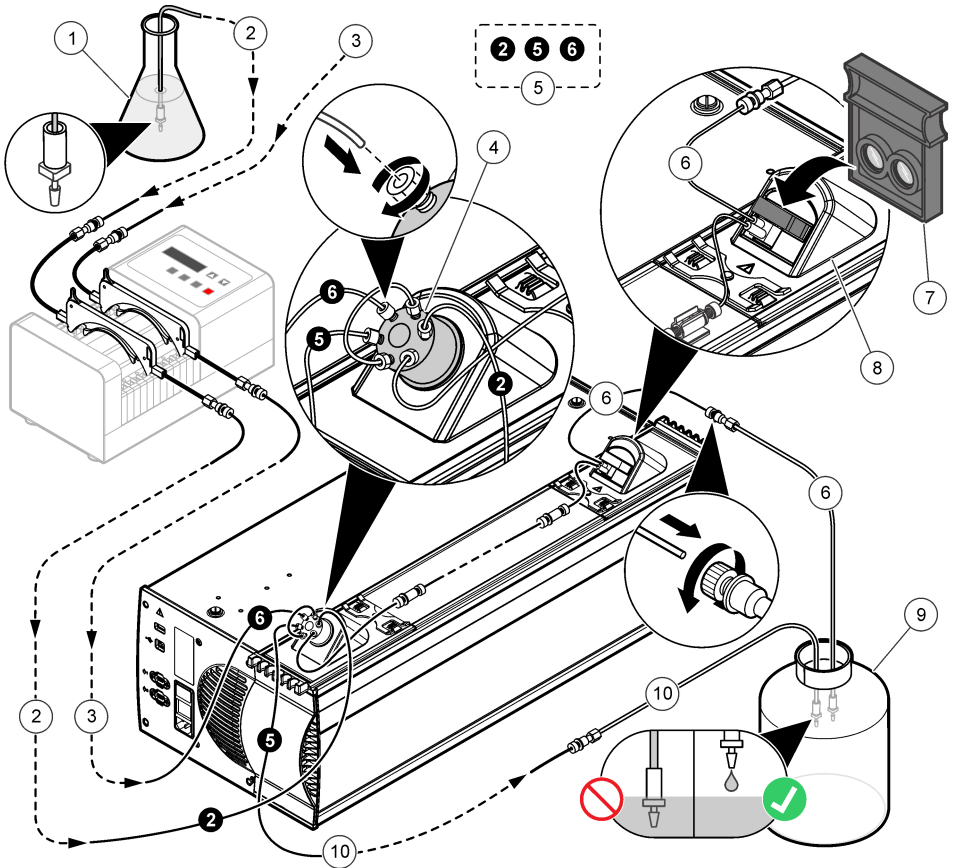


1 Tube de solution de transmission vers le collecteur	4 Raccordement des tubes du collecteur (varie selon la méthode)	7 Détecteur
2 Solution de réactif (varie selon la méthode)	5 Tube sortant du collecteur vers la cellule d'écoulement	8 Tube sortant du port 3 de la valve vers le collecteur
3 Panneau du collecteur	6 Cellule d'écoulement	9 Valve d'injection

Raccordement des tubes du canal

Connectez les tubes au canal ([Figure 12](#)).

Figure 12 Raccordement des tubes du canal



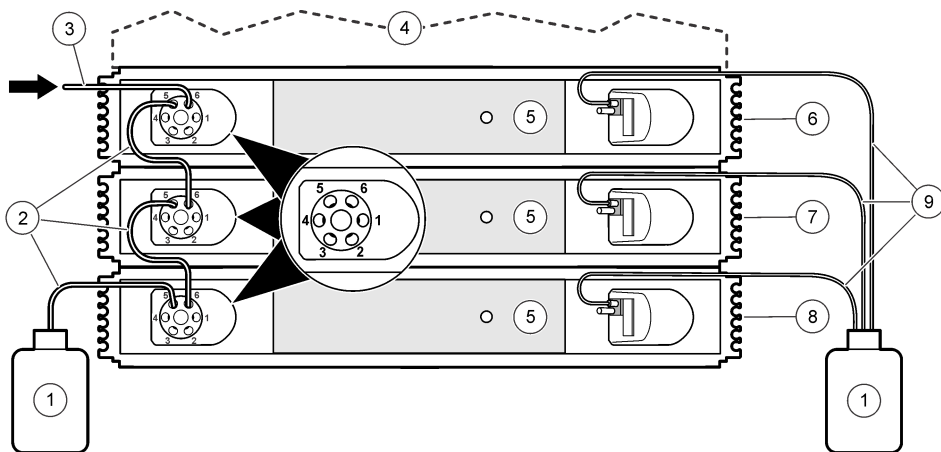
1 Solution conductrice (différente selon la méthode QuikChem)	5 Numéros de port de la valve d'injection	9 Conteneur de déchets
2 Tube de la solution conductrice vers la valve d'injection	6 Tube d'évacuation sortant de la cellule d'écoulement	10 Tube d'évacuation sortant de la valve d'injection
3 Tube d'échantillon vers la valve d'injection	7 Filtre d'interférence	
4 Valve d'injection	8 Détecteur	

Raccordement des tubes vers des canaux multiples

Lors de l'utilisation de canaux multiples, raccordez le port 5 de la première valve au port 6 de la valve suivante à l'aide de tubes en Teflon® de 15 cm de longueur et 0,8 mm de diamètre (Figure 13).

Remarque : Ne mettez pas le tube dans la solution d'évacuation pour éviter toute pression de retour ou réduction du débit. Assurez-vous que la solution d'évacuation s'écoule toujours dans le conteneur.

Figure 13 Raccordement des tubes pour canaux multiples



1 Conteneur de déchets	4 Unité de système	7 Canal 2
2 Tube d'évacuation de la valve d'injection	5 Collecteurs	8 Canal 3
3 Tube d'échantillon entrée	6 Canal 1	9 Tube d'évacuation de la cellule d'écoulement

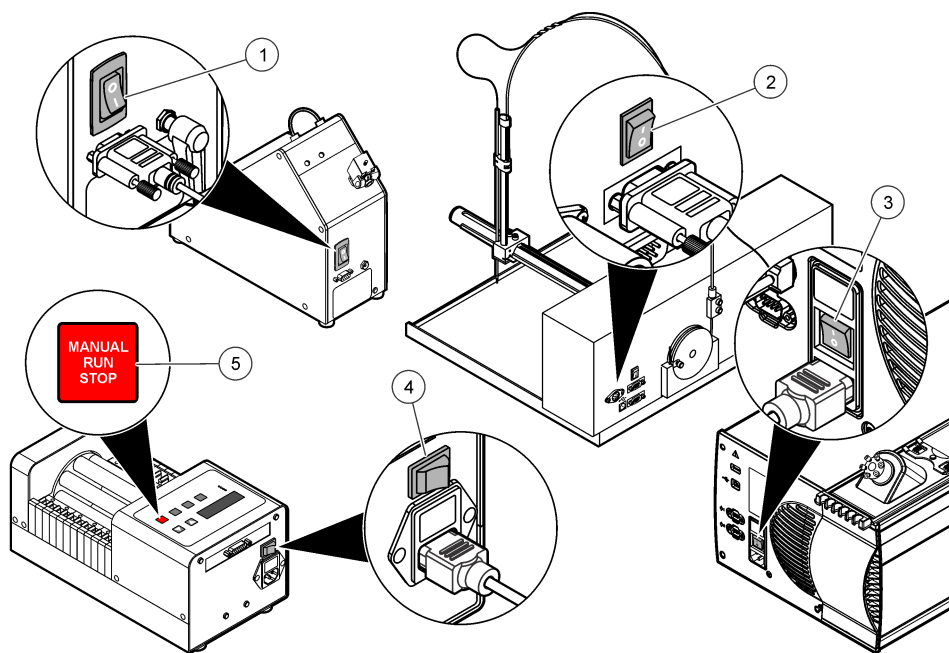
Détecteurs non photométriques

Certaines méthodes exigent d'autres types de détecteurs, notamment fluorure, photomètres à flamme, conductivité ou pH. La cellule d'écoulement régulier ou les filtres d'interférence ne sont pas nécessaires pour les détecteurs non photométriques, tels qu'un détecteur ISE pour la détermination du fluorure. Suivez les instructions indiquées dans la méthode QuikChem pour les raccordements hydrauliques.

Mise sous tension

1. Placez l'interrupteur d'alimentation de chaque instrument sur ON. Voir [Figure 14](#).
2. Placez l'interrupteur d'alimentation du bloc multiprise sur ON.

Figure 14 Interrupteurs et boutons d'alimentation



1 Interrupteur d'alimentation du diluteur	4 Interrupteur d'alimentation de la pompe
2 Bouton d'alimentation de l'échantillonneur	5 Bouton marche/arrêt de la pompe
3 Interrupteur d'alimentation de l'unité de système	

Test initial de la pompe

1. Assurez-vous que le logiciel Omnion n'est pas en cours d'exécution. Appuyez sur la touche **FONCTIONNEMENT NORMAL**. Assurez-vous que la pompe fonctionne à une vitesse normale de 35. La DEL NORMAL s'allume. Si l'afficheur montre une vitesse différente, appuyez sur la **TOUCHE FLECHEE** pour changer la valeur à 35.
2. Appuyez sur la touche **MIN**. La DEL MIN s'allume. L'afficheur indique une vitesse de 4.
3. Maintenez la touche **MAX** enfoncée jusqu'à ce que la DEL MAX s'allume. L'afficheur indique une vitesse de 999. La pompe retourne à la vitesse d'origine lorsque la touche **MAX** est relâchée.
4. Pour arrêter la pompe, appuyez sur la touche **FONCTIONNEMENT MANUEL/STOP**. Aucune DEL ne s'allume, mais l'afficheur indique « 35 » (vitesse de la pompe).
5. Appuyez de nouveau sur la touche **FONCTIONNEMENT MANUEL/STOP**. La DEL MANUEL s'allume. La pompe fonctionne à une vitesse normale de 35.
6. Appuyez sur la touche **FONCTIONNEMENT MANUEL/STOP** pour arrêter la pompe. Pour refaire l'une des étapes ci-dessus, placez l'interrupteur de la pompe sur OFF puis sur ON. Commencez par l'étape 1.
7. En cas d'échec à l'une des étapes ci-dessus, contactez l'assistance technique.

Tabla de contenidos

[Especificaciones](#) en la página 40

[Información general](#) en la página 41

[Instalación](#) en la página 45

Información adicional

En el sitio web del fabricante encontrará información adicional.

Especificaciones

Las especificaciones están sujetas a cambios sin previo aviso.

Especificación	Detalles
Dimensiones del espacio de trabajo (An x Pr x Al)	2,72 x 0,83 x 0,58 m (9 x 2,75 x 2 ft) (recomendado)
Ubicación	Laboratorio (solo para uso en interiores)
Categoría del nivel de contaminación/instalación	II
Clase de protección	I
Temperatura de funcionamiento	De 5 a 40 °C (de 41 a 104 °F), máximo 80 % de humedad relativa sin condensación para temperaturas de hasta 31 °C y descensos lineales de hasta el 50 % de humedad relativa a 40 °C
Temperatura de almacenamiento	De -20 a 70 °C (de -4 a 158 °F)
Límite de altitud	Hasta 3.000 m (10.000 pies) por encima del nivel del mar
Certificaciones	CE: IEC/EN 61010-, según la Directiva de baja tensión (2006/95/EC); IEC/EN 61326, según la CEM: Directiva (2004/108/EC) cETL: CSA C22.2 N.º 61010-1 ETLis: UL 61010-1
Garantía	1 año
Unidad del sistema (5 canales)	
Dimensiones (An x Pr x Al)	70,5 x 71,2 x 26,7 cm (27,7 x 28,0 x 10,5 pulg.)
Peso	46,5 kg (102,51 lb)
Requisitos de alimentación	100–115 V ±10 %, 230 V ±10 %; 50–60 Hz, 800 W
Tipo de fusibles	T, 8 A, 100–115 V, T, 4 A, 230 V
Lámpara	De tungsteno/halógena, 12 V, 50 W, MR16
Módulo de procesamiento de muestras (SPM)	
Dimensiones (An x Pr x Al)	69 x 9 x 26 cm (27,2 x 3,5 x 10,2 pulg.)
Peso	4 kg (8,8 libras)
Requisitos de alimentación	115 VCA, 1,2 A, 60 Hz o 230 VCA, 0,8 A, 50 Hz
Tipo de fusibles	T, 1,6 A, 250 V, 5 mm x 20 mm
Bomba (12 posiciones)	
Dimensiones (An x Pr x Al)	15 x 26 x 26,7 cm (5,9 x 10,2 x 10,5 pulg.)

Especificación	Detalles
Peso	5,6 kg (12,3 lb)
Requisitos de alimentación	100 o 120 VCA, 220 o 240 VCA; 50–60 Hz, 15 VA
Tipo de fusibles	T, ½ A, 250 V
Muestreador ASX-520	
Dimensiones (An x Pr x Al)	52,5 x 46 x 25 cm (20,6 x 18,1 x 9,8 pulg.)
Peso	10 kg (22 lb)
Requisitos de alimentación	100–240 VCA; 50–60 Hz, 1,5 A
Tipo de fusibles	No sustituible por el usuario
Muestreador ASX-260	
Dimensiones (An x Pr x Al)	30 x 50,8 x 61 cm (13 x 20 x 24 pulg.)
Peso	8,4 kg (18,5 lb)
Requisitos de alimentación	100–240 VCA; 50–60 Hz, 1,5 A
Tipo de fusibles	No sustituible por el usuario
Diluidor PDS200 (opcional)	
Dimensiones (An x Pr x Al)	12,7 x 22,5 x 23,4 cm (5 x 8,9 x 9,2 pulg.)
Peso	4 kg (8,8 libras)
Requisitos de alimentación	110–240 VCA; 50–60 Hz, 0,5 A
Tipo de fusible	T, ½ A, 250 V

Información general

En ningún caso el fabricante será responsable de ningún daño directo, indirecto, especial, accidental o resultante de un defecto u omisión en este manual. El fabricante se reserva el derecho a modificar este manual y los productos que describen en cualquier momento, sin aviso ni obligación. Las ediciones revisadas se encuentran en la página web del fabricante.

Información de seguridad

AVISO

El fabricante no es responsable de ningún daño debido a un mal uso de este producto incluyendo, sin limitación, daños directos, fortuitos o circunstanciales y reclamos sobre los daños que no estén recogidos en la legislación vigente. El usuario es el responsable de la identificación de los riesgos críticos y de tener los mecanismos adecuados de protección de los procesos en caso de un posible mal funcionamiento del equipo.

Lea todo el manual antes de desembalar, instalar o trabajar con este equipo. Ponga atención a todas las advertencias y avisos de peligro. El no hacerlo puede provocar heridas graves al usuario o daños al equipo.

Asegúrese de que la protección proporcionada por el equipo no está dañada. No utilice ni instale este equipo de manera distinta a lo especificado en este manual.

Uso de la información sobre riesgos

▲ PELIGRO

Indica una situación potencial o de riesgo inminente que, de no evitarse, provocará la muerte o lesiones graves.

⚠ ADVERTENCIA

Indica una situación potencial o inminentemente peligrosa que, de no evitarse, podría provocar la muerte o lesiones graves.

⚠ PRECAUCIÓN








Indica una situación potencialmente peligrosa que podría provocar una lesión menor o moderada.

AVISO

Indica una situación que, si no se evita, puede provocar daños en el instrumento. Información que requiere especial énfasis.

Etiquetas de precaución

Lea todas las etiquetas y rótulos adheridos al instrumento. En caso contrario, podrían producirse heridas personales o daños en el instrumento. Cada símbolo que aparezca en el instrumento se comentará en el manual con una indicación de precaución.

	Este símbolo (en caso de estar colocado en el equipo) hace referencia a las instrucciones de uso o a la información de seguridad del manual.
	El equipo eléctrico marcado con este símbolo no se podrá desechar por medio de los sistemas europeos públicos de eliminación después del 12 de agosto de 2005. De acuerdo con las regulaciones locales y nacionales europeas (Directiva UE 2002/96/EC), ahora los usuarios de equipos eléctricos en Europa deben devolver los equipos viejos o que hayan alcanzado el término de su vida útil al fabricante para su eliminación sin cargo para el usuario. <i>Nota: Para devolver equipos para su reciclaje, póngase en contacto con el fabricante o distribuidor para así obtener instrucciones acerca de cómo devolverlos y desecharlos correctamente. Esto es aplicable a equipos que hayan alcanzado el término de su vida útil, accesorios eléctricos suministrados por el fabricante o distribuidor y todo elemento auxiliar.</i>
	Este símbolo indica que hay riesgo de descarga eléctrica y/o electrocución.
	Este símbolo indica la necesidad de usar protectores para ojos.
	Este símbolo indica que la pieza marcada podría estar caliente y que debe tocarse con precaución.
	Este símbolo, cuando aparece en un producto, identifica la ubicación de un fusible o de un limitador de corriente.
	Este símbolo indica que el objeto es pesado.

Certificación

Reglamentación canadiense sobre equipos que provocan interferencia, IECs-003, Clase A

Registros de pruebas de control del fabricante.

Este aparato digital de clase A cumple con todos los requerimientos de las reglamentaciones canadienses para equipos que producen interferencias.

Cet appareil numérique de classe A répond à toutes les exigences de la réglementation canadienne sur les équipements provoquant des interférences.

FCC Parte 15, Límites Clase "A"


Registros de pruebas de control del fabricante. Este dispositivo cumple con la Parte 15 de las normas de la FCC estadounidense. Su operación está sujeta a las siguientes dos condiciones:


1. El equipo no puede causar interferencias perjudiciales.
2. Este equipo debe aceptar cualquier interferencia recibida, incluyendo las interferencias que pueden causar un funcionamiento no deseado.

Los cambios o modificaciones a este equipo que no hayan sido aprobados por la parte responsable podrían anular el permiso del usuario para operar el equipo. Este equipo ha sido probado y encontrado que cumple con los límites para un dispositivo digital Clase A, de acuerdo con la Parte 15 de las Reglas FCC. Estos límites están diseñados para proporcionar una protección razonable contra las interferencias perjudiciales cuando el equipo está operando en un entorno comercial. Este equipo genera, utiliza y puede irradiar energía de radio frecuencia, y si no es instalado y utilizado de acuerdo con el manual de instrucciones, puede causar una interferencia dañina a las radio comunicaciones. La operación de este equipo en un área residencial es probable que produzca interferencia dañina, en cuyo caso el usuario será requerido para corregir la interferencia bajo su propio cargo. Pueden utilizarse las siguientes técnicas para reducir los problemas de interferencia:

1. Desconecte el equipo de su fuente de alimentación para verificar si éste es o no la fuente de la interferencia.
2. Si el equipo está conectado a la misma toma eléctrica que el dispositivo que experimenta la interferencia, conecte el equipo a otra toma eléctrica.
3. Aleje el equipo del dispositivo que está recibiendo la interferencia.
4. Cambie la posición de la antena del dispositivo que recibe la interferencia.
5. Trate combinaciones de las opciones descritas.

Visión general del sistema

⚠ PELIGRO	
	Peligro químico o biológico. Si este instrumento se usa para controlar un proceso de tratamiento y/o un sistema de suministro químico para el que existan límites normativos y requisitos de control relacionados con la salud pública, la seguridad pública, la fabricación o procesamiento de alimentos o bebidas, es responsabilidad del usuario de este instrumento conocer y cumplir toda normativa aplicable y disponer de mecanismos adecuados y suficientes que satisfagan las normativas vigentes en caso de mal funcionamiento del equipo.

⚠ ADVERTENCIA	
	Peligro de incendio. El usuario es responsable de asegurarse de que se adoptan las precauciones necesarias cuando se utiliza el equipo con métodos que contienen líquidos inflamables. Asegúrese de cumplir las precauciones de usuario y los protocolos de seguridad adecuados. Esto incluye, pero no se limita a controles de derrames y fugas, ventilación adecuada, uso atendido del equipo y el deber de no dejar nunca el instrumento sin vigilancia mientras esté encendido.

La unidad del sistema QuickChem[®] 8500 Series 2 FIA (Flow Injection Analysis [análisis de inyección de flujo]) está configurada para completar un análisis de inyección de flujo con una detección fotométrica. Las configuraciones alternativas, como métodos de detección potenciométrica o amperimétrica, se describen en el método analítico en el que se requieran. Para obtener información completa sobre el software, consulte el sistema de ayuda en línea del software.

El analizador QuickChem[®] 8500 Series 2 tiene un diseño modular e incluye los siguientes módulos. Consulte la [Figura 1](#).

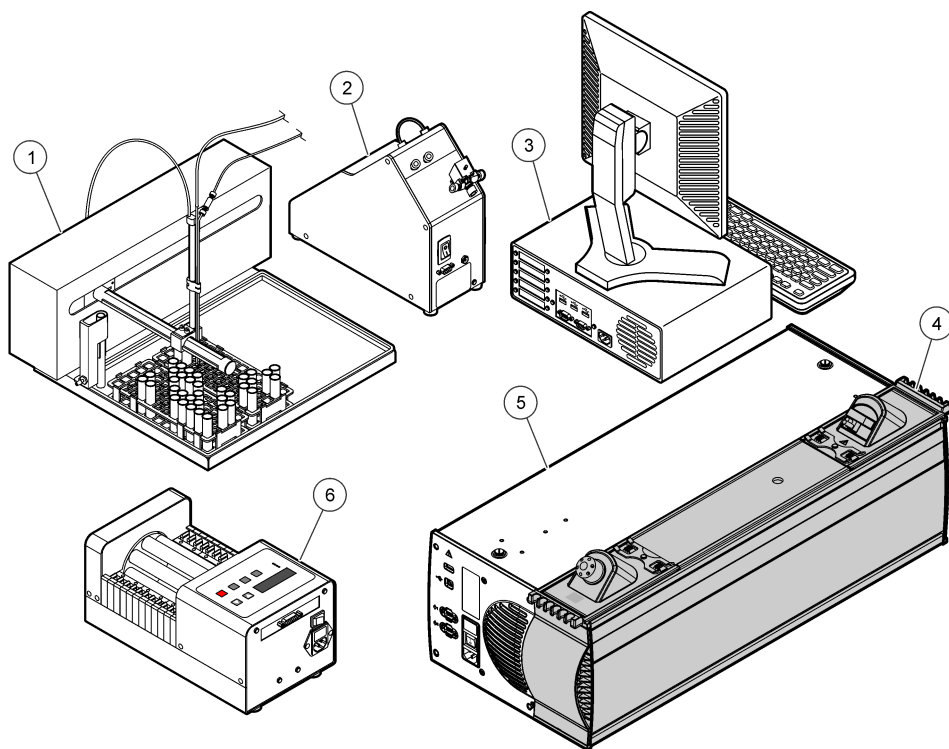
- Unidad del sistema del QuikChem[®] FIA: la unidad del sistema incluye la unidad central y los módulos de procesamiento de la muestra (SPM). La unidad central suministra alimentación eléctrica, luz y señales electrónicas a y desde cada SPM. Un SPM o un canal tiene una válvula de inyección, un distribuidor, un detector fotométrico y un módulo calefactor (opcional). Una unidad de sistema puede tener hasta cinco canales que funcionan simultáneamente. Un único ordenador controla dos unidades de sistema para que funcionen hasta ocho canales a la vez. En un canal

hay instalado un módulo de reacción química o un distribuidor para el análisis cuantitativo de los analitos. Existen 450 métodos QuikChem disponibles para la detección de más de 40 analitos. Existen muchos métodos en varias matrices.

- Muestreador: el analizador QuickChem® 8500 Series 2 funciona con el muestreador automático ASX-260 o ASX-520.
- Bomba (12 o 16 cartuchos): la bomba multicanal se utiliza para bombear reactivos al distribuidor. También aspira partes alícuotas de muestra y las transfiere del muestreador a la válvula. Estas partes se cargan después en el bucle de muestra y se transfieren al distribuidor mediante la corriente portadora para mezclarse con los reactivos.
- Ordenador con el software Omnion cargado
- Impresora (opcional)
- Diluidor (opcional): el PDS200 utiliza un desplazamiento positivo para introducir agua diluyente y mezclarla con muestras no inflamables para el análisis.

Asegúrese de haber recibido todos los componentes. Si faltan artículos o están dañados, póngase en contacto con el fabricante o el representante de ventas inmediatamente.

Figura 1 Visión general del sistema



1 Muestreador	4 Canal (de 1 a 5 en un sistema, hasta 8 en 2 sistemas)
2 Diluidor (opcional)	5 Unidad del sistema QuikChem® FIA
3 Ordenador con el software Omnion cargado	6 Bomba

Instalación

⚠ PELIGRO



Peligros diversos. Sólo el personal cualificado debe realizar las tareas descritas en esta sección del documento.

⚠ PELIGRO



Peligro de lesión personal. Asegúrese de que el equipo está estable y pida ayuda para instalarlo y moverlo.

Conexión del mecanismo de accionamiento en Z al muestreador

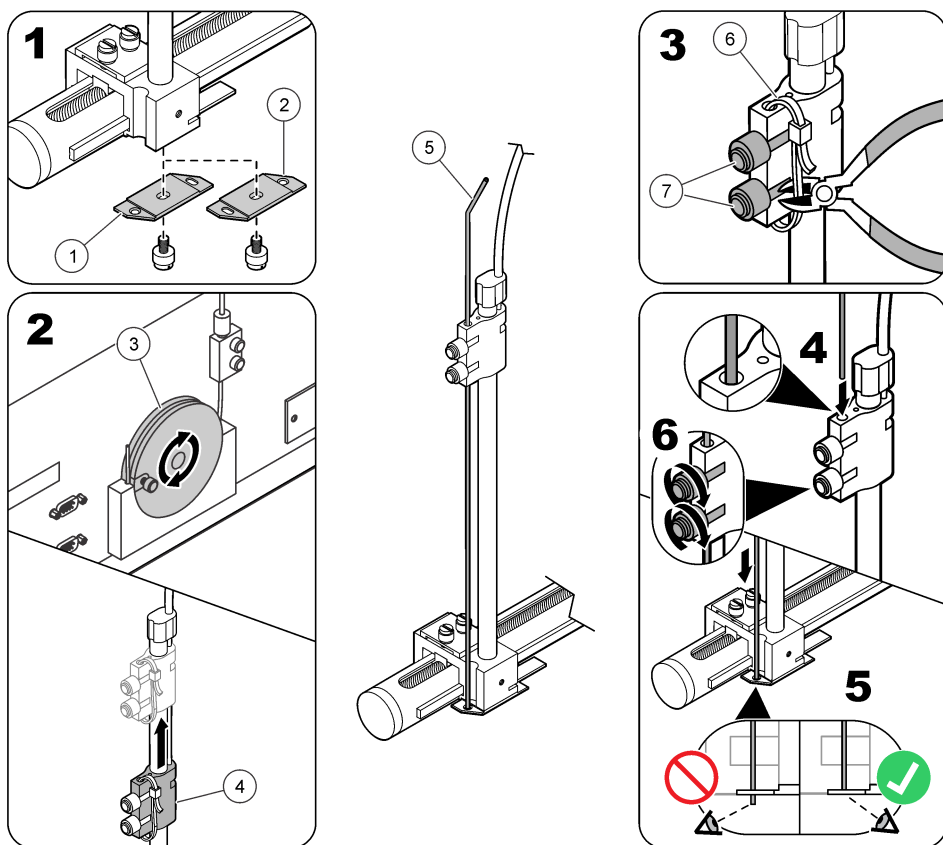
Consulte las instrucciones que se suministran con el muestreador.

Conexión de la sonda al muestreador

Cuando instale la sonda, asegúrese de que se limpia con el orificio en la placa de guía. Consulte la [Figura 2](#).

Nota: *Mueva siempre los deslizadores con la rueda del muestreador para evitar que se dañe el tubo.*

Figura 2 Instalación de la sonda



1 Placa de guía de la sonda (instalación de sonda única)	4 Deslizador de la sonda	7 Mandos del deslizador
2 Placa guía de la sonda (instalación de sonda doble)	5 Sonda	
3 Rueda del deslizador	6 Cinta de unión	

Instalación de canales adicionales

Si se solicitaron canales adicionales, conecte los canales que se han suministrado por separado. Utilice la documentación que se suministra con los canales.

Instalación eléctrica

⚠ PELIGRO



Peligro de electrocución. Desconecte siempre la alimentación eléctrica del instrumento antes de realizar conexiones eléctricas.

⚠ PELIGRO



Peligro de electrocución. No suministre directamente corriente alterna (CA) a un instrumento que utilice corriente continua (CC).

⚠ PELIGRO



Peligro de electrocución. Si este equipo se usa en exteriores o en lugares potencialmente húmedos, debe utilizarse un disyuntor de interrupción de circuito por falla a tierra (GFCI/GFI) para conectar el equipo a la alimentación eléctrica.

⚠ PELIGRO



Peligro de electrocución. Se requiere una conexión de toma a tierra (PE).

⚠ PELIGRO



Peligro de electrocución e incendio. Para los instrumentos con cable de alimentación, asegúrese de que se puede acceder fácilmente al desconector de alimentación local.

⚠ ADVERTENCIA



Riesgo de descargas eléctricas. El equipo conectado de forma externa debe someterse a una evaluación estándar de seguridad aplicable.

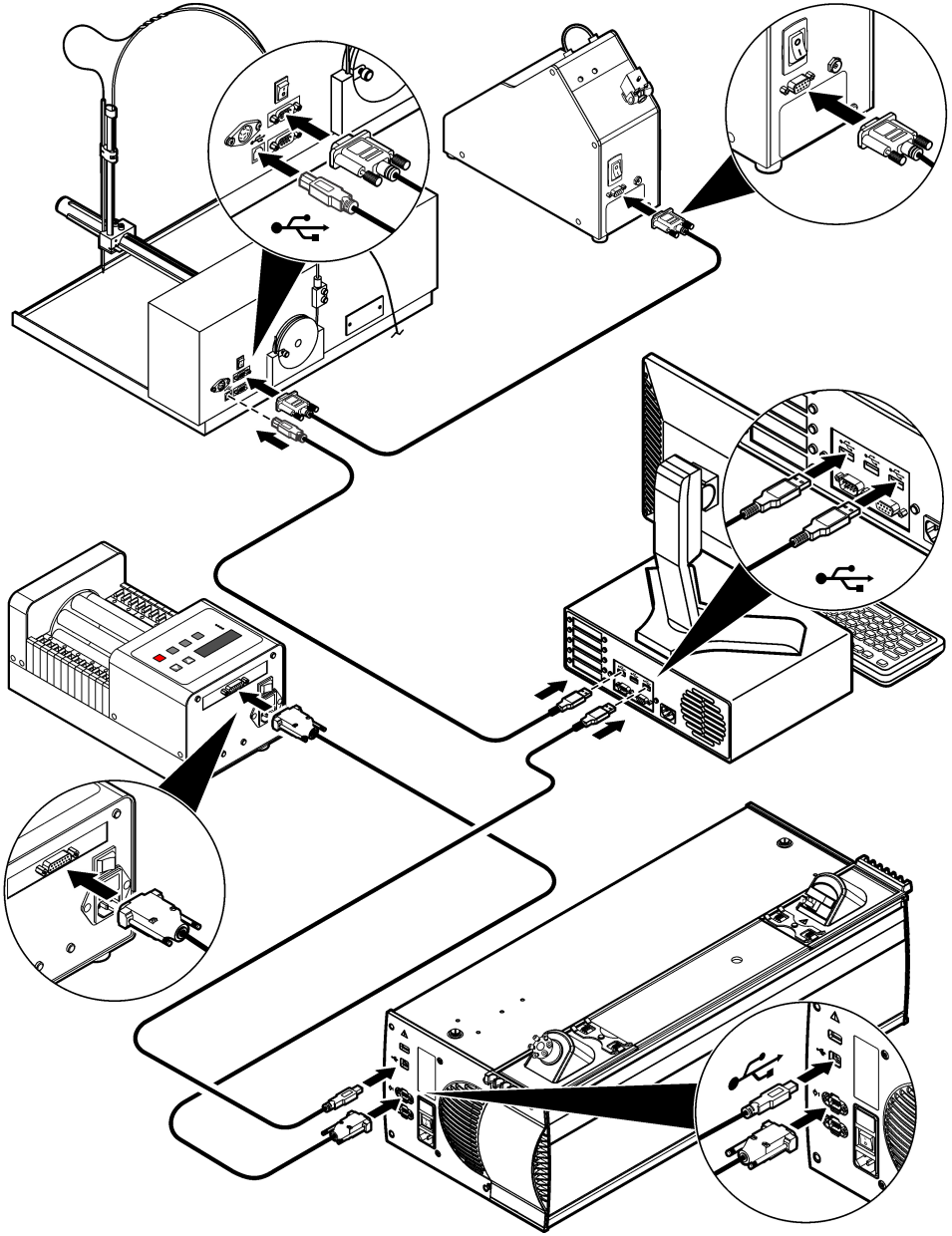
AVISO

Compruebe que el equipo está conectado al instrumento según las regulaciones locales, regionales y nacionales.

Conexión de las interfaces

Consulte la [Figura 3](#).

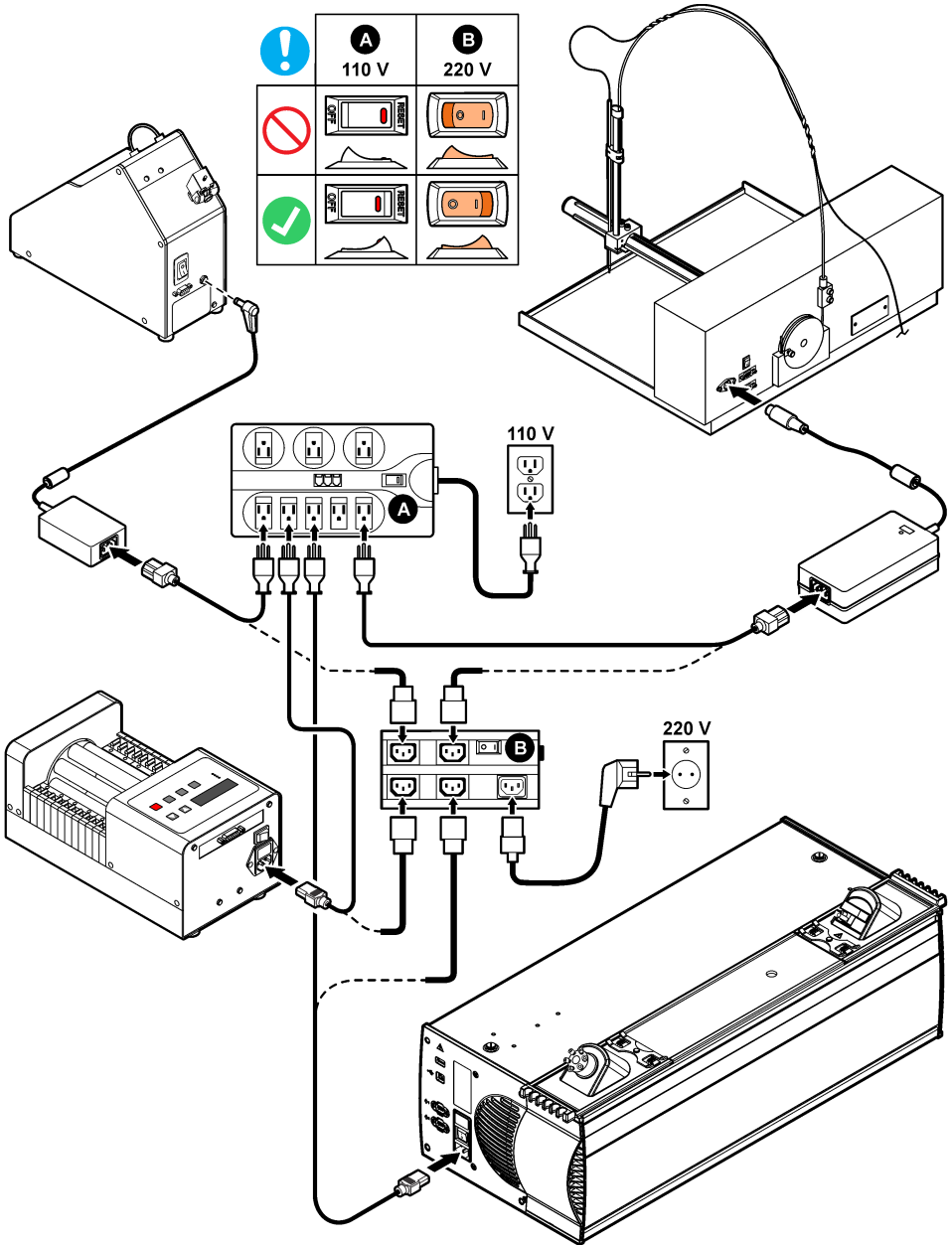
Figura 3 Conexiones de las interfaces del sistema



Conexión a la alimentación

No encienda estos instrumentos ni la regleta. Consulte la [Figura 4](#).

Figura 4 Conexiones de la alimentación del sistema



Fontanería

Los instalación de los conductos incluye la conexión de los tubos a la bomba, el muestreador y el diluidor. Asegúrese de utilizar el tamaño de tubos especificado. Consulte el método QuikChem para ver más información.

Instalación de los tubos de la bomba

1. Quite todos los cartuchos de la bomba. Consulte la [Figura 5](#).
2. Conecte el tubo al cartucho. Consulte la [Figura 6](#).
3. Acople el cartucho a la bomba. Coloque la palanca de tensión un clic hacia la izquierda. Consulte la [Figura 7](#).

Figura 5 Retirada de los cartuchos

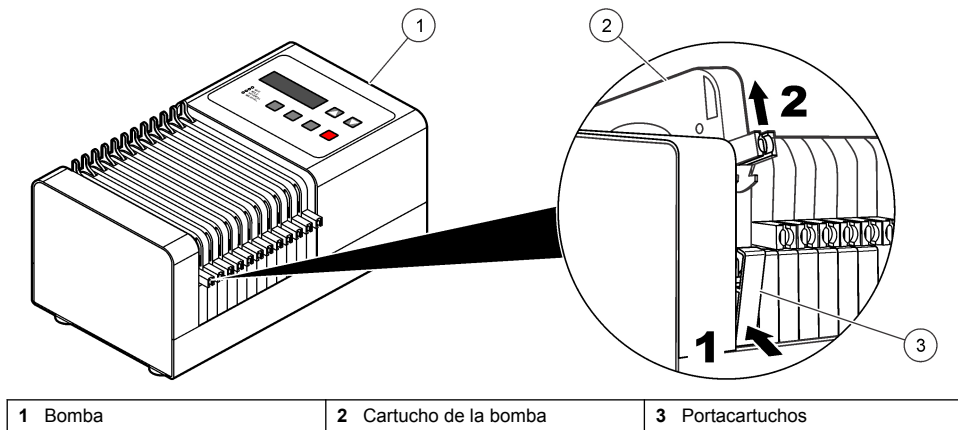
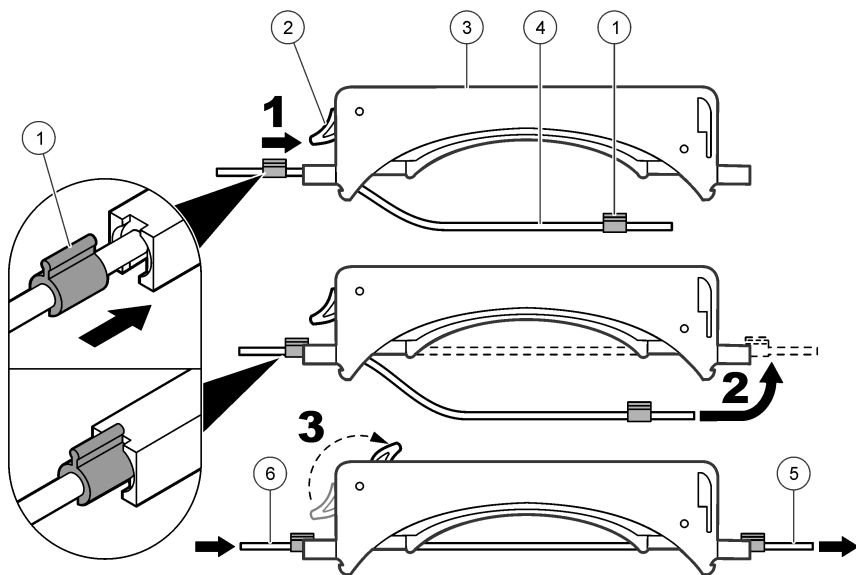
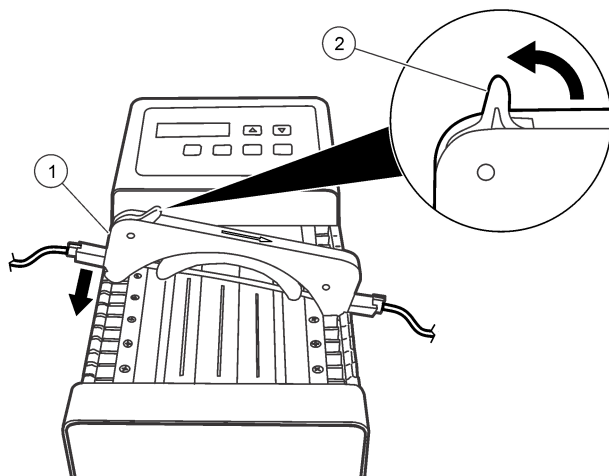


Figura 6 Conexión del cartucho y las pestañas a los tubos



1 Pestañas con código de color	3 Cartucho de la bomba	5 A la válvula de inyección, estación de lavado o distribuidor
2 Palanca tensora	4 Tubo de la bomba	6 Desde el reactivo, muestra, solución de lavado, buffer u otros productos químicos (varía según el método)

Figura 7 Instalación de los cartuchos

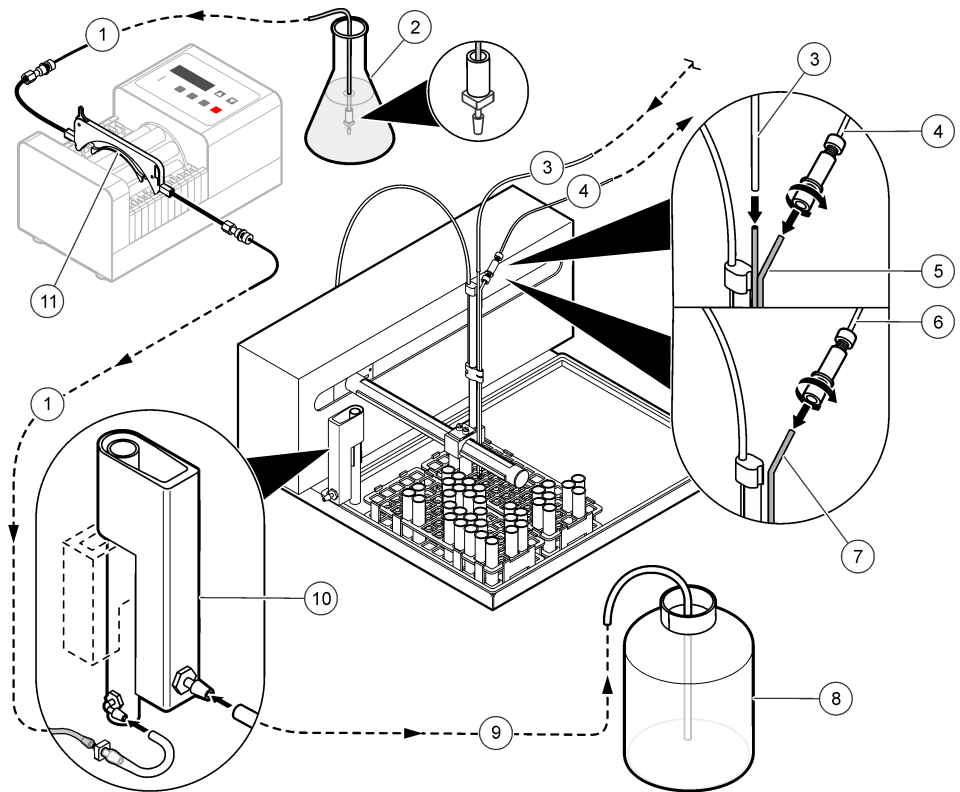


1 Cartucho de la bomba	2 Palanca de tensión en la posición de las 12 en punto
------------------------	--

Instalación de los tubos del muestreador

Para instalar los tubos del muestreador, consulte la [Figura 8](#).

Figura 8 Instalación de los tubos del muestreador

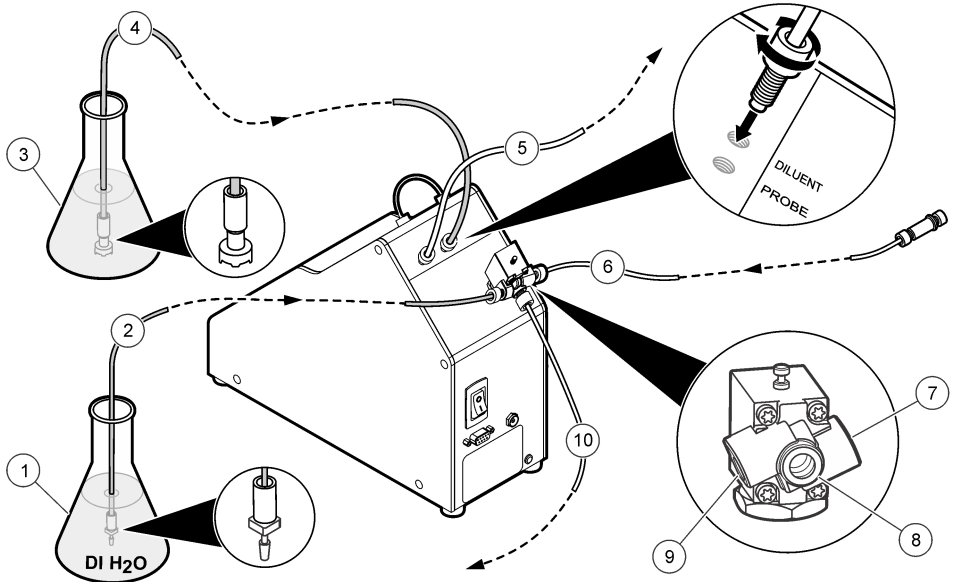


1 Conjunto del tubo de solución de enjuague	5 Sonda doble (para la opción del diluidor)	9 Tubo de residuos de la estación de enjuague
2 Solución de enjuague	6 Tubo de muestra hacia la bomba y la válvula de inyección	10 Estación de enjuague del muestreador
3 Tubo de dilución del diluidor	7 Sonda de muestra	11 Cartucho de la bomba
4 Tubo de muestra hacia el diluidor	8 Contenedor de residuos	

Instalación de los tubos del diluidor

Para instalar los tubos del diluidor, consulte la [Figura 9](#).

Figura 9 Conexiones de los tubos del diluidor



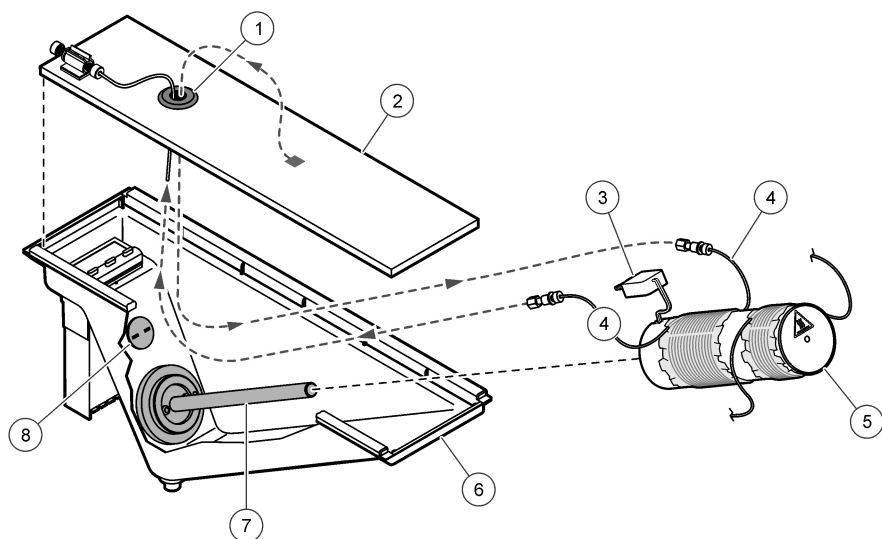
1 Agua desionizada	5 Tubo hacia la sonda del muestreador	9 Puerto 1 de la válvula solenoide
2 Tubo hacia la válvula solenoide	6 Tubo de muestra de la sonda de muestra	10 Tubo de muestra para la bomba y la válvula de inyección
3 Solución diluyente	7 Puerto 2 de la válvula solenoide	
4 Tubo hacia el diluidor	8 Puerto 3 de la válvula solenoide	

Instalación del mandril del calefactor

Si el instrumento cuenta con un módulo de calefactor, se debe instalar un mandril de calefactor. Para instalar el mandril del calefactor:

1. Asegúrese de que el mandril del calefactor cuenta con el envoltorio adecuado.
2. Retire la cubierta del canal. Consulte la [Figura 10](#).
3. Instale el mandril, los tubos y el conector del termopar.
4. Instale la placa del distribuidor.

Figura 10 Instalación del mandril del calefactor

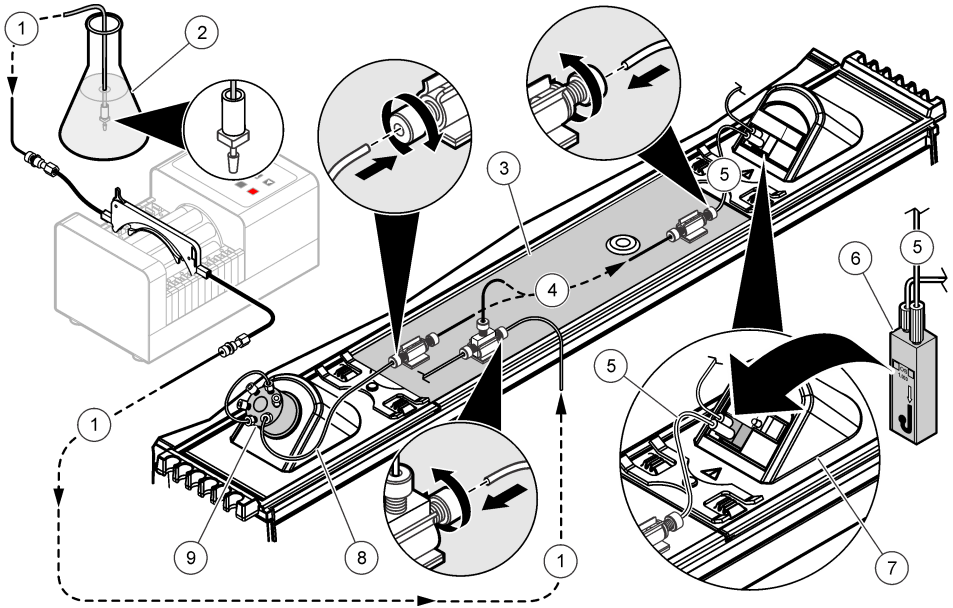


1 Orificio de acceso para el tubo del calefactor	4 Tubo hacia el distribuidor	7 Elemento calefactor
2 Placa del distribuidor	5 Mandril del calefactor	8 Conector del termopar
3 Enchufe del termopar	6 Recipiente para goteo	

Instalación de los conductos exteriores del distribuidor

Conecte los tubos al distribuidor. Consulte la [Figura 11](#).

Figura 11 Conductos exteriores del distribuidor

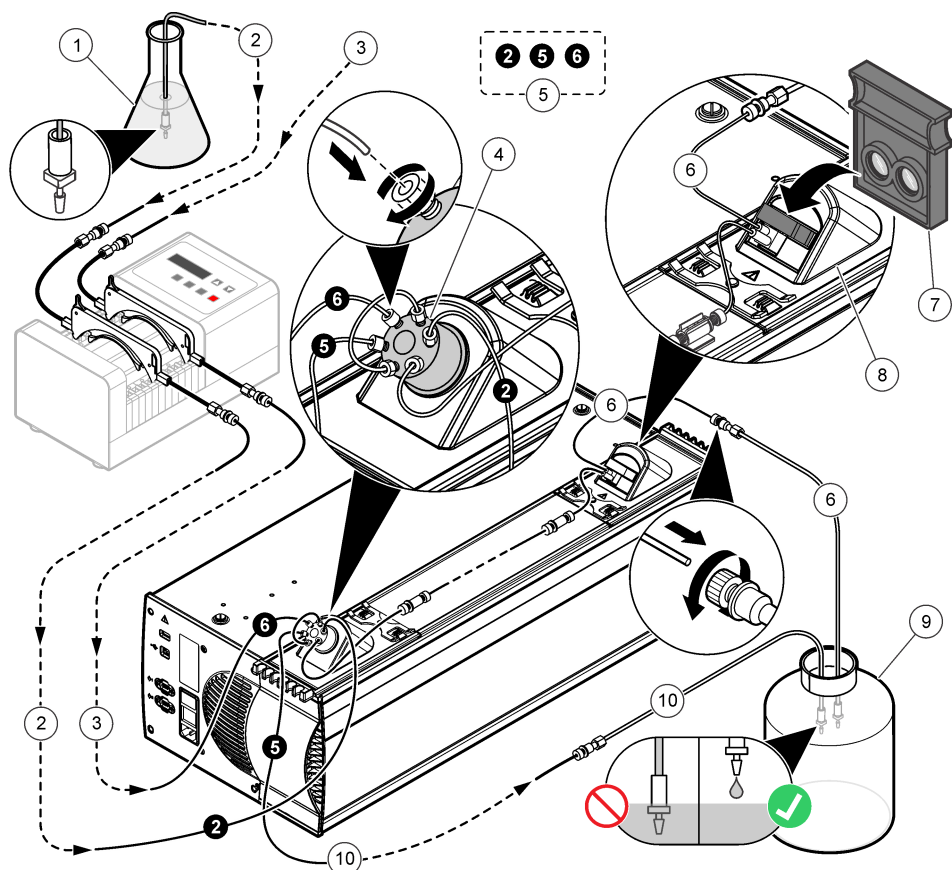


1 Tubo de la solución de transmisión hacia el distribuidor	4 Conduco del distribuidor (varía según el método)	7 Detector
2 Solución de reactivo (varía según el método)	5 Tubos del distribuidor hacia la celda de flujo	8 Tubo del puerto 3 de la válvula hacia el distribuidor
3 Placa del distribuidor	6 Celda de flujo	9 Válvula de inyección

Instalación de los conductos de los canales

Conecte el tubo al canal (Figura 12).

Figura 12 Conductos de los canales



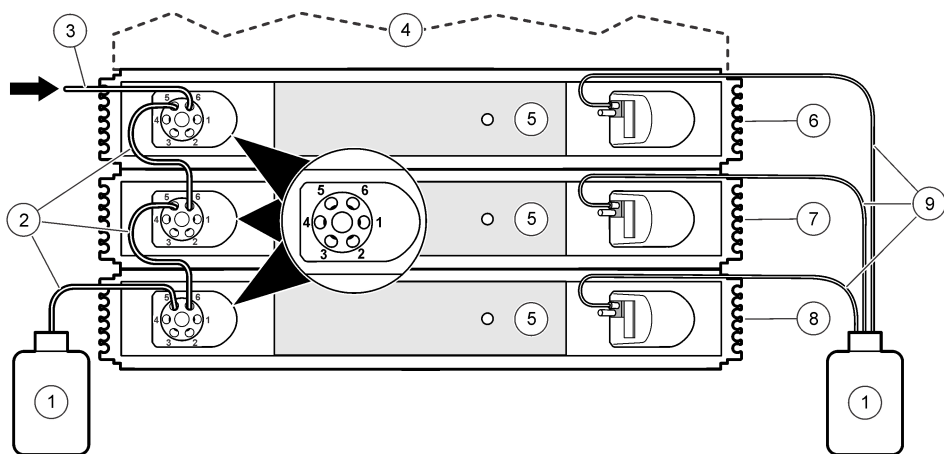
1 Solución portadora (varía con el método QuikChem)	5 Números de los puertos de la válvula de inyección	9 Contenedor de residuos
2 Tubo portador hacia la válvula de inyección	6 Tubo de residuos de la celda de flujo	10 Tubo de residuos de la válvula de inyección
3 Tubos de muestra hacia la válvula de inyección	7 Filtro de interferencias	
4 Válvula de inyección	8 Detector	

Instalación de los conductos a varios canales

Cuando utilice varios canales, utilice un tubo de Teflón® de 15 cm de 0,8 mm de diámetro interno para conectar el puerto 5 de la primera válvula con el puerto 6 de la siguiente válvula (Figura 13).

Nota: No sumerja el tubo en la solución de residuos, dado que se puede producir contrapresión o restricciones del flujo. Asegúrese de que la solución de residuos gotea siempre en el contenedor.

Figura 13 Conductos de varios canales



1 Contenedor de residuos	4 Unidad del sistema	7 Canal 2
2 Tubos de residuos de la válvula de inyección	5 Distribuidores	8 Canal 3
3 Tubo de entrada de muestra	6 Canal 1	9 Tubos de residuos de la celda de flujo

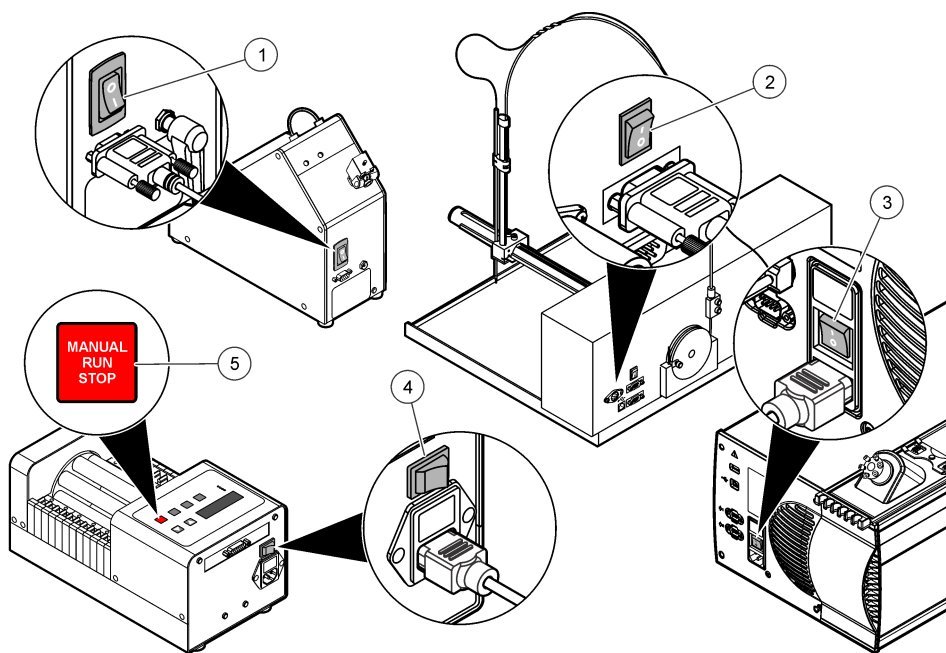
Detectores no fotométricos

Otros tipos de detectores son necesarios en algunos métodos, como fluoruros, fotómetros de llama, conductividad o pH. Las celdas de flujo y los filtros de interferencia habituales no se necesitan para los detectores no fotométricos, tales como el detector de electrodos selectivos de iones (ISE) para la determinación de fluoruros. Consulte las instrucciones del método QuikChem para las conexiones fluidicas.

Encendido

1. Encienda cada instrumento. Consulte la [Figura 14](#).
2. Encienda la regleta.

Figura 14 Botones e interruptores de encendido



1 Interruptor de encendido del diluidor	4 Interruptor de encendido de la bomba
2 Botón de encendido del muestreador	5 Botón de inicio/detención de la bomba
3 Interruptor de encendido de la unidad del sistema	

Prueba inicial de la bomba

1. Asegúrese de que el software Omnion no está activado en este momento. Pulse el botón **NORMAL RUN** (Proceso normal). Asegúrese de que la bomba funciona a una velocidad normal de 35. Se ilumina el LED NORMAL. Si en la pantalla se muestra una velocidad diferente, pulse el botón de **flecha** para cambiar el ajuste a 35.
2. Pulse el botón **MIN** (Mínimo). Se ilumina el LED MIN. En la pantalla aparece una velocidad de 4.
3. Mantenga pulsado el botón **MAX** (Máximo) hasta que se ilumine el LED MAX. En la pantalla aparece una velocidad de 999. La bomba regresa a la velocidad original cuando se suelta el botón **MAX** (Máximo).
4. Para detener la bomba, pulse el botón **MANUAL RUN/ STOP** (Proceso manual/detener). No se ilumina ningún LED, pero en la pantalla aparece "35" (la velocidad de la bomba).
5. Vuelva a pulsar el botón **MANUAL RUN/STOP** (Proceso manual/detener). Se ilumina el LED MANUAL. La bomba funciona a una velocidad normal de 35.
6. Pulse el botón **MANUAL RUN/STOP** (Proceso manual/detener) para detener la bomba. Para volver a realizar un paso de los anteriores, apague y vuelva a encender la bomba. Comience con el paso 1.
7. Si se produce un fallo en alguno de los anteriores pasos, póngase en contacto con el servicio de asistencia técnica.

目录

规格 第 59

基本信息 第 60

安装 第 63

附加信息

制造商网站中提供了附加信息

规格

产品规格如有变化，恕不另行通知。

规格	详细信息
工作台空间尺寸（宽 X 深 X 高）	2.72 x 0.83 x 0.58 m (9 x 2.75 x 2 ft)（推荐值）
位置	实验室（仅限室内使用）
污染程度/安装类别	II
保护等级	I
工作温度	5 - 40 °C (41 - 104 °F), 31 °C 以下最大 80% 相对湿度无冷凝；40 °C 时线性下降至 50% 相对湿度
存储温度	-20 至 70 °C (-4 至 158 °F)
海拔限值	最高海拔为 3000 m (10000 ft)
认证	根据 LV 指令 (2006/95/EC)，符合 CE: IEC/EN 61010-1；根据 EMC: 指令 (2004/108/EC)，符合 IEC/EN 61326
	cETL: CSA C22.2 No 61010-1
	ETLus: UL 61010-1
保修	1 年
系统单元（5 个通道）	
尺寸（宽 x 深 x 高）	70.5 x 71.2 x 26.7 cm (27.7 x 28.0 x 10.5 in)
重量	46.5 kg (102.51 lb)
电源要求	100–115 V ±10%，230 V ±10%；50–60 Hz，800 W
保险丝规格	T, 8 A, 100–115 V, T, 4 A, 230 V
灯	钨丝/卤素, 12 V, 50 W, MR16
样品处理模块 (SPM)	
尺寸（宽 x 深 x 高）	69 x 9 x 26 cm (27.2 x 3.5 x 10.2 in)
重量	4 kg (8.8 lb)
电源要求	115 V 交流, 1.2 A, 60 Hz 或 230 V 交流, 0.8 A, 50 Hz
保险丝规格	T, 1.6 A, 250 V, 5 mm x 20 mm
泵（12 工位）	
尺寸（宽 x 深 x 高）	15 x 26 x 26.7 cm (5.9 x 10.2 x 10.5 in)

规格	详细信息
重量	5.6 kg (12.3 lb)
电源要求	100 或 120 V 交流, 220 或 240 V 交流; 50–60 Hz, 15 VA
保险丝规格	T, ½ A, 250 V
ASX-520 采样器	
尺寸 (宽 x 深 x 高)	52.5 x 46 x 25 cm (20.6 x 18.1 x 9.8 in)
重量	10 kg (22 lb)
电源要求	100–240 V 交流; 50–60 Hz, 1.5 A
保险丝规格	用户不可更换
ASX-260 采样器	
尺寸 (宽 x 深 x 高)	30 x 50.8 x 61 cm (13 x 20 x 24 in)
重量	8.4 kg (18.5 lb)
电源要求	100–240 V 交流; 50–60 Hz, 1.5 A
保险丝规格	用户不可更换
PDS200 稀释器 (可选)	
尺寸 (宽 x 深 x 高)	12.7 x 22.5 x 23.4 cm (5 x 8.9 x 9.2 in)
重量	4 kg (8.8 lb)
电源要求	110–240 V 交流; 50–60 Hz, 0.5 A
保险丝规格	T, ½ A, 250 V

基本信息

对于因本手册中的任何不足或遗漏造成的直接、间接、特别、附带或结果性损失，制造商概不负责。制造商保留随时更改本手册和手册中描述的产品的权利，如有更改恕不另行通知或承担有关责任。修订版可在制造商的网站上找到。

安全信息

注意

对于误用和滥用造成的产品损坏，制造商概不负责，包括但不限于：直接、附带和间接的损坏，并且对于适用法律允许的最大程度的损坏也不承担任何责任。用户唯一的责任是识别重大应用风险和安装适当的系统，以在设备可能出现故障时保护流程。

请在拆开本设备包装、安装或使用本设备前，完整阅读本手册。特别要注意所有的危险警告和注意事项。否则，可能会对操作者造成严重的人身伤害，或者对设备造成损坏。

确保设备提供的保护没有受损。请勿以本手册指定方式之外的其它方式使用或安装本设备。

危险信息使用

▲ 危险

表示潜在的或紧急的危险情况，如果不加以避免，将会导致死亡或严重伤害。

▲ 警告

表示潜在或非常危险的情形，如不避免，可能导致严重的人身伤亡。

▲ 警告

表示潜在的危險情形，可能导致一定程度的人身伤害。

注意

表明如不加以避免则会导致仪器损坏的情况。需要特别强调的信息。

警告标签

请阅读贴在仪器上的所有标签和标记。如未遵照这些安全标签的指示操作，则可能造成人身伤害或仪器损坏。本手册以警告说明的方式对仪器上使用的符号进行了介绍。

	本符号如果出现在仪器中，则表示参考说明手册中的操作和/或安全信息。
	使用此符号标记的电气设备在 2005 年 8 月 12 日后，不能通过欧洲公共垃圾系统进行处理。为遵守欧洲地区和国家法规（欧盟指令 2002/96/EC），欧洲电气设备使用者现在必须将废弃或到期的设备送还制造商进行处理，使用者不必支付任何费用。 注： 如果退回产品是为了进行再循环，请联系设备生产商或供应商，索取如何退回使用寿命到期的设备、生产商提供的电源附件以及所有辅助部件的说明，以便进行适当处理。
	此标志指示存在电击和/或电死危险。
	此标志指示需要戴上防护眼镜。
	此标志指示标记的部件可能很热，接触时务必小心谨慎。
	仪表上如有此标志，则指示保险丝或者限流装置的位置。
	此标志指示物体很重。

认证

加拿大无线电干扰产生设备法规（Canadian Radio Interference-Causing Equipment Regulation），IECS-003，A 类：

制造商支持测试记录留存。

此 A 类数字设备符合加拿大干扰产生设备法规的所有要求。

Cet appareil numérique de classe A répond à toutes les exigences de la réglementation canadienne sur les équipements provoquant des interférences.

FCC 第 15 部分，“A”类限制



制造商支持测试记录留存。该设备符合 FCC 规定第 15 部分的要求。设备操作满足以下两个条件：

1. 本设备不会造成有害干扰。
2. 本设备必须接受任何接收到的干扰，包括可能导致意外操作的干扰。

若未经负责出具符合声明的一方明确同意擅自对本设备进行改动或改装，可能会导致取消用户操作该设备的权限。本设备已经过测试，符合 FCC 规定第 15 部分中确定的 A 类数字设备限制。这些限制专门提供当设备在商业环境下工作时针对有害干扰的合理保护。该设备产生、使用和放射无线电射频能量，如果不按照说明手册的要求对其进行安装和使用，可能会对无线电通讯造成有害干扰。本设备在居民区工作时可能会产生有害干扰，这种情况下用户须自行承担费用消除这种干扰。以下方法可用于减少干扰问题：

1. 断开设备的电源，以便确定它是干扰源与否。
2. 如果设备与遭受干扰的仪器连接到相同的插座，将设备连接到其他插座。
3. 将设备从接受干扰的仪器边上移开。
4. 重新定位受干扰仪器的接收天线。
5. 同时尝试以上多项措施。

系统概述

▲ 危险	
	化学或生物危害。如果该仪器用于监测处理过程和/或监测有法规限制以及有与公众健康、公众安全、食品或饮料制造或加工相关监测要求的化学药物添加系统时，仪器的使用者有责任了解并遵守所有适用的法规，并且要建立适当的机制，确保在仪器发生故障的时候也不会违法这些法规。
▲ 警告	
	火灾危险。在使用设备过程中如果涉及易燃液体，用户有责任确保采取充分的防范措施。务必遵守正确的用户防范措施及安全协议。包括但不限于控制溢出或渗漏物、保持良好通风、现场守护以及确保通电状态下有人看管仪器。

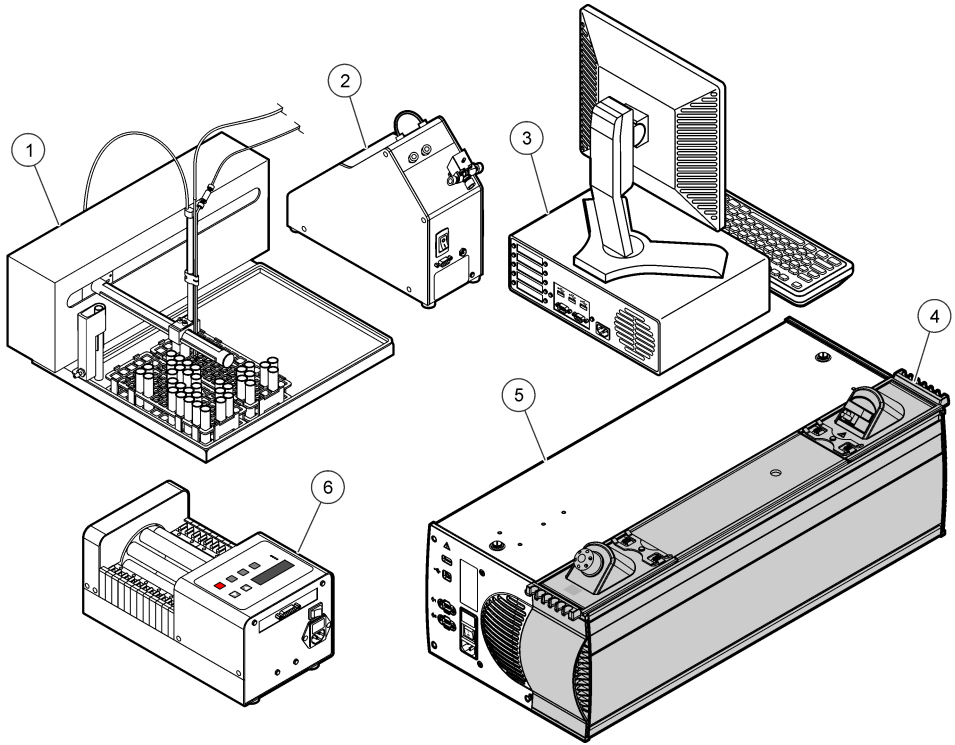
QuikChem® 8500 系列 2 FIA（流动注射分析）系统单元经专门配置，可通过光度检测法完成流动注射分析。必要时可采用替代配置，如电势检测法和安培检测法，详见分析法中的介绍。有关该软件的完整信息，请参阅软件中的在线帮助系统。

QuikChem® 8500 系列 2 分析仪采用模块化设计，包含下述模块。请参阅图 1。

- QuikChem® FIA 系统单元 - 该系统单元包括核心单元和样品处理模块 (SPM)。核心单元提供电源和照明，并为每个 SPM 发送和接收电子信号。一个 SPM 或一个通道具有一个喷射阀、一个歧管、一个光度检测器和一个加热模块（可选）。一个系统单元最多允许五个通道同时工作。每台电脑控制两个系统单元，每次最多允许八个通道同时工作。每个通道上装有一个化学反应模块或一个歧管，用于被测物的定量分析。共有 450 种 QuikChem 方法，可分析 40 种物质。在多个矩阵中有多种方法。
- 采样器 — QuikChem® 8500 系列 2 分析仪配合 ASX-260 或 ASX-520 系列自动进样器进行操作。
- 泵（12 或 16 个压板）- 多通道泵用于将试剂泵入歧管。同时还用于抽取试样，并将其从采样器送至阀门。这部分样品随后进入样品回路，并由载体流送至歧管与试剂混合。
- 装载 Omnicion 软件的电脑
- 打印机（可选）
- 稀释器（可选）- PDS200 使用容积式泵吸入稀释水，与非燃性样品混合以用于分析。

确保已收到所有部件。如有任何物品丢失或损坏，请立即联系制造商或销售代表。

图 1 系统概述



1 采样器	4 通道（一个系统上为 1-5 个，两个系统上最多为 8 个）
2 稀释器（可选）	5 QuikChem® FIA 系统单元
3 装载 Omnion 软件的电脑	6 泵

安装

⚠ 危险	
	多种危险。只有合规的专业人员才能从事文档中本部分所述的任务。
⚠ 危险	
	人身伤害危险。确保设备稳定并使用协助资源进行安装或移动。

将 Z 驱动装到采样器上

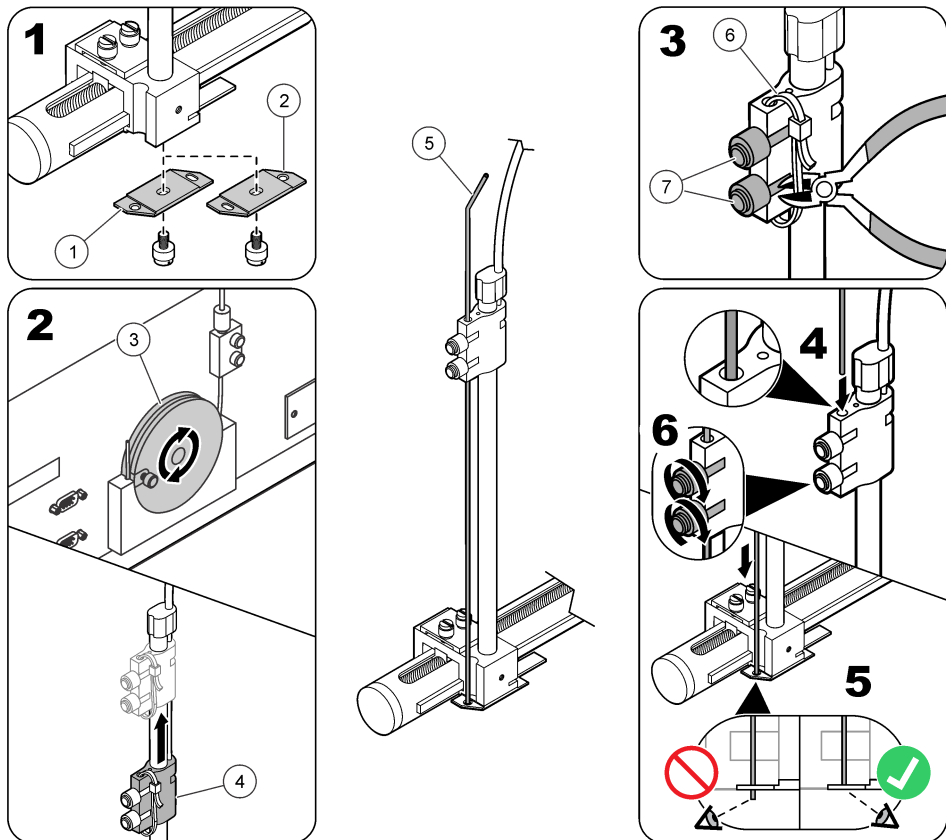
请参阅采样器随附的说明书。

将取样针装到采样器上

安装取样针时，确保取样针与导板中的孔齐平。请参阅 图 2。

注：务必使用采样器上的轮移动滑块，以防损坏导管。

图 2 取样针安装



1 取样针导板（单取样针安装）	4 取样针滑块	7 滑块旋钮
2 取样针导板（双取样针安装）	5 取样针	
3 滑块轮	6 绑扎带	

安装辅助通道

如果订购了辅助通道，请连接单独发运的通道。请使用通道随附的文件资料。

电气安装

⚠ 危险



电击致命危险。进行电气连接前，务必断开仪器的电源。

⚠ 危险



电击致命危险。请勿将交流电源直接连接到直流电源仪器中。

⚠ 危险



电击致命危险。如果此设备在户外或在可能潮湿的场所使用，则必须使用接地故障电路中断器（GFCI/GFI）将此设备连接到其主电源。

⚠ 危险



电击致命危险。需要连接保护接地地线。

⚠ 危险



电击致命和火灾危险。对于带电源线的仪器，确保可轻松切断本地电源。

⚠ 警告



电击危险。外部连接的设备必须具有适用的国家安全标准评估。

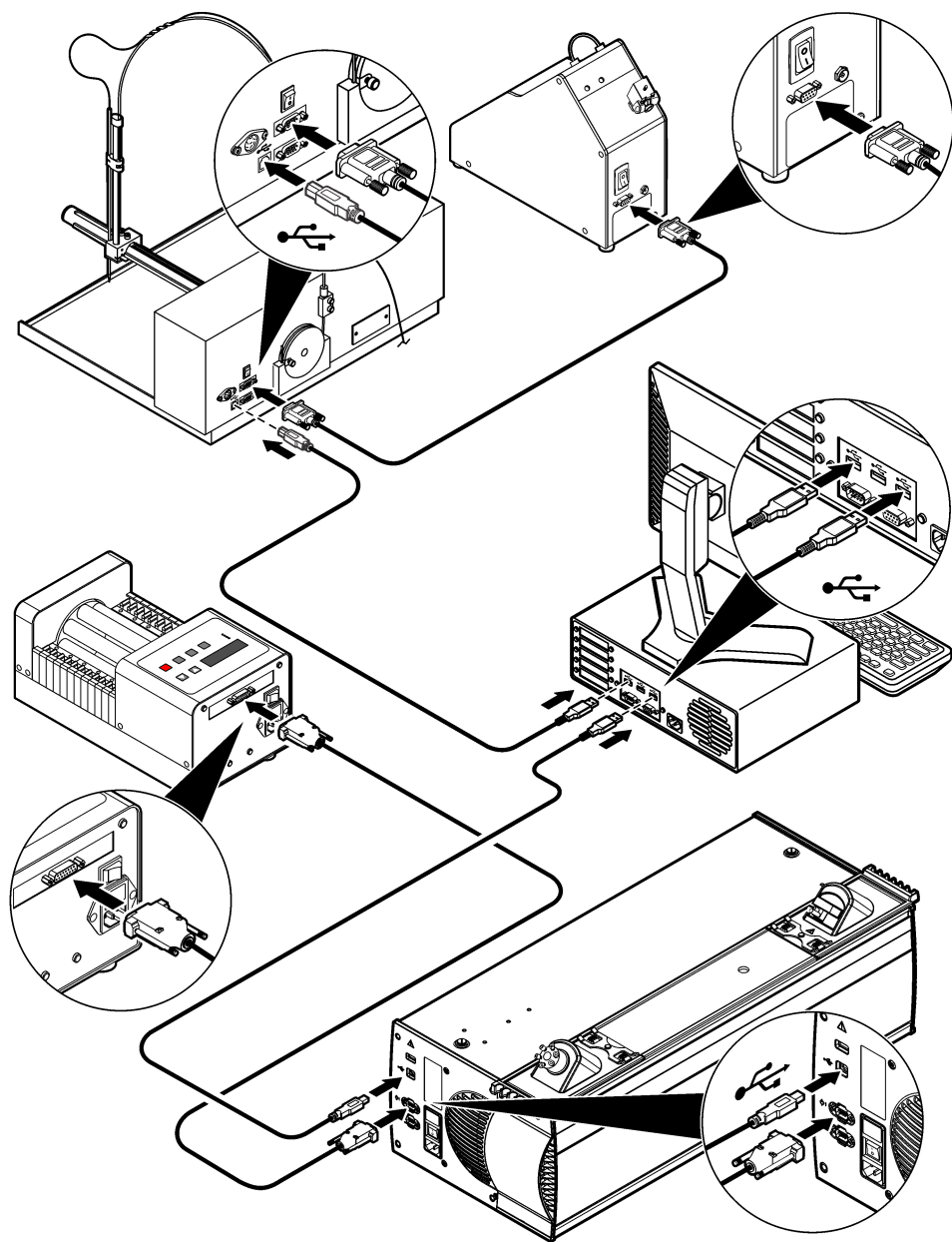
注意

确保按照当地、地区及国家的要求将设备连接到仪器。

连接接口

请参阅 [图 3](#)。

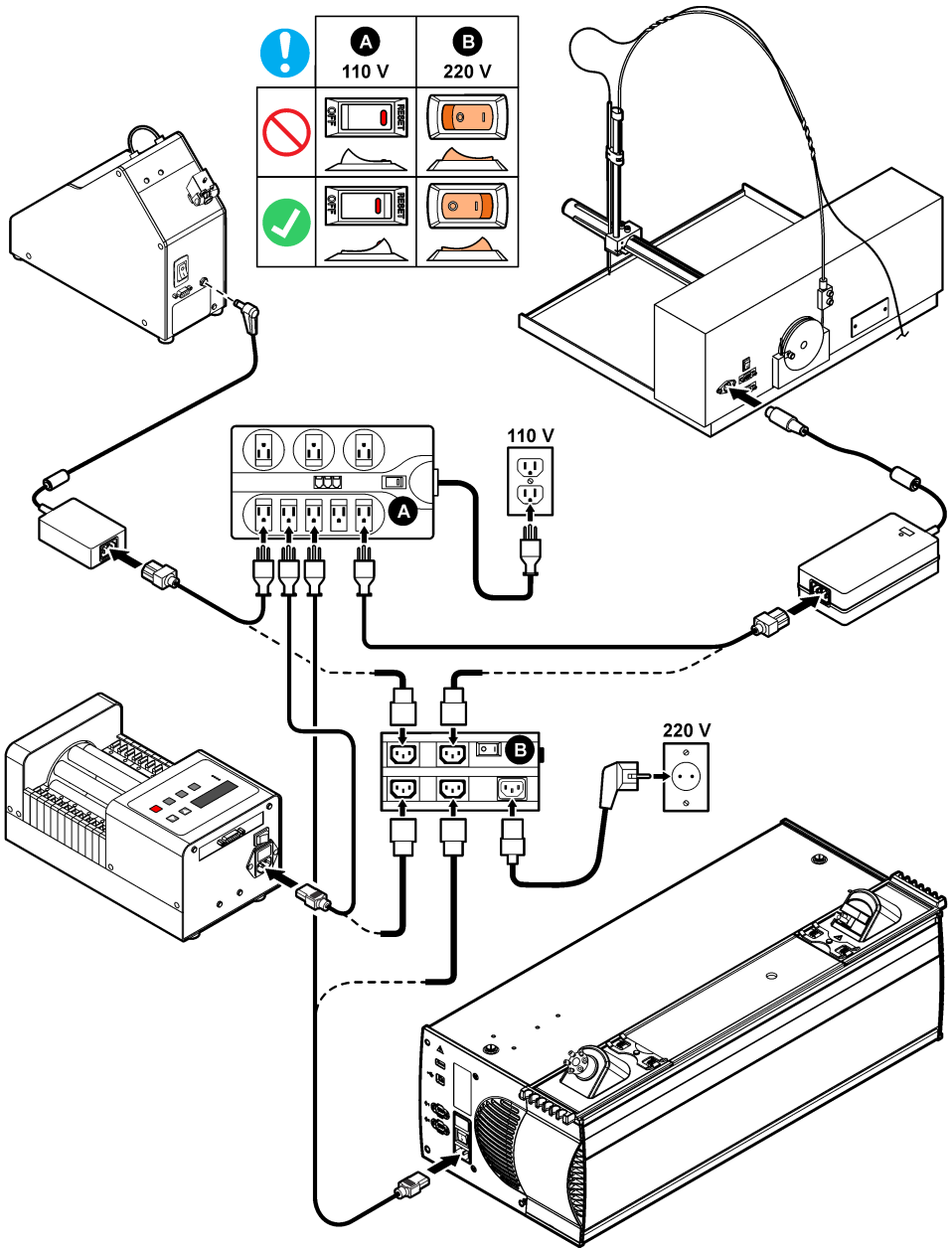
图 3 系统接口连接



连接至电源

切勿开启仪器或电源板上的电源。请参阅图 4。

图 4 系统电源连接



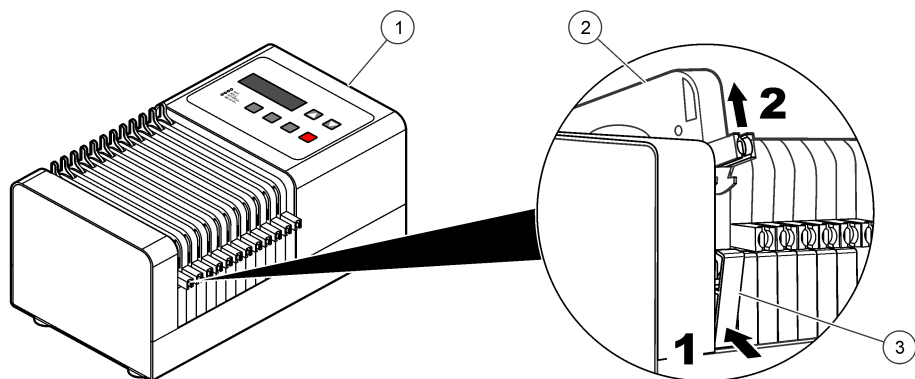
装设管线

管线装设包括泵、采样器和稀释器的导管连接。确保使用指定的管子尺寸。有关详情，请参阅 QuikChem 方法。

安装泵管

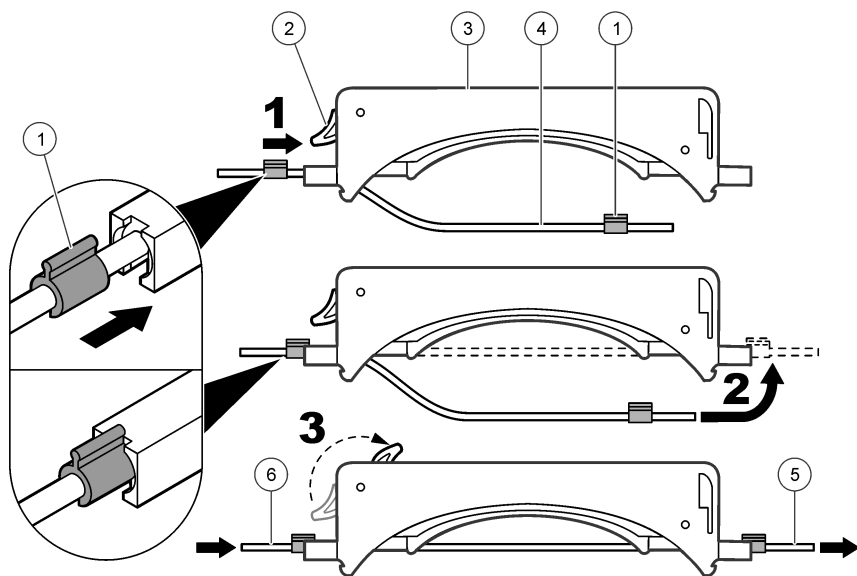
1. 从泵中拆下所有压板。请参阅 图 5。
2. 将管线连至压板。请参阅 图 6。
3. 将压板连至泵。将压杆卡入左边第一个位置。请参阅 图 7。

图 5 压板的拆除



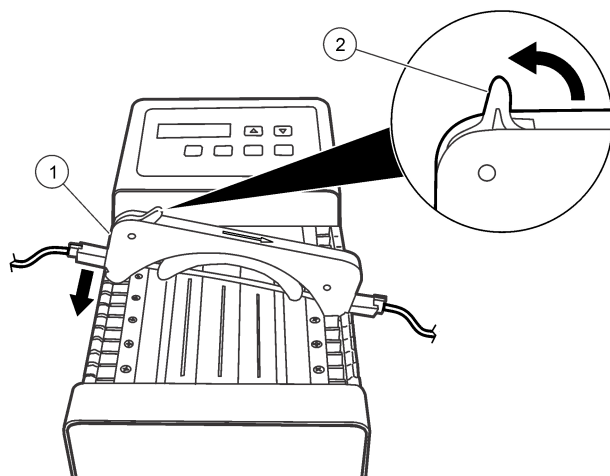
1 泵	2 泵压板	3 压板固定夹
-----	-------	---------

图 6 将压板和标签连至管线



1 颜色编码标签	3 泵压板	5 至喷射阀、清洗台或歧管
2 压杆	4 泵管	6 自试剂、样品、清洗液、缓冲液或其它化学试剂（视方法而定）

图 7 压板的安装



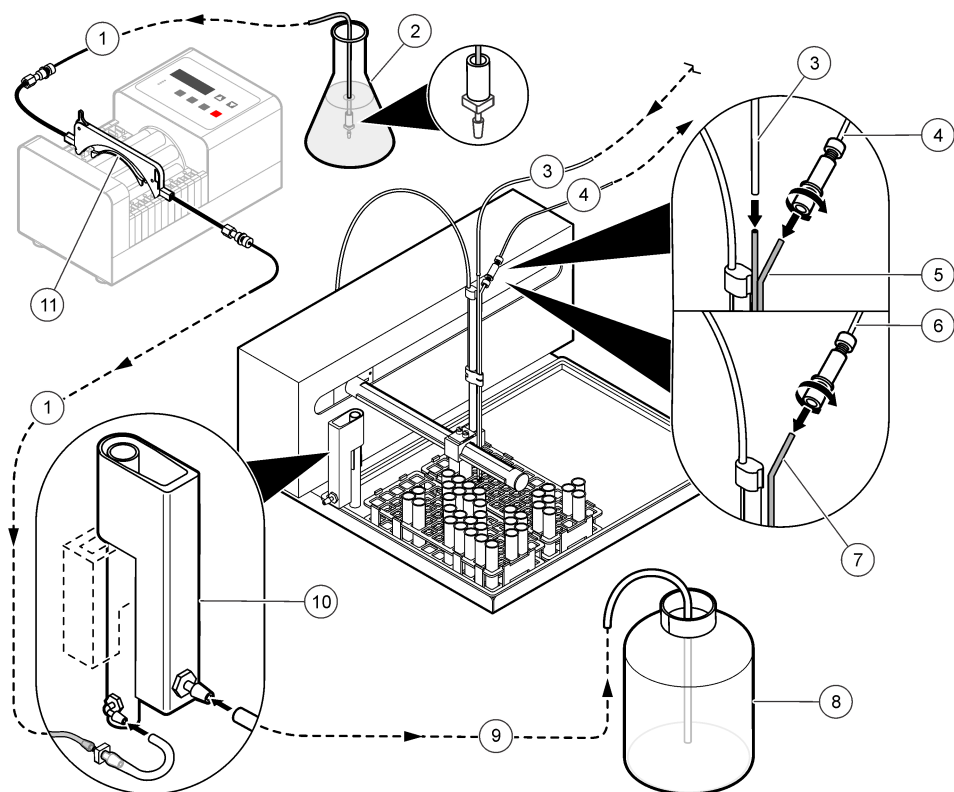
1 泵压板

2 压杆处于竖直朝上的位置

安装采样器管线

要安装采样器管线，请参阅 [图 8](#)。

图 8 采样器管线的安装

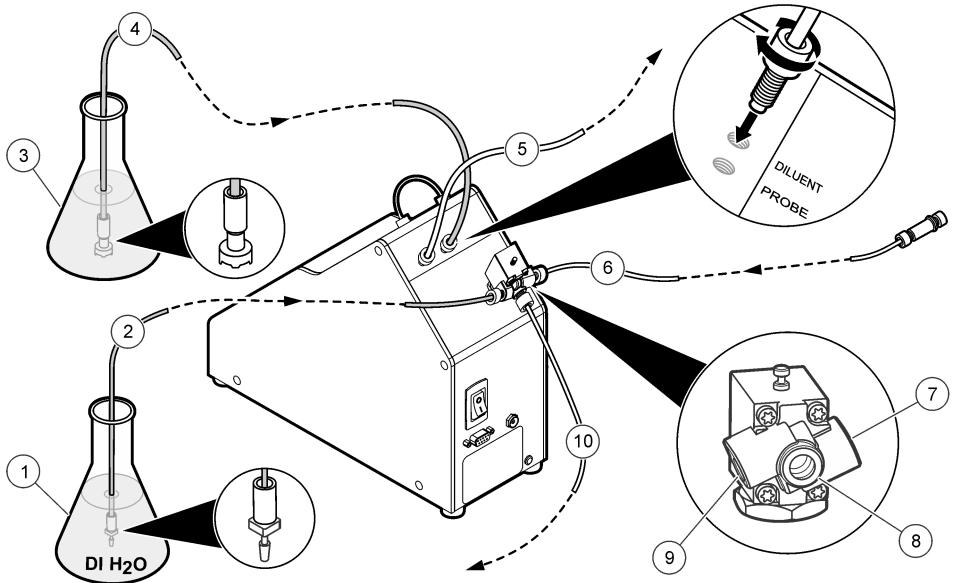


1 清洗液导管总成	5 双取样针（稀释器选用）	9 清洗台废液管
2 清洗液	6 连接至泵和喷射阀的采样管	10 采样器清洗台
3 自稀释器引出的稀释管	7 取样针	11 泵压板
4 连接至稀释器的采样管	8 废液容器	

安装稀释器管线

要安装稀释器管线，请参阅图 9。

图 9 稀释器管线连接



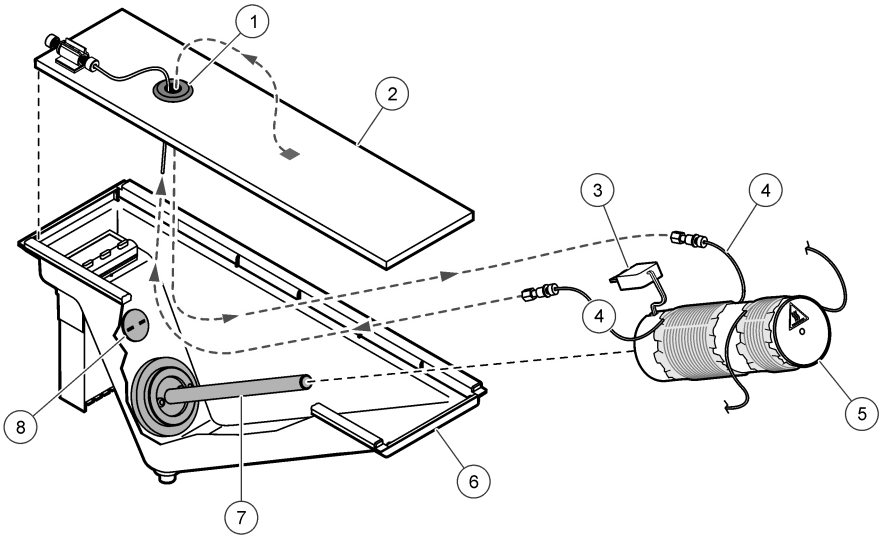
1 去离子水	5 连接至采样器取样针的导管	9 电磁阀阀口 1
2 连接至电磁阀的导管	6 从取样针引出的采样管	10 连接至泵和喷射阀的采样管
3 稀释溶液	7 电磁阀阀口 2	
4 连接至稀释器的导管	8 电磁阀阀口 3	

安装加热器芯棒

如果此仪器带有加热器模块，则必须安装加热器芯棒。要安装加热器芯棒：

1. 确保加热器芯棒正确包覆。
2. 拆除通道盖。请参阅 图 10。
3. 安装芯棒、管线和热电偶插口。
4. 安装歧管板。

图 10 加热器芯棒的安装

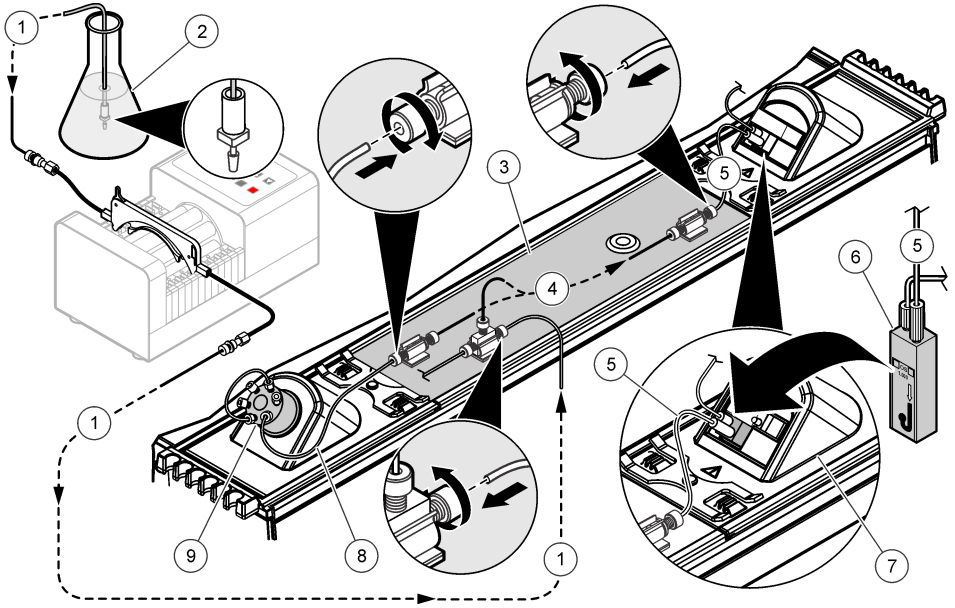


1 加热器管线的出入孔	4 连接至歧管的管线	7 加热器元件
2 歧管板	5 加热器芯棒	8 热电偶插口
3 热电偶插头	6 滴管	

安装外部歧管管线

将导管连接至歧管。请参阅 图 11。

图 11 外部歧管管线

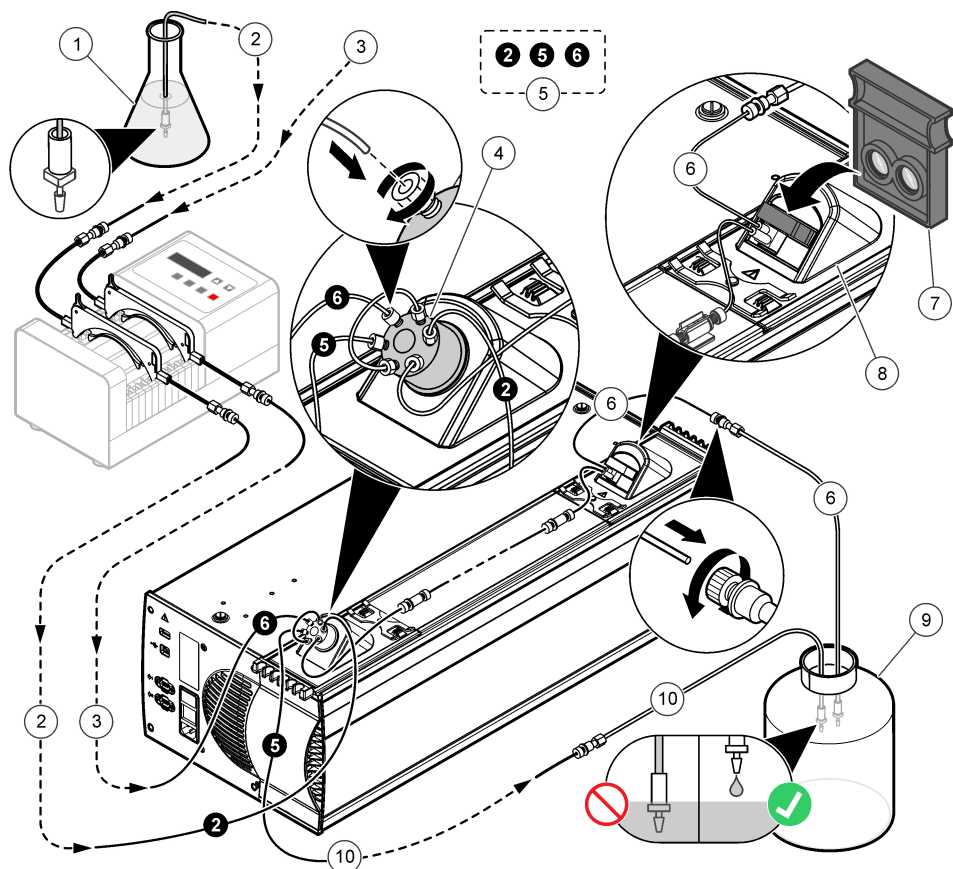


1 连接至歧管的传送溶液管线	4 歧管管线（视方法而定）	7 检测器
2 试剂溶液（视方法而定）	5 从歧管至流通池的管线	8 从阀口 3 至歧管的管线
3 歧管板	6 流通池	9 喷射阀

安装通道管线

将导管连接至通道 (图 12)。

图 12 通道管线



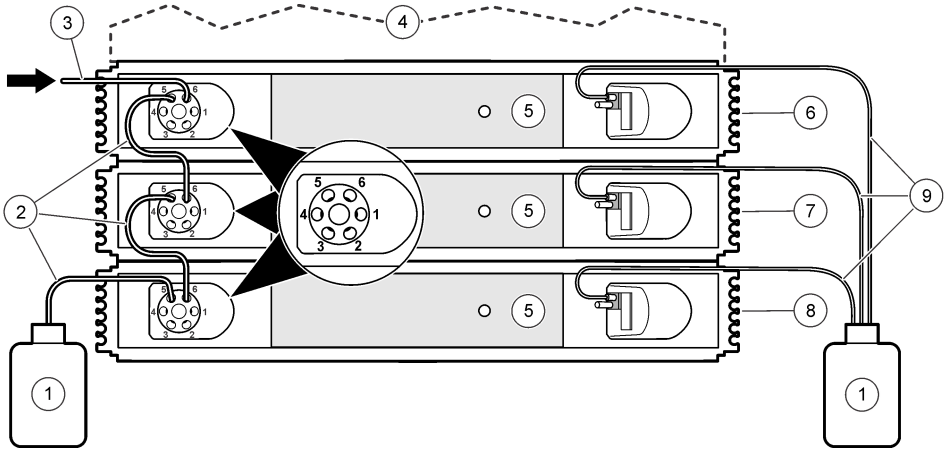
1 载体溶液（视 QuikChem 方法而定）	5 喷射阀阀口数量	9 废液容器
2 载体导管至喷射阀	6 从流通池引出的废液管	10 从喷射阀引出的废液管
3 样品管至喷射阀	7 滤光片	
4 喷射阀	8 检测器	

安装连接至多通道的管线

当使用多通道时，使用 15 cm 长的 0.8 mm Teflon® 管线连接第一个阀上的阀口 5 和下一个阀上的阀口 6 (图 13)。

注：切勿将管线放入废液中，否则可能发生背压和流量限制。始终确保废液滴入容器中。

图 13 多通道管线



1 废液容器	4 系统单元	7 通道 2
2 喷射阀废液管	5 歧管	8 通道 3
3 采样管入口	6 通道 1	9 流通池废液管

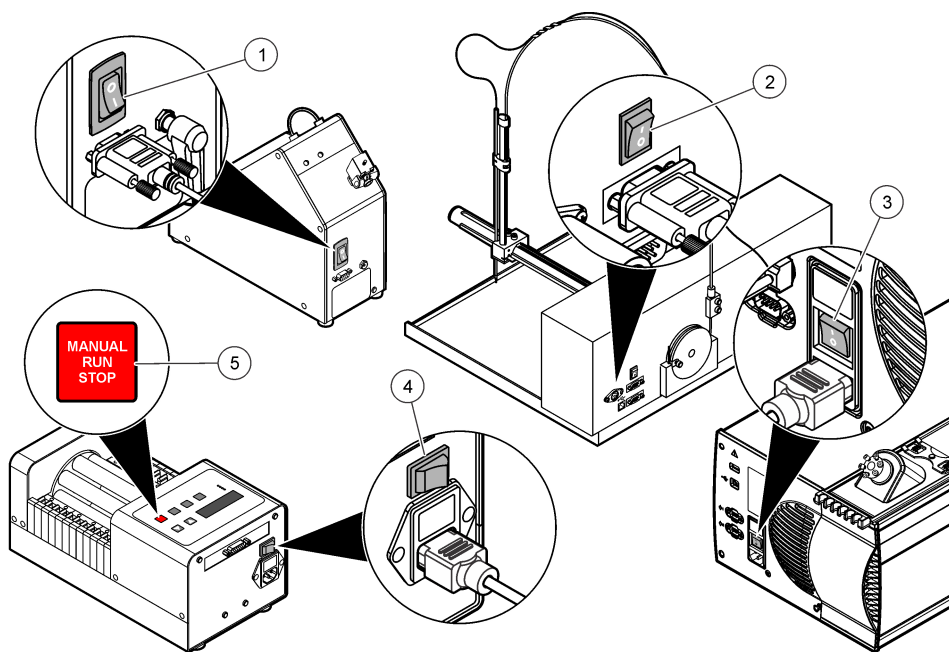
非光度检测器

有些方法必须用到其它类型的检测器，例如氟化物、火焰光度计、传导性或 pH 值。对于非光度检测器，如用于测定氟化物的 ISE 检测器，则无需用到常规流通池或干扰滤光片。有关流体连接，请参阅 QuikChem 方法中的说明。

开启电源

1. 开启每个仪器的电源。请参阅 图 14。
2. 开启电源板上的电源。

图 14 电源开关和按钮



1 稀释器电源开关	4 泵电源开关
2 采样器电源按钮	5 泵启动/停止按钮
3 系统单元电源开关	

执行初始泵测试

1. 确保 Omnicion 软件此时未启动。按下 **NORMAL RUN（正常运行）** 按钮。确保泵以 35 的正常速度运行。正常运行指示灯亮起。如果显示屏上的速度不符，按**箭头**按钮将设置改为 35。
2. 按下 **MIN（最小值）** 按钮。最小值指示灯亮起。显示屏显示速度为 4。
3. 按住 **MAX（最大值）** 按钮，直到最大值指示灯亮起。显示屏显示速度为 999。松开 **MAX（最大值）** 按钮时，泵回到初始速度。
4. 按下 **MANUAL RUN/STOP（手动运行/停止）** 按钮即可停止泵。无指示灯亮起，但显示屏显示“35”（泵速）。
5. 再次按下 **MANUAL RUN/STOP（手动运行/停止）** 按钮。手动运行指示灯亮起。泵以 35 的正常速度运行。
6. 按下 **MANUAL RUN/STOP（手动运行/停止）** 按钮停止泵运行。如需再次执行上述步骤，先断开泵电源然后再开启。从步骤 1 开始。
7. 如果执行上述步骤失败，请联系技术支持。



HACH COMPANY World Headquarters

P.O. Box 389, Loveland, CO 80539-0389 U.S.A.
Tel. (970) 669-3050
(800) 227-4224 (U.S.A. only)
Fax (970) 669-2932
orders@hach.com
www.hach.com

HACH LANGE GMBH

Willstätterstraße 11
D-40549 Düsseldorf, Germany
Tel. +49 (0) 2 11 52 88-320
Fax +49 (0) 2 11 52 88-210
info@de.hach.com
www.de.hach.com

HACH LANGE Sàrl

6, route de Compois
1222 Vézenaz
SWITZERLAND
Tel. +41 22 594 6400
Fax +41 22 594 6499