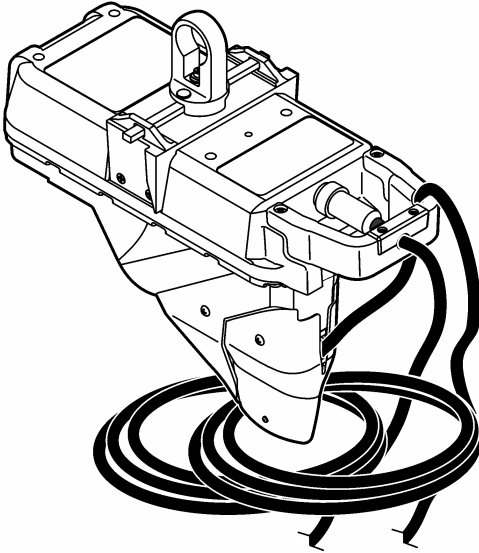




DOC026.97.80380

# Flo-Dar Sensor

07/2024, Edition 7



**Basic User Manual**  
**Manuel d'utilisation simplifié**  
**Manual básico del usuario**  
**Manual básico do usuário**  
基本用户手册  
基本取扱説明書  
기본 사용 설명서

## Table of Contents

---

English .....	3
Français .....	30
Español .....	59
Português .....	88
中文 .....	117
日本語 .....	142
한국어 .....	167

# Table of Contents

- 1 [Expanded manual version](#) on page 3
- 2 [Specifications](#) on page 3
- 3 [General information](#) on page 4
- 4 [Installation](#) on page 9
- 5 [Operation](#) on page 25
- 6 [Maintenance](#) on page 25

## Section 1 Expanded manual version

For additional information, refer to the expanded version of this manual, which is available on the manufacturer's website.

## Section 2 Specifications

Specifications are subject to change without notice.

Specification	Details
Dimensions (W x D x H)	160.5 x 432.2 x 297 mm (6.32 x 16.66 x 11.7 in.); with SVS, D=287 mm (15.2 in.)
Weight	4.8 kg (10.5 lb)
Enclosure	IP68 waterproof rating, polystyrene
Pollution degree	3
Protection class	III
Installation category	I
Operating temperature	-10 to 50 °C (14 to 122 °F)
Storage temperature	-40 to 60 °C (-40 to 140 °F)
Altitude	4000 m (13,123 ft) maximum
Power requirements	Supplied by FL Series flow logger
Interconnecting cable (disconnect at both sensor and logger ends)	Polyurethane, 0.400 (±0.015) inch diameter
	IP68
	Standard length: 9 m (30 ft); maximum length: 305 m (1000 ft)
Depth measurement	Method: Ultrasonic
	Standard operating range from Flo-Dar sensor housing to liquid: 0–152.4 cm (0–60 in.)
	Optional extended operating range from transducer face to liquid: 0–6.1 m (0–20 ft) (with 43.18 cm (17 in.) deadband), temperature compensated
	Accuracy: ±1%; ±0.25 cm (±0.1 in.)
Surcharge depth measurement	Method: Piezo resistive pressure transducer with stainless steel diaphragm
	Auto zero function maintains zero error < 0.5 cm (0.2 in.)
	Range: 3.5 m (138 in.); overpressure rating: 2.5 × full scale

Specification	Details
Velocity measurement	Method: Pulsed radar - Doppler
	Range: 0.23–6.10 m/s (0.75–20 ft/s)
	Frequency Range: EU Models—24.175 GHz $\pm$ 15 MHz, US/Canada Models—24.125 GHz $\pm$ 15 MHz
	Output Power: EU Models—20 mW (13 dBm) nominal $\pm$ 10%, US/Canada Models—2.5 V/m at 3 meters (maximum field strength)
	Accuracy: $\pm$ 0.5%; $\pm$ 0.03 m/s ( $\pm$ 0.1 ft/s)
Certifications	<p>The Flo-Dar transmitter has the wireless certifications that follow:</p> <ul style="list-style-type: none"> <li>• European Union (EU): CE mark</li> <li>• United States (US): FCC ID: VIC-FLODAR24</li> <li>• Canada: IC: 6149A-FLODAR24</li> <li>• Brazil: ANATEL: 01552-13-09098</li> </ul>
<b>Flow measurement</b>	
Method	Based on the continuity equation
Accuracy	$\pm$ 5% of reading is typical where flow is in a channel with uniform flow conditions and is not surcharged, $\pm$ 1% full scale maximum
<b>Surcharge conditions depth/velocity</b>	
Depth (standard with Flo-Dar sensor)	Surcharge depth supplied by Flo-Dar sensor
Velocity (with optional surcharge velocity sensor)	Method: Electromagnetic
	Range: $\pm$ 4.8 m/s ( $\pm$ 16 ft/s)
	Accuracy: $\pm$ 0.046 m/s ( $\pm$ 0.15 ft/s) or 4% of reading, whichever is more
	Zero stability: $>$ $\pm$ 0.015 m/s ( $\pm$ 0.05 ft/s) typical

## Section 3 General information

In no event will the manufacturer be liable for damages resulting from any improper use of product or failure to comply with the instructions in the manual. The manufacturer reserves the right to make changes in this manual and the products it describes at any time, without notice or obligation. Revised editions are found on the manufacturer's website.

### 3.1 Safety information

The manufacturer is not responsible for any damages due to misapplication or misuse of this product including, without limitation, direct, incidental and consequential damages, and disclaims such damages to the full extent permitted under applicable law. The user is solely responsible to identify critical application risks and install appropriate mechanisms to protect processes during a possible equipment malfunction.

Please read this entire manual before unpacking, setting up or operating this equipment. Pay attention to all danger and caution statements. Failure to do so could result in serious injury to the operator or damage to the equipment.

Make sure that the protection provided by this equipment is not impaired. Do not use or install this equipment in any manner other than that specified in this manual.

#### 3.1.1 Use of hazard information

### DANGER

Indicates a potentially or imminently hazardous situation which, if not avoided, will result in death or serious injury.

## ▲ WARNING

Indicates a potentially or imminently hazardous situation which, if not avoided, could result in death or serious injury.

## ▲ CAUTION







Indicates a potentially hazardous situation that may result in minor or moderate injury.

## NOTICE

Indicates a situation which, if not avoided, may cause damage to the instrument. Information that requires special emphasis.


### 3.1.2 Precautionary labels

Read all labels and tags attached to the instrument. Personal injury or damage to the instrument could occur if not observed. A symbol on the instrument is referenced in the manual with a precautionary statement.

	This is the safety alert symbol. Obey all safety messages that follow this symbol to avoid potential injury. If on the instrument, refer to the instruction manual for operation or safety information.
	This symbol indicates that a risk of electrical shock and/or electrocution exists.
	This symbol indicates the presence of devices sensitive to Electro-static Discharge (ESD) and indicates that care must be taken to prevent damage with the equipment.
	Electrical equipment marked with this symbol may not be disposed of in European domestic or public disposal systems. Return old or end-of-life equipment to the manufacturer for disposal at no charge to the user.
	This symbol, when noted on the product, identifies the location of a fuse or current limiting device.
	This symbol indicates that the marked item requires a protective earth connection. If the instrument is not supplied with a ground plug on a cord, make the protective earth connection to the protective conductor terminal.

### 3.1.3 Confined space precautions

## ▲ DANGER

	Explosion hazard. Training in pre-entry testing, ventilation, entry procedures, evacuation/rescue procedures and safety work practices is necessary before entering confined spaces.
-------------------------------------------------------------------------------------	--------------------------------------------------------------------------------------------------------------------------------------------------------------------------------------

The information that follows is supplied to help users understand the dangers and risks that are associated with entry into confined spaces.

On April 15, 1993, OSHA's final ruling on CFR 1910.146, Permit Required Confined Spaces, became law. This standard directly affects more than 250,000 industrial sites in the United States and was created to protect the health and safety of workers in confined spaces.

#### Definition of a confined space:

A confined space is any location or enclosure that has (or has the immediate potential for) one or more of the following conditions:

- An atmosphere with an oxygen concentration that is less than 19.5% or more than 23.5% and/or a hydrogen sulfide (H<sub>2</sub>S) concentration that is more than 10 ppm.
- An atmosphere that can be flammable or explosive due to gases, vapors, mists, dusts or fibers.
- Toxic materials which upon contact or inhalation can cause injury, impairment of health or death.

Confined spaces are not designed for human occupancy. Confined spaces have a restricted entry and contain known or potential hazards. Examples of confined spaces include manholes, stacks, pipes, vats, switch vaults and other similar locations.

Standard safety procedures must always be obeyed before entry into confined spaces and/or locations where hazardous gases, vapors, mists, dusts or fibers can be present. Before entry into a confined space, find and read all procedures that are related to confined space entry.

### 3.1.4 EU/FCC/IC/ANATEL regulations

Use of this device is subject to the conditions that follow:

- There are no user serviceable items inside this device.
- The user must install this device in accordance with the supplied installation instructions and must not modify the device in any manner whatsoever. Any changes or modifications to the device may void the user's authority to operate this equipment.
- Any service that includes the transmitter must only be done by Hach Company.
- This device is considered a "mobile" wireless device per the FCC. For RF exposure safety, the user must maintain a minimum of 20 cm (8 in.) separation distance from the face of the radar transmitter when it is in operation.

## 3.2 Certification

### ▲ CAUTION

This equipment is not intended for use in residential environments and may not provide adequate protection to radio reception in such environments.

#### Canadian Radio Interference-Causing Equipment Regulation, ICES-003, Class A:

Supporting test records reside with the manufacturer.

This Class A digital apparatus meets all requirements of the Canadian Interference-Causing Equipment Regulations.

Cet appareil numérique de classe A répond à toutes les exigences de la réglementation canadienne sur les équipements provoquant des interférences.

#### FCC Part 15, Class "A" Limits

Supporting test records reside with the manufacturer. The device complies with Part 15 of the FCC Rules. Operation is subject to the following conditions:

1. The equipment may not cause harmful interference.
2. The equipment must accept any interference received, including interference that may cause undesired operation.

Changes or modifications to this equipment not expressly approved by the party responsible for compliance could void the user's authority to operate the equipment. This equipment has been tested and found to comply with the limits for a Class A digital device, pursuant to Part 15 of the FCC rules. These limits are designed to provide reasonable protection against harmful interference when the equipment is operated in a commercial environment. This equipment generates, uses and can radiate radio frequency energy and, if not installed and used in accordance with the instruction manual, may cause harmful interference to radio communications. Operation of this equipment in a residential area is likely to cause harmful interference, in which case the user will be required to correct the interference at their expense. The following techniques can be used to reduce interference problems:

1. Disconnect the equipment from its power source to verify that it is or is not the source of the interference.
2. If the equipment is connected to the same outlet as the device experiencing interference, connect the equipment to a different outlet.
3. Move the equipment away from the device receiving the interference.
4. Reposition the receiving antenna for the device receiving the interference.
5. Try combinations of the above.

**Flo-Dar Sensor—Part number list:**

Standard U-Sonic 890004901, 890004902; Standard U-Sonic I.S. (Intrinsic Safety) 890004801, 890004802, 890004803; Long-Range U-Sonic 890005201, 890005202, 890005206; Long-Range U-Sonic I.S. (Intrinsic Safety) 890004804, 890004805, 890004806; Remote Long-Range U-Sonic 890005204, 890005205, 890005207; Remote Long-Range U-Sonic I.S. (Intrinsic Safety) 890004807, 890004808, 890004809

The part numbers above are service only and cannot be purchased – reference only for wireless certifications.

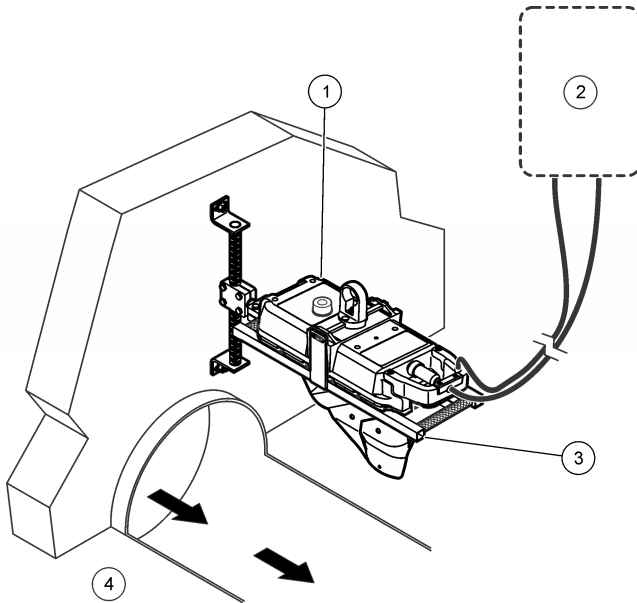
**3.3 Product overview**

The Flo-Dar sensor measures the flow velocity and liquid depth in open channels using radar and ultrasonic technology. The unit is made to withstand submersion during surcharge conditions. The optional surcharge velocity sensor supplies velocity measurements during surcharge conditions.

Figure 1 shows the configuration of a Flo-Dar system in a non-hazardous location.

Theory of operation information and ordering information for replacement parts are available in the expanded user manual on the manufacturer’s website (<http://www.hach.com>).

**Figure 1 System overview**

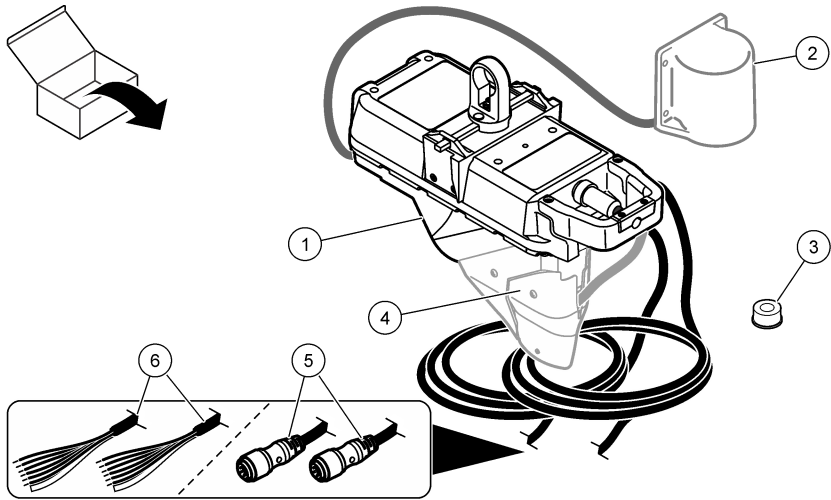


1 Flo-Dar sensor with optional surcharge velocity sensor	3 Mounting frame
2 Flow logger or controller	4 Non-hazardous environment

### 3.4 Product components

Make sure that all components have been received. Refer to [Figure 2](#) and [Figure 3](#). If any items are missing or damaged, contact the manufacturer or a sales representative immediately.

**Figure 2 Instrument components**

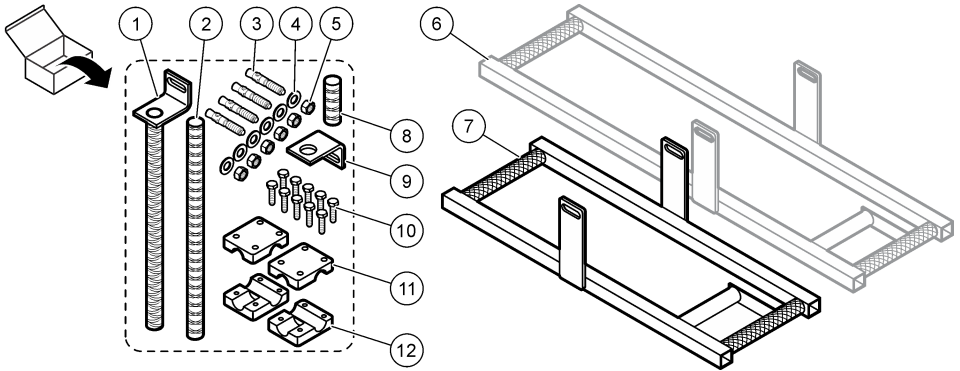


1 Flo-Dar sensor	4 Surcharge velocity sensor (SVS) (optional)
2 Extended range sensor (optional)	5 Flo-Dar connector and SVS connector
3 Bubble level	6 Flo-Dar with bare-wire and SVS with bare-wire <sup>1</sup>

<sup>1</sup> Bare-wire is an alternative to the connector.



**Figure 3 Wall mount hardware**



1 Wall mount bracket	7 Standard frame
2 Spacer, 12-inch	8 Spacer, 2 1/4-inch
3 Anchor, 3/8 x 2 1/4 in. (4x)	9 Adjustable wall bracket
4 Anchor washer (6x)	10 Clamp bolts, 1/4-20 x 1 in. (10x)
5 Anchor nut, 3/8-16 (6x)	11 Clamp half, not threaded (2x)
6 Frame for extended range sensor (optional)	12 Clamp half, threaded (2x)

## Section 4 Installation

### ▲ DANGER



Explosion hazard. Trained personnel only must install or commission the equipment.

### 4.1 Mechanical installation

#### 4.1.1 Site location guidelines

#### NOTICE

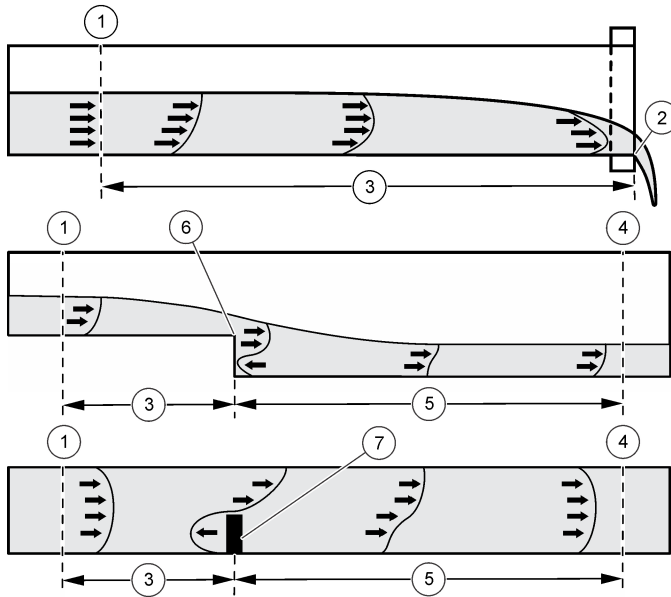
To prevent damage to the enclosure, install the instrument away from direct sunlight, ultraviolet radiation (UV), heat sources and severe weather. Install a sun shade or protective cover above the instrument when the location is outdoors.

For the best accuracy, install the sensor where the flow is not turbulent. The ideal location is in a long, straight channel or pipe. Outfalls, vertical drops, baffles, curves or junctions cause the velocity profile to become distorted.

Where there are outfalls, vertical drops, baffles, curves or junctions, install the sensor upstream or downstream as shown in [Figure 4–Figure 6](#). For upstream locations, install the sensor at a distance that is at least five times the pipe diameter or the maximum fluid level. For downstream locations, install the sensor at a distance that is at least ten times the pipe diameter or the maximum fluid level.

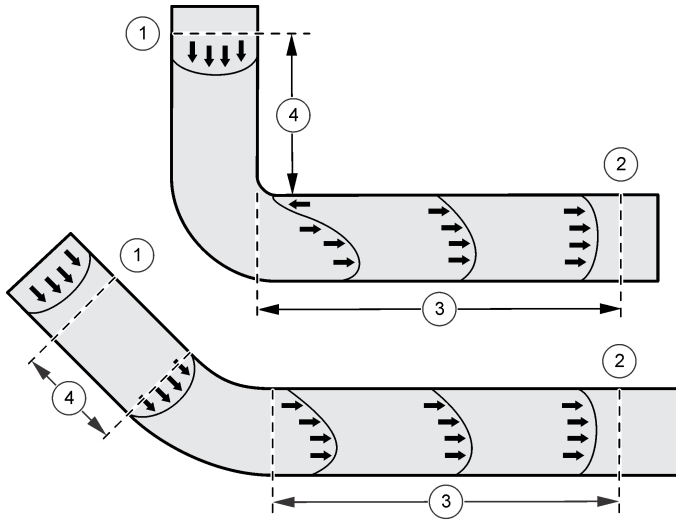
If the location contains a junction and the flow in one pipe is much higher, install the sensor on the wall near the lower flow pipe.

**Figure 4 Sensor location near an outfall, vertical drop or baffle**



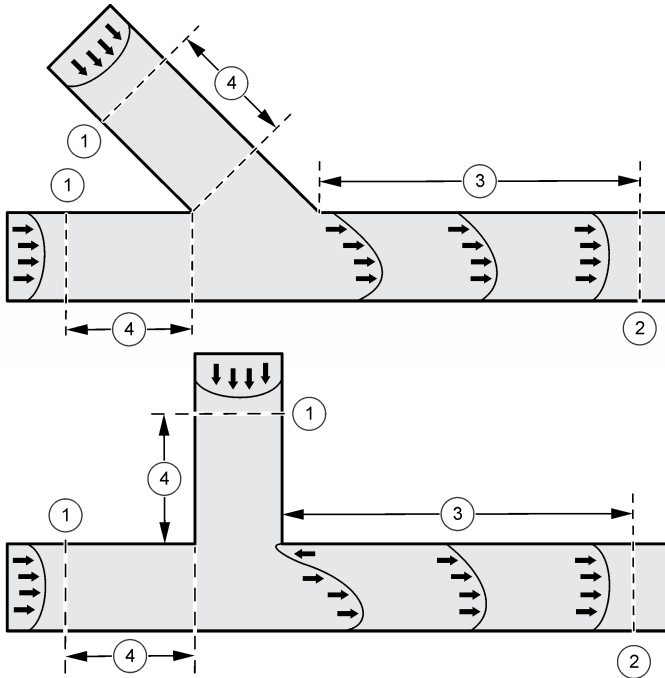
1 Acceptable upstream sensor location	5 Distance downstream: 10 × pipe diameter
2 Outfall	6 Vertical drop
3 Distance upstream: 5 × maximum level	7 Baffle
4 Acceptable downstream sensor location	

**Figure 5 Sensor location near a curve or elbow**



1 Acceptable upstream sensor location	3 Distance downstream: 10 × pipe diameter
2 Acceptable downstream sensor location	4 Distance upstream: 5 × pipe diameter

**Figure 6 Sensor location near a junction**



1 Acceptable upstream sensor location	3 Distance downstream: 10 × pipe diameter
2 Acceptable downstream sensor location	4 Distance upstream: 5 × pipe diameter

#### 4.1.2 Install the sensor

### ▲ WARNING



Explosion hazard. In hazardous locations, friction between surfaces can generate sparks that can cause an explosion. Make sure that no friction is possible between the instrument and any surrounding surfaces.

### ▲ CAUTION



Potential hearing loss risk. Hearing protection required. The level transducer emits ultrasonic sound energy when powered. Ear protection must be worn when working within 1 meter of this device. Do not point the transducer output towards ears during installation, calibration and maintenance.

#### Ultrasonic pressure:

- Dimensions of useful beam: Long range
- Ultrasonic pressure: > 110 dB at 1 m (3.3 ft) on axis
- Sound pressure inside beam: 111.9 dB maximum

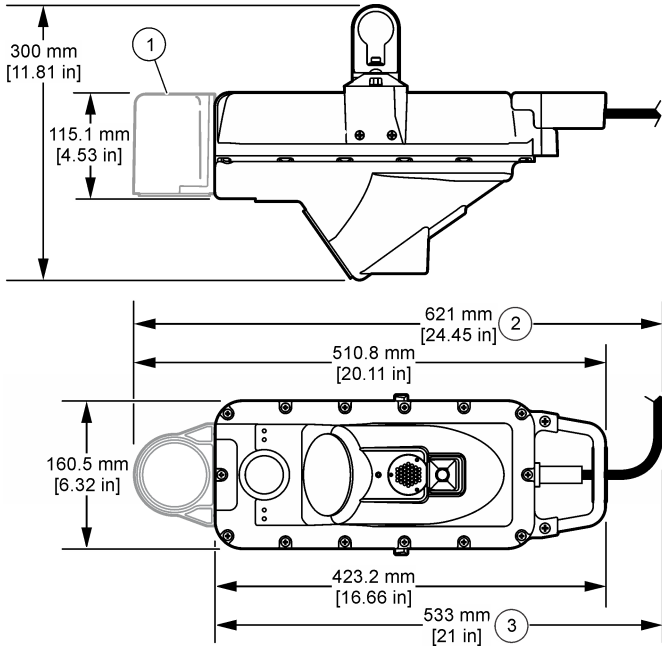
Mount the Flo-Dar sensor above the open channel on the wall of the manhole. For hazardous locations, a barrier must be installed outside of the hazardous area.

For temporary installation, an optional Jack-bar is available. Instructions are supplied with the Jack-bar.

The sensor dimensions are shown in [Figure 7](#) and [Figure 8](#).

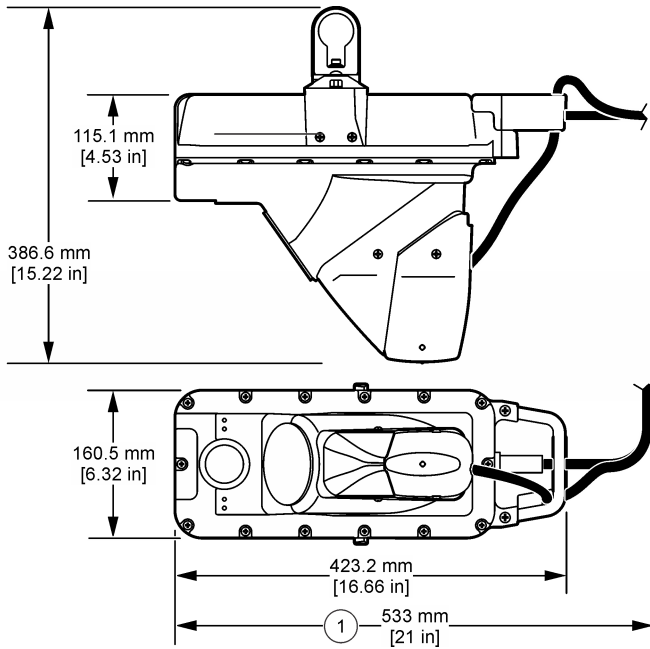
The dimensions of the standard frame for wall installation are shown in [Figure 9](#).

**Figure 7 Sensor dimensions**



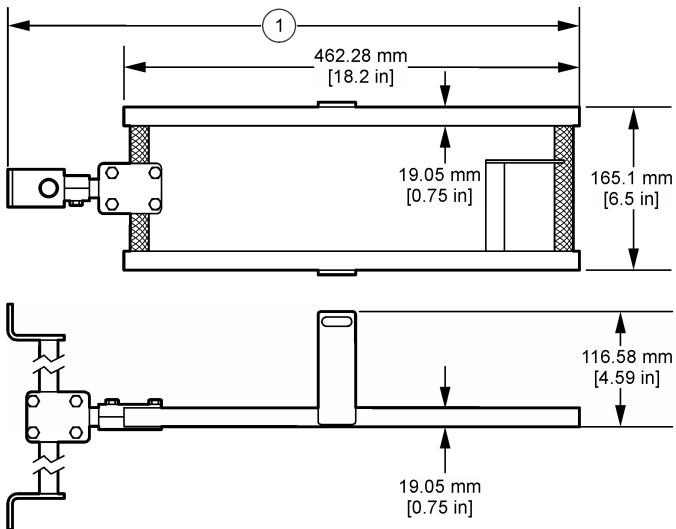
<p><b>1</b> Optional extended range sensor</p>	<p><b>3</b> Minimum clearance for cable</p>
<p><b>2</b> Minimum clearance for cable with extended range sensor</p>	

**Figure 8 Sensor with SVS dimensions**



1 Minimum clearance for cable

**Figure 9 Standard frame dimensions**



1 579.12 mm (22.8 in.) with 2¼ in. spacer; 828.04 mm (32.6 in.) with 12 in. spacer

**4.1.2.1 Assemble the clamps on the frame and wall bracket**

Install the clamps on the frame and wall mount bracket before installation on the wall.

**Items to collect:** Wall mount hardware ([Figure 3](#) on page 9)

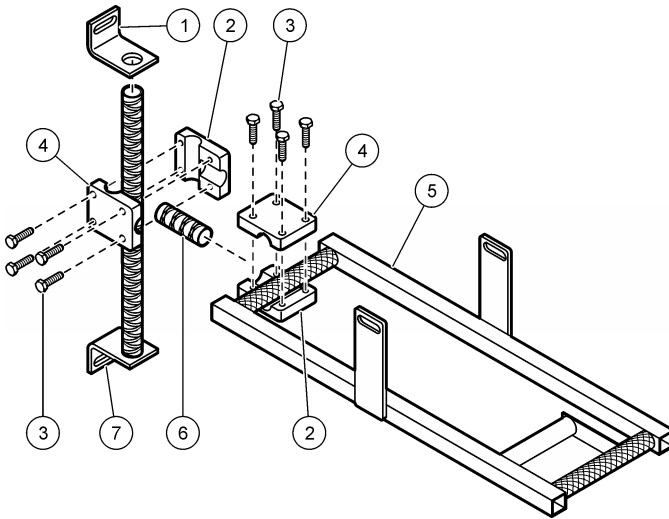
- Frame
- Wall mount bracket
- Clamps
- Hardware: wall bracket, spacer, nuts and bolts

1. Put two clamp halves (one with threads and one without threads) around the wall mount bracket. Refer to [Figure 10](#).
2. Connect the clamp halves together with four bolts. Tighten the bolts sufficiently to temporarily hold the clamp in position.
3. Put the other two clamp halves around the front end of the frame. Refer to [Figure 10](#).

**Note:** Typically, the front of the frame will point toward the wall. Refer to [Figure 10](#) and [Figure 14](#) on page 20. If flow conditions make it necessary to point the sensor away from the wall, use the 12-inch spacer and put the two clamp halves around the back end of the frame.

4. Connect the clamp halves together with four bolts. Tighten the bolts sufficiently to temporarily hold the clamp in position.

**Figure 10 Assemble the clamps on the wall bracket and frame**



1 Adjustable wall bracket	5 Frame
2 Clamp half, threaded	6 Spacer
3 Clamp bolt, ¼–20 x 1 in.	7 Wall mount bracket
4 Clamp half, not threaded	

#### 4.1.2.2 Install the frame on the wall

**⚠ DANGER**



Explosion hazard. Review the safety information in [Confined space precautions](#) on page 5 before entering a confined space.

Review the guidelines that follow to find the best location for the sensor.

- Examine the upstream and downstream flow characteristics. Use a mirror if necessary. Install the sensor above the water where the flow is stable. Do not install the sensor where there are standing waves, pools or objects or materials that can disrupt the flow profile.
- If the upstream flow characteristics are acceptable, install the sensor on the upstream wall of the manhole with the sensor pointing upstream. This location will make sure that the measured flow is the same as the flow in the pipe and that the sensor cable points away from the wall.
- Install the sensor away from the sides of the pipe and in the very center of the flow where the fluid is at the maximum depth.
- Install the sensor in a location that is accessible for maintenance.

**Items to collect:**

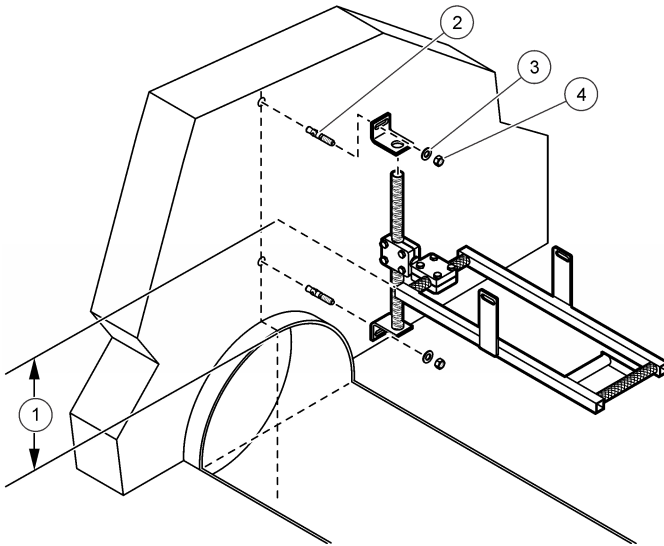
- Assembled frame and wall mount bracket assembly
- Anchors with nuts and washers
- Tools: mirror, ruler or tape measure, marker

Complete the steps to install the frame on the wall of the manhole above the flow. Make sure to obey all codes and/or directives that are relevant to the location. Refer to [Site location guidelines](#) on page 9.

1. Make a mark on the wall that identifies the location of the top of the sensor frame. Refer to [Figure 11](#). The wall brackets will be installed above and below this mark.
  - Sensor without SVS—make sure that when the sensor is in the frame, the radar beam is not stopped by the wall or channel. Refer to [Figure 13](#) on page 19.
  - Sensor with SVS—the top of the sensor frame must be installed at an exact distance above the top of the channel. For pipe diameters that are more than 635 mm (25 in.), measure 127 mm (5 in.) from the interior crown of the pipe to the top of the frame. For pipe diameters that are less than 635 mm (25 in.), measure 152.4 mm (6 in.) from the interior crown of the pipe to the top of the frame.
2. Put the wall mount brackets above and below this mark.
3. Attach the brackets to the wall using the supplied anchors. Install the anchors into 3/8-in. diameter holes at a depth of 38.1 mm (1.5 in.).
4. Connect the frame to the wall bracket with a spacer. Refer to [Figure 11](#). It may be necessary to use the 12-inch spacer to position the sensor farther from the wall when there is a large pipe lip.



**Figure 11 Wall installation**



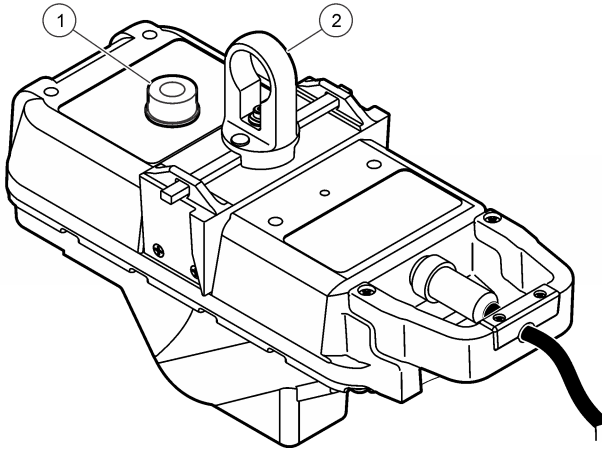
1 Distance from interior crown of pipe to top of frame	3 Washer
2 Anchor	4 Nut

**4.1.2.3 Install the sensor on the frame**

The sensor fits in the frame in only one direction and is held in position when the bail on the sensor is turned. Refer to [Figure 12](#). The sensor can be removed from the frame and installed without entry into the manhole when the optional retrieval pole is used.

1. Make sure that the cable is tightly connected to the sensor.
2. Turn the bail to retract the locking bars on the sensor.
3. Put the sensor on the frame. Make sure that the cable points toward the center of the manhole.
4. Turn the bail to hold the sensor on the frame. Refer to [Figure 12](#).

**Figure 12 Horizontal alignment**



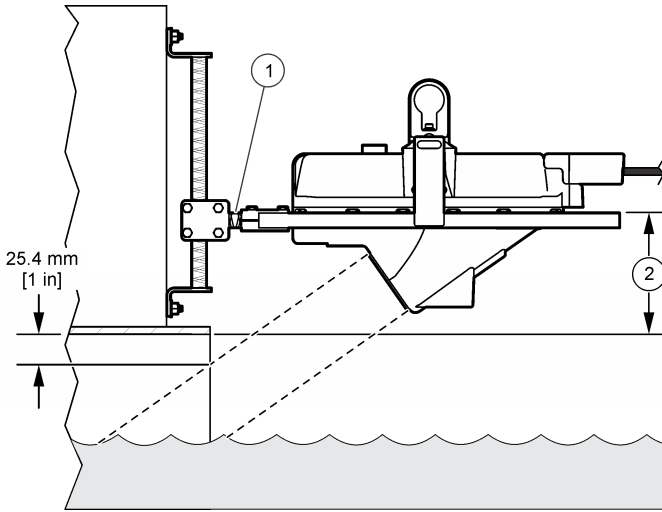
1 Bubble level	2 Bail
----------------	--------

#### **4.1.2.4 Align the sensor vertically – Flo-Dar without SVS**

The sensor must be aligned vertically to make sure that the sensor is above the flow and that the radar beam will not be stopped by the wall or pipe. Refer to [Figure 13](#).

1. Make an estimate of where a line that extends from the top of the radar lens perpendicular to where the lens will point. Refer to [Figure 13](#).
2. Loosen the clamp on the wall mount bracket and put the frame so that the radar beam will point below the crown of the pipe by at least 25.4 mm (1 in.). Refer to [Figure 13](#). It may be necessary to install the 12-inch spacer to extend the frame farther from the wall.
3. Tighten the clamp and measure the frame position. Make sure that the radar beam is not stopped by the wall or pipe. If the beam is stopped, move the frame further away from the wall with the 12-inch spacer or lower the frame.

**Figure 13 Vertical alignment of the sensor**



1 Spacer

2 Distance from interior crown of pipe to top of frame

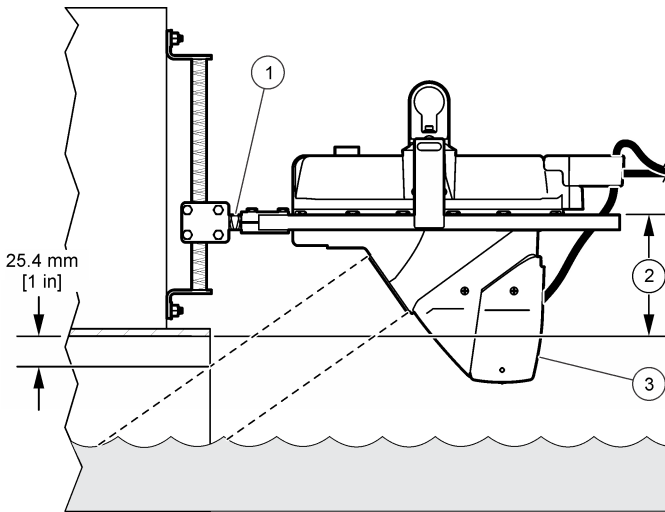
#### 4.1.2.5 Align the sensor vertically – Flo-Dar with SVS

The sensor must be aligned vertically to make sure that the sensor is above the flow under normal full flow conditions and that the SVS is activated under surcharge conditions.

**Item to collect:** Ruler or tape measure

1. Measure directly above the crown of the pipe to the top of the frame. Refer to [Figure 11](#) on page 17.
2. If the pipe lip is longer than 140 mm (5.5 in.), install the 12-inch spacer between the wall mount bracket and the frame. Refer to [Figure 14](#).
3. Loosen the clamp on the wall mount bracket and put the top of the frame above the crown of the pipe at the specified distance:
  - 152.4 mm (6 in.) for a pipe diameter that is less than 610 mm (24 in.)
  - 127 mm (5 in.) for a pipe diameter that is equal to or larger than 610 mm (24 in.)
4. Tighten the clamp and measure the frame position again to make sure that it is at the correct position.

**Figure 14 Vertical alignment of the sensor with SVS**



1 Spacer	3 SVS sensor (optional)
2 Distance from interior crown of pipe to top of frame	

#### 4.1.2.6 Align the sensor horizontally

The sensor must be aligned horizontally to make sure that the sensor is over the center of the flow. If the pipe is not level and has a slope of 2 degrees or more, align the sensor to be parallel with the surface of the water.

**Item to collect:** Bubble level

1. Remove the paper backing from the bubble level and attach the level to the sensor. Refer to [Figure 12](#) on page 18.
2. Loosen the clamps and tap the frame into position.
3. Tighten both clamps and measure the frame position to make sure that it is at the correct position.

#### 4.1.2.7 Make a final alignment check

The correct vertical and horizontal alignment of the sensor is necessary for accurate measurements.

1. Measure the vertical alignment and make adjustments if necessary. Refer to [Align the sensor vertically – Flo-Dar without SVS](#) on page 18 or [Align the sensor vertically – Flo-Dar with SVS](#) on page 19.
2. Measure the horizontal alignment and make adjustments if necessary. Refer to [Align the sensor horizontally](#) on page 20.
3. Repeat steps 1 and 2 until no further adjustments are necessary.

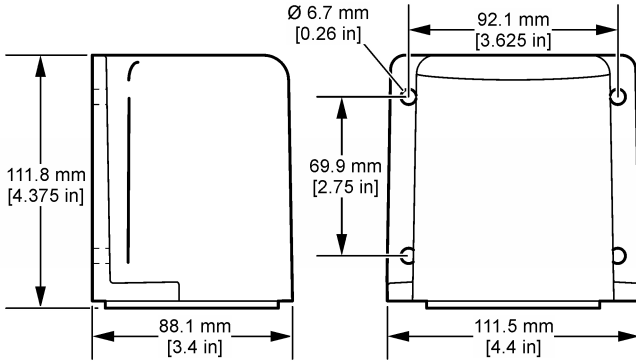
#### 4.1.2.8 Optional extended range sensor installation

The extended range sensor ([Figure 15](#)) can be used when the pipe or channel depth is more than the standard level specifications. Refer to [Specifications](#) on page 3.

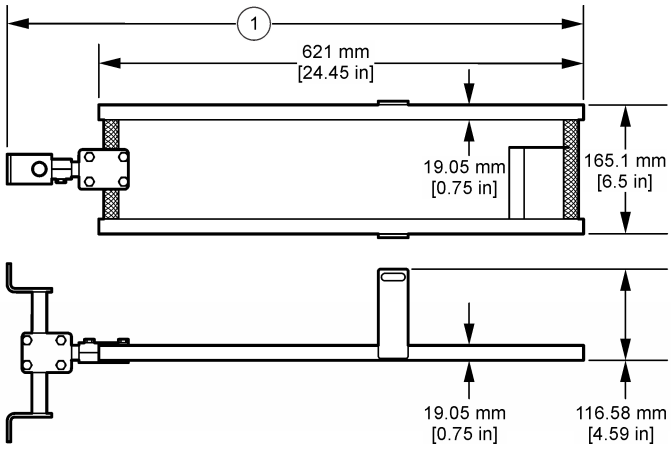
Use the extended frame ([Figure 16](#)) instead of the standard frame, or mount the extended range sensor on the wall.

The extended range sensor must be installed at least 457.2 mm (18 in.) above the crown of the pipe for correct measurements. The extended range sensor has a deadband zone of 431.8 mm (17 in.) where the sensor is not active.

**Figure 15 Extended range sensor dimensions**

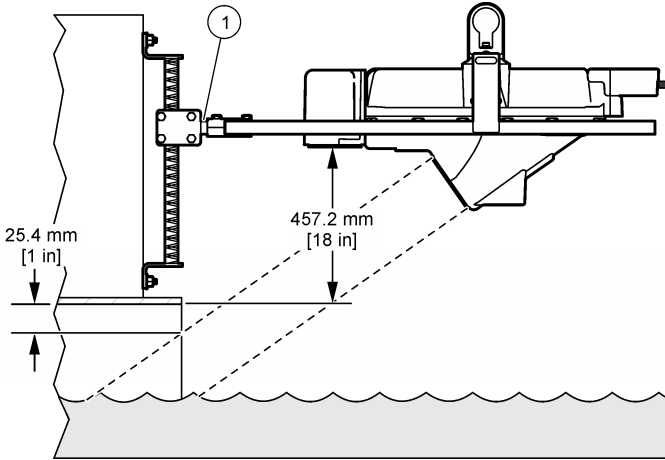


**Figure 16 Extended frame dimensions**



1 739.14 mm (29.1 in.) with 2¼ in. spacer; 985.52 mm (38.8 in.) with 12 in. spacer

**Figure 17 Vertical alignment with extended range sensor**



1 Spacer

#### 4.1.3 Measure the sensor offset

The sensor offset is the distance from the top of the frame to the bottom of the pipe or channel. This distance will be entered into the software and is necessary for accurate flow calculations.

If the optional extended range sensor is installed on the wall without the extended frame, the sensor offset is the distance from the surface of the extended range sensor to the bottom of the pipe or channel.

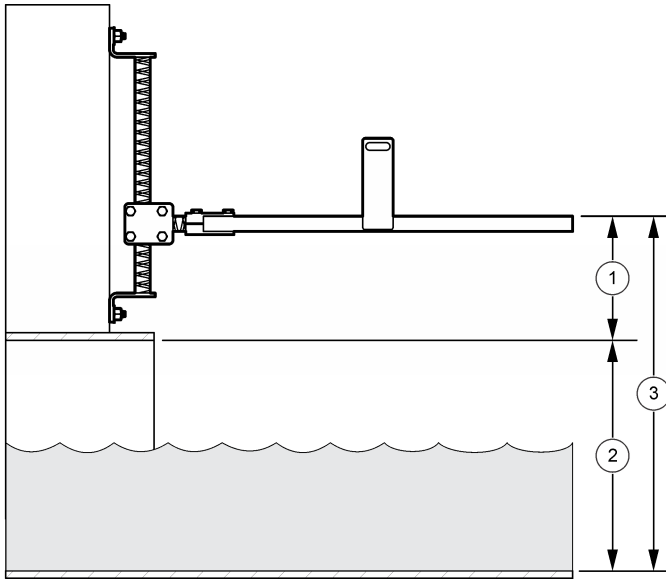
##### Items to collect:

- Rod
- Tape measure

1. Put the rod in the bottom of the pipe or channel and align it vertically with the frame. Refer to [Figure 18](#).
2. Make a mark on the rod to identify the location of the top of the sensor frame.
3. Measure the distance from the bottom of the rod to the mark. This is the sensor offset.

**Note:** If it is not practical to measure to the bottom of the pipe, measure the distance from the crown of the pipe to the top of the frame. Refer to [Figure 18](#). Add this distance to the pipe diameter to get the sensor offset.  
 $\text{Sensor offset} = \text{pipe diameter} + \text{distance from crown of the pipe to the top of the frame}$

**Figure 18 Sensor offset**



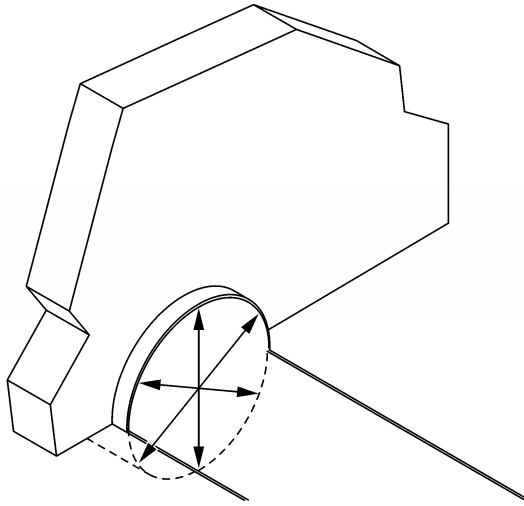
1 Distance from interior crown of pipe to top of frame	3 Sensor offset
2 Pipe diameter	

#### **4.1.4 Measure the pipe diameter**

The correct diameter of the pipe or channel is necessary for accurate flow calculations.

1. Measure the inside pipe diameter (ID) at three locations. Refer to [Figure 19](#). Make sure that the measurements are accurate.
2. Calculate the average of the three measurements. Record this number for use during the software setup for the site.

**Figure 19 Pipe diameter measurement**



## 4.2 Electrical installation

### 4.2.1 Wiring safety information

#### **⚠ DANGER**



Electrocution hazard. Always remove power to the instrument before making electrical connections.

### 4.2.2 Electrostatic discharge (ESD) considerations

#### **NOTICE**



Potential Instrument Damage. Delicate internal electronic components can be damaged by static electricity, resulting in degraded performance or eventual failure.

Refer to the steps in this procedure to prevent ESD damage to the instrument:

- Touch an earth-grounded metal surface such as the chassis of an instrument, a metal conduit or pipe to discharge static electricity from the body.
- Avoid excessive movement. Transport static-sensitive components in anti-static containers or packages.
- Wear a wrist strap connected by a wire to earth ground.
- Work in a static-safe area with anti-static floor pads and work bench pads.

### 4.2.3 Connect the flow logger

Connect the Flo-Dar sensor to the flow logger.

- **FL900 flow logger**—Connect the cable from the Flo-Dar sensor to a sensor connector on the flow logger. If the optional surcharge velocity sensor (SVS) is installed, connect the cable from the SVS to a sensor connector on the logger.
- **FL1500 flow logger**—Connect the cable from the Flo-Dar sensor to the correct terminal in the flow logger. If the optional surcharge velocity sensor (SVS) is installed, connect the cable from the SVS to the correct terminal in the controller. Refer to the FL1500 flow logger documentation for the correct terminal locations.

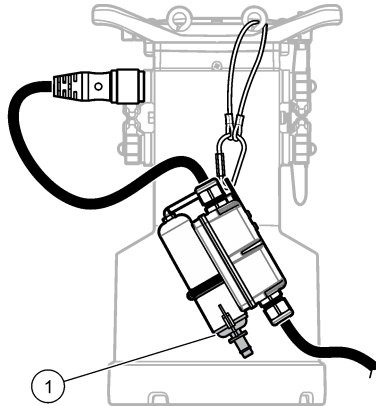


#### 4.2.4 Attach the desiccant hub (FL900)

Attach the optional desiccant hub to the FL900 flow logger to give strain relief to the sensor cable and the connector. Refer to [Figure 20](#).

For the best performance, make sure to install the desiccant container vertically with the end cap pointed down. Refer to [Figure 20](#).

**Figure 20 Attach the desiccant hub**



1 End cap

## Section 5 Operation

For sensors connected to an FL900 flow logger, connect a computer with FSDATA Desktop software to the flow logger to configure, calibrate and collect data from the sensors. Refer to the FSDATA Desktop documentation to configure, calibrate and collect data from the sensor.

For sensors connected to an FL1500 flow logger, refer to the FL1500 flow logger documentation to configure, calibrate and collect data from the sensors. As an alternative, connect a computer with FSDATA Desktop software to the flow logger to configure, calibrate and collect data from the sensors. Refer to the FSDATA Desktop documentation to configure, calibrate and collect data from the sensor.

### 5.1 Install the software

Make sure that the latest version of the FSDATA Desktop software is installed on the computer. Download the software from <http://www.hachflow.com>. Click Support, then select Software Downloads>Hach FL Series Flow Logger.

## Section 6 Maintenance

### ▲ DANGER



Multiple hazards. Only qualified personnel must conduct the tasks described in this section of the document.

### ▲ DANGER



Explosion hazard. When using the retrieval pole, make sure to connect the grounding strap to the ground lug on the barrier. The sensor must also be connected to the barrier during maintenance activities. This is to prevent ignition of explosive gases due to static discharge.

## ⚠ CAUTION



Radar RF exposure hazard. Avoid putting the head and other vital organ areas within the microwave beam (within 1 meter (3.3 ft) of the microwave aperture). Although the Flo-Dar microwave power level is very small (approximately 15 mW) and is well below government stated exposure limits for uncontrolled environments, users of this product should obey proper safety protocols for the handling of devices with radar frequency transmitters.

## NOTICE

Handle the sensor with care to prevent damage to the microwave transmitter. Damaged transmitters can result in higher signal power levels, which can interfere with essential terrestrial microwave links.

The safety of the transmitter may be impaired if any of the following conditions have occurred:

- Visible damage
- Storage above 70 °C for prolonged periods
- Exposure to severe transport stresses
- Previous installation
- Failure to operate properly

If any of these conditions have occurred, return the device to the manufacturer for recertification.

### 6.1 Look for corrosion and damage

Look for corrosion and damage once a year.

**Note:** *The only parts of the Flo-Dar system that can be replaced by the user are the bail assembly and the cable. If the sensor becomes defective, it must be replaced as a complete unit.*

1. Look for corrosion or damage that can let environmental gases into the interior of the sensor.
2. Make sure that no swelling, blistering, pitting or loss of material has occurred on the upper and lower portions of the main plastic enclosure, the depth module or the radome.
3. If the extended range sensor is used, examine the enclosure and the four ¼-20 stainless steel bolts.
4. If the surcharge velocity sensor (SVS) is used:
  - a. Make sure that the unit is not corroded and the labels can be read.
  - b. Examine the connectors for any damage or corrosion. Tighten all the connectors in the system.
5. Examine the connectors for any damage or corrosion. Tighten all the connectors in the system.
6. If corrosion is found on the connectors, clean and dry the connectors to make sure that no moisture is on the connector pins. If corrosion is severe, replace the cables. Refer to [Replace a cable](#) on page 27.

### 6.2 Clean the instrument

## ⚠ DANGER



Explosion hazard. Never attempt to wipe or clean the Flo-Dar or SVS sensor while in a hazardous location. Do not use abrasives or high-pressure hoses or washers to clean the sensors. Do not disturb the pressure port on the bottom of the sensor.

Regular cleaning is not necessary because the sensor does not contact the flow unless a surcharge condition occurs. Examine the sensor after a surcharge to see if cleaning is necessary.

**Item to collect:** Retrieval pole with hook (optional)

1. Remove power to the sensor.
2. Put the hook on the retrieval pole to remove the sensor without manhole entry. Make sure the grounding strap is on the pole.


3. Hook the bail on the sensor and turn the pole counter-clockwise to unlock the sensor from the frame. Remove the sensor.
4. Remove any debris from the bottom of the sensor. Clean the external surface of the sensor with mild soap and rinse with water.
5. If the surcharge velocity sensor (SVS) is used, use 600 grit sand paper on the electrodes (small black dots). Use only light pressure or the electrodes will become damaged.
6. Lower the sensor on the frame. Make sure that the cable points toward the center of the manhole.
7. Turn the retrieval pole clockwise to engage the locking bars into the frame.
8. Apply power to the sensor.


### 6.3 Replace a cable

If corrosion is severe on a connector(s) or a cable has damage, replace the cable.

1. Disconnect power to the sensor at the logger or controller.
2. Put the hook on the retrieval pole to remove the sensor without manhole entry. Make sure that the grounding strap is on the pole.
3. Hook the bail on the sensor and turn the pole counter-clockwise to unlock the sensor from the frame. Remove the sensor.
4. Remove the two Phillips screws on the sensor handle to remove the cable clamp. Remove the cable.
5. Install the new cable. Make sure that the connector is aligned correctly and that no debris or water gets into the connector.
6. Install the cable clamp.
7. Lower the sensor on the frame. Make sure that the cable points toward the center of the manhole.
8. Turn the retrieval pole clockwise to engage the locking bars into the frame.
9. Apply power to the sensor through the logger or controller.

### 6.4 Replace the desiccant

<b>▲ CAUTION</b>	
	Chemical exposure hazard. Obey laboratory safety procedures and wear all of the personal protective equipment appropriate to the chemicals that are handled. Refer to the current safety data sheets (MSDS/SDS) for safety protocols.

<b>▲ CAUTION</b>	
	Chemical exposure hazard. Dispose of chemicals and wastes in accordance with local, regional and national regulations.

<b>NOTICE</b>	
Do not operate the sensor without desiccant beads or with green desiccant beads. Permanent damage to the sensor can occur.	

Immediately replace the desiccant when it changes to green. Refer to [Figure 21](#).

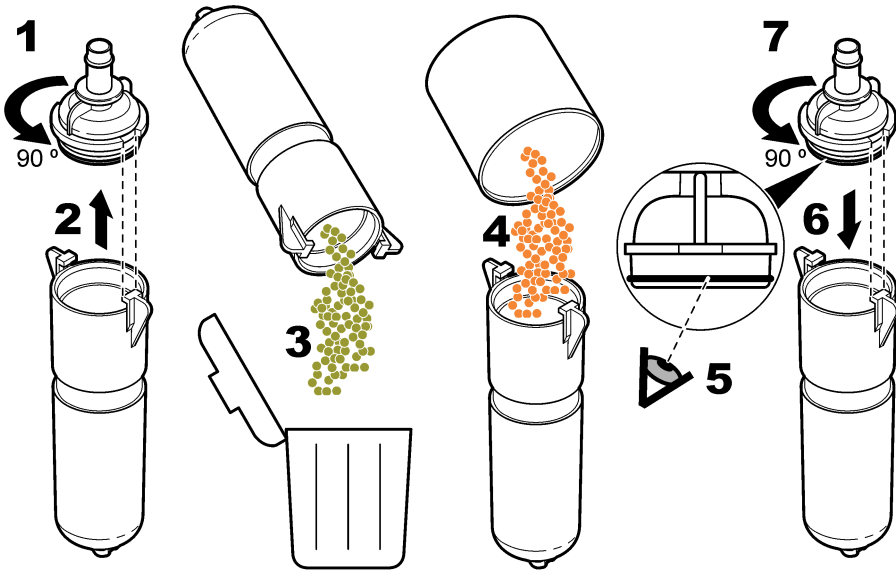
**Note:** *It is not necessary to remove the desiccant container from the desiccant hub to install new desiccant.*

At step 5 of [Figure 21](#), make sure that the O-ring is clean and has no dirt or debris. Examine the O-ring for cracking, pits or sign of damage. Replace the O-ring if it has damage. Apply grease to dry or new O-rings to make installation easier, to get a better seal and to increase the life of the O-ring.

For the best performance, make sure to install the desiccant container vertically with the end cap pointed down. Refer to [Attach the desiccant hub \(FL900\)](#) on page 25.

**Note:** When the beads just begin to turn green, it may be possible to rejuvenate them by heating. Remove the beads from the canister and heat them at 100-180 °C (212-350 °F) until they turn orange. Do not heat the canister. If the beads do not turn orange, they must be replaced with new desiccant.

**Figure 21 Replace the desiccant**



## 6.5 Replace the hydrophobic membrane

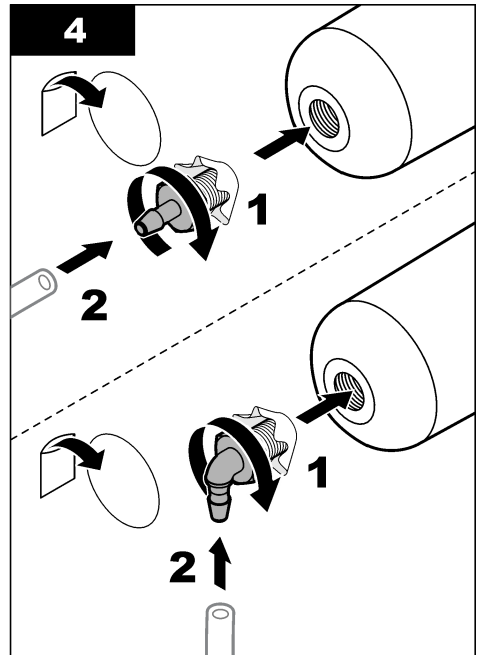
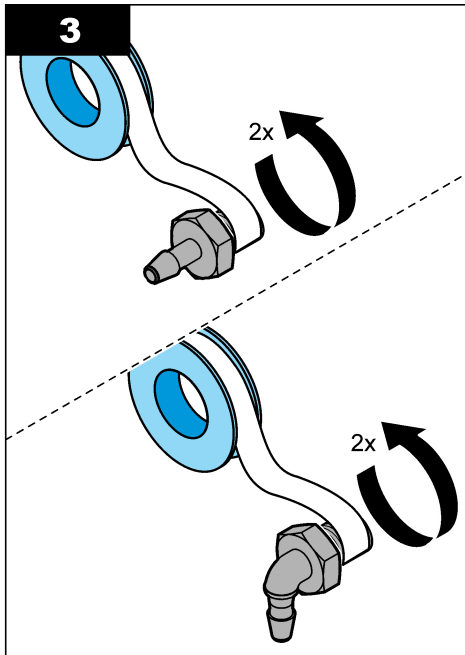
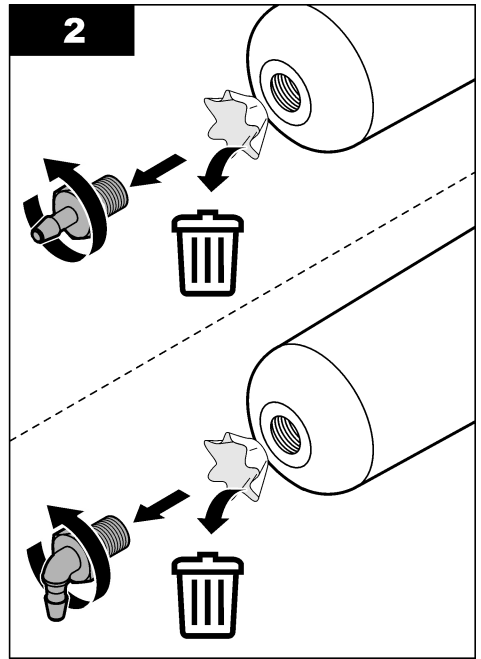
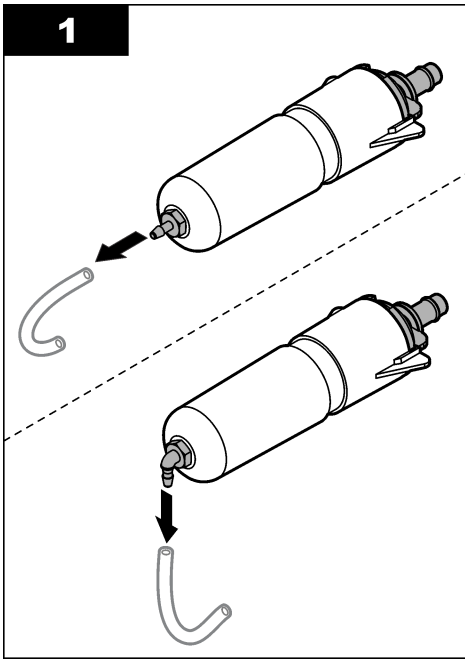
Replace the hydrophobic membrane when:

- Unexpected increases or decreases in level trends occur.
- Level data is missing or incorrect, but the velocity data is valid.
- The membrane is torn or has become saturated with water or grease.

Refer to the illustrated steps that follow to replace the membrane. At step 4, make sure that the following occurs:

- The smooth side of the hydrophobic membrane is against the inner surface of the desiccant container.
- The hydrophobic membrane bends up and goes fully into the thread until it is not seen.
- The hydrophobic membrane turns with the nipple when the nipple in the desiccant container turns. If the membrane does not turn, it has damage. Start the procedure again with a new membrane.

For the best performance, make sure to install the desiccant container vertically with the end cap pointed down. Refer to [Attach the desiccant hub \(FL900\)](#) on page 25.



# Table des matières

- 1 [Version enrichie de ce manuel](#) à la page 30
- 2 [Caractéristiques techniques](#) à la page 30
- 3 [Généralités](#) à la page 31
- 4 [Installation](#) à la page 37
- 5 [Fonctionnement](#) à la page 53
- 6 [Maintenance](#) à la page 53

## Section 1 Version enrichie de ce manuel

Pour de plus amples informations, consultez la version enrichie de ce manuel, accessible sur le site Web du fabricant.

## Section 2 Caractéristiques techniques

Ces caractéristiques sont susceptibles d'être modifiées sans avis préalable.

Caractéristique	Détails
Dimensions (L x P x H)	160,5 x 432,2 x 297 mm (6,32 x 16,66 x 11,7 po); avec SVS, P=287 mm (15,2 po)
Poids	4,8 kg (10,5 lb)
Boîtier	Polystyrène, étanchéité conforme IP68
Niveau de pollution	3
Classe de protection	III
Catégorie d'installation	I
Température de fonctionnement	-10 à 50 °C (14 à 122 °F)
Température de stockage	-40 à 60 °C (-40 à 140 °F)
Altitude	4 000 m (13,123 pieds) maximum
Alimentation électrique	Alimenté par l'enregistreur de débit Série FL
Câble d'interconnexion (déconnexion aux extrémités capteur et enregistreur)	Polyuréthane, diamètre de 1 cm (±0,038), 0,4 (±0,015) pouce
	IP68
	Longueur : 9 m (30 pieds) ; longueur maximale : 305 m (1 000 pieds)
Mesure de la profondeur	Méthode : ultrasonore
	Portée de fonctionnement normale entre le boîtier du capteur Flo-Dar et le liquide : 0 à 152,4 cm (0 à 60 po)
	Portée de fonctionnement étendue en option entre la face du transducteur et le liquide : 0 à 6,1 m (0 à 20 pieds) (avec une zone morte de 43,18 cm (17 po)), compensation thermique
	Précision : ±1 % ; ±0,25 cm (±0,1 po)
Mesure de la surpression	Méthode : transducteur de pression résistif Piezo avec diaphragme en acier inoxydable
	La fonction zéro automatique garantit l'absence d'erreur < 0,5 cm (0,2 po)
	Plage : 3,5 m (138 po); surpression nominale : 2,5 x pleine échelle

Caractéristique	Détails
Mesure de la vitesse	Méthode : radar pulsé, Doppler
	Portée : 0,23–6,10 m/s (0,75–20 pieds/s)
	Plage de fréquence : modèles UE (24,175 GHz $\pm$ 15 MHz) ; modèles US/Canada (24,125 GHz $\pm$ 15 MHz)
	Puissance de sortie : modèles UE (20 mW (13 dBm) nominale $\pm$ 10%) ; modèles US/Canada (2,5 V/m à 3 mètres (intensité de champ maximale)
	Précision : $\pm$ 0,5 % ; $\pm$ 0,03 m/s ( $\pm$ 0,1 pied/s)
Certifications	Le transmetteur Flo-Dar possède les certifications sans fil suivantes : <ul style="list-style-type: none"> <li>• Union européenne (UE) : repère CE</li> <li>• Etats-Unis (US) : ID FCC : VIC-FLODAR24</li> <li>• Canada : IC : 6149A-FLODAR24</li> <li>• Brazil: ANATEL: 01552-13-09098</li> </ul>
<b>Mesure du débit</b>	
Méthode	Basée sur l'équation de continuité
Exactitude	$\pm$ 5 % du relevé normal lorsque le flux circule dans un conduit où les conditions sont homogènes et sans surcharge, $\pm$ 1 % pleine échelle maximum
<b>Profondeur/vitesse dans des conditions de surcharge</b>	
Profondeur (standard avec capteur Flo-Dar)	Profondeur de surpression indiquée par le capteur Flo-Dar
Vitesse (avec capteur de vitesse de surcharge en option)	Méthode : Electromagnétique
	Portée : $\pm$ 4,8 m/s ( $\pm$ 16 pieds/s)
	Précision : $\pm$ 0,046 m/s ( $\pm$ 0,15 pied/s) ou 4 % de relevé, la valeur la plus élevée des deux étant retenue
	Stabilité à zéro : $>$ $\pm$ 0,015 m/s ( $\pm$ 0,05 pied/s) normale

## Section 3 Généralités

En aucun cas le fabricant ne pourra être tenu responsable des dommages résultant d'une utilisation incorrecte du produit ou du non-respect des instructions du manuel. Le constructeur se réserve le droit d'apporter des modifications à ce manuel et aux produits décrits, à tout moment, sans avertissement ni obligation. Les éditions révisées se trouvent sur le site Internet du fabricant.

### 3.1 Consignes de sécurité

Le fabricant décline toute responsabilité quant aux dégâts liés à une application ou un usage inappropriés de ce produit, y compris, sans toutefois s'y limiter, des dommages directs ou indirects, ainsi que des dommages consécutifs, et rejette toute responsabilité quant à ces dommages dans la mesure où la loi applicable le permet. L'utilisateur est seul responsable de la vérification des risques d'application critiques et de la mise en place de mécanismes de protection des processus en cas de défaillance de l'équipement.

Veuillez lire l'ensemble du manuel avant le déballage, la configuration ou la mise en fonctionnement de cet appareil. Respectez toutes les déclarations de prudence et d'attention. Le non-respect de cette procédure peut conduire à des blessures graves de l'opérateur ou à des dégâts sur le matériel.

Assurez-vous que la protection fournie par cet équipement n'est pas compromise. Ne pas utiliser ou installer cet équipement autrement qu'indiqué dans le présent manuel.

### 3.1.1 Informations sur les risques d'utilisation

#### ▲ DANGER

Indique une situation de danger potentiel ou imminent qui, si elle n'est pas évitée, entraîne des blessures graves, voire mortelles.

#### ▲ AVERTISSEMENT

Indique une situation de danger potentiel ou imminent qui, si elle n'est pas évitée, peut entraîner des blessures graves, voire mortelles.

#### ▲ ATTENTION







Indique une situation de danger potentiel qui peut entraîner des blessures mineures ou légères.

#### AVIS

Indique une situation qui, si elle n'est pas évitée, peut occasionner l'endommagement du matériel. Informations nécessitant une attention particulière.

### 3.1.2 Étiquettes de mise en garde

Lisez toutes les informations et toutes les étiquettes apposées sur l'appareil. Des personnes peuvent se blesser et le matériel peut être endommagé si ces instructions ne sont pas respectées. Tout symbole sur l'appareil renvoie à une instruction de mise en garde dans le manuel.

	Ceci est le symbole d'alerte de sécurité. Respectez tous les messages de sécurité qui suivent ce symbole afin d'éviter tout risque de blessure. S'ils sont apposés sur l'appareil, se référer au manuel d'utilisation pour connaître le fonctionnement ou les informations de sécurité.
	Le symbole indique qu'il existe un risque de choc électrique et/ou d'électrocution.
	Ce symbole indique la présence d'appareils sensibles aux décharges électrostatiques et indique que des précautions doivent être prises afin d'éviter d'endommager l'équipement.
	Le matériel électrique portant ce symbole ne doit pas être mis au rebut dans les réseaux domestiques ou publics européens. Retournez le matériel usé ou en fin de vie au fabricant pour une mise au rebut sans frais pour l'utilisateur.
	Ce symbole, s'il figure sur le produit, indique l'emplacement d'un fusible ou d'un dispositif limiteur de courant.
	Ce symbole indique que l'élément marqué nécessite une connexion de protection à la terre. Si l'appareil n'est pas fourni avec une mise à la terre sur un cordon, effectuez la mise à la terre de protection sur la borne de conducteur de protection.

### 3.1.3 Précautions concernant l'espace confiné

#### ▲ DANGER



Risque d'explosion. Une formation portant sur les tests de pré-entrée, la ventilation, les procédures d'entrée, les procédures d'évacuation/de sauvetage et les mesures de sécurité est nécessaire avant d'entrer dans des lieux confinés.

Les informations suivantes sont fournies dans le but d'aider les utilisateurs à appréhender les dangers et les risques associés aux espaces confinés.

Le 15 avril 1993, le règlement final de l'OSHA concernant le CFR 1910.146, Permit Required Confined Spaces (Espaces confinés nécessitant l'autorisation), est devenue une loi. Cette norme



affecte directement plus de 250 000 sites industriels aux Etats-Unis et a été rédigée dans le but de protéger la santé et la sécurité des travailleurs en espace confiné.

### **Définition d'un espace confiné :**

Tout endroit ou clôture qui présente (ou est susceptible de présenter) une ou plusieurs des conditions suivantes :

- Une atmosphère qui contient une concentration d'oxygène inférieure à 19,5 % ou supérieure à 23,5 % et/ou une concentration de sulfure d'hydrogène (H<sub>2</sub>S) supérieure à 10 ppm.
- Une atmosphère qui peut être inflammable ou explosive en présence de gaz, vapeurs, brumes, poussières ou fibres.
- Des matériaux toxiques qui, en cas de contact ou d'inhalation, sont susceptibles d'occasionner des blessures, des problèmes de santé ou la mort.

Les espaces confinés ne sont pas conçus pour l'occupation humaine. Les espaces confinés disposent d'un accès limité et présentent des risques connus ou potentiels. Les trous d'homme, les colonnes, les tuyaux, les cuves, les chambres de commutation et autres emplacements similaires sont des exemples d'espaces confinés.

Il convient de toujours suivre les procédures de sécurité standard avant d'entrer dans des espaces et/ou des endroits confinés soumis à des gaz dangereux, des vapeurs, des brumes, des poussières ou des fibres. Avant de pénétrer dans un espace confiné, veuillez lire l'ensemble des procédures liées à l'accès.

### **3.1.4 Réglementations UE/FCC/IC/ANATEL**

L'emploi de cet appareil est soumis aux conditions suivantes :

- Cet appareil ne contient aucun élément fonctionnel usagé.
- L'utilisateur doit installer cet appareil conformément aux instructions d'installation fournies et ne doit pas le modifier de quelque manière que ce soit. Tout changement ou modification apporté à l'appareil est susceptible d'annuler l'autorisation d'utilisation de l'équipement.
- Toute intervention portant sur le transmetteur doit être réalisée exclusivement par Hach Company.
- Cet appareil est considéré comme un périphérique sans fil « mobile » par la FCC. Pour assurer la sécurité en matière d'exposition aux RF, l'utilisateur doit se tenir à une distance d'au moins 20 cm de l'avant du transmetteur radar pendant son fonctionnement.

## **3.2 Certification**

### **▲ ATTENTION**

Cet équipement n'est pas conçu pour être utilisé dans des environnements résidentiels et peut ne pas offrir une protection adéquate à la réception radio dans de tels environnements.

### **Règlement canadien sur les équipements causant des interférences radio, ICES-003, Classe A :**

Les données d'essai correspondantes sont conservées chez le constructeur.

Cet appareil numérique de classe A respecte toutes les exigences du Règlement sur le matériel brouilleur du Canada.

Cet appareil numérique de classe A répond à toutes les exigences de la réglementation canadienne sur les équipements provoquant des interférences.

### **FCC part 15, limites de classe A :**

Les données d'essai correspondantes sont conservées chez le constructeur. L'appareil est conforme à la partie 15 de la réglementation FCC. Le fonctionnement est soumis aux conditions suivantes :

1. Cet équipement ne peut pas causer d'interférence nuisible.
2. Cet équipement doit accepter toutes les interférences reçues, y compris celles qui pourraient entraîner un fonctionnement inattendu.

Les modifications de cet équipement qui n'ont pas été expressément approuvées par le responsable de la conformité aux limites pourraient annuler l'autorité dont l'utilisateur dispose pour utiliser cet équipement. Cet équipement a été testé et déclaré conforme aux limites définies pour les appareils

numériques de classe A, conformément à la section 15 de la réglementation FCC. Ces limites ont pour but de fournir une protection raisonnable contre les interférences néfastes lorsque l'équipement fonctionne dans un environnement commercial. Cet équipement génère, utilise et peut irradier l'énergie des fréquences radio et, s'il n'est pas installé ou utilisé conformément au mode d'emploi, il peut entraîner des interférences dangereuses pour les communications radio. Le fonctionnement de cet équipement dans une zone résidentielle risque de causer des interférences nuisibles, dans ce cas l'utilisateur doit corriger les interférences à ses frais. Les techniques ci-dessous peuvent permettre de réduire les problèmes d'interférences :

1. Débrancher l'équipement de la prise de courant pour vérifier s'il est ou non la source des perturbations
2. Si l'équipement est branché sur le même circuit de prises que l'appareil qui subit des interférences, branchez l'équipement sur un circuit différent.
3. Eloigner l'équipement du dispositif qui reçoit l'interférence.
4. Repositionner l'antenne de réception du périphérique qui reçoit les interférences.
5. Essayer plusieurs des techniques ci-dessus à la fois.

#### **Capteur Flo-Dar-Liste des références :**

Ultrasonique standard 890004901, 890004902 ; S.I. ultrasonique standard (Sécurité intrinsèque) 890004801, 890004802, 890004803 ; Ultrasonique longue portée 890005201, 890005202, 890005206 ; S.I. ultrasonique longue portée (Sécurité intrinsèque) 890004804, 890004805, 890004806 ; Ultrasonique longue portée à distance 890005204, 890005205, 890005207 ; S.I. ultrasonique longue portée à distance (Sécurité intrinsèque) 890004807, 890004808, 890004809

Les références ci-dessus concernent l'entretien uniquement et ne peuvent pas être achetées. Elles sont uniquement fournies à titre de référence pour les certifications sans fil.

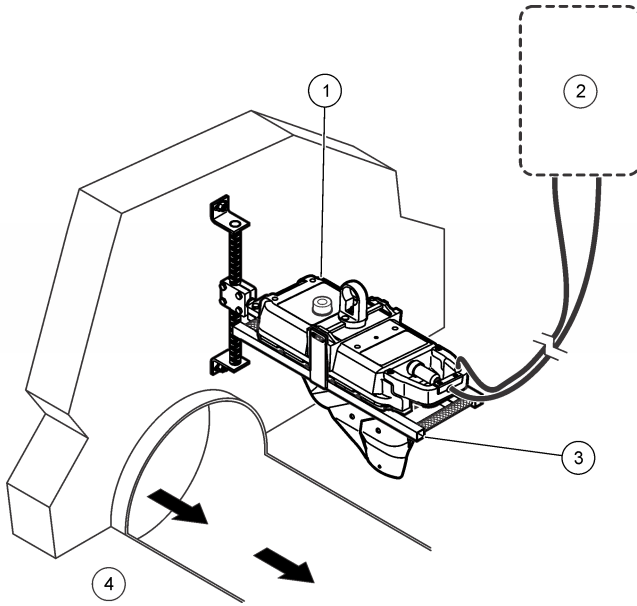
### **3.3 Présentation générale du produit**

Le capteur Flo-Dar à mesure la vitesse d'écoulement et la hauteur du liquide dans les conduits ouverts au moyen des technologies radar et à ultrasons. L'unité est conçue pour résister à l'immersion dans des conditions de surcharge. Le capteur de vitesse de surcharge en option fournit des mesures de vitesse dans des conditions de surcharge.

La [Figure 1](#) illustre la configuration d'un système Flo-Dar dans un emplacement non dangereux.

Les informations sur le principe de fonctionnement et les informations de commande pour les pièces de remplacement sont disponibles dans le manuel d'utilisation complet sur le site Web du fabricant (<http://www.hach.com>).

**Figure 1** Vue d'ensemble du système

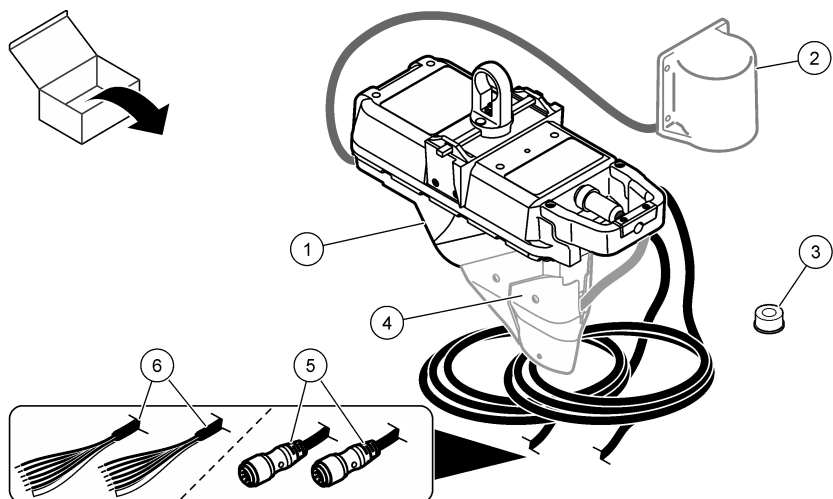


1 Capteur Flo-Dar avec capteur de vitesse de surcharge en option	3 Châssis de montage
2 Enregistreur de débit ou contrôleur	4 Environnement non dangereux

### 3.4 Composants du produit

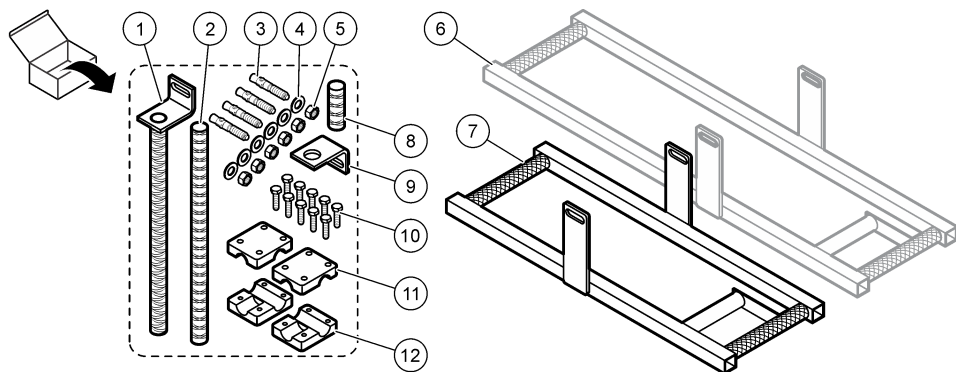
Assurez-vous d'avoir bien reçu tous les composants. Reportez-vous à la [Figure 2](#) et à la [Figure 3](#). Si un élément est absent ou endommagé, contactez immédiatement le fabricant ou un représentant commercial.

**Figure 2 Composants de l'instrument**



1 Capteur Flo-Dar	4 Capteur de vitesse de mise en charge (SVS) (en option)
2 Capteur avec plage étendue (en option)	5 Connecteur Flo-Dar et connecteur SVS
3 Niveau à bulle	6 Flo-Dar à fil dénudé et SVS à fil dénudé <sup>1</sup>

**Figure 3 Matériel pour montage mural**



1 Support de montage mural	7 Châssis standard
2 Pièce d'écartement, 30,5 cm (12 pouces)	8 Pièce d'écartement, 5,7 cm (2¼ pouces)
3 Ancrage, 3/8 x 2¼ po. (4x)	9 Support mural réglable
4 Rondelle d'ancrage (6x)	10 Vis de serrage, ¼-20 x 2,5 cm (1 po) (10x)
5 Ecrou d'ancrage, 3/8-16 (6x)	11 Moitié de collier de serrage, non fileté (2x)
6 Châssis pour capteur avec plage étendue (en option)	12 Moitié de collier de serrage, fileté (2x)

<sup>1</sup> Le fil dénudé constitue une solution de remplacement au connecteur.

## Section 4 Installation

**▲ DANGER**



Risque d'explosion. Seul le personnel formé est autorisé à installer ou à mettre en service l'équipement.

### 4.1 Installation mécanique

#### 4.1.1 Lignes directrices concernant le site

**AVIS**

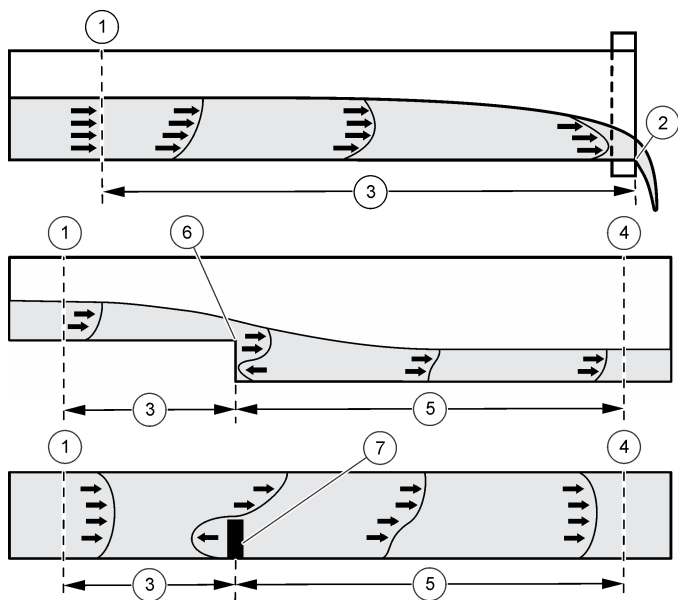
Pour éviter d'endommager le boîtier, installez l'instrument à l'abri des rayons directs du soleil, des ultraviolets (UV), des sources de chaleur et des conditions climatologiques rigoureuses. Installez un pare-soleil ou un capot de protection au-dessus de l'instrument lorsqu'il est placé à l'extérieur.

Pour une précision optimale, installez le capteur à un endroit où le flux ne présente pas de turbulences. L'emplacement idéal est une canalisation ou un conduit de forme longue et droite. Les déversoirs, les chutes verticales, les chicanes, les courbes et les jonctions provoquent une altération du profil de la vitesse.

En cas de déversoirs, chutes verticales, chicanes, courbes ou jonctions, installez le capteur en amont ou en aval comme indiqué à la [Figure 4–Figure 6](#). Pour les emplacements situés en amont, installez le capteur à une distance correspondant à au moins cinq fois le diamètre de la canalisation ou le niveau maximum de liquide. Pour les emplacements situés en aval, installez le capteur à une distance correspondant à au moins dix fois le diamètre de la canalisation ou le niveau maximum de liquide.

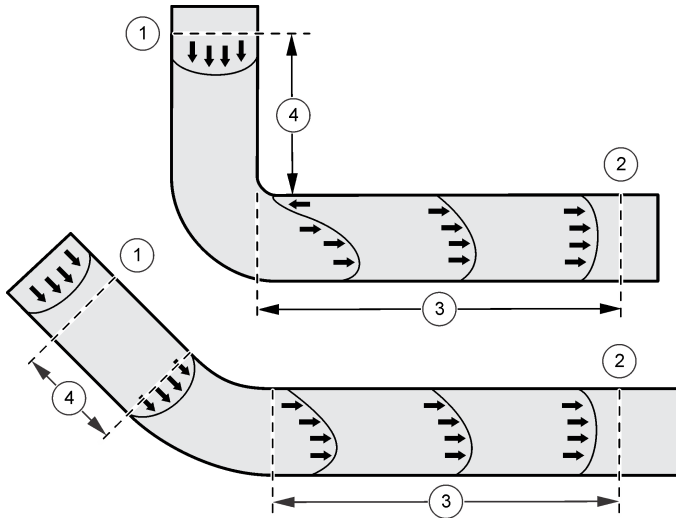
Si l'emplacement contient une jonction et que le flux dans une canalisation est beaucoup plus important, installez le capteur sur le mur à proximité du tuyau d'écoulement inférieur.

**Figure 4** Emplacement du capteur à proximité d'un déversoir, d'une chute verticale ou d'une chicane



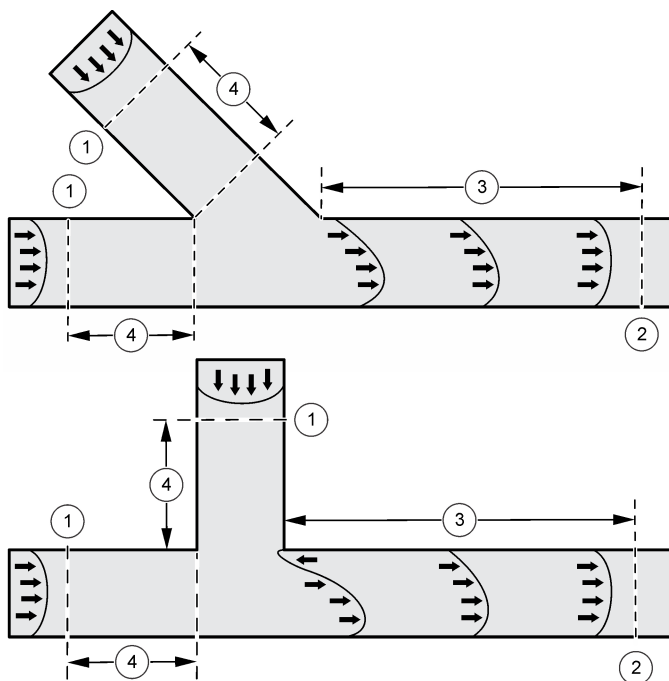
1 Emplacement du capteur acceptable, en amont	5 Distance en aval : 10 fois le diamètre de la canalisation
2 Déversoir	6 Chute verticale
3 Distance en amont : 5 fois le niveau maximum	7 Chicane
4 Emplacement du capteur acceptable, en aval	

**Figure 5 Capteur installé à proximité d'une courbe ou d'un coude**



1 Emplacement du capteur acceptable, en amont	3 Distance en aval : 10 fois le diamètre de la canalisation
2 Emplacement du capteur acceptable, en aval	4 Distance en amont : 5 fois le diamètre de la canalisation

Figure 6 Capteur installé à proximité d'une jonction



1 Emplacement du capteur acceptable, en amont	3 Distance en aval : 10 fois le diamètre de la canalisation
2 Emplacement du capteur acceptable, en aval	4 Distance en amont : 5 fois le diamètre de la canalisation

#### 4.1.2 Installation du capteur

### ▲ AVERTISSEMENT



Risque d'explosion. Dans les zones dangereuses, le frottement entre les surfaces peut générer des étincelles susceptibles d'entraîner une explosion. Assurez-vous qu'aucun frottement n'est possible entre l'instrument et les surfaces alentour.

### ▲ ATTENTION



Risque de perte auditive. Protections auditives requises. Une fois activé, le transducteur de niveau émet une énergie ultrasonore. Des protections auditives doivent être portées lors de toute intervention à moins d'un mètre de cet appareil. Ne pointez pas la sortie du transducteur vers des oreilles lors des opérations d'installation, de calibration et de maintenance.

#### Pression ultrasonore :

- Dimensions du faisceau utile : longue portée
- Pression ultrasonore : > 110 dB à 1 m (3,3 pieds) sur l'axe
- Pression acoustique à l'intérieur du faisceau : 111,9 dB maximum

Installez le capteur Flo-Dar au-dessus du canal ouvert sur la paroi du trou de visite. Pour les environnements dangereux, une barrière doit être installée à l'extérieure de la zone dangereuse.

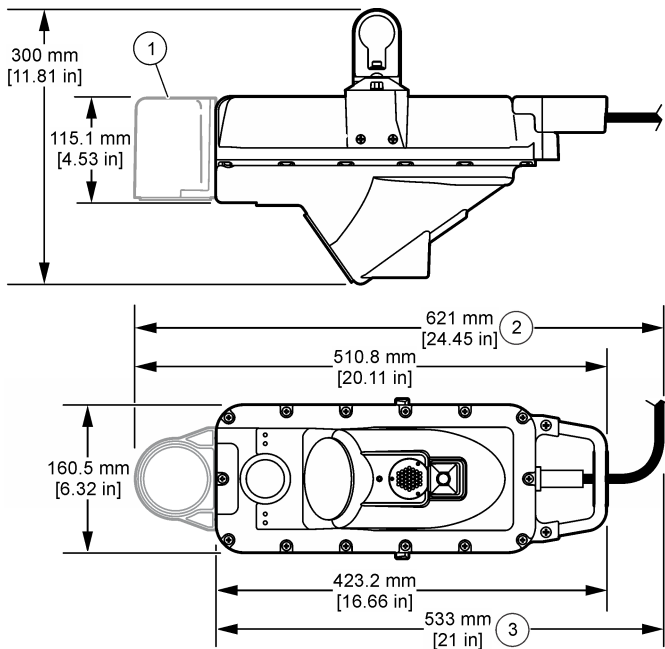
Pour une installation temporaire, un levier est disponible en option. Les instructions sont fournies avec le levier.



Les dimensions du capteur sont indiquées dans la [Figure 7](#) et la [Figure 8](#).

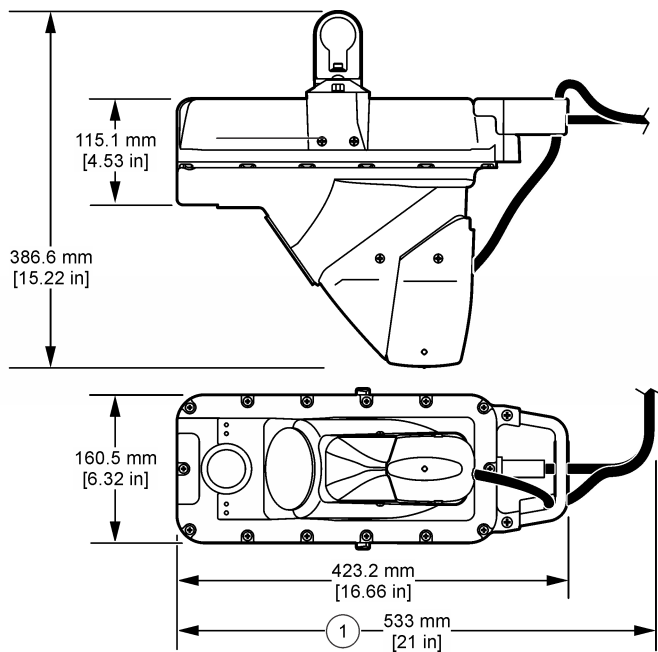
Les dimensions du châssis standard pour l'installation murale sont indiquées dans la [Figure 9](#).

**Figure 7 Dimensions du capteur**



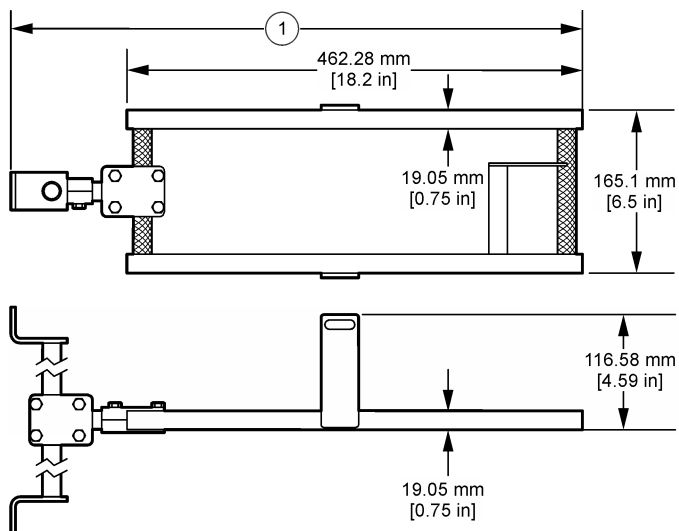
1 Capteur avec plage étendue en option	3 Dégagement minimal pour le câble
2 Dégagement minimal pour le câble avec le capteur avec plage étendue	

**Figure 8 Capteur avec dimensions SVS**



1 Dégagement minimal pour le câble

**Figure 9 Dimensions du châssis standard**



1 579,12 mm (22,8 po) avec pièce d'écartement de 2¼ po ; 828,04 mm (32,6 po) avec pièce d'écartement de 12 po

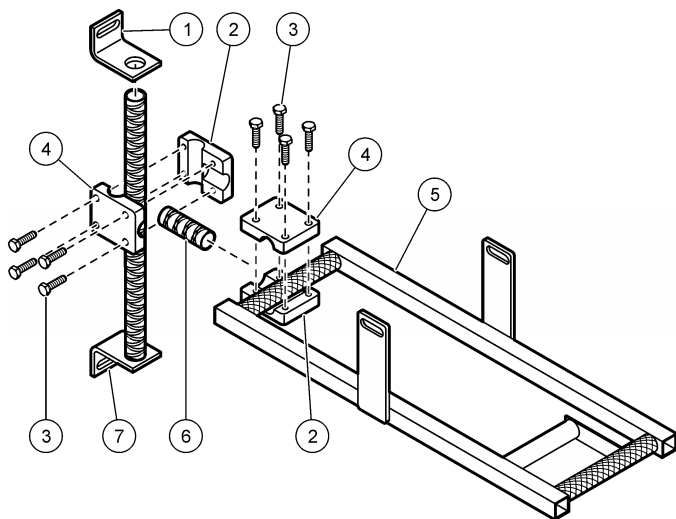
#### 4.1.2.1 Assemblez les colliers de serrage sur le châssis et le support mural

Mettez en place les colliers de serrage sur le châssis et le support de montage mural avant de procéder à l'installation sur le mur.

**Éléments à préparer :** matériel de montage mural (Figure 3 à la page 36)

- Châssis
  - Support de montage mural
  - Colliers de serrage
  - Matériel : support mural, pièce d'écartement, vis et écrous
1. Placez les deux moitiés de collier de serrage (une avec filetage et l'autre sans filetage) autour du support de montage mural. Voir Figure 10.
  2. Raccordez les moitiés de collier de serrage ensemble avec quatre vis. Serrez les vis de façon à maintenir le collier de serrage provisoirement en place.
  3. Placez les deux autres moitiés du collier de serrage autour de l'extrémité avant du châssis. Voir Figure 10.
- Remarque :* L'avant du châssis est généralement orienté vers le mur. Reportez-vous à la Figure 10 et à la Figure 14 à la page 48. Si les conditions d'écoulement exigent que le capteur ne soit pas orienté vers le mur, utilisez la pièce d'écartement de 30,5 cm (12 pouces) et placez les deux moitiés de collier de serrage autour de l'extrémité arrière du châssis.
4. Raccordez les moitiés de collier de serrage ensemble avec quatre vis. Serrez les vis de façon à maintenir le collier de serrage provisoirement en place.

**Figure 10 Montez les colliers de serrage sur le support mural et le châssis**



1 Support mural réglable	5 Châssis
2 Moitié de collier de serrage, fileté	6 Pièce d'écartement
3 Vis de serrage, ¼-20 x 1 po	7 Support de montage mural
4 Moitié de collier de serrage, non fileté	

#### 4.1.2.2 Installation du châssis sur le mur

### ▲ DANGER



Risque d'explosion. Consultez les informations de sécurité à la section [Précautions concernant l'espace confiné](#) à la page 32 avant d'entrer dans un espace restreint.

A partir des directives suivantes, déterminez l'emplacement le plus adapté pour le capteur.

- Examinez les caractéristiques du flux en amont et en aval. Servez-vous d'un miroir si besoin est. Installez le capteur au-dessus de l'eau, à un endroit où le flux est régulier. N'installez pas le capteur à un endroit où des ondes stationnaires, des flaques, des objets ou des matériaux risquent de perturber le profil du flux.
- Si les caractéristiques du flux en amont sont acceptables, installez le capteur sur le mur amont du trou d'homme, le capteur étant orienté vers l'amont. Cet emplacement permet de s'assurer que le flux mesuré est le même que celui présent dans la canalisation et que le câble du capteur n'est pas orienté vers le mur.
- Installez le capteur à distance des côtés de la canalisation et exactement au centre du flux où le liquide est à sa profondeur maximale.
- Installez le capteur à un endroit accessible pour la maintenance.

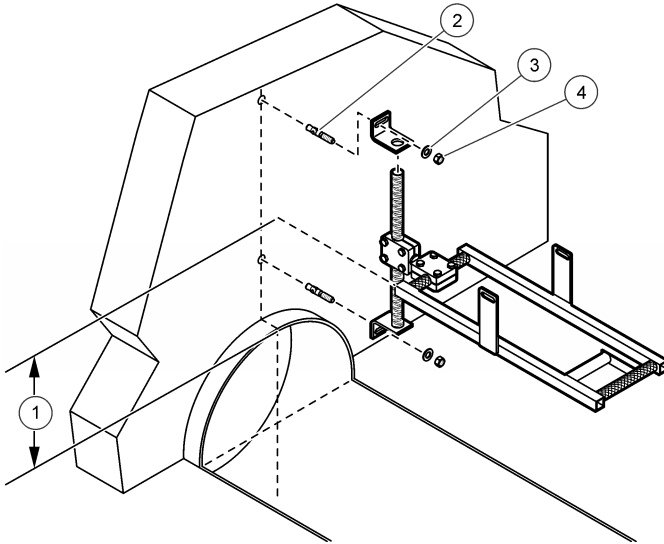
#### Éléments à préparer :

- Châssis monté et support de montage mural
- Points d'ancrage avec écrous et rondelles
- Outils : miroir, règle ou ruban à mesurer, marqueur

Procédez comme suit pour installer le châssis sur la paroi du trou d'homme au-dessus du flux. Veillez à respecter l'ensemble des codes et/ou directives qui s'appliquent à l'emplacement. Voir [Lignes directrices concernant le site](#) à la page 37.

1. Faites une marque sur le mur pour repérer l'emplacement du haut du châssis du capteur. Voir [Figure 11](#). Les supports muraux seront installés au-dessus et au-dessous de cette marque.
  - Capteur sans SVS : lorsque le capteur est dans le châssis, assurez-vous que le faisceau radar n'est pas bloqué par le mur ou par le conduit. Voir [Figure 13](#) à la page 47.
  - Capteur avec SVS : le haut du châssis du capteur doit être installé à une distance précise au-dessus du haut du conduit. Pour les diamètres de canalisation supérieurs à 635 mm (25 po), mesurez 127 mm (5 po) entre la partie supérieure interne de la canalisation et le haut du châssis. Pour les diamètres de canalisation inférieurs à 635 mm (25 po), mesurez 152,4 mm (6 po) entre la partie supérieure interne de la canalisation et le haut du châssis.
2. Positionnez les supports de montage mural au-dessus et au-dessous cette marque.
3. Fixez les supports au mur à l'aide des fixations fournies. Installez les points d'ancrage dans des trous d'un diamètre de 0,9 mm (3/8 po) à une profondeur de 38,1 mm (1,5 po).
4. Fixez le châssis au support mural à l'aide d'une pièce d'écartement. Voir [Figure 11](#). Il peut être nécessaire d'utiliser une pièce d'écartement de 30,5 cm (12 po) pour éloigner le capteur du mur lorsque le bord de la canalisation est large.

**Figure 11 Installation murale**



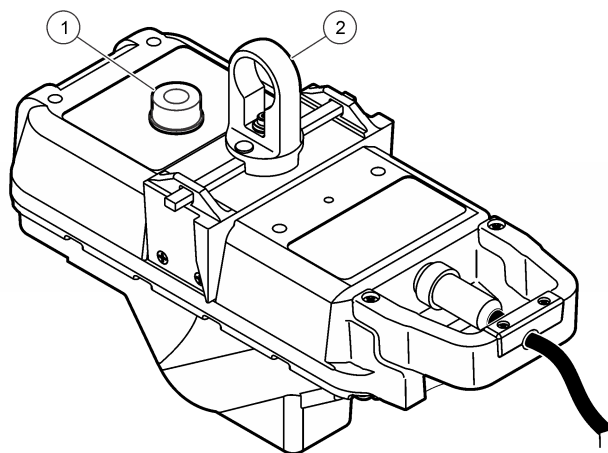
1 Distance entre la partie supérieure interne de la canalisation et le haut du châssis	3 Rondelle
2 Fixation	4 Ecrou

#### **4.1.2.3 Installation du capteur sur le châssis**

Le capteur s'adapte au châssis dans un seul sens. Pour maintenir le capteur en place, il convient de tourner l'étrier du capteur. Voir [Figure 12](#). Vous pouvez retirer le capteur du châssis et l'installer sans passer par le trou d'homme en utilisant la perche d'extraction fournie en option.

1. Assurez-vous que le câble est bien raccordé au capteur.
2. Tournez l'étrier afin de rétracter les barres de verrouillage sur le capteur.
3. Placez le capteur sur le châssis. Assurez-vous que le câble est orienté vers le centre du trou d'homme.
4. Tournez l'étrier pour maintenir le capteur sur le châssis. Voir [Figure 12](#).

**Figure 12 Alignement horizontal**



1 Niveau à bulle

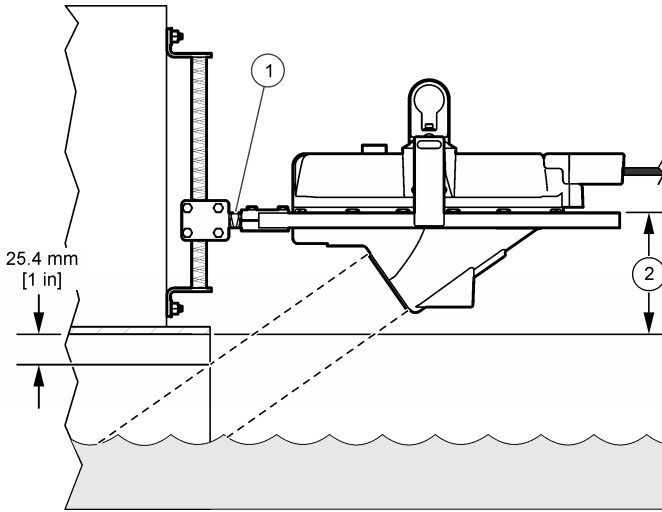
2 Etrier

#### **4.1.2.4 Alignement vertical du capteur – capteur Flo-Dar sans SVS**

Il convient d'aligner le capteur verticalement pour s'assurer qu'il est au-dessus du flux et que le faisceau radar ne risque pas d'être bloqué par le mur ou la canalisation. Voir [Figure 13](#).

1. Évaluez le tracé d'une ligne partant du haut de la lentille du radar et perpendiculaire à la direction vers laquelle la lentille sera orientée. Voir [Figure 13](#).
2. Desserrez le collier de serrage sur le support de montage mural et positionnez le châssis de telle sorte que le faisceau radar soit dirigé en-dessous du haut de la canalisation, à au moins 25,4 mm (1 po). Voir [Figure 13](#). Il peut être nécessaire d'installer la pièce d'écartement de 12 pouces pour éloigner le châssis du mur.
3. Serrez le collier de serrage et mesurez la position du châssis. Assurez-vous que le faisceau radar n'est pas bloqué par le mur ou la canalisation. Si le faisceau est bloqué, éloignez le châssis du mur à l'aide de la pièce d'écartement de 30,5 cm (12 pouces) ou abaissez le châssis.

**Figure 13 Alignement vertical du capteur**



1 Pièce d'écartement

2 Distance entre la partie supérieure interne de la canalisation et le haut du châssis

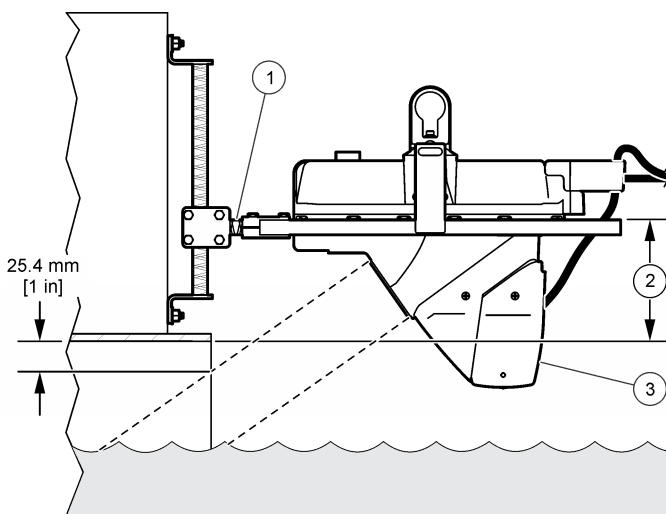
#### 4.1.2.5 Alignement vertical du capteur – capteur Flo-Dar avec SVS

Il est nécessaire d'aligner le capteur verticalement pour s'assurer qu'il est au-dessus du flux dans les conditions d'écoulement normales et que le SVS est activé dans les conditions de mise en charge.

**Élément à préparer :** règle ou mètre ruban

1. Mesurez la distance entre un point situé juste au-dessus du haut de la canalisation et le haut du châssis. Voir [Figure 11](#) à la page 45.
2. Si le rebord de la canalisation mesure plus de 140 mm (5½ po), installez la pièce d'écartement de 30,5 cm (12 pouces) entre le support de montage mural et le châssis. Voir [Figure 14](#).
3. Desserrez le collier de serrage sur le support de montage mural et positionnez le haut du châssis au-dessus du haut de la canalisation à la distance spécifiée :
  - 152,4 mm (6 po) pour un diamètre de canalisation inférieur à 610 mm (24 po).
  - 127 mm (5 po) pour un diamètre de canalisation supérieur ou égal à 610 mm (24 po).
4. Serrez le collier de serrage et mesurez à nouveau l'emplacement du châssis pour vous assurer qu'il est positionné correctement.

**Figure 14 Alignement vertical du capteur avec SVS**



1 Pièce d'écartement	3 Capteur SVS (en option)
2 Distance entre la partie supérieure interne de la canalisation et le haut du châssis	

#### 4.1.2.6 Alignement horizontal du capteur

Il convient d'aligner le capteur horizontalement pour s'assurer qu'il est centré sur le flux. Si la canalisation n'est pas horizontale et présente une pente d'au moins 2 degrés, alignez le capteur de telle sorte qu'il soit parallèle à la surface de l'eau.

**Élément à préparer :** niveau à bulle

1. Retirez la protection papier du niveau à bulle et fixez le niveau au capteur. Voir [Figure 12](#) à la page 46.
2. Desserrez les colliers de serrage et tapotez sur le châssis pour le mettre en place.
3. Serrez les deux colliers de serrage et mesurez l'emplacement du châssis pour veiller à ce qu'il soit positionné correctement.

#### 4.1.2.7 Vérifiez l'alignement final

Pour garantir des mesures précises, l'alignement vertical et horizontal du capteur doit être correct.

1. Mesurez l'alignement vertical et effectuez des réglages si nécessaire. Voir [Alignement vertical du capteur – capteur Flo-Dar sans SVS](#) à la page 46 ou [Alignement vertical du capteur – capteur Flo-Dar avec SVS](#) à la page 47.
2. Mesurez l'alignement horizontal et effectuez des réglages si nécessaire. Voir [Alignement horizontal du capteur](#) à la page 48.
3. Répétez les étapes 1 et 2 jusqu'à ce qu'il n'y ait plus de réglage à effectuer.

#### 4.1.2.8 Installation du capteur avec plage étendue en option

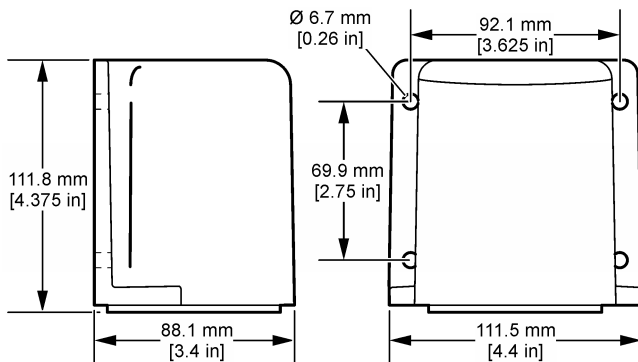
Le capteur avec plage étendue ([Figure 15](#)) peut être utilisé lorsque la profondeur du tuyau ou du canal est supérieure aux spécifications standard. Voir [Caractéristiques techniques](#) à la page 30.

Utilisez le châssis étendu ([Figure 16](#)) au lieu d'un châssis standard, ou montez le capteur avec plage étendue sur le mur.

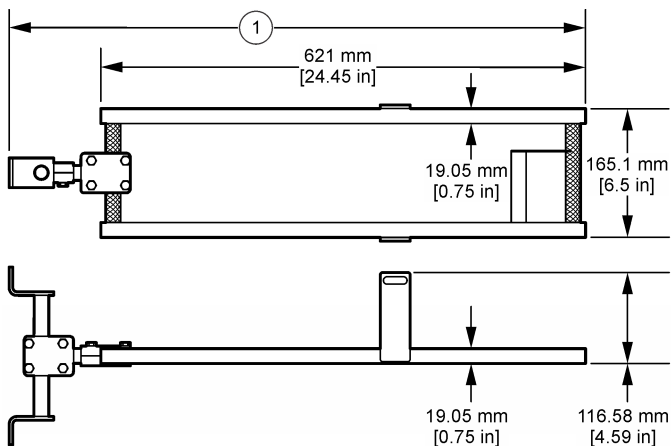


Le capteur avec plage étendue doit être installé à au moins 457,2 mm (18 po) au-dessus du haut de la canalisation. Le capteur avec plage étendue possède une zone morte de 431,8 mm (17 po) où le capteur est inactif.

**Figure 15 Dimensions du capteur avec plage étendue**

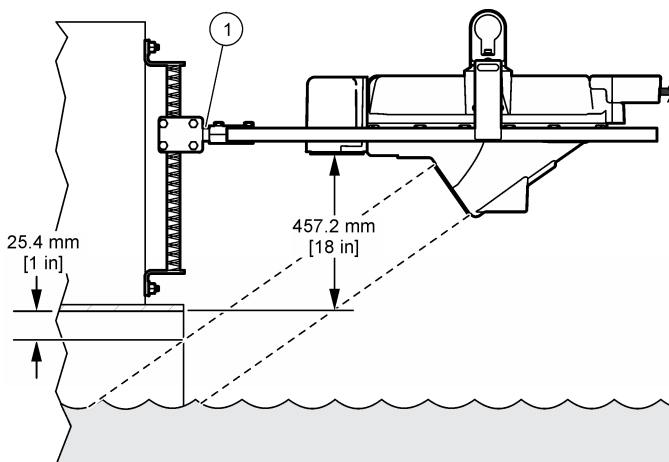


**Figure 16 Dimensions du châssis étendu**



1 739,14 mm (29,1 po) avec pièce d'écartement de 2¼ po ; 985,52 mm (38,8 po) avec pièce d'écartement de 12 po

Figure 17 Alignement vertical avec le capteur avec plage étendue



1 Pièce d'écartement

#### 4.1.3 Mesure de la position P0 du capteur

Le positionnement du capteur correspond à la distance entre le haut du châssis et le bas de la canalisation ou du conduit. Cette distance sera entrée dans le logiciel et elle est indispensable pour des calculs précis du flux.

Si le capteur avec plage étendue en option est installé sur le mur sans le châssis étendu, le décalage du capteur correspond à la distance entre la surface du capteur avec plage étendue et le fond du tuyau ou du canal.

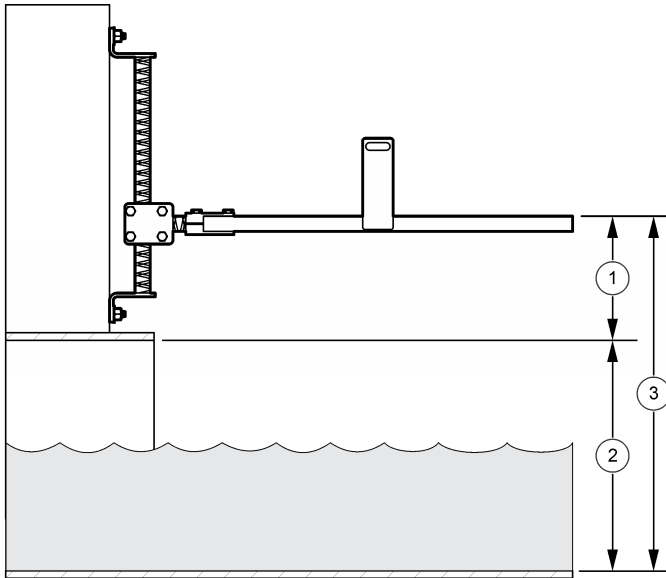
##### Eléments à préparer :

- Tige
- Mètre

1. Placez la tige au fond de la canalisation ou du conduit et alignez-la verticalement avec le châssis. Voir [Figure 18](#).
2. Marquez un repère sur la tige pour repérer l'emplacement du haut du châssis du capteur.
3. Mesurez la distance entre le bas de la tige et le repère. Cette mesure correspond au positionnement du capteur.

**Remarque :** si vous ne pouvez pas effectuer la mesure jusqu'au fond de la canalisation, mesurez la distance entre le haut de la canalisation et le haut du châssis. Voir [Figure 18](#). Ajoutez cette distance au diamètre de la canalisation pour obtenir le positionnement du capteur.  $\text{Positionnement du capteur} = \text{diamètre de canalisation} + \text{distance entre le haut de la canalisation et le haut du châssis}$

**Figure 18 Position du capteur**



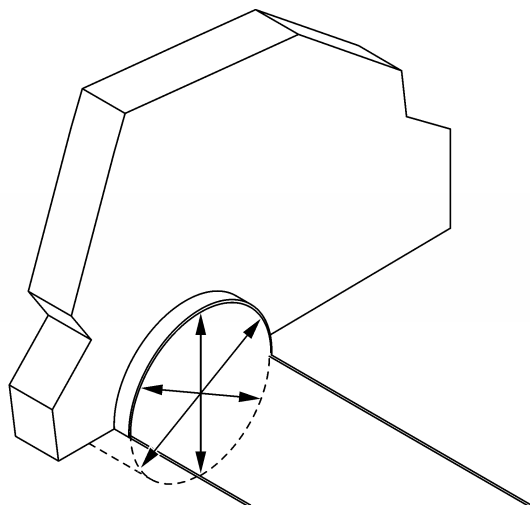
1 Distance entre la partie supérieure interne de la canalisation et le haut du châssis	3 Position du capteur
2 Diamètre de la canalisation	

#### 4.1.4 Mesure du diamètre de la canalisation

Le diamètre correct de la canalisation ou du conduit est indispensable pour des calculs précis du débit.

1. Mesurez le diamètre intérieur de la canalisation à trois endroits. Voir [Figure 19](#). Veillez à ce que la mesure soit précise.
2. Calculez la moyenne des trois mesures. Enregistrez le résultat qui servira lors de l'installation du logiciel pour le site.

Figure 19 Mesure du diamètre de la canalisation



## 4.2 Installation électrique

### 4.2.1 Information de sécurité du câblage

#### ⚠ DANGER



Risque d'électrocution. Débranchez systématiquement l'alimentation de l'appareil avant tout branchement électrique.

### 4.2.2 Remarques relatives aux décharges électrostatiques (ESD)

#### AVIS



Dégât potentiel sur l'appareil. Les composants électroniques internes de l'appareil peuvent être endommagés par l'électricité statique, qui risque d'altérer ses performances et son fonctionnement.

Reportez-vous aux étapes décrites dans cette procédure pour éviter d'endommager l'appareil par des décharges électrostatiques.

- Touchez une surface métallique reliée à la terre (par exemple, le châssis d'un appareil, un conduit ou un tuyau métallique) pour décharger l'électricité statique de votre corps.
- Evitez tout mouvement excessif. Transportez les composants sensibles à l'électricité statique dans des conteneurs ou des emballages antistatiques.
- Portez un bracelet spécial relié à la terre par un fil.
- Travaillez dans une zone à protection antistatique avec des tapis de sol et des sous-mains antistatiques.

### 4.2.3 Connecter l'enregistreur de débit

Connectez le capteur Flo-Dar à l'enregistreur de débit.

- **Enregistreur de débit FL900** : Branchez le câble du capteur Flo-Dar à un connecteur du capteur sur l'enregistreur de débit. Si le capteur de vitesse en condition de surcharge en option (SVS) est installé, connectez le câble du SVS à un connecteur du capteur sur l'enregistreur.
- **Enregistreur de débit FL1500** : Connectez le câble du capteur Flo-Dar à la borne correspondante sur l'enregistreur de débit. Si le capteur de vitesse en condition de surcharge en option (SVS) est installé, connectez le câble du SVS à la borne correspondante sur le contrôleur.

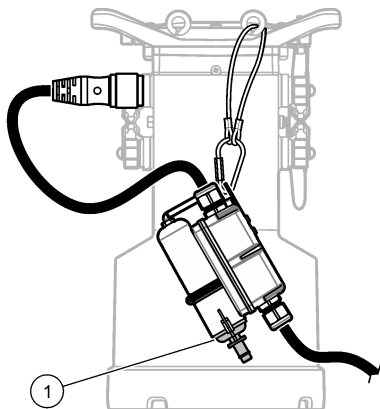
Reportez-vous à la documentation de l'enregistreur de débit FL1500 pour connaître l'emplacement des bornes appropriées.

#### 4.2.4 Fixation du boîtier dessiccant (FL900)

Fixez le boîtier dessiccant en option à l'enregistreur de débit FL900, afin de dissiper la tension du câble du capteur et du connecteur. Reportez-vous à la [Figure 20](#).

Pour des performances optimales, veillez à installer le conteneur de dessiccant à la verticale, bouchon d'extrémité dirigé vers le bas. Reportez-vous à la [Figure 20](#).

**Figure 20** Fixation du boîtier dessiccant



1 Bouchon d'extrémité

## Section 5 Fonctionnement

Pour les capteurs connectés à un enregistreur de débit FL900, connectez un ordinateur exécutant le logiciel FSDATA Desktop à l'enregistreur de débit pour configurer, calibrer et collecter des données provenant des capteurs. Reportez-vous à la documentation du logiciel FSDATA Desktop pour configurer, calibrer et collecter des données provenant du capteur.

Pour les capteurs connectés à un enregistreur de débit FL1500, reportez-vous à la documentation de l'enregistreur de débit FL1500 pour configurer, calibrer et collecter des données provenant des capteurs. Vous pouvez également raccorder un ordinateur exécutant le logiciel FSDATA Desktop à l'enregistreur de débit pour configurer, calibrer et collecter des données provenant des capteurs. Reportez-vous à la documentation du logiciel FSDATA Desktop pour configurer, calibrer et collecter des données provenant du capteur.

### 5.1 Installation du logiciel

Assurez-vous que la dernière version du logiciel FSDATA Desktop est installée sur l'ordinateur. Téléchargez le logiciel depuis le site <http://www.hachflow.com>. Cliquez sur Support (Assistance), puis sélectionnez Software Downloads>Hach FL Series Flow Logger (Téléchargements de logiciels >Enregistreur de débit Série FL Hach).

## Section 6 Maintenance

**▲ DANGER**



Dangers multiples. Seul le personnel qualifié doit effectuer les tâches détaillées dans cette section du document.

## ⚠ DANGER



Risque d'explosion. Lors de l'utilisation de la perche d'extraction, assurez-vous de connecter la languette de mise à la masse à la cosse de masse de la plaque. Le capteur doit également être connecté à la plaque pendant les opérations de maintenance. Ceci sert à éviter d'enflammer les gaz explosifs en raison d'une décharge statique.

## ⚠ ATTENTION



Danger d'exposition à la RF radar. Évitez de placer votre tête ou toute autre partie du corps contenant des organes vitaux dans la trajectoire d'un faisceau de micro-ondes (à 1 mètre (3,3 pieds) du faisceau de micro-ondes). Même si la puissance des micro-ondes du Flo-Dar est très faible (environ 15 mW) et est largement en dessous des limites recommandées par le gouvernement pour les environnements non contrôlés, les utilisateurs de ce produit doivent suivre des protocoles de sécurité appropriés pour la manipulation d'appareils équipés de transmetteurs à fréquence radar.

## AVIS

Manipulez le capteur avec précaution afin de ne pas endommager le transmetteur de micro-ondes. Des transmetteurs endommagés peuvent augmenter la puissance du signal, ce qui risque de perturber les liaisons hertziennes terrestres principales.

La sécurité du transmetteur peut être affectée dans les situations suivantes :

- détérioration visible ;
- stockage prolongé à des températures supérieures à 70 °C ;
- exposition à des contraintes de transport importantes ;
- installation précédente ;
- mauvais fonctionnement de l'équipement.

Dès que l'une de ces situations se produit, retournez l'appareil au fabricant pour obtenir une nouvelle certification.

### 6.1 Recherche de corrosion et de dommages

Vérifiez l'absence de corrosion et de dommages une fois par an.

**Remarque :** Les seules parties du système Flo-Dar pouvant être remplacées par l'utilisateur sont l'ensemble étrier et le câble. Si le capteur est défectueux, il doit être remplacé comme un élément complet.

1. Vérifiez l'absence de corrosion ou de dommages susceptibles de laisser des gaz environnementaux pénétrer à l'intérieur du capteur.
2. Vérifiez l'absence de gonflement, de cloques, de perforations ou de perte de matériau dans les parties supérieure et inférieure de l'enceinte principale en plastique, le module de profondeur ou le radôme.
3. Si le capteur avec plage étendue est utilisé, examinez le boîtier et les quatre vis en acier inoxydable ¼-20.
4. Si le capteur de vitesse de mise en charge (SVS) est utilisé :
  - a. Vérifiez que l'unité n'est pas corrodée et que les étiquettes sont lisibles.
  - b. Vérifiez que les connecteurs sont exempts de tout endommagement ou corrosion. Serrez tous les connecteurs du système.
5. Vérifiez que les connecteurs sont exempts de tout endommagement ou corrosion. Serrez tous les connecteurs du système.
6. Si de la corrosion est présente sur les connecteurs, nettoyez et séchez les connecteurs pour vous assurer que les broches de connecteur sont exemptes de toute humidité. Si la corrosion est importante, remplacez les câbles. Voir [Remplacement d'un câble](#) à la page 55.

## 6.2 Nettoyage de l'instrument

### ▲ DANGER



Risque d'explosion. N'essayez jamais d'essuyer ou de nettoyer le capteur Flo-Dar ou SVS dans un environnement dangereux. N'utilisez pas de produits abrasifs, de flexibles sous pression ou d'appareils de nettoyage pour nettoyer les capteurs. Ne dérangez pas le port sous pression situé dans le bas du capteur.

Un nettoyage régulier n'est pas nécessaire car le capteur n'est pas en contact avec le flux, sauf en cas de mise en charge. Examinez le capteur après une mise en charge pour déterminer si un nettoyage est nécessaire.

**Élément à préparer** : perche d'extraction à crochet (en option)

1. Coupez l'alimentation du capteur.
2. Installez le crochet sur la perche d'extraction pour extraire le capteur sans trou d'homme. Assurez-vous que la languette de mise à la masse se trouve sur la perche.
3. Passez le crochet dans l'étrier sur le capteur et tournez la perche dans le sens inverse des aiguilles d'une montre pour désolidariser le capteur du châssis. Retirez le capteur.
4. Retirez les débris au-dessous du capteur. Nettoyez la surface extérieure du capteur avec du savon doux et rincez-la à l'eau.
5. Si le capteur de vitesse de mise en charge (SVS) est utilisé, employez du papier de verre grain 600 pour poncer les électrodes (petits points noirs). N'appliquez qu'une légère pression pour ne pas endommager les électrodes.
6. Abaissez le capteur sur le châssis. Assurez-vous que le câble est orienté vers le centre du trou d'homme.
7. Tournez la perche d'extraction dans le sens des aiguilles d'une montre pour engager les barres de verrouillage dans le châssis.
8. Alimentez le capteur.

## 6.3 Remplacement d'un câble

Si un câble est endommagé ou présente une importante corrosion, remplacez-le.

1. Coupez l'alimentation du capteur au niveau de l'enregistreur ou du contrôleur.
2. Installez le crochet sur la perche d'extraction pour extraire le capteur sans trou d'homme. Assurez-vous que la languette de mise à la masse se trouve sur la perche.
3. Passez le crochet dans l'étrier sur le capteur et tournez la perche dans le sens inverse des aiguilles d'une montre pour désolidariser le capteur du châssis. Retirez le capteur.
4. Retirez les deux vis cruciformes se trouvant sur la poignée du capteur pour retirer le collier de câble. Retirez le câble.
5. Installez le nouveau câble. Assurez-vous que le connecteur est aligné correctement et veillez à ce que rien (ni eau, ni débris) ne pénètre à l'intérieur du connecteur.
6. Installez le collier de câble.
7. Abaissez le capteur sur le châssis. Assurez-vous que le câble est orienté vers le centre du trou d'homme.
8. Tournez la perche d'extraction dans le sens des aiguilles d'une montre pour engager les barres de verrouillage dans le châssis.
9. Mettez le capteur sous tension via l'enregistreur ou le contrôleur.

## 6.4 Remplacer les perles de dessiccant

### ▲ ATTENTION



Risque d'exposition chimique. Respectez les procédures de sécurité du laboratoire et portez tous les équipements de protection personnelle adaptés aux produits chimiques que vous manipulez. Consultez les fiches de données de sécurité (MSDS/SDS) à jour pour connaître les protocoles de sécurité applicables.

### ▲ ATTENTION



Risque d'exposition chimique. Mettez au rebut les substances chimiques et les déchets conformément aux réglementations locales, régionales et nationales.

### AVIS

N'utilisez pas le capteur sans perles de dessiccant, vertes ou pas. Vous risqueriez d'endommager le capteur de façon permanente.

Remplacez immédiatement le dessiccant lorsqu'il passe au vert. Reportez-vous à la section [Figure 21](#).

**Remarque :** Il n'est pas nécessaire de retirer le conteneur de dessiccant du boîtier dessiccant pour installer un nouveau dessiccant.

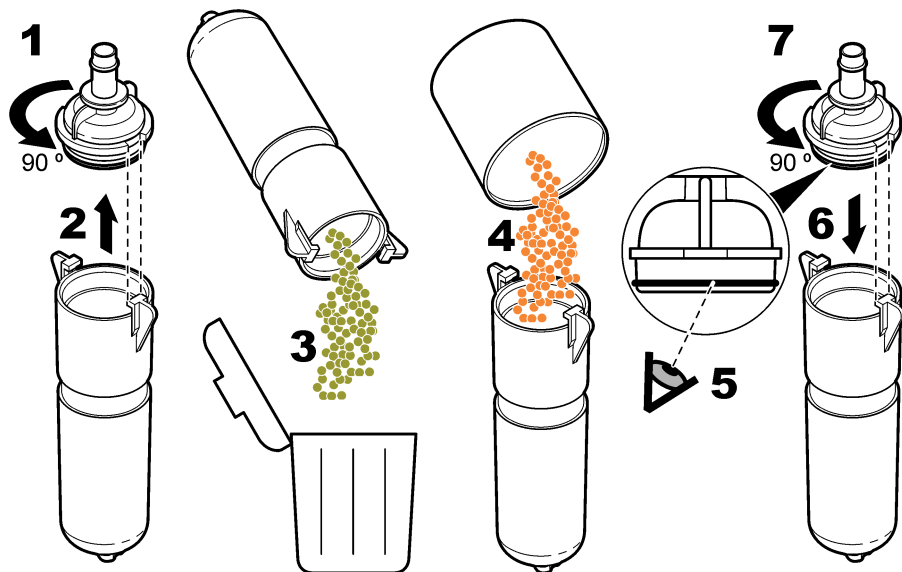
A l'étape 5 de la [Figure 21](#), assurez-vous que le joint torique est propre et qu'il ne présente pas de saletés ou de débris. Examinez le joint torique et vérifiez l'absence de fissures, de piqûres ou de signes de détérioration. Remplacez le joint torique s'il est endommagé. Appliquez de la graisse sur les joints toriques secs ou neufs pour faciliter l'installation, obtenir une meilleure étanchéité et augmenter la durée de vie du joint torique.

Pour des performances optimales, veillez à installer le conteneur de dessiccant à la verticale, bouchon d'extrémité dirigé vers le bas. Reportez-vous à la section [Fixation du boîtier dessiccant \(FL900\)](#) à la page 53.

**Remarque :** Si les perles commencent à prendre une coloration verte, il est possible de les remettre à neuf en les chauffant. Retirez les perles de l'absorbant et chauffez-les à 100-180 °C jusqu'à ce qu'elles deviennent orange. Ne chauffez pas l'absorbant. Si les perles ne retrouvent pas leur coloration orange, elles doivent être remplacées par des billes de dessiccant neuves.



Figure 21 Remplacer le dessiccant



## 6.5 Remplacement de la membrane hydrophobe

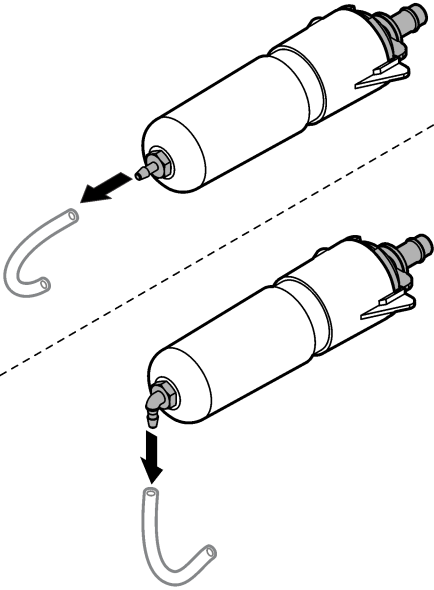
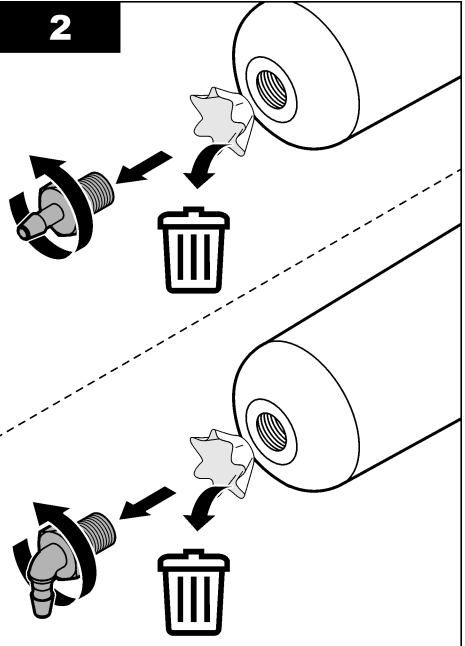
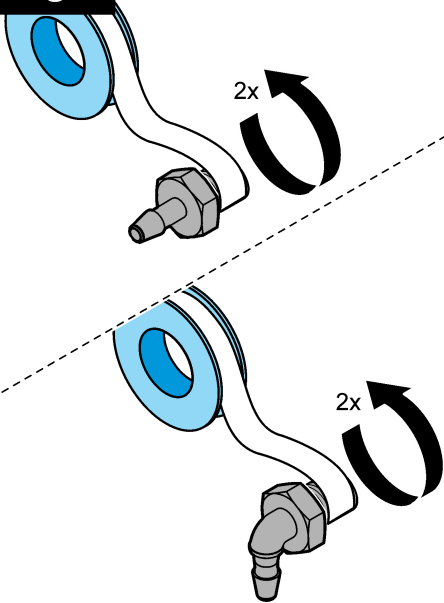
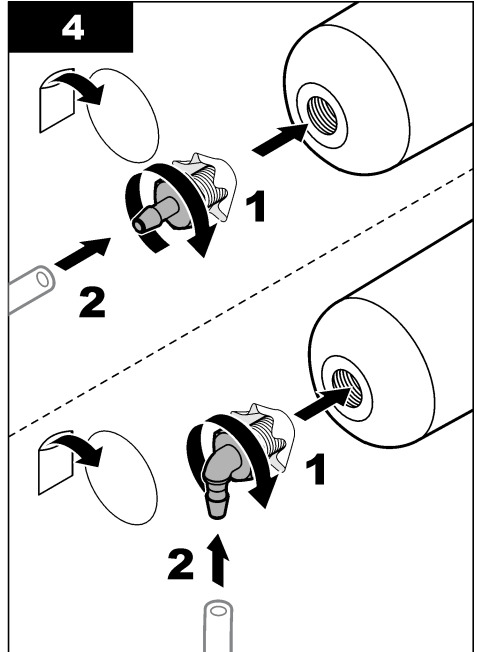
Remplacez la membrane hydrophobe quand :

- des augmentations ou des diminutions inattendues sont observées dans les tendances de niveau ;
- Les données de niveau sont manquantes ou incorrectes, mais les données de vitesse sont valides.
- La membrane est déchirée ou saturée d'eau ou de graisse.

Reportez-vous à la procédure illustrée ci-après pour remplacer la membrane. A l'étape 4, assurez-vous que les points suivants sont validés :

- Le côté lisse de la membrane hydrophobe est appuyé contre la surface interne du conteneur de dessiccant.
- La membrane hydrophobe se bombe et s'insère complètement dans le filetage, jusqu'à disparaître complètement.
- La membrane hydrophobe tourne avec le mamelon se trouvant dans le conteneur de dessiccant. Si la membrane ne tourne pas, elle est endommagée. Répétez alors la procédure avec une nouvelle membrane.

Pour des performances optimales, veillez à installer le conteneur de dessiccant à la verticale, bouchon d'extrémité dirigé vers le bas. Reportez-vous à la [Fixation du boîtier dessiccant \(FL900\)](#) à la page 53.

**1****2****3****4**

## Tabla de contenidos

- |                                                               |                                                  |
|---------------------------------------------------------------|--------------------------------------------------|
| 1 <a href="#">Versión ampliada del manual</a> en la página 59 | 4 <a href="#">Instalación</a> en la página 66    |
| 2 <a href="#">Especificaciones</a> en la página 59            | 5 <a href="#">Funcionamiento</a> en la página 82 |
| 3 <a href="#">Información general</a> en la página 60         | 6 <a href="#">Mantenimiento</a> en la página 82  |

## Sección 1 Versión ampliada del manual

Para obtener más información, consulte la versión expandida de este manual de usuario que se encuentra disponible en el sitio web del fabricante.

## Sección 2 Especificaciones

Las especificaciones están sujetas a cambios sin previo aviso.

Especificación	Datos
Dimensiones (An. x Pr. x Al.)	160,5 x 432,2 x 297 mm (6,32 x 16,66 x 11,7 pulg.); con SVS, P=287 mm (15,2 pulg.)
Peso	4,8 kg (10,5 libras)
Carcasa	Resistencia al agua calificación IP68, poliestireno
Grado de contaminación	3
Clase de protección	III
Categoría de instalación	I
Temperatura de funcionamiento	De -10 a 50 °C (14 a 122 °F)
Temperatura de almacenamiento	De -40 a 60 °C (-40 a 140 °F)
Altitud	4000 m (13 123 pies) máximo
Requisitos de alimentación	Suministrado por el registrador de caudal de la serie FL
Cable de interconexión (se desconecta en el extremo del sensor y en el del registrador)	Poliuretano, 0,400 (±0,015) pulg. de diámetro
	IP68
	Longitud estándar: 9 m (30 pies); longitud máxima: 305 m (1000 pies)
Medición de la profundidad	Método: ultrasónico
	Rango operativo estándar desde la carcasa del sensor del Flo-Dar hasta el líquido: 0–152,4 cm (0–60 pulg.)
	Rango operativo extendido opcional desde la cara del transductor hasta el líquido: 0–6,1 m (0–20 pies) (con zona muerta de 43,18 cm [17 pulg.]), con compensación de temperatura
	Exactitud: ±1%; ±0,25 cm (±0,1 pulg.)
Medición de profundidad durante sobrecarga	Método: transductor de presión piezorresistivo con diafragma de acero inoxidable
	Función de cero automático que mantiene error cero < 0,5 cm (0,2 pulg.)
	Rango: 3,5 m (138 pulg.); potencia de sobrepresión: 2,5 × escala completa

Especificación	Datos
Medición de velocidad	Método: radar de impulsos Doppler
	Rango: 0,23–6,10 m/s (0,75–20 pies/s)
	Rango de frecuencia: modelos de la UE, 24,175 GHz $\pm$ 15 MHz; modelos de EE. UU./Canadá, 24,125 GHz $\pm$ 15 MHz
	Potencia de salida: modelos de la UE, 20 mW (13 dBm) nominal $\pm$ 10%, modelos de EE. UU./Canadá, 2,5 V/m a 3 metros (potencia de campo máxima)
	Exactitud: $\pm$ 0,5%; $\pm$ 0,03 m/s ( $\pm$ 0,1 pies/s)
Certificaciones	El transmisor Flo-Dar cuenta con las siguientes certificaciones inalámbricas: <ul style="list-style-type: none"> <li>• Unión Europea (UE): marca CE</li> <li>• Estados Unidos (EE. UU.): FCC ID: VIC-FLODAR24</li> <li>• Canadá: IC: 6149A-FLODAR24</li> <li>• Brazil: ANATEL: 01552-13-09098</li> </ul>
<b>Medición de caudal</b>	
Método	Basado en la ecuación de continuidad
Exactitud	$\pm$ 5% de lectura típica en la que el caudal se encuentra en un canal con condiciones de caudal uniformes y no está sobrecargado, $\pm$ 1% escala total máxima
<b>Condiciones de sobrecarga: profundidad y velocidad</b>	
Profundidad (estándar con el sensor Flo-Dar)	Profundidad de descarga ofrecida por el sensor Flo-Dar
Velocidad (con sensor de velocidad de sobrecarga opcional)	Método: electromagnético
	Rango: $\pm$ 4,8 m/s ( $\pm$ 16 pies/s)
	Exactitud: $\pm$ 0,046 m/s ( $\pm$ 0,15 pies/s) o 4% de lectura, lo que sea mayor
	Estabilidad cero: $>$ $\pm$ 0,015 m/s ( $\pm$ 0,05 pies/s), típico

## Sección 3 Información general

El fabricante no será responsable en ningún caso de los daños resultantes de un uso inadecuado del producto o del incumplimiento de las instrucciones del manual. El fabricante se reserva el derecho a modificar este manual y los productos que describen en cualquier momento, sin aviso ni obligación. Las ediciones revisadas se encuentran en la página web del fabricante.

### 3.1 Información de seguridad

El fabricante no es responsable de ningún daño debido a un mal uso de este producto incluyendo, sin limitación, daños directos, fortuitos o circunstanciales y reclamaciones sobre los daños que no estén recogidos en la legislación vigente. El usuario es el responsable de la identificación de los riesgos críticos y de tener los mecanismos adecuados de protección de los procesos en caso de un posible mal funcionamiento del equipo.

Sírvase leer todo el manual antes de desembalar, instalar o trabajar con este equipo. Ponga atención a todas las advertencias y avisos de peligro. El no hacerlo puede provocar heridas graves al usuario o daños al equipo.







Asegúrese de que la protección proporcionada por este equipo no se vea afectada. No use o instale este equipo de una manera diferente a la explicada en este manual.

### 3.1.1 Uso de la información relativa a riesgos

<b>▲ PELIGRO</b>
Indica una situación potencial o de riesgo inminente que, de no evitarse, provocará la muerte o lesiones graves.
<b>▲ ADVERTENCIA</b>
Indica una situación potencial o inminentemente peligrosa que, de no evitarse, podría provocar la muerte o lesiones graves.
<b>▲ PRECAUCIÓN</b>
Indica una situación potencialmente peligrosa que podría provocar una lesión menor o moderada.
<b>AVISO</b>
Indica una situación que, si no se evita, puede provocar daños en el instrumento. Información que requiere especial énfasis.

### 3.1.2 Etiquetas de precaución

Lea todas las etiquetas y rótulos adheridos al instrumento. En caso contrario, podrían producirse heridas personales o daños en el instrumento. El símbolo que aparezca en el instrumento se comentará en el manual con una declaración de precaución.

	Este es un símbolo de alerta de seguridad. Obedezca todos los mensajes de seguridad que se muestran junto con este símbolo para evitar posibles lesiones. Si se encuentran sobre el instrumento, consulte el manual de instrucciones para obtener información de funcionamiento o seguridad.
	Este símbolo indica que hay riesgo de descarga eléctrica y/o electrocución.
	Este símbolo indica la presencia de dispositivos susceptibles a descargas electrostáticas. Asimismo, indica que se debe tener cuidado para evitar que el equipo sufra daño.
	En Europa, el equipo eléctrico marcado con este símbolo no se debe desechar mediante el servicio de recogida de basura doméstica o pública. Devuelva los equipos viejos o que hayan alcanzado el término de su vida útil al fabricante para su eliminación sin cargo para el usuario.
	Este símbolo, cuando aparece en un producto, identifica la ubicación de un fusible o de un limitador de corriente.
	Este símbolo indica que el objeto marcado requiere una toma a tierra de seguridad. Si el instrumento no se suministra con un cable con enchufe de toma a tierra, realice la conexión a tierra de protección al terminal conductor de seguridad.

### 3.1.3 Precauciones para espacios confinados

<b>▲ PELIGRO</b>	
	Peligro de explosión. Es necesario disponer de formación sobre la realización de pruebas previas de entrada, ventilación, procedimientos de entrada, procedimientos de evacuación/rescate y prácticas de seguridad en el trabajo antes de acceder a espacios confinados.

La información que se incluye a continuación se ofrece para ayudar a los usuarios a comprender los peligros y riesgos asociados a los espacios confinados.

El 15 de abril de 1993, el dictamen definitivo de la OSHA (Administración de Seguridad y Salud Ocupacional) sobre los Espacios Confinados que Requieren Permiso para Ingresar (CFR 1910.146), se hizo ley. Esta nueva norma afecta directamente a más de 250.000 sitios industriales de los

Estados Unidos, y fue creada con el fin de proteger la salud y la seguridad de los trabajadores en espacios confinados.

#### **Definición de espacio confinado:**

Un espacio confinado es cualquier lugar o recinto que presente (o tenga la posibilidad inmediata de presentar) una o más de las siguientes condiciones:

- Una atmósfera con una concentración de oxígeno que sea inferior al 19,5% o superior al 23,5% y/o una concentración de sulfuro de hidrógeno (H<sub>2</sub>S) superior a 10 ppm.
- Una atmósfera que pueda ser inflamable o explosiva debido a gases, vapores, nieblas, polvos o fibras.
- Materiales tóxicos que, ante el contacto o la inhalación, puedan provocar lesiones, el deterioro de la salud o la muerte.

Los espacios confinados no están destinados a ser ocupados por seres humanos. Los espacios confinados tienen entrada restringida y contienen riesgos conocidos o potenciales. Como ejemplos de espacios confinados encontramos las bocas de inspección, las chimeneas, los caños, las tinas, los armarios de distribución y demás lugares similares.

Antes de entrar en espacios confinados y/o lugares con presencia de gases, vapores, nieblas, polvos o fibras peligrosos, se deben seguir siempre procedimientos de seguridad estándares. Antes de entrar en un espacio confinado, lea todos los procedimientos relacionados con la entrada a espacios confinados.

#### **3.1.4 Normativa UE/FCC/IC/ANATEL**

El uso de este dispositivo está sujeto a las siguientes condiciones:

- Este dispositivo no cuenta con ninguna pieza susceptible de ser reparada por el usuario.
- El usuario debe instalar este dispositivo de acuerdo con lo estipulado en las instrucciones de instalación suministradas y no debe modificar el dispositivo en modo alguno. Cualquier cambio o modificación realizado en el dispositivo podría anular la autoridad del usuario para manejar el equipo.
- Las tareas de mantenimiento que tengan que ver con el transmisor deberán ser realizadas únicamente por Hach Company
- De acuerdo con la FCC, este es un dispositivo inalámbrico "móvil". Como medida de seguridad en exposición a RF, el usuario debe mantener una distancia de separación mínima de 20 cm (8 pulg.) con respecto de la parte delantera del transmisor de radar cuando éste se encuentre en funcionamiento.

## **3.2 Certificación**

### **▲ PRECAUCIÓN**

Este equipo no está diseñado para su uso en entornos residenciales y puede que no brinde la protección adecuada para la recepción de radio en dichos entornos.

#### **Reglamentación canadiense sobre equipos que provocan interferencia, ICES-003, Clase A**

Registros de pruebas de control del fabricante.

Este aparato digital de clase A cumple con todos los requerimientos de las reglamentaciones canadienses para equipos que producen interferencias.

Cet appareil numérique de classe A répond à toutes les exigences de la réglementation canadienne sur les équipements provoquant des interférences.

#### **FCC Parte 15, Límites Clase "A"**

Registros de pruebas de control del fabricante. Este dispositivo cumple con la Parte 15 de las normas de la FCC estadounidense. Su operación está sujeta a las siguientes dos condiciones:

1. El equipo no puede causar interferencias perjudiciales.
2. Este equipo debe aceptar cualquier interferencia recibida, incluyendo las interferencias que pueden causar un funcionamiento no deseado.

Los cambios o modificaciones a este equipo que no hayan sido aprobados por la parte responsable podrían anular el permiso del usuario para operar el equipo. Este equipo ha sido probado y encontrado que cumple con los límites para un dispositivo digital Clase A, de acuerdo con la Parte 15 de las Reglas FCC. Estos límites están diseñados para proporcionar una protección razonable contra las interferencias perjudiciales cuando el equipo está operando en un entorno comercial. Este equipo genera, utiliza y puede irradiar energía de radio frecuencia, y si no es instalado y utilizado de acuerdo con el manual de instrucciones, puede causar una interferencia dañina a las radio comunicaciones. La operación de este equipo en un área residencial es probable que produzca interferencia dañina, en cuyo caso el usuario será requerido para corregir la interferencia bajo su propio cargo. Pueden utilizarse las siguientes técnicas para reducir los problemas de interferencia:

1. Desconecte el equipo de su fuente de alimentación para verificar si éste es o no la fuente de la interferencia.
2. Si el equipo está conectado a la misma toma eléctrica que el dispositivo que experimenta la interferencia, conecte el equipo a otra toma eléctrica.
3. Aleje el equipo del dispositivo que está recibiendo la interferencia.
4. Cambie la posición de la antena del dispositivo que recibe la interferencia.
5. Trate combinaciones de las opciones descritas.

#### **Sensor Flo-Dar: lista de números de referencia:**

Ultrasónico estándar 890004901, 890004902; Ultrasónico estándar I.S. (seguridad intrínseca) 890004801, 890004802, 890004803; Ultrasónico de largo alcance 890005201, 890005202, 890005206; Ultrasónico de largo alcance I.S. (seguridad intrínseca) 890004804, 890004805, 890004806; Ultrasónico de largo alcance remoto 890005204, 890005205, 890005207; Ultrasónico de largo alcance remoto I.S. (seguridad intrínseca) 890004807, 890004808, 890004809

Los números de referencia son solo para mantenimiento y no se pueden adquirir: referencia exclusivamente para certificaciones inalámbricas.

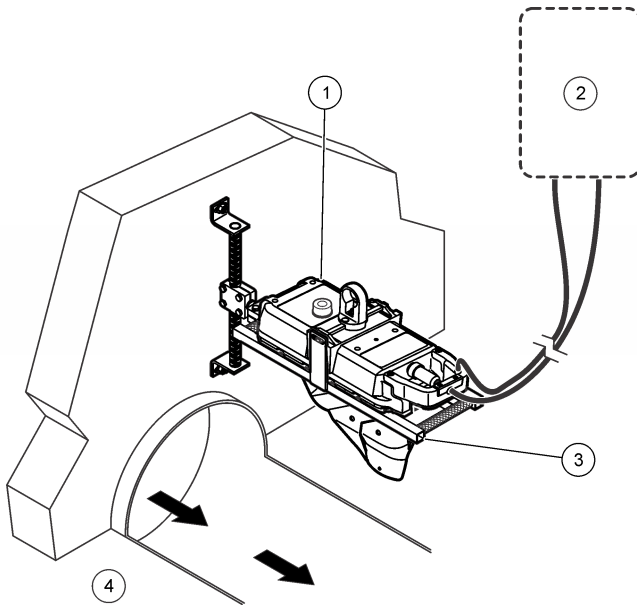
### **3.3 Descripción general del producto**

El sensor Flo-Dar mide la velocidad del caudal y la profundidad del líquido en canales abiertos utilizando tecnología ultrasónica y de radar. La unidad está diseñada para aguantar sumergida en situaciones de sobrecarga. El sensor de velocidad de sobrecarga opcional permite realizar mediciones de la velocidad en caso de sobrecarga.

La **Figura 1** muestra la configuración de un sistema Flo-Dar en una instalación en una zona que no presenta riesgos.

La información de la teoría de operación y la información para pedidos de piezas de repuesto está disponible en la versión ampliada del manual del usuario disponible en la página web del fabricante (<http://www.hach.com>).

**Figura 1** Visión general del sistema



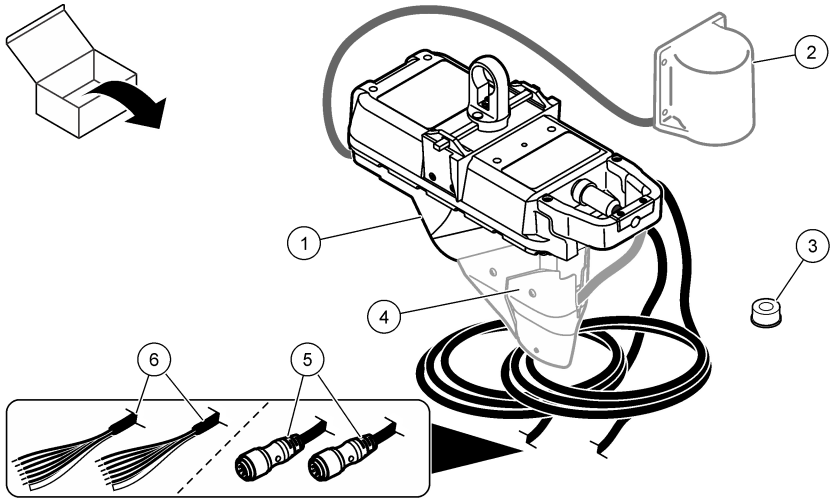
1 Sensor Flo-Dar con sensor de velocidad de sobrecarga opcional	3 Chasis de montaje
2 Registrador de caudal o controlador	4 Lugar que no presenta riesgos

### 3.4 Componentes del producto

Asegúrese de haber recibido todos los componentes. Consulte la [Figura 2](#) y [Figura 3](#). Si faltan artículos o están dañados, contacte con el fabricante o el representante de ventas inmediatamente.

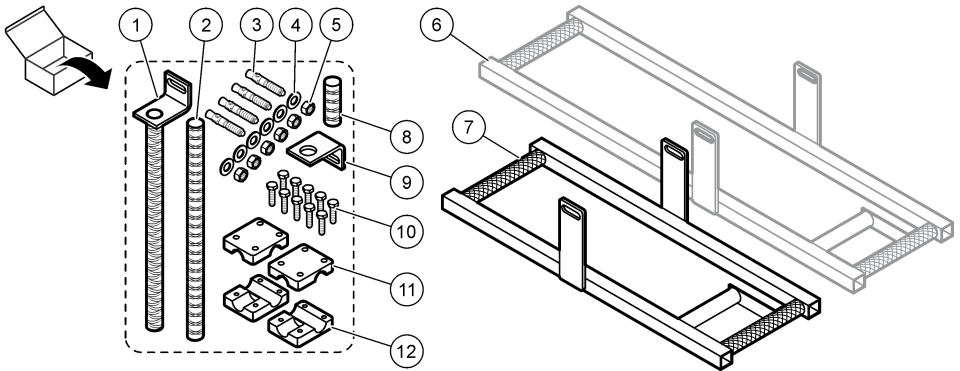


**Figura 2 Componentes del instrumento**



1 Sensor Flo-Dar	4 Sensor de velocidad de sobrecarga (SVS) (opcional)
2 Sensor de rango extendido (opcional)	5 Conector Flo-Dar y conector SVS
3 Nivel de burbuja	6 Flo-Dar con cables desnudos y SVS con cables desnudos <sup>1</sup>

**Figura 3 Herramientas de montaje en pared**



1 Soporte de montaje en pared	7 Chasis estándar
2 Separador, 12 pulgadas	8 Separador, 2 1/4 pulgadas
3 Anclaje, 3/8 x 2 1/4 pulg. (x4)	9 Soporte de pared ajustable
4 Arandela de anclaje (x6)	10 Tornillos de abrazadera, 1/4-20 x 1 pulg. (x10)
5 Tuerca de anclaje, 3/8-16 (x6)	11 Mitad de la abrazadera, sin rosca (x2)
6 Chasis para el sensor de rango extendido (opcional)	12 Mitad de la abrazadera, rosca (x2)

<sup>1</sup> Los cables desnudos son una alternativa al conector.

## Sección 4 Instalación

### ▲ PELIGRO



Peligro de explosión. Los equipos sólo pueden ser instalados y puestos en funcionamiento por personal capacitado.

## 4.1 Instalación mecánica

### 4.1.1 Directrices de ubicación del emplazamiento

#### AVISO

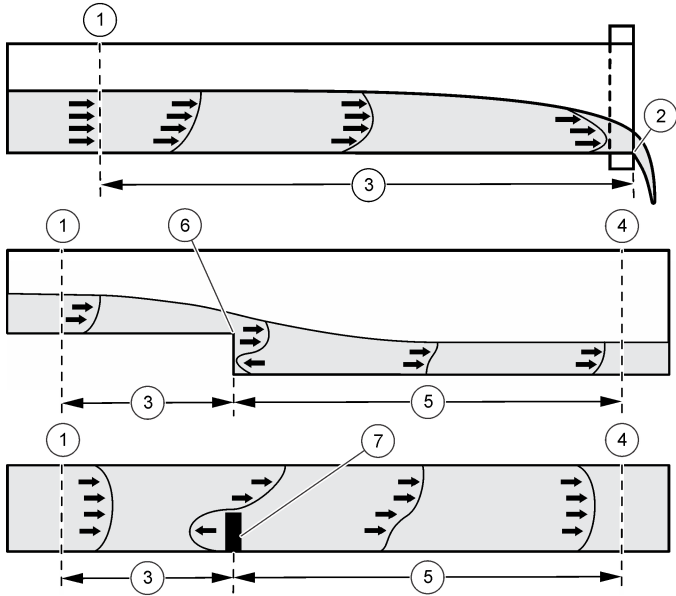
Para evitar daños en la carcasa, instale el instrumento alejado de la luz solar directa, la radiación ultravioleta (UV), fuentes de calor y condiciones meteorológicas adversas. Instale una cubierta contra el sol o una cubierta protectora encima del instrumento cuando se coloque en exteriores.

Para lograr la mayor exactitud posible, instale el sensor donde el caudal no sea turbulento. La ubicación ideal es un canal o tubería largo y recto. Los desagües, desniveles verticales, placas desviadoras, curvas o empalmes distorsionan el perfil de velocidad.

En caso de que haya desagües, desniveles verticales, placas desviadoras, curvas o empalmes, instale el sensor aguas arriba o aguas abajo tal como se muestra en la [Figura 4–Figura 6](#). En las ubicaciones aguas arriba, instale el sensor a una distancia que es al menos cinco veces el diámetro del conducto o el nivel máximo del fluido. Para las ubicaciones aguas abajo, instale el sensor a una distancia al menos diez veces el diámetro del conducto o el nivel máximo del fluido.

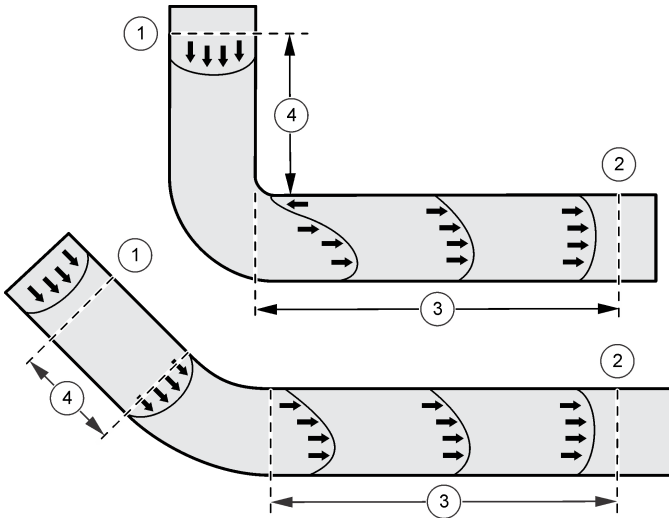
Si la ubicación cuenta con un empalme y el caudal de uno de los conductos es mucho mayor, instale el sensor en la pared junto al conducto con menor caudal.

**Figura 4 Ubicación del sensor cerca de un desagüe, un desnivel vertical o una placa desviadora**



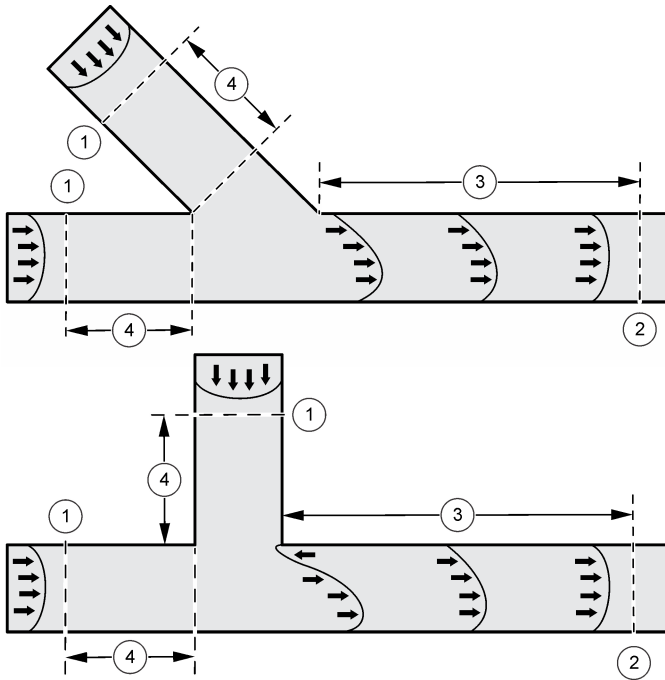
1 Ubicación aceptable del sensor aguas arriba	5 Distancia aguas abajo: $10 \times$ diámetro del conducto
2 Desagüe	6 Desnivel vertical
3 Distancia aguas arriba: $5 \times$ nivel máximo	7 Placa desviadora
4 Ubicación aceptable del sensor aguas abajo	

**Figura 5 Ubicación del sensor cerca de una curva o codo**



1 Ubicación aceptable del sensor aguas arriba	3 Distancia aguas abajo: $10 \times$ diámetro del conducto
2 Ubicación aceptable del sensor aguas abajo	4 Distancia aguas arriba: $5 \times$ diámetro del conducto

**Figura 6 Ubicación del sensor cerca de un empalme**



1 Ubicación aceptable del sensor aguas arriba	3 Distancia aguas abajo: $10 \times$ diámetro del conducto
2 Ubicación aceptable del sensor aguas abajo	4 Distancia aguas arriba: $5 \times$ diámetro del conducto

#### 4.1.2 Instalación del sensor

### ⚠ ADVERTENCIA



Peligro de explosión. En ubicaciones peligrosas, la fricción entre superficies puede generar chispas que pueden provocar una explosión. Asegúrese de que sea imposible que se produzca fricción entre el instrumento y cualquier superficie circundante.

### ⚠ PRECAUCIÓN



Riesgo de pérdida auditiva. Se requieren protectores auditivos. El transductor de nivel emite energía acústica ultrasónica cuando se enciende. Es obligatorio llevar protectores para los oídos cuando se trabaje a 1 metro o menos de este dispositivo. No oriente la salida del transductor hacia los oídos durante la instalación, el calibrado o el mantenimiento.

#### Presión ultrasónica:

- Dimensiones de un haz útil: largo alcance
- Presión ultrasónica:  $> 110$  dB a 1 m (3,3 pies) en el eje
- Presión acústica en el haz: 111,9 dB máximo

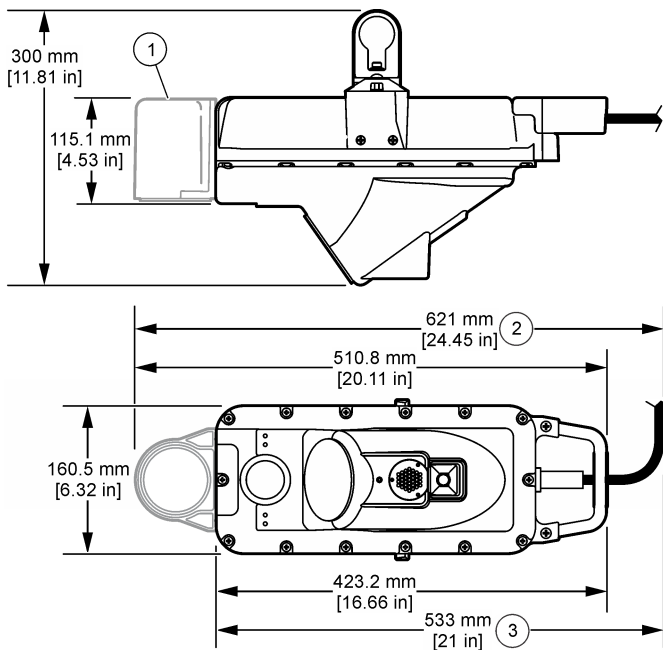
Monte el sensor Flo-Dar por encima del canal abierto en la pared de la boca de inspección. En el caso de lugares que presentan riesgos, es necesario instalar una barrera fuera de la zona peligrosa.

Para una instalación temporal, está disponible una barra de carga opcional. La barra de carga incluirá las instrucciones pertinentes.

Las dimensiones del sensor se muestran en la [Figura 7](#) y en la [Figura 8](#).

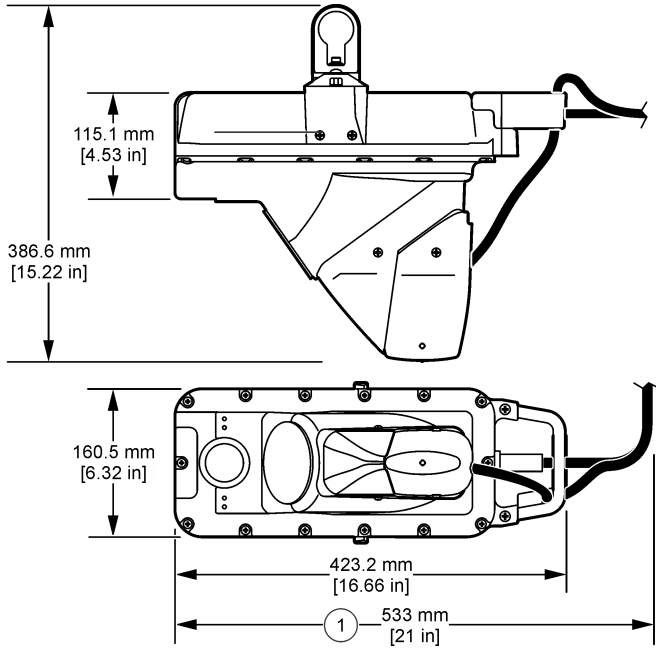
Las dimensiones del chasis estándar para la colocación en paredes se muestran en la [Figura 9](#).

**Figura 7 Dimensiones del sensor**



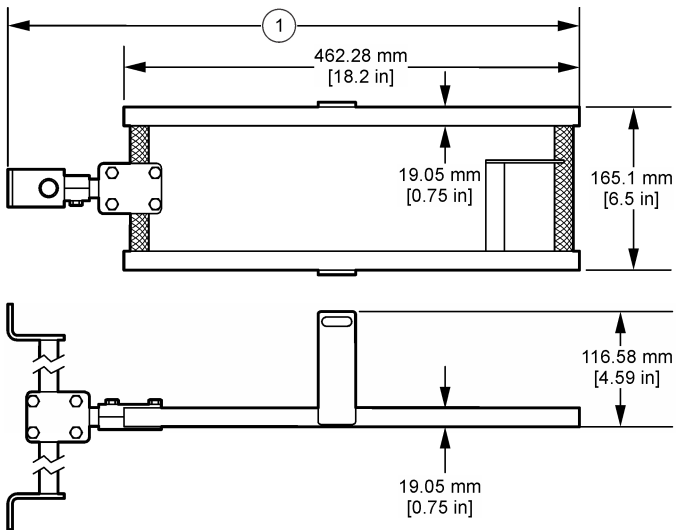
<p><b>1</b> Sensor de rango extendido opcional</p>	<p><b>3</b> Holgura mínima para el cable</p>
<p><b>2</b> Holgura mínima para el cable con el sensor de rango extendido</p>	

**Figura 8 Sensor con dimensiones de SVS**



1 Holgura mínima para el cable

**Figura 9 Dimensiones del chasis estándar**



1 579,12 mm (22,8 pulg.) con separador de 2¼ pulg.; 828,04 mm (32,6 pulg.) con separador de 12 pulg.

#### 4.1.2.1 Monte las abrazaderas en el chasis y en el soporte de pared

Instale las abrazaderas en el chasis y en el soporte de montaje en pared antes de realizar la instalación en la pared.

**Recopilación de elementos:** herramientas de montaje en pared (Figura 3 en la página 65)

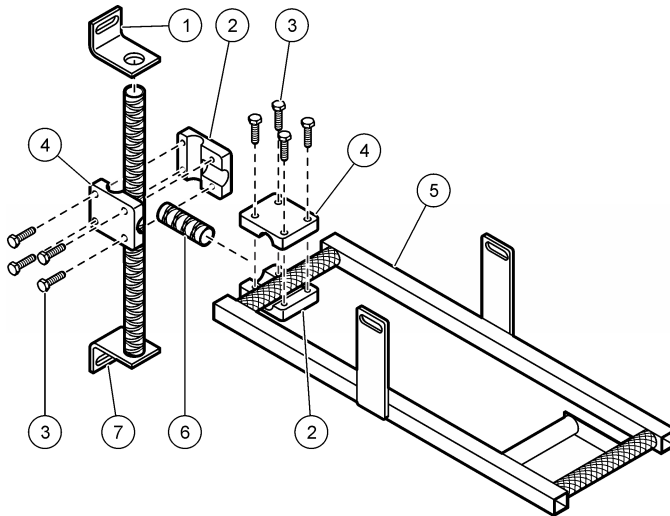
- Chasis
- Soporte de montaje en pared
- Abrazaderas
- Herramientas: soporte de montaje pared, espaciador, tuercas y tornillos

1. Coloque dos mitades de abrazadera (una roscada y otra sin rosca) alrededor del soporte de montaje en pared. Consulte Figura 10.
2. Una las mitades de la abrazadera con cuatro tornillos. Apriete levemente los tornillos para que la abrazadera aguante en su sitio temporalmente.
3. Coloque las otras dos mitades de abrazadera alrededor del extremo frontal del chasis. Consulte Figura 10.

**Nota:** Habitualmente, la parte delantera del chasis apunta hacia la pared. Consulte la Figura 10 y Figura 14 en la página 77. Si las condiciones del caudal requieren que el sensor apunte en dirección opuesta a la pared, utilice el separador de 12 pulgadas y coloque las dos mitades de la abrazadera alrededor del extremo trasero del chasis.

4. Una las mitades de la abrazadera con cuatro tornillos. Apriete levemente los tornillos para que la abrazadera aguante en su sitio temporalmente.

**Figura 10 Montaje de las abrazaderas en el soporte de montaje en pared y el chasis**



1 Soporte de pared ajustable	5 Chasis
2 Mitad de la abrazadera, roscada	6 Separador
3 Tornillo de la abrazadera, 1/4-20 x 1 pulg.	7 Soporte de montaje en pared
4 Mitad de la abrazadera, sin rosca	



#### 4.1.2.2 Instale el chasis en la pared

### ⚠ PELIGRO



Peligro de explosión. Consulte la información de seguridad en [Precauciones para espacios confinados](#) en la página 61 antes de introducirse en un espacio cerrado.

Consulte las siguientes directrices para encontrar la ubicación óptima para el sensor.

- Examine las características del caudal aguas arriba y aguas abajo. Utilice un espejo si fuera necesario. Instale el sensor por encima del agua en una zona donde el caudal sea estable. No instale el sensor en un lugar donde haya olas estáticas, charcos u objetos o materiales que puedan afectar al perfil del caudal.
- Si las características del caudal aguas arriba son aceptables, instale el sensor apuntando aguas arriba en la pared aguas arriba del pozo de registro. Esta ubicación asegura que el caudal medido es el mismo que el caudal en el conducto y que el cable del sensor apunta en dirección opuesta a la pared.
- Instale el sensor lejos de los laterales del conducto, justo en el centro del caudal, donde el fluido presente la máxima profundidad.
- Instale el sensor en una ubicación que resulte accesible para realizar tareas de mantenimiento.

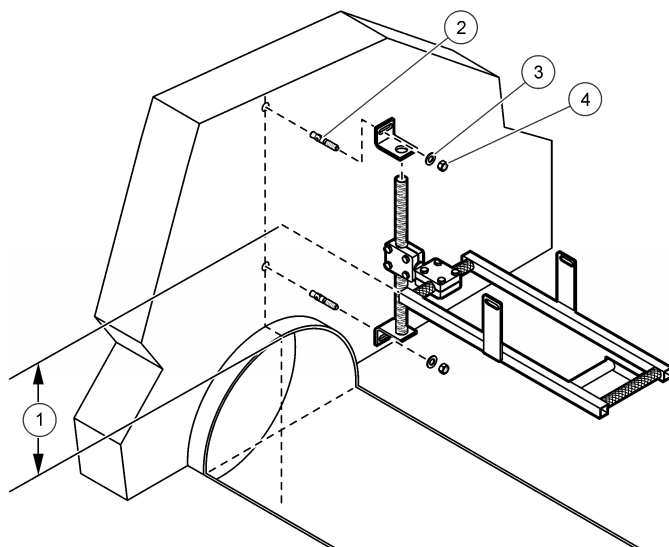
#### Recopilación de elementos:

- Conjunto del soporte de montaje en pared y el chasis montado
- Anclajes con tuercas y arandelas
- Herramientas: espejo, regla o cinta métrica, rotulador

Complete los pasos para instalar el chasis en la pared del pozo de registro por encima del caudal. Asegúrese de seguir todos los códigos y/o directivas relevantes para la ubicación. Consulte [Directrices de ubicación del emplazamiento](#) en la página 66.

1. Haga una marca en la pared que identifique la ubicación de la parte superior del chasis del sensor. Consulte [Figura 11](#). Los soportes de pared se instalarán por encima y por debajo de esta marca.
  - Sensor sin SVS: asegúrese de que cuando el sensor se encuentre en el chasis, el haz del radar no quede bloqueado por la pared o el canal. Consulte [Figura 13](#) en la página 76.
  - Sensor con SVS: la parte superior del chasis del sensor debe instalarse a una distancia exacta por encima de la parte superior del canal. Si el diámetro del conducto es superior a 635 mm (25 pulg.), mida 127 mm (5 pulg.) desde la corona interior del conducto hasta la parte superior del chasis. Si el diámetro del conducto es inferior a 635 mm (25 pulg.), mida 152,4 mm (6 pulg.) desde la corona interior del conducto hasta la parte superior del chasis.
2. Coloque los soportes de montaje en pared por encima y por debajo de esta marca.
3. Fije los soportes a la pared utilizando los anclajes suministrados. Instale los anclajes en los orificios de 3/8 pulg. de diámetro a una profundidad de 38,1 mm (1,5 pulg.)
4. Conecte el chasis al soporte de pared con un separador. Consulte [Figura 11](#). Es posible que sea necesario utilizar el espaciador de 12 pulgadas para colocar el sensor más alejado de la pared cuando el borde del conducto es grande.

**Figura 11 Instalación en pared**



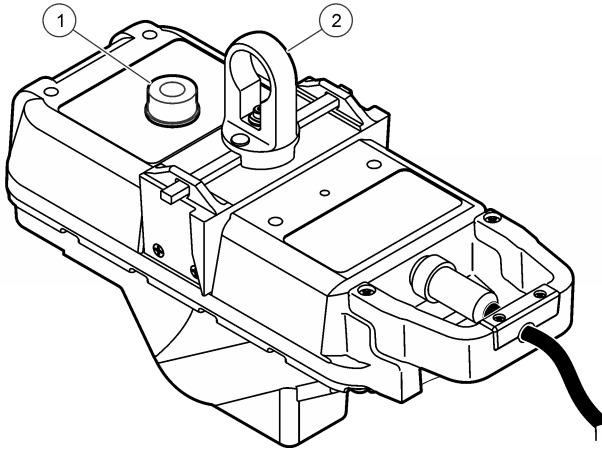
1 Distancia desde la corona interior del conducto hasta la parte superior del chasis	3 Arandela
2 Anclaje	4 Tuerca

#### **4.1.2.3 Instale el sensor en el chasis**

El sensor entra en el chasis en una sola dirección y queda en su posición cuando se gira el asa del sensor. Consulte [Figura 12](#). El sensor se puede instalar y retirar del chasis sin acceder al pozo de registro cuando se utiliza el poste de recuperación opcional.

1. Asegúrese de que el cable está firmemente conectado al sensor.
2. Gire el asa para replegar las barras de bloqueo del sensor.
3. Coloque el sensor en el chasis. Asegúrese de que el cable apunte hacia el centro del pozo de registro.
4. Gire el asa para fijar el sensor al chasis. Consulte [Figura 12](#).

**Figura 12 Alineamiento horizontal**



1 Nivel de burbuja

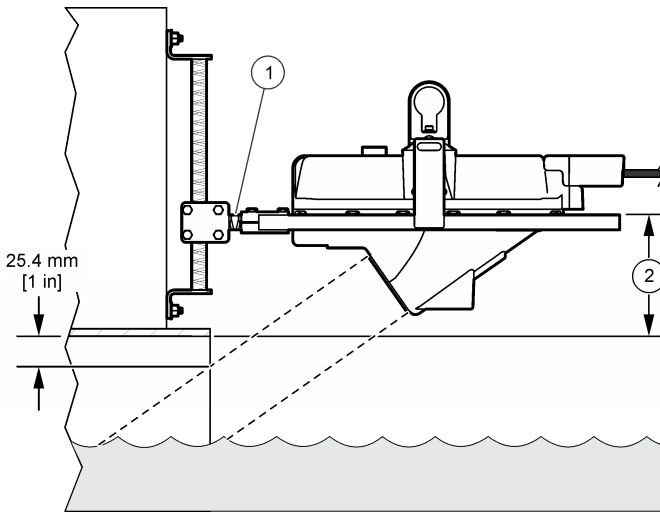
2 Asa

#### **4.1.2.4 Alinee el sensor verticalmente: Flo-Dar sin SVS**

El sensor debe estar alineado verticalmente para asegurarse de que se encuentra por encima del caudal y de que el haz del radar no está bloqueado por la pared o el conducto. Consulte [Figura 13](#).

1. Trace una línea imaginaria aproximada entre la parte superior de la lente del radar perpendicular al lugar al que apuntará la lente. Consulte [Figura 13](#).
2. Afloje la abrazadera del soporte de montaje en pared y coloque el chasis de forma que el haz del radar apunte al menos 25,4 mm (1 pulg.) por debajo de la corona del conducto. Consulte [Figura 13](#). Puede que sea necesario instalar el separador de 12 pulgadas para alejar más el chasis de la pared.
3. Apriete la abrazadera y mida la posición del chasis. Asegúrese de que ni la pared ni el conducto detienen el haz del radar. Si el haz quedase detenido, aleje el chasis de la pared utilizando el separador de 12 pulgadas o bien baje el chasis.

**Figura 13 Alineación vertical del sensor**



1 Separador

2 Distancia desde la corona interior del conducto hasta la parte superior del chasis

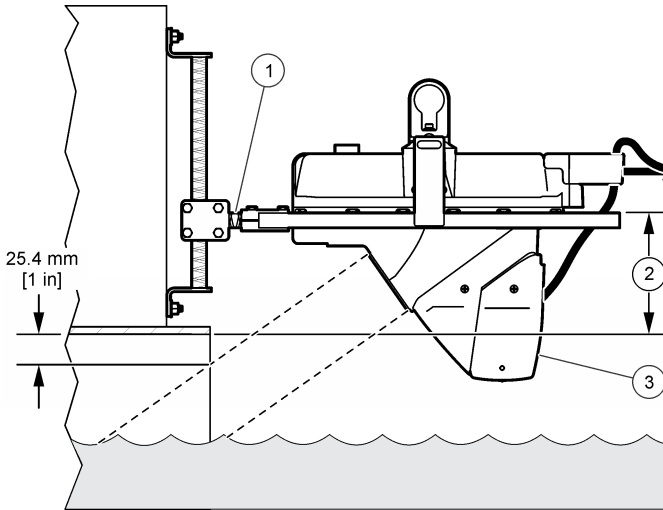
#### 4.1.2.5 Alinee el sensor verticalmente: Flo-Dar con SVS

El sensor debe estar alineado verticalmente para asegurarse de que este se encuentra por encima del caudal en condiciones de caudal total normales y de que el SVS se activa en condiciones de sobrecarga.

**Recopilación de elementos:** regla o cinta métrica

1. Mida directamente desde por encima de la corona del conducto hasta la parte superior del chasis. Consulte [Figura 11](#) en la página 74.
2. Si el borde del conducto tiene una longitud superior a 140 mm (5,5 pulg.), instale el separador de 12 pulgadas entre el soporte de montaje en pared y el chasis. Consulte [Figura 14](#).
3. Suelte la abrazadera del soporte de montaje en pared y coloque la parte superior del chasis por encima de la corona del conducto a la distancia indicada:
  - 152,4 mm (6 pulg.) si el diámetro del conducto es inferior a 610 mm (24 pulg.)
  - 127 mm (5 pulg.) si el diámetro del conducto es igual o mayor de 610 mm (24 pulg.)
4. Apriete la abrazadera y mida de nuevo la posición del chasis para asegurarse de que es la correcta.

**Figura 14 Alineación vertical del sensor con SVS**



1 Separador	3 Sensor SVS (opcional)
2 Distancia desde la corona interior del conducto hasta la parte superior del chasis	

#### 4.1.2.6 Alineación horizontal del sensor

El sensor se debe alinear horizontalmente para asegurar que se encuentra por encima del caudal. Si el conducto no está nivelado y tiene una pendiente de 2 grados o más, alinee el sensor en paralelo a la superficie del agua.

**Recopilación de elementos:** nivel de burbuja

1. Retire la película de papel del nivel de burbuja y pegue el nivel sobre el sensor. Consulte [Figura 12](#) en la página 75.
2. Afloje las abrazaderas y desplace el chasis hasta que esté en la posición correcta.
3. Apriete las dos abrazaderas y mida la posición del chasis para asegurar que se encuentra en la posición correcta.

#### 4.1.2.7 Haga una última comprobación de la alineación

Las alineaciones vertical y horizontal del sensor deben ser las correctas para poder obtener mediciones precisas.

1. Mida la alineación vertical y efectúe ajustes si fuera necesario. Consulte [Alinee el sensor verticalmente: Flo-Dar sin SVS](#) en la página 75 o [Alinee el sensor verticalmente: Flo-Dar con SVS](#) en la página 76.
2. Mida la alineación horizontal y realice ajustes si fuera necesario. Consulte [Alineación horizontal del sensor](#) en la página 77.
3. Repita los pasos 1 y 2 hasta que no sean necesarios más ajustes.

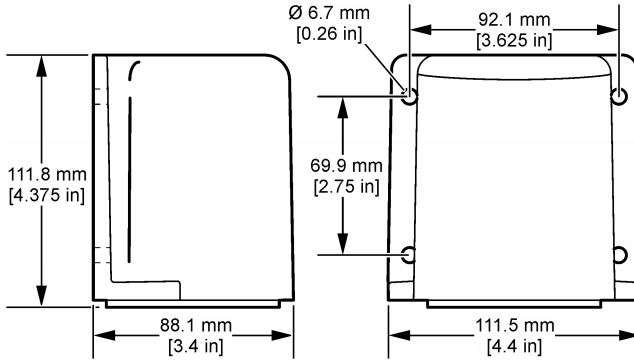
#### 4.1.2.8 Instalación del sensor de rango extendido opcional

El sensor de rango extendido ([Figura 15](#)) puede utilizarse cuando la profundidad del canal o del conducto supera las especificaciones de nivel estándar. Consulte [Especificaciones](#) en la página 59.

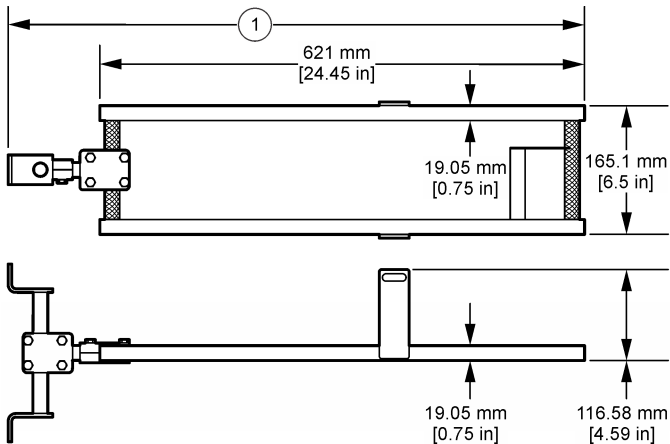
Utilice el chasis extendido ([Figura 16](#)) en vez del chasis estándar o monte el sensor de rango extendido en la pared.

El sensor de rango extendido se debe instalar al menos a 457,2 mm (18 pulg.) por encima de la corona del conducto para que las mediciones sean correctas. El sensor de rango extendido tiene una zona muerta de 431,8 mm (17 pulg.) en la que el sensor no es activo.

**Figura 15 Dimensiones del sensor de rango extendido**

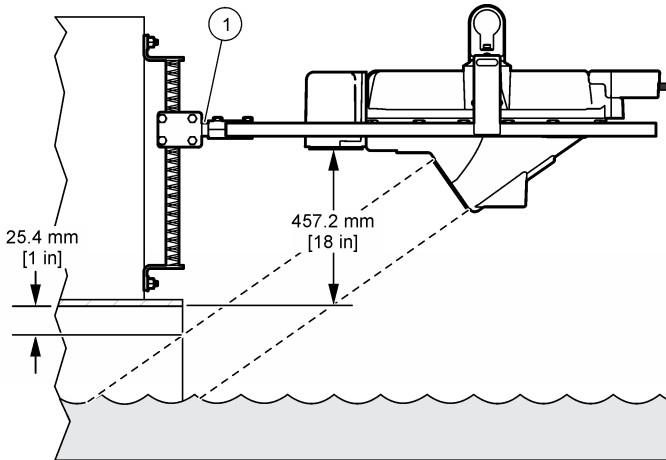


**Figura 16 Dimensiones del chasis extendido**



1 739,14 mm (29,1 pulg.) con separador de 2¼ pulg.; 985,52 mm (38,8 pulg.) con separador de 12 pulg.

**Figura 17 Alineación vertical con sensor de rango extendido**



1 Separador

#### **4.1.3 Mida la separación del sensor**

La separación del sensor es la distancia desde la parte superior del chasis hasta la parte inferior del conducto o canal. Esta distancia se introducirá en el software y es necesaria para realizar cálculos de caudal precisos.

Si el sensor de rango extendido opcional se instala en la pared sin el chasis extendido, la separación del sensor será la distancia desde la superficie del sensor de profundidad extendido hasta la parte inferior del conducto o canal.

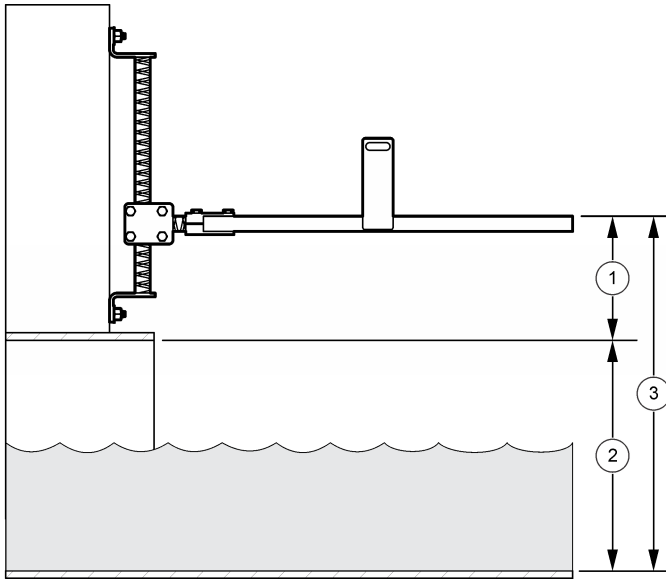
#### **Recopilación de elementos:**

- Varilla
- Cinta métrica

1. Coloque la varilla en la parte inferior del conducto o canal y alinéela verticalmente con el chasis. Consulte [Figura 18](#).
2. Haga una marca en la varilla que identifique la ubicación de la parte superior del chasis del sensor.
3. Mida la distancia que hay desde la parte inferior de la varilla hasta la marca. Esta es la separación del sensor.

**Nota:** Si no resultase práctico medir hasta el fondo del conducto, mida la distancia desde la corona del conducto hasta la parte superior del chasis. Consulte [Figura 18](#). Añada esta distancia al diámetro del conducto para obtener la separación del sensor. Separación del sensor = diámetro del conducto + distancia desde la corona del conducto a la parte superior del chasis

**Figura 18 Separación del sensor**



1 Distancia desde la corona interior del conducto hasta la parte superior del chasis

2 Diámetro de la tubería

3 Separación del sensor

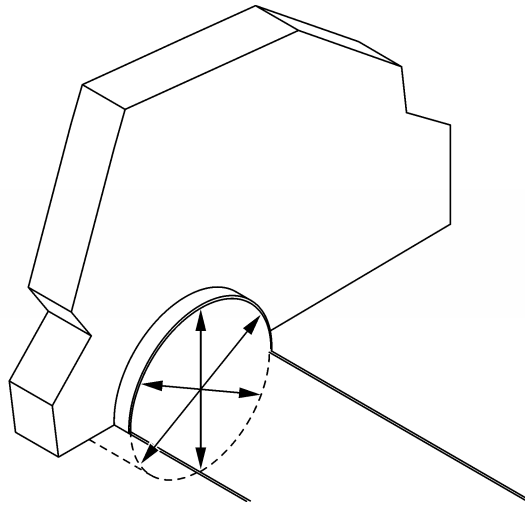
#### 4.1.4 Mida el diámetro del conducto

Es necesario disponer del diámetro correcto del conducto o canal para calcular el caudal de forma precisa.

1. Mida el diámetro interior del conducto (ID) en tres puntos. Consulte [Figura 19](#). Asegúrese de que las mediciones sean precisas.
2. Calcule la media de las tres mediciones. Guarde este número para utilizarlo durante la configuración del software para el emplazamiento.



Figura 19 Medición del diámetro del conducto



## 4.2 Instalación eléctrica

### 4.2.1 Información de seguridad respecto al cableado

#### ⚠ PELIGRO



Peligro de electrocución. Desconecte siempre la alimentación eléctrica del instrumento antes de realizar conexiones eléctricas.

### 4.2.2 Indicaciones para la descarga electrostática

#### AVISO



Daño potencial al instrumento. Los delicados componentes electrónicos internos pueden sufrir daños debido a la electricidad estática, lo que acarrearía una disminución del rendimiento del instrumento y posibles fallos.

Consulte los pasos en este procedimiento para evitar daños de descarga electrostática en el instrumento:

- Toque una superficie metálica a tierra como el chasis de un instrumento, un conducto metálico o un tubo para descargar la electricidad estática del cuerpo.
- Evite el movimiento excesivo. Transporte los componentes sensibles a la electricidad estática en envases o paquetes anti-estáticos.
- Utilice una muñequera conectada a tierra mediante un alambre.
- Trabaje en una zona sin electricidad estática con alfombras antiestáticas y tapetes antiestáticos para mesas de trabajo.

### 4.2.3 Conexión al registrador de caudal

Conecte el sensor Flo-Dar al registrador de caudal.

- **Registrador de caudal FL900:** conecte el cable del sensor Flo-Dar al conector del sensor del registrador de caudal. Si el sensor de velocidad de sobrecarga (SVS) opcional está instalado, conecte el cable desde el SVS al conector del sensor del registrador.
- **Registrador de caudal FL1500:** conecte el cable del sensor Flo-Dar al terminal correcto del registrador de caudal. Si el sensor de velocidad de sobrecarga (SVS) opcional está instalado,

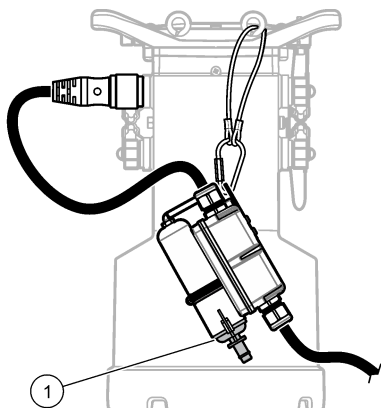
conecte el cable desde el SVS al terminal correcto del controlador. Consulte en la documentación del registrador de caudal FL1500 la correcta ubicación de los terminales.

#### 4.2.4 Fije el conjunto de desecante (FL900)

Fije el cubo de desecante opcional al registrador de caudal FL900 para liberar la tensión del sensor y del conector del cable. Consulte la [Figura 20](#).

Para obtener el mejor rendimiento, asegúrese de instalar el cartucho de desecante verticalmente con la tapa del extremo apuntando hacia abajo. Consulte la [Figura 20](#).

**Figura 20 Fije el conjunto de desecante**



1 Tapa final

## Sección 5 Funcionamiento

Para sensores conectados a un registrador de caudal FL900, conecte un ordenador con el software FSDATA Desktop al registrador de caudal para configurar, calibrar y recopilar datos de los sensores. Consulte la documentación de FSDATA Desktop para configurar, calibrar y recopilar datos del sensor.

Para sensores conectados a un registrador de caudal FL1500, consulte la documentación del registrador de caudal FL1500 para configurar, calibrar y recopilar datos de los sensores. Como alternativa, conecte un ordenador con el software FSDATA Desktop al registrador de caudal para configurar, calibrar y recopilar datos de los sensores. Consulte la documentación de FSDATA Desktop para configurar, calibrar y recopilar datos del sensor.

### 5.1 Instale el software

Asegúrese de que la última versión del software FSDATA Desktop está instalada en el ordenador. Descárguese el software de <http://www.hachflow.com>. Haga clic en Support (Asistencia técnica) y, a continuación, seleccione Software Downloads (Descargas de software)>Hach Series Flow Logger (Registradores de caudal de la serie FL).

## Sección 6 Mantenimiento

### ⚠ PELIGRO



Peligros diversos. Solo el personal cualificado debe realizar las tareas descritas en esta sección del documento.

## ⚠ PELIGRO



Peligro de explosión. Cuando utilice el poste de recuperación, asegúrese de conectar la cinta de conexión a tierra al terminal de toma a tierra de la barrera. El sensor también deberá estar conectado a la barrera durante las actividades de mantenimiento. Esto debe ser así para impedir la ignición de gases explosivos debido a las descargas de estática.

## ⚠ PRECAUCIÓN



Riesgo de exposición a radiofrecuencia. Evite situar la cabeza y otras zonas con órganos vitales dentro del área del haz de microondas (a 1 metro [3,3 pies] o menos de la apertura de microondas). Aunque el nivel de potencia de las microondas del Flo-Dar es muy bajo (aproximadamente 15 mW) y se encuentra muy por debajo de los límites de exposición para entornos no controlados establecidos por el gobierno, los usuarios de este producto deberán seguir los protocolos de seguridad pertinentes para el manejo de dispositivos con transmisores de frecuencia de radar.

## AVISO

Maneje el sensor con cuidado para evitar dañar el transmisor de microondas. Los transmisores dañados podrían generar niveles de potencia de señal más elevados que pueden interferir con los enlaces de microondas terrestres básicos.

La seguridad del transmisor podría verse afectada negativamente si ha ocurrido alguna de las siguientes situaciones:

- Daños visibles
- Almacenamiento por encima de los 70 °C durante un período prolongado
- Exposición a impactos y similares durante el transporte
- Instalaciones anteriores
- Mal funcionamiento

Si ha ocurrido alguna de las situaciones antes indicadas, devuelva el dispositivo al fabricante para que sea certificado de nuevo.

### 6.1 Comprobar si hay daños o corrosión

Compruebe si hay daños o corrosión una vez al año.

**Nota:** Las únicas piezas del sensor Flo-Dar que el usuario puede reemplazar son el conjunto del asa y el cable. Si el sensor deja de funcionar, debe sustituirse por una unidad completa.

1. Busque signos de daños o corrosión que permitan la entrada de gases del entorno en el interior del sensor.
2. Asegúrese de que el material no está hinchado, ampollado, picado por el óxido y que no se ha producido ninguna pérdida de material en las partes superiores e inferiores de la carcasa plástica principal, del módulo de profundidad o de la cúpula del radar.
3. Si se utiliza el sensor de rango extendido, examine la carcasa y los cuatro tornillos de acero inoxidable ¼-20.
4. Si se utiliza el sensor de velocidad de sobrecarga (SVS):
  - a. Asegúrese de que la unidad no esté corroída y de que se puedan leer las etiquetas.
  - b. Examine los conectores por si presentaran daños o corrosión. Apriete todos los conectores del sistema.
5. Examine los conectores por si presentaran daños o corrosión. Apriete todos los conectores del sistema.
6. Si hay corrosión en los conectores, limpie y seque los conectores para asegurarse de que las patillas no queden húmedas. Si la corrosión es grave, sustituya los cables. Consulte [Sustitución de un cable](#) en la página 84.

## 6.2 Limpieza del instrumento

### ▲ PELIGRO



Peligro de explosión. Nunca intente limpiar o lavar el sensor Flo-Dar o el sensor SVS mientras esté en un lugar que presente riesgos. No utilice sustancias abrasivas ni mangueras o limpiadores de alta presión para limpiar los sensores. No manipule el puerto de presión situado en la parte inferior del sensor.

No es necesario limpiar el sensor con regularidad porque este no se encuentra en contacto con el caudal, salvo que se produzca una situación de sobrecarga. Examine el sensor tras producirse una descarga para ver si es necesario limpiarlo.

**Recopilación de elementos:**poste de recuperación con gancho (opcional)

1. Desconecte la alimentación del sensor.
2. Ponga el gancho en la pértiga de recuperación para retirar el sensor sin entrar en el pozo de registro. Asegúrese de que el poste cuenta con la cinta de conexión a tierra.
3. Encaje el gancho en el asa del sensor y después gire el poste en dirección contraria a las agujas del reloj para desbloquear el sensor del chasis. Extraiga el sensor.
4. Retire todo resto que haya en la parte inferior del sensor. Limpie la superficie externa del sensor con jabón suave y aclare con agua.
5. Si se emplea el sensor de velocidad de sobrecarga (SVS), utilice papel de lija grano 600 en los electrodos (pequeños puntos negros). Ejercer una presión muy suave, ya que de lo contrario podría dañar los electrodos.
6. Baje el sensor hasta el chasis. Asegúrese de que el cable apunte hacia el centro del pozo de registro.
7. Gire el poste de recuperación en la dirección de las agujas del reloj para activar las barras de bloqueo del chasis.
8. Restablezca la alimentación del sensor.

## 6.3 Sustitución de un cable

Si la corrosión es grave en algún conector o algún cable está dañado, sustituya el cable.

1. Desconecte la alimentación al sensor en el registrador o controlador.
2. Ponga el gancho en la pértiga de recuperación para retirar el sensor sin entrar en el pozo de registro. Asegúrese de que el poste cuenta con la cinta de conexión a tierra.
3. Encaje el gancho en el asa del sensor y después gire el poste en dirección contraria a las agujas del reloj para desbloquear el sensor del chasis. Extraiga el sensor.
4. Extraiga los dos tornillos Phillips que se encuentran en el asa del sensor para quitar la abrazadera del cable. Saque el cable.
5. Instale el cable nuevo. Asegúrese de que el conector está correctamente alineado y de que no entra suciedad o agua en el conector.
6. Instale la abrazadera del cable.
7. Baje el sensor hasta el chasis. Asegúrese de que el cable apunte hacia el centro del pozo de registro.
8. Gire el poste de recuperación en la dirección de las agujas del reloj para activar las barras de bloqueo del chasis.
9. Restablezca la alimentación al sensor utilizando el registrador o el controlador.

## 6.4 Cambio del desecante

### ⚠ PRECAUCIÓN



Peligro por exposición química. Respete los procedimientos de seguridad del laboratorio y utilice el equipo de protección personal adecuado para las sustancias químicas que vaya a manipular. Consulte los protocolos de seguridad en las hojas de datos de seguridad actuales (MSDS/SDS).

### ⚠ PRECAUCIÓN



Peligro por exposición a productos químicos. Deshágase de los productos químicos y los residuos de acuerdo con las normativas locales, regionales y nacionales.

### AVISO

No utilice el sensor sin bolas de desecante o con bolas de desecante verdes. Se pueden producir daños permanentes en el sensor.

Sustituya inmediatamente el desecante cuando cambie a verde. Consulte la sección [Figura 21](#).

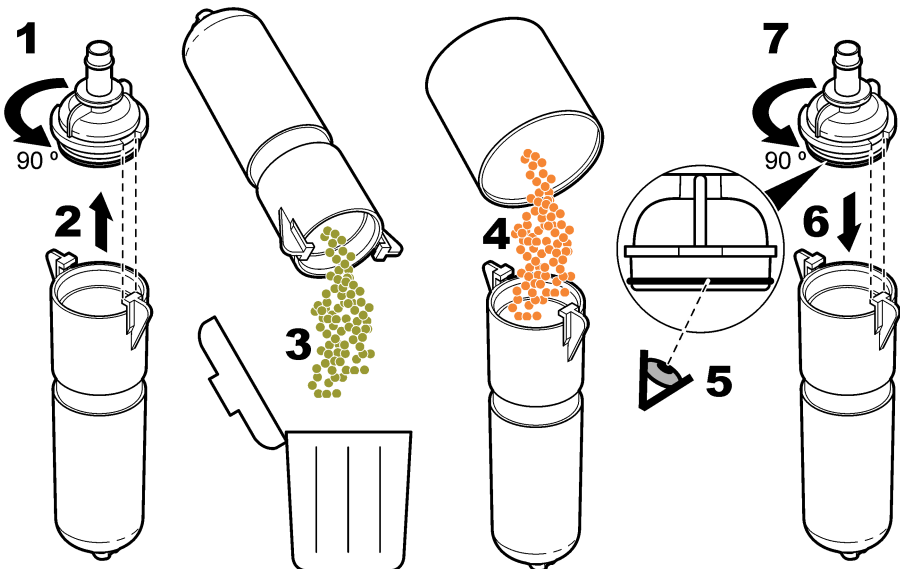
**Nota:** No es necesario retirar el depósito de desecante del conjunto de desecante para instalar un desecante nuevo.

En el paso 5 de la [Figura 21](#), asegúrese de que la junta tórica está limpia y no tiene suciedad ni residuos. Examine la junta tórica para comprobar si presenta grietas, fisuras o signos de daños. Sustituya la junta tórica si presenta daños. Aplique grasa a las juntas tóricas secas o nuevas para facilitar la instalación, sellar mejor e incrementar su vida útil.

Para obtener el mejor rendimiento, asegúrese de instalar el depósito de desecante verticalmente con la tapa del extremo apuntando hacia abajo. Consulte la sección [Fije el conjunto de desecante \(FL900\)](#) en la página 82.

**Nota:** En el momento en que las perlas comienzan a volverse verdes, puede revitalizarlas aplicándoles calor. Sáquelas del cartucho y caliéntelas a 100-180 °C (212-350 °F) hasta que vuelvan a ponerse de color naranja. No caliente el cartucho. Si las perlas no se vuelven naranjas, debe cambiarlas por un desecante nuevo.

Figura 21 Cambio del desecante



## 6.5 Sustitución de la membrana hidrófoba

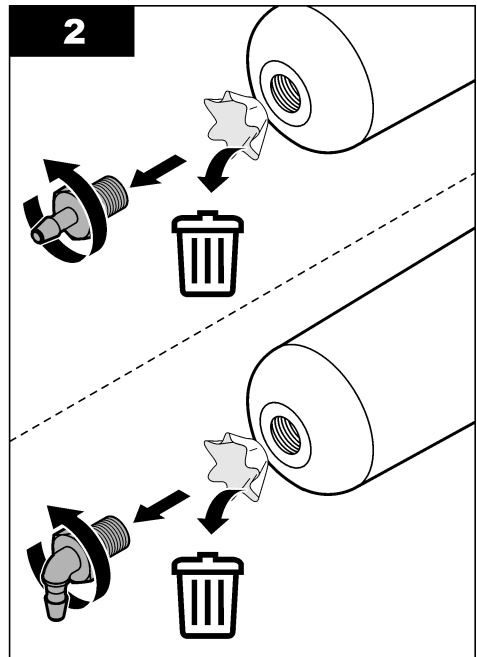
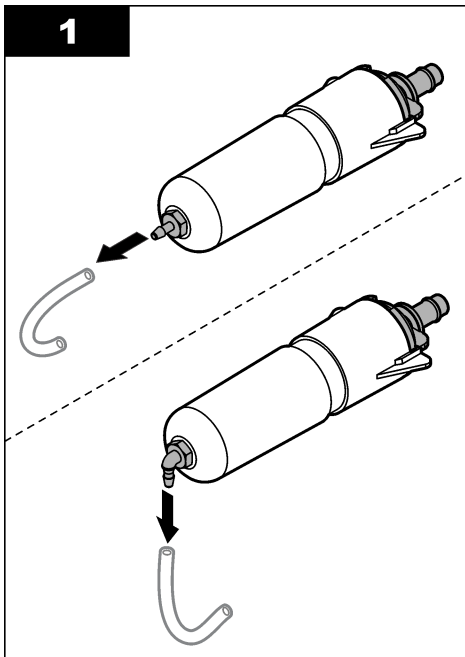
Sustituya la membrana hidrófoba cuando:

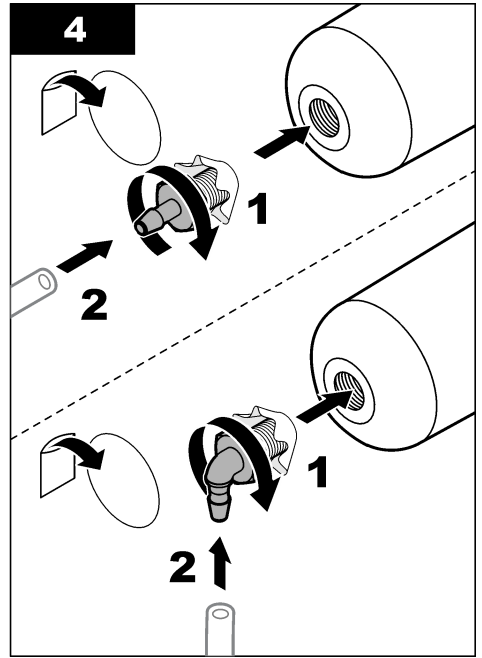
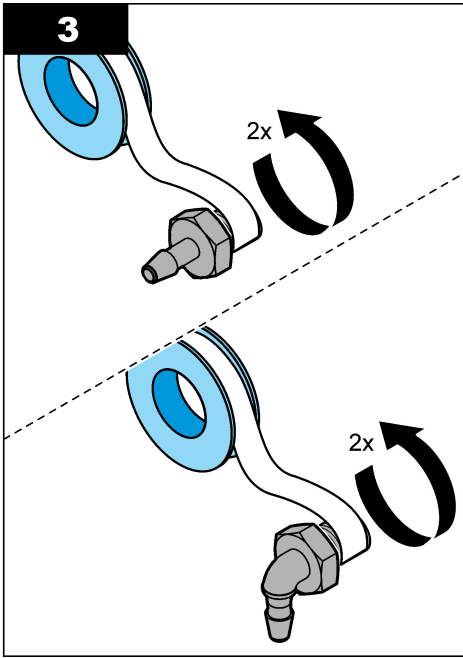
- Aumenten o disminuyan de forma inesperada las tendencias de nivel.
- Se pierdan los datos de nivel o estos sean incorrectos, pero los datos de velocidad sean válidos.
- La membrana esté rota o se haya saturado con agua o grasa.

Consulte los siguientes pasos ilustrados para sustituir la membrana. En el paso 4, asegúrese de que ocurra lo siguiente:

- La parte lisa de la membrana hidrófoba está contra la superficie interior del depósito de desecante.
- La membrana hidrófoba se dobla y se introduce completamente en la rosca hasta que no se ve.
- La membrana hidrófoba gira con la boquilla cuando la boquilla del depósito de desecante gira. Si la membrana no gira, está dañada. Inicie el mismo procedimiento con una membrana nueva.

Para obtener el mejor rendimiento, asegúrese de instalar el cartucho de desecante verticalmente con la tapa del extremo apuntando hacia abajo. Consulte la [Fije el conjunto de desecante \(FL900\)](#) en la página 82.





# Índice

- |   |                                        |   |                          |
|---|----------------------------------------|---|--------------------------|
| 1 | Versão completa do manual na página 88 | 4 | Instalação na página 95  |
| 2 | Especificações na página 88            | 5 | Operação na página 111   |
| 3 | Informações gerais na página 89        | 6 | Manutenção na página 111 |

## Seção 1 Versão completa do manual

Para obter informações adicionais, consulte a versão expandida desse manual, disponível no site do fabricante.

## Seção 2 Especificações

As especificações estão sujeitas a alterações sem aviso prévio.

Especificação	Detalhes
Dimensões (L x P x A)	160.5 x 432.2 x 297 mm (6.32 x 16.66 x 11.7 pol.); com SVS, D=287 mm (15,2 pol.)
Peso	4.8 kg (10.5 lb)
Invólucro	Classificação à prova de água IP68, poliestireno
Grau de poluição	3
Classe de proteção	III
Categoria de instalação	I
Temperatura de operação	-10 a 50°C (14 a 122°F)
Temperatura de armazenamento	-40 a 60°C (-40 a 140°F)
Altitude	Máximo de 4000 m (13,123 pés)
Alimentação elétrica	Fornecido por registrador de vazão Série FL
Cabo de interconexão (desconecte nas extremidades do sensor e do registrador)	Poliuretano, diâmetro de 0,400 (±0,015) polegada
	IP68
	Comprimento padrão: 9 m (30 pés); comprimento máximo: 305 m (1.000 pés)
Medição de profundidade	Método: Ultrassônico
	Faixa operacional padrão do gabinete do sensor Flo-Dar para líquido: 0–152,4 cm (0–60 pol.)
	Faixa operacional estendida opcional da face do transdutor para líquido: 0–6,1 m (0–20 pés) (com 43,18 cm (17 pol.) zona neutra), temperatura compensada
	Precisão: ±1%; ±0,25 cm (±0,1 pol.)
Medição de profundidade de sobrecarga	Método: transdutor de pressão de resistência piezo com diafragma em aço inoxidável
	A função zero auto mantém erro zero < 0,5 cm (0,2 pol.)
	Faixa: 3,5 m (138 pol.); classificação de sobrepressão: 2,5 × escala completa



Especificação	Detalhes
Medição da velocidade	Método: radar pulsado - Doppler
	Faixa: 0,23–6,10 m/s (0,75–20 pés/s)
	Intervalo de frequência: modelos UE — 24,175 GHz $\pm$ 15 MHz, modelos EUA/Canadá — 24,125 GHz $\pm$ 15 MHz
	Potência de saída: modelos UE — 20 mW (13 dBm) nominal $\pm$ 10%, modelos EUA/Canadá — 2,5 V/m a 3 metros (intensidade de campo máxima)
	Precisão: $\pm$ 0,5%; $\pm$ 0,03 m/s ( $\pm$ 0,1 pés/s)
Certificações	O transmissor Flo-Dar possui as seguintes certificações sem fio: <ul style="list-style-type: none"> <li>• União Europeia (UE): selo CE de conformidade de produto</li> <li>• Estados Unidos (EUA): FCC ID: VIC-FLODAR24</li> <li>• Canadá: IC: 6149A-FLODAR24 Brasil: ANATEL: 01552-13-09098</li> <li>• Brazil: ANATEL: 01552-13-09098</li> </ul>
<b>Medição de vazão</b>	
Método	Com base na equação de continuidade
Precisão	$\pm$ 5% da leitura é típico, em que o vazão está em um canal com condições de vazão uniformes e não tem sobrecarga, $\pm$ 1% de escala completa no máximo
<b>Profundidade/velocidade de condições de sobrecarga</b>	
Profundidade (padrão com sensor Flo-Dar)	Profundidade de sobrecarga fornecida pelo sensor Flo-Dar
Velocidade (com sensor de velocidade de sobrecarga opcional)	Método: Eletromagnético
	Faixa: $\pm$ 4,8 m/s ( $\pm$ 16 pés/s)
	Precisão: $\pm$ 0,046 m/s ( $\pm$ 0,15 pés/s) ou 4% de leitura, o que for maior
	Estabilidade zero: $>$ $\pm$ 0,015 m/s ( $\pm$ 0,05 pés/s) típico

## Seção 3 Informações gerais

Em hipótese alguma o fabricante será responsável por danos resultantes de qualquer uso inadequado do produto ou não cumprimento das instruções contidas no manual. O fabricante reserva-se o direito de fazer alterações neste manual e nos produtos aqui descritos a qualquer momento, sem aviso ou obrigação. As edições revisadas podem ser encontradas no site do fabricante.

### 3.1 Informações de segurança

O fabricante não é responsável por quaisquer danos devido ao uso ou aplicação incorreta deste produto, incluindo, sem limitação, danos diretos, acidentais ou consequenciais, e se isenta desses danos à extensão total permitida pela lei aplicável. O usuário é unicamente responsável por identificar riscos críticos de aplicação e por instalar os mecanismos apropriados para proteger os processos durante um possível mau funcionamento do equipamento.

Leia todo o manual antes de tirar da embalagem, montar ou operar esse equipamento. Preste atenção a todos os avisos de perigo e advertência. Caso contrário, o operador poderá sofrer ferimentos graves ou o equipamento poderá ser danificado.







Certifique-se de que a proteção fornecida por este equipamento não seja prejudicada. Não use ou instale este equipamento de qualquer modo diferente do especificado neste manual.

### 3.1.1 Uso de informações de risco

<b>▲ PERIGO</b>	
	Indica uma situação potencial ou iminentemente perigosa que, se não for evitada, resultará em morte ou lesão grave.
<b>▲ ADVERTÊNCIA</b>	
	Indica uma situação potencialmente perigosa que, se não for evitada, pode resultar em morte ou ferimento grave.
<b>▲ CUIDADO</b>	
	Indica uma situação potencialmente perigosa que pode resultar em ferimento leve a moderado.
<b>AVISO</b>	
	Indica uma situação que, se não evitada, pode causar danos ao instrumento. Informações que necessitam de uma ênfase especial.

### 3.1.2 Avisos de precaução

Leia todas as etiquetas e rótulos fixados no instrumento. Caso não sejam observados, podem ocorrer lesões pessoais ou danos ao instrumento. Um símbolo no instrumento tem sua referência no manual com uma medida preventiva.

	Este é o símbolo de alerta de segurança. Acate todas as mensagens de segurança que seguem este símbolo a fim de evitar lesões potenciais. Se o símbolo estiver no instrumento, consulte o manual de instruções para obter informações sobre a operação ou segurança.
	Este símbolo indica que existe um risco de choque elétrico ou de eletrocussão.
	Este símbolo identifica a presença de dispositivos sensíveis a Descargas eletrostáticas (ESD) e indica que se deve tomar cuidado para evitar dano ao equipamento.
	O equipamento elétrico marcado com este símbolo não pode ser descartado em sistemas de descarte público ou doméstico europeus. Devolva equipamentos antigos ou no final da vida útil para o fabricante para descarte, sem custo adicional para o usuário.
	Este símbolo, quando presente no produto, identifica o local de um fusível ou dispositivo limitador de corrente.
	Este símbolo indica que o item marcado exige uma conexão terra de proteção. Se o instrumento não for fornecido com um conector ou cabo aterrado, faça o aterramento de proteção na conexão com o terminal condutor de proteção.

### 3.1.3 Precauções em espaços confinados

<b>▲ PERIGO</b>	
	Perigo de explosão. Treinamento em testes pré-entrada, ventilação, procedimentos de entrada, procedimentos de evacuação/resgate e práticas de trabalho de segurança são necessárias antes de entrar em espaços confinados.

As informações a seguir são fornecidas para ajudar os usuários a entenderem os perigos e os riscos associados com a entrada em espaços confinados.

Em 15 de abril de 1993, a decisão final da OSHA sobre o CFR 1910.146, Autorização Requerida para Espaços Confinados, se tornou lei. Este padrão afeta diretamente mais de 250.000 locais

industriais nos EUA e foi criado para proteger a saúde e a segurança dos trabalhadores em espaços confinados.

### **Definição de um espaço confinado:**

Um espaço confinado é qualquer local ou recinto que apresente (ou tenha potencial imediato para apresentar) uma ou mais das seguintes condições:

- Uma atmosfera com uma concentração de oxigênio menor que 19,5% ou maior que 23,5% e/ou uma concentração de sulfeto de hidrogênio (H<sub>2</sub>S) que seja maior que 10 ppm.
- Uma atmosfera que possa ser inflamável ou explosiva devido a gases, vapores, névoas, poeira ou fibras.
- Materiais tóxicos que, mediante contato ou inalação, podem causar lesões, danos à saúde ou morte.

Os espaços confinados não são feitos para ocupação humana. Os espaços confinados têm uma entrada restrita e contêm riscos conhecidos ou potenciais. Exemplos de espaços confinados incluem câmaras subterrâneas, chaminés, tanques, subterrâneos de troca e outros locais semelhantes.

Os procedimentos de segurança padrão devem sempre ser obedecidos antes da entrada nos espaços confinados e/ou locais onde possam estar presentes gases perigosos, vapores, névoas, poeiras ou fibras. Antes de entrar em um local confinado, encontre e leia todos os procedimentos relacionados à entrada em um espaço confinado.

### **3.1.4 Regulamentos EU/FCC/IC/ANATEL**

O uso deste dispositivo está sujeito às seguintes condições

- Não há nenhum item cuja manutenção deve ser feita pelo usuário dentro deste dispositivo.
- O usuário deve instalar esse dispositivo de acordo com as instruções de instalação fornecidas e não deve modificar o dispositivo em hipótese alguma. Qualquer alteração ou modificação no dispositivo pode anular a autoridade do usuário para operar este equipamento.
- Qualquer serviço que inclua o transmissor deve ser executado apenas pela Hach Company.
- Este dispositivo é considerado um dispositivo sem fio "móvel" de acordo com a FCC. Para segurança de exposição a RF, o usuário deve manter um mínimo de 20 cm (8 pol.) de distância da face do transmissor do radar quando ele estiver em operação.

## **3.2 Certificação**

### **▲ CUIDADO**

Esse equipamento não se destina para uso em ambientes residenciais e pode não fornecer a proteção adequada para a recepção de rádio nesses ambientes.

### **Canadian Radio Interference-Causing Equipment Regulation (Regulamentação para equipamentos de rádio causadores de interferência do Canadá), ICES-003, Classe A:**

Os registros de testes de comprovação encontram-se com o fabricante.

Este aparelho digital Classe A atende a todos os requisitos de regulamentações canadenses sobre equipamentos que causam interferências.

Cet appareil numérique de classe A répond à toutes les exigences de la réglementation canadienne sur les équipements provoquant des interférences.

### **FCC parte 15, limites Classe "A"**

Os registros de testes de comprovação encontram-se com o fabricante. O dispositivo está em conformidade com a Parte 15 das Regras da FCC. A operação está sujeita às seguintes condições:

1. O equipamento não deve causar interferência prejudicial.
2. O equipamento deve aceitar todas as interferências recebidas, inclusive interferências que podem causar funcionamento indesejado.

Alterações ou modificações a este equipamento não aprovadas expressamente pela parte responsável pela conformidade podem anular a autoridade do usuário de operar o equipamento. Este equipamento foi testado e está em conformidade com os limites de dispositivo digital Classe A, de acordo com a Parte 15 das Regras da FCC. Esses limites foram estabelecidos para proporcionar

uma razoável proteção contra interferências nocivas quando o equipamento for operado em ambientes comerciais. Este equipamento gera, utiliza e pode irradiar energia de rádiofrequência e, se não instalado e usado de acordo com o manual de instruções, pode causar interferências prejudiciais às comunicações de rádio. É provável que o funcionamento deste equipamento em área residencial possa causar interferência indesejada, caso em que o usuário será solicitado a corrigir a interferência por conta própria. As seguintes técnicas podem ser usadas para reduzir problemas de interferência:

1. Desconecte o equipamento de sua fonte de alimentação para verificar se ele é ou não a origem da interferência.
2. Se o equipamento está conectado à mesma tomada do dispositivo que está sofrendo interferência, conecte o equipamento a uma tomada diferente.
3. Afaste o equipamento do dispositivo que estiver recebendo a interferência.
4. Reposicione a antena de recebimento do dispositivo que está sofrendo interferência.
5. Tente algumas combinações das opções acima.

#### **Sensor Flo-Dar—Lista de números de peça:**

U-Sonic padrão 890004901, 890004902; U-Sonic SI (Segurança intrínseca) padrão 890004801, 890004802, 890004803; U-Sonic 890005201, 890005202, 890005206; U-Sonic SI (Segurança intrínseca) de longo alcance 890004804, 890004805, 890004806; U-Sonic 890005204, 890005205, 890005207; U-Sonic SI (Segurança intrínseca) remoto de longo alcance 890004807, 890004808, 890004809

Os números de peça acima são somente para serviço e não podem ser adquiridos - consulte somente para certificações sem fio.

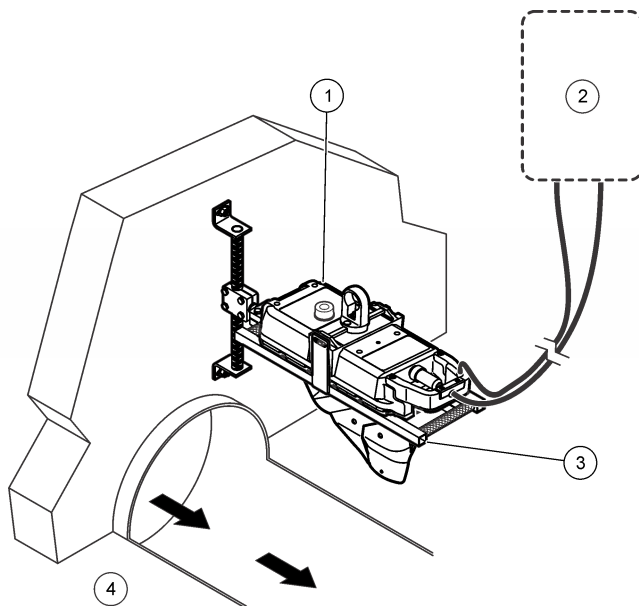
### **3.3 Visão geral do produto**

O sensor Flo-Dar mede a velocidade do vazão e a profundidade do líquido em canais abertos usando a tecnologia de radar e ultrassônica. A unidade foi feita para resistir à submersão durante as condições de sobrecarga. O sensor de velocidade de sobrecarga opcional fornece medições de velocidade durante as condições de sobrecarga.

**Figura 1** mostra a configuração de um sistema Flo-Dar em um local não perigoso.

Informações sobre a teoria de operação e informações sobre pedidos de peças de substituição estão disponíveis no manual do usuário expandido no site do fabricante (<http://www.hach.com>).

**Figura 1 Visão geral do sistema**

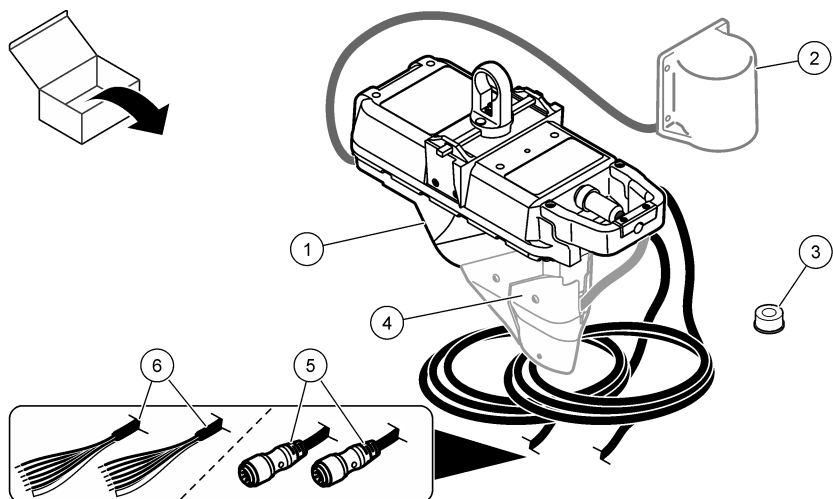


1 O sensor Flo-Dar com sensor de velocidade de sobrecarga opcional	3 Estrutura de montagem
2 Registrador de vazão ou controlador	4 Ambiente não perigoso

### 3.4 Componentes do produto

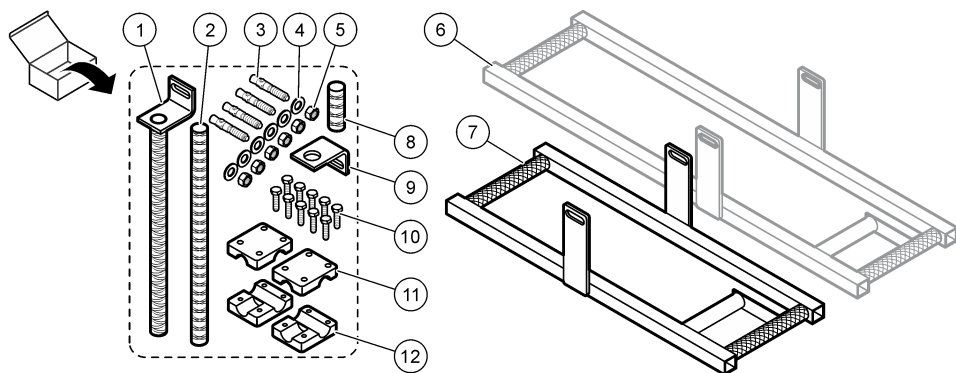
Certifique-se de que todos os componentes foram recebidos. Consulte a [Figura 2](#) e a [Figura 3](#). Se houver itens ausentes ou danificados, entre em contato imediatamente com o fabricante ou com um representante de vendas.

**Figura 2 Componentes do instrumento**



1 Sensor Flo-Dar	4 Sensor de velocidade de sobrecarga (SVS) (opcional)
2 Sensor de faixa estendida (opcional)	5 Conector do Flo-Dar e conector do SVS
3 Nível bolha	6 Flo-Dar com fio desencapado e SVS com fio desencapado <sup>1</sup>

**Figura 3 Hardware montado na parede**



1 Suporte de montagem na parede	7 Estrutura padrão
2 Espaçador, 12 polegadas	8 Espaçador, 2¼ pol.
3 Ancoragem, 3/8 x 2¼ pol. (4x)	9 Suporte de parede ajustável
4 Arruela de ancoragem (6x)	10 Parafusos da presilha, ¼-20 x 1 pol. (10x)
5 Porca de ancoragem, 3/8-16 (6x)	11 Metade da presilha, sem rosca (2x)
6 Estrutura para o sensor de faixa estendida (opcional)	12 Metade da presilha, com rosca (2x)

<sup>1</sup> O fio desencapado é uma alternativa ao conector.

## Seção 4 Instalação

### ⚠ PERIGO



Perigo de explosão. Apenas pessoas treinadas devem instalar ou operar o equipamento.

### 4.1 Instalação mecânica

#### 4.1.1 Diretrizes de local de site

### AVISO

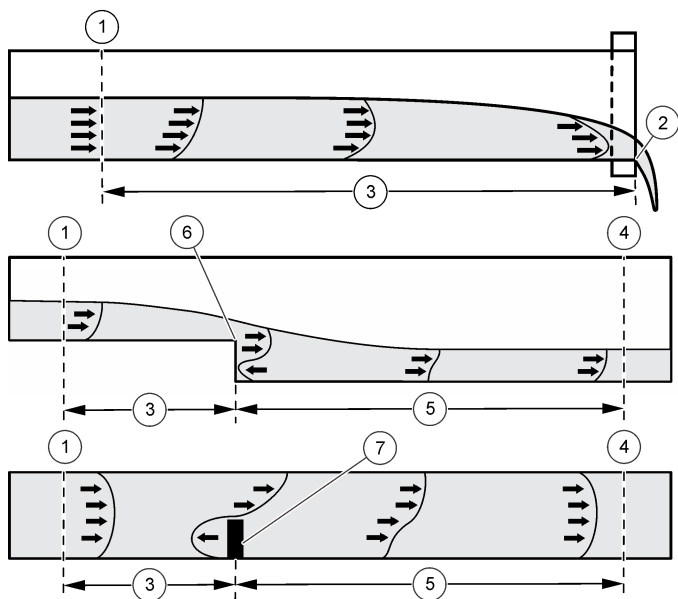
Para evitar danos ao invólucro, instale o equipamento em um local sem a incidência de intemperes, raios solares diretos, radiação Ultravioleta (UV) e fontes de calor. Instale uma proteção contra intemperes e raios solares acima do instrumento quando o mesmo for instalado em locais externos.

Para se obter a melhor precisão, instale o sensor onde o fluxo não é turbulento. O local ideal é em uma bomba ou canal reto longo. Embocaduras, quedas verticais, defletores, curvas ou junções fazem o perfil de velocidade ficar distorcido.

Onde houver embocaduras, quedas verticais, defletores, curvas ou junções, instale o sensor ascendente ou descendente, como mostrado em [Figura 4–Figura 6](#). Para locais ascendentes, instale o sensor em uma distância de pelo menos cinco vezes o diâmetro da bomba ou o nível de fluido máximo. Para locais descendentes, instale o sensor em uma distância de pelo menos dez vezes o diâmetro da bomba ou o nível de fluido máximo.

Se o local contiver uma junção e o fluxo em uma bomba for muito alto, instale o sensor na parede perto da bomba de fluxo inferior.

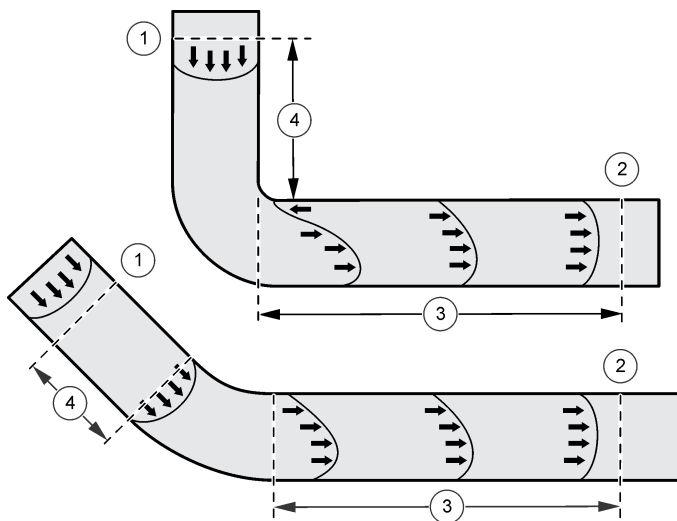
**Figura 4** Local do sensor perto de uma embocadura, queda vertical ou defletor



1 Local do sensor ascendente aceitável	5 Distância descendente: $10 \times$ o diâmetro da bomba
2 Embocadura	6 Queda vertical
3 Distância ascendente: $5 \times$ o nível máximo	7 Defletor
4 Local do sensor descendente aceitável	

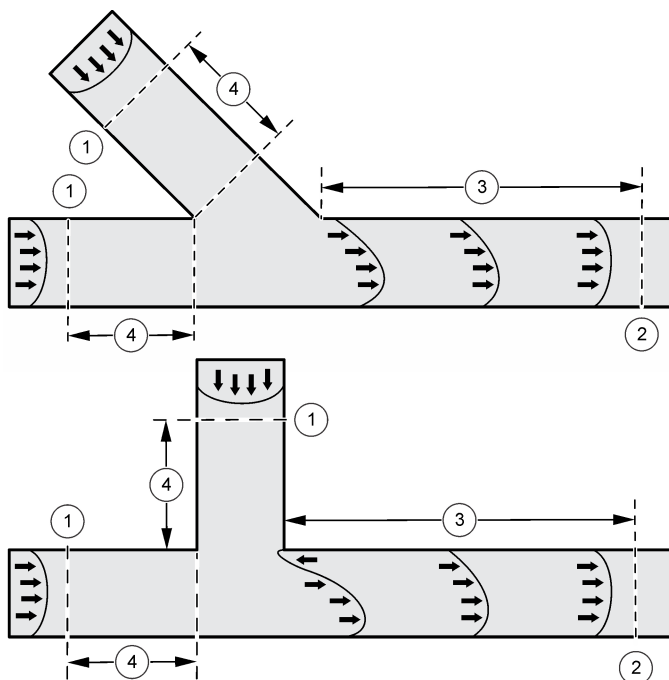


**Figura 5 Local do sensor perto de uma curva ou cotovelo**



1 Local do sensor ascendente aceitável	3 Distância descendente: $10 \times$ o diâmetro da bomba
2 Local do sensor descendente aceitável	4 Distância ascendente: $5 \times$ o diâmetro da bomba

**Figura 6 Local do sensor perto de uma junção**



1 Local do sensor ascendente aceitável	3 Distância descendente: $10 \times$ o diâmetro da bomba
2 Local do sensor descendente aceitável	4 Distância ascendente: $5 \times$ o diâmetro da bomba

#### 4.1.2 Instalar o sensor

### ⚠ ADVERTÊNCIA



Perigo de explosão. Em locais perigosos, a fricção entre as superfícies pode gerar faíscas que podem causar explosões. Confira se não existe a possibilidade de fricção entre o instrumento e qualquer superfície que o cerque.

### ⚠ CUIDADO



Risco de perda de audição potencial. Proteção auditiva necessária. O transdutor de nível emite energia sonora ultrassônica quando ligado. A proteção auditiva deve ser usada ao trabalhar dentro de um metro de distância deste dispositivo. Não aponte a saída do transdutor na direção dos ouvidos durante a instalação, a calibração e a manutenção.

#### Pressão ultrassônica:

- Dimensões do feixe útil: alcance longo
- Pressão ultrassônica:  $> 110$  dB a 1 m (3,3 pés) no eixo
- Pressão sonora dentro do feixe: 111,9 dB no máximo

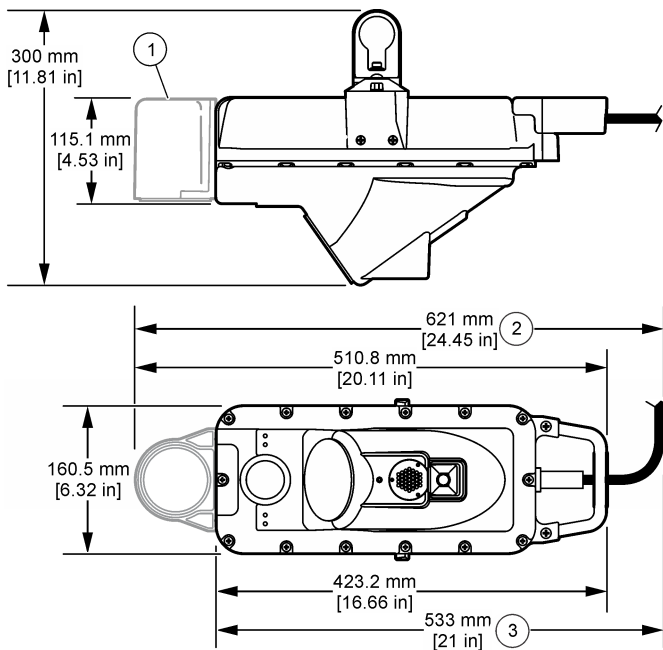
Monte o sensor Flo-Dar acima do canal aberto na parede do orifício. Para locais perigosos, é preciso instalar uma barreira fora da área de perigo.

Para instalação temporária, uma barra Jack opcional está disponível. Instruções são fornecidas com a barra Jack.

As dimensões do sensor são mostradas em [Figura 7](#) e [Figura 8](#).

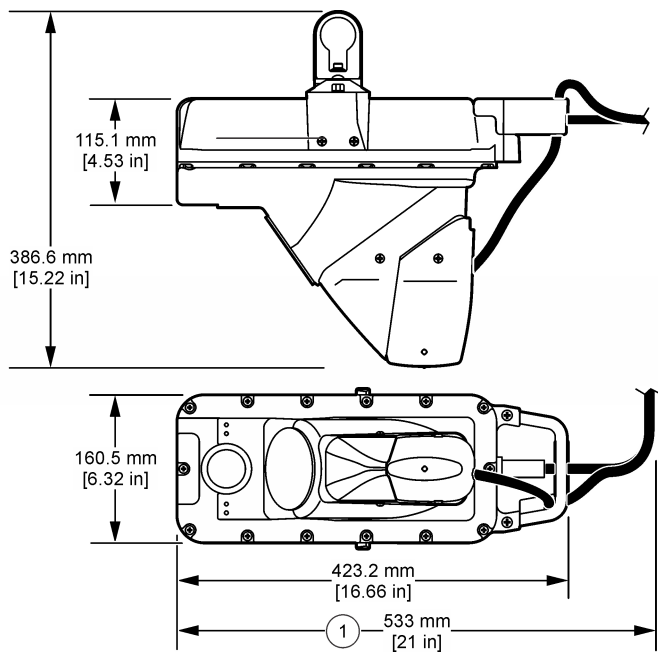
As dimensões do quadro padrão para instalação em parede são mostradas em [Figura 9](#).

**Figura 7 Dimensões do sensor**



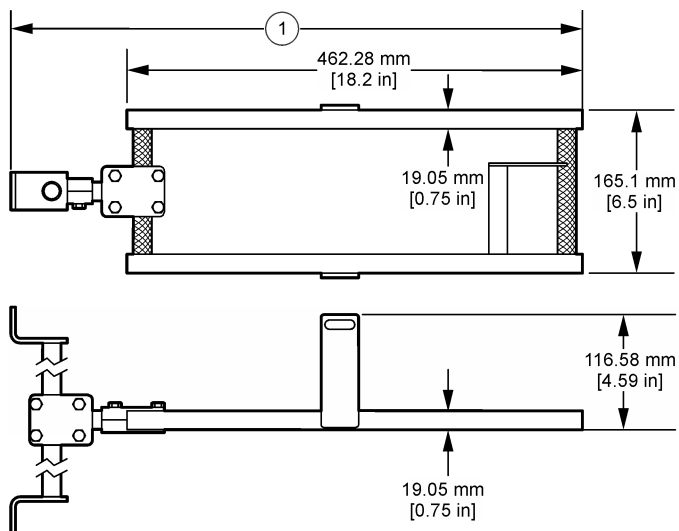
<p><b>1</b> Sensor de faixa estendida opcional</p>	<p><b>3</b> Folga mínima do cabo</p>
<p><b>2</b> Folga mínima do cabo com sensor de faixa estendida</p>	

**Figura 8 Sensor com dimensões de SVS**



1 Folga mínima do cabo

**Figura 9 Dimensões do quadro padrão**



1 579,12 mm (22,8 pol.) com 2¼ pol. espaçador; 828,04 mm (32,6 pol.) com 12 pol. espaçador

#### 4.1.2.1 Monte as presilhas na estrutura e no suporte de parede

Instale as presilhas na estrutura e no suporte de montagem na parede antes da instalação na parede.

**Itens para coletar:** hardware de montagem na parede ([Figura 3](#) na página 94)

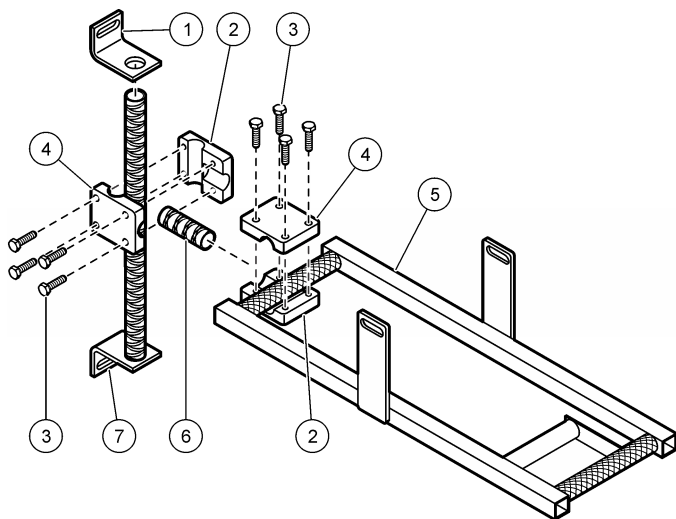
- Estrutura
- Suporte de montagem na parede
- Presilhas
- Hardware: suporte de parede, espaçador, porcas e parafusos

1. Coloque duas metades da presilha (uma com roscas e uma sem roscas) ao redor do suporte de montagem na parede Consulte [Figura 10](#).
2. Conecte as metades da presilha juntas com quatro parafusos. Aperte os parafusos de modo suficiente para temporariamente manter a presilha na posição.
3. Coloque as outras duas metades da presilha ao redor da extremidade frontal da estrutura. Consulte [Figura 10](#).

**Observação:** Em geral, a parte da frente da estrutura apontará para a parede. Consulte a [Figura 10](#) e a [Figura 14](#) na página 106. Se as condições de fluxo exigirem que o sensor seja apontado fora da parede, use o espaçador de 12 polegadas e coloque as duas metades da presilha ao redor da extremidade traseira da estrutura.

4. Conecte as metades da presilha juntas com quatro parafusos. Aperte os parafusos de modo suficiente para temporariamente manter a presilha na posição.

**Figura 10** Monte as presilhas no suporte de parede e na estrutura



1 Suporte de parede ajustável	5 Estrutura
2 Metade da presilha, com rosca	6 Espaçador
3 Parafuso da presilha, 1/4-20 x 1 pol.	7 Suporte de montagem na parede
4 Metade da presilha, sem rosca	

#### 4.1.2.2 Instalar a estrutura na parede

### ▲ PERIGO



Risco de explosão. Leia as informações de segurança em [Precauções em espaços confinados](#) na página 90 antes de entrar em um espaço confinado.

Verifique as diretrizes apresentadas para encontrar o melhor local para o sensor.

- Examine as características dos fluxos ascendente e descendente. Use um espelho, se necessário. Instale o sensor acima da água onde o fluxo é estável. Não instale o sensor onde houver ondas permanentes, pools ou objetos ou materiais que possam interromper o perfil do fluxo.
- Se as características do fluxo ascendente forem aceitáveis, instale o sensor na parede ascendente do orifício com o sensor apontando para cima. Esse local garantirá que o fluxo medido seja o mesmo da bomba e que o cabo do sensor aponte para fora da parede.
- Instale o sensor fora das laterais da bomba e bem no centro do fluxo onde o fluido está na profundidade máxima.
- Instale o sensor em um local acessível para manutenção.

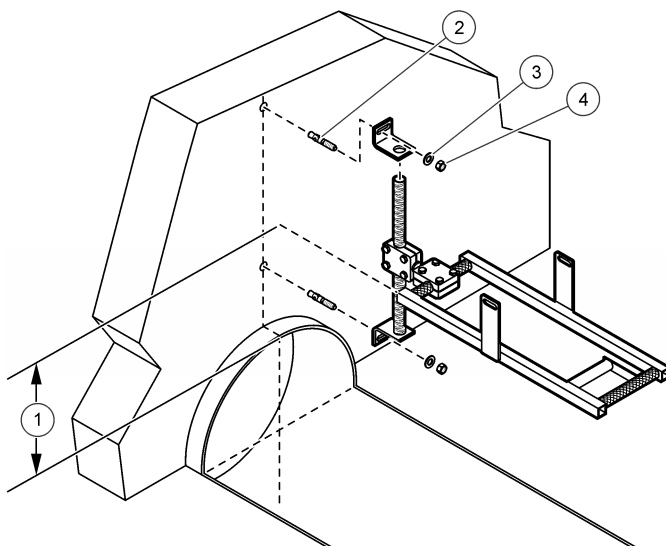
#### Itens para coletar:

- Estrutura montada e conjunto do suporte de montagem em parede
- Ancoragens com porcas e arruelas
- Ferramentas: espelho, régua ou medição por fita, marcador

Execute as etapas para instalar a estrutura na parede do orifício acima do fluxo. Certifique-se de obedecer todos os códigos e/ou todas as diretivas relevantes para a localidade. Consulte [Diretrizes de local de site](#) na página 95.

1. Faça uma marca na parede que identifique o local do topo da estrutura do sensor. Consulte [Figura 11](#). Os suportes de parede serão instalados acima e abaixo dessa marca.
  - Sensor sem SVS — certifique-se de que, quando o sensor estiver na estrutura, o feixe do radar não seja bloqueado pela parede ou pelo canal. Consulte [Figura 13](#) na página 105.
  - Sensor com SVS — o topo da estrutura do sensor deve ser instalado em uma distância exata acima do topo do canal. Para diâmetros de bomba superiores a 635 mm (25 pol.), meça 127 mm (5 pol.) da coroa interna da bomba até o topo da estrutura. Para diâmetros de bomba inferiores a 635 mm (25 pol.), meça 152,4 mm (6 pol.) da coroa interna da bomba até o topo da estrutura.
2. Coloque os suportes de montagem na parede acima e abaixo dessa marca.
3. Fixe os suportes na parede usando as ancoragens fornecidas. Instale as ancoragens em furos com diâmetro de 3/8 pol. em uma profundidade de 38,1 mm (1,5 pol.).
4. Conecte a estrutura ao suporte de parede com um espaçador. Consulte [Figura 11](#). Poderá ser necessário usar o espaçador de 12 pol. para posicionar o sensor mais distante da parede quando houver uma borda da bomba grande.

**Figura 11 Instalação na parede**



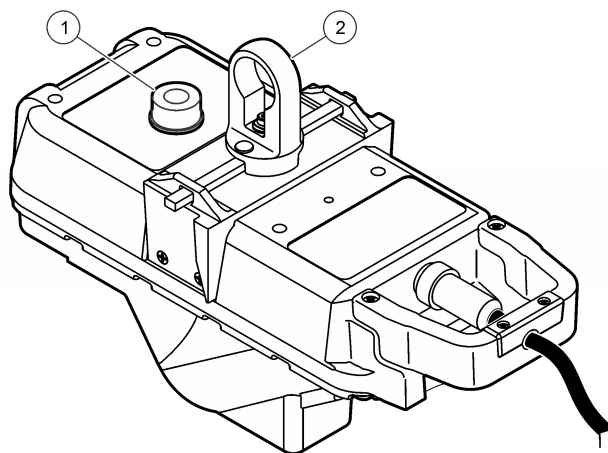
1 Distância da coroa interna da bomba com o topo da estrutura	3 Arruela
2 Ancoragem	4 Porca

#### **4.1.2.3 Instalar o sensor na estrutura**

O sensor se encaixa na estrutura em apenas uma direção e é mantido na posição quando o suporte no sensor é virado. Consulte [Figura 12](#). O sensor pode ser removido da estrutura e instalado sem entrada no orifício quando o poste de recuperação opcional é usado.

1. Certifique-se de que o cabo esteja bem conectado ao sensor.
2. Vire o suporte para retrain as barras de travamento no sensor.
3. Coloque o sensor na estrutura. Certifique-se de que o cabo aponte para o centro do orifício.
4. Vire o suporte para prender o sensor na estrutura. Consulte [Figura 12](#).

**Figura 12 Alinhamento horizontal**



1 Nível da bolha

2 Suporte

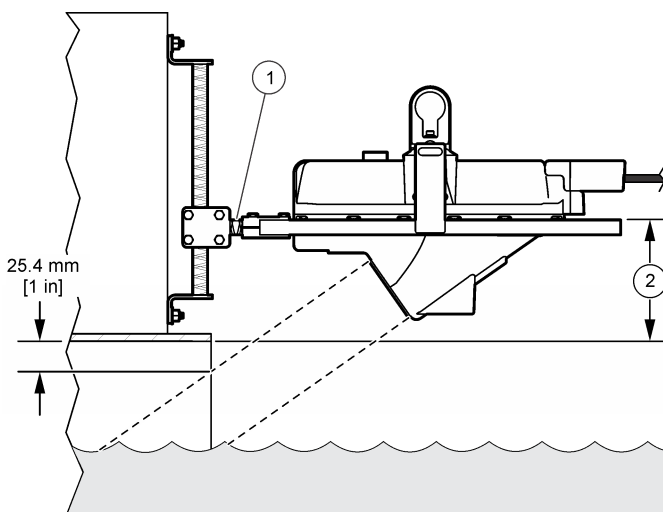
#### **4.1.2.4 Alinhe o sensor verticalmente – Flo-Dar sem SVS**

O sensor deve ser alinhado verticalmente para garantir que esteja acima do fluxo e que o feixe do radar não seja bloqueado pela parede ou bomba. Consulte [Figura 13](#).

1. Faça uma estimativa de onde uma linha se estende do topo da lente do radar perpendicular até onde a lente apontará. Consulte [Figura 13](#).
2. Afrouxe a presilha no suporte de montagem na parede e coloque a estrutura de forma que o feixe do radar aponte abaixo da coroa da bomba em pelo menos 25,4 mm (1 pol.). Consulte [Figura 13](#). Pode ser necessário instalar o espaçador de 12 polegadas para estender a estrutura além da parede.
3. Aperte a presilha e meça a posição da estrutura. Certifique-se de que o feixe do radar não seja bloqueado pela parede ou pela bomba. Se o feixe sofrer bloqueio, mova a estrutura um pouco mais afastado da parede com o espaçador de 12 polegadas ou abaixe a estrutura.



**Figura 13 Alinhamento vertical do sensor**



1 Espaçador	2 Distância da coroa interna da bomba com o topo da estrutura
-------------	---------------------------------------------------------------

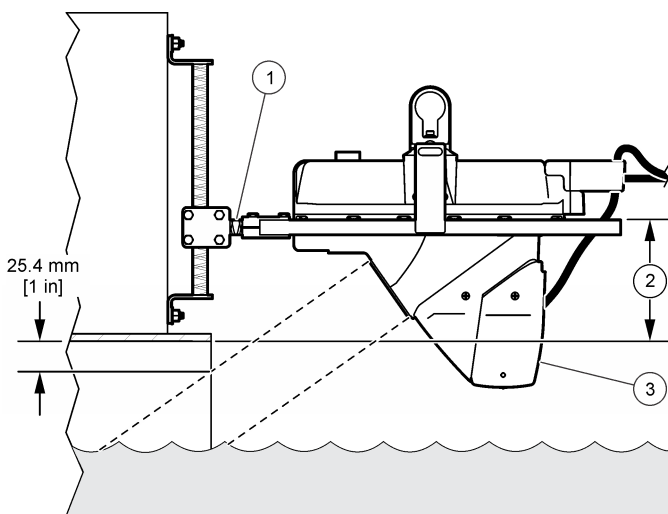
#### **4.1.2.5 Alinhe o sensor verticalmente – Flo-Dar com SVS**

O sensor deve ser alinhado verticalmente para garantir que esteja acima do fluxo sob condições normais de fluxo total e que o SVS seja ativado sob condições de sobrecarga.

**Item para coletar:** medição por régua ou fita

1. Meça diretamente acima da coroa da bomba até o topo da estrutura. Consulte [Figura 11](#) na página 103.
2. Se a borda da bomba for maior que 140 mm (5,5 pol.), instale o espaçador de 12 polegadas entre o suporte de montagem na parede e a estrutura. Consulte [Figura 14](#).
3. Afrouxe a presilha no suporte de montagem na parede e coloque a parte superior da estrutura acima da coroa do tubo na distância especificada:
  - 152,4 mm (6 pol.) para um diâmetro de bomba inferior a 610 mm (24 pol.)
  - 127 mm (5 pol) para um diâmetro de bomba maior que ou igual a 610 mm (24 pol.)
4. Aperte a presilha e meça a posição da estrutura novamente para garantir que ela esteja na posição correta.

**Figura 14 Alinhamento vertical do sensor com SVS**



1 Espaçador	3 Sensor SVS (opcional)
2 Distância da coroa interna da bomba com o topo da estrutura	

#### 4.1.2.6 Alinhar o sensor horizontalmente

O sensor deve ser alinhado horizontalmente para garantir que esteja sobre o centro do fluxo. Se a bomba não estiver nivelada e tiver uma inclinação de dois graus ou mais, alinhe o sensor para que esteja paralelo com a superfície da água.

**Item para coletar:** nível de bolha

1. Remova a proteção de papel do nível de bolha e acople o nível ao sensor. Consulte [Figura 12](#) na página 104.
2. Solte as presilhas e toque na estrutura para posicioná-la no lugar.
3. Aperte ambas as presilhas e meça a posição da estrutura para garantir que ela esteja na posição correta.

#### 4.1.2.7 Fazer uma verificação de alinhamento final

O alinhamento vertical e horizontal correto do sensor é necessário para medições precisas.

1. Meça o alinhamento vertical e faça ajustes se necessário. Consulte [Alinhe o sensor verticalmente – Flo-Dar sem SVS](#) na página 104 ou [Alinhe o sensor verticalmente – Flo-Dar com SVS](#) na página 105.
2. Meça o alinhamento horizontal e faça ajustes se necessário. Consulte [Alinhar o sensor horizontalmente](#) na página 106.
3. Repita as etapas 1 e 2 até mais nenhum ajuste ser necessário.

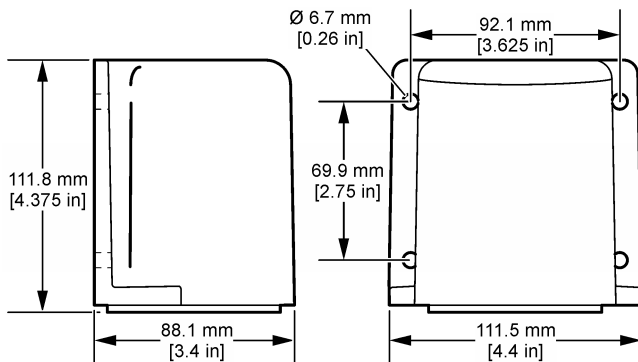
#### 4.1.2.8 Instalação do sensor de faixa estendida opcional

O sensor de faixa estendida ([Figura 15](#)) pode ser usado quando a profundidade da bomba ou do canal for superior às especificações de nível padrão. Consulte [Especificações](#) na página 88.

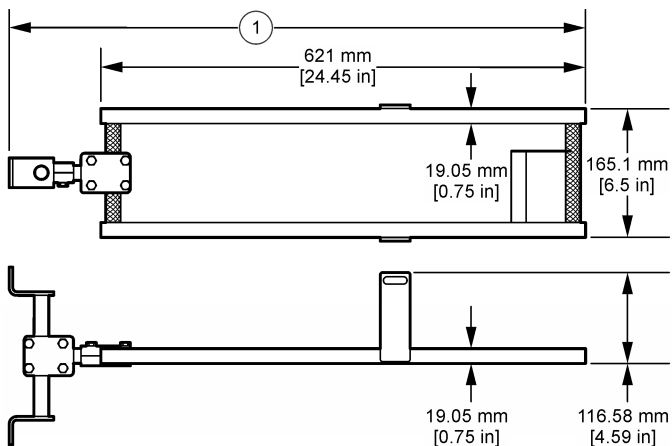
Use a estrutura estendida ([Figura 16](#)) em vez da estrutura padrão ou monte o sensor de faixa estendida na parede.

O sensor de faixa estendida deve ser instalado a pelo menos 457,2 mm (18 pol.) acima da coroa da bomba para medições corretas. O sensor de faixa estendida tem uma zona neutra de 431,8 mm (17 pol.), na qual o sensor não está ativo.

**Figura 15 Dimensões do sensor de faixa estendida**

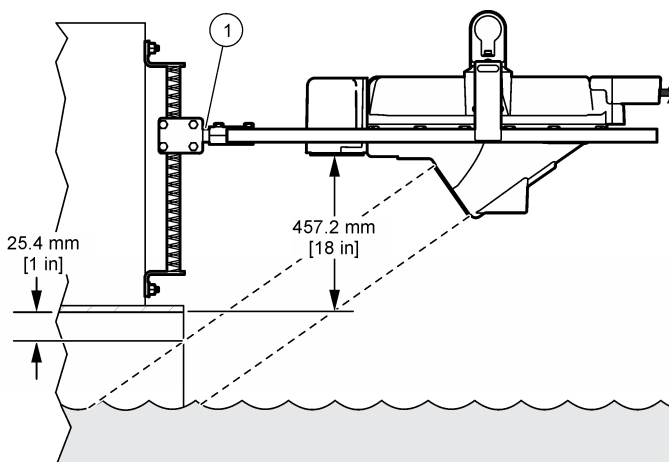


**Figura 16 Dimensões da estrutura estendida**



1 739,14 mm (29,1 pol.) com 2¼ pol. espaçador; 985,52 mm (38,8 pol.) com 12 pol. espaçador

Figura 17 Alinhamento vertical com o sensor de faixa estendida



1 Espaçador

#### 4.1.3 Medir o deslocamento da bomba

O deslocamento do sensor é a distância do topo da estrutura até a parte inferior da bomba ou do canal. A distância será inserida no software e será necessária para cálculos de vazão precisos.

Se o sensor de faixa estendida opcional for instalado na parede sem a estrutura estendida, o offset do sensor será a distância entre a base do sensor de faixa estendida e a parte inferior da tubulação ou do canal.

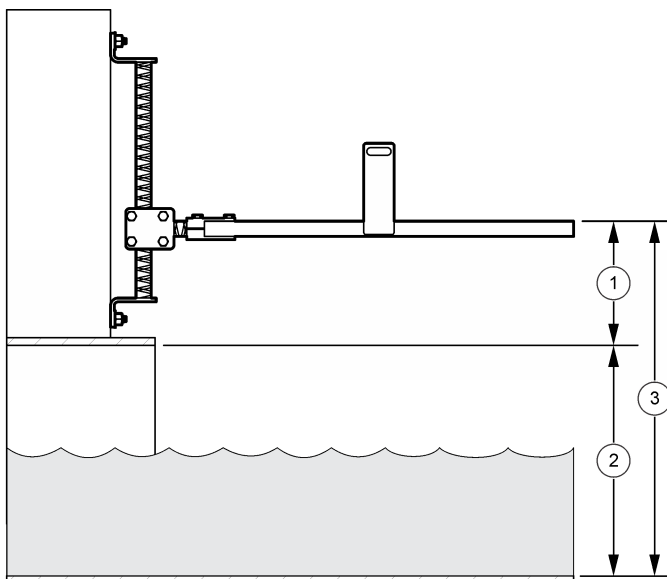
##### Itens para coletar:

- Vareta
- Medida da fita

1. Coloque a vareta na parte inferior da bomba ou do canal e alinhe-a verticalmente com a estrutura. Consulte [Figura 18](#).
2. Faça uma marca na vareta para identificar o local do topo da estrutura do sensor.
3. Meça a distância da parte inferior da vareta até a marca. Esse é o deslocamento do sensor.

**Observação:** Se não for prático medir até a parte inferior da bomba, meça a distância da coroa da bomba até a parte superior da estrutura. Consulte [Figura 18](#). Adicione essa distância ao diâmetro da bomba para obter o deslocamento do sensor.  $\text{Deslocamento do sensor} = \text{diâmetro da bomba} + \text{distância da coroa da bomba até a parte superior da estrutura}$

**Figura 18** Deslocamento do sensor



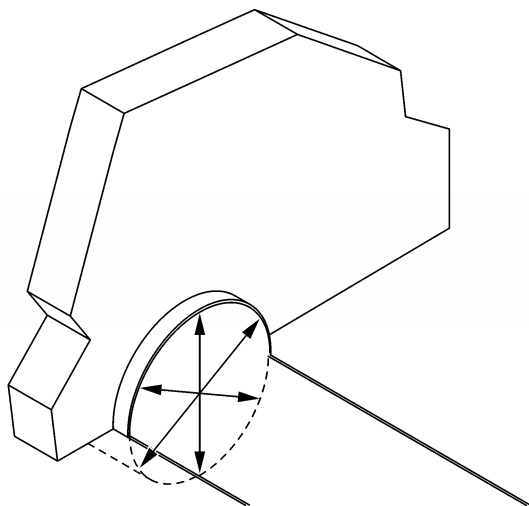
1 Distância da coroa interna da bomba com o topo da estrutura	3 Deslocamento do sensor
2 Diâmetro do tubo	

#### 4.1.4 Medir o diâmetro da bomba

O diâmetro correto da bomba ou do canal é necessário para cálculos de fluxo precisos.

1. Meça o diâmetro interno da bomba (ID) em três locais. Consulte [Figura 19](#). Certifique-se de que as medições sejam precisas.
2. Calcule a média das três medições. Grave esse número para uso durante a configuração do software para o local.

**Figura 19** Medição do diâmetro da bomba



## 4.2 Instalação elétrica

### 4.2.1 Informações de segurança da fiação

<b>⚠ PERIGO</b>	
	Risco de choque elétrico. Desligue sempre a energia do instrumento antes de fazer conexões elétricas.

### 4.2.2 Considerações da descarga eletrostática (ESD)

<b>AVISO</b>	
	Dano potencial do instrumento. Componentes eletrônicos internos delicados podem ser danificados devido à eletricidade estática, podendo resultar em degradação do desempenho ou em uma eventual falha.

Consulte as etapas deste procedimento para evitar que a ESD danifique o instrumento:

- Encoste em uma superfície metálica aterrada, como o chassi de um instrumento, um conduíte ou tubo metálico, para descarregar a eletricidade estática do corpo.
- Evite movimentação excessiva. Transporte componentes sensíveis a estática em recipientes ou embalagens antiestáticas.
- Use uma pulseira conectada a um cabo aterrado.
- Trabalhe em uma área protegida de estática com revestimento antiestático no piso e na bancada.

### 4.2.3 Conectar o registrador de vazão

Conectar o sensor Flo-Dar ao registrador de vazão.

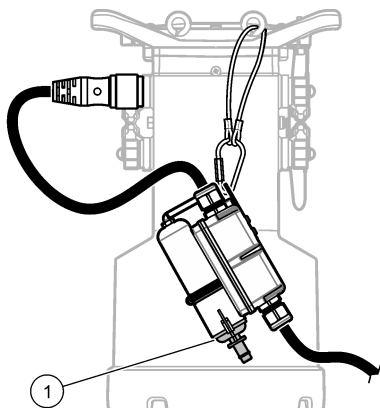
- **Registrador de vazão FL900**—Conecte o cabo do sensor Flo-Dar ao conector do sensor no registrador de vazão. Se o sensor de velocidade de sobrecarga opcional (SVS) estiver instalado, conecte o cabo do SVS a um conector do sensor no registrador de vazão.
- **Registrador de vazão FL1500**—Conecte o cabo do sensor Flo-Dar ao terminal correto no registrador de vazão. Se o sensor de velocidade de sobrecarga opcional (SVS) estiver instalado, conecte o cabo do SVS ao terminal correto no controlador. Consulte a documentação do registrador de vazão FL1500 para ver os locais dos terminais corretos.

#### 4.2.4 Instalação do cubo do dessecante (FL900)

Instale o cubo do dessecante opcional no registrador de fluxo FL900 para fornecer um alívio de tensão ao cabo do sensor e ao conector. Consulte [Figura 20](#).

Para obter o melhor desempenho, certifique-se de instalar o recipiente do dessecante na vertical, com o tampão apontado para baixo. Consulte [Figura 20](#).

**Figura 20** Instalação do cubo do dessecante



1 Tampão

## Seção 5 Operação

Para sensores conectados em um registrador de vazão FL900, conecte um computador com o software FSDATA Desktop no registrador de vazão para configurar, calibrar e coletar dados dos sensores. Consulte a documentação do FSDATA Desktop para configurar, calibrar e coletar dados do sensor.

Para sensores conectados a um registrador de vazão FL1500, consulte sua documentação para configurar, calibrar e coletar dados dos sensores. Como alternativa, conecte um computador com o software FSDATA Desktop no registrador de vazão para configurar, calibrar e coletar dados dos sensores. Consulte a documentação do FSDATA Desktop para configurar, calibrar e coletar dados do sensor.

### 5.1 Instale o software

Certifique-se de que a versão mais recente do software FSDATA Desktop esteja instalada no computador. Baixe o do software de <http://www.hachflow.com>. Clique em Support (Suporte) e, então, selecione Software Downloads>Hach FL Series Flow Logger (Downloads de Software>Registrador de Fluxo Série Hach FL).

## Seção 6 Manutenção

### ▲ PERIGO



Vários perigos. Somente pessoal qualificado deve realizar as tarefas descritas nesta seção do manual.

## ⚠ PERIGO



Risco de explosão. Ao usar o poste de recuperação, certifique-se de conectar a alça de aterramento na saliência de aterramento na barreira. O sensor deve também ser conectado à barreira durante as atividades de manutenção. Isso serve para impedir a ignição de gases explosivos devido à descarga de eletricidade estática.

## ⚠ CUIDADO



Perigo de exposição à radiofrequência de radar. Evite expor a cabeça e outras áreas com órgãos vitais dentro do feixe de micro-ondas (dentro de 1 metro (3,3 pés) da abertura de micro-ondas). Embora o nível de potência de micro-ondas do Flo-Dar seja muito pequeno (aproximadamente 15 mW) e esteja bem abaixo dos limites de exposição declarados pelo governo para ambientes não controlados, os usuários deste produto devem obedecer os protocolos de segurança apropriados para o manuseio de dispositivos com transmissores de frequência de radar.

## AVISO

Manuseie o sensor com cuidado para impedir danos aos transmissor de micro-ondas. Transmissores danificados podem resultar em níveis de potência de sinal mais altos, que podem interferir nos links de micro-ondas terrestres essenciais.

A segurança do transmissor poderá ser afetada caso alguma das seguintes condições tenha ocorrido:

- Danos visíveis
- Armazenamento acima de 70 °C por períodos prolongados
- Exposição a pressões de transporte severas
- Instalação anterior
- Falha em operar corretamente

Caso alguma dessas condições tenha ocorrido, devolva o dispositivo ao fabricante para nova certificação.

### 6.1 Procurar corrosões e danos

Procure corrosões e danos uma vez por ano.

**Observação:** As únicas peças do sistema Flo-Dar que podem ser substituídas pelo usuário são o conjunto do suporte e o cabo. Se o sensor ficar com defeito, ele deverá ser substituído como uma unidade completa.

1. Procure corrosões ou danos que possam permitir a entrada de gases do ambiente no interior do sensor.
2. Certifique-se de que nenhum inchaço, bolha, formação de sulcos ou perda de material tenha ocorrido nas porções superior e inferior do gabinete de plástico principal, do módulo de profundidade ou da cúpula.
3. Se o sensor de faixa estendida for usado, examine o gabinete e os quatro parafusos ¼-20 de aço inoxidável.
4. Se o sensor de velocidade de sobrecarga (SVS) for usado:
  - a. Certifique-se de que a unidade não esteja corroída e que as etiquetas possam ser lidas.
  - b. Examine os conectores quanto a danos ou corrosão. Aperte todos os conectores no sistema.
5. Examine os conectores quanto a danos ou corrosão. Aperte todos os conectores no sistema.
6. Se houver corrosão nos conectores, limpe e seque os conectores para garantir que não haja umidade nos pinos do conector. Se a corrosão for severa, substitua os cabos. Consulte [Substituir um cabo](#) na página 113.



## 6.2 Como limpar o instrumento

### ⚠ PERIGO



Risco de explosão. Nunca tente limpar o sensor Flo-Dar ou SVS em um local perigoso. Não use materiais abrasivos ou mangueiras de alta pressão ou lavadores para limpar os sensores. Não interrompa a porta de pressão na parte inferior do sensor.

A limpeza regular não é necessária porque o sensor não entra em contato com o fluxo, a menos que uma condição de sobrecarga ocorra. Examine o sensor após uma sobrecarga para ver se a limpeza é necessária.

**Item para coletar:** poste de recuperação com gancho (opcional)

1. Desligue a alimentação para o sensor.
2. Coloque o gancho no poste de recuperação para remover o sensor sem entrada em orifício. Certifique-se de que a alça de aterramento esteja no poste.
3. Enganche o suporte no sensor e vire o poste no sentido anti-horário para soltar o sensor da estrutura. Remova o sensor.
4. Remova todos os detritos da parte inferior do sensor. Limpe a superfície externa do sensor com sabão neutro e enxague com água.
5. Se o sensor de velocidade de sobrecarga (SVS) for usado, use papel de cascalho e areia 600 nos eletrodos (pontos pretos pequenos). Use somente pressão leve, ou os eletrodos serão danificados.
6. Abaixar o sensor na estrutura. Certifique-se de que o cabo aponte para o centro do orifício.
7. Gire o poste de recuperação no sentido horário para encaixar as barras de travamento na estrutura.
8. Ligue a alimentação para o sensor.

## 6.3 Substituir um cabo

Se a corrosão for severa nos conectores ou se um cabo tiver danos, substitua o cabo.

1. Desconecte a alimentação para o sensor no registrador ou no controlador.
2. Coloque o gancho no poste de recuperação para remover o sensor sem entrada em orifício. Certifique-se de que a alça de aterramento esteja no poste.
3. Enganche o suporte no sensor e vire o poste no sentido anti-horário para soltar o sensor da estrutura. Remova o sensor.
4. Remova as duas chaves Phillips na alça do sensor para remover a presilha do cabo. Remova o cabo.
5. Instale o novo cabo. Certifique-se de que o conector esteja alinhado corretamente e de que nenhum detrito ou água entre no conector.
6. Instale a presilha do cabo.
7. Abaixar o sensor na estrutura. Certifique-se de que o cabo aponte para o centro do orifício.
8. Gire o poste de recuperação no sentido horário para encaixar as barras de travamento na estrutura.
9. Ative a alimentação do sensor por meio do registrador ou do controlador.

## 6.4 Substituir o dessecante

### ⚠ CUIDADO



Risco de exposição a produtos químicos. Obedeça aos procedimentos de segurança laboratoriais e use todos os equipamentos de proteção individual adequados aos produtos químicos que estão sendo manipulados. Consulte as planilhas de dados de segurança (MSDS/SDS) atuais para verificar os protocolos de segurança.

## ⚠ CUIDADO



Risco de exposição a produtos químicos. Descarte produtos químicos e dejetos de acordo com as regulamentações locais, regionais e nacionais.

## AVISO

Não opere o sensor sem as esferas do dessecante ou com esferas do dessecante verdes. Podem ocorrer danos permanentes ao sensor.

Substitua imediatamente o dessecante quando ele mudar para a cor verde. Consulte [Figura 21](#).

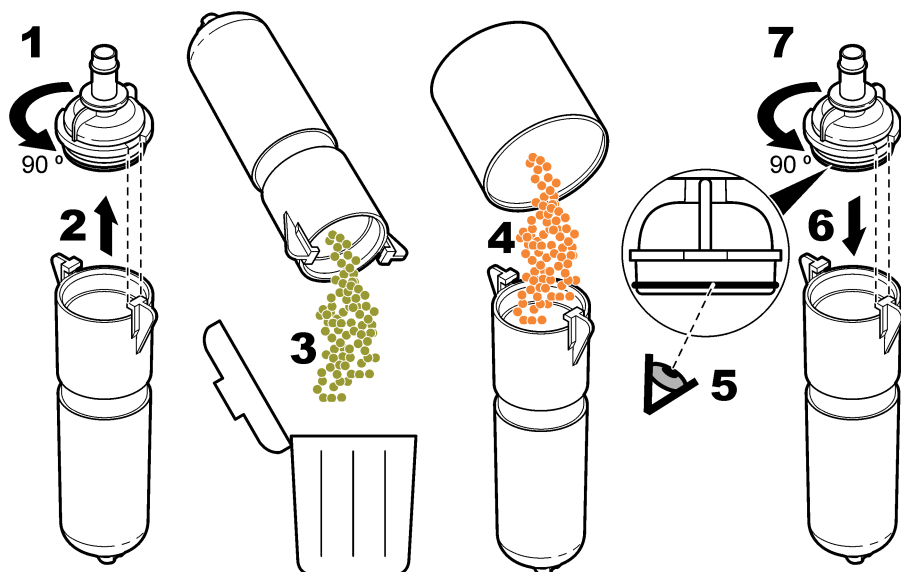
**Observação:** Não é necessário remover o recipiente do dessecante do cubo para instalar o novo dessecante.

Na etapa 5 de [Figura 21](#), certifique-se de que o anel de vedação (o-ring) esteja limpo e sem sujeira ou detritos. Examine o anel de vedação quanto a rachaduras, fendas ou sinais de danos. Substitua o anel de vedação caso ele tenha algum dano. Aplique graxa para secar ou em novos anéis de vedação para facilitar a instalação, obter uma vedação melhor e aumentar a vida útil do anel de vedação.

Para obter o melhor desempenho, certifique-se de instalar o recipiente do dessecante na vertical, com o tãmpão apontado para baixo. Consulte [Instalação do cubo do dessecante \(FL900\)](#) na página 111.

**Observação:** Quando as esferas começarem a ficar verde, é possível retardar o processo com aquecimento. Remova as esferas do cartucho e aqueça-as a 100-180 °C (212-350 °F) até ficarem laranja. Não aqueça o cartucho. Se as esferas não ficarem laranja, elas deverão ser substituídas com um novo dessecante.

**Figura 21** Substituir o dessecante



## 6.5 Substituição da membrana hidrofóbica

Substitua a membrana hidrofóbica quando:

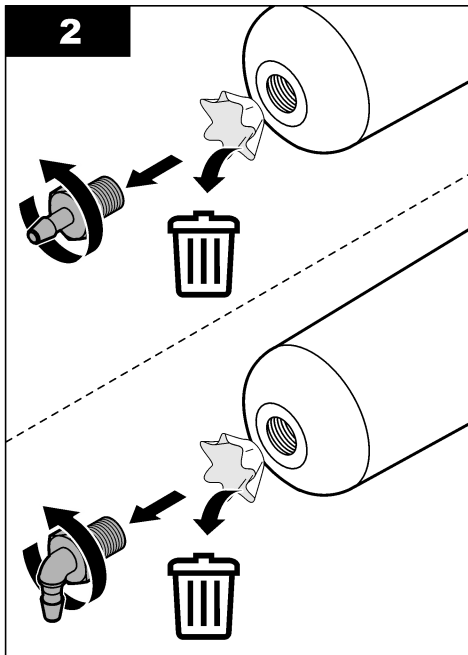
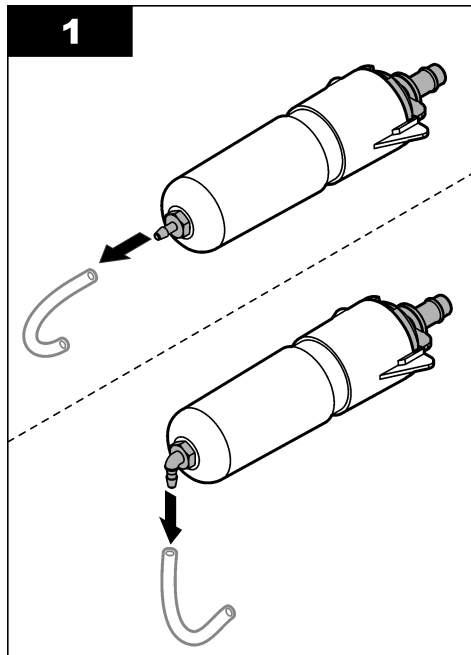
- Ocorrerem aumentos ou diminuições inesperados nas tendências de nível.
- os dados sobre o nível estiverem ausentes ou incorretos, mas os dados da velocidade forem válidos.

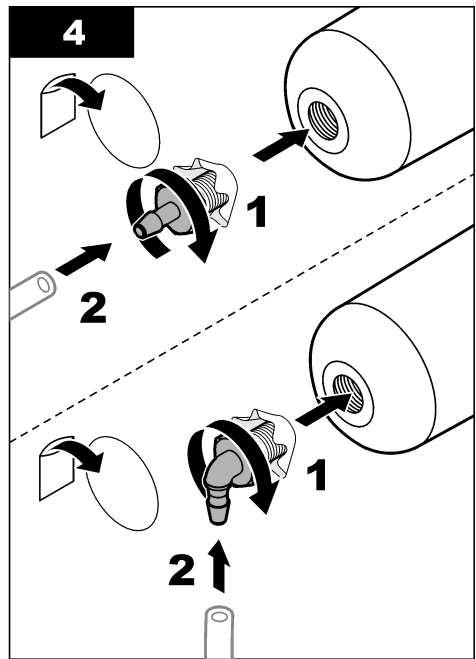
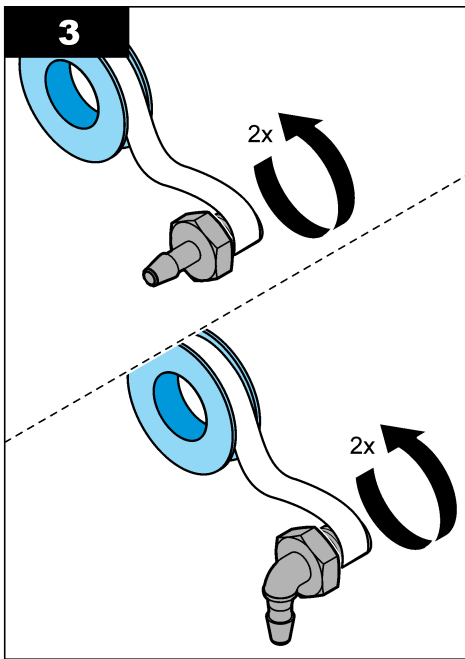
- A membrana estiver torcida ou saturada com água ou graxa.

Consulte as etapas ilustradas a seguir para substituir a membrana. Na etapa 4, certifique-se do seguinte:

- O lado macio da membrana hidrofóbica está contra a superfície interna do recipiente do dessecante.
- A membrana hidrofóbica dobra para cima e entra totalmente na rosca até não ser mais vista.
- A membrana hidrofóbica gira com o bico quando o mesmo gira no recipiente do dessecante. Se a membrana não girar, ela está danificada. Inicie o procedimento novamente com uma nova membrana.

Para obter o melhor desempenho, certifique-se de instalar o recipiente do dessecante na vertical, com o tampão apontado para baixo. Consulte [Instalação do cubo do dessecante \(FL900\)](#) na página 111.





# 目录

- |                  |              |
|------------------|--------------|
| 1 扩展手册版本 第 117 页 | 4 安装 第 123 页 |
| 2 规格 第 117 页     | 5 操作 第 137 页 |
| 3 基本信息 第 118 页   | 6 维护 第 137 页 |

## 第 1 节 扩展手册版本

更多信息请参阅制造商网站上提供的本手册的扩充版本。

## 第 2 节 规格

产品规格如有变化，恕不另行通知。

规格	详细信息
尺寸（宽 x 深 x 高）	160.5 x 432.2 x 297 mm (6.32 x 16.66 x 11.7 in); 配有 SVS, D=287 mm (15.2 in)
重量	4.8 kg (10.5 lb)
外壳	IP68 防水等级, 聚苯乙烯材质
污染等级	3
防护等级	III
安装类别	I
工作温度	-10 至 50 °C (14 至 122 °F)
存放温度	-40 至 60 °C (-40 至 140 °F)
海拔	4000 m (13,123 ft) (最大)
电源要求	由 FL 系列流量记录仪供电
互连电缆（在传感器和记录仪端部断开）	聚氨酯, 直径 0.400 (±0.015) in
	IP68
	标准长度: 9 m (30 ft); 最大长度: 305 m (1000 ft)
深度测量	测量方法: 超声法
	标准工作范围（从 Flo-Dar 传感器壳体到流体之间）: 0–152.4 cm (0–60 in)
	可选加长工作范围（从变送器正面到流体之间）: 0–6.1 m (0–20 ft)（带有 43.18 cm (17 in)死区），有温度补偿
	精度: ±1%; ±0.25 cm (±0.1 in)
过载深度测量	测量方法: 利用带有不锈钢膜的压阻型压力变送器进行测量
	自动调零功能保持零点误差 < 0.5 cm (0.2 in)
	量程: 3.5 m (138 in); 额定过压压力: 2.5 倍满刻度

规格	详细信息
速度测量	方法: 脉冲雷达 - 多普勒
	量程: 0.23–6.10 m/s (0.75–20 ft/s)
	频率范围: 欧盟机型—24.175 GHz $\pm$ 15 MHz; 美国/加拿大机型—24.125 GHz $\pm$ 15 MHz
	输出功率: 欧盟机型—标称 20 mW (13 dBm) $\pm$ 10%; 美国/加拿大机型—3 米时为 2.5 V/m (最大场强)
	精度: $\pm$ 0.5%; $\pm$ 0.03 m/s ( $\pm$ 0.1 ft/s)
认证	Flo-Dar 发射器获得了以下无线认证: <ul style="list-style-type: none"> <li>• 欧盟 (EU): CE 标志</li> <li>• 美国 (US): FCC ID: VIC-FLODAR24</li> <li>• 加拿大: IC: 6149A-FLODAR24</li> <li>• Brazil: ANATEL: 01552-13-09098</li> </ul>
<b>流量测量</b>	
方法	根据连续性方程
精度	未过载恒流流动中通常为读数的 $\pm$ 5%，最大为满刻度 $\pm$ 1%
<b>过载条件下的深度/速度测量</b>	
深度测量 (标配 Flo-Dar 传感器)	由 Flo-Dar 传感器提供过载深度测量
速度测量 (可选过载速度传感器)	测量方法: 电磁法
	量程: $\pm$ 4.8 m/s ( $\pm$ 16 ft/s)
	精度: 读数 $\pm$ 0.046 m/s ( $\pm$ 0.15 ft/s) 或读数的 4%，以大者为准
	零点稳定性: 通常 $>$ $\pm$ 0.015 m/s ( $\pm$ 0.05 ft/s)

## 第 3 节 基本信息

在任何情况下，对于因产品使用不当或未能遵守手册中的说明而造成的损害，制造商概不负责。制造商保留随时更改手册和手册中描述的产品的权利，如有更改恕不另行通知或承担有关责任。修订版可在制造商的网站上找到。

### 3.1 安全信息

对于误用或滥用本产品造成的任何损坏，包括但不限于直接、附带和从属损害，制造商概不负责，并且在适用法律允许的最大范围内拒绝承认这些损害。用户独自负责识别重大应用风险并安装适当的保护装置，以在设备可能出现故障时保护工艺流程。

请在拆开本设备包装、安装或使用前，完整阅读本手册。特别要注意所有的危险警告和注意事项。否则，可能导致操作员受到严重伤害或设备受到损坏。

请确保产品拆开时的完整无损伤。请勿以本手册指定方式之外的其它方式使用或安装本设备。

#### 3.1.1 危害指示标识说明

##### 危险

表示潜在的或紧急的危险情况，如果不加以避免，将会导致死亡或严重伤害。

##### 警告

表示潜在的或紧急的危险情况，如果不加以避免，将会导致死亡或严重伤害。

## ▲ 警告







表示潜在的危險情形，可能导致轻度或中度人身伤害。

## 注意

表明如不加以避免可能会导致仪器损坏的情况。此信息需要特别强调。


### 3.1.2 警告标签

请阅读贴在仪器上的所有标签和标记。如未遵照这些安全标签的指示操作，则可能造成人身伤害或仪器损坏。仪器上的符号在手册中通过警告说明参考。

	这是安全警报标志。请遵守此标志后面的所有安全信息，以避免可能造成的伤害。如果仪器上有此标志，则请参见仪器手册，了解操作或安全信息。
	此标志指示存在电击和/或触电死亡危险。
	此标志指示存在静电释放（ESD）敏感的设备，且必须小心谨慎以避免设备损坏。
	标有此符号的电气设备在欧洲不能通过家庭或公共垃圾系统进行处理。请将老旧或报废设备寄回至制造商处进行处置，用户无需承担费用。
	产品上如有此符号，则指示保险丝或者限流装置的位置。
	此标志指示标记的项目需要保护性接地连接。如果仪器的电缆没有随附接地式插头，需确保保护导体端子连接了保护接地连接。

### 3.1.3 密闭空间预防措施

## ▲ 危险

	爆炸危险。在进入密闭空间之前，需要进行有关进入之前测试、通风、进入过程、疏散救援过程以及安全工作做法的培训。
-------------------------------------------------------------------------------------	--------------------------------------------------------

下列信息旨在帮助用户了解进入密闭空间时可能遇到的危险和风险。

1993年4月15日，OSHA 最终颁布法律规定 CFR 1910.146，密闭空间作业许可 (Permit Required Confined Spaces)。该标准对美国 250000 多个工业场地具有直接影响，用于保护狭窄空间内工人的健康和安。

#### 密闭空间定义：

密闭空间是指具有下列一种或多种情况（或具有直接可能性）的任何位置或壳体：

- 氧气浓度低于 19.5% 或高于 23.5% 并且/或者硫化氢 (H<sub>2</sub>S) 浓度高于 10 ppm 的空气。
- 含有易燃易爆的气体、蒸气、雾气、粉尘或纤维的空气。
- 有毒材料，接触或吸入时会引起受伤、损害健康或致死。

密闭空间不适用于人类居住。密闭空间限制进入，其中含有已知的或潜在的危害。密闭空间包括检修孔、堆栈、管道、大桶、开关地下室及其他类似位置。

进入可能含有危险气体、蒸气、雾气、粉尘或纤维的密闭空间和/或位置之前，务必遵守标准的安全规程。进入密闭空间之前，请首先查找并阅读所有相关的规程。

### 3.1.4 EU/FCC/IC/ANATEL 法规

使用该装置时必须遵循下列条件：

- 该装置内部没有用户可维修的部件。
- 用户必须按照随附的安装说明书安装该装置，绝不能以任何方式改动该装置。对该装置进行任何改变或改动可能会导致用户无权操作此设备。
- 任何维修（包括维修发射器）必须只能由 Hach Company 来执行。
- 根据 FCC 标准，该装置为“移动型”无线装置。未了确保射频暴露安全性，在正常使用时，用户必须与雷达发射器正面保持 20 cm (8 in) 的距离。

## 3.2 认证

### ⚠ 警告

本设备不适合在住宅环境中使用，在此类环境中可能无法为无线电接收提供充分的保护。

### 加拿大无线电干扰产生设备法规 (Canadian Radio Interference-Causing Equipment Regulation), ICES-003, A 类:

制造商支持测试记录留存。

此 A 类数字设备符合加拿大由于无线电干扰所产生的设备法规的所有要求。

Cet appareil numérique de classe A répond à toutes les exigences de la réglementation canadienne sur les équipements provoquant des interférences.

### FCC 第 15 部分, “A”类限制

制造商支持测试记录留存。该设备符合 FCC 规定第 15 部分的要求。设备操作满足以下两个条件：

1. 本设备不会造成有害干扰。
2. 本设备必须接受任何接收到的干扰，包括可能导致意外操作的干扰。

若未经负责出具符合声明的一方明确同意擅自对本设备进行改动或改装，可能会导致取消用户操作该设备的权限。本设备已经过测试，符合 FCC 规定第 15 部分中确定的 A 类数字设备限制。这些限制专门提供当设备在商业环境下工作时针对有害干扰的合理保护。该设备产生、使用和放射无线电射频能量，如果不按照说明手册的要求对其进行安装和使用，可能会对无线电通讯造成有害干扰。本设备在居民区工作时可能会产生有害干扰，这种情况下用户须自行承担费用消除这种干扰。以下方法可用于减少干扰问题：

1. 断开设备的电源，以便确定它是干扰源与否。
2. 如果设备与遭受干扰的仪器连接到相同的插座，将设备连接到其他插座。
3. 将设备从接受干扰的仪器边上移开。
4. 重新定位受干扰仪器的接收天线。
5. 同时尝试以上多项措施。

### Flo-Dar 传感器—零件号列表:

Standard U-Sonic 890004901, 890004902; Standard U-Sonic I.S. (Intrinsic Safety) 890004801, 890004802, 890004803; Long-Range U-Sonic 890005201, 890005202, 890005206; Long-Range U-Sonic I.S. (Intrinsic Safety) 890004804, 890004805, 890004806; Remote Long-Range U-Sonic 890005204, 890005205, 890005207; Remote Long-Range U-Sonic I.S. (Intrinsic Safety) 890004807, 890004808, 890004809

以上零件号仅用于维修用途，不可订购——仅用作无线认证的参考。

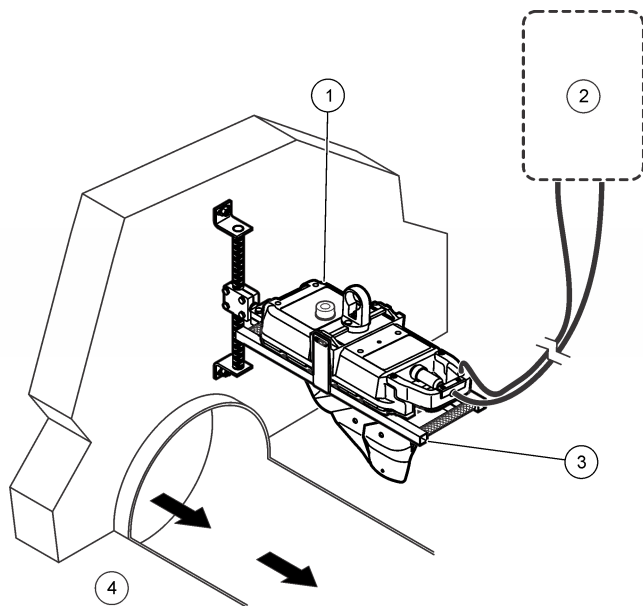
## 3.3 产品概述

Flo-Dar 传感器利用雷达和超声波技术测量明渠中的流动速度和流体深度。该装置能在管渠过载期间经受住浸没。可选配过载速度传感器在过载条件下测量流动速度。

图 1 所示是 Flo-Dar 系统在非危险位置中的配置。



图 1 系统概览

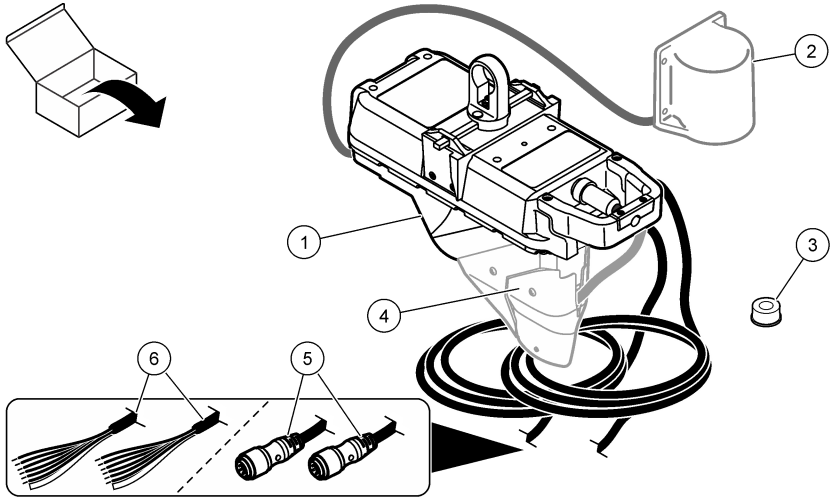


1 Flo-Dar 传感器 (配有可选过载速度传感器)	3 安装架
2 流量记录仪或控制器	4 非危险环境

### 3.4 产品部件

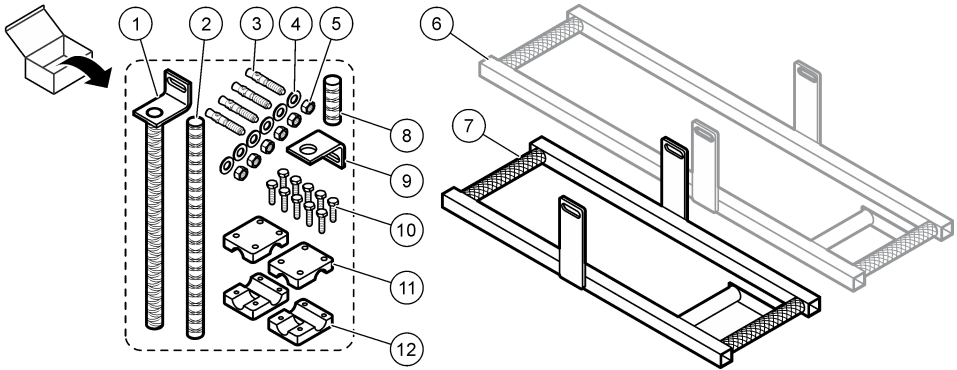
确保已收到所有部件。请参考图 2 和图 3。如有任何物品丢失或损坏，请立即联系制造商或销售代表。

图 2 仪器部件



1 Flo-Dar 传感器	4 过载速度传感器 (SVS) (可选)
2 大量程传感器 (可选)	5 Flo-Dar 连接器和 SVS 连接器
3 气泡水平仪	6 Flo-Dar (带裸线) 和 SVS (带裸线) <sup>1</sup>

图 3 壁装五金件



1 壁装支架	7 标准框架
2 隔圈, 12 in	8 隔圈, 2¼ in
3 地脚螺栓, 3/8 x 2¼ in (4x)	9 可调壁装支架
4 地脚垫圈 (6 个)	10 夹子螺栓, ¼-20 x 1 in(10x)
5 地脚螺母, 3/8-16 (6 个)	11 半夹, 无螺纹 (2 个)
6 大量程传感器框架 (可选)	12 半夹, 带螺纹 (2 个)

<sup>1</sup> 裸线可以替代连接器。

## 第 4 节 安装

### ▲ 危险



爆炸危险。仅经过培训的人员才能安装或调试设备。

## 4.1 机械安装

### 4.1.1 现场定位指导准则

#### 注意

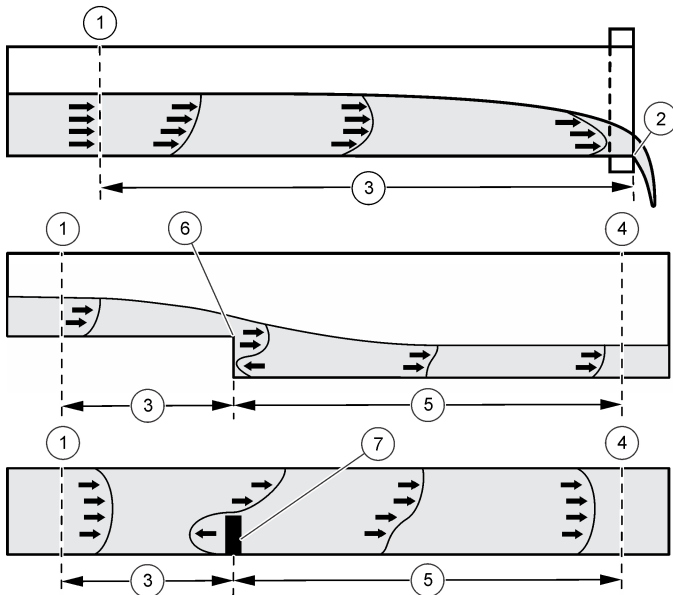
为防止外壳受到损坏，请勿在阳光直射、紫外线照射 (UV)、天气恶劣等条件下或热源旁安装仪器。在室外安装时，请在仪器上方安装遮阳罩或保护盖。

为了获得最佳准确度，需要将传感器安装在非湍流流中。理想位置是长而直的流道或管道。排水口、垂直降落、挡板、弯曲或汇合处会使速度特性被扰乱。

如果存在排水口、垂直降落、挡板、弯曲或汇合处，则按图 4-图 6 所示将传感器安装在上游或下游。对于上游位置，将传感器安装在至少为管径或最大液位 5 倍距离处。对于下游位置，将传感器安装在至少为管径或最大液位 10 倍距离处。

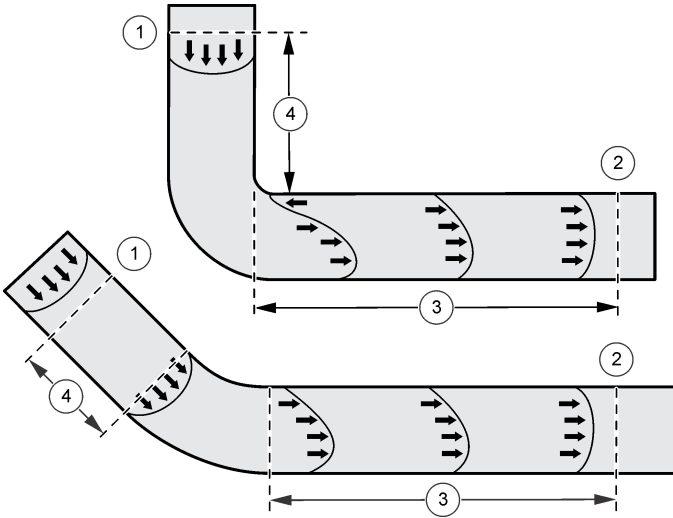
如果安装位置含有一个接管，并且其中一个管道内的流量大很多，则将传感器安装在靠近较低流量管道的墙壁上。

图 4 传感器位置靠近排水口、垂直降落处或挡板



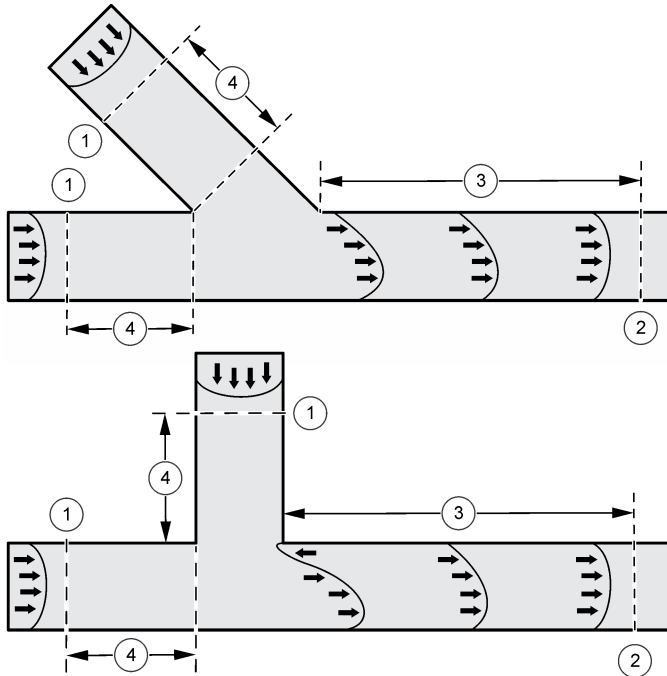
1 容许的上游传感器位置	5 下游距离：管径的 10 倍
2 排水口	6 垂直降落
3 上游距离：最大液位的 5 倍	7 挡板
4 容许的下游传感器位置	

图 5 传感器位置靠近弯曲处或弯管





1 容许的上游传感器位置	3 下游距离：管径的 10 倍
2 容许的下游传感器位置	4 上游距离：管径的 5 倍

图 6 传感器位置靠近接管



1 容许的上游传感器位置	3 下游距离：管径的 10 倍
2 容许的下游传感器位置	4 上游距离：管径的 5 倍

#### 4.1.2 安装传感器

<b>警告</b>	
	爆炸危险。在危险场所，表面摩擦可能产生火花，从而导致爆炸。确保仪器和周围物体的表面不会发生摩擦。
<b>警告</b>	
	可能有丧失听力的危险。需要采取听力保护措施。液位变送器通电时会发射超声波能量。在该装置 1 m 范围内工作时必须配戴护耳装置。安装、校准及维护期间切勿使变送器输出端朝向耳朵。

#### 超声波声压：

- 有用声束的尺寸：远程
- 超声波声压：> 110 dB（1 m (3.3 ft) 声轴处）
- 声束内声压：最大 111.9 dB

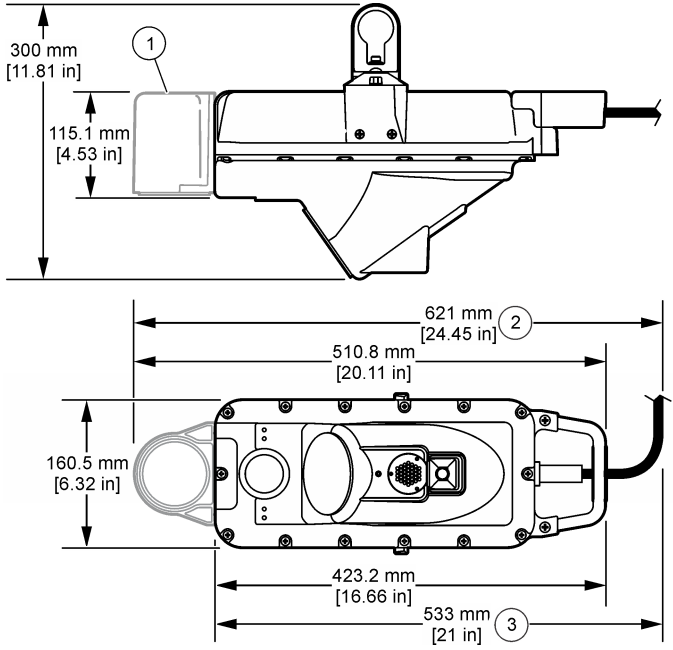
将 Flo-Dar 传感器安装在检修孔壁上的明渠上方。对于危险位置，必须在危险区外部安装一个护栅。

对于临时安装，可以选用一个支撑杆。支撑杆随附说明书。

传感器尺寸如 图 7 和 图 8 所示。

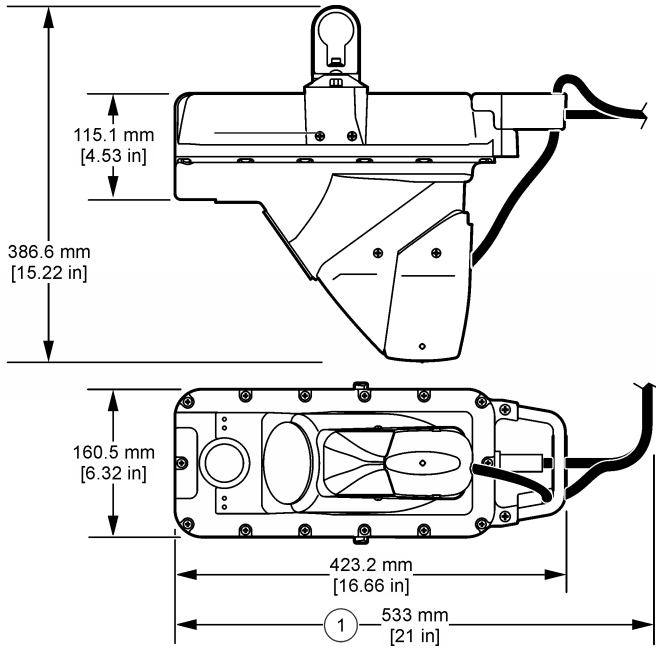
壁装式标准框架的尺寸如 图 9 所示。

图 7 传感器尺寸



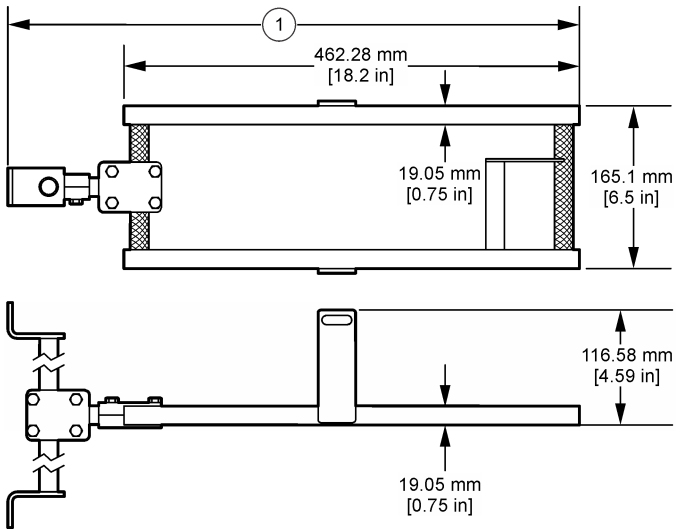
1 可选的大量程传感器	3 最小电缆间隙
2 大量程传感器电缆要求的最小间隙	

图 8 配有 SVS 的传感器尺寸



1 最小电缆间隙

图 9 标准框架尺寸



1 579.12 mm (22.8 in)带 2¼ in 隔圈; 828.04 mm (32.6 in)带 12 in 隔圈

#### 4.1.2.1 将夹子装配在框架和壁装支架上

安装在墙上之前先将夹子安装在框架和壁装支架上。

**需要准备的物品：**壁装五金件 (图 3 第 122 页)

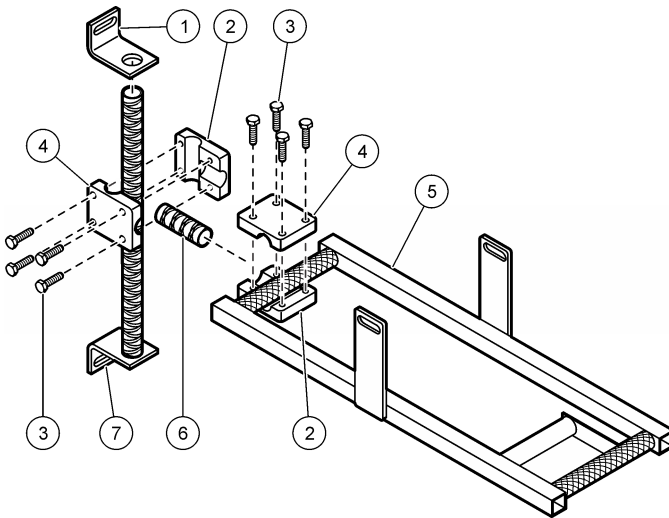
- 框架
- 壁装支架
- 夹子
- 五金件：壁装支架、隔圈、螺母和螺栓

1. 将两半夹子（一个带螺纹，一个不带螺纹）放在壁装支架周围。请参阅 图 10。
2. 用四个螺栓将两半夹子连接在一起。充分拧紧螺栓，以暂时将夹子固定到位。
3. 将另两半夹子放在框架前端周围。请参阅 图 10。

**注：**通常使框架前侧指向墙壁。请参考 图 10 和 图 14 第 132 页。如果因为流动状况而需要使传感器远离墙壁，可使用 12 in 隔圈并使两半夹子位于框架后端周围。

4. 用四个螺栓将两半夹子连接在一起。充分拧紧螺栓，以暂时将夹子固定到位。

**图 10 将夹子装配在壁装支架和框架上**



1 可调壁装支架	5 框架
2 带螺纹夹子（一半）	6 隔圈
3 夹子螺栓， $\frac{1}{4}$ -20 x 1 in	7 壁式安装支架
4 无螺纹夹子（一半）	

#### 4.1.2.2 将框架安装在墙上

### ⚠ 危险



爆炸危险。进入狭窄空间之前需要了解 [密闭空间预防措施](#) 第 119 页中的安全须知。

按照指导准则找到传感器的最佳安装位置。

- 检查上下游流动特性。必要时使用一个镜子。将传感器安装在水流稳定的水面上方。传感器的安装位置不应具有驻波、水池或者会干扰流动特性的物体或材料。
- 如果上游流动特性合格，将传感器安装在检修孔上游墙壁上，并使传感器指向上游。该位置可确保所测流速与管内流速相同，并使传感器电缆朝向墙壁之外。



- 远离管道的侧面将传感器安装在最深液流的正中心。
- 将传感器安装在易于保养的位置。

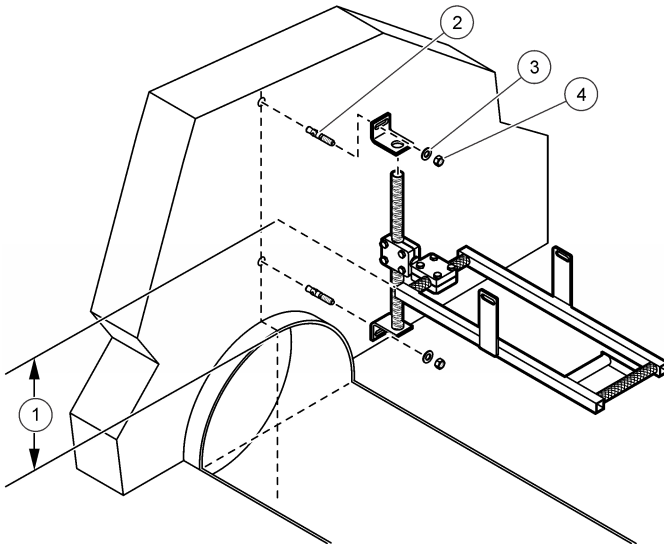
**需准备的物品：**

- 所装配的框架和壁装支架组件
- 带有螺母和垫圈的地脚螺钉
- 工具：镜子、直尺或卷尺、记号笔

按照安装步骤将框架安装在液流上方检修孔壁上。确保遵从所有相关的定位规范和/或指令。请参阅 [现场定位指导准则](#) 第 123 页。

1. 在墙壁上做一个标记，以标识传感器框架顶部的位置。请参阅 [图 11](#)。壁装支架安装在该标记的上方和下方。
  - 未配有 SVS 的传感器 — 确保传感器在框架中时不会使雷达波束被墙体或流道阻挡。请参阅 [图 13](#) 第 131 页。
  - 配有 SVS 的传感器 — 传感器框架的顶部必须安装在流道顶部上方的准确位置。对于大于 635 mm (25 in) 的管径，从管道内部最高点到框架顶部之间量出 127 mm (5 in) 的距离。对于小于 635 mm (25 in) 的管径，从管道内部最高点到框架顶部之间量出 152.4 mm (6 in) 的距离。
2. 将壁装支架放在该标记的上方和下方。
3. 利用随附的地脚螺钉将支架安装在墙壁上。将地脚螺钉安装在直径 3/8 in、深 38.1 mm (1.5 in) 的孔内。
4. 用一个隔圈将框架连接到壁装支架。请参阅 [图 11](#)。如果管唇较大，可能需要利用 12 in 隔圈使传感器的位置远离墙壁。

**图 11 墙壁安装**



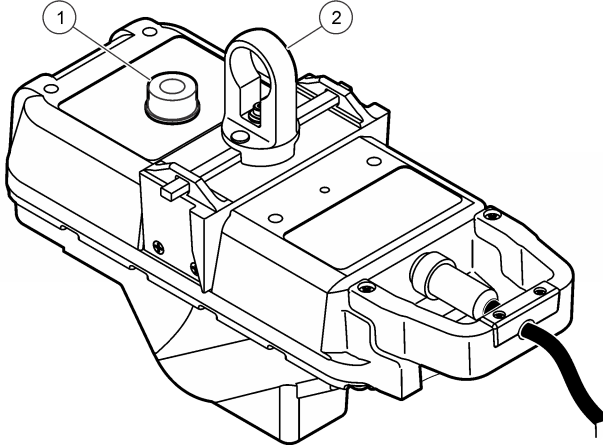
1 管道内部最高点到框架顶部之间的距离	3 垫圈
2 地脚螺钉	4 螺母

#### 4.1.2.3 将传感器安装在框架上

传感器只能单方向安装在框架上，并在转动传感器钩环时固定到位。请参阅图 12。选用回收杆时，无需进入检修孔便可从框架上拆装传感器。

1. 确保电缆紧密连接到传感器。
2. 转动钩环以缩回传感器上的锁杆。
3. 将传感器放在框架上。确保电缆指向检修孔中心。
4. 转动钩环将传感器固定在框架上。请参阅图 12。

图 12 水平对齐



1 气泡水平仪

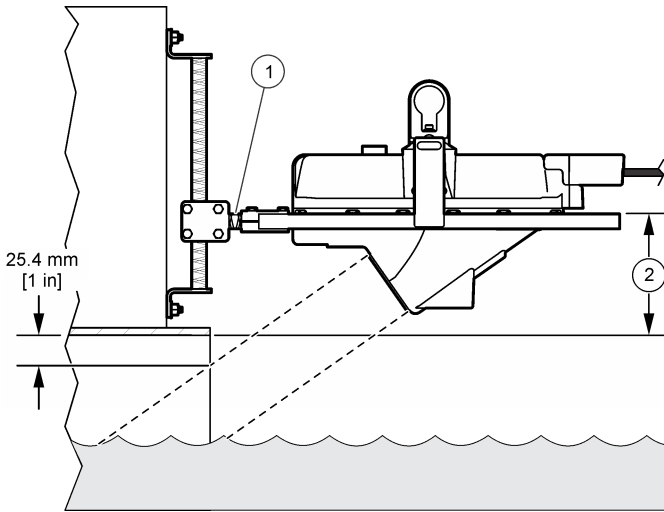
2 钩环

#### 4.1.2.4 垂直对齐传感器 — 未配有 SVS 的 Flo-Dar 传感器

必须垂直对齐传感器，以确保传感器位于液流上方，并确保雷达波束不会被墙壁或管道阻挡。请参阅图 13。

1. 估测一条直线，使其从雷达透镜的顶部垂直于透镜的朝向延伸出。请参阅图 13。
2. 拧松壁装支架上的夹子，放上框架，以使雷达波束指向管道最高点下方至少 25.4 mm (1 in) 的位置。请参阅图 13。可能需要安装 12 in 隔圈以使框架远离墙壁。
3. 拧紧夹子，测量框架的位置。确保雷达波束未被墙壁或管道阻挡。如果波束被阻挡，请使用 12 in 隔圈使框架远离墙壁，或降低框架。

图 13 垂直对齐传感器



1 隔圈

2 管道内部最高点与框架顶部之间的距离

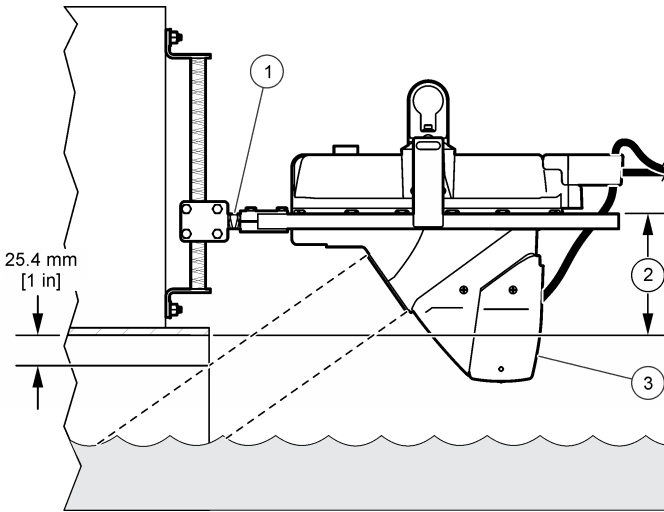
#### 4.1.2.5 垂直对齐传感器 — 配有 SVS 的 Flo-Dar 传感器

必须垂直对齐传感器，以确保在正常满流条件下使其位于液流上方，并确保 SVS 在超载条件下被激活。

**需要准备的物品：** 直尺或卷尺

1. 直接测量管道最高点到框架顶部的距离。请参阅图 11 第 129 页。
2. 如果管壁厚于 140 mm (5.5 in)，请在壁装支架与框架之间安装一个 12 in 隔圈。请参阅图 14。
3. 拧松壁装支架的夹子，使框架顶部位于管道最高点上方指定位置：
  - 152.4 mm (6 in.) 适用于小于 610 mm (24 in) 的管径
  - 127 mm (5 in.) 适用于不小于 610 mm (24 in) 的管径
4. 拧紧夹子，并再次测量框架的位置，以确保其位置正确。

图 14 垂直对齐配有 SVS 的传感器



1 隔圈	3 SVS 传感器（可选）
2 管道内部最高点与框架顶部之间的距离	

#### 4.1.2.6 水平对齐传感器

必须水平对齐传感器，确保使其位于液流中心的上方。如果管道不水平，并且倾斜度超过 2 度，请调整传感器使其与水面平行。

**需要准备的物品：** 气泡水平仪

1. 从气泡水平仪上取下衬纸，然后将水平仪安装到传感器上。请参阅图 12 第 130 页。
2. 拧松夹子，并使框架正确到位。
3. 拧紧两个夹子，并测量框架的位置，以确保位置正确。

#### 4.1.2.7 最终对齐检查

为了准确进行测量，需要正确地垂直和水平对齐传感器。

1. 测量垂直对齐度，必要时进行调整。请参阅 [垂直对齐传感器 — 未配有 SVS 的 Flo-Dar 传感器](#) 第 130 页 或 [垂直对齐传感器 — 配有 SVS 的 Flo-Dar 传感器](#) 第 131 页。
2. 测量水平对齐度，必要时进行调整。请参阅 [水平对齐传感器](#) 第 132 页。
3. 重复第 1 步和第 2 步，直到不再需要调整为止。

#### 4.1.2.8 选装大量程传感器

当管道或流道的深度超过标准液位规格时，可以使用大量程传感器（图 15）。请参阅 [规格](#) 第 117 页。需要使用加长框架（图 16）替代标准框架，或将大量程传感器安装在墙上。

大量程传感器必须安装在管道最高点上方至少 457.2 mm (18 in) 的位置才能准确测量。大量程传感器的死区为 431.8 mm (17 in)，该区域不会激活传感器。

图 15 大量程传感器尺寸

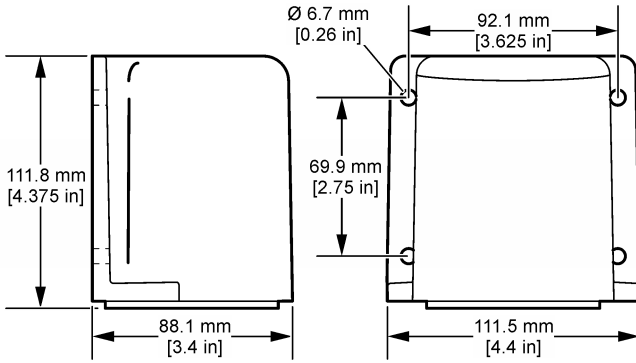
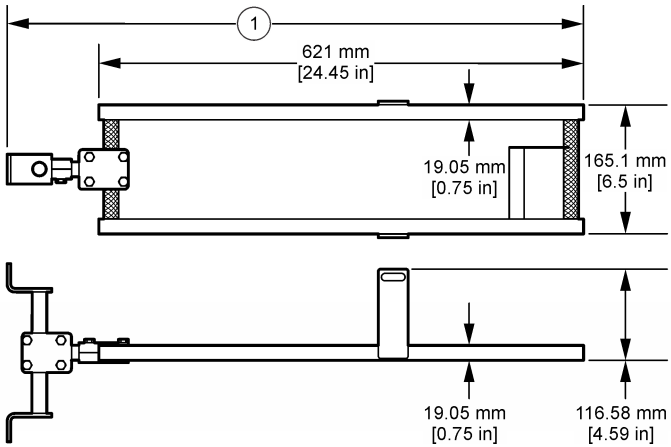
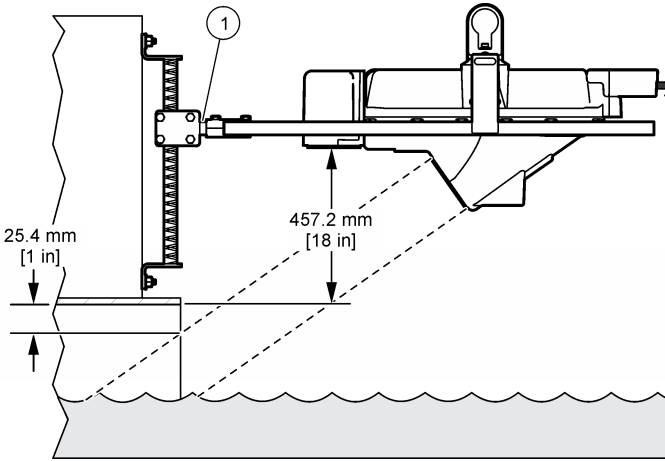


图 16 加长框架尺寸



1 739.14 mm (29.1 in), 带 2¼ in 隔圈; 985.52 mm (38.8 in), 带 12 in 隔圈

图 17 与大量程传感器垂直对齐



1 隔圈

#### 4.1.3 测量传感器补偿距离

传感器补偿距离是指框架顶部到管道或流道底部之间的距离。该距离将输入软件中，这是准确计算流量所必需的。

如果在墙壁上安装了选配的大量程传感器，但未使用加长框架，则传感器补偿距离是指从大量程传感器表面到管道或流道底部之间的距离。

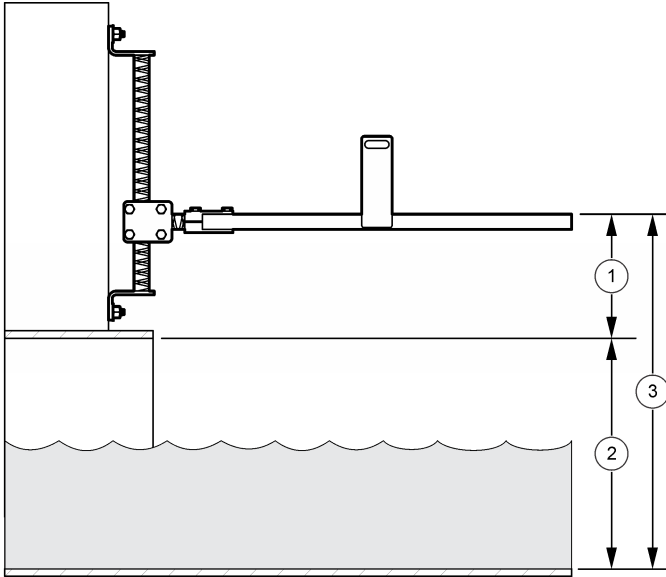
##### 需准备的物品：

- 直棒
- 卷尺

1. 将直棒放在管道或流道的底部，并使其与框架垂直对齐。请参阅 图 18。
2. 在直棒上做一个标记，以标识传感器框架顶部的位置。
3. 测量直棒底部到该标记的距离。该距离即为传感器的补偿距离。

**注：** 如果无法实际测量到管道底部的距离，则请测量管道最高点到框架顶部的距离。请参阅图 18。将该距离与管径相加即为传感器的补偿距离。传感器补偿距离 = 管径 + 管道最高点到框架顶部的距离

图 18 传感器补偿距离



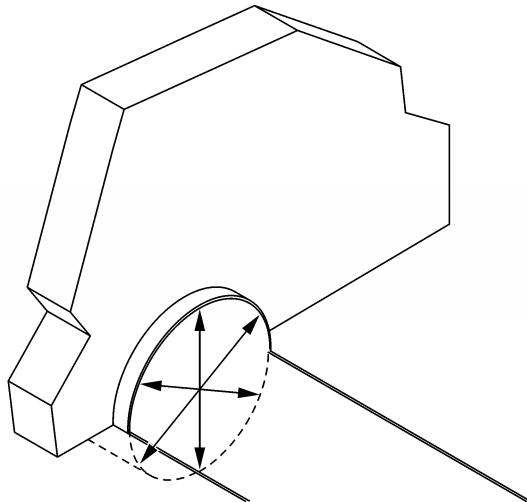
1 管道内部最高点到框架顶部的距离	3 传感器补偿距离
2 管径	

#### 4.1.4 测量管径

需要利用正确的管道或流道直径才能准确计算流量。

1. 在三个位置测量管道内径 (ID)。请参阅 图 19。确保准确测量。
2. 计算三个测量值的平均值。记录下该值，以便现场设置软件时使用。

图 19 管径测量值



## 4.2 电气安装

### 4.2.1 接线安全信息

#### ▲ 危险



电击致命危险。进行电气连接前，务必断开仪器的电源。

### 4.2.2 静电放电 (ESD) 注意事项

#### 注意



可能导致仪器损坏。静电会损害精密的内部电子元件，从而导致仪器性能降低或最终出现故障。

请参阅此流程中的步骤以防止 ESD 损坏仪器：

- 触摸接地金属表面（如仪器外壳、金属导管或管道），泄放人体静电。
- 避免过度移动。运送静电敏感的元件时，请使用抗静电容器或包装。
- 配戴连接到接地线缆的腕带。
- 使用防静电地板垫和工作台垫，以使工作区具备静电安全性。

### 4.2.3 连接流量记录仪

将 Flo-Dar 传感器连接至流量记录仪。

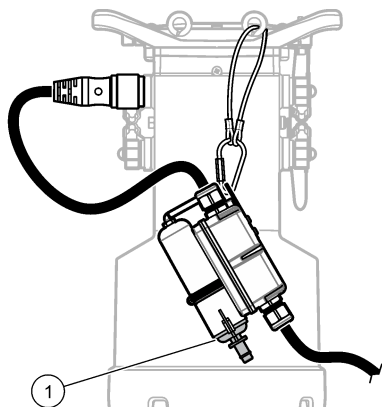
- **FL900 流量记录仪**—将 Flo-Dar 传感器的电缆连接至流量记录仪的传感器连接器。如果装有选配的过载速度传感器 (SVS)，则将 SVS 的电缆连接至记录仪的传感器连接器。
- **FL1500 流量记录仪**—将 Flo-Dar 传感器的电缆连接至流量记录仪的正确端子。如果装有选配的过载速度传感器 (SVS)，则将 SVS 的电缆连接至控制器的正确端子。有关正确端子的位置，请参阅 FL1500 流量记录仪文档。

### 4.2.4 安装干燥剂中枢(FL900)

将可选的干燥剂中枢安装至 FL900 流量记录仪，这可以消除传感器电缆和连接器承受的应力。请参阅图 20。

要获得最佳性能，请确保垂直安装干燥剂容器，使端盖朝下。请参阅图 20。

图 20 安装干燥剂中枢



1 端盖



## 第 5 节 操作

对于连接至 FL900 流量记录仪的传感器，将装有 FSDATA Desktop 软件的计算机连接至该流量记录仪，以便对传感器进行配置、校准和通过传感器收集数据。要对传感器进行配置、校准和通过传感器收集数据，请参阅 FSDATA Desktop 文档。

对于连接至 FL1500 流量记录仪的传感器，请参阅 FL1500 流量记录仪文档，以了解如何配置、校准传感器和通过传感器收集数据。也可将装有 FSDATA Desktop 软件的计算机连接至该流量记录仪，以便对传感器进行配置、校准和通过传感器收集数据。要对传感器进行配置、校准和通过传感器收集数据，请参阅 FSDATA Desktop 文档。

### 5.1 安装软件

确保在计算机上安装最新版本的 FSDATA Desktop 软件。软件下载地址：<http://www.hachflow.com>。单击 Support（支持），然后选择 Software Downloads（软件下载）>Hach FL Series Flow Logger（Hach FL 系列流量记录仪）。

## 第 6 节 维护

### ⚠ 危险



多重危险。只有符合资质的专业人员才能从事文档本部分所述的任务。

### ⚠ 危险



爆炸危险。使用回收杆时，确保将接地带接到护栅接地片上。执行维护作业期间，还必须将传感器连接到护栅，以防静电放电引燃爆炸性气体。

### ⚠ 警告



有接触雷达射频的危险。避免使头部及其他的重要器官部位处于微波波束内（微波孔径 1 m (3.3 ft) 范围内）。尽管 Flo-Dar 微波功率水平很低（约 15 mW），并且完全低于政府规定的非受控环境接触限值，但本产品的用户仍然应按合适的安全规章来处理配有射频发射器的装置。

### 注意

小心处理传感器，以防损坏微波发射器。发射器损坏会导致信号功率水平升高，这会干扰必要的地面微波链路。

如果出现下列任何一种情况，说明发射器的安全性可能受损：

- 可见损坏
- 在 70 °C 以上长期存放
- 遭受严重的运输应力
- 过早安装
- 操作不当

如果出现上述任何情况，请将传感器装置返还厂家重新认证。

### 6.1 检查腐蚀和损坏情况

每年检查一次腐蚀和损坏情况

**注：**Flo-Dar 系统可由用户更换的唯一部件是钩环组件和电缆。如果传感器损坏，必须全部更换。

1. 检查是否出现腐蚀或损坏，以免环境中的气体进入传感器内部。
2. 确保主塑料壳的上部和下部、深度模块或雷达天线罩未出现膨胀、起泡、凹陷或材料损失。
3. 如果使用大量程传感器，请检查外壳和四个 ¼-20 不锈钢螺栓。

#### 4. 如果使用过载速度传感器 (SVS):

- a. 确保传感器装置未被腐蚀, 并且标签可辨识。
  - b. 检查连接器是否出现任何损坏或腐蚀。拧紧系统中的所有连接器。
5. 检查连接器是否出现任何损坏或腐蚀。拧紧系统中的所有连接器。
6. 如果发现连接器被腐蚀, 请清洁并干燥连接器, 确保连接器引脚上没有水。如果腐蚀严重, 请更换电缆。请参阅 [更换电缆](#) 第 138 页。

## 6.2 清洁仪器

<b>⚠ 危险</b>	
	爆炸危险。切勿在危险位置擦拭或清洁 Flo-Dar 或 SVS 传感器。切勿使用磨蚀性或高压型软管或洗涤剂清洁传感器。切勿干扰传感器底部的压力接口。

不必定期清洁, 因为传感器不会接触液流, 除非出现管渠超载情况。出现超载之后检查传感器是否需要清洁。

**需要准备的物品:** 带钩回收杆 (可选)

1. 断开传感器电源。
2. 将钩子放在回收杆上, 无需进入检修孔便可拆下传感器。确保接地带位于回收杆上。
3. 钩住传感器钩环, 逆时针转动回收杆, 以使传感器从框架上解锁。拆下传感器。
4. 清除传感器底部的所有碎屑。用温和的肥皂清洁传感器外表面, 然后用水冲洗。
5. 如果使用过载速度传感器 (SVS), 请用粒度为 600 的砂纸打磨电极 (小黑点)。只能轻压打磨, 否则损坏电极。
6. 降低传感器在框架上的位置。确保使电缆指向检修孔中心。
7. 顺时针转动回收杆, 以使锁杆卡入框架中。
8. 为传感器接通电源。

## 6.3 更换电缆

如果连接器腐蚀严重或是电缆发生损坏, 请更换电缆。

1. 断开记录仪或控制器对传感器的供电。
2. 将钩子放在回收杆上, 以便在不进入检修孔的情况下拆卸传感器。确保接地带位于回收杆上。
3. 钩住传感器钩环, 然后逆时针转动回收杆, 以使传感器从框架上解锁。拆下传感器。
4. 拧下传感器手柄上的两个十字槽螺钉, 以拆下电缆夹。拆下电缆。
5. 安装新电缆。确保连接器正确对准, 并且无碎屑或水进入连接器。
6. 安装电缆夹。
7. 降低传感器在框架上的位置。确保电缆指向检修孔中心。
8. 顺时针转动回收杆, 以使锁杆卡入框架中。
9. 通过记录仪或控制器为传感器供电。

## 6.4 更换干燥剂

<b>⚠ 警告</b>	
	化学品暴露风险。遵守实验室安全规程, 穿戴适用于所处理化学品的所有个人防护装备。有关安全规程, 请参阅当前安全数据表 (MSDS/SDS)。

## 警告



化学品暴露风险。请遵循地方、区域和国家法规处置化学品和废弃物。

## 注意

在没有干燥剂珠粒或干燥剂珠粒呈绿色的情况下，请勿操作传感器。否则会永久损坏传感器。

当干燥剂变为绿色时，请立即更换。请参见图 21。

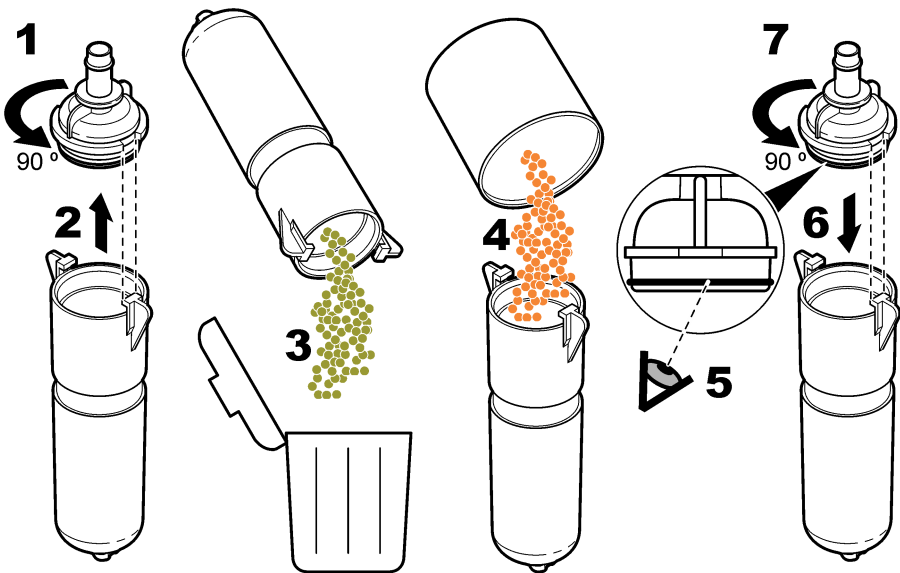
**注：** 安装新干燥剂时，无需从干燥剂中枢上卸下干燥剂容器。

在图 21 中的步骤 5，确保 O 形圈洁净且无污垢或碎片。检查 O 形圈是否有裂痕、凹陷或损坏迹象。如果 O 形圈已损坏，请进行更换。为干燥的或新的 O 形圈涂上润滑脂，以便于安装、更好地密封以及延长 O 形圈的使用寿命。

要获得最佳性能，请确保垂直安装干燥剂容器，使端盖朝下。请参见[安装干燥剂中枢\(FL900\)](#)第 136 页。

**注：** 当干燥剂珠粒开始变绿时，可通过加热使其恢复原有性能。从干燥剂筒中取出干燥剂珠粒，然后将其在 100-180 °C (212-350 °F) 温度下加热，直至变为橙色。请勿加热干燥剂筒。如果干燥剂珠粒未变为橙色，则必须更换成新干燥剂。

图 21 更换干燥剂



## 6.5 更换疏水膜

在以下情况下需更换疏水膜：

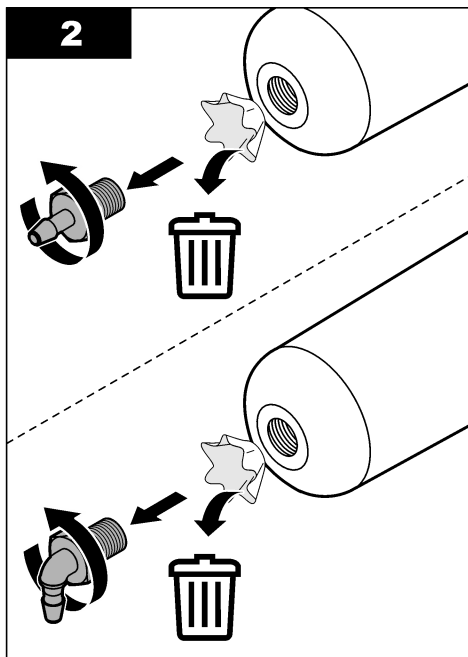
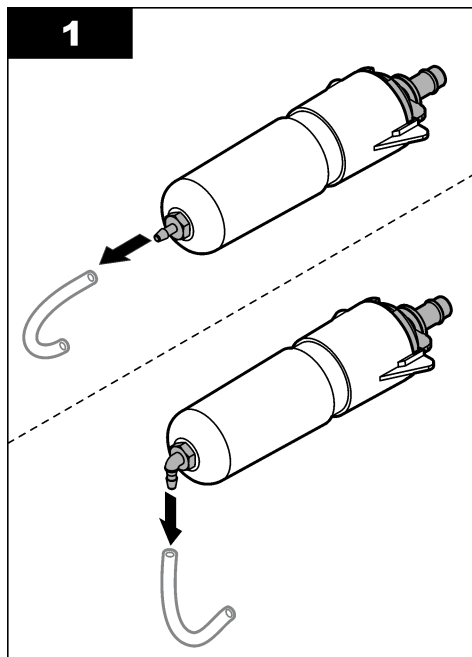
- 液位趋势意外增加或减少。
- 液位数据丢失或不正确，但速度数据有效。
- 疏水膜破裂或充满水或油脂。

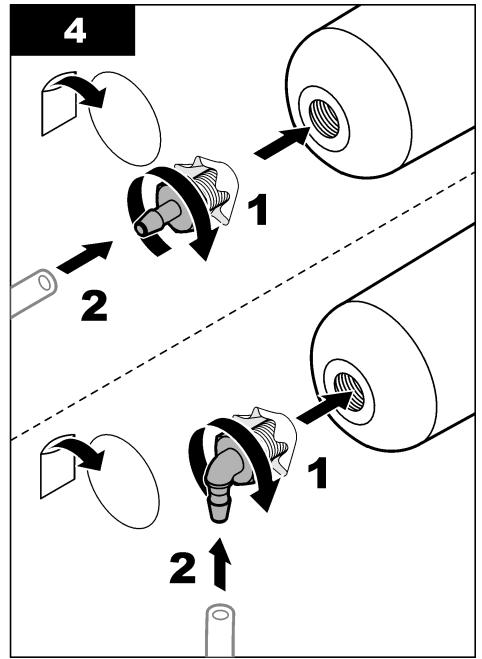
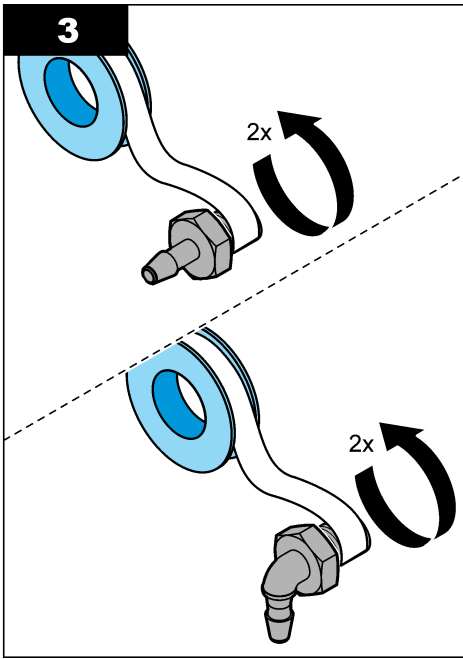
请参阅以下图示步骤更换疏水膜。在步骤 4，确保执行以下操作：

- 使疏水膜的光滑面靠在干燥剂容器的内表面。

- 将疏水膜向上折弯并完全放入螺纹中，直至看不见。
- 当干燥剂容器中的螺纹接头转动时，疏水膜会随着螺纹接头而转动。如果疏水膜不转动，则表明已损坏。按上述步骤更换新疏水膜。

要获得最佳性能，请确保垂直安装干燥剂容器，使端盖朝下。请参阅 [安装干燥剂中枢\(FL900\)](#) 第 136 页。





# 目次

- |                        |                  |
|------------------------|------------------|
| 1 拡張マニュアルバージョン 142 ページ | 4 設置 148 ページ     |
| 2 仕様 142 ページ           | 5 操作 162 ページ     |
| 3 一般情報 143 ページ         | 6 メンテナンス 162 ページ |

## 第 1 章 拡張マニュアルバージョン

追加情報については、本書の拡張バージョン (メーカーの Web サイトで利用可能) を参照してください。

## 第 2 章 仕様

この仕様は予告なく変更されることがあります。

仕様	詳細
寸法 (W × D × H)	160.5 x 432.2 x 297 mmSVS 搭載、D=287 mm
重量	4.8 kg
筐体	IP68 防水定格、ポリスチレン
汚染度	3
保護クラス	III
設置カテゴリ	I
使用温度	-10 ~ 50 °C
保管温度	-40 ~ 60 °C
高度	最大 4000 m
電源要件	FL シリーズの流量ロガーから供給
相互接続ケーブル (センサ側とロガー側を両方取り外す)	ポリエチレン、直径 0.400 (±0.015) インチ IP68 標準長: 9 m、最大長: 305 m
深度測定	方法: 超音波 Flo-Dar センサハウジングから液面までの標準作動範囲: 0 ~ 152.4 cm トランスデューサー面から液面までのオプションの拡張作動範囲: 0 ~ 6.1 m (43.18 cm の不感帯を含む)、温度補償 精度: ±1 %、±0.25 cm
荷重深度測定	方法: ステンレススチール隔膜の付いたピエゾ抵抗圧トランスデューサー オートゼロ機能によりゼロ誤差 0.5 cm 未満を維持 範囲: 3.5 m、過圧定格: 2.5 x フルスケール
速度測定	方法: パルスレーダー - ドップラー 範囲: 0.23 ~ 6.10 m/s 周波数範囲: EU モデル—24.175 GHz ± 15 MHz、米国/カナダモデル—24.125 GHz ± 15 MHz 出力: EU モデル—20 mW (13 dBm) nominal ± 10%、米国/カナダモデル—2.5 V/m @3 m (最大磁場強度) 精度: ±0.5 %、±0.03 m/s

仕様	詳細
認証	Flo-Dar トランスミッターは、次のワイヤレス機器に関する認証を受けています。 <ul style="list-style-type: none"> <li>• 欧州連合 (EU): CE マーク</li> <li>• 米国 (US): FCC ID: VIC-FLODAR24</li> <li>• カナダ: IC: 6149A-FLODAR24</li> <li>• Brazil: ANATEL: 01552-13-09098</li> </ul>
<b>流量測定</b>	
方法	連続方程式に基づく
確度	フロー条件が均一で荷重のない水路内のフローの場合、読み取り値の $\pm 5\%$ が一般的 (最大でフルスケールの $\pm 1\%$ )
<b>荷重状況における深度/速度</b>	
深度 (Flo-Dar センサを装備した標準状態)	Flo-Dar センサによる荷重深度
速度 (オプションの SVS 使用時)	方法: 電磁
	範囲: $\pm 4.8$ m/s
	精度: $\pm 0.046$ m/s または読み取り値の $4\%$ のいずれか大きい方
	ゼロ点安定性: $\pm 0.015$ m/s 超 (標準)

## 第 3 章 一般情報

いかなる場合も、製造元は、製品の不適切な使用またはマニュアルの指示に従わなかったことに起因する損害について責任を負いません。製造元は、通知または義務なしに、随時本マニュアルおよび製品において、その記載を変更する権利を有します。改訂版は、製造元の Web サイト上にあります。

### 3.1 安全情報

メーカーは、本製品の目的外使用または誤用に起因する直接損害、偶発的損害、結果的損害を含むあらゆる損害に対して、適用法で認められている範囲で一切責任を負わないものとします。ユーザーは、適用に伴う危険性を特定したり、装置が誤作動した場合にプロセスを保護するための適切な機構を設けることに関して、全責任を負うものとします。

この機器の開梱、設定または操作を行う前に、このマニュアルをすべてよく読んでください。危険、警告、注意に記載されている内容をよく読み、遵守してください。これを怠ると、使用者が重傷を負う可能性、あるいは機器が損傷を受ける可能性があります。







この機器による保護機能が損なわれていないことを確認してください。この装置は本マニュアルで指定されている方法以外の方法で使用したり、取り付けたりしないでください。

#### 3.1.1 危険情報

<b>▲ 危険</b>
回避しないと死亡または重傷につながる潜在的または切迫した危険な状況を示します。
<b>▲ 警告</b>
回避しなければ、死亡または重傷につながるおそれのある潜在的または切迫した危険な状況を示します。
<b>▲ 注意</b>
軽傷または中程度のけがをする事故の原因となる可能性のある危険な状況を示します。
<b>告知</b>
回避しなければ、本製品を損傷する可能性のある状況や、特に強調したい情報を示します。特に強調する必要がある情報。

### 3.1.2 使用上の注意ラベル

測定器上に貼付されたラベルや注意書きを全てお読みください。これに従わない場合、人身傷害や装置の損傷につながるおそれがあります。測定器に記載されたシンボルは、使用上の注意と共にマニュアルを参照してください。

	これは安全警報シンボルです。潜在的な障害を避けるためにこのシンボルのすべて安全メッセージに従ってください。装置上では、作業または安全情報に関しては取り扱った説明書を参照してください。
	このシンボルは感電の危険があり、場合によっては感電死の原因となる恐れのあることを示しています。
	このシンボルは、静電気放電 (ESD) に敏感なデバイスがあることと、機器の破損を防止する措置をとる必要があることを示しています。
	このシンボルが付いている電気機器は、ヨーロッパ域内または公共の廃棄処理システムで処分できません。古くなったり耐用年数を経た機器は、廃棄するためにメーカーに無償返却してください。
	製品に記されているこのシンボルは、ヒューズまたは限流器の位置を示します。
	このシンボルは、印の付いたアイテムに保護アース接続が必要であることを示します。装置付属のコードに接地プラグがない場合は、保護導体端子に保護アースを接続してください。

### 3.1.3 閉鎖空間に関する注意事項

#### ▲ 危険



爆発の危険。プリエントリ試験トレーニング、換気、エントリ手順、排気/レスキュー手順および安全作業の実行は閉じ込められたスペースに入る前に必要です。

次に示す情報は、閉鎖空間への立ち入りに関連して発生する危険およびリスクについて理解するためのものです。

1993年4月15日に、CFR 1910.146「Permit Required Confined Spaces」に関する OSHA の最終的な決定が法制化されました。この標準は米国の 250,000 を超える産業用地に直接影響し、閉鎖空間で働く作業員の健康と安全を保護することを目的としています。

#### 閉鎖空間の定義:

閉鎖空間は、次の条件が 1 つ以上該当する (またはすぐにでも該当する可能性のある) 場所または密閉状態のことです。

- 酸素濃度が 19.5 % 未満または 23.5 % を超える、あるいは硫化水素 (H<sub>2</sub>S) 濃度が 10 ppm を超える雰囲気
- ガス、蒸気、霧、塵、または繊維による引火性のある雰囲気、または爆発の可能性がある
- 接触または吸引すると怪我、健康障害、または死亡を引き起こす可能性のある有毒物質が存在する

閉鎖空間は人間が滞在することを意図していません。閉鎖空間への立ち入りが制限され、既知の危険が存在するか、危険が発生する可能性があります。閉鎖空間の例には、マンホール、煙突、パイプ、タンク、スイッチ保管所、およびその他の同様な場所などです。

危険なガス、蒸気、霧、塵、または繊維が存在する可能性のある閉鎖的な空間または場所に立ち入る場合は、事前に標準的な保護手順を実行する必要があります。閉鎖空間に立ち入る前に、閉鎖空間への立ち入りに関連したすべての手順を検索し、参照してください。



### 3.1.4 EU/FCC/IC/ANATEL 規制

このデバイスの使用は、次の条件を前提としています。

- デバイス内にユーザーが交換可能な部品はありません。
- ユーザーは、指定された取り付け手順に従ってこのデバイスを取り付ける必要があります。いかなる方法でも、このデバイスを改造してはなりません。デバイスに対する変更や改造が行われた場合、ユーザーの機器使用の権利となることがあります。
- トランスミッターを含むすべてのサービスは、ハック社のみが行う必要があります。
- このデバイスは、FCC に従って「モバイル」ワイヤレスデバイスとみなされます。RF 曝露に対する安全のため、ユーザーは、操作時にレーダー送信面から 20 cm 以上離れるようにしてください。

## 3.2 認証

### ▲ 注意

本機器は、住宅環境での使用を意図しておらず、そのような環境ではラジオの聴取に対する十分な保護が得られない可能性があります。

#### カナダ電波妨害装置規則、ICES-003、クラス A:

テスト記録はメーカーにあります。

このクラス A デジタル装置は、カナダの障害発生機器規則の要件をすべて満たしています。

#### FCC PART 15、クラス「A」限度値

テスト記録はメーカーにあります。この機器は FCC 規則のパート 15 に準拠します。この機器の動作は以下の条件を前提としています:

1. この装置が有害な干渉の原因とならないこと。
2. この装置が望ましくない動作の原因となる可能性のある干渉を含めた、いかなる干渉にも対応しなければなりません。

これらの規格への準拠に責任を持つ当事者による明示的承認を伴わずにこの装置に対する改変または改造を行うと、ユーザーはこの機器を使用する権限を失う可能性があります。この装置は、FCC 規則のパート 15 に従って、クラス A のデジタル機器の制限に準拠することが試験によって確認されています。これらの制限は、この機器が商用の環境で使用されたときに、有害な干渉から適切に保護することを目的に設定されています。この機器は、無線周波数エネルギーを生成および使用するもので、取り扱い説明書に従って取り付けおよび使用しない場合にはそれを放射する場合があります。無線通信に対して有害な干渉を発生させる可能性があります。住宅地域における本装置の使用は有害な電波妨害を引き起こすことがあり、その場合ユーザーは自己負担で電波妨害の問題を解決する必要があります。干渉の問題を軽減するために以下の手法が利用可能です。

1. 装置から電源を取り外して、電源が干渉源かどうかを確認します。
2. 装置が干渉を受けている装置と同じコンセントに接続されている場合は、装置を別のコンセントに接続してください。
3. 妨害を受けている装置から本装置を離します。
4. 干渉を受けるデバイスの受信アンテナの位置を変更します。
5. 上記の手法を組み合わせてみます。

#### Flo-Dar センサー品番リスト:

標準超音波 890004901、890004902、標準超音波 I.S. (本質安全防爆) 890004801、890004802、890004803、長距離超音波 890005201、890005202、890005206、長距離超音波 I.S. (本質安全防爆) 890004804、890004805、890004806、リモート長距離超音波 890005204、890005205、890005207、リモート長距離超音波 I.S. (本質安全防爆) 890004807、890004808、890004809

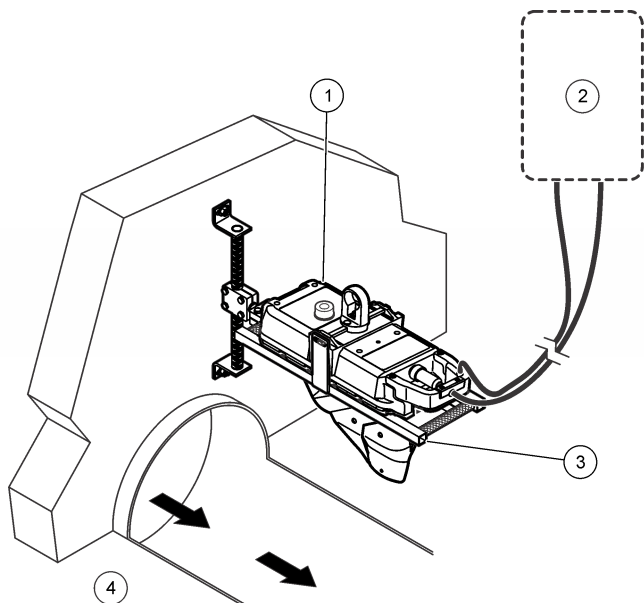
上記の品番は保守専用であり、購入はできません – ワイヤレス認証用の参考情報です。

## 3.3 製品概要

Flo-Dar センサは超音波テクノロジーを使用して、開水路の流速および深度を測定します。この装置は、荷重条件時に水没しないように作成されています。オプションの荷重速度センサは、荷重条件時の速度を測定します。

図 1 に、危険でない場所に設置する場合の Flo-Dar システムの設定を示します。  
動作原理に関する情報、交換部品の注文情報については、製造元の Web サイト (<http://www.hach.com>)  
で拡張取扱説明書を参照してください。

図 1 システムの全体図

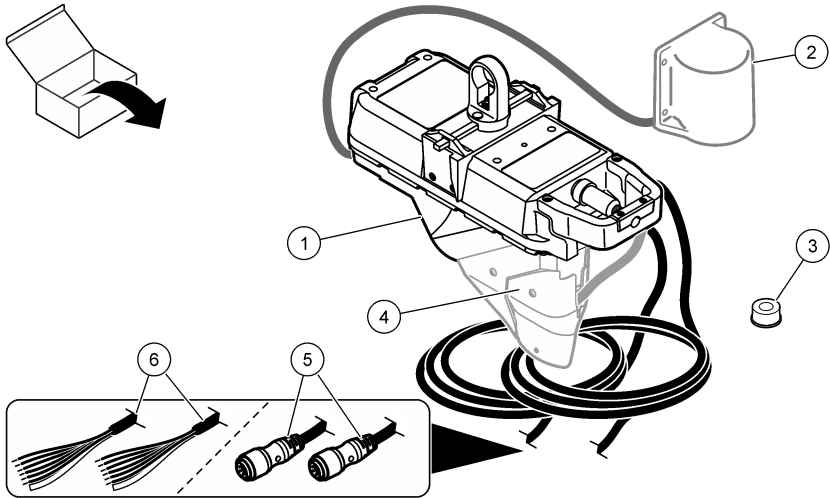


1 Flo-Dar センサ (オプションの荷重速度センサ搭載時)	3 取り付けフレーム
2 流量ロガーまたは変換器	4 危険でない環境

### 3.4 製品コンポーネント

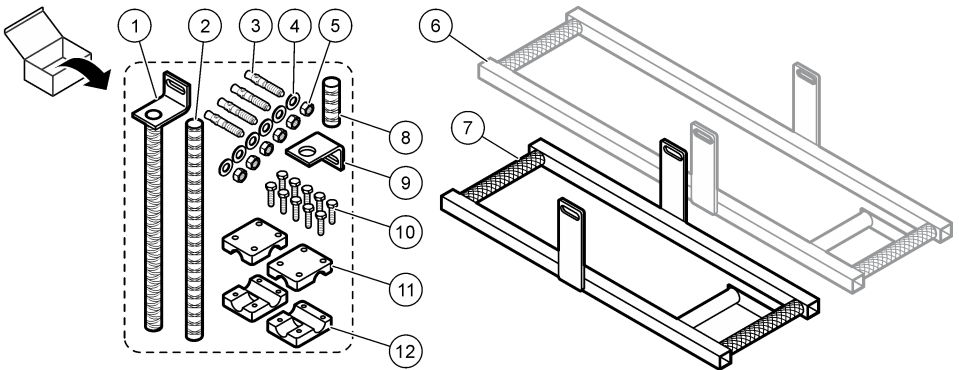
すべてのコンポーネントが正しく納品されていることを確認します。図 2 および図 3 を参照してください。コンポーネントが不足していたり損傷していたりする場合は、直ちに取扱い販売代理店にお問い合わせください。

図 2 装置のコンポーネント



1 Flo-Dar センサ	4 Surcharge Velocity Sensor (SVS) (オプション)
2 拡張距離センサ (オプション)	5 Flo-Dar コネクタおよび SVS コネクタ
3 気泡水準器	6 裸線付き Flo-Dar および裸線付き SVS <sup>1</sup>

図 3 壁取り付けハードウェア



1 壁取り付けブラケット	7 標準フレーム
2 スパースー (12 インチ)	8 スパースー (2¼ インチ)
3 アンカー (3/8 x 2¼ インチ)(4x)	9 調整可能な壁取り付けブラケット
4 アンカーワッシャー (6x)	10 クランプボルト (¼-20 x 1 インチ)(10x)
5 アンカーナット (3/8-16) (6x)	11 クランプの片側 (ネジなし) (2x)
6 拡張距離センサ用フレーム (オプション)	12 クランプの片側 (ネジあり) (2x)

<sup>1</sup> 裸線はコネクタの代替品です。

## 第4章 設置

### ▲ 危険



爆発の危険。装置の設置または試運転は、訓練を受けた要員のみが実施してください。

### 4.1 設置

#### 4.1.1 設置場所に関するガイドライン

#### 告知

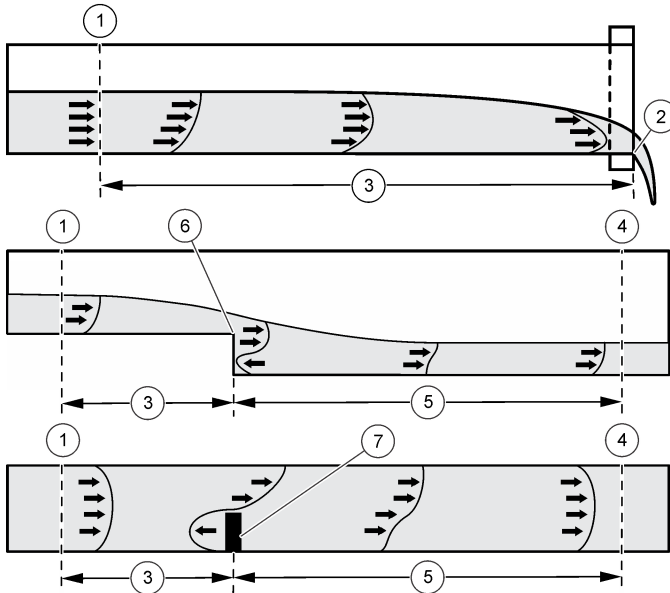
筐体の損傷を防止するため、直射日光と紫外線 (UV) が当たる場所、悪天候にさらされる場所を避け、また、熱源から離れた場所に装置を設置してください。設置場所が屋外の場合、日よけや保護カバーで装置の上を覆ってください。

精度を最大化するために、流水が乱れていない場所にセンサを取り付けます。理想的な場所は、長く、まっすぐな水路またはパイプ内です。流れ口、垂直落下、バップル、カーブ、または接続部があると、速度プロフィールが不正確になることがあります。

流れ口、垂直落下、バップル、カーブ、または接続部がある場合は、[図 4](#)～[図 6](#) に示すように、上流または下流にセンサを取り付けます。上流に取り付ける場合は、パイプ直径または最大液面の少なくとも 5 倍の距離にセンサを取り付けます。下流に取り付ける場合は、パイプ直径または最大液面の少なくとも 10 倍の距離にセンサを取り付けます。

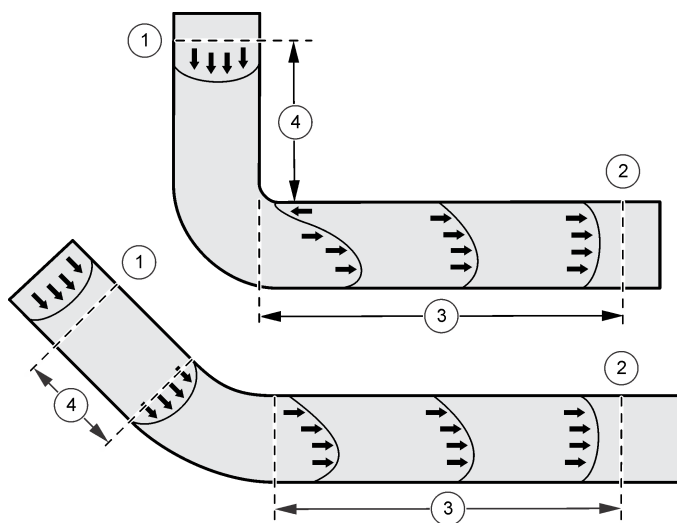
取り付け場所に接続部があって、1 つのパイプの流量が大幅に大きい場合は、流量が小さいパイプの近くの壁にセンサを取り付けます。

図 4 流れ口、垂直落下、またはバップル付近のセンサの場所



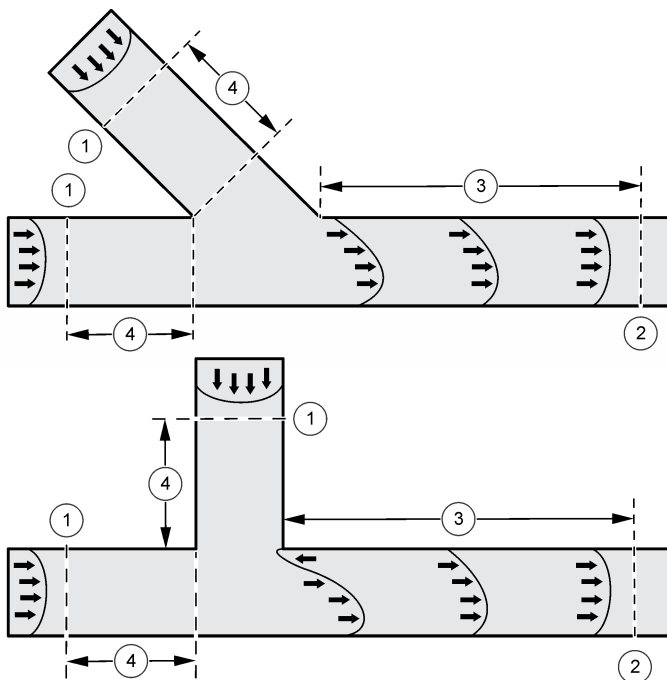
1 上流センサを取り付けられる場所	5 距離 (下流): 10 x パイプ直径
2 流れ口	6 垂直落下
3 距離 (上流): 5 x 最大液面	7 バップル
4 下流センサを取り付けられる場所	

図 5 カーブまたはエルボ付近のセンサ位置



1 上流センサを取り付けられる場所	3 距離 (下流): 10 x パイプ直径
2 下流センサを取り付けられる場所	4 距離 (上流): 5 x パイプ直径

図 6 ジョイント付近のセンサ位置



1 上流センサを取り付けられる場所	3 距離 (下流): 10 x パイプ直径
2 下流センサを取り付けられる場所	4 距離 (上流): 5 x パイプ直径

#### 4.1.2 センサの取り付け

### ▲ 警告



爆発の危険。危険区域では、表面間の摩擦によって火花が発生し、爆発が起こる可能性があります。装置と周囲の面で摩擦が起きる可能性がないことを確認してください。

### ▲ 注意



難聴になる可能性があります。聴覚保護具が必要です。電源を入れると、水準器トランスデューサーから超音波エネルギーが放出されます。このデバイスから 1 m 以内で作業する場合は、防音保護具を装着する必要があります。取り付け、校正、およびメンテナンス中は、トランスデューサーの出力方向に耳を向けないでください。

#### 超音波圧力:

- 便利なビームの寸法: ロングレンジ
- 超音波圧力: 110 dB 超 (軸上 1 m)
- ビーム内の超音波圧力: 最大 111.9 dB

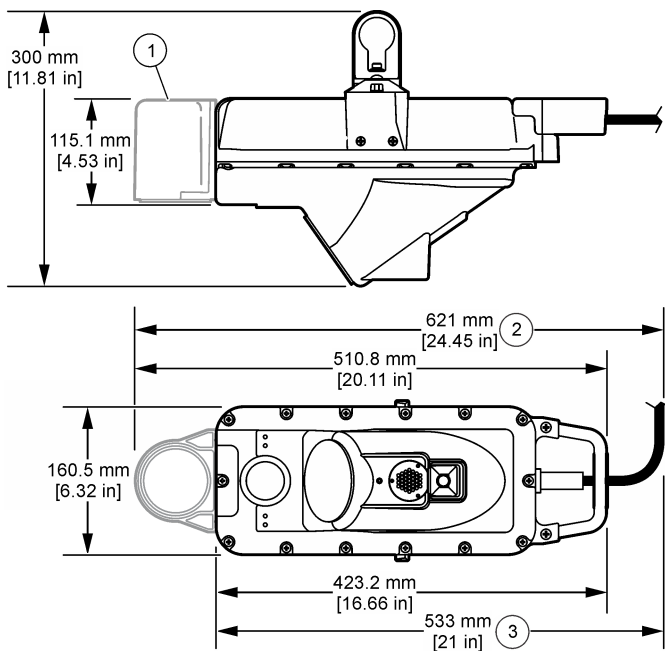
Flo-Dar センサを、マンホールの壁の開水路より上に取り付けます。危険な場所の場合は、危険エリアの外側にフェンスを設置する必要があります。

一時的に取り付ける場合は、オプションのジャッキバーを使用できます。ジャッキバーに関する説明が記載されています。

センサの寸法を図 7 および図 8 に示します。

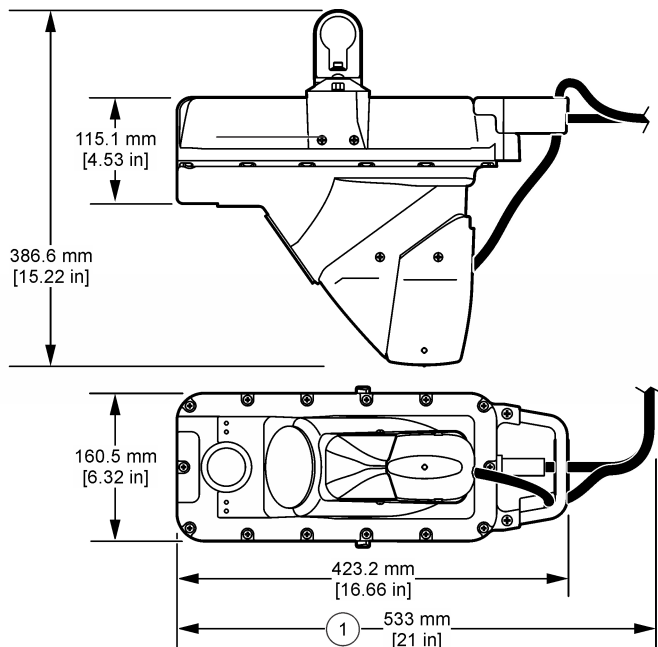
壁取り付け用の標準フレームの寸法を図 9 に示します。

図 7 センサ寸法



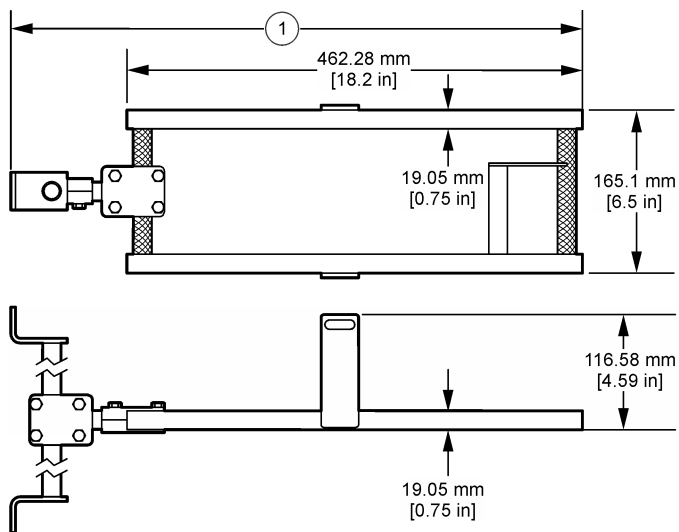
<p>1 オプションの拡張距離センサ</p>	<p>3 ケーブルの最小クリアランス</p>
<p>2 拡張距離センサを搭載した場合のケーブルの最小クリアランス</p>	

図 8 SVS 搭載センサの寸法



1 ケーブルの最小クリアランス

図 9 標準フレームの寸法



1 579.12 mm(2¼ インチスペーサー使用時)、828.04 mm(12 インチスペーサー使用時)

#### 4.1.2.1 フレームおよび壁ブラケットへのクランプの取り付け

壁に取り付ける前に、フレームにクランプを取り付け、さらに壁取り付けブラケットを取り付けます。



用意するもの: 壁取り付け用ハードウェア(図 3 147 ページ)

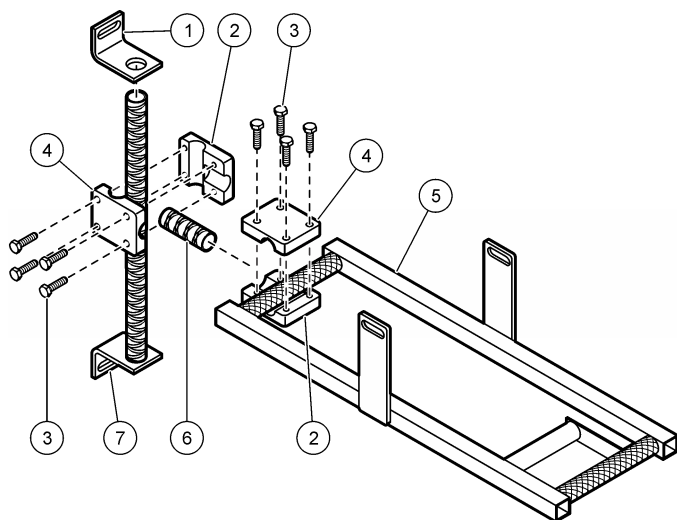
- フレーム
- 壁取り付けブラケット
- クランプ
- ハードウェア: 壁ブラケット、スペーサー、ナット、およびボルト

1. 壁取り付けブラケットを挟むように 1 対のクランプを配置します (1 つはネジあり、もう 1 つはネジなし)。図 10 を参照してください。
2. クランプを 4 本のボルトで連結します。ボルトを十分に締めて、クランプを所定位置に仮止めます。
3. もう 1 対のクランプをフレームの先端を挟むように配置します。図 10 を参照してください。

注: 通常、フレームの前面は壁を向いています。図 10 および 図 14 157 ページを参照してください。流水条件により、センサを壁と逆の方向に向ける必要がある場合は、12 インチのスペーサーを使用し、フレーム後部を挟むように 1 対のクランプを配置します。

4. クランプを 4 本のボルトで連結します。ボルトを十分に締めて、クランプを所定位置に仮止めます。

図 10 壁ブラケットおよびフレームへのクランプの取り付け



1 調整可能な壁取り付けブラケット	5 フレーム
2 クランプの片側 (ネジあり)	6 スペーサー
3 クランプボルト、 $\frac{1}{4}$ -20 x 1 インチ	7 壁取り付けブラケット
4 クランプの片側 (ネジなし)	

#### 4.1.2.2 壁へのフレームの取り付け

### ▲ 危険



爆発の危険。閉鎖空間に立ち入る前に、閉鎖空間に関する注意事項 144 ページに記載された安全に関する情報を確認してください。

次に示すガイドラインを確認して、センサに最適な場所を特定してください。

- 上流および下流のフロー特性を調べます。必要に応じて、鏡を使用します。フローが安定している水面より上の位置にセンサを取り付けます。フロープロファイルの妨げとなる可能性のある定常波、淀み、物体、または物質のある場所にセンサを取り付けしないでください。

- 上流のフロー特性が許容できる場合は、マンホールの上流壁に、上流方向に向けてセンサを取り付けます。このように取り付けると、測定された流量はパイプ内の流量と同じになり、センサケーブルが壁と反対側を向きます。
- 流体の深度が最大となる流水の中央、パイプの両側から離れた位置にセンサを取り付けます。
- メンテナンス作業のしやすい場所にセンサを取り付けます。

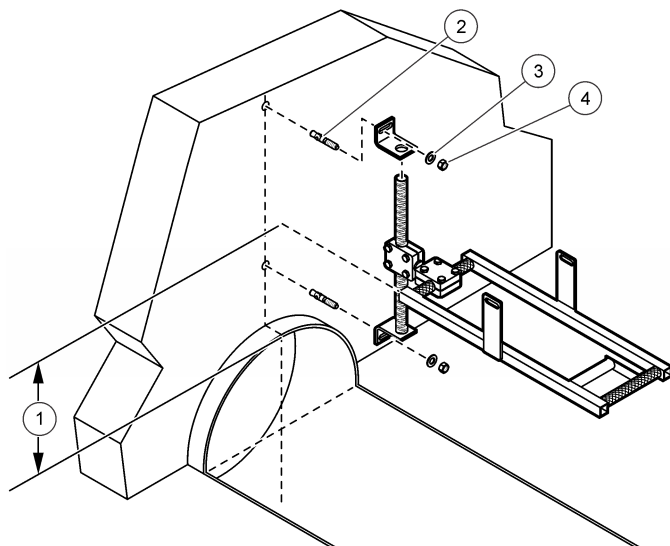
#### 用意するもの:

- 組み立てられたフレームおよび壁取り付けブラケットアセンブリ
- ナットとワッシャー付きのアンカー
- 工具: 鏡、定規または巻き尺、マーカー

次の手順を実行して、流水より上のマンホールの壁にフレームを取り付けます。取り付け場所に関連するすべての規則または指示に従ってください。設置場所に関するガイドライン 148 ページを参照してください。

1. センサフレームの上部の位置を示すマークを壁に付けます。図 11 を参照してください。壁ブラケットをこのマークを挟んで上下に取り付けます。
  - センサ (SVS 非搭載) — センサがフレーム内にある場合、レーダービームが壁または水路で遮られないことを確認します。図 13 156 ページを参照してください。
  - センサ (SVS 搭載) — センサフレームの上部が水路より指定距離だけ上にくるように取り付ける必要があります。パイプ直径が 635 mm を超える場合は、パイプ内の頂部からフレーム上部まで 127 mm 離します。パイプ直径が 635 mm 未満の場合は、パイプ内の頂部からフレーム上部まで 152.4 mm 離します。
2. このマークの上下に壁取り付けブラケットを配置します。
3. 付属のアンカーを使用してブラケットを壁に取り付けます。アンカーを直径が 3/8 インチの穴に 38.1 mm の深さまで取り付けます。
4. スペースャーを使用してフレームを壁取り付けブラケットに接続します。図 11 を参照してください。パイプの縁が大きい場合は、センサを壁から遠ざけるために 12 インチスペースャーを使用しなければならない場合があります。

図 11 壁への取り付け



1 パイプ内の頂部からフレーム上部までの距離	3 ワッシャー
2 アンカー	4 ナット

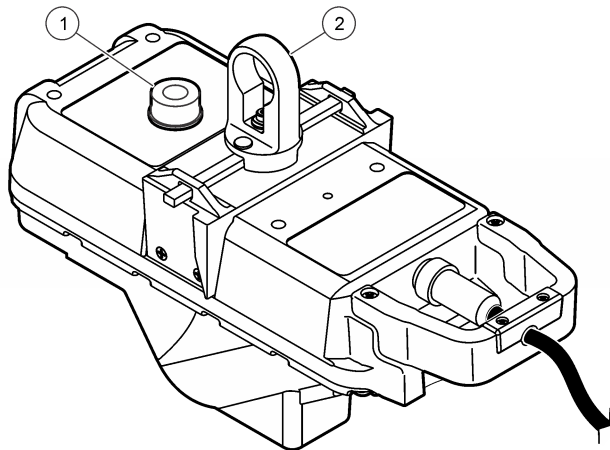
#### 4.1.2.3 フレームへのセンサの取り付け

センサはフレームに特定の方向から差し込むようになっていて、センサのペイルを回すと固定されます。

図 12 を参照してください。オプションの引掛け棒を使用すると、マンホールに入らなくても、センサをフレームから着脱できます。

1. ケーブルがセンサにしっかり接続されていることを確認します。
2. ペイルを回して、センサのロックバーを後退させます。
3. フレーム上にセンサを配置します。ケーブルがマンホールの中央を向いていることを確認します。
4. ペイルを回して、フレーム上にセンサを固定します。図 12 を参照してください。

図 12 水平方向の位置合わせ



1 気泡水準器

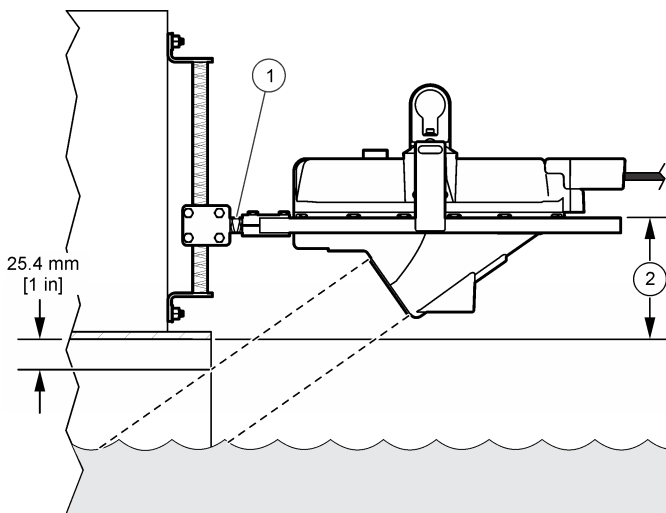
2 ペイル

#### 4.1.2.4 センサの垂直方向の位置合わせ – Flo-Dar (SVS 非搭載)

センサを垂直方向に揃えて、センサが流水より上に配置されていること、および壁またはパイプによってレーダービームが遮られていないことを確認します。図 13 を参照してください。

1. レーダーレンズ上部からレンズの焦点まで延びる垂線を描きます。図 13 を参照してください。
2. 壁取り付けブラケットのクランプを緩めて、レーダービームがパイプ頂部より少なくとも 25.4 mm 下側を照射するようにフレームを配置します。図 13 を参照してください。必要に応じて、12 インチスペーサーを取り付けて、フレームを壁から遠ざけてください。
3. クランプを締めて、フレームの位置を測定します。レーダービームが壁またはパイプで遮られていないことを確認します。ビームが遮られている場合は、12 インチスペーサーを使用して壁からフレームを遠ざけるか、フレームの位置を下げます。

図 13 センサの垂直方向の位置合わせ



1 スペース

2 パイプ内の頂部からフレーム上部までの距離

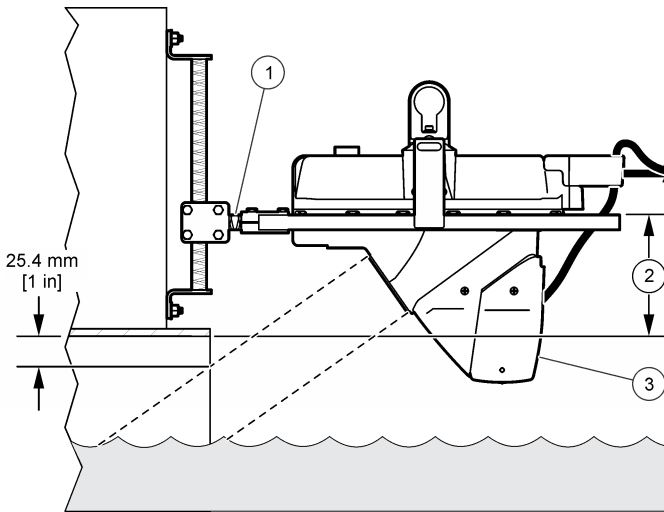
#### 4.1.2.5 センサの垂直方向の位置合わせ – Flo-Dar (SVS 搭載)

センサを垂直方向に揃えて、センサが通常の満水時の流体より上に配置されていること、および荷重条件で SVS が有効になっていることを確認します。

**用意するもの:** 定規または巻き尺

1. パイプ頂部からフレーム上部までの距離を直接測定します。図 11 154 ページを参照してください。
2. パイプの縁が 140 mm より長い場合は、壁取り付けブラケットとフレームの間に 12 インチのスペーサーを取り付けます。図 14 を参照してください。
3. 壁取り付けブラケットのクランプを緩めて、フレーム上部がパイプ頂部の上にくるようにします。その際の指定位置は次のとおりです。
  - 152.4 mm: パイプ直径が 610 mm 未満の場合
  - 127 mm: パイプ直径が 610 mm 以上の場合
4. クランプを締めて、フレームの位置を再び測定し、正しい位置になっていることを確認します。

図 14 センサと SVS の垂直方向の位置合わせ



1 スペースー	3 SVS センサ (オプション)
2 パイプ内の頂部からフレーム上部までの距離	

#### 4.1.2.6 センサの水平方向の位置合わせ

センサを水平方向に揃えて、センサが流水中央の上に配置されていることを確認します。パイプが水平でなく、2度以上傾斜している場合は、センサが水面と平行になるように位置を合わせます。

**用意するもの:** 気泡水準器

1. 気泡水準器から張り紙を取り外して、水準器をセンサに取り付けます。図 12 155 ページを参照してください。
2. クランプを緩め、フレームを軽くたたいてはめ込みます。
3. クランプを両側から締め、フレームの位置を測定し、正しい位置になっていることを確認します。

#### 4.1.2.7 位置合わせの最終確認

正確に測定するには、センサの垂直方向および水平方向の位置合わせを正しく行う必要があります。

1. 垂直方向の位置を測定し、必要に応じて調整します。センサの垂直方向の位置合わせ – Flo-Dar (SVS 非搭載) 155 ページまたは センサの垂直方向の位置合わせ – Flo-Dar (SVS 搭載) 156 ページを参照してください。
2. 水平方向の位置を測定し、必要に応じて調整します。センサの水平方向の位置合わせ 157 ページを参照してください。
3. これ以上調整が必要なくなるまで、手順 1 および 2 を繰り返します。

#### 4.1.2.8 オプションの拡張距離センサの取り付け

パイプまたは水路の深度が標準レベルの仕様を超えている場合は、拡張距離センサ (図 15) を使用できません。仕様 142 ページを参照してください。

標準フレームの代わりに拡張フレーム (図 16) を使用するか、壁に拡張距離センサを取り付けます。

正しく測定するには、拡張距離センサをパイプ頂部より上に 457.2 mm 以上離して取り付ける必要があります。拡張距離センサには、センサが無効になる 431.8 mm の不感帯があります。

図 15 拡張距離センサの寸法

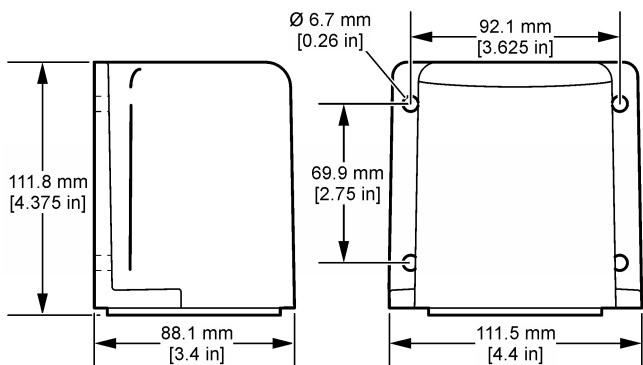
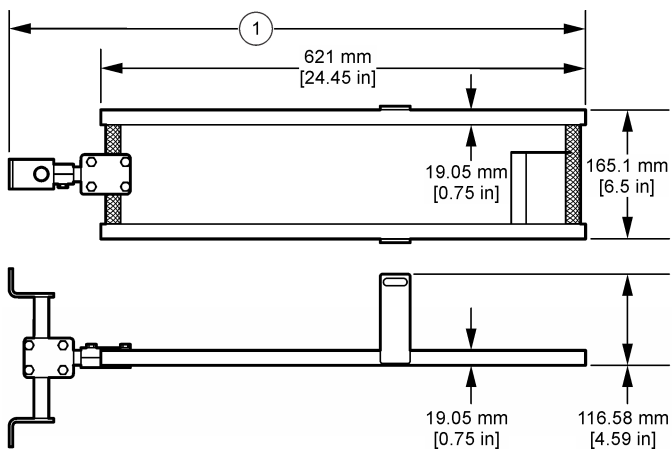
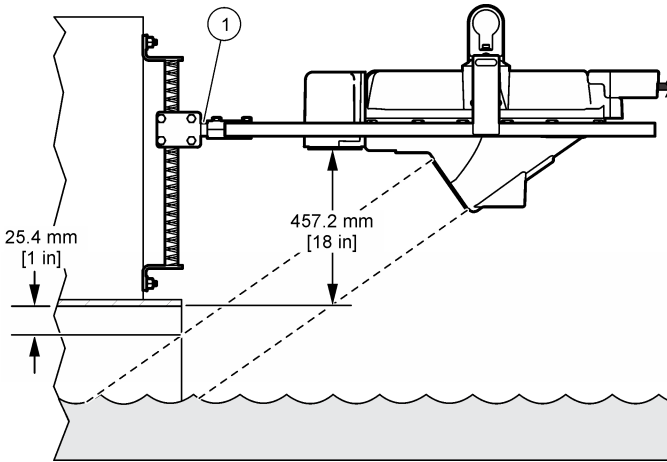


図 16 拡張フレームの寸法



1 739.14 mm(2¼ インチスペーサー使用時)、985.52 mm(12 インチスペーサー使用)

図 17 拡張距離センサ使用時の垂直方向の位置合わせ



1 スペーサー

#### 4.1.3 センサオフセットの測定

センサオフセットはフレーム上部からパイプまたは水路の底までの距離です。この距離がソフトウェアに入力されます。流量を正確に計算するには、この距離が必要です。

オプションの拡張距離センサが、拡張フレームを使用しないで壁に取り付けられている場合、センサオフセットは、拡張深度センサの表面からパイプまたは水路の底までの距離になります。

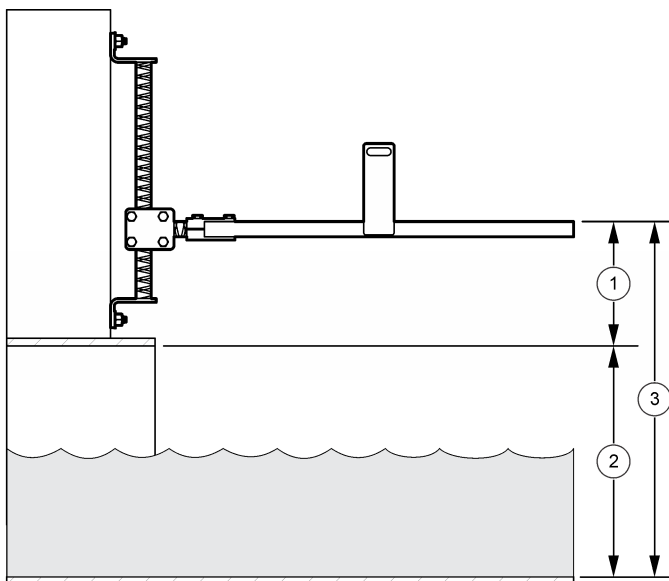
**用意するもの:**

- ロッド
- 巻き尺

1. パイプまたは水路の底にロッドを差し込んで、フレームと垂直方向に揃えます。図 18 を参照してください。
2. センサフレームの上部の位置を示すマークをロッドに付けます。
3. ロッドの下端からマークまでの距離を測定します。これがセンサオフセットになります。

**注:** パイプの底までの距離を測定する方法が実用的でない場合は、パイプ頂部からフレーム上部までの距離を測定します。図 18 を参照してください。この距離をパイプの直径に加算して、センサオフセットを算出します。センサオフセット = パイプの直径 + パイプ頂部からフレーム上部までの距離

図 18 センサオフセット



1 パイプ内の頂部からフレーム上部までの距離	3 センサオフセット
2 パイプの直径	

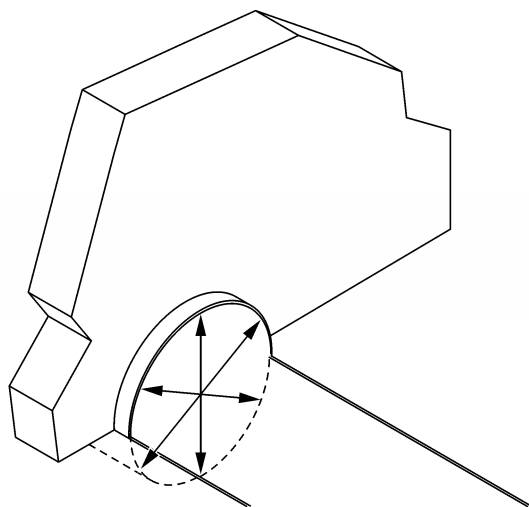
#### 4.1.4 パイプの直径の測定

流量を正確に計算するには、パイプまたは水路の寸法を正しく測定する必要があります。

1. パイプの内径 (ID) を 3 か所で測定します。図 19 を参照してください。測定が正確であることを確認します。
2. 3 つの測定値の平均を計算します。現場でソフトウェアを設定する際に使用できるように、この値を記録しておきます。



図 19 パイプの直径の測定



## 4.2 配線

### 4.2.1 配線にあたっての安全

#### ▲ 危険



感電死の危険。電気の接続を行う際には、常に装置への電源を切り離してください。

### 4.2.2 静電気放電(ESD)への配慮

#### 告知



装置の損傷の可能性。静電気による装置内部の精密な電子部品の破損により、装置の性能低下や故障を招く恐れがあります。

以下の手順を参照して、ESD による装置の損傷を回避してください。

- 機器のシャーシ、金属製導管/パイプなど、接地された金属の表面を触り、体から静電気を放電します。
- 過度な移動を避けます。静電気に敏感なコンポーネントは静電気防止コンテナや包装材料内に入れて運搬してください。
- 接地線で接続したリストストラップを身に付けます。
- 静電気防止フロアパッドおよび作業台パッドを用意し、静電気が発生しない場所で作業します。

### 4.2.3 流量ロガーの接続

流量ロガーに Flo-Dar センサを接続します。

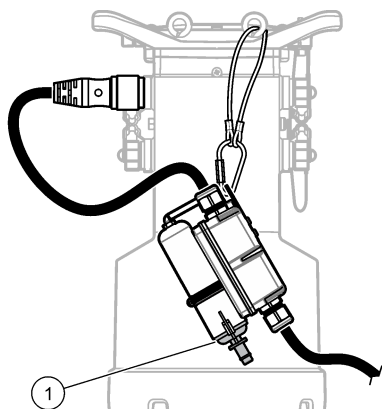
- **FL900 流量ロガー**— Flo-Dar センサのケーブルを流量ロガーのセンサコネクタに接続します。オプションの荷重速度センサ (SVS) が設置されている場合は、SVS のケーブルをロガーのセンサコネクタに接続します。
- **FL1500 流量ロガー**— Flo-Dar センサのケーブルを流量ロガーの正しい端子に接続します。オプションの荷重速度センサ (SVS) が設置されている場合は、SVS のケーブルを変換器の正しい端子に接続します。正しい端子の位置については、FL1500 流量ロガーの取扱説明書を参照してください。

#### 4.2.4 乾燥剤ハブの取り付け(FL900)

オプションの乾燥剤ハブを FL900 流量ロガーに取り付けて、センサケーブルとコネクタのストレインリリーフとして機能させます。図 20 を参照してください。

最良の性能を得るために、エンドキャップを下に向けて乾燥剤容器を縦に取り付けてください。図 20 を参照してください。

図 20 乾燥剤ハブの取り付け



1 エンドキャップ

## 第 5 章 操作

FL900 流量ロガーに接続しているセンサの場合、FSDATA Desktop ソフトウェアを搭載しているコンピューターを流量ロガーに接続して、センサからのデータを設定、校正、および収集します。センサからのデータを設定、校正、および収集するには、FSDATA Desktop の取扱説明書を参照してください。

FL1500 流量ロガーに接続しているセンサの場合、センサからのデータを設定、校正、および収集するには、FL1500 流量ロガーの取扱説明書を参照してください。または、FSDATA Desktop ソフトウェアを搭載しているコンピューターを流量ロガーに接続して、センサからのデータを設定、校正、および収集することもできます。センサからのデータを設定、校正、および収集するには、FSDATA Desktop の取扱説明書を参照してください。

### 5.1 ソフトウェアのインストール

FSDATA Desktop ソフトウェアの最新バージョンがコンピューターにインストールされていることを確認してください。ソフトウェアは、<http://www.hachflow.com> からダウンロードできます。[Support (サポート)] をクリックして、[Software Downloads (ソフトウェアのダウンロード)] > [Hach FL Series Flow Logger (Hach FL シリーズ流量ロガー)] の順に選択します。

## 第 6 章 メンテナンス

### ▲ 危険



複合的な危険。本書のこのセクションに記載されている作業は、必ず資格のある作業員が行う必要があります。

### ▲ 危険



爆発の危険。引掛け棒を使用している場合は、フェンスの接地つまみにアースストラップを接続してください。メンテナンス作業中はセンサもフェンスに接続する必要があります。これは、静電放電が原因で爆発性ガスに引火することを防止するためです。

## ▲ 注意



レーダー RF に曝される危険があります。マイクロ波ビームに頭やその他の重要な臓器が当たらないようにしてください (マイクロ波開口部から 1 m 以内)。Flo-Dar マイクロ波の電力レベルは非常に小さく (約 15 mW)、非管理環境における政府指定の暴露限度を十分に下回っていますが、この製品のユーザーがレーダー周波数トランスミッターの付いたデバイスを取り扱う場合は、適切な安全手順に従う必要があります。

## 告知

センサを取り扱う場合は、マイクロ波トランスミッターが損傷しないよう注意してください。トランスミッターが損傷すると、信号電力レベルが高くなって、重要な地上マイクロ波リンクと干渉することがあります。

次のいずれかの条件が発生すると、トランスミッターの安全が損なわれることがあります。

- 目に見える損傷
- 70 °C を超える温度での長期保管
- 輸送時の強いストレス
- 設置後の時間経過
- 作動の異常

上記の条件が 1 つでも発生した場合は、デバイスをメーカーに返却して再保証を受けてください。

## 6.1 腐食および損傷の確認

1 年に 1 回、腐食および損傷がないか確認します。

**注:** Flo-Dar システムの部品の中でユーザーが交換できるのは、ペイルアセンブリとケーブルのみです。センサが故障した場合は、装置全体を交換する必要があります。

1. 環境ガスがセンサ内に流入する原因となる腐食または損傷がないか確認します。
2. メインのプラスチックケースの上部および下部、深度モジュール、またはレードームに膨張、ふくれ、穴、欠損が発生していないことを確認します。
3. 拡張距離センサを使用している場合は、ケースおよび 4 本の ¼-20 ステンレススチールボルトを調べます。
4. Surchage Velocity Sensor (SVS) を使用している場合は、次の手順を行います。
  - a. 装置が腐食していないこと、およびラベルが読み取れることを確認します。
  - b. コネクタに損傷または腐食がないか調べます。システムのすべてのコネクタを締めます。
5. コネクタに損傷または腐食がないか調べます。システムのすべてのコネクタを締めます。
6. コネクタに腐食が見つかった場合は、コネクタを洗浄して乾燥させ、コネクタピンに水分が残っていないことを確認します。腐食が激しい場合は、ケーブルを交換します。[ケーブルの交換](#) 164 ページを参照してください。

## 6.2 装置の清掃

## ▲ 危険



爆発の危険。危険な場所では、Flo-Dar または SVS センサの拭き取りや洗浄を行わないでください。研磨紙または高圧ホース、あるいは洗浄機を使用してセンサを洗浄しないでください。センサ底部の圧力ポートの邪魔にならないようにしてください。

荷重条件にならないかぎり、センサは流水に接触しないため、定期的に洗浄する必要はありません。荷重条件が発生した場合はセンサを調べて、洗浄が必要かどうかを確認してください。

**用意するもの:** フック付き引掛け棒 (オプション)

1. センサの電源を切断します。
2. マンホールに入らないでセンサを取り外す場合は、フックを引掛け棒に取り付けます。ポールにアースストラップが装着されていることを確認します。
3. センサのペイルに引っかけて、ポールを反時計回りに回し、フレームからセンサを外します。センサを取り外します。

4. センサ底部に埃が付いている場合は取り除きます。中性洗剤でセンサ外面を洗浄し、水ですすぎます。
5. Surchage Velocity Sensor (SVS) を使用している場合は、電極 (小さな黒い点) に 600 番の紙やすりを使用します。強くこすらないでください。電極が破損することがあります。
6. フレームのセンサ位置を下げます。ケーブルがマンホールの中央を向いていることを確認します。
7. 引掛け棒を時計回りに回して、ロックバーをフレームにはめ込みます。
8. センサの電源を入れます。

### 6.3 ケーブルの交換

コネクタの腐食が激しいか、ケーブルが損傷している場合は、ケーブルを交換します。

1. ロガーまたは変換器でセンサの電源を切断します。
2. マンホールに入らないでセンサを取り外す場合は、フックを引掛け棒に取り付けます。ポールにアースストラップが付いていることを確認してください。
3. センサのベイルに引っかけて、ポールを反時計回りに回し、フレームからセンサを外します。センサを取り外します。
4. センサハンドルにある 2 本のプラスネジを取り外して、ケーブルクランプを取り外します。ケーブルを取り外します。
5. 新しいケーブルを取り付けます。コネクタの位置が正しいこと、および埃や水分がコネクタに侵入していないことを確認します。
6. ケーブルクランプを取り付けます。
7. フレームのセンサ位置を下げます。ケーブルがマンホールの中央を向いていることを確認します。
8. 引掛け棒を時計回りに回して、ロックバーをフレームにはめ込みます。
9. ロガーまたは変換器を通してセンサに電力を供給します。

### 6.4 乾燥剤の交換

#### ▲ 注意



化学物質による人体被害の危険。検査室の安全手順に従い、取り扱う薬品に適した個人用保護具をすべて装着してください。安全手順に関する現在の安全性データシート (MSDS/SDS) を参照してください。

#### ▲ 注意



化学物質による人体被害の危険。化学物質および廃液は、地域、県、または国の環境規制に従って廃棄してください。

#### 告知

乾燥剤ビーズなしで、または緑色の乾燥剤ビーズを使用してセンサを 작동させないでください。センサが永久的に損傷することがあります。

乾燥剤が緑色に変わった場合はすぐに交換してください。図 21 を参照してください。

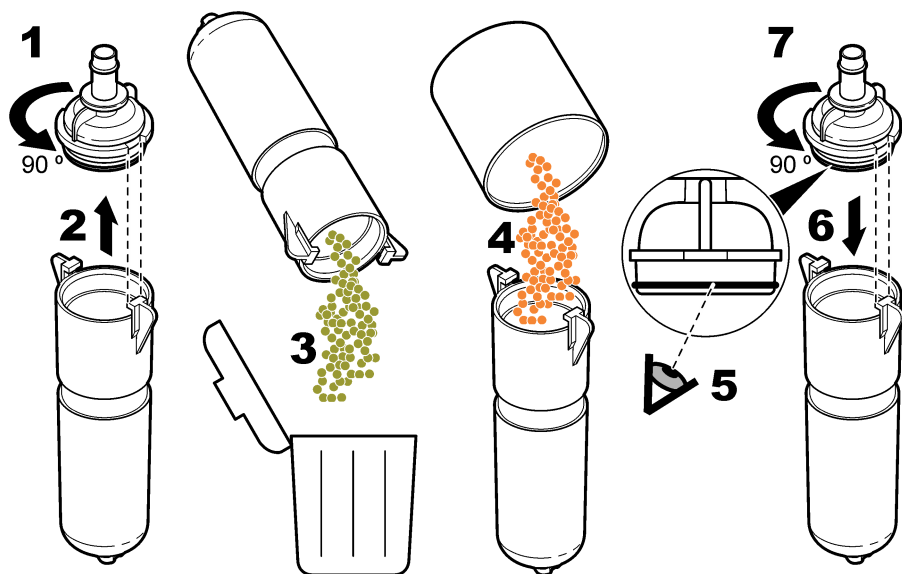
**注:** 新しい乾燥剤を取り付けるために乾燥剤容器を乾燥剤ハブから取り外す必要はありません。

図 21 の手順 5 で、O リングがきれいで泥やほこりが付着していないことを確認してください。O リングに亀裂、くぼみ、または損傷の兆候がないか確認します。O リングが損傷している場合は交換します。乾燥した O リングや新しい O リングにグリースを塗ると、取り付けやすくなり、密封度が高まり、O リングの寿命が延びます。

最良の性能を得るために、エンドキャップを下に向けて乾燥剤容器を縦に取り付けてください。**乾燥剤ハブの取り付け(FL900)** 162 ページを参照してください。

**注:** ビーズが緑色に変わり始めたら、加熱して回復させることが可能な場合があります。容器からビーズを取り出して、オレンジ色になるまで 100 ~ 180 °C の温度で加熱します。容器を加熱しないでください。ビーズがオレンジ色にならない場合は、ビーズを新しい乾燥剤に交換する必要があります。

図 21 乾燥剤の交換



## 6.5 疎水性膜の交換

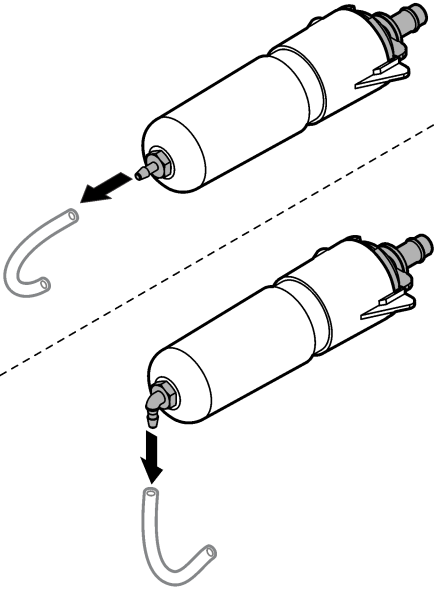
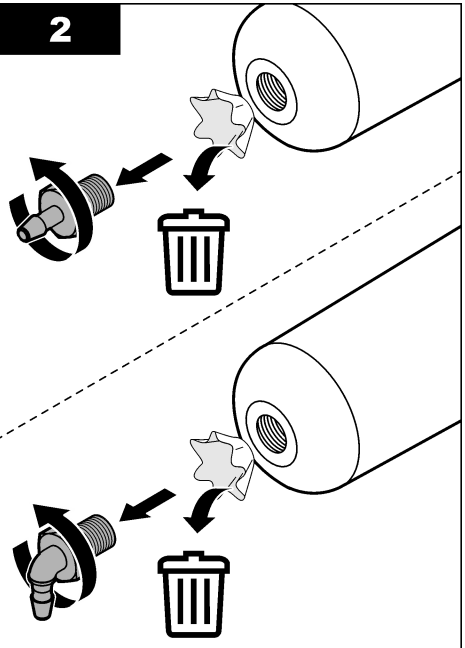
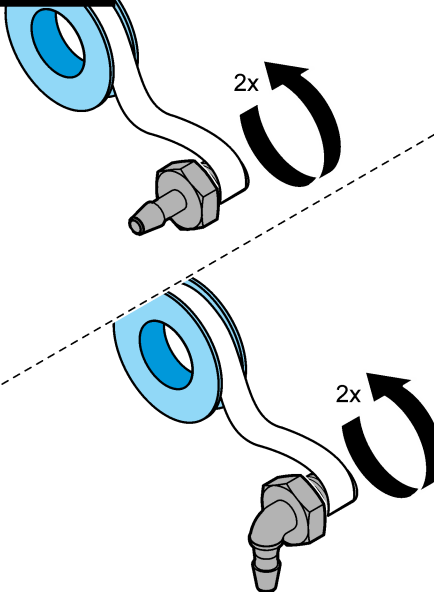
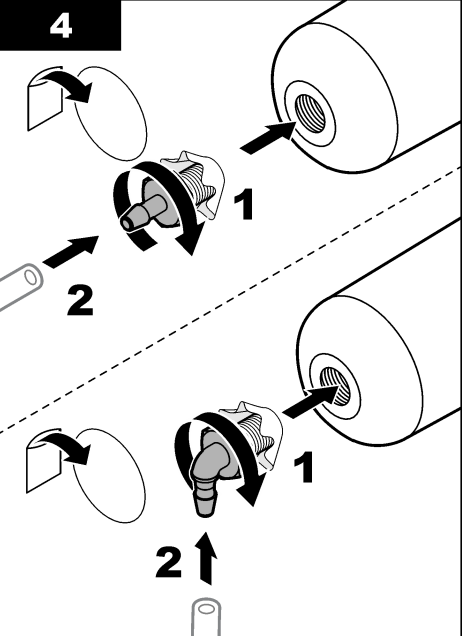
疎水性膜の交換時期:

- 水位トレンドの予期しない増減が発生した場合
- 水位データがないまたは正しくないが、速度データは有効な場合
- 膜が裂けているか、水やグリースで飽和している場合

膜を交換する場合は、下図の手順を参照してください。手順 4 では、以下の点を確認してください。

- 疎水性膜の滑らかな側が乾燥剤容器の内面と接触している。
- 疎水性膜が上に曲がっていて、見えなくなるまでねじ込まれている。
- 乾燥剤容器のニップルを回転させると、疎水性膜がニップルとともに回る。回らない場合は、膜が破損しています。新しい膜に対して、手順を繰り返します。

最良の性能を得るために、エンドキャップを下に向けて乾燥剤容器を縦に取り付けてください。[乾燥剤ハブの取り付け\(FL900\)](#) 162 ページを参照してください。

**1****2****3****4**

## 목차

- 1 상세 설명서 167 페이지
- 2 사양 167 페이지
- 3 일반 정보 168 페이지

- 4 설치 173 페이지
- 5 작동 188 페이지
- 6 유지보수 188 페이지

## 섹션 1 상세 설명서

자세한 내용은 제조업체의 웹사이트에 제공되는 상세 설명서 버전을 참조하십시오.

## 섹션 2 사양

사양은 사전 예고 없이 변경될 수 있습니다.

사양	세부 사항
규격 (W x D x H)	160.5 x 432.2 x 297 mm(6.32 x 16.66 x 11.7 in.); SVS 포함, D=287 mm(15.2 in.)
무게	4.8 kg(10.5 lb)
외함	IP68 방수 등급, 폴리스티렌
오염도	3
보호 등급	III
설치 범주	I
작동 온도	-10-50 °C(14-122 °F)
보관 온도	-40-60 °C (-40-140 °F)
고도	최대 4000 m(13,123 ft)
전원 조건	FL 시리즈 유량 기록계에서 공급
연결 케이블(센서 및 로거 단부에서 분리)	폴리우레탄, 0.400(±0.015) in. 직경
	IP68
	표준 길이: 9 m(30 ft); 최대 길이: 305 m(1000 ft)
수심 측정	방법: 초음파
	Flo-Dar 센서 하우징에서 유체까지의 표준형 작동 범위: 0-152.4 cm(0-60 in.)
	트랜스듀서 표면에서 유체까지의 연장형(옵션) 작동 범위: 0-6.1 m(0-20 ft) (43.18 cm(17 in.) 테드밴드), 온도 보상
	정확도: ±1%; ±0.25 cm(±0.1 in.)
서차치 수심 측정	방법: 스테인리스강 다이어프램 내장 피에조 저항-압력 트랜스듀서
	자동 영점 기능이 영점 오류를 0.5 cm(0.2 in.) 미만으로 유지
	범위: 3.5 m(138 in.); 과압 등급: 2.5 × 전체 눈금

사양	세부 사항
속도 측정	방법: 펄스 레이더 - 도플러
	범위: 0.23–6.10 m/s(0.75–20 ft/s)
	주파수 범위: EU 모델—24.175 GHz $\pm$ 15 MHz, 미국/캐나다 모델—24.125 GHz $\pm$ 15 MHz
	출력 전원: EU 모델—20 mW(13 dBm) 공칭 $\pm$ 10%, 미국/캐나다 모델—3미터에서 2.5 V/m(최대 전계 강도)
	정확도: $\pm$ 0.5%; $\pm$ 0.03 m/s( $\pm$ 0.1 ft/s)
인증	Flo-Dar 트랜스미터의 무선 인증은 다음을 준수합니다. <ul style="list-style-type: none"> <li>• 유럽 연합(EU): CE 마크</li> <li>• 미국(US): FCC ID: VIC-FLODAR24</li> <li>• 캐나다: IC: 6149A-FLODAR24</li> <li>• Brazil: ANATEL: 01552-13-09098</li> </ul>
<b>흐름 측정</b>	
방식	연속성 등식 기반
정확도	흐름이 채널 내부에서 이루어지고 균일 유동 조건이고 서차지 상태가 아닐 경우 측정치의 $\pm$ 5%가 일반적, 전체 눈금 $\pm$ 1% 최대
<b>서차지 상태 수심/속도</b>	
수심(Flo-Dar 센서에서 기본 제공)	Flo-Dar 센서가 제공하는 서차지 수심
속도(옵션 서차지 유속 센서)	방법: 전자식
	범위: $\pm$ 4.8 m/s( $\pm$ 16 ft/s)
	정확도: $\pm$ 0.046 m/s( $\pm$ 0.15 ft/s) 또는 측정치의 4% 중 큰 값
	영점 안정성: $> \pm$ 0.015 m/s( $\pm$ 0.05 ft/s) 일반

## 섹션 3 일반 정보

어떠한 경우에도 제조업체는 제품의 부적절한 사용 또는 설명서의 지침을 준수하지 않아 발생하는 손해에 대해 책임을 지지 않습니다. 제조업체는 본 설명서와 여기에 설명된 제품을 언제라도 통지나 추가적 책임 없이 변경할 수 있습니다. 개정본은 제조업체 웹 사이트에서 확인할 수 있습니다.

### 3.1 안전 정보

제조사는 본 제품의 잘못된 적용 또는 잘못된 사용으로 인한 직접, 우발적 또는 간접적 손해에 국한하지 않는 모든 손해에 대한 어떠한 책임도 지지 않으며, 관계 법령이 최대한 허용하는 손해에 관한 면책이 있습니다. 사용자는 사용상 중대한 위험을 인지하고 장비 오작동이 발생할 경우에 대비하여 적절한 보호 장치를 설치하여야 합니다.

장치 포장을 풀거나 설치하거나 작동하기 전에 본 설명서를 모두 읽으십시오. 모든 위험 및 주의사항 설명에 유의하시기 바랍니다. 이를 지키지 않으면 사용자가 중상을 입거나 장치가 손상될 수 있습니다.

이 장비가 제공하는 보호 기능이 손상되지 않았는지 확인하세요. 본 설명서에서 설명하는 방법이 아닌 다른 방법으로 본 장비를 사용하거나 설치하지 마십시오.

#### 3.1.1 위험 정보 표시

<b>▲ 위험</b>
지키지 않을 경우 사망하거나 또는 심각한 부상을 초래하는 잠재적 위험이나 긴급한 위험 상황을 뜻합니다.



## ▲ 경고

피하지 않을 경우에 사망이나 심각한 부상을 유발할 수 있는 잠재적 위험이나 긴급한 위험 상황을 나타냅니다.

## ▲ 주의







경미하거나 심하지 않은 부상을 초래할 수 있는 잠재적인 위험 상황을 뜻합니다.

## 주의사항

지키지 않으면 기기에 손상을 일으킬 수 있는 상황을 나타냅니다. 특별히 강조할 필요가 있는 정보.

### 3.1.2 주의 라벨

본 기기에 부착된 모든 라벨 및 태그를 참조하시기 바랍니다. 지침을 따르지 않을 경우 부상 또는 기기 손상이 발생할 수 있습니다. 기기에 있는 기호는 주의사항에 대한 설명과 함께 설명서에서 참조합니다.

	이는 안전 경고 심볼입니다. 잠재적인 부상 위험을 방지할 수 있도록 이 기호를 따라 모든 안전 메시지를 준수하십시오. 기기에 안전 기호가 부착되어 있는 경우 작동 및 안전 정보에 대해서는 작동 설명서를 참조하십시오.
	본 심볼은 감전 및/또는 전기쇼크의 위험이 있음을 나타냅니다.
	본 심볼은 정전기 방출(ESD)에 민감한 장치가 있으므로 장치 손상을 방지하기 위해 세심한 주의가 필요함을 나타냅니다.
	이 심볼이 표시된 전기 장비는 유럽 내 공공 폐기 시스템에 따라 폐기할 수 없습니다.
	제품 위에 본 심볼이 표시된 경우, 퓨즈나 전류 제한 장치의 위치를 나타냅니다.
	이 심볼은 표시된 부품에 보호 접지를 연결해야 함을 나타냅니다. 코드의 접지 플러그로 기기에 전원이 공급되지 않는 경우 보호 접지 단자에 보호 접지를 연결하십시오.

### 3.1.3 밀폐 공간 주의사항

## ▲ 위험

	폭발 위험 XXX
-------------------------------------------------------------------------------------	-----------

다음 정보는 사용자가 밀폐 공간에 들어갈 때 발생할 수 있는 위험을 이해하도록 돕기 위해 제공되는 것입니다.

1993년 4월 15일, OSHA의 CFR 1910.146, 작업 허가 필요 밀폐 공간에 대한 최종 판결이 입법되었습니다. 이 표준은 미국 내 250,000여 사이트에 직접적인 영향을 미치며, 밀폐 공간에서의 작업자 보건 및 안전을 보호하기 위해 제정되었습니다.

#### 밀폐 공간의 정의:

밀폐 공간은 다음 중 하나 이상의 조건을 가지는 (또는 그럴 가능성이 임박한) 위치 또는 외함입니다.

- 산소 농도가 19.5% 미만 또는 23.5% 초과 및/또는 황화수소(H<sub>2</sub>S) 농도가 10 ppm 초과하는 대기
- 가스, 증기, 연무, 분진 또는 파이버로 인해 가연성 또는 폭발성이 될 수 있는 대기

- 접촉 또는 흡입 시 부상, 건강 유해성 또는 사망을 초래할 수 있는 독성 물질

밀폐 공간은 인간이 점유하도록 설계된 것이 아닙니다. 밀폐 공간은 출입이 제한되며, 알려진 또는 잠재적인 위험을 가지고 있습니다. 밀폐 공간의 예로는 맨홀, 스택, 파이프, 대형 통, 스위치 볼트 및 기타 유사한 위치가 포함됩니다.

밀폐 공간 및/또는 유해 가스, 증기, 연무, 분진 또는 파이버가 존재할 수 있는 위치에 들어가기 전에 항상 표준 안전 절차를 준수해야 합니다. 밀폐 공간에 들어가기 전에 밀폐 공간 출입과 관련된 모든 절차를 찾아 숙지하십시오.

### 3.1.4 EU/FCC/IC/ANATEL 규정

이 장치에는 다음의 사용 조건이 적용됩니다.

- 이 장치의 내부에는 사용자가 서비스할 수 있는 부품이 없습니다.
- 사용자는 제공된 설치 지침에 따라 이 장치를 설치해야 하며, 어떠한 방식으로든 장치를 개조하면 안 됩니다. 장치를 어떠한 방식으로든 변경 또는 개조하면 이 장비를 작동할 수 있는 사용자의 권한이 무효화될 수 있습니다.
- 트랜스미터를 포함하여 모든 서비스는 Hach Company만 실시할 수 있습니다.
- 이 장치는 FCC에 따라 “모바일” 무선 장치로 간주됩니다. RF 노출 안전을 위해 사용자는 레이더 트랜스미터 작동 시 해당 장비의 표면으로부터 최소 20 cm(8 인치)의 거리를 유지해야 합니다.

## 3.2 인증

### ▲ 주의

이 장비는 거주 환경에서는 사용할 수 없으며 이러한 환경에서의 주파수 수신에 대한 적절한 보호를 제공하지 않을 수 있습니다.

#### 캐나다 무선 간섭 유발 장치 규정, IECS-003, 등급 A:

보조 테스트 기록은 제조업체가 제공합니다.

본 등급 A 디지털 장치는 캐나다 간섭 유발 장치 규제의 모든 요구조건을 만족합니다.

Cet appareil numérique de classe A répond à toutes les exigences de la réglementation canadienne sur les équipements provoquant des interférences.

#### FCC Part 15, Class "A" 제한

보조 테스트 기록은 제조업체가 제공합니다. 본 장치는 FCC 규칙, Part 15를 준수합니다. 본 장치는 다음 조건에 따라 작동해야 합니다.

1. 유해한 간섭을 일으키지 않아야 합니다.
2. 오작동을 유발할 수 있는 간섭을 포함하여 수신되는 모든 간섭에도 정상적으로 작동해야 합니다.

본 장치의 준수 책임이 있는 측이 명시적으로 허용하지 않은 변경 또는 수정을 가하는 경우 해당 사용자의 장치 작동 권한이 무효화될 수 있습니다. 본 장치는 FCC 규칙, Part 15에 의거하여 등급 A 디지털 장치 제한 규정을 준수합니다. 이러한 제한은 상업 지역에서 장치를 작동할 때 유해한 간섭으로부터 적절하게 보호하기 위하여 제정되었습니다. 본 장치는 무선 주파수 에너지를 생성 및 사용하며 방출할 수 있고 사용 설명서에 따라 설치하고 사용하지 않을 경우 무선 통신에 해로운 간섭을 일으킬 수 있습니다. 추가 지역에서 본 장치를 사용하면 해로운 간섭을 일으킬 수 있으며, 이 경우 사용자는 자비를 들여 간섭 문제를 해결해야 합니다. 다음과 같은 방법으로 간섭 문제를 줄일 수 있습니다.

1. 장치를 전원에서 분리하여 장치가 간섭의 원인인지 여부를 확인합니다.
2. 장치가 간섭을 받는 장치와 동일한 콘센트에 연결된 경우, 장치를 다른 콘센트에 연결해보십시오.
3. 장치를 간섭을 받는 장치로부터 멀리 분리하여 놓으십시오.
4. 간섭을 받는 장치의 안테나 위치를 바꿔보십시오.
5. 위의 방법들을 함께 적용해보십시오.

#### Flo-Dar 센서 - 부품 번호 목록:

표준 U-소닉 890004901, 890004902, 표준 U-소닉 I.S.(본질 안전) 890004801, 890004802, 890004803, 장거리 U-소닉 890005201, 890005202, 890005206, 장거리 U-소닉 I.S.(본질 안전)

890004804, 890004805, 890004806, 원격 원거리 U-소닉 890005204, 890005205, 890005207: 원격 장거리 U-소닉 I.S.(본질 안전) 890004807, 890004808, 890004809

위의 부품 번호는 서비스 전용이며 구매할 수 없습니다. 무선 인증의 경우에만 참조하십시오.

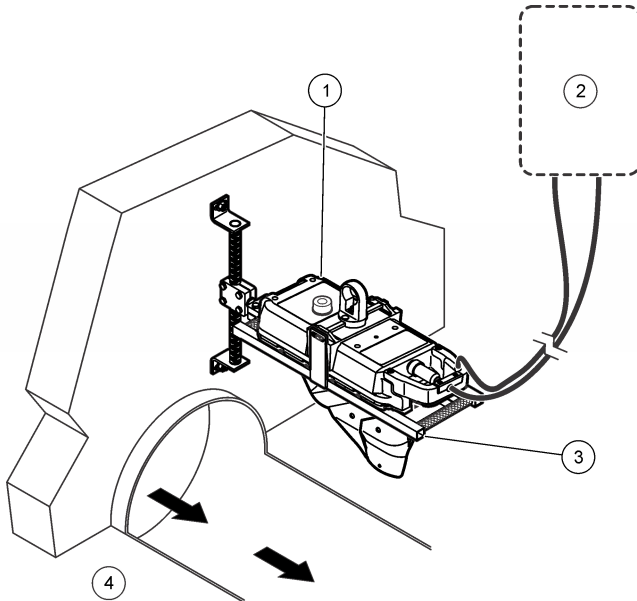
### 3.3 제품 개요

Flo-Dar 센서는 레이더 및 초음파 기술을 사용하여 개방 채널에서 유속 및 유체 수심을 측정합니다. 이 유닛은 서차지 상태에서 침지를 견디도록 설계되었습니다. 옵션 서차지 유속 센서는 서차지 상태에서 유속 측정치를 제공합니다.

그림 1에는 비유해 위치 설치 시 Flo-Dar 시스템의 구성이 나와 있습니다.

교체 부품에 대한 작동 원리 및 주문 정보는 제조업체 웹 사이트(<http://www.hach.com>)의 세부 사용 설명서를 참조하십시오.

그림 1 시스템 개요

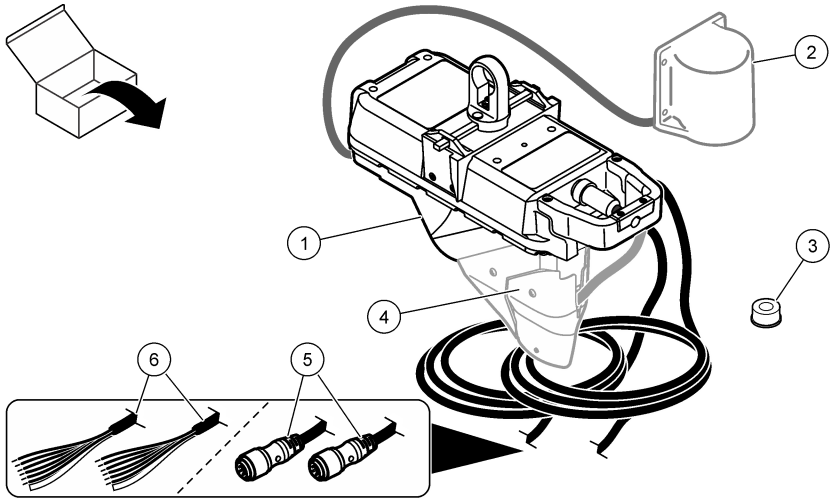


1 서차지 유속 센서(옵션) 내장 Flo-Dar 센서	3 장착 프레임
2 유량 기록계 또는 컨트롤러	4 비유해 환경

### 3.4 제품 구성품

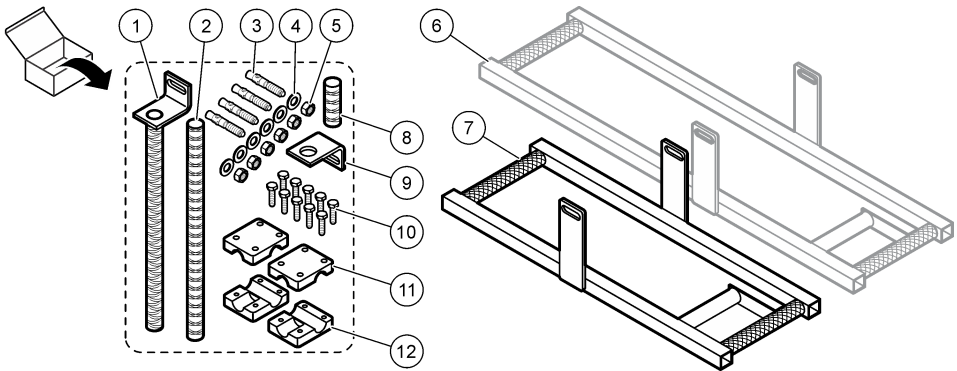
모든 구성품을 수령했는지 확인하십시오. 그림 2 및 그림 3을 참조하십시오. 품목이 누락되었거나 손상된 경우에는 제조업체 또는 판매 담당자에게 즉시 연락하시기 바랍니다.

그림 2 기기 구성품



1 Flo-Dar 센서	4 서차지 유속 센서(SVS)(옵션)
2 연장형 범위 센서(옵션)	5 Flo-Dar 커넥터 및 SVS 커넥터
3 기포 수준기	6 나선 내장 Flo-Dar 및 나선 내장 SVS <sup>1</sup>

그림 3 벽 장착 하드웨어



1 벽 장착 브래킷	7 표준형 프레임
2 스페이서, 12 in.	8 스페이서, 2¼ in.
3 앵커, 3/8 x 2¼ in. (4x)	9 조절식 벽 장착 브래킷
4 앵커 와셔(6x)	10 클램프 볼트, ¼-20 x 1 in. (10x)
5 앵커 너트, 3/8-16(6x)	11 클램프 하프, 비나사형(2x)
6 연장형 범위 센서용 프레임(옵션)	12 클램프 하프, 나사형(2x)

<sup>1</sup> 나선은 커넥터를 대체합니다.

## 섹션 4 설치

### ⚠ 위험



폭발 위험. 교육을 받은 직원만 장비를 설치 또는 사용해야 합니다.

## 4.1 기계 설치

### 4.1.1 사이트 위치 지침

#### 주의사항

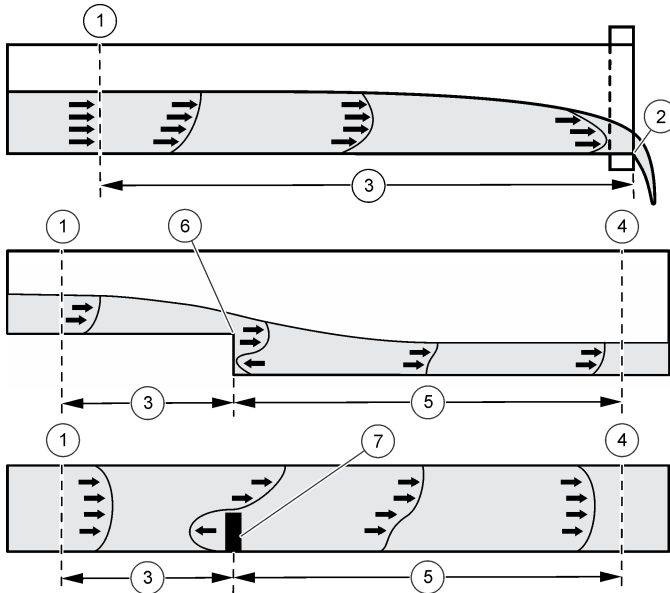
인클로저가 손상되지 않도록 기기를 직사광선, UV, 열 발생원 및 극한 기후의 영향을 받지 않는 곳에 설치하십시오. 실외에 설치하는 경우 기기 위에 햇빛 가리개나 보호 커버를 설치하십시오.

최상의 정확성을 얻으려면 흐름이 요동하지 않는 위치에 센서를 설치합니다. 이상적인 위치는 길고 곧게 뻗은 채널 또는 파이프 안입니다. 배출구, 수직 강하, 격벽, 곡류 또는 합류점이 있을 경우 유속 프로필이 왜곡될 수 있습니다.

배출구, 수직 낙하, 격벽, 곡면 또는 합류점이 있는 위치에서는 **그림 4-그림 6**과 같이 업스트림 또는 다운스트림에 센서를 설치합니다. 업스트림 위치의 경우 센서를 파이프 직경 또는 최대 유체 수준의 5배 이상인 거리에 설치합니다. 다운스트림 위치의 경우 센서를 파이프 직경 또는 최대 유체 수준의 10배 이상인 거리에 설치합니다.

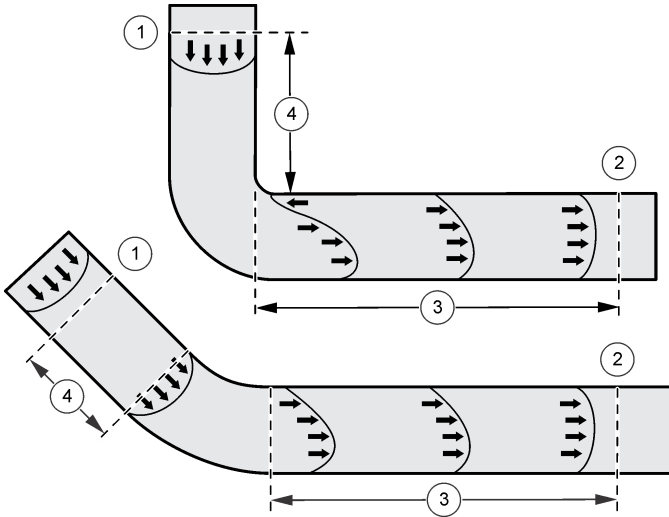
위치에 합류점이 있고 파이프 내 유량이 훨씬 높을 경우, 센서를 유량이 더 적은 파이프와 가까운 벽에 센서를 설치합니다.

그림 4 배출구, 수직 낙하 또는 격벽 가까운 센서 위치



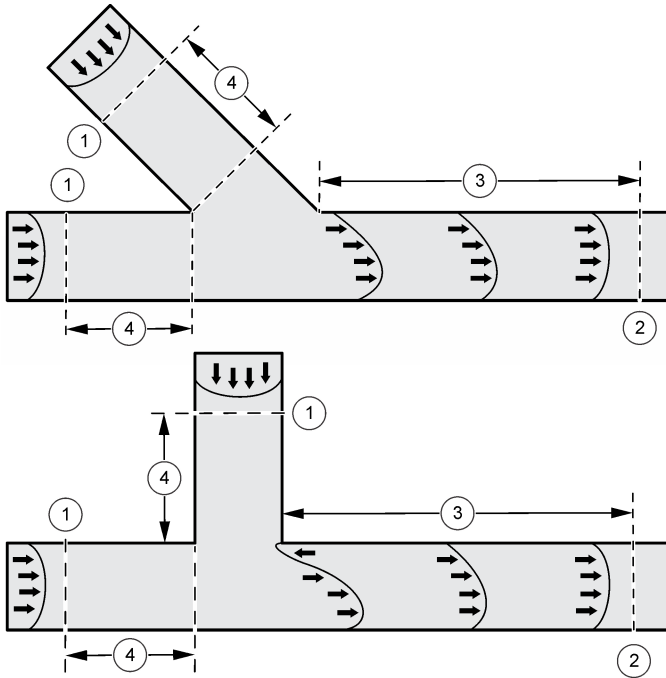
1 허용되는 업스트림 센서 위치	5 다운스트림 거리: 10 × 파이프 직경
2 배출구	6 수직 낙하
3 업스트림 거리: 5 × 최대 수준	7 격벽
4 허용되는 다운스트림 센서 위치	

그림 5 곡류 또는 L형 센서 위치





1 허용되는 업스트림 센서 위치	3 다운스트림 거리: $10 \times$ 파이프 직경
2 허용되는 다운스트림 센서 위치	4 업스트림 거리: $5 \times$ 파이프 직경

그림 6 합류점 부근 센서 위치



1 허용되는 업스트림 센서 위치	3 다운스트림 거리: 10 × 파이프 직경
2 허용되는 다운스트림 센서 위치	4 업스트림 거리: 5 × 파이프 직경

#### 4.1.2 센서 설치

<b>▲ 경고</b>	
	폭발 위험. 위험 지역에서는 표면 마찰로 스파크가 발생하여 폭발이 일어날 수 있습니다. 기기와 주위 표면 사이에 마찰이 발생할 가능성이 없는지 확인하십시오.
<b>▲ 주의</b>	
	잠재적 청력 상실 위험. 청력 보호 필요. 수준 트랜스듀서는 전원이 연결되면 초음파 에너지를 방출합니다. 이 장치로부터 1 m 이내에서 작업할 때는 청력 보호구를 착용해야 합니다. 설치, 교정 및 유지보수 시 트랜스듀서 출력이 귀를 향하지 않도록 하십시오.

#### 초음파 압력:

- 유효 빔 크기: 장거리
- 초음파 압력: 축에서 1 m(3.3 ft)일 때 110 dB 이상
- 빔 내 음압: 최대 111.9 dB

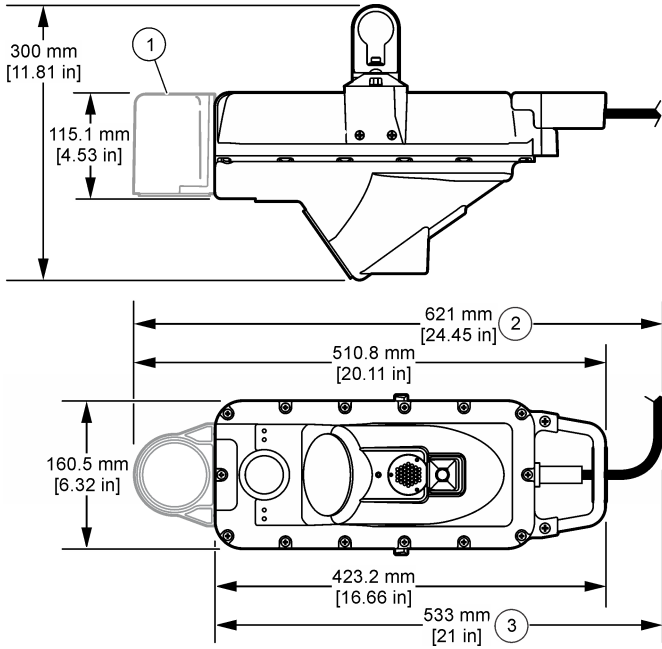
Flo-Dar 센서를 맨홀 벽의 개방 채널 위에 설치합니다. 유해 위치에서는 유해 구역의 외부에 장벽을 설치해야 합니다.

가설치의 경우, 옵션 잭 바를 사용할 수 있습니다. 잭 바와 함께 지침이 제공됩니다.

센서 치수는 그림 7 및 그림 8에 나와 있습니다.

벽 설치용 표준형 프레임의 치수는 그림 9에 나와 있습니다.

그림 7 센서 크기



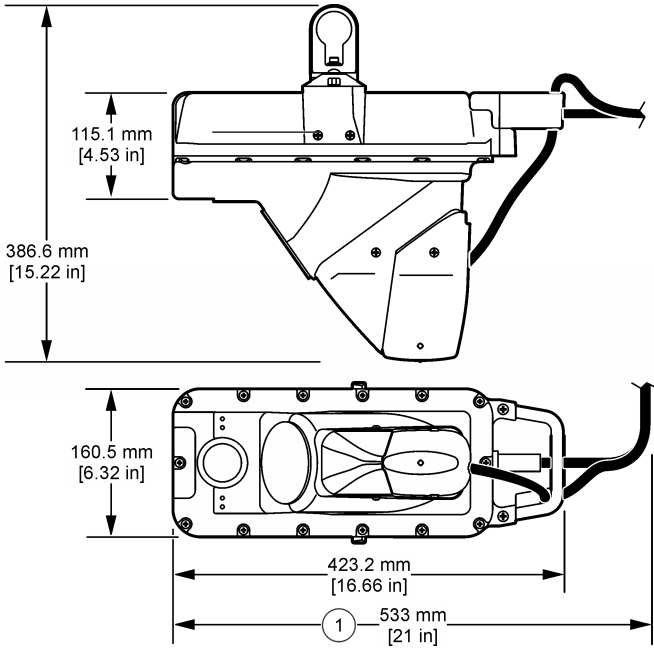
1 연장형 범위 센서(옵션)

2 연장형 범위 센서를 포함한 케이블의 최소 간격

3 케이블의 최소 간격

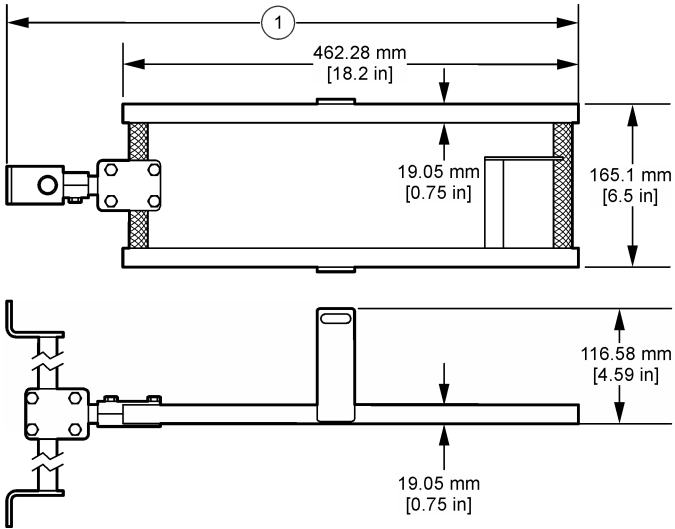


그림 8 SVS 내장 센서 크기



1 케이블의 최소 간격

그림 9 표준형 프레임 크기



1 579.12 mm(22.8 in.), 2¼ in. 스페이서 포함 시; 828.04 mm(32.6 in.) 12 in. 스페이서 포함 시

#### 4.1.2.1 프레임 및 벽 장착 브라켓에서 클램프 조립

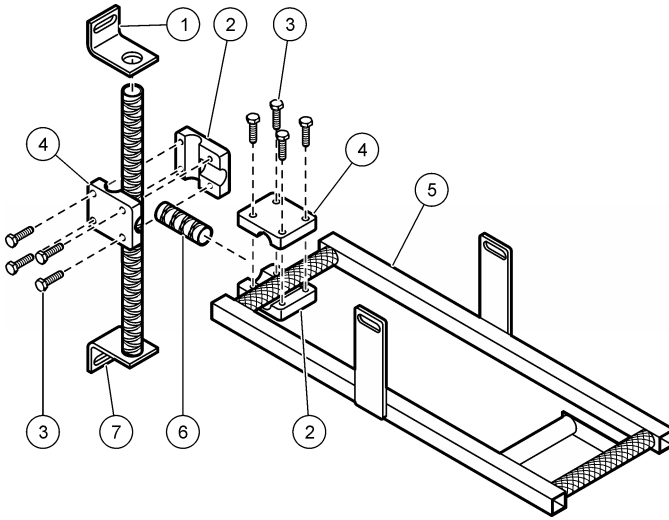
벽에 설치하기 전에 프레임과 벽 장착 브라켓에 클램프를 설치합니다.

**준비 항목:** 벽 장착 하드웨어(그림 3 172 페이지)

- 프레임
- 벽 장착 브래킷
- 클램프
- 하드웨어: 벽 장착 브래킷, 스페이서, 너트 및 볼트

1. 2개의 클램프 하프(나사형 하프와 비나사형 하프)를 벽 장착 브래킷에 두릅니다. **그림 10**을 참조하십시오.
2. 4개의 볼트를 사용하여 클램프 하프를 연결합니다. 클램프가 임시로 제자리를 유지하는 데 충분한 정도로 볼트를 조입니다.
3. 2개의 클램프 하프를 프레임의 전면 단부에 두릅니다. **그림 10**을 참조하십시오.  
**참고:** 통상적으로, 프레임의 전면이 벽을 향합니다. **그림 10** 및 **그림 14 183** 페이지를 참조하십시오. 유동 조건 때문에 센서가 벽을 향할 수 없는 경우 12인치 스페이서를 사용하여 2개의 클램프 하프를 프레임의 후면 단부에 두릅니다.
4. 4개의 볼트를 사용하여 클램프 하프를 연결합니다. 클램프가 임시로 제자리를 유지하는 데 충분한 정도로 볼트를 조입니다.

**그림 10** 벽 장착 브래킷 및 프레임에서 클램프 조립



1 조절식 벽 장착 브래킷	5 프레임
2 클램프 하프, 나사형	6 스페이서
3 클램프 볼트, ¼-20 x 1 in.	7 벽 장착 브래킷
4 클램프 하프, 비나사형	

**4.1.2.2 벽에 프레임 설치**

**⚠ 위험**

폭발 위험. 밀폐 공간에 들어가기 전에 **밀폐 공간 주의사항 169** 페이지의 안전 정보를 확인하십시오.

아래의 지침을 검토하여 최상의 센서 위치를 찾습니다.

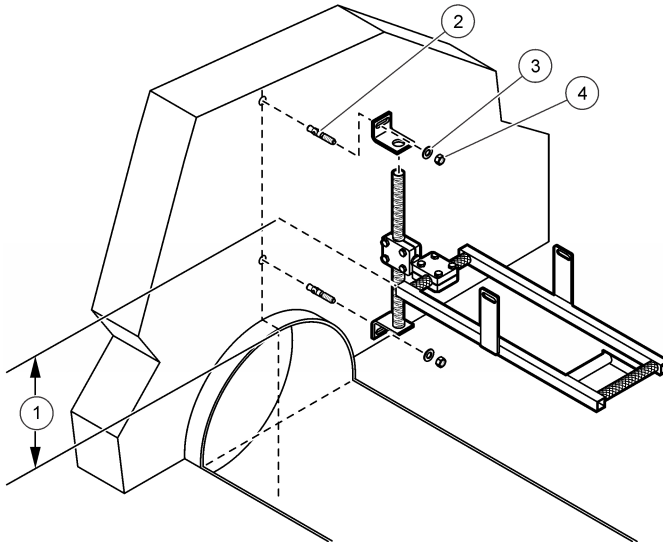
- 업스트림 및 다운스트림 유동 특성을 검사합니다. 필요할 경우 거울을 사용합니다. 흐름이 안정적인 위치에서 수면 위에 센서를 설치합니다. 정상파, 고인 물 또는 유동 프로필을 중단시킬 수 있는 물체 또는 물질이 있는 장소에 센서를 설치하지 마십시오.
- 업스트림 유동 특성이 허용될 경우 센서가 업스트림을 향하게 하여 맨홀의 업스트림 벽에 센서를 설치합니다. 이 장소는 측정된 유량이 파이프 내 유량과 동일하고 센서 케이블이 벽 이외의 위치를 향하게 해줍니다.
- 파이프의 측면에서 떨어지고 유체가 최대 수심이 되는 흐름의 정중앙에 센서를 설치합니다.
- 유지보수를 위해 접근 가능한 장소에 센서를 설치합니다.

#### 준비 항목:

- 조립된 프레임 및 벽 장착 브래킷 어셈블리
- 너트 및 와셔 포함 앵커
- 공구: 거울, 자 또는 줄자, 마커

단계에 따라 흐름 위의 맨홀 벽에 프레임을 설치합니다. 해당 장소와 관련된 모든 법규를 준수하십시오. [사이트 위치 지침 173](#) 페이지를 참조하십시오.

1. 벽에 센서 프레임 상단의 위치를 식별하는 표시를 합니다. [그림 11](#)을 참조하십시오. 벽 장착 브래킷이 이 표시의 위와 아래에 설치됩니다.
  - SVS 미포함 센서 — 센서가 프레임 내에 있을 때 레이더 빔이 벽 또는 채널에 의해 막히지 않는 지 확인합니다. [그림 13 182](#) 페이지를 참조하십시오.
  - SVS 내장 센서 — 센서 프레임의 상단이 채널의 상단 위로 정확한 거리에 설치되어야 합니다. 파이프 직경이 **635 mm(25 in.)** 이상인 경우, 파이프의 내부 크라운에서 프레임의 상단까지 **127 mm(5 in.)**를 측정합니다. 파이프 직경이 **635 mm(25 in.)** 미만인 경우, 파이프의 내부 크라운에서 프레임의 상단까지 **152.4 mm(6 in.)**를 측정합니다.
2. 벽 장착 브래킷을 이 표시 위와 아래에 배치합니다.
3. 제공된 앵커를 사용하여 브래킷을 벽에 부착합니다. 앵커를 **3/8-in.** 직경의 구멍에 **38.1 mm(1.5 in.)** 깊이로 설치합니다.
4. 스페이서를 사용하여 벽 장착 브래킷에 프레임을 연결합니다. [그림 11](#)을 참조하십시오. 파이프 립이 큰 경우 **12인치** 스페이서를 사용하여 센서를 벽에서 더 떨어뜨려야 할 수 있습니다.

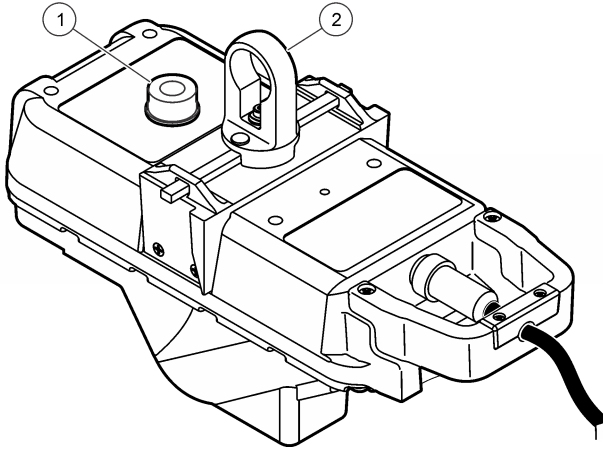


1 파이프의 내부 크라운에서 프레임 상단까지의 거리	3 워셔
2 앵커	4 너트

#### 4.1.2.3 프레임에 센서 설치

센서는 프레임에 한 방향으로만 장착되며, 센서의 베일을 돌리면 고정됩니다. [그림 12](#)를 참조하십시오. 옵션 회수 막대를 사용하면 맨홀에 들어가지 않아도 센서를 프레임에서 분리하고 설치할 수 있습니다.

1. 케이블이 센서에 단단히 연결되었는지 확인합니다.
2. 베일을 돌려 센서의 잠금 바를 뒤로 이동시킵니다.
3. 센서를 프레임 위에 놓습니다. 케이블이 맨홀의 중앙을 향하는지 확인합니다.
4. 베일을 돌려 센서를 프레임 위에 고정합니다. [그림 12](#)를 참조하십시오.



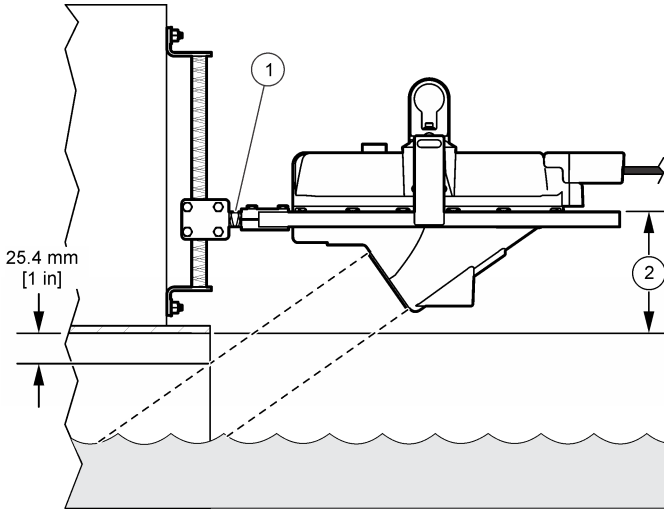
1 기포 수준기	2 베일
----------	------

**4.1.2.4 센서를 수직으로 정렬 - SVS 미포함 Flo-Dar**

센서를 수직으로 정렬하고 센서가 흐름 위에 오는지, 레이더 빔이 벽 또는 파이프에 막히지 않는지 확인합니다. 그림 13을 참조하십시오.

1. 렌즈가 가리키는 위치와 수직 방향으로 레이더 렌즈의 상단에서 연장된 선이 어디를 가리키는지 예측합니다. 그림 13을 참조하십시오.
2. 벽 장착 브래킷에서 클램프를 풀고 프레임을 레이더 빔이 파이프의 크라운보다 최소 25.4 mm(1 in.) 아래를 가리키도록 놓습니다. 그림 13을 참조하십시오. 프레임을 벽쪽으로 보내려면 12인치 스페이서를 설치해야 할 수 있습니다.
3. 클램프를 조이고 프레임 위치를 측정합니다. 레이더 빔이 벽 또는 파이프에 막히지 않는지 확인합니다. 빔이 막힐 경우 12인치 스페이서를 사용하여 프레임을 벽쪽으로 이동하거나 프레임을 내립니다.

그림 13 센서의 수직 정렬



1 스페이서

2 파이프의 내부 크라운에서 프레임 상단까지의 거리

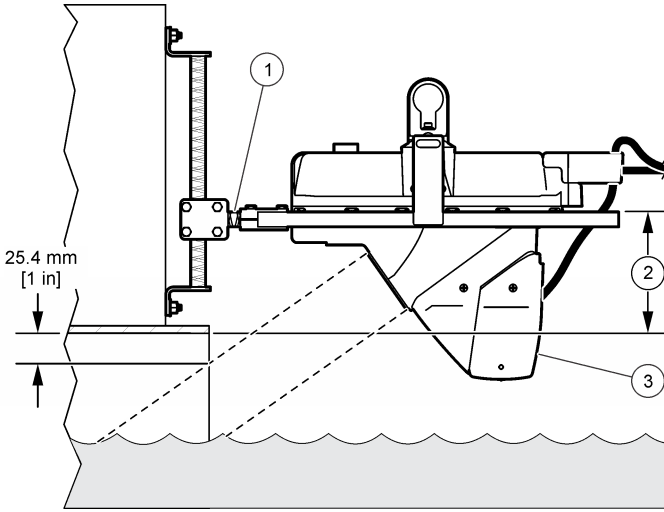
#### 4.1.2.5 센서를 수직으로 정렬 – SVS 내장 Flo-Dar

센서를 수직으로 정렬하고 센서가 정상적인 최대 유량 조건에서 흐름 위에 있는지, 서차지 상태에서 SVS가 활성화되는지 확인합니다.

**준비 항목:** 자 또는 줄자

1. 파이프의 크라운 위에서 프레임 상단까지 직접 측정합니다. [그림 11](#) 180 페이지를 참조하십시오.
2. 파이프 립의 길이가 140 mm(5.5 in.) 이상일 경우 벽 장착 브래킷과 프레임 사이에 12인치 스페이서를 설치합니다. [그림 14](#)를 참조하십시오.
3. 벽 장착 브래킷에서 클램프를 풀고 프레임의 상단을 파이프의 크라운 위쪽으로 지정된 거리에 놓습니다.
  - 152.4 mm(6 in.) 파이프 직경이 610 mm(24 in.) 미만인 경우
  - 127 mm(5 in.) 파이프 직경이 610 mm(24 in.) 이상인 경우
4. 클램프를 조이고 프레임 위치를 다시 측정하여 올바른 위치인지 확인합니다.

그림 14 SVS 내장 센서의 수직 정렬



1 스페이서	3 SVS 센서(옵션)
2 파이프의 내부 크라운에서 프레임 상단까지의 거리	

#### 4.1.2.6 센서를 수평으로 정렬

센서를 수평으로 정렬하고 센서가 흐름의 가운데 위에 온는지 확인합니다. 파이프가 수평이 아니고 2도 이상의 기울기를 갖는 경우 센서를 수면과 평행하게 정렬합니다.

준비 항목: 기포 수준기

1. 기포 수준기에서 배지를 제거하고 수준기를 센서에 부착합니다. [그림 12 181](#) 페이지를 참조하십시오.
2. 클램프를 풀고 프레임을 제 위치로 두드려 넣습니다.
3. 두 클램프를 조인 다음 프레임 위치를 측정하여 올바른 위치인지 확인합니다.

#### 4.1.2.7 최종 정렬 점검

정확한 측정을 위해서는 센서를 올바르게 수직 및 수평으로 정렬해야 합니다.

1. 수직 정렬을 측정하고 필요하면 조정합니다. **센서를 수직으로 정렬 – SVS 미포함 Flo-Dar 181** 페이지 또는 **센서를 수직으로 정렬 – SVS 내장 Flo-Dar 182** 페이지를 참조하십시오.
2. 수평 정렬을 측정하고 필요하면 조정합니다. **센서를 수평으로 정렬 183** 페이지를 참조하십시오.
3. 추가 조정이 필요 없을 때까지 1-2 단계를 반복합니다.

#### 4.1.2.8 옵션 연장형 범위 센서 설치

파이프 또는 채널 깊이가 표준형 수준 규격보다 클 경우 연장형 범위 센서([그림 15](#))를 사용할 수 있습니다. [사양 167](#) 페이지를 참조하십시오.

표준형 프레임 대신 연장형 프레임([그림 16](#))을 사용하거나 벽에 연장형 범위 센서를 장착합니다.

정확한 측정을 위해서는 연장형 범위 센서가 파이프 크라운의 적어도 **457.2 mm(18 in.)** 위에 설치되어야 합니다. 연장형 범위 센서에는 **431.8 mm(17 in.)**의 데드밴드(센서가 작동하지 않는 영역)가 있습니다.

그림 15 연장형 범위 센서 크기

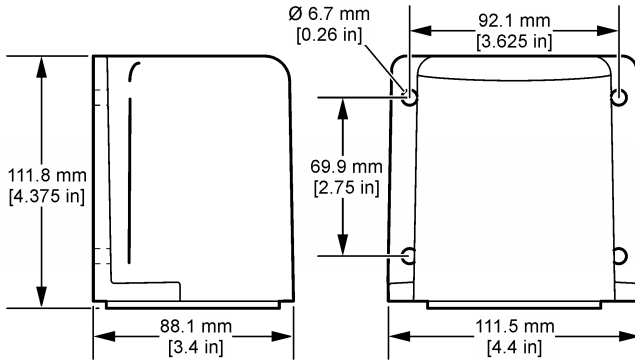
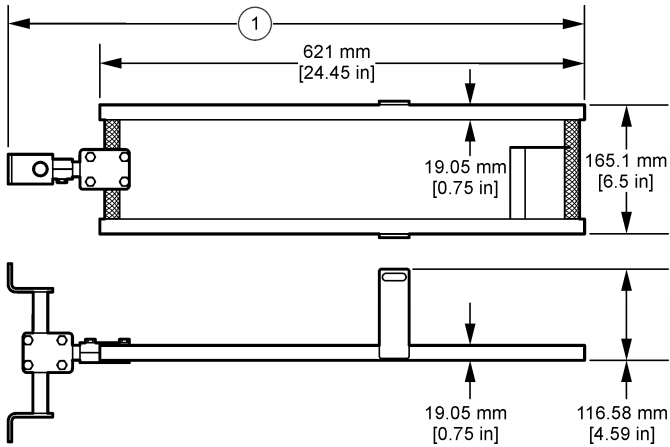


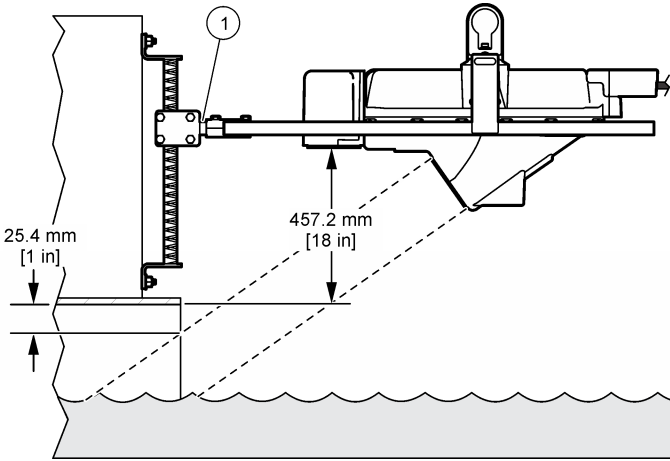
그림 16 연장형 프레임 크기



1 739.14 mm(29.1 in.) 2¼ in. 스페이서 포함 시; 985.52 mm(38.8 in.) 12 in. 스페이서 포함 시



그림 17 연장형 범위 센서와 수직 정렬



1 스페이서

#### 4.1.3 센서 오프셋 측정

센서 오프셋은 프레임 상단에서 파이프 또는 채널 하단까지의 거리입니다. 이 거리는 소프트웨어에 입력되며, 정확한 유량 계산에 필요합니다.

옵션 연장형 범위 센서가 연장형 프레임 없이 벽에 설치된 경우 센서 오프셋은 연장형 범위 센서의 표면에서 파이프 또는 채널 하단까지의 거리입니다.

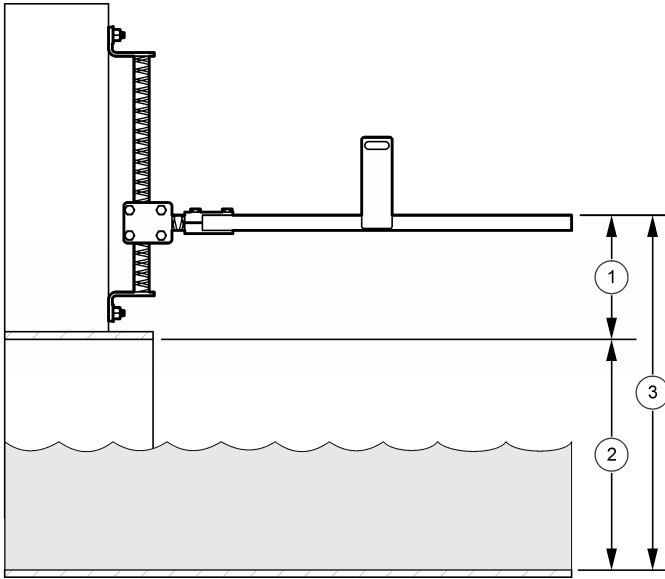
##### 준비 항목:

- 막대
- 줄자

1. 파이프 또는 채널 하단에 막대를 놓고 수직으로 프레임과 정렬합니다. 그림 18을 참조하십시오.
2. 막대에 센서 프레임의 상단 위치를 식별할 표시를 합니다.
3. 막대의 하단에서 표시까지의 거리를 측정합니다. 이 거리가 센서 오프셋입니다.

**참고:** 파이프 하단까지 거리를 측정할 수 없는 경우에는 파이프 크라운에서 프레임 상단까지의 거리를 측정합니다. 그림 18을 참조하십시오. 이 거리를 파이프 직경에 추가하여 센서 오프셋을 구합니다.  $\text{센서 오프셋} = \text{파이프 직경} + \text{파이프 크라운에서 프레임 상단까지의 거리}$

그림 18 센서 오프셋

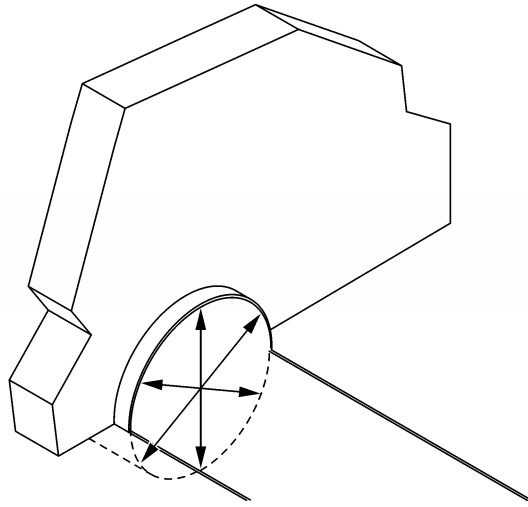


- |   |                            |   |        |
|---|----------------------------|---|--------|
| 1 | 파이프의 내부 크라운에서 프레임 상단까지의 거리 | 3 | 센서 오프셋 |
| 2 | 파이프 직경                     |   |        |

#### 4.1.4 파이프 직경 측정


유량을 정확하게 계산하기 위해서는 정확한 파이프 또는 채널 직경이 필요합니다.

1. 3개 위치에서 파이프 내경(ID)을 측정합니다. [그림 19](#)를 참조하십시오. 측정이 정확한지 확인합니다.
2. 세 측정치의 평균을 계산합니다. 사이트에서 소프트웨어 설정 시 사용할 수 있도록 이 수치를 메모합니다.




## 4.2 전기 설치

### 4.2.1 배선 안전 정보

▲ 위험	
	<p>감전 위험. 전기적으로 연결하기 전에 항상 기기에서 전원을 분리하십시오.</p>

### 4.2.2 정전기 방전(ESD) 문제

주의사항	
	<p>잠재적인 장치 손상. 정교한 내부 전자 부품이 정전기에 의해 손상되어 장치 성능이 저하되거나 고장이 날 수 있습니다.</p>

기기의 ESD 손상을 방지하려면 이 절차의 단계를 참조하십시오.

- 기기의 새시, 금속 도관 또는 파이프 같은 어느 접지된 금속 표면을 만져 정전기를 방전시키십시오.
- 너무 많이 움직이지 마십시오. 정전기에 민감한 부품은 정전기 방지 용기나 포장재에 넣어 운반하십시오.
- 전선을 통해 접지된 손목 스트랩을 착용하십시오.
- 정전기로부터 안전한 구역에서 정전기 방지 바닥 패드와 작업대 패드를 사용하여 작업하십시오.

### 4.2.3 유량 기록계 연결

유량 기록계에 Flo-Dar 센서를 연결합니다.

- **FL900 유량 기록계**—Flo-Dar 센서에서 유량 기록계에 있는 센서 커넥터로 케이블을 연결합니다. 옵션 서차지 유속 센서(SVS)가 설치되어 있으면 SVS에서 기록계에 있는 센서 커넥터로 케이블을 연결합니다.
- **FL1500 유량 기록계**—Flo-Dar 센서에서 유량 기록계의 적합한 단자로 케이블을 연결합니다. 옵션 서차지 유속 센서(SVS)가 설치되어 있으면 SVS에서 컨트롤러의 적합한 단자로 케이블을 연결합니다. 적합한 단자 위치는 FL1500 유량 기록계 문서를 참조하십시오.

## 4.2.4 건조제 허브 연결 (FL900)

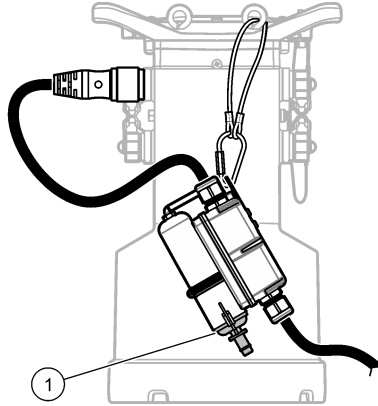
센서 케이블과 커넥터가 변형되지 않도록 옵션 건조제 허브를 FL900 유량 기록계에 연결합니다.

그림 20 섹션을 참조하십시오.

최고의 성능을 얻으려면 건조제 용기를 엔드 캡이 아래로 향하도록 하여 세로로 설치하십시오.

그림 20 섹션을 참조하십시오.

그림 20 건조제 허브 연결



1 엔드 캡

## 섹션 5 작동

FL900 유량 기록계에 연결하는 센서의 경우 FSDATA 데스크톱 소프트웨어가 설치된 컴퓨터에 유량 기록계를 연결하여 구성과 교정을 수행하고 센서에서 데이터를 수집합니다. 구성 및 교정을 수행하고 센서에서 데이터를 수집하는 방법은 FSDATA 데스크톱 문서를 참조하십시오.

FL1500 유량 기록계에 연결하는 센서의 경우 FL1500 유량 기록계 문서를 참조하여 구성 및 교정을 수행하고 센서에서 데이터를 수집합니다. 또는 FSDATA 데스크톱 소프트웨어가 설치된 컴퓨터에 유량 기록계를 연결하여 구성과 교정을 수행하고 센서에서 데이터를 수집합니다. 구성 및 교정을 수행하고 센서에서 데이터를 수집하는 방법은 FSDATA 데스크톱 문서를 참조하십시오.

## 5.1 소프트웨어 설치

해당하는 경우 최신 버전의 FSDATA 데스크톱 소프트웨어가 컴퓨터에 설치되었는지 확인합니다. 소프트웨어는 <http://www.hachflow.com>에서 다운로드합니다. 지원을 클릭한 다음 소프트웨어 다운로드 >Hach FL 시리즈 유량 기록계를 선택합니다.

## 섹션 6 유지보수

### ⚠ 위험



여러 가지 위험이 존재합니다. 자격을 부여받은 담당자만 본 문서에 의거하여 작업을 수행해야 합니다.

### ⚠ 위험



폭발 위험. 회수 막대를 사용할 경우 접지 스트랩을 장비의 접지 러그에 연결해야 합니다. 또한 유지보수 작업 중 센서가 장비에 연결되어야 합니다. 이는 정전기 방전으로 인한 폭발성 가스의 착화를 방지하기 위한 것입니다.

## ⚠ 주의



레이더 RF 노출 위험. 머리와 주요 장기 부위를 마이크로파 빔 안에 넣지 마십시오(마이크로파 구경의 1 m(3.3 ft) 이내). Flo-Dar 마이크로파 전력 수준이 매우 작아(약 15 mW) 정부가 규정한 비통제 환경 노출 한계보다 크게 낮지만, 이 제품의 사용자는 레이더 주파수 트랜스미터 내장 장치의 취급을 위한 적절한 안전 규정을 준수해야 합니다.

## 주의사항

마이크로파 트랜스미터가 손상되지 않도록 주의하여 센서를 취급하십시오. 트랜스미터가 손상될 경우 신호 전력 수준이 상승하여 필수적인 지상 마이크로파 링크를 간섭할 수 있습니다.

다음과 같은 상태가 발생할 경우 트랜스미터의 안전성이 저해될 수 있습니다.

- 눈의 띄는 손상
- 장기간 70 °C 이상에서 보관
- 심한 운송 응력에 노출
- 이전의 설치
- 부적절한 작동

이러한 상태가 발생할 경우 제조업체로 장치를 반송하여 재인증을 받으십시오.

## 6.1 부식 및 손상 여부 점검

일년에 한 번 부식 및 손상 여부를 점검합니다.

**참고:** 사용자가 교체할 수 있는 Flo-Dar 시스템의 부품은 베일 어셈블리 및 케이블뿐입니다. 센서에 결함이 발생하면 전체 유닛을 교체해야 합니다.

1. 환경 가스가 센서 내부로 유입될 수 있는 부식 또는 손상 여부를 점검합니다.
2. 주 플라스틱 케이스, 수심 모듈 또는 레이돔의 상부 및 하부가 팽창하거나, 수포가 생기거나, 점식되거나, 재료가 탈락되지 않았는지 확인합니다.
3. 연장형 범위 센서를 사용할 경우 케이스와 4개의 ¼-20 스테인리스강 볼트를 검사합니다.
4. 서차지 유속 센서(SVS)를 사용할 경우:
  - a. 유닛이 부식되지 않았고 라벨을 읽을 수 있는지 확인합니다.
  - b. 커넥터에서 손상 또는 부식 여부를 검사합니다. 시스템의 모든 커넥터를 조입니다.
5. 커넥터에서 손상 또는 부식 여부를 검사합니다. 시스템의 모든 커넥터를 조입니다.
6. 커넥터에서 부식이 발견될 경우 커넥터를 청소하고 커넥터 핀에 습기가 없도록 말립니다. 부식이 심할 경우 케이블을 교체합니다. **케이블 교체 190** 페이지를 참조하십시오.

## 6.2 기기 청소

## ⚠ 위험



폭발 위험. 유해 위치에서 Flo-Dar 또는 SVS 센서를 닫거나 청소하려 하지 마십시오. 마모제나 고압 호스 또는 위셔를 사용하여 센서를 청소하지 마십시오. 센서 하단의 압력 포트를 방해하지 마십시오.

센서는 서차지 상태가 발생하지 않는 한 흐름과 접촉하지 않으므로 정기적인 청소가 필요하지 않습니다. 서차지 후 센서를 검사하여 청소가 필요한지 확인합니다.

**준비 항목:** 후크 포함 회수 막대(옵션)

1. 센서에서 전원을 분리합니다.
2. 회수 막대 위에 후크를 달아 맨홀을 통하지 않고 센서를 분리할 수 있습니다. 집지 스트랩이 막대에 연결되어 있는지 확인합니다.
3. 센서에 베일을 걸고 막대를 시계 반대 방향으로 돌려 센서를 프레임에서 잠금 해제합니다. 센서를 분리합니다.


4. 센서의 하단에서 이물질을 모두 제거합니다. 센서의 외부 표면을 중성 세제로 세척하고 물로 헹굽니다.
5. 서차지 유속 센서(SVS)를 사용하는 경우 전극(작은 검은색 점)에는 600그릿 사포를 사용합니다. 전극이 손상되므로 가볍게 문질러야 합니다.
6. 프레임 위로 센서를 내립니다. 케이블이 맨홀의 중앙을 향하는지 확인합니다.
7. 회수 막대를 시계 방향으로 돌려 잠금 바를 프레임에 결합시킵니다.
8. 센서에 전원을 공급합니다.


### 6.3 케이블 교체

커넥터의 부식이 심하거나 케이블이 손상된 경우 케이블을 교체합니다.

1. 로거 또는 컨트롤러에서 센서 전원을 차단합니다.
2. 회수 막대 위에 후크를 배치하여 맨홀을 통하지 않고 센서를 분리할 수 있습니다. 접지 스트랩이 막대에 연결되어 있는지 확인합니다.
3. 센서에 배일을 걸고 막대를 시계 반대 방향으로 돌려 센서를 프레임에서 잠금 해제합니다. 센서를 분리합니다.
4. 센서 핸들에서 2개의 + 나사를 풀어 케이블 클램프를 분리합니다. 케이블을 분리합니다.
5. 새 케이블을 설치합니다. 커넥터가 올바르게 정렬되었는지, 커넥터에 이물질이나 수분이 침입하지 않았는지 확인합니다.
6. 케이블 클램프를 설치합니다.
7. 프레임 위로 센서를 내립니다. 케이블이 맨홀의 중앙을 향하는지 확인합니다.
8. 회수 막대를 시계 방향으로 돌려 잠금 바를 프레임에 결합시킵니다.
9. 로거 또는 컨트롤러를 통해 센서에 전원을 공급합니다.

### 6.4 건조제 교체

▲ 주의	
	화학물질에 노출될 위험이 있습니다. 실험실의 안전절차를 준수하고, 취급하는 화학 물질에 맞는 개인 보호장비를 안전하게 착용하십시오. 최신 물질안전보건자료(MSDS/SDS)에서 안전 규정을 참조하십시오.

▲ 주의	
	화학물질에 노출될 위험이 있습니다. 화학물질 및 폐기물은 국가 및 지역 규정에 따라 폐기하십시오.

주의사항	
건조제 없이, 또는 녹색 건조제를 사용하여 센서를 작동하지 마십시오. 센서가 영구적으로 손상될 수 있습니다.	

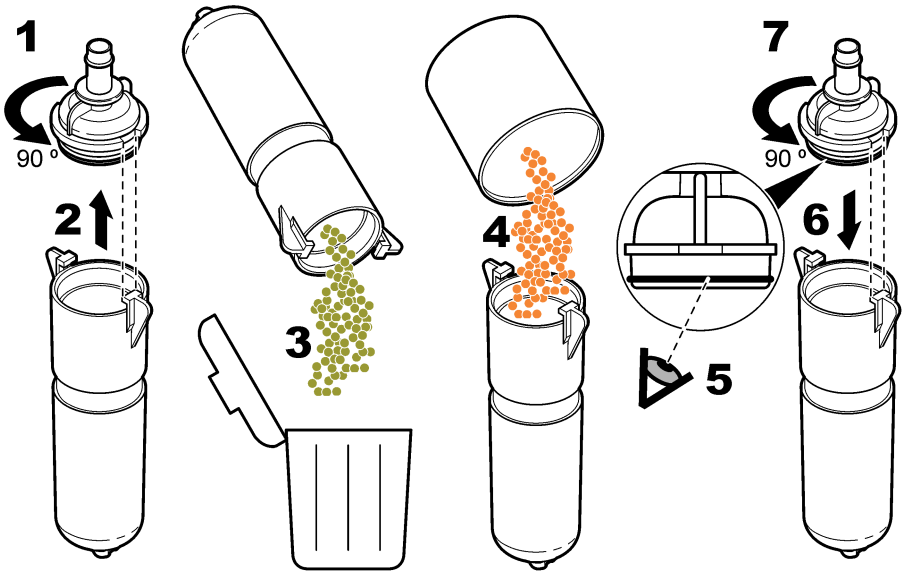
건조제가 녹색으로 변하면 즉시 교체하십시오. **그림 21**을(를) 참조하십시오.

**참고:** 새 건조제를 설치할 때 건조제 허브에서 건조제 용기를 분리할 필요가 없습니다.

**그림 21**의 5단계에서 O-링이 깨끗하고 오물이나 찌꺼기가 없는지 확인합니다. O-링에 균열, 기공 또는 손상 징후가 없는지 검사합니다. 손상이 있는 경우 O-링을 교체하십시오. 보다 용이하게 설치하고, 밀봉 효과를 높이고, 오링 수명이 연장시키려면 건조한 오링 또는 새 오링에 그리스를 도포합니다.

최고의 성능을 얻으려면 건조제 용기를 엔드 캡이 아래로 향하도록 하여 세로로 설치하십시오. **건조제 허브 연결 (FL900) 188** 페이지을(를) 참조하십시오.

**참고:** 건조제 비드가 녹색으로 변하기 시작하면 가열하여 재사용할 수 있습니다. 캐니스터에서 비드를 분리하고 오렌지색으로 변할 때까지 **100-180 °C(212-350 °F)**에서 가열합니다. 캐니스터는 가열하지 마십시오. 비드가 오렌지색으로 변하지 않으면 새 건조제로 교체해야 합니다.



### 6.5 소수성 멤브레인 교체

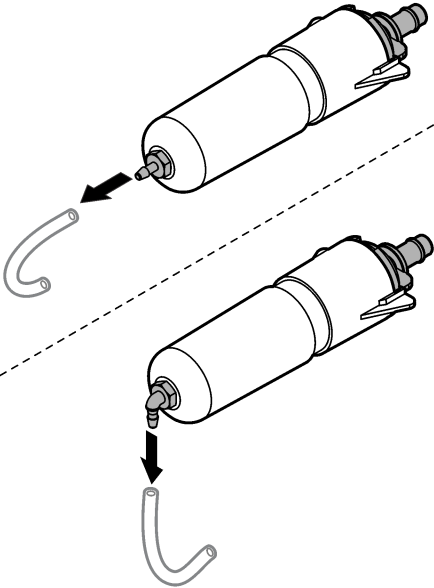
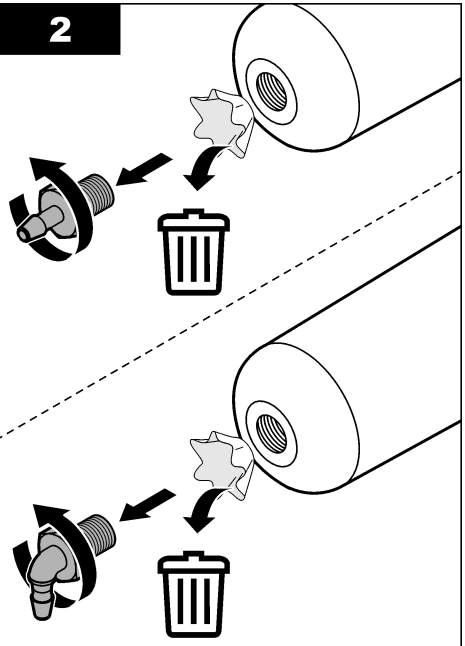
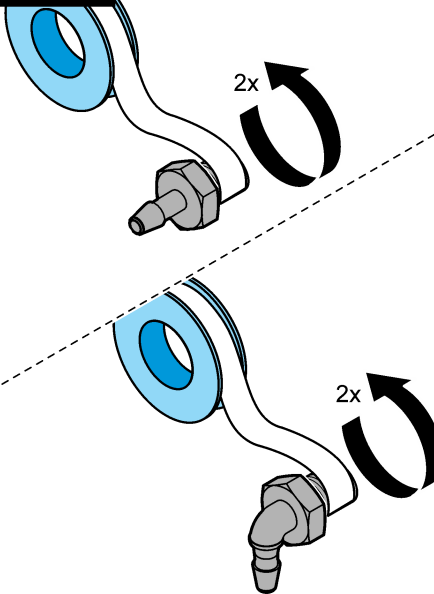
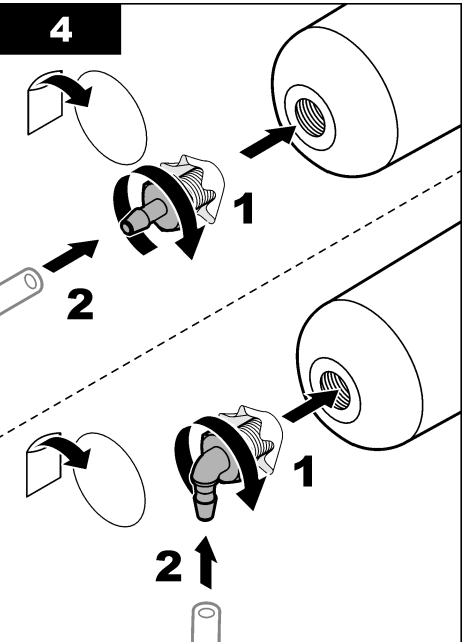
소수성 멤브레인 교체 시기:

- 수위 추세가 예상과 다르게 증가하거나 감소하는 경우
- 속도 데이터는 올바른데 수위 데이터가 누락되거나 부정확한 경우
- 멤브레인이 찢기거나 물 또는 그리스가 침투한 경우

아래의 단계별 그림 설명을 참조하여 멤브레인을 교체하십시오. 4단계에서 다음 사항을 확인하십시오.

- 소수성 멤브레인의 부드러운 면이 건조제 용기의 안쪽 표면에 닿게 합니다.
- 소수성 멤브레인을 위로 구부려 나사가 보이지 않을 때까지 완전히 끼워 넣습니다.
- 건조제 용기의 니플이 돌아가면 니플로 소수성 멤브레인을 돌립니다. 멤브레인이 돌아가지 않을 경우 손상된 것입니다. 새 멤브레인을 사용하여 절차를 다시 시작하십시오.

최고의 성능을 얻으려면 건조제 용기를 엔드 캡이 아래로 향하도록 하여 세로로 설치하십시오. [건조제 허브 연결 \(FL900\)](#) 188 페이지 섹션을 참조하십시오.

**1****2****3****4**







**McCrometer, Inc.**

3255 West Stetson Avenue

Hemet, CA 92545 USA

Tel: 951-652-6811

800-220-2279

Fax: 951-652-3078

[hachflowtechsupport@mccrometer.com](mailto:hachflowtechsupport@mccrometer.com)

[www.hach.com/flow](http://www.hach.com/flow)

USA Copyright © McCrometer, Inc. All printed material should not be changed or altered without permission of McCrometer. Any published pricing, technical data, and instructions are subject to change without notice. Contact your McCrometer representative for current pricing, technical data, and instructions.

---

© McCrometer, Inc., 2013–2019, 2024.

All rights reserved. Printed in U.S.A.