

Fluorescence Method

Method 10315

6 to 500 µg/L SO₃²⁻

Reagent

Scope and application: For testing sulfite in clean water applications. Sulfite is kept at low levels to prevent anaerobic bio-growth on osmosis (RO) membranes and overfeeding of sulfite during dechlorination.



Test preparation

Before starting

Analyze the samples immediately. The samples cannot be preserved for later analysis.

Do a reagent blank calibration before a set of new reagent bottles is used. Then, do a reagent blank calibration again at 8-week intervals until the set of reagent bottles is discarded. Refer to [Reagent blank calibration](#) on page 4.

Always do tests in 16-mm sample vials. Do not put the instrument in the sample or pour the sample into the sample port.

If the sample temperature is less than 10 °C (50 °F), the reaction time increases from 15 minutes to 20 minutes.

Rinse the vial and cap with the sample three times before the vial is filled.

Make sure that the vials are clean and there are no scratches where the light passes through them.

Make sure that there are no fingerprints or liquid on the external surface of the vials. Wipe with a no-lint cloth before measurement.

Cold waters can cause condensation on the vial or bubbles in the vial. Examine the vial for condensation or bubbles. Remove condensation with a no-lint cloth. Invert the vial to remove bubbles.

Install the vial cover on the vial before READ is pushed.

If the concentration of the sample is below or above the specified range of the method, the instrument will show a warning on the display.

If the test result is over-range, dilute the sample with a known volume of deionized water and do the test again. Multiply the result by the dilution factor.

After the test, immediately empty and rinse the sample cell. Rinse the sample cell and cap three times with deionized water.

Review the Safety Data Sheets (MSDS/SDS) for the chemicals that are used. Use the recommended personal protective equipment.

Dispose of reacted solutions according to local, state and federal regulations. Refer to the Safety Data Sheets for disposal information for unused reagents. Refer to the environmental, health and safety staff for your facility and/or local regulatory agencies for further disposal information.

Items to collect

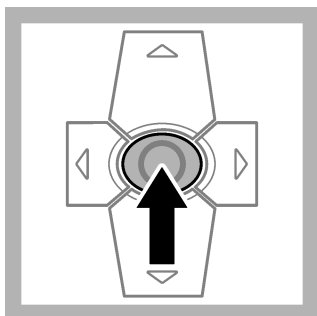
Description	Quantity
Fluorescence Sulfite Reagent 1	5 drops
Fluorescence Sulfite Reagent 2	5 drops
Glass vial with cap, 16 mm	1
Glass beaker, 100 mL (optional)	1
Sample vial holder	1

Refer to [Consumables and replacement items](#) on page 5 for order information.

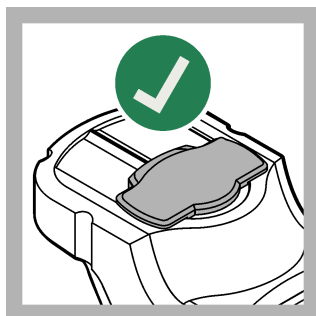
Sample collection

- Analyze the samples immediately. The samples cannot be preserved for later analysis.
- Collect samples in clean, dry glass or plastic bottles with tight-fitting caps.
- Rinse the container several times with the sample before collection.
- Prevent agitation of the sample or exposure air.
- Make sure to get a representative sample. If the sample is taken from a spigot or faucet, let the water flow for at least 5 minutes. Let the container overflow with the sample several times and then put the cap on the sample container so that there is no headspace (air) above the sample.
- If the sample is collected in a sample vial from a spigot or faucet, adjust the water flow to add the sample carefully. As an alternative, collect the sample in a beaker. Rinse the beaker 3 times with the sample before the sample is collected.

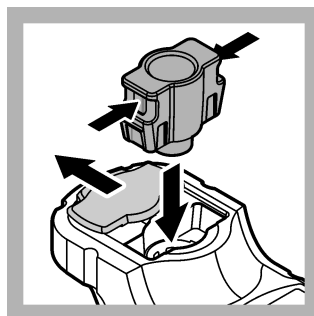
Test procedure



1. Set the instrument to on.



2. Keep the sample port cover closed during startup.



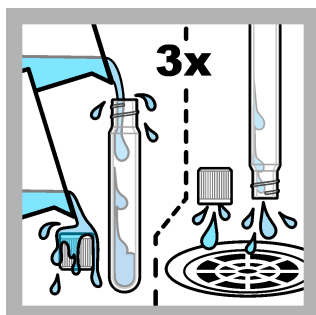
3. After startup, install the vial adapter. Push in the tabs on the sides of the vial adapter as shown.



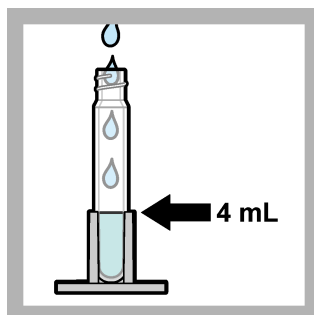
4. Select **TESTS**.



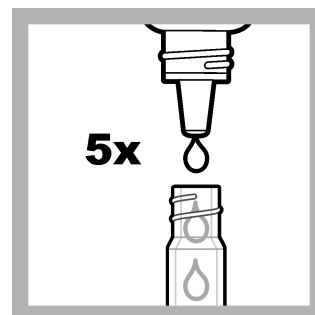
5. Select **SULFITE**.



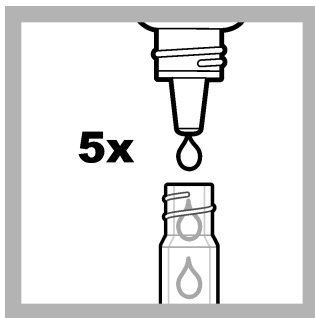
6. Rinse the sample vial and cap three times with the sample.



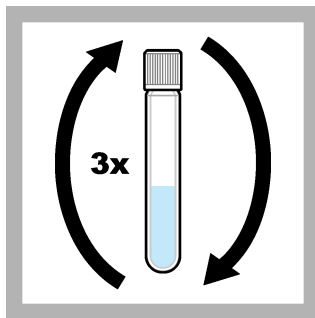
7. Put the sample vial in the sample vial holder. Add the sample to the top of the sample vial holder (4 mL).



8. Immediately add **5** drops of Fluorescence Sulfite **Reagent 1**. Hold the bottle vertically.



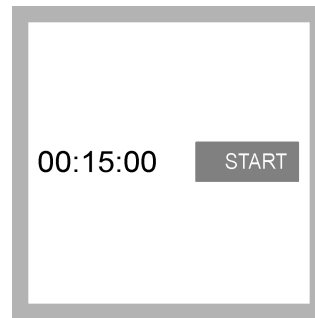
9. Immediately add **5** drops of Fluorescence Sulfite **Reagent 2**. Hold the bottle vertically.



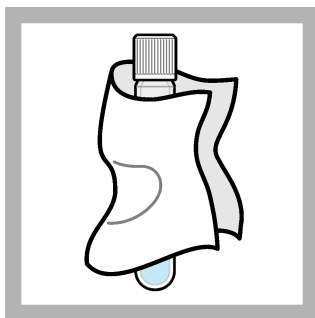
10. Put the cap on the vial. Invert the vial 3 times to mix. Put the vial in the sample vial holder.



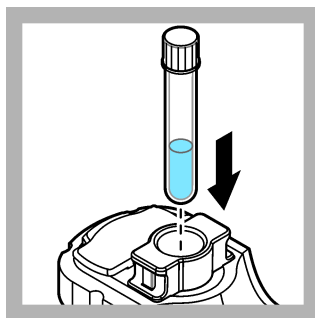
11. Select **TIMER**.



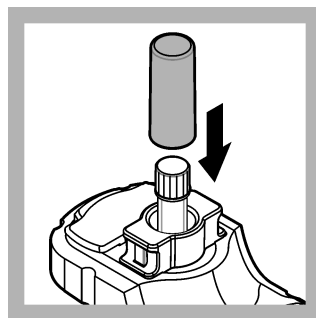
12. Select **START**.
If the sample temperature is less than 10 °C (50 °F), wait 20 minutes instead of 15 minutes.



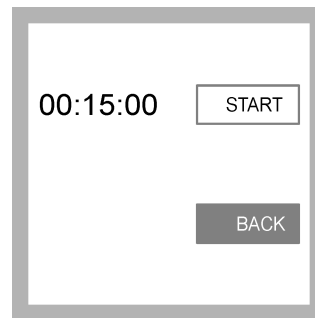
13. When the timer ends, clean the external surface of the sample vial with a no-lint cloth.



14. Put the sample vial in the vial adapter.



15. Put the vial cover on the sample vial.



16. Select **BACK**.



17. Select **READ**. The results show in ppb ($\mu\text{g/L}$).

Interferences

Interfering substance	Interference level
Alkalinity	More than 500 mg/L CaCO_3 . Adjust to pH 6–7 with 1 N Sulfuric Acid. Measure the amount to add on a separate sample aliquot, then add the same amount to the sample that is tested. Correct the test result for the dilution from the volume addition.
Hardness	No effect at less than 1000 mg/L as CaCO_3 . For higher hardness samples, the sample may become cloudy after the reagents are added. However, a cloudy sample will have only a very small effect on the result.

Interfering substance	Interference level
Highly buffered samples or extreme sample pH	Can prevent the correct pH adjustment (of the sample) by the reagents. Sample pretreatment may be necessary. Adjust to pH 6–7 with acid (Sulfuric Acid, 1 N) or base (Sodium Hydroxide, 1 N). Correct the test result for the dilution caused by the volume additions.
Chloride (Cl ⁻)	Above 1200 ppm

Reagent blank calibration

Do a reagent blank calibration before a set of new reagent bottles is used. Then, do a reagent blank calibration again at 8-week intervals until the set of reagent bottles is discarded.

1. Set the instrument to on. Keep the sample port cover closed during startup.
2. After startup, make sure that the sample port is clean. Use a soft cloth or no-lint paper tissue (or air duster) to clean the sample port as necessary.
3. Install the vial adapter in the instrument. Push in the tabs on the sides of the vial adapter.
4. Select **CALIBRATION > SULFITE** .
5. Select **CAL-RB**.
6. Prepare a reagent blank. Replace the sample with deionized water (or distilled water or organic-free water) in the test procedure. Do not use the timer.
7. Clean the external surface of the sample vial with a no-lint cloth.
8. Install the sample vial in the vial adapter.
9. Put the vial cover on the sample vial.
10. Push the **Enter** key to measure the reagent blank.
11. Push the **Enter** key to save the results.
12. Immediately empty and rinse the sample vial. Rinse the sample vial and cap three times with deionized water (or distilled water).

Slope calibration check

Do a calibration check

Use the DR1300 FL Fluorescence Standards Kit to do a calibration check at regular intervals. Refer to [Consumables and replacement items](#) on page 6 for ordering information.

1. Make sure that the DR1300 FL Fluorescence Standards Kit is within the expiration date.
2. Get the Certificate of Analysis for the DR1300 FL Fluorescence Standards Kit. The Certificate of Analysis is available at https://app.hach.com/coaweb/customer_coa_request.asp.
3. Push **Enter** to set the instrument to on. Keep the sample port cover closed during startup.
4. After startup, make sure that the sample port is clean. Use a soft cloth or no-lint paper tissue (or air duster) to clean the sample port as necessary.
5. Install the vial adapter in the instrument. Push in the tabs on the sides of the vial adapter.
6. Select **CALIBRATION > SULFITE** .
7. Select **CALIBRATION CHECK**.
8. Measure deionized water as follows:
 - a. Fill a sample vial with deionized water.
 - b. Clean the external surface of the sample vial with a no-lint cloth.

- c. Install the sample vial in the vial adapter.
 - d. Put the vial cover on the sample vial.
 - e. Push **Enter** to select **ZERO**.
9. Measure the Standard 1 vial as follows:
 - a. Clean the Standard 1 vial with a no-lint cloth.
 - b. Install the Standard 1 vial in the vial adapter.
 - c. Put the vial cover on the sample vial.
 - d. Push **Enter** to select **READ**.
 10. Measure the Standard 2 vial as follows:
 - a. Clean the Standard 2 vial with a no-lint cloth.
 - b. Install the Standard 2 vial in the vial adapter.
 - c. Put the vial cover on the sample vial.
 - d. Push **Enter** to select **READ**.
 11. If the Standard 1 reading is not within ± 5 ppb of the Sulfite value from the Certificate of Analysis and the Standard 2 reading is not within ± 20 ppb of the Sulfite value from the Certificate of Analysis, do a slope calibration. Refer to the DL1300 FL User Manual for instructions.

Method performance

The method performance data that follows was derived from laboratory tests that were measured on a DR1300 FL fluorometer during ideal test conditions. Users can get different results under different test conditions

Precision (95% confidence interval)
250.0 \pm 5.0 $\mu\text{g/L SO}_3^{2-}$

Summary of method

The buffer is added to the sample to adjust the pH. The non-fluorescent indicator reacts with the sulfite in the sample to make fluorescent molecules, which increases the fluorescence intensity. The meter calculates the sulfite concentration based on the fluorescence intensity change.

Consumables and replacement items

Required reagents

Description	Quantity	Item no.
Reagent kit, ULR Fluorescence Sulfite Reagents, includes: Sample vial holder, two 16-mm vials with caps and two reagents in dropper bottles	1	34250000
Refill kit, ULR Fluorescence Sulfite Reagents, 100 tests, includes: Two reagents in dropper bottles	1	34250001

Required apparatus

Description	Quantity/test	Unit	Item no
Fluorescence sample vials with caps, 10-mL round, 16 mm x 100 mm	1	6/pkg	100866

Optional apparatus

Description	Unit	Item no.
Beaker, glass, 100 mL	each	50042H
Pipet, TenSette, 1.0–10.0 mL	each	1970010

Optional apparatus (continued)

Description	Unit	Item no.
Pipet tips for TenSette Pipet, 1.0–10.0 mL	50/pkg	2199796
Sample vial holder	1	3563500
Water, organic-free	500 mL	2641549
Distilled water	500 mg	27248



FOR TECHNICAL ASSISTANCE, PRICE INFORMATION AND ORDERING:
In the U.S.A. – Call toll-free 800-227-4224
Outside the U.S.A. – Contact the HACH office or distributor serving you.
On the Worldwide Web – www.hach.com; E-mail – techhelp@hach.com

HACH COMPANY
WORLD HEADQUARTERS
Telephone: (970) 669-3050
FAX: (970) 669-2932