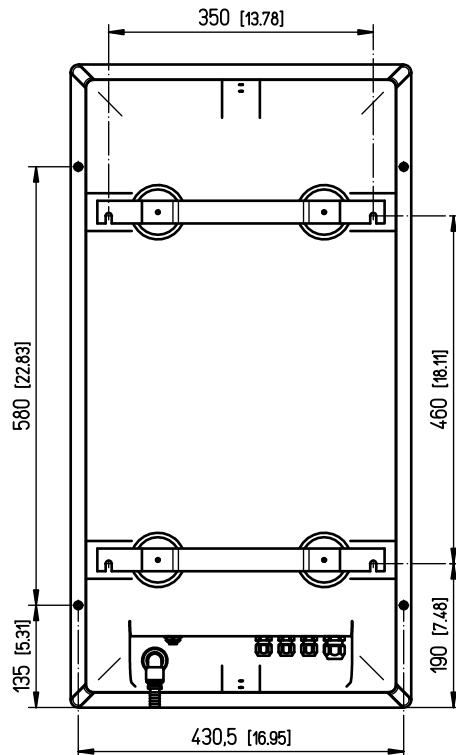
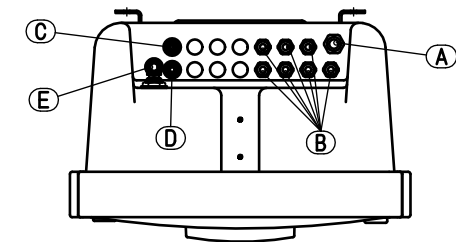
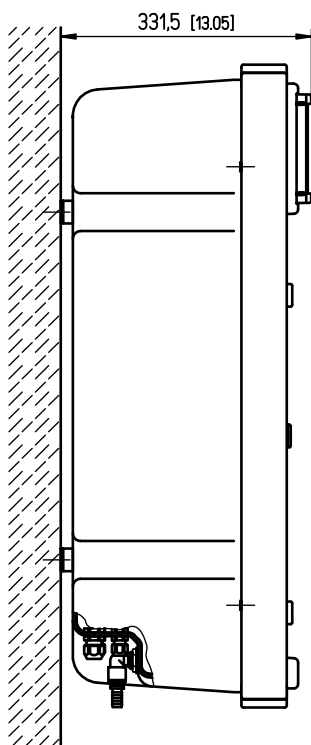
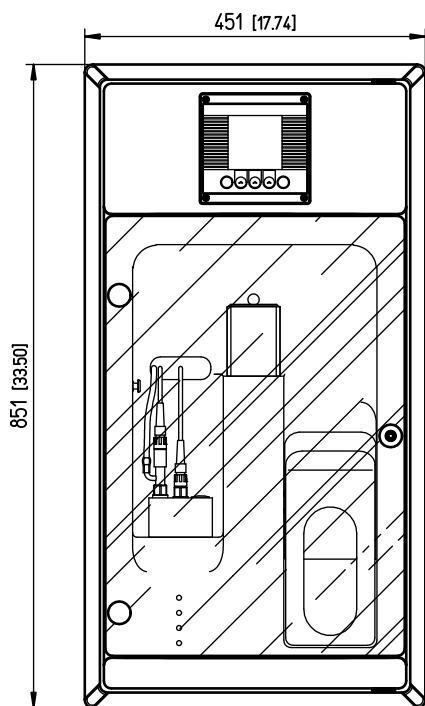
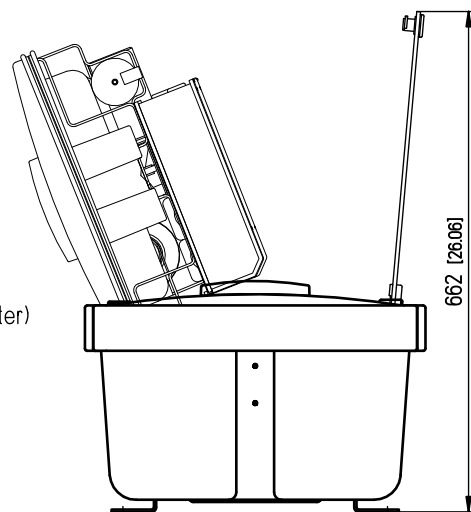


WEIGHT: * Enclosure version : w/empty canisters 23 kg
w/full canisters 25 kg



- A MAINS : cable gland Pg13.5 Ø6 to 12 mm
* 90-240VAC, 50/60Hz, 80VA
- B USER CONNECTIONS : cable glands Pg9 Ø4 to 8 mm
* remote command
OUTPUTS : cable glands Pg9 Ø4 to 8 mm
* analog outputs : 4x 0-20mA or 4-20mA
* resistive load : 800 ohms
* interface outputs (RS485 option): 9600 bauds max.,
32 stations max., JBUS/MODBUS
* interface outputs (Profibus DP option) : 9.6kbit/s to 12Mbits/s
127 stations max. (w/repeater)
* alarms : 30V, 0.5A max.
- C SAMPLE INLET : PE tube Ø4x6 mm
* 5° to 45°C (40° to 115°F)
* Flow : 5 to 30 L/h
* Pressure : 0.2 to 6 bars (3 to 90 PSI)
- D SAMPLE BYPASS : PE tube Ø4x6 mm
- E DRAIN : MVQ tube Ø12x17 mm



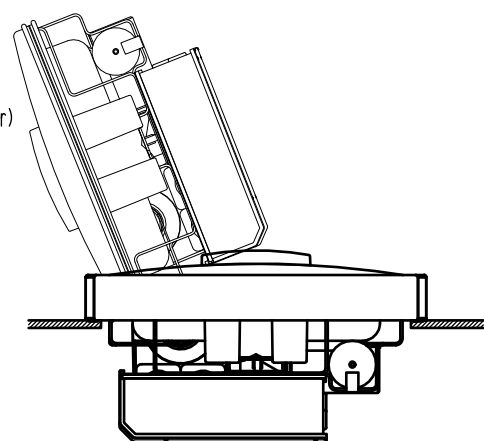
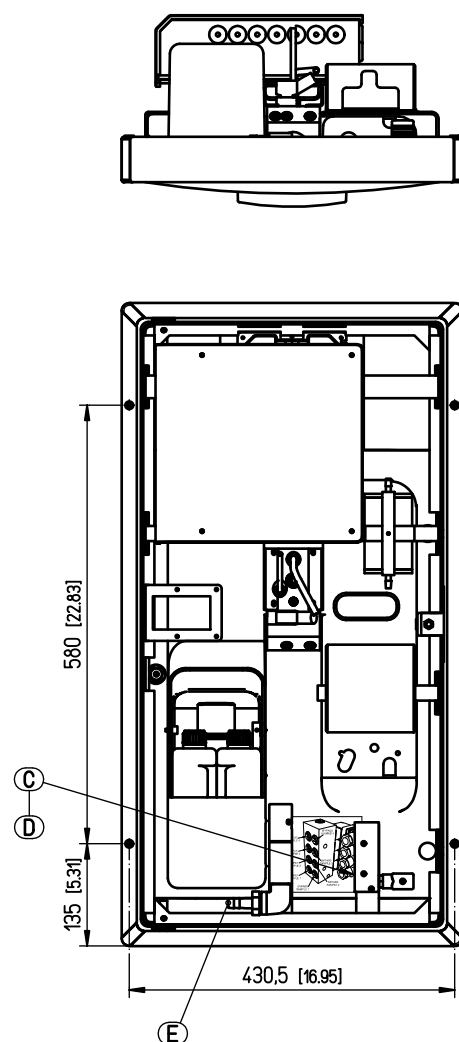
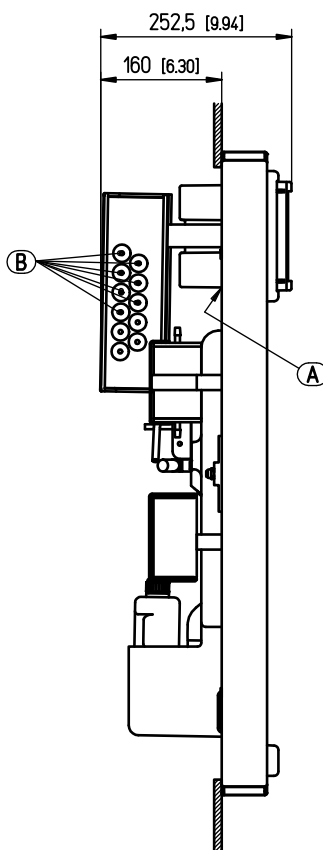
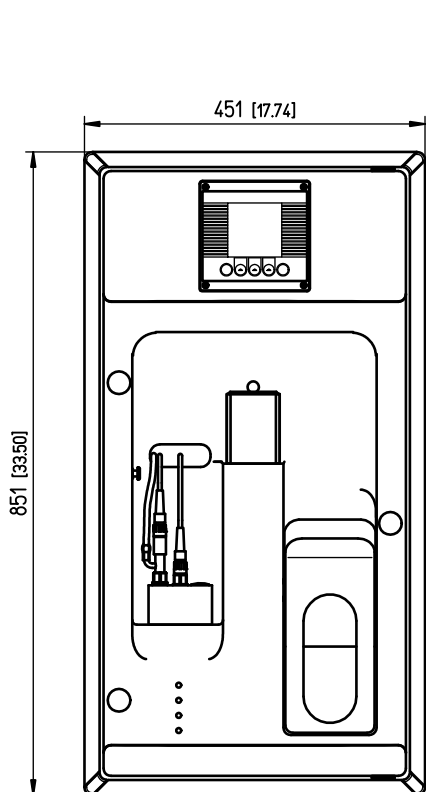
All dimensions in mm [inches]

| | | |
|--|-----------------|---|
| | Remarques: - | Unauthorized use of this document may result in legal proceedings |
|--|-----------------|---|

| | | | |
|---------------------------|-------------------------------|----------------------|--------------|
| Echelle 1:10 | 9245 mono channel - Enclosure | Création du document | |
| | | 23.03.2006 | Delessert Y. |
| Fichier: 1002046.-Ab.tell | | | |

| | | | | | | | |
|--|--------------------|----------------------------|--------------|-----------------------|------------------|----------|---|
| | Code d'entrée V | Immatriculation 1002046 | Code matière | Indice de modif. A | Validation BTméc | Révision | |
| | | | | | | Date: | b |
| | | | | | | Visa: | |

WEIGHT: * Panel version : w/empty canisters 18 kg
w/full canisters 20 kg

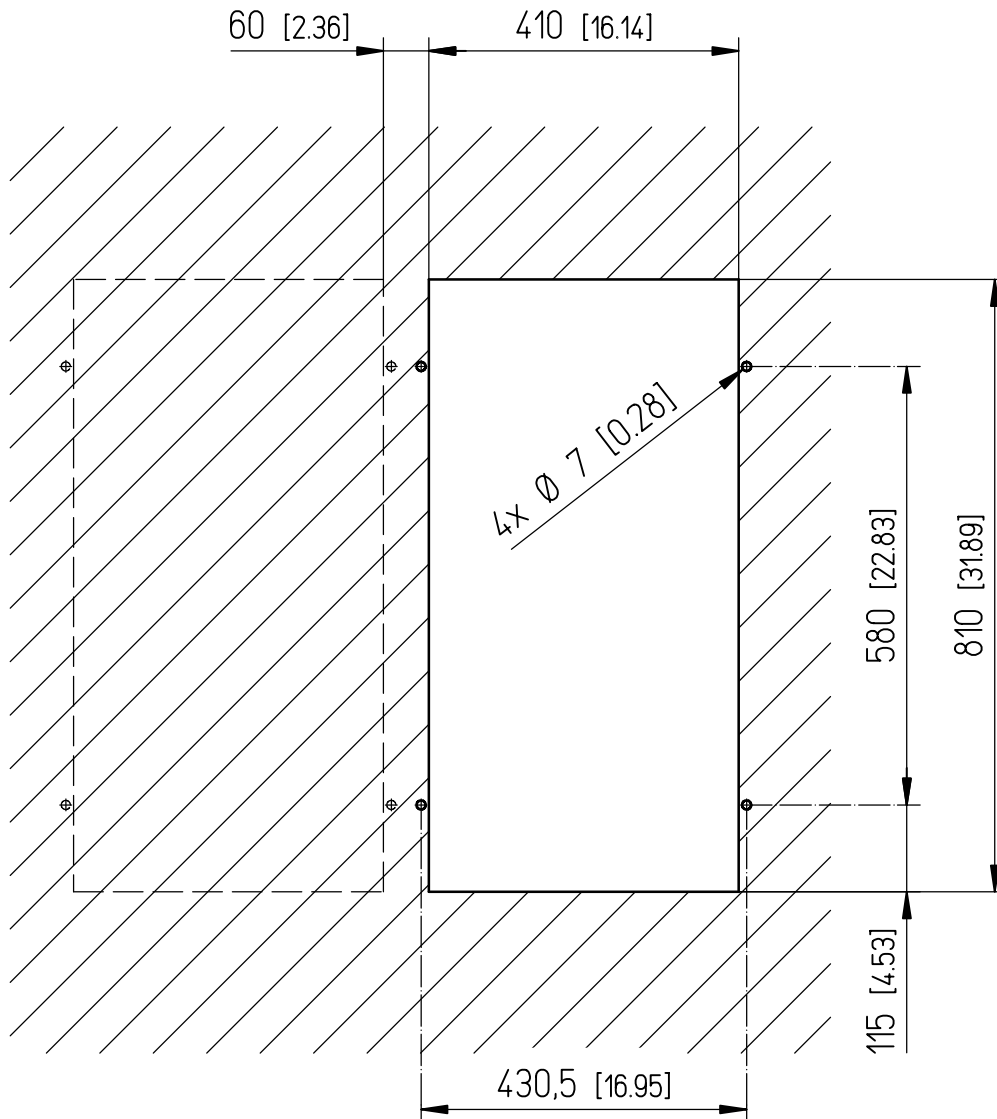


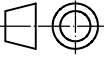

- A MAINS : cable gland Pg13.5 Ø6 to 12 mm
* 90-240VAC, 50/60Hz, 80VA
OUTPUTS : cable glands Pg9 Ø4 to 8 mm
* interface outputs (RS485 option): 9600 bauds max.,
32 stations max., JBUS/MODBUS
* interface outputs (Profibus DP option) : 9.6kbit/s to 12Mbits/s
127 stations max. (w/repeater)
- B USER CONNECTIONS : cable glands Pg9 Ø4 to 8 mm
* remote command
OUTPUTS : cable glands Ø4 to 8 mm
* analog outputs : 4x 0-20mA or 4-20mA
* resistive load : 800 ohms
* alarms : 30V, 0.5A max.
- C SAMPLE INLET : PE tube Ø4x6 mm
* 5° to 45°C (40° to 115°F)
* Flow : 5 to 30 L/h
* Pressure : 0.2 to 6 bars (3 to 90 PSI)
- D SAMPLE BYPASS : PE tube Ø4x6 mm
- E DRAIN : PE tube Ø12x17 mm

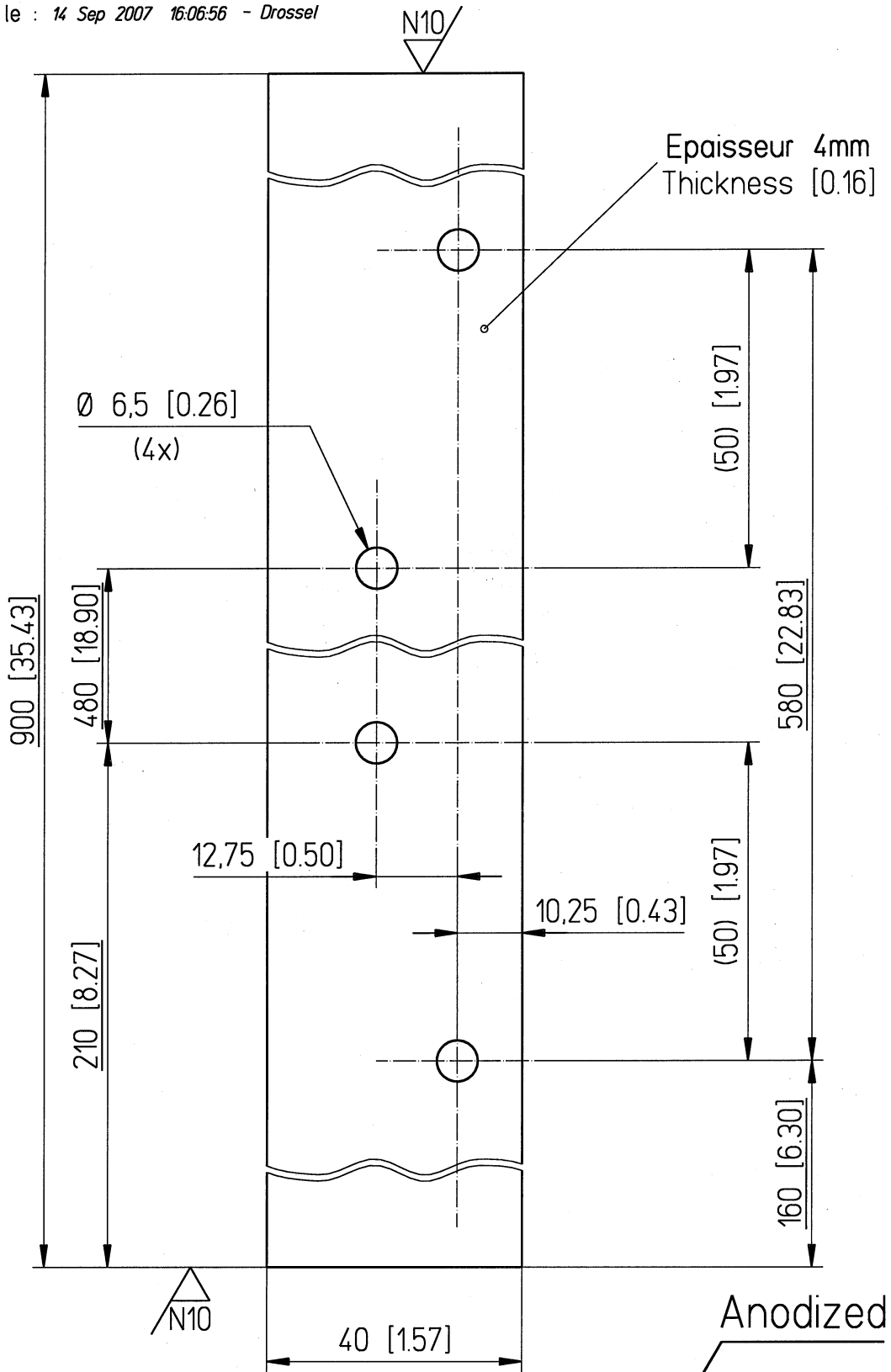
All dimensions in mm [inches]

| | | | | | | |
|--|---------------|---------------------------|--------------|---|------------------|----------|
| | | Remarques: - | | Unauthorized use of this document may result in legal proceedings | | |
| | Echelle | 9245 mono channel - Panel | | Création du document | | |
| | 1:10 | | | 23.03.2006 | Delessert Y. | |
| | | | | Fichier: 1002047.-Ab.tell | | |
| | Code d'entrée | Immatriculation | Code matière | Indice de modif. | Validation BTméc | Révision |
| | V | 1002047 | | A | Date: | b |
| | | | | | Visa: | |

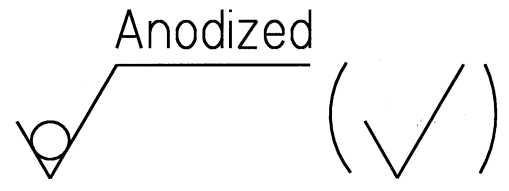
All dimensions in mm [inches]



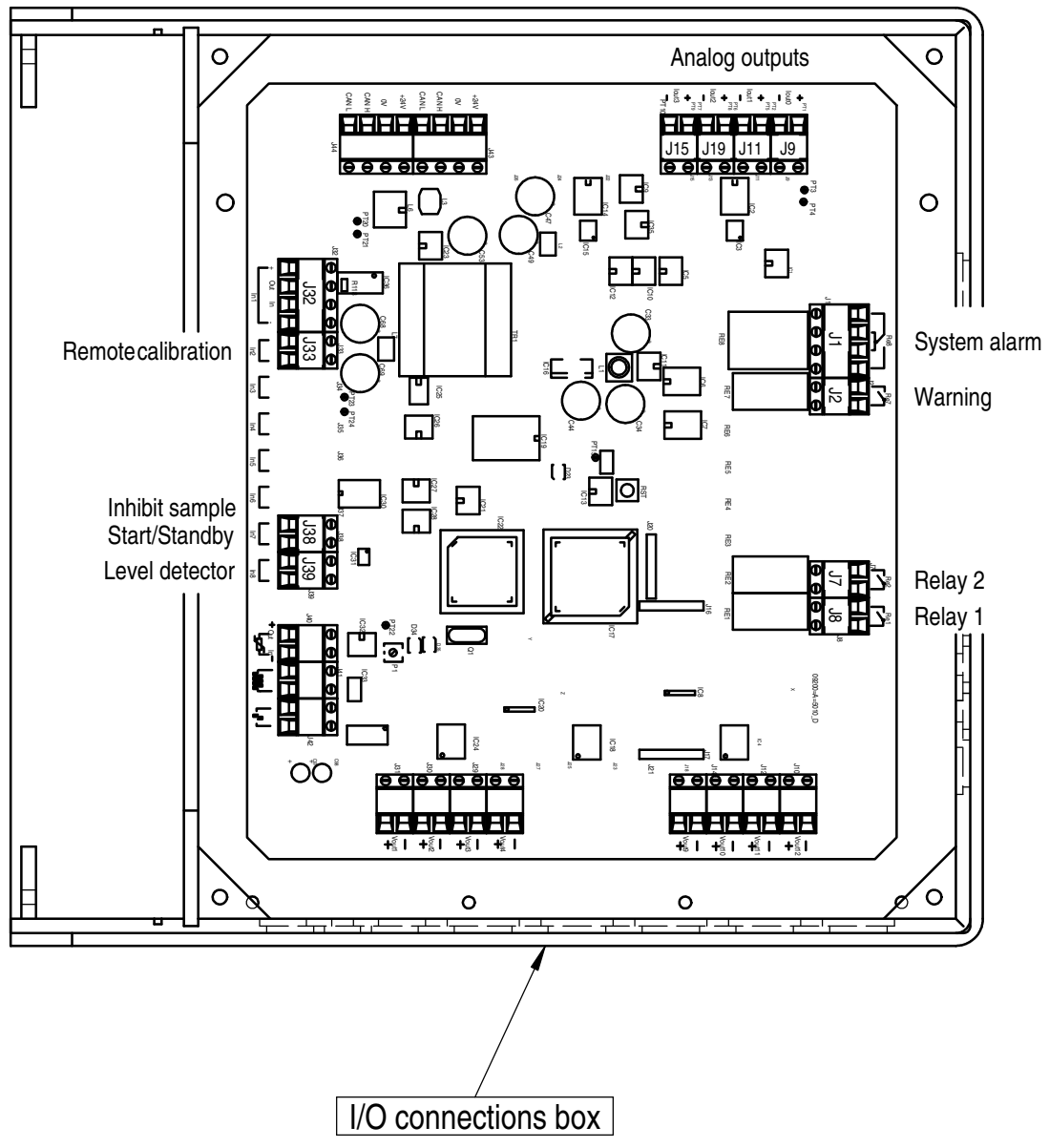
| | | | | | |
|---|------------------|--|--------------|--|------------------|
| | | Remarques: - | | Unauthorized use of this document may result in legal proceedings | |
|  | Echelle 1:10 | 9245 / 9240 Panel or enclosure cut-out | | Création du document | |
| | | | | 23.03.2006 | Delessert Y. |
| | | Fichier: V1002048.-Ac.tell | | | |
|  | Code d'entrée | Immatriculation | Code matière | Indice de modif. | Validation BTméc |
| | V | 1002048 | | A | Date: |
| | | | | | Visa: |
| | | | | | Révision C |

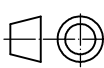



All dimensions are millimeters [inches]



| | | | | | | | |
|----------------------|-----------------|---|------------------|-------------------------|---|----------|---|
| Cotes sans tolérance | | | | Remarques: Aluminium | Tout emploi illicite de ce document sera poursuivi par voie judiciaire. | | |
| < 100 | > 100 ...300 | > 300 ...600 | > 600 ...1000 | | | | |
| ± 0.1 | ± 0.2 | ± 0.3 | ± 1.0 | | | | |
| | Echelle 1:1 | From 9073 cut-out to 9245-9240 mounting | | | Création du document | | |
| | | | | | 13.09.2007 | D.Rosset | |
| | | | | | Fichier: v1002389-Aa.tell | | |
| | Code d'entrée | Immatri-culation | Code matière | Indice de modif. | Validation BTméc | Révision | |
| | V | 1002389 | | A | Date: | | a |
| | | | | | Visa: | | |



| | | | | | |
|--|------------------------------|-----------------|--------------|---|------------------|
| | | Remarques: - | | Unauthorized use of this document may result in legal proceedings | |
|  Echelle -:- | 9245 - I/O connections board | | | Création du document | |
| | | | | 18.10.2006 | |
| Fichier: V1002330.-Ab.tell | | | | | |
|  | Code d'entrée | Immatriculation | Code matière | Indice de modif. | Validation BTméc |
| | V | 1002189 | | A | Date: |
| | | | | | Visa: |
| | | | | | Révision |
| | | | | | b |