

SC1500 Digital Controller



Confidence in Your Water Quality Analysis. Anytime. Anywhere.

Hach® SC1500 Multi-parameter Universal Controller is a state-of-the-art modular transmitter system. The SC1500 enables communication for Mobile Sensor Management (MSM) solution. Mobile Sensor Management provides clarity through easy access to crucial information, helping you manage your process and be proactive in your maintenance.

Data Access from Anywhere

Get easy access to crucial information, helping you manage your process and be proactive in your maintenance. Anytime. Anywhere.

Guidance through Actionable Sensor Information

Focus on your highest priorities, avoid unexpected downtime and reduce maintenance cost with access to actionable information and proactive notifications about maintenance needs.

Alignment of Process and Laboratory Measurements

Verify and adjust process instrument measurements using laboratory reference values with the tap of a finger.

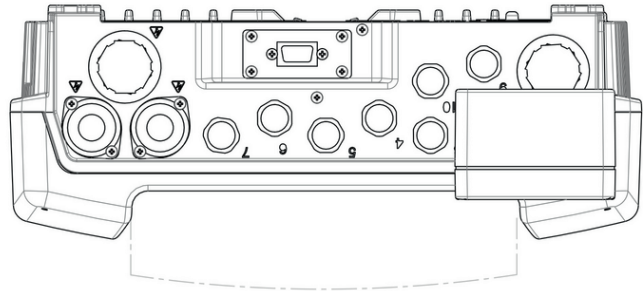


Technical Data*

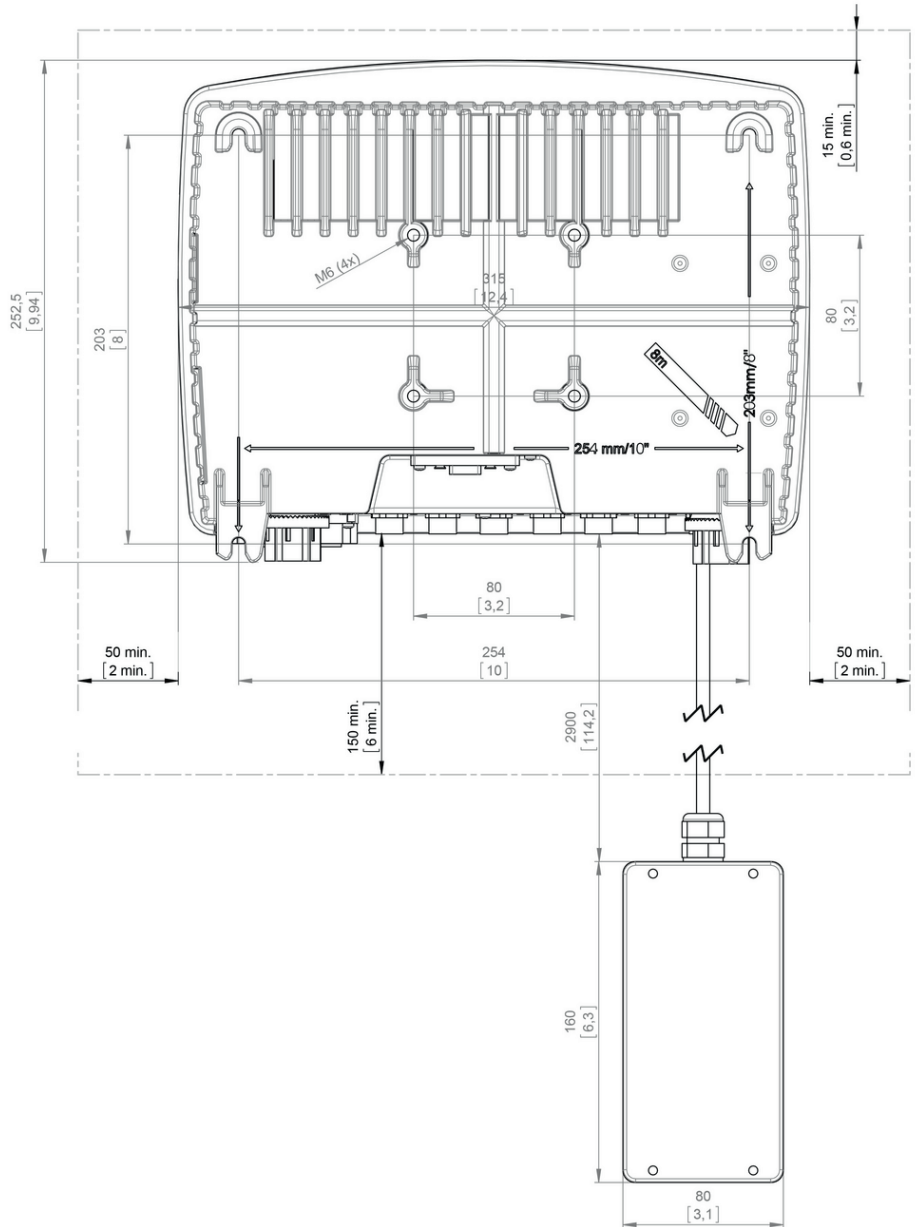
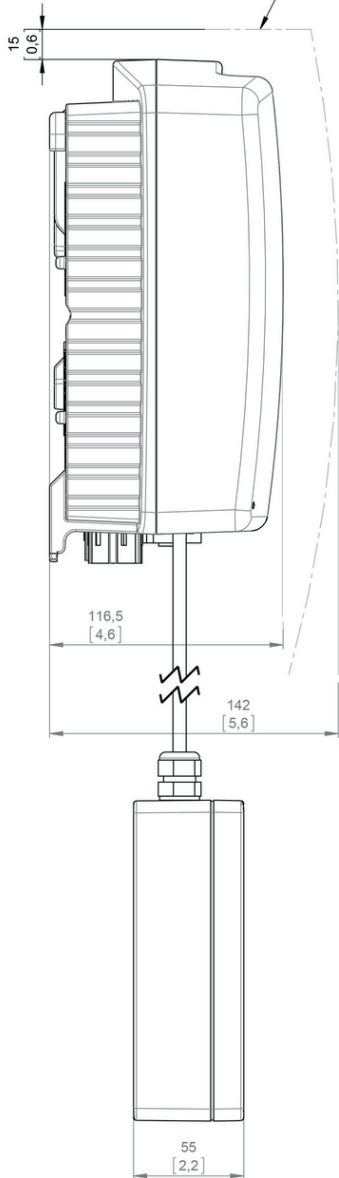
Altitude	2000 m
Analogue outputs	Four 4-20 mA analogue outputs on each analogue output card, 500 Ω maximum Wire gauge: 1.5 mm ² (15 AWG) maximum
Certifications	cTUVus compliant, CE compliant, DIN EN 61326 surge protection
Dimensions	Controller: 315 x 120 x 242 mm (12.28 x 4.68 x 9.5 in.) USB box: 79.5 x 55.1 x 159.5 mm (3.13 x 2.17 x 6.28 in.)
Fuse	F1 and F2: M 3.5 A L, 250 V or T 3.15 A L, 250 V; F3 and F4: T 8 A H, 250 V
Material	Controller: Metal with corrosion-resistant surface, NEMA 4X/IP65 rating USB box: ABS/polycarbonate, NEMA 4X/IP65 rating
Network connectivity	Two Ethernet connectors (10/100 Mbps), switch function, M12 female D-coding connector One USB connector in a USB box
Operating conditions	-20 - 55 °C, 95% relative humidity (non condensing)
Pollution degree	2
Power supply	100 - 240 VAC ±10 VAC, 50/60 Hz, 1000 VA maximum
Protection class	I
Relays	Four relays on each relay card, change over contacts (SPDT) Maximum switching voltage: 250 VAC, 125 VDC Maximum switching current: 5 A Maximum switching power: 1500 VA, 250 VAC; 625 W, 125 VDC Wire gauge: 1.5 mm ² (15 AWG) maximum
Sensor	Two, four or six device connectors and two AC power outlets
Storage conditions	-20 - 70 °C
Weight	Approximately 5 kg (depending on configuration)
Communication capabilities	Profibus, Modbus TCP/IP

*Subject to change without notice.

Dimensions



zusätzlicher Platzbedarf für Displaymodul
und dessen Demontage
additional room for Displaymodul
an it's dismounting



Order Information

Controllers

LXV446.99.203N1	SC1500 Controller, 6 sensor connectors, 8 mA out contacts, 110 - 230 VAC, EU plug, USB Modem box
LXV446.99.2R3N1	SC1500 Controller, 6 sensor connectors, 8 mA out contacts, 4 relay contacts, 110 - 230 VAC, EU plug, USB Modem box
LXV446.99.201M1	SC1500 Controller, 4 sensor connectors, 4 mA out contacts, 110 - 230 VAC, EU plug, USB Modem box
LXV446.99.203M1	SC1500 Controller, 4 sensor connectors, 8 mA out contacts, 110 - 230 VAC, EU plug, USB Modem box
LXV446.99.208M1	SC1500 Controller, 4 sensor connectors, 12 mA out contacts, 110 - 230 VAC, EU plug, USB Modem box
LXV446.99.2R1M1	SC1500 Controller, 4 sensor connectors, 4 mA out contacts, 4 relay contacts, 110 - 230 VAC, EU plug, USB Modem box

Note: Additional configurations are available. Please contact your local Hach representative.

Accessories

LZY971	GSM MSM modem for SC1500, DR3900, DR6000 (AT&T, T-Mobile, Rogers, Bell)
LZY990	Network cable for LAN connection, M12 to RJ45
LZY997	WiFi USB Adapter 2.4/5 GHz (EU) for SC1500, DR3900/DR6000
YAB105	SC1000/SC1500 Internal Profibus DP Card
YAB018	SC1000/SC1500 Internal 0/4-20 mA Analogue Input Card
YAB019	SC1000/SC1500 Internal 0/4-20 mA Analogue Output Card
LZY431	Power extension cable for SC1000/SC1500, 5 m, 115 - 230 V AC
YAB192	Impedance Adapterboard for Amtax sc and Phosphax sc on SC1500

Be confident with Hach Service

Start-Up/Commissioning: Our service technicians visit your site and setup instrumentation, provide basic end-user training on operations and maintenance, and validate settings and performance to get you started.

Service Agreement: Hach provides on-site and in-factory repair, preventive maintenance, and calibration programs for your instruments to ensure reliability and instrument up-time. We have services to fit your specific needs.