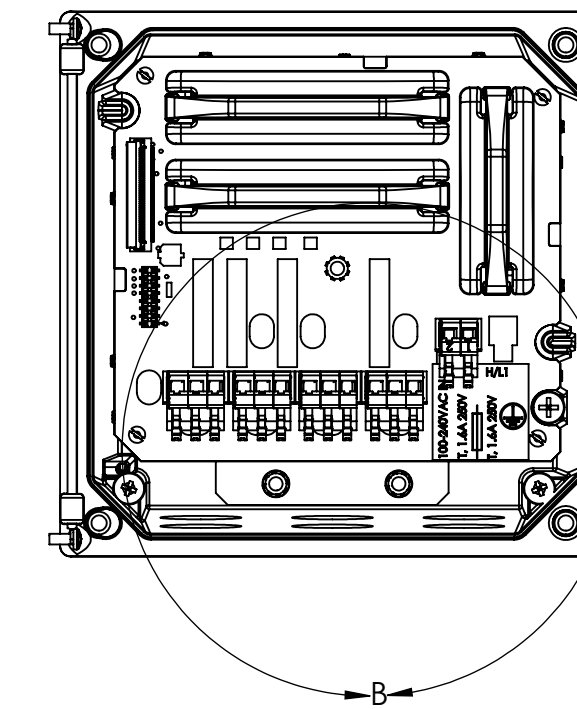
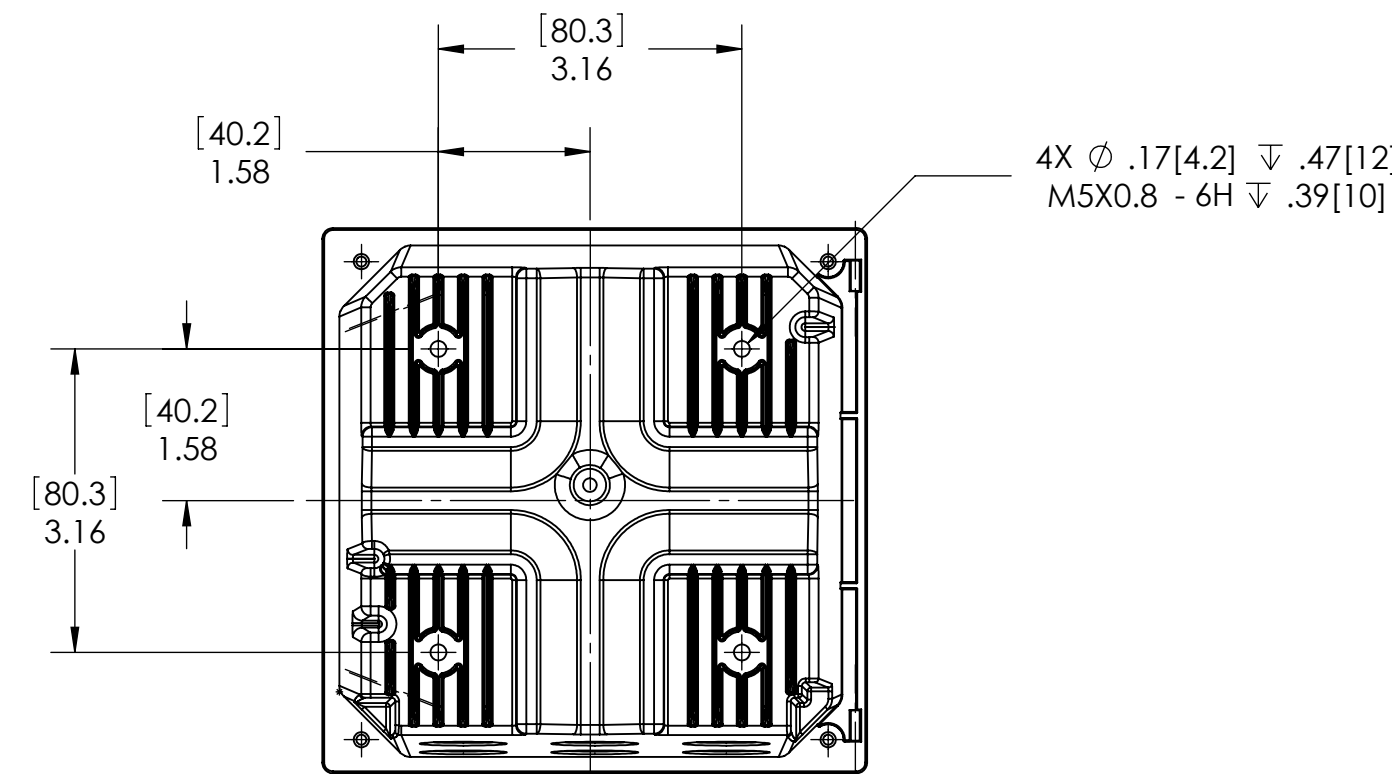
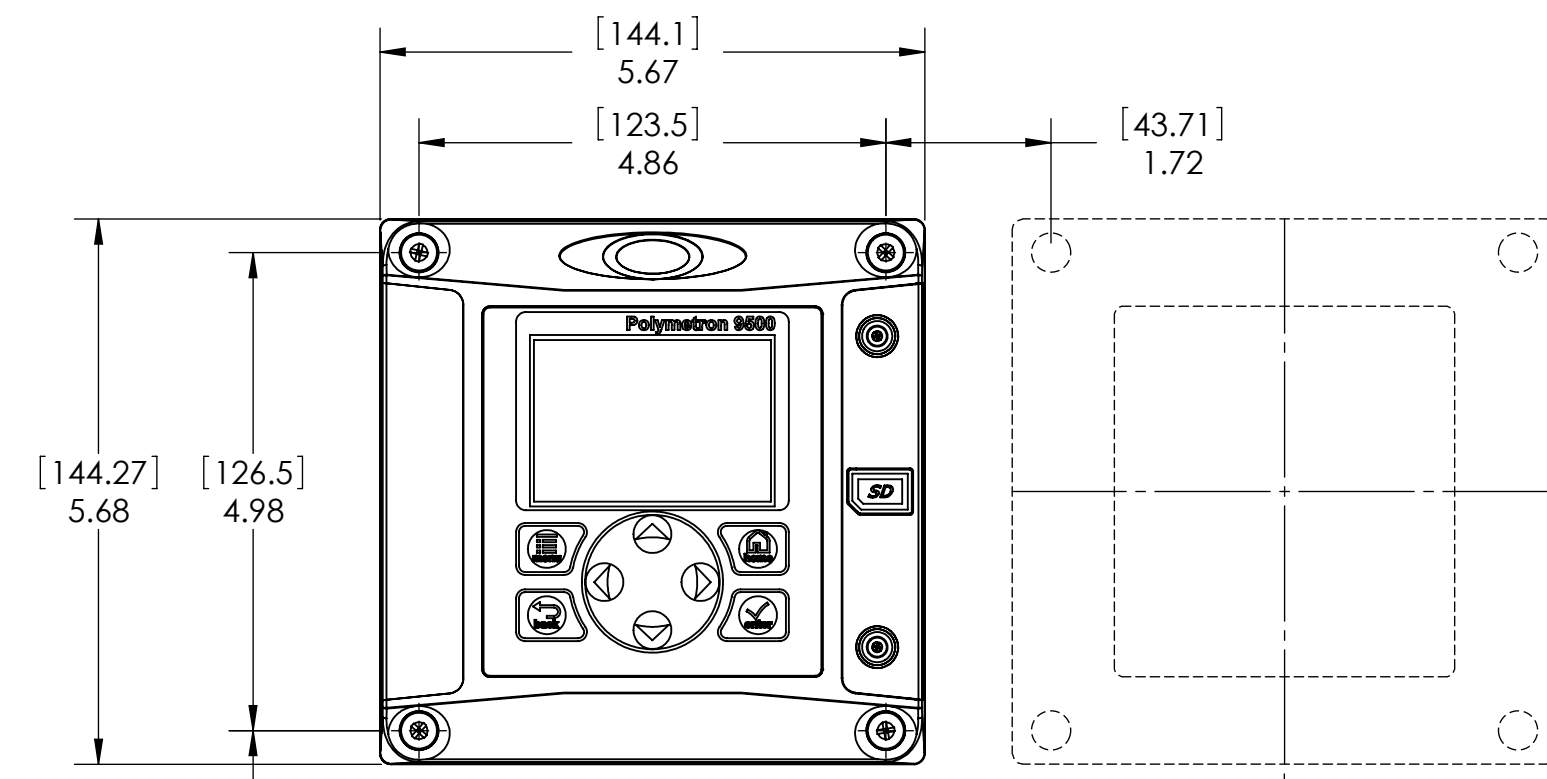


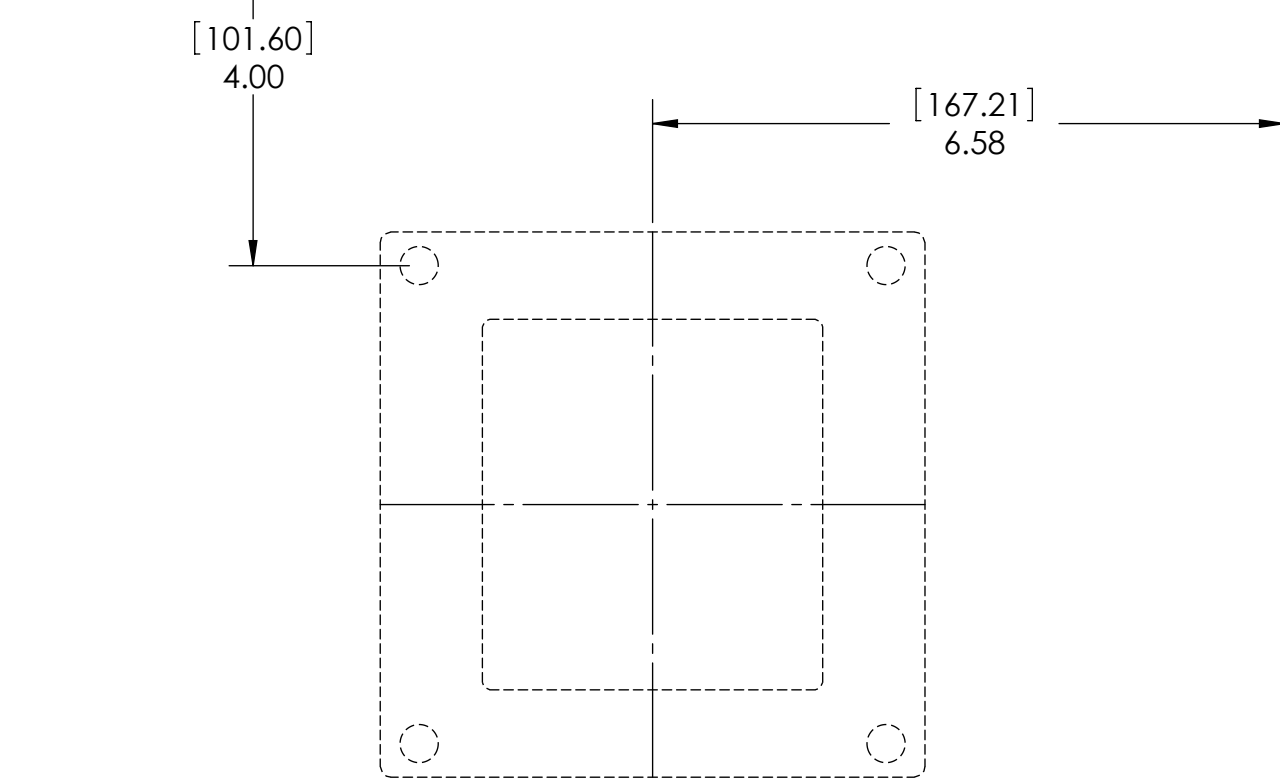
REVISION		
REV	DESCRIPTION	APPROVED
B	UPDATED TO SHOW PANEL BRACKET	WHITE, STEVE

### POLYMETRON 9500 OVERALL DIMENSIONS

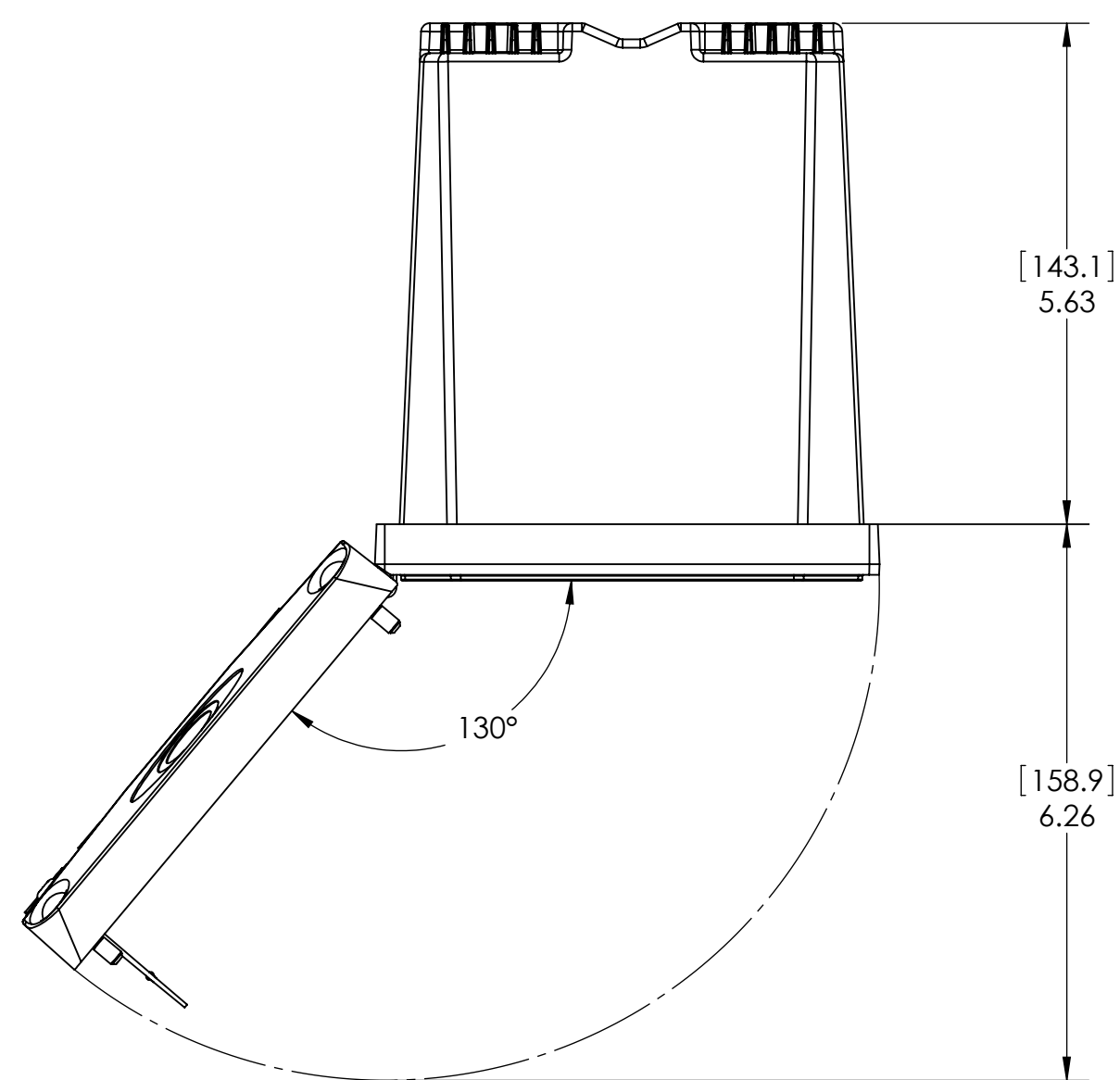


**CUSTOMER CONNECTIONS**  
ITEMS REMOVED FOR CLARITY

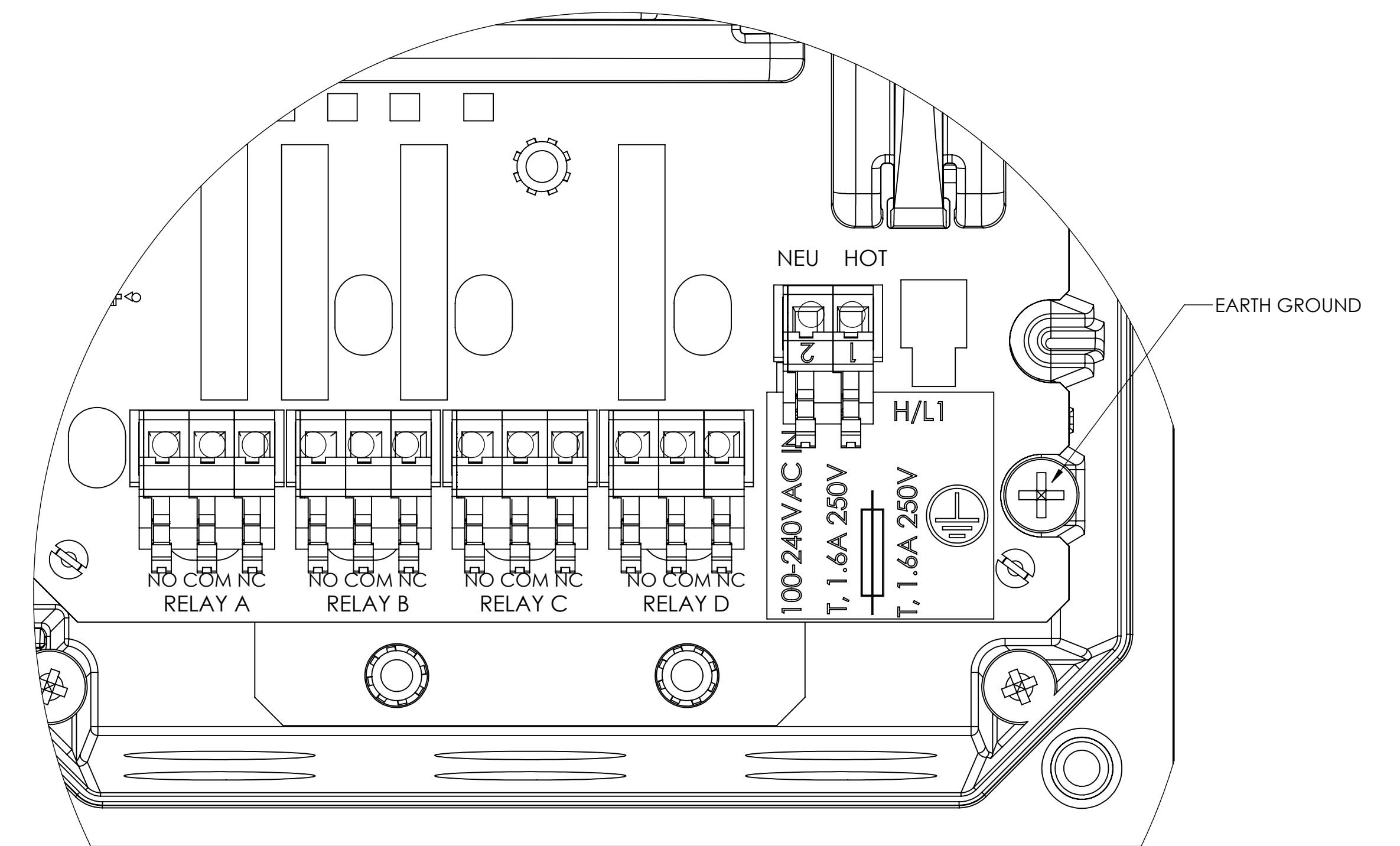
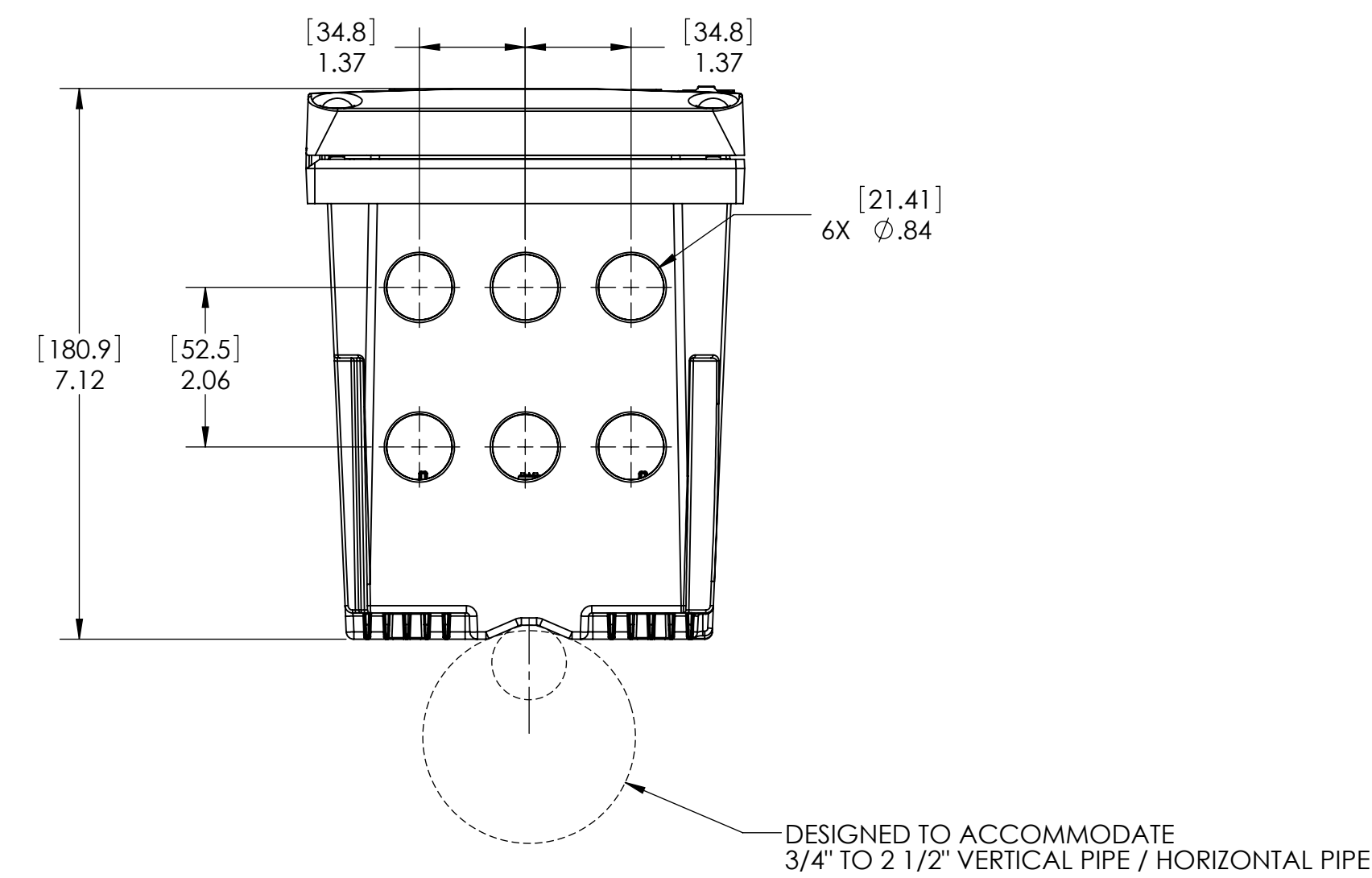
### MINIMUM SPACING DIMENSIONS FOR GROUP MOUNTING



### MOUNTING DIMENSIONS



**DOOR OPENING DETAILS**



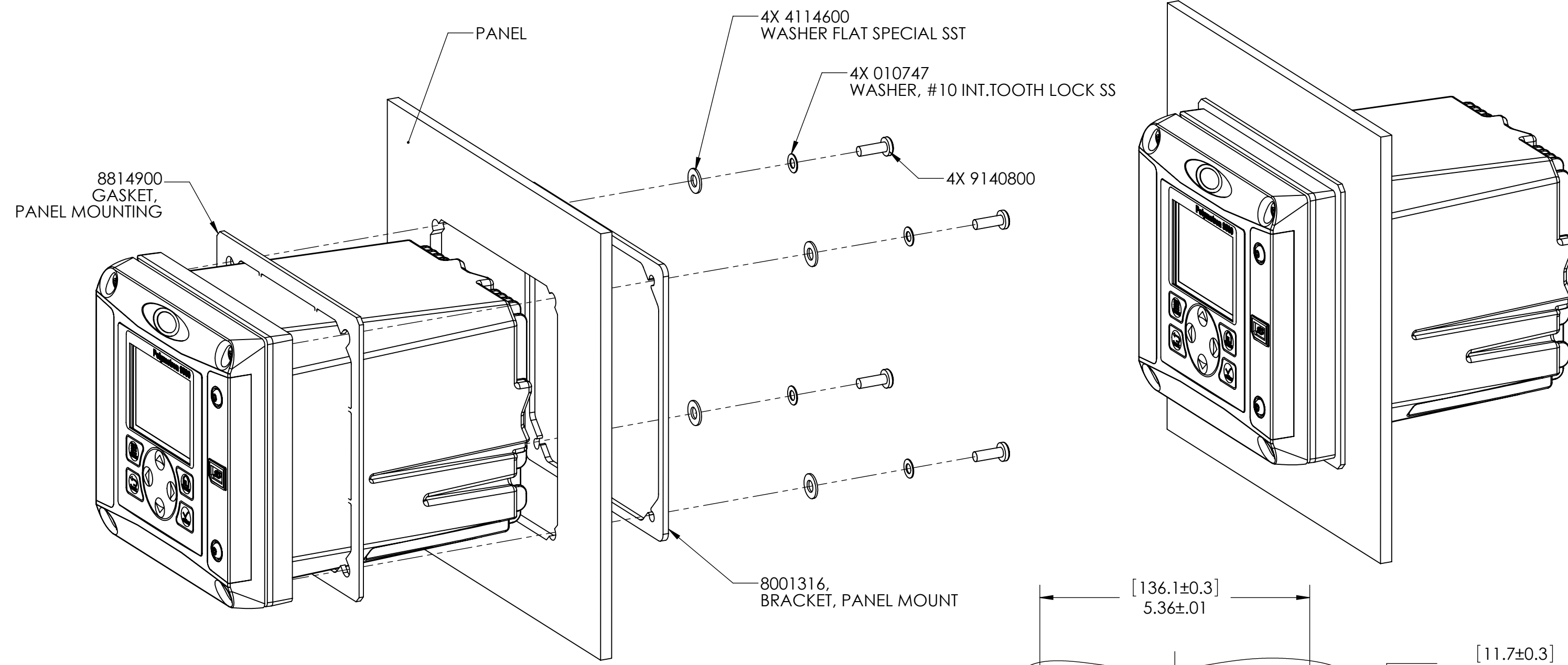
**DETAIL B**  
SCALE 2 : 1

- NOTES:  
1. ALL THE DIMENSION ARE IN INCHES [MILLIMETERS].

### GENERAL INFORMATION:

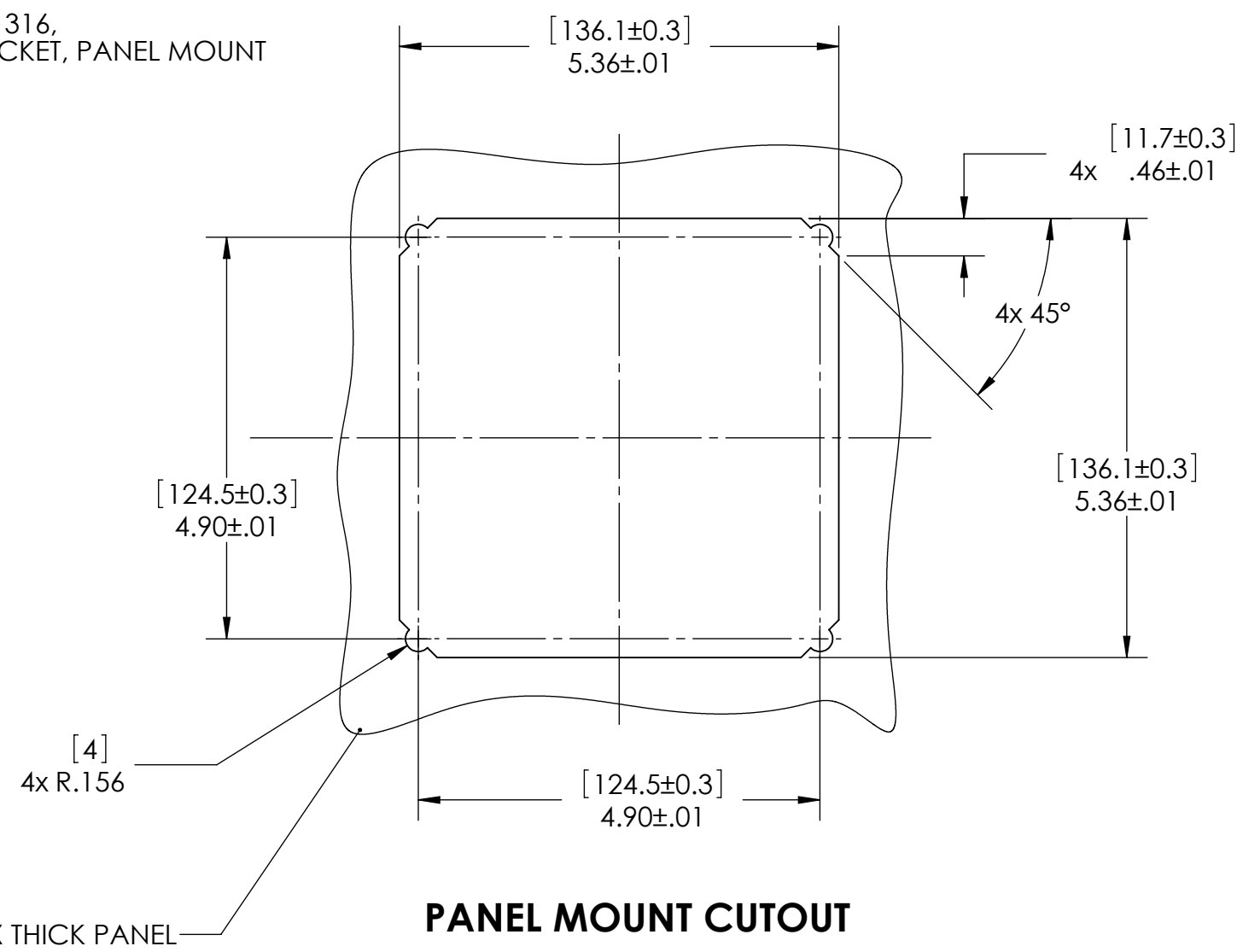
1. CONTROLLER OPERATING TEMPERATURE : -20 TO 60°C ( -4 TO 140°F); 95% HUMIDITY, NON CONDENSING.
2. CONTROLLER STORAGE TEMPERATURE: -20 TO 70°C ( -4 TO 158°F); 95% RELATIVE HUMIDITY, NON CONDENSING.
3. ENCLOSURE: NEMA 4X / IP66 METAL ENCLOSURE WITH A CORROSION RESISTANT FINISH.
4. CONTROLLER WEIGHT: 1.6 Kg (3.5 lb).

NOTICE-HACH COMPANY CLAIMS PROPRIETARY RIGHTS IN THE INFORMATION DISCLOSED ON THIS DRAWING. IT IS ISSUED IN CONFIDENCE FOR ENGINEERING INFORMATION ONLY AND MAY NOT, IN WHOLE OR IN PART, BE USED TO MANUFACTURE ANYTHING, WHETHER OR NOT SHOWN HEREON, REPRODUCED OR DISCLOSED TO ANYONE WITHOUT DIRECT PERMISSION FROM HACH COMPANY.		UNLESS OTHERWISE SPECIFIED:		NAME		DATE	
DIMENSIONS ARE IN INCHES		TOLERANCES:		DRAWN		ENGINEER	
X = ±.03		XXX = ±.01		XXX = ±.005		ANGLES = ±.25°	
INTERPRET GEOMETRIC TOLERANCING PER: ANSI Y14.5M 1994		THIRD ANGLE PROJECTION		HACH COMPANY		5600 LINDBERGH DR. LOVELAND, CO. 80539	
DO NOT SCALE THIS SHEET		TITLE:		TRANSMITTAL, POLYMETRON 9500		REV B	
SCALE: 1:2		WEIGHT:		SHEET 1 OF 2		DWG. NO. 9558387	

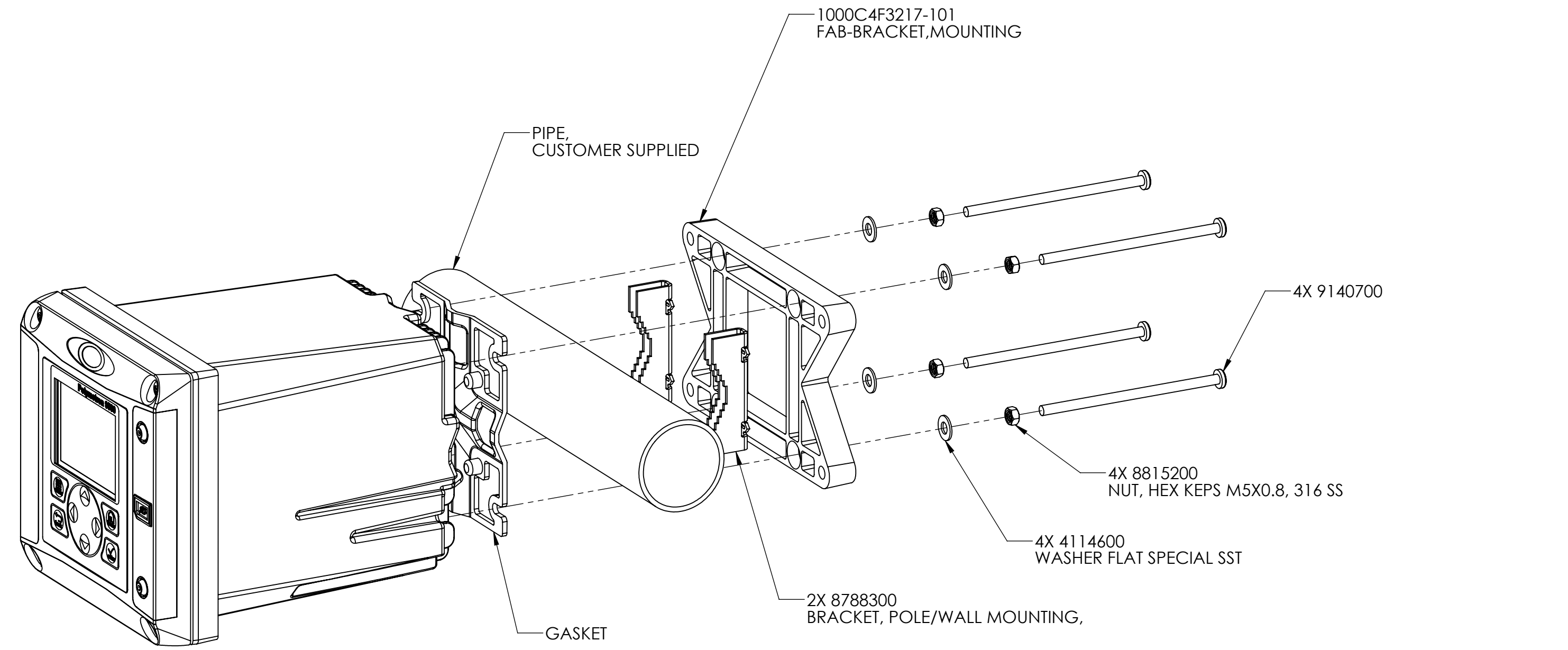


## PANEL MOUNT

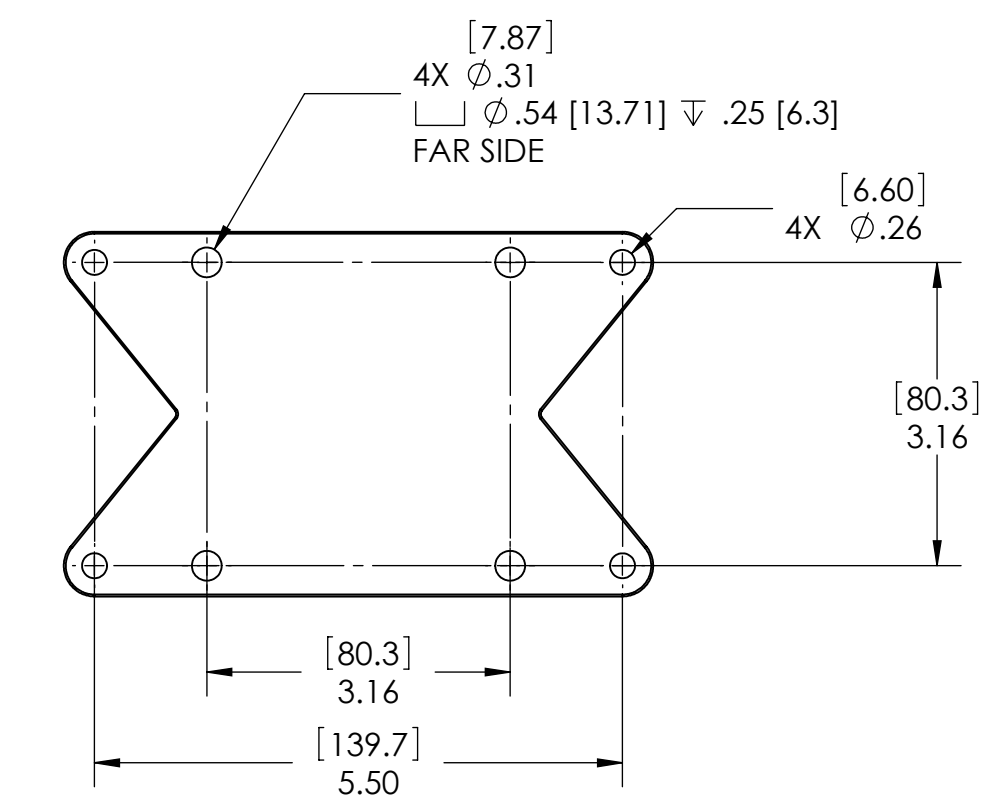
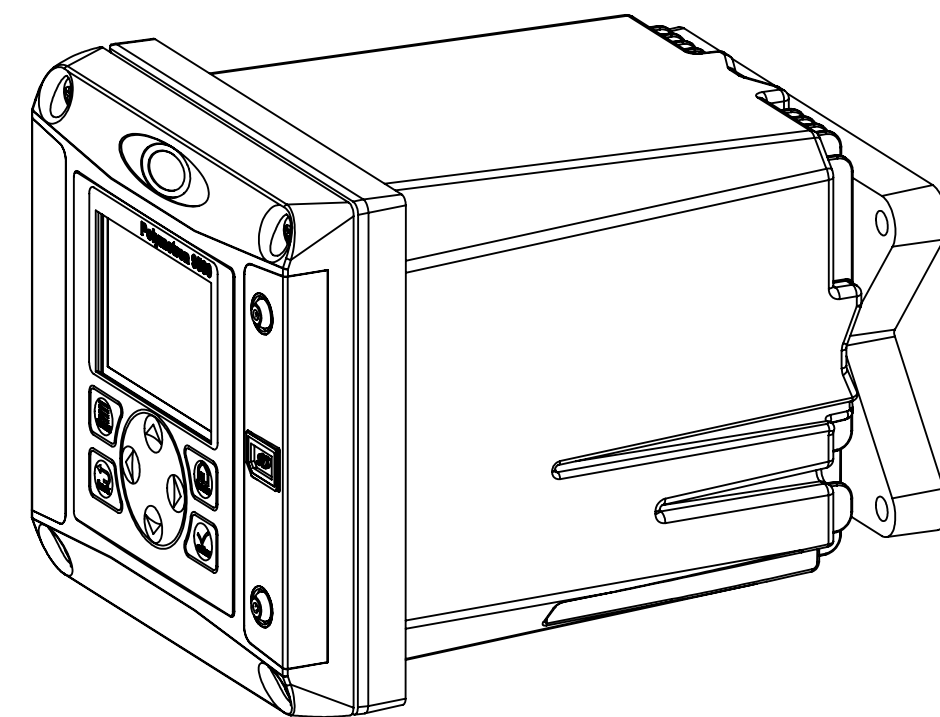
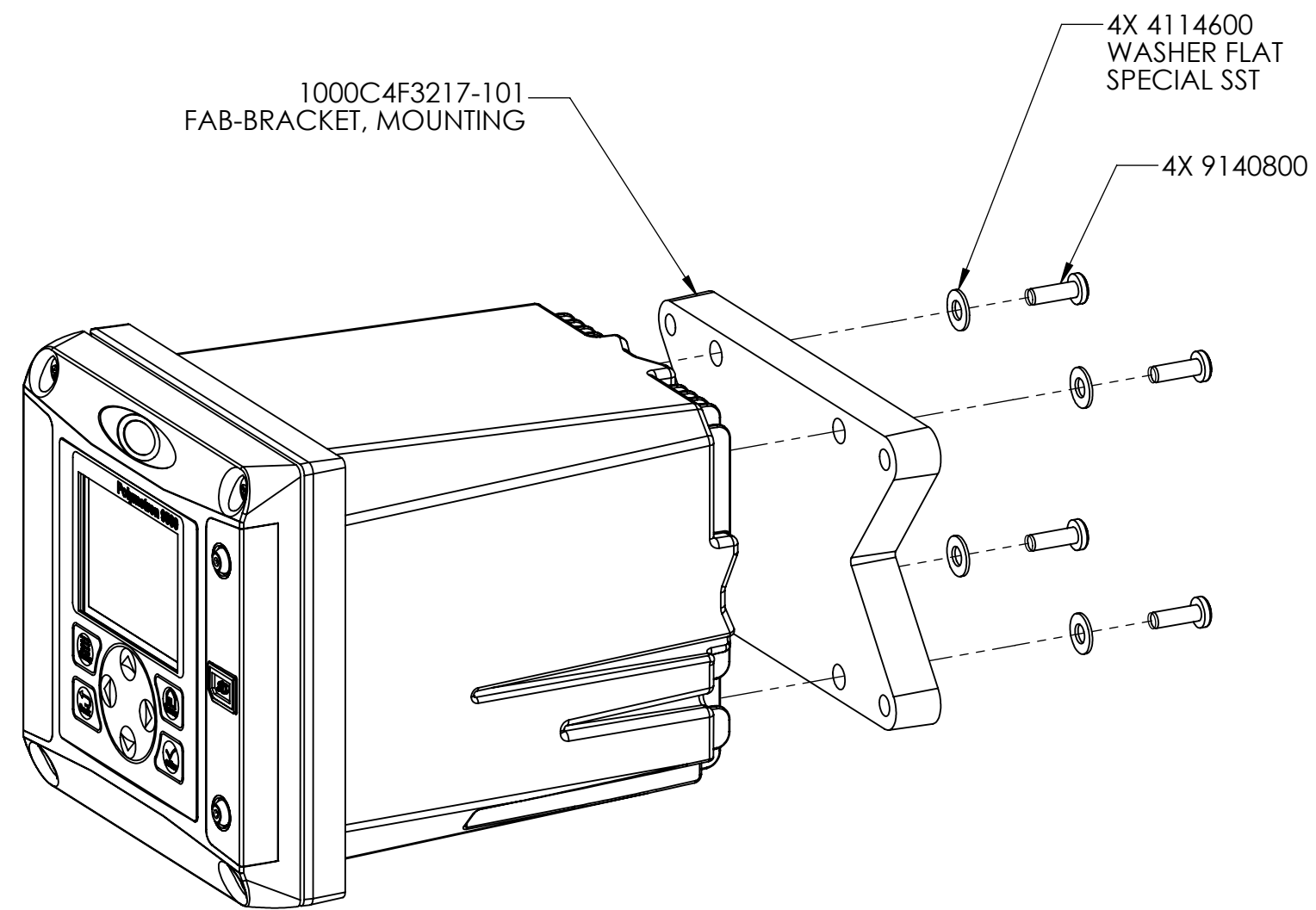
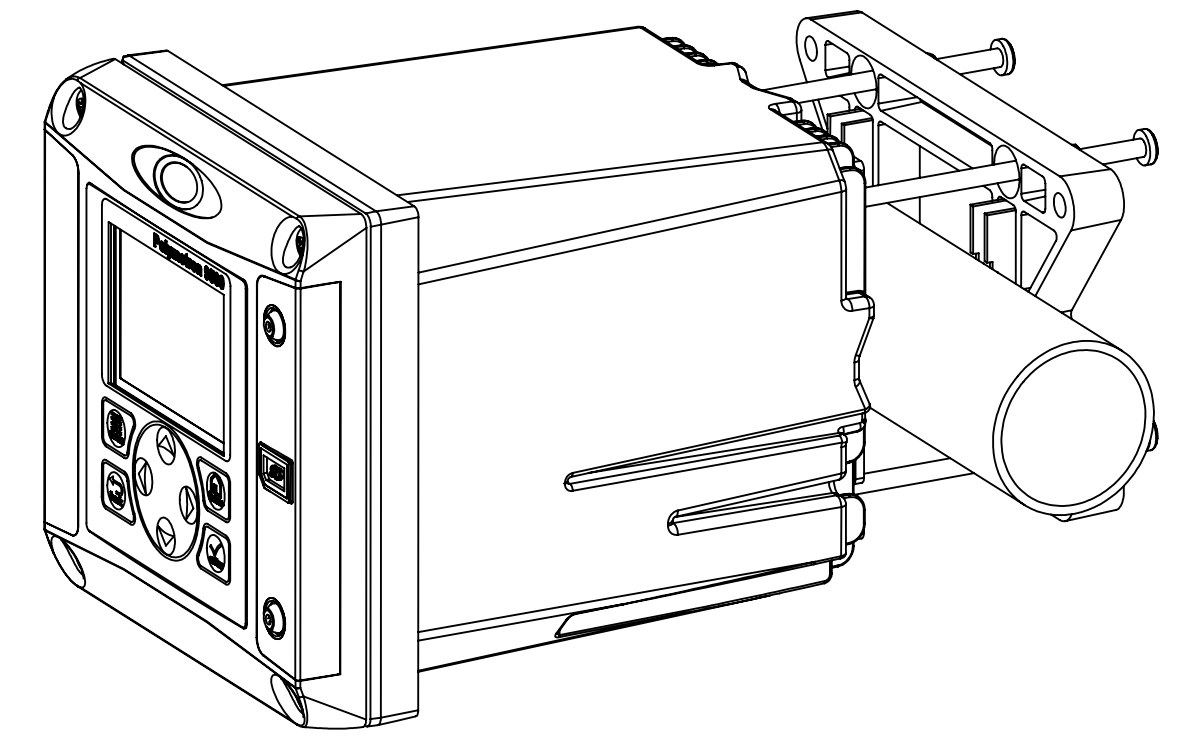
NOTE: ALL CONNECTIONS ON THE BASE OF THE ENCLOSURE ARE TO BE REMOVED WHEN INSTALLING THE CONTROLLER IN PANEL.



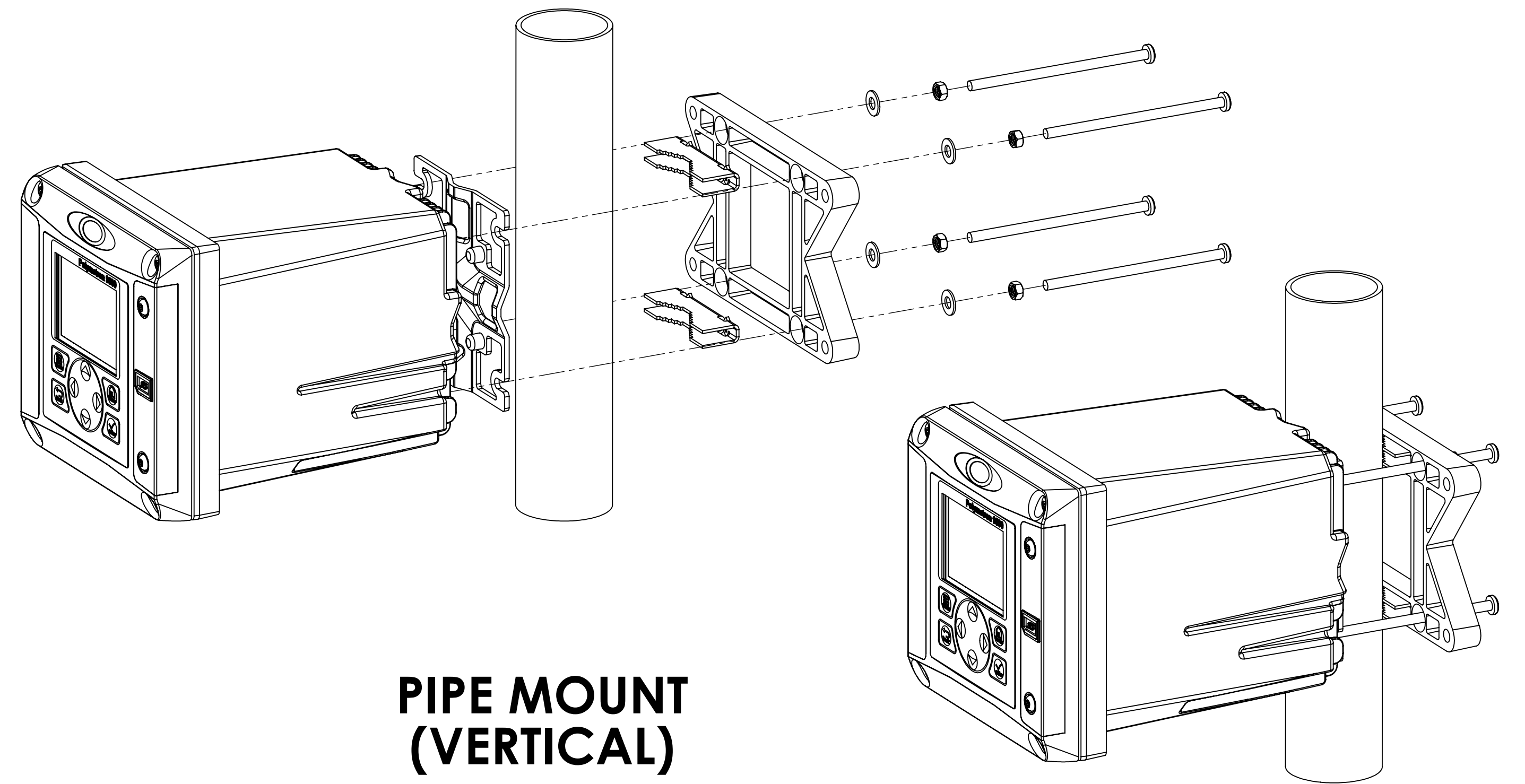
PANEL MOUNT CUTOUT



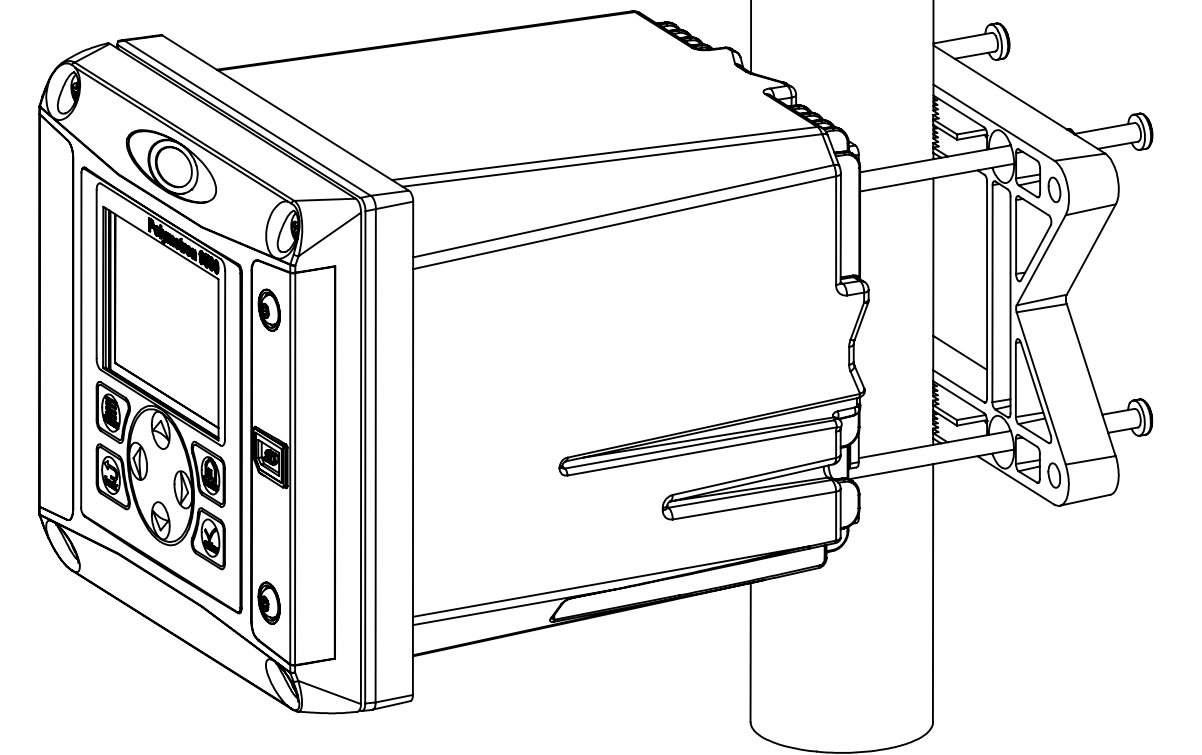
## PIPE MOUNT (HORIZONTAL)



BRACKET (SUPPLIED) FOR WALL, PANEL AND PIPE MOUNTING



## PIPE MOUNT (VERTICAL)



NOTE: VIBRATION MOUNT GASKET IS OPTIONAL DEPENDING ON APPLICATION.

## WALL MOUNT