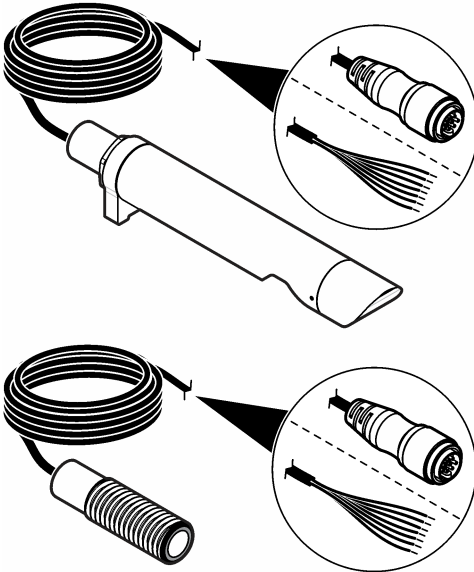




DOC026.97.80353

US9001/US9003

09/2024, Edition 4



User Manual
Manuel d'utilisation
Manual del usuario
Manual do Usuário
用户手册
取扱説明書
사용 설명서

Table of Contents

English.....	3
Français.....	18
Español.....	33
Português.....	48
中文.....	63
日本語.....	78
한국어.....	93

Table of Contents

- 1 [Specifications](#) on page 3
- 2 [General information](#) on page 3
- 3 [Installation](#) on page 6
- 4 [Operation](#) on page 14
- 5 [Maintenance](#) on page 15
- 6 [Troubleshooting](#) on page 15
- 7 [Replacement parts and accessories](#) on page 16

Section 1 Specifications

Specifications are subject to change without notice.

Specification	Details
Dimensions (Ø x L)	US9001: Ø 3.02 x 10.31 cm (Ø 1.19 x 4.06 in.) US9003: Ø 4.06 x 28.04 cm (Ø 1.6 x 11.04 in.)
Enclosure	US9001: 316 stainless steel US9003: 316 stainless steel and ABS
Weight	US9001: 0.76 kg (1.68 lb) with 9.14 m (30 ft) cable US9003: 0.92 kg (2.03 lb) with 9.14 m (30 ft) cable
Frequency	120 kHz
Accuracy	0.008 in./in. from the calibration point at steady state temperature, still air and ideal target
Measurement range	US9001: 13.34 to 396.24 cm (5.25 to 156 in.) US9003: 0 to 382.91 cm (0.00 to 150.75 in.)
Power requirements	12 VDC, 0.0416 A, 0.5 W
Operating temperature	-18 to 60 °C (0 to 140 °F)
Operating humidity	0 to 95%, non-condensing
Storage temperature	-40 to 60 °C (-40 to 140 °F)
Resolution	2.54 mm (0.01 in.)
Cable jacket material	Polyurethane
Cable diameter	6.10 mm (0.24 in.)
Cable length	9.14 m (30 ft) <i>Note: 91.44 m (300 ft) maximum¹</i>
Beam angle	6 ° (half angle, typical)
Enclosure rating	NEMA 6P, IP 68
Compatible instruments	FL series flow loggers and AS950 samplers
Certifications	CE
Warranty	1 year

Section 2 General information

In no event will the manufacturer be liable for damages resulting from any improper use of product or failure to comply with the instructions in the manual. The manufacturer reserves the right to make

¹ Refer to [Replacement parts and accessories](#) on page 16 for the extension cables and the conduit extension kit.

changes in this manual and the products it describes at any time, without notice or obligation. Revised editions are found on the manufacturer's website.

2.1 Safety information

The manufacturer is not responsible for any damages due to misapplication or misuse of this product including, without limitation, direct, incidental and consequential damages, and disclaims such damages to the full extent permitted under applicable law. The user is solely responsible to identify critical application risks and install appropriate mechanisms to protect processes during a possible equipment malfunction.

Please read this entire manual before unpacking, setting up or operating this equipment. Pay attention to all danger and caution statements. Failure to do so could result in serious injury to the operator or damage to the equipment.



Make sure that the protection provided by this equipment is not impaired. Do not use or install this equipment in any manner other than that specified in this manual.

2.1.1 Use of hazard information

▲ DANGER
Indicates a potentially or imminently hazardous situation which, if not avoided, will result in death or serious injury.
▲ WARNING
Indicates a potentially or imminently hazardous situation which, if not avoided, could result in death or serious injury.
▲ CAUTION
Indicates a potentially hazardous situation that may result in minor or moderate injury.
NOTICE
Indicates a situation which, if not avoided, may cause damage to the instrument. Information that requires special emphasis.

2.1.2 Precautionary labels

Read all labels and tags attached to the instrument. Personal injury or damage to the instrument could occur if not observed. A symbol on the instrument is referenced in the manual with a precautionary statement.

	This symbol, if noted on the instrument, references the instruction manual for operation and/or safety information.
	Electrical equipment marked with this symbol may not be disposed of in European domestic or public disposal systems. Return old or end-of-life equipment to the manufacturer for disposal at no charge to the user.

2.2 Certification

▲ CAUTION
This equipment is not intended for use in residential environments and may not provide adequate protection to radio reception in such environments.

Canadian Radio Interference-Causing Equipment Regulation, ICES-003, Class A:

Supporting test records reside with the manufacturer.

This Class A digital apparatus meets all requirements of the Canadian Interference-Causing Equipment Regulations.

Cet appareil numérique de classe A répond à toutes les exigences de la réglementation canadienne sur les équipements provoquant des interférences.

FCC Part 15, Class "A" Limits

Supporting test records reside with the manufacturer. The device complies with Part 15 of the FCC Rules. Operation is subject to the following conditions:

1. The equipment may not cause harmful interference.
2. The equipment must accept any interference received, including interference that may cause undesired operation.

Changes or modifications to this equipment not expressly approved by the party responsible for compliance could void the user's authority to operate the equipment. This equipment has been tested and found to comply with the limits for a Class A digital device, pursuant to Part 15 of the FCC rules. These limits are designed to provide reasonable protection against harmful interference when the equipment is operated in a commercial environment. This equipment generates, uses and can radiate radio frequency energy and, if not installed and used in accordance with the instruction manual, may cause harmful interference to radio communications. Operation of this equipment in a residential area is likely to cause harmful interference, in which case the user will be required to correct the interference at their expense. The following techniques can be used to reduce interference problems:

1. Disconnect the equipment from its power source to verify that it is or is not the source of the interference.
2. If the equipment is connected to the same outlet as the device experiencing interference, connect the equipment to a different outlet.
3. Move the equipment away from the device receiving the interference.
4. Reposition the receiving antenna for the device receiving the interference.
5. Try combinations of the above.

2.3 Product overview

The ultrasonic level sensors measure the flow level and calculate the flow rate in open channels. The flow rate is calculated based on the flow level and the primary device or the flow level and the velocity supplied by a velocity sensor.

2.3.1 Status indicator light

When the sensor is connected to a flow logger and taking a reading, the status indicator light of the sensor is on. Refer to [Figure 1](#) on page 6 and [Figure 2](#) on page 6. Refer to [Table 1](#) for the light color descriptions.

Table 1 Status indicator definitions

Light color	Description
Red	No echo is found (echo loss).
Green	Echo is found.
Flashing green	The measurement target is too near the sensor (within 6.35 mm (0.25 in.) of the sensor minimum distance).

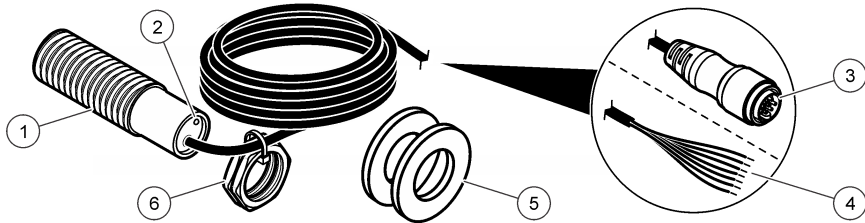
2.4 Theory of operation

The flow level is measured by the ultrasonic sensor. The ultrasonic sensor makes a pulsed ultrasound wave which is sent towards the water surface. The ultrasound wave reflects off of the water surface and the echo is received back by the sensor. The distance is the measured time it takes for the ultrasound wave pulse to go from the water surface to the sensor. The measured time is multiplied by the speed of sound at the ambient temperature of the air below the sensor. The sensor measures the ambient temperature for accuracy.

2.5 Product components

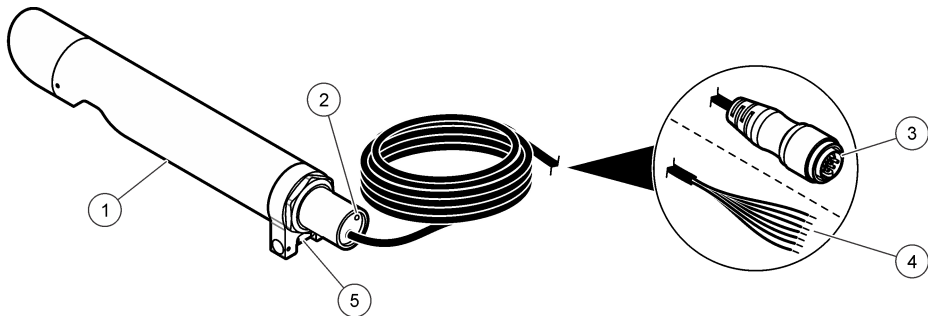
Make sure that all components have been received. Refer to [Figure 1](#) and [Figure 2](#). If any items are missing or damaged, contact the manufacturer or a sales representative immediately.

Figure 1 US9001 (downlooking) sensor components



1 US9001 sensor with cable, 9.14 m (30 ft)	4 Bare-wire connection ²
2 Status indicator light	5 Gasket, vibration isolation (2x) ³
3 Connector	6 Hex nut (2x) ³

Figure 2 US9003 (in-pipe) sensor components



1 US9003 sensor with cable, 9.14 m (30 ft)	4 Bare-wire connection ²
2 Status indicator light	5 Bubble level
3 Connector	

Section 3 Installation

⚠ CAUTION



Multiple hazards. Only qualified personnel must conduct the tasks described in this section of the document.

3.1 Site installation guidelines

For the best sensor performance, obey the site installation guidelines in [Table 2](#).

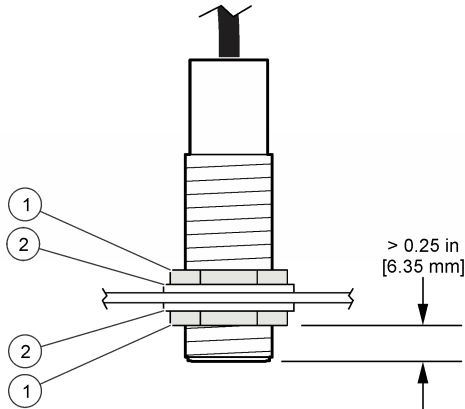
² Bare-wire is an alternative to the connector.

³ For use with the wall mount bracket (2974) for the downlooking sensor

Table 2 Site installation guidelines

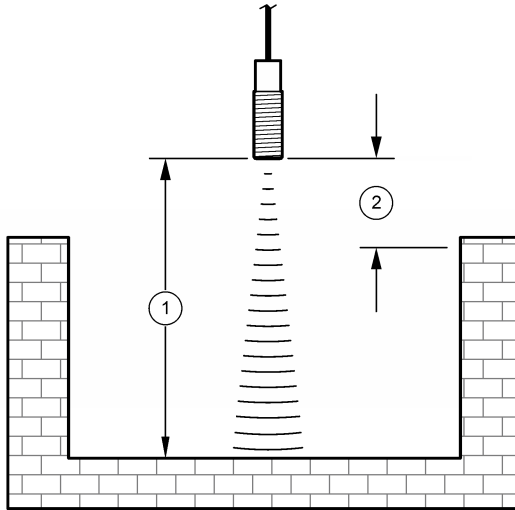
Guideline	Details
Do not hang the sensor by the sensor cable.	The sensor cable may stretch and cause measurement errors.
Prevent the sun from shining directly on the sensor.	Intense, direct sunlight on the sensor will increase the temperature of the sensor housing higher than the ambient air temperature. This can cause inaccurate measurements.
For the US9001 (downlooking) sensor, make sure that the lowest mounting nut is more than 6.4 mm (0.25 in.) from the sensor face. Refer to Figure 3 .	If the mounting nut is near the sensor face, level spikes can occur at extreme temperatures. Hand tighten the hex nut, then tighten ½ turn. Do not overtighten the hex nut or the isolation gasket will not decrease vibrations.
Prevent strong winds and air currents from blowing directly under the sensor.	The strength of the ultrasonic signal is decreased by the wind.
Install the sensor so that the ultrasonic signal does not hit the sides of a small pipe or narrow flumes/channels.	The ultrasonic signal emits a half beam angle of 6°. Refer to Figure 4 and Figure 5 . Set the minimum and maximum distance for the measurement target to prevent false echoes and incorrect level measurements. Refer to the FSDATA Desktop documentation to change the application settings.
Install the sensor sufficiently high above the surface of the water so that it does not go under the water when the level increases.	The speed of sound in water is much faster than in air. A sensor that is under the water will give unusual values.

Figure 3 US9001 (downlooking) sensor



1 Hex nut	2 Gasket, vibration isolation
------------------	--------------------------------------

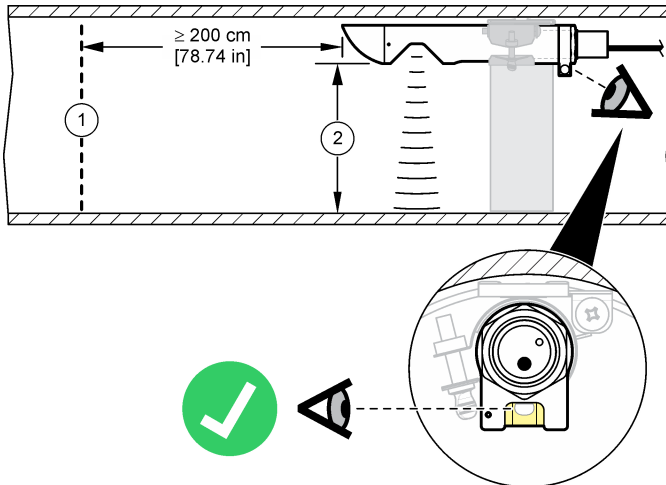
Figure 4 US9001 sensor installation



1 Maximum distance

2 Minimum distance

Figure 5 US9003 sensor installation



1 Minimum distance to reflecting obstruction

2 Distance from sensor, 0 to 382.91 cm (0.00 to 150.75 in.) maximum

3.2 Installation setup

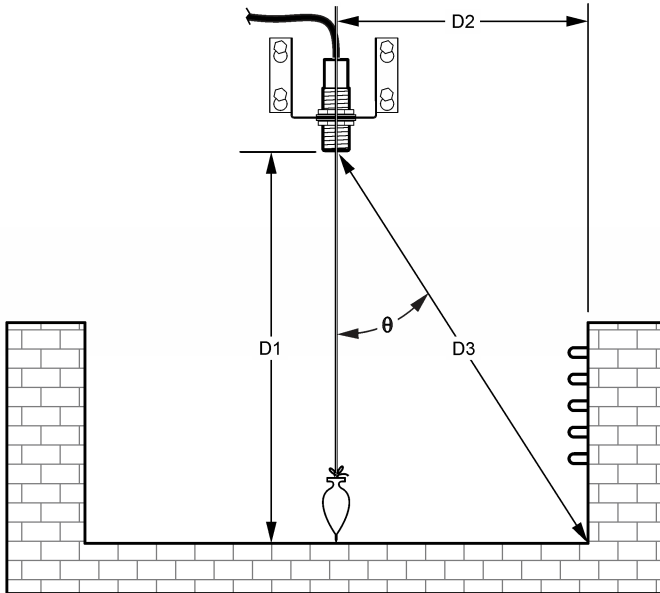
From the bottom of the sensor, the ultrasonic signal expands as it moves away from the sensor. Install the sensor so that the ultrasonic signal does not hit the walls of the pipe or the top of the channel.

When the installation is above a narrow channel, do not install the sensor too high because the beam may be wider than the channel. This can cause false echoes from the tops of the channel walls rather than from the water surface. To prevent false echoes, find the applicable sensor height so that the entire beam falls within the channel and does not hit any obstructions.

Select the applicable sensor height:

1. Take the measurements. Refer to [Figure 6](#).
2. Calculate the angle from the axis, $\Theta = \arctan \times (D2/D1) \approx 80.5 \times (D2/D1)$.
3. To avoid interference from outside obstructions, make sure that the calculated angle from the axis is less than the half beam angle (6° typical) of the sensor.

Figure 6 Sensor height selection



3.3 Install the sensor

Install the ultrasonic sensor so that it is over the center of the flow stream and the sensor face is parallel with the flow. The sensor face should be parallel with the flow, so that the signal is perpendicular to the flow and the signal echo does not bounce off the channel walls. The signal bouncing off the wall may cause erratic readings or a complete echo loss.

The ultrasonic sensor has several mounting hardware options. Refer to [Figure 7](#) and [Figure 8](#). Refer to the instructions supplied with the mounting hardware for installation information.

Figure 7 Mounting hardware options – US9001

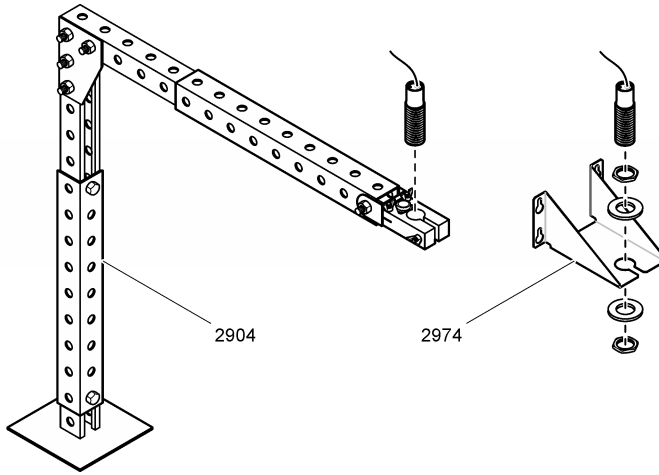
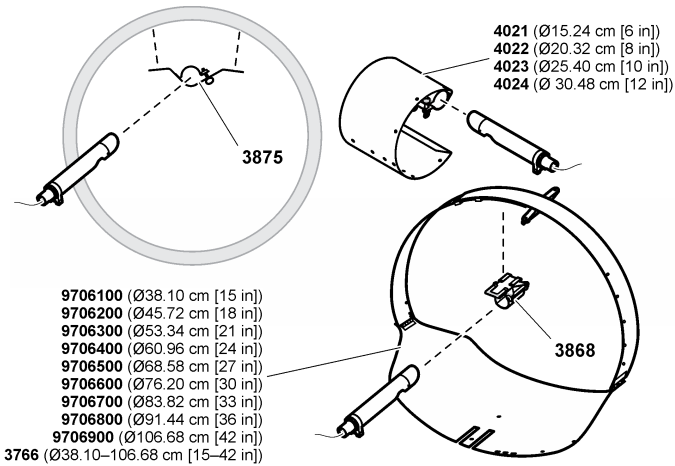


Figure 8 Mounting hardware options – US9003



3.4 Connect to a flow logger or sampler

Connect the cable to a flow logger or sampler. Refer to the flow logger or sampler documentation for instructions.

3.5 Install the sensor with a primary device

A primary device is a hydraulic structure, such as a flume or weir, that has a known level-to-flow relationship. The ultrasonic sensor measures the level of liquid in a channel that contributes to flow (referred to as the "head") and the flow logger calculates the flow rate based on the head-to-flow relationship of the primary device.

Note: As an alternative, the flow logger can calculate the flow rate based on the level of liquid in the channel and the area velocity supplied by a velocity sensor. The flow rate calculation method is selected in the Flow Method field.

Most primary devices have a specific place for the head (liquid level) measurement sensor. Refer to the instructions supplied by the primary device manufacturer for the correct sensor location. When instructions are not available from the primary device manufacturer, refer to [Figure 9–Figure 13](#). The symbol \oplus in the figures identifies the correct sensor location.

To prevent the sensor from going under water but still have the sensor at the best distance, mount the sensor at the minimum range of the sensor above the typical maximum level of the target. Make sure to be within the maximum range of the sensor and take the minimum level of the target into consideration.

Figure 9 V-notch weir

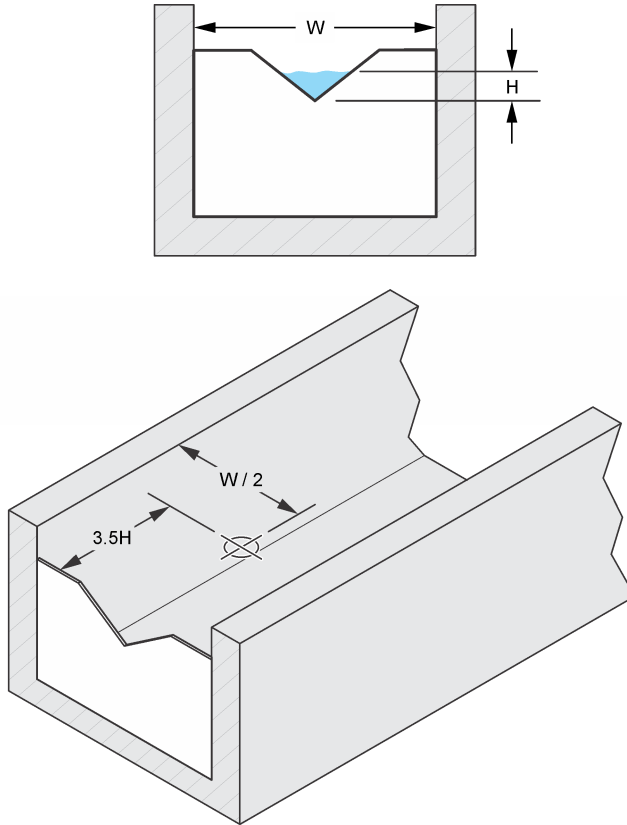


Figure 10 Palmer-Bowlus Flumes

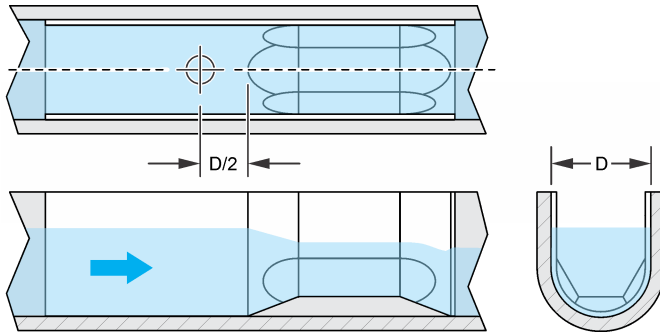
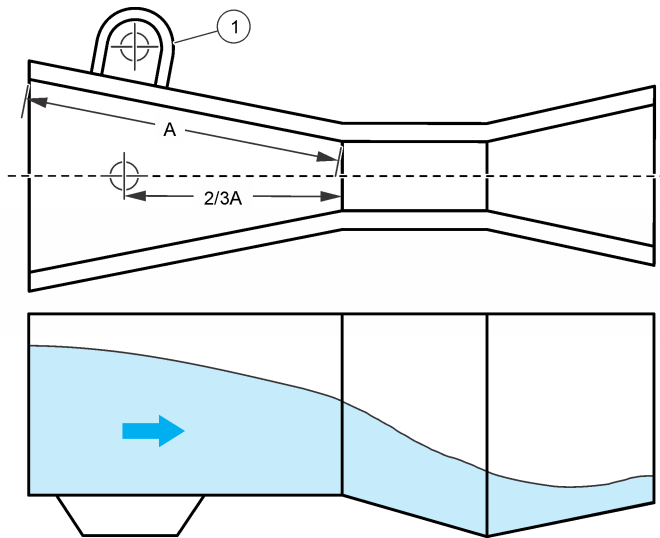


Figure 11 Parshall Flumes



1 Stilling well⁴

⁴ If present, install the sensor in the stilling well. If not, install the sensor in the other location shown.

Figure 12 Leopold-Lagco Flume

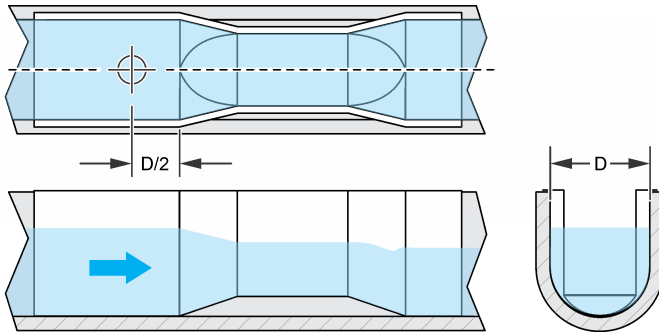
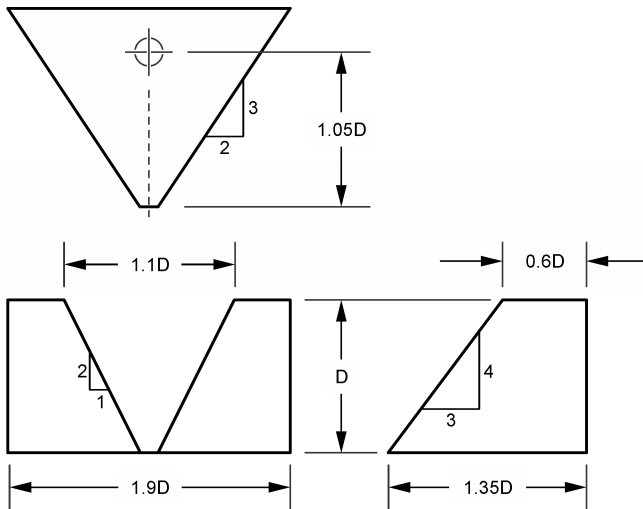


Figure 13 H Flume

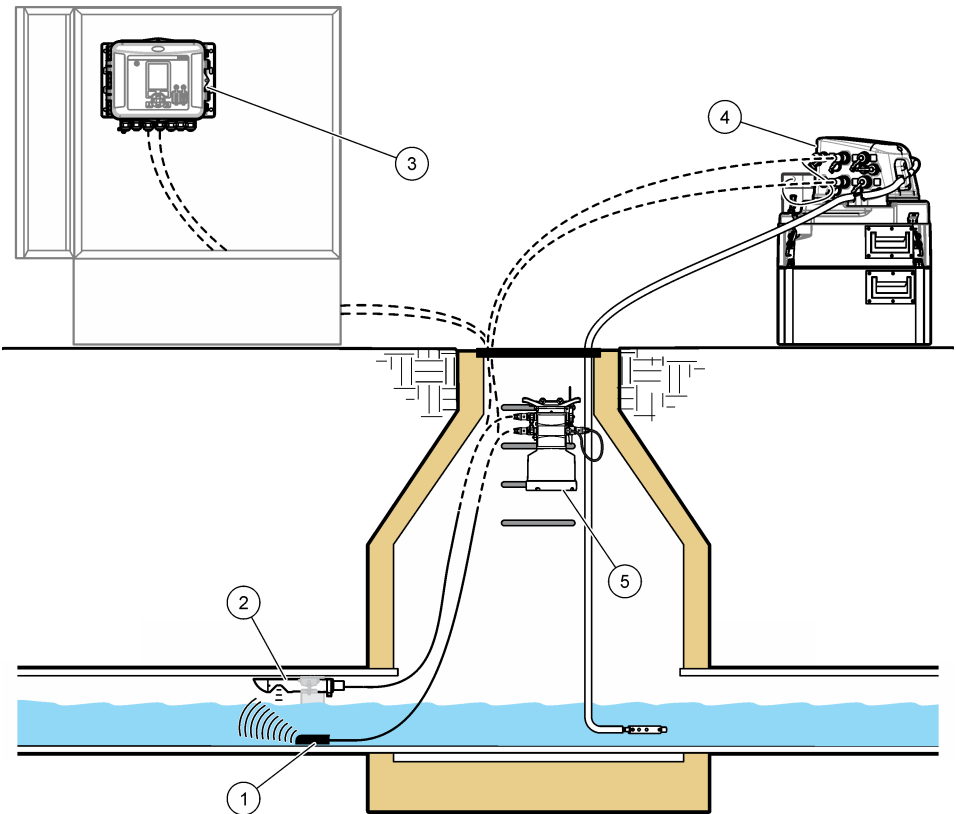


3.6 Install for a redundant level measurement

The ultrasonic sensors can be used for redundant level measurement, such as with a Sigma area velocity sensor and AV9000 analyzer module, Flo-Dar sensor or Flo-Tote sensor.

The most common example of a redundant level measurement is with the submerged pressure area velocity sensor. The area velocity sensor is typically installed at the base of the pipe on a spring band or scissor band. The ultrasonic sensor is installed at the crown of the pipe. The two sensors are connected to a FL series flow logger or AS950 sampler. Refer to [Figure 14](#).

Figure 14 Level measurement



1 Area velocity sensor	4 AS950 sampler
2 Ultrasonic sensor	5 FL900 flow logger
3 FL1500 flow logger	

Section 4 Operation

For sensors connected to an FL900 flow logger, connect a computer with FSDATA Desktop software to the flow logger to configure, calibrate and collect data from the sensors. Refer to the FSDATA Desktop documentation to configure, calibrate and collect data from the sensor.

For sensors connected to an FL1500 flow logger, refer to the FL1500 flow logger documentation to configure, calibrate and collect data from the sensors. As an alternative, connect a computer with FSDATA Desktop software to the flow logger to configure, calibrate and collect data from the sensors. Refer to the FSDATA Desktop documentation to configure, calibrate and collect data from the sensor.

For sensors connected to an AS950 sampler, refer to the AS950 sampler documentation to configure, calibrate and collect data from the sensors.

4.1 Install the software

Make sure that the latest version of the FSDATA Desktop software is installed on the computer. Download the software from <http://www.hachflow.com>. Click Support, then select Software Downloads>Hach FL Series Flow Logger.

Section 5 Maintenance

▲ CAUTION



Multiple hazards. Only qualified personnel must conduct the tasks described in this section of the document.

NOTICE

Do not disassemble the instrument for maintenance. If the internal components must be cleaned or repaired, contact the manufacturer.

5.1 Clean the sensor

NOTICE

Do not use steel wool or abrasive pads to clean the sensor or sensor damage will occur.

Examine the sensor periodically for unwanted material and deposits. Clean the sensor when there is a buildup of deposits or when performance has decreased. [Table 3](#) shows the cleaning solutions to use and not to use.

Table 3 List of cleaning solutions

Use	Do not use
Dish detergent and water	Products that contain ammonia
	Concentrated bleach
	Kerosene
	Gasoline
	Aromatic hydrocarbons

1. Disconnect the sensor from the flow logger.
2. Soak the sensor in dish detergent and water.
3. Clean the sensor face and reflector.
4. Use a spray bottle or squeeze bottle to remove heavier unwanted material.

Section 6 Troubleshooting

Problem	Possible cause	Solution
Echo loss	Foam or condensing moisture (steam or fog) which absorbs the ultrasonic signal	Install the sensor in a location with no foam or condensing moisture.
	High wind such as air currents in a closed high velocity sewer system or wind gusts during a storm	Keep wind away from the sensor. Contact technical support for ideas for specific environments.
	The sensor face is not parallel with the surface of the measurement target.	Make sure that the sensor face is parallel with the surface of the measurement target.
	The surface of the measurement target is not good (extreme turbulence).	Select a different area to measure the target.

Problem	Possible cause	Solution
Inaccurate measurements	The pipe or channel where the sensor is installed is small or too narrow. The ultrasonic signal bounces off the sides of the pipe or channel.	Install the sensor in a larger diameter pipe or move the sensor nearer to the water surface. Keep the downlooking sensor a minimum of 13.34 cm (5.25 in.) from the water surface. Keep the in-pipe sensor a minimum of 0 cm (0 in.) from the water surface. As an alternative, increase the minimum distance value to a location below the false target that is affecting measurements.
	The sensor is in direct sunlight.	Do not let the sun shine directly on the sensor. Make a sun-shield if an alternative location is not available. Contact technical support for ideas for the specific environment.
	The temperature of the sensor environment has changed quickly.	Let the sensor stabilize after large changes in the temperature of the environment.
	The sensor is too far away from the surface of the measurement target.	Install the sensor near the surface of the measurement target.
Measurement failure	Foam, oil, debris and surface turbulence are affecting the send and receive signal.	Clean the sensor. Refer to Clean the sensor on page 15.

Section 7 Replacement parts and accessories

⚠ WARNING



Personal injury hazard. Use of non-approved parts may cause personal injury, damage to the instrument or equipment malfunction. The replacement parts in this section are approved by the manufacturer.

Note: Product and Article numbers may vary for some selling regions. Contact the appropriate distributor or refer to the company website for contact information.

Replacement parts

Description	Item no.
Gasket, vibration isolation	6820
Holder (level) for US9003 (in-pipe) sensor	9488700

Accessories

Description	Item no.
Extension cable with connectors, 15.24 m (50 ft)	9489000
Extension cable, 82.29 m (270 ft), bare wire one end, cable only	9488100
Extension cable with bare-wire and junction box, 30.48 m (100 ft)	8315200
Extension cable with bare-wire and junction box, 82.29 m (270 ft)	8315201
Extension kit for conduit, includes: 82.29 m (270 ft) cable with bare wires and junction box with 30.48 cm (12 in.) cable and connector to logger <i>Note: Order the ultrasonic sensor, dispensing gun, and gel cartridges separately.</i>	9488000
Gel cartridges (3x) with feed tubes, for the junction box (if used) to keep water out	7725600
Gel cartridge, dispensing gun	7715300

Accessories (continued)

Description	Item no.
Junction box with 30.48 cm (12 in.) cable, connector and karabiner clip <i>Note: Order the dispensing gun and gel cartridges separately.</i>	9488200
Mounting bracket, permanent, for US9003 (in-pipe) sensor	3875
Mounting bracket, floor or wall, adjustable, for US9001 (downlooking) sensor	2904
Mounting bracket, wall, permanent, for US9001 (downlooking) sensor	2974
Mounting clip for US9003 (in-pipe) sensor	3868
Scissor band set for \varnothing 38.10 to 106.68 cm (15 to 42 in.) pipe for US9003 (in-pipe) sensor	3766
Scissor band for \varnothing 38.10 cm (15 in.) pipe	9706100
Scissor band for \varnothing 45.72 cm (18 in.) pipe	9706200
Scissor band for \varnothing 53.34 cm (21 in.) pipe	9706300
Scissor band for \varnothing 60.96 cm (24 in.) pipe	9706400
Scissor band for \varnothing 68.58 cm (27 in.) pipe	9706500
Scissor band for \varnothing 76.20 cm (30 in.) pipe	9706600
Scissor band for \varnothing 83.82 cm (33 in.) pipe	9706700
Scissor band for \varnothing 91.44 cm (36 in.) pipe	9706800
Scissor band for \varnothing 106.68 cm (42 in.) pipe	9706900
Spring ring, \varnothing 15.24 cm (6 in.), for US9003 (in-pipe) sensor	4021
Spring ring, \varnothing 20.32 cm (8 in.), for US9003 (in-pipe) sensor	4022
Spring ring, \varnothing 25.40 cm (10 in.), for US9003 (in-pipe) sensor	4023
Spring ring, \varnothing 30.48 cm (12 in.), for US9003 (in-pipe) sensor	4024

Table des matières

- | | | | |
|---|-----------------------------------------------|---|----------------------------------------------------------------|
| 1 | Caractéristiques à la page 18 | 5 | Maintenance à la page 30 |
| 2 | Généralités à la page 18 | 6 | Dépannage à la page 31 |
| 3 | Installation à la page 21 | 7 | Pièces de rechange et accessoires à la page 31 |
| 4 | Fonctionnement à la page 29 | | |

Section 1 Caractéristiques

Les caractéristiques techniques peuvent être modifiées sans préavis.

Caractéristique	Détails
Dimensions (Ø x L)	US9001 : Ø 3,02 x 10,31 cm (Ø 1,19 x 4,06 po) US9003 : Ø 4,06 x 28,04 cm (Ø 1,6 x 11,04 po)
Boîtier	US9001 : 316 acier inoxydable US9003 : 316 acier inoxydable et ABS
Poids	US9001 : 0,76 kg (1,68 lb) avec câble de 9,14 m (30 pieds) US9003 : 0,92 kg (2,03 lb) avec câble de 9,14 m (30 pieds)
Fréquence	120 kHz
Précision	0,008 pouces (30 cm) /po. depuis le point d'étalonnage à température constante, sans vent et cible parfaite
Plage de mesure	US9001 : 13,34 à 396,24 cm (5,25 to 156 po.) US9003 : 0 à 382,91 cm (0 à 150,75 po.)
Alimentation requise	12 V CC, 0,0416 A, 0,5 W
Température de fonctionnement	-18 à 60 °C (0 à 140 °F)
Humidité de fonctionnement	0 à 95 %, sans condensation
Température de stockage	-40 à 60 °C (-40 à 140 °F)
Résolution	2,54 mm (0,01 po)
Matériel de la gaine du câble	Polyuréthane
Diamètre du câble	6,10 mm (0,24 po)
Longueur du câble	9,14 m (30 pieds) Remarque : 91,44 m (300 pieds) maximum ¹
Angle du faisceau	6° (demi-angle, typique)
Indice de protection	NEMA 6P, IP 68
Instruments compatibles	Enregistreurs de débit de la série FL et échantillonneurs AS950
Certifications	CE
Garantie	1 an

Section 2 Généralités

En aucun cas le fabricant ne pourra être tenu responsable des dommages résultant d'une utilisation incorrecte du produit ou du non-respect des instructions du manuel. Le constructeur se réserve le droit d'apporter des modifications à ce manuel et aux produits décrits, à tout moment, sans avertissement ni obligation. Les éditions révisées se trouvent sur le site Internet du fabricant.

¹ Reportez-vous à la section [Pièces de rechange et accessoires](#) à la page 31 pour obtenir des informations sur les câbles d'extension et le kit d'extension de conduit.

2.1 Consignes de sécurité

Le fabricant décline toute responsabilité quant aux dégâts liés à une application ou un usage inappropriés de ce produit, y compris, sans toutefois s'y limiter, des dommages directs ou indirects, ainsi que des dommages consécutifs, et rejette toute responsabilité quant à ces dommages dans la mesure où la loi applicable le permet. L'utilisateur est seul responsable de la vérification des risques d'application critiques et de la mise en place de mécanismes de protection des processus en cas de défaillance de l'équipement.

Veuillez lire l'ensemble du manuel avant le déballage, la configuration ou la mise en fonctionnement de cet appareil. Respectez toutes les déclarations de prudence et d'attention. Le non-respect de cette procédure peut conduire à des blessures graves de l'opérateur ou à des dégâts sur le matériel.

Assurez-vous que la protection fournie par cet équipement n'est pas compromise. Ne pas utiliser ou installer cet équipement autrement qu'indiqué dans le présent manuel.

2.1.1 Informations sur les risques d'utilisation

▲ DANGER

Indique une situation de danger potentiel ou imminent qui, si elle n'est pas évitée, entraîne des blessures graves, voire mortelles.

▲ AVERTISSEMENT

Indique une situation de danger potentiel ou imminent qui, si elle n'est pas évitée, peut entraîner des blessures graves, voire mortelles.

▲ ATTENTION

Indique une situation de danger potentiel qui peut entraîner des blessures mineures ou légères.

AVIS

Indique une situation qui, si elle n'est pas évitée, peut occasionner l'endommagement du matériel. Informations nécessitant une attention particulière.

2.1.2 Étiquettes de mise en garde

Lisez toutes les informations et toutes les étiquettes apposées sur l'appareil. Des personnes peuvent se blesser et le matériel peut être endommagé si ces instructions ne sont pas respectées. Tout symbole sur l'appareil renvoie à une instruction de mise en garde dans le manuel.



Si l'appareil comporte ce symbole, reportez-vous au manuel d'instructions pour consulter les informations de fonctionnement et de sécurité.



Le matériel électrique portant ce symbole ne doit pas être mis au rebut dans les réseaux domestiques ou publics européens. Retournez le matériel usé ou en fin de vie au fabricant pour une mise au rebut sans frais pour l'utilisateur.

2.2 Certification

▲ ATTENTION

Cet équipement n'est pas conçu pour être utilisé dans des environnements résidentiels et peut ne pas offrir une protection adéquate à la réception radio dans de tels environnements.

Règlement canadien sur les équipements causant des interférences radio, ICES-003, Classe A :

Les données d'essai correspondantes sont conservées chez le constructeur.

Cet appareil numérique de classe A respecte toutes les exigences du Règlement sur le matériel brouilleur du Canada.

Cet appareil numérique de classe A répond à toutes les exigences de la réglementation canadienne sur les équipements provoquant des interférences.

FCC part 15, limites de classe A :

Les données d'essai correspondantes sont conservées chez le constructeur. L'appareil est conforme à la partie 15 de la réglementation FCC. Le fonctionnement est soumis aux conditions suivantes :

1. Cet équipement ne peut pas causer d'interférence nuisible.
2. Cet équipement doit accepter toutes les interférences reçues, y compris celles qui pourraient entraîner un fonctionnement inattendu.

Les modifications de cet équipement qui n'ont pas été expressément approuvées par le responsable de la conformité aux limites pourraient annuler l'autorité dont l'utilisateur dispose pour utiliser cet équipement. Cet équipement a été testé et déclaré conforme aux limites définies pour les appareils numériques de classe A, conformément à la section 15 de la réglementation FCC. Ces limites ont pour but de fournir une protection raisonnable contre les interférences néfastes lorsque l'équipement fonctionne dans un environnement commercial. Cet équipement génère, utilise et peut irradier l'énergie des fréquences radio et, s'il n'est pas installé ou utilisé conformément au mode d'emploi, il peut entraîner des interférences dangereuses pour les communications radio. Le fonctionnement de cet équipement dans une zone résidentielle risque de causer des interférences nuisibles, dans ce cas l'utilisateur doit corriger les interférences à ses frais. Les techniques ci-dessous peuvent permettre de réduire les problèmes d'interférences :

1. Débrancher l'équipement de la prise de courant pour vérifier s'il est ou non la source des perturbations
2. Si l'équipement est branché sur le même circuit de prises que l'appareil qui subit des interférences, branchez l'équipement sur un circuit différent.
3. Eloigner l'équipement du dispositif qui reçoit l'interférence.
4. Repositionner l'antenne de réception du périphérique qui reçoit les interférences.
5. Essayer plusieurs des techniques ci-dessus à la fois.

2.3 Présentation du produit

Les capteurs de niveau à ultrasons mesurent le niveau de débit et calculent le débit dans des canaux ouverts. Le débit est calculé en fonction du niveau de débit et de l'appareil principal ou du niveau de débit et de la vitesse fournie par un capteur de vitesse.

2.3.1 Voyant d'état

Lorsque le capteur est connecté à un enregistreur de débit et qu'il prend une mesure, le voyant d'état du capteur est allumé. Reportez-vous à la [Figure 1](#) à la page 21 et au [Figure 2](#) à la page 21. Reportez-vous au tableau [Tableau 1](#) pour obtenir les descriptions des couleurs des voyants.

Tableau 1 Définitions des voyants

Couleur	Description
Rouge	Aucun écho trouvé (perte d'écho).
Vert	Echo trouvé.
Vert clignotant	La cible de mesure est trop près du capteur – à moins de 6,35 mm (0,25 po) de la distance minimale du capteur.

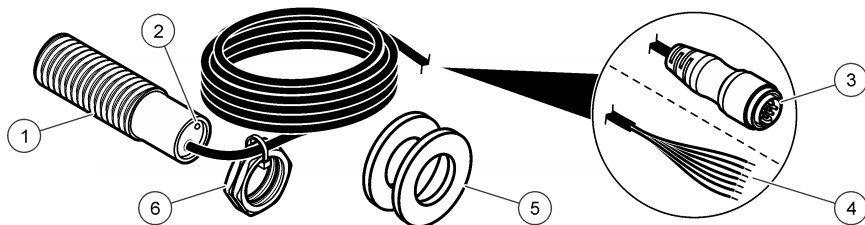
2.4 Principe de fonctionnement

Le niveau de débit est mesuré par le capteur à ultrasons. Le capteur à ultrasons émet une onde d'ultrasons pulsée qui est envoyée vers la surface de l'eau. L'onde d'ultrasons rebondit sur la surface de l'eau et l'écho est reçu par le capteur. La distance correspond au temps que met l'onde d'ultrasons pulsée pour aller de la surface de l'eau au capteur. Le temps mesuré est multiplié par la vitesse du son à la température ambiante de l'air sous le capteur. Le capteur mesure la température ambiante pour une valeur précise.

2.5 Composants du produit

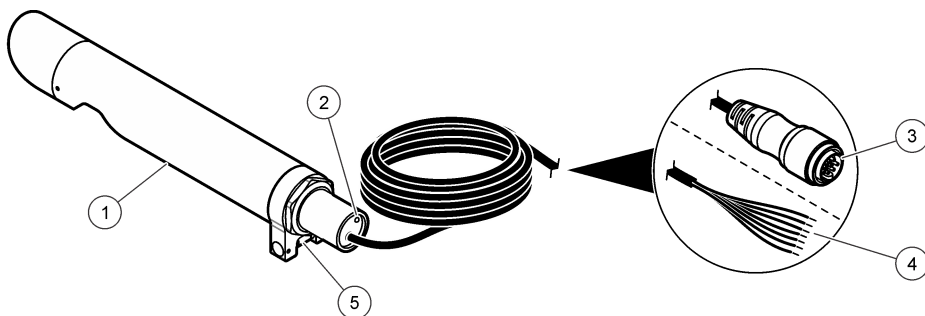
Assurez-vous d'avoir bien reçu tous les composants. Reportez-vous à la [Figure 1](#) et au [Figure 2](#). Si des éléments manquent ou sont endommagés, contactez immédiatement le fabricant ou un représentant commercial.

Figure 1 Composants du capteur (Downlooking) US9001



1 Capteur US9001 avec câble, 9,14 m (30 pieds)	4 Raccordement des fils dénudés ²
2 Voyant d'état	5 Joint, isolation des vibrations (2x) ³
3 Connecteur	6 Ecrou à six pans (2x) ³

Figure 2 Composants du capteur (In-pipe) US9003



1 Capteur US9003 avec câble, 9,14 m (30 pieds)	4 Raccordement des fils dénudés ²
2 Voyant d'état	5 Niveau à bulle
3 Connecteur	

Section 3 Installation

▲ ATTENTION



Dangers multiples. Seul le personnel qualifié doit effectuer les tâches détaillées dans cette section du document.

3.1 Conseils d'installation sur site

Afin de bénéficier de performances optimales lors de l'utilisation de votre capteur, respectez les conseils d'installation sur site dans [Tableau 2](#).

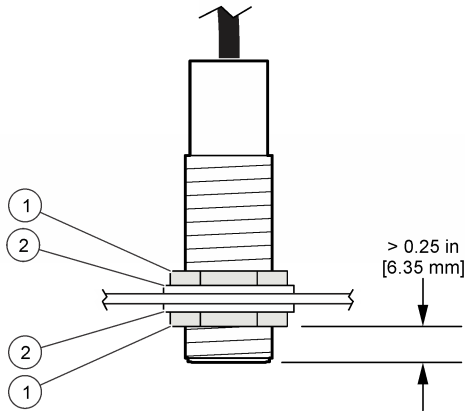
² Le fil dénudé constitue une solution de remplacement au connecteur.

³ Pour une utilisation avec le support de fixation murale (2974) pour le capteur Downlooking

Tableau 2 Conseils d'installation sur site

Conseil	Détails
Ne tenez pas le capteur par son câble.	Le câble du capteur peut se détendre et entraîner des erreurs dans les mesures.
Ne positionnez pas le capteur à la lumière directe du soleil.	Une lumière directe et intense sur le capteur augmentera la température du boîtier du capteur, qui sera alors plus élevée que la température de l'air ambiant. Cela peut entraîner des mesures inexactes.
Pour le capteur (Downlooking) US9001, assurez-vous que l'écrou de fixation le plus bas est à plus de 6,4 mm (0,25 po) de la face du capteur. Voir Figure 3 .	Si l'écrou de fixation est près de la face du capteur, des pics de niveau peuvent se produire à des températures extrêmes. Serrez à la main l'écrou à six pans, puis serrez d'un demi-tour. Ne serrez pas trop l'écrou à six pans, ou le joint d'isolation ne diminuera pas les vibrations.
Évitez que des courants d'air trop violents ne soufflent directement sur le capteur.	La puissance du signal par ultrasons est atténuée par le vent.
Installez le capteur de sorte que le signal par ultrasons n'atteigne pas les parois d'un petit conduit ou de réservoirs/canaux étroits.	Le signal par ultrasons émet la moitié d'un angle de faisceau de 6°. Reportez-vous à la Figure 4 et au Figure 5 . Définissez les distances minimale et maximale pour la cible de mesure afin d'éviter les échos parasites et les mesures de niveau incorrectes. Reportez-vous à la documentation du logiciel FSDATA Desktop pour modifier les paramètres de l'application.
Installez le capteur suffisamment au-dessus de la surface de l'eau afin qu'il ne soit pas immergé lorsque le niveau augmente.	La vitesse du son dans l'eau est beaucoup plus élevée que dans l'air. Un capteur immergé donnera des valeurs inhabituelles.

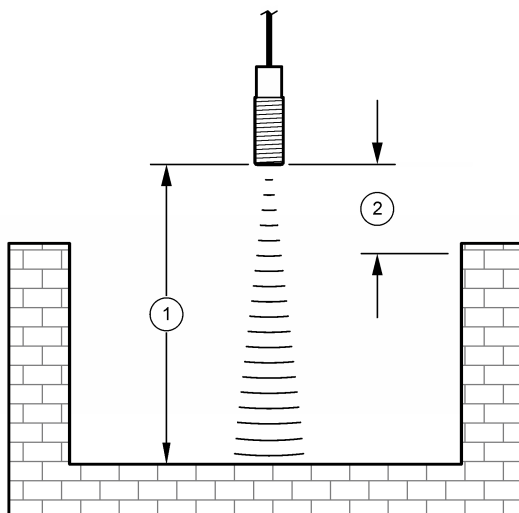
Figure 3 Capteur (Downlooking) US9001



1 Ecrou à six pans

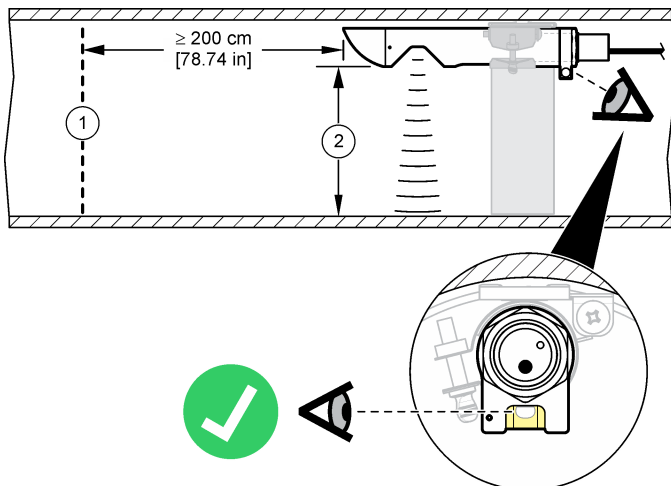
2 Joint, isolation des vibrations

Figure 4 Installation du capteur US9001



1 Distance maximale	2 Distance minimale
---------------------	---------------------

Figure 5 Installation du capteur US9003



1 Distance minimale jusqu'à l'obstacle réfléchissant	2 Distance depuis le capteur, 0 à 382,91 cm (0 à 150,75 po) maximum
------------------------------------------------------	---------------------------------------------------------------------

3.2 Configuration de l'installation

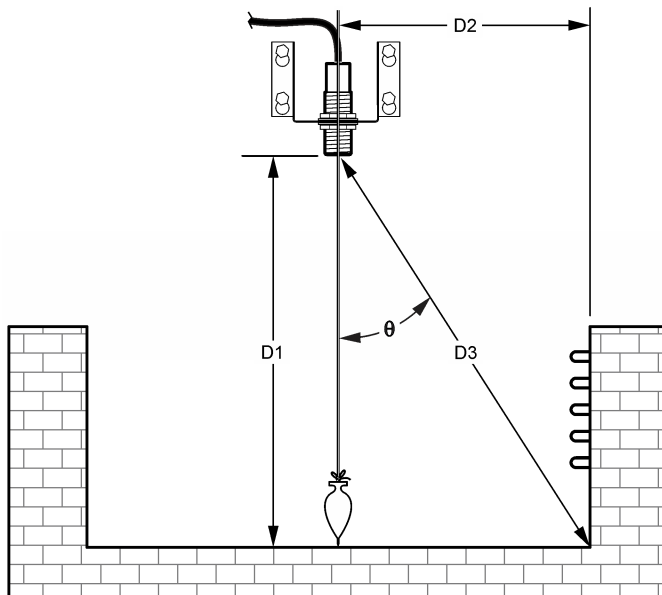
Depuis la partie basse du capteur, le signal par ultrasons se répand tandis qu'il s'éloigne du capteur. Installez le capteur afin que le signal par ultrasons n'atteigne pas les parois du conduit ou le haut du canal.

Lorsque l'installation doit se faire au-dessus d'un canal étroit, n'installez pas le capteur trop haut car le faisceau peut être plus large que le canal. Cela peut provoquer des échos parasites depuis le haut des parois du canal et non depuis la surface de l'eau. Pour éviter les échos parasites, recherchez la hauteur de capteur optimale afin que l'intégralité du faisceau passe par le canal et ne rencontre aucun obstacle.

Sélectionnez la hauteur de capteur applicable :

1. Prenez les mesures. Voir [Figure 6](#).
2. Calculez l'angle depuis l'axe, $\Theta = \text{tangente de l'arc} \times (D2/D1) \approx 80,5 \times (D2/D1)$.
3. Pour éviter les interférences provenant d'obstacles extérieurs, assurez-vous que l'angle calculé depuis l'axe est inférieur à la moitié de l'angle du faisceau (généralement, 6°) du capteur.

Figure 6 Choix de la hauteur du capteur



3.3 Installation du capteur

Installez le capteur à ultrasons au-dessus du centre du flux de débit et la face du capteur parallèle au débit. La face du capteur doit être parallèle au débit, afin que le signal soit perpendiculaire au débit et que l'écho du signal ne rebondisse pas sur les parois du canal. Le signal rebondissant sur la paroi peut entraîner des mesures irrégulières ou une perte d'écho totale.

Le capteur à ultrasons dispose de plusieurs options de matériel de fixation. Reportez-vous à la [Figure 7](#) et au [Figure 8](#). Reportez-vous aux instructions fournies avec le matériel de fixation pour savoir comment procéder à l'installation.

Figure 7 Options de matériel de fixation – US9001

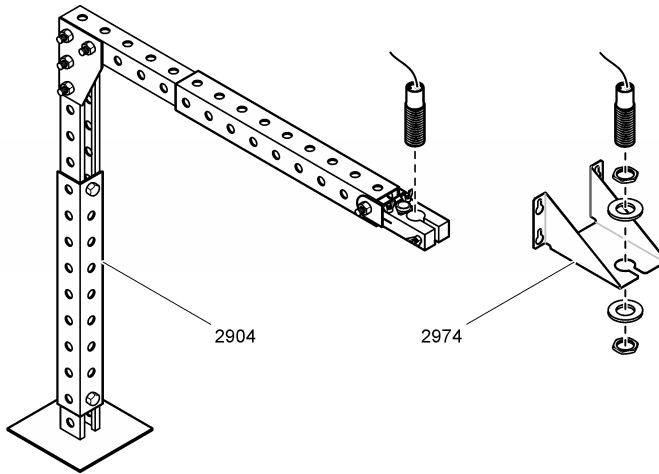
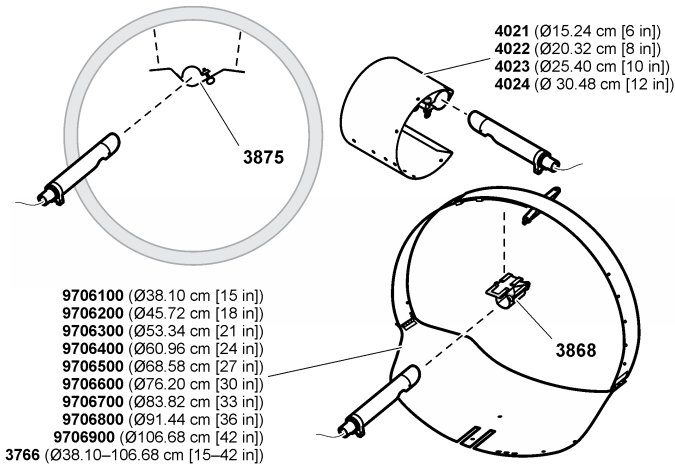


Figure 8 Options de matériel de fixation – US9003



3.4 Connexion à l'enregistreur de débit ou à l'échantillonneur

Connectez le câble à un enregistreur de débit ou à un échantillonneur. Pour obtenir des instructions, reportez-vous à la documentation de l'enregistreur de débit ou de l'échantillonneur.

3.5 Installation d'un capteur avec un appareil principal

Un appareil principal est une structure hydraulique, comme un réservoir ou un barrage, disposant d'un rapport niveau-débit connu. Le capteur à ultrasons mesure le niveau de liquide dans un canal pris en compte pour le débit (désigné « tête ») et l'enregistreur de débit calcule le débit en fonction du rapport tête-débit de l'appareil principal.

Remarque : sinon, l'enregistreur de débit peut calculer le débit en fonction du niveau de liquide dans le canal et de la vitesse de zone fournie par un capteur de vitesse. La méthode de calcul du débit est sélectionnée dans le champ Flow Method (Méthode de débit).

La plupart des appareils principaux ont une place spécifique pour le capteur de mesure de tête (niveau de liquide). Reportez-vous aux instructions fournies par le fabricant de l'appareil principal pour obtenir l'emplacement exact du capteur. Si le fabricant ne peut pas vous fournir d'instructions sur l'appareil principal, reportez-vous aux [Figure 9](#) à [Figure 13](#). Le symbole \otimes dans les figures identifie l'emplacement exact du capteur.

Pour éviter que le capteur ne soit immergé et pour que le capteur reste toujours à la meilleure distance, fixez le capteur à une portée minimale du capteur au-dessus du niveau maximum typique de la cible. Assurez-vous de respecter la portée maximale du capteur et de prendre en compte le niveau minimum de la cible.

Figure 9 Barrage à encoche en V

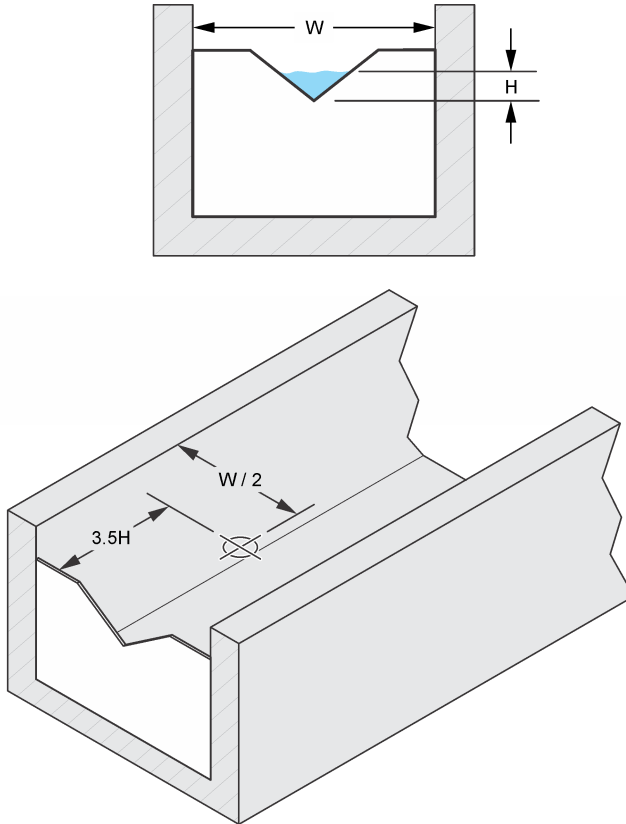


Figure 10 Réservoirs Palmer-Bowlus

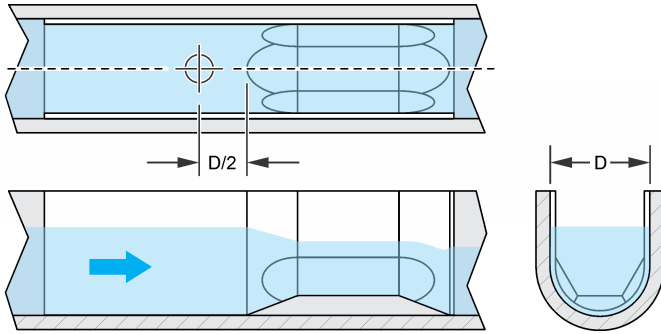
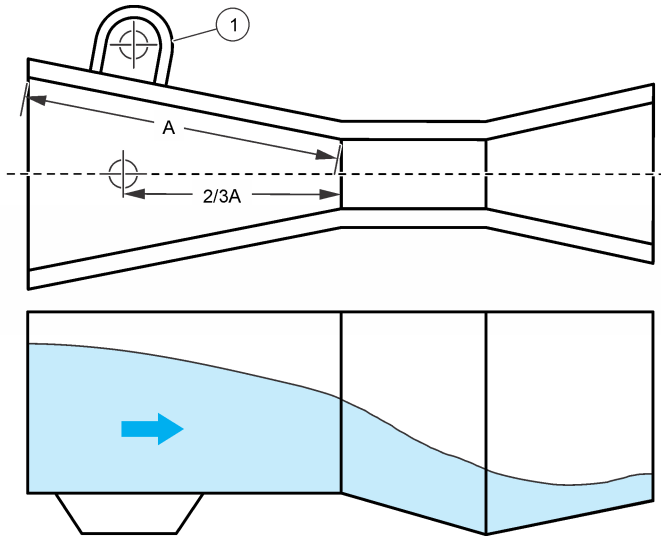


Figure 11 Réservoirs Parshall



1 Puits de jaugeage⁴

⁴ S'il est disponible, installez le capteur dans le puits de jaugeage. Dans le cas contraire, installez le capteur dans l'autre emplacement indiqué.

Figure 12 Réservoir Leopold-Lagco

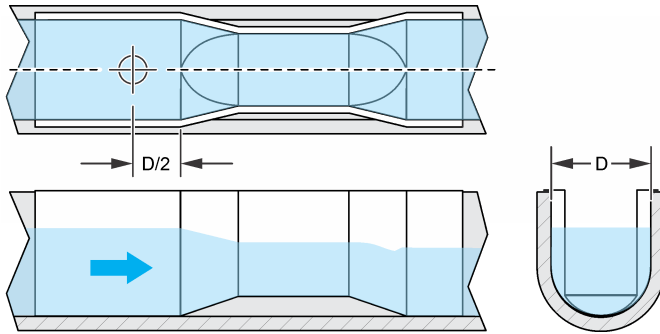
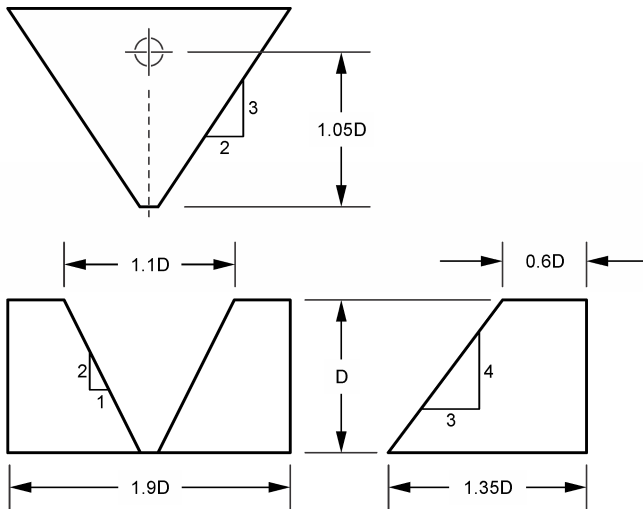


Figure 13 Réservoir H

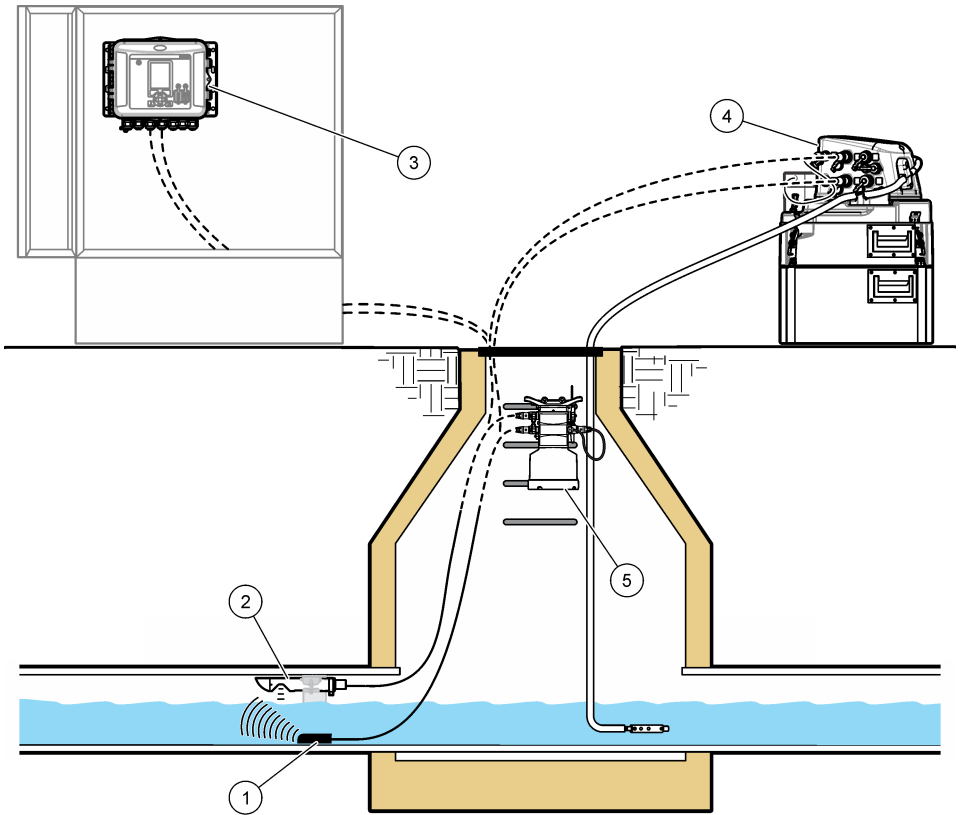


3.6 Installation pour une mesure de niveau redondante

Les capteurs à ultrasons peuvent être utilisés pour la mesure de niveau redondante, comme le capteur de vitesse de zone Sigma et le module d'analyseur AV9000, le capteur Flo-Dar ou le capteur Flo-Tote.

L'exemple le plus courant de mesure de niveau redondante concerne le capteur de vitesse de zone de pression immergé. Le capteur de vitesse de zone est généralement installé à la base du conduit sur un ressort ou des ciseaux. Le capteur à ultrasons est installé sur la couronne du conduit. Les deux capteurs sont raccordés à un enregistreur de débit série FL ou à un échantillonneur AS950. Voir [Figure 14](#).

Figure 14 Mesure du niveau



1 Capteur de vitesse de zone	4 Echantillonneur AS950
2 Capteur à ultrasons	5 Enregistreur de débit FL900
3 Enregistreur de débit FL1500	

Section 4 Fonctionnement

Pour les capteurs connectés à un enregistreur de débit FL900, connectez un ordinateur exécutant le logiciel FSDATA Desktop à l'enregistreur de débit pour configurer, calibrer et collecter des données provenant des capteurs. Reportez-vous à la documentation du logiciel FSDATA Desktop pour configurer, calibrer et collecter des données provenant du capteur.

Pour les capteurs connectés à un enregistreur de débit FL1500, reportez-vous à la documentation de l'enregistreur de débit FL1500 pour configurer, calibrer et collecter des données provenant des capteurs. Vous pouvez également raccorder un ordinateur exécutant le logiciel FSDATA Desktop à l'enregistreur de débit pour configurer, calibrer et collecter des données provenant des capteurs. Reportez-vous à la documentation du logiciel FSDATA Desktop pour configurer, calibrer et collecter des données provenant du capteur.

Pour les capteurs raccordés à un échantillonneur AS950, reportez-vous à la documentation de l'échantillonneur pour la configuration, la calibration et la collecte de données provenant des capteurs.

4.1 Installation du logiciel

Assurez-vous que la dernière version du logiciel FSDATA Desktop est installée sur l'ordinateur. Téléchargez le logiciel depuis le site <http://www.hachflow.com>. Cliquez sur Support (Assistance), puis sélectionnez Software Downloads>Hach FL Series Flow Logger (Téléchargements de logiciels >Enregistreur de débit Série FL Hach).

Section 5 Maintenance

▲ ATTENTION



Dangers multiples. Seul le personnel qualifié doit effectuer les tâches détaillées dans cette section du document.

AVIS

Ne pas démonter l'appareil pour entretien. Si les composants internes doivent être nettoyés ou réparés, contacter le fabricant.

5.1 Nettoyage du capteur

AVIS

N'utilisez pas de laine d'acier ou de tampons abrasifs pour nettoyer le capteur afin de ne pas l'endommager.

Examinez régulièrement le capteur pour y détecter des substances indésirables et des dépôts. Nettoyez le capteur en cas d'accumulation de dépôts ou de dégradation des performances.

[Tableau 3](#) indique les solutions nettoyantes à utiliser et à ne pas utiliser.

Tableau 3 Liste des solutions nettoyantes

Utilisation	Ne pas utiliser
Produit à vaisselle et eau	Produits contenant de l'ammoniac
	Eau de Javel concentrée
	Kérosène
	Essence
	Hydrocarbures aromatiques

1. Déconnectez le capteur de l'enregistreur de débit.
2. Plongez le capteur dans de l'eau contenant du liquide vaisselle.
3. Nettoyez la face et le réflecteur du capteur.
4. Utilisez un vaporisateur ou une bouteille compressible pour retirer les substances indésirables plus lourdes.

Section 6 Dépannage

Problème	Cause possible	Solution
Perte d'écho	De la mousse ou de la condensation d'humidité (vapeur ou buée) qui absorbe le signal par ultrasons	Installez le capteur dans un endroit sans mousse ou condensation d'humidité.
	Un vent fort, comme des courants d'air dans un système d'égouts fermé à haute vitesse ou des bourrasques pendant un orage	Placez le capteur à l'abri du vent. Contactez le support technique pour obtenir des idées sur des environnements spécifiques.
	La face du capteur n'est pas parallèle à la surface de la cible de mesure.	Assurez-vous que la face du capteur est parallèle à la surface de la cible de mesure.
	La surface de la cible de mesure n'est pas correcte (beaucoup de turbulences).	Sélectionnez un autre endroit pour mesurer la cible.
Mesures incorrectes	Le conduit ou le canal où le capteur est installé est petit ou trop étroit. Le signal par ultrasons rebondit sur les parois du conduit ou du canal.	Installez le capteur dans un conduit de plus grand diamètre ou déplacez le capteur plus près de la surface de l'eau. Placez le capteur Downlooking à un minimum de 13,34 cm (5,25 po) de la surface de l'eau. Placez le capteur In-pipe à un minimum de 0 cm (0 po) de la surface de l'eau. Vous pouvez également augmenter la distance minimale en choisissant un emplacement sous la cible erronée qui affecte les mesures.
	Le capteur est placé à la lumière directe du soleil.	Ne laissez pas le capteur à la lumière directe du soleil. Placez une protection contre le soleil si aucun autre endroit n'est disponible. Contactez le support technique pour obtenir des idées sur cet environnement spécifique.
	La température de l'environnement du capteur a changé brusquement.	Laissez le capteur se stabiliser après un changement conséquent de la température de l'environnement.
	Le capteur est trop éloigné de la surface de la cible de mesure.	Installez le capteur près de la surface de la cible de mesure.
Echec de la mesure	De la mousse, de l'huile, des débris et des turbulences à la surface affectent l'envoi et la réception du signal.	Nettoyage du capteur. Voir Nettoyage du capteur à la page 30.

Section 7 Pièces de rechange et accessoires

▲ AVERTISSEMENT



Risque de blessures corporelles. L'utilisation de pièces non approuvées comporte un risque de blessure, d'endommagement de l'appareil ou de panne d'équipement. Les pièces de rechange de cette section sont approuvées par le fabricant.

Remarque : Les numéros de référence de produit et d'article peuvent dépendre des régions de commercialisation. Prenez contact avec le distributeur approprié ou consultez le site web de la société pour connaître les personnes à contacter.

Pièces de rechange

Description	Article n°
Joint, isolation des vibrations	6820
Support (niveau) pour le capteur (In-pipe) US9003	9488700

Accessoires

Description	Article n°
Câble d'extension avec connecteurs, 15,24 m (50 pieds)	9489000
Câble d'extension, 82,29 m (270 pieds), fil dénudé à une extrémité, câble uniquement	9488100
Rallonge avec extrémités dénudées et boîtier de raccordement, 30,48 m (100 pieds)	8315200
Rallonge avec extrémités dénudées et boîtier de raccordement, 82,29 m (270 pieds)	8315201
Kit d'extension pour conduit, comprend : câble de 82,29 m (270 pieds) avec extrémités dénudées et boîtier de raccordement avec câble de 30,48 cm (12 po) et connecteur pour l'enregistreur	9488000
Remarque : commandez séparément le capteur à ultrasons, le pistolet distributeur et les cartouches de gel.	
Cartouches de gel (3x) avec tubes de remplissage, pour le boîtier de raccordement (le cas échéant) pour garder l'eau à l'extérieur	7725600
Cartouche de gel, pistolet distributeur	7715300
Boîtier de raccordement avec câble de 30,48 cm (12 po), connecteur et mousqueton	9488200
Remarque : commandez séparément le pistolet distributeur et les cartouches de gel.	
Support de fixation, permanent, pour le capteur (In-pipe) US9003	3875
Support de fixation, sol ou mur, ajustable, pour le capteur (Downlooking) US9001	2904
Support de fixation, mur, permanent, pour le capteur (Downlooking) US9001	2974
Clip de fixation pour le capteur (In-pipe) US9003	3868
Ciseaux pour un conduit de 38,10 à 106,68 cm (15 à 42 po) de diamètre pour le capteur (In-pipe) US9003	3766
Ciseaux pour un conduit de 38,10 cm (15 po) de diamètre	9706100
Ciseaux pour un conduit de 45,72 cm (18 po) de diamètre	9706200
Ciseaux pour un conduit de 53,34 cm (21 po) de diamètre	9706300
Ciseaux pour un conduit de 60,96 cm (24 po) de diamètre	9706400
Ciseaux pour un conduit de 68,58 cm (27 po) de diamètre	9706500
Ciseaux pour un conduit de 76,20 cm (30 po) de diamètre	9706600
Ciseaux pour un conduit de 83,82 cm (33 po) de diamètre	9706700
Ciseaux pour un conduit de 91,44 cm (36 po) de diamètre	9706800
Ciseaux pour un conduit de 106,68 cm (42 po) de diamètre	9706900
Anneau de retenue d'un diamètre de 15,24 cm (6 po), pour le capteur (In-pipe) US9003	4021
Anneau de retenue d'un diamètre de 20,32 cm (8 po), pour le capteur (In-pipe) US9003	4022
Anneau de retenue d'un diamètre de 25,40 cm (10 po), pour le capteur (In-pipe) US9003	4023
Anneau de retenue d'un diamètre de 30,48 cm (12 po), pour le capteur (In-pipe) US9003	4024

Tabla de contenidos

- | | |
|---------------------------------------|---------------------------------------------------|
| 1 Especificaciones en la página 33 | 5 Mantenimiento en la página 45 |
| 2 Información general en la página 33 | 6 Solución de problemas en la página 46 |
| 3 Instalación en la página 36 | 7 Piezas de repuesto y accesorios en la página 46 |
| 4 Funcionamiento en la página 44 | |

Sección 1 Especificaciones

Las especificaciones están sujetas a cambios sin previo aviso.

Especificación	Detalles
Dimensiones (Ø x longitud)	US9001: Ø 3,02 x 10,31 cm (Ø1,19 x 4,06 pulg.) US9003: Ø 4,06 x 28,04 cm (Ø 1,6 x 11,04 pulg.)
Carcasa	US9001: acero inoxidable 316 US9003: acero inoxidable 316 y ABS
Peso	US9001: cable de 0,76 kg (1.68 lb) con 9,14 m (30 pies) US9003: cable de 0,92 kg (2.03 lb) con 9,14 m (30 pies)
Frecuencia	120 kHz
Exactitud	30 cm (0,008 pulg.)/pulg. desde el punto de calibración a una temperatura constante, con viento en calma y objetivo ideal
Rango de medición	US9001: 13,34 a 396,24 cm (5,25 a 156 pulg.) US9003: 0 a 382,91 cm (0,00 a 150,75 pulg.)
Requisitos de alimentación	12 VDC, 0,0416 A, 0,5 W
Temperatura de funcionamiento	-18 a 60 °C (0 a 140 °F)
Humedad de funcionamiento	0 a 95% sin condensación
Temperatura de almacenamiento	De -40 a 60 °C (-40 a 140 °F)
Resolución	2,54 mm (0,01 pulg.)
Material para la cubierta del cable	Poliuretano
Diámetro del cable	6,10 mm (0,24 pulg.)
Longitud del cable	9,14 m (30 pies) <i>Nota: 91,44 m (300 pies) máximo¹</i>
Ángulo del haz	6° (semiángulo, habitual)
Grado de protección	NEMA 6P, IP 68
Instrumentos compatibles	Registadores de caudal de la serie FL y tomamuestras AS950
Certificaciones	CE
Garantía	1 año

Sección 2 Información general

El fabricante no será responsable en ningún caso de los daños resultantes de un uso inadecuado del producto o del incumplimiento de las instrucciones del manual. El fabricante se reserva el

¹ Consulte [Piezas de repuesto y accesorios](#) en la página 46 para obtener información acerca de los prolongadores eléctricos y del kit de extensión del canal.

derecho a modificar este manual y los productos que describen en cualquier momento, sin aviso ni obligación. Las ediciones revisadas se encuentran en la página web del fabricante.

2.1 Información de seguridad

El fabricante no es responsable de ningún daño debido a un mal uso de este producto incluyendo, sin limitación, daños directos, fortuitos o circunstanciales y reclamaciones sobre los daños que no estén recogidos en la legislación vigente. El usuario es el responsable de la identificación de los riesgos críticos y de tener los mecanismos adecuados de protección de los procesos en caso de un posible mal funcionamiento del equipo.

Sírvase leer todo el manual antes de desembalar, instalar o trabajar con este equipo. Ponga atención a todas las advertencias y avisos de peligro. El no hacerlo puede provocar heridas graves al usuario o daños al equipo.

Asegúrese de que la protección proporcionada por este equipo no se vea afectada. No use o instale este equipo de una manera diferente a la explicada en este manual.

2.1.1 Uso de la información relativa a riesgos

▲ PELIGRO

Indica una situación potencial o de riesgo inminente que, de no evitarse, provocará la muerte o lesiones graves.

▲ ADVERTENCIA

Indica una situación potencial o inminentemente peligrosa que, de no evitarse, podría provocar la muerte o lesiones graves.

▲ PRECAUCIÓN

Indica una situación potencialmente peligrosa que podría provocar una lesión menor o moderada.

AVISO

Indica una situación que, si no se evita, puede provocar daños en el instrumento. Información que requiere especial énfasis.

2.1.2 Etiquetas de precaución

Lea todas las etiquetas y rótulos adheridos al instrumento. En caso contrario, podrían producirse heridas personales o daños en el instrumento. El símbolo que aparezca en el instrumento se comentará en el manual con una declaración de precaución.



Este símbolo (en caso de estar colocado en el equipo) hace referencia a las instrucciones de uso o a la información de seguridad del manual.



En Europa, el equipo eléctrico marcado con este símbolo no se debe desechar mediante el servicio de recogida de basura doméstica o pública. Devuelva los equipos viejos o que hayan alcanzado el término de su vida útil al fabricante para su eliminación sin cargo para el usuario.

2.2 Certificación

▲ PRECAUCIÓN

Este equipo no está diseñado para su uso en entornos residenciales y puede que no brinde la protección adecuada para la recepción de radio en dichos entornos.

Reglamentación canadiense sobre equipos que provocan interferencia, ICES-003, Clase A
Registros de pruebas de control del fabricante.

Este aparato digital de clase A cumple con todos los requerimientos de las reglamentaciones canadienses para equipos que producen interferencias.

Cet appareil numérique de classe A répond à toutes les exigences de la réglementation canadienne sur les équipements provoquant des interférences.

FCC Parte 15, Límites Clase "A"

Registros de pruebas de control del fabricante. Este dispositivo cumple con la Parte 15 de las normas de la FCC estadounidense. Su operación está sujeta a las siguientes dos condiciones:

1. El equipo no puede causar interferencias perjudiciales.
2. Este equipo debe aceptar cualquier interferencia recibida, incluyendo las interferencias que pueden causar un funcionamiento no deseado.

Los cambios o modificaciones a este equipo que no hayan sido aprobados por la parte responsable podrían anular el permiso del usuario para operar el equipo. Este equipo ha sido probado y encontrado que cumple con los límites para un dispositivo digital Clase A, de acuerdo con la Parte 15 de las Reglas FCC. Estos límites están diseñados para proporcionar una protección razonable contra las interferencias perjudiciales cuando el equipo está operando en un entorno comercial. Este equipo genera, utiliza y puede irradiar energía de radio frecuencia, y si no es instalado y utilizado de acuerdo con el manual de instrucciones, puede causar una interferencia dañina a las radio comunicaciones. La operación de este equipo en un área residencial es probable que produzca interferencias dañinas, en cuyo caso el usuario será requerido para corregir la interferencia bajo su propio cargo. Pueden utilizarse las siguientes técnicas para reducir los problemas de interferencia:

1. Desconecte el equipo de su fuente de alimentación para verificar si éste es o no la fuente de la interferencia.
2. Si el equipo está conectado a la misma toma eléctrica que el dispositivo que experimenta la interferencia, conecte el equipo a otra toma eléctrica.
3. Aleje el equipo del dispositivo que está recibiendo la interferencia.
4. Cambie la posición de la antena del dispositivo que recibe la interferencia.
5. Trate combinaciones de las opciones descritas.

2.3 Descripción general del producto

Los sensores de nivel ultrasónico miden el nivel de caudal y calculan el caudal en canales abiertos. El caudal se calcula en base al nivel del caudal y el dispositivo primario o al nivel de caudal y la velocidad obtenidas mediante un sensor de velocidad.

2.3.1 Luz indicadora de estado

Cuando el sensor está conectado a un registrador de caudal y está haciendo una lectura, la luz indicadora de estado del sensor está encendida. Consulte la [Figura 1](#) en la página 36 y [Figura 2](#) en la página 36. Consulte la [Tabla 1](#) para ver las descripciones de los colores de la luz.

Tabla 1 Definiciones del indicador de estado

Color de la luz	Descripción
Rojo	No hay eco (pérdida de eco).
Verde	Se ha encontrado eco.
Verde parpadeante	El objetivo de medición está demasiado próximo al sensor (a 6,35 mm [0,24 pulg.] de la distancia mínima del sensor).

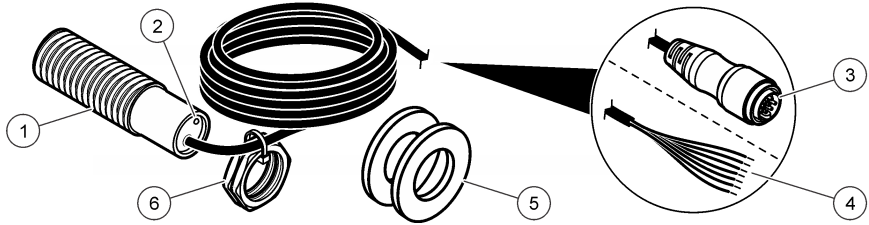
2.4 Teoría de operación

El sensor ultrasónico mide el sensor ultrasónico. El sensor ultrasónico produce una onda de ultrasonido impulsada que se envía hacia la superficie del agua. La onda de ultrasonido se refleja en la superficie del agua y el sensor recibe de vuelta el eco. La distancia es el tiempo que tarda el impulso de la onda de ultrasonido en ir desde la superficie del agua hasta el sensor. El tiempo obtenido se multiplica por la velocidad del sonido a la temperatura ambiente del aire por debajo del sensor. El sensor mide la temperatura ambiente para conseguir una mayor precisión.

2.5 Componentes del producto

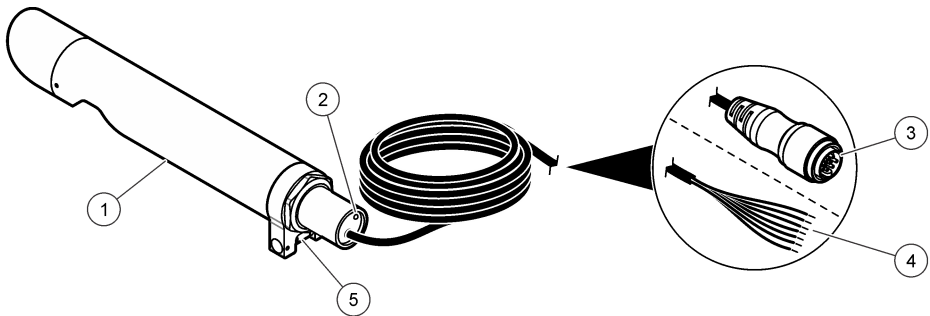
Asegúrese de haber recibido todos los componentes. Consulte la [Figura 1](#) y [Figura 2](#). Si faltan artículos o están dañados, póngase en contacto con el fabricante o el representante de ventas inmediatamente.

Figura 1 Componentes del sensor (boca abajo) US9001



1 Sensor con cable US9001, 9,14 m (30 pies)	4 Conexión de cables desnudos ²
2 Luz indicadora de estado	5 Junta, aislamiento de la vibración (2x) ³
3 Conector	6 Tuerca hexagonal (2x) ³

Figura 2 Componentes del sensor (dentro del tubo) US9003



1 Sensor con cable US9003, 9,14 m (30 pies)	4 Conexión de cables desnudos ²
2 Luz indicadora de estado	5 Nivel de burbuja
3 Conector	

Sección 3 Instalación

▲ PRECAUCIÓN



Peligros diversos. Solo el personal cualificado debe realizar las tareas descritas en esta sección del documento.

3.1 Pautas para la instalación

Para obtener el máximo rendimiento del sensor, siga las directrices del lugar de instalación en [Tabla 2](#).

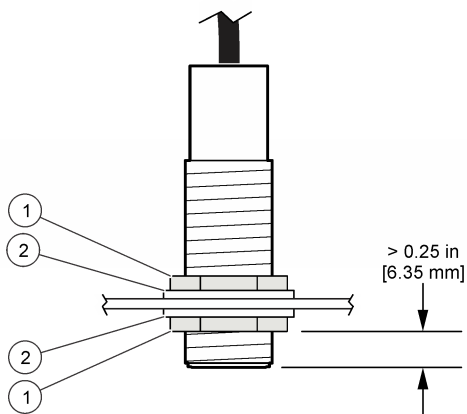
² Los cables desnudos son una alternativa al conector.

³ Para su uso con el soporte de pared (2974) para el sensor boca abajo

Tabla 2 Pautas para la instalación

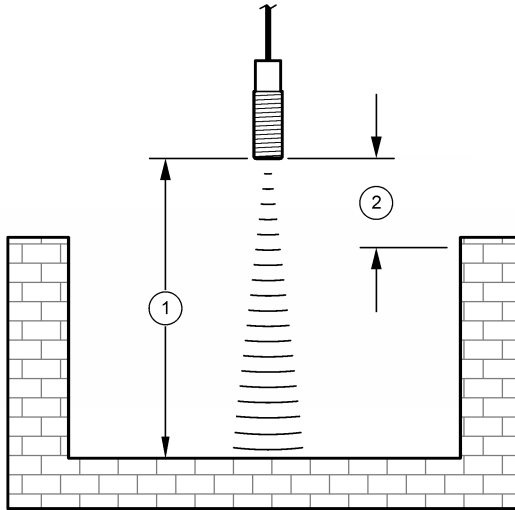
Directiva	Detalles
No utilice el cable del sensor para colgarlo.	El cable del sensor puede estirarse y provocar errores de medición.
Proteja el sensor de la luz directa del sol.	Si la luz solar intensa incide de forma directa en el sensor, se producirá un aumento de temperatura en la carcasa del sensor superior a la temperatura ambiente. Esto puede producir mediciones imprecisas.
Para el sensor US9001 (boca abajo), asegúrese de que la tuerca de montaje es superior a 6,4 mm (0,25 pulg.) desde la parte delantera del sensor. Consulte la Figura 3 .	Si la tuerca de montaje está próxima a la parte delantera del sensor, pueden producirse picos de nivel a temperaturas extremas. Apriete manualmente la tuerca hexagonal, después apriete media vuelta. Si aprieta en exceso la tuerca hexagonal, la junta de aislamiento no reducirá las vibraciones.
Evite exponer directamente el sensor a vientos fuertes y corrientes de aire.	El viento disminuye la fuerza de la señal ultrasónica.
Instale el sensor de forma que la señal ultrasónica no golpee los lados de un tubo pequeño o de un canal de descarga/canal estrecho.	La señal ultrasónica emite un semiángulo del haz de 6°. Consulte la Figura 4 y Figura 5 . Configure la distancia mínima y máxima para el objetivo de medición con el fin de evitar ecos falsos y mediciones de nivel incorrectas. Consulte la documentación de FSDATA Desktop para cambiar los ajustes de la aplicación.
Instale el sensor a una altura suficiente por encima de la superficie del agua que permita que el sensor no se sumerja si aumenta el nivel del agua.	La velocidad del sonido en el agua es mucho mayor que en el aire. Si se sitúa el sensor debajo del agua, se obtendrán valores inusuales.

Figura 3 Sensor (boca abajo) US9001



1 Tuerca hexagonal	2 Junta, aislamiento de la vibración
--------------------	--------------------------------------

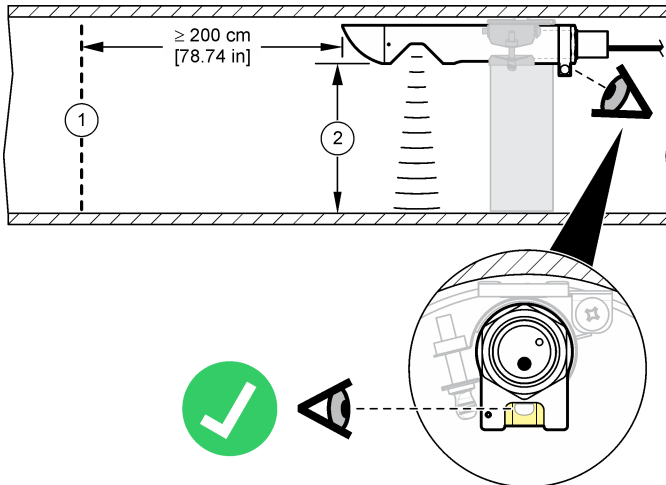
Figura 4 Instalación del sensor US9001



1 Distancia máxima

2 Distancia mínima

Figura 5 Instalación del sensor US9003



1 Distancia mínima hasta la obstrucción reflejada

2 Distancia desde el sensor, 0 a 382,91 cm (0,00 a 150,75 pulg.) máximo

3.2 Configuración de la instalación

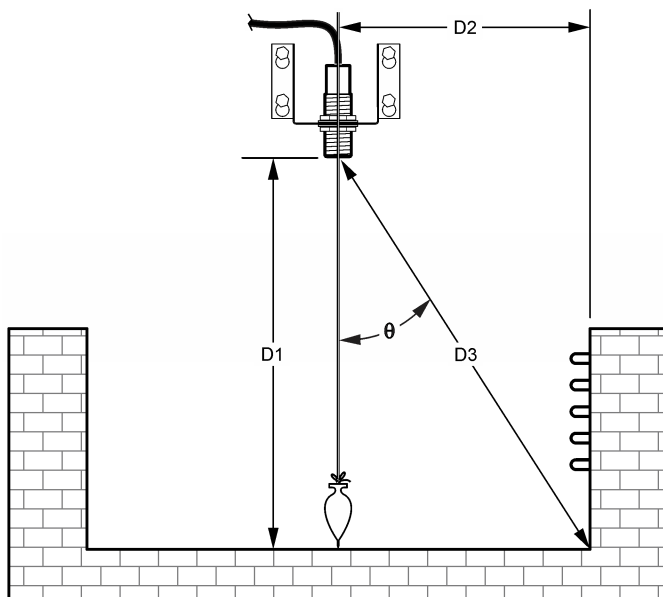
Desde la parte inferior del sensor, la señal ultrasónica se expande conforme se aleja del sensor. Instale el sensor de forma que la señal ultrasónica no golpee las paredes del tubo o la parte superior del canal.

Cuando realice la instalación sobre un canal estrecho, no instale el sensor a demasiada altura, ya que el haz puede ser más ancho que el canal. Esto puede producir ecos falsos desde los extremos de las paredes del canal, y no desde la superficie del agua. Para prevenir los falsos ecos, encuentre la altura adecuada del sensor para que todo el haz caiga dentro del canal y no golpee ninguna obstrucción.

Seleccione la altura del sensor aplicable:

1. Tome las medidas. Consulte la [Figura 6](#).
2. Calcule el ángulo desde el eje, $\Theta = \arctan \times (D2/D1) \approx 80,5 \times (D2/D1)$.
3. Para evitar interferencias desde las obstrucciones exteriores, asegúrese de que el ángulo calculado desde el eje es inferior al semiángulo del haz (6° por lo general) del sensor.

Figura 6 Selección de la altura del sensor



3.3 Instalación del sensor

Instale el sensor ultrasónico de modo que quede por encima del centro de la corriente del caudal y la parte delantera del sensor quede paralela al caudal. La parte delantera del sensor debe estar paralela al caudal para que la señal sea perpendicular al caudal y el eco de la señal no rebote contra las paredes del canal. Si la señal rebota contra la pared, pueden producirse lecturas erráticas o una pérdida completa de eco.

El sensor ultrasónico tiene muchas opciones de montaje de hardware. Consulte la [Figura 7](#) y [Figura 8](#). Consulte las instrucciones suministradas con el hardware de montaje para obtener más información sobre la instalación.

Figura 7 Opciones de montaje del hardware: US9001

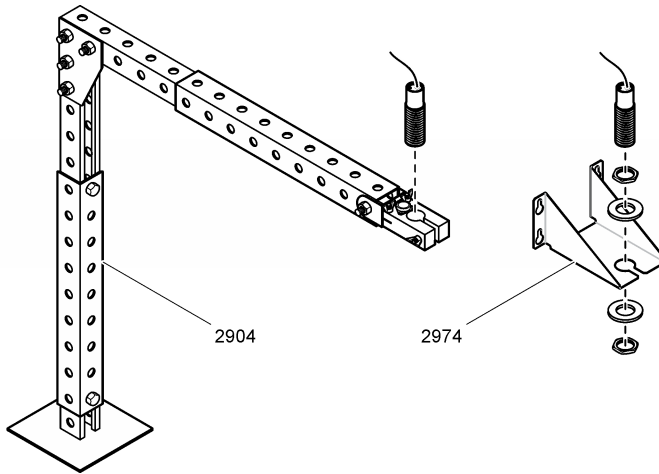
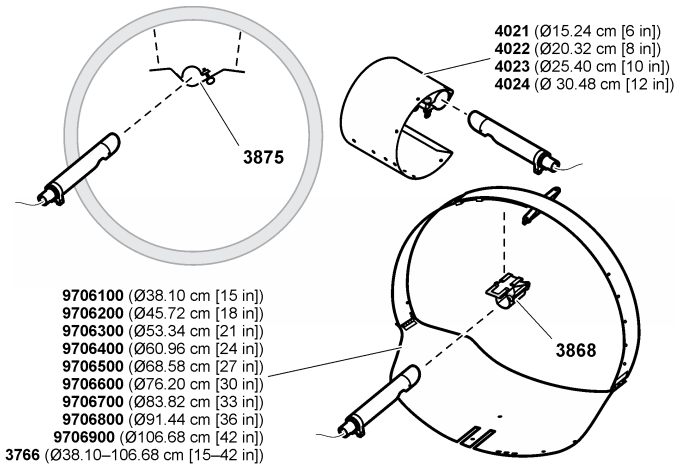


Figura 8 Opciones de montaje del hardware: US9003



3.4 Conexión a un registrador de caudal o un tomamuestras

Conecte el cable a un registrador de caudal o un tomamuestras. Consulte la documentación del registrador de caudal o el tomamuestras para obtener instrucciones.

3.5 Instale el sensor con un dispositivo primario

Un dispositivo primario es una estructura hidráulica, como un canal de descarga o una compuerta, que tiene una relación nivel-caudal conocida. El sensor ultrasónico mide el nivel de líquido en un canal que fomenta el flujo de agua (llamado "cabeza") y el registrador de caudal calcula el caudal en base a la relación cabeza-caudal del dispositivo primario.

Nota: Como alternativa, el registrador de caudal puede calcular el caudal en base al nivel de líquido del canal y al área y la velocidad proporcionados por el sensor de velocidad. El método de cálculo del caudal se selecciona en el campo Flow Method (Método caudal).

La mayoría de dispositivos primarios tienen un lugar específico para el sensor de medición de la cabeza (nivel de líquido). Consulte las instrucciones suministradas por el fabricante del dispositivo primario para conocer la colocación correcta del sensor. Si el fabricante del dispositivo primario no proporciona instrucciones, consulte la [Figura 9–Figura 13](#). En las figuras, el símbolo \oplus indica el lugar correcto del sensor.

Para colocar el sensor a la mejor distancia y evitar que el sensor se sumerja, monte el sensor a la altura mínima por encima del nivel máximo habitual del objetivo. Asegúrese de que el sensor se encuentra dentro de su rango máximo y tenga en consideración el nivel mínimo del objetivo.

Figura 9 Compuerta con muesca en V

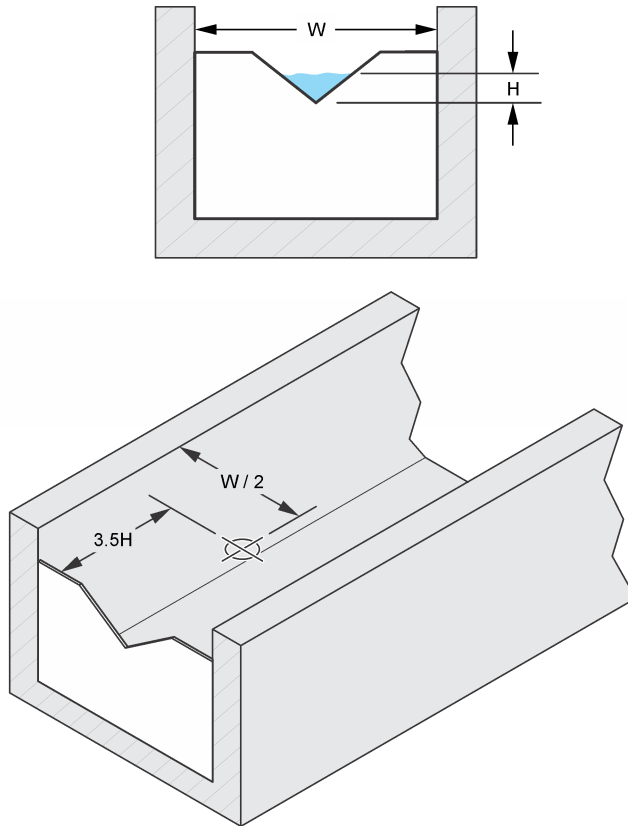


Figura 10 Canales de descarga Palmer-Bowlus

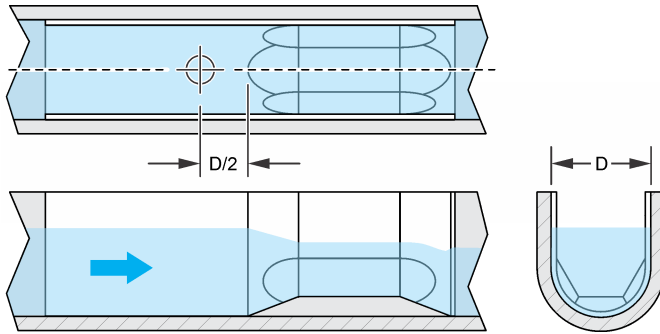
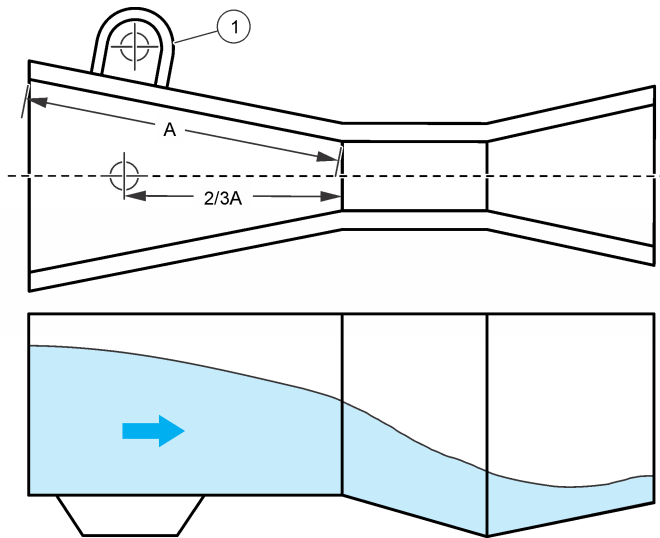


Figura 11 Canales de descarga Parshall



1 Pozo de limnógrafo⁴

⁴ Si existe, instale el sensor en el pozo de limnógrafo. En caso contrario, instale el sensor en el otro lugar indicado.

Figura 12 Canal de descarga Leopold-Lagco

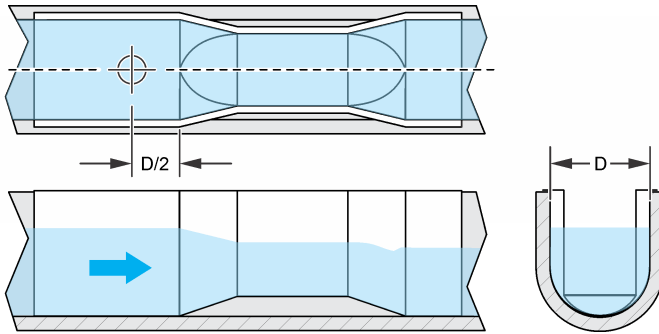
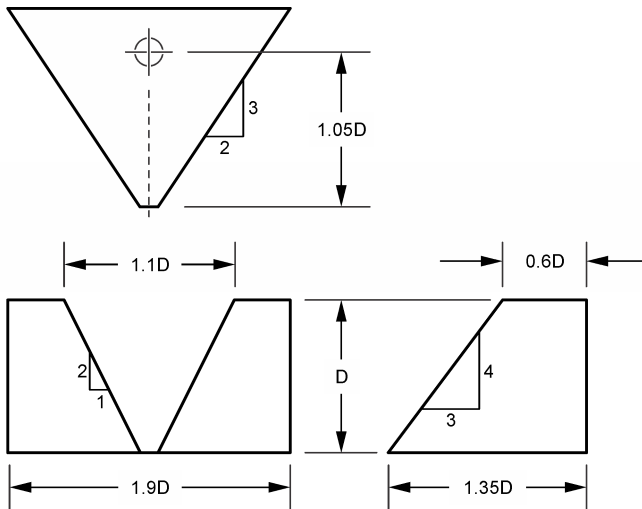


Figura 13 Canal de descarga H

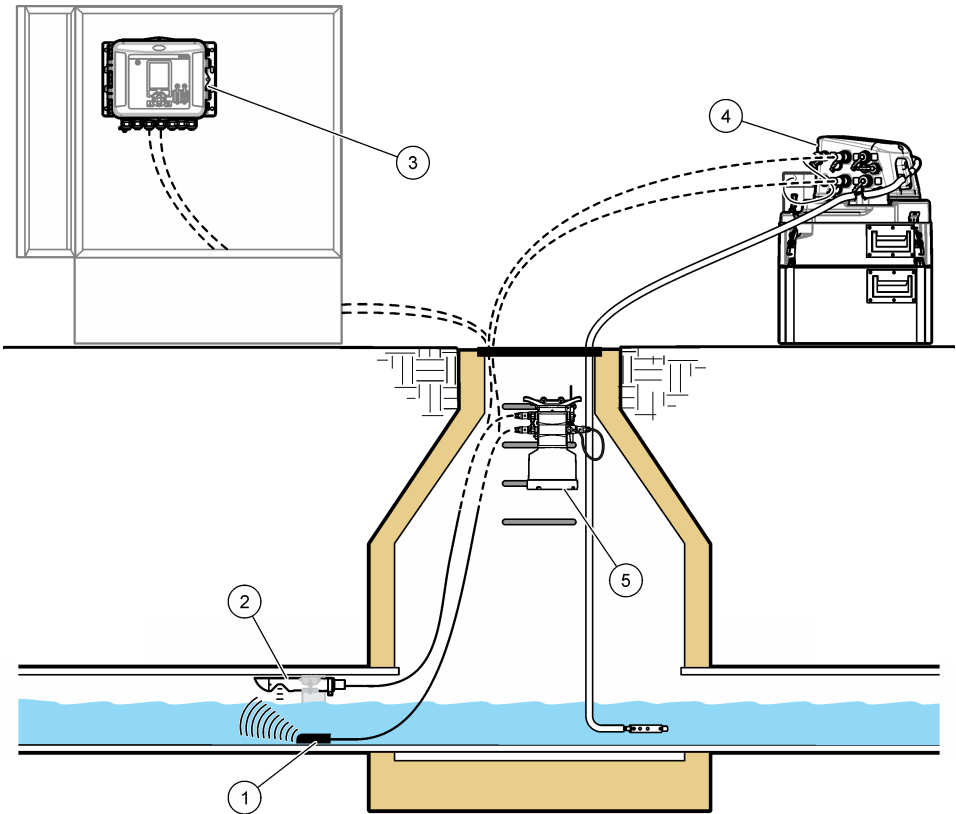


3.6 Instalación para realizar mediciones de nivel redundantes

Los sensores ultrasónicos pueden utilizarse para realizar mediciones de nivel redundantes, como el sensor de área y velocidad Sigma, el módulo analizador AV9000, el sensor Flo-Dar o el sensor Flo-Tote.

El ejemplo más común de una medición de nivel redundante es la obtenida por el sensor de presión, área y velocidad sumergido. El sensor de área y velocidad suele instalarse en la base del tubo en una banda de resorte o banda de tijera. El sensor ultrasónico se instala en la parte más alta del tubo. Los dos sensores están conectados a un registrador de caudal de la serie FL o un tomamuestras AS950. Consulte la [Figura 14](#).

Figura 14 Medición del nivel



1 Sensor de área y velocidad	4 Tomamuestras AS950
2 Sensor ultrasónico	5 Registrador de caudal FL900
3 Registrador de caudal FL1500	

Sección 4 Funcionamiento

Para sensores conectados a un registrador de caudal FL900, conecte un ordenador con el software FSDATA Desktop al registrador de caudal para configurar, calibrar y recopilar datos de los sensores. Consulte la documentación de FSDATA Desktop para configurar, calibrar y recopilar datos del sensor.

Para sensores conectados a un registrador de caudal FL1500, consulte la documentación del registrador de caudal FL1500 para configurar, calibrar y recopilar datos de los sensores. Como alternativa, conecte un ordenador con el software FSDATA Desktop al registrador de caudal para configurar, calibrar y recopilar datos de los sensores. Consulte la documentación de FSDATA Desktop para configurar, calibrar y recopilar datos del sensor.

Para sensores conectados a un tomamuestras AS950, consulte la documentación del tomamuestras AS950 para configurar, calibrar y recopilar datos de los sensores.

4.1 Instale el software

Asegúrese de que la última versión del software FSDATA Desktop está instalada en el ordenador. Descárguese el software de <http://www.hachflow.com>. Haga clic en Support (Asistencia técnica) y, a continuación, seleccione Software Downloads (Descargas de software)>Hach Series Flow Logger (Registradores de caudal de la serie FL).

Sección 5 Mantenimiento

⚠ PRECAUCIÓN



Peligros diversos. Solo el personal cualificado debe realizar las tareas descritas en esta sección del documento.

AVISO

No desmonte el instrumento para el mantenimiento. Si es necesario limpiar o reparar los componentes internos, póngase en contacto con el fabricante.

5.1 Limpieza del sensor

AVISO

Si utiliza almohadillas abrasivas o de lana de acero para limpiar el sensor, puede causar daños al equipo.

Revise periódicamente el sensor en busca de materiales extraños y sedimentos. Limpie el sensor cuando haya sedimentos acumulados o cuando el rendimiento haya disminuido. La [Tabla 3](#) muestra las soluciones de limpieza que deben utilizarse y las que no.

Tabla 3 Lista de soluciones de limpieza

Uso	No utilizar
Lavavajillas y agua	Productos que contienen amoníaco
	Lejía concentrada
	Queroseno
	Gasolina
	Hidrocarburos aromáticos

1. Desconecte el sensor del registrador de caudal.
2. Sumergir el sensor en detergente para lavavajillas y agua.
3. Limpie la parte delantera del sensor y el reflector.
4. Utilice una botella con spray o una botella comprimible para retirar restos de material.

Sección 6 Solución de problemas

Problema	Posible causa	Solución
Pérdida de eco	La espuma o la humedad condensada (vapor de agua o niebla) absorbe la señal ultrasónica	Instale el sensor en un lugar que no tenga espuma o condensación de humedad.
	Vientos muy fuertes como corrientes de aire en un sistema de desagüe cerrado de alta velocidad o vientos de ráfaga durante una tormenta	Proteja el sensor del viento. Póngase en contacto con el servicio de asistencia técnica si desea obtener detalles acerca de entornos específicos.
	La parte delantera del sensor no es paralela a la superficie del objetivo de medición.	Asegúrese de que la parte delantera del sensor es paralela a la superficie del objetivo de medición.
	La superficie del objetivo de medición no es buena (turbulencia extrema).	Seleccione un área diferente para medir el objetivo.
Mediciones imprecisas	El tubo o canal donde se instala el sensor es pequeño o demasiado estrecho. La señal ultrasónica rebota en los lados del tubo o canal.	Instale el sensor en un tubo de mayor diámetro o mueva el sensor a un lugar más próximo a la superficie del agua. Mantenga el sensor boca abajo alejado un mínimo de 13,34 cm (5,25 pulg.) desde la superficie del agua. Mantenga el sensor dentro del tubo alejado un mínimo de 0 cm (0 pulg.) desde la superficie del agua. Como alternativa, puede aumentar el valor de distancia mínima cambiando el sensor a un lugar situado debajo del falso objetivo que está afectando a las mediciones.
	La luz del sol incide directamente en el sensor.	No deje que la luz incida directamente sobre el sensor. Fabrique un parasol si no hay ningún lugar alternativo disponible. Póngase en contacto con el servicio de asistencia técnica si desea obtener ideas para un entorno específico.
	La temperatura del entorno del sensor ha cambiado rápidamente.	Deje que el sensor se estabilice si se han producido cambios drásticos de temperatura en el ambiente.
	El sensor está demasiado alejado de la superficie del objetivo de medición.	Instale el sensor cerca de la superficie del objetivo de medición.
Fallo de medición	Espuma, aceite, residuos o turbulencias en la superficie están afectando la señal de envío y recepción.	Limpie el sensor. Consulte la Limpieza del sensor en la página 45.

Sección 7 Piezas de repuesto y accesorios

⚠ ADVERTENCIA



Peligro de lesión personal. El uso de piezas no aprobadas puede causar lesiones personales, daños al instrumento o un mal funcionamiento del equipo. Las piezas de repuesto que aparecen en esta sección están aprobadas por el fabricante.

Nota: Las referencias de los productos pueden variar para algunas regiones de venta. Póngase en contacto con el distribuidor correspondiente o visite la página web de la empresa para obtener la información de contacto.

Piezas de repuesto

Descripción	Referencia
Junta, aislamiento de la vibración	6820
Soporte (nivel) para sensor (dentro del tubo) US9003	9488700

Accesorios

Descripción	Referencia
Prolongador eléctrico con conectores, 15,24 m (50 pies)	9489000
Prolongador eléctrico, 82,29 m (270 pies), un extremo de alambre desnudo, solo cable	9488100
Prolongador eléctrico con cables desnudos y caja de conexiones, 30,48 m (100 pies)	8315200
Prolongador eléctrico con cables desnudos y caja de conexiones, 82,29 m (270 pies)	8315201
Kit de extensión para canal, incluye: cable de 82,29 m (270 pies) con alambre desnudo y un cuadro de empalmes con cable de 30,48 cm (12 pulg.) y conector al registrador <i>Nota: Pida el sensor ultrasónico, la pistola de aplicación y los cartuchos de gel por separado.</i>	9488000
Cartuchos de gel (3x) con tubos de alimentación para mantener el agua alejada del cuadro de empalmes	7725600
Cartucho de gel, pistola de aplicación	7715300
Cuadro de empalmes con cable de 30,48 cm (12 pulg.), conector y mosquetón <i>Nota: Pida la pistola de aplicación y los cartuchos de gel por separado.</i>	9488200
Soporte, permanente, para sensor (dentro del tubo) US9003	3875
Soporte, suelo o pared, ajustable, para sensor (boca abajo) US9001	2904
Soporte, pared, permanente, para sensor (boca abajo) US9001	2974
Brida de fijación para sensor (dentro del tubo) US9003	3868
Juego de bandas de tijera para tubo con diámetro de entre 38,10 y 106,68 cm (15 a 42 pulg.) para sensor (dentro del tubo) US9003	3766
Banda de tijera para tubo de 38,10 cm (15 pulg.) de diámetro	9706100
Banda de tijera para tubo de 45,72 cm (18 pulg.) de diámetro	9706200
Banda de tijera para tubo de 53,34 cm (21 pulg.) de diámetro	9706300
Banda de tijera para tubo de 60,96 cm (24 pulg.) de diámetro	9706400
Banda de tijera para tubo de 68,58 cm (27 pulg.) de diámetro	9706500
Banda de tijera para tubo de 76,20 cm (30 pulg.) de diámetro	9706600
Banda de tijera para tubo de 83,82 cm (33 pulg.) de diámetro	9706700
Banda de tijera para tubo de 91,44 cm (36 pulg.) de diámetro	9706800
Banda de tijera para tubo de 106,68 cm (42 pulg.) de diámetro	9706900
Anillo de resorte, Ø 15,24 cm (6 pulg), para sensor (dentro del tubo) US9003	4021
Anillo de resorte, Ø 20,32 cm (8 pulg), para sensor (dentro del tubo) US9003	4022
Anillo de resorte, Ø 25,40 cm (10 pulg), para sensor (dentro del tubo) US9003	4023
Anillo de resorte, Ø 30,48 cm (12 pulg), para sensor (dentro del tubo) US9003	4024

Índice

- 1 Especificações na página 48
- 2 Informações gerais na página 48
- 3 Instalação na página 51
- 4 Operação na página 59
- 5 Manutenção na página 60
- 6 Solução de problemas na página 61
- 7 Peças e acessórios de reposição na página 61

Seção 1 Especificações

As especificações estão sujeitas a alterações sem aviso prévio.

Especificação	Detalhes
Dimensões (Ø x L)	US9001: Ø 3,02 x 10,31 cm (Ø 1,19 x 4,06 pol.) US9003: Ø 4,06 x 28,04 cm (Ø 1,6 x 11,04 pol.)
Caixa	US9001: 316 aço inoxidável US9003: 316 aço inoxidável e ABS
Peso	US9001: 0,76 kg (1,68 lb) com cabo de 9,14 m (30 pés) US9003: 0,92 kg (2,03 lb) com cabo de 9,14 m (30 pés)
Frequência	120 kHz
Precisão	0.008 pol./pol. do ponto de calibração sob temperatura em steady state (estado de equilíbrio), ar estagnado e alvo ideal
Intervalo de medição	US9001: 13,34 a 396,24 cm (5,25 a 156 pol.) US9003: 0 a 382,91 cm (0,00 a 150,75 pol.)
Alimentação elétrica	12 VDC, 0.0416 A, 0.5 W
Temperatura de operação	-18 a 60°C (0 a 140°F)
Umidade de operação	0 a 95% sem condensação
Temperatura de armazenamento	-40 a 60°C (-40 a 140°F)
Resolução	2.54 mm (0.01 pol.)
Material de revestimento do cabo	Poliuretano
Diâmetro do cabo	6.10 mm (0.24 pol.)
Comprimento do cabo	9,14 m (30 pés) <i>Observação: 91,44 m (300 pés) máxima¹</i>
Ângulo de feixe	6 ° (metade do ângulo, tipicamente)
Classificação do compartimento	NEMA 6P, IP 68
Instrumentos compatíveis	Registradores de vazão série FL e amostradores AS950
Certificações	CE
Garantia	1 ano

Seção 2 Informações gerais

Em hipótese alguma o fabricante será responsável por danos resultantes de qualquer uso inadequado do produto ou não cumprimento das instruções contidas no manual. O fabricante reserva-se o direito de fazer alterações neste manual e nos produtos aqui descritos a qualquer

¹ Consulte **Peças e acessórios de reposição** na página 61 para cabos de extensão e kit de extensão de conduítes.

momento, sem aviso ou obrigação. As edições revisadas podem ser encontradas no site do fabricante.

2.1 Informações de segurança

O fabricante não é responsável por quaisquer danos devido ao uso ou aplicação incorreta deste produto, incluindo, sem limitação, danos diretos, acidentais ou consequenciais, e se isenta desses danos à extensão total permitida pela lei aplicável. O usuário é unicamente responsável por identificar riscos críticos de aplicação e por instalar os mecanismos apropriados para proteger os processos durante um possível mau funcionamento do equipamento.

Leia todo o manual antes de tirar da embalagem, montar ou operar esse equipamento. Preste atenção a todos os avisos de perigo e advertência. Caso contrário, o operador poderá sofrer ferimentos graves ou o equipamento poderá ser danificado.



Certifique-se de que a proteção fornecida por este equipamento não seja prejudicada. Não use ou instale este equipamento de qualquer modo diferente do especificado neste manual.

2.1.1 Uso de informações de risco

▲ PERIGO
Indica uma situação potencial ou iminentemente perigosa que, se não for evitada, resultará em morte ou lesão grave.
▲ ADVERTÊNCIA
Indica uma situação potencialmente perigosa que, se não for evitada, pode resultar em morte ou ferimento grave.
▲ CUIDADO
Indica uma situação potencialmente perigosa que pode resultar em ferimento leve a moderado.
AVISO
Indica uma situação que, se não evitada, pode causar danos ao instrumento. Informações que necessitam de uma ênfase especial.

2.1.2 Avisos de precaução

Leia todas as etiquetas e rótulos fixados no instrumento. Caso não sejam observados, podem ocorrer lesões pessoais ou danos ao instrumento. Um símbolo no instrumento tem sua referência no manual com uma medida preventiva.

	Este símbolo, se observado no instrumento, diz respeito ao manual de instruções para operação e/ou informações de segurança.
	O equipamento elétrico marcado com este símbolo não pode ser descartado em sistemas de descarte público ou doméstico europeus. Devolva equipamentos antigos ou no final da vida útil para o fabricante para descarte, sem custo adicional para o usuário.

2.2 Certificação

▲ CUIDADO
Esse equipamento não se destina para uso em ambientes residenciais e pode não fornecer a proteção adequada para a recepção de rádio nesses ambientes.

Canadian Radio Interference-Causing Equipment Regulation (Regulamentação para equipamentos de rádio causadores de interferência do Canadá), ICES-003, Classe A:

Os registros de testes de comprovação encontram-se com o fabricante.

Este aparelho digital Classe A atende a todos os requisitos de regulamentações canadenses sobre equipamentos que causam interferências.

Cet appareil numérique de classe A répond à toutes les exigences de la réglementation canadienne sur les équipements provoquant des interférences.

FCC parte 15, limites Classe "A"

Os registros de testes de comprovação encontram-se com o fabricante. O dispositivo está em conformidade com a Parte 15 das Regras da FCC. A operação está sujeita às seguintes condições:

1. O equipamento não deve causar interferência prejudicial.
2. O equipamento deve aceitar todas as interferências recebidas, inclusive interferências que podem causar funcionamento indesejado.

Alterações ou modificações a este equipamento não aprovadas expressamente pela parte responsável pela conformidade podem anular a autoridade do usuário de operar o equipamento. Este equipamento foi testado e está em conformidade com os limites de dispositivo digital Classe A, de acordo com a Parte 15 das Regras da FCC. Esses limites foram estabelecidos para proporcionar uma razoável proteção contra interferências nocivas quando o equipamento for operado em ambientes comerciais. Este equipamento gera, utiliza e pode irradiar energia de rádiofrequência e, se não instalado e usado de acordo com o manual de instruções, pode causar interferências prejudiciais às comunicações de rádio. É provável que o funcionamento deste equipamento em área residencial possa causar interferência indesejada, caso em que o usuário será solicitado a corrigir a interferência por conta própria. As seguintes técnicas podem ser usadas para reduzir problemas de interferência:

1. Desconecte o equipamento de sua fonte de alimentação para verificar se ele é ou não a origem da interferência.
2. Se o equipamento está conectado à mesma tomada do dispositivo que está sofrendo interferência, conecte o equipamento a uma tomada diferente.
3. Afaste o equipamento do dispositivo que estiver recebendo a interferência.
4. Reposicione a antena de recebimento do dispositivo que está sofrendo interferência.
5. Tente algumas combinações das opções acima.

2.3 Visão geral do produto

Os sensores de nível ultrassônicos medem o nível de vazão e calculam a taxa de vazão em canais abertos. A taxa de vazão é calculada com base no nível de vazão e no dispositivo principal ou no nível de vazão e na velocidade fornecida por um sensor de velocidade.

2.3.1 Luz indicadora de STATUS

Quando o sensor está conectado a um registrador de fluxo e está fazendo uma leitura, a luz indicadora de status do sensor fica acesa. Consulte a [Figura 1](#) na página 51 e a [Figura 2](#) na página 51. Consulte [Tabela 1](#) para descrições de cor da luz.

Tabela 1 Definições do indicador de status

Cor clara	Descrição
Vermelho	Não se observa eco (perda de eco).
Verde	Eco é encontrado
Verde piscante	O alvo de aferição está próximo demais do sensor (6,35 mm (0,25 pol.) da distância mínima do sensor).

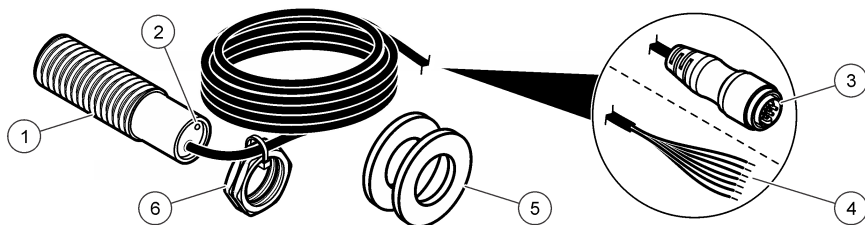
2.4 Teoria de operação

O nível de fluxo é medido pelo sensor ultrassônico. O sensor ultrassônico cria uma onda de ultrassom pulsada que é enviada através da superfície da água. A onda de ultrassom reflete para fora da superfície da água e o eco é recebido de volta pelo sensor. A distância é o tempo medido que se leva para o pulso de onda do ultrassom ir da superfície da água até o sensor. O tempo medido é multiplicado pela velocidade do som em temperatura ambiente no ar abaixo do sensor. O sensor mede a temperatura ambiente para precisão.

2.5 Componentes do produto

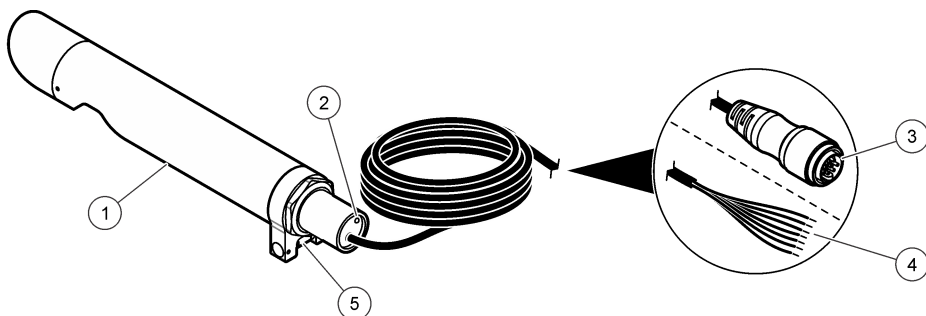
Certifique-se de que todos os componentes foram recebidos. Consulte a [Figura 1](#) e a [Figura 2](#). Se houver itens ausentes ou danificados, entre em contato imediatamente com o fabricante ou com um representante de vendas.

Figura 1 Componentes do sensor US9001 (downlooking)



1 Sensor US9001 com cabo, 9,14 m (30 pés)	4 Conexão com fio desencapado ²
2 Luz indicadora de STATUS	5 Vedação, isolamento de vibrações (2x) ³
3 Conector	6 Porca sextavada (2x) ³

Figura 2 Componentes de sensor US9003 (in-pipe)



1 Sensor US9003 com cabo, 9,14 m (30 pés)	4 Conexão com fio desencapado ²
2 Luz indicadora de STATUS	5 Nível da bolha
3 Conector	

Seção 3 Instalação

▲ CUIDADO



Vários perigos. Somente pessoal qualificado deve realizar as tarefas descritas nesta seção do manual.

3.1 Diretrizes da instalação no local

Para o melhor desempenho do sensor, obedeça as diretrizes de instalação do site em [Tabela 2](#).

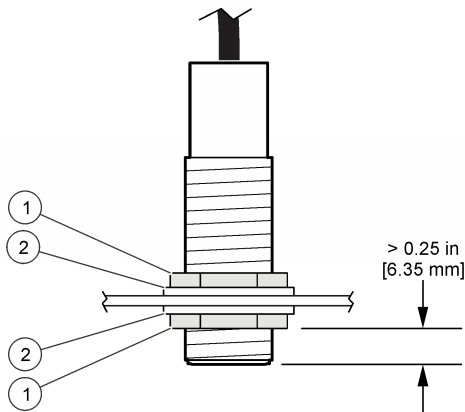
² O fio desencapado é uma alternativa ao conector.

³ Para uso com o suporte de parede (2974) para sensor tipo downlooking

Tabela 2 Diretrizes da instalação no local

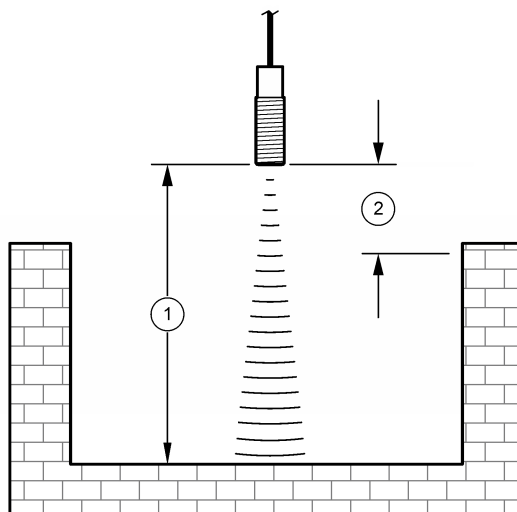
Diretriz	Detalhes
Não pendure o sensor pelo cabo.	O cabo do sensor pode esticar, provocando danos de aferição.
Não deixe o sol brilhar diretamente sobre o sensor.	A luz do sol intensa e direta no sensor aumentará a temperatura do sensor que apresentará temperatura mais alta que o ar ambiente. Isto pode provocar aferições sem precisão.
Para o sensor US9001 (downlooking), certifique-se de que a menor porca de montagem tem mais de 6,4 mm (0,25 pol.) de distância da face do sensor. Consulte Figura 3 .	Se a porca de montagem estiver próxima da face do sensor, pode haver picos de nível em temperaturas extremas. Aperte a porca sextavada e, então, aperte ½ volta. Não aperte demais a porca ou a junta de isolamento não diminuirá as vibrações.
Não deixe que ventos fortes e correntes de ar soprem diretamente sob o sensor.	A força do sinal ultrassônico é reduzida pelo vento.
Instale o sensor de modo que o sinal ultrassônico não bata nos lados de uma pequena bomba ou de calhas/canais estreitos.	O sinal ultrassônico emite um ângulo da metade do feixe de 6°. Consulte a Figura 4 e a Figura 5 . Configure as distâncias mínima e máxima para o alvo de aferição para prevenir ecos falsos e medidas de nível incorretas. Consulte a documentação do FSDATA Desktop para alterar as configurações do aplicativo.
Instale o sensor suficientemente alto acima da superfície da água, de modo que ele não fique sob a água quando o nível subir.	A velocidade do som na água é muito maior do que no ar. Um sensor posicionado sob a água apresentará valores incomuns.

Figura 3 Sensor US9001 (downlooking)



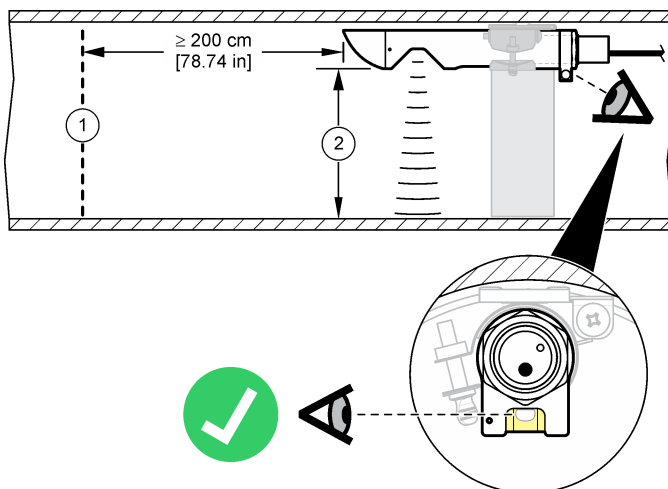
1 Porca sextavada	2 Vedação, isolamento de vibrações
-------------------	------------------------------------

Figura 4 Instalação do sensor US9001



1 Maximum distance (Distância máxima)	2 Minimum distance (Distância mínima)
---------------------------------------	---------------------------------------

Figura 5 Instalação do sensor US9003



1 Minimum distance (Distância mínima) para refletir obstrução	2 Distância do sensor, 0 a 382,91 cm (0.00 a 150,75 pol.) Máximo de
---------------------------------------------------------------	---------------------------------------------------------------------

3.2 Configuração de instalação

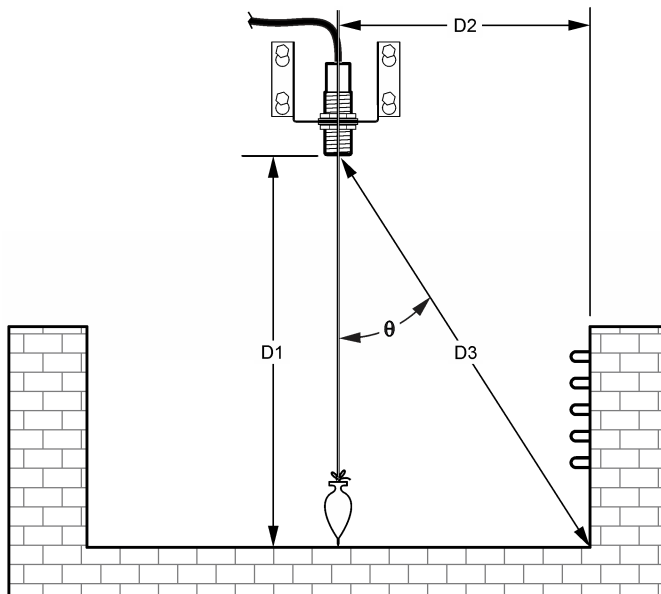
Da parte inferior do sensor, o sinal ultrassônico se expande conforme se afasta do sensor. Instalar o sensor de modo que o sinal ultrassônico não bata na parede da bomba ou no alto do canal.

Quando a instalação é feita acima de um canal estreito, não instale o sensor alto demais, pois o feixe pode ser mais largo do que o canal. Isto pode provocar ecos falsos no alto das paredes do canal e não da superfície da água. Para prevenir ecos falsos, encontre a altura de sensor aplicável de modo que todo o feixe caia para dentro do canal e não bata em nenhuma obstrução.

Selecione a altura aplicável do sensor:

1. Faça a aferição. Consulte [Figura 6](#).
2. Calcule o ângulo a partir do eixo, $\Theta = \arctan \times (D2/D1) \approx 80.5 \times (D2/D1)$.
3. Para evitar interferência de obstruções externas, certifique-se de que o ângulo calculado a partir do eixo é menor do que a metade do ângulo de feixe (6° tipicamente) do sensor.

Figura 6 Seleção da altura do sensor



3.3 Instalar o sensor

Instalar o sensor ultrassônico de modo que ele esteja posicionado sobre o centro da corrente de escoamento e a face do sensor esteja paralela com o fluxo. A face do sensor deve ficar paralela ao fluxo, de modo que o sinal fique perpendicular ao fluxo e que o eco do sinal não ricocheteie nas paredes do canal. O sinal que ricocheteia nas paredes do canal pode provocar leituras erráticas ou a perda total do eco.

O sensor ultrassônico apresenta várias opções de montagem de hardware. Consulte a [Figura 7](#) e a [Figura 8](#). Consulte as instruções fornecidas com o hardware de montagem para obter informações sobre instalação.

Figura 7 Opções de montagem de hardware – US9001

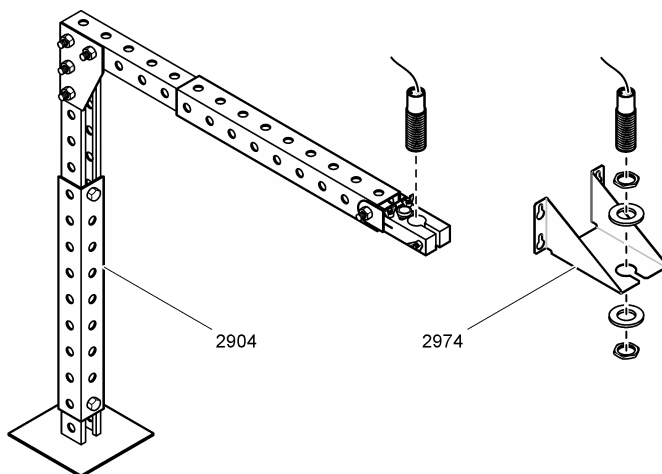
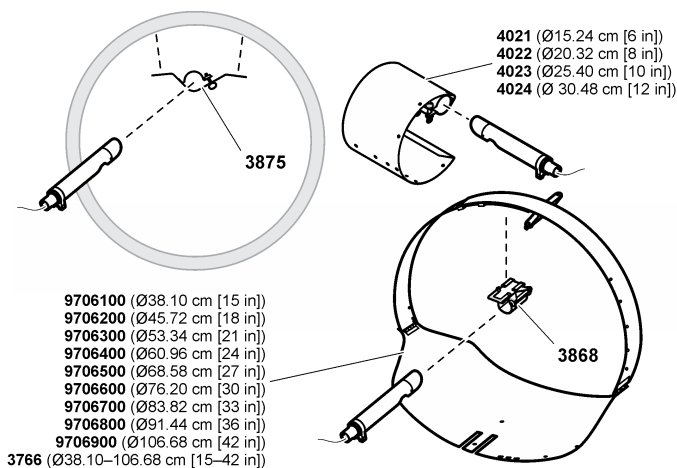


Figura 8 Opções de montagem de hardware – US9003



3.4 Conecte a um registrador de vazão ou amostrador

Conecte o cabo a um registrador de vazão ou amostrador. Consulte a documentação do registrador de vazão ou do amostrador para obter as instruções.

3.5 Instalar o sensor com um dispositivo principal

Um dispositivo principal é uma estrutura hidráulica, como uma calha ou vertedor, que apresenta uma relação de nível de fluxo conhecida. O sensor ultrassônico mede o nível de líquido em um canal que contribui para o fluxo (conhecido como a "cabeça") e o registrador de fluxo calcula a taxa de fluxo com base na relação de cabeça para fluxo do dispositivo principal.

Observação: Como alternativa, o registrador de fluxo pode calcular a taxa de fluxo com base no nível de líquido no canal e a velocidade de área fornecida por um sensor de velocidade. O método de cálculo da taxa de fluxo é selecionado no campo Flow Method (Método de Fluxo)

A maioria dos dispositivos principais apresenta um local especial para o sensor de aferição da cabeça (nível de líquido). Consulte as instruções fornecidas pelo fabricante do dispositivo principal para a localização correta do sensor. Quando as instruções não estiverem disponíveis no fabricante do dispositivo principal, consulte para [Figura 9–Figura 13](#). O símbolo \oplus nas figuras identifica a localização correta do sensor.

Para impedir que o sensor afunde na água, mas mantê-lo ainda assim na melhor distância, monte o sensor no intervalo mínimo do sensor acima do nível máximo típico do alvo. Certifique-se de estar dentro do limite máximo do sensor e leve o nível mínimo do alvo em consideração.

Figura 9 Calha V-notch

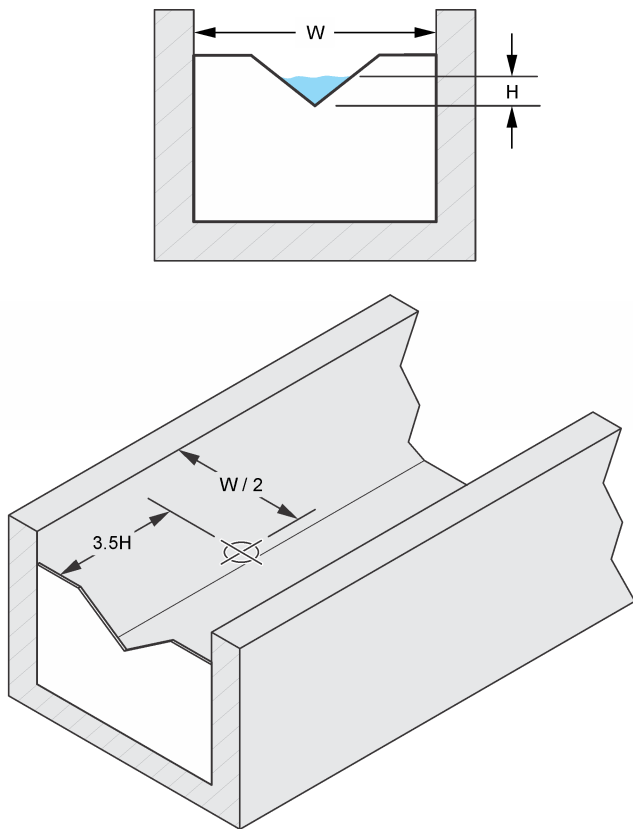


Figura 10 Calha de Bowlus-Palmer

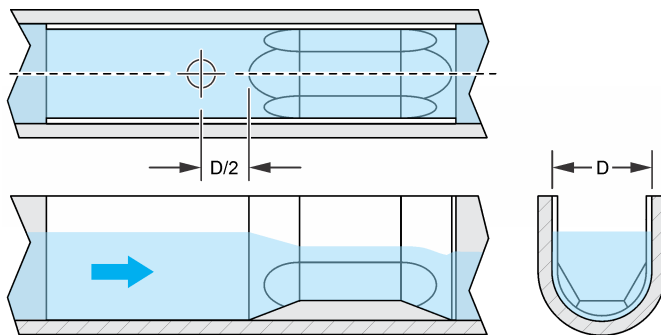
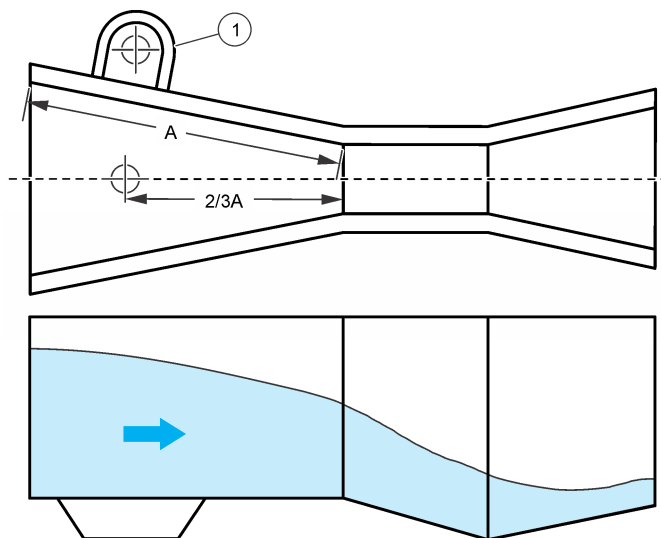


Figura 11 Calhas de Parshall



1 Ducto para fixação de sensor de nível.⁴

⁴ Se presente, instale o sensor no ducto de fixação. Caso contrário, instale o sensor na outra localização mostrada.

Figura 12 Leopold-Lagco Flume (Calha Leopold-Lagco)

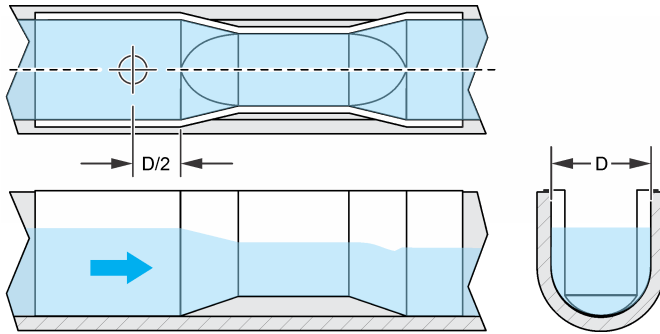
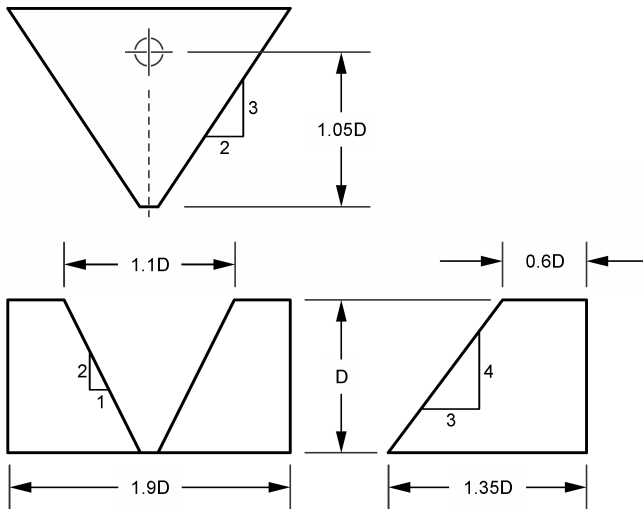


Figura 13 H Flume (Calha H)



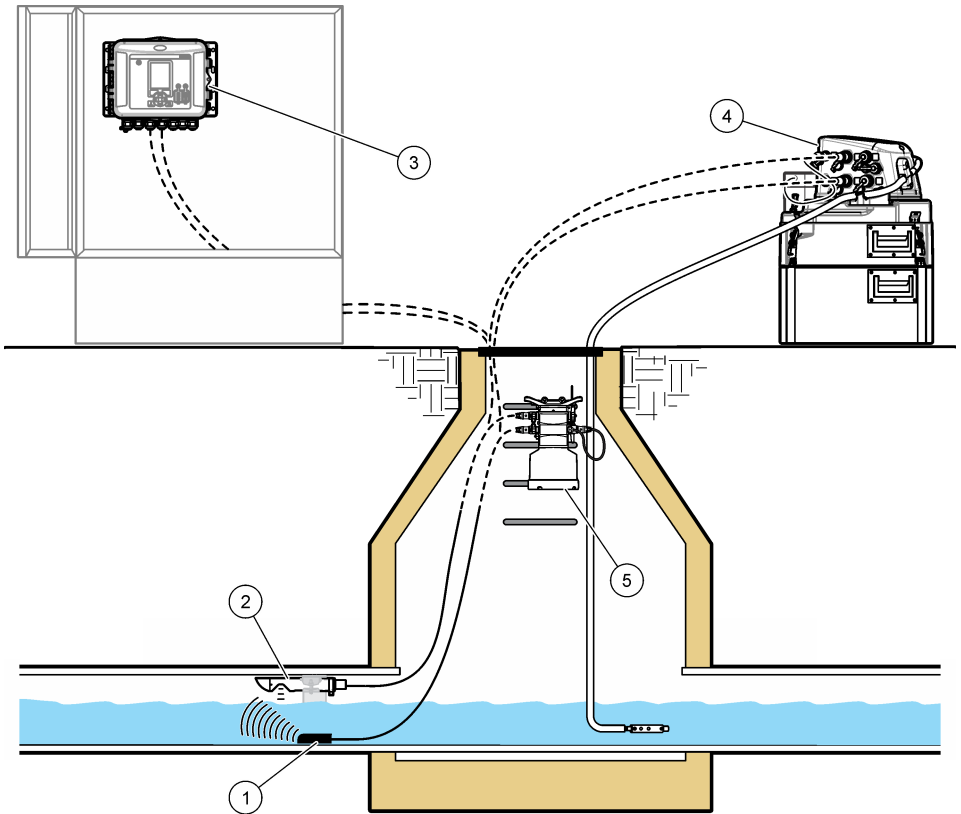
3.6 Instale para aferição de nível redundante

Os sensores ultrassônicos podem ser usados para aferição redundante, como com um sensor de velocidade de área Sigma e módulo analisador AV9000, sensor Flo-Dar ou sensor Flo-Tote.

O exemplo mais comum de aferição de nível redundante é com o sensor de velocidade de área de pressão submerso. O sensor de velocidade de área é tipicamente instalado na base da bomba em uma banda de mola ou em tesoura. O sensor ultrassônico está instalado na coroa da bomba. Os dois sensores estão conectados a um registrador de vazão série FL ou um amostrador AS950.

Consulte [Figura 14](#).

Figura 14 Medição de nível



1 Sensor de velocidade de área	4 Amostrador AS950
2 Sensor ultrassônico	5 Registrador de vazão FL900
3 Registrador de vazão FL1500	

Seção 4 Operação

Para sensores conectados em um registrador de vazão FL900, conecte um computador com o software FSDATA Desktop no registrador de vazão para configurar, calibrar e coletar dados dos sensores. Consulte a documentação do FSDATA Desktop para configurar, calibrar e coletar dados do sensor.

Para sensores conectados a um registrador de vazão FL1500, consulte sua documentação para configurar, calibrar e coletar dados dos sensores. Como alternativa, conecte um computador com o software FSDATA Desktop no registrador de vazão para configurar, calibrar e coletar dados dos sensores. Consulte a documentação do FSDATA Desktop para configurar, calibrar e coletar dados do sensor.

Para sensores conectados a um amostrador AS950, consulte sua documentação para configurar, calibrar e coletar dados dos sensores.

4.1 Instale o software

Certifique-se de que a versão mais recente do software FSDATA Desktop esteja instalada no computador. Baixe o do software de <http://www.hachflow.com>. Clique em Support (Suporte) e, então, selecione Software Downloads>Hach FL Series Flow Logger (Downloads de Software>Registrador de Fluxo Série Hach FL).

Seção 5 Manutenção

▲ CUIDADO



Vários perigos. Somente pessoal qualificado deve realizar as tarefas descritas nesta seção do manual.

AVISO

Não desmonte o instrumento para manutenção. Caso seja necessário limpar ou reparar componentes internos, entre em contato com o fabricante.

5.1 Limpar o sensor

AVISO

Não use palha de aço ou esponjas abrasivas para limpar o sensor ou ele será danificado.

Examine periodicamente o sensor para ver se há materiais indesejados ou depositados. Limpe o sensor quando existirem depósitos acumulados, ou quando o desempenho estiver reduzido.

[Tabela 3](#) mostra as soluções de limpeza a serem ou não usadas.

Tabela 3 Lista de soluções de limpeza.

Uso	Não use
Detergente de cozinha e água	Produtos que contêm amônia.
	Água sanitária concentrada
	Querosene
	Gasolina
	Hidrocarbonos aromáticos

1. Desconectar o sensor do registrador de fluxo.
2. Mergulhe o sensor em detergente para louças e água.
3. Limpe a face e o refletor do sensor.
4. Use um frasco com spray ou garrafa tipo squeeze para remover materiais indesejados mais pesados.

Seção 6 Solução de problemas

Problema	Causa possível	Solução
Perda de eco	Espuma ou umidade condensada (vapor ou neblina) que absorvem o sinal de ultrassom	Instale o sensor em local sem espuma ou umidade condensada.
	Ventos fortes como nas correntes de ar em um sistema de esgoto fechado de alta velocidade ou rajadas de vento durante uma tempestade	Mantenha o vento longe do sensor. Entre em contato com o suporte técnico para ideias para ambientes específicos.
	A face do sensor não está paralela com a superfície do alvo de aferição.	Certifique-se de que a face do sensor está em paralelo com a superfície do alvo de aferição.
	A superfície do alvo de aferição não é boa (turbulência extrema).	Selecione uma área diferente para medir o alvo.
Medidas sem precisão	A bomba ou canal onde o sensor está instalado é pequeno ou estreito demais. O sinal ultrassônico ricocheteia nos lados da bomba ou canal.	Instale o sensor em uma bomba de diâmetro largo ou mova o sensor para mais perto da superfície da água. Mantenha o sensor tipo downlooking a pelo menos 13,34 cm (5.25 pol.) da superfície da água. Mantenha o sensor tipo in-pipe a pelo menos 0 cm (0 pol.) da superfície da água. Como alternativa, aumente o valor da distância mínima para uma localização abaixo do alvo falso que está afetando as aferições.
	O sensor está sob luz do sol direta.	Não deixe a luz do sol incidir diretamente sobre o sensor. Monte uma proteção contra o sol se não for possível mudar para uma localização alternativa. Entre em contato com o suporte técnico para ideias para o ambiente específico.
	A temperatura do ambiente do sensor mudou rapidamente.	Deixe o sensor se estabilizar após grandes alterações de temperatura do ambiente.
	O sensor está longe demais da superfície do alvo medido.	Instale o sensor próximo à superfície do alvo de aferição.
Falha na aferição	Espuma, óleo, destroços e turbulência na superfície estão afetando o sinal de envio e recepção.	Limpar o sensor. Consulte Limpar o sensor na página 60.

Seção 7 Peças e acessórios de reposição

▲ ADVERTÊNCIA



Risco de lesão corporal. O uso de peças não aprovadas pode causar lesões pessoais, danos ao instrumento ou mau funcionamento do equipamento. As peças de substituição nesta seção foram aprovadas pelo fabricante.

Observação: Os códigos dos produtos podem variar para algumas regiões. Entre em contato com o distribuidor apropriado ou consulte o website da empresa para obter informações de contato.

Peças de reposição

Descrição	Nº de item
Vedação, isolamento de vibrações	6820
Armazenador (nível) para sensor US9003 (in-pipe)	9488700

Acessórios

Descrição	Nº de item
Cabo de extensão com conexão, 15,24 m (50 pés)	9489000
Cabo de extensão, 82,29 m (270 pés), fio desencapado em uma ponta, cabo somente	9488100
Cabo de extensão com fio desencapado e caixa de junção, 30,48 m (100 pés)	8315200
Cabo de extensão com fio desencapado e caixa de junção, 82,29 m (270 pés)	8315201
Kit de extensão para conduíte, inclui: cabo de 82,29 m (270 pés) com fios desencapados e caixa de junção com 30,48 cm (12 pol.) cabo e conector para registrador <i>Observação: Solicite o sensor ultrassônico, pistola de aplicação e cartuchos de gel separadamente.</i>	9488000
Cartuchos de gel (3x) com tubos de alimentação, para a caixa de junção (se usada) para manter a água fora	7725600
Cartuchos de gel, pistola de aplicação	7715300
Caixa de junção com 30,48 cm (12 pol.) cabo, conector e grampo de mosquetão <i>Observação: Solicite a pistola de aplicação e os cartuchos de gel separadamente.</i>	9488200
Suporte de montagem, permanente, para sensor US9003 (in-pipe)	3875
Suporte de montagem, piso e parede, ajustáveis, para sensor US9001 (downlooking)	2904
Suporte de montagem, parede, permanente, para sensor US9001 (downlooking)	2974
Clipe de montagem para sensor US9003 (in-pipe)	3868
Banda em tesoura definida para Ø 38,10 a 106,68 cm (15 a 42 pol.) bomba para sensor (in-pipe) de US9003	3766
Banda em tesoura para Ø 38,10 cm (15 pol.) tubo	9706100
Banda em tesoura para Ø 45,72 cm (18 pol.) tubo	9706200
Banda em tesoura para Ø 53,34 cm (21 pol.) bomba	9706300
Banda em tesoura para Ø 60,96 cm (24 pol.) bomba	9706400
Banda em tesoura para Ø 68,58 cm (27 pol.) bomba	9706500
Banda em tesoura para Ø 76,20 cm (30 pol.) bomba	9706600
Banda em tesoura para Ø 83,82 cm (33 pol.) bomba	9706700
Banda em tesoura para Ø 91,44 cm (36 pol.) bomba	9706800
Banda em tesoura para Ø 106,68 cm (42 pol.) bomba	9706900
Anel de mola, Ø 15,24 cm (6 pol.), para sensor US9003 (in-pipe)	4021
Anel de mola, Ø 20,32 cm (8 pol.), para sensor US9003 (in-pipe)	4022
Anel de mola, Ø 25,40 cm (10 pol.), para sensor US9003 (in-pipe)	4023
Anel de mola, Ø 30,48 cm (12 pol.), para sensor US9003 (in-pipe)	4024

目录

- 1 规格 第 63 页
- 2 基本信息 第 63 页
- 3 安装 第 66 页
- 4 操作 第 74 页
- 5 维护 第 75 页
- 6 故障排除 第 75 页
- 7 更换部件与附件 第 76 页

第 1 节 规格

产品规格如有变化，恕不另行通知。

规格	详细信息
尺寸 (∅ x L)	US9001: ∅ 3.02 x 10.31 cm (∅ 1.19 x 4.06 in) US9003: ∅ 4.06 x 28.04 cm (∅ 1.6 x 11.04 in)
外壳	US9001: 316 不锈钢 US9003: 316 不锈钢和 ABS
重量	US9001: 0.76 kg (1.68 lb), 含 9.14 m (30 ft) 电缆 US9003: 0.92 kg (2.03 lb), 含 9.14 m (30 ft) 电缆
频率	120 kHz
精度	0.008 in/in (校准点在稳态温度、静止空气及理想目标条件下)
测量范围	US9001: 13.34 - 396.24 cm (5.25 - 156 in) US9003: 0 - 382.91 cm (0.00 - 150.75 in)
电源要求	12 VDC, 0.0416 A, 0.5 W
工作温度	-18 - 60 °C (0 - 140 °F)
操作湿度	0 - 95%, 无冷凝
存储温度	-40 - 60 °C (-40 - 140 °F)
分辨率	2.54 毫米 (0.01 英寸)
电缆护套材料	聚氨酯
电缆直径	6.10 毫米 (0.24 英寸)
电缆长度	9.14 m (30 ft) 注: 91.44 m (300 ft) (最大) ¹
波束角	6° (典型半角)
外壳防护等级	NEMA 6P, IP 68
兼容仪器	FL 系列流量记录仪和 AS950 取样器
认证	CE
保修	1 年

第 2 节 基本信息

在任何情况下，对于因产品使用不当或未能遵守手册中的说明而造成的损害，制造商概不负责。制造商保留随时更改本手册和手册中描述的产品的权利，如有更改恕不另行通知或承担有关责任。修订版可在制造商的网站上找到。

¹ 请参阅 [更换部件与附件](#) 第 76 页了解延伸电缆和导管延伸套件。

2.1 安全信息

对于误用或滥用本产品造成的任何损坏，包括但不限于直接、附带和从属损害，制造商概不负责，并且在适用法律允许的最大范围内拒绝承认这些损害。用户独自负责识别重大应用风险并安装适当的保护装置，以在设备可能出现故障时保护工艺流程。

请在拆开本设备包装、安装或使用前，完整阅读本手册。特别要注意所有的危险警告和注意事项。否则，可能导致操作员受到严重伤害或设备受到损坏。



请确保产品拆开时的完整无损伤。请勿以本手册指定方式之外的其它方式使用或安装本设备。

2.1.1 危害指示标识说明

▲ 危险
表示潜在的或紧急的危险情况，如果不加以避免，将会导致死亡或严重伤害。
▲ 警告
表示潜在的或紧急的危险情况，如果不加以避免，将会导致死亡或严重伤害。
▲ 警告
表示潜在的的危险情形，可能导致轻度或中度人身伤害。
注意
表明如不加以避免可能会导致仪器损坏的情况。此信息需要特别强调。

2.1.2 警告标签

请阅读贴在仪器上的所有标签和标记。如未遵照这些安全标签的指示操作，则可能造成人身伤害或仪器损坏。仪器上的符号在手册中通过警告说明参考。

	当仪器上标示此符号时，表示需要遵守说明手册中的操作和/或安全信息。
	标有此符号的电气设备在欧洲不能通过家庭或公共垃圾系统进行处理。请将老旧或报废设备寄回至制造商处进行处置，用户无需承担费用。

2.2 认证

▲ 警告
本设备不适合在住宅环境中使用，在此类环境中可能无法为无线电接收提供充分的保护。

加拿大无线电干扰产生设备法规 (Canadian Radio Interference-Causing Equipment Regulation), ICES-003, A 类:

制造商支持测试记录留存。

此 A 类数字设备符合加拿大由于无线电干扰所产生的设备法规的所有要求。

Cet appareil numérique de classe A répond à toutes les exigences de la réglementation canadienne sur les équipements provoquant des interférences.

FCC 第 15 部分, “A”类限制

制造商支持测试记录留存。该设备符合 FCC 规定第 15 部分的要求。设备操作满足以下两个条件:

1. 本设备不会造成有害干扰。
2. 本设备必须接受任何接收到的干扰，包括可能导致意外操作的干扰。

若未经负责出具符合声明的一方明确同意擅自对本设备进行改动或改装，可能会导致取消用户操作该设备的权限。本设备已经过测试，符合 FCC 规定第 15 部分中确定的 A 类数字设备限制。这些限制专

门提供当设备在商业环境下工作时针对有害干扰的合理保护。该设备产生、使用和放射无线电射频能量，如果不按照说明手册的要求对其进行安装和使用，可能会对无线电通讯造成有害干扰。本设备在居民区工作时可能会产生有害干扰，这种情况下用户须自行承担费用消除这种干扰。以下方法可用于减少干扰问题：

1. 断开设备的电源，以便确证它是干扰源与否。
2. 如果设备与遭受干扰的仪器连接到相同的插座，将设备连接到其他插座。
3. 将设备从接受干扰的仪器边上移开。
4. 重新定位受干扰仪器的接收天线。
5. 同时尝试以上多项措施。

2.3 产品概述

超声波液位传感器可测量流动液位，并计算开放通道中的液体流速。流速是根据流动液位和主设备或根据流动液位和速度传感器提供的速度计算得出。

2.3.1 状态指示灯

将传感器连接到流量记录仪并且采集读数时，传感器的状态指示灯将会亮起。请参考图 1 第 65 页和图 2 第 66 页。请参阅表 1 了解指示灯颜色说明。

表 1 状态指示灯定义

指示灯颜色	说明
红色	未发现回波（回波损耗）。
绿色	发现回波。
绿闪	测量目标过于接近传感器（小于传感器 6.35 mm (0.25 in) 最小距离）。

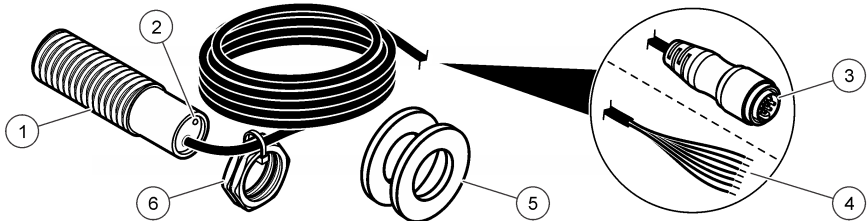
2.4 工作原理

利用超声波传感器来测量流动液位。超声波传感器首先向水面发射脉冲式超声波。随后超声波会在水面发生反射，回波由传感器进行接收。首先测量超声波脉冲从水面到达传感器所需的时间。然后将所测时间乘以声音在传感器下方周围温度下的速度，即可求得距离。传感器将会测量环境温度以确保准确性。

2.5 产品部件

确保已收到所有部件。请参考图 1 和图 2。如有任何物品丢失或损坏，请立即联系制造商或销售代表。

图 1 US9001（俯视图）传感器组件

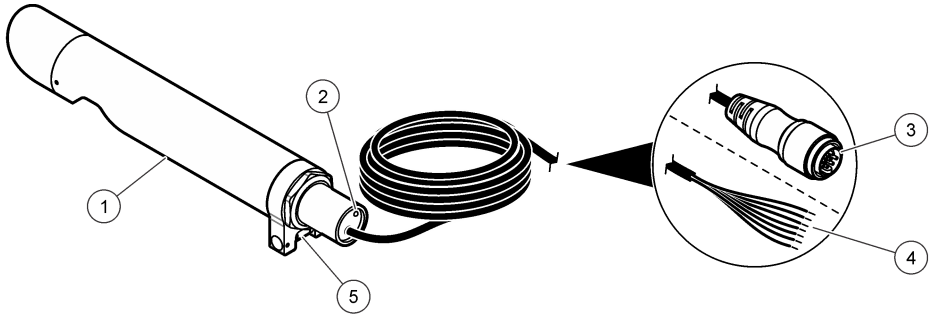


1 US9001 传感器，带 9.14 m (30 ft) 电缆	4 裸线连接 ²
2 状态指示灯	5 减振垫圈（2 个） ³
3 连接器	6 六角螺母（2 个） ³

² 裸线可以替代连接器。

³ 与壁挂支架 (2974) 用于安装俯视图式传感器

图 2 US9003 (管内安装式) 传感器组件



1 US9003 传感器，带 9.14 m (30 ft) 电缆	4 裸线连接 ²
2 状态指示灯	5 气泡水平仪
3 连接器	

第 3 节 安装

警告

多重危险。只有符合资质的专业人员才能从事文档本部分所述的任务。

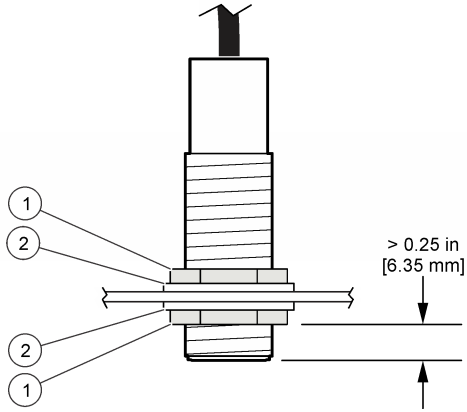
3.1 现场安装指导

为了获得最佳的传感器性能，请按 表 2 中的现场安装指导进行操作。

表 2 现场安装指导

指导	详细信息
切勿用传感器电缆悬挂传感器。	否则会拉伸传感器电缆，产生测量误差。
防止太阳直晒传感器。	强烈的阳光直晒传感器会使传感器外壳的温度高于周围空气的温度。这会造成测量不准确。
对于 US9001 (俯视式) 传感器，确保最低的安装螺母与传感器正面的距离超过 6.4 mm (0.25 in)。请参阅 图 3。	如果安装螺母靠近传感器正面，会使传感器在极端温度下出现液位尖峰。 手动拧紧六角螺母，然后再拧紧 1/2 圈。切勿过度拧紧六角螺母，否则减振垫圈不会减振。
防止强风和气流从传感器下方直接吹过。	因为超声波信号的强度会被风削弱。
安装传感器时，不能使超声波信号到达小管道或狭窄水槽/通道的侧面。	超声波信号采用 6° 半波束角发射。请参考 图 4 和 图 5。设置测量目标的最大和最小距离，以防产生错误的回波及不正确的液位测量结果。要更改应用程序设置，请参阅 FSDATA Desktop 文档。
传感器需要安装在水面以上足够高的位置，以防液位升高时浸入水中。	声音在水中的速度远快于空气中。所以水中的传感器将会产生异常数值。

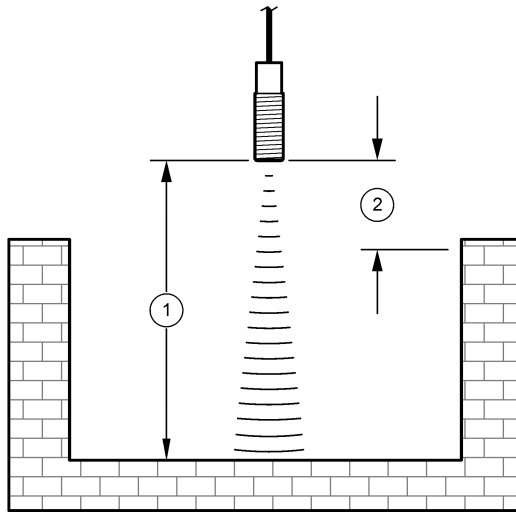
图 3 US9001 (俯视图) 传感器



1 六角螺母

2 减振垫圈

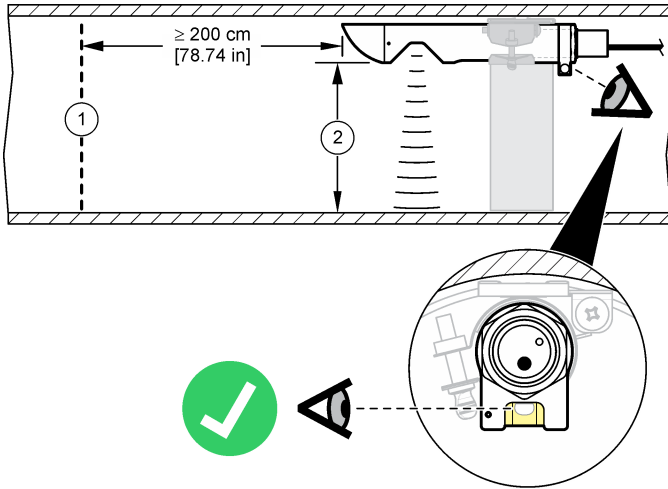
图 4 US9001 传感器安装



1 最大距离

2 最小距离

图 5 US9003 传感器安装



1 与反射障碍物的最小距离

2 与传感器的距离，0 - 382.91 cm (0.00 - 150.75 in)最大距离

3.2 安装设置

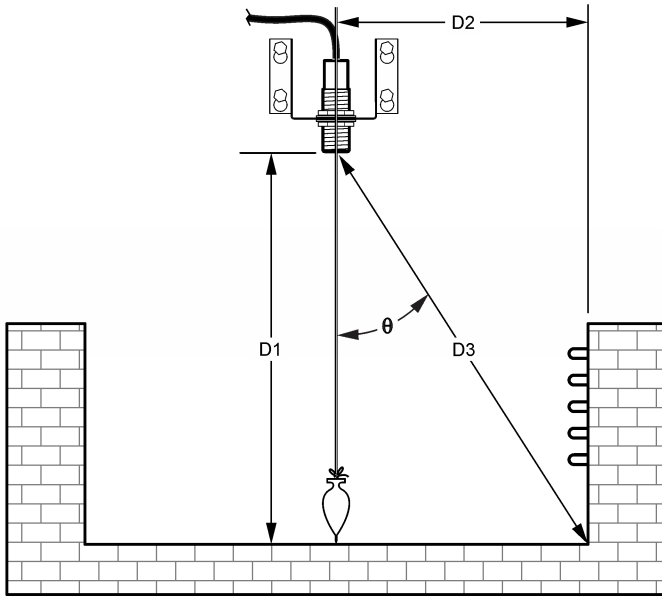
超声波信号从传感器底部向外扩展发射。安装传感器时应使超声波信号不会到达管壁或通道顶部。

在窄通道上方安装时，勿将传感器安装过高，因为波束可能宽于通道。这会造成通道壁顶部产生错误的回波，而不是从水面回波。为了防止回波错误，需要找到合适的传感器安装高度，以使整个波束处于通道之内并且不会接触任何障碍物。

选择合适的传感器高度：

1. 采集测量值。请参阅 图 6。
2. 计算轴向角： $\Theta = \arctan \times (D2/D1) \approx 80.5 \times (D2/D1)$ 。
3. 为了避免外部障碍物产生干扰，请确保所计算的轴向角小于传感器的半波束角（通常为 6° ）。

图 6 传感器高度选择



3.3 安装传感器

将超声波传感器安装在液流中心的上方，并使传感器正面与液流平行。传感器正面应与液流平行，以使信号垂直于液流，并使信号回波不会从通道壁上反射。因为通道壁反射信号会使读数异常或回波完全损耗。

超声波传感器有多种安装件可选。请参考图 7 和图 8。请参阅安装件随附说明书了解安装信息。

图 7 可选安装件 — US9001

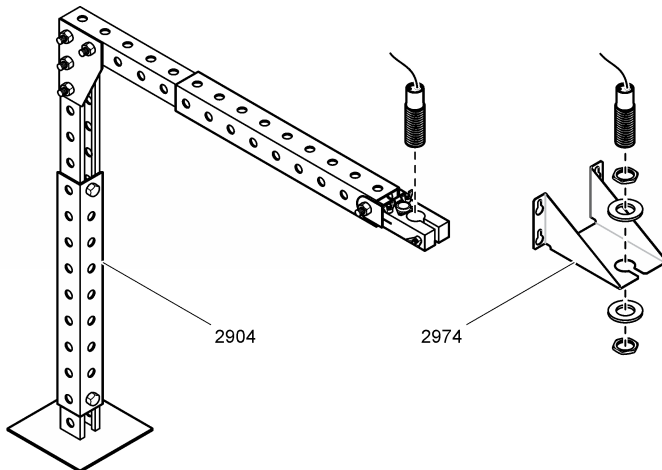
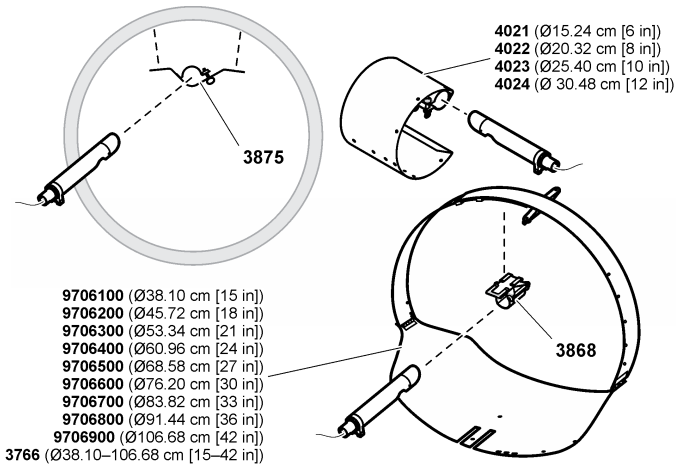


图 8 可选安装件 — US9003



3.4 连接至流量记录仪或取样器

将电缆连接至流量记录仪或取样器。相关说明，请参阅流量记录仪或取样器文档。

3.5 为主设备安装传感器

主设备为液压构造，比如槽式或堰式，具有已知的液位-流量关系。超声波传感器测量的是通道中驱使液体流动的液位（称为“压头”），流量记录仪根据主设备的压头与流量之间的关系来计算流速。

注：流量记录仪还可以根据通道液位和速度传感器提供的面积速度来计算流速。流速计算方法在“流量算法”字段中进行选择。

大多数主设备都有一个特定的位置安装压头（液位）测量传感器。关于传感器的正确定位请参阅主设备制造商提供的说明书。如果无法从主设备制造商获得说明书时，请参阅图 9–图 13。图中的符号 ⊕ 表示正确的传感器位置。

为了防止传感器进入水下并使其仍处于最佳距离，请将传感器安装在测量目标最大典型液位上方最小距离处。确保传感器处于最大距离内，并且考虑到测量目标的最低液位。

图 9 V形缺口堰

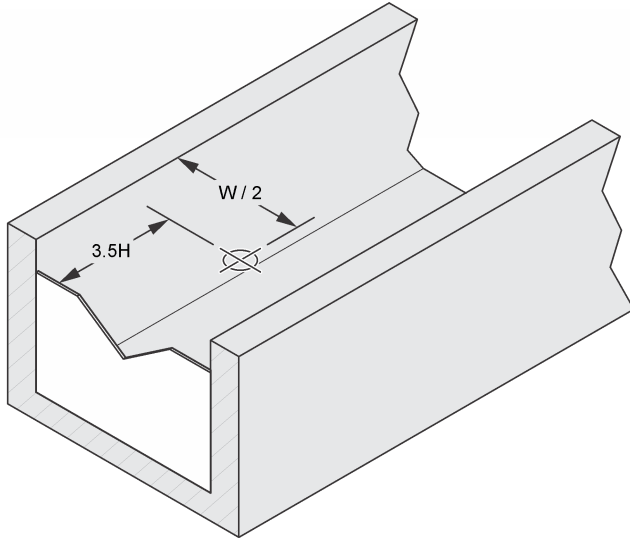
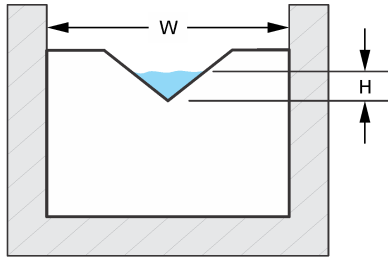


图 10 Palmer-Bowlus 槽

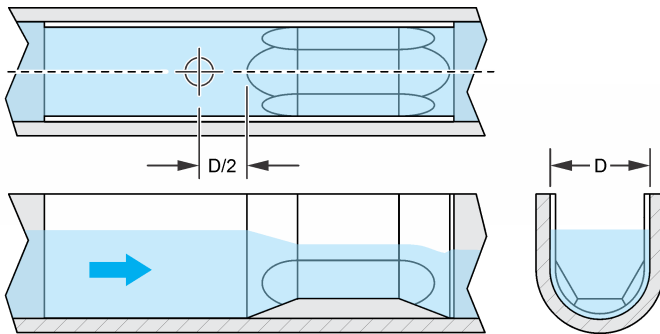
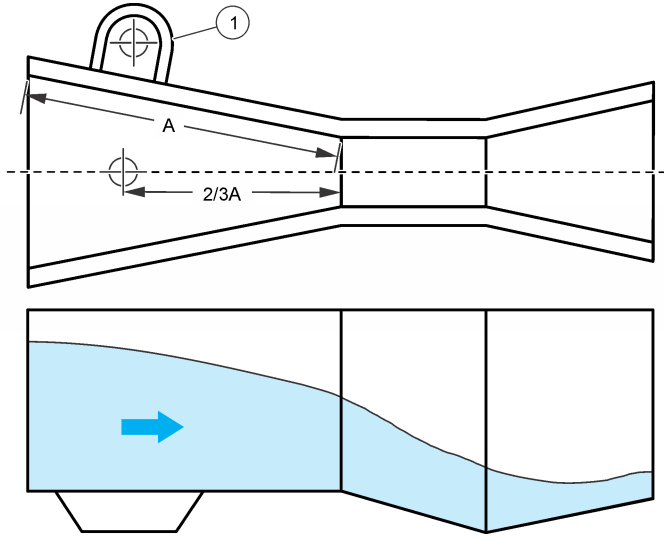
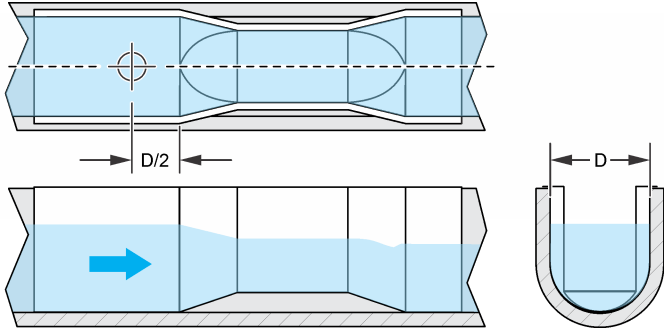


图 11 巴歇尔量水槽



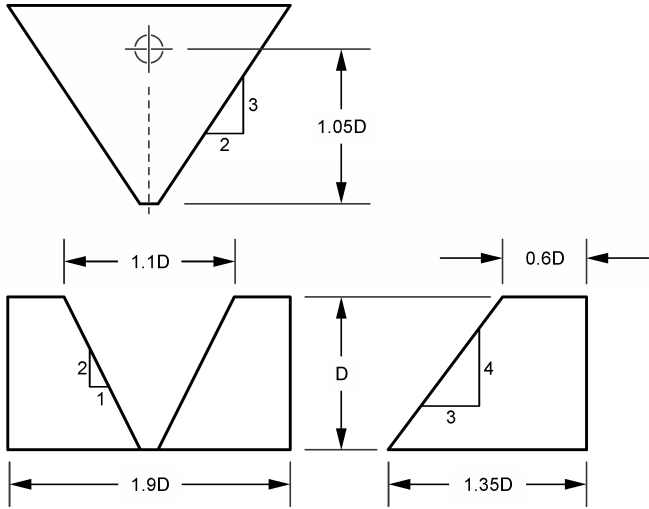
1 静水井⁴

图 12 Leopold-Lagco 槽



⁴ 如有静水井，则将传感器安装在静水井中。否则安装在图示其他位置。

图 13 H 型槽

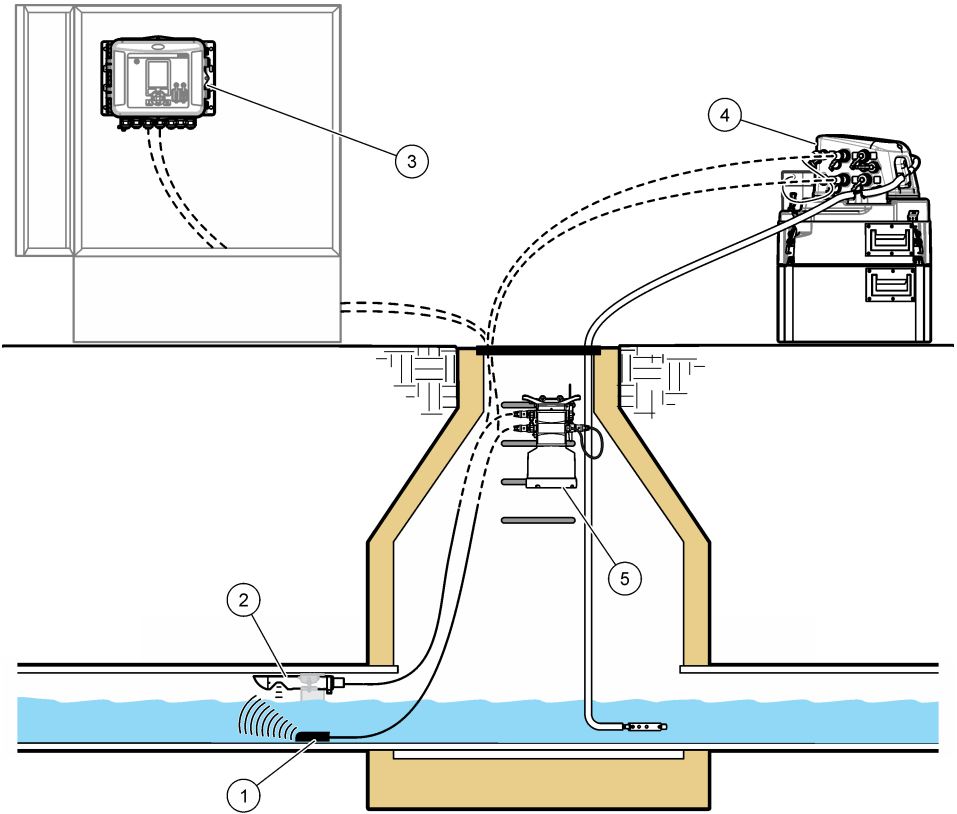


3.6 液位冗余测量安装

超声波传感器可进行液位冗余测量，比如利用一个 Sigma 面积速度传感器和 AV9000 分析仪模块、Flo-Dar 传感器或 Flo-Tote 传感器进行冗余测量。

最常用的液位冗余测量采用浸没式压力面积速度传感器。面积速度传感器通常安装在管道底部的弹簧箍圈或剪状箍圈上。超声波传感器安装在管道的顶部。这两个传感器都连接至 FL 系列流量记录仪或 AS950 取样器。请参阅图 14。

图 14 液位测量



1 面积速度传感器	4 AS950 取样器
2 超声波传感器	5 FL900 流量记录仪
3 FL1500 流量记录仪	

第 4 节 操作

对于连接至 FL900 流量记录仪的传感器，将装有 FSDATA Desktop 软件的计算机连接至该流量记录仪，以便对传感器进行配置、校准和通过传感器收集数据。要对传感器进行配置、校准和通过传感器收集数据，请参阅 FSDATA Desktop 文档。

对于连接至 FL1500 流量记录仪的传感器，请参阅 FL1500 流量记录仪文档，以了解如何配置、校准传感器和通过传感器收集数据。也可将装有 FSDATA Desktop 软件的计算机连接至该流量记录仪，以便对传感器进行配置、校准和通过传感器收集数据。要对传感器进行配置、校准和通过传感器收集数据，请参阅 FSDATA Desktop 文档。

对于连接至 AS950 取样器的传感器，请参阅 AS950 取样器文档，以了解如何配置、校准传感器和通过传感器收集数据。

4.1 安装软件

确保在计算机上安装最新版本的 FSDATA Desktop 软件。软件下载地址：<http://www.hachflow.com>。单击 Support（支持），然后选择 Software Downloads（软件下载）>Hach FL Series Flow Logger（Hach FL 系列流量记录仪）。

第 5 节 维护

▲ 警告



多重危险。只有符合资质的专业人员才能从事文档本部分所述的任务。

注意

请勿拆卸仪器进行维护。如果必须清洁或维修内部组件，请联系制造商。

5.1 清洗传感器

注意

切勿使用钢丝绒或研磨盘清洁传感器，否则会损坏传感器。

定期检查传感器是否有污染物和沉积物。传感器有沉积物或性能降低时需要清洗传感器。表 3 所示是适用和不适用的清洗液。

表 3 清洗液列表

适用	不适用
碗碟洗涤剂和水	含有氨水的产品
	浓缩漂白剂
	煤油
	汽油
	芳香烃

1. 从流量记录仪上断开传感器。
2. 将传感器在餐具洗涤剂和水里浸洗。
3. 清洗传感器正面和反射器。
4. 利用喷水瓶或挤水瓶除去粘性污物。

第 6 节 故障排除

问题	可能的原因	解决方案
回波损耗	有泡沫或冷凝的湿气（蒸汽或雾）吸收超声波信号	将传感器安装在没有泡沫或冷凝湿气的位置。
	风速大，比如封闭的高流速下水道系统存在气流，或是暴风雨期间狂风所致	使传感器远离大风。对于特定环境的解决办法，请联系技术支持人员。
	传感器正面与测量目标的表面不平行。	确保传感器正面与测量目标的表面平行。
	测量目标的表面不良（极端湍流）。	选择一个不同的区域来测量目标。

问题	可能的原因	解决方案
测量不准确	安装传感器的管道或通道较小或太窄。超声波信号会从管道或通道的侧面反射。	将传感器安装在大直径管道中，或将传感器移近水面。使俯视式传感器与水面保持 13.34 cm (5.25 in) 最小间距。使管内式传感器与水面保持 0 cm (0 in) 最小间距。 另外，还可以使最小距离值增大到对测量有影响的不良目标下方的一个位置。
	传感器受阳光直射。	勿让阳光直射传感器。如果找不到其它位置，可以使用一个遮阳罩。对于特定环境的解决办法，请联系技术支持人员。
	传感器所处环境的温度变化剧烈。	让传感器在环境温度剧变之后稳定下来。
	传感器过于远离测量目标的表面。	将传感器靠近测量目标安装。
测量失败	泡沫、油污、碎屑及表面湍流影响了信号的发射和接收。	清洗传感器。请参阅 清洗传感器 第 75 页。

第 7 节 更换部件与附件

警告



人身伤害危险。使用未经批准的部件可能造成人身伤害、仪器损坏或设备故障。本部分中的更换部件均经过制造商的批准。

注： 一些销售地区的产品和物品数量可能有所不同。请与相关分销商联系或参考公司网站上的联系信息。

更换部件

说明	物品编号
减振垫圈	6820
US9003（管内式）传感器（水平）固定架	9488700

附件

说明	物品编号
带接头延伸电缆，长 15.24 m (50 ft)	9489000
延伸电缆，长 82.29 m (270 ft)，一端裸线，只有电缆	9488100
延伸电缆，带裸线和接线盒，长 30.48 m (100 ft)	8315200
延伸电缆，带裸线和接线盒，长 82.29 m (270 ft)	8315201
导管延伸套件，包括：82.29 m (270 ft) 长裸线电缆和接线盒（带有与记录仪相连的 30.48 cm (12 in) 长电缆和接头）	9488000
注： 请单独订购超声波传感器、喷胶枪和胶筒。	
胶筒（3 个），带进胶管，使用接线盒时用于密封防水	7725600
胶筒，喷胶枪	7715300
接线盒，带 30.48 cm (12 in) 长电缆、接头及钩环夹	9488200
注： 请单独订购喷胶枪和胶筒。	
永久式安装支架，用于 US9003（管内式）传感器	3875
安装支架，可调落地式或壁挂式，用于 US9001（俯视式）传感器	2904
安装支架，永久壁挂式，用于 US9001（俯视式）传感器	2974

附件（续）

说明	物品编号
安装夹，用于 US9003（管内式）传感器	3868
剪式箍圈组，用在 \varnothing 38.10 - 106.68 cm (15 - 42 in)管道中紧固 US9003（管内式）传感器	3766
用于 \varnothing 38.10 cm (15 in) 管道的剪式箍圈	9706100
用于 \varnothing 45.72 cm (18 in) 管道的剪式箍圈	9706200
\varnothing 53.34 cm (21 in) 管道剪式箍圈	9706300
\varnothing 60.96 cm (24 in) 管道剪式箍圈	9706400
\varnothing 68.58 cm (27 in) 管道剪式箍圈	9706500
\varnothing 76.20 cm (30 in) 管道剪式箍圈	9706600
\varnothing 83.82 cm (33 in) 管道剪式箍圈	9706700
\varnothing 91.44 cm (36 in) 管道剪式箍圈	9706800
\varnothing 106.68 cm (42 in) 管道剪式箍圈	9706900
弹簧箍圈， \varnothing 15.24 cm (6 in)，紧固 US9003（管内式）传感器	4021
弹簧箍圈， \varnothing 20.32 cm (8 in)，紧固 US9003（管内式）传感器	4022
弹簧箍圈， \varnothing 25.40 cm (10 in)，紧固 US9003（管内式）传感器	4023
弹簧箍圈， \varnothing 30.48 cm (12 in)，紧固 US9003（管内式）传感器	4024

目次

- | | |
|---------------|----------------------|
| 1 仕様 78 ページ | 5 メンテナンス 90 ページ |
| 2 一般情報 78 ページ | 6 トラブルシューティング 91 ページ |
| 3 設置 81 ページ | 7 交換パーツとアクセサリ 91 ページ |
| 4 操作 89 ページ | |

第 1 章 仕様

この仕様は予告なく変更されることがあります。

仕様	詳細
寸法 (φ x 長さ)	US9001: φ 3.02 x 10.31 cm US9003: φ 4.06 x 28.04 cm
筐体	US9001: 316 ステンレススチール US9003: 316 ステンレススチールと ABS
重量	US9001: 0.76 kg、9.14 m ケーブルを含む US9003: 0.92 kg、9.14 m ケーブルを含む
周波数	120 kHz
精度	校正ポイントから 0.008 mm/mm(定常温度、静止大気、理想的な測定対象)
測定範囲	US9001: 13.34 ~ 396.24 cm US9003: 0 ~ 382.91 cm
電源	12 VDC、0.0416 A、0.5 W
動作周囲温度	-18 ~ 60 °C
動作周囲湿度	0 % ~ 95 %、結露のないこと
保管温度	-40 ~ 60 °C
分解能	2.54 mm
ケーブル被覆材	ポリウレタン
ケーブル径	6.10 mm
ケーブル長	9.14 m 注: 最大 91.44 m ¹
ビーム角	6 ° (1/2 角、標準)
筐体保護等級	NEMA 6P、IP 68
互換性のある装置	FL シリーズの流量ロガーおよび AS950 サンプラー
認証	CE
保証	1 年

第 2 章 一般情報

いかなる場合も、製造元は、製品の不適切な使用またはマニュアルの指示に従わなかったことに起因する損害について責任を負いません。製造元は、通知または義務なしに、随時本マニュアルおよび製品において、その記載を変更する権利を有します。改訂版は、製造元の Web サイト上にあります。

¹ 延長ケーブルと導管延長キットについては、[交換パーツとアクセサリ 91 ページ](#)を参照してください。




2.1 安全情報

メーカーは、本製品の目的外使用または誤用に起因する直接損害、偶発的損害、結果的損害を含むあらゆる損害に対して、適用法で認められている範囲で一切責任を負わないものとします。ユーザーは、適用に伴う危険性を特定したり、装置が誤作動した場合にプロセスを保護するための適切な機構を設けることに関して、全責任を負うものとします。

この機器の開梱、設定または操作を行う前に、このマニュアルをすべてよく読んでください。危険、警告、注意に記載されている内容をよく読み、遵守してください。これを怠ると、使用者が重傷を負う可能性、あるいは機器が損傷を受ける可能性があります。



この機器による保護機能が損なわれていないことを確認してください。この装置は本マニュアルで指定されている方法以外の方法で使用したり、取り付けたりしないでください。

2.1.1 危険情報


▲ 危険	
	回避しないと死亡または重傷につながる潜在的または切迫した危険な状況を示します。
▲ 警告	
	回避しなければ、死亡または重傷につながるおそれのある潜在的または切迫した危険な状況を示します。
▲ 注意	
	軽傷または中程度のけがをする事故の原因となる可能性のある危険な状況を示します。
告知	
	回避しなければ、本製品を損傷する可能性のある状況や、特に強調したい情報を示します。特に強調する必要がある情報。

2.1.2 使用上の注意ラベル

測定器上に貼付されたラベルや注意書きを全てお読みください。これに従わない場合、人身傷害や装置の損傷につながるおそれがあります。測定器に記載されたシンボルは、使用上の注意と共にマニュアルを参照してください。

	この記号が計器に記載されている場合、操作の指示マニュアル、または安全情報を参照してください。
	このシンボルが付いている電気機器は、ヨーロッパ域内または公共の廃棄処理システムで処分できません。古くなったり耐用年数を経た機器は、廃棄するためにメーカーに無償返却してください。

2.2 認証

▲ 注意	
	本機器は、住宅環境での使用を意図しておらず、そのような環境ではラジオの聴取に対する十分な保護が得られない可能性があります。

カナダ電波妨害装置規則、ICES-003、クラス A:

テスト記録はメーカーにあります。

このクラス A デジタル装置は、カナダの障害発生機器規則の要件をすべて満たしています。

FCC PART 15、クラス「A」限度値

テスト記録はメーカーにあります。この機器は FCC 規則のパート 15 に準拠します。この機器の動作は以下の条件を前提としています:

1. この装置が有害な干渉の原因とならないこと。
2. この装置が望ましくない動作の原因となる可能性のある干渉を含めた、いかなる干渉にも対応しなければなりません。

これらの規格への準拠に責任を持つ当事者による明示的承認を伴わずにこの装置に対する改変または改造を行うと、ユーザーはこの機器を使用する権限を失う可能性があります。この装置は、FCC 規則のパート 15 に従って、クラス A のデジタル機器の制限に準拠することが試験によって確認されています。これらの制限は、この機器が商用の環境で使用されたときに、有害な干渉から適切に保護することを目的に設定されています。この機器は、無線周波数エネルギーを生成および使用するもので、取り扱い説明書に従って取り付けおよび使用しない場合にはそれを放射する場合があります、無線通信に対して有害な干渉を発生させる可能性があります。住宅地域における本装置の使用は有害な電波妨害を引き起こすことがあり、その場合ユーザーは自己負担で電波妨害の問題を解決する必要があります。干渉の問題を軽減するために以下の手法が利用可能です。

1. 装置から電源を取り外して、電源が干渉源かどうかを確認します。
2. 装置が干渉を受けている装置と同じコンセントに接続されている場合は、装置を別のコンセントに接続してください。
3. 妨害を受けている装置から本装置を離します。
4. 干渉を受けるデバイスの受信アンテナの位置を変更します。
5. 上記の手法を組み合わせてみます。

2.3 製品概要

超音波レベルセンサは、オープンチャンネルで水位を測定して、流量を計算します。流量は、水位と主装置を基にするか、水位と流速センサによって提供される速度を基にして計算します。

2.3.1 ステータスインジケータライト

センサーが流量ロガーに接続されていて、読み取り値を取得しているときに、センサーのステータスインジケータライトが点灯します。図 1 81 ページおよび図 2 81 ページを参照してください。ライトの色の説明については、表 1 を参照してください。

表 1 ステータスインジケータの表示

ライトの色	説明
赤	エコーが検出されなかった (エコー損失)。
緑色	エコーが検出された。
緑の点滅	測定対象がセンサーに近づきすぎている (センサーの最小距離である 6.35 mm 以内)。

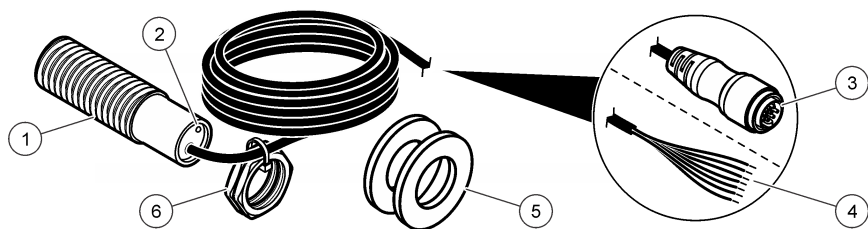
2.4 動作原理

水位は、超音波センサーによって測定されます。超音波センサーは、超音波パルスを生成し、これが水面に放射されます。超音波は水面で反射され、センサーがエコーを受け取ります。距離は、超音波パルスが水面からセンサーに到達するまでの測定された時間によって算出されます。測定された時間が、センサー下部の周囲温度での音速で乗算されます。センサーは、正確な値を算出するために周囲温度を測定します。

2.5 製品コンポーネント

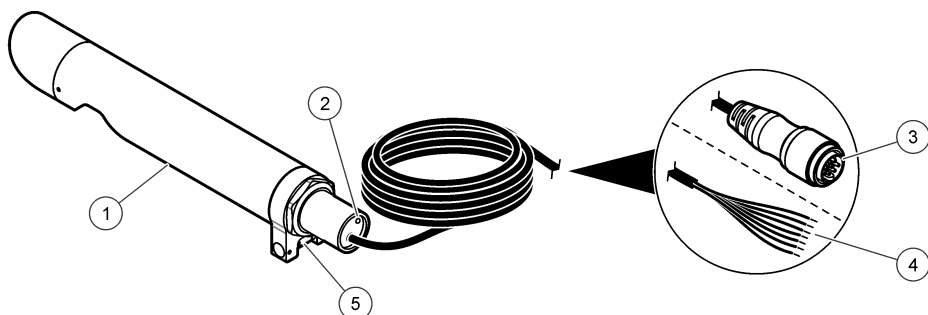
すべてのコンポーネントが正しく納品されていることを確認してください。図 1 および図 2 を参照してください。コンポーネントが不足していたり損傷していたりする場合は、直ちに取扱販売代理店にお問い合わせください。

図 1 US9001 (ダウンルッキング) センサコンポーネント



1 US9001 センサとケーブル (9.14 m)	4 裸線の接続 ²
2 ステータスインジケータライト	5 防振ガスケット (2 個) ³
3 コネクタ	6 六角ナット (2 個) ³

図 2 US9003 (パイプ挿入型) センサコンポーネント



1 US9003 センサとケーブル (9.14 m)	4 裸線の接続 ²
2 ステータスインジケータライト	5 気泡水準器
3 コネクタ	

第 3 章 設置

▲ 注意



複合的な危険。本書のこのセクションに記載されている作業は、必ず資格のある作業員が行う必要があります。

3.1 サイト設置ガイドライン

最高のセンサ性能を得るために、表 2 のサイト設置ガイドラインに従ってください。

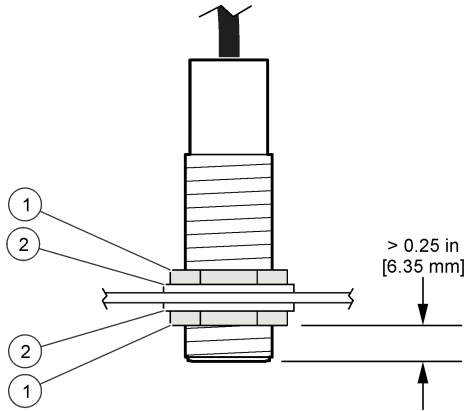
² 裸線はコネクタの代替品です。

³ ダウンルッキングセンサ用壁取り付けブラケット (2974) とともに使用

表 2 サイト設置ガイドライン

ガイドライン	詳細
センサケーブルでセンサを吊り下げないでください。	センサケーブルが伸びて、測定エラーが発生します。
センサに直射日光が当たらないようにしてください。	強い直射日光がセンサに当たると、センサハウジングの温度が上昇し、周囲の気温よりも高くなります。これにより不正確な測定値になることがあります。
US9001 (ダウンルッキング) センサの場合は、下部取り付けナットとセンサ測定面の距離が 6.4 mm 以上になるようにしてください。図 3 を参照してください。	取り付けナットがセンサ測定面の近くにあると、高温時に水位スパイクが発生することがあります。 六角ナットを手で締めた後に、1/2 回転締め付けます。六角ナットを締め付けすぎないでください。締め付けすぎると、防振ガスケットが振動を吸収しなくなります。
センサの下に強風が流れ込んだり、強い気流が生じないようにしてください。	風により超音波信号の強度が低下します。
超音波信号が小径パイプや幅狭フルーム/水路の側面に当たらないようにセンサを設置してください。	超音波信号の 1/2 ビーム角は 6°です。図 4 および図 5 を参照してください。偽エコーを防止し、誤った水位測定値にならないようにするために、測定対象の最小距離および最大距離を設定してください。アプリケーションの設定を変更するには、DATA Desktop の取扱説明書を参照してください。
水位が上昇した場合に浸漬しないように、センサは水面から十分に高い位置に設置してください。	水中の音速は、空気中の音速よりも大幅に高速です。センサが浸漬すると、異常な値になります。

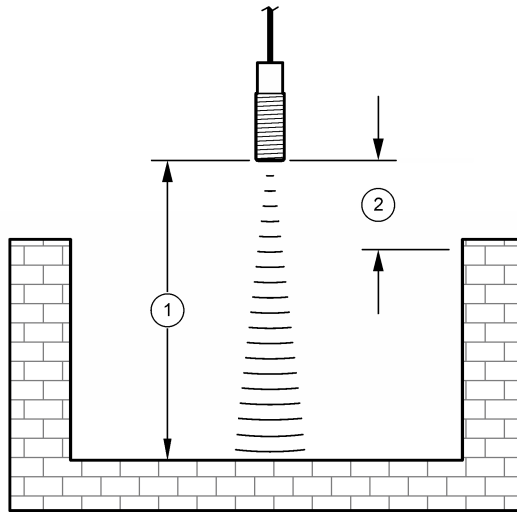
図 3 US9001 (ダウンルッキング) センサ



1 六角ナット

2 防振ガスケット

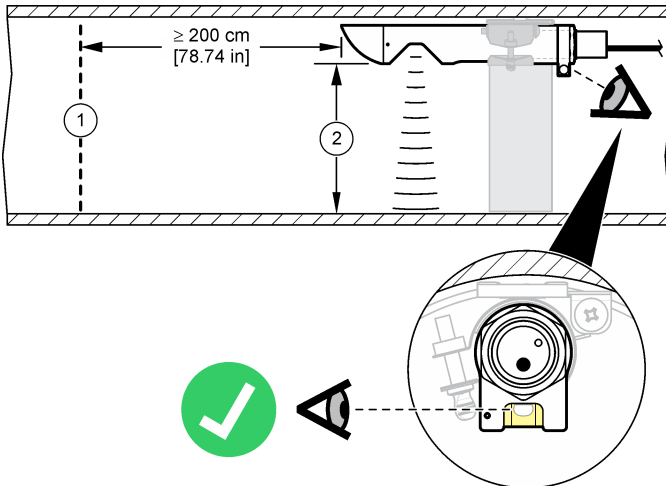
図 4 US9001 センサの設置



1 最大距離

2 最小距離

図 5 US9003 センサの設置



1 反射する障害物への最小距離

2 センサからの距離、0 ~ 382.91 cm(最大)

3.2 設置手順

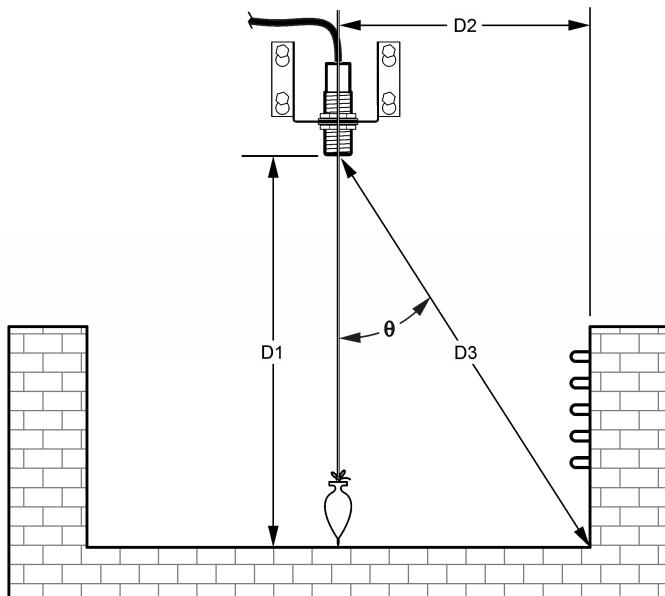
超音波信号はセンサーの下部から出力され、センサーから離れるに従って広がります。超音波信号がパイプまたは水路の上面に当たらないようにセンサーを取り付けてください。

幅の狭い水路の上に設置する場合は、ビームの幅が水路よりも広がる可能性があるため、あまり高い位置にセンサーを取り付けしないでください。この場合、水面からではなく、水路の上面から偽エコーが発生します。偽エコーを防止するためにも、ビーム全体が水路内に収まり、障害物に当たらないような適切なセンサー高さを求めてください。

適切なセンサー高さの求め方:

1. 測定を行います。図 6 を参照してください。
2. 軸からの角度を計算します: $\theta = \arctan \times (D2/D1) \approx 80.5 \times (D2/D1)$ 。
3. 外部の障害物からの干渉を防止できるように、計算した角度がセンサーの 1/2 ビーム角 (6°(標準)) 未満であることを確認してください。

図 6 センサー高さの求め方



3.3 センサーの取り付け

超音波センサーを、水流の中央の上に、センサー測定面が流れと平行になるように設置します。信号が水流に対して直角に出力され、信号エコーが水路壁で反射されないように、センサー測定面は水流に対して平行になっている必要があります。信号が壁で反射されると、読み取り値が正しくなくなったり、完全なエコー損失が発生する可能性があります。

超音波センサーには、いくつかの取り付けハードウェアオプションが用意されています。図 7 および図 8 を参照してください。取り付け方法については、取り付けハードウェアに付属の取扱説明書を参照してください。

図 7 取り付けハードウェアオプション – US9001

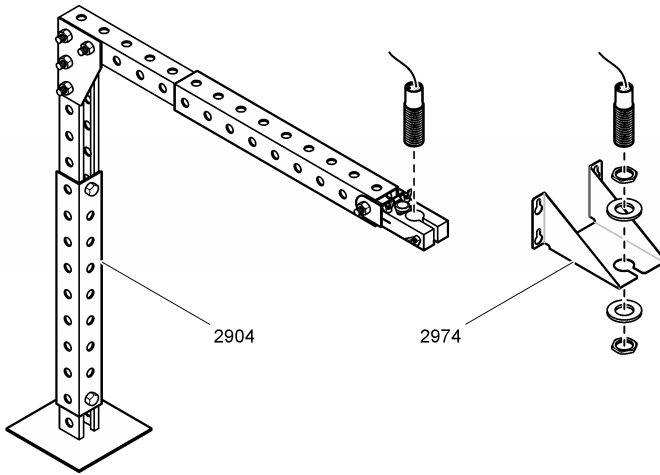
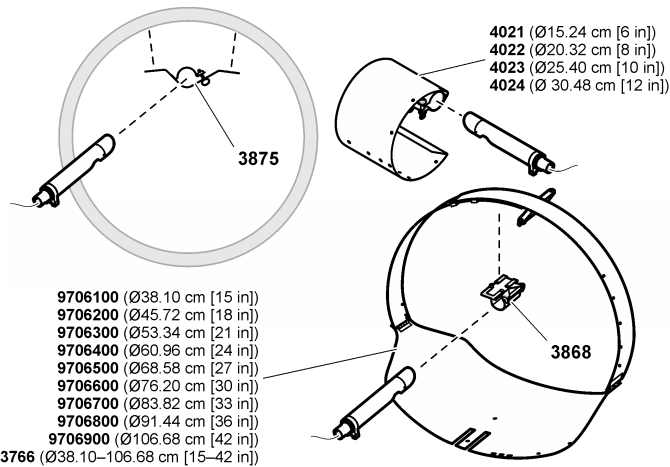


図 8 取り付けハードウェアオプション – US9003



3.4 流量ロガーまたはサンプラーへの接続

流量ロガーまたはサンプラーにケーブルを接続します。手順については、流量ロガーまたはサンプラーの取扱説明書を参照してください。

3.5 主装置へのセンサの設置

主装置は、水位と流量の関係が既知の水理構造物（フルームや堰など）です。超音波センサは、流量に関係する水路内の液体の水位（「水頭」といいます）を測定し、流量ロガーは主装置の水頭-流量の関係に基づいて流量を計算します。

注: また、流量ロガーは水路内の液体の水位と流速センサによって提供される面速度値に基づいて流量を計算することもできます。流量計算方法は、[Flow Method (流量計算方法)] フィールドで選択します。

ほとんどの主装置で、水頭（水位）測定センサの設置位置が指定されています。正しいセンサ設置位置については、主装置メーカー提供の取扱説明書を参照してください。主装置メーカー提供の取扱説明書がない場合は、図 9～図 13 を参照してください。図中の記号 ⊕ は、正しいセンサ設置位置を示しています。

センサを浸漬させることなく最適な距離に設置するには、測定対象の代表的な最大水位から上に向かって、センサの最小範囲にセンサを取り付けます。測定対象の最小水位を考慮し、センサの最大範囲内に収まっていることを確認してください。

図 9 三角堰

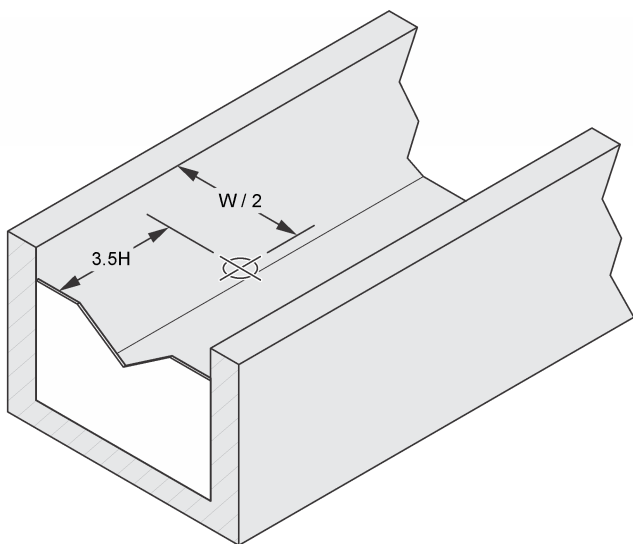
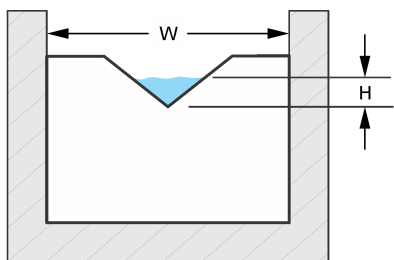


図 10 Palmer-Bowlus フルーム

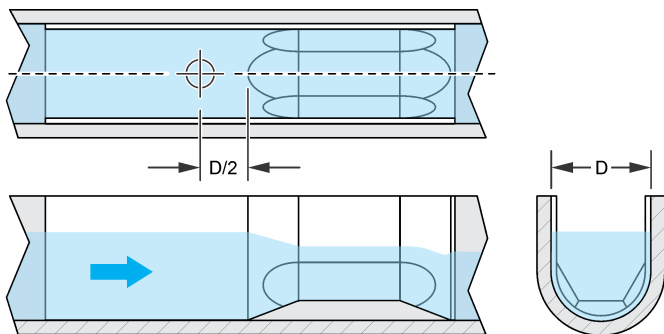
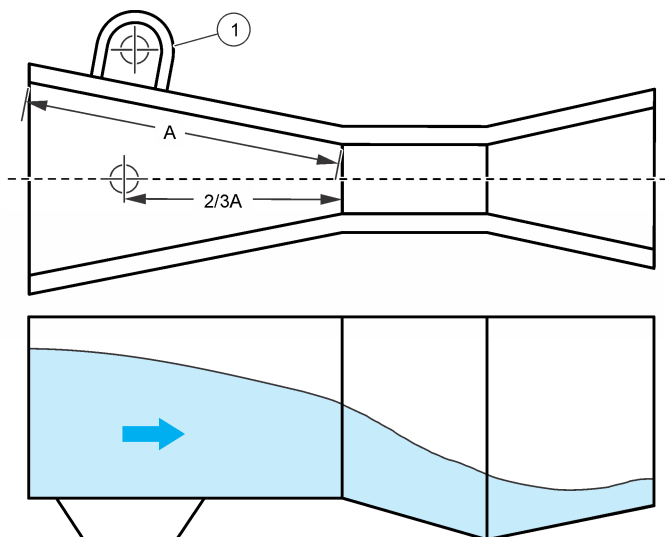
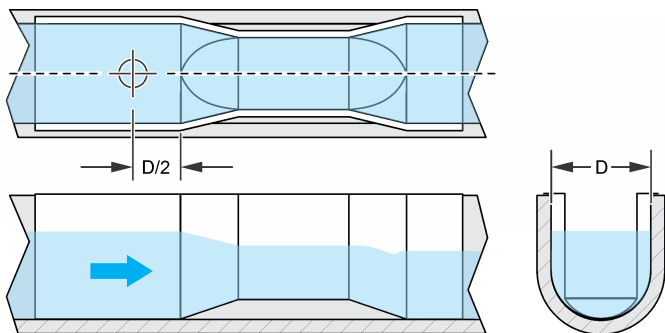


図 11 Parshall フルーム



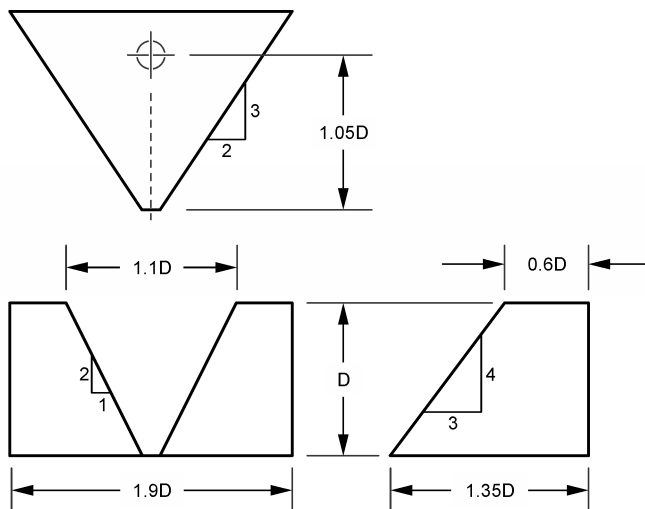
1 静水井⁴

図 12 Leopold-Lagco フルーム



⁴ 静水井がある場合は、センサを静水井に設置します。静水井がない場合は、図示されている場所に設置します。

図 13 H フルーム

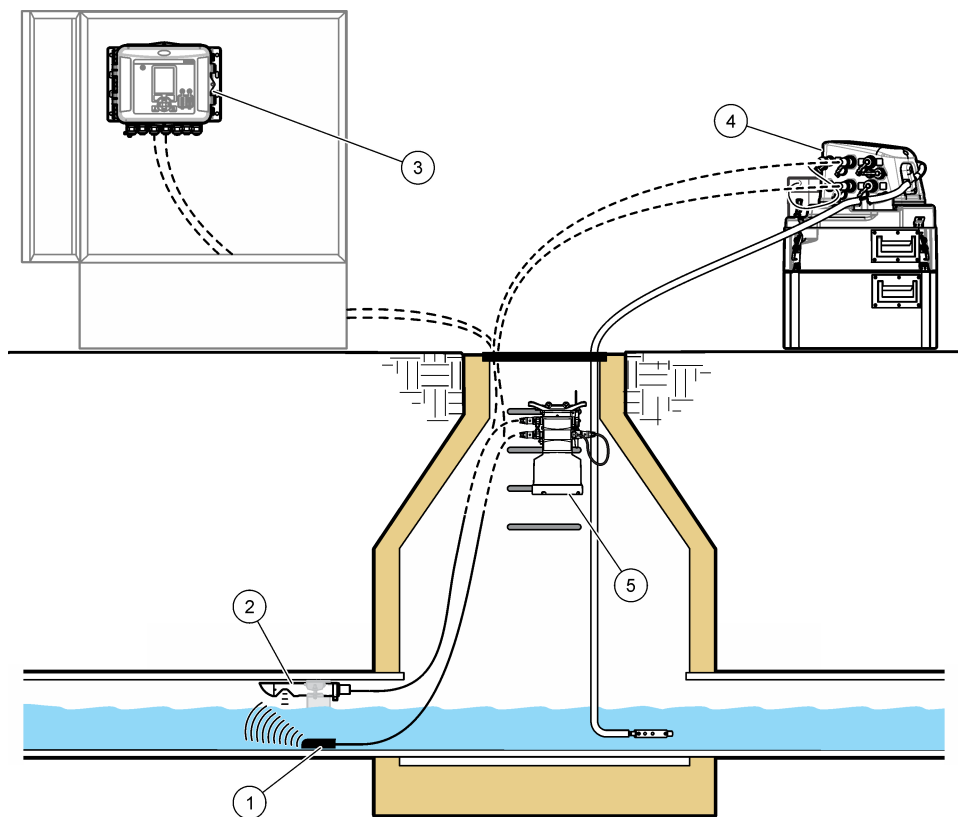


3.6 冗長水位測定用の設置方法

超音波センサは、Sigma 面速センサ、AV9000 アナライザーモジュール、Flo-Dar センサ、Flo-Tote センサなどとともに、冗長水位測定に使用することができます。

冗長水位測定の最も一般的な例は、浸漬させた圧力式面速センサとともに使用する方法です。面速センサは、通常、スプリングバンドまたはシザースバンド上に取り付けてパイプの底部に設置します。超音波センサは、パイプの頂部に取り付けます。2つのセンサは、FL シリーズの流量ロガーまたは AS950 サンプラーに接続します。図 14 を参照してください。

図 14 水位測定



1 面速センサ	4 AS950 サンプラー
2 超音波センサ	5 FL900 流量ロガー
3 FL1500 流量ロガー	

第 4 章 操作

FL900 流量ロガーに接続しているセンサの場合、FSDATA Desktop ソフトウェアを搭載しているコンピューターを流量ロガーに接続して、センサからのデータを設定、校正、および収集します。センサからのデータを設定、校正、および収集するには、FSDATA Desktop の取扱説明書を参照してください。

FL1500 流量ロガーに接続しているセンサの場合、センサからのデータを設定、校正、および収集するには、FL1500 流量ロガーの取扱説明書を参照してください。または、FSDATA Desktop ソフトウェアを搭載しているコンピューターを流量ロガーに接続して、センサからのデータを設定、校正、および収集することもできます。センサからのデータを設定、校正、および収集するには、FSDATA Desktop の取扱説明書を参照してください。

AS950 サンプラーに接続しているセンサの場合は、センサからのデータを設定、校正、および収集するには、AS950 サンプラーの取扱説明書を参照してください。

4.1 ソフトウェアのインストール

FSDATA Desktop ソフトウェアの最新バージョンがコンピューターにインストールされていることを確認してください。ソフトウェアは、<http://www.hachflow.com> からダウンロードできます。[Support (サポート)] をクリックして、[Software Downloads (ソフトウェアのダウンロード)] > [Hach FL Series Flow Logger (Hach FL シリーズ流量ロガー)] の順に選択します。

第 5 章 メンテナンス

▲ 注意



複合的な危険。本書のこのセクションに記載されている作業は、必ず資格のある作業員が行う必要があります。

告知

メンテナンスのために装置を分解しないでください。内部の部品やモジュールを清掃するか、または修理する場合は、メーカーにお問合せください。

5.1 センサーの清掃

告知

センサーを清掃する際に、スチールウールまたは研磨パッドを使用しないでください。これらを使用すると、センサーが損傷します。

センサーを定期的に点検して、汚れや沈殿物がないことを確認してください。沈殿物がある場合、または性能が低下した場合は、センサーを清掃してください。表 3 に、使用するべき洗浄液と使用してはいけない洗浄液を示します。

表 3 洗浄液のリスト

使用可能	使用不可能
食器用洗剤および水	アンモニアを含む製品
	濃縮ブリーチ
	灯油
	ガソリン
	芳香族炭化水素

1. センサーを流量ロガーから取り外します。
2. 食器用洗剤および水にセンサーを浸けます。
3. センサーの計測面とリフレクターを清掃します。
4. 頑固な汚れを取り除くには、スプレーボトルまたはスクイズボトルを使用します。

第 6 章 トラブルシューティング

問題	考えられる原因	対処方法
エコー損失	超音波信号を吸収する泡または飽和水蒸気 (蒸気または霧)	泡または飽和水蒸気のない場所にセンサーを設置します。
	閉回路の高流速下水網での気流や暴風時の突風などの強風	風がない場所にセンサーを設置します。特殊な環境に設置する方法については、技術サポートにお問い合わせください。
	センサー測定面が測定対象面と平行になっていない。	センサー測定面が測定対象面と平行になっていることを確認します。
	測定対象面が適切でない (過度の乱流)。	別の測定領域を選択します。
不正確な測定値	センサーが設置されているパイプ径が小さすぎる、または水路が狭すぎる。超音波信号がパイプまたは水路の側面から反射されています。	センサーを径の大きいパイプに設置するか、水面に近づけてください。ダウンルッキングセンサーの場合は、水面から 13.34 cm 以上離してください。パイプ挿入型センサーの場合は、水面から 0 cm 以上離してください。 または、最小距離値を増やして、測定に影響を与えている障害物の下の位置になるようにします。
	センサーに直射日光が当たっている。	センサーに直射日光が当たらないようにしてください。別の場所に移動できない場合は、日よけを取り付けてください。特殊な環境に設置する方法については、技術サポートにお問い合わせください。
	センサーの周囲温度が急速に変化した。	周囲温度が大幅に変化した場合は、センサーが安定するまで待ってください。
	センサーが測定対象面から離れすぎている。	センサーを測定対象面の近くに設置してください。
測定エラー	泡、油、汚れ、水面の乱流により信号の送受信に影響が出ている。	センサーを清掃します。 センサーの清掃 90 ページを参照してください。

第 7 章 交換パーツとアクセサリ

▲ 警告



人体損傷の危険。未承認の部品を使用すると、負傷、装置の破損、または装置の誤作動を招く危険性があります。このセクションでの交換部品は、メーカーによって承認済みです。

注: プロダクト番号とカタログ番号は、一部の販売地域では異なる場合があります。詳細は、取り扱い販売店にお問い合わせください。お問い合わせ先については、当社の Web サイトを参照してください。

交換部品

説明	アイテム番号
防振ガスケット	6820
US9003 (パイプ挿入型) センサ用ホルダー (レベル)	9488700

アクセサリ

説明	アイテム番号
延長ケーブル、コネクタ付き (15.24 m)	9489000
延長ケーブル、一方の端が裸線 (82.29 m)、ケーブルのみ	9488100
延長ケーブル (裸線および接続ボックス付き)、30.48 m	8315200
延長ケーブル (裸線および接続ボックス付き)、82.29 m	8315201

アクセサリ（続き）

説明	アイテム番号
導管用延長キットの内容: 裸線のケーブル (82.29 m)、接続ボックス(ケーブル、ロガー接続用コネクタ付き (30.48 cm)) 注: 超音波センサ、コーキングガン、ゲルカートリッジは別途注文のこと。	9488000
ゲルカートリッジ (3 個) とフィードチューブ、接続ボックス (使用した場合) への水の浸入防止用	7725600
ゲルカートリッジ、コーキングガン	7715300
接続ボックス、ケーブル (30.48 cm)、コネクタ、カラビナクリップ付き 注: コーキングガンとゲルカートリッジは別途注文のこと。	9488200
取り付けブラケット、固定式、US9003 (パイプ挿入型) センサ用	3875
取り付けブラケット、床または壁用、調整式、US9001 (ダウンルッキング) センサ用	2904
取り付けブラケット、壁用、固定式、US9001 (ダウンルッキング) センサ用	2974
取り付けクリップ、US9003 (パイプ挿入型) センサ用	3868
シザースバンドセット、 \varnothing 38.10 ~ 106.68 cm パイプ用、US9003 (パイプ挿入型) センサ用	3766
シザースバンド、 \varnothing 38.10 cm パイプ用	9706100
シザースバンド、 \varnothing 45.72 cm パイプ用	9706200
シザースバンド、 \varnothing 53.34 cm パイプ用	9706300
シザースバンド、 \varnothing 60.96 cm パイプ用	9706400
シザースバンド、 \varnothing 68.58 cm パイプ用	9706500
シザースバンド、 \varnothing 76.20 cm パイプ用	9706600
シザースバンド、 \varnothing 83.82 cm パイプ用	9706700
シザースバンド、 \varnothing 91.44 cm パイプ用	9706800
シザースバンド、 \varnothing 106.68 cm パイプ用	9706900
スプリングリング、 \varnothing 15.24 cm、US9003 (パイプ挿入型) センサ用	4021
スプリングリング、 \varnothing 20.32 cm、US9003 (パイプ挿入型) センサ用	4022
スプリングリング、 \varnothing 25.40 cm、US9003 (パイプ挿入型) センサ用	4023
スプリングリング、 \varnothing 30.48 cm、US9003 (パイプ挿入型) センサ用	4024

목차

- | | |
|----------------|-----------------------|
| 1 사양 93 페이지 | 5 유지관리 105 페이지 |
| 2 일반 정보 93 페이지 | 6 문제 해결 105 페이지 |
| 3 설치 96 페이지 | 7 교체 부품 및 부속품 106 페이지 |
| 4 작동 104 페이지 | |

섹션 1 사양

사양은 사전 예고 없이 변경될 수 있습니다.

사양	세부 사항
치수(∅ x L)	US9001: ∅ 3.02 x 10.31 cm(∅ 1.19 x 4.06 in.) US9003: ∅ 4.06 x 28.04 cm(∅ 1.6 x 11.04 in.)
케이스	US9001: 316 스테인리스강 US9003: 316 스테인리스강 및 ABS
무게	US9001: 0.76 kg(1.68 lb), 9.14 m(30 ft) 케이블 포함 US9003: 0.92 kg(2.03 lb), 9.14 m(30 ft) 케이블 포함
주파수	120 kHz
정확도	보정 지점으로부터 0.008 in./in. 일정한 온도, 바람 없음, 이상적인 측정 대상
측정 범위	US9001: 13.34-396.24 cm(5.25-156 in.) US9003: 0-382.91 cm(0.00-150.75 in.)
전원 요구 사항	12 VDC, 0.0416 A, 0.5 W
작동 온도	-18-60 °C (0-140 °F)
작동 습도	0-95%, 비응축 시
보관 온도	-40-60 °C (-40-140 °F)
해결 방법	2.54mm(0.01인치)
케이블 재킷 소재	폴리우레탄
케이블 직경	6.10mm(0.24인치)
케이블 길이	9.14 m(30 ft) 참고: 최대 91.44 m(300 ft) maximum ¹
범 각도	6 °(하프 각도, 일반)
케이스 등급	NEMA 6P, IP 68
호환 기기	FL 시리즈 유량 기록계 및 AS950 샘플러
인증	CE
보증	1년

섹션 2 일반 정보

어떠한 경우에도 제조업체는 제품의 부적절한 사용 또는 설명서의 지침을 준수하지 않아 발생하는 손해에 대해 책임을 지지 않습니다. 제조업체는 본 설명서와 여기에 설명된 제품을 언제라도 통지나 추가 가격 책임 없이 변경할 수 있습니다. 개정본은 제조업체 웹 사이트에서 확인할 수 있습니다.

¹ 연장 케이블 및 도관 연장 키트는 **교체 부품 및 부속품 106 페이지**를 참조하십시오.

2.1 안전 정보

제조사는 본 제품의 잘못된 적용 또는 잘못된 사용으로 인한 직접, 우발적 또는 간접적 손해에 국한하지 않는 모든 손해에 대한 어떠한 책임도 지지 않으며, 관계 법령이 최대한 허용하는 손해에 관한 면책이 있습니다. 사용자는 사용상 중대한 위험을 인지하고 장비 오작동이 발생할 경우에 대비하여 적절한 보호 장치를 설치하여야 합니다.

장치 포장을 풀거나 설치하거나 작동하기 전에 본 설명서를 모두 읽으십시오. 모든 위험 및 주의사항 설명에 유의하시기 바랍니다. 이를 지키지 않으면 사용자가 중상을 입거나 장치가 손상될 수 있습니다.



이 장비가 제공하는 보호 기능이 손상되지 않았는지 확인하세요. 본 설명서에서 설명하는 방법이 아닌 다른 방법으로 본 장비를 사용하거나 설치하지 마십시오.

2.1.1 위험 정보 표시

▲ 위험
지키지 않을 경우 사망하거나 또는 심각한 부상을 초래하는 잠재적 위험이나 긴급한 위험 상황을 뜻합니다.
▲ 경고
피하지 않을 경우에 사망이나 심각한 부상을 유발할 수 있는 잠재적 위험이나 긴급한 위험 상황을 나타냅니다.
▲ 주의
경미하거나 심하지 않은 부상을 초래할 수 있는 잠재적인 위험 상황을 뜻합니다.
주의사항
지키지 않으면 기기에 손상을 일으킬 수 있는 상황을 나타냅니다. 특별히 강조할 필요가 있는 정보.

2.1.2 주의 경고

본 기기에 부착된 모든 라벨 및 태그를 참조하시기 바랍니다. 지침을 따르지 않을 경우 부상 또는 기기 손상이 발생할 수 있습니다. 기기에 있는 기호는 주의사항에 대한 설명과 함께 설명서에서 참조합니다.

	기기에 이 심볼이 표시되어 있으면 지침서에서 작동 및 안전 주의사항을 참조해야 합니다.
	이 심볼이 표시된 전기 장비는 유럽 내 공공 폐기 시스템에 따라 폐기할 수 없습니다.

2.2 인증

▲ 주의
이 장비는 거주 환경에서는 사용할 수 없으며 이러한 환경에서의 주파수 수신에 대한 적절한 보호를 제공하지 않을 수 있습니다.

캐나다 무선 간섭 유발 장치 규정, IECS-003, 등급 A:

보조 테스트 기록은 제조업체가 제공합니다.

본 등급 A 디지털 장치는 캐나다 간섭 유발 장치 규제의 모든 요구조건을 만족합니다.

Cet appareil numérique de classe A répond à toutes les exigences de la réglementation canadienne sur les équipements provoquant des interférences.

FCC Part 15, Class "A" 제한

보조 테스트 기록은 제조업체가 제공합니다. 본 장치는 FCC 규칙, Part 15를 준수합니다. 본 장치는 다음 조건에 따라 작동해야 합니다.

1. 유해한 간섭을 일으키지 않아야 합니다.
2. 오작동을 유발할 수 있는 간섭을 포함하여 수신되는 모든 간섭에도 정상적으로 작동해야 합니다.

본 장치의 준수 책임이 있는 측이 명시적으로 허용하지 않은 변경 또는 수정을 가하는 경우 해당 사용자의 장치 작동 권한이 무효화될 수 있습니다. 본 장치는 FCC 규칙, Part 15에 의거하여 등급 A 디지털 장치 제한 규정을 준수합니다. 이러한 제한은 상업 지역에서 장치를 작동할 때 유해한 간섭으로부터 적절하게 보호하기 위하여 제정되었습니다. 본 장치는 무선 주파수 에너지를 생성 및 사용하며 방출할 수 있고 사용 설명서에 따라 설치하고 사용하지 않을 경우 무선 통신에 해로운 간섭을 일으킬 수 있습니다. 주거 지역에서 본 장치를 사용하면 해로운 간섭을 일으킬 수 있으며, 이 경우 사용자는 자비를 들여 간섭 문제를 해결해야 합니다. 다음과 같은 방법으로 간섭 문제를 줄일 수 있습니다.

1. 장치를 전원에서 분리하여 장치가 간섭의 원인인지 여부를 확인합니다.
2. 장치가 간섭을 받는 장치와 동일한 콘센트에 연결된 경우, 장치를 다른 콘센트에 연결해보십시오.
3. 장치를 간섭을 받는 장치로부터 멀리 분리하여 놓으십시오.
4. 간섭을 받는 장치의 안테나 위치를 바꿔보십시오.
5. 위의 방법들을 함께 적용해보십시오.

2.3 제품 소개

초음속 레벨 센서는 유량 레벨을 측정하고 개방 유로에서 유속을 측정합니다. 유속은 유량 레벨과 1차 장치 또는 유량 레벨과 속도 센서가 제공하는 속도를 기반으로 계산됩니다.

2.3.1 상태 표시등

센서가 유량 로거에 연결되어 있을 경우 센서가 측정할 때 상태 표시등이 켜집니다. **그림 1 96** 페이지 및 **그림 2 96** 페이지를 참조하십시오. 광 색상 설명은 **표 1**을 참조하십시오.

표 1 상태 표시등 정의

광 색상	설명
빨간색	반향이 검출되지 않음(반향 손실).
녹색	반향이 검출됨.
녹색 점멸	측정 대상이 센서에서 너무 가까움(센서 최소 거리의 6.35 mm(0.25 in.) 이내).

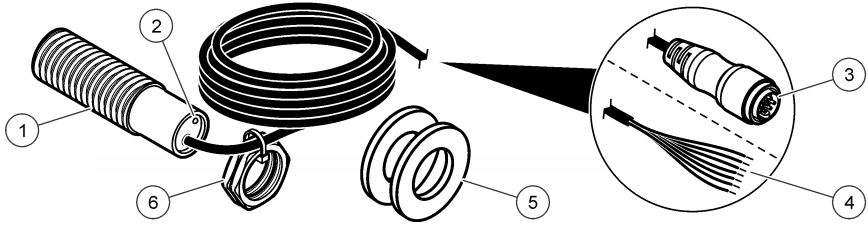
2.4 작동 원리

유량 레벨은 초음파 센서가 측정합니다. 초음파 센서는 수면을 향해 펄스형 초음파를 방출합니다. 초음파가 수면에서 반사하면 센서가 반향을 검출합니다. 거리는 초음파 펄스가 수면에서 센서까지 도달하는 데 걸린 측정된 시간입니다. 측정된 시간에 센서 아래 외기 온도를 기준으로 한 음속을 곱합니다. 정확도를 위해 센서가 외기 온도를 측정합니다.

2.5 제품 구성 부품

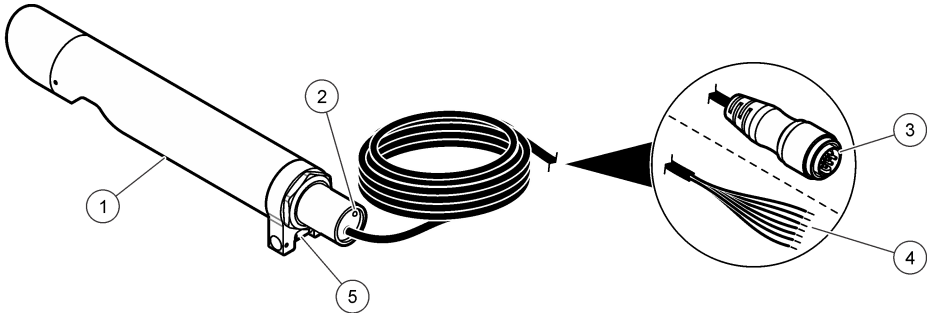
구성 부품을 모두 받았는지 확인하십시오. **그림 1** 및 **그림 2**를 참조하십시오. 품목이 누락되었거나 손상된 경우에는 제조업체 또는 판매 담당자에게 즉시 연락하십시오.

그림 1 US9001(하향) 센서 구성부품



1 US9001 센서 및 케이블 9.14 m(30 ft)	4 나선 연결 ²
2 상태 표시등	5 개스킷, 방진형(2x) ³
3 커넥터	6 육각 너트(2x) ³

그림 2 US9003(인파이프) 센서 구성부품



1 US9003 센서 및 케이블 9.14 m(30 ft)	4 나선 연결 ²
2 상태 표시등	5 기포 수준기
3 커넥터	

섹션 3 설치

⚠ 주의



여러 가지 위험이 존재합니다. 자격을 부여받은 담당자만 본 문서에 의거하여 작업을 수행해야 합니다.

3.1 사이트 설치 지침

최상의 센서 성능을 위해 표 2의 사이트 설치 지침을 따르십시오.

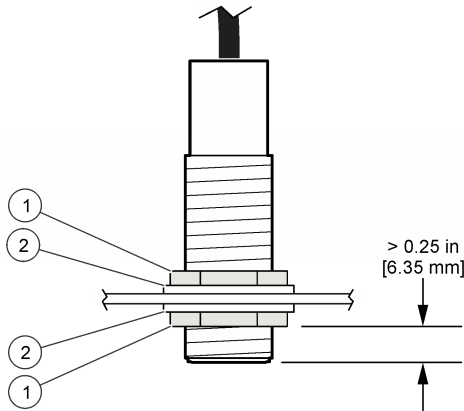
² 나선은 커넥터를 대체합니다.

³ 하향 센서용 벽면 장착 브래킷(2974)과 함께 사용

표 2 사이트 설치 지침

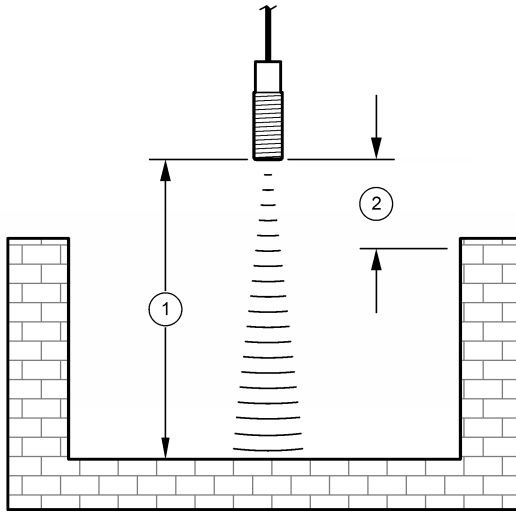
지침	세부 사항
센서를 센서 케이블에 매달지 마십시오.	센서 케이블이 늘어나 측정 오류가 발생할 수 있습니다.
센서에 직사광선이 닿지 않도록 하십시오.	센서에 강한 직사광선이 비출 경우 센서 하우징 온도가 외기 온도보다 높아집니다. 그러면 측정이 부정확해질 수 있습니다.
US9001(하향) 센서의 경우 가장 낮은 장착 너트가 센서 앞면으로부터 6.4 mm(0.25 in.) 이상 떨어져졌는지 확인합니다. 그림 3를 참조하십시오.	장착 너트가 센서 앞면과 가까울 경우 극단 온도에서 레벨 스파이크가 발생할 수 있습니다. 육각 너트를 손으로 조인 후 ¼바퀴 조입니다. 육각 너트를 너무 조이지 마십시오. 방진 개스킷에서 진동이 감소하지 않습니다.
센서 아래로 강한 바람이나 기류가 직접 불지 않도록 하십시오.	바람 때문에 초음파 신호의 강도가 감소합니다.
초음파 신호가 작은 파이프 또는 좁은 프롬/채널이 측면에 부딪히지 않도록 센서를 설치합니다.	초음파 신호는 6° 각도로 하프 빔을 방출합니다. 그림 4 및 그림 5를 참조하십시오. 잘못된 방향과 잘못된 레벨 측정값을 방지할 수 있도록 측정 대상의 최소 및 최대 거리를 설정합니다. 용도 설정을 변경하려면 FSDATA 데스크톱 문서를 참조하십시오.
레벨이 높아질 경우 수면 아래로 들어가지 않도록 센서를 수면 위로 충분히 높게 설치합니다.	수중에서는 소리의 속도가 공기보다 훨씬 빠릅니다. 물에 잠긴 센서는 이상값을 생성합니다.

그림 3 US9001(하향) 센서



1 육각 너트	2 개스킷, 방진형
---------	------------

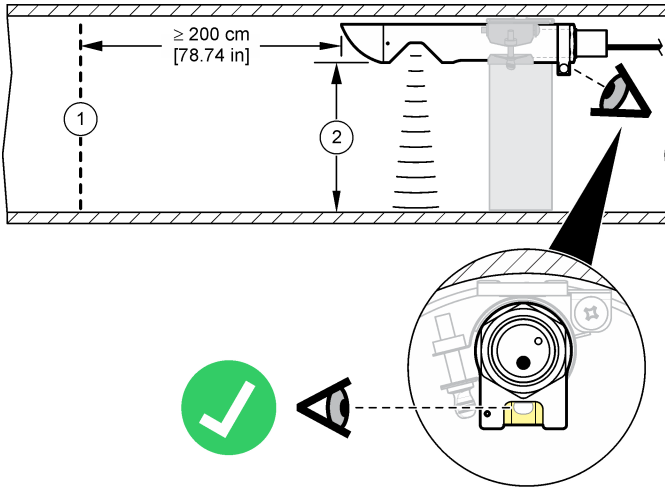
그림 4 US9001 센서 설치



1 최대 거리

2 최소 거리

그림 5 US9003 센서 설치



1 반사 방해물까지 최소 거리

2 센서로부터 거리, 0-382.91 cm(0.00-150.75 in.) 최대

3.2 설치 설정

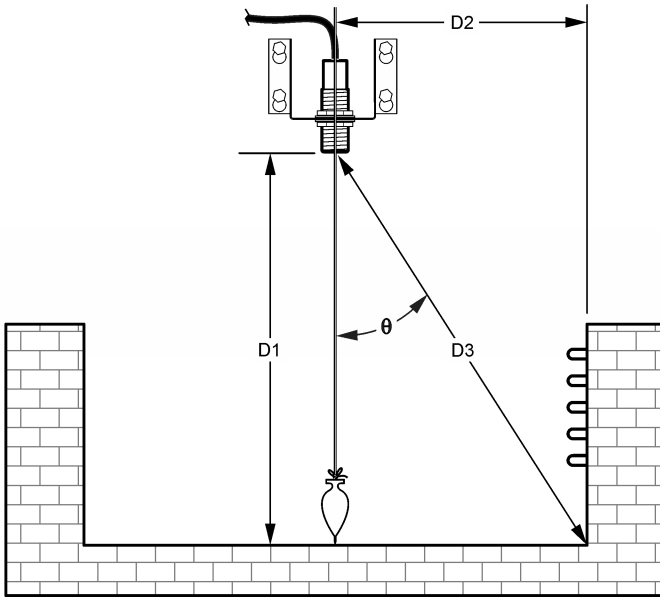
초음파 신호는 센서 하단에서 센서 반대 방향으로 뿔어나갑니다. 초음파 신호가 파이프 벽 또는 채널 상단에 부딪히지 않도록 센서를 설치합니다.

센서를 좁은 채널 위에 설치하는 경우 빔이 채널보다 넓을 수 있으므로 너무 높게 설치하지 마십시오. 이 경우 수면이 아니라 채널 벽 상단에서 잘못된 반향이 발생할 수 있습니다. 잘못된 반향을 방지하려면 전체 빔이 채널 안으로 떨어지고 장애물에 부딪히지 않도록 적절한 센서 높이를 찾으십시오.

적절한 센서 높이를 선택합니다.

1. 레벨을 측정합니다. **그림 6**을 참조하십시오.
2. 축으로부터의 각도를 계산합니다. $\Theta = \arctan \times (D2/D1) \approx 80.5 \times (D2/D1)$.
3. 외부 장애물로부터 간섭을 방지하려면 축으로부터 계산된 각도가 센서의 하프 빔 각도(6°, 일반)보다 작아야 합니다.

그림 6 센서 높이 선택



3.3 센서 설치

초음파 센서를 흐름의 중앙 위에 센서 앞면이 흐름과 평행하도록 설치합니다. 센서 전면이 흐름과 평행해야 합니다. 그러면 신호가 흐름과 수직이 되고 신호 반향이 채널 벽에서 반사되지 않습니다. 신호가 벽에서 반사될 경우 관독값에 오차가 생기거나 반향이 완전히 손실될 수 있습니다.

초음파 세서는 장착 하드웨어 옵션이 여러 가지입니다. **그림 7** 및 **그림 8**을 참조하십시오. 설치 정보는 장착 하드웨어와 함께 제공된 설명서를 참조하십시오.

그림 7 장착 하드웨어 옵션 - US9001

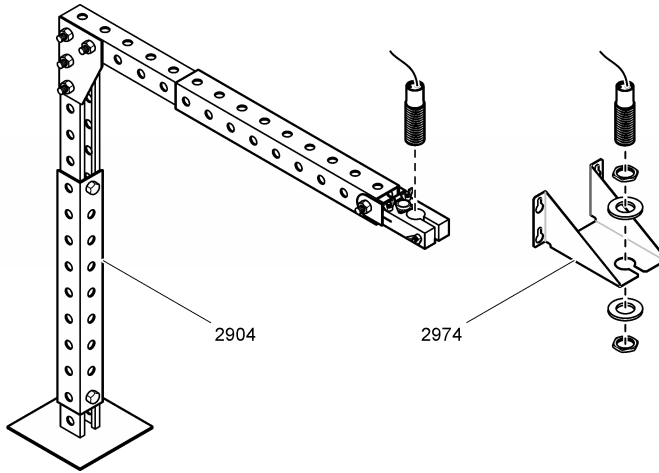
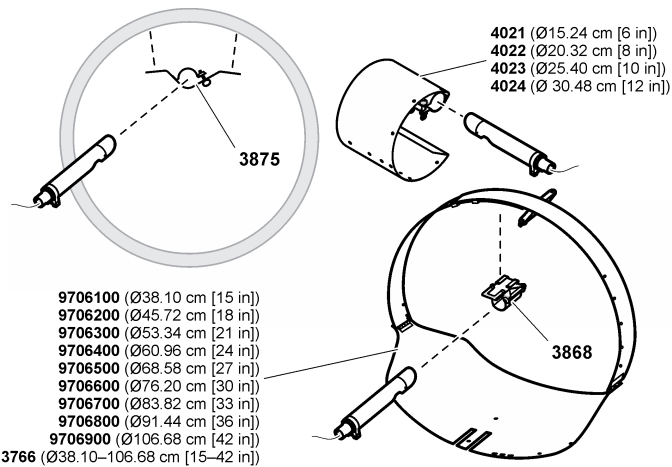


그림 8 장착 하드웨어 옵션 - US9003



3.4 유량 기록계 또는 샘플러 연결

케이블을 유량 기록계 또는 샘플러에 연결합니다. 유량 기록계 또는 샘플러 문서의 지침을 참고하십시오.

3.5 1차 장치에 센서 설치

1차 장치는 프롭 또는 위어와 같이 수력 구조물입니다. 초음파 센서는 유량에 기여하는 채널 내 액체 레벨("헤드"라고 부름)을 측정하고, 유량 로거는 1차 장치의 헤드-유량 간 관계를 기반으로 유속을 계산합니다.

참고: 유량 로거가 채널 내 액체 레벨과 속도 센서가 제공하는 면적 속도를 기반으로 유속을 계산할 수도 있습니다. 유속 계산 방법은 *Flow Method* (유속 방법) 필드에서 선택합니다.

대부분의 1차 장치는 헤드(액체 레벨) 측정 센서를 위한 위치가 지정되어 있습니다. 올바른 센서 위치는 1차 장치 제조업체가 제공하는 설명서를 참조하십시오. 1차 장치 제조업체가 제공하는 설명서가 없을 경우 **그림 9-그림 13**을 참조하십시오. 그림의 ϕ 기호가 올바른 센서 위치입니다.

센서가 침수되지는 않고 최적의 거리를 유지하게 하려면 센서를 측정 대상의 일반적인 최대 레벨 위로 센서 최소 범위에서 장착하십시오. 센서의 최대 범위 이내인지 확인하고 측정 대상의 최소 레벨을 고려하십시오.

그림 9 V-노치 위어

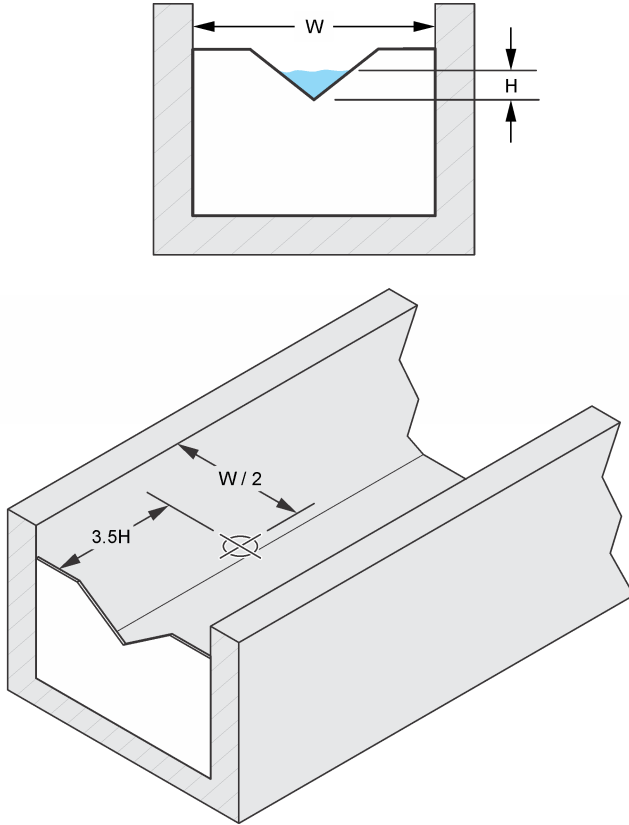


그림 10 Palmer-Bowlus 프롬

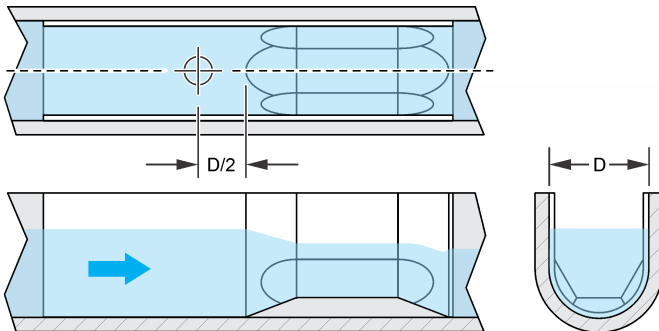
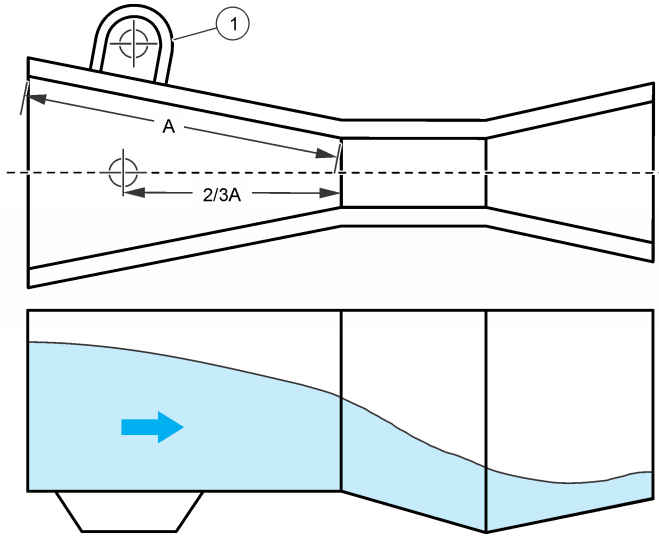
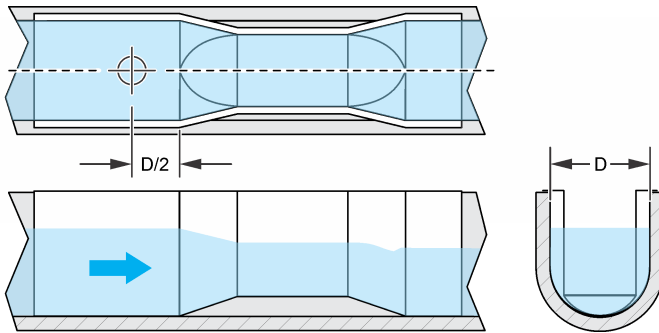


그림 11 Parshall 프롬

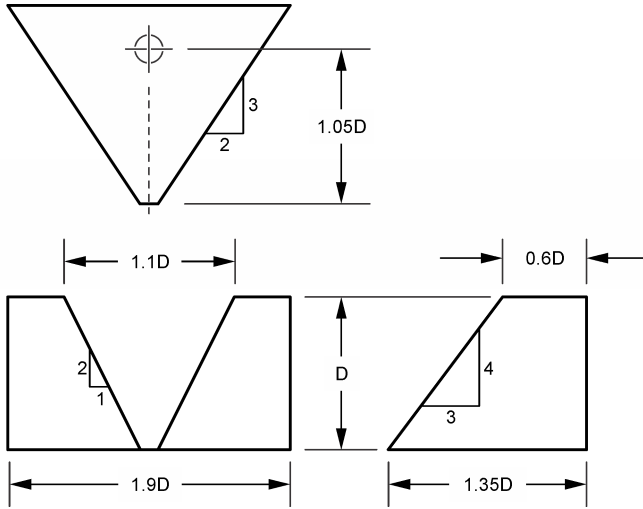


1 정수정⁴

그림 12 Leopold-Lagco 프롬



⁴ 존재할 경우 정수정에 센서를 설치합니다. 그렇지 않으면 표시된 다른 위치에 센서를 설치합니다.

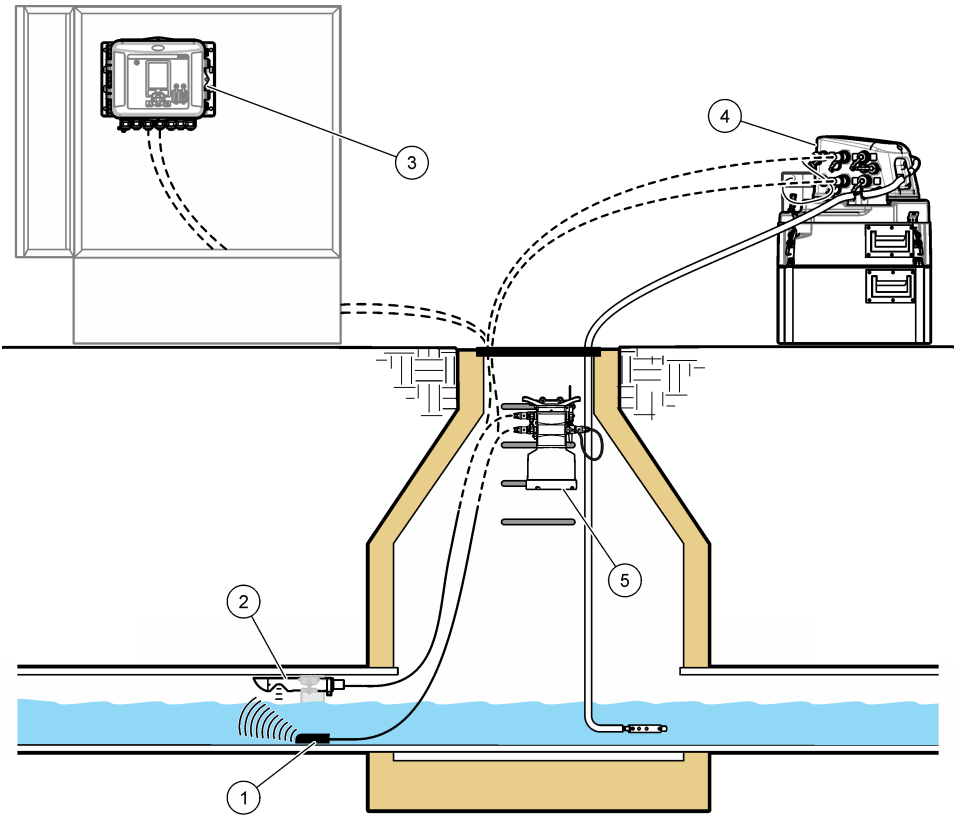


3.6 중복 레벨 측정을 위한 설치

초음파 센서를 Sigma 면적 속도 센서 및 AV9000 분석기 모듈, Flo-Dar 센서 또는 Flo-Tote 센서 등과 함께 중복 레벨 측정에 사용할 수 있습니다.

중복 레벨 측정의 가장 일반적인 예는 침지형 압력 면적 속도 센서입니다. 면적 속도 센서는 일반적으로 파이프의 기부에서 스프링 밴드 또는 시저 밴드 위에 설치됩니다. 초음파 센서는 파이프의 크라운에 설치됩니다. 두 센서가 FL 시리즈 유량 기록계 또는 AS950 샘플러에 연결됩니다. 그림 14를 참조하십시오.

그림 14 레벨 측정



1 면적 속도 센서	4 AS950 샘플러
2 초음파 센서	5 FL900 유량 기록계
3 FL1500 유량 기록계	

섹션 4 작동

FL900 유량 기록계에 연결하는 센서의 경우 FSDATA 데스크톱 소프트웨어가 설치된 컴퓨터에 유량 기록계를 연결하여 구성과 교정을 수행하고 센서에서 데이터를 수집합니다. 구성 및 교정을 수행하고 센서에서 데이터를 수집하는 방법은 FSDATA 데스크톱 문서를 참조하십시오.

FL1500 유량 기록계에 연결하는 센서의 경우 FL1500 유량 기록계 문서를 참조하여 구성 및 교정을 수행하고 센서에서 데이터를 수집합니다. 또는 FSDATA 데스크톱 소프트웨어가 설치된 컴퓨터에 유량 기록계를 연결하여 구성과 교정을 수행하고 센서에서 데이터를 수집합니다. 구성 및 교정을 수행하고 센서에서 데이터를 수집하는 방법은 FSDATA 데스크톱 문서를 참조하십시오.

AS950 샘플러에 연결하는 센서의 경우 AS950 샘플러 문서를 참조하여 구성 및 교정을 수행하고 센서에서 데이터를 수집합니다.

4.1 소프트웨어 설치

해당하는 경우 최신 버전의 FSDATA 데스크톱 소프트웨어가 컴퓨터에 설치되었는지 확인합니다. 소프트웨어는 <http://www.hachflow.com>에서 다운로드합니다. 지원을 클릭한 다음 소프트웨어 다운로드 >Hach FL 시리즈 유량 기록계를 선택합니다.

섹션 5 유지관리

▲ 주의



여러 가지 위험이 존재합니다. 자격을 부여받은 담당자만 본 문서에 의거하여 작업을 수행해야 합니다.

주의사항

유지관리를 위해 기기를 해체하지 마십시오. 내부 구성 부품을 세척 또는 수리해야 하는 경우에는 제조업체에 연락하십시오.

5.1 센서 세척

주의사항

최수세미 또는 마모성 패드를 사용하여 센서를 청소하지 마십시오. 센서가 손상될 수 있습니다.

센서를 정기적으로 검사하여 이물질이나 침전물이 쌓여 있는지 확인합니다. 침전물이 쌓여 있거나 성능이 저하된 경우 센서를 세척합니다. 표 3에는 사용할 수 있는 세척액과 사용할 수 없는 세척액이 나와 있습니다.

표 3 세척액 목록

사용	금지
식기 세척제 및 물	암모니아를 함유한 제품
	농축 표백제
	등유
	가솔린
	방향족 탄화수소

1. 유량 로거에서 센서를 분리합니다.
2. 물과 주방 세제를 섞은 용액에 센서를 담급니다.
3. 센서 앞면과 반사판을 청소합니다.
4. 스프레이 병이나 스퀴즈 보틀을 사용하여 무거운 이물질을 제거합니다.


섹션 6 문제 해결

문제	발생 원인	해결 방법
반향 손실	초음파 신호를 흡수하는 포말 또는 응축 수분(증기 또는 안개)	포말 또는 응축 수분이 없는 위치에 센서를 설치하십시오.
	폐쇄된 고속 하수기 내 기류와 같은 강한 바람 또는 폭풍우 시 돌풍	센서가 바람에 노출되지 않도록 하십시오. 기술 지원팀에 특정 환경에 대한 솔루션을 문의하십시오.
	센서 전면이 측정 대상의 표면과 평행이 아닙니다.	센서 전면이 측정 대상의 표면과 평행인지 확인하십시오.
	측정 대상의 표면이 양호하지 않습니다(요동이 심함).	다른 부위를 선택하여 대상을 측정하십시오.

문제	발생 원인	해결 방법
부정확한 측정값	센서가 설치된 파이프 또는 채널이 작거나 너무 좁습니다. 초음파 신호가 파이프 또는 채널의 측면에서 반사됩니다.	센서를 직경이 더 큰 파이프에 설치하거나 센서를 수면과 가까이 이동하십시오. 하향 센서를 수면에서 최소 13.34 cm(5.25 in.) 이상으로 유지하십시오. 인파이프 센서를 수면에서 최소 0 cm(0 in.) 이상으로 유지하십시오. 최소 거리 값을 측정값에 영향을 미치는 잘못된 대상 아래의 위치로 늘리는 것도 한 방법입니다.
	센서에 직사광선이 비춥니다.	센서에 직사광선이 비추지 않도록 하십시오. 대체 위치가 없을 경우 차양막을 설치하십시오. 기술 지원팀에 특정 환경에 대한 솔루션을 문의하십시오.
	센서 환경에서 온도가 너무 빠르게 변했습니다.	환경에서 온도가 크게 변한 후에는 센서가 안정화될 때까지 기다리십시오.
	센서가 측정 대상의 표면에서 너무 멀리 떨어져 있습니다.	측정 대상의 표면 가까이 센서를 설치하십시오.
측정 실패	포말, 오일, 파편, 표면 요동이 전송 및 수신 신호에 영향을 미칩니다.	센서를 세척합니다. 센서 세척 105 페이지를 참조하십시오.

섹션 7 교체 부품 및 부속품

⚠ 경고



신체 부상 위험. 승인되지 않은 부품을 사용하면 부상, 기기 손상 또는 장비 오작동이 발생할 수 있습니다. 이 장에 설명된 교체 부품은 제조업체의 승인을 받았습니다.

참고: 일부 판매 지역의 경우 제품 및 문서 번호가 다를 수 있습니다. 연락처 정보는 해당 대리점에 문의하거나 본사 웹사이트를 참조하십시오.

교체 부품

설명	품목 번호
개스킷, 방진형	6820
US9003(인파이프) 센서용 홀더(레벨)	9488700

부속품

설명	품목 번호
커넥터 포함 연장 케이블, 15.24 m(50 ft)	9489000
연장 케이블, 82.29 m(270 ft), 한쪽 단부는 나선, 케이블만	9488100
나선 및 접속 배선함 포함 연장 케이블, 30.48 m(100 ft)	8315200
나선 및 접속 배선함 포함 연장 케이블, 82.29 m(270 ft)	8315201
도관용 연장 키트, 포함: 82.29 m (270 ft) 케이블(나선 포함), 30.48 cm(12 in.) 케이블 및 로거 측 커넥터 포함 집합 상자	9488000
참고: 초음파 센서, 도포 건, 젤 카트리지를 따로 주문하십시오.	
주입관 포함 젤 카트리지(3x), 집합 상자(사용할 경우) 방수용	7725600
젤 카트리지, 도포 건	7715300
집합 상자, 30.48 cm(12 in.) 케이블 커넥터 및 카라비너 클립 포함	9488200
참고: 도포 건과 젤 카트리지를 따로 주문하십시오.	

부속품 (계속)

설명	품목 번호
장착 브래킷, 고정식, US9003(인파이프) 센서용	3875
장착 브래킷, 바닥 또는 벽면, 조절식, US9001(하향) 센서용	2904
장착 브래킷, 벽면, 고정식, US9001(하향) 센서용	2974
장착 클립, US9003(인파이프) 센서용	3868
시저 밴드 세트, US9003(인파이프) 센서의 \varnothing 38.10-106.68 cm(15-42 in.) 파이프용	3766
시저 밴드, \varnothing 38.10 cm(15 in.) 파이프	9706100
시저 밴드, \varnothing 45.72 cm(18 in.) 파이프	9706200
시저 밴드, \varnothing 53.34 cm(21 in.) 파이프용	9706300
시저 밴드, \varnothing 60.96 cm(24 in.) 파이프용	9706400
시저 밴드, \varnothing 68.58 cm(27 in.) 파이프용	9706500
시저 밴드, \varnothing 76.20 cm(30 in.) 파이프용	9706600
시저 밴드, \varnothing 83.82 cm(33 in.) 파이프용	9706700
시저 밴드, \varnothing 91.44 cm(36 in.) 파이프용	9706800
시저 밴드, \varnothing 106.68 cm(42 in.) 파이프용	9706900
스프링 링, \varnothing 15.24 cm(6 in.), US9003(인파이프) 센서용	4021
스프링 센서, \varnothing 20.32 cm(8 in.), US9003(인파이프) 센서용	4022
스프링 센서, \varnothing 25.40 cm(10 in.), US9003(인파이프) 센서용	4023
스프링 센서, \varnothing 30.48 cm(12 in.), US9003(인파이프) 센서용	4024



McCrometer, Inc.

3255 West Stetson Avenue

Hemet, CA 92545 USA

Tel: 951-652-6811

800-220-2279

Fax: 951-652-3078

hachflowtechsupport@mccrometer.com

www.mccrometer.com

USA Copyright © McCrometer, Inc. All printed material should not be changed or altered without permission of McCrometer. Any published pricing, technical data, and instructions are subject to change without notice. Contact your McCrometer representative for current pricing, technical data, and instructions.