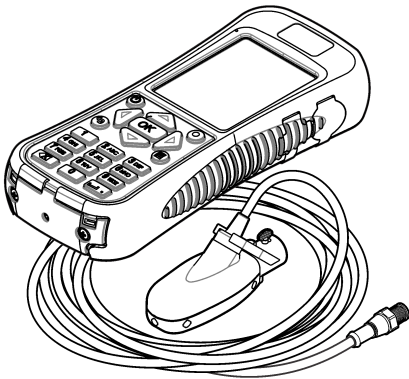




DOC026.98.80210

FH950

07/2024, Edition 9



Basic User Manual
Basis-Benutzerhandbuch
Manuale di base per l'utente
Manuel d'utilisation simplifié
Manual básico del usuario
Basishandleiding voor gebruikers
Grundläggande bruksanvisning
Базовое руководство пользователя
Temel Kullanıcı Kılavuzu
Osnovni uporabniški priročnik
Osnovni korisnički priručnik
Manual básico do utilizador

Table of Contents

English.....	3
Deutsch.....	23
Italiano.....	44
Français.....	64
Español.....	85
Nederlands.....	106
Svenska.....	127
Русский.....	147
Türkçe.....	168
Slovenski.....	188
Hrvatski.....	208
Português.....	228

Table of Contents

- | | |
|---|--|
| 1 Online user manual on page 3 | 5 User interface and navigation on page 14 |
| 2 Specifications on page 3 | 6 Startup and self-test on page 19 |
| 3 General information on page 5 | 7 Maintenance on page 20 |
| 4 Installation on page 10 | 8 Troubleshooting on page 21 |

Section 1 Online user manual

This Basic User Manual contains less information than the User Manual, which is available on the manufacturer's website.

Section 2 Specifications

Specifications are subject to change without notice.

2.1 Sensor specifications

Specification	Details
Velocity measurement	
Method	Electromagnetic
Range	0 to 6.09 m/s (0 to 20 ft/s)
Minimum water depth	3.18 cm (1.25 in.)
Accuracy	$\pm 2\%$ of reading ± 0.015 m/s (± 0.05 ft/s) 0 to 3.04 m/s (0 to 10 ft/s); $\pm 4\%$ of reading from 3.04 to 4.87 m/s (10 to 16 ft/s)
Resolution	$0 \leq \text{value} < 10$: 3 decimal places; $10 \leq \text{value} < 100$: 2 decimal places; $100 \leq \text{value} < 1000$: 1 decimal place; $\text{value} \geq 1000$: 0 decimal places
Zero stability	± 0.015 m/s (± 0.05 ft/s)
Material	ABS, glass filled
Enclosure rating	IP68
Dimensions (L x W x H)	11.9 x 4.3 x 6.3 cm (4.7 x 1.7 x 2.5 in.)
Cable material	Polyurethane jacketed
Cable lengths	2, 6.1, 12.2 and 30.5 m (6.5, 20, 40 and 100 ft)
Depth measurement	
Method	Diaphragm type: absolute pressure with single point calibration
Accuracy (static)	The larger of $\pm 2\%$ of reading or ± 0.015 m (± 0.504 inches). Steady state temperature and static non-flowing water.
Range	3.05 m (0-10 ft)
Resolution	$0 \leq \text{value} < 10$: 3 decimal places; $10 \leq \text{value} < 100$: 2 decimal places; $100 \leq \text{value} < 1000$: 1 decimal place; $\text{value} \geq 1000$: 0 decimal places

2.2 Portable meter specifications

Specification	Details
Pollution degree	2
Protection class	II

Specification	Details
Charging temperature	0 to 40 °C (32 to 104 °F)
Operating temperature	-20 to 55 °C (-4 to 131 °F)
Storage temperature	-20 to 60 °C (-4 to 140 °F)
Enclosure rating	IP67
Battery life gauge	Five-segment bar graph
Battery type	Rechargeable lithium ion, 3.6 V, 5.0 Ah, 18 Wh
Battery life	18 hours heavy typical day use ¹ ; 20 °C (68 °F)
Battery charger	External power adapter, energy efficiency VI, 100–240 VAC, 50–60 Hz, 0.5 A input; 12 VDC, 1.25 A output
Dimensions (L x W x H)	21.8 x 9.3 x 5.3 cm (8.6 x 3.7 x 2.1 in.)
USB connector	Type Mini-B, 5-pin, rated to IP67 when capped
Material	Polycarbonate with a thermoplastic elastomer (TPE) overmold

2.3 User interface specifications

Specification	Details
Graphics display	Color, LCD 3.5" QVGA transfective (readable in direct sunlight)
Measurement resolution	0 ≤ value < 10: 3 decimal places; 10 ≤ value < 100: 2 decimal places; 100 ≤ value < 1000: 1 decimal place; value ≥ 1000: 0 decimal places
Keypad	Alpha-numeric
Operating modes	Real time, profiling
Profile types	Stream, conduit
Conduit shapes	Circular, rectangular, trapezoidal, 2/3 egg, inverted 2/3 egg
Stream entries	Fixed, non-fixed stations
Noise rejection	User-selectable, 50 Hz or 60 Hz
Units of measure	Velocity: ft/s, m/s, cm/s, mm/s Flow: ft ³ /sec, million gal/day, gal/day, gal/min, m ³ /s, m ³ /min, m ³ /hour, m ³ /day, liters/s, liters/min Depth: in., ft, m, cm, mm
Stream flow calculation	Mean-section or mid-section method
Diagnostics	Self test, keypad, display, event log
Conduit profiling methods	0.9 x Vmax, 0.2/0.4/0.8, velocity and level integrator, 2D
Stream profiling methods	1, 2, 3, 4, 5 and 6 point (velocity method - USGS and ISO), 2 point KREPS method, 1 point surface method, 1 and 2 point ice method

¹ Defined as 30 minutes of set up, six 1-hour periods of continuous use with an active sensor and the display at maximum brightness and 30 minutes of sleep mode between use periods, data download and power off.

Specification	Details
File types	Real-time, profiling, event log
Languages	English, French, Spanish, German, Italian, Dutch, Danish, Swedish, Chinese, Polish, Japanese, Korean, Portuguese, Slovak, Russian, Hungarian, Bulgarian, Romanian, Czech, Turkish, Finnish, Greek

2.4 General specifications

Specification	Details
Maximum number of real-time files	50 each with up to 75 readings captured by the user.
Firmware	The sensor and portable meter are field upgradeable via USB

Section 3 General information

In no event will the manufacturer be liable for damages resulting from any improper use of product or failure to comply with the instructions in the manual. The manufacturer reserves the right to make changes in this manual and the products it describes at any time, without notice or obligation. Revised editions are found on the manufacturer's website.

3.1 Safety information

The manufacturer is not responsible for any damages due to misapplication or misuse of this product including, without limitation, direct, incidental and consequential damages, and disclaims such damages to the full extent permitted under applicable law. The user is solely responsible to identify critical application risks and install appropriate mechanisms to protect processes during a possible equipment malfunction.

Please read this entire manual before unpacking, setting up or operating this equipment. Pay attention to all danger and caution statements. Failure to do so could result in serious injury to the operator or damage to the equipment.

Make sure that the protection provided by this equipment is not impaired. Do not use or install this equipment in any manner other than that specified in this manual.

3.1.1 Use of hazard information

▲ DANGER

Indicates a potentially or imminently hazardous situation which, if not avoided, will result in death or serious injury.

▲ WARNING

Indicates a potentially or imminently hazardous situation which, if not avoided, could result in death or serious injury.

▲ CAUTION




Indicates a potentially hazardous situation that may result in minor or moderate injury.

NOTICE

Indicates a situation which, if not avoided, may cause damage to the instrument. Information that requires special emphasis.

3.1.2 Precautionary labels

Read all labels and tags attached to the instrument. Personal injury or damage to the instrument could occur if not observed. A symbol on the instrument is referenced in the manual with a precautionary statement.

	This is the safety alert symbol. Obey all safety messages that follow this symbol to avoid potential injury. If on the instrument, refer to the instruction manual for operation or safety information.
	This symbol indicates the presence of devices sensitive to Electro-static Discharge (ESD) and indicates that care must be taken to prevent damage with the equipment.
	Electrical equipment marked with this symbol may not be disposed of in European domestic or public disposal systems. Return old or end-of-life equipment to the manufacturer for disposal at no charge to the user.

3.1.3 EMC compliance

⚠ CAUTION

This equipment is not intended for use in residential environments and may not provide adequate protection to radio reception in such environments.

CE (EU)

The equipment meets the essential requirements of EMC Directive 2014/30/EU.

UKCA (UK)

The equipment meets the requirements of the Electromagnetic Compatibility Regulations 2016 (S.I. 2016/1091).

Canadian Radio Interference-Causing Equipment Regulation, ICES-003, Class A:

Supporting test records reside with the manufacturer.

This Class A digital apparatus meets all requirements of the Canadian Interference-Causing Equipment Regulations.

Cet appareil numérique de classe A répond à toutes les exigences de la réglementation canadienne sur les équipements provoquant des interférences.

FCC Part 15, Class "A" Limits

Supporting test records reside with the manufacturer. The device complies with Part 15 of the FCC Rules. Operation is subject to the following conditions:

1. The equipment may not cause harmful interference.
2. The equipment must accept any interference received, including interference that may cause undesired operation.

Changes or modifications to this equipment not expressly approved by the party responsible for compliance could void the user's authority to operate the equipment. This equipment has been tested and found to comply with the limits for a Class A digital device, pursuant to Part 15 of the FCC rules. These limits are designed to provide reasonable protection against harmful interference when the equipment is operated in a commercial environment. This equipment generates, uses and can radiate radio frequency energy and, if not installed and used in accordance with the instruction manual, may cause harmful interference to radio communications. Operation of this equipment in a residential area is likely to cause harmful interference, in which case the user will be required to correct the interference at their expense. The following techniques can be used to reduce interference problems:

1. Disconnect the equipment from its power source to verify that it is or is not the source of the interference.
2. If the equipment is connected to the same outlet as the device experiencing interference, connect the equipment to a different outlet.
3. Move the equipment away from the device receiving the interference.
4. Reposition the receiving antenna for the device receiving the interference.
5. Try combinations of the above.

3.2 Product overview

The portable velocity system is used in the field, laboratory and municipalities. Turbulent, noisy and low flows can be measured with this system.

When the sensor is placed in flowing water, a magnetic field around the sensor creates a voltage proportional to the flow velocity. This voltage amplitude, which represents the rate of water flow around the sensor, is detected by electrodes in the sensor and processed by the sensor microprocessor. The processed signal is digitally transmitted through the sensor cable to the portable meter and the information is shown on the meter display. The system includes a portable meter, sensor with cable and accessories.

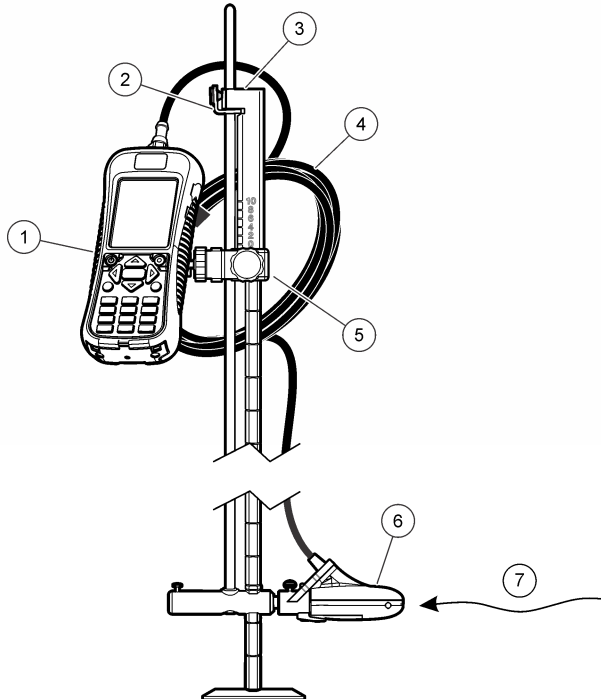
The meter and sensor get velocity information in conduits and streams. These measurements are important for calibration in municipal wastewater industries, as well as for environmental-impact evaluations.

Two types of sensor are available: velocity-only and velocity plus depth. This manual covers both types of sensors. If information applies to a specified type of sensor, this fact is noted in the text.

3.2.1 System overview

An overview of an assembled system is shown in [Figure 1](#). Refer to the documentation supplied with the individual components or accessories for more information.

Figure 1 Assembled components

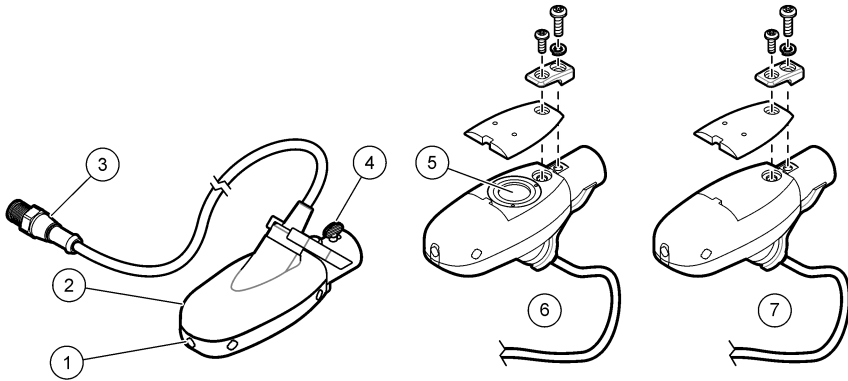


1 Portable meter	5 Adjustable mount for portable meter
2 Sensor height lock/release device	6 Sensor assembly
3 Top setting wading rod (accessory)	7 Flow direction
4 Sensor cable	

3.2.2 Sensor overview

Figure 2 shows the main sensor components. Instructions for how to attach the sensor on a standard or top-setting wading rod are supplied with the accessory.

Figure 2 Sensor components

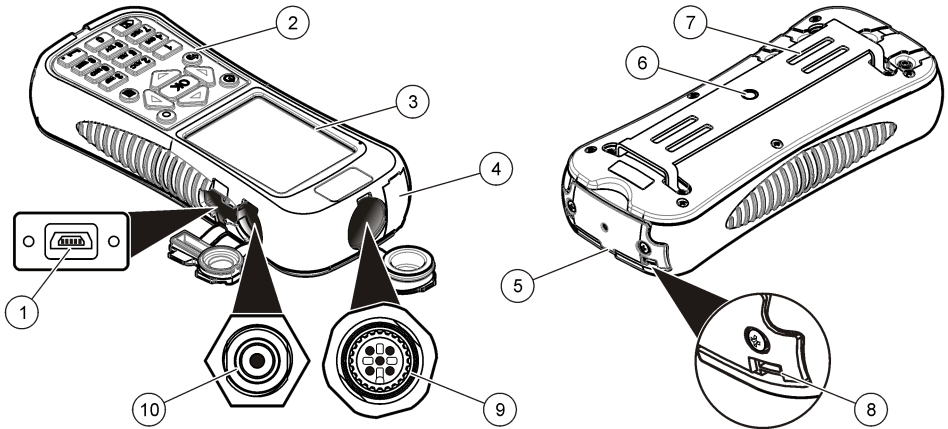


1 Sensor electrodes	5 Pressure cell (sensors with depth option)
2 Sensor body	6 Sensor with depth option
3 Sensor connection plug	7 Sensor without depth option
4 Sensor attachment thumb screw	

3.2.3 Meter overview

Figure 3 shows the features of the meter.

Figure 3 Meter components



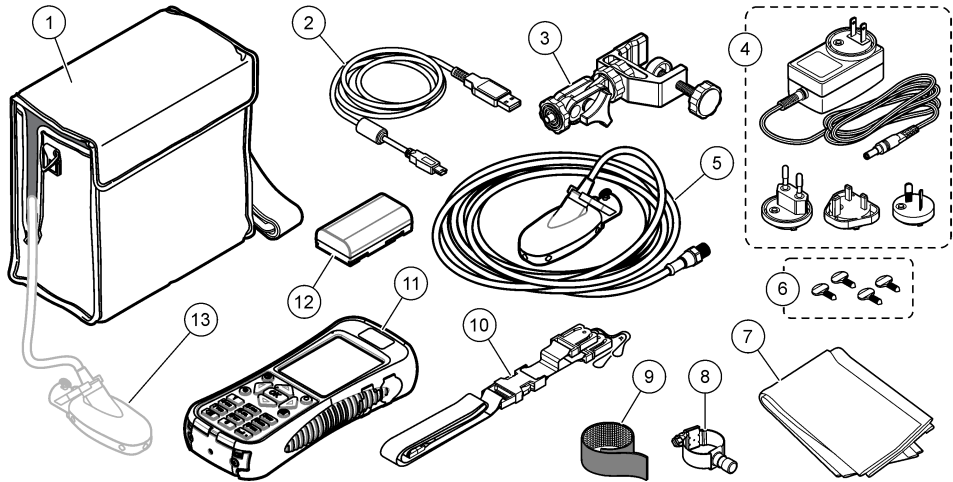
1 USB connection port ²	6 Threaded hole for adjustable meter mount
2 Keypad	7 Slots for velcro or strap attachment
3 Meter display	8 Slot for neck strap attachment threads (2x)
4 Expansion port (not used)	9 Sensor connection port
5 Battery compartment cover	10 Battery charger connector

² Do not use the USB connection to charge the battery.

3.3 Product components

When purchasing a complete system, refer to [Figure 4](#) to make sure that all components have been received. If any of these items are missing or damaged, contact the manufacturer or a sales representative immediately.

Figure 4 System components



1 Carrying case (with slot for sensor cable)	8 Universal sensor mount
2 USB cable with mini-USB connector, 1 m (3 ft)	9 Velcro strap
3 Adjustable portable meter mount	10 Lanyard
4 Battery charger, 100–240 VAC	11 Portable meter
5 Sensor	12 Lithium battery pack
6 Extra thumb screws (4x)	13 Sensor as connected to meter inside case
7 Cloth to dry the sensor	

Section 4 Installation

4.1 Install the sensor on the universal sensor mount

Use the universal sensor mount to attach the sensor to poles 1 inch or less in diameter. For correct operation and accurate readings, the front of the sensor must be pointed upstream with the electrodes in full contact with the flow.

Note: Keep the sensor electrodes free from nonconductive substances such as oil and grease. To remove sensor contamination, refer to [Clean the sensor](#) on page 20.

1. The front part of the sensor is round and contains three electrodes. The sensor has a mounting hole in back and a thumbscrew on top. Put the mounting shaft of the universal mount in the mounting hole at the back of the sensor. Make sure that the mounting shaft is completely engaged with the mounting hole and the thumbscrew is engaged with the groove.
2. Hand tighten the thumbscrew.
3. Move a pole 1 inch or less in diameter through the clamp of the universal sensor mount. Tighten the clamp.

Note: Instructions for how to mount the sensor on a standard or top setting wading rod are supplied with the accessory.

4.2 Lithium battery safety

⚠ WARNING



Fire and explosion hazard. Lithium batteries may get hot, explode or ignite and cause serious injury if exposed to abuse conditions.

- Do not use the battery if there is visible damage.
- Do not use the battery after strong shock or vibration occurs.
- Do not expose the battery to fire.
- Keep the battery at temperatures less than 60 °C (140 °F).
- Keep the battery dry and away from water.
- Prevent contact between the positive and negative battery terminals.
- Do not let unauthorized persons touch the battery.
- Discard the battery in accordance with local, regional and national regulations.
- Do not use or store the instrument in direct sunlight, near a heat source or in high temperature environments such as a closed vehicle in direct sunlight.

4.3 Install the battery

⚠ WARNING



Fire and explosion hazard. This equipment contains a high energy lithium battery which can ignite and cause fire or explosion, even without power. To maintain the safety provided by the instrument enclosure, the instrument enclosure covers must be installed and secured with the supplied hardware.

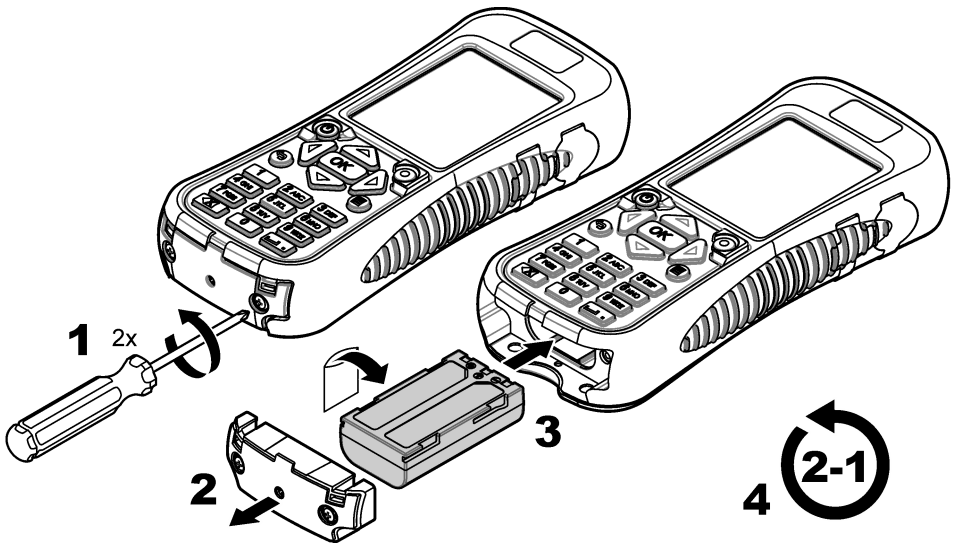
⚠ WARNING



Explosion and fire hazard. Battery substitution is not permitted. Use only batteries that are supplied by the instrument manufacturer.

Install the supplied lithium battery as shown in [Figure 5](#).

Figure 5 Install the battery



4.4 Charge the battery

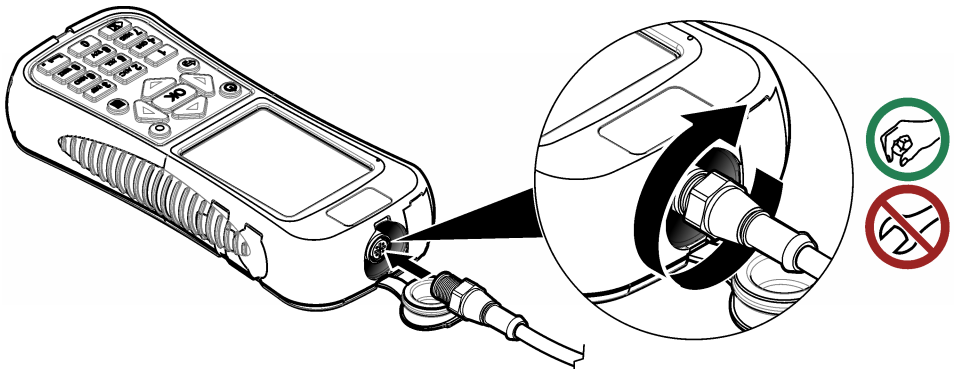
Note: Battery charger substitution is not permitted. Use only the charger specified in the list of parts and accessories for the instrument. Refer to Replacement parts and accessories in the expanded version of the manual.

Before initial use, fully charge the instrument battery with the supplied battery charger. A discharged battery is fully charged in approximately 8 hours.

1. Make sure that the correct type of plug for the geographic location is installed on the battery charger.
2. Connect the battery charger to an electrical outlet with earth ground.
3. Connect the battery charger to the battery charger connector on the instrument. Refer to [Meter overview](#) on page 9. The battery level shows on the display. A blue light shows around the charge port while the battery charges. When the charge process is complete, the blue light goes off.

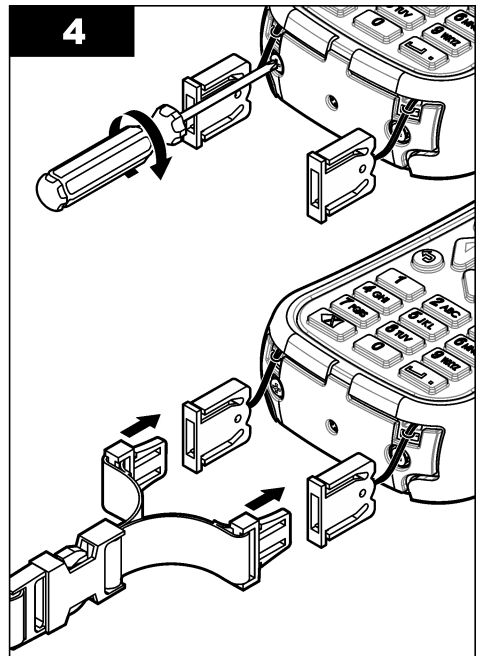
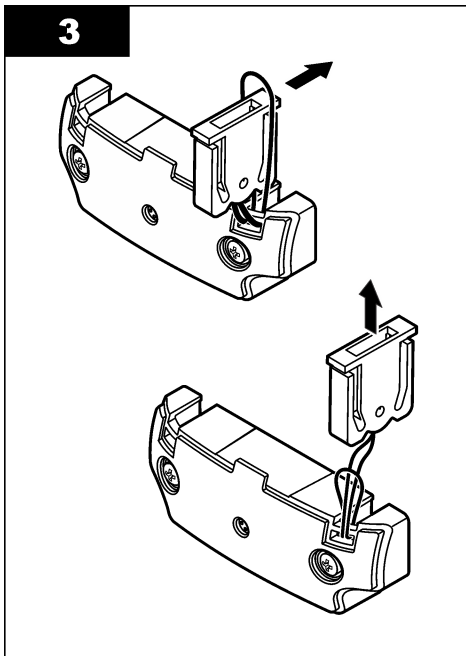
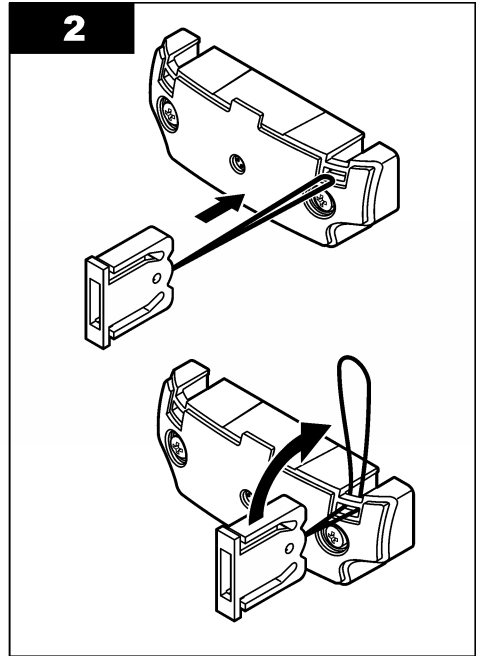
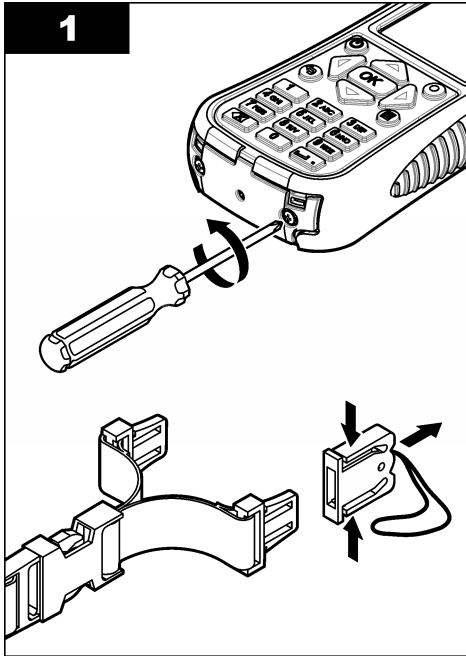
Note: The meter is not operational while the battery charges. The battery does not charge through the USB cable connection.

4.5 Connect the sensor to the meter



4.6 Attach the lanyard

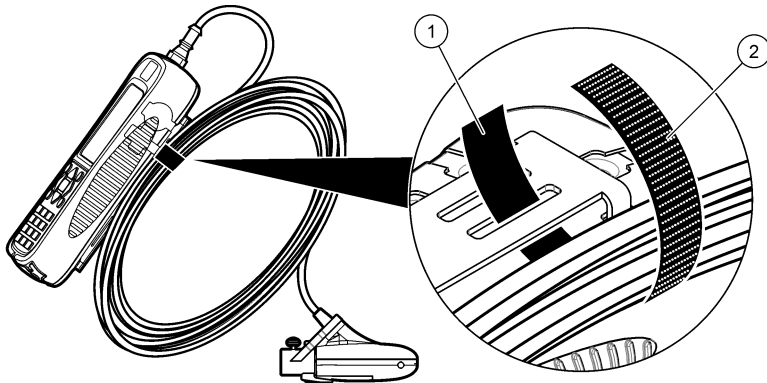
Attach the lanyard to wear the meter safely around the neck.



4.7 Attach the velcro strap

Use the velcro strap to hold the extra cable. Refer to [Figure 6](#).

Figure 6 Attach the velcro strap



1 Loop side

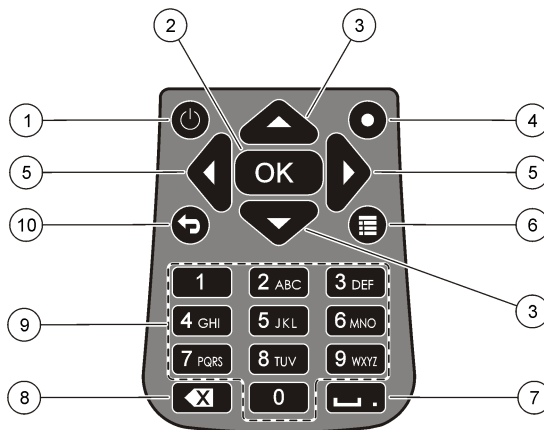
2 Hook side

Section 5 User interface and navigation

5.1 Keypad and key functions

[Figure 7](#) shows the meter keypad. [Table 1](#) gives the functions of each key or key type.

Figure 7 Keypad



1 Power On/Off	6 Main Menu
2 OK	7 Underscore or decimal
3 Up and Down arrows	8 Backspace
4 Quick Jump	9 Alpha-numeric
5 Right and Left arrows	10 Previous menu

Table 1 Key description

Key	Description
Power On/Off	Energizes and de-energizes the meter.
OK	Confirms an entry or highlighted menu option.
Up and Down arrows	Moves up or down in the display. If the cursor is at the top or bottom of the display, the cursor wraps to the bottom or top when the UP or DOWN arrow is pushed.
Quick Jump	In normal operation, this key jumps to the Select conduit shape screen. In profiler operation, the Quick Jump key is disabled. If the auto-zero feature is disabled, hold this key for five seconds to do a manual zero of the depth sensor. In Real-Time mode, the Quick Jump key toggles between the digital and graph views.
Right and Left arrows	Moves to the right or left in the display.
Main Menu	Moves to the Main Menu from any submenu or screen.
Underscore or decimal	Puts in an underscore or decimal character. In numeric-only fields, this key automatically puts a decimal point in the cursor position.
Backspace	Moves the cursor back one space.
Alpha-numeric	Puts in the key alpha or numeric value. Values are put in the order shown on the key. After 2 seconds, the value shown in the display is stored and the cursor advances.
Previous menu	Moves to the previous screen.

5.2 Status bar

A status bar is shown in the top of the display. Descriptions of the information in the status bar are given in [Table 2](#).

Table 2 Status bar indicators

Indicator	Description
Time and Date	Shows the current time and date.
USB	Shows when a USB cable is connected. If a USB cable is connected and this indicator does not show in the status bar, the USB cable is not fully engaged. Make sure that the USB cable is pushed in completely and makes full contact with the connection port.
Conductivity	If the sensor is out of the water and non-conductive, a blue ring appears next to the battery icon. If the sensor is in the water and conductive, the indicator is a solid blue circle.
Battery	A five-bar graph shows the level of charge in the battery.
File access	Shows while the meter gets access to a file.
Auto zero depth indicator	If the depth sensor was zeroed in the last 30 minutes, a solid green circle shows next to the Conductivity indicator. If the depth sensor was not zeroed in the last 30 minutes, this indicator flashes red.

5.3 Navigation and Main Menu

Push **OK** to confirm a selected menu option or a value shown in the display. Select More and push **OK** to see additional screens and options if available. Push the Main Menu button to go to the Main Menu from a submenu.

Note: Some operations cannot be completed unless a sensor is connected to the meter. If these operations are tried when there is no sensor connected, the display shows an error message. Connect a sensor and try the operation again.

- Real time**—Select this option to get real-time velocity and depth information. (A sensor with depth capability is necessary to read depth). An example of a Real Time screen for sensors with velocity only is shown in [Figure 8](#). Real time screens for sensors with both velocity and depth is shown in [Figure 9](#). The format of the information and options shown depends on the type of sensor used. In Real Time mode, the Quick Jump key toggles between digital and graphic views of Real Time information. The velocity is updated in FPA filter mode according to fixed period averaging time. In RC filter mode, the velocity is updated continuously on the screen every 250 ms.

Option	Description
Capture	Stores the depth and velocity information shown in memory. The information is saved until power is cycled, the memory is saved to a non-volatile real-time file, or the user exits from real-time mode.
Save	Saves captured measurements in the volatile memory to a non-volatile real-time file. A message will show if the number of files is greater than the maximum possible. Files are stored in tab delimited (.tsv) format.
Done or OK	Exits the real-time mode and returns to the Main Menu. If there is unsaved data in volatile memory, a confirmation message asks the user to confirm the exit without saving the data.
Clear	Clears captured measurements from the volatile memory buffer. The user can choose from Clear Last, Clear All or Cancel options.
Setup	Allows the user to modify the main filter parameters and enable and program the Maximum Depth sensor positioning feature. The Maximum depth feature allows a user to enter system parameters for depth measurement in Real Time mode. The user can choose to enter a maximum depth value taken directly with a ruler measurement (manual), or taken indirectly with the depth measurement (automatic). Both methods enable the Maximum Depth sensor positioning feature. In automatic mode setup, the user directly enters the distance from the bottom of the channel to the bottom of the sensor mount (offset). The setup interface will continuously show the current depth value returned by the sensor plus the offset. The meter stores this value as the Maximum Depth when the OK button is pushed. In all other cases, the depth values shown do not include the offset. The Maximum depth feature requires a sensor with velocity plus depth.
Files or View	Shows a summary of each real-time file stored in non-volatile memory. Files can be individually viewed and deleted.

Figure 8 Real time screen

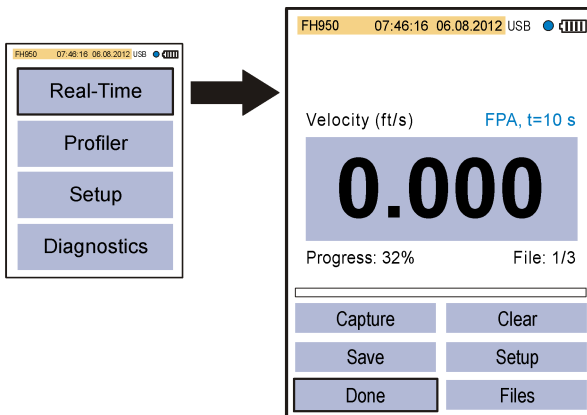
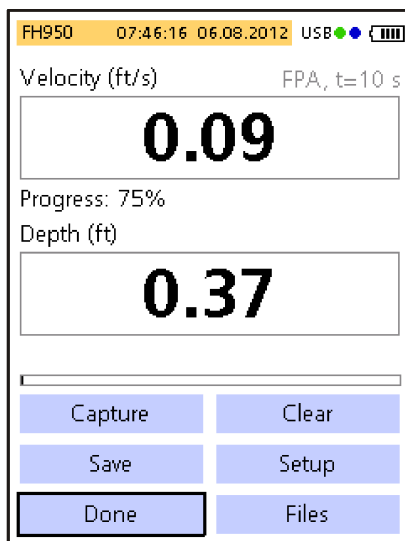


Figure 9 Real time screen for sensor with depth



2. **Profiler**— Select this option to do stream or conduit velocity measurements. The meter shows prompts when user input is necessary. A percentage of the remaining memory is given in 1% resolution. Refer to the expanded version of the manual for more information about profiles.

Option	Description
Stream	This option is used to set up a profile for a stream or flowing channel. Do velocity measurements to calculate total discharge based on ISO 748 or USGS standards for Mid-section or Mean-section methods.
Conduit	This option is used to set up a profile for a conduit.
Files	This option is used to view or delete stored files. Files can be deleted all at once or individually.
Setup	This option is used to set up or change the settings for filter parameters and the Maximum Depth feature.

3. **Set up**—Select this option to change general system settings and preferences.


Option	Description
Velocity calibration	Calibrates the sensor. Adds a field offset to the factory calibration. Refer to the appendix in the expanded version of the manual for more information.


Option	Description
Filter parameters	<p>Applies a data acquisition filter (Main filter or Pre-filter). The user can select the filter parameters.</p> <p>Main filter</p> <ul style="list-style-type: none"> Fixed Period Averaging (FPA)—Fixed Period Averaging averages data over a user selectable fixed period of time (1 to 480 seconds). The default is 10 seconds. If the FPA value is 5, the velocity value shown in the display is updated once every 5 seconds. RCA time constant—The RC filter helps smooth out turbulence through the use of a selected time constant in the filter algorithm. This mode is useful when searching for a maximum velocity, for example in the common $0.9 \times V_{max}$ profile method. High RC filter time constants give higher degrees of smoothing. The time constant can be set from 2 to 20 seconds, with a default value of 6. At 1 time constant, the filter settles to approximately 60% of the final value. At 5 time constants, the filter settles to 99.9% of the final value. Thus, if the RC value is set to 2, the final value shows after 10 seconds. <p>Pre-filter</p> <ul style="list-style-type: none"> Median filter—The filtering process is done in the sensor. The feature can be disabled. However, the recommended (default) value is 5. Enable the feature to enter or change this value.
Wet/dry threshold	Sets the sensor submersion threshold for wet and dry conditions. The default value is 20%. Refer to the appendix in the expanded version of the manual for more information.
Auto zero depth	<p>Sets the Auto Zero feature to On or Off.</p> <p>If set to On, the instrument does an air calibration when the sensor is removed from the water and is in the air. To do the air calibration, the instrument automatically zeroes the sensor.</p> <p>If set to Off, the user can manually zero the sensor. To do this, remove the sensor from the flow, then push and hold the Quick Jump key for five seconds.</p> <p>When the sensor has been in the flow for 30 minutes, the green circle in the upper right corner goes from green to red. This is a prompt to the user to remove and zero the sensor again.</p>
EMI	Sets the local line frequency for ambient noise rejection to 50 Hz or 60 Hz (default).
Clock	Sets the date and time of the portable meter in 24-hour format. Daylight savings time is not supported.
USB	<p>Sets the USB mode.</p> <ul style="list-style-type: none"> Mass Storage (default)—This mode operates like a memory stick or hard drive. Files are read-only. CDC—This mode is used to update firmware.
Language	Selects the language used in the menus.
Units	Sets the units for velocity, flow and depth measurements. Options are Metric or English (default).
Beeper	<p>On (default) or Off. If set to On, the meter makes an audible tone when:</p> <ul style="list-style-type: none"> The sensor is at the correct depth for applicable profile methods. 95% of the measurement time is complete (profiler mode). An inactive button is pushed in any menu. <p>This feature is available only with the optional depth sensor.</p>
Flow calculation	Selects the method of flow calculation for open water segment (stream profiles only). Options are Mean-section or Mid-section. Refer to the appendix in the expanded version of the manual for more information.

Option	Description
Station entry	<ul style="list-style-type: none"> Fixed—The operator puts in the width of the stream and the number of stations for measurements. The meter divides the cross-section into evenly spaced distances between the station verticals. Non-fixed (default)—The operator selects the spacing between station verticals. This is the more commonly used option as it lets the operator include obstructions and other restrictions in the cross section. Fixed and Non-fixed—The operator selects the reference plane for depth measurements. Values: Top or Bottom.
Restore defaults	Sets all meter options to the factory default values.

4. **Diagnostics**— Select this option to troubleshoot problems with the meter or an attached sensor. For more information about the Diagnostics options, refer to [Diagnostics](#) on page 21.

Section 6 Startup and self-test

⚠ DANGER	
	<p>Chemical or biological hazards. If this instrument is used to monitor a treatment process and/or chemical feed system for which there are regulatory limits and monitoring requirements related to public health, public safety, food or beverage manufacture or processing, it is the responsibility of the user of this instrument to know and abide by any applicable regulation and to have sufficient and appropriate mechanisms in place for compliance with applicable regulations in the event of malfunction of the instrument.</p>

⚠ WARNING	
	<p>Fire and explosion hazards. Do not use or store the instrument in direct sunlight, near a heat source or in high temperature environments such as a closed vehicle in direct sunlight. Failure to take this precaution can make the battery overheat and cause a fire or explosion.</p>

The battery must be installed in the meter and charged before use. For more information about battery installation and replacement, refer to [Install the battery](#) on page 11. For information on how to charge the battery, refer to [Charge the battery](#) on page 12.

Note: *The meter is not operational while the battery charges.*

1. Push the meter power button until an audible beep is heard.
The meter does a self test and the display shows the results. If the meter fails the self-test, the display shows FAIL next to the failed parameter. If the sensor fails, attach a different sensor if available.
2. When the self test is complete, push **OK** to go to the Main Menu.
3. To de-energize the meter, push the power button again. In the Confirmation screen, select Yes and push **OK**.
If the portable meter becomes unresponsive, push and hold the power button for more than 3 seconds to force the power off. Do not force off the power in normal operation or when the file access icon is visible.

6.1 Instrument self test

The meter does a diagnostic self-test when energized. After the self-test is complete, the display shows the self-test results. Push **OK** to go to the Main Menu.

If the meter fails the self-test, the display shows FAIL next to the parameter in question. If the sensor fails, attach a different sensor if available.


6.2 Sleep mode

The meter backlight goes dim after 30 seconds of no activity and goes into sleep mode after 60 seconds of no activity. These actions do not occur if the meter is in real-time mode or while the meter is measuring. After 30 minutes in sleep mode, the meter power goes off.

To cancel the sleep mode, push any key. The display brightness goes back to the normal level and all keys go back to their normal functions.

Section 7 Maintenance

7.1 Clean the sensor

⚠ WARNING	
	Chemical exposure hazard. Obey laboratory safety procedures and wear all of the personal protective equipment appropriate to the chemicals that are handled. Refer to the current safety data sheets (MSDS/SDS) for safety protocols.

Clean the sensor when unexpected increases or decreases in flow or level trends occur and after use in sandy or muddy waterways.

For heavy contamination, soak the sensor in clear water for a few minutes to help make the contamination easy to remove.

Disconnect the sensor from the meter before it is cleaned. Use only solutions listed as acceptable in [Table 3](#) to clean the sensor. For sensors with a pressure cell (i.e., velocity plus depth sensors), make sure the holes for the pressure cell chambers are washed out and clear of contamination. Rinse the sensor with clean water before re-attaching the sensor to the assembly.



Table 3 Acceptable and unacceptable cleaning solutions

Acceptable	Do not use
Dish detergent and water	Concentrated bleach
Window cleaner	Kerosene
Isopropyl alcohol	Gasoline
	Aromatic hydrocarbons

7.2 Clean the meter

1. Push the power button to de-energize the meter.
2. Use a clean, moist cloth to clean the meter exterior. Mix the water with a mild detergent if necessary.
3. Dry the meter exterior with a clean cloth. Let the meter dry in air completely before it is energized again.
Note: Do not use paper-based cloths to clean the display. This type of cloth can cause damage to the display screen.

7.3 Replace the battery

⚠ WARNING	
 	Fire and explosion hazard. This equipment contains a high energy lithium battery which can ignite and cause fire or explosion, even without power. To maintain the safety provided by the instrument enclosure, the instrument enclosure covers must be installed and secured with the supplied hardware.

▲ WARNING



Explosion and fire hazard. Battery substitution is not permitted. Use only batteries that are supplied by the instrument manufacturer.

Replace the battery when the battery does not hold power when charged.

Note: If the instrument must be returned to the factory for repair or maintenance, remove the battery and put the battery in a protective cover before shipment.

1. Set the power to off.
2. Remove the battery. Refer to [Install the battery](#) on page 11.
3. Discard the battery in accordance with local, regional and national regulations.
4. Install a new battery in the same location and with the same orientation. Refer to [Install the battery](#) on page 11.
Use only batteries that are supplied by the instrument manufacturer.
5. Install the battery cover. Make sure that the cover is secure to keep the enclosure rating.
6. Charge the battery if necessary. Refer to [Charge the battery](#) on page 12.

Section 8 Troubleshooting

8.1 Diagnostics

In the Main Menu, select Diagnostics to see information about the meter and do the diagnostic tests in [Table 4](#).

Table 4 Meter diagnostics

Option	Description
About	Shows information about the meter and the sensor. Includes the serial number and the firmware version.
Delete files	Deletes all files from memory to make space for new measurements. Make sure that the data is downloaded to a PC before this option is selected. The system automatically reformats the memory after file deletion.
Sensor	Shows diagnostic information about the sensor.
Self test	Makes the meter do a diagnostic self test.
Key pad test	Does a test of any button to make sure that the button is functional.
Display test	Does a test on the display to make sure that the display is functional.
Event log	Lets the user see, delete or export the event log. Export the event log to make the contents available as an accessible file through USB mass storage. This option is used primarily by factory service.

8.2 Troubleshoot errors

The meter and sensor contain no user-serviceable parts. For the errors and messages listed, try the corrective action.

If the problem does not go away or a problem occurs that is not in the list, contact the manufacturer.

Message or problem	Solution
Sensor is not connected	Connect a sensor and try the action again.
Value is out of range	Change the measurement parameters or put in a different value, then try the action again.

Message or problem	Solution
Sensor data is known to be not correct or not accurate	Clean the sensor and test.
Sensor is not recognized	Check the sensor connection. Make sure that the lock nut on the connection port is tight (finger-tighten only).
Display is dim or is not visible	Push a key on the keypad.
Data is not available or access to the data is not possible	Make sure that the USB option (Main Menu) is set to Mass Storage.
Meter is unresponsive	<p>Push and hold the power button for at least 3 seconds. This de-energizes the meter. Energize the meter again.</p> <p>Note: Do not use this method to power off while in normal operation or if the file access icon is visible in the display.</p>

Inhaltsverzeichnis

- | | |
|---|--|
| 1 Online-Benutzerhandbuch auf Seite 23 | 5 Benutzeroberfläche und Navigation auf Seite 34 |
| 2 Technische Daten auf Seite 23 | 6 Inbetriebnahme und Selbsttest auf Seite 40 |
| 3 Allgemeine Informationen auf Seite 25 | 7 Wartung auf Seite 41 |
| 4 Installation auf Seite 30 | 8 Fehlerbehebung auf Seite 42 |

Kapitel 1 Online-Benutzerhandbuch

Dieses Basis-Benutzerhandbuch enthält weniger Informationen als das Benutzerhandbuch, das auf der Website des Herstellers verfügbar ist.

Kapitel 2 Technische Daten

Änderungen vorbehalten.

2.1 Sensorspezifikationen

Technische Daten	Details
Geschwindigkeitsmessung	
Methode	Elektromagnetisch
Messbereich	0 bis 6,09 m/s (0 bis 20 Fuß/s)
Mindestwassertiefe	3,18 cm (1,25 Zoll)
Genauigkeit	± 2 % des Messwertes $\pm 0,015$ m/s ($\pm 0,05$ Fuß/s) von 0 bis 3,04 m/s (0 bis 10 Fuß/s); ± 4 % des Messwertes von 3,04 bis 4,87 m/s (10 bis 16 Fuß/s)
Lösung	$0 \leq \text{Wert} < 10$: 3 Dezimalstellen; $10 \leq \text{Wert} < 100$: 2 Dezimalstellen; $100 \leq \text{Wert} < 1000$: 1 Dezimalstelle; $\text{Wert} \geq 1000$: 0 Dezimalstellen
Nullpunktstabilität.	$\pm 0,015$ m/s (0,05 Fuß/s)
Material	ABS, glasfaserverstärkt
Gehäuseschutzart	IP68
Abmessungen (L x B x H)	11,9 x 4,3 x 6,3 cm (4,7 x 1,7 x 2,5 Zoll)
Kabelmaterial	Mit Polyurethan ummantelt
Kabellängen	2; 6,1; 12,2 und 30,5 m
Füllstandsmessung	
Methode	Membran-Typ: Absolutdruck mit Einpunkt-Kalibrierung
Genauigkeit (statisch)	Der größere von ± 2 % des Messwerts oder $\pm 0,015$ m ($\pm 0,504$ Zoll). Stabile Temperatur und stehendes, nicht fließendes Gewässer.
Messbereich	3,05 m (0-10 ft)
Lösung	$0 \leq \text{Wert} < 10$: 3 Dezimalstellen; $10 \leq \text{Wert} < 100$: 2 Dezimalstellen; $100 \leq \text{Wert} < 1000$: 1 Dezimalstelle; $\text{Wert} \geq 1000$: 0 Dezimalstellen

2.2 Technische Daten des tragbaren Messgeräts

Technische Daten	Details
Verschmutzungsgrad	2
Schutzklasse	II

Technische Daten	Details
Ladetemperatur	0 bis 40 °C (32 bis 104 °F)
Betriebstemperatur	-20 bis 55 °C (-4 bis 131 °F)
Lagertemperatur	-20 bis 60 °C (-4 bis 140 °F)
Gehäuseschutzart	IP67
Akku-Betriebsdaueranzeige	Balkenanzeige aus fünf Segmenten
Akkutyp	Wiederaufladbarer Lithiumionen-Akku; 3,6 V, 5,0 Ah, 18 Wh
Akkulebensdauer	18 Stunden im typischen täglichen Einsatz ¹ ; 20 °C (68 °F)
Akku-Ladegerät	Externes Netzteil, Energieeffizienz VI: 100-240 VAC, 50-60 Hz, 0,5 A Eingang; 12 VDC, 1,25 A Ausgang
Abmessungen (L x B x H)	21,8 x 9,3 x 5,3 cm (8,6 x 3,7 x 2,1 Zoll)
USB-Anschluss	Typ Mini-B, 5-polig, mit IP67 eingestuft, wenn gekapselt
Material	Polycarbonat mit einem Schutzpanzer aus thermoplastischem Elastomer (TPE)

2.3 Technische Daten der Benutzeroberfläche

Technische Daten	Details
Grafische Anzeige	Farbe, LCD 3,5 Zoll, QVGA-transfektiv (bei direkter Sonneneinstrahlung ablesbar)
Auflösung der Messung	0 ≤ Wert < 10: 3 Dezimalstellen; 10 ≤ Wert < 100: 2 Dezimalstellen; 100 ≤ Wert < 1000: 1 Dezimalstelle; Wert ≥ 1000: 0 Dezimalstellen
Tastatur	Alphanumerisch
Betriebsmodi	Echtzeit, Profilerstellung
Profiltypen	Gewässer, Leitung
Leitungsformen	Rund, rechteckig, trapezförmig, 2/3-eiförmig, invertiert 2/3-eiförmig
Eingabe Zwischenstationen	Feste, nicht feste Lotrechte
Rauschunterdrückung	Frei wählbar, 50 Hz oder 60 Hz
Maßeinheiten	Geschwindigkeit: Fuß/s, m/s, cm/s, mm/s
	Durchfluss: Fuß ³ /s, Millionen Gallonen/Tag, Gallonen/Tag, Gallonen/Minuten, m ³ /s, m ³ /Min, m ³ /h, m ³ /Tag, Liter/s, Liter/min
	Tiefe: Zoll, Fuß, m, cm, mm
Gewässerflusskalkulation	Flächenmittel- oder Teilflächen-Methode
Diagnose	Selbsttest, Tastatur, Anzeige, Ereignisprotokoll
Methoden zur Leitungspfilerstellung	0,9 x Vmax; 0,2/0,4/0,8; Geschwindigkeits- und Füllstands-Integrator, 2D
Methoden zur Gewässerprofilierstellung	1-, 2-, 3-, 4-, 5- und 6-Punkt (Geschwindigkeitsmethode – USGS und ISO), 2-Punkt-KREPS-Methode, 1-Punkt-Oberflächenmethode, 1- und 2-Punkt-Gefriermethode

¹ Definiert als 30-minütiges Einrichten, sechs 1-stündige Phasen im Dauereinsatz mit aktivem Sensor und maximaler Anzeigehelligkeit sowie 30 Minuten Ruhemodus zwischen den Einsatzphasen, Download der Daten und Ausschaltvorgang.

Technische Daten	Details
Dateitypen	Echtzeit, Profilerstellung, Ereignisprotokoll
Sprachen	Bulgarisch, Chinesisch, Dänisch, Deutsch, Englisch, Finnisch, Französisch, Griechisch, Italienisch, Japanisch, Koreanisch, Niederländisch, Polnisch, Portugiesisch, Rumänisch, Russisch, Schwedisch, Slowakisch, Spanisch, Tschechisch, Türkisch, Ungarisch

2.4 Allgemeine Technische Daten

Technische Daten	Details
Maximalanzahl der Echtzeit-Dateien	Jeweils 50, mit bis zu 75 vom Benutzer erfassten Messwerten.
Firmware	Der Sensor und das tragbare Messgerät lassen sich im Feld über USB aufrüsten

Kapitel 3 Allgemeine Informationen

Der Hersteller haftet in keinem Fall für Schäden, die aus einer unsachgemäßen Verwendung des Produkts oder der Nichteinhaltung der Anweisungen in der Bedienungsanleitung resultieren. Der Hersteller behält sich jederzeit und ohne vorherige Ankündigung oder Verpflichtung das Recht auf Verbesserungen an diesem Handbuch und den hierin beschriebenen Produkten vor. Überarbeitete Ausgaben der Bedienungsanleitung sind auf der Hersteller-Webseite erhältlich.

3.1 Sicherheitshinweise

Der Hersteller ist nicht für Schäden verantwortlich, die durch Fehlanwendung oder Missbrauch dieses Produkts entstehen, einschließlich, aber ohne Beschränkung auf direkte, zufällige oder Folgeschäden, und lehnt jegliche Haftung im gesetzlich zulässigen Umfang ab. Der Benutzer ist selbst dafür verantwortlich, schwerwiegende Anwendungsrisiken zu erkennen und erforderliche Maßnahmen durchzuführen, um die Prozesse im Fall von möglichen Gerätefehlern zu schützen.

Bitte lesen Sie dieses Handbuch komplett durch, bevor Sie dieses Gerät auspacken, aufstellen oder bedienen. Beachten Sie alle Gefahren- und Warnhinweise. Nichtbeachtung kann zu schweren Verletzungen des Bedieners oder Schäden am Gerät führen.

Vergewissern Sie sich, dass der Schutz, den dieses Gerät bietet, nicht beeinträchtigt wird. Bauen Sie das Gerät nicht anders ein, als in der Bedienungsanleitung angegeben.

3.1.1 Bedeutung von Gefahrenhinweisen

▲ GEFAHR
Kennzeichnet eine mögliche oder drohende Gefahrensituation, die, wenn sie nicht vermieden wird, zum Tod oder zu schweren Verletzungen führt.




▲ WARNUNG
Kennzeichnet eine mögliche oder drohende Gefahrensituation, die, wenn sie nicht vermieden wird, zum Tod oder zu schweren Verletzungen führen kann.

▲ VORSICHT
Kennzeichnet eine mögliche Gefahrensituation, die zu leichteren Verletzungen führen kann.

ACHTUNG
Kennzeichnet eine Situation, die, wenn sie nicht vermieden wird, das Gerät beschädigen kann. Informationen, die besonders beachtet werden müssen.

3.1.2 Warnhinweise

Lesen Sie alle am Gerät angebrachten Aufkleber und Hinweise. Nichtbeachtung kann Verletzungen oder Beschädigungen des Geräts zur Folge haben. Im Handbuch wird in Form von Warnhinweisen auf die am Gerät angebrachten Symbole verwiesen.

	Dies ist das Sicherheits-Warnsymbol. Befolgen Sie alle Sicherheitshinweise im Zusammenhang mit diesem Symbol, um Verletzungen zu vermeiden. Wenn es am Gerät angebracht ist, beachten Sie die Betriebs- oder Sicherheitsinformationen im Handbuch.
	Dieses Symbol zeigt das Vorhandensein von Geräten an, die empfindlich auf elektrostatische Entladung reagieren. Es müssen Vorsichtsmaßnahmen getroffen werden, um die Geräte nicht zu beschädigen.
	Elektrogeräte, die mit diesem Symbol gekennzeichnet sind, dürfen nicht im normalen öffentlichen Abfallsystem entsorgt werden. Senden Sie Altgeräte an den Hersteller zurück. Dieser entsorgt die Geräte ohne Kosten für den Benutzer.

3.1.3 Einhaltung der elektromagnetischen Verträglichkeit (EMC)

▲ VORSICHT

Dieses Gerät ist nicht für den Einsatz in Wohnumgebungen bestimmt und kann in solchen Umgebungen keinen angemessenen Schutz vor Funkwellen bieten.

CE (EU)

Das Gerät erfüllt die wesentlichen Anforderungen der EMV-Richtlinie 2014/30/EU.

UKCA (UK)

Das Gerät erfüllt die Anforderungen der Verordnung über elektromagnetische Verträglichkeit 2016 (S.I. 2016/1091).

Kanadische Vorschriften zu Störungen verursachenden Einrichtungen, ICES-003, Klasse A:

Entsprechende Prüfnachweise hält der Hersteller bereit.

Dieses digitale Gerät der Klasse A erfüllt alle Vorgaben der kanadischen Normen für Interferenz verursachende Geräte.

Cet appareil numérique de classe A répond à toutes les exigences de la réglementation canadienne sur les équipements provoquant des interférences.

FCC Teil 15, Beschränkungen der Klasse "A"

Entsprechende Prüfnachweise hält der Hersteller bereit. Das Gerät entspricht Teil 15 der FCC-Vorschriften. Der Betrieb unterliegt den folgenden Bedingungen:

1. Das Gerät darf keine Störungen verursachen.
2. Das Gerät muss jegliche Störung, die es erhält, einschließlich jener Störungen, die zu unerwünschtem Betrieb führen, annehmen.

Änderungen oder Modifizierungen an diesem Gerät, die nicht ausdrücklich durch die für die Einhaltung der Standards verantwortliche Stelle bestätigt wurden, können zur Aufhebung der Nutzungsberechtigung für dieses Gerät führen. Dieses Gerät wurde geprüft, und es wurde festgestellt, dass es die Grenzwerte für digitale Geräte der Klasse A entsprechend Teil 15 der FCC-Vorschriften einhält. Diese Grenzwerte sollen einen angemessenen Schutz gegen gesundheitsschädliche Störungen gewährleisten, wenn dieses Gerät in einer gewerblichen Umgebung betrieben wird. Dieses Gerät erzeugt und nutzt hochfrequente Energie und kann diese auch abstrahlen, und es kann, wenn es nicht in Übereinstimmung mit der Bedienungsanleitung installiert und eingesetzt wird, schädliche Störungen der Funkkommunikation verursachen. Der Betrieb dieses Geräts in Wohngebieten kann schädliche Störungen verursachen. In diesem Fall muss der Benutzer die Störungen auf eigene Kosten beseitigen. Probleme mit Interferenzen lassen sich durch folgende Methoden mindern:

1. Trennen Sie das Gerät von der Stromversorgung, um sicherzugehen, dass dieser die Störungen nicht selbst verursacht.
2. Wenn das Gerät an die gleiche Steckdose angeschlossen ist wie das gestörte Gerät, schließen Sie das störende Gerät an eine andere Steckdose an.
3. Vergrößern Sie den Abstand zwischen diesem Gerät und dem gestörten Gerät.
4. Ändern Sie die Position der Empfangsantenne des gestörten Geräts.
5. Versuchen Sie auch, die beschriebenen Maßnahmen miteinander zu kombinieren.

3.2 Produktübersicht

Das tragbare Geschwindigkeitsmesssystem ist für den Einsatz im Feld und im Labor sowie den kommunalen Einsatz vorgesehen. Mit diesem System lassen sich turbulente, rauschende und niedrige Strömungen messen.

Wenn der Sensor in fließendes Wasser gehalten wird, erzeugt ein um den Sensor anliegendes magnetisches Feld eine Spannung, die proportional zur Strömungsgeschwindigkeit ist. Diese Spannungsamplitude, die die Strömungsrate des Wassers um den Sensor darstellt, wird von den Elektroden im Sensor erfasst und vom Mikroprozessor des Sensors verarbeitet. Das verarbeitete Signal wird digital über das Sensorkabel an das tragbare Messgerät übertragen und die Informationen werden auf der Messgerätanzeige angezeigt. Das System besteht aus einem tragbaren Messgerät, einem Sensor mit Kabel und dem Zubehör.

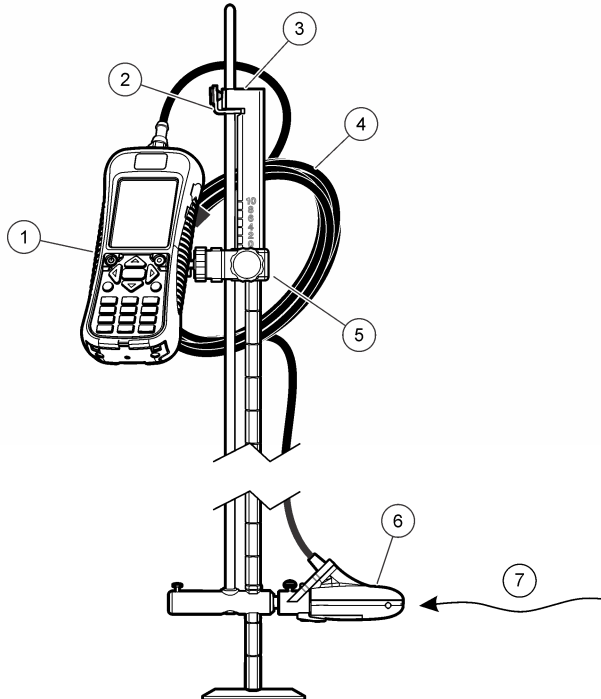
Das Messgerät und der Sensor erfassen Geschwindigkeitsinformationen in Leitungen und Gewässern. Diese Messwerte sind wichtig für die Kalibrierung bei kommunalen Abwasserbetrieben, sowie für die Bewertung der Umweltbelastungen.

Es sind zwei Sensortypen verfügbar: Nur für Geschwindigkeitsmessungen und Geschwindigkeits-plus Tiefenmessung. In diesem Handbuch werden beide Sensortypen behandelt. Falls Informationen für einen speziellen Sensortypen gelten, wird im Text darauf hingewiesen.

3.2.1 Systemübersicht

Eine Übersicht eines zusammengesetzten Systems wird in [Abbildung 1](#) dargestellt. Weitere Information finden Sie in der Dokumentation, die im Lieferumfang der einzelnen Komponenten oder Zubehörteile enthalten ist.

Abbildung 1 Zusammengesetzte Komponenten

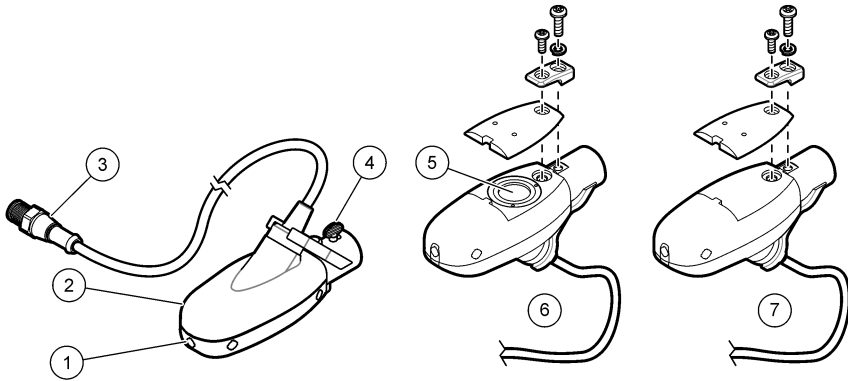


1 Tragbares Messgerät	5 Einstellbare Halterung für das tragbare Messgerät
2 Vorrichtung zum Feststellen/Lösen der Sensorhöhe	6 Sensor-Einheit
3 Messstange Typ USGS (Zubehör)	7 Durchflussrichtung
4 Sensorkabel	

3.2.2 Sensoransicht

Abbildung 2 zeigt die Hauptkomponenten des Sensors. Anweisungen zum Befestigen des Sensors an einer Standard- oder verstellbaren Messstange sind im Lieferumfang des Zubehörs enthalten.

Abbildung 2 Sensorkomponenten

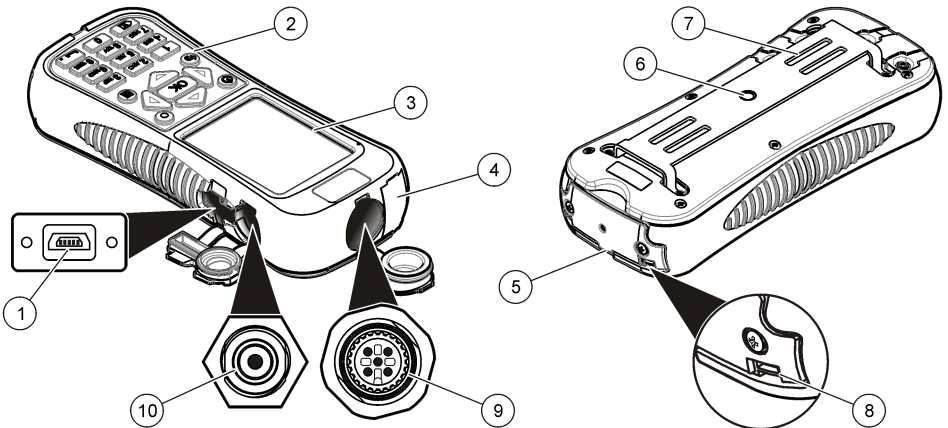


1 Sensorelektroden	5 Druckmesszelle (Sensoren mit Tiefeoption)
2 Sensorgehäuse	6 Sensor mit Tiefeoption
3 Sensor-Anschlussstecker	7 Sensor ohne Tiefeoption
4 Flügelschraube zur Befestigung des Sensors	

3.2.3 Messgeräteübersicht

Abbildung 3 zeigt die Funktionen des Messgerätes.

Abbildung 3 Komponenten des Messgerätes



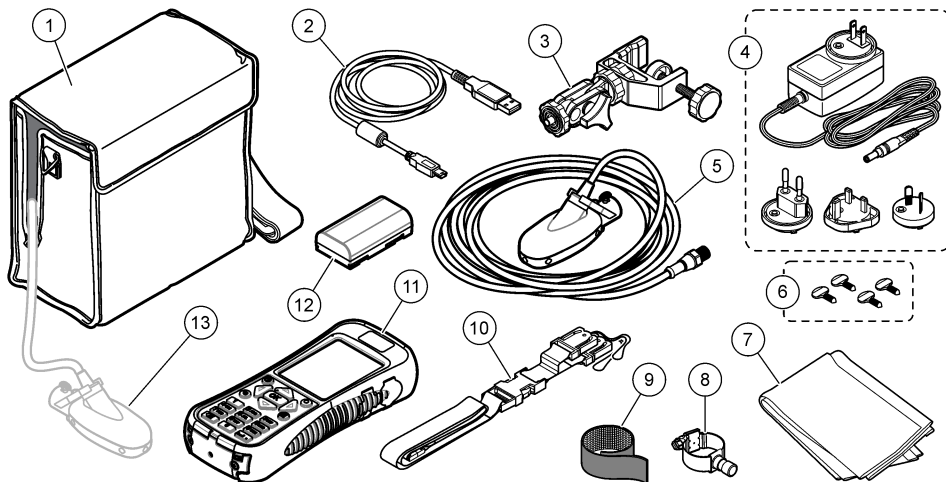
1 USB-Anschlussport ²	6 Gewindebohrung für die einstellbare Halterung des Messgerätes
2 Tastatur	7 Schlitz für die Klettband- oder Riemenbefestigung
3 Messgerätanzeige	8 Schlitz für die Trageriemen-Befestigungen (2x)
4 Erweiterungsport (Nicht belegt)	9 Sensor-Anschlussport
5 Akkufachabdeckung	10 Anschluss für Akkuladegerät

² Verwenden Sie den USB-Anschluss nicht, um den Akku zu laden.

3.3 Produktkomponenten

Siehe [Abbildung 4](#) beim Kauf eines kompletten Systems, um die Lieferung auf Vollständigkeit zu prüfen. Sollte eines der aufgelisteten Teile fehlen oder defekt sein, wenden Sie sich bitte sofort an den Hersteller oder die zuständige Vertretung.

Abbildung 4 Systemkomponenten



1 Transporttasche (mit Schlitz für Sensorkabel)	8 Universal-Halterung des Sensors
2 USB-Kabel mit Mini-USB-Stecker, 1 m (3 Fuß)	9 Klettbandstreifen
3 Einstellbare Halterung für das tragbare Messgerät	10 Band
4 Akkuladegerät, 100–240 VAC	11 Tragbares Messgerät
5 Sensor	12 Lithium-Akkusatz
6 Zusätzliche Flügelschrauben (4x)	13 Sensor, angeschlossen am in der Tasche befindlichen Messgerät
7 Tuch zum Trocknen des Sensors	

Kapitel 4 Installation

4.1 Montieren des Sensors auf der Universal-Halterung des Sensors

Verwenden Sie die Universal-Halterung des Sensors, um den Sensor an Stangen mit einem Durchmesser von 2,54 cm (1 Zoll) oder weniger zu befestigen. Für den korrekten Betrieb und genaue Messwerte muss die Vorderseite des Sensors exakt gegen die Strömung zeigen, damit die Elektroden vollständig in Kontakt mit dem Durchfluss stehen.

Hinweis: Halten Sie die Sensorelektroden frei von nicht leitenden Substanzen wie Öl und Schmiermittel. Zum Entfernen von Sensorverunreinigungen, siehe [Reinigen des Sensors](#) auf Seite 41.

- Der vordere Teil des Sensors ist rund und enthält drei Elektroden. Der Sensor hat hinten eine Montagebohrung und oben befindet sich eine Flügelschraube. Stecken Sie den Montageschaft der Universal-Halterung in die Montagebohrung hinten am Sensor. Stellen Sie sicher, dass der Montageschaft vollständig in der Montagebohrung sitzt und dass die Flügelschraube in der Fuge sitzt.

- Ziehen Sie die Flügelschraube von Hand fest.

- Schieben Sie eine Stange mit einem Durchmesser von 2,54 cm (1 Zoll) oder weniger durch die Klemme der Universal-Halterung des Sensors. Ziehen Sie die Klemme fest.

Hinweis: Anweisungen zum Befestigen des Sensors an einer Standard- oder verstellbaren Messstange sind im Lieferumfang des Zubehörs enthalten.

4.2 Lithium-Akku-Sicherheit

▲ WARNUNG



Brand- und Explosionsgefahr. Lithiumakkus können heiß werden, explodieren oder sich entzünden und schwere Verletzungen verursachen, wenn sie unsachgemäß verwendet werden.

- Verwenden Sie den Akku nicht, wenn er sichtbare Schäden aufweist.
- Verwenden Sie den Akku nicht nach starken Stößen oder Vibrationen.
- Halten Sie den Akku von Feuer fern.
- Sorgen Sie dafür, dass die Temperatur des Akkus 60 °C (140 °F) nicht übersteigt.
- Setzen Sie den Akku keiner Feuchtigkeit aus.
- Vermeiden Sie Kontakt zwischen den positiven und negativen Akkuklemmen.
- Lassen Sie nicht zu, dass nicht autorisierte Personen den Akku berühren.
- Akkus müssen entsprechend den lokalen, regionalen und nationalen Vorschriften entsorgt werden.
- Verwenden und lagern Sie das Gerät nicht bei direkter Sonneneinstrahlung, in der Nähe einer Wärmequelle oder in Umgebungen mit hohen Temperaturen, etwa einem geschlossenen Fahrzeug bei direkter Sonneneinstrahlung.

4.3 Einsetzen des Akkus

▲ WARNUNG



Brand- und Explosionsgefahr. Diese Ausrüstung ist mit einer leistungsstarken Lithiumbatterie ausgestattet, die sich selbst im ausgeschalteten Zustand entzünden und einen Brand oder eine Explosion verursachen kann. Um die durch das Gerätegehäuse gewährleistete Sicherheit zu erhalten, müssen die Gehäusedeckel mit dem im Lieferumfang enthaltenen Werkzeug montiert und festgezogen werden.

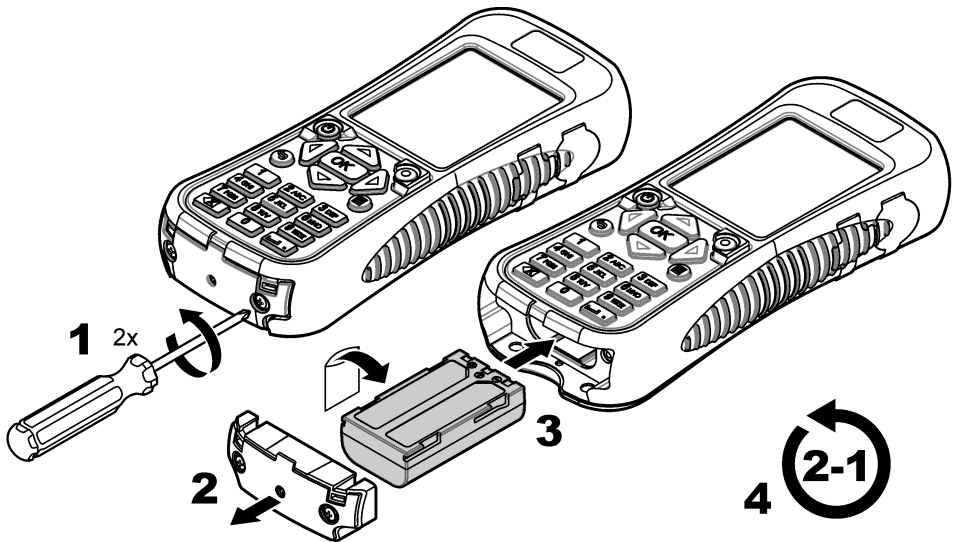
▲ WARNUNG



Explosions- und Feuergefahr. Eine Substitution der Batterie ist unzulässig. Benutzen Sie nur Batterien, die vom Gerätehersteller geliefert werden.

Setzen Sie den mitgelieferten Lithiumakku wie in [Abbildung 5](#) gezeigt ein.

Abbildung 5 Einsetzen des Akkus



4.4 Aufladen des Akkus

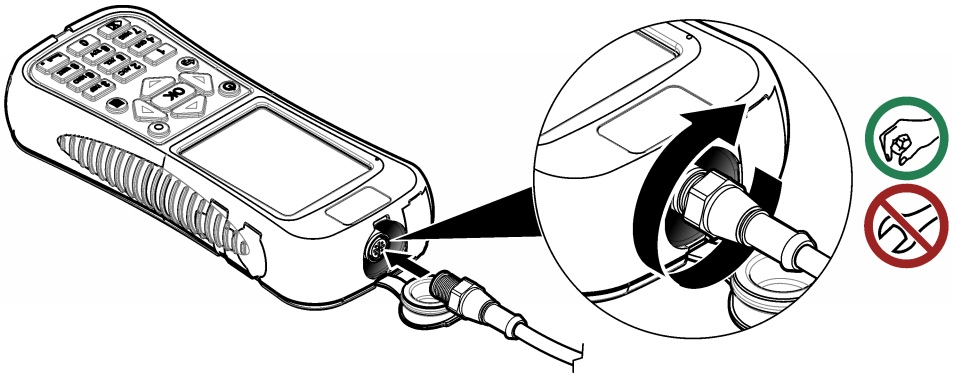
Hinweis: Ein Austausch des Akku-Ladegeräts ist unzulässig. Verwenden Sie ausschließlich das in der Teile- und Zubehörliste des Gerätes aufgeführte Ladegerät. Siehe Ersatzteile und Zubehör in der erweiterten Version des Handbuchs.

Laden Sie vor der ersten Verwendung den Akku des Geräts mithilfe des mitgelieferten Akkuladegeräts vollständig auf. Ein leerer Akku wird innerhalb von ca. 8 Stunden vollständig geladen.

1. Stellen Sie sicher, dass der für die geografische Region korrekte Steckertyp am Akkuladegerät angebracht wurde.
2. Schließen Sie das Akkuladegerät an einen geerdeten Stromanschluss mit Schutzerde an.
3. Verbinden Sie das Akkuladegerät mit dem Anschluss für das Akkuladegerät am Gerät. Siehe [Messgeräteübersicht](#) auf Seite 29. Der Akkuladezustand wird auf dem Bildschirm angezeigt. Während des Akkuladevorgangs wird eine blaue Leuchte am Ladekabelanschluss angezeigt. Wenn der Ladevorgang abgeschlossen ist, geht die blaue Leuchte aus.

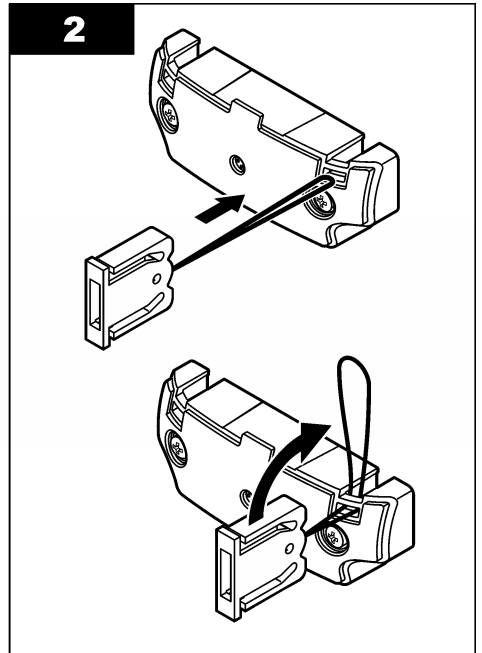
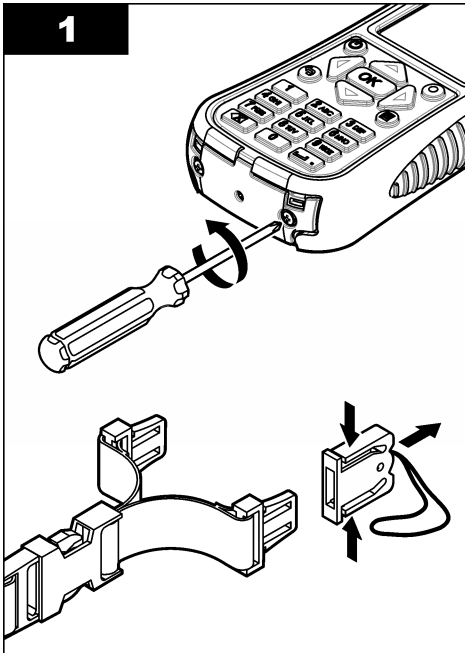
Hinweis: Das Messgerät ist während des Akkuladevorgangs nicht betriebsbereit. Der Akku lädt nicht über die USB-Kabelverbindung.

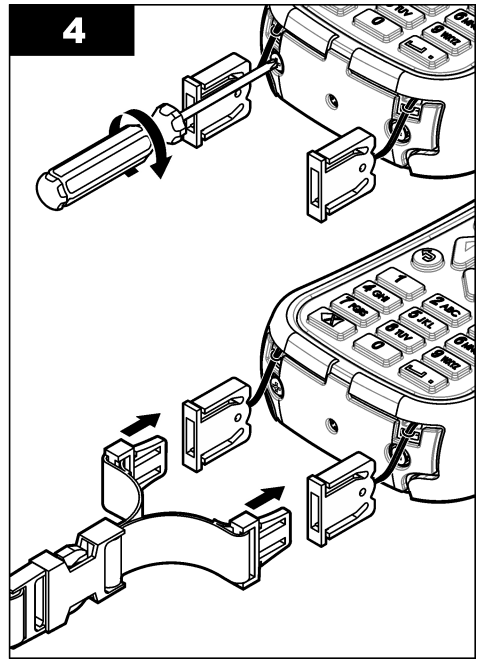
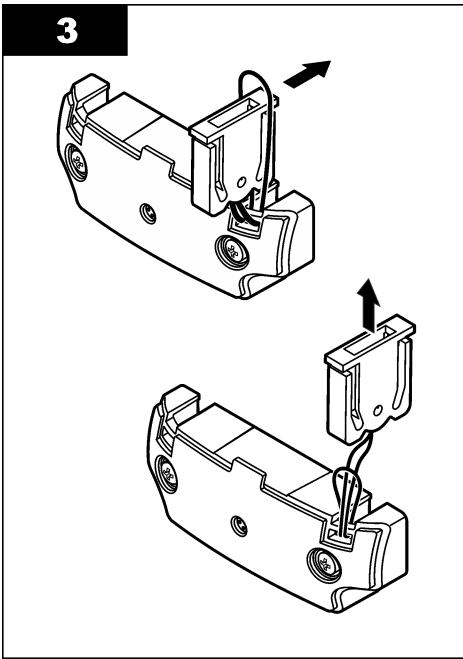
4.5 Anschließen des Sensors an das Messgerät



4.6 Befestigen des Bandes

Befestigen Sie das Band, um das Messgerät sicher um den Hals zu tragen.

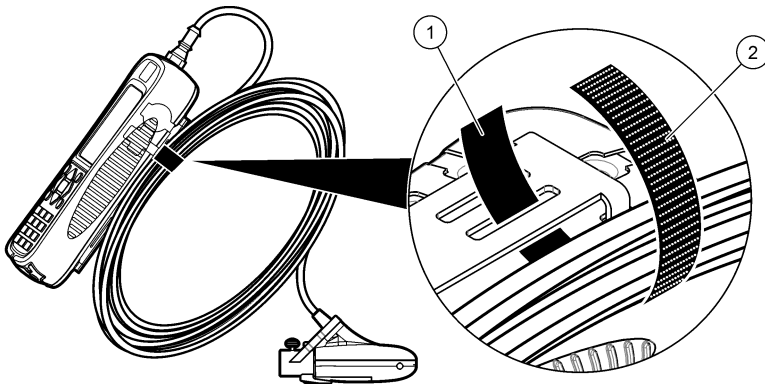




4.7 Befestigen des Klettbandstreifens

Verwenden Sie den Klettbandstreifen, um das Zusatzkabel aufzunehmen. Siehe [Abbildung 6](#).

Abbildung 6 Befestigen des Klettbandstreifens



1 Flauschseite

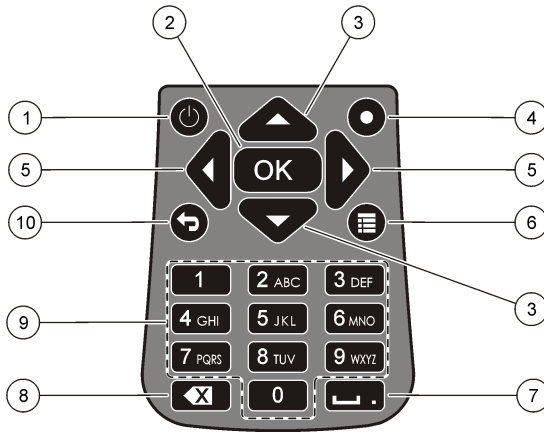
2 Hakenseite

Kapitel 5 Benutzeroberfläche und Navigation

5.1 Tastatur und Tastenfunktionen

[Abbildung 7](#) zeigt die Tastatur des Messgeräts. [Tabelle 1](#) beschreibt die Funktionen von jeder Taste oder von jedem Tastentyp.

Abbildung 7 Tastatur



1 Ein-/Ausschalten	6 Hauptmenü
2 OK	7 Unterstrich oder dezimal
3 Pfeile „Hoch“ und „Runter“	8 Rücktaste
4 Quick Jump	9 Alphanumerische Tasten
5 Pfeile „Rechts“ und „Links“	10 Vorheriges Menü

Tabelle 1 Tastenbeschreibung

Taste	Beschreibung
Ein-/Ausschalten	Schaltet das Messgerät ein und aus.
OK	Bestätigt eine Eingabe oder hervorgehobene Menüoption.
Pfeile „Hoch“ und „Runter“	Für Bewegungen nach oben oder unten in der Anzeige. Wenn sich der Cursor am oberen oder unteren Rand der Anzeige befindet, springt er beim Drücken der Pfeile HOCH oder RUNTER nach oben oder unten.
Quick Jump	Im normalen Betrieb wechselt diese Taste zum Bildschirm „Leitgs.-Form wählen“. Im normalen Betrieb ist die Quick Jump-Taste deaktiviert. Wenn die Funktion der automatischen Nullpunkteinstellung deaktiviert ist, halten Sie diese Taste fünf Sekunden lang gedrückt und führen Sie eine manuelle Nullpunkteinstellung des Tiefensensors durch. Im Echtzeit-Modus wechselt die Quick Jump-Taste zwischen den digitalen und graphischen Anzeigen hin und her.
Pfeile „Rechts“ und „Links“	Für Bewegungen zur rechten oder linken Seite in der Anzeige.
Hauptmenü	Wechselt von einem Untermenü oder Bildschirm zum Hauptmenü.
Unterstrich oder dezimal	Fügt einen Unterstrich oder ein Dezimalzeichen ein. In reinen Zahlenfeldern setzt diese Taste automatisch einen Dezimalpunkt an die Cursorposition.
Rücktaste	Setzt den Cursor eine Stelle zurück.
Alphanumerische Tasten	Zur Eingabe von Buchstaben oder Zahlenwerten. Die Werte werden in der auf der Taste abgebildeten Reihenfolge eingegeben. Nach 2 Sekunden wird der in der Anzeige abgebildete Wert übernommen und der Cursor rückt eine Stelle vor.
Vorheriges Menü	Wechselt zum vorherigen Bildschirm.

5.2 Statuszeile

Am oberen Rand der Anzeige wird eine Statuszeile angezeigt. Beschreibungen der Informationen in der Statuszeile finden Sie in [Tabelle 2](#).

Tabelle 2 Statuszeilenanzeigen

Anzeige	Beschreibung
Uhrzeit und Datum	Zeigt die aktuelle Uhrzeit und das Datum an.
USB	Zeigt an, dass ein USB-Kabel angeschlossen wurde. Wenn ein USB-Kabel angeschlossen wurde und diese Anzeige nicht in der Statuszeile angezeigt wird, wurde das USB-Kabel nicht vollständig eingesteckt. Stellen Sie sicher, dass das USB-Kabel korrekt eingesteckt ist und ein vollständiger Kontakt mit dem Anschlussport hergestellt wird.
Leitfähigkeit	Wenn sich der Sensor außerhalb des Wassers befindet und nicht leitend ist, wird neben dem Akkusymbol/Batteriesymbol ein blauer Ring angezeigt. Wenn sich der Sensor im Wasser befindet und er leitend ist, wird diese Anzeige als blau ausgefüllter Kreis dargestellt.
Akku	Eine aus fünf Balken bestehende Anzeige zeigt den Ladezustand des Akkus an.
Dateizugriff	Wird angezeigt, während das Messgerät auf eine Datei zugreift.
Anzeige der automatischen Nullpunkteinstellung - Tiefe	Wenn der Nullpunkt des Tiefensensors in den letzten 30 Minuten eingestellt wurde, wird ein dauerhaft grün leuchtender Kreis neben der Leitfähigkeitsanzeige angezeigt. Wenn der Nullpunkt des Tiefensensors in den letzten 30 Minuten nicht eingestellt wurde, blinkt diese Anzeige rot.

5.3 Navigation und Hauptmenü

Drücken Sie auf **OK**, um eine ausgewählte Menüoption oder einen auf der Anzeige dargestellten Wert zu bestätigen. Wählen Sie „Mehr“ und drücken Sie **OK**, um weitere Bildschirme und Optionen anzuzeigen, falls verfügbar. Drücken Sie auf die Taste „Hauptmenü“, um von einem Untermenü zum Hauptmenü zu wechseln.

***Hinweis:** Einige Funktionen können nicht ausgeführt werden, solange kein Sensor mit dem Messgerät verbunden ist. Wenn versucht wird, auf diese Funktionen zuzugreifen, und es ist kein Sensor angeschlossen, zeigt die Anzeige eine Fehlermeldung an. Schließen Sie einen Sensor an und versuchen Sie erneut, die Funktion auszuführen.*

- Echtzeit**—Wählen Sie diese Option, um Echtzeit-Informationen zu Geschwindigkeit und Tiefe abzufragen. (Zur Tiefenmessung ist ein Sensor mit Tiefenmessfunktion erforderlich). Ein Beispiel für einen Echtzeit-Bildschirm für Sensoren mit Geschwindigkeitsmessfunktion ist in [Abbildung 8](#) dargestellt. Echtzeit-Bildschirme für Sensoren mit Geschwindigkeits- und Tiefenmessfunktion sind in [Abbildung 9](#) dargestellt. Das Format der gezeigten Informationen und Optionen ist vom verwendeten Sensortyp abhängig. Im Echtzeit-Modus, wechselt die Quick Jump-Taste zwischen den digitalen und graphischen Anzeigen der Echtzeit-Informationen hin und her. Die Geschwindigkeit wird im FPA-Filtermodus entsprechend der Durchschnittszeit des festen Zeitraums aktualisiert. Im RC-Filtermodus wird die Geschwindigkeit kontinuierlich alle 250 ms auf dem Bildschirm aktualisiert.

Option	Beschreibung
Erfassung	Speichert die angezeigten Tiefen- und Geschwindigkeitsinformationen. Die Informationen werden bis zum nächsten Einschalten gespeichert, der Speicherinhalt wird in eine nichtflüchtige Echtzeit-Datei verschoben oder der Benutzer beendet den Echtzeit-Modus.
Speichern	Speichert die erfassten Messwerte vom flüchtigen Speicher in eine nichtflüchtige Echtzeit-Datei. Eine Meldung zeigt an, wenn die Anzahl der Dateien den Wert für die höchstmögliche Anzahl übersteigt. Dateien werden in einem tabulatorgetrennten Format (.tsv) gespeichert.
Fertig oder OK	Beendet den Echtzeit-Modus und kehrt zurück zum Hauptmenü. Wenn im flüchtigen Speicher noch ungespeicherte Daten vorhanden sind, wird der Benutzer anhand einer Bestätigungsmeldung gefragt, ob die Anwendung ohne Speicherung der Daten beendet werden soll.

Option	Beschreibung
Löschen	Löscht die erfassten Messwerte aus dem flüchtigen Speicherpuffer. Der Benutzer kann zwischen den Optionen „Letzten Wert löschen“, „Alle löschen“ oder „Abbrechen“ auswählen.
Setup	<p>Ermöglicht dem Benutzer die Änderung der Filterparameter sowie die Aktivierung und Programmierung der Sensor-Positionierungsfunktion „Maximale Tiefe“. Mit der Funktion „Max. Tiefe“ kann ein Benutzer die Systemparameter für die Tiefenmessung im Echtzeit-Modus eingeben. Der Benutzer hat die Auswahl zwischen der Eingabe eines direkt mit einem Messstab ermittelten (manuellen) oder eines indirekt mit der Tiefenmessung (automatisch) erfassten Maximaltiefenwerts. Beide Methoden erlauben die Sensor-Positionierungsfunktion „Max. Tiefe“.</p> <p>Im Modus „Autom.“, gibt der Benutzer die Entfernung von der Gewässersohle bis zur Unterseite der Sensorhalterung (Offset) direkt ein. Die Setup-Benutzeroberfläche wird kontinuierlich den vom Sensor ermittelten aktuellen Tiefenwert und den Offset anzeigen. Das Messgerät speichert diesen Wert als „Max. Tiefe“, wenn die OK-Taste gedrückt wird. In allen anderen Fällen ist bei den angezeigten Tiefenwerten der Offset nicht enthalten.</p> <p>Die Funktion „Max. Tiefe“ erfordert einen Sensor mit Geschwindigkeits- und Tiefenmessfunktion.</p>
Dateien oder Ansicht	Zeigt eine Zusammenfassung zu jeder im nichtflüchtigen Speicher vorhandenen Echtzeit-Datei an. Dateien können individuell angezeigt und gelöscht werden.

Abbildung 8 Echtzeit-Bildschirm

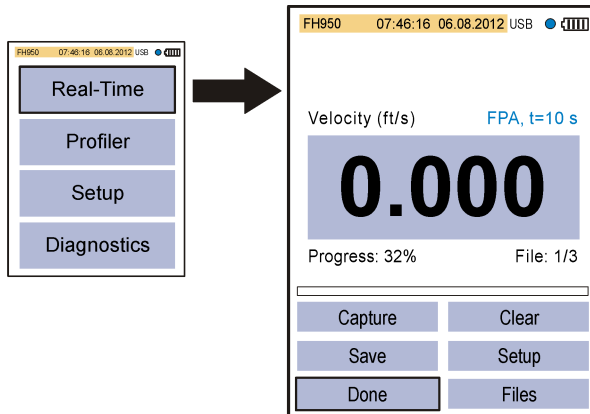
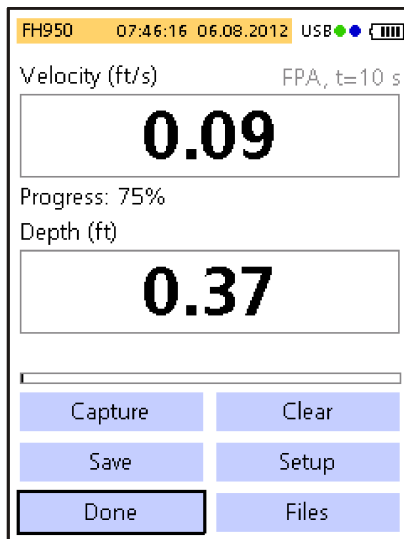


Abbildung 9 Echtzeit-Bildschirm für Sensor mit Tiefenmessfunktion



2. **Profiler**— Wählen Sie diese Option, um Messungen in Gewässern und durchflossenen Leitungen durchzuführen. Das Messgerät zeigt bei Bedarf Eingabeaufforderungen für den Benutzer an. Ein Prozentsatz des Restspeichers wird in einer 1-%-Auflösung angegeben. Siehe die erweiterte Version des Handbuchs für weitere Informationen über Profile.

Option	Beschreibung
Strom	Diese Option wird verwendet, um ein Profil für ein Gewässer oder einen durchflossenen Kanal einzurichten. Führen Sie Geschwindigkeitsmessungen durch, um den Gesamtablauf auf Grundlage der ISO 748- oder USGS-Normen für Flächenmittel- oder Teilflächen-Methoden zu berechnen.
Leitung	Diese Option wird verwendet, um ein Profil für eine Leitung einzurichten.
Dateien	Diese Option wird verwendet, um gespeicherte Dateien anzuzeigen oder zu löschen. Dateien können alle auf einmal oder einzeln gelöscht werden.
Einstellungen	Diese Option wird verwendet, um die Einstellungen für die Filterparameter und die Funktion „Max. Tiefe“ einzurichten oder zu ändern.

3. **Setup**—Wählen Sie diese Option, um allgemeine Systemeinstellungen und Vorgaben zu ändern.



Option	Beschreibung
Geschwindigkeitskalib.	Kalibriert den Sensor. Fügt der Werkskalibrierung ein Feld-Offset hinzu. Siehe den Anhang in der erweiterten Version des Handbuchs für weitere Informationen.

Option	Beschreibung
Filterparameter	<p>Wendet einen Datenerfassungsfilter an (Hauptfilter oder Vorfilter). Der Benutzer kann die Filterparameter auswählen.</p> <p>Hauptfilt.</p> <ul style="list-style-type: none"> • Mittelwert — Der Mittelwert ermittelt den Datendurchschnitt eines benutzerdefinierten festen Zeitraums (1 bis 480 Sekunden). Der Standardwert ist 10 Sekunden. Wenn der FPA-Wert 5 beträgt, wird der Geschwindigkeitswert auf der Anzeige alle fünf Sekunden aktualisiert. • RCA-Zeitkonstante—Der RC-Filter hilft beim Glätten von Turbulenzen, durch Verwendung einer ausgewählten Zeitkonstante im Filteralgorithmus. Dieser Modus ist nützlich bei der Bestimmung der Maximalgeschwindigkeit, zum Beispiel bei der Profilmethode $0,9 \times V_{max}$. Hohe RC-Filter-Zeitkonstanten sorgen für höhere Glättungsgrade. Die Zeitkonstante kann von 2 bis auf 20 Sekunden eingestellt werden, wobei 6 der Standardwert ist. Bei 1 Zeitkonstante stellt sich der Filter auf ca. 60 % des Endwertes ein. Bei 5 Zeitkonstanten stellt sich der Filter auf ca. 99,9 % des Endwertes ein. Folglich wird der Endwert nach 10 Sekunden angezeigt, wenn der RC-Wert auf 2 eingestellt ist. <p>Vorfilter</p> <ul style="list-style-type: none"> • Medianfilter—Der Filterungsprozess erfolgt im Sensor. Die Funktion kann deaktiviert werden. Der empfohlene (Standard) Wert ist jedoch 5. Aktivieren Sie diese Funktion, um diesen Wert einzugeben oder zu ändern.
Nass/trockGrenzw.	<p>Stellt den Sensor-Eintauchgrenzwert für nasse und trockene Bedingungen ein. Der Standardwert ist 20 %. Siehe den Anhang in der erweiterten Version des Handbuchs für weitere Informationen.</p>
Automatische Nullpunkteinstellung - Tiefe	<p>Stellt die Funktion „Automatische Nullpunkteinstellung“ auf „An“ oder „Aus“.</p> <p>Steht die Funktion auf „An“, führt das Gerät eine Luftkalibrierung durch, wenn der Sensor aus dem Wasser gezogen wird und sich an der Luft befindet. Zur Durchführung der Luftkalibrierung stellt das Gerät den Sensor automatisch auf den Nullpunkt ein.</p> <p>Steht die Funktion auf „Aus“, kann der Benutzer den Nullpunkt des Sensors manuell einstellen. Hierfür muss der Sensor aus dem Durchfluss entfernt und anschließend die Quick Jump-Taste fünf Sekunden lang gedrückt werden.</p> <p>Wenn der Sensor 30 Minuten lang im Durchfluss gewesen ist, wechselt der grüne Kreis in der oberen rechten Ecke seine Farbe von grün auf rot. Dadurch wird der Benutzer aufgefordert, den Sensor zu entnehmen und dessen Nullpunkt erneut einzustellen.</p>
EMI	<p>Stellt die Netzfrequenz für die Rauschunterdrückung auf 50 Hz oder 60 Hz (Standard) ein.</p>
Uhr	<p>Stellt das Datum und die Uhrzeit des tragbaren Messgerätes auf ein 24-Stunden-Format ein. Die Umstellung von Sommer- auf Winterzeit wird nicht unterstützt.</p>
USB	<p>Stellt den USB-Modus ein.</p> <ul style="list-style-type: none"> • Massenspeicher (Standard)—Dieser Modus funktioniert wie ein Speicherstick oder eine Festplatte. Die Dateien sind schreibgeschützt. • CDC—Dieser Modus wird zum Aktualisieren der Firmware verwendet.
Sprache	<p>Wählt die in den Menüs verwendete Sprache aus.</p>
Einheiten	<p>Stellt die Einheiten für Geschwindigkeits-, Durchfluss- und Tiefenmessungen ein. Die Optionen sind Metr. oder Englisch (Standard).</p>

Option	Beschreibung
Akustisches Signal	<p>An (Standard) oder Aus. Beim Einschalten gibt das Messgerät ein akustisches Signal ab, wenn:</p> <ul style="list-style-type: none"> • Sich der Sensor in der für die entsprechenden Profilmethoden korrekten Tiefe befindet. • 95 % der Messzeit abgeschlossen ist (Profilmodus). • In einem Menü eine inaktive Taste gedrückt wird. <p>Diese Funktion ist nur mit dem optionalen Tiefensensor verfügbar.</p>
Flussberechnung.	<p>Wählt die Methode der Flussberechnung für das Freiwassersegment (nur Gewässerprofile). Die Optionen sind Flächenmittel oder Teilflächen. Siehe den Anhang in der erweiterten Version des Handbuchs für weitere Informationen.</p>
Lotrechte eingeben	<ul style="list-style-type: none"> • Fest—Der Bediener gibt die Breite des Gewässers und die Anzahl der Lotrechten für die Messungen ein. Das Messgerät teilt den Querschnitt in gleichmäßige Abstände zwischen den Lotrechten ein. • Nicht fest (Standard)—Der Bediener wählt die Abstände zwischen den Lotrechten aus. Dies ist die häufiger verwendete Option, da der Bediener Hindernisse und andere Verengungen im Querschnitt einbeziehen kann. • Fest und Nicht fest — Der Bediener wählt die Referenzebene für Tiefenmessungen aus. Werte: oben oder unten
Werkseinst.	<p>Stellt alle Messgeräteeoptionen auf die standardmäßigen Werkseinstellungen ein.</p>

4. **Diagnose**— Wählen Sie diese Option zur Fehlersuche am Messgerät oder am angeschlossenen Sensor. Weitere Informationen zu den Diagnose-Optionen finden Sie unter [Diagnose](#) auf Seite 42.

Kapitel 6 Inbetriebnahme und Selbsttest

⚠ GEF AHR	
	<p>Chemische und biologische Risiken. Wird das Gerät dazu verwendet, ein Verfahren und/oder eine chemische Zuleitung zu überwachen, für das vorgeschriebene Grenzwerte und Überwachungsvorschriften im Bereich der öffentlichen Sicherheit, der Gesundheit oder im Bereich der Lebensmittel- oder Getränkeherstellung bestimmt wurden, so unterliegt es der Verantwortung des Benutzers des Geräts, alle solche Bestimmungen zu kennen und diese einzuhalten und für ausreichende und entsprechende Vorsorgemaßnahmen zur Einhaltung der für den Fall einer Fehlfunktion des Geräts bestehenden Bestimmung zu sorgen.</p>
⚠ WARNUNG	
	<p>Explosions- und Feuergefahr. Verwenden und lagern Sie das Gerät nicht bei direkter Sonneneinstrahlung, in der Nähe einer Wärmequelle oder in Umgebungen mit hohen Temperaturen, etwa einem geschlossenen Fahrzeug bei direkter Sonneneinstrahlung. Wird diese Vorsichtsmaßnahme nicht beachtet, kann der Akku überhitzen und Feuer fangen oder explodieren.</p>

Der Akku muss vor dem Gebrauch in das Messgerät eingebaut und aufgeladen werden. Weitere Informationen zum Einbau und Austausch des Akkus finden Sie unter [Einsetzen des Akkus](#) auf Seite 31. Informationen zum Laden des Akkus finden Sie unter [Aufladen des Akkus](#) auf Seite 32. **Hinweis:** Das Messgerät ist während des Akkuladevorgangs nicht betriebsbereit.

1. Halten Sie den Betriebsschalter des Messgerätes gedrückt, bis ein Piepton zu hören ist. Das Messgerät führt einen Selbsttest durch und auf der Anzeige werden die Ergebnisse angezeigt. Wenn das Messgerät den Selbsttest nicht besteht, wird neben dem betreffenden Parameter „FEHL nchst.“ angezeigt. Wenn der Sensor den Test nicht besteht, verwenden Sie einen anderen Sensor, falls vorhanden.
2. Wenn der Selbsttest abgeschlossen ist, drücken Sie **OK**, um zum Hauptmenü zu wechseln.
3. Zum Abschalten des Messgerätes drücken Sie den Betriebsschalter erneut. Wählen Sie auf dem Bildschirm „Bestätigung“ die Option „Ja“ und drücken Sie **OK**.

Wenn das tragbare Messgerät mehr nicht reagiert, halten Sie den Betriebsschalter länger als 3 Sekunden gedrückt, um den Abschaltvorgang zu erzwingen. Führen Sie den erzwungenen Abschaltvorgang nicht während des normalen Betriebs oder bei angezeigtem Dateizugriff-Symbol durch.

6.1 Geräteselbsttest

Das Messgerät führt beim Einschalten einen Diagnose-Selbsttest durch. Nach Abschluss des Selbsttests zeigt die Anzeige die Ergebnisse des Selbsttests an. Drücken Sie **OK**, um zum Hauptmenü zu wechseln.

Wenn das Messgerät den Selbsttest nicht besteht, wird neben dem betreffenden Parameter „NICHT BESTANDEN“ angezeigt. Wenn der Sensor den Test nicht besteht, verwenden Sie einen anderen Sensor, falls vorhanden.


6.2 Ruhemodus

Die Hintergrundbeleuchtung des Messgerätes dunkelt nach 30 Sekunden ohne Aktivität ab und geht nach 60 Sekunden ohne Aktivität in den Ruhemodus über. Diese Aktionen finden nicht statt, wenn sich das Messgerät im Echtzeit-Modus befindet oder es gerade eine Messung durchführt. Nach 30 Minuten im Ruhemodus, schaltet sich das Messgerät ab.

Um den Ruhemodus aufzuheben, drücken Sie irgendeine Taste. Die Anzeige erreicht wieder ihre normale Helligkeit und alle Tasten haben wieder ihre normale Funktion.

Kapitel 7 Wartung

7.1 Reinigen des Sensors

⚠ WARNUNG	
	Gefahr von Kontakt mit Chemikalien. Halten Sie sich an die Sicherheitsmaßnahmen im Labor, und tragen Sie Schutzkleidung entsprechend den Chemikalien, mit denen Sie arbeiten. Beachten Sie die Sicherheitsprotokolle in den aktuellen Material Sicherheitsdatenblättern (MSDS/SDB).

Reinigen Sie den Sensor, wenn die Durchfluss- oder Pegeltendenzen unerwartet ansteigen oder abnehmen und nach dem Gebrauch in sandigen oder verschlammten Gerinnen.

Bei starken Verunreinigungen tauchen Sie den Sensor einige Minuten in klares Wasser, damit sich die Verunreinigungen leichter entfernen lassen.

Trennen Sie den Sensor vom Messgerät, bevor es gereinigt wird. Verwenden Sie zum Reinigen des Sensors nur die Reinigungsmittel, die in [Tabelle 3](#) als zulässig aufgelistet sind. Stellen Sie bei Sensoren mit Druckmesszelle (d. h. Geschwindigkeits- plus Tiefe-Sensoren) sicher, dass die Bohrungen für die Druckmesszellenkammern ausgewaschen und frei von Verunreinigungen sind. Spülen Sie den Sensor mit sauberem Wasser ab, bevor Sie ihn wieder an der Baugruppe befestigen.




Tabelle 3 Geeignete und ungeeignete Reinigungslösungen

Geeignet	Nicht verwenden
Spülmittel in Wasser	Konzentriertes Bleichmittel
Fensterreiniger	Kerosin
Isopropylalkohol	Benzin
	aromatische Kohlenwasserstoffe

7.2 Reinigen des Messgeräts

1. Drücken Sie den Betriebsschalter, um das Messgerät abzuschalten.
2. Verwenden Sie ein sauberes, feuchtes Tuch zur äußerlichen Reinigung des Messgeräts. Vermischen Sie das Wasser bei Bedarf mit einem milden Reinigungsmittel.
3. Trocknen Sie das Messgerät mit einem sauberen Tuch ab. Lassen Sie das Messgerät vor dem Wiedereinschalten vollständig an der Luft trocknen.
Hinweis: Verwenden Sie zum Reinigen der Anzeige keine Papiertücher. Diese Art von Tüchern kann den Anzeigebildschirm beschädigen.

7.3 Auswechseln des Akkus

⚠ WARNUNG	
 	Brand- und Explosionsgefahr. Diese Ausrüstung ist mit einer leistungsstarken Lithiumbatterie ausgestattet, die sich selbst im ausgeschalteten Zustand entzünden und einen Brand oder eine Explosion verursachen kann. Um die durch das Gerätegehäuse gewährleistete Sicherheit zu erhalten, müssen die Gehäusedeckel mit dem im Lieferumfang enthaltenen Werkzeug montiert und festgezogen werden.
⚠ WARNUNG	
	Explosions- und Feuergefahr. Eine Substitution der Batterie ist unzulässig. Benutzen Sie nur Batterien, die vom Gerätehersteller geliefert werden.

Tauschen Sie den Akku aus, wenn er im geladenen Zustand die Energie nicht mehr hält.

Hinweis: Wenn das Gerät zu Reparatur- oder Wartungszwecken an den Hersteller zurückgeschickt werden muss, entnehmen Sie den Akku und geben Sie ihn vor dem Versand in eine Schutzhülle.

1. Schalten Sie das Gerät aus.
2. Nehmen Sie den Akku heraus. Siehe [Einsetzen des Akkus](#) auf Seite 31.
3. Akkus müssen entsprechend den lokalen, regionalen und nationalen Vorschriften entsorgt werden.
4. Setzen Sie den neuen Akku an der gleichen Stelle und mit der gleichen Ausrichtung ein. Siehe [Einsetzen des Akkus](#) auf Seite 31.
Benutzen Sie nur Akkus, die vom Gerätehersteller geliefert werden.
5. Bringen Sie die Akkufachabdeckung an. Stellen Sie sicher, dass die Abdeckung fest sitzt, damit die Gehäuseschutzart gewahrt bleibt.
6. Laden Sie Akku bei Bedarf auf. Siehe [Aufladen des Akkus](#) auf Seite 32.

Kapitel 8 Fehlerbehebung

8.1 Diagnose

Wählen Sie „Diagnose“ im Hauptmenü, um die Informationen über das Messgerät anzuzeigen und die diagnostischen Tests in [Tabelle 4](#) durchzuführen.

Tabelle 4 Messgerät-Diagnose

Optionen	Beschreibung
Info	Zeigt Informationen über das Messgerät und den Sensor an. Enthält die Seriennummer und die Firmware-Version.
Dateien löschen	Löscht alle Dateien aus dem Speicher, um Platz für neue Messungen zu schaffen. Stellen Sie sicher, dass die Daten auf einen PC heruntergeladen wurden, bevor diese Option gewählt wird. Das System formatiert den Speicher automatisch neu, sobald die Dateien gelöscht wurden.
Sensor	Zeigt die Diagnose-Informationen über den Sensor an.
Selbsttest	Lässt das Messgerät einen Diagnose-Selbsttest durchführen.
Tastatur-Test	Führt einen Test aller Tasten durch, um sicherzustellen, dass diese funktionieren.
Displaytest	Führt einen Test auf der Anzeige durch, um sicherzustellen, dass diese funktioniert.
Ereignisprotokoll	Zum Anzeigen, Löschen oder Exportieren des Ereignisprotokolls durch den Benutzer. Exportieren Sie das Ereignisprotokoll, um dessen Inhalte als zugängliche Datei über einen USB-Massenspeicher verfügbar zu machen. Diese Option wird hauptsächlich vom Werksservice verwendet.

8.2 Fehlersuche und -behebung

Das Messgerät und der Sensor enthalten keine Teile, die vom Benutzer gewartet werden können. Wenden Sie die Abhilfemaßnahme für die aufgeführten Fehler und Meldungen an.

Wenn das Problem weiterhin besteht oder ein Problem auftritt, das nicht in der Liste aufgeführt ist, wenden Sie sich an den Hersteller.

Meldung oder Problem	Lösung
Sensor nicht angeschlossen	Schließen Sie einen Sensor an und versuchen Sie erneut, den Vorgang auszuführen.
Der Wert ist außerhalb des Bereichs	Ändern Sie die Messparameter oder geben Sie einen anderen Wert ein und versuchen Sie es anschließend erneut.
Die Sensordaten sind nicht korrekt bzw. ungenau	Reinigen Sie den Sensor und führen Sie einen Test durch.
Der Sensor wird nicht erkannt	Überprüfen Sie die Sensorverbindung. Stellen Sie sicher, dass die Sicherungsmutter am Anschlussport angezogen ist (nur handfest anziehen).
Die Anzeige ist abgedunkelt oder nicht erkennbar	Drücken Sie eine Taste auf der Tastatur.
Die Daten sind nicht verfügbar oder ein Zugriff auf die Daten ist nicht möglich	Stellen Sie sicher, dass die USB-Option. (Hauptmenü) auf „Massenspeicher“ eingestellt ist.
Das Messgerät reagiert nicht	Halten Sie den Betriebsschalter für mindestens 3 Sekunden gedrückt. Dadurch wird das Messgerät ausgeschaltet. Schalten Sie das Messgerät wieder ein. <i>Hinweis: Führen Sie diese Methode nicht während des normalen Betriebs oder bei angezeigtem Dateizugriff-Symbol durch.</i>

Sommario

- | | |
|--|--|
| 1 Manuale dell'utente online a pagina 44 | 5 Interfaccia utente e navigazione a pagina 55 |
| 2 Dati tecnici a pagina 44 | 6 Avvio a auto-test a pagina 60 |
| 3 Informazioni generali a pagina 46 | 7 Manutenzione a pagina 61 |
| 4 Installazione a pagina 51 | 8 Risoluzione dei problemi a pagina 62 |

Sezione 1 Manuale dell'utente online

Il presente Manuale di base per l'utente contiene meno informazioni rispetto al Manuale dell'utente, disponibile sul sito Web del produttore.

Sezione 2 Dati tecnici

I dati tecnici sono soggetti a modifica senza preavviso.

2.1 Specifiche del sensore

Dato tecnico	Dettagli
Misurazione della velocità	
Metodo	Elettromagnetico
Range	0 - 6,09 m/s (0 - 20 ft/s)
Profondità minima dell'acqua	3,18 cm (1,25")
Precisione	±2% della lettura ±0,015 m/s (±0,05 ft/s) 0 - 3,04 m/s (0 - 10 ft/s); ± 4% della lettura da 3,04 - 4,87 m/s (10 - 16 ft/s)
Risoluzione	Valore ≤ 0 < 10: 3 posizioni decimali; valore ≤ 10 < 100: 2 posizioni decimali; valore ≤ 100 < 1000: 1 posizione decimale; valore ≥ 1000: 0 posizioni decimali
Stabilità zero	±0,015 m/s (±0,05 ft/s)
Materiale	ABS, riempito di vetro
Classe involucro	IP68
Dimensioni (L x P x A)	11,9 x 4,3 x 6,3 cm (4,7 x 1,7 x 2,5 poll.)
Materiale cavi	Poliuretano rivestito
Lunghezze cavi	2, 6,1, 12,2 e 30,5 m (6,5, 20, 40 e 100 piedi)
Misurazione profondità	
Metodo	Tipo di membrana: pressione assoluta con taratura a punto singolo
Precisione (statica)	La maggiore di ±2% della lettura o ±0,015 m (± 0,504 pollici). Stato di temperatura costante e acqua statica non fluente.
Range	3,05 m (0-10 piedi)
Risoluzione	Valore ≤ 0 < 10: 3 posizioni decimali; valore ≤ 10 < 100: 2 posizioni decimali; valore ≤ 100 < 1000: 1 posizione decimale; valore ≥ 1000: 0 posizioni decimali

2.2 Specifiche misuratore portatile

Dato tecnico	Dettagli
Grado di inquinamento	2
Classe di protezione	II
Temperatura di ricarica	Da 0 a 40 °C (da 32 a 104 °F)

Dato tecnico	Dettagli
Temperatura di funzionamento	Da -20 a 55 °C (da -4 a 131 °F)
Temperatura di stoccaggio	Da -20 a 60 °C (da -4 a 140 °F)
Classe involucro	IP67
Indicatore durata della batteria	Grafico a barre a cinque segmenti
Tipo batteria	Ricaricabile agli ioni di litio, 3,6 V, 5,0 Ah, 18 Wh
Durata della batteria	18 ore di uso intenso durante una giornata tipica ¹ ; 20 °C (68 °F)
Caricabatterie	Adattatore alimentazione esterno, efficienza energetica VI, ingresso 0,5 A, 100-240 V c.a., 50-60 Hz; uscita 1,25 A, 12 V c.c.
Dimensioni (L x P x A)	21,8 x 9,3 x 5,3 cm (8,6 x 3,7 x 2,1 poll.)
Connettore USB	Tipo Mini-B, 5 pin, conforme allo standard IP67 se chiuso
Materiale	Policarbonato con uno stampo di copertura in elastomero termoplastico (TPE)

2.3 Specifiche Interfaccia utente

Dato tecnico	Dettagli
Display	A colori, LCD 3,5" QVGA transflective (leggibile alla luce solare diretta)
Risoluzione delle misurazioni	Valore $\leq 0 < 10$: 3 posizioni decimali; valore $\leq 10 < 100$: 2 posizioni decimali; valore $\leq 100 < 1000$: 1 posizione decimale; valore ≥ 1000 : 0 posizioni decimali
Tastiera	Alfanumerico
Modalità di funzionamento	In tempo reale, profiling
Tipi di profili	Corso d'acqua, conduit
Forme conduit	Circolare, rettangolare, trapezoidale, 2/3 uovo, 2/3 uovo rovesciato
Immissioni corso d'acqua	Stazioni fisse, non fisse
Reiezione del rumore	Selezionabile dall'utente, 50 Hz o 60 Hz
Unità di misura	Velocità: ft/s, m/s, cm/s, mm/s Flusso: ft ³ /sec, milioni gal/giorno, gal/giorno, gal/min, m ³ /s, m ³ /min, m ³ /ore, m ³ /giorno, litri/s, litri/min Profondità: pollici, piedi, m, cm, mm
Calcolo del flusso del corso d'acqua	Metodo Sezione media o Sezione centrale
Diagnostica	Autotest, tastiera, display, registro eventi
Metodi di profiling conduit	0,9 x Vmax, 0,2/0,4/0,8, velocità e integratore di livello, 2D
Metodi di profiling corso d'acqua	1, 2, 3, 4, 5 e 6 punti (metodo velocità - USGS e ISO), metodo KREPS a 2 punti, metodo di superficie a 1 punto, metodo del ghiaccio a 1 e 2 punti
Tipi di file	In tempo reale, profiling, registro eventi
Lingue	Inglese, francese, spagnolo, tedesco, italiano, olandese, danese, svedese, cinese, polacco, giapponese, coreano, portoghese, slovacco, russo, ungherese, bulgaro, rumeno, ceco, turco, finlandese, greco

¹ Definito come 30 minuti di configurazione, sei periodi di 1 ora di uso continuo con un sensore attivo e il display a luminosità massima e 30 minuti di modalità sleep tra i periodi di utilizzo, download dei dati e spegnimento.

2.4 Caratteristiche generali

Dato tecnico	Dettagli
Numero massimo di file in tempo reale	50 ciascuno fino a 75 letture acquisite dall'utente.
Firmware	Il sensore e il misuratore portatile sono aggiornabili via USB

Sezione 3 Informazioni generali

In nessun caso il produttore sarà responsabile per danni derivanti da un uso improprio del prodotto o dalla mancata osservanza delle istruzioni contenute nel manuale. Il produttore si riserva il diritto di apportare eventuali modifiche al presente manuale e ai prodotti ivi descritti in qualsiasi momento senza alcuna notifica o obbligo preventivi. Le edizioni riviste sono presenti nel sito Web del produttore.

3.1 Informazioni sulla sicurezza

Il produttore non sarà da ritenersi responsabile in caso di danni causati dall'applicazione errata o dall'uso errato di questo prodotto inclusi, a puro titolo esemplificativo e non limitativo, i danni diretti, incidentali e consequenziali; inoltre declina qualsiasi responsabilità per tali danni entro i limiti previsti dalle leggi vigenti. La responsabilità relativa all'identificazione dei rischi critici dell'applicazione e all'installazione di meccanismi appropriati per proteggere le attività in caso di eventuale malfunzionamento dell'apparecchiatura compete unicamente all'utilizzatore.

Prima di disimballare, installare o utilizzare l'apparecchio, si prega di leggere l'intero manuale. Si raccomanda di leggere con attenzione e rispettare le istruzioni riguardanti note di pericolosità. La non osservanza di tali indicazioni potrebbe comportare lesioni gravi all'operatore o danni all'apparecchio.

Assicurarsi che la protezione fornita da questa apparecchiatura non sia compromessa. Non utilizzare o installare l'apparecchiature con modalità differenti da quelle specificate nel presente manuale.

3.1.1 Indicazioni e significato dei segnali di pericolo

▲ PERICOLO

Indica una situazione di pericolo potenziale o imminente che, se non evitata, causa lesioni gravi anche mortali.

▲ AVVERTENZA

Indica una situazione di pericolo potenziale o imminente che, se non evitata, potrebbe comportare lesioni gravi, anche mortali.

▲ ATTENZIONE




Indica una situazione di pericolo potenziale che potrebbe comportare lesioni lievi o moderate.

AVVISO

Indica una situazione che, se non evitata, può danneggiare lo strumento. Informazioni che richiedono particolare attenzione da parte dell'utente.

3.1.2 Etichette di avvertimento

Leggere sempre tutte le indicazioni e le targhette di segnalazione applicate all'apparecchio. La mancata osservanza delle stesse può causare lesioni personali o danni allo strumento. Un simbolo sullo strumento è indicato nel manuale unitamente a una frase di avvertenza.

	Questo è il simbolo di allarme sicurezza. Seguire tutti i messaggi di sicurezza dopo questo simbolo per evitare potenziali lesioni. Se sullo strumento, fare riferimento al manuale delle istruzioni per il funzionamento e/o informazioni sulla sicurezza.
	Questo simbolo indica la presenza di dispositivi sensibili alle scariche elettrostatiche (ESD, Electrostatic Discharge) ed è pertanto necessario prestare la massima attenzione per non danneggiare l'apparecchiatura.
	Le apparecchiature elettriche contrassegnate con questo simbolo non possono essere smaltite attraverso sistemi domestici o pubblici europei. Restituire le vecchie apparecchiature al produttore il quale si occuperà gratuitamente del loro smaltimento.

3.1.3 Compatibilità elettromagnetica (EMC)

⚠ ATTENZIONE

Questa apparecchiatura non è destinata all'uso in ambienti residenziali e potrebbe non fornire un'adeguata protezione alla ricezione radio in tali ambienti.

CE (EU)

L'apparecchiatura soddisfa i requisiti essenziali della direttiva EMC 2014/30/UE.

UKCA (UK)

L'apparecchiatura soddisfa i requisiti delle Electromagnetic Compatibility Regulations 2016 (S.I. 2016/1091).

Normativa canadese sulle apparecchiature che causano interferenze radio ICES-003, Classe A:

Le registrazioni dei test di supporto sono disponibili presso il produttore.

Questo apparecchio digitale di Classe A soddisfa tutti i requisiti di cui agli Ordinamenti canadesi sulle apparecchiature causanti interferenze.

Cet appareil numérique de classe A répond à toutes les exigences de la réglementation canadienne sur les équipements provoquant des interférences.

FCC Parte 15, Limiti Classe "A"

Le registrazioni dei test di supporto sono disponibili presso il produttore. Il presente dispositivo è conforme alla Parte 15 della normativa FCC. Il funzionamento è soggetto alle seguenti condizioni:

1. L'apparecchiatura potrebbe non causare interferenze dannose.
2. L'apparecchiatura deve tollerare tutte le interferenze subite, comprese quelle causate da funzionamenti inopportuni.

Modifiche o cambiamenti eseguiti su questa unità senza previa approvazione da parte dell'ente responsabile della conformità potrebbero annullare il diritto di utilizzare l'apparecchiatura. Questo apparecchio è stato testato ed è conforme con i limiti per un dispositivo digitale di Classe A, secondo la Parte 15 delle normative FCC. Questi limiti garantiscono un'adeguata protezione contro qualsiasi interferenza che potrebbe derivare dall'utilizzo dell'apparecchio in ambiente commerciale.

L'apparecchiatura produce, utilizza e può irradiare energia a radiofrequenza e, se non installata e utilizzata in accordo a quanto riportato nel manuale delle istruzioni, potrebbe causare interferenze dannose per le radiocomunicazioni. L'utilizzo di questa apparecchiatura in una zona residenziale potrebbe causare interferenze dannose. In questo caso, l'utente sarà tenuto a risolvere il problema a proprie spese. Per ridurre i problemi di interferenza, è possibile utilizzare le seguenti tecniche:

1. Scollegare l'apparecchiatura dalla sua fonte di alimentazione per verificare che sia la fonte dell'interferenza o meno.
2. Se l'apparecchiatura è collegata alla stessa uscita del dispositivo in cui si verifica l'interferenza, collegarla ad un'uscita differente.
3. Allontanare l'apparecchiatura dal dispositivo che riceve l'interferenza.
4. Riposizionare l'antenna ricevente del dispositivo che riceve l'interferenza.
5. Provare una combinazione dei suggerimenti sopra riportati.

3.2 Panoramica del prodotto

Il sistema di velocità portatile viene utilizzato sul campo, in laboratorio e nelle aziende municipalizzate. Flussi turbolenti, rumorosi e bassi possono essere misurati con questo sistema.

Quando il sensore è posto in acqua corrente, un campo magnetico attorno al sensore genera una tensione proporzionale alla velocità del flusso. Questa ampiezza di tensione, che rappresenta la velocità del flusso di acqua attorno al sensore, viene rilevata dagli elettrodi nel sensore ed elaborata dal microprocessore. Il segnale elaborato viene digitalmente trasmesso attraverso il cavo del sensore al misuratore portatile e le informazioni vengono visualizzate sul display del misuratore. Il sistema include un misuratore portatile, sensore con cavo e accessori.

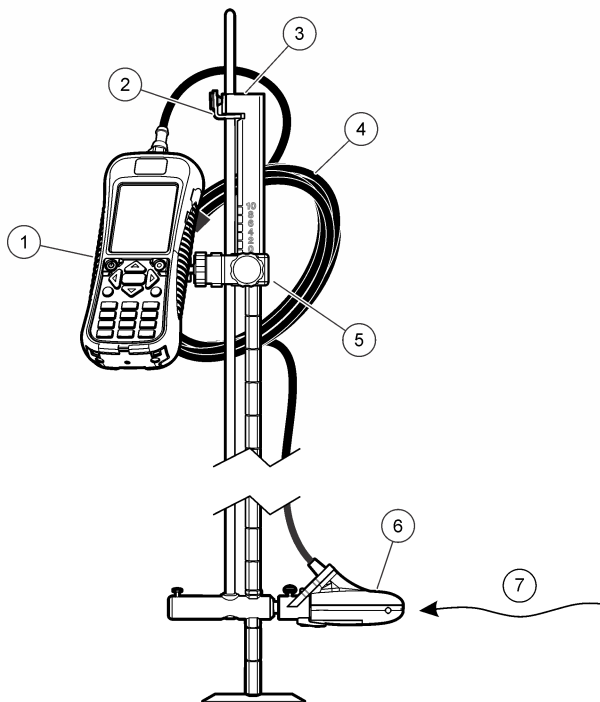
Lo strumento e il sensore acquisiscono informazioni sulla velocità in conduit e corsi d'acqua. Queste misure sono importanti per la calibrazione in industrie delle acque reflue urbane, nonché per valutazioni di impatto ambientale.

Due tipi di sensori sono disponibili: solo velocità o velocità più profondità. Questo manuale riguarda entrambi i tipi di sensori. Se le informazioni sono applicabili a un tipo specificato di sensore, questo viene indicato nel testo.

3.2.1 Panoramica del sistema

La [Figura 1](#) fornisce una panoramica del sistema montato. Per maggiori informazioni, fare riferimento alla documentazione fornita con i singoli componenti o accessori.

Figura 1 Componenti assemblati

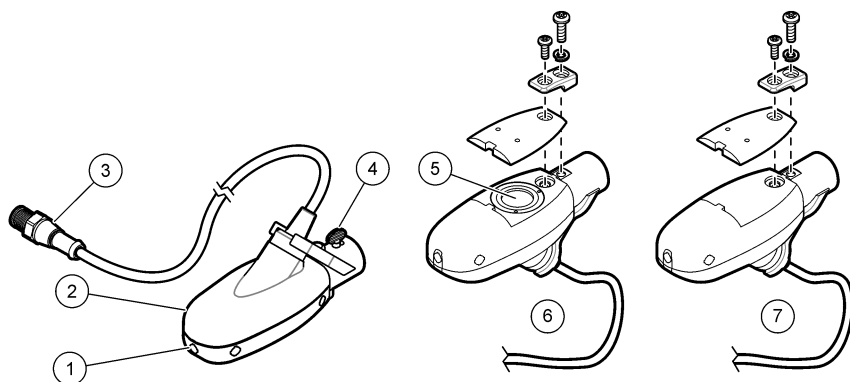


1 Misuratore portatile	5 Supporto regolabile per misuratore portatile
2 Dispositivo di rilascio/blocco altezza sensore	6 Gruppo sensore
3 Asta idrometrica regolazione superiore (accessorio)	7 Direzione del flusso
4 Cavo del sensore	

3.2.2 Panoramica sensore

La [Figura 2](#) mostra i componenti principali del sensore. Istruzioni su come fissare il sensore su un'asta idrometrica standard o top-setting sono forniti con l'accessorio.

Figura 2 Componenti del sensore

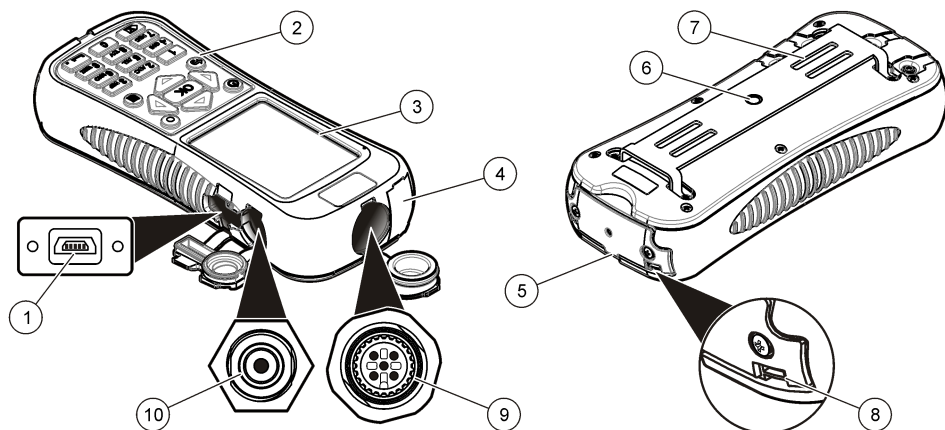


1 Elettrodi del sensore	5 Cella di pressione (sensori con opzione di profondità)
2 Corpo del sensore	6 Sensore con opzione di profondità
3 Presa di collegamento del sensore	7 Sensore senza opzione di profondità
4 Vite ad alette di fissaggio del sensore	

3.2.3 Panoramica dello strumento

Figura 3 mostra le caratteristiche dello strumento.

Figura 3 Componenti dello strumento



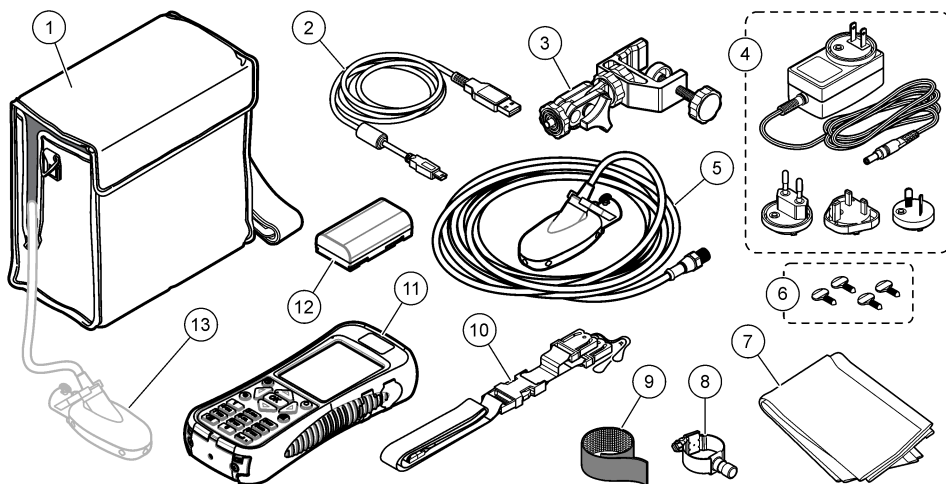
1 Porta di collegamento USB ²	6 Foro filettato per montaggio strumento regolabile
2 Tastiera	7 Slot per fissaggio velcro o cinghia
3 Display dello strumento	8 Slot per fissaggio cinghie per il collo (2x)
4 Porta di espansione (non utilizzata)	9 Porta di collegamento sensore
5 Coperchio del vano batterie	10 Connettore per caricabatteria

² Non utilizzare il collegamento USB per caricare la batteria.

3.3 Componenti del prodotto

Quando si acquista un sistema completo, fare riferimento a [Figura 4](#) per accertarsi che tutti i componenti siano stati ricevuti. Qualora qualcuno dei seguenti elementi mancasse o risultasse danneggiato, contattare immediatamente il produttore o un responsabile commerciale di zona.

Figura 4 Componenti del sistema



1 Custodia di trasporto (con slot per cavo del sensore)	8 Supporto sensore universale
2 Cavo USB con connettore Mini-USB, 1 m (3 piedi)	9 Velcro
3 Supporto misuratore portatile regolabile	10 Cordoncino
4 Caricabatteria, 100–240 V c.a.	11 Misuratore portatile
5 Sensore	12 Pacco batteria al litio
6 Viti ad alette extra (4x)	13 Sensore come collegato allo strumento all'interno della custodia
7 Panno per asciugare il sensore	

Sezione 4 Installazione

4.1 Installare il sensore sul supporto sensore universale

Utilizzare il supporto per sensore universale per collegare il sensore ad aste di 1 pollice o meno di diametro. Per un corretto funzionamento e letture precise, la parte anteriore del sensore deve essere rivolta a monte con gli elettrodi in pieno contatto con il flusso.

Nota: Tenere gli elettrodi del sensore privi di sostanze non conduttrici come olio e grasso. Per eliminare la contaminazione del sensore, fare riferimento alla [Pulizia del sensore](#) a pagina 61.

1. La parte anteriore del sensore è rotonda e contiene tre elettrodi. Il sensore ha un foro di montaggio sul retro e una vite sulla parte superiore. Inserire l'albero di montaggio del supporto universale nel foro di montaggio sul retro del sensore. Assicurarsi che l'albero di montaggio sia completamente inserito con il foro di montaggio e che la vite sia inserita nella scanalatura.
2. Serrare a mano la vite.
3. Spostare un'asta da 1 pollice o meno di diametro attraverso il morsetto del supporto per sensore universale. Serrare il morsetto.

Nota: Istruzioni per montare il sensore su un'asta idrometrica standard o top vengono fornite con l'accessorio.

4.2 INFORMAZIONI di SICUREZZA per le batterie al litio

▲ AVVERTENZA



Pericolo di esplosione e di incendio. Se utilizzate in modo non appropriato le batterie al litio possono surriscaldarsi, esplodere o prendere fuoco e causare gravi lesioni.

- Non utilizzare la batteria in caso di danni visibili.
- Non utilizzare la batteria se ha subito forti urti o in caso di vibrazioni.
- Non esporre la batteria al fuoco.
- Mantenere la batteria a temperature inferiori a 60 °C (140 °F).
- Tenere la batteria asciutta e lontana dall'acqua.
- Evitare il contatto tra i terminali positivo e negativo.
- Non consentire al personale non autorizzato di toccare la batteria.
- Smaltire la batteria conformemente alle normative locali, regionali e nazionali.
- Non utilizzare o conservare lo strumento alla luce diretta del sole, vicino a una fonte di calore o in ambienti ad alta temperatura come ad esempio un veicolo chiuso ed esposto alla luce diretta del sole.

4.3 Installazione della batteria

▲ AVVERTENZA



Pericolo di esplosione e di incendio. Questa apparecchiatura contiene una batteria al litio ad alta potenza che potrebbe surriscaldarsi e causare incendi o esplosioni anche se non completamente carica. Per mantenere la sicurezza fornita dall'alloggiamento, i coperchi dell'alloggiamento dello strumento devono essere installati e fissati con la bulloneria in dotazione.

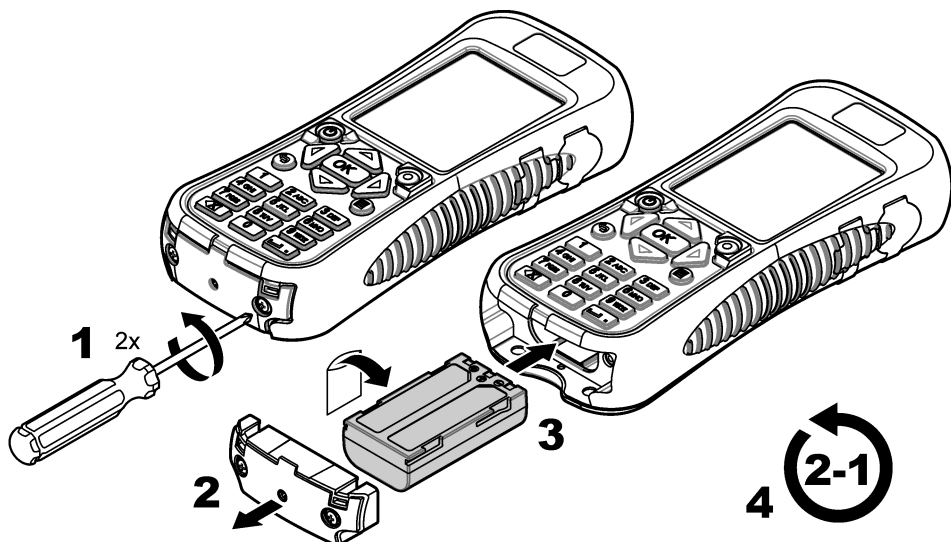
▲ AVVERTENZA



Rischio di incendio ed esplosione. È vietato utilizzare batterie non originali. Utilizzare solo batterie fornite dal produttore dello strumento.

Installare la batteria al litio in dotazione come mostrato nella [Figura 5](#).

Figura 5 Installazione della batteria



4.4 Ricarica della batteria

Nota: La sostituzione del caricabatterie non è consentita. Usare solo il caricabatterie specificato nella lista dei ricambi ed accessori per lo strumento. Fare riferimento a Parti di ricambio e accessori nella versione completa del manuale.

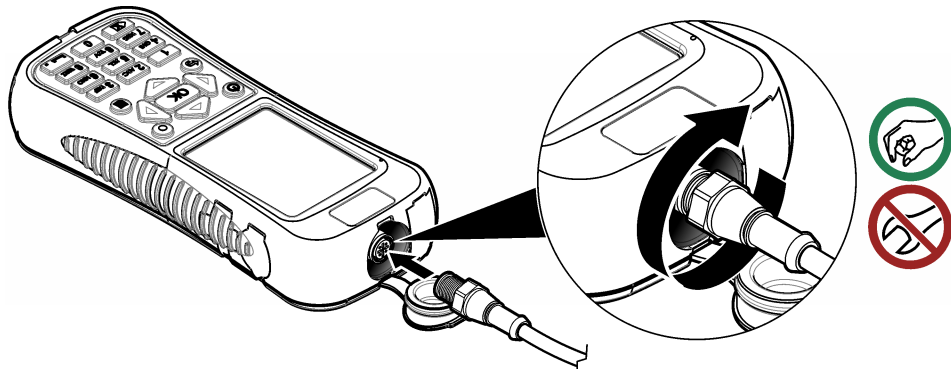
Prima di utilizzare lo strumento per la prima volta, caricarne completamente la batteria con l'apposito caricatore in dotazione. Una batteria scarica impiega circa 8 ore per raggiungere la carica completa.

1. Verificare che sul caricabatteria sia montato il tipo di spina corretto per l'area geografica.
2. Collegare il caricabatteria a una presa elettrica dotata di messa a terra.
3. Collegare il caricabatteria all'apposito connettore sullo strumento. Fare riferimento alla sezione [Panoramica dello strumento](#) a pagina 50. Sul display viene visualizzato il livello di carica della batteria.

Una luce blu si accende attorno alla porta durante la carica della batteria. Quando il processo di carica è completo, la luce blu si spegne.

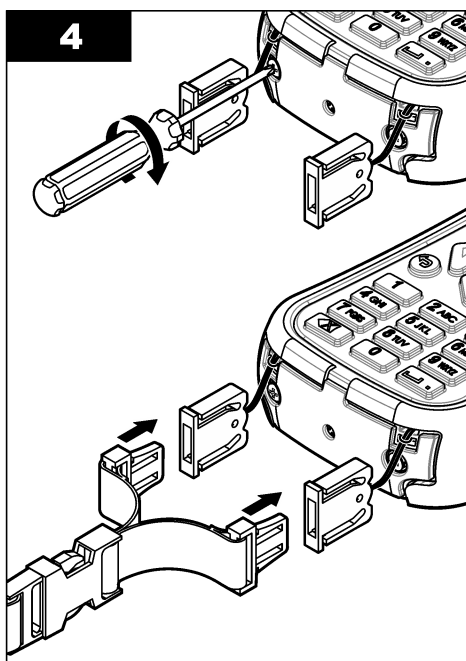
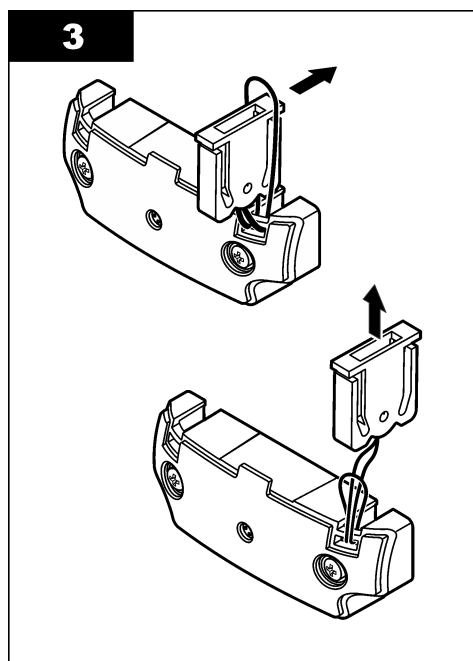
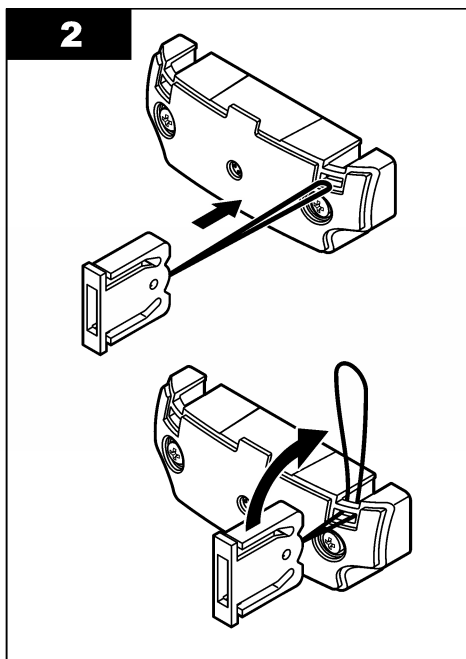
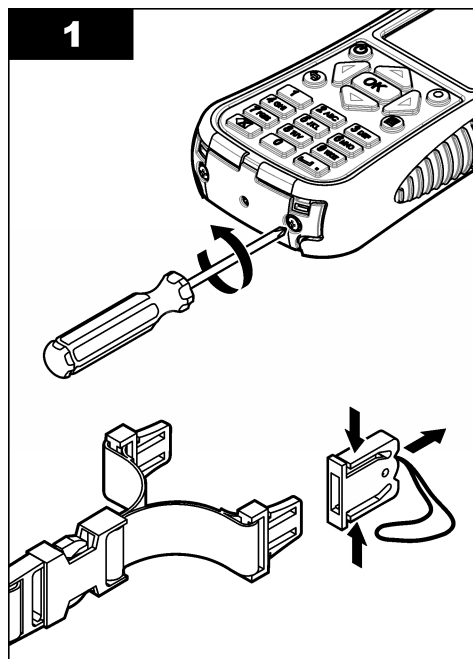
Nota: Lo strumento non funziona durante la carica della batteria. La batteria non si carica tramite il cavo USB.

4.5 Collegare il sensore allo strumento



4.6 Fissare il cordino

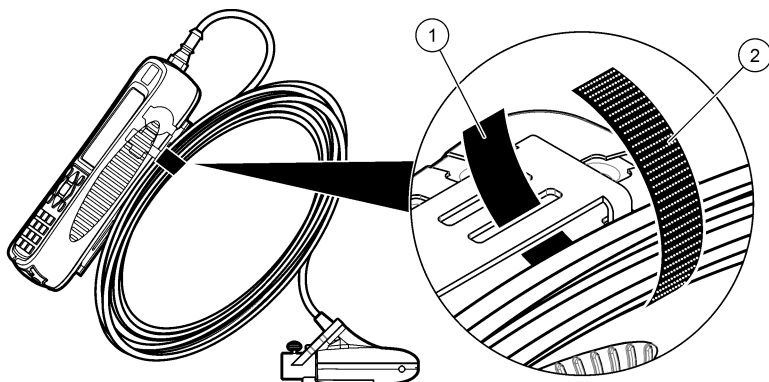
Fissare il cordino per indossare lo strumento intorno al collo in modo sicuro.



4.7 Fissare la fascia di velcro

Utilizzare il velcro per tenere il cavo aggiuntivo. Fare riferimento a [Figura 6](#).

Figura 6 Fissare la fascia di velcro



1 Lato ansa

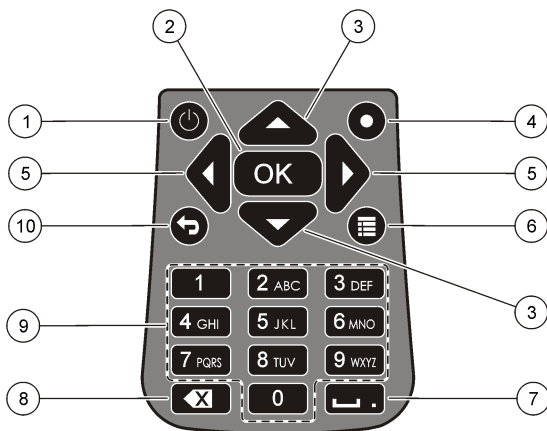
2 Lato gancio

Sezione 5 Interfaccia utente e navigazione

5.1 Funzioni tastiera e tasti

[Figura 7](#) mostra il tastierino dello strumento. [Tabella 1](#) descrive le funzioni di ogni tasto o tipo di tasto

Figura 7 Tastiera



1 Accensione/spengimento	6 Menu principale
2 OK	7 Sottolineato o decimale
3 Frecche su e giù	8 Backspace
4 Collegamento rapido	9 Tastierino alfanumerico
5 Frecche destra e sinistra	10 Menu prec.

Tabella 1 Descrizione tasto

Tasto	Descrizione
Accensione/spegnimento	Accende e spegne lo strumento.
OK	Conferma un inserimento o l'opzione di menu evidenziata.
Frecce su e giù	Spostamento verso l'alto o verso il basso sul display. Se il cursore si trova nella parte superiore o inferiore del display, il cursore va a capo nella parte inferiore o superiore quando la freccia SU o GIÙ viene premuta.
Colleg. rapido	Nel funzionamento normale, questo tasto passa alla schermata Seleziona forma conduit. Durante l'operazione profiler, il tasto Quick Jump (Colleg. Rapido) è disabilitato. Se la funzione di azzeramento automatico è disattivata, tenere premuto questo tasto per cinque secondi per eseguire un azzeramento manuale del sensore di profondità. In modalità T. reale, il tasto Colleg. rapido passa dalla vista digitale a quella grafica.
Frecce destra e sinistra	Spostamento a destra o a sinistra sul display.
Menu principale	Va al menu principale da qualsiasi sottomenu o schermo.
Sottolineato o decimale	Immette una sottolineatura o un carattere decimale. In campi solo numerici, questo tasto inserisce automaticamente un punto decimale nella posizione del cursore.
Backspace	Sposta il cursore indietro di uno spazio.
Tastierino alfanumerico	Immette il tasto alfa o un valore numerico. I valori sono immessi nell'ordine indicato sul tasto. Dopo 2 secondi, il valore visualizzato sul display viene memorizzato ed il cursore avanza.
Menu precedente	Va alla schermata precedente.

5.2 Barra di stato

Una barra di stato viene mostrata nella parte superiore del display. Le descrizioni delle informazioni nella barra di stato sono riportate in [Tabella 2](#).

Tabella 2 Indicatori barra di stato

Indicatore	Descrizione
Data e ora	Indica l'ora e la data correnti.
USB	Indica quando un cavo USB è collegato. Se un cavo USB è collegato e questo indicatore non è visualizzato nella barra di stato, il cavo USB non è completamente collegato. Assicurarsi che il cavo USB sia spinto fino in fondo e faccia contatto con la porta di collegamento.
Conducibilità	Se il sensore è fuori dall'acqua e non conduttivo, un anello blu appare accanto all'icona della batteria. Se il sensore è in acqua e conduttivo, l'indicatore è un cerchio blu pieno.
Batteria	Un grafico a cinque barre indica il livello di carica della batteria.
Accesso file	Indica mentre lo strumento ottiene l'accesso a un file.
Indicatore Profondità zero auto	Se il sensore di profondità è stato azzerato negli ultimi 30 minuti, un cerchio pieno verde viene visualizzato accanto all'indicatore di Conducibilità. Se il sensore di profondità non è stato azzerato negli ultimi 30 minuti, questo indicatore lampeggia in rosso.

5.3 Navigazione e menu principale

Premere **OK** per confermare l'opzione di menu selezionata o un valore visualizzato sul display. Selezionare Altro e premere **OK** per visualizzare altre schermate e opzioni, se disponibili. Premere il pulsante del menu principale per andare al menu principale da un sottomenu.

Nota: Alcune operazioni non possono essere completate a meno che il sensore non sia collegato allo strumento. Se queste operazioni vengono provate quando non c'è nessun sensore collegato, il display visualizza un messaggio di errore. Collegare un sensore e ritentare l'operazione.

- 1. T. reale:** selezionare questa opzione per ottenere informazioni in tempo reale su velocità e profondità. (Un sensore con capacità di profondità è necessario per leggere la profondità). Un esempio di uno schermo in tempo reale per sensori solo con velocità è mostrato in [Figura 8](#). Schermi in tempo reale per sensori con velocità e profondità sono mostrati in [Figura 9](#). Il formato delle informazioni e delle opzioni mostrato dipende dal tipo di sensore utilizzato. In modalità Tempo reale, il tasto Colleg. rapido passa tra le viste digitale e grafica delle informazioni in tempo reale. La velocità viene aggiornata in modalità filtro FPA secondo il tempo medio del periodo fisso. In modalità filtro RC, la velocità viene aggiornata continuamente sullo schermo ogni 250 ms.

Opzione	Descrizione
Acquisisci	Memorizza le informazioni sulla profondità e sulla velocità visualizzate in memoria. Le informazioni vengono salvate fino allo spegnimento e alla riaccensione, la memoria viene salvata in un file non volatile in tempo reale, o l'utente esce dalla modalità in tempo reale.
Salva	Salva le misurazioni acquisite nella memoria volatile in un file non volatile in tempo reale. Un messaggio indicherà se il numero di file è superiore a quello massimo. I file sono memorizzati in formato .tsv.
Fatto o OK	Esce dalla modalità in tempo reale e ritorna al menu principale. Se ci sono dati salvati nella memoria volatile, un messaggio di conferma chiede all'utente di confermare l'uscita senza salvare i dati.
Canc.	Cancella le misurazioni acquisite dal buffer della memoria volatile. L'utente può scegliere tra le opzioni Canc. ultime, Canc. tutto o Canc.
Setup	Consente all'utente di modificare i principali parametri del filtro e attivare e programmare la funzione di posizionamento del sensore di Profondità max.. La funzione Profondità max. permette all'utente di inserire i parametri di sistema per la misurazione della profondità in modalità T. reale. L'utente può scegliere di inserire un valore massimo di profondità rilevato direttamente con un righello (manuale) o indirettamente con la misurazione della profondità (automatico). Entrambi i metodi abilitano la funzione di posizionamento del sensore Profondità max. Nella configurazione della modalità automatica, l'utente immette direttamente la distanza dal fondo del canale al fondo del supporto del sensore (scostamento). L'interfaccia di configurazione mostra continuamente il valore corrente di profondità restituito dal sensore più lo scostamento. Lo strumento memorizza questo valore come Profondità max. quando viene premuto il pulsante OK. In tutti gli altri casi, i valori di profondità indicati non includono lo scostamento. La funzione Profondità max. richiede un sensore con velocità più profondità.
File o Vedi	Mostra un riepilogo di ogni file in tempo reale memorizzato nella memoria non volatile. I file possono essere visualizzati singolarmente ed eliminati.

Figura 8 Schermo Tempo reale

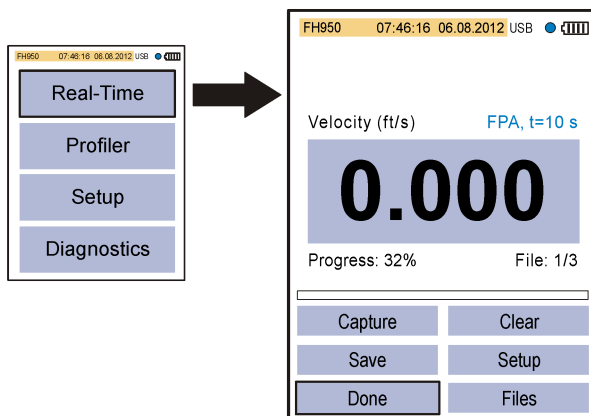
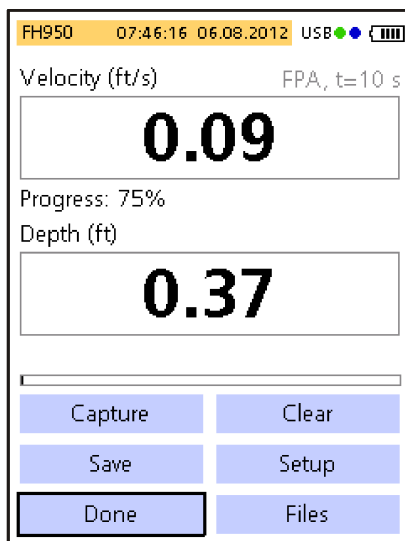


Figura 9 Schermo Tempo reale per il sensore con profondità



- 2. Profiler:** selezionare questa opzione per eseguire misurazioni della velocità del flusso e del conduit. Lo strumento mostra dei comandi quando l'input dell'utente è necessario. Una percentuale della memoria rimanente viene fornita in risoluzione dell'1%. Fare riferimento alla versione completa del manuale per ulteriori informazioni sui profili.

Opzione	Descrizione
Corso d'acqua	Questa opzione è usata per impostare un profilo per un corso d'acqua o un canale. Eseguire misurazioni della velocità per calcolare lo scarico totale in base agli standard ISO 748 o USGS per i metodi Sezione centrale o Sezione media.
Tubo	Questa opzione è usata per impostare un profilo per un conduit.

Opzione	Descrizione
File	Questa opzione viene utilizzata per visualizzare o eliminare i file memorizzati. I file possono essere cancellati tutti insieme o singolarmente.
Configurazione	Questa opzione viene utilizzata per impostare o modificare le impostazioni per i parametri di filtro e la funzione Profondità max.



3. Setup: selezionare questa opzione per modificare le impostazioni di sistema o le preferenze generali.

Opzione	Descrizione
Velocità di taratura	Calibra il sensore. Aggiunge uno scostamento di campo per la calibrazione di fabbrica. Fare riferimento all'appendice nella versione completa del manuale per ulteriori informazioni.
Parametri filtro	<p>Applica un filtro di acquisizione dati (Filtro principale o Prefiltro). L'utente può selezionare i parametri di filtro.</p> <p>Filtro principale</p> <ul style="list-style-type: none"> • Fixed Period Averaging (FPA): la media del periodo fissa calcola i dati in media in un periodo di tempo fisso selezionabile dall'utente (da 1 a 480 secondi). Il valore predefinito è 10 secondi. Se il valore FPA è 5, il valore di velocità visualizzato sul display viene aggiornato una volta ogni 5 secondi. • RCA time constant: il filtro RC consente di appianar la turbolenza attraverso l'uso di una costante di tempo selezionata nell'algoritmo del filtro. Questa modalità è utile quando si cerca una velocità massima, ad esempio nel metodo del profilo comune $0,9 \times V_{max}$. Le costanti di tempo del filtro RC elevate restituiscono gradi più elevati di appianamento. La costante di tempo può essere impostata da 2 a 20 secondi, con un valore predefinito di 6. Con 1 costante di tempo, il filtro si ferma a circa il 60% del valore finale. Con 5 costanti di tempo, il filtro si ferma a circa il 99,9% del valore finale. Pertanto, se il valore RC è impostato su 2, il valore finale viene visualizzato dopo 10 secondi. <p>Prefiltro</p> <ul style="list-style-type: none"> • Filtro mediana: il processo di filtrazione avviene nel sensore. La funzione può essere disabilitata. Tuttavia, il valore raccomandato (predefinito) è 5. Attivare la funzione per inserire o modificare questo valore.
Soglia asc./bagn.	Imposta la soglia di immersione del sensore per condizioni di bagnato e asciutto. Il valore predefinito è 20%. Fare riferimento all'appendice nella versione completa del manuale per ulteriori informazioni.
Profondità zero auto	<p>Consente di attivare o disattivare la funzione Zero auto.</p> <p>Se impostata su On, lo strumento esegue una taratura dell'aria quando il sensore viene rimosso dall'acqua ed è in aria. Per eseguire la taratura dell'aria, lo strumento azzerava automaticamente il sensore.</p> <p>Se impostata su Off, l'utente può manualmente azzerare il sensore. Per farlo, rimuovere il sensore dal flusso, quindi premere e tenere premuto il tasto Colleg. rapido per cinque secondi.</p> <p>Quando il sensore è stato nel flusso per 30 minuti, il cerchio verde in alto a destra passa dal verde al rosso. Questo è un messaggio per l'utente di rimuovere e azzerare il sensore nuovamente.</p>
IEM	Imposta la frequenza locale di linea per la reiezione del rumore ambiente fino a 50 Hz o 60 Hz (predefinito).
Orologio	Imposta la data e l'ora del misuratore portatile in formato 24 ore. L'ora legale non è supportata.
USB	<p>Imposta la modalità USB.</p> <ul style="list-style-type: none"> • Archivio di massa (predefinita): questa modalità funziona come una memory stick o un disco fisso. I file sono di sola lettura. • CDC- Questa modalità viene utilizzata per aggiornare il firmware.
Lingua	Seleziona la lingua utilizzata nei menu.

Opzione	Descrizione
Unità	Imposta le unità per le misurazioni di velocità, portata e profondità. Le opzioni sono Metrico o inglese (predefinito).
Cicalino	On (predefinito) o Off. Se impostato su On, il misuratore emette un segnale acustico quando: <ul style="list-style-type: none"> • Se il sensore si trova alla profondità corretta per i metodi di profiling. • Il 95% del tempo di misurazione è completo (modalità profiler). • Viene premuto un pulsante inattivo in un qualsiasi menu. <p>Questa funzione è disponibile solo con il sensore di profondità opzionale.</p>
Calcolo flusso	Seleziona il metodo di calcolo del flusso per il segmento idrico aperto (solo profili flusso). Le opzioni sono Sezione media o Sezione centrale. Fare riferimento all'appendice nella versione completa del manuale per ulteriori informazioni.
Stazione di ingresso	<ul style="list-style-type: none"> • Fisso: l'operatore inserisce la larghezza del flusso e il numero di stazioni per le misurazioni. Lo strumento divide la sezione in distanze equidistanti tra le stazioni verticali. • Non fisso (predefinito): l'operatore seleziona la spaziatura tra le verticali delle stazioni. Questa è l'opzione più comunemente usata in quanto consente all'operatore di includere ostruzioni e altre restrizioni nella sezione trasversale. • Fisso e non fisso - L'operatore seleziona il piano di riferimento per le misurazioni della profondità. Valori: superiore o inferiore.
Ripristina predefinito	Consente di impostare tutte le opzioni dello strumento ai valori predefiniti.

4. **Diagnostica:** selezionare questa opzione per risolvere i problemi con lo strumento o un sensore collegato. Per ulteriori informazioni sulle opzioni di Diagnostica, consultare [Diagnostica](#) a pagina 62.

Sezione 6 Avvio a auto-test

⚠ PERICOLO	
	<p>Rischi chimici o biologici. Se questo strumento viene utilizzato per monitorare un processo di trattamento e/o un sistema di alimentazione di sostanze chimiche per cui esistono limiti normativi e requisiti di controllo legati a sanità pubblica, sicurezza pubblica, attività di produzione o trasformazione di alimenti e bevande, l'utente dello strumento ha la responsabilità di conoscere e rispettare tutte le eventuali normative applicabili e di predisporre meccanismi adeguati e sufficienti ai fini del rispetto delle normative vigenti in caso di malfunzionamento dello strumento stesso.</p>
⚠ AVVERTENZA	
	<p>Pericolo di incendio ed esplosione. Non utilizzare o conservare lo strumento alla luce diretta del sole, vicino ad una fonte di calore o in ambienti ad alta temperatura come ad esempio un veicolo chiuso alla luce diretta del sole. La mancata adozione di questa precauzione può provocare il surriscaldamento della batteria e causare un incendio o un'esplosione.</p>

La batteria deve essere installata nello strumento e caricata prima dell'uso. Per ulteriori informazioni sull'installazione e sulla sostituzione della batteria, consultare [Installazione della batteria](#) a pagina 52. Per informazioni su come caricare la batteria, fare riferimento a [Ricarica della batteria](#) a pagina 53.

Nota: Lo strumento non funziona durante la carica della batteria.

1. Premere il pulsante di accensione dello strumento fino a udire un bip acustico. Lo strumento esegue un test automatico e il display mostra i risultati. Se lo strumento non supera il test, sul display appare FAIL accanto al parametro non riuscito. Se il sensore fallisce, collegare un sensore diverso, se disponibile.
2. Quando il test è completo, premere **OK** per andare al menu principale.
3. Per diseccitare lo strumento, premere il pulsante di alimentazione. Nella schermata di conferma, selezionare SI e premere **OK**.

Se il misuratore portatile non risponde, premere e tenere premuto il pulsante di accensione per più di 3 secondi per forzare lo spegnimento. Non forzare lo spegnimento durante il funzionamento normale o quando l'icona di accesso ai file è visibile.

6.1 Autotest dello strumento

Lo strumento esegue un auto-test diagnostico sotto tensione. Quando l'auto-test è completo, il display mostra i risultati dell'autotest. Premere **OK** per andare al menu principale.

Se lo strumento non supera il test, sul display appare ERR. accanto al parametro in questione. Se il sensore fallisce, collegare un sensore diverso, se disponibile.

6.2 Modalità Sleep

La retroilluminazione dello strumento si oscura dopo 30 secondi di inattività e va in modalità sleep dopo 60 secondi di inattività. Queste azioni non si verificano se lo strumento è in modalità Tempo reale o durante una misurazione. Dopo 30 minuti in modalità sleep, l'alimentazione dello strumento si spegne.

Per annullare la modalità sleep, premere un tasto qualsiasi. La luminosità del display torna al livello normale e tutti i tasti tornano alle loro normali funzioni.

Sezione 7 Manutenzione

7.1 Pulizia del sensore

⚠ AVVERTENZA



Pericolo di esposizione ad agenti chimici. Rispettare le procedure di sicurezza del laboratorio e indossare tutte le apparecchiature protettive appropriate per le sostanze chimiche utilizzate. Fare riferimento alle attuali schede di sicurezza (MSDS/SDS) per i protocolli di sicurezza.

Pulire il sensore quando si verificano aumenti o diminuzioni imprevisti nelle tendenze di flusso o di livello e dopo l'uso in corsi d'acqua sabbiosi o fangosi.

Per la contaminazione pesante, immergere il sensore in acqua per alcuni minuti per semplificare la rimozione della contaminazione.

Scollare il sensore dallo strumento prima di pulirlo. Usare solo soluzioni elencate come accettabili in [Tabella 3](#) per pulire il sensore. Per i sensori con una cella di pressione (ad es., sensori di profondità a velocità plus), assicurarsi che i fori delle camere delle celle a pressione siano lavate e prive di contaminazione. Sciacquare il sensore con acqua pulita prima di ricollegare il sensore al gruppo.

Tabella 3 Soluzioni di lavaggio accettabili e inaccettabili

Accettabile	Non toccare.
Detergente per piatti e acqua	Candeggina concentrata
Lavavetri	Cherosene
Alcol isopropilico	Benzina
	Idrocarburi aromatici




7.2 Pulizia dello strumento

1. Premere il pulsante di alimentazione per diseccitare lo strumento.
2. Usare un panno umido per pulire l'esterno. Mescolare l'acqua con un detergente delicato, se necessario.

3. Asciugare l'esterno dello strumento con un panno pulito. Lasciate che il metro si asciughi all'aria completamente prima di riaccenderlo.

Nota: Non usare panni carta per pulire lo schermo. Questo tipo di tessuto può causare danni allo schermo.

7.3 Sostituzione della batteria

▲ AVVERTENZA	
 	<p>Pericolo di esplosione e di incendio. Questa apparecchiatura contiene una batteria al litio ad alta potenza che potrebbe surriscaldarsi e causare incendi o esplosioni anche se non completamente carica. Per mantenere la sicurezza fornita dall'alloggiamento, i coperchi dell'alloggiamento dello strumento devono essere installati e fissati con la bulloneria in dotazione.</p>
▲ AVVERTENZA	
	<p>Rischio di incendio ed esplosione. È vietato utilizzare batterie non originali. Utilizzare solo batterie fornite dal produttore dello strumento.</p>

Sostituire la batteria quando si scarica troppo velocemente.

Nota: Se lo strumento deve essere inviato alla fabbrica per la riparazione o la manutenzione, rimuovere la batteria e collocarla in una custodia protettiva prima della spedizione.

1. Disinserire l'alimentazione.
2. Rimuovere la batteria. Fare riferimento a [Installazione della batteria](#) a pagina 52.
3. Smaltire la batteria conformemente alle normative locali, regionali e nazionali.
4. Installare una nuova batteria nella stessa posizione e con lo stesso orientamento. Fare riferimento a [Installazione della batteria](#) a pagina 52.
Utilizzare solo batterie che vengono fornite dal costruttore dello strumento.
5. Installare il coperchio della batteria. Assicurarsi che il coperchio sia ben fissato per mantenere il grado di protezione.
6. Caricare la batteria se necessario. Fare riferimento a [Ricarica della batteria](#) a pagina 53.

Sezione 8 Risoluzione dei problemi

8.1 Diagnostica

Nel menu principale, selezionare Diagnostics (Diagnostica) per vedere le informazioni sullo strumento ed eseguire i test diagnostici in [Tabella 4](#).

Tabella 4 Diagnostica strumento

Opzione	Descrizione
Info. su	Mostra le informazioni sullo strumento e sul sensore. Include il numero di serie e la versione del firmware.
Elimina file	Elimina tutti i file dalla memoria per fare spazio per nuove misurazioni. Assicurarsi che i dati vengano scaricati su un PC prima che questa opzione sia selezionata. Il sistema automaticamente riformatta la memoria dopo la cancellazione dei file.
Sensore	Mostra informazioni diagnostiche sul sensore.
Autotest	Far eseguire allo strumento un autotest.
Test tastiera	Esegue una prova di tutti i pulsanti per assicurarsi che funzionino correttamente.

Tabella 4 Diagnostica strumento (continua)

Opzione	Descrizione
Prova display	Esegue un test sul display per assicurarsi che il display funzioni correttamente.
Registro eventi	Permette all'utente di vedere, cancellare o esportare il registro eventi. Esportare il registro eventi per rendere il contenuto disponibile come file accessibile attraverso l'archiviazione di massa USB. Questa opzione viene utilizzata principalmente dall'assistenza di fabbrica.

8.2 Risoluzione degli errori

Lo strumento e il sensore non contengono parti riparabili dall'utente. Per gli errori e i messaggi elencati, provare l'azione correttiva.

Se il problema non viene risolto o si verifica un problema che non è nell'elenco, contattare il produttore.

Messaggio o problema	Soluzione
Sensore non collegato	Collegare un sensore e provare nuovamente l'azione.
Il valore è fuori range	Modificare i parametri di misurazione o immettere un valore diverso, quindi provare nuovamente l'azione.
È noto che i dati del sensore sono non corretti o non accurati	Pulire il sensore ed eseguire un test.
Sensore non riconosciuto	Controllare il collegamento del sensore. Assicurarsi che il dado di bloccaggio sulla porta di connessione sia serrato (serraggio solo a mano).
Il display è chiaro o non è visibile	Premere un tasto sulla tastiera.
I dati non sono disponibili o l'accesso ai dati non è possibile	Assicurarsi che l'opzione USB (menu principale) sia impostata su Mass Storage.
Lo strumento non risponde	Tenere premuto il pulsante di alimentazione per almeno 3 secondi. Questo diseccita il misuratore. Alimentare nuovamente il misuratore. <i>Nota: Non utilizzare questo metodo per eseguire lo spegnimento durante il funzionamento normale o se l'icona di accesso ai file è visibile sul display.</i>

Table des matières

- 1 Manuel de l'utilisateur en ligne à la page 64
- 2 Caractéristiques à la page 64
- 3 Généralités à la page 66
- 4 Installation à la page 71
- 5 Interface utilisateur et navigation à la page 75
- 6 Démarrage et autotest à la page 81
- 7 Maintenance à la page 82
- 8 Dépannage à la page 83

Section 1 Manuel de l'utilisateur en ligne

Ce manuel utilisateur simplifié contient moins d'informations que le manuel d'utilisation détaillé, disponible sur le site Web du fabricant.

Section 2 Caractéristiques

Les caractéristiques techniques peuvent être modifiées sans préavis.

2.1 Caractéristiques techniques des capteurs

Caractéristique	Détails
Mesure de la vitesse	
Méthode	Électromagnétique
Echelle	0 à 6,09 m/s (0 à 20 pi/s)
Profondeur minimale de l'eau	3,18 cm (1,25 po)
Exactitude	±2% de la lecture ±0,015 m/s (±0,05 pi/s) 0 à 3,04 m/s (0 à 10 pi/s) ; ± 4% de la lecture de 3,04 à 4,87 m/s (10 à 16 pi/s)
Résolution	0 ≤ valeur < 10 : 3 décimales ; 10 ≤ valeur < 100 : 2 décimales ; 100 ≤ valeur < 1000 : 1 décimale ; valeur ≥ 1000 : 0 décimale
Stabilité du zéro	±0,015 m/s (±0,05 pi/s)
Matériau	ABS, chargé verre
Indice de protection du boîtier	IP68
Dimensions (L x l x h)	11,9 x 4,3 x 6,3 cm (4,7 x 1,7 x 2,5 po)
Matériau du câble	Polyuréthane gainé
Longueurs de câble	2 ; 6,1 ; 12,2 et 30,5 m (6,5, 20, 40 et 100 pi)
Mesure de la profondeur	
Méthode	Type à diaphragme : pression absolue avec étalonnage en un seul point
Précision (statique)	Valeur la plus grande ± 2% de la lecture ou ± 0,015 m (± 0,504 po). Température en régime stationnaire et eau statique sans circulation.
Echelle	3,05 m (0-10 ft)
Résolution	0 ≤ valeur < 10 : 3 décimales ; 10 ≤ valeur < 100 : 2 décimales ; 100 ≤ valeur < 1000 : 1 décimale ; valeur ≥ 1000 : 0 décimale

2.2 Caractéristiques de l'appareil de mesure portable

Caractéristique	Détails
Niveau de pollution	2
Classe de protection	II
Température de charge	0 à 40 °C (32 à 104 °F)

Caractéristique	Détails
Température de fonctionnement	-20 à 55 °C (4 à 131 °F)
Température de stockage	-20 à 60 °C (4 à 140 °F)
Indice de protection du boîtier	IP67
Jauge de durée de vie de batterie	Graphique à barres à cinq segments
Type de batterie	Lithium ion rechargeable, 3,6 V, 5,0 Ah, 18 Wh
Durée de vie de la batterie	18 heures en utilisation quotidienne courante intensive ¹ ; 20 °C (68 °F)
Chargeur de batterie	Adaptateur électrique externe, efficacité énergétique VI, 100 à 240 V CA, 50 à 60 Hz, entrée 0,5 A ; 12 V DC, sortie 1,25 A
Dimensions (L x l x h)	21,8 x 9,3 x 5,3 cm (8,6 x 3,7 x 2,1 po)
Connecteur USB	Type Mini-B, 5 broches, protection IP67 avec le capuchon
Matériau	Polycarbonate et surmoulage élastomère thermoplastique (TPE)

2.3 Caractéristiques de l'interface utilisateur

Caractéristique	Détails
Ecran graphique	Couleur, LCD 3,5" QVGA transreflectif (lisible en plein soleil)
Résolution de mesure	0 ≤ valeur < 10 : 3 décimales ; 10 ≤ valeur < 100 : 2 décimales ; 100 ≤ valeur < 1000 : 1 décimale ; valeur ≥ 1000 : 0 décimale
Clavier	Alphanumérique
Modes de fonctionnement	Temps réel, création de profil
Types de profil	Voie, conduit
Formes de conduit	Circulaire, rectangulaire, trapézoïdal, 2/3 œuf, 2/3 œuf inversé
Entrées de voie	Stations fixes et non fixes
Réjection de bruit	Sélectionnable par l'utilisateur, 50 Hz ou 60 Hz
Unités de mesure	Vitesse : pi/s, m/s, cm/s, mm/s
	Débit : pi ³ /s, million gal/jour, gal/jour, gal/min, m ³ /s, m ³ /min, m ³ /heure, m ³ /jour, litres/s, litres/min
	Profondeur : po, pi, m, cm, mm
Calcul de débit de voie	Méthode de section moyenne ou de section médiane
Diagnostics	Autotest, clavier, écran, journal d'événements
Méthodes de profilage de conduit	0,9 x Vmax, 0,2/0,4/0,8, intégrateur de vitesse de niveau, 2D
Méthodes de création de profil de voie	Point 1, 2, 3, 4, 5 et 6 (méthode de vitesse, USGS et ISO), méthode KREPS point 2, méthode de surface point 1 et méthode de glace point 1 et 2
Types de fichier	Temps réel, création de profil, journal d'événements
Langues	Anglais, français, espagnol, allemand, italien, néerlandais, danois, suédois, chinois, polonais, japonais, coréen, portugais, slovaque, russe, hongrois, bulgare, roumain, tchèque, turc, finnois, grec

¹ Défini comme 30 minutes de configuration, six périodes de 1 heure d'utilisation en continu avec un capteur actif et l'écran à la luminosité maximale, et 30 minutes de mode veille entre les périodes d'utilisation, téléchargement des données et extinction.

2.4 Caractéristiques générales

Caractéristique	Détails
Nombre maximum de fichiers en temps réel.	50 chacun avec un maximum de 75 mesures capturées par l'utilisateur.
Microprogramme	Le capteur et l'instrument de mesure portable peuvent être mis à niveau sur site par USB

Section 3 Généralités

En aucun cas le fabricant ne pourra être tenu responsable des dommages résultant d'une utilisation incorrecte du produit ou du non-respect des instructions du manuel. Le constructeur se réserve le droit d'apporter des modifications à ce manuel et aux produits décrits, à tout moment, sans avertissement ni obligation. Les éditions révisées se trouvent sur le site Internet du fabricant.

3.1 Consignes de sécurité

Le fabricant décline toute responsabilité quant aux dégâts liés à une application ou un usage inappropriés de ce produit, y compris, sans toutefois s'y limiter, des dommages directs ou indirects, ainsi que des dommages consécutifs, et rejette toute responsabilité quant à ces dommages dans la mesure où la loi applicable le permet. L'utilisateur est seul responsable de la vérification des risques d'application critiques et de la mise en place de mécanismes de protection des processus en cas de défaillance de l'équipement.

Veuillez lire l'ensemble du manuel avant le déballage, la configuration ou la mise en fonctionnement de cet appareil. Respectez toutes les déclarations de prudence et d'attention. Le non-respect de cette procédure peut conduire à des blessures graves de l'opérateur ou à des dégâts sur le matériel.

Assurez-vous que la protection fournie par cet équipement n'est pas compromise. Ne pas utiliser ou installer cet équipement autrement qu'indiqué dans le présent manuel.

3.1.1 Informations sur les risques d'utilisation

▲ DANGER

Indique une situation de danger potentiel ou imminent qui, si elle n'est pas évitée, entraîne des blessures graves, voire mortelles.

▲ AVERTISSEMENT

Indique une situation de danger potentiel ou imminent qui, si elle n'est pas évitée, peut entraîner des blessures graves, voire mortelles.

▲ ATTENTION




Indique une situation de danger potentiel qui peut entraîner des blessures mineures ou légères.

AVIS

Indique une situation qui, si elle n'est pas évitée, peut occasionner l'endommagement du matériel. Informations nécessitant une attention particulière.

3.1.2 Etiquettes de mise en garde

Lisez toutes les informations et toutes les étiquettes apposées sur l'appareil. Des personnes peuvent se blesser et le matériel peut être endommagé si ces instructions ne sont pas respectées. Tout symbole sur l'appareil renvoie à une instruction de mise en garde dans le manuel.

	Ceci est le symbole d'alerte de sécurité. Respectez tous les messages de sécurité qui suivent ce symbole afin d'éviter tout risque de blessure. S'ils sont apposés sur l'appareil, se référer au manuel d'utilisation pour connaître le fonctionnement ou les informations de sécurité.
	Ce symbole indique la présence d'appareils sensibles aux décharges électrostatiques et indique que des précautions doivent être prises afin d'éviter d'endommager l'équipement.
	Le matériel électrique portant ce symbole ne doit pas être mis au rebut dans les réseaux domestiques ou publics européens. Retournez le matériel usé ou en fin de vie au fabricant pour une mise au rebut sans frais pour l'utilisateur.

3.1.3 Compatibilité électromagnétique (CEM)

▲ ATTENTION

Cet équipement n'est pas conçu pour être utilisé dans des environnements résidentiels et peut ne pas offrir une protection adéquate à la réception radio dans de tels environnements.

CE (EU)

Cet équipement respecte les exigences essentielles de la Directive CEM 2014/30/UE.

UKCA (UK)

L'équipement est conforme aux exigences des règlements de 2016 sur la compatibilité électromagnétique (S.I. 2016/1091).

Règlement canadien sur les équipements causant des interférences radio, ICES-003, Classe A :

Les données d'essai correspondantes sont conservées chez le constructeur.

Cet appareil numérique de classe A respecte toutes les exigences du Règlement sur le matériel brouilleur du Canada.

Cet appareil numérique de classe A répond à toutes les exigences de la réglementation canadienne sur les équipements provoquant des interférences.

FCC part 15, limites de classe A :

Les données d'essai correspondantes sont conservées chez le constructeur. L'appareil est conforme à la partie 15 de la réglementation FCC. Le fonctionnement est soumis aux conditions suivantes :

1. Cet équipement ne peut pas causer d'interférence nuisible.
2. Cet équipement doit accepter toutes les interférences reçues, y compris celles qui pourraient entraîner un fonctionnement inattendu.

Les modifications de cet équipement qui n'ont pas été expressément approuvées par le responsable de la conformité aux limites pourraient annuler l'autorité dont l'utilisateur dispose pour utiliser cet équipement. Cet équipement a été testé et déclaré conforme aux limites définies pour les appareils numériques de classe A, conformément à la section 15 de la réglementation FCC. Ces limites ont pour but de fournir une protection raisonnable contre les interférences néfastes lorsque l'équipement fonctionne dans un environnement commercial. Cet équipement génère, utilise et peut irradier l'énergie des fréquences radio et, s'il n'est pas installé ou utilisé conformément au mode d'emploi, il peut entraîner des interférences dangereuses pour les communications radio. Le fonctionnement de cet équipement dans une zone résidentielle risque de causer des interférences nuisibles, dans ce cas l'utilisateur doit corriger les interférences à ses frais. Les techniques ci-dessous peuvent permettre de réduire les problèmes d'interférences :

1. Débrancher l'équipement de la prise de courant pour vérifier s'il est ou non la source des perturbations
2. Si l'équipement est branché sur le même circuit de prises que l'appareil qui subit des interférences, branchez l'équipement sur un circuit différent.
3. Eloigner l'équipement du dispositif qui reçoit l'interférence.
4. Repositionner l'antenne de réception du périphérique qui reçoit les interférences.
5. Essayer plusieurs des techniques ci-dessus à la fois.

3.2 Présentation du produit

Le système de vitesse portable s'utilise sur le terrain, en laboratoire et dans les municipalités. Il est possible de mesurer avec ce système des débits turbulents, bruyants et lents.

Quand le capteur est placé dans l'eau en mouvement, un champ magnétique autour du capteur crée une tension proportionnelle à la vitesse de circulation. Cette amplitude de tension, qui représente le débit d'eau autour du capteur, est détectée par des électrodes dans le capteur et traitée par le microprocesseur du capteur. Le signal traité est transmis numériquement par le câble du capteur à l'appareil de mesure portable et les informations sont affichées sur l'écran de l'appareil de mesure. Le système comporte un appareil de mesure portable, un capteur avec câble et accessoires.

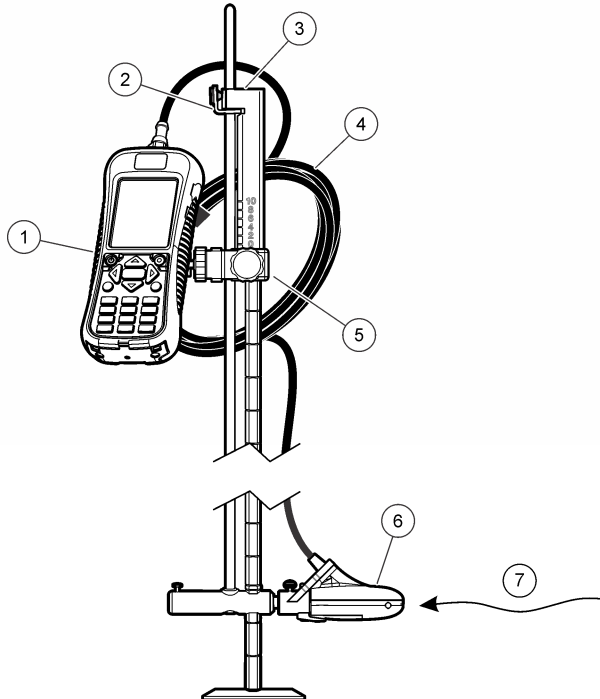
L'appareil de mesure et le capteur prennent des informations de vitesse dans des conduits et des rivières. Ces mesures sont importantes pour l'étalonnage dans les industries des eaux usées municipales, ainsi que pour les évaluations d'impact sur l'environnement.

Deux types de capteur sont proposés : vitesse seulement et vitesse plus profondeur. Ce manuel traite des deux types de capteur. Si des informations ne seront applicables qu'à un type particulier de capteur, le texte en fait mention.

3.2.1 Vue d'ensemble du système

Une vue d'ensemble d'un système monté est présentée dans la [Figure 1](#). Consultez la documentation fournie avec chaque composant ou accessoire pour en savoir plus.

Figure 1 Composants montés

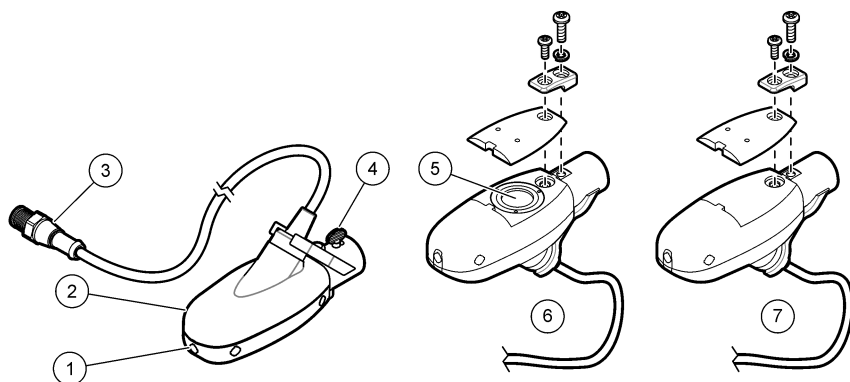


1 Courantomètre portable	5 Montage ajustable du courantomètre portable
2 Verrou de hauteur/dispositif de libération du capteur	6 Ensemble du capteur
3 Partie supérieure de la perche à gué (accessoire)	7 Sens du débit
4 Câble du capteur	

3.2.2 Aperçu du capteur

La [Figure 2](#) présente les composants principaux du capteur. Les instructions de fixation du capteur sur un support standard ou à fixation par le haut, sur une tige de barbotage, sont fournies avec l'accessoire.

Figure 2 Composants du capteur

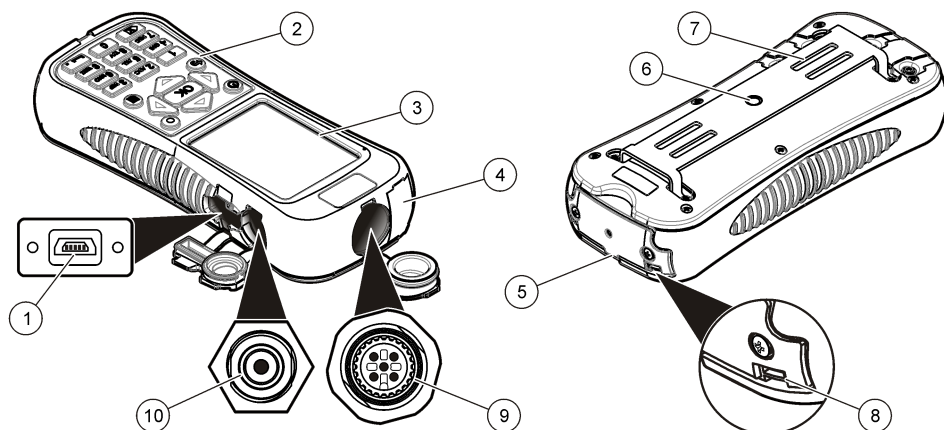


1 Electrodes de capteur	5 Cuve de pression (capteurs avec option de profondeur)
2 Corps du capteur	6 Capteur avec option de profondeur
3 Fiche de connexion du capteur	7 Capteur sans option de profondeur
4 Vis moletée de fixation du capteur	

3.2.3 Aperçu général de l'appareil de mesure

La [Figure 3](#) présente l'appareil de mesure.

Figure 3 Composants de l'appareil



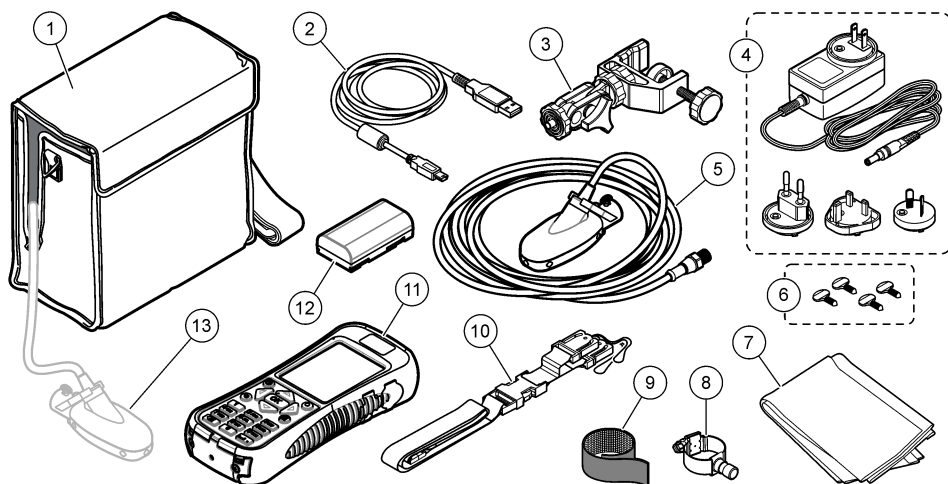
1 Port de connexion USB ²	6 Trou fileté pour support réglable d'appareil de mesure
2 Clavier	7 Fentes pour fixation par velcro ou sangle
3 Ecran de l'appareil de mesure	8 Fente pour passage de la sangle de suspension au cou (2x)
4 Port d'extension (non utilisé)	9 Port de connexion du capteur
5 Capot du compartiment des batteries	10 Connecteur du chargeur de batterie

² Ne pas utiliser la connexion USB pour charger la batterie.

3.3 Composants du produit

En cas d'achat d'un système complet, consultez le [Figure 4](#) pour vous assurer d'avoir reçu tous les composants. Si un élément est manquant ou endommagé, contactez immédiatement le fabricant ou un représentant.

Figure 4 Composants du système



1 Mallette de transport (avec fente pour le câble du capteur)	8 Montage capteur universel
2 Câble USB avec connecteur mini-USB, 1 m (3 pieds)	9 Sangle velcro
3 Support réglable pour appareil de mesure portable	10 Cordon
4 Chargeur de batterie, 100 à 240 V c.a.	11 Courantomètre portable
5 Capteur	12 Batterie au lithium
6 Vis moletées supplémentaires (4x)	13 Capteur tel qu'il est connecté au compteur à l'intérieur de la mallette
7 Chiffon pour nettoyer le capteur	

Section 4 Installation

4.1 Pose du capteur sur le support universel

Utilisez le support de capteur universel pour fixer le capteur à des manches de 1 pouce de diamètre au maximum. Pour un fonctionnement correct et des relevés exacts, l'avant du capteur doit être dirigé vers l'amont et les électrodes en plein contact avec le flux.

Remarque : Maintenez les électrodes du capteur propres en évitant toute trace de substance non conductrice telle que de l'huile et de la graisse. Pour éliminer les salissures du capteur, consultez la section [Nettoyage du capteur](#) à la page 82.

1. La partie avant du capteur est ronde et contient trois électrodes. Le capteur comporte un trou de montage à l'arrière et une vis moletée au-dessus. Placez l'axe de fixation du support universel dans le trou de fixation à l'arrière du capteur. Assurez-vous que l'axe de fixation est engagé à fond dans le trou de fixation et que la vis moletée est engagée dans la gorge.
2. Serrez à la main la vis moletée.

3. Passez un manche de 2,5 cm (1 pouce) au plus de diamètre dans la bride du support universel de capteur. Serrez la pince.

Remarque : Instructions de montage du capteur sur une tige de barbotage standard ou par le haut fournie avec l'accessoire.

4.2 Sécurité des batteries au lithium

▲ AVERTISSEMENT



Risque d'incendie et d'explosion. Les batteries au lithium peuvent chauffer, exploser ou prendre feu et provoquer des blessures graves en cas d'exposition à des conditions abusives.

- N'utilisez pas la batterie si elle apparaît endommagée.
- N'utilisez pas la batterie après un choc fort ou des vibrations importantes.
- N'exposez pas la batterie à une flamme.
- Conservez la batterie à des températures inférieures à 60 °C (140 °F).
- Conservez la batterie au sec et à l'abri de l'eau.
- Evitez que la borne positive et la borne négative de la batterie n'entrent en contact.
- Ne laissez pas les personnes non autorisées toucher la batterie.
- Jetez la batterie conformément à la réglementation locale, régionale et nationale.
- N'utilisez et ne stockez pas l'appareil sous la lumière directe du soleil, près d'une source de chaleur ou dans des environnements à haute température tel que dans un véhicule fermé en plein soleil.

4.3 Installation de la batterie

▲ AVERTISSEMENT



Risque d'incendie et d'explosion. Cet équipement contient une pile au lithium à haute énergie pouvant s'enflammer et provoquer un incendie ou une explosion, même en l'absence d'alimentation électrique. Pour maintenir le niveau de sécurité offert par le boîtier de l'instrument, les couvercles du boîtier de l'instrument doivent être installés et fermés à l'aide du matériel fourni.

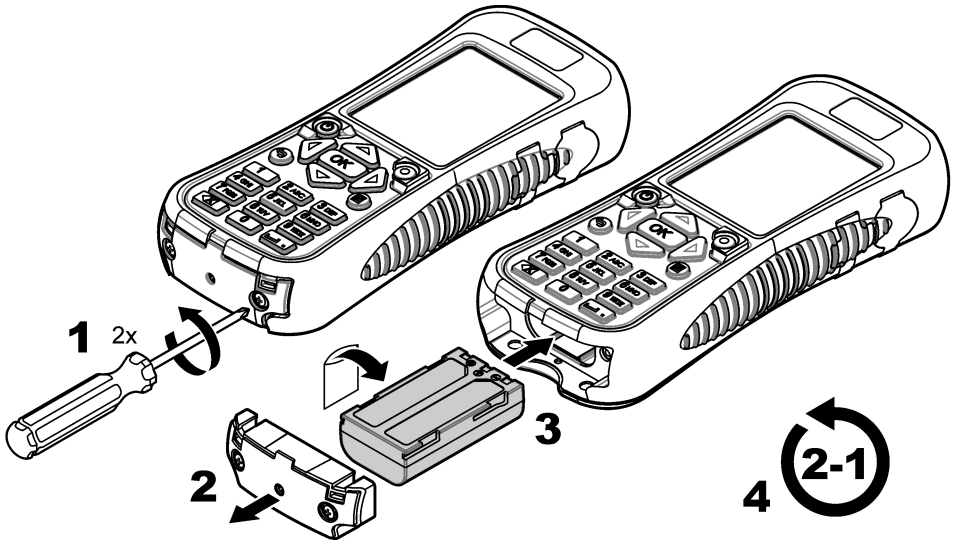
▲ AVERTISSEMENT



Risque d'explosion et d'incendie. La substitution du type de pile n'est pas autorisée. Utilisez uniquement les piles fournies par le fabricant de l'appareil.

Installez la batterie au lithium fournie comme indiqué dans la [Figure 5](#).

Figure 5 Installation de la batterie



4.4 Mise en charge de la batterie

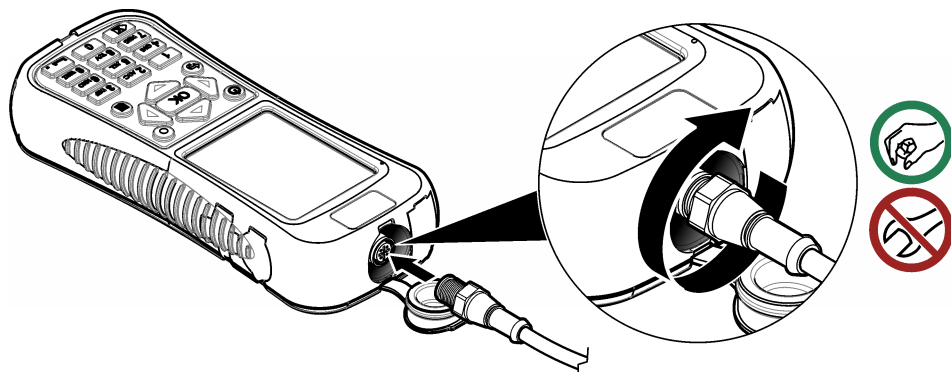
Remarque : Le remplacement du chargeur de batterie n'est pas autorisé. N'utilisez que le chargeur préconisé dans la liste de pièces détachées et accessoires pour l'instrument. Consultez la section Pièces de rechange et accessoires dans la version complète du manuel.

Avant la première utilisation, chargez totalement la batterie de l'instrument avec le chargeur de batterie fourni. Une batterie totalement déchargée se charge en 8 heures environ.

1. Assurez-vous d'utiliser le type de fiche correspondant à l'emplacement géographique où est installé le chargeur de batterie.
2. Branchez le chargeur de batterie sur une prise électrique avec mise à la terre.
3. Connectez le chargeur de batterie au connecteur correspondant sur l'instrument. Reportez-vous à [Aperçu général de l'appareil de mesure](#) à la page 70. Le niveau de la batterie s'affiche. Un voyant bleu autour de l'orifice de charge s'allume pendant la charge de la batterie. Quand la charge est terminée, le voyant bleu s'éteint.

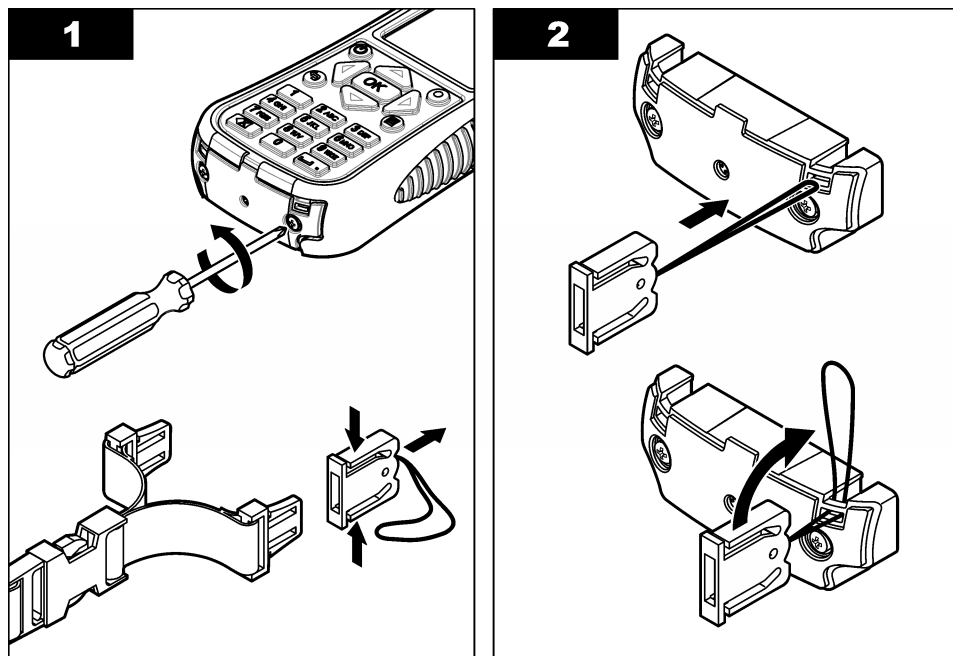
Remarque : L'instrument n'est pas opérationnel pendant la charge de la batterie. La batterie ne se charge pas par la connexion par câble USB.

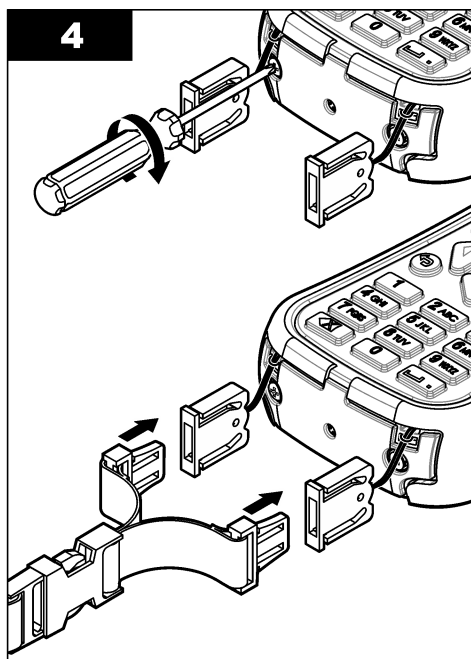
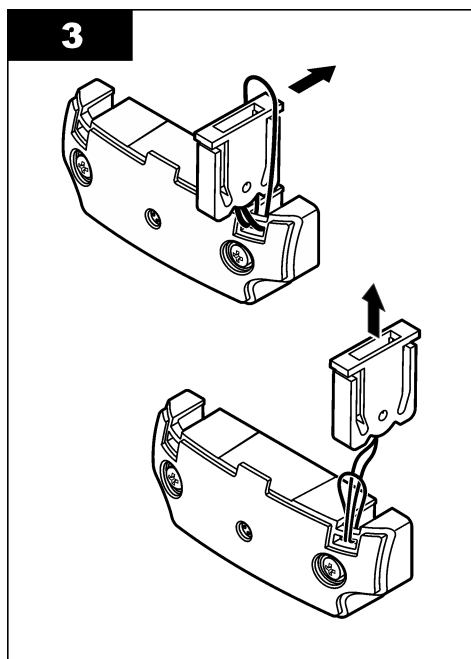
4.5 Branchement du capteur à l'appareil de mesure



4.6 Fixation du cordon

Fixez le cordon pour porter l'instrument en toute sécurité au tour du cou.

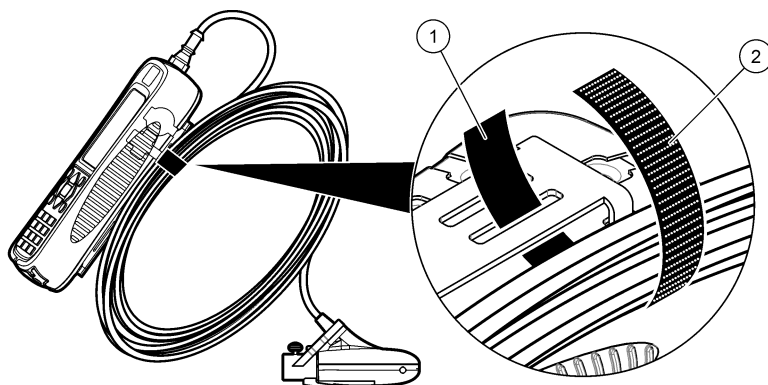




4.7 Fixation de la sangle velcro

Utilisez la sangle velcro pour maintenir le câble supplémentaire. Reportez-vous à [Figure 6](#).

Figure 6 Fixation de la sangle velcro



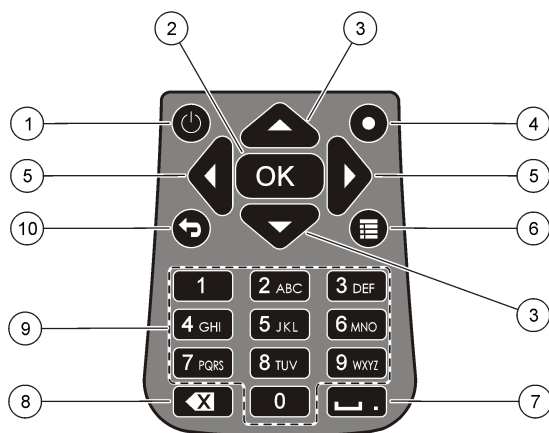
1 Côté boucles	2 Côté crochets
----------------	-----------------

Section 5 Interface utilisateur et navigation

5.1 Fonctions du clavier et des touches

La [Figure 7](#) présente le clavier de l'appareil de mesure. La [Tableau 1](#) donne les fonctions de chaque touche ou type de touche.

Figure 7 Clavier



1 Alimentation marche/arrêt	6 Menu Principal
2 OK	7 Soulignement ou point décimal
3 Flèches Haut et Bas	8 Retour arrière
4 Saut rapide	9 Alphanumérique
5 Flèches Gauche et Droite	10 Menu précédent

Tableau 1 Description de la touche

Touche	Description
Alimentation marche/arrêt	Active et désactive l'instrument de mesure.
OK	Valide une saisie ou une option de menu sélectionnée.
Flèches Haut et Bas	Déplace vers le haut ou vers le bas sur l'écran. Si le curseur se trouve en haut ou en bas de l'écran, il revient en bas en haut en appuyant sur la touche HAUT ou BAS.
Saut rapide	En fonctionnement normal, cette touche fait sauter à l'écran Sélect. forme du conduit. En fonctionnement Profileur, la touche Saut rapide est désactivée. Si la fonction de zéro automatique est désactivée, maintenez cette touche enfoncée pendant cinq secondes pour une mise à zéro manuelle du capteur de profondeur. En mode Temps réel, la touche Saut rapide fait alterner les vues numérique et graphique.
Flèches Gauche et Droite	Déplace vers la gauche ou la droite sur l'écran.
Menu Principal	Passé au menu principal depuis tout sous-menu ou écran.
Soulignement ou point décimal	Insère un caractère de soulignement ou un point décimal. Dans les champs numériques seulement, cette touche place automatique un point décimal à la position du curseur.
Retour arrière	Ramène le curseur en arrière d'un caractère.
Alphanumérique	Passé le clavier en mode alphabétique ou numérique. Les valeurs sont placées dans l'autre indiqué sur la touche. Après 2 secondes, la valeur affichée à l'écran est enregistrée et le curseur avance.
Menu précédent	Passé à l'écran précédent.

5.2 Barre d'état.

Une barre d'état apparaît en haut du menu. Vous trouverez des descriptions des informations de la barre d'état dans la section [Tableau 2](#).

Tableau 2 Indicateurs dans la barre d'état

Indicateur	Description
Heure et date	Affiche l'heure et la date en cours.
USB	Apparaît quand un câble USB est connecté. Si un câble USB est connecté et que cet indicateur n'apparaît pas dans la barre d'état, le câble USB n'est pas engagé à fond. Assurez-vous que le câble USB est enfoncé complètement et fait un bon contact avec le port de connexion.
Conductivité	Si le capteur est en dehors de l'eau et non conducteur, un rond bleu apparaît en regard de l'icône de batterie. Si le capteur est dans l'eau et conducteur, l'indicateur est un disque bleu plein.
Batterie	Un graphique à cinq barres indique le niveau de charge de la batterie.
Accès au fichier	Apparaît quand l'appareil de mesure est en train d'accéder à un fichier.
Indicateur de profondeur à zéro automatique	Si le capteur de profondeur a été mis à zéro dans les 30 minutes, un rond vert plein apparaît en regard de l'indicateur de conductivité. Si le capteur de profondeur n'a pas été mis à zéro dans les 30 dernières minutes, cet indicateur clignote en rouge.

5.3 Navigation et menu Princ.

Appuyez sur **OK** pour confirmer une option de menu sélectionnée ou une valeur affichée à l'écran. Sélectionnez Plus et appuyez sur **OK** pour afficher des écrans et options supplémentaires le cas échéant. Appuyez sur le bouton Menu principal pour passer au menu principal depuis un sous-menu.

Remarque : Certaines opérations ne peuvent pas être effectuées sans connecter un capteur à l'appareil de mesure. Si vous tentez ces opérations en l'absence de capteur connecté, l'écran affiche un message d'erreur. Branchez un capteur et recommencez l'opération.

1. Temps réel—Sélectionnez cette option pour obtenir des données de vitesse et de profondeur en temps réel. (Un capteur avec capacité de profondeur est indispensable pour afficher la profondeur). Vous trouverez un exemple d'écran Temps réel pour des capteurs de vitesse seulement sur la [Figure 8](#). Vous trouverez des écrans Temps réel de capteurs avec vitesse et profondeur sur la [Figure 9](#). Le format des données et options présentées dépend du type de capteur utilisé. En mode Temps réel, la touche Saut rapide bascule entre les vues numériques et graphiques des données en temps réel. La vitesse est mise à jour en mode de filtre FPA en fonction d'un temps de calcul de moyenne sur période fixe. En mode de filtre RC, la vitesse est mise à jour en continu sur l'écran toutes les 250 ms.

Option	Description
Capturer	Enregistre en mémoire les données de profondeur et de vitesse affichées. Les données sont enregistrées jusqu'à une extinction suivie d'un rallumage, l'enregistrement de la mémoire dans un fichier temps réel non volatil, ou la sortie de l'utilisateur du mode temps réel.
Enr.	Enregistre les mesures capturées dans la mémoire volatile vers un fichier temps réel non volatil. Un message apparaît si le nombre de fichiers est supérieur au maximum possible. Les fichiers sont enregistrés en format délimité par des tabulations (.tsv).
Done ou OK	Quitte le mode temps réel et revient au menu Princ. Si la mémoire volatile contient des données non enregistrées, un message de confirmation demande à l'utilisateur de confirmer la sortie sans enregistrement des données.
Transparent	Efface les mesures capturées depuis le tampon de mémoire volatile. L'utilisateur peut choisir parmi les options Effacer dernier, Effacer tout ou Annuler.

Option	Description
Setup	<p>Permet à l'utilisateur de modifier les paramètres du filtre principal, d'activer et de programmer la fonction de positionnement de capteur à Profondeur max. La fonction Profondeur max. permet à l'utilisateur de saisir des paramètres système pour la mesure de profondeur en mode temps réel. L'utilisateur peut choisir de saisir une valeur de profondeur maximale prise directement avec une règle (manuel), ou indirectement par la mesure de profondeur (automatique). Les deux méthodes activent la fonction de positionnement de capteur à Profondeur max.</p> <p>Dans la configuration de mode automatique, l'utilisateur saisit directement la distance à partir du fond du canal jusqu'au bas du support du capteur (décalage). L'interface de configuration affiche en permanence la valeur de profondeur en cours renvoyée par le capteur plus le décalage. L'appareil enregistre cette valeur comme Profondeur max. à l'appui sur le bouton OK. Dans tous les autres cas, les valeurs de profondeur affichées n'incluent pas le décalage.</p> <p>La fonction de Profondeur max. exige un capteur disposant de fonctions de vitesse plus profondeur.</p>
Fichiers ou Voir	<p>Affiche un récapitulatif de chaque fichier en temps réel enregistré en mémoire non volatile. Les fichiers peuvent être affichés et supprimés individuellement.</p>

Figure 8 Ecran temps réel

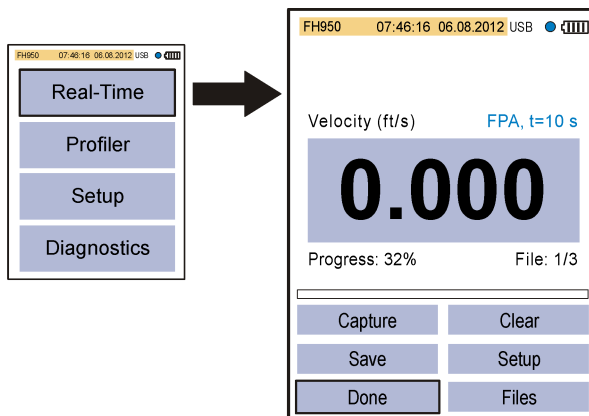
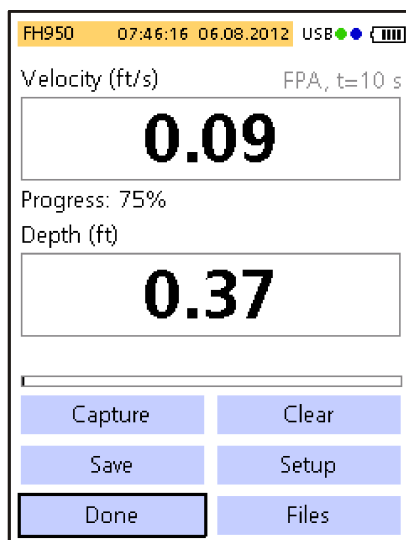


Figure 9 Ecran Temps réel pour un capteur avec profondeur



- 2. Profileur**— Sélectionnez cette option pour faire des mesures de vitesse dans une voie ou un conduit. L'appareil de mesure affiche des invites quand une saisie de l'utilisateur est nécessaire. Un pourcentage de la mémoire restante est donné avec résolution de 1%. Consultez la version complète du manuel pour en savoir plus sur les profils.

Option	Description
Voie	Cette option permet de configurer un profil pour une voie ou un canal de circulation. Prenez des mesures de vitesse pour calculer le refoulement total en fonction des normes ISO 748 ou USGS par les méthodes de section médiane ou de section moyenne.
Conduit	Cette option permet de configurer un profil pour un conduit.
Fichiers	Cette option s'utilise pour afficher ou supprimer des fichiers enregistrés. Les fichiers peuvent être supprimés tous d'un coup ou individuellement.
Setup	Cette option permet de configurer ou de modifier les réglages des paramètres du filtre ainsi que la fonction de Profondeur max.

- 3. Config**—Sélectionnez cette option pour modifier des paramètres et préférences générales du système.


Option	Description
Étalonnage de vitesse	Étalonne le capteur. Ajoute un décalage de site à l'étalonnage d'usine. Consultez l'annexe dans la version complète du manuel pour en savoir plus.

Option	Description
Paramètres de filtre	<p>Applique un filtre d'acquisition de données (filtre principal ou préfiltre). L'utilisateur peut sélectionner les paramètres du filtre.</p> <p>Filtre principal</p> <ul style="list-style-type: none"> • Moyenne sur période fixe (FPA) (Fixed Period Averaging) — la moyenne sur période fixe calcule une moyenne des données sur une durée fixe sélectionnable par l'utilisateur (1 à 480 secondes). La valeur par défaut est 10 secondes. Si la valeur de FPA est 5, la valeur de vitesse présentée à l'affichage est mise à jour toutes les 5 secondes. • Constante de temps — le filtre RC permet de lisser les turbulences par une constante de temps sélectionnée dans l'algorithme de filtre. Ce mode est utile pour la recherche d'une vitesse maximale, par exemple dans la méthode de profil courante $0,9 \times V_{max}$. Les constantes de temps élevées pour le filtre RC donnent un lissage supérieur. La constante de temps peut être comprise entre 2 et 20 secondes, avec une valeur par défaut de 6. A 1 fois la constante de temps, le filtre se stabilise à environ 60% de la valeur finale. A 5 fois la constante de temps, le filtre se stabilise à 99,9% de la valeur finale. Donc, si la valeur RC est réglée à 2, la valeur finale apparaît après 10 secondes. <p>Pré-filtre</p> <ul style="list-style-type: none"> • Filtre médian — La procédure de filtrage est effectuée dans le capteur. La fonction peut être désactivée. Mais la valeur recommandée (par défaut) est de 5. Activez la fonction pour saisir ou modifier cette valeur.
Seuil humide/sec	Règle le seuil d'immersion du capteur pour les conditions humide et sèche. La valeur par défaut est 20%. Consultez l'annexe dans la version complète du manuel pour en savoir plus.
Prof. zéro auto	<p>Active ou désactive la fonction de zéro automatique.</p> <p>Si la fonction est activée, l'instrument effectue un étalonnage dans l'air quand le capteur est sorti de l'eau et qu'il se trouve dans l'air. Pour effectuer l'étalonnage dans l'air, l'instrument met automatiquement le capteur à zéro.</p> <p>Si la fonction est désactivée, l'utilisateur peut mettre à zéro le capteur manuellement. Pour cela, sortir le capteur du flux, puis appuyer et maintenir enfoncée la touche Saut rapide pendant cinq secondes.</p> <p>Quand le capteur est resté dans le flux pendant 30 minutes, le cercle vert en haut à droite passe de vert à rouge. C'est une indication pour l'utilisateur qu'il doit sortir le capteur pour le remettre à zéro.</p>
EMI	Définit la fréquence de réjection de bruit ambiant à 50 Hz ou 60 Hz (Valeur par défaut).
Horloge	Règle la date et l'heure de l'appareil de mesure portable au format 24 heures. Le passage à l'heure d'été n'est pas pris en charge.
USB	<p>Définit le mode USB.</p> <ul style="list-style-type: none"> • Stockage de masse (Valeur par défaut) — Dans ce mode l'appareil se comporte comme une clé USB ou un disque dur. Les fichiers sont en lecture seule. • CDC—Ce mode permet de mettre à jour le microprogramme.
Langue	Sélectionne la langue utilisée dans les menus.
Unités	Définit les unités pour les mesures de vitesse, de débit et de profondeur. Les options sont Métrique ou Anglaise (Valeur par défaut).
Signal sonore	<p>Activé (Valeur par défaut) ou désactivé. Si ceci est activé, l'appareil émet une tonalité lorsque :</p> <ul style="list-style-type: none"> • Le capteur est à la profondeur correcte pour les méthodes de profil concernées. • 95 % du temps de mesure est écoulé (mode profileur). • Un bouton inactif est enfoncé dans un menu. <p>Cette fonction n'est disponible qu'avec le capteur de profondeur en option</p>

Option	Description
Calcul de débit	Sélectionne la méthode de calcul de débit pour un segment de pleine eau (profils de voie seulement). Les options sont Section moyenne ou Section médiane. Consultez l'annexe dans la version complète du manuel pour en savoir plus.
Saisie station	<ul style="list-style-type: none"> • Fixe — L'opérateur entre la largeur de la voie et le nombre de stations verticales pour les mesures. L'appareil de mesure divise la section transversale en distances régulièrement espacées entre les verticales de la station. • Non fixe (Valeur par défaut) — L'opérateur sélectionne l'espacement entre les verticales de la station. C'est l'option la plus couramment utilisée car elle permet à l'opérateur de tenir compte des obstacles et autres limitations dans la section transversale. • Fixe et non-fixe : l'opérateur sélectionne le plan de référence pour mesurer la profondeur. Valeurs : Haut ou Bas.
Restaurer les valeurs par défaut	Ramène toutes les options de l'appareil de mesure à leur valeur par défaut d'usine.

4. **Diagnostics**— Sélectionnez cette option pour dépanner des problèmes sur l'appareil de mesure ou un capteur relié. Pour en savoir plus sur l'option Diagnostics, consultez [Diagnostics](#) à la page 83.

Section 6 Démarrage et autotest

▲ DANGER	
	Dangers chimiques ou biologiques. Si cet appareil est utilisé pour la surveillance d'un procédé de traitement et/ou d'un système de dosage de réactifs chimiques auxquels s'appliquent des limites réglementaires et des normes de surveillance motivées par des préoccupations de santé et de sécurité publiques ou de fabrication et de transformation d'aliments ou de boissons, il est de la responsabilité de l'utilisateur de cet appareil de connaître et d'appliquer les normes en vigueur et d'avoir à sa disposition suffisamment de mécanismes pour s'assurer du respect de ces normes dans l'éventualité d'un dysfonctionnement de l'appareil.

▲ AVERTISSEMENT	
	Risques d'incendie et d'explosion. N'utilisez et ne stockez pas l'instrument sous la lumière directe du soleil, près d'une source de chaleur ou dans des environnements à haute température tel que dans un véhicule fermé en plein soleil. Le non-respect de cette consigne peut entraîner une surchauffe de la batterie et ainsi un incendie ou une explosion.

La batterie doit être installée dans l'appareil de mesure et chargée avant utilisation. Pour en savoir plus sur l'installation et le remplacement de la batterie, consultez la section [Installation de la batterie](#) à la page 72. Pour en avoir plus sur la façon de charger la batterie, consultez la section [Mise en charge de la batterie](#) à la page 73.

Remarque : L'instrument n'est pas opérationnel pendant la charge de la batterie.

1. Appuyez sur le bouton d'alimentation du compteur jusqu'à entendre un bip sonore. Le compteur effectue un autotest et l'écran affiche les résultats. Si l'appareil de mesure échoue à l'autotest, l'écran indique ECHEC en regard du paramètre en question. En cas de défaillance du capteur, branchez un capteur différent s'il en existe un disponible.
2. Quand l'autotest est terminé, appuyez sur **OK** pour passer au menu principal.
3. Pour désactiver l'appareil de mesure, appuyez sur le bouton d'alimentation. Sur l'écran de Confirmation, sélectionnez Oui et appuyez sur **OK**. Si l'appareil de mesure portable ne répond plus, maintenez enfoncé le bouton d'alimentation pendant plus de 3 secondes pour forcer l'extinction. Ne forcez pas l'extinction en fonctionnement normal pendant que l'icône d'accès au fichier est visible.

6.1 Autotest de l'instrument

L'appareil de mesure effectue un autotest de diagnostic lors de son activation. L'écran affiche les résultats de l'autotest après l'achèvement de celui-ci. Appuyez sur **OK** pour passer au menu principal.

Si l'appareil de mesure échoue à l'autotest, l'écran indique ECHEC en regard du paramètre en question. En cas de défaillance du capteur, branchez un capteur différent s'il en existe un disponible.

6.2 Mode veille

Le rétroéclairage de l'appareil de mesure réduit sa luminosité après 30 secondes d'inactivité et passe en mode veille après 60 secondes d'inactivité. Ces actions ne se produisent pas si l'appareil de mesure est en mode temps réel ou tant qu'il est en cours de mesure. Après 30 minutes en mode veille, l'alimentation de l'appareil de mesure est coupée.

Pour annuler le mode veille, appuyez sur une touche. La luminosité de l'écran revient au niveau normal et toutes les touches reviennent à leur fonction normale.

Section 7 Maintenance

7.1 Nettoyage du capteur

▲ AVERTISSEMENT



Risque d'exposition chimique. Respectez les procédures de sécurité du laboratoire et portez tous les équipements de protection personnelle adaptés aux produits chimiques que vous manipulez. Consultez les fiches de données de sécurité (MSDS/SDS) à jour pour connaître les protocoles de sécurité applicables.

Nettoyez le capteur en cas d'augmentation ou de diminution inattendue de débit ou de variation de tendance de niveau, comme après l'utilisation dans des cours d'eau sableux ou boueux.

En cas de contamination importante, laissez tremper le capteur dans de l'eau claire quelques minutes pour faciliter l'élimination des dépôts.

Débranchez le capteur de l'instrument avant le nettoyage. N'utilisez que des solutions indiquées comme acceptables dans le [Tableau 3](#) pour nettoyer le capteur. Pour les capteurs équipés d'une cuve de pression (c'est-à-dire capteurs de vitesse plus profondeur), assurez-vous que les trous des chambres de la cuve de pression sont rincés et dégagés de tout dépôt. Rincez le capteur à l'eau propre avant de le refixer sur l'ensemble.

Tableau 3 Solutions de nettoyage agréées et non agréées

Autorisée	Ne pas utiliser
Produit à vaisselle et eau	Eau de Javel concentrée
Produit à vitre	Kérosène
Alcool isopropylique	Essence
	Hydrocarbures aromatiques

7.2 Nettoyage de l'appareil de mesure

1. Appuyez sur le bouton d'alimentation pour couper l'alimentation de l'appareil de mesure.
2. Nettoyez l'extérieur de l'appareil de mesure avec un chiffon humide propre. Ajoutez un détergent doux à l'eau si nécessaire.
3. Séchez l'extérieur de l'appareil de mesure avec un chiffon propre. Laissez sécher complètement l'appareil à l'air avant de rétablir l'alimentation.

Remarque : N'utilisez pas de chiffons à base de papier pour nettoyer l'écran. Ce type de chiffon peut endommager l'écran d'affichage.

7.3 Remplacement de la batterie

▲ AVERTISSEMENT



Risque d'incendie et d'explosion. Cet équipement contient une pile au lithium à haute énergie pouvant s'enflammer et provoquer un incendie ou une explosion, même en l'absence d'alimentation électrique. Pour maintenir le niveau de sécurité offert par le boîtier de l'instrument, les couvercles du boîtier de l'instrument doivent être installés et fermés à l'aide du matériel fourni.



▲ AVERTISSEMENT



Risque d'explosion et d'incendie. La substitution du type de pile n'est pas autorisée. Utilisez uniquement les piles fournies par le fabricant de l'appareil.

Remplacez la batterie si vous constatez des pertes de puissance alors qu'elle est à pleine charge.

Remarque : Si l'instrument doit être renvoyé à l'usine pour réparation ou entretien, retirez la batterie et placez-la dans une enveloppe de protection avant l'expédition.

1. Coupez l'alimentation.
2. Retirez la batterie. Reportez-vous à [Installation de la batterie](#) à la page 72.
3. Jetez la batterie conformément à la réglementation locale, régionale et nationale.
4. Posez une batterie neuve au même emplacement et dans le même sens. Reportez-vous à [Installation de la batterie](#) à la page 72.
Utilisez uniquement les batteries fournies par le fabricant de l'appareil.
5. Posez le capot de la batterie. Assurez-vous que le capot est bien fixé pour conserver le classement d'environnement du boîtier.
6. Chargez la batterie si nécessaire. Reportez-vous à [Mise en charge de la batterie](#) à la page 73.

Section 8 Dépannage

8.1 Diagnostics

Sur le menu principal, sélectionnez Diagnostics pour afficher les informations concernant l'appareil de mesure et les essais de diagnostic dans [Tableau 4](#).

Tableau 4 Diagnostics de l'appareil de mesure

Option	Description
A propos de...	Affiche des informations sur l'appareil de mesure et le capteur. Inclut le numéro de série et la version du microprogramme.
Supprimer les fichiers	Supprime tous les fichiers de la mémoire pour faire de la place pour de nouvelles mesures. Assurez-vous que les données ont été téléchargées vers un PC avant de sélectionner cette option. Le système reformate automatiquement la mémoire après suppression des fichiers.
Capteur	Affiche des informations de diagnostic sur le capteur.
Autotest	Fait effectuer un autotest de diagnostic par l'appareil de mesure.
Test clavier	Effectue un test de chaque bouton pour s'assurer qu'il fonctionne.

Tableau 4 Diagnostics de l'appareil de mesure (suite)

Option	Description
Test d'écran	Effectue un test d'écran pour s'assurer qu'il fonctionne.
Journal événements	Permet de voir, de supprimer ou d'exporter le journal d'événements. Exportez le journal d'événements pour rendre son contenu accessible sous forme d'un fichier sur un stockage de masse USB. Cette option est utilisée essentiellement par le service après-vente d'usine.

8.2 Dépannage des erreurs

L'appareil de mesure et le capteur ne contiennent aucune pièce réparable par l'utilisateur. Pour les erreurs et messages indiqués, essayez l'action corrective.

Si le problème ne disparaît pas ou s'il apparaît un problème qui n'est pas dans la liste, contactez le constructeur.

Message ou problème	Solution
Le capteur n'est pas connecté	Connectez un capteur et recommencez l'action.
La valeur est en dehors de la plage	Changez les paramètres de mesure ou entrez une valeur différente, puis réessayez l'action.
Les données de capteur sont apparemment incorrectes ou inexactes	Nettoyez le capteur et faites un test.
Le capteur n'est pas reconnu	Vérifiez le branchement du capteur. Assurez-vous que le contre-écrou du port de connexion est serré (ne serrez qu'à la main).
L'écran est sombre ou n'est pas visible	Appuyez sur une touche sur le clavier.
Les données ne sont pas disponibles ou l'accès aux données n'est pas possible	Assurez-vous que l'option USB (menu principal) est réglée sur Stockage de masse.
L'appareil de mesure ne répond pas	Maintenez enfoncé le bouton d'alimentation pendant au moins 3 secondes. Ceci désactive l'appareil de mesure. Réactivez l'appareil de mesure. <i>Remarque : N'utilisez pas cette méthode pour éteindre l'appareil en fonctionnement normal si l'icône d'accès au fichier apparaît à l'écran.</i>

Tabla de contenidos

- 1 [Manual del usuario en línea](#) en la página 85
- 2 [Especificaciones](#) en la página 85
- 3 [Información general](#) en la página 87
- 4 [Instalación](#) en la página 92
- 5 [Interfaz del usuario y navegación](#) en la página 96
- 6 [Inicio y auto diagnóstico](#) en la página 102
- 7 [Mantenimiento](#) en la página 103
- 8 [Solución de problemas](#) en la página 104

Sección 1 Manual del usuario en línea

Este manual básico de usuario contiene menos información que el manual de usuario completo, que está disponible en la página web del fabricante.

Sección 2 Especificaciones

Las especificaciones están sujetas a cambios sin previo aviso.

2.1 Especificaciones del sensor

Especificación	Datos
Medición de velocidad	
Método	Electromagnético
Rango	0 a 6,09 m/s (0 a 20 pies/s)
Profundidad mínima del agua	3,18 cm (1,25 pulg.)
Exactitud	±2% de lectura ±0,015 m/s (±0,05 pies/s) a 3,04 m/s (0 a 10 pies/s); ± 4% de lectura entre 3,04 y 4,87 m/s (10 a 16 pies/s)
Solución	0 ≤ valor < 10: 3 decimales; 10 ≤ valor < 100: 2 decimales; 100 ≤ valor < 1000: 1 decimal; valor ≥ 1000: 0 decimales
Estabilidad cero	±0,015 m/s (0,05 pies/s)
Material	ABS, lleno de gas
Grado de protección	IP68
Dimensiones (Prof. x An. x Al.)	11,9 x 4,3 x 6,3 cm (4,7 x 1,7 x 2,5 pulg.)
Material del cable	Sobrecubierta de poliuretano
Longitud de los cables	2, 6,1, 12,2 y 30,5 m (6,5, 20, 40 y 100 pies)
Medición de la profundidad	
Método	Tipo diafragma: presión absoluta con calibración de un punto.
Exactitud (estática)	La mayor de ± 2% de la lectura o ± 0,015 m (± 0.504 pulgadas). Temperatura constante y agua estática que no corre.
Rango	3,05 m (0-10 ft)
Solución	0 ≤ valor < 10: 3 decimales; 10 ≤ valor < 100: 2 decimales; 100 ≤ valor < 1000: 1 decimal; valor ≥ 1000: 0 decimales

2.2 Especificaciones del medidor portátil

Especificación	Detalles
Grado de contaminación	2
Clase de protección	II

Especificación	Detalles
Temperatura de carga	0 a 40 °C (32 a 104 °F)
Temperatura de funcionamiento	-20 a 55 °C (-4 a 131 °F)
Temperatura de almacenamiento	-20 a 60 °C (-4 a 140 °F)
Grado de protección	IP67
Medidor de duración de la batería	Gráfico de barras de cinco segmentos
Tipo de batería	Ion de litio recargable: 3,6 V, 5,0 Ah, 18 Wh
Duración de la batería	18 horas de uso intensivo diario típico ¹ ; 20 °C (68 °F)
Cargador de batería	Adaptador externo de corriente, eficiencia energética VI, 100-240 V CA, 50-60 Hz, 0,5 A de entrada; 12 V CC, 1,25 A de salida
Dimensiones (L x An x A)	21,8 x 9,3 x 5,3 cm (8,6 x 3,7 x 2,1 pulg.)
Conector USB	Tipo mini-B, de 5 clavijas, clasificado como IP67 con la cubierta
Material	Policarbonato con sobremolde de elastómero termoplástico (TPE)

2.3 Especificaciones de interfaz del usuario

Especificación	Datos
Visualizador de gráficos	Color, LCD de 3,5" QVGA transreflectivo (legible bajo luz solar directa)
Resolución de medición	0 ≤ valor < 10: 3 decimales; 10 ≤ valor < 100: 2 decimales; 100 ≤ valor < 1000: 1 decimal; valor ≥ 1000: 0 decimales
Teclado	Alfanumérico
Modos de operación	Tiempo real, perfilado
Tipos de perfil	Flujo, conducto
Formas de conducto	Circular, rectangular, trapezoidal, 2/3 huevoide, huevoide invertido 2/3
Entradas de flujo	Estaciones fijas, no fijas
Rechazo de ruidos	Seleccionable por el usuario, 50 Hz o 60 Hz
Unidades de medida	Velocidad: pies/s, m/s, cm/s, mm/s Flujo: pies ³ /seg, millón de galones/día, galones/min, m ³ /seg, m ³ /min, m ³ /hora, m ³ /día, litros/seg, litros/min Prof.: pulg., pies, m, cm, mm
Cálculo de flujo	Método de la sección media o mediana
Diagnósticos	Autoprueba, teclado, pantalla, registro de eventos
Métodos de perfil de conducto	0.9 x Vmax, 0.2/0.4/0.8, integrador de velocidad y nivel, 2D
Métodos de perfil de flujo	1, 2, 3, 4, 5 y 6 puntos (método de velocidad: USGS e ISO), método KREPS de 2 puntos, método de superficie de 1 punto, método de hielo de 1 y 2 puntos

¹ Definido como 30 minutos de configuración, seis períodos de 1 hora de uso continuo con un sensor activo y la pantalla con claridad máxima y 30 minutos de modo de descanso entre períodos de uso, descarga de datos y apagado.

Especificación	Datos
Tipos de archivos	Tiempo real, perfilado, registro de eventos
Idiomas	Inglés, francés, español, alemán, italiano, holandés, danés, sueco, chino, polaco, japonés, coreano, portugués, eslovaco, ruso, húngaro, búlgaro, rumano, checo, turco, finés, griego

2.4 Especificaciones generales

Especificación	Datos
Número máximo de archivos en tiempo real	50 cada uno hasta con 75 lecturas capturadas por el usuario.
Firmware	El sensor y el medidor portátil son actualizables vía USB

Sección 3 Información general

El fabricante no será responsable en ningún caso de los daños resultantes de un uso inadecuado del producto o del incumplimiento de las instrucciones del manual. El fabricante se reserva el derecho a modificar este manual y los productos que describen en cualquier momento, sin aviso ni obligación. Las ediciones revisadas se encuentran en la página web del fabricante.

3.1 Información de seguridad

El fabricante no es responsable de ningún daño debido a un mal uso de este producto incluyendo, sin limitación, daños directos, fortuitos o circunstanciales y reclamaciones sobre los daños que no estén recogidos en la legislación vigente. El usuario es el responsable de la identificación de los riesgos críticos y de tener los mecanismos adecuados de protección de los procesos en caso de un posible mal funcionamiento del equipo.

Sírvase leer todo el manual antes de desembalar, instalar o trabajar con este equipo. Ponga atención a todas las advertencias y avisos de peligro. El no hacerlo puede provocar heridas graves al usuario o daños al equipo.

Asegúrese de que la protección proporcionada por este equipo no se vea afectada. No use o instale este equipo de una manera diferente a la explicada en este manual.

3.1.1 Uso de la información relativa a riesgos

▲ PELIGRO

Indica una situación potencial o de riesgo inminente que, de no evitarse, provocará la muerte o lesiones graves.

▲ ADVERTENCIA

Indica una situación potencial o inminentemente peligrosa que, de no evitarse, podría provocar la muerte o lesiones graves.

▲ PRECAUCIÓN




Indica una situación potencialmente peligrosa que podría provocar una lesión menor o moderada.

AVISO

Indica una situación que, si no se evita, puede provocar daños en el instrumento. Información que requiere especial énfasis.

3.1.2 Etiquetas de precaución

Lea todas las etiquetas y rótulos adheridos al instrumento. En caso contrario, podrían producirse heridas personales o daños en el instrumento. El símbolo que aparezca en el instrumento se comentará en el manual con una declaración de precaución.

	Este es un símbolo de alerta de seguridad. Obedezca todos los mensajes de seguridad que se muestran junto con este símbolo para evitar posibles lesiones. Si se encuentran sobre el instrumento, consulte el manual de instrucciones para obtener información de funcionamiento o seguridad.
	Este símbolo indica la presencia de dispositivos susceptibles a descargas electrostáticas. Asimismo, indica que se debe tener cuidado para evitar que el equipo sufra daño.
	En Europa, el equipo eléctrico marcado con este símbolo no se debe desechar mediante el servicio de recogida de basura doméstica o pública. Devuelva los equipos viejos o que hayan alcanzado el término de su vida útil al fabricante para su eliminación sin cargo para el usuario.

3.1.3 Compatibilidad electromagnética (CEM)

▲ PRECAUCIÓN

Este equipo no está diseñado para su uso en entornos residenciales y puede que no brinde la protección adecuada para la recepción de radio en dichos entornos.

CE (EU)

El equipo cumple los requisitos esenciales de la Directiva CEM 2014/30/UE.

UKCA (UK)

El equipo cumple los requisitos del Reglamento de Compatibilidad Electromagnética de 2016 (S.I. 2016/1091).

Reglamentación canadiense sobre equipos que provocan interferencia, ICES-003, Clase A

Registros de pruebas de control del fabricante.

Este aparato digital de clase A cumple con todos los requerimientos de las reglamentaciones canadienses para equipos que producen interferencias.

Cet appareil numérique de classe A répond à toutes les exigences de la réglementation canadienne sur les équipements provoquant des interférences.

FCC Parte 15, Límites Clase "A"

Registros de pruebas de control del fabricante. Este dispositivo cumple con la Parte 15 de las normas de la FCC estadounidense. Su operación está sujeta a las siguientes dos condiciones:

1. El equipo no puede causar interferencias perjudiciales.
2. Este equipo debe aceptar cualquier interferencia recibida, incluyendo las interferencias que pueden causar un funcionamiento no deseado.

Los cambios o modificaciones a este equipo que no hayan sido aprobados por la parte responsable podrían anular el permiso del usuario para operar el equipo. Este equipo ha sido probado y encontrado que cumple con los límites para un dispositivo digital Clase A, de acuerdo con la Parte 15 de las Reglas FCC. Estos límites están diseñados para proporcionar una protección razonable contra las interferencias perjudiciales cuando el equipo está operando en un entorno comercial. Este equipo genera, utiliza y puede irradiar energía de radio frecuencia, y si no es instalado y utilizado de acuerdo con el manual de instrucciones, puede causar una interferencia dañina a las radio comunicaciones. La operación de este equipo en un área residencial es probable que produzca interferencias dañinas, en cuyo caso el usuario será requerido para corregir la interferencia bajo su propio cargo. Pueden utilizarse las siguientes técnicas para reducir los problemas de interferencia:

1. Desconecte el equipo de su fuente de alimentación para verificar si éste es o no la fuente de la interferencia.
2. Si el equipo está conectado a la misma toma eléctrica que el dispositivo que experimenta la interferencia, conecte el equipo a otra toma eléctrica.
3. Aleje el equipo del dispositivo que está recibiendo la interferencia.
4. Cambie la posición de la antena del dispositivo que recibe la interferencia.
5. Pruebe combinaciones de las opciones descritas.

3.2 Descripción general del producto

El sistema de velocidad portátil se usa en el campo, en el laboratorio y en los municipios. Con este sistema se pueden medir los flujos turbulentos, ruidosos y bajos.

Cuando el sensor se coloca en agua que corre, un campo magnético alrededor del sensor crea un voltaje proporcional a la velocidad de flujo. Esta amplitud de voltaje, que representa el índice de flujo de agua alrededor del sensor, es captada por electrodos en el sensor y procesada por el microprocesador del sensor. La señal procesada se transmite digitalmente por medio del cable del sensor al medidor portátil y la información que se muestra en la pantalla del medidor. El sistema incluye un medidor portátil, un sensor con cable y accesorios.

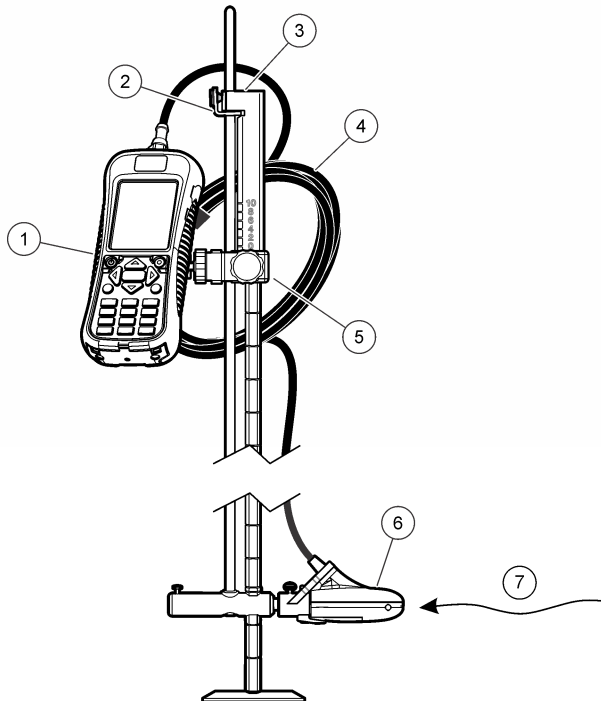
El medidor y el sensor obtienen información de velocidad de los conductos y flujos. Estas mediciones son importantes para la calibración en las industrias de las aguas residuales municipales, como así también para evaluaciones de impacto ambiental. desarrolla y mantiene las curvas de relación de etapa de descarga.

Están disponibles dos tipos de sensor: solo velocidad y velocidad con profundidad. Este manual cubre los dos tipos de sensores. Si la información es aplicable a un tipo específico de sensor, este hecho se indica en el texto.

3.2.1 Componentes del sistema

En la [Figura 1](#) se muestra una visión general del sistema ensamblado. En la Consulte la documentación que acompaña los componentes individuales o accesorios para obtener más información

Figura 1 Componentes ensamblados

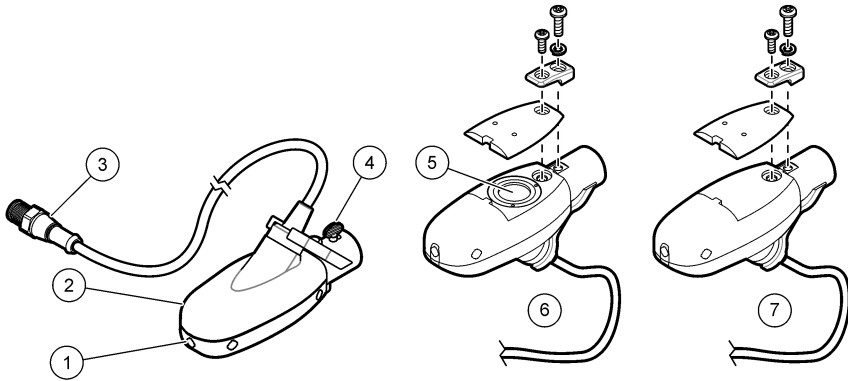


1 Medidor portátil	5 Montaje ajustable para el medidor portátil
2 Dispositivo de bloqueo/liberación de altura del sensor	6 Conjunto del sensor
3 Varilla de vadeo de configuración superior (accesorio)	7 Dirección del flujo
4 Cable del sensor	

3.2.2 Descripción general del sensor

Figura 2 muestra los componentes principales del sensor. Instrucciones para conectar el sensor a una varilla de vadeo estándar o de configuración superior acompañan al accesorio

Figura 2 Componentes del sensor

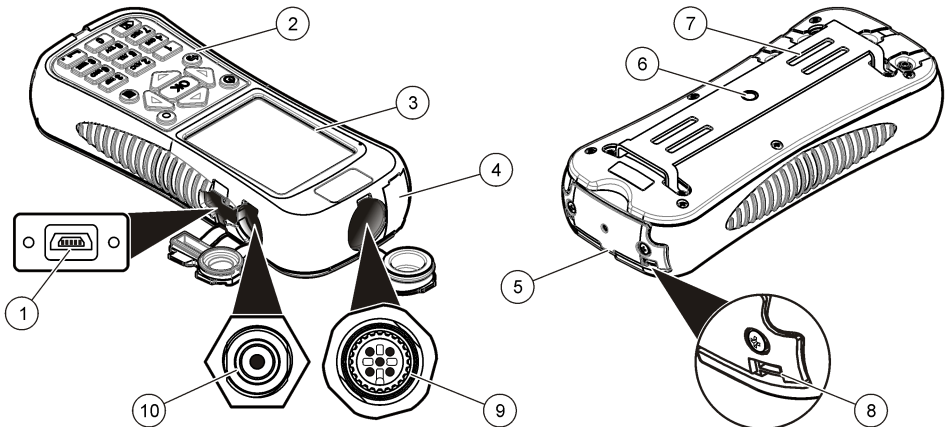


1 Electrodo del sensor	5 Celda de presión (sensores con opción de prof.)
2 Cuerpo del sensor	6 Sensor con la opción Prof.
3 Enchufe de conexión del sensor	7 Sensor sin la opción Prof.
4 Tornillo mariposa para la sujeción del sensor	

3.2.3 Generalidades del medidor

Figura 3 muestra las características del medidor.

Figura 3 Componentes del medidor



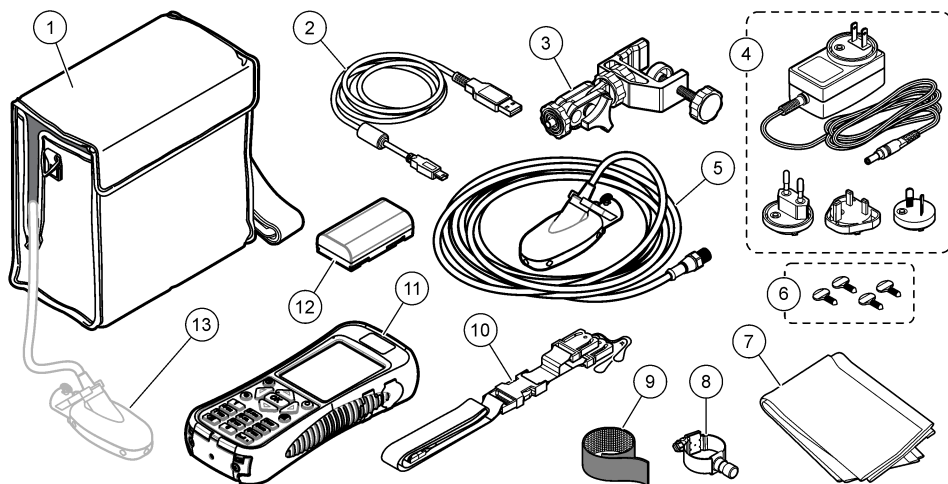
1 Puerto de conexión USB ²	6 Orificio roscado para montaje ajustable del medidor.
2 Teclado	7 Ranuras para el adjunto de velcro o correas.
3 Pantalla del medidor	8 Ranura para las rosas de fijación de la correa del cuello (x2)
4 Puerto de expansión (no usado)	9 Puerto de conexión del sensor
5 Tapa del compartimiento de las pilas	10 Conector del cargador de batería

² La batería no debe cargarse a través de la conexión USB.

3.3 Componentes del producto

Cuando adquiera un sistema completo, diríjase a [Figura 4](#) para asegurarse que ha recibido todos los componentes. Si falta algún elemento, o alguno está dañado, póngase en contacto con el fabricante o con un representante de ventas inmediatamente.

Figura 4 Componentes del sistema



1 Caja de transporte (con ranura para el cable del sensor)	8 Montaje del sensor universal
2 Cable USB con conector mini USB, 1 m (3 pies)	9 Tira de velcro
3 Montaje ajustable del medidor portátil	10 Cordón
4 Cargador de batería, 100–240 V CA	11 Medidor portátil
5 Sensor	12 Batería de litio
6 Tornillos mariposa extra (x4)	13 El sensor conectado al medidor dentro del estuche.
7 Paño para secar el sensor	

Sección 4 Instalación

4.1 Instale el sensor en la montura universal para el sensor


Use la montura universal para el sensor para conectar el sensor a polos de 1 pulgada o menos de diámetro. Para un funcionamiento correcto y lecturas exactas, la parte frontal del sensor debe estar contracorriente con los electrodos en contacto absoluto con el flujo.

Nota: Mantenga los electrodos del sensor libres de sustancias no conductivas como aceite y grasa. Para eliminar la contaminación del sensor, consulte [Limpieza del sensor](#) en la página 103

1. La parte frontal del sensor es redonda y contiene tres electrodos. El sensor tiene un orificio de montaje y un tornillo mariposa en la parte superior. Coloque el eje de montaje del montaje universal en el orificio de montaje en la parte trasera del sensor. Asegúrese de que el eje de montaje esté completamente unido al orificio de montaje y el tornillo mariposa esté unido con la muesca.
2. Ajuste el tornillo mariposa a mano.
3. Mueva un polo de 1 pulgada o menos de diámetro a través de la abrazadera de la montura universal para el sensor. Ajuste la abrazadera.


Nota: Junto con el accesorio se ofrecen las instrucciones para montar el sensor en una varilla de vadeo de configuración estándar o superior.

4.2 Seguridad de la batería de litio

▲ ADVERTENCIA	
	Peligro de incendio y explosión. Si se exponen a condiciones abusivas, las pilas de litio pueden calentarse, explotar o inflamarse y causar lesiones graves.

- No utilice la pila si presenta daños visibles.
- No utilice la pila tras producirse un fuerte choque o vibración.
- No exponga la batería al fuego.
- Mantenga la batería a temperaturas inferiores a 60 °C (140 °F).
- Mantenga la pila seca y alejada del agua.
- Evite el contacto entre los terminales de la pila positivo y negativo.
- No permita que personas no autorizadas toquen la pila.
- Deseche la pila de acuerdo con las normativas locales, regionales y nacionales.
- No utilice ni almacene la unidad en un lugar donde reciba luz solar directa, cerca de una fuente de calor o en entornos con una temperatura elevada, como un vehículo cerrado expuesto a la luz solar directa.

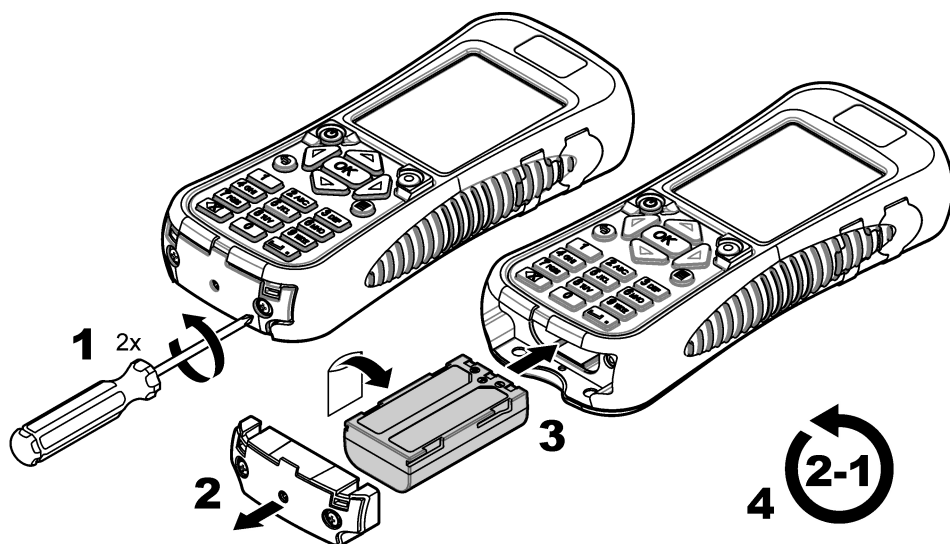
4.3 Instalación de la batería

▲ ADVERTENCIA	
	Peligro de incendio y explosión. Este equipo cuenta con una pila de litio de alto rendimiento, que es inflamable y puede provocar un incendio o explosión, incluso sin energía. Para mantener el nivel de seguridad que proporciona la carcasa del instrumento, la cubierta debe instalarse y asegurarse con el hardware suministrado.

▲ ADVERTENCIA	
	Peligro de explosión e incendio. No se permite la sustitución de la pila. Utilice únicamente pilas suministradas por el fabricante del instrumento.

Instale la batería de litio suministrada como se muestra en la [Figura 5](#).

Figura 5 Instalación de la batería



4.4 Carga de la batería

Nota: No se permite la sustitución del cargador de la batería. Use solamente el cargador especificado en la lista de piezas y accesorios para el instrumento. Consulte Piezas de repuesto y accesorios en la versión extendida del manual.

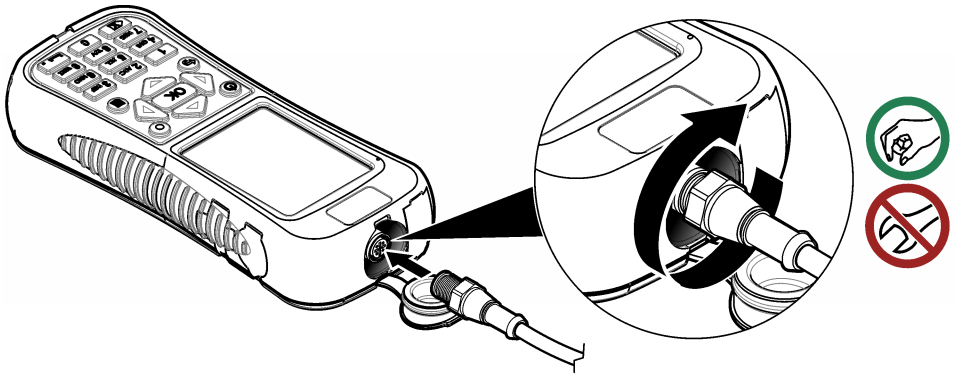
Antes del primer uso, cargue completamente la batería del instrumento mediante el cargador de batería suministrado. Una batería descargada tarda aproximadamente 8 horas en cargarse completamente.

1. Asegúrese de usar el tipo de enchufe del cargador de batería indicado para la ubicación geográfica.
2. Conecte el cargador de batería a una toma de corriente con conexión a tierra.
3. Enchufe el cargador de batería al conector para cargador de batería del instrumento. Consulte [Generalidades del medidor](#) en la página 91. El nivel de carga de la batería se muestra en la pantalla.

Cerca del puerto de carga una luz azul indica que la batería se está cargando. Cuando se completa un proceso de carga, la luz azul se apaga.

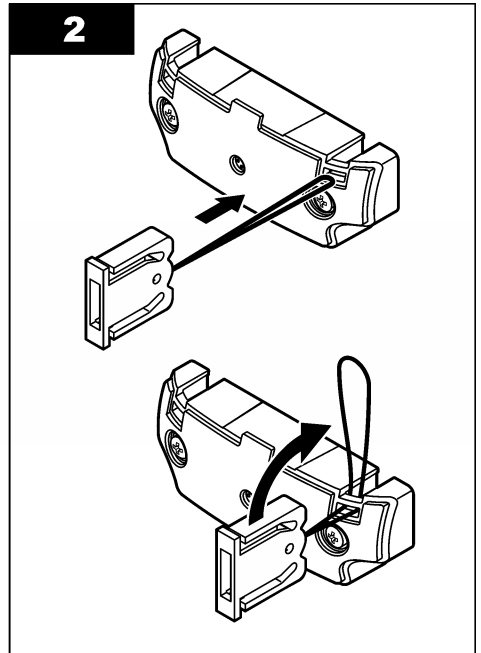
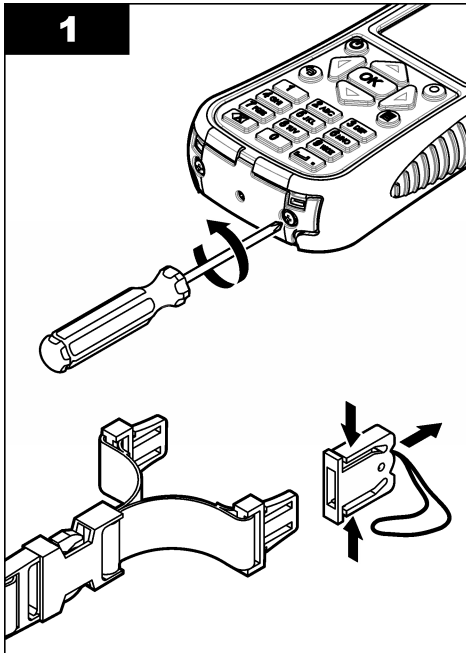
Nota: El medidor no funciona mientras se carga la batería. La batería no carga mediante conexión de cable USB

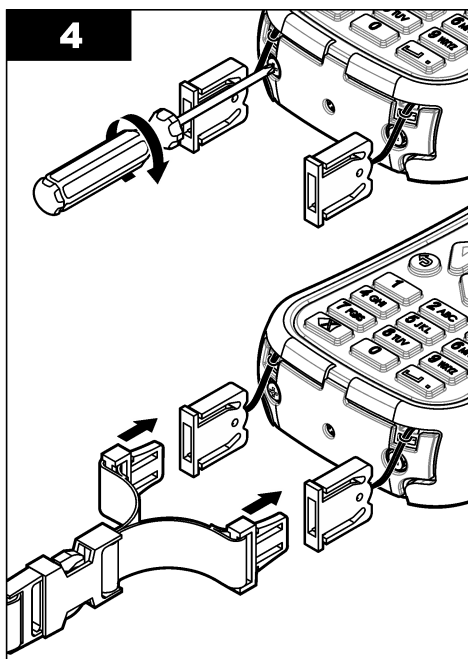
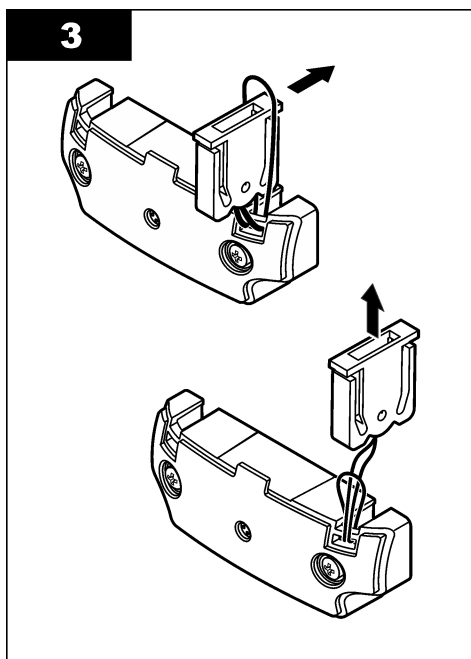
4.5 Conecte el sensor al medidor



4.6 Coloque el acollador

Coloque el acollador para poder usar el medidor cómodamente alrededor del cuello.

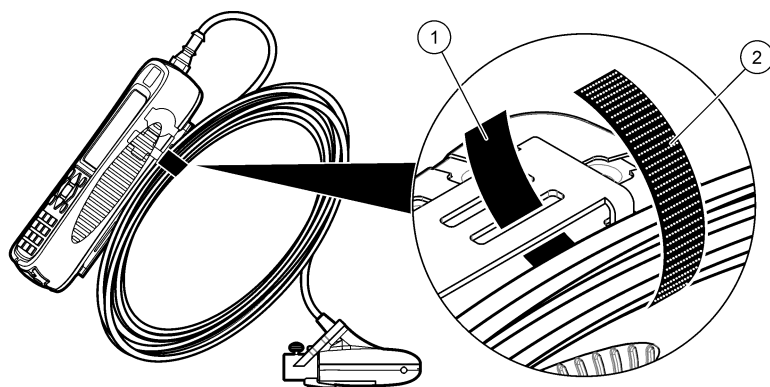




4.7 Una la correa de velcro.

Use la correa de velcro para sujetar el cable extra Consulte la [Figura 6](#).

Figura 6 Una la correa de velcro.



1 Lado del lazo

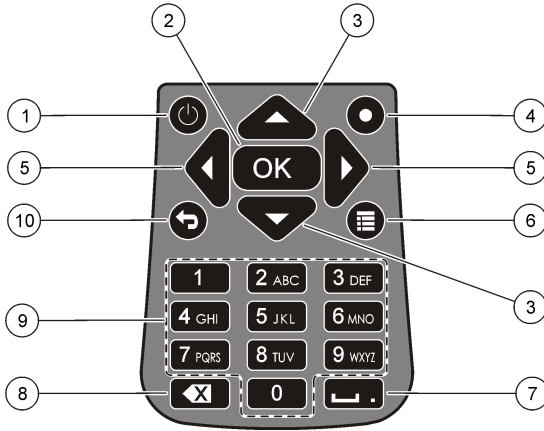
2 Lado del gancho

Sección 5 Interfaz del usuario y navegación

5.1 Teclado y funciones clave

[Figura 7](#) muestra el teclado del medidor. [Tabla 1](#) indica las funciones para cada tecla o tipo de tecla.

Figura 7 Teclado



1 Encendido/apagado	6 Menú principal
2 OK (Aceptar)	7 Barra baja o decimal
3 Flechas hacia arriba y hacia abajo	8 Retroceso
4 Salto rápido	9 Alfanumérico
5 Fechas derecha e izquierda	10 Menú anterior

Tabla 1 Descripción de tecla

Tecla	Descripción
Encendido/apagado	Energiza y desenergiza el medidor.
OK (Aceptar)	Confirma una entrada o una opción de menú resaltada.
Flechas hacia arriba y hacia abajo	Se mueve hacia arriba y abajo de la pantalla. Si el cursor está en la parte superior o inferior de la pantalla, el cursor se desplaza hacia la parte superior o inferior cuando se presiona la flecha hacia ARRIBA o hacia ABAJO.
Salto rápido	En funcionamiento normal, esta tecla salta a la pantalla Select conduit shape (Seleccionar la forma del tubo). En el modo de generador de perfiles, la tecla de salto rápido está desactivada. Si la función de Cal. auto. está desactivada, mantenga esta tecla presionada por 5 segundos para hacer una puesta a cero manual del sensor de prof. En el modo Tiempo real, la tecla de salto rápido alterna entre vista digital y gráfica.
Fechas derecha e izquierda	Se mueve hacia la derecha o izquierda en la pantalla.
Menú principal	Se mueve al Menú principal desde cualquier submenú o pantalla.
Barra baja o decimal	Coloca un subrayado o carácter decimal. En los campos exclusivamente numéricos, esta tecla automáticamente un punto decimal en la posición del cursor.
Retroceso	Mueve el cursor un espacio hacia atrás.
Alfanumérico	Coloca el valor numérico o alfabético de la tecla. Los valores se colocan en el orden en que aparecen en la tecla. Tras 2 segundos, el valor que se muestra en la pantalla se almacena en los avances del cursor.
Menú anterior	Se mueve a la pantalla anterior

5.2 Barra de estado

Se ve una barra de estado en la parte superior de la pantalla. En [Tabla 2](#) podrá encontrar las descripciones de la información de la barra de estado.

Tabla 2 Indicadores de la barra de estado

Indicador	Descripción
Hora y fecha	Muestra la hora y fecha actuales.
USB	Muestra cuando hay un cable USB conectado Si está conectado un cable USB y no se muestra este indicador en la barra de estado, el cable USB no está totalmente conectado. Asegúrese de haber introducido por completo el cable USB de manera que haga contacto total con el puerto de conexión.
Conductividad	Si el sensor está fuera del agua y no produce conducción de corriente, un anillo azul aparece junto al ícono de la batería. Si el sensor está dentro del agua y transmite, el indicador es un círculo azul.
Pilas	Un gráfico de cinco barras muestra el nivel de carga de la batería.
Acceso a archivos	Se muestra mientras el medidor obtiene acceso a un archivo.
Indicador de Cal. auto. prof.	Si el sensor de profundidad se puso a cero en los últimos 30 minutos, se muestra un círculo de color verde junto al indicador de conductividad. Si el sensor de prof. no se puso a cero en los últimos 30 minutos, este indicador parpadea en rojo.

5.3 Navegación y Menú principal

Pulse **Aceptar** para confirmar una opción seleccionada del menú o un valor que se muestra en la pantalla. Seleccionar **Más** y presione **OK** para ver pantallas adicionales y opciones si estuvieran disponibles. Presione el botón Menú principal para ir al Menú principal desde un submenú.

Nota: Algunas operaciones no se pueden completar a menos que un sensor esté conectado al medidor. Si se intenta realizar estas operaciones cuando no hay un sensor conectado, la pantalla muestra un mensaje de error. Conecte un sensor e intente realizar la operación nuevamente.

- 1. Tiempo real**—Seleccionar esta opción para obtener la velocidad en tiempo real y la información de profundidad. (Un sensor con capacidad de profundidad es necesario para leer la Prof.) Un ejemplo de una Pantalla en tiempo real para sensores con solo velocidad se muestra en [Figura 8](#) Pantalla en tiempo real para sensores con Veloc. y profund. se muestra en [Figura 9](#) El formato de la información y opciones mostradas depende del tipo de sensor utilizado. En el modo Tiempo real, la tecla de salto rápido alterna entre vista digital y gráfica de la información en tiempo real. La velocidad se actualiza en el modo de filtro FPA según el tiempo promedio de período fijo. En el modo de filtro RC, la velocidad se actualiza constantemente en pantalla cada 250 ms.

Opción	Descripción
Capturar	Almacena la información de profundidad y velocidad mostrada en la memoria. La información se guarda hasta que se apaga la unidad, la memoria se guarda en un archivo en tiempo real no volátil o el usuario sale del modo en tiempo real.
Grdr	Guarda las mediciones capturadas en la memoria volátil en un archivo en tiempo real no volátil. Un mensaje mostrará si el número de archivos es mayor que el máximo permitido. Los archivos se almacenan en formato variable separado por tabulaciones (.tsv)
Fin o OK	Sale del modo en tiempo real y regresa al menú principal. Si hay datos que no han sido guardados en la memoria volátil, un mensaje de confirmación pregunta al usuario si confirma salir sin guardar los datos.
Borrar	Borra mediciones capturadas desde el búfer de memoria volátil. El usuario puede elegir entre las opciones Borrar el último, Borrar todo o Cancél.

Opción	Descripción
Configuración	<p>Permite al usuario modificar los parámetros del filtro principal y activar y programar la función de posición del sensor de profundidad máxima. La función de prof. máx. permite al usuario introducir al sistema parámetros para la medición de profundidad en el modo Tiempo real. El usuario puede elegir introducir un valor máximo de profundidad tomado directamente con una regla de medición (manual) o tomada indirectamente con la medición de prof. (auto). Ambos métodos activan la función de posición del sensor de profundidad máxima</p> <p>En modo de configuración auto, el usuario directamente introduce la distancia desde el fondo del canal a la parte inferior del montaje del sensor (desplazamiento). La interfaz de configuración mostrará continuamente el valor actual de prof. devuelto por el sensor, más el desplazamiento. El medidor guarda este valor como Prof. máx. cuando presiona el botón de OK. En todos los otros casos, los valores de profundidad no incluyen el desplazamiento.</p> <p>La función de Prof. máx. requiere un sensor con veloc. y profund.</p>
ArchivosVer	Muestra un resumen de cada archivo en tiempo real guardado en la memoria no volátil. Los archivos se pueden ver individualmente y eliminarse.

Figura 8 Pantalla en tiempo real

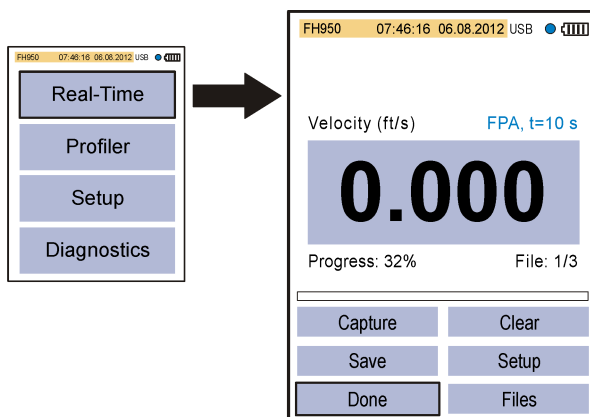
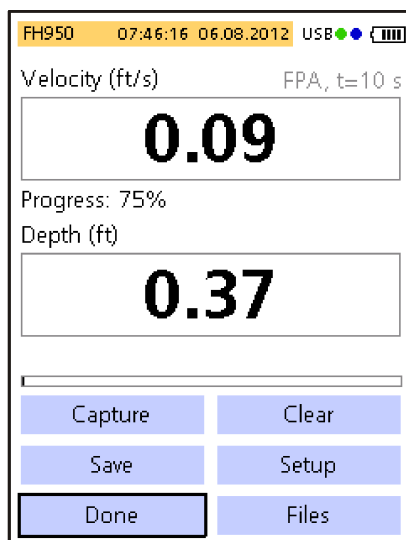


Figura 9 Pantalla en tiempo real para sensor con Prof.



2. **Generador perf.**— Seleccionar esta opción para realizar mediciones del flujo y de tubo. El medidor muestra indicaciones cuando se requiere la intervención del usuario. Un porcentaje de la memoria restante se asigna en resolución de 1%. Consulte la versión extendida del manual para obtener más información sobre perfiles.

Opción	Descripción
Flujo	Esta opción se usa para fijar un perfil para un canal con flujo o corriente. Tome mediciones de velocidad para calcular la descarga total basado en la norma ISO 748 o los estándares para los métodos de la sección mediana y media.
Conducto	Esta opción se usa para configurar un perfil para un tubo.
Archivos	Esta opción se usa para ver o eliminar datos almacenados. Los archivos se pueden eliminar todos a la vez o individualmente.
Configuración	Esta opción se utiliza para configurar o cambiar la configuración de los parámetros del filtro y la función Prof. máx.

3. **Conf.** —Seleccionar esta opción para cambiar la configuración general del sistema y Preferencias.


Opción	Descripción
Calibración de velocidad	Calibra el sensor. Añade un desplazamiento de campo a la calibración de fábrica. Consulte el apéndice en la versión extendida del manual para obtener más información.


Opción	Descripción
Parámetros del filtro	<p>Aplica el filtro de adquisición de datos (Filtro principal o Pre-filtro). El usuario puede seleccionar los parámetros del filtro.</p> <p>Filtro principal</p> <ul style="list-style-type: none"> • Promedio de período fijo (FPA)—El promedio de período fijo promedia los datos respecto a un período de tiempo fijo seleccionado por el usuario (entre 1 y 480 segundos). El predeterminado es de 10 segundos. Si el valor FPA es 5, el valor de velocidad mostrado en la pantalla se actualiza cada 5 segundos. • Constante de tiempo RCA—El filtro RC ayuda a normalizar la turbulencia por medio de una constante de tiempo seleccionada en el algoritmo del filtro. Este modo resulta muy útil para buscar una velocidad máxima, por ejemplo en el método de perfil $0,9 \times V_{max}$. Las constantes elevadas del filtro RC ofrecen mayores grados de normalización. La constante de tiempo se puede configurar entre 2 y 20 segundos, con un valor predeterminado de 6. Con una constante de tiempo 1, el filtro se asienta aproximadamente al 60% del valor final. Con una constante de tiempo 5, el filtro se asienta al 99,9% del valor final. Por consiguiente, si el valor de RC se establece en 2, el valor final se muestra después de 10 segundos. <p>Pre-filtro</p> <ul style="list-style-type: none"> • Filtro mediano—El proceso de filtrado se realiza en el sensor. Esta opción se puede desactivar. Sin embargo, el valor recomendado (predeterminado) es 5. Activa la opción de introducir o cambiar este valor.
Umbral húmedo/seco	<p>Establece el umbral de inmersión del sensor para condiciones húmedas y secas. El valor predeterminado es del 20%. Consulte el apéndice en la versión extendida del manual para obtener más información.</p>
Cal. auto. prof.	<p>Configura la función Cal. auto. prof. a Activado o Desactivado.</p> <p>Si está activado, el instrumento hace una calibración de aire cuando se retira el sensor del agua y está en el aire. Para hacer la calibración de aire, el instrumento automáticamente pone a cero el sensor.</p> <p>Si está desactivado, el usuario puede manualmente poner a cero el sensor. Para hacer esto, quite el sensor del flujo, luego presione y mantenga presionada la tecla de salto rápido por 5 segundos.</p> <p>Cuando el sensor ha estado en el flujo durante 30 minutos, el círculo verde en la esquina superior derecha cambia de verde a rojo. Esta es una indicación para el usuario para remover y poner de nuevo a cero el sensor.</p>
EMI	<p>Establece la frecuencia de línea local para rechazo de ruidos ambientales a 50 Hz o 60 Hz (Predet.).</p>
Reloj	<p>Establece la fecha y hora del medidor portátil en formato de 24 horas. No se admite horario de verano.</p>
USB	<p>Establece el modo USB.</p> <ul style="list-style-type: none"> • Almacenamiento masivo (Predet.)—Este modo funciona como una tarjeta de memoria o disco duro. Los archivos son de solo lectura. • CDC—Este modo se usa para actualizar el firmware.
Idioma	<p>Selecciona el idioma usado en los menús.</p>
Unidades	<p>Vea las unidades para las mediciones de velocidad, flujo y profundidad. Las opciones son Métricas o Inglesas (Predet.)</p>

Opción	Descripción
Tono	<p>Activado (Predet.) o Desactivado. Si está activado, el medidor emite un tono audible cuando:</p> <ul style="list-style-type: none"> • El sensor se encuentra a la profundidad correcta para los métodos de perfil correspondientes. • Se ha completado el 95% del tiempo de medición (modo de generador de perfiles). • Se pulsa un botón inactivo en cualquier menú. <p>Esta opción está disponible únicamente con el sensor de profundidad opcional.</p>
Cálculo de flujo	<p>Selecciona el método para el cálculo de flujo para un segmento abierto de agua (sólo perfil corr.). Las opciones son Sección media y sección mediana. Consulte el apéndice en la versión extendida del manual para obtener más información.</p>
Entrada estación	<ul style="list-style-type: none"> • Fija—El operador ingresa el ancho del flujo y el número de estaciones para medición. El medidor divide la sección transversal en distancias distribuidas equitativamente entre los verticales de estación. • No-fija (Predet.)—El operador selecciona el espacio entre los verticales de estación. Es la opción más utilizada ya que permite que el operador incluya instrucciones y otras restricciones en la sección transversal. • Fija y no fija—El operador selecciona el plano de referencia para las mediciones de profundidad. Valores: superior o inferior.
Restablecer predeterminados	<p>Fija todas las opciones del medidor en los valores predeterminados de fábrica.</p>

4. **Diagnóstico**— Seleccione esta opción para solucionar problemas con el medidor o el sensor adjunto. Para obtener más información sobre las opciones de Diagnóstico, consulte [Diagnóstico](#) en la página 104.

Sección 6 Inicio y auto diagnóstico

▲ PELIGRO	
	<p>Peligro químico o biológico. Si este instrumento se usa para controlar un proceso de tratamiento y/o un sistema de suministro químico para el que existan límites normativos y requisitos de control relacionados con la salud pública, la seguridad pública, la fabricación o procesamiento de alimentos o bebidas, es responsabilidad del usuario de este instrumento conocer y cumplir toda normativa aplicable y disponer de mecanismos adecuados y suficientes que satisfagan las normativas vigentes en caso de mal funcionamiento del equipo.</p>

▲ ADVERTENCIA	
	<p>Peligro de incendio y explosión. No utilice ni almacene la unidad en un lugar donde reciba luz solar directa, cerca de una fuente de calor o en entornos con una temperatura elevada, como un vehículo cerrado expuesto a la luz solar directa. Si no considera esta precaución puede provocar un sobrecalentamiento de la batería, un incendio o una explosión.</p>

Se debe colocar la batería en el medidor y cargarla antes del uso Para obtener más información sobre la instalación y reemplazo de la batería, consulte [Instalación de la batería](#) en la página 93. Para obtener información sobre cómo cambiar la batería, consulte [Carga de la batería](#) en la página 94.

Nota: El medidor no funcionará mientras se carga la batería.

1. Presione el botón de encendido del medidor hasta que escuche un bip audible. El medidor hace un auto diagnóstico y la pantalla muestra los resultados. Si el medidor no completa la auto prueba, la pantalla muestra ERROR junto al parámetro con falla. Si el sensor falla, adjunte un sensor diferente si estuviera disponible.
2. Cuando finalice la autopruueba, presione **OK** para volver al Menú principal.
3. Para desenergizar el medidor, vuelva a presionar el botón de encendido. En la pantalla de Confirmación, seleccionar Sí y presione **OK**.

Si el medidor portátil deja de responder, presione y mantenga presionado el botón de encendido durante 3 segundos para forzar el apagado. No fuerce el apagado en funcionamiento normal o cuando se ve el ícono de acceso a archivos.

6.1 Autopueba del instrumento

El medidor realiza una autopueba de diagnóstico cuando recibe energía. Luego de completar la autopueba, la pantalla muestra los resultados. Pulse **OK** para ir al Menú principal.

Si el medidor no completa la autopueba, la pantalla muestra FAIL (Falló) junto al parámetro en cuestión. Si el sensor falla, adjunte un sensor diferente si estuviera disponible.

6.2 Modo "dormido"

Se apaga la retroiluminación del medidor luego de 30 segundos sin actividad y cambia a modo dormido luego de 60 segundos de inactividad. Estas acciones no se producen si el medidor se encuentra en modo en tiempo real o mientras el medidor obtiene una medición. Luego de 30 minutos en modo dormido, el medidor se apaga.

Para cancelar el modo dormido, presione cualquier tecla. La claridad de la pantalla vuelve al nivel normal y todas las teclas retoman sus funciones normales.

Sección 7 Mantenimiento

7.1 Limpieza del sensor

▲ ADVERTENCIA



Peligro por exposición química. Respete los procedimientos de seguridad del laboratorio y utilice el equipo de protección personal adecuado para las sustancias químicas que vaya a manipular. Consulte los protocolos de seguridad en las hojas de datos de seguridad actuales (MSDS/SDS).

Limpie el sensor cuando haya aumento o disminución inesperado en flujo o tendencias en los niveles y después de usarse en vías fluviales arenosas o enlodadas.

Para suciedad excesiva, remoje el sensor en agua limpia durante unos minutos para ayudar a que la suciedad sea fácil de eliminar.

Desconecte el sensor del medidor antes de limpiarlo. Use únicamente soluciones catalogadas como aceptables en [Tabla 3](#) para limpiar el sensor. Para sensores con celda de presión (es decir, sensores con veloc. y prof.), asegúrese de lavar y limpiar de suciedad los agujeros para las cámaras de las celdas de presión. Enjuague el sensor con agua limpia antes de volver a conectar el sensor al ensamblaje.

Tabla 3 Soluciones limpiadoras aceptables y no aceptables

Aceptable	No aceptable
Lavavajillas y agua	Lejía (soda cáustica) concentrada
Limpiacristales	Queroseno
Alcohol isopropílico	Gasolina
	Hidrocarburos aromáticos

7.2 Limpieza del medidor.

1. Presione el botón de encendido para desenergizar el medidor.
2. Use un paño limpio y seco para limpiar el exterior del medidor. De ser necesario, mezcle el agua con un detergente suave.

- Seque el exterior del medidor con un paño limpio. Deje que el medidor se seque por completo al aire antes de volver a energizarlo.

Nota: No use paños de papel para limpiar la pantalla. Este tipo de paño puede causar daños en la pantalla de visualización.

7.3 Sustitución de la batería

⚠ ADVERTENCIA



Peligro de incendio y explosión. Este equipo cuenta con una pila de litio de alto rendimiento, que es inflamable y puede provocar un incendio o explosión, incluso sin energía. Para mantener el nivel de seguridad que proporciona la carcasa del instrumento, la cubierta debe instalarse y asegurarse con el hardware suministrado.

⚠ ADVERTENCIA



Peligro de explosión e incendio. No se permite la sustitución de la pila. Utilice únicamente pilas suministradas por el fabricante del instrumento.

Sustituya la batería cuando note que esta se descarga rápidamente tras haberla cargado.

Nota: Si se debe devolver el instrumento a fábrica para reparación o mantenimiento, retire la batería y colóquela en la cubierta de protección antes de enviarlo.

- Desconecte la alimentación.
- Retire la batería. Consulte [Instalación de la batería](#) en la página 93.
- Deseche la batería de acuerdo con las normativas locales, regionales y nacionales.
- Coloque la batería nueva en la misma posición y con la misma orientación. Consulte [Instalación de la batería](#) en la página 93.
Utilice únicamente baterías suministradas por el fabricante del instrumento.
- Instale la cubierta de la batería. Asegúrese de que la cubierta esté bien cerrada para mantener el tipo de protección.
- En caso necesario, cargue la batería. Consulte [Carga de la batería](#) en la página 94.

Sección 8 Solución de problemas

8.1 Diagnóstico

En el Menú principal, elija Diagnóstico para ver información del medidor y realizar las pruebas de diagnóstico en [Tabla 4](#)

Tabla 4 Diagnóstico del medidor

Opción	Descripción
Acerca de	Muestra información del medidor y el sensor. Incluye el número de serie y la versión de firmware.
Eliminar archivos	Elimina todos los archivos de la memoria para liberar espacio para nuevas mediciones. Asegúrese de descargar los datos a una PC antes de elegir esta opción. El sistema reformatea automáticamente la memoria luego de eliminar los archivos.
Sensor	Muestra la información de diagnóstico del sensor.
Autotest	Hace que el medidor realice una autopruueba de diagnóstico.
Prueba de teclado	Realiza una prueba de cualquier botón para asegurarse de que el botón funciona.

Tabla 4 Diagnóstico del medidor (continúa)

Opción	Descripción
Prueba de pantalla	Realiza una prueba de pantalla para garantizar que la pantalla funcione.
Registro de eventos	Permite que el usuario vea, elimine o exporte el registro de eventos. Exporta el registro de eventos para que el contenido esté disponible como archivo disponible gracias al almacenamiento masivo USB. Esta opción se usa principalmente en el servicio de fábrica.

8.2 Solucionar errores

El medidor y el sensor no contienen piezas que pueda reparar el usuario. Para los errores y mensajes que se indican, intente la acción correctiva.

Si el problema no desaparece o si no aparece en la lista, póngase en contacto con el fabricante.

Mensaje o problema	Solución
El sensor no está conectado	Conecte un sensor e intente realizar la operación nuevamente.
El valor está fuera del intervalo	Cambie los parámetros de medición o ingrese un valor diferente, luego vuelva a intentar la operación.
Se sabe que los datos del sensor no son correctos o exactos	Limpiar y evaluar el sensor.
No se reconoce el sensor	Verifique la conexión del sensor. Asegúrese de que la contratuerca del puerto de conexión esté ajustada (ajuste solamente con los dedos).
La pantalla está oscura o no visible.	Presione cualquier tecla.
La información no está disponible o no es posible acceder a la información.	Asegúrese de que la opción USB (Menú principal) está configurada en Almacenamiento masivo.
El medidor no responde	Presione y mantenga presionado el botón de encendido por al menos 3 segundos. Esto desenergizará el medidor. Vuelva a energizar el medidor. <i>Nota: No use este método para apagar el medidor durante el funcionamiento normal o si el ícono de acceso a archivo se encuentra visible en la pantalla.</i>

Inhoudsopgave

- 1 [Online gebruikershandleiding](#) op pagina 106
- 2 [Specificaties](#) op pagina 106
- 3 [Algemene informatie](#) op pagina 108
- 4 [Installatie](#) op pagina 113
- 5 [Gebruikersinterface en navigatie](#) op pagina 117
- 6 [Opstarten en zelftest](#) op pagina 123
- 7 [Onderhoud](#) op pagina 124
- 8 [Problemen oplossen](#) op pagina 125

Hoofdstuk 1 Online gebruikershandleiding

Deze basisgebruikershandleiding bevat minder informatie dan de gebruikershandleiding, die beschikbaar is op de website van de fabrikant.

Hoofdstuk 2 Specificaties

Specificaties zijn onderhevig aan wijzingen zonder voorafgaande mededeling.

2.1 Sensorspecificaties

Specificatie	Details
Snelheidsmetingen	
Methode	Elektromagnetisch
Meetbereik	0 tot 6,09 m/s (0 tot 20 ft/s)
Minimale diepte van het water	3,18 cm (1,25 in.)
Nauwkeurigheid	$\pm 2\%$ van meetgegevens $\pm 0,015$ m/s ($\pm 0,05$ ft/s) 0 tot 3,04 m/s (0 tot 10 ft/s); $\pm 4\%$ van meetgegevens van 3,04 tot 4,87 m/s (10 tot 16 ft/s)
Resolutie	$0 \leq$ waarde < 10 : 3 decimalen; $10 \leq$ waarde < 100 : 2 decimalen; $100 \leq$ waarde < 1000 : 1 decimaal; waarde ≥ 1000 : 0 decimalen
Nul stabiliteit	$\pm 0,015$ m/s ($\pm 0,05$ ft/s)
Materiaal	ABS, gevuld met glas
Beschermingsklasse behuizing	IP68
Afmetingen (L x B x H)	11,9 x 4,3 x 6,3 cm (4,7 x 1,7 x 2,5 inch)
Kabelmateriaal	Dubbewandig polyurethaan
Kabellengtes	2, 6,1, 12,2 en 30,5 m (6.5, 20, 40 en 100 ft)
Dieptemeting	
Methode	Membraantype: absolute druk met eenpuntskalibratie
Nauwkeurigheid (statisch)	De hoogste van $\pm 2\%$ van waarde of $\pm 0,015$ m ($\pm 0,504$ inch). Temperatuur in stabiele toestand en statisch niet-stromend water.
Meetbereik	3,05 m (0-10 ft)
Resolutie	$0 \leq$ waarde < 10 : 3 decimalen; $10 \leq$ waarde < 100 : 2 decimalen; $100 \leq$ waarde < 1000 : 1 decimaal; waarde ≥ 1000 : 0 decimalen

2.2 Specificaties van het draagbare meettoestel

Specificatie	Details
Vervuilingsgraad	2
Beschermingsklasse	II
Oplaadtemperatuur	0 tot 40 °C (32 tot 104 °F)

Specificatie	Details
Bedrijfstemperatuur	-20 tot 55 °C (-4 tot 131 °F)
Opslagtemperatuur	-20 tot 60 °C (-4 tot 140 °F)
Beschermingsklasse behuizing	IP67
Meter levensduur batterij	Balkgrafiek met vijf segmenten
Type accu	Oplaadbare lithium-ion, 3,6 V, 5,0 Ah, 18 Wh
Levensduur batterij	18 uur dagelijks zwaar gebruik ¹ ; 20 °C (68 °F)
Batterijlader	Externe voedingsadapter, energie-efficiëntie VI, ingang 100-240 VAC, 50-60 Hz, 0,5 A; uitgang 12 VDC, 1,25 A
Afmetingen (L x B x H)	21,8 x 9,3 x 5,3 cm (8,6 x 3,7 x 2,1 inch)
USB-aansluiting	Type Mini-B, 5-pin, geschikt voor IP67 indien met kap
Materiaal	Polycarbonaat met een thermoplastische rubberlaag eromheen

2.3 Specificaties van de gebruikersinterface

Specificatie	Details
Grafisch scherm	Kleur, LCD 3,5" QVGA transflectief (leesbaar in direct zonlicht)
Meetdefinitie	0 ≤ waarde < 10: 3 decimalen; 10 ≤ waarde < 100: 2 decimalen; 100 ≤ waarde < 1000: 1 decimaal; waarde ≥ 1000: 0 decimalen
Toetsenbord	Alfanumeriek
Bedrijfsmodi	Realtime, profielen
Soorten profielen	Stroming, afvoerbuis
Afvoerbuisvormen	Cirkelvorming, rechthoekig, Trapsgewijs, 2/3 ei, geïnverteerd 2/3 ei
Stromingsgegevens	Vaste, niet vaste stations
Geluidsafwijzing	Selecteerbaar door gebruiker, 50 Hz of 60 Hz
Maateenheden	Snelheid: ft/s, m/s, cm/s, mm/s
	Stroming: ft ³ /sec, miljoen gal/dag, gal/dag, gal/min, m ³ /s, m ³ /min, m ³ /uur, m ³ /dag, liters/s, liters/min
	Diepte: in., ft, m, cm, mm
Stromingberekening	Methode Gemiddelde-sectie of mid-sectie
Diagnose	Zelftest, toetsenbord, scherm, logboek
Afvoerbuisen profielmethodes	0,9 x Vmax, 0,2/0,4/0,8, snelheid en niveau-integreerder, 2D
Stromingprofielmethodes	1, 2, 3, 4, 5 en 6 punten (snelheidsmethode - USGS en ISO), 2-punts KREPS-methode, 1-punts oppervlakmethode, 1- en 2-punts ijsmethode
Bestandstypen	Realtime, profiel, logboek
Talen	Engels, Frans, Spaans, Duits, Italiaans, Nederlands, Deens, Zweeds, Chinees, Pools, Japans, Koreaans, Portugees, Slovaaks, Russisch, Hongaars, Bulgaars, Roemeens, Tsjechisch, Turks, Fins, Grieks

¹ Ingesteld als 30 minuten van installatie, zes periodes van 1-uur continu gebruik met een actieve sensor en het scherm op maximale helderheid en 30 minuten slaapmodus tussen de periodes van gebruik, gegevens downloaden en uitzetten.

2.4 Algemene specificaties

Specificatie	Details
Maximale aantal realtime bestanden	50 elk met max. 75 waarden die door de gebruiker worden vastgelegd.
Firmware	De sensor en het draagbare meettoestel kunnen ter plekke via een USB-aansluiting geüpgrade worden.

Hoofdstuk 3 Algemene informatie

In geen geval is de fabrikant aansprakelijk voor schade die het gevolg is van onjuist gebruik van het product of het niet opvolgen van de instructies in de handleiding. De fabrikant behoudt het recht om op elk moment, zonder verdere melding of verplichtingen, in deze handleiding en de producten die daarin worden beschreven, wijzigingen door te voeren. Gewijzigde versies zijn beschikbaar op de website van de fabrikant.

3.1 Veiligheidsinformatie

De fabrikant is niet verantwoordelijk voor enige schade door onjuist toepassen of onjuist gebruik van dit product met inbegrip van, zonder beperking, directe, incidentele en gevolgschade, en vrijwaart zich volledig voor dergelijke schade voor zover dit wettelijk is toegestaan. Uitsluitend de gebruiker is verantwoordelijk voor het identificeren van kritische toepassingsrisico's en het installeren van de juiste mechanismen om processen te beschermen bij een mogelijk onjuist functioneren van apparatuur.

Lees deze handleiding voor het uitpakken, installeren of gebruiken van het instrument. Let op alle waarschuwingen. Wanneer u dit niet doet, kan dit leiden tot ernstig persoonlijk letsel of schade aan het instrument.

Zorg ervoor dat de door deze apparatuur geboden bescherming niet wordt aangetast. Gebruik en installeer dit apparaat niet op een andere manier dan die in de handleiding wordt aangegeven.

3.1.1 Gebruik van gevareninformatie

▲ GEVAAR

Geeft een potentieel gevaarlijke of dreigende situatie aan die, als deze niet kan worden voorkomen, kan resulteren in dodelijk of ernstig letsel.

▲ WAARSCHUWING

Geeft een potentieel of op handen zijnde gevaarlijke situatie aan, die als deze niet wordt vermeden, kan leiden tot de dood of ernstig letsel.

▲ VOORZICHTIG




Geeft een mogelijk gevaarlijke situatie aan die kan resulteren in minder ernstig letsel of lichte verwondingen.

LET OP

Duidt een situatie aan die (indien niet wordt voorkomen) kan resulteren in beschadiging van het apparaat. Informatie die speciaal moet worden benadrukt.

3.1.2 Waarschuwingslabels

Lees alle labels en etiketten die op het instrument zijn bevestigd. Het niet naleven van deze waarschuwingen kan leiden tot letsel of beschadiging van het instrument. In de handleiding wordt door middel van een veiligheidsvoorschrift uitleg gegeven over een symbool op het instrument.

	Dit is het symbool voor veiligheidswaarschuwingen. Volg alle veiligheidsberichten op die after dit symbool staan, om mogelijk letsel te voorkomen. Als u dit symbool op het apparaat ziet, moet u de instructiehandleiding raadplegen voor informatie over de werking of veiligheid.
	Dit symbool wijst op de aanwezigheid van apparaten die gevoelig zijn voor elektrostatische ontlading en geeft aan dat voorzichtigheid betracht dient te worden om schade aan de apparatuur te voorkomen.
	Elektrische apparatuur gemarkeerd met dit symbool mag niet worden afgevoerd via Europese systemen voor afvoer van huishoudelijk of openbaar afval. Oude apparatuur of apparatuur aan het einde van zijn levensduur kan naar de fabrikant worden geretourneerd voor kosteloze verwerking.

3.1.3 Conformiteit met elektromagnetische compatibiliteit (EMC)

⚠ VOORZICHTIG

Deze apparatuur is niet bedoeld voor gebruik in woonomgevingen en biedt in dergelijke omgevingen mogelijk onvoldoende bescherming voor radio-ontvangst.

CE (EU)

De apparatuur voldoet aan de essentiële vereisten van EMC-richtlijn 2014/30/EU.

UKCA (UK)

De apparatuur voldoet aan de vereisten van de Electromagnetic Compatibility Regulations 2016 (S.I. 2016/1091).

Canadese norm inzake apparatuur die radio-interferentie veroorzaakt, ICES-003, Klasse A:

Aanvullende informatie en testresultaten zijn via de fabrikant verkrijgbaar.

Dit Klasse A instrument voldoet aan alle eisen van de Canadese norm inzake apparatuur die radio-interferentie veroorzaakt.

Cet appareil numérique de classe A répond à toutes les exigences de la réglementation canadienne sur les équipements provoquant des interférences.

FCC deel 15, Klasse "A" bepalingen

Aanvullende informatie en testresultaten zijn via de fabrikant verkrijgbaar. Dit instrument voldoet aan Deel 15 van de FCC-voorschriften. Het gebruik van dit instrument is aan de volgende voorwaarden onderworpen:

1. Het instrument mag geen schadelijke storingen veroorzaken.
2. Het instrument moet elke willekeurige ontvangen storing accepteren, inclusief storingen die mogelijk een ongewenste invloed kunnen hebben.

Door veranderingen of aanpassingen aan dit toestel die niet uitdrukkelijk zijn goedgekeurd door de partij verantwoordelijk voor certificering, kan de certificering van dit instrument komen te vervallen. Dit apparaat is getest en voldoet aan de normen voor een elektrisch instrument van Klasse A, volgens Deel 15 van de FCC-voorschriften. Deze bepalingen zijn vastgesteld om een redelijke bescherming te bieden tegen hinderlijke storingen wanneer het instrument in een commerciële omgeving wordt gebruikt. Dit instrument produceert en gebruikt radiogolven, en kan deze uitstralen. Als het niet wordt geïnstalleerd en gebruikt volgens de handleiding, kan het hinderlijke storing voor radiocommunicatie veroorzaken. Gebruik van het instrument in een woonomgeving zal waarschijnlijk zorgen voor hinderlijke storing. De gebruiker dient deze storing dan op eigen kosten te verhelpen. Om storingen op te lossen kan het volgende worden geprobeerd:

1. Ontkoppel het instrument van zijn stroombron om te controleren of deze stroombron al dan niet de storing veroorzaakt.
2. Als het instrument op hetzelfde stopcontact is aangesloten als het apparaat dat storing ondervindt, dient u het apparaat op een ander stopcontact aan te sluiten.
3. Plaats het apparaat weg van het apparaat waarop de storing van toepassing is.
4. Verplaats de ontvangstantenne voor het apparaat dat de storing ontvangt.
5. Probeer verschillende combinaties van de hierboven genoemde suggesties.

3.2 Productoverzicht

Het draagbare snelheidssysteem wordt buiten, in laboratoria en voor gemeentelijke toepassingen gebruikt. Turbulente, luidruchtige en langzame stromingen kunnen met dit systeem worden gemeten.

Wanneer de sensor in stromend water geplaatst wordt, creëert een magnetisch veld rondom de sensor een voltage die evenredig is aan de snelheid van de stroming. De hoogte van deze voltage, die de watersnelheid rondom de sensor weerspiegelt, wordt gedetecteerd door elektroden in de sensor en verwerkt door de microprocessor van de sensor. Het verwerkte signaal wordt digitaal doorgestuurd via de sensorkabel naar het draagbare meettoestel waar de informatie op het scherm wordt weergegeven. Het systeem bestaat uit een draagbaar meettoestel, een sensor met kabel en toebehoren.

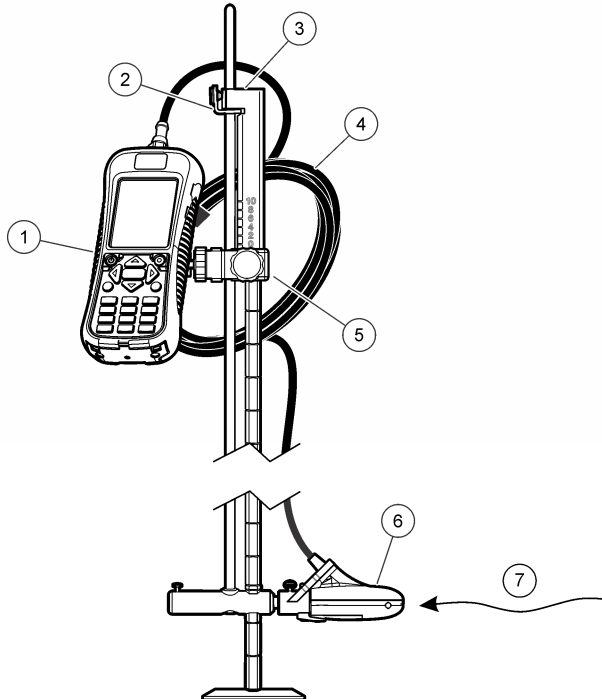
De meter en sensor meten de snelheid in afvoerbuizen en stromingen. Deze metingen zijn belangrijk voor kalibratie in gemeentelijk afvalwater en voor de evaluatie van de gevolgen op het milieu.

Er zijn twee sensortypes beschikbaar: alleen snelheid en snelheid plus diepte. Deze handleiding behandelt beide sensortypen. Als de informatie van toepassing is op een specifiek sensortype, dan wordt dit aangegeven in de tekst.

3.2.1 Systemoverzicht

Een overzicht van een volledig gemonteerd systeem staat afgebeeld in [Afbeelding 1](#). Raadpleeg voor meer informatie de documentatie die bij de afzonderlijke onderdelen of toebehoren is meegeleverd.

Afbeelding 1 Gemonteerde onderdelen

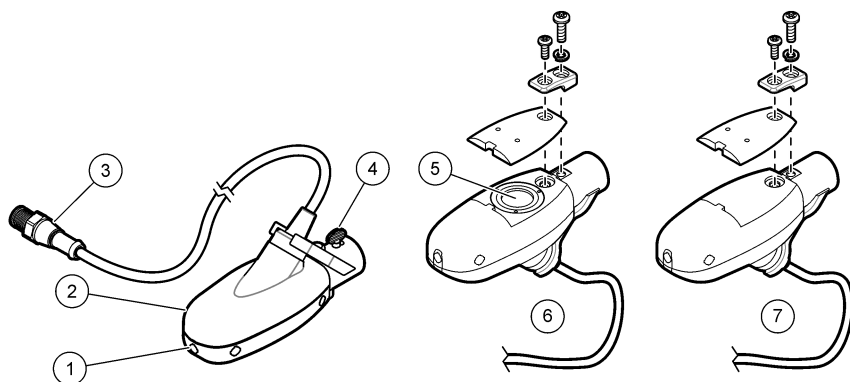


1 Draagbare meter	5 Verstelbare bevestiging voor draagbare meter
2 Sensor hoogte vergrendel-/ontgrendelapparaat	6 Sensor monteren
3 Opzetstuk waterstang (toebehoren)	7 Stroomrichting
4 Sensorkabel	

3.2.2 Overzicht sensor

Afbeelding 2 toont de hoofdbestanddelen van de sensor. Instructies voor het bevestigen van de sensor op een standaard waterstangstandaard of bovenplaatsing, waterstang worden geleverd met het toebehoren.

Afbeelding 2 Sensorcomponenten

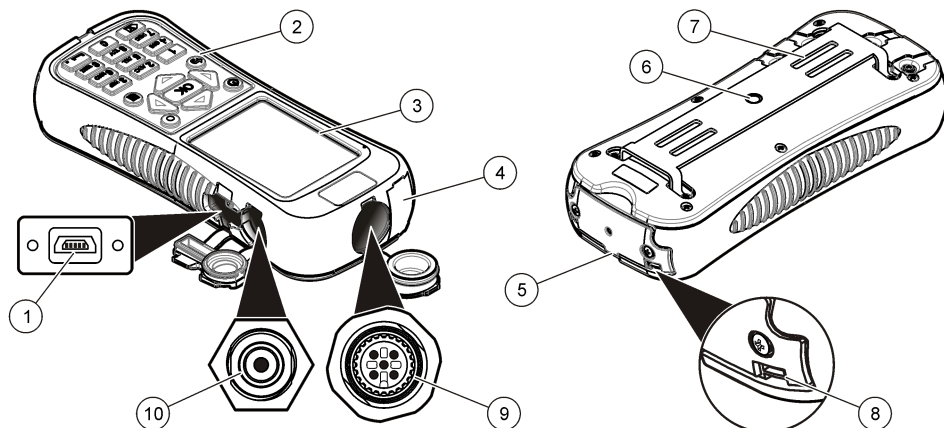


1 Sensorelectrodes	5 Drukcel (sensoren met diepte-optie)
2 Sensorbehuizing	6 Sensor met diepte-optie
3 Aansluitstekker voor sensor	7 Sensor zonder diepte-optie
4 Vingerschroef voor sensorbevestiging	

3.2.3 Meteroverzicht

Afbeelding 3 toont de functies van het meettoestel.

Afbeelding 3 Meteronderdelen



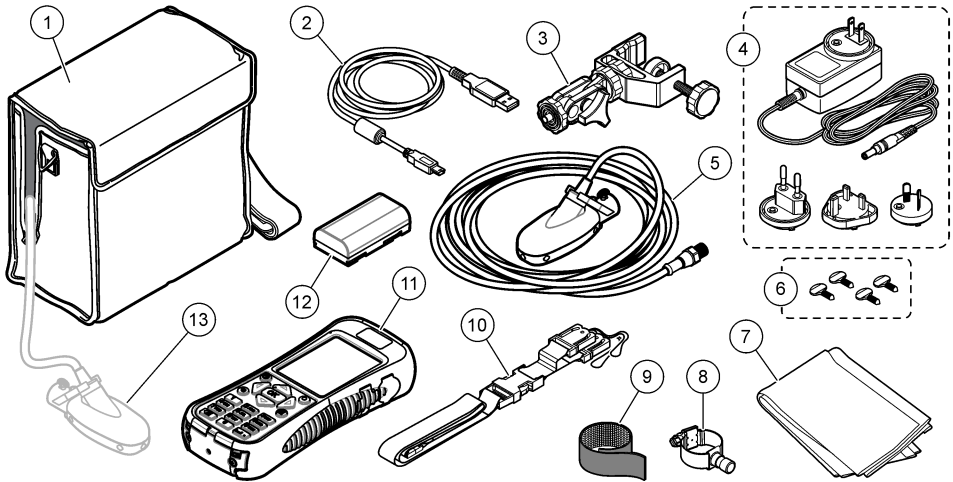
1 USB-aansluiting ²	6 Draadgat voor verstelbare bevestiging van het meettoestel
2 Toetsenblok	7 Sleuven voor bevestiging van velcro of riem
3 Meterscherm	8 Sleuf voor bevestigingsdraden (2x) van halsriem
4 Aansluitpunt voor uitbreiding (niet gebruikt)	9 Aansluitpunt voor de sensor
5 Klep van de batterijhouder	10 Aansluiting batterijlader

² Gebruik de USB-aansluiting niet om de batterij op te laden.

3.3 Productcomponenten

Raadpleeg [Afbeelding 4](#) bij de aanschaf van een compleet systeem om ervoor te zorgen dat alle componenten zijn ontvangen. Neem direct contact met de fabrikant of een verkoopvertegenwoordiger op als een van de accessoires ontbreekt of iets beschadigd is.

Afbeelding 4 Systemcomponenten



1 Draagkoffer (met sleuf voor sensorkabel)	8 Universele bevestiging voor de sensor
2 USB-kabel met mini-USB-aansluiting, 1 m (3 ft)	9 Velcromiem
3 Verstelbare bevestiging voor draagbaar meettoestel	10 Koord
4 Batterijlader, 100-240 VAC	11 Draagbaar meettoestel
5 Sensor	12 Lithiumbatterijpakket
6 Extra vingerschroeven (4x)	13 Sensor zoals aangesloten op meter in de koffer
7 Doeken voor het afdrogen van de sensor	

Hoofdstuk 4 Installatie

4.1 Plaats een sensor op de universele sensorbevestiging

Gebruik de universele sensorsteun om de sensor vast te maken aan de polen van 1 inch of minder in diameter. Voor de juiste werking en nauwkeurige meetgegevens moet de voorkant van de sensor stroomopwaarts wijzen, waarbij de elektroden volledig in contact met het water zijn.

Opmerking: Houd de elektroden van de sensor uit de buurt van niet geleidende substanties, zoals olie en vet. Raadpleeg [De sensor reinigen](#) op pagina 124 om vuil van de sensor te verwijderen.

1. De voorkant van de sensor is rond en bevat drie elektroden. De sensor heeft een bevestigingsgat in de achterkant en een vingerschroef aan de bovenkant. Steek de bevestigingsas van de universele bevestiging in het bevestigingsgat aan de achterkant van de sensor. Zorg ervoor dat de bevestigingsas volledig in het bevestigingsgat is gestoken en dat de vingerschroef in de groef past.
2. Draai de vingerschroef handmatig aan.
3. Steek een paal met een diameter van 2,5 cm (1 inch) of minder door de klem van de universele sensorsteun. Draai de klem vast.
Opmerking: Instructies voor het bevestigen van de sensor op een standaard waterstang worden geleverd met het toebehoren.

4.2 Veiligheid lithiumbatterij

▲ WAARSCHUWING



Brand- en explosiegevaar. Lithiumbatterijen kunnen onder ongunstige omstandigheden heet worden, exploderen of in brand vliegen en ernstig letsel veroorzaken.

- Gebruik de batterij niet bij zichtbare beschadigingen.
- Gebruik de batterij niet als deze blootgesteld is geweest aan een krachtige schok of sterke trillingen.
- Stel de batterij niet bloot aan vuur.
- Bewaar de batterij bij een temperatuur onder 60 °C (140 °F).
- Bewaar de batterij droog en uit de buurt van water.
- Voorkom contact tussen de plus- en minpool van de batterij.
- Laat geen onbevoegden aan de batterij komen.
- Het afvoeren van de batterij dient in overeenstemming met de plaatselijke, regionale en nationale regelgeving te gebeuren.
- Gebruik of bewaar het instrument niet in direct zonlicht, in de buurt van warmtebronnen of in een omgeving met een hoge temperatuur, zoals een afgesloten voertuig in de hete zon.

4.3 De batterij plaatsen

▲ WAARSCHUWING



Brand- en explosiegevaar. Dit apparaat bevat een lithiumbatterij met een hoge energiedichtheid die ontvlambaar is en brand of een explosie kan veroorzaken, zelfs zonder voeding. Om de veiligheid van de behuizing van het instrument te waarborgen, moeten de behuizingsdeksels worden aangebracht en vastgezet met het meegeleverde bevestigingsmateriaal..

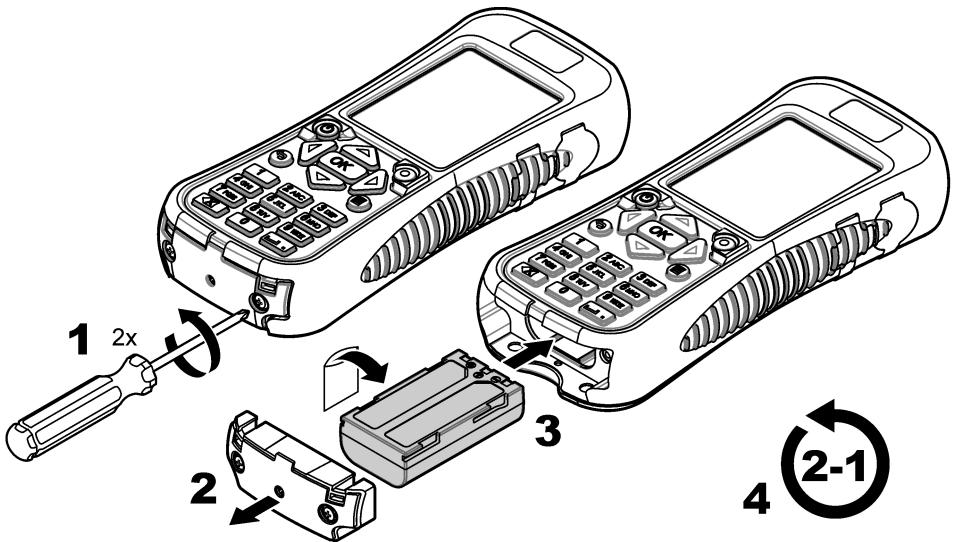
▲ WAARSCHUWING



Explosie- en brandgevaar. Alternatieven voor de batterijen worden niet toegestaan. Gebruik uitsluitend de batterijen die door de fabrikant van het instrument zijn meegeleverd.

Plaats de geleverde lithiumbatterij zoals aangegeven in [Afbeelding 5](#).

Afbeelding 5 De batterij plaatsen



4.4 Batterij opladen

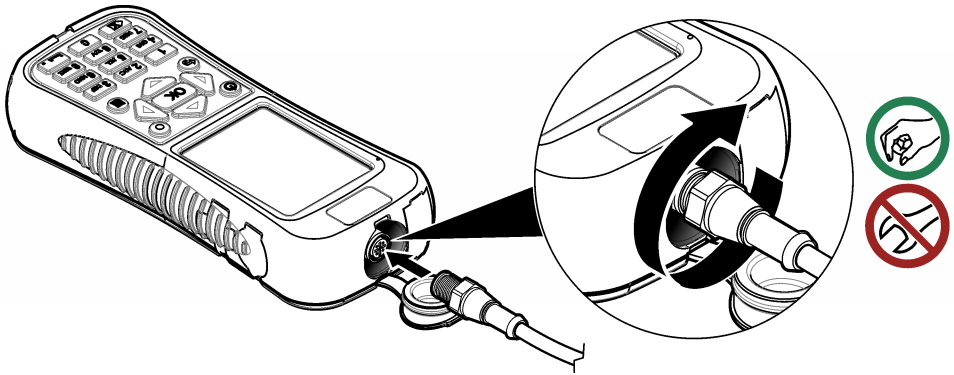
Opmerking: Een vervanger voor de batterijlader is niet toegestaan. Gebruik uitsluitend de lader die in de lijst vermeld staat voor onderdelen en toebehoren voor het instrument. Raadpleeg Vervangende onderdelen in de uitgebreide versie van de handleiding.

Laad de batterij van het instrument voor het eerste gebruik volledig op met de meegeleverde batterijlader. Het duurt ongeveer 8 uur om een lege batterij volledig op te laden.

1. Zorg ervoor dat het juiste type stekker voor de geografische locatie wordt aangebracht op de batterijlader.
2. Sluit de batterijlader aan op een stopcontact met randaarde.
3. Sluit de batterijlader aan op de aansluiting voor de batterijlader op het instrument. Raadpleeg [Meteroverzicht](#) op pagina 112. Het laadniveau van de batterij wordt weergegeven op het display. Tijdens het opladen van de batterij brandt aan de kant van de aansluiting een blauw lampje. Na het opladen, gaat het blauwe lampje vanzelf uit.

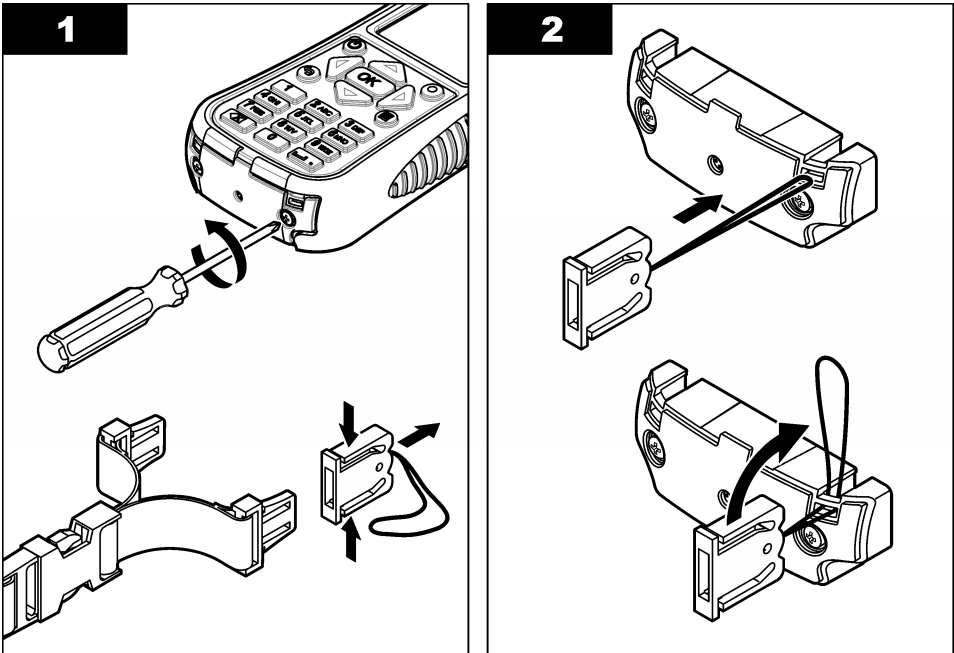
Opmerking: De meter is niet operationeel zolang de batterij wordt opgeladen. De batterij wordt niet opgeladen via de USB-kabel.

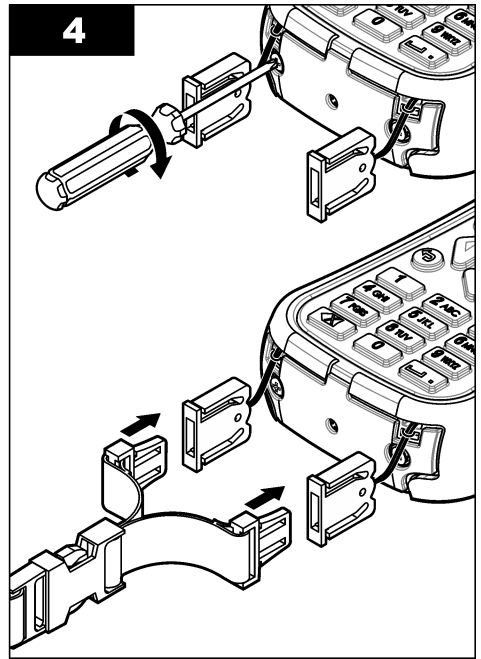
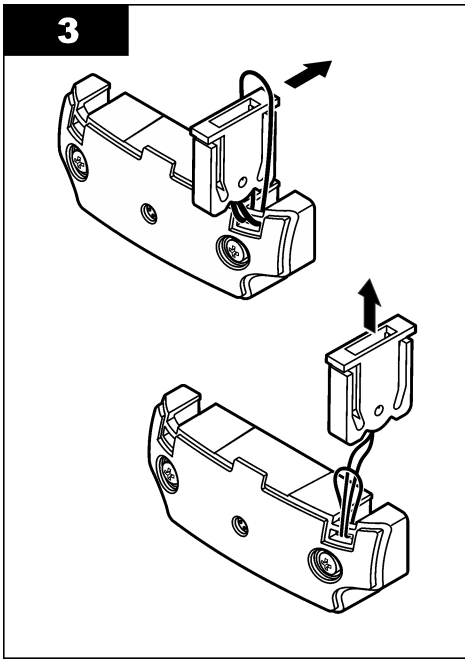
4.5 De sensor op het meettoestel aansluiten



4.6 Bevestig het koord

Bevestig het koord om de meter veilig om de hals te dragen.

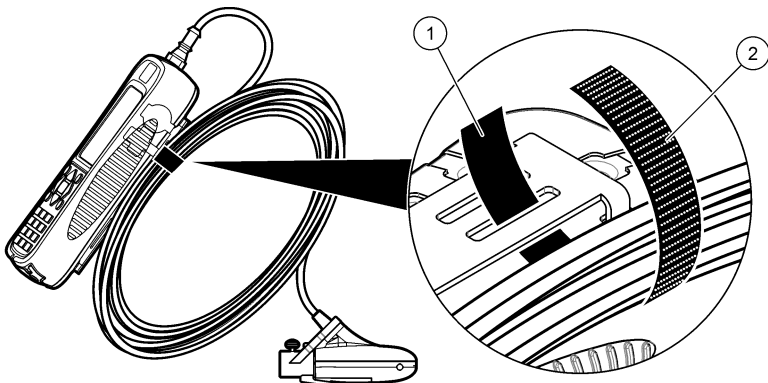




4.7 Bevestig de velcroom

Gebruik de velcroom om de extra kabel vast te houden. Raadpleeg [Afbelding 6](#).

Afbelding 6 Bevestig de velcroom



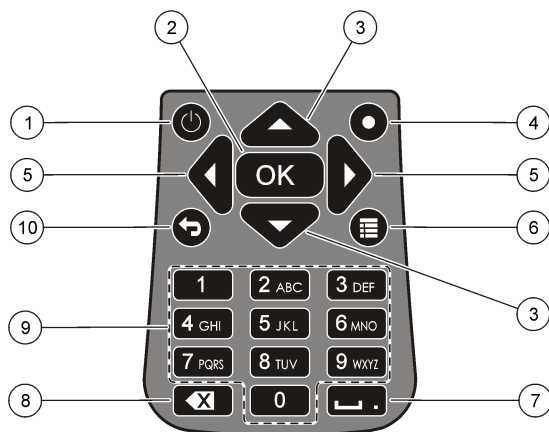
1 Luskant	2 Haakkant
-----------	------------

Hoofdstuk 5 Gebruikersinterface en navigatie

5.1 Toetsenbord en functies van de toetsen

[Afbelding 7](#) toont het toetsenbord van de meter. [Tabel 1](#) geeft de functies van elke toets of soort toets.

Afbeelding 7 Toetsenbord



1 Aan-/Uitzetten	6 Hoofdmenu
2 OK	7 Underscore of komma
3 Pijlen omhoog en omlaag	8 Terug
4 Quick Jump	9 Alfanumeriek
5 Pijlen rechts en links	10 Vorig menu

Tabel 1 Beschrijving van de toets

Toetsen	Omschrijving
Aan-/Uitzetten	Zorgt ervoor dat de meter onder spanning komt, dan wel van spanning gaat.
OK	Hiermee wordt een item of geselecteerde menuoptie bevestigd.
Pijlen omhoog en omlaag	Beweegt in het scherm omhoog of omlaag. Als de cursor aan de boven- of onderkant van het scherm is, gaat de cursor omlaag of omhoog als respectievelijk op de pijl DOWN of UP wordt gedrukt.
Quick Jump	Bij normaal gebruik springt u met deze toets naar het venster Select conduit shape (Kies buisvorm). In Profiler-bedrijf is de Quick Jump-toets uitgeschakeld. Houd deze toets vijf seconden ingedrukt om een handmatige nulstelling van de dieptesensor uit te voeren als de automatische nulstellingsfunctie is uitgeschakeld. Hiermee wordt in de realltimemodus de toets Quick Jump (Snel vooruit) veranderd tussen de digitale weergave en de grafische weergave.
Pijlen rechts en links	Beweegt naar rechts of links in het scherm.
Hoofdmenu	Gaat naar het hoofdmenu vanuit een submenu of scherm.
Underscore of komma	Plaats een underscore of komma. Alleen in velden met uitsluitend numerieke tekens plaatst deze toets automatisch een puntkomma op de plaats van de cursor.
Terug	Plaats de cursor één spatie terug.
Alfanumeriek	Plaats in de toets een alfanumerieke of numerieke waarde. Waarden worden in de volgorde geplaatst, zoals op de toets staat aangegeven. Na 2 seconden wordt de waarde op het scherm opgeslagen en gaat de cursor verder.
Vorig menu	Gaat naar het vorige scherm.

5.2 Statusbalk

Aan de bovenzijde van het display is een statusbalk zichtbaar. Een uitleg van de informatie in de statusbalk staat in [Tabel 2](#).

Tabel 2 Statusbalkindicatoren

Indicator	Beschrijving
Datum en tijd	Toont de huidige datum en tijd.
USB	Geeft aan wanneer een USB-kabel is aangesloten. Als een USB-kabel is aangesloten en deze indicator is niet in de statusbalk zichtbaar, dan zit de stekker van de USB-kabel niet goed in de aansluiting. Zorg ervoor dat de USB-kabel goed en stevig in de USB-aansluiting zit.
Geleidbaarheid	Als de sensor uit het water is en niet-geleidend is, verschijnt er een blauwe ring naast het batterijpictogram. Als de sensor in het water is en geleidbaar is, is deze indicator is een solide blauwe cirkel.
Batterij	Een blokdiagram met vijf blokken geeft aan hoeveel vermogen de batterij nog heeft.
Openen van bestanden	Dit wordt getoond wanneer de meter toegang tot een bestand heeft.
Indicator voor auto-nulstelling diepte	Als de dieptesensor tijdens de laatste 30 minuten op nul is gesteld, verschijnt er een gevulde groene cirkel naast de indicator voor geleidbaarheid. Als de dieptesensor tijdens de laatste 30 minuten niet op nul is gesteld, knippert deze indicator rood.

5.3 Navigatie- en hoofdmenu

Druk op **OK** om een geselecteerde menuoptie of een waarde in het scherm te bevestigen. Selecteer More (Meer) en druk op **OK** om extra schermen en opties die beschikbaar zijn, te zien. Druk op de knop van het hoofdmenu om vanuit een submenu naar het hoofdmenu te gaan.

Opmerking: Sommige bewerkingen kunnen niet worden uitgevoerd tenzij er een sensor op de meter is aangesloten. Als deze bewerkingen toch worden uitgevoerd terwijl er geen sensor is aangesloten, verschijnt er een foutmelding op het scherm. Sluit een sensor aan en start de bewerking opnieuw.

1. Real time: selecteer deze optie om realtime informatie te krijgen over de snelheid en diepte. (Er is een sensor met mogelijkheden voor diepte nodig om de diepte te kunnen aflezen). In [Afbeelding 8](#) ziet u een voorbeeld van een realtime scherm voor sensoren met alleen snelheid. Realtime schermen voor sensoren zowel snelheid als diepte ziet u in [Afbeelding 9](#). De indeling van de getoonde informatie en opties hangt af van het gebruikte sensortype. In de realtime modus schakelt u met de toets Quick Jump (Snel vooruit) tussen digitale en grafische weergaven van de realtime informatie. De snelheid wordt bijgewerkt in de modus FPA-filter conform de gemiddelde tijd van de vast periode. In de modus RC-filter wordt de snelheid doorlopend elke 250 ms op het scherm bijgewerkt.

Optie	Beschrijving
Capture (Verzamelen)	Hiermee wordt de informatie over diepte en snelheid in het geheugen opgeslagen. De informatie wordt opgeslagen totdat de power is cycled, het geheugen wordt opgeslagen naar een niet-vluchtig realtime bestand of totdat de gebruiker de realtime modus afsluit.
Save (Opslaan)	Hiermee worden verzamelde waarden in het vluchtige geheugen opgeslagen naar een niet-vluchtig realtime bestand. Er verschijnt een melding als het aantal bestanden groter is dan het mogelijke maximumaantal. Bestanden worden opgeslagen in een indeling door tabs gescheiden (.tsv).
Done (Gereed) of OK	Hiermee wordt de realtime modus afgesloten en gaat u terug naar het hoofdmenu. Als het vluchtige geheugen niet-opgeslagen gegevens bevat, wordt in een bevestigingsmelding aan de gebruiker gevraagd of deze wil afsluiten zonder de gegevens op te slaan.
Doorzichtig	Hiermee worden verzamelde waarden gewist uit de buffer van het vluchtige geheugen. De gebruiker kan kiezen uit de opties Clear Last (Laatste wissen), Clear All (Alles wissen) of Cancel (Annuleren).

Optie	Beschrijving
-------	--------------

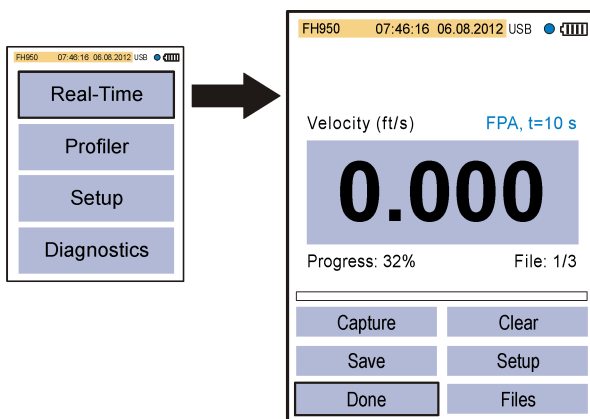
installatie Hiermee kan de gebruiker de belangrijkste filterparameters wijzigen en de functie voor de positie van de sensor Maximum Depth (Maximale diepte) programmeren. Met de functie Maximum depth (Maximale diepte) kan een gebruiker systeemparameters invoeren voor de dieptewaarde in de realtime modus. De gebruiker kan ervoor kiezen een waarde voor de maximale diepte in te voeren die is verkregen met een liniaal (handmatig), of die is indirect is verkregen met de dieptewaarde (automatisch). Beide methoden schakelen de functie voor de positie van de sensor Maximum Depth (Maximale diepte) in.

In de setup van de automatische modus voert de gebruiker direct de afstand in van de onderzijde van het kanaal tot aan de onderzijde van de sensorsteun (offset). De setupinterface toont continu de huidige waarde voor de diepte die wordt gegeven door de sensor plus de offset. De meter bewaart deze waarde als de maximale diepte wanneer de OK-knop wordt ingedrukt. In alle andere gevallen bevat de getoonde dieptewaarden geen offset.

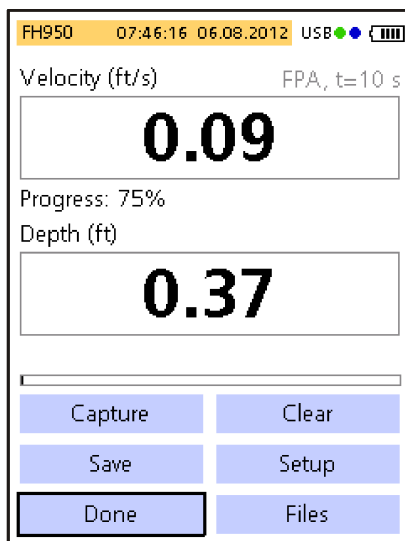
De functie Maximum depth (Maximale diepte) vereist een sensor met snelheid plus diepte.

Files (Bestanden of View (Bekijken)) Toont een samenvatting van elk realtime-bestand dat is opgeslagen in het niet-vluchtige geheugen. Bestanden kunnen apart worden bekeken en verwijderd.

Afbeelding 8 Realtime scherm



Afbeelding 9 Realtime scherm voor sensor met diepte



2. **Profiler:** selecteer deze optie voor het uitvoeren van metingen van de snelheid van stromingen of buizen. De meter toont meldingen wanneer de bediener iets moet invullen. Een percentage van de resterende geheugenhoeveelheid wordt weergegeven in definitives van 1 %. Raadpleeg voor meer informatie over profielen de uitgebreide versie van de handleiding.

Optie	Beschrijving
Stroming	Deze optie wordt gebruikt om een profiel voor een stroming of een stromend kanaal in te stellen. Voer snelheidsmetingen uit voor het berekenen van de totale afvoer op basis van ISO 748 of USGS-standaarden voor de methodes Mid-sectie of Gemiddelde-sectie.
Afvoerbuis	Deze optie wordt gebruikt om een profiel voor een buis in te stellen.
Files (Bestanden)	Deze optie wordt gebruikt om opgeslagen bestanden weer te geven of te verwijderen. Bestanden kunnen tegelijkertijd of apart worden verwijderd.
Installatie	Deze optie wordt gebruikt om de instellingen voor filterparameters en de functie Maximum Depth (Maximale diepte) in te stellen of te wijzigen.

3. **Set up:** selecteer deze optie om de algemene systeeminstellingen en voorkeuren te wijzigen.



Optie	Beschrijving
Kalibratie van de snelheid	Kalibreert de sensor. Voegt een afwijkende veldwaarde aan de fabriekskalibratie toe. Raadpleeg voor meer informatie de bijlage in de uitgebreide versie van de handleiding.

Optie	Beschrijving
Filterparameters	<p>Past een filter toe op het verkrijgen van gegevens (Hoofdfilter of Voorfilter). De gebruiker kan de filterparameters selecteren.</p> <p>Hoofdfilter</p> <ul style="list-style-type: none"> • Fixed Period Averaging (FPA): Fixed Period Averaging maakt een gemiddelde van de gegevens over een door de gebruiker te selecteren vaste periode (1 tot 480 seconden). De standaard is 10 seconden. Als de FPA-waarde 5 is, wordt de waarde voor de snelheid in de display elke vijf seconden bijgewerkt. • RCA tijdconstante: het RC-filter helpt turbulentie glad te strijken door het gebruik van een selecteerbare tijdconstante in het filteralgoritme. Deze modus is handig bij het zoeken naar een maximale snelheid, bijvoorbeeld in de gebruikelijke $0,9 \times V_{max}$ profiel methode. Hoog RC-filter tijdconstanten geven een hogere mate van gladstrijken. De tijdconstante kan worden ingesteld van 2 tot 20 seconden, met een standaardwaarde van 6. Bij 1 tijdconstante gaat het filter tot ongeveer 60 % van de uiteindelijke waarde. Bij 5 tijdconstanten gaat het filter tot 99,9 % van de uiteindelijke waarde. Als de RC-waarde dus op 2 staat, verschijnt de uiteindelijke waarde na 10 seconden. <p>Voorfilter</p> <ul style="list-style-type: none"> • Gemiddelde filter: het filterproces wordt in de sensor uitgevoerd. De functie kan worden uitgeschakeld. De aanbevolen (standaard) waarde is echter 5. Schakel de functie in om deze waarde in te voeren of te wijzigen.
Nat/Droog grenswaarde	<p>Hiermee wordt de grenswaarde voor het onderdompelen van de sensor ingesteld voor droge en natte omstandigheden. De standaardwaarde is 20 %. Raadpleeg voor meer informatie de bijlage in de uitgebreide versie van de handleiding.</p>
Auto zero depth (Auto-nulstelling diepte)	<p>Hiermee wordt de functie Auto Zero (Automatische nulstelling) in- of uitgeschakeld.</p> <p>Als deze functie is ingeschakeld, voert het instrument een luchtkalibratie uit wanneer de sensor uit het water wordt gehaald en zich in de lucht bevindt. Om een luchtkalibratie te kunnen uitvoeren, stelt het instrument de sensor automatisch op nul.</p> <p>Als deze functie is uitgeschakeld, kan de sensor handmatig door de gebruiker worden op nul worden gesteld. Verwijder hiervoor de sensor uit de flow en houd vervolgens de toets Quick Jump (Snel vooruit) vijf seconden ingedrukt.</p> <p>Wanneer de sensor 30 minuten in de flow is geweest, schakelt de groene cirkel in de hoek rechtsboven van groen naar rood. Dit is een prompt voor de gebruiker om de sensor te verwijderen en opnieuw op nul te stellen.</p>
EMI	<p>Dit stelt de lokale lijnfrequentie in voor de afwijzing van omgevingsgeluid tot 50 Hz of 60 Hz (standaard).</p>
Klok	<p>Dit stelt de datum en tijd in van het draagbare meettoestel in 24-uurs indeling. De overgang naar zomer-/wintertijd wordt niet ondersteund.</p>
USB	<p>Stelt de USB-modus in.</p> <ul style="list-style-type: none"> • Massaopslag (standaard): deze modus werkt als een geheugenstick of vaste schijf. Bestanden hebben het kenmerk Alleen-lezen. • CDC: deze modus wordt gebruikt om de firmware bij te werken.
Taal	<p>Hiermee wordt de taal geselecteerd die in de menu's wordt gebruikt.</p>
Eenheden	<p>Dit stelt de eenheden in voor het meten van de snelheid, stroming en diepte. Opties zijn Metriek of Engels (standaard).</p>

Optie	Beschrijving
Zoemer	<p>Aan (standaard) of Uit. Als deze functie is ingeschakeld, laat de meter een geluidssignaal horen wanneer:</p> <ul style="list-style-type: none"> • De sensor zich op de juiste diepte bevindt voor de desbetreffende profielmethoden. • 95 % van de meettijd is verstreken (modus Profiler). • Als in een menu op een inactieve toets wordt gedrukt. <p>Deze functie is alleen beschikbaar met de optionele dieptesensor.</p>
Berekening van de stroming	<p>Hiermee wordt de methode geselecteerd waarop de berekening van open water wordt uitgevoerd (alleen stromingsprofielen). Opties zijn Gemiddelde-sectie of Mid-sectie. Raadpleeg voor meer informatie de bijlage in de uitgebreide versie van de handleiding.</p>
Plaatsen van het station	<ul style="list-style-type: none"> • Vast: de bediener plaatst deze in de breedte van de stroming en een aantal stations voor het uitvoeren van de meting. De meter verdeelt de dwarsdoorsnede in gelijkmatige afstanden tussen de verticale stations. • Niet vast (standaard): de bediener selecteert de afstand tussen de verticale stations. Deze optie wordt vaker gebruikt omdat de bediener met deze methode hindernissen en andere beperkingen in de dwarsdoorsnede kan opnemen. • Vas en Niet vast: de bediener selecteert het referentievlak voor dieptemetingen. Waarden: Boven of Onder.
Standaardinstellingen herstellen	<p>Hiermee worden alle instellingen van de meter teruggezet in de fabriekswaarden.</p>

4. **Diagnostiek:** selecteer deze optie om problemen met de meter of de aangesloten sensor op te lossen. Raadpleeg [Diagnostiek](#) op pagina 125 voor meer informatie over de opties in Diagnostiek.

Hoofdstuk 6 Opstarten en zelftest

▲ GEVAAR	
	<p>Chemische of biologische gevaren. Als dit instrument wordt gebruikt voor het sturen van een proces en/of het doseren van chemicaliën waarvoor wettelijke voorschriften en/of eisen gelden ten aanzien van de volksgezondheid, de veiligheid, de productie of het verwerken van voedingsmiddelen of dranken, dient de gebruiker er zorg voor te dragen dat hij/zij bekend is met deze voorschriften en/of eisen en deze na te leven. Tevens dient de gebruiker er zorg voor te dragen dat er voldoende maatregelen getroffen zijn en eventueel vereist materiaal aanwezig is om aan de geldende wetten en eisen in geval van een defect te voldoen.</p>
▲ WAARSCHUWING	
	<p>Brand- en explosiegevaar. Gebruik of bewaar het instrument niet in direct zonlicht, in de buurt van warmtebronnen of in een omgeving met een hoge temperatuur, zoals een afgesloten voertuig in de hete zon. Het niet naleven van deze voorzorgsmaatregel kan ertoe leiden dat de batterij oververhit raakt en er brand of een explosie ontstaat.</p>

De batterij moet voor gebruik in de meter zijn geplaatst en zijn opgeladen. Raadpleeg [De batterij plaatsen](#) op pagina 114 voor meer informatie over het plaatsen en vervangen van de batterij. Raadpleeg [Batterij opladen](#) op pagina 115 voor informatie over het opladen van de batterij. **Opmerking:** *Het meettoestel is niet operationeel zolang de batterij wordt opgeladen.*

1. Druk op de aan-uitknop van de meter totdat u een pieptoon hoort. De meter voert een zelftest uit en de resultaten worden op het display weergegeven. Als de meter niet door de zelftest komt, verschijnt op het scherm de melding FAIL (fout) naast de

foutieve parameter. Als de sensor defect is, dient u een andere te bevestigen, mits deze voorhanden is.

2. Druk na de zelftest op **OK** om naar het hoofdmenu te gaan.
3. Druk nogmaals op de aan-uitknop om de meter uit te zetten. Selecteer Yes (Ja) in het bevestigingsscherm en druk op **OK**.
Als het draagbare meettoestel niet meer reageert, houd u de aan-uitknop langer dan 3 seconden ingedrukt om de meter geforceerd uit te schakelen. Doe dit niet wanneer de meter normaal functioneert of wanneer het pictogram voor het openen van bestanden zichtbaar is.

6.1 Zelftest van het instrument

Wanneer het meettoestel onder spanning komt, voert het een diagnostische zelftest uit. Na het uitvoeren van de zelftest worden de resultaten ervan op het scherm weergegeven. Druk op **OK** om naar het hoofdmenu te gaan.

Als het meettoestel niet door de zelftest komt, verschijnt op het scherm de melding FAIL (fout) naast de betreffende parameter. Als de sensor defect is, dient u een andere te bevestigen, mits deze voorhanden is.

6.2 Slaapmodus

De verlichting van het meettoestel gaat na 30 seconden geen activiteit uit en gaat na 60 seconden geen activiteit in slaapmodus. Dit gebeurt niet wanneer het meettoestel in de modus realtime staat, of wanneer het meettoestel aan het meten is. Na 30 minuten slaapstand gaat het meettoestel uit.

Druk op een willekeurige toets om het meettoestel uit de slaapmodus te halen. De helderheid van het scherm gaat terug naar het normale niveau en alle toetsen gaan terug naar hun normale functies.

Hoofdstuk 7 Onderhoud

7.1 De sensor reinigen

▲ WAARSCHUWING



Gevaar van blootstelling aan chemicaliën. Volg alle veiligheidsvoorschriften van het laboratorium op en draag alle persoonlijke beschermingsmiddelen die geschikt zijn voor de gehanteerde chemicaliën. Raadpleeg de huidige veiligheidsinformatiebladen (MSDS/SDS) voor veiligheidsprotocollen.

Reinig de sensor in het geval van een onverwachte toename of afname van de flow of van het niveau en na gebruik in zanderige of modderige waterwegen.

Week de sensor in geval van zware vervuiling enkele minuten in helder water zodat de vervuiling eenvoudig is te verwijderen.

Koppel de sensor los van de meter voordat deze wordt gereinigd. Gebruik voor het reinigen van de sensor alleen oplossingen die als acceptabel zijn aangeduid in [Tabel 3](#). Zorg er in geval van sensoren met een drukcel (d.w.z. sensoren voor snelheid en diepte) voor dat de openingen voor de drukcelkamers zijn doorgespoeld en vrij zijn van vervuiling. Spoel de sensor met schoon water voordat u de sensor weer aansluit op de eenheid.

Tabel 3 Acceptabele en onacceptabele reinigingsmiddelen

Acceptabel	Niet gebruiken
Vaatwasmiddel en water	Geconcentreerd bleek
Ruitenreiniger	Petroleum
Isopropyl alcohol	Benzine
	Aromatische koolwaterstoffen

7.2 Het meettoestel schoonmaken

1. Zet het meettoestel uit.
2. Gebruik een schone, vochtige doek om de buitenkant van het meettoestel schoon te maken. Meng het water zo nodig met een mild reinigingsmiddel.
3. Droog de buitenkant van het meettoestel af met een schone doek. Laat het meettoestel op natuurlijke wijze helemaal opdrogen voordat deze weer wordt aangezet.
Opmerking: Gebruik voor het reinigen van het scherm geen doekjes die gemaakt zijn op basis van papier. Dit soort doekjes kunnen het scherm beschadigen.

7.3 De batterijen vervangen

▲ WAARSCHUWING



Brand- en explosiegevaar. Dit apparaat bevat een lithiumbatterij met een hoge energiedichtheid die ontvlambaar is en brand of een explosie kan veroorzaken, zelfs zonder voeding. Om de veiligheid van de behuizing van het instrument te waarborgen, moeten de behuizingsdeksels worden aangebracht en vastgezet met het meegeleverde bevestigingsmateriaal..

▲ WAARSCHUWING



Explosie- en brandgevaar. Alternatieven voor de batterijen worden niet toegestaan. Gebruik uitsluitend de batterijen die door de fabrikant van het instrument zijn meegeleverd.

Vervang de batterij als de batterij niet meer opgeladen kan worden.

Opmerking: Als het instrument voor reparatie of onderhoud naar de fabriek moet worden teruggestuurd, moet de batterij uit het instrument worden gehaald en voor verzending in een beschermhoes worden meegeleverd.

1. Schakel de voeding van de uit.
2. De batterij verwijderen. Raadpleeg [De batterij plaatsen](#) op pagina 114.
3. Het afvoeren van de batterij dient in overeenstemming met de plaatselijke, regionale en nationale regelgeving te gebeuren.
4. Plaats een nieuwe batterij hetzelfde als de oude batterij. Raadpleeg [De batterij plaatsen](#) op pagina 114.
Gebruik uitsluitend de batterijen die door de fabrikant van het instrument zijn meegeleverd.
5. De batterijklep plaatsen. Zorg dat de klep goed dichtzit, zodat de hele behuizing blijft voldoen aan de IP-kwalificatie hiervoor.
6. Laad zo nodig de batterij op. Raadpleeg [Batterij opladen](#) op pagina 115.

Hoofdstuk 8 Problemen oplossen

8.1 Diagnostiek

Selecteer in het Hoofdmenu Diagnostiek om informatie te zien over het meettoestel en doe de diagnostische test in [Tabel 4](#).

Tabel 4 Diagnostische gegevens van het meettoestel

Optie	Omschrijving
Info	Toont informatie over de sensor en het meettoestel. Bevat het serienummer en de firmwareversie.
Bestanden wissen	Wist alle bestanden uit het geheugen om ruimte te maken voor nieuwe metingen. Zorg ervoor dat de gegevens op een pc gedownload zijn voordat deze optie geselecteerd wordt. Na het wissen van alle bestanden wordt het geheugen automatische geformatteerd.
Sensor	Toont diagnostische informatie over de sensor.
Zelftest	Hiermee voert het meettoestel een diagnostische zelftest uit.
Toetsenbordtest	Voert een test voor elke toets uit om te controleren of elke toets functioneert.
Schermtest	Voert een test van het scherm uit om te controleren of het scherm functioneel is.
Logboek	Hiermee kan de log worden bekeken, worden verwijderd, of worden geëxporteerd. Exporteer het logboek om de gegevens ervan beschikbaar te stellen op een USB-schijf. Deze optie wordt voornamelijk gebruikt tijdens fabrieksonderhoud.

8.2 Problemen oplossen

Het meettoestel en de sensor bevatten geen onderdelen die door de gebruiker kunnen worden onderhouden. Probeer de correctiehandeling voor fouten en meldingen in de lijst.

Als het probleem aanhoudt, of het betreffende probleem komt niet in de lijst voor, neem dan contact op met de fabrikant.

Melding of probleem	Oplossing
Sensor is niet aangesloten	Sluit een sensor aan en probeer de handeling opnieuw.
Waarde is buiten het bereik.	Wijzig de meetparameters of vul een andere waarde in en probeer de bewerking opnieuw.
De sensorgegevens zijn niet correct of niet betrouwbaar.	Reinig de sensor en test deze.
Sensor wordt niet herkend,	Controleer de sensoraansluiting. Zorg dat de vergrendelmoer aan de aansluitkant goed handvast zit.
Scherf is gedempt of onzichtbaar.	Druk op het toetsenbord op een toets.
Gegevens niet beschikbaar of toegang tot de gegevens is niet mogelijk.	Zorg dat de USB-optie (Hoofdmenu) is ingesteld op massaopslag.
Meettoestel reageert niet.	Houd de aan-/uitknop minimaal 3 seconden ingedrukt. Hierdoor gaat het meettoestel uit. Zet het meettoestel opnieuw aan. <i>Opmerking: Gebruik deze methode niet wanneer het meettoestel normaal functioneert of als het pictogram voor het openen van bestanden in het scherm zichtbaar is.</i>

Innehållsförteckning

- | | |
|--|--|
| 1 Onlineanvändarhandbok på sidan 127 | 5 Användargränssnitt och navigering på sidan 138 |
| 2 Specifikationer på sidan 127 | 6 Start och självtest på sidan 143 |
| 3 Allmän information på sidan 129 | 7 Underhåll på sidan 144 |
| 4 Installation på sidan 134 | 8 Felsökning på sidan 145 |

Avsnitt 1 Onlineanvändarhandbok

Den här grundläggande användarhandboken innehåller mindre information än användarhandboken, som finns på tillverkarens webbplats.

Avsnitt 2 Specifikationer

Specifikationerna kan ändras utan föregående meddelande.

2.1 Givarspecifikation

Specifikation	Information
 Hastighetsmätning 	
Metod	Elektromagnetisk
Intervall	0 till 6,09 m/s (0 till 20 ft/s)
Minimalt vattendjup	3,18 cm (1,25 tum)
Noggrannhet	±2 % av läsningen ±0,015 m/s (±0,05 ft/s) 0 till 3,04 m/s (0 till 10 ft/s); ± 4 % av läsningen från 3,04 till 4,87 m/s (10 till 16 ft/s)
Upplösning	0 ≤ värde < 10: 3 decimaler; 10 ≤ värde < 100: 2 decimaler; 100 ≤ värde < 1000: 1 decimal; värde ≥ 1000: 0 decimaler
Noll stabilitet	±0,015 m/s (±0,05 fot/s)
Material	ABS, glasfylld
Höljets skyddsklass	IP68
Mått (L x B x H)	11,9 x 4,3 x 6,3 cm (4,7 x 1,7 x 2,5 tum)
Kabelmaterial	Polyuretanhölje
Kabellängder	2;6,1;12,2 och 30,5 m (6,5, 20, 40 och 100 ft)
 Djupmätning 	
Metod	Diafragmatyp: absolut tryck med enpunktskalibrering
Noggrannhet (statisk)	Det större av ± 2 % av det avlästa värdet eller ± 0,015 m. Stabil temperatur och statiskt icke-flödande vatten.
Intervall	3,05 m
Upplösning	0 ≤ värde < 10: 3 decimaler; 10 ≤ värde < 100: 2 decimaler; 100 ≤ värde < 1000: 1 decimal; värde ≥ 1000: 0 decimaler

2.2 Specifikationer för portabel mätare

Specifikation	Information
Föroreningsgrad	2
Skyddsklass	II

Specifikation	Information
Temperatur vid laddning	32 till 40 °C (0 till 104 °F)
Drifttemperatur	-20 till 55 °C (-4 till 131 °F)
Förvaringstemperatur	-20 till 60 °C (-4 till 140 °F)
Höljets skyddsklass	IP67
Batterimätare	Streckkod med fem segment
Batterityp	Uppladdningsbart litium-jon, 3,6 V, 5,0 Ah, 18 Wh
Batteriets livslängd	18 timmars intensiv användning under en typisk dag ¹ ; 20 °C (68 °F)
Batteriladdare	Extern strömadapter, energieffektivitet VI, 100–240 VAC, 50–60 Hz, 0,5 A, 12 VDC, 1,25 A utgång
Mått (L x B x H)	21.8 x 9.3 x 5.3 cm (8.6 x 3.7 x 2.1 tum)
USB-anslutning	Typ Mini-B, 5-stiftig, märkt för IP67 i förslutet tillstånd
Material	Polykarbonat med en övergjutning av termoplastelastomer (TPE)

2.3 Specifikationer för användargränssnitt

Specifikation	Information
Grafisk skärm	Färg, LCD 3,5" QVGA transflektiv (läsbar i direkt solljus)
Måttupplösning	0 ≤ värde < 10: 3 decimaler; 10 ≤ värde < 100: 2 decimaler; 100 ≤ värde < 1000: 1 decimal; värde ≥ 1000: 0 decimaler
Tangentsats	Alfanumerisk
Driftslägen	Realtid, profilering
Profiltyper	Ström, ledande
Former på ledare	Cirkulär, rektangulär, trapetsformad, 2/3 ägg, inverterat 2/3 ägg
Strömposter	Fasta, ej fasta stationer
Brusavfärdande	Användarinställbart, 50 Hz eller 60 Hz
Måttenheter	Hastighet: ft/s, m/s, cm/s, mm/s Flöde: ft ³ /sek, miljoner gallons/dag, gal/dag, gal/min, m ³ /s, m ³ /min, m ³ /timme, m ³ /dag, liter/s, liter/min Djup: in., ft, m, cm, mm
Strömflodesberäkning	Genomsnittssnitt- eller mellansnittsmetod
Diagnostik	Självtest, knappsats, skärm, händelselogg
Ledarprofilingsmetoder	0,9 x Vmax, 0,2/0,4/0,8, hastighet och nivåintegrator integrator, 2D
Strömprofilingsmetoder	1, 2, 3, 4, 5 och 6-punkts (hastighetsmetod – USGS och ISO), 2-punkts KREPS-metod, 1-punkts ytmetod, 1- och 2-punkts ismetod

¹ Definieras som 30 minuters konfigurering, sex st 1-timmesperioder av kontinuerlig användning med en aktiv givare och skärmen inställd på maximal ljusstyrka och 30 minuters sovläge mellan användningsperioder, datanedladdning och avstängning.

Specifikation	Information
Filtyper	Realtid, profilering, händelselogg
Språk	Engelska, franska, spanska, tyska, italienska, holländska, danska, svenska, kinesiska, polska, japanska, koreanska, portugisiska, slovakiska, ryska, ungerska, bulgariska, rumänska, tjeckiska, turkiska, finska, grekiska

2.4 Allmänna specifikationer

Specifikation	Information
Maximalt antal realtidsfiler	50 vardera med upp till 75 avläsningar registrerade av användaren.
Firmware	Givaren och den portabla mätaren kan uppgraderas i fältet via USB

Avsnitt 3 Allmän information

Tillverkaren kommer under inga omständigheter att hållas ansvarig för skador som uppstår på grund av felaktig användning av produkten eller underlåtenhet att följa instruktionerna i manualen.

Tillverkaren förbehåller sig rätten att göra ändringar i denna bruksanvisning och i produkterna som beskrivs i den när som helst och utan föregående meddelande och utan skyldigheter. Reviderade upplagor finns på tillverkarens webbsida.

3.1 Säkerhetsinformation

Tillverkaren tar inget ansvar för skador till följd av att produkten används på fel sätt eller missbrukas. Det omfattar utan begränsning direkta skador, oavsiktliga skador eller följskador. Tillverkaren avsäger sig allt ansvar i den omfattning gällande lag tillåter. Användaren är ensam ansvarig för att identifiera kritiska användningsrisker och installera lämpliga mekanismer som skyddar processer vid eventuella utrustningsfel.

Läs igenom hela handboken innan instrumentet packas upp, monteras eller startas. Följ alla faro- och försiktighetshänvisningar. Om inte hänsyn tas till dessa kan operatören råka i fara eller utrustningen ta skada.

Se till att det skydd som utrustningen ger inte försämras. Använd eller installera inte utrustningen på något annat sätt än vad som anges i denna bruksanvisning.

3.1.1 Anmärkning till information om risker

▲ FARA

Indikerar en potentiellt eller överhängande riskfylld situation som kommer att leda till livsfarliga eller allvarliga skador om den inte undviks.

▲ VARNING

Indikerar en potentiellt eller överhängande riskfylld situation som kan leda till livsfarliga eller allvarliga skador om situationen inte undviks.

▲ FÖRSIKTIGHET




Indikerar en potentiellt riskfylld situation som kan resultera i lindrig eller måttlig skada.

ANMÄRKNING:

Indikerar en potentiellt riskfylld situation som kan medföra att instrumentet skadas. Information som användaren måste ta hänsyn till vid hantering av instrumentet.

3.1.2 Varningsdekaler

Beakta samtliga dekaler och märken på instrumentet. Personskador eller skador på instrumentet kan uppstå om de ej beaktas. En symbol på instrumentet beskrivs med en försiktighetsvarning i bruksanvisningen .

	Detta är symbolen för säkerhetsvarningar. Följ alla säkerhetsanvisningar som följer efter denna symbol för att undvika potentiella skador. Om den sitter på instrumentet - se bruksanvisningen för information om drift eller säkerhet.
	Denna symbol indikerar utrustning som är känslig för elektrostatisk urladdning (ESD). Särskilda åtgärder måste vidtas för att förhindra att utrustningen skadas.
	Elektrisk utrustning markerad med denna symbol får inte avyttras i europeiska hushållsavfallssystem eller allmänna avfallssystem. Returnera utrustning som är gammal eller har nått slutet på sin livscykel till tillverkaren för avyttring, utan kostnad för användaren.

3.1.3 Elektromagnetisk kompatibilitet (EMC)

▲ FÖRSIKTIGHET

Denna utrustning är inte avsedd att användas i bostadsmiljöer och kan inte ge tillräckligt med skydd mot radiomottagning i sådana miljöer.

CE (EU)

Utrustningen uppfyller de grundläggande kraven i EMC-direktivet 2014/30/EU.

UKCA (UK)

Utrustningen uppfyller kraven i Electromagnetic Compatibility Regulations 2016 (S.I. 2016/1091).

Canadian Radio Interference-causing Equipment Regulation, ICES-003, Klass A:

Referenstestresultat finns hos tillverkaren.

Den digitala apparaten motsvarar klass A och uppfyller alla krav enligt kanadensiska föreskrifter för utrustning som orsakar störning.

Cet appareil numérique de classe A répond à toutes les exigences de la réglementation canadienne sur les équipements provoquant des interférences.

FCC del 15, klass "A" gränser

Referenstestresultat finns hos tillverkaren. Denna utrustning uppfyller FCC-reglerna, del 15. Användning sker under förutsättning att följande villkor uppfylls:

1. Utrustningen bör inte orsaka skadlig störning.
2. Utrustningen måste tåla all störning den utsätts för, inklusive störning som kan orsaka driftsstörning.

Ändringar eller modifieringar av utrustningen, som inte uttryckligen har godkänts av den part som ansvarar för överensställelsen, kan ogiltigförklara användarens rätt att använda utrustningen. Den här utrustningen har testats och faller inom gränserna för en digital enhet av klass A i enlighet med FCC-reglerna, del 15. Dessa gränser har tagits fram för att ge rimligt skydd mot skadlig störning när utrustningen används i en kommersiell omgivning. Utrustningen genererar, använder och kan utstråla radiofrekvensenergi och kan, om den inte installeras och används enligt handboken, leda till skadlig störning på radiokommunikation. Användning av utrustningen i bostadsmiljö kan orsaka skadlig störning. Användaren ansvarar då för att på egen bekostnad korrigera störningen. Följande tekniker kan användas för att minska problemen med störningar:

1. Koppla ifrån utrustningen från strömkällan för att kontrollera om detta utgör orsaken till störningen eller inte.
2. Om utrustningen är kopplad till samma uttag som enheten som störs ska den kopplas till ett annat uttag.
3. Flytta utrustningen bort från den utrustning som tar emot störningen.
4. Positionera om mottagningsantennen för den utrustning som tar emot störningen.
5. Prova med kombinationer av ovanstående.

3.2 Produktöversikt

Det portabla hastighetssystemet används i fältet, laboratoriet och av kommuner. Turbulenta, högljudda och låga flöden kan mätas med det här systemet.

När givaren placeras i flödande vatten skapas en spänning som är proportionell mot flödeshastigheten av ett magnetfält. Denna spänningsamplitud, vilken representerar hastigheten på vattenflödet runt givaren, detekteras av elektroder i givaren och bearbetas av mikroprocessorn i givaren. Den bearbetade signalen överförs digitalt genom givarkabeln till den portabla mätaren och informationen visas på mätarskärmen. Systemet innehåller en portabel mätare, givare med kabel och tillbehör.

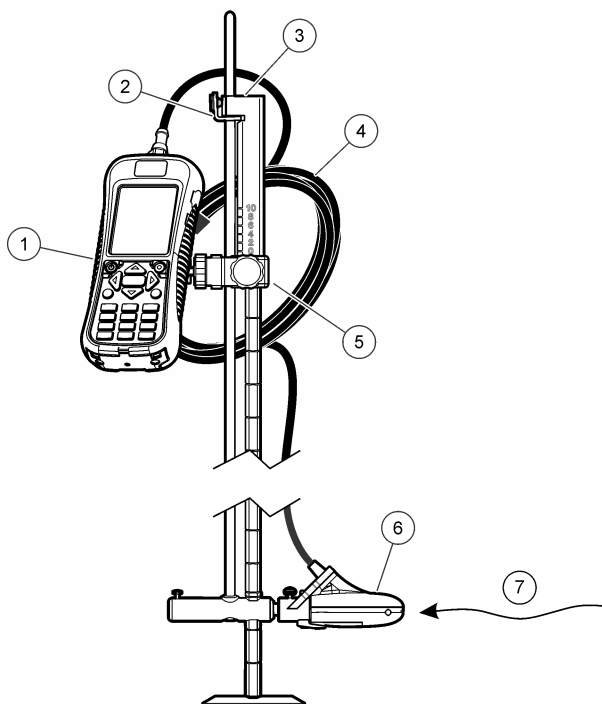
Mätaren och givaren får hastighetsinformation i ledningar och strömmar. Dessa mått är viktiga för kalibrering i spillvattensindustrin, spväl som för utvärderingar av miljöinverkan.

Det finns två typer av givare: endast hastighet samt hastighet plus djup. Denna manual täcker båda typerna av givare. Om en uppgift bara gäller en viss typ av givare kommer anges detta i texten.

3.2.1 Systemöversikt

En översikt över ett ihopkopplat system visas i [Figur 1](#). Se dokumentationen som medföljer de individuella komponenterna eller tillbehören för ytterligare information.

Figur 1 Ihopmonterade komponenter

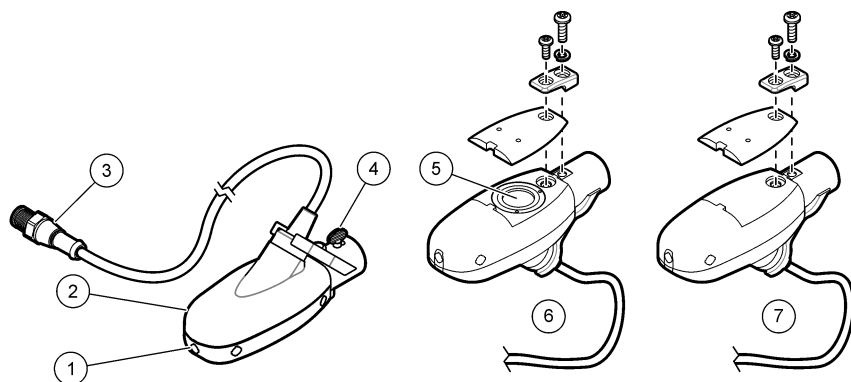


1 Portabel mätare	5 Justerbart fäste för portabel mätare
2 Höjdlås-/frigöringslås för givare	6 Sensormontering
3 Toppsättningsvadningsstav (tillbehör)	7 Flödesriktning
4 Givarkabel	

3.2.2 Sensoröversikt

Figur 2 visar de huvudsakliga givarkomponenterna. Anvisningar för hur man fäster givaren på en standard- eller toppställning vadningsstav tillhandahålls med tillbehöret.

Figur 2 Givarkomponenter

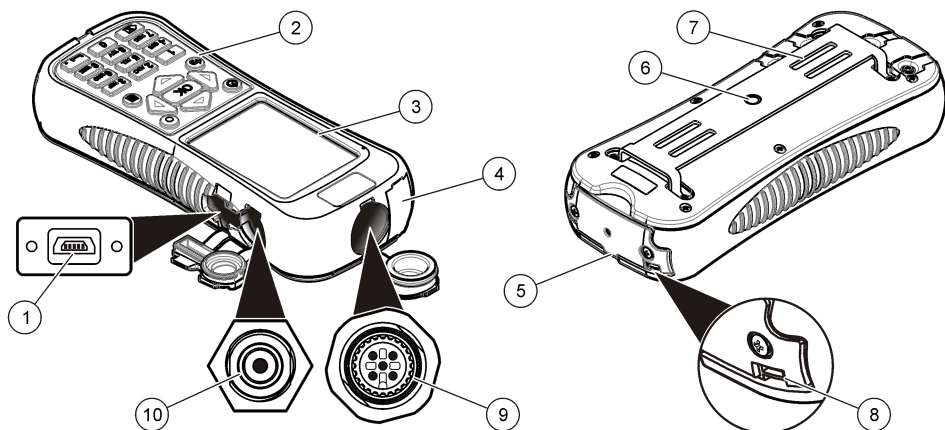


1 Givarelektroder	5 Tryckcell (givare med djupfunktion)
2 Givarkropp	6 Givare med djupfunktion
3 Givaranslutningskontakt	7 Givare utan djupfunktion
4 Tumskruv för givarfäste	

3.2.3 Mätaröversikt

Figur 3 visar mätarens funktioner.

Figur 3 Mätarens delar



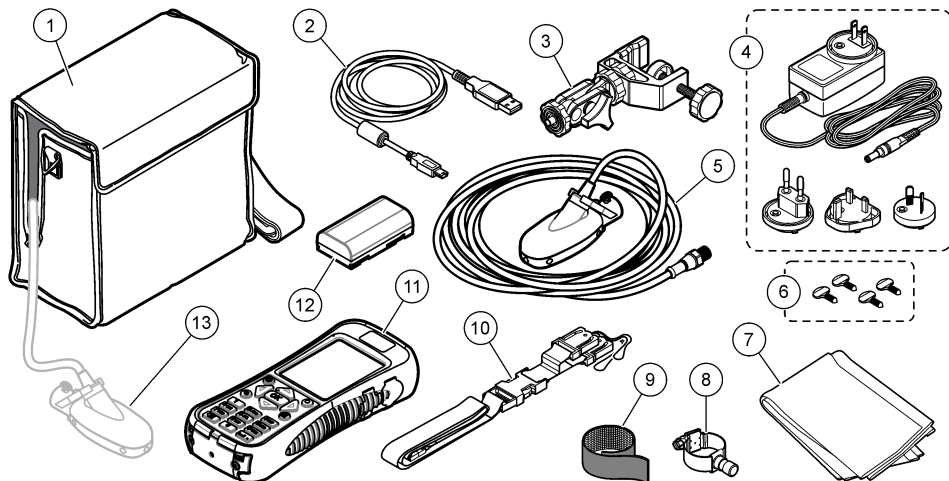
1 USB-anslutningsport ²	6 Gångat hål för justerbart mätarfäste
2 Tangentsats	7 Öppningar för fästning av kardborreband eller rem
3 Mätarskärm	8 Öppning för halsremsgångar (2 st)
4 Expansionsport (används ej)	9 Givaranslutningsport
5 Batteriutrymmets lock	10 Batteriladdarens kontakt

² Använd inte USB-anslutningen för att ladda batteriet.

3.3 Produktens komponenter

När du köper ett komplett system, se [Figur 4](#) för att kontrollera att du har fått alla komponenterna. Kontakta tillverkaren eller en återförsäljare om någon del saknas eller är skadad.

Figur 4 Systemets delar



1 Väska (med öppning för givarkabeln)	8 Standardgivarfäste
2 USB-kabel med mini-USB-kontakt, 1 m (3 fot)	9 Kardborrerem
3 Justerbart portabelt mätarfäste	10 Snodd
4 Batteriladdare, 100–240 VAC	11 Portabel mätare
5 Givare	12 Litiumbatteripaket
6 Extratumskravar (4 st)	13 Givare ansluten till mätaren inuti väskan
7 Trasa att torka givaren med	

Avsnitt 4 Installation

4.1 Montera givaren på standardgivarfästet

Använd standardgivarfästet för att fästa givaren på stavar som är högst 1 tum i diameter. För korrekt funktion och korrekt avläsningar måste framsidan av givaren peka uppåt med elektroderna i fullständig kontakt med flödet.

Observera: Håll givarelektroderna fria från icke ledande ämnen som olja och fett. För att avlägsna givarkontaminering hänvisas till [Rengöra givaren](#) på sidan 144.

1. Givarens framsida är rund och innehåller tre elektroder. Givaren har ett fästhål på baksidan och en tumskruv på ovsidan. Sätt fästskaftet på standardfästet i fästhålet på givarens baksida. Se till att fästskaftet är fullständigt insatt i fästhålet och att tumskruven sitter i gängan.
2. Dra åt tumskruven för hand.
3. För en stav som är högst 1 tum i diameter genom klämman på standardgivarfästet. Dra åt klämman.

Observera: Anvisningar om hur man monterar givaren på en vadringsstav med standard- eller toppinställning medföljer tillbehöret.

4.2 Säkerhet för litiumbatteri

▲ VARNING



Risk för brand och explosion. Litiumbatterier kan bli varma, explodera eller antändas och orsaka allvarliga skador om de behandlas ovorsamt.

- Använd inte batteriet om det finns synliga skador.
- Använd inte batteriet efter kraftiga stötar eller vibrationer.
- Utsätt inte batteriet för eld.
- Förvara batteriet vid temperaturer under 60 °C (140 °F).
- Förvara batteriet torrt och borta från vatten.
- Förhindra kontakt mellan positiva och negativa poler.
- Låt inte obehöriga personer vidröra batteriet.
- Kassera batteriet i enlighet med lokala, regionala och nationella bestämmelser.
- Använd eller förvara inte instrumentet i direkt solljus, nära en värmekälla eller i omgivningar med hög temperatur, t.ex. i ett fordon som står i direkt solljus.

4.3 Installera batteriet

▲ VARNING



Risk för brand och explosion. Denna utrustning innehåller ett litiumbatteri med hög energinivå vilket kan antändas och orsaka brand eller explosion, även utan ström. För att bibehålla säkerheten som tillhandahålls av instrumentets skyddskåpa, måste instrumenthöljen monteras och säkras med medföljande maskinvara.

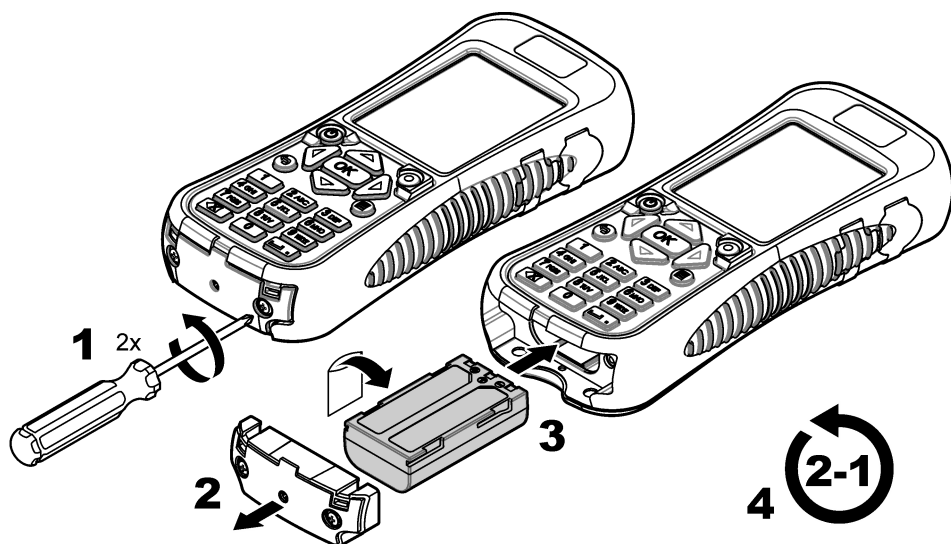
▲ VARNING



Risk för explosion och brand. Batteriersättning är inte tillåtet. Använd endast batterier som levereras från instrumenttillverkaren.

Installera det medföljande litiumbatteriet enligt anvisningarna i [Figur 5](#).

Figur 5 Installera batteriet



4.4 Ladda batteriet

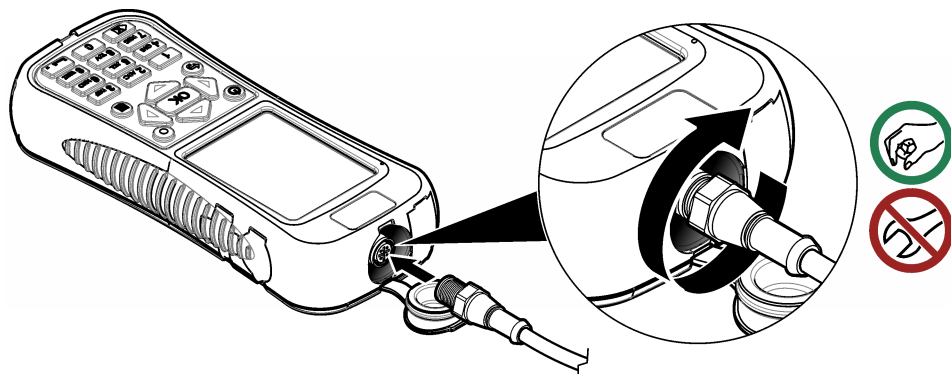
Observera: Substitut av batteriladdare är inte tillåtna. Använd endast laddaren som specificeras i listan över delar och tillbehör för instrumentet. Se Reservdelar och tillbehör i den utökade versionen av bruksanvisningen.

Före första användning laddar du instrumentbatteriet fullständigt med den medföljande batteriladdaren. Ett urladdat batteri är fulladdat på ungefär 8 timmar.

1. Se till att rätt kontakttyp för platsen ifråga har monterats på batteriladdaren.
2. Anslut batteriladdaren till ett jordat vägguttag.
3. Anslut batteriladdaren till batteriladdarens kontakt på instrumentet. Mer information finns i [Mätaröversikt](#) på sidan 133. Batteriets laddningsnivå visas på displayen. En blå lampa lyser runt laddningsporten medan batteriet laddas. När laddningsprocessen är färdig släcks den blå lampan.

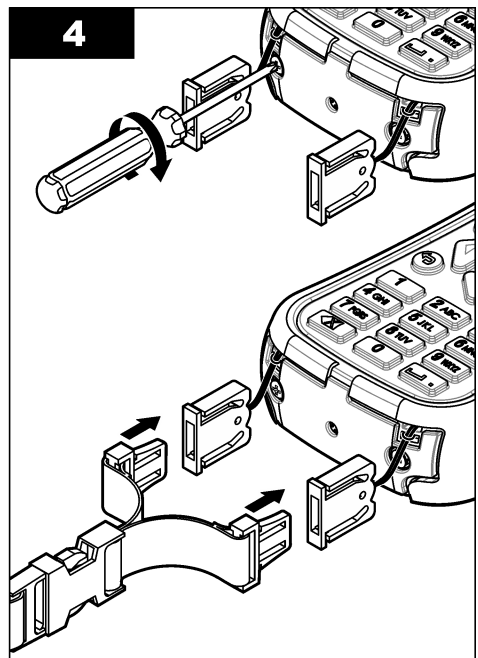
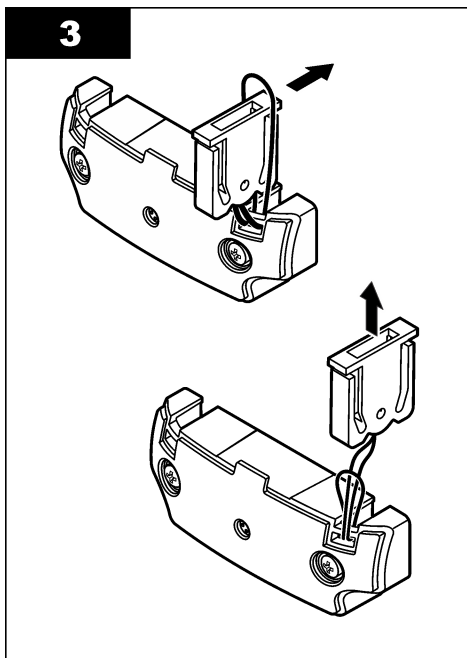
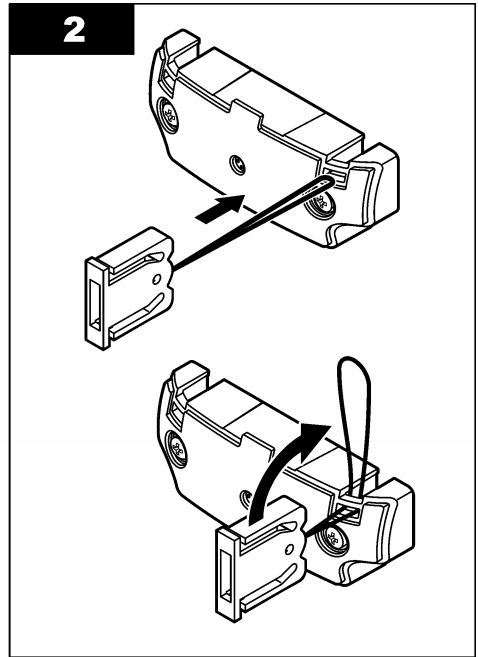
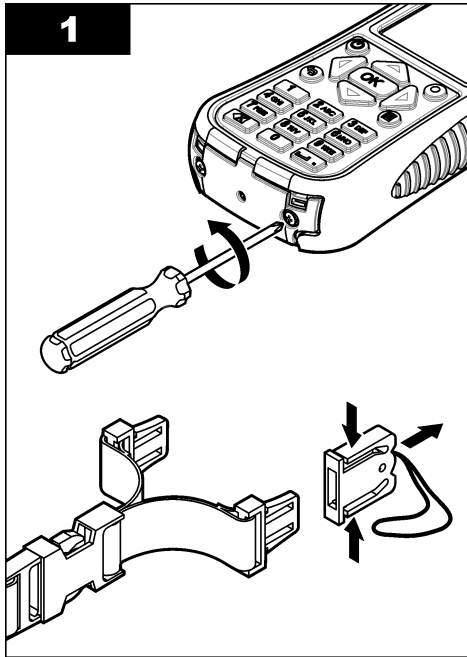
Observera: Mätaren går inte att använda medan batteriet laddas. Batteriet laddas inte via USB-kabelanslutningen.

4.5 Ansluta givaren till mätaren



4.6 Fäst snodden

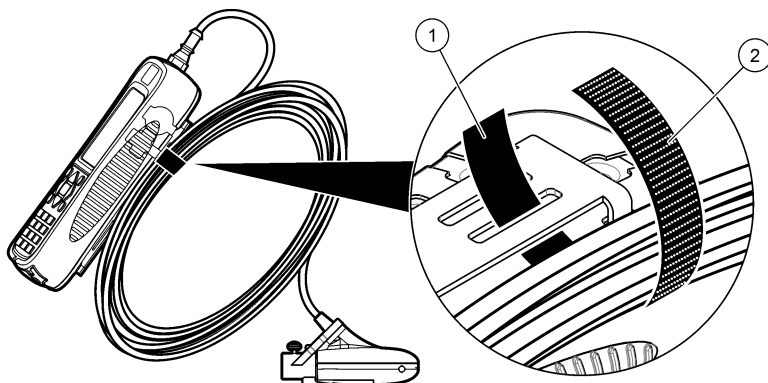
Fäst snodden så att mätaren hänger säkert runt halsen.



4.7 Fäst kardborrebandet

Knyt fast den överflödiga kabeln med kardborrebandet. Se [Figur 6](#).

Figur 6 Fäst kardborrebandet



1 Sidan med öglan

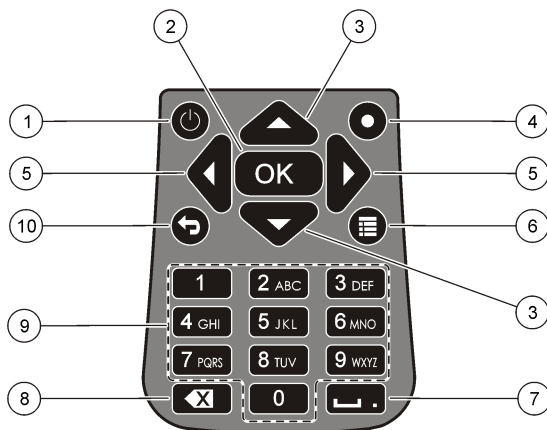
2 Sidan med kroken

Avsnitt 5 Användargränssnitt och navigering

5.1 Knappsats och tangentfunktioner

[Figur 7](#) visar mätarens knappsats. [Tabell 1](#) visar funktionerna för varje tangent eller tangenttyp.

Figur 7 Tangentsats



1 Ström På/Av	6 Huvudmeny
2 OK	7 Understreck eller decimal
3 Upp- och nedpilar	8 Flytta bakåt
4 Genväg	9 Alfanymerisk
5 Höger- och vänsterpilar	10 Föregående meny

Tabell 1 Tangentbeskrivning

Knapp	Beskrivning
Ström På/Av	Slår på och av energin till mätaren.
OK	Bekräftar en inmatning eller ett markerat menyalternativ.
Upp- och nedpilar	Flyttar upp eller ned på skärmen. Om markören står högst upp eller längst ner på skärmen hoppar markören till botten eller toppen när UPP- eller NED-pilen trycks in.
Genväg	Vid normal drift öppnas skärmen Välj ledarform när denna knapp trycks in. I profilläget är genvägstangenten inaktiverad. Om automatiskt nolläge är inaktiverat håller du inne denna knapp i fem sekunder för att utföra en manuell nollställning av djupgivaren. I realtidsläget växlar genvägstangenten mellan digital vy och diagramvy.
Höger- och vänsterpilar	Flyttar till höger eller vänster på skärmen.
Huvudmeny	Flyttar till Huvudmenyn från vilken undermeny eller skärm som helst.
Understreck eller decimal	Infogar ett understreck eller decimalpunkt. I fält som enbart tillåter numeriska tecken infogar denna tangent automatiskt en decimalpunkt på markörplatsen.
Flytta bakåt	Flyttar markören bakåt ett steg.
Alfanumerisk	Infogar alfanumeriskt eller numeriskt värde. Värdena skrivs in i den ordning som visas på nyckeln. Efter 2 sekunder lagras värdet som visas på skärmen och markören går framåt.
Föregående meny	Flyttar till föregående meny.

5.2 Statusfält

Ett statusfält visas på skärmens ovan del. Beskrivningar av informationen i statusfältet anges i [Tabell 2](#).

Tabell 2 Statusfältindikatorer

Indikator	Beskrivning
Tid och datum	Visar aktuell tid och datum.
USB	Visas när en USB-kabel är ansluten. Om en USB-kabel är ansluten och den här indikatorn inte visas i statusfältet är USB-kabeln inte fullständigt inkopplad. Se till att USB-kabeln är fullständigt intryckt och vidrör anslutningsporten fullkomligt.
Konduktivitet	Om givaren är ur vattnet och icke ledande visas en blå ring bredvid batteriikonen. Om givaren är i vatten och ledande är indikatorn en solid blå cirkel.
Batteri	Ett femstapelsdiagram visar nivån på laddningen i batteriet.
Filåtkomst	Visas medan mätaren håller på att komma åt en fil.
Indikator för automatiskt noll djup	Om djupgivaren nollställts under de senaste 30 minuterna visas en solid grön cirkel bredvid Konduktivitet-indikatorn. Om djupgivaren inte nollställts under de senaste 30 minuterna blinkar denna indikator rött.

5.3 Navigering och Huvudmenyn

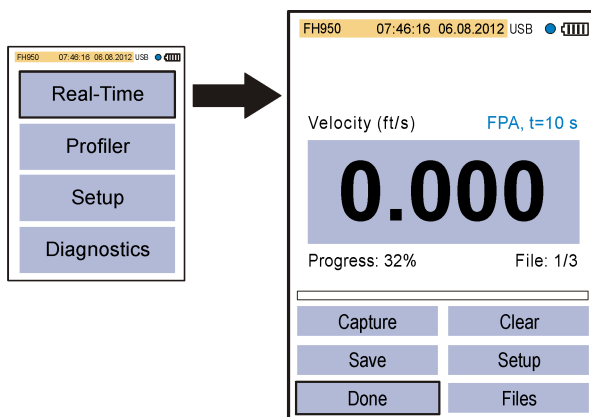
Tryck på **OK** för att bekräfta ett inställt menyalternativ eller ett värde som visas i skärmen. Välj Mer och tryck på **OK** för att se ytterligare tillgängliga skärmar och alternativ. Tryck på Huvudmeny-knappen för att gå till Huvudmenyn från en undermeny.

Observera: Vissa åtgärder kan inte utföras såvida inte en givare är ansluten till mätaren. Om du försöker dessa åtgärder när det inte finns någon ansluten givare visar skärmen ett felmeddelande. Anslut en givare och försök att utföra åtgärden igen.

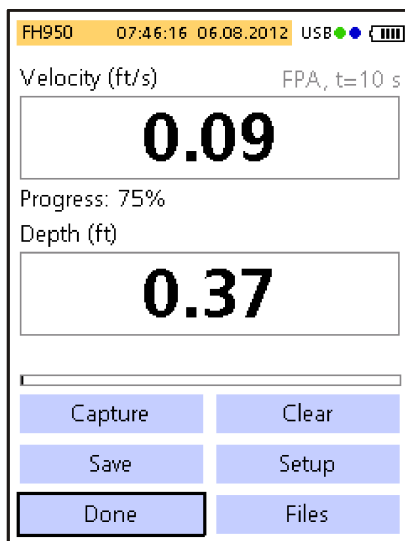
1. **Realtid**—Välj detta alternativ för att få information om hastighet och djup i realtid. (En givare med djupkapacitet krävs för att avläsa djupet). Ett exempel på en realtidsskärm för givare med endast hastighet visas i [Figur 8](#). Realtidsskärm för givare med båda hastighet och djup visas i [Figur 9](#). Formatet på informationen och alternativen som visas beror på typen av givare som används. I realtidsläget växlar genvägstangenten mellan digital och grafisk vy av realtidsinformationen. Hastigheten uppdateras i FPA-filterläget enligt genomsnittstid för fast period. I RC-filterläget uppdateras hastigheten kontinuerligt på skärmen var 250:e ms.

Alternativ	Beskrivning
Hämta	Lagrar den visade djup- och hastighetsinformationen i minnet. Informationen sparas tills enheten slagits av och på igen, minnet sparas i en statisk realtidfil eller användaren avslutar realtidsläget.
Spara	Sparar registrerade mätt i det flyktiga minnet till en ostabil realtidfil. Ett meddelande visar om antalet filer överskrider det maximala tillåtna antalet. Filerna sparas i formatet tabulatorseparerade (.tsv) värden.
Klar eller OK	Avslutar realtidsläget och återgår till Huvudmenyn. Om det finns osparade data i det flyktiga minnet kommer ett bekräftelsemeddelande att be användaren bekräfta att läget ska avslutas utan att spara data.
Klar	Rensar registrerade mätt från bufferten för det flyktiga minnet. Användaren kan välja något av alternativen Ta bort senaste, Ta bort alla eller Avbryt.
Inställningar	Låter användaren modifiera huvudfilterparametrarna och aktiver och programmera givarplaceringsfunktionen Maxdjup. Med funktionen Maxdjup kan en användare skriva in systemparametrar för djupmätt i realtidsläge. Användaren kan välja att skriva in ett maxdjupsvärde taget direkt med linjalmätning (manuellt) eller taget indirekt med djupmätning (automatiskt). Båda metoderna aktiverar givarplaceringsfunktionen Maxdjup. I inställningen för läget automatiskt skriver användaren direkt in avståndet från botten av kanalen till botten av givaren (förskjutning). Inställningsgränssnittet visar kontinuerligt det aktuella djupvärdet som returneras av givaren plus förskjutningen. Mätaren lagrar detta värde som Maxdjup när OK-knappen trycks in. I alla andra fall ingår inte förskjutningen i de visade djupvärdena. Funktionen Maxdjup kräver en givare med hastighet plus djup.
Filer eller Vy	Visar en sammanfattning av varje realtidfil lagrad i statiskt minne. Filerna kan visas och tas bort individuellt.

Figur 8 Realtidsskärm



Figur 9 Realtidsskärm för givare med djup



2. **Profil.**— Välj detta alternativ för att ta ström- eller ledarhastighetsmått. Mätaren visar frågor när information från användaren behövs. En procentandel av det återstående minnet visas i 1 % upplösning. Se den utökade versionen av bruksanvisningen för ytterligare information om profiler.

Alternativ	Beskrivning
Ström	Använd detta alternativ för att konfigurera en profil för en ström eller flödeskanal. Utför hastighetsmätningar för att beräkna total uttömning baserat på ISO 748 eller USGS-standarder för mellansnitts- eller genomsnittsmetoder.
Ledare	Använd detta alternativ för att konfigurera en ledare.
Filer	Använd detta alternativ för att visa eller ta bort lagrade filer. Filer kan tas bort i grupper eller individuellt.
Inställningar	Använd detta alternativ för att konfigurera eller ändra inställningarna för filterparametrar och funktionen Maxdjup.

3. **Konfigurera**—Välj detta alternativ för att ändra allmänna systeminställningar och preferenser.

Alternativ	Beskrivning
Hastighetskalibrering	Kalibrerar givaren. Lägger till ett fältoffset i fabrikskalibreringen. Se bilagan i den utökade versionen av bruksanvisningen för ytterligare information.

Alternativ	Beskrivning
Filterparametrar	<p>Tillämpar ett datainsamlingsfilter (Huvudfilter eller Förfilter). Användaren kan välja filterparametrarna.</p> <p>Filter</p> <ul style="list-style-type: none"> • Medel, fix period (FPA)—Med Medel, fix period räknas genomsnittet av data ut under en användarinställbar fast tidsperiod (1 till 480 sekunder). Standard är 10 sekunder. Om FPA-värdet är 5 uppdateras hastighetsvärdet som visas på skärmen var 5:e sekund. • RCA-tidskonstant—RC-filtret gör det lättare att jämna ut turbulens genom användning av en vald tidskonstant i filteralgoritmen. Detta läge är praktiskt när du söker efter maximal hastighet, t.ex. i den allmänna 0,9 x Vmax-profilmetoden. Höga RC-filtertidskonstanter ger högre grader av utjämning. Tidskonstanten kan ställas in mellan 2 och 20 sekunder med ett standardvärde på 6. Vid 1 tidskonstant stannar filtret på ungefär 60 % av slutvärdet. Vid 5 tidskonstanter stannar filtret på ungefär 99,9% av slutvärdet. Om RC-värdet är inställt på 2 visas därför slutvärdet efter 10 sekunder. <p>Förfilter</p> <ul style="list-style-type: none"> • Medianfilter—Filteringsprocessen utförs i givaren. Funktionen kan inaktiveras. Det rekommenderade värdet (standardvärdet) är emellertid 5. Aktivera funktionen för att mata in eller ändra detta värde.
Gräns för våt/torr	Ställer in givarnedsänkningströskeln för blöta och torra förhållanden. Standardvärdet är 20 %. Se bilagan i den utökade versionen av bruksanvisningen för ytterligare information.
Automatiskt nolldjup	<p>Slår På och Av funktionen Automatiskt nollläge.</p> <p>Om den är inställd på På utför instrumentet en luftkalibrering när givaren avlägsnas från vattnet och befinner sig i luften. För att utföra luftkalibreringen nollställs givaren automatiskt av instrumentet.</p> <p>Om den är inställd på Av kan användaren nollställa givaren manuellt. För att göra detta, avlägsna givaren från flödet och tryck och håll inne genvägstangenten i fem sekunder.</p> <p>När givaren har varit i flödet i 30 minuter ändras färgen på cirkeln i det övre högra hörnet från grön till röd. Det anger att användaren ska avlägsna och nollställa givaren igen.</p>
EMI	Ställer in den lokala linjefrekvensen för avfärdande av omgivningens ljudnivå till 50 Hz eller 60 Hz (standard).
KI.	Ställer in datum och tid på den portabla mätaren i 24-timmarsformat. Enheten har inte stöd för sommartidsjustering.
USB	<p>Ställer in USB-läge.</p> <ul style="list-style-type: none"> • Masslagring (standard)—Detta läge fungerar som en USB-pinne eller hårddisk. Filerna är skrivskyddade. • CDC—Detta läge används för att uppdatera firmware.
Språk	Ställer in språket som ska användas i menyerna.
Enh.	Ställer in enheter för hastighet, flöde och djupmätningar. Alternativen är Metr. (SI) och Engel. (brittiska måttenheter) (standard).
Summer	<p>På (standard) eller Av. Om den är inställd på På avger mätaren en hörbar signal när:</p> <ul style="list-style-type: none"> • Givaren är på rätt djup för tillämpliga profileringsmetoder. • 95 % av mättiden har gått (profiläge). • En inaktiv knapp trycks in i någon meny. <p>Denna funktion är endast tillgänglig tillsammans med djupgivaren (tillval).</p>

Alternativ	Beskrivning
Flödesberäkning	Väljer metod för flödesberäkning för öppet vattensegment (endast strömprofiler). Alternativen är medelvärdessektion eller mellansektion. Se bilagan i den utökade versionen av bruksanvisningen för ytterligare information.
Stn.inmatn.	<ul style="list-style-type: none"> Fix—Användaren anger bredden på strömmen och antalet stationer som mätt. Mätaren delar korsnittet i jämnt delade avstånd mellan stationsvertikaler. Variabel (standard)—Operatören väljer avståndet mellan stationsvertikalerna. Detta är det vanligare alternativet eftersom det låter användaren inkludera obstruktioner och andra restriktioner i korsnittet. Fix och variabel—Operatören väljer referensplan för djupmätningar. Värderna: högsta eller lägsta.
Standardvärden	Konfigurerar alla mätaralternativ enligt fabriksstandarderna.

4. **Diagnostik**— Välj detta alternativ för att felsöka problem med mätaren eller en ansluten givare. Mer information om funktionerna i Diagnostik finns i [Diagnostik](#) på sidan 145.

Avsnitt 6 Start och självtest

▲ FARA	
	Kemisk eller biologisk fara. Om detta instrument används för att övervaka en behandlingsprocess och/eller kemiskt matningssystem som det finns regelverk och övervakningskrav för vad gäller folkhälsa, allmän säkerhet, mat- eller dryckestetillverkning eller bearbetning, är det användarens ansvar att känna till och följa gällande lagstiftning och att använda tillräckliga och lämpliga säkerhetsmekanismer enligt gällande bestämmelser i händelse av fel på instrumentet.
▲ VARNING	
	Brand- och explosionsrisiker. Använd eller förvara inte instrumentet i direkt solljus, nära en värmekälla eller i omgivningar med hög temperatur, t.ex. i ett fordon som står i direkt solljus. Om denna försiktighetsåtgärd inte iakttas kan batteriet bli överhettat och orsaka brand eller en explosion.

Batteriet måste sättas in i mätaren och laddas före användning. För mer information om isättning och byte av batteri, se [Installera batteriet](#) på sidan 135. För information om hur man laddar batteriet, se [Ladda batteriet](#) på sidan 136.

Observera: Mätaren går inte att använda medan batteriet laddas.

- Tryck på mätarknappen tills det hörs ett pip. Mätaren utför ett självtest och skärmen visar resultaten. Om mätaren inte klarar självtestet visas FAIL (Ej godkänt) bredvid parametern som inte fungerar. Om givaren inte fungerar ska en annan givare anslutas, om möjligt.
- När självtestet är klart trycker du på **OK** för att gå till Huvudmenyn.
- Tryck på strömbrytaren igen för att mätaren inte ska vara strömförande. På skärmen Bekräftelse väljer du Ja och trycker på **OK**. Om den portabla mätaren inte reagerar ska du trycka in och hålla inne strömbrytaren i över 3 sekunder för att utföra en tvingad avstängning. Gör inte en tvingad avstängning under normal användning eller medan filåtkomstikonen är synlig.

6.1 Självttest av instrument

Mätaren utför ett diagnostiskt självttest när det är strömförande. När självtestet är utfört visar skärmen självttestresultaten. Tryck på **OK** för att gå till Huvudmenyn.

Om mätaren inte klarar självtestet visas FAIL (Ej godkänt) bredvid parametern i fråga. Om givaren inte fungerar ska en annan givare anslutas, om möjligt.

6.2 Sovläge

Mätarens bakljus släcks efter 30 sekunders inaktivitet och sovläget startas efter 60 sekunders inaktivitet. Dessa åtgärder inträffar inte om mätaren är i realtidsläge eller medan mätaren utför mätningar. Efter 30 minuter i sovläge stängs strömmen till mätaren av.

Tryck på valfri knapp för att avbryta sovläget. Skärmens ljusstyrka återgår till den normala nivån och alla knappars återgår till dess normala funktioner.

Avsnitt 7 Underhåll

7.1 Rengöra givaren

⚠ VARNING



Risk för kemikalieexponering. Följ laboratoriets säkerhetsanvisningar och bär all personlig skyddsutrustning som krävs vid hantering av kemikalier. Läs aktuella datablad (MSDS/SDS) om säkerhetsanvisningar.

Rengör givaren när oväntad ökning eller sänkning av flödes- eller nivå-trender inträffar samt efter bruk i sandiga eller leriga vattenvägar.

Om givaren är mycket smutsig ska den blötas i rent vatten i några minuter för att göra det lättare att avlägsna smutsen.

Koppla bort givaren från mätaren innan den rengörs. Rengör givaren endast med lösningar som står med som acceptabla i [Tabell 3](#). För givare med tryckcell (dvs hastighets plus djupgivare), se till att hålen för tryckcellskammarna sköljs ut och blir fria från smuts. Skölj givaren med rent vatten innan givaren åter ansluts till aggregatet.

Tabell 3 Godkända och icke-godkända rengöringslösningar

Godkända	Använd inte
Diskmedel och vatten	Koncentrerat blekmedel
Fönsterputs	Fotogen
Isopropylalkohol	Bensin
	Aromatiska kolväten

7.2 Rengör mätaren

1. Tryck på strömbrytaren för att mätaren inte ska vara strömförande.
2. Använd en ren, fuktig trasa för att rengöra mätarens utsida. Blanda vattnet med ett mildt rengöringsmedel om det behövs.
3. Torka av utsidan av mätaren med en ren trasa. Låt mätaren lufttorka fullständigt innan strömmen tillförs åter.

Observera: Använd inte pappersbaserade trasor för att rengöra skärmen. Denna typ av trasa kan skada skärmen.

7.3 Byta batteriet

▲ VARNING



Risk för brand och explosion. Denna utrustning innehåller ett litiumbatteri med hög energinivå vilket kan antändas och orsaka brand eller explosion, även utan ström. För att bibehålla säkerheten som tillhandahålls av instrumentets skyddskåpa, måste instrumenthöljen monteras och säkras med medföljande maskinvara.



▲ VARNING



Risk för explosion och brand. Batteriersättning är inte tillåtet. Använd endast batterier som levereras från instrumenttillverkaren.

Byt ut batteriet när batteriet inte kan hålla kvar strömmen efter laddning.

Observera: Om instrumentet måste returneras till fabriken för reparationer eller underhåll ska batteriet avlägsnas och placeras i ett skydd före transport.

1. Stäng av strömmen.
2. Avlägsna batteriet. Se [Installera batteriet](#) på sidan 135.
3. Kassera batteriet i enlighet med lokala, regionala och nationella bestämmelser.
4. Sätt in ett nytt batteri i samma plats och med samma orientering. Se [Installera batteriet](#) på sidan 135.
Använd endast batterier som levereras från instrumenttillverkaren.
5. Sätt på batteriluckan. Se till att luckan sitter fast.
6. Ladda batteriet vid behov. Se [Ladda batteriet](#) på sidan 136.

Avsnitt 8 Felsökning

8.1 Diagnostik

Välj Diagnostik i Huvudmeny för att se information om mätaren och utföra diagnostiska tester i [Tabell 4](#).

Tabell 4 Mätardiagnostik

Alternativ	Beskrivning
Om	Visar information om mätaren och givaren. Inkluderar serienummer och firmwareversion.
Ta bort filer	Tar bort alla filer från minnet för att nya mått ska få plats. Se till att data har laddats ner på en dator innan du väljer detta alternativ. Systemet formaterar automatiskt om minnet efter borttagningen av filen.
Givare	Visar diagnostisk information om givaren.
Självtest	Mätaren utför en diagnostisk självtest.
Knappsatstest	Testar en knapp för att kontrollera att knappen fungerar.
Displaytest	Testar skärmen för att kontrollera att skärmen fungerar.
Händelselogg	Låter användaren se, ta bort eller exportera händelseloggen. Exportera händelseloggen så att innehållet är tillgängligt som en åtkomlig filen genom USB-lagring. Detta alternativ används främst vid fabriksutförd service.

8.2 Felsökningsfel

Mätaren och givaren innehåller inga delar som kan servas av användaren. Försök den korrigerande åtgärden för respektive fel och felmeddelanden.

Kontakta tillverkaren om problemet inte försvinner eller om ett problem uppstår som inte står med på listan.

Meddelande eller problem	Lösning
Givaren är inte ansluten	Anslut en givare och försök att utföra åtgärden igen.
Värdet är utanför området	Ändra måttparametrarna eller ange ett annat värde och försök sedan åtgärden igen.
Det är känt att givardata är felaktiga	Rengör givaren och testa.
Givaren upptäcks inte	Kontrollera anslutningen för givaren. Se till att låsmuttern på anslutningsporten är åtdragen (dra endast åt för hand).
Ljuset på skärmen är svagt eller det går inte att läsa skärmen	Tryck på en tangent på knappsatsen.
Data är otillgängliga eller åtkomst till data är inte möjlig	Se till att USB-funktionen (Huvudmenyn) är inställd på Masslagring.
Mätaren reagerar inte	Tryck och håll inne strömbrytaren i minst 3 sekunder. Det gör att strömmen till mätaren stängs av. Slå på strömmen till mätaren igen. Observera: Använd inte denna metod för att stänga av enheten medan den används på normalt sätt eller om filåtkomstikonen är synlig på skärmen.

Оглавление

- | | | | |
|---|--|---|--|
| 1 | Онлайн-руководство пользователя на стр. 147 | 6 | Запуск и самодиагностика на стр. 164 |
| 2 | Технические характеристики на стр. 147 | 7 | Обслуживание на стр. 165 |
| 3 | Общая информация на стр. 149 | 8 | Поиск и устранение неполадок на стр. 166 |
| 4 | Монтаж на стр. 154 | | |
| 5 | Пользовательский интерфейс и управление курсором на стр. 158 | | |

Раздел 1 Онлайн-руководство пользователя

Это Базовое руководство пользователя содержит меньше информации, чем руководство пользователя, доступное на веб-сайте производителя.

Раздел 2 Технические характеристики

В технические характеристики могут быть внесены изменения без предварительного уведомления.

2.1 Характеристики датчика

Характеристика	Подробная информация
Измерение скорости	
Метод	Электромагнитный
Диапазон	от 0 до 6,09 м/с (от 0 до 20 фут/с)
Минимальная глубина	3,18 см (1,25 дюйма)
Погрешность	±2% для показаний ±0,015 м/с (±0,05 фут/с) от 0 до 3,04 м/с (от 0 до 10 фут/с); ±4% для показаний от 3,04 до 4,87 м/с (от 10 до 16 фут/с)
Разрешение	0 ≤ значение < 10: 3 десятич. зн.; 10 ≤ значение < 100: 2 десятич. зн.; 100 ≤ значение < 1000: 1 десятич. зн.; значение ≥ 1000: 0 десятич. зн.
Стабильность нуля	±0,015 м/с (±0,05 фут/с)
Материал	ABS, стеклонаполненный
Класс защиты корпуса	IP68
Размеры (Д x Ш x В)	11,9 x 4,3 x 6,3 см (4,7 x 1,7 x 2,5 дюйма)
Материал кабеля	Полиуретановая оболочка
Длина кабеля	2, 6,1, 12,2 и 30,5 м (6,5, 20, 40 и 100 футов)
Измерение глубины	
Метод	Тип диафрагмы: абсолютное давление с калибровкой по одной точке
Точность (статика)	Большее значение из ± 2% от показания или ± 0,015 м (± 0,504 дюйма). При стабильной температуре и стоячей воде.
Диапазон	3,05 м (0-10 футов)
Разрешение	0 ≤ значение < 10: 3 десятич. зн.; 10 ≤ значение < 100: 2 десятич. зн.; 100 ≤ значение < 1000: 1 десятич. зн.; значение ≥ 1000: 0 десятич. зн.

2.2 Технические характеристики портативного измерительного прибора

Характеристика	Подробности
Класс загрязнения	2
Класс защиты	II
Температура зарядки	от 0 до 40 °C (от 32 до 104 °F)
Рабочая температура	от -20 до 55 °C (от -4 до 131 °F)
Температура хранения	от -20 до 60 °C (от -4 до 140 °F)
Класс защиты корпуса	IP67
Шкала заряда аккумулятора	Полоса из пяти делений
Тип аккумулятора	Литий-ионный, 3,6 В, 5,0 Ач, 18 Вт-ч
Время работы от аккумулятора	18 часов при интенсивном ежедневном использовании ¹ ; 20 °C (68 °F)
Устройство для зарядки аккумулятора	Внешний адаптер питания, уровень энергетической эффективности VI, 100–240 В перем. тока, 50–60 Гц, 0,5 А на входе, 12 В пост. тока, 1,25 А на выходе
Размеры (ДхШхВ)	21,8 x 9,3 x 5,3 см (8,6 x 3,7 x 2,1 дюйма)
USB-разъем	Тип Mini-B, 5-контактный, степень защиты оболочки с установленной крышкой IP67
Материал	Поликарбонат с эластотермопластовой оболочкой (TPE)

2.3 Характеристики пользовательского интерфейса

Характеристика	Подробная информация
Графический дисплей	Цветной, ЖК 3,5 " QVGA полупрозрачный (читается под прямым солнечным светом)
Разрешающая способность измерительной системы	0 ≤ значение < 10: 3 десятич. зн.; 10 ≤ значение < 100: 2 десятич. зн.; 100 ≤ значение < 1000: 1 десятич. зн.; значение ≥ 1000: 0 десятич. зн.
Клавиатура	Буквенно-цифровой
Режимы работы	В реальном времени, профилирующий
Типы профилей	Открытый поток, водовод
Формы водовода	Кольцевая, прямоугольная, трапециевидный, 2/3 яйца, перевернутые 2/3 яйца
Установка потока	Фиксированные, нефиксированные точки
Подавление помех	Выбирается пользователем, 50 Гц или 60 Гц
Единицы измерения	Скорость: футы/с, м/с, см/с, мм/с
	Расход: футы ³ /с, миллионов галлонов/день, галлонов/день, галлонов/мин, м ³ /с, м ³ /мин, м ³ /ч, м ³ /день, литров/с, литров/мин
	Глубина: дюймы, футы, м, см, мм

¹ Включая 30-минутный период настройки, шесть периодов (продолжительностью 1 час) непрерывного использования с действующим датчиком и максимальной яркостью дисплея и 30 минут в спящем режиме между периодами использования, загрузкой данных и отключением питания.

Характеристика	Подробная информация
Расчет расхода открытого потока	Методы деления поперечного сечения на равные и неравные отрезки
Диагностика	Самопроверка, клавишная панель, дисплей, журнал регистрации событий
Методы профилирования водовода	0,9 x Vmax, 0,2/0,4/0,8, интегратор скорости и уровня, 2D
Методы профилирования открытого потока	1-, 2-, 3-, 4-, 5- и 6-точечный метод (метод измерения скорости - USGS и ISO), 2-точечный метод KREPS, 1-точечный метод измерения на поверхности, 1- и 2-точечный метод анализа льда
Типы файлов	В реальном времени, профилирующий, журнал регистрации событий
Языки	Английский, французский, испанский, немецкий, итальянский, голландский, датский, шведский, китайский, польский, японский, корейский, португальский, словацкий, русский, венгерский, румынский, чешский, турецкий, финский, греческий

2.4 Общие технические характеристики

Характеристика	Подробная информация
Максимальное количество файлов в реальном времени	50, до 75 пользовательских показаний в каждом.
Прошивка	Обновление датчика и измерительного прибора можно выполнять на месте через USB

Раздел 3 Общая информация

Ни при каких обстоятельствах производитель не несет ответственности за ущерб, причиненный в результате ненадлежащего использования прибора или несоблюдения инструкций, приведенных в руководстве. Производитель оставляет за собой право вносить изменения в руководство или описанную в нем продукцию без извещений и обязательств. Обновленные версии руководства можно найти на веб-сайте производителя.

3.1 Информация по безопасности

Изготовитель не несет ответственности за любые повреждения, вызванные неправильным применением или использованием изделия, включая, без ограничения, прямой, неумышленный или косвенный ущерб, и снимает с себя ответственность за подобные повреждения в максимальной степени, допускаемой действующим законодательством. Пользователь несет исключительную ответственность за выявление критических рисков в работе и установку соответствующих механизмов для защиты обследуемой среды в ходе возможных неполадок оборудования.

Внимательно прочтите все руководство пользователя, прежде чем распаковывать, устанавливать или вводить в эксплуатацию оборудование. Соблюдайте все указания и предупреждения относительно безопасности. Их несоблюдение может привести к серьезной травме обслуживающего персонала или выходу из строя оборудования.

Убедитесь, что защита, обеспечиваемая данным оборудованием, не нарушена. Используйте и устанавливайте данное оборудование строго в соответствии с требованиями данного руководства.

3.1.1 Информация о потенциальных опасностях

▲ ОПАСНОСТЬ
Указывает на потенциально или непосредственно опасные ситуации, которые, если их не избежать, приведут к смерти или серьезным травмам.

▲ ПРЕДУПРЕЖДЕНИЕ

Указывает на потенциально или непосредственно опасные ситуации, которые, если их не избежать, могут привести к смерти или серьезным травмам.

▲ ОСТОРОЖНО




Указывает на потенциально опасную ситуацию, которая может привести к травмам малой и средней тяжести.

УВЕДОМЛЕНИЕ

Указывает на ситуацию, которая, если ее не избежать, может привести к повреждению оборудования. Информация, на которую следует обратить особое внимание.

3.1.2 Предупредительные надписи

Прочитайте все наклейки и ярлыки на корпусе прибора. При несоблюдении указанных на них требований существует опасность получения травм и повреждений прибора. Нанесенный на корпус прибора предупредительный символ вместе с предостережением об опасности или осторожности содержится в руководстве пользователя.

	Это символ предупреждения об опасности. Для предотвращения возможной травмы соблюдайте все меры по технике безопасности, отображаемые с настоящим символом. Если символ на приборе, см. руководство по эксплуатации или информацию по технике безопасности.
	Этот символ указывает на наличие устройств, чувствительных к электростатическому разряду, и указывает, что следует быть очень внимательными во избежание их повреждения.
	Возможен запрет на утилизацию электрооборудования, отмеченного этим символом, в европейских домашних и общественных системах утилизации. Пользователь может бесплатно вернуть старое или неработающее оборудование производителю для утилизации.

3.1.3 Соответствие требованиям электромагнитной совместимости (ЭМС)

▲ ОСТОРОЖНО

Данное оборудование не предназначено для использования в жилых помещениях и может не обеспечивать достаточную защиту радиоприема в таких условиях.

CE (EU)

Оборудование соответствует основным требованиям Директивы по электромагнитной совместимости 2014/30/EU.

UKCA (UK)

Оборудование соответствует требованиям Положения об электромагнитной совместимости 2016 года (S.I. 2016/1091).

Канадские нормативные требования к оборудованию, вызывающему помехи, ICES-003, класс A:

Прилагающиеся протоколы испытаний находятся у производителя.

Данное цифровое устройство класса A отвечает всем требованиям канадских норм относительно вызывающего помехи оборудования.

Cet appareil numérique de classe A répond à toutes les exigences de la réglementation canadienne sur les équipements provoquant des interférences.

Правила FCC, часть 15, ограничения класса "A"

Прилагающиеся протоколы испытаний находятся у производителя. Данное устройство соответствует требованиям части 15 правил FCC. Эксплуатация может производиться при выполнении двух следующих условий:

1. Устройство не должно создавать опасные помехи.
2. Устройство должно допускать любое внешнее вмешательство, в том числе способное привести к выполнению нежелательной операции.

Изменения и модификации данного устройства без явного на то согласия стороны, ответственной за соответствие стандартам, могут привести к лишению пользователя прав на эксплуатацию данного устройства. Результаты испытаний данного устройства свидетельствуют о соответствии ограничениям для цифровых устройств класса "А", изложенным в части 15 правил FCC. Данные ограничения предназначены для обеспечения разумной защиты от вредных помех при работе оборудования в коммерческой среде. Данное устройство генерирует, использует и может излучать радиочастотную энергию, и в случае установки и использования вопреки требованиям руководства по эксплуатации может стать источником помех, опасных для устройств радиосвязи. Эксплуатация данного устройства в жилых районах может привести к возникновению опасных помех – в этом случае пользователь будет обязан устранить их за свой счет. Для сокращения помех можно использовать следующие методы:

1. Отсоедините устройство от источника питания, чтобы убедиться, что именно оно является источником помех.
2. Если устройство подключено к той же розетке, что и прибор, при работе которого наблюдаются помехи, подключите устройство к другой розетке.
3. Переместите устройство подальше от прибора, для работы которого он создает помехи.
4. Поменяйте положение антенны другого устройства, принимающего помехи.
5. Попробуйте разные сочетания указанных выше мер.

3.2 Основная информация о приборе

Портативная система измерения скорости для применения в полевых условиях, в лаборатории или коммунальных службах. Система позволяет выполнять измерения в турбулентном потоке, потоке с помехами и слабом потоке.

При помещении датчика в поток магнитное поле вокруг датчика создает напряжение, пропорциональное скорости потока. Амплитуда напряжения, соответствующая скорости воды вокруг датчика, определяется при помощи электродов и обрабатывается микропроцессором датчика. Обработанный цифровой сигнал передается по кабелю датчика на портативный измерительный прибор, на дисплее измерительного прибора отображаются данные. В систему входят портативный измерительный прибор, датчик с кабелем и принадлежности.

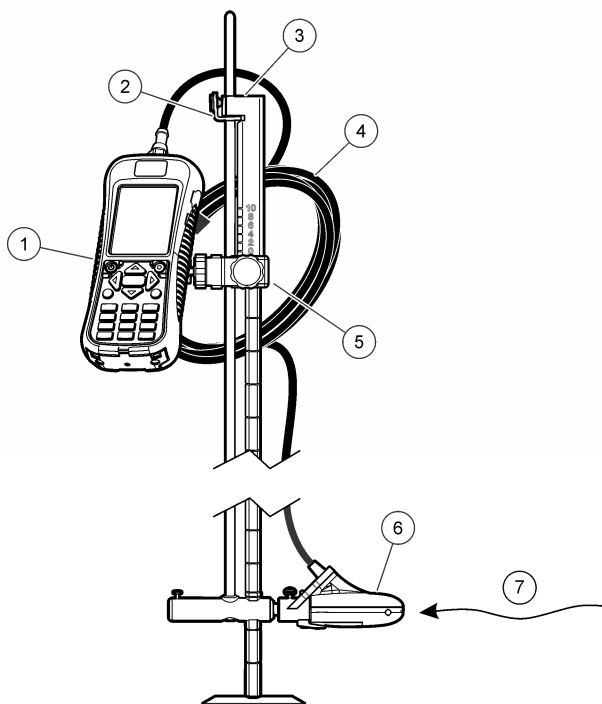
Измерительный прибор и датчик получают данные о скорости воды в открытом потоке и водоводе. Эти измерения важны для калибровки систем бытовых сточных вод и при выполнении работ по оценке воздействия на окружающую среду.

Доступны два типа датчиков: для измерения скорости и для измерения скорости и глубины. Данное руководство распространяется на оба типа датчиков. Если информация относится только к определенному типу датчика, об этом имеется соответствующее сообщение в руководстве.

3.2.1 Обзор системы

Система в сборе показана на [Рисунок 1](#). Подробную информацию см. в документации, сопровождающей отдельные компоненты и принадлежности.

Рисунок 1 Компоненты в сборе

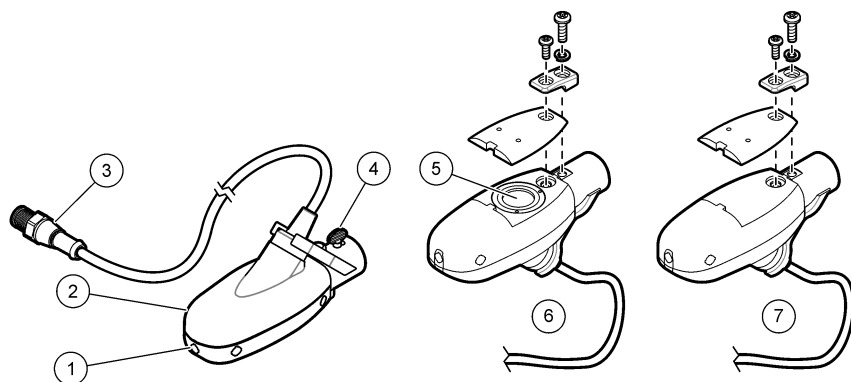


1	Переносной измерительный прибор	5	Регулируемый крепеж для переносного измерительного прибора
2	Приспособление для крепления датчика на высоте	6	Датчик в сборе
3	Верхняя штанга (принадлежность)	7	Направление расхода
4	Кабель датчика		

3.2.2 Датчик: общий вид

Рисунок 2 изображает основные компоненты датчика. Инструкции об установке датчика на стандартную или верхнюю штангу штангу предоставляются вместе с датчиком.

Рисунок 2 Компоненты датчика

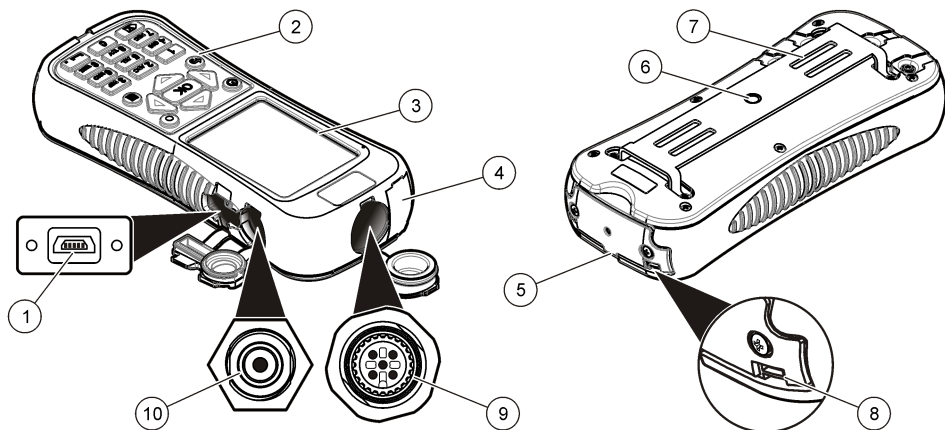


1 Электроды датчика	5 Динамометрический элемент (датчики для измерения глубины)
2 Корпус датчика	6 Датчики для измерения глубины
3 Штексель подключения датчика	7 Датчики без измерения глубины
4 Винты крепления датчика с накатанной головкой	

3.2.3 Обзор измерительного прибора

Рисунок 3 изображает элементы измерительного прибора.

Рисунок 3 Комплектация измерительного прибора



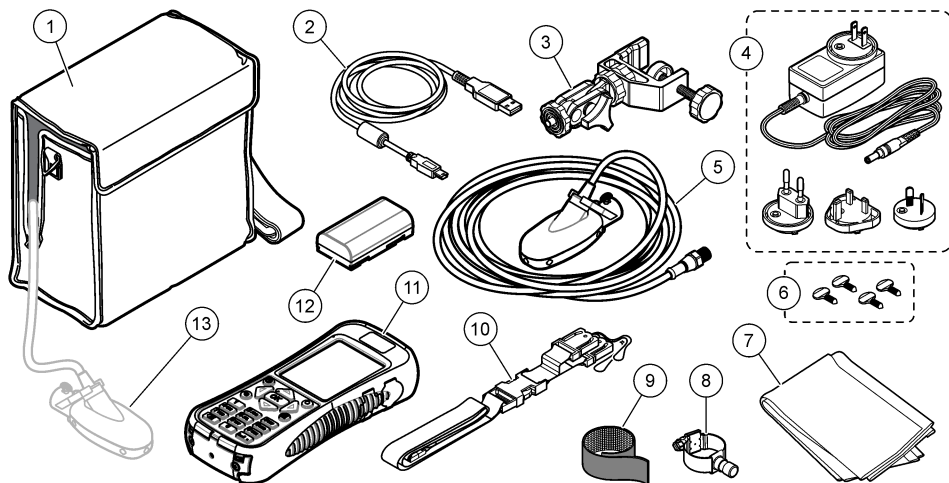
1 Порт подключения USB ²	6 Отверстие с резьбой для регулируемой опоры измерительного прибора
2 Клавиатура	7 Пазы для липучки или ремня
3 Дисплей измерительного прибора	8 Паз для крепления шейного ремешка (двойной)
4 Порт расширения (не используется)	9 Порт подключения сенсора
5 Крышка отделения аккумулятора	10 Разъем для зарядного устройства

² Для зарядки аккумулятора запрещается использовать USB-подключение.

3.3 Компоненты прибора

При приобретении всей системы см. [Рисунок 4](#), чтобы убедиться, что получены все компоненты. Если какие-либо из них отсутствуют или повреждены, немедленно обратитесь к производителю или торговому представителю.

Рисунок 4 Компоненты системы



1 Чехол для переноски (с прорезью для кабеля датчика)	8 Универсальная опора датчика
2 USB-кабель с разъемом mini-USB, 1 м (3 фута)	9 Липучка
3 Регулируемая опора измерительного прибора	10 Шнурок
4 Зарядное устройство для аккумулятора, 100–240 В перем. тока	11 Портативный измерительный прибор
5 Датчик	12 Блок литиевых аккумуляторов
6 Дополнительные винты с накатанной головкой (4 шт.)	13 Датчик, подключенный к измерительному прибору в чехле
7 Материал для очистки датчика	

Раздел 4 Монтаж

4.1 Установите датчик на универсальное крепление датчика

Используйте универсальное крепление, чтобы установить датчик на опоры диаметром не более 1 дюйма. Для обеспечения корректной работы и точности показаний передняя часть датчика должна быть направлена вверх по течению, при этом электроды полностью контактируют с потоком.

Примечание: Электроды датчика необходимо очищать от непроводящих субстанций, таких как масло и смазка. Чтобы очистить датчик от загрязнений, см. [Очистка датчика](#) на стр. 165.

1. Передняя часть датчика округлая, она оснащена тремя электродами. В задней части датчика находится монтажное отверстие, в верхней части находится винт с накатанной головкой. Разместите монтажную ось универсального крепления в монтажное отверстие в задней части датчика. Убедитесь, что монтажная ось надежно закреплена в монтажном отверстии, а винт зафиксирован в резьбе.
2. Затяните винт вручную.

3. Вдвиньте опору диаметром не более 1 дюйма в зажим универсального крепления датчика. Затяните зажим.

Примечание: Инструкции по установке датчика на стандартную или верхнюю штангу поставляются вместе с датчиком.

4.2 Безопасность при работе с литиевым аккумулятором

▲ ПРЕДУПРЕЖДЕНИЕ



Опасность возгорания и взрыва. В случае неправильной эксплуатации литиевые батареи могут нагреться, взорваться или воспламениться и привести к серьезным травмам.

- Не используйте батарею, если на ней имеются видимые повреждения.
- Не используйте батарею после сильных ударов или вибрацией.
- Не оставляйте батарею рядом с открытым огнем.
- Храните батарею при температуре ниже 60 °C (140 °F).
- Избегайте попадания воды на батарею.
- Избегайте контактов между положительными и отрицательными полюсами батареи.
- Посторонним запрещается прикасаться к батарее.
- Утилизируйте батареи в соответствии с местным, региональным и государственным законодательством.
- Не используйте и не храните прибор в зоне действия прямых солнечных лучей, вблизи источников тепла и помещениях с высокой температурой воздуха, например в закрытом автомобиле, оставленном на солнце.

4.3 Установка аккумулятора

▲ ПРЕДУПРЕЖДЕНИЕ



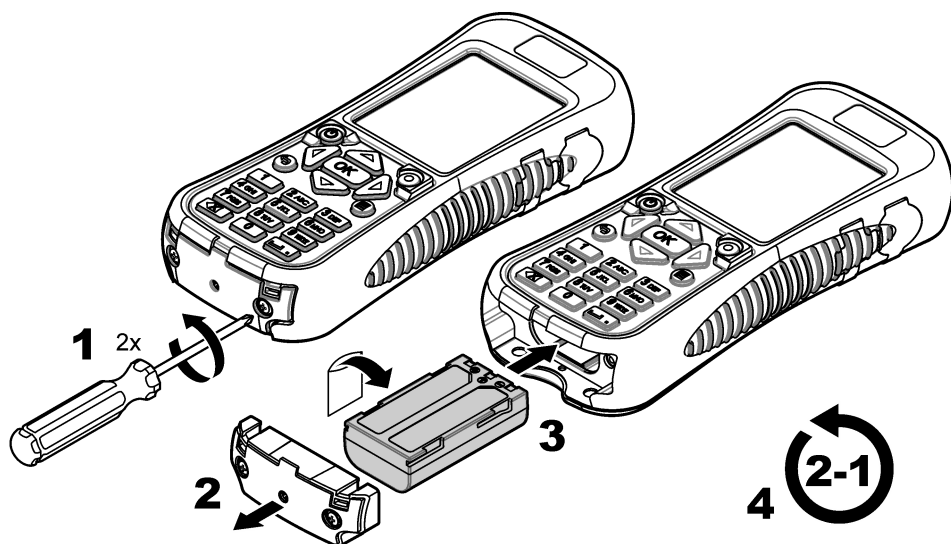
Опасность возгорания и вероятность взрыва. В данном оборудовании используется высокоэнергетическая литиевая батарея, которая может возгораться и привести к пожару или взрыву, даже при отсутствии электропитания. Чтобы поддерживать безопасность, обеспечиваемую кожухом прибора, необходимо установить и надежно закрепить при помощи предоставленных крепежных деталей панели кожуха прибора.

▲ ПРЕДУПРЕЖДЕНИЕ



Опасность взрыва и пожара. Замена батареи не разрешается. Используйте батареи, которые поставляются только производителем оборудования.

Установите литиевый аккумулятор, который входит в комплект поставки, как показано на [Рисунке 5](#).



4.4 Зарядка аккумулятора

Примечание: Не допускается использование другого устройства для зарядки аккумулятора. Используйте только зарядное устройство, указанное в перечне запасных частей и принадлежностей для прибора. См. Запасные части и принадлежности в более подробной версии руководства.

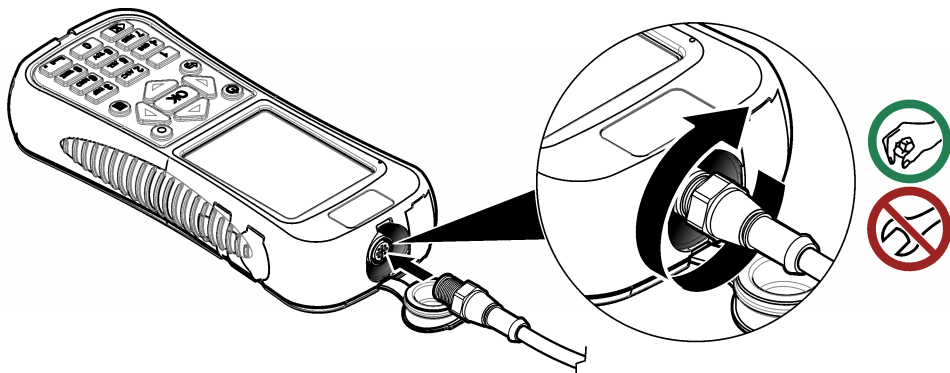
Перед первым использованием полностью зарядите аккумулятор прибора с помощью зарядного устройства, входящего в комплект поставки. Время, требуемое для полной зарядки разряженного аккумулятора, составляет приблизительно 8 часов.

1. Убедитесь, что на зарядном устройстве аккумулятора установлена вилка, соответствующая вашей географической зоне.
2. Подключите зарядное устройство к электрической розетке с заземлением.
3. Подключите зарядное устройство к разъему для зарядного устройства на приборе. См. [Обзор измерительного прибора](#) на стр. 153. Уровень заряда аккумулятора отображается на дисплее.

Во время заряда аккумулятора около разъема будет гореть голубой индикатор. Когда аккумулятор зарядится полностью, индикатор погаснет.

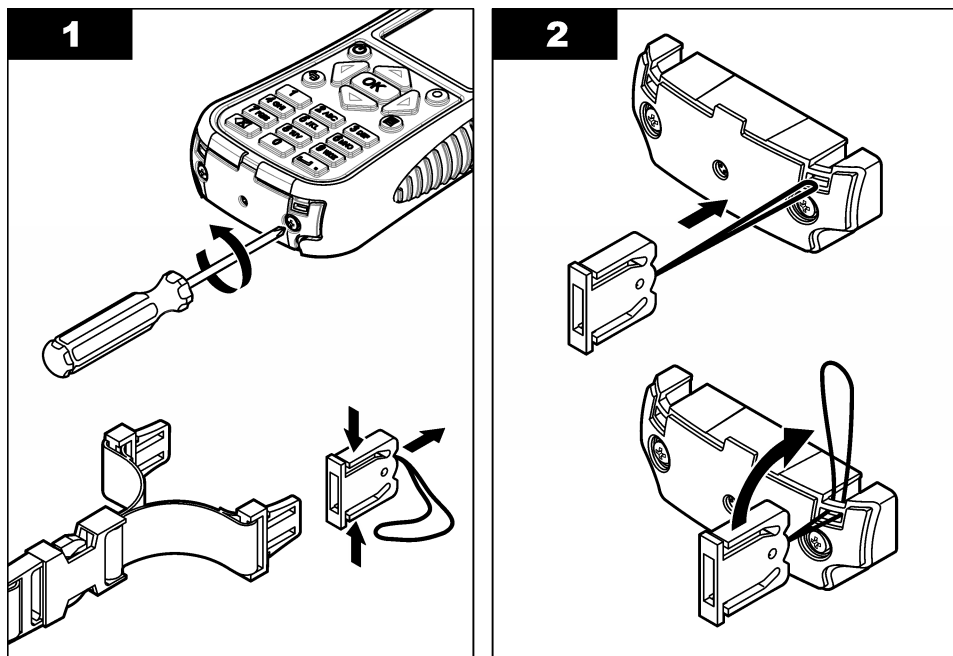
Примечание: Использование измерительного прибора во время зарядки невозможно. Аккумулятор нельзя зарядить при помощи USB-соединения.

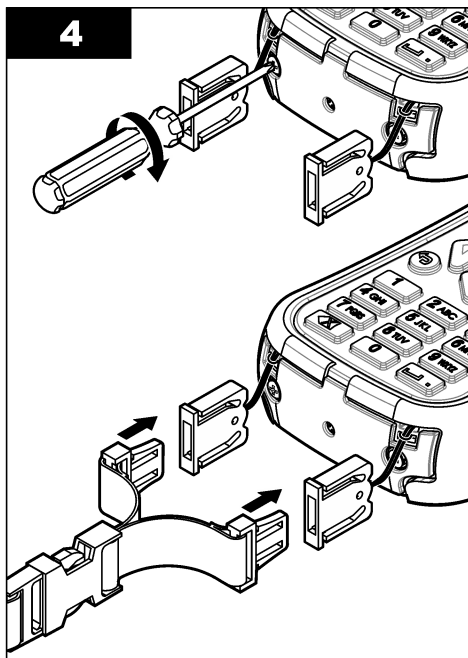
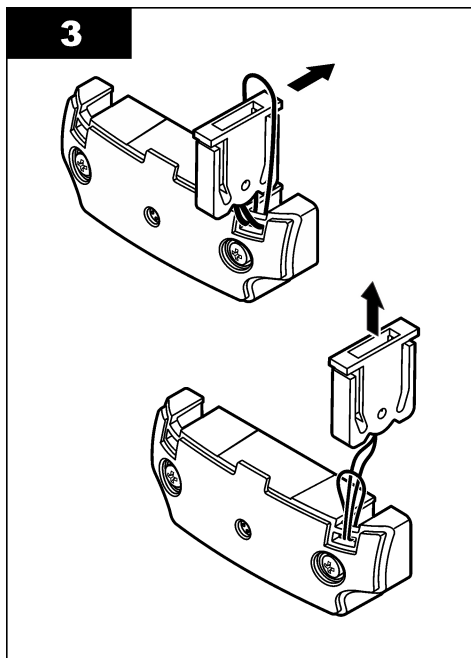
4.5 Подключите датчик к измерительному прибору



4.6 Закрепите шнурок

Закрепите шнурок, чтобы безопасно носить измерительный прибор на шее.

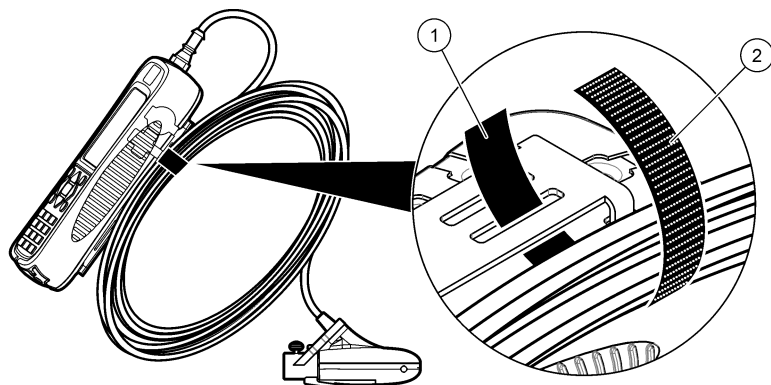




4.7 Затяните липучку

Закрепите лишнюю длину кабеля при помощи липучки. См. [Рисунок 6](#).

Рисунок 6 Затяните липучку



1 Сторона крепления

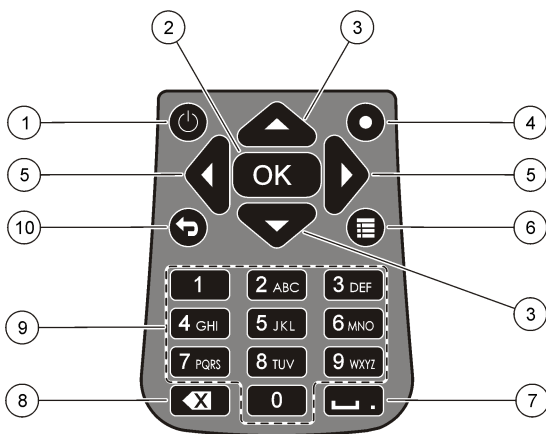
2 Липкая сторона

Раздел 5 Пользовательский интерфейс и управление курсором

5.1 Клавиатура и функции клавиш

[Рисунок 7](#) изображает клавиатуру измерительного прибора. [Таблица 1](#) описывает функции каждой клавиши или типа клавиши.

Рисунок 7 Клавиатура



1 Вкл/Выкл электропитания	6 Главное меню
2 ОК	7 Подчеркивание или десятичный разделитель
3 Стрелки вверх и вниз	8 Клавиша возврата
4 Мгновенный доступ	9 Буквенно-цифровой
5 Стрелки вправо и влево	10 Предыдущее меню

Таблица 1 Описание функций клавиш

Клавиша	Описание
Вкл/Выкл электропитания	Подает и выключает питание измерительного прибора.
ОК	Подтверждает запись или выделенную строку меню.
Стрелки вверх и вниз	Позволяют перемещать курсор вверх или вниз на дисплее. Если курсор находится в верхней части дисплея, при нажатии стрелки ВВЕРХ он переместится в нижнюю часть дисплея. Если курсор находится в нижней части дисплея, при нажатии стрелки ВНИЗ он переместится в верхнюю часть дисплея.
Мгновенный доступ	При нормальной работе эта клавиша позволяет перейти к экрану Select conduit shape (Выбор формы водовода). При профилировании ключ мгновенного доступа отключен. Если функция автообнуления отключена, удерживайте эту клавишу нажатой в течение пяти секунд, чтобы вручную обнулить показания датчика глубины. В режиме Real-Time (Режим реального времени) клавиша мгновенного доступа позволяет переключаться между цифровым и графическим отображением.
Стрелки вправо и влево	Позволяют перемещать курсор вправо или влево на дисплее.
Главное меню	Переход к главному меню из любого подменю или с любого экрана.
Подчеркивание или десятичный разделитель	Вставляет подчеркивание или десятичный разделитель. Эта клавиша автоматически вставляет десятичный разделитель на месте курсора в полях для цифр.
Клавиша возврата	Передвигает курсор на один символ назад.

Таблица 1 Описание функций клавиш (продолжение)

Клавиша	Описание
Буквенно-цифровой	Позволяет вставить букву или цифру. Порядок символов указан на клавиатуре. Через 2 секунды значение, указанное на дисплее, сохраняется, а курсор движется дальше.
Предыдущее меню	Переход к предыдущему экрану.

5.2 Строка состояния

Строка состояния отображается в верхней части дисплея. Описание информации, отображаемой в строке состояния, приводится в [Таблица 2](#)

Таблица 2 Индикаторы строки состояния

Индикатор	Описание
Время и дата	Отображает текущее время и дату.
USB	Показывает, что подключен USB-кабель. Если USB-кабель подключен, а индикатор отсутствует в строке состояния, значит, он не полностью подключен. Убедитесь, что USB-кабель полностью вставлен и контактирует с портом подключения.
Проводимость	Если датчик находится не в воде и является непроводящим, рядом со значком аккумулятора появится синее кольцо. Если датчик находится в воде и является проводящим, на индикаторе появится закрашенный синим кружок.
Аккумулятор	Индикатор из пяти полосок отображает уровень заряда аккумулятора.
Доступ к файлу	Сообщение отображается, когда измерительный прибор получает доступ к файлу.
Индикатор автоматического обнуления глубины	Если за последние 30 минут датчик глубины обнулялся, рядом с индикатором проводимости загорится закрашенный зеленый кружок. Если за последние 30 минут датчик глубины не обнулялся, индикатор будет мигать красным.

5.3 Навигация и главное меню

Нажмите **ОК**, чтобы подтвердить выбранную строку меню или значение, указанное на дисплее. Выберите More (Далее) и нажмите **ОК**, чтобы просмотреть дополнительные экраны и доступные опции. Нажмите клавишу главного меню, чтобы перейти в главное меню из подменю.

***Примечание:** Некоторые операции нельзя выполнить, если на измерительный прибор не установлен датчик. Если попытаться выполнить эти операции, когда датчик не установлен, на дисплее отобразится сообщение об ошибке. Подключите датчик и попробуйте выполнить операцию снова.*

- 1. Real time (Режим реального времени)**— Выберите эту опцию, чтобы получать информацию о скорости и глубине в реальном времени. (Для измерения глубины необходим специальный датчик). Пример экрана Real Time (Режим реального времени) для датчиков только с измерением скорости изображен на [Рисунок 8](#). Экран Real time (Режим реального времени) для датчиков, способных измерять и скорость, и глубину, изображен на [Рисунок 9](#). Формат отображения информации и опции зависят от типа используемого датчика. В режиме Real-Time (Режим реального времени) клавиша мгновенного доступа позволяет переключаться между цифровым и графическим отображением информации в реальном времени. Показания скорости обновляются в

режиме FPA-фильтра в соответствии с усредненным значением за период. В режиме RC-фильтра значение скорости на экране обновляется непрерывно каждые 250 мс.

Опция	Описание
Capture (Зафиксировать)	Сохраняет в память отображаемые показания глубины и скорости. Информация сохраняется в течение цикла питания в энергонезависимый файл реального времени, или пользователь выходит из режима реального времени.
Save (Сохранить)	Сохраняет зафиксированные измерения в энергозависимую память из энергонезависимого файла реального времени. Если количество файлов превышает максимально возможное, появится сообщение. Файлы хранятся в формате с разделителями табуляции (.tsv).
Done (Готово) или OK	Позволяет выйти из режима реального времени и вернуться в главное меню. Если в энергозависимой памяти есть несохраненные данные, отобразится сообщение, запрашивающее у пользователя подтвердить выход без сохранения данных.
Clear (Удалить)	Удаляет сохраненные измерения из буфера энергозависимой памяти. Пользователь может выбрать Clear Last (Удалить последнее), Clear All (Удалить все) или Cancel (Отменить).
Setup (Настройка)	<p>Позволяет пользователю изменить основные параметры фильтра и активировать и настроить функцию Maximum Depth (позиционирование датчика на максимальную глубину). Функция Maximum Depth (позиционирование датчика на максимальную глубину) позволяет пользователю вводить параметры измерения глубины в режиме реального времени. Пользователь может ввести значение максимальной глубины, полученное при помощи линейки (вручную) или измеренное автоматически. Оба способа позволяют активировать функцию Maximum Depth (позиционирование датчика на максимальную глубину).</p> <p>Если выбран автоматический режим, пользователь вводит расстояние от дна канала до нижней части опоры датчика (смещение). Интерфейс настройки будет постоянно показывать текущее значение глубины, полученное с датчика, и смещение. Измерительный прибор сохраняет это значение как максимальную глубину при нажатии кнопки OK. Во всех остальных случаях отображаемые значения глубины не включают смещение.</p> <p>Функция Maximum Depth требует наличия датчика, измеряющего скорость и глубину.</p>
Files (Файлы) или View (Вид)	Отображает краткое содержание каждого файла реального времени в энергонезависимой памяти. Файлы можно просматривать и удалять.

Рисунок 8 Экран данных в реальном времени

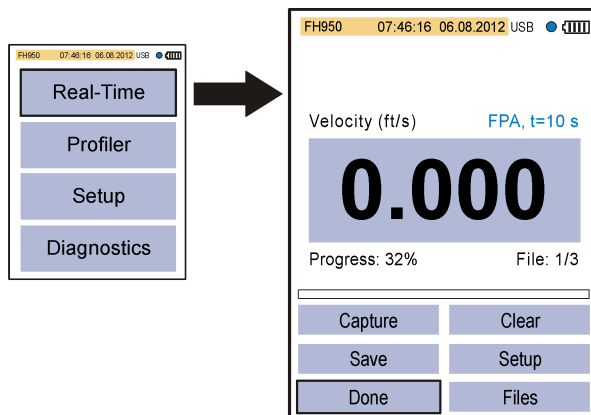
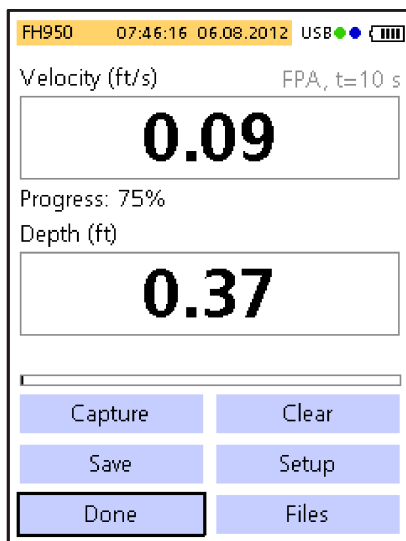


Рисунок 9 Экран данных в реальном времени для датчика с функцией измерения глубины



2. **Профили**— Выберите эту опцию, чтобы выполнить измерения потока или водовода. Измерительный прибор будет отображать подсказки, когда понадобится участие пользователя. Процент оставшейся памяти указан с разрешением 1%. См. более подробную версию руководства, чтобы получить дополнительную информацию о профилях.

Опция	Описание
Stream (Открытый поток)	Эта опция используется для настройки профиля для измерения открытого потока или безнапорного водовода. Измерьте скорость, чтобы рассчитать общий напор на основании требований стандартов ISO 748 или USGS для методов деления поперечного сечения на равные и неравные отрезки.
Conduit (Водовод)	Эта опция используется для настройки профиля для измерения водовода.
Files (Файлы)	Эта опция используется для просмотра или удаления сохраненных файлов. Файлы можно удалить по одному или все сразу.
Setup (Настройка)	Эта опция используется для настройки или изменения параметров фильтра и функции Maximum Depth.

3. **Set up (Настройка)**— Выберите эту опцию, чтобы изменить общие настройки системы и предпочтения.

Опция	Описание
Калибровка скорости	Выполняет калибровку датчика. Прибавляет рабочее смещение к заводской калибровке. См. приложение к более подробной версии руководства, где указана более подробная информация.

Опция	Описание
Параметры фильтра	<p>Применяет фильтр сбора данных (главный или предварительный). Пользователь может выбрать параметры фильтра.</p> <p>Главный фильтр</p> <ul style="list-style-type: none"> Усредненное значение за постоянный период (FPA) — находит среднее значение данных за постоянный период, указываемый пользователем (1-480 секунд). По умолчанию установлено 10 секунд. Если значение FPA равно 5, значение скорости на дисплее обновляется каждые 5 секунд. Временная константа RCA — Фильтр RC позволяет компенсировать перемешивание за счет использования выбранной временной константы в алгоритме фильтра. Этот режим полезен при поиске максимальной скорости, например, при стандартном измерении $0,9 \times V_{max}$. Высокие значения временных констант фильтра RC обеспечивают лучшую компенсацию перемешивания. Временную константу можно установить от 2 до 20 секунд, значение по умолчанию 6. При 1 временной константе фильтр стабилизирует примерно до 60% окончательного значения. При 5 временных константах фильтр стабилизирует примерно до 99,9% окончательного значения. То есть, если выбрано значение RC, равное 2, окончательное значение отобразится через 10 секунд. <p>Предварительный фильтр</p> <ul style="list-style-type: none"> Промежуточный фильтр — процесс фильтрования выполняется в датчике. Эту функцию можно отключить. Однако рекомендуемым значением (по умолчанию) является 5. Включите функцию, чтобы войти, или измените это значение.
Влажный/сухой порог	<p>Устанавливает порог погружения датчика для влажных и сухих условий. Значение по умолчанию 20%. См. приложение к более подробной версии руководства, чтобы получить более подробную информацию.</p>
Автообнуление глубины	<p>Включает и выключает функцию автообнуления.</p> <p>Если функция включена, прибор выполняет калибровку, когда датчик находится в воздухе, вне воды. Чтобы выполнить калибровку в воздухе, прибор автоматически обнуляет датчик.</p> <p>Если функция выключена, пользователь может обнулить датчик вручную. Для этого датчик необходимо вынуть из потока, нажать и удерживать клавишу мгновенного доступа в течение пяти секунд.</p> <p>Когда датчик будет находиться в потоке в течение 30 секунд, зеленый круг в правом верхнем углу станет красным. Это подскажет пользователю, что необходимо снова снять и обнулить датчик.</p>
EMI	<p>Настраивает частоту локальной линии на подавление окружающих шумов до 50 Гц или 60 Гц (по умолчанию).</p>
Clock (Часы)	<p>Устанавливает время и дату в 24-часовом формате. Переход на летнее время не предусмотрен.</p>
USB	<p>Настраивает режим USB.</p> <ul style="list-style-type: none"> Mass Storage (Накопитель) (по умолчанию) — Режим флешки или жесткого диска. Файлы в режиме "только чтение". CDC — Этот режим используется только для обновления прошивки.
Language (Язык)	<p>Выбор языка меню.</p>
Units (Единицы измерения)	<p>Устанавливает единицы измерения скорости, потока и глубины. Можно выбрать метрические единицы измерения или британские (по умолчанию).</p>

Опция	Описание
Beeper (Зуммер)	<p>Вкл (по умолчанию) или Выкл. Если функция включена, измерительный прибор подает звуковой сигнал в следующих случаях:</p> <ul style="list-style-type: none"> • Датчик установлен на правильной глубине согласно применимым методам профилирования. • Прошло 95 % времени измерения (режим профилирования). • Кнопка неактивного состояния нажата в любом из меню. <p>Эта функция доступна только для датчика, измеряющего глубину.</p>
Flow calculation (Расчет потока)	<p>Выберите метод расчета потока на открытом водоводе (только профили потока). Можно выбрать между делением поперечного сечения на равные и неравные отрезки. См. приложение к более подробной версии руководства, где указана более подробная информация.</p>
Station entry (Запись точки)	<ul style="list-style-type: none"> • Фиксированная — Оператор задает ширину открытого потока и количество точек для измерения. Измерительный прибор делит поперечное сечение на части через равные промежутки между вертикалями. • Нефиксированная (по умолчанию) — Оператор выбирает расстояние между вертикалями. Это наиболее часто используемая опция, так как она позволяет учитывать препятствия и другие ограничения поперечного сечения. • Фиксированная и нефиксированная—Оператор выбирает базовую плоскость для измерений глубины. Значения: верхнее или нижнее.
Restore defaults (Восстановить настройки по умолчанию)	<p>Восстанавливает все настройки измерительного прибора, установленные на заводе по умолчанию.</p>

4. **Diagnostics (Диагностика)**— Выберите эту опцию, чтобы выполнить поиск и устранение неисправностей измерительного прибора или датчика. Более подробную информацию об опциях диагностики см. в [Диагностика](#) на стр. 166.

Раздел 6 Запуск и самодиагностика

▲ ОПАСНОСТЬ	
	<p>Химическая или биологическая опасность. Если этот прибор используется для мониторинга процесса производства или подачи химических веществ, для которых необходимо соблюдать нормативные ограничения и требования по мониторингу, связанные со здоровьем населения, общественной безопасностью, производством пищевых продуктов и напитков, то на пользователя прибора возлагается ответственность за ознакомление с этими требованиями и их выполнение, а также за обеспечение наличия и установки необходимых и достаточных механизмов для соответствия применимым правилам в случае сбоя в работе прибора.</p>
▲ ПРЕДУПРЕЖДЕНИЕ	
	<p>Опасность возгорания и вероятность взрыва. Не используйте и не храните прибор в зоне действия прямых солнечных лучей, вблизи источников тепла и помещениях с высокой температурой воздуха, например в закрытом автомобиле, оставленном на солнце. Несоблюдение этой меры предосторожности может привести к перегреву аккумулятора и стать причиной взрыва или возгорания.</p>

Перед использованием аккумулятор должен быть установлен и заряжен. Более подробная информация об установке и замене аккумулятора указана в [Установка аккумулятора](#) на стр. 155. Информация о процедуре зарядки аккумулятора указана в [Зарядка аккумулятора](#) на стр. 156.

Примечание: Измерительный прибор нельзя использовать во время замены аккумулятора.

1. Нажимайте кнопку питания измерительного прибора до тех пор, пока не услышите звуковой сигнал. Измерительный прибор выполняет самодиагностику, на дисплее отображаются результаты. Если самодиагностика не была завершена успешно, на дисплее отображается

сообщение FAIL (ОШИБКА) напротив соответствующего параметра. Если датчик неисправен, замените его, если есть возможность.

2. По окончании самодиагностики нажмите **ОК**, чтобы перейти в главное меню.
3. Чтобы отключить питание измерительного прибора, нажмите кнопку питания. На экране Confirmation (Экран подтверждения) выберите Yes (Да) и нажмите **ОК**.
При отсутствии отклика портативного измерительного прибора нажмите и удерживайте кнопку включения питания в течение более 3 секунд, чтобы выполнить принудительное выключение. Не выполняйте принудительное выключение при нормальной работе измерительного прибора или если отображается значок доступа к файлам.

6.1 Самодиагностика прибора

Измерительный прибор выполняет самодиагностику во включенном состоянии. По завершении самодиагностики на дисплее отображаются результаты. Нажмите **ОК**, чтобы перейти в главное меню.

Если измерительный прибор не сможет успешно выполнить самодиагностику, на дисплее отобразится сообщение FAIL (ОШИБКА) напротив соответствующего параметра. В случае отказа датчика установите другой датчик, если имеется.


6.2 Спящий режим

Подсветка измерительного прибора гаснет спустя 30 секунд бездействия, дисплей переходит в спящий режим спустя 60 секунд бездействия. Этого не происходит, если датчик находится в режиме реального времени или во время измерения. Если измерительный прибор находится в спящем режиме в течение 30 минут, его питание отключается.

Чтобы выйти из спящего режима, нажмите любую клавишу. Включится нормальная яркость дисплея, все клавиши будут выполнять стандартные функции.

Раздел 7 Обслуживание

7.1 Очистка датчика

▲ ПРЕДУПРЕЖДЕНИЕ	
	Опасность вредного химического воздействия. Необходимо соблюдать правила техники безопасности и использовать индивидуальные средства защиты, соответствующие используемым химикатам. При составлении протоколов по технике безопасности воспользуйтесь действующими паспортами безопасности / паспортами безопасности материалов (MSDS/SDS).

Выполняйте очистку датчика при неожиданных скачках графиков расхода или уровня, а также после использования в грязных или песчаных водотоках.

При сильном загрязнении подержите датчик в чистой воде в течение нескольких минут, чтобы загрязнение можно было легко удалить.

Перед очисткой снимите датчик с измерительного прибора. Для очистки датчика используйте только растворы, указанные в [Таблица 3](#) как допустимые. При использовании датчиков с динамометрическим элементом (например, датчиков скорости и глубины) убедитесь, что отверстия для элементов промыты и не содержат загрязнений. Промойте датчик чистой водой перед повторной установкой на прибор.


Таблица 3 Допустимые и недопустимые чистящие растворы

Допустимые	Нельзя использовать
Средство для мытья посуды и вода	Концентрированный отбеливатель
Средство для очистки окон	Керосин
Изопропиловый спирт	Бензин
	Ароматические углеводороды

7.2 Очистка измерительного прибора

1. Нажмите кнопку питания, чтобы отключить питание измерительного прибора.
2. Используйте чистую влажную ткань для очистки корпуса измерительного прибора. При необходимости используйте раствор мягкого моющего средства.
3. Насухо протрите корпус при помощи чистой ткани. Прежде чем снова включить измерительный прибор, дайте ему полностью высохнуть.
Примечание: Не используйте бумажный материал для очистки дисплея. Такой материал может поцарапать экран.

7.3 Замените аккумулятор

▲ ПРЕДУПРЕЖДЕНИЕ	
	Опасность возгорания и вероятность взрыва. В данном оборудовании используется высокоэнергетическая литиевая батарея, которая может возгораться и привести к пожару или взрыву, даже при отсутствии электропитания. Чтобы поддерживать безопасность, обеспечиваемую кожухом прибора, необходимо установить и надежно закрепить при помощи предоставленных крепежных деталей панели кожуха прибора.
▲ ПРЕДУПРЕЖДЕНИЕ	
	Опасность взрыва и пожара. Замена батареи не разрешается. Используйте батареи, которые поставляются только производителем оборудования.

Замените аккумулятор, если после зарядки он не держит заряд.

Примечание: Если прибор необходимо вернуть производителю для ремонта или технического обслуживания, снимите аккумулятор и поместите в защитный чехол перед отправкой.

1. Отключите питание.
2. Снимите аккумулятор. См. [Установка аккумулятора](#) на стр. 155.
3. Утилизируйте аккумулятор в соответствии с местным, региональным и государственным законодательством.
4. Установите новый аккумулятор, соблюдая полярность, в то же положение. См. [Установка аккумулятора](#) на стр. 155.
Используйте аккумуляторы, которые поставляются только производителем оборудования.
5. Установите крышку аккумулятора. Убедитесь, что крышка надежно закреплена в соответствии с классом защиты корпуса.
6. При необходимости зарядите аккумулятор. См. [Зарядка аккумулятора](#) на стр. 156.

Раздел 8 Поиск и устранение неполадок

8.1 Диагностика

В Главном меню выберите Diagnostics (Диагностика), чтобы получить информацию об измерительном приборе и выполнить диагностические проверки, указанные в [Таблица 4](#).

Таблица 4 Диагностика измерительного прибора

Опция	Наименование
Сведения	Информация об измерительном приборе и датчике. Серийный номер и версия прошивки.
Удалить файлы	Удаление всех файлов, чтобы очистить память для новых измерений. Прежде чем выбрать эту опцию, убедитесь, что данные сохранены в ПК. Система автоматически форматирует память после удаления файла.
Датчик	Информация для диагностики датчика.
Самодиагностика	Запуск самодиагностики измерительного прибора.
Проверка клавиатуры	Проверка функциональности каждой кнопки.
Проверка дисплея	Проверка функциональности дисплея.
Журнал событий	Отображение, удаление или экспорт журнала событий. Экспортируйте журнал событий, чтобы сохранить его в доступном формате на USB-накопителе. Эта опция используется прежде всего заводскими специалистами по техническому обслуживанию.

8.2 Поиск и устранение неисправностей

На измерительном приборе и датчике нет деталей, которые обслуживаются пользователем. При возникновении перечисленных ошибок попробуйте выполнить корректирующие действия. Если неисправность не исчезает или если возникает неисправность, не представленная в списке, свяжитесь с производителем.

Сообщение или неисправность	Решение
Датчик не подключен	Подключите датчик и попробуйте снова.
Значение выходит за пределы диапазона	Измените параметры измерения или введите другое значение, затем попробуйте снова.
Известно, что передаваемые датчиком данные неверные или неточные.	Очистите датчик и выполните проверку.
Датчик не опознан	Проверьте подключение датчика. Убедитесь, что зажимная гайка на соединительном отверстии плотно затянута (затягивайте только пальцами).
Изображение на экране тусклое или неразборчивое	Нажмите клавишу на клавиатуре.
Данные недоступны или доступ к данным невозможен	Убедитесь, что опция USB (в Главном меню) установлена на значение "Массовая память" (Mass Storage).
Измерительный прибор не отвечает	Нажмите и удерживайте кнопку питания не менее 3 секунд. Это выключит измерительный прибор. Снова включите измерительный прибор. <i>Примечание: Не используйте этот способ для отключения измерительного прибора при нормальной работе или если на дисплее отображается значок доступа к файлу.</i>

İçindekiler

- | | |
|--------------------------------------|--|
| 1 Online kullanım kılavuzu sayfa 168 | 5 Kullanıcı arayüzü ve gezinme sayfa 179 |
| 2 Teknik Özellikler sayfa 168 | 6 Başlatma ve kendi kendine test sayfa 184 |
| 3 Genel bilgiler sayfa 170 | 7 Bakım sayfa 185 |
| 4 Kurulum sayfa 175 | 8 Sorun giderme sayfa 186 |

Bölüm 1 Online kullanım kılavuzu

Bu Temel Kullanım Kılavuzu, üreticinin web sitesinde bulunan Kullanım Kılavuzuna göre daha az bilgi içerir.

Bölüm 2 Teknik Özellikler

Teknik özellikler, önceden bildirilmeksizin değiştirilebilir.

2.1 Sensör özellikleri

Teknik Özellik	Ayrıntılar
Hız ölçümü	
Yöntem	Elektromanyetik
Aralık	0 ila 6,09 m/s (0 ila 20 fit/sn)
Minimum su derinliği	3,18 cm (1,25 inç)
Doğruluk	okumanın $\pm 2\%$ 'si $\pm 0,015$ m/sn ($\pm 0,05$ fit/sn) 0 ila 3,04 m/sn (0 ila 10 fit/sn); $\pm 3,04$ ila 4,87 m/sn'den okumanın $\%4$ 'ü (10 ila 16 fit/sn)
Çözüm	$0 \leq \text{değer} < 10$: 3 ondalık hanesi; $10 \leq \text{değer} < 100$: 2 ondalık hanesi; $100 \leq \text{değer} < 1000$: 1 ondalık hanesi; $\text{değer} \geq 1000$: 0 ondalık hanesi
Sıfır stabilite	$\pm 0,015$ m/sn ($\pm 0,05$ fit/sn)
Malzeme	ABS, cam dolgulu
Muhafaza koruma sınıfı	IP68
Boyutlar (L x W x H)	11,9 x 4,3 x 6,3 cm (4,7 x 1,7 x 2,5 inç)
Kablo malzemesi	Poliüretan kaplamalı
Kablo uzunlukları	2, 6,1, 12,2 ve 30,5 m (6.5, 20, 40 ve 100 ft)
Derinlik ölçümü	
Metod	Diyafram türü: tek nokta kalibrasyonu ile mutlak basınç
Doğruluk (statik)	Okumanın $\pm 2\%$ 'si veya $\pm 0,015$ m ($\pm 0,504$ inç) içinden büyük olanı. Sabit durum sıcaklığı ve statik akışsız su.
Aralık	3,05 m (0-10 ft)
Çözüm	$0 \leq \text{değer} < 10$: 3 ondalık hanesi; $10 \leq \text{değer} < 100$: 2 ondalık hanesi; $100 \leq \text{değer} < 1000$: 1 ondalık hanesi; $\text{değer} \geq 1000$: 0 ondalık hanesi

2.2 Taşınabilir ölçüm cihazı spesifikasyonları

Teknik Özellik	Ayrıntılar
Kirlilik derecesi	2
Koruma sınıfı	II
Şarj sıcaklığı	0 ila 40 °C (32 ila 104 °F)

Teknik Özellik	Ayrıntılar
Çalışma sıcaklığı	-20 ila 55 °C (-4 ila 131 °F)
Saklama sıcaklığı	-20 ila 60 °C (-4 ila 140 °F)
Muhafaza değeri	IP67
Pil ömrü ölçüm cihazı	Beş segmentli çubuk grafiği
Pil türü	Şarj edilebilir lityum iyon; 3,6 V; 5,0 Ah; 18 Wh
Pil ömrü	18 saat ağır tipik günlük kullanım ¹ ; 20 °C (68 °F)
Pil şarj cihazı	Harici güç adaptörü, enerji verimliliği VI; 100 – 240 VAC; 50 – 60 Hz; 0,5 A giriş; 12 VDC; 1,25 A çıkış
Boyutlar (L x W x H)	21,8 x 9,3 x 5,3 cm (8,6 x 3,7 x 2,1 inç)
USB konektörü	Tip Mini-B, 5 pimli, kapaklıyken IP67 olarak kademelendirilmiş
Malzeme	Termoplastik elastomer (TPE) üst kalıp içeren polikarbonat

2.3 Kullanıcı arayüz özellikleri

Teknik Özellik	Ayrıntılar
Grafik ekran	Renkli, LCD 3,5" QVGA sıvı kristal ekran (direkt güneş ışığında okunabilir)
Ölçüm çözünürlüğü	0 ≤ değer < 10: 3 ondalık hanesi; 10 ≤ değer < 100: 2 ondalık hanesi; 100 ≤ değer < 1000: 1 ondalık hanesi; değer ≥ 1000: 0 ondalık hanesi
Tuş takımı	Alfasayısal
Çalışma modları	Gerçek zamanlı, profil oluşturma
Profil tipleri	Akış, iletken
İletken şekilleri	Dairesel, dikdörtgen, ikizkenar yamuk, 2/3 yumurta, ters 2/3 yumurta
Akış girişleri	Sabit, sabit olmayan istasyonlar
Gürültü rejeksiyonu	Kullanıcı tarafından seçilebilir, 50 Hz veya 60 Hz
Ölçme birimi	Hız: fit/sn, m/sn, cm/sn, mm/sn
	Akış: fit ³ /sn, milyon gal/gün, gal/gün, gal/dk, m ³ /sn, m ³ /dk, m ³ /saat, m ³ /gün, litre/sn, litre/dk
	Derinlik: inç, ft, m, cm, mm
Akış hesaplaması	Ortalama kısım veya orta kısım yöntemi
Tanılamalar	Oto test, tuş takımı, ekran, olay günlüğü
Kanal profil yöntemleri	0,9 x Vmax, 0,2/0,4/0,8, hız ve seviye entegratörü, 2D
Akış profil yöntemleri	1, 2, 3, 4, 5 ve 6 nokta (hız yöntemi - USGS ve ISO), 2 nokta KREPS yöntemi, 1 nokta yüzey yöntemi, 1 ve 2 nokta buz yöntemi
Dosya türleri	Gerçek zamanlı, profil, olay günlüğü
Diller	İngilizce, Fransızca, İspanyolca, Almanca, İtalyanca, Felemenkçe, Danca, İsveççe, Çince, Lehçe, Japonca, Korece, Portekizce, Slovakça, Rusça, Macarca, Bulgarca, Rumence, Çekçe, Türkçe, Fince, Yunanca

¹ 30 dakikalık kurulum, aktif bir sensörle ve ekran maksimum parlaklıkta iken altı adet 1 saatlik sürekli kullanım ve kullanım süreleri arasında 30 dakikalık uyku modu, veri indirme ve kapatma.

2.4 Genel özellikler

Teknik Özellik	Ayrıntılar
Maksimum gerçek zamanlı dosya sayısı	Kullanıcı tarafından alınan en çok 75 okuma ile her biri 50 adet.
Üretici yazılımı	Sensör ve taşınabilir ölçüm cihazı USB üzerinden alanda yükseltilebilir

Bölüm 3 Genel bilgiler

Üretici, hiçbir koşulda ürünün yanlış kullanımından veya kılavuzdaki talimatlara uyulmamasından kaynaklanan hasarlardan sorumlu tutulamaz. Üretici, bu kılavuzda ve açıkladığı ürünlerde, önceden haber vermeden ya da herhangi bir zorunluluğa sahip olmadan değişiklik yapma hakkını saklı tutmaktadır. Güncellenmiş basımlara, üreticinin web sitesinden ulaşılabilir.

3.1 Güvenlik bilgileri

Üretici, doğrudan, arızı ve sonuç olarak ortaya çıkan zararlar dahil olacak ancak bunlarla sınırlı olmayacak şekilde bu ürünün hatalı uygulanması veya kullanılmasından kaynaklanan hiçbir zarardan sorumlu değildir ve yürürlükteki yasaların izin verdiği ölçüde bu tür zararları reddeder. Kritik uygulama risklerini tanımlamak ve olası bir cihaz arızasında prosesleri koruyabilmek için uygun mekanizmaların bulunmasını sağlamak yalnızca kullanıcının sorumluluğundadır.

Bu cihazı paketinden çıkarmadan, kurmadan veya çalıştırmadan önce lütfen bu kılavuzun tümünü okuyun. Tehlikeler ve uyarılarla ilgili tüm ifadeleri dikkate alın. Aksi halde, kullanıcının ciddi şekilde yaralanması ya da ekipmanın hasar görmesi söz konusu olabilir.




Bu ekipman tarafından sağlanan korumanın bozulmadığından emin olun. Bu donanımı, bu kılavuzda belirtilenden başka bir şekilde kullanmayın ya da takmayın.

3.1.1 Tehlikeyle ilgili bilgilerin kullanılması

▲ TEHLİKE
Kaçınılmadığı takdirde ölüm veya ciddi yaralanmaya yol açan potansiyel veya tehdit oluşturacak tehlikeli bir durumu belirtir.
▲ UYARI
Kaçınılmadığı takdirde ölüm veya ciddi yaralanmaya yol açabilecek potansiyel veya tehdit oluşturabilecek tehlikeli bir durumu belirtir.
▲ DİKKAT
Küçük veya orta derecede yaralanmalarla sonuçlanabilecek potansiyel bir tehlikeli durumu gösterir.
BİLGİ
Engellenmediği takdirde cihazda hasara neden olabilecek bir durumu belirtir. Özel olarak vurgulanması gereken bilgiler.

3.1.2 Önlem etiketleri

Cihazın üzerindeki tüm etiketleri okuyun. Talimatlara uyulmadığı takdirde yaralanma ya da cihazda hasar meydana gelebilir. Cihaz üzerindeki bir sembol, kılavuzda bir önlem ibaresiyle belirtilir.

	Bu, güvenlik uyarı sembolüdür. Olası yaralanmaları önlemek için bu sembolü izleyen tüm güvenlik mesajlarına uyun. Cihaz üzerinde mevcutsa çalıştırma veya güvenlik bilgileri için kullanım kılavuzuna başvurun.
	Bu sembol Elektrostatik Boşalmaya (ESD-Electro-static Discharge) duyarlı cihaz bulunduğunu ve ekipmana zarar gelmemesi için dikkatli olunması gerektiğini belirtir.
	Bu sembolü taşıyan elektrikli cihazlar, Avrupa evsel ya da kamu atık toplama sistemlerine atılamaz. Eski veya kullanım ömrünü doldurmuş cihazları, kullanıcı tarafından ücret ödenmesine gerek olmadan atılması için üreticiye iade edin.

3.1.3 Elektromanyetik uyumluluk (EMC) uyumluluğu

⚠ DİKKAT

Bu ekipman, mesken ortamlarda kullanım için tasarlanmamıştır ve bu tür ortamlarda radyo sinyaline karşı yeterli koruma sağlayamayabilir.

CE (EU)

Ekipman, 2014/30/EU sayılı EMC Direktifinin temel gerekliliklerini karşılamaktadır.

UKCA (UK)

Ekipman, Elektromanyetik Uyumluluk Yönetmelikleri 2016 (S.I. 2016/1091) gerekliliklerini karşılamaktadır.

Kanada Radyo Girişimine Neden Olan Cihaz Yönetmeliği, ICES-003, A Sınıfı:

Destekleyen test kayıtları, üreticide bulunmaktadır.

Bu A Sınıfı dijital cihaz, Kanada Parazite Neden Olan Cihaz Yönetmeliğinin tüm şartlarını karşılamaktadır.

Cet appareil numérique de classe A répond à toutes les exigences de la réglementation canadienne sur les équipements provoquant des interférences.

FCC PART 15, "A" Sınıfı Limitleri

Destekleyen test kayıtları, üreticide bulunmaktadır. Bu cihaz, FCC Kurallarının 15. bölümüne uygundur. Çalıştırma için aşağıdaki koşullar geçerlidir:

1. Cihaz, zararlı girişime neden olmaz.
2. Bu cihaz, istenmeyen işleyişe yol açabilecek parazit de dahil olmak üzere, alınan her türlü paraziti kabul edecektir.

Bu cihaz üzerinde, uyumluluktan sorumlu tarafın açıkça onaylamadığı her türlü değişiklik, kullanıcının cihazı çalıştırma yetkisini geçersiz kılacaktır. Bu cihaz, test edilmiş ve FCC kuralları, Bölüm 15 uyarınca A Sınıfı bir dijital cihaz limitlerini karşıladığı tespit edilmiştir. Bu limitler, ekipmanın bir işyeri ortamında çalıştırılması durumunda zararlı parazitlere karşı uygun koruma sağlayacak şekilde tasarlanmıştır. Bu cihaz, telsiz frekansı enerjisi üretir, kullanır ve yayabilir ve kullanım kılavuzuna uygun olarak kurulmazsa ve kullanılmazsa telsiz iletişimlerine zararlı parazitlere neden olabilir. Bu cihazın bir konut alanında kullanılması zararlı parazitlere neden olabilir. Böyle bir durumda kullanıcının masrafları kendisine ait olmak üzere bu parazitleri düzeltmesi gerekecektir. Parazit sorunlarını azaltmak için aşağıdaki teknikler kullanılabilir:

1. Parazitin kaynağı olup olmadığını öğrenmek için bu ekipmanın güç kaynağı bağlantısını kesin.
2. Eğer cihaz, parazit sorunu yaşayan cihazla aynı prize bağlıysa, cihazı farklı bir prize takın.
3. Cihazı parazit alan cihazdan uzaklaştırın.

4. Cihazın parazite neden olduđu cihazın alıcı antenini başka bir yere taşıyın.
5. Yukarıda sıralanan önlemleri birlikte uygulamayı deneyin.

3.2 Ürüne genel bakış

Taşınabilir hız sistemi alanda, laboratuarda ve belediyelerde kullanılır. Türbülanslı, gürültülü ve düşük akışlar bu sistemle ölçülebilir.

Sensör akan suyun altına konduğunda, etrafındaki manyetik alan akış hızıyla doğru orantılı bir gerilim oluşturur. Sensörün çevresindeki su akış hızını temsil eden bu voltaj büyüklüğü sensördeki dedektörler tarafından algılanır ve sensör mikroişlemcisi tarafından işleme konur. İşleme konan sinyal, sensör kablosu aracılığıyla dijital olarak taşınabilir ölçüm cihazına iletilir ve bilgiler ölçüm cihazının ekranında görüntülenir. Sistem taşınabilir bir ölçüm cihazı, kablolu sensör ve aksesuarlar içerir.

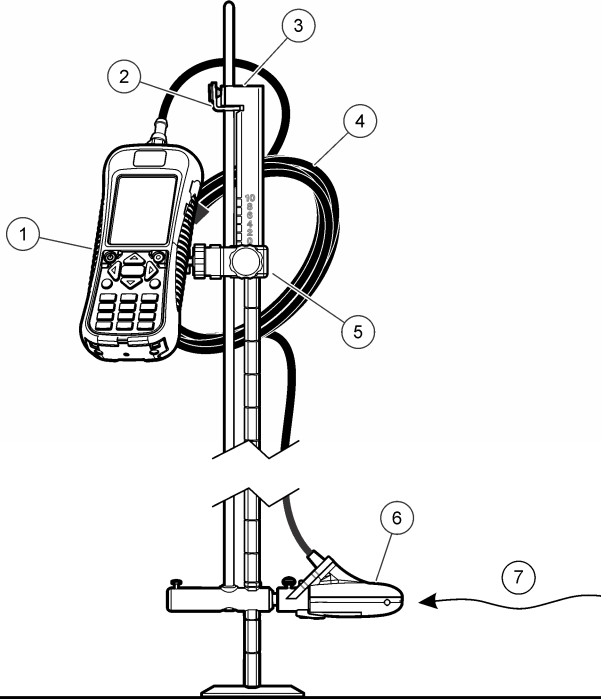
Ölçüm cihazı ve sensör, iletken ve akışlarda hız bilgilerini alır. Bu ölçümler belediye atıksu sektörlerindeki kalibrasyonlar, aynı zamanda çevreye olan etkinin değerlendirilmesinde önemlidir.

İki tür sensör mevcuttur: yalnız hız ve hız artı derinlik. Bu kılavuz her iki sensör türünü kapsar. Bilgiler belirli bir sensör türü için geçerliyse, bu metinde belirtilir.

3.2.1 Sisteme genel bakış

Monte edilen sisteme genel bakış [Şekil 1](#) kısmında görüntülenir. Daha fazla bilgi için tek tek bileşenlerle veya aksesuarlarla birlikte verilen belgelere bakın.

Şekil 1 Toplanan bileşenler

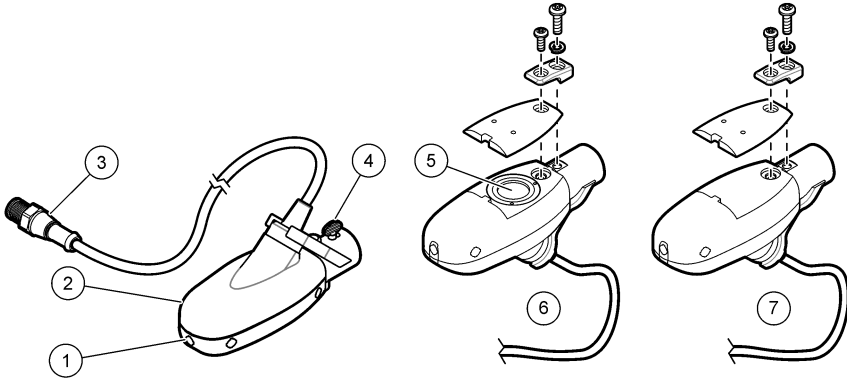


1 Taşınabilir ölçüm cihazı	5 Taşınabilir ölçüm cihazı için ayarlanabilir montaj
2 Sensör yükseklik kilitleme/açma cihazı	6 Sensör montajı
3 Üst ayar suda ilerleme çubuğu (aksesuar)	7 Akış yönü
4 Sensör kablosu	

3.2.2 Sensöre genel bakış

Şekil 2 ana sensör bileşenlerini gösterir. Sensörü standart veya üst ayar suda ilerleme çubuğuna takma talimatları aksesuarla birlikte verilir.

Şekil 2 Sensör bileşenleri

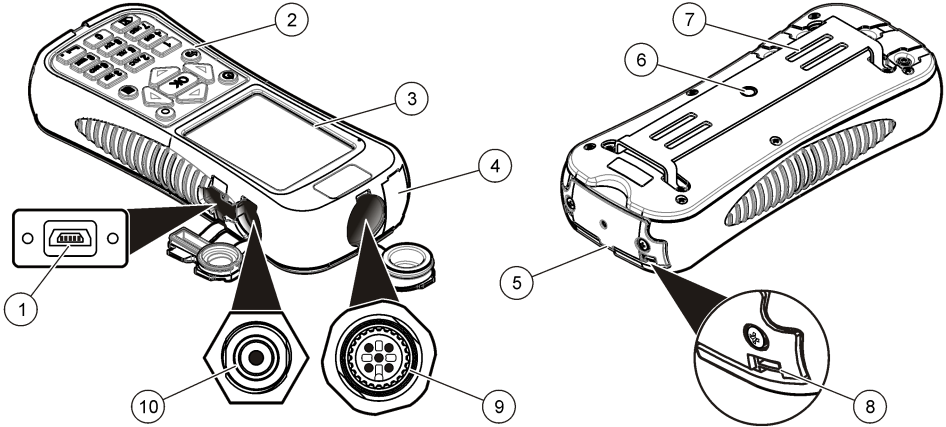


1 Sensör elektrotları	5 Basınç hücresi (derinlik seçeneği olan sensörler)
2 Sensör gövdesi	6 Derinlik seçeneği olan sensör
3 Sensör takma fişi	7 Derinlik seçeneği olmayan sensör
4 Sensör takma kelebek vidası	

3.2.3 Cihaza genel bakış

Şekil 3 ölçüm cihazının özelliklerini gösterir.

Şekil 3 Ölçüm cihazı bileşenleri



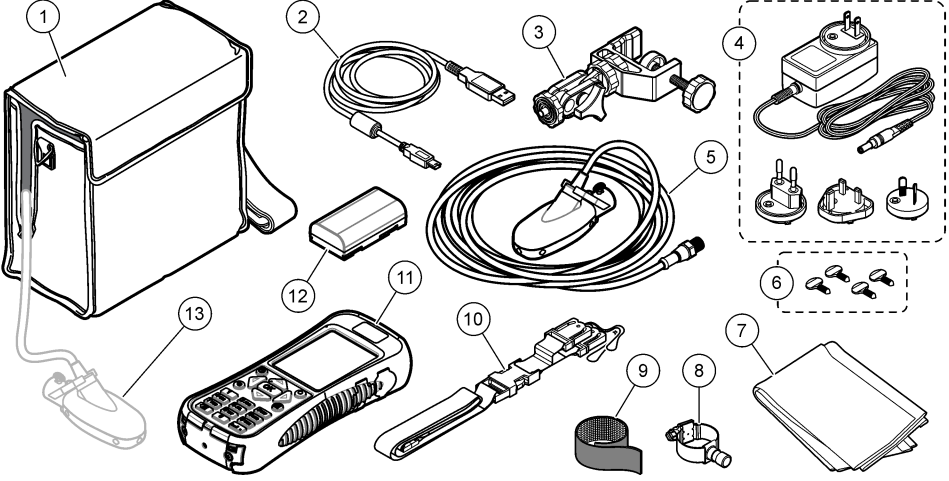
1 USB bağlantı noktası ²	6 Ayarlanabilir ölçüm cihazı montajı için dişli delik
2 Tuş takımı	7 Velcro veya strap takma yuvaları
3 Ölçüm cihazı ekranı	8 Boyun strap takma dişleri için yuva (2x)
4 Genişletme bağlantı noktası (kullanılmaz)	9 Sensör bağlantı noktası
5 Pil yuvası kapağı	10 Pil şarj cihazı konektörü

² Pili şarj etmek için USB bağlantısını kullanmayın.

3.3 Ürün bileşenleri

Eksiksiz bir sistem satın alırken, tüm bileşenlerin teslim alındığından emin olmak için [Şekil 4](#) kısmına bakın. Herhangi bir öge eksikse veya hasar görmüşse hemen üretici ya da satış temsilcisi ile iletişime geçin.

Şekil 4 Sistem bileşenleri



1 Taşıma kutusu (Sensör kablosu için yuva ile)	8 Evrensel sensör montajı
2 Mini USB konektörüne sahip USB kablosu, 1 m (3 ft)	9 Velcro strap
3 Ayarlanabilir portatif ölçüm cihazı montajı	10 Askı ipi
4 Pil şarj cihazı, 100 – 240 VAC	11 Taşınabilir ölçüm cihazı
5 Sensör	12 Lityum pil paketi
6 Ekstra kelebek vidalar (4x)	13 Ölçüm cihazının iç kutusuna takılan sensör
7 Sensörü kurutmak için bez	

Bölüm 4 Kurulum

4.1 Sensörü evrensel sensör montajına takın

Sensörü 2,54 cm (1 inç) veya altındaki direklere takmak için evrensel sensör montajını kullanın. Doğru çalıştırma ve doğru okuma için, sensörün ön tarafı elektrotlar akışla tam temas halindeyken yukarı bakmalıdır.

Not: Sensör elektrotlarına yağ ve gres gibi iletken olmayan maddelerin bulaşmasını önleyin. Sensör kontaminasyonunu gidermek için bkz. [Sensörün temizlenmesi](#) sayfa 185.

1. Sensörün ön tarafı yuvarlatır ve üç elektrot içerir. Sensörün arkasında bir montaj deliği ve üstünde bir kelebek vida bulunur. Evrensel montaj parçasının montaj gövdesini sensörün arkasındaki montaj deliğine koyun. Montaj gövdesinin montaj deliğine tamamen geçtiğinden ve kelebek vidanın yive geçtiğinden emin olun.
2. Kelebek vidayı sıkın.
3. Evrensel sensör montajının klempinden 2,54 cm (1 inç) veya daha küçük çaplı bir direği geçirin. Kelepçeyi sıkın.

Not: Sensörü standardı veya üst ayar ilerleme çubuğuaksesuarla birlikte verilmiştir.

4.2 Lityum pil güvenliği

▲ UYARI



Yangın ve patlama tehlikesi. Lityum piller kötü kullanım koşullarına maruz kalırsa ısınabilir, patlayabilir veya alev alabilir ve ciddi yaralanmalara sebep olabilir.

- Pilde gözle görünür hasar varsa kullanmayın.
- Pil sert bir darbe veya titreşime maruz kalırsa pili kullanmayın.
- Pili ateşten uzak tutun.
- Pili 60°C'den (140°F) daha düşük sıcaklıkta muhafaza edin.
- Pili kuru şekilde ve sudan uzakta muhafaza edin.
- Pilin pozitif ve negatif terminallerinin temas etmesini önleyin.
- Yetki sahibi olmayan kişilerin pile dokunmasına izin vermeyin.
- Pili yerel, bölgesel ve ulusal yönetmeliklere uygun olarak bertaraf edin.
- Cihazı doğrudan güneş ışığı altında, bir ısı kaynağının yakınında veya yüksek sıcaklık içeren ortamlarda (örneğin doğrudan güneş ışığı altındaki kapalı bir aracın içinde) kullanmayın veya saklamayın.

4.3 Pili takma

▲ UYARI



Yangın ve patlama tehlikesi. Bu ekipmanda, elektrik akımı olmasa dahi alev alarak yangına veya patlamaya sebebiyet verebilen yüksek enerjili lityum pil yer alır. Cihaz muhafazasının sağladığı güvenliği korumak için cihaz muhafazasının kapakları, verilen donanım kullanılarak takılmalı ve sabitlenmelidir.

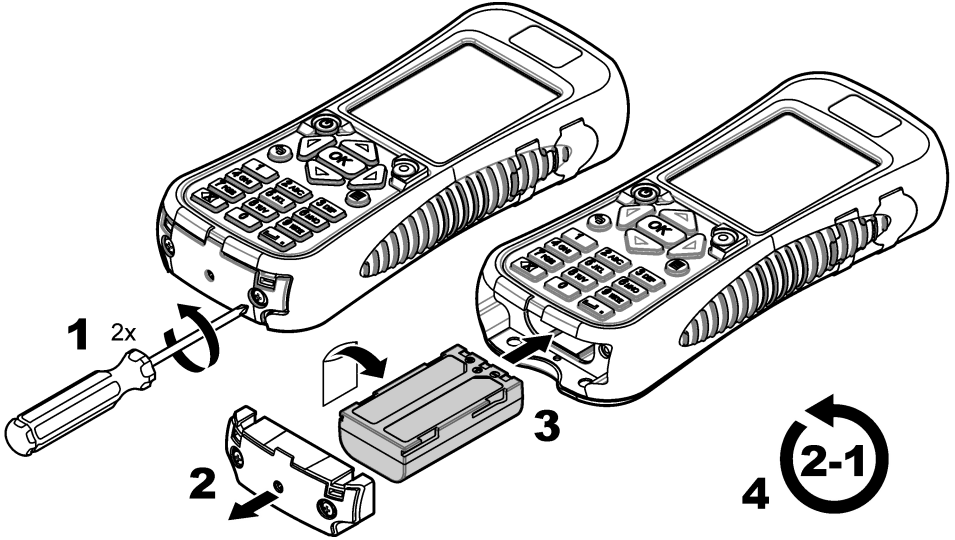
▲ UYARI



Patlama ve yangın tehlikesi. Başka pil kullanımına izin verilmez. Sadece cihaz üreticisi tarafından verilen pilleri kullanın.

Tedarik edilen lityum pili [Şekil 5](#)'te gösterildiği şekilde takın: .

Şekil 5 Pili takma



4.4 Pilin şarj edilmesi

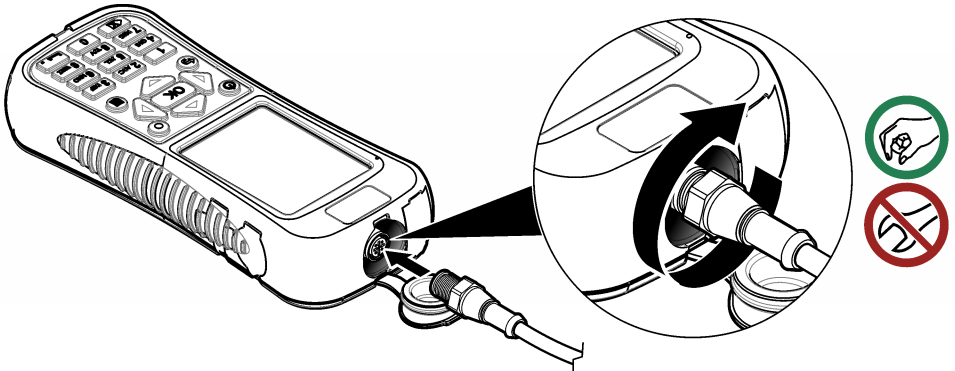
Not: Başka bir pil şarj cihazı kullanımına izin verilmez. Yalnız cihaz için belirtilen parça ve aksesuar listesindeki şarj cihazını kullanın. Kılavuzun uzun versiyonundaki Yedek parça ve aksesuarlar kısmına bakın.

İlk kullanımdan önce, tedarik edilen pil şarj cihazı ile cihaz pilini tamamen şarj edin. Boş bir pil yaklaşık 8 saat içinde tamamen şarj olur.

1. Pil şarj cihazına coğrafi bölgeye uygun, doğru fiş türünün takıldığından emin olun.
2. Pil şarj cihazını topraklamalı bir elektrik prizine bağlayın.
3. Pil şarj cihazını, cihazın üzerindeki pil şarj cihazı konektörüne bağlayın. Bkz. [Cihaza genel bakış](#) sayfa 174. Pil seviyesi ekranda görüntülenir. Pil şarj olurken, şarj bağlantı noktasının çevresinde mavi bir ışık görünür. Şarj işlemi tamamlandığında mavi ışık söner.

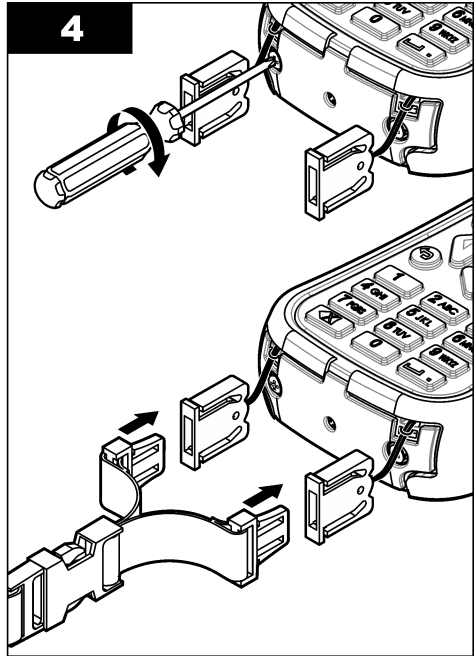
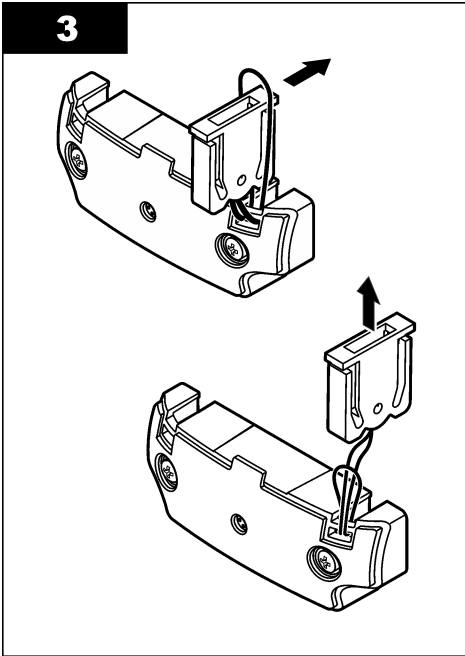
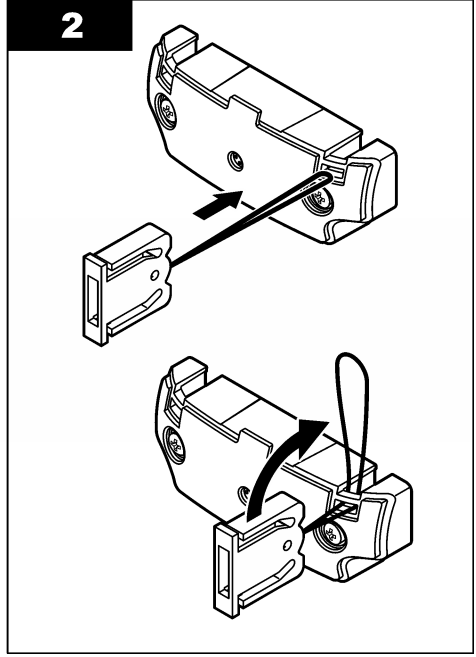
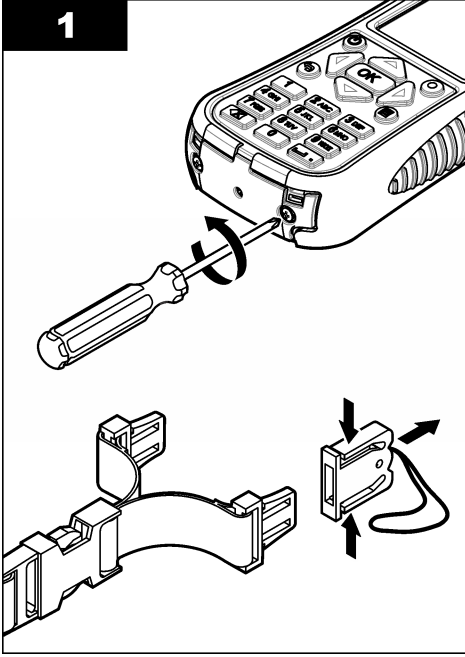
Not: Pil şarj olurken ölçüm cihazı çalışmaz. Pil, USB kablo bağlantısı üzerinden şarj edilmez.

4.5 Sensörü ölçüm cihazına takın



4.6 Askı ipini takın

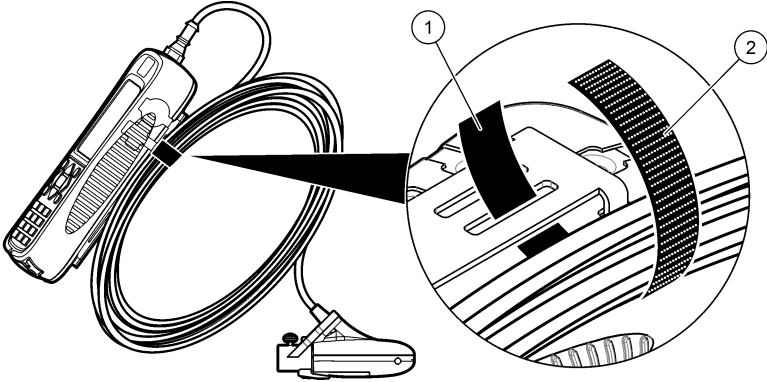
Metreyi boynun etrafına güvenle geçirmek için askı ipini takın.



4.7 Velcro strap takın

Kablonun fazlasını tutmak için velcro strap kullanın Bkz. [Şekil 6](#).

Şekil 6 Velcro strap takın



1 İlecek tarafı

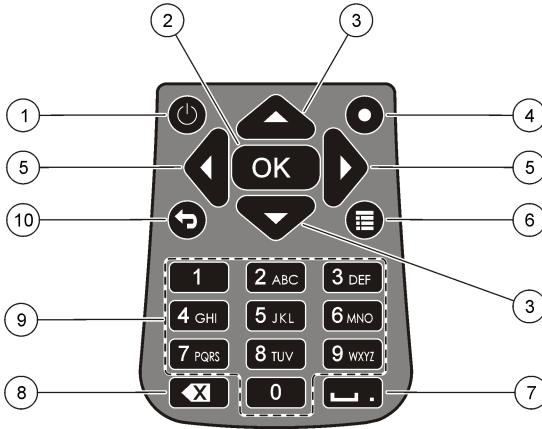
2 Kanca tarafı

Bölüm 5 Kullanıcı arayüzü ve gezinme

5.1 Tuş takımı ve tuş işlevleri

[Şekil 7](#) ölçüm cihazının tuş takımını gösterir. [Tablo 1](#), her bir tuş veya tuş tipinin işlevlerini belirtir.

Şekil 7 Tuş takımı



1 Güç Açma/Kapama	6 Main Menu (Ana Menü)
2 OK (Tamam)	7 Alt çizgi veya ondalık
3 Yukarı ve Aşağı oklar	8 Geri
4 Quick Jump (Hızlı Geçiş)	9 Alfasayısal
5 Sağ ve Sol oklar	10 Önceki menü

Tablo 1 Tuş tanımı

Tuş	Açıklama
Güç Açma/Kapama	Ölçüm cihazını açar ve kapatır.
OK (Tamam)	Bir girişi veya vurgulanan menü seçeneğini doğrular.
Yukarı ve Aşağı oklar	Ekranda yukarı veya aşağı ilerler. İmleç ekranın üstünde veya altında ise, YUKARI veya AŞAĞI ok tuşuna basıldığında imleç alt veya üst kısma sarılır.
Quick Jump (Hızlı Geçiş)	Normal çalışma şartlarında bu tuş Select conduit shape (Kanal şeklini seç) ekranına gider. Profiler (Profil oluşturu) çalışma şartlarında Quick Jump (Hızlı Geçiş) tuşu devre dışıdır. Otomatik sıfırlama özelliği devre dışıysa, derinlik sensörünü manuel olarak sıfırlamak için bu tuşu beş saniye basılı tutun. Real Time (Gerçek Zamanlı) modunda, Quick Jump (Hızlı Geçiş) tuşu dijital ve grafik görünümler arasında geçiş yapar.
Sağ ve Sol oklar	Ekranda sağa veya sola gider.
Main Menu (Ana Menü)	Herhangi bir alt menü veya ekrandan Main Menu'ye (Ana Menü) gider.
Alt çizgi veya ondalık	Alt çizgi veya ondalık karakteri girer. Yalnız sayısal alanlarda, bu tuş imleç konumuna otomatik olarak bir ondalık nokta yerleştirir.
Geri	İmleci bir vuruş geri alır.
Alfasayısal	Alfa veya sayısal değer girer. Değerler, tuş üzerinde gösterildiği sırayla girilir. 2 saniye sonra, ekranda gösterilen değer kaydedilir ve imleç ilerler.
Önceki menü	Önceki ekrana gider.

5.2 Durum çubuğu

Ekranın üst kısmında bir durum çubuğu görüntülenir. Durum çubuğundaki bilgilerin tanımı [Tablo 2](#) kısmında verilmiştir.

Tablo 2 Durum çubuğu göstergeleri

Gösterge	Açıklama
Saat ve Tarih	Mevcut saati ve tarihi gösterir.
USB	Bir USB kablosu bağlıyken görüntülenir. Bir USB kablosu takılıysa ve bu gösterge durum çubuğunda görüntülenmiyorsa, USB kablosu tamamen takılı değildir. USB kablosunun tamamen itilmiş olduğundan ve bağlantı noktasıyla tam temas halinde olduğundan emin olun.
İletkenlik	Sensör suyun dışındaysa ve pil simgesinin yanında iletken olmayan, mavi bir halka görünürse. Sensör suda ise ve geçirgense, gösterge düz mavi dairesidir.
Pil	Beş çubuklu bir grafik, pildeki şarj seviyesini gösterir.
Dosya erişimi	Ölçüm cihazı bir dosyaya eriştiğinde görüntülenir.
Otomatik sıfırlama derinlik göstergesi	Derinlik sensörü son 30 dakika içinde sıfırlanmışsa, İletkenlik göstergesinin yanında sabit yeşil renkte bir daire görünür. Derinlik sensörü son 30 dakikada sıfırlanmamışsa, bu gösterge kırmızı renkte yanar.

5.3 Navigasyon ve Ana Menü

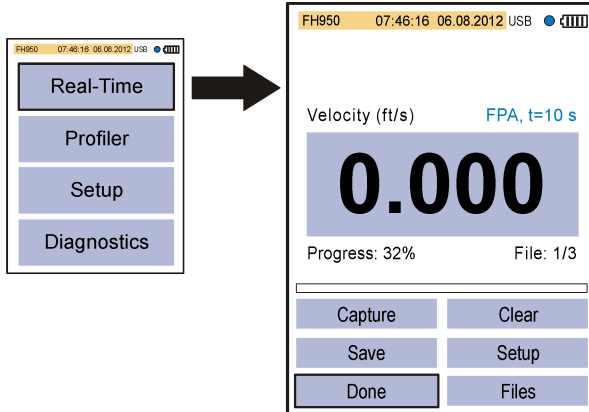
Seçilen bir menü seçeneği veya değer ekranda görüntülenirse, doğrulamak için **OK** (Tamam) tuşuna basın. Varsa ilave ekranları ve seçenekleri görüntülemek için More (Diğer) seçeneğini belirleyip **OK** (Tamam) düğmesine basın. Bir alt menüden Main Menu'ye (Ana Menü) gitmek için Main Menu düğmesine basın.

Not: Ölçüm cihazına bir sensör bağlanmadıkça, bazı işlemler tamamlanamaz. Bir sensör takılı olmadığında bu işlemler denenirse, ekranda bir hata mesajı görüntülenir. Bir sensör takip işlemi tekrar deneyin.

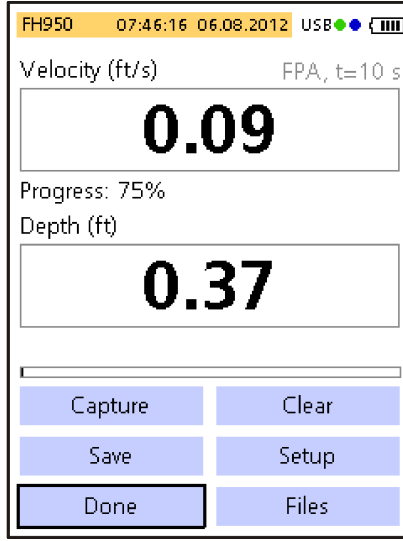
1. **Real time** (Gerçek Zamanlı)—Gerçek zamanlı hız ve derinlik bilgilerini almak için bu seçeneği belirleyin. (Derinlik özellikli sensör, derinliği okumak için gereklidir). Yalnız hız içeren sensörler için Real Time (Gerçek Zamanlı) ekranına bir örnek **Şekil 8**'de gösterilmiştir. Hem hız hem derinlik içeren sensörler için gerçek zamanlı ekranlar **Şekil 9**'de gösterilmiştir. Gösterilen bilgi ve seçeneklerin biçimi kullanılan sensörlerin tipine göre değişir. Real Time (Gerçek Zamanlı) modunda, Quick Jump (Hızlı Geçiş) tuşu Gerçek Zamanlı bilgilerin dijital ve grafik görünümleri arasında geçiş yapar. Hız, sabit süre ortalama süresine göre FPA filtre modunda güncelleştirilir. RC filtre modunda, hız 250 ms'de bir ekranda sürekli güncelleştirilir.

Seçenek	Açıklama
Capture (Yakala)	Bellekte gösterilen derinlik ve hız bilgilerini saklar. Güç döngüsü tamamlanana kadar bilgiler kaydedilir, bellek, geçici olmayan gerçek zamanlı bir dosyaya kaydedilir veya kullanıcı gerçek zaman modundan çıkar.
Save (Kaydet)	Geçici bellekteki yakalanmış ölçümleri geçici olmayan gerçek zamanlı bir dosyaya kaydeder. Dosya sayısı olası maksimum dosya sayısından fazlaysa, mesaj görüntülenir. Dosyalar sekmeye ayrılmış (.tsv) biçimde saklanır.
Done (Bitti) veya OK (Tamam)	Gerçek zamanlı moddan çıkarak Ana Menüye döner. Geçici bellekte kaydedilmemiş bilgiler varsa, bir onay mesajı kullanıcıdan verileri kaydetmeden çıkmayı onaylamasını ister.
Açık	Geçici bellek arabelleğinden yakalanan ölçümleri siler. Kullanıcı, Clear Last (Sonuncuyu Sil), Clear All (Tümünü Sil) veya Cancel (İptal) seçeneklerinden birini seçebilir.
Kurulum	Kullanıcının ana filtre parametrelerini değiştirmesini ve Maximum Depth (Maksimum Derinlik) sensörü konumlandırma özelliğini etkinleştirip programlamasını sağlar. Maximum Depth (Maksimum Derinlik) özelliği, kullanıcının derinlik ölçümü için sistem parametrelerini Real Time (Gerçek Zamanlı) moduna girmesini sağlar. Kullanıcı, bir cetvel ölçümüyle doğrudan (manuel) veya derinlik ölçümüyle (otomatik) dolaylı şekilde alınan maksimum derinlik değerini girmeyi seçebilir. Her iki yöntem de Maximum Depth (Maksimum Derinlik)sensörü konumlandırma özelliğini etkinleştirir. Otomatik mod kurulumunda, kullanıcı kanalın altından sensör montajının altına kadar olan mesafeyi (offset) doğrudan girer. Kurulum arayüzü, sensör ve offset tarafından getirilen mevcut derinlik değerini sürekli olarak gösterir. Ölçüm cihazı, OK (Tamam) düğmesine basıldığında bu değeri Maksimum Derinlik olarak kaydeder. Tüm diğer durumlarda, görüntülenen derinlik değerleri ofseti içermez. Maximum Depth (Maksimum Derinlik) özelliği, hız artı derinlik içeren bir sensör gerektirir.
Files (Dosyalar) veya View (Görünüm)	Geçici olmayan bellekte saklanan her bir gerçek zamanlı dosyanın özetini görüntüler. Dosyalar tek tek görüntülenebilir ve silinebilir.

Şekil 8 Gerçek zamanlı ekran



Şekil 9 Derinlik içeren sensör için gerçek zamanlı tarama



2. **Profiler**— (Profil oluşturucu) Akış veya kanal hız ölçümleri gerçekleştirmek için bu seçeneği belirleyin. Kullanıcı girişi gerektiğinde, ölçüm cihazı istem görüntüler. Kalan belleğin yüzdesi, %1 çözünürlük olarak verilir. Profiller hakkında daha fazla bilgi için kılavuzun genişletilmiş versiyonuna bakın.

Seçenek	Açıklama
Stream (Akış)	Bu seçenek, bir akış veya akış kanalı için profil oluşturmak üzere kullanılır. Mid-section (Orta kısım) veya Mean-section (Ortalama kısım) yöntemleri için ISO 748 veya USGS standartlarına göre toplam boşalımı hesaplamak için hız ölçümleri gerçekleştirin.
Kanal	Bu seçenek, bir kanal için profil oluşturmak üzere kullanılır.
Files (Dosyalar)	Bu seçenek, kayıtlı dosyaları görüntülemek veya silmek için kullanılır. Dosyalar aynı anda veya tek tek silinebilir.
Kurulum	Bu seçenek filtre parametreleri ayarlarını ve Maximum Depth (Maksimum Derinlik) özelliğini kurmak veya ayarlarını değiştirmek için kullanılır.

3. **Set up**—(Kurulum) Genel sistem ayarlarını ve tercihlerini değiştirmek için bu seçeneği belirleyin.

Seçenek	Açıklama
Velocity calibration (Hız kalibrasyonu)	Sensörü kalibre eder. Fabrika kalibrasyonuna bir alan ofseti ekler. Daha fazla bilgi için kılavuzun genişletilmiş versiyonunda ek kısmına bakın.

Seçenek	Açıklama
Filter parametresi (Parametre filtreleme)	<p>Bir veri alma filtresi uygular (Ana filtre veya Ön filtre). Kullanıcı filtre parametrelerini seçebilir.</p> <p>Ana filtre</p> <ul style="list-style-type: none"> Fixed Period Averaging (FPA) (Sabit Süre Ortalaması)—Sabit Süre Ortalaması, verileri kullanıcı tarafından seçilebilir sabit bir süre boyunca ortalar (1 ila 480 saniye). Varsayılan değer 10 saniyedir. FPA değeri 5 ise, ekranda gösterilen hız değeri 5 saniyede bir güncellenir. RCA time constant (RCA süre sabiti)—RC filtresi, filtre algoritmasında seçili bir süre sabiti kullanmak suretiyle türbülansı düzeltmeye yardımcı eder. Bu mod, örneğin yaygın 0,9 x Vmax profil yönteminde maksimum hızı ararken faydalıdır. Yüksek RC filtre süre sabitleri daha yüksek düzeltme derecesi sağlar. Süre sabiti, varsayılan değer 6 olacak şekilde, 2 ila 20 saniye olarak ayarlanabilir. 1 süre sabitinde, filtre, nihai değer yaklaşık %60'ını kabul eder. 5 süre sabitinde, filtre, nihai değer %99,9'unu kabul eder. Böylelikle, RC değeri 2 olarak ayarlanırsa, nihai değer 10 saniye sonra görüntülenir. <p>Ön filtre</p> <ul style="list-style-type: none"> Median filter (Orta filtre)—Filtre işlemi sensörde gerçekleştirilir. Özellik devre dışı bırakılabilir. Ancak önerilen (varsayılan) değer 5'tir. Bu değeri girmek veya değiştirmek için bu özelliği etkinleştirin.
Islak/kuru eşiği	<p>Islak ve kuru koşullar için sensör daldırma eşiğini ayarlar. Varsayılan değer %20'dir. Daha fazla bilgi için kılavuzun genişletilmiş versiyonunda ek kısmına bakın.</p>
Otomatik sıfırlama derinliği	<p>Auto Zero (Otomatik Sıfırlama) özelliğini Açık veya Kapatır.</p> <p>On (Açık) olarak ayarlandığında, sensör sudan çıkarılıp hava ile temas ettiğinde cihaz bir hava kalibrasyonu gerçekleştirir. Hava kalibrasyonu gerçekleştirmek için, cihaz sensörü otomatik olarak sıfırlar.</p> <p>Off (Kapalı) olarak ayarlandığında, kullanıcı sensörü manuel olarak sıfırlayabilir. Bunu yapmak için sensörü akıştan çıkarın, Quick Jump (Hızlı Geçiş) tuşuna beş saniye süreyle basılı tutun.</p> <p>Sensör 30 dakika süreyle akışta kaldığında, sağ üst köşedeki yeşil daire yeşilden kırmızıya döner. Bu, kullanıcıya sensörü çıkarmak ve sıfırlamak için bir uyarıdır.</p>
EMI	<p>Ortam gürültü rejeksiyonu için yerel hat frekansını 50 Hz veya 60 Hz (Varsayılan) olarak ayarlar.</p>
Saat	<p>Taşınabilir ölçüm cihazının tarihini ve saatini 24 saat biçiminde ayarlar. Gün ışığından yararlanma uygulaması desteklenmez.</p>
USB	<p>USB modunu belirler.</p> <ul style="list-style-type: none"> Mass Storage (Toplu Depolama) (varsayılan)—Bu mod, sadece bellek çubuğu veya sabit disk gibi çalışır. Dosyalar salt okunurdur. CDC—Bu mod ürün yazılımını güncelleştirmek için kullanılır.
Dil	<p>Menülerde kullanılan dili seçer.</p>
Birimler	<p>Üniteleri hız, akış ve derinlik ölçümleri için ayarlar. Seçenekler Metric (Metrik) veya English (İngilizce) (Varsayılan) şeklindedir.</p>
Çağrı Cihazı	<p>On (Açık) (Varsayılan) veya Off (Kapalı). On (Açık) konuma getirilirse ölçüm cihazı aşağıdaki durumlarda sesli uyarı verir:</p> <ul style="list-style-type: none"> Sensör, geçerli profil yöntemi için doğru derinlikte olduğunda. Profil (profil oluşturucu) modunda ölçüm süresinin %95'i tamamlandığında. Herhangi bir menüde etkin olmayan bir düğmeye basıldığında. <p>Bu özellik yalnız isteğe bağlı derinlik sensöründe kullanılabilir.</p>
Akış hesaplaması	<p>Açık su segmenti için akış hesaplama yöntemini seçer (yalnız akış profilleri). Seçenekler Mean-section (Ortalama kısım) veya Mid-section (Orta kısım) şeklindedir. Daha fazla bilgi için kılavuzun genişletilmiş versiyonunda ek kısmına bakın.</p>

Seçenek	Açıklama
---------	----------

İstasyon Girişi

- Fixed (Sabit)—Operatör, ölçümler için akış genişliğini ve istasyon sayısını girer. Ölçüm cihazı, istasyon dikeyleri arasında kesiti eşit mesafelere ayırır.
- Non-fixed (Sabit olmayan) (Varsayılan)—Operatör, istasyon dikeyleri arasındaki mesafeyi seçer. Operatörün tıkanıklık ve diğer kısıtlamaları kesite dahil etmesini sağlayacağı için, bu daha yaygın kullanılan seçenektir.
- Fixed (Sabit) veya Non-fixed (Sabit Olmayan) - Operatör, derinlik ölçümleri için referans düzlemi seçer. Değerler: Top (Üst) veya Bottom (Alt).

Varsayılanları yeniden yükle

Tüm ölçüm cihazı seçeneklerini varsayılan fabrika değerlerine ayarlar.

4. **Diagnostics (Tanılama)**— Ölçüm cihazı veya takılı sensördeki sorunları gidermek için bu seçeneği belirleyin. Diagnostics (Tanılama) seçenekleri hakkında daha fazla bilgi için bkz. [Tanılama](#) sayfa 186.

Bölüm 6 Başlatma ve kendi kendine test

⚠ TEHLİKE



Kimyasal veya biyolojik tehlikeler. Bu cihaz, kamu sağlığı, kamu güvenliği, yiyecek ve içecek üretimi veya işlemesi ile ilgili yasal sınırlamaların ve takip gereksinimlerinin söz konusu olduğu bir arıtma işlemi ve/veya kimyasal besleme sistemini izlemek için kullanılıyorsa yürürlükteki tüm yönetmelikler hakkında bilgi sahibi olmak ve bunlara uymak ve cihazın arızalanması durumunda yürürlükteki yönetmeliklere uyum için ilgili alanda yeterli ve uygun mekanizmaların bulunmasını sağlamak bu cihazın kullanıcısının sorumluluğundadır.

⚠ UYARI



Yangın ve patlama tehlikeleri. Cihazı doğrudan güneş ışığı altında, bir ısı kaynağının yakınında veya yüksek sıcaklık içeren ortamlarda (örneğin doğrudan güneş ışığı altındaki kapalı bir aracın içinde) kullanmayın veya saklamayın. Bu önlemin alınmaması pilin aşırı ısınmasına ve yangın veya patlamaya neden olabilir.

Pil ölçüm cihazına takılmalı ve kullanımdan önce şarj edilmelidir. Pil kurulumu ve değişimi hakkında daha fazla bilgi için bkz. [Pili takma](#) sayfa 176. Pili değiştirme hakkında bilgi için bkz. [Pilin şarj edilmesi](#) sayfa 177.

Not: *Pil şarj olurken ölçüm cihazı çalışmaz.*

1. Sesli bir uyarı duyulana dek ölçüm cihazının güç düğmesine basın. Ölçüm cihazı kendi kendine test gerçekleştirir ve ekran sonucu gösterir. Ölçüm cihazı kendi kendine testte başarısız olursa, ekranda başarısız olan parametrenin yanında FAIL (Başarısız) ibaresi görünür. Sensör başarısız olursa, varsa başka bir sensör takın.
2. Kendi kendine test tamamlandığında, Main Menu'ye (Ana Menü) dönmek için **OK** (Tamam) düğmesine basın.
3. Ölçüm cihazını kapatmak için güç düğmesine tekrar basın. Confirmation (Onay) ekranında Yes (Evet) seçeneğini belirleyin ve **OK** (Tamam) düğmesine basın. Taşınabilir ölçüm cihazı yanıt vermezse gücü zorla kapatmak için güç düğmesine 3 saniyeden uzun bir süre basın. Normal çalışma sırasında veya dosya erişim simgesi görünür durumdayken gücü zorla kapatmayın.

6.1 Cihaz kendi kendine testi

Ölçüm cihazı, açıldığında bir kendi kendine tanılama testi gerçekleştirir. Kendi kendine test tamamlandığında, ekran kendi kendine test sonuçlarını görüntüler. Main Menu'ye (Ana Menü) gitmek için **OK** (Tamam) düğmesine basın.

Ölçüm cihazı kendi kendine testte başarısız olursa, ekranda söz konusu parametrenin yanında FAIL (Başarısız) ibaresi görünür. Sensör başarısız olursa, varsa başka bir sensör takın.

6.2 Uyku modu

Ölçüm cihazının arka ışığı 30 saniyelik hareketsizlikten sonra kararır ve 60 saniyelik hareketsizlikten sonra uyku moduna geçer. Ölçüm cihazı gerçek zaman modunda ise veya ölçüm yaparken bu işlemler gerçekleşmez. 30 dakika uyku modunda kaldıktan sonra, ölçüm cihazı kapanır.

Uyku modunu iptal etmek için herhangi bir tuşa basın. Ekran parlaklığı normal seviyeye döner ve tüm tuşlar normal işlevlerine döner.

Bölüm 7 Bakım

7.1 Sensörün temizlenmesi

⚠ UYARI



Kimyasal maddelere maruz kalma tehlikesi. Laboratuvar güvenlik talimatlarına uyun ve kullanılan kimyasallara uygun tüm kişisel koruma ekipmanlarını kullanın. Güvenlik protokolleri için mevcut güvenlik veri sayfalarına (MSDS/SDS) başvurun.

Kumlu veya çamurlu su yollarında kullandıktan sonra akışta beklenmedik artış veya azalma ya da seviye değişimleri olursa sensörü değiştirin.

Yoğun kontaminasyon durumunda, kontaminasyonun kolay giderilmesini sağlamak için sensörü birkaç dakika süreyle temiz suya daldırın.

Sensörü temizlemeden önce ölçüm cihazından çıkarın. Sensörü temizlemek için yalnız **Tablo 3** bölümünde kabul edilebilir olarak listelenen çözümleri kullanın. Basınç hüdrresi (örn. hız ve derinlik sensörleri) olan sensörlerde, basınç hüdrresi bölme deliklerinin yıkandığından ve kontaminasyon içermediğinden emin olun. Sensörü aksama yeniden takmadan önce temiz suyla yıkayın.

Tablo 3 Uygun olan ve olmayan temizleme solüsyonları

Uygun	Kullanmayın
Bulaşık deterjanı ve su	Konsantre çamaşır suyu
Cam temizleyici	Gazyağı
İzopropil alkol	Benzin
	Aromatik hidrokarbonlar

7.2 Cihazın temizlenmesi

1. Ölçüm cihazının enerjisini kesmek için güç düğmesine basın.
2. Ölçüm cihazının dışını temizlemek için temiz, nemli bir bez kullanın. Gerekirse suyu yumuşak bir deterjanla karıştırın.
3. Ölçüm cihazının dışını temiz bir bezle kurulayın. Ölçüm cihazını tekrar açmadan önce tamamen kurumasını bekleyin.

Not: Ekranı temizlemek için kağıt bazlı bezler kullanmayın. Bu tür bir bez, ekrana hasar verebilir.

7.3 Pilin değiştirilmesi

⚠ UYARI



Yangın ve patlama tehlikesi. Bu ekipmanda, elektrik akımı olmasa dahi alev alarak yangına veya patlamaya sebebiyet verebilen yüksek enerjili lityum pil yer alır. Cihaz muhafazasının sağladığı güvenliği korumak için cihaz muhafazasının kapakları, verilen donanım kullanılarak takılmalı ve sabitlenmelidir.

⚠ UYARI



Patlama ve yangın tehlikesi. Başka pil kullanımına izin verilmez. Sadece cihaz üreticisi tarafından verilen pilleri kullanın.

Pil şarj olmamaya başladığında pili değiştirin.

Not: Cihazın onarım veya bakım için fabrikaya gönderilmesi gerekirse göndermeden önce pili çıkarın ve koruyucu bir kutuya koyun.

1. Gücü kapalı konuma getirin.
2. Pili çıkarın. Bkz. [Pili takma](#) sayfa 176.
3. Pili yerel, bölgesel ve ulusal yönetmeliklere uygun olarak bertaraf edin.
4. Yeni pili aynı yere ve aynı yönde takın. Bkz. [Pili takma](#) sayfa 176.
Sadece cihaz üreticisi tarafından verilen pilleri kullanın.
5. Pil kapağını takın. Koruma derecesini sağlamak için kapağın güvenli olduğundan emin olun.
6. Gerekirse pili şarj edin. Bkz. [Pilin şarj edilmesi](#) sayfa 177.

Bölüm 8 Sorun giderme

8.1 Tanılama

Ölçüm cihazı bilgilerini görüntülemek ve [Tablo 4](#) kısmındaki tanılama testlerini gerçekleştirmek için Main Menu (Ana Menü) içinde Dagnostics (Tanılama) seçeneğini işaretleyin.

Tablo 4 Ölçüm cihazı tanılama işlemleri

Seçenek	Açıklama
About (Hakkında)	Ölçüm cihazı ve sensör hakkında bilgi görüntüler. Seri numarası ve ürün yazılımı sürümünü kapsar.
Delete files (Dosyaları sil)	Yeni ölçümlere yer açmak için bellekteki tüm dosyaları siler. Bu seçenek işaretlenmeden önce verilerin PC'ye yüklendiğinden emin olun. Dosya silindikten sonra sistem belleği otomatik olarak yeniden biçimlendirir.
Sensör	Sensör hakkında tanılama bilgilerini görüntüler.
Oto test	Ölçüm cihazının kendi kendine tanılama testi gerçekleştirmesini sağlar.
Tuş takımı testi	Düğmenin çalıştığından emin olmak için herhangi bir düğmeyi test eder.
Ekran testi	Ekranın çalıştığından emin olmak için ekran testi gerçekleştirir.
Olay Günlüğü	Kullanıcının olay günlüğünü görmesini, silmesini veya dışa aktarmasını sağlar. USB toplu depolama aracılığıyla içeriği erişilebilir dosya olarak kullanılabilir kılmak için olay günlüğünü dışarı aktarır. Bu seçenek temel olarak fabrika hizmetlerince kullanılır.

8.2 Sorun giderme hataları

Ölçüm cihazı ve sensör, kullanıcı tarafından servis yapılabilecek parçalar içermez. Listelenen hatalar ve mesajlar için, düzeltici faaliyeti deneyin.

Sorun düzelmezse veya listede olmayan bir sorun meydana gelirse, üreticiyle bağlantı kurun.

Mesaj veya sorun	Çözüm
Sensör bağlı değil	Bir sensör takıp işlemi tekrar deneyin.
Değer aralık dışı	Ölçüm parametrelerini değiştirip farklı bir değer girin, ardından işlemi tekrar deneyin.
Sensör verilerinin hatalı veya yanlış olduğu biliniyor	Sensörü temizleyip test edin.

Mesaj veya sorun	Çözüm
Sensör tanınmıyor	Sensör bağlantısını kontrol edin. Bağlantı noktasındaki kilitleme somununun sıkı olduğundan emin olun (yalnız parmakla sıkın).
Ekran karanlıktır veya görünmez durumdadır	Tuş takımında bir tuşa basın.
Veriler mevcut değildir veya verilere erişim mümkün değildir	USB seçeneğinin (Ana Menü) Mass Storage (Toplu Depolama) olarak ayarlandığından emin olun.
Ölçüm cihazı yanıt vermiyor	Güç düğmesine en az 3 saniye basılı tutun. Bu ölçüm cihazını kapatır. Ölçüm cihazını tekrar açın. Not: Normal çalışma sırasında veya dosya erişim simgesi ekranda görünürken, cihazı kapatmak için bu yöntemi kullanmayın.

Vsebina

- | | |
|---|--|
| 1 Spletna navodila za uporabo na strani 188 | 5 Uporabniški vmesnik in pomikanje na strani 199 |
| 2 Specifikacije na strani 188 | 6 Zagon in samopreizkus na strani 204 |
| 3 Splošni podatki na strani 190 | 7 Vzdrževanje na strani 205 |
| 4 Namestitev na strani 195 | 8 Odpravljanje težav na strani 206 |

Razdelek 1 Spletna navodila za uporabo

Ta osnovna navodila za uporabo vsebujejo manj informacij, kot jih vsebujejo navodila za uporabo, ki so na voljo na spletnem mestu proizvajalca.

Razdelek 2 Specifikacije

Pridržana pravica do spremembe tehničnih podatkov brez predhodnega obvestila.

2.1 Specifikacija senzorja

Tehnični podatki	Podrobnosti
Meritev hitrosti	
Način	Elektromagnetna
Območje	0 do 6,09 m/s (0 do 20 čevljev/s)
Minimalna globina vode	3,18 cm (1,25 palca)
Točnost	±2 % za meritve ±0,015 m/s (±0,05 čevlja/s) 0 do 3,04 m/s (0 do 10 čevljev/s); ± 4 % za meritve 3,04 do 4,87 m/s (10 do 16 čevljev/s)
Ločljivost	0 ≤ vrednost < 10: 3 decimalna mesta; 10 ≤ vrednost < 100: 2 decimalni mesti; 100 ≤ vrednost < 1000: 1 decimalno mesto; value ≥ 1000: 0 decimalnih mest
Ničelna stabilnost	±0,015 m/s (0,05 čevlja/s)
Material	ABS, polnjen s steklom
Zaščita ohišja	IP 68
Dimenzije (D × Š × V)	11,9 x 4,3 x 6,3 cm (4,7 x 1,7 x 2,5 palca)
Material kabla	Ovit s poliuretanom
Dolžine kablov	2, 6, 1, 12, 2 in 30, 5 m (6, 5, 20, 40 in 100 ft)
Depth measurement (Meritev globine)	
Način	Vrsta opne: absolutni tlak s kalibracijo v eni točki
Natančnost (statična)	Večja od tega: ±2 % odčitka ali ±0,015 m. Temperatura v stalnem stanju in statična nepretočna voda.
Območje	3,05 m
Ločljivost	0 ≤ vrednost < 10: 3 decimalna mesta; 10 ≤ vrednost < 100: 2 decimalni mesti; 100 ≤ vrednost < 1000: 1 decimalno mesto; value ≥ 1000: 0 decimalnih mest

2.2 Tehnični podatki prenosnega merilnika

Tehnični podatki	Podrobnosti
Stopnja onesnaževanja	2
Razred zaščite	II
Temperatura za polnjenje	0 do 40 °C (32 do 104 °F)

Tehnični podatki	Podrobnosti
Delovna temperatura	-20 do 55 °C (-4 do 131 °F)
Temperatura skladiščenja	-20 do 60 °C (-4 do 140 °F)
Zaščita ohišja	IP67
Prikaz stanja baterije	Palični grafikon s petimi paličicami
Vrsta baterije	Litij-ionska baterija za polnjenje; 3,6 V; 5,0 Ah; 18 Wh
Življenjska doba baterije	18 ur naporne dnevne uporabe ¹ ; 20 °C (68 °F)
Polnilnik baterije	Zunanji napajalni adapter, energetska učinkovitost VI; 100–240 V (AC); 50–60 Hz; vhod 0,5 A; 12 V (DC); izhod 1,25 A
Dimenzije (D x Š x V)	21,8 x 9,3 x 5,3 cm (8,6 x 3,7 x 2,1 palca)
Konektor USB	Tip Mini-B, 5 nožic, če je pokrit ustreza standardu IP67
Material	Polikarbonat s prevleko iz termoplastičnega elastomera

2.3 Uporabniški vmesnik in tehnični podatki

Tehnični podatki	Podrobnosti
Prikaz grafike	Barvni, LCD 3,5" QVGA, neodsevan (berljiv na neposredni sončni svetlobi)
Ločljivost meritev	0 ≤ vrednost < 10: 3 decimalna mesta; 10 ≤ vrednost < 100: 2 decimalni mesti; 100 ≤ vrednost < 1000: 1 decimalno mesto; value ≥ 1000: 0 decimalnih mest
Tipkovnica	Alfanumerične tipke
Načini delovanja	Realnočasovno, profiliranje
Vrste profilov	Vodotok, cev
Oblike cevi	Krožna, pravokotna, trapezoidna, 2/3 jajca, obrnjena 2/3 jajca
Vnosi toka	Fiksne, spremenljive postaje
Zmanjševanje šuma	Izbirno, 50 Hz ali 60 Hz
Merske enote	Hitrost: ft/s, m/s, cm/s, mm/s
	Pretok: ft ³ /sec, milijonov gal/dan, gal/dan, gal/min, m ³ /s, m ³ /min, m ³ /uro, m ³ /dan, litrov/s, litrov/min
	Globina: in. (palci), ft (čevlji), m, cm, mm
Izračun pretoka	Metoda povprečnega odseka ali metoda sredinskega odseka
Diagnostics (Diagnostika)	Samopreizkus, tipkovnica, zaslon, dnevnik dogodkov
Metode profiliranja cevi	0,9 x Vmax, 0,2/0,4/0,8, integracija hitrosti in nivoja, 2D
Metode profiliranja vodotokov	1, 2, 3, 4, 5 in 6-točkovna (metoda za hitrost – USGS in ISO), 2-točkovna metoda KREPS, 1-točkovna metoda za površino, 1- in 2-točkovna metoda za led
Vrste datotek	Realnočasovno, profiliranje, dnevnik dogodkov
Jeziki	angleščina, francoščina, španščina, nemščina, italijanščina, nizozemščina, danščina, švedščina, kitajščina, poljščina, japonsščina, korejščina, portugalsščina, slovaščina, ruščina, madžarščina, bolgarščina, romunščina, češčina, turščina, finščina, grščina

¹ Definirano kot 30 minut za namestitev, šest enournih obdobij neprestane uporabe z aktivnim senzorjem in zaslonom pri največji svetlosti, 30 minut mirovanja med posameznim obdobjem uporabe, prenos podatkov in izklop.

2.4 Splošni tehnični podatki

Tehnični podatki	Podrobnosti
Največje število datotek v realnem času	50, vsaka z do 75 odčitavanji uporabnika.
Firmware [vdelana programska oprema]	Senzor in prenosni merilnik lahko nadgradite kar na terenu prek USB

Razdelek 3 Splošni podatki

Proizvajalec v nobenem primeru ni odgovorjen za škodo, ki bi bila posledica nepravilne uporabe izdelka ali neupoštevanja navodil v priročniku. Proizvajalec si pridržuje pravico do sprememb v navodilih in izdelku, ki ga opisuje, brez vnaprejšnjega obvestila. Prenovljene različice najdete na proizvajalčevi spletni strani.

3.1 Varnostni napotki

Proizvajalec ne odgovarja za škodo, ki bi nastala kot posledica napačne aplikacije ali uporabe tega izdelka, kar med drugim zajema neposredno, naključno in posledično škodo, in zavrača odgovornost za vso škodo v največji meri, dovoljeni z zadevno zakonodajo. Uporabnik je v celoti odgovoren za prepoznavo tveganj, ki jih predstavljajo kritične aplikacije, in namestitev ustreznih mehanizmov za zaščito procesov med potencialno okvaro opreme.

Še pred razpakiranjem, zagonom ali delovanjem te naprave v celoti preberite priložena navodila. Še posebej upoštevajte vse napotke o nevarnostih in varnostne napotke. V nasprotnem primeru obstaja nevarnost hudih poškodb uporabnika oz. škode na opremi.

Prepričajte se, da zaščita, ki jo zagotavlja ta oprema, ni oslABLJENA. Te naprave ne uporabljajte ali nameščajte na kakršenkoli drugačen način, kot je določeno v tem priročniku.

3.1.1 Uporaba varnostnih informacij

▲ NEVARNOST

Označuje možno ali neposredno nevarno situacijo, ki lahko povzroči smrt ali hude poškodbe.

▲ OPOZORILO

Označuje možno ali neposredno nevarno situacijo, ki lahko privede do hude poškodbe ali povzroči smrt, če se ji ne izognete.

▲ PREVIDNO




Označuje možno nevarno situacijo, ki lahko povzroči manjše ali srednje težke poškodbe.

OPOMBA

Označuje situacijo, ki lahko, če se ji ne izognete, povzroči poškodbe instrumenta. Informacija, ki zahteva posebno pozornost.

3.1.2 Opozorilne oznake

Upošteвайте vse oznake in tablice, ki so nahajajo na napravi. Neupoštevanje tega lahko privede do telesnih poškodb ali poškodb naprave. Simbol na merilni napravi se nanaša na navodila s

	To je varnostni opozorilni simbol. Upošteвайте vsa varnostna sporočila, ki sledijo temu simbolu, da se izognete poškodbam. Če se nahajajo na napravi, za informacije o delovanju ali varnosti glejte navodila za uporabo.
	Ta simbol kaže na prisotnost naprav, ki so občutljive na elektrostatično razelektritev (ESD), in opozarja na to, da morate z ustreznimi ukrepi preprečiti nastanek škode in poškodb opreme.
	Električne opreme, označene s tem simbolom, v EU ni dovoljeno odlagati v domačih ali javnih sistemih za odstranjevanje odpadkov. Staro ali izrabljeno opremo vrnite proizvajalcu, ki jo mora odstraniti brez stroškov za uporabnika.

3.1.3 Skladnost z elektromagnetno združljivostjo (EMC)

⚠ PREVIDNO
Oprema ni namenjena za uporabo v stanovanjskem okolju in v takem okolju morda ne bo dovolj zaščiten pred radijskim sprejemom.

CE (EU)

Oprema izpolnjuje bistvene zahteve Direktive 2014/30/EU o elektromagnetni združljivosti.

UKCA (UK)

Oprema izpolnjuje zahteve predpisov o elektromagnetni združljivosti iz leta 2016 (S.I. 2016/1091).

Pravilnik za opremo, ki povzroča motnje (Kanada), ICES-003, razred A:

Zapiske o opravljenih preizkusih hrani proizvajalec.

Digitalna naprava razreda A izpolnjuje vse zahteve kanadskega pravilnika glede opreme, ki povzroča motnje.

Cet appareil numérique de classe A répond à toutes les exigences de la réglementation canadienne sur les équipements provoquant des interférences.

FCC del 15, omejitve razreda "A"

Zapiske o opravljenih preizkusih hrani proizvajalec. Ta naprava je skladna s 15. delom pravil FCC. Delovanje mora ustrezati naslednjima pogojema:

1. Oprema lahko ne sme povzročati škodljivih motenj.
2. Oprema mora sprejeti katerokoli sprejeto motnjo, vključno z motnjo, ki jo lahko povzroči neželeno delovanje.

Spremembe ali prilagoditve opreme, ki jih izrecno ne odobri oseba, odgovorna za zagotavljanje skladnosti, lahko razveljavijo uporabnikovo pravico do uporabe te naprave. Oprema je bila preizkušena in je preverjeno skladna z omejitvami za digitalne naprave razreda A glede na 15. del pravil FCC. Te omejitve omogočajo zaščito pred škodljivim sevanjem, ko se naprava uporablja v komercialnem okolju. Ta oprema ustvarja, uporablja in lahko oddaja radiofrekvenčno energijo. Če ni nameščena ali uporabljena v skladu s priročnikom z navodili, lahko povzroča škodljive motnje pri radijski komunikaciji. Uporaba te opreme v bivalnem okolju verjetno povzroča škodljive motnje, zato mora uporabnik motnje na lastne stroške odpraviti. Za zmanjšanje težav z motnjami lahko uporabite naslednje tehnike:

1. Odklopite opremo iz vira napajanja, da preverite, ali je to vzrok motnje.
2. Če je oprema priključena na enako vtičnico kot naprava z motnjami, jo priključite na drugo vtičnico.
3. Opremo umaknite stran od opreme, ki dobiva motnje.

4. Prestavite anteno naprave, ki prejema motnje.
5. Poskusite kombinacijo zgornjih možnosti.

3.2 Pregled izdelka

Prenosni sistem za merjenje hitrosti se uporablja na terenu, v laboratoriju in v mestih. S tem sistemom lahko merite turbulentne, hrupne in šibke pretoke.

Ko senzor potopite v tekočo vodo, magnetno polje okoli senzorja ustvari napetost, ki je sorazmerna s hitrostjo pretoka. To amplitudo napetosti, ki predstavlja hitrost vodnega toka okoli senzorja, zaznajo elektrode v senzorju, obdela pa jih mikroprocesor v senzorju. Obdelan signal se v digitalni obliki prenese po kablu senzorja do prenosnega merilnika, informacije pa se prikažejo zaslonu merilnika. Sistem vključuje prenosni merilnik, senzor s kablom ter dodatno opremo.

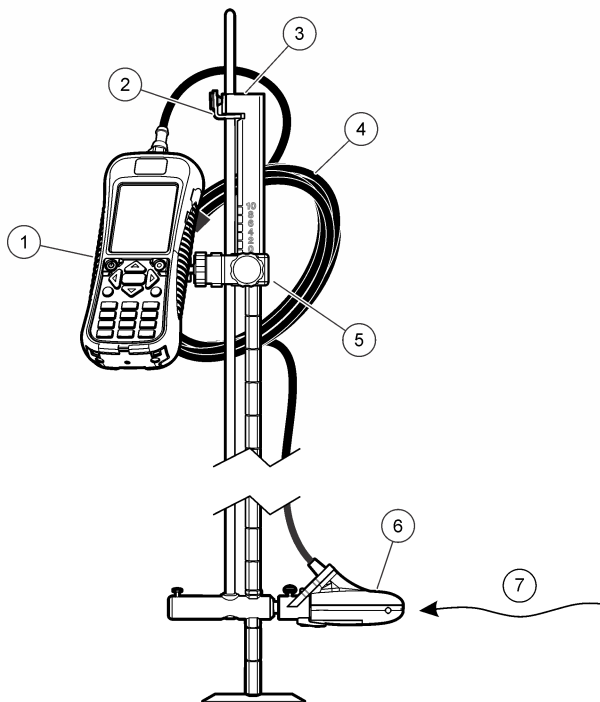
Merilnik in senzor pridobivata informacije o hitrosti v ceveh in vodotokih. Te meritve so pomembne za kalibracijo mestnih kanalizacij, pa tudi za ocene vplivov na okolje.

Na voljo sta dve vrsti senzorjev: senzor hitrosti ter senzor hitrosti in globine. Ta priročnik pokriva obe vrsti senzorja. Če se informacije nanašajo na specifično vrsto senzorja, je to navedeno v besedilu.

3.2.1 Pregled sistema

Pregled sestavljenega sistema je prikazan na [Slika 1](#). Za več informacij glejte dokumentacijo, priloženo posameznim komponentam oz. dodatni opremi.

Slika 1 Sestavljene komponente

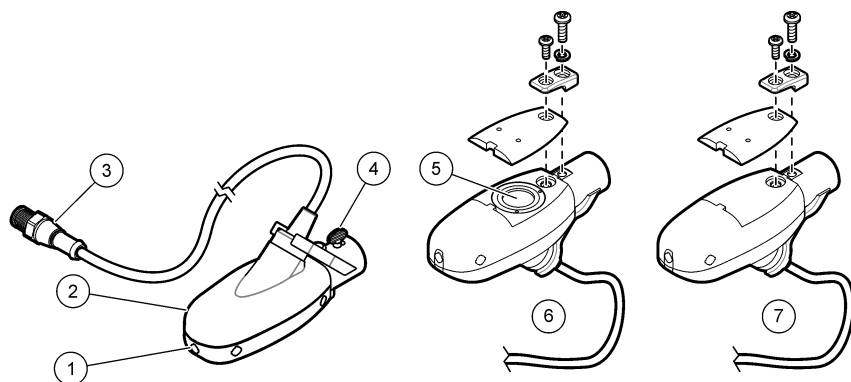


1 Prenosni merilnik	5 Prilagodljivi nosilec prenosnega merilnika
2 Naprava za zaklep/sprostitev višine senzorja	6 Sestavljanje senzorja
3 Drog za bređenje z zgornjo namestitvijo (dodatna oprema)	7 Smer toka
4 Kabel senzorja	

3.2.2 Pregled senzorja

[Slika 2](#) prikazuje glavne komponente senzorja. Navodila za nameščanje senzorja na standardni drog, drog z zgornjo namestitvijo, drog za bređenje so priložena dodatni opremi.

Slika 2 Sestavni deli senzorja

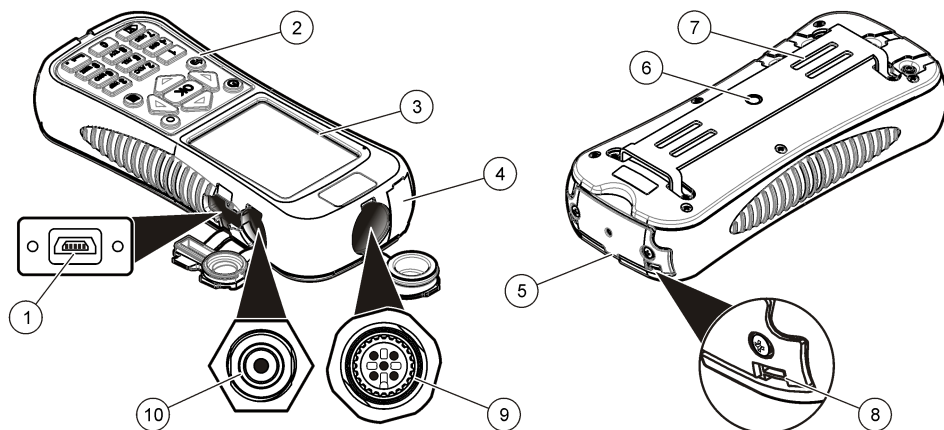


1 Elektrode senzorja	5 Tlačna celica (senzorji z opcijo za globino)
2 Ohišje senzorja	6 Senzor z opcijo za globino
3 Vtikač za priklop senzorja	7 Senzor brez opcije za globino
4 Krilni vijak za pritrnitev senzorja	

3.2.3 Pregled merilnika

Slika 3 prikazuje značilnosti merilnika.

Slika 3 Sestavni deli merilnika



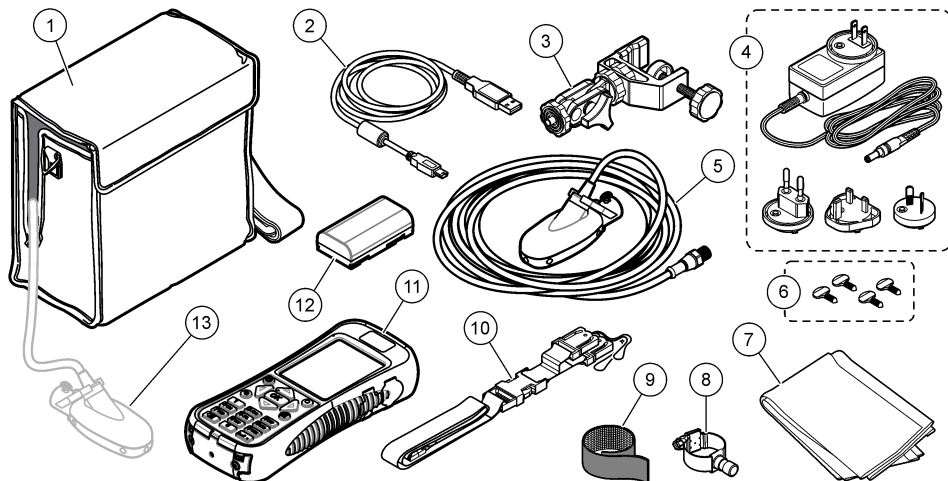
1 Vrata USB ²	6 Navoj za prilagodljivi nosilec merilnika
2 Tipkovnica	7 Reže za pritrnitev traku oz traku z ježkom
3 Zaslona merilnika	8 Reža za pašček za okoli vratu (2x)
4 Razširitvena vrata (ni v uporabi)	9 Priključek za senzor
5 Pokrov ležišča za baterije	10 Priključek polnilnika baterije

² Baterije ne polnite prek povezave USB.

3.3 Sestavni deli izdelka

Če ste kupili celoten sistem, glejte [Slika 4](#) in se prepričajte, da ste prejeli vse sestavne dele. Če kateri izmed delov manjka ali je poškodovan, se takoj obrnite na proizvajalca ali prodajnega zastopnika.

Slika 4 Sestavni deli sistema



1 Torbica (z režo za kabel senzorja)	8 Univerzalni nosilec senzorja
2 Kabel USB s priključkom za mini-USB, 1 m (3 ft)	9 Trak z ježkom
3 Prilagodljivi nosilec prenosnega merilnika	10 Vrvica
4 Polnilnik baterije, 100–240 V (AC)	11 Prenosni merilnik
5 Senzor	12 Baterija iz litija
6 Dodatni krilni vijaki (4x)	13 Senzor, priključen na merilnik v torbici
7 Krpica za brisanje senzorja	

Razdelek 4 Namestitvev

4.1 Namestitev senzorja na univerzalni nosilec senzorja

Če želite senzor namestiti na palico, tanjšo od 2,5 cm, uporabite univerzalni nosilec za senzor. Za pravilno delovanje in natančne meritve mora biti sprednji del senzorja obrnjen proti toku navzgor, elektrode pa v polnem stiku s tokom.

Napotek: Pazite, da na elektrodah senzorja nikoli ni neprevodnih snovi, kot sta olje in mast. Za čiščenje senzorja glejte [Čiščenje senzorja](#) na strani 205.

1. Sprednji deli senzorja je okrogel in vsebuje tri elektrode. Senzor ima na zadnjem delu pritrdilno odprtino, na sprednjem pa krilni vijak. Vstavite pritrdilni nastavek na univerzalnem nosilcu v pritrdilno odprtino na zadnjem delu senzorja. Preverite, ali je pritrdilni nastavek v celoti vstavljen v pritrdilno odprtino in ali se je krilni vijak ujel z utorom.
2. Z roko privijte krilni vijak.
3. Pomaknite palico s premerom 2,5 cm ali manj skozi objemko univerzalnega nosilca za senzor. Privijte objemko.

Napotek: Navodila za namestitev senzorja na drog za bređenje s standardno ali zgornjo namestitvijo so priložena dodatni opremi.

4.2 Varnost litijeve baterije

▲ OPOZORILO



Nevarnost požara in eksplozije. Litijeve baterije se lahko zaradi zlorabe močno segrejejo, eksplodirajo ali se vnamejo.

- Če je baterija vidno poškodovana, je ne uporabljajte.
- Baterije ne uporabljajte, če so bile izpostavljene močnemu udarcu ali tresenju.
- Baterije ne izpostavljajte ognju.
- Baterijo hranite pri temperaturah pod 60 °C (140 °F).
- Baterijo hranite na suhem mestu, ki ne sme biti izpostavljeno vodi.
- Preprečite stik med pozitivnim in negativnim priključkom baterij.
- Stik z baterijo dovolite samo pooblaščenim osebam.
- Baterijo zavrzite v skladu z lokalnimi in državnimi predpisi.
- Ne uporabljajte in hranite naprave na neposredni sončni svetlobi, blizu vira toplote ali v območjih z visoko temperaturo, kot je npr. zaprto vozilo na neposredni sončni svetlobi.

4.3 Vstavljanje baterije

▲ OPOZORILO



Nevarnost požara in eksplozije. V opremo je vgrajena visokozmogljiva litijeva baterija, ki se lahko vname in povzroči požar ali eksplozijo, tudi če ni pod napetostjo. Da ohranite zaščito, ki jo nudi ohišje instrumenta, morate na ohišje instrumenta namestiti pokrove in jih pritrditi s priloženo opremo.

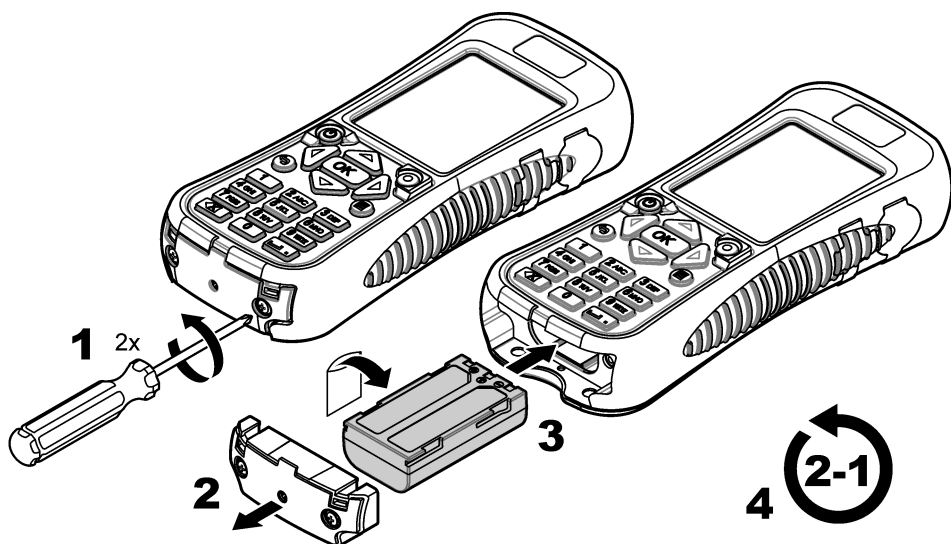
▲ OPOZORILO



Nevarnost eksplozije in požara. Nadomeščanje baterij ni dovoljeno. Uporabljajte samo baterije, ki jih dobavi proizvajalec pripomočka.

Vstavite priloženo baterijo iz litija, kot je prikazano na [Slika 5](#).

Slika 5 Vstavljanje baterije



4.4 Napolnite baterijo

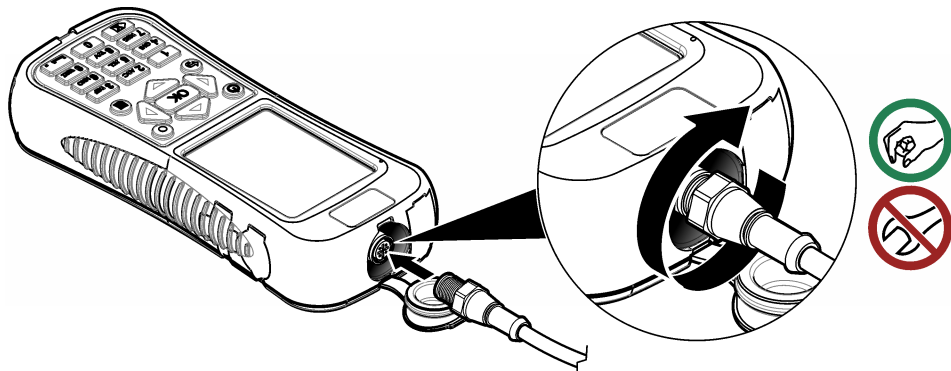
Napotek: Menjava polnilnikov baterij ni dovoljena. Uporabljajte samo polnilnik, ki je naveden na seznamu delov in dodatne opreme za napravo. Glejte Nadomestni deli in dodatna oprema v razširjeni različici priročnika.

Pred prvo uporabo popolnoma napolnite baterijo instrumenta s priloženim polnilnikom baterije. Prazna baterija se popolnoma napolni v približno 8 urah.

1. Pazite, da je na polnilniku baterije nameščena ustrezna vrsta vtičača.
2. Polnilnik baterije povežite z ozemljeno električno vtičnico.
3. Polnilnik baterije povežite s priključkom polnilnika baterije na instrumentu. Glejte [Pregled merilnika](#) na strani 194. Raven napoljenosti baterije je prikazana na zaslonu. Ko se baterija polni, okoli napajalne vtičnice sveti modra luč. Ko je postopek polnjenja končan, modra luč ugasne.

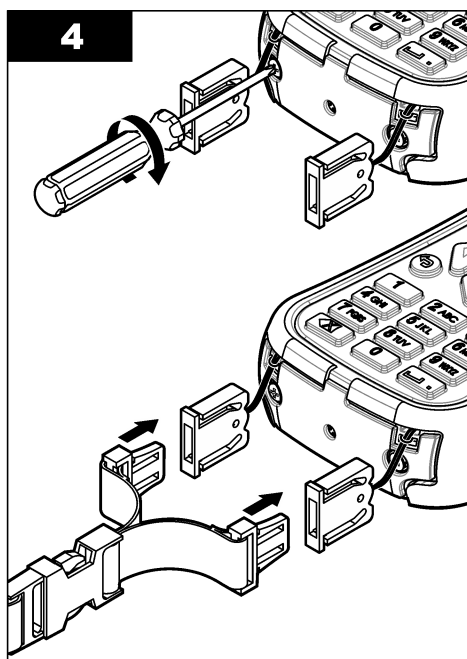
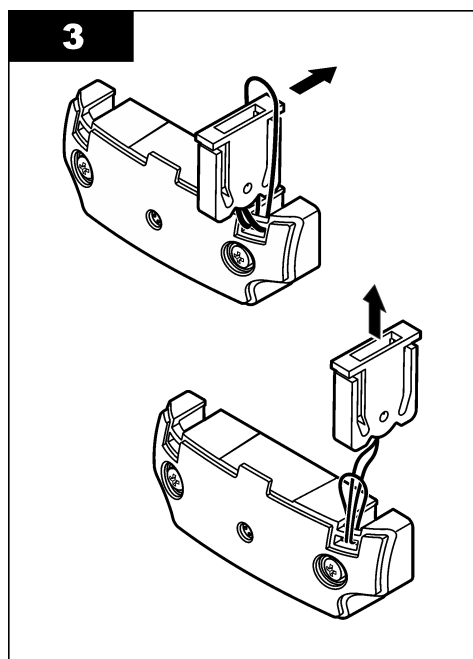
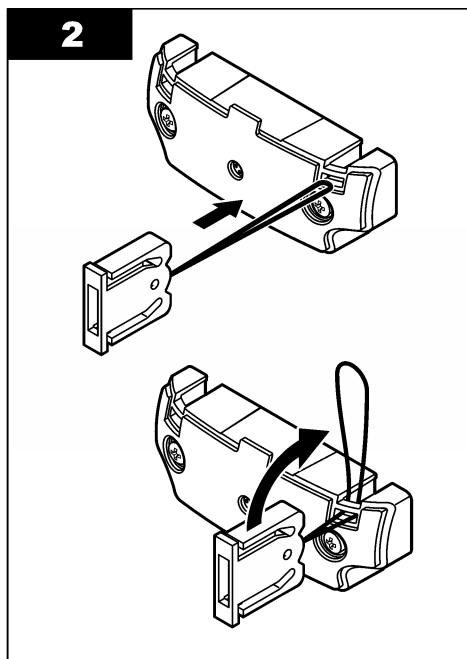
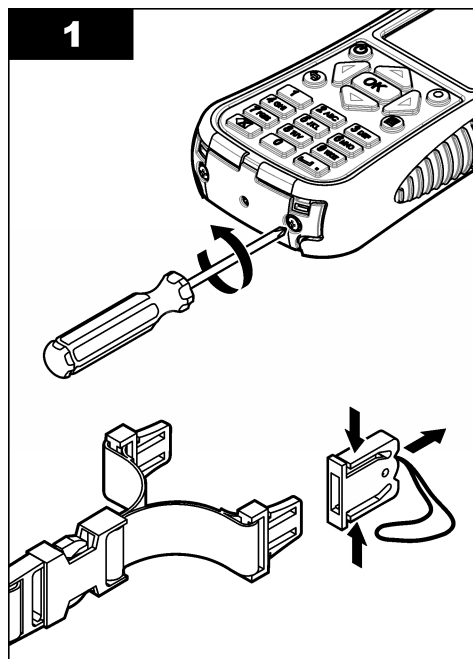
Napotek: Medtem, ko se baterija polni, merilnik ne deluje. Baterija se ne polni prek povezave USB.

4.5 Povezava senzorja z merilnikom



4.6 Pritrdite trak

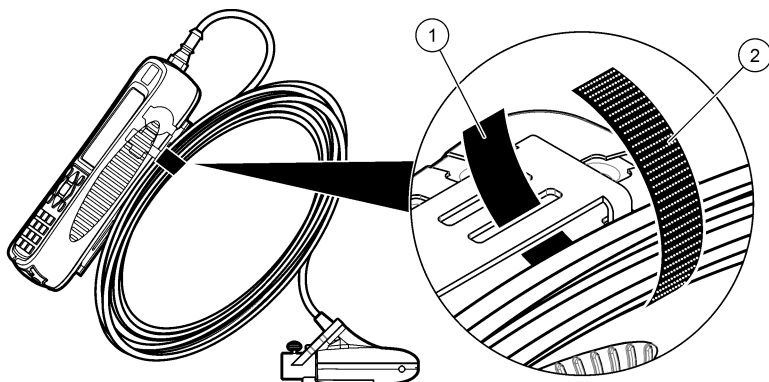
Pritrdite trak, ki omogoča varno nošenje merilnika okoli vratu.



4.7 Pritrdite trak z ježkom

Trak z ježkom uporabljajte za pripenjanje dodatnega kabla. Glejte [Slika 6](#).

Slika 6 Pritrdite trak z ježkom



1 Zanka

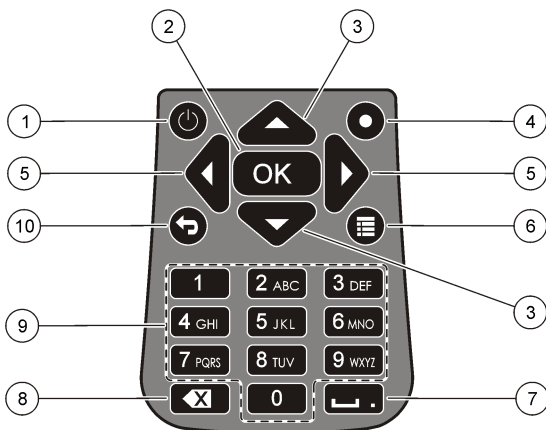
2 Pritrditev

Razdelek 5 Uporabniški vmesnik in pomikanje

5.1 Tipkovnica in funkcije tipk

[Slika 7](#) prikazuje tipkovnico merilnika. [Tabela 1](#) prikazuje funkcije posamezne tipke oz. vrste tipke.

Slika 7 Tipkovnica



1 Vklop/izklop	6 Glavni meni
2 V redu	7 Podčrtaj ali decimalno mesto
3 Puščici gor in dol	8 Vračalka
4 Hitri skok	9 Alfanumerične tipke
5 Puščici desno in levo	10 Prejšnji meni

Tabela 1 Opis tipke

Tipka	Opis
Vklop/izklop	Vklop in izklop merilnika.
V redu	Potrditev vnosa ali označene menijske možnosti.
Puščici gor in dol	Premik zaslona navzgor oz. navzdol. Če je kazalka trenutno na vrhu oz. na dnu zaslona, se ob pritisku puščice GOR oz. DOL kazalka premakne na dno oz. vrh.
Hitri skok	Pri normalnem delovanju ta tipka preklopi na zaslon za izbiro oblike cevi. V načinu profiliranja je tipka Quick Jump onemogočena. Če je funkcija samodejne ničle onemogočena, držite to tipko pet sekund za ročno nastavitev senzorja globine na ničlo. V načinu za realni čas Hitri skok preklopi med digitalnim pogledom in pogledom grafikona.
Puščici desno in levo	Premik zaslona desno oz. levo.
Glavni meni	Pomik na Glavni meni iz katerega koli podmenija ali zaslona.
Podčrtaj ali decimalno mesto	Vnos podčrtaja ali decimalnega znaka. V poljih za vnašanje številka ta tipka samodejno vstavi decimalni znak.
Vračalka	Premik kazalke za eno mesto nazaj.
Alfanumerične tipke	Vnos črke ali številke. Črke se vnašajo v enakem zaporedju, kot prikazano na tipki. Po 2 sekundah se vnešena vrednost shrani in kazalka se premakne za eno mesto naprej.
Prejšnji meni	Vrnitev na prejšnji zaslon.

5.2 Statusna vrstica

Na vrhu zaslona je prikazana statusna vrstica. Opisi informacij v statusni vrstici so podani v [Tabela 2](#).

Tabela 2 Indikatorji statusne vrstice

Indikator	Opis
Čas in datum	Prikaz trenutnega časa in datuma.
USB	Se prikaže, kadar je priključen kabel USB. Če je kabel USB priključen in se indikator v statusni vrstici ne prikaže, potem kabel USB ni dobro priključen. Preverite, ali je kabel USB v celoti priključen in ali je v popolnem stiku s priključnimi vrati.
Prevodnost	Če v senzorju ni vode in ni prevoden, se poleg ikone za baterijo prikaže moder obroč. Če senzor je v vodi in je prevoden, je indikator moder krog.
Baterija	Grafikon s petimi paličicami prikazuje stanje napoljenosti baterije.
Dostop do datotek	Ta indikator je prikazan, ko merilnik dostopa do datoteke.
Indikator samodejne ničle globine	Če je bil senzor globine nastavljen na nič v zadnjih 30 minutah, je poleg indikatorja prevodnosti prikazan zelen krog. Če senzor globine v zadnjih 30 minutah ni bil nastavljen na nič, indikator utripa rdeče.

5.3 Navigacija in glavni meni

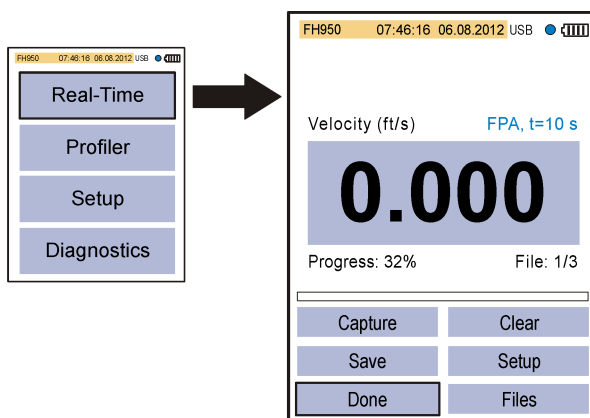
Za potrditev izbrane menijske možnosti ali prikazane vrednosti pritisnite **OK** (V redu). Izberite Več in pritisnite **OK** (V redu) za ogled dodatnih zaslonov in možnosti, če so na voljo. Za vrnitev v Glavni meni iz katerega koli podmenija pritisnite gumb Glavni meni.

Napotek: Nekaterih možnosti ne morete uporabljati, če na merilnik ni priključen senzor. Če poskušate te možnosti uporabiti brez priključenega senzorja, zaslon prikaže napako. Priključite senzor in poskusite znova izvesti isto možnost.

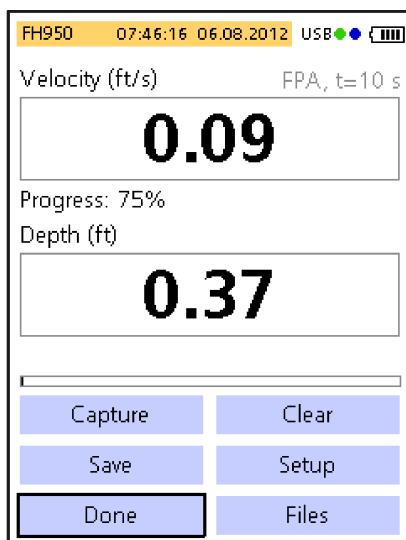
1. **Real time** (v realnem času) – Izberite to možnost, če želite podatke o hitrosti in globini v realnem času. (Za odčitavanje globine je potreben senzor s funkcijo odčitavanja globine.) Primer zaslona v realnem času za senzor s hitrostjo je prikazan v [Slika 8](#) Zasloni v realnem času tako za senzorje s hitrostjo kot za senzorje z globino so prikazani v [Slika 9](#). Oblika prikazanih podatkov in možnosti je odvisna od vrste senzorja, ki je uporabljen. V načinu v realnem času Hitri skok preklopi med digitalnim pogledom in pogledom grafikona podatkov v realnem času. Hitrost se posodablja v načinu filtriranja FPA glede na povprečen čas fiksnega obdobja. V načinu filtriranja RC se hitrost na zaslonu posodablja nenehno, in sicer vsakih 250 ms.

Možnost	Opis
Capture (Zajem)	Shrani podatke o globini in hitrosti, prikazane v pomnilniku. Podatki se shranijo, dokler napajanje traja, se pomnilnik shrani na obstojno realnočasovno datoteko ali uporabnik zapusti način v realnem času.
Save (Shrani)	Shrani zajete meritve iz neobstojnega pomnilnika v obstojno realnočasovno datoteko. Če število datotek preseže omejitev, se prikaže sporočilo. Datoteke se shranijo v obliki vrednosti, ločenih z vejico (.tsv).
Done (Končano) ali OK (V redu)	Zapusti način v realnem času in se vrne v Glavni meni. Če so na neobstojnem pomnilniku podatki, se prikaže potrditveno sporočilo za potrditev izhoda brez shranjevanja podatkov.
Clear (Počisti)	Počisti zajete meritve iz neobstojnega začasnega pomnilnika. Uporabnik lahko izbere možnosti Clear Last (Počisti zadnje), Clear All (Počisti vse) ali Cancel (Prekliči).
Setup (Nastavitev)	Uporabnikom omogoča, da spremenijo glavne parametre filtra in omogočijo ter programirajo funkcijo pozicioniranja senzorja maksimalne globine. Funkcija maksimalne globine omogoča uporabniku, da vnese sistemske parametre za merjenje globine v načinu v realnem času. Uporabnik lahko izbere, ali bo vnese vrednost maksimalne globine neposredno z ravnalom (ročno) ali posredno z meritvijo globine (samodejno). Oba načina omogočata funkcijo pozicioniranja senzorja maksimalne globine. V nastavitvi samodejnega načina uporabnik neposredno vnese razdaljo od dna kanala do dna nosilca senzorja (kompenzacije). Nastavitveni vmesnik bo stalno prikazoval trenutno vrednost globine, ki jo vrne senzor plus kompenzacija. Merilnik shrani to vrednost kot maksimalno globino, ko pritisnete gumb OK (V redu). V vseh drugih primerih vrednosti globine ne vključujejo kompenzacije. Funkcija maksimalne globine zahteva senzor hitrosti in globine.
Files (Datoteke) ali View (Ogled)	Prikaže povzetek posamezne realnočasovne datoteke, shranjene na obstojnem pomnilniku. Datoteke lahko pregledujete in brišete posamezno.

Slika 8 Prikaz v realnem času



Slika 9 Prikaz v realnem času za senzorje z globino



2. **Profiler** (Orodje za spremljanje delovanja) – Izberite to možnost za izvajanje meritev hitrosti vodotoka in cevi. Merilnik prikaže poziv, če je potrebna interakcija uporabnika. Odstotek preostalega pomnilnika je podan na 1 % natančno. Za več informacij o profilih glejte razširjeno različico priročnika .

Možnost	Opis
Stream (Vodotok)	To možnost izberite za nastavitve profila za vodotok oz. tekoči kanal. Opravite meritve hitrosti in izračunajte skupen pretok glede na standard ISO 748 ali USGS za metodo sredinskega odseka ali metodo povprečnega odseka.
Conduit (Cev)	To možnost izberite za nastavitve profila za cev.
Files (Datoteke)	To možnost izberite za ogled ali brisanje shranjenih datotek. Datoteke lahko brišete hkrati ali posamezno.
Setup (Nastavitev)	Ta možnost se uporabi za nastavljanje ali spreminjanje nastavitve za parametre filtra in funkcijo maksimalne globine.

3. **Set up** (Nastavi) – Izberite to možnost za spremembo splošnih sistemskih nastavitvev in izbir.



Možnost	Opis
Velocity calibration (Kalibracija hitrosti)	Kalibracija senzorja. Tovarniški kalibraciji doda kompenzacijo zaradi terena. Za več informacij glejte dodatek v razširjeni različici priročnika.

Možnost	Opis
Filter parameters (Filtriranje parametrov)	<p>Uporaba filtra za pridobivanje podatkov (glavni filter ali prefilter). Uporabnik lahko izbere parametre za filtriranje.</p> <p>Main filter (Glavni filter)</p> <ul style="list-style-type: none"> • Fixed Period Averaging (FPA) – FPA oz. povprečje določenega časa določa povprečje podatkov v določenem času (1 do 480 sekund). Privzeta vrednost je 10 sekund. Če je vrednost FPA 5, se prikazana vrednost hitrosti posodobí vsakih 5 sekund. • RCA time constant – Časovna konstanta RCA oz. filter RC s pomočjo izbrane časovne konstante v filtrirnem algoritmu pomaga izravnati turbulence. Ta način je uporaben za iskanje največje hitrosti, npr. pri pogosto uporabljeni metodi profila $0,9 \times V_{max}$. Večja, kot je časovna konstanta filtra RC, večja je stopnja izravnave. Časovno konstanto lahko nastavite od 2 do 20 sekund, privzeta vrednost pa je 6. Pri 1 časovni konstanti se filter ustali na približno 60 % končne vrednosti. Pri 5 časovnih konstantah se filter ustali na približno 99,9 % končne vrednosti. Če je torej vrednost RC nastavljena na 2, se končna vrednost prikaže po 10 sekundah. <p>Pre-filter (Prefilter)</p> <ul style="list-style-type: none"> • Median filter oz. vmesni filter – Filtriranje poteka že v senzorju. Funkcijo lahko onemogočite. Vendar je priporočena (privzeta) vrednost 5. Omogočite funkcijo, da vnesete ali spremenite to vrednost.
Wet/dry threshold (Prag mokro/suho)	Nastavitev praga potopa senzorja za mokre oz. suhe pogoje. Privzeta vrednost je 20 %. Za več informacij glejte dodatek v razširjeni različici priročnika.
Auto zero depth (Samodejna ničla globine)	<p>Vklopi ali izklopi funkcijo samodejne ničle.</p> <p>Če je vklopljena, instrument izvede zračno kalibracijo, ko senzor vzamete iz vode in je v zraku. Za zračno kalibracijo instrument samodejno nastavi senzor na ničlo.</p> <p>Če je funkcija izklopljena, lahko uporabnik ročno nastavi ničlo senzorja. To storite tako, da odstranite senzor iz pretoka in pritisnete in držite tipko Hitri skok pet sekund.</p> <p>Ko je senzor v pretoku 30 minut, se zeleni krog v zgornjem desnem krogu preklopi iz zelene na rdečo. To je opozorilo, da mora uporabnik odstraniti senzor in ga ponovno nastaviti na ničlo.</p>
EMI	Nastavitev frekvence lokalnih linij zaradi zmanjševanja okoliškega šuma na 50 Hz ali 60 Hz (privzeto).
Ura	Nastavitev datuma in časa prenosnega merilnika v 24-urnem zapisu. Nastavitev poletnega časa ni podprta.
USB	<p>Nastavitev načina USB.</p> <ul style="list-style-type: none"> • Mass Storage (Masovni pomnilnik) (privzeto) – V tem načinu naprava deluje kot pomnilniški ključ ali trdi disk. Datoteke so samo za branje. • CDC—Ta način se uporablja za posodobitev vdelane programske opreme.
Jezik	Izbira jezika menjitev.
Units (Enote)	Nastavitev enot za meritve hitrosti, pretoka in globine. Možnosti so Metric (Metrične) ali English (Angleške) (privzeto).
Beeper (Pozivnik)	<p>On (Vklop) (privzeto) ali Off (izklop). Če je funkcija vklopljena, bo merilnik oddajal zvok v naslednjih primerih:</p> <ul style="list-style-type: none"> • Senzor je na ustrezni globini za metode profila, ki se uporabljajo. • Poteklo je 95 % časa merjenja (način profiliranja). • V enem od menjitev ste pritisnili neaktiven gumb. <p>Ta funkcija je na voljo le z izbirnim senzorjem globine.</p>
Flow calculation (Izračun pretoka)	Izbira metode izračunavanja pretoka za odprte vode (samo profili pretoka). Možnosti sta Mean-section (povprečni odsek) in Mid-section (sredinski odsek). Za več informacij glejte dodatek v razširjeni različici priročnika.

Možnost	Opis
Station entry (Vnos postaje)	<ul style="list-style-type: none"> Fixed (Fiksno) – Upravljaavec vnese širino toka in število merilnih postaj. Merilnik razdeli presek na enakomerne razdalje med vertikalami postaj. Non-fixed (Spremenljivo) (privzeto) – Upravljaavec izbere razdaljo med vertikalami postaj. To je pogosteje uporabljena možnost, saj upravljavcu omogoča, da v presek vključi tudi ovire in druge omejitve. Fixed and Non-fixed (Fiksno in spremenljivo) – Upravljaavec izbere referenčno ravnino za meritve globine. Vrednosti: zgoraj ali spodaj.
Restore defaults (Obnovi privzeto)	Povrnitev vseh možnosti merilnika na privzete tovarniške vrednosti.

4. **Diagnostics (Diagnostika)** – Izberite to možnost za odpravljanje težav z merilnikom ali priključenim senzorjem. Za dodatne informacije o možnostih diagnostike glejte [Diagnostics \(Diagnostika\)](#) na strani 206.

Razdelek 6 Zagon in samopreizkus

⚠ NEVARNOST	
	Kemične ali biološke nevarnosti. Če instrument uporabljate za spremljanje postopka obdelave in/ali dovajanja kemikalij, ki je določen z zakonskimi omejitvami in zahtevami za spremljanje, povezanimi z javnim zdravjem, javno varnostjo, proizvodnjo hrane in pijač, je uporabnik tega instrumenta dolžan poznati in spoštovati vse zadevne predpise, poskrbeti pa mora tudi za zadostne in primerne mehanizme, ki zagotavljajo skladnost z zadevno zakonodajo v primeru okvare instrumenta.
⚠ OPOZORILO	
	Nevarnost požara in eksplozij. Ne uporabljajte in hranite naprave na neposredni sončni svetlobi, blizu vira toplote ali v območjih z visoko temperaturo, kot je npr. zaprto vozilo na neposredni sončni svetlobi. Neupoštevanje tega varnostnega ukrepa lahko povzroči pregrevanje baterije ter požar ali eksplozijo.

Pred uporabo morate v merilnik namestiti baterijo in jo napolniti. Za več informacij o namestitvi in zamenjavi baterije glejte [Vstavljanje baterije](#) na strani 196. Za informacije o polnjenju baterije glejte [Napolnite baterijo](#) na strani 197.

Napotek: Medtem, ko se baterija polni, merilnik ne deluje.

- Pritisnite gumb za vklop merilnika, tako da zaslišite pisk. Merilnik izvede samopreizkus in prikaže rezultate. Če merilnik ne opravi samopreizkusa, zaslon poleg nepravilnega parametra prikaže FAIL. Če senzor odpove, priklopite drug senzor (če je na voljo).
- Ko se samopreizkus konča, pritisnite **OK** (V redu) za vstop v Glavni meni.
- Za izklop merilnika ponovno pritisnite gumb za vklop/izklop. V zaslonu za potrditev izberite Yes (Da) in pritisnite **OK** (V redu). Če se prenosni merilnik preneha odzivati, pritisnite gumb za vklop/izklop in ga držite več kot 3 sekunde ter ga tako prisilno izklopite. Ne izvajajte prisilnega izklopa, če merilnik deluje normalno ali če je prikazana ikona za dostop do datotek.

6.1 Samopreizkus naprave

Merilnik ob vklopu opravi diagnostični samopreizkus. Ko je samopreizkus končan, se na zaslonu pokažejo rezultati le-tega. Za vstop v Glavni meni pritisnite **OK** (V redu).

Če merilnik ne opravi samopreizkusa, zaslon poleg nepravilnega parametra prikaže FAIL. Če senzor odpove, priklopite drug senzor (če je na voljo).

6.2 Način mirovanja

Osvetlitev ozadja merilnika se zatemni po 30 sekundah neaktivnosti in preide v stanje mirovanja po 60 sekundah neaktivnosti. Ta dejanja se ne izvedejo, če je merilnik v realnočasovnem načinu ali če merilnik trenutno opravlja meritve. Po 30 minutah stanja mirovanja se merilnik izklopi.

Za preklic stanja mirovanja pritisnite katero koli tipko. Svetlost zaslona se vrne na običajen nivo, vse tipka pa zopet prevzamejo svoje običajne funkcije.

Razdelek 7 Vzdrževanje

7.1 Čiščenje senzorja

▲ OPOZORILO



Nevarnost izpostavljenosti kemikalijam. Upoštevajte varnostne predpise v laboratoriju in nosite vso osebno zaščitno opremo, primerno za delo s kemikalijami, ki jih trenutno uporabljate. Za varnostne protokole glejte veljaven varnostni list (MSDS/SDS).

Senzor očistite, kadar se pojavi nepričakovan trend naraščanja ali zmanjševanja pretoka in po uporabi v blatnih vodah ali vodah, polnih peska.

Pri močni umazaniji senzor za nekaj minut potopite v čisto vodo, da se umazanija lahko odstrani.

Pred čiščenjem senzor odklopite z merilnika. Za čiščenje senzorja uporabljajte le raztopine, ki so navedene kot sprejemljive v [Tabela 3](#). Pri senzorjih s tlačno celico (tj. senzorji hitrosti in globine) se prepričajte, da so luknje za komoro celice senzorja izprane in brez umazanije. Senzor splaknite s čisto vodo, preden ga ponovno namestite na sklop.

Tabela 3 Dovoljene in prepovedane čistilne raztopine

Dovoljene	Ne uporabljajte
Čistilo za posodo in voda	Koncentrirano belilo
Čistilo za steklo	Kerozin
Izopropilni alkohol	Bencin
	Aromatični hidrokarbonati

7.2 Čiščenje merilnika

1. Za izklop merilnika pritisnite gumb za vklop.
2. Za čiščenje zunanosti merilnika uporabite čisto, vlažno krpo. Po potrebi v vodo zmešajte malo blagega detergenta.
3. Zunanost merilnika obrišite s čisto krpo. Pred ponovnim vklopom merilnika počakajte, da se popolnoma posuši na zraku.
Napotek: Za čiščenje zaslona ne uporabljajte papirnatih brisač. Papirnate brisače lahko poškodujejo zaslon naprave.

7.3 Zamenjava baterije

▲ OPOZORILO



Nevarnost požara in eksplozije. V opremo je vgrajena visokozmogljiva litijeva baterija, ki se lahko vname in povzroči požar ali eksplozijo, tudi če ni pod napetostjo. Da ohranite zaščito, ki jo nudi ohišje instrumenta, morate na ohišje instrumenta namestiti pokrove in jih pritrčiti s priloženo opremo.

▲ OPOZORILO



Nevarnost eksplozije in požara. Nadomeščanje baterij ni dovoljeno. Uporabljajte samo baterije, ki jih dobavi proizvajalec pripomočka.

Ko baterija ne ohranja napolnjenosti, jo zamenjajte.

Napotek: Če morate merilnik vrniti proizvajalcu na popravilo ali vzdrževanje, pred pošiljanjem odstranite baterijo in jo dajte v zaščitni ovoj.

1. Izklopite.
2. Odstranite baterijo. Glejte [Vstavljanje baterije](#) na strani 196.
3. Baterijo zavržite v skladu z lokalnimi in državnimi predpisi.
4. Novo baterijo namestite v isti položaj. Glejte [Vstavljanje baterije](#) na strani 196.
Uporabljajte samo baterije, ki jih dobavi proizvajalec pripomočka.
5. Namestite pokrov baterije. Pazite, da pokrov dobro zaprete, sicer bo celovitost ohišja okrnjena.
6. Po potrebi zamenjajte baterijo. Glejte [Napolnite baterijo](#) na strani 197.

Razdelek 8 Odpravljanje težav

8.1 Diagnostics (Diagnostika)

Za ogled informacij o merilniku in izvajanje diagnostičnih testov, navedenih v [Tabela 4](#), pojdite v Glavni meni in izberite Diagnostics (Diagnostika).

Tabela 4 Diagnostika merilnika

Možnost	Opis
O merilniku	Prikaz informacij o merilniku in senzorju. Vključuje tudi serijsko številko in različico vdelane programske opreme.
Izbris datotek	Izbriše vse datoteke iz pomnilnika in napravi prostor za nove meritve. Preden izberete to možnost, prenesite podatke na PC. Sistem po izbrisu datotek samodejno na novo formatira pomnilnik.
Senzor	Prikaže diagnostične informacije o senzorju.
Samopreizkus	Merilnik opravi diagnostični samopreizkus.
Test tipkovnice	Izvede test katerega koli gumba, da preveri, ali pravilno deluje.
Test zaslona	Izvede test zaslona, da preveri, ali pravilno deluje.
Dnevnik dogodkov	Uporabniku omogoča vpogled, brisanje in izvoz dnevnika dogodkov. Če želite, da je dnevnik dogodkov na voljo kot dostopna datoteka prek naprave USB za množično shranjevanje, ga izvozite. To možnost uporablja predvsem tovarniški servis.

8.2 Odpravljanje napak

Merilnik in senzor ne vsebujeta delov, ki bi jih lahko servisiral uporabnik. Za navedene napake in sporočila poskusite izvesti korektivni ukrep.

Če težave ne odpravite ali če se pojavi težava, ki ni na seznamu, se obrnite na proizvajalca.

Sporočilo ali težava	Rešitev
Senzor ni priključen	Priključite senzor in poskusite znova izvesti isto dejanje.
Vrednost je izven razpona	Spremenite parametre meritve ali vnesite drugo vrednost in poskusite znova.
Podatki senzorja so preverjeno napačni ali netočni	Očistite senzor in preizkusite.
Senzor ni zaznan	Preverite, ali je senzor dobro priključen. Preverite, ali je varovalna matica na priključku dobro privita (privijte samo s prsti).
Zaslon je zatemnjen ali ni viden	Pritisnite tipko na tipkovnici.

Sporočilo ali težava	Rešitev
Podatki niso na voljo ali pa dostop do podatkov ni mogoč	Preverite ali je možnost za USB v glavnem meniju nastavljena na Mass Storage (Masovni pomnilnik).
Merilnik se ne odziva	Pritisnite gumb za vklop/izklop in ga držite vsaj 3 sekunde. S tem izklopite merilnik. Ponovno vklopite merilnik. Napotek: Ne uporabljajte te metode za izklop, če merilnik deluje normalno ali če je na zaslonu prikazana ikona za dostop do datotek.

Sadržaj

- | | | | |
|---|---|---|---|
| 1 | Mrežni korisnički priručnik na stranici 208 | 5 | Korisničko sučelje i navigacija na stranici 219 |
| 2 | Specifikacije na stranici 208 | 6 | Pokretanje i samotestiranje na stranici 224 |
| 3 | Opći podaci na stranici 210 | 7 | Održavanje na stranici 225 |
| 4 | Instalacija na stranici 215 | 8 | Rješavanje problema na stranici 226 |

Odjeljak 1 Mrežni korisnički priručnik

Ovaj Osnovni korisnički priručnik sadrži manje podataka od Korisničkog priručnika koji je dostupan na web-mjestu proizvođača.

Odjeljak 2 Specifikacije

Specifikacije se mogu promijeniti bez prethodne najave.

2.1 Specifikacije senzora

Specifikacije	Pojedinosti
Mjerenje brzine	
Metoda	Elektromagnetsko
Raspon	0 to 6,09 m/s (-0 do 20 stopa/s)
Minimalna dubina vode	3,18 cm (1,25 inča)
Preciznost	±2% od očitavanja ±0,015 m/s (±0,05 stopa/s) 0 do 3,04 m/s (0 do 10 stopa/s); ± 4% od očitavanja 3,04 do 4,87 m/s (10 do 16 stopa/s)
Resolution (Rezolucija)	0 ≤ vrijednost < 10: 3 decimalna mjesta; 10 ≤ vrijednost < 100: 2 decimalna mjesta; 100 ≤ vrijednost < 1000: 1 decimalno mjesto; vrijednost ≥ 1000: 0 decimalnih mjesta
Nulta stabilnost	±0,015 m/s (0,05 stopa/s)
Materijal	ABS, ispunjeno staklom
Klasa kućišta	IP68
Dimenzije (D x Š x V)	11,9 x 4,3 x 6,3 cm (4,7 x 1,7 x 2,5 inča)
Materijal kabela	Poliuretan obložen
Duljine kabela	2, 6,1, 12,2 i 30,5 m (6,5, 20, 40 i 100 stopa)
Mjerenje dubine	
Metoda	Vrsta dijafragme: apsolutni tlak s jednom točkom kalibracije
Preciznost (statička)	Veće od ± 2% očitavanja ili ± 0.015 m (± 0,504 inča). Jednoliko stanje temperature i statička voda.
Raspon	3,05 m (0-10 ft)
Resolution (Rezolucija)	0 ≤ vrijednost < 10: 3 decimalna mjesta; 10 ≤ vrijednost < 100: 2 decimalna mjesta; 100 ≤ vrijednost < 1000: 1 decimalno mjesto; vrijednost ≥ 1000: 0 decimalnih mjesta

2.2 Specifikacije prijenosnog mjerča

Specifikacije	Pojedinosti
Razina zagađenja	2
Klasa zaštite	II
Temperatura punjenja	od 0 do 40 °C (od 32 do 104 °F)

Specifikacije	Pojedinosti
Radna temperatura	-20 do 55 °C (-4 do 131 °F)
Temperatura za pohranu	-20 do 60 °C (-4 do 140 °F)
Klasa kućišta	IP67
Mjerač vijeka trajanja baterije	Stupčasti grafikon s pet segmenata
Vrsta baterije	Punjiva litij-ionska baterija od 3,6 V, 5,0 Ah, 18 Wh
Vijek trajanja baterija	18 sati tipično dnevnog korištenja ¹ ; 20 °C (68 °F)
Punjač za bateriju	Vanjski adapter napajanja, energetska učinkovitost VI, 100 – 240 VAC, 50 – 60 Hz, ulaz od 0,5 A; 12 VDC, izlaz od 1,25 A
Dimenzije (D x Š x V)	21,8 x 9,3 x 5,3 cm (8,6 x 3,7 x 2,1 inča)
USB priključak	Vrsta Mini-B; 5-pinski, označen kao IP67 kad je prekriven
Materijal	Polikarbonat s odlivenim termoplastičnim elastomerom (TPE)

2.3 Specifikacije korisničkog sučelja

Specifikacije	Pojedinosti
Grafički zaslon	U boji, LCD 3,5" QVGA transreflektivna (čitljivo kod izravnog sunčevog svjetla)
Rezolucija mjerenja	0 ≤ vrijednost < 10: 3 decimalna mjesta; 10 ≤ vrijednost < 100: 2 decimalna mjesta; 100 ≤ vrijednost < 1000: 1 decimalno mjesto; vrijednost ≥ 1000: 0 decimalnih mjesta
Tipkovnica	Alfanumerički
Radni režimi	Stvarno vrijeme, profiliranje
Vrste profila	Tok, vod
Oblici voda	Okrugli, pravokutni, trapezoidni, 2/3 egg, obrnuti 2/3 egg
Unosi toka	Utvrđene, neutvrđene stanice
Odbijanje buke	Odabire korisnik, 50 Hz ili 60 Hz
Jedinice mjere	Brzina: stopa/s, m/s, cm/s, mm/s Protok: stopa ³ sek, milijun gal/dan, gal/dan, gal/min, m ³ /s, m ³ /min, m ³ /sat, m ³ /dan, litra/s, litra/min Dubina: inč, stopa, m, cm, mm
Izračun toka	Način rada glavnog-odjeljka ili srednjeg-odjeljka
Dijagnostika	Samotestiranje, tipkovnica, zaslon i dnevnik događanja
Način profiliranja voda	0,9 x Vmax, 0,2/0,4/0,8, integrator brzine i razine, 2D
Načini profiliranja toka	1, 2, 3, 4, 5 i 6 točaka (brzinska metoda – USGS i ISO), Krepsova metoda u 2 točke, metoda za površinu u 1 točki, metoda za led u 1 i 2 točke
Vrste datoteka	Stvarno vrijeme, profiliranje, dnevnik događanja
Jeziци	Engleski, francuski, španjolski, njemački, talijanski, nizozemski, danski, švedski, kineski, poljski, japanski, korejski, portugalski, slovački, ruski, mađarski, bugarski, rumunjski, češki, turski, finski, grčki

¹ Definirano kao 30 minuta za postavljanje, šest razdoblja od 1 sata neprekidnog korištenja s aktivnim senzorom i zaslonom pri maksimalnoj svjetlini i 30 minuta načina rada u stanju mirovanja između razdoblja korištenja, preuzimanje podataka i isključivanja.

2.4 Opće specifikacije

Specifikacije	Pojedinosti
Maksimalan broj datoteka u realnom vremenu	50 svaka uz do 75 očitavanja snimljenih od strane korisnika.
Firmware (softver upravljačkog programa)	Senzor i prijenosni mjerač mogu se nadograđivati putem USB-a

Odjeljak 3 Opći podaci

Proizvođač ni u kojem slučaju neće biti odgovoran za štetu koja proizlazi iz neispravne uporabe proizvoda ili nepridržavanja uputa u priručniku. Proizvođač zadržava pravo na izmjene u ovom priručniku te na opise proizvoda u bilo kojem trenutku, bez prethodne najave ili obaveze. Revizije priručnika mogu se pronaći na web-stranici proizvođača.

3.1 Sigurnosne informacije

Proizvođač nije odgovoran za štetu nastalu nepravilnom primjenom ili nepravilnom upotrebom ovog proizvoda, uključujući, bez ograničenja, izravnu, slučajnu i posljedičnu štetu, te se odriče odgovornosti za takvu štetu u punom opsegu, dopuštenom prema primjenjivim zakonima. Korisnik ima isključivu odgovornost za utvrđivanje kritičnih rizika primjene i za postavljanje odgovarajućih mehanizama za zaštitu postupaka tijekom mogućeg kvara opreme.

Prije raspakiranja, postavljanja ili korištenja opreme pročitajte cijeli ovaj korisnički priručnik. Poštujte sva upozorenja na opasnost i oprez. Nepoštivanje ove upute može dovesti do tjelesnih ozljeda operatera ili oštećenja na opremi.

Uvjerite se da zaštita koju pruža ova oprema nije narušena. Nemojte koristiti ili instalirati ovu opremu na način koji nije naveden u ovom priručniku.

3.1.1 Korištenje informacija opasnosti

▲ OPASNOST

Označava potencijalno ili neposredno opasnu situaciju koja će, ako se ne izbjegne, dovesti do smrti ili ozbiljnih ozljeda.

▲ UPOZORENJE

Označava potencijalno ili neposredno opasnu situaciju koja će, ako se ne izbjegne, dovesti do smrti ili ozbiljnih ozljeda.

▲ OPREZ




Označava potencijalno opasnu situaciju koja će dovesti do manjih ili umjerenih ozljeda.

OBAVIJEST

Označava situaciju koja, ako se ne izbjegne će dovesti do oštećenja instrumenta. Informacije koje je potrebno posebno istaknuti.

3.1.2 Oznake mjera predostrožnosti

Pročitajte sve naljepnice i oznake na instrumentu. Ako se ne poštuju, može doći do tjelesnih ozljeda ili oštećenja instrumenta. Simbol na instrumentu odgovara simbolu u priručniku uz navod o mjerama predostrožnosti.

	Ovo je sigurnosni simbol upozorenja. Kako biste izbjegli potencijalne ozljede poštujujte sve sigurnosne poruke koje slijede ovaj simbol. Ako se nalazi na uređaju, pogledajte korisnički priručnik za rad ili sigurnosne informacije.
	Ovaj simbol naznačuje prisutnost uređaja osjetljivih na električne izboje (ESD) te je potrebno poduzeti sve mjere kako bi se spriječilo oštećivanje opreme.
	Električna oprema označena ovim simbolom ne smije se odlagati u europskim domaćim ili javnim odlagalištima. Staru ili isteklu opremu vratite proizvođaču koji će je odložiti bez naknade.

3.1.3 Sukladnost s elektromagnetskom kompatibilnošću (EMC)

▲ OPREZ

Ova oprema nije namijenjena za upotrebu u stambenim područjima i možda neće pružiti odgovarajuću zaštitu za radijski prijam u takvim okruženjima.

CE (EU)

Oprema ispunjava bitne zahtjeve EMC Direktive 2014/30/EU.

UKCA (UK)

Oprema zadovoljava zahtjeve propisa o elektromagnetskoj kompatibilnosti 2016 (S.I. 2016/1091).

Kanadska odredba o opremi koja uzrokuje smetnje, ICES-003, klasa A:

Izvjешća s testiranja nalaze se kod proizvođača.

Ovo digitalno pomagalo klase A udovoljava svim zahtjevima Kanadskog zakona o opremi koja uzrokuje smetnje.

Cet appareil numérique de classe A répond à toutes les exigences de la réglementation canadienne sur les équipements provoquant des interférences.

FCC dio 15, ograničenja klase "A"

Izvjешća s testiranja nalaze se kod proizvođača. Uređaj je sukladan s dijelom 15 FCC pravila. Rad uređaja mora ispunjavati sljedeće uvjete:

1. Oprema ne smije uzrokovati štetne smetnje.
2. Oprema mora prihvatiti svaku primljenu smetnju, uključujući smetnju koja može uzrokovati neželjen rad.

Zbog promjena ili prilagodbi ovog uređaja koje nije odobrila stranka nadležna za sukladnost korisnik bi mogao izgubiti pravo korištenja opreme. Ova je oprema testirana i u sukladnosti je s ograničenjima za digitalne uređaje klase A, koja su u skladu s dijelom 15 FCC pravila. Ta ograničenja su osmišljena da bi se zajamčila razmjerna zaštita od štetnih smetnji kada se oprema koristi u poslovnom okruženju. Ova oprema proizvodi, koristi i odašilje energiju radio frekvencije, te može prouzročiti smetnje u radio komunikaciji ako se ne instalira i koristi prema korisničkom priručniku. Koristite li ovu opremu u naseljenim područjima ona može prouzročiti smetnje, a korisnik će sam snositi odgovornost uklanjanja smetnji o vlastitom trošku. Sljedeće tehnike mogu se koristiti kao bi se smanjili problemi uzrokovani smetnjama:

1. Isključite opremu iz izvora napajanja kako biste provjerili je li ili nije uzrok smetnji.
2. Ako je oprema uključena u istu utičnicu kao i uređaj kod kojeg se javljaju smetnje, uključite opremu u drugu utičnicu.

3. Odmaknite opremu od uređaja kod kojeg se javljaju smetnje.
4. Promijenite položaj antene uređaja kod kojeg se javljaju smetnje.
5. Isprobajte kombinacije gore navedenih rješenja.

3.2 Pregled proizvoda

Prijenosni sustav za brzinu koristi se na terenu, u laboratoriju i za javne službe. Ovim sustavom mogu se mjeriti turbulentni, bučni i niski protoci.

Kada je senzor postavljen u tekuću vodu, magnetsko polje oko senzora stvara napon koji je proporcionalan brzini protoka. Ova amplituda napona, koja predstavlja brzinu protoka vode oko senzora, detektira se elektrodama u senzoru i obrađuje preko mikroprocesora senzora. Obradeni signal digitalno se prenosi kroz kabel senzora u prijenosni mjerač i informacija se prikazuje na zaslonu mjerača. Sustav uključuje prijenosni mjerač, senzor s kabelom i dodatni pribor.

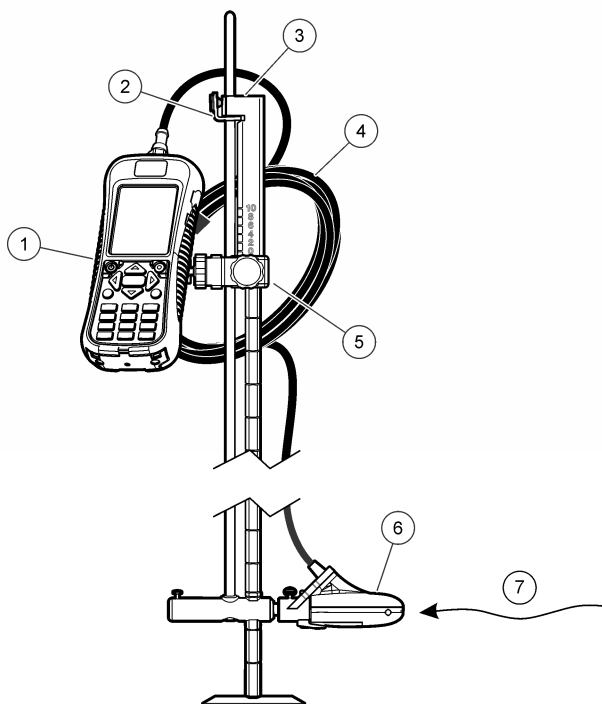
Mjerač i senzor dobivaju informaciju o brzini u cjevovodu i toku. Ova mjerenja su važna za kalibraciju industrijskih komunalnih otpadnih voda, kao i za ocjenjivanje utjecaja na okoliš.

Dostupne su dvije vrste senzora: samo brzina i brzina plus dubina. Ovaj priručnik pokriva obje vrste senzora. Ako se informacije primjenjuju na specificiranu vrstu senzora, ova činjenica označena je u tekstu.

3.2.1 Pregled sustava

Pregled sklopljenog sustava prikazan je u [Slika 1](#). Za više informacija pogledajte dokumentaciju isporučenu s pojedinačnim komponentama ili dodatnim priborom.

Slika 1 Sklopljene komponente

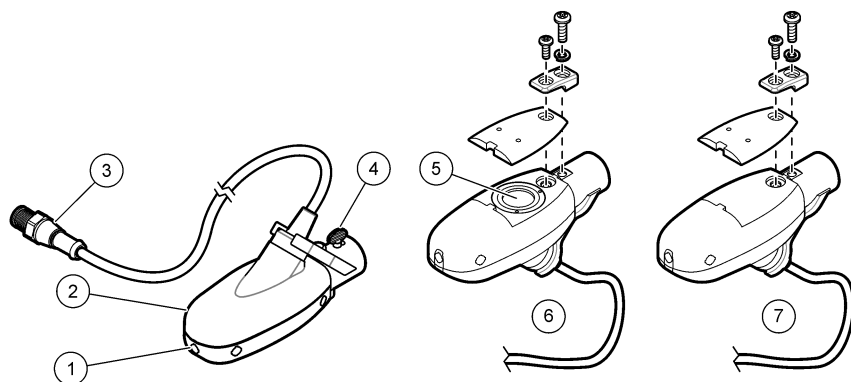


1 Prijenosni mjerač	5 Podesivi nosač za prijenosni mjerač
2 Uređaj za blokiranje visine/optuštanje senzora	6 Sastavljanje senzora
3 Gornja postavka mjerne šipke (dodatni pribor)	7 Smjer protoka
4 Kabel senzora	

3.2.2 Pregled senzora

[Slika 2](#) prikazuje glavne komponente senzora. Upute kako priključiti senzor na standardnu ili gornju postavku isporučene su s dodatnim priborom.

Slika 2 Komponente senzora

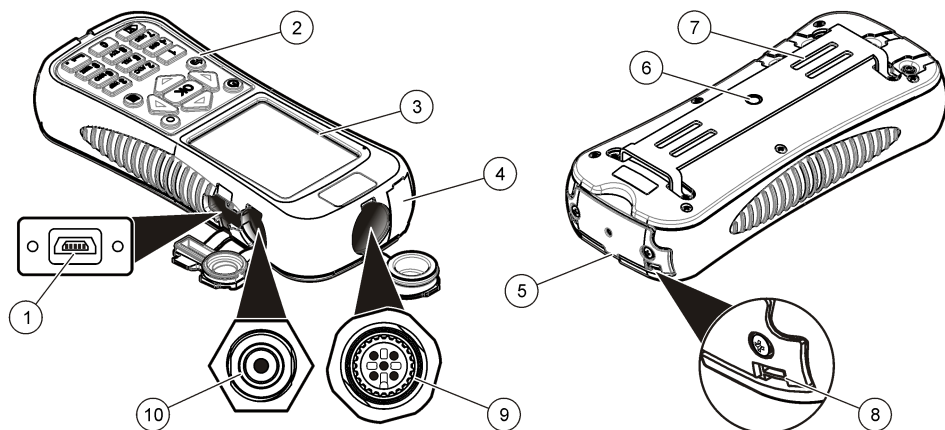


1 Elektrode senzora	5 Tlačna ćelija (senzori s opcijom dubine)
2 Kućište senzora	6 Senzor s opcijom dubine
3 Utikač za priključivanje senzora	7 Senzor bez opcije dubine
4 Vijak za priključivanje senzora	

3.2.3 Prikaz mjerača

Slika 3 prikazuje funkcije mjerača.

Slika 3 Komponente mjerača



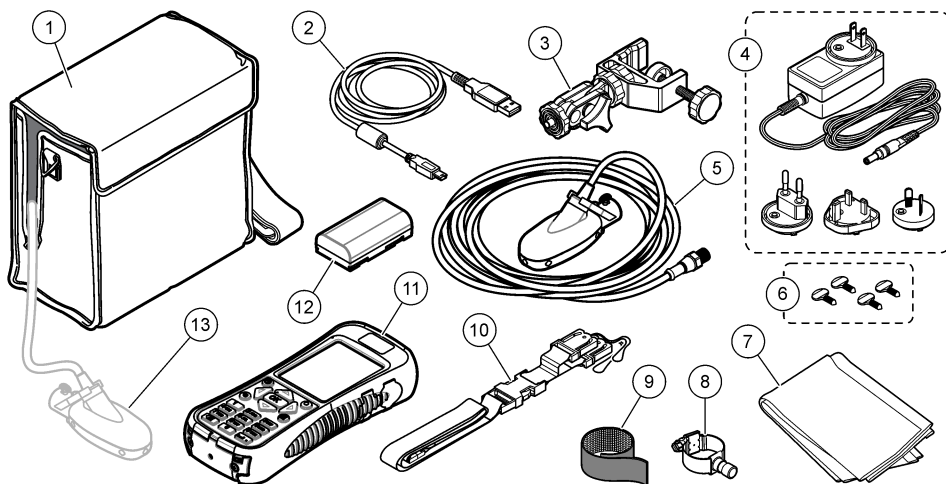
1 Ulaz za USB vezu ²	6 Otvor s navojem za podesivi nosač mjerača
2 Tipkovnica	7 Utori za priključak čičak trake ili trake
3 Zaslona mjerača	8 Utor za traku oko vrata s navojima za priključak (2x)
4 Ulaz za proširenje (ne koristi se)	9 Ulaz za vezu sa senzorom
5 Poklopac odjeljka za baterije	10 Priključak punjača za bateriju

² USB priključak nemojte koristiti za punjenje baterije.

3.3 Komponente proizvoda

Kada kupujete kompletan sustav, pogledajte u [Slika 4](#) kako biste bili sigurni da ste primili sve komponente. Ako bilo koji od ovih elemenata nedostaje ili je oštećen, odmah kontaktirajte proizvođača ili prodajnog zastupnika.

Slika 4 Komponente sustava



1 Kovčeg za prenošenje (s prorezom za kabel senzora)	8 Univerzalni nosač za senzor
2 USB kabel s mini USB priključkom, 1 m (3 ft)	9 Traka na čičak
3 Podesivi nosač za prijenosni mjerac	10 Uzica
4 Punjač za bateriju, 100 – 240 VAC	11 Prijenosni mjerac
5 Senzor	12 Litijaska baterija
6 Dodatni vijci (4x)	13 Senzor je priključen na mjerac unutar kućišta
7 Krpa za sušenje senzora	

Odjeljak 4 Instalacija

4.1 Ugradite senzor na univerzalni nosač za senzor

Koristite univerzalni nosač senzora za priključenje senzora na polove promjera 1 inča ili manje. Za točan rad i očitavanje, prednji kraj senzora mora biti usmjeren prema protoku s elektrodama u punom kontaktu s tokom.

Napomena: Održavajte elektrode senzora čistim od tvari koje nisu vodiči, poput ulja i masnoća. Za uklanjanje nečistoća senzora pogledajte [Čišćenje senzora](#) na stranici 225.

1. Prednji kraj senzora je okrugao i sadrži tri elektrode. Senzor ima otvor za montažu na stražnjem dijelu i vijak na gornjem dijelu. Postavite osovina za montažu na univerzalni nosač u otvoru za montažu na stražnjem dijelu senzora. Provjerite je li osovina za montažu potpuno umetnuta u otvor za montažu i da li je vijak umetnut u otvor.
2. Ručno pritegnite vijak.
3. Pomaknite pol promjera 1 inča ili manje kroz spojnicu univerzalnog nosača senzora. Pritegnite spojnicu.

Napomena: Upute kako montirati senzor na standardnu ili standardnu gornju postavku mjerne šipke isporučeni su s dodatnim priborom.

4.2 Sigurnost litijske baterije

▲ UPOZORENJE



Opasnost od požara i eksplozije. Litijske baterije mogle bi se zagrijati, zapaliti ili eksplodirati i uzrokovati ozbiljne povrede ako ih izložite nepovoljnim uvjetima.

- Ne koristite bateriju ako je vidljivo oštećena.
- Ne koristite bateriju nakon jakog udara ili vibracije.
- Ne izlažite bateriju vatri.
- Držite bateriju na temperaturama ispod 60 °C (140 °F).
- Držite bateriju na suhom i podalje od vode.
- Spriječite kontakt između pozitivnih i negativnih terminala baterije.
- Neovlaštene osobe ne smiju dirati bateriju.
- Bateriju odložite u skladu s lokalnom, regionalnom i nacionalnom regulativom.
- Nemojte koristiti ili spremati instrument na izravno sunčevo svjetlo, pored izvora topline ili u okruženju visokih temperatura, poput zatvorenih vozila na izravnom sunčevom svjetlu.

4.3 Umetanje baterije

▲ UPOZORENJE



Opasnost od požara i eksplozije. Ova oprema sadrži snažnu litijsku bateriju koja se može zapaliti i uzrokovati požar ili eksploziju čak i kad nije u funkciji. Kako biste održali razinu sigurnosti koju pruža kućište instrumenta, poklopci kućišta instrumenta moraju se postaviti i učvrstiti pomoću isporučenog alata.

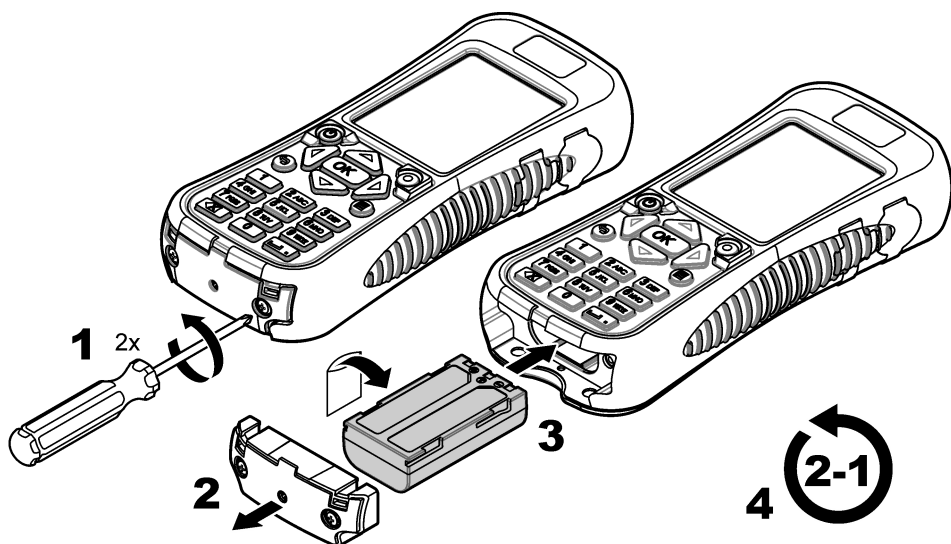
▲ UPOZORENJE



Opasnost od požara i eksplozije. Nije dopuštena zamjena baterija. Koristite isključivo dijelove dostavljene od strane proizvođača instrumenta.

Umetnite isporučenu litijsku bateriju kako prikazuje [Slika 5](#).

Slika 5 Umetanje baterije



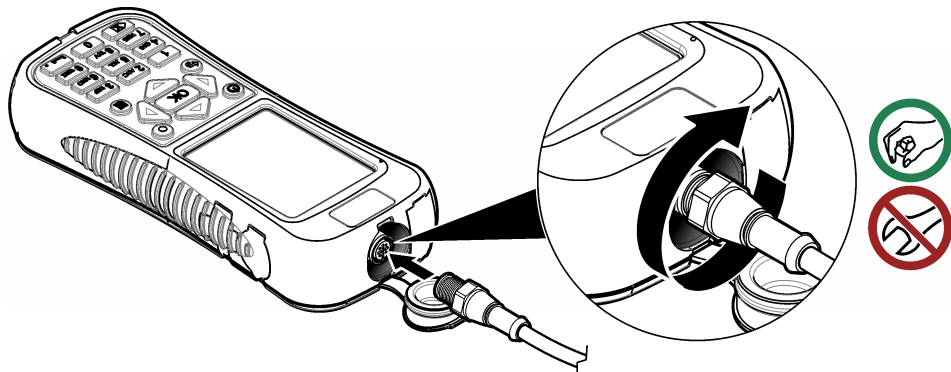
4.4 Promjena baterije

Napomena: Nije dopušten zamjenski punjač baterija. Koristite samo punjač koji je naveden na popisu dijelova i dodatnog pribora za instrument. Pogledajte Zamjenski dijelovi i dodatni pribor u proširenoj verziji priručnika.

Prije prve upotrebe priloženim punjačem za bateriju do kraja napunite bateriju instrumenta. Ispražnjena baterija će se u potpunosti napuniti za 8 sati.

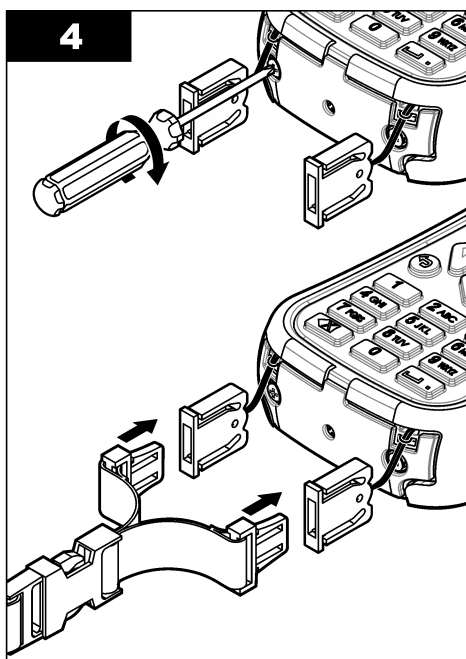
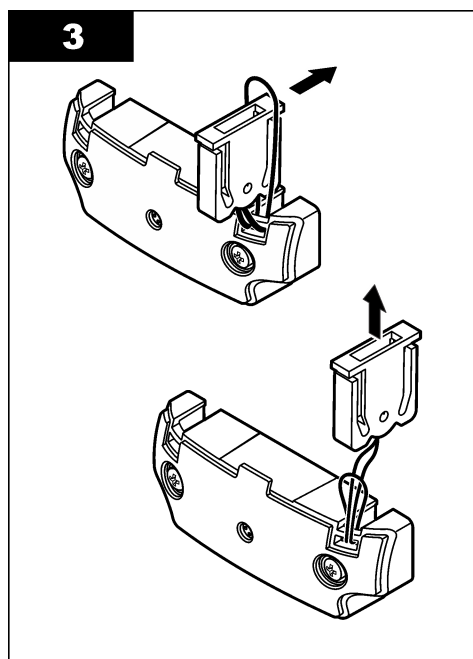
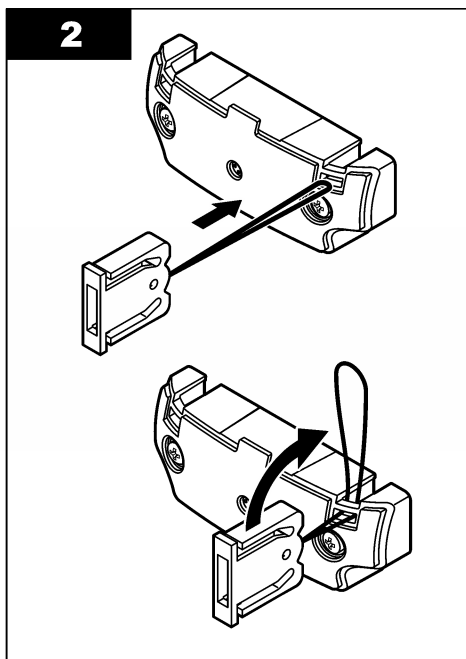
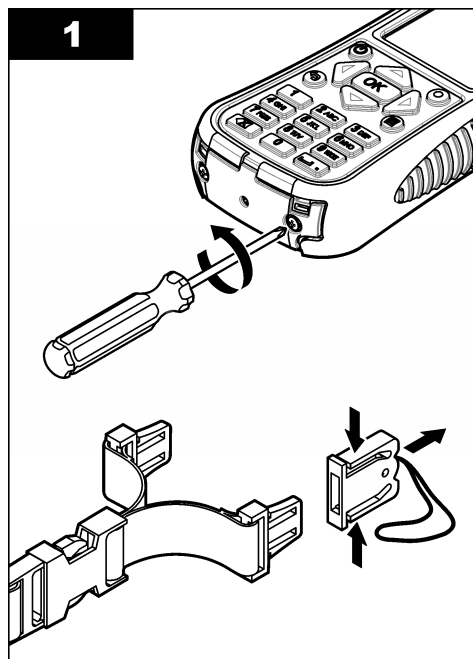
1. Provjerite ima li punjač za bateriju pravilan utikač za dotičnu geografsku lokaciju.
2. Priključite punjač za bateriju u električnu utičnicu s uzemljenjem.
3. Priključite punjač za bateriju u priključak punjača za bateriju na instrumentu. Pogledajte [Prikaz mjerača](#) na stranici 214. Razina baterije prikazuje se na zaslonu. Tijekom punjenja baterije oko ulaza za punjenje prikazuje se plavo svjetlo. Kada se postupak punjenja završi, plavo svjetlo se isključuje.
Napomena: Tijekom punjenja baterije mjerač nije funkcionalan. Baterija se ne puni preko kabela za USB vezu.

4.5 Priključite senzor na mjerac



4.6 Priključite traku

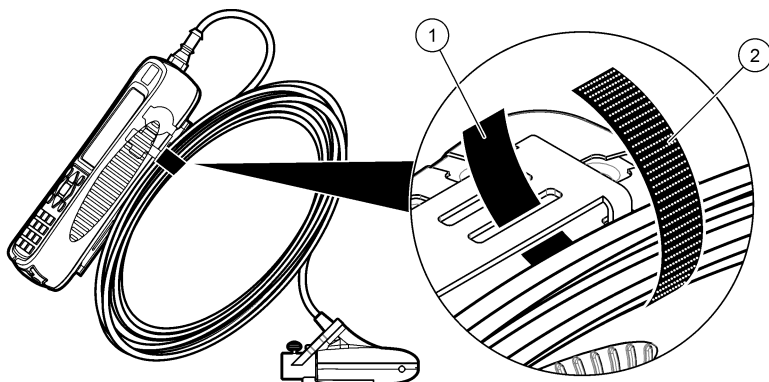
Priključite traku za nošenje radi sigurnosti oko vrata.



4.7 Priključite traku na čičak

Za držanje dodatnog kabela koristite traku na čičak. Pogledajte [Slika 6](#).

Slika 6 Priključite traku na čičak



1 Strana za petlju

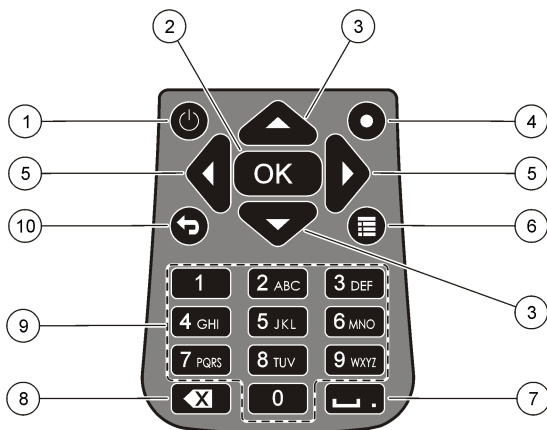
2 Strana za kvačenje

Odjeljak 5 Korisničko sučelje i navigacija

5.1 Funkcije tipkovnice i tipki

[Slika 7](#) prikazuje tipkovnicu mjerača. [Tablica 1](#) omogućuje funkcije svake tipke ili vrste tipke.

Slika 7 Tipkovnica



1 Uključivanje/isključivanje napajanja	6 Glavni izbornik
2 OK (U redu)	7 Podvlaka ili decimala
3 Strelice gore i dolje	8 Tipka za povratak unatrag
4 Prečac	9 Alfanumerički
5 Strelice desno i lijevo	10 Prethodni izbornik

Tablica 1 Opis tipke

Tipka	Opis
Uključivanje/isključivanje napajanja	Uključivanje i isključivanje mjerača.
OK (U redu)	Potvrđuje unos ili označenu opciju izbornika.
Strelice gore i dolje	Pomiče gore i dolje na zaslonu. Ako je pokazivač na vrhu ili dnu zaslona, pokazivač se pomiče prema donjem ili gornjem dijelu kada se strelica pritisne UP (gore) ili DOWN (dolje).
Prečac	U normalnom radu, ova tipka skače na zaslon odabranog oblika voda. U radu profilera tipka brzog skakanja je onemogućena. Ako je onemogućena funkcija automatske nule, držite ovu tipku pet sekundi kako biste izvršili ručno nulovanje dubine senzora. U načinu rada u stvarnom vremenu, tipka Brzog skakanja prebacuje između digitalnog i grafičkog prikaza.
Strelice desno i lijevo	Pomiče u desno ili lijevo na zaslonu.
Glavni izbornik	Odlazak u glavni izbornik iz bilo kojeg podizbornika ili zaslona.
Podvlaka ili decimala	Postavlja podvlake ili decimalnu znamenku. Samo u brojanom polju ova tipka automatski postavlja decimalnu točku u položaju pokazivača.
Tipka za povratak unatrag	Pomiče pokazivač za jedno mjesto unatrag.
Alfanumerički	Postavlja u tipku alfa ili numeričku vrijednost. Vrijednosti su postavljene redosljedom prikazanim na tipki. Nakon 2 sekunde, vrijednost prikazana u zaslonu je spremljena i pokazivač se kreće ispred.
Prethodni izbornik	Pomicanje na prethodni zaslon.

5.2 Traka statusa

Traka statusa prikazuje se u gornjem dijelu zaslona. Opis podataka u traci statusa dat je u [Tablica 2](#).

Tablica 2 Indikatori trake statusa

Indikator	Opis
Vrijeme i datum	Prikazuje trenutno vrijeme i datum.
USB	Prikazuje kada je priključen USB kabel. Ako je priključen USB kable, a ovaj indikator ga ne prikazuje na traci statusa, USB kabel nije potpuno priključen. Provjerite je li USB kabel potpuno gurnut i da čini puni kontakt s ulazom za priključak.
Vodljivost	Ako je senzor izvan vode i ne provodi, pored ikone baterije pojavljuje se plavi prsten. Ako je senzor u vodi i provodi, indikator ima puni plavi krug.
Baterija	Stupčasti grafikon s pet traka prikazuje razinu napunjenosti baterije.
Pristup datoteci	Prikazuje kada mjerač dobiva pristup u datoteku.
Indikator automatskog nulovanja dubina	Ako je dubina senzora nulovana u zadnjih 30 minuta, puni krug zelene boje prikazan je pored indikatora provodljivosti. Ako dubina senzora nije nulovana u zadnjih 30 minuta, ovaj indikator treperi crveno.

5.3 Navigacija i glavni izbornik

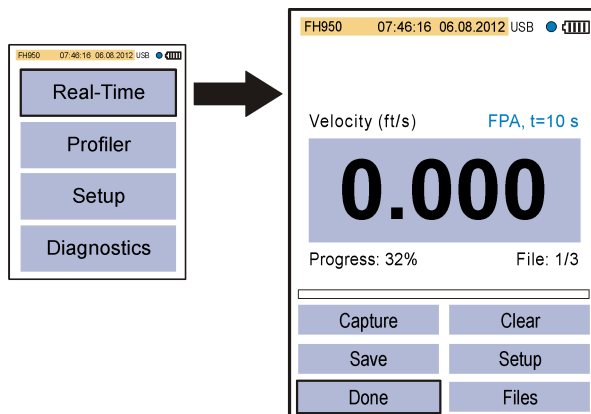
Za potvrdu odabrane opcije izbornika ili prikazane vrijednosti na zaslonu pritisnite **OK (U redu)**. Odaberite **Više** i pritisnite **OK (U redu)** kako biste vidjeli dodatne zaslona i opcije ako su dostupne. Za povratak na glavni izbornik iz podizbornika pritisnite gumb Glavni izbornik.

Napomena: Neke radnje nije moguće završiti osim ako senzor nije priključen na mjerač. Ako se ove operacije pokušaju kada nema priključenog senzora, zaslon prikazuje poruku o pogrešci. Priključite senzor i ponovite radnju.

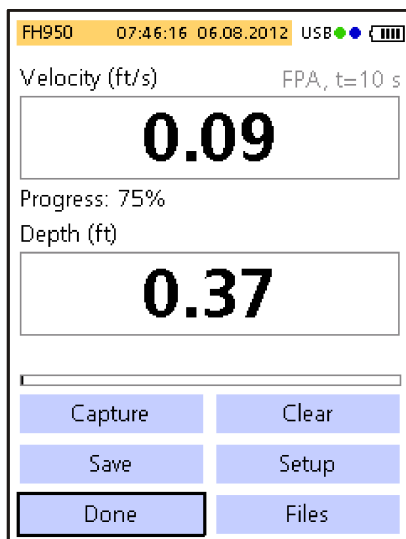
1. **Real time (Stvarno vrijeme)** —odaberite ovu opciju za dobivanje informacija o brzini i dubini u stvarnom vremenu. (Za očitavanje dubine potreban je senzor s mogućnosti dubine). Primjer zaslona stvarnog vremena za senzore s brzinom prikazan je samo u [Slika 8](#). Zasloni stvarnog vremena za senzore s brzinom i dubinom prikazani su u [Slika 9](#). Format informacija i opcija prikazuje se ovisno o tipu senzora koji se koristi. U načinu rada u stvarnom vremenu, tipka Brzog skakanja prebacuje između digitalnog i grafičkog prikaza informacija o Stvarnom vremenu. Brzina je ažurirana u načinu rada FPA filtra prema utvrđenom periodu prosječnog vremena. U načinu rada RC filtra brzina je neprekidno ažurirana na zaslonu svakih 250 ms.

Opcija	Opis
Snimi	Pohranjuje prikazane informacije o dubini i brzini u memoriju. Informacije su spremljene dok je uključeno napajanje, memorija je spremljena na postojani tvrdi disk s datotekom u stvarnom vremenu ili korisnik izlazi iz načina rada u stvarnom vremenu.
Spremi	Sprema snimljena mjerenja u postojanu memoriju u datoteci stvarnog vremena. Ako je broj datoteka veći od maksimalno mogućih prikazuje se poruka. Datoteke su spremljene u formatu datoteka odvojenih tabulatorom (.tsv).
Završeno ili OK (U redu)	Izlazi iz načina rada u stvarnom vremenu i vraća se u Glavni izbornik. Ako u memoriji postoje nesprenjeni podaci, potvrdna poruka traži od korisnika da potvrdi izlaz bez spremanja podataka.
Brisanje	Briše snimljena mjerenja iz međuspremnika memorije. Korisnik može odabrati između opcija Clear Last (Obriši zadnje), Clear All (Obriši sve) ili Cancel (Otkaži).
Postavljanje	Omogućuje korisniku da modificira parametre glavnog filtra i omogući program funkcija pozicioniranja maksimalne dubine senzora. Funkcija maksimalne dubine omogućuje korisniku da uđe u parametre sustava za mjerenje dubine u načinu rada u stvarnom vremenu. Korisnik može odabrati da upiše maksimalnu vrijednost dubine uzetu izravno s pravilnika o mjerama (priručnik) ili uzeti indirektno s mjerenja dubine (automatski). Oba načina omogućuju funkciju pozicioniranja senzora maksimalne dubine. U automatskom načinu postavljanja korisnik izravno unosi udaljenost od dna kanala do donjeg dijela nosača senzora (otklon). Sučelje za postavljanje neprekidno prikazuje trenutnu vrijednost dubine vraćenu otklonom senzora plus. Mjerač sprema ovu vrijednost kao maksimalnu dubinu kad je pritisnut gumb OK (U redu). U drugim slučajevima, prikazana vrijednost dubine na uključuje otklon. Funkcija maksimalne dubine zahtjeva senzor s brzinom plus dubina.
Datoteke ili Prikaz	Prikazuje sažetak svake spremljene datoteke u stvarnom vremenu u memoriji. Datoteke se mogu pojedinačno pregledati i obrisati.

Slika 8 Zaslona sa stvarnim vremenom



Slika 9 Zaslon sa stvarnim vremenom za senzor s dubinom



2. **Profiler**—Odaberite ovu opciju za uzimanje mjera brzine toka i voda. Mjerač odmah prikazuje kada je potrebno da korisnik unese unos. Postotak preostale memorije prikazan je u 1% rezoluciji. Za više informacija o profilima pogledajte proširenu verziju priručnika .

Opcija	Opis
Tok	Ova opcija koristi se za postavljanje profila toka ili tekućeg kanala. Izvršite mjerenje brzine radi izračuna ukupnog pražnjenja na temelju ISO 748 ili USGS normi za načine rada srednjeg-odjeljka i glavnog-odjeljka.
Vod	Ova opcija koristi se za postavljanje profila za vod.
Datoteke	Ova opcija koristi se za prikaz ili brisanje spremljenih datoteka. Datoteke se mogu obrisati sve odjednom ili pojedinačno.
Postavljanje	Ova opcija se koristi za postavljanje ili promjenu postavki za parametre filtra i funkciju maksimalne dubine.

3. **Postavljanje**—odaberite ovu opciju za promjenu općih postavki i svojstava sustava.



Opcija	Opis
Kalibracija brzine	Kalibrira senzor Dodaje polje otklona tvorničkoj kalibraciji. Za više informacija pogledajte dodatak u proširenoj verziji priručnika.

Opcija	Opis
Parametri filtra	<p>Primjenjuje filter za prikupljene podatke (Glavni filter ili predfilter). Korisnik može odabrati parametre filtra.</p> <p>Glavni filter</p> <ul style="list-style-type: none"> Fixed Period Averaging (Utvrđeno težišno razdoblje) (FPA)—Utvrđeno težišno razdoblje uzima prosjek podataka preko utvrđenog vremenskog razdoblja koje utvrdio korisnik (od 1 do 480 sekundi). Zadana postavka je 10 sekundi. Ako je FPA vrijednost 5, vrijednost brzine prikazana u zaslonu ažurira se svakih 5 sekundi. RCA time constant (Vremenska konstanta RCA)—RC filter pomaže izjednačiti turbulenciju preko korištenja odabrane vremenske konstante u algoritmu filtra. Ovaj način koristan je kada tražite maksimalnu brzinu, primjerice u učestalom načinu rada u profilu 0,9 x Vmax. Visoka vremenska konstanta RC filtra daje veći stupanj izjednačavanja. Vremenska konstanta može biti postavljena od 2 do 20 sekundi, uz zadanu vrijednost od 6. Na 1 vremenskoj konstanti, filter se postavlja na približno 60% završne vrijednosti. Na 5 vremenskih konstanti, filter se postavlja na 99,9% završne vrijednosti. Stoga, ako je RC vrijednost postavljena na 2, završna vrijednost prikazuje se nakon 10 sekundi. <p>Predfilter</p> <ul style="list-style-type: none"> Srednji filter—Postupak filtriranja izvršen je u senzoru. Funkcija može biti onemogućena. Međutim, preporučena (zadana) vrijednost je 5. Omogućuje funkciju za unos ili promjenu ove vrijednosti.
Mokro/suhi prag	<p>Postavlja prag potapanja senzora za mokre i suhe uvjete. Zadana vrijednost je 20%. Za više informacija pogledajte dodatak u proširenoj verziji priručnika.</p>
Automatsko nulovanje dubine	<p>Postavlja funkciju Automatskog nulovanja na On (Uključeno) ili Off (Isključeno).</p> <p>Ako je postavljeno na On (Uključeno), instrument vrši zračnu kalibraciju kad je senzor uklonjen iz vode i na zraku je. Za zračnu kalibraciju, instrument automatski nuluje senzor. Ako je postavljeno na Off (Isključeno), korisnik može ručno nulovati senzor. Za ovo uklonite senzor iz protoka, potom gumite i držite tipku za Brzi skok za 5 sekundi.</p> <p>Kada je senzor bio u protoku 30 minuta, zeleni krug u gornjem desnom kutu iz zelenog prelazi u crveno. Ovo je obavijest korisniku da ukloni i ponovno nuluje senzor.</p>
EMI	<p>Postavlja učestalost lokalne linije za odbijanje ambijentalne buke do 50 Hz ili 60 Hz (zadano).</p>
Sat	<p>Postavlja datum i vrijeme prijenosnog mjerača u formatu od 24 sata. Ljetno/zimsko računanje vremena nije podržano.</p>
USB	<p>Postavlja režim rada USB.</p> <ul style="list-style-type: none"> Mass Storage (Memorija velikog kapaciteta) (zadano)—ovaj način radi poput memorijskog stika ili tvrdog pogona. Datoteke su smo za čitanje. CDC—ovaj način se koristi za ažuriranje firmvarea.
Jezik	<p>Odabire jezik koji se koristi u izbornicima.</p>
Units (Jedinice)	<p>Postavlja jedinice za brzinu, protok i dubinu mjerenja. Opcije su metričke ili engleske (zadano).</p>
Beeper (Zvučni signal)	<p>On (Uključeno) (zadano) ili Off (Isključeno). Kad se postavi na On (Uključeno), mjerač daje zvučni signal kad je:</p> <ul style="list-style-type: none"> Senzor na pravilnoj dubini za metode aktivnog profila. Prošlo 95 % vremena mjerenja (način rada profiler). U bilo kojem izborniku pritisnut gumb koji nije aktivan. <p>Ova funkcija je dostupna samo s opcionalnim senzorom dubine.</p>
Izračun protoka	<p>Odabire način izračuna toka za otvoreni segment vode (samo profili protoka). Opcije su Glavni-odjeljak ili Srednji-odjeljak. Za više informacija pogledajte dodatak u proširenoj verziji priručnika.</p>

Opcija	Opis
Unos stanice	<ul style="list-style-type: none"> • Utvrđeno—Rukovatelj unosi širinu toka i broj okomitih stanica za mjerenje. Mjerač dijeli poprečnu sekciju u jednaka raspoređene udaljenosti između okomitih stanica. • Neutvrđeno (zadano)—Rukovatelj odabire razmak između okomitih stanica. Ovo je najčešće korištena opcija budući da rukovatelju omogućuje da uključi prepreke i druga ograničenja u poprečnoj sekciji. • Utvrđeno i neutvrđeno—Rukovatelj odabire referentnu ravninu za mjerenje dubine. Vrijednost: od vrha do dna.
Restore defaults (Vrati zadano)	Postavlja sve opcije mjerača na njihove zadane tvorničke vrijednosti.

4. **Dijagnostike**— Odaberite ovu opciju za rješavanje problema s mjeračem ili priključenim senzorom. Za više informacija o opcijama Dijagnostike pogledajte [Dijagnostika](#) na stranici 226.

Odjeljak 6 Pokretanje i samotestiranje

▲ OPASNOST	
	Kemijska ili biološka opasnost. Koristi li se ovaj instrument za praćenje postupka liječenja i/ili sustava kemijskog punjenja za koji postoje zakonska ograničenja i zahtjevi nadzora povezani s javnim zdravstvom, javnom sigurnosti, proizvodnjom ili obradom hrane ili pića, odgovornost je korisnika ovog instrumenta da pozna i pridržava se primjenjivih propisa i ima dovoljno odgovarajućih mehanizama za sukladnost s primjenjivim propisima u slučaju kvara instrumenta.
▲ UPOZORENJE	
	Opasnost od požara i eksplozije. Nemojte koristiti ili spremati instrument na izravno sunčevo svjetlo, pored izvora topline ili u okruženju visokih temperatura, poput zatvorenih vozila na izravnom sunčevom svjetlu. Nepoštivanje ovih mjera predostrožnosti može dovesti do pregrijavanja baterije i uzrokovati požar ili eksploziju.

Prije korištenja baterija mora biti ugrađena u mjerač i napunjena. Za informacije o ugradnji baterije i zamjeni pogledajte [Umetanje baterije](#) na stranici 216. Za informacije o punjenju baterije pogledajte [Promjena baterije](#) na stranici 217.

Napomena: Tijekom punjenja baterije mjerač nije funkcionalan.

1. Pritisnite gumb za napajanje mjerača dok ne čujete dvostruki zvučni signal. Mjerač izvršava samotestiranje i na zaslonu prikazuje rezultate. Ako ne uspije samotestiranje mjerača, zaslon prikazuje FAIL (Neuspjelo) pored parametra u pitanju. Ako senzor ne radi, priključite drugačiji senzor ako je dostupan.
2. Kada je samotestiranje završeno pritisnite **OK** (U redu) za odlazak u glavni izbornik.
3. Za isključivanje mjerača ponovno pritisnite gumba za napajanje. U zaslonu za potvrdu odaberite Da i pritisnite **OK** (U redu). Ako prijenosni mjerač prestane odgovarati, pritisnite i držite gumb za napajanje za više od 3 sekunde kako biste ga prisilno isključili. Nemojte forsirati isključivanje napajanja u normalnom radu ili kad je vidljiva datoteka za pristup.

6.1 Samotestiranje instrumenta

Kada je uključen mjerač izvodi dijagnostičko samotestiranje. Nakon što je završeno samotestiranje, zaslon prikazuje rezultate samotestiranja. Pritisnite **OK (U redu)** za odlazak u glavni izbornik.

Ako ne uspije samotestiranje mjerača, zaslon prikazuje FAIL (Neuspjelo) pored parametra u pitanju. Ako senzor ne radi, priključite drugačiji senzor ako je dostupan.

6.2 Način rada u stanju mirovanja

Pozadinsko svjetlo mjerača prigušuje se nakon 30 sekundi bez aktivnosti i prelazi u način rada u stanju mirovanja nakon 60 sekundi ako nema aktivnosti. Do ovih radnji ne dolazi ako je mjerač u načinu rada stvarnog vremena ili dok mjerač vrši mjerenje. Nakon 30 minuta u načinu rada u stanju mirovanja, isključuje se napajanje mjerača.

Za poništavanje načina rada u stanju mirovanja, pritisnite bilo koju tipku. Svjetlina zaslona vraća se na uobičajenu razinu i sve tipke se vraćaju u njihove normalne funkcije.

Odjeljak 7 Održavanje

7.1 Čišćenje senzora

▲ UPOZORENJE



Opasnost od izlaganja kemikalijama. Poštujte laboratorijske sigurnosne propise i opremite se svom odgovarajućom osobnom zaštitnom opremom s obzirom na kemikalije kojima ćete rukovati. Sigurnosne protokole potražite na trenutno važećim sigurnosno tehničkim listovima materijala (MSDS/SDS).

Očistite senzor kada se neočekivano poveća ili smanji protok ili dođe do razine trendova i nakon korištenja u pjeskovitom ili muljevitom toku vode.

Za teško onečišćenje, uronite senzor u čistu vodu nekoliko minuta kako biste pomogli da se onečišćenje lakše ukloni.

Odspojite senzor iz mjerača prije nego ga očistite. Za čišćenje senzora koristite samo otapala navedena kao prihvatljiva u [Tablica 3](#). Za senzore s tlačnom ćelijom (npr. dubinski senzori za brzinu) provjerite jesu li komore tlačne ćelije isprane i očišćene od onečišćenja. Isperite senzor s čistom vodom prije ponovnog priključivanja na sklop.

Tablica 3 Prihvatljivi i neprihvatljivi načini čišćenja

Prihvatljivo	Nemojte koristiti
Deterdžent za posuđe i voda	Koncentrirano bjelilo
Sredstvo za čišćenje prozora	Kerozin
Izopropilni alkohol	Benzin
	Aromatski ugljikovodici

7.2 Očistite mjerač

1. Pritisnite gumba za napajanje radi isključivanja mjerača.
2. Koristite čistu, vlažnu krpu za čišćenje vanjskog dijela mjerača. Po potrebi pomiješajte vodu s blagim deterdžentom.
3. Osušite vanjski dio mjerača sa suhom krpom. Ostavite mjerač da se potpuno osuši na zraku prije nego ga ponovno uključite.

Napomena: Za čišćenje zaslona nemojte koristiti krpe koje se temelje na papiru. Ova vrsta krpa može dovesti do oštećenja zaslona.

7.3 Zamjena baterije

▲ UPOZORENJE



Opasnost od požara i eksplozije. Ova oprema sadrži snažnu litijску bateriju koja se može zapaliti i uzrokovati požar ili eksploziju čak i kad nije u funkciji. Kako biste održali razinu sigurnosti koju pruža kućište instrumenta, poklopci kućišta instrumenta moraju se postaviti i učvrstiti pomoću isporučenog alata.

▲ UPOZORENJE



Opasnost od požara i eksplozije. Nije dopuštena zamjena baterija. Koristite isključivo dijelove dostavljene od strane proizvođača instrumenta.

Zamijenite bateriju kad se baterija jako brzo prazni nakon punjenja.

Napomena: Ako uređaj mora biti vraćen u tvornicu za popravak ili održavanje, uklonite bateriju i prije slanja postavite bateriju u zaštitni pokrov.

1. Isključite napajanje.
2. Izvadite bateriju. Pogledajte [Umetanje baterije](#) na stranici 216.
3. Bateriju odložite u skladu s lokalnom, regionalnom i nacionalnom regulativom.
4. Ugradite novu bateriju na istu lokaciju i s istom orijentacijom. Pogledajte [Umetanje baterije](#) na stranici 216.
Koristite isključivo dijelove dostavljene od strane proizvođača instrumenta.
5. Ugradite poklopac baterije. Provjerite je li poklopac pričvršćen kako bista održali vrijednost kućišta.
6. Po potrebi napunite bateriju. Pogledajte [Promjena baterije](#) na stranici 217.

Odjeljak 8 Rješavanje problema

8.1 Dijagnostika

U Glavnom izborniku odaberite Dijagnostike kako biste vidjeli informacije o mjerачu i dijagnostičke tastove u [Tablica 4](#)

Tablica 4 Dijagnostike mjerачa

Opcija	Opis
O	Prikazuje informacije o mjerачu i senzoru. Uključujući serijski broj i verziju firmvarea.
Brisanje datoteka	Briše sve datoteka iz memorije kako bi napravio prostora za nova mjerenja. Prije odabira ove opcije provjerite jesu li podaci preuzeti na osobno računalo. Nakon brisanja datoteke sustav automatski formatira memoriju.
Senzor	Prikazuje dijagnostičke informacije o senzoru.
Samotestiranje	Čini da mjerач vrši dijagnostičko samotestiranje.
Test tipkovnice	Vrši testiranje bilo kojeg gumba radi provjere funkcionalnosti gumba.
Tast zaslona	Vrši testiranje na zaslonu radi provjere funkcionalnosti zaslona.
Dnevnik događaja	Omogućuje korisniku da pregleda, obriše ili izveze dnevnik događanja. Izvozi dnevnik događanja kako bi sadržaj učinio dostupnom datotekom preko USB memorije velikog kapaciteta. Ova opcije primarno se koristi za tvornički servis.

8.2 Pronalaženje pogrešaka

Mjerач i senzor ne sadrže dijelove koje servisira korisnik. Za navedene pogreške i poruke, pokušajte korektivnu radnju.

Ako i dalje dolazi do problema ili ako dolazi do problema koji nije na popisu, obratite se proizvođaču

Poruka ili problem	Rješenje
Senzor nije priključen	Priključite senzor i ponovite radnju.
Vrijednost je izvan raspona	Promijenite parametre mjerenja ili postavite drugu vrijednost, potom ponovite radnju.

Poruka ili problem	Rješenje
Poznato je da podaci senzora neće biti ispravni ili točni	Očistite senzor i testirajte.
Senzor nije prepoznat	Provjerite priključak senzora. Provjerite da li je pričvrtna matica na ulazu priključka pritegnuta (samo pritegnite prstima).
Zaslon je prigušen ili nije vidljiv	Pritisnite tipku na tipkovnici.
Podaci nisu dostupni ili pristup podacima nije moguć	Provjerite je li USB opcija (glavni izbornik) postavljena na Memorija velikog kapaciteta.
Mjerač ne odgovara	Pritisnite i držite gumb za napajanje za najmanje 3 sekunde. Ovo isključuje mjerač. Ponovno uključite mjerač. Napomena: Nemojte koristiti ovaj način za isključivanje tijekom normalnog rada ili ako je na zaslonu vidljiva ikona pristupa datoteci.

Índice

- 1 Manual do utilizador online na página 228
- 2 Especificações na página 228
- 3 Informação geral na página 230
- 4 Instalação na página 235
- 5 Interface do utilizador e navegação na página 239
- 6 Arranque e autoteste na página 245
- 7 Manutenção na página 246
- 8 Resolução de problemas na página 247

Secção 1 Manual do utilizador online

Este manual básico do utilizador contém menos informações do que o manual do utilizador, que está disponível no website do fabricante.

Secção 2 Especificações

As especificações podem ser alteradas sem aviso prévio.

2.1 Especificações do sensor

Especificação	Detalhes
Medição da velocidade	
Método	Electromagnético
Gama	0 a 6,09 m/s (0 a 20 pés/s)
Profundidade mínima da água	3,18 cm (1,25 pol.)
Precisão	$\pm 2\%$ da leitura $\pm 0,015$ m/s ($\pm 0,05$ pés/s) 0 a 3,04 m/s (0 a 10 pés/s); $\pm 4\%$ da leitura de 3,04 a 4,87 m/s (10 a 16 pés/s)
Resolução	Valor $\leq 0 < 10$: 3 casas decimais; valor $\leq 10 < 100$: 2 casas decimais; valor $\leq 100 < 1000$: 1 casa decimal; valor ≥ 1000 : 0 casas decimais
Estabilidade zero	$\pm 0,015$ m/s
Material	ABS, com reforço de vidro
Classificação da estrutura	IP68
Dimensões (C x L x A)	11,9 x 4,3 x 6,3 cm (4,7 x 1,7 x 2,5 pol.)
Material do cabo	Revestido com poliuretano
Comprimentos do cabo	2, 6, 1, 12, 2 e 30, 5 m (6, 5, 20, 40 e 100 pés)
Medição de profundidade	
Método	Tipo de diafragma: pressão absoluta com calibração de ponto único
Precisão (estática)	O maior de $\pm 2\%$ da leitura ou $\pm 0,015$ m ($\pm 0,504$ polegadas). Temperatura de estado estável e água estática sem fluxo.
Gama	3,05 m (0 - 10 pés.)
Resolução	Valor $\leq 0 < 10$: 3 casas decimais; valor $\leq 10 < 100$: 2 casas decimais; valor $\leq 100 < 1000$: 1 casa decimal; valor ≥ 1000 : 0 casas decimais

2.2 Especificações do medidor portátil

Especificação	Detalhes
Nível de poluição	2
Classe de proteção	II
Temperatura de carregamento	0 a 40 °C (32 a 104 °F)

Especificação	Detalhes
Temperatura de funcionamento	-20 a 55 °C (-4 a 131 °F)
Temperatura de armazenamento	-20 a 60 °C (-4 a 140 °F)
Classificação da estrutura	IP67
Indicador de vida útil da bateria	Gráfico de barras de cinco segmentos
Tipo de bateria	Iões de lítio recarregável, 3,6 V, 5,0 Ah, 18 Wh
Duração da bateria	18 horas de utilização intensiva em dia típico ¹ ; 20 °C (68 °F)
Carregador da bateria	Transformador externo, eficiência energética VI, 100 – 240 V CA, 50 – 60 Hz, entrada de 0,5 A; saída de 12 V CC, 1,25 A
Dimensões (C x L x A)	21,8 x 9,3 x 5,3 cm (8,6 x 3,7 x 2,1 polegadas)
Conetor USB	Tipo Mini-B, 5 pinos, com classificação IP67 quando tapado
Material	Polícarbonato com revestimento de elastómero termoplástico (TPE)

2.3 Especificações da interface do utilizador

Especificação	Detalhes
Visor gráfico	LCD a cores, 3,5" QVGA transreflectivo (legível à luz directa do sol)
Resolução das medições	Valor $\leq 0 < 10$: 3 casas decimais; valor $\leq 10 < 100$: 2 casas decimais; valor $\leq 100 < 1000$: 1 casa decimal; valor ≥ 1000 : 0 casas decimais
Teclado	Caracteres alfanuméricos
Modo de operação	Em tempo real, perfilagem
Tipos de perfil	Corrente, tubo
Formas dos tubos	Circular, rectangular, trapezoidal, ovoidal 2/3, ovoidal 2/3 invertida
Entradas de corrente	Estações fixas e não fixas
Rejeição de ruído	Selecionável pelo utilizador, 50 Hz ou 60 Hz
Unidades de medida	Velocidade: pés/s, m/s, cm/s, mm/s
	Caudal: pés ³ /s, milhões de galões/dia, galões/dia, galões/min, m ³ /s, m ³ /min, m ³ /hora, m ³ /dia, litros/s, litros/min
	Profundidade: pol.,pés, m, cm, mm
Cálculo do caudal	Método de secção intermédia ou secção média
Diagnóstico	Autoteste, teclado numérico, visor, registo de eventos
Métodos de perfilagem de tubos	0,9 x Vmax, 0,2/0,4/0,8, integrador de nível e velocidade, 2D
Métodos de perfilagem de correntes	1, 2, 3, 4, 5 e 6 pontos (método de velocidade - USGS e ISO), método KREPS de 2 pontos, método de superfície de 1 ponto, método de gelo de 1 e 2 pontos
Tipos de ficheiro	Em tempo real, perfilagem, registo de eventos
Idiomas	Inglês, francês, espanhol, alemão, italiano, neerlandês, dinamarquês, sueco, chinês, polaco, japonês, coreano, português, eslovaco, russo, húngaro, búlgaro, romeno, checo, turco, finlandês, grego

¹ 30 minutos para configuração, seis períodos de 1 hora de uso contínuo com um sensor activo e o visor com o brilho máximo, 30 minutos em modo de espera entre períodos de utilização, transferência de dados e encerramento.

2.4 Especificações gerais

Especificação	Detalhes
Número máximo de ficheiros em tempo real	50, cada um com até 75 leituras captadas pelo utilizador.
Firmware	O sensor e o medidor portátil são actualizáveis em campo através de USB

Secção 3 Informação geral

Em caso algum o fabricante será responsável por danos resultantes de qualquer utilização inadequada do produto ou do incumprimento das instruções deste manual. O fabricante reserva-se o direito de, a qualquer altura, efetuar alterações neste manual ou no produto nele descrito, sem necessidade, ou obrigação, de o comunicar. As edições revistas encontram-se disponíveis no website do fabricante.

3.1 Informações de segurança

O fabricante não é responsável por quaisquer danos resultantes da aplicação incorrecta ou utilização indevida deste produto, incluindo, mas não limitado a, danos directos, incidentais e consequenciais, não se responsabilizando por tais danos ao abrigo da lei aplicável. O utilizador é o único responsável pela identificação de riscos de aplicação críticos e pela instalação de mecanismos adequados para a protecção dos processos na eventualidade de uma avaria do equipamento.

Leia este manual até ao fim antes de desembalar, programar ou utilizar o aparelho. Dê atenção a todos os avisos relativos a perigos e precauções. A não leitura destas instruções pode resultar em lesões graves para o utilizador ou em danos para o equipamento.

Certificar-se de que a protecção fornecida por este equipamento não é prejudicada. Não utilize ou instale este equipamento de qualquer outra forma que não a especificada neste manual.

3.1.1 Uso da informação de perigo

▲ PERIGO

Indica uma situação de perigo potencial ou eminente que, se não for evitada, resultará em morte ou lesões graves.

▲ ADVERTÊNCIA

Indica uma situação de perigo potencial ou eminente que, se não for evitada, poderá resultar em morte ou lesões graves.

▲ AVISO




Indica uma situação de perigo potencial, que pode resultar em lesões ligeiras a moderadas.

ATENÇÃO

Indica uma situação que, se não for evitada, pode causar danos no equipamento. Informação que requer ênfase especial.

3.1.2 Etiquetas de precaução

Leia todos os avisos e etiquetas do equipamento. A sua não observação pode resultar em lesões para as pessoas ou em danos para o aparelho. Um símbolo no aparelho é referenciado no manual com uma frase de precaução.

	Este é o símbolo de alerta de segurança. Observe todas as mensagens de segurança que seguem este símbolo para evitar potenciais lesões. Caso se encontre no equipamento, consulte o manual de instruções para obter informações de operação ou segurança.
	Este símbolo indica a presença de dispositivos sensíveis a descargas electrostáticas (DEE) e indica que é necessário ter cuidado para evitar danos no equipamento.
	O equipamento eléctrico marcado com este símbolo não pode ser eliminado nos sistemas europeus de recolha de lixo doméstico e público. Devolva os equipamentos antigos ou próximos do final da sua vida útil ao fabricante para que os mesmos sejam eliminados sem custos para o utilizador.

3.1.3 Conformidade com a compatibilidade electromagnética (CEM)

⚠ AVISO

Este equipamento não se destina a ser utilizado em ambientes residenciais e pode não oferecer uma proteção adequada para recepção de rádio nesses ambientes.

CE (EU)

O equipamento cumpre os requisitos essenciais da Diretiva EMC 2014/30/UE.

UKCA (UK)

O equipamento cumpre os requisitos dos Regulamentos de Compatibilidade Electromagnética de 2016 (S.I. 2016/1091).

Regulamento Canadano de Equipamentos Causadores de Interferências, ICES-003, Classe A:

Os registos de suporte dos testes estão na posse do fabricante.

Este aparelho de Classe A obedece a todos os requisitos dos Regulamentos Canadianos de Equipamentos Causadores de Interferências.

Cet appareil numérique de classe A répond à toutes les exigences de la réglementation canadienne sur les équipements provoquant des interférences.

Parte 15 das Normas FCC, Limites da Classe "A"

Os registos de suporte dos testes estão na posse do fabricante. Este aparelho está conforme com a Parte 15 das Normas FCC. O funcionamento está sujeito às duas condições seguintes:

1. O equipamento não provoca interferências nocivas.
2. O equipamento deve aceitar qualquer interferência recebida, incluindo interferências suscetíveis de determinar um funcionamento indesejado.

Alterações ou modificações efetuadas nesta unidade que não sejam expressamente aprovadas pela entidade responsável pela conformidade podem retirar ao utilizador a legitimidade de usar o aparelho. Este equipamento foi testado e considerado em conformidade relativamente aos limites para os dispositivos digitais de Classe A, de acordo com a Parte 15 das Normas FCC. Estes limites estão desenhados para fornecer proteção razoável contra interferências prejudiciais quando o equipamento for operado num ambiente comercial. Este equipamento gera, utiliza e pode irradiar energia de radiofrequência e, se não for instalado e utilizado em conformidade com o manual de instruções, poderá provocar interferências nocivas com comunicações por rádio. É provável que a utilização deste equipamento numa zona residencial provoque interferências nocivas. Neste caso, o utilizador deverá corrigi-las pelos seus próprios meios. As técnicas a seguir podem ser utilizadas para diminuir os problemas de interferência:

1. Desligue o aparelho da corrente e verifique se esta é ou não a fonte de interferência.
2. Se o aparelho estiver ligado à mesma tomada que o dispositivo que apresenta interferências, ligue-o a uma tomada diferente.
3. Afaste o equipamento do dispositivo que está a receber a interferência.
4. Reposicione a antena de receção do dispositivo que está a receber a interferência.
5. Experimente combinações das sugestões anteriores.

3.2 Descrição geral do produto

O sistema de velocidade portátil destina-se à utilização em campo, em laboratórios e nos municípios. Este sistema permite medir caudais turbulentos, ruidosos e baixos.

Quando o sensor é colocado em água corrente, um campo magnético em torno do sensor cria uma tensão proporcional à velocidade do caudal. Esta amplitude de tensão, que representa a velocidade do caudal em redor do sensor, é detectada pelos eléctrodos existentes no sensor e processada pelo microprocessador do sensor. O sinal processado é transmitido digitalmente ao medidor portátil através do cabo do sensor, sendo a informação apresentada no visor do medidor. O sistema inclui um medidor portátil, um sensor com cabo e acessórios.

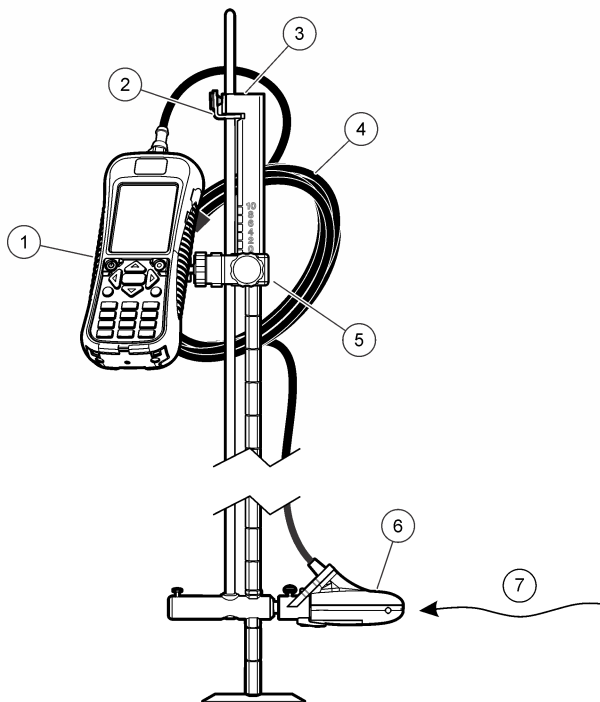
O medidor e o sensor recolhem dados de velocidade em tubos e cursos de água. Estas medições são importantes para fins de calibração nas indústrias de águas residuais municipais, assim como para avaliações de impacto ambiental.

Estão disponíveis dois tipos de sensor: apenas velocidade e velocidade mais profundidade. Este manual abrange ambos os tipos de sensores. Se as informações se aplicam a um tipo especificado de sensor, esse facto é indicado no texto.

3.2.1 Visão geral do sistema

A [Figura 1](#) apresenta uma visão geral de um sistema montado. Consulte a documentação fornecida com os componentes ou acessórios individuais para obter mais informações.

Figura 1 Componentes montados

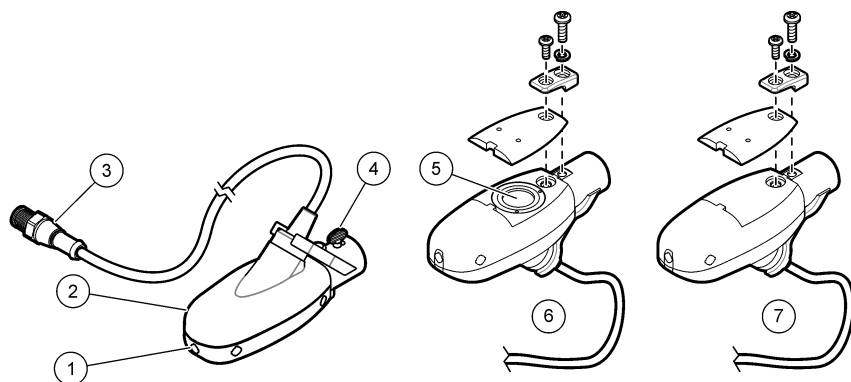


1 Medidor portátil	5 Montagem ajustável para o medidor portátil
2 Dispositivo de bloqueio/desbloqueio da altura do sensor	6 Montagem do sensor
3 Vara de molinete vertical (acessório)	7 Direção do caudal
4 Cabo de sensor	

3.2.2 Vista geral do sensor

A [Figura 2](#) mostra os componentes principais do sensor. São fornecidas com o acessório instruções para prender o sensor a uma vara de molinete padrão ou vertical .

Figura 2 Componentes do sensor

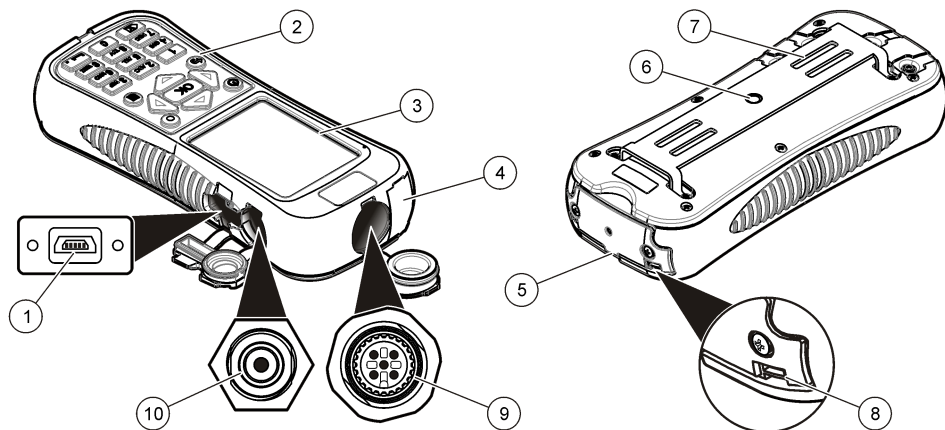


1 Eléctrodos do sensor	5 Célula de pressão (sensores com opção de profundidade)
2 Corpo do sensor	6 Sensor com opção de profundidade
3 Ficha para ligar o sensor	7 Sensor sem opção de profundidade
4 Parafuso de orelhas para fixar o sensor	

3.2.3 Descrição geral do medidor

A **Figura 3** mostra as características do medidor.

Figura 3 Componentes do medidor



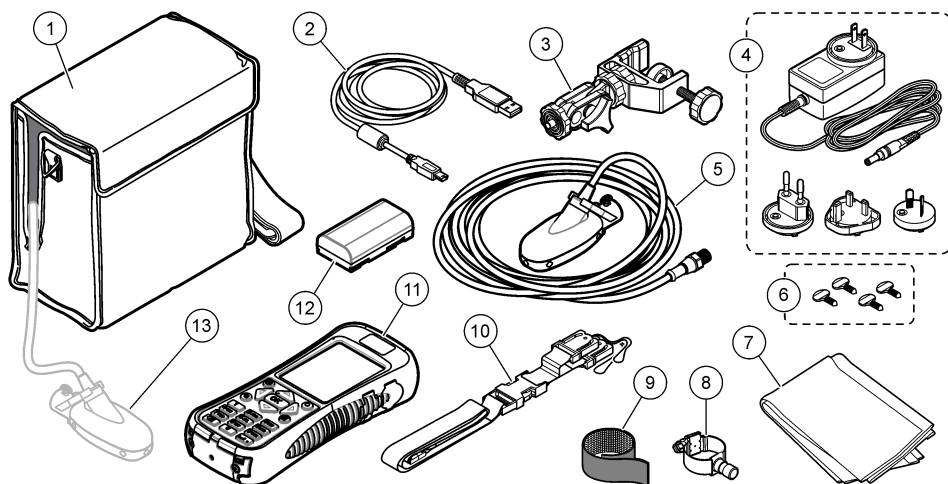
1 Porta de ligação USB ²	6 Orifício roscado para montagem ajustável do medidor
2 Teclado	7 Ranhuras para a fita de velcro ou correia
3 Visor do medidor	8 Ranhura para a correia de pescoço (2x)
4 Porta de expansão (não utilizada)	9 Porta de ligação do sensor
5 Tampa do compartimento da bateria	10 Conetor do carregador da bateria

² Não utilize a ligação USB para carregar a bateria.

3.3 Componentes do produto

Ao adquirir um sistema completo, consulte a [Figura 4](#) para se certificar de que todos os componentes foram recebidos. Se alguma destas peças estiver em falta ou apresentar danos, contacte imediatamente o fabricante ou um representante de vendas.

Figura 4 Componentes do sistema



1 Bolsa de transporte (com ranhura para cabo do sensor)	8 Montagem de sensor universal
2 Cabo USB com conector mini-USB, 1 m (3 pés)	9 Fita de velcro
3 Montagem ajustável do medidor portátil	10 Cordão de segurança
4 Carregador de bateria, 100 – 240 V CA	11 Medidor portátil
5 Sensor	12 Bateria de lítio
6 Parafusos de orelhas adicionais (4x)	13 Sensor conforme conectado ao medidor dentro da caixa
7 Pano para secar o sensor	

Secção 4 Instalação

4.1 Instalar o sensor na montagem de sensor universal

Utilize a montagem de sensor universal para prender o sensor a varas de 2,5 cm (1 polegada) ou menos de diâmetro. Para obter leituras precisas e um funcionamento correcto, a parte da frente do sensor tem de estar virada a montante, com os eléctrodos em contacto total com o caudal.

Nota: Mantenha os eléctrodos do sensor isentos de substâncias não condutoras, como óleo e massa lubrificante. Para remover a contaminação do sensor, consulte [Limpar o sensor](#) na página 246.

1. A parte da frente do sensor é redonda e contém três eléctrodos. O sensor tem um orifício de montagem na parte de trás e um parafuso de orelhas na parte superior. Coloque o eixo da montagem universal no respectivo orifício que se encontra na parte de trás do sensor. Certifique-se de que o eixo de montagem está totalmente encaixado no orifício de montagem, bem como o parafuso de orelhas no entalhe.
2. Aperte o parafuso à mão.
3. Desloque uma vara de 2,5 cm (1 polegada) ou menos de diâmetro através do grampo da montagem do sensor universal. Aperte o grampo.

Nota: São fornecidas com o acessório instruções para montar o sensor numa vara de molinete padrão ou vertical.

4.2 Segurança relativa à bateria de lítio

▲ ADVERTÊNCIA



Perigo de incêndio e explosão. Caso sejam expostas a condições abusivas, as pilhas de lítio poderão ficar quentes, explodir ou entrar em combustão e causar lesões graves.

- Não utilize a pilha se existirem danos visíveis.
- Não utilize a pilha após a ocorrência de vibrações ou de choques fortes.
- Não exponha a pilha a fogo.
- Mantenha a pilha a temperaturas inferiores a 60 °C (140 °F).
- Mantenha a pilha seca e afastada de água.
- Evite o contato entre os terminais positivo e negativo da pilha.
- Não permita que pessoas não autorizadas toquem na pilha.
- Elimine a pilha de acordo com os regulamentos locais, regionais e nacionais.
- Não utilize nem armazene o equipamento sob a luz direta do sol, nem junto a uma fonte de calor ou em ambientes de alta temperatura, como um veículo fechado exposto à luz direta do sol.

4.3 Instalar a bateria

▲ ADVERTÊNCIA



Perigo de incêndio e explosão. Este equipamento contém uma pilha de lítio de alta densidade de energia que pode entrar em combustão e causar um incêndio ou uma explosão, mesmo sem corrente. Para manter a segurança providenciada pela estrutura do equipamento, as respectivas tampas têm de ser instaladas e protegidas utilizando o hardware fornecido.

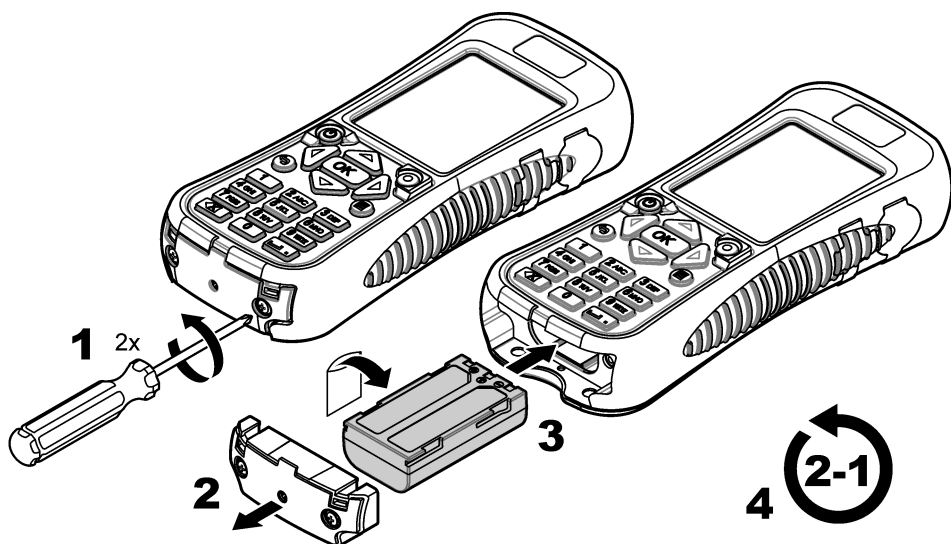
▲ ADVERTÊNCIA



Explosão e risco de incêndio. Não é permitido substituir as pilhas. Utilize apenas pilhas fornecidas pelo fabricante do equipamento.

Instale a bateria de lítio fornecida, conforme ilustrado na [Figura 5](#).

Figura 5 Instalar a bateria



4.4 Carregar a bateria

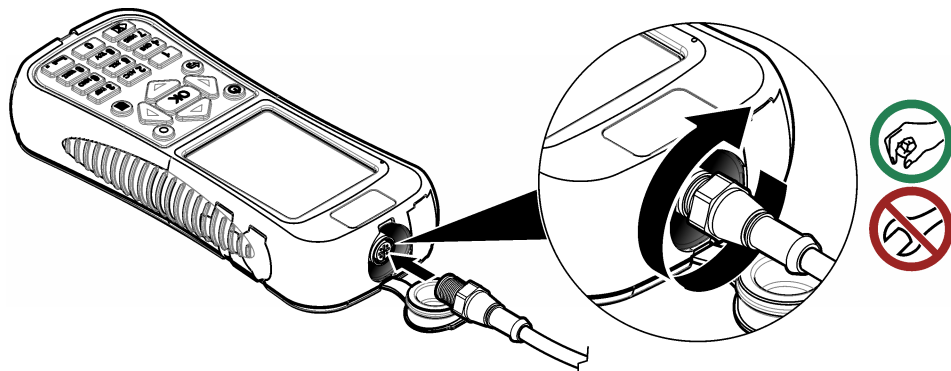
Nota: Não é permitido substituir o carregador da bateria. Utilize apenas o carregador especificado na lista de peças e acessórios para o instrumento. Consulte a secção Peças de substituição e acessórios, na versão alargada do manual.

Antes da primeira utilização, carregue totalmente a bateria do equipamento com o carregador da bateria fornecido. Uma bateria descarregada fica totalmente carregada em aproximadamente 8 horas.

1. Certifique-se de que tem colocado no carregador da bateria o tipo de ficha correto para a localização geográfica.
2. Ligue o carregador da bateria a uma tomada elétrica com terra.
3. Ligue o carregador da bateria ao respetivo conetor no equipamento. Consulte a [Descrição geral do medidor](#) na página 234. O nível da bateria é apresentado no display. Durante o carregamento da bateria, a respetiva porta apresenta uma luz azul. Quando a bateria estiver carregada, a luz azul apaga-se.

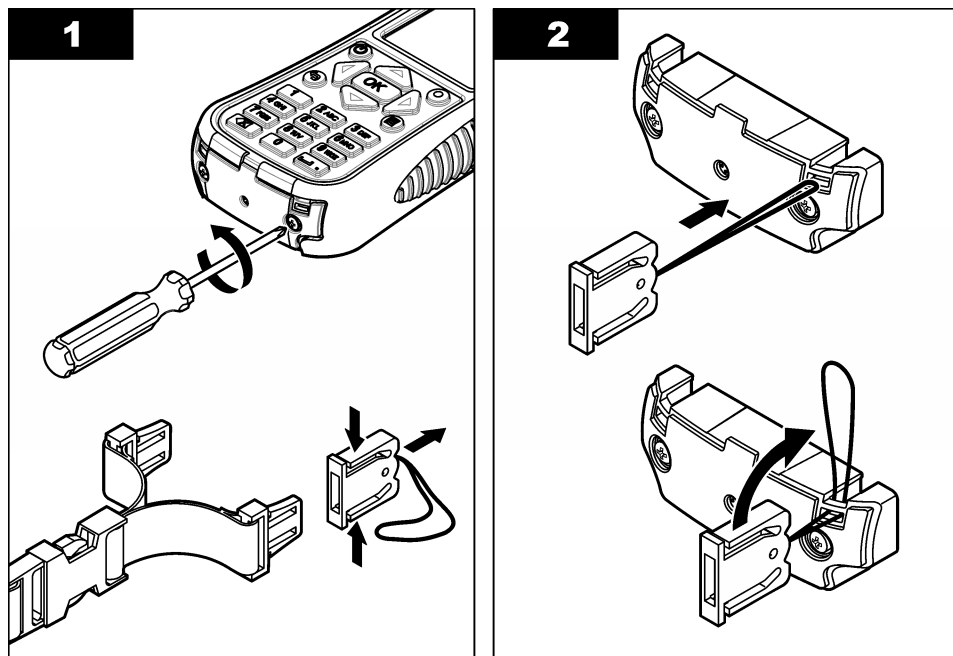
Nota: O medidor não funciona enquanto a bateria estiver a carregar. A bateria não carrega através da ligação do cabo USB.

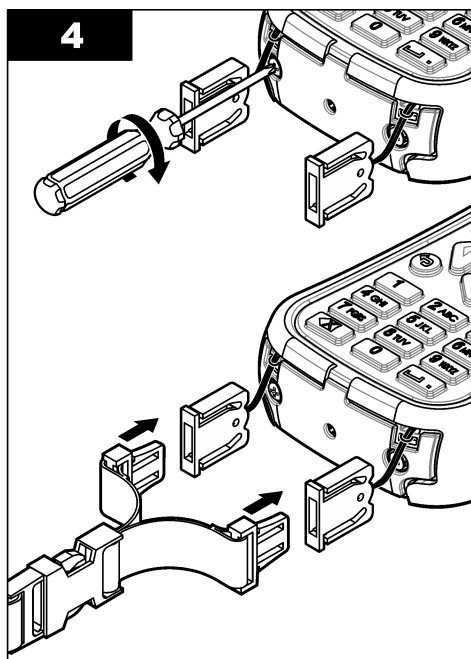
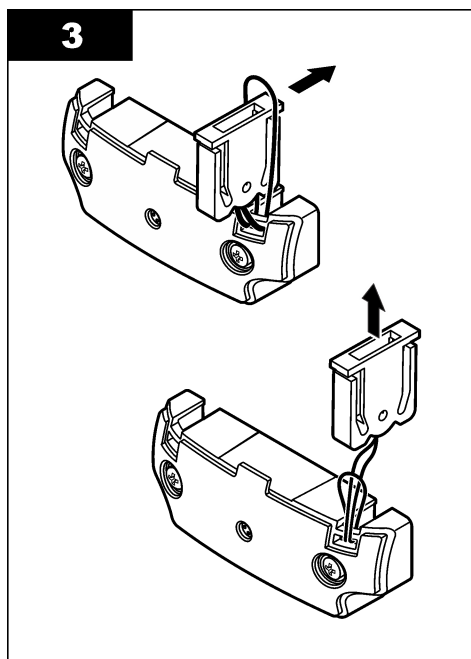
4.5 Ligar o sensor ao medidor



4.6 Prender o cordão de segurança

Prenda o cordão para usar o medidor à volta do pescoço com segurança.

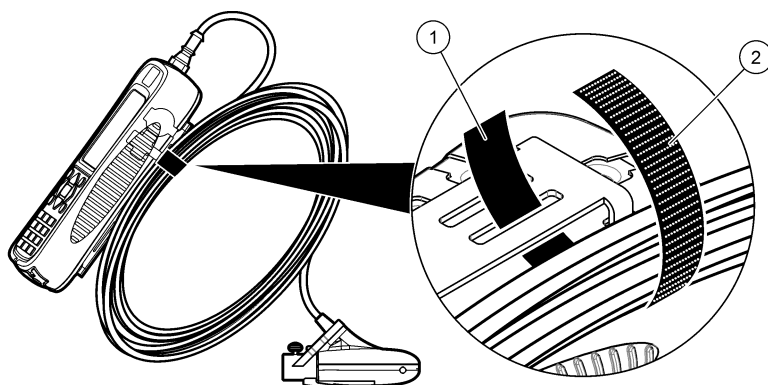




4.7 Prender a fita de velcro

Utilize a fita de velcro para prender o cabo excedente. Consulte a [Figura 6](#).

Figura 6 Prender a fita de velcro



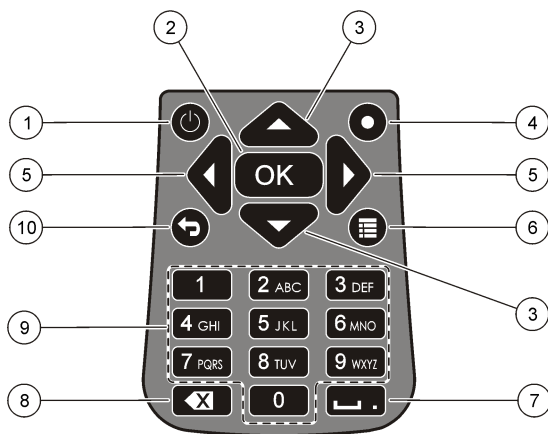
1 Parte interior	2 Parte de fixação
------------------	--------------------

Seção 5 Interface do utilizador e navegação

5.1 Teclado e funções das teclas

A [Figura 7](#) mostra o teclado do medidor. A [Tabela 1](#) indica as funções de cada tecla ou tipo de tecla.

Figura 7 Teclado



1 Ligar/desligar	6 Menu principal
2 OK	7 Carácter de sublinhado ou decimal
3 Setas para cima e para baixo	8 Retrocesso
4 Salto rápido	9 Caracteres alfanuméricos
5 Setas para a esquerda e para a direita	10 Menu anterior

Tabela 1 Descrição das teclas

Tecla	Descrição
Ligar/desligar	Liga e desliga o medidor.
OK	Confirma uma entrada ou opção de menu realçada.
Setas para cima e para baixo	Permite subir ou descer no visor. Se estiver na parte superior ou inferior do visor, o cursor passa para o fundo ou para o topo, respectivamente, quando a seta para cima ou para baixo é premida.
Salto rápido	Na operação normal, esta tecla salta para a o ecrã Selecionar forma do tubo. Na operação de criação de perfis, a tecla de salto rápido está desativada. Se a funcionalidade zero automático estiver desativada, mantenha esta tecla premida durante cinco segundos para colocar manualmente o sensor de profundidade em zero. No modo de tempo real, a tecla de salto rápido alterna entre as visualizações digital e gráfica.
Setas para a esquerda e para a direita	Permite deslocar para a esquerda ou direita no visor.
Menu principal	Regressa ao menu principal a partir de qualquer submenu ou ecrã.
Carácter de sublinhado ou decimal	Inserir um carácter de sublinhado ou decimal. Em campos exclusivamente numéricos, esta tecla insere automaticamente um ponto decimal na posição do cursor.
Retrocesso	Movimenta o cursor um espaço para trás.
Caracteres alfanuméricos	Inserir a letra ou o número indicados na tecla. Os valores são inseridos pela ordem apresentada na tecla. Após 2 segundos, o valor mostrado no visor é armazenado e o cursor avança.
Menu anterior	Regressa ao ecrã anterior.

5.2 Barra de estado

É apresentada uma barra de estado na parte superior do display. A [Tabela 2](#) descreve as informações que são apresentadas na barra de estado.

Tabela 2 Indicadores na barra de estado

Indicador	Descrição
Hora e data	Mostra a hora e data actuais.
USB	Mostra que está ligado um cabo USB. Se houver um cabo USB ligado e este indicador não aparecer na barra de estado, isso significa que o cabo USB não está bem conectado. Certifique-se de que o cabo USB está completamente encaixado, em contacto total com a porta de ligação.
Condutividade	Se o sensor estiver fora de água (não condutor), é apresentado um anel azul junto ao ícone da bateria. Se o sensor estiver dentro de água (condutor), o indicador é um círculo preenchido a azul.
Bateria	Um gráfico de cinco barras apresenta o nível de carga da bateria.
Acesso a ficheiros	É exibido quando o medidor acede a um ficheiro.
Indicador de profundidade zero automático	Se o sensor de profundidade tiver sido colocado a zero nos últimos 30 minutos, é apresentado um círculo verde fixo junto ao indicador de condutividade. Se o sensor de profundidade não tiver sido colocado em zero nos últimos 30 minutos, este indicador pisca a vermelho.

5.3 Navegação e menu principal

Prima **OK** para confirmar uma opção de menu seleccionada ou um valor mostrado no visor. Selecione **More (Mais)** e prima **OK** para ver ecrãs e opções adicionais, se disponíveis. Prima o botão do menu principal para regressar ao menu principal a partir de um submenu.

Nota: Algumas operações só podem ser efetuadas se houver um sensor ligado ao medidor. Se tentar efetuar estas operações sem um sensor ligado, o display apresenta uma mensagem de erro. Ligue um sensor e realize a operação novamente.

1. Real time (Tempo real) — Selecione esta opção para obter informações sobre velocidade e profundidade em tempo real. (É necessário um sensor com capacidade de profundidade para ler a profundidade). É apresentado um exemplo de um ecrã em tempo real de sensores apenas com velocidade na [Figura 8](#). São apresentados os ecrãs em tempo real para sensores com velocidade e profundidade na [Figura 9](#). O formato das informações e opções apresentadas depende do tipo de sensor utilizado. No modo de tempo real, a tecla de salto rápido alterna entre as visualizações digital e gráfica das informações em tempo real. A velocidade é actualizada no modo de filtro FPA de acordo com a média do período de tempo fixo. No modo de filtro RC, a velocidade é actualizada no ecrã continuamente a cada 250 ms.

Opção	Descrição
Capture (Captar)	Armazena as informações de profundidade e velocidade apresentadas na memória. As informações são guardadas até que a energia seja ligada e desligada, a memória seja guardada num ficheiro em tempo real não volátil, ou o utilizador saia do modo de tempo real.
Save (Guardar)	Guarda as medições captadas na memória volátil num ficheiro em tempo real não volátil. É apresentada uma mensagem se o número de ficheiros for superior ao máximo possível. Os ficheiros são armazenados no formato delimitado por tabulações (.tsv).
Done (Concluído) ou OK	Sai do modo de tempo real e regressa ao menu principal. Se existirem dados não guardados na memória volátil, uma mensagem de confirmação pede ao utilizador para confirmar a saída sem guardar os dados.
Clear (Limpar)	Limpa as medições captadas da memória intermédia volátil. O utilizador pode escolher entre as opções Clear Last (Limpar último), Clear All (Limpar tudo) ou Cancel (Cancelar).

Opção	Descrição
Setup (Configuração)	<p>Permite ao utilizador modificar os parâmetros principais do filtro e ativar e programar a funcionalidade de posicionamento do sensor de profundidade máxima. A funcionalidade de profundidade máxima permite a um utilizador introduzir parâmetros do sistema para medição da profundidade no modo de tempo real. O utilizador pode optar por introduzir um valor de profundidade máxima diretamente com uma medição de escala (manual) ou obtido indiretamente com a medição da profundidade (automática). Ambos os métodos permitem a funcionalidade de posicionamento do sensor de profundidade máxima.</p> <p>No modo de configuração automática, o utilizador introduz diretamente a distância entre a parte inferior do canal e a parte inferior da montagem do sensor (desvio). A interface de configuração irá apresentar continuamente o valor de profundidade atual devolvido pelo sensor acrescido do desvio. O medidor armazena este valor como a profundidade máxima quando o botão OK é premido. Em todos os outros casos, os valores da profundidade apresentados não incluem o desvio.</p> <p>A funcionalidade de profundidade máxima requer um sensor com velocidade e profundidade.</p>
Files (Ficheiros) ou View (Visualização)	<p>Apresenta um resumo de cada ficheiro em tempo real armazenado na memória não volátil. Os ficheiros podem ser visualizados e eliminados individualmente.</p>

Figura 8 Ecrã em tempo real

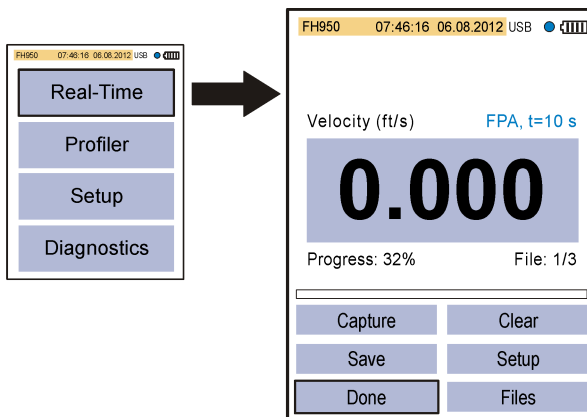
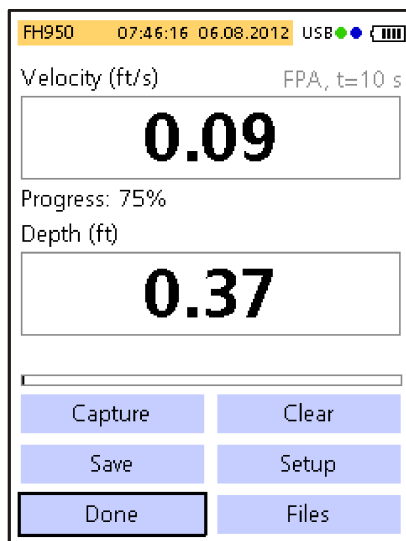


Figura 9 Ecrã em tempo real para sensor com profundidade



2. **Profiler (Criador perf.)** — Selecione esta opção para efetuar medições da velocidade de corrente ou do tubo. O medidor avisa quando é necessária a introdução de dados por parte do utilizador. Uma percentagem da memória restante é indicada na resolução de 1%. Consulte a versão alargada do manual para obter mais informações sobre perfis.

Opção	Descrição
Corrente	Esta opção é utilizada para configurar um perfil para uma corrente ou canal afluente. Proceda a medições da velocidade para calcular a descarga total, segundo as normas ISO 748 ou USGS para métodos de secção média ou secção intermédia.
Tubo	Esta opção é utilizada para configurar um perfil para um tubo.
Ficheiros	Esta opção é utilizada para visualizar ou eliminar ficheiros armazenados. Os ficheiros podem ser eliminados de uma só vez ou individualmente.
Configuração	Esta opção é utilizada para configurar ou alterar as definições dos parâmetros do filtro e a função de profundidade máxima.



3. **Set up (Configuração)** — Selecione esta opção para alterar as definições e preferências gerais do sistema.

Opção	Descrição
Calibração de velocidade	Calibra o sensor. Adiciona um valor de campo à calibração de fábrica. Consulte o apêndice constante da versão alargada do manual para obter mais informações.

Opção	Descrição
Parâmetros filtro	<p>Aplica um filtro de aquisição de dados (filtro principal ou pré-filtro). O utilizador pode seleccionar os parâmetros do filtro.</p> <p>Filtro principal</p> <ul style="list-style-type: none"> • Média período fixo (FPA) — Determina a média dos dados ao longo de um período de tempo fixo que o utilizador pode seleccionar (entre 1 e 480 segundos). A predefinição é 10 segundos. Se o valor de FPA for 5, o valor de velocidade apresentado no display é atualizado a cada 5 segundos. • Constante de tempo RC — O filtro RC ajuda a normalizar a turbulência através da utilização de uma constante de tempo seleccionada no algoritmo do filtro. Este modo é útil ao procurar uma velocidade máxima, como, por exemplo, no método de perfil Vmax 0,9 x comum. As constantes de tempo altas do filtro RC proporcionam níveis superiores de normalização. A constante de tempo pode ser definida entre 2 e 20 segundos, sendo o valor predefinido 6. Com uma constante de tempo de 1, o filtro fica a cerca de 60% do valor final. Com uma constante de tempo de 5, o filtro fica a cerca de 99,9% do valor final. Assim, se o valor de RC for definido como 2, o valor final é apresentado após 10 segundos. <p>Pré-filtro</p> <ul style="list-style-type: none"> • Filtro de mediana — O processo de filtragem é efectuado no sensor. A funcionalidade pode ser desativada. No entanto, o valor recomendado (predefinido) é 5. Ative a funcionalidade para introduzir ou alterar este valor.
Limiar húmido/seco	<p>Define o limiar de submersão do sensor para condições húmidas e secas. O valor predefinido é 20%. Para mais informações, consulte o apêndice constante da versão alargada do manual.</p>
Profundidade zero automático	<p>Define a funcionalidade zero automático para ligada/desligada.</p> <p>Se estiver definida para ligada, o equipamento efetua uma calibração de ar quando o sensor é removido da água e está no ar. Para efetuar a calibração do ar, o equipamento coloca automaticamente o sensor em zero.</p> <p>Se estiver definida para desligada, o utilizador pode colocar o sensor em zero manualmente. Para tal, retire o sensor do fluxo e, em seguida, prima sem soltar a tecla de salto rápido durante cinco segundos.</p> <p>Quando o sensor estiver no fluxo durante 30 minutos, o círculo verde no canto superior direito passa de verde para vermelho. Este é um pedido para o utilizador remover e colocar o sensor novamente a zero.</p>
EMI	<p>Define a frequência de linha local para a rejeição de ruído ambiente como 50 Hz ou 60 Hz (predefinição).</p>
Relógio	<p>Define a data e hora do medidor portátil no formato de 24 horas. O horário de Verão não é suportado.</p>
USB	<p>Define o modo USB.</p> <ul style="list-style-type: none"> • Armazenamento em massa (predefinição) — Este modo funciona como uma memória externa ou unidade de disco rígido. Os ficheiros são apenas de leitura. • CDC — Este modo é utilizado para atualizar o firmware.
Idioma	<p>Seleciona o idioma utilizado nos menus.</p>
Unidades	<p>Define as unidades para a medição de velocidade, caudal e profundidade. As opções são: Métr. ou Inglês(predefinição).</p>
Sinal sonoro	<p>Ligado (predefinição) ou desligado. Se estiver definido para ligado, o medidor emite um sinal sonoro quando:</p> <ul style="list-style-type: none"> • O sensor está na profundidade correta para os métodos de perfil aplicáveis. • 95% do tempo de medição está concluído (modo de criador de perfis). • Um botão inativo é premido em qualquer menu. <p>Esta funcionalidade está disponível apenas com o sensor de profundidade opcional.</p>

Opção	Descrição
Cálculo de fluxo	Seleciona o método de cálculo do fluxo para o segmento de águas abertas (apenas perfis de corrente). As opções são: secção intermédia ou secção média. Consulte o apêndice constante da versão alargada do manual para obter mais informações.
Intr. estação	<ul style="list-style-type: none"> • Fixo — O operador insere a largura da corrente e o número de estações para medições. O medidor divide a secção transversal em distâncias uniformemente espaçadas entre as estações verticais. • Variável (predefinição) — O operador selecciona o espaçamento entre as estações verticais. Esta é a opção mais utilizada já que permite ao operador incluir obstruções e outras restrições na secção transversal. • Fixo e não fixo — O operador selecciona o plano de referência para medições da profundidade. Valores: parte superior ou inferior.
Repor predefinições	Define todas as opções do medidor para os valores predefinidos de fábrica.
4. Diagnóstico	— Selecciona esta opção para resolver problemas com o medidor ou um sensor ligado. Para obter mais informações acerca das opções de diagnóstico, consulte Diagnóstico na página 247.

Secção 6 Arranque e autoteste

▲ PERIGO	
	Perigo químico ou biológico. Se utilizar o equipamento para monitorizar um processo de tratamento e/ou um sistema de alimentação química para o qual existem limites regulamentares e requisitos de monitorização relacionados com a saúde pública, segurança pública, fabrico ou processamento de alimentos ou bebidas, é da responsabilidade do utilizador deste equipamento conhecer e cumprir a regulamentação aplicável e dispor de mecanismos suficientes e adequados para estar em conformidade com os regulamentos aplicáveis na eventualidade de avaria do equipamento.
▲ ADVERTÊNCIA	
	Riscos de incêndio e explosão. Não utilize nem armazene o instrumento sob a luz directa do sol, nem junto a uma fonte de calor ou em ambientes de alta temperatura, como um veículo fechado exposto à luz directa do sol. Se esta precaução não for observada, a bateria poderá sobrecarregar e causar um incêndio ou uma explosão.

A bateria tem de ser instalada no medidor e carregada antes de ser utilizada. Para mais informações acerca da instalação e substituição da bateria, consulte [Instalar a bateria](#) na página 236. Para obter informações sobre como carregar a bateria, consulte [Carregar a bateria](#) na página 237.

Nota: O medidor não funciona enquanto a bateria estiver a carregar.

1. Prima o botão de alimentação do medidor até ouvir um sinal sonoro.
O medidor efetua um autoteste e o display apresenta os resultados. Caso o medidor falhe o autoteste, o display indica FAIL (FALHA) junto do parâmetro com falha. Se o sensor apresentar uma falha, utilize outro sensor, se disponível.
2. Quando o autoteste estiver concluído, prima **OK** para aceder ao menu principal.
3. Para desligar o medidor, volte a premir o botão de alimentação. No ecrã de confirmação, seleccione Yes (Sim) e prima **OK**.
Se o medidor portátil deixar de responder, prima e mantenha premido o botão de alimentação durante mais de 3 segundos para forçar o encerramento. Não force o encerramento se o medidor estiver a funcionar normalmente nem quando o ícone de acesso a ficheiros está visível.

6.1 Autoteste do instrumento

O medidor faz um autoteste de diagnóstico quando é ligado. Após a conclusão, o visor mostra os resultados do autoteste. Prima **OK** para ir para o menu principal.

Caso o medidor falhe o autoteste, o visor indica REPR. junto do parâmetro em questão. Se o sensor apresentar uma falha, utilize outro sensor, se disponível.

6.2 Modo de espera

A retroiluminação do medidor escurece após 30 segundos de inatividade e entra em modo de espera após 60 segundos de inatividade. Estas acções não ocorrem se o medidor estiver no modo de tempo real, nem quando o medidor está a fazer medições. Após 30 minutos em modo de espera, o medidor desliga-se.

Para cancelar o modo de espera, basta premir qualquer tecla. O brilho do visor volta então ao nível normal e todas as teclas retomam as funções normais.

Secção 7 Manutenção

7.1 Limpar o sensor

⚠ ADVERTÊNCIA



Perigo de exposição a produtos químicos. Siga os procedimentos de segurança do laboratório e utilize todo o equipamento de proteção pessoal adequado aos produtos químicos manuseados. Consulte as fichas de dados sobre segurança de materiais (MSDS/SDS) para protocolos de segurança.

Limpe o sensor quando ocorrerem aumentos ou diminuições inesperados nas tendências de fluxo ou nível e após a utilização em cursos de água arenosos ou lamacentos.

Para uma contaminação elevada, mergulhe o sensor em água limpa durante alguns minutos para facilitar a remoção da contaminação.

Desligue o sensor do medidor antes de o limpar. Utilize apenas as soluções listadas como aceitáveis na [Tabela 3](#) para limpar o sensor. Para sensores com uma célula de pressão (ou seja, sensores de velocidade e profundidade), certifique-se de que os orifícios das câmaras das células de pressão são lavados e que se encontram sem contaminação. Enxague o sensor com água limpa antes de voltar a ligar o sensor ao conjunto.

Tabela 3 Soluções de limpeza aceitáveis e inaceitáveis

Aceitável	Não utilizar
Detergente da loiça e água	Lixívia concentrada
Limpa-vidros	Querosene
Álcool isopropílico	Gasolina
	Hidrocarbonetos aromáticos

7.2 Limpeza do medidor

1. Carregue no botão de alimentação para desligar o medidor.
2. Limpe a parte exterior do medidor com um pano limpo e húmido. Se for necessário, misture um pouco de detergente suave com a água.
3. Seque a parte exterior do medidor com um pano limpo. Deixe o medidor secar ao ar completamente, antes de voltar a ligá-lo.

Nota: Não utilize papel para limpar o visor. Tal poderá causar danos no visor.

7.3 Substituir a bateria

⚠ ADVERTÊNCIA



Perigo de incêndio e explosão. Este equipamento contém uma pilha de lítio de alta densidade de energia que pode entrar em combustão e causar um incêndio ou uma explosão, mesmo sem corrente. Para manter a segurança providenciada pela estrutura do equipamento, as respectivas tampas têm de ser instaladas e protegidas utilizando o hardware fornecido.



⚠ ADVERTÊNCIA



Explosão e risco de incêndio. Não é permitido substituir as pilhas. Utilize apenas pilhas fornecidas pelo fabricante do equipamento.

Substitua a bateria quando a mesma não retiver a alimentação quando carregada.

Nota: Se for necessário devolver o equipamento à fábrica para fins de reparação ou manutenção, remova a bateria e coloque-a num invólucro protetor antes do envio.

1. Desligue o dispositivo.
2. Remova a bateria. Consulte a [Instalar a bateria](#) na página 236.
3. Elimine a bateria de acordo com os regulamentos locais, regionais e nacionais.
4. Coloque uma bateria nova no mesmo local e na mesma posição. Consulte a [Instalar a bateria](#) na página 236.
Utilize apenas baterias fornecidas pelo fabricante do equipamento.
5. Coloque a tampa do compartimento da bateria. Certifique-se de que a tampa está bem encaixada para manter a classificação da estrutura.
6. Carregue a bateria, se for necessário. Consulte a [Carregar a bateria](#) na página 237.

Secção 8 Resolução de problemas

8.1 Diagnóstico

No menu principal, seleccione Diagnóstico para ver informações sobre o medidor e efectuar os testes de diagnóstico indicados na [Tabela 4](#).

Tabela 4 Diagnóstico do medidor

Opção	Descrição
Acerca de	Apresenta informação sobre o medidor e o sensor. Inclui o número de série e a versão do firmware.
Eliminar ficheiros	Remove todos os ficheiros da memória para libertar espaço para novas medições. Certifique-se de que os dados são transferidos para um PC antes desta opção ser seleccionada. O sistema reformata a memória automaticamente após a eliminação dos ficheiros.
Sensor	Apresenta informações de diagnóstico acerca do sensor.
Autoteste	Faz com que o medidor efectue um autoteste de diagnóstico.
Teste teclado	Testa qualquer botão para garantir que este está a funcionar correctamente.

Tabela 4 Diagnóstico do medidor (continuação)

Opção	Descrição
Teste ecrã	Testa o visor para garantir que este está a funcionar correctamente.
Registo de eventos	Permite ao utilizador ver, eliminar ou exportar o registo de eventos. Exporte o registo de eventos para tornar o respectivo conteúdo disponível num ficheiro acessível através do armazenamento em massa USB. Esta opção é utilizada principalmente pelo serviço de assistência de fábrica.

8.2 Erros passíveis de resolução

O medidor e o sensor não contêm peças que possam ser reparadas pelo utilizador. Para os seguintes erros e respectivas mensagens listados abaixo, experimente efectuar a acção correctiva.

Se o problema persistir ou caso ocorra um problema diferente dos listados, contacte o fabricante.

Mensagem ou problema	Solução
O sensor não está ligado	Ligue um sensor e volte a tentar a acção.
Valor fora dos limites	Altere os parâmetros de medição ou introduza um valor diferente e, em seguida, volte a tentar a acção.
Os dados do sensor são reconhecidamente incorrectos ou inexactos	Limpe o sensor e teste-o.
O sensor não foi reconhecido	Verifique a ligação do sensor. Certifique-se de que a contraporca da porta de ligação está apertada (apenas com o dedo).
O visor está escuro ou não é visível	Prima uma tecla do teclado.
Os dados não estão disponíveis ou não é possível aceder aos dados	Certifique-se de que a opção USB (Menu principal) está definida como Armaz. massa.
O medidor não responde	Prima e mantenha premido o botão de alimentação durante, pelo menos, 3 segundos. O medidor será desligado. Volte a ligar o medidor. <i>Nota: Não utilize este método para desligar quando o medidor está a funcionar normalmente nem se o ícone de acesso a ficheiros estiver presente no visor.</i>



McCrometer, Inc.

3255 West Stetson Avenue

Hemet, CA 92545 USA

Tel: 951-652-6811

800-220-2279

Fax: 951-652-3078

hachflowtechsupport@mccrometer.com

www.hach.com/flow

USA Copyright © McCrometer, Inc. All printed material should not be changed or altered without permission of McCrometer. Any published pricing, technical data, and instructions are subject to change without notice. Contact your McCrometer representative for current pricing, technical data, and instructions.

© McCrometer, Inc., 2012, 2014, 2018, 2020–2022, 2024.

All rights reserved. Printed in Germany.