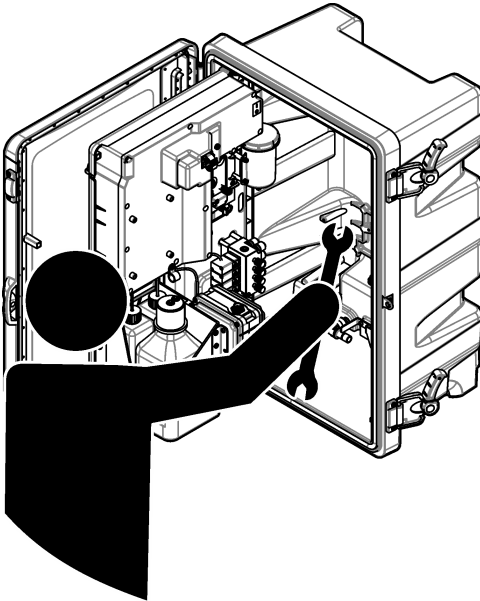




DOC023.98.80592

NA5600 sc Na⁺

06/2022, Edition 6



Maintenance and Troubleshooting
Wartung und Fehlerbehebung
Manutenzione e risoluzione dei problemi
Maintenance et dépannage
Mantenimiento y solución de problemas
Manutenção e resolução de problemas
Údržba a odstraňování problémů
Onderhoud en probleemoplossing
Vedligeholdelse og fejlfinding
Konserwacja i usuwanie usterek
Underhåll och felsökning
Huolto ja vianmääritys
Поддръжка и отстраняване на неизправности
Karbantartás és hibaelhárítás
Održavanje i rješavanje problema
Техническое обслуживание и устранение неисправностей
Bakım ve Sorun Giderme
Údržba a riešenie problémov
Συντήρηση και αντιμετώπιση προβλημάτων

Table of Contents

English.....	3
Deutsch.....	28
Italiano.....	56
Français.....	83
Español.....	110
Português.....	137
Čeština.....	166
Nederlands.....	194
Dansk.....	221
Polski.....	247
Svenska.....	274
Suomi.....	300
български.....	326
Magyar.....	356
Hrvatski.....	384
Русский.....	412
Türkçe.....	442
Slovenský jazyk.....	470
Ελληνικά.....	498

Table of Contents

- 1 [Safety information](#) on page 3
- 2 [Show the active errors, warnings and reminders](#) on page 3
- 3 [Maintenance](#) on page 3
- 4 [Troubleshooting](#) on page 17
- 5 [Diagnostics](#) on page 22
- 6 [Replacement parts and accessories](#) on page 25

Section 1 Safety information

Refer to the installation manual for general safety information, hazard descriptions and precautionary labels descriptions.

Section 2 Show the active errors, warnings and reminders

The display background and the status indicator light will change to red when an error occurs or to yellow when a warning occurs.

- **Error**—red display background and status indicator light. A significant problem occurred that affects the instrument operation. The current measurement stops and the analyzer goes into shutdown mode.
- **Warning**—yellow display background and status indicator light. An event occurred that can cause a future problem. The analyzer continues to operate.
- **Reminders**—wrench symbol shows on the display and yellow status indicator light. The time for a maintenance task has passed.

Do the steps that follow to show the active errors, warnings and reminders:

Note: To see all of the possible errors, warnings and reminders and their help information, push **diag**, then select **ANALYZER HELP**.

1. Push **diag**, then select **DIAGNOSTICS**. The active errors, warnings and reminders are shown.
2. Select an error, warning or reminder from the list.
3. Select an option.

Option	Description
ACKNOWLEDGE	Acknowledges the selected error, warning or reminder. When all of the active errors, warnings and reminders are acknowledged, the display background changes back to white and the status indicator light changes back to green.
VIEW HELP	Shows help information for the selected error, warning or reminder.

Section 3 Maintenance

⚠ DANGER	
	Multiple hazards. Only qualified personnel must conduct the tasks described in this section of the document.

3.1 Maintenance schedule

Table 1 shows the recommended schedule of maintenance tasks. Facility requirements and operating conditions may increase the frequency of some tasks.

Table 1 Maintenance schedule

Task	3 months	As necessary
Replace the calibration and reactivation solutions on page 4	X	
Replace the conditioning solution on page 6	X	
Replace the KCl electrolyte on page 8	X	
Replace an input power fuse on page 10		X

3.2 Clean the instrument

NOTICE

Never use cleaning agents such as turpentine, acetone or similar products to clean the instrument including the display and accessories.

Clean the exterior of the instrument with a moist cloth and a mild soap solution.

3.3 Clean spills

CAUTION



Chemical exposure hazard. Dispose of chemicals and wastes in accordance with local, regional and national regulations.

1. Obey all facility safety protocols for spill control.
2. Discard the waste according to applicable regulations.

3.4 Replace the calibration and reactivation solutions

CAUTION



Chemical exposure hazard. Obey laboratory safety procedures and wear all of the personal protective equipment appropriate to the chemicals that are handled. Refer to the current safety data sheets (MSDS/SDS) for safety protocols.

CAUTION



Chemical exposure hazard. Dispose of chemicals and wastes in accordance with local, regional and national regulations.

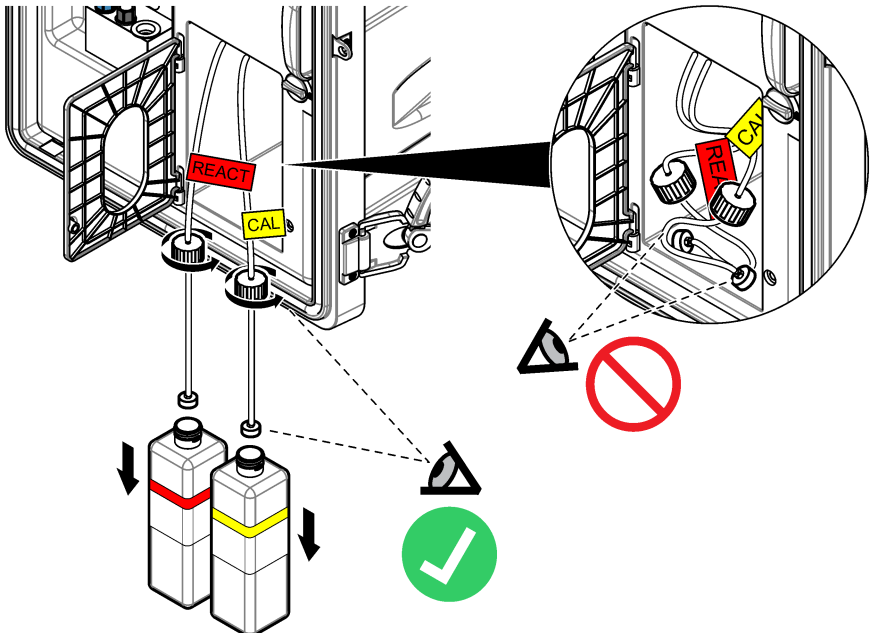
Replace the reactivation solution and calibration solution at 3-month intervals or when less than 10% full.

Items supplied by the user:

- Personal protective equipment (refer to MSDS/SDS)
- 0.5M Sodium Nitrate (NaNO_3), 500 mL
- 10-ppm Sodium Chloride Standard (NaCl), 500 mL
- Deionized water, 100 mL

1. Put on the personal protective equipment identified in the safety data sheet (MSDS/SDS).
2. Push **menu**, then select STOP ANALYZER.
Note: If START ANALYZER shows, the analyzer is already in standby mode.
3. Replace the reactivation solution and calibration solution as follows:
 - a. Remove the reactivation solution and calibration solution bottles from the analyzer. Refer to [Figure 1](#).
Note: Only analyzers with the auto calibration option have a calibration solution bottle.
 - b. Discard the solutions in the bottles into an applicable drain.
 - c. Flush the bottles with deionized water.
 - d. Fill the calibration solution bottle with new 10-ppm Sodium Chloride (NaCl) solution (500 mL). The calibration solution bottle has a label with a yellow stripe.
Note: To prepare 10-ppm Sodium Chloride (NaCl) solution, refer to the operations manual.
 - e. Fill the reactivation solution bottle with new 0.5M Sodium Nitrate (NaNO₃) solution (500 mL). The calibration solution bottle has a label with a red stripe.
Note: To prepare 0.5M Sodium Nitrate (NaNO₃) solution, refer to the operations manual.
 - f. Install the bottles in the analyzer. Make sure that the tubing with a red "REACT" label is put in the bottle that has a label with a red stripe.
Make sure that the tubing with a yellow "CAL" label is put in the bottle that has a label with a yellow stripe.
4. Enter the bottle levels as follows:
 - a. Push **menu**, then select REAGENTS/STANDARDS.
 - b. Select SET REACT LEVEL, then enter 100%.
 - c. Select SET STANDARD LEVEL, then enter 100%.
5. Select PRIME REAGENTS.
6. When the prime reagents step is complete, push **menu**, then select START ANALYZER.

Figure 1 Bottle removal



3.5 Replace the conditioning solution

▲ WARNING



Inhalation hazard. Do not breathe Diisopropylamine (DIPA) or ammonia fumes. Exposure may result in severe injury or death.



▲ WARNING



Chemical exposure hazard. Diisopropylamine (DIPA) and ammonia are a flammable, corrosive and toxic chemical. Exposure may result in severe injury or death.



▲ WARNING



Chemical exposure hazard. Obey laboratory safety procedures and wear all of the personal protective equipment appropriate to the chemicals that are handled. Read the safety data sheet from the supplier before bottles are filled or reagents are prepared. For laboratory use only. Make the hazard information known in accordance with the local regulations of the user.

▲ CAUTION



Chemical exposure hazard. Dispose of chemicals and wastes in accordance with local, regional and national regulations.

Replace the conditioning solution at 3-month intervals or when less than 10% full. Use DIPA (recommended) or ammonia (more than 28%) for the conditioning solution.

Items supplied by the user:

- Personal protective equipment (refer to MSDS/SDS)
- Diisopropylamine (DIPA) 99%, 1 L bottle
- Bottle adapter for Merck or Orion DIPA bottles if applicable

Replace the conditioning bottle as follows:

1. Put on the personal protective equipment identified in the safety data sheet (MSDS/SDS).
2. Push **menu**, then select STOP ANALYZER.

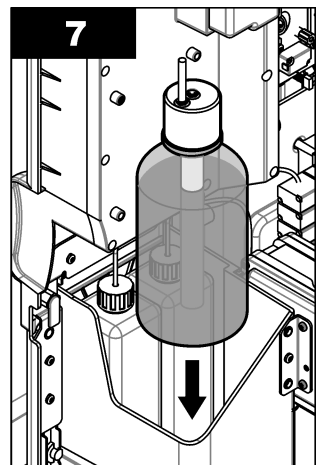
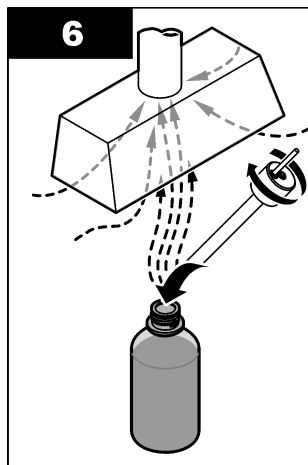
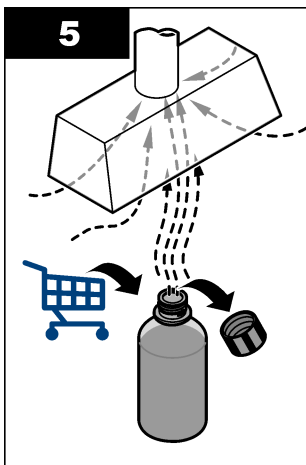
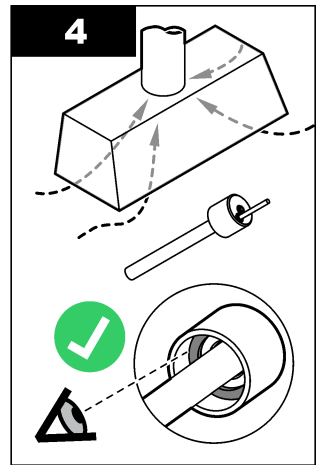
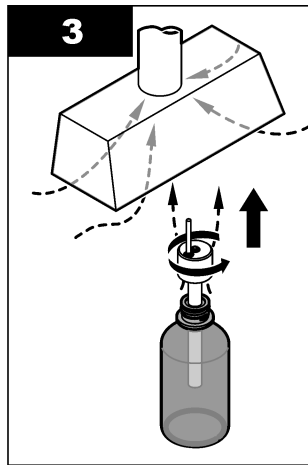
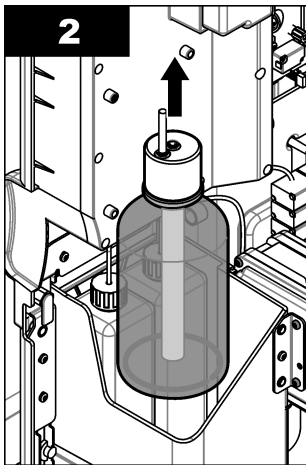
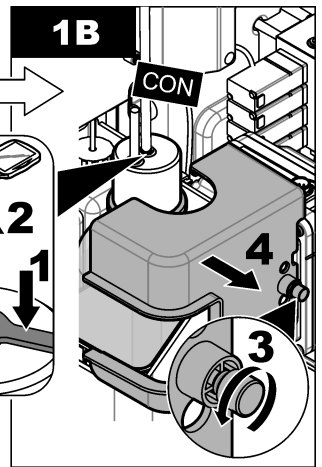
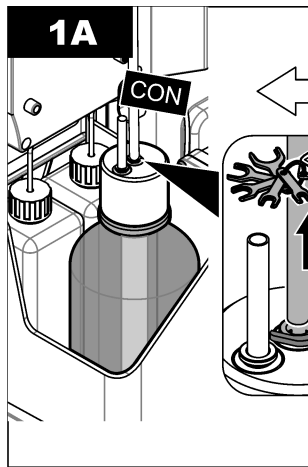
Note: If START ANALYZER shows, the analyzer is already in standby mode.

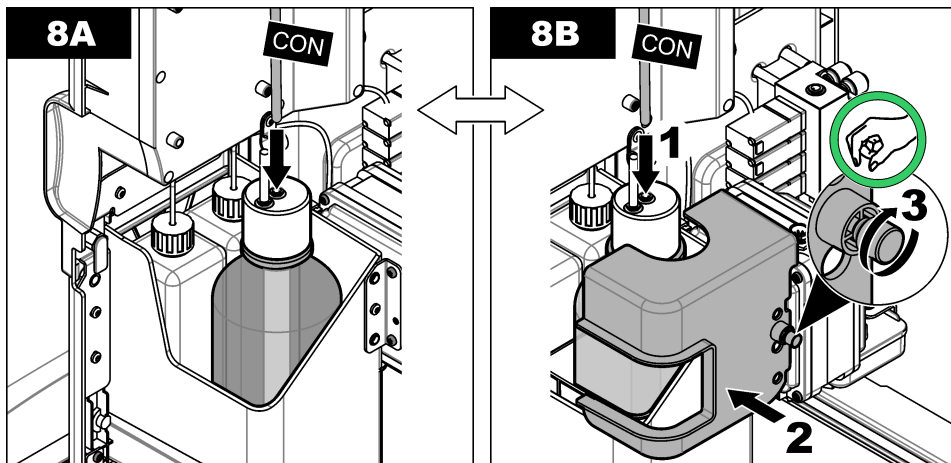
3. Turn the latch on the analytic panel to the unlock position. Open the analytics panel.
4. Replace the conditioning solution bottle. Refer to the illustrated steps that follow.

Note: Analyzers with the optional cationic pump have two tubes that go in the conditioning bottle cap. Remove both tubes.

Note: At illustrated steps 1 and 8, only analyzers without an enclosure have a conditioning bottle holder.

Do illustrated steps 3–6 under a fume hood if available. Do not breathe DIPA or ammonia fumes.





5. For analyzers with the optional cationic pump, install the outlet tube from the cationic pump back into the off-center hole in the cap.
6. Close the analytics panel. Turn the latch on the analytics panel to the locked position.
7. Enter the bottle level as follows:
 - a. Push **menu**, then select REAGENTS/STANDARDS.
 - b. Select SET COND LEVEL, then enter 100%.
8. Push **menu**, then select START ANALYZER.

3.6 Replace the KCl electrolyte

▲ CAUTION



Chemical exposure hazard. Obey laboratory safety procedures and wear all of the personal protective equipment appropriate to the chemicals that are handled. Refer to the current safety data sheets (MSDS/SDS) for safety protocols.

▲ CAUTION



Chemical exposure hazard. Dispose of chemicals and wastes in accordance with local, regional and national regulations.

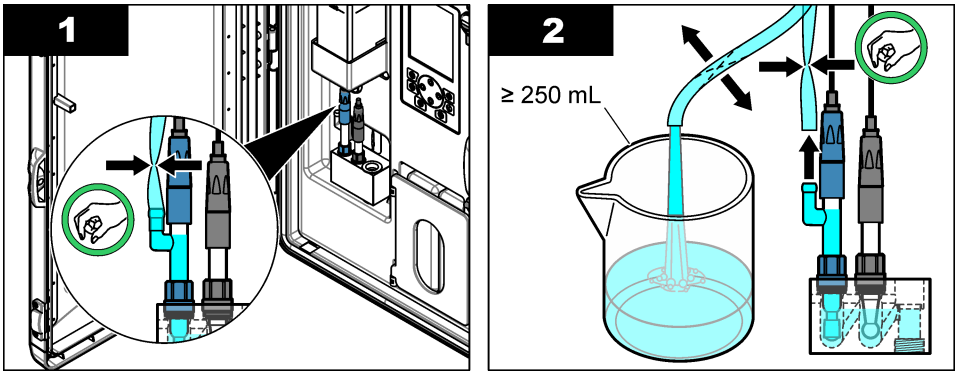
Replace the KCl electrolyte in the KCl electrolyte reservoir at 3-month intervals.

Items to collect:

- Personal protective equipment (refer to MSDS/SDS)
- 3M KCl electrolyte, 200 mL
- Small container, 250 mL or larger

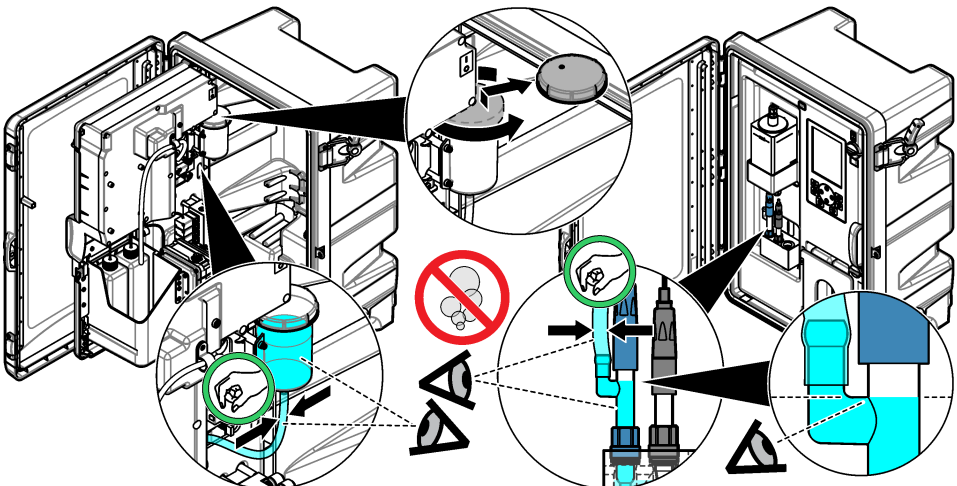
Replace the KCl electrolyte as follows:

1. Put on the personal protective equipment identified in the safety data sheet (MSDS/SDS).
2. Drain the contents of the KCl electrolyte reservoir into the small container. Refer to the illustrated steps that follow. Discard the KCl electrolyte into an applicable drain.



3. Install the KCl electrolyte tube back on the reference electrode.
4. Fill the KCl electrolyte reservoir as follows:
 - a. Turn the latch on the analytix panel to the unlocked position. Open the analytix panel.
 - b. Remove the lid from the KCl electrolyte reservoir. Refer to [Figure 2](#).
 - c. Fill the reservoir 90% full (approximately 200 mL).
 - d. Install the lid.
5. Push the air bubbles out of the KCl electrolyte tube as follows:
 - a. From the front of the analytix panel, squeeze the KCl electrolyte tube with thumb and finger to push the air bubbles up the tube to the reservoir. Refer to [Figure 2](#).
 - b. When an air bubble is near the reservoir, use two hands to squeeze the tube from the front and back of the analytix panel to push the air bubble up.
 - c. Continue to squeeze the tube until the KCl electrolyte in the reference electrode is at the top of the glass junction where the KCl electrolyte enters the electrode. Refer to [Figure 2](#).
6. Close the analytix panel. Turn the latch on the analytix panel to the locked position.
7. Enter the bottle level as follows:
 - a. Push **menu**, then select REAGENTS/STANDARDS.
 - b. Select SET KCL LEVEL, then enter 100%.

Figure 2 Fill the KCl electrolyte reservoir



3.7 Replace an input power fuse

⚠ DANGER



Electrocution hazard. Remove power from the instrument before this procedure is started.

⚠ DANGER



Fire hazard. Use the same type and current rating to replace fuses.

Examine the fuses. Replace any open fuses with new fuses.

Item supplied by user: T 1.6 A, 250 VAC fuse

1. Disconnect the power cord from the electrical outlet.
2. Remove the electrical access cover. Refer to the illustrated steps in [Figure 3](#).
3. Replace the fuse. Refer to the illustrated steps in [Figure 4](#)
4. Install the electrical access cover. Tighten all of the screws to keep the environmental rating of the enclosure.
5. Close the analytics panel. Turn the latch on the analytics panel to the locked position.
6. Connect the power cord to an electrical outlet.
7. Push **menu**, then select START ANALYZER.

Figure 3 Electrical access cover removal

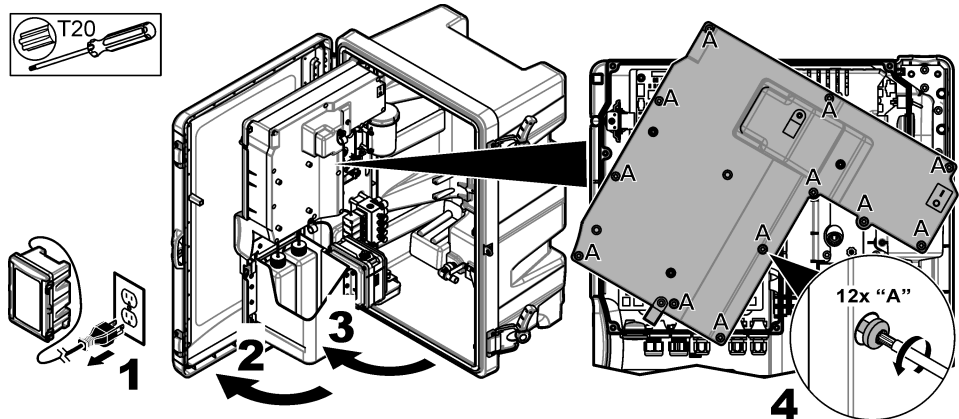
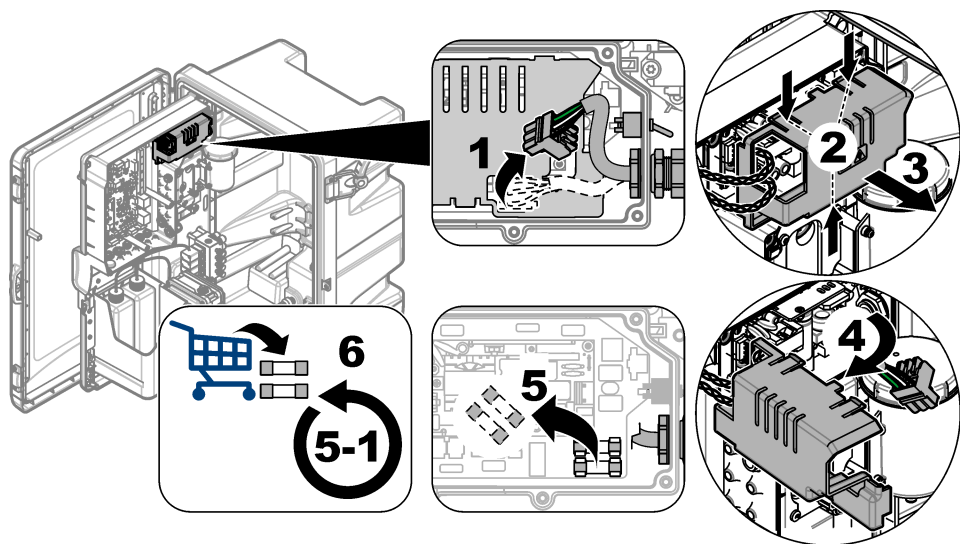


Figure 4 Power fuse replacement



3.8 Prepare the analyzer for a short-term shutdown

Prepare the analyzer for a short-term shutdown (2 days to 1 week) as follows:

Items supplied by user: Clamp scissors

1. Push **menu**, then select STOP ANALYZER.

Note: If START ANALYZER shows, the analyzer is already in standby mode.

2. Attach clamp scissors (metal or plastic) to the end of the KCl electrolyte tube to stop the flow of KCl electrolyte to the reference electrode.

Note: When the analyzer is in standby mode or off, KCl electrolyte continues to flow out of the reference electrode. KCl electrolyte will slowly fill the left chamber of the measurement cell and come out the top of the left chamber.

3. Turn the shut-off valves on the sample line(s) to off.

4. If power must be removed from the analyzer, add reactivation solution to the middle chamber of the measurement cell to prevent damage to the sodium electrode.

Note: After 4 hours in standby mode, the analyzer automatically adds reactivations solution to the middle chamber of the measurement cell.

3.9 Prepare the analyzer for a long-term shutdown

▲ WARNING



Chemical exposure hazard. Obey laboratory safety procedures and wear all of the personal protective equipment appropriate to the chemicals that are handled. Read the safety data sheet from the supplier before bottles are filled or reagents are prepared. For laboratory use only. Make the hazard information known in accordance with the local regulations of the user.

▲ CAUTION



Chemical exposure hazard. Dispose of chemicals and wastes in accordance with local, regional and national regulations.

Prepare the analyzer for a long-term shutdown (more than 1 week) as follows:

Items supplied by user:

- Small container, 250 mL or larger
- Deionized water, 1.5 L
- Clean, no-lint cloth

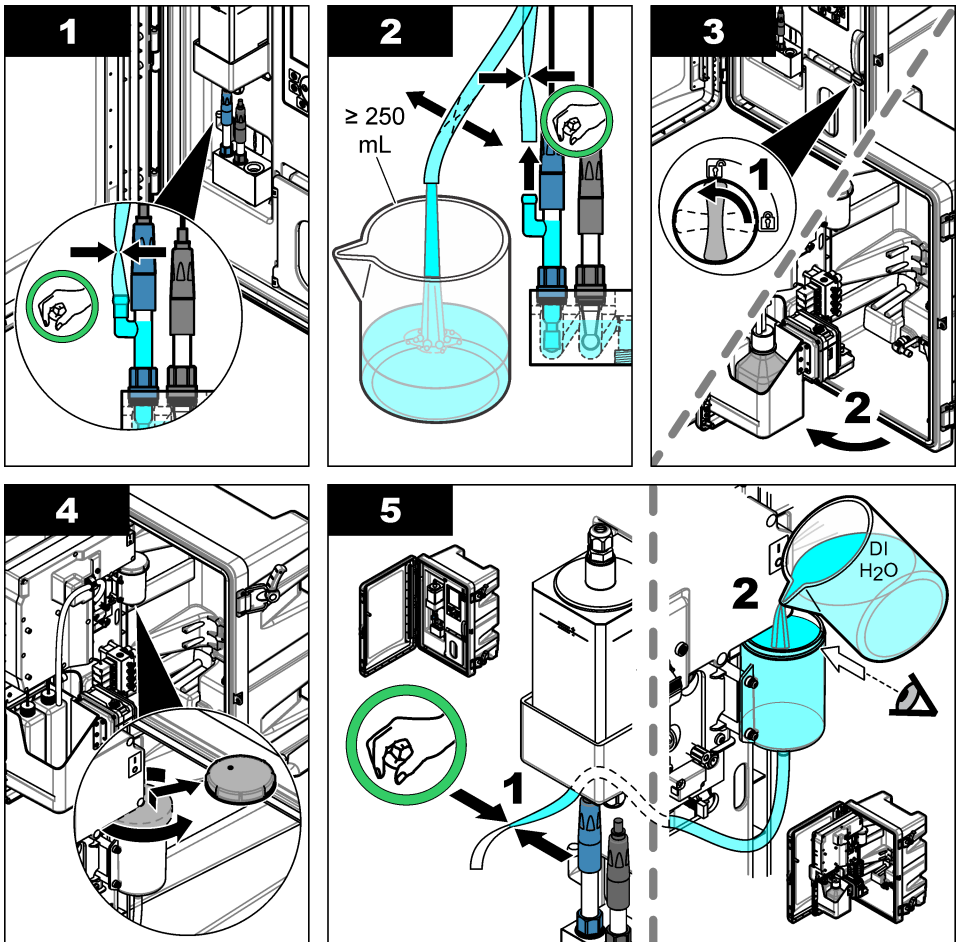
Items to collect:

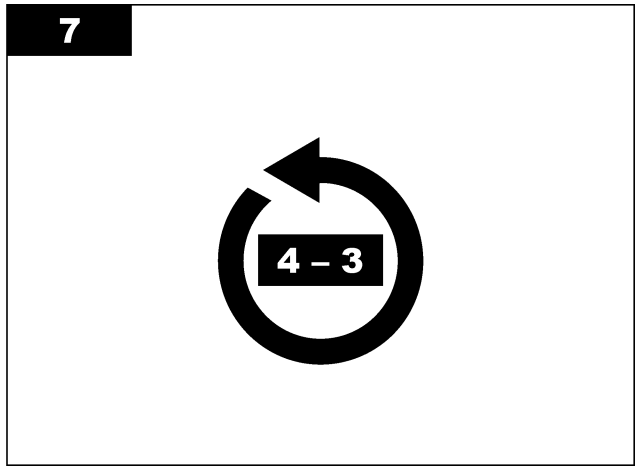
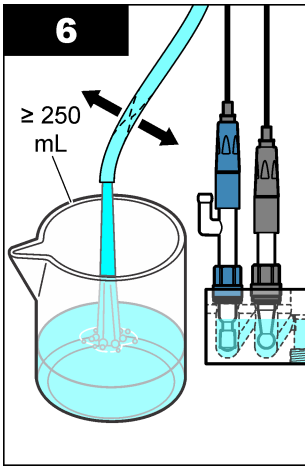
- Storage bottles for electrodes (2x)
- Protective caps for electrodes (2x)
- Black cover for glass junction of reference electrode

3.9.1 Drain and rinse the KCl electrolyte reservoir

Refer to the illustrated steps that follow.

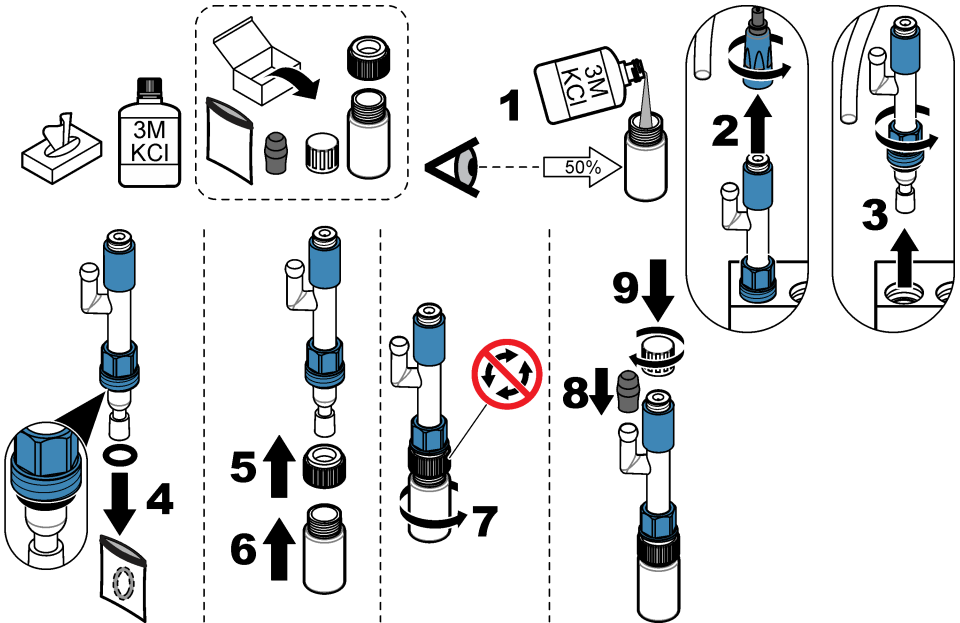
Put on the personal protective equipment identified in the safety data sheet (MSDS/SDS).





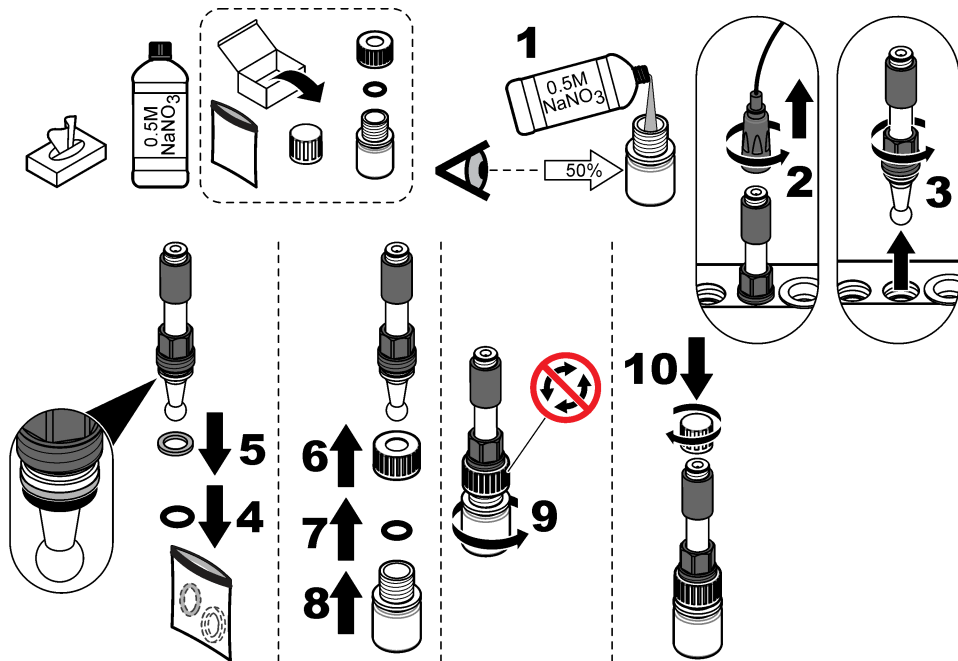
3.9.2 Remove the reference electrode

Refer to the illustrated steps that follow.








3.9.3 Remove the sodium electrode

Refer to the illustrated steps that follow.

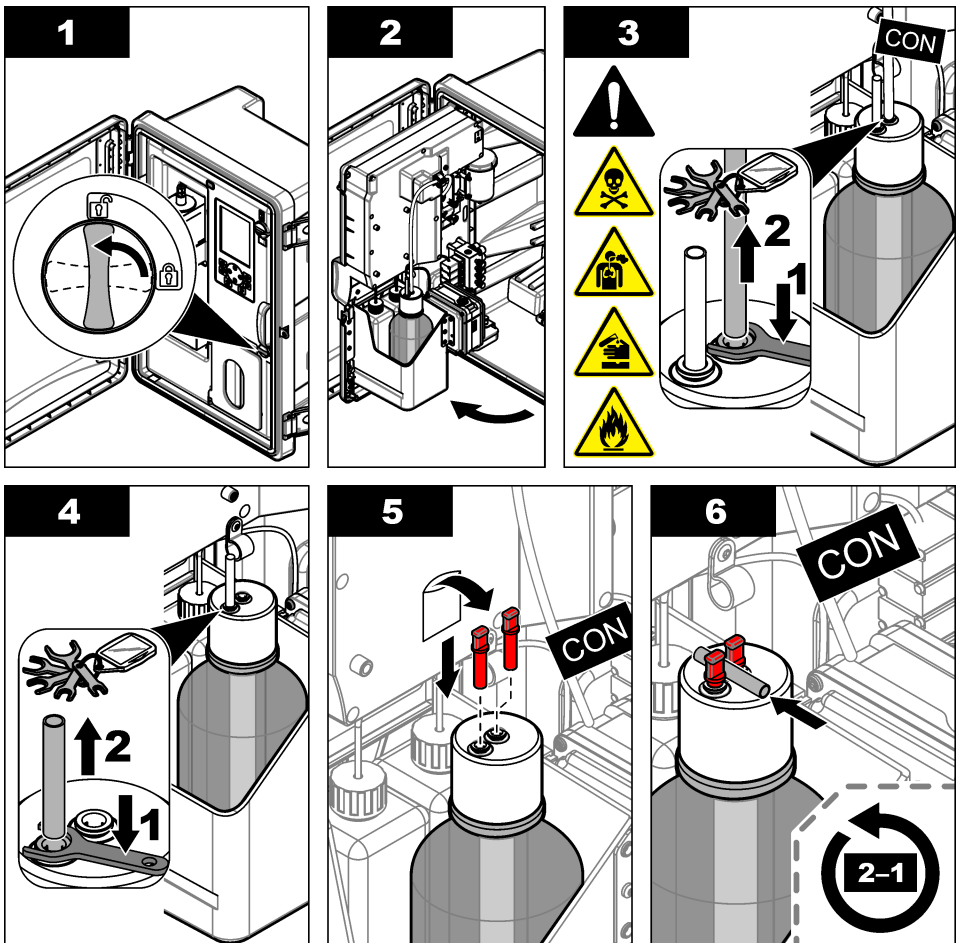


3.9.4 Disconnect the conditioning solution bottle

⚠ WARNING	
 	Inhalation hazard. Do not breathe Diisopropylamine (DIPA) or ammonia fumes. Exposure may result in severe injury or death.
⚠ WARNING	
  	Chemical exposure hazard. Diisopropylamine (DIPA) and ammonia are a flammable, corrosive and toxic chemical. Exposure may result in severe injury or death.

Refer to the illustrated steps that follow.

Put on the personal protective equipment identified in the safety data sheet (MSDS/SDS).



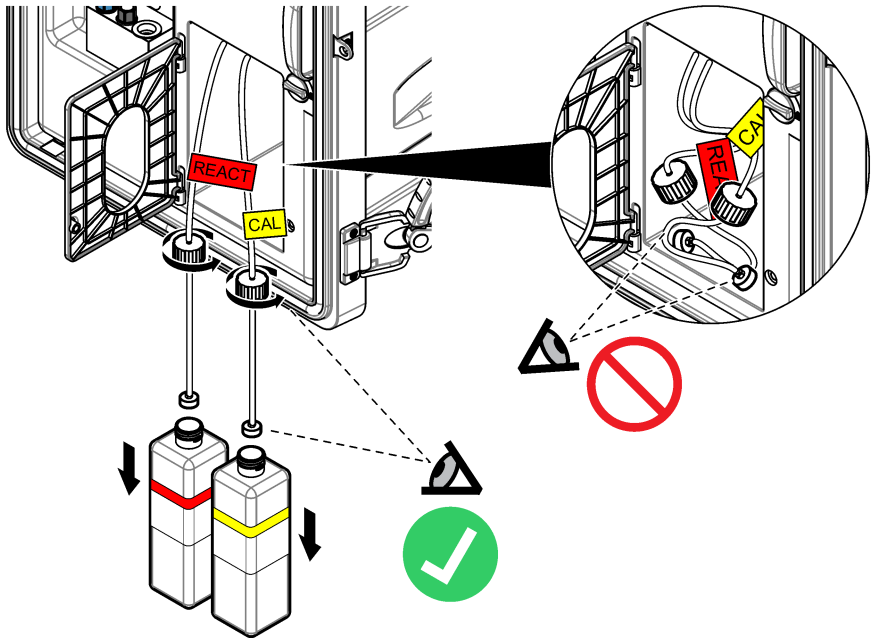
3.9.5 Flush the reagent tubing

1. Put on the personal protective equipment identified in the safety data sheet (MSDS/SDS).
2. Remove the reactivation solution and calibration solution bottles from the analyzer. Refer to [Figure 5](#).

Note: Only analyzers with the auto calibration option have a calibration solution bottle.

3. Discard the solutions in the bottles into an applicable drain.
4. Flush and then fill the bottles $\frac{1}{2}$ full with deionized water.
5. Install the bottles in the analyzer.
6. Push **menu**, then select REAGENTS/STANDARDS > PRIME REAGENTS. The reagent tubing is flushed with deionized water.

Figure 5 Bottle removal



3.9.6 Drain the overflow vessel

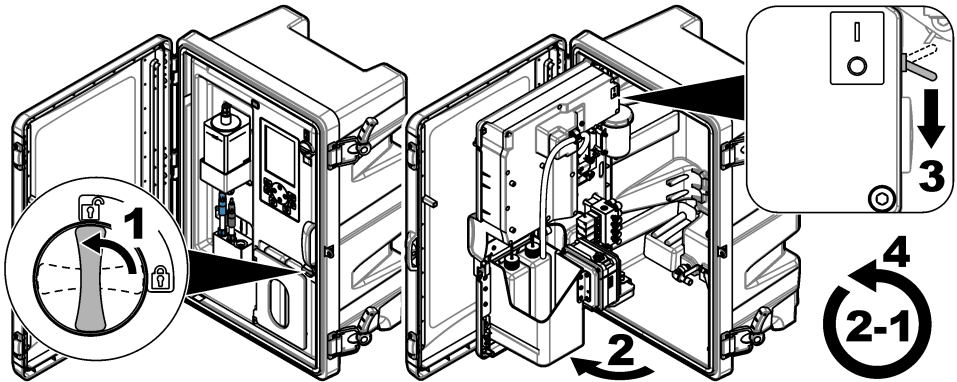
1. Push **diag**, then select PERFORM TEST and push **enter**.
2. Push **enter** to select YES.
3. Select SAMPLE DRAIN, then push **enter**.
4. Enter 150 seconds.
5. Push **enter** two times.
6. When the overflow vessel is empty, push **back**.
7. Push **home**.

3.9.7 Shut down the analyzer

Remove power and sample to the analyzer as follows:

1. Set the power switch to off. Refer to [Figure 6](#).
2. Close the analytics panel. Turn the latch on the analytics panel to the locked position.
3. Disconnect the power cord from the electrical outlet.
4. Turn the shut-off valves on the sample line(s) to off.
5. Use a clean, no-lint cloth to remove the water from overflow vessel.
6. Use a clean, no-lint cloth to remove the water from the left chamber and middle chamber of the measurement cell.

Figure 6 Set the power switch to off



3.9.8 Discard the deionized water in the bottles

1. Remove the reactivation solution and calibration solution bottles from the analyzer. Pull the bottle caps down so they hang below the analyzer.
Do not let the bottle cap or internal tubing touch the analyzer to prevent contamination.
2. Discard the deionized water in the bottles.
3. Let the bottles fully air dry.
4. Install the bottles in the analyzer.
5. Close the analyzer door.

Section 4 Troubleshooting

Problem	Possible cause	Solution
The status bar does not show on the measurement screen.	The channel shown on the measurement screen is not the channel being measured.	Push the UP or DOWN arrow until the channel being measured shows on the measurement screen.
A channel does not show on the measurement screen when the UP or DOWN arrow key is pushed.	The channel is not selected in the display settings.	Push menu , then select SETUP SYSTEM > DISPLAY SETUP > ADJUST ORDER > SEE CURRENT ORDER . If the channel is not shown, push back , then select ADD MEASUREMENTS . Push the LEFT arrow to select or unselect a checkbox.
A channel is not being measured.	The channel is not activated.	Push menu , then select SETUP SYSTEM > CONFIGURE ANALYZER > CONFIGURE SEQUENCER > ACTIVATE CHANNELS . Add the channel. Push the LEFT arrow to select or unselect a checkbox.
	The channel is not in the channel measurement sequence.	Push menu , then select SETUP SYSTEM > CONFIGURE ANALYZER > CONFIGURE SEQUENCER > SEQUENCE CHANNELS . Push the UP and DOWN arrows to select a row, then push the LEFT or RIGHT arrow to select a channel. S1 is the first channel measured followed by S2, S3 and S4. Note: Do not select channels that contain the symbol "~" (e.g., 4~SAMPLE4). Channels that contain the symbol "~" are not measured.

Problem	Possible cause	Solution
"UNSTABLE READING" warning occurs.	The rinsing time between channel measurements is too short.	Push menu , then select SETUP SYSTEM > CONFIGURE ANALYZER > MEASUREMENT > SET MEASURE CYCLE > MAX CYCLE TIME or CYCLE TIME. Increase the MAX CYCLE TIME or CYCLE TIME setting to increase the rinsing time.
"SAMPLE MISSING" warning occurs.	The shut-off valve on the sample line is closed.	Turn the shut-off valve to open.
	The sample line is not plumbed correctly.	Make sure that the sample line is connected to the correct plumbing port. Refer to <i>Plumbing ports</i> in the installation manual.
	The sample flow valve is closed.	Start the startup wizard. Push menu , then select SETUP SYSTEM > STARTUP ANALYZER. Push enter until prompted to adjust the sample flow rate. Turn the sample flow valve counter-clockwise to increase the flow rate to 6–9 L/hour on each channel.
	The solenoid valve for the channel does not operate correctly.	Push diag , then select PERFORM TEST > SAMPLE DRAIN to drain the overflow vessel. Push diag , then select PERFORM TEST > SAMPLE DELIVERY to open the sample valve. If sample does not flow into the overflow vessel, examine the sample valve wiring. Replace the sample valve if necessary.
"PH TOO LOW" warning occurs.	The cover was removed from the right chamber of the measurement cell.	Install the cover on the right chamber of the measurement cell.
	The conditioning solution bottle is less than 10% full or empty.	Replace the conditioning solution. Refer to Replace the conditioning solution on page 6.
	There is an air leak in the conditioning bottle cap.	<ul style="list-style-type: none"> • Make sure that the conditioning bottle cap is on tight. • Examine the washer in the bottle cap. If wear or damage is seen, replace the washer. • Examine the plastic flange on the rim of the bottle. If wear or damage is seen, replace the conditioning solution bottle.
	There is an air leak in the conditioning tubing.	Look for a blockage or air leak in the conditioning tubing. Replace tubing as necessary. Note: <i>The conditioning tubing contains gas, not solution.</i>
	The conditioning valve does not operate correctly.	Push diag , then select PERFORM TEST > CONDITIONING VALVE to open the conditioning valve. If conditioning gas does not flow into the right chamber of the measurement cell (seen as bubbles), replace the conditioning valve.

Problem	Possible cause	Solution
"CALIBRATION FAIL" warning occurs.	The value of the calibration solution in the auto calibration settings is different from the value on the calibration solution bottle.	Change the calibration solution value in the calibration menu to the value on the calibration solution bottle. Refer to <i>Set the auto calibration settings</i> in the operations manual.
	The calibration solution bottle is empty.	Replace the calibration solution. Refer to Replace the calibration and reactivation solutions on page 4.
	There is a leak or blockage in the calibration solution tubing.	Look for a blockage or leak in the tubing. Replace the tubing as necessary.
	The calibration solution pump does not operate correctly.	Push diag , then select PERFORM TEST > SAMPLE DRAIN to fully drain the overflow vessel. Push diag , then select PERFORM TEST > CAL STD DELIVERY to set the calibration solution pump to on. If calibration solution does not flow to the overflow vessel, replace the calibration solution pump.
	The stir bar does not turn. <i>Note: The stir bar turns intermittently.</i>	Push diag , then select PERFORM TEST > MIXER to set the mixer motor to on. If the stir bar does not move, replace the mixer motor.
	The stir bar is not in the overflow vessel.	Make sure that the stir bar is in the overflow vessel.
"REACT VOLTAGE LOW" warning occurs.	The reactivation solution bottle is empty.	Make sure that the end of the reactivation solution tube is at the bottom of the bottle. Replace the reactivation solution. Refer to Replace the calibration and reactivation solutions on page 4.
	The sodium electrode does not operate correctly.	<ul style="list-style-type: none"> • Make sure that the sodium electrode is installed correctly. Refer to the installation manual. • Make sure that there is no air in the glass bulb of the sodium electrode.
	The reference electrode does not operate correctly.	<ul style="list-style-type: none"> • Remove the reference electrode from the measurement cell. Lift the collar that is on the glass part to let some KCl electrolyte flow out. Push the collar down and turn the collar less than 1/4 of a turn to lock the collar. When the collar is locked, the collar does not turn. Install the reference electrode in the measurement cell. • Make sure that the reference electrode is installed correctly. Refer to the installation manual. • To identify if the problem is fixed, push diag, then select SENSOR REACTIVATION to do a reactivation.
	There is a leak or blockage in the reactivation solution tubing.	Look for a blockage or leak in the tubing. Replace tubing as necessary.
	The reactivation solution pump does not operate correctly.	Push diag , then select PERFORM TEST > REACT SOL DELIVERY > HIGH to set the reactivation solution pump to a high flow rate. If reactivation solution does not flow to the middle chamber of the measurement cell, replace the reactivation solution pump.

Problem	Possible cause	Solution
The instrument readings are not stable.	The analyzer was started less than 2 hours ago.	Let the analyzer operate for 2 hours to become stable.
	The electrode cable(s) are cross-threaded on the electrodes.	Disconnect the cable from the electrode. Push the connector fully down on the electrode connector, then turn the connector until finger tight.
	The electrode cables are connected to the wrong electrodes.	Connect the blue cable to the reference electrode. Connect the black cable to the sodium electrode.
	The KCl electrolyte flow rate is too fast.	Remove the reference electrode from the measurement cell. Push the collar down and turn the collar less than 1/4 of a turn to lock the collar. When the collar is locked, the collar does not turn. If the collar is not locked, the KCl electrolyte will flow too fast from the reference electrode into the measurement cell.
The measurements are not accurate.	The analyzer is not calibrated.	Calibrate the analyzer. Refer to <i>Do a calibration</i> in the operations manual. For the best accuracy, calibrate the analyzer at 7-day intervals (weekly).
	Auto reactivation is disabled or the interval between reactivations is more than 24 hours.	Start an auto reactivation. Push diag , then select SENSOR REACTIVATION. <i>Note: For the best accuracy, set auto reactivation to on. Set the interval to 24 hours. Refer to the operations manual.</i>
	The reactivation solution bottle is empty.	Replace the reactivation solution. Refer to Replace the calibration and reactivation solutions on page 4.
	There is a leak or blockage in the reactivation solution tubing.	Look for a blockage or leak in the tubing. Replace the tubing as necessary.
	The reactivation solution pump does not operate correctly.	Push diag , then select PERFORM TEST > REACT SOL DELIVERY > HIGH to set the reactivation solution pump to a high flow rate. If reactivation solution does not flow to the middle chamber of the measurement cell, replace the reactivation solution pump.
The stir bar in the overflow vessel does not turn.	The mixer does not operate correctly. <i>Note: The stir bar turns intermittently.</i>	Push diag , then select PERFORM TEST > MIXER to set the mixer motor to on. If the stir bar does not move, replace the mixer motor.
The KCl electrolyte consumption is too fast ¹ .	The collar on the glass part of the reference electrode is not locked.	Remove the reference electrode. Push the collar up. Push the collar down and turn the collar less than 1/4 of a turn to lock the collar. Refer to the illustrated steps in <i>Install the reference electrode</i> in the installation manual. When the collar is locked, the collar does not turn. If the collar is not locked, the KCl electrolyte will flow too fast from the reference electrode into the measurement cell.

¹ The KCl electrolyte consumption is too fast if the level of the reservoir decreases by more than 3 mm (1/8 in.) in two days

Problem	Possible cause	Solution
The KCl electrolyte consumption is too slow ² .	The collar on the glass part of the reference electrode was not turned to break the seal.	<p>Remove the reference electrode.</p> <p>Carefully turn the collar to break the seal. When the collar turns easily, the seal is broken. Refer to the illustrated steps in <i>Install the reference electrode</i> in the installation manual.</p> <p>Push the collar down and turn the collar less than 1/4 of a turn to lock the collar. When the collar is locked, the collar does not turn. If the collar is not locked, the KCl electrolyte will flow too fast from the reference electrode into the measurement cell.</p>
A relay indicator on the measurement screen is flashing.	The overfeed timer has expired.	<p>Reset the overfeed timer. Refer to Reset the overfeed timer for relays on page 21.</p> <p><i>Note: The overfeed timer setting is only enabled when the relay SET FUNCTION setting is set to FEEDER CONTROL.</i></p>

4.1 Reset the overfeed timer for relays

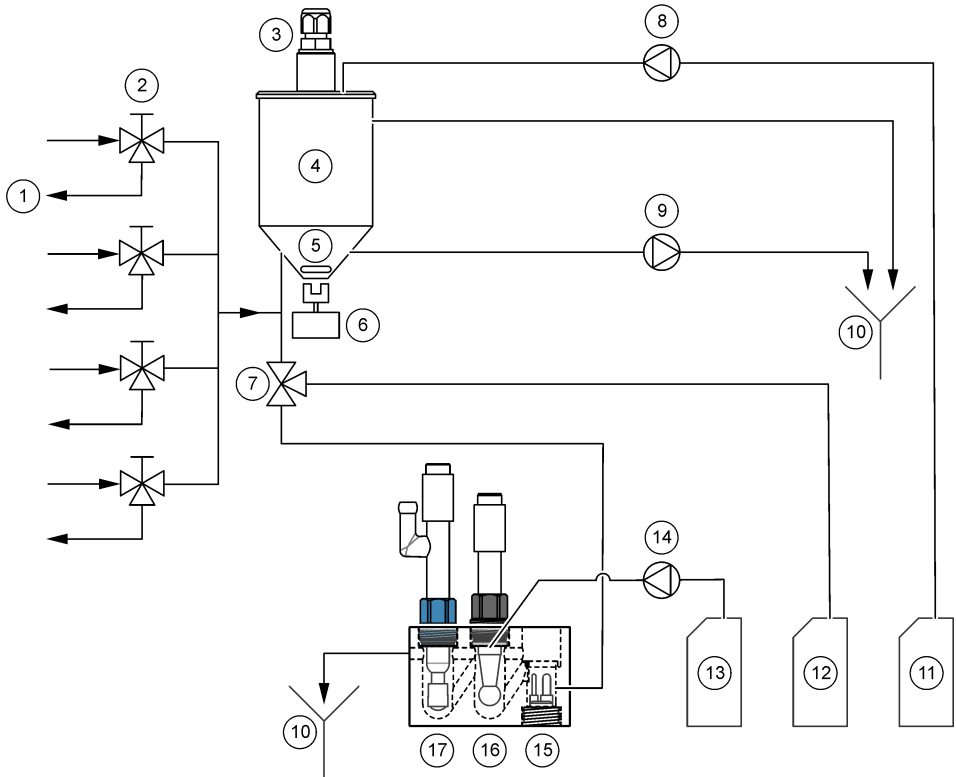
The overfeed timer setting for the relays prevents a condition that keeps the measurement value higher than the setpoint or deadband setting (e.g., damaged electrode or a process upset) from keeping a relay switched on continuously. The overfeed timer limits how long the relays and their connected control element stay on independent of the conditions.

When the select time interval for the overfeed timer expires, the relay status flashes on the top-right corner of the measurement screen until the overfeed timer is reset. Push **diag**, then select OVERFEED RESET to reset the overfeed timer.

² The KCl electrolyte consumption is too slow if the level of the reservoir decreases less than 1 mm in two days

Section 5 Diagnostics

5.1 Plumbing schematic



1 Sample bypass drain	7 Conditioning valve	13 Reactivation solution
2 Sample inlet	8 Calibration solution pump ³ .	14 Reactivation solution pump
3 Level sensor	9 Drain pump	15 Temperature sensor
4 Overflow vessel	10 Drain	16 Sodium electrode
5 Stir bar	11 Calibration solution ³	17 Reference electrode
6 Mixer motor	12 Conditioning solution	

5.2 Start an analyzer test

Start an analyzer test to identify if the status indicator light, mixer motor, a pump or a valve operate correctly.

³ Only analyzers with the auto calibration option have a calibration solution pump and calibration solution.

1. Push **diag**, then select PERFORM TEST.
2. Select an option.

Option	Description
REACT SOL DELIVERY	Starts the reactivation solution pump. The reactivation solution flows into the middle chamber of the measurement cell. Note: <i>The measurement cell is the clear block where the electrodes are installed.</i>
SAMPLE DELIVERY	Sets the sample solenoid valve for the selected channel to open. The sample flows into the overflow vessel. Note: <i>If the overflow vessel is full, the level of the water in the overflow vessel will not change. To drain the overflow vessel, do the SAMPLE DRAIN test.</i>
CAL STD DELIVERY	Note: <i>The CAL STD DELIVERY option is only available on analyzers that have the auto calibration option.</i> Sets the calibration solution pump to on. The calibration solution flows into the overflow vessel.
CONDITIONING VALVE	Sets the conditioning valve to open. The conditioning gas flows into the right chamber of the measurement cell. Note: <i>The measurement cell is the clear block where the electrodes are installed.</i>
SAMPLE DRAIN	Sets the drain pump to on. The water in the overflow vessel drains out the chemical drain tube.
MIXER	Sets the mixer motor to on. The stir bar in the overflow vessel turns.
STATUS LED	Sets the status indicator light to continuously cycle: yellow, red, green.
AIR PUMP	Note: <i>The AIR PUMP option is only available when the optional cationic pump is installed.</i> Sets the cationic pump to on. The cationic pump pushes air into the conditioning solution (DIPA) bottle. Refer to the <i>Product overview</i> section of the installation manual to identify the location of the cationic pump in the analyzer.
SELECT SCRIPT	Note: <i>The SELECT SCRIPT option is for Service use only.</i> Sets the analyzer to use the normal instrument script or the test script.

5.3 Start a 4–20 mA output or relay test

Start a 4–20 mA output or relay test to identify if a 4–20 mA output or relay operation is correct.

1. Push **diag** and select OUTPUTS.
2. Select an option.

Option	Description
TEST 4–20 mA	Sets the signal (mA) at the selected 4–20 mA output. Measure the current at the 4–20 mA output with a multimeter.
TEST RELAY	Sets the selected relay to on (energized) or off (not energized). Measure the resistance across the relay with a multimeter to identify if the relay is open or closed.
HOLD OUTPUTS	Holds the outputs at the last value or sets them to the transfer value. ACTIVATION —Select LAUNCH to hold the outputs at the last value or set them to the transfer value. Select RELEASE to let the outputs operate normally. SET OUTMODE —Select HOLD OUTPUTS to hold the outputs at the last value. Select TRANSFER OUTPUTS to set the outputs to the transfer value. Refer to the operations manual to set the transfer value for the outputs. SET CHANNELS —Select ALL to select all of the channels. Select ANALYZER to select all of the channels for the selected analyzer.

Option	Description
OUTPUT STATUS	Shows the signals (mA) at the 4–20 mA outputs.
SIMULATE MEASUREMENT	Enters an analyzer reading on a selected channel to do an output test. The simulation stops after the user exits the screen. SELECT SOURCE —Selects the analyzer. SET PARAMETER —Selects the channel. SET SIM VALUE —Sets the analyzer reading.

5.4 Show the analyzer information

To show the analyzer information that follows, push **menu**, then select VIEW DATA > ANALYZER DATA. Refer to [Table 2](#).

Table 2 Analyzer data descriptions

Item	Description
DATE/TIME	Current time (24-hour format) and date identified in the settings
NAME	Name of analyzer
TYPE	Type of analyzer
AMBIENT TEMP	Ambient temperature of the analyzer
CONDITION SOL LEVEL	Solution level of the conditioning solution bottle
REACT SOL LEVEL	Solution level of the reactivation solution bottle
STANDARD LEVEL	Solution level of the calibration solution bottle
KCL LEVEL	Solution level of the KCl electrolyte reservoir
LAST REACTIVATION	Date the last auto reactivation was done
LAST CAL	Date the last calibration was done
LAST SERVICE	Last service date
SOFTWARE VERS	Software version installed
DD FIRMWARE	Version of the device driver firmware installed
DD CONTENT	Version of the data content of the device driver
SCRIPT VERSION	Version of the script file directory block
SCRIPT CONTENT	Version of the script file directory content
MEAS_CONTROL SW REV	Revision of the measurement control software installed
SERIAL NUMBER	Serial number of analyzer

5.5 Show the analyzer status and system data

To show the current analyzer status, Modbus status, system data or I2C data, do the steps that follow:

1. Push **diag**.
2. Select an option.

Option	Description
CURRENT STATUS	OPERATION —Current measurement mode. SAMPLE CHANNEL —Current sample channel. STEP STATUS —Current step in the measurement cycle. STEP TIME —Step time remaining. MINUTES LEFT —Minutes left in current step. COMPLETION —% completed of the measurement cycle.

Option	Description
MODBUS STATS	Shows the status of the Modbus ports: sensor, controller, network and service. Shows the number of good and bad transmissions.
SYSTEM DATA	AMBIENT TEMP —Measured ambient temperature in Celsius (C). POWER SOURCE FREQUENCY —Line power frequency (Hz). POWER SOURCE VOLTAGE —Line power (AC). 12V VOLTAGE —Measured power supply voltage (VDC). 3.3V VOLTAGE —Measured regulated 3.3 V supply (VDC). 12V CURRENT —Measured 12 V power supply current (amperes).
I2C DATA	Shows the communication information (I ² C) and the version number.

5.6 Show Service information

Use the Service menu to show or set the service history for the instrument parts.

1. Push **diag**.
2. Select **SERVICE**.
3. Select an option.

Option	Description
CONSUMABLE	Shows a list of consumable parts. Shows the date of the last replacement and the number of days since the part was replaced. Reset the counter after a part is replaced.
SERVICE PART	Note: The SERVICE PART option is only available for Service use only. Shows a list of parts and the date of the last service. The customer service representative resets the counter after a part is replaced.
ANNUAL MAINTENANCE	Shows the date of the last annual maintenance, the date of the next annual maintenance and the number of days before the next annual maintenance is due. Reset the counter after annual maintenance.
EDIT ELECTRODES SN	Records the serial numbers of the electrodes.
SERVICE HISTORY	Shows the maintenance tasks done and the date (e.g., Replace reactivation solution). START TIME — Shows the data recorded after the selected date and time. NUMBER OF READINGS — Shows the selected number of data points.
POST ENABLE	NO —Hardware diagnostics are not done when power is applied to analyzer. YES —Hardware diagnostics are done when power is applied to analyzer.

Section 6 Replacement parts and accessories

▲ WARNING



Personal injury hazard. Use of non-approved parts may cause personal injury, damage to the instrument or equipment malfunction. The replacement parts in this section are approved by the manufacturer.

Note: Product and Article numbers may vary for some selling regions. Contact the appropriate distributor or refer to the company website for contact information.

Reagents and standard solutions

Description	Quantity	Item no.
3M KCl electrolyte solution	250 mL	LZW9500.99
3M KCl electrolyte solution	500 mL	363140.00500
Diisopropylamine (DIPA) 99%	1 L	2834453

Reagents and standard solutions (continued)

Description	Quantity	Item no.
Sodium Chloride Standard, 10 ppm	1 L	2835153
Sodium Nitrate, 0.5 M	500 mL	2507149

Replacement parts

Description	Quantity	Item no.
Conditioning solution bottle with cap, empty	1	8352000
Washer, conditioning bottle cap	1	8417200
Elbow fitting, drain, ½-in., polypropylene	1	6772800
Electrode, reference	1	09240=C=0310
Electrode, sodium	1	09240=C=0320
Fuse, 1.6 A, 250 V, 5 x 20 mm	1	5208300
Fuse, 5 A, 250 V, slow-blow, 5 x 20 mm	1	4693800
Installation Kit, 1-channel analyzer, analyzer with enclosure	1	8375400
Installation Kit, 2-channel analyzer, analyzer with enclosure	1	8375300
Installation Kit, 4-channel analyzer, analyzer with enclosure	1	8371500
Installation Kit, 1-channel analyzer, analyzer without enclosure	1	8375700
Installation Kit, 2-channel analyzer, analyzer without enclosure	1	8375600
Installation Kit, 4-channel analyzer, analyzer without enclosure	1	8375500
Mixer motor	1	8420000
Panel mount screws, M6 x 20 pan head, stainless steel, Torx	4	8415500
Piercing tool for internal electrical plugs, metal tube, used with 8379900	1	8380000
Piercing tool for internal electrical plugs, metal plate, used with 8380000	1	8379900
Pressure regulator, 0.3 bar (4 psi), non-adjustable	1	6782900
Pump, calibration solution	1	8364300
Pump, drain	1	8357400
Pump, reactivation solution	1	8364200
Shut-off valve, 6 mm OD tubing	1	8385200
Stir bar	1	W_4510_001_FF
Strain-relief fitting (cable gland), PG9 4 mm to 8 mm	1	8356300
Strain-relief fitting (cable gland), NPT ½-in. 4 mm to 9 mm	1	8368400
Table mounting brackets	2	8370400
Screws, table mounting bracket, #8 x ½ stainless steel, Torx	2	8412200
Tubing, chemical and case drain, 17.5 mm (1 ¹ / ₁₆ -in.) OD x 3.2 mm (1 ¹ / ₈ -in.) thick	2 m (6.5 ft)	LZX278
Tubing, sample, 6 mm OD x 4 mm ID	5.5 m (18 ft)	6772500

Replacement parts (continued)

Description	Quantity	Item no.
Tubing cutter	1	8385400
Wall mounting brackets	2	8364100
Screws, wall mounting bracket, M4 x 10 flat stainless steel, Torx	2	8412500
Valve, conditioning	1	8367600
Valve, sample	1	8370200

Accessories

Description	Quantity	Item no.
Bottle adapter, DIPA bottle, Merck	1	09073=C=0350
Bottle adapter, DIPA bottle, Orion	1	09073=C=0360
Filter, sample inlet, 100 µm, ¼-inch OD tubing	1	595=010=005
Filter, sample inlet, 100 µm, 6-mm OD tubing	1	595=010=000
Heat exchanger, 4-channels maximum	1	8368900
Cationic Upgrade Kit	1	8371200
Power cord, North American	1	9179700
1 Channel to 4 Channel Upgrade Kit	1	8365100
2 Channel to 4 Channel Upgrade Kit	1	8365000
Auto Calibration Upgrade Kit	1	8368000
Tubing adapter, 6 mm OD to ¼-inch OD	2	09245=A=8300

Inhaltsverzeichnis

- | | | | | | |
|---|---|--------------|---|---------------------------|--------------|
| 1 | Sicherheitshinweise | auf Seite 28 | 4 | Fehlersuche und -behebung | auf Seite 43 |
| 2 | Anzeigen aktiver Fehler, Warnungen und Erinnerungen | auf Seite 28 | 5 | Diagnose | auf Seite 50 |
| 3 | Wartung | auf Seite 28 | 6 | Ersatzteile und Zubehör | auf Seite 54 |

Kapitel 1 Sicherheitshinweise

Allgemeine Sicherheitshinweise, Gefahren- und Warnetikettenbeschreibungen finden Sie im Installationshandbuch.

Kapitel 2 Anzeigen aktiver Fehler, Warnungen und Erinnerungen

Der Anzeigehintergrund und die Statusanzeigeleuchte leuchten rot, wenn ein Fehler auftritt, oder gelb, wenn eine Warnung ansteht.

- **Fehler:** Roter Anzeigehintergrund und rote Statusanzeigeleuchte. Es liegt ein ernstes Problem vor, das den Gerätebetrieb beeinflusst. Die aktuelle Messung wird gestoppt, und der Analysator schaltet in den Abschaltmodus.
- **Warnung:** Gelber Anzeigehintergrund und gelbe Statusanzeigeleuchte. Es trat ein Ereignis ein, das später zu einem Problem führen kann. Der Analysator wird weiter betrieben.
- **Erinnerungen:** Es wird das Schraubenschlüsselsymbol auf der Anzeige angezeigt, und die Statusanzeigeleuchte leuchtet gelb. Eine Wartungsaufgabe steht an.

Führen Sie die folgenden Schritte durch, um aktive Fehler, Warnungen und Erinnerungen anzuzeigen:

Hinweis: Wenn Sie alle möglichen Fehler, Warnungen und Erinnerungen sowie die zugehörigen Hilfeinformationen sehen möchten, drücken Sie auf **diag** (Diagnose) und wählen Sie dann **HILFE ANALYSATOR**.

1. Drücken Sie auf **diag** (Diagnose) und wählen Sie dann **DIAGNOSE**. Aktive Fehler, Warnungen und Erinnerungen werden angezeigt.
2. Wählen Sie einen Fehler, eine Warnung oder eine Erinnerung aus der Liste aus.
3. Wählen Sie eine Option.

Option	Beschreibung
QUITTIEREN	Bestätigt den ausgewählten Fehler bzw. die ausgewählte Warnung oder Erinnerung. Wenn alle aktiven Fehler, Warnungen und Erinnerungen bestätigt wurden, wechselt der Displayhintergrund wieder zu Weiß, und die Status-Anzeigeleuchte wechselt zurück zu Grün.
HILFE ANZEIGEN	Zeigt Hilfeinformationen zum ausgewählten Fehler bzw. zur ausgewählten Warnung oder Erinnerung an.

Kapitel 3 Wartung

⚠ GEF AHR	
	Mehrere Gefahren. Nur qualifiziertes Personal sollte die in diesem Kapitel des Dokuments beschriebenen Aufgaben durchführen.

3.1 Wartungsplan

In **Tabelle 1** ist der empfohlene Wartungsplan dargestellt. Je nach Anforderungen der Anlage und den Betriebsbedingungen kann es erforderlich sein, einige Aufgaben häufiger auszuführen.

Tabelle 1 Wartungsplan

Maßnahme	alle 3 Monate	Wie erforderlich
Austauschen der Kalibrier- und Reaktivierungslösungen auf Seite 29	X	
Austauschen der Konditionierungslösung auf Seite 31	X	
Austauschen des KCl-Elektrolyten auf Seite 34	X	
Austauschen einer Stromeingangssicherung auf Seite 35		X

3.2 Reinigen des Geräts

ACHTUNG

Verwenden Sie zum Reinigen des Geräts, einschließlich von Display und Zubehör, keine Reinigungsmittel wie Terpentin, Azeton oder ähnliche Produkte.

Reinigen Sie das Gerät mit einer milden Seifenlösung und einem feuchten Tuch.

3.3 Reinigen von Spritzern

▲ VORSICHT



Gefahr durch Kontakt mit Chemikalien. Entsorgen Sie Chemikalien und Abfälle gemäß lokalen, regionalen und nationalen Vorschriften.

1. Befolgen Sie alle örtlichen Sicherheitsprotokolle zur Verschüttungskontrolle
2. Entsorgen Sie die Abfälle gemäß den zutreffenden Vorschriften.

3.4 Austauschen der Kalibrier- und Reaktivierungslösungen

▲ VORSICHT



Gefahr von Kontakt mit Chemikalien. Halten Sie sich an die Sicherheitsmaßnahmen im Labor, und tragen Sie Schutzkleidung entsprechend den Chemikalien, mit denen Sie arbeiten. Beachten Sie die Sicherheitsprotokolle in den aktuellen Material Sicherheitsdatenblättern (MSDS/SDB).

▲ VORSICHT



Gefahr durch Kontakt mit Chemikalien. Entsorgen Sie Chemikalien und Abfälle gemäß lokalen, regionalen und nationalen Vorschriften.

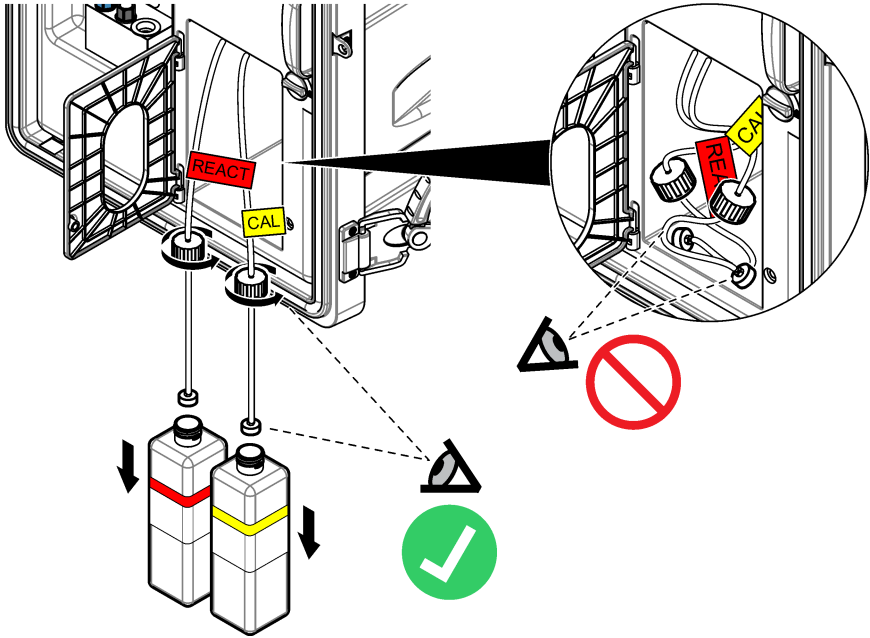
Tauschen Sie die Reaktivierungs- und Kalibrierlösungen alle drei Monate aus oder wenn der Füllstand unter 10 % sinkt.

Vom Benutzer bereitzustellen:

- Persönliche Schutzausrüstung (siehe MSDS/SDS)
- 0,5-molares Natriumnitrat (NaNO_3), 500 mL
- 10 ppm Natriumchlorid-Standardlösung (NaCl), 500 mL
- Entionisiertes Wasser, 100 mL

1. Legen Sie die im Sicherheitsdatenblatt (MSDS/SDS) benannte persönliche Schutzausrüstung an.
2. Drücken Sie auf **menu** (Menü) und wählen Sie ANALYSATOR STOPPEN.
Hinweis: Wenn ANALYSATOR STARTEN angezeigt wird, befindet sich der Analysator bereits im Standby-Modus.
3. Tauschen Sie die Reaktivierungs- und Kalibrierlösungen wie folgt aus:
 - a. Entfernen Sie die Flaschen mit der Reaktivierungslösung und der Kalibrierlösung aus dem Analysator. Siehe [Abbildung 1](#).
Hinweis: Nur Analysatoren mit der Option zur automatischen Kalibrierung sind mit einer Flasche mit Kalibrierlösung ausgestattet.
 - b. Entsorgen Sie die Lösungen aus den Flaschen in einen geeigneten Ablauf.
 - c. Spülen Sie die Flaschen mit entionisiertem Wasser.
 - d. Füllen Sie Flasche für die Kalibrierlösung mit neuer 10 ppm Natriumchlorid-Lösung (NaCl) (500 mL). Die Flasche für die Kalibrierlösung hat ein Etikett mit einem gelben Streifen.
Hinweis: Informationen zur Vorbereitung der 10 ppm Natriumchlorid-Lösung (NaCl) finden Sie in der Bedienungsanleitung.
 - e. Füllen Sie die Flasche für die Reaktivierungslösung mit neuer 0,5-molarer Natriumnitrat-Lösung (NaNO₃) (500 mL). Die Flasche für die Reaktivierungslösung hat ein Etikett mit einem roten Streifen.
Hinweis: Informationen zur Vorbereitung der 0,5-molaren Natriumnitrat-Lösung (NaNO₃) finden Sie in der Bedienungsanleitung.
 - f. Setzen Sie die Flaschen wieder in den Analysator ein. Stellen Sie sicher, dass der Schlauch mit dem roten „REACT“ (REAKT.)-Etikett in die Flasche eingesetzt wird, deren Etikett einen roten Streifen aufweist.
Stellen Sie sicher, dass der Schlauch mit dem gelben „CAL“ (KAL.)-Etikett in die Flasche eingesetzt wird, deren Etikett einen gelben Streifen aufweist.
4. Geben Sie die Flaschenfüllstände wie folgt ein:
 - a. Drücken Sie auf **menu** (Menü) und wählen Sie REAGENZIEN/STANDARDS.
 - b. Wählen Sie REAKT.NIVEAU FESTLEGEN, und geben Sie 100 % ein.
 - c. Wählen Sie STANDARDSTAND EINST., und geben Sie 100 % ein.
5. Wählen Sie REAGENZ. EINBR..
6. Wenn der Schritt zur Vorbereitung der Reagenzien abgeschlossen ist, drücken Sie auf **menu** (Menü) und wählen Sie dann ANALYSATOR STARTEN.

Abbildung 1 Herausnehmen der Flaschen



3.5 Austauschen der Konditionierungslösung

⚠️ WARNUNG



Gefahr durch Einatmen. Atmen Sie keine Diisopropylamin (DIPA)- oder Ammoniakdämpfe ein. Kontakt kann zu schweren Verletzungen oder zum Tod führen.

⚠️ WARNUNG



Exposition gegenüber chemischen Gefahrstoffen. Diisopropylamin (DIPA) und Ammoniak sind entzündliche, ätzende und giftige Chemikalien. Kontakt kann zu schweren Verletzungen oder zum Tod führen.

⚠️ WARNUNG



Gefahr von Kontakt mit Chemikalien. Halten Sie sich an die Sicherheitsmaßnahmen im Labor, und tragen Sie Schutzkleidung entsprechend den Chemikalien, mit denen Sie arbeiten. Lesen Sie die Sicherheitsdatenblätter vom Lieferanten, bevor die Flaschen gefüllt oder Reagenzien vorbereitet werden. Nur für Laborzwecke. Machen Sie die Gefahreninformationen gemäß den örtlichen Vorschriften des Benutzers bekannt.

⚠ VORSICHT



Gefahr durch Kontakt mit Chemikalien. Entsorgen Sie Chemikalien und Abfälle gemäß lokalen, regionalen und nationalen Vorschriften.

Tauschen Sie die Konditionierungslösung alle drei Monate aus oder wenn der Füllstand unter 10 % sinkt. Verwenden Sie DIPA (empfohlen) oder Ammoniak (mehr als 28 %) für die Konditionierungslösung.

Vom Benutzer bereitzustellen:

- Persönliche Schutzausrüstung (siehe MSDS/SDS)
- Diisopropylamin (DIPA) 99 %, 1 L Flasche
- Flaschenadapter für Merck oder Orion DIPA-Flaschen, falls zutreffend

Tauschen Sie die Flasche mit der Konditionierungslösung wie folgt aus:

1. Legen Sie die im Sicherheitsdatenblatt (MSDS/SDS) benannte persönliche Schutzausrüstung an.
2. Drücken Sie auf **menu** (Menü) und wählen Sie ANALYSATOR STOPPEN.

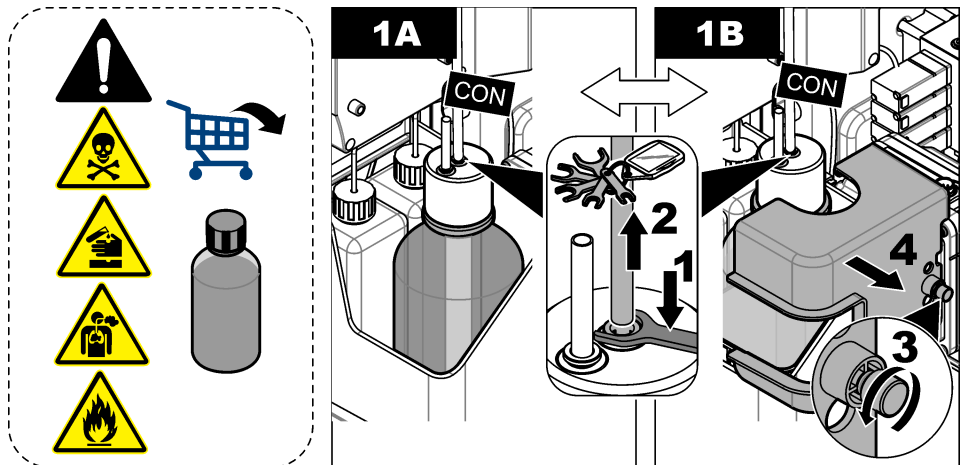
Hinweis: Wenn ANALYSATOR STARTEN angezeigt wird, befindet sich der Analysator bereits im Standby-Modus.

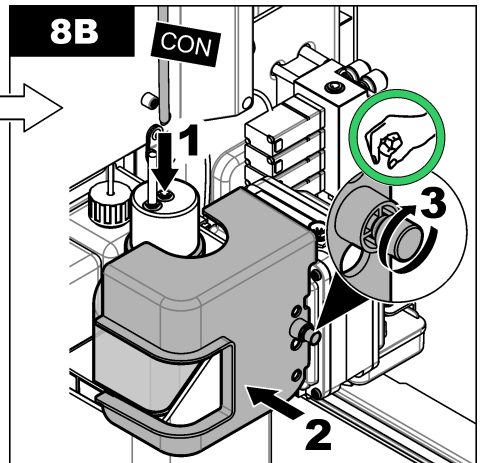
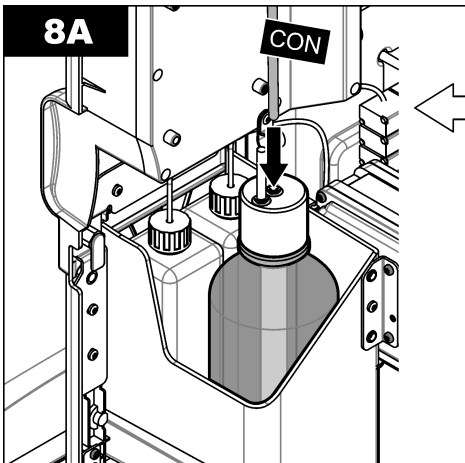
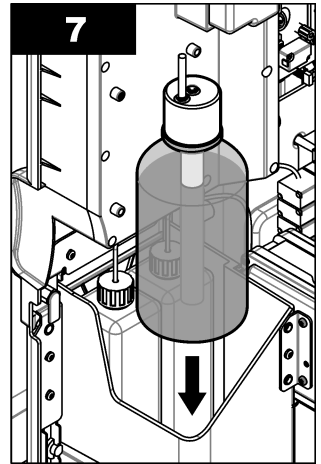
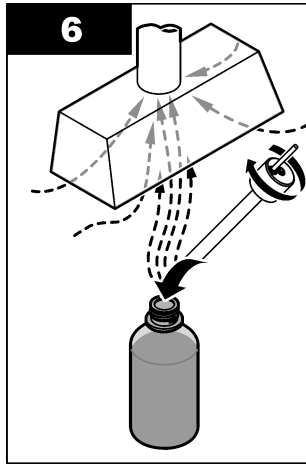
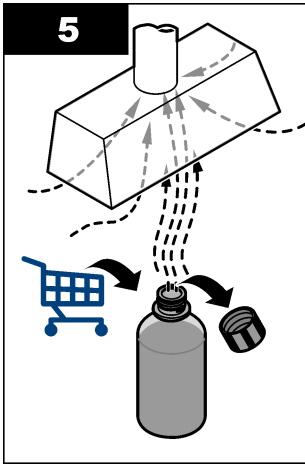
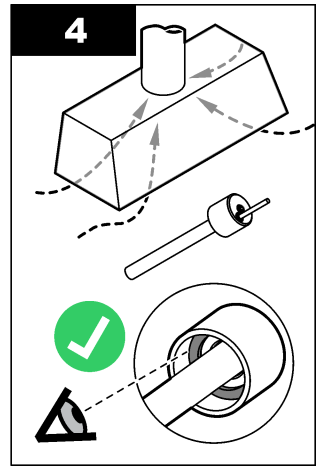
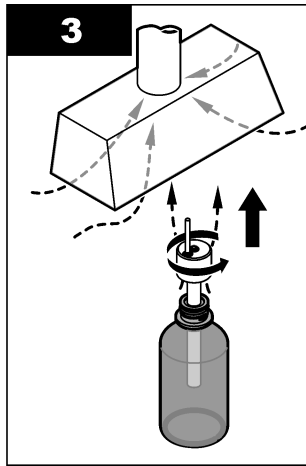
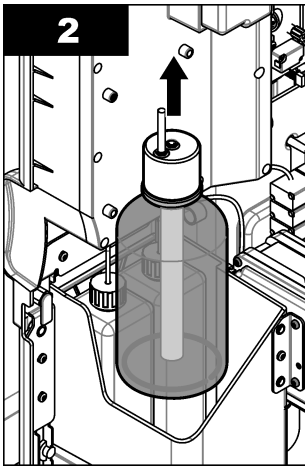
3. Drehen Sie die Verriegelung des Analysedeckels in die Entriegelungsposition. Öffnen Sie den Analysedeckel.
4. Tauschen Sie die Flasche mit der Konditionierungslösung aus. Berücksichtigen Sie dabei die folgenden bebilderten Schritte.

Hinweis: Analysatoren mit der optionalen Kationenpumpe haben zwei Schläuche, die in die Kappe der Flasche mit Konditionierungslösung führen. Entfernen Sie beide Schläuche.

Hinweis: In den abgebildeten Schritten 1 und 8 haben nur Analysatoren ohne Gehäuse einen Halter für Flaschen mit Konditionierungslösung.



Führen Sie die dargestellten Schritte 3 bis 6 möglichst unter einer Abzugshaube durch. Atmen Sie keine DIPA- oder Ammoniakdämpfe ein.





5. Bei Analysatoren mit der optionalen Kationenpumpe führen Sie den Auslassschlauch aus der Kationenpumpe wieder in die außermittige Öffnung der Kappe ein.
6. Schließen Sie den Analysedeckel. Drehen Sie die Verriegelung des Analysedeckels in die Verriegelungsposition.
7. Geben Sie den Flaschenfüllstand wie folgt ein:
 - a. Drücken Sie auf **menu** (Menü) und wählen Sie REAGENZIEN/STANDARDS.
 - b. Wählen Sie KOND.NIVEAU FESTLEGEN, und geben Sie 100 % ein.
8. Drücken Sie auf **menu** (Menü) und wählen Sie ANALYSATOR STARTEN.

3.6 Austauschen des KCl-Elektrolyten

⚠ VORSICHT	
	Gefahr von Kontakt mit Chemikalien. Halten Sie sich an die Sicherheitsmaßnahmen im Labor, und tragen Sie Schutzkleidung entsprechend den Chemikalien, mit denen Sie arbeiten. Beachten Sie die Sicherheitsprotokolle in den aktuellen Material Sicherheitsdatenblättern (MSDS/SDB).
⚠ VORSICHT	
	Gefahr durch Kontakt mit Chemikalien. Entsorgen Sie Chemikalien und Abfälle gemäß lokalen, regionalen und nationalen Vorschriften.

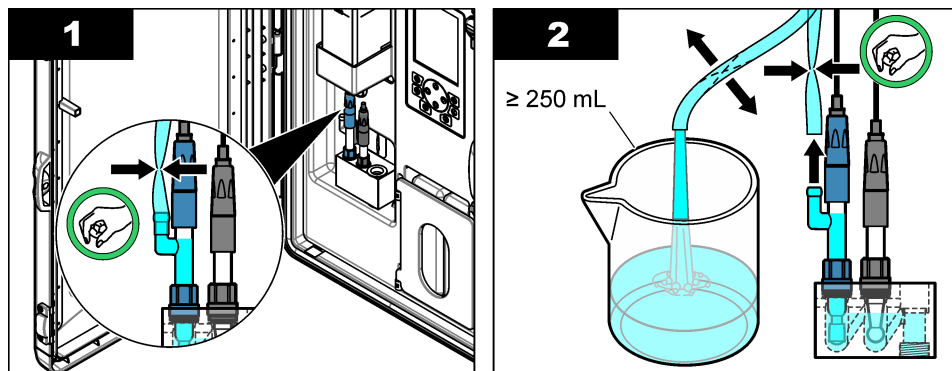
Tauschen Sie den KCl-Elektrolyten im entsprechenden KCl-Elektrolyt-Behälter alle drei Monate aus.

Zusätzlich erforderliche Artikel:

- Persönliche Schutzausrüstung (siehe MSDS/SDS)
- 3-molarer KCl-Elektrolyt, 200 mL
- Kleiner Behälter, 250 mL oder größer

Tauschen Sie den KCl-Elektrolyten wie folgt aus:

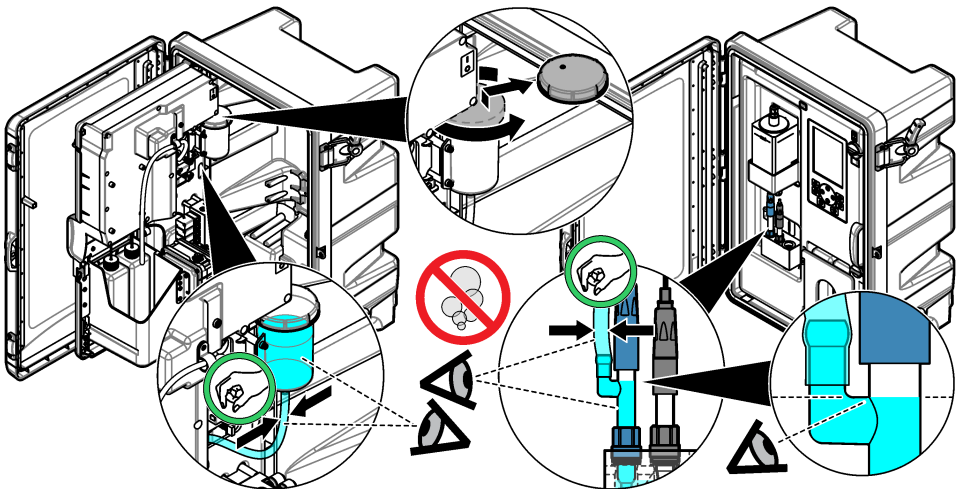
1. Legen Sie die im Sicherheitsdatenblatt (MSDS/SDS) benannte persönliche Schutzausrüstung an.
2. Leeren Sie den Inhalt des Behälters für den KCl-Elektrolyten in den kleinen Behälter. Berücksichtigen Sie dabei die folgenden bebilderten Schritte. Entsorgen Sie den KCl-Elektrolyten in einen geeigneten Ablauf.



3. Montieren Sie den Schlauch des KCl-Elektrolyten wieder auf der Referenzelektrode.
4. Füllen Sie den Behälter für den KCl-Elektrolyten wie folgt:
 - a. Drehen Sie die Verriegelung des Analysedeckels in die Entriegelungsposition. Öffnen Sie den Analysedeckel.
 - b. Entfernen Sie den Deckel vom Behälter für den KCl-Elektrolyten. Siehe [Abbildung 2](#).

- c. Füllen Sie den Behälter zu 90 % (ca. 200 mL).
 - d. Montieren Sie den Deckel.
5. Schieben Sie die Luftblasen wie folgt aus dem KCl-Elektrolytenschlauch:
- a. Drücken Sie von der Vorderseite des Analysedeckels aus mit Daumen und Finger auf den Schlauch des KCl-Elektrolyten, um die Luftblasen nach oben zum Behälter zu schieben. Siehe **Abbildung 2**.
 - b. Wenn sich eine Luftblase in der Nähe des Behälters befindet, drücken Sie mit beiden Händen von der Vorder- und Rückseite des Analysedeckels auf den Schlauch, um die Luftblase nach oben zu schieben.
 - c. Drücken Sie weiter auf den Schlauch, bis sich der KCl-Elektrolyt in der Referenzelektrode in der Glasverbindung oben befindet, wo der KCl-Elektrolyt in die Elektrode fließt. Siehe **Abbildung 2**.
6. Schließen Sie den Analysedeckel. Drehen Sie die Verriegelung des Analysedeckels in die Verriegelungsposition.
7. Geben Sie den Flaschenfüllstand wie folgt ein:
- a. Drücken Sie auf **menu** (Menü) und wählen Sie REAGENZ/STANDARDS.
 - b. Wählen Sie KCL-NIVEAU FESTLEGEN, und geben Sie 100 % ein.

Abbildung 2 Füllen des Behälters für den KCl-Elektrolyten



3.7 Austauschen einer Stromeingangssicherung

⚠ GEFAHR



Lebensgefahr durch Stromschlag. Trennen Sie das Gerät von der Spannungsversorgung, bevor Sie diesen Vorgang starten.

⚠ GEFAHR



Brandgefahr. Ersetzen Sie Sicherungen mit dem gleichem Typ und Nennstrom.

Untersuchen Sie die Sicherungen. Tauschen Sie durchgebrannte Sicherungen gegen neue Sicherungen aus.

Vom Benutzer bereitzustellen: T 1,6 A, 250 V Wechselstrom-Sicherung

1. Ziehen Sie das Netzkabel aus der Steckdose.
2. Nehmen Sie die Stromabdeckplatte ab. Beachten Sie dabei die in **Abbildung 3** dargestellten Schritte.
3. Tauschen Sie die Sicherung aus. Beachten Sie dabei die in **Abbildung 4** dargestellten Schritte.
4. Montieren Sie die Stromabdeckplatte. Ziehen Sie alle Schrauben fest, um die Gehäuseschutzklasse nicht zu beeinträchtigen.
5. Schließen Sie den Analysedeckel. Drehen Sie die Verriegelung des Analysedeckels in die Verriegelungsposition.
6. Schließen Sie das Netzkabel an eine Steckdose an.
7. Drücken Sie auf **menu** (Menü) und wählen Sie ANALYSATOR STARTEN.

Abbildung 3 Ausbau der Abdeckung der elektrischen Zugänge

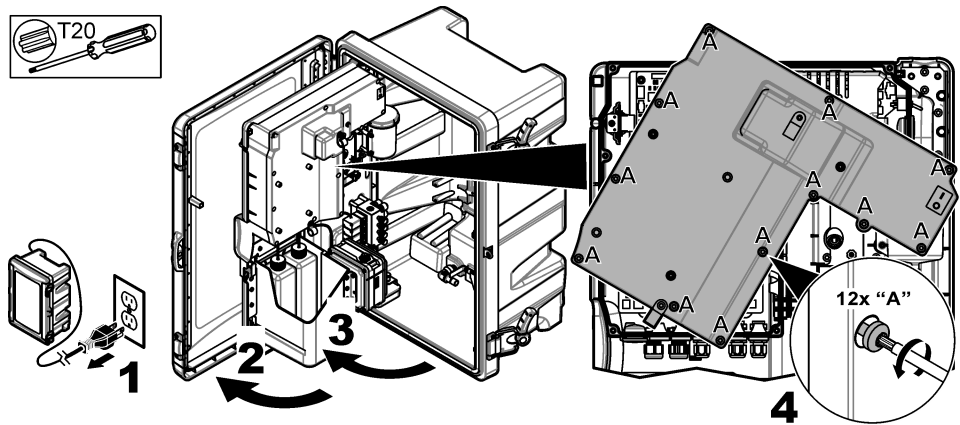
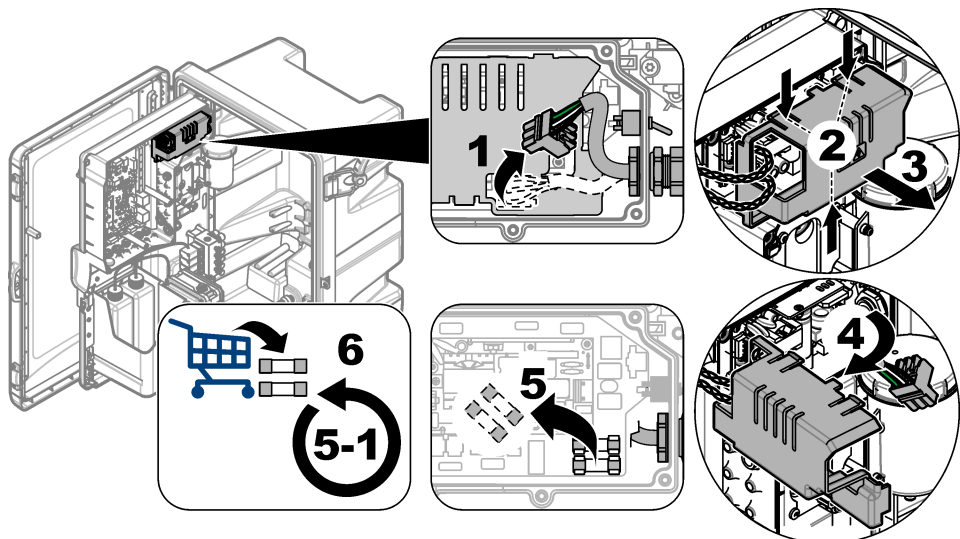


Abbildung 4 Austausch der Netzsicherung



3.8 Vorbereiten des Analysators auf eine kurzfristige Systemabschaltung

Bereiten Sie den Analysator wie folgt auf eine kurzfristige Systemabschaltung (zwei Tage bis eine Woche) vor:

Vom Benutzer bereitzustellen: Klemmschere

1. Drücken Sie auf **menu** (Menü) und wählen Sie ANALYSATOR STOPPEN.

***Hinweis:** Wenn ANALYSATOR STARTEN angezeigt wird, befindet sich der Analysator bereits im Standby-Modus.*

2. Befestigen Sie die Klemmschere (Metall oder Kunststoff) am Ende des Schlauchs des KCl-Elektrolyten, um den Fluss des KCl-Elektrolyten zur Referenzelektrode zu stoppen.

***Hinweis:** Wenn sich der Analysator im Standby-Modus befindet oder abgeschaltet ist, fließt der KCl-Elektrolyt weiterhin zur Referenzelektrode. Der KCl-Elektrolyt füllt langsam die linke Kammer der Messzelle und tritt oben aus der linken Kammer aus.*

3. Schalten Sie die Absperrventile der Probenleitung(en) aus.

4. Wenn die Stromversorgung zum Analysator getrennt werden muss, geben Sie die Reaktivierungslösung in die mittlere Kammer der Messzelle, um eine Beschädigung der Natriumelektrode zu vermeiden.

***Hinweis:** Nach vier Stunden im Standby-Modus lässt der Analysator die Reaktivierungslösung automatisch in die mittlere Kammer der Messzelle fließen.*

3.9 Vorbereiten des Analysators auf eine langfristige Systemabschaltung

⚠️ WARNUNG



Gefahr von Kontakt mit Chemikalien. Halten Sie sich an die Sicherheitsmaßnahmen im Labor, und tragen Sie Schutzkleidung entsprechend den Chemikalien, mit denen Sie arbeiten. Lesen Sie die Sicherheitsdatenblätter vom Lieferanten, bevor die Flaschen gefüllt oder Reagenzien vorbereitet werden. Nur für Laborzwecke. Machen Sie die Gefahreninformationen gemäß den örtlichen Vorschriften des Benutzers bekannt.

⚠️ VORSICHT



Gefahr durch Kontakt mit Chemikalien. Entsorgen Sie Chemikalien und Abfälle gemäß lokalen, regionalen und nationalen Vorschriften.

Bereiten Sie den Analysator wie folgt auf eine langfristige Systemabschaltung (länger als eine Woche) vor:

Vom Benutzer bereitzustellen:

- Kleiner Behälter, 250 mL oder größer
- Entionisiertes Wasser, 1,5 L
- Sauberes, fusselfreies Tuch

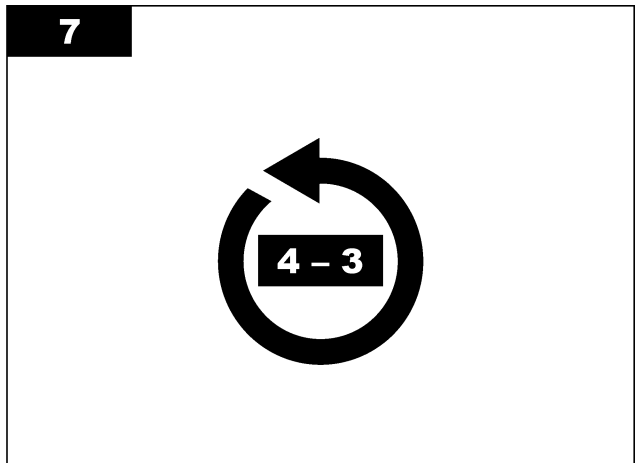
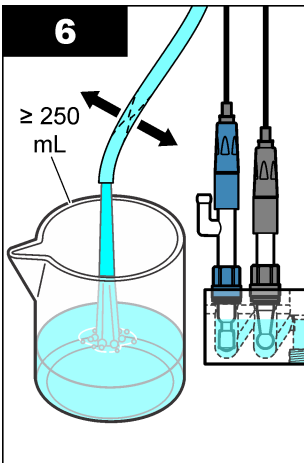
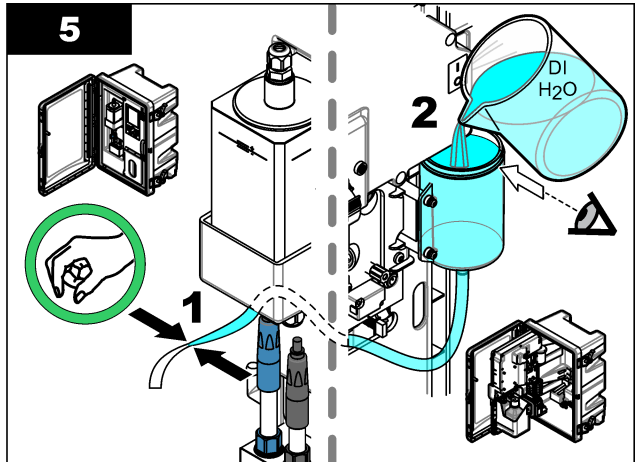
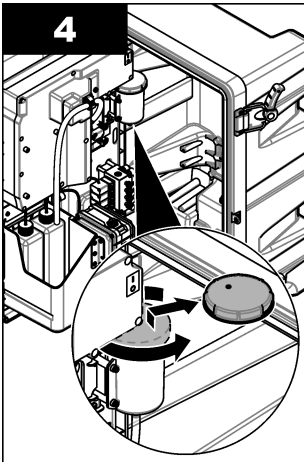
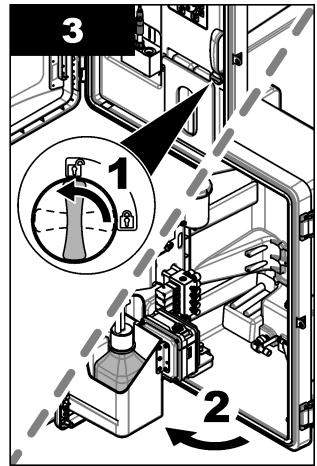
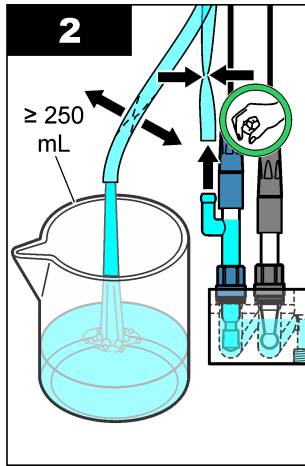
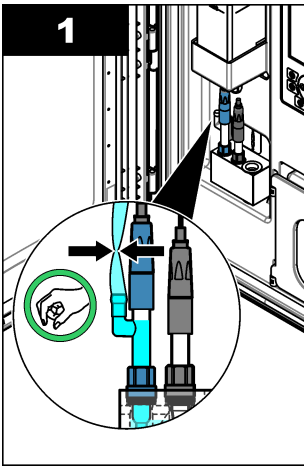
Zusätzlich erforderliche Artikel:

- Aufbewahrungsflaschen für Elektroden (2x)
- Schutzkappen für Elektroden (2x)
- Schwarze Abdeckung für Glasverbindung der Referenzelektrode

3.9.1 Leeren und Spülen des Behälters für den KCl-Elektrolyten

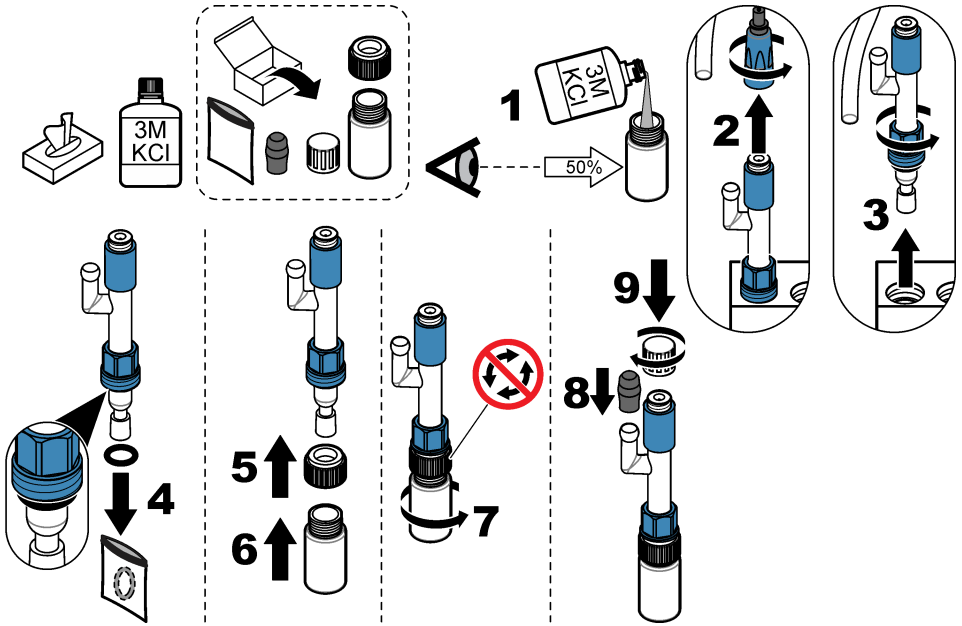
Berücksichtigen Sie dabei die folgenden bebilderten Schritte.

Legen Sie die im Sicherheitsdatenblatt (MSDS/SDS) benannte persönliche Schutzausrüstung an.



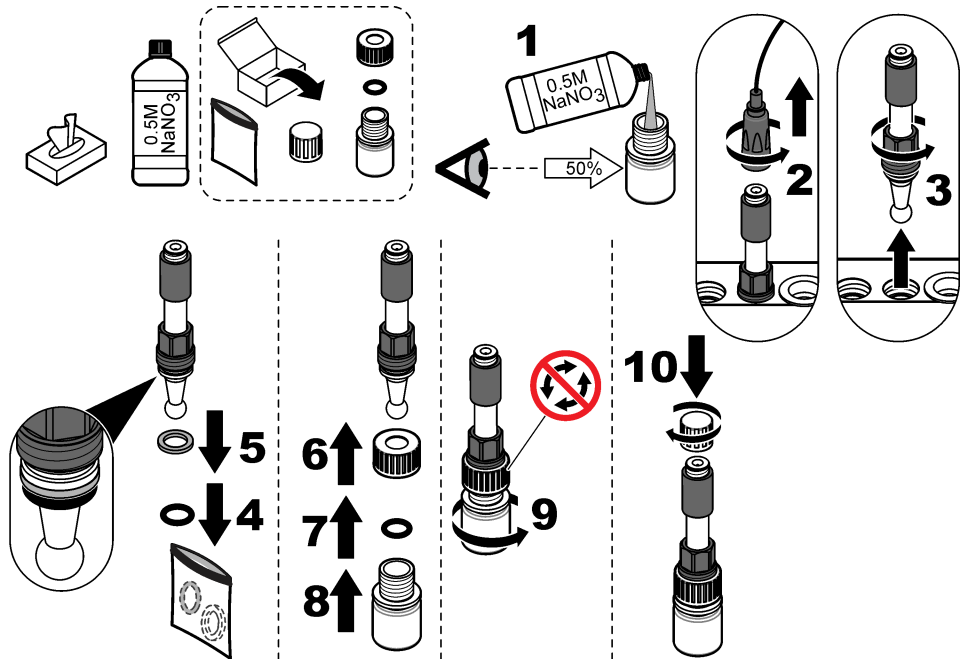
3.9.2 Entfernen der Referenzelektrode

Berücksichtigen Sie dabei die folgenden abgebildeten Schritte.



3.9.3 Entfernen der Natriumelektrode

Berücksichtigen Sie dabei die folgenden bebilderten Schritte.



3.9.4 Entnehmen der Flasche mit der Konditionierungslösung

⚠ WARNUNG



Gefahr durch Einatmen. Atmen Sie keine Diisopropylamin (DIPA)- oder Ammoniakdämpfe ein. Kontakt kann zu schweren Verletzungen oder zum Tod führen.



⚠ WARNUNG

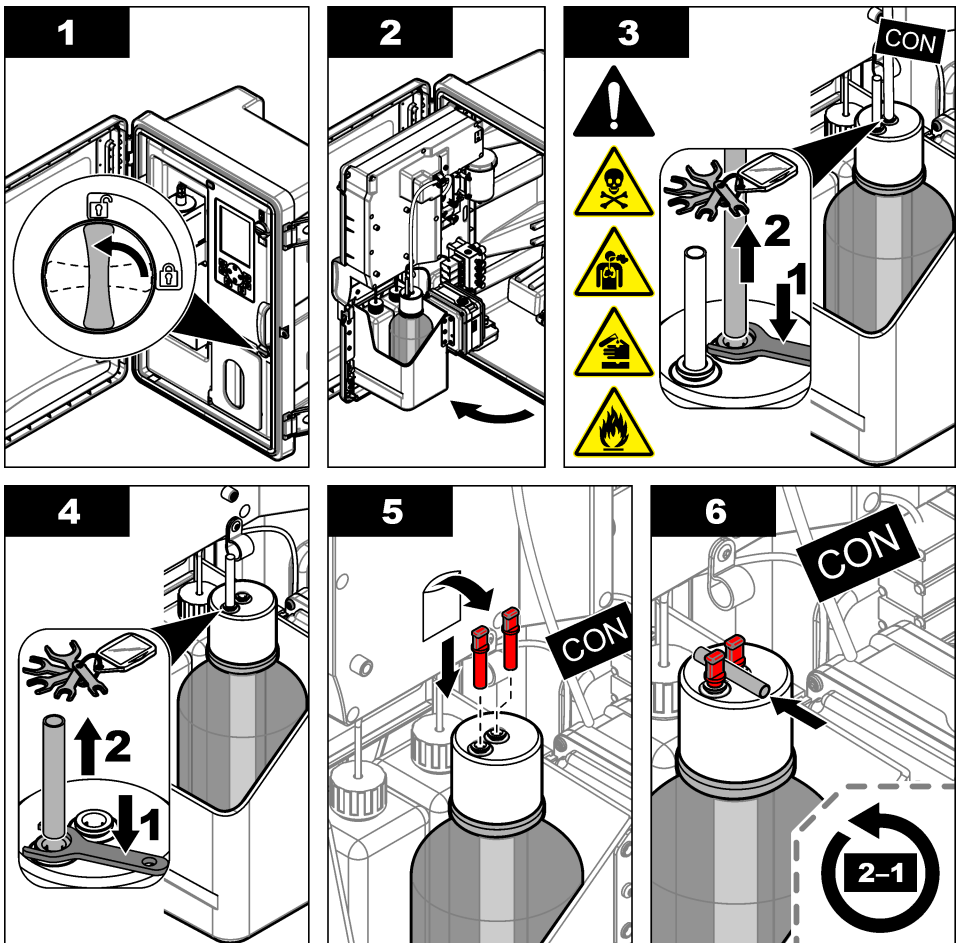


Exposition gegenüber chemischen Gefahrstoffen. Diisopropylamin (DIPA) und Ammoniak sind entzündliche, ätzende und giftige Chemikalien. Kontakt kann zu schweren Verletzungen oder zum Tod führen.



Berücksichtigen Sie dabei die folgenden bebilderten Schritte.

Legen Sie die im Sicherheitsdatenblatt (MSDS/SDS) benannte persönliche Schutzausrüstung an.



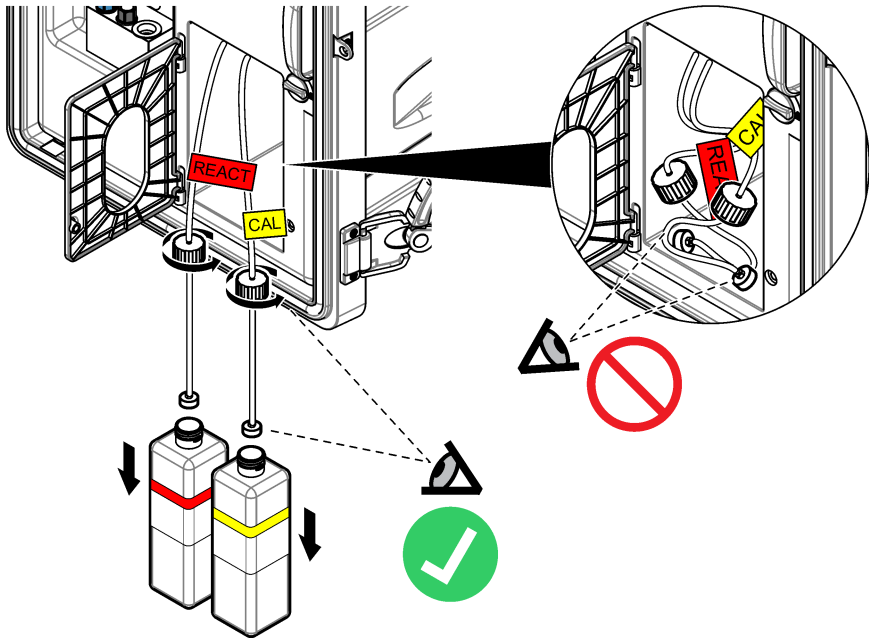
3.9.5 Spülen der Reagenzschläuche

1. Legen Sie die im Sicherheitsdatenblatt (MSDS/SDS) benannte persönliche Schutzausrüstung an.
2. Entfernen Sie die Flaschen mit der Reaktivierungslösung und der Kalibrierlösung aus dem Analysator. Siehe [Abbildung 5](#).

Hinweis: Nur Analysatoren mit der Option zur automatischen Kalibrierung sind mit einer Flasche mit Kalibrierlösung ausgestattet.

3. Entsorgen Sie die Lösungen aus den Flaschen in einen geeigneten Ablauf.
4. Spülen Sie die Flaschen und füllen Sie sie bis zur Hälfte mit entionisiertem Wasser.
5. Setzen Sie die Flaschen wieder in den Analysator ein.
6. Drücken Sie auf **menu** (Menü) und wählen Sie dann REAGENZ/STANDARDS > REAGENZ. EINBR.. Die Reagenzschläuche werden mit entionisiertem Wasser gespült.

Abbildung 5 Herausnehmen der Flaschen



3.9.6 Leeren des Überlaufgefäßes

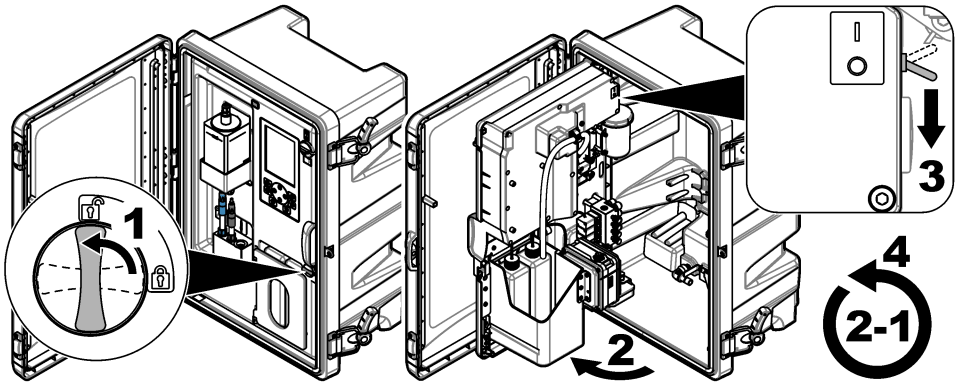
1. Drücken Sie **diag** (Diagnose), wählen Sie dann TEST AUSFÜHREN und drücken Sie **enter** (Eingabetaste).
2. Drücken Sie **enter** (Eingabetaste) und wählen Sie JA.
3. Wählen Sie PROBENABLAUF und drücken Sie dann **enter** (Eingabetaste).
4. Geben Sie 150 Sekunden ein.
5. Drücken Sie zwei Mal **enter** (Eingabetaste).
6. Wenn das Überlaufgefäß leer ist, drücken Sie auf **back** (Zurück).
7. Drücken Sie auf **home** (Start).

3.9.7 Abschalten des Analysators

Trennen Sie den Analysator von der Stromzufuhr und schalten Sie die Probenfunktion aus:

1. Stellen Sie den Netzschalter auf „Aus“. Siehe [Abbildung 6](#).
2. Schließen Sie den Analysedeckel. Drehen Sie die Verriegelung des Analysedeckels in die Verriegelungsposition.
3. Ziehen Sie das Netzkabel aus der Steckdose.
4. Schalten Sie die Absperrventile der Probenleitung(en) aus.
5. Verwenden Sie ein sauberes, fusselfreies Tuch, um das Wasser aus dem Überlaufgefäß zu entfernen.
6. Verwenden Sie ein sauberes, fusselfreies Tuch, um das Wasser aus der linken und mittleren Kammer der Messzelle zu entfernen.

Abbildung 6 Einstellen des Netzschalters auf „Aus“



3.9.8 Entsorgen des entionisierten Wassers aus den Flaschen

1. Entfernen Sie die Flaschen mit der Reaktivierungslösung und der Kalibrierlösung aus dem Analysator. Ziehen Sie die Flaschenkappen nach unten, sodass sie unterhalb des Analysators hängen.
Die Flaschenkappen bzw. die internen Schläuche dürfen den Analysator nicht berühren, da es ansonsten zu Kontamination kommen kann.
2. Entsorgen Sie das entionisierte Wasser aus den Flaschen.
3. Lassen Sie die Flaschen vollständig an der Luft trocknen.
4. Setzen Sie die Flaschen wieder in den Analysator ein.
5. Schließen Sie die Analysatortür.

Kapitel 4 Fehlersuche und -behebung

Problem	Mögliche Ursache	Lösung
Die Statusleiste wird nicht auf dem Messbildschirm angezeigt.	Der auf dem Messbildschirm angezeigte Kanal ist nicht der gemessene Kanal.	Drücken Sie den AUFWÄRTS- oder ABWÄRTS- Pfeil, bis der gemessene Kanal auf dem Messbildschirm angezeigt wird.
Ein Kanal ist auf dem Messbildschirm nicht zu sehen, wenn die Pfeiltasten OBEN oder UNTEN gedrückt werden.	Der Kanal ist in den Anzeigeeinstellungen nicht ausgewählt.	Drücken Sie auf menu (Menü) und wählen Sie SYSTEMEINSTELLUNGEN > DISPLAY-SETUP > REIHENFOLGE ÄNDERN > S. AKTUELLE REIHENFOLGE . Wenn der Kanal nicht angezeigt wird, drücken Sie back (zurück) und wählen Sie MESSUNG HINZUFÜGEN . Drücken Sie die Pfeiltaste nach LINKS , um ein Kontrollkästchen auszuwählen bzw. abzuwählen.

Problem	Mögliche Ursache	Lösung
Ein Kanal wird nicht gemessen.	Der Kanal ist nicht aktiviert.	Drücken Sie auf menu (Menü) und wählen Sie SYSTEMEINSTELLUNGEN > ANALYSEGERÄT KONFIGUR. > SEQUENZKONFIGURATION > KANÄLE AKTIVIEREN. Fügen Sie den Kanal hinzu. Drücken Sie die Pfeiltaste nach LINKS , um ein Kontrollkästchen auszuwählen bzw. abzuwählen.
	Der Kanal ist nicht Teil der Kanal-Messesequenz.	Drücken Sie auf menu (Menü) und wählen Sie SYSTEMEINSTELLUNGEN > ANALYSEGERÄT KONFIGUR. > SEQUENZKONFIGURATION > KANALREIHENFOLGE. Verwenden Sie die Pfeiltasten AUF und AB , um eine Zeile auszuwählen, und drücken Sie anschließend die Pfeiltaste nach LINKS oder RECHTS , um einen Kanal auszuwählen. S1 ist der erste gemessene Kanal, gefolgt von S2, S3 und S4. <i>Hinweis: Wählen Sie keine Kanäle mit dem Symbol „~“ (z. B. 4~PROBE 4). Kanäle, die das Symbol „~“ enthalten, werden nicht gemessen.</i>
Die Warnung INSTABILE ABLESUNG wird angezeigt.	Die Spülzeit zwischen den Kanalmessungen ist zu kurz.	Drücken Sie „menu“ (Menü) und wählen Sie SYSTEMEINSTELLUNGEN > ANALYSEGERÄT KONFIGUR. > MESSUNG > MESSZYKLUS EINRICHTEN > MAX. ZYKLUSZEIT oder ZYKLUSZEIT. Erhöhen Sie die MAX. ZYKLUSZEIT- oder ZYKLUSZEIT-Einstellung, um die Spülzeit zu verlängern.
Die Warnung PROBE FEHLT wird angezeigt.	Das Absperrventil der Probenleitung ist geschlossen.	Drehen Sie das Absperrventil in die geöffnete Position.
	Die Probenleitung ist nicht ordnungsgemäß angeschlossen.	Stellen Sie sicher, dass die Probenleitung an den richtigen Schlauchanschluss angeschlossen ist. Weitere Informationen finden Sie im Installationshandbuch unter <i>Schlauchanschlüsse</i> .
	Das Probendurchflussventil ist geschlossen.	Starten Sie den Assistenten für die Inbetriebnahme. Drücken Sie auf menu (Menü) und wählen Sie SYSTEMEINSTELLUNGEN > ANALYSEGERÄT STARTEN. Drücken Sie enter (Eingabetaste), bis Sie aufgefordert werden, die Probendurchflussrate einzustellen. Drehen Sie das Probendurchflussventil entgegen dem Uhrzeigersinn, um die Durchflussmenge auf 6 bis 9 L/h auf jedem Kanal zu erhöhen.
	Das Magnetventil für den Kanal funktioniert nicht ordnungsgemäß.	Drücken Sie auf diag (Diagnose) und wählen Sie dann TEST AUSFÜHREN > PROBENABLAUF, um das Überlaufgefäß zu leeren. Drücken Sie auf diag (Diagnose) und wählen Sie dann TEST AUSFÜHREN > PROBENABGABE, um das Probventil zu öffnen. Wenn die Probe nicht in das Überlaufgefäß fließt, prüfen Sie bitte die Verkabelung des Probventils. Tauschen Sie ggf. das Probventil aus.

Problem	Mögliche Ursache	Lösung
Die Warnung pH ZU TIEF wird angezeigt.	Die Abdeckung wurde von der rechten Kammer der Messzelle entfernt.	Installieren Sie die Abdeckung in der rechten Kammer der Messzelle.
	Der Füllstand der Flasche mit der Konditionierungslösung liegt unter 10 % oder die Flasche ist leer.	Tauschen Sie die Konditionierungslösung aus. Siehe Austauschen der Konditionierungslösung auf Seite 31.
	Die Kappe der Flasche mit der Konditionierungslösung ist undicht.	<ul style="list-style-type: none"> • Stellen Sie sicher, dass die Kappe der Flasche mit der Konditionierungslösung fest verschlossen ist. • Überprüfen Sie die Unterlegscheibe der Flaschenkappe. Tauschen Sie bei Verschleiß oder Beschädigung die Unterlegscheibe aus. • Untersuchen Sie den Kunststoff-Flansch am Flaschenrand. Wenn Sie Verschleißerscheinungen oder Beschädigungen sehen, tauschen Sie die Flasche mit der Konditionierungslösung aus.
	Der Konditionierungsschlauch ist undicht.	Prüfen Sie den Konditionierungsschlauch auf Blockierungen oder Undichtigkeit. Tauschen Sie den Schlauch bei Bedarf aus. <i>Hinweis: Der Konditionierungsschlauch enthält Gas, keine Konditionierungslösung.</i>
	Das Konditionierungsventil funktioniert nicht ordnungsgemäß.	Drücken Sie auf diag (Diagnose) und wählen Sie dann TEST AUSFÜHREN > KONDITIONIERUNGSVENTIL, um das Konditionierungsventil zu öffnen. Wenn das Konditionierungsgas nicht in die rechte Kammer der Messzelle fließt (man sieht Luftblasen), tauschen Sie das Konditionierungsventil aus.

Problem	Mögliche Ursache	Lösung
Die Warnung KALIBRIERFEHLER wird angezeigt.	Der Wert der Kalibrierlösung in den Einstellungen für die automatische Kalibrierung unterscheidet sich von dem Wert auf der Kalibrierlösungsflasche.	Ändern Sie im Kalibriermenü den Wert der Kalibrierlösung so, dass er dem auf der Kalibrierlösungsflasche entspricht. Weitere Informationen finden Sie in der Bedienungsanleitung unter <i>Einstellen der automatischen Kalibrierungseinstellungen</i> .
	Die Flasche mit der Kalibrierlösung ist leer.	Tauschen Sie die Kalibrierlösung aus. Siehe Austauschen der Kalibrier- und Reaktivierungslösungen auf Seite 29.
	Der Schlauch für die Kalibrierlösung ist undicht oder verstopft.	Prüfen Sie den Schlauch auf Blockierungen oder Undichtigkeit. Tauschen Sie den Schlauch bei Bedarf aus.
	Die Pumpe für die Kalibrierlösung funktioniert nicht ordnungsgemäß.	Drücken Sie auf diag (Diagnose) und wählen Sie dann TEST AUSFÜHREN > PROBENABLAUF, um das Überlaufgefäß vollständig zu leeren. Drücken Sie auf diag (Diagnose) und wählen Sie dann TEST AUSFÜHREN > BEREITSTELLG. KAL.LÖSUNG, um die Pumpe für die Kalibrierlösung einzuschalten. Wenn die Kalibrierlösung nicht in das Überlaufgefäß fließt, tauschen Sie die Pumpe aus.
	Der Rührstab dreht sich nicht. <i>Hinweis: Der Rührstab dreht sich unkontrolliert.</i>	Drücken Sie auf diag (Diagnose) und wählen Sie dann TEST AUSFÜHREN > MISCHER, um den Mischmotor einzuschalten. Wenn der Rührstab sich nicht bewegt, tauschen Sie den Mischmotor aus.
	Der Rührstab befindet sich nicht im Überlaufgefäß.	Stellen Sie sicher, dass sich der Rührstab im Überlaufgefäß befindet.

Problem	Mögliche Ursache	Lösung
Die Warnung REAKT.SPANNUNG NIEDRIG wird angezeigt.	Die Flasche mit der Reaktivierungslösung ist leer.	Achten Sie darauf, dass das Ende des Schlauchs für die Reaktivierungslösung den Boden der Flasche berührt. Tauschen Sie die Reaktivierungslösung aus. Siehe Austauschen der Kalibrier- und Reaktivierungslösungen auf Seite 29.
	Die Natriumelektrode funktioniert nicht ordnungsgemäß.	<ul style="list-style-type: none"> • Stellen Sie sicher, dass die Natriumelektrode ordnungsgemäß installiert ist. Weitere Informationen finden Sie im Installationshandbuch. • Stellen Sie sicher, dass im Glaskolben der Natriumelektrode keine Luft vorhanden ist.
	Die Referenzelektrode funktioniert nicht ordnungsgemäß.	<ul style="list-style-type: none"> • Entfernen Sie die Referenzelektrode aus der Messzelle. Heben Sie den Ring an, der sich auf dem Glasteil befindet, damit etwas von dem KCl-Elektrolyt austreten kann. Drücken Sie den Ring nach unten und verriegeln Sie ihn, indem Sie ihn um weniger als eine Vierteldrehung drehen. Wenn der Ring verriegelt ist, lässt er sich nicht mehr drehen. Montieren Sie die Referenzelektrode in der Messzelle. • Stellen Sie sicher, dass die Referenzelektrode ordnungsgemäß installiert ist. Weitere Informationen finden Sie im Installationshandbuch. • Um festzustellen, ob das Problem behoben ist, drücken Sie diag (Diagnose) und wählen Sie dann SENSOR-REAKTIVIERUNG, um eine Reaktivierung durchzuführen.
	Der Schlauch für die Reaktivierungslösung ist undicht oder verstopft.	Prüfen Sie den Schlauch auf Blockierungen oder Undichtigkeit. Tauschen Sie den Schlauch bei Bedarf aus.
	Die Pumpe für die Reaktivierungslösung funktioniert nicht ordnungsgemäß.	Drücken Sie auf diag (Diagnose) und wählen Sie dann TEST AUSFÜHREN > REAKT.BEREITST. > HOCH, um die Pumpe für die Reaktivierungslösung auf eine hohe Durchflussrate einzustellen. Wenn die Reaktivierungslösung nicht in die mittlere Kammer der Messzelle fließt, tauschen Sie die Pumpe für die Reaktivierungslösung aus.

Problem	Mögliche Ursache	Lösung
Die Gerätemesswerte sind nicht stabil.	Der Analysator wurde vor weniger als 2 Stunden gestartet.	Lassen Sie den Analysator 2 Stunden lang laufen, damit er sich stabilisiert.
	Das/Die Elektrodenkabel sind an den Elektroden verdreht.	Trennen Sie das Kabel von der Elektrode. Schieben Sie den Stecker an der Elektrodenverbindung ganz nach unten, und ziehen Sie ihn dann handfest an.
	Die Elektrodenkabel sind an die falschen Elektroden angeschlossen.	Schließen Sie das blaue Kabel an die Referenzelektrode an. Schließen Sie das schwarze Kabel an die Natriumelektrode an.
	Die Durchflussrate des KCl-Elektrolyten ist zu hoch.	Entfernen Sie die Referenzelektrode aus der Messzelle. Drücken Sie den Ring nach unten und verriegeln Sie ihn, indem Sie ihn um weniger als eine Vierteldrehung drehen. Wenn der Ring verriegelt ist, lässt er sich nicht mehr drehen. Wenn der Ring nicht verriegelt ist, fließt der KCl-Elektrolyt zu schnell aus der Referenzelektrode in die Messzelle.
Die Messungen sind ungenau.	Der Analysator ist nicht kalibriert.	Kalibrieren Sie den Analysator. Weitere Informationen finden Sie in der Bedienungsanleitung unter <i>Durchführen einer Kalibrierung</i> . Um eine optimale Genauigkeit zu erzielen, sollte der Analysator alle sieben Tage (wöchentlich) kalibriert werden.
	Die automatische Reaktivierung ist deaktiviert oder das Intervall zwischen den Reaktivierungen beträgt mehr als 24 Stunden.	Starten Sie eine automatische Reaktivierung. Drücken Sie auf diag (Diagnose) und wählen Sie SENSOR-REAKTIVIERUNG. <i>Hinweis: Um eine optimale Genauigkeit zu erzielen, sollte die automatische Reaktivierung eingeschaltet werden. Setzen Sie das Intervall auf 24 Stunden. Weitere Informationen finden Sie in der Bedienungsanleitung.</i>
	Die Flasche mit der Reaktivierungslösung ist leer.	Tauschen Sie die Reaktivierungslösung aus. Siehe Austauschen der Kalibrier- und Reaktivierungslösungen auf Seite 29.
	Der Schlauch für die Reaktivierungslösung ist undicht oder verstopft.	Prüfen Sie den Schlauch auf Blockierungen oder Undichtigkeit. Tauschen Sie den Schlauch bei Bedarf aus.
	Die Pumpe für die Reaktivierungslösung funktioniert nicht ordnungsgemäß.	Drücken Sie auf diag (Diagnose) und wählen Sie dann TEST AUSFÜHREN > REAKT.BEREITST. > HOCH, um die Pumpe für die Reaktivierungslösung auf eine hohe Durchflussrate einzustellen. Wenn die Reaktivierungslösung nicht in die mittlere Kammer der Messzelle fließt, tauschen Sie die Pumpe für die Reaktivierungslösung aus.
Der Rührstab im Überlaufgefäß dreht sich nicht.	Der Mischer funktioniert nicht ordnungsgemäß. <i>Hinweis: Der Rührstab dreht sich unkontrolliert.</i>	Drücken Sie auf diag (Diagnose) und wählen Sie dann TEST AUSFÜHREN > MISCHER, um den Mischmotor einzuschalten. Wenn der Rührstab sich nicht bewegt, tauschen Sie den Mischmotor aus.

Problem	Mögliche Ursache	Lösung
Der KCl-Elektrolyt wird zu schnell verbraucht ¹ .	Der Ring am gläsernen Teil der Referenzelektrode ist nicht verriegelt.	Entfernen Sie die Referenzelektrode. Schieben Sie den Ring nach oben. Drücken Sie den Ring nach unten und verriegeln Sie ihn, indem Sie ihn um weniger als eine Vierteldrehung drehen. Beachten Sie dabei die bebilderten Schritte unter <i>Installieren der Referenzelektrode</i> in der Installationsanleitung. Wenn der Ring verriegelt ist, lässt er sich nicht mehr drehen. Wenn der Ring nicht verriegelt ist, fließt der KCl-Elektrolyt zu schnell aus der Referenzelektrode in die Messzelle.
Der KCl-Elektrolyt wird zu langsam verbraucht ² .	Der Ring am gläsernen Teil der Referenzelektrode wurde nicht gedreht, d. h., das Siegel ist noch nicht gebrochen.	Entfernen Sie die Referenzelektrode. Drehen Sie den Ring vorsichtig, um das Siegel zu brechen. Wenn sich der Ring leicht drehen lässt, ist das Siegel gebrochen. Beachten Sie dabei die bebilderten Schritte unter <i>Installieren der Referenzelektrode</i> in der Installationsanleitung. Drücken Sie den Ring nach unten und verriegeln Sie ihn, indem Sie ihn um weniger als eine Vierteldrehung drehen. Wenn der Ring verriegelt ist, lässt er sich nicht mehr drehen. Wenn der Ring nicht verriegelt ist, fließt der KCl-Elektrolyt zu schnell aus der Referenzelektrode in die Messzelle.
Auf dem Messbildschirm blinkt eine Relaisanzeige.	Die Zeitbegrenzung ist abgelaufen.	Setzen Sie die Zeitbegrenzung zurück. Siehe Zurücksetzen der Zeitbegrenzung für Relais auf Seite 49. <i>Hinweis: Die Einstellung für die Zeitbegrenzung ist nur aktiviert, wenn die FUNKTION für das Relais auf DOSIERREGELUNG eingestellt ist.</i>

4.1 Zurücksetzen der Zeitbegrenzung für Relais

Die Einstellung der Zeitbegrenzung für die Relais verhindert, dass der Messwert höher als der Sollwert oder das Totband (Hysterese) ist (z. B. durch eine beschädigte Elektrode oder im Fall einer Prozessstörung) und dadurch ein Relais dauerhaft eingeschaltet ist. Die Zeitbegrenzung schränkt die Dauer ein, die die Relais und deren verbundenes Steuerelement eingeschaltet bleiben – unabhängig der Bedingungen.

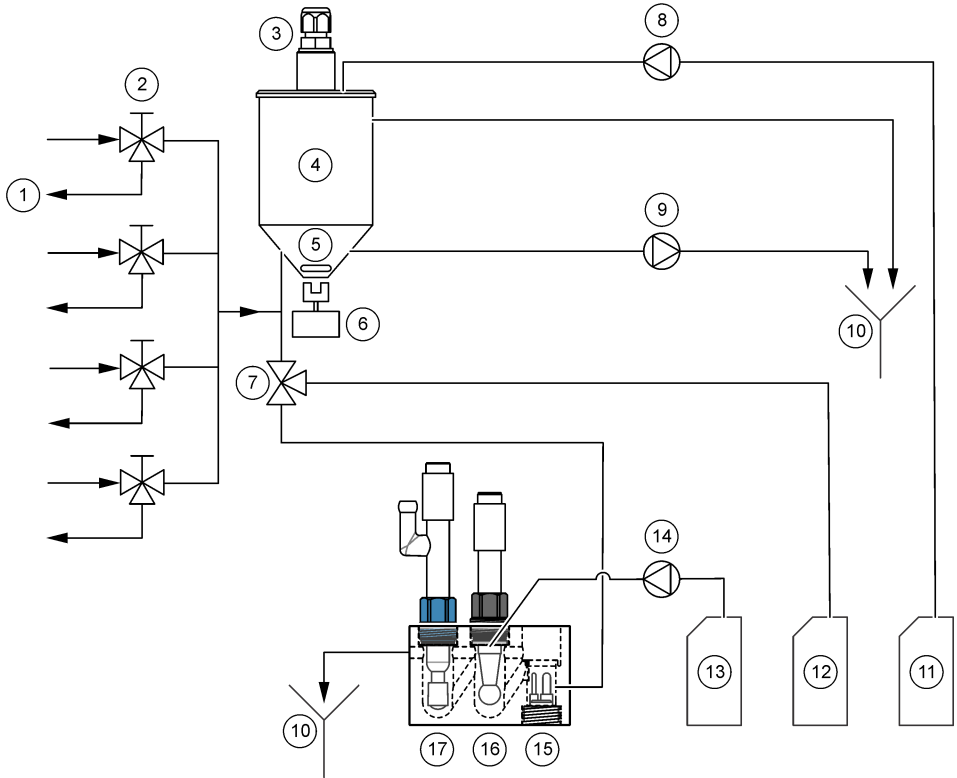
Wenn das ausgewählte Zeitintervall der Zeitbegrenzung erreicht ist, blinkt der Relaisstatus rechts oben auf dem Messbildschirm so lange, bis die Zeitbegrenzung zurückgesetzt wird. Drücken Sie **diag** (Diagnose), und wählen Sie anschließend ÜBERDOS. RESET aus, um die Zeitbegrenzung zurückzusetzen.

¹ Der Verbrauch des KCl-Elektrolyten erfolgt zu schnell, wenn der Füllstand des Behälters innerhalb von zwei Tagen um mehr als 3 mm (1/8 Zoll) sinkt

² Der Verbrauch des KCl-Elektrolyten erfolgt zu langsam, wenn der Füllstand des Behälters innerhalb von zwei Tagen um weniger als 1 mm sinkt

Kapitel 5 Diagnose

5.1 Übersicht über die Anschlüsse



1 Proben-Bypass-Ablauf	7 Konditionierungsventil	13 Reaktivierungslösung
2 Probenzulauf	8 Pumpe für die Kalibrierlösung ³ .	14 Pumpe für die Reaktivierungslösung
3 Füllstandsensoren	9 Pumpe für den Ablauf	15 Temperatursensor
4 Überlaufgefäß	10 Ablauf	16 Natriumelektrode
5 Rührstab	11 Kalibrierlösung ³	17 Referenzelektrode
6 Mischermotor	12 Konditionierungslösung	

5.2 Starten eines Analysortests

Starten Sie einen Analysortest, um herauszufinden, ob die Statusanzeigeleuchte, der Mischermotor, eine Pumpe oder ein Ventil ordnungsgemäß funktionieren.

³ Nur Analysatoren mit der Option zur automatischen Kalibrierung sind mit einer Pumpe für Kalibrierlösung sowie mit Kalibrierlösung ausgestattet.

1. Drücken Sie auf **diag** (Diagnose) und wählen Sie dann TEST AUSFÜHREN.
2. Wählen Sie eine Option.

Option	Beschreibung
REAKT.BEREITST.	Startet die Pumpe für die Reaktivierungslösung. Die Reaktivierungslösung fließt in die mittlere Kammer der Messzelle. <i>Hinweis: Die Messzelle ist der transparente Block, in dem sich die Elektroden befinden.</i>
PROBENABGABE	Stellt das Magnetventil für die Probe so ein, dass der ausgewählte Kanal geöffnet wird. Die Probe fließt in das Überlaufgefäß. <i>Hinweis: Wenn das Überlaufgefäß voll ist, ändert sich der Wasserstand im Überlaufgefäß nicht. Führen Sie einen PROBENABLAUF-Test durch, um das Überlaufgefäß zu leeren.</i>
BEREITSTELLG. KAL.LÖSUNG	<i>Hinweis: Die Option BEREITSTELLG. KAL.LÖSUNG ist nur bei Analysatoren mit der Option für automatische Kalibrierung verfügbar.</i> Schaltet die Pumpe für die Kalibrierlösung ein. Die Kalibrierlösung fließt in das Überlaufgefäß.
KONDITIONIERUNGSVENTIL	Öffnet das Konditionierungsventil. Das Konditionierungsgas strömt in die rechte Kammer der Messzelle. <i>Hinweis: Die Messzelle ist der transparente Block, in dem sich die Elektroden befinden.</i>
PROBENABLAUF	Schaltet die Pumpe ein. Das Wasser im Überlaufgefäß läuft durch den Chemikalienablauf ab.
MISCHER	Schaltet den Mischermotor ein. Der Rührstab im Überlaufgefäß dreht sich.
STATUS-LED	Die Statusanzeigeleuchte wechselt kontinuierlich zwischen Gelb, Rot, Grün.
LUFTPUMPE	<i>Hinweis: Die Option LUFTPUMPE ist nur verfügbar, wenn die optionale Kationenpumpe installiert ist.</i> Schaltet die Kationenpumpe ein. Die Kationenpumpe drückt Luft in die Flasche mit Konditionierungslösung (DIPA). Informationen zum Einbauort der Kationenpumpe im Analysator finden Sie im Abschnitt <i>Produktübersicht</i> des Installationshandbuchs.
SKRIPT WÄHLEN	<i>Hinweis: Die Option SKRIPT WÄHLEN kann nur von Kundendienst-Mitarbeitern genutzt werden.</i> Legt fest, ob der Analysator das normale Geräteskript oder das Testskript verwendet.

5.3 Starten eines Ausgangs- oder Relai-tests mit 4 - 20 mA

Starten Sie einen Ausgangs- oder Relai-test mit 4 - 20 mA, um herauszufinden, welche Art von Betrieb korrekt ist.

1. Drücken Sie auf **diag** (Diagnose) und wählen Sie AUSGÄNGE.
2. Wählen Sie eine Option.

Option	Beschreibung
TEST 4-20 mA	Legt das Signal (mA) am ausgewählten 4 - 20-mA-Ausgang fest. Messen Sie den Strom am 4 - 20-mA-Ausgang mit einem Multimeter.
TEST RELAIS	Stellt das ausgewählte Relais auf „Ein“ (aktiviert) oder „Aus“ (nicht aktiviert). Messen Sie mit einem Multimeter den Widerstand am Relais, um festzustellen, ob das Relais geöffnet oder geschlossen ist.

Option	Beschreibung
HALTE AUSGÄNGE	Hält die Ausgänge auf dem letzten Wert oder setzt sie auf den Ersatzwert. AKTIVIERUNG: Wählen Sie START, um die Ausgänge auf dem letzten Wert zu halten oder sie auf den Transferwert zu setzen. Wählen Sie FREIGEBEN, um die Ausgänge in den Normalbetrieb zurückzusetzen. AUSGANGSMODUS: Wählen Sie HALTE AUSGÄNGE, um die Ausgänge auf dem letzten Wert zu halten. Wählen Sie AUSGÄNGE AUF TRANSFER, um die Ausgänge auf den Transferwert einzustellen. Informationen zum Festlegen des Transferwertes für die Ausgänge finden Sie in der Bedienungsanleitung. WIRKSAM FÜR...: Wählen Sie ALLE, um alle Kanäle auszuwählen. Wählen Sie ANALYSATOR, um alle Kanäle für den ausgewählten Analysator auszuwählen.
STATUS AUSGANG	Zeigt die Signale (mA) an den 4 - 20-mA-Ausgängen.
MESSUNG SIMULIEREN	Gibt zur Durchführung eines Ausgangstests auf einem ausgewählten Kanal eine Analysatormessung ein. Die Simulation wird beendet, wenn der Benutzer den Bildschirm verlässt. SIGNAL-QUELLE: Wählt den Analysator. PARAMETER: Wählt den Kanal. SIM-WERT: Stellt den Analysatormesswert ein.

5.4 Anzeigen von Analysator-Daten

Zum Anzeigen der nachfolgend aufgeführten Analysator-Daten drücken Sie auf **menu** (Menü) und wählen Sie dann DATEN ANZEIGEN > ANALYSATOR DAT.. Siehe [Tabelle 2](#).

Tabelle 2 Beschreibungen der Analysatordaten

Position	Beschreibung
DATUM/ZEIT	Aktuelle Uhrzeit (24-Stunden-Format) und in den Einstellungen angegebenes Datum
NAME	Name des Analysators
TYP	Typ des Analysators
UMGEB. TEMP.	Umgebungstemperatur des Analysators
ZUSTAND LÖSUNGSNIVEAU	Lösungsniveau der Flasche für Konditionierungslösung
LÖSG.NIV. REAKT.	Lösungsniveau der Flasche für Reaktivierungslösung
STANDARDNIVEAU	Lösungsniveau der Flasche für Kalibrierlösung
KCL-NIVEAU	Lösungsniveau des Behälters für KCl-Elektrolyten
LETZTE REAKTIVIERUNG	Datum der letzten automatischen Reaktivierung
LETZTE KALIBRIERUNG	Datum der letzten Kalibrierung
LETZTE WARTUNG	Datum der letzten Wartung
SOFTWARE VERS	Softwareversion installiert
DD-FIRMWARE	Version der installierten Gerätetreiber-Firmware
DD-INHALT	Version des Dateninhalts des Gerätetreibers
SKRIPTVERSION	Version des Skriptdateiverzeichnisblocks
SKRIPTINHALT	Version des Skriptdateiverzeichnisinhalts
MESSSTEUER. SW-REV.	Version der installierten Messsteuerungssoftware
GERÄTENUMMER	Seriennummer des Analysators

5.5 Anzeigen des Analysatorstatus und der Systemdaten

Zum Anzeigen des aktuellen Status des Analysators, des Modbus-Status, der Systemdaten oder der I2C-Daten führen Sie die folgenden Schritte durch:

1. Drücken Sie auf **diag** (Diagnose).
2. Wählen Sie eine Option.

Option	Beschreibung
AKTUELLER STATUS	BETRIEB: Aktueller Messmodus. PROBENKANAL: Aktueller Probenkanal. SCHRITTSTATUS: Aktueller Schritt im Messzyklus. SCHRITTZEIT: Verbleibende Schrittzeit. MIN. VERBLEIBEN: Verbleibende Minuten im aktuellen Schritt. ABSCHLUSS: % des Messzyklus abgeschlossen.
MODBUS STATS	Zeigt den Status der Modbus-Anschlüsse an: Sensor, Controller, Netzwerk und Wartung. Zeigt die Anzahl der erfolgreichen und nicht erfolgreichen Übertragungen an.
SYSTEMDATEN	UMGEB. TEMP.: Gemessene Umgebungstemperatur in Celsius (C). STROMQUELLENFREQUENZ: Zeigt die Frequenz der Stromquelle an (Hz). STROMQUELLENSPANNUNG: Stromquelle (Wechselstrom). 12-V-SPANNUNG: Gemessene Spannung des Netzteils (V DC). 3,3-V-SPANNUNG: Gemessene Spannung der geregelten 3,3-V-Spannungsversorgung (V DC). 12-V-STROM: Gemessener Strom der 12-V-Spannungsversorgung (Ampere).
I2C-DATEN	Zeigt die Kommunikationsinformationen (I ² C) und die Versionsnummer an.

5.6 Anzeigen von Serviceinformationen

Über das Menü „Wartung“ können Sie den Wartungsverlauf für die Geräteteile anzeigen oder einstellen.

1. Drücken Sie auf **diag** (Diagnose).
2. Wählen Sie WARTUNG.
3. Wählen Sie eine Option.

Option	Beschreibung
VERBRAUCHSMATERIAL	Zeigt eine Liste der Verbrauchsmaterialien an. Zeigt das Datum des letzten Austauschs sowie die Anzahl der Tage seit dem letzten Austausch des Teils an. Der Zähler wird nach dem Austausch eines Teils zurückgesetzt.
ERSATZTEIL	<i>Hinweis: Die Option ERSATZTEIL kann nur von Kundendienst-Mitarbeitern verwendet werden.</i> Zeigt eine Liste der Teile sowie das Datum der letzten Wartung an. Der Kundendienst-Mitarbeiter setzt den Zähler zurück, nachdem ein Teil ausgetauscht worden ist.
JÄHRLICHE WARTUNG	Zeigt das Datum der letzten jährlichen Wartung, das Datum der nächsten jährlichen Wartung und die Anzahl der Tage bis zur nächsten jährlichen Wartung an. Der Zähler wird nach der jährlichen Wartung zurückgesetzt.
ELEKTRODEN BEARB. SN	Zeichnet die Seriennummern der Elektroden auf.
WARTUNGSVERL.	Zeigt die durchgeführten Wartungstätigkeiten und das Datum an (z.B. Reaktivierungslösung zurücksetzen). STARTZEIT: Zeigt die Daten an, die nach dem ausgewählten Datum und der ausgewählten Uhrzeit aufgezeichnet wurden. ANZAHL MESSWERTE: Zeigt die ausgewählte Anzahl von Datenpunkten an.
POST AKTIVIEREN	NEIN: Hardwarediagnose wird nicht ausgeführt, wenn der Analysator an die Stromversorgung angeschlossen ist. JA: Hardwarediagnose wird durchgeführt, wenn der Analysator an die Stromversorgung angeschlossen ist.

Kapitel 6 Ersatzteile und Zubehör

⚠ WARNUNG



Verletzungsgefahr. Die Verwendung nicht zugelassener Teile kann zur Verletzung von Personen, zu Schäden am Messgerät oder zu Fehlfunktionen der Ausrüstung führen. Die Ersatzteile in diesem Abschnitt sind vom Hersteller zugelassen.

Hinweis: Produkt- und Artikelnummern können für einige Verkaufsgebiete abweichen. Wenden Sie sich an die zuständige Vertriebsgesellschaft oder an die auf der Webseite des Unternehmens aufgeführten Kontaktinformationen.

Reagenzien und Standardlösungen

Beschreibung	Menge	Artikelnr.
3-molare KCl-Elektrolyt-Lösung	250 mL	LZW9500.99
3-molare KCl-Elektrolyt-Lösung	500 mL	363140,00500
Diisopropylamin (DIPA) 99 %	1 L	2834453
Natriumchlorid-Standard, 10 ppm	1 L	2835153
Natriumnitrat, 0,5-molar	500 mL	2507149

Ersatzteile

Beschreibung	Menge	Artikelnr.
Flasche mit Kappe für die Konditionierungslösung, leer	1	8352000
Unterlegscheibe, Kappe für die Flasche mit Konditionierungslösung	1	8417200
Winkelverschraubung, Ablauf, ½ Zoll, Polypropylen	1	6772800
Elektrode, Referenz	1	09240=C=0310
Elektrode, Natrium	1	09240=C=0320
Sicherung, 1,6 A, 250 V, 5 x 20 mm	1	5208300
Sicherung, 5 A, 250 V, träge, 5 x 20 mm	1	4693800
Einbausatz, 1-Kanal-Analysator, Analysator mit Gehäuse	1	8375400
Einbausatz, 2-Kanal-Analysator, Analysator mit Gehäuse	1	8375300
Einbausatz, 4-Kanal-Analysator, Analysator mit Gehäuse	1	8371500
Einbausatz, 1-Kanal-Analysator, Analysator mit Gehäuse	1	8375700
Einbausatz, 2-Kanal-Analysator, Analysator mit Gehäuse	1	8375600
Einbausatz, 4-Kanal-Analysator, Analysator mit Gehäuse	1	8375500
Mischermotor	1	8420000
Schrauben für die Paneelmontage, M6 x 20 Flachkopf, Edelstahl, Torx	4	8415500
Lochwerkzeug für interne elektrische Stecker, Metallrohr, zur Verwendung mit 8379900	1	8380000
Lochwerkzeug für interne elektrische Stecker, Metallplatte, zur Verwendung mit 8380000	1	8379900
Druckregler, 0,3 bar (4 psi), nicht einstellbar	1	6782900
Pumpe, Kalibrierlösung	1	8364300

Ersatzteile (fortgesetzt)

Beschreibung	Menge	Artikelnr.
Pumpe, Ablauf	1	8357400
Pumpe, Reaktivierungslösung	1	8364200
Absperrventil, Schlauch mit 6 mm AD	1	8385200
Rührstab	1	W_4510_001_FF
Zugentlastungsverschraubung (Kabelverschraubung), PG9, 4 mm bis 8 mm	1	8356300
Zugentlastungsverschraubung (Kabelverschraubung), NPT ½ Zoll 4 mm bis 9 mm	1	8368400
Tischhalterungen	2	8370400
Schrauben, Tischhalterung, #8 x ½ Edelstahl, Torx	2	8412200
Schlauch, Chemikalien- und Gehäuseablauf, 17,5 mm (¹¹ / ₁₆ Zoll) AD x 3,2 mm (¹ / ₈ in.) dick	2 m	LZX278
Probenschlauch, 6 mm AD x 4 mm ID	5,5 m	6772500
Schlauchschnneider	1	8385400
Wandhalterungen	2	8364100
Schrauben, Wandhalterung, M4 x 10, Flachkopf, Edelstahl, Torx	2	8412500
Ventil, Konditionierung	1	8367600
Ventil, Probe	1	8370200

Zubehör

Beschreibung	Menge	Artikelnr.
Flaschenadapter, DIPA-Flasche, Merck	1	09073=C=0350
Flaschenadapter, DIPA -Flasche, Orion	1	09073=C=0360
Filter, Probenzulauf, 100 µm, ¼ Zoll AD Schlauch	1	595=010=005
Filter, Probenzulauf, 100 µm, Schläuche 6 mm AD	1	595=010=000
Wärmeaustauscher, maximal 4 Kanäle	1	8368900
Kationen-Upgrade-Kit	1	8371200
Netzkabel, Nordamerika	1	9179700
1 Kanal für 4-Kanal-Upgrade-Kit	1	8365100
2 Kanal für 4-Kanal-Upgrade-Kit	1	8365000
Upgrade-Kit für automatische Kalibrierung	1	8368000
Schlauchadapter, 6 mm AD bis ¼ Zoll AD	2	09245=A=8300

Sommario

- | | | | | | |
|---|---|-------------|---|-------------------------------|-------------|
| 1 | Informazioni sulla sicurezza | a pagina 56 | 4 | Risoluzione dei problemi | a pagina 71 |
| 2 | Visualizzazione di errori, avvisi e promemoria attivi | a pagina 56 | 5 | Diagnostica | a pagina 77 |
| 3 | Manutenzione | a pagina 56 | 6 | Parti di ricambio e accessori | a pagina 81 |

Sezione 1 Informazioni sulla sicurezza

Fare riferimento al manuale di installazione per l'utente per informazioni generali sulla sicurezza e per le descrizioni dei pericoli e delle etichette precauzionali.

Sezione 2 Visualizzazione di errori, avvisi e promemoria attivi

Lo sfondo del display e la spia di stato diventano rossi in caso di errore o gialli in presenza di un avviso.

- **Errore** - Sfondo del display e spia di stato rossi. Si è verificato un problema rilevante che compromette il funzionamento dello strumento. La misurazione corrente viene interrotta e l'analizzatore entra in modalità di spegnimento.
- **Avviso** - sfondo del display e spia di stato gialli. Si è verificato un evento che può causare un problema futuro. L'analizzatore continua a funzionare.
- **Promemoria** -Sul display viene visualizzato il simbolo di una chiave inglese e si accende la spia di stato gialla. L'intervallo di manutenzione è stato superato.

Svolgere i passaggi seguenti per visualizzare gli errori, gli avvisi e i promemoria attivi:

Nota: Per visualizzare tutti i possibili errori, avvisi e promemoria con le relative informazioni della guida, premere **diag** e poi selezionare **AIUTO ANALIZZATORE**.

1. Premere **diag** e poi selezionare **DIAGNOSTICA**. Vengono visualizzati gli errori, gli avvisi e i promemoria attivi.
2. Selezionare un errore, un avviso o un promemoria dall'elenco.
3. Selezionare un'opzione.

Opzione	Descrizione
ACCETTA	Accetta l'errore, l'avviso o il promemoria selezionato. Quando tutti gli errori, gli avvisi e i promemoria attivi vengono accettati, lo sfondo del display torna bianco e la spia di stato torna verde.
MOSTRA GUIDA	Mostra le informazioni della guida per l'errore, l'avviso o il promemoria selezionati.

Sezione 3 Manutenzione

PERICOLO



Pericoli multipli. Gli interventi descritti in questa sezione del documento devono essere eseguiti solo da personale qualificato.

3.1 Pianificazione degli interventi di manutenzione

Nella [Tabella 1](#) è riportata la pianificazione consigliata degli interventi di manutenzione. Requisiti strutturali e condizioni di esercizio possono aumentare la frequenza di alcuni interventi.

Tabella 1 Pianificazione degli interventi di manutenzione

Intervento	3 mesi	Secondo necessità
Sostituzione delle soluzioni di calibrazione e riattivazione a pagina 57	X	
Sostituzione della soluzione di condizionamento a pagina 59	X	
Sostituzione dell'elettrolita KCl a pagina 62	X	
Sostituzione di un fusibile di alimentazione in ingresso a pagina 63		X

3.2 Pulizia dello strumento

AVVISO

Non utilizzare mai prodotti detergenti quali trementina, acetone o prodotti simili per pulire lo strumento, inclusi display e accessori.

Pulire la parte esterna dello strumento con un panno umido e una soluzione detergente delicata.

3.3 Pulizia di fuoriuscite

⚠ ATTENZIONE



Pericolo di esposizione ad agenti chimici. Smaltire i prodotti chimici e i rifiuti conformemente alle normative locali, regionali e nazionali.

1. Rispettare tutti i protocolli di sicurezza degli impianti per il controllo delle fuoriuscite.
2. Smaltire i rifiuti secondo le norme vigenti.

3.4 Sostituzione delle soluzioni di calibrazione e riattivazione

⚠ ATTENZIONE



Pericolo di esposizione ad agenti chimici. Rispettare le procedure di sicurezza del laboratorio e indossare tutte le apparecchiature protettive appropriate per le sostanze chimiche utilizzate. Fare riferimento alle attuali schede di sicurezza (MSDS/SDS) per i protocolli di sicurezza.

⚠ ATTENZIONE



Pericolo di esposizione ad agenti chimici. Smaltire i prodotti chimici e i rifiuti conformemente alle normative locali, regionali e nazionali.

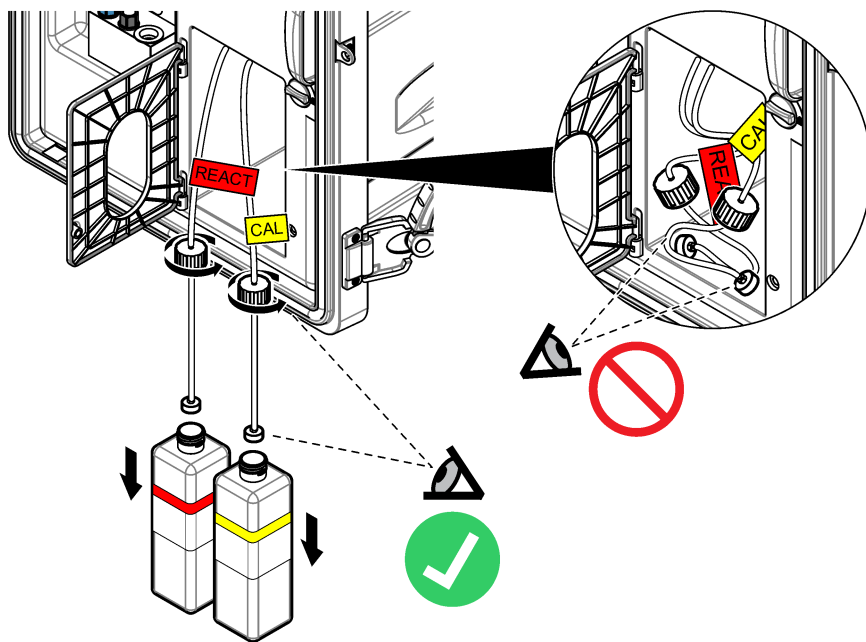
Sostituire la soluzione di riattivazione e la soluzione di calibrazione a intervalli di 3 mesi o qualora il livello fosse inferiore al 10%.

Componenti forniti dall'utente:

- Dispositivi di protezione individuale (DPI) (fare riferimento a MSDS/SDS)
- Nitrato di sodio 0.5M (NaNO_3), 500 ml
- Soluzione standard di cloruro di sodio a 10 ppm (NaCl), 500 ml
- Acqua deionizzata, 100 ml

1. Indossare i dispositivi di protezione individuale indicati nella scheda dati di sicurezza (MSDS/SDS).
2. Premere **menu** e poi selezionare ARRESTA ANALIZZATORE.
Nota: Se viene visualizzata la scritta AVVIA ANALIZZATORE, l'analizzatore è già in modalità di standby.
3. Sostituire le soluzioni di riattivazione e di calibrazione come segue:
 - a. Rimuovere i flaconi delle soluzioni di riattivazione e calibrazione dall'analizzatore. Fare riferimento a [Figura 1](#).
Nota: Solo gli analizzatori dotati di opzione di calibrazione automatica sono dotati del flacone di soluzione di calibrazione.
 - b. Smaltire le soluzioni contenute nei flaconi in uno scarico adatto.
 - c. Lavare i flaconi con acqua deionizzata.
 - d. Riempire il flacone della soluzione di calibrazione con una nuova soluzione di cloruro di sodio (NaCl) a 10 ppm (500 ml). Il flacone della soluzione di calibrazione ha un'etichetta con una striscia gialla.
Nota: Per preparare una soluzione di cloruro di sodio (NaCl) a 10 ppm, fare riferimento al manuale operativo.
 - e. Riempire il flacone della soluzione di riattivazione con una nuova soluzione di nitrato di sodio 0.5M (NaNO₃) (500 ml). Il flacone della soluzione di calibrazione ha un'etichetta con una striscia rossa.
Nota: Per preparare una soluzione di nitrato di sodio (NaNO₃) 0.5M, fare riferimento al manuale operativo.
 - f. Installare i flaconi nell'analizzatore. Assicurarsi che il tubo con l'etichetta rossa "REACT" sia inserito nel flacone con l'etichetta che presenta una striscia rossa.
Assicurarsi che il tubo con l'etichetta gialla "CAL" sia inserito nel flacone con l'etichetta che presenta una striscia gialla.
4. Inserire i livelli del flacone come segue:
 - a. Premere **menu** e poi selezionare REAGENTI/STANDARD.
 - b. Selezionare IMPOSTA LIVELLO RIATT e poi inserire 100%.
 - c. Selezionare IMPOSTA LIVELLO STANDARD, quindi inserire 100%.
5. Selezionare PESCA REAGENTI.
6. Una volta completata la fase di adescamento dei reagenti, premere **menu**, quindi selezionare AVVIA ANALIZZATORE.

Figura 1 Rimozione del flacone



3.5 Sostituzione della soluzione di condizionamento

⚠ AVVERTENZA



Pericolo di inalazione. Non respirare i fumi di diisopropilammina (DIPA) o ammoniaca. L'esposizione può causare lesioni gravi, anche fatali.



⚠ AVVERTENZA



Pericolo di esposizione ad agenti chimici. La diisopropilammina (DIPA) e l'ammoniaca sono sostanze chimiche infiammabili, corrosive e tossiche. L'esposizione può causare lesioni gravi, anche fatali.



⚠ AVVERTENZA



Pericolo di esposizione ad agenti chimici. Rispettare le procedure di sicurezza del laboratorio e indossare tutte le apparecchiature protettive appropriate per le sostanze chimiche utilizzate. Leggere la scheda dei dati sulla sicurezza del fornitore prima di riempire le bottiglie o di preparare i reagenti. Solo per l'uso in laboratorio. Rendere note le informazioni di pericolo in conformità alle normative locali dell'utente.

⚠ ATTENZIONE



Pericolo di esposizione ad agenti chimici. Smaltire i prodotti chimici e i rifiuti conformemente alle normative locali, regionali e nazionali.

Sostituire la soluzione di condizionamento a intervalli di 3 mesi o qualora il livello fosse inferiore al 10%. Per la soluzione di condizionamento utilizzare DIPA (consigliato) o ammoniaca (più del 28%).

Componenti forniti dall'utente:

- Dispositivi di protezione individuale (DPI) (fare riferimento a MSDS/SDS)
- Diisopropilammina (DIPA) 99%, flacone da 1 L
- Adattatore per flaconi di DIPA Merck o Orion se applicabile

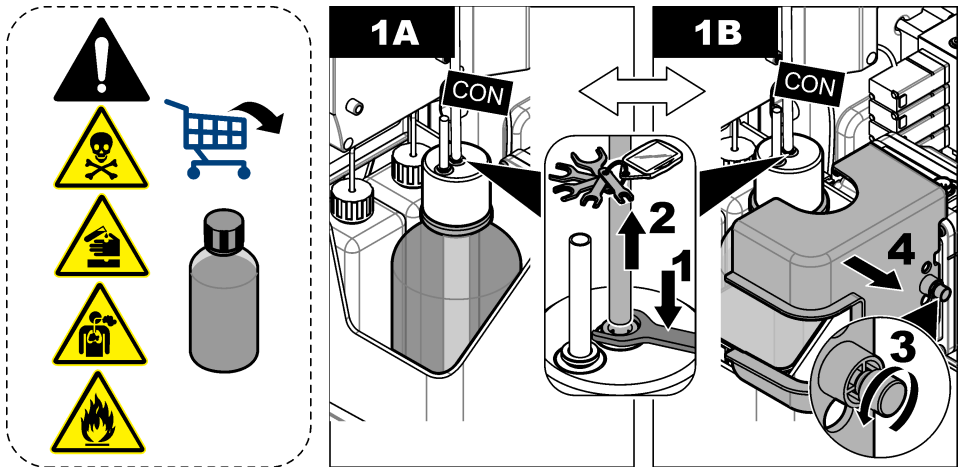
Sostituire il flacone della soluzione di condizionamento come segue:

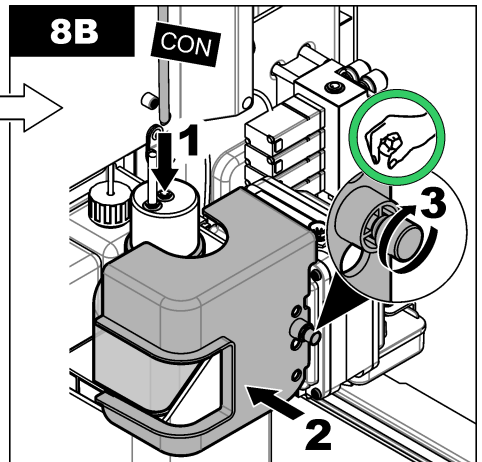
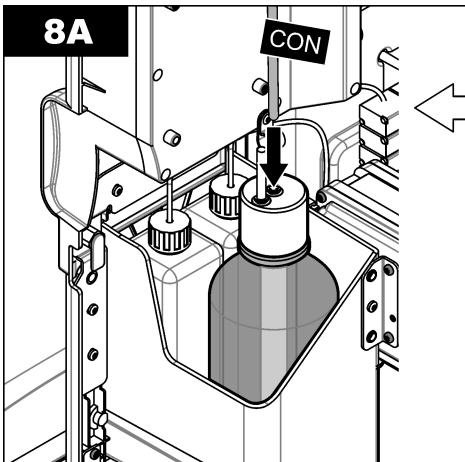
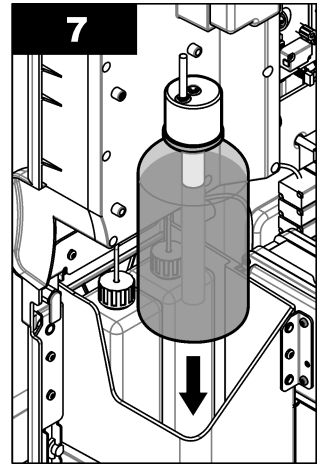
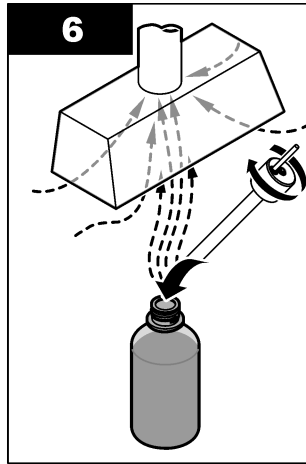
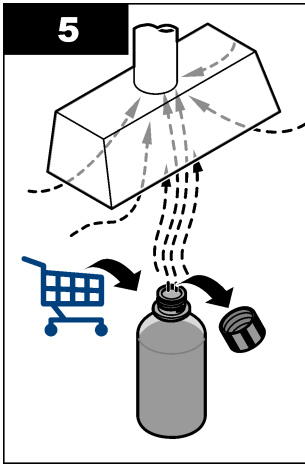
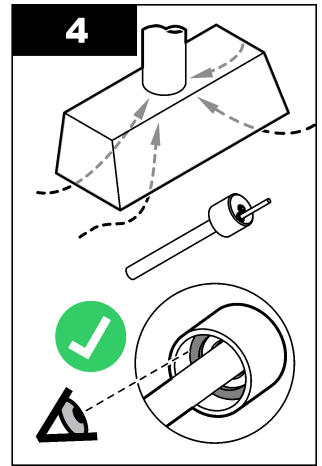
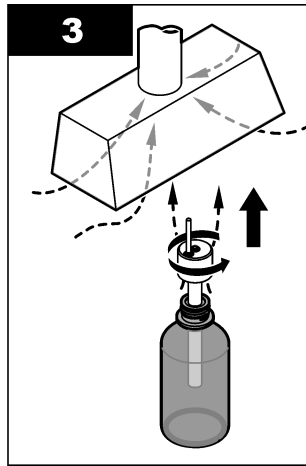
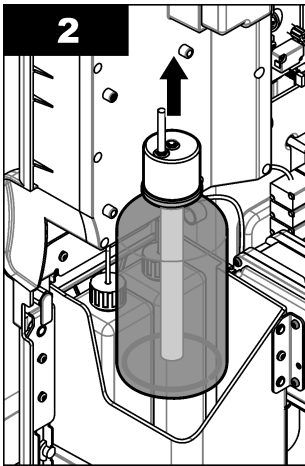
1. Indossare i dispositivi di protezione individuale indicati nella scheda dati di sicurezza (MSDS/SDS).
2. Premere **menu** e poi selezionare **ARRESTA ANALIZZATORE**.
Nota: Se viene visualizzata la scritta **AVVIA ANALIZZATORE**, l'analizzatore è già in modalità di standby.
3. Ruotare il fermo del pannello di analisi nella posizione di sblocco. Aprire il pannello di analisi.
4. Sostituire il flacone della soluzione di condizionamento. Fare riferimento ai passaggi illustrati di seguito.

Nota: Gli analizzatori con pompa cationica opzionale dispongono di due tubi che si inseriscono nel tappo del flacone della soluzione di condizionamento. Rimuovere entrambi i tubi.

Nota: Come illustrato nei passaggi 1 e 8, solo gli analizzatori senza alloggiamento dispongono di un supporto per il flacone della soluzione di condizionamento.

Eseguire i passaggi da 3 a 6 illustrati sotto una cappa aspirante, se disponibile. Non respirare i fumi di DIPA o di ammoniaca.





5. Negli analizzatori con pompa cationica opzionale, installare il tubo di uscita dalla pompa cationica nel foro scenterato del tappo.
6. Chiudere il pannello di analisi. Ruotare il fermo del pannello di analisi nella posizione di blocco.
7. Inserire il livello del flacone come segue:
 - a. Premere **menu** e poi selezionare REAGENTI/STANDARD.
 - b. Selezionare IMPOSTA LIVELLO COND, quindi inserire 100%.
8. Premere **menu** e poi selezionare AVVIA ANALIZZATORE.

3.6 Sostituzione dell'elettrolita KCl

⚠ ATTENZIONE



Pericolo di esposizione ad agenti chimici. Rispettare le procedure di sicurezza del laboratorio e indossare tutte le apparecchiature protettive appropriate per le sostanze chimiche utilizzate. Fare riferimento alle attuali schede di sicurezza (MSDS/SDS) per i protocolli di sicurezza.

⚠ ATTENZIONE



Pericolo di esposizione ad agenti chimici. Smaltire i prodotti chimici e i rifiuti conformemente alle normative locali, regionali e nazionali.

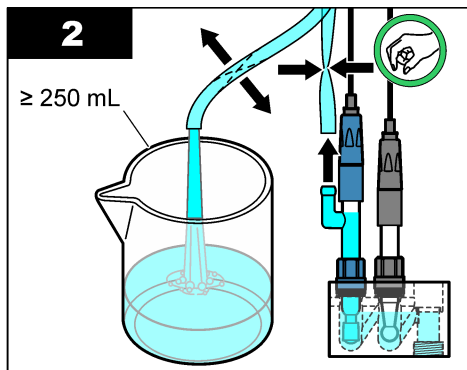
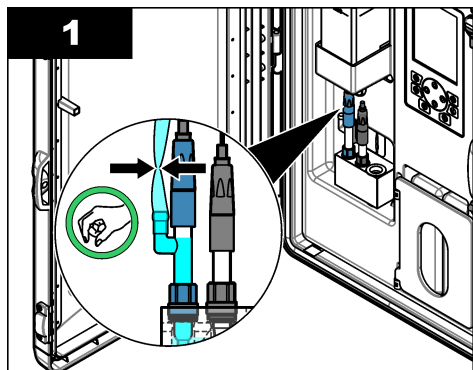
Sostituire l'elettrolita KCl nell'apposito serbatoio a intervalli di 3 mesi.

Articoli necessari:

- Dispositivi di protezione individuale (DPI) (fare riferimento a MSDS/SDS)
- Elettrolita KCl 3M, 200 ml
- Piccolo contenitore, 250 ml o più grande

Sostituire l'elettrolita KCl come segue:

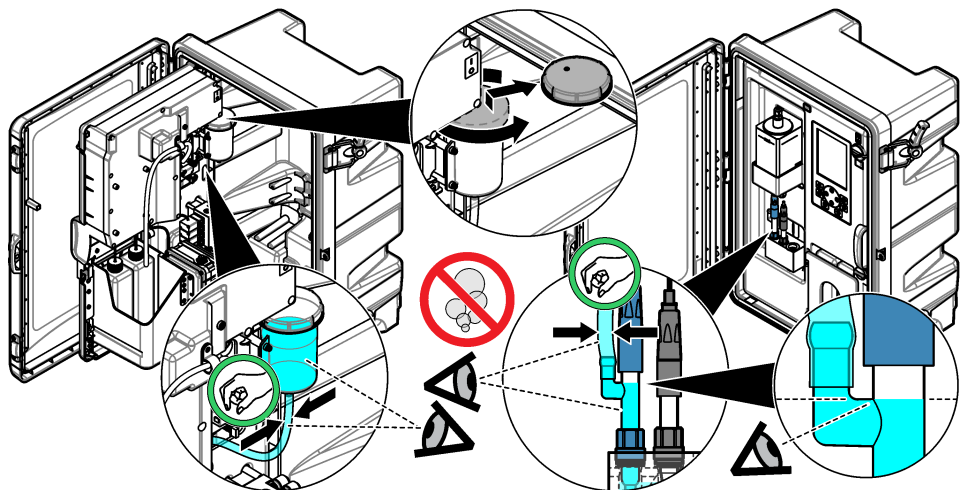
1. Indossare i dispositivi di protezione individuale indicati nella scheda dati di sicurezza (MSDS/SDS).
2. Scaricare il contenuto del serbatoio dell'elettrolita KCl in un piccolo contenitore. Fare riferimento ai passaggi illustrati di seguito. Smaltire l'elettrolita KCl in uno scarico adatto.





3. Reinstallare il tubo dell'elettrolita KCl nell'elettrodo di riferimento.
4. Riempire il serbatoio dell'elettrolita KCl come segue:
 - a. Ruotare il fermo del pannello di analisi nella posizione di sblocco. Aprire il pannello di analisi.
 - b. Rimuovere il coperchio dal serbatoio dell'elettrolita KCl. Fare riferimento a [Figura 2](#).
 - c. Riempire il serbatoio per il 90% (circa 200 ml).

- d. Installare il coperchio.
5. Eliminare le bolle d'aria dal tubo dell'elettrolita KCl nel modo seguente:
 - a. Dalla parte anteriore del pannello di analisi, schiacciare il tubo dell'elettrolita KCl con il pollice e l'indice per spingere le bolle d'aria verso l'alto lungo il tubo fin nel serbatoio. Fare riferimento a [Figura 2](#).
 - b. Quando una bolla d'aria si avvicina al serbatoio, schiacciare con le due mani il tubo dal lato anteriore e da quello posteriore del pannello di analisi in modo da spingere la bolla d'aria verso l'alto.
 - c. Continuare a schiacciare il tubo finché l'elettrolita KCl nell'elettrodo di riferimento non raggiunge la parte superiore del giunto di vetro in cui l'elettrolita KCl entra nell'elettrodo. Fare riferimento a [Figura 2](#).
6. Chiudere il pannello di analisi. Ruotare il fermo del pannello di analisi nella posizione di blocco.
7. Inserire il livello del flacone come segue:
 - a. Premere **menu** e poi selezionare REAGENTI/STANDARD.
 - b. Selezionare IMPOSTA LIVELLO KCL e poi inserire 100%.

Figura 2 Riempire il serbatoio dell'elettrolita KCl



3.7 Sostituzione di un fusibile di alimentazione in ingresso

▲ PERICOLO	
	<p>Pericolo di folgorazione. Rimuovere l'alimentazione dallo strumento prima di iniziare questa procedura.</p>
▲ PERICOLO	
	<p>Pericolo di incendio. Per la sostituzione, utilizzare fusibili dello stesso tipo e della stessa corrente nominale.</p>

Controllare i fusibili. Sostituire eventuali fusibili bruciati con fusibili nuovi.

Articolo a carico dell'utente: Fusibile T 1,6 A, 250 VCA

1. Scollegare il cavo di alimentazione dalla presa elettrica.
2. Rimuovere il coperchio delle prese elettriche. Fare riferimento ai passi illustrati nella [Figura 3](#).
3. Sostituire il fusibile. Fare riferimento ai passi illustrati nella [Figura 4](#)
4. Installare il coperchio delle prese elettriche. Serrare tutte le viti per mantenere il grado di protezione dell'alloggiamento.
5. Chiudere il pannello di analisi. Ruotare il fermo del pannello di analisi nella posizione di blocco.
6. Collegare il cavo di alimentazione a una presa elettrica.
7. Premere **menu** e poi selezionare **AVVIA ANALIZZATORE**.

Figura 3 Rimozione del coperchio di accesso ai collegamenti elettrici

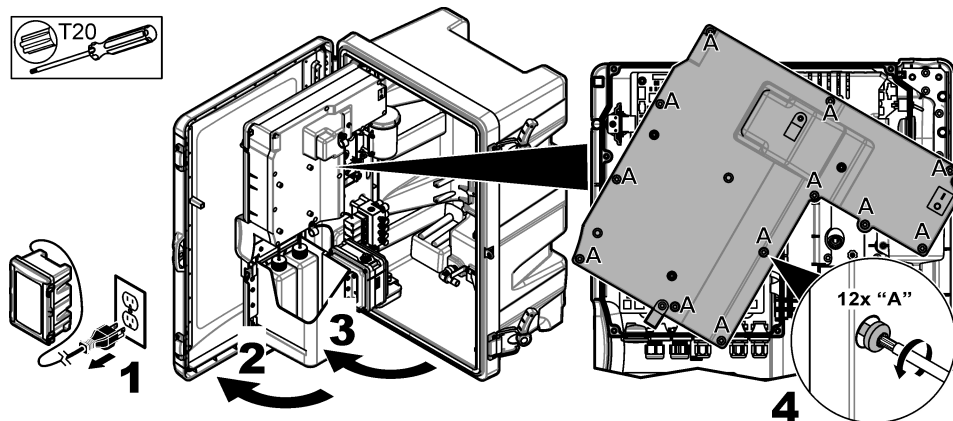
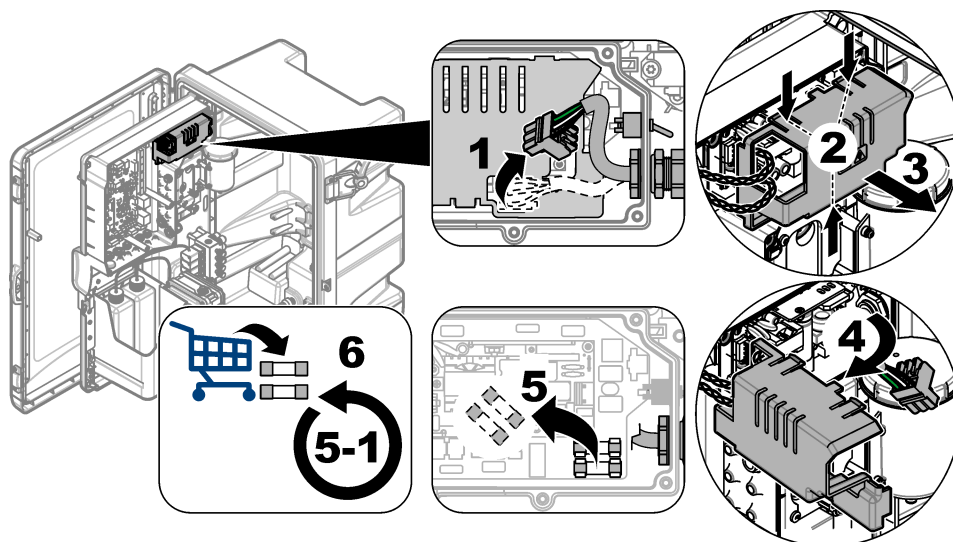


Figura 4 Sostituzione del fusibile di alimentazione



3.8 Preparazione dell'analizzatore per uno spegnimento per un breve periodo

Preparare l'analizzatore per uno spegnimento per un breve periodo (da 2 giorni a 1 settimana) nel modo seguente:

Articoli a carico dell'utente: Forbici a pinza

1. Premere **menu** e poi selezionare **ARRESTA ANALIZZATORE**.

Nota: Se viene visualizzata la scritta **AVVIA ANALIZZATORE**, l'analizzatore è già in modalità di standby.

2. Collocare le forbici a pinza (metalliche o di plastica) sull'estremità del tubo dell'elettrolita KCl per interrompere il flusso dell'elettrolita KCl verso l'elettrodo di riferimento.

Nota: Quando l'analizzatore è in modalità di standby o spento, l'elettrolita KCl continua a fuoriuscire dall'elettrodo di riferimento. L'elettrolita KCl scorrerà lentamente verso la camera sinistra della cella di misura per fuoriuscire dalla sommità della camera stessa.

3. Chiudere le valvole di intercettazione delle linee del campione.
4. Se è necessario togliere alimentazione all'analizzatore, aggiungere la soluzione di riattivazione alla camera centrale della cella di misura per evitare danni all'elettrodo per sodio.

Nota: Trascorse 4 ore in modalità di standby, l'analizzatore aggiunge automaticamente la soluzione di riattivazione alla camera centrale della cella di misura.

3.9 Preparazione dell'analizzatore per uno spegnimento a lungo termine

⚠ AVVERTENZA



Pericolo di esposizione ad agenti chimici. Rispettare le procedure di sicurezza del laboratorio e indossare tutte le apparecchiature protettive appropriate per le sostanze chimiche utilizzate. Leggere la scheda dei dati sulla sicurezza del fornitore prima di riempire le bottiglie o di preparare i reagenti. Solo per l'uso in laboratorio. Rendere note le informazioni di pericolo in conformità alle normative locali dell'utente.

⚠ ATTENZIONE



Pericolo di esposizione ad agenti chimici. Smaltire i prodotti chimici e i rifiuti conformemente alle normative locali, regionali e nazionali.

Preparare l'analizzatore per uno spegnimento a lungo termine (più di 1 settimana) nel modo seguente:

Articoli forniti dall'utente:

- Piccolo contenitore, 250 ml o più grande
- Acqua deionizzata, 1,5 l
- Panno pulito che non rilascia pelucchi

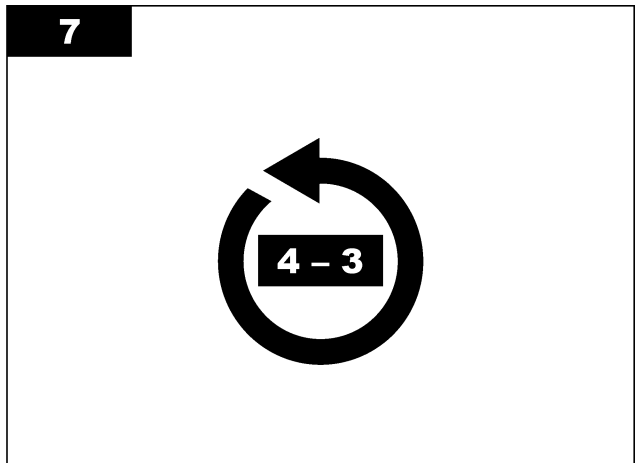
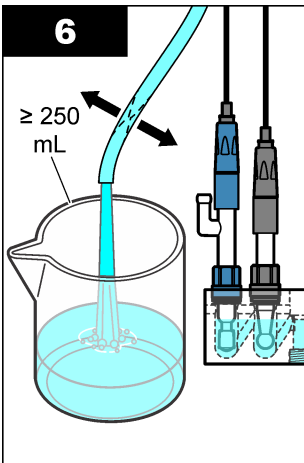
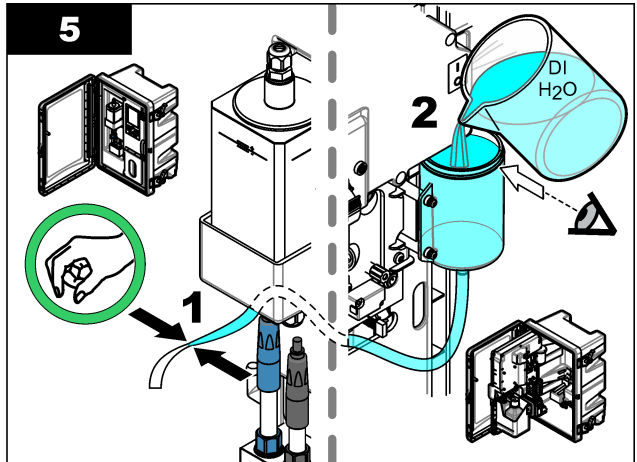
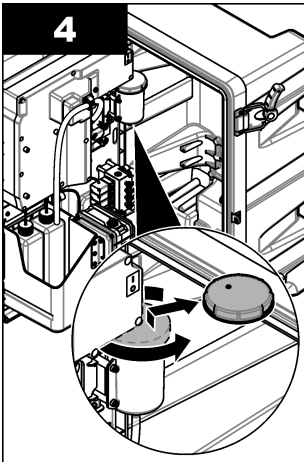
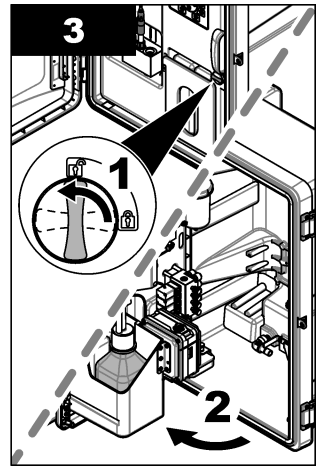
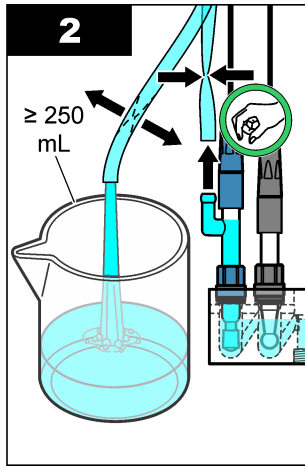
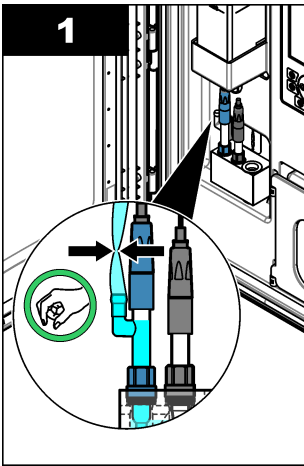
Articoli necessari:

- Flaconi di stoccaggio per elettrodi (2x)
- Cappucci protettivi per elettrodi (2x)
- Coperchio nero per il giunto in vetro dell'elettrodo di riferimento

3.9.1 Scarico e lavaggio del serbatoio dell'elettrolita KCl

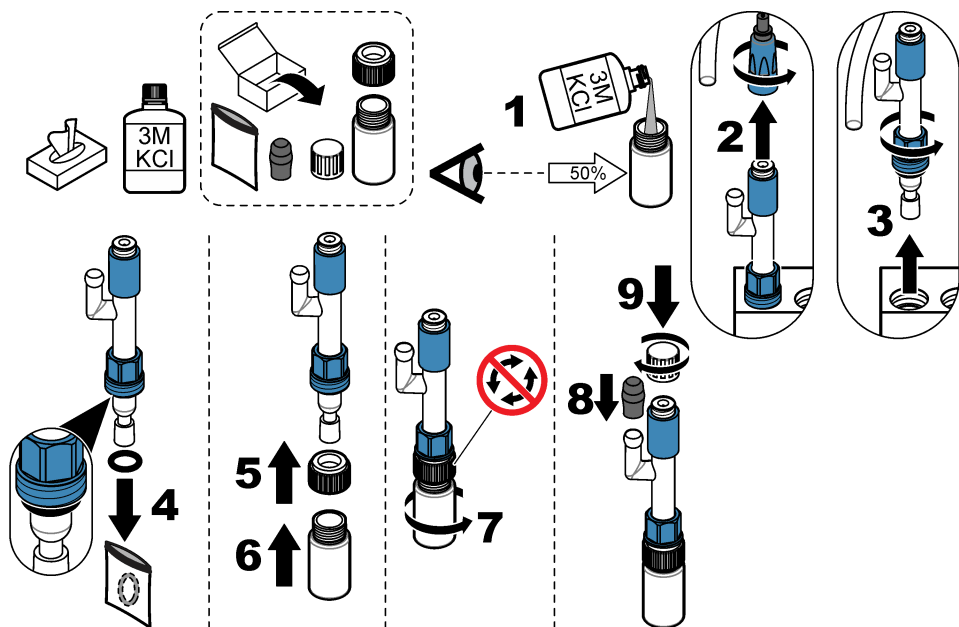
Fare riferimento ai passaggi illustrati di seguito.

Indossare i dispositivi di protezione individuale indicati nella scheda dati di sicurezza (MSDS/SDS).



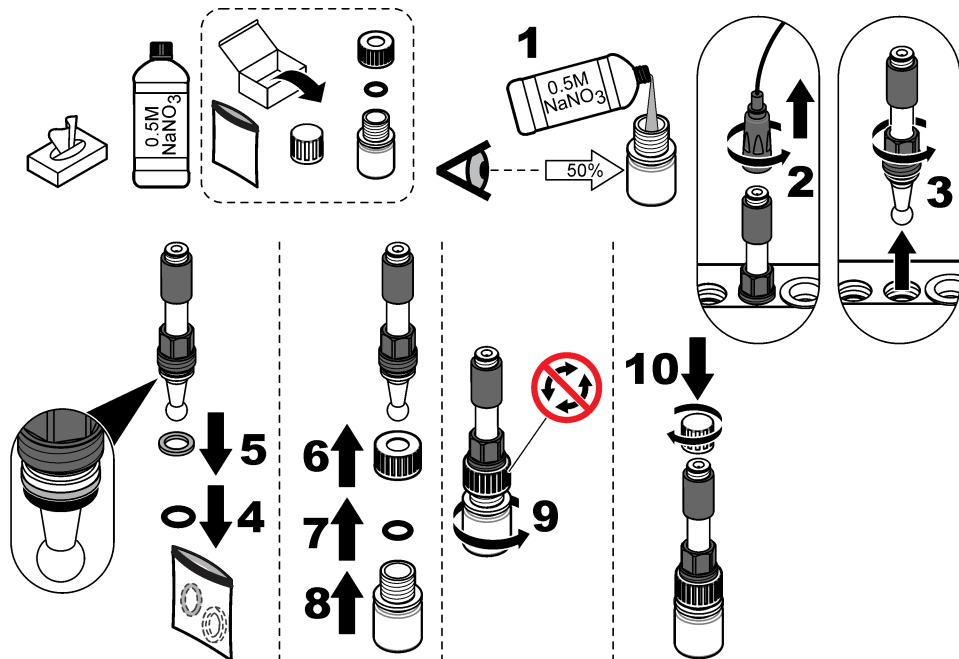
3.9.2 Rimozione dell'elettrodo di riferimento

Fare riferimento ai passaggi illustrati di seguito.



3.9.3 Rimozione dell'elettrodo per sodio

Fare riferimento ai passaggi illustrati di seguito.



3.9.4 Scollegamento del flacone della soluzione di condizionamento

⚠ AVVERTENZA



Pericolo di inalazione. Non respirare i fumi di diisopropilammina (DIPA) o ammoniaca. L'esposizione può causare lesioni gravi, anche fatali.



⚠ AVVERTENZA

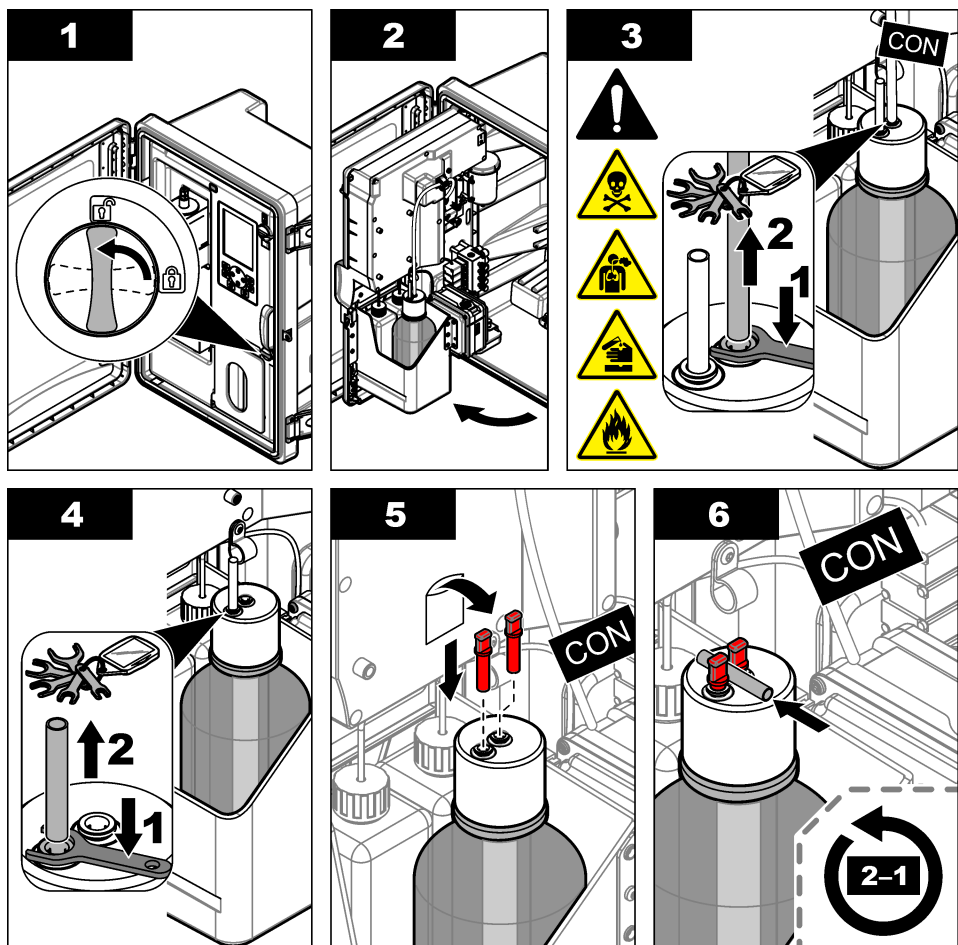


Pericolo di esposizione ad agenti chimici. La diisopropilammina (DIPA) e l'ammoniaca sono sostanze chimiche infiammabili, corrosive e tossiche. L'esposizione può causare lesioni gravi, anche fatali.



Fare riferimento ai passaggi illustrati di seguito.

Indossare i dispositivi di protezione individuale indicati nella scheda dati di sicurezza (MSDS/SDS).



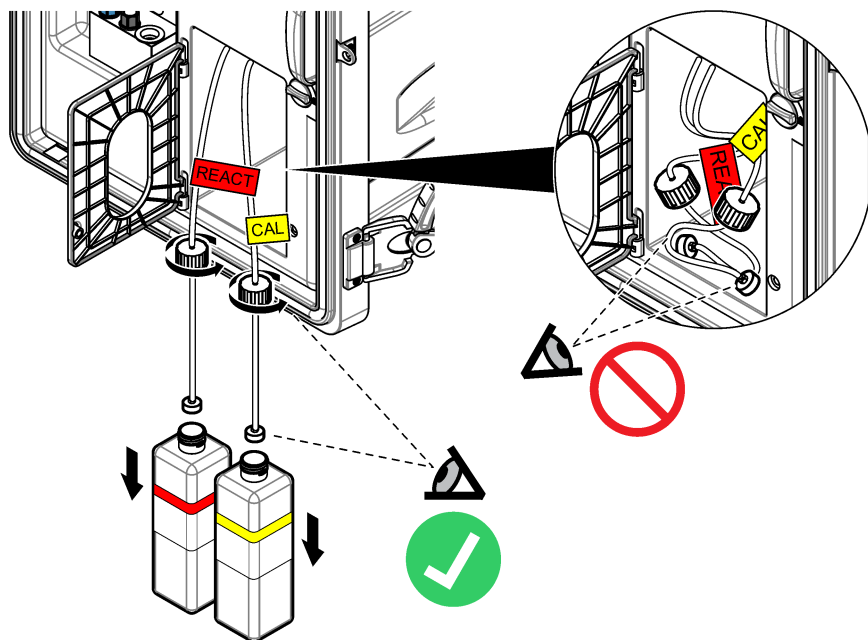
3.9.5 Lavaggio del tubo del reagente

1. Indossare i dispositivi di protezione individuale indicati nella scheda dati di sicurezza (MSDS/SDS).
2. Rimuovere i flaconi delle soluzioni di riattivazione e calibrazione dall'analizzatore. Fare riferimento a [Figura 5](#).

Nota: Solo gli analizzatori dotati di opzione di calibrazione automatica sono dotati del flacone di soluzione di calibrazione.

3. Smaltire le soluzioni contenute nei flaconi in uno scarico adatto.
4. Lavare e riempire i flaconi a metà con acqua deionizzata.
5. Installare i flaconi nell'analizzatore.
6. Premere **menu** e poi selezionare REAGENTI/STANDARD > PESCA REAGENTI. Il tubo del reagente viene lavato con acqua deionizzata.

Figura 5 Rimozione del flacone



3.9.6 Scarico del contenitore di travaso

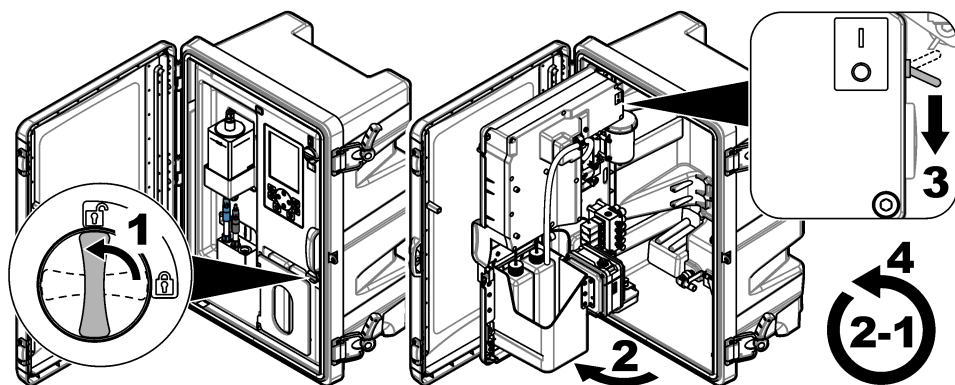
1. Premere **diag**, quindi selezionare ESEGUI TEST e poi premere **enter**.
2. Premere **enter** per selezionare SI.
3. Selezionare DRENAGGIO CAMPIONE, quindi premere **enter**.
4. Inserire 150 secondi.
5. Premere **enter** per due volte.
6. Quando il contenitore di travaso è vuoto, premere **back**.
7. Premere **Home**.

3.9.7 Arresto dell'analizzatore

Rimuovere l'alimentazione e il campione dall'analizzatore nel modo seguente:

1. Portare l'interruttore di alimentazione su Off. Fare riferimento a [Figura 6](#).
2. Chiudere il pannello di analisi. Ruotare il fermo del pannello di analisi nella posizione di blocco.
3. Scollegare il cavo di alimentazione dalla presa elettrica.
4. Chiudere le valvole di intercettazione delle linee del campione.
5. Utilizzare un panno pulito e che non lascia pelucchi per rimuovere l'acqua dal contenitore di travaso.
6. Utilizzare un panno pulito e che non lascia pelucchi per rimuovere l'acqua dalla camera sinistra e dalla camera centrale della cella di misura.

Figura 6 Portare l'interruttore di alimentazione su Off



3.9.8 Smaltimento dell'acqua deionizzata dei flaconi

1. Rimuovere i flaconi delle soluzioni di riattivazione e calibrazione dall'analizzatore. Tirare i tappi dei flaconi verso il basso in modo che restino agganciati sotto l'analizzatore. Impedire che il tappo del flacone o il tubo interno tocchino l'analizzatore per evitare contaminazioni.
2. Eliminare l'acqua deionizzata dai flaconi.
3. Lasciar asciugare completamente i flaconi all'aria.
4. Installare i flaconi nell'analizzatore.
5. Chiudere lo sportello dell'analizzatore.

Sezione 4 Risoluzione dei problemi

Problema	Possibile causa	Soluzione
La barra di stato non viene visualizzata sulla schermata di misurazione.	Il canale mostrato sulla schermata di misurazione non è quello misurato.	Premere i tasti freccia SU o GIÙ finché il canale misurato non viene visualizzato sulla schermata di misurazione.
Un canale non viene visualizzato sulla schermata di misurazione quando si preme il tasto freccia SU o GIÙ .	Il canale non è selezionato nelle impostazioni del display.	Premere menu e poi selezionare CONFIGURA SISTEMA > SETUP DISPLAY > AGGIUSTA ORDINE > VIS. ORDINE CORRENTE. Se il canale non viene visualizzato, premere back e poi selezionare AGG. MISURAZIONI. Premere il tasto freccia SINISTRA per selezionare o deselezionare una casella di controllo.

Problema	Possibile causa	Soluzione
Un canale non viene misurato.	Il canale non è attivato.	Premere menu e poi selezionare CONFIGURA SISTEMA > CONFIGURA ANALIZZATORE > CONFIGURA SEQUENZA > ATTIVA CANALI. Aggiungere il canale. Premere il tasto freccia SINISTRA per selezionare o deselezionare una casella di controllo.
	Il canale non è presente nella sequenza di misurazione canali.	Premere menu e poi selezionare CONFIGURA SISTEMA > CONFIGURA ANALIZZATORE > CONFIGURA SEQUENZA > SEQUENZA CANALI. Premere i tasti freccia SU e GIÙ per selezionare una riga e poi premere i tasti freccia SINISTRA o DESTRA per selezionare un canale. S1 è il primo canale misurato, seguito poi dai canali S2, S3 ed S4. Nota: Non selezionare i canali che contengono il simbolo "~" (ad es. 4--CAMPIONE4). I canali che contengono il simbolo "~" non vengono misurati.
Viene visualizzato l'avviso "LETTURA INSTABILE".	Il tempo di lavaggio tra le misurazioni dei canali è troppo breve.	Premere il tasto menu e poi selezionare CONFIGURA SISTEMA > CONFIGURA ANALIZZATORE > MISURAZIONE... > IMPOSTA CICLO MISURE > TEMPO MAX CICLO o DURATA CICLO. Aumentare l'impostazione di TEMPO MAX CICLO o di DURATA CICLO per aumentare il tempo di lavaggio.
Viene visualizzato l'avviso "CAMPIONE MANCANTE".	La valvola di intercettazione della linea campione è chiusa.	Ruotare la valvola di intercettazione in posizione di apertura.
	La linea del campione non è collegata correttamente dal punto di vista idraulico.	Assicurarsi che la linea del campione sia collegata alla porta idraulica corretta. Fare riferimento a <i>Porte per le tubazioni</i> nel manuale di installazione.
	La valvola di flusso campione è chiusa.	Lanciare la procedura guidata di avvio. Premere menu e poi selezionare CONFIGURA SISTEMA > AVVIA ANALIZZATORE. Premere enter finché il sistema non richiede di regolare la portata del campione. Ruotare in senso antiorario la valvola di flusso campione per aumentare la portata a 6-9 l/h su ciascun canale.
	L'elettrovalvola del canale non funziona correttamente.	Premere diag e poi selezionare ESEGUI TEST > DRENAGGIO CAMPIONE per scaricare il contenitore di travaso. Premere diag e poi selezionare ESEGUI TEST > EROGAZIONE CAMPIONE per aprire la valvola del campione. Se il campione non scorre nel contenitore di travaso, esaminare il cablaggio della valvola campione. Sostituire la valvola campione, se necessario.

Problema	Possibile causa	Soluzione
Viene visualizzato l'avviso "pH BASSO".	Era stato rimosso il coperchio dalla camera destra della cella di misura.	Installare il coperchio sulla camera destra della cella di misura.
	Il flacone della soluzione di condizionamento è vuoto o il livello è inferiore al 10%.	Sostituire la soluzione di condizionamento. Fare riferimento a Sostituzione della soluzione di condizionamento a pagina 59.
	Vi è un'infiltrazione d'aria nel tappo del flacone di condizionamento.	<ul style="list-style-type: none"> Assicurarsi che il tappo del flacone della soluzione di condizionamento sia a tenuta. Esaminare la rondella del tappo del flacone. Se sono visibili tracce di usura o danni, sostituire la rondella. Esaminare la flangia di plastica sul bordo del flacone. Se sono visibili tracce di usura o danni, sostituire il flacone della soluzione di condizionamento.
	Vi è un'infiltrazione d'aria nel tubo di condizionamento.	Verificare se il tubo della soluzione di condizionamento presenta un'ostruzione o un'infiltrazione d'aria. Sostituire il tubo, se necessario. <i>Nota: Il tubo di condizionamento contiene gas, non la soluzione.</i>
	La valvola di condizionamento non funziona correttamente.	Premere diag e poi selezionare ESEGUI TEST > VALVOLA DI CONDIZIONAMENTO per aprire la valvola di condizionamento. Se il gas di condizionamento non scorre nella camera destra della cella di misura (come evidenziato dalla presenza di bolle), sostituire la valvola di condizionamento.
Viene visualizzato l'avviso "CALIBRAZIONE FALLITA".	Il valore della soluzione di calibrazione presente nelle impostazioni di calibrazione automatica è diverso dal valore riportato sul flacone della soluzione di calibrazione.	Modificare il valore della soluzione di calibrazione nel relativo menu con il valore riportato sul flacone della soluzione. Fare riferimento a <i>Configurazione delle impostazioni della calibrazione automatica</i> nel manuale operativo.
	Il flacone della soluzione di calibrazione è vuoto.	Sostituire la soluzione di calibrazione. Fare riferimento a Sostituzione delle soluzioni di calibrazione e riattivazione a pagina 57.
	Vi è una perdita o un'ostruzione nel tubo della soluzione di calibrazione.	Cercare l'ostruzione o la perdita nel tubo. Sostituire il tubo secondo necessità.
	La pompa della soluzione di calibrazione non funziona correttamente.	<p>Premere diag e poi selezionare ESEGUI TEST > DRENAGGIO CAMPIONE per scaricare completamente il contenitore di travaso.</p> <p>Premere diag, quindi selezionare ESEGUI TEST > EROGAZIONE STD CAL per impostare l'attivazione della pompa della soluzione di calibrazione. Se la soluzione di calibrazione non scorre verso il contenitore di travaso, sostituire la pompa della soluzione di calibrazione.</p>
	L'ancoretta di agitazione non gira. <i>Nota: L'ancoretta di agitazione gira a intermittenza.</i>	Premere diag e poi selezionare ESEGUI TEST > MIXER per impostare l'attivazione del miscelatore. Se l'ancoretta di agitazione non si muove, sostituire il motorino del miscelatore.
	Nel contenitore di travaso non vi è l'ancoretta di agitazione.	Assicurarsi che nel contenitore di travaso vi sia l'ancoretta di agitazione.

Problema	Possibile causa	Soluzione
Viene visualizzato l'avviso "TENSIONE RIATTIV BASSA".	Il flacone della soluzione di riattivazione è vuoto.	Verificare che l'estremità del tubo della soluzione di riattivazione tocchi il fondo del flacone. Sostituire la soluzione di riattivazione. Fare riferimento a Sostituzioni delle soluzioni di calibrazione e riattivazione a pagina 57.
	L'elettrodo per sodio non funziona correttamente.	<ul style="list-style-type: none"> Assicurarsi che l'elettrodo per sodio sia stato installato correttamente. Fare riferimento al manuale di installazione. Assicurarsi che non vi sia aria nel bulbo in vetro dell'elettrodo per sodio.
	L'elettrodo di riferimento non funziona correttamente.	<ul style="list-style-type: none"> Rimuovere l'elettrodo di riferimento dalla cella di misura. Sollevare la ghiera che si trova sulla parte in vetro per far fuoriuscire l'elettrolita KCl. Premere verso il basso la ghiera e ruotarla per meno di 1/4 di giro per bloccarla. Una volta bloccata, la ghiera non girerà più. Installare l'elettrodo di riferimento nella cella di misura. Assicurarsi che l'elettrodo di riferimento sia stato installato correttamente. Fare riferimento al manuale di installazione. Per identificare il problema, premere diag e poi selezionare RIATTIVAZIONE SENSORE per eseguire una riattivazione.
	Vi è una perdita o un'ostruzione nel tubo della soluzione di riattivazione.	Cercare l'ostruzione o la perdita nel tubo. Sostituire il tubo, se necessario.
	La pompa della soluzione di riattivazione non funziona correttamente.	Premere diag e poi selezionare ESEGUI TEST > EROGAZIONE SOL RIATTIV > ALTO per impostare la pompa della soluzione di riattivazione su una portata elevata. Se la soluzione di riattivazione non scorre nella camera centrale della cella di misura, sostituire la pompa della soluzione di riattivazione.
Le letture dello strumento non sono stabili.	L'analizzatore è stato avviato da meno di 2 ore.	Lasciare in funzione l'analizzatore per 2 ore per dargli il tempo di stabilizzarsi.
	Uno o più cavi degli elettrodi sono collegati in modo errato agli elettrodi.	Scollegare il cavo dall'elettrodo. Inserire completamente il connettore sul connettore dell'elettrodo e poi girare il connettore fino a che esso non è ben stretto.
	I cavi degli elettrodi sono collegati agli elettrodi sbagliati.	Collegare il cavo blu all'elettrodo di riferimento. Collegare il cavo nero all'elettrodo per sodio.
	La portata dell'elettrolita KCl è troppo veloce.	Rimuovere l'elettrodo di riferimento dalla cella di misura. Premere verso il basso la ghiera e ruotarla per meno di 1/4 di giro per bloccarla. Una volta bloccata, la ghiera non girerà più. Se la ghiera non è bloccata, l'elettrolita KCl scorrerà troppo velocemente dall'elettrodo di riferimento nella cella di misura.

Problema	Possibile causa	Soluzione
Le misure non sono accurate.	L'analizzatore non è calibrato.	Calibrare l'analizzatore. Fare riferimento a <i>Calibrazione</i> nel manuale operativo. Per una migliore precisione, calibrare l'analizzatore a intervalli di 7 giorni (settimanalmente).
	La riattivazione automatica è disabilitata oppure l'intervallo tra le riattivazioni è superiore alle 24 ore.	Avviare una riattivazione automatica. Premere diag e poi selezionare RIATTIVAZIONE SENSORE. <i>Nota: Per garantire la migliore precisione, abilitare la riattivazione automatica. Impostare l'intervallo a 24 ore. Fare riferimento al manuale operativo.</i>
	Il flacone della soluzione di riattivazione è vuoto.	Sostituire la soluzione di riattivazione. Fare riferimento a Sostituzione delle soluzioni di calibrazione e riattivazione a pagina 57.
	Vi è una perdita o un'ostruzione nel tubo della soluzione di riattivazione.	Cercare l'ostruzione o la perdita nel tubo. Sostituire il tubo secondo necessità.
	La pompa della soluzione di riattivazione non funziona correttamente.	Premere diag e poi selezionare ESEGUI TEST > EROGAZIONE SOL RIATTIV > ALTO per impostare la pompa della soluzione di riattivazione su una portata elevata. Se la soluzione di riattivazione non scorre nella camera centrale della cella di misura, sostituire la pompa della soluzione di riattivazione.
L'ancoretta di agitazione nel contenitore di travaso non gira.	Il miscelatore non funziona correttamente. <i>Nota: L'ancoretta di agitazione gira a intermittenza.</i>	Premere diag e poi selezionare ESEGUI TEST > MIXER per impostare l'attivazione del miscelatore. Se l'ancoretta di agitazione non si muove, sostituire il motorino del miscelatore.
Il consumo dell'elettrolita KCl è troppo veloce ¹ .	La ghiera sulla parte in vetro dell'elettrodo di riferimento non è bloccata.	Rimuovere l'elettrodo di riferimento. Spingere la ghiera verso l'alto. Premere verso il basso la ghiera e ruotarla per meno di 1/4 di giro per bloccarla. Fare riferimento ai passaggi illustrati nella sezione <i>Installazione dell'elettrodo di riferimento</i> del manuale di installazione. Una volta bloccata, la ghiera non girerà più. Se la ghiera non è bloccata, l'elettrolita KCl scorrerà troppo velocemente dall'elettrodo di riferimento nella cella di misura.

¹ Il consumo dell'elettrolita KCl è troppo rapido se il livello del serbatoio cala per più di 3 mm (1/8 poll.) in due giorni

Problema	Possibile causa	Soluzione
Il consumo dell'elettrolita KCl è troppo lento ² .	La ghiera della parte in vetro dell'elettrodo di riferimento non è stata ruotata per rompere il sigillo.	Rimuovere l'elettrodo di riferimento. Ruotare con cautela la ghiera per rompere il sigillo. Quando la ghiera ruota facilmente, il sigillo è rotto. Fare riferimento ai passaggi illustrati nella sezione <i>Installazione dell'elettrodo di riferimento</i> del manuale di installazione. Premere verso il basso la ghiera e ruotarla per meno di 1/4 di giro per bloccarla. Una volta bloccata, la ghiera non girerà più. Se la ghiera non è bloccata, l'elettrolita KCl scorrerà troppo velocemente dall'elettrodo di riferimento nella cella di misura.
La spia di un relè sulla schermata di misurazione sta lampeggiando.	Il tempo selezionato per il timer di sovralimentazione è scaduto.	Azzerare il timer di sovralimentazione. Fare riferimento a Azzeramento del timer di sovralimentazione dei relè a pagina 76. Nota: L'impostazione del timer di sovralimentazione è abilitata solo quando il parametro PROG.FUNZIONI dei relè è impostato su CONTR ALIM.

4.1 Azzeramento del timer di sovralimentazione dei relè

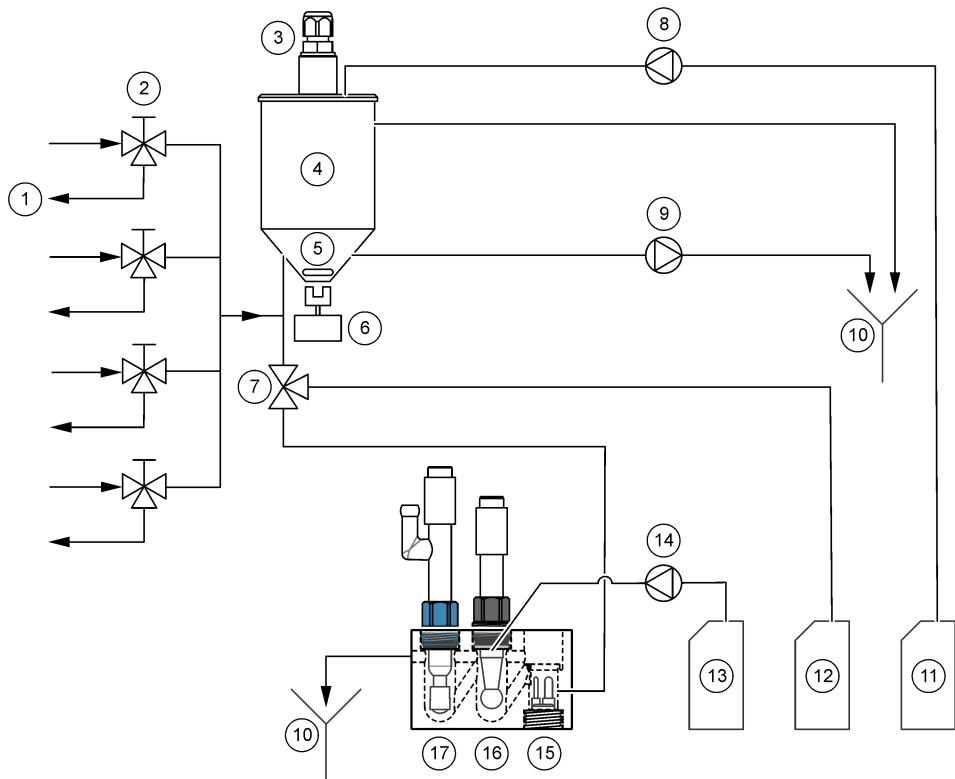
L'impostazione del timer di sovralimentazione dei relè impedisce che un relè resti attivato in continuo a causa di una condizione che mantiene il valore della misura superiore al setpoint o all'isteresi programmati (ad es. un elettrodo danneggiato o un problema di processo). Il timer di sovralimentazione limita la durata di attivazione dei relè e dell'elemento di controllo ad esso collegato indipendentemente dalle condizioni.

Alla scadenza dell'intervallo di tempo selezionato per il timer di sovralimentazione, la spia di stato del relè lampeggia nell'angolo superiore destro della schermata di misurazione finché il timer di sovralimentazione non viene azzerato. Premere **diag** e poi selezionare OVERFEED RESET per azzerare il timer di sovralimentazione.

² Il consumo dell'elettrolita KCl è troppo lento se il livello del serbatoio cala per meno di 1 mm in due giorni

Sezione 5 Diagnostica

5.1 Schema dei collegamenti idraulici



1 Scarico di bypass del campione	7 Valvola di condizionamento	13 Soluzione di riattivazione
2 Ingresso campione	8 Pompa per soluzione di calibrazione ³	14 Pompa per soluzione di riattivazione
3 Sensore di livello	9 Pompa di scarico	15 Sensore di temperatura
4 Contenitore di travaso	10 Scarico	16 Elettrodo per sodio
5 Ancoretta di agitazione	11 Soluzione di calibrazione ³	17 Elettrodo di riferimento
6 Motorino del miscelatore	12 Soluzione di condizionamento	

5.2 Avvio di un test analizzatore

Avviare un test dell'analizzatore per stabilire se la spia di stato, il motorino del miscelatore, una pompa o una valvola funzionano correttamente.

³ Solo gli analizzatori dotati di opzione di calibrazione automatica sono provvisti di soluzione di calibrazione e della relativa pompa.

1. Premere **diag** e poi selezionare ESEGUI TEST.
2. Selezionare un'opzione.

Opzione	Descrizione
EROGAZIONE SOL RIATTIV	Avvia la pompa della soluzione di riattivazione. La soluzione di riattivazione scorre nella camera centrale della cella di misura. Nota: La cella di misura è il blocco trasparente in cui sono installati gli elettrodi.
EROGAZIONE CAMPIONE	Consente di impostare l'elettrovalvola del campione per il canale selezionato per l'apertura. Il campione scorre nel contenitore di travaso. Nota: Se il contenitore di travaso è pieno, il livello dell'acqua al suo interno non cambia. Per scaricare il contenitore di travaso, svolgere il test di DRENAGGIO CAMPIONE.
EROGAZIONE STD CAL	Nota: L'opzione EROGAZIONE STD CAL è disponibile solo sugli analizzatori provvisti di opzione di calibrazione automatica. Consente di attivare la pompa della soluzione cationica. La soluzione di calibrazione scorre nel contenitore di travaso.
VALVOLA DI CONDIZIONAMENTO	Consente di impostare la valvola di condizionamento sull'apertura. Il gas di condizionamento scorre nella camera destra della cella di misura. Nota: La cella di misura è il blocco trasparente in cui sono installati gli elettrodi.
DRENAGGIO CAMPIONE	Consente di attivare la pompa di drenaggio. L'acqua nel contenitore di travaso fuoriesce dal tubo di scarico chimico.
MIXER	Consente di attivare il miscelatore. L'ancoretta di agitazione nel contenitore di travaso gira.
LED DI STATO	Imposta la spia di stato sul ciclo continuo: giallo, rosso, verde.
POMPA DELL'ARIA	Nota: L'opzione POMPA DELL'ARIA è disponibile solo quando è installata la pompa cationica opzionale. Consente di attivare la pompa cationica. La pompa cationica spinge l'aria nel fiascone della soluzione di condizionamento (DIPA). Fare riferimento alla sezione <i>Panoramica del prodotto</i> del manuale di installazione per identificare la posizione della pompa cationica nell'analizzatore.
SELEZIONA SCRIPT	Nota: L'opzione SELEZIONA SCRIPT è solo a scopo di manutenzione. Consente di impostare l'analizzatore per l'uso dello script normale o per quello di test dello strumento.

5.3 Avvio del test di un relè o di un'uscita 4-20 mA

Avviare il test di un relè o di un'uscita 4-20 mA per identificare se il loro funzionamento è corretto.

1. Premere **diag** e selezionare USCITE.
2. Selezionare un'opzione.

Opzione	Descrizione
ESEGUI TEST 4-20 mA	Consente di impostare il segnale (mA) sull'uscita 4–20 mA selezionata. Misurare la corrente sull'uscita 4–20 mA con un multimetro.
TEST RELE A	Consente di attivare (energizzare) o disattivare (non energizzare) il relè selezionato. Misurare la resistenza attraverso il relè con un multimetro per stabilire se il relè è aperto o chiuso.

Opzione	Descrizione
HOLD USCITE	Consente di mantenere le uscite sull'ultimo valore o di impostarle sul valore di trasferimento. RELE' ATTIVATO - Selezionare LANCIA per mantenere le uscite sull'ultimo valore o per impostarle sul valore di trasferimento. Selezionare ATTIVARE per lasciar funzionare le uscite normalmente. SET USCITE - Selezionare HOLD USCITE per mantenere le uscite sull'ultimo valore. Selezionare USCITE TRASFERIMENTO per impostare le uscite sul valore di trasferimento. Fare riferimento al manuale operativo per impostare il valore di trasferimento delle uscite. SET CANALI - Selezionare TUTTO per selezionare tutti i canali. Selezionare ANALIZZATORE per selezionare tutti i canali per l'analizzatore selezionato.
STATO USCITA	Mostra i segnali (mA) sulle uscite da 4–20 mA.
SIMULA MISURAZIONE	Inserisce una lettura dell'analizzatore su un canale selezionato per eseguire un test delle uscite. La simulazione viene interrotta una volta lasciata la schermata. SEL.ORIGINE - Seleziona l'analizzatore. PARAM.SCELTO - Seleziona il canale. SET VALORE SIM - Consente di impostare la lettura dell'analizzatore.

5.4 Visualizzazione delle informazioni dell'analizzatore

Per visualizzare le informazioni dell'analizzatore tra quelle riportate di seguito, premere **menu**, quindi selezionare MOSTRA DATI > DATI ANALIZZATORE. Fare riferimento a [Tabella 2](#).

Tabella 2 Descrizione dei dati dell'analizzatore

Voce	Descrizione
DATA/ORA	Ora (in formato 24 ore) e data corrente identificate nelle impostazioni
NOME	Nome dell'analizzatore
TIPO	Tipo di analizzatore
TEMP AMBIENTE	Temperatura ambiente dell'analizzatore
LIVELLO SOL CONDIZIONAMENTO	Livello della soluzione del flacone di condizionamento
LIVELLO SOL RIATTIV	Livello della soluzione del flacone di riattivazione
LIVELLO STANDARD	Livello della soluzione del flacone di calibrazione
LIVELLO KCL	Livello della soluzione nel serbatoio dell'elettrolita KCl
ULTIMA RIATTIVAZIONE	Data di esecuzione dell'ultima riattivazione automatica
ULTIMA CAL.	Data di esecuzione dell'ultima calibrazione
ULTIMA MANUTENZIONE	Data dell'ultimo intervento di manutenzione
VERSIONE SW	Versione software installata
FIRMWARE DD	Versione firmware e driver del dispositivo installata
CONTENUTO DD	Versione del contenuto dei dati del driver del dispositivo
VERSIONE SCRIPT	Versione del blocco directory del file di script
CONTENUTO SCRIPT	Versione del contenuto della directory del file di script
VER SW CONTROLLO_MIS	Revisione del software di controllo misurazione installata
NUMERO SERIE	Numero di serie dell'analizzatore

5.5 Visualizzazione dello stato dell'analizzatore e dei dati di sistema

Per visualizzare lo stato corrente dell'analizzatore, lo stato del Modbus, i dati di sistema o i dati I2C, osservare la procedura seguente:

1. Premere **diag**.
2. Selezionare un'opzione.

Opzione	Descrizione
STATO CORRENTE	FUNZIONAMENTO - Modalità di misurazione attuale. CANALE CAMPIONE - Canale del campione corrente. STATO FASE - Fase corrente del ciclo di misurazione. TEMPO FASE - Tempo residuo della fase. MINUTI RIMANENTI - Minuti rimanenti della fase corrente. COMPLETAMENTO - Percentuale di completamento del ciclo di misurazione.
MODBUS STATIST	Mostra lo stato delle porte Modbus: sensore, controller, rete e assistenza. Mostra il numero di trasmissioni corrette ed errate.
DATI DI SISTEMA	TEMP AMBIENTE - Temperatura ambiente misurata in gradi Celsius (C). FREQUENZA SORG. ALIMENTAZ. - Frequenza dell'alimentazione di linea (Hz). TENSIONE SORG. ALIMENTAZ. - Tensione di alimentazione di linea (CA). TENSIONE 12 V - Tensione di alimentazione misurata (VCC). TENSIONE 3,3 V - Alimentazione a 3,3 V regolata misurata (VCC). CORRENTE 12 V - Corrente (in Ampere) per tensione di alimentazione 12 V misurata.
DATI I2C	Mostra le informazioni di comunicazione (I ² C) e il numero della versione.

5.6 Visualizzazione delle informazioni di manutenzione

Utilizzare il menu Manutenzione per visualizzare o impostare lo storico degli interventi di manutenzione dei particolari dello strumento.

1. Premere **diag**.
2. Selezionare **MANUTENZIONE**.
3. Selezionare un'opzione.

Opzione	Descrizione
MATERIALE DI CONSUMO	Mostra un elenco di materiali di consumo. Mostra la data dell'ultima sostituzione e il numero di giorni trascorsi dalla sostituzione del particolare. Azzerare il contatore dopo aver sostituito un particolare.
PARTE MANUT.	<i>Nota: L'opzione PARTE MANUT. è disponibile solo per la manutenzione.</i> Mostra un elenco di particolari e la data dell'ultima manutenzione eseguita. Il rappresentante del servizio di assistenza clienti azzerare il contatore dopo aver sostituito un particolare.
MANUTENZIONE ANNUALE	Mostra la data dell'ultima manutenzione annuale, quella della manutenzione annuale successiva e il numero di giorni che mancano alla prossima manutenzione annuale. Azzerare il contatore dopo aver eseguito la manutenzione annuale.
MODIFICA N/S ELETTRODI	Registra i numeri di serie degli elettrodi.
CRONOLOGIA MANUT.	Mostra gli interventi di manutenzione eseguiti e la relativa data (ad es. Sostituisce la soluzione di riattivazione). ORA DI AVVIO - Mostra i dati registrati dopo il giorno e l'ora selezionati. NUMERO DI LETTURE - Mostra il numero selezionato di punti di dati.
ABILIT. POST	NO - La diagnostica dell'hardware non viene eseguita quando l'analizzatore è alimentato. SI - La diagnostica dell'hardware viene eseguita quando l'analizzatore è alimentato.

Sezione 6 Parti di ricambio e accessori

⚠ AVVERTENZA



Pericolo di lesioni personali. L'uso di parti non approvate può causare lesioni personali, danni alla strumentazione o malfunzionamenti dell'apparecchiatura. La parti di ricambio riportate in questa sezione sono approvate dal produttore.

Nota: numeri di prodotti e articoli possono variare per alcune regioni di vendita. Contattare il distributore appropriato o fare riferimento al sito Web dell'azienda per dati di contatto.

Reagenti e soluzioni standard

Descrizione	Quantità	N. articolo
Soluzione di elettrolita KCl 3M	250 ml	LZW9500.99
Soluzione di elettrolita KCl 3M	500 ml	363140,00500
Diisopropilammina (DIPA) 99%	1 l	2834453
Soluzione standard di cloruro di sodio, 10 ppm	1 l	2835153
Nitrato di sodio, 0.5 M	500 ml	2507149

Parti di ricambio

Descrizione	Quantità	Prodotto n.
Flacone di soluzione di condizionamento con tappo, vuota	1	8352000
Rondella, tappo del flacone della soluzione di condizionamento	1	8417200
Raccordo a gomito, scarico, ½ poll., polipropilene	1	6772800
Elettrodo, riferimento	1	09240=C=0310
Elettrodo, sodio	1	09240=C=0320
Fusibile, 1,6 A, 250 V, 5 x 20 mm	1	5208300
Fusibile, 5 A, 250 V, ritardato, 5 x 20 mm	1	4693800
Kit di installazione, analizzatore a 1 canale, analizzatore con alloggiamento	1	8375400
Kit di installazione, analizzatore a 2 canali, analizzatore con alloggiamento	1	8375300
Kit di installazione, analizzatore a 4 canali, analizzatore con alloggiamento	1	8371500
Kit di installazione, analizzatore a 1 canale, analizzatore senza alloggiamento	1	8375700
Kit di installazione, analizzatore a 2 canale, analizzatore senza alloggiamento	1	8375600
Kit di installazione, analizzatore a 4 canale, analizzatore senza alloggiamento	1	8375500
Motorino del miscelatore	1	8420000
Viti per montaggio a pannello, M6 x 20 con testa troncoconica, in acciaio inox, Torx	4	8415500
Utensile di foratura per tappi delle porte elettriche interne, tubo metallico, utilizzato con 8379900	1	8380000

Parti di ricambio (continua)

Descrizione	Quantità	Prodotto n.
Utensile di foratura per tappi delle porte elettriche interne, piastra metallica, utilizzato con 8380000	1	8379900
Regolatore di pressione, 0,3 bar (4 psi), non regolabile	1	6782900
Pompa, soluzione di calibrazione	1	8364300
Pompa, scarico	1	8357400
Pompa, soluzione di riattivazione	1	8364200
Valvola di intercettazione, tubo con D.E. di 6 mm	1	8385200
Ancoretta di agitazione	1	W_4510_001_FF
Raccordo pressacavo, PG9 da 4 mm a 8 mm	1	8356300
Raccordo pressacavo, NPT da ½ poll. Da 4 mm a 9 mm	1	8368400
Staffe per montaggio a tavolo	2	8370400
Viti, staffa per montaggio a tavolo, #8 x ½ in acciaio, Torx	2	8412200
Tubo, scarico chimico e drenaggio, 17,5 mm (¹¹ / ₁₆ poll.) di D.E. x 3,2 mm (¹ / ₈ poll.) di spessore	2 m (6.5 piedi)	LZX278
Tubo, campione, D.E. 6 mm x D.I. 4 mm	5.5 m (18 piedi)	6772500
Tagliatubi	1	8385400
Staffe per montaggio a parete	2	8364100
Viti, staffa per montaggio a parete, M4 x 10, con rondella piatta, in acciaio inox, Torx	2	8412500
Valvola, condizionamento	1	8367600
Valvola, campionamento	1	8370200

Accessori

Descrizione	Quantità	Prodotto n.
Adattatore per fiasco, fiasco di DIPA, Merck	1	09073=C=0350
Adattatore per fiasco, fiasco di DIPA, Orion	1	09073=C=0360
Filtro, ingresso campione, 100 µm, tubo con D.E. di ¼ di pollice	1	595=010=005
Filtro, ingresso campione, 100 µm, tubo con D.E. di 6 mm	1	595=010=000
Scambiatore di calore, massimo 4 canali	1	8368900
Kit di aggiornamento cationico	1	8371200
Cavo di alimentazione, Nord America	1	9179700
Kit di aggiornamento da 1 a 4 canali	1	8365100
Kit di aggiornamento da 2 a 4 canali	1	8365000
Kit di aggiornamento per calibrazione automatica	1	8368000
Adattatore per tubo, da D.E. di 6 mm a D.E. di ¼ di pollice	2	09245=A=8300

Table des matières

- | | | | |
|---|---|---|---|
| 1 | Consignes de sécurité à la page 83 | 4 | Dépannage à la page 98 |
| 2 | Afficher les erreurs, les avertissements et les rappels actifs à la page 83 | 5 | Diagnostics à la page 104 |
| 3 | Entretien à la page 83 | 6 | Pièces de rechange et accessoires à la page 108 |

Section 1 Consignes de sécurité

Reportez-vous au manuel d'installation pour obtenir des informations générales sur la sécurité, des descriptions des dangers et des descriptions des étiquettes de mise en garde.

Section 2 Afficher les erreurs, les avertissements et les rappels actifs

L'arrière-plan de l'affichage et le voyant d'état deviennent rouges lorsqu'une erreur se produit ou jaunes lorsqu'un avertissement survient.

- **Erreur** - arrière-plan de l'affichage et voyant d'état rouges. Un problème qui affecte le fonctionnement de l'instrument est survenu. La mesure en cours s'arrête et l'analyseur se met en mode Arrêt.
- **Avertissement** - arrière-plan de l'affichage et voyant d'état jaunes. Un événement susceptible d'entraîner un problème par la suite est survenu. L'analyseur continue de fonctionner.
- **Rappels** - un symbole de clé s'affiche sur l'écran et le voyant d'état est jaune. Un intervalle de maintenance est écoulé.

Suivre les étapes suivantes pour afficher les erreurs, avertissements et rappels actifs :

Remarque : Pour afficher toutes les erreurs, tous les avertissements et tous les rappels possibles et leurs informations d'aide, appuyez sur **diag**, puis sélectionnez **AIDE ANALYSEUR**.

1. Appuyez sur **diag**, puis sélectionnez **DIAGNOSTICS**. Les erreurs, avertissements et rappels actifs sont affichés.
2. Sélectionnez une erreur, un avertissement ou un rappel de la liste.
3. Sélection d'une option.

Option	Description
VALIDER	Valide l'erreur, l'avertissement ou le rappel sélectionné. Lorsque toutes les erreurs, tous les avertissements et tous les rappels actifs sont validés, l'arrière-plan de l'affichage redevient blanc et le voyant d'état passe au vert.
VOIR AIDE	Affiche les informations d'aide pour l'erreur, l'avertissement ou le rappel sélectionné.

Section 3 Entretien

▲ DANGER



Dangers multiples. Seul le personnel qualifié doit effectuer les tâches détaillées dans cette section du document.

3.1 Calendrier d'entretien

Le [Tableau 1](#) présente le calendrier recommandé pour les tâches de maintenance. Les exigences du site et les conditions d'utilisation peuvent augmenter la fréquence de certaines tâches.

Tableau 1 Calendrier d'entretien

Tâche	3 mois	Au besoin
Remplacer les solutions d'étalonnage et de réactivation à la page 84	X	
Remplacement de la solution de conditionnement à la page 86	X	
Remplacement de l'électrolyte KCl à la page 89	X	
Remplacement d'un fusible de puissance d'alimentation à la page 90		X

3.2 Nettoyage de l'appareil

AVIS

N'utilisez jamais d'agents de nettoyage tels que térébenthine, acétone ou autres produits similaires pour nettoyer l'appareil, ni son écran et ses accessoires.

Nettoyez l'extérieur de l'appareil avec un chiffon humide et une solution de détergent doux.

3.3 Nettoyage des débordements

⚠ ATTENTION



Risque d'exposition chimique. Mettez au rebut les substances chimiques et les déchets conformément aux réglementations locales, régionales et nationales.

1. Respectez toutes les règles de sécurité du site concernant le contrôle des débordements.
2. Jetez les déchets en suivant les règles applicables.

3.4 Remplacer les solutions d'étalonnage et de réactivation

⚠ ATTENTION



Risque d'exposition chimique. Respectez les procédures de sécurité du laboratoire et portez tous les équipements de protection personnelle adaptés aux produits chimiques que vous manipulez. Consultez les fiches de données de sécurité (MSDS/SDS) à jour pour connaître les protocoles de sécurité applicables.

⚠ ATTENTION



Risque d'exposition chimique. Mettez au rebut les substances chimiques et les déchets conformément aux réglementations locales, régionales et nationales.

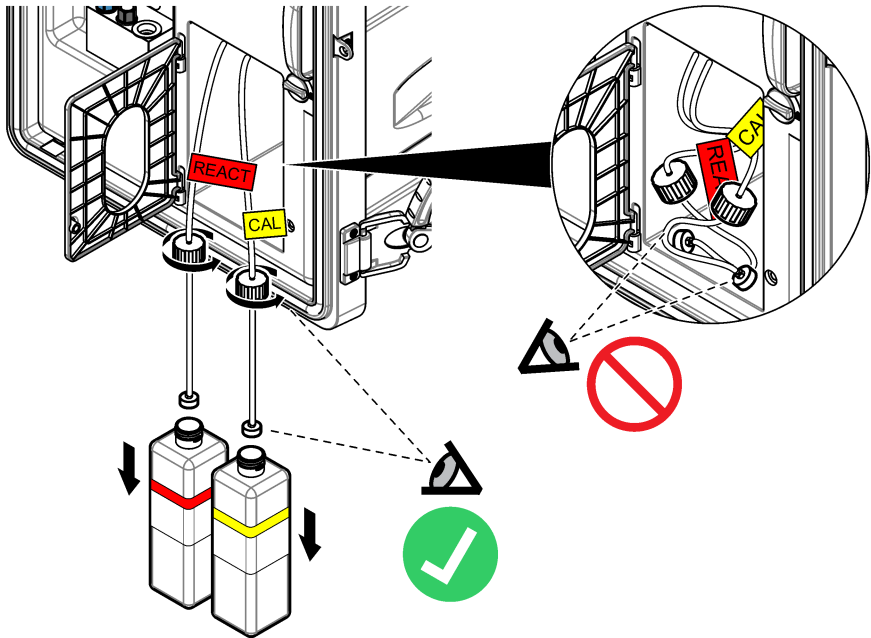
Remplacez la solution de réactivation et la solution d'étalonnage à 3 mois d'intervalle ou lorsqu'elles sont remplies à moins de 10 %.

Éléments fournis par l'utilisateur :

- Equipement de protection individuelle (reportez-vous aux fiches de données de sécurité [MSDS/SDS])
- Solution de nitrate de sodium (NaNO_3) 0,5 M, 500 mL
- Solution de chlorure de sodium (NaCl) à 10 ppm, 500 mL
- Eau désionisée, 100 mL

1. Enfilez l'équipement de protection individuelle identifié dans la fiche de données de sécurité (MSDS/SDS).
2. Appuyez sur **menu**, puis sélectionnez ARRETER L'ANALYSEUR.
Remarque : Si l'option DEMARRER ANALYSEUR s'affiche, cela signifie que l'analyseur est déjà en mode veille.
3. Remplacez la solution de réactivation et la solution d'étalonnage comme suit :
 - a. Retirez les flacons de solution de réactivation et de solution d'étalonnage de l'analyseur. Reportez-vous à la [Figure 1](#).
Remarque : Seuls les analyseurs équipés de l'option d'étalonnage automatique possèdent un flacon de solution d'étalonnage.
 - b. Éliminez les solutions des flacons dans la vidange appropriée.
 - c. Rincez les flacons avec de l'eau désionisée.
 - d. Remplissez le flacon de solution d'étalonnage avec 500 mL d'une nouvelle solution de 10 ppm de chlorure de sodium (NaCl). Le flacon de solution d'étalonnage a une étiquette avec une bande jaune.
Remarque : Pour préparer une solution de 10 ppm de chlorure de sodium (NaCl), reportez-vous au manuel d'utilisation.
 - e. Remplissez le flacon de solution de réactivation avec 500 mL d'une nouvelle solution de nitrate de sodium 0,5 M (NaNO₃). Le flacon de solution d'étalonnage a une étiquette avec une bande rouge.
Remarque : Pour préparer une solution de nitrate de sodium 0,5 M (NaNO₃), reportez-vous au manuel d'utilisation.
 - f. Remplacez les flacons dans l'analyseur. Assurez-vous que le tube avec une étiquette rouge « REACT » soit mis dans le flacon qui comporte une étiquette avec une bande rouge. Assurez-vous que le tube avec une étiquette jaune « CAL » soit mis dans le flacon qui comporte une étiquette avec une bande jaune.
4. Entrez le niveau des flacons comme suit :
 - a. Appuyez sur **menu**, puis sélectionnez REACTIFS/STANDARDS.
 - b. Sélectionnez DECLARER NIVEAU REACTIV, puis saisissez 100 %.
 - c. Sélectionnez REGLER NIV. SOL. ETALON, puis saisissez 100 %.
5. Sélectionnez AMORCER REACTIF.
6. Une fois l'étape d'amorçage du réactif effectuée, appuyez sur **menu**, puis sélectionnez DEMARRER ANALYSEUR.

Figure 1 Retrait du flacon



3.5 Remplacement de la solution de conditionnement

▲ AVERTISSEMENT



Danger d'inhalation. Ne respirez pas les vapeurs de diisopropylamine (DIPA) ou d'ammoniaque. L'exposition peut causer des blessures graves ou la mort.



▲ AVERTISSEMENT



Risque d'exposition chimique. La diisopropylamine (DIPA) et l'ammoniaque sont des produits chimiques inflammables, corrosifs et toxiques. L'exposition peut causer des blessures graves ou la mort.



▲ AVERTISSEMENT



Risque d'exposition chimique. Respectez les procédures de sécurité du laboratoire et portez tous les équipements de protection personnelle adaptés aux produits chimiques que vous manipulez. Consultez la fiche de données de sécurité du fournisseur avant de remplir les flacons ou de préparer les réactifs. Pour utilisation en laboratoire uniquement. Communiquez les informations sur les dangers conformément aux réglementations locales qui concernent l'utilisateur.

▲ ATTENTION



Risque d'exposition chimique. Mettez au rebut les substances chimiques et les déchets conformément aux réglementations locales, régionales et nationales.

Remplacez la solution de conditionnement tous les 3 mois ou lorsqu'elle est remplie à moins de 10 %. Utilisez de la DIPA (recommandé) ou de l'ammoniaque (concentration supérieure à 28 %) pour la solution de conditionnement.

Éléments fournis par l'utilisateur :

- Equipement de protection individuelle (reportez-vous aux fiches de données de sécurité [MSDS/SDS])
- Diisopropylamine (DIPA) 99 %, flacon de 1 L
- Bouchon adaptateur pour flacons DIPA Merck ou Orion le cas échéant

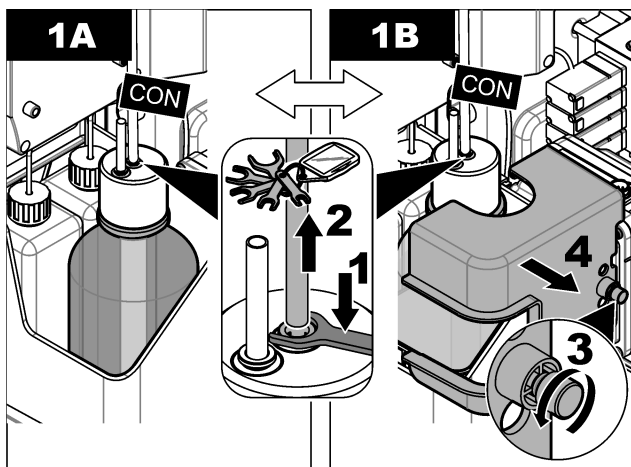
Remplacez le flacon de solution de conditionnement comme suit :

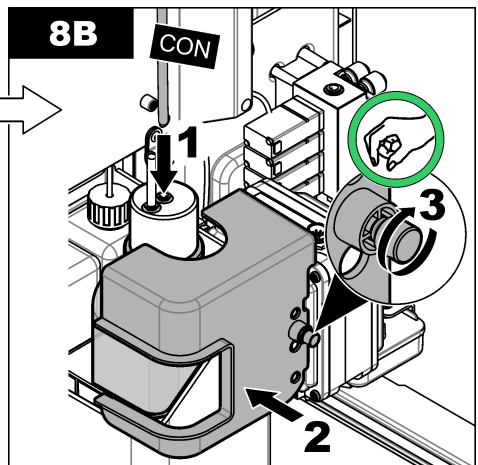
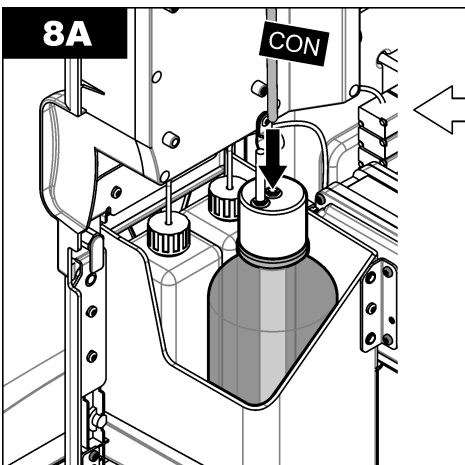
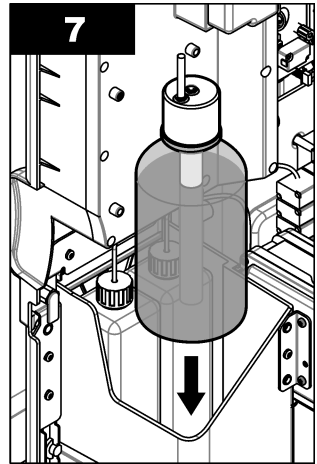
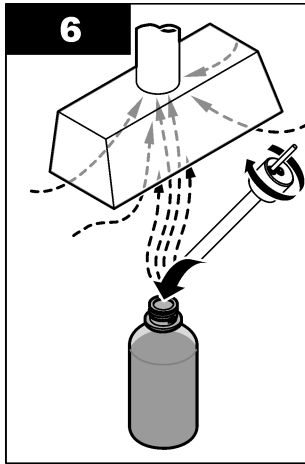
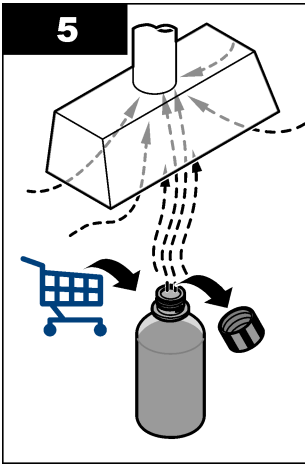
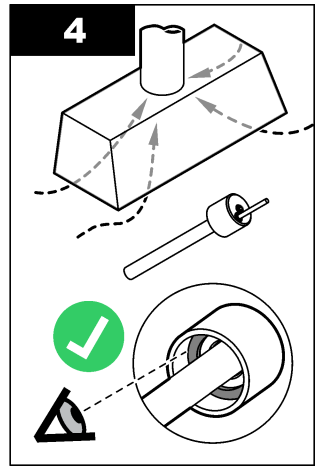
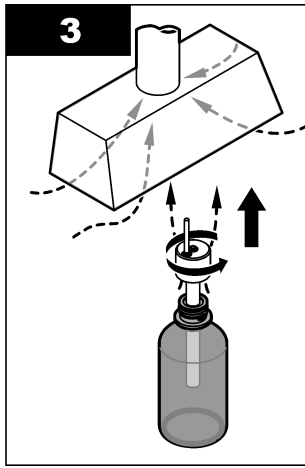
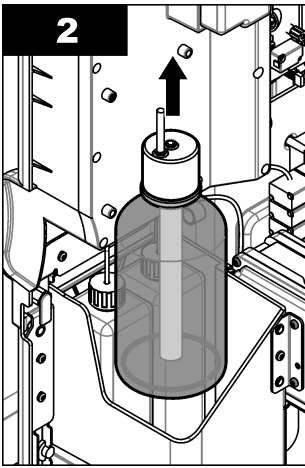
1. Enfillez l'équipement de protection individuelle identifié dans la fiche de données de sécurité (MSDS/SDS).
2. Appuyez sur **menu**, puis sélectionnez **ARRETER L'ANALYSEUR**.
Remarque : Si l'option **DEMARRER ANALYSEUR** s'affiche, cela signifie que l'analyseur est déjà en mode veille.
3. Placez le loquet situé sur le panneau d'analyse en position de déverrouillage. Ouvrez le panneau de l'analyseur.
4. Remplacement du flacon de solution de conditionnement. Reportez-vous aux étapes illustrées ci-dessous.

Remarque : Les analyseurs avec pompe cationique en option possèdent deux tubes qui rentrent dans le bouchon du flacon de solution de conditionnement. Retirez les deux tubes.

Remarque : Comme illustré aux étapes 1 et 8, seuls les analyseurs sans boîtier disposent d'un porte-flacons de conditionnement.



Suivez les étapes 3-6 illustrées sous une hotte si elle est disponible. Ne respirez pas les vapeurs de DIPA ou d'ammoniaque.





5. Pour les analyseurs avec pompe cationique en option, remplacez le tube de sortie de la pompe cationique dans le trou décentré du bouchon.
6. Fermez le panneau d'analyse. Tournez le loquet situé sur le panneau d'analyse pour le placer en position de verrouillage.
7. Entrez le niveau de flacon comme suit :
 - a. Appuyez sur **menu**, puis sélectionnez REACTIFS/STANDARDS.
 - b. Sélectionnez DECLARER NIVEAU COND, puis saisissez 100 %.
8. Appuyez sur **menu**, puis sélectionnez DEMARRER ANALYSEUR.

3.6 Remplacement de l'électrolyte KCl

⚠ ATTENTION	
	Risque d'exposition chimique. Respectez les procédures de sécurité du laboratoire et portez tous les équipements de protection personnelle adaptés aux produits chimiques que vous manipulez. Consultez les fiches de données de sécurité (MSDS/SDS) à jour pour connaître les protocoles de sécurité applicables.
⚠ ATTENTION	
	Risque d'exposition chimique. Mettez au rebut les substances chimiques et les déchets conformément aux réglementations locales, régionales et nationales.

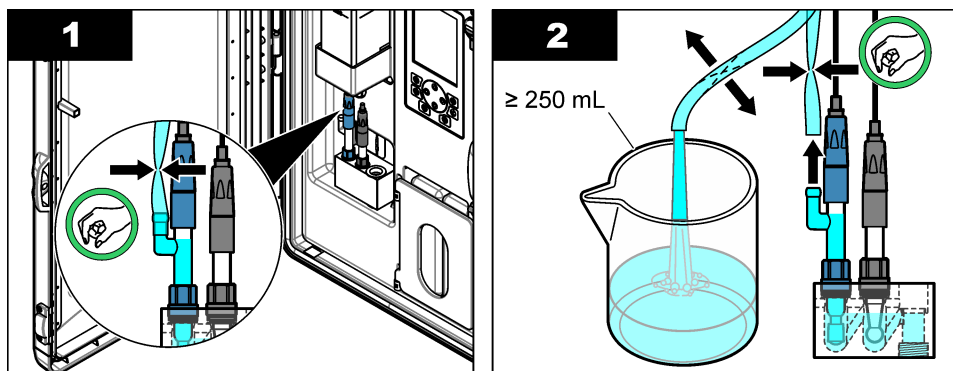
Remplacez l'électrolyte KCl dans le réservoir d'électrolyte KCl tous les 3 mois.

Éléments à réunir :

- Equipement de protection individuelle (reportez-vous aux fiches de données de sécurité [MSDS/SDS])
- Electrolyte KCl 3M, 200 mL
- Petit récipient, 250 mL ou plus

Remplacez l'électrolyte KCl comme suit :

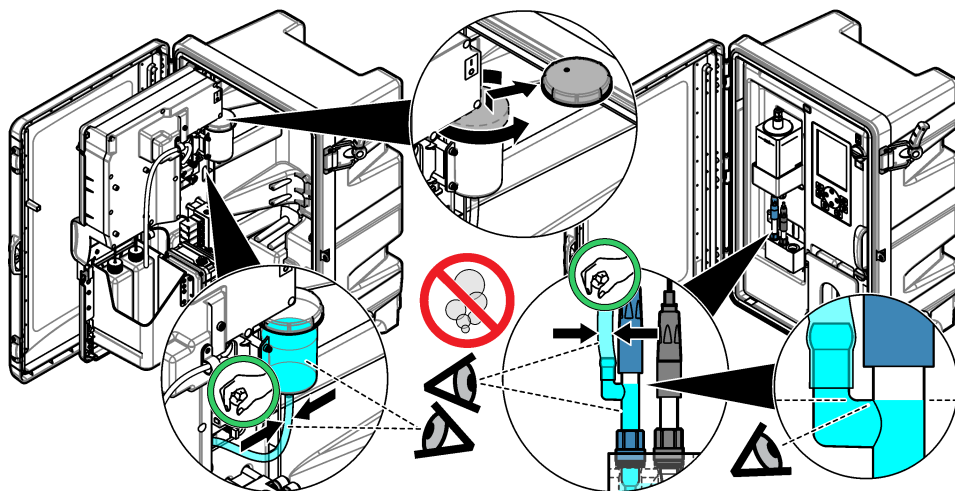
1. Enfilez l'équipement de protection individuelle identifié dans la fiche de données de sécurité (MSDS/SDS).
2. Vidangez le contenu du réservoir d'électrolyte KCl dans le petit récipient. Reportez-vous aux étapes illustrées ci-dessous. Jetez l'électrolyte KCl dans la vidange appropriée.



3. Remettez le tube d'électrolyte KCl sur l'électrode de référence.
4. Remplissez le réservoir d'électrolyte KCl comme suit :
 - a. Tournez le loquet situé sur le panneau d'analyse jusqu'à la position déverrouillée. Ouvrez le panneau de l'analyseur.

- b. Retirez le couvercle du réservoir d'électrolyte KCl. Reportez-vous à [Figure 2](#).
 - c. Remplissez le réservoir à 90 % (environ 200 mL).
 - d. Installez le couvercle.
5. Faites sortir les bulles d'air hors du tube de l'électrolyte KCl comme suit :
- a. A partir de l'avant du panneau d'analyse, pincez le tube d'électrolyte KCl avec le pouce et un autre doigt pour pousser les bulles d'air par le tube jusqu'au réservoir. Reportez-vous à la [Figure 2](#).
 - b. Lorsqu'une bulle d'air est à proximité du réservoir, utilisez vos deux mains pour pincer le tube à l'avant et à l'arrière du panneau de l'analyseur pour pousser la bulle d'air vers le haut.
 - c. Continuez à serrer le tube jusqu'à ce que l'électrolyte KCl dans l'électrode de référence soit en haut de la jonction de verre où l'électrolyte KCl entre dans l'électrode. Reportez-vous à la [Figure 2](#).
6. Fermez le panneau d'analyse. Tournez le loquet situé sur le panneau d'analyse pour le placer en position de verrouillage.
7. Entrez le niveau de flacon comme suit :
- a. Appuyez sur **menu**, puis sélectionnez REACTIFS/STANDARDS.
 - b. Sélectionnez ENTREE NIVEAU KCL, puis saisissez 100 %.

Figure 2 Remplissage du réservoir d'électrolyte KCl



3.7 Remplacement d'un fusible de puissance d'alimentation

▲ DANGER



Risque d'électrocution. Débranchez l'alimentation de l'appareil avant le début de la procédure.

▲ DANGER



Risque d'incendie. Remplacez les fusibles par des fusibles de même type et de même calibre.

Examinez les fusibles. Remplacez les fusibles ouverts par de nouveaux fusibles.

Élément fourni par l'utilisateur : fusible T 1,6 A, 250 V c.a.

1. Débranchez le cordon d'alimentation de la prise électrique.
2. Déposez le couvercle d'accès électrique. Reportez-vous aux étapes illustrées de la section [Figure 3](#).
3. Remplacez le fusible. Reportez-vous aux étapes illustrées de la section [Figure 4](#)
4. Installez le couvercle d'accès électrique. Serrez toutes les vis pour conserver les propriétés environnementales du boîtier.
5. Fermez le panneau d'analyse. Tournez le loquet situé sur le panneau d'analyse pour le placer en position de verrouillage.
6. Raccordez le cordon d'alimentation à une prise électrique.
7. Appuyez sur **menu**, puis sélectionnez DEMARRER ANALYSEUR.

Figure 3 Retrait du couvercle d'accès électrique

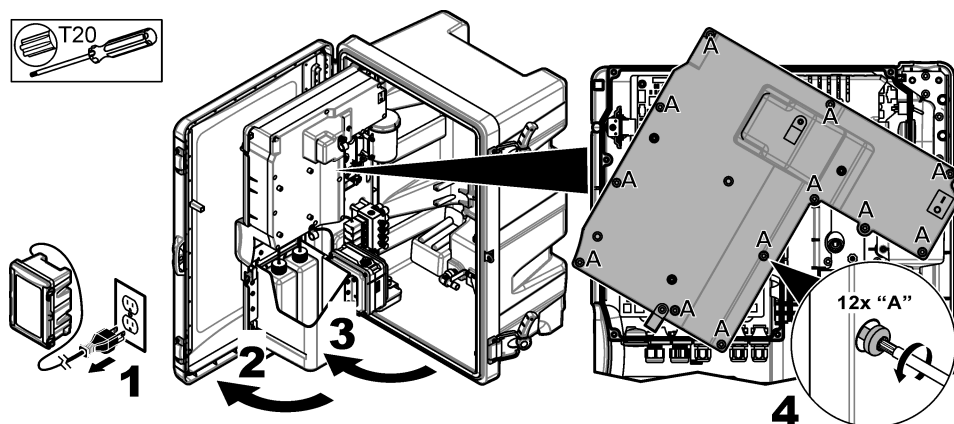
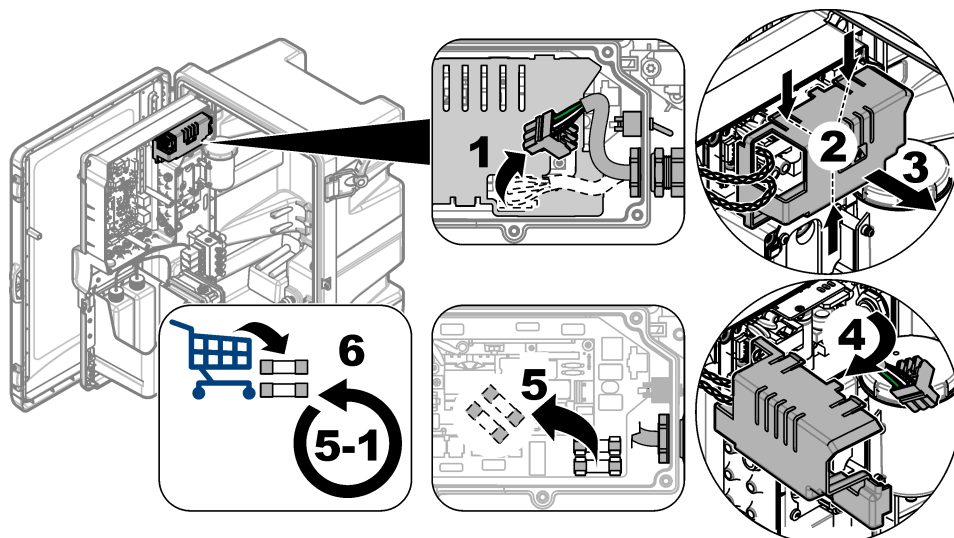


Figure 4 Remplacement d'un fusible de puissance



3.8 Préparer l'analyseur pour un arrêt de courte durée

Préparez l'analyseur pour un arrêt de courte durée (2 jours à 1 semaine) comme suit :

Éléments fournis par l'utilisateur : ciseaux à clamper

1. Appuyez sur **menu**, puis sélectionnez **ARRETER L'ANALYSEUR**.

Remarque : Si l'option **DEMARRER ANALYSEUR** s'affiche, cela signifie que l'analyseur est déjà en mode veille.

2. Fixez les ciseaux à clamper (métal ou plastique) à la fin du tube d'électrolyte KCl pour arrêter le débit d'électrolyte KCl vers l'électrode de référence.

Remarque : Lorsque l'analyseur est en mode veille ou éteint, l'électrolyte KCl continue à s'écouler de l'électrode de référence. L'électrolyte KCl va lentement remplir la chambre gauche de la cellule de mesure et sortir par le haut de la chambre gauche.

3. Fermez les vannes d'arrêt de la (des) conduite(s) d'échantillon.
4. Si l'alimentation de l'analyseur doit être coupée, ajoutez la solution de réactivation à la chambre du milieu de la cellule de mesure pour éviter tout dommage à l'électrode de sodium.

Remarque : Après 4 heures en mode veille, l'analyseur ajoute automatiquement de la solution de réactivation à la chambre du milieu de la cellule de mesure.

3.9 Préparer l'analyseur pour un arrêt de longue durée

▲ AVERTISSEMENT



Risque d'exposition chimique. Respectez les procédures de sécurité du laboratoire et portez tous les équipements de protection personnelle adaptés aux produits chimiques que vous manipulez. Consultez la fiche de données de sécurité du fournisseur avant de remplir les flacons ou de préparer les réactifs. Pour utilisation en laboratoire uniquement. Communiquez les informations sur les dangers conformément aux réglementations locales qui concernent l'utilisateur.

▲ ATTENTION



Risque d'exposition chimique. Mettez au rebut les substances chimiques et les déchets conformément aux réglementations locales, régionales et nationales.

Préparez l'analyseur pour un arrêt de longue durée (plus de 1 semaine) comme suit :

Éléments fournis par l'utilisateur :

- Petit récipient, 250 mL ou plus
- Eau désionisée, 1,5 L
- Chiffon propre non pelucheux

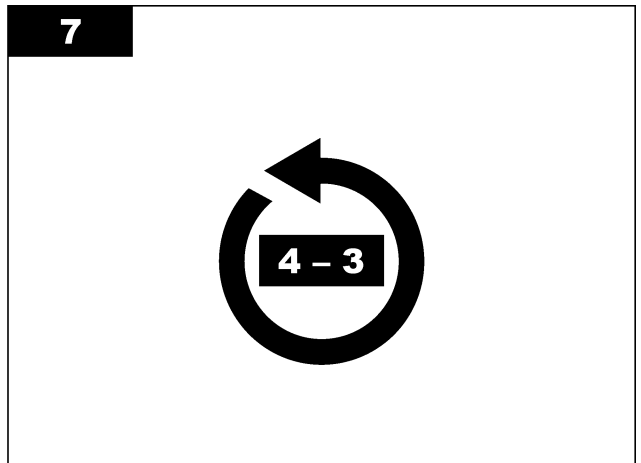
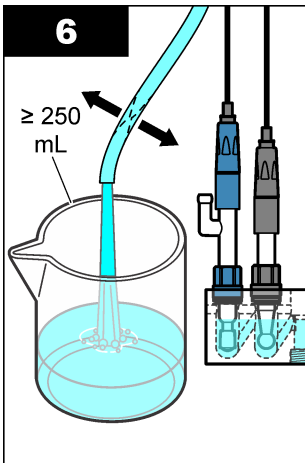
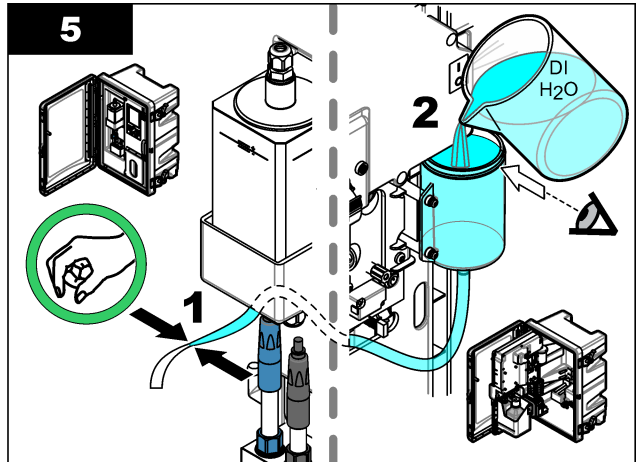
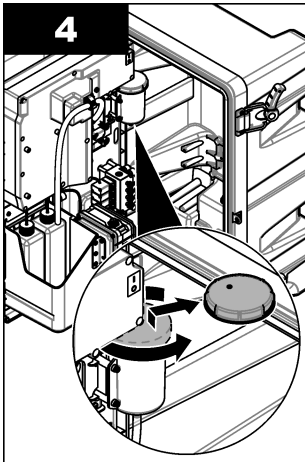
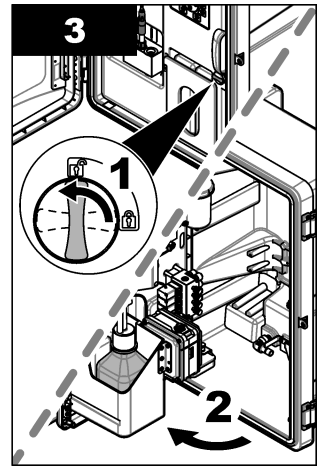
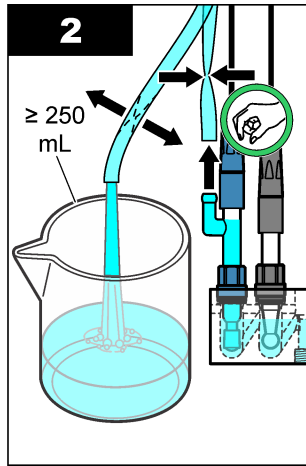
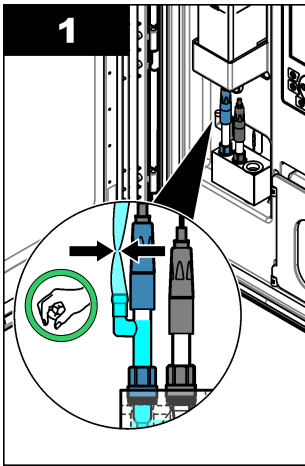
Éléments à réunir :

- Flacons de stockage pour les électrodes (2x)
- Bouchons de protection pour les électrodes (2x)
- Embout noir pour la jonction de verre de l'électrode de référence

3.9.1 Vidanger et rincer le réservoir d'électrolyte KCl

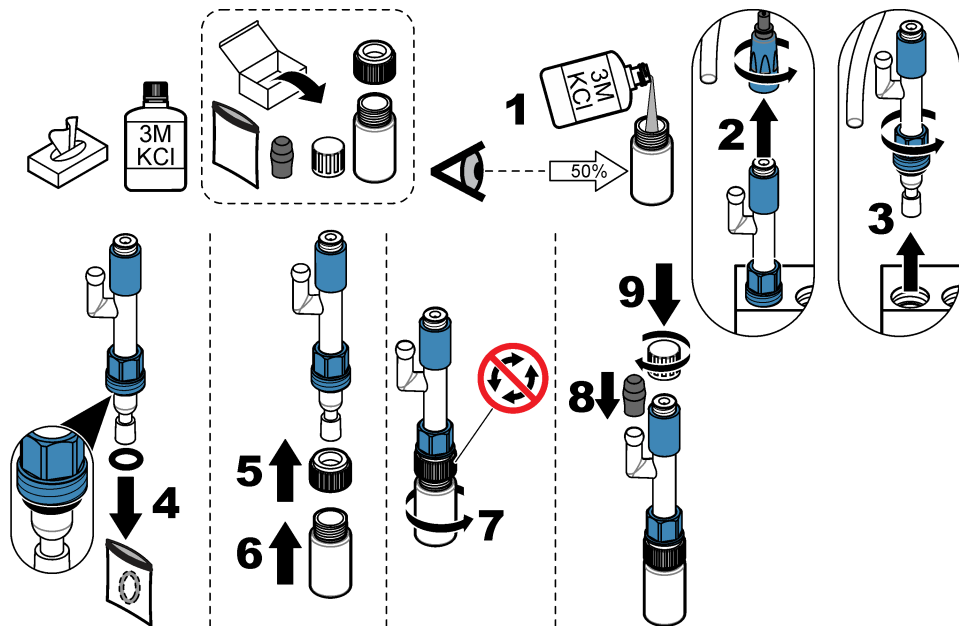
Reportez-vous aux étapes illustrées ci-dessous.

Enfilez l'équipement de protection individuelle identifié dans la fiche de données de sécurité (MSDS/SDS).



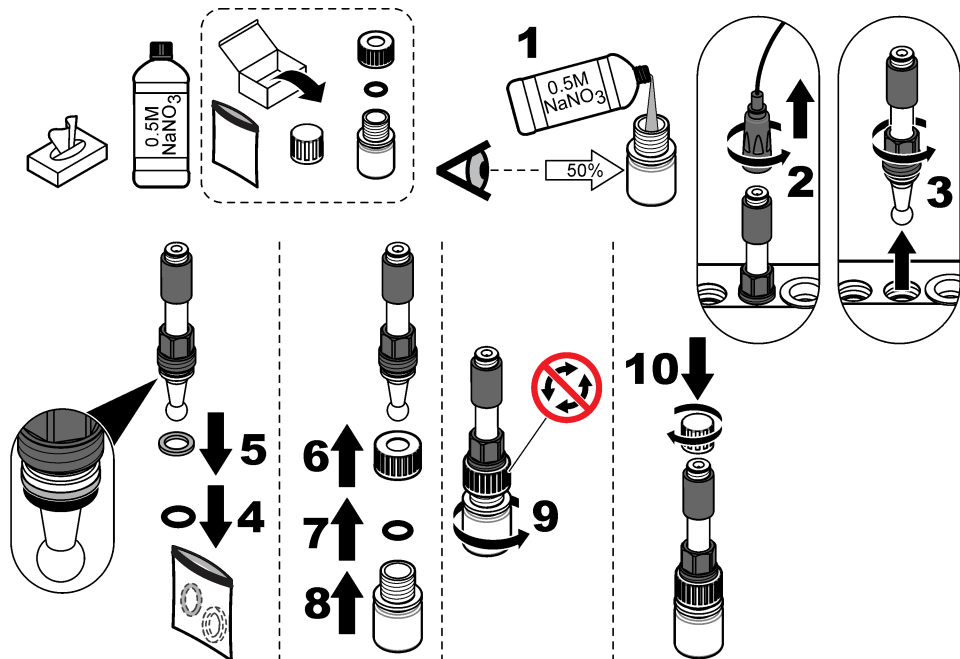
3.9.2 Retrait de l'électrode de référence

Reportez-vous aux étapes illustrées suivantes.





3.9.3 Retrait de l'électrode de sodium

Reportez-vous aux étapes illustrées suivantes.

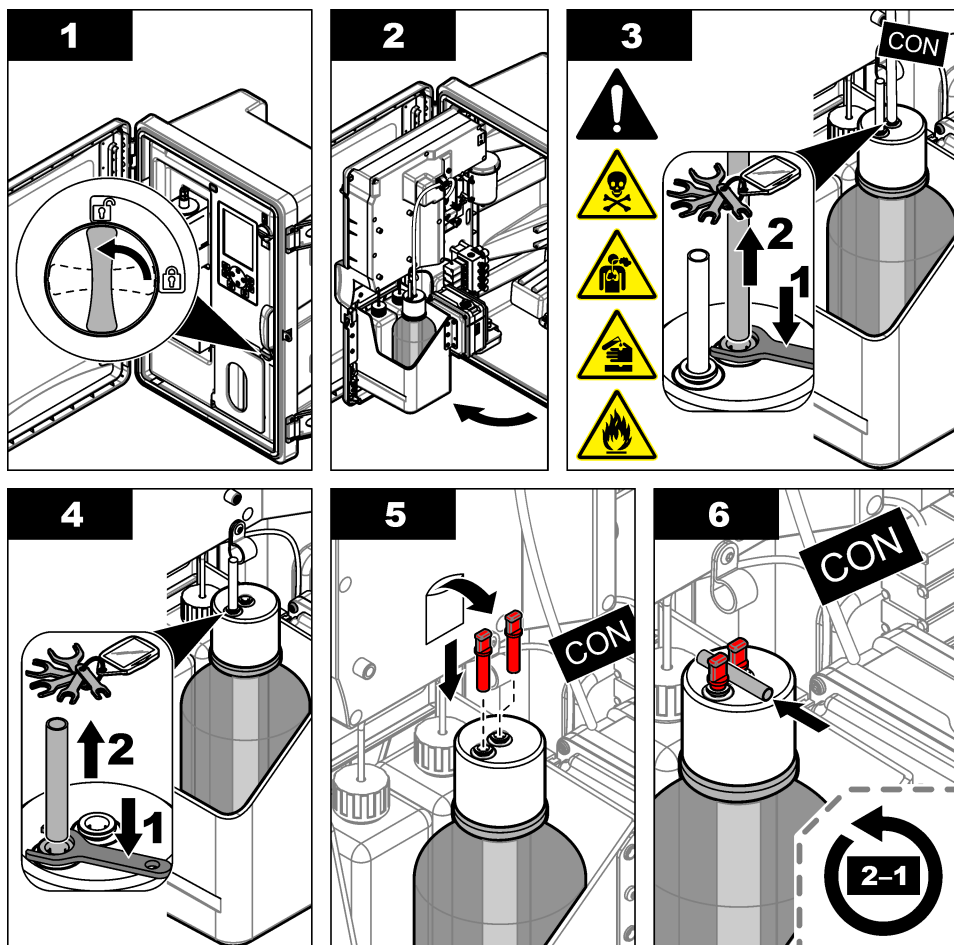


3.9.4 Déconnecter le flacon de solution de conditionnement

⚠ AVERTISSEMENT	
	Danger d'inhalation. Ne respirez pas les vapeurs de diisopropylamine (DIPA) ou d'ammoniaque. L'exposition peut causer des blessures graves ou la mort.
⚠ AVERTISSEMENT	
	Risque d'exposition chimique. La diisopropylamine (DIPA) et l'ammoniaque sont des produits chimiques inflammables, corrosifs et toxiques. L'exposition peut causer des blessures graves ou la mort.

Reportez-vous aux étapes illustrées ci-dessous.

Enfilez l'équipement de protection individuelle identifié dans la fiche de données de sécurité (MSDS/SDS).



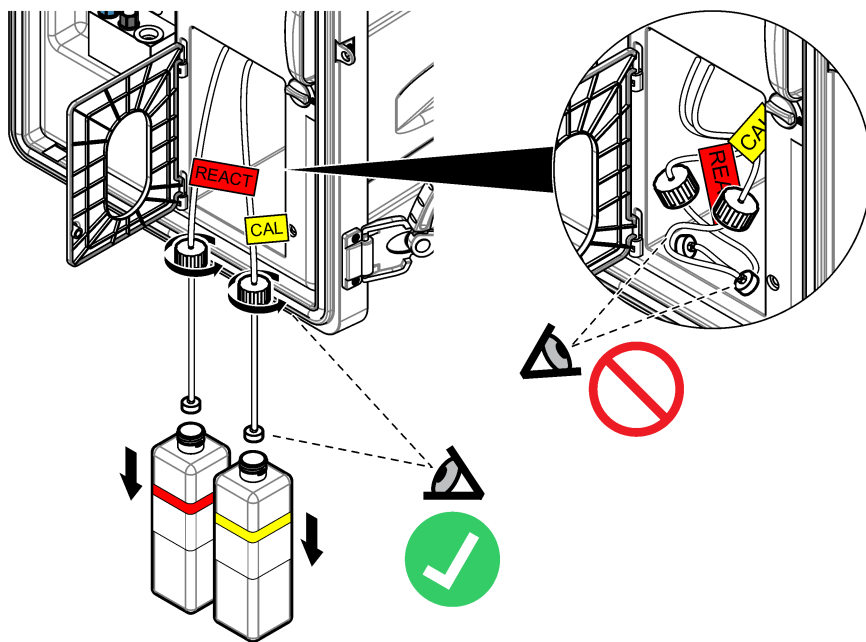
3.9.5 Rincer les tubes des réactifs

1. Enfilez l'équipement de protection individuelle identifié dans la fiche de données de sécurité (MSDS/SDS).
2. Retirez les flacons de solution de réactivation et de solution d'étalonnage de l'analyseur. Reportez-vous à la [Figure 5](#).

Remarque : Seuls les analyseurs équipés de l'option d'étalonnage automatique possèdent un flacon de solution d'étalonnage.

3. Éliminez les solutions des flacons dans la vidange appropriée.
4. Rincez et remplissez les flacons à moitié avec de l'eau désionisée.
5. Remplacez les flacons dans l'analyseur.
6. Appuyez sur **menu**, puis sélectionnez REACTIFS/STANDARDS > AMORCER REACTIF. Les tubes de réactif sont rincés avec de l'eau désionisée.

Figure 5 Retrait du flacon



3.9.6 Vidanger le récipient de débordement

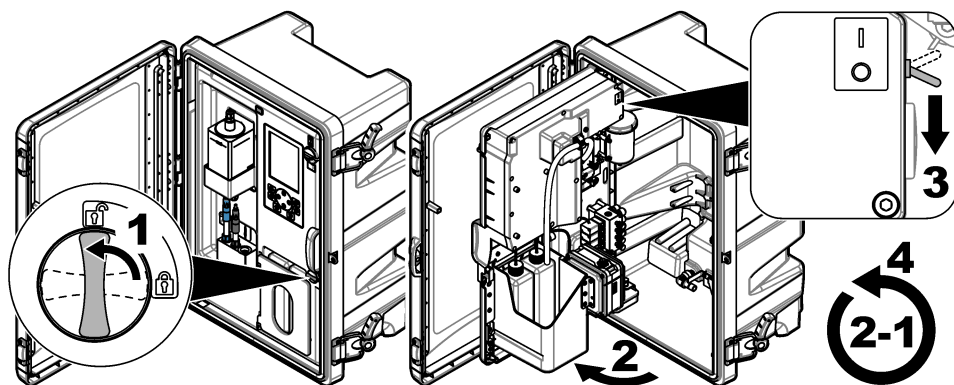
1. Appuyez sur **diag**, puis sélectionnez LANCER TEST puis appuyez sur **enter**.
2. Appuyez sur **enter** pour sélectionner OUI.
3. Sélectionnez DRAIN ECHANTILLON, puis appuyez sur **enter**.
4. Saisissez 150 secondes.
5. Appuyez deux fois sur **enter**.
6. Quand le pot de surverse est vide, appuyez sur **retour**.
7. Appuyez sur **home**.

3.9.7 Arrêter l'analyseur

Retirez l'alimentation et l'échantillon de l'analyseur comme suit :

1. Appuyez sur l'interrupteur d'alimentation pour mettre l'appareil hors tension. Reportez-vous à la [Figure 6](#).
2. Fermez le panneau d'analyse. Tournez le loquet situé sur le panneau d'analyse pour le placer en position de verrouillage.
3. Débranchez le cordon d'alimentation de la prise électrique.
4. Fermez les vannes d'arrêt de la (des) conduite(s) d'échantillon.
5. Utilisez un chiffon propre non pelucheux pour retirer l'eau du pot de surverse.
6. Utilisez un chiffon propre non pelucheux pour retirer l'eau de la chambre du milieu et de la chambre de droite de la cellule de mesure.

Figure 6 Appuyez sur l'interrupteur d'alimentation pour mettre l'appareil hors tension



3.9.8 Éliminez l'eau désionisée des flacons

1. Retirez les flacons de solution de réactivation et de solution d'étalonnage de l'analyseur. Tirez les bouchons des flacons vers le bas de sorte qu'ils soient suspendus en-dessous du niveau de l'analyseur.

Ne laissez pas le bouchon du flacon ni le tube interne toucher l'analyseur pour éviter la contamination.

2. Éliminez l'eau désionisée des flacons.
3. Laissez complètement sécher les flacons à l'air libre.
4. Remplacez les flacons dans l'analyseur.
5. Refermez la porte de l'analyseur.

Section 4 Dépannage

Problème	Cause possible	Solution
La barre d'état ne s'affiche pas sur l'écran de mesure.	La voie qui s'affiche sur l'écran de mesure ne correspond pas à la voie mesurée.	Appuyez sur la flèche HAUT ou BAS jusqu'à ce que la voie mesurée s'affiche sur l'écran de mesure.
La voie n'apparaît pas sur l'écran de mesure lorsque la touche fléchée HAUT ou BAS est enfoncée.	La voie n'est pas sélectionnée dans les paramètres d'affichage.	Appuyez sur menu , puis sélectionnez CONFIGURER LE SYSTEME > PROGR. AFFICH. > AJUSTER L'ORDRE > VOIR ORDRE ACTUEL. Si la voie ne s'affiche pas, appuyez sur RETOUR , puis sélectionnez AJOUTER MESURES. Appuyez sur la flèche GAUCHE pour sélectionner ou désélectionner une case à cocher.

Problème	Cause possible	Solution
Aucune voie n'est mesurée.	La voie n'est pas activée.	Appuyez sur menu , puis sélectionnez CONFIGURER LE SYSTEME > CONFIGURER ANALYSEUR > CONFIG. SEQUENCEUR > ACTIVER LES VOIES. Ajoutez la voie. Appuyez sur la flèche GAUCHE pour sélectionner ou désélectionner une case à cocher.
	La voie n'est pas présente dans la séquence de mesure.	Appuyez sur menu , puis sélectionnez CONFIGURER LE SYSTEME > CONFIGURER ANALYSEUR > CONFIG. SEQUENCEUR > SEQUENCAGE VOIES. Appuyez sur les flèches HAUT et BAS pour sélectionner une ligne, puis appuyez sur la flèche GAUCHE ou DROITE pour sélectionner une voie. S1 correspond à la première voie mesurée suivie par S2, S3 et S4. Remarque : Ne sélectionnez pas les voies qui contiennent le symbole « ~ » (p. ex., 4~ECHANTILLON4). Les voies qui contiennent le symbole « ~ » ne sont pas mesurées.
L'avertissement « RESULTAT INSTABLE » s'affiche.	Le temps de rinçage entre les mesures des voies est trop court.	Appuyez sur menu , puis sélectionnez CONFIGURER LE SYSTEME > CONFIGURER ANALYSEUR > MESURE > REGLAGE CYCLE MESURE > DUREE CYCLE MAX ou DUREE CYCLE. Modifiez le paramètre DUREE CYCLE MAX ou DUREE CYCLE pour augmenter le temps de rinçage.
L'avertissement « ECHANT. 1 MANQUANT » s'affiche.	La vanne d'arrêt de la conduite d'échantillon est fermée.	Placez la vanne d'arrêt sur la position ouverte.
	La conduite d'échantillon n'est pas correctement installée.	Assurez-vous que la conduite d'échantillon soit connectée au bon orifice de plomberie. Reportez-vous à la section <i>Orifices de plomberie</i> du manuel d'installation.
	La vanne de débit de l'échantillon est fermée.	Lancez l'assistant de démarrage. Appuyez sur menu , puis sélectionnez CONFIGURER LE SYSTEME > DEMARRER ANALYSEUR. Appuyez sur Enter jusqu'à ce qu'un message vous indiquant de régler le débit de l'échantillon s'affiche. Tournez la vanne de débit de l'échantillon dans le sens inverse des aiguilles d'une montre pour augmenter le débit de 6 à 9 L/heure sur chaque voie.
	L'électrovanne de la voie ne fonctionne pas correctement.	Appuyez sur diag , puis sélectionnez LANCER TEST > DRAIN ECHANTILLON pour vidanger le pot de surverse. Appuyez sur diag , puis sélectionnez LANCER TEST > DISTRIB. ECHANT. pour ouvrir la vanne de l'échantillon. Si l'échantillon ne s'écoule pas dans le pot de surverse, examinez le câblage de la vanne de l'échantillon. Remplacez la vanne de l'échantillon si nécessaire.

Problème	Cause possible	Solution
L'avertissement « pH TROP BAS » s'affiche.	Le couvercle a été retiré de la chambre droite de la cellule de mesure.	Installez le couvercle sur la chambre droite de la cellule de mesure.
	Le flacon de solution de conditionnement est rempli à moins de 10 % ou est vide.	Remplacez la solution de conditionnement. Reportez-vous à la section Remplacement de la solution de conditionnement à la page 86.
	Il y a une fuite d'air au niveau du bouchon du flacon de solution de conditionnement.	<ul style="list-style-type: none"> Assurez-vous que le bouchon du flacon de solution de conditionnement soit serré. Examinez la rondelle du bouchon du flacon. Si elle est visiblement usée ou endommagée, remplacez la rondelle. Examinez la bride en plastique sur le bord du flacon. Si elle est visiblement usée ou endommagée, remplacez le flacon de solution de conditionnement.
	Il y a une fuite d'air dans le tube de solution de conditionnement.	Recherchez une obstruction ou une fuite d'air dans le tube de conditionnement. Remplacez les tubes si nécessaire. <i>Remarque : Le tube de conditionnement contient du gaz et non de la solution.</i>
	La vanne de conditionnement ne fonctionne pas correctement.	Appuyez sur diag , puis sélectionnez LANCER TEST > VANNE CONDIT pour ouvrir la vanne de conditionnement. Si le gaz de conditionnement ne s'écoule pas dans la chambre droite de la cellule de mesure (visible grâce aux bulles), remplacez la vanne de conditionnement.
L'avertissement « ECHEC ETALONNAGE » s'affiche.	La valeur de la solution d'étalonnage déclarée dans les paramètres d'étalonnage automatique est différente de la valeur du flacon de solution d'étalonnage.	Modifiez la valeur de la solution d'étalonnage déclarée dans le menu d'étalonnage pour la faire correspondre à la valeur indiquée sur le flacon de solution d'étalonnage. Reportez-vous à la section <i>Définir les paramètres d'étalonnage automatique</i> du manuel d'utilisation.
	Le flacon de solution d'étalonnage est vide.	Remplacez la solution d'étalonnage. Reportez-vous à la section Remplacer les solutions d'étalonnage et de réactivation à la page 84.
	Il y a une fuite ou un blocage dans les tubes de solution d'étalonnage.	Recherchez une obstruction ou une fuite dans les tubes. Remplacez les tubes si nécessaire.
	La pompe de solution d'étalonnage ne fonctionne pas correctement.	Appuyez sur diag , puis sélectionnez LANCER TEST > DRAIN ECHANTILLON pour vidanger entièrement le pot de surverse. Appuyez sur diag , puis sélectionnez LANCER TEST > AJOUT SOL ETALON pour activer la pompe de solution d'étalonnage. Si la solution d'étalonnage ne s'écoule pas dans le pot de surverse, remplacez la pompe de solution d'étalonnage.
	L'agitateur magnétique ne tourne pas. <i>Remarque : L'agitateur magnétique tourne par intermittence.</i>	Appuyez sur diag , puis sélectionnez LANCER TEST > AGITATEUR pour activer le moteur de l'agitateur. Si l'agitateur magnétique ne bouge pas, remplacez le moteur de l'agitateur.
	L'agitateur magnétique ne se trouve pas dans le pot de surverse.	Assurez-vous que l'agitateur se trouve bien dans le pot de surverse.

Problème	Cause possible	Solution
L'avertissement « MV REACTIVATION BAS » s'affiche.	Le flacon de solution de réactivation est vide.	Assurez-vous que l'extrémité du tube de solution de réactivation se trouve au fond du flacon. Remplacez la solution de réactivation. Reportez-vous à la section Remplacer les solutions d'étalonnage et de réactivation à la page 84.
	L'électrode de sodium ne fonctionne pas correctement.	<ul style="list-style-type: none"> Assurez-vous que l'électrode de sodium est correctement installée. Reportez-vous au manuel d'installation. Assurez-vous qu'il n'y a pas d'air dans l'ampoule de verre de l'électrode de sodium.
	L'électrode de référence ne fonctionne pas correctement.	<ul style="list-style-type: none"> Retirez l'électrode de référence de la cellule de mesure. Soulevez le collier qui se trouve sur la partie en verre afin de permettre à un peu d'électrolyte KCl de s'écouler. Poussez le collier vers le bas et tournez-le de moins de 1/4 de tour pour le verrouiller. Une fois verrouillé, le collier ne tourne pas. Installez l'électrode de référence dans la cellule de mesure. Assurez-vous que l'électrode de référence est correctement installée. Reportez-vous au manuel d'installation. Pour déterminer si le problème est réglé, appuyez sur diag, puis sélectionnez REACTIVATION ELECTRODE pour lancer une réactivation.
	Il y a une fuite ou un blocage dans les tubes de solution de réactivation.	Recherchez une obstruction ou une fuite dans les tubes. Remplacez les tubes si nécessaire.
	La pompe de solution de réactivation ne fonctionne pas correctement.	Appuyez sur diag , puis sélectionnez LANCER TEST > AJOUT SOL REACTIVATION > ACTIF A BAISSSE pour configurer la pompe de solution de réactivation à un débit élevé. Si la solution de réactivation ne s'écoule pas dans la chambre du milieu de la cellule de mesure, remplacez la pompe de solution de réactivation.
Les valeurs indiquées par l'instrument ne sont pas stables.	L'analyseur a été lancé il y a moins de 2 heures.	Laissez l'analyseur fonctionner pendant 2 heures pour qu'il devienne stable.
	Le(s) câble(s) d'électrode(s) est (sont) mal fixé(s) sur les électrodes.	Débranchez le câble de l'électrode. Poussez complètement vers le bas le connecteur du connecteur de l'électrode, puis serrez le connecteur à la main.
	Les câbles de l'électrode sont connectés aux mauvaises électrodes.	Connectez le câble bleu à l'électrode de référence. Connectez le câble noir à l'électrode de sodium.
	Le débit d'électrolyte KCl est trop rapide.	Retirez l'électrode de référence de la cellule de mesure. Poussez le collier vers le bas et tournez-le de moins de 1/4 de tour pour le verrouiller. Une fois verrouillé, le collier ne tourne pas. Si le collier n'est pas verrouillé, l'électrolyte KCl s'écoule trop vite de l'électrode de référence jusqu'à la cellule de mesure.

Problème	Cause possible	Solution
Les mesures ne sont pas exactes.	L'analyseur n'est pas étalonné.	Procédez à l'étalonnage de l'analyseur. Reportez-vous à la section <i>Procédure d'étalonnage</i> du manuel d'utilisation. Pour une meilleure précision, étalonnez l'analyseur de manière hebdomadaire.
	La réactivation automatique est désactivée ou l'intervalle entre les réactivations est supérieur à 24 heures.	Lancez une réactivation automatique. Appuyez sur diag , puis sélectionnez REACTIVATION ELECTRODE. Remarque : Pour plus de précision, activez la réactivation automatique. Programmez l'intervalle sur 24 heures. Reportez-vous au manuel d'utilisation.
	Le flacon de solution de réactivation est vide.	Remplacez la solution de réactivation. Reportez-vous à Remplacer les solutions d'étalonnage et de réactivation à la page 84.
	Il y a une fuite ou un blocage dans les tubes de solution de réactivation.	Recherchez une obstruction ou une fuite dans les tubes. Remplacez les tubes si nécessaire.
	La pompe de solution de réactivation ne fonctionne pas correctement.	Appuyez sur diag , puis sélectionnez LANCER TEST > AJOUT SOL REACTIVATION > ACTIF A BAISSÉ pour configurer la pompe de solution de réactivation à un débit élevé. Si la solution de réactivation ne s'écoule pas dans la chambre du milieu de la cellule de mesure, remplacez la pompe de solution de réactivation.
L'agitateur magnétique du pot de surverse ne tourne pas.	Le mélangeur ne fonctionne pas correctement. Remarque : L'agitateur magnétique tourne par intermittence.	Appuyez sur diag , puis sélectionnez LANCER TEST > AGITATEUR pour activer le moteur de l'agitateur. Si l'agitateur magnétique ne bouge pas, remplacez le moteur de l'agitateur.
La consommation d'électrolyte KCl est trop rapide ¹ .	Le collier situé sur la partie en verre de l'électrode de référence n'est pas verrouillé.	Retirez l'électrode de référence. Poussez le collier vers le haut. Poussez le collier vers le bas et tournez-le de moins de 1/4 de tour pour le verrouiller. Reportez-vous aux étapes illustrées de la section <i>Installation de l'électrode de référence</i> dans le manuel d'installation. Une fois verrouillé, le collier ne tourne pas. Si le collier n'est pas verrouillé, l'électrolyte KCl s'écoule trop vite de l'électrode de référence jusqu'à la cellule de mesure.
La consommation d'électrolyte KCl est trop lente ² .	Le collier situé sur la partie en verre de l'électrode de référence n'a pas été tourné pour briser le joint.	Retirez l'électrode de référence. Faites tourner soigneusement le collier pour éliminer le joint de cristallisation. Quand le collier tourne facilement, cela signifie que le joint est brisé. Reportez-vous aux étapes illustrées de la section <i>Installation de l'électrode de référence</i> dans le manuel d'installation. Poussez le collier vers le bas et tournez-le de moins de 1/4 de tour pour le verrouiller. Une fois verrouillé, le collier ne tourne pas. Si le collier n'est pas verrouillé, l'électrolyte KCl s'écoule trop vite de l'électrode de référence jusqu'à la cellule de mesure.
Un voyant de relais clignote sur l'écran de mesure.	Le temporisateur de suralimentation a expiré.	Réinitialisez le temporisateur de suralimentation. Reportez-vous à la section Réinitialiser la temporisation de suralimentation pour les relais à la page 103. Remarque : Le temporisateur de suralimentation est activé uniquement lorsque le paramètre de relais MODE est réglé sur REGULATION.

¹ La consommation d'électrolyte KCl est trop rapide si le niveau du récipient diminue de plus de 3 mm (1/8 po.) en deux jours

² La consommation d'électrolyte KCl est trop lente si le niveau du récipient diminue de moins de 1 mm en deux jours

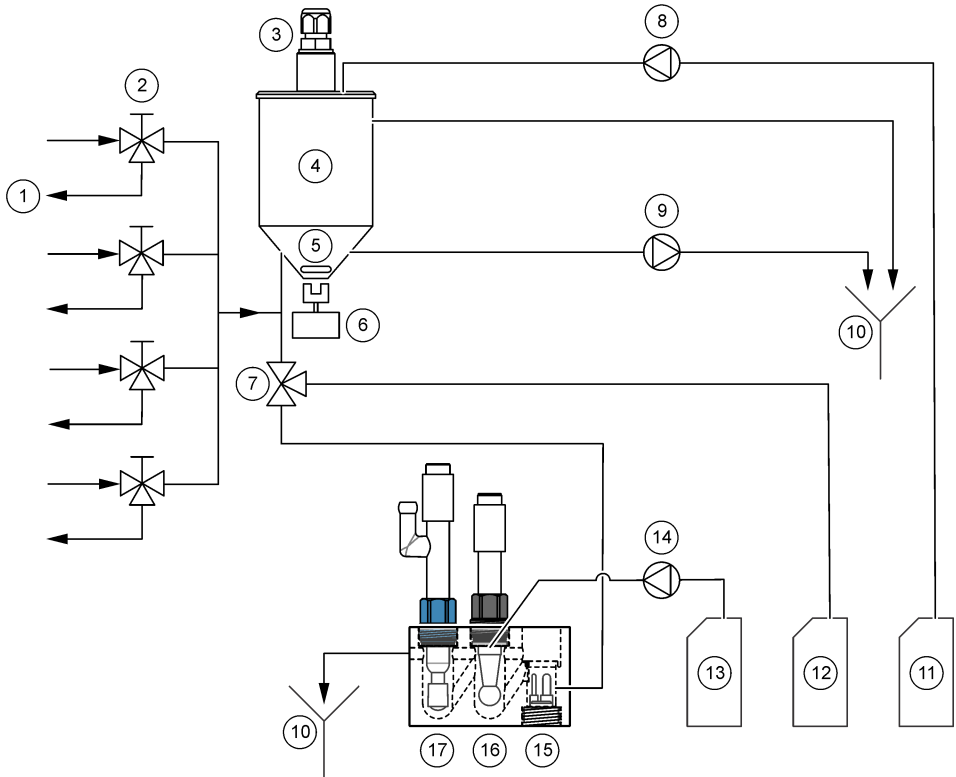
4.1 Réinitialiser la temporisation de suralimentation pour les relais

Le réglage de la temporisation de suralimentation pour les relais empêche d'avoir un état maintenant la valeur mesurée supérieure à la valeur de consigne ou de zone morte (p. ex. une électrode endommagée ou une perturbation du processus) laisser un relais activé en permanence. La temporisation de suralimentation limite la durée pendant laquelle les relais et leurs éléments de contrôle restent activés indépendamment des conditions.

Lorsque l'intervalle de temps sélectionné pour la temporisation de suralimentation expire, l'état du relais clignote dans le coin supérieur droit de l'écran de mesure jusqu'à que le temporisateur de suralimentation soit réinitialisé. Appuyez sur **diag**, puis sélectionnez RAZ SATURAT. pour réinitialiser le temporisateur de suralimentation.

Section 5 Diagnostics

5.1 Schéma hydraulique



1 Vidange de dérivation de l'échantillon	7 Vanne de conditionnement	13 Solution de réactivation
2 Entrée d'échantillon	8 Pompe de solution d'étalonnage ³ .	14 Pompe de solution de réactivation
3 Capteur de niveau	9 Pompe de vidange	15 Capteur de température
4 Pot de surverse	10 Evacuation	16 Electrode de sodium
5 Agitateur magnétique	11 Solution d'étalonnage ³	17 Electrode de référence
6 Moteur de l'agitateur	12 Solution de conditionnement	

5.2 Test de fonctionnement de l'analyseur

Démarrer un test de fonctionnement de l'analyseur pour identifier si le voyant d'état, le moteur du mélangeur, une pompe ou une vanne fonctionne correctement.

³ Seuls les analyseurs équipés de l'option d'étalonnage automatique possèdent une pompe de solution d'étalonnage, ainsi qu'une solution d'étalonnage.

1. Appuyez sur **diag**, puis sélectionnez LANCER TEST.
2. Sélection d'une option.

Option	Description
AJOUT SOL REACTIVATION	Démarre la pompe de solution de réactivation. La solution de réactivation s'écoule dans la chambre du milieu de la cellule de mesure. Remarque : La cellule de mesure est le bloc transparent où sont installées les électrodes.
DISTRIB. ECHANT.	L'électrovanne d'échantillon pour la voie sélectionnée s'ouvre. L'échantillon s'écoule dans le récipient de débordement. Remarque : Si le pot de surverse est plein, le niveau de l'eau dans le pot de surverse est stable. Pour vidanger le pot de surverse, effectuez le test DRAIN ECHANTILLON.
AJOUT SOL ETALON	Remarque : L'option AJOUT SOL ETALON n'est disponible que sur les analyseurs qui possèdent l'option d'étalonnage automatique. La pompe de solution d'étalonnage est activée. La solution d'étalonnage s'écoule dans le pot de surverse.
VANNE CONDIT	La vanne de conditionnement s'ouvre. Le gaz de conditionnement s'écoule dans la chambre de droite de la cellule de mesure. Remarque : La cellule de mesure est le bloc transparent où sont installées les électrodes.
DRAIN ECHANTILLON	La pompe de vidange est activée. L'eau contenue dans le pot de surverse s'écoule hors du tube de vidange chimique.
AGITATEUR	Le moteur du mélangeur est activé. L'agitateur magnétique du pot de surverse tourne.
LED D'ETAT	Définit le voyant d'état sur un cycle continu : jaune, rouge, vert.
POMPE A AIR	Remarque : L'option POMPE A AIR est uniquement disponible lorsque la pompe cationique en option est installée. Définit l'activation de la pompe cationique. La pompe cationique pousse l'air dans le flacon de solution de conditionnement (DIPA). Reportez-vous à la section <i>Présentation du produit</i> du manuel d'installation pour identifier l'emplacement de la pompe cationique dans l'analyseur.
SELECTIONNER SCRIPT	Remarque : L'option SELECTIONNER SCRIPT n'est destinée qu'à l'entretien. Définit l'analyseur afin d'utiliser le script d'instrument normal ou le script de test.

5.3 Lancer un test des sorties 4-20 mA ou des relais

Lancez un test des sorties 4-20 mA ou des relais pour identifier si une sortie 4-20 mA ou un relais sont fonctionnels.

1. Appuyez sur **diag**, puis sélectionnez SORTIES.
2. Sélection d'une option.

Option	Description
TEST 4-20 mA	Définit le signal (mA) à la sortie 4-20 mA sélectionnée. Mesurez le courant au niveau de la sortie 4-20 mA avec un multimètre.
RELAIS	Définit le relais sélectionné sur on (activé) ou off (désactivé). Mesurez la résistance entre le relais avec un multimètre pour identifier si le relais est ouvert ou fermé.

Option	Description
SORTIES MEMO	Mémorise les sorties sur la dernière valeur ou les définit à la valeur de transfert. CONFIGURATION - Sélectionnez LANCEMENT pour mémoriser les sorties sur la dernière valeur ou les définir à la valeur de transfert. Sélectionnez SORTIE ACTIVES pour laisser les sorties fonctionner normalement. AJ MODE SORTIE - Sélectionnez SORTIES MEMO pour mémoriser les sorties sur la dernière valeur. Sélectionnez SORTIES TRANSFERT pour définir les sorties à la valeur de transfert. Reportez-vous au manuel d'exploitation pour définir la valeur de transfert pour les sorties. AJ. VOIES - Sélectionnez TOUS pour sélectionner toutes les voies. Sélectionnez ANALYSEUR pour sélectionner toutes les voies pour l'analyseur choisi.
ETAT DE SORTIE	Affiche le signal (mA) aux sorties 4-20 mA.
SIMULER LA MESURE	Entrez une lecture de l'analyseur sur un canal sélectionné pour effectuer un test de sortie. La simulation prend fin une fois que l'utilisateur quitte l'écran. CHOIX SOURCE - Sélectionne l'analyseur. CHOIX PARAM. - Sélectionne la voie. VALEUR SIMUL. - Définit la lecture de l'analyseur.

5.4 Afficher les informations relatives à l'analyseur

Pour afficher les informations relatives à l'analyseur, appuyez sur **menu**, puis sélectionnez VISUALISER LES DONNEES > DONNEES ANALYSEUR. Reportez-vous à la [Tableau 2](#).

Tableau 2 Descriptions des données de l'analyseur

Elément	Description
DATE/HEURE	L'heure (format 24 heures) et la date actuelles identifiées dans les paramètres
NOM	Nom de l'analyseur
TYPE	Type d'analyseur
TEMP. AMB.	Température ambiante de l'analyseur
NIVEAU SOL. CONDITION.	Niveau de solution du flacon de solution de conditionnement
NIVEAU SOL. REACT	Niveau de solution du flacon de solution de réactivation
NIVEAU ETALON	Niveau de solution du flacon de solution d'étalonnage
NIVEAU KCL	Niveau de solution du réservoir d'électrolyte KCl
DERNIER CYCLE REACTIV	Date à laquelle la dernière réactivation automatique a été effectuée
DERNIER ETAL	Date à laquelle le dernier étalonnage a été effectué
DERN. ENTRETIEN	Date du dernier entretien
VERS. LOGICIEL	Version installée du logiciel
MICROLOGICIEL DD	Version installée du micrologiciel et pilote du périphérique
CONTENU DD	Version des contenus de données du pilote du périphérique
VERSION DU SCRIPT	Version du bloc de répertoire des fichiers script
CONTENU DU SCRIPT	Version des contenus de répertoire des fichiers script
REV LOG MEAS_CONTROL	Révision du logiciel de contrôle de mesures installé
N° DE SERIE	Numéro de série de l'analyseur

5.5 Afficher l'état de l'analyseur et les données du système

Pour afficher l'état actuel de l'analyseur, l'état Modbus, les données du système ou les données I2C, effectuez les étapes suivantes :

1. Appuyez sur **diag**.
2. Sélectionnez une option.

Option	Description
ETAT ACTUEL	FONCTIONN. - Mode de mesure actuel . VOIE ECHANT - Voie d'échantillon actuelle. STATUT ETAPE - Etape actuelle du cycle de mesure. TEMPS ETAPES - Durée restante de l'étape. MIN. RESTANTES - Minutes restantes de l'étape actuelle. EXECUTION - % de progression du cycle de mesure.
STATIS. MODBUS	Affiche l'état des ports Modbus : capteur, transmetteur, réseau et service. Affiche le nombre de transmissions correctes et incorrectes.
DONNÉES SYSTÈME	TEMP. AMB. - Température ambiante mesurée en degrés Celsius (C). FREQUENCE ALIMENTATION - Fréquence de la ligne d'alimentation (Hz). TENSION ALIMENTATION - Alimentation de la ligne (CA). TENSION 12V - Tension d'alimentation mesurée (V CC). TENSION 3,3V - Alimentation régulée mesurée de 3,3 V (V CC). COURANT 12V - Courant d'alimentation mesuré de 12 V (ampères).
DONNEES I2C	Affiche les informations de communication (I ² C) et le numéro de la version.

5.6 Afficher les informations d'entretien

Utilisez le menu Service (Maintenance) pour afficher ou définir l'historique d'entretien des parties de l'instrument.

1. Appuyez sur **diag**.
2. Sélectionnez **SERVICE**.
3. Sélection d'une option.

Option	Description
CONSOMMABLES	Affiche une liste des pièces consommables. Indique la date du dernier remplacement de la pièce et le nombre de jours écoulés depuis le remplacement de celle-ci. Réinitialisez le compteur après le remplacement d'une pièce.
PIECE SERVICE	<i>Remarque : L'option PIECE SERVICE n'est destinée qu'à l'entretien.</i> Affiche une liste des pièces et la date du dernier entretien. Le représentant du service à la clientèle réinitialise le compteur après le remplacement d'une pièce.
MAINTENANCE ANNUELLE	Indique la date du dernier entretien annuel, la date du prochain entretien annuel et le nombre de jours restants avant de devoir effectuer le prochain entretien annuel. Réinitialisez le compteur après l'entretien annuel.
EDITER N°SERIE ELECTRODE	Enregistre les numéros de série des électrodes.
HIST. D'ENTRETIEN	Affiche les tâches de maintenance effectuées et la date (p. ex., changer la solution de reactivation). HEURE DE DÉPART - Affiche les mesures enregistrées après la date et l'heure sélectionnées. NOMBRE DE LECTURES - Affiche le nombre sélectionné de points de données.
POST DISPONIBLE	NON - Les diagnostics de matériel ne se lancent pas lorsque l'analyseur est sous tension. OUI - Les diagnostics de matériel se lancent lorsque l'analyseur est sous tension.

Section 6 Pièces de rechange et accessoires

▲ AVERTISSEMENT



Risque de blessures corporelles. L'utilisation de pièces non approuvées comporte un risque de blessure, d'endommagement de l'appareil ou de panne d'équipement. Les pièces de rechange de cette section sont approuvées par le fabricant.

Remarque : Les numéros de référence de produit et d'article peuvent dépendre des régions de commercialisation. Prenez contact avec le distributeur approprié ou consultez le site web de la société pour connaître les personnes à contacter.

Réactifs et solutions étalons

Description	Quantité	Article n°
Solution d'électrolyte KCl 3M	250 mL	LZW9500.99
Solution d'électrolyte KCl 3M	500 mL	363140,00500
Diisopropylamine (DIPA) 99 %	1 L	2834453
Chlorure de sodium standard, 10 ppm	1 L	2835153
Nitrate de sodium, 0,5 M	500 mL	2507149

Pièces de rechange

Description	Quantité	Article n°
Flacon de solution de conditionnement avec bouchon, vide	1	8352000
Rondelle, bouchon du flacon de conditionnement	1	8417200
Raccord à coude, vidange, ½ po., polypropylène	1	6772800
Electrode, référence	1	09240=C=0310
Electrode, sodium	1	09240=C=0320
Fusible, 1,6 A, 250 V, 5 x 20 mm	1	5208300
Fusible, 5 A, 250 V, à action retardée, 5 x 20 mm	1	4693800
Kit d'installation, analyseur mono-voie et analyseur avec boîtier	1	8375400
Kit d'installation, analyseur à 2 voies et analyseur avec boîtier	1	8375300
Kit d'installation, analyseur à 4 voies et analyseur avec boîtier	1	8371500
Kit d'installation, analyseur mono-voie et analyseur sans boîtier	1	8375700
Kit d'installation, analyseur à 2 voies et analyseur sans boîtier	1	8375600
Kit d'installation, analyseur à 4 voies et analyseur sans boîtier	1	8375500
Moteur de l'agitateur	1	8420000
Vis pour montage sur panneau, tête cylindrique bombée M6 x 20, acier inoxydable, Torx	4	8415500
Outil de perçage pour les fiches électriques internes, tube métallique, utilisé avec 8379900	1	8380000
Outil de perçage pour les fiches électriques internes, plaque métallique, utilisé avec 8380000	1	8379900
Régulateur de pression (0,3 bar ou 4 psi), non réglable	1	6782900
Pompe, solution d'étalonnage	1	8364300

Pièces de rechange (suite)

Description	Quantité	Article n°
Pompe, vidange	1	8357400
Pompe, solution de réactivation	1	8364200
Vanne d'arrêt, tube de 6 mm de diamètre extérieur	1	8385200
Agitateur magnétique	1	W_4510_001_FF
Fixation avec passe-câble (presse-étoupe), PG9 4 mm à 8 mm	1	8356300
Fixation avec passe-câble (presse-étoupe), NPT ½ po. 4 mm à 9 mm	1	8368400
Supports de montage de table	2	8370400
Vis, support de montage de table, #8 x ½ acier inoxydable, Torx	2	8412200
Tubes, vidange chimique et du boîtier, 17,5 mm (¹¹ / ₁₆ po.) de diamètre extérieur x 3,2 mm (¹ / ₈ po.) d'épaisseur	2 m (6,5 pieds)	LZX278
Tubes, échantillon, 6 mm de diamètre extérieur x 4 mm de diamètre intérieur	5,5 m (18 pieds)	6772500
Coupe-tube	1	8385400
Supports de montage mural	2	8364100
Vis, support de montage mural, M4 x 10 plat en acier inoxydable, Torx	2	8412500
Vanne, conditionnement	1	8367600
Vanne, échantillon	1	8370200

Accessoires

Description	Quantité	Article n°
Adaptateur de flacon, flacon de DIPA, Merck	1	09073=C=0350
Adaptateur de flacon, flacon de DIPA, Orion	1	09073=C=0360
Filtre, entrée d'échantillon, 100 µm Tube de ¼ po. de diamètre extérieur	1	595=010=005
Filtre, entrée d'échantillon, 100 µm, tube de 6 mm de diamètre extérieur	1	595=010=000
Echangeur thermique, 4 voies maximum	1	8368900
Kit de mise à niveau cationique	1	8371200
Cordon d'alimentation, Amérique du Nord	1	9179700
Kit de mise à niveau , 1 à 4 voies	1	8365100
Kit de mise à niveau , 2 à 4 voies	1	8365000
Kit de mise à niveau étalonnage automatique	1	8368000
Adaptateur de tube, 6 mm de diamètre extérieur à ¼ po. de diamètre extérieur	2	09245=A=8300

Tabla de contenidos

- | | |
|---|--|
| 1 Información de seguridad en la página 110 | 4 Solución de problemas en la página 125 |
| 2 Visualización de los errores, advertencias y recordatorios en la página 110 | 5 Diagnósticos en la página 131 |
| 3 Mantenimiento en la página 110 | 6 Piezas de repuesto y accesorios en la página 135 |

Sección 1 Información de seguridad

Consulte el manual de instalación para obtener información general de seguridad, descripciones de riesgos y descripciones de etiquetas de precaución.

Sección 2 Visualización de los errores, advertencias y recordatorios

El fondo de la pantalla y la luz indicadora de estado se pondrán de color rojo cuando se produzca un error, o de color amarillo cuando se produzca una advertencia.

- **Error:** fondo de pantalla y luz indicadora de estado rojos. Se ha producido un problema importante que afecta al funcionamiento del instrumento. La medición actual se detiene y el analizador pasa a modo de apagado.
- **Advertencia:** fondo de pantalla y luz indicadora de estado amarillos. Se ha producido un hecho que puede causar un problema más adelante. El analizador sigue en funcionamiento.
- **Recordatorios:** se muestra en la pantalla el símbolo de llave inglesa y la luz indicadora de estado de color amarillo. Ha transcurrido el tiempo para realizar una tarea de mantenimiento.

Realice los pasos siguientes para visualizar los errores, advertencias y recordatorios:

Nota: Para ver todos los errores, avisos y recordatorios posibles y su información de ayuda, pulse **diag** y, a continuación, seleccione AYUDA ANALIZADOR.

1. Pulse **diag** y, a continuación, DIAGNÓSTICOS. Se muestran los errores, advertencias y recordatorios.
2. Seleccione un error, advertencia o recordatorio de la lista.
3. Seleccione una opción.

Opción	Descripción
CONFIRMAR	Confirma el error, advertencia o recordatorio. Cuando se confirmen todos los errores, advertencias y recordatorios, el fondo de la pantalla volverá a ser blanco y las luces indicadoras de estado, verdes.
VER AYUDA	Muestra información de ayuda para el error, advertencia o recordatorio seleccionado.

Sección 3 Mantenimiento

▲ PELIGRO



Peligros diversos. Solo el personal cualificado debe realizar las tareas descritas en esta sección del documento.

3.1 Cronograma de mantenimiento

En la [Tabla 1](#) se muestra el cronograma recomendado para las tareas de mantenimiento. Los requerimientos de la instalación y las condiciones de operación pueden aumentar la frecuencia de algunas tareas.

Tabla 1 Cronograma de mantenimiento

Tarea	3 meses	Según sea necesario
Sustitución de las soluciones de calibración y reactivación en la página 111	X	
Sustitución de la solución de acondicionamiento en la página 113	X	
Sustitución del electrolito de KCl en la página 116	X	
Sustitución de un fusible de entrada de alimentación en la página 117		X

3.2 Limpieza del instrumento

AVISO

Nunca utilice productos de limpieza como aguarrás, acetona o productos similares para limpiar el instrumento, incluidos la pantalla y los accesorios.

Limpie el exterior del instrumento con un paño húmedo y una solución jabonosa suave.

3.3 Limpieza de los derrames

⚠ PRECAUCIÓN



Peligro por exposición a productos químicos. Desechese de los productos químicos y los residuos de acuerdo con las normativas locales, regionales y nacionales.

1. Cumpla todos los protocolos de seguridad del centro relativos al control de derrames.
2. Deseche los residuos conforme a las normativas vigentes.

3.4 Sustitución de las soluciones de calibración y reactivación

⚠ PRECAUCIÓN



Peligro por exposición química. Respete los procedimientos de seguridad del laboratorio y utilice el equipo de protección personal adecuado para las sustancias químicas que vaya a manipular. Consulte los protocolos de seguridad en las hojas de datos de seguridad actuales (MSDS/SDS).

⚠ PRECAUCIÓN



Peligro por exposición a productos químicos. Desechese de los productos químicos y los residuos de acuerdo con las normativas locales, regionales y nacionales.

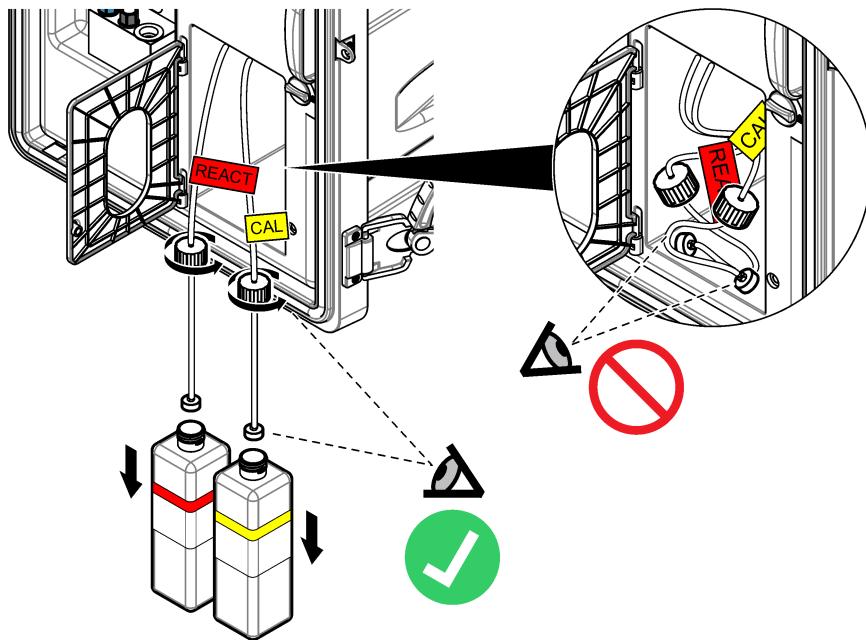
Sustituya la solución de reactivación y la de calibración en intervalos de 3 meses o cuando se encuentre a menos del 10%.

Artículos proporcionados por el usuario:

- Equipo de protección personal (consulte la MSDS o la SDS)
- Nitrato de sodio (NaNO_3), 0,5 M, 500 ml
- Estándar de cloruro sódico (NaCl), 10 ppm, 500 ml
- Agua desionizada, 100 ml

1. Póngase el equipo de protección personal que se indica en la hoja de datos de seguridad (MSDS/SDS).
2. Pulse **menu** y, a continuación, seleccione DETENER ANALIZADOR.
Nota: Si se muestra INICIAR ANALIZADOR, el analizador ya está en modo de espera.
3. Sustituya la solución de reactivación y la de calibración como se indica a continuación:
 - a. Retire las botellas de solución de reactivación y de solución de calibración del analizador. Consulte la [Figura 1](#).
Nota: Solo los analizadores con la opción de calibración automática cuentan con una botella de solución de calibración.
 - b. Deseche las soluciones de las botellas en un drenaje correspondiente.
 - c. Enjuague las botellas con agua desionizada.
 - d. Llene la botella de solución de calibración con una nueva solución de cloruro sódico (NaCl) de 10 ppm (500 ml). La botella de la solución de calibración tiene una etiqueta con una línea amarilla.
Nota: Para preparar la solución de cloruro sódico (NaCl) de 10 ppm, consulte el manual de operaciones.
 - e. Llene la botella de solución de reactivación con una nueva solución de nitrato de sodio (NaNO₃) 0,5 M (500 ml). La botella de solución de calibración tiene una etiqueta con una línea roja.
Nota: Para preparar la solución de nitrato de sodio (NaNO₃) 0,5 M, consulte el manual de operaciones.
 - f. Coloque las botellas en el analizador. Asegúrese de que los tubos con una etiqueta roja donde pone "REACT" se coloquen en la botella que tiene una etiqueta con una línea roja. Asegúrese de que los tubos con una etiqueta amarilla donde pone "CAL" se colocan en la botella que tiene una etiqueta con una línea amarilla.
4. Introduzca los niveles de la botella como se indica a continuación:
 - a. Pulse **menu** y, a continuación, REACTIVOS/ESTÁNDARES.
 - b. Seleccione AJUSTAR NIVEL REACT y, a continuación, introduzca 100%.
 - c. Seleccione AJUSTAR NIVEL ESTÁNDAR y, a continuación, introduzca 100%.
5. Seleccione CEBAR REACTIVOS.
6. Cuando complete el paso de cebado de los reactivos, pulse **menu** y, a continuación, seleccione INICIAR ANALIZADOR.

Figura 1 Extracción de la botella



3.5 Sustitución de la solución de acondicionamiento

⚠ ADVERTENCIA



Riesgo de inhalación. No inhale los vapores de la diisopropilamina (DIPA) ni del amoníaco. La exposición a estas sustancias puede causar lesiones graves o incluso la muerte.



⚠ ADVERTENCIA



Peligro por exposición a productos químicos. La diisopropilamina (DIPA) y el amoníaco son productos químicos inflamables, corrosivos y tóxicos. La exposición a estas sustancias puede causar lesiones graves o incluso la muerte.



⚠ ADVERTENCIA



Peligro por exposición química. Respete los procedimientos de seguridad del laboratorio y utilice el equipo de protección personal adecuado para las sustancias químicas que vaya a manipular. Lea la hoja de datos de seguridad del proveedor antes de llenar las botellas o de preparar los reactivos. Únicamente para uso en laboratorio. Dé a conocer la información de riesgo conforme a la normativa local del usuario.

⚠ PRECAUCIÓN



Peligro por exposición a productos químicos. Deshágase de los productos químicos y los residuos de acuerdo con las normativas locales, regionales y nacionales.

Sustituya la solución de acondicionamiento en intervalos de 3 meses o cuando quede menos del 10%. Utilice DIPA (recomendado) o amoníaco (más del 28%) para la solución de acondicionamiento.

Artículos proporcionados por el usuario:

- Equipo de protección personal (consulte la MSDS o la SDS)
- Botella de 1 l de diisopropilamina (DIPA) al 99%
- Adaptador para botellas de DIPA Merck u Orion, si fuera necesario

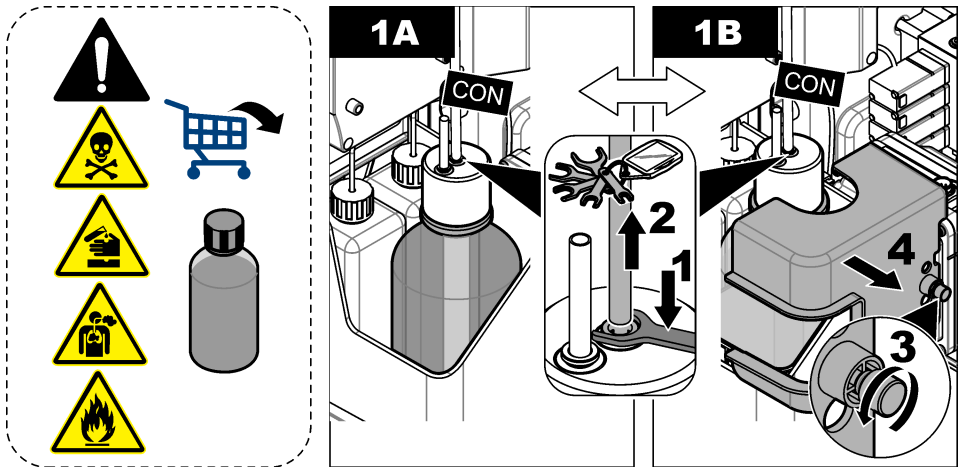
Sustituya la botella de acondicionamiento como se indica a continuación:

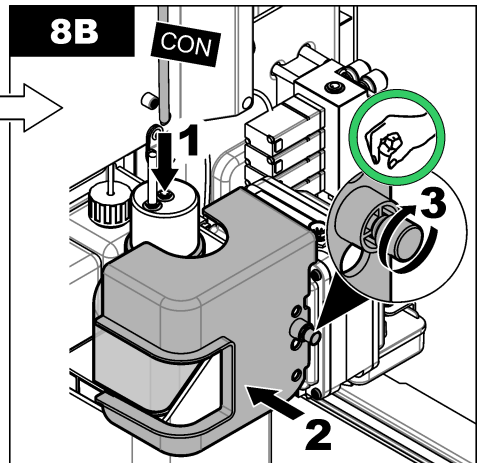
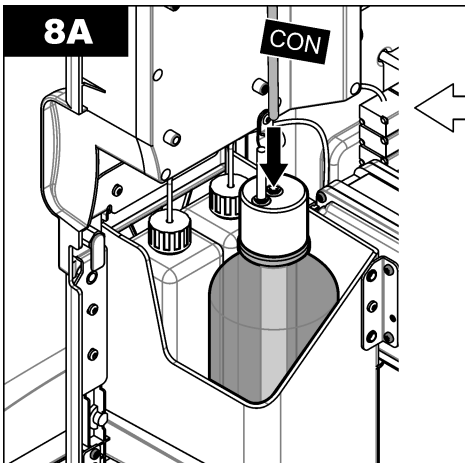
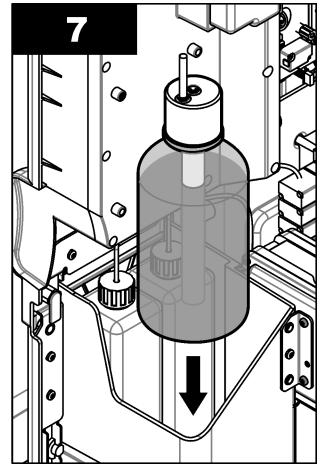
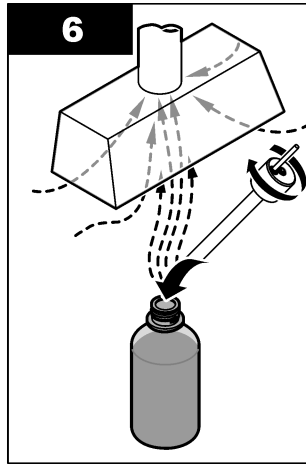
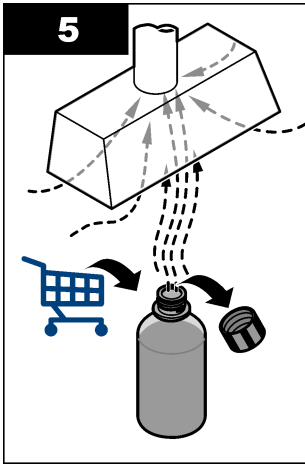
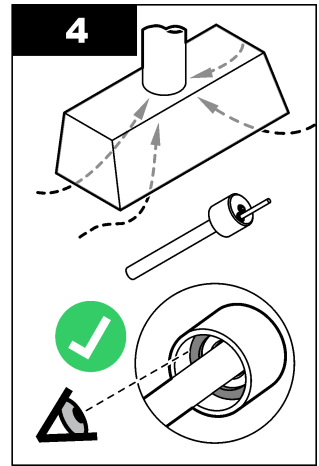
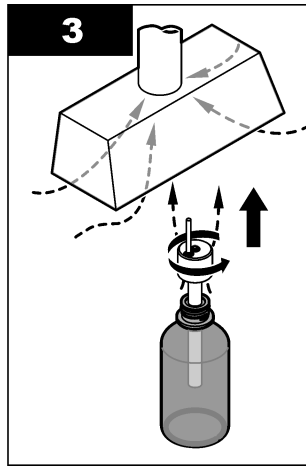
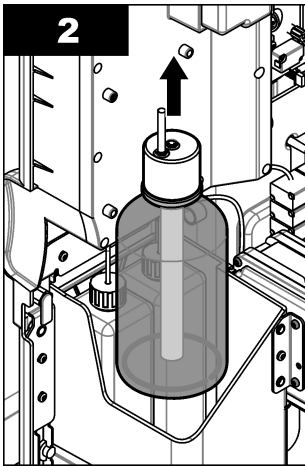
1. Póngase el equipo de protección personal que se indica en la hoja de datos de seguridad (MSDS/SDS).
 2. Pulse **menu** y, a continuación, seleccione **DETENER ANALIZADOR**.
- Nota:** Si aparece **INICIAR ANALIZADOR**, el analizador ya se encuentra en modo de espera.
3. Gire el cierre del panel de analítica hasta la posición de desbloqueo. Abra el panel de analítica.
 4. Sustituya la botella de solución de acondicionamiento. Consulte los pasos que se muestran en las siguientes ilustraciones.

Nota: Los analizadores con la bomba catiónica opcional cuentan con dos tubos que se encuentran en el tapón de la botella de acondicionamiento. Retire ambos tubos.

Nota: En los pasos ilustrados 1 y 8, solo los analizadores sin carcasa cuentan con un soporte para la botella de acondicionamiento.

Realice los pasos 3 a 6 bajo una campana extractora, si es posible. No inhale DIPA o gases de amoníaco.





5. Para analizadores con la bomba catiónica opcional, instale el tubo de salida de la bomba catiónica de nuevo en el orificio descentrado del tapón.
6. Cierre el panel de analítica. Gire el cierre del panel de analítica hasta la posición de bloqueo.
7. Introduzca el nivel de la botella como se indica a continuación:
 - a. Pulse **menu** y, a continuación, REACTIVOS/ESTÁNDARES.
 - b. Seleccione AJUSTAR NIVEL ACOND y, a continuación, introduzca 100%.
8. Pulse **menu** y, a continuación, seleccione INICIAR ANALIZADOR.

3.6 Sustitución del electrolito de KCl

▲ PRECAUCIÓN



Peligro por exposición química. Respete los procedimientos de seguridad del laboratorio y utilice el equipo de protección personal adecuado para las sustancias químicas que vaya a manipular. Consulte los protocolos de seguridad en las hojas de datos de seguridad actuales (MSDS/SDS).

▲ PRECAUCIÓN



Peligro por exposición a productos químicos. Deshágase de los productos químicos y los residuos de acuerdo con las normativas locales, regionales y nacionales.

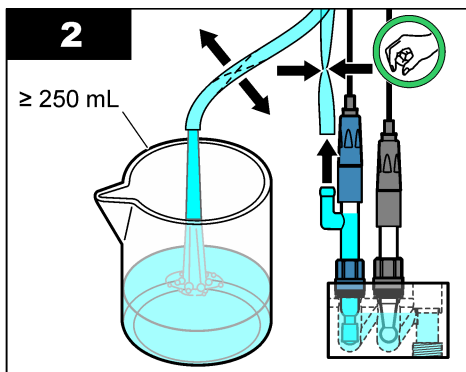
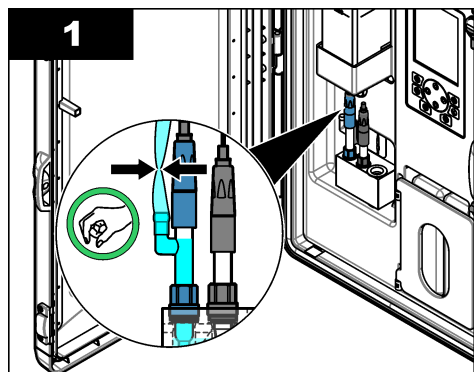
Sustituya el electrolito de KCl del depósito del electrolito de KCl en intervalos de 3 meses.

Material necesario:

- Equipo de protección personal (consulte la MSDS o la SDS)
- Electrolito de KCl 3 M, 200 ml
- Recipiente pequeño, 250 ml o más grande

Sustituya el electrolito de KCl como se indica a continuación:

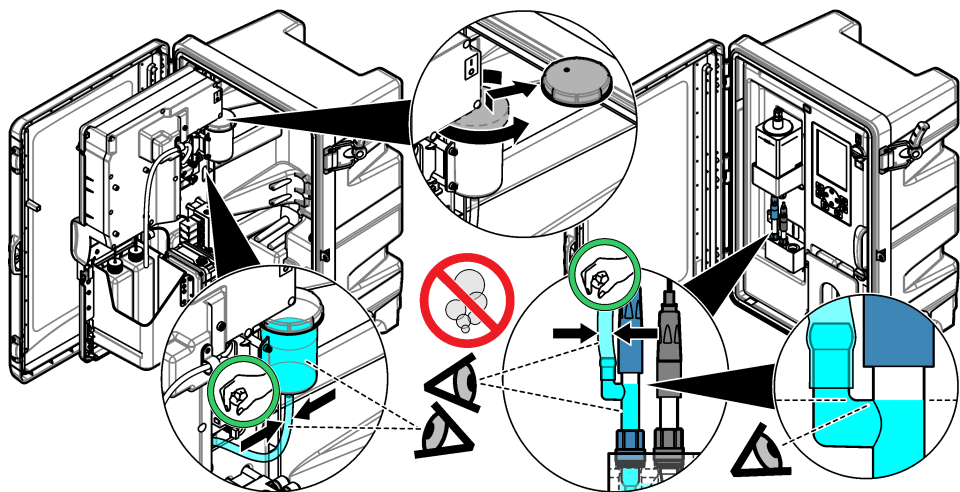
1. Póngase el equipo de protección personal que se indica en la hoja de datos de seguridad (MSDS/SDS).
2. Drene el contenido del depósito del electrolito de KCl en el recipiente pequeño. Consulte los pasos que se muestran en las siguientes ilustraciones. Deseche el electrolito de KCl en un drenaje correspondiente.





3. Instale el tubo del electrolito de KCl de nuevo en el electrodo de referencia.
4. Llene el depósito del electrolito de KCl como se indica a continuación:
 - a. Gire el cierre del panel de analítica hasta la posición de desbloqueo. Abra el panel de analítica.
 - b. Retire la tapa del depósito del electrolito de KCl. Consulte la [Figura 2](#).

- c. Llene el depósito al 90% (aproximadamente 200 ml).
 - d. Coloque la tapa.
5. Extraiga las burbujas de aire del tubo del electrolito de KCl como se indica a continuación:
- a. Desde la parte delantera del panel de analítica, apriete el tubo del electrolito de KCl con el pulgar y otro dedo para empujar las burbujas de aire del tubo hacia arriba, hasta el depósito. Consulte la [Figura 2](#).
 - b. Cuando una burbuja de aire se encuentre cerca del depósito, utilice las dos manos para apretar el tubo por la parte delantera y trasera del panel de analítica para empujar la burbuja de aire hacia arriba.
 - c. Siga apretando el tubo hasta que el electrolito de KCl del electrodo de referencia se encuentre en la parte superior de la unión de vidrio, donde el electrolito de KCl entra en el electrodo. Consulte la [Figura 2](#).
6. Cierre el panel de analítica. Gire el cierre del panel de analítica a la posición de bloqueo.
7. Introduzca el nivel de la botella como se indica a continuación:
- a. Pulse **menu** y, a continuación, REACTIVOS/ESTÁNDARES.
 - b. Seleccione AJUSTAR NIVEL KCL y, a continuación, introduzca 100%.

Figura 2 Llenado del depósito de electrolito de KCl



3.7 Sustitución de un fusible de entrada de alimentación

⚠ PELIGRO	
	<p>Peligro de electrocución. Desconecte el instrumento de la alimentación eléctrica antes de iniciar este procedimiento.</p>
⚠ PELIGRO	
	<p>Peligro de incendio. Utilice el mismo tipo de fusibles con la misma corriente nominal cuando los sustituya.</p>

Examine los fusibles. Sustituya los fusibles que estén abiertos por fusibles nuevos.

Elemento suministrado por el usuario: fusible T 1,6 A, 250 V CA

1. Desconecte el cable de alimentación de la toma de corriente.
2. Retire la cubierta de acceso del cliente. Consulte los pasos ilustrados que aparecen en la [Figura 3](#).
3. Sustituya el fusible. Consulte los pasos ilustrados que aparecen en la [Figura 4](#)
4. Coloque la cubierta de acceso eléctrico. Apriete todos los tornillos para mantener la clasificación medioambiental de la carcasa.
5. Cierre el panel de analítica. Gire el cierre del panel de analítica hasta la posición de bloqueo.
6. Conecte el cable de alimentación a una toma eléctrica.
7. Pulse **menu** y, a continuación, seleccione INICIAR ANALIZADOR.

Figura 3 Retirada de la cubierta de acceso eléctrico

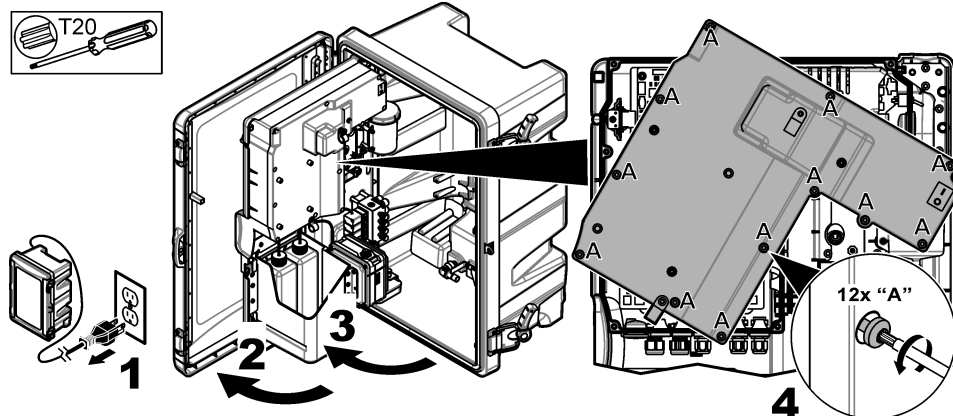
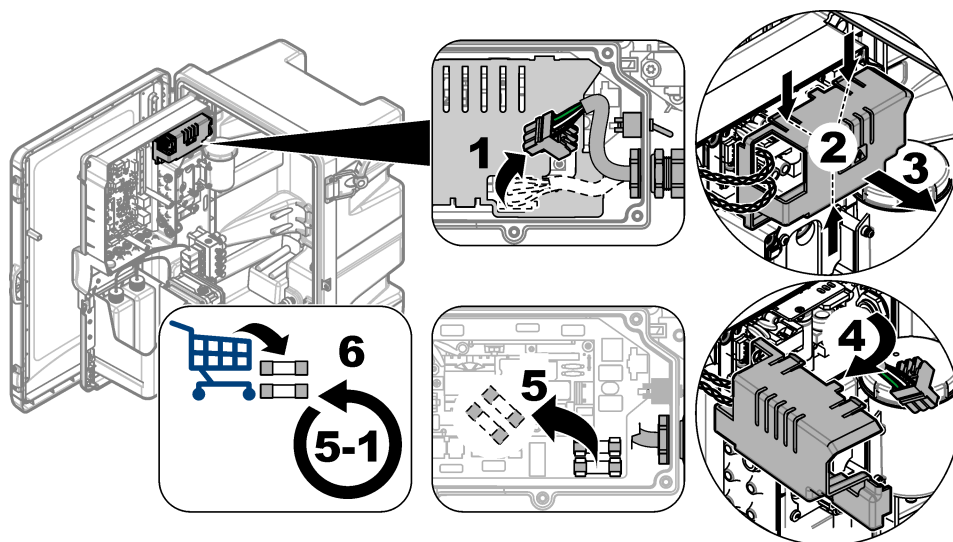


Figura 4 Sustitución del fusible de alimentación



3.8 Preparación del analizador para un apagado de período corto

Prepare el analizador para un apagado de período corto (de 2 días a 1 semana) como se indica a continuación:

Elementos proporcionados por el usuario: pinzas de abrazadera

1. Pulse **menu** y, a continuación, seleccione DETENER ANALIZADOR.

Nota: Si aparece INICIAR ANALIZADOR, el analizador ya se encuentra en modo de espera.

2. Fije las pinzas de abrazadera (metálicas o de plástico) en el extremo del tubo del electrolito de KCl para detener el flujo del electrolito de KCl hacia el electrodo de referencia.

Nota: Cuando el analizador se encuentre en modo de espera o apagado, el electrolito de KCl sigue fluyendo fuera del electrodo de referencia. El electrolito de KCl llenará lentamente la cámara izquierda de la celda de medición y saldrá por la parte superior de la cámara izquierda.

3. Desconecte las válvulas de corte de las líneas de muestreo.
4. Si se va a retirar la alimentación del analizador, añada solución de reactivación a la cámara central de la celda de medición para evitar dañar el electrodo de sodio.

Nota: Después de 4 horas en modo de espera, el analizador añade automáticamente la solución de reactivación a la cámara central de la celda de medición.

3.9 Preparación del analizador para un apagado prolongado

▲ ADVERTENCIA



Peligro por exposición química. Respete los procedimientos de seguridad del laboratorio y utilice el equipo de protección personal adecuado para las sustancias químicas que vaya a manipular. Lea la hoja de datos de seguridad del proveedor antes de llenar las botellas o de preparar los reactivos. Únicamente para uso en laboratorio. Dé a conocer la información de riesgo conforme a la normativa local del usuario.

▲ PRECAUCIÓN



Peligro por exposición a productos químicos. Deshágase de los productos químicos y los residuos de acuerdo con las normativas locales, regionales y nacionales.

Prepare el analizador para un apagado prolongado (más de 1 semana) como se indica a continuación:

Artículos proporcionados por el usuario:

- Recipiente pequeño, 250 ml o más grande
- Agua desionizada, 1,5 l
- Paño limpio y sin pelusas

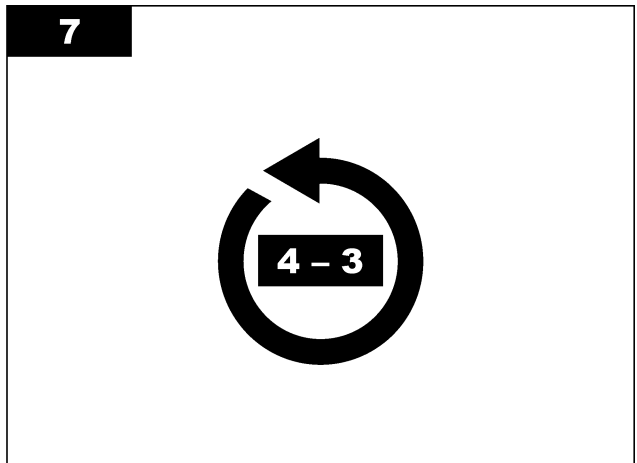
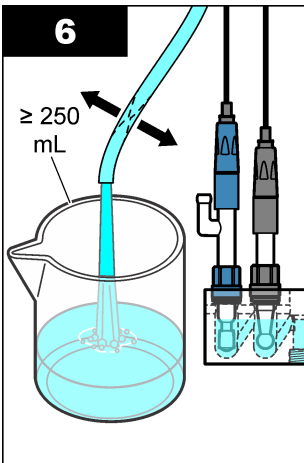
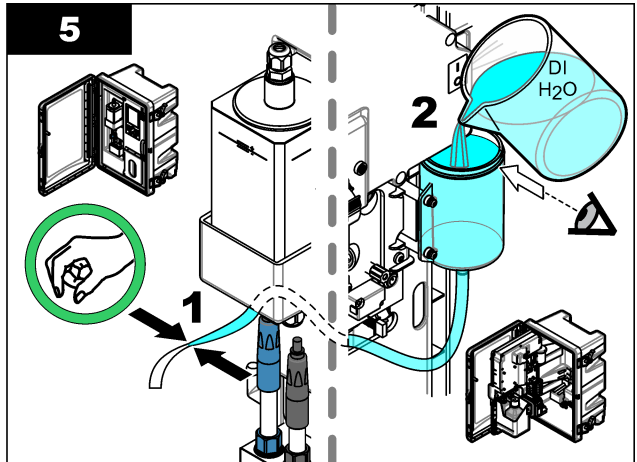
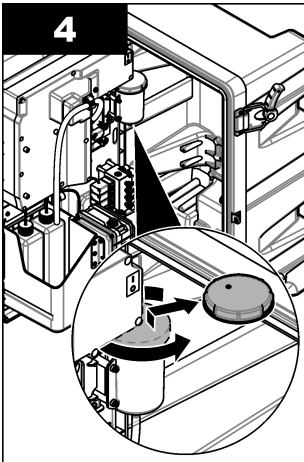
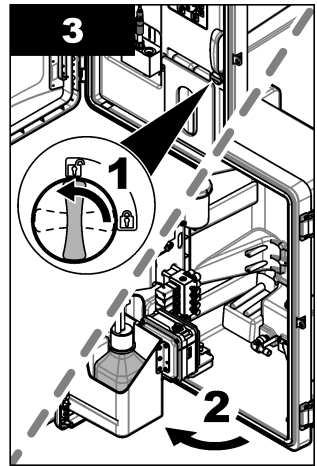
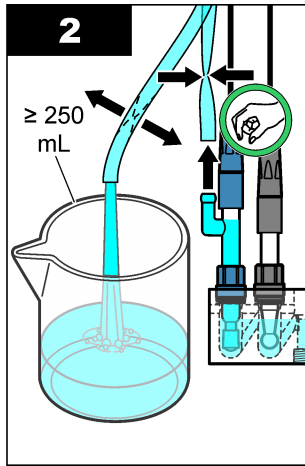
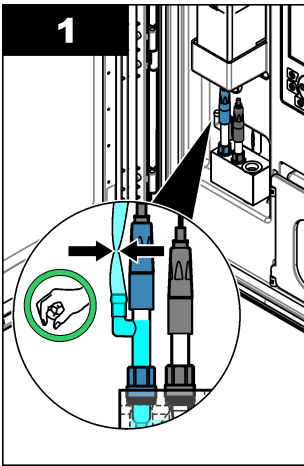
Material necesario:

- Botellas de almacenamiento para electrodos (2)
- Tapones de protección para electrodos (2)
- Tapa negra para la unión de vidrio del electrodo de referencia

3.9.1 Drenaje y enjuague del depósito del electrolito de KCl

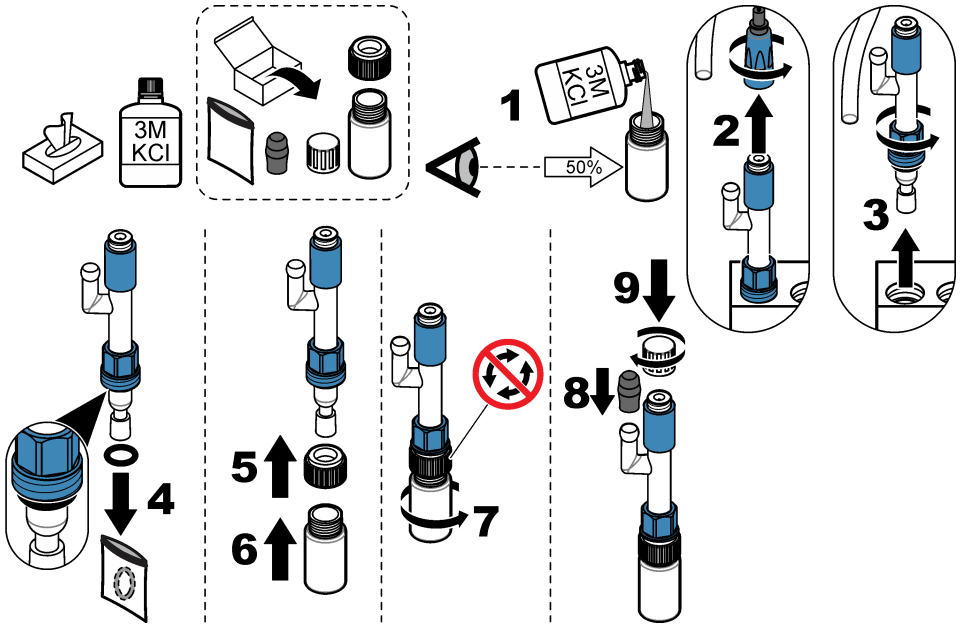
Consulte los pasos que se muestran en las siguientes ilustraciones.

Póngase el equipo de protección personal que se indica en la hoja de datos de seguridad (MSDS/SDS).



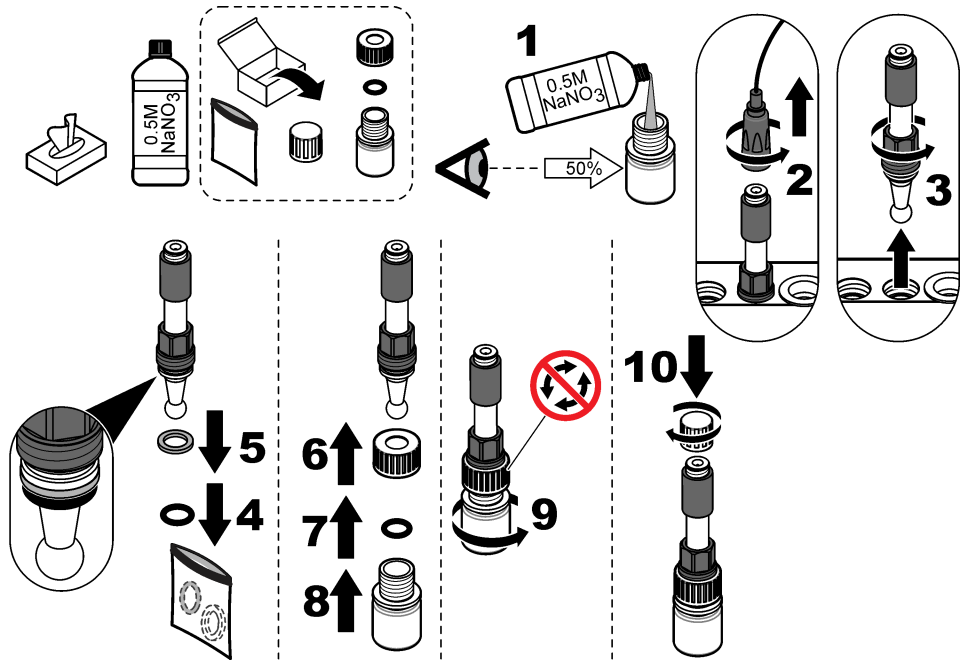
3.9.2 Retirada del electrodo de referencia

Consulte los pasos ilustrados que se muestran a continuación.



3.9.3 Retirada del electrodo de sodio

Consulte los pasos que se muestran en las siguientes ilustraciones.



3.9.4 Desconexión de la botella de solución de acondicionamiento

⚠ ADVERTENCIA



Peligro de inhalación. No inhale los vapores de la diisopropilamina (DIPA) ni del amoníaco. La exposición a estas sustancias puede causar lesiones graves o incluso la muerte.



⚠ ADVERTENCIA

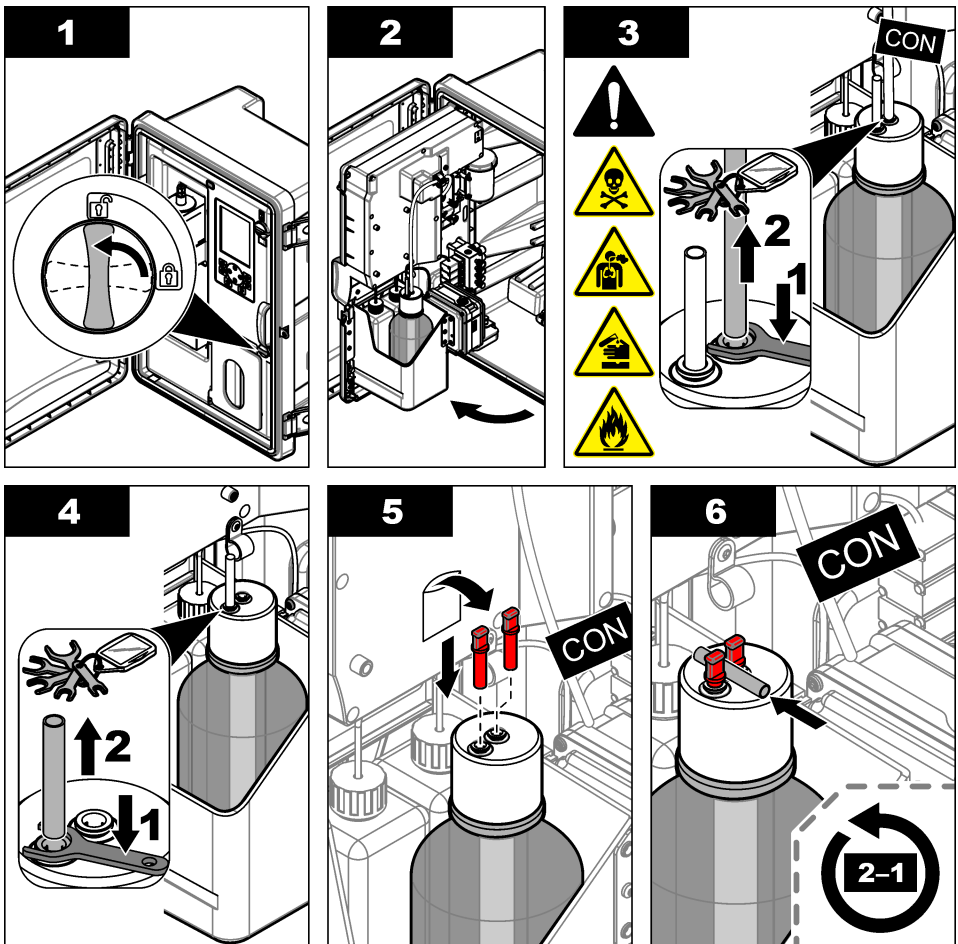


Peligro por exposición a productos químicos. La diisopropilamina (DIPA) y el amoníaco son productos químicos inflamables, corrosivos y tóxicos. La exposición a estas sustancias puede causar lesiones graves o incluso la muerte.



Consulte los pasos que se muestran en las siguientes ilustraciones.

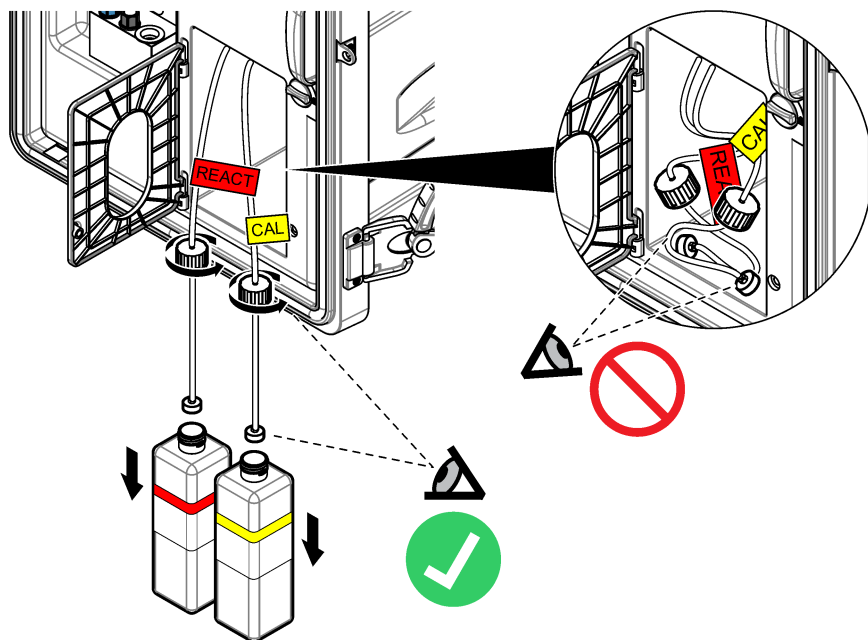
Póngase el equipo de protección personal identificado en la hoja de datos de seguridad (MSDS/SDS).



3.9.5 Enjuague de los tubos de reactivo

1. Póngase el equipo de protección personal identificado en la hoja de datos de seguridad (MSDS/SDS).
 2. Retire las botellas de solución de reactivación y de solución de calibración del analizador. Consulte la [Figura 5](#).
- Nota: Solo los analizadores con la opción de calibración automática cuentan con una botella de solución de calibración.*
3. Deseche las soluciones de las botellas en un drenaje correspondiente.
 4. Enjuague y, a continuación, llene las botellas hasta la mitad con agua desionizada.
 5. Coloque las botellas en el analizador.
 6. Pulse **menu** y, a continuación, seleccione **REACTIVOS/ESTÁNDARES > CEBAR REACTIVOS**. Los tubos de reactivo se enjuagan con agua desionizada.

Figura 5 Extracción de la botella



3.9.6 Drenaje del recipiente de rebose

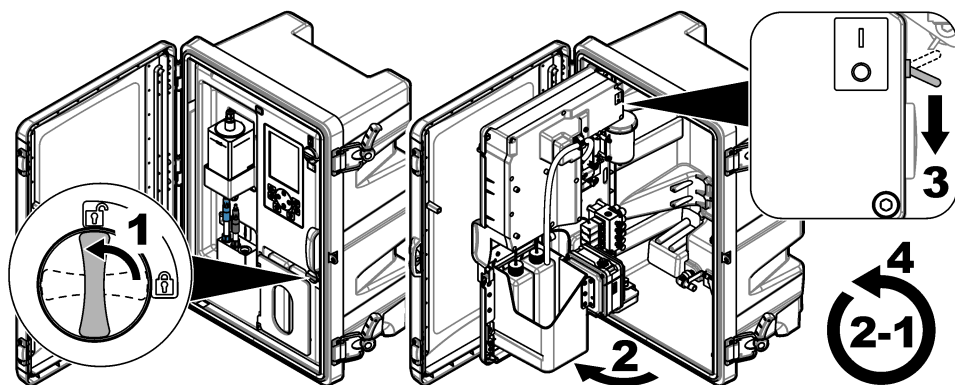
1. Pulse **diag**, a continuación seleccione REALIZAR PRUEBA y pulse **enter**.
2. Pulse **enter** para seleccionar SI.
3. Seleccione DRENAJE MUESTRA y, a continuación, pulse **enter**.
4. Introduzca 150 segundos.
5. Pulse **enter** dos veces.
6. Cuando el recipiente de rebose esté vacío, pulse **back**.
7. Pulse **home**.

3.9.7 Apagado del analizador

Desconecte la alimentación y la muestra del analizador como se indica a continuación:

1. Establezca el interruptor de alimentación en apagado. Consulte la [Figura 6](#).
2. Cierre el panel de analítica. Gire el cierre del panel de analítica hasta la posición de bloqueo.
3. Desconecte el cable de alimentación de la toma de corriente.
4. Desconecte las válvulas de corte de las líneas de muestreo.
5. Utilice un paño limpio y sin pelusas para eliminar el agua del recipiente de rebose.
6. Utilice un paño limpio y sin pelusas para eliminar el agua de la cámara izquierda y central de la celda de medición.

Figura 6 Establezca el interruptor de alimentación en apagado



3.9.8 Eliminación del agua desionizada de las botellas

1. Retire las botellas de solución de reactivación y de solución de calibración del analizador. Quite los tapones de las botellas para que cuelguen bajo el analizador.

No permita que el tapón de la botella o los tubos internos toquen el analizador, para evitar la contaminación.

2. Elimine el agua desionizada de las botellas.
3. Deje que las botellas se sequen completamente al aire libre.
4. Coloque las botellas en el analizador.
5. Cierre la puerta del analizador.

Sección 4 Solución de problemas

Problema	Posible causa	Solución
La barra de estado no aparece en la pantalla de medición.	El canal que aparece en la pantalla de medición no es el canal que se está midiendo.	Pulse la flecha ARRIBA o ABAJO hasta que el canal que se está midiendo aparezca en la pantalla de medición.
Un canal no aparece en la pantalla de medición al pulsar la flecha ARRIBA o ABAJO .	El canal no está seleccionado en la configuración de pantalla.	Pulse menu y, a continuación, seleccione CONFIG SISTEMA > CONFIG PANTALLA > AJUSTAR ORDEN > VER ORDEN ACTUAL. Si el canal no aparece, pulse back y, a continuación, seleccione AGREGAR MEDIDAS. Pulse la flecha IZQUIERDA para seleccionar o anular la selección de una casilla.

Problema	Posible causa	Solución
Un canal no se está midiendo.	El canal no está activado.	Pulse menu y, a continuación, seleccione CONFIG SISTEMA > CONFIGURAR ANALIZADOR > CONFIG SECUENCIADOR > ACTIVAR CANALES. Añada el canal. Pulse la flecha IZQUIERDA para seleccionar o anular la selección de una casilla.
	El canal no está en la secuencia de medición de canales.	Pulse menu y, a continuación, seleccione CONFIG SISTEMA > CONFIGURAR ANALIZADOR > CONFIG SECUENCIADOR > CANALES SECUENCIA. Pulse las flechas ARRIBA y ABAJO para seleccionar una fila y, a continuación, pulse la flecha IZQUIERDA o DERECHA para seleccionar un canal. S1 es el primer canal medido, seguido por el S2, S3 y S4. <i>Nota: No seleccione los canales que contienen el símbolo "~" (por ejemplo, 4-~MUESTRA4). Los canales que contienen el símbolo "~" no se miden.</i>
Aparece la advertencia "LECTURA INESTABLE".	El tiempo de enjuague entre las mediciones de los canales es demasiado corto.	Pulse menu y, a continuación, seleccione CONFIG SISTEMA > CONFIGURAR ANALIZADOR > MEDICIÓN EN CURSO > AJ CICLO MEDICIÓN > TIEMPO CICLO MÁX o TIEMPO DE CICLO. Aumente la configuración de TIEMPO CICLO MÁX o TIEMPO DE CICLO para aumentar el tiempo de enjuague.
Aparece la advertencia "FALTA MUESTRA".	La válvula de corte de la línea de muestreo está cerrada.	Gire la válvula de corte para abrirla.
	La línea de muestreo no está conectada correctamente.	Asegúrese de que la línea de muestreo está conectada al puerto hidráulico correcto. Consulte <i>Puertos hidráulicos</i> en el manual de instalación.
	La válvula de caudal de muestra está cerrada.	Inicie el asistente de arranque. Pulse menu y, a continuación, seleccione CONFIG SISTEMA > ARRANCAR ANALIZADOR. Pulse enter hasta que se le solicite para ajustar el caudal de muestra. Gire la válvula de caudal de muestra hacia la izquierda para aumentar el caudal a 6-9 l/hora en cada canal.
	La válvula solenoide del canal no funciona correctamente.	Pulse diag y, a continuación, seleccione REALIZAR PRUEBA > DRENAJE MUESTRA para drenar el recipiente de reboso. Pulse diag y, a continuación, seleccione REALIZAR PRUEBA > ENTREGA MUESTR para abrir la válvula de muestra. Si la muestra no fluye hacia el recipiente de reboso, examine el cableado de la válvula de muestra. Sustituya la válvula de muestra si es necesario.

Problema	Posible causa	Solución
Aparece la advertencia "PH MUY BAJO".	Se ha retirado la cubierta de la cámara derecha de la celda de medición.	Instale la cubierta de la cámara derecha de la celda de medición.
	La botella de solución de acondicionamiento se encuentra a menos del 10% o vacía.	Sustituya la solución de acondicionamiento. Consulte Sustitución de la solución de acondicionamiento en la página 113.
	Hay una fuga de aire en el tapón de la botella de acondicionamiento.	<ul style="list-style-type: none"> Asegúrese de que el tapón de la botella de acondicionamiento está colocado firmemente. Compruebe la arandela del tapón de la botella. Si observa desgaste o daños, sustituya la arandela. Compruebe la brida de plástico del borde de la botella. Si observa desgaste o daños, sustituya la botella de solución de acondicionamiento.
	Hay una fuga de aire en los tubos de acondicionamiento.	Busque una obstrucción o fuga de aire en los tubos de acondicionamiento. Sustituya los tubos según sea necesario. <i>Nota: Los tubos de acondicionamiento contienen gas, no la solución.</i>
	La válvula de acondicionamiento no funciona correctamente.	Pulse diag y, a continuación, seleccione REALIZAR PRUEBA > VÁLVULA ACONDICIONAM para abrir la válvula de acondicionamiento. Si no fluye gas de acondicionamiento hacia la cámara derecha de la celda de medición (se ve como burbujas), sustituya la válvula de acondicionamiento.
Aparece la advertencia "ERROR DE CALIBRACIÓN".	El valor de la solución de calibración en la configuración de calibración automática es diferente al valor de la botella de la solución de calibración.	Cambie el valor de la solución de calibración del menú de calibración por el valor de la botella de solución de calibración. Consulte <i>Configurar los ajustes de calibración automática</i> en el manual de operaciones.
	La botella de solución de calibración está vacía.	Sustituya la solución de calibración. Consulte Sustitución de las soluciones de calibración y reactivación en la página 111.
	Hay una fuga u obstrucción en los tubos de solución de calibración.	Busque una obstrucción o fuga en los tubos. Sustituya los tubos según sea necesario.
	La bomba de solución de calibración no funciona correctamente.	<p>Pulse diag y, a continuación, seleccione REALIZAR PRUEBA > DRENAJE MUESTRA para drenar completamente el recipiente de rebose.</p> <p>Pulse diag y, a continuación, seleccione REALIZAR PRUEBA > ENTREGA EST CAL para activar la bomba de solución de calibración. Si una solución de calibración no fluye hacia el recipiente de rebose, sustituya la bomba de solución de calibración.</p>
	La barra agitadora no gira. <i>Nota: La barra agitadora gira de forma intermitente.</i>	Pulse diag y, a continuación, seleccione REALIZAR PRUEBA > MEZCLADOR para encender el motor del mezclador. Si la barra agitadora no se mueve, sustituya el motor del mezclador.
	La barra agitadora no se encuentra en el recipiente de rebose.	Asegúrese de que la barra agitadora se encuentra en el recipiente de rebose.

Problema	Posible causa	Solución
Aparece la advertencia "TENSIÓN REACT BAJA".	La botella de solución de reactivación está vacía.	Asegúrese de que el extremo del tubo de solución de reactivación se encuentra en el fondo de la botella. Sustituya la solución de reactivación. Consulte Sustitución de las soluciones de calibración y reactivación en la página 111.
	El electrodo de sodio no funciona correctamente.	<ul style="list-style-type: none"> Asegúrese de que el electrodo de sodio está correctamente instalado. Consulte el manual de instalación. Asegúrese de que no hay aire en el bulbo de vidrio del electrodo de sodio.
	El electrodo de referencia no funciona correctamente.	<ul style="list-style-type: none"> Retire el electrodo de referencia de la celda de medición. Levante el collar que se encuentra en la parte de vidrio para dejar que salga una parte del electrolito de KCl. Empuje el collar hacia abajo y gírelo menos de 1/4 de vuelta para bloquearlo. Cuando el collar está bloqueado, no gira. Instale el electrodo de referencia en la celda de medición. Asegúrese de que el electrodo de referencia está correctamente instalado. Consulte el manual de instalación. Para comprobar si el problema se ha solucionado, pulse diag y, a continuación, seleccione REACTIVACIÓN SENSOR para llevar a cabo la reactivación.
	Hay una fuga u obstrucción en los tubos de la solución de reactivación.	Busque una obstrucción o fuga en los tubos. Sustituya los tubos según sea necesario.
	La bomba de la solución de reactivación no funciona correctamente.	Pulse diag y, a continuación, seleccione REALIZAR PRUEBA > ENTREGA SOL REACTIV > ALTO para establecer la bomba de solución de reactivación a un caudal alto. Si la solución de reactivación no fluye hasta la cámara central de la celda de medición, sustituya la bomba de solución de reactivación.
Las lecturas del instrumento no son estables.	El analizador se inició hace menos de 2 horas.	Deje que el analizador funcione durante 2 horas para que se estabilice.
	Los cables del electrodo se han cruzado en los electrodos.	Desconecte el cable del electrodo. Empuje el conector completamente hacia abajo, hacia el conector del electrodo y, a continuación, gire el conector para apretarlo bien.
	Los cables de los electrodos están conectados a los electrodos incorrectos.	Conecte el cable azul al electrodo de referencia. Conecte el cable negro al electrodo de sodio.
	El caudal del electrolito de KCl es demasiado rápido.	Retire el electrodo de referencia de la celda de medición. Empuje el collar hacia abajo y gírelo menos de 1/4 de vuelta para bloquearlo. Cuando el collar está bloqueado, no gira. Si el collar no está bloqueado, el electrolito de KCl fluirá demasiado rápido desde el electrodo de referencia hasta la celda de medición.

Problema	Posible causa	Solución
Las mediciones no son exactas.	El analizador no está calibrado.	Calibración del analizador. Consulte <i>Realizar una calibración</i> en el manual de operaciones. Para obtener la mayor exactitud, calibre el analizador en intervalos de 7 días (semanalmente).
	La reactivación automática está desactivada o el intervalo entre reactivaciones es de más de 24 horas.	Inicie una reactivación automática. Pulse diag y, a continuación, seleccione REACTIVACIÓN SENSOR. Nota: Para obtener la mayor exactitud, encienda la reactivación automática. Establezca el intervalo en 24 horas. Consulte el manual de operaciones.
	La botella de solución de reactivación está vacía.	Sustituya la solución de reactivación. Consulte Sustitución de las soluciones de calibración y reactivación en la página 111.
	Hay una fuga u obstrucción en los tubos de la solución de reactivación.	Busque una obstrucción o fuga en los tubos. Sustituya los tubos según sea necesario.
	La bomba de la solución de reactivación no funciona correctamente.	Pulse diag y, a continuación, seleccione REALIZAR PRUEBA > ENTREGA SOL REACTIV > ALTO para establecer la bomba de solución de reactivación a un caudal alto. Si la solución de reactivación no fluye hasta la cámara central de la celda de medición, sustituya la bomba de solución de reactivación.
La barra agitadora del recipiente de reboso no gira.	El mezclador no funciona correctamente. Nota: La barra agitadora gira de forma intermitente.	Pulse diag y, a continuación, seleccione REALIZAR PRUEBA > MEZCLADOR para encender el motor del mezclador. Si la barra agitadora no se mueve, sustituya el motor del mezclador.
El consumo de electrolito de KCl es demasiado rápido ¹ .	El collar de la parte de vidrio del electrodo de referencia no está bloqueado.	Retire el electrodo de referencia. Empuje el collar hacia arriba. Empuje el collar hacia abajo y gírelo menos de 1/4 de vuelta para bloquearlo. Consulte los pasos ilustrados en <i>Instalación del electrodo de referencia</i> en el manual de instalación. Cuando el collar está bloqueado, no gira. Si el collar no está bloqueado, el electrolito de KCl fluirá demasiado rápido desde el electrodo de referencia hasta la celda de medición.
El consumo del electrolito de KCl es demasiado lento ² .	El collar de la parte de vidrio del electrodo de referencia no se había girado para romper el sellado.	Retire el electrodo de referencia. Con cuidado, gire el collar para romper el sellado. Cuando el collar gire fácilmente, el sellado se habrá roto. Consulte los pasos ilustrados en <i>Instalación del electrodo de referencia</i> en el manual de instalación. Empuje el collar hacia abajo y gírelo menos de 1/4 de vuelta para bloquearlo. Cuando el collar está bloqueado, no gira. Si el collar no está bloqueado, el electrolito de KCl fluirá demasiado rápido desde el electrodo de referencia hasta la celda de medición.
Un relé indicador parpadea en la pantalla de medición.	El temporizador de sobrealimentación se ha agotado.	Restablezca el temporizador de sobrealimentación. Consulte Restablecimiento del temporizador de sobrealimentación para relés en la página 130. Nota: La configuración del temporizador de sobrealimentación solo se activa cuando el ajuste PROG. FUNCION del relé se establece en CONT DOSIFICAD.

¹ El consumo de electrolito de KCl es demasiado rápido si el nivel del depósito disminuye más de 3 mm (1/8 pulg.) en dos días

² El consumo de electrolito KCl es demasiado lento si el nivel del depósito disminuye menos de 1 mm en dos días

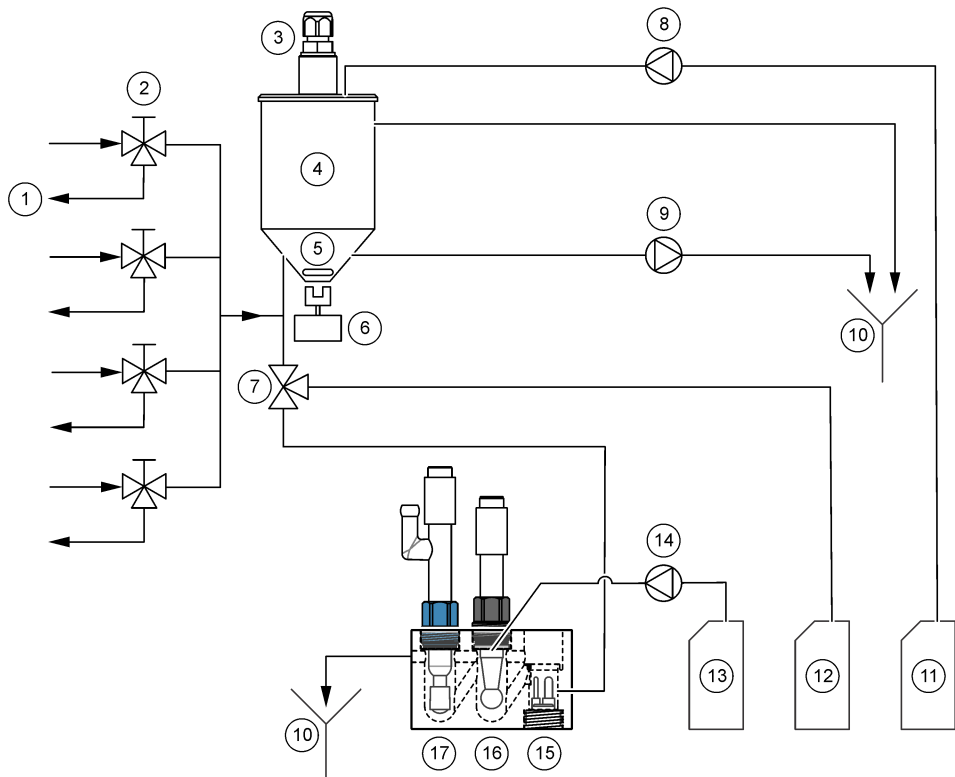
4.1 Restablecimiento del temporizador de sobrealimentación para relés

La configuración del temporizador de sobrealimentación para relés permite evitar situaciones en las que el valor de medición se mantiene por encima del valor de consigna o el ajuste de banda muerta (por ejemplo, por un electrodo dañado o una alteración del proceso), a fin de impedir que un relé quede activado de forma continua. El temporizador de sobrealimentación limita el tiempo que los relés y sus elementos de control conectados permanecen activados, independientemente de las condiciones.

Cuando vence el intervalo de tiempo seleccionado para el temporizador de sobrealimentación, el estado del relé parpadea en la esquina superior derecha de la pantalla de medición hasta que el temporizador de sobrealimentación se restablece. Pulse **diag** y, a continuación, seleccione **OVERFEED RESET** para restablecer el temporizador de sobrealimentación.

Sección 5 Diagnósticos

5.1 Esquema de los tubos



1 Drenaje de derivación de muestra	7 Válvula de acondicionamiento	13 Solución de reactivación
2 Entrada de muestra	8 Bomba de solución de calibración ³ .	14 Bomba de solución de reactivación
3 Sensor de nivel	9 Bomba de drenaje	15 Sensor de temperatura
4 Recipiente de rebose	10 Drenaje	16 Electrodo de sodio
5 Barra agitadora	11 Solución de calibración ³	17 Electrodo de referencia
6 Motor del mezclador	12 Solución de acondicionamiento	

5.2 Inicio de una prueba del analizador

Inicie una prueba del analizador para identificar si las luces indicadoras de estado, el motor del mezclador, una bomba o una válvula funcionan correctamente.

³ Solo los analizadores con la opción de calibración automática cuentan con una bomba de solución de calibración y solución de calibración.

1. Pulse **diag** y, a continuación, REALIZAR PRUEBA.
2. Seleccione una opción.

Opción	Descripción
ENTREGA SOL REACTIV	Inicia la bomba de solución de reactivación. La solución de reactivación fluye hacia la cámara central de la celda de medición. Nota: La celda de medición es el bloque transparente donde los electrodos están instalados.
ENTREGA MUESTR	Establece la válvula solenoide de muestra para que se abra el canal seleccionado. La muestra fluye hacia el recipiente de rebose. Nota: Si el recipiente de rebose está lleno, el nivel del agua del recipiente de rebose no cambiará. Para drenar el recipiente de rebose, realice la prueba DRENAJE MUESTRA.
ENTREGA EST CAL	Nota: La opción ENTREGA EST CAL solo está disponible en los analizadores que cuentan con la opción de calibración automática. Activa la bomba de solución de calibración. La solución de calibración fluye hacia el recipiente de rebose.
VÁLVULA ACONDICIONAM	Establece la apertura de la válvula de acondicionamiento. El gas de acondicionamiento fluye hacia la cámara derecha de la celda de medición. Nota: La celda de medición es el bloque transparente donde los electrodos están instalados.
DRENAJE MUESTRA	Activa la bomba de drenaje. El agua del recipiente de rebose drena el tubo de drenaje químico.
MEZCLADOR	Activa el motor del mezclador. La barra agitadora del recipiente de rebose gira.
LED DE ESTADO	Establece el ciclo continuo de las luces indicadoras de estado: amarillas, rojas, verdes.
BOMBA DE AIRE	Nota: La opción BOMBA DE AIRE solo está disponible cuando se instala la bomba catiónica opcional. Activa la bomba catiónica. La bomba catiónica impulsa el aire dentro de la botella de la solución de acondicionamiento (DIPA). Consulte la sección <i>Descripción general del producto</i> del manual de instalación para identificar la ubicación de la bomba catiónica del analizador.
SELECCIONAR SCRIPT	Nota: La opción SELECCIONAR SCRIPT es solo para uso de servicio. Configura el analizador para que utilice el script del instrumento normal o el script de prueba.

5.3 Inicio de una prueba de salida de 4-20 mA o de relé

Inicie una prueba de salida de 4-20 mA o de relé para identificar si el funcionamiento es correcto.

1. Pulse **diag** y seleccione SALIDAS.
2. Seleccione una opción.

Opción	Descripción
PRUEBA 4-20 mA	Establece la señal (mA) de la salida de 4-20 mA seleccionada. Mida la corriente de la salida de 4-20 mA con un multímetro.
RELE A	Activa el relé seleccionado (activado) o lo desactiva (desactivado). Mida la resistencia en el relé con un multímetro para identificar si el relé está abierto o cerrado.

Opción	Descripción
MANTENER SALID	Mantiene las salidas en el último valor o las establece en el valor de transferencia. ACTIVAR: seleccione INICIAR para mantener las salidas en el último valor o establecerlas en el valor de transferencia. Seleccione LIBERAR RELE para que las salidas funcionen con normalidad. MONTAR SALIDA: seleccione MANTENER SALID para mantener las salidas en el último valor. Seleccione SALIDAS DE TRANSF para establecer las salidas en el valor de transferencia. Consulte el manual de operaciones para establecer el valor de transferencia de las salidas. MONTAR CANAL: seleccione TODOS para seleccionar todos los canales. Seleccione ANALIZADOR para seleccionar todos los canales del analizador seleccionado.
ESTADO SALIDA	Muestra las señales (mA) en las salidas de 4-20 mA.
SIMULAR MEDICIÓN	Introduce una lectura del analizador en un canal seleccionado para realizar una prueba de salida. La simulación se detiene cuando el usuario abandona la pantalla. SELEC ORIGEN: selecciona el analizador. SEL. PARAMETRO: selecciona el canal. MONTAR VAL SIM: establece la lectura del analizador.

5.4 Visualización de la información del analizador

Para visualizar la información del analizador que se indica a continuación, pulse **menu** y, a continuación, seleccione VER DATOS > DATOS ANALIZAD. Consulte la [Tabla 2](#).

Tabla 2 Descripciones de los datos del analizador

Elemento	Descripción
FECHA/HORA	Hora actual (formato de 24 horas) y la fecha identificadas en los ajustes
NOMBRE	Nombre de analizador
TIPO	Tipo de analizador
Tª AMBIENTE	Temperatura ambiente del analizador
NIVEL SOL ACONDICION	Nivel de la botella de solución de acondicionamiento
NIVEL SOL REACT	Nivel de la botella de solución de reactivación
NIVEL ESTÁNDAR	Nivel de la botella de solución de calibración
NIVEL KCL	Nivel de solución del depósito del electrolito de KCl
ÚLTIMA REACTIVACIÓN	Fecha en que se realizó la última reactivación
ÚLTIMA CAL	Fecha en que se realizó la última calibración
ÚLTIMO SERVICIO	Fecha del último servicio
VERSION SOTFWA	Versión del software instalada
FIRMWARE DD	Versión del firmware del controlador de dispositivo instalada
CONTENIDO DD	Versión del contenido de los datos del controlador de dispositivo
VERSIÓN SCRIPT	Versión del bloque del directorio del archivo de script
CONTENIDO SCRIPT	Versión del contenido del directorio del archivo de script
REV SW CONTROL MED	Revisión del software de control de medición instalado
NUMER DE SERIE	Número de serie del analizador

5.5 Visualización del estado del analizador y los datos del sistema

Para mostrar el estado actual del analizador, el estado de Modbus, los datos del sistema o los datos I2C, siga los pasos que se indican a continuación:

1. Pulse **diag**.
2. Seleccione una opción.

Opción	Descripción
ESTADO ACTUAL	OPERACIÓN: el modo de medición actual. CANAL MUESTRA: canal de muestra actual. ESTADO TEMPORIZ: paso actual en el ciclo de medición. TEMPORIZADOR: tiempo de pasos restante. MINUTOS REST: minutos restantes en el paso actual. PROGRESO: % completado del ciclo de medición.
ESTAD MODBUS	Muestra el estado de los puertos de Modbus: sensor, controlador, red y servicio. Muestra el número de transmisiones correctas y deficientes.
INF DEL SISTEMA	Tª AMBIENTE: temperatura ambiente medida en grados celsius (°C). FRECUENCIA FUENTE ALIMENT: frecuencia de la línea de alimentación (Hz). VOLTAJE FUENTE ALIMENT: línea de alimentación (CA). VOLTAJE 12V: medición de la tensión de la fuente de alimentación (V CC). VOLTAJE 3,3V: medición de la fuente de alimentación regulada de 3,3 V (V CC). CORRIENTE 12V: medición de la corriente de la fuente de alimentación de 12 V (amperios).
DATOS I2C	Muestra la información de comunicación (I ² C) y el número de versión.

5.6 Visualización de la información de servicio

Utilice el menú de servicio para mostrar o establecer el historial de servicio de las piezas del instrumento.

1. Pulse **diag**.
2. Seleccione **SERVICIO**.
3. Seleccione una opción.

Opción	Descripción
CONSUMIBLE	Muestra una lista de las piezas consumibles. Muestra la fecha de la última sustitución y el número de días transcurridos desde que se sustituyó la pieza. Restablezca el contador después de sustituir una pieza.
REPUESTO	<i>Nota: La opción REPUESTO solo es para uso de servicio.</i> Muestra una lista de piezas y la fecha del último servicio. El técnico de service restablece el contador después de que se sustituya una pieza.
MANTENIMIENTO ANUAL	Muestra la fecha del último mantenimiento anual, la fecha del próximo mantenimiento anual y el número de días que quedan antes del próximo mantenimiento anual. Restablece el contador después de un mantenimiento anual.
EDITAR NS ELECTRODO	Registra los números de serie de los electrodos.
HISTORIAL SERVIC	Muestra las tareas de mantenimiento que se han realizado y la fecha (por ejemplo: Sustituya la solución de reactivación). HORA DE INICIO: muestra los datos registrados después de la fecha y la hora seleccionadas. NÚMERO DE LECTURAS: muestra el número seleccionado de puntos de datos.
ACTIVACIÓN POST	NO: no se realizan diagnósticos de hardware cuando se suministra alimentación al analizador. SI: se realizan diagnósticos de hardware cuando se suministra alimentación al analizador.

Sección 6 Piezas de repuesto y accesorios

⚠ ADVERTENCIA



Peligro de lesión personal. El uso de piezas no aprobadas puede causar lesiones personales, daños al instrumento o un mal funcionamiento del equipo. Las piezas de repuesto que aparecen en esta sección están aprobadas por el fabricante.

Nota: Las referencias de los productos pueden variar para algunas regiones de venta. Póngase en contacto con el distribuidor correspondiente o visite la página web de la empresa para obtener la información de contacto.

Reactivos y estándares

Descripción	Cantidad	Referencia
Solución de electrolito de KCl 3 M	250 ml	LZW9500.99
Solución de electrolito de KCl 3 M	500 ml	363140,00500
Diisopropilamina (DIPA) 99%	1 l	2834453
Estándar de cloruro sódico, 10 ppm	1 l	2835153
Nitrato de sodio, 0,5 M	500 ml	2507149

Piezas de repuesto

Descripción	Cantidad	Referencia
Botella de solución de acondicionamiento con tapón, vacía	1	8352000
Arandela, tapón de la botella de acondicionamiento	1	8417200
Adaptador acodado, drenaje, ½ pulg., polipropileno	1	6772800
Electrodo, referencia	1	09240=C=0310
Electrodo, sodio	1	09240=C=0320
Fusible, 1,6 A, 250 V, 5 x 20 mm	1	5208300
Fusible, 5 A, 250 V, acción retardada, 5 x 20 mm	1	4693800
Kit de instalación, analizador de 1 canal, analizador con carcasa	1	8375400
Kit de instalación, analizador de 2 canales, analizador con carcasa	1	8375300
Kit de instalación, analizador de 4 canales, analizador con carcasa	1	8371500
Kit de instalación, analizador de 1 canal, analizador sin carcasa	1	8375700
Kit de instalación, analizador de 2 canales, analizador sin carcasa	1	8375600
Kit de instalación, analizador de 4 canales, analizador sin carcasa	1	8375500
Motor del mezclador	1	8420000
Tornillos de montaje en panel, cabeza plana M6 x 20, acero inoxidable, Torx	4	8415500
Herramienta de perforación para conectores eléctricos internos, tubo metálico, se utiliza con 8379900	1	8380000
Herramienta de perforación para conectores eléctricos internos, placa metálica, se utiliza con 8380000	1	8379900
Regulador de presión, 0,3 bar (4 psi), no ajustable	1	6782900
Bomba, solución de calibración	1	8364300

Piezas de repuesto (continúa)

Descripción	Cantidad	Referencia
Bomba, drenaje	1	8357400
Bomba, solución de reactivación	1	8364200
Válvula de corte, tubos de 6 mm de DE	1	8385200
Barra agitadora	1	W_4510_001_FF
Prensacables, PG9 de 4 mm a 8 mm	1	8356300
Prensacables, NPT ½ pulg. de 4 mm a 9 mm	1	8368400
Soportes para montaje en mesa	2	8370400
Tornillos, soporte de montaje en mesa, acero inoxidable n.º 8 x ½, Torx	2	8412200
Tubos, drenaje químico y de la carcasa, 17,5 mm (¹¹ / ₁₆ pulg.) DE de 3,2 mm (¹ / ₈ pulg.) de grosor	2 m (6,5 pies)	LZX278
Tubos, muestra, DE de 6 mm x DI de 4 mm	5,5 m (18 pies)	6772500
Cúter para tubos	1	8385400
Soportes para montaje en pared	2	8364100
Tornillos, soporte para montaje en pared, M4 x 10 plano de acero inoxidable, Torx	2	8412500
Válvula, acondicionamiento	1	8367600
Válvula, muestra	1	8370200

Accesorios

Descripción	Cantidad	Referencia
Adaptador de botella, botella de DIPA, Merck	1	09073=C=0350
Adaptador de botella, botella de DIPA, Orion	1	09073=C=0360
Filtro, entrada de muestra, 100 µm, tubos de ¼ pulg. de DE	1	595=010=005
Filtro, entrada de muestra, 100 µm, tubos de 6 mm de DE	1	595=010=000
Intercambiador de calor, 4 canales máximo	1	8368900
Kit de actualización catiónico	1	8371200
Cable de alimentación, Norteamérica	1	9179700
Kit de actualización de 1 canal a 4 canales	1	8365100
Kit de actualización de 2 canales a 4 canales	1	8365000
Kit de actualización de calibración automática	1	8368000
Adaptador de tubos, DE de 6 mm a ¼ pulg.	2	09245=A=8300

Índice

- | | | | | | |
|---|--|---------------|---|------------------------------------|---------------|
| 1 | Informações de segurança | na página 137 | 4 | Resolução de problemas | na página 152 |
| 2 | Mostrar os erros, avisos e lembretes activos | na página 137 | 5 | Diagnóstico | na página 159 |
| 3 | Manutenção | na página 137 | 6 | Acessórios e peças de substituição | na página 163 |

Secção 1 Informações de segurança

Consulte o manual do utilizador para instalação, para informações gerais de segurança, descrições de perigos e descrições de etiquetas de precaução.

Secção 2 Mostrar os erros, avisos e lembretes activos

O fundo do visor e a luz indicadora de estado mudarão para vermelho quando ocorrer um erro ou para amarelo quando ocorrer um aviso.

- **Erro**—luz indicadora de estado e fundo do visor vermelhos. Ocorreu um problema significativo que afecta o funcionamento do equipamento. A medição em curso pára e o analisador entra no modo de encerramento.
- **Aviso**—luz indicadora de estado e fundo do visor amarelos. Ocorreu um evento que poderá causar um problema no futuro. O analisador continua a funcionar.
- **Lembretes**— aparece no visor um símbolo de chave inglesa e a luz indicadora do estado fica amarela. Expirou o tempo para uma tarefa de manutenção.

Execute os passos que se seguem para mostrar os erros, avisos e lembretes activos:

Nota: Para ver todos os possíveis erros, avisos e lembretes e as respectivas informações de ajuda, prima **diag (diagnóstico)** e, em seguida, seleccione **ANALYZER HELP (AJUDA DO ANALISADOR)**.

1. Prima **diag (diagnóstico)** e, em seguida, seleccione **DIAGNOSTICS (DIAGNÓSTICO)**. Os erros, avisos e lembretes activos são apresentados.
2. Seleccione um erro, aviso ou lembrete a partir da lista.
3. Seleccione uma opção.

Opção	Descrição
ACKNOWLEDGE (CONFIRMAR)	Confirma o erro, aviso ou lembrete seleccionado. Quando todos os erros, avisos e lembretes activos estiverem confirmados, o fundo do visor volta a ficar branco e a luz indicadora de estado volta a ficar verde.
VIEW HELP (VER AJUDA)	Apresenta informações de ajuda para o erro, aviso ou lembrete seleccionado.

Secção 3 Manutenção

▲ PERIGO	
	Vários perigos. Apenas pessoal qualificado deverá realizar as tarefas descritas nesta secção do documento.

3.1 Calendário de manutenção

A **Tabela 1** apresenta o calendário recomendado das tarefas de manutenção. Os requisitos do local e as condições de funcionamento podem aumentar a frequência de algumas tarefas.

Tabela 1 Calendário de manutenção

Tarefa	3 meses	Conforme necessário
Substituir as soluções de calibração e reactivação na página 138	X	
Substituir a solução de condicionamento na página 140	X	
Substituir o electrólito KCl na página 143	X	
Substituir um fusível de potência de entrada na página 144		X

3.2 Limpeza do produto

ATENÇÃO

Nunca utilize produtos de limpeza como terebintina, acetona ou semelhantes para limpar o instrumento, incluindo o visor e os acessórios.

Limpe o exterior do instrumento com um pano humedecido e uma solução de sabão suave.

3.3 Limpar derrames

AVISO



Perigo de exposição a produtos químicos. Elimine os produtos químicos e os resíduos de acordo com os regulamentos locais, regionais e nacionais.

1. Cumpra todos os protocolos de segurança das instalações para controlo de líquidos derramados.
2. Deite o lixo fora de acordo com as regulamentações aplicáveis.

3.4 Substituir as soluções de calibração e reactivação

AVISO



Perigo de exposição a produtos químicos. Siga os procedimentos de segurança do laboratório e utilize todo o equipamento de proteção pessoal adequado aos produtos químicos manuseados. Consulte as fichas de dados sobre segurança de materiais (MSDS/SDS) atuais para protocolos de segurança.

AVISO



Perigo de exposição a produtos químicos. Elimine os produtos químicos e os resíduos de acordo com os regulamentos locais, regionais e nacionais.

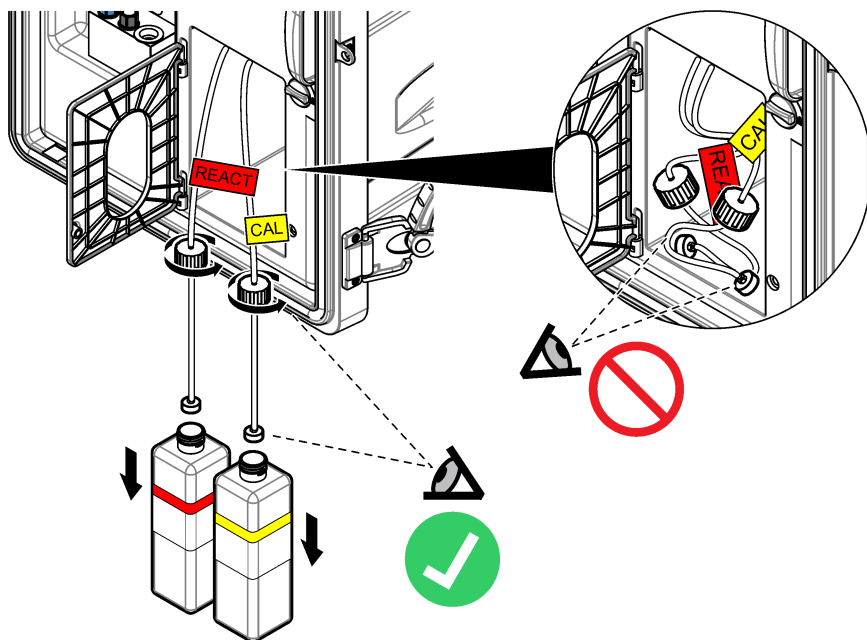
Substitua as soluções de reactivação e de calibração em intervalos de 3 meses ou quando o nível for inferior a 10%.

Itens fornecidos pelo utilizador:

- Equipamento de protecção pessoal (consulte a MSDS/SDS)
- Nitrato de sódio 0.5M (NaNO₃), 500 ml
- Cloreto de sódio padrão 10 ppm (NaCl), 500 ml
- Água desionizada, 100 ml

1. Vista o equipamento de protecção pessoal identificado na ficha de dados de segurança (MSDS/SDS).
2. Prima **menu** e, depois, seleccione STOP ANALYZER (PARAR ANALISADOR).
Nota: Se for apresentado START ANALYZER (INICIAR ANALISADOR), o analisador já está no modo de espera.
3. Substitua a solução de reactivação e a solução de calibração da seguinte forma:
 - a. Remova os frascos da solução de reactivação e da solução de calibração do analisador. Consulte a [Figura 1](#).
Nota: Apenas analisadores com a opção de calibração automática têm um frasco de solução de calibração.
 - b. Elimine as soluções nos frascos para um dreno aplicável.
 - c. Enxague os frascos com água desionizada.
 - d. Encha o frasco de solução de calibração com solução de cloreto de sódio (NaCl) 10 ppm (500 ml) nova. O frasco de solução de calibração tem uma etiqueta com uma faixa amarela.
Nota: Para preparar solução de cloreto de sódio (NaCl) 10 ppm, consulte o manual de instruções.
 - e. Encha o frasco de solução de reactivação com solução de nitrato de sódio 0.5M (NaNO₃) (500 ml). O frasco de solução de calibração tem uma etiqueta com uma faixa vermelha.
Nota: Para preparar solução de nitrato de sódio (NaNO₃) 0.5M, consulte o manual de instruções.
 - f. Coloque os frascos no analisador. Certifique-se de que os tubos com uma etiqueta vermelha "REACT" (REACTIVAÇÃO) são colocados no frasco que tem uma etiqueta com uma faixa vermelha.
Certifique-se de que os tubos com uma etiqueta amarela "CAL" são colocados no frasco que tem uma etiqueta com uma faixa amarela.
4. Introduza os níveis do frasco da seguinte forma:
 - a. Prima **menu** e, depois, seleccione REAGENTS/STANDARDS (REAGENTES/PADRÕES).
 - b. Seleccione SET REACT LEVEL (DEFINIR NÍVEL REACT) e, em seguida, introduza 100%.
 - c. Seleccione SET STANDARD LEVEL (DEFINIR NÍVEL PADRÃO) e, em seguida, introduza 100%.
5. Seleccione PRIME REAGENTS (PRINCIP. REAG).
6. Quando o passo de preparação dos reagentes estiver completo, prima **menu** e, em seguida, seleccione START ANALYZER (INICIAR ANALISADOR).

Figura 1 Remoção do frasco



3.5 Substituir a solução de condicionamento

▲ ADVERTÊNCIA



Perigo de inalação. Não inalar vapores de amónia ou diisopropilamina (DIPA). A exposição pode resultar em ferimentos graves ou morte.



▲ ADVERTÊNCIA



Perigo de exposição a produtos químicos. A diisopropilamina (DIPA) e a amónia são um químico inflamável, corrosivo e tóxico. A exposição pode resultar em ferimentos graves ou morte.



▲ ADVERTÊNCIA



Perigo de exposição a produtos químicos. Siga os procedimentos de segurança do laboratório e utilize todo o equipamento de proteção pessoal adequado aos produtos químicos manuseados. Leia a ficha de dados de segurança do fornecedor antes de os frascos serem enchidos ou os reagentes preparados. Apenas para utilização em laboratórios. Divulgue as informações sobre riscos conhecidas de acordo com os regulamentos locais do utilizador.

⚠ AVISO



Perigo de exposição a produtos químicos. Elimine os produtos químicos e os resíduos de acordo com os regulamentos locais, regionais e nacionais.

Substitua a solução de condicionamento em intervalos de 3 meses ou menos quando o nível for inferior a 10%. Utilize DIPA (recomendado) ou amónia (mais de 28%) para a solução de condicionamento.

Itens fornecidos pelo utilizador:

- Equipamento de protecção pessoal (consulte a MSDS/SDS)
- Diisopropilamina (DIPA) 99%, frasco de 1 l
- Adaptador de frasco para frascos de DIPA Merck ou Orion se aplicável

Substitua o frasco de condicionamento da seguinte forma:

1. Vista o equipamento de protecção pessoal identificado na ficha de dados de segurança (MSDS/SDS).

2. Prima **menu** e, depois, seleccione STOP ANALYZER (PARAR ANALISADOR).

Nota: Se for apresentado START ANALYZER (INICIAR ANALISADOR), o analisador já está no modo de espera.

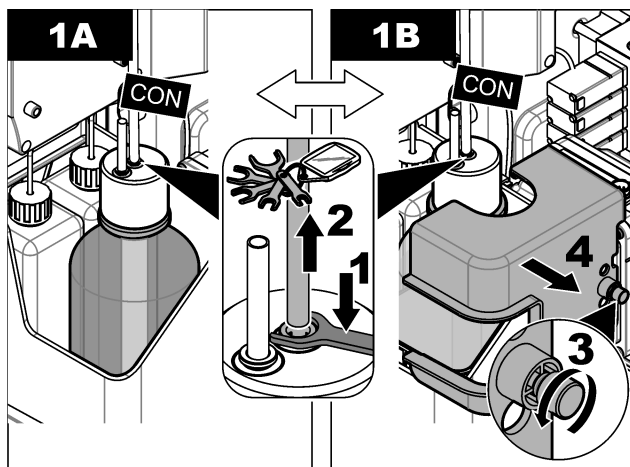
3. Rode o fecho no painel de análise para a posição de desbloqueio. Abra o painel de análise.

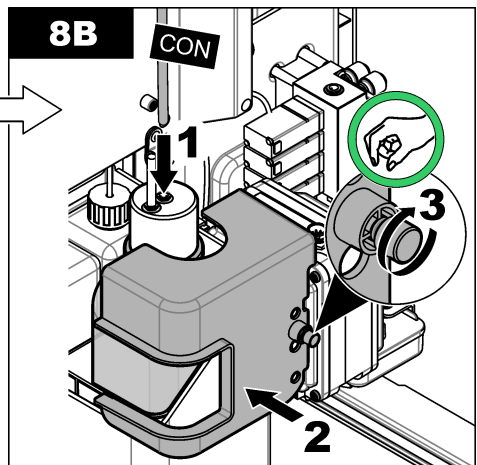
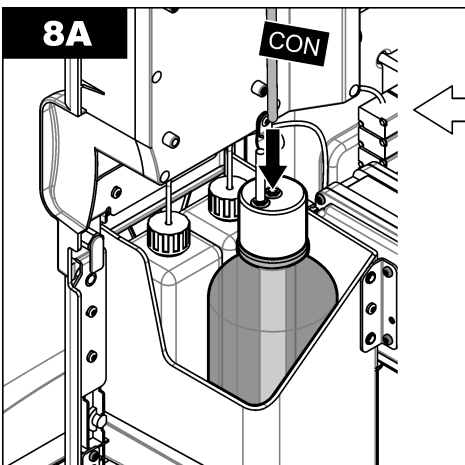
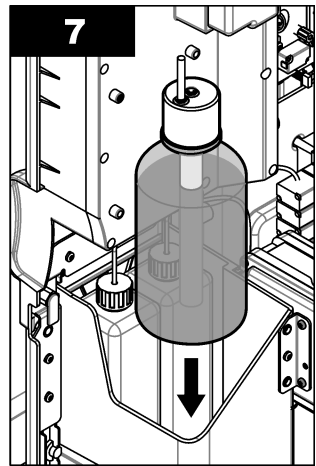
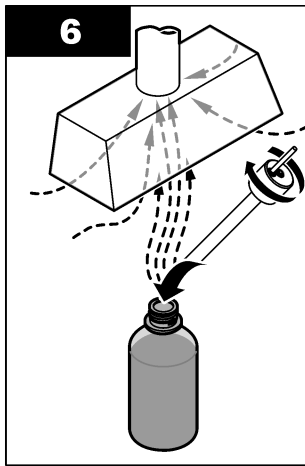
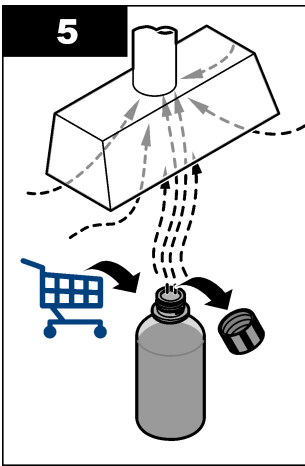
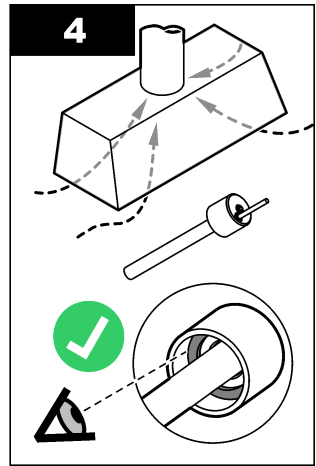
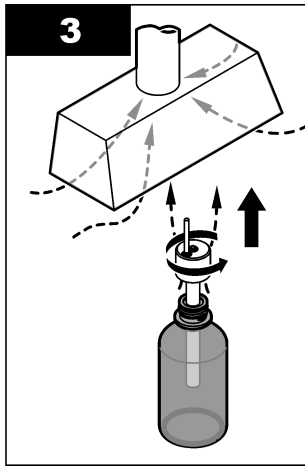
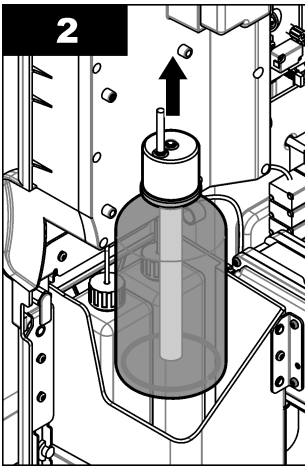
4. Substitua o frasco da solução de condicionamento. Consulte os passos ilustrados abaixo.

Nota: os analisadores com a bomba catiónica opcional têm dois tubos que entram na tampa do frasco de condicionamento. Retire os dois tubos.

Nota: nos passos 1 e 8 ilustrados, apenas os analisadores sem uma estrutura têm um suporte para frasco de condicionamento.



Efectue os passos 3-6 ilustrados sob um exaustor, se disponível. Não inale vapores de amónia ou DIPA.





5. Para analisadores com a bomba catiónica opcional, instale o tubo de saída da bomba catiónica novamente no orifício excêntrico na tampa.
6. Feche o painel de controlo de análises. Rode o fecho no painel de análise para a posição de bloqueio.
7. Introduza o nível do frasco da seguinte forma:
 - a. Prima **menu** e, depois, seleccione REAGENTS/STANDARDS (REAGENTES/PADRÕES).
 - b. Seleccione SET COND LEVEL (DEFINIR NÍVEL COND) e, em seguida, introduza 100%.
8. Prima **menu** e, depois, seleccione START ANALYZER (INICIAR ANALISADOR).

3.6 Substituir o electrólito KCl

⚠ AVISO	
	Perigo de exposição a produtos químicos. Siga os procedimentos de segurança do laboratório e utilize todo o equipamento de protecção pessoal adequado aos produtos químicos manuseados. Consulte as fichas de dados sobre segurança de materiais (MSDS/SDS) atuais para protocolos de segurança.
⚠ AVISO	
	Perigo de exposição a produtos químicos. Elimine os produtos químicos e os resíduos de acordo com os regulamentos locais, regionais e nacionais.

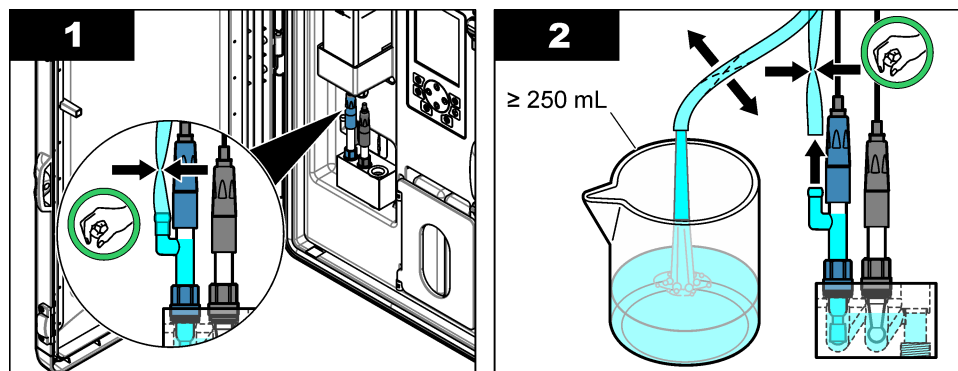
Substitua o electrólito KCl no reservatório de electrólito KCl em intervalos de 3 meses.

Itens a preparar:

- Equipamento de protecção pessoal (consulte a MSDS/SDS)
- Electrólito KCl 3M, 200 ml
- Recipiente pequeno, 250 ml ou mais

Substitua o electrólito KCl da seguinte forma:

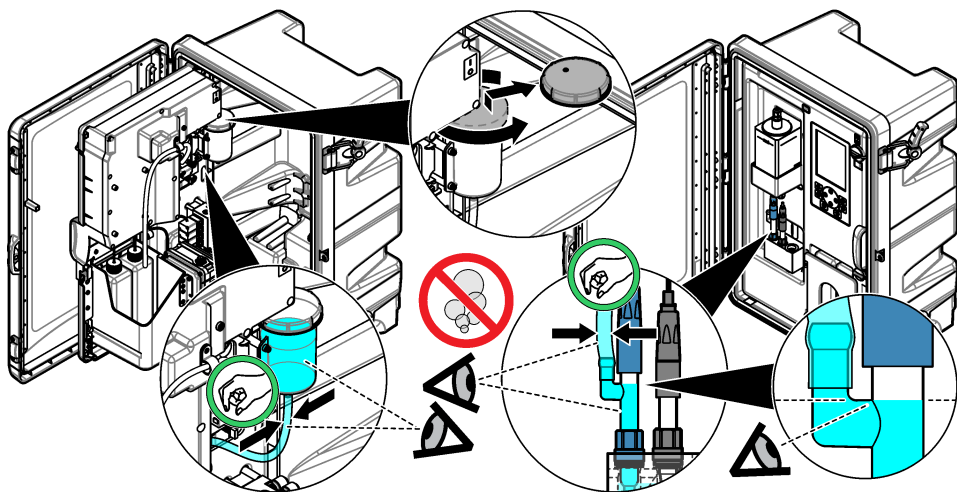
1. Vista o equipamento de protecção pessoal identificado na ficha de dados de segurança (MSDS/SDS).
2. Drene o conteúdo do reservatório de electrólito KCl para o recipiente pequeno. Consulte os passos ilustrados abaixo. Elimine o electrólito KCl para um dreno aplicável.



3. Volte a colocar o tubo do electrólito KCl no eléctrodo de referência.
4. Encha o reservatório de electrólito KCl da seguinte forma:
 - a. Rode o fecho no painel de análise para a posição de desbloqueio. Abra o painel de análise.
 - b. Retire a tampa do reservatório de electrólito KCl. Consulte a [Figura 2](#).

- c. Encha o reservatório até 90% da capacidade (cerca de 200 ml).
 - d. Coloque a tampa.
5. Empurre as bolhas de ar para fora do tubo do electrólito KCl da seguinte forma:
- a. A partir da parte da frente do painel de análise, aperte o tubo de electrólito KCl com o polegar e restantes dedos para empurrar as bolhas de ar do tubo, de baixo para cima, para o reservatório. Consulte a [Figura 2](#).
 - b. Quando uma bolha de ar estiver perto do reservatório, utilize as duas mãos para apertar o tubo a partir da parte da frente e da parte de trás do painel de análise para empurrar a bolha de ar para cima.
 - c. Continue a apertar o tubo até que o electrólito KCl no eléctrodo de referência esteja na parte superior da junção de vidro em que o electrólito KCl entra no eléctrodo. Consulte a [Figura 2](#).
6. Feche o painel de controlo de análises. Rode o fecho no painel de análise para a posição de bloqueio.
7. Introduza o nível do frasco da seguinte forma:
- a. Prima **menu** e, depois, seleccione REAGENTS/STANDARDS (REAGENTES/PADRÕES).
 - b. Seleccione SET KCL LEVEL (DEFINIR NÍVEL KCL) e, em seguida, introduza 100%.

Figura 2 Encher o reservatório de electrólito KCl



3.7 Substituir um fusível de potência de entrada

⚠ PERIGO



Perigo de electrocussão. Desligue o equipamento antes de iniciar este procedimento.

⚠ PERIGO



Perigo de incêndio. Utilize o mesmo tipo e corrente nominal para substituir os fusíveis.

Examine os fusíveis. Substitua quaisquer fusíveis abertos por fusíveis novos.

Item fornecido pelo utilizador: fusível T 1,6 A, 250 V CA

1. Desligue o cabo de alimentação da tomada eléctrica.
2. Remova a tampa de acesso eléctrico. Consulte os passos ilustrados em [Figura 3](#).
3. Substitua o fusível. Consulte os passos ilustrados na [Figura 4](#)
4. Instale a tampa de acesso eléctrico. Aperte todos os parafusos para manter a classificação ambiental da estrutura.
5. Feche o painel de controlo de análises. Rode o fecho no painel de análise para a posição de bloqueio.
6. Ligue o fio de alimentação a uma tomada eléctrica.
7. Prima **menu** e, depois, seleccione START ANALYZER (INICIAR ANALISADOR).

Figura 3 Remoção da tampa de acesso eléctrico

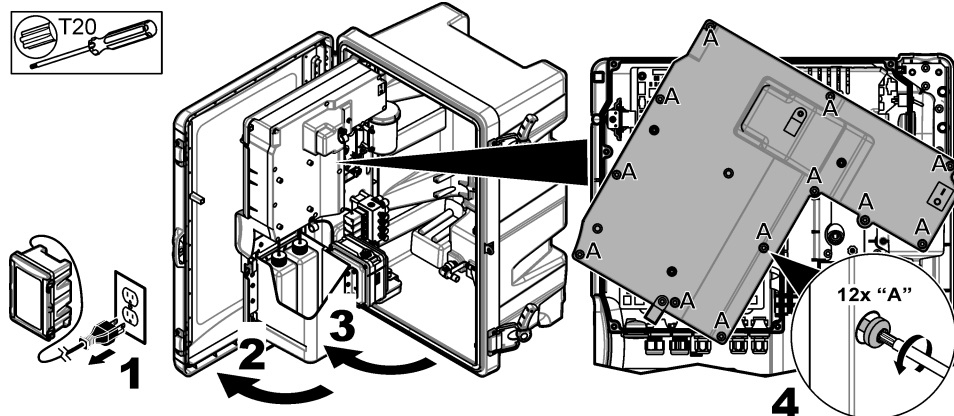
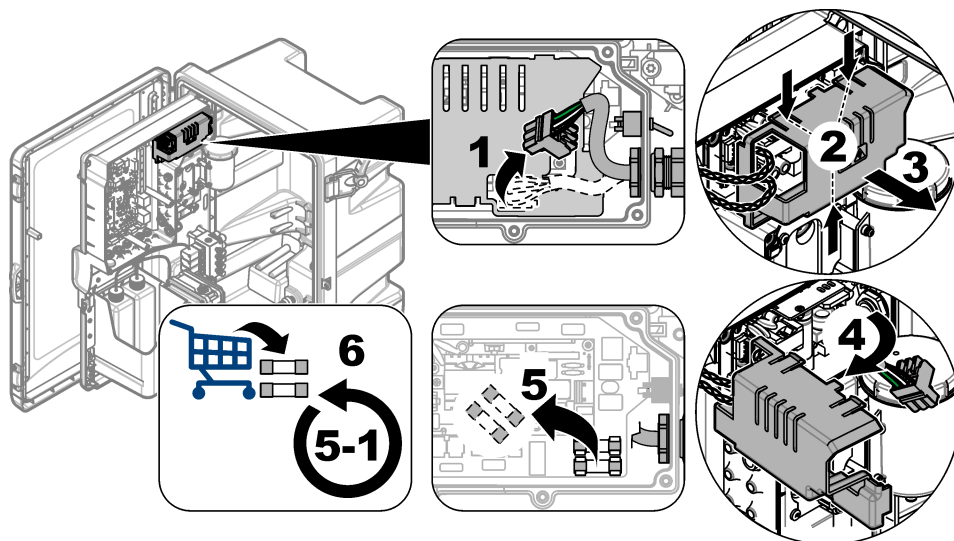


Figura 4 Substituição do fusível de alimentação



3.8 Preparar o analisador para um período de encerramento breve

Prepare o analisador para um período de encerramento breve (2 dias a 1 semana) do seguinte modo:

Itens fornecidos pelo utilizador: pinça de fixação

1. Prima **menu** e, depois, seleccione **STOP ANALYZER (PARAR ANALISADOR)**.

Nota: Se for apresentado **START ANALYZER (INICIAR ANALISADOR)**, o analisador já está no modo de espera.

2. Coloque a pinça de fixação (plástico ou metal) na extremidade do tubo do electrólito KCl para parar o fluxo de electrólito KCl para o eléctrodo de referência.

Nota: Quando o analisador está em modo de espera ou desligado, o electrólito KCl continua a fluir para fora do eléctrodo de referência. O electrólito KCl irá encher lentamente a câmara esquerda da célula de medição e sair pela parte superior da câmara esquerda.

3. Desligue as válvulas de corte na(s) linha(s) de amostra.

4. Se for necessário remover a alimentação do analisador, adicione solução de reactivação à câmara central da célula de medição para evitar danos no eléctrodo de sódio.

Nota: Após 4 horas em modo de espera, o analisador adiciona automaticamente solução de reactivação na câmara central da célula de medição.

3.9 Preparar o analisador para um período de encerramento longo

⚠ ADVERTÊNCIA



Perigo de exposição a produtos químicos. Siga os procedimentos de segurança do laboratório e utilize todo o equipamento de protecção pessoal adequado aos produtos químicos manuseados. Leia a ficha de dados de segurança do fornecedor antes de os frascos serem enchidos ou os reagentes preparados. Apenas para utilização em laboratórios. Divulgue as informações sobre riscos conhecidas de acordo com os regulamentos locais do utilizador.

⚠ AVISO



Perigo de exposição a produtos químicos. Elimine os produtos químicos e os resíduos de acordo com os regulamentos locais, regionais e nacionais.

Prepare o analisador para um período de encerramento longo (mais de 1 semana) do seguinte modo:

Itens fornecidos pelo utilizador:

- Recipiente pequeno, 250 ml ou mais
- Água desionizada, 1,5 l
- Pano limpo sem pêlos

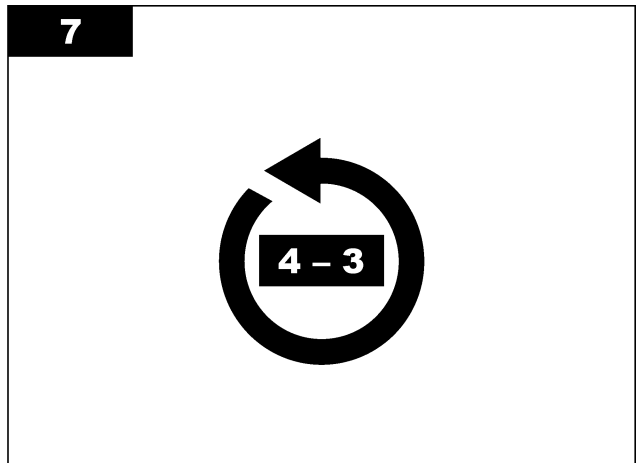
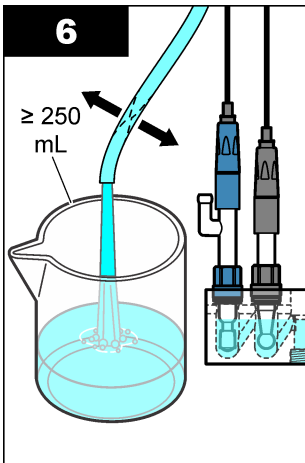
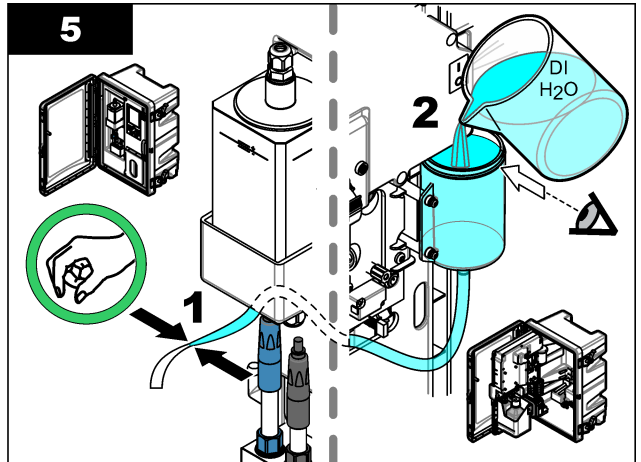
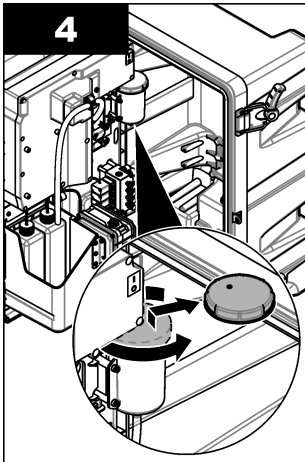
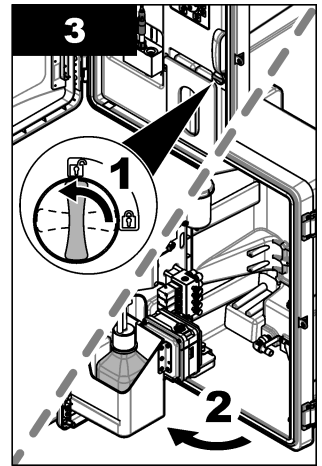
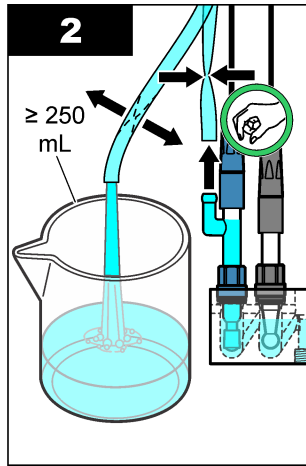
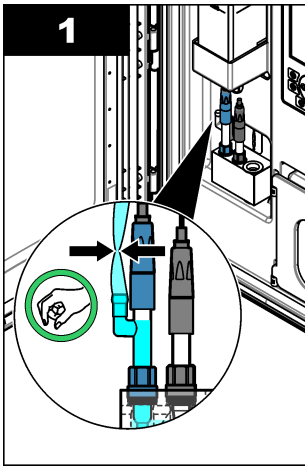
Itens a preparar:

- Frascos de armazenamento para eléctrodos (2x)
- Tampas de protecção para eléctrodos (2x)
- Tampa preta para junção de vidro de eléctrodo de referência

3.9.1 Drenar e lavar o reservatório de electrólito KCl

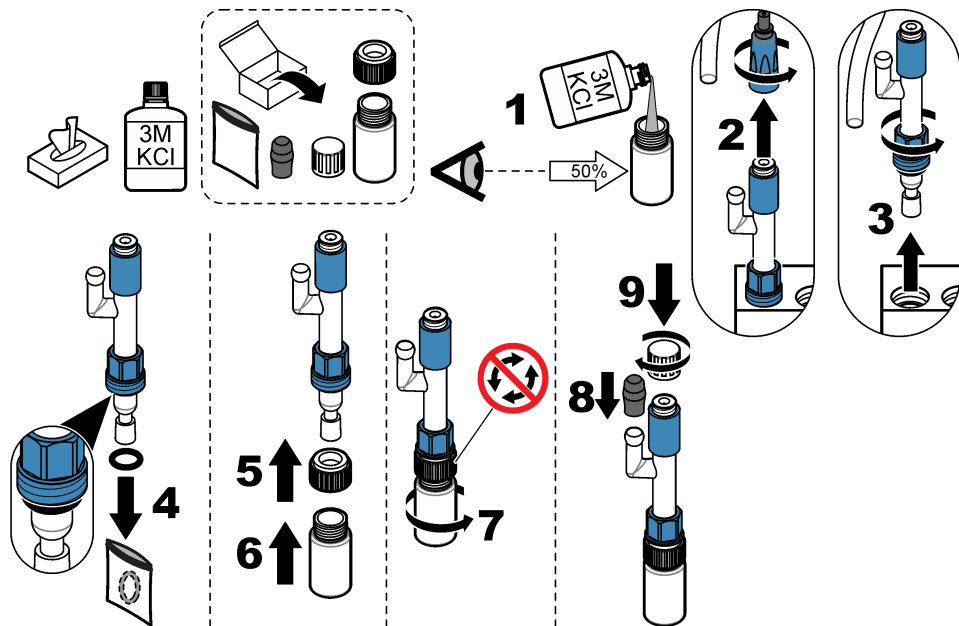
Consulte os passos ilustrados abaixo.

Vista o equipamento de protecção pessoal identificado na ficha de dados de segurança (MSDS/SDS).



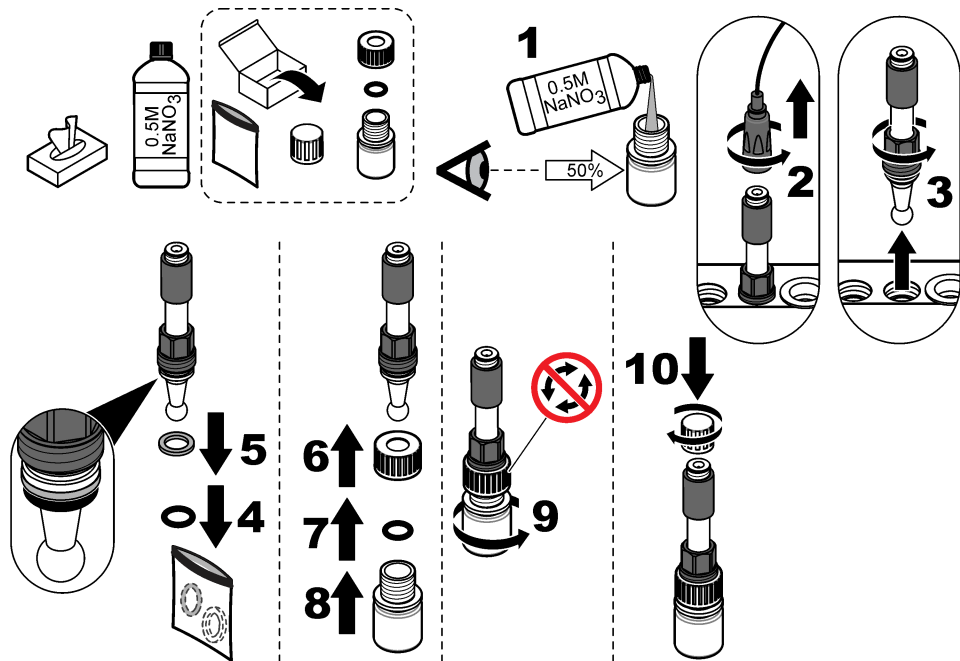
3.9.2 Remover o eléctrodo de referência

Consulte os passos ilustrados abaixo.








3.9.3 Remover o eléctrodo de sódio

Consulte os passos ilustrados abaixo.



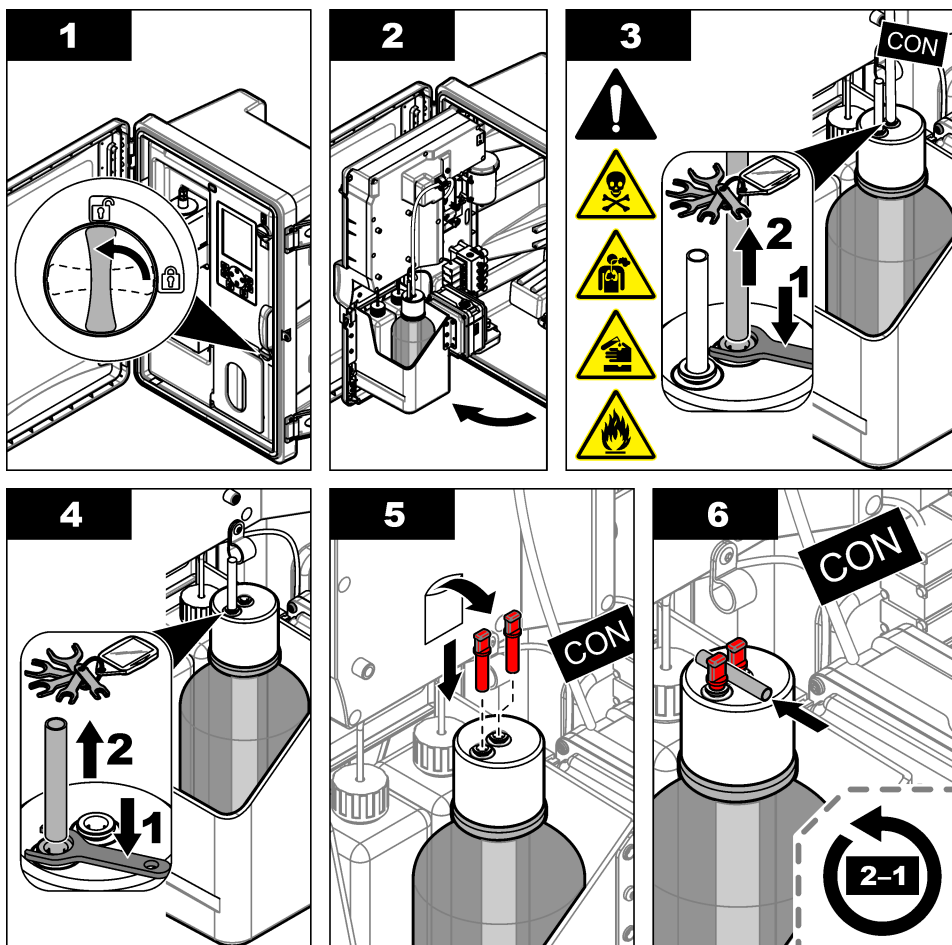
3.9.4 Desligar o frasco da solução de condicionamento

⚠ ADVERTÊNCIA	
 	Perigo de inalação. Não inalar vapores de amónia ou diisopropilamina (DIPA). A exposição pode resultar em ferimentos graves ou morte.

⚠ ADVERTÊNCIA	
  	Perigo de exposição a produtos químicos. A diisopropilamina (DIPA) e a amónia são um químico inflamável, corrosivo e tóxico. A exposição pode resultar em ferimentos graves ou morte.

Consulte os passos ilustrados abaixo.

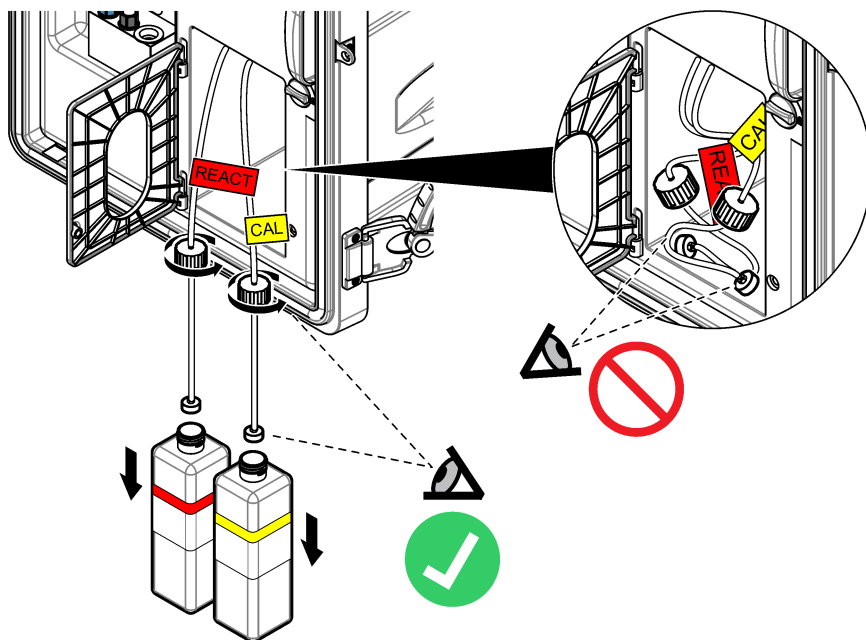
Vista o equipamento de protecção pessoal identificado na ficha de dados de segurança (MSDS/SDS).



3.9.5 Enxaguar a tubagem do reagente

1. Vista o equipamento de protecção pessoal identificado na ficha de dados de segurança (MSDS/SDS).
2. Remova os frascos da solução de reactivação e da solução de calibração do analisador. Consulte a [Figura 5](#).
Nota: Apenas analisadores com a opção de calibração automática têm um frasco de solução de calibração.
3. Elimine as soluções nos frascos para um dreno aplicável.
4. Enxague e, em seguida, encha os frascos até meio com água desionizada.
5. Coloque os frascos no analisador.
6. Prima **menu** e, em seguida, seleccione REAGENTS/STANDARDS (REAGENTES/PADRÕES) > PRIME REAGENTS (PRINCIP. REAG). A tubagem do reagente é lavada com água desionizada.

Figura 5 Remoção do frasco



3.9.6 Drenar o recipiente para recolha de transbordamentos

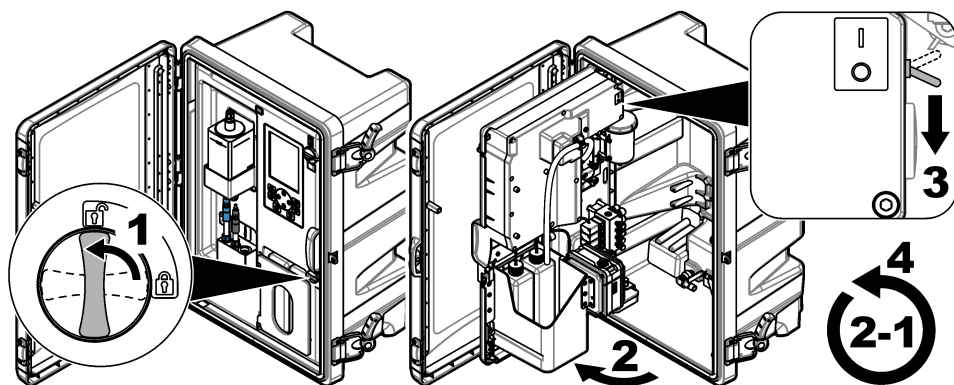
1. Prima **diag (diagnóstico)** e, em seguida, seleccione **PERFORM TEST (EFECTUAR TESTE)** e prima **Enter**.
2. Prima **enter** para seleccionar **YES (SIM)**.
3. Seleccione **SAMPLE DRAIN (DRENAGEM DA AMOSTRA)** e, em seguida, prima **enter**.
4. Introduza 150 segundos.
5. Prima **enter** duas vezes.
6. Quando o recipiente para recolha de transbordamentos estiver vazio, prima **back (voltar)**.
7. Prima **home (início)**.

3.9.7 Desligar o analisador

Desligue a alimentação e a amostra do analisador da seguinte forma:

1. Desligue o interruptor de alimentação. Consulte a [Figura 6](#).
2. Feche o painel de controlo de análises. Rode o fecho no painel de análise para a posição de bloqueio.
3. Desligue o cabo de alimentação da tomada eléctrica.
4. Desligue as válvulas de corte na(s) linha(s) de amostra.
5. Utilize um pano limpo, que não liberte pêlos para remover a água do recipiente para recolha de transbordamentos.
6. Utilize um pano limpo, que não liberte pêlos para remover a água das câmaras esquerda e central da célula de medição.

Figura 6 Desligar o interruptor de alimentação



3.9.8 Eliminar a água desionizada nos frascos

1. Remova os frascos da solução de reactivação e da solução de calibração do analisador. Puxe as tampas dos frascos para baixo, de modo a ficarem por baixo do analisador.
Não permita que a tampa do frasco ou a tubagem interna toquem no analisador, para evitar contaminação.
2. Eliminar a água desionizada nos frascos.
3. Deixe que os frascos sequem totalmente com ar.
4. Coloque os frascos no analisador.
5. Feche a porta do analisador.

Secção 4 Resolução de problemas

Problema	Causa possível	Solução
A barra de estado não é apresentada no ecrã de medição.	O canal apresentado no ecrã de medição não é o canal que está a ser medido.	Prima a seta PARA CIMA ou PARA BAIXO até que o canal que está a ser medido seja apresentado no ecrã de medição.
Não é apresentado nenhum canal no ecrã de medição quando a tecla de seta PARA CIMA ou seta PARA BAIXO é premida.	O canal não está seleccionado nas definições de visualização.	Prima menu e, em seguida, seleccione SETUP SYSTEM (CONFIGURAR SISTEMA) > DISPLAY SETUP (CFG DISPLAY) > ADJUST ORDER (AJUSTAR ORDEM) > SEE CURRENT ORDER (VER ORDEM ACTUAL) . Se o canal não for apresentado, prima anterior e, em seguida, seleccione ADD MEASUREMENTS (ADICIONAR MEDIÇÕES) . Prima a seta PARA A ESQUERDA para marcar ou desmarcar uma caixa de verificação.

Problema	Causa possível	Solução
Um canal não está a ser medido.	O canal não está activado.	Prima menu e, em seguida, seleccione SETUP SYSTEM (CONFIGURAR SISTEMA) > CONFIGURE ANALYZER (CFG ANALISADOR) > CONFIGURE SEQUENCER (CFG SEQUENCIADOR) > ACTIVATE CHANNELS (ACTIVAR CANAIS). Adicionar o canal. Prima a seta PARA A ESQUERDA para marcar ou desmarcar uma caixa de verificação.
	O canal não está na sequência de medição de canal.	Prima menu e, em seguida, seleccione SETUP SYSTEM (CONFIGURAR SISTEMA) > CONFIGURE ANALYZER (CFG ANALISADOR) > CONFIGURE SEQUENCER (CFG SEQUENCIADOR) > SEQUENCE CHANNELS (CANAIS DE SEQUÊNCIA). Prima as setas PARA CIMA e PARA BAIXO para seleccionar uma linha e, em seguida, prima a seta PARA A ESQUERDA ou PARA A DIREITA para seleccionar um canal. S1 é o primeiro canal medido seguido por S2, S3 e S4. Nota: Não seleccione canais que contenham o símbolo "~" (por ex., 4~SAMPLE4). Os canais que contêm o símbolo "~" não são medidos.
É apresentado o aviso "UNSTABLE READING (VALOR INSTÁVEL)".	O tempo de lavagem entre medições de canais é demasiado curto.	Prima menu e, em seguida, seleccione SETUP SYSTEM (CONFIGURAR SISTEMA) > CONFIGURE ANALYZER (CFG ANALISADOR) > MEASUREMENT (MEDIÇÃO) > SET MEASURE CYCLE (DEFINIR CICLO MEDIÇÃO) > MAX CYCLE TIME (TEMPO CICLO MÁX) ou CYCLE TIME (TEMPO DE CICLO). Aumente o MAX CYCLE TIME (TEMPO CICLO MÁX) ou a definição do CYCLE TIME (TEMPO DE CICLO) para aumentar o tempo de lavagem.
É apresentado o aviso "SAMPLE MISSING (AMOSTRA AUSENTE)".	A válvula de corte na linha de amostra está fechada.	Rode a válvula de corte para abrir.
	A linha de amostra não está ligada correctamente.	Certifique-se de que a linha de amostra está ligada à porta de ligação da tubagem correcta. Consulte <i>Portas de ligação da tubagem</i> no manual de instalação.
	A válvula de fluxo da amostra está fechada.	Inicie o assistente de arranque. Prima menu e, em seguida, seleccione SETUP SYSTEM (CONFIGURAR SISTEMA) > STARTUP ANALYZER (ARRANCAR ANALISADOR). Prima enter até que seja solicitado que ajuste a taxa de fluxo da amostra. Rode a válvula de fluxo da amostra para a esquerda para aumentar a taxa de fluxo para 6-9 l/hora em cada canal.
	A válvula solenóide para o canal não está a funcionar correctamente.	Prima diag (diagnóstico) e, em seguida, seleccione PERFORM TEST (EFECTUAR TESTE) > SAMPLE DRAIN (DRENAGEM DA AMOSTRA) para drenar o recipiente para recolha de transbordamentos. Prima diag (diagnóstico) e, em seguida, seleccione PERFORM TEST (EFECTUAR TESTE) > SAMPLE DELIVERY (FORNECIMENTO AMOSTRA) para abrir a válvula de amostras. Se a amostra não fluir para dentro do recipiente para recolha de transbordamentos, examine a cablagem da válvula de amostras. Substitua a válvula de amostras, se necessário.

Problema	Causa possível	Solução
É apresentado o aviso "PH TOO LOW (PH MT BAIXO)".	A tampa foi removida da câmara direita da célula de medição.	Coloque a tampa na câmara direita da célula de medição.
	O frasco de solução de condicionamento tem um nível de enchimento inferior a 10% ou está vazio.	Substitua a solução de condicionamento. Consulte a Substituir a solução de condicionamento na página 140.
	Existe uma fuga de ar na tampa do frasco de condicionamento.	<ul style="list-style-type: none"> • Certifique-se de que a tampa do frasco de condicionamento está bem apertada. • Examine a anilha na tampa do frasco. Em caso de desgaste ou danos, substitua a anilha. • Examine o flange de plástico no rebordo do frasco. Em caso de desgaste ou danos, substitua o frasco da solução de condicionamento.
	Existe uma fuga de ar na tubagem de condicionamento.	Procure um bloqueio ou uma fuga de ar na tubagem de condicionamento. Substitua a tubagem conforme necessário. <i>Nota: A tubagem de condicionamento contém gás, não contém solução.</i>
	A válvula de condicionamento não funciona correctamente.	Prima diag (diagnóstico) e, em seguida, seleccione PERFORM TEST (EFECTUAR TESTE) > CONDITIONING VALVE (VÁLV DE CONDICIONAMENTO) para abrir a válvula de condicionamento. Se o gás de condicionamento não fluir para dentro da câmara direita da célula de medição (visto como bolhas), substitua a válvula de condicionamento.

Problema	Causa possível	Solução
<p>É apresentado o aviso "CALIBRATION FAIL (FALHA CALIBRAÇÃO)".</p>	<p>O valor da solução de calibração nas definições de calibração automática é diferente do valor no frasco de solução de calibração.</p>	<p>Altere o valor da solução de calibração no menu de calibração para o valor no frasco de solução de calibração. Consulte <i>Configurar as definições de calibração automática</i> no manual de instruções.</p>
	<p>O frasco da solução de calibração está vazio.</p>	<p>Substitua a solução de calibração. Consulte a Substituir as soluções de calibração e reactivação na página 138.</p>
	<p>Há uma fuga ou um bloqueio na tubagem da solução de calibração.</p>	<p>Procure um bloqueio ou uma fuga na tubagem. Substitua a tubagem conforme necessário.</p>
	<p>A bomba da solução de calibração não está a funcionar correctamente.</p>	<p>Prima diag (diagnóstico) e, em seguida, seleccione PERFORM TEST (EFECTUAR TESTE) > SAMPLE DRAIN (DRENAGEM DA AMOSTRA) para drenar totalmente o recipiente para recolha de transbordamentos.</p> <p>Prima diag (diagnóstico) e, em seguida, seleccione PERFORM TEST (EFECTUAR TESTE) > CAL STD DELIVERY (FORNECIMENTO PADRÃO CAL) para definir a bomba da solução de calibração para a posição ligada. Se a solução de calibração não fluir para o recipiente para recolha de transbordamentos, substitua a bomba da solução de calibração.</p>
	<p>A barra de agitação não gira. <i>Nota: A barra de agitação gira intermitentemente.</i></p>	<p>Prima diag (diagnóstico) e, em seguida, seleccione PERFORM TEST (EFECTUAR TESTE) > MIXER (MISTURADORA) para definir o motor da misturadora para a posição ligada. Se a barra de agitação não se mover, substitua o motor da misturadora.</p>
	<p>A barra de agitação não está no recipiente para recolha de transbordamentos.</p>	<p>Certifique-se de que a barra de agitação está no recipiente para recolha de transbordamentos.</p>

Problema	Causa possível	Solução
É apresentado o aviso "REACT VOLTAGE LOW (TENSÃO REACT BAIXA)".	O frasco da solução de reactivação está vazio.	Certifique-se de que a extremidade do tubo da solução de reactivação está na parte inferior do frasco. Substitua a solução de reactivação. Consulte a Substituir as soluções de calibração e reactivação na página 138.
	O eléctrodo de sódio não funciona correctamente.	<ul style="list-style-type: none"> • Certifique-se de que o eléctrodo de sódio está instalado correctamente. Consulte o manual de instalação. • Certifique-se de que não existe ar na ampola de vidro do eléctrodo de sódio.
	O eléctrodo de referência não funciona correctamente.	<ul style="list-style-type: none"> • Retire o eléctrodo de referência da célula de medição. Levante o colar que se encontra no vidro para permitir a saída de algum electrólito KCl. Empurre o colar para baixo e rode-o menos de 1/4 de volta para o bloquear. Quando o colar está bloqueado não roda. Coloque o eléctrodo de referência na célula de medição. • Certifique-se de que o eléctrodo de referência está instalado correctamente. Consulte o manual de instalação. • Para identificar se o problema está corrigido, prima diag (diagnóstico) e, em seguida, seleccione SENSOR REACTIVATION (REACTIVAÇÃO DO SENSOR) para efectuar uma reactivação.
	Há uma fuga ou um bloqueio na tubagem da solução de reactivação.	Procure um bloqueio ou uma fuga na tubagem. Substitua a tubagem conforme necessário.
	A bomba da solução de reactivação não está a funcionar correctamente.	Prima diag (diagnóstico) e, em seguida, seleccione PERFORM TEST (EFECTUAR TESTE) > REACT SOL DELIVERY (FORNECIMENTO SOL REACT) > HIGH (ALTO) para definir a bomba da solução de reactivação para uma taxa de fluxo alta. Se a solução de reactivação não fluir para a câmara central da célula de medição, substitua a bomba da solução de reactivação.
As leituras do equipamento não são estáveis.	O analisador foi iniciado há menos de 2 horas.	Permita que o analisador funcione durante 2 horas para estabilizar.
	O(s) cabo(s) do eléctrodo está(ão) cruzado(s) nos eléctrodos.	Desligue o cabo do eléctrodo. Empurre o conector totalmente para baixo no conector do eléctrodo e, em seguida, rode o conector à mão até que esteja bem apertado.
	Os cabos dos eléctrodos estão ligados aos eléctrodos errados.	Ligue o cabo azul ao eléctrodo de referência. Ligue o cabo preto ao eléctrodo de sódio.
	A taxa de fluxo do electrólito KCl é muito rápida.	Retire o eléctrodo de referência da célula de medição. Empurre o colar para baixo e rode-o menos de 1/4 de volta para o bloquear. Quando o colar está bloqueado não roda. Se o colar não estiver bloqueado, o electrólito KCl fluirá demasiado rápido do eléctrodo de referência para a célula de medição.

Problema	Causa possível	Solução
As medições não são exactas.	O analisador não está calibrado.	Calibrar o analisador. Consulte <i>Efectuar uma calibração</i> no manual de instruções. Para obter a melhor precisão possível, calibre o analisador em intervalos de 7 dias (semanalmente).
	A reactivação automática está desactivada ou o intervalo entre reactivações é superior a 24 horas.	Inicie uma reactivação automática. Prima diag (diagnóstico) e, em seguida, seleccione SENSOR REACTIVATION (REACTIVAÇÃO DO SENSOR). Nota: Para obter a melhor precisão possível, defina a reactivação automática para ligada. Defina o intervalo para 24 horas. Consulte o manual de instruções.
	O frasco da solução de reactivação está vazio.	Substitua a solução de reactivação. Consulte a Substituir as soluções de calibração e reactivação na página 138.
	Há uma fuga ou um bloqueio na tubagem da solução de reactivação.	Procure um bloqueio ou uma fuga na tubagem. Substitua a tubagem conforme necessário.
	A bomba da solução de reactivação não está a funcionar correctamente.	Prima diag (diagnóstico) e, em seguida, seleccione PERFORM TEST (EFECTUAR TESTE) > REACT SOL DELIVERY (FORNECIMENTO SOL REACT) > HIGH (ALTO) para definir a bomba da solução de reactivação para uma taxa de fluxo alta. Se a solução de reactivação não fluir para a câmara central da célula de medição, substitua a bomba da solução de reactivação.
A barra de agitação no recipiente para recolha de transbordamentos não gira.	A misturadora não funciona correctamente. Nota: A barra de agitação gira intermitentemente.	Prima diag (diagnóstico) e, em seguida, seleccione PERFORM TEST (EFECTUAR TESTE) > MIXER (MISTURADORA) para definir o motor da misturadora para a posição ligada. Se a barra de agitação não se mover, substitua o motor da misturadora.
O consumo do electrólito KCl é muito rápido ¹ .	O colar no vidro do eléctrodo de referência não está bloqueado.	Remova o eléctrodo de referência. Empurre o colar para cima. Empurre o colar para baixo e rode-o menos de 1/4 de volta para o bloquear. Consulte os passos ilustrados em <i>Instalar o eléctrodo de referência</i> no manual de instalação. Quando o colar está bloqueado não roda. Se o colar não estiver bloqueado, o electrólito KCl fluirá demasiado rápido do eléctrodo de referência para a célula de medição.

¹ O consumo do electrólito KCl é muito rápido se o nível do reservatório diminuir em mais de 3 mm (1/8 pol.) em dois dias

Problema	Causa possível	Solução
O consumo do electrólito KCl é muito lento ² .	O colar no vidro do eléctrodo de referência não foi rodado para quebrar o vedante.	Remove o eléctrodo de referência. Rode o colar cuidadosamente para quebrar o vedante. Quando o colar gira facilmente, o vedante está danificado. Consulte os passos ilustrados em <i>Instalar o eléctrodo de referência</i> no manual de instalação. Empurre o colar para baixo e rode-o menos de 1/4 de volta para o bloquear. Quando o colar está bloqueado não roda. Se o colar não estiver bloqueado, o electrólito KCl fluirá demasiado rápido do eléctrodo de referência para a célula de medição.
Um indicador de relé no ecrã de medição está intermitente.	O temporizador de alimentação excessiva expirou.	Reponha o temporizador de alimentação excessiva. Consulte a Repór o temporizador de alimentação excessiva para os relés na página 158. <i>Nota: A definição do temporizador de alimentação excessiva só é activada quando a definição SET FUNCTION (CFG FUNÇÃO) do relé está definida para FEEDER CONTROL (CONTR ALIMENTADOR).</i>

4.1 Repór o temporizador de alimentação excessiva para os relés

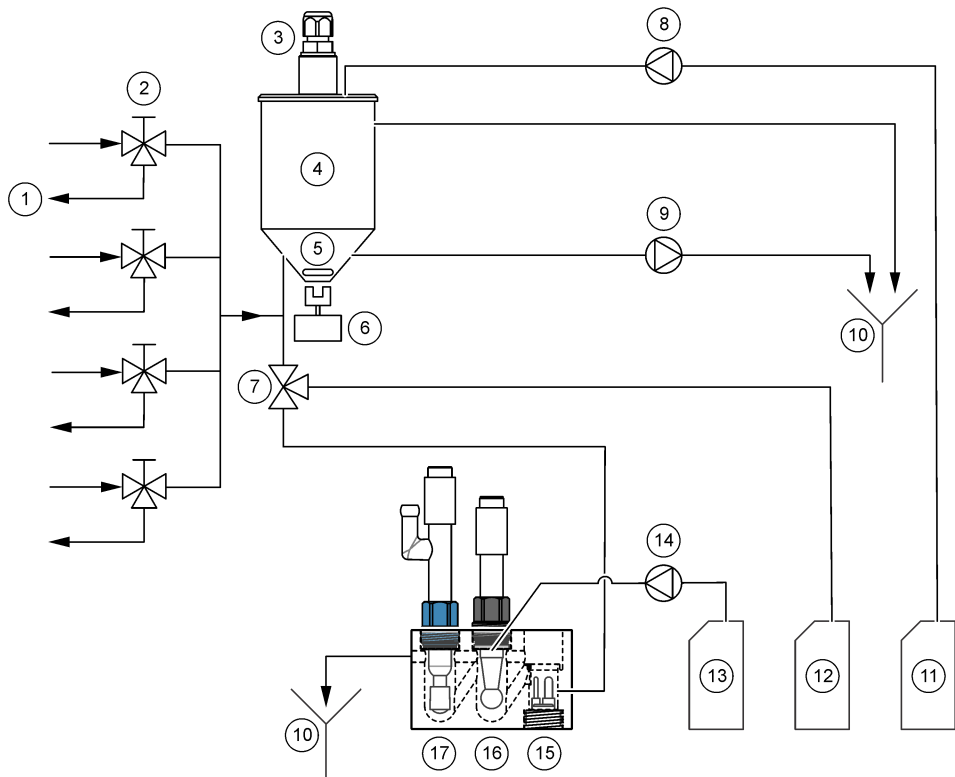
A definição de temporizador de alimentação excessiva para os relés impede uma condição que mantém o valor de medição superior à definição de valor-alvo ou zona morta (por ex., eléctrodo danificado ou falha de processo) devido ao facto de manter um relé continuamente ligado. O temporizador de alimentação excessiva limita o tempo durante o qual os relés e o respectivo elemento de controlo permanecem ligados, independentemente das condições.

Quando o intervalo de tempo seleccionado para o temporizador de alimentação excessiva expira, o estado do relé pisca no canto superior direito do ecrã de medição até que o temporizador de alimentação excessiva seja repostado. Prima **diag** e, em seguida, seleccione OVERFEED RESET (REPOR EXC.) para repór o temporizador de alimentação excessiva.

² O consumo do electrólito KCl é muito lento se o nível do reservatório diminuir menos de 1 mm em dois dias

Secção 5 Diagnóstico

5.1 Esquema de ligação da tubagem



1 Dreno de desvio de amostras	7 Válvula de condicionamento	13 Solução de reactivação
2 Entrada de amostra	8 Bomba da solução de calibração ³ .	14 Bomba da solução de reactivação
3 Sensor de nível	9 Bomba de drenagem	15 Sensor de temperatura
4 Recipiente para recolha de transbordamentos	10 Drenagem	16 Eléctrodo de sódio
5 Barra de agitação	11 Solução de calibração ³	17 Eléctrodo de referência
6 Motor da misturadora	12 Solução de condicionamento	

5.2 Iniciar um teste do analisador

Inicie um teste do analisador para identificar se a luz indicadora de estado, o motor da misturadora, uma bomba ou uma válvula funcionam correctamente.

³ Apenas analisadores com a opção de calibração automática têm uma bomba de solução de calibração e solução de calibração.

1. Prima **diag (diagnóstico)** e seleccione **PERFORM TEST (EFECTUAR TESTE)**.
2. Seleccione uma opção.

Opção	Descrição
REACT SOL DELIVERY (FORNECIMENTO SOL REACT)	Inicia a bomba da solução de reactivação. A solução de reactivação flui para a câmara central da célula de medição. Nota: <i>A célula de medição é o bloco vazio onde os eléctrodos são instalados.</i>
SAMPLE DELIVERY (FORNECIMENTO AMOSTRA)	Define a válvula solenóide da amostra para o canal seleccionado para abrir. A amostra flui para o recipiente para recolha de transbordamentos. Nota: <i>Se o recipiente para recolha de transbordamentos estiver cheio, o nível de água no recipiente para recolha de transbordamentos não sofrerá alterações. Para drenar o recipiente para recolha de transbordamentos, efectue o teste SAMPLE DRAIN (DRENAGEM DA AMOSTRA).</i>
CAL STD DELIVERY (FORNECIMENTO PADRÃO CAL)	Nota: <i>A opção CAL STD DELIVERY (FORNECIMENTO PADRÃO CAL) só está disponível em analisadores que têm a opção de calibração automática.</i> Define a bomba da solução de calibração para a posição ligada. A solução de calibração flui para o recipiente para recolha de transbordamentos.
CONDITIONING VALVE (VÁLV DE CONDICIONAMENTO)	Define a válvula de condicionamento para a posição aberta. O gás de condicionamento flui para a câmara direita da célula de medição. Nota: <i>A célula de medição é o bloco vazio onde os eléctrodos são instalados.</i>
SAMPLE DRAIN (DRENAGEM DA AMOSTRA)	Define a bomba de drenagem para a posição ligada. A água no recipiente para recolha de transbordamentos drena o tubo do dreno de químicos.
MIXER (MISTURADORA)	Define o motor da misturadora para o estado ligado. A barra de agitação no recipiente para recolha de transbordamentos gira.
STATUS LED (LED DE ESTADO)	Define a luz indicadora de estado para se manter continuamente em ciclo: amarelo, vermelho, verde.
AIR PUMP (BOMBA DE AR)	Nota: <i>A opção AIR PUMP (BOMBA DE AR) só está disponível quando a bomba catiónica opcional está instalada.</i> Define a bomba catiónica para a posição ligada. A bomba catiónica empurra o ar para o frasco da solução de condicionamento (DIPA). Consulte a secção <i>Descrição geral do produto</i> do manual de instalação para identificar a localização da bomba catiónica no analisador.
SELECT SCRIPT (SELECCIONAR SCRIPT)	Nota: <i>A opção SELECT SCRIPT (SELECCIONAR SCRIPT) deve ser utilizada apenas pela assistência técnica.</i> Define o analisador para utilizar o script de teste ou o script de equipamento normal.

5.3 Iniciar um teste do relé ou saída de 4-20 mA

Iniciar um teste do relé ou saída de 4-20 mA para identificar se o funcionamento de um relé ou uma saída de 4-20 mA é correcto.

1. Prima **diag (diagnóstico)** e seleccione **OUTPUTS (SAÍDAS)**.
2. Seleccione uma opção.

Opção	Descrição
TEST 4–20 mA (TESTAR 4–20 mA)	Define o sinal (mA) para a saída de 4-20 mA seleccionada. Medir a corrente na saída de 4-20 mA com um multímetro.
TEST RELAY (TESTAR RELÉ)	Define o relé seleccionado para ligado (ligado à corrente) ou desligado (não ligado à corrente). Medir a resistência ao longo do relé com um multímetro para identificar se o relé está aberto ou fechado.

Opção	Descrição
HOLD OUTPUTS (RETER SAÍDAS)	Retém as saídas no último valor ou define-as para o valor de transferência. ACTIVATION (ACTIVAÇÃO) — Selecione LAUNCH (INICIAR) para manter as saídas no último valor ou defini-las para o valor de transferência. Selecione RELEASE (SOLTAR) para permitir que as saídas funcionem normalmente. SET OUTMODE (DEF MODO SAÍDA) — Selecione HOLD OUTPUTS (RETER SAÍDAS) para manter as saídas no último valor. Selecione TRANSFER OUTPUTS (TRANSFERIR SAÍDAS) para definir as saídas para o valor de transferência. Consulte o manual de instruções para definir o valor de transferência para as saídas. SET CHANNELS (CFG CANAIS) — Selecione ALL (TUDO) para seleccionar todos os canais. Selecione ANALYZER (ANALISADOR) para seleccionar todos os canais para o analisador seleccionado.
OUTPUT STATUS (ESTADO DE SAÍDA)	Mostra os sinais (mA) nas saídas de 4-20 mA.
SIMULATE MEASUREMENT (SIMULAR MEDIÇÃO)	Introduz uma leitura do analisador num canal seleccionado para efectuar um teste de saída. A simulação pára depois de o utilizador sair do ecrã. SELECT SOURCE (SELECIONAR FONTE) — Selecciona o analisador. SET PARAMETER (CFG PARÂMETRO) — Selecciona o canal. SET SIM VALUE (CONF VALOR SIM) — Define a leitura do analisador.

5.4 Mostrar as informações do analisador

Para mostrar as informações do analisador que se seguem, prima **menu** e, em seguida, selecione VIEW DATA (VER DADOS) > ANALYZER DATA (DADOS ANALIS.). Consulte a [Tabela 2](#).

Tabela 2 Descrições dos dados do analisador

Item	Descrição
DATE/TIME (DATA/HORA)	Data e hora (formato de 24 horas) actuais identificadas nas configurações
NAME (NOME)	Nome do analisador
TYPE (TIPO)	Tipo de analisador
AMBIENT TEMP (TEMP. AMBIEN.)	Temperatura ambiente do analisador
CONDITION SOL LEVEL (NÍVEL SOL COND)	Nível de solução do frasco de solução de condicionamento
REACT SOL LEVEL (NÍVEL SOL REACT)	Nível de solução do frasco de solução de reactivação
STANDARD LEVEL (NÍVEL PADRÃO)	Nível de solução do frasco de solução de calibração
KCL LEVEL (NÍVEL KCL)	Nível de solução do reservatório de electrólito KCl
LAST REACTIVATION (ÚLTIMA REACTIVAÇÃO)	Data em que a última reactivação automática foi realizada
LAST CAL (ÚLTIMA CALIBRAÇÃO)	Data em que a última calibração foi realizada
LAST SERVICE (ÚLTIMO SERVIÇO)	Data do último serviço
SOFTWARE VERS (VERS DE SOFTWARE)	Versão de software instalada
DD FIRMWARE (FIRMWARE CONTR DISP)	Versão do firmware instalado no controlador do dispositivo
DD CONTENT (CONTEÚDO CONTR DISP)	Versão do conteúdo dos dados do controlador do dispositivo
SCRIPT VERSION (VERSÃO DO SCRIPT)	Versão do bloco do directório do ficheiro de script
SCRIPT CONTENT (CONTEÚDO DO SCRIPT)	Versão do conteúdo do directório do ficheiro de script
MEAS_CONTROL SW REV (REV SW CONTROL_MED)	Revisão do software de controlo de medição instalado
SERIAL NUMBER (NÚMERO DE SÉRIE)	Número de série do analisador

5.5 Mostrar o estado do analisador e os dados do sistema

Para mostrar o estado actual do analisador, o estado do Modbus, os dados do sistema ou os dados I2C, proceda do seguinte modo:

1. Prima **diag** (**diagnóstico**).
2. Selecciona uma opção.

Opção	Descrição
CURRENT STATUS (ESTADO ACTUAL)	OPERATION (FUNCIONAMENTO) — Modo de medição actual. SAMPLE CHANNEL (CANAL DA AMOSTRA) — Canal de amostras actual. STEP STATUS (ESTADO DO PASSO) — Passo actual no ciclo de medição. STEP TIME (HORA DO PASSO) — Tempo restante do passo. MINUTES LEFT (MINUTOS RESTANTES) — Minutos restantes no passo actual. COMPLETION (CONCLUSÃO) — % concluída do ciclo de medição.
MODBUS STATS (ESTATÍSTICAS MODBUS)	Apresenta o estado das portas Modbus: sensor, controlador, rede e serviço. Apresenta o número de transmissões correctas e incorrectas.
SYSTEM DATA (DADOS DO SISTEMA)	AMBIENT TEMP (TEMP. AMBIEN.) — Temperatura ambiente medida em graus Celsius (C). POWER SOURCE FREQUENCY (FREQUÊNCIA FONTE ALIMENTAÇÃO) — Frequência da potência da linha (Hz). POWER SOURCE VOLTAGE (TENSÃO FONTE ALIMENTAÇÃO) — Potência da linha (CA). 12V VOLTAGE (TENSÃO DE 3,3 V) — Tensão da fonte de alimentação medida (V CC). 3,3V VOLTAGE (TENSÃO DE 3,3 V) — Alimentação de 3,3 V regulada medida (V CC). 12V CURRENT (CORRENTE DE 12 V) — Corrente da fonte de alimentação de 12 V medida (amperes).
I2C DATA (DADOS DE I2C)	Apresenta as informações de comunicação (I ² C) e o número de versão.

5.6 Mostrar informações de serviço

Utilize o menu Service (Serviço) para visualizar ou repor o histórico de serviço das peças do equipamento.

1. Prima **diag** (**diagnóstico**).
2. Selecciona SERVICE (SERVIÇO).
3. Selecciona uma opção.

Opção	Descrição
CONSUMABLE (CONSUMÍVEIS)	Apresenta uma lista das peças consumíveis. Mostra a data da última substituição e o número de dias decorridos desde a substituição da peça. Repor o contador após a substituição de uma peça.
SERVICE PART (COMPON.SERV.)	<i>Nota: A opção SERVICE PART (COMPON.SERV.) só está disponível para utilização pela assistência técnica.</i> Mostra uma lista de peças e a data da última revisão. O representante do serviço de assistência técnica repõe o contador após a substituição de uma peça.
ANNUAL MAINTENANCE (MANUTENÇÃO ANUAL)	Mostra a data da última manutenção anual, a data da próxima manutenção anual e o número de dias restantes até à próxima manutenção anual. Repor o contador após a manutenção anual.
EDIT ELECTRODE SN (EDITAR NS ELÉCTRODOS)	Regista os números de série dos eléctrodos.

Opção	Descrição
SERVICE HISTORY (HISTÓR. SERVIÇO)	Mostra as tarefas de manutenção efectuadas e a data (por ex., Replace reactivation solution (Substituir solução de reactivação). START TIME (HORA DE INÍCIO) — Mostra os dados registados após a data e hora seleccionadas. NUMBER OF READINGS (NÚMERO DE LEITURAS) — Mostra o número seleccionado de pontos de dados.
POST ENABLE (PÓS-ACTIV)	NO (NÃO) — Não são efectuados diagnósticos de hardware quando o analisador tem alimentação. YES (SIM) — São efectuados diagnósticos de hardware quando o analisador tem alimentação.

Secção 6 Acessórios e peças de substituição

⚠ ADVERTÊNCIA



Perigo de danos pessoais. A utilização de peças não aprovadas poderá causar ferimentos, danos ou avarias no equipamento. As peças de substituição mencionadas nesta secção foram aprovadas pelo fabricante.

Nota: Os números do Produto e Artigo podem variar consoante as regiões de venda. Para mais informações de contacto, contacte o distribuidor apropriado ou consulte o site web da empresa.

Reagentes e soluções padrão

Descrição	Quantidade	Item n.º
Solução de electrólito KCl 3M	250 ml	LZW9500.99
Solução de electrólito KCl 3M	500 ml	363140,00500
Diisopropilamina (DIPA) 99%	1 l	2834453
Cloreto de sódio padrão, 10 ppm	1 l	2835153
Nitrato de sódio, 0,5 M	500 ml	2507149

Peças de substituição

Descrição	Quantidade	Item n.º
Frasco de solução de condicionamento com tampa, vazio	1	8352000
Anilha, tampa do frasco de condicionamento	1	8417200
Ligação do cotovelo, dreno, ½ pol., polipropileno	1	6772800
Eléctrodo, referência	1	09240=C=0310
Eléctrodo, sódio	1	09240=C=0320
Fusível, 1,6 A, 250 V, 5 x 20 mm	1	5208300
Fusível, 5 A, 250 V, queima lenta, 5 x 20 mm	1	4693800
Kit de instalação, analisador de 1 canal, analisador com estrutura	1	8375400
Kit de instalação, analisador de 2 canal, analisador com estrutura	1	8375300
Kit de instalação, analisador de 4 canal, analisador com estrutura	1	8371500
Kit de instalação, analisador de 1 canal, analisador sem estrutura	1	8375700
Kit de instalação, analisador de 2 canal, analisador sem estrutura	1	8375600
Kit de instalação, analisador de 4 canal, analisador sem estrutura	1	8375500
Motor da misturadora	1	8420000

Peças de substituição (continuação)

Descrição	Quantidade	Item n.º
Parafusos para montagem em painel, cabeça redonda M6 x 20, aço inoxidável, Torx	4	8415500
Perfurador para fichas eléctricas internas, tubo de metal, utilizado com 8379900	1	8380000
Perfurador para fichas eléctricas internas, chapa de metal, utilizado com 8380000	1	8379900
Regulador de pressão, 0,3 bar (4 psi), não ajustável	1	6782900
Bomba, solução de calibração	1	8364300
Bomba, dreno	1	8357400
Bomba, solução de reactivação	1	8364200
Válvula de corte, tubagem com DE de 6 mm	1	8385200
Barra de agitação	1	W_4510_001_FF
Encaixe de alívio de tensão (caixa de empanque), PG9 4 mm a 8 mm	1	8356300
Encaixe de alívio de tensão (caixa de empanque), NPT ½ pol. 4 mm a 9 mm	1	8368400
Suportes de montagem em mesa	2	8370400
Parafusos, suporte de montagem em mesa, 8 x ½, aço inoxidável, Torx	2	8412200
Tubagem, dreno de químicos e da caixa, DE de 17,5 mm (¹¹ / ₁₆ pol.) x 3,2 mm (¹ / ₈ pol.) de espessura	2 m (6,5 pés)	LZX278
Tubagem, amostra, DE de 6 mm x DI de 4 mm	5,5 m (18 pés)	6772500
Cortador de tubo	1	8385400
Suportes de montagem na parede	2	8364100
Parafusos, suporte de montagem na parede, M4 x 10 lisos em aço inoxidável, Torx	2	8412500
Válvula, condicionamento	1	8367600
Válvula, amostra	1	8370200

Accessórios

Descrição	Quantidade	Item n.º
Adaptador para frasco, frasco de DIPA, Merck	1	09073=C=0350
Adaptador para frasco, frasco de DIPA, Orion	1	09073=C=0360
Filtro, entrada de amostra, 100 µm, tubos com DE de ¼ polegadas	1	595=010=005
Filtro, entrada de amostra, 100 µm, tubos com DE de 6 mm	1	595=010=000
Permutador de calor, máximo 4 canais	1	8368900
Kit de actualização catiónica	1	8371200
Cabo de alimentação, América do Norte	1	9179700
Kit de actualização de 1 canal para 4 canais	1	8365100

Acessórios (continuação)

Descrição	Quantidade	Item n.º
Kit de actualização de 2 canal para 4 canais	1	8365000
Kit de actualização para calibração automática	1	8368000
Adaptador para tubos, DE de 6 mm para DE de ¼ polegadas	2	09245=A=8300

Obsah

- | | |
|---|---|
| 1 Bezpečnostní informace na straně 166 | 4 Řešení problémů na straně 181 |
| 2 Zobrazení aktivních chyb, varování a připomínek na straně 166 | 5 Diagnostika na straně 187 |
| 3 Údržba na straně 166 | 6 Náhradní díly a příslušenství na straně 191 |

Kapitola 1 Bezpečnostní informace

Obecné bezpečnostní informace, popisy rizik a popisy výstražných štítků naleznete v uživatelské příručce pro instalaci.

Kapitola 2 Zobrazení aktivních chyb, varování a připomínek

Pozadí displeje a podsvícení stavového indikátoru při výskytu chyby zčervená a při výskytu varování zežlutne.

- **Chyba** – červené pozadí displeje a červený stavový indikátor. Vyskytl se významný problém, který ovlivňuje funkci přístroje. Aktuální měření se zastaví a analyzátor přejde do režimu vypnutí.
- **Varování** – žluté pozadí displeje a žlutý stavový indikátor. Došlo k události, která může v budoucnu způsobit problém. Analyzátor pokračuje v činnosti.
- **Připomínky** – symbol klíče zobrazený na displeji a žluté podsvícení stavového indikátoru. Uplynula doba pro úlohu údržby.

Chcete-li zobrazit aktivní chyby, varování a připomínky, postupujte takto:

Poznámka: Chcete-li zobrazit všechny možné chyby, varování a připomínky, včetně související nápovědy, stiskněte tlačítko **diag**, poté vyberte možnost **ANALYZER HELP (NÁPOVĚDA K ANALYZÁTORU)**.

1. Stiskněte tlačítko **diag** a vyberte možnost **DIAGNOSTICS (DIAGNOSTIKA)**. Zobrazí se aktivní chyby, varování a připomínky.
2. V seznamu vyberte chybu, varování nebo připomínku.
3. Vyberte požadovanou možnost.

Možnost	Popis
ACKNOWLEDGE (POTVRDIT)	Potvrdí vybranou chybu, varování nebo připomínku. Po potvrzení všech aktivních chyb, varování a připomínek se barva pozadí displeje změní zpět na bílou a barva stavového indikátoru se změní zpět na zelenou.
VIEW HELP (ZOBRAZIT NÁPOVĚDU)	Zobrazí nápovědu pro vybranou chybu, varování nebo připomínku.

Kapitola 3 Údržba

▲ NEBEZPEČÍ



Různá nebezpečí. Práce uvedené v tomto oddíle dokumentu smí provádět pouze dostatečně kvalifikovaný personál.

3.1 Plán údržby

Tabulka 1 zobrazuje doporučený harmonogram údržbových prací. Požadavky pracoviště a provozní podmínky si mohou vynutit častější provádění některých úkonů.

Tabulka 1 Plán údržby

Úkony	3 měsíce	Podle potřeby
Výměna kalibračního a reaktivačního roztoku na straně 167	X	
Výměna kondicionačního roztoku na straně 169	X	
Výměna elektrolytu KCl na straně 172	X	
Výměna pojistky vstupního napájení na straně 173		X

3.2 Vyčistěte přístroj

UPOZORNĚNÍ

K čištění měřicího přístroje včetně displeje a příslušenství nikdy nepoužívejte čisticí prostředky, jako je např. terpentýn, aceton a podobné látky.

Navlhčenou utěrkou a jemným mýdlovým roztokem očistěte vnější části přístroje.

3.3 Odstraňování rozlitých kapalin

▲ POZOR



Nebezpečí styku s chemikáliemi. Likvidujte chemikálie a odpad v souladu s místními, regionálními a národními předpisy.

1. Dodržujte veškeré bezpečnostní protokoly pro odstraňování rozlitých kapalin, které jsou platné ve vaší organizaci.
2. Likvidujte odpad podle příslušných ustanovení.

3.4 Výměna kalibračního a reaktivačního roztoku

▲ POZOR



Nebezpečí styku s chemikáliemi. Dodržujte laboratorní bezpečnostní postupy a noste veškeré osobní ochranné pomůcky vyžadované pro manipulaci s příslušnými chemikáliemi. Bezpečnostní protokoly naleznete v aktuálních datových bezpečnostních listech (MSDS/SDS).

▲ POZOR



Nebezpečí styku s chemikáliemi. Likvidujte chemikálie a odpad v souladu s místními, regionálními a národními předpisy.

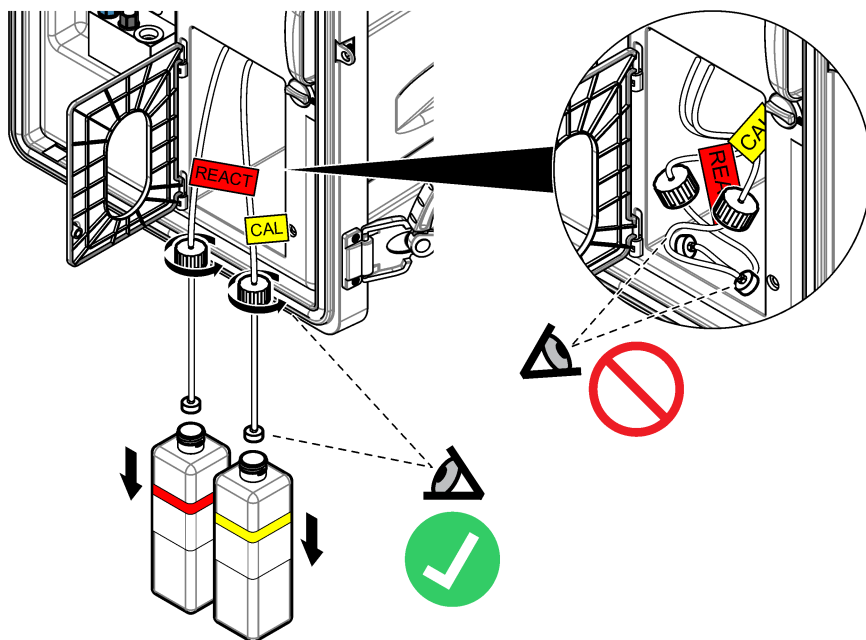
Kalibrační a reaktivační roztok se vyměňuje v 3měsíčních intervalech nebo když jejich náplň poklesne pod 10 %.

Položky dodané uživatelem:

- Osobní ochranné pomůcky (viz bezpečnostní listy)
- Dusičnan sodný (NaNO_3) 0,5M, 500 mL
- Standard chlorid sodný (NaCl) 10 ppm, 500 mL
- Deionizovaná voda, 100 mL

1. Použijte osobní ochranné pomůcky určené v bezpečnostním listu.
2. Stiskněte tlačítko **menu**, poté vyberte možnost STOP ANALYZER (ZASTAVIT ANALYZÁTOR).
Poznámka: Pokud se zobrazí pokyn START ANALYZER (SPUSTIT ANALYZÁTOR), analyzátor již je v pohotovostním režimu.
3. Následujícím způsobem vyměňte reaktivační roztok a kalibrační roztok:
 - a. Vyjměte láhve s reaktivačním a kalibračním roztokem z analyzátoru. Viz [Obr. 1](#).
Poznámka: Láhev s kalibračním roztokem obsahují pouze analyzátory s možností automatické kalibrace.
 - b. Vylijte roztoky obsažené v láhvích do vhodného odpadu.
 - c. Vypláchněte láhve deionizovanou vodou.
 - d. Naplňte láhve s kalibračním roztokem novým roztokem chloridu sodného (NaCl) o koncentraci 10 ppm (500 mL). Na láhvi s kalibračním roztokem je etiketa se žlutým pruhem.
Poznámka: Postup přípravy roztoku chloridu sodného (NaCl) o koncentraci 10 ppm je uveden v provozní příručce.
 - e. Naplňte láhve s reaktivačním roztokem novým roztokem 0,5M dusičnanu sodného (NaNO₃) (500 mL). Na láhvi s kalibračním roztokem je etiketa s červeným pruhem.
Poznámka: Postup přípravy roztoku dusičnanu sodného (NaNO₃) o koncentraci 0,5M je uveden v provozní příručce.
 - f. Nainstalujte láhve do analyzátoru. Hadičky s červenou etiketou „REACT“ (Reaktivační) musí být připojeny k láhvi, na které je etiketa s červeným pruhem.
Hadičky se žlutou etiketou „CAL“ (Kalibrační) musí být připojeny k láhvi, na které je etiketa se žlutým pruhem.
4. Následujícím způsobem zadejte hladiny v láhvích:
 - a. Stiskněte tlačítko **menu**, poté vyberte možnost REAGENTS/STANDARDS (REAGENCIE/STANDARDY).
 - b. Vyberte možnost SET REACT LEVEL (NASTAVENÍ HLADINY REAKT. ROZTOKU) (Nastavení hladiny KCl), poté zadejte hodnotu 100 %.
 - c. Vyberte možnost SET STANDARD LEVEL (NASTAVENÍ HLADINY STANDARDU), poté zadejte hodnotu 100 %.
5. Vyberte možnost PRIME REAGENTS (NAČERPAT REAGENCIE).
6. Po dokončení kroku s hlavními reagensy stiskněte tlačítko **menu**, poté vyberte možnost START ANALYZER (SPUSTIT ANALYZÁTOR).

Obr. 1 Vyjmutí láhve



3.5 Výměna kondicionačního roztoku

▲ VAROVÁNÍ



Nebezpečí vdechnutí. Nevdechujte výpary z diisopropylaminu (DIPA) nebo amoniaku. Vystavení jejich vlivu může vést k vážnému nebo smrtelnému úrazu.



▲ VAROVÁNÍ



Nebezpečí expozice chemikáliím. Diisopropylamin (DIPA) a amoniak jsou hořlavé, korozivní a toxické chemické látky. Vystavení jejich vlivu může vést k vážnému nebo smrtelnému úrazu.



▲ VAROVÁNÍ



Nebezpečí styku s chemikáliemi. Dodržujte laboratorní bezpečnostní postupy a noste veškeré osobní ochranné pomůcky vyžadované pro manipulaci s příslušnými chemikáliemi. Před plněním lahví či přípravou činidel si přečtěte bezpečnostní list od výrobce. Pouze pro laboratorní použití. Informace o riziku dejte na vědomí v souladu s místními předpisy uživatele.

⚠ POZOR



Nebezpečí styku s chemikáliemi. Likvidujte chemikálie a odpad v souladu s místními, regionálními a národními předpisy.

Přípravný roztok se vyměňuje v 3měsíčních intervalech nebo když jeho náplň poklesne pod 10 %. Jako kondicionační roztok používejte DIPA (doporučeno) nebo amoniak (více než 28%).

Položky dodané uživatelem:

- Osobní ochranné pomůcky (viz bezpečnostní listy)
- 99% diisopropylamin (DIPA), 1L láhev
- Adaptér na láhve DIPA typu Merck nebo Orion, pokud jsou použity

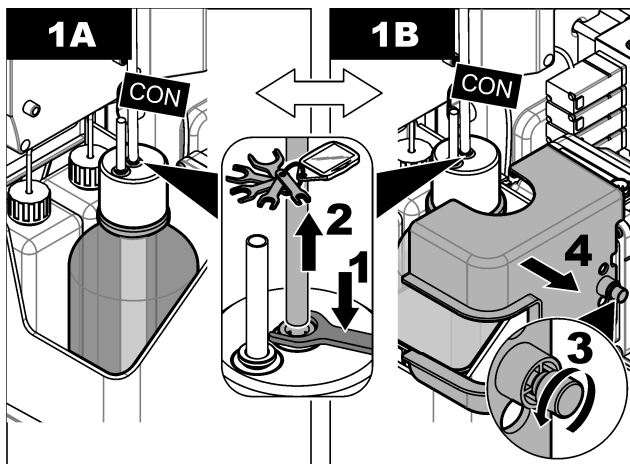
Následujícím postupem vyměňte láhev s kondicionačním roztokem:

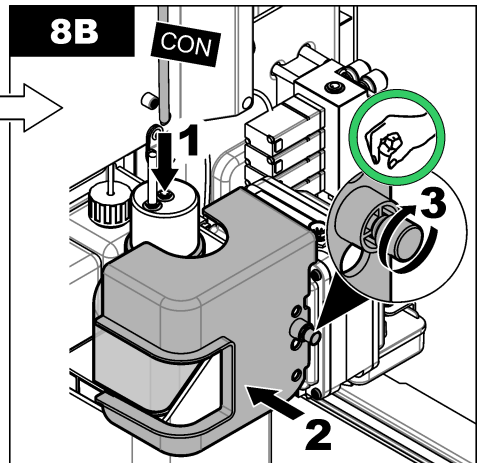
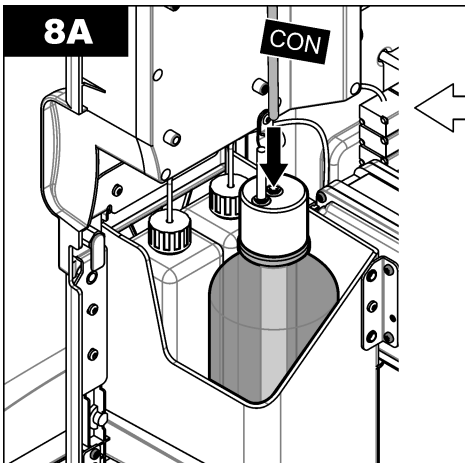
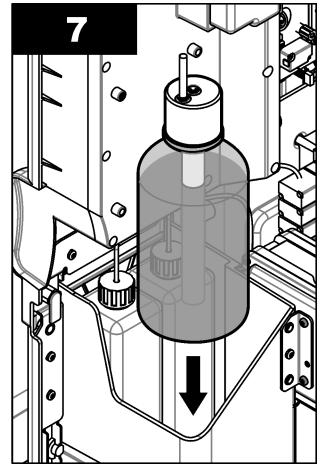
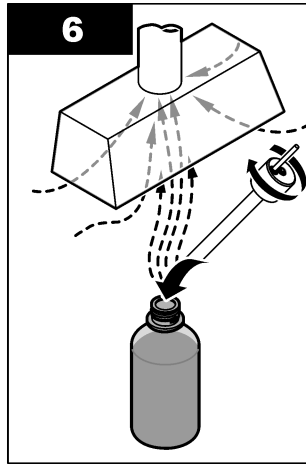
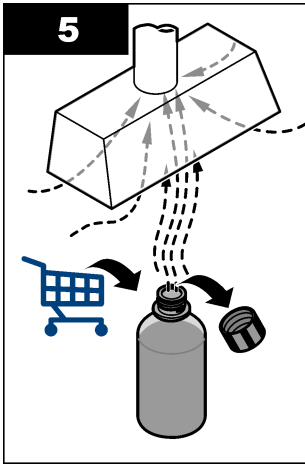
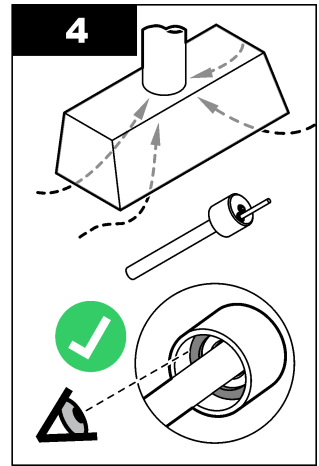
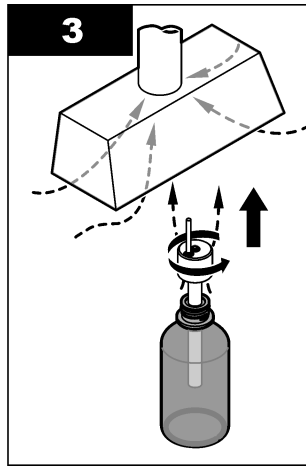
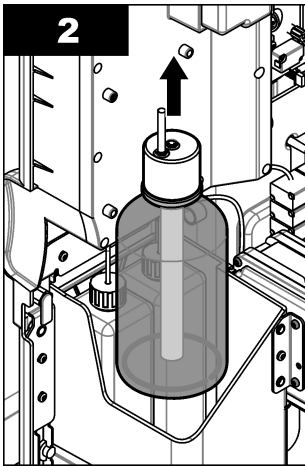
1. Použijte osobní ochranné pomůcky určené v bezpečnostním listu.
2. Stiskněte tlačítko **menu**, poté vyberte možnost STOP ANALYZER (ZASTAVIT ANALYZÁTOR).
Poznámka: Pokud se zobrazí text START ANALYZER (SPUSTIT ANALYZÁTOR), nachází se analyzátor již v pohotovostním režimu.
3. Otočte západkou na analytickém panelu do odemknuté polohy. Otevřete analytický panel.
4. Vyměňte láhev s kondicionačním roztokem. Řiďte se následujícími vyobrazenými kroky.

Poznámka: Analyzátor s volitelným čerpadlem kationtů obsahuje dvě hadičky, které jsou přivedeny do víčka láhve s kondicionačním roztokem. Odpojte obě hadičky.

Poznámka: Jak je uvedeno v krocích 1 a 8, obsahují držák na láhev s kondicionačním roztokem pouze analyzátor bez krytu.

Pod odsávacem par, je-li součástí zařízení, proveďte kroky 3 - 6. Nevdechujte výpary DIPA nebo amoniaku.





5. U analyzátorů s volitelným čerpadlem kationtů nasadte hadičku vycházející z čerpadla kationtů zpět do prostředního otvoru ve víčku.
6. Zavřete analytický panel. Otočte západkou na analytickém panelu do uzamčené polohy.
7. Následujícím způsobem zadejte hladinu v láhvi:
 - a. Stiskněte tlačítko **menu**, poté vyberte možnost REAGENTS/STANDARDS (REAGENCIE/STANDARDY).
 - b. Vyberte možnost SET COND LEVEL (NASTAVENÍ HLADINY KOND. ROZTOKU) (Nastavení hladiny KCl), poté zadejte hodnotu 100 %.
8. Stiskněte tlačítko **menu**, poté vyberte možnost START ANALYZER (SPUSTIT ANALYZÁTOR).

3.6 Výměna elektrolytu KCl

⚠ POZOR



Nebezpečí styku s chemikáliemi. Dodržujte laboratorní bezpečnostní postupy a noste veškeré osobní ochranné pomůcky vyžadované pro manipulaci s příslušnými chemikáliemi. Bezpečnostní protokoly naleznete v aktuálních datových bezpečnostních listech (MSDS/SDS).

⚠ POZOR



Nebezpečí styku s chemikáliemi. Likvidujte chemikálie a odpad v souladu s místními, regionálními a národními předpisy.

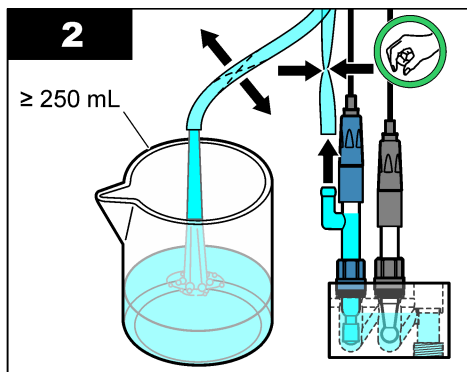
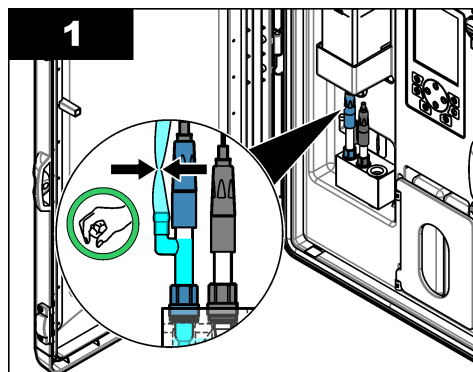
Elektrolyt KCl v zásobníku se vyměňuje v 3měsíčních intervalech.

Potřebné položky:

- Osobní ochranné pomůcky (viz bezpečnostní listy)
- Elektrolyt KCl 3M, 200 mL
- Malá nádoba, 250 mL nebo větší

Následujícím způsobem proveďte výměnu elektrolytu KCl:

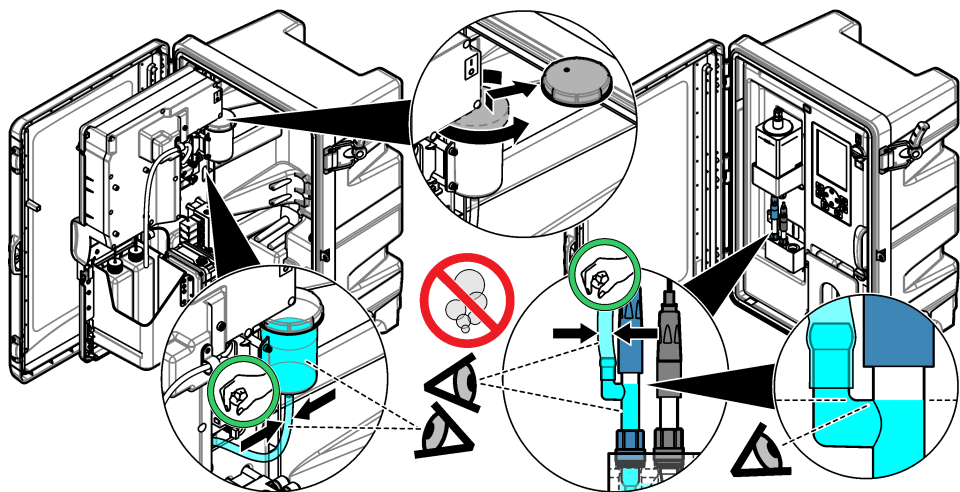
1. Použijte osobní ochranné pomůcky určené v bezpečnostním listu.
2. Vypusťte obsah zásobníku s elektrolytem KCl do malé nádoby. Řiďte se následujícími vyobrazenými kroky. Vylijte elektrolyt KCl do vhodného odpadu.



3. Připojte hadičku elektrolytu KCl zpět na referenční elektrodu.
4. Následujícím způsobem naplňte zásobník s elektrolytem KCl:
 - a. Otočte západkou na analytickém panelu do odemknuté polohy. Otevřete analytický panel.
 - b. Sejměte víko ze zásobníku s elektrolytem KCl. Viz [Obr. 2](#).

- c. Naplňte nádržku z 90 % (přibližně 200 mL).
 - d. Nasadte víko.
5. Následujícím způsobem vytlačte vzduchové bubliny z hadičky elektrolytu KCl:
- a. Mačkejte hadičku s elektrolytem KCl prsty směrem od přední části analytického panelu a vytlačte vzduchové bubliny směrem do zásobníku. Viz **Obr. 2**.
 - b. Když se vzduchová bublina přiblíží k zásobníku, stiskněte hadičku oběma rukama směrem od přední i zadní části analytického panelu a vytlačte vzduchovou bublinu směrem nahoru.
 - c. Pokračujte v mačkání hadičky, dokud hladina elektrolytu KCl v referenční elektrodě nedosáhne horní části skleněné spojky, ve které elektrolyt KCl vstupuje do elektrody. Viz **Obr. 2**.
6. Zavřete analytický panel. Otočte západku na analytickém panelu do zamčené polohy.
7. Následujícím způsobem zadejte hladinu v láhvi:
- a. Stiskněte tlačítko **menu**, poté vyberte možnost REAGENTS/STANDARDS (REAGENCIE/STANDARDY).
 - b. Vyberte možnost SET KCL LEVEL (NASTAVENÍ HLADINY KCL) (Nastavení hladiny KCl), poté zadejte hodnotu 100 %.

Obr. 2 Naplnění zásobníku na elektrolyt KCl



3.7 Výměna pojistky vstupního napájení

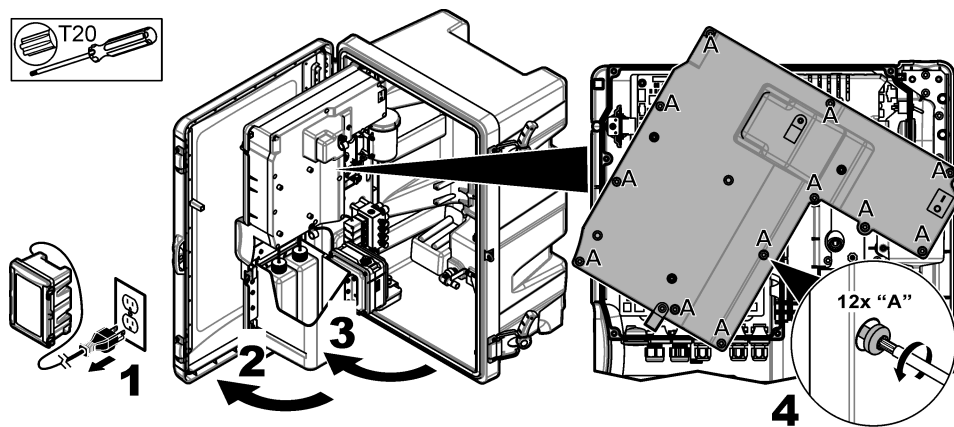
⚠ NEBEZPEČÍ	
	Nebezpečí smrtelného úrazu elektrickým proudem. Před začátkem této procedury odpojte přístroj od elektrického proudu.
⚠ NEBEZPEČÍ	
	Nebezpečí požáru. Používejte náhradní pojistky stejného typu a se stejnou proudovou charakteristikou.

Zkontrolujte pojistky. Vyměňte všechny otevřené pojistky za nové.

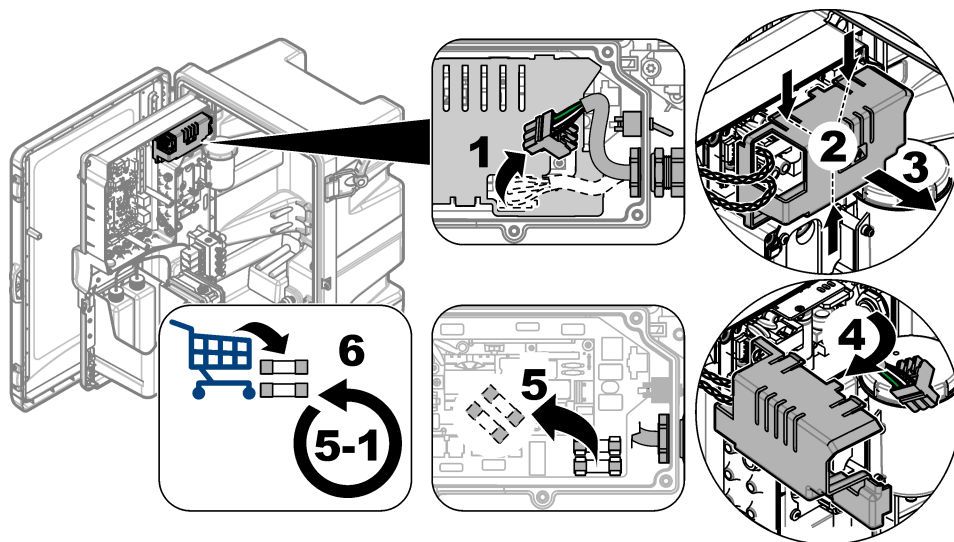
Položky dodané uživatelem: Pojistka T 1,6 A, 250 VAC

1. Odpojte napájecí kabel z elektrické zásuvky.
2. Odstraňte kryt přístupu k elektroinstalaci. Viz ilustrované kroky v Obr. 3.
3. Vyměňte pojistku. Viz ilustrované kroky v Obr. 4
4. Nasadte kryt na přístup k elektroinstalaci. Utáhněte všechny šrouby, aby zůstal zachován stupeň krytí vnějšího krytu.
5. Zavřete analytický panel. Otočte západkou na analytickém panelu do uzamčené polohy.
6. Připojte napájení do elektrické zásuvky.
7. Stiskněte tlačítko **menu**, poté vyberte možnost START ANALYZER (SPUSTIT ANALYZÁTOR).

Obr. 3 Sejmутí krytu pro přístup k elektroinstalaci



Obr. 4 Výměna pojistky napájení



3.8 Příprava analyzátoru na krátkodobé vypnutí

Následujícím způsobem připravte analyzátor na krátkodobé vypnutí (2 dny až 1 týden):

Položky dodané uživatelem: Upínací nůžky

1. Stiskněte tlačítko **menu**, poté vyberte možnost STOP ANALYZER (ZASTAVIT ANALYZÁTOR).

Poznámka: Pokud se zobrazí text START ANALYZER (SPUSTIT ANALYZÁTOR), nachází se analyzátor již v pohotovostním režimu.

2. Nasazením upínacích nůžek (kovových nebo plastových) na konec hadičky s elektrolytem KCl zastavte průtok elektrolytu KCl do referenční elektrody.

Poznámka: Když je analyzátor v pohotovostním režimu nebo vypnutý, elektrolyt i nadále vytéká z referenční elektrody. Elektrolyt KCl pomalu naplní levou komoru měřicí cely a začne vytékat z horní části levé komory.

3. Otočte uzavírací ventily na hadičku se vzorkem do polohy vypnuto.

4. Pokud je nutné odpojit analyzátor od napájení, přidejte do prostřední komory měřicí cely reaktivační roztok, aby nedošlo k poškození sodíkové elektrody.

Poznámka: Po 4 hodinách v pohotovostním režimu analyzátor do prostřední komory měřicí cely automaticky přidá reaktivační roztok.

3.9 Příprava analyzátoru na dlouhodobé vypnutí

▲ VAROVÁNÍ



Nebezpečí styku s chemikáliemi. Dodržujte laboratorní bezpečnostní postupy a noste veškeré osobní ochranné pomůcky vyžadované pro manipulaci s příslušnými chemikáliemi. Před plněním lahví či přípravou činidel si přečtěte bezpečnostní list od výrobce. Pouze pro laboratorní použití. Informace o riziku dejte na vědomí v souladu s místními předpisy uživatele.

▲ POZOR



Nebezpečí styku s chemikáliemi. Likvidujte chemikálie a odpad v souladu s místními, regionálními a národními předpisy.

Následujícím způsobem připravte analyzátor na dlouhodobé vypnutí (více než 1 týden):

Položky dodané uživatelem:

- Malá nádoba, 250 mL nebo větší
- Deionizovaná voda, 1,5 L
- Čistý hadřík nepouštějící chlupy

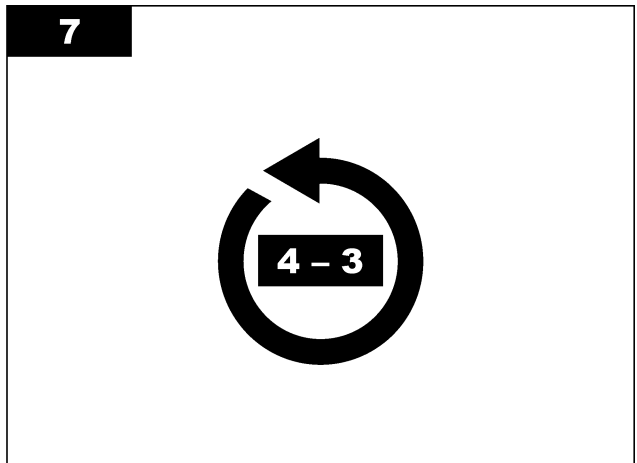
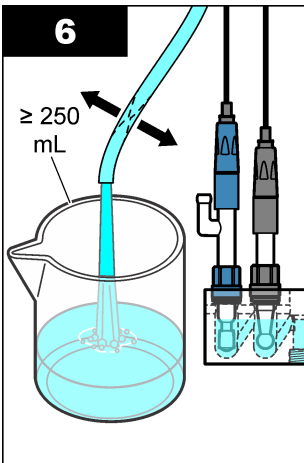
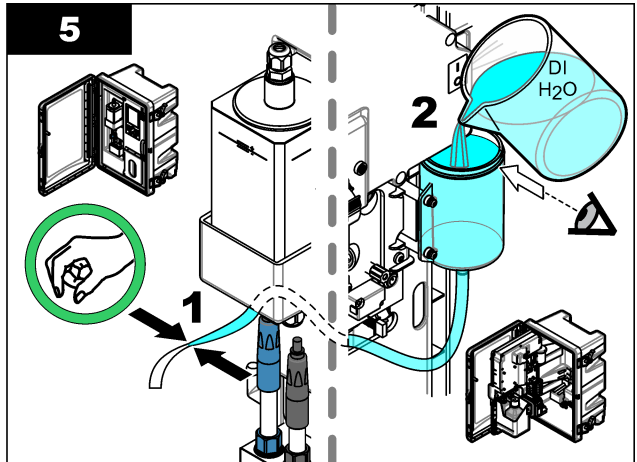
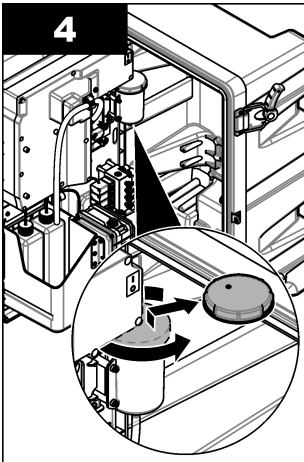
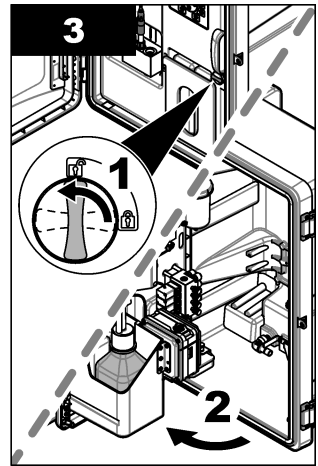
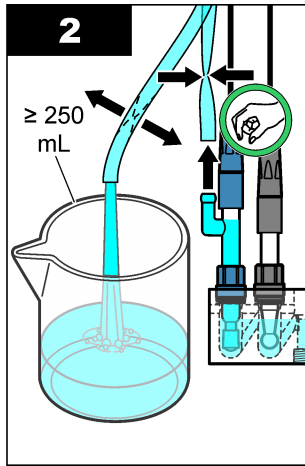
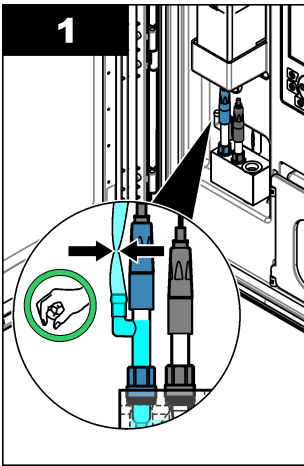
Potřebné vybavení:

- Skladovací láhve na elektrody (2x)
- Ochranná víčka na elektrody (2x)
- Černý kryt na skleněný můstek referenční elektrody

3.9.1 Vypuštění a vyprázdnění zásobníku na elektrolyt KCl

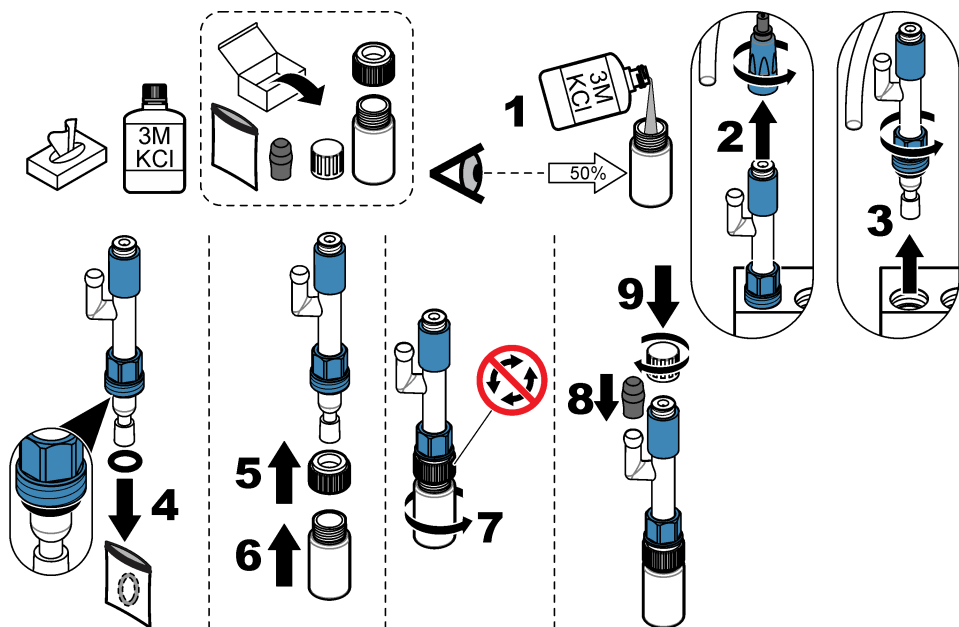
Řiďte se následujícími vyobrazenými kroky.

Použijte osobní ochranné pomůcky určené v bezpečnostním listu.



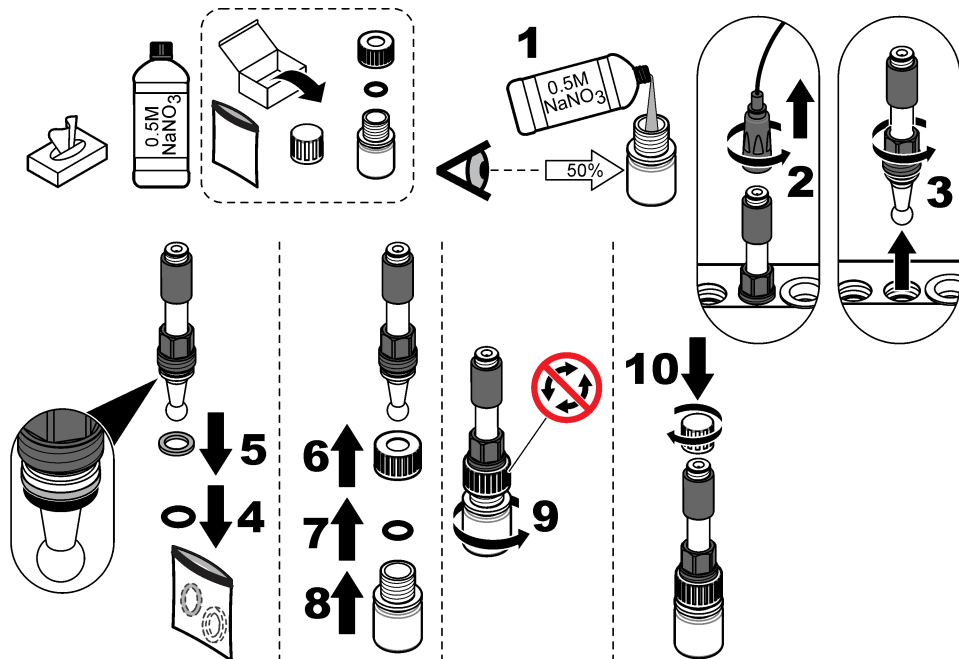
3.9.2 Vyjmutí referenční elektrody

Řiďte se následujícími vyobrazenými kroky.



3.9.3 Vyjmutí sodíkové elektrody

Řiďte se následujícími vyobrazenými kroky.



3.9.4 Odpojení láhve s kondičionálním roztokem

⚠ VAROVÁNÍ



Nebezpečí při vdechování. Nevdechujte výpary z diisopropylaminu (DIPA) nebo amoniaku. Vystavení jejich vlivu může vést k vážnému nebo smrtelnému úrazu.



⚠ VAROVÁNÍ

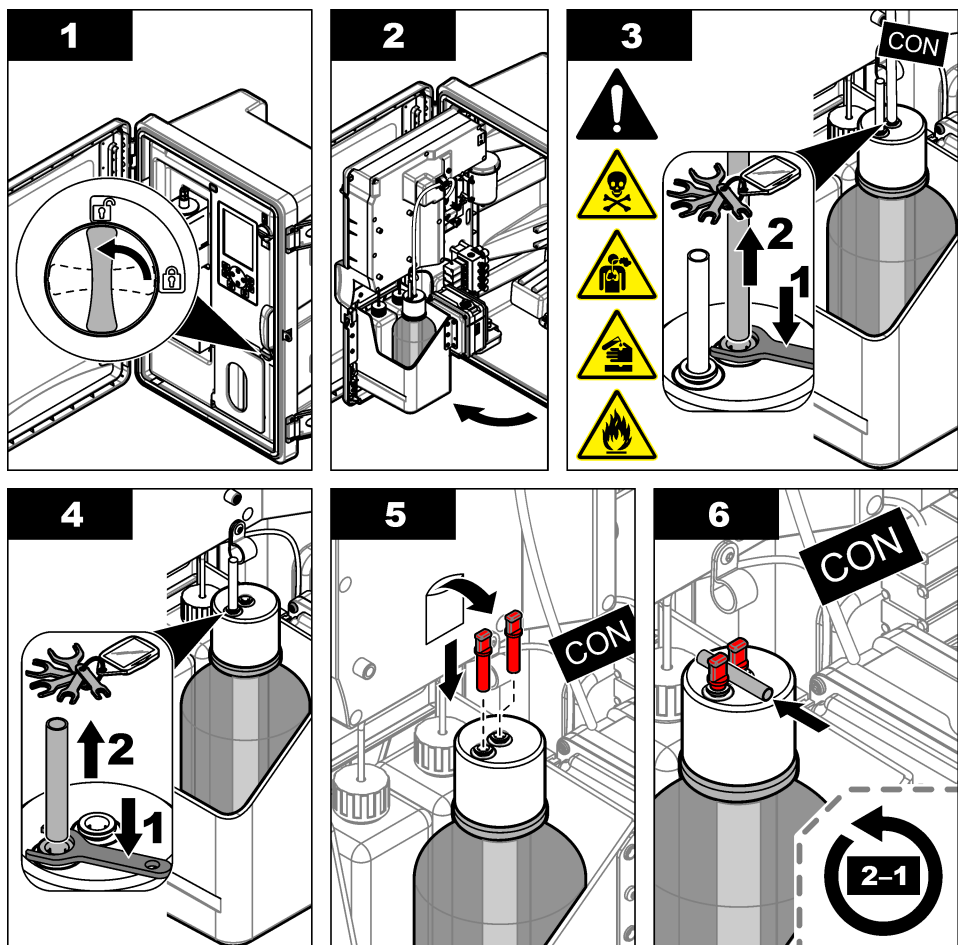


Nebezpečí expozice chemikáliím. Diisopropylamin (DIPA) a amoniak jsou hořlavé, korozivní a toxické chemické látky. Vystavení jejich vlivu může vést k vážnému nebo smrtelnému úrazu.



Řiďte se následujícími vyobrazenými kroky.

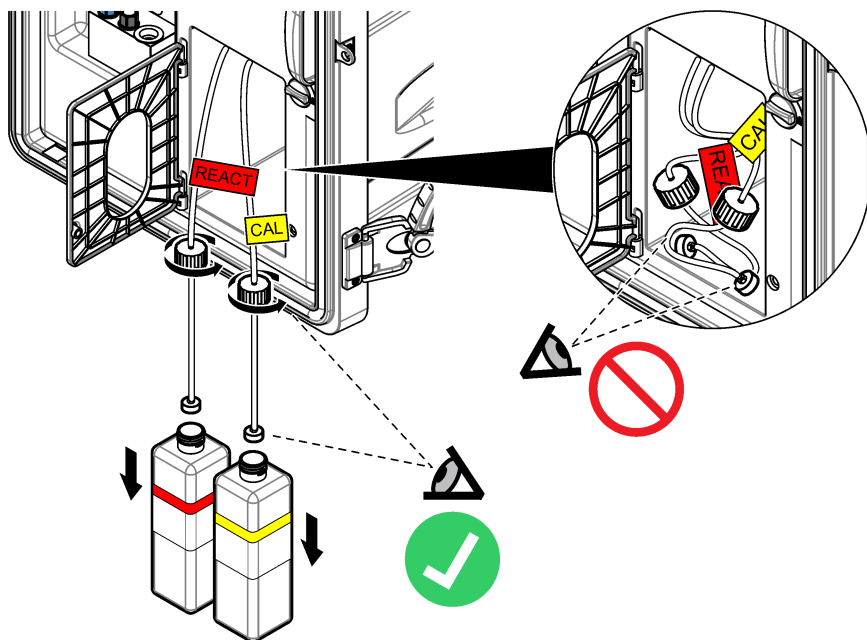
Použijte osobní ochranné pomůcky určené v bezpečnostním listu.



3.9.5 Vyláchnutí hadiček s reagenциemi

1. Použijte osobní ochranné pomůcky určené v bezpečnostním listu.
2. Vyměňte láhve s reaktivačním a kalibračním roztokem z analyzátoru. Viz [Obr. 5](#).
Poznámka: Láhve s kalibračním roztokem obsahují pouze analyzátory s možností automatické kalibrace.
3. Vylijte roztoky obsažené v láhvích do vhodného odpadu.
4. Vyláchněte láhve a poté je do ½ naplňte deionizovanou vodou.
5. Nainstalujte láhve do analyzátoru.
6. Stiskněte tlačítko **menu**, poté vyberte možnost REAGENTS/STANDARDS (REAGENCIE/STANDARDY) > PRIME REAGENTS (NAČERPAT REAGENCIE). Hadičky na reagenциe se propláchnou deionizovanou vodou.

Obr. 5 Vyjmutí láhve



3.9.6 Vypuštění přepadové nádoby

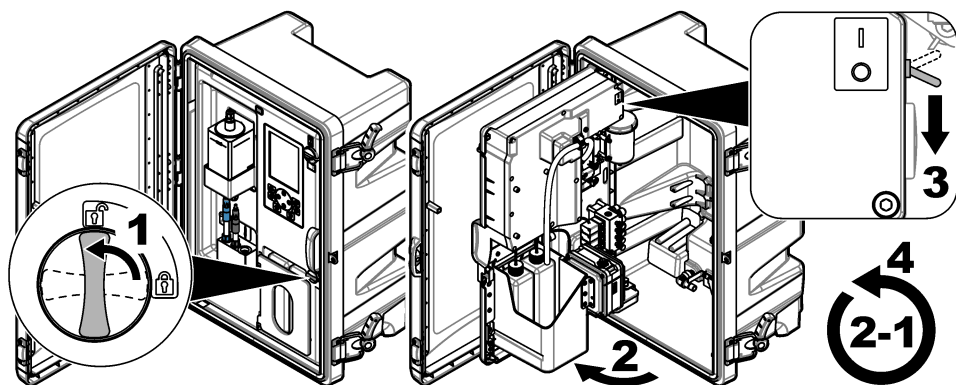
1. Stiskněte tlačítko **diag**, poté vyberte možnost PERFORM TEST (PROVÉST TEST) a stiskněte tlačítko **enter**.
2. Stisknutím tlačítka **enter** vyberte možnost YES (ANO).
3. Vyberte možnost SAMPLE DRAIN (ODTOK VZORKU), poté stiskněte tlačítko **enter**.
4. Zadejte 150 sekund.
5. Dvakrát stiskněte tlačítko **enter**.
6. Po vyprázdnění přepadové nádoby stiskněte tlačítko **back**.
7. Stiskněte tlačítko **home**.

3.9.7 Vypnutí analyzátoru

Následujícím způsobem odpojte napájení analyzátoru a vyjměte vzorek:

1. Přepněte vypínač do polohy vypnuto. Viz [Obr. 6](#).
2. Zavřete analytický panel. Otočte západkou na analytickém panelu do uzamčené polohy.
3. Odpojte napájecí kabel z elektrické zásuvky.
4. Otočte uzavírací ventily na hadičku se vzorkem do polohy vypnuto.
5. Pomocí čistého hadříku nepouštějícího vlákna odstraňte vodu z přepadové nádoby.
6. Pomocí čistého hadříku nepouštějícího vlákna odstraňte vodu z levé a prostřední komory měřicí cely.

Obr. 6 Přeprňte vypínač do polohy vypnuto



3.9.8 Likvidace deionizované vody v láhvích

1. Vyjměte láhve s reaktivačním a kalibračním roztokem z analyzátoru. Stáhněte víčka láhví dolů tak, aby visela pod analyzátořem.
Aby nemohlo dojít ke kontaminaci, zamezte dotykům mezi víčkem láhve nebo vnitřními hadičkami a analyzátořem.
2. Zlikvidujte deionizovanou vodu v láhvích.
3. Nechte láhve zcela vyschnout na vzduchu.
4. Nainstalujte láhve do analyzátořu.
5. Zavřete dvířka analyzátořu.

Kapitola 4 Řešení problémů

Problém	Možná příčina	Roztok
Na obrazovce měření se nezobrazuje stavový řádek.	Kanál zobrazený na obrazovce měření není měřený kanál.	Opakovaně stiskněte šipku NAHORU nebo DOLŮ , dokud se na obrazovce měření nezobrazí měřený kanál.
Po stisknutí tlačítka se šipkou NAHORU nebo DOLŮ se na obrazovce měření nezobrazí kanál.	Kanál není vybrán v nastaveních zobrazení.	Stiskněte tlačítko menu , poté vyberte možnost SETUP SYSTEM (NASTAVENÍ SYSTÉMU) > DISPLAY SETUP (NASTAVENÍ DISPLEJE) > ADJUST ORDER (UPRAVIT POŘADÍ) > SEE CURRENT ORDER (ZOBRAZIT AKTUÁLNÍ POŘADÍ) . Pokud se kanál nezobrazí, stiskněte tlačítko back , poté vyberte možnost ADD MEASUREMENTS (PŘIDAT MĚŘENÍ) . Stisknutím šipky VLEVO políčko zaškrtněte nebo jeho zaškrtnutí zrušte.

Problém	Možná příčina	Roztok
Neprobíhá měření kanálu.	Kanál není aktivovaný.	Stiskněte tlačítko menu , poté vyberte možnost SETUP SYSTEM (NASTAVENÍ SYSTÉMU) > CONFIGURE ANALYZER (KONFIGUROVAT ANALYZÁTOR) > CONFIGURE SEQUENCER (KONFIGUROVAT SEKVENCER) > ACTIVATE CHANNELS (AKTIVOVAT KANÁLY). Přidejte kanál. Stisknutím šipky VLEVO políčko zaškrtněte nebo jeho zaškrtnutí zrušte.
	Kanál není uveden v sekvenci měření kanálů.	Stiskněte tlačítko menu , poté vyberte možnost SETUP SYSTEM (NASTAVENÍ SYSTÉMU) > CONFIGURE ANALYZER (KONFIGUROVAT ANALYZÁTOR) > CONFIGURE SEQUENCER (KONFIGUROVAT SEKVENCER) > SEQUENCE CHANNELS (ŘADIT KANÁLY). Stisknutím šipky NAHORU a DOLŮ vyberte řádek a stisknutím šipky VLEVO nebo VPRAVO vyberte kanál. První měřený kanál je S1, následují S2, S3 a S4. <i>Poznámka: Nevybírejte kanály, který obsahují symbol „~“ (např. 4-~SAMPLE4). Kanály, které obsahují symbol „~“, se neměří.</i>
Zobrazuje se varování „UNSTABLE READING (NESTABILNÍ HODNOTA).	Doba proplachování mezi měřeními kanálů je příliš krátká.	Stiskněte nabídku, poté vyberte možnost SETUP SYSTEM (NASTAVENÍ SYSTÉMU) > CONFIGURE ANALYZER (KONFIGUROVAT ANALYZÁTOR) > MEASUREMENT (MĚŘENÍ) > SET MEASURE CYCLE (NASTAVIT MĚŘENÍ CYKLU) > MAX CYCLE TIME (MAXIMÁLNÍ ČAS CYKLU) nebo CYCLE TIME (DOBA CYKLU). Zvýšením hodnoty MAX CYCLE TIME (MAXIMÁLNÍ ČAS CYKLU) nebo CYCLE TIME (DOBA CYKLU) prodloužíte dobu vyplachování.
Zobrazí se varování „SAMPLE MISSING (CHYBÍ VZOREK).	Uzavírací ventil na hadičce se vzorkem je uzavřený.	Otevřete tento uzavírací ventil.
	Hadička se vzorkem není správně zapojená.	Přesvědčte se, zda je hadička se vzorkem zapojena do správného portu. Viz část <i>Porty pro zapojení</i> v instalační příručce.
	Ventil průtoku vzorku je uzavřený.	Spusťte průvodce spuštěním. Stiskněte tlačítko menu , poté vyberte možnost SETUP SYSTEM (NASTAVENÍ SYSTÉMU) > STARTUP ANALYZER (SPUSTIT ANALYZÁTOR). Stiskněte tlačítko enter , dokud se nezobrazí výzva k úpravě průtoku vzorku. Otáčejte ventilem průtoku vzorku proti směru hodinových ručiček, dokud se průtok v jednotlivých kanálech nezvýší na 6 - 9 L/hodinu.
	Elektromagnetický ventil příslušného kanálu nefunguje správně.	Stiskněte tlačítko diag , poté výběrem možnosti PERFORM TEST (PROVÉST TEST) > SAMPLE DRAIN (ODTOK VZORKU) vypusťte přepadovou nádobku. Stiskněte tlačítko diag , poté výběrem možnosti PERFORM TEST (PROVÉST TEST) > SAMPLE DELIVERY (DODÁVKA VZORKU) otevřete ventil vzorku. Pokud vzorek neproudí do přepadové nádoby, zkontrolujte zapojení ventilu vzorku. V případě potřeby ventil vzorku vyměňte.

Problém	Možná příčina	Roztok
Zobrazí se varování „PH TOO LOW (pH NÍZKÉ!).	Došlo k sejmutí krytu z pravé komory měřicí cely.	Nasadte kryt na pravou komoru měřicí cely.
	Náplň v láhvi s kondicionačním roztokem poklesla pod 10 % nebo je láhev prázdná.	Doplňte kondicionační roztok. Viz Výměna kondicionačního roztoku na straně 169.
	Dochází k úniku vzduchu ve víčku láhve s kondicionačním roztokem.	<ul style="list-style-type: none"> Zkontrolujte těsnost víčka láhve s kondicionačním roztokem. Zkontrolujte podložku ve víčku láhve. Zjistíte-li, že je podložka opotřebovaná nebo poškozená, vyměňte ji. Zkontrolujte plastovou objímku na okraji láhve. Zjistíte-li, že je opotřebovaná nebo poškozená, vyměňte láhev na kondicionační roztok.
	Dochází k úniku vzduchu v hadičce s kondicionačním roztokem.	Vyhleďte místo zablokování nebo místo úniku vzduchu v hadičce s kondicionačním roztokem. V případě potřeby hadičky vyměňte. Poznámka: Hadička na kondicionační roztok obsahuje plyn a nikoli roztok.
	Regulační ventil nefunguje správně.	Stiskněte tlačítko diag , poté výběrem možnosti PERFORM TEST (PROVÉST TEST) > CONDITIONING VALVE (VENTIL PRO KONDICIONOVÁNÍ) otevřete regulační ventil. Pokud do pravé komory měřicí cely neproudí přípravný plyn (lze pozorovat jeho bubliny), vyměňte regulační ventil.
Zobrazí se varování „CALIBRATION FAIL (SELHÁNÍ KALIBRACE).	Hodnota kalibračního roztoku v nastaveních automatické kalibrace se liší od hodnoty uvedené na lahvi s kalibračním roztokem.	Změňte hodnotu kalibračního roztoku v nabídce kalibrace na hodnotu uvedenou na lahvi s kalibračním roztokem. Viz část <i>Nastavení automatické kalibrace</i> v návodu k obsluze.
	Láhev na kalibrační roztok je prázdná.	Doplňte kalibrační roztok. Viz Výměna kalibračního a reaktivačního roztoku na straně 167.
	Netěsnost v hadičkách na kalibrační roztok nebo jsou hadičky zablokované.	Vyhleďte na hadičce místo zablokování nebo místo úniku. V případě potřeby hadičky vyměňte.
	Čerpadlo kalibračního roztoku nefunguje správně.	Stiskněte tlačítko diag , poté výběrem možnosti PERFORM TEST (PROVÉST TEST) > SAMPLE DRAIN (ODTOK VZORKU) zcela vypusťte přepadovou nádobku. Stiskněte tlačítko diag , poté výběrem možnosti PERFORM TEST (PROVÉST TEST) > CAL STD DELIVERY (KALIBRACE DODÁVKY STANDARDU) zapněte čerpadlo kalibračního roztoku. Pokud kalibrační roztok nezačne proudit do přepadové nádobky, vyměňte čerpadlo kalibračního roztoku.
	Míchací tělísko se neotáčí. Poznámka: Míchací tělísko se otáčí pferušovaně.	Stiskněte tlačítko diag , poté výběrem možnosti PERFORM TEST (PROVÉST TEST) > MIXER (MÍCHAČKA) zapněte motor míchačky. Pokud se míchací tělísko nepohybuje, vyměňte motor míchačky.
	Míchací tělísko se nenachází v přepadové nádobce.	Přesvědčte se, zda se míchací tělísko nachází v přepadové nádobce.

Problém	Možná příčina	Roztok
Zobrazí se varování „REACT VOLTAGE LOW (NÍZKÉ REAKTIVAČNÍ NAPĚTÍ).	Láhev na reaktivační roztok je prázdná.	Ujistěte se, že se konec hadičky na reaktivační roztok nachází na dně lahve. Doplňte reaktivační roztok. Viz Výměna kalibračního a reaktivačního roztoku na straně 167.
	Sodíková elektroda nefunguje správně.	<ul style="list-style-type: none"> Zkontrolujte, jestli je sodíková elektroda správně nainstalovaná. Postupujte podle návodu k použití. Zkontrolujte, jestli se ve skleněné baňce sodíkové elektrody nenachází vzduch.
	Referenční elektroda nefunguje správně.	<ul style="list-style-type: none"> Vyjměte referenční elektrodu z měřicí cely. Zdvihněte objímku na skleněné části a nechte vytéci trochu elektrolytu KCl. Zatlačte objímku směrem dolů, otočením o méně než 1/4 otáčky ji uzamkněte. Když je objímka uzamčena, nemůže se otáčet. Nainstalujte referenční elektrodu do měřicí cely. Zkontrolujte, jestli je referenční elektroda správně nainstalovaná. Postupujte podle návodu k použití. Chcete-li zkontrolovat vyřešení tohoto problému, stiskněte tlačítko diag, poté výběrem možnosti SENSOR REACTIVATION (REAKTIVACE SENZORU) proveďte reaktivaci.
	Netěsnost v hadičkách na reaktivační roztok nebo jsou hadičky zablokované.	Vyhledejte na hadičce místo zablokování nebo místo úniku. V případě potřeby hadičky vyměňte.
	Čerpadlo reaktivačního roztoku nefunguje správně.	Stiskněte tlačítko diag , poté výběrem možnosti PERFORM TEST (PROVÉST TEST) > REACT SOL DELIVERY (DODÁVKA REAKTIVAČNÍHO ROZTOKU) > HIGH (VYSOKÝ) nastavte, aby čerpadlo reaktivačního roztoku zajišťovalo vysoký průtok. Pokud reaktivační roztok nenatéká do prostřední komory měřicí cely, vyměňte čerpadlo reaktivačního roztoku.
Měřená hodnota není stabilní.	Analyzátor byl spuštěn před méně než 2 hodinami.	Provoz analyzátoru se stabilizuje až po 2 hodinách.
	Došlo k nesprávnému osazení kabelů na elektrodách.	Odpojte kabel od elektrody. Zatlačte konektor až dolů do konektoru elektrody a poté konektor dotáhněte otočením vpravo.
	Kabely elektrod jsou připojené k nesprávným elektrodám.	Připojte modrý kabel k referenční elektrodě. Připojte černý kabel k sodíkové elektrodě.
	Průtok elektrolytu KCl je příliš rychlý.	Vyjměte referenční elektrodu z měřicí cely. Zatlačte objímku směrem dolů, otočením o méně než 1/4 otáčky ji uzamkněte. Když je objímka uzamčena, nemůže se otáčet. Pokud není příruba uzamčena, proudí elektrolyt KCl z referenční elektrody do měřicí cely příliš rychle.

Problém	Možná příčina	Roztok
Měření nejsou přesná.	Analyzátor není kalibrovaný.	Kalibrace analyzátoru. Viz část <i>Provedení kalibrace</i> v návodu k obsluze. Nejlepší přesnosti dosáhnete, když budete analyzátor kalibrovat každých 7 dní (týdně).
	Automatická reaktivace je vypnutá nebo je interval mezi reaktivacemi delší než 24 hodin.	Spusťte automatickou reaktivaci. Stiskněte tlačítko diag , potom vyberte možnost SENSOR REACTIVATION (REAKTIVACE SENZORU). Poznámka: <i>Nejlepší přesnosti dosáhnete se zapnutou automatickou reaktivací. Nastavte interval na 24 hodin. Viz návod k obsluze.</i>
	Láhev na reaktivační roztok je prázdná.	Doplňte reaktivační roztok. Viz Výměna kalibračního a reaktivačního roztoku na straně 167.
	Netěsnost v hadičkách na reaktivační roztok nebo jsou hadičky zablokované.	Vyhledejte na hadičce místo zablokování nebo místo úniku. V případě potřeby hadičky vyměňte.
	Čerpadlo reaktivačního roztoku nefunguje správně.	Stiskněte tlačítko diag , poté výběrem možnosti PERFORM TEST (PROVÉST TEST) > REACT SOL DELIVERY (DODÁVKA REAKTIVAČNÍHO ROZTOKU) > HIGH (VYSOKÝ) nastavte, aby čerpadlo reaktivačního roztoku zajišťovalo vysoký průtok. Pokud reaktivační roztok nenatéká do prostřední komory měřicí cely, vyměňte čerpadlo reaktivačního roztoku.
Míchací tělísko v přepadové nádobce se neotáčí.	Mixér nefunguje správně. Poznámka: <i>Míchací tělísko se otáčí přerušovaně.</i>	Stiskněte tlačítko diag , poté výběrem možnosti PERFORM TEST (PROVÉST TEST) > MIXER (MÍCHAČKA) zapněte motor míchačky. Pokud se míchací tělísko nepohybuje, vyměňte motor míchačky.
Příliš vysoká spotřeba elektrolytu KCl ¹ .	Objímka na skleněné části referenční elektrody není uzamčená.	Vyměňte referenčního elektrodu. Vytačte objímku směrem nahoru. Zatlačte objímku směrem dolů, otočením o méně než 1/4 otáčky ji uzamkněte. Postupujte podle ilustrací v části <i>Instalace referenční elektrody</i> v návodu k obsluze. Když je objímka uzamčená, nemůže se otáčet. Pokud není příruba uzamčená, proudí elektrolyt KCl z referenční elektrody do měřicí cely příliš rychle.
Příliš nízká spotřeba elektrolytu KCl ² .	Nedošlo k proražení těsnění otočením objímky na skleněné části referenční elektrody.	Vyměňte referenčního elektrodu. Opatrně otáčejte objímku a prorazte těsnění. Pokud lze objímku snadno otáčet, je těsnění proražené. Postupujte podle ilustrací v části <i>Instalace referenční elektrody</i> v návodu k obsluze. Zatlačte objímku směrem dolů, otočením o méně než 1/4 otáčky ji uzamkněte. Když je objímka uzamčená, nemůže se otáčet. Pokud není příruba uzamčená, proudí elektrolyt KCl z referenční elektrody do měřicí cely příliš rychle.
Na obrazovce měření bliká kontrolka relé.	Vypršel časovač předávkování.	Resetujte časovač předávkování. Viz Přenastavení časovače předávkování pro relé na straně 186. Poznámka: <i>Nastavení časovače předávkování je povoleno pouze v případě, že je možnost SET FUNCTION (NASTAVENÍ FUNKCE) relé nastavena na KONTR. DÁVKOV. (REGULACE DÁVKOVÁNÍ).</i>

¹ Spotřeba elektrolytu KCl je příliš vysoká tehdy, když hladina v zásobníku poklesne o více než 3 mm (1/8") za dva dny

² Spotřeba elektrolytu KCl je příliš nízká tehdy, když hladina v zásobníku poklesne o méně než 1 mm za dva dny

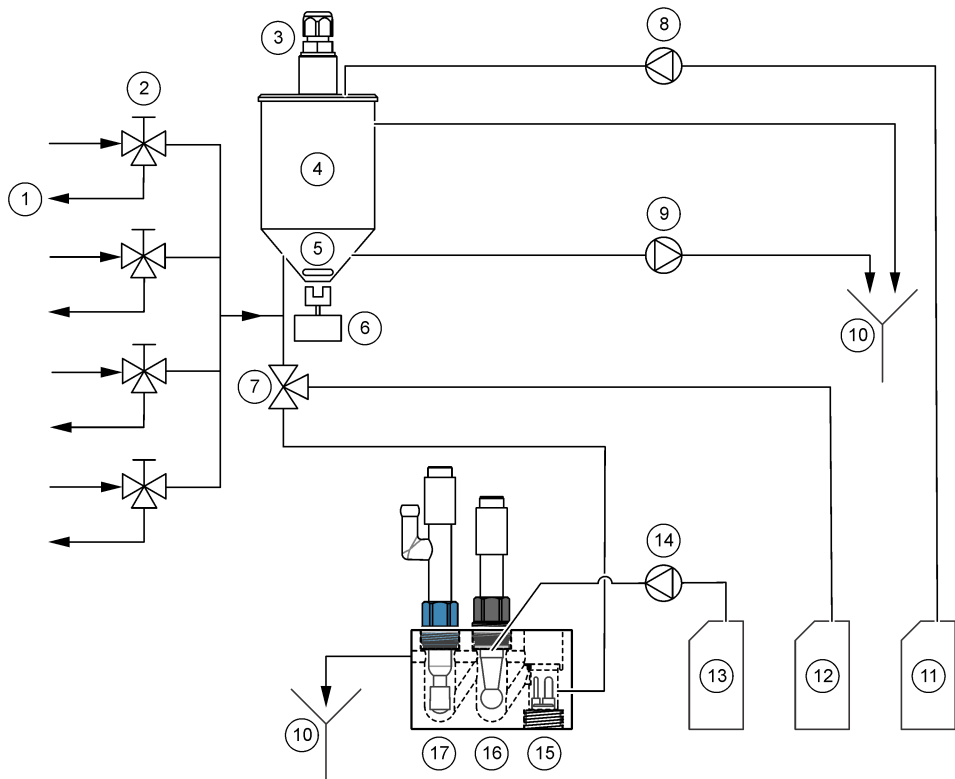
4.1 Přenastavení časovače předávkování pro relé

Nastavení časovače předávkování pro relé zabraňuje stavu, aby podmínka, která udržuje měřenou hodnotu vyšší než je žádaná hodnota nebo nastavení pásma necitlivosti (např. poškozená elektroda nebo narušený proces), udržovala relé trvale zapnuté. Časovač předávkování omezuje, jak dlouho relé a jejich připojený ovládací prvek zůstanou nezávislé na podmínkách.

Když vyprší vybraný časový interval pro časovač předávkování, bliká v pravém horním rohu obrazovky měření stav relé, dokud není přenastaven časovač předávkování. Stiskněte tlačítko **diag** a výběrem možnosti OVERFEED RESET (RESET PŘEDÁVKOVÁNÍ) vyresetujte časovač předávkování.

Kapitola 5 Diagnostika

5.1 Schéma hadiček



1 Odtok obtoku vzorku	7 Regulační ventil	13 Reaktivační roztok
2 Vstup vzorku	8 Čerpadlo kalibračního roztoku ³ .	14 Čerpadlo reaktivačního roztoku
3 Snímač hladiny	9 Odsávací čerpadlo	15 Teplotní čidlo
4 Přepadová nádobka	10 Odtok	16 Sodíková elektroda
5 Míchací tělísko	11 Kalibrační roztok ³	17 Referenční elektroda
6 Motor míchačky	12 Přípravný roztok	

5.2 Spuštění testu analyzátoru

Spuštěním testu analyzátoru ověříte správné fungování stavového indikátoru, motoru míchačky, čerpadla nebo ventilu.

³ Čerpadlo kalibračního roztoku a kalibrační roztok obsahují pouze analyzátory s možností automatické kalibrace.

1. Stiskněte tlačítko **diag** a potom vyberte možnost **PERFORM TEST (PROVÉST TEST)**.
2. Vyberte požadovanou možnost.

Možnost	Popis
REACT SOL DELIVERY (DODÁVKA REAKTIVAČNÍHO ROZTOKU)	Spustí čerpadlo reaktivačního roztoku. Reaktivační roztok proudí do prostřední komory měřicí cely. Poznámka: <i>Měřicí buňka je průhledný blok, ve kterém se nacházejí elektrody.</i>
SAMPLE DELIVERY (DODÁVKA VZORKU)	Otevře elektromagnetický ventil vzorku ve vybraném kanálu. Vzorek proudí do přepadové nádoby. Poznámka: <i>Pokud je přepadová nádoba plná, hladina vody v přepadové nádobce se nezmění. Chcete-li přepadovou nádobku vypustit, proveďte test SAMPLE DRAIN (ODTOK VZORKU).</i>
CAL STD DELIVERY (KALIBRACE DODÁVKY STANDARDU)	Poznámka: <i>Možnost CAL STD DELIVERY (KALIBRACE DODÁVKY STANDARDU) je k dispozici pouze u analyzátorů s možností automatické kalibrace.</i> Zapne čerpadlo kalibračního roztoku. Kalibrační roztok proudí do přepadové nádoby.
CONDITIONING VALVE (VENTIL PRO KONDICIONOVÁNÍ)	Otevře regulační ventil. Kondičační roztok proudí do pravé komory měřicí cely. Poznámka: <i>Měřicí buňka je průhledný blok, ve kterém se nacházejí elektrody.</i>
SAMPLE DRAIN (ODTOK VZORKU)	Zapne odsávací čerpadlo. Voda v přepadové nádobce vyteče hadičkou pro odtok chemikálií.
MIXER (MÍCHAČKA)	Zapne motor míchačky. Míchací tělísko v přepadové nádobce se začne otáčet.
STATUS LED (STAV. KONTROLKA LED)	Spustí trvalý cyklus přepínání barev stavové kontrolky: žlutá, červená, zelená.
AIR PUMP (VZDUCHOVÉ ČERPADLO)	Poznámka: <i>Možnost AIR PUMP (VZDUCHOVÉ ČERPADLO) je k dispozici pouze v případě, že je nainstalované volitelné čerpadlo kationtů.</i> Zapne čerpadlo kationtů. Čerpadlo kationtů natlačí vzduch do láhve s kondičačním roztokem (DIPA). Jestli je čerpadlo kationtů v analyzátoru nainstalované zjistíte v části <i>Popis výrobku</i> instalační příručky.
SELECT SCRIPT (VYBERTE SKRIPT)	Poznámka: <i>Možnost SELECT SCRIPT (VYBERTE SKRIPT) je určená pouze pro servisní účely.</i> Určuje, jestli bude analyzátor používat normální skript přístroje nebo zkušební skript.

5.3 Spuštění testu výstupu nebo relé 4 - 20 mA

Spuštěním testu výstupu nebo relé 4 - 20 mA můžete ověřit správné fungování výstupu nebo relé 4 - 20 mA.

1. Stiskněte tlačítko **diag** a vyberte možnost **OUTPUTS (VÝSTUPY)**.
2. Vyberte požadovanou možnost.

Možnost	Popis
TEST 4–20 mA	Nastaví signál (mA) na zvolený výstup 4 - 20 mA. Pomocí multimetru změřte proud na výstupu 4 - 20 mA.
TEST RELAY (Zkouška relé)	Zapne nebo vypne zvolené relé. Pomocí multimetru změřte odpor na relé a zjistíte, jestli je relé otevřené nebo uzavřené.

Možnost	Popis
HOLD OUTPUTS (PODRŽET VÝSTUPY)	Uchová výstupy na poslední hodnotě nebo je nastaví na přenosovou hodnotu. ACTIVATION (AKTIVACE) – Výběrem možnosti LAUNCH (SPUSTIT) uchováte výstupy na poslední hodnotě nebo je nastavíte na přenosovou hodnotu. Výběrem možnosti RELEASE (UVOLNIT) nastavíte normální provoz výstupů. SET OUTMODE (NASTAVENÍ REŽIMU) – Výběrem možnosti HOLD OUTPUTS (PODRŽET VÝSTUPY) ponecháte výstupy na poslední hodnotě. Výběrem možnosti TRANSFER OUTPUTS (PŘEVÉST VÝSTUPY) nastavíte výstupy na přenosovou hodnotu. Postup nastavení přenosové hodnoty výstupů je uveden v návodu k obsluze. SET CHANNELS (NASTAVIT KANÁLYN) – Výběrem možnosti ALL (Vše) vyberete všechny kanály. Výběrem možnosti ANALYZER (ANALYZÁTOR) vyberete všechny kanály vybraného analyzátoru.
OUTPUT STATUS (STAV VÝSTUPU)	Zobrazuje signály (mA) na výstupech 4 - 20 mA.
SIMULATE MEASUREMENT (SIMULOVAT MĚŘENÍ)	Zadá do vybraného kanálu hodnotu načtenou z analyzátoru a provede výstupní test. Simulace se zastaví, jakmile uživatel opustí obrazovku. SELECT SOURCE (VOLBA ZDROJE) – Vybere analyzátor. SET PARAMETER (NASTAVENÍ PARAMETRU) – Vybere kanál. SET SIM VALUE (NASTAVENÍ SIMULAČNÍ HODNOTY) – Nastaví hodnotu načtenou z analyzátoru.

5.4 Zobrazení informací o analyzátoru

Chcete-li si prohlédnout níže uvedené informace o analyzátoru, stiskněte tlačítko **menu**, poté vyberte možnost VIEW DATA (ZOBRAZIT DATA) > ANALYZER DATA (DATA ANALYZÁTORU). Viz [Tabulka 2](#).

Tabulka 2 Popisy dat analyzátoru

Položka	Popis
DATE TIME (DATUM A ČAS)	Aktuální čas (24hodinový formát) a datum uvedené v nastaveních
NAME (NÁZEV)	Název analyzátoru
TYPE (TYP)	Typ analyzátoru.
AMBIENT TEMP (TEPLOTA OKOLÍ)	Teplota okolí analyzátoru.
CONDITION SOL LEVEL (HLADINA ROZT. PRO KOND.)	Hladina roztoku v láhvi s kondičním roztokem
REACT SOL LEVEL (HLADINA REAKT. ROZTOKU)	Hladina roztoku v láhvi s reaktivčním roztokem
STANDARD LEVEL (HLADINA STANDARDU)	Hladina roztoku v láhvi s kalibračním roztokem
KCL LEVEL (HLADINA KCL)	Hladina roztoku v zásobníku s elektrolytem KCl
LAST REACTIVATION (POSLEDNÍ REAKTIVACE)	Datum provedení poslední reaktivity
LAST CAL (POSLEDNÍ KALIBRACE)	Datum provedení poslední kalibrace
LAST SERVICE (POSLEDNÍ SERVIS)	Datum posledního servisu
SOFTWARE VERS	Nainstalovaná verze softwaru
DD FIRMWARE	Nainstalovaná verze firmwaru ovladače zařízení
DD CONTENT (OBSAH DD)	Verze obsahu dat ovladače zařízení
SCRIPT VERSION (VERZE SKRIPTU)	Verze bloku adresáře souboru skriptu
SCRIPT CONTENT (OBSAH SKRIPTU)	Verze obsahu adresáře souboru skriptu

Tabulka 2 Popisy dat analyzátoru (pokračování)

Položka	Popis
MEAS_CONTROL SW REV (REVIZE SOFTWARE REGULAČE MĚŘENÍ)	Revize nainstalovaného řídicího softwaru měření
SERIAL NUMBER (SÉRIOVÉ ČÍSLO)	Sériové číslo analyzátoru

5.5 Zobrazení stavu analyzátoru a systémových dat

Chcete-li zobrazit aktuální stav analyzátoru, stav Modbus, systémová data nebo data I2C, postupujte takto:

1. Stiskněte tlačítko **diag**.
2. Vyberte požadovanou možnost.

Možnost	Popis
CURRENT STATUS (AKTUÁLNÍ STAV)	OPERATION (PROVOZ) – Aktuální režim měření. SAMPLE CHANNEL (KANÁL VZORKU) – Aktuální kanál vzorku. STEP STATUS (STAV KROKU) – Aktuální krok v cyklu měření. STEP TIME (ČAS KROKU) – Zbývající čas kroku. MINUTES LEFT (ZBÝVAJÍCÍ MINUTY) – Počet zbývajících minut aktuálního kroku. COMPLETION (DOKONČENÍ) – Procentuální znázornění proběhlého cyklu měření.
MODBUS STATS (STAT. MODBUS)	Zobrazuje stav částí Modbus: snímač, kontrolér, síť a služba. Zobrazuje počet dobrých a chybných přenosů.
SYSTEM DATA (SYSTÉMOVÁ DATA)	AMBIENT TEMP (TEPLOTA OKOLÍ) – Naměřená okolní teplota ve stupních Celsia (C). POWER SOURCE FREQUENCY (FREKVENCE NAPÁJENÍ) – Frekvence (Hz) zdroje napájení ze sítě. POWER SOURCE VOLTAGE (NAPĚTÍ NAPÁJENÍ) – Napájení ze sítě (AC). 12V VOLTAGE (12V NAPĚTÍ) – Naměřené napětí zdroje (VDC). 3,3V VOLTAGE (12V NAPĚTÍ) – Naměřené regulované napájení 3,3 V (VDC). 12V CURRENT (12V PROUD) – Naměřený proud zdroje napájení 12 V (Ampéry).
I2C DATA (DATA I2C)	Zobrazuje informace o komunikaci (I ² C) a číslo verze.

5.6 Zobrazení servisních informací

Pomocí nabídky Service (Servis) můžete zobrazit nebo nastavit servisní historii součástí přístroje.

1. Stiskněte tlačítko **diag**.
2. Vyberte možnost SERVICE (SERVIS).
3. Vyberte požadovanou možnost.

Možnost	Popis
CONSUMABLE (SPOTŘEBNÍ MATERIÁL)	Zobrazí seznam spotřebních dílů. Zobrazuje datum poslední výměny a počet dní od výměny dílu. Po výměně počítadlo resetuje.
SERVISNÍ DÍL	<i>Poznámka: Možnost SERVISNÍ DÍL je k dispozici pouze pro servisní účely.</i> Zobrazuje seznam dílů a datum posledního servisu. Toto počítadlo resetuje pracovník zákaznického servisu po výměně dílu.
ANNUAL MAINTENANCE (ROČNÍ ÚDRŽBA)	Zobrazuje datum poslední roční údržby, datum další roční údržby a počet dní do další roční údržby. Po provedení roční údržby toto počítadlo resetuje.
EDIT ELECTRODES SN (UPRAVIT ELEKTRODY SN)	Zaznamenává sériová čísla elektrod.

Možnost	Popis
SERVICE HISTORY (HISTORIE SERVISU)	Zobrazuje provedené úkony údržby a jejich data (např. REPLACE REACTIVE (VYMĚNIT REAKTIVNÍ). START TIME (ČAS SPUŠTĚNÍ) – Zobrazuje data zaznamenaná po zvoleném datu a čase. NUMBER OF READINGS (POČET MĚŘENÍ) – Zobrazuje vybraný počet datových bodů.
POST ENABLE (POZDĚJŠÍ POVOLENÍ)	NO (NE) – Po zapnutí napájení analyzátoru se neprovede diagnostika hardwaru. YES (ANO) – Po zapnutí napájení analyzátoru se provede diagnostika hardwaru.

Kapitola 6 Náhradní díly a příslušenství

⚠ VAROVÁNÍ



Nebezpečí poranění osob. Použití neschválených součástí může způsobit poranění osob, poškození nebo nesprávné fungování přístroje či vybavení. Náhradní díly v tomto oddíle jsou schváleny výrobcem.

Poznámka: Čísla produktů a položek se mohou v různých regionech prodeje lišit. Obrátte se na příslušného distributora, kontaktní informace naleznete na webových stránkách společnosti.

Reagencie a standardní roztoky

Popis	Množství	Katalogové č.
Roztok elektrolytu KCl 3M	250 mL	LZW9500.99
Roztok elektrolytu KCl 3M	500 mL	363140,00500
Diizopropylamin (DIPA) 99%	1 L	2834453
Standard chlorid sodný, 10 ppm	1 L	2835153
Dusičnan sodný, 0,5M	500 mL	2507149

Náhradní díly

Popis	Množství	Katalogové č.
Láhev na kondicionační roztok s víčkem, prázdná	1	8352000
Podložka, víčko na láhev na kondicionační roztok	1	8417200
Zahnutá objímka, výpust, 1/2", polypropylenová	1	6772800
Elektroda, referenční	1	09240=C=0310
Elektroda, sodíková	1	09240=C=0320
Pojistka, 1,6 A, 250 V, 5 x 20 mm	1	5208300
Pojistka, 5 A, 250 V, pomalá, 5 x 20 mm	1	4693800
Instalační souprava, 1kanálový analyzátor, analyzátor s krytem	1	8375400
Instalační souprava, 2kanálový analyzátor, analyzátor s krytem	1	8375300
Instalační souprava, 4kanálový analyzátor, analyzátor s krytem	1	8371500
Instalační souprava, 1kanálový analyzátor, analyzátor bez krytu	1	8375700
Instalační souprava, 2kanálový analyzátor, analyzátor bez krytu	1	8375600
Instalační souprava, 4kanálový analyzátor, analyzátor bez krytu	1	8375500
Motor míchačky	1	8420000

Náhradní díly (pokračování)

Popis	Množství	Katalogové č.
Šrouby pro připevnění na panel, M6 x 20 s půlkulovou hlavou, nerezová ocel, Torx	4	8415500
Nástroj pro prorážení interních elektrických konektorů, kovová trubice, používá se ve spojení s 8379900	1	8380000
Nástroj pro prorážení interních elektrických konektorů, kovová deska, používá se ve spojení s 8380000	1	8379900
Regulátor tlaku, 0,3 bar (4 psi), nenastavitelný	1	6782900
Čerpadlo, kalibrační roztok	1	8364300
Čerpadlo, odsávací	1	8357400
Čerpadlo, reaktivační roztok	1	8364200
Uzavírací ventil, hadička s vnějším průměrem 6 mm	1	8385200
Míchací tělísko	1	W_4510_001_FF
Kabelová průchodka (kabelové hrdlo), PG9 4 mm až 8 mm	1	8356300
Kabelová průchodka (kabelové hrdlo), NPT ½". 4 mm až 9 mm	1	8368400
Držáky pro montáž na stůl	2	8370400
Šrouby, držák pro montáž na stůl, #8 x ½ nerezová ocel, Torx	2	8412200
Hadička, odtok chemikálií, 17,5 mm (11/16") Vnější průměr x 3,2 mm (1/8") silný	2 m (6.5 stop)	LZX278
Hadička, vzorek, vnější průměr 6 mm x vnitřní průměr 4 mm	5.5 m (18 stop)	6772500
Nástroj na řezání hadiček	1	8385400
Držáky pro montáž na zeď	2	8364100
Šrouby, držák pro montáž na zeď, M4 x 10 plochý nerezová ocel, Torx	2	8412500
Ventil, regulační	1	8367600
Ventil, vzorek	1	8370200

Příslušenství

Popis	Množství	Katalogové č.
Adaptér na láhve, láhev DIPA, Merck	1	09073=C=0350
Adaptér na láhve, láhev DIPA, Orion	1	09073=C=0360
Filtr, vstup vzorku, 100 µm, vnější průměr hadice ¼"	1	595=010=005
Filtr, vstup vzorku, 100 µm, vnější průměr hadice 6 mm	1	595=010=000
Tepelný výměník, max. 4kanálový	1	8368900
Rozšiřující sada kationtová	1	8371200
Napájecí kabel, Severní Amerika	1	9179700
Sada pro rozšíření 1 kanálu na 4 kanály	1	8365100
Sada pro rozšíření 2 kanálů na 4 kanály	1	8365000

Příslušenství (pokračování)

Popis	Množství	Katalogové č.
Sada pro rozšíření na automatickou kalibraci	1	8368000
Adaptér hadiček, vnější průměr 6 mm na vnější průměr ¼"	2	09245=A=8300

Inhoudsopgave

- | | | | |
|---|---|---|--|
| 1 | Veiligheidsinformatie op pagina 194 | 4 | Problemen oplossen op pagina 209 |
| 2 | Actieve fouten, waarschuwingen en herinneringen weergeven op pagina 194 | 5 | Diagnostiek op pagina 215 |
| 3 | Onderhoud op pagina 194 | 6 | Reserveonderdelen en accessoires op pagina 219 |

Hoofdstuk 1 Veiligheidsinformatie

Raadpleeg de installatiehandleiding voor algemene veiligheidsinformatie, gevarenaanduidingen en beschrijvingen van waarschuwingslabels.

Hoofdstuk 2 Actieve fouten, waarschuwingen en herinneringen weergeven

De achtergrond van het display en het lampje van de statusindicator worden rood wanneer een fout optreedt, of geel wanneer een waarschuwing wordt gegeven.

- **Fout**—rode achtergrond display en statusindicatielampje gaat branden. Er is een belangrijk probleem opgetreden dat de werking van het instrument beïnvloedt. De huidige meting wordt gestopt en de analyser gaat naar de uitschakelmodus.
- **Waarschuwing**—gele achtergrond display en statusindicatielampje gaat branden. Er is een gebeurtenis opgetreden die een probleem kan veroorzaken. De analyser blijft in werking.
- **Herinneringen**—sleutelsymbool verschijnt op het display en geel statusindicatielampje gaat branden. De tijd voor een onderhoudstaak is verstreken.

Voer de volgende stappen uit om de actieve fouten, waarschuwingen en herinneringen weer te geven:

Opmerking: Druk om alle mogelijke fouten, waarschuwingen en herinneringen en hun help-informatie te zien op **diag** en selecteer dan **ANALYSER**, **HELP**.

1. Druk op **diag**, en selecteer dan **DIAGNOSTIEK**. De actieve fouten, waarschuwingen en herinneringen worden weergegeven.
2. Selecteer een fout, waarschuwing of herinnering uit de lijst.
3. Selecteer een optie.

Optie	Beschrijving
BEVESTIGEN	Bevestigt de geselecteerde fout, waarschuwing of herinnering. Wanneer alle actieve fouten, waarschuwingen en herinneringen worden bevestigd, wordt de achtergrond van het display weer wit en het statusindicatielampje wordt weer groen.
ZIE HELPFUNCTIE	Toont help-informatie voor de geselecteerde fout, waarschuwing of herinnering.

Hoofdstuk 3 Onderhoud

▲ GEVAAR	
	Diverse gevaren. Alleen bevoegd personeel mag de in dit deel van het document beschreven taken uitvoeren.

3.1 Onderhoudsschema

Tabel 1 toont het aanbevolen schema voor onderhoudstaken. Voorschriften van de installatie en bedrijfscondities kunnen de frequentie van sommige taken verhogen.

Tabel 1 Onderhoudsschema

Taak	3 maanden	Indien nodig
Kalibratie- en reactiveringsoplossingen vervangen op pagina 195	X	
Conditioneringsoplossing vervangen op pagina 197	X	
KCl-elektrolyt vervangen op pagina 200	X	
Een ingangvoedingszekering vervangen op pagina 201		X

3.2 Reinig het apparaat

LET OP

Gebruik nooit reinigingsmiddelen zoals terpentijn, aceton of soortgelijke producten om het instrument, het display of de accessoires te reinigen.

Reinig het uitwendige van het instrument met een vochtige doek en een milde zeepoplossing.

3.3 Gemorste stoffen opruimen

⚠ VOORZICHTIG



Gevaar van blootstelling aan chemicaliën. Chemicaliën en afval dienen te worden afgevoerd in overeenstemming met de plaatselijke, regionale en nationale voorschriften.

1. Volg alle veiligheidsprotocollen van de installatie op.
2. Voer het afval af volgens de geldende voorschriften.

3.4 Kalibratie- en reactiveringsoplossingen vervangen

⚠ VOORZICHTIG



Gevaar van blootstelling aan chemicaliën. Volg alle veiligheidsvoorschriften van het laboratorium op en draag alle persoonlijke beschermingsmiddelen die geschikt zijn voor de gehanteerde chemicaliën. Raadpleeg de huidige veiligheidsinformatiebladen (MSDS/SDS) voor veiligheidsprotocollen.

⚠ VOORZICHTIG



Gevaar van blootstelling aan chemicaliën. Chemicaliën en afval dienen te worden afgevoerd in overeenstemming met de plaatselijke, regionale en nationale voorschriften.

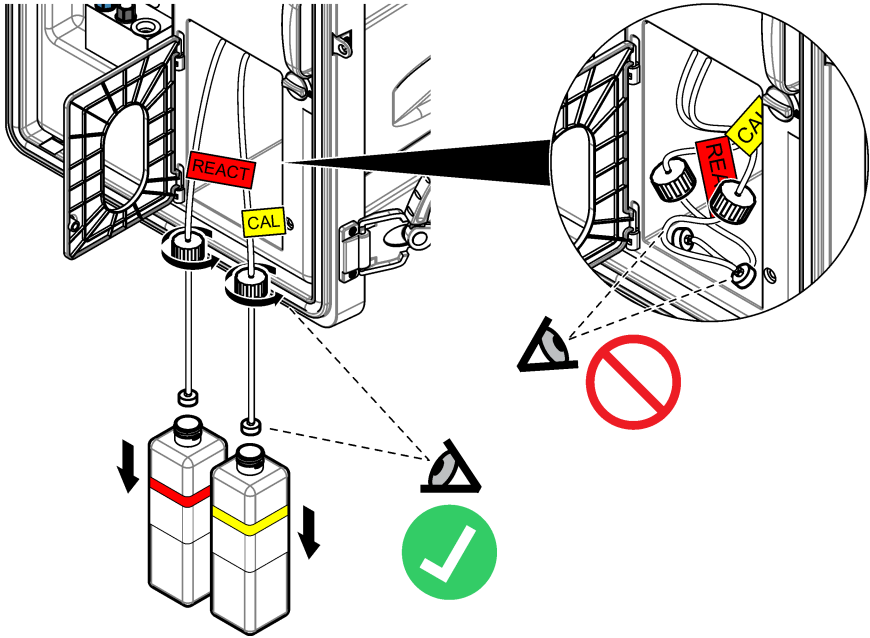
Vervang de reactiveringsoplossing en de kalibratie-oplossing met intervallen van 3 maanden of wanneer de fles minder dan 10 % vol is.

Door de gebruiker voorziene items:

- Persoonlijke beschermingsmiddelen (zie MSDS/SDS)
- 0,5M natriumnitrat (NaNO_3), 500 mL
- 10-ppm natriumchloride-standaard (NaCl), 500 mL
- Demiwater, 100 mL

1. Draag de persoonlijke beschermingsmiddelen die zijn vermeld in het veiligheidsinformatieblad (MSDS/SDS).
2. Druk op **menu** en kies vervolgens STOP ANALYSER.
Opmerking: Als START ANALYSER verschijnt, staat de analyser al in de stand-by-modus.
3. Vervang de reactiveringoplossing en de kalibratieoplossing als volgt:
 - a. Verwijder de flessen met reactiveringsoplossing en kalibratie-oplossing van de analyser. Raadpleeg [Afbeelding 1](#).
Opmerking: Alleen de analysers met de auto-kalibratieoptie hebben een fles kalibratieoplossing.
 - b. Gooi de oplossingen in de flessen weg in een geschikte afvoer.
 - c. Spoel de flessen met demiwater.
 - d. Vul de kalibratieoplossingsfles met nieuwe 10-ppm natriumchloride-oplossing (NaCl) (500 mL). De kalibratieoplossingsfles heeft een label met een gele streep.
Opmerking: Raadpleeg de bedieningshandleiding voor het prepareren van 10-ppm natriumchloride-oplossing (NaCl).
 - e. Vul de reactiveringsoplossingsfles met nieuwe 0,5M natriumnitratoplossing (NaNO₃) (500 mL). De kalibratieoplossingsfles heeft een label met een rode streep.
Opmerking: Raadpleeg de bedieningshandleiding voor het prepareren van 0,5m natriumnitrat (NaNO₃) oplossing.
 - f. Plaats de flessen in de analyser. Zorg ervoor dat de slang met een rood "REACT"-label in de fles komt die een label heeft met een rode streep.
Zorg ervoor dat de slang met een geel "CAL"-label in de fles komt die een label heeft met een gele streep.
4. Voer de flessenniveaus als volgt in:
 - a. Druk op **menu** en kies vervolgens REAGENTIA/STANDAARDEN.
 - b. Selecteer REACTIVERINGSNIVEAU INSTELLEN en voer dan 100 % in.
 - c. Selecteer STANDAARDNIVEAU INSTELLEN en voer dan 100 % in.
5. Selecteer REAGENTIA VOORPOMPEN.
6. Wanneer de stap reagentia voerpompen is voltooid, drukt u op **menu** en selecteert u START ANALYSER.

Afbeelding 1 Fles verwijderen



3.5 Conditioneringsoplossing vervangen

▲ WAARSCHUWING



Gevaar van inademing. Adem geen dampen van di-isopropylamine (DIPA) of ammoniak in. Blootstelling kan leiden tot ernstig letsel of de dood.



▲ WAARSCHUWING



Gevaar van blootstelling aan chemicaliën. Di-isopropylamine (DIPA) en ammoniak zijn brandbare, corrosieve en giftige chemische stoffen. Blootstelling kan leiden tot ernstig letsel of de dood.



▲ WAARSCHUWING



Gevaar van blootstelling aan chemicaliën. Volg alle veiligheidsvoorschriften van het laboratorium op en draag alle persoonlijke beschermingsmiddelen die geschikt zijn voor de gehanteerde chemicaliën. Lees het veiligheidsinformatieblad van de leverancier voordat flessen worden gevuld of reagentia worden voorbereid. Alleen voor laboratoriumgebruik. Maak de gevarenmaterie bekend in overeenstemming met de lokale regelgeving voor de gebruiker.

⚠ VOORZICHTIG



Gevaar van blootstelling aan chemicaliën. Chemicaliën en afval dienen te worden afgevoerd in overeenstemming met de plaatselijke, regionale en nationale voorschriften.

Vervang de conditioneringsoplossing met intervallen van 3 maanden of wanneer de fles minder dan 10 % vol is. Gebruik DIPA (aanbevolen) of ammoniak (meer dan 28 %) voor de conditioneringsoplossing.

Door de gebruiker voorziene items:

- Persoonlijke beschermingsmiddelen (zie MSDS/SDS)
- Di-isopropylamine (DIPA) 99 %, fles van 1 L
- Flesadapter voor Merck of Orion DIPA-flessen indien van toepassing

Vervang de fles met conditioneringsoplossing als volgt:

1. Draag de persoonlijke beschermingsmiddelen die zijn vermeld in het veiligheidsinformatieblad (MSDS/SDS).
2. Druk op **menu** en kies vervolgens **STOP ANALYSER**.

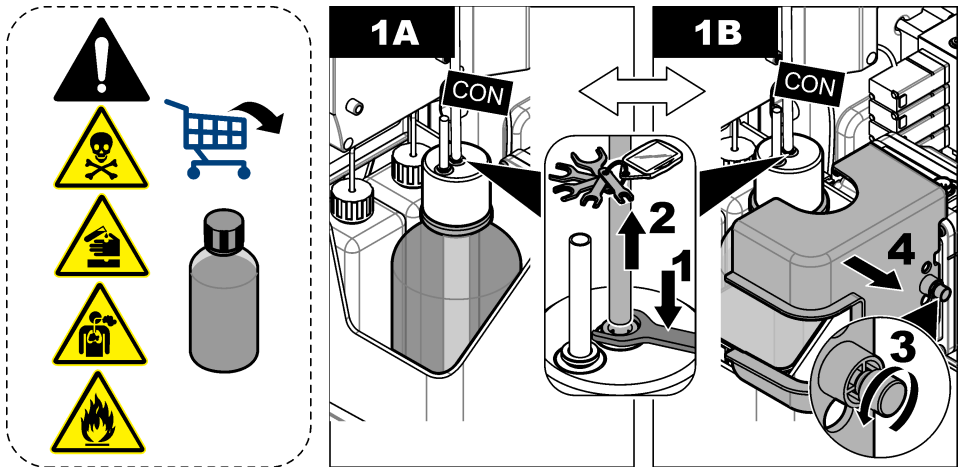
Opmerking: Als **START ANALYSER** verschijnt, staat de analyser al in de stand-bymodus.

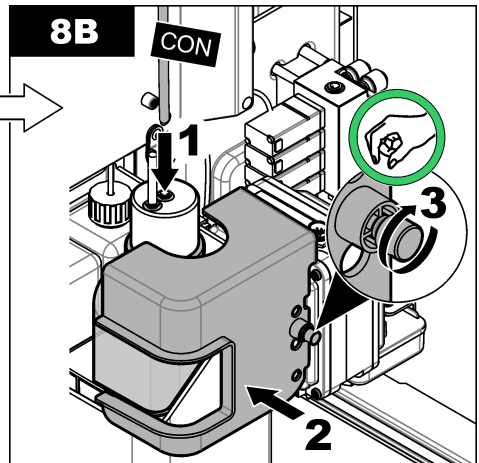
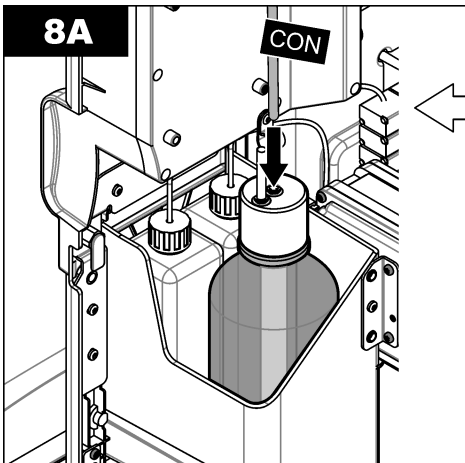
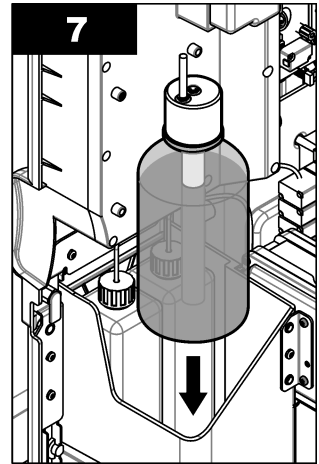
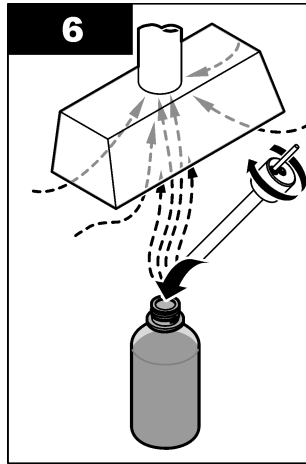
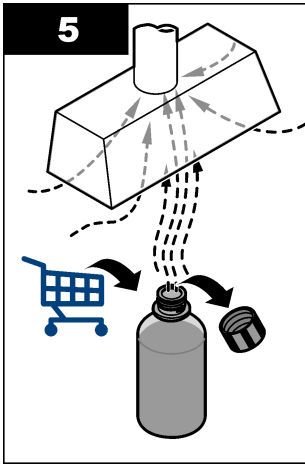
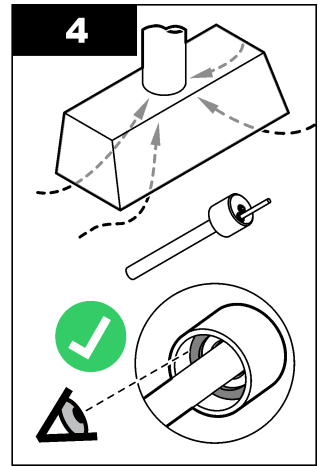
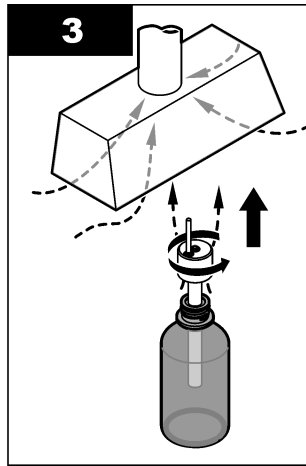
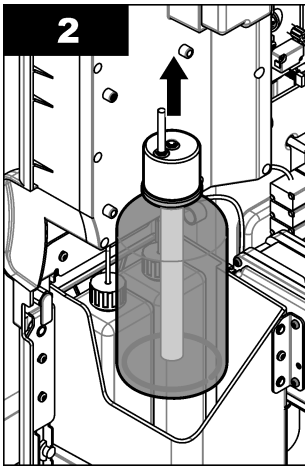
3. Draai de vergrendeling op het analyserpaneel naar de ontgrendelde stand. Open het analyserpaneel.
4. Vervang de fles met conditioneringsoplossing. Volg de volgende afgebeelde stappen.

Opmerking: Analyzers met de optionele kationenpomp hebben twee slangen die in de dop van de fles met conditioneringsoplossing gaan. Verwijder beide slangen.

Opmerking: Bij afgebeelde stappen 1 en 8, hebben alleen de analyzers zonder behuizing fles met conditioneringsoplossing.

Voer de afgebeelde stappen 3-6 uit onder een afzuigkap indien beschikbaar. Adem geen dampen van DIPA of ammoniak in.





5. Installeer voor analysers met de optionele kationenpomp de uitgaande slang van de kationenpomp terug door de gedecentreerde opening in de dop.
6. Sluit het analysepaneel. Draai de vergrendeling op het analysepaneel naar de vergrendelde stand.
7. Voer het flesniveau als volgt in:
 - a. Druk op **menu** en kies vervolgens REAGENTIA/STANDAARDEN.
 - b. Selecteer CONDITIONERINGSNIVEAU INSTELLEN en voer dan 100 % in.
8. Druk op **menu** en selecteer dan START ANALYSER.

3.6 KCl-elektrolyt vervangen

⚠ VOORZICHTIG



Gevaar van blootstelling aan chemicaliën. Volg alle veiligheidsvoorschriften van het laboratorium op en draag alle persoonlijke beschermingsmiddelen die geschikt zijn voor de gehanteerde chemicaliën. Raadpleeg de huidige veiligheidsinformatiebladen (MSDS/SDS) voor veiligheidsprotocollen.

⚠ VOORZICHTIG



Gevaar van blootstelling aan chemicaliën. Chemicaliën en afval dienen te worden afgevoerd in overeenstemming met de plaatselijke, regionale en nationale voorschriften.

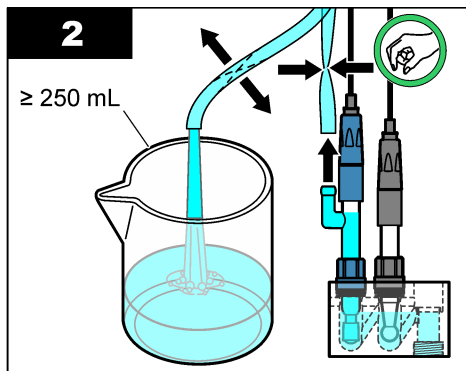
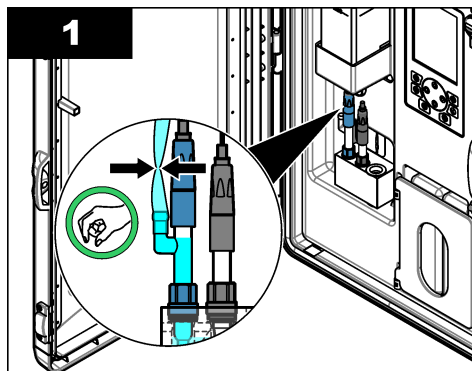
Vervang de KCl-elektrolyt in het KCl-elektrolytreservoir met intervallen van 3 maanden.

Te verzamelen items:

- Persoonlijke beschermingsmiddelen (zie MSDS/SDS)
- 3M KCl-elektrolyt, 200 mL
- Kleine bak, 250 mL of groter

Vervang de KCl-elektrolyt als volgt:

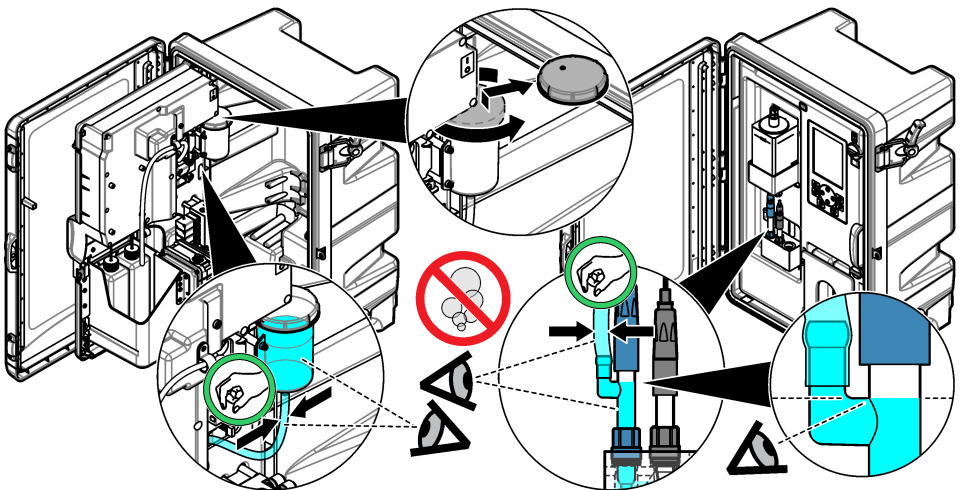
1. Draag de persoonlijke beschermingsmiddelen die zijn vermeld in het veiligheidsinformatieblad (MSDS/SDS).
2. Tap de inhoud van het KCl-elektrolytreservoir af in de kleine bak. Volg de volgende afgebeelde stappen. Gooi de KCl-elektrolyt weg in een geschikte afvoer.



3. Breng de KCl-elektrolytslang weer aan op de referentie-elektrode.
4. Vul het KCl-elektrolytreservoir als volgt:
 - a. Draai de vergrendeling op het analysepaneel naar de ontgrendelde stand. Open het analysepaneel.
 - b. Verwijder het deksel van het KCl-elektrolytreservoir. Raadpleeg [Afbeelding 2](#).

- c. Vul het reservoir tot 90 % vol (ongeveer 200 mL).
 - d. Breng het deksel aan.
5. Druk de luchtbellens uit de KCl-elektrolytslang als volgt:
- a. Knijp vanaf de voorzijde van het analyserpaneel met duim en wijsvinger in de slang voor KCl-elektrolyt om de luchtbellens omhoog het reservoir in te duwen. Raadpleeg [Afbeelding 2](#).
 - b. Als een luchtbel zich vlakbij het reservoir bevindt, knijpt u met twee handen van de voorzijde en de achterzijde van het analyserpaneel in de slang om de luchtbel omhoog te duwen.
 - c. Blijf in de slang knijpen tot de KCl-elektrolyt in de referentie-elektrode zich aan de bovenkant van de glasverbinding bevindt waar de KCl-elektrolyt de elektrode binnengaat. Raadpleeg [Afbeelding 2](#).
6. Sluit het analyserpaneel. Draai de vergrendeling op het analyserpaneel naar de vergrendelde stand.
7. Voer het flesniveau als volgt in:
- a. Druk op **menu** en kies vervolgens REAGENTIA/STANDAARDEN.
 - b. Selecteer KCL-NIVEAU RESETTEN en voer dan 100 % in.

Afbeelding 2 Het KCl-elektrolytreservoir vullen



3.7 Een ingangsvoedingszekering vervangen

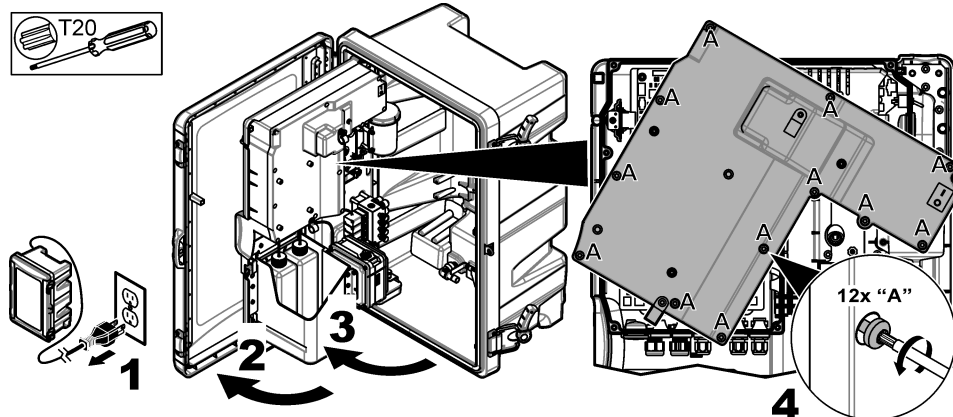
⚠ GEVAAR	
	Elektrocutiegevaar. Haal de stroom van het instrument alvorens deze procedure te starten.
⚠ GEVAAR	
	Brandgevaar. Vervang een zekering altijd door een zekering van hetzelfde type en dezelfde classificering.

Controleer de zekeringen. Vervang open zekeringen door nieuwe zekeringen.

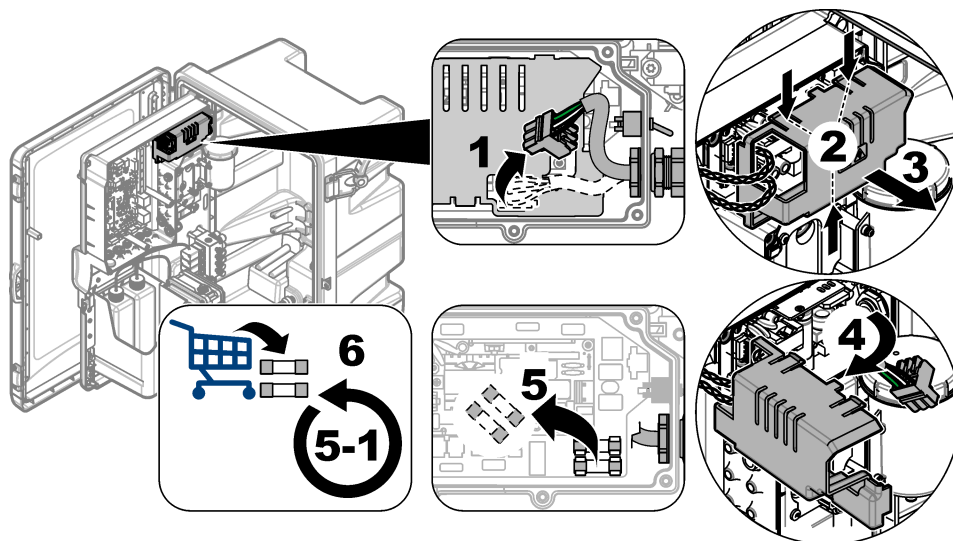
Door de gebruiker voorzien item: T 1.6 A, 250 VAC zekering

1. Trek de stekker van het stroomsnoer uit het stopcontact.
2. Verwijder de afdekkap voor elektronica. Raadpleeg de geïllustreerde stappen in [Afbeelding 3](#).
3. Vervang de zekering. Raadpleeg de geïllustreerde stappen in [Afbeelding 4](#)
4. Breng de afdekkap voor elektronica aan. Draai alle schroeven vast om te blijven voldoen aan de omgevingsclassificatie van de behuizing.
5. Sluit het analysepaneel. Draai de vergrendeling op het analysepaneel naar de vergrendelde stand.
6. Sluit het netsnoer aan op een stopcontact.
7. Druk op **menu** en selecteer dan **START ANALYSER**.

Afbeelding 3 Afdekkap voor elektronica verwijderen



Afbeelding 4 Voedingszekering vervangen



3.8 De analyser voorbereiden voor een korte uitschakeling

Bereid de analyser als volgt voor op een korte uitschakeling (2 dagen tot 1 week):

Door de gebruiker voorziene items: klemschaar

1. Druk op **menu** en kies vervolgens **STOP ANALYSER**.

Opmerking: Als **START ANALYSER** verschijnt, staat de analyser al in de stand-bymodus.

2. Bevestig de klemschaar (metaal of kunststof) aan het uiteinde van de KCl-elektrolytslang om de stroom KCl-elektrolyt naar de referentie-elektrode te stoppen.

Opmerking: Wanneer de analyser in de stand-bymodus staat of uit staat, blijft KCl-elektrolyt uit de referentie-elektrode stromen. KCl-elektrolyt zal langzaam de linker kamer van de meetcel vullen en uit de bovenkant van de linker kamer komen.

3. Draai de afsluiters op de monsterslang(en) op uit.

4. Als de voeding van de analyser moet worden gehaald, moet u reactiveringsoplossing toevoegen aan de middelste kamer van de meetcel om schade aan de natriumelektrode te voorkomen.

Opmerking: Na 4 uur in de stand-bymodus, voegt de analyser automatisch reactiveringsoplossing toe aan de middelste kamer van de meetcel.

3.9 De analyser voorbereiden voor een langdurige uitschakeling

⚠ WAARSCHUWING



Gevaar van blootstelling aan chemicaliën. Volg alle veiligheidsvoorschriften van het laboratorium op en draag alle persoonlijke beschermingsmiddelen die geschikt zijn voor de gehanteerde chemicaliën. Lees het veiligheidsinformatieblad van de leverancier voordat flessen worden gevuld of reagentia worden voorbereid. Alleen voor laboratoriumgebruik. Maak de gevareninformatie bekend in overeenstemming met de lokale regelgeving voor de gebruiker.

⚠ VOORZICHTIG



Gevaar van blootstelling aan chemicaliën. Chemicaliën en afval dienen te worden afgevoerd in overeenstemming met de plaatselijke, regionale en nationale voorschriften.

Bereid de analyser als volgt voor op een langdurige uitschakeling (meer dan 1 week):

Door de gebruiker voorziene items:

- Kleine bak, 250 mL of groter
- Demi-water, 1.5 L
- Schone niet-pluizende doek

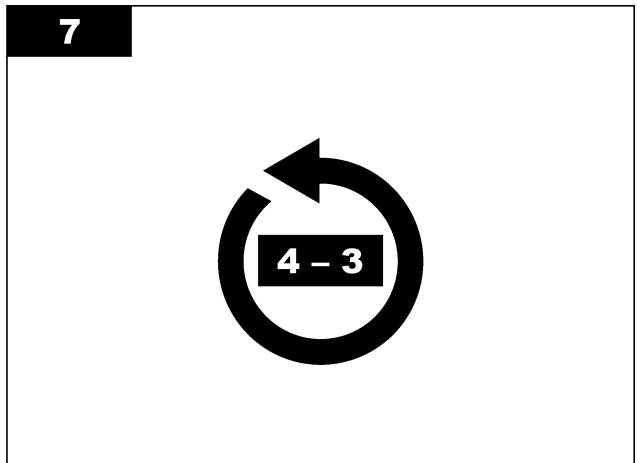
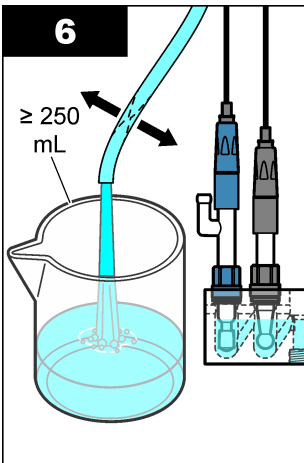
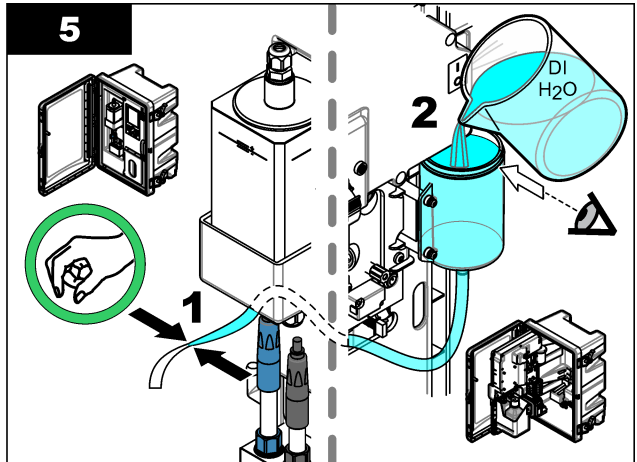
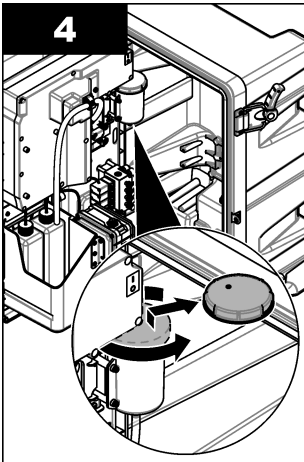
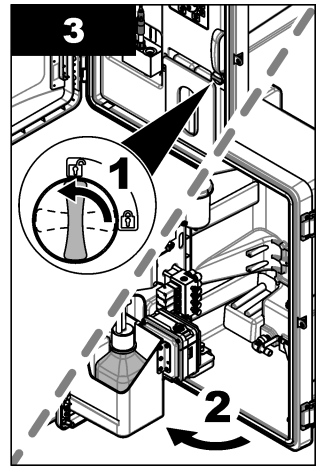
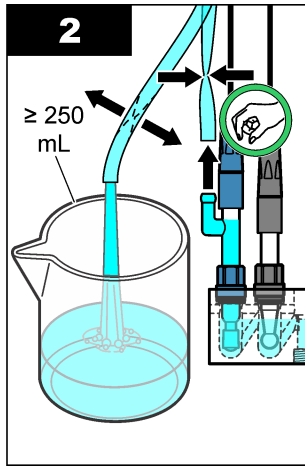
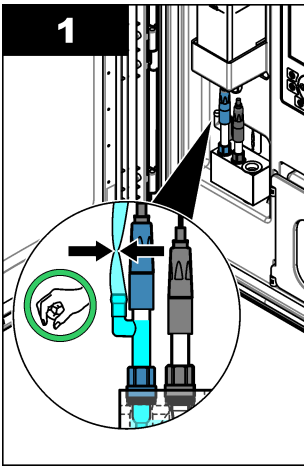
Te verzamelen items:

- Opslagflessen voor elektroden (2x)
- Veiligheidsdoppen voor elektroden (2x)
- Zwarte kap voor glasverbinding van referentie-elektrode

3.9.1 Tap het KCl-elektrolytreservoir af en spoel het

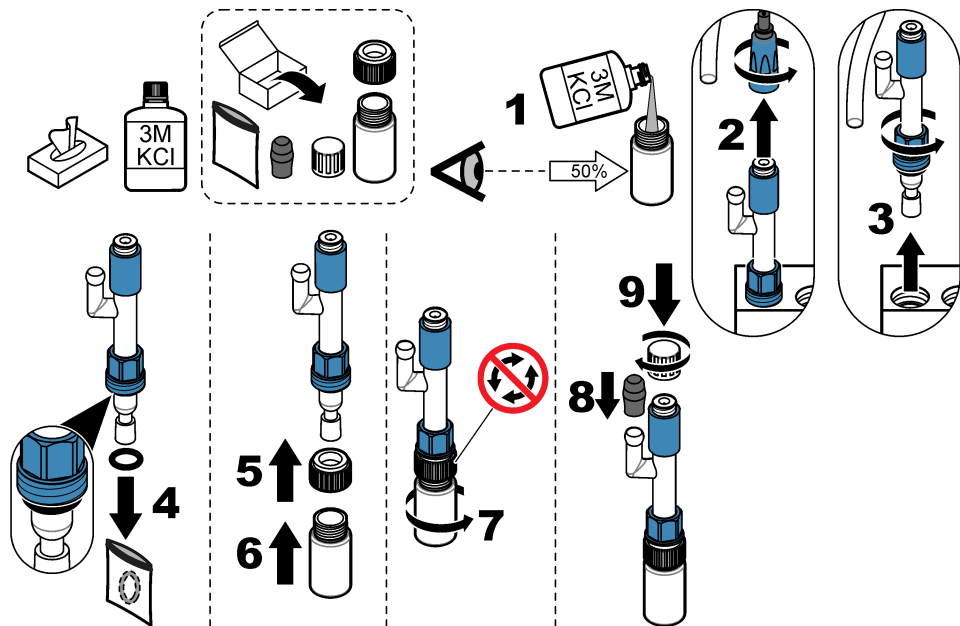
Volg de volgende afgebeelde stappen.

Draag de persoonlijke beschermingsmiddelen die zijn vermeld in het veiligheidsinformatieblad (MSDS/SDS).



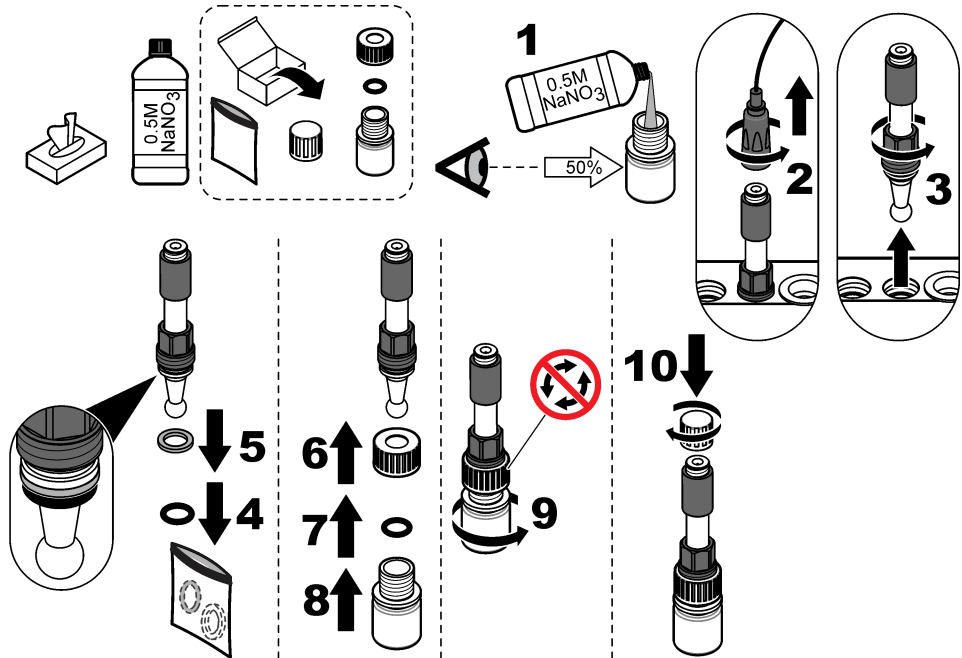
3.9.2 Referentie-elektrode verwijderen

Volg de volgende afgebeelde stappen.



3.9.3 Natriumelektrode verwijderen

Volg de volgende afgebeelde stappen.



3.9.4 Koppel de fles met conditioning-oplossing los

⚠ WAARSCHUWING



Gevaar van inademing. Adem geen dampen van di-isopropylamine (DIPA) of ammoniak in. Blootstelling kan leiden tot ernstig letsel of de dood.



⚠ WAARSCHUWING

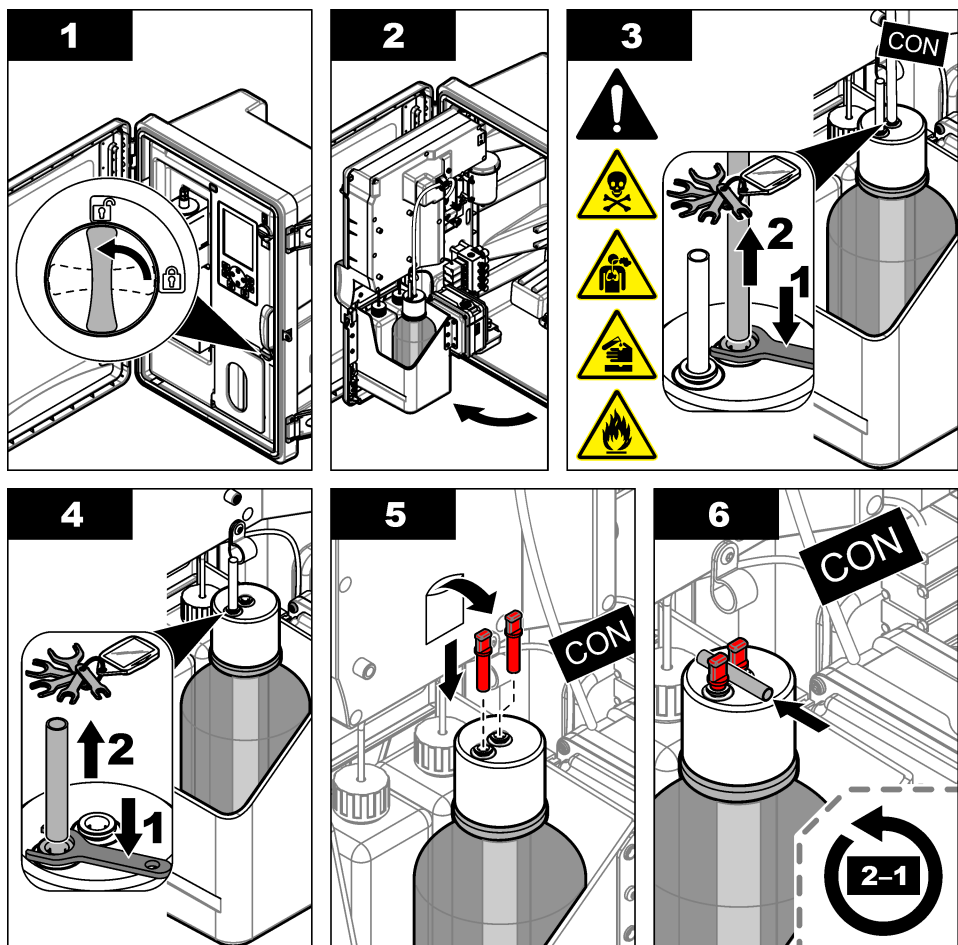


Gevaar van blootstelling aan chemicaliën. Di-isopropylamine (DIPA) en ammoniak zijn brandbare, corrosieve en giftige chemische stoffen. Blootstelling kan leiden tot ernstig letsel of de dood.



Volg de volgende afgebeelde stappen.

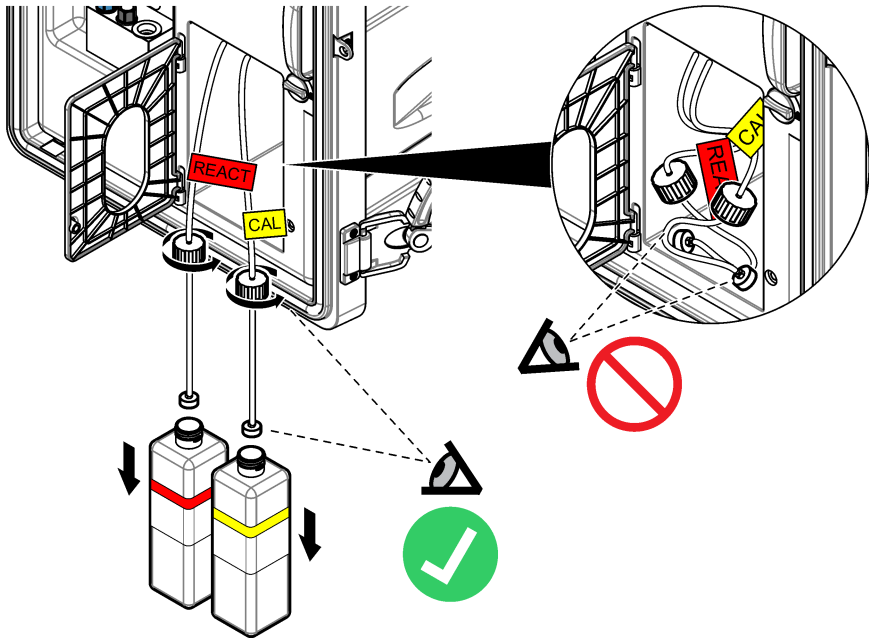
Draag de persoonlijke beschermingsmiddelen die zijn vermeld in het veiligheidsinformatieblad (MSDS/SDS).



3.9.5 Spoel de reagentsslagen

1. Draag de persoonlijke beschermingsmiddelen die zijn vermeld in het veiligheidsinformatieblad (MSDS/SDS).
2. Verwijder de flessen met reactiveringsoplossing en kalibratie-oplossing van de analyser. Raadpleeg [Afbeelding 5](#).
Opmerking: Alleen de analysers met de auto-kalibratieoptie hebben een fles kalibratieoplossing.
3. Gooi de oplossingen in de flessen weg in een geschikte afvoer.
4. Spoel de flessen en vul ze voor de helft met demiwater.
5. Plaats de flessen in de analyser.
6. Druk op **menu** en selecteer vervolgens REAGENTIA/STANDAARDEN > REAGENTIA VOORPOMPEN. De reagentsslagen worden gespoeld met demiwater.

Afbeelding 5 Fles verwijderen



3.9.6 Tap het overloopvat af

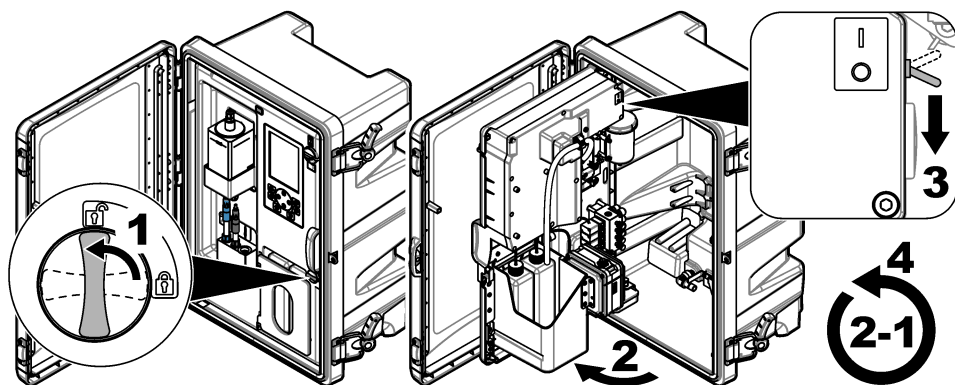
1. Druk op **diag**, selecteer vervolgens TEST UITVOEREN en druk op **enter**.
2. Druk op **enter** om JA te selecteren.
3. Selecteer MONSTERAfVOER en druk op **enter**.
4. Voer 150 seconden in.
5. Druk tweemaal op **enter**.
6. Druk op **terug** wanneer het overloopvat leeg is.
7. Druk op **home**.

3.9.7 De analyser uit bedrijf nemen

Verwijder voeding en monstertoevoer naar de analyser als volgt:

1. Zet de stroomschakelaar uit. Raadpleeg [Afbeelding 6](#).
2. Sluit het analyserpaneel. Draai de vergrendeling op het analyserpaneel naar de vergrendelde stand.
3. Trek de stekker van het stroomsnoer uit het stopcontact.
4. Draai de afsluiters op de monsterslang(en) op uit.
5. Gebruik een schone, niet-pluizende doek om het water uit het overloopvat te verwijderen.
6. Gebruik een schone, niet-pluizende doek om het water uit de linker kamer en de middelste kamer van de meetcel te verwijderen.

Afbeelding 6 Zet de stroomschakelaar uit



3.9.8 Gooi het demiwater in de flessen weg

1. Verwijder de flessen met reactiveringsoplossing en kalibratie-oplossing van de analyser. Trek de flessendoppen omlaag zodat ze onder de analyser hangen.

Laat de dop van de fles of de inwendige of slangen de analyser niet raken om verontreiniging te voorkomen.

2. Gooi het demiwater in de flessen weg.
3. Laat de flessen volledig drogen aan de lucht.
4. Plaats de flessen in de analyser.
5. Sluit de deur van de analyser.

Hoofdstuk 4 Problemen oplossen

Probleem	Mogelijke oorzaak	Oplossing
De statusbalk verschijnt niet op het meetscherm.	Het kanaal op het meetscherm is niet het kanaal dat wordt gemeten.	Druk op de pijl OMHOOG of OMLAAG tot het kanaal dat wordt gemeten wordt weergegeven op het meetscherm.
Een kanaal wordt niet op het meetscherm weergegeven wanneer de pijltoets OMHOOG of OMLAAG wordt ingedrukt.	Het kanaal is niet geselecteerd in de display-instellingen.	Druk op menu en selecteer vervolgens INSTELLINGEN SYSTEEM > DISPLAY SETUP > VOLGORDE AANPASSEN > HUIDIGE VOLGORDE . Druk op op terug als het kanaal niet wordt weergegeven en selecteert vervolgens METING TOEVOEGEN . Druk op de pijl NAAR LINKS om een selectievakje te selecteren of te deselecteren.

Probleem	Mogelijke oorzaak	Oplossing
Een kanaal wordt niet gemeten.	Het kanaal is niet geactiveerd.	Druk op menu en selecteer vervolgens INSTELLINGEN SYSTEEM > ANALYSER CONFIGUREREN > SEQUENCER CONFIGUREREN > KANALEN ACTIVEREN. Voeg het kanaal toe. Druk op de pijl NAAR LINKS om een selectievakje te selecteren of te deselecteren.
	Het kanaal staat niet in de kanaalmeetsequentie.	Druk op menu en selecteer vervolgens INSTELLINGEN SYSTEEM > ANALYSER CONFIGUREREN > SEQUENCER CONFIGUREREN > VOLGORDE KANALEN. Druk op de pijlen OMHOOG en OMLAAG om een rij te selecteren en druk dan op de pijl NAAR LINKS of NAAR RECHTS om een kanaal te selecteren. S1 is het eerste gemeten kanaal gevolgd door S2, S3 en S4. <i>Opmerking: Selecteer geen kanalen die het symbool "~" bevatten (bijv. 4--SAMPLE4). Kanalen die het symbool "~" bevatten, worden niet gemeten.</i>
De waarschuwing INSTABIELE MEETWAARDE verschijnt.	De spoeltijd tussen kanaalmetingen is te kort.	Druk op menu, selecteer dan INSTELLINGEN SYSTEEM > ANALYSER CONFIGUREREN > METING > MEETCYCLUS INSTELLEN > MAXIMALE CYCLUSTIJD of CYCLUSTIJD. Verhoog de instelling van de MAXIMALE CYCLUSTIJD of CYCLUSTIJD om de spoeltijd te verhogen.
De waarschuwing "MONSTER ONTBREEKT" verschijnt.	De afsluiter op de monsterslang is gesloten.	Draai de afsluiter open.
	De monsterslang is niet goed aangesloten.	Zorg ervoor dat de monsterslang is aangesloten op de juiste leidingpoort. Zie <i>Leidingpoorten</i> in de installatiehandleiding.
	De monsterdebietklep is gesloten.	Start de opstartwizard. Druk op menu en selecteer vervolgens INSTELLINGEN SYSTEEM > OPSTARTEN ANALYSER. Druk op enter totdat u wordt gevraagd het monsterdebiet af te stellen. Draai de monsterdebietklep linksom om het debiet te verhogen tot 6-9 L/uur op elk kanaal.
	De elektromagnetische klep voor het kanaal werkt niet naar behoren.	Druk op diag en selecteer dan TEST UITVOEREN > MONSTERAFVOER om het overloopvat af te tappen. Druk op diag en selecteer dan TEST UITVOEREN > MONSTERTOEVOER om de monsterklep te openen. Als er geen monster in het overloopvat stroomt, controleer dan de bedrading van de monsterklep. Vervang de monsterklep indien nodig.

Probleem	Mogelijke oorzaak	Oplossing
De waarschuwing "pH TE LAAG" verschijnt.	De kap werd verwijderd van de rechterkamer van de meetcel.	Breng de kap aan op de rechterkamer van de meetcel.
	De fles met conditioneringsooplossing is minder dan 10 % vol of is leeg.	Vervang de conditioneringsooplossing. Raadpleeg Conditioneringsooplossing vervangen op pagina 197.
	Er is een luchtlek in de dop van de fles met conditioneringsooplossing.	<ul style="list-style-type: none"> Controleer of de dop van de fles met conditioneringsooplossing goed vastzit. Controleer de onderlegging in de dop van de fles. Vervang de onderlegging als slijtage of beschadiging wordt vastgesteld. Bestudeer de plastic flens op de rand van de fles. Vervang de fles met fles voor de conditioneringsooplossing als slijtage of beschadiging wordt vastgesteld.
	Er is een luchtlek in de conditioneringsslang.	Zoek naar een verstopping of luchtlek in de conditioneringsslang. Vervang de slang indien nodig. Opmerking: De conditioneringsslang bevat gas, geen oplossing.
	De conditioneringsslang werkt niet naar behoren.	Druk op diag en selecteer dan TEST UITVOEREN > CONDITIONERINGSVENTIEL om de conditioneringsklep te openen. Als het conditioneringsgas niet in de rechter kamer van de meetcel stroomt (gezien als bellen), vervang dan de conditioneringsklep.
De waarschuwing "KALIBRATIE MISLUKT" verschijnt.	De waarde van de kalibratieoplossing in de instellingen voor automatische kalibratie wijkt af van de waarde op de fles met kalibratieoplossing.	Wijzig de waarde van de kalibratieoplossing in het kalibratiemenu in de waarde die op de fles met kalibratieoplossing is vermeld. Raadpleeg <i>Instellingen automatische kalibratie</i> in de bedieningshandleiding.
	De fles met kalibratieoplossing is leeg.	Vervang de kalibratieoplossing. Raadpleeg Kalibratie- en reactiveringsooplossingen vervangen op pagina 195.
	Er is een lek of verstopping in de slang van de kalibratieoplossing.	Zoek naar een verstopping of lek in de slang. Vervang de slang indien nodig.
	De pomp van de kalibratieoplossing werkt niet naar behoren.	Druk op diag en selecteer dan TEST UITVOEREN > MONSTERAFVOER om het overloopvat volledig af te tappen. Druk op diag , selecteer dan TEST UITVOEREN > TOEVOER KALIBRATIESTANDAARD om de kalibratieoplossingspomp aan te zetten. Als de kalibratieoplossing niet naar het overloopvat stroomt, vervang dan de kalibratieoplossingspomp.
	De roerstaaf draait niet. Opmerking: De roerstaaf draait onregelmatig.	Druk op diag , selecteer dan TEST UITVOEREN > MIXER om de mixerpomp aan te zetten. Als de roerstaaf niet beweegt, vervang dan de mixermotor.
	De roerstaaf bevindt zich niet in het overloopvat.	Zorg ervoor dat de roerstaaf zich in het overloopvat bevindt.

Probleem	Mogelijke oorzaak	Oplossing
De waarschuwing "SPANNING REACTIVERING LAAG".	De fles met reactiveringsoplossing is leeg.	Zorg ervoor dat het uiteinde van de slang met reactiveringsoplossing op de bodem van de fles komt. Vervang de reactiveringsoplossing. Raadpleeg Kalibratie- en reactiveringsoplossingen vervangen op pagina 195.
	De natriumelektrode werkt niet naar behoren.	<ul style="list-style-type: none"> Zorg ervoor dat de natriumelektrode goed is geïnstalleerd. Raadpleeg de installatiehandleiding. Zorg ervoor dat er geen lucht aanwezig is in de glazen bol van de natriumelektrode.
	De referentie-elektrode werkt niet naar behoren.	<ul style="list-style-type: none"> Verwijder de referentie-elektrode van de meetcel. Til de kraag op kraag die op het glazen deel is aangebracht om wat KCl-elektrolyt naar buiten te laten stromen. Duw de kraag omlaag en draai de kraag minder dan 1/4 slag om de kraag te vergrendelen. Wanneer de kraag is vergrendeld, draait de kraag niet. Installeer de referentie-elektrode in de meetcel. Zorg ervoor dat de referentie-elektrode goed is geïnstalleerd. Raadpleeg de installatiehandleiding. Druk om vast te stellen of het probleem is verholpen op diag en selecteer dan REACTIVERING SENSOR om een reactivering uit te voeren.
	Er is een lek of verstopping in de slang van de reactiveringsoplossing.	Zoek naar een verstopping of lek in de slang. Vervang de slang indien nodig.
	De pomp van de reactiveringsoplossing werkt niet naar behoren.	Druk op diag , selecteer dan TEST UITVOEREN > TOEVOER REACTANTOPLOSSING > HOOG om de reactiveringsoplossingspomp op een hoog debiet in te stellen. Als de reactiveringsoplossing niet naar de middelste kamer van de meetcel stroomt, vervang dan de reactiveringsoplossingspomp.
De instrumentwaarden zijn niet stabiel.	De analyser is minder dan 2 uur geleden gestart.	Laat de analyser gedurende 2 uur werken om stabiel te worden.
	De elektrodekabel(s) zijn kruiselings aangebracht op de elektroden.	Koppel de kabel van de elektrode los. Druk de connector volledig omlaag op de elektrode-connector en draai de connector vervolgens vingervast.
	De elektrodekabels zijn aangesloten op de verkeerde elektroden.	Sluit de blauwe kabel aan op de referentie-elektrode. Sluit de zwarte kabel aan op de natriumelektrode.
	Het debiet van de KCl-elektrolyt is te snel.	Verwijder de referentie-elektrode van de meetcel. Duw de kraag omlaag en draai de kraag minder dan 1/4 slag om de kraag te vergrendelen. Wanneer de kraag is vergrendeld, draait de kraag niet. Als de kraag niet is vergrendeld, zal de KCl-elektrolyt te snel van de referentie-elektrode in de meetcel stromen.

Probleem	Mogelijke oorzaak	Oplossing
De metingen zijn niet nauwkeurig.	De analyser is niet gekalibreerd.	Analyser kalibreren. Raadpleeg <i>Kalibratie uitvoeren</i> in de bedieningshandleiding. Kalibreer voor de beste nauwkeurigheid de analyser op 7-daagse intervallen (wekelijks).
	Automatische reactivering is uitgeschakeld of het interval tussen reactiveringen is meer dan 24 uur.	Start een automatische reactivering. Druk op diag en selecteer vervolgens REACTIVERING SENSOR. Opmerking: Stel voor de beste nauwkeurigheid de automatische reactivering in op Aan. Stel het interval in op 24 uur. Raadpleeg de bedieningshandleiding.
	De fles met reactiveringsoplossing is leeg.	Vervang de reactiveringsoplossing. Raadpleeg Kalibratie- en reactiveringsoplossingen vervangen op pagina 195.
	Er is een lek of verstopping in de slang van de reactiveringsoplossing.	Zoek naar een verstopping of lek in de slang. Vervang de slang indien nodig.
	De pomp van de reactiveringsoplossing werkt niet naar behoren.	Druk op diag , selecteer dan TEST UITVOEREN > TOEVOER REACTANTOPLOSSING > HOOG om de reactiveringsoplossingspomp op een hoog debiet in te stellen. Als de reactiveringsoplossing niet naar de middelste kamer van de meetcel stroomt, vervang dan de reactiveringsoplossingspomp.
De roerstaaf in het overloopvat draait niet.	De mixer werkt niet naar behoren. Opmerking: De roerstaaf draait onregelmatig.	Druk op diag , selecteer dan TEST UITVOEREN > MIXER om de mixerpomp aan te zetten. Als de roerstaaf niet beweegt, vervang dan de mixermotor.
Het KCl-elektrolytverbruik is te snel ¹ .	De kraag op het glazen deel van de referentie-elektrode is niet vergrendeld.	Verwijder de referentie-elektrode. Druk de kraag omhoog. Duw de kraag omlaag en draai de kraag minder dan 1/4 slag om de kraag te vergrendelen. Raadpleeg de afgebeelde stappen in <i>Referentie-elektrode installeren</i> in de installatiehandleiding. Wanneer de kraag is vergrendeld, draait de kraag niet. Als de kraag niet is vergrendeld, zal de KCl-elektrolyt te snel van de referentie-elektrode in de meetcel stromen.
Het KCl-elektrolytverbruik is te langzaam ² .	De kraag op het glazen deel van de referentie-elektrode werd niet gedraaid om de verzegeling te breken.	Verwijder de referentie-elektrode. Draai de kraag voorzichtig om de verzegeling te breken. Als de kraag gemakkelijk draait, is de verzegeling gebroken. Raadpleeg de afgebeelde stappen in <i>Referentie-elektrode installeren</i> in de installatiehandleiding. Druk de kraag omlaag en draai de kraag minder dan 1/4 slag om de kraag te vergrendelen. Wanneer de kraag is vergrendeld, draait de kraag niet. Als de kraag niet is vergrendeld, zal de KCl-elektrolyt te snel van de referentie-elektrode in de meetcel stromen.
Een relaisindicator op het meetscherm knippert.	De overfeed timer is verlopen.	Stel de overfeed timer opnieuw in. Raadpleeg Resetten van de overbelastingstimer voor relais op pagina 214. Opmerking: De instelling voor de overfeed timer is alleen ingeschakeld als de instelling van het relais KIES FUNCTIE is ingesteld op DOSERING.

¹ Het KCl-elektrolytverbruik is te snel als het niveau van het reservoir met meer dan 3 mm (1/8 in.) afneemt in twee dagen

² Het KCl-elektrolytverbruik is te langzaam als het niveau van het reservoir met minder dan 1 mm afneemt in twee dagen

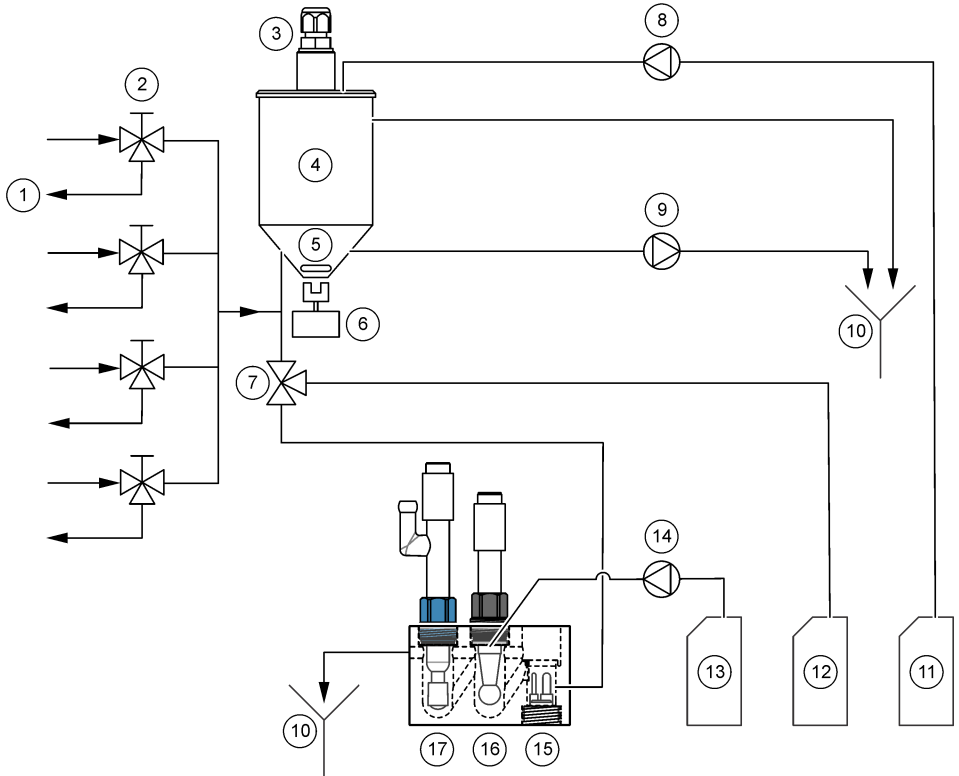
4.1 Resetten van de overbelastingstimer voor relais

De instelling van de overbelastingstimer voor de relais voorkomt een situatie waarin de meetwaarde hoger is dan de instelwaarde of de instelling van de hysteresis (bijvoorbeeld een beschadigde elektrode of een verstoord proces) door het continu ingeschakeld blijven van een relais. De overbelastingstimer begrenst hoe lang de relais en hun verbonden regelement ingeschakeld blijven, onafhankelijk van de omstandigheden.

Wanneer het geselecteerde tijdsinterval van de overbelastingstimer afloopt, knippert de status van het relais in de rechterbovenhoek van het meetscherm totdat de overbelastingstimer opnieuw wordt ingesteld. Druk op **diag**, selecteer vervolgens OVERFEED RESET (opnieuw instellen van de overbelasting) om de overbelastingstimer opnieuw in te stellen.

Hoofdstuk 5 Diagnostiek

5.1 Slangenschema



1 Bypass-monsterafvoer	7 Conditioneringsventiel	13 Reactiveringsoplossing
2 Monsterinvoer	8 Pomp kalibratieoplossing ³	14 Reactiveringsoplossingspomp
3 Niveausensor	9 Afvoer pomp	15 Temperatuursensor
4 Overloopvat	10 Afvoer	16 Natriumelektrode
5 Roerstaaf	11 Kalibratieoplossing ³	17 Referentie-elektrode
6 Mixermotor	12 Conditioneringsoplossing	

5.2 Een analysertest starten

Start een analysertest om te bepalen of het statusindicatielampje, de mixermotor, een pomp of een klep correct werken.

³ Alleen de analysers met de auto-kalibratieoptie hebben een kalibratieoplossingspomp en kalibratieoplossing.

1. Druk op **diag** en selecteer vervolgens TEST UITVOEREN.
2. Selecteer een optie.

Optie	Beschrijving
TOEVOER REACTANTOPLOSSING	Start de reactiveringsoplossingspomp. De reactiveringsoplossing stroomt in de middelste kamer van de meetcel. Opmerking: <i>De meetcel is het transparante blok waarop de elektroden zijn geïnstalleerd.</i>
MONSTERTOEVOER	Stelt de elektromagnetische monsterklep voor het geselecteerde kanaal in op open. Het monster stroomt het overloopvat in. Opmerking: <i>Als het overloopvat vol is, verandert het niveau van het water in het overloopvat niet. Om het overloopvat af te tappen, moet u de test MONSTERAFFVOER uitvoeren.</i>
TOEVOER KALIBRATIESTANDAARD	Opmerking: <i>De optie TOEVOER KALIBRATIESTANDAARD is alleen beschikbaar op analysers die zijn voorzien van de optie automatische kalibratie.</i> Hiermee stelt u de kalibratieoplossingspomp in op Aan. De kalibratievloeistof stroomt het overloopvat in.
CONDITIONERINGSVENTIEL	Stelt het conditioneringsventiel in op Open. Het conditioneringsgas stroomt de rechterkamer van de meetcel in. Opmerking: <i>De meetcel is het transparante blok waarop de elektroden zijn geïnstalleerd.</i>
MONSTERAFFVOER	Stelt de afvoerpomp in op Aan. Het water in het overloopvat wordt afgevoerd via de chemicaliënafoerslang.
MIXER	Stelt de mixermotor in op Aan. De roerstaaf in het overloopvat draait.
STATUS-LED	Stelt het statusindicatielampje in op een doorlopende cyclus: geel, rood, groen.
LUCHTPOMP	Opmerking: <i>De optie LUCHTPOMP is alleen beschikbaar als de optionele kationenpomp is geïnstalleerd.</i> Stelt de kationenpomp in op Aan. De kationenpomp duwt lucht in de fles met conditioneringsoplossing (DIPA). Raadpleeg het deel <i>Productoverzicht</i> in de installatiehandleiding voor de locatie van de kationenpomp in de analyser.
SCRIPT SELECTEREN	Opmerking: <i>De optie SCRIPT SELECTEREN is alleen voor gebruik van Service.</i> Stelt de analyser in om het normale instrumentscript of het testscript te gebruiken.

5.3 Start een test van 4-20 mA-uitgang of relais

Start een test van 4-20 mA-uitgang of relais om vast te stellen of de werking van een 4-20 mA-uitgang of relais conform is.

1. Druk op **diag** en selecteer UITGANGEN.
2. Selecteer een optie.

Optie	Beschrijving
TEST 4-20mA	Stelt het signaal (mA) in op de geselecteerde 4-20 mA-uitgang. Meet de stroom bij de 4-20 mA-uitgang met een multimeter.
TEST RELAY	Stelt het geselecteerde relais in op Aan (bekrachtigd) of uit (niet bekrachtigd). Meet de weerstand over het relais met een multimeter om te bepalen of het relais open of dicht is.

Optie	Beschrijving
UITGANG VASTH	Houd de uitgang vast op de laatste waarde of stelt in op de overdrachtswaarde. ACTIVEREN —Selecteer START om de uitgangen vast te houden op de laatste waarde of in te stellen op de overdrachtswaarde. Selecteer VRIJGAVE om de uitgangen normaal te laten werken. SET UITGANGEN —Selecteer UITGANG VASTH om de uitgangen op de laatste waarde te houden. Selecteer VERPLAATSUITVOER om de uitgangen in te stellen op de overdrachtswaarde. Raadpleeg de bedieningshandleiding voor het instellen van de overdrachtswaarde voor de uitgangen. SET KANALEN —Selecteer ALLES om alle kanalen te selecteren. Selecteer ANALYSER om alle kanalen voor de geselecteerde analyser te selecteren.
STATUS UITGANG	Toont de signalen (mA) bij de 4-20 mA-uitgangen.
METING SIMULEREN	Voert een analysermeetwaarde in op een geselecteerd kanaal om een uitgangstest uit te voeren. De simulatie stopt nadat de gebruiker het scherm heeft verlaten. KIES —Selecteert de analyser. PARAMETERKEUZE —Selecteert het kanaal. TESTWAARDE —Stelt de analysermeetwaarde in.

5.4 Analyser-informatie tonen

Druk als u de volgende analyserinformatie wilt weergeven op **menu** en selecteer GEGEVENS WEERGEVEN > ANALYSERGEGEVENS. Raadpleeg [Tabel 2](#).

Tabel 2 Beschrijving van de analysergegevens

Item	Beschrijving
DAT./TIJD	Huidige tijd (24-uursnotatie) en datum geïdentificeerd in de instellingen
NAAM	Naam van analyser
TYPE	Type analyser
OMGEVINGSTEMPERATUUR	Omgevingstemperatuur van de analyser
NIVEAU CONDITIONERINGSOPLOSSING	Niveau oplossing in de fles conditioneringsoplossing
NIVEAU REACTANTOPLOSSING	Niveau oplossing in de fles reactiveringsoplossing
STANDAARDNIVEAU	Niveau oplossing in de fles kalibratieoplossing
KCL-NIVEAU	Niveau oplossing in het KCl-elektrolytreservoir
LAATSTE REACTIVERING	Datum waarop de laatste automatische reactivering is uitgevoerd
LAATSTE KAL.	Datum waarop de laatste kalibratie is uitgevoerd
LAATSTE SERVICE	Laatste servicedatum
SOFTWARE VERS.	Geïnstalleerde softwareversie
DD-FIRMWARE	Versie van de geïnstalleerde firmware van het stuurprogramma van het apparaat
DD-INHOUD	Versie van de gegevensinhoud van het stuurprogramma van het apparaat
SCRIPTVERSIE	Versie van het scriptbestand voor directoryblokkering
INHOUD SCRIPT	Versie van het scriptbestand voor directoryinhoud
SW-REV MEETREGELING	Geïnstalleerde herziening van de meetsoftware
SERIENUMMER	Serienummer van de analyser

5.5 Status van de analyser en systeemgegevens weergeven

Om de huidige status van de analyser, Modbus-status, systeemgegevens of I2C-gegevens weer te geven, doorloopt u de volgende stappen:

1. Druk op **diag**.
2. Selecteer een optie.

Optie	Beschrijving
HUIDIGE STATUS	BEWERKING —Huidige meetmodus. MONSTERKANAAL —huidig monsterkanaal. STAPSTATUS —Huidige stap in de meetcyclus. STAPTIJD —Resterende staptijd. MINUTEN RESTEREND —Resterende minuten in huidige stap. VOLTOOIING —% voltooid van de meetcyclus.
MODBUS STATS	Toont de status van de Modbus-poorten: sensor, controller, netwerk en service. Toont het aantal goede en slechte transmissies.
SYSTEEMGEGEVENS	OMGEVINGSTEMPERATUUR —Gemeten omgevingstemperatuur in Celsius (C). FREQUENTIE VOEDINGSBRON —Frequentie lijnvoeding (Hz). SPANNING VOEDINGSBRON —Lijnvoeding (AC). 12V VOLTAGE —Gemeten voedingsspanning (VDC). 3,3V VOLTAGE —Gemeten nominale 3,3V-voeding (VDC). 12V STROOM —Gemeten stroom 12V-voeding (ampère).
I2C-GEGEVENS	Toont de communicatie-informatie (I ² C) en het versienummer.

5.6 Service-informatie tonen

Gebruik het servicemenu om de servicegeschiedenis van de onderdelen van het instrument weer te geven of in te stellen.

1. Druk op **diag**.
2. Selecteer **SERVICE**.
3. Selecteer een optie.

Optie	Beschrijving
VEBRUIKSARTIKELEN	Geeft een lijst met verbruiksartikelen weer. Toont de datum van de laatste vervanging en het aantal dagen sinds het onderdeel is vervangen. Reset de teller nadat een onderdeel is vervangen.
SERVICEONDERDEEL	<i>Opmerking: De optie SERVICEONDERDEEL is alleen beschikbaar voor servicedoeleinden.</i> Toont een lijst met onderdelen en de datum van de laatste service. De vertegenwoordiger van de klantenservice reset de teller na het vervangen van een onderdeel.
JAARLIJKS ONDERHOUD	Toont de datum van het laatste jaarlijkse onderhoud, de datum van het volgende jaarlijkse onderhoud en het aantal dagen vóór het volgende jaarlijkse onderhoud nodig is. Reset de teller na jaarlijks onderhoud.
ELEKTRODEN SN BEWERKEN	Registreert de serienummers van de elektroden.
SERVICEGESCHIEDENIS	Toont de uitgevoerde onderhoudstaken en de datum (bijv. Vervang reactiveringsoplossing). STARTTIJD — toont de gegevens die zijn opgenomen na de geselecteerde datum en tijd. AANTAL METINGEN — Toont het geselecteerde aantal gegevenspunten.
POST INSCHAKELEN	NEE —Hardware diagnose wordt niet uitgevoerd wanneer de elektrische voeding naar de analyser aan is. JA —Hardware diagnose wordt uitgevoerd wanneer de elektrische voeding naar de analyser aan is.

Hoofdstuk 6 Reserveonderdelen en accessoires

▲ WAARSCHUWING



Gevaar voor letsel. Het gebruik van niet-goedgekeurde onderdelen kan leiden tot letsel, beschadiging van het instrument of onjuiste werking van apparatuur. De reserveonderdelen in dit hoofdstuk zijn goedgekeurd door de fabrikant.

Opmerking: Product- en artikelnummers kunnen verschillen per regio. Neem contact op met de desbetreffende distributeur of bezoek de website voor contactgegevens.

Reagens- en standaardoplossingen

Beschrijving	Hoeveelheid	Artikelnr.
3M KCl-elektrolytoplossing	250 mL	LZW9500.99
3M KCl-elektrolytoplossing	500 mL	363140,00500
Di-isopropylamine (DIPA) 99 %	1 L	2834453
Natriumchloride-standaard, 10 ppm	1 L	2835153
Natriumnitrat, 0,5 M	500 mL	2507149

Reservedelen

Beschrijving	Hoeveelheid	Artikelnr.
Fles conditioneringsoplossing met dop, leeg	1	8352000
Onderlegging, dop fles conditionersoplossing	1	8417200
Elleboogstuk, afvoer, ½-inch, polypropyleen	1	6772800
Elektrode, referentie	1	09240=C=0310
Elektrode, natrium	1	09240=C=0320
Zekering, 1,6 A, 250 V, 5 x 20 mm	1	5208300
Zekering, 5 A, 250 V, langzaam afblazen, 5 x 20 mm	1	4693800
Installatiekit, 1-kanaals analyser, analyser met behuizing	1	8375400
Installatiekit, 2-kanaals analyser, analyser met behuizing	1	8375300
Installatiekit, 4-kanaals analyser, analyser met behuizing	1	8371500
Installatiekit, 1-kanaals analyser, analyser zonder behuizing	1	8375700
Installatiekit, 2-kanaals analyser, analyser zonder behuizing	1	8375600
Installatiekit, 4-kanaals analyser, analyser zonder behuizing	1	8375500
Mixermotor	1	8420000
Schroeven voor paneelmontage, M6 x 20 platte kop, RVS, Torx	4	8415500
Prikgereedschap voor interne elektrische pluggen, metalen buis, gebruikt met 8379900	1	8380000
Prikgereedschap voor interne elektrische pluggen, metaalplaat, gebruikt met 8380000	1	8379900
Drukregelaar, 0,3 bar (4 psi), niet-verstelbaar	1	6782900
Pomp, kalibratieoplossing	1	8364300
Pomp, afvoer	1	8357400

Reservedelen (vervolg)

Beschrijving	Hoeveelheid	Artikelnr.
Pomp, reactiveringsoplossing	1	8364200
Afsluiter, 6 mm buitendiameter	1	8385200
Roerstaaf	1	W_4510_001_FF
Trekontlastingskoppeling (kabelwartel), PG9 4 mm tot 8 mm	1	8356300
Trekontlastingskoppeling (kabelwartel), NPT ½-inch 4 mm tot 9 mm	1	8368400
Tafelmontagebeugels	2	8370400
Schroeven, tafelmontagesteun, #8 x ½ RVS, Torx	2	8412200
Slang, chemicaliënafvoer en afvoer van behuizing, 17,5 mm (^{11/16} -inch) Buitendiameter x 3,2 mm (^{1/8} -inch) dik	2 m (6,5 ft)	LZX278
Slang, monster, 6 mm buitendiameter x 4 mm binnendiameter	5,5 m (18 ft)	6772500
Slangsnijder	1	8385400
Wandmontagebeugels	2	8364100
Bouten, wandmontagebeugel, M4 x 10 plat roestvrij staal, Torx	2	8412500
Klep, conditionering	1	8367600
Klep, monster	1	8370200

Accessoires

Beschrijving	Hoeveelheid	Artikelnr.
Flesadapter, DIPA-fles, Merck	1	09073=C=0350
Flesadapter, DIPA-fles, Orion	1	09073=C=0360
Filter, monsterinlaat, 100 µm, slang met ¼-inch buitendiameter	1	595=010=005
Filter, monsterinlaat, 100 µm, slang met 6 mm buitendiameter	1	595=010=000
Warmtewisselaar, maximaal 4 kanalen	1	8368900
Upgradekit kationen	1	8371200
Netsnoer, Noord-Amerikaans	1	9179700
Upgradekit 1 kanaal naar 4-kanalen	1	8365100
Upgradekit 2 kanaal naar 4-kanalen	1	8365000
Upgradekit voor automatische kalibratie	1	8368000
Slangadapter, 6 mm buitendiameter naar ¼-inch buitendiameter	2	09245=A=8300

Indholdsfortegnelse

- | | |
|--|--|
| 1 Sikkerhedsoplysninger på side 221 | 4 Fejlsøgning på side 235 |
| 2 Viser de aktive fejl, advarsler og påmindelser på side 221 | 5 Diagnostik på side 241 |
| 3 Vedligeholdelse på side 221 | 6 Reserve dele og tilbehør på side 244 |

Sektion 1 Sikkerhedsoplysninger

Se installationsvejledningen for generelle sikkerhedsoplysninger, beskrivelser af farlige situationer og beskrivelser af sikkerhedsetiketter.

Sektion 2 Viser de aktive fejl, advarsler og påmindelser

Displayets baggrund og statusindikatorlampen skifter til rød, når der opstår en fejl, eller til gul, når der vises en advarsel.

- **Fejl** – displayets baggrund og statusindikatorlampen lyser rødt. Der er opstået et alvorligt problem, som påvirker instrumentets funktion. Den aktuelle måling stopper, og analysatoren går i nedlukningstilstand.
- **Advarsel** – displayets baggrund og statusindikatorlampen lyser gult. Der er opstået en hændelse, som kan forårsage et fremtidigt problem. Analysatoren fortsætter driften.
- **Påmindelser** – der vises et skruetrækkersymbol i displayet, og statusindikatorlampen lyser gult. Tidspunktet for vedligeholdelse er overskredet.

Udfør følgende trin for at få vist de aktive fejl, advarsler og påmindelser:

BEMÆRK: Tryk på **diag**, og vælg derefter **ANALYSATORHJÆLP** for at se alle eventuelle fejl, advarsler og påmindelser og deres hjælpeoplysninger.

1. Tryk på **diag**, og vælg derefter **DIAGNOSTIERING**. Alle aktive fejl, advarsler og påmindelser vises.
2. Vælg en fejl, advarsel eller påmindelse fra listen.
3. Vælg en funktion.

Indstilling	Beskrivelse
ANERKEND	Anerkender den valgte fejl, advarsel eller påmindelse. Når alle aktive fejl, advarsler og påmindelser er anerkendt, skifter displayets baggrund tilbage til hvid, og statusindikatorlampen skifter tilbage til grøn.
SE HJÆLP	Viser hjælpeoplysninger om den valgte fejl, advarsel eller påmindelse.

Sektion 3 Vedligeholdelse

▲ FARE	
	Flere risici. Kun kvalificeret personale må udføre de opgaver, som er beskrevet i dette afsnit i dokumentet.

3.1 Vedligeholdelsesplan

Tabel 1 viser den anbefalede plan for vedligeholdelse. Anlæggets krav og driftsforhold kan øge frekvensen for visse vedligeholdelsesopgaver.

Tabel 1 Vedligeholdelsesplan

Opgave	hver 3. måned	Efter behov
Udskiftning af kalibrerings- og reaktiveringsvæsker på side 222	X	
Udskiftning af konditioneringsvæske på side 224	X	
Udskiftning af KCl-elektrolyt på side 226	X	
Udskiftning af en indgangssikring på side 228		X

3.2 Rengør instrumentet

BEMÆRKNING

Brug aldrig rengøringsmidler som f.eks. terpentin, acetone eller lignende produkter til at rengøre instrumentet, herunder displayet og tilbehøret.

Rengør instrumentets ydre med en fugtig klud og en mild sæbeopløsning.

3.3 Rengøring af spild

▲ FORSIGTIG



Fare for eksponering for kemiske stoffer. Bortskaf kemikalier og affald i overensstemmelse med lokale, regionale og nationale bestemmelser.

1. Følg alle facilitetens sikkerhedsprotokoller for spildkontrol.
2. Bortskaf spildet i overensstemmelse med gældende bestemmelser.

3.4 Udskiftning af kalibrerings- og reaktiveringsvæsker

▲ FORSIGTIG



Fare for eksponering for kemiske stoffer. Overhold laboratoriets sikkerhedsprocedurer, og bær alt det personlige beskyttelsesudstyr, der er nødvendigt for at beskytte dig mod de kemikalier, du bruger. Se de aktuelle sikkerhedsdataark (MSDS/SDS) for sikkerhedsprotokoller.

▲ FORSIGTIG



Fare for eksponering for kemiske stoffer. Bortskaf kemikalier og affald i overensstemmelse med lokale, regionale og nationale bestemmelser.

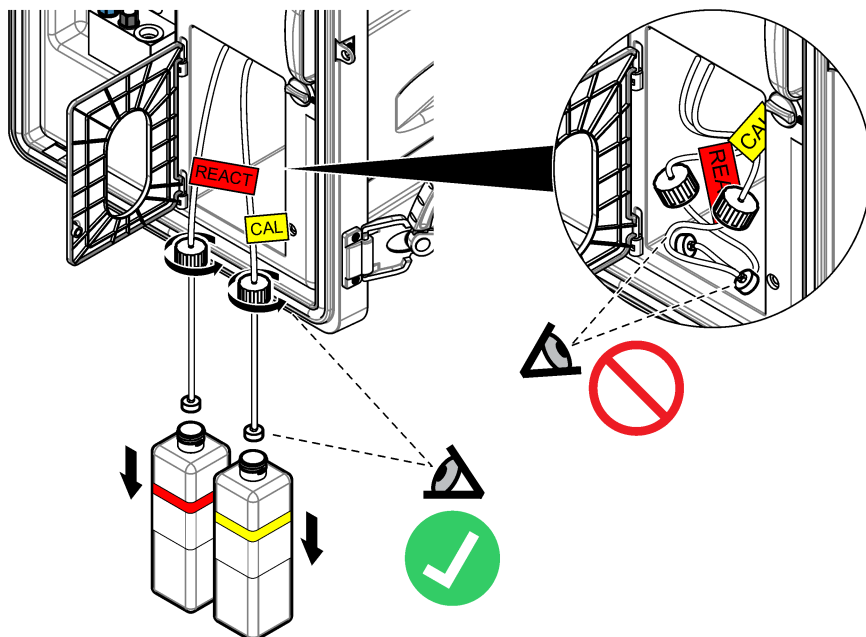
Udskift reaktiveringsvæske og kalibreringsvæske med 3 måneders intervaller, eller når beholderne er mindre end 10 % fyldt.

Leveres af brugeren:

- Personlige værnemidler (se MSDS/SDS)
- 0,5 M natriumnitrat (NaNO_3), 500 ml
- 10 ppm natriumkloridstandard (NaCl), 500 ml
- Demineraliseret vand, 100 ml

1. Tag de personlige værnemidler på, der er angivet i sikkerhedsdatabladet (MSDS/SDS).
2. Tryk på **menu**, og vælg derefter STOP ANALYSATOR
BEMÆRK: Hvis der vises START ANALYSATOR, er analysatoren allerede i standbytilstand.
3. Udskift reaktiveringsvæske og kalibreringsvæske på følgende måde:
 - a. Tag reaktiverings- og kalibreringsflaskerne ud af analysatoren. Se [Figur 1](#).
BEMÆRK: Kun analysatorer med den automatiske kalibreringsfunktion har en kalibreringsflaske.
 - b. Kassér væske i flaskerne i et egnet udløb.
 - c. Skyl flaskerne med demineraliseret vand.
 - d. Fyld kalibreringsflasken med endnu 10 ppm natriumkloridvæske (NaCl) (500 ml).
 Kalibreringsflasken har en etiket med en gul stribe.
BEMÆRK: Se i betjeningsvejledningen, hvordan man klargør 10 ppm natriumkloridvæske (NaCl).
 - e. Fyld reaktiveringsflasken med 0,5 M natriumnitratvæske (NaNO₃) (500 ml).
 Kalibreringsflasken har en etiket med en rød stribe.
BEMÆRK: Se i betjeningsvejledningen, hvordan man klargør 0,5 M natriumnitratvæske (NaNO₃).
 - f. Sæt flaskerne ind i analysatoren. Kontroller, at slangen med en rød "REAKT"-etiket sættes i flasken, der har en etiket med en rød stribe.
 Kontroller, at slangen med en gul "KAL"-etiket sættes i flasken, der har en etiket med en gul stribe.
4. Indtast væskenniveauet:
 - a. Tryk på **menu**, og vælg derefter REAGENSER/STANDARDER
 - b. Vælg INDSTIL REAKTNIVEAU, og indtast derefter 100 %.
 - c. Vælg INDSTIL STANDARDNIVEAU, og indtast derefter 100 %.
5. Vælg PRIME REAGENSER.
6. Når trinnet Prime reagenser er fuldført, trykkes der på **menuen**, og vælg derefter START ANALYSATOR.

Figur 1 Tag flaskerne ud



3.5 Udskiftning af konditioneringsvæske

⚠ ADVARSEL



Risiko ved indånding. Indånd ikke Diisopropylamin (DIPA) eller ammoniakdampe. Eksponering kan resultere i alvorlig personskade eller dødsfald.



⚠ ADVARSEL



Fare for eksponering for kemiske stoffer. Diisopropylamin (DIPA) og ammoniak er brandfarlige, ætsende og giftige kemikalier. Eksponering kan resultere i alvorlig personskade eller dødsfald.



⚠ ADVARSEL



Fare for eksponering for kemiske stoffer. Overhold laboratoriets sikkerhedsprocedurer, og bær alt det personlige beskyttelsesudstyr, der er nødvendigt for at beskytte dig mod de kemikalier, du bruger. Læs sikkerhedsdatabladet fra leverandøren, før flaskerne fyldes op eller reagenserne gøres klar. Kun til laboratoriebrug. Sørg for, at oplysninger om farer bliver bekendtgjort i overensstemmelse med lovgivningen i det område, hvor brugeren arbejder.

⚠ FORSIGTIG



Fare for eksponering for kemiske stoffer. Bortskaf kemikalier og affald i overensstemmelse med lokale, regionale og nationale bestemmelser.

Udskift konditioneringsvæsken med 3 måneders intervaller, eller når beholderne er mindre end 10 % fyldt. Brug DIPA (anbefales) eller ammoniak (mere end 28 %) til konditioneringsvæsken.

Leveres af brugeren:

- Personlige værnemidler (se MSDS/SDS)
- Diisopropylamin (DIPA) 99 %, 1 l flaske
- Flaskeadapter til Merck eller Orion DIPA-flasker, hvis relevant

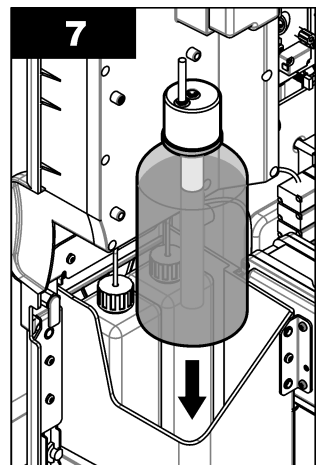
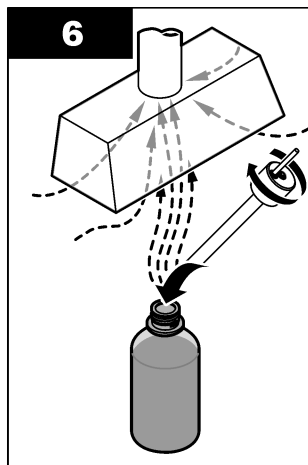
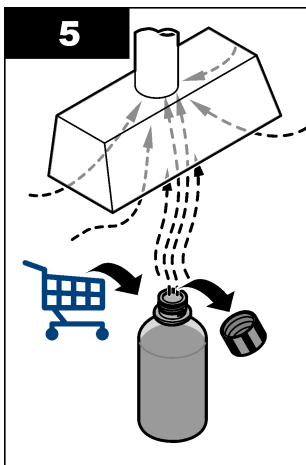
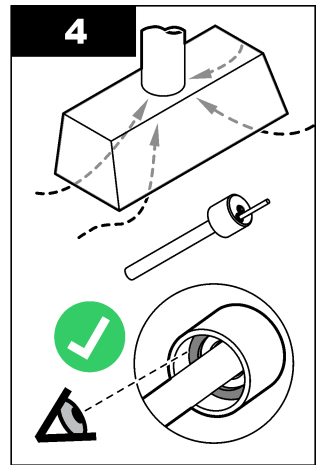
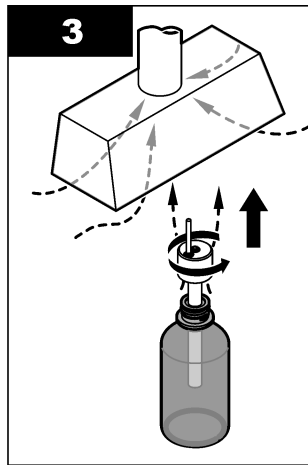
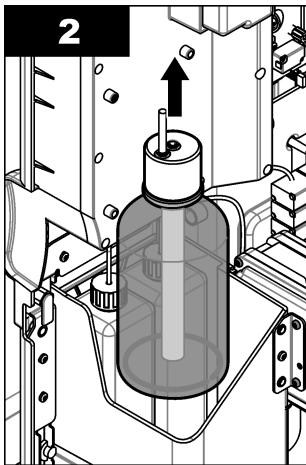
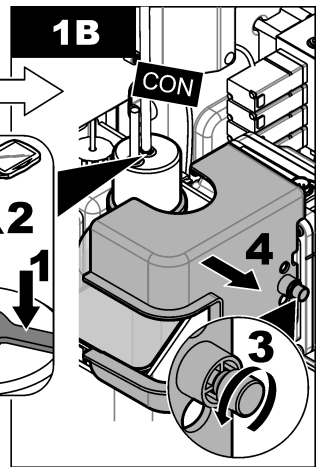
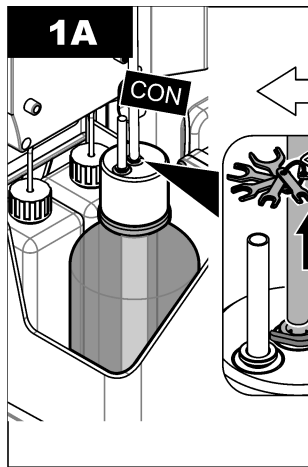
Udskift konditioneringsflasken på følgende måde:

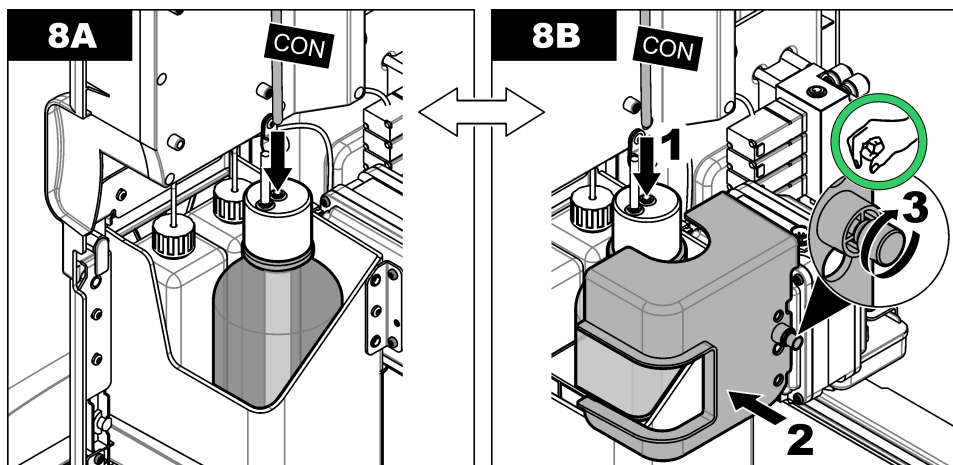
1. Tag de personlige værnemidler på, der er angivet i sikkerhedsdatabladet (MSDS/SDS).
2. Tryk på **menu**, og vælg derefter STOP ANALYSATOR
BEMÆRK: Hvis der vises START ANALYSATOR, er analysatoren allerede i standbytilstand.
3. Drej skydelåsen på analysepanelet til ulåst position. Åbn analysepanelet.
4. Udskift konditioneringsflasken. Se de efterfølgende illustrerede trin.

BEMÆRK: Analysatorer med kationisk pumpe (ekstraudstyr) har to slanger, der går ned gennem konditioneringsflaskens låg. Fjern begge slanger.

BEMÆRK: I de viste trin 1 og 8 har kun analysatorer uden et kabinet en konditioneringsflaskesholder.

Udfør de illustrerede trin 3 -6 under et stinkskab, hvis et sådant er til rådighed. Indånd ikke DIPA eller ammoniakdampe.





5. På analysatorer med en kationisk pumpe (ekstraudstyr) føres udløbsslangen fra den kationiske pumpe tilbage i det hul i låget, som ikke er placeret i midten.
6. Luk analysepanelet. Drej skydelåsen på analysepanelet til låst position.
7. Fyld flasken op til følgende niveau:
 - a. Tryk på **menu**, og vælg derefter REAGENSER/STANDARDER
 - b. Vælg INDSTIL KONDNIVEAU, og indtast derefter 100 %.
8. Tryk på **menu**, og vælg derefter START ANALYSATOR

3.6 Udskiftning af KCl-elektrolyt

▲ FORSIGTIG



Fare for eksponering for kemiske stoffer. Overhold laboratoriets sikkerhedsprocedurer, og bær alt det personlige beskyttelsesudstyr, der er nødvendigt for at beskytte dig mod de kemikalier, du bruger. Se de aktuelle sikkerhedsdataark (MSDS/SDS) for sikkerhedsprotokoller.

▲ FORSIGTIG



Fare for eksponering for kemiske stoffer. Bortskaf kemikalier og affald i overensstemmelse med lokale, regionale og nationale bestemmelser.

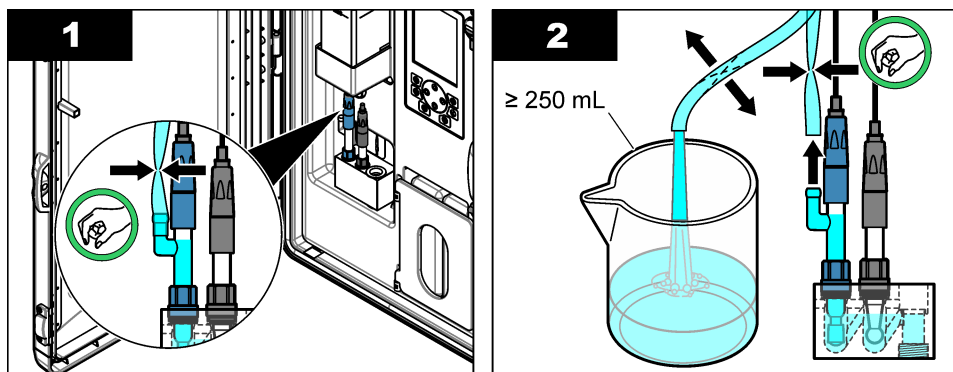
Udskift KCl-elektrolytten i KCl-elektrolytbeholderen med 3 måneders mellemrum.

Følgende skal anvendes:

- Personlige værnemidler (se MSDS/SDS)
- 3 M KCl-elektrolyt, 200 ml
- Lille beholder, 250 ml eller større

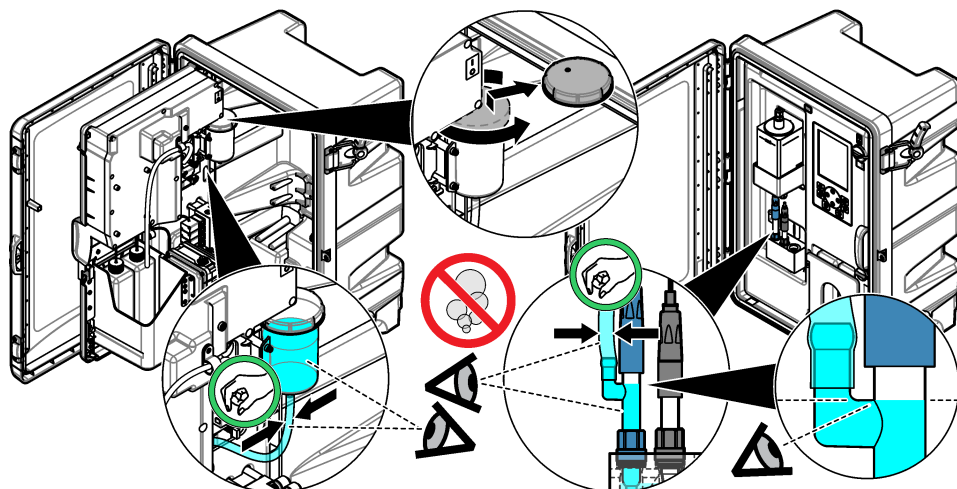
Udskift KCl-elektrolyt på følgende måde:

1. Tag de personlige værnemidler på, der er angivet i sikkerhedsdatabladet (MSDS/SDS).
2. Dræn KCl-elektrolytbeholderens indhold ned i den lille beholder. Se de efterfølgende illustrerede trin. Kassér KCl-elektrolytten i et egnet udløb.



3. Sæt KCl-elektrolytslangen tilbage på referenceelektroden.
4. Fyld KCl-elektrolytbeholderen på følgende måde:
 - a. Drej skydelåsen på analysepanelet til ulåst position. Åbn analysepanelet.
 - b. Tag låget af KCl-elektrolytbeholderen. Se [Figur 2](#).
 - c. Fyld beholderen 90 % (ca. 200 ml).
 - d. Sæt låget på.
5. Pres luftbobler ud af KCl-elektrolytslangen på følgende måde:
 - a. Fra forsiden af analysepanelet klemmes KCl-elektrolytslangen sammen med tommel- og pegefingre for at trykke luftbobler op i slangen til beholderen. Se [Figur 2](#).
 - b. Når en luftboble er tæt på beholderen, bruges to hænder til at trykke slangen sammen foran og bag på analysepanelet for at trykke luftboblen op.
 - c. Fortsæt med at klemme på slangen, indtil KCl-elektrolytten i referenceelektroden er øverst i glasforgreningen, hvor KCl-elektrolytten kommer ind i elektroden. Se [Figur 2](#).
6. Luk analysepanelet. Drej skydelåsen på analysepanelet til låst position.
7. Fyld flasken op til følgende niveau:
 - a. Tryk på **mønu**, og vælg derefter REAGENSER/STANDARDER
 - b. Vælg INDSTIL KCL-NIVEAU, og indtast derefter 100 %.

Figur 2 Fyld KCl-elektrolytbeholderen



3.7 Udskiftning af en indgangssikring

⚠ FARE



Risiko for livsfarlige elektriske stød. Frakobl strømmen fra instrumentet, før du starter denne procedure.

⚠ FARE



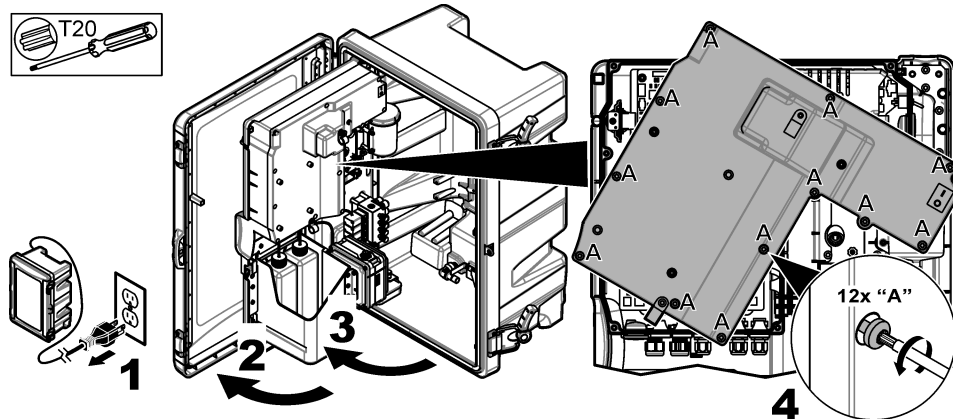
Brandfare. Brug samme type sikringer med samme strømklassificering, når du udskifter sikringer.

Undersøg sikringerne. Udskift eventuelt brudte sikringer med nye sikringer.

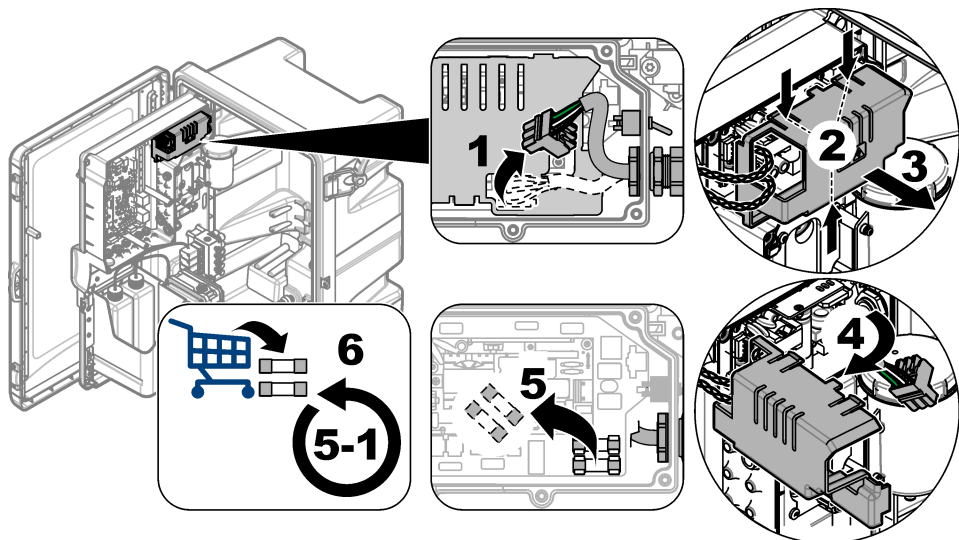
Komponent leveret af brugeren: T 1,6 A, 250 V AC sikring

1. Tag strømkablet ud af stikkontakten.
2. Afmonter adgangsdækslet til de elektriske komponenter. Se de illustrerede trin i [Figur 3](#).
3. Udskift sikringen. Se de illustrerede trin i [Figur 4](#)
4. Monter adgangsdækslet til de elektriske komponenter. Spænd alle skrueene for at bibeholde kabinetets miljøkapslingsklasse.
5. Luk analysepanelet. Drej skydelåsen på analysepanelet til låst position.
6. Tilslut ledningen til en stikkontakt.
7. Tryk på **menu**, og vælg derefter **START ANALYSATOR**

Figur 3 Afmontering af adgangsdækslet til de elektriske komponenter.



Figur 4 Udskiftning af strømsikringer



3.8 Klargøring af analysatoren til en kortvarig nedlukning

Klargør analysatoren til en kortvarig nedlukning (2 dage til 1 uge) på følgende måde:

Komponenter leveret af brugeren: Klemmesaks

1. Tryk på **mønu**, og vælg derefter STOP ANALYSATOR

BEMÆRK: Hvis der vises START ANALYSATOR, er analysatoren allerede i standbytilstand.

2. Fastgør klemmesaksen (metal eller plast) til enden af KCl-elektrolytslangen for at stoppe strømmen af KCl-elektrolyt til referenceelektroden.

BEMÆRK: Når analysatoren er i standbytilstand eller slukket, fortsætter KCl-elektrolytten med at strømme ud af referenceelektroden. KCl-elektrolytten fylder langsomt målecellens venstre kammer op og kommer ud via toppen af det venstre kammer.

3. Luk lukkeventilerne i prøvelinjerne.

4. Hvis strømmen til analysatoren skal slukkes, tilsættes reaktiveringsvæske i målecellens midterste kammer for at undgå at beskadige natriumelektroden.

BEMÆRK: Efter 4 timer i standbytilstand tilsætter analysatoren automatisk reaktiveringsvæske i målecellens midterste kammer.

3.9 Klargøring af analysatoren til en langvarig nedlukning

▲ ADVARSEL



Fare for eksponering for kemiske stoffer. Overhold laboratoriets sikkerhedsprocedurer, og bær alt det personlige beskyttelsesudstyr, der er nødvendigt for at beskytte dig mod de kemikalier, du bruger. Læs sikkerhedsdatabladet fra leverandøren, før flaskerne fyldes op eller reagenserne gøres klar. Kun til laboratoriebrug. Sørg for, at oplysninger om farer bliver bekendtgjort i overensstemmelse med lovgivningen i det område, hvor brugeren arbejder.

▲ FORSIGTIG



Fare for eksponering for kemiske stoffer. Bortskaf kemikalier og affald i overensstemmelse med lokale, regionale og nationale bestemmelser.

Klargør analysatoren til en langvarig nedlukning (mere end 1 uge) på følgende måde:

Komponenter leveret af brugeren:

- Lille beholder, 250 ml eller større
- Demineraliseret vand, 1,5 l
- Ren, frugfri klud

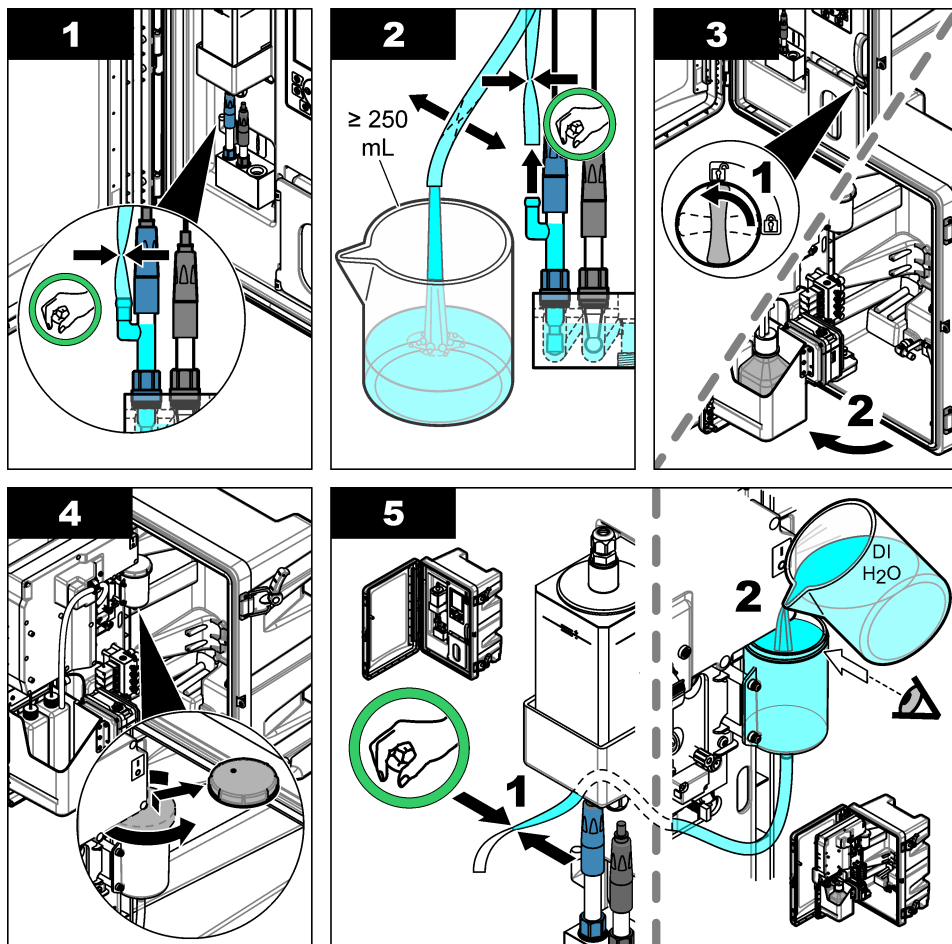
Følgende skal anvendes:

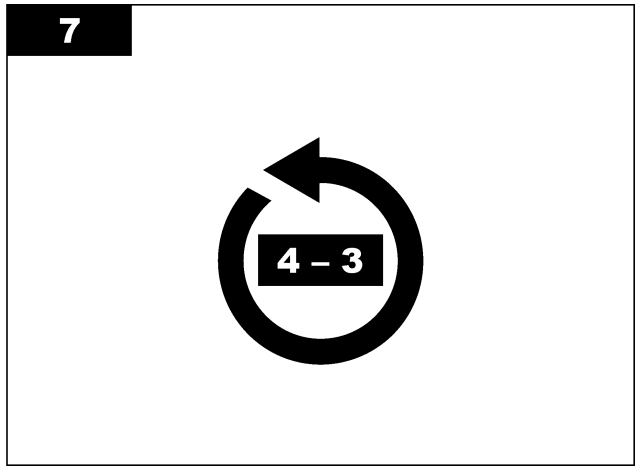
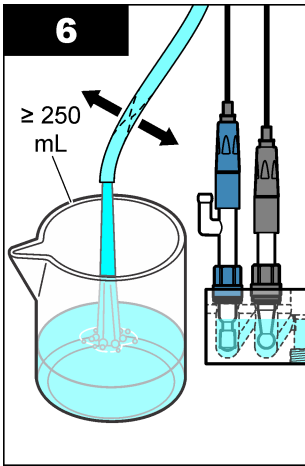
- Opbevaringsflasker til elektroder (2x)
- Beskyttelseshætter til elektroder (2x)
- Sort dæksel til referenceelektrodens glasdel

3.9.1 Tøm og skyl KCl-elektrolytbeholderen

Se de efterfølgende illustrerede trin.

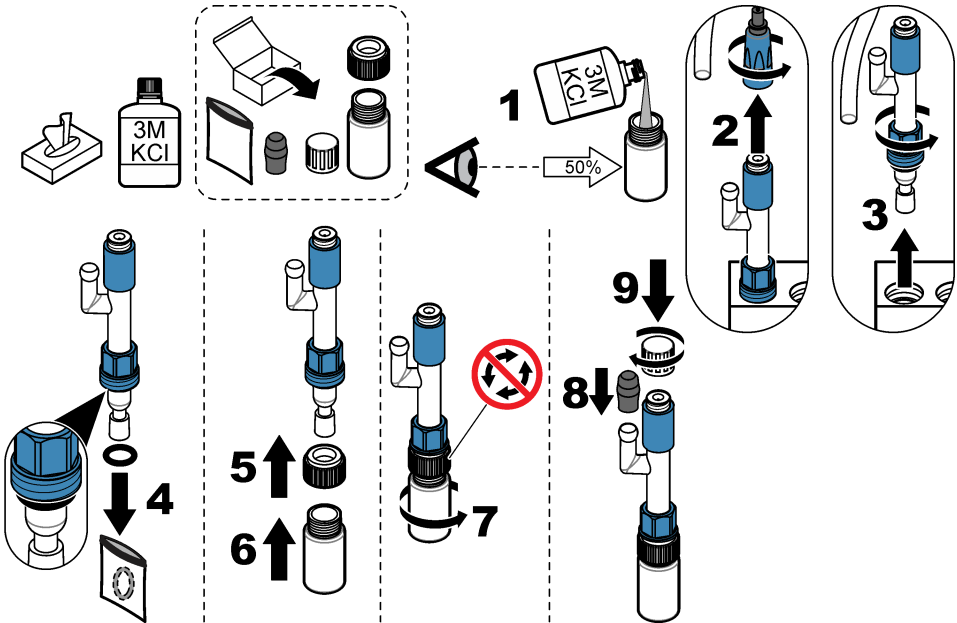
Tag de personlige værnemidler på, der er angivet i sikkerhedsdatabladet (MSDS/SDS).





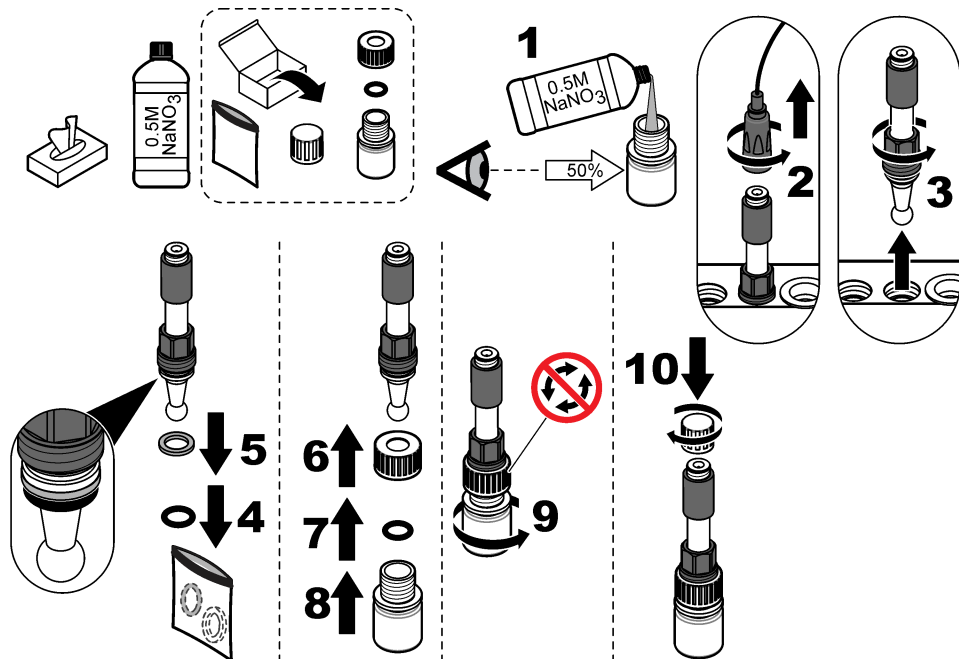
3.9.2 Afmontering af referenceelektroden

Se de efterfølgende illustrerede trin.



3.9.3 Afmontering af natriumelektroden

Se de efterfølgende illustrerede trin.



3.9.4 Frakobling af konditioneringsflasken

▲ ADVARSEL



Risiko ved indånding. Indånd ikke Diisopropylamin (DIPA) eller ammoniakdampe. Eksposering kan resultere i alvorlig personskade eller dødsfald.



▲ ADVARSEL

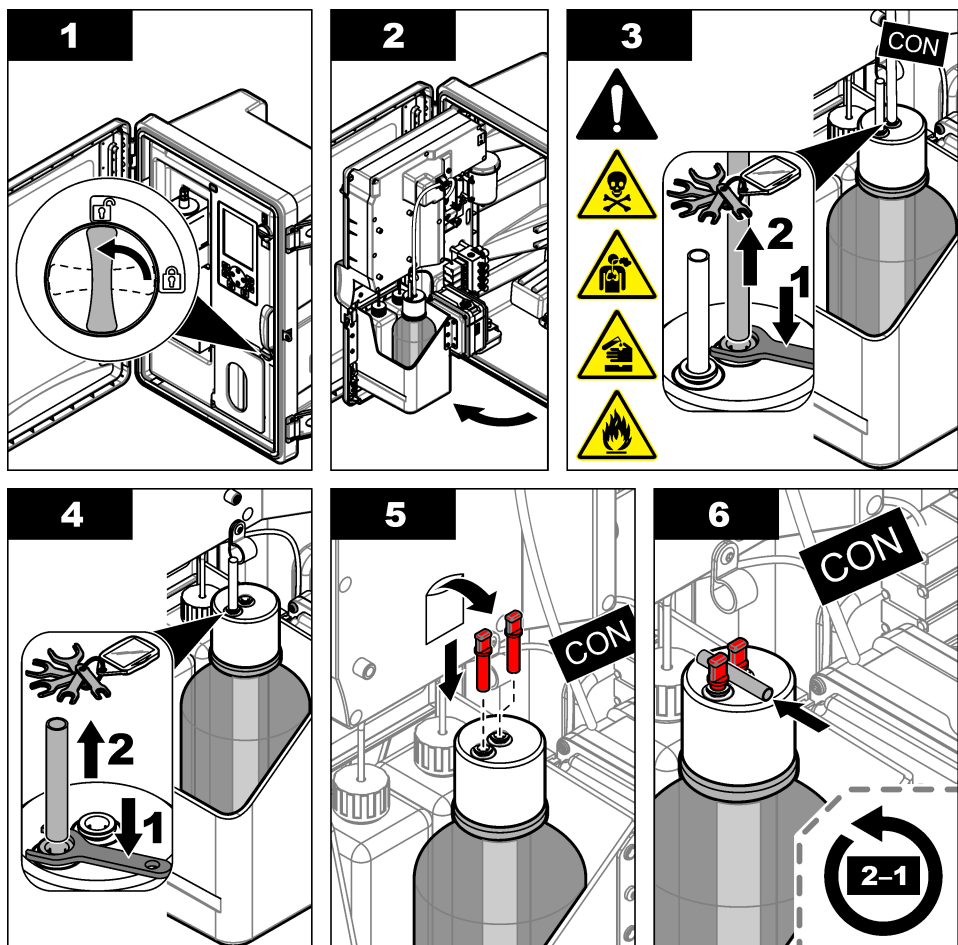


Fare for eksposering for kemiske stoffer. Diisopropylamin (DIPA) og ammoniak er brandfarlige, ætsende og giftige kemikalier. Eksposering kan resultere i alvorlig personskade eller dødsfald.



Se de efterfølgende illustrerede trin.

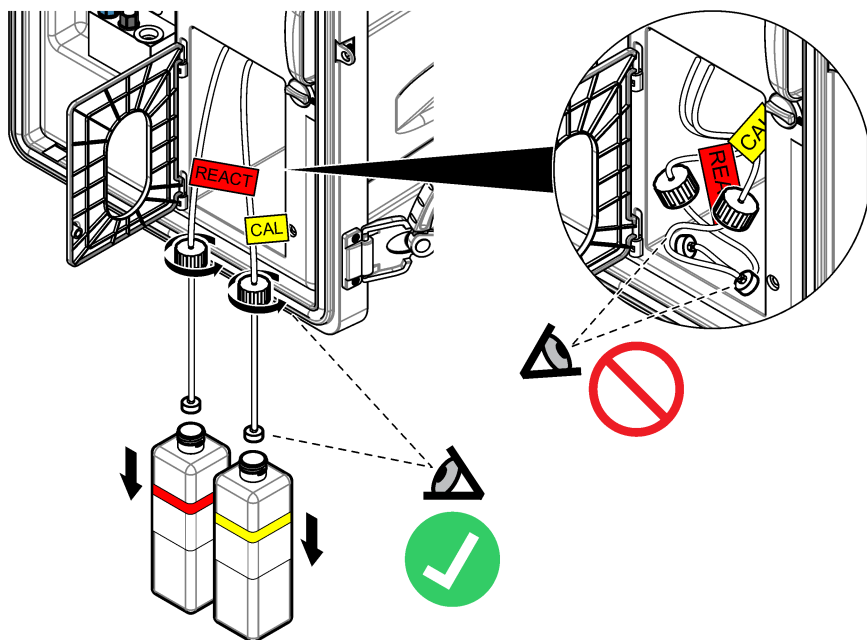
Tag de personlige værnemidler på, der er angivet i sikkerhedsdatabladet (MSDS/SDS).



3.9.5 Skyl reagensslangen

1. Tag de personlige værnemidler på, der er angivet i sikkerhedsdatabladet (MSDS/SDS).
2. Tag reaktiverings- og kalibreringsflaskerne ud af analysatoren. Se [Figur 5](#).
BEMÆRK: Kun analysatorer med den automatiske kalibreringsfunktion har en kalibreringsflaske.
3. Kassér væskerne i flaskerne i et egnet udløb.
4. Skyl og fyld derefter flaskerne halvt op med demineraliseret vand.
5. Sæt flaskerne ind i analysatoren.
6. Tryk på **menu**, og vælg derefter REAGENSER/STANDARDER > PRIME REAGENSER. Reagensslangerne skylles med demineraliseret vand.

Figur 5 Tag flaskerne ud



3.9.6 Tømning af overløbsbeholderen

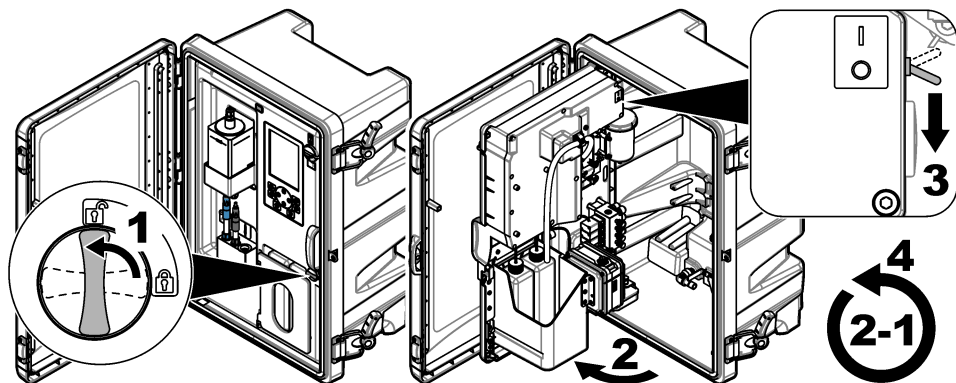
1. Tryk på **diag**, og vælg derefter UDFØR TEST, og tryk på **enter**.
2. Tryk på **enter** for at vælge JA.
3. Vælg PRØVEDRÆN, og tryk derefter på **enter**.
4. Indtast 150 sekunder.
5. Tryk to gange på **enter**.
6. Når overløbsbeholderen er tom, trykkes der på **tilbage**.
7. Tryk på **startside**.

3.9.7 Sluk for analysatoren

Afbryd strøm og prøve til analysatoren på følgende måde:

1. Indstil strømafbryderen til Off (slukket). Se [Figur 6](#).
2. Luk analysepanelet. Drej skydelåsen på analysepanelet til låst position.
3. Tag strømkablet ud af stikkontakten.
4. Luk lukkeventilerne i prøvelinjerne.
5. Brug en ren, fnugfri klud til at fjerne vand fra overløbsbeholderen.
6. Brug en ren, fnugfri klud til at fjerne vand fra målecellens venstre kammer og midterste kammer.

Figur 6 Sluk på afbryderkontakten



3.9.8 Kassér det demineraliserede vand i flaskerne

1. Tag reaktiverings- og kalibreringsflaskerne ud af analysatoren. Træk flaskens låg ned, så de hænger under analysatoren.
Lad ikke flaskens låg eller de indvendige slanger berøre analysatoren for at undgå forurening.
2. Kassér det demineraliserede vand i flaskerne.
3. Lad flaskerne lufttørre helt.
4. Sæt flaskerne ind i analysatoren.
5. Luk analysatorens dør.

Sektion 4 Fejlsøgning

Problem	Mulig årsag	Løsning
Statuslinjen vises ikke på målingsskærm billedet.	Den kanal, der vises på målingsskærm billedet er ikke den kanal, der måles.	Tryk på pil OP eller NED , indtil den kanal, der måles, vises på målingsskærm billedet.
En kanal vises ikke på målingsskærm billedet, når der trykkes på pile tasten OP eller NED .	Kanalen er ikke valgt i skærm indstillingerne.	Tryk på menu , og vælg derefter KONFIGURER SYSTEM > DISPLAY SETUP > ÆNDRE RÆKKEFØLGEN > SE AKTUEL RÆKKEFØLGE. Hvis kanalen ikke vises, skal du trykke på tilbage og derefter vælge TILFØJ MÅLINGER. Tryk på VENSTRE pile tast for at markere eller fjerne markeringen i et af krydsningsfelt.

Problem	Mulig årsag	Løsning
En kanal måles ikke.	Kanalen er ikke aktiveret.	Tryk på menu , og vælg derefter KONFIGURER SYSTEM > KONFIGURER ANALYSATOR > KONFIG SEKVENSSSTYRING > AKTIVER KANALER. Tilføj kanalen. Tryk på VENSTRE piletast for at markere eller fjerne markeringen i et afkrydsningsfelt.
	Kanalen indgår ikke i kanalmålesekvensen.	Tryk på menu , og vælg derefter KONFIGURER SYSTEM > KONFIGURER ANALYSATOR > KONFIG SEKVENSSSTYRING > SEKVENSKANALER. Tryk på pil OP og NED for at vælge en række, og tryk på VENSTRE eller HØJRE piletast for at vælge en kanal. S1 er den første kanal, der måles, efterfulgt af S2, S3 og S4. BEMÆRK: Undlad at vælge kanaler, der indeholder symbolet "~" (f.eks. 4~-SAMPLE4). Kanaler, der indeholder symbolet "~", måles ikke.
Advarslen "USTABIL AFLÆSNING" vises.	Skylletiden mellem kanalmålingerne er for kort.	Tryk på menu, og vælg derefter KONFIGURER SYSTEM > KONFIGURER ANALYSATOR > MÅLING > INDSTIL MÅLECYKLUS > MAKS CYKLUSTID eller CYKLUSTID. Forøg indstillingen MAKS CYKLUSTID eller CYKLUSTID for at øge skylletiden.
Advarslen "PRØVE MANGLER" vises.	Lukkeventilen på prøvestrømmen er lukket.	Drej lukkeventilen til åben position.
	Prøvelinjen er ikke tilsluttet korrekt.	Kontrollér, at prøvelinjen er tilsluttet korrekt. Se <i>Slangetilslutninger</i> i installationsvejledningen.
	Prøveflowventilen er lukket.	Start guiden Start. Tryk på menu , og vælg derefter KONFIGURER SYSTEM > START ANALYSATOR OP. Tryk på enter , indtil du bliver bedt om at justere prøveflowhastighed. Drej prøveflowventilen mod uret for at øge flowhastigheden til 6-9 l/time på hver kanal.
	Kanalens magnetventil fungerer ikke korrekt.	Tryk på diag , og vælg derefter UDFØR TEST > PRØVEDRÆN for at tømme overløbsbeholderen. Tryk på diag , og vælg derefter UDFØR TEST > PRØVELEVERING for at åbne prøveventilen. Hvis prøven ikke flyder ind i overløbsbeholderen, undersøg prøveventilens ledningsføring. Udskift prøveventilen, om nødvendigt.

Problem	Mulig årsag	Løsning
Advarslen "pH FOR LAV" vises.	Dækslet er fjernet fra målecellens højre kammer.	Monter dækslet til målecellens højre kammer.
	Konditioneringsflasken er mindre end 10 % fyldt eller tom.	Udskift konditioneringsvæsken. Se Udskiftning af konditioneringsvæske på side 224.
	Der er en lufttæthed i konditioneringsflaskens låg.	<ul style="list-style-type: none"> • Kontroller, at konditioneringsflaskens låg lukker tæt til. • Undersøg skiven i flaskens låg. Hvis der konstateres slid eller skader, udskiftes skiven. • Undersøg plastflangen på kanten af flasken. Hvis der konstateres slid eller skader, udskiftes konditioneringsflasken.
	Der er en lufttæthed i konditioneringslangerne.	Se efter en blokering eller lufttæthed i konditioneringslangerne. Udskift slangerne, om nødvendigt. BEMÆRK: <i>Konditioneringslangerne indeholder gas, ikke væske.</i>
	Konditioneringsventilen fungerer ikke korrekt.	Tryk på diag , og vælg derefter UDFØR TEST > KONDITIONERINGSVENTIL for at åbne konditioneringsventilen. Hvis konditioneringsgas ikke ledes ind i målecellens højre kammer (ses som bobler), udskifte konditioneringsventilen.
Advarslen "KALIBRERINGSFEJL" vises.	Værdien af kalibreringsvæsken i indstillingerne for automatisk kalibrering er en anden end værdien på kalibreringsflasken.	Skift værdien af kalibreringsvæsken i kalibreringsmenuen til værdien på kalibreringsflasken. Se <i>Angiv indstillingerne for automatisk kalibrering</i> i driftshåndbogen.
	Kalibreringsflasken er tom.	Udskift kalibreringsvæsken. Se Udskiftning af kalibrerings- og reaktiveringsvæsker på side 222.
	Slangen med kalibreringsvæske er utæt eller blokeret.	Se efter en blokering eller utæthed i slangerne. Udskift slangerne om nødvendigt.
	Kalibreringsvæskepumpen fungerer ikke korrekt.	Tryk på diag , og vælg derefter UDFØR TEST > PRØVEDRÆN for at tømme overløbsbeholderen helt. Tryk på diag , og vælg derefter UDFØR TEST > KALSTD LEVERING for at starte kalibreringsvæskepumpen. Hvis kalibreringsvæske ikke ledes til overløbsbeholderen, udskiftes kalibreringsvæskepumpen.
	Omrørerstaven drejer ikke rundt. BEMÆRK: <i>Omrørerstaven drejer uregelmæssigt rundt.</i>	Tryk på diag , og vælg derefter UDFØR TEST > MIXER for at starte mixermotoren. Hvis omrørerstaven ikke bevæger sig, udskiftes mixermotoren.
	Omrørerstaven er ikke nede i overløbsbeholderen.	Kontroller, at omrørerstaven er nede i overløbsbeholderen.

Problem	Mulig årsag	Løsning
Advarslen "REAKTSPÆNDING LAV" vises.	Reaktiveringsflasken er tom.	Kontrollér, at enden af slangen med reaktiveringsvæske er nede i bunden af flasken. Udskift reaktiveringsvæsken. Se Udskiftning af kalibrerings- og reaktiveringsvæsker på side 222.
	Natriumelektroden fungerer ikke korrekt.	<ul style="list-style-type: none"> • Kontrollér, at natriumelektroden er monteret korrekt. Se installationsvejledningen • Kontroller, at der ikke er luft i natriumelektrodens glaskolbe.
	Referenceelektroden fungerer ikke korrekt.	<ul style="list-style-type: none"> • Fjern referenceelektroden fra målecellen. Løft kraven på glassdelen for at lade noget af KCl-elektrolytten løbe ud. Tryk kraven ned, og drej den mindre end 1/4 omgang for at låse kraven. Når kraven er låst, drejer den ikke rundt. Sæt referenceelektroden i målecellen. • Kontroller, at referenceelektroden er monteret korrekt. Se installationsvejledningen • Tryk på diag, og vælg derefter SENSORREAKTIVERING for at udføre en reaktivering og finde ud af, om problemet er løst.
	Slangen med reaktiveringsvæske er utæt eller blokeret.	Se efter en blokering eller utæthed i slangerne. Udskift slangerne, om nødvendigt.
	Reaktiveringsvæskkepumpen fungerer ikke korrekt.	Tryk på diag , og vælg derefter UDFØR TEST > REAKTIVÆSKELEVERING > HØJ for at indstille reaktiveringsvæskkepumpen til en høj flowhastighed. Hvis reaktiveringsvæsken ikke ledes til målecellens midterste kammer, udskiftes reaktiveringsvæskkepumpen.
Instrumentaffæsningerne er ikke stabile.	Analysatoren blev startet for mindre end 2 timer siden.	Lad analysatoren køre i 2 timer, så den kan blive stabil.
	Elektrodekablet/-kablerne er krydsforbundet på elektroderne.	Kobl kablet fra sensoren. Pres stikket helt ned på elektrodeforbindelsen, og stram stikket med fingrene.
	Elektrodekablerne er tilsluttet de forkerte elektroder.	Slut det blå kabel til referenceelektroden. Slut det sorte kabel til natriumelektroden.
	KCl-elektrolyttens flowhastighed er for høj.	Fjern referenceelektroden fra målecellen. Tryk kraven ned, og drej den mindre end 1/4 omgang for at låse kraven. Når kraven er låst, drejer den ikke rundt. Hvis kraven ikke er låst, løber KCl-elektrolyt for hurtigt fra referenceelektroden og ind i målecellen.

Problem	Mulig årsag	Løsning
Målingerne er ikke nøjagtige.	Analysatoren er ikke kalibreret.	Kalibrer analysatoren. Se <i>Udfør en kalibrering</i> i driftsvejledningen. Kalibrer analysatoren i 7-dages intervaller (ugentligt) for at opnå den største nøjagtighed.
	Automatisk reaktivering er deaktiveret, eller intervallet mellem reaktiveringer er mere end 24 timer.	Start en automatisk reaktivering. Tryk på diag , og vælg SENSORREAKTIVERING. BEMÆRK: Start automatisk reaktivering for at opnå den største nøjagtighed. Indstil intervallet til 24 timer. Se brugermanualen.
	Reaktiveringsflasken er tom.	Udskift reaktiveringsvæsken. Se Udskiftning af kalibrerings- og reaktiveringsvæsker på side 222.
	Slangen med reaktiveringsvæske er utæt eller blokeret.	Se efter en blokering eller utæthed i slangerne. Udskift slangerne om nødvendigt.
	Reaktiveringsvæskkepumpen fungerer ikke korrekt.	Tryk på diag , og vælg derefter UDFØR TEST > REAKTIVÆSKELEVERING > HØJ for at indstille reaktiveringsvæskkepumpen til en høj flowhastighed. Hvis reaktiveringsvæsken ikke ledes til målecensens midterste kammer, udskiftes reaktiveringsvæskkepumpen.
Omrørerstaven i overløbsbeholderen drejer ikke rundt.	Mixeren fungerer ikke korrekt. BEMÆRK: Omrørerstaven drejer uregelmæssigt rundt.	Tryk på diag , og vælg derefter UDFØR TEST > MIXER for at starte mixermotoren. Hvis omrørerstaven ikke bevæger sig, udskiftes mixermotoren.
KCl-elektrolytforbruget er for højt ¹ .	Kraven på referenceelektrodens glasdel er ikke låst.	Afmonter referenceelektroden. Pres kraven opad. Tryk kraven ned, og drej den mindre end 1/4 omgang for at låse kraven. Se de illustrerede trin i <i>Montering af referenceelektroden</i> i installationsvejledningen. Når kraven er låst, drejer den ikke rundt. Hvis kraven ikke er låst, løber KCl-elektrolyt for hurtigt fra referenceelektroden og ind i målecellen.
KCl-elektrolytforbruget er for lavt ² .	Kraven på referenceelektrodens glasdel er ikke drejet tilstrækkeligt til at bryde forseglingen.	Afmonter referenceelektroden. Drej forsigtigt kraven for at bryde forseglingen. Hvis kraven drejer let, er forseglingen brudt. Se de illustrerede trin i <i>Montering af referenceelektroden</i> i installationsvejledningen. Tryk kraven ned, og drej den mindre end 1/4 omgang for at låse kraven. Når kraven er låst, drejer den ikke rundt. Hvis kraven ikke er låst, løber KCl-elektrolyt for hurtigt fra referenceelektroden og ind i målecellen.
En relæindikator på målingsskærm-billedet blinker.	Overindførselstimeren er udløbet.	Nulstil overindførselstimeren. Se Nulstiller tidsgrænsen til relæer på side 240. BEMÆRK: Overindførselstimerens indstilling er kun aktiveret, når relæfunktionen PROGFUNKTION er indstillet til FEEDER KONTROL.

¹ KCl-elektrolytforbruget er for højt, hvis niveauet i beholderen falder med mere end 3 mm (1/8") på to dage

² KCl-elektrolytforbruget er for lavt, hvis niveauet i beholderen falder med mindre end 1 mm på to dage

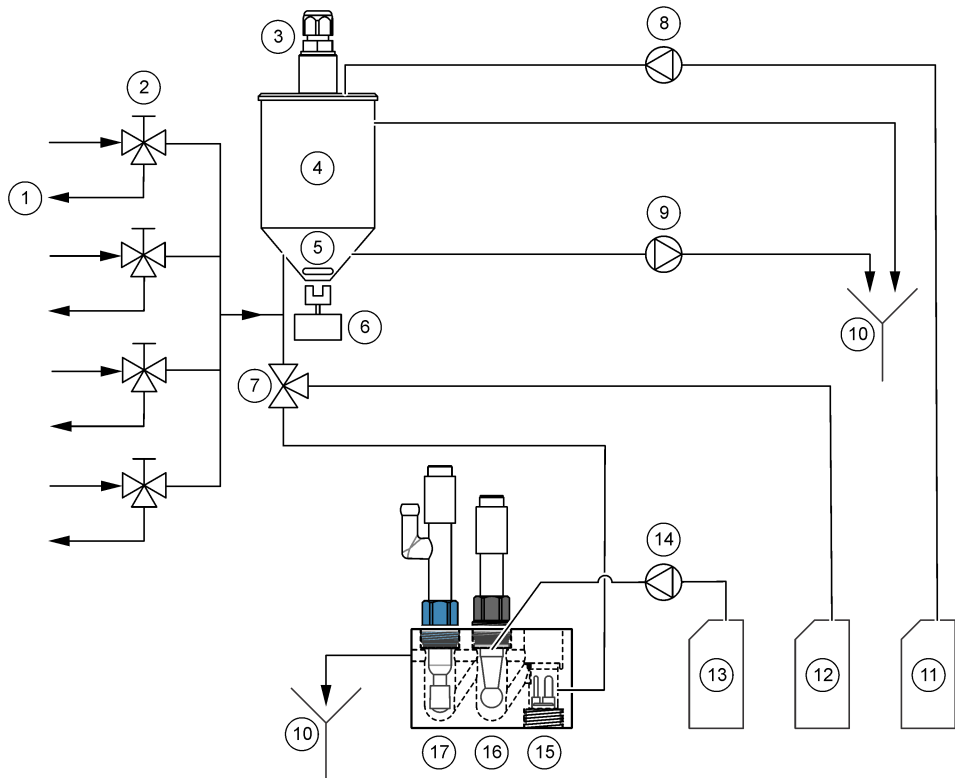
4.1 Nulstiller tidsgrænsen til relæer

Indstilling af tidsgrænsen for relæerne forhindrer at den målte værdi er højere end indstillingsværdien eller hysteresindstillingen (f.eks. beskadiget elektrode eller en procesforstyrrelse) og et relæ er permanent tændt. Tidsgrænsen begrænser, varigheden for at relæerne og deres tilsluttede kontrolelement forbliver tændt uafhængigt af forholdene.

Når det valgte tidsinterval for tidsgrænsen udløber, blinker relæets statusindikator øverst i højre hjørne på skærmen, indtil tidsgrænsen nulstilles. Tryk på **diag**, og vælg derefter SLET SIKKERHED for at nulstille tidsgrænsen.

Sektion 5 Diagnostik

5.1 Flowdiagram



1 Prøvens bypass-dræn	7 Konditioneringsventil	13 Reaktiveringsvæske
2 Prøveindløb	8 Kalibreringsvæskepumpe ³ .	14 Reaktiveringsvæskepumpe
3 Niveausensor	9 Drænpumpe	15 Temperatursensor
4 Overløbsbeholder	10 Afløb	16 Natriumelektrode
5 Omrørerstav	11 Kalibreringsvæske ³	17 Referenceelektrode
6 Mixermotor	12 Konditioneringsvæske	

5.2 Start en analysatorrest

Start en analysatorrest for at finde ud af, om statusindikatorlampen, mixermotoren, en pumpe eller en ventil fungerer korrekt.

³ Kun analysatorer med den automatiske kalibreringsfunktion har en kalibreringsvæskepumpe og kalibreringsvæske.

1. Tryk på **diag**, og vælg derefter UDFØR TEST.
2. Vælg en funktion.

Indstilling	Beskrivelse
REAKTVÆSKELEVERING	Starter reaktiveringsvæskepumpen. Reaktiveringsvæsken løber ind i målecellens midterste kammer. BEMÆRK: Målecellen er den gennemsigtige blok, hvor elektroderne er monteret.
PRØVELEVERING	Indstiller prøvens magnetventil til at åbne den valgte kanal. Prøven flyder ind i overløbsbeholderen. BEMÆRK: Hvis overløbsbeholderen er fyldt, ændres vandstanden i overløbsbeholderen ikke. Udfør testen PRØVEDRÆN for at tømme overløbsbeholderen.
KALSTD LEVERING	BEMÆRK: Funktionen KALSTD LEVERING er kun tilgængelig på analysatorer, der har den automatiske kalibreringsfunktion. Tænder for kalibreringsvæskepumpen. Kalibreringsvæsken flyder ind i overløbsbeholderen.
KONDITIONERINGSVENTIL	Indstiller konditioneringsventilen til at åbne. Konditioneringsgassen strømmer ind i målecellens højre kammer. BEMÆRK: Målecellen er den gennemsigtige blok, hvor elektroderne er monteret.
PRØVEDRÆN	Tænder for drænpumpen. Vandet i overløbsbeholderen løber ud gennem den kemiske drænslange.
MIXER	Tænder for mixermotoren. Omrørerstaven i overløbsbeholderen drejer rundt.
STATUS-LED	Får statusindikatorlampen til kontinuerligt at skifte mellem: gul, rød, grøn.
LUFTPUMPE	BEMÆRK: Funktionen LUFTPUMPE er kun tilgængelig, når den kationiske pumpe (ekstraudstyr) er monteret. Tænder for den kationiske pumpe. Den kationiske pumpe presser luft ind i konditioneringsvæskeflasken (DIPA). Se afsnittet <i>Produktoversigt</i> i installationsvejledningen for at identificere placeringen af den kationiske pumpe i analysatoren.
VÆLG SCRIPT	BEMÆRK: Funktionen VÆLG SCRIPT er kun beregnet til brug ved service. Indstiller analysatoren til at bruge det normale instrumentscript eller testscriptet.

5.3 Start en 4-20 mA udgangs- eller relætest

Start en 4-20 mA udgangs- eller relætest for at finde ud af, om en 4-20 mA udgangs- eller relæfunktion er korrekt.

1. Tryk på **diag**, og vælg UDGANGE.
2. Vælg en funktion.

Indstilling	Beskrivelse
TEST 4-20 mA	Indstiller signalet (mA) ved den valgte 4-20 mA udgang. Mål strømstyrken ved 4-20 mA udgangen med et multimeter.
RELÆ A	Tænder (aktiveret) eller slukker (ikke aktiveret) det valgte relæ. Mål modstanden igennem relæet med et multimeter for at finde ud af, om relæet er åbent eller lukket.

Indstilling	Beskrivelse
HOLD UDGANG	Holder udgangene på den sidste værdi eller indstiller dem til overførselsværdien. AKTIVERING – Vælg START for at holde udgangene på den sidste værdi eller indstille dem til overførselsværdien. Vælg AKTIV for at lade udgangene fungere normalt. SÆT OUTMODE – Vælg HOLD UDGANG for at holde udgangene på den sidste værdi. Vælg TRANSFER OUTPUTS for at indstille udgangen til overførselsværdien. Se i betjeningsvejledningen, hvordan udgangenes overførselsværdi indstilles. SÆT KANALER – Vælg ALLE for at vælge alle kanalerne. Vælg ANALYSATOR for at vælge alle kanalerne til den valgte analysator.
STATUS FOR OUTPUT	Viser signalerne (mA) ved 4-20 mA udgangene.
SIMULER MÅLING	Åbner en analysatorudlæsning på en valgt kanal for at udføre en udgangstest. Simuleringen stopper, når brugeren forlader skærbilledet. VÆLG KILDE – Vælger analysator. PARAMVÆLG – Vælger kanal. SÆT SIM VÆRDI – Indstiller analysatorens udlæsning.

5.4 Viser oplysninger om analysatoren.

Tryk på **menu**, og vælg derefter VIS DATA > ANALYSOR DATA. Se [Tabel 2](#).

Tabel 2 Beskrivelser af analysedata

Artikel	Beskrivelse
DATO TID	Aktuelt klokkeslæt (24-timers format) og dato angivet i indstillingerne
NAVN	Navn på analysator
TYPE	Analysatorstype
OMGIVN TEMP	Analysatorens omgivende temperatur
KONDITIONVÆSKENIVEAU	Væskestand i konditioneringsvæskeflasken
REAKTIVÆSKNIV	Væskestand i reaktiveringsvæskeflasken
STANDARDNIVEAU	Væskestand i kalibreringsvæskeflasken
KCL-NIVEAU	Væskestand i KCl-elektrolytbeholder
SIDSTE REAKTIVERING	Dato, hvor sidste automatiske genaktivering blev udført
SIDSTE KALIBRERING	Dato, hvor sidste kalibrering blev udført
SIDSTE SERVICE	Sidste servicedato
SOFTWAREVERS	Installeret softwareversion
DD-FIRMWARE	Installeret version af enhedsdriverens firmware
DD-INDHOLD	Version af enhedsdriverens dataindhold
SCRIPTVERSION	Version af scriptfilens biblioteksblok
SCRIPTINDHOLD	Version af biblioteksindholdets scriptfil
MEAS_CONTROL SW REV	Revision af den installerede målingskontrolsoftware
SERIENUMMER	Analysatorens serienummer

5.5 Visning af analysatorstatus og systemdata

Udfør følgende trin for at vise den aktuelle analysatorstatus, Modbus-status, systemdata eller I2C-data:

1. Tryk på **diag**.
2. Vælg en funktion.

Indstilling	Beskrivelse
AKTUEL STATUS	HANDLING – Aktuel måletilstand. PRØVEKANAL – Aktuel prøvekanal. TRINSTATUS – Aktuelt trin i målecyklussen. TRINTID – Resterende tid i trinnet. MIN TILBAGE – Antal minutter tilbage i det aktuelle trin. FULDFØRELSE – % gennemført af målecyklussen.
MODBUS STATIS	Viser status for Modbusporte: sensor, kontrolenhed, netværk og service. Viser antallet af gode og dårlige transmissioner.
SYSTEMDA	OMGIVN TEMP – Elementtemperatur målt i Celsius (C). STRØMFORSYNINGSFREKVEN s – Ledningens strømfrekvens (Hz). STRØMFORSYNINGSSPÆNDING – Strøm i linjen (AC). 12V SPÆNDING – Målt strømforsyningsspænding (V DC). 3,3 V SPÆNDING – Målt reguleret 3,3 V forsyning (V DC). 12V STRØM – Målt 12 V strømforsyningstyrke (ampere).
I2C-DATA	Viser kommunikationsoplysninger (I ² C) og versionsnummer.

5.6 Vis serviceoplysninger

Brug menuen Service til at vise eller angive instrumentdelenes servicehistorik.

1. Tryk på **diag**.
2. Vælg **SERVICE**.
3. Vælg en funktion.

Indstilling	Beskrivelse
FORBRUGSARTIKLER	Viser en liste over forbrugsartikler. Viser datoen for seneste udskiftning og antal dage, siden komponenten blev udskiftet. Nulstil tælleren efter en komponent er blevet udskiftet.
SERVICEDEL	BEMÆRK: Funktionen SERVICEDEL er kun beregnet til brug ved service. Viser en liste over komponenter og datoen for sidste service. Serviceteknikeren nulstiller tælleren, når en komponent er blevet udskiftet.
ÅRLIG VEDLIGEHOLDELSE	Viser datoen for sidste årlige vedligeholdelse, datoen for næste årlige vedligeholdelse og antal dage, før næste årlige vedligeholdelse skal udføres. Nulstil tælleren efter årlig vedligeholdelse.
REDIGER ELEKTRODE-SN	Registrerer elektrodernes serienumre.
SERVICEHISTORIK	Viser udførte vedligeholdelsesopgaver og datoen (f.eks. Udskift reaktiveringsvæsken). STARTTID – Viser data, der er registreret efter den valgte dato og klokkeslæt. ANTAL AFLÆSNINGER – Viser det valgte antal datapunkter.
AKTIVER POST	NEJ – Hardwarediagnosticering foretages ikke, når der sættes strøm til analysatoren. JA – Hardwarediagnosticering foretages, når der sættes strøm til analysatoren.

Sektion 6 Reservedele og tilbehør

▲ ADVARSEL



Fare for personskade. Anvendelse af ikke-godkendte dele kan medføre personskade, beskadigelse af instrumentet eller fejlfunktion af udstyret. Reservedelene i dette afsnit er godkendt af producenten.

BEMÆRK: Produkt- og varenumre kan variere i visse salgsregioner. Kontakt den relevante distributør, eller se virksomhedens webside for kontaklinformation.

Reagens- og standardvæsker

Beskrivelse	Mængde	Varenr.
3 M KCl-elektrolytvæske	250 mL	LZW9500.99
3 M KCl-elektrolytvæske	500 mL	363140.00500
Diisopropylamin (DIPA) 99 %	1 L	2834453
Natriumkloridstandard, 10 ppm	1 L	2835153
Natriumnitrat, 0,5 M	500 mL	2507149

Reserve dele

Beskrivelse	Mængde	Varenr.
Konditioneringsflaske med låg, tom	1	8352000
Skive, konditioneringsflaskens låg	1	8417200
Vinkelstykke, dræn, ½", polypropylen	1	6772800
Elektrode, reference	1	09240=C=0310
Elektrode, natrium	1	09240=C=0320
Sikring, 1,6 A, 250 V, 5x20 mm	1	5208300
Sikring, 5 A, 250 V, træg, 5x20 mm	1	4693800
Installationssæt, 1-kanals analysator, analysator med kabinet	1	8375400
Installationssæt, 2-kanals analysator, analysator med kabinet	1	8375300
Installationssæt, 4-kanals analysator, analysator med kabinet	1	8371500
Installationssæt, 1-kanals analysator, analysator uden kabinet	1	8375700
Installationssæt, 2-kanals analysator, analysator uden kabinet	1	8375600
Installationssæt, 4-kanals analysator, analysator uden kabinet	1	8375500
Mixermotor	1	8420000
Skruer til panelmontering, M6 x 20 rundhovedet, rustfrit stål, Torx	4	8415500
Værktøj til forboring af interne elektriske stik, metalrør, bruges sammen med 8379900	1	8380000
Værktøj til forboring af interne elektriske stik, metalplade, bruges sammen med 8380000	1	8379900
Trykregulator, 0,3 bar eller (4 psi), kan ikke justeres	1	6782900
Pumpe, kalibreringsvæske	1	8364300
Pumpe, dræn	1	8357400
Pumpe, reaktiveringsvæske	1	8364200
Lukkeventil, slange med 6 mm udvendig diameter	1	8385200
Omrørerstav	1	W_4510_001_FF
Trækafastningsfitting (kabelforskrning), PG9 4 mm til 8 mm	1	8356300
Trækafastningsfitting (kabelforskrning), NPT ½" 4 mm til 9 mm	1	8368400

Reserve dele (fortsat)

Beskrivelse	Mængde	Varenr.
Bordmonteringsbeslag	2	8370400
Skruer, bordmonteringsbeslag, #8 x ½ rustfrit stål, Torx	2	8412200
Slanger, kemiske dræn og beholderdræn, 17,5 mm (¹¹ / ₁₆ ") Ud v. diam. x 3,2 mm (¹ / ₈ ") tyk	2 m (6,5 fod)	LZX278
Prøveslange 6 x 4 mm.	5,5 m (18 fod)	6772500
Slangeskærer	1	8385400
Vægmonteringsbeslag	2	8364100
Skruer, vægmonteringsbeslag, M4 x 10, flade, rustfrit stål, Torx	2	8412500
Ventil, konditionering	1	8367600
Ventil, prøve	1	8370200

Tilbehør

Beskrivelse	Mængde	Varenr.
Flaskeadapter, DIPA-flaske, Merck	1	09073=C=0350
Flaskeadapter, DIPA-flaske, Orion	1	09073=C=0360
Filter, prøveindløb, 100 µm, slange ¼" udv. diam.	1	595=010=005
Filter, prøveindløb, 100 µm, slange 6 mm udv. diam.	1	595=010=000
Varmeveksler, 4-kanaler, maks.	1	8368900
Kationisk opgraderingskit	1	8371200
Strømledning, Nordamerika	1	9179700
1-kanals til 4-kanalers opgraderingskit	1	8365100
2-kanals til 4-kanalers opgraderingskit	1	8365000
Autokalibrering, opgraderingskit	1	8368000
Slangeadapter, 6 mm udv. diam. til ¼" udv. diam.	2	09245=A=8300

Spis treści

- | | | | | | |
|---|--|----------------|---|-----------------------------|----------------|
| 1 | Informacje dotyczące bezpieczeństwa | na stronie 247 | 4 | Rozwiązywanie problemów | na stronie 262 |
| 2 | Wyświetlanie aktywnych błędów, ostrzeżeń i przypomnień | na stronie 247 | 5 | Diagnostyka | na stronie 268 |
| 3 | Konserwacja | na stronie 247 | 6 | Części zamienne i akcesoria | na stronie 272 |

Rozdział 1 Informacje dotyczące bezpieczeństwa

Ogólne informacje dotyczące bezpieczeństwa, opis zagrożeń oraz opis etykiet ostrzegawczych można znaleźć w podręczniku instalacji.

Rozdział 2 Wyświetlanie aktywnych błędów, ostrzeżeń i przypomnień

Kolor tła wyświetlacza i wskaźnika stanu zmienia się na czerwony, gdy wystąpi błąd, lub na żółty, gdy pojawi się ostrzeżenie.

- **Błąd** — tło wyświetlacza i wskaźnik stanu w kolorze czerwonym. Wystąpił istotny problem, który wpływa na działanie urządzenia. Bieżący pomiar zostaje zatrzymany i analizator przechodzi w tryb wyłączenia.
- **Ostrzeżenie** — tło wyświetlacza i wskaźnik stanu w kolorze żółtym. Wystąpiło zdarzenie, które może powodować w przyszłości problem. Analizator działa nadal.
- **Przypomnienia** — symbol klucza na wyświetlaczu i wskaźnik stanu w kolorze żółtym. Minął termin konserwacji.

W celu wyświetlenia aktywnych błędów, ostrzeżeń i przypomnień należy wykonać następujące czynności:

Uwaga: Aby zostały wyświetlone wszystkie możliwe błędy, ostrzeżenia i przypomnienia oraz dotyczące ich instrukcje, należy nacisnąć **diag**, a następnie wybrać opcję **POMOC DOT. ANALIZAT.**

1. Nacisnąć **diag**DIAGNOSTYKA. Zostaną wyświetlone aktywne błędy, ostrzeżenia i przypomnienia.
2. Wybrać z listy błąd, ostrzeżenie lub przypomnienie.
3. Wybrać opcję.

Opcja	Opis
POTWIERDŹ	Potwierdza wybrany błąd, ostrzeżenie lub przypomnienie. Gdy wszystkie aktywne błędy, ostrzeżenia i przypomnienia zostaną potwierdzone, tło wyświetlacza stanie się białe, a wskaźnik stanu zielony.
WYŚWIETLAJ POMOC	Wyświetla instrukcje dotyczące wybranego błędu, ostrzeżenia lub przypomnienia.

Rozdział 3 Konserwacja

▲ NIEBEZPIECZEŃSTWO



Wiele zagrożeń. Tylko wykwalifikowany personel powinien przeprowadzać prace opisane w tym rozdziale niniejszego dokumentu.

3.1 Harmonogram konserwacji

Tabela 1 przedstawia zalecany harmonogram czynności konserwacyjnych. Wymagania obiektu i warunki pracy mogą zwiększyć częstotliwość niektórych zadań.

Tabela 1 Harmonogram konserwacji

Zadanie	co 3 miesiące	W razie potrzeby
Wymiana roztworu kalibracyjnego i roztworu reaktywacyjnego na stronie 248	X	
Wymiana roztworu kondycjonującego na stronie 250	X	
Wymiana elektrolitu KCl na stronie 253	X	
Wymiana bezpiecznika zasilania wejściowego na stronie 254		X

3.2 Czyszczenie urządzenia

POWIADOMIENIE

Do czyszczenia urządzenia, w tym wyświetlacza oraz wyposażenia pomocniczego, nigdy nie należy stosować takich środków czyszczących, jak terpentyna, aceton lub podobne produkty.

Zewnętrzne powierzchnie urządzenia czyścić wilgotną szmatką i łagodnym roztworem mydła.

3.3 Czyszczenie rozlań

▲ UWAGA



Narażenie na działanie substancji chemicznych. Usuwać substancje chemiczne i odpady zgodnie z przepisami lokalnymi, regionalnymi i państwowymi.

1. Należy stosować się do wszystkich zakładowych przepisów bezpieczeństwa w zakresie kontroli rozlań.
2. Odpady należy wyrzucać zgodnie z obowiązującymi przepisami.

3.4 Wymiana roztworu kalibracyjnego i roztworu reaktywacyjnego

▲ UWAGA



Narażenie na działanie substancji chemicznych. Stosować się do procedur bezpieczeństwa w laboratoriach i zakładać sprzęt ochrony osobistej, odpowiedni do używanych substancji chemicznych. Protokoły warunków bezpieczeństwa można znaleźć w aktualnych kartach charakterystyki (MSDS/SDS) materiałów.

▲ UWAGA



Narażenie na działanie substancji chemicznych. Usuwać substancje chemiczne i odpady zgodnie z przepisami lokalnymi, regionalnymi i państwowymi.

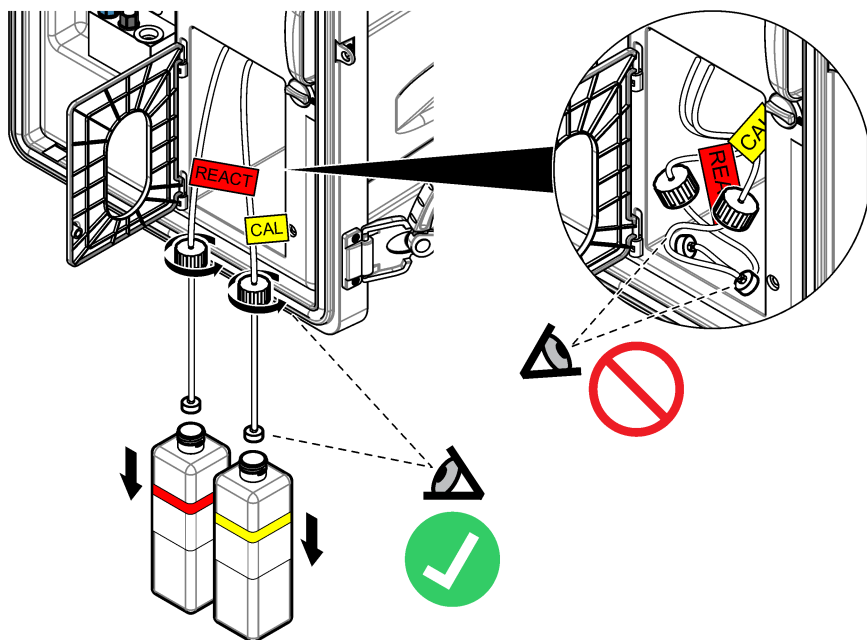
Roztwór kalibracyjny i reaktywacyjny należy wymieniać co 3 miesiące lub gdy poziom w butelce spadnie poniżej 10% jej pojemności.

Elementy zapewniane przez użytkownika:

- Środki ochrony osobistej (patrz MSDS/SDS)
- Azotan sodu (NaNO_3) 0,5 M, 500 mL
- Roztwór wzorcowy chlorku sodu 10 ppm (NaCl), 500 mL
- Woda dejonizowana, 100 mL

1. Należy stosować środki ochrony osobistej wymienione w karcie charakterystyki (MSDS/SDS).
2. Nacisnąć przycisk **menu**, a następnie wybrać opcję ZATRZYMAJ ANALIZATOR.
Uwaga: Wyświetlenie opcji URUCHOM ANALIZATOR oznacza, że analizator znajduje się już w trybie gotowości.
3. Wymienić roztwór kalibracyjny i reaktywacyjny, postępując w następujący sposób:
 - a. Wyjąć z analizatora butelki z roztworem reaktywacyjnym i roztworem kalibracyjnym. Patrz [Rysunek 1](#).
Uwaga: Tylko analizatory z opcją automatycznej kalibracji są wyposażone w butelkę z roztworem kalibracyjnym.
 - b. Wylać roztwory z butelek do odpowiedniego odpływu.
 - c. Przepłukać butelki wodą dejonizowaną.
 - d. Napełnić butelkę na roztwór kalibracyjny nowym roztworem chlorku sodu 10 ppm (NaCl) (500 mL). Na etykiecie butelki na roztwór kalibracyjny znajduje się żółty pasek.
Uwaga: Sposób przygotowania roztworu chlorku sodu 10 ppm (NaCl) jest opisany w instrukcji obsługi.
 - e. Napełnić butelkę na roztwór reaktywacyjny nowym roztworem azotanu sodu 0,5 M (NaNO₃) (500 mL). Na etykiecie butelki na roztwór reaktywacyjny znajduje się czerwony pasek.
Uwaga: Sposób przygotowania roztworu azotanu sodu 0,5 M (NaNO₃) jest opisany w instrukcji obsługi.
 - f. Włożyć butelki do analizatora. Sprawdzić, czy przewód z czerwoną etykietą „REACT” jest włożony do butelki z etykietą z czerwonym paskiem.
Sprawdzić, czy przewód z żółtą etykietą „CAL” jest włożony do butelki z etykietą z żółtym paskiem.
4. Wykonać następujące czynności, aby określić poziom w butelkach:
 - a. Nacisnąć przycisk **menu**, a następnie wybrać opcję ODCZYNNIKI/STANDARDY.
 - b. Wybrać opcję USTAW POZIOM REAKT., a następnie wprowadzić wartość 100%.
 - c. Wybrać opcję USTAW POZIOM WZORCA, a następnie wprowadzić wartość 100%.
5. Wybrać opcję NAPEŁNIJ ODCZ..
6. Po zakończeniu napełniania odczynnikami nacisnąć przycisk **menu**, a następnie wybrać opcję URUCHOM ANALIZATOR.

Rysunek 1 Wymowanie butelki



3.5 Wymiana roztworu kondycjonującego

⚠ OSTRZEŻENIE



Niebezpieczeństwo wdychania. Nie wdychać diizopropylaminy (DIPA) ani oparów amoniaku. Narażenie może prowadzić do poważnych obrażeń ciała lub zgonu.



⚠ OSTRZEŻENIE



Narażenie na działanie substancji chemicznych. Diizopropylaмина (DIPA) i amoniak to łatwopalne, korozyjne i toksyczne substancje chemiczne. Narażenie może prowadzić do poważnych obrażeń ciała lub zgonu.



⚠ OSTRZEŻENIE



Narażenie na działanie substancji chemicznych. Stosować się do procedur bezpieczeństwa w laboratoriach i zakładać sprzęt ochrony osobistej, zatwierdzony do używanych substancji chemicznych. Przed napełnieniem butelek lub przygotowaniem odczynników należy zapoznać się z kartą charakterystyki dostarczoną przez dostawcę. Wyłącznie do użytku laboratoryjnego. Informacje o zagrożeniach należy podawać do wiadomości zgodnie z lokalnymi przepisami użytkownika.

▲ UWAGA



Narażenie na działanie substancji chemicznych. Usuwać substancje chemiczne i odpady zgodnie z przepisami lokalnymi, regionalnymi i państwowymi.

Roztwór kondycjonujący należy wymieniać co 3 miesiące lub gdy poziom w butelce spadnie poniżej 10% jej pojemności. Roztworem kondycjonującym może być diizopropylaamina (zalecane) lub amoniak (co najmniej 28%).

Elementy zapewniane przez użytkownika:

- Środki ochrony osobistej (patrz MSDS/SDS)
- Diizopropylaamina (DIPA) 99%, butelka 1 L
- Adapter butelek do butelek z DIPA firmy Merck lub Orion, o ile dotyczy

Sposób wymiany butelki roztworu kondycjonującego jest następujący:

1. Należy stosować środki ochrony osobistej wymienione w karcie charakterystyki (MSDS/SDS).
2. Naciśnąć przycisk **menu**, a następnie wybrać opcję ZATRZYMAJ ANALIZATOR.

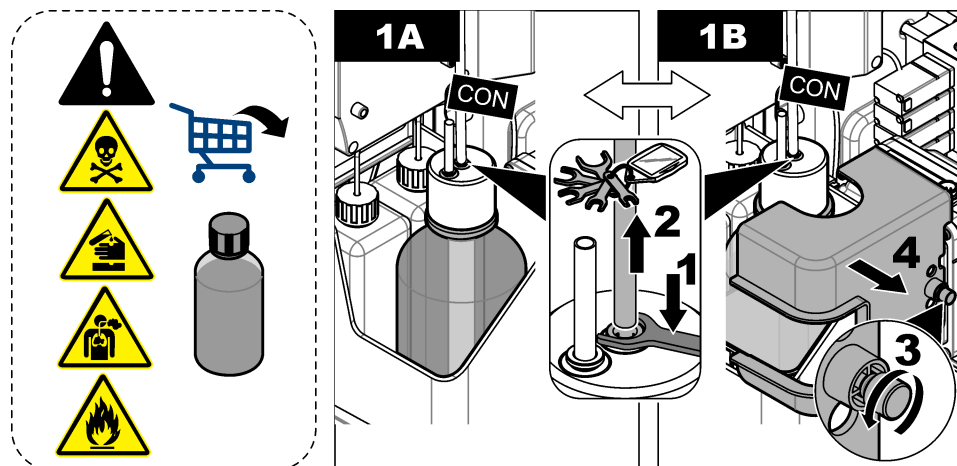
Uwaga: Wyświetlenie opcji URUCHOM ANALIZATOR oznacza, że analizator znajduje się już w trybie gotowości.

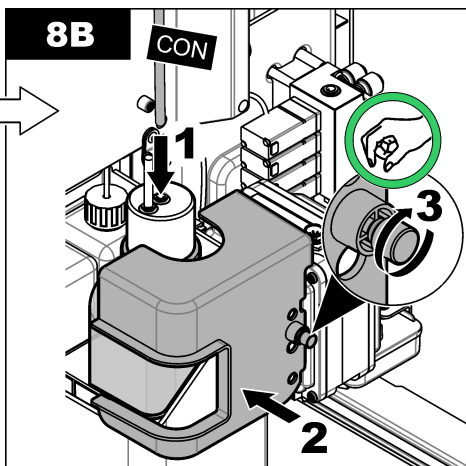
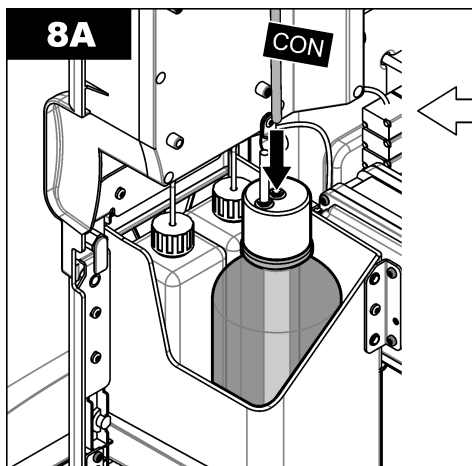
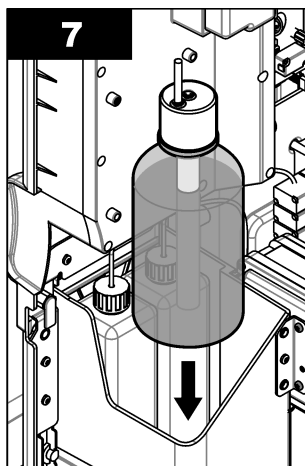
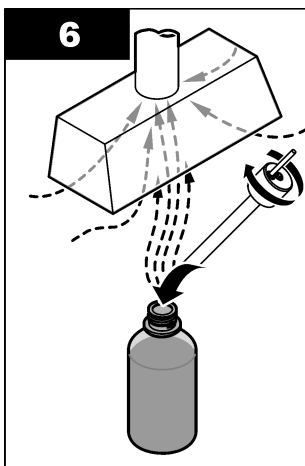
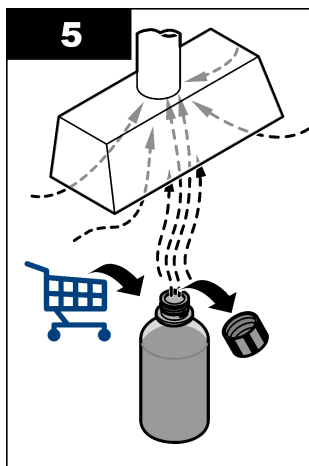
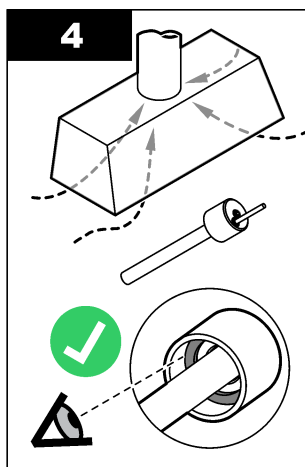
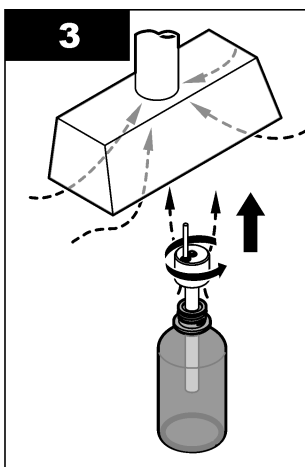
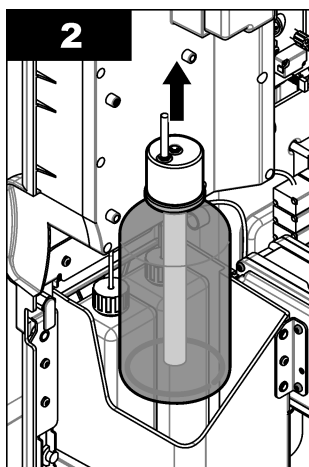
3. Przekręcić zatrzask na panelu analitycznym do pozycji odblokowanej. Otworzyć panel analityczny.
4. Wymienić butelkę z roztworem kondycjonującym. Instrukcje przedstawiono w ilustrowanych krokach poniżej.

Uwaga: W analizatorach z opcjonalną pompą kationową znajdują się dwa przewody wchodzące w zatyczkę butelki roztworu kondycjonującego. Wyjąć oba przewody.

Uwaga: W ilustrowanych krokach 1 i 8 tylko analizatory bez obudowy są wyposażone w uchwyt butelki roztworu kondycjonującego.



Ilustrowane kroki 3 - 6 należy wykonać w dygestorium, jeśli jest ono dostępne. Nie wdychać DIPA ani oparów amoniaku.





5. W przypadku analizatorów z opcjonalną pompą kationową należy przelożyć przewód wylotowy pompy kationowej z powrotem do nieśrodkowego otworu w zatyczce.
6. Zamknąć panel analizatora. Przekręcić zatrzask na panelu analitycznym do pozycji zablokowanej.
7. Wykonać następujące czynności, aby określić poziom w butelce:
 - a. Nacisnąć przycisk **menu**, a następnie wybrać opcję ODCZYNNIKI/STANDARDY.
 - b. Wybrać opcję USTAW POZIOM KONDYCJ., a następnie wprowadzić wartość 100%.
8. Nacisnąć przycisk **menu**, a następnie wybrać opcję URUCHOM ANALIZATOR.

3.6 Wymiana elektrolitu KCl

▲ UWAGA	
	Narażenie na działanie substancji chemicznych. Stosować się do procedur bezpieczeństwa w laboratoriach i zakładach sprzęt ochrony osobistej, odpowiedni do używanych substancji chemicznych. Protokoły warunków bezpieczeństwa można znaleźć w aktualnych kartach charakterystyki (MSDS/SDS) materiałów.
▲ UWAGA	
	Narażenie na działanie substancji chemicznych. Usuwać substancje chemiczne i odpady zgodnie z przepisami lokalnymi, regionalnymi i państwowymi.

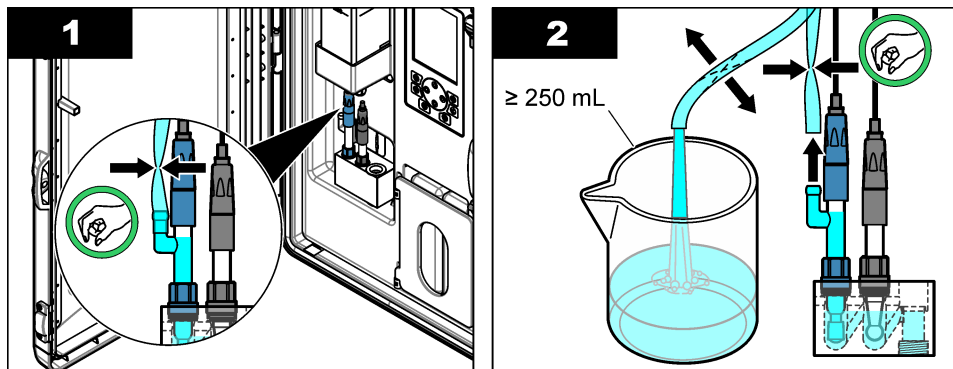
Zawartość zbiornika elektrolitu KCl należy wymieniać co 3 miesiące.

Co należy przygotować:

- Środki ochrony osobistej (patrz MSDS/SDS)
- Elektrolit KCl 3M, 200 mL
- Mały pojemnik, 250 mL lub większy

Wymienić elektrolit KCl w następujący sposób:

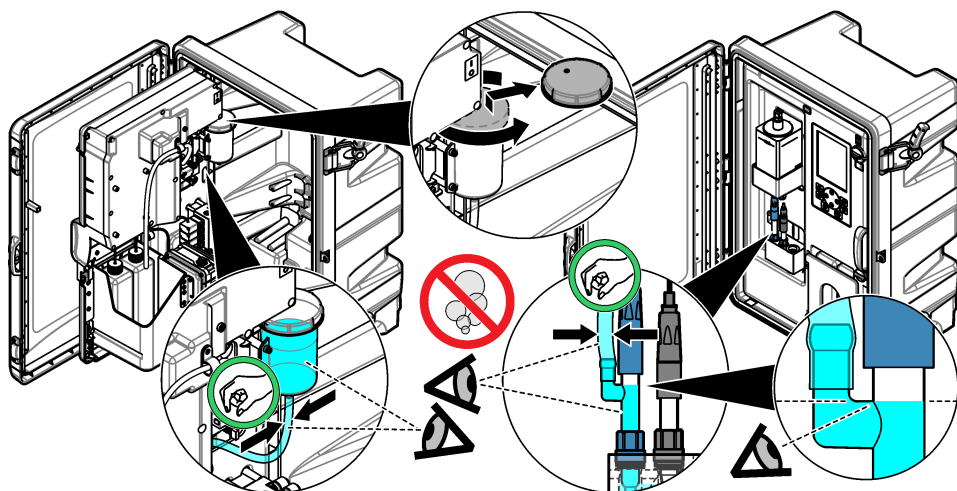
1. Należy stosować środki ochrony osobistej wymienione w karcie charakterystyki (MSDS/SDS).
2. Przełączyć zawartość zbiornika elektrolitu KCl do małego pojemnika. Sprawdzić listę kolejnych czynności na rysunku. Wylać elektrolit KCl do odpowiedniego odpływu.



3. Zamontować przewód elektrolitu KCl z powrotem na elektrodzie odniesienia.
4. Napełnić zbiornik elektrolitu KCl w następujący sposób:
 - a. Przekręcić zatrzask na panelu analitycznym do pozycji odblokowanej. Otworzyć panel analityczny.
 - b. Zdjąć pokrywkę ze zbiornika elektrolitu KCl. Patrz [Rysunek 2](#).

- c. Napełnić zbiornik do 90% pojemności (około 200 mL).
 - d. Założyć pokrywkę.
5. Usunąć pęcherzyki powietrza z przewodu elektrolitu KCl w następujący sposób:
 - a. Na przodzie panelu analitycznego ścisnąć przewód elektrolitu KCl kciukiem i palcem, aby przepchnąć pęcherzyki powietrza z przewodu do zbiornika. Patrz [Rysunek 2](#).
 - b. Gdy pęcherzyk powietrza znajdzie się w pobliżu zbiornika, obiema dłońmi ścisnąć przewód po przedniej i tylnej stronie panelu analitycznego, aby popchnąć pęcherzyk powietrza w górę.
 - c. Ścisnąć przewód dalej tak długo, aż elektrolit KCl w elektrodzie odniesienia sięgnie górnej części szklanego łącznika, gdzie elektrolit KCl dostaje się do elektrody. Patrz [Rysunek 2](#).
 6. Zamknąć panel analizatora. Przekręcić zatrzask na panelu analitycznym do pozycji zablokowanej.
 7. Wykonać następujące czynności, aby określić poziom w butelce:
 - a. Nacisnąć przycisk **menu**, a następnie wybrać opcję ODCZYNNIKI/STANDARDY.
 - b. Wybrać opcję USTAW POZIOM KCL, a następnie wprowadzić wartość 100%.

Rysunek 2 Napełnianie zbiornika elektrolitu KCl



3.7 Wymiana bezpiecznika zasilania wejściowego

⚠ NIEBEZPIECZEŃSTWO



Niebezpieczeństwo śmiertelnego porażenia prądem elektrycznym. Przed rozpoczęciem procedury należy odłączyć urządzenie od zasilania.

⚠ NIEBEZPIECZEŃSTWO



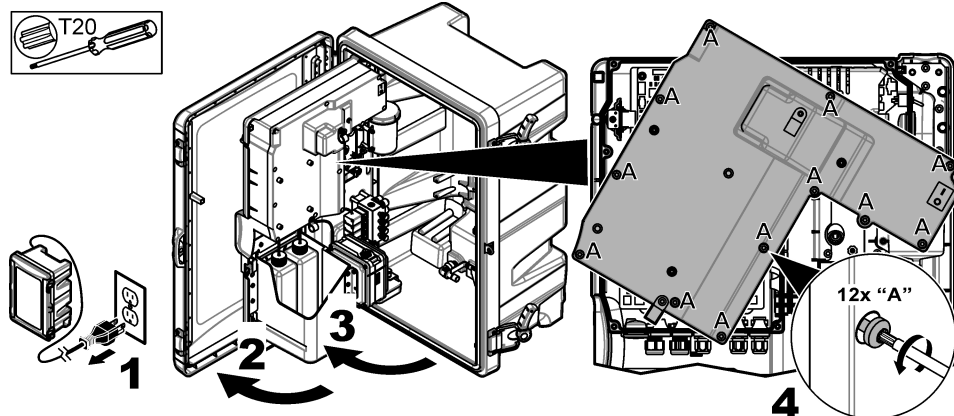
Niebezpieczeństwo pożaru. Przy wymianie bezpieczników należy je wymieniać na modele o takim samym typie i takiej samej wartości znamionowej.

Sprawdź bezpieczniki. Zastąp wszystkie otwarte bezpieczniki nowymi.

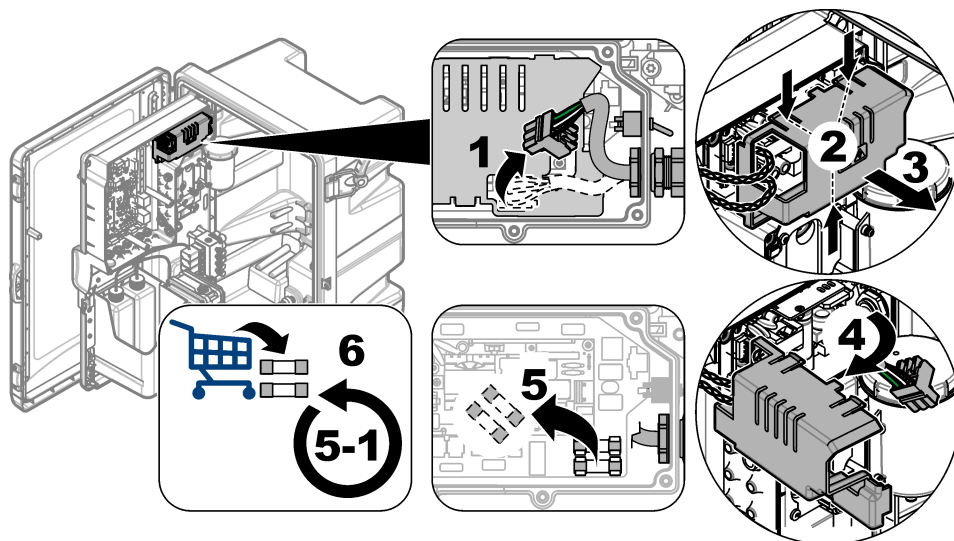
Element zapewniany przez użytkownika: bezpiecznik T 1,6 A, 250 VAC

1. Odłączyć przewód zasilania od gniazda elektrycznego.
2. Zdjąć osłonę złączy elektrycznych. **Rysunek 3** przedstawia kolejne kroki postępowania.
3. Wymienić bezpiecznik. **Rysunek 4** przedstawia kolejne kroki postępowania
4. Założyć osłonę złączy elektrycznych. Dokręcić wszystkie śruby, aby zapewnić wymaganą szczelność obudowy.
5. Zamknąć panel analizatora. Przekręcić zatrask na panelu analitycznym do pozycji zablokowanej.
6. Podłączyć przewód zasilania do gniazda elektrycznego.
7. Naciśnąć przycisk **menu**, a następnie wybrać opcję URUCHOM ANALIZATOR.

Rysunek 3 Zdejmowanie osłony złączy elektrycznych



Rysunek 4 Wymiana bezpiecznika zasilania



3.8 Przygotowywanie analizatora do krótkoterminowego wyłączenia

Przed krótkoterminowym wyłączeniem (od 2 dni do 1 tygodnia) analizatora należy wykonać następujące czynności:

Elementy zapewniane przez użytkownika: nożyczki zaciskowe

1. Nacisnąć przycisk **menu**, a następnie wybrać opcję ZATRZYMAJ ANALIZATOR.

***Uwaga:** Wyświetlenie opcji URUCHOM ANALIZATOR oznacza, że analizator znajduje się już w trybie gotowości.*

2. Przymocować nożyczki zaciskowe (metalowe lub plastikowe) do końcówki przewodu elektrolitu KCl, aby zatrzymać dopływ elektrolitu KCl do elektrody odniesienia.

***Uwaga:** Gdy analizator znajduje się w trybie gotowości lub jest wyłączony, elektrolit KCl nadal wypływa z elektrody odniesienia. Elektrolit KCl powoli wypełnia lewą komorę kuwety pomiarowej i wylewa się z niej.*

3. Ustawić zawory odcinające na liniach próbek w położeniu wyłączenia.

4. Jeżeli wymagane jest odłączenie zasilania od analizatora, włączyć roztwór reaktywacyjny do środkowej komory kuwety pomiarowej, aby zapobiec uszkodzeniu elektrody sodowej.

***Uwaga:** Po 4 godzinach w trybie gotowości analizator automatycznie wlewa roztwór reaktywacyjny do środkowej komory kuwety pomiarowej.*

3.9 Przygotowywanie analizatora do długoterminowego wyłączenia

▲ OSTRZEŻENIE



Narażenie na działanie substancji chemicznych. Stosować się do procedur bezpieczeństwa w laboratoriach i zakładach sprzęt ochrony osobistej, zatwierdzony do używanych substancji chemicznych. Przed napełnieniem butelek lub przygotowaniem odczynników należy zapoznać się z kartą charakterystyki dostarczoną przez dostawcę. Wyłączenie do użytku laboratoryjnego. Informacje o zagrożeniach należy podawać do wiadomości zgodnie z lokalnymi przepisami użytkownika.

▲ UWAGA



Narażenie na działanie substancji chemicznych. Usuwać substancje chemiczne i odpady zgodnie z przepisami lokalnymi, regionalnymi i państwowymi.

Przed długoterminowym wyłączeniem (dłuższym niż 1 tydzień) analizatora należy wykonać następujące czynności:

Elementy zapewniane przez użytkownika:

- Mały pojemnik, 250 mL lub większy
- Woda dejonizowana 1.5 l
- Czysta, niestrzępiąca się szmatka

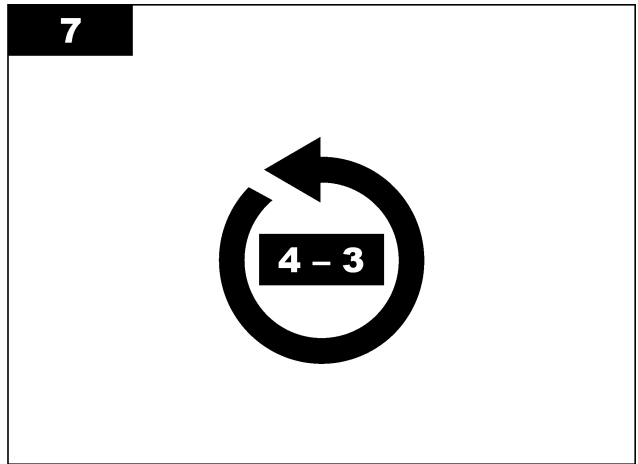
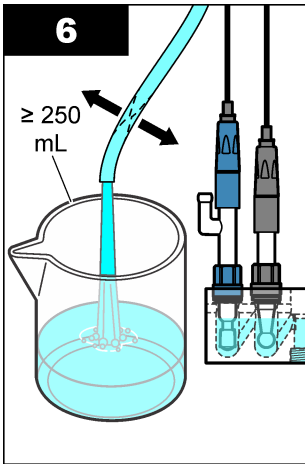
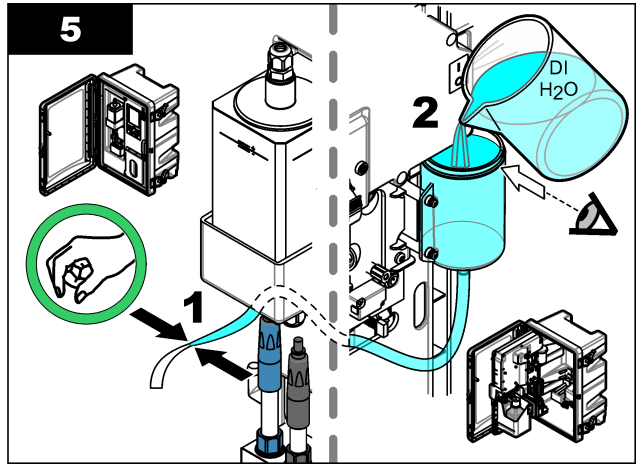
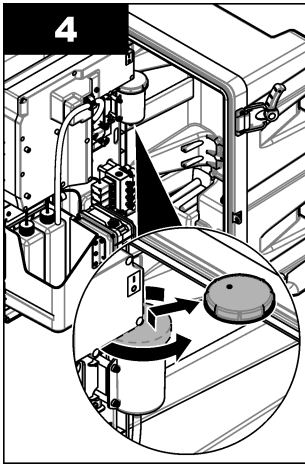
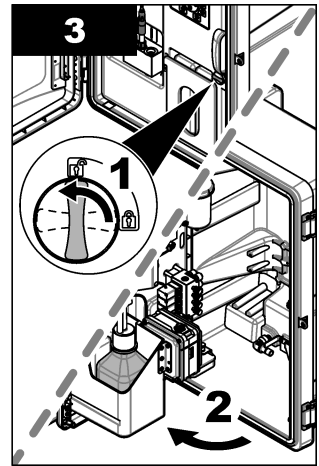
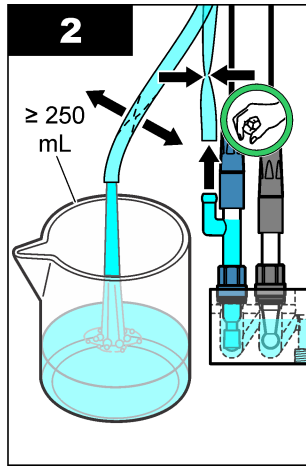
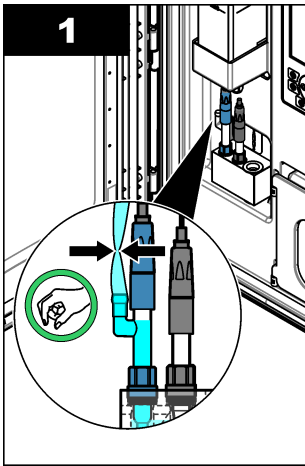
Co należy przygotować:

- Butelki do przechowywania elektrod (2x)
- Nasadki ochronne do elektrod (2x)
- Czarną osłonę do szklanego łącznika elektrody odniesienia

3.9.1 Opróżnianie i płukanie zbiornika elektrolitu KCl

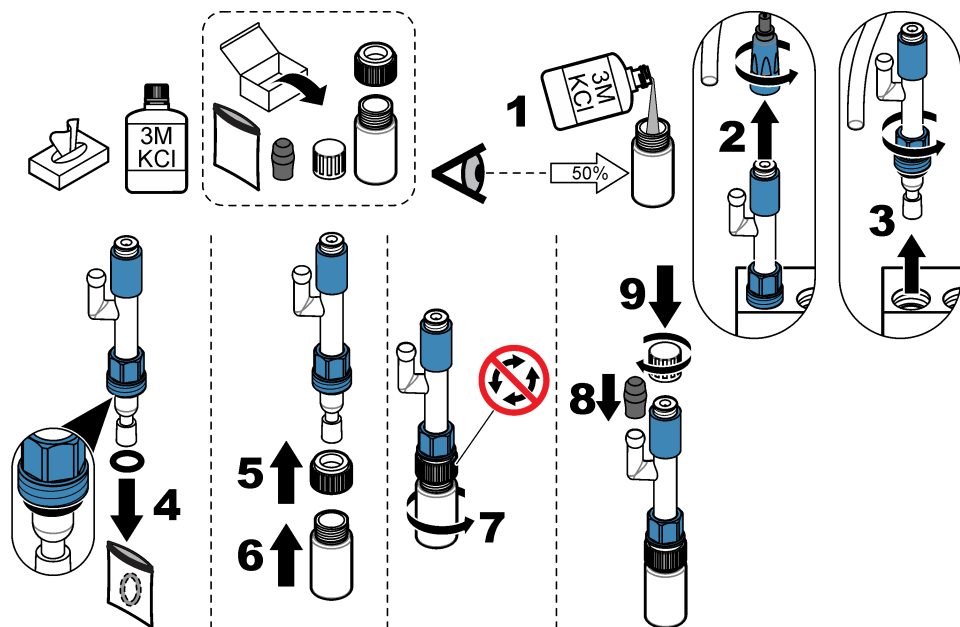
Instrukcje przedstawiono w ilustrowanych krokach poniżej.

Należy stosować środki ochrony osobistej wymienione w karcie charakterystyki (MSDS/SDS).



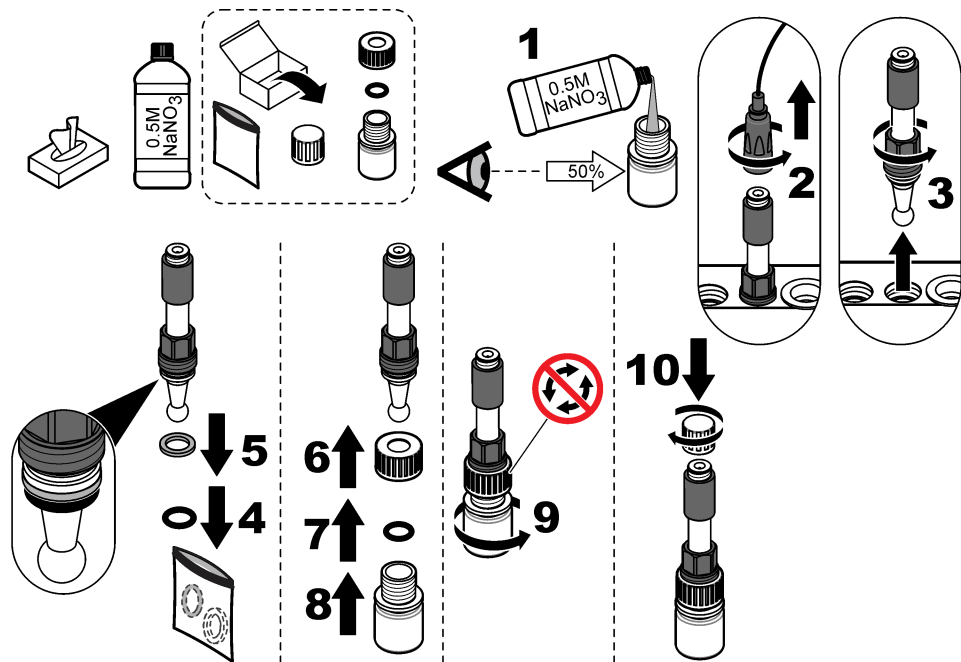
3.9.2 Wymywanie elektrody odniesienia

Sprawdzić listę kolejnych czynności na rysunku.



3.9.3 Wymijanie elektrody sodowej

Instrukcje przedstawiono w ilustrowanych krokach poniżej.



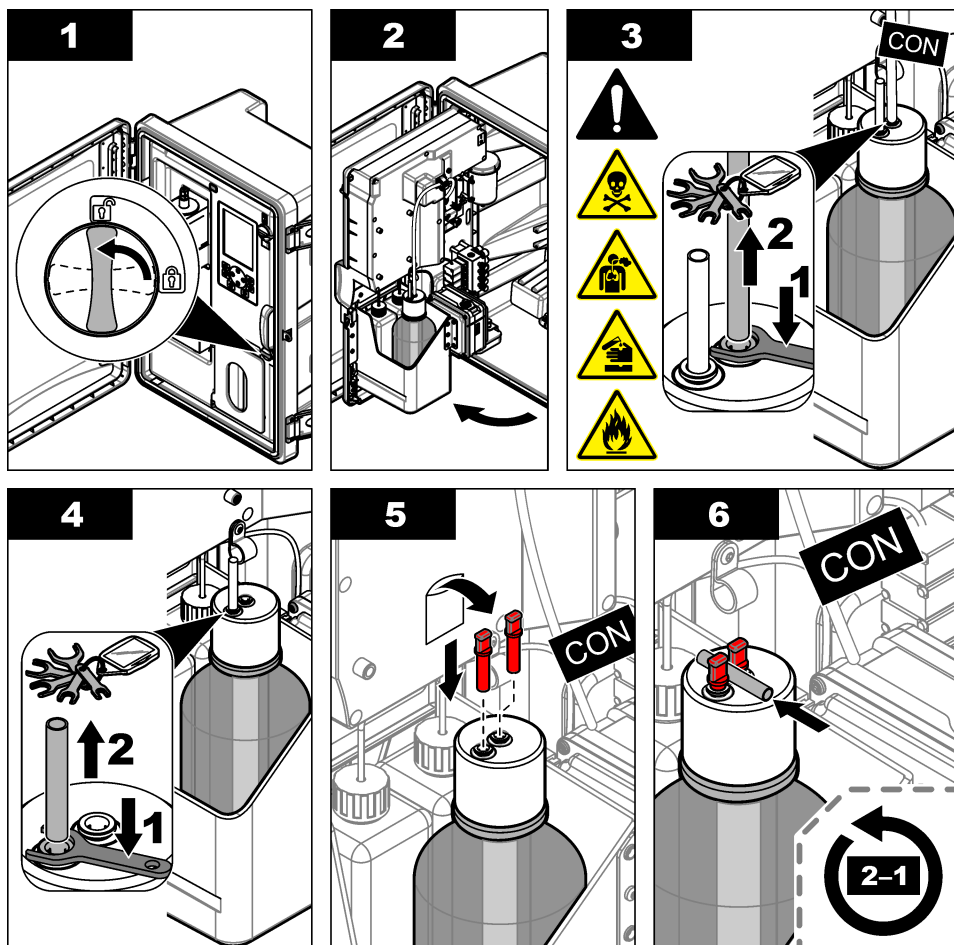
3.9.4 Odłączenie butelki z roztworem kondycjonującym

▲ OSTRZEŻENIE	
	Niebezpieczeństwo wdychania. Nie wdychać diizopropylaminy (DIPA) ani oparów amoniaku. Narażenie może prowadzić do poważnych obrażeń ciała lub zgonu.

▲ OSTRZEŻENIE	
	Narażenie na działanie substancji chemicznych. Diizopropylamina (DIPA) i amoniak to łatwopalne, korozyjne i toksyczne substancje chemiczne. Narażenie może prowadzić do poważnych obrażeń ciała lub zgonu.

Instrukcje przedstawiono w ilustrowanych krokach poniżej.

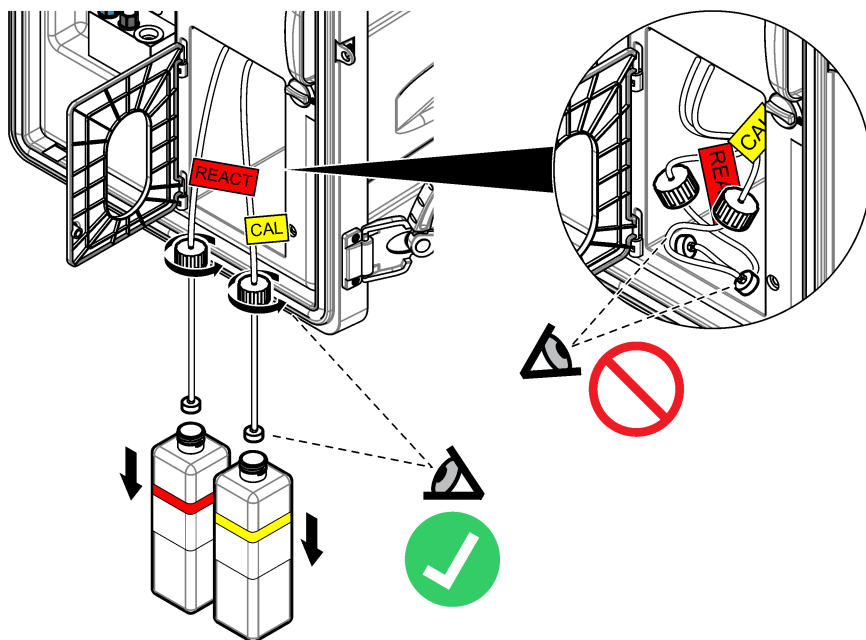
Należy stosować środki ochrony osobistej wymienione w karcie charakterystyki (MSDS/SDS).



3.9.5 Płukanie przewodu odczynnika

1. Należy stosować środki ochrony osobistej wymienione w karcie charakterystyki (MSDS/SDS).
2. Wyjąć z analizatora butelki z roztworem reaktywacyjnym i roztworem kalibracyjnym. Patrz [Rysunek 5](#).
Uwaga: Tylko analizatory z opcją automatycznej kalibracji są wyposażone w butelkę z roztworem kalibracyjnym.
3. Wylać roztwory z butelek do odpowiedniego odpływu.
4. Przepłukać butelki, a następnie nappełnić je do ½ pojemności wodą dejonizowaną.
5. Włożyć butelki do analizatora.
6. Nacisnąć przycisk **menu**, a następnie wybrać opcję ODCZYNNIKI/STANDARDY > NAPEŁNIJ ODCZ.. Przewód odczynnika zostanie przepłukany wodą dejonizowaną.

Rysunek 5 Wyjmowanie butelki



3.9.6 Opróżnianie naczynia przelewowego

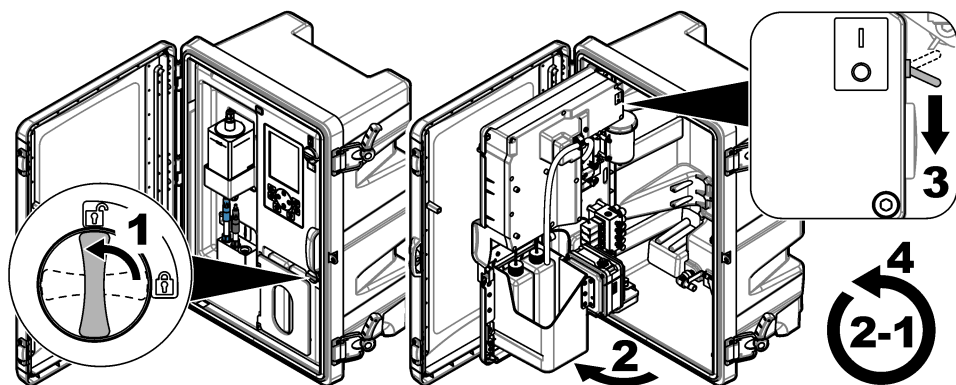
1. Nacisnąć **diag**, a następnie wybrać polecenie WYKONAJ TEST (Wykonaj test) i nacisnąć przycisk **enter**.
2. Nacisnąć przycisk **enter**, aby wybrać TAK.
3. Wybrać opcję ODPROW. PRÓBEK (Próbka jednorazowa), a następnie nacisnąć przycisk **enter**.
4. Wprowadzić wartość 150 sekund.
5. Nacisnąć dwukrotnie przycisk **enter**.
6. Gdy naczynie przelewowe zostanie opróżnione, nacisnąć przycisk **back**.
7. Nacisnąć przycisk **home**.

3.9.7 Wyłączenie analizatora

W celu odłączenia zasilania i próbek od analizatora należy postępować następująco:

1. Ustaw przełącznik zasilania w pozycję wyl. Patrz [Rysunek 6](#).
2. Zamknąć panel analizatora. Przekręcić zatrzask na panelu analitycznym do pozycji zablokowanej.
3. Odłączyć przewód zasilania od gniazda elektrycznego.
4. Ustawić zawory odcinające na liniach próbek w położeniu wyłączenia.
5. Wyrzucić naczynie przelewowe czystą, niestrzępiącą się szmatką, aby usunąć z niego wodę.
6. Wyrzucić lewą komorę i środkową komorę kuwety pomiarowej czystą, niestrzępiącą się szmatką, aby usunąć z nich wodę.

Rysunek 6 Ustaw przełącznik zasilania w pozycję wyl



3.9.8 Wylwanie wody dejonizowanej z butelek

1. Wyjąć z analizatora butelki z roztworem reaktywacyjnym i roztworem kalibracyjnym. Ściągnąć zatyczki z butelek, aby zwisły pod analizatorem.
Uważać, aby zatyczki butelek lub wewnętrzne przewody nie dotknęły analizatora, ponieważ mogłoby to spowodować zanieczyszczenie.
2. Wylać wodę dejonizowaną z butelek.
3. Poczeekać, aż butelki całkowicie wyschną.
4. Włożyć butelki do analizatora.
5. Zamknąć drzwi analizatora.

Rozdział 4 Rozwiązywanie problemów

Problem	Możliwa przyczyna	Rozwiązanie
Pasek stanu nie jest wyświetlany na ekranie pomiaru.	Na ekranie pomiaru jest wskazywany inny kanał niż mierzony.	Nacisnąć przycisk strzałki W GÓRĘ lub W DÓŁ , aż na ekranie pomiaru zostanie wyświetlony mierzony kanał.
Kanał nie jest wyświetlany na ekranie pomiaru po naciśnięciu przycisku strzałki W GÓRĘ lub W DÓŁ .	Kanał nie jest wybrany w ustawieniach wyświetlania.	Nacisnąć przycisk menu , a następnie wybrać opcję SYSTEM KALIBRACJI > USTAW.WYSWIETL > DOSTOSUJ KOLEJNOŚĆ > PATRZ KOLEJN. BIEŻĄCA . Jeśli kanał nie zostanie wyświetlony, nacisnąć przycisk back , a następnie wybrać opcję DODAJ POMIARY . Nacisnąć przycisk strzałki W LEWO , aby zaznaczyć pole wyboru lub usunąć jego zaznaczenie.

Problem	Możliwa przyczyna	Rozwiązanie
Kanał nie jest mierzony.	Kanał nie jest uaktywniony.	Nacisnąć przycisk menu , a następnie wybrać opcje SYSTEM KALIBRACJI > KONFIGURUJ ANALIZATOR > KONFIGURACJA SEKWENCJI > AKTYWUJ KANAŁY. Dodać kanał. Nacisnąć przycisk strzałki W LEWO , aby zaznaczyć pole wyboru lub usunąć jego zaznaczenie.
	Kanał znajduje się poza sekwencją pomiaru kanałów.	Nacisnąć przycisk menu , a następnie wybrać opcje SYSTEM KALIBRACJI > KONFIGURUJ ANALIZATOR > KONFIGURACJA SEKWENCJI > KOLEJNOŚĆ KANAŁÓW. Naciskając przyciski strzałki W GÓRĘ i W DÓŁ , wybrać wiersz, a następnie nacisnąć przycisk strzałki W LEWO lub W PRAWO , aby wybrać kanał. S1 to pierwszy mierzony kanał, po którym następują kanały S2, S3 i S4. <i>Uwaga: Nie należy wybierać kanałów zawierających symbol „~” (np. 4~SAMPLE4). Kanały zawierające symbol „~” nie są mierzone.</i>
Wyświetlane jest ostrzeżenie „NIESTABILNY ODCZYT”.	Czas płukania między pomiarami kanałów jest zbyt krótki.	Nacisnąć przycisk menu , a następnie wybrać opcje SYSTEM KALIBRACJI > KONFIGURUJ ANALIZATOR > POMIAR > USTAW CYKL POMIAROWY > MAKS. CZAS CYKLU lub CZAS CYKLU. Zwiększyć ustawienie MAKS. CZAS CYKLU lub CZAS CYKLU, aby wydłużyć czas płukania.
Wyświetlane jest ostrzeżenie „BRAK PRÓBK”.	Zawór odcinający na linii próbek jest zamknięty.	Otworzyć zawór odcinający.
	Linia próbek nie jest poprawnie podłączona.	Sprawdzić, czy linia próbek jest podłączona do właściwego portu hydraulicznego. Patrz <i>Porty hydrauliczne</i> w instrukcji montażu.
	Zawór przepływu próbki jest zamknięty.	Uruchomić kreatora uruchamiania. Nacisnąć przycisk menu , a następnie wybrać opcje SYSTEM KALIBRACJI > URUCHOM ANALIZATOR. Nacisnąć przycisk enter , aż zostanie wyświetlona prośba o ustawienie prędkości przepływu próbki. Obracając zawór przepływu próbki w kierunku przeciwnym do ruchu wskazówek zegara, zwiększyć prędkość przepływu do 6 - 9 L/h w poszczególnych kanałach.
	Zawór elektromagnetyczny kanału nie działa poprawnie.	Nacisnąć diag , a następnie wybrać opcje WYKONAJ TEST > ODPROW. PRÓBEK, aby opróżnić naczynie przelewowe. Nacisnąć diag , a następnie wybrać opcje WYKONAJ TEST > DOSTAR. PRÓBK, aby otworzyć zawór próbki. Jeśli próbka nie spływa do naczynia przelewowego, skontrolować okablowanie zaworu próbki. W razie potrzeby wymienić zawór próbki.

Problem	Możliwa przyczyna	Rozwiązanie
Wyświetlane jest ostrzeżenie „pH ZA NISKIE”.	Zdjęto pokrywę z prawej komory kuwety pomiarowej.	Założyć pokrywę na prawej komorze kuwety pomiarowej.
	Butelka roztworu kondycjonującego jest pusta lub poziom w niej spadł poniżej 10% pojemności.	Wymienić roztwór kondycjonujący. Patrz Wymiana roztworu kondycjonującego na stronie 250.
	Zatyczka butelki roztworu kondycjonującego przepuszcza powietrze.	<ul style="list-style-type: none"> Sprawdzić, czy zatyczka roztworu kondycjonującego jest dobrze założona. Zbadać stan podkładki w zatyczce butelki. Jeśli widoczne jest zużycie lub uszkodzenie, wymienić podkładkę. Zbadać stan plastikowego kołnierza na szyjce butelki. Jeśli widoczne jest zużycie lub uszkodzenie, wymienić butelkę roztworu kondycjonującego.
	Przewody kondycjonowania przepuszczają powietrze.	Poszukać niedrożności lub nieszczelności w przewodzie kondycjonowania. W razie potrzeby wymienić przewody. Uwaga: Przewód kondycjonowania zawiera gaz, a nie roztwór.
	Zawór kondycjonowania nie działa poprawnie.	Nacisnąć diag , a następnie wybrać opcję WYKONAJ TEST > ZAWÓR KONDYCYJ., aby otworzyć zawór kondycjonowania. Jeśli gaz kondycjonujący nie wpływa do prawej komory kuwety pomiarowej (w postaci pęcherzyków), wymienić zawór kondycjonowania.
Wyświetlane jest ostrzeżenie „NIEPOWODZENIE KALIBR.”.	Wartość roztworu kalibracyjnego w ustawieniach automatycznej kalibracji różni się od wartości na butelce z roztworem kalibracyjnym.	Zmienić wartość roztworu kalibracyjnego w menu kalibracji, aby była zgodna z wartością na butelce z roztworem kalibracyjnym. Patrz <i>Ustawianie parametrów automatycznej kalibracji</i> w instrukcji obsługi.
	Butelka roztworu kalibracyjnego jest pusta.	Wymienić roztwór kalibracyjny. Patrz Wymiana roztworu kalibracyjnego i roztworu reaktywacyjnego na stronie 248.
	Przewody roztworu kalibracyjnego są niedrożne lub nieszczelne.	Poszukać niedrożności lub nieszczelności w przewodach. W razie potrzeby wymienić przewody.
	Pompa roztworu kalibracyjnego nie działa poprawnie.	Nacisnąć diag , a następnie wybrać opcję WYKONAJ TEST > ODPROW. PRÓBEK, aby całkowicie opróżnić naczynie przelewowe. Nacisnąć diag , a następnie wybrać opcję WYKONAJ TEST > DOSTAR. WZORCA KALIBR., aby włączyć pompę roztworu kalibracyjnego. Jeśli roztwór kalibracyjny nie przepływa do naczynia przelewowego, wymienić pompę roztworu kalibracyjnego.
	Mieszadło nie obraca się. Uwaga: Mieszadło obraca się z przerwami.	Nacisnąć diag , a następnie wybrać opcję WYKONAJ TEST > MIESZADŁO, aby włączyć silnik mieszalnika. Jeśli mieszadło nie porusza się, wymienić silnik mieszalnika.
	Mieszadło nie znajduje się w naczyniu przelewowym.	Mieszadło musi znajdować się w naczyniu przelewowym.

Problem	Możliwa przyczyna	Rozwiązanie
Wyświetlane jest ostrzeżenie „NISKIE NAPIĘCIE REAKTYW.”.	Butelka roztworu reaktywacyjnego jest pusta.	Upewnić się, że końcówka przewodu roztworu reaktywacyjnego dotyka dna butelki. Wymienić roztwór reaktywacyjny. Patrz Wymiana roztworu kalibracyjnego i roztworu reaktywacyjnego na stronie 248.
	Elektroda sodowa nie działa poprawnie.	<ul style="list-style-type: none"> • Sprawdzić, czy elektroda sodowa jest poprawnie zamontowana. Patrz instrukcja montażu. • Sprawdzić, czy szklana bańka elektrody sodowej nie zawiera powietrza.
	Elektroda odniesienia nie działa poprawnie.	<ul style="list-style-type: none"> • Wyjąć elektrodę odniesienia z kuwety pomiarowej. Podnieść kołnierz znajdujący się na szklanej części, aby wypuścić z niej część elektrolitu KCl. Wepchnąć kołnierz w dół i obrócić go o mniej niż 1/4 obrotu, aby go zablokować. Gdy kołnierz jest zablokowany, nie może się obracać. Włożyć elektrodę odniesienia do kuwety pomiarowej. • Sprawdzić, czy elektroda odniesienia jest poprawnie zamontowana. Patrz instrukcja montażu. • W celu sprawdzenia, czy problem został rozwiązany, nacisnąć przycisk diag, a następnie wybrać opcję REAKTYWACJA CZUJNIKA, aby przeprowadzić reaktywację.
	Przewody roztworu reaktywacyjnego są niedrożne lub nieszczelne.	Poszukać niedrożności lub nieszczelności w przewodach. W razie potrzeby wymienić przewody.
	Pompa roztworu reaktywacyjnego nie działa poprawnie.	Nacisnąć diag , a następnie wybrać opcje WYKONAJ TEST > DOSTARCZ. ROZT. REAKT. > WYSOKI, aby włączyć wysoką prędkość przepływu dla pompy roztworu reaktywacyjnego. Jeśli roztwór reaktywacyjny nie przepływa do środkowej komory kuwety pomiarowej, należy wymienić pompę roztworu reaktywacyjnego.
Odczyty urządzenia są niestabilne.	Od uruchomienia analizatora upłynęło mniej niż 2 godziny.	Analizator musi działać przez co najmniej 2 godziny, aby się ustabilizować.
	Kable elektrod są niepoprawnie przymocowane do elektrod.	Odłączyć kabel od elektrody. Wcisnąć do oporu w łączce elektrody, a następnie je dokręcić palcami.
	Kable elektrod są podłączone do niewłaściwych elektrod.	Niebieski kabel należy podłączyć do elektrody odniesienia. Czarny kabel należy podłączyć do elektrody sodowej.
	Prędkość przepływu elektrolitu KCl jest zbyt wysoka.	Wyjąć elektrodę odniesienia z kuwety pomiarowej. Wepchnąć kołnierz w dół i obrócić go o mniej niż 1/4 obrotu, aby go zablokować. Gdy kołnierz jest zablokowany, nie może się obracać. W przypadku niezablokowania kołnierza elektrolit KCl będzie przepływał zbyt szybko z elektrody odniesienia do kuwety pomiarowej.

Problem	Możliwa przyczyna	Rozwiązanie
Pomiary są niedokładne.	Analizator nie jest skalibrowany.	Kalibracja analizatora. Patrz <i>Przeprowadzanie kalibracji</i> w instrukcji obsługi. Analizator należy kalibrować co 7 dni (co tydzień), aby działał z jak największą precyzją.
	Automatyczna reaktywacja jest wyłączona lub przerwa między reaktywacjami jest większa niż 24 godziny.	Uruchomić automatyczną reaktywację. Nacisnąć diag , a następnie wybrać opcję REAKTYWACJA CZUJNIKA. <i>Uwaga: Automatyczna reaktywacja powinna być włączona. Odstęp powinien wynosić 24 godziny. Więcej informacji znajdziesz w instrukcji obsługi.</i>
	Butelka roztworu reaktywacyjnego jest pusta.	Wymienić roztwór reaktywacyjny. Patrz Wymiana roztworu kalibracyjnego i roztworu reaktywacyjnego na stronie 248.
	Przewody roztworu reaktywacyjnego są niedrożne lub nieszczelne.	Poszukać niedrożności lub nieszczelności w przewodach. W razie potrzeby wymienić przewody.
	Pompa roztworu reaktywacyjnego nie działa poprawnie.	Nacisnąć diag , a następnie wybrać opcję WYKONAJ TEST > DOSTARCZ. ROZT. REAKT. > WYSOKI, aby włączyć wysoką prędkość przepływu dla pompy roztworu reaktywacyjnego. Jeśli roztwór reaktywacyjny nie przepływa do środkowej komory kuwety pomiarowej, należy wymienić pompę roztworu reaktywacyjnego.
Mieszadło w naczyniu przelewowym nie obraca się.	Mieszalnik nie działa poprawnie. <i>Uwaga: Mieszadło obraca się z przerwami.</i>	Nacisnąć diag , a następnie wybrać opcję WYKONAJ TEST > MIESZADŁO, aby włączyć silnik mieszalnika. Jeśli mieszadło nie porusza się, wymienić silnik mieszalnika.
Elektrolit KCl zużywa się zbyt szybko ¹ .	Kołnierz na szklanej części elektrody odniesienia nie jest zablokowany.	Wyjąć elektrodę odniesienia. Wypchnąć kołnierz w górę. Wepchnąć kołnierz w dół i obrócić go o mniej niż 1/4 obrotu, aby go zablokować. Patrz ilustrowane kroki w rozdziale <i>Montaż elektrody odniesienia</i> w instrukcji montażu. Gdy kołnierz jest zablokowany, nie może się obracać. W przypadku niezablokowania kołnierza elektrolit KCl będzie przepływał zbyt szybko z elektrody odniesienia do kuwety pomiarowej.

¹ Elektrolit KCl zużywa się zbyt szybko, gdy poziom w zbiorniku spada o więcej niż 3 mm (1/8 cala) w ciągu dwóch dni

Problem	Możliwa przyczyna	Rozwiązanie
Elektrolit KCl zużywa się zbyt wolno ² .	Kołnierz na szklanej części elektrody odniesienia nie został obrócony w celu zerwania plombi.	Wyjąć elektrodę odniesienia. Ostrożnie obrócić kołnierz, aby zerwać plombę. Jeśli kołnierz obraca się swobodnie, plomba jest zerwana. Patrz ilustrowane kroki w rozdziale <i>Montaż elektrody odniesienia</i> w instrukcji montażu. Wepchnąć kołnierz w dół i obrócić go o mniej niż 1/4 obrotu, aby go zablokować. Gdy kołnierz jest zablokowany, nie może się obracać. W przypadku niezablokowania kołnierza elektrolit KCl będzie przepływał zbyt szybko z elektrody odniesienia do kuwety pomiarowej.
Na ekranie pomiarowym miga wskaźnik przekaźnika.	Został przekroczony limit czasu przeciążenia.	Zresetować licznik czasu przeciążenia. Patrz Zerowanie licznika czasu przeciążenia przekaźników na stronie 267. Uwaga: Ustawienie licznika czasu przeciążenia jest aktywne tylko wtedy, gdy w opcji USTAW FUNKCJE jest wybrane ustawienie REGUL.DOZOW.

4.1 Zerowanie licznika czasu przeciążenia przekaźników

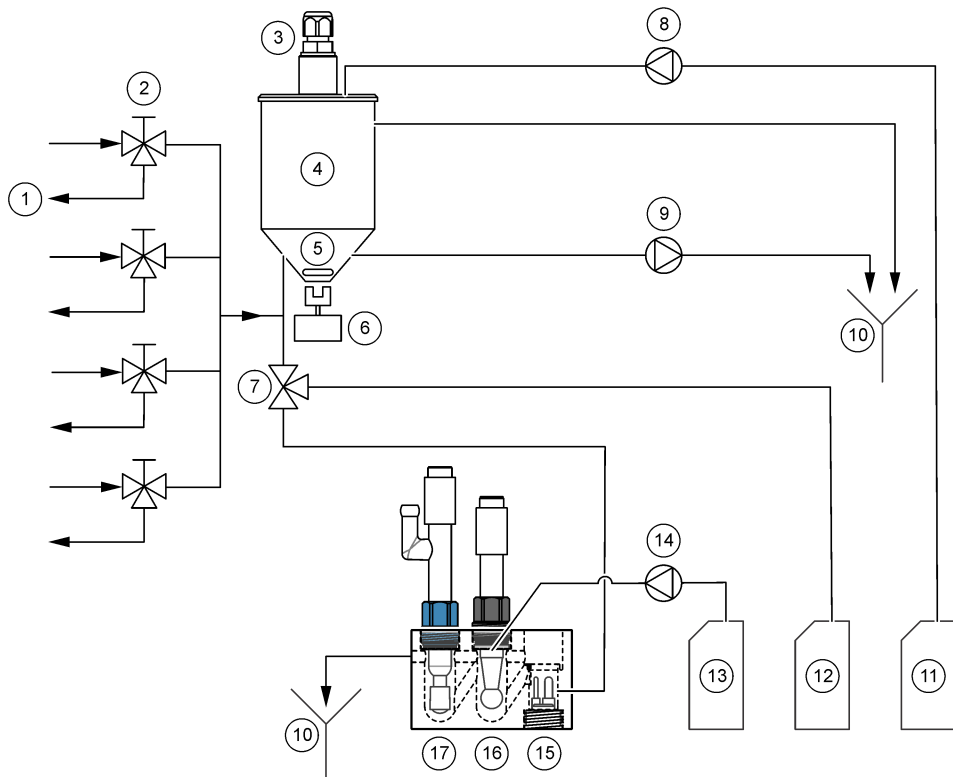
Ustawienie licznika czasu przeciążenia przekaźników zapobiega utrzymywaniu stale włączonego przekaźnika wskutek utrzymywania się wartości pomiaru przekraczającej wartość zadaną lub ustawienie strefy nieczułości (np. uszkodzenie elektrody lub niestabilność procesu). Licznik czasu przeciążenia ogranicza czas, przez który przekaźniki i podłączone do nich elementy sterujące mogą pozostawać włączone niezależnie od warunków.

Po upływie czasu określonego przez ustawienie licznika czasu przeciążenia w prawym górnym rogu ekranu pomiaru miga kontrolka stanu przekaźnika, dopóki licznik czasu przeciążenia nie zostanie wyzerowany. Aby wyzerować licznik czasu przeciążenia, należy nacisnąć **diag**, a następnie wybrać opcję **RESET CZASU**.

² Elektrolit KCl zużywa się zbyt wolno, gdy poziom w zbiorniku spada o mniej niż 1 mm w ciągu dwóch dni

Rozdział 5 Diagnostyka

5.1 Schemat instalacji



1 Odpływy bypassowy dla próbek	7 Zawór kondycjonowania	13 Roztwór reaktywujący
2 Dopływ próbek	8 Pompa roztworu kalibracyjnego ³ .	14 Pompa roztworu reaktywującego
3 Czujnik poziomu	9 Pompa spustowa	15 Czujnik temperatury
4 Naczynie przelewowe	10 Odpływ	16 Elektroda sodowa
5 Mieszadło	11 Roztwór kalibrujący ³	17 Elektroda referencyjna
6 Silnik mieszalnika	12 Roztwór kondycjonujący	

5.2 Uruchamianie testu analizatora

Wykonanie testu analizatora umożliwia kontrolę poprawności działania wskaźnika stanu, silnika mieszalnika, pompy lub zaworu.

³ Tylko analizatory z opcją automatycznej kalibracji są wyposażone w pompę roztworu kalibracyjnego i butelkę z roztworem kalibracyjnym.

1. Nacisnąć **diag** WYKONAJ TEST.
2. Wybrać opcję.

Opcja	Opis
DOSTARCZ. ROZT. REAKT.	Uruchamia pompę roztworu reaktywacyjnego. Roztwór reaktywacyjny przepływa do środkowej komory kuwety pomiarowej. Uwaga: <i>Kuweta pomiarowa to przezroczysty blok, w którym są zamontowane elektrody.</i>
DOSTAR. PRÓBK	Otwiera zawór elektromagnetyczny próbki w wybranym kanale. Próbka przepływa do naczynia przelewowego. Uwaga: <i>Jeśli naczynie przelewowe jest pełne, poziom wody w naczyniu przelewowym nie zmieni się. Aby opróżnić naczynie przelewowe, należy wykonać test ODPROW. PRÓBEK.</i>
DOSTAR. WZORCA KALIBR.	Uwaga: <i>Opcja DOSTAR. WZORCA KALIBR. jest dostępna tylko w analizatorach z opcją automatycznej kalibracji.</i> Włącza pompę roztworu kalibracyjnego. Roztwór kalibracyjny przepływa do naczynia przelewowego.
ZAWÓR KONDYCJ.	Otwiera zawór kondycjonowania. Gaz kondycjonujący przepływa do prawej komory kuwety pomiarowej. Uwaga: <i>Kuweta pomiarowa to przezroczysty blok, w którym są zamontowane elektrody.</i>
ODPROW. PRÓBEK	Włącza pompę spustową. Woda wypływa z naczynia przelewowego przez przewód odpływu chemikaliów.
MIESZADŁO	Włącza silnik mieszalnika. Wprawia mieszadło w naczyniu przelewowym w ruch obrotowy.
DIODA LED STANU	Włącza cykl ciągły zmiany koloru wskaźnika stanu: żółty, czerwony, zielony.
POMPA POWIETRZNA	Uwaga: <i>Opcja POMPA POWIETRZNA jest dostępna tylko wówczas, gdy jest zamontowana opcjonalna pompa kationowa.</i> Włącza pompę kationową. Pompa kationowa włącza powietrze do butelki z roztworem kondycjonującym (DIPA). Usytuowanie pompy kationowej w analizatorze jest wskazane w rozdziale <i>Charakterystyka produktu</i> instrukcji montażu.
WYBIERZ SKRYPT	Uwaga: <i>Opcja WYBIERZ SKRYPT jest przeznaczona tylko dla pracowników serwisu.</i> Umożliwia wybór, czy analizator ma pracować zgodnie ze zwykłym skryptem przyrządu czy skryptem testu.

5.3 Uruchamianie testu przekaźnika lub wyjścia 4 - 20 mA

Wykonanie testu przekaźnika lub wyjścia 4 - 20 mA umożliwia kontrolę poprawności działania przekaźnika lub wyjścia 4 - 20 mA.

1. Nacisnąć **diag** i wybrać opcję WYJŚCIA.
2. Wybrać opcję.

Opcja	Opis
TEST 4-20mA	Ustawia poziom sygnału (mA) wybranego wyjścia 4 - 20 mA. Zmierzyć multimetrem prąd na wyjściu 4 - 20 mA.
TEST KONTAKTU	Doprowadza napięcie do wybranego przekaźnika lub odcina dopływ napięcia do niego. Zmierzyć multimetrem rezystancję na przekaźniku, aby stwierdzić, czy przekaźnik jest rozarty czy zwarty.

Opcja	Opis
ZATRZYM.WART	Utrzymuje na wyjściach ostatnią wartość lub ustawia na nich wartość przeniesienia. URUCHOMIENIE — wybór opcji START oznacza utrzymanie ostatniej wartości na wyjściach lub ustawienie na nich wartości przeniesienia. Po wyborze opcji ZWOLNIC wyjścia będą działały normalnie. SPOSÓB WYJSCIA — wybór opcji ZATRZYM.WART oznacza utrzymanie ostatniej wartości na wyjściach. Wybór opcji PRZEŚLIJ DANE WY. oznacza ustawienie na wyjściach wartości przeniesienia. Sposób ustawiania wartości przeniesienia jest opisany w instrukcji obsługi. USTAW KANALY — wybór opcji WSZYSTKIE oznacza wybranie wszystkich kanałów. Wybór opcji ANALIZATOR oznacza wybranie wszystkich kanałów wybranego analizatora.
STAN WYJŚCIA	Wyświetla sygnały (mA) na wyjściach 4 - 20 mA.
SYMULUJ POMIAR	Wprowadza odczyt analizatora w wybranym kanale w celu przeprowadzenia testu wyjścia. Symulacja ta zostaje zatrzymana, gdy użytkownik przechodzi do innego ekranu. ZRODŁO SYGNAŁU — wybiera analizator. WYBIERZ PARAM. — wybiera kanał. WARTOSC SYMUL. — ustawia odczyt analizatora.

5.4 Wyświetlanie informacji o analizatorze

W celu wyświetlenia następujących informacji o analizatorze, należy nacisnąć przycisk **menu**, a następnie wybrać opcje WYŚWIETL DANE > DANE ANALIZAT.. Patrz [Tabela 2](#).

Tabela 2 Opisy danych analizatora

Pozycja	Opis
DATA/GODZINA	Bieżący czas (format 24-godzinny) i data określone w ustawieniach
NAZWA	Nazwa analizatora
TYP	Typ analizatora
TEMP. OTOCZ.	Temperatura otoczenia analizatora
POZ ROZTWORU KONDYJCJ.	Poziom roztworu kondycjonującego w butelce
POZ. ROZT. REAKT.	Poziom roztworu reaktywacyjnego w butelce
POZIOM WZORCA	Poziom roztworu kalibracyjnego w butelce
POZIOM KCL	Poziom KCl w zbiorniku elektrolitu
OSTATNIA REAKTYWACJA	Data ostatniej automatycznej reaktywacji
OSTATNIA KALIBRACJA	Data ostatniej kalibracji
OSTATNI SERWIS	Data ostatniego serwisu
OPROGRAMOWANIE	Wersja zainstalowanego oprogramowania
FIRMWARE STEROWN. URZ.	Wersja zainstalowanego oprogramowania sprzętowego sterownika urządzenia
ZAWARTOŚĆ STER. URZ.	Wersja zawartości danych sterownika urządzenia
WERSJA SKRYPTU	Wersja bloku katalogu plików skryptów
ZAWARTOŚĆ SKRYPTU	Wersja zawartości katalogu plików skryptów
NR OPR. MEAS_CONTROL	Wersja zainstalowanego oprogramowania sterującego pomiarami
NUMER URZADZ.	Numer seryjny analizatora

5.5 Wyświetlanie stanu analizatora i danych systemowych

Aby wyświetlić bieżący stan analizatora, stan magistrali Modbus, dane systemowe lub dane I2C, należy wykonać następujące czynności:

1. Nacisnąć **diag**.
2. Wybrać opcję.

Opcja	Opis
BIEŻĄCY STAN	DZIAŁANIE — bieżący tryb pomiaru. KANAŁ PRÓBK I — bieżący kanał próbki. STAN ETAPU — bieżący krok w cyklu pomiaru. CZAS ETAPU — czas pozostały do końca kroku. POZOSTAŁO MIN. — liczba pozostałych minut w bieżącym kroku. REALIZACJA — stopień wykonania cyklu pomiaru w %.
MODBUS SATYST.	Pokazuje stan portów sieciowych Modbus: czujnik, sterownik, sieć i serwis. Pokazuje liczbę transmisji dobrych i złych.
DANE SYSTEMOWE	TEMP. OTOCZ. (Temperatura otoczenia) — zmierzona temperatura otoczenia w stopniach Celsjusza (C). CZĘST. ŹRÓDŁA ZASILANIA — częstotliwość źródła zasilania elektrycznego (Hz). NAPIĘCIE ŹRÓDŁA ZASILANIA — źródło zasilania elektrycznego (AC). NAP. ZASIL. 12V — zmierzone napięcie źródła zasilania elektrycznego (VDC). NAPIĘCIE 3,3 V — zmierzone regulowane źródło zasilania napięciem 3,3 V (VDC). PRĄD ZASIL. 12V — zmierzony prąd źródła zasilania 12 V (w amperach).
DANE I2C	Pokazuje informacje o komunikacji (I ² C) i numer wersji.

5.6 Wyświetlanie informacji serwisowych

Do wyświetlania lub ustawiania historii serwisowania elementów przyrządu służy menu Serwis.

1. Nacisnąć **diag**.
2. Wybrać opcję **SERWIS**.
3. Wybrać opcję.

Opcja	Opis
MATERIAŁY EKSP.	Wyświetla listę elementów eksploatacyjnych. Wyświetla datę ostatniej wymiany i liczbę dni od momentu wymiany elementu. Po wymianie elementu należy wyzerować licznik.
CZĘŚĆ SERWIS.	<i>Uwaga: Opcja CZĘŚĆ SERWIS. jest dostępna tylko dla pracowników serwisu.</i> Wyświetla listę elementów i datę ostatniego serwisowania. Po wymianie elementu licznik jest zerowany przez przedstawiciela obsługi klienta.
COROCZNA KONSERWACJA	Wyświetla datę ostatniego corocznego przeglądu, datę następnego corocznego przeglądu i liczbę dni do następnego corocznego przeglądu. Po corocznym przeglądzie należy wyzerować licznik.
EDYTUJ NRY SER. ELEKTROD	Wykaz numerów seryjnych elektrod.
HISTORIA SERW.	Wyświetla wykonane czynności serwisowe wraz z datami (np. Wymień roztwór reaktywacyjny). GODZ ROZPOCZĘCIA — wyświetla dane zarejestrowane po wybranej dacie i godzinie. LICZBA ODCZYTÓW — wyświetla wybraną liczbę punktów danych.
WL AUTOTEST PRZY URUCH	NIE — po doprowadzeniu zasilania do analizatora nie jest przeprowadzana diagnostyka elementów sprzętowych. TAK — po doprowadzeniu zasilania do analizatora jest przeprowadzana diagnostyka elementów sprzętowych.

Rozdział 6 Części zamienne i akcesoria

⚠ OSTRZEŻENIE



Niebezpieczeństwo uszkodzenia ciała. Stosowanie niezatwierdzonych części grozi obrażeniami ciała, uszkodzeniem urządzenia lub nieprawidłowym działaniem osprzętu. Części zamienne wymienione w tym rozdziale zostały zatwierdzone przez producenta.

Uwaga: Numery produktów i części mogą być różne w różnych regionach. Należy skontaktować się z odpowiednim dystrybutorem albo znaleźć informacje kontaktowe na stronie internetowej firmy.

Odczynniki i roztwory wzorcowe

Opis	Ilość	Numer elementu
Roztwór elektrolitu KCl 3M	250 ml	LZW9500.99
Roztwór elektrolitu KCl 3M	500 ml	363140,00500
Diizopropylamina (DIPA) 99%	1 l	2834453
Roztwór wzorcowy chlorku sodu, 10 ppm	1 l	2835153
Azotan sodu, 0,5 M	500 ml	2507149

Części zamienne

Opis	Ilość	Numer elementu
Butelka roztworu kondycjonującego z zatyczką, pusta	1	8352000
Podkładka, zatyczka butelki roztworu kondycjonującego	1	8417200
Złączka kolankowa, odpływ, ½ cala, polipropylen	1	6772800
Elektroda, odniesienia	1	09240=C=0310
Elektroda, sodowa	1	09240=C=0320
Bezpiecznik, 1,6 A, 250 V, 5 x 20 mm	1	5208300
Bezpiecznik, 5 A, 250 V, slow-blow, 5 x 20 mm	1	4693800
Zestaw instalacyjny, analizator 1-kanalowy, analizator z obudową	1	8375400
Zestaw instalacyjny, analizator 2-kanalowy, analizator z obudową	1	8375300
Zestaw instalacyjny, analizator 4-kanalowy, analizator z obudową	1	8371500
Zestaw instalacyjny, analizator 1-kanalowy, analizator bez obudowy	1	8375700
Zestaw instalacyjny, analizator 2-kanalowy, analizator bez obudowy	1	8375600
Zestaw instalacyjny, analizator 4-kanalowy, analizator bez obudowy	1	8375500
Silnik mieszalnika	1	8420000
Śruby do montażu na panelu, głowica uchylno-obrotowa M6 x 20, ze stali nierdzewnej, Torx	4	8415500
Przebijak do wewnętrznych wtyczek elektrycznych, metalowy przewód, do 8379900	1	8380000
Przebijak do wewnętrznych wtyczek elektrycznych, metalowa płyta, do 8380000	1	8379900
Regulator ciśnienia, 0,3 bara (4 psi), bez regulacji	1	6782900
Pompa, roztwór kalibracyjny	1	8364300

Części zamienne (ciąg dalszy)

Opis	Ilość	Numer elementu
Pompa, odpływ	1	8357400
Pompa, roztwór reaktywacyjny	1	8364200
Zawór odcinający, przewód o średnicy wewnętrznej 6 mm	1	8385200
Mieszadło	1	W_4510_001_FF
Złączka z odprężaniem (dławnica), PG9 od 4 mm do 8 mm	1	8356300
Złączka z odprężaniem (dławnica), NPT 1/2 cala od 4 mm do 9 mm	1	8368400
Uchwyty do montażu na stole	2	8370400
Śruby, wspornik do montażu na stole, #8 x 1/2 ze stali nierdzewnej, Torx	2	8412200
Przewody, do chemikaliów i odpływu z obudowy, średnica zewnętrzna 17,5 mm (11/16 cala), grubość 3,2 mm (1/8 cala)	2 m (6.5 stóp)	LZX278
Przewody, próbki, średnica zewnętrzna 6 mm, średnica wewnętrzna 4 mm	5.5 m (18 stóp)	6772500
Obcinak do przewodów	1	8385400
Uchwyty do montażu na ścianie	2	8364100
Śruby, wspornik do montażu na ścianie, M4 x 10 płaskie ze stali nierdzewnej, Torx	2	8412500
Zawór, kondycjonowanie	1	8367600
Zawór, próbka	1	8370200

Akcesoria

Opis	Ilość	Numer elementu
Adapter butelek, butelka DIPA, Merck	1	09073=C=0350
Adapter butelek, butelka DIPA, Orion	1	09073=C=0360
Filtr, wlot próbki, 100 µm, przewód o średnicy zewnętrznej 1/4 cala	1	595=010=005
Filtr, wlot próbki, 100 µm, przewód o średnicy zewnętrznej 6 mm	1	595=010=000
Wymiennik ciepła, maks. 4 kanały	1	8368900
Zestaw do wymiany na wersję kationową	1	8371200
Przewód zasilający, Ameryka Północna	1	9179700
Zestaw do wymiany wersji 1-kanałowej na 4-kanałową	1	8365100
Zestaw do wymiany wersji 2-kanałowej na 4-kanałową	1	8365000
Zestaw do wymiany na wersję z automatyczną kalibracją	1	8368000
Adapter przewodu, przewód o średnicy zewnętrznej 6 mm na przewód o średnicy zewnętrznej 1/4 cala	2	09245=A=8300

Innehållsförteckning

- 1 [Säkerhetsinformation](#) på sidan 274
- 2 [Visa aktiva fel, varningar och påminnelser](#) på sidan 274
- 3 [Underhåll](#) på sidan 274
- 4 [Felsökning](#) på sidan 288
- 5 [Diagnostik](#) på sidan 294
- 6 [Reservdelar och tillbehör](#) på sidan 298

Avsnitt 1 Säkerhetsinformation

Läs installationshandboken för allmän säkerhetsinformation, varningsbeskrivningar och beskrivningar av säkerhetsskyltar.

Avsnitt 2 Visa aktiva fel, varningar och påminnelser

Skärmens bakgrund och statusindikeringslampan blir röda när ett fel inträffar och gula när en varning inträffar.

- **Fel** – Röd skärmbakgrund och röd statusindikeringslampan. Ett allvarligt problem har uppstått som kan påverka instrumentets funktion. Den aktuella mätningen avbryts, och analysatorn intar avstängningsläge.
- **Varning** – Gul skärmbakgrund och gul statusindikeringslampan. En händelse har inträffat som kan orsaka problem senare. Analysatorn fortsätter att arbeta.
- **Påminnelser** – En skiftnyckelsymbol visas på skärmen och statusindikeringslampan lyser gult. Tidpunkten för en underhållsaktivitet har passerat.

Utför följande steg för att visa aktiva fel, varningar och påminnelser:

Observera: För att se alla tänkbara fel, varningar och påminnelser och dess respektive hjälpinformation, tryck **diag** och välj sedan ANALYSATOR, HJÄLP.

1. Tryck på **diag** och välj DIAGNOSTIK. Aktiva fel, varningar och påminnelser visas.
2. Markera ett fel, en varning eller påminnelse i listan.
3. Välj ett alternativ.

Alternativ	Beskrivning
------------	-------------

ACCEPTERA	Kvitterar valt fel, varning eller påminnelse. När alla aktiva fel, varningar och påminnelser har kvitterats ändras bakgrunden tillbaka till vitt och statusindikatorlampan lyser åter grönt.
------------------	--

VISA HJÄLP	Visar hjälpinformation för valt fel, varning eller påminnelse.
-------------------	--

Avsnitt 3 Underhåll

⚠ FARA



Flera risker. Endast kvalificerad personal får utföra de moment som beskrivs i den här delen av dokumentet.

3.1 Underhållsschema

Tabell 1 visar rekommenderat schema för underhållsuppgifter. Anläggningskrav och förhållanden kan öka frekvensen för vissa uppgifter.

Tabell 1 Underhållsschema

Uppgift	3 månader	Vid behov
Byte av kalibrerings- och återaktiveringslösningar på sidan 275	X	
Byt ut konditioneringslösningen på sidan 277	X	

Tabell 1 Underhållsschema (fortsättning)

Uppgift	3 månader	Vid behov
Byta ut KCl-elektrolyten på sidan 279	X	
Byta säkring för inkommande strömmatning på sidan 281		X

3.2 Rengör instrumentet

ANMÄRKNING:

Använd aldrig rengöringsmedel som terpentin, aceton eller liknande produkter för att rengöra instrumentet, displayen eller tillbehören.

Rengör instrumentets utsida med en fuktig torkduk och en mild tvällösning.

3.3 Rengöra spill

⚠ FÖRSIKTIGHET



Risk för kemikalieexponering. Kassera kemikalier och avfall enligt lokala, regionala och nationella lagar.

1. Följ alla rutiner i anläggningen för hantering av spill.
2. Kassera avfall enligt gällande lagar och regler.

3.4 Byte av kalibrerings- och återaktiveringslösningar

⚠ FÖRSIKTIGHET



Risk för kemikalieexponering. Följ laboratoriets säkerhetsanvisningar och bär all personlig skyddsutrustning som krävs vid hantering av kemikalier. Läs aktuella datablad (MSDS/SDS) om säkerhetsanvisningar.

⚠ FÖRSIKTIGHET



Risk för kemikalieexponering. Kassera kemikalier och avfall enligt lokala, regionala och nationella lagar.

Byt återaktiverings- och kalibreringslösning med 3 månaders intervall eller när återstoden är mindre än 10 %.

Artiklar som tillhandahålls av användaren:

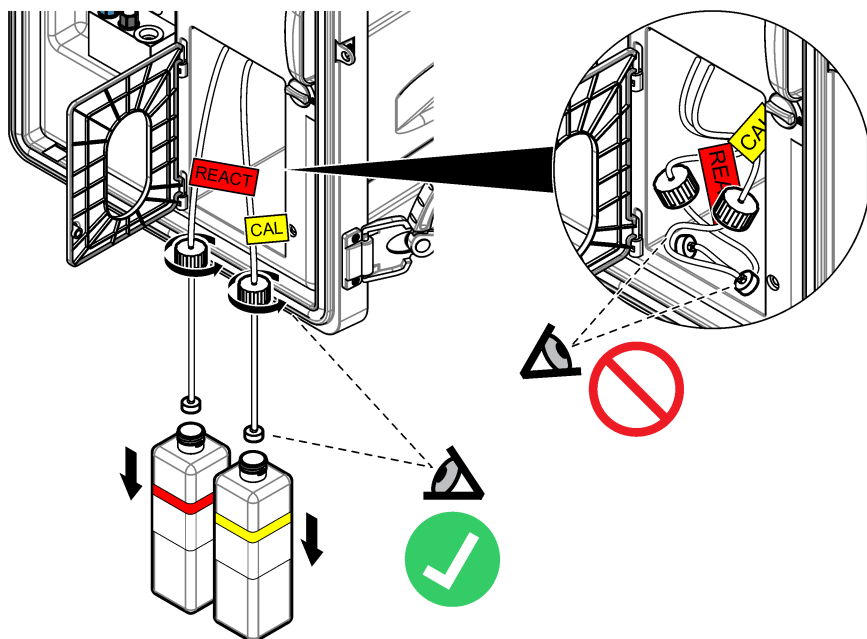
- Personlig skyddsutrustning (se MSDS/SDS)
 - 0,5M natriumnitrat (NaNO_3), 500 ml
 - 10 ppm natriumklorid, standard (NaCl), 500 ml
 - Avjoniserat vatten, 100 ml
1. Ta på den personliga skyddsutrustning som anges i databladet om materialsäkerhet (MSDS/SDS).
 2. Tryck på **menu** och välj sedan STOPPA ANALYSATOR.
Observera: Om STARTA ANALYSATOR visas så är analysatorn redan försatt i viloläge.
 3. Byt ut återaktiveringslösning och kalibreringslösning enligt följande:
 - a. Ta bort flaskorna för återaktiveringslösning och kalibreringslösning från analysatorn. Se **Figur 1**.
Observera: Endast analysatorer med tillvalet automatisk kalibrering har en flaska för kalibreringslösning.

- b. Kassera lösningarna i flaskorna i tillämpligt avlopp.
 - c. Spola flaskorna med avjoniserat vatten.
 - d. Fyll på kalibreringslösningsflaskan med ny 10 ppm natriumkloridlösning (NaCl) (500 ml). Kalibreringslösningsflaskan har en etikett med gul rand.
- Observera: För att bereda 10 ppm natriumkloridlösning (NaCl), se i användarhandboken.*
- e. Fyll återaktiveringslösningsflaskan med ny 0,5M natriumnitratlösning (NaNO₃) (500 ml). Kalibreringslösningsflaskan har en etikett med en röd rand.
- Observera: För beredning av 0,5M natriumnitratlösning (NaNO₃), se användarhandboken.*
- f. Placera flaskorna i analysatorn. Se till att slangen med en röd "REAGENS"-etikett sätts i flaskan som har en etikett med en röd rand.

Se till att slangen med en gul "KAL"-etikett sätts i flaskan som har en etikett med gul rand.

4. Ange flaskornas nivåer enligt följande:
 - a. Tryck på **menu** och välj sedan REAGENSER/STANDARDER.
 - b. Välj ANGE REAKTIVERINGSNIVÅ och ange sedan 100 %.
 - c. Välj ANGE STANDARDNIVÅ och ange sedan 100 %.
5. Välj FÖRPUMPA REAGENS.
6. När steget spola reagens är klart, tryck på **menu** och välj sedan STARTA ANALYSATOR.

Figur 1 Borttagning av flaska



3.5 Byt ut konditioneringslösningen

▲ VARNING



Fara vid inandning. Andas inte in diisopropylamin (DIPA) eller ammoniakångor. Exponering kan leda till allvarliga personskador eller dödsfall.



▲ VARNING



Risk för kemikalieexponering. Diisopropylamin (DIPA) och ammoniak är brandfarliga, frätande och giftiga kemikalier. Exponering kan leda till allvarliga personskador eller dödsfall.

▲ VARNING



Risk för kemikalieexponering. Följ laboratoriets säkerhetsanvisningar och bär all personlig skyddsutrustning som krävs vid hantering av kemikalier. Läs återförsäljarens säkerhetsdatablad innan du fyller flaskorna eller förbereder reagenser. Endast för laboratorieanvändning. Se till att användaren känner till riskinformationen i enlighet med lokala bestämmelser.

▲ FÖRSIKTIGHET



Risk för kemikalieexponering. Kassera kemikalier och avfall enligt lokala, regionala och nationella lagar.

Byt ut konditioneringslösningen med 3 månaders intervall eller när mindre än 10 % återstår. Använd DIPA (rekommenderas) eller ammoniak (mer än 28 %) för konditioneringslösningen.

Artiklar som tillhandahålls av användaren:

- Personlig skyddsutrustning (se MSDS/SDS)
- Diisopropylamin (DIPA) 99 %, 1 l flaska
- Flaskadapter för Merck eller Orion DIPA-flaskor om tillämpligt

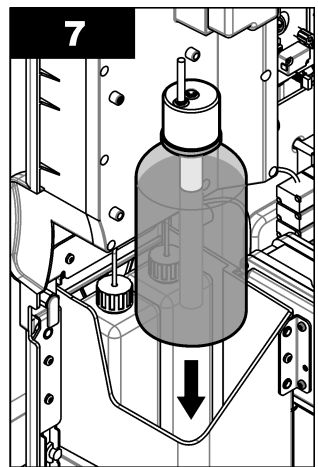
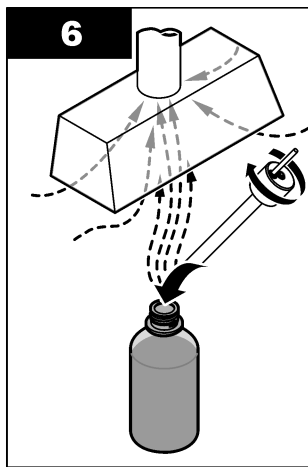
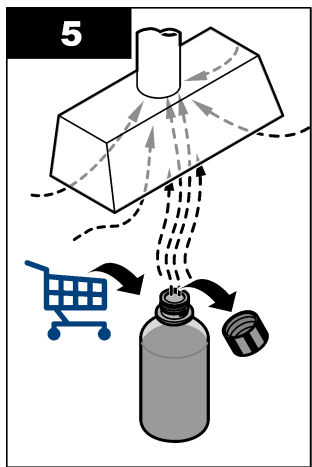
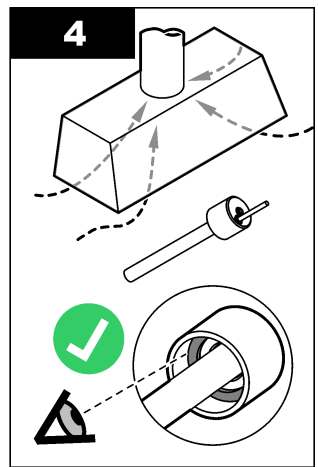
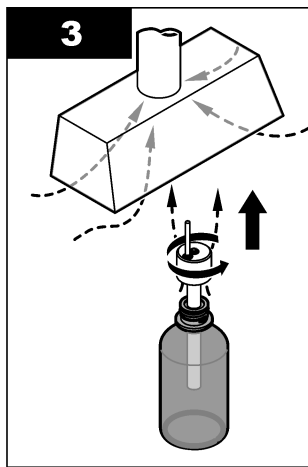
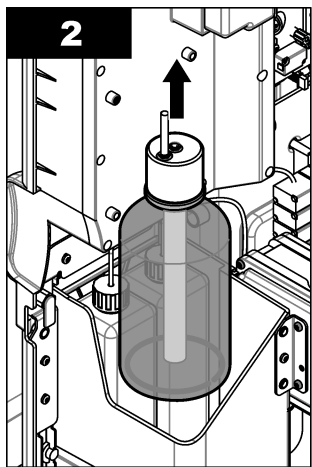
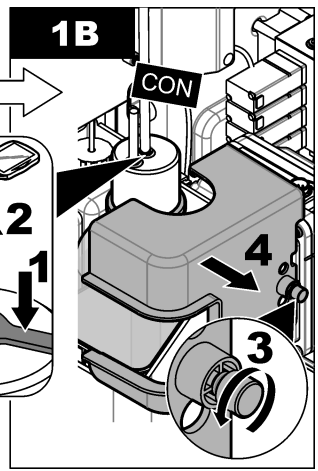
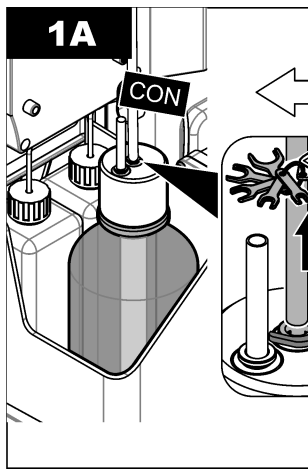
Byt ut konditioneringsflaskan enligt följande:

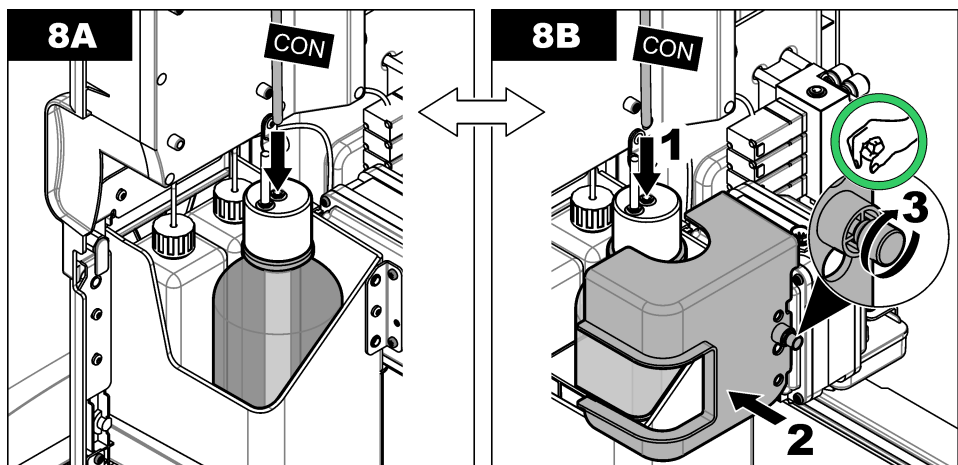
1. Ta på den personliga skyddsutrustning som anges i databladet om materialsäkerhet (MSDS/SDS).
2. Tryck på **menu** och välj sedan STOPPA ANALYSATOR.
Observera: Om STARTA ANALYSATOR visas så är analysatorn redan försatt i viloläge.
3. Vrid spärren på analyspanelen till upplåst läge. Öppna analyspanelen.
4. Byt ut konditioneringslösningensflaskan. Se de illustrerade stegen som följer.

Observera: Analysatorer med tillvalet katjonisk pump har två slangar som går in i konditioneringsflaskans lock. Ta bort de båda slangarna.

Observera: I illustrationssteg 1 och 8 har endast analysatorer utan kapsling en hållare för konditioneringsflaska.

Utför om möjligt de illustrerade stegen 3-6 i ett dragskåp. Andas inte in DIPA eller ammoniakångor.





5. För analysatorer med tillvalet katjonisk pump, sätt tillbaka utloppsslangen från den katjoniska pumpen i det förskjutna hålet i locket.
6. Stäng analyspanelen. Vrid spärren på analyspanelen till låst läge.
7. Ange flaskans nivå enligt följande:
 - a. Tryck på **menu** och välj sedan REAGENSER/STANDARDER.
 - b. Välj STÅLL IN KOND.NIVÅ och ange sedan 100 %.
8. Tryck på **menu** och välj sedan STARTA ANALYSATOR.

3.6 Byta ut KCl-elektrolyten

▲ FÖRSIKTIGHET



Risk för kemikalieexponering. Följ laboratoriets säkerhetsanvisningar och bär all personlig skyddsutrustning som krävs vid hantering av kemikalier. Läs aktuella datablad (MSDS/SDS) om säkerhetsanvisningar.

▲ FÖRSIKTIGHET



Risk för kemikalieexponering. Kassera kemikalier och avfall enligt lokala, regionala och nationella lagar.

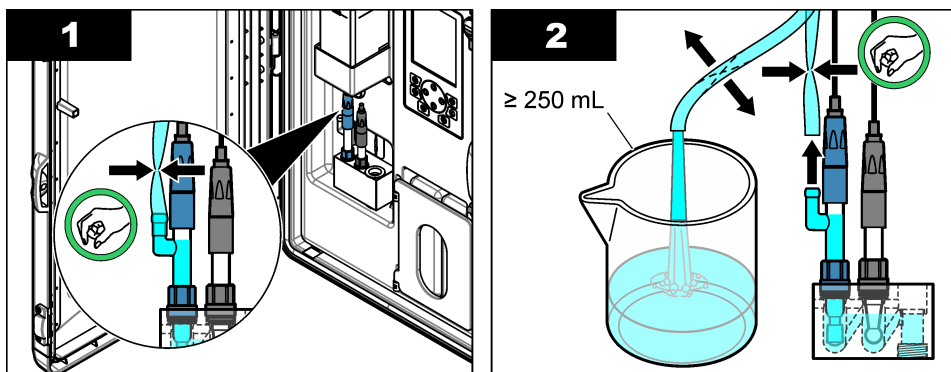
Byt ut KCl-elektrolyten i KCl-elektrolytbehållaren med 3 månaders intervall.

Artiklar som ska finnas tillgängliga:

- Personlig skyddsutrustning (se MSDS/SDS)
- 3M KCl-elektrolyt, 200 ml
- Liten behållare, 250 ml eller större

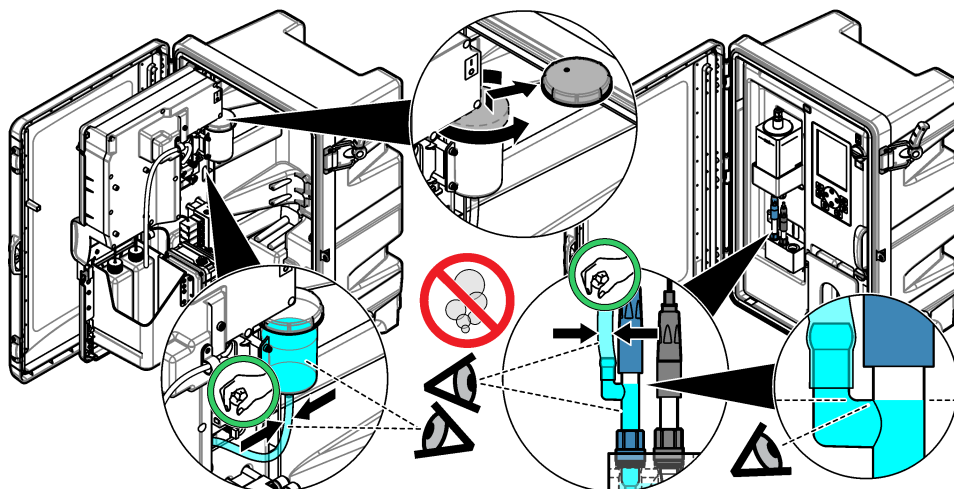
Byt ut KCl-elektrolyten enligt följande:

1. Ta på den personliga skyddsutrustning som anges i databladet om materialsäkerhet (MSDS/SDS).
2. Töm ur innehållet i KCl-elektrolytbehållaren i den lilla behållaren. Proceduren illustreras i figurerna nedan. Kassera KCl-elektrolyten i tillämpligt avlopp.



3. Sätt tillbaka KCl-elektrolytslangen på referenselektroden.
4. Fyll på KCl-elektrolytbehållaren enligt följande:
 - a. Vrid spärren på analyspanelen till upplåst läge. Öppna analyspanelen.
 - b. Ta bort locket från KCl-elektrolytbehållaren. Se [Figur 2](#).
 - c. Fyll behållaren till 90 % (cirka 200 ml).
 - d. Sätt tillbaka locket.
5. Tryck ut luftbubblorna ur KCl-elektrolytslangen enligt följande:
 - a. På framsidan av analyspanelen, kläm ihop KCl-elektrolytslangen med tummen och pekfingeret för att trycka luftbubblor uppåt i slangen och in i behållaren. Se [Figur 2](#).
 - b. När en luftbubbla i närheten av tanken, använd båda händerna och tryck ihop slangen från fram- och baksidan av analyspanelen för att pressa upp luftbubblan.
 - c. Fortsätt att klämma ihop slangen tills KCl-elektrolyten i referenselektroden är överst i glaset sidoslutning där KCl-elektrolyten kommer in elektroden. Se [Figur 2](#).
6. Stäng analyspanelen. Vrid spärren på analyspanelen till låst läge.
7. Ange flaskans nivå enligt följande:
 - a. Tryck på **menu** och välj sedan REAGENSER/STANDARDER.
 - b. Välj STÄLL IN KCL-NIVÅ och ange sedan 100 %.

Figur 2 Fyll KCl-elektrolytbehållaren



3.7 Byta säkring för inkommande strömmatning

⚠ FARA



Risk för dödande elchock. Bryt strömmen från instrument innan proceduren startas.

⚠ FARA



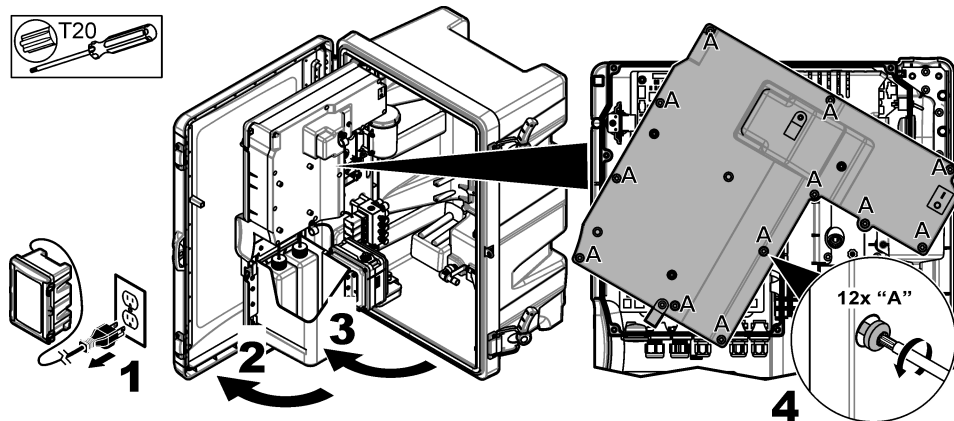
Brandfara. Använd samma typ och märkström vid byte av säkringar.

Kontrollera säkringarna. Byt ut trasiga säkringar mot nya.

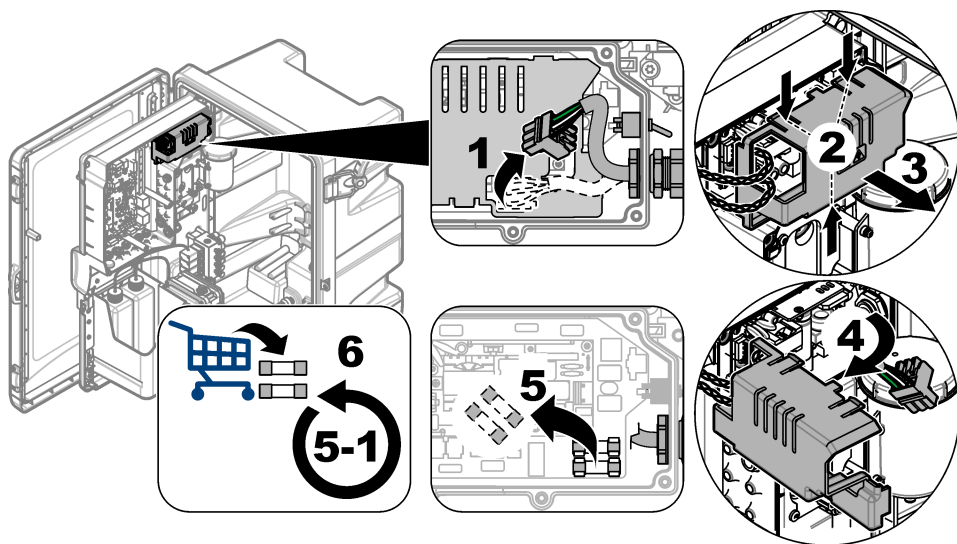
Objekt som tillhandahålls av användaren: säkring T 1,6 A, 250 VAC

1. Koppla bort nätkabeln från eluttaget.
2. Ta bort el-åtkomstkåpan. Se de illustrerade stegen i [Figur 3](#).
3. Byt ut säkring. Se de illustrerade stegen i [Figur 4](#)
4. Sätt dit el-åtkomstkåpan. Dra åt alla skruvar för att hålla kapslingens miljöklassning intakt.
5. Stäng analyspanelen. Vrid spärren på analyspanelen till låst läge.
6. Anslut nätkabeln till ett eluttag.
7. Tryck på **menu** och välj sedan **STARTA ANALYSATOR**.

Figur 3 Borttagning av el-åtkomstkåpa



Figur 4 Byte av nätsäkring



3.8 Förbereda analysatorn för en kortsiktig avstängning

Förbered analysatorn för en kortsiktig avstängning (2 dagar till 1 vecka) enligt följande:

Artiklar som tillhandahålls av användaren: Saxklämman

1. Tryck på **menu** och välj sedan STOPPA ANALYSATOR.

Observera: Om STARTA ANALYSATOR visas så är analysatorn redan försatt i viloläge.

2. Fäst saxklämman (i metall eller plast) vid änden av KCl-elektrolytslangen för att stoppa flödet av KCl-elektrolyt till referenselektroden.

Observera: När analysatorn är i viloläge eller avstängd fortsätter KCl-elektrolyt att flöda ut ur referenselektroden. KCl-elektrolyt kommer sakta att fylla mätcellens vänstra kammare och komma ut i den övre delen av den vänstra kammaren.

3. Vrid avstängningsventiler i provledningarna till läge av.
4. Om strömmen måste kopplas från analysatorn, fyll på återaktiveringslösning i mätcellens mitre kammare för att förhindra skador på natriumelektroden.

Observera: Efter 4 timmar i viloläge kommer analysatorn automatiskt fylla på återaktiveringslösning i mätcellens mitre kammare.

3.9 Förbereda analysatorn för en långsiktig avstängning

⚠ VARNING



Risk för kemikalieexponering. Följ laboratoriets säkerhetsanvisningar och bär all personlig skyddsutrustning som krävs vid hantering av kemikalier. Läs återförsäljarens säkerhetsdatablad innan du fyller flaskorna eller förbereder reagenser. Endast för laboratorieanvändning. Se till att användaren känner till riskinformationen i enlighet med lokala bestämmelser.

⚠ FÖRSIKTIGHET



Risk för kemikalieexponering. Kassera kemikalier och avfall enligt lokala, regionala och nationella lagar.

Förbered analysatorn för en långsiktig avstängning (längre än 1 vecka) enligt följande:

Artiklar som tillhandahålls av användaren:

- Liten behållare, 250 ml eller större
- Avjoniserat vatten, 1,5 L
- Luddfritt rent tyg

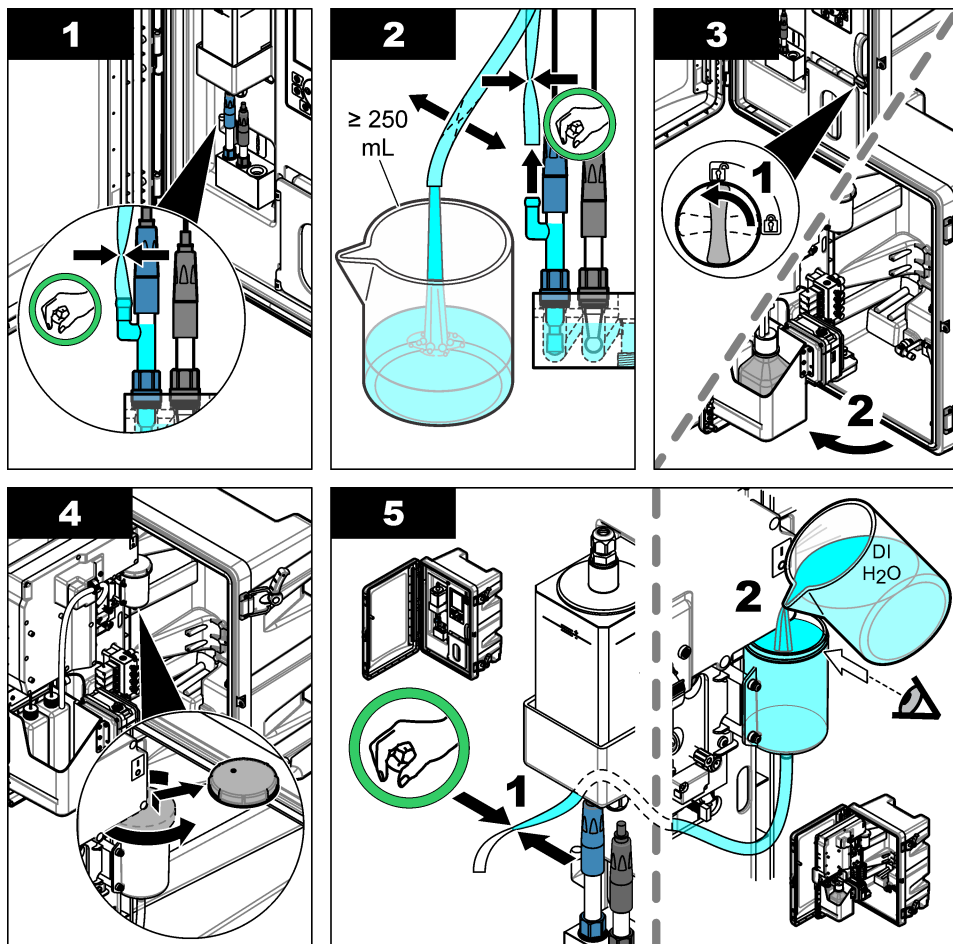
Artiklar som ska finnas tillgängliga:

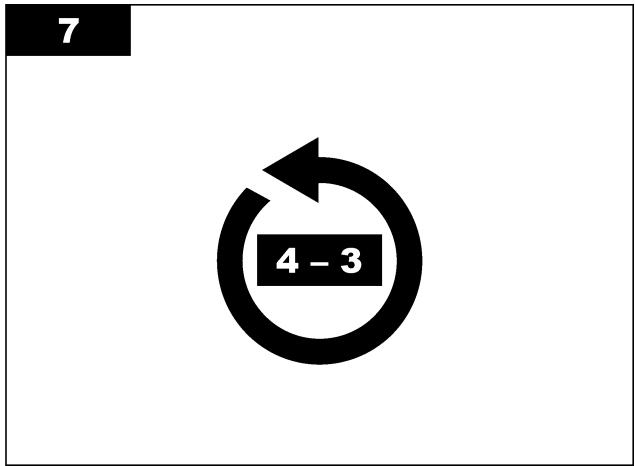
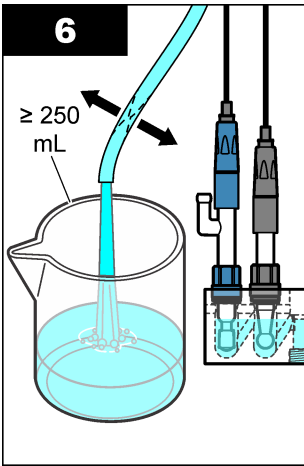
- Förvaringsflaskor för elektroder (2x)
- Skyddslock för elektroder (2x)
- Svart skydd över referenselektrodens glaskoppling

3.9.1 Töm och skölj KCl-elektrolytbehållaren

Se de illustrerade stegen som följer.

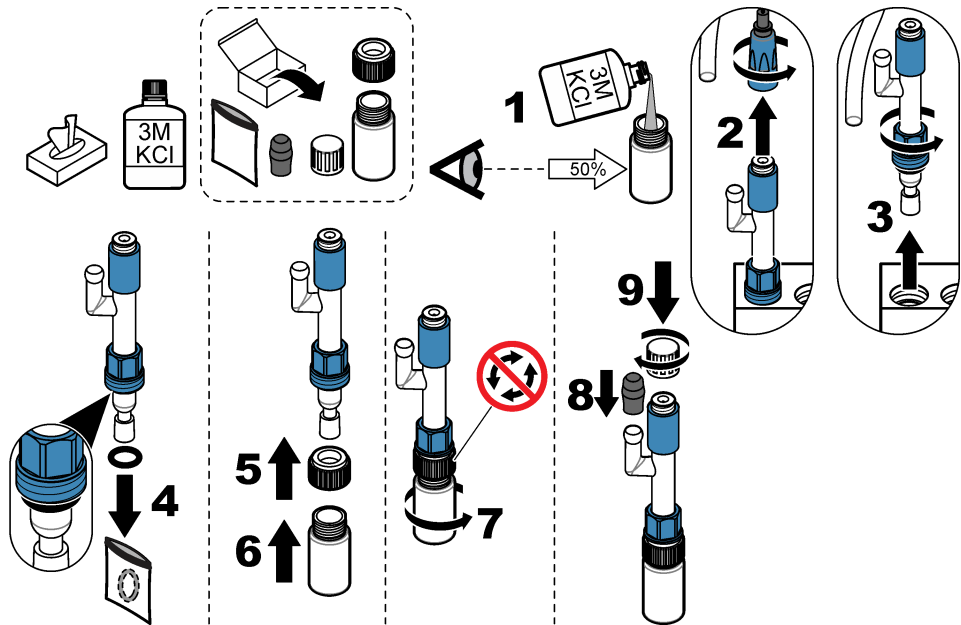
Ta på den personliga skyddsutrustning som anges i databladet om materialsäkerhet (MSDS/SDS).





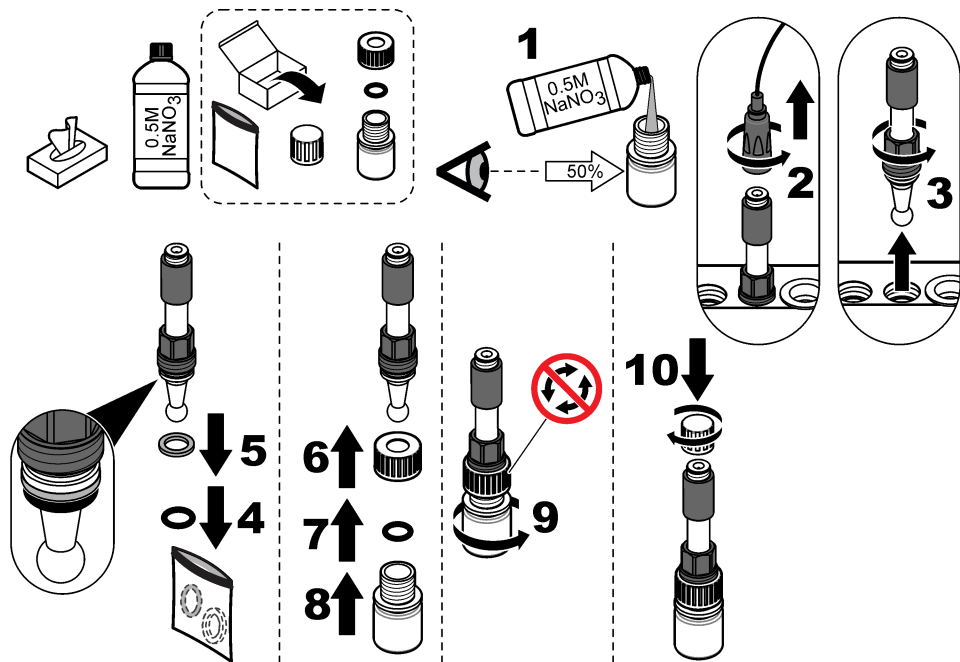
3.9.2 Ta bort referenselektroden

Se de illustrerade stegen som följer.



3.9.3 Ta bort natriumelektroden

Se de illustrerade stegen som följer.



3.9.4 Koppla bort flaskan för konditioneringslösning

▲ VARNING



Fara vid inandning. Andas inte in diisopropylamin (DIPA) eller ammoniakångor. Exponering kan leda till allvarliga personskador eller dödsfall.



▲ VARNING

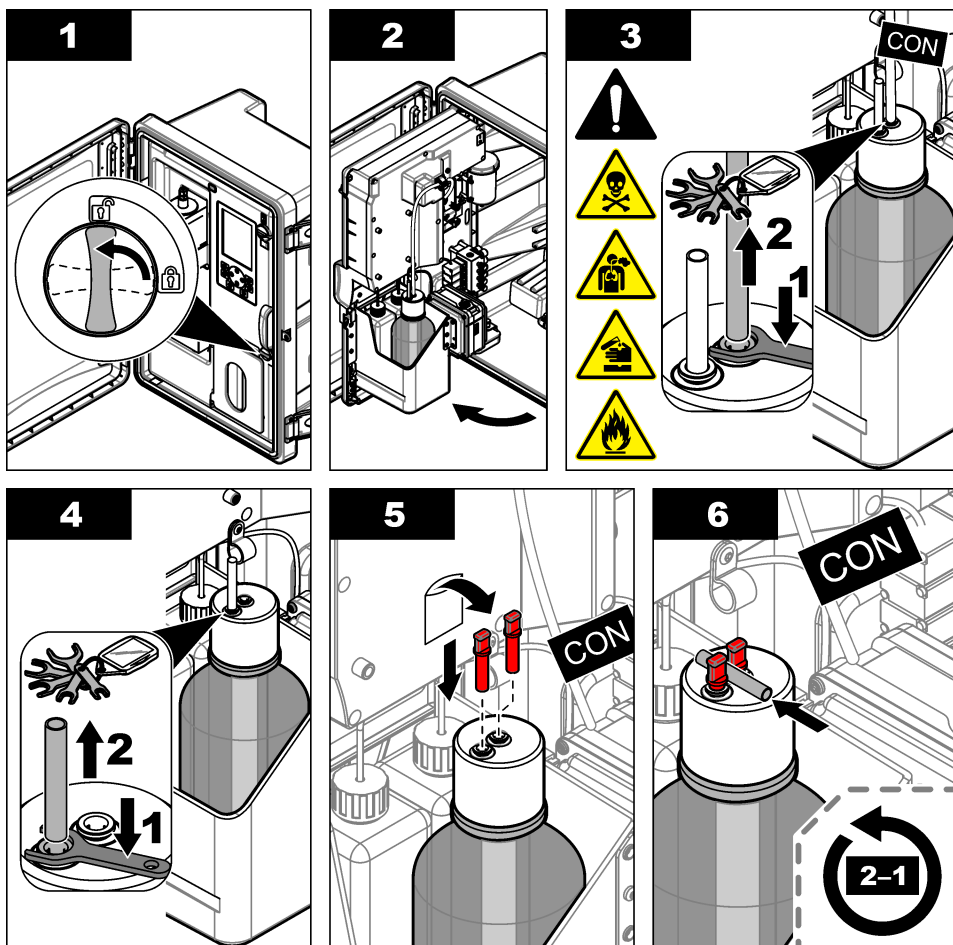


Risk för kemikalieexponering. Diisopropylamin (DIPA) och ammoniak är brandfarliga, frätande och giftiga kemikalier. Exponering kan leda till allvarliga personskador eller dödsfall.



Se de illustrerade stegen som följer.

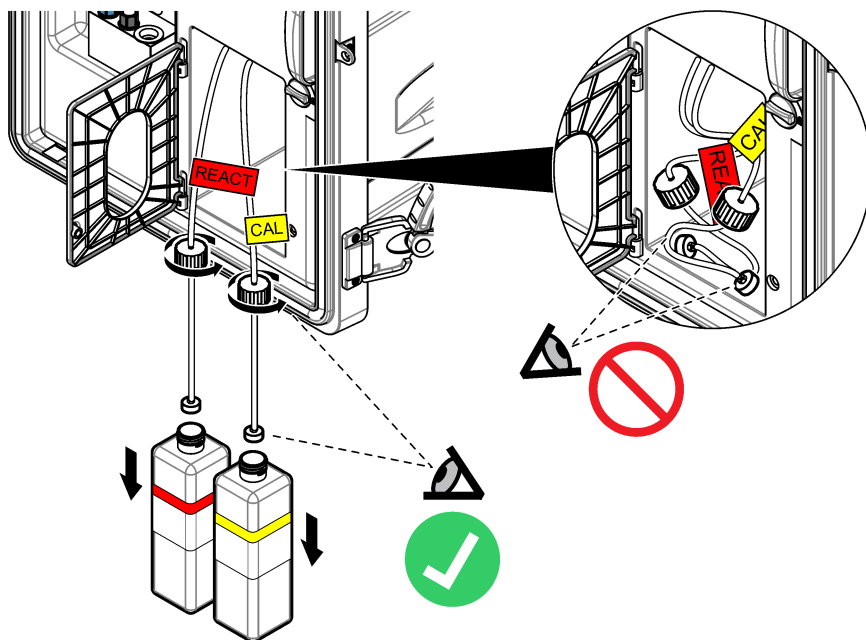
Ta på den personliga skyddsutrustning som anges i databladet om materialsäkerhet (MSDS/SDS).



3.9.5 Spola reagensslangarna

1. Ta på den personliga skyddsutrustning som anges i databladet om materialsäkerhet (MSDS/SDS).
2. Ta bort flaskorna för återaktiveringslösning och kalibreringslösning från analysatorn. Se [Figur 5](#).
Observera: Endast analysatorer med tillvalet automatisk kalibrering har en flaska för kalibreringslösning.
3. Kassera lösningarna i flaskorna i tillämpligt avlopp.
4. Spola därefter flaskorna och fyll dem till hälften med avjoniserat vatten.
5. Placera flaskorna i analysatorn.
6. Tryck på **menu** och välj sedan REAGENSER/STANDARDER > FÖRPUMPA REAGENS. Reagensslangarna spolas med avjoniserat vatten.

Figur 5 Borttagning av flaska



3.9.6 Tappa ur bränningskärlet

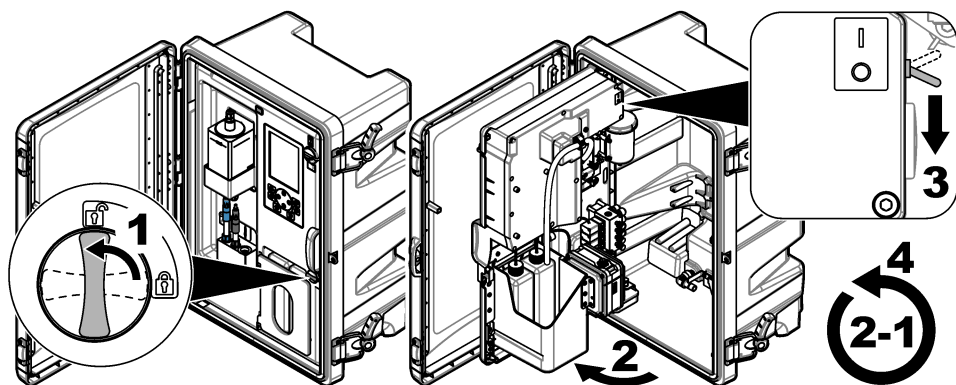
1. Tryck på **diag**, och välj sedan UTFÖR TEST och tryck på **enter**.
2. Tryck **enter för** att välja JA.
3. Välj PROVUTLOPP, och tryck sedan på **enter**.
4. Ange 150 sekunder.
5. Tryck på **enter** två gånger.
6. När bränningskärlet är tomt, tryck på **back**.
7. Tryck på **home**.

3.9.7 Stänga av analysatorn

Bryt strömmen och ta provet i analysatorn enligt följande:

1. Slå av strömbrytaren (off). Se [Figur 6](#).
2. Stäng analyspanelen. Vrid spärren på analyspanelen till låst läge.
3. Koppla bort nätkabeln från eluttaget.
4. Vrid avstängningsventiler i provledningarna till läge av.
5. Använd en ren, luftfri trasa för att ta bort vatten från bränningskärlet.
6. Använd en ren, luftfri trasa för att ta bort vatten från mätcellens vänstra kammare och mittr kammaren.

Figur 6 Slå av strömbrytaren



3.9.8 Kassera det avjoniserade vattnet i flaskorna

1. Ta bort flaskorna för återaktiveringslösning och kalibreringslösning från analysatorn. Dra ned flasklocken så att de hänger nedanför analysatorn.
Förhindra föroreningar genom att inte låta flasklocket eller interna slangar komma i kontakt med analysatorn.
2. Kassera det avjoniserade vattnet i flaskorna.
3. Låt flaskorna lufttorka helt.
4. Placera flaskorna i analysatorn.
5. Stäng analysatorns lucka.

Avsnitt 4 Felsökning

Problem	Möjlig orsak	Lösning
Statusfältet visas inte på mätningsskärmen.	Kanalen som visas på mätningsskärmen är inte kanalen som mäts.	Tryck på pilen UPP eller NER tills den kanal som mäts visas på mätningsskärmen.
En kanal inte visas på mätningsskärmen när pilen UPP eller NER trycks in.	Kanalen har inte valts i displayinställningarna.	Tryck på menu och välj sedan STÄLL IN SYSTEM > SET-UP DISPLAY > JUSTERA ORDNING > SE NUVARANDE ORDNING . Om kanalen inte visas, tryck på back och välj sedan LÄGG TILL MÄTNINGAR . Tryck på VÄNSTER pil för att markera eller avmarkera en kryssruta.

Problem	Möjlig orsak	Lösning
En kanal mäts inte.	Kanalen är inte aktiverad.	Tryck på menu och välj sedan STÅLL IN SYSTEM > KONFIGURERA ANALYSATOR > KONFIGURERA KANALVÄXL. > AKTIVERA KANALER. Lägg till kanalen. Tryck på VÄNSTER pil för att markera eller avmarkera en kryssruta.
	Kanalen finns inte i kanalrättssekvensen.	Tryck på menu och välj sedan STÅLL IN SYSTEM > KONFIGURERA ANALYSATOR > KONFIGURERA KANALVÄXL. > SEKVENSKANALER. Tryck på pil UPP och NER för att välja en rad och tryck sedan på VÄNSTER eller HÖGER pil för att välja en kanal. S1 är den första kanal som mäts följt av S2, S3 och S4. <i>Observera: Välj inte kanaler som innehåller symbolen "~" (t.ex. 4--SAMPLE4). Kanaler som innehåller symbolen "~" mäts inte.</i>
Varningen "Instabil Avläsning" visas.	Sköljningstiden mellan kanalrättningar är för kort.	Tryck på menu , välj sedan STÅLL IN SYSTEM > KONFIGURERA ANALYSATOR > MÄTNING > KONFIG. MÄTCYKEL > MAX. CYKELTID eller CYKELTID. Öka inställningarna MAX. CYKELTID eller CYKELTID för att öka sköljningstiden.
Varningen "PROV SAKNAS" visas.	Avstängningsventilen på provledningen är stängd.	Vrid avstängningsventilen till öppet läge.
	Provledningen inte är dragen på rätt sätt.	Kontrollera att provledningen är ansluten till rätt avtappningsport. Se <i>Avtappningsportar</i> i installationshandboken.
	Provflödesventilen är stängd.	Starta Installationsguiden. Tryck på menu och välj sedan STÅLL IN SYSTEM > STARTA ANALYSATOR. Tryck på enter tills du uppmanas att justera provets flödesfrekvens. Vrid provflödesventilen moturs för att öka flödet till 6-9 l/timme på varje kanal.
	Solenoidventilen för kanalen fungerar inte korrekt.	Tryck på diag och välj sedan UTFÖR TEST > PROVUTLOPP för att tappa ur bräddningskärlet. Tryck på diag och välj sedan UTFÖR TEST > PROVLEVERANS för att öppna provtagningsventilen. Om provet inte rinner in i bräddningskärlet, undersök provtagningsventilens kablage. Byt ut provtagningsventilen vid behov.

Problem	Möjlig orsak	Lösning
Varningen "pH FÖR LÅG" visas.	Kåpan togs bort från mätcellens högra kammare.	Sätt dit kåpan på mätcellens högra kammare.
	Vätskemängden i flaskan för konditioneringslösning är lägre än 10 % eller flaskan är tom.	Byt ut konditioneringslösningen. Se Byt ut konditioneringslösningen på sidan 277.
	Det finns en luftläcka i konditioneringsflaskans lock.	<ul style="list-style-type: none"> • Se till att konditioneringsflaskans lock är ordentligt tätt. • Undersök brickan i flaskans lock. Om brickan är sliten eller skadad ska den bytas ut. • Undersök plastflänsen på flaskans kant. Om den är sliten eller skadad, byt ut konditioneringslösningensflaskan.
	Det finns en luftläcka i konditioneringslangen.	Leta efter en blockering eller läcka i konditioneringslangen. Byt ut slangen vid behov. Observera: Konditioneringslangen innehåller gas, inte lösning.
	Konditioneringsventilen fungerar inte korrekt.	Tryck på diag och välj sedan UTFÖR TEST > KONDITIONERINGSVENTIL för att öppna konditioneringsventilen. Om konditioneringsgasen inte flödar in i mätcellens högra kammare (visas som bubblor), byt ut konditioneringsventilen.
Varningen "KALIBRERING AVSLUTADES" visas.	Värdet för kalibreringslösningen i inställningen för automatisk kalibrering skiljer sig från värdet på kalibreringslösningensflaskan.	Ändra värdet för kalibreringslösningen i kalibreringsmenyn till värdet på kalibreringslösningensflaskan. Se <i>Ställa in den automatiska kalibreringen</i> i användarhandboken.
	Kalibreringslösningensflaskan är tom.	Fyll på kalibreringslösning. Se Byte av kalibrerings- och återaktiveringslösningar på sidan 275.
	Det finns en läcka eller blockering i kalibreringslösningsslangen.	Leta efter en blockering eller läcka i slangen. Byt ut slangen vid behov.
	Kalibreringslösningenspumpen fungerar inte korrekt.	Tryck på diag och välj sedan UTFÖR TEST > PROVUTLOPP för att helt tappa ur bräddningskärlet. Tryck på diag och välj sedan UTFÖR TEST > LEVERANS AV KAL.STD för att aktivera kalibreringslösningenspumpen. Om kalibreringslösning inte flödar till bräddningskärlet, byt ut kalibreringslösningenspumpen.
	Omröraren roterar inte. Observera: Omröraren roterar då och då.	Tryck på diag och välj sedan UTFÖR TEST > MIXER för att aktivera blandningsmotorn. Om omröraren inte rör sig, byt ut blandningsmotorn.
	Omröraren finns inte i bräddningskärlet.	Se till att omröraren placeras i bräddningskärlet.

Problem	Möjlig orsak	Lösning
Varningen "REAKT.SPÄNNING LÅG" visas.	Återaktiveringslösningens flaskan är tom.	Se till att slangänden för återaktiveringslösning är i botten av flaskan. Fyll på återaktiveringslösning. Se Byte av kalibrerings- och återaktiveringslösningar på sidan 275.
	Natriumelektroden fungerar inte korrekt.	<ul style="list-style-type: none"> Kontrollera att natriumelektroden har installerats korrekt. Se installationshandboken. Kontrollera att det inte finns luft i natriumelektrodens glaskula.
	Referenselektroden fungerar inte korrekt.	<ul style="list-style-type: none"> Ta ut referenselektroden ur mätcellen. Lyft ringen på glasdelen för att låta något KCl-elektrolyt flöda ut. Skjut hylsan nedåt och vrid den mindre än ett 1/4 varv för att låsa hylsan. När hylsan låses kan den inte vridas. Installera referenselektroden i mätcellen. Kontrollera att referenselektroden har installerats korrekt. Se installationshandboken. För att identifiera om problemet har åtgärdats, tryck diag och välj sedan SENSOR-REAKTIVERING för att göra en återaktivering.
	Det finns en läcka eller blockering i slangen för återaktiveringslösning.	Leta efter en blockering eller läcka i slangen. Byt ut slangen vid behov.
	Pumpen för återaktiveringslösning fungerar inte korrekt.	Tryck på diag och välj sedan UTFÖR TEST > REAKTIVERINGSLÖSN.LEVERANS > HÖG för att ställa in pumpen för återaktiveringslösning på hög flödes hastighet. Om återaktiveringslösningen inte flödar till mätcellens mitre kammare, byt ut pumpen för återaktiveringslösning.
Instrumentavläsningarna är inte stabila.	Analysatorn startades för mindre än 2 timmar sedan.	Låt analysatorn arbeta i 2 timmar för att bli stabil.
	Elektrodkabeln(arna) korskopplade på elektroderna.	Koppla bort kabeln från elektroden. Skjut kontakten helt ned på elektrodanslutningen och dra sedan åt kontakten med fingerkraft.
	Elektrodkablarna är anslutna till fel elektroder.	Anslut den blå kabeln till referenselektroden. Anslut den svarta kabeln till natriumelektroden.
	KCl-elektrolytflödet är för snabbt.	Ta ut referenselektroden ur mätcellen. Skjut hylsan nedåt och vrid den mindre än ett 1/4 varv för att låsa hylsan. När hylsan låses kan den inte vridas. Om hylsan inte är låst, flödar KCl-elektrolyten för fort från referenselektroden in i mätcellen.

Problem	Möjlig orsak	Lösning
Mätningarna är inte exakta.	Analysatorn är inte kalibrerad.	Kalibrera analysatorn. Se <i>Utföra en kalibrering</i> i användarhandboken. För bästa noggrannhet ska analysatorn kalibreras med 7 dagars intervall (varje vecka).
	Automatisk återaktivering är avaktiverad eller intervallet mellan återaktiveringar är mer än 24 timmar.	Starta en automatisk återaktivering. Tryck på diag och välj SENSOR-REAKTIVERING. Observera: För bästa noggrannhet, aktivera automatisk återaktivering. Ställ in intervallet på 24 timmar. Följ anvisningarna i användarhandboken.
	Återaktiveringslösningsslaskan är tom.	Fyll på återaktiveringslösning. Se Byte av kalibrerings- och återaktiveringslösningar på sidan 275.
	Det finns en läcka eller blockering i slangen för återaktiveringslösning.	Leta efter en blockering eller läcka i slangen. Byt ut slangen vid behov.
	Pumpen för återaktiveringslösning fungerar inte korrekt.	Tryck på diag och välj sedan UTFÖR TEST > REAKTIVERINGSLÖSN.LEVERANS > HÖG för att ställa in pumpen för återaktiveringslösning på hög flödes hastighet. Om återaktiveringslösningen inte flödar till mätcellens mitre kammare, byt ut pumpen för återaktiveringslösning.
Omröraren i bränningskärlet roterar inte.	Omröraren fungerar inte korrekt. Observera: Omröraren roterar då och då.	Tryck på diag och välj sedan UTFÖR TEST > MIXER för att aktivera blandningsmotorn. Om omröraren inte rör sig, byt ut blandningsmotorn.
KCl-elektrolytförbrukningen är alltför snabb ¹ .	Hylsan på referenselektrodens glasdel är inte låst.	Ta bort referenselektroden. Tryck upp hylsan. Skjut hylsan nedåt och vrid den mindre än ett 1/4 varv för att låsa hylsan. Se de illustrerade stegen i <i>Installera referenselektroden</i> i installationshandboken. När hylsan låses kan den inte vridas. Om hylsan inte är låst, flödar KCl-elektrolyten för fort från referenselektroden in i mätcellen.
KCl-elektrolytförbrukningen är alltför långsam ² .	Hylsan på referenselektrodens glasdel vreds inte så att förseglingen bröts.	Ta bort referenselektroden. Vrid försiktigt på hylsan så att förseglingen bryts. När hylsan går lätt att vrida är förseglingen bruten. Se de illustrerade stegen i <i>Installera referenselektroden</i> i installationshandboken. Skjut hylsan nedåt och vrid den mindre än ett 1/4 varv för att låsa hylsan. När hylsan låses kan den inte vridas. Om hylsan inte är låst, flödar KCl-elektrolyten för fort från referenselektroden in i mätcellen.
En reläindikator på displayen för mätning blinkar.	Övermatningstimmern har gått ut.	Återställ övermatningstimmern. Se Återställer reläernas övermatningstimer på sidan 293. Observera: Inställningen av övermatningstimmern är endast aktiv när inställningen för reläet VÄLJ FUNKTION är ställd på KONTR. MATN..

¹ KCl-elektrolytförbrukningen är alltför snabb om nivån i tanken sjunker med mer än 3 mm (1/8 tum) på två dagar

² KCl-elektrolytförbrukningen är alltför långsam om nivån i tanken minskar mindre än 1 mm på två dagar

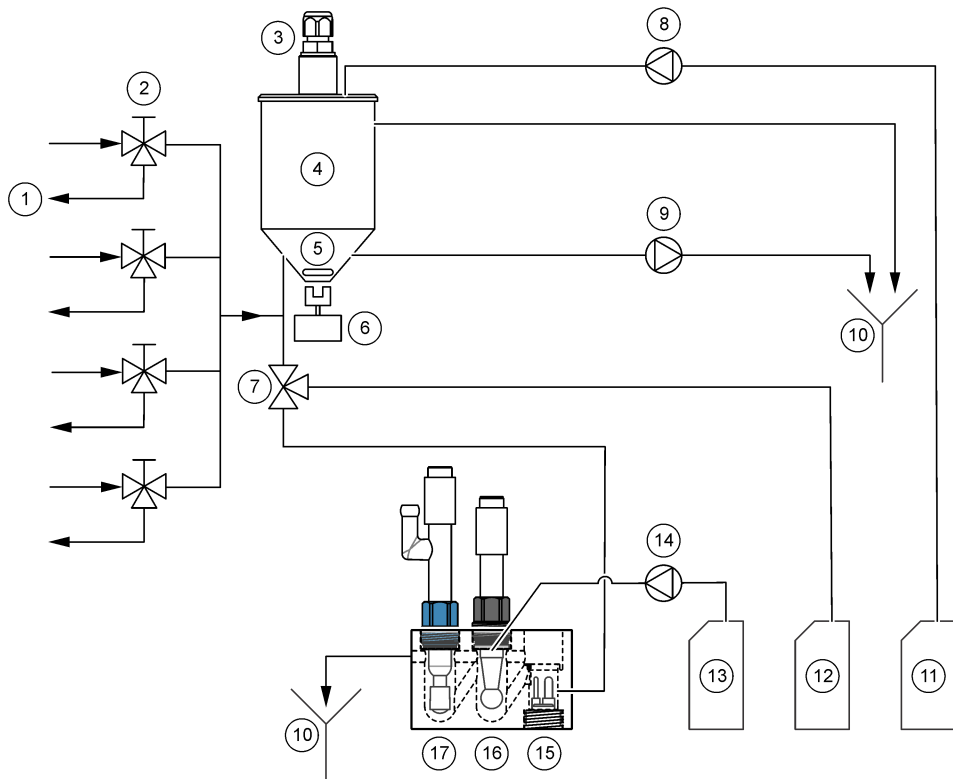
4.1 Återställer reläernas övermatningstimer

Inställningen för reläernas övermatningstimer förhindrar ett tillstånd som håller mätvärdet högre än inställt gränsvärde eller dödband (t.ex. skadad elektrod eller processtörningar) så att ett relä inte är konstant påslaget. Övermatningstimern begränsar hur länge reläerna och deras kopplade kontrollelement är påslagna oberoende av förhållandena.

När ett valt tidsintervall för övermatningstimern löper ut, blinkar relästatus i mätskärmens övre högra hörn tills övermatningstimern återställs. Tryck **diag** och välj sedan ÅTERST.TIMER för att nollställa övermatningstimern.

Avsnitt 5 Diagnostik

5.1 Flödesschema



1 Bypassutlopp för prov	7 Konditioneringsventil	13 Återaktiveringslösning
2 Provinlopp	8 Pump för kalibreringslösning ³	14 Pump för återaktiveringslösning
3 Nivågivare	9 Tömningspump	15 Temperaturgivare
4 Bräddningskärl	10 Utlopp	16 Natriumelektrod
5 Omrörare	11 Kalibreringslösning ³	17 Referenselektrod
6 Blandarmotor	12 Konditioneringslösning	

5.2 Starta ett analysatorstest

Starta ett analysatorstest för att identifiera om statusindikatorlampan, blandningsmotor, en pump eller en ventil fungerar korrekt.

³ Endast analysatorer med tillvalet automatisk kalibrering har en pump för kalibreringslösning samt kalibreringslösning.

1. Tryck på **diag** och välj UTFÖR TEST.
2. Välj ett alternativ.

Alternativ	Beskrivning
REAKTIVERINGSLÖSN.LEVERANS	Startar pumpen för återaktiveringslösning. Återaktiveringslösning flödar in i mätcellens mitre kammare. Observera: Mätcellen är det genomskinliga block där elektroderna är installerade.
PROVLEVERANS	Ställer provsolenoidventilen för den valda kanalen i öppet läge. Provet flödar in i bränningskärlet. Observera: Om bränningskärlet är fullt, kommer nivån på vattnet i bränningskärlet inte att ändras. Tappa ur bränningskärlet genom att utföra testet PROVUTLOPP.
LEVERANS AV KAL.STD	Observera: Tillvalet LEVERANS AV KAL.STD finns endast tillgängligt på analysatorer som har tillvalet automatisk kalibrering. Aktiverar pumpen för kalibreringslösning. Kalibreringslösningen strömmar in i bränningskärlet.
KONDITIONERINGSVENTIL	Öppnar konditioneringsventilen. Konditioneringsgas strömmar in i mätcellens högra kammare. Observera: Mätcellen är det genomskinliga block där elektroderna är installerade.
PROVUTLOPP	Aktiverar tömningspumpen. Vattnet i bränningskärlet rinner ut i den kemiska avloppsslangen.
MIXER	Aktiverar blandarmotorn. Omröraren i bränningskärlet roterar.
STATUSLAMP	Ställer in statuskontrollampen på kontinuerlig växling: gul, röd, grön.
LUFTPUMP	Observera: Tillvalet LUFTPUMP är endast tillgängligt när tillvalet katjonisk pump är installerat. Aktiverar den katjoniska pumpen. Den katjoniska pumpen trycker in luft i konditioneringslösningens (DIPA) flaska. Se avsnittet <i>Produktöversikt</i> i installationshandboken för att identifiera placeringen av den katjoniska pumpen i analysatorn.
VÄLJ SKRIPT	Observera: Tillvalet VÄLJ SKRIPT är endast avsett för serviceändamål. Ställer in analysatorn för att använda normalt instrumentskript eller testskript.

5.3 Starta en 4-20 mA utgångs- eller relätest

Starta en 4-20 mA utgångs- eller relätest för att identifiera om en 4-20 mA utgång eller ett relä fungerar korrekt.

1. Tryck på **diag** och välj UTDATA.
2. Välj ett alternativ.

Alternativ	Beskrivning
TEST 4-20 mA	Ställer in signalen (mA) på den valda 4-20 mA-utgången. Mät strömmen vid 4-20 mA-utgången med en multimeter.
TEST RELÄ A	Aktiverar det valda reläet (tillkopplat) eller avaktiverar (ej tillkopplat). Mät motståndet över reläet med en multimeter för att identifiera om reläet är öppet eller stängt.

Alternativ	Beskrivning
UTG.LÅST	Håller utgångarna vid det senaste värdet eller ställer dem i överföringsvärde. AKTIVERING – Välj LANSERING för att hålla utgångar vid det senaste värdet eller ställ dem i överföringsvärdet. Välj ÅTERSTÄLL UTG. så att utgångarna fungerar normalt. VÄLJ UTSIGNAL – Välj UTG.LÅST för att hålla utgångarna vid det senaste värdet. Välj ÖVERFÖR UTGÅNGAR för att ställa utgångarna i överföringsvärdet. Se användarhandboken för att ställa in överföringsvärde för utgångarna. VÄLJ KANALER – Välj ALLA för att välja alla kanaler. Välj ANALYSATOR för att välja alla kanaler för den valda analysatorn.
UTDATASTATUS	Visar signaler (mA) vid 4-20 mA-utgångarna.
SIMULERA MÄTNING	Anger en analysatorläsning på en vald kanal för att göra ett utgångstest. Simuleringen upphör när användaren stänger skärmen. VÄLJ KÄLLA – Väljer analysatorn. VÄLJ PARAMETER – Väljer kanalen. VÄLJ SIM.VÄRDE – Ställer in analysatorns avläsning.

5.4 Visar information om analysatorn

För att visa den information om analysatorn som följer, tryck på **menu** och välj sedan VISA DATA > ANALYSATORDATA. Se [Tabell 2](#).

Tabell 2 Beskrivningar av analysatordata

Produkt	Beskrivning
DATUM/TID	Aktuell tid (24-timmarsformat) och datum anges i inställningarna
NAMN	Analysatorns namn
TYP	Typ av analysator
OMGIVN.TEMP.	Analysatorns omgivningstemperatur
KONDITIONERINGSLÖSN. NIVÅ	Lösningsnivå för konditioneringslösningsflaska
REAKTIVERINGSLÖSN.NIVÅ	Lösningsnivå för återaktiveringslösningsflaska
STANDARDNIVÅ	Lösningsnivå för kalibreringslösningsflaska
KCL-NIVÅ	Lösningsnivå för KCl-elektrolytbehållaren
SENASTE REAKTIVERING	Datum för den senaste automatiska återaktiveringen
SENASTE KALIBRERING	Datum för den senaste kalibreringen
SENASTE SERVICE	Datum för senaste service
PROG VERS.	Installerad programvaruversion
DD, FAST PROGRAMVARA	Fast programvaruversion för installerad drivrutin
DD, INNEHÅLL	Version på datainnehåll i enhetens drivrutin
SKRIPTVERSION	Version på skriptfilens katalogblock
SKRIPTINNEHÅLL	Version på skriptfilens kataloginnehåll
MÄTSTYRNING PROGRAMVERSION	Revision för installerad mätningkontrollprogramvara
SERIENUMMER	Analysatorns serienummer

5.5 Visa analysatorstatus och systemdata

För att visa aktuell analysatorstatus, Modbus-status, systemdata eller I2C-data genomför du följande steg:

1. Tryck på **diag**.
2. Välj ett alternativ.

Alternativ	Beskrivning
AKTUELL STATUS	ÅTGÄRD – Aktiverat mätläge. PROVKANAL – Aktiverad provkanal. STEGSTATUS – Aktiverat steg i mätcykeln. STEGTID – Återstående stegtid. MINUTER KVAR – Återstående tid i minuter i det aktuella steget. FÄRDIGSTÄLLANDE – % slutfört av mätcykeln.
MODBUS STATIST	Visar status för Modbus-portarna: givare, styrenhet, nätverk och service. Visar antalet godkända och ej godkända sändningar.
SYSTEMINFORMATION	OMGIVN.TEMP. – Uppmätta omgivningstemperatur i Celsius (C). FREKVENSTRÖMKÄLLA – Elnätets frekvens (Hz). SPÄNNING STRÖMKÄLLA – Ledningsspänning (AC). 12 V – Uppmätt elnätsspänning (VDC). 3,3 V SPÄNNING – Uppmätt reglerad matning 3,3 V (VDC). 12 VA – Uppmätt 12 V ström (ampere).
I2C-DATA	Visar kommunikationsinformationen (I ² C) och versionsnumret.

5.6 Granska serviceinformation

Använd servicemenyn för att granska eller ställ in servicehistoriken för instrumentets delar.

1. Tryck på **diag**.
2. Välj **SERVICE**.
3. Välj ett alternativ.

Alternativ	Beskrivning
FÖRBRUKNINGSARTIKLAR	Visar en lista över förbrukningsartiklar. Visar datumet för det senaste bytet och antalet dagar sedan artikeln byttes ut. Nollställ räknaren efter att en artikel bytts ut.
SERVICEDEL	<i>Observera: Tillvalet SERVICEDEL är endast tillgängligt för serviceändamål.</i> Visar en lista över delar och datum för senaste service. Kundservicerepresentanten återställer räknaren efter byte av en del.
ÅRLIGT UNDERHÅLL	Visar datum för det senaste årliga underhållet, datum för nästa årliga underhåll och antalet dagar före nästa årliga underhåll. Nollställ räknaren efter det årliga underhållet.
REDIGERA ELEKTRODSERIENR.	Registrerar elektrodernas serienummer.
SERVICEHISTORIK	Visar utförda underhållsuppgifter och datum (t.ex. Fyll på reaktiveringslösning). STARTTID – Visar de data som registreras efter valt datum och tid. ANTAL MÄTVÄRDEN – Visar det valda antalet datapunkter.
EFTERAKTIVERA	NEJ – Hårdvarudiagnostik utförs inte när ström matas till analysatorn. JA – Hårdvarudiagnostik utförs när ström matas till analysatorn.

Avsnitt 6 Reservdelar och tillbehör

⚠ VARNING



Risk för personskada. Användning av icke godkända delar kan orsaka personskador eller skador på maskinen eller utrustningen. Reservdelar i detta avsnitt är godkända av tillverkaren.

Observera: Produkt- och artikelnummer kan variera i olika försäljningsregioner. Kontakta lämplig återförsäljare eller se företagets webbsida för att få kontaktinformation.

Reagens- och standardlösningar

Beskrivning	Antal	Produktnr
3M KCl-elektrolytlösning	250 ml	LZW9500.99
3M KCl-elektrolytlösning	500 ml	363140,00500
Diisopropylamin (DIPA) 99 %	1 L	2834453
Natriumklorid, standardlösning, 10 ppm	1 L	2835153
Natriumnitrat, 0,5 M	500 ml	2507149

Reservdelar

Beskrivning	Antal	Produktnr
Konditioneringslösningensflaska med lock, tom	1	8352000
Bricka, konditioneringsflaskans lock	1	8417200
Vinklad koppling, avtappning, ½ tum, polypropylen	1	6772800
Elektrod, referens	1	09240=C=0310
Elektrod, natrium	1	09240=C=0320
Säkring, 1,6 A, 250 V, 5 x 20 mm	1	5208300
Säkring, 5 A, 250 V, trög, 5 x 20 mm	1	4693800
Monteringsatts, 1-kanals analysator, analysator med kapsling	1	8375400
Monteringsatts, 2-kanals analysator, analysator med kapsling	1	8375300
Monteringsatts, 4-kanals analysator, analysator med kapsling	1	8371500
Installationssats 1-kanalsanalysator, analysator utan kapsling	1	8375700
Installationssats 2-kanalsanalysator, analysator utan kapsling	1	8375600
Installationssats 4-kanalsanalysator, analysator utan kapsling	1	8375500
Blandarmotor	1	8420000
Skruvur för panelfäste M6 x 20 koniskt huvud, rostfritt stål, Torx	4	8415500
Syl för interna elektriska kontakter, metallrör, används med 8379900	1	8380000
Syl för interna elektriska kontakter, metallplattor, används med 8380000	1	8379900
Tryckregulator, 0,3 bar (4 psi), ej justerbar	1	6782900
Pump, kalibreringslösning	1	8364300
Dräneringspump	1	8357400
Pump, återaktiveringslösning	1	8364200

Reservdelar (fortsättning)

Beskrivning	Antal	Produktnr
Avstängningsventil, 6 mm YD slang	1	8385200
Omrörare	1	W_4510_001_FF
Kabelgenomföring (kabelförskruvning), PG9 4 mm till 8 mm	1	8356300
Kabelgenomföring (kabelförskruvning), NPT ½ tum. 4 mm till 9 mm	1	8368400
Bordsmonteringsfästen	2	8370400
Skruvar, bordsmonteringsfäste, #8 x ½ rostfritt stål, Torx	2	8412200
Slangar, kemiska och för dräneringsutlopp: 17,5 mm (¹¹ / ₁₆ tum) YD x 3,2 mm (¹ / ₈ tum) tjock	2 m (6.5 fot)	LZX278
Slang, prov, 6 mm YD x 4 mm ID	5.5 m (18 fot)	6772500
Slangskärare	1	8385400
Väggmonteringsfästen	2	8364100
Skruvar, väggmonteringsfästen, M4 x 10 plana, rostfritt stål, Torx	2	8412500
Ventil, konditionering	1	8367600
Ventil, prov	1	8370200

Tillbehör

Beskrivning	Antal	Produktnr
Flaskadapter, DIPA-flaska, Merck	1	09073=C=0350
Flaskadapter, DIPA-flaska, Orion	1	09073=C=0360
Filter, provinlopp, 100 µm, slang ¼ tum YD	1	595=010=005
Filter, provinlopp, 100 µm, slang 6 mm YD	1	595=010=000
Värmeväxlare, maximalt 4-kanaler	1	8368900
Katjoniskt uppgraderingspaket	1	8371200
Nätkabel, Nordamerika	1	9179700
Uppgraderingspaket 1 kanal till 4 kanaler	1	8365100
Uppgraderingspaket 2 kanaler till 4 kanaler	1	8365000
Uppgraderingspaket för automatisk kalibrering	1	8368000
Slangadapter, 6 mm YD till ¼ tums YD	2	09245=A=8300

Sisällysluettelo

- | | |
|---|---|
| 1 Turvallisuustiedot sivulla 300 | 4 Vianmääritys sivulla 314 |
| 2 Aktiivisten häiriöiden, varoitusten ja muistutusten näyttäminen sivulla 300 | 5 Vianmääritys sivulla 320 |
| 3 Huoltaminen sivulla 300 | 6 Varaosat ja lisävarusteet sivulla 323 |

Osa 1 Turvallisuustiedot

Tarkista yleiset turvallisuustiedot, vaarakuvaukset ja varoitustarrojen kuvaukset asennusoppaasta.

Osa 2 Aktiivisten häiriöiden, varoitusten ja muistutusten näyttäminen

Näytön tausta ja tilan merkkivalo ovat punaiset, kun ilmenee virhe, ja keltaiset, kun annetaan varoitus.

- **Toimintahäiriö** – näytön tausta ja tilan merkkivalo ovat punaiset. Laitteessa on vakava toimintahäiriö, joka vaikuttaa sen toimintaan. Käynnissä oleva mittaus keskeytyy ja analysaattori sammuu.
- **Varoitus** – näytön tausta ja tilan merkkivalo ovat keltaiset. Laitteen toiminnassa tapahtui häiriö, joka saattaa aiheuttaa ongelmia myöhemmin. Analysaattorin toiminta jatkuu.
- **Muistutukset** – näytössä näkyy jakoavainkuvake ja tilan merkkivalo on keltainen. Huollon määräaika on ohitettu.

Näytä aktiiviset häiriöt, varoitukset ja muistutukset toimimalla seuraavasti:

Huomautus: Jos haluat nähdä kaikki mahdolliset häiriöt, varoitukset ja muistutukset ja niiden ohjetiedot, paina **diag**-painiketta ja valitse ANALYSAATTORIN OHJE.

1. Paina **diag**-painiketta ja valitse VIANMÄÄRITYS. Aktiiviset häiriöt, varoitukset ja muistutukset tulevat näyttöön.
2. Valitse häiriö, varoitus tai muistutus luettelosta.
3. Valitse vaihtoehto.

Vaihtoehto	Kuvaus
------------	--------

KUITTAA	Kuittaa valitun toimintahäiriön, varoituksen tai muistutuksen. Kun kaikki aktiiviset toimintahäiriöt, varoitukset ja muistutukset on kuitattu, näytön tausta on jälleen valkoinen ja tilan merkkivalo vihreä.
---------	---

KATSO OHJE Näyttää valitun toimintahäiriön, varoituksen tai muistutuksen ohjetiedot.

Osa 3 Huoltaminen

▲ VAARA



Useita vaaroja. Vain ammattitaitoinen henkilö saa suorittaa käyttöohjeen tässä osassa kuvatut tehtävät.

3.1 Kunnossapitoaikataulu

Taulukko 1 sisältää huoltotoimenpiteiden suositusaikataulun. Laitoksen käytännöt ja laitteen käyttöolosuhteet voivat vaatia joidenkin toimenpiteiden suorittamista tässä ilmoitettua useammin.

Taulukko 1 Kunnossapitoaikataulu

Toimenpide	3 kuukautta	Tarvittaessa
Kalibrointi- ja uudelleenaktiivointiliuosten vaihtaminen sivulla 301	X	
Vakiointiliuoksen vaihtaminen sivulla 303	X	
KCl-elektrolyytin vaihtaminen sivulla 305	X	
Virransyötön sulakkeen vaihtaminen sivulla 307		X

3.2 Laitteen puhdistaminen

HUOMAUTUS

Älä koskaan käytä laitteen tai sen näytön ja lisävarusteiden puhdistamisessa tärpättiä, asetonia tai vastaavia tuotteita.

Puhdista laitteen ulkopinta kostealla liinalla ja miedolla saippualliuoksella.

3.3 Roiskeiden puhdistaminen

VAROTOIMI



Kemikaalille altistumisen vaara. Hävitä kemikaalit ja muut jätteet paikallisten ja kansallisten säädösten mukaisesti.

1. Noudata kaikkia laitoksen roiskeita koskevia turvallisuusohjeita.
2. Hävitä jätteet sovellettavien säädösten mukaisesti.

3.4 Kalibrointi- ja uudelleenaktiivointiliuosten vaihtaminen

VAROTOIMI



Kemikaalille altistumisen vaara. Noudata laboratorion turvallisuusohjeita ja käytä käsiteltäville kemikaaleille soveltuvia suojavarusteita. Lue turvallisuusprotokollat ajan tasalla olevista käyttöturvatiedoista (MSDS/SDS).

VAROTOIMI



Kemikaalille altistumisen vaara. Hävitä kemikaalit ja muut jätteet paikallisten ja kansallisten säädösten mukaisesti.

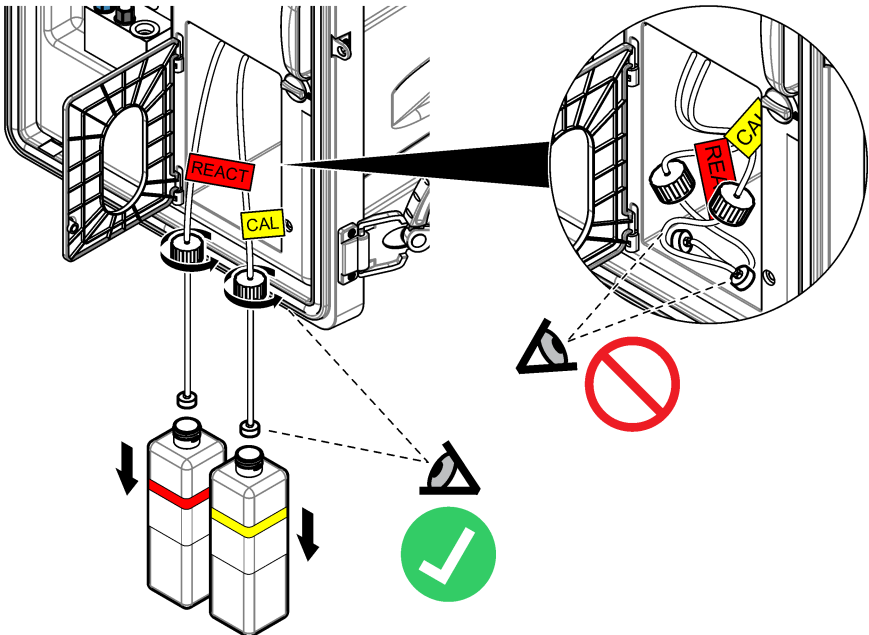
Vaihda uudelleenaktiivointi- ja kalibrointiiliokset kolmen kuukauden välein tai kun jäljellä on alle 10 % täydestä nestemäärästä.

Puhdistamiseen tarvittavat tarvikkeet:



- Henkilönsuojaimet (katso käyttöturvallisuustiedotteet [MSDS/SDS])
- 0,5-molaarinen natriumnitraatti (NaNO₃), 500 mL
- 10 ppm -natriumkloridistandardi (NaCl), 500 mL
- Deionisoitu vesi, 100 mL




1. Pue käyttöturvallisuustiedotteessa (MSDS/SDS) ilmoitetut suojarusteet.
2. Paina **menu**-painiketta ja valitse sitten PYSÄYTÄ ANALYSAATTORI.
Huomautus: Jos vaihtoehto KÄYNN. ANALYSAATTORI näkyy, analysaattori on jo valmiustilassa.
3. Vaihda uudelleenaktivointi- ja kalibrointiliuokset seuraavasti:
 - a. Irrota uudelleenaktivointiliuos- ja kalibrointiliuospulлот analysaattorista. Katso kohtaa [Kuva 1](#).
Huomautus: Vain analysaattoreissa, joissa on automaattinen kalibrointi, on kalibrointiliuospullo.
 - b. Hävitä pulloissa olevat liuokset soveltuvaan viemäriin.
 - c. Huuhtelee pulлот deionisoidulla vedellä.
 - d. Täytä kalibrointiliuospullo uudella 10 ppm -natriumkloridiliuoksella (NaCl) (500 mL). Kalibrointiliuospullossa on tarra, jossa on keltainen raita.
Huomautus: Katso 10 ppm -natriumkloridiliuoksen (NaCl) valmisteluohjeet käyttöoppaasta.
 - e. Täytä uudelleenaktivointiliuospullo uudella 0,5 molaarisella natriumnitraattiliuoksella (NaNO₃) (500 mL). Kalibrointiliuospullossa on tarra, jossa on punainen raita.
Huomautus: Katso 0,5-molaarisen natriumnitraattiliuoksen (NaNO₃) valmisteluohjeet käyttöoppaasta.
 - f. Aseta pulлот analysaattoriin. Varmista, että letku, jossa on punainen REACT-tarra asetetaan pulloon, jossa on punaraitainen tarra. Varmista, että letku, jossa on keltainen CAL-tarra asetetaan pulloon, jossa on keltaraitainen tarra.
4. Syötä pullon tasot seuraavasti:
 - a. Paina **menu**-painiketta ja valitse REAGENSIT/STANDARDIT.
 - b. Valitse ASETA UUD.AKT. TASO ja anna arvoksi 100 %.
 - c. Valitse ASETA STANDARDIN TASO ja anna arvoksi 100 %.
5. Valitse REAGENSIIEN TÄYTTÖ.
6. Kun reagenssit on täytetty, paina **menu**-painiketta ja valitse KÄYNN. ANALYSAATTORI.


Kuva 1 Pullon irrottaminen




3.5 Vakiointiliuksen vaihtaminen

▲ VAROITUS	
 	Vaarallisten kaasujen hengittämisen vaara. Di-isopropyyliamiini (DIPA)- tai ammoniakkihöyryjä ei saa hengittää. Niille altistuminen voi aiheuttaa vakavan vammautumisen tai kuoleman.

▲ VAROITUS	
  	Kemikaalille altistumisen vaara. Di-isopropyyliamiini (DIPA) ja ammoniakki ovat syttyviä, syövyttäviä ja myrkyllisiä kemikaaleja. Niille altistuminen voi aiheuttaa vakavan vammautumisen tai kuoleman.

▲ VAROITUS	
	Kemikaalille altistumisen vaara. Noudata laboratorion turvallisuusohjeita ja käytä käsiteltäville kemikaaleille soveltuvia suojavarusteita. Lue valmistajan käyttöturvallisuustiedot ennen pullojen täyttöä tai reagenssien valmistelua. Vain laboratorioskäyttöön. Tiedota vaaroista paikallisten säästöjen mukaisesti.

▲ VAROTOIMI	
	Kemikaalille altistumisen vaara. Hävitä kemikaalit ja muut jätteet paikallisten ja kansallisten säästöjen mukaisesti.

Vaihda vakiointiliuos kolmen kuukauden välein tai kun jäljellä on alle 10 % täydestä nestemäärästä. Käytä vakiointiliuksessa DIPA-yhdistettä (suositeltu) tai ammoniakkia (yli 28 %).

Puhdistamiseen tarvittavat tarvikkeet:

- Henkilönsuojaimet (katso käyttöturvallisuustiedotteet [MSDS/SDS])
- Di-isopropyyliamiini (DIPA) 99 %, 1 L:n pullo
- Pulloadapteri Merck- tai Orion-DIPA-pulloille tarvittaessa

Vaihda vakiointiliuospullo seuraavasti:

1. Pue käyttöturvallisuustiedotteessa (MSDS/SDS) ilmoitetut suojavarusteet.
2. Paina **menu**-painiketta ja valitse sitten **PYSÄYTÄ ANALYSAATTORI**.

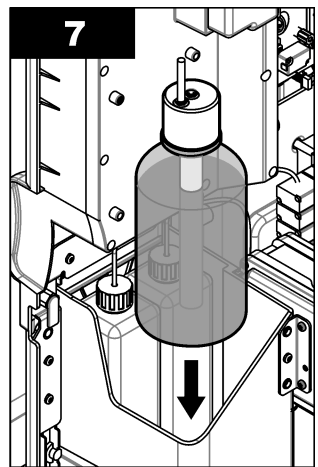
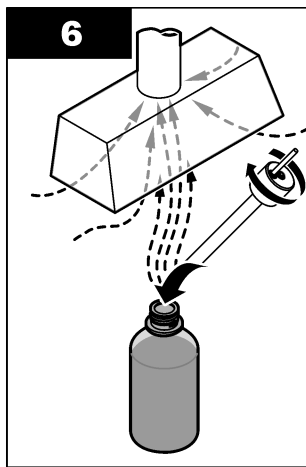
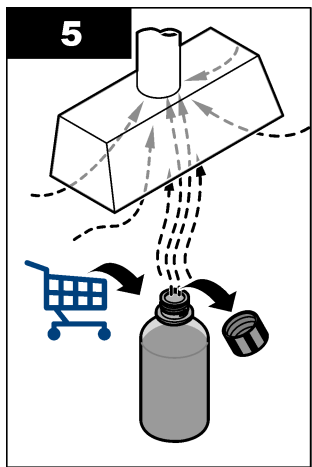
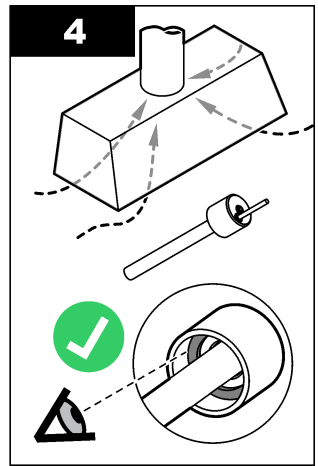
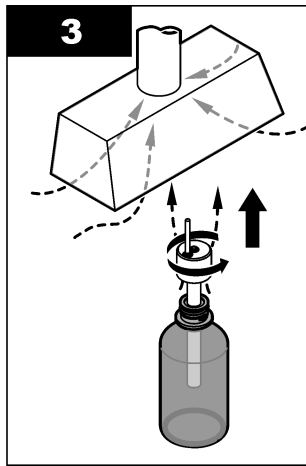
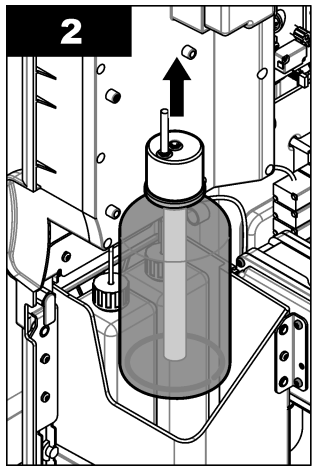
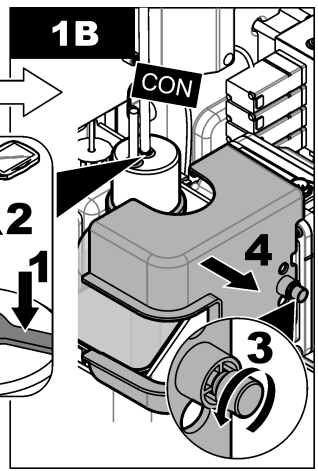
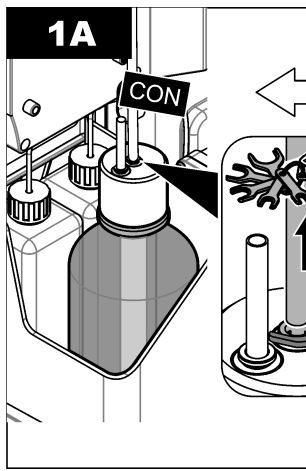
Huomautus: Jos vaihtoehto **KÄYNN**. **ANALYSAATTORI** näkyy, *analysaattori on jo valmiustilassa*.

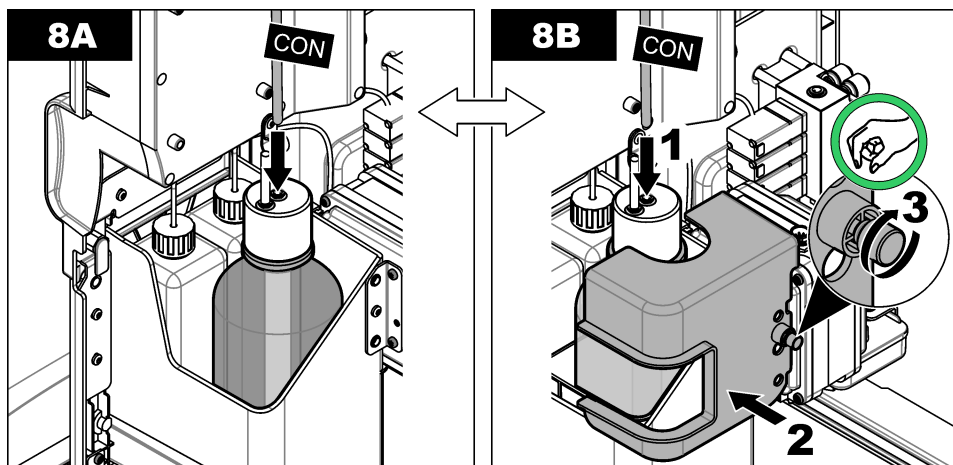
3. Käännä analytiikkapaneelin salpa avausasentoon. Avaa analytiikkapaneeli.
4. Vaihda vakiointiliuospullo. Lue seuraavat kuvaohjeet.

Huomautus: *Analysaattoreissa, joissa on valinnainen kationisten aineiden pumppu, on kaksi vakiointiliuospullon korkkiin menevää letkua. Irota kumpikin letku.*

Huomautus: *Kuvaohjeissa 1 ja 8 vain kotelottomissa analysaattoreissa on vakiointiliuospullon pidike.*

Suorita kuvaohjeiden vaiheet 3–6 vetokaapissa, jos sellainen on käytettävissä. DIPA- tai ammoniakkihöyryjä ei saa hengittää.





5. Asenna valinnaisen kationisten aineiden pumpun sisältävissä analysaattoreissa ulostuloletku kationisten aineiden pumpusta takaisin korkin keskustan sivussa olevaan reikään.
6. Sulje analyyttikkapaneeli. Käännä analyyttikkapaneelin salpa lukitusasentoon.
7. Syötä pullon taso seuraavasti:
 - a. Paina **menu**-painiketta ja valitse REAGENSIT/STANDARDIT.
 - b. Valitse SET COND. LEVEL ja anna arvoksi 100 %.
8. Paina **menu**-painiketta ja valitse sitten KÄYNN. ANALYSAATTORI.

3.6 KCl-elektrolyytin vaihtaminen

⚠ VAROTOIMI	
	Kemikaalille altistumisen vaara. Noudata laboratorion turvallisuusohjeita ja käytä käsiteltäville kemikaaleille soveltuvia suojavarusteita. Lue turvallisuusprotokollat ajan tasalla olevista käyttöturvatiedoista (MSDS/SDS).
⚠ VAROTOIMI	
	Kemikaalille altistumisen vaara. Hävitä kemikaalit ja muut jätteet paikallisten ja kansallisten säästöjen mukaisesti.

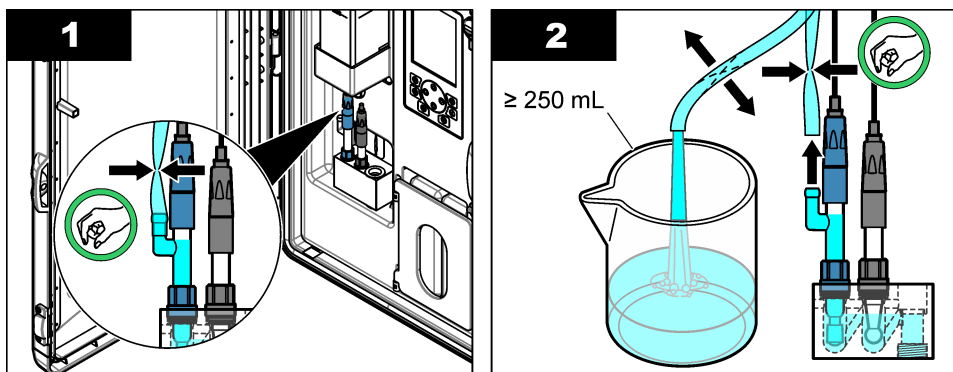
Vaihda KCl-elektrolyyttsäiliön KCl-elektrolyytti kolmen kuukauden välein.

Tarvittavat tarvikkeet:

- Henkilönsuojaimet (katso käyttöturvallisuustiedotteet [MSDS/SDS])
- 3-molaarinen KCl-elektrolyytti, 200 mL
- Pieni säilytysastia, 250 mL tai suurempi

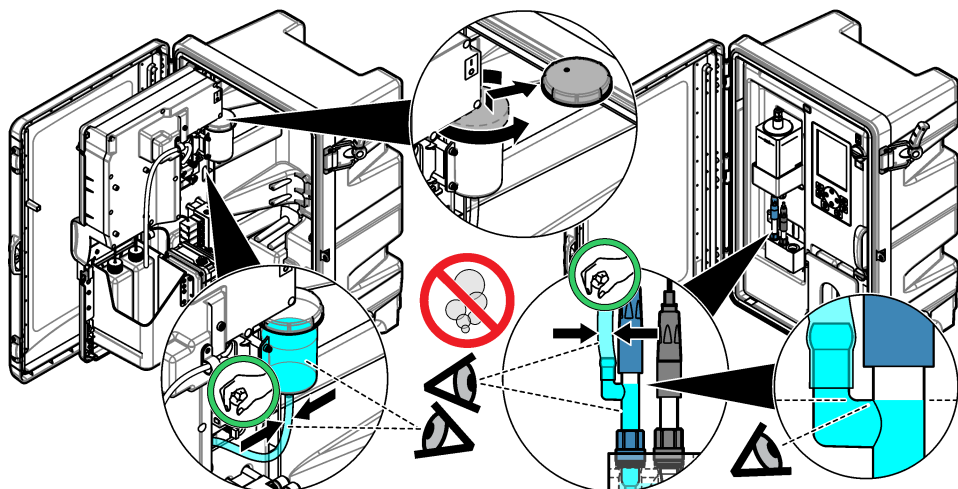
Vaihda KCl-elektrolyytti seuraavasti:

1. Pue käyttöturvallisuustiedotteessa (MSDS/SDS) ilmoitetut suojavarusteet.
2. Tyhjennä KCl-elektrolyyttsäiliön sisältö pieneen säilytysastiaan. Lue seuraavat kuvaohjeet. Hävitä KCl-elektrolyytti soveltuvaan viemäriin.



3. Asenna KCl-elektrolyyttiletku takaisin viite-elektrodiin.
4. Täytä KCl-elektrolyttisäiliö seuraavasti:
 - a. Käännä analytiikkapaneelin salpa avausasentoon. Avaa analytiikkapaneeli.
 - b. Poista KCl-elektrolyttisäiliön kansi. Katso kohtaa [Kuva 2](#).
 - c. Täytä säiliö 90 prosenttiin täydestä määrästä (noin 200 mL).
 - d. Asenna kansi paikalleen.
5. Poista ilmakuplat KCl-elektrolyyttiletkusta seuraavasti:
 - a. Purista KCl-elektrolyyttiletkua analytiikkapaneelin etupuolelta peukalolla ja sormella, jolloin ilmakuplat siirtyvät putkea ylös säiliöön päin. Katso kohtaa [Kuva 2](#).
 - b. Kun ilmakupla on lähellä säiliötä, työnnä kuplaa ylös puristamalla letkua kaksin käsin analytiikkapaneelin etu- ja takapuolelta.
 - c. Purista letkua, kunnes viite-elektroodin KCl-elektrolyytti on lasiliitoksen yläreunassa kohdassa, jossa KCl-elektrolyytti siirtyy elektrodiin. Katso kohtaa [Kuva 2](#).
6. Sulje analytiikkapaneeli. Käännä analytiikkapaneelin salpa lukitusasentoon.
7. Syötä pullon taso seuraavasti:
 - a. Paina **menu**-painiketta ja valitse REAGENSsit/STANDARDIT.
 - b. Valitse ASETA KCL-TASO ja anna arvoksi 100 %.

Kuva 2 KCl-elektrolyttisäiliön täyttäminen



3.7 Virransyötön sulakkeen vaihtaminen

⚠ VAARA



Tappavan sähköiskun vaara. Kytke virta pois laitteesta ennen tämän toimenpiteen aloittamista.

⚠ VAARA



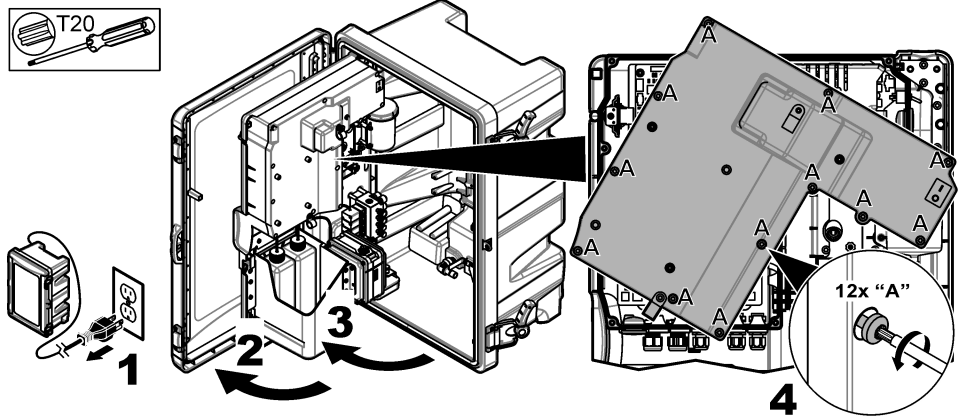
Tulipalon vaara. Vaihda sulake aina toiseen samanlaiseen ja samankokoiseen sulakkeeseen.

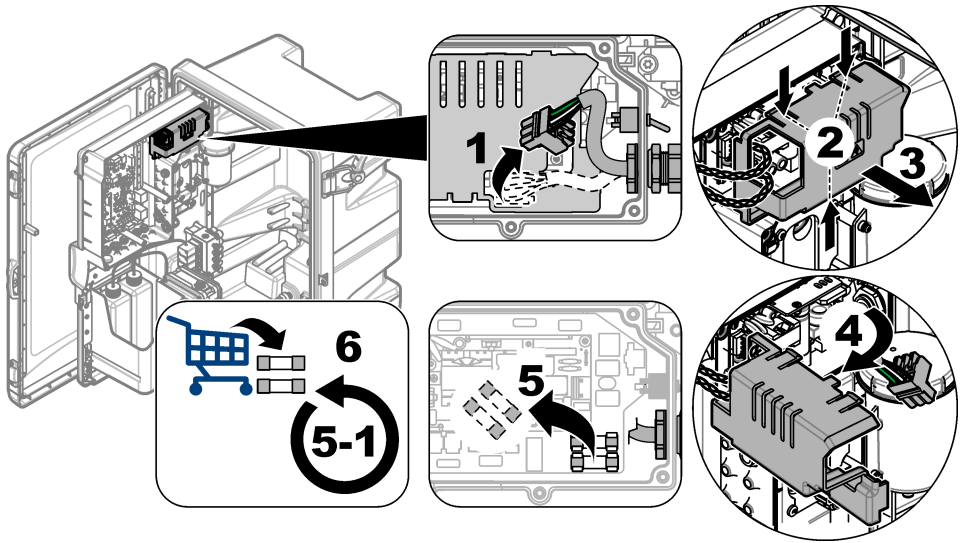
Tarkasta sulakkeet. Vaihda avoimet sulakkeet uusiin.

Käyttäjän hankkima tarvike: T 1,6 A, 250 VAC -sulake

1. Irrota virtajohto pistorasiasta.
2. Irrota sähkölaitteiden huoltoluukku. Katso kuvitetut vaiheet kohdasta [Kuva 3](#).
3. Vaihda sulake. Katso kuvitetut vaiheet kohdasta [Kuva 4](#).
4. Asenna sähkölaitteiden huoltoluukku paikalleen. Kiristä kaikki ruuvit kotelon ympäristöluokituksen ylläpitämiseksi.
5. Sulje analytiikkapaneeli. Käännä analytiikkapaneelin salpa lukitusasentoon.
6. Liitä virtajohto pistorasiaan.
7. Paina **menu**-painiketta ja valitse sitten **KÄYNN. ANALYSAATTORI**.

Kuva 3 Sähkölaitteiden huoltoluukun irrottaminen





3.8 Analysaattorin valmisteleminen lyhytaikaista sammutusta varten

Valmistele analysaattori lyhytaikaista (2 päivästä viikkoon kestävä) sammutusta varten seuraavasti:

Käyttäjän hankkimat tarvikkeet: puristinsakset

1. Paina **menu**-painiketta ja valitse sitten **PYSÄYTÄ ANALYSAATTORI**.

Huomautus: Jos vaihtoehto **KÄYNN. ANALYSAATTORI** näkyy, analysaattori on jo valmiustilassa.

2. Kiinnitä puristinsakset (metalliset tai muoviset) KCl-elektrolyyttiletkun päähän pysäyttämään KCl-elektrolyytin virtaus viite-elektrodiin.

Huomautus: Kun analysaattori on valmiustilassa tai poissa käytöstä, KCl-elektrolyytti jatkaa virtaamista viite-elektrodista. KCl-elektrolyytti täyttää hitaasti mittauskennon vasemman lokeron ja vuotaa ulos vasemman lokeron yläreunasta.

3. Sulje näyteletkujen sulkuventtiilit.
4. Jos analysaattorin virta on katkaistava, lisää uudelleenaktivointiliuosta mittauskennon keskilokeroon natriumelektrodin vaurioitumisen estämiseksi.

Huomautus: Neljän tunnin valmiustilan jälkeen analysaattori lisää automaattisesti uudelleenaktivointiliuosta mittauskennon keskilokeroon.

3.9 Analysaattorin valmisteleminen pitkäaikaista sammutusta varten

⚠ VAROITUS



Kemikaalille altistumisen vaara. Noudata laboratorion turvallisuusohjeita ja käytä käsiteltäville kemikaaleille soveltuvia suojavarusteita. Lue valmistajan käyttöturvallisuustiedot ennen pullojen täyttöä tai reagenssien valmistelua. Vain laboratoriokäyttöön. Tiedota vaaroista paikallisten säädösten mukaisesti.

⚠ VAROTOIMI



Kemikaalille altistumisen vaara. Hävitä kemikaalit ja muut jätteet paikallisten ja kansallisten säädösten mukaisesti.

Valmistele analysaattori pitkäaikaista (yli viikon kestävä) sammutusta varten seuraavasti:

Käyttäjän hankkimat tarvikkeet:

- Pieni säilytysastia, 250 mL tai suurempi
- Deionisoitu vesi, 1,5 L
- Puhdas, nukaton liina

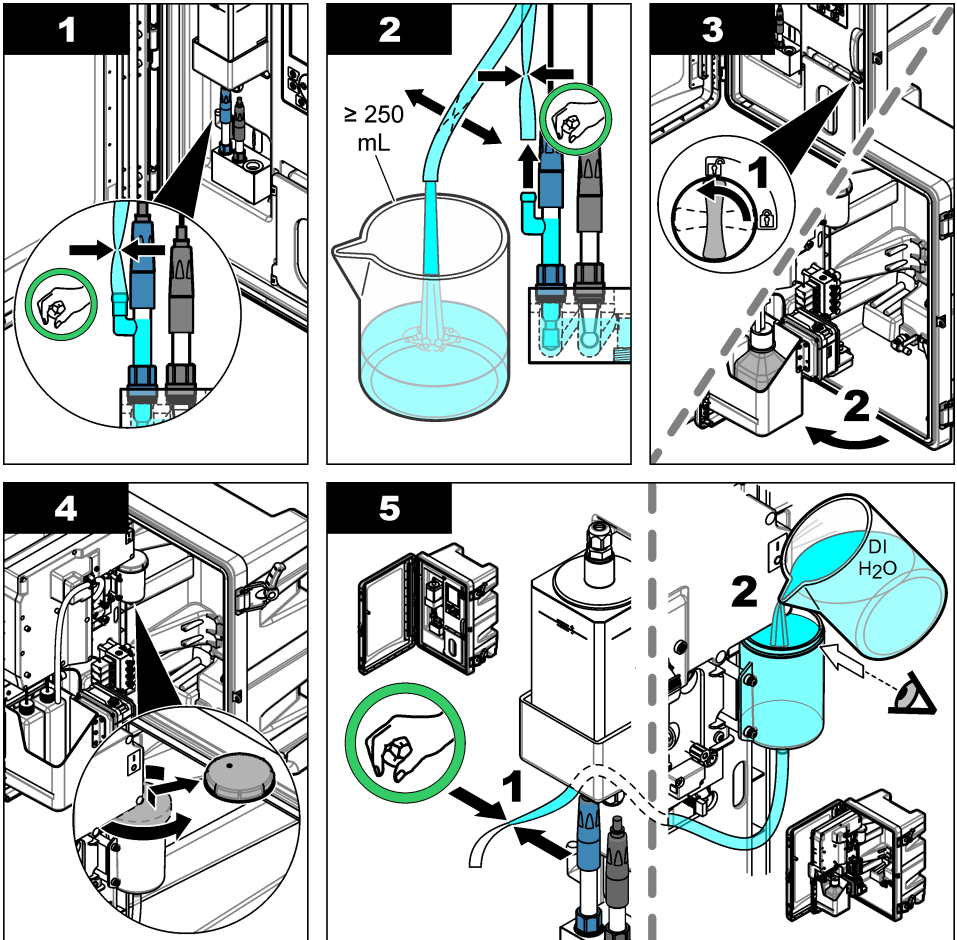
Tarvittavat tarvikkeet:

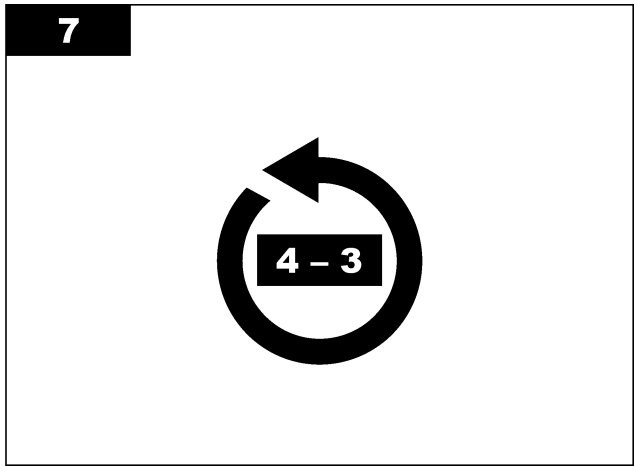
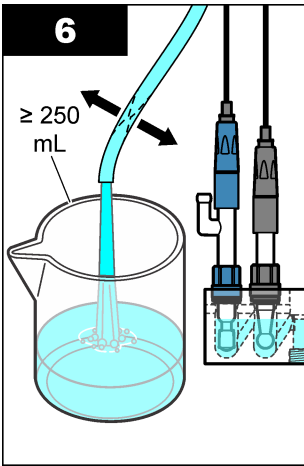
- Säilytyspullot elektrodeille (2 kpl)
- Suojukset elektrodeille (2 kpl)
- Musta kansi viite-elektrodin lasiselle suolasillalle

3.9.1 KCl-elektrolyytissäiliön tyhjentäminen ja huuhteleminen

Lue seuraavat kuvaohjeet.

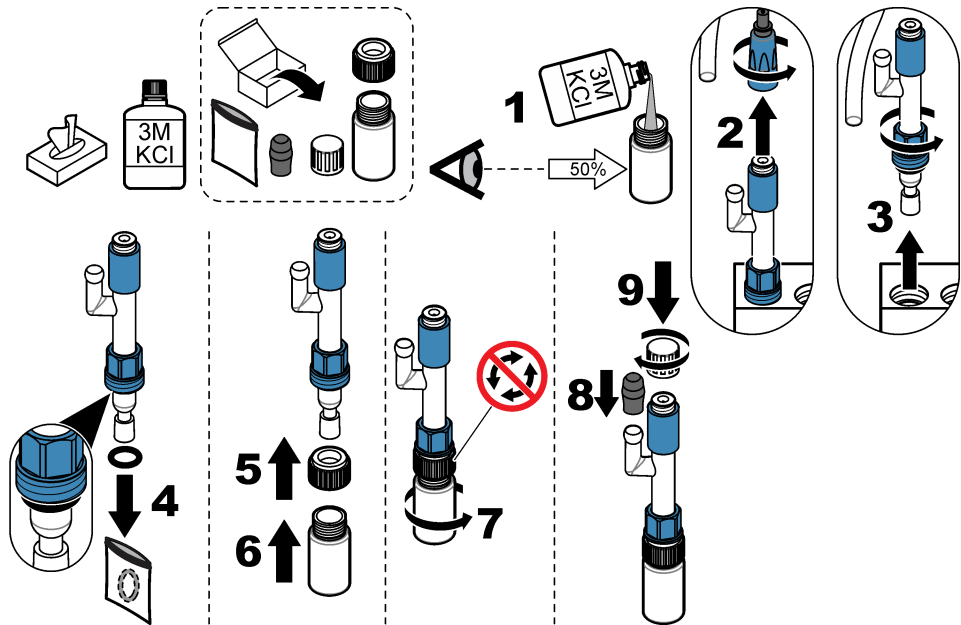
Pue käyttöturvallisuustiedotteessa (MSDS/SDS) ilmoitetut suojavarusteet.





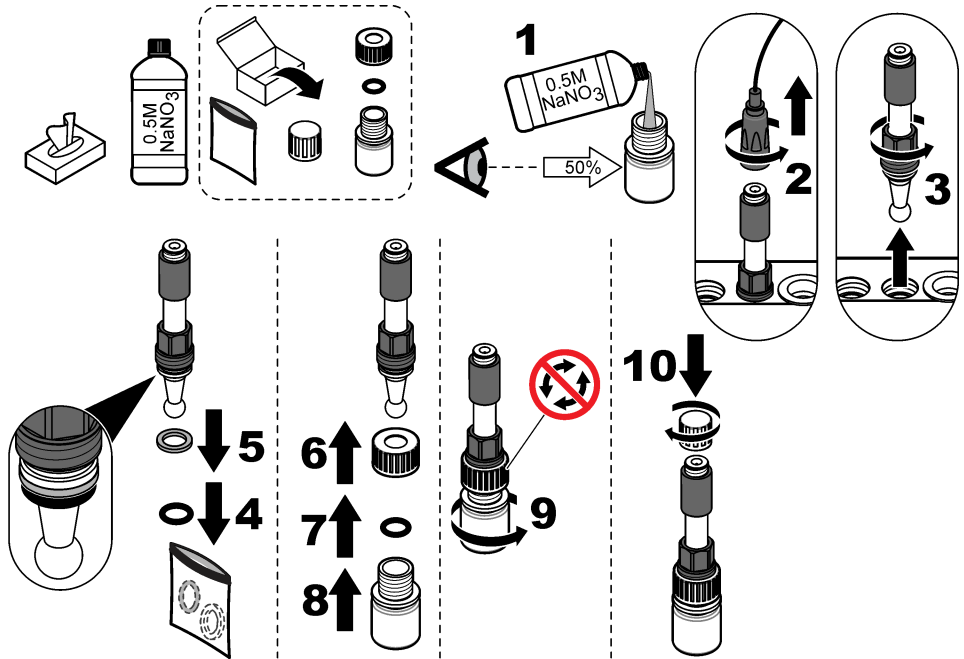
3.9.2 Viite-elektrodin irrottaminen

Lue seuraavat kuvaohjeet.



3.9.3 Natriumelektroodin irrottaminen

Lue seuraavat kuvaohjeet.

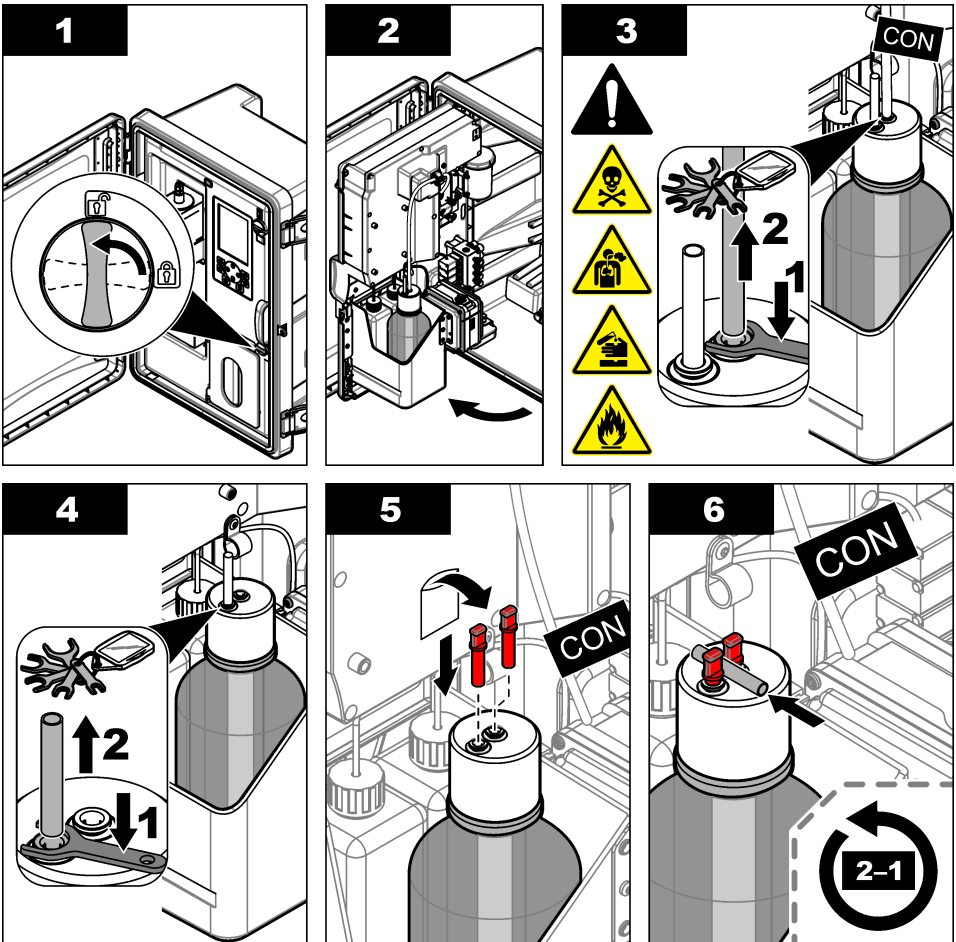


3.9.4 Vakiointiliuospullon irrottaminen

▲ VAROITUS	
	Vaarallisten kaasujen hengittämisen vaara. Di-isopropyyliamiini (DIPA)- tai ammoniakkihöyryjä ei saa hengittää. Niille altistuminen voi aiheuttaa vakavan vammautumisen tai kuoleman.
▲ VAROITUS	
	Kemikaalille altistumisen vaara. Di-isopropyyliamiini (DIPA) ja ammoniakki ovat syttyviä, syövyttäviä ja myrkyllisiä kemikaaleja. Niille altistuminen voi aiheuttaa vakavan vammautumisen tai kuoleman.

Lue seuraavat kuvaohjeet.

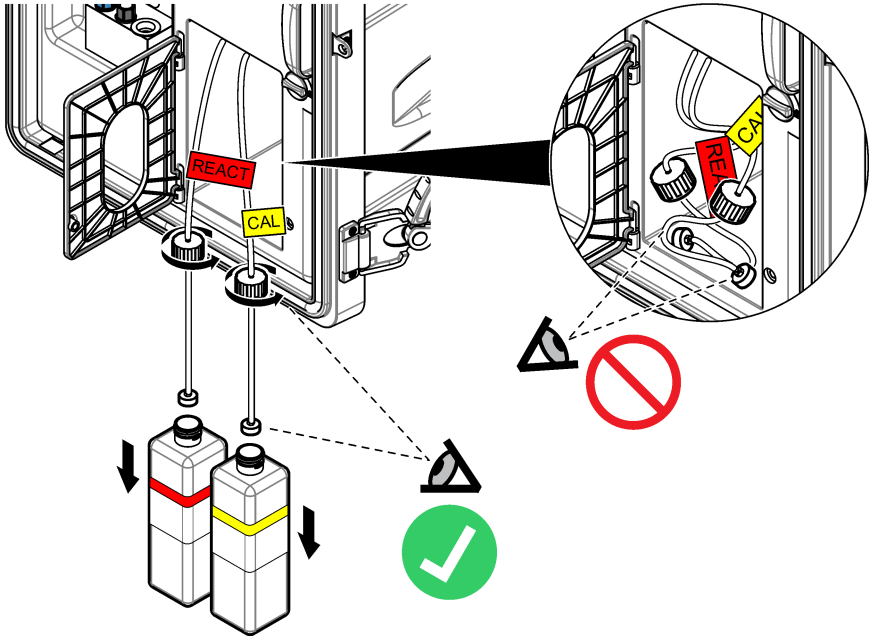
Pue käyttöturvallisuustiedotteessa (MSDS/SDS) ilmoitetut suojavarusteet.



3.9.5 Reagenssiletkujen huuhteleminen

1. Pue käyttöturvallisuustiedotteessa (MSDS/SDS) ilmoitetut suojavarusteet.
2. Irrota uudelleenaktiointiliuos- ja kalibrointiliuospullot analysaattorista. Katso kohtaa [Kuva 5](#).
Huomautus: Vain analysaattoreissa, joissa on automaattinen kalibrointi, on kalibrointiliuospullo.
3. Hävitä pulloissa olevat liuokset soveltuvaan viemäriin.
4. Huuhtelee pullot ja täytä ne sitten puolilleen deionisoidulla vedellä.
5. Aseta pullot analysaattoriin.
6. Paina **menu**-painiketta ja valitse REAGENSsit/STANDARDIT > REAGENSsien täyttö. Reagenssiletkut huuhdellaan deionisoidulla vedellä.

Kuva 5 Pullon irrottaminen



3.9.6 Ylivuotoastian tyhjentäminen

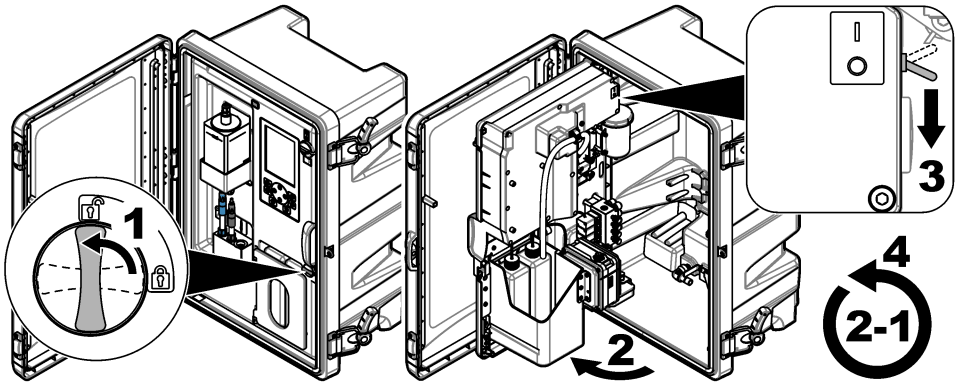
1. Paina **diag**-painiketta, valitse TEE TESTI ja paina sitten **enter**-painiketta.
2. Paina **enter**-painiketta ja valitse OK.
3. Valitse NÄYTTEEN POISTO ja paina sitten **enter**-painiketta.
4. Syötä 150 sekuntia.
5. Paina **enter**-painiketta kaksi kertaa.
6. Kun ylivuotoastia on tyhjä, paina **back**-painiketta.
7. Paina **home**-painiketta.

3.9.7 Analysaattorin sammuttaminen

Katkaise virta ja näytteen virtaus analysaattoriin seuraavasti:

1. Sammuta laite virtakytkimestä. Katso kohtaa [Kuva 6](#).
2. Sulje analytiikkapaneeli. Käännä analytiikkapaneelin salpa lukitusasentoon.
3. Irrota virtajohto pistorasiasta.
4. Sulje näyteletkujen sulkuventtiilit.
5. Pyyhi vesi ylivuotoastiasta puhtaalla, nukattomalla liinalla.
6. Pyyhi vesi mittauskennon vasemmasta lokeroista ja keskilokerosta puhtaalla, nukattomalla liinalla.

Kuva 6 Sammuta laite virtakytkimestä



3.9.8 Pulloissa olevan deionisoidun veden hävittäminen

1. Irrota uudelleenaktiivointiliuos- ja kalibrointiliuospullot analysaattorista. Vedä pullonkorkit alas, jotta ne riippuvat analysaattorin alla.
Älä anna pullonkorkin tai sisäisten letkujen koskettaa analysaattoria kontaminaation estämiseksi.
2. Hävitä pulloissa olevan deionisoitu vesi.
3. Anna pullojen kuivua kokonaan.
4. Aseta pullot analysaattoriin.
5. Sulje analysaattorin luukku.

Osa 4 Vianmääritys

Ongelma	Mahdollinen syy	Ratkaisu
Tilapalkkia ei näy mittaussäytössä.	Mittaussäytössä näkyvä kanava ei ole mitattava kanava.	Paina YLÄ- tai ALA- nuolipainiketta, kunnes mitattava kanava näkyy mittaussäytössä.
Mittaussäytössä ei näy kanavaa, kun YLÄ- tai ALA- nuolipainiketta painetaan.	Kanavaa ei ole valittu näytön asetuksissa.	Paina menu- painiketta ja valitse MÄÄRITÄ JÄRJESTELMÄ > NÄYTTÖ > MUOKKAA TILAUSTA > KATSO NYKYISTÄ TILAUSTA . Jos kanavaa ei näy, paina back- painiketta ja valitse LISÄÄ MITTAUKSET . Valitse valintaruutu tai poista valinta painamalla VASENTA nuolipainiketta.

Ongelma	Mahdollinen syy	Ratkaisu
Kanavaa ei mitata.	Kanavaa ei ole aktivoitu.	Paina menu -painiketta ja valitse MÄÄRITÄ JÄRJESTELMÄ > MÄÄRITÄ ANALYSAATTORI > MÄÄRITÄ SEKVENSIOHJAUS > AKTIVOI KANAVAT. Lisää kanava. Valitse valintaruutu tai poista valinta painamalla VASENTA nuolipainiketta.
	Kanava ei ole kanavan mittaussekvenssissä.	Paina menu -painiketta ja valitse MÄÄRITÄ JÄRJESTELMÄ > MÄÄRITÄ ANALYSAATTORI > MÄÄRITÄ SEKVENSIOHJAUS > SEKVENSOI KANAVAT. Valitse rivi painamalla YLÄ - ja ALA -nuolipainikkeita ja valitse kanava painamalla VASENTA tai OIKEAA nuolipainiketta. S1 on ensimmäinen mitattu kanava, ja sen jälkeen tulevat S2, S3 ja S4. <i>Huomautus: Älä valitse kanavia, jotka sisältävät aaltoviivan ~ (esim. 4~NÄYTE4). Aaltoviivan ~ sisältäviä kanavia ei mitata.</i>
Annetaan varoitus Epävakaata lukema.	Kanavan mittausten välinen huuhtelu-aika on liian lyhyt.	Paina menu-painiketta ja valitse MÄÄRITÄ JÄRJESTELMÄ > MÄÄRITÄ ANALYSAATTORI > MITTAUS > ASETA MITTAUSJAKSO > JAKSON MAKS.KESTO tai JAKSON KESTO. Pidennä huuhtelu-aikaa suurentamalla JAKSON MAKS.KESTO- tai JAKSON KESTO -asetusta.
Annetaan varoitus NÄYTE PUUTTUU.	Näyteletkun sulkuventtiili on kiinni.	Avaa sulkuventtiili.
	Näyteletkua ei ole liitetty oikein.	Varmista, että näyteletku on liitetty oikeaan liitäntäaukkoon. Lisätietoja on asennusoppaan kohdassa <i>Liitäntäaukot</i> .
	Näytteen virtausventtiili on kiinni.	Käynnistä ohjattu käynnistys. Paina menu -painiketta ja valitse MÄÄRITÄ JÄRJESTELMÄ > KÄYNNISTÄ ANALYSAATTORI. Säädä näytteen virtausnopeutta painamalla enter -painiketta, kunnes näytössä näkyy kehote. Suurena kunkin kanavan virtausnopeudeksi 6–9 L/h kääntämällä näytteen virtausventtiiliä vastapäivään.
	Kanavan solenoidiventtiili ei toimi oikein.	Tyhjennä ylivuotoastia painamalla diag -painiketta ja valitsemalla TEE TESTI > NÄYTTEEN POISTO. Avaa näyteventtiili painamalla diag -painiketta ja valitsemalla TEE TESTI > NÄYTTEEN SYÖTTÖ. Jos näytettä ei virtaa ylivuotoastiaan, tarkasta näyteventtiilin johdot. Vaihda näyteventtiili tarvittaessa.

Ongelma	Mahdollinen syy	Ratkaisu
Annetaan varoitus PH ALHAINEN.	Mittauskennon oikean kotelon kansi irrotettiin.	Asenna mittauskennon oikean lokeron kansi.
	Vakiointiliuospullossa on liuosta jäljellä alle 10 %, tai pullo on tyhjä.	Vaihda vakiointiliuos. Katso kohtaa Vakiointiliuksen vaihtaminen sivulla 303.
	Vakiointiliuospullon korkissa on ilmavuoto.	<ul style="list-style-type: none"> Varmista, että vakiointiliuospullon korkki on tiukasti kiinni. Tarkasta pullonkorkin aluslevy. Jos aluslevyssä näkyy kulumia tai vaurioita, vaihda se. Tarkasta pullon suun muovilaippa. Jos siinä näkyy kulumia tai vaurioita, vaihda vakiointiliuospullo.
	Vakiointiliuosletkuissa on ilmavuoto.	Etsi vakiointiliuosletkuista tukoksia tai ilmavutoja. Vaihda letkut tarvittaessa. Huomautus: Vakiointiliuosletkut sisältävät kaasua, ei ratkaisua.
	Säätöventtiili ei toimi oikein.	Avaa säätöventtiili painamalla diag -painiketta ja valitsemalla TEE TESTI > SÄÄTÖVENTTIILI. Jos vakiointikaasu ei virtaa mittauskennon oikeaan koteloon (näkyvä kuplina), vaihda säätöventtiili.
Näkyviin tulee varoitus KALIBROINNIN VIKA.	Automaattisen kalibroinnin asetusten kalibrointiliuksen arvo eroaa kalibrointiliuospullossa olevasta arvosta.	Muuta kalibrointivalikon kalibrointiliuksen arvo kalibrointiliuospullossa olevaan arvoon. Lisätietoja on käyttöoppaan kohdassa <i>Automaattisen kalibroinnin asetusten määrittäminen</i> .
	Kalibrointiliuospullo on tyhjä.	Vaihda kalibrointiliuos. Katso kohtaa Kalibrointi- ja uudelleenaktivoitiliuosten vaihtaminen sivulla 301.
	Kalibrointiliuosletkuissa on vuoto tai tukos.	Etsi letkuista tukoksia tai vuotoja. Vaihda letkut tarvittaessa.
	Kalibrointiliuospumppu ei toimi oikein.	Tyhjennä ylivuotoastia kokonaan painamalla diag -painiketta ja valitsemalla TEE TESTI > NÄYTTEEN POISTO. Paina diag -painiketta ja käynnistä kalibrointiliuospumppu valitsemalla TEE TESTI > KAL.STANDARDIN SYÖTTÖ. Jos kalibrointiliuos ei virtaa ylivuotoastiaan, vaihda kalibrointiliuospumppu.
	Sekoitussiipi ei pyöri. Huomautus: <i>Sekoitussiipi pyörii epäsäännöllisesti.</i>	Paina diag -painiketta ja käynnistä sekoittimen moottori valitsemalla TEE TESTI > SEKOITIN. Jos sekoitussiipi ei liiku, vaihda sekoittimen moottori.
	Sekoitussiipi ei ole ylivuotoastiassa.	Varmista, että sekoitussiipi on ylivuotoastiassa.

Ongelma	Mahdollinen syy	Ratkaisu
Annetaan varoitus UUD.AKT. JÄNNITE ALHAINEN.	Uudelleenaktiivointiliuospullo on tyhjä.	Varmista, että uudelleenaktiivointiliuosletkun pää on pullon pohjassa. Vaihda uudelleenaktiivointiliuos. Katso kohta Kalibrointi- ja uudelleenaktiivointiliuosien vaihtaminen sivulla 301.
	Natriumelektrodi ei toimi oikein.	<ul style="list-style-type: none"> Varmista, että natriumelektrodi on asennettu oikein. Lisätietoja on asennusoppaassa. Varmista, ettei natriumelektrodin lasikuvussa ole ilmaa.
	Viite-elektrodi ei toimi oikein.	<ul style="list-style-type: none"> Irrota viite-elektrodi mittauskennosta. Nosta lasiosassa olevaa annostelukorkkia, jotta jonkin verran KCl-elektrolyyttiä pääsee virtaamaan pois. Paina annostelukorkki alas ja lukitse paikalleen kääntämällä sitä alle neljänneskierrosta. Kun annostelukorkki on lukittu, se ei käännä. Asenna viite-elektrodi mittauskennoon. Varmista, että viite-elektrodi on kytketty oikein. Lisätietoja on asennusoppaassa. Jotta voit varmistaa, että ongelma on korjattu, paina diag-painiketta ja tee uudelleenaktiivointi valitsemalla ANTURIN UUD.AKTIVOINTI.
	Uudelleenaktiivointiliuosletkuissa on vuoto tai tukos.	Etsi letkuista tukoksia tai vuotoja. Vaihda letkut tarvittaessa.
	Uudelleenaktiivointiliuospumppu ei toimi oikein.	Paina diag -painiketta ja aseta uudelleenaktiivointiliuospumppu suurelle virtausnopeudelle valitsemalla TEE TESTI > UUD.AKT.LIUOKSEN SYÖTTÖ > YLÄRAJA. Jos uudelleenaktiivointiliuos ei virtaa mittauskennon keskilokeroon, vaihda uudelleenaktiivointiliuospumppu.
Laitteen lukemat eivät ole vakaita.	Analysaattori käynnistettiin alle 2 tuntia sitten.	Anna analysaattorin käydä 2 tuntia, jotta se toimii vakaasti.
	Elektrodin johdot eivät ole kunnolla kiinni elektrodeissa.	Irrota johto elektrodista. Työnnä liitin aivan alas elektrodin liittimessä ja kiristä liitin käsin.
	Elektrodin johdot on liitetty väärin elektrodeihin.	Liitä sininen johto viite-elektrodiin. Liitä musta johto natriumelektrodiin.
	KCl-elektrolyytin virtausnopeus on liian suuri.	Irrota viite-elektrodi mittauskennosta. Paina annostelukorkki alas ja lukitse paikalleen kääntämällä sitä alle neljänneskierrosta. Kun annostelukorkki on lukittu, se ei käännä. Jos annostelukorkkia ei ole lukittu, KCl-elektrolyytti virtaa liian nopeasti viite-elektrodista mittauskennoon.

Ongelma	Mahdollinen syy	Ratkaisu
Mittaukset eivät ole tarkkoja.	Analysaattoria ei ole kalibroitu.	Analysaattorin kalibroiminen. Lisätietoja on käyttöoppaan kohdassa <i>Kalibroiminen</i> . Jotta tulokset olisivat mahdollisimman tarkkoja, kalibroi analysaattori 7 päivän välein (viikoittain).
	Automaattinen uudelleenaktiivointi ei ole käytössä tai uudelleenaktiivointien väli on yli 24 tuntia.	Käynnistä automaattinen uudelleenaktiivointi. Paina diag -painiketta ja valitse ANTURIN UUD.AKTIVOINTI. Huomautus: Jotta tulokset olisivat mahdollisimman tarkkoja, ota uudelleenaktiivointi käyttöön. Aseta väliksi 24 tuntia. Katso käyttöopas.
	Uudelleenaktiivointiliuospullo on tyhjä.	Vaihda uudelleenaktiivointiliuos. Katso kohtaa Kalibrointi- ja uudelleenaktiivointiliosten vaihtaminen sivulla 301.
	Uudelleenaktiivointiliuosletkuissa on vuoto tai tukos.	Etsi letkuista tukoksia tai vuotoja. Vaihda letkut tarvittaessa.
	Uudelleenaktiivointiliuospumppu ei toimi oikein.	Paina diag -painiketta ja aseta uudelleenaktiivointiliuospumppu suurelle virtausnopeudelle valitsemalla TEE TESTI > UUD.AKT.LIUOKSEN SYÖTTÖ > YLÄRAJA. Jos uudelleenaktiivointiliuos ei virtaa mittauskennon keskikokeroon, vaihda uudelleenaktiivointiliuospumppu.
Ylivuotoastian sekoitussiipi ei pyöri.	Sekoitin ei toimi oikein. Huomautus: <i>Sekoitussiipi pyörii epäsäännöllisesti.</i>	Paina diag -painiketta ja käynnistä sekoittimen moottori valitsemalla TEE TESTI > SEKOITIN. Jos sekoitussiipi ei liiku, vaihda sekoittimen moottori.
KCl-elektrolyytin kulutus on liian nopeaa. ¹	Viite-elektrodin lasiosan annostelukorkkia ei ole lukittu.	Irrota viite-elektrodi. Vedä annostelukorkki ylös. Paina annostelukorkki alas ja lukitse paikalleen kääntämällä sitä alle neljänneskierrosta. Katso kuvaohjeet asennusoppaan kohdasta <i>Viite-elektrodin asennus</i> . Kun annostelukorkki on lukittu, se ei käännä. Jos annostelukorkkia ei ole lukittu, KCl-elektrolyytti virtaa liian nopeasti viite-elektrodista mittauskennon.
KCl-elektrolyytin kulutus on liian hidasta. ²	Viite-elektrodin lasiosan annostelukorkkia ei ole kierretty tiivisteen murtamiseksi.	Irrota viite-elektrodi. Kierrä annostelukorkkia varovasti tiivisteen murtamiseksi. Kun annostelukorkki kiertyy helposti, tiiviste on murettu. Katso kuvaohjeet asennusoppaan kohdasta <i>Viite-elektrodin asennus</i> . Paina annostelukorkki alas ja lukitse paikalleen kääntämällä sitä alle neljänneskierrosta. Kun annostelukorkki on lukittu, se ei käännä. Jos annostelukorkkia ei ole lukittu, KCl-elektrolyytti virtaa liian nopeasti viite-elektrodista mittauskennon.
Releen ilmaisin vilkkuu mittausnäytössä.	Yläsyötön ajastimen aika on kulunut loppuun.	Nollaa yläsyötön ajastin. Katso kohtaa Releiden yläsyöttöajastimen nollaaminen sivulla 319. Huomautus: <i>Yläsyötön ajastimen asetus on käytössä vain, kun releen ASETA TILA -asetus on ANNOSOHJAUS.</i>

¹ KCl-elektrolyytin kulutus on liian nopeaa, jos säiliön taso alenee yli 3 mm (1/8 tuumaa) kahdessa päivässä

² KCl-elektrolyytin kulutus on liian hidasta, jos säiliön taso alenee alle 1 mm kahdessa päivässä

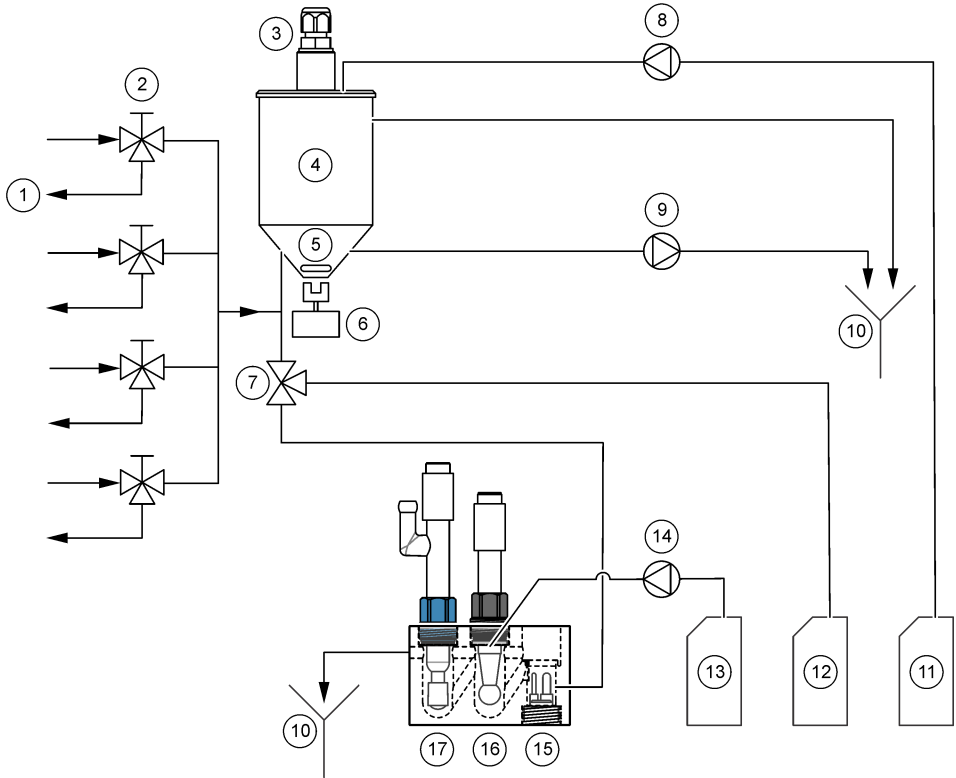
4.1 Releiden ylisyyttöajastimen nollaaminen

Releiden ylisyyttöajastimen asetuksilla pyritään välttämään tilannetta, jossa mittausarvo pysyy suurempana kuin asetusarvo tai erottelukynnysarvo (esimerkiksi silloin, kun elektrodi on rikki tai prosessissa on häiriö), jotta rele ei olisi aktiivisena koko ajan. Ylisyyttöajastin rajoittaa sitä, kauanko releet ja niihin liitetty ohjainelementti pysyvät aktiivisina olosuhteista huolimatta.

Kun ylisyyttöajastimelle asetettu aikaväli umpeutuu, releen tila vilkkuu mittausnäytön oikeassa yläkulmassa, kunnes ajastin nollataan. Paina **diag**-painiketta ja nollaa ylisyyttöajastin valitsemalla OVERFEED RESET.

Osa 5 Vianmääritys

5.1 Letkukaavio



1 Näytteenoton ohivirtausletku	7 Säätoventtiili	13 Uudelleenaktivointiliuos
2 Näytteen syöttö	8 Kalibrointiliuospumppu ³	14 Uudelleenaktivointiliuospumppu
3 Tasoanturi	9 Poistopumppu	15 Lämpötila-anturi
4 Ylivirtausastia	10 Viemäri	16 Natriumelektrodi
5 Sekoitussiipi	11 Kalibrointiliuos ³	17 Viite-elektrodi
6 Sekoittimen moottori	12 Vakiointiliuos	

5.2 Analysaattorin testaus

Selvitä analysaattorin testauksella, toimiiko tilan merkkivalo, sekoittimen moottori, pumppu tai venttiili oikein.

³ Vain analysaattoreissa, joissa on automaattinen kalibrointi, on kalibrointiliuospumppu ja kalibrointiliuosta.

1. Paina **diag**-painiketta ja valitse TEE TESTI.
2. Valitse vaihtoehto.

Vaihtoehto	Kuvaus
UUD.AKT.LIUOKSEN SYÖTTÖ	Käynnistää uudelleenaktivointiliuospumppun. Uudelleenaktivointiliuos virtaa mittauskennon keskilokeroon. Huomautus: Mittauskenno on kirkas lohko, johon elektrodit asennetaan.
NÄYTTEEN SYÖTTÖ	Asettaa valitun kanavan näytteen solenoidiventtiilin avoimeksi. Näyte virtaa ylivuotoastiaan. Huomautus: Jos ylivuotoastia on täynnä, ylivuotoastian veden taso ei muutu. Tyhjennä ylivuotoastia tekemällä NÄYTTEEN POISTO -testi.
KAL.STANDARDIN SYÖTTÖ	Huomautus: KAL.STANDARDIN SYÖTTÖ -vaihtoehto on käytettävissä vain analysaattoreissa, joissa on automaattinen kalibrointi. Käynnistää kalibrointiliuospumppun. Kalibrointiliuos virtaa ylivuotoastiaan.
SÄÄTÖVENTTIILI	Asettaa säätöventtiilin avoimeksi. Vakiointikaasu virtaa mittauskennon oikeaan lokeroon. Huomautus: Mittauskenno on kirkas lohko, johon elektrodit asennetaan.
NÄYTTEEN POISTO	Käynnistää poistopumppun. Ylivuotoastiassa olevaa vesi virtaa pois kemikaalien poistoletkusta.
SEKOITIN	Käynnistää sekoittimen pumpun. Ylivuotoastian sekoitussiipi pyörii.
TILAMERKKIVALO	Asettaa tilan merkkivalon jatkuvaan sykliin: keltainen, punainen, vihreä.
ILMAPUMPPU	Huomautus: ILMAPUMPPU-vaihtoehto on käytettävissä vain, kun valinnainen kationisten aineiden pumppu on asennettu. Käynnistää kationisten aineiden pumpun. Kationisten aineiden pumppu työntää ilmaa vakiointiliuospulloon (DIPA). Katso kationisten aineiden pumpun sijainti analysaattorissa asennusoppaan kohdasta Tuotteen yleiskuvaus.
VALITSE SKRIPTI	Huomautus: VALITSE SKRIPTI -vaihtoehto on vain huollon käyttöön. Asettaa analysaattorin käyttämään tavallista laitteen skriptiä tai testiskriptiä.

5.3 4–20 mA:n lähdön tai releen testaaminen

Selvitä, toimiiko 4–20 mA:n lähtö tai rele oikein, testaamalla 4–20 mA:n lähtö tai rele.

1. Paina **diag**-painiketta ja valitse LÄHDÖT.
2. Valitse vaihtoehto.

Vaihtoehto	Kuvaus
TEST 4-20mA	Asettaa signaalin (mA) valittuun 4–20 mA:n lähtöön. Mittaa virta 4–20 mA:n lähdössä yleismittarilla.
RELE TESTI	Kytkee valitun releen käyttöön (virta kytketty) tai pois käytöstä (virtaa ei kytketty). Selvitä, onko rele auki vai kiinni, mittaamalla releen vastus yleismittarilla.
PIDÄ ULOSTULOT	Pitää lähdöt viimeisessä arvossa tai asettaa ne siirtoarvoon. AKTIVOINTI – Valitse ALOITA ja pidä lähdöt viimeisessä arvossa tai aseta ne siirtoarvoon. Anna lähtöjen toimia normaalisti valitsemalla VAPAUTA. ASETA ULOSTULO – Pidä lähdöt viimeisessä arvossa valitsemalla PIDÄ ULOSTULOT. Aseta lähdöt siirtoarvoon valitsemalla LÄHTÖJEN SIIRTO. Katso lähtöjen siirtoarvon asettamisohjeet käyttöoppaasta. ASETA KANA VAT – Valitse kaikki kanavat valitsemalla KAIKKI. Valitse kaikki valitun analysaattorin kanavat valitsemalla ANALYSAATTORI.
LÄHDÖN TILA	Näyttää signaalit (mA) 4–20 mA:n lähdöissä
SIMULOI MITTAUS	Syöttää analysaattorin lukeman valittuun kanavaan lähtötestin tekemiseksi. Simulaatio päättyy, kun käyttäjä sulkee tämän näytön. VALITSE LÄHDE – Valitsee analysaattorin PARAMETRI – Valitsee kanavan. ASETA SIM ARVO – Asettaa analysaattorin lukeman.

5.4 Analysaattorin tietojen näyttäminen

Jos haluat näyttää seuraavat analysaattorin tiedot, paina **menu**-painiketta, valitse TARKASTELE TIETOJA > ANALYSAATTORIN TIEDOT. Katso kohtaa [Taulukko 2](#).

Taulukko 2 Analysaattorin tietojen kuvaukset

Nimike	Kuvaus
PVM/AIKA	Asetuksissa määritetty nykyinen aika (24 tunnin näyttö) ja päivämäärä
NIMI	Analysaattorin nimi
TYYPPI	Analysaattorin tyyppi
YMPÄRISTÖN LÄMPÖ	Analysaattorin ympäristön lämpötila
VAKIOINTILUOKSEN TASO	Vakiointiliuospullon liuostaso
UUD.AKT.LIUOKSEN TASO	Uudelleenaktivointiliuospullon liuostaso
STANDARDIN TASO	Kalibroitiliuospullon liuostaso
KCL-TASO	KCl-elektrolyyttisäiliön liuostaso
EDELL. UUD.AKTIVOINTI	Edellisen automaattisen uudelleenaktivoinnin päivämäärä
ED. KALIBR.	Edellisen kalibroinnin päivämäärä
EDELLINEN HUOLTO	Edellisen huollon päivämäärä
SOFTAVERSIO	Asennettu ohjelmistoversio
DD-LAITEOHJELMISTO	Asennetun laiteajurin laiteohjelmiston versio
DD-SISÄLTÖ	Laiteajurin tietosisällön versio
SKRIPTIN VERSIO	Skriptitiedoston hakemiston lohkon versio
SKRIPTIN SISÄLTÖ	Skriptitiedoston hakemiston sisällön versio
MITT. OHJAUSOHJELM. VERSIO	Asennetun mittauksen ohjausohjelmiston versio
SARJANUMERO	Analysaattorin sarjanumero

5.5 Analysaattorin tilan ja järjestelmätietojen näyttäminen

Jos haluat näyttää nykyisen analysaattorin tilan, Modbus-tilan, järjestelmätiedot tai I2C-tiedot, toimi seuraavasti:

1. Paina **diag**-painiketta.
2. Valitse vaihtoehto.

Vaihtoehto	Kuvaus
NYKYINEN TILA	TOIMINTO – Nykyinen mittaustila. NÄYTEKANAVA – Nykyinen näytekanaava. VAIHEEN TILA – Käynnissä oleva mittaussyklin vaihe. ASKELLASKURI – Vaiheen jäljellä oleva aika. MINUUTTIA JÄLJELLÄ – Käynnissä olevan vaiheen jäljellä olevat minuutit. VALMISTUMINEN – Mittaussyklin suoritettu osuus prosentteina.
MODBUS STATS	Näyttää Modbus-porttien (anturi, vahvistin, verkko ja huolto) tilan. Näyttää onnistuneiden ja epäonnistuneiden lähetysten määrän.

Vaihtoehto	Kuvaus
JÄRJESTELMÄTIEDOT	YMPÄRISTÖN LÄMPÖ – Mitattu ympäristön lämpötila celsiusasteina (C). VIRTUALÄHTEN TAAJUUS – Verkkovirran taajuus (Hz). VIRTUALÄHTEN JÄNNITE – Verkkovirta (AC). 12 V:N JÄNNITE – Virtalähteen mitattu jännite (VDC). 3,3 V:N JÄNNITE – Mitattu säädelty 3,3 V:n syöttöjännite (VDC). 12 V:N VIRTA – 12 V:n virtalähteen mitattu virta (ampeereina).
I2C-TIEDOT	Näyttää tiedonsiirtotiedot (I ² C) ja versionumeron.


5.6 Huoltotietojen tarkasteleminen

Huolto-valikossa voit tarkastella mittauslaitteen osien huoltohistoriaa ja asettaa huoltohistorian.

1. Paina **diag**-painiketta.
2. Valitse **HUOLTO**.
3. Valitse vaihtoehto.

Vaihtoehto	Kuvaus
KULUTUSTARVIKE	Näyttää kulutustarvikeluettelon. Näyttää edellisen huollon päivämäärän ja kertoo, montako päivää osan vaihdosta on kulunut. Nollaa laskuri osan vaihtamisen jälkeen.
HUOLLETUT OSAT	Huomautus: HUOLLETUT OSAT -vaihtoehto on vain huollon käyttöön. Näyttää osaluettelon ja edellisen huollon päivämäärän. Asiakaspalvelun edustaja nollaa laskurin osan vaihtamisen jälkeen.
VIOSIHUOLTO	Näyttää edellisen vuosihuollon päivämäärän ja seuraavan vuosihuollon päivämäärän ja kertoo, montako päivää seuraavaan vuosihuoltoon on jäljellä. Nollaa laskuri vuosihuollon jälkeen.
MUOKKAA ELEKTR. SARJANROA	Tallentaa elektrodien sarjanumerot.
HUOLTOHISTORIA	Näyttää tehdyt huoltotoimenpiteet ja päivämäärän (esim. Vaihda uudelleenaktiivointiliuos). ALOITUSAIKA – Näyttää valitun päivämäärän ja kellonajan jälkeen tallennetut tiedot. LUKEMIEN MÄÄRÄ – Näyttää valitun tietueiden määrän.
ITSETESTIN KÄYTT.OTTO	EI – Laitteiston vianmäärittystä ei tehdä, kun analysaattoriin kytketään virta. OK – Laitteiston vianmäärittys tehdään, kun analysaattoriin kytketään virta.

Osa 6 Varaosat ja lisävarusteet

⚠ VAROITUS	
	Henkilövahinkojen vaara. Hyväksymättömien osien käyttö voi aiheuttaa henkilövahingon tai laitteen toimintahäiriön tai vaurioittaa laitetta. Tässä osassa esitellyt varaosat ovat valmistajan hyväksymiä.

Huomautus: Tuote- ja artikkelinumeroit voivat vaihdella joillain markkina-alueilla. Ota yhteys asianmukaiseen jälleenmyyjään tai hae yhteystiedot yhtiön Internet-sivustolta.

Reagenssit ja standardiliuokset

Kuvaus	Määrä	Osanumero
3-molaarinen KCl-elektrolyyttiliuos	250 mL	LZW9500.99
3-molaarinen KCl-elektrolyyttiliuos	500 mL	363140,00500
Di-isopropyyliamiini (DIPA) 99 %	1 L	2834453

Reagenssit ja standardiliuokset (jatk.)

Kuvaus	Määrä	Osanumero
Natriumkloridistandardi, 10 ppm	1 L	2835153
Natriumnitraatti, 0,5-molaarinen	500 mL	2507149

Varaosat

Kuvaus	Määrä	Osanumero
Vakiointiliuospullo ja korkki, tyhjä	1	8352000
Aluslevy, vakiointiliuospullon korkki	1	8417200
Kulmaliitin, poisto, ½ tuumaa, polypropeeni	1	6772800
Elektrodi, viite	1	09240=C=0310
Elektrodi, natrium	1	09240=C=0320
Sulake, 1,6 A, 250 V, 5 x 20 mm	1	5208300
Sulake, 5 A, 250 V, hidas, 5 x 20 mm	1	4693800
Asennussarja, 1-kanavainen analysaattori, analysaattori kotelon kanssa	1	8375400
Asennussarja, 2-kanavainen analysaattori, analysaattori kotelon kanssa	1	8375300
Asennussarja, 4-kanavainen analysaattori, analysaattori kotelon kanssa	1	8371500
Asennussarja, 1-kanavainen analysaattori, analysaattori ilman koteloa	1	8375700
Asennussarja, 2-kanavainen analysaattori, analysaattori ilman koteloa	1	8375600
Asennussarja, 4-kanavainen analysaattori, analysaattori ilman koteloa	1	8375500
Sekoittimen moottori	1	8420000
Paneelikiinnitysruuvit, M6 x 20 tasapää, ruostumatonta terästä, Torx	4	8415500
Lävistystyökalu sisäisille sähkötulpile, metalliputki, käytetään osan 8379900 kanssa	1	8380000
Lävistystyökalu, sisäisille sähkötulpile, metallilevy, käytetään osan 8380000 kanssa	1	8379900
Paineensäädin, 0,3 bar (4 psi), kiinteä asetus	1	6782900
Pumppu, kalibrintiliuos	1	8364300
Pumppu, poisto	1	8357400
Pumppu, uudelleenaktivointiliuos	1	8364200
Sulkuventtiili, ulkohalkaisijaltaan 6 mm:n letku	1	8385200
Sekoitusseipi	1	W_4510_001_FF
Vedonpoistaja (läpivientiholkki), PG9 4–8 mm	1	8356300
Vedonpoistaja (läpivientiholkki), NPT ½ tuumaa 4–9 mm	1	8368400
Pöytäkiinnikkeet	2	8370400
Ruuvit, pöytäkiinnike, #8 x ½ ruostumaton teräs, Torx	2	8412200

Varaosat (jatk.)

Kuvaus	Määrä	Osanumero
Letku, kemikaalien poisto ja ylivuoto, 17,5 mm ($1\frac{1}{16}$ tuumaa), ulkohalkaisija x 3,2 mm ($\frac{1}{8}$ tuumaa) paksu	2 m (6,5 ft)	LZX278
Letku, näyte, ulkohalkaisija 6 mm x sisähalkaisija 4 mm	5,5 m (18 ft)	6772500
Letkuleikkuri	1	8385400
Seinäkiinnikkeet	2	8364100
Ruuvit, seinäkiinnike, M4 x 10 litteä ruostumaton teräs, Torx	2	8412500
Venttiili, säätö	1	8367600
Venttiili, näyte	1	8370200

Lisävarusteet

Kuvaus	Määrä	Osanumero
Pulloadapteri, DIPA-pullo, Merck	1	09073=C=0350
Pulloadapteri, DIPA-pullo, Orion	1	09073=C=0360
Suodatin, näytteen syöttö, 100 µm, ulkohalkaisijaltaan $\frac{1}{4}$ tuuman letku	1	595=010=005
Suodatin, näytteen syöttö, 100 µm, ulkohalkaisijaltaan 6 mm:n letku	1	595=010=000
Lämmönsiirrin, enintään 4 kanavaa	1	8368900
Kationisten aineiden päivityssarja	1	8371200
Virtajohto, Pohjois-Amerikka	1	9179700
Päivityssarja 1 kanavasta 4 kanavaan	1	8365100
Päivityssarja 2 kanavasta 4 kanavaan	1	8365000
Automaattisen kalibroinnin päivityssarja	1	8368000
Letkuadapteri, ulkohalkaisija 6 mm – $\frac{1}{4}$ tuumaa	2	09245=A=8300

Съдържание

- | | | | |
|---|--|---|---|
| 1 | Информация за безопасността на страница 326 | 4 | Отстраняване на неизправности на страница 342 |
| 2 | Показване на активните грешки, предупреждения и напомняния на страница 326 | 5 | Диагностика на страница 349 |
| 3 | Поддръжка на страница 326 | 6 | Резервни части и принадлежности на страница 353 |

Раздел 1 Информация за безопасността

За обща информация, свързана с безопасността, за описания на опасностите и на предупредителните етикети направете справка с ръководството за инсталиране.

Раздел 2 Показване на активните грешки, предупреждения и напомняния

Фонът на дисплея и светлинният индикатор за състоянието ще се променят на червено при възникване на грешка и на жълто при възникване на предупреждение.

- **Error (Грешка)** – червен фон на дисплея и на светлинния индикатор за състоянието. Настъпил е значителен проблем, който засяга работата на уреда. Настоящото измерване спира и анализаторът навлиза в режим на изключване.
- **Warning (Предупреждение)** – жълт фон на дисплея и на светлинния индикатор за състоянието. Настъпи събитие, което може да причини бъдещ проблем. Анализаторът продължава да работи.
- **Reminders (Напомняния)** – на дисплея се показва символ „гаечен ключ“ и жълт светлинен индикатор за състоянието. Времето за задача по поддръжката е изтекло.

Изпълнете стъпките, които следват, за да се покажат активните грешки, предупреждения и напомняния:

Забележка: За да видите всички възможни грешки, предупреждения и напомняния и помощната информация за тях, натиснете **diag**, след това изберете **ANALYZER HELP (ПОМОЩ ЗА АНАЛИЗАТОРА)**.

1. Натиснете **diag**, след това изберете **DIAGNOSTICS (ДИАГНОСТИКА)**. Показват се активните грешки, предупреждения и напомняния.
2. Изберете грешка, предупреждение или напомняне от списъка.
3. Изберете опция.

Опция	Описание
ACKNOWLEDGE (ПОТВЪРЖДЕНИЕ)	Потвърждава избраната грешка, предупреждение или напомняне. Когато бъдат потвърдени всички активни грешки, предупреждения и напомняния, фонът на дисплея става отново бял, а светлинният индикатор за състоянието става отново зелен.
VIEW HELP (ПРЕГЛЕД НА ПОМОЩТА)	Показва помощна информация за избраната грешка, предупреждение или напомняне.

Раздел 3 Поддръжка

▲ ОПАСНОСТ



Множество опасности. Задачите, описани в този раздел на документа, трябва да се извършват само от квалифициран персонал.

3.1 График за поддръжка

Таблица 1 показва препоръчителния график на задачите за поддръжка. Изискванията на съоръжението и работните условия може да увеличат честотата на някои задачи.

Таблица 1 График за поддръжка

Задача	3 месеца	Според необходимостта
Смяна на разтворите за калибриране и реактивиране на страница 327	X	
Смяна на кондициониращия разтвор на страница 329	X	
Смяна на електролита KCl на страница 332	X	
Смяна на предпазителя за входящо захранване на страница 334		X

3.2 Почистете инструмента

Забележка

Никога не използвайте почистващи вещества от типа на турпентин, ацетон или подобни на тях за почистване на инструмента, включително дисплея и принадлежностите му.

Почиствайте външната повърхността на инструмента с влажна кърпа и мек сапунен разтвор.

3.3 Почистване на разливи

▲ ВНИМАНИЕ



Опасност от химическа експозиция. Изхвърляйте химическите и отпадни вещества в съответствие с местните, регионални и национални разпоредби.

1. Трябва да се спазват всички протоколи за безопасност на обекта за контрол на разливи.
2. Отпадъците трябва да се изхвърлят в съответствие с приложимите разпоредби.

3.4 Смяна на разтворите за калибриране и реактивиране

▲ ВНИМАНИЕ



Опасност от химическа експозиция. Спазвайте лабораторните процедури за безопасност и носете пълното необходимо лично предпазно оборудване при боравене със съответните химически вещества. За информация относно протоколите по безопасност разгледайте информационните листове за безопасност на материала (MSDS/SDS).

▲ ВНИМАНИЕ



Опасност от химическа експозиция. Изхвърляйте химическите и отпадни вещества в съответствие с местните, регионални и национални разпоредби.

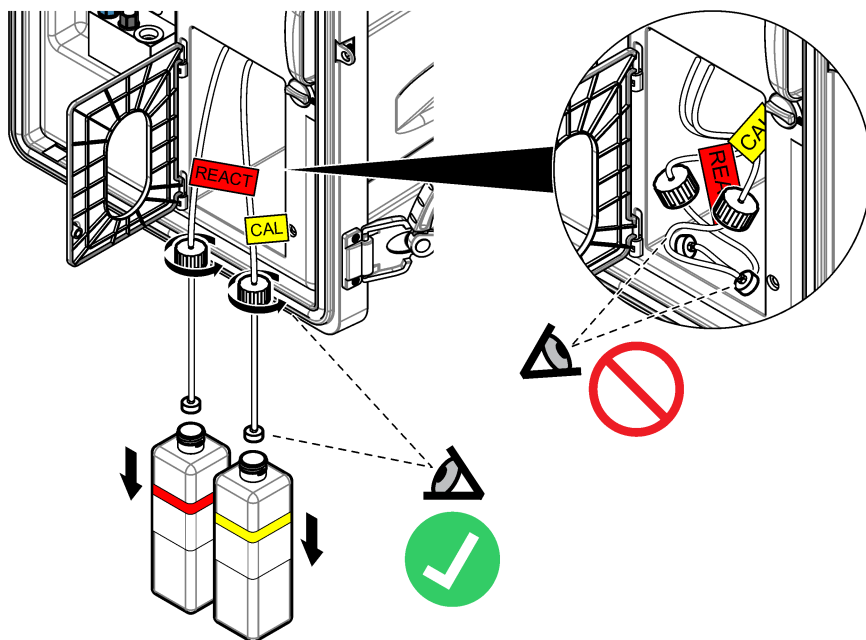
Сменяйте разтвора за реактивиране и разтвора за калибриране на 3-месечни интервали или когато нивото им спадне до по-малко от 10%.

Елементи, предоставяни от потребителя:

- Лично предпазно оборудване (направете справка с MSDS/SDS)
- 0,5M натриев нитрат (NaNO_3), 500 mL
- Стандарт на натриев хлорид (NaCl) 10 ppm, 500 mL
- Дейониизирана вода, 100 mL

1. Екипирайте се с личното предпазно оборудване, отбелязано в информационните листове за безопасност (MSDS/SDS).
2. Натиснете **menu**, след това изберете STOP ANALYZER (СПИРАНЕ НА АНАЛИЗАТОРА).
Забележка: Ако се покаже START ANALYZER (СТАРТИРАНЕ НА АНАЛИЗАТОРА), тогава анализаторът е вече в режим на готовност.
3. Сменете разтвора за реактивиране и разтвора за калибриране по следния начин:
 - a. Махнете бутилките с разтворите за реактивиране и разтворите за калибриране от анализатора. Направете справка с **Фигура 1**.
Забележка: Само анализаторите с опцията за автоматично калибриране имат бутилка с разтвор за калибриране.
 - b. Изхвърлете разтворите в бутилките в подходящ канал за източване.
 - c. Промийте бутилките с дейонизирана вода.
 - d. Напълнете бутилката с разтвор за калибриране с нов разтвор на натриев хлорид (NaCl) 10 ppm (500 mL). Бутилката с разтвор за калибриране има етикет с жълта лента.
Забележка: За да пригответе разтвор на натриев хлорид (NaCl) 10 ppm, направете справка с ръководството за експлоатация.
 - e. Напълнете бутилката с разтвор за реактивиране с нов разтвор на 0,5М натриев нитрат (NaNO₃) (500 mL). Бутилката с разтвор за калибриране има етикет с червена лента.
Забележка: За да пригответе разтвор на 0,5М натриев нитрат (NaNO₃), направете справка с ръководството за експлоатация.
 - f. Инсталирайте бутилките в анализатора. Уверете се, че тръбата с червен етикет „REACT“ е поставена в бутилката, която е с етикет с червена лента.
Уверете се, че тръбичката с жълт етикет „CAL“ е поставена в бутилката, която е с етикет с жълта лента.
4. Въведете нивата на бутилките по следния начин:
 - a. Натиснете **menu**, след това изберете REAGENTS/STANDARDS (РЕАКТИВИ/СТАНДАРТИ).
 - b. Изберете SET REACT LEVEL (ЗАДАВАНЕ НА НИВО НА РЕАКТИВ), след това въведете 100%.
 - c. Изберете SET STANDARD LEVEL (ЗАДАВАНЕ НА НИВО НА СТАНДАРТ), след това въведете 100%.
5. Изберете PRIME REAGENTS (ЗАПЪЛВАНЕ НА РЕАКТИВИ).
6. След като завърши стъпката по запълване на реактивите, натиснете **menu**, след това изберете START ANALYZER (СТАРТИРАНЕ НА АНАЛИЗАТОРА).

Фигура 1 Премахване на бутилка



3.5 Смяна на кондициониращия разтвор

⚠ ПРЕДУПРЕЖДЕНИЕ



Опасно при вдишване. Не вдишвайте парите на диизопропиламина (DIPA) или амоняка. Експозицията може да доведе до тежки наранявания или смърт.

⚠ ПРЕДУПРЕЖДЕНИЕ



Опасност от химическа експозиция. Диизопропиламинът (DIPA) и амонякът са запалими, предизвикващи корозия и токсични химикали. Експозицията може да доведе до тежки наранявания или смърт.

▲ ПРЕДУПРЕЖДЕНИЕ



Опасност от химическа експозиция. Спазвайте лабораторните процедури за безопасност и носете пълното необходимо лично предпазно оборудване при боравене със съответните химически вещества. Прочетете листа за безопасност на материала от доставчика преди напълване на бутилките или приготвяне на реактиви. Само за лабораторна употреба. Оповестете информацията за опасностите в съответствие с местните разпоредби на потребителя.

▲ ВНИМАНИЕ



Опасност от химическа експозиция. Изхвърляйте химическите и отпадни вещества в съответствие с местните, регионални и национални разпоредби.

Сменяйте кондициониращия разтвор на 3-месечни интервали или когато нивото му спадне до по-малко от 10%. За кондициониращ разтвор използвайте DIPA (препоръчително) или амоняк (повече от 28%).

Елементи, предоставяни от потребителя:

- Лично предпазно оборудване (направете справка с MSDS/SDS)
- Диизопропиламин (DIPA) 99%, бутилка от 1 L
- Адаптер за бутилки с DIPA на Merck или Orion, ако е приложимо

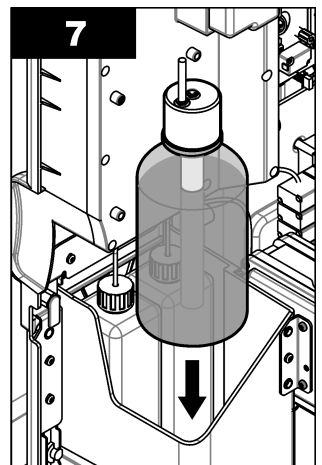
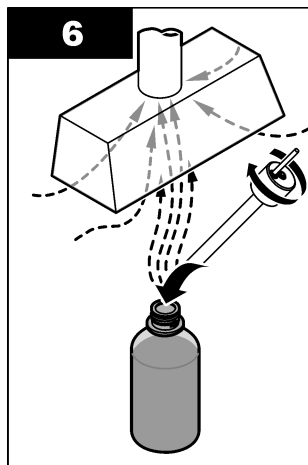
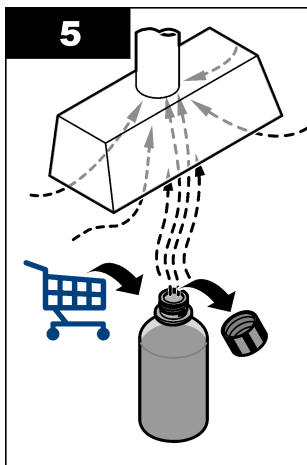
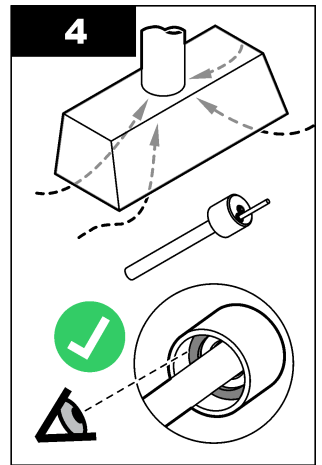
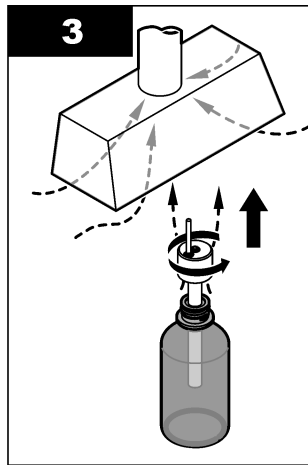
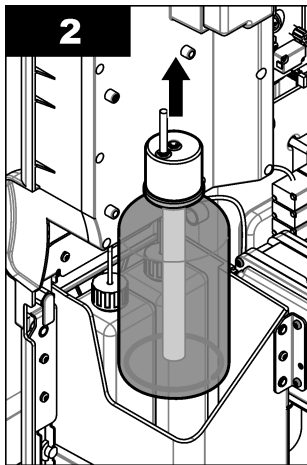
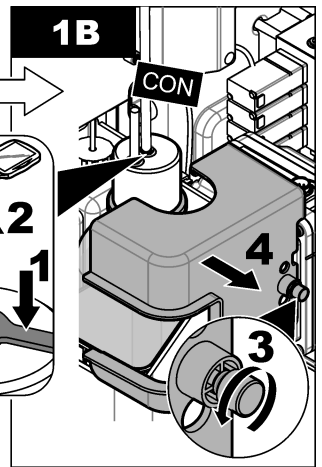
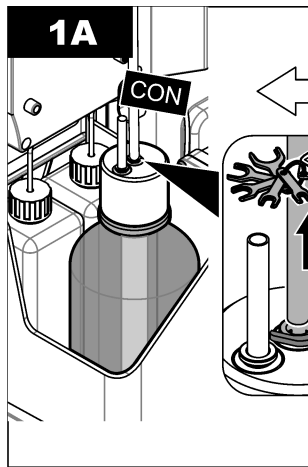
Сменете бутилката за кондициониране по следния начин:

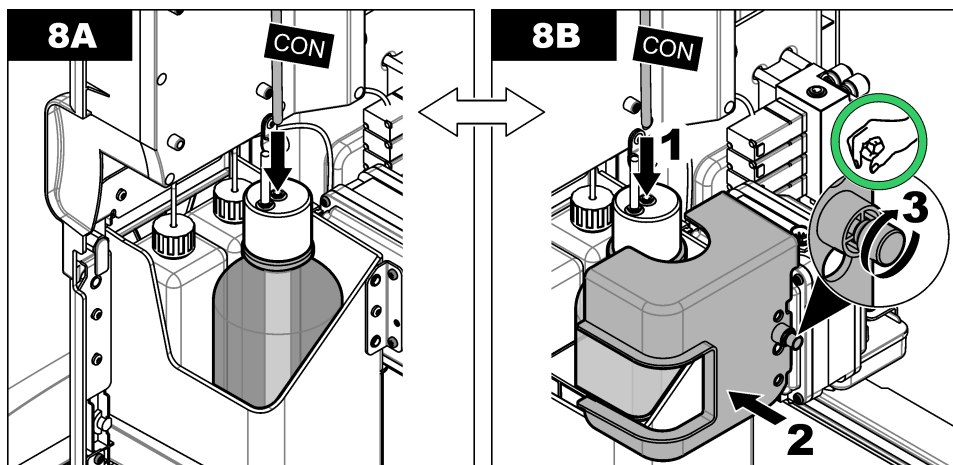
1. Екипирайте се с личното предпазно оборудване, отбелязано в информационните листове за безопасност (MSDS/SDS).
2. Натиснете **menu**, след това изберете STOP ANALYZER (СПИРАНЕ НА АНАЛИЗАТОРА).
Забележка: Ако се покаже START ANALYZER (СТАРТИРАНЕ НА АНАЛИЗАТОРА), тогава анализаторът е вече в режим на готовност.
3. Завъртете ключалката на аналитичния панел в отключено положение. Отворете аналитичния панел.
4. Сменете бутилката с кондициониращ разтвор. Направете справка с илюстрираните стъпки, които следват.

Забележка: Анализаторите с опционалната катионна помпа имат две тръби, които влизат в капачката на бутилката за кондициониране. Отстранете двете тръби.

Забележка: На илюстрираните стъпки 1 и 8 само анализаторите без корпус имат държач за бутилка за кондициониране.

Изпълнете илюстрираните стъпки 3 - 6 под аспиратор, ако има наличен. Не вдишвайте парите от DIPA или от амоняк.





5. За анализатори с опционалната катионна помпа инсталирайте изходната тръба от катионната помпа обратно в изместения от центъра отвор в капачката.
6. Затворете аналитичния панел. Завъртете ключалката на аналитичния панел в заключено положение.
7. Въведете нивото на бутилката по следния начин:
 - a. Натиснете **menu**, след това изберете REAGENTS/STANDARDS (РЕАКТИВИ/СТАНДАРТИ).
 - b. Изберете SET COND LEVEL (ЗАДАВАНЕ НА НИВО НА КОНДИЦИОНИРАНЕ), след това въведете 100%.
8. Натиснете **menu**, след това изберете START ANALYZER (СТАРТИРАНЕ НА АНАЛИЗАТОРА).

3.6 Смяна на електролита KCl

▲ ВНИМАНИЕ



Опасност от химическа експозиция. Спазвайте лабораторните процедури за безопасност и носете пълното необходимо лично предпазно оборудване при боравене със съответните химически вещества. За информация относно протоколите по безопасност разгледайте информационните листове за безопасност на материала (MSDS/SDS).

▲ ВНИМАНИЕ



Опасност от химическа експозиция. Изхвърляйте химическите и отпадни вещества в съответствие с местните, регионални и национални разпоредби.

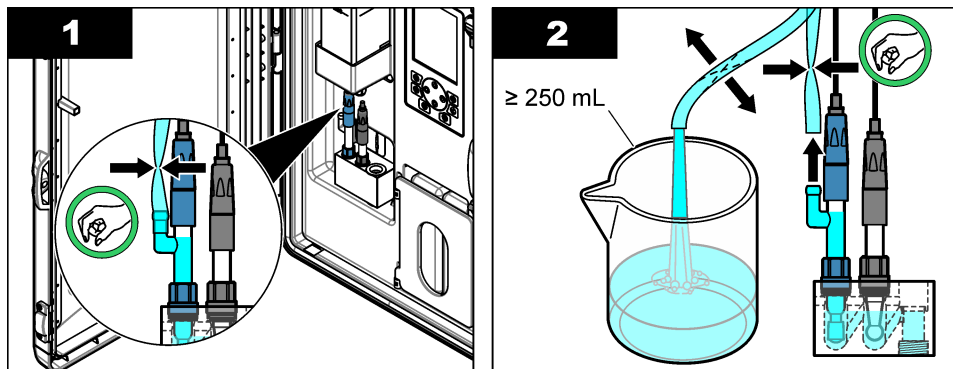
Сменяйте електролита KCl в резервоара за електролит KCl на 3-месечни интервали.

Елементи за осигуряване:

- Лично предпазно оборудване (направете справка с MSDS/SDS)
- Електролит 3M KCl, 200 mL
- Малък съд, 250 mL или по-голям

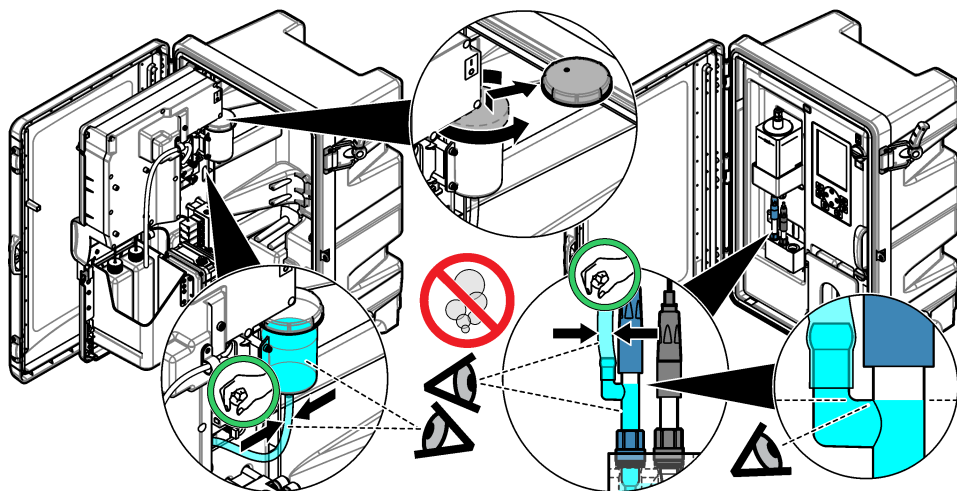
Сменете електролита KCl по следния начин:

1. Екипирайте се с личното предпазно оборудване, отбелязано в информационните листове за безопасност (MSDS/SDS).
2. Източете съдържанието на резервоара за електролит KCl в малкия съд. Направете справка с илюстрираните стъпки, които следват. Изхвърлете електролита KCl в подходящ канал за източване.



3. Инсталирайте тръбата за електролита KCl обратно на референтния електрод.
4. Напълнете резервоара за електролит KCl по следния начин:
 - a. Завъртете ключалката на аналитичния панел в отключено положение. Отворете аналитичния панел.
 - b. Премахнете капака на резервоара за електролит KCl. Направете справка с [Фигура 2](#).
 - c. Напълнете резервоара до 90% (приблизително 200 mL).
 - d. Инсталирайте капака.
5. Изтласкайте въздушните мехурчета от тръбата за електролит KCl по следния начин:
 - a. От предната страна на аналитичния панел стиснете тръбата за електролит KCl с палеца и показалеца, за да изтласкате въздушните мехурчета нагоре по тръбата към резервоара. Направете справка с [Фигура 2](#).
 - b. Когато има въздушно мехурче близо до резервоара, стиснете с две ръце тръбата от пред и отзад на аналитичния панел, за да изтласкате нагоре въздушното мехурче.
 - c. Продължавайте да стискате тръбата, докато електролитът KCl в референтния електрод не достигне горната част на стъкленото съединение, където електролитът KCl навлиза в електрода. Направете справка с [Фигура 2](#).
6. Затворете аналитичния панел. Завъртете ключалката на аналитичния панел в заключено положение.
7. Въведете нивото на бутилката по следния начин:
 - a. Натиснете **menu**, след това изберете REAGENTS/STANDARDS (РЕАКТИВИ/СТАНДАРТИ).
 - b. Изберете SET KCL LEVEL (ЗАДАВАНЕ НА НИВО НА KCL), след това въведете 100%.

Фигура 2 Напълване на резервоара за електролит KCl



3.7 Смяна на предпазител за входящо захранване

▲ ОПАСНОСТ



Опасност от токов удар по потребителя. Преди да започнете тази процедура, изключете захранването на инструмента.

▲ ОПАСНОСТ



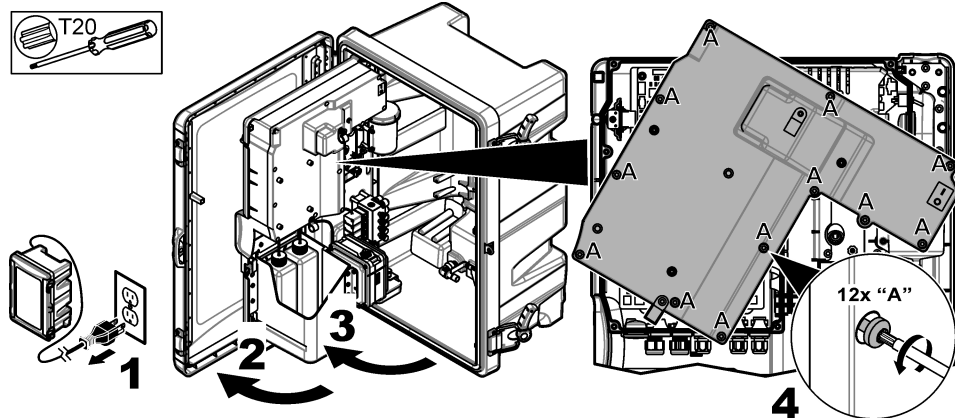
Опасност от пожар. При смяна на предпазители използвайте същия тил и номинални стойности на тока.

Прегледайте предпазителите. Сменете всички отворени предпазители с нови предпазители.

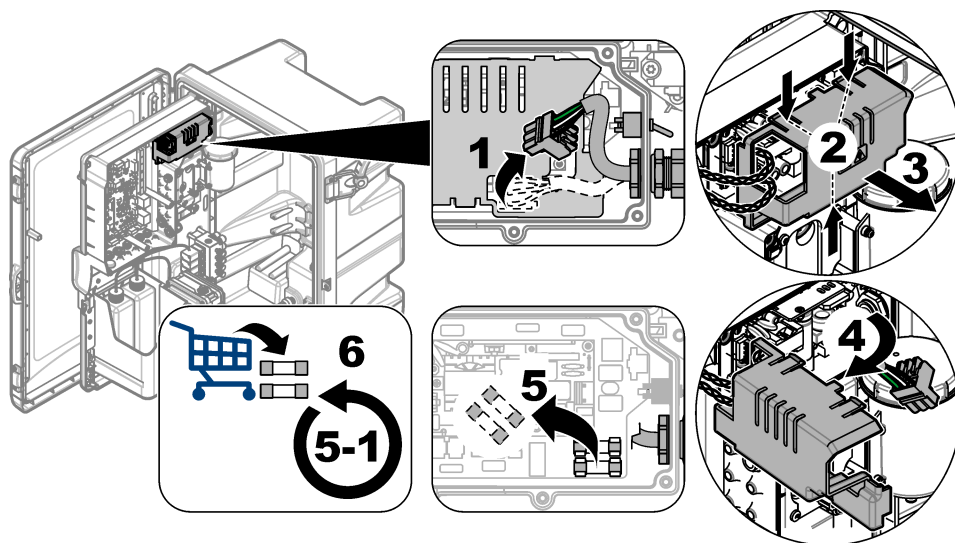
Елемент, предоставян от потребителя: предпазител T 1,6 A, 250 VAC

1. Изключете захранващия кабел от електрическия контакт.
2. Премахнете капака за достъп до електрическата част. Направете справка с илюстрираните стъпки в [Фигура 3](#).
3. Сменете предпазителя. Направете справка с илюстрираните стъпки в [Фигура 4](#).
4. Инсталирайте капака за достъп до електрическата част. Затегнете всички винтове, за да запазите екологичния рейтинг на корпуса.
5. Затворете аналитичния панел. Завъртете ключалката на аналитичния панел в заключено положение.
6. Свържете захранващия кабел към електрически контакт.
7. Натиснете **menu**, след това изберете START ANALYZER (СТАРТИРАНЕ НА АНАЛИЗАТОРА).

Фигура 3 Отстраняване на капака за достъп до електрическата част



Фигура 4 Смяна на предпазителя за захранването



3.8 Подготовка на анализатора за краткотрайно изключване

Подгответе анализатора за краткотрайно изключване (от 2 дни до 1 седмица) по следния начин:

Елементи, предоставяни от потребителя: форцепс

1. Натиснете **menu**, след това изберете STOP ANALYZER (СПИРАНЕ НА АНАЛИЗАТОРА).

Забележка: Ако се покаже START ANALYZER (СТАРТИРАНЕ НА АНАЛИЗАТОРА), тогава анализаторът е вече в режим на готовност.

2. Прикрепете форцепса (метален или пластмасов) към края на тръбата на електролита KCl, за да спрете потока на електролита KCl към референтния електрод.

Забележка: Когато анализаторът е в режим на готовност или е изключен, електролитът KCl продължава да изтича от референтния електрод. Електролитът KCl ще запълни бавно лявата камера на измервателната клетка и ще излезе от горната част на лявата камера.

- Затворете спирателните клапани по линията(ите) за пробите.
- Ако захранването на анализатора трябва да се изключи, добавете разтвор за реактивиране в средната камера на измервателната клетка, за да предотвратите повреждане на натриевия електрод.

Забележка: След 4 часа в режим на готовност анализаторът добавя автоматично разтвор за реактивиране в средната камера на измервателната клетка.

3.9 Подготовка на анализатора за продължително изключване

▲ ПРЕДУПРЕЖДЕНИЕ



Опасност от химическа експозиция. Спазвайте лабораторните процедури за безопасност и носете пълното необходимо лично предпазно оборудване при боравене със съответните химически вещества. Прочетете листа за безопасност на материала от доставчика преди напълване на бутилките или приготвяне на реактиви. Само за лабораторна употреба. Оповестете информацията за опасностите в съответствие с местните разпоредби на потребителя.

▲ ВНИМАНИЕ



Опасност от химическа експозиция. Изхвърляйте химическите и отпадни вещества в съответствие с местните, регионални и национални разпоредби.

Подгответе анализатора за продължително изключване (за повече от 1 седмица) по следния начин:

Елементи, предоставяни от потребителя:

- Малък съд, 250 mL или по-голям
- Дейонизирана вода, 1,5 L
- Чиста кърпа без влакна

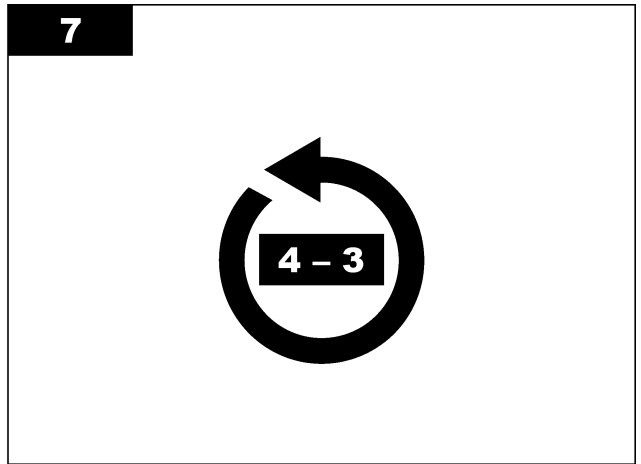
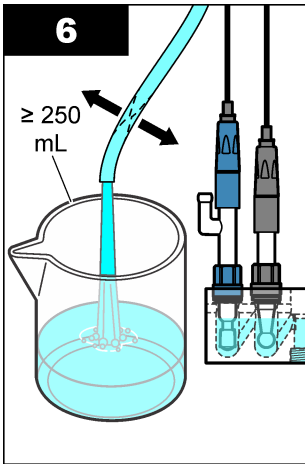
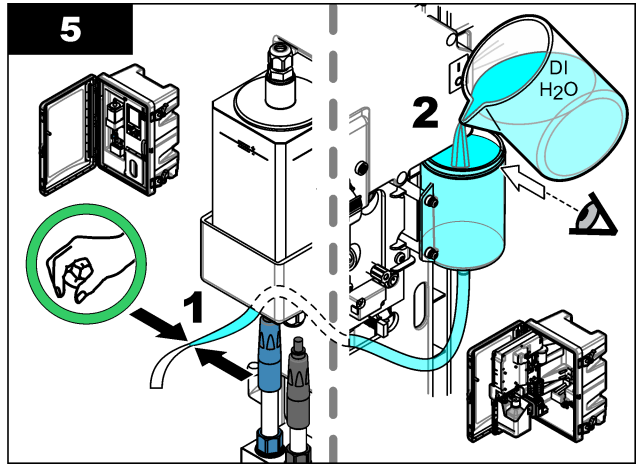
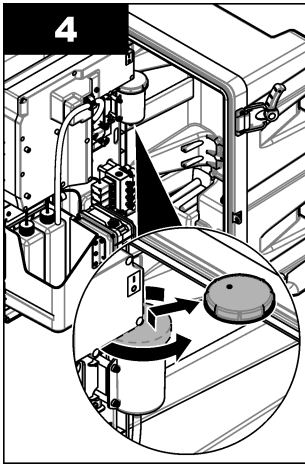
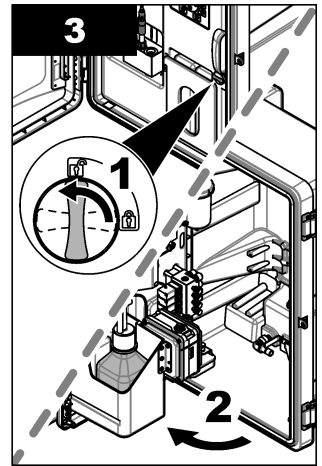
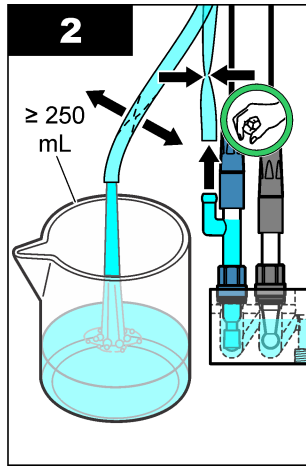
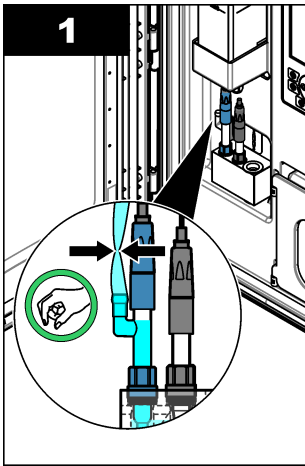
Елементи за осигуряване:

- Бутилки за съхранение за електроди (2 бр.)
- Защитни капачки за електроди (2 бр.)
- Черна капачка за стъкленото съединение на референтния електрод

3.9.1 Източване и промиване резервоара за електролит KCl

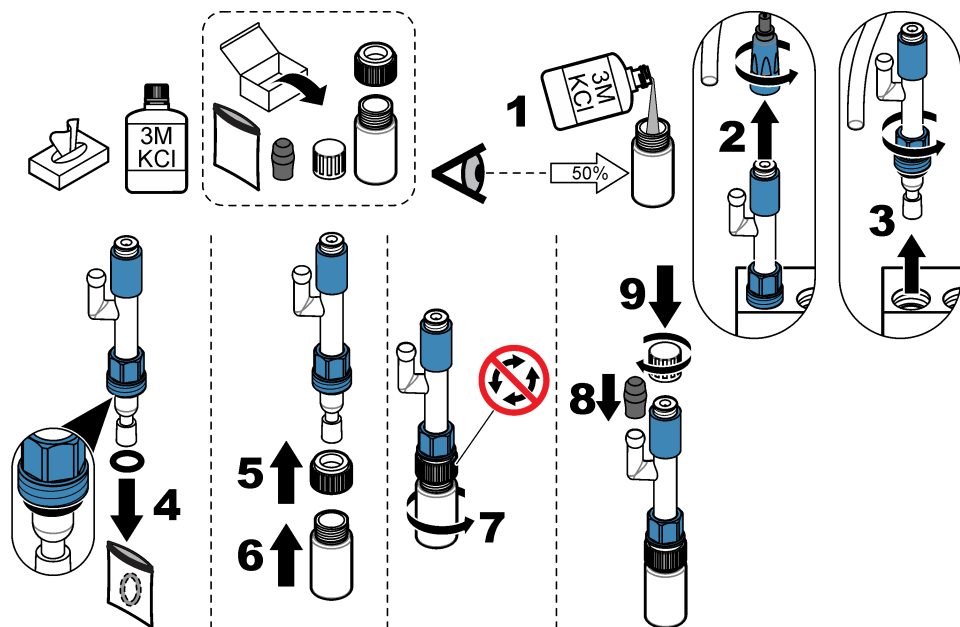
Направете справка с илюстрираните стъпки, които следват.

Екипирайте се с личното предпазно оборудване, отбелязано в информационните листове за безопасност (MSDS/SDS).



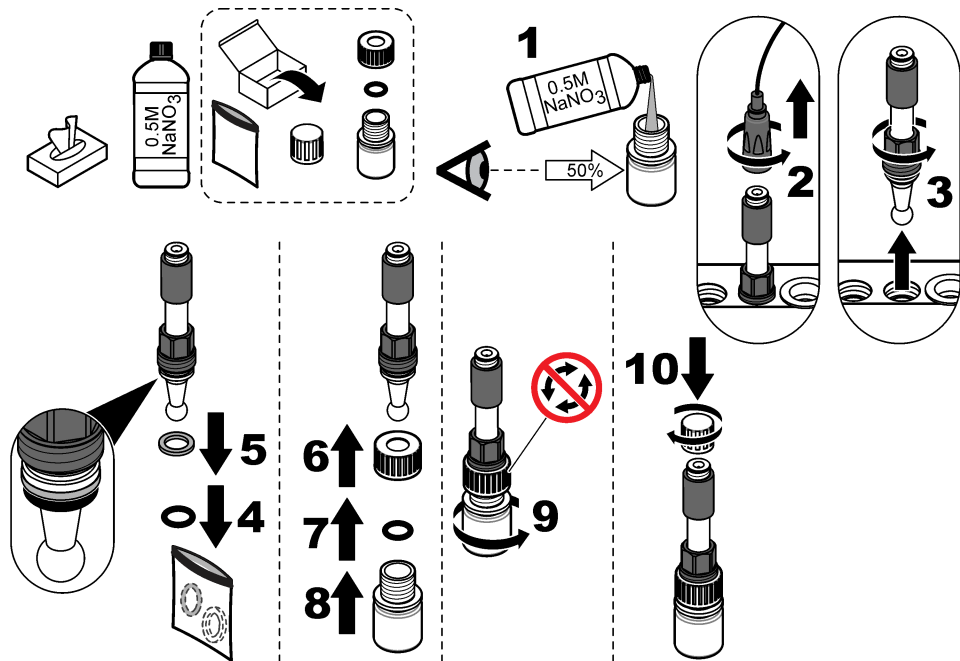
3.9.2 Премахване на референтния електрод

Направете справка с илюстрираните стъпки, които следват.



3.9.3 Премахване на натриевия електрод

Направете справка с илюстрираните стъпки, които следват.



3.9.4 Разкачване на бутилката с кондициониращ разтвор

▲ ПРЕДУПРЕЖДЕНИЕ



Опасно при вдишване. Не вдишвайте парите на диизопропиламина (DIPA) или амоняка. Експозицията може да доведе до тежки наранявания или смърт.



▲ ПРЕДУПРЕЖДЕНИЕ

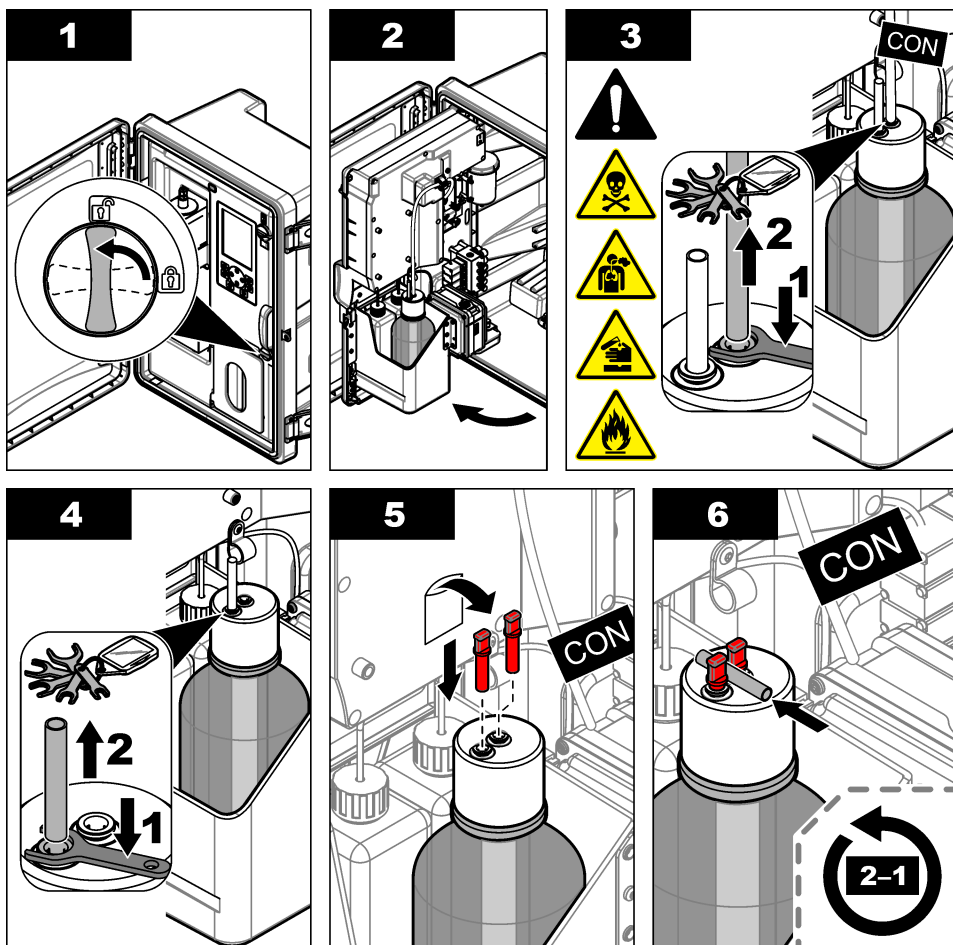


Опасност от химическа експозиция. Диизопропиламинът (DIPA) и амонякът са запалими, предизвикващи корозия и токсични химикали. Експозицията може да доведе до тежки наранявания или смърт.



Направете справка с илюстрираните стъпки, които следват.

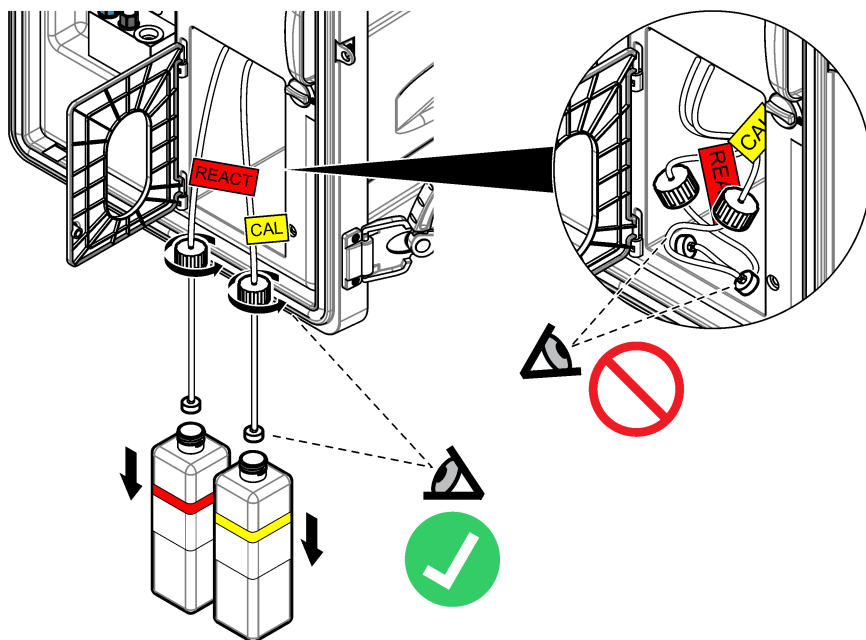
Екипирайте се с личното предпазно оборудване, отбелязано в информационните листове за безопасност (MSDS/SDS).



3.9.5 Промиване на тръбата за реактиви

1. Екипирайте се с личното предпазно оборудване, отбелязано в информационните листове за безопасност (MSDS/SDS).
2. Махнете бутилките с разтворите за реактивиране и разтворите за калибриране от анализатора. Направете справка с [Фигура 5](#).
Забележка: Само анализаторите с опцията за автоматично калибриране имат бутилка с разтвор за калибриране.
3. Изхвърлете разтворите в бутилките в подходящ канал за източване.
4. Промийте и след това напълнете бутилките до $\frac{1}{2}$ с дейонизирана вода.
5. Инсталирайте бутилките в анализатора.
6. Натиснете **menu**, след това изберете REAGENTS/STANDARDS (РЕАКТИВИ/СТАНДАРТИ) > PRIME REAGENTS (ЗАПЪЛВАНЕ НА РЕАКТИВИ). Тръбата за реактиви се промива с дейонизирана вода.

Фигура 5 Премахване на бутилка



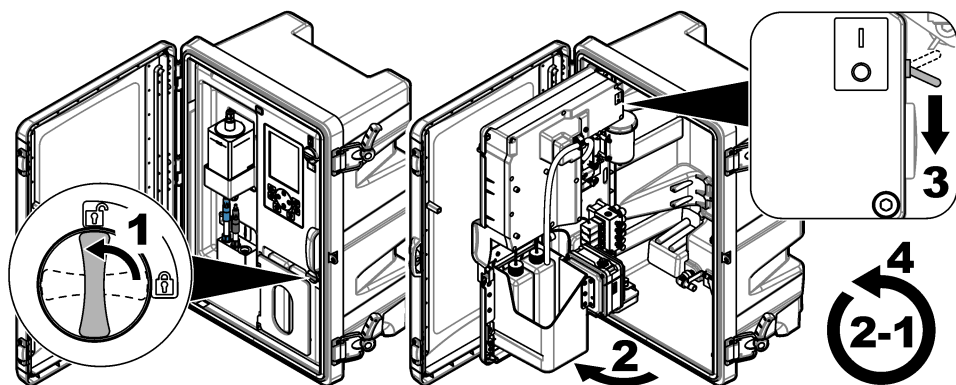
3.9.6 Източване на преливния съд

1. Натиснете **diag**, след това изберете **PERFORM TEST (ИЗПЪЛНЯВАНЕ НА ТЕСТ)** и натиснете **enter**.
2. Натиснете **enter**, за да изберете **YES (ДА)**.
3. Изберете **SAMPLE DRAIN (ИЗТОЧВАНЕ НА ПРОБА)**, след това натиснете **enter**.
4. Въведете 150 секунди.
5. Натиснете **enter** два пъти.
6. Когато преливният съд се изпразни, натиснете **back**.
7. Натиснете **home**.

3.9.7 Изключване на анализатора

Изключете захранването и отстранете пробата от анализатора по следния начин:

1. Поставете превключвателя на захранването в изключено положение. Направете справка с [Фигура 6](#).
2. Затворете аналитичния панел. Завъртете ключалката на аналитичния панел в заключено положение.
3. Изключете захранващия кабел от електрическия контакт.
4. Затворете спирателните клапани по линията(ите) за пробите.
5. Използвайте чиста кърпа без влакна, за да отстраните водата от преливния съд.
6. Използвайте чиста кърпа без влакна, за да отстраните водата от лявата и от средната камера на измервателната клетка.



3.9.8 Изхвърляне на дейонизираната вода в бутилките

1. Махнете бутилките с разтворите за реактивиране и разтворите за калибриране от анализатора. Издърпайте капачките на бутилките надолу, така че да увиснат под анализатора.

Не позволявайте капачката на бутилката или вътрешната тръба да докосва анализатора, за да предотвратите замърсяване.

2. Изхвърлете дейонизираната вода в бутилките.
3. Оставете бутилките да изсъхнат напълно на въздух.
4. Инсталирайте бутилките в анализатора.
5. Затворете вратичката на анализатора.

Раздел 4 Отстраняване на неизправности

Проблем	Възможна причина	Решение
Лентата за състоянието не се показва на екрана за измерването.	Показаният на екрана за измерването канал не е каналът, по който се извършва измерване.	Натискайте стрелката UP (НАГОРЕ) или DOWN (НАДОЛУ) , докато на екрана за измерването не се покаже каналът, по който се извършва измерване.
При натискането на клавиша със стрелка UP (НАГОРЕ) или DOWN (НАДОЛУ) не се показва канал на екрана за измерването.	Каналът не е избран в настройките на дисплея.	Натиснете menu , след това изберете SETUP SYSTEM (НАСТРОЙКА НА СИСТЕМАТА) > DISPLAY SETUP (НАСТРОЙКА НА ДИСПЛЕЯ) > ADJUST ORDER (РЕГУЛИРАНЕ НА ПОДРЕЖДАНЕТО) > SEE CURRENT ORDER (ПРЕГЛЕД НА ТЕКУЩОТО ПОДРЕЖДАНЕ) . Ако каналът не се показва, натиснете back , след това изберете ADD MEASUREMENTS (ДОБАВЯНЕ НА ИЗМЕРВАНИЯ) . Натиснете стрелката LEFT (НАЛЯВО) , за да изберете или да премахнете избора на дадено квадратче за отметка.

Проблем	Възможна причина	Решение
Няма измерване по даден канал.	Каналът не е активиран.	Натиснете menu , след това изберете SETUP SYSTEM (НАСТРОЙКА НА СИСТЕМАТА) > CONFIGURE ANALYZER (КОНФИГУРИРАНЕ НА АНАЛИЗАТОРА) > CONFIGURE SEQUENCER (КОНФИГУРИРАНЕ НА УСТРОЙСТВОТО ЗА ОПРЕДЕЛЯНЕ НА ПОСЛЕДОВАТЕЛНОСТТА) > ACTIVE CHANNELS (АКТИВИРАНЕ НА КАНАЛИ). Добавете канала. Натиснете стрелката LEFT (НАЛЯВО) , за да изберете или да премахнете избора на дадено квадратче за отметка.
	Каналът не е в последователността за измерване на канали.	Натиснете menu , след това изберете SETUP SYSTEM (НАСТРОЙКА НА СИСТЕМАТА) > CONFIGURE ANALYZER (КОНФИГУРИРАНЕ НА АНАЛИЗАТОРА) > CONFIGURE SEQUENCER (КОНФИГУРИРАНЕ НА УСТРОЙСТВОТО ЗА ОПРЕДЕЛЯНЕ НА ПОСЛЕДОВАТЕЛНОСТТА) > SEQUENCE CHANNELS (КАНАЛИ В ПОСЛЕДОВАТЕЛНОСТТА). Натискайте стрелките UP (НАГОРЕ) и DOWN (НАДОЛУ) , за да изберете ред, след това натискайте стрелката LEFT (НАЛЯВО) или RIGHT (НАДЯСНО) , за да изберете канал. S1 е първият измерван канал, следван от S2, S3 и S4. <i>Забележка: Не избирайте канали, които съдържат символа "~" (напр. 4--SAMPLE4). По каналите, които съдържат символа "~", не се извършват измервания.</i>
Появява се предупреждение „UNSTABLE READING (НЕСТАБИЛНО ПОКАЗАНИЕ)“.	Времето за изплакване между измерванията в канала е прекалено кратко.	Натиснете menu , след това изберете SETUP SYSTEM (НАСТРОЙКА НА СИСТЕМАТА) > CONFIGURE ANALYZER (КОНФИГУРИРАНЕ НА АНАЛИЗАТОРА) > MEASUREMENT (ИЗМЕРВАНЕ) > SET MEASURE CYCLE (ЗАДАВАНЕ НА ИЗМЕРВАТЕЛНИЯ ЦИКЪЛ) > MAX CYCLE TIME (МАКС. ВРЕМЕ НА ЦИКЪЛА) или CYCLE TIME (ВРЕМЕ НА ЦИКЪЛА). Увеличете настройката на MAX CYCLE TIME (МАКС. ВРЕМЕ НА ЦИКЪЛА) или CYCLE TIME (ВРЕМЕ НА ЦИКЪЛА), за да увеличите времето на изплакване.

Проблем	Възможна причина	Решение
Появява се предупреждение „SAMPLE MISSING (ЛИПСВАЩА ПРОБА)“.	Спирателният клапан по линията за проби е затворен.	Завъртете спирателния клапан до отворено положение.
	Линията за проби не е свързана правилно.	Уверете се, че линията за проби е свързана към правилния порт за свързване на тръби. Направете справка с „ <i>Портове за свързване на тръби</i> “ в ръководството за инсталиране.
	Клапанът за потока на пробата е затворен.	Включете съветника за стартирането. Натиснете menu , след това изберете SETUP SYSTEM (НАСТРОЙКА НА СИСТЕМАТА) > STARTUP ANALYZER (СТАРТИРАНЕ НА АНАЛИЗАТОРА). Натискайте enter , докато не получите подкана за регулиране на дебита на пробата. Въртете клапана за потока на пробата обратно на часовниковата стрелка, за да увеличите дебита до 6 - 9 L/час за всеки от каналите.
	Соленоидният клапан за канала не работи правилно.	Натиснете diag , след това изберете PERFORM TEST (ИЗПЪЛНЯВАНЕ НА ТЕСТ) > SAMPLE DRAIN (ИЗТОЧВАНЕ НА ПРОБА), за да източите преливния съд. Натиснете diag , след това изберете PERFORM TEST (ИЗПЪЛНЯВАНЕ НА ТЕСТ) > SAMPLE DELIVERY (ПОДАВАНЕ НА ПРОБА), за да отворите клапана за пробата. Ако в преливния съд не се влива проба, проверете кабелните връзки на клапана за пробата. Сменете клапана за пробата, ако е необходимо.
Появява се предупреждение „PH TOO LOW (PH Е ПРЕКАЛЕНО НИСКО)“.	Капакът от дясната камера на измервателната клетка е премахнат.	Инсталирайте капака на дясната камера на измервателната клетка.
	Нивото на бутилката с кондициониращ разтвор е под 10% или тя е празна.	Сменете кондициониращия разтвор. Направете справка с Смяна на кондициониращия разтвор на страница 329.
	Има теч на въздух в капачката на бутилката за кондициониране.	<ul style="list-style-type: none"> Уверете се, че капачката на бутилката за кондициониране е затегната. Проверете шайбата в капачката на бутилката. Ако се установи износване или повреда, сменете шайбата. Проверете пластмасовия фланец на периферния ръб на бутилката. Ако се установи износване или повреда, сменете бутилката с кондициониращия разтвор.
	Има теч на въздух в тръбата за кондициониране.	Потърсете запушване или теч на въздух в тръбата за кондициониране. Сменете тръбата, ако е необходимо. Забележка: <i>Тръбата за кондиционирането съдържа газ, а не разтвор.</i>
Клапанът за кондиционирането не работи правилно.	Натиснете diag , след това изберете PERFORM TEST (ИЗПЪЛНЯВАНЕ НА ТЕСТ) > CONDITIONING VALVE (КЛАПАН ЗА КОНДИЦИОНИРАНЕ), за да отворите клапана за кондициониране. Ако не постъпва газ за кондициониране в дясната камера на измервателната клетка (вижда се като мехурчета), сменете клапана за кондициониране.	

Проблем	Възможна причина	Решение
Появява се предупреждение „CALIBRATION FAIL (НЕУСПЕШНО КАЛИБРИРАНЕ)“.	Стойността на разтвора за калибриране в настройките за автоматично калибриране се различава от стойността върху бутилката с разтвор за калибриране.	Променете стойността на разтвора за калибриране в менюто за калибриране на стойността върху бутилката с разтвор за калибриране. Направете справка със „ <i>Задаване на настройките за автоматично калибриране</i> “ в ръководството за експлоатация.
	Бутилката с разтвора за калибриране е празна.	Сменете разтвора за калибриране. Направете справка с Смяна на разтворите за калибриране и реактивиране на страница 327.
	Има теч или запушване в тръбата за разтвора за калибриране.	Потърсете запушване или теч в тръбата. Сменете тръбата, ако е необходимо.
	Помпата за разтвора за разтвора за калибриране не работи правилно.	Натиснете diag , след това изберете PERFORM TEST (ИЗПЪЛНЯВАНЕ НА ТЕСТ) > SAMPLE DRAIN (ИЗТОЧВАНЕ НА ПРОБА), за да източите напълно преливния съд. Натиснете diag , след това изберете PERFORM TEST (ИЗПЪЛНЯВАНЕ НА ТЕСТ) > CAL STD DELIVERY (ПОДАВАНЕ НА КАЛ. СТАНД.), за да се включи помпата за разтвора за калибриране. Ако в преливния съд не се влива разтвор за калибриране, сменете помпата за разтвора за калибриране.
	Бъркалката не се върти. <i>Забележка: Бъркалката се върти неравномерно.</i>	Натиснете diag , след това изберете PERFORM TEST (ИЗПЪЛНЯВАНЕ НА ТЕСТ) > MIXER (СМЕСИТЕЛ), за да се включи моторът на смесителя. Ако бъркалката не движи, сменете мотора на смесителя.
	Бъркалката не се намира в преливния съд.	Уверете се, че бъркалката се намира в преливния съд.

Проблем	Възможна причина	Решение
Появява се предупреждение „REACT VOLTAGE LOW (НАПРЕЖЕНИЕТО ЗА РЕАКТ. Е НИСКО)“.	Бутилката за разтвора за реактивиране е празна.	Уверете се, че краят на тръбата за разтвора за реактивиране е при дъното на бутилката. Сменете разтвора за реактивиране. Направете справка с Смяна на разтворите за калибриране и реактивиране на страница 327.
	Натриевият електрод не работи правилно.	<ul style="list-style-type: none"> Уверете се, че натриевият електрод е инсталиран правилно. Направете справка с ръководството за инсталиране. Уверете се, че в стъклената крушка на натриевия електрод няма въздух.
	Референтният електрод не работи правилно.	<ul style="list-style-type: none"> Премахнете референтния електрод от измервателната клетка. Повдигнете яката, която се намира на стъклената част, за да изтече малко електролит KCl. Натиснете яката надолу и я завъртете по-малко от 1/4 оборот, за да я фиксирате. Когато яката е фиксирана, тя не се върти. Инсталирайте референтния електрод в измервателната клетка. Уверете се, че референтният електрод е инсталиран правилно. Направете справка с ръководството за инсталиране. За да установите дали проблемът е решен, натиснете diag, след това изберете SENSOR REACTIVATION (РЕАКТИВИРАНЕ НА СЕНЗОР), за да се извърши реактивиране.
	Има теч или запушване в тръбата за разтвора за реактивиране.	Потърсете запушване или теч в тръбата. Сменете тръбата, ако е необходимо.
	Помпата за разтвора за реактивиране не работи правилно.	Натиснете diag , след това изберете PERFORM TEST (ИЗПЪЛНЯВАНЕ НА ТЕСТ) > REACT SOL DELIVERY (ПОДАВАНЕ НА РАЗТВОР ЗА РЕАКТИВИРАНЕ) > HIGH (ВИСОКО), за да се зададе помпата за разтвор за реактивиране на висок дебит. Ако разтворът за реактивиране не протича в средната камера на измервателната клетка, сменете помпата за разтвор за реактивиране.
Показанията на инструмента не са стабилни.	Анализаторът е стартиран преди по-малко от 2 часа.	Оставете анализатора да работи 2 часа, за да се стабилизира.
	Кабелът(ите) на електрода e(са) кръстосано резбован(и) върху електродите.	Разкачете кабела от електрода. Натиснете конектора докрай надолу върху конектора на електрода, след което завъртете конектора, за да го затегнете на ръка.
	Кабелите на електродите са свързани към грешните електроди.	Свържете синия кабел към референтния електрод. Свържете черния кабел към натриевия електрод.
	Дебитът на електролита KCl е прекалено голям.	Премахнете референтния електрод от измервателната клетка. Натиснете яката надолу и я завъртете по-малко от 1/4 оборот, за да я фиксирате. Когато яката е фиксирана, тя не се върти. Ако яката не е фиксирана, електролитът KCl ще изтича прекалено бързо от референтния електрод в измервателната клетка.

Проблем	Възможна причина	Решение
Измерванията не са точни.	Анализаторът не е калибриран.	Калибрирайте анализатора. Направете справка с „Извършване на калибриране“ в ръководството за експлоатация. За постигане на максимална точност калибрирайте анализатора на 7-дневни интервали (ежеседмично).
	Автоматичното реактивиране е дезактивирано или интервалът между реактивиранията е по-голям от 24 часа.	Стартирайте автоматично реактивиране. Натиснете diag , след това изберете SENSOR REACTIVATION (РЕАКТИВИРАНЕ НА СЕНЗОР). Забележка: За постигане на максимална точност включете автоматичното реактивиране. Задайте интервала на 24 часа. Направете справка с ръководството за експлоатация.
	Бутилката за разтвора за реактивиране е празна.	Сменете разтвора за реактивиране. Направете справка с Смяна на разтворите за калибриране и реактивиране на страница 327.
	Има теч или запушване в тръбата за разтвора за реактивиране.	Потърсете запушване или теч в тръбата. Сменете тръбата, ако е необходимо.
	Помпата за разтвора за реактивиране не работи правилно.	Натиснете diag , след това изберете PERFORM TEST (ИЗПЪЛНЯВАНЕ НА ТЕСТ) > REACT SOL DELIVERY (ПОДАВАНЕ НА РАЗТВОР ЗА РЕАКТИВИРАНЕ) > HIGH (ВИСОКО), за да се зададе помпата за разтвор за реактивиране на висок дебит. Ако разтворът за реактивиране не протича в средната камера на измервателната клетка, сменете помпата за разтвор за реактивиране.
Бъркалката в преливния съд не се върти.	Смесителят не работи правилно. Забележка: Бъркалката се върти неравномерно.	Натиснете diag , след това изберете PERFORM TEST (ИЗПЪЛНЯВАНЕ НА ТЕСТ) > MIXER (СМЕСИТЕЛ), за да се включи моторът на смесителя. Ако бъркалката не движи, сменете мотора на смесителя.
Потреблението на електролита KCl е прекалено голямо ¹ .	Яката на стъклената част на референтния електрод не е заключена.	Премахнете референтния електрод. Натиснете яката нагоре. Натиснете яката надолу и я завъртете по-малко от 1/4 оборот, за да я фиксирате. Направете справка с илюстрираните стъпки в „Инсталиране на референтния електрод“ в ръководството за инсталиране. Когато яката е фиксирана, тя не се върти. Ако яката не е фиксирана, електролитът KCl ще изтича прекалено бързо от референтния електрод в измервателната клетка.

¹ Потреблението на електролита KCl е прекалено голямо, ако нивото на резервоара спада с повече от 3 mm (1/8 in.) за два дни

Проблем	Възможна причина	Решение
Потреблението на електролита KCl е прекалено малко ² .	Яката на стъклената част на референтния електрод не е завъртяна, за да се разкъса уплътнението.	<p>Премахнете референтния електрод.</p> <p>Завъртете внимателно яката, за да разкъсате уплътнението. Когато яката се върти лесно, уплътнението е разкъсано. Направете справка с илюстрираните стъпки в „Инсталиране на референтния електрод“ в ръководството за инсталиране.</p> <p>Натиснете яката надолу и я завъртете по-малко от 1/4 оборот, за да я фиксирате. Когато яката е фиксирана, тя не се върти. Ако яката не е фиксирана, електролитът KCl ще изтича прекалено бързо от референтния електрод в измервателната клетка.</p>
Индикаторът за релето на екрана за измерването мига.	Времето на таймера за свръхподаване е изтекло.	<p>Нулирайте таймера за свръхподаване. Направете справка с Нулиране на таймера за свръхподаване за релета на страница 348.</p> <p>Забележка: <i>Настройката на таймера за свръхподаване е налична само когато настройката на релето SET FUNCTION (ЗАДАВАНЕ НА ФУНКЦИЯ) е зададена на FEEDER CONTROL (УПРАВЛЕНИЕ НА ПОДАВАЩОТО УСТРОЙСТВО).</i></p>

4.1 Нулиране на таймера за свръхподаване за релета

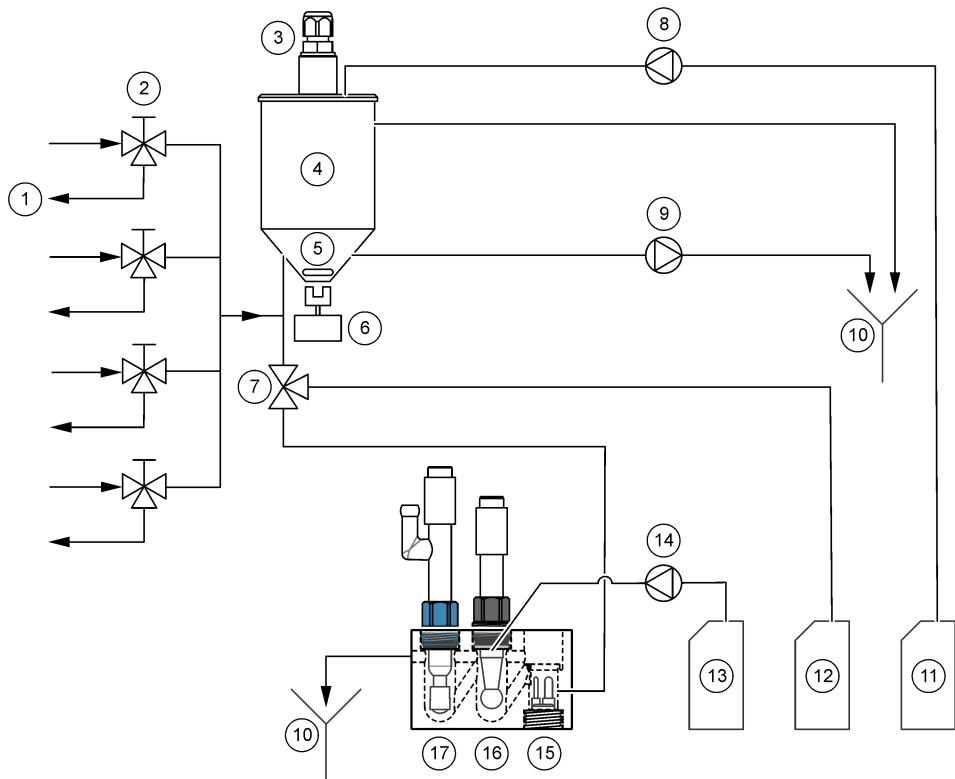
Настройката на таймера за свръхподаване за релетата предотвратява състояние, което запазва стойността от измерването по-висока от зададената точка или от настройката на лентата на нечувствителност (напр. повреден електрод или нарушение на процеса), за да не се поддържа релето непрекъснато включено. Таймерът за свръхподаване ограничава времето, през което релетата и свързаният с тях управляващ елемент остават включени – независимо от условията.

Когато изтече избраният за таймера за свръхподаване интервал от време, състоянието на релето мига в горния десен ъгъл на екрана за измерването, докато таймерът за свръхподаване не се нулира. Натиснете **diag (диаг.)**, след това изберете OVERFEED RESET (НУЛИРАНЕ НА СВРЪХПОДАВАНЕ), за да нулирате таймера за прекомерно подаване.

² Потреблението на електролита KCl е прекалено малко, ако нивото на резервоара спада с по-малко от 1 mm за два дни

Раздел 5 Диагностика

5.1 Схема на тръбните съединения



1 Обход за източване проби	7 Клапан за кондициониране	13 Разтвор за реактивиране
2 Вход за проба	8 Помпа за разтвора за калибриране ³ .	14 Помпа за разтвора за реактивиране
3 Сензор за ниво	9 Помпа за източване	15 Температурен сензор
4 Преливен съд	10 Канал за източване	16 Натриев електрод
5 Бъркалка	11 Разтвор за калибриране ³	17 Референтен електрод
6 Мотор на смесителя	12 Кондициониращ разтвор	

5.2 Стартиране на тест на анализатора

Стартирайте тест на анализатора, за да установите дали светлинният индикатор за състоянието, моторът на смесителя, помпа или клапан работят правилно.

³ Само анализаторите с опцията за автоматично калибриране имат помпа за разтвор за калибриране и разтвор за калибриране.

1. Натиснете **diag**, след това изберете **PERFORM TEST (ИЗПЪЛНЯВАНЕ НА ТЕСТ)**.
2. Изберете опция.

Опция	Описание
REACT SOL DELIVERY (ПОДАВАНЕ НА РАЗТВОР ЗА РЕАКТИВИРАНЕ)	Стартира помпата за разтвора за реактивиране. Разтворът за реактивиране се влива в средната камера на измервателната клетка. Забележка: Измервателната клетка е прозрачният блок, в който са инсталирани електродите.
SAMPLE DELIVERY (ПОДАВАНЕ НА ПРОБА)	Отваря соленоидния клапан за проби за избрания канал. Пробата се влива в преливния съд. Забележка: Ако преливният съд е пълен, нивото на водата в него няма да се промени. За да източите преливния съд, направете теста SAMPLE DRAIN (ИЗТОЧВАНЕ НА ПРОБА) .
CAL STD DELIVERY (ПОДАВАНЕ НА КАЛ. СТАНД.)	Забележка: Опцията CAL STD DELIVERY (ПОДАВАНЕ НА КАЛ. СТАНД.) е налична само при анализатори с опция за автоматично калибриране. Включете помпата за разтвора за калибриране. Разтворът за калибриране се влива в преливния съд.
CONDITIONING VALVE (КЛАПАН ЗА КОНДИЦИОНИРАНЕ)	Отваря клапана за кондициониране. Газът за кондициониране се влива в дясната камера на измервателната клетка. Забележка: Измервателната клетка е прозрачният блок, в който са инсталирани електродите.
SAMPLE DRAIN (ИЗТОЧВАНЕ НА ПРОБА)	Включва помпата за източване. Водата в преливния съд се източва през тръбата за източване на химикали.
MIXER (СМЕСИТЕЛ)	Включва мотора на смесителя. Бъркалката в преливния съд се завърта.
STATUS LED (СВЕТОДИОД ЗА СЪСТОЯНИЕТО)	Задава светлинния индикатор за състоянието да се превключва непрекъснато: жълто, червено, зелено.
AIR PUMP (ВЪЗДУШНА ПОМПА)	Забележка: Опцията AIR PUMP (ВЪЗДУШНА ПОМПА) е налична само когато е инсталирана опционалната катионна помпа. Включете катионната помпа. Катионната помпа вкарва въздух в бутилката с кондициониращ разтвор (DIPA). Направете справка с раздела „Общ преглед на продукта“ в ръководството за инсталиране, за да намерите местоположението на катионната помпа в анализатора.
SELECT SCRIPT (ИЗБОР НА СКРИПТ)	Забележка: Опцията SELECT SCRIPT (ИЗБОР НА СКРИПТ) е само за сервисна употреба. Задава анализатора за използване на нормалния скрипт на инструмента или на тестовия скрипт.

5.3 Стартиране на тест на изхода от 4 - 20 mA или на релето

Стартирайте тест на изхода от 4 - 20 mA или на релето, за да установите дали даден изход от 4 - 20 mA или реле функционира правилно.

1. Натиснете **diag** и изберете **OUTPUTS (ИЗХОДИ)**.
2. Изберете опция.

Опция	Описание
TEST 4-20 mA (ТЕСТ 4 - 20 mA)	Задава сигнала (mA) при избрания изход от 4 - 20 mA. Измерете тока при изхода от 4 - 20 mA с мултиметър.

Опция	Описание
TEST RELAY (ТЕСТ НА РЕЛЕ)	Задава избраното реле на включено (с подадено напрежение) или изключено (без напрежение) състояние. Измерете съпротивлението на релето с мултиметър, за да установите релето е отворено, или затворено.
HOLD OUTPUTS (ЗАДЪРЖАНЕ НА ИЗХОДИ)	Задържа изходите при последната стойност или ги задава на стойността за прехвърляне. ACTIVATE (АКТИВИРАНЕ) – изберете LAUNCH (СТАРТИРАНЕ) за задържане на изходите при последната стойност или за задаването им на стойността за прехвърляне. Изберете RELEASE (ОСВОБОЖДАВАНЕ), за да могат изходите да работят нормално. SET OUTMODE (ЗАДАВАНЕ НА ИЗХ. РЕЖИМ) – изберете HOLD OUTPUTS (ЗАДЪРЖАНЕ НА ИЗХОДИ) за задържане на изходите при последната стойност. Изберете TRANSFER OUTPUTS (ИЗХОДИ ЗА ПРЕХВЪРЛЯНЕ) за задаване на изходите на стойността за прехвърляне. Направете справка с ръководството за експлоатация, за да зададете стойността за прехвърляне за изходите. SET CHANNELS (ЗАДАВАНЕ НА КАНАЛИ) – изберете ALL (ВСИЧКИ), за да изберете всички канали. Изберете ANALYZER (АНАЛИЗАТОР), за да изберете всички канали за избрания анализатор.
OUTPUT STATUS (СЪСТОЯНИЕ НА ИЗХОДА)	Показва сигналите (в mA) при изходите от 4 - 20 mA.
SIMULATE MEASUREMENT (СИМУЛИРАНЕ НА ИЗМЕРВАНЕ)	Въвежда показание на анализатора на избран канал за извършване на тест на изхода. Симулацията спира, след като потребителят затвори екрана. SELECT SOURCE (ИЗБОР НА ИЗТОЧНИК) – избира анализатора. SET PARAMETER (ЗАДАВАНЕ НА ПАРАМЕТЪР) – избира канала. SET SIM VALUE (ЗАДАВАНЕ НА СИМУЛ. СТОЙНОСТ) – задава показанието на анализатора.

5.4 Показване на информацията за анализатора

За да се покаже информацията за анализатора, която следва, натиснете **menu**, след това изберете VIEW DATA (ПРЕГЛЕД НА ДАННИ) > ANALYZER DATA (ДАННИ ЗА АНАЛИЗАТОРА). Направете справка с [Таблица 2](#).

Таблица 2 Описания на данните за анализатора

Елемент	Описание
DATE/TIME (ДАТА/ЧАС)	Текущи час (24-часов формат) и дата, идентифицирани в настройките
NAME (ИМЕ)	Име на анализатора
TYPE (ТИП)	Тип на анализатора
AMBIENT TEMP (ОКОЛНА ТЕМПЕРАТУРА)	Околна температура на анализатора
CONDITION SOL LEVEL (НИВО НА КОНДИЦИОНИРАЩИЯ РАЗТВОР)	Ниво на разтвора в бутилката с кондиционирация разтвор
REACT SOL LEVEL (НИВО НА РАЗТВОРА ЗА РЕАКТИВИРАНЕ)	Ниво на разтвора в бутилката с разтвора за реактивиране
STANDARD LEVEL (НИВО НА СТАНДАРТА)	Ниво на разтвора в бутилката с разтвора за калибриране
KCL LEVEL (НИВО НА KCL)	Ниво на разтвора в резервоара за електролит KCl
LAST REACTIVATION (ПОСЛЕДНО РЕАКТИВИРАНЕ)	Датата, на която е извършено последното автоматично реактивиране

Таблица 2 Описания на данните за анализатора (продължава)

Елемент	Описание
LAST CAL (ПОСЛЕДНО КАЛИБРИРАНЕ)	Датата, на която е извършено последното калибриране
LAST SERVICE (ПОСЛЕДНО СЕРВИЗНО ОБСЛУЖВАНЕ)	Датата на последното сервизно обслужване
SOFTWARE VERS (ВЕРСИЯ НА СОФТУЕРА)	Инсталирана версия на софтуера
DD FIRMWARE (ФЪРМУЕР НА ДРАЙВЕРА НА УСТРОЙСТВОТО)	Версия на инсталирания фърмуер на драйвера на устройството
DD CONTENT (СЪДЪРЖАНИЕ НА ДРАЙВЕРА НА УСТРОЙСТВОТО)	Версия на съдържанието на данните на драйвера на устройството
SCRIPT VERSION (ВЕРСИЯ НА СКРИПТА)	Версия на блока на директорията за файла със скрипта
SCRIPT CONTENT (СЪДЪРЖАНИЕ НА СКРИПТА)	Версия на съдържанието на директорията за файла със скрипта
MEAS CONTROL SW REV (РЕД. НА СОФТ. ЗА УПРАВЛЕНИЕ НА ИЗМЕРВАНЕТО)	Редакция на инсталирания софтуер за управление на измерването
SERIAL NUMBER (СЕРИЕН НОМЕР)	Сериен номер на анализатора

5.5 Показване на състоянието на анализатора и данни за системата

За да се покажат текущото състояние на анализатора, състоянието на Modbus, данните за системата или данните за I2C, изпълнете следващите стъпки:

1. Натиснете **diag**.
2. Изберете опция.

Опция	Описание
CURRENT STATUS (ТЕКУЩО СЪСТОЯНИЕ)	OPERATION (ОПЕРАЦИЯ) – текущ режим на измерване. SAMPLE CHANNEL (КАНАЛ ЗА ПРОБА) – текущ канал за проба. STEP STATUS (СЪСТОЯНИЕ НА СЪПЪКАТА) – текуща стъпка в цикъла на измерване. STEP TIME (ВРЕМЕ НА СЪПЪКАТА) – оставащо време на стъпката. MINUTES LEFT (ОСТАВАЩИ МИНУТИ) – оставащи минути в текущата стъпка. COMPLETION (ЗАВЪРШВАНЕ) – % на завършване на цикъла на измерване.
MODBUS STATS (MODBUS СТАТИСТ.)	Показване на статуса на Modbus портове: сензор, контролер, мрежа и обслужване. Показване броя на добри и лоши предавания.
SYSTEM DATA (СИСТЕМНИ ДАННИ)	AMBIENT TEMP (ОКОЛНА ТЕМПЕРАТУРА) – измерена околна температура в градуси по Целзий (C). POWER SOURCE FREQUENCY (ЧЕСТОТА НА ИЗТОЧНИКА НА ЗАХРАНВАНЕ) – честота на линейното захранване (Hz). POWER SOURCE VOLTAGE (НАПРЕЖЕНИЕ НА ИЗТОЧНИКА НА ЗАХРАНВАНЕ) – мрежово захранване (AC). 12V VOLTAGE (НАПРЕЖЕНИЕ 12 V) – измерено напрежение на захранването (VDC). 3.3V VOLTAGE (НАПРЕЖЕНИЕ 3,3 V) – измерено стабилизирано захранване 3,3 V (VDC). 12V CURRENT (ТОК 12 V) – измерен ток на захранване 12 V (ампери).
I2C DATA (I2C ДАННИ)	Показва информацията за комуникацията (I ² C) и номера на версията.

5.6 Показване на сервизна информация

Използвайте менюто за сервизно обслужване, за да покажете или зададете хронологията на сервизното обслужване на частите на инструмента.

1. Натиснете **diag**.
2. Изберете SERVICE (СЕРВИЗ).
3. Изберете опция

Опция	Описание
CONSUMABLE (КОНСУМАТИВ)	Показва списък на консумативите. Показва датата на последната смяна и броя на дните, изминали от смяната на частта. Нулирайте брояча след смяната на дадена част.
SERVICE PART (СЕРВИЗНА ЧАСТ)	Забележка: Опцията SERVICE PART (СЕРВИЗНА ЧАСТ) е налична само за сервизна употреба. Показва списък на частите и датата на последното сервизно обслужване. Представителят на отдела по сервизно обслужване за клиентите нулира брояча след смяната на дадена част.
ANNUAL MAINTENANCE (ГОДИШНА ПОДДРЪЖКА)	Показва датата на последната годишна поддръжка, датата на следващата годишна поддръжка и броя на дните преди следващата годишна поддръжка. Нулирайте брояча след годишната поддръжка.
EDIT ELECTRODE SN (РЕДАКТИРАНЕ НА СЕРИЙНИЯ НОМЕР НА ЕЛЕКТРОДИ)	Записва серийните номера на електродите.
SERVICE HISTORY (ХРОНОЛОГИЯ НА СЕРВИЗНОТО ОБСЛУЖВАНЕ)	Показва извършените задачи по поддръжка и датите (напр. Replace reactivation solution (Смяна на разтвора за реактивиране)). START TIME (НАЧАЛНО ВРЕМЕ) – показва данните, записани след избраните дата и час. NUMBER OF READINGS (БРОЙ НА ПОКАЗАНИЯТА) – показва избрания брой даннови точки.
POST ENABLE (ПОСЛЕДВАЩО АКТИВИРАНЕ)	NO (НЕ) – не се извършва диагностика на хардуера, когато към анализатора е подадено захранване. YES (ДА) – извършва се диагностика на хардуера, когато към анализатора е подадено захранване.

Раздел 6 Резервни части и принадлежности

▲ ПРЕДУПРЕЖДЕНИЕ



Опасност от нараняване. Използването на части, които не са одобрени за употреба, може да причини нараняване, повреда на инструмента или неизправност на оборудването. Резервните части, упоменати в този раздел, са одобрени от производителя.

Забележка: Продуктовите и каталожните номера може да се различават в някои региони на продажба. Свържете се със съответния дистрибутор или посетете уебсайта на компанията за информация за контакт.

Реактиви и стандартни разтвори

Описание	Количество	Каталожен номер
Разтвор на електролит 3M KCl	250 mL	LZW9500.99
Разтвор на електролит 3M KCl	500 mL	363140.00500
Диизопропиламин (DIPA) 99%	1 L	2834453
Стандарт на натриев хлорид, 10 ppm	1 L	2835153
Натриев нитрат, 0,5 M	500 mL	2507149

Резервни части

Описание	Количество	Каталожен номер
Бутилка с кондициониращ разтвор с капачка, празна	1	8352000
Шайба, капачка на бутилката за кондициониране	1	8417200
Коленен фитинг, източване, ½-инчов, полипропилен	1	6772800
Електрод, референтен	1	09240=C=0310
Електрод, натриев	1	09240=C=0320
Предпазител, 1.6 A, 250 V, 5 x 20 mm	1	5208300
Предпазител, 5 A, 250 V, бавно-изгарящ, 5 x 20 mm	1	4693800
Комплект за инсталиране, 1-канален анализатор, анализатор с корпус	1	8375400
Комплект за инсталиране, 2-канален анализатор, анализатор с корпус	1	8375300
Комплект за инсталиране, 4-канален анализатор, анализатор с корпус	1	8371500
Комплект за инсталиране, 1-канален анализатор, анализатор без корпус	1	8375700
Комплект за инсталиране, 2-канален анализатор, анализатор без корпус	1	8375600
Комплект за инсталиране, 4-канален анализатор, анализатор без корпус	1	8375500
Мотор на смесителя	1	8420000
Винтове за монтаж на панел, М6 x 20 с лещовидни глави, неръждаема стомана, Тогх	4	8415500
Инструмент за пробиване на вътрешни електрически щекери, метална тръба, използва се с 8379900	1	8380000
Инструмент за пробиване на вътрешни електрически щекери, метална планка, използва се с 8380000	1	8379900
Регулатор на налягането, 0,3 bar (4 psi), нерегулируем	1	6782900
Помпа, разтвор за калибриране	1	8364300
Помпа, източване	1	8357400
Помпа, разтвор за реактивиране	1	8364200
Спирателен клапан, тръба с външен диаметър 6 mm	1	8385200
Бъркалка	1	W_4510_001_FF
Фитинг за еластична муфа (кабелно уплътнение), PG9 от 4 mm до 8 mm	1	8356300
Фитинг за еластична муфа (кабелно уплътнение), NPT ½ in. от 4 mm до 9 mm	1	8368400
Скоби за монтиране на маса	2	8370400
Винтове, скоба за монтиране на маса, № 8 x ½ неръждаема стомана, Тогх	2	8412200
Тръби, канал за източване на химикали и на кутията, 17,5 mm (1 ¹ / ₁₆ in.) Външен диаметър x 3,2 mm (1 ¹ / ₈ in.) дебел.	2 m (6,5 ft)	LZX278

Резервни части (продължава)

Описание	Количество	Каталожен номер
Тръба, за проби, външен диаметър 6 mm x вътрешен диаметър 4 mm	5,5 m (18 ft)	6772500
Резачка за тръби	1	8385400
Скоби за монтиране на стена	2	8364100
Винтове, скоба за монтиране на стена, M4 x 10 плоска неръждаема стомана, Тогх	2	8412500
Клапан, кондициониране	1	8367600
Клапан, проба	1	8370200

Принадлежности

Описание	Количество	Каталожен номер
Адаптер за бутилка, бутилка за DIPA, Merck	1	09073=C=0350
Адаптер за бутилка, бутилка за DIPA, Orion	1	09073=C=0360
Филтър, вход за проби, 100 µm, тръба с външен диаметър ¼ инча	1	595=010=005
Филтър, вход за проби, 100 µm, тръба с външен диаметър 6 mm	1	595=010=000
Топлообменник, максимално 4 канала	1	8368900
Катионен комплект за надстройка	1	8371200
Захранващ кабел, северноамерикански	1	9179700
Комплект за надстройка от 1 канал до 4 канала	1	8365100
Комплект за надстройка от 2 канала до 4 канала	1	8365000
Комплект за надстройка за автоматичното калибриране	1	8368000
Адаптер за тръби, външен диаметър 6 mm до външен диаметър ¼ инча	2	09245=A=8300

Tartalomjegyzék

- | | |
|--|--|
| 1 Biztonsági tudnivalók oldalon 356 | 4 Hibaelhárítás oldalon 371 |
| 2 Az aktív hibák, figyelmeztetések és emlékeztetők megjelenítése oldalon 356 | 5 Diagnosztika oldalon 377 |
| 3 Karbantartás oldalon 356 | 6 Cserealkatrészek és tartozékok oldalon 381 |

Szakasz 1 Biztonsági tudnivalók

Az általános biztonsági tudnivalókkal, veszélyek leírásával és az óvintézkedésekre vonatkozó címkek leírásával kapcsolatban lásd a felhasználói telepítési kézikönyvet.

Szakasz 2 Az aktív hibák, figyelmeztetések és emlékeztetők megjelenítése

A kijelzőháttér és az állapotjelző lámpa hiba esetén vörös színűre, figyelmeztetéskor pedig sárga színűre változik.

- **Hiba** – vörös kijelzőháttér és állapotjelző lámpa. Komoly hiba történt, amely hatással van a műszer működésére. Az aktuális mérés leáll, és az analizátor leállított üzemmódra vált.
- **Figyelmeztetés** – sárga kijelzőháttér és állapotjelző lámpa. Olyan esemény merült fel, amely a jövőben problémát okozhat. Az analizátor folytatja a működést.
- **Emlékeztetők** – csavarkulcs szimbólum jelenik meg a kijelzőn, az állapotjelző lámpa sárgán világít. A karbantartási feladatra engedélyezett idő lejárt.

Az aktív hibák, figyelmeztetések és emlékeztetők megjelenítéséhez végezze el a következő lépéseket:

Megjegyzés: Az összes lehetséges hiba, figyelmeztetés és emlékeztető, illetve a rájuk vonatkozó súgóinformáció tanulmányozásához nyomja meg a **diag** gombot, majd válassza ki az **ANALYZER HELP (AZ ANALIZÁTOR SÚGÓJA)** lehetőséget.

1. Nyomja meg a **diag** gombot, majd válassza a **DIAGNOSTICS (DIAGNOSZTIKA)** lehetőséget. Megjelennek az aktív hibák, figyelmeztetések és emlékeztetők.
2. Válasszon ki egy hibát, figyelmeztetést vagy emlékeztetőt a listából.
3. Válasszon beállítást.

Opció	Leírás
ACKNOWLEDGE (ELFOGADÁS)	Elfogadja a kiválasztott hibát, figyelmeztetést vagy emlékeztetőt. Ha minden aktív hiba, figyelmeztetés és emlékeztető elfogadásra került, a kijelzőháttér visszaváltozik fehér színűre, az állapotjelző lámpa fénye pedig visszaváltozik zöldre.
VIEW HELP (SÚGÓ MEGTEKINTÉSE)	Megjeleníti a kiválasztott hibához, figyelmeztetéshez vagy emlékeztetőhöz tartozó súgóinformációt.

Szakasz 3 Karbantartás

▲ VESZÉLY	
	Többszörös veszély. A dokumentumnak ebben a fejezetében ismertetett feladatokat csak képzett szakemberek végezhetik el.

3.1 Karbantartási ütemterv

A 1. táblázat a karbantartási feladatok ajánlott ütemtervét mutatja be. A berendezések igényei és az üzemeltetési feltételek növelhetik bizonyos feladatok elvégzésének gyakoriságát.

1. táblázat Karbantartási ütemterv

Feladat	3 havonta	Szükség szerint
A kalibrációs és reaktiváló oldatok cseréje oldalon 357	X	
A kondicionáló oldat cseréje oldalon 359	X	
A KCl-elektrolit cseréje oldalon 362	X	
Tápfeszültségi biztosíték cseréje oldalon 363		X

3.2 A készülék tisztítása

MEGJEGYZÉS

A készülék, beleértve a kijelző és a tartozékok tisztításához soha ne használjon tisztítószert, például terpentint, acetont vagy hasonló termékeket.

Tisztítsa meg a készülék külsejét enyhe szappanos oldatba mártott ruhával.

3.3 Kiömlések tisztítása

⚠ VIGYÁZAT



Kémiai expozíció veszélye. Semmisítse meg a vegyszereket és a hulladékokat a helyi, területi és nemzeti előírásoknak megfelelően.

1. A túlfolyás szabályozása érdekében tartsa be a berendezések biztonságára vonatkozó összes előírást.
2. A hulladék megsemmisítését a vonatkozó szabályoknak megfelelően végezze.

3.4 A kalibrációs és reaktiváló oldatok cseréje

⚠ VIGYÁZAT



Kémiai expozíció veszélye. Kövesse a laboratóriumi biztonsági eljárásokat, és viselje a kezelt vegyszereknek megfelelő összes személyes védőfelszerelést. A biztonsági protokollokkal kapcsolatban lásd az aktuális biztonsági adatlapokat (MSDS/SDS).

⚠ VIGYÁZAT



Kémiai expozíció veszélye. Semmisítse meg a vegyszereket és a hulladékokat a helyi, területi és nemzeti előírásoknak megfelelően.

3 hónapos időközönként vagy ha 10%-nál kevesebb van már belőlük, cserélje ki a reaktiváló és kalibrációs oldatokat.

A felhasználó által biztosított tételek:

- Személyi védőeszközök (lásd: anyagbiztonsági és biztonsági adatlap)
- 0,5 M-os nátrium-nitrát (NaNO_3), 500 ml
- 10 ppm nátrium-klorid standard oldat (NaCl), 500 ml
- loncserélt víz, 100 ml

1. Vegye fel a biztonsági adatlapon (MSDS/SDS) ismertetett személyi védőfelszerelést.
2. Nyomja meg a **menü** gombot, majd válassza a STOP ANALYZER (ANALIZÁTOR LEÁLLÍTÁSA) lehetőséget.

Megjegyzés: Ha a START ANALYZER (ANALIZÁTOR INDÍTÁSA) felirat látható, az analizátor már készenléti üzemmódban van.

3. Az alábbiak szerint cserélje ki a reaktíváló és kalibrációs oldatot:

- a. Távolítsa el a reaktíváló és kalibrációs oldatok palackjait az analizátorból. Lásd: 1. ábra.

Megjegyzés: Csak az automata kalibráció opcióval rendelkező analizátorokhoz tartozik kalibrációs oldatos palack.

- b. A megfelelő lefolyóba irtse ki a palackokban lévő oldatokat.
- c. Ioncserélt vízzel öblítse ki a palackokat.
- d. A kalibrációs oldat palackját töltsse fel friss 10 ppm nátrium-klorid (NaCl) oldattal (500ml). A kalibrációs oldat palackjának címkéjén sárga csík található.

Megjegyzés: A 10 ppm nátrium-klorid (NaCl) oldat elkészítéséhez lásd a kezelési utasítást.

- e. Töltsse fel a reaktíváló oldat palackját 0,5 M-os nátrium-nitrát (NaNO₃) oldattal (500 ml). A reaktíváló oldat palackjának címkéjén vörös csík található.

Megjegyzés: A 0,5 M-os nátrium-nitrát (NaNO₃) oldat elkészítéséhez lásd a kezelési utasítást.

- f. Helyezze be a palackokat az analizátorba. Győződjön meg róla, hogy a vörös „REACT” címkével jelölt cső a vörös csíkkal jelzett címkéjű palackba kerül.

Győződjön meg róla, hogy a sárga „CAL” címkével jelölt cső a sárga csíkkal jelzett címkéjű palackba kerül.

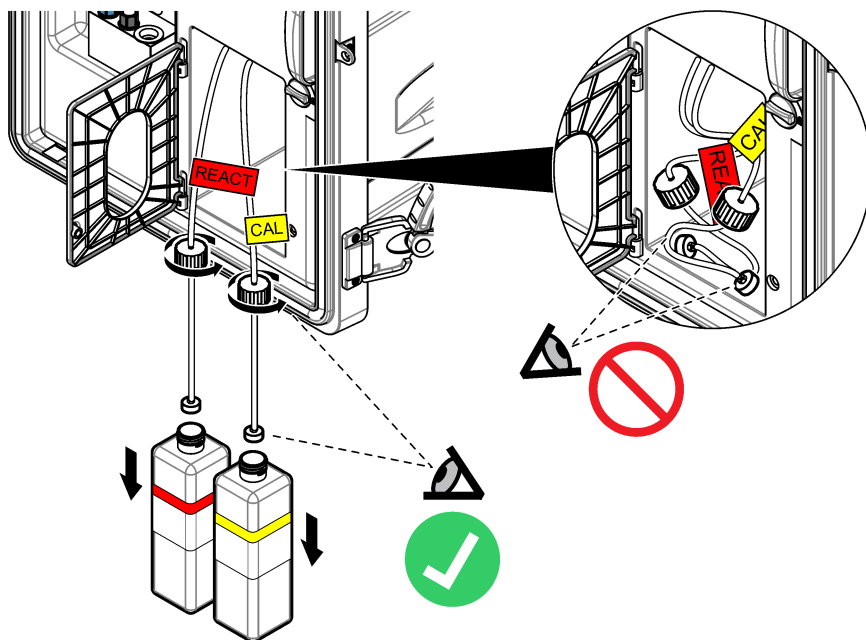
4. A palackszinteket az alábbiak szerint adja meg:

- a. Nyomja meg a **menü** gombot, majd válassza a REAGENTS/STANDARDS (REAGENSEK/STANDARDOK) lehetőséget.
- b. Válassza ki a SET REACT LEVEL (REAKT SZINTJÉNEK BEÁLLÍTÁSA) lehetőséget, majd adja meg a következőt: 100%.
- c. Válassza ki a SET STANDARD LEVEL (SZABVÁNYSZINT BEÁLLÍTÁSA) lehetőséget, majd adja meg a következőt: 100%.

5. Válassza ki a PRIME REAGENTS (REAGENSEK FELTÖLTÉSE) lehetőséget.

6. Ha a reagentsek feltöltése lépést elvégezte, nyomja meg a **menü** lehetőséget, majd válassza ki a START ANALYZER (ANALIZÁTOR INDÍTÁSA) opciót.

1. ábra Palackeltávolítás



3.5 A kondicionáló oldat cseréje

▲ FIGYELMEZTETÉS



Belégzés veszélye. Ne lélegezze be a diizopropilamin (DIPA) vagy az ammónia gőzét! A kitettség súlyos betegséget vagy halált okozhat.



▲ FIGYELMEZTETÉS



Vegyí anyaggal való érintkezés veszélye. A diizopropil-amin (DIPA) és az ammónia gyúlékony, maró hatású és mérgező anyagok. A kitettség súlyos betegséget vagy halált okozhat.



▲ FIGYELMEZTETÉS



Kémiai expozíció veszélye. Kövesse a laboratóriumi biztonsági eljárásokat, és viselje a kezelt vegyszereknek megfelelő összes személyes védőfelszerelést. A palackok feltöltése vagy a reagensek előkészítése előtt olvassa el a beszállító biztonsági adatlapját. Csak laboratóriumi használatra. A helyi előírásoknak megfelelően ismertesse a veszélyességi információkat.

⚠ VIGYÁZAT



Kémiai expozíció veszélye. Semmisítse meg a vegyszereket és a hulladékokat a helyi, területi és nemzeti előírásoknak megfelelően.

3 hónapos időközönként vagy ha 10%-nál kevesebb van már belőle, cserélje ki a kondicionáló oldatot. A kondicionáló oldathoz használjon DIPA-t (ajánlott) vagy (több mint 28%-ban) ammóniát.

A felhasználó által biztosított tételek:

- Személyi védőeszközök (lásd: anyagbiztonsági és biztonsági adatlap)
- Diizopropilamin (DIPA) 99%, 1 literes palackban
- Palack-adapter Merck vagy Orion DIPA palackhoz, ha szükséges

Az alábbiak szerint cserélje ki a kondicionáló oldat palackját:

1. Vegye fel a biztonsági adatlapon (MSDS/SDS) ismertetett személyi védőfelszerelést.
2. Nyomja meg a **menü** gombot, majd válassza a STOP ANALYZER (ANALIZÁTOR LEÁLLÍTÁSA) lehetőséget.

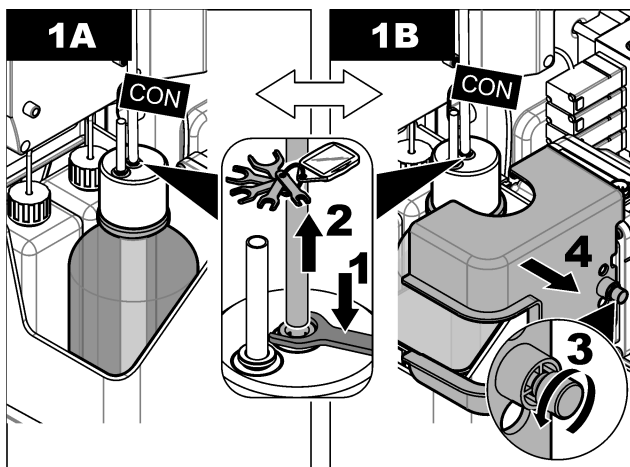
Megjegyzés: Ha a START ANALYZER (ANALIZÁTOR INDÍTÁSA) felirat látható, az analizátor már készenléti üzemmódban van.

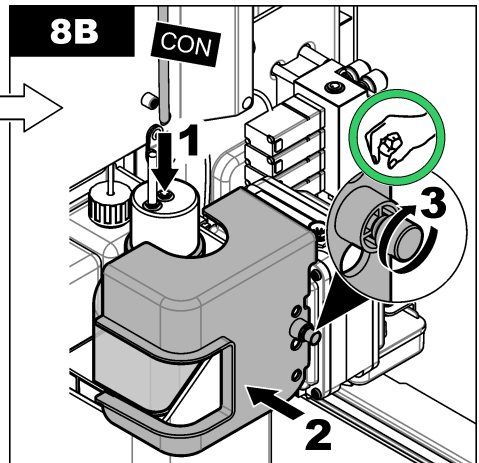
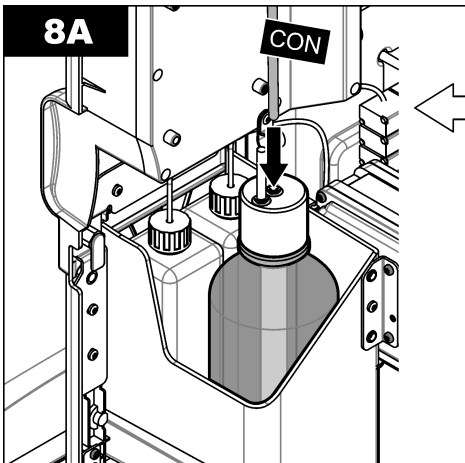
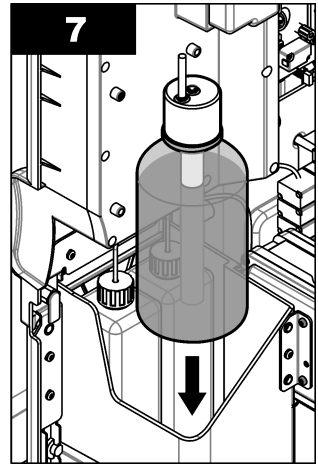
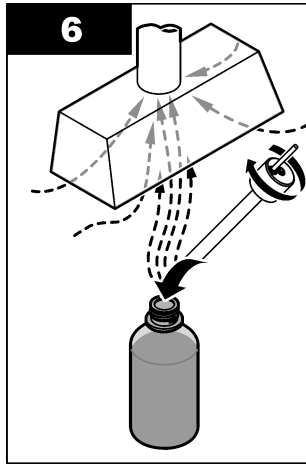
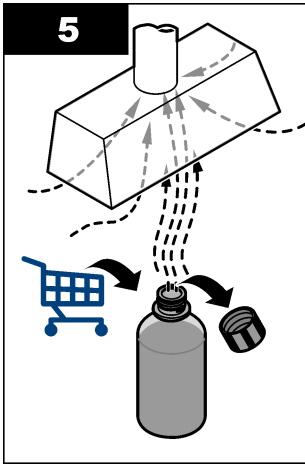
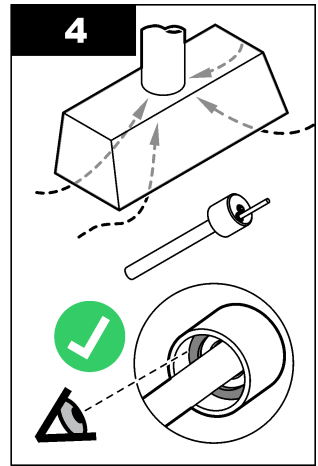
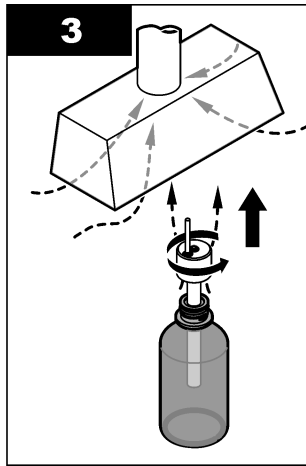
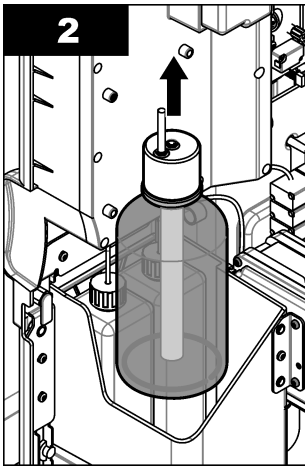
3. Az elemzőpanel zárját fordítsa nyitott állásba. Nyissa ki az elemzőpanelt.
4. Cserélje ki a kondicionáló oldat palackját. Lásd az alábbi képeken bemutatott lépéseket.

Megjegyzés: Az opcionális kationos szivattyúval rendelkező analizátorok esetében két cső vezet a kondicionáló palack kupakjába. Távolítsa el mindkét csövet.

Megjegyzés: Mint az 1–8. képeken látható, csak a burkolat nélküli analizátorok rendelkeznek a kondicionáló palack számára szolgáló tartóval.

Ha lehetséges, a 3–6. lépést füstelszívó alatt végezze. Ne lélegezze be a DIPA vagy az ammónia gőzét!





5. Az opcionális kationos szivattyúval rendelkező analizátorok esetében a kationos szivattyú csövét vezesse vissza a kupak nem központi helyzetű lyukába.
6. Zárja be az elemzőpanelt. Az elemzőpanel zárját fordítsa zárt állásba.
7. A palackszintet az alábbiak szerint adja meg:
 - a. Nyomja meg a **menü** gombot, majd válassza a REAGENTS/STANDARDS (REAGENSEK/STANDARDOK) lehetőséget.
 - b. Válassza ki a SET COND LEVEL (KOND SZINTJÉNEK BEÁLLÍTÁSA) lehetőséget, majd adja meg a következőt: 100%.
8. Nyomja meg a **menü** gombot, majd válassza a START ANALYZER (ANALIZÁTOR INDÍTÁSA) lehetőséget.

3.6 A KCl-elektrolit cseréje

▲ VIGYÁZAT



Kémiai expozíció veszélye. Kövesse a laboratóriumi biztonsági eljárásokat, és viselje a kezelt vegyszereknek megfelelő összes személyes védőfelszerelést. A biztonsági protokollokkal kapcsolatban lásd az aktuális biztonsági adatlapokat (MSDS/SDS).

▲ VIGYÁZAT



Kémiai expozíció veszélye. Semmisítse meg a vegyszereket és a hulladékokat a helyi, területi és nemzeti előírásoknak megfelelően.

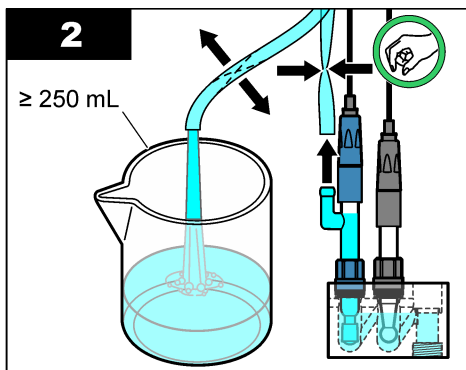
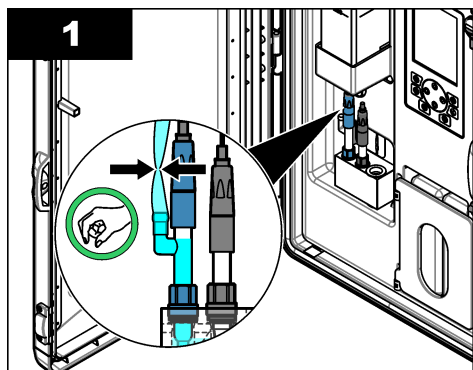
3 hónapos időközönként cserélje ki a KCl-elektrolit tartályt.

Szükséges tételek:

- Személyi védőeszközök (lásd: anyagbiztonsági és biztonsági adatlap)
- 3 M-os KCl-elektrolit, 200 ml
- 250 ml-es vagy nagyobb térfogatú kis edény

Az alábbiak szerint cserélje ki a KCl-elektrolitot:

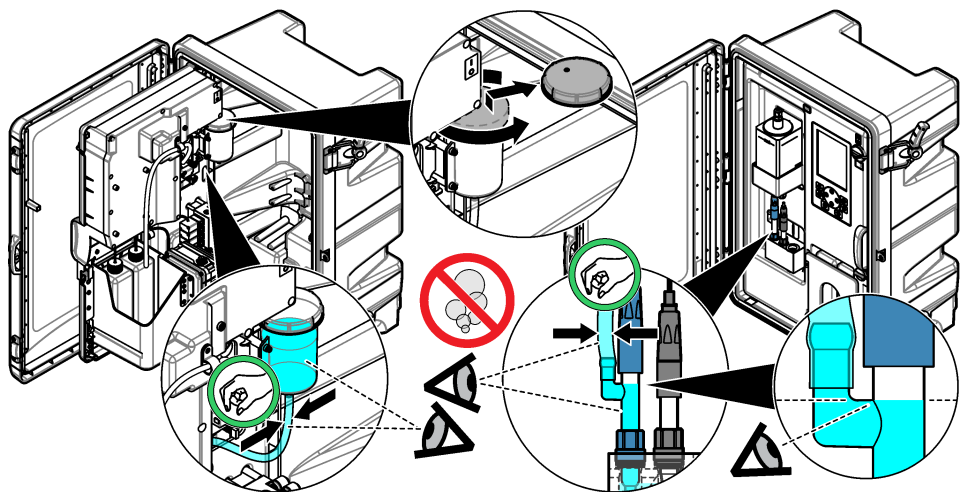
1. Vegye fel a biztonsági adatlapon (MSDS/SDS) ismertetett személyi védőfelszerelést.
2. A KCl- elektrolit tartály tartalmát ürítse ki a kis edénybe. Lásd az alábbi képeken bemutatott lépéseket. A megfelelő lefolyóba ürítse ki a KCl-elektrolitot.



3. Szerelje vissza a KCl-elektrolit csövét a referenciaelektródára.
4. Az alábbiak szerint töltsen meg a KCl-elektrolit tartályt:
 - a. Az elemzőpanel zárját fordítsa nyitott állásba. Nyissa ki az elemzőpanelt.
 - b. Vegye le a KCl-elektrolit tartály fedelét. Lásd: [2. ábra](#).

- c. Töltse fel a tartályt térfogata 90%-áig (körülbelül 200 ml).
 - d. Szerelje fel a fedelet.
5. Az alábbiak szerint nyomja ki a légbuborékokat a KCl-elektrolitból:
- a. Az elemzőpanel eleje felől nyomja össze két ujjával a KCl-elektrolit csövet, hogy az abban lévő levegőbuborékokat felhajtja a tartályba. Lásd: **2. ábra**.
 - b. Amikor egy levegőbuborék a tartály közelébe ér, az elemzőpanel elülső és hátulsó oldalán két kézzel nyomja össze a csövet a buborék felhajtásához.
 - c. Folytassa a cső összenyomogatását, míg a referenciaelektródában lévő KCl-elektrolit annak az üvegcsatlakozónak a tetejéig ér, ahol az elektrolit belép az elektródába. Lásd: **2. ábra**.
6. Zárja be az analitikai panelt. Az elemzőpanel zárját fordítsa zárt állásba.
7. A palackszintet az alábbiak szerint adja meg:
- a. Nyomja meg a **menü** gombot, majd válassza a REAGENTS/STANDARDS (REAGENSEK/STANDARDOK) lehetőséget.
 - b. Válassza ki a SET KCL LEVEL (KCL SZINTJÉNEK BEÁLLÍTÁSA) lehetőséget, majd adja meg a következőt: 100%.

2. ábra A KCl elektrolit tartály feltöltése



3.7 Tápfeszültségi biztosíték cseréje

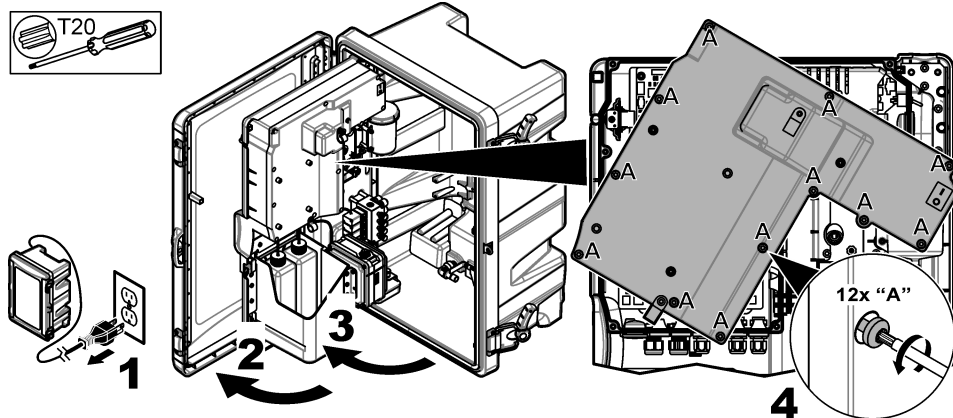
▲ VESZÉLY	
	Halálos áramütés veszélye. A folyamat megkezdése előtt áramtalanítsa a műszert.
▲ VESZÉLY	
	Tűzveszély. A biztosítékok cseréjéhez ugyanolyan típusút és áram-terhelhetőségűt használjon.

Ellenőrizze a biztosítékokat. Minden nyitott biztosítékot cseréljen ki újra.

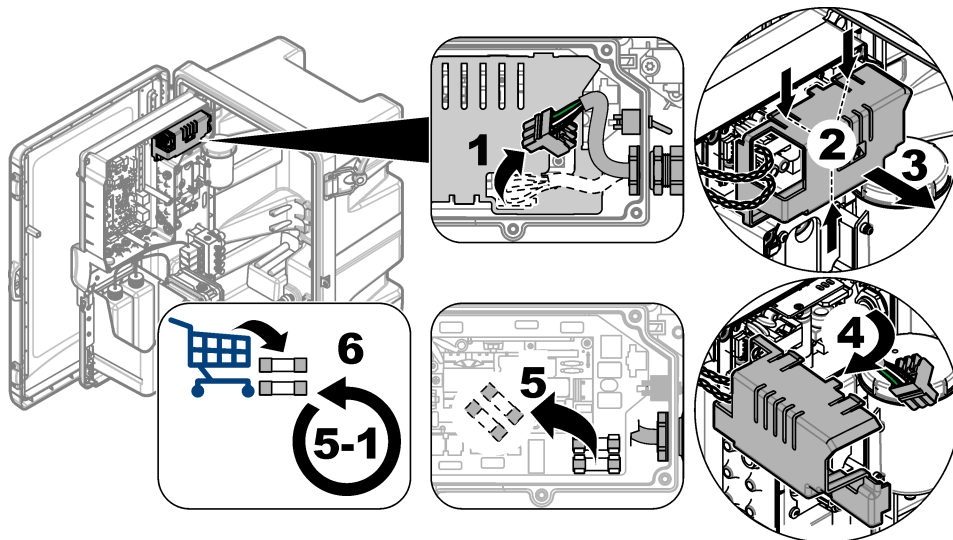
A felhasználó által biztosított tétel: T 1,6 A, 250 V AC biztosíték

1. Húzza ki a hálózati kábelt a fali aljzattól.
2. Szerelje le az elektromos szerelőfedelelet. A képeken bemutatott lépéseket lásd: 3. ábra.
3. Cserélje ki a biztosítékokat. Lásd az alábbi képeken bemutatott lépéseket 4. ábra
4. Szerelje fel az elektromos szerelőfedelelet. A burkolat környezeti besorolásának megtartása érdekében szorítsa meg mindegyik csavart.
5. Zárja be az elemzőpanelt. Az elemzőpanel zárját fordítsa zárt állásba.
6. Csatlakoztassa a tápkábelt elektromos aljzathoz.
7. Nyomja meg a **menü** gombot, majd válassza a START ANALYZER (ANALIZÁTOR INDÍTÁSA) lehetőséget.

3. ábra Az elektromos szerelőfedél eltávolítása



4. ábra Elektromos biztosíték cseréje



3.8 Az analízator rövid távú leállításra történő előkészítése

Az analízator rövid távú (2 naptól 1 hétig tartó) leállításra az alábbiak szerint készítendő elő:

A felhasználó által biztosított tételek: szorítófogók

1. Nyomja meg a **menü** gombot, majd válassza a STOP ANALYZER (ANALIZÁTOR LEÁLLÍTÁSA) lehetőséget.

Megjegyzés: Ha a START ANALYZER (ANALIZÁTOR INDÍTÁSA) felirat látható, az analizátor már készenléti üzemmódban van.



2. A (fém vagy műanyag) szorítófogóval szorítsa el a KCl-elektrolit csövét, hogy megszakítsa a KCl-elektrolit referenciaelektroda felé történő áramlását.

Megjegyzés: Amikor az analizátor készenléti üzemmódban vagy kikapcsolt állapotban van, a KCl-elektrolit továbbra is folyik a referenciaelektrodából. A KCl-elektrolit lassan fel fogja tölteni a mérőcella bal kamráját, és a bal kamra tetején át fog távozni.

3. A kikapcsoláshoz nyissa meg a mintavezeték(ek) elzárószelepeit.
4. Ha az analizátor tápellátásának lekapcsolására van szükség, a nátriumelektroda károsodásának megelőzése érdekében töltsön reaktíváló oldatot a mérőcella középső kamrájába.

Megjegyzés: 4 órányi készenléti üzemmódot követően az analizátor automatikusan reaktíváló oldatot tölt a mérőcella középső kamrájába.

3.9 Az analizátor hosszú távú leállásra történő előkészítése

▲ FIGYELMEZTETÉS	
	Kémiai expozíció veszélye. Kövesse a laboratóriumi biztonsági eljárásokat, és viselje a kezelt vegyszereknek megfelelő összes személyes védőfelszerelést. A palackok feltöltése vagy a reagensek előkészítése előtt olvassa el a beszállító biztonsági adatlapját. Csak laboratóriumi használatra. A helyi előírásoknak megfelelően ismeresse a veszélyességi információkat.
▲ VIGYÁZAT	
	Kémiai expozíció veszélye. Semmisítse meg a vegyszereket és a hulladékokat a helyi, területi és nemzeti előírásoknak megfelelően.

Az analizátor hosszú távú (több mint 1 hetes) leállásra az alábbiak szerint készítendő elő:

A felhasználó által biztosított tételek:

- 250 ml-es vagy nagyobb térfogatú kis edény
- Ioncserélt víz, 1,5 liter
- Nem szőlő törlikendő

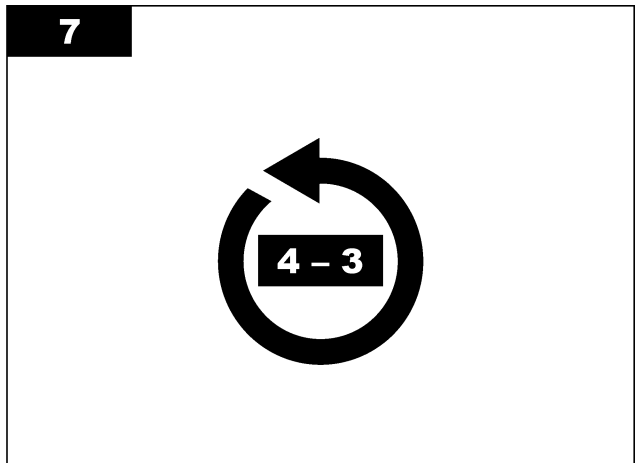
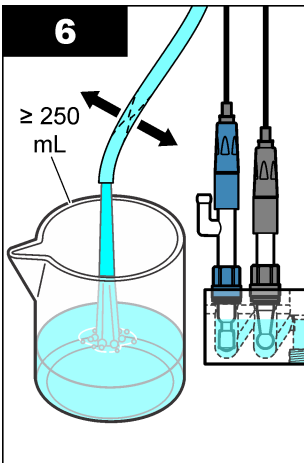
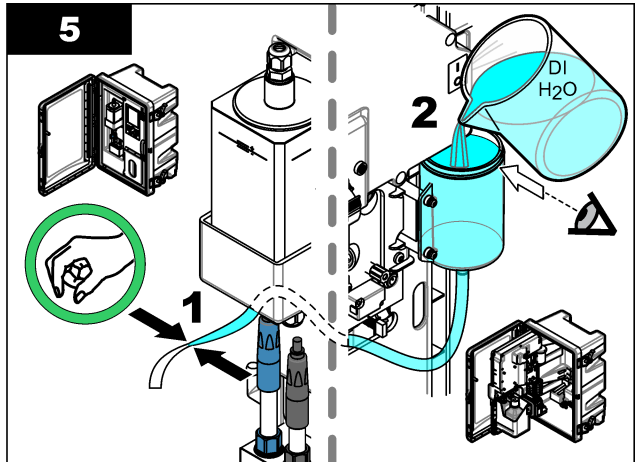
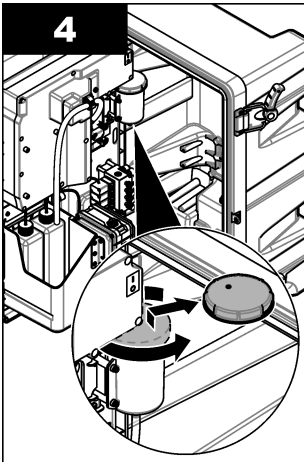
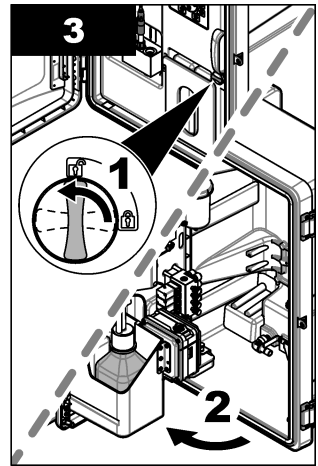
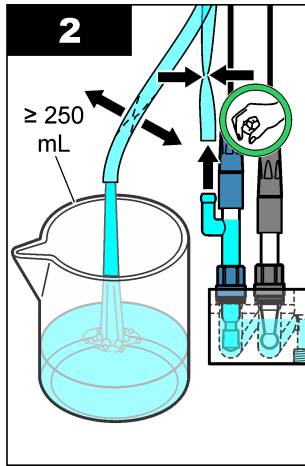
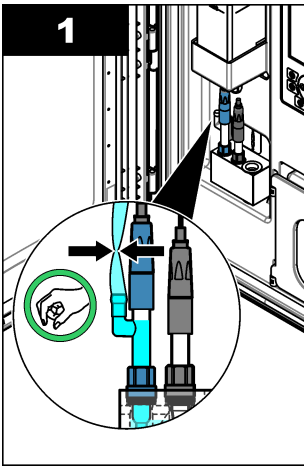
Szükséges tételek:

- Tárolópalackok az elektródák számára (2 db)
- Védőkupakok az elektródák számára (2 db)
- Fekete burkolat a referenciaelektroda üvegcsatlakozója számára

3.9.1 A KCl-elektrolit tartály ürítése és szárítása

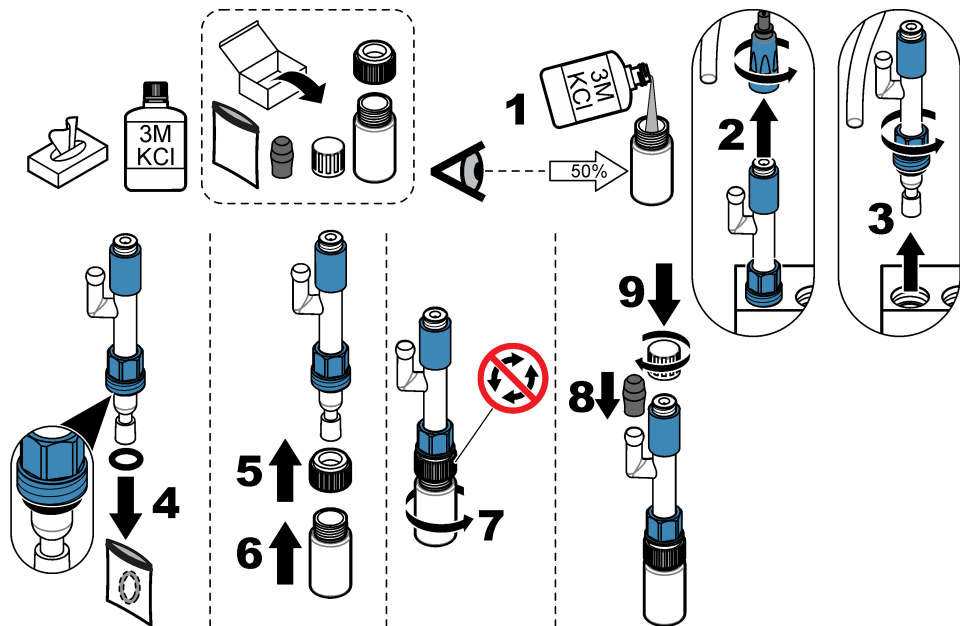
Lásd az alábbi képeken bemutatott lépéseket.

Vegye fel a biztonsági adatlapon (MSDS/SDS) ismertetett személyi védőfelszerelést.



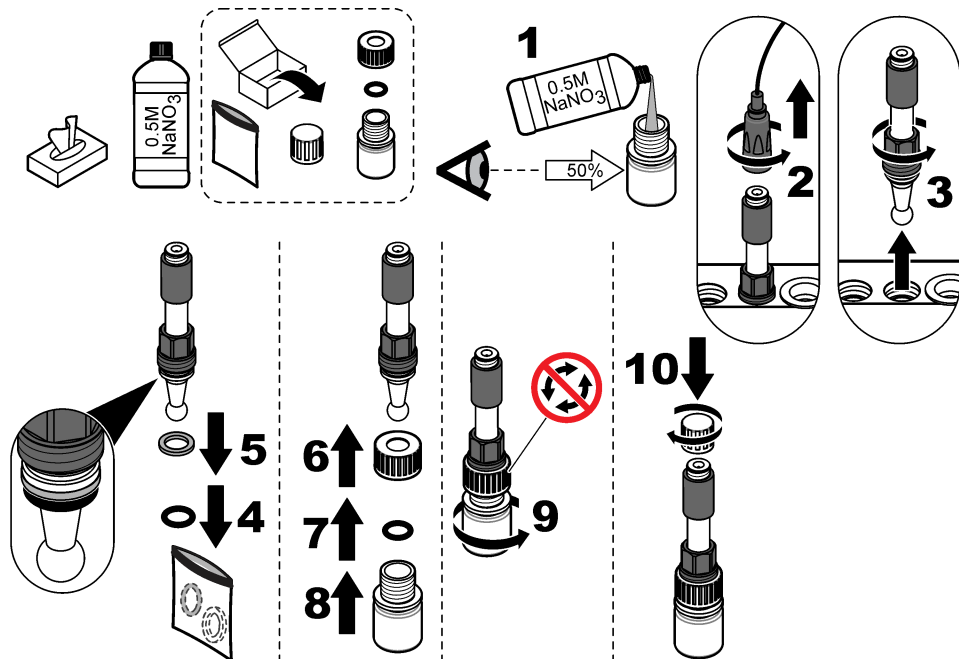
3.9.2 A referenciaelektroda eltávolítása

Lásd az alábbi képeken bemutatott lépéseket.



3.9.3 A nátriumelektróda eltávolítása

Lásd az alábbi képeken bemutatott lépéseket.



3.9.4 A kondicionáló oldat palackjának lecsatlakoztatása

▲ FIGYELMEZTETÉS



Belégzés veszélye. Ne lélegezze be a diizopropilamin (DIPA) vagy az ammónia gőzét! A kitettség súlyos betegséget vagy halált okozhat.



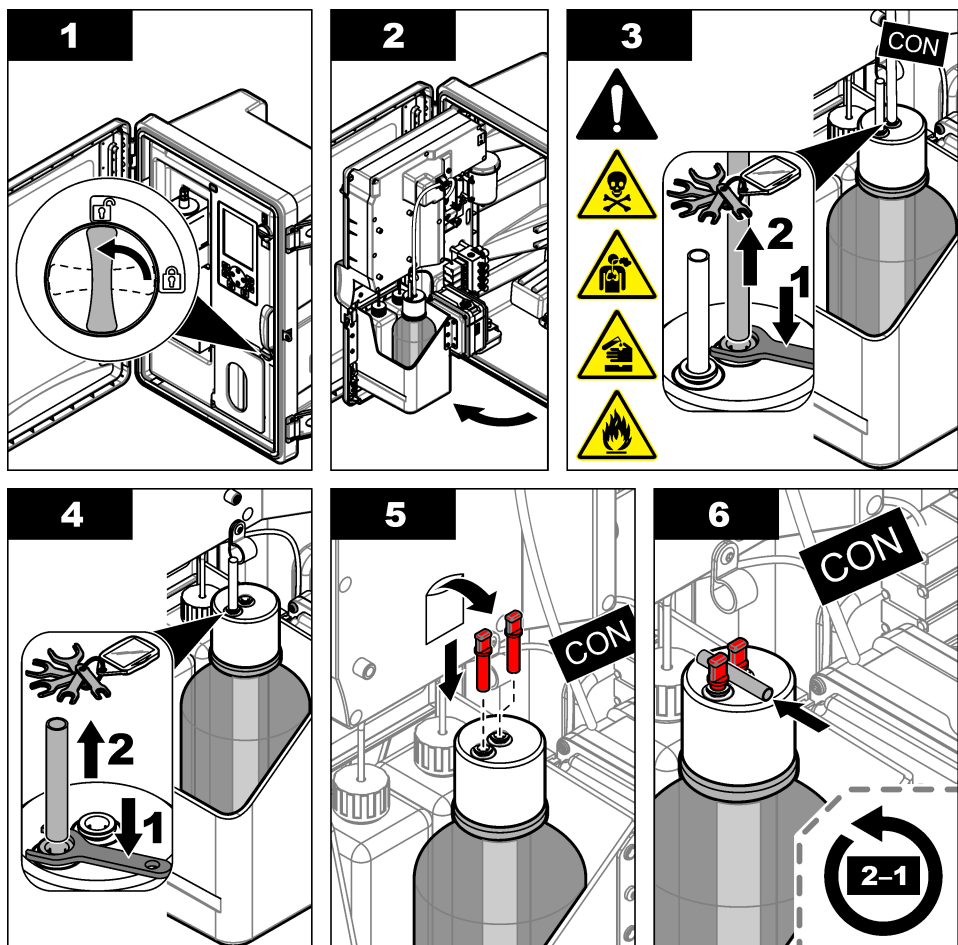
▲ FIGYELMEZTETÉS



Vegyí anyaggal való érintkezés veszélye. A diizopropil-amin (DIPA) és az ammónia gyúlékony, maró hatású és mérgező anyagok. A kitettség súlyos betegséget vagy halált okozhat.

Lásd az alábbi képeken bemutatott lépéseket.

Vegye fel a biztonsági adatlapon (MSDS/SDS) ismertetett személyi védőfelszerelést.



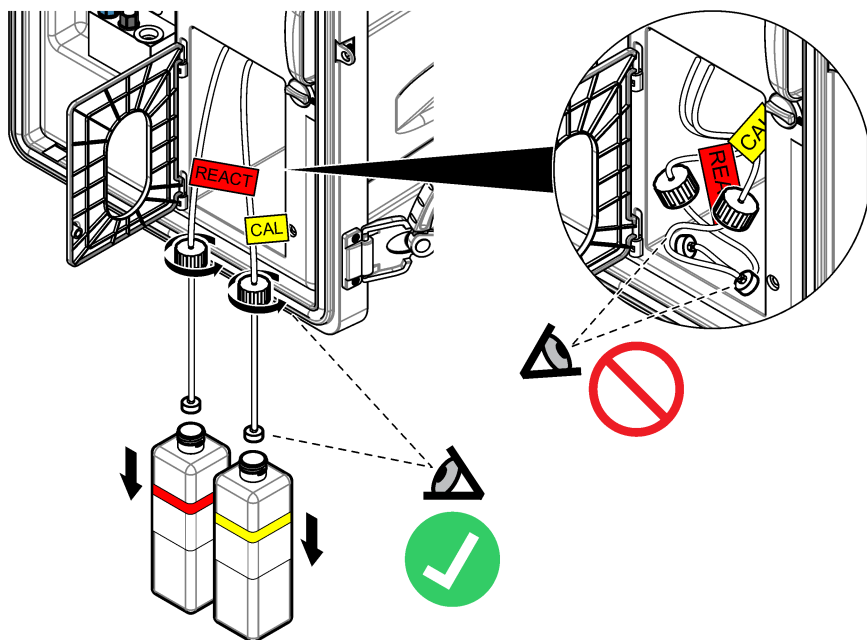
3.9.5 A reagenscső kiöblítése

1. Vegye fel a biztonsági adatlapon (MSDS/SDS) ismertetett személyi védőfelszerelést.
2. Távolítsa el a reaktíváló és kalibrációs oldatok palackjait az analizátorból. Lásd: 5. ábra.

Megjegyzés: Csak az automata kalibráció opcióval rendelkező analizátorokhoz tartozik kalibrációs oldatos palack.

3. A megfelelő lefolyóba ürítse ki a palackokban lévő oldatokat.
4. Öblítse át a palackokat, majd tölts fel őket ½ térfogatukig ioncserélt vízzel.
5. Helyezze be a palackokat az analizátorba.
6. Nyomja meg a **menü** gombot, majd válassza a REAGENTS/STANDARDS (REAGENSEK/STANDARDOK) > PRIME REAGENTS (REAGENSEK FELTÖLTÉSE) lehetőséget. A reagenscső átöblítődik ioncserélt vízzel.

5. ábra Palackeltávolítás



3.9.6 A túlfolyótartály ürítése

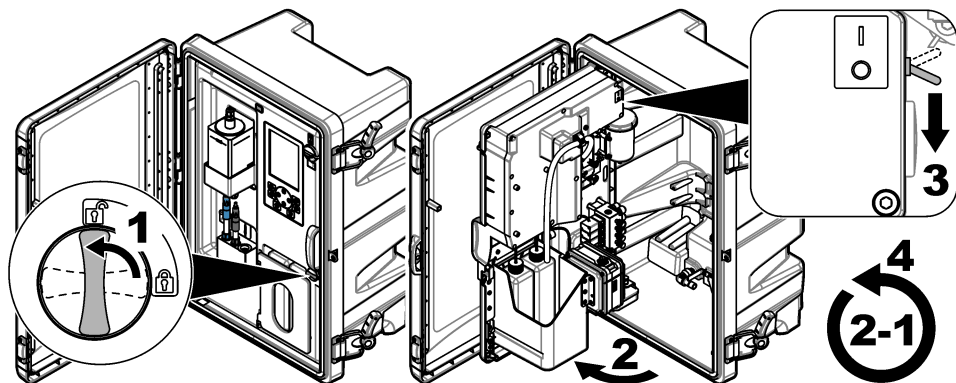
1. Nyomja meg a **diag** gombot, válassza a PERFORM TEST (A TESZT VÉGREHAJTÁSA) (TESZT VÉGREHAJTÁSA) lehetőséget, és nyomja meg az **Enter** gombot.
2. A YES (IGEN) kiválasztásához nyomja meg az **Enter** gombot.
3. Válassza a SAMPLE DRAIN (MINTAÜRÍTŐ) lehetőséget, majd nyomja meg az **Enter** gombot.
4. Adjon meg 150 másodperces értéket.
5. Nyomja még kétszer az **Enter** gombot.
6. Ha a túlfolyótartály kiürült, nyomja meg a **back** gombot.
7. Nyomja meg a **kezdőképernyő** gombot.

3.9.7 Az analízator leállítása

Az alábbiak szerint kapcsolja le a tápellátásról és távolítsa el a mintákat az analízatorból:

1. Kapcsolja ki a főkapcsolót. Lásd: **6. ábra**.
2. Zárja be az elemzőpanelt. Az elemzőpanel zárját fordítsa zárt állásba.
3. Húzza ki a hálózati kábelt a fali aljzatból.
4. A kikapcsoláshoz nyissa meg a mintavezeték(ek) elzárószelepeit.
5. Tiszta, szőszmentes törlőkendővel távolítsa el a vizet a túlfolyótartályból.
6. Tiszta, szőszmentes törlőkendővel távolítsa el a vizet a mérőcella bal és középső kamrájából.

6. ábra Kapcsolja ki a főkapcsolót



3.9.8 A palackokban lévő ioncserélt víz kiürítése

1. Távolítsa el a reaktiváló és kalibrációs oldatok palackjait az analizátorból. Húzza le a palackok kupakjait, hogy azok az analizátor alá lógnanak.
A szennyeződést megelőzendő ne engedje, hogy a palack kupakja vagy a belső csővezetés hozzáérjen az analizátorhoz.
2. Öntse ki a palackokban lévő ioncserélt vizet.
3. Hagyja a palackokat teljesen kiszáradni.
4. Helyezze be a palackokat az analizátorba.
5. Zárja be az analizátor ajtaját.

Szakasz 4 Hibaelhárítás

Probléma	Lehetséges ok	Megoldás
Az állapotsáv nem látszik a mérési képernyőn.	A mérési képernyőn megjelenített csatorna nem a mért csatorna.	Nyomja az FEL vagy a LE nyilat mindaddig, míg a mért csatorna meg nem jelenik a mérési képernyőn.
A csatorna az FEL vagy LE nyilak nyomását követően sem jelenik meg a mérési képernyőn.	A megjelenítési beállításokban nincs kiválasztva a csatorna.	Nyomja meg a menü gombot, majd válassza ki a SETUP SYSTEM (RENDSZER BEÁLLÍTÁSA) > DISPLAY SETUP (KIJELZŐ BEÁLLÍTÁSA) > ADJUST ORDER (SORREND MÓDOSÍTÁSA) > SEE CURRENT ORDER (AKT SORRENDET MEGNÉZ) lehetőséget. Ha a csatorna nem jelenik meg, nyomja meg a Vissza gombot, majd válassza ki az ADD MEASUREMENTS (MÉRÉSEK HOZZÁADÁSA) lehetőséget. A jelölőnégyzet bejelöléséhez vagy a jelölés megszüntetéséhez nyomja meg a BALRA nyilat.

Probléma	Lehetséges ok	Megoldás
Egy csatorna nincs mérve.	A csatorna nincs aktiválva.	Nyomja meg a menü gombot, majd válassza a SETUP SYSTEM (RENDSZER BEÁLLÍTÁSA) > CONFIGURE ANALYZER (ANALIZÁTOR KONFIGURÁLÁSA) > CONFIGURE SEQUENCER (SZEKVENCIONÁLÓ KONFIGURÁLÁSA) > ACTIVATE CHANNELS (A CSATORNÁK AKTIVÁLÁSA) lehetőséget. Adja hozzá a csatornát. A jelölőnégyzet bejelöléséhez vagy a jelölés megszüntetéséhez nyomja meg a BALRA nyilat.
	A csatorna nincs benne a csatornák mérési sorrendjében.	Nyomja meg a menü gombot, majd válassza a SETUP SYSTEM (RENDSZER BEÁLLÍTÁSA) > CONFIGURE ANALYZER (ANALIZÁTOR KONFIGURÁLÁSA) > CONFIGURE SEQUENCER (SZEKVENCIONÁLÓ KONFIGURÁLÁSA) > SEQUENCE CHANNELS (A CSATORNÁK SORRENDJE) lehetőséget. Valamely sor kiválasztásához nyomja meg az FEL vagy LE nyilakat, majd a csatorna kiválasztásához nyomja meg a BALRA vagy JOBBRA nyilakat. Az első mért csatorna az S1, amelyet az S2, S3 és S4 követ. <i>Megjegyzés: Ne válasszon olyan csatornát, amely a „~” szimbólumot tartalmazza (például 4~SAMPLE4). A „~” szimbólumot tartalmazó csatornákon a rendszer nem végez méréseket.</i>
„UNSTABLE READING (NEM ÁLLANDÓSULÓ MÉRT ÉRTÉK)” figyelmeztetés jelenik meg.	A csatornamérések közti öblítési idő túl rövid.	Nyomja meg a menü gombot, majd válassza ki a SETUP SYSTEM (RENDSZER BEÁLLÍTÁSA) > CONFIGURE ANALYZER (ANALIZÁTOR KONFIGURÁLÁSA) > MEASUREMENT (MÉRÉS) > SET MEASURE CYCLE (MÉRÉSI CIKLUS BEÁLLÍTÁSA) > MAX CYCLE TIME (MAX CIKLUSIDŐ) vagy CYCLE TIME (CIKLUSIDŐ) lehetőséget. Az öblítési idő növeléséhez növelje meg a MAX CYCLE TIME (MAX CIKLUSIDŐ) vagy CYCLE TIME (CIKLUSIDŐ) beállításait.
„SAMPLE MISSING (HIÁNYZÓ MINTA)” figyelmeztetés jelenik meg.	A mintavezeték elzárószelepe zárt állapotban van.	Nyissa ki az elzárószelepet.
	A mintavezeték nincs megfelelően bekötve.	Győződjön meg róla, hogy a mintavezeték a megfelelő vezetékaljzathoz csatlakozik. Lásd a telepítési útmutató <i>Vezetékcsatlakozások</i> részében.
	A mintaáramlási szelep zárva van.	Indítsa el az indítási varázslót. Nyomja meg a menü gombot, majd válassza a SETUP SYSTEM (RENDSZER BEÁLLÍTÁSA) > STARTUP ANALYZER (ANALIZÁTOR ÜZEMBE HELYEZÉSE) lehetőséget. Nyomja addig az Enter gombot, míg a rendszer lehetőséget nem nyújt a minta áramlási sebességének módosítására. Az egyes csatornákon az áramlási sebesség 6–9 liter/óra-ra történő növeléséhez fordítsa el a mintaáramlási szelepet az óra járásával ellentétes irányba.
	A csatornához tartozó mágnesszelep nem működik megfelelően.	Nyomja meg a diag gombot, majd a túlfolyótartály kiürítéséhez válassza ki a PERFORM TEST (A TESZT VÉGREHAJTÁSA) > SAMPLE DRAIN (MINTAÜRÍTŐ) lehetőséget. Nyomja meg a diag gombot, majd a mintavevő szelep megnyitásához válassza ki a PERFORM TEST (A TESZT VÉGREHAJTÁSA) > SAMPLE DELIVERY (MINTA BIZTOSÍTÁSA) lehetőséget. Ha a minta nem kezd folyni a túlfolyótartályba, vizsgálja meg a mintavevő szelep vezetékezését. Szükség esetén cserélje ki a mintavevő szelepet.

Probléma	Lehetséges ok	Megoldás
„PH TOO LOW (PH TÚL KICSI)” figyelmeztetés jelenik meg.	A mérőcella jobb kamrájának burkolatát eltávolították.	Helyezze vissza a burkolatot a mérőcella jobb kamrájára.
	A kondicionáló oldat palackjában 10%-nál kevesebb a tartalom vagy a palack üres.	Cserélje ki a kondicionáló oldatot. Lásd: A kondicionáló oldat cseréje oldalon 359.
	A kondicionáló palack kupakja nem zár légmentesen.	<ul style="list-style-type: none"> Győződjön meg róla, hogy a kondicionáló palackra szorosan rá van húzva a kupakja. Vizsgálja meg a palack kupakjában lévő alátétet. Ha anyagfáradást vagy sérülést tapasztal, cserélje ki az alátétet. Vizsgálja meg a palack karimáján lévő műanyag peremet. Ha anyagfáradást vagy sérülést tapasztal, cserélje ki a kondicionáló oldat palackját.
	A kondicionáló csővezetékben levegőszívárgás tapasztalható.	Vizsgálja meg, található-e dugulások vagy lyukak a kondicionáló csővezetékben. Szükség esetén cserélje ki a vezetékét. Megjegyzés: A kondicionáló csővezeték gázt tartalmaz, nem oldatot.
	A kondicionáló szelep nem működik megfelelően.	Nyomja meg a diag gombot, majd a kondicionáló szelep megnyitásához válassza ki a PERFORM TEST (A TESZT VÉGREHAJTÁSA) > CONDITIONING VALVE (KONDITIONÁLÓ SZELEP) lehetőséget. Ha a kondicionáló gáz nem áramlik a mérőcella jobb kamrájába (ami buborékok formájában látható), cserélje ki a kondicionáló szelepet.
„CALIBRATION FAIL (SIKERTELEN KALIBRÁLÁS)” figyelmeztetés jelenik meg.	A kalibrációs oldat automata kalibrációs beállításokban található értéke különbözik a kalibrációs palackon található értéktől.	A kalibrációs oldat kalibrációs menüben található értékét változtassa meg a kalibrációs oldat palackján lévő értékre. Lásd a kezelési utasítás <i>Az automata kalibrálás beállításainak megadása</i> részét.
	A kalibrációs oldat palackja üres.	Cserélje ki a kalibrációs oldatot. Lásd: A kalibrációs és reaktíváló oldatok cseréje oldalon 357.
	A kalibrációs oldat csővezetéke ereszt vagy eldugult.	Vizsgálja meg, található-e dugulások vagy lyukak a csővezetékben. Szükség esetén cserélje ki a vezetékét.
	A kalibrációs oldat szivattyúja nem működik megfelelően.	<p>Nyomja meg a diag gombot, majd a túlfolyótartály teljes kiürítéséhez válassza ki a PERFORM TEST (A TESZT VÉGREHAJTÁSA) > SAMPLE DRAIN (MINTAÜRÍTŐ) lehetőséget.</p> <p>Nyomja meg a diag gombot, majd a kalibrációs szivattyú bekapcsolásához válassza ki a PERFORM TEST (A TESZT VÉGREHAJTÁSA) > CAL STD DELIVERY (KAL STANDARD BIZTOSÍTÁSA) lehetőséget. Ha a kalibrációs oldat nem kezd folyni a túlfolyótartályba, cserélje ki a kalibrációs oldat szivattyúját.</p>
	A keverőrúd nem pörög. Megjegyzés: A keverőrúd időszakosan pörög.	Nyomja meg a diag gombot, majd a keverőmotor bekapcsolásához válassza ki a PERFORM TEST (A TESZT VÉGREHAJTÁSA) > MIXER (KEVERŐ) lehetőséget. Ha a keverőrúd nem mozdul, cserélje ki a keverőmotort.
	A keverőrúd nincs a túlfolyótartályban.	Győződjön meg róla, hogy a keverőrúd a túlfolyótartályban van.

Probléma	Lehetséges ok	Megoldás
„REACT VOLTAGE LOW (REAKT FESZÜLTÉS ALACSONY)” figyelmeztetés jelenik meg.	A reaktívó oldat palackja üres.	Győződjön meg róla, hogy a reaktívó oldat csővezetékének vége a palack aljában található. Cserélje ki a reaktívó oldatot. Lásd: A kalibrációs és reaktívó oldatok cseréje oldalon 357.
	A nátriumelektroda nem működik megfelelően.	<ul style="list-style-type: none"> Győződjön meg róla, hogy a nátriumelektroda megfelelően van felszerelve. Lásd a telepítési útmutatót. Győződjön meg róla, hogy a nátriumelektroda üvegbűrájában nincs levegő.
	A referenciaelektroda nem működik megfelelően.	<ul style="list-style-type: none"> Távolítsa el a referenciaelektrodát a mérőcellából. Emelje meg az üvegrészen lévő gyűrűt, hogy valamennyi KCl-elektrolit kifolyhasson. Nyomja le a gyűrűt, majd rögzítéshez fordítsa el 1/4 fordultnál kisebb mértékben. Ha a gyűrűt rögzítette, az nem már fordul el. Szerelje be a referenciaelektrodát a mérőcellába. Győződjön meg róla, hogy a referenciaelektroda megfelelően van felszerelve. Lásd a telepítési útmutatót. Annak meghatározásához, hogy sikerült-e megoldani a problémát, nyomja meg a diag gombot, majd a reaktíváláshoz válassza ki a SENSOR REACTIVATION (ÉRZÉKELŐ REAKTIVÁLÁSA) lehetőséget.
	A reaktívó oldat csővezetéke ereszt vagy eldugult.	Vizsgálja meg, található-e dugulások vagy lyukak a csővezetékben. Szükség esetén cserélje ki a vezetékét.
	A reaktívó oldat szivattyúja nem működik megfelelően.	Nyomja meg a diag gombot, majd a reaktívó oldat szivattyújának magas áramlási sebességre állításához válassza ki a PERFORM TEST (A TESZT VÉGREHAJTÁSA) > REACT SOL DELIVERY (REAKT OLDAT BIZTOSÍTÁSA) > HIGH (MAGAS) lehetőséget. Ha a reaktívó oldat nem kezd folyni a mérőcella középső kamrájába, cserélje ki a reaktívó oldat szivattyúját.
A műszer által jelzett értékek nem stabilak.	Az analízátor indítására kevesebb mint 2 órája került sor.	A stabil állapot elérése érdekében működtesse az analízátort 2 órán keresztül.
	Az elektrodakábel keresztezi önmagát (vagy az elektrodakábelek keresztezik egymást) az elektrodákon.	Csatlakoztassa le a kábelt az elektrodáról. Nyomja le a csatlakozót teljesen az elektrodacsatlakozóba, majd fordítsa el, míg megszorul.
	Az elektrodakábelek a rossz elektrodákhoz csatlakoznak.	A kék kábelt csatlakoztassa a referenciaelektrodához. A fekete kábelt csatlakoztassa a nátriumelektrodához.
	A KCl-elektrolit áramlási sebessége túl nagy.	Távolítsa el a referenciaelektrodát a mérőcellából. Nyomja le a gyűrűt, majd rögzítéshez fordítsa el 1/4 fordultnál kisebb mértékben. Ha a gyűrűt rögzítette, az nem már fordul el. Ha a gyűrűt nem rögzíti, a KCl-elektrolit túl gyorsan folyik a referenciaelektrodából a mérőcellába.

Probléma	Lehetséges ok	Megoldás
A mérések nem pontosak.	Az analízátor nincs kalibrálva.	Az analízátor kalibrálása. Lásd a kezelési utasítás <i>Kalibrálás végrehajtása</i> részét. A maximális pontosság elérése érdekében hetente kalibrálja az analízátort.
	Az automata reaktiválás le van tiltva vagy a reaktiválások közti idő több 24 óránál.	Indítson el egy automata reaktiválást. Nyomja meg a diag gombot, majd válassza ki a SENSOR REACTIVATION (ÉRZÉKELŐ REAKTIVÁLÁSA) lehetőséget. Megjegyzés: A legnagyobb pontosság érdekében kapcsolja be az automata reaktiválást. Állítsa be az időközt 24 órára. Lásd: <i>üzemeltetési kézikönyv</i> .
	A reaktiváló oldat palackja üres.	Cserélje ki a reaktiváló oldatot. Lásd: A kalibrációs és reaktiváló oldatok cseréje oldalon 357.
	A reaktiváló oldat csővezetéke ereszt vagy eldugult.	Vizsgálja meg, található-e dugulások vagy lyukak a csővezetékben. Szükség esetén cserélje ki a vezetékét.
	A reaktiváló oldat szivattyúja nem működik megfelelően.	Nyomja meg a diag gombot, majd a reaktiváló oldat szivattyújának magas áramlási sebességre állításához válassza ki a PERFORM TEST (A TESZT VÉGREHAJTÁSA) > REACT SOL DELIVERY (REAKT OLDAT BIZTOSÍTÁSA) > HIGH (MAGAS) lehetőséget. Ha a reaktiváló oldat nem kezd folyni a mérőcella középső kamrájába, cserélje ki a reaktiváló oldat szivattyúját.
A túlfolyótartályban nem pörög a keverőrúd.	A keverő nem működik megfelelően. Megjegyzés: A keverőrúd időszakszerűen pörög.	Nyomja meg a diag gombot, majd a keverőmotor bekapcsolásához válassza ki a PERFORM TEST (A TESZT VÉGREHAJTÁSA) > MIXER (KEVERŐ) lehetőséget. Ha a keverőrúd nem mozdul, cserélje ki a keverőmotort.
A KCl-elektrolit felhasználása túl nagy ütemű ¹ .	A referenciaelektroda üvegrészén lévő gyűrű nincs rászorítva.	Távolítsa el a referenciaelektrodát. Nyomja felfelé a gyűrűt. Nyomja le a gyűrűt, majd rögzítéshez fordítsa el 1/4 fordulattal kisebb mértékben. Lásd a telepítési útmutató <i>A referenciaelektroda beszerelése</i> részének képes tájékoztatóját. Ha a gyűrűt rögzítette, az nem már fordul el. Ha a gyűrűt nem rögzíti, a KCl-elektrolit túl gyorsan folyik a referenciaelektrodából a mérőcellába.
A KCl-elektrolit felhasználása túl lassú ütemű ² .	A tömítés megszakításához nem fordították el a referenciaelektroda üvegrészén lévő gyűrűt.	Távolítsa el a referenciaelektrodát. Óvatosan fordítsa el a gyűrűt a tömítés megszakításához. Ha a gyűrű már könnyedén elfordul, a tömítés megszakadt. Lásd a telepítési útmutató <i>A referenciaelektroda beszerelése</i> részének képes tájékoztatóját. Nyomja le a gyűrűt, majd rögzítéshez fordítsa el 1/4 fordulattal kisebb mértékben. Ha a gyűrűt rögzítette, az nem már fordul el. Ha a gyűrűt nem rögzíti, a KCl-elektrolit túl gyorsan folyik a referenciaelektrodából a mérőcellába.
A mérési képernyőn az egyik reléjelző villog.	A túladagolási időzítő lejárt.	Állítsa vissza a túladagolási időzítőt. Lásd: A relék túladagolási időzítőjének visszaállítása oldalon 376. Megjegyzés: A túladagolási időzítő beállítása csak akkor engedélyezett, ha a relé SET FUNCTION (FUNK. VÁLASZT) beállításának értéke FEEDER CONTROL (ADAGOLÓ VEZÉRLÉS).

¹ A KCl-elektrolit felhasználása túl nagy ütemű, ha a tartály szintje több mint 3 mm-rel (1/8"-kel) csökken két nap alatt

² A KCl-elektrolit felhasználása túl lassú ütemű, ha a tartály szintje kevesebb mint 1 mm-rel csökken két nap alatt

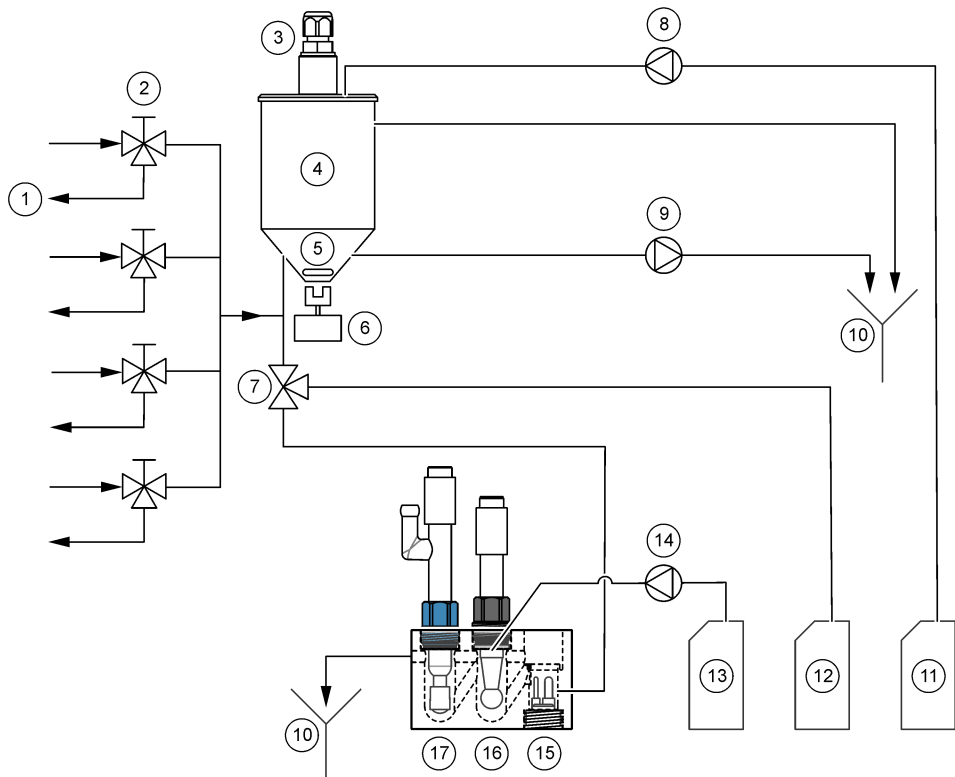
4.1 A relék túladagolási időzítőjének visszaállítása

A relék túladagolási időzítőjének beállítása megakadályozza azt az állapotot, amely a mérés eredményét magasabb értéken tartja az alapértékhez vagy a hiszterézis értékéhez képest (például sérült elektróda vagy folyamatzavarok), és a relét folyamatosan bekapcsolt állapotban tartja. A túladagolási időzítő korlátozza, hogy a relék és a hozzájuk csatlakoztatott vezérlőelem a körülményektől függetlenül mennyi ideig maradjon bekapcsolt állapotban.

Amikor a túladagolási időzítőn beállított időintervallum lejár, a mérési képernyő jobb felső sarkában látható reléállapot-jelző villogni kezd, amíg a túladagolási időzítőt vissza nem állítják. A túladagolási időzítő visszaállításához nyomja meg a **diag** gombot, majd válassza a OVERFEED RESET (TÚLADAGOLÁS VISSZAÁLLÍTÁSA) lehetőséget.

Szakasz 5 Diagnosztika

5.1 A csővezetékrendszer vázlata



1 Mintamegkerülő ürítőcső	7 Kondicionáló szelep	13 Reaktiváló oldat
2 Minta beömlőnyílása	8 A kalibrációs oldatot továbbító szivattyú ³	14 A reaktiváló oldatot továbbító szivattyú
3 Szintérzékelő	9 Ürítőszivattyú	15 Hőmérséklet-érzékelő
4 Túlfolyótartály	10 Lefolyó	16 Nátriumelektroda
5 Keverőrúd	11 Kalibrációs oldat ³	17 Referenciaelektroda
6 Keverőmotor	12 Kondicionáló oldat	

5.2 Analizátorteszt indítása

Az állapotjelző fény, a keverőmotor, egy szivattyú vagy szelep megfelelő működésének megállapításához indítson el egy analizátortesztet

³ Csak az automata kalibráció opcióval rendelkező analizátorokhoz tartozik kalibrációs oldat és kalibrációs oldatot továbbító szivattyú.

1. Nyomja meg a **diag** gombot, majd válassza a **PERFORM TEST (A TESZT VÉGREHAJTÁSA)** lehetőséget.
2. Válasszon beállítást.

Opció	Leírás
REACT SOL DELIVERY (REAKT OLDAT BIZTOSÍTÁSA)	Elindítja a reaktiváló oldat szivattyúját. A reaktiváló oldat folyni kezd a mérőcella középső kamrájába. Megjegyzés: A mérőcella az a tiszta blokk, ahova az elektródákat felszerelték.
SAMPLE DELIVERY (MINTA BIZTOSÍTÁSA)	A kiválasztott csatornához tartozó minta mágnesszelepét nyitottra állítja. A minta folyni kezd a túlfolyótartályba. Megjegyzés: Ha a túlfolyótartály tele van, a vízszint nem változik benne. A túlfolyótartály ürítéséhez végezze el a SAMPLE DRAIN (MINTAÜRÍTŐ) tesztet.
CAL STD DELIVERY (KAL STANDARD BIZTOSÍTÁSA)	Megjegyzés: A CAL STD DELIVERY (KAL STANDARD BIZTOSÍTÁSA) lehetőség csak abban az esetben érhető el, ha az analízátor rendelkezik automatikus kalibrálás opcióval. Bekapcsolja a kalibrációs oldat szivattyúját. A kalibrációs oldat folyni kezd a túlfolyótartályba.
CONDITIONING VALVE (KONDITIONÁLÓ SZELEP)	Nyitottra állítja a kondicionáló szelepet. A kondicionáló gáz áramlani kezd a mérőcella jobb kamrájába. Megjegyzés: A mérőcella az a tiszta blokk, ahova az elektródákat felszerelték.
SAMPLE DRAIN (MINTAÜRÍTŐ)	Bekapcsolja az ürítésszivattyút. A túlfolyótartályban lévő víz kiürül a vegyszerlefolyó csővébe.
MIXER (KEVERŐ)	Bekapcsolja a keverőmotort. A túlfolyótartályban pörögni kezd a keverőrúd.
STATUS LED (ÁLLAPOTJELZŐ LED)	Az állapotjelző fényt folyamatos – sárga, vörös, zöld – ciklusra állítja.
AIR PUMP (LEVEGŐSZIVATTYÚ)	Megjegyzés: A AIR PUMP (LEVEGŐSZIVATTYÚ) lehetőség csak abban az esetben érhető el, ha fel van szerelve az opcionális kationos szivattyú. Bekapcsolja a kationos szivattyút. A kationos szivattyú levegőt présel a kondicionáló oldat (DIPA) palackjába. A kationos szivattyú analízátorban lévő helyének megállapításához lásd a telepítési útmutató A termék áttekintése című részét.
SELECT SCRIPT (PARANCSFÁJL KIVÁLASZTÁSA)	Megjegyzés: A SELECT SCRIPT (PARANCSFÁJL KIVÁLASZTÁSA) lehetőség csak szerviz céljából érhető el. Beállítja, hogy az analízátor az eszköz szokott parancsfájliját vagy a tesztparancsfájlt használja.

5.3 4–20 mA-es kimeneti vagy reléteszt indítása

Egy 4–20 mA-es kimeneti vagy reléműködés ellenőrzése céljából indítson el egy 4–20 mA-es kimeneti vagy relétesztet.

1. Nyomja meg **diag** gombot, majd válassza ki a **OUTPUTS (KIMENETEK)** lehetőséget.
2. Válasszon beállítást.

Beállítás	Leírás
TEST 4–20 mA (4-20 mA-ES KIMENET TESZTJE)	Állítsa be a jelet (mA) a választott 4–20 mA-es kimenetre. Mérje meg 4–20 mA-es kimenet áramerősségét multiméterrel.
TEST RELAY (RELÉTESZT)	Állítsa a kiválasztott relét „be” (áram alatti) vagy „ki” (áramtalanított) állapotúra. A relé nyitott vagy zárt állapotának megállapításához mérje meg a relé ellenállását multiméterrel.

Beállítás	Leírás
HOLD OUTPUTS (KIMENETEK MEGTARTÁSA)	Tartsa a kimeneteket a legutolsó értéken, vagy állítsa be azokat az átviteli értékre. ACTIVATION (AKTIVÁLÁS) – A kimenetek legutolsó értéken tartásához vagy átviteli értékre történő beállításához válassza ki az LAUNCH (INDÍT) lehetőséget. Ha hagyni kívánja, hogy a kimenetek a szokásos módon működjenek, válassza ki a RELEASE (AKTÍV ÁLL. IND) lehetőséget. SET OUTMODE (SET OUTMODE) – A kimenetek legutolsó értéken tartásához válassza ki a HOLD OUTPUTS (KIMENETEK MEGTARTÁSA) lehetőséget. A kimenetek átvitelé értékre történő beállításához válassza ki a TRANSFER OUTPUTS (KIMENETEK ÁTVITELE) lehetőséget. A kimenetek átviteli értékre történő beállításához lásd a kezelési utasítást. SET CHANNELS (CSATORNÁK BEÁLLÍTÁSA) – Az összes csatorna kiválasztásához válassza ki az ALL (MIND) lehetőséget. Az összes csatorna választott analizátorhoz történő kiválasztásához válassza ki az ANALYZER (ELEMZŐ) lehetőséget.
OUTPUT STATUS (KIMENET ÁLLAPOTA)	Megjeleníti a jelet (mA) a 4–20 mA-es kimeneteken.
SIMULATE MEASUREMENT (MÉRÉS SZIMULÁLÁSA)	A kimeneti teszt elvégzéséhez adja meg a kiválasztott csatornán az analizátoron leolvasott értéket. Ha a felhasználó kilép a képernyőről, a szimuláció leáll. SELECT SOURCE (FORRÁS KIVÁLASZTÁSA) – Kiválasztja az analizátort. SET PARAMETER (PARAMÉTER BEÁLLÍTÁSA) – Kiválasztja a csatornát. SET SIM VALUE (SZIM.ÉRT.BEÁLL) – Beállítja az analizátoron leolvasott értéket.

5.4 Az analizátorra vonatkozó információ megjelenítése

Az analizátorra vonatkozó alábbi információk megjelenítéséhez nyomja meg a **menü** gombot, majd válassza ki a VIEW DATA (ADATOK MEGTEKINTÉSE) > ANALYZER DATA (AZ ANALIZÁTOR ADATAI) lehetőséget. Lásd: [2. táblázat](#).

2. táblázat Az analizátor adatainak magyarázata

Tétel	Leírás
DATE/TIME (DÁTUM/IDŐ)	A beállításban meghatározott aktuális idő (24 órás formátumban) és dátum
NAME (NÉV)	Az analizátor neve
TYPE (TÍPUS)	Az analizátor típusa
AMBIENT TEMP (KÖRNYEZETI HŐMÉRSÉKLET)	Az analizátor környezetének hőmérséklete
CONDITION SOL LEVEL (KONDICIONÁLÓ OLDAT SZINTJE)	Az oldat szintje a kondicionáló oldat palackjában
REACT SOL LEVEL (REAKT OLDAT SZINTJE)	Az oldat szintje a reaktiváló oldat palackjában
STANDARD LEVEL (STANDARD SZINTJE)	Az oldat szintje a kalibrációs oldat palackjában
KCL LEVEL (KCL SZINT)	Az oldat szintje a KCl-elektrolit tartályban
LAST REACTIVATION (UTOLSÓ REAKTIVÁLÁS)	Az utolsó automatikus reaktiválás dátuma
LAST CAL (UTOLSÓ KAL)	Az utolsó kalibráció dátuma
LAST SERVICE (UTOLSÓ SZERVIZ)	Az utolsó szerviz dátuma
SOFTWARE VERS (SZOFTVER VERZIÓ)	A telepített szoftver verziószáma
DD FIRMWARE (ESZKÖZMEGHAJTÓ FIRMWARE VERZIÓJA)	A telepített eszközmeghajtó firmware verziószáma
DD CONTENT (ESZKÖZMEGHAJTÓ TARTALMA)	Az eszközmeghajtó adatállományának verziószáma
SCRIPT VERSION (PARANCSFÁJLVERZIÓ)	A parancsfájl könyvtárvezérlő blokkjának verziószáma
SCRIPT CONTENT (PARANCSFÁJL TARTALMA)	A parancsfájl könyvtártartalmának verziószáma

2. táblázat Az analizátor adatainak magyarázata (folytatás)

Tétel	Leírás
MEAS_CONTROL SW REV (MÉRÉSVEZÉRLŐ SZOFTVER VERZIÓSZÁMA)	A telepített mérésvezérlő szoftver verziója
SERIAL NUMBER (SOROZATSZÁM)	Az analizátor sorozatszáma

5.5 Az analizátor állapotára és rendszerére vonatkozó adatok megjelenítése

Az analizátor aktuális állapotának, a Modbus-állapotnak, a rendszer- vagy I2C-adatoknak a megjelenítéséhez kövesse az alábbi lépéseket:

1. Nyomja meg a **diag** gombot.
2. Válasszon beállítást.

Opció	Leírás
CURRENT STATUS (AKTUÁLIS ÁLLAPOT)	OPERATION (MŰKÖDÉS) – Az aktuális mérési mód. SAMPLE CHANNEL (MINTACSATORNA) – Az aktuális mintacsatorna. STEP STATUS (LÉPÉS ÁLLAPOTA) – A mérési ciklus aktuális lépése. STEP TIME (LÉPÉS IDEJE) – A hátralévő lépésidő. MINUTES LEFT (HÁTRALÉVŐ PERCEK) – Az aktuális lépés hátralévő percei. COMPLETION (BEFEJEZÉS) – A mérési ciklus befejezett %-a.
MODBUS STATS (MODBUS STATISZTIKA)	A Modbus portjainak állapotát mutatja: érzékelő, vezérlő egység, hálózat és szerviz. A helyes és a hibás adatátvitel számát jeleníti meg.
SYSTEM DATA (RENDSZERADAT)	AMBIENT TEMP (KÖRNYEZETI HŐMÉRSÉKLET) – A mért környezeti hőmérséklet Celsius-fokban (C). POWER SOURCE FREQUENCY (ÁRAMFORRÁS FREKVENCIAJA) – A hálózati áram frekvenciája (Hz). POWER SOURCE VOLTAGE (ÁRAMFORRÁS FESZÜLTSEGE) – A hálózati áram (váltóáram). 12V VOLTAGE (12V FESZÜLTÉG) – A hálózati tápellátás feszültsége (V DC). 3.3V VOLTAGE (3,3V FESZÜLTÉG) – A mért szabályozott 3,3 V-os tápfeszültség (V DC). 12V CURRENT (12V ÁRAM) – A mért 12 V-os áramerősség (amperben).
I2C DATA (I2C ADATOK)	A kommunikációs információit (I ² C) és verziószámát jeleníti meg.

5.6 Szervizadatok megjelenítése

A műszeralkatrészek szerviztörténetének megjelenítéséhez vagy beállításához használja a Szerviz menüt.

1. Nyomja meg a **diag** gombot.
2. Válassza ki a SERVICE (SZERVIZ) lehetőséget.
3. Válasszon egy opciót.

Opció	Leírás
CONSUMABLE (FOGYÓESZKÖZ)	Megjeleníti a fogyó alkatrészek listáját. Megjeleníti az alkatrész legutóbbi cseréjének dátumát és az azóta eltelt napok számát. Az adott alkatrész cseréjét követően visszaállítja a számlálót.
SERVICE PARTS (ALKATRÉSZEK SZERVIZELÉSE)	Megjegyzés: A SERVICE PARTS (ALKATRÉSZEK SZERVIZELÉSE) lehetőség csak szerviz céljából érhető el. Megjelenít egy alkatrészlistát és a legutolsó szerviz időpontját. A számlálót az alkatrész cseréjét követően az ügyfélszolgálat képviselője állítja vissza.
ANNUAL MAINTENANCE (ÉVES KARBANTARTÁS)	Megjeleníti a legutolsó éves karbantartás dátumát, a következő éves karbantartás dátumát és az addig hátralévő napok számát. Az éves karbantartás követően visszaállítja a számlálót.

Opció	Leírás
EDIT ELECTRODES SN (ELEKTRODÁK SOROZATSZÁMÁNAK SZERKESZTÉSE)	Rögzíti az elektródák sorozatszámát.
SERVICE HISTORY (SZERVIZELÉSI ELŐZMÉNYEK)	Megjeleníti az elvégzett karbantartási feladatokat (például Replace reactivation solution (Reaktivációs oldat cseréje) és azok dátumát. START TIME (KEZDÉSI IDŐ) – Megjeleníti a kiválasztott dátum és idő után rögzített adatokat. NUMBER OF READINGS (LEOLVASÁSOK SZÁMA) – Megjeleníti a kiválasztott adatpontok számát.
POST ENABLE (KÖZZÉTÉTEL LEHETŐSÉGES)	NO (NEM) – A hardverdiagnosztika még nem fejeződött be az analízátor feszültség alá helyezésekor. YES (IGEN) – A hardverdiagnosztika már befejeződött az analízátor feszültség alá helyezésekor.

Szakasz 6 Cserealkatrészek és tartozékok

▲ FIGYELMEZTETÉS	
	Személyi sérülés veszélye. A nem jóváhagyott alkatrészek használata személyi sérüléshez, a műszer károsodásához vagy a berendezés meghibásodásához vezethet. Az ebben a fejezetben található cserealkatrészek a gyártó által jóváhagyott alkatrészek.

Megjegyzés: A termék- és cikkszámok értékesítési régióként eltérhetnek. Lépjen kapcsolatba a megfelelő viszonteladóval, vagy látogasson el a cég honlapjára a kapcsolattartási tudnivalóért.

Reagensek és szabványos oldatok

Leírás	Mennyiség	Cikksz.
3 M-os KCl-elektrolit oldat	250 ml	LZW9500.99
3 M-os KCl-elektrolit oldat	500 ml	363140,00500
99%-os diizopropil-amin (DIPA)	1 l	2834453
10 ppm nátrium-klorid standard oldat	1 l	2835153
0,5 M-os nátrium-nitrát	500 ml	2507149

Cserealkatrészek

Leírás	Mennyiség	Cikksz.
Kondicionáló oldat palackja kupakkal, üres	1	8352000
Kondicionáló palack kupakjának alátéte	1	8417200
Lefolyócső könyökillesztése, 1/2", polipropilén	1	6772800
Referenciaelektród	1	09240=C=0310
Nátriumelektród	1	09240=C=0320
Biztosíték, 1,6 A, 250 V, 5 x 20 mm	1	5208300
Biztosíték, 5 A, 250 V, késleltetett, 5 x 20 mm	1	4693800
1 csatornás analízátor telepítőkészlete, analízátor házzal	1	8375400
2 csatornás analízátor telepítőkészlete, analízátor házzal	1	8375300
4 csatornás analízátor telepítőkészlete, analízátor házzal	1	8371500
Telepítőkészlet, 1 csatornás analízátor, analízátor ház nélkül	1	8375700

Cserealkatrészek (folytatás)

Leírás	Mennyiség	Cikksz.
Telepítőkészlet, 2 csatornás analízátor, analízátor ház nélkül	1	8375600
Telepítőkészlet, 4 csatornás analízátor, analízátor ház nélkül	1	8375500
Keverőmotor	1	8420000
M6 x 20 trapézfejű, rozsdamentesacél, torx panelre rögzítő csavar	4	8415500
Szűrőeszköz belső elektromos dugókhöz, fémcső, a 8379900 elemmel való használatra	1	8380000
Szűrőeszköz belső elektromos dugókhöz, fémlap, a 8380000 elemmel való használatra	1	8379900
Nyomásszabályozó, 0,3 bar (4 psi), nem állítható	1	6782900
Kalibrációs oldat szivattyúja	1	8364300
Üritőszivattyú	1	8357400
Reaktiváló oldat szivattyúja	1	8364200
6 mm külső átmérőjű cső elzárószelepe	1	8385200
Keverőnúd	1	W_4510_001_FF
Kábelfeszültség-mentesítő (tömszelence), PG9 4–8 mm	1	8356300
Kábelfeszültség-mentesítő (tömszelence), NPT ½". 4–9 mm	1	8368400
Asztalra rögzítő konzolok	2	8370400
#8 x ½ rozsdamentesacél, torx csavar, asztalra rögzítő konzol	2	8412200
Csövek a vegyszerlefolyóhoz és a ház leeresztőjéhez, 17,5 mm (1 1/16") Külső átmérő x 3,2 mm (1/8") vastag	2 m (6,5 láb)	LZX278
6 mm külső átmérőjű x 4 mm belső átmérőjű mintacső	5,5 m (18 láb)	6772500
Csővágó	1	8385400
Falrögzítő konzolok	2	8364100
M4 x 10 lapos, rozsdamentesacél, torx csavar, falra rögzítő konzol	2	8412500
Kondicionáló szelep	1	8367600
Mintaszelep	1	8370200

Tartozékok

Leírás	Mennyiség	Cikksz.
Palackadapter Merck DIPA palackhoz	1	09073=C=0350
Palackadapter Orion DIPA palackhoz	1	09073=C=0360
Szűrő, mintabemenet, 100 µm, ¼" külső átmérőjű csőhöz	1	595=010=005
Szűrő, mintabemenet, 100 µm, 6 mm külső átmérőjű csőhöz	1	595=010=000
Legfeljebb 4 csatornás hőcserélő	1	8368900
Kationos ioncserélő készlet	1	8371200
Tápkábel, észak-amerikai	1	9179700
1 csatornásról 4 csatornásra bővítő készlet	1	8365100

Tartozékok (folytatás)

Leírás	Mennyiség	Cikksz.
2 csatornásról 4 csatornásra bővítő készlet	1	8365000
Automata kalibrációs bővítőkészlet	1	8368000
Csőadapter, 6 mm külső átmérőjűről ¼" külső átmérőjűre	2	09245=A=8300

Sadržaj

- | | |
|---|---|
| 1 Sigurnosne informacije na stranici 384 | 4 Rješavanje problema na stranici 399 |
| 2 Prikaz aktivnih pogrešaka, upozorenja i podsjetnika na stranici 384 | 5 Dijagnostika na stranici 405 |
| 3 Održavanje na stranici 384 | 6 Zamjenski dijelovi i dodatna oprema na stranici 409 |

Odjeljak 1 Sigurnosne informacije

Pogledajte priručnik za postavljanje za opće sigurnosne informacije, opise opasnosti i opise naljepnica za mjere opreza.

Odjeljak 2 Prikaz aktivnih pogrešaka, upozorenja i podsjetnika

Pozadina zaslona i svjetlo indikatora statusa promijenit će se u crveno kad dođe do pogreške ili u žuto kad se prikaže upozorenje.

- **Pogreška** – crvena pozadina zaslona i svjetlo indikatora statusa. Došlo je do značajnog problema koji utječe na rad instrumenta. Trenutno mjerenje se prekida, a analizator se isključuje.
- **Upozorenje** – žuta pozadina zaslona i svjetlo indikatora statusa. Nastao je događaj koji može prouzročiti buduće probleme. Analizator nastavlja s radom.
- **Podsjetnici** – na zaslonu se prikazuje simbol francuskog ključa i žuto svjetlo indikatora statusa. Vrijeme zadatka održavanja je prošlo.

Izvršite korake koji slijede za prikaz aktivnih pogrešaka, upozorenja i podsjetnika:

Napomena: *Kako biste vidjeli sve moguće pogreške, upozorenja i podsjetnike te njihove informacije o pomoći, pritisnite **diag** (dijagnostika) zatim odaberite ANALYZER HELP (POMOĆ ANALIZATORA).*

1. Pritisnite **diag** (dijagnostika) zatim odaberite DIAGNOSTICS (DIJAGNOSTIKA). Prikazuju se aktivne pogreške, upozorenja i podsjetnici.
2. Odaberite pogrešku, upozorenje ili podsjetnik s popisa.
3. Odaberite opciju.

Opcija	Opis
ACKNOWLEDGE (POTVRDA)	Potvrđuje odabranu pogrešku, upozorenje ili podsjetnik. Nakon potvrđivanja svih aktivnih pogrešaka, upozorenja i podsjetnika, zaslon pozadine mijenja se natrag u bijelo i svjetlo indikatora statusa mijenja se natrag u zeleno.
VIEW HELP (PREGLED POMOĆI)	Prikaz podataka za pomoć za odabranu pogrešku, upozorenje ili podsjetnik.

Odjeljak 3 Održavanje

▲ OPASNOST



Višestruka opasnost. Zadatke opisane u ovom odjeljku priručnika treba obavljati isključivo kvalificirano osoblje.

3.1 Raspored održavanja

Tablica 1 prikaz preporučenog rasporeda zadatka održavanja. Zahtjevi ustanove i radni uvjeti mogu povećati učestalost nekih zadataka.

Tablica 1 Raspored održavanja

Zadatak	Svaka 3 mjeseca	Po potrebi
Zamjena otopine za kalibraciju i otopine reagensa na stranici 385	X	
Zamjena otopine za kondicioniranje na stranici 387	X	
Zamjena elektrolita KCl na stranici 390	X	
Zamjena ulaznog osigurača napajanja na stranici 391		X

3.2 Čišćenje instrumenta

OBAVIJEST

Za čišćenje instrumenta, što uključuje i zaslon te dodatnu opremu, nikad nemojte koristiti sredstva za čišćenje poput terpentina, acetona i sličnih proizvoda.

Vanjsku površinu instrumenta očistite pomoću vlažne krpe i blage otopine sapuna.

3.3 Čišćenje prolivenih tekućina

▲ OPREZ



Opasnost od izlaganja kemikalijama. Kemikalije i otpad odložite sukladno lokalnim, regionalnim i državnim propisima.

1. Pridržavajte se svih sigurnosnih protokola ustanove za kontroliranje prolijevanja.
2. Otpad odložite prema primjenjivim propisima.

3.4 Zamjena otopine za kalibraciju i otopine reagensa

▲ OPREZ



Opasnost od izlaganja kemikalijama. Poštujte laboratorijske sigurnosne propise i opremite se svom odgovarajućom osobnom zaštitnom opremom s obzirom na kemikalije kojima ćete rukovati. Sigurnosne protokole potražite na trenutno važećim sigurnosno tehničkim listovima materijala (MSDS/SDS).

▲ OPREZ



Opasnost od izlaganja kemikalijama. Kemikalije i otpad odložite sukladno lokalnim, regionalnim i državnim propisima.

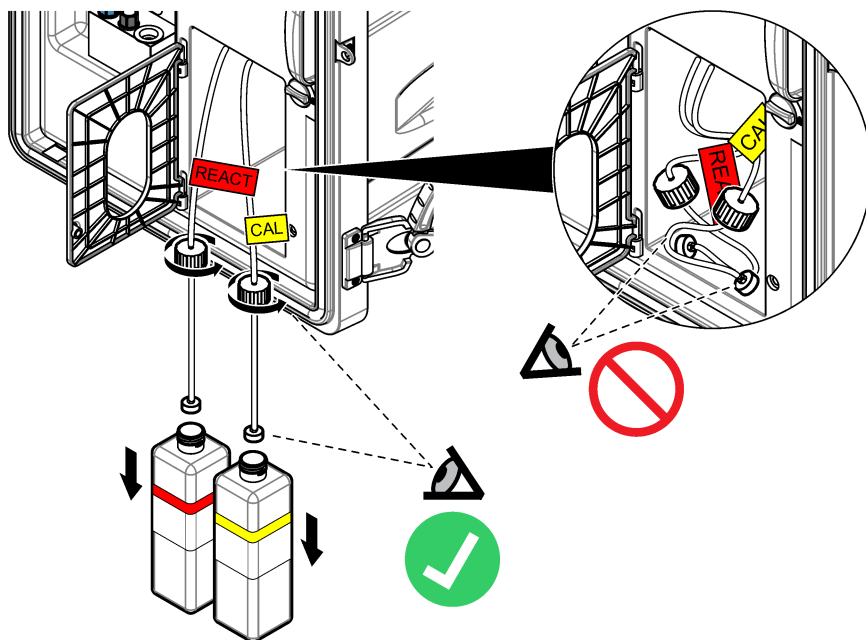
Zamijenite otopinu reagensa i otopinu za kalibraciju tijekom tromjesečnog intervala ili kad je manje od 10 % popunjeno.

Stavke koje nabavlja korisnik:

- Osobna zaštitna oprema (pogledajte STL)
- 0,5 M natrijeva nitrata (NaNO_3), 500 ml
- 10 ppm otopine standardne otopine natrijeva klorida (NaCl), 500 ml
- Deionizirana voda, 100 ml

1. Zaštitite se osobnom zaštitnom opremom navedenom u sigurnosno-tehničkom listu (STL).
2. Pritisnite **menu (izbornik)** zatim odaberite STOP ANALYZER (ZAUSTAVI ANALIZATOR).
Napomena: Ako se pojavi START ANALYZER (POKRENI ANALIZATOR), analizator je već u stanju pripravnosti.
3. Zamijenite otopinu reagensa i otopinu za kalibraciju na sljedeći način:
 - a. Uklonite bočice s otopinom reagensa i otopinom za kalibraciju iz analizatora. Pogledajte [Slika 1](#).
Napomena: Jedino analizatori s opcijom automatske kalibracije imaju bočicu s otopinom za kalibraciju.
 - b. Bacite otopine u bocama u odgovarajući odvod.
 - c. Boce isperite deioniziranom vodom.
 - d. Napunite boce s otopinom za kalibraciju s 10 ppm nove otopine natrijeva klorida (NaCl) (500 ml). Bočica s otopinom za kalibraciju ima naljepnicu sa žutom trakom.
Napomena: Za pripremu 10 ppm otopine natrijeva klorida (NaCl) pogledajte priručnik za rad.
 - e. Napunite reagens bocu s otopinom s 0,5 M nove otopine natrijeva nitrata (NaNO₃) (500 ml). Bočica s otopinom za kalibraciju ima naljepnicu s crvenom trakom.
Napomena: Za pripremu 0,5 M otopine natrijeva nitrata (NaNO₃) pogledajte priručnik za rad.
 - f. Postavite boce u analizator. Osigurajte da se cijev s crvenom naljepnicom „REAGENS“ stavi u bocu koja ima naljepnicu s crvenom trakom.
Osigurajte da se cijev sa žutom naljepnicom „CAL“ stavi u bocu koja ima naljepnicu sa žutom trakom.
4. Unesite razine boce na sljedeći način:
 - a. Pritisnite **menu (izbornik)** zatim odaberite REAGENTS/STANDARDS (REAGENS/STANDARD)
 - b. Odaberite SET REACT LEVEL (POSTAVLJANJE RAZINE REAGENSA) zatim unesite 100 %.
 - c. Odaberite SET STANDARD LEVEL (POSTAVLJANJE RAZINE STANDARDA) zatim unesite 100 %.
5. Odaberite PRIME REAGENTS (PRIPREMA REAGENSA).
6. Kad je korak pripreme reagensa završen, pritisnite **menu (izbornik)** zatim odaberite START ANALYZER (POKRENI ANALIZATOR).

Slika 1 Uklanjanje boce



3.5 Zamjena otopine za kondicioniranje

▲ UPOZORENJE



Opasnost od udisanja. Ne udišite diizopropilamin (DIPA) ili plinove amonijaka. Izloženost može dovesti do teških ozljeda ili smrti.



▲ UPOZORENJE



Opasnost od kemijskog izlaganja. Diizopropilamin (DIPA) i amonijak zapaljiva su, korozivna i otrovna kemikalija. Izloženost može dovesti do teških ozljeda ili smrti.



▲ UPOZORENJE



Opasnost od izlaganja kemikalijama. Poštujte laboratorijske sigurnosne propise i opremite se svom odgovarajućom osobnom zaštitnom opremom s obzirom na kemikalije kojima ćete rukovati. Prije punjenja boca ili pripreme reagensa pročitajte sigurnosno-tehnički list dobavljača. Samo za laboratorijsku upotrebu. Objavite informacije o opasnosti u skladu s lokalnim propisima za korisnika.

⚠ OPREZ



Opasnost od izlaganja kemikalijama. Kemikalije i otpad odložite sukladno lokalnim, regionalnim i državnim propisima.

Zamijenite otopinu za kondicioniranje tijekom tromjesečnog intervala ili kad je manje od 10 % popunjeno. Upotrijebite DIPA (preporučeno) ili amonijak (više od 28 %) za otopinu za kondicioniranje.

Stavke koje nabavlja korisnik:

- Osobna zaštitna oprema (pogledajte STL)
- Diizopropilamin (DIPA) 99 %, boca od 1 l
- Adapter za bocu za DIPA boce tvrtke Merck ili Orion, ako je primjenjivo

Bočicu za kondicioniranje zamijenite na sljedeći način:

1. Zaštitite se osobnom zaštitnom opremom navedenom u sigurnosno-tehničkom listu (STL).
2. Pritisnite **menu (izbornik)** zatim odaberite STOP ANALYZER (ZAUSTAVI ANALIZATOR).

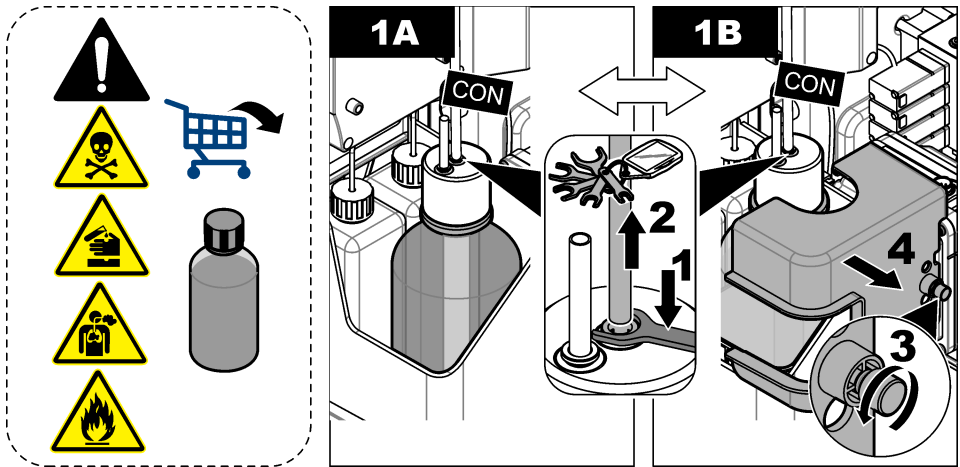
Napomena: Ako se pojavi START ANALYZER (POKRENI ANALIZATOR), analizator je već u stanju pripravnosti.

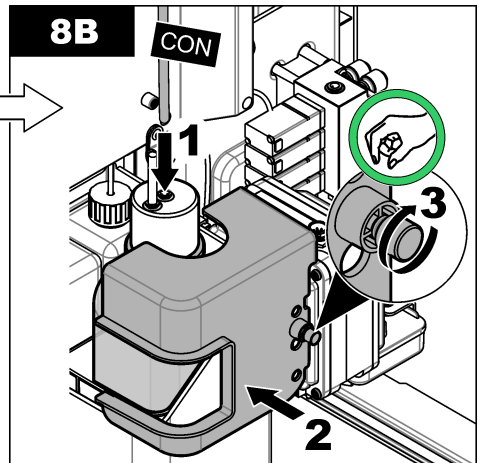
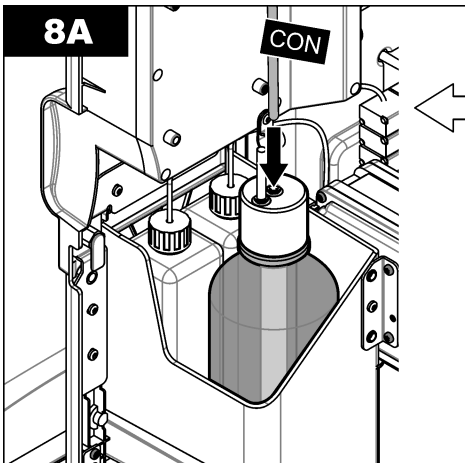
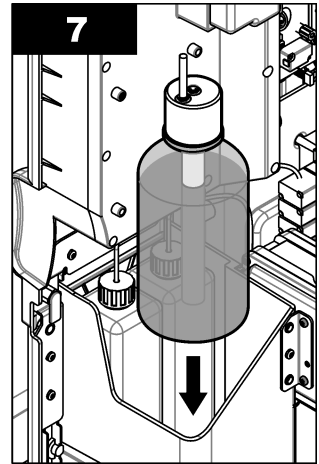
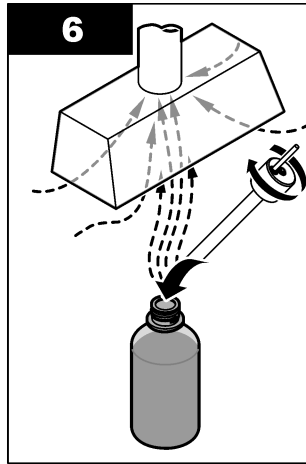
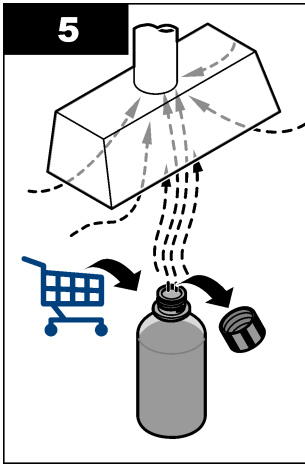
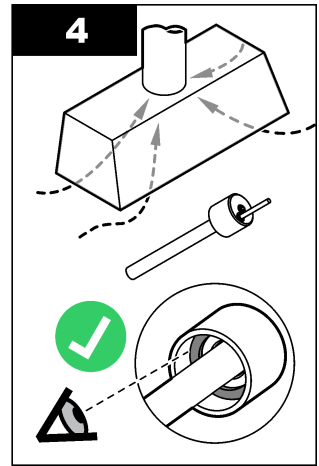
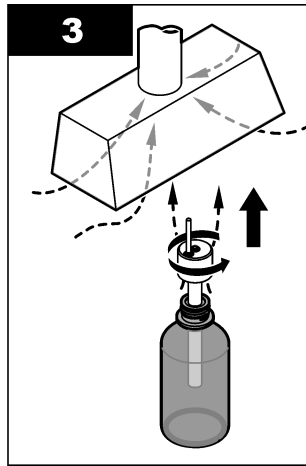
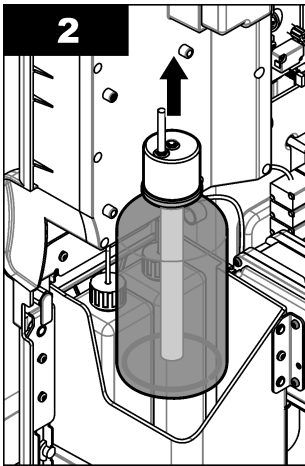
3. Otključajte zasun na ploči za analizu. Otvorite ploču za analizu.
4. Zamijenite bočicu s otopinom za kondicioniranje. Pogledajte ilustrirane korake u nastavku.

Napomena: Analizatori s dodatnom kationskom pumpom imaju dvije cijevi koje ulaze u čep boce za kondicioniranje. Uklonite obje cijevi.

Napomena: Prema ilustriranim koracima 1 i 8 samo analizatori bez kućišta imaju držač boce za kondicioniranje.

Učinite ilustrirane korake 3 – 6 ispod digestora ako je moguće. Ne udišite DIPA ili plinove amonijaka.





5. Za analizatore s dodatnom kationskom pumpom postavite izlaznu cijev iz kationske pumpe natrag u središnji otvor u čepu.
6. Zatvorite ploču za analizu. Zaključajte zasun na ploči za analizu.
7. Unesite razinu boce na sljedeći način:
 - a. Pritisnite **menu (izbornik)** zatim odaberite REAGENTS/STANDARDS (REAGENTS/STANDARD)
 - b. Odaberite SET COND LEVEL (POSTAVLJANJE RAZINE VODLJIVOSTI) zatim unesite 100 %.
8. Pritisnite **menu (izbornik)** zatim odaberite START ANALYZER (POKRENI ANALIZATOR).

3.6 Zamjena elektrolita KCl

▲ OPREZ



Opasnost od izlaganja kemikalijama. Poštujte laboratorijske sigurnosne propise i opremite se svom odgovarajućom osobnom zaštitnom opremom s obzirom na kemikalije kojima ćete rukovati. Sigurnosne protokole potražite na trenutno važećim sigurnosno tehničkim listovima materijala (MSDS/SDS).

▲ OPREZ



Opasnost od izlaganja kemikalijama. Kemikalije i otpad odložite sukladno lokalnim, regionalnim i državnim propisima.

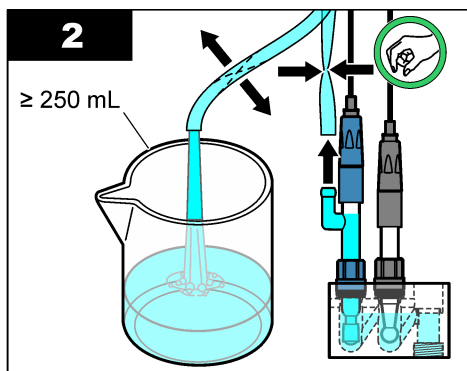
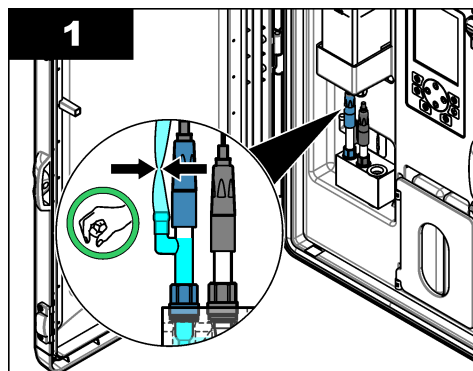
Zamijenite elektrolit KCl u spremniku elektrolita KCl u intervalima od tri mjeseca.

Potrebne stavke:

- Osobna zaštitna oprema (pogledajte STL)
- Elektrolit 3M KCl, 200 ml
- Mali spremnik, 250 ml ili veći

Zamijenite elektrolit KCl na sljedeći način:

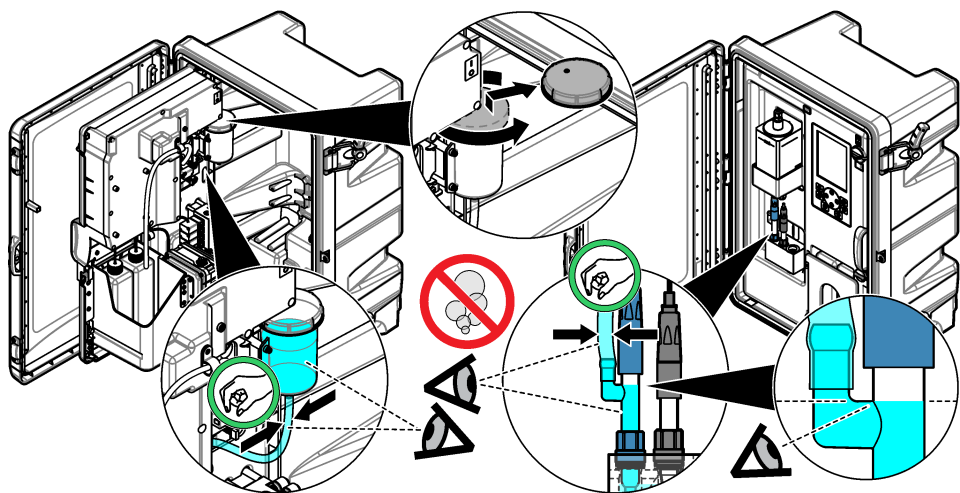
1. Zaštitite se osobnom zaštitnom opremom navedenom u sigurnosno-tehničkom listu (STL).
2. Ocijedite sadržaje spremnika elektrolita KCl u mali spremnik. Pogledajte ilustrirane korake u nastavku. Bacite elektrolit KCl u odgovarajući odvod.



3. Postavite cijev elektrolita KCl natrag na referentnu elektrodu.
4. Napunite spremnik elektrolita KCl na sljedeći način:
 - a. Otključajte zasun na ploči za analizu. Otvorite ploču za analizu.
 - b. Uklonite poklopac spremnika elektrolita KCl. Pogledajte [Slika 2](#).

- c. Spremnik napunite 90 % (približno 200 ml).
 - d. Postavite poklopac.
5. Izbacite mjehuriće zraka iz cijevi elektrolita KCl na sljedeći način:
- a. S prednje strane ploče za analizu palcem i prstom stisnite cijev elektrolita KCl da istisnete mjehuriće zraka kroz cijev do spremnika. Pogledajte [Slika 2](#).
 - b. Kad se mjehurić zraka nalazi u blizini spremnika, s pomoću dviju ruku stisnite cijev s prednje i stražnje strane ploče za analizu kako biste gurnuli mjehurić zraka prema gore.
 - c. Nastavite stiskati cijev sve dok se elektrolit KCl u referentnoj elektrodi ne nalazi na vrhu staklenog razdjelnika gdje elektrolit KCl ulazi u elektrodu. Pogledajte [Slika 2](#).
6. Zatvorite ploču za analizu. Zaključajte zasun na ploči za analizu.
7. Unesite razinu boce na sljedeći način:
- a. Pritisnite **menu (izbornik)** zatim odaberite REAGENTS/STANDARDS (REAGENS/STANDARD)
 - b. Odaberite SET KCL LEVEL (POSTAVLJANJE KCL RAZINE) zatim unesite 100 %.

Slika 2 Punjenje spremnika elektrolita KCl



3.7 Zamjena ulaznog osigurača napajanja

⚠ OPASNOST



Opasnost od strujnog udara. Prije početka ovog postupka prekinite napajanje instrumenta.

⚠ OPASNOST



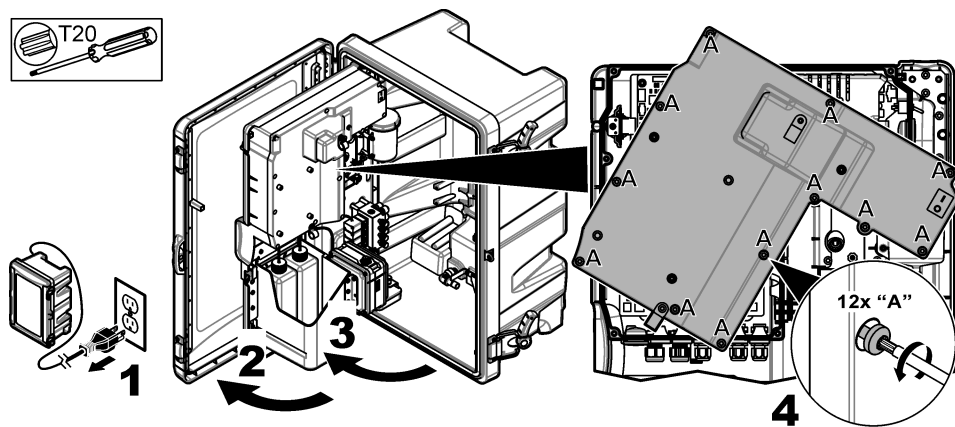
Opasnost od požara. Koristite istu vrstu i nazivnu struju za mijenjanje osigurača.

Pregledajte osigurače. Zamijenite otvorene osigurače novima.

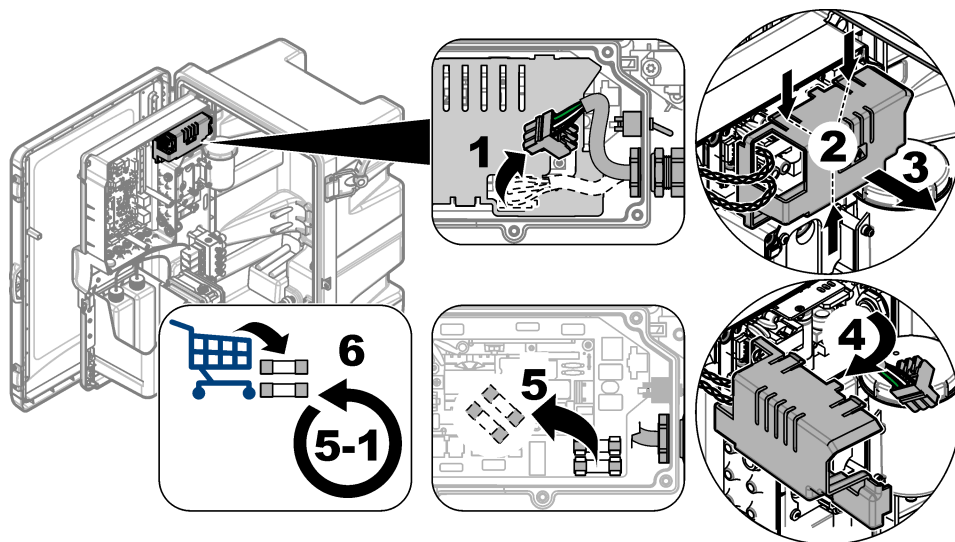
Stavke koje nabavlja korisnik: T 1,6 A, 250 VAC osigurač

1. Isključite kabel za napajanje iz električne utičnice.
2. Uklonite električni pristupni poklopac. Pogledajte ilustrirane korake na [Slika 3](#).
3. Zamijenite osigurač. Pogledajte ilustrirane korake u odjeljku [Slika 4](#)
4. Postavite električni pristupni poklopac. Pritegnite sve vijke kako biste zadržali ekološku vrijednost kućišta.
5. Zatvorite ploču za analizu. Zaključajte zasun na ploči za analizu.
6. Priključite kabel za napajanje u električnu utičnicu.
7. Pritisnite **menu (izbornik)** zatim odaberite START ANALYZER (POKRENI ANALIZATOR).

Slika 3 Uklanjanje električnog pristupnog poklopc



Slika 4 Zamjena osigurača napajanja



3.8 Priprema analizatora za kratkoročno isključivanje

Pripremite analizator za kratkoročno isključivanje (dva dana do tjedan dana) na sljedeći način:

Stavke koje nabavlja korisnik: klijesta za stezanje

1. Pritisnite **menu (izbornik)** zatim odaberite STOP ANALYZER (ZAUSTAVI ANALIZATOR).

Napomena: Ako se pojavi START ANALYZER (POKRENI ANALIZATOR), analizator je već u stanju pripravnosti.

2. Na kraj cijevi elektrolita KCl pričvrstite klijesta za stezanje (metalna ili plastična) kako biste zaustavili protok elektrolita KCl u referentnu elektrodu.

Napomena: Kad je analizator u stanju pripravnosti ili isključen, elektrolit KCl nastavlja istjecati iz referentne elektrode. Elektrolit KCl će polagano napuniti lijevu komoru mjerne kivete i izaći na vrh lijeve komore.

3. Zatvorite zaporne ventile na vodovima za uzorke.

4. Ako se napajanje analizatora mora isključiti, dodajte reagens otopinu u srednju komoru mjerne kivete kako biste spriječili oštećenje natrijeve elektrode.

Napomena: Nakon četiri sata u stanju pripravnosti analizator automatski dodaje otopinu reagensa u srednju komoru mjerne kivete.

3.9 Priprema analizatora za dugoročno isključivanje

⚠ UPOZORENJE



Opasnost od izlaganja kemikalijama. Poštujte laboratorijske sigurnosne propise i opremite se svom odgovarajućom osobnom zaštitnom opremom s obzirom na kemikalije kojima ćete rukovati. Prije punjenja boca ili pripreme reagensa pročitajte sigurnosno-tehnički list dobavljača. Samo za laboratorijsku upotrebu. Objavite informacije o opasnosti u skladu s lokalnim propisima za korisnika.

⚠ OPREZ



Opasnost od izlaganja kemikalijama. Kemikalije i otpad odlažite sukladno lokalnim, regionalnim i državnim propisima.

Pripremite analizator za dugoročno isključivanje (više od tjedan dana) na sljedeći način:

Stavke koje nabavlja korisnik:

- Mali spremnik, 250 ml ili veći
- Deionizirana voda, 1,5 L
- Čista krpa koja ne ostavlja dlačice

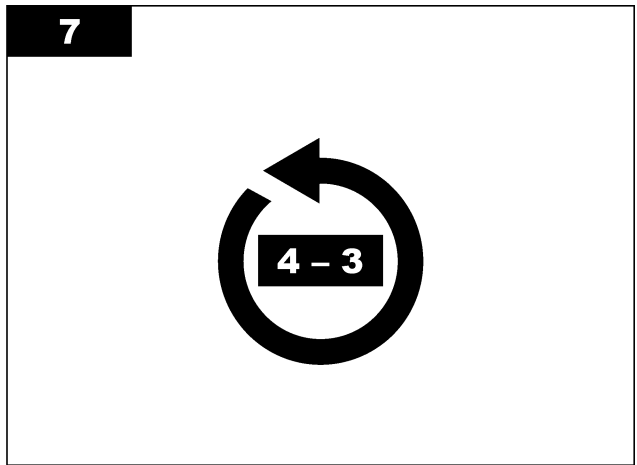
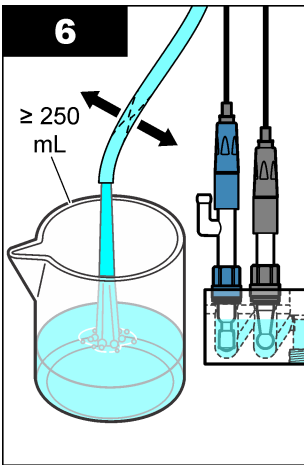
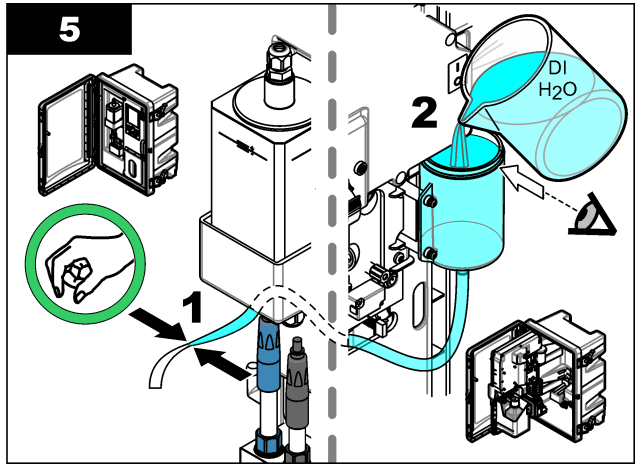
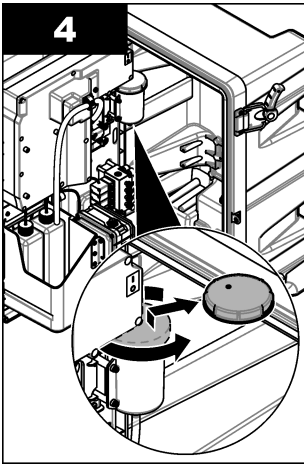
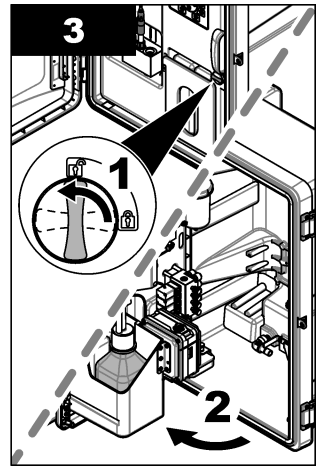
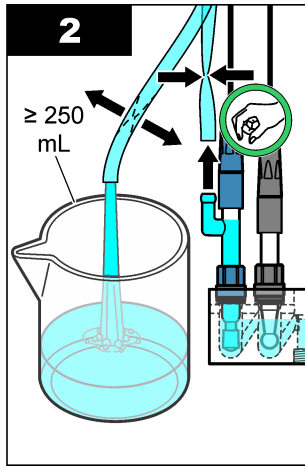
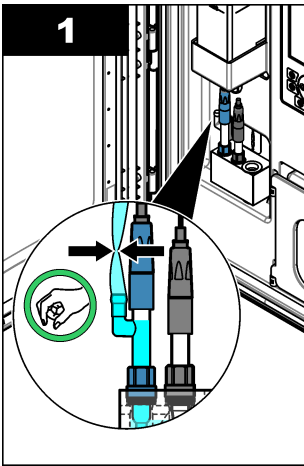
Potrebne stavke:

- Boce za skladištenje za elektrode (2x)
- Zaštitne kapice za elektrode (2x)
- Crni poklopac za stakleni razdjelnik referentne elektrode

3.9.1 Cijeđenje i ispiranje spremnika elektrolita KCl

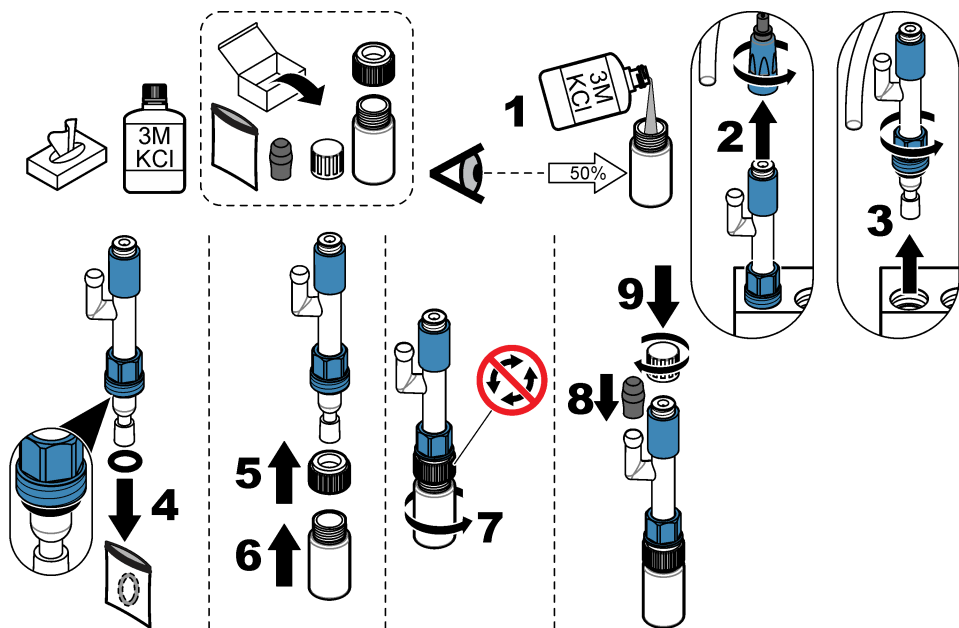
Pogledajte ilustrirane korake u nastavku.

Zaštitite se osobnom zaštitnom opremom navedenom u sigurnosno-tehničkom listu (STL).



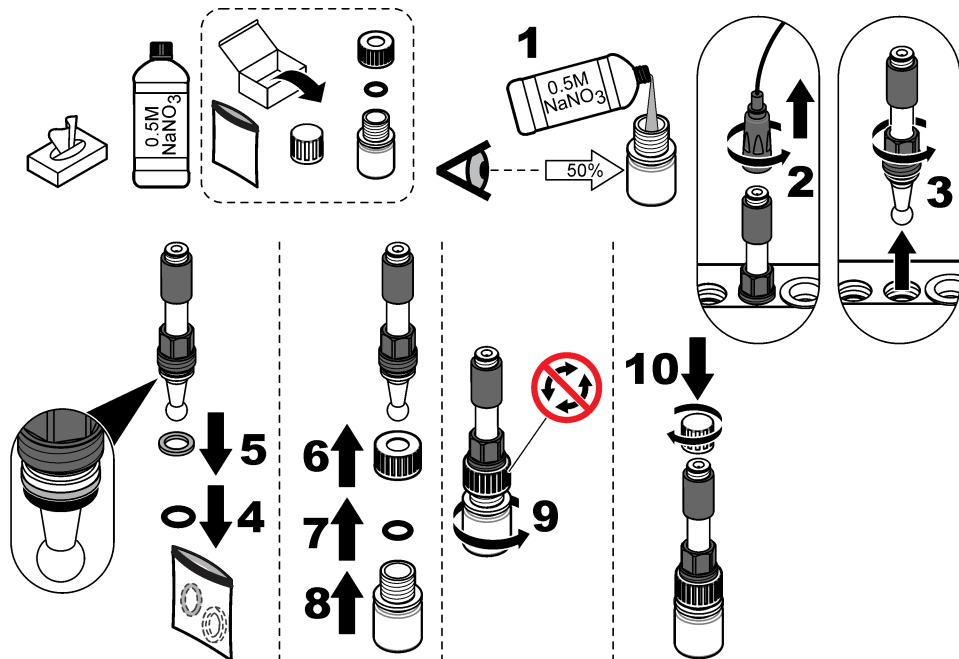
3.9.2 Uklanjanje referentne elektrode

Pogledajte ilustrirane korake u nastavku.



3.9.3 Uklonite natrijevu elektrodu

Pogledajte ilustrirane korake u nastavku.



3.9.4 Odvajanje bočice s otopinom za kondicioniranje

⚠ UPOZORENJE



Opasnost od udisanja. Ne udišite diizopropilamin (DIPA) ili plinove amonijaka. Izloženost može dovesti do teških ozljeda ili smrti.



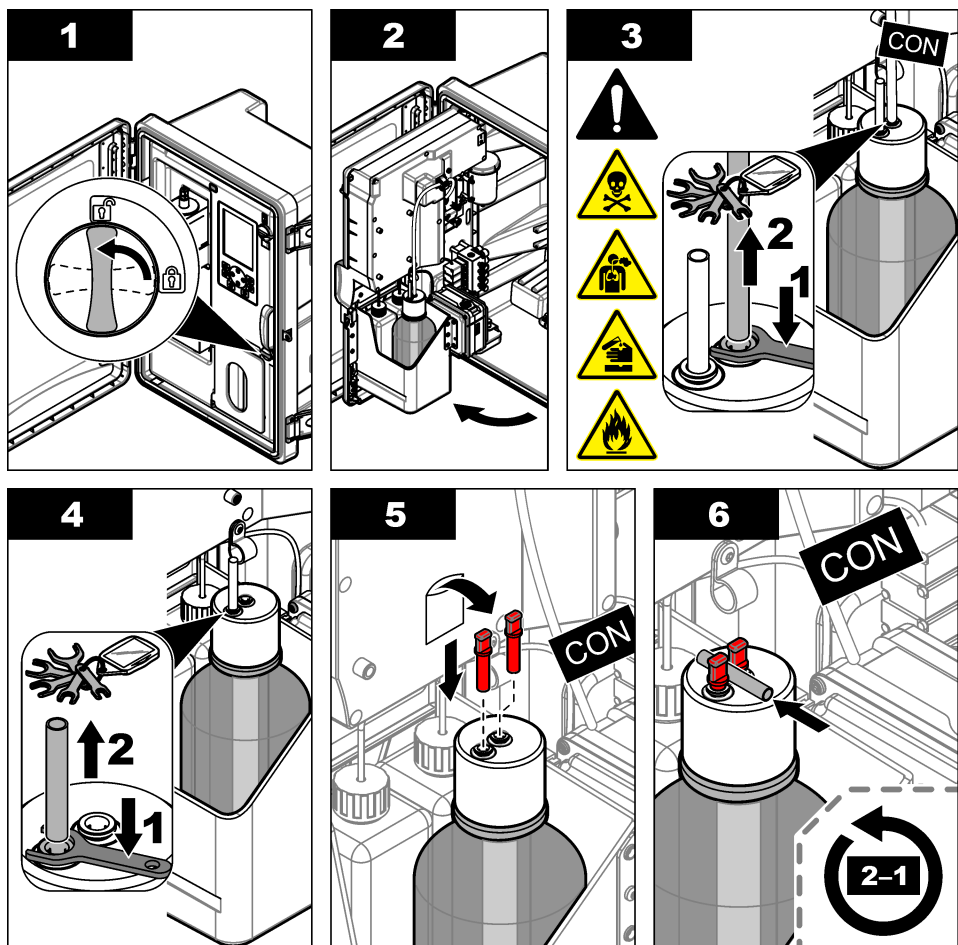
⚠ UPOZORENJE



Opasnost od kemijskog izlaganja. Diizopropilamin (DIPA) i amonijak zapaljiva su, korozivna i otrovna kemikalija. Izloženost može dovesti do teških ozljeda ili smrti.

Pogledajte ilustrirane korake u nastavku.

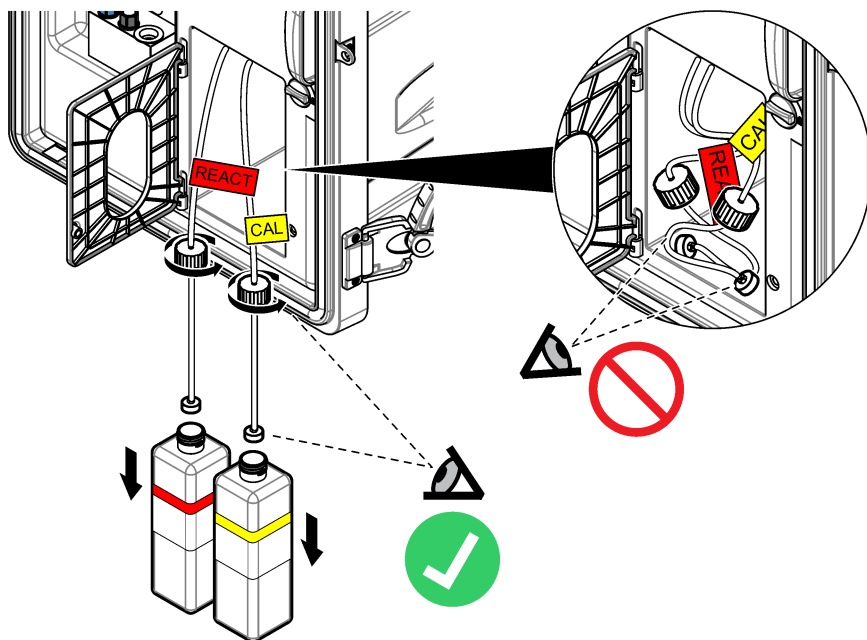
Zaštitite se osobnom zaštitnom opremom navedenom u sigurnosno-tehničkom listu (STL).



3.9.5 Ispiranje cijevi za reagense

1. Zaštite se osobnom zaštitnom opremom navedenom u sigurnosno-tehničkom listu (STL).
2. Uklonite bočice s otopinom reagensa i otopinom za kalibraciju iz analizatora. Pogledajte [Slika 5](#).
Napomena: Jedino analizatori s opcijom automatske kalibracije imaju bočicu s otopinom za kalibraciju.
3. Bacite otopine u bocama u odgovarajući odvod.
4. Ispirajte, a zatim napunite $\frac{1}{2}$ boca deioniziranom vodom.
5. Postavite boce u analizator.
6. Pritisnite **menu (izbornik)** zatim odaberite REAGENTS/STANDARDS (REAGENS/STANDARD) > PRIME REAGENTS (PRIPREMA REAGENSA). Cijev reagensa ispire se deioniziranom vodom.

Slika 5 Uklanjanje boce



3.9.6 Cijeđenje spremnika za prelijevanje

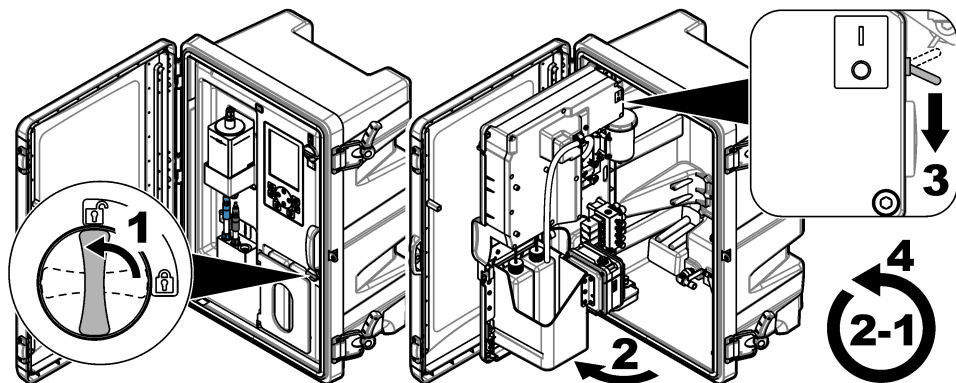
1. Pritisnite **diag** (dijagnostika), a zatim odaberite **PERFORM TEST** (IZVRŠI TESTIRANJE) i pritisnite **enter** (unesi).
2. Pritisnite **enter** (unesi) za odabir **YES** (DA).
3. Odaberite **SAMPLE DRAIN** (ISPUST ZA UZORAK) zatim pritisnite **enter** (unesi).
4. Upišite 150 sekundi.
5. Dvapat pritisnite **enter** (unesi).
6. Kad je spremnik za prelijevanje prazan, pritisnite **back** (natrag).
7. Pritisnite **home** (početna).

3.9.7 Isključivanje analizatora

Uklonite napajanje i uzorak iz analizatora na sljedeći način:

1. Isključite prekidač napajanja. Pogledajte [Slika 6](#).
2. Zatvorite ploču za analizu. Zaključajte zasun na ploči za analizu.
3. Isključite kabel za napajanje iz električne utičnice.
4. Zatvorite zaporne ventile na vodovima za uzorke.
5. Upotrijebite čistu krpu koja ne ostavlja dlačice za uklanjanje vode iz spremnika za prelijevanje.
6. Upotrijebite čistu krpu koja ne ostavlja dlačice za uklanjanje vode iz lijeve i srednje komore mjerne kivete.

Slika 6 Isključite prekidač napajanja



3.9.8 Izbacivanje deionizirane vode koja se nalazi u bocama

1. Uklonite bočice s otopinom reagensa i otopinom za kalibraciju iz analizatora. Povucite čepove boce prema dolje kako bi visjeli ispod analizatora.
Ne dopustite da čep boce ili unutarnje cijevi dodiruju analizator kako bi se spriječila kontaminacija.
2. Izbacite deioniziranu vodu koja se nalazi u bocama.
3. Neka se boce potpuno osuše na zraku.
4. Postavite boce u analizator.
5. Zatvorite vrata analizatora.

Odjeljak 4 Rješavanje problema

Problem	Mogući uzrok	Rješenje
Traka statusa ne prikazuje se na zaslonu mjerenja.	Kanal koji se prikazuje na zaslonu mjerenja nije kanal koji se mjeri.	Pritisnite GORNJU ili DONJU strelicu dok se kanal koji se mjeri ne prikaže na zaslonu mjerenja.
Kanal se ne prikazuje na zaslonu mjerenja kad se GORNJA ili DONJA strelica pritisne.	Kanal nije odabran u postavkama zaslona.	Pritisnite menu (izbornik) zatim odaberite SETUP SYSTEM (POSTAVLJANJE SUSTAVA) > DISPLAY SETUP (POSTAVLJANJE ZASLONA) > ADJUST ORDER (PRILAGOĐAVANJE REDOSLIJEDA) > SEE CURRENT ORDER (POGLEDAJ TRENUTNI REDOSLIJED) . Ako se kanal ne prikazuje, pritisnite back (natrag) zatim odaberite ADD MEASUREMENTS (DODAJ MJERENJA) . Pritisnite LIJEVU strelicu za odabir ili poništite odabir u potvrdnom okviru.

Problem	Mogući uzrok	Rješenje
Kanal se ne mjeri.	Kanal nije aktiviran.	Pritisnite menu (izbornik) zatim odaberite SETUP SYSTEM (POSTAVLJANJE SUSTAVA) > CONFIGURE ANALYZER (KONFIGURACIJA ANALIZATORA) > CONFIGURE SEQUENCER (KONFIGURACIJA USKLAĐIVAČA) > ACTIVATE CHANNELS (AKTIVIRANJE KANALA). Dodajte kanal. Pritisnite LJEVU strelicu za odabir ili poništite odabir u potvrdnom okviru.
	Kanal nije u slijedu mjerenja kanala.	Pritisnite (menu) izbornik zatim odaberite SETUP SYSTEM (POSTAVLJANJE SUSTAVA) > CONFIGURE ANALYZER (KONFIGURACIJA ANALIZATORA) > CONFIGURE SEQUENCER (KONFIGURACIJA USKLAĐIVAČA) > SEQUENCE CHANNELS (REDOSLIJED KANALA). Pritisnite GORNJE i DONJE strelice za odabir reda, a zatim odaberite LJEVU ili DESNU strelicu za odabir kanala. S1 je prvi izmjereni kanal zatim slijede S2, S3 i S4. Napomena: Nemoj odabrati kanale koji sadrže simbol „~“ (npr. 4 ~UZORAK4). Kanali koje sadrže simbol „~“ se ne mjere.
Dolazi do upozorenja „UNSTABLE READING (NESTABILNA OČITANJA)“.	Vrijeme ispiranja između mjerenja kanala je prekratko.	Pritisnite izbornik zatim odaberite SETUP SYSTEM (POSTAVLJANJE SUSTAVA) > CONFIGURE ANALYZER (KONFIGURACIJA ANALIZATORA) > MEASUREMENT (MJERENJE) > SET MEASURE CYCLE (POSTAVLJANJE CIKLUSA MJERENJA) > MAX CYCLE TIME (MAKS. TRAJANJE CIKLUSA) ili CYCLE TIME (TRAJANJE CIKLUSA). Povećajte postavku MAX CYCLE TIME (MAKS. TRAJANJE CIKLUSA) ili CYCLE TIME (TRAJANJE CIKLUSA) kako biste povećali vrijeme ispiranja.
Dolazi do upozorenja „SAMPLE MISSING (NEDOSTAJE UZORAK)“.	Zaporni je ventil na vodu za uzorak zatvoren.	Otvorite zaporni ventil.
	Vod za uzorke nije ispravno postavljen.	Provjerite je li vod za uzorak priključen na ispravan priključak za cijev. Pogledajte odjeljak <i>Priključci za cijevi</i> u priručniku za postavljanje.
	Ventil za protok uzorka je zatvoren.	Pokrenite čarobnjak za pokretanje. Pritisnite menu (izbornik) zatim odaberite SETUP SYSTEM (POSTAVLJANJE SUSTAVA) > STARTUP ANALYZER (POKRETANJE ANALIZATORA). Pritisnite enter (unesi) dok se ne zatraži da prilagodite brzinu protoka uzorka. Zakrenite ventil za protok uzorka suprotno od kazaljke na satu kako biste povećali brzinu protoka na 6 – 9 l/h na svakom kanalu.
	Solenoidni ventil za kanal ne radi ispravno.	Pritisnite diag (dijagnostika) zatim odaberite PERFORM TEST (IZVRŠI TESTIRANJE) > SAMPLE DRAIN (ISPUST ZA UZORAK) kako biste ispraznili spremnik za prelijevanje. Pritisnite diag (dijagnostika) zatim odaberite PERFORM TEST (IZVRŠI TESTIRANJE) > SAMPLE DELIVERY (ISPORUKA UZORKA) kako biste otvorili ventil za uzorak. Ako uzorak ne teče u spremnik za prelijevanje, pregledajte ožičenje ventila za uzorke. Ako je potrebno, zamijenite ventil za uzorke.

Problem	Mogući uzrok	Rješenje
Pojavljuje se upozorenje „PH TOO LOW (PH PRENIZAK)“.	Uklonjen je poklopac s desne komore mjerne kivete.	Postavite poklopac na desnu komoru mjerne kivete.
	Bočica s otopinom za kondicioniranje ima manje od 10 % ili je prazna.	Zamijenite otopinu za kondicioniranje. Pogledajte Zamjena otopine za kondicioniranje na stranici 387.
	Nema curenja zraka u čepu bočice za kondicioniranje.	<ul style="list-style-type: none"> • Provjerite je li poklopac boce za kondicioniranje dobro zatvoren. • Pregledajte podlošku u čepu boce. Ako se uoče istrošenost ili oštećenja, zamijenite podlošku. • Pregledajte plastičnu prirubnicu na rubu boce. Ako se uoče istrošenost ili oštećenja, zamijenite bočicu s otopinom za kondicioniranje.
	Nema curenja zraka u cijevi za kondicioniranje.	Potražite začepljenje ili curenje zraka u cijevima za kondicioniranje. Po potrebi zamijenite cijev. Napomena: Cijev za kondicioniranje sadrži plin, ne otopinu.
	Ventil za kondicioniranje ne radi ispravno.	Pritisnite diag (dijagnostika) zatim odaberite PERFORM TEST (IZVRŠI TESTIRANJE) > CONDITIONING VALVE (VENTIL ZA KONDICIONIRANJE) kako biste otvorili ventil za uzorak. Ako plin za kondicioniranje ne teče u desnu komoru mjerne kivete (vidljivo kao mjehurići), zamijenite ventil za kondicioniranje.
Pojavljuje se upozorenje „CALIBRATION FAIL (KALIBRACIJA NIJE USPJELA)“.	Vrijednost otopine za kalibraciju na postavkama automatske kalibracije razlikuje se od vrijednosti na bočici otopine za kalibraciju.	Promijenite vrijednost otopine za kalibraciju u izborniku kalibracije tako da se podudara s vrijednosti na bočici otopine za kalibraciju. Pogledajte Postavljanje postavki za automatsku kalibraciju u priručniku za rad.
	Bočica s otopinom za kalibraciju je prazna.	Zamijenite otopinu za kalibraciju. Pogledajte Zamjena otopine za kalibraciju i otopine reagensa na stranici 385.
	Postoji curenje ili začepljenje u cijevi otopine za kalibraciju.	Potražite začepljenje ili istjecanje u cijevima. Po potrebi zamijenite cijev.
	Pumpa za otopinu za kalibraciju ne radi ispravno.	<p>Pritisnite diag (dijagnostika) zatim odaberite PERFORM TEST (IZVRŠI TESTIRANJE) > SAMPLE DRAIN (ISPUST ZA UZORAK) kako biste potpuno ispraznili spremnik za prelijevanje.</p> <p>Pritisnite diag (dijagnostika) zatim odaberite PERFORM TEST (IZVRŠI TESTIRANJE) > CAL STD DELIVERY (ISPORUKA KALIBRACIJSKOG STANDARDA) za uključivanje pumpe za otopinu za kalibraciju. Ako otopina za kalibraciju ne teče u spremnik za prelijevanje, zamijenite pumpu za otopinu za kalibraciju.</p>
	Šipka za miješanje se ne okreće. Napomena: Šipka za miješanje okreće se povremeno.	Pritisnite diag (dijagnostika) zatim odaberite PERFORM TEST (IZVRŠI TESTIRANJE) > MIXER (MIKSER) za uključivanje motora motor miješalice. Ako se šipka za miješanje ne pomiče, zamijenite motor miješalice.
	Šipka za miješanje nije u spremniku za prelijevanje.	Osigurajte da je šipka za miješanje u spremniku za prelijevanje.

Problem	Mogući uzrok	Rješenje
Pojavljuje se upozorenje „REACT VOLTAGE LOW (NIZAK NAPON REAGENSA)“.	Bočica s otopinom reagensa je prazna.	Uvjerite se da se kraj cijevi nalazi na dnu bočice s otopinom reagensa. Zamijenite reagens otopinu. Pogledajte Zamjena otopine za kalibraciju i otopine reagensa na stranici 385.
	Natrijeva elektroda ne radi ispravno.	<ul style="list-style-type: none"> Osigurajte da je natrijeva elektroda postavljena ispravno. Pogledajte priručnik za postavljanje. Osigurajte da nema zraka u staklenoj žarulji natrijeve elektrode.
	Referentna elektroda ne radi ispravno.	<ul style="list-style-type: none"> Uklonite referentnu elektrodu iz mjerne kivete. Podignite obod koji se nalazi na staklenom dijelu da otpusti dio elektrolita KCl. Gurnite obod prema dolje i okrenite ga za manje od 1/4 okreta kako biste ga zaključali. Kad je obod zaključan, ne okreće se. Postavite referentnu elektrodu u mjernu kivetu. Osigurajte da je referentna elektroda postavljena ispravno. Pogledajte priručnik za postavljanje. Kako biste utvrdili da je problem riješen, pritisnite diag (dijagnostika) zatim odaberite SENSOR REACTIVATION (SENZOR REAGENSA) kako biste omogućili reagens.
	Postoji curenje ili začepljenje u cijevi otopine reagensa.	Potražite začepljenje ili curenje zraka u cijevima. Po potrebi zamijenite cijev.
	Pumpa za otopinu reagensa ne radi ispravno.	Pritisnite diag (dijagnostika) zatim odaberite PERFORM TEST (IZVRŠI TESTIRANJE) > REACT SOL DELIVERY (ISPORUKA OTOPINE REAGENSA) > HIGH (VISOK) za postavljanje pumpe za otopinu reagensa na visoku brzinu protoka. Ako otopina reagensa ne teče u srednju komoru mjerne kivete, zamijenite pumpu za otopinu reagensa.
Očitavanja instrumenta nisu stabilna.	Analizator je pokrenut prije manje od dva sata.	Pustite da analizator radi 2 sata kako bi postao stabilan.
	Kabel(i) elektrode imaju poprečni navoj na elektrodama.	Isključite kabel iz elektrode. Potpuno pritisnite priključak prema dolje na priključku elektrode, a zatim ga okrećite dok nije potpuno zategnut.
	Kablovi elektrode priključeni su na pogrešnu elektrodu.	Priključite plavi kabel na referentnu elektrodu. Priključite crni kabel na natrijevu elektrodu.
	Brzina je protoka elektrolit KCl prebrza.	Uklonite referentnu elektrodu iz mjerne kivete. Gurnite obod prema dolje i okrenite ga za manje od 1/4 okreta kako biste ga zaključali. Kad je obod zaključan, ne okreće se. Ako obod nije zaključan, elektrolit KCl će teći prebrzo od referentne elektrode do mjerne kivete.

Problem	Mogući uzrok	Rješenje
Mjerenja nisu ispravna.	Analizator nije kalibriran.	Kalibriranje analizatora. Pogledajte odjeljak <i>Izvršavanje kalibracije</i> u priručniku za rad. Za najbolju točnost kalibrirajte analizator u intervalima od 7 dana (tjedno).
	Automatski je reagens onemogućen ili je interval između reagensa veći od 24 sata.	Započnite automatski reagens. Pritisnite diag (dijagnostika) zatim odaberite SENSOR REACTIVATION (SENZOR REAGENSA) . Napomena: Za najbolju točnost uključite postavljanje automatskog reagensa. Postavite interval na 24 sata. Pogledajte priručnik za rad.
	Bočica s otopinom reagensa je prazna.	Zamijenite otopinu reagensa. Pogledajte Zamjena otopine za kalibraciju i otopine reagensa na stranici 385.
	Postoji curenje ili začepljenje u cijevi reagens otopine.	Potražite začepljenje ili istjecanje u cijevima. Po potrebi zamijenite cijev.
	Pumpa za otopinu reagensa ne radi ispravno.	Pritisnite diag (dijagnostika) zatim odaberite PERFORM TEST (IZVRŠI TESTIRANJE) > REACT SOL DELIVERY (ISPORUKA OTOPINE REAGENSA) > HIGH (VISOK) za postavljanje pumpe za otopinu reagensa na visoku brzinu protoka. Ako otopina reagensa ne teče u srednju komoru mjerne kivete, zamijenite pumpu za otopinu reagensa.
Šipka za miješanje se ne okreće u spremniku za prelijevanje.	Miješalica ne radi ispravno. Napomena: Šipka za miješanje okreće se povremeno.	Pritisnite diag (dijagnostika) zatim odaberite PERFORM TEST (IZVRŠI TESTIRANJE) > MIXER (MIKSER) za uključivanje motora motor miješalice. Ako se šipka za miješanje ne pomiče, zamijenite motor miješalice.
Potrošnja elektrolita KCl je prebrza ¹ .	Obod na staklenom dijelu referentne elektrode nije zaključan.	Uklonite referentnu elektrodu. Gurnite obod prema gore. Gurnite obod prema dolje i okrenite ga za manje od 1/4 okreta kako biste ga zaključali. Pogledajte ilustrirane korake u odjeljku <i>Postavljanje referentne elektrode</i> u priručniku za postavljanje. Kad je obod zaključan, ne okreće se. Ako obod nije zaključan, elektrolit KCl će teći prebrzo od referentne elektrode do mjerne kivete.
Potrošnja elektrolita KCl je prespora ² .	Obod na staklenom dijelu referentne elektrode nije bio okrenut da bi slomio brtvu.	Uklonite referentnu elektrodu. Pažljivo okrenite obod kako biste slomili brtvu. Kad se obod okreće lagano, brtva je slomljena. Pogledajte ilustrirane korake u odjeljku <i>Postavljanje referentne elektrode</i> u priručniku za postavljanje. Gurnite obod prema dolje i okrenite ga za manje od 1/4 okreta kako biste ga zaključali. Kad je obod zaključan, ne okreće se. Ako obod nije zaključan, elektrolit KCl će teći prebrzo od referentne elektrode do mjerne kivete.
Indikator releja na zaslonu za mjerenje treperi.	Mjerač vremena za ponovni unos je istekao.	Ponovno postavljanje mjerača vremena za prekoračeni unos. Pogledajte Ponovno postavljanje mjerača za prekoračeni unos za releje na stranici 404. Napomena: Mjerač vremena za prekoračeni unos omogućen je samo kad je postavka releja SET FUNCTION (POSTAVLJANJE FUNKCIJE) postavljena na FEEDER CONTROL (KONTROLA NAPOJNOG VODA) .

¹ Potrošnja elektrolita KCl je prebrza ako se razina spremnika smanji za više od 3 mm (1/8 inča) u dva dana

² Potrošnja elektrolita KCl je prespora ako se razina spremnika smanji za manje od 1 mm u dva dana

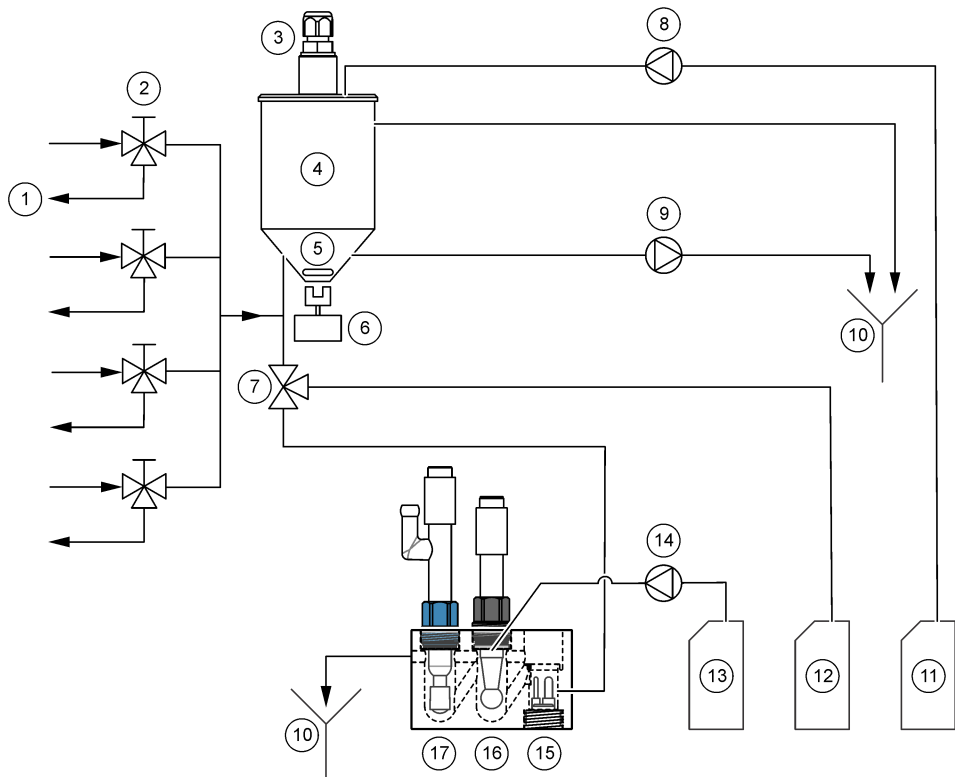
4.1 Ponovno postavljanje mjerača za prekoračeni unos za releje

Postavka mjerača vremena za prekoračeni unos za releje sprječava da stanje koje održava vrijednost mjerenja većim od radne točke ili neutralne zone (npr. oštećene elektrode ili poremećen proces) od neprestanog uključivanja releja. Mjerač vremena za prekoračeni unos ograničava koliko će dugo releji i njihovi priključni kontrolni elementi ostati uključeni neovisno o uvjetima.

Kad odabrani vremenski interval mjerača vremena za prekoračeni unos istekne, status releja treperi u gornjem desnom kutu zaslona mjerenja sve dok se mjerač vremena za prekoračeni unos ponovno ne postavi. Pritisnite **diag (dijagnostike)** zatim pritisnite **OVERFEED RESET (PONOVRNO POSTAVLJANJE ZA PREKORAČENI UNOS)** kako biste ponovno postavili mjerač vremena za ponovni unos.

Odjeljak 5 Dijagnostika

5.1 Shema cijevi



1 Zaobilazni odvod uzorka	7 Ventil za kondicioniranje	13 Otopina reagensa
2 Ulaz za uzorak	8 Pumpa za otopinu za kalibraciju ³ .	14 Pumpa za otopinu reagensa
3 Senzor razine	9 Odvodna pumpa	15 Senzor za temperaturu
4 Spremnik za prelijevanje	10 Odvod	16 Natrijeva elektroda
5 Šipka za miješanje	11 Otopina za kalibraciju ³	17 Referentna elektroda
6 Motor miješalice	12 Otopina za kondicioniranje	

5.2 Pokretanje testa analizatora

Pokrenite test analizatora kako biste utvrdili rade li ispravno svjetlo indikatora statusa, motor miješalice, pumpa ili ventil.

³ Jedino analizatori s opcijom automatske kalibracije imaju pumpu za otopinu za kalibraciju i otopinu za kalibraciju.

1. Pritisnite **diag (dijagnostika)** zatim odaberite **PERFORM TEST (IZVRŠI TESTIRANJE)**.
2. Odaberite opciju.

Opcija	Opis
REACT SOL DELIVERY (ISPORUKA OTOPINE REAGENSA)	Pokretanje pumpe za otopinu reagensa. Otopina reagensa teče u srednju komoru mjerne kivete. Napomena: <i>Mjerna kiveta prozirni je blok gdje su postavljene elektrode.</i>
SAMPLE DELIVERY (ISPORUKA UZORAKA)	Postavljanje solenoidnog ventila uzorka za odabrani kanal kako bi se otvorio. Uzorak teče u spremnik za prelijevanje. Napomena: <i>Ako je spremnik za prelijevanje pun, razina vode u spremniku za prelijevanje neće se promijeniti. Kako biste ispraznili spremnik za prelijevanje, izvršite ispitivanje SAMPLE DRAIN (ISPUST ZA UZORAK).</i>
CAL STD DELIVERY (ISPORUKA KALIBRACIJSKOG STANDARDA)	Napomena: <i>Opcija CAL STD DELIVERY (ISPORUKA KALIBRACIJSKOG STANDARDA) dostupna je samo na analizatorima koji imaju opciju automatske kalibracije.</i> Uključivanje pumpe za otopinu za kalibraciju. Otopina za kalibraciju teče u spremnik za prelijevanje.
CONDITIONING VALVE (VENTIL ZA KONDICIONIRANJE)	Otvaranje ventila za kondicioniranje. Plin kondicioniranja ulazi u desnu komoru mjerne kivete. Napomena: <i>Mjerna kiveta prozirni je blok gdje su postavljene elektrode.</i>
SAMPLE DRAIN (ISPUST ZA UZORAK)	Uključivanje odvodne pumpe. Voda u spremniku za prelijevanje cijedi odvodnu cijev za kemikalije.
MIXER (MIKSER)	Uključivanje motora miješalice. Šipka za miješanje okreće se u spremniku za prelijevanje.
STATUS LED (STATUSNI LED)	Postavljanje svjetla indikatora statusa da se neprestano izmjenjuje: žuto, crveno, zeleno.
AIR PUMP (ZRAČNA PUMPA)	Napomena: <i>Opcija AIR PUMP (ZRAČNA PUMPA) dostupna je samo kad je postavljena dodatna kationska pumpa.</i> Uključivanje kationske pumpe. Kationska pumpa gura zrak u bocu s otopinom za kondicioniranje (DIPA). Pogledajte odjeljak <i>Pregled proizvoda</i> u priručniku za postavljanje kako biste utvrdili lokaciju kationske pumpe u analizatoru.
SELECT SCRIPT (ODABIR SKRIPTE)	Napomena: <i>Opcija SELECT SCRIPT (ODABIR SKRIPTE) dostupna je samo za upotrebu servisa.</i> Postavljanje analizatora za upotrebu uobičajene skripte instrumenta ili testa skripte.

5.3 Pokretanje ispitivanja izlaza ili releja 4 – 20 mA

Pokrenite ispitivanje izlaza ili releja 4 – 20 mA kako biste utvrdili je li rad izlaza ili releja 4 – 20 mA ispravan.

1. Pritisnite **diag (dijagnostika)** i odaberite **OUTPUTS (IZLAZI)**.
2. Odaberite opciju.

Opcija	Opis
TEST 4-20 mA	Postavljanje signala (mA) na odabranom izlazu 4 – 20 mA. Izmjerite struju na izlazu 4 – 20 mA s pomoću multimetra.
TEST RELAY (TEST RELEJA)	Postavljanje odabranog releja na uključeno (pod naponom) ili isključeno (nije pod naponom). Izmjerite otpor na releju s pomoću multimetra kako biste utvrdili je li relej otvoren ili zatvoren.

Opcija	Opis
HOLD OUTPUTS (ZADRŽI IZLAZ)	Zadržavanje izlaza na posljednjoj vrijednosti ili postavljanje izlaza na vrijednost prijenosa. ACTIVATION (AKTIVACIJA) – odaberite LAUNCH (POKRETANJE) kako biste zadržali izlaze na zadnjoj vrijednosti ili ih postavite na vrijednost prijenosa. Odaberite RELEASE (OTPUŠTANJE) kako bi izlazi radili normalno. SET OUTMODE (POSTAVLJANJE VANJSKOG NAČINA RADA) – odaberite HOLD OUTPUTS (ZADRŽI IZLAZ) da zadržite izlaze na zadnjoj vrijednosti. Odaberite TRANSFER OUTPUTS (PRIJENOS IZLAZA) kako biste postavili izlaze na vrijednost prijenosa. Pogledajte priručnik za rad za postavljanje vrijednosti prijenosa izlaza. SET CHANNELS (POSTAVLJANJE KANALA) – odaberite ALL (SVE) za odabir svih kanala. Odaberite ANALYZER (ANALIZATOR) za odabir svih kanala za odabrani analizator.
OUTPUT STATUS (STATUS IZLAZA)	Pokazuje signale (mA) na izlazima 4 – 20 mA.
SIMULATE MEASUREMENT (SIMULACIJA MJERENJA)	Upisivanje očitavanja analizatora na odabranom kanalu za ispitivanje izlaza. Simulacija se prekida nakon što korisnik napusti zaslon. SELECT SOURCE (ODABIR IZVORA) – odabir analizatora. SET PARAMETER (POSTAVLJANJE PARAMETRA) – odabir kanal. SET SIM VALUE (POSTAVLJANJE SIM VRIJEDNOSTI) – postavljanje očitavanja analizatora.

5.4 Prikaz podataka o analizatoru

Kako biste prikazali podatke o analizatoru koji slijede, pritisnite **menu (izbornik)** zatim odaberite VIEW DATA (PRIKAZ PODATAKA) > ANALYZER DATA (PODACI ANALIZATORA). Pogledajte [Tablica 2](#).

Tablica 2 Opisi podataka o analizatoru

Stavka	Opis
DATE/TIME (DATUM/VRIJEME)	Trenutno vrijeme (24-satni format) i datum utvrđeni su u postavkama
NAME (NAZIV)	Naziv analizatora
TYPE (VRSTA)	Vrsta analizatora
AMBIENT TEMP (TEMPERATURA OKOLINE)	Okolišna temperatura analizatora
CONDITION SOL LEVEL (RAZINA OTOPINE ZA KONDICIONIRANJE)	Razina otopine boce s otopinom za kondicioniranje
REACT SOL LEVEL (RAZINA OTOPINE REAGENSA)	Razina otopine u boci s otopinom reagensa
STANDARD LEVEL (RAZINA STANDARDA)	Razine otopine u boci s otopinom za kalibraciju
KCL LEVEL (KCL RAZINA)	Razina otopine u spremniku elektrolita KCl
LAST REACTIVATION (ZADNJI REAGENS)	Datum posljednjeg automatskog reagensa
LAST CAL (ZADNJA KALIBRACIJA)	Datum zadnje kalibracije
LAST SERVICE (ZADNJI SERVIS)	Datum zadnjeg servisa
SOFTWARE VERS (VERZ. SOFTVERA)	Instalirana verzija softvera
DD FIRMWARE (PROGR. DAT. UPRAVLJ. PROGRAMA UREĐAJA)	Instalirana verzija programske datoteke upravljačkog programa uređaja
DD CONTENT (SADRŽAJ UPRAVLJAČKOG PROGRAMA UREĐAJA)	Verzija podatkovnog sadržaja upravljačkog programa uređaja
SCRIPT VERSION (VERZIJA SKRIPTE)	Verzija bloka direktorija datoteke skripti
SCRIPT CONTENT (SADRŽAJ SKRIPTE)	Verzija sadržaja direktorija datoteke skripti

Tablica 2 Opisi podataka o analizatoru (nastavak)

Stavka	Opis
MEAS_CONTROL SW REV (MJERNE KONTROLE SOFTVERA NATR.)	Revizija instaliranog softvera za kontrolu mjerenja
SERIAL NUMBER (SERIJSKI BROJ)	Serijski broj analizatora

5.5 Prikaz statusa analizatora i podataka sustava

Kako biste prikazali trenutni status analizatora, status Modbusa, podatke sustava ili I2C podatke, učinite sljedeće korake:

1. Pritisnite **diag** (Dijagnostika).
2. Odaberite opciju.

Opcija	Opis
CURRENT STATUS (TRENUTNI STATUS)	OPERATION (RAD) – trenutni način mjerenja. SAMPLE CHANNEL (KANAL UZORKA) – trenutni kanal uzorka. STEP STATUS (STATUS KORAKA) – trenutni koraci ciklusa mjerenja. STEP TIME (VRIJEME KORAKA) – preostalo trajanje koraka. MINUTES LEFT (PREOSTALE MINUTE) – preostale minute trenutnog koraka. COMPLETION (DOVRŠENO) – % ciklusa mjerenja dovršeno.
MODBUS STATUS (STATUS MODBUSA)	Prikaz statusa priključaka Modbus: senzor, upravljač, mreža i servis. Prikaz broja dobrih i loših prijenosa.
SYSTEM DATA (PODACI SUSTAVA)	AMBIENT TEMP (TEMPERATURA OKOLINE) – izmjerena temperatura okoline u stupnjevima Celzija (C). POWER SOURCE FREQUENCY (FREKVENCIJA IZVORA NAPAJANJA) – frekvencija kablenskog napajanja (Hz). POWER SOURCE VOLTAGE (NAPON IZVORA NAPAJANJA) – kabel za napajanje (AC). 12V VOLTAGE (NAPON 12 V) – izmjereni napon napajanja (VDC). 3.3 V VOLTAGE (NAPON 3,3 V) – izmjereno regulirano napajanje od 3,3 V (VDC). 12V CURRENT (STRUJA 12 V) – izmjerena struja napajanja od 12 V (amperi).
I2C DATA (I2C PODACI)	Prikaz podataka o komunikaciji (I ² C) i broju verzije.

5.6 Prikaz podataka o servisu


Upotrijebite servisni izbornik za prikazivanje i postavljanje povijesti servisa dijelova instrumenta.

1. Pritisnite **diag** (Dijagnostika).
2. Odaberite SERVICE (SERVIS).
3. Odaberite opciju.

Opcija	Opis
CONSUMABLE (POTROŠNI MATERIJAL)	Prikaz popisa potrošnih dijelova. Prikaz datuma zadnje zamjene i broj dana otkad je dio zamijenjen. Ponovno postavite brojač nakon zamjene dijela.
SERVICE PART (SERVISNI DIO)	Napomena: Opcija SERVICE PART (SERVISNI DIO) dostupna je samo za upotrebu servisa. Prikaz popisa dijelova i datum zadnjeg servisa. Predstavnik korisničke službe ponovno postavlja brojač nakon zamjene dijela.
ANNUAL MAINTENANCE (GODIŠNJE ODRŽAVANJE)	Prikaz datuma zadnjeg godišnjeg održavanja, datum sljedećeg godišnjeg održavanja i broj dana do sljedećeg godišnjeg održavanja. Ponovno postavite brojač nakon godišnjeg održavanja.
EDIT ELECTRODES SN (UREDI ELEKTRODU SN)	Bilježenje serijskih brojeve elektroda.

Opcija	Opis
SERVICE HISTORY (POVIJEST SERVISA)	Prikaz izvršenih zadataka održavanja i datum (npr. Replace reactivation solution (Zamjena otopine reagensa)). START TIME (VRIJEME POKRETANJA) – prikaz podataka zabilježenih nakon odabranog datuma i vremena. NUMBER OF READINGS (BROJ OČITANJA) – prikaz odabranog broja točaka podataka.
POST ENABLE (OMOGUĆAVANJE NOSAČA)	NO (NE) – ne izvode se dijagnostike hardvera pri napajanju adaptera. YES (DA) – izvode se dijagnostike hardvera pri napajanju adaptera.

Odjeljak 6 Zamjenski dijelovi i dodatna oprema

⚠ UPOZORENJE	
	Opasnost od ozljede. Korištenje neodobrenih dijelova može uzrokovati osobne ozljede, oštećenje instrumenta ili neispravno funkcioniranje opreme. Proizvođač je odobrio upotrebu rezervnih dijelova navedenih u ovom odjeljku.

Napomena: Brojevi proizvoda i artikla mogu varirati za neke regije prodaje. Obratite se odgovarajućem distributeru ili pogledajte web stranicu tvrtke za kontaktne podatke.

Reagensi i standardne otopine

Opis	Količina	Broj proizvoda
Otopina elektrolita 3M KCl	250 mL	LZW9500.99
Otopina elektrolita 3M KCl	500 mL	363140,00500
Diizopropilamin (DIPA), 99 %	1 L	2834453
Standardna otopina natrijeva klorida, 10 ppm	1 L	2835153
Natrijev nitrat, 0,5 M	500 mL	2507149

Zamjenski dijelovi

Opis	Količina	Broj proizvoda
Bočica s otopinom za kondicioniranje s čepom, prazna	1	8352000
Podloška, čep bočice za kondicioniranje	1	8417200
Priključak koljena, odvod, ½ inčni, polipropilen	1	6772800
Elektroda, referentna	1	09240=C=0310
Elektroda, natrijeva	1	09240=C=0320
Osigurač, 1,6 A, 250 V, 5 x 20 mm	1	5208300
Osigurač, 5 A, 250 V, tromi, 5 x 20 mm	1	4693800
Komplet za postavljanje, jednokanalni analizator, analizator s kućištem	1	8375400
Komplet za postavljanje, dvokanalni analizator, analizator s kućištem	1	8375300
Komplet za postavljanje, četverokanalni analizator, analizator s kućištem	1	8371500
Komplet za postavljanje, jednokanalni analizator, analizator bez kućišta	1	8375700
Komplet za postavljanje, dvokanalni analizator, analizator bez kućišta	1	8375600
Komplet za postavljanje, četverokanalni analizator, analizator bez kućišta	1	8375500

Zamjenski dijelovi (nastavak)

Opis	Količina	Broj proizvoda
Motor miješalice	1	8420000
Vijci za montažu na ploču zaobljene glave M6 x 20, nehrđajući čelik, torx ključ	4	8415500
Alat za bušenje unutarnjih električnih utikača, metalna cijev, upotrebljava se s 8379900	1	8380000
Alat za bušenje unutarnjih električnih utikača, metalna pločica, upotrebljava se s 8380000	1	8379900
Regulator tlaka, 0,3 bara (4 psi), neprilagodljiv	1	6782900
Pumpa, otopina za kalibraciju	1	8364300
Pumpa, odvod	1	8357400
Pumpa, otopina reagensa	1	8364200
Zaporni ventil, 6 mm, OD cijevi	1	8385200
Šipka za miješanje	1	W_4510_001_FF
Priključak kabselske uvodnice (uvodnik), PG9 4 mm do 8 mm	1	8356300
Priključak kabselske uvodnice (uvodnik), ½ inčni NPT od 4 mm do 9 mm	1	8368400
Nosač za montiranje na stol	2	8370400
Vijci, nosač za montiranje na stol, #8 x ½ nehrđajući čelik, torx ključ	2	8412200
Cijevi, kemijski odvod i odvod kućišta, 17,5 mm (¹¹ / ₁₆ inčni) OD x 3,2 mm (¹ / ₈ -inčni) debeo	2 m (6.5 ft)	LZX278
Cijevi, uzorak, 6 mm OD x 4 mm ID	5.5 m (18 ft)	6772500
Rezač cijevi	1	8385400
Nosač za montiranje na zid	2	8364100
Vijci, nosač za montiranje na zid, M4 x 10 ravni nehrđajući čelik, torx ključ	2	8412500
Ventil, kondicioniranje	1	8367600
Ventil, uzorak	1	8370200

Dodaci

Opis	Količina	Broj proizvoda
Adapter za bocu, DIPA boca, tvrtka Merck	1	09073=C=0350
Adapter za bocu, DIPA boca, tvrtka Orion	1	09073=C=0360
Filtar, ulaz za uzorak, 100 µm, OD cijevi promjera ¼ inča	1	595=010=005
Filtar, ulaz za uzorak, 100 µm, OD cijevi promjera 6 mm	1	595=010=000
Izmjenjivač topline, najviše četiri kanala	1	8368900
Komplet za kationsku nadogradnju	1	8371200
Kabel napajanja, Sjeverna Amerika	1	9179700
Komplet za nadogradnju s jednokanalnog na četverokanalni	1	8365100

Dodaci (nastavak)

Opis	Količina	Broj proizvoda
Komplet za nadogradnju s dvokanalnog na četverokanalni	1	8365000
Komplet za nadogradnju za automatsku kalibraciju	1	8368000
Adapter za cijevi, OD od 6 mm do OD od ¼ inča	2	09245=A=8300

Оглавление

- | | | | |
|---|--|---|---|
| 1 | Информация по технике безопасности на стр. 412 | 4 | Поиск и устранение неисправностей на стр. 428 |
| 2 | Показать активные ошибки, предупреждения и напоминания на стр. 412 | 5 | Диагностика на стр. 435 |
| 3 | Обслуживание на стр. 412 | 6 | Запасные части и аксессуары на стр. 439 |

Раздел 1 Информация по технике безопасности

Общую информацию по безопасности, описание существующих опасностей и предупреждающих знаков см. в руководстве по установке.

Раздел 2 Показать активные ошибки, предупреждения и напоминания

При возникновении ошибки фон дисплея и индикатор состояния загорается красным, а при возникновении предупреждения — желтым цветом.

- **Error (Ошибка)**—красный фон дисплея и индикатор состояния. Возникла серьезная проблема, влияющая на работу прибора. Текущее измерение останавливается, и анализатор переходит в режим выключения.
- **Warning (Предупреждение)**—желтый фон дисплея и индикатор состояния. Произошедшее событие может вызвать проблему в будущем. Сам анализатор продолжает работу.
- **Reminders (Напоминания)**—на дисплее появится символ гаечного ключа и желтый индикатор состояния. Пропущено время проведения технического обслуживания.

Выполните следующие действия, чтобы показать активные ошибки, предупреждения и напоминания:

Примечание: Чтобы просмотреть все возможные ошибки, предупреждения и напоминания, а также их справочную информацию, нажмите **diag (диагностика)**, затем выберите пункт **ANALYZER HELP (СПРАВКА ПО АНАЛИЗАТОРУ)**.

1. Нажмите **diag (диагностика)**, затем выберите **DIAGNOSTICS (ДИАГНОСТИКА)**. Отображаются активные ошибки, предупреждения и напоминания.
2. Выберите в списке ошибку, предупреждение или напоминание.
3. Выберите опцию.

Опция	Описание
ACKNOWLEDGE (ПОДТВЕРЖДЕНИЕ)	Подтверждает выбранную ошибку, предупреждение или напоминание. Если все активные ошибки, предупреждения и напоминания будут подтверждены, цвет фона дисплея меняется на белый, а индикатор состояния меняется на зеленый.
VIEW HELP (ПРОСМОТР СПРАВКИ)	Отображает справку для выбранной ошибки, предупреждения или напоминания.

Раздел 3 Обслуживание

▲ ОПАСНОСТЬ



Различные опасности. Работы, описываемые в данном разделе, должны выполняться только квалифицированным персоналом.

3.1 График технического обслуживания

В Таблица 1 указан рекомендуемый график выполнения задач по техническому обслуживанию. В зависимости от требований объекта и условий работы выполнение некоторых задач может потребоваться чаще.

Таблица 1 График технического обслуживания

Задача	3 месяца	При необходимости
Замена растворов для калибровки и реактивации на стр. 413	X	
Замена раствора для кондиционирования на стр. 415	X	
Замена электролита KCl на стр. 418	X	
Замена предохранителя на входе питания на стр. 420		X

3.2 Очистка прибора

УВЕДОМЛЕНИЕ

Для очистки прибора, в том числе дисплея и принадлежностей, не допускается использование таких чистящих средств, как скипидар, ацетон и им подобных.

Внешние поверхности прибора можно очищать влажной тканью, смоченной слабым мыльным раствором.

3.3 Очистка пролитой жидкости

▲ ОСТОРОЖНО



Опасность вредного химического воздействия. Утилизируйте химические вещества и отходы в соответствии с местными, региональными и общегосударственными правилами и законами.

1. Следуйте заводским инструкциям по безопасному сбору разлитой жидкости.
2. Утилизируйте отходы согласно применимым нормативным требованиям.

3.4 Замена растворов для калибровки и реактивации

▲ ОСТОРОЖНО



Опасность вредного химического воздействия. Необходимо соблюдать правила техники безопасности работы в лаборатории и использовать все средства индивидуальной защиты, соответствующие используемым химическим веществам. При составлении протоколов по технике безопасности воспользуйтесь действующими паспортами безопасности / паспортами безопасности материалов (MSDS/SDS).

▲ ОСТОРОЖНО



Опасность вредного химического воздействия. Утилизируйте химические вещества и отходы в соответствии с местными, региональными и общегосударственными правилами и законами.

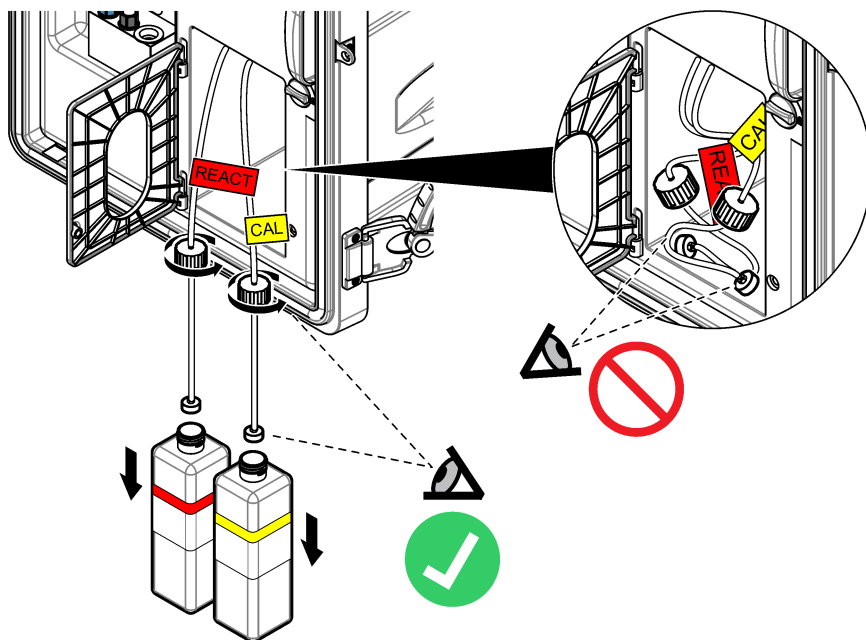
Заменяйте раствор для реактивации и калибровочный раствор через каждые 3 месяца или в том случае, если емкость заполнена менее чем на 10%.

Поставляется пользователем:

- Средства индивидуальной защиты (см. MSDS/SDS)
- 0.5M Нитрат натрия (NaNO_3), 500 мл
- Стандартный раствор хлорида натрия (NaCl), 10 ppm, 500 мл
- Деионизированная вода, 100 мл

1. Наденьте индивидуальные средства защиты, указанные в паспорте безопасности (MSDS/SDS).
2. Нажмите **меню (меню)**, затем выберите STOP ANALYZER (ОСТАНОВИТЬ АНАЛИЗАТОР).
Примечание: Если появляется надпись START ANALYZER (ЗАПУСТИТЬ АНАЛИЗАТОР), это означает, что анализатор уже находится в режиме ожидания.
3. Замените раствор для реактивации и калибровочный раствор следующим образом:
 - a. Извлеките из анализатора бутылки с раствором для реактивации и с калибровочным раствором. См. [Рисунок 1](#).
Примечание: Бутылка для калибровочного раствора предусмотрена только для анализаторов с опцией автоматической калибровки.
 - b. Утилизируйте растворы из бутылок в соответствующей дренажной системе.
 - c. Промойте бутылки деионизированной водой.
 - d. Заполните бутылку для калибровочного раствора новым раствором хлорида натрия (NaCl) 10 ppm (500 мл). На бутылке с калибровочным раствором находится этикетка с желтой полосой.
Примечание: Порядок подготовки раствора хлорида натрия (NaCl), 10 ppm, см. в руководстве по эксплуатации.
 - e. Заполните бутылку с раствором для реактивации новым раствором нитрата натрия (NaNO₃) 0.5M (500 мл). На бутылке с калибровочным раствором находится этикетка с красной полосой.
Примечание: Порядок подготовки раствора нитрата натрия 0.5M (NaNO₃) см. в руководстве по эксплуатации.
 - f. Установите бутылки в анализатор. Убедитесь, что трубка с красной меткой "REACT" (РЕАКТИВАЦИЯ) помещена в бутылку с красной полосой.
Убедитесь, что трубка с желтой меткой "CAL" (КАЛИБРОВКА) помещена в бутылку с желтой полосой.
4. Введите уровни в бутылках следующим образом:
 - a. Нажмите **меню (меню)**, затем выберите REAGENTS/STANDARDS (РЕАГЕНТЫ/СТАНДАРТЫ).
 - b. Выберите SET REACT LEVEL (УСТАНОВИТЬ УРОВЕНЬ РЕАКТИВ.), затем введите 100%.
 - c. Выберите SET STANDARD LEVEL (УСТАН. УРОВЕНЬ СТАНД. Р-РА), затем введите 100%.
5. Выберите PRIME REAGENTS (ЗАПРАВКА РЕАГЕНТОВ).
6. После заправки реагентов нажмите **меню (меню)**, затем выберите START ANALYZER (ЗАПУСТИТЬ АНАЛИЗАТОР).

Рисунок 1 Извлечение бутылки



3.5 Замена раствора для кондиционирования

⚠ ПРЕДУПРЕЖДЕНИЕ



Опасность вдыхания. Ни в коем случае не вдыхайте пары диизопропиламина (DIPA) или аммония. Их воздействие может привести к тяжелой травме или смерти.



⚠ ПРЕДУПРЕЖДЕНИЕ



Химическая опасность. Диизопропиламин (DIPA) и аммоний являются легковоспламеняющимися, коррозионными и токсичными химическими веществами. Их воздействие может привести к тяжелой травме или смерти.



▲ ПРЕДУПРЕЖДЕНИЕ



Опасность вредного химического воздействия. Необходимо соблюдать правила техники безопасности работы в лаборатории и использовать все средства индивидуальной защиты, соответствующие используемым химическим веществам. Перед заполнением бутылок или подготовкой реагентов ознакомьтесь с паспортом безопасности от поставщика. Только для лабораторного использования. В соответствии с местными требованиями доведите до сведения пользователя информацию о существующей опасности.

▲ ОСТОРОЖНО



Опасность вредного химического воздействия. Утилизируйте химические вещества и отходы в соответствии с местными, региональными и общегосударственными правилами и законами.

Заменяйте раствор для кондиционирования через каждые 3 месяца или в том случае, если емкость заполнена менее чем на 10%. Используйте в качестве раствора для кондиционирования диизопропиламин (DIPA) (рекомендуется) или аммоний (более 28%).

Поставляется пользователем:

- Средства индивидуальной защиты (см. MSDS/SDS)
- Диизопропиламин (DIPA) 99%, бутылка емкостью 1 л
- Адаптер для бутылок Merck или Orion DIPA, если применимо

Замените бутылку для кондиционирования следующим образом:

1. Наденьте индивидуальные средства защиты, указанные в паспорте безопасности (MSDS/SDS).
2. Нажмите **меню (меню)**, затем выберите STOP ANALYZER (ОСТАНОВИТЬ АНАЛИЗАТОР).

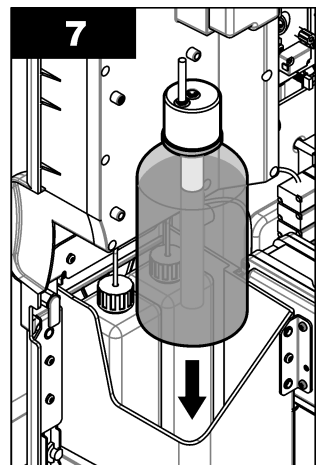
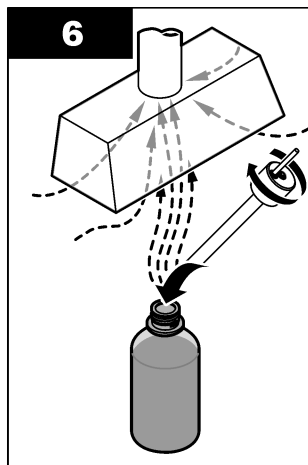
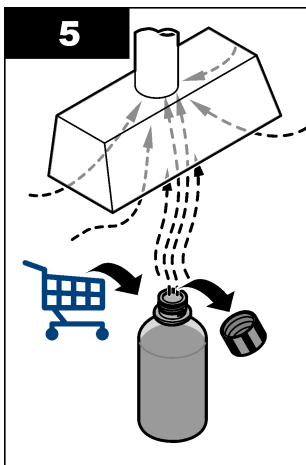
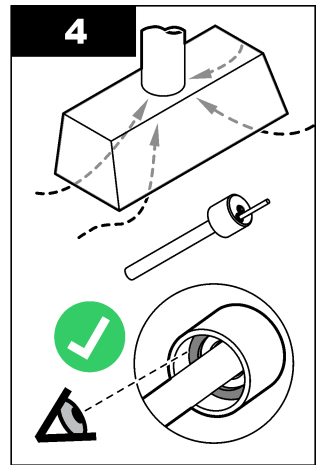
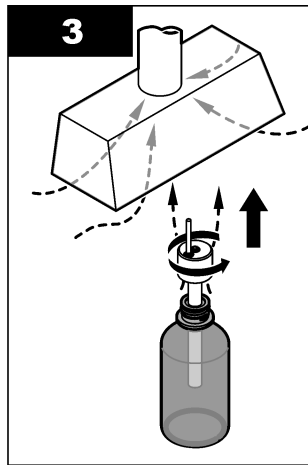
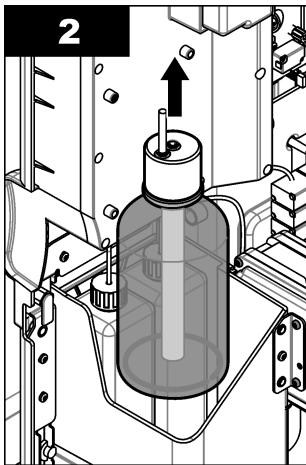
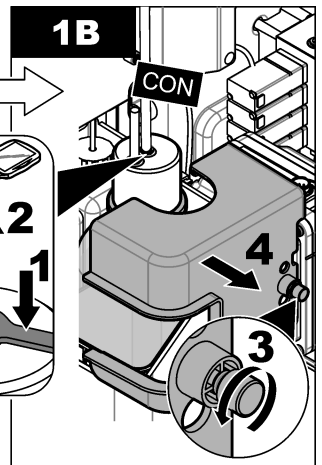
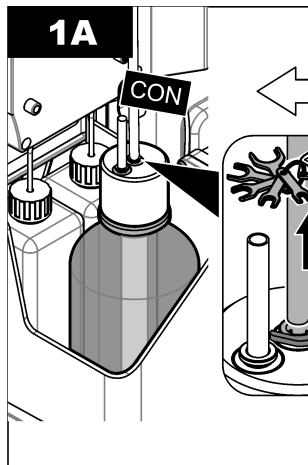
Примечание: Если появляется надпись START ANALYZER (ЗАПУСТИТЬ АНАЛИЗАТОР), это означает, что анализатор уже находится в режиме ожидания.

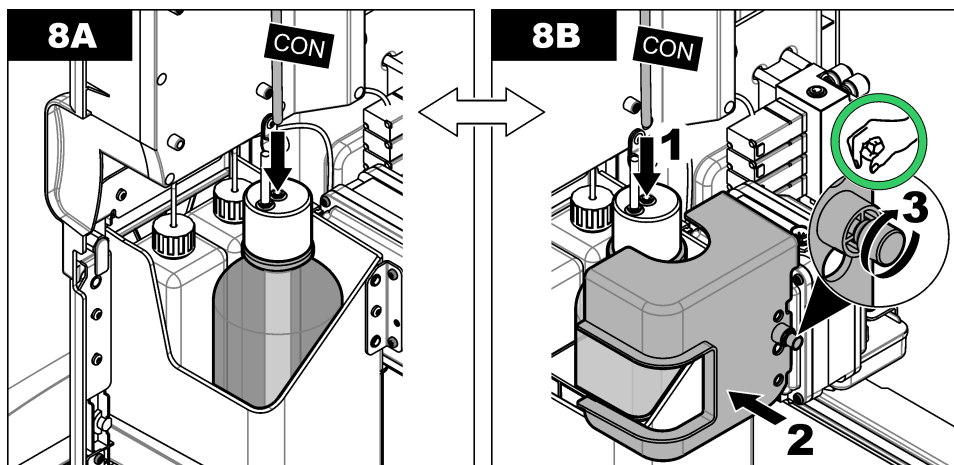
3. Поверните защелку на панели анализатора в разблокированное положение. Откройте аналитическую панель.
4. Замените бутылку с раствором для кондиционирования. См. представленные ниже иллюстрации.

Примечание: Анализаторы с дополнительным насосом оснащены двумя трубками, которые находятся в крышке бутылки для кондиционирования. Снимите обе трубки.

Примечание: Держатель для бутылок предусмотрен только для анализаторов без корпуса, как показано на рисунках 1 и 8.

Выполните под вытяжным шкафом шаги 3-6, показанные на рисунках, если применимо. Ни в коем случае не вдыхайте пары диизопропиламина или аммония.





5. Для анализаторов с дополнительным насосом установите выпускной патрубок из дополнительного насоса обратно в отверстие у края крышки.
6. Закройте аналитическую панель. Поверните защелку на аналитической панели в заблокированное положение.
7. Введите уровень в бутылке следующим образом:
 - a. Нажмите **меню (меню)**, затем выберите REAGENTS/STANDARDS (РЕАГЕНТЫ/СТАНДАРТЫ).
 - b. Выберите SET COND LEVEL (УСТАНОВИТЬ УРОВЕНЬ КОНД.), затем введите 100%.
8. Нажмите **меню (меню)**, затем выберите START ANALYZER (ЗАПУСТИТЬ АНАЛИЗАТОР).

3.6 Замена электролита KCl

▲ ОСТОРОЖНО



Опасность вредного химического воздействия. Необходимо соблюдать правила техники безопасности работы в лаборатории и использовать все средства индивидуальной защиты, соответствующие используемым химическим веществам. При составлении протоколов по технике безопасности воспользуйтесь действующими паспортами безопасности / паспортами безопасности материалов (MSDS/SDS).

▲ ОСТОРОЖНО



Опасность вредного химического воздействия. Утилизируйте химические вещества и отходы в соответствии с местными, региональными и общегосударственными правилами и законами.

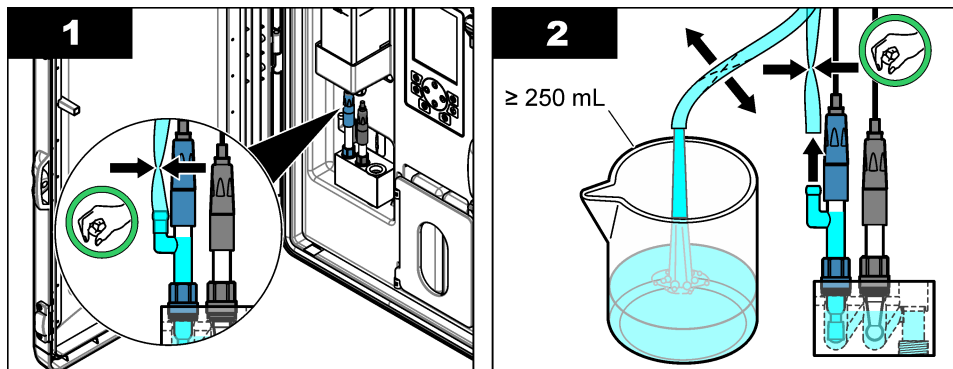
Заменяйте электролит KCl в резервуаре для электролита KCl через каждые 3 месяца.

Необходимые предметы:

- Средства индивидуальной защиты (см. MSDS/SDS)
- Электролит 3M KCl, 200 мл
- Маленький контейнер, емкость 250 мл или больше

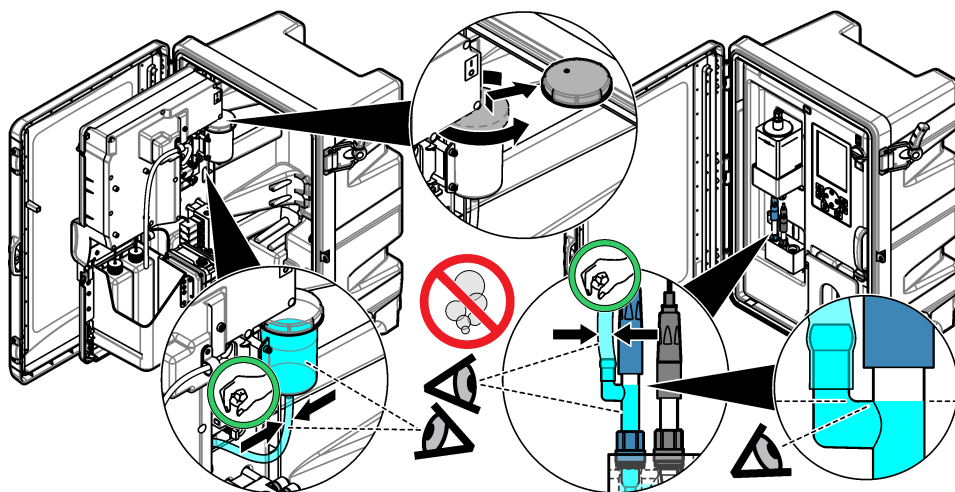
Замените электролит KCl следующим образом:

1. Наденьте индивидуальные средства защиты, указанные в паспорте безопасности (MSDS/SDS).
2. Слейте содержимое резервуара для электролита KCl в небольшой контейнер. См. представленные ниже иллюстрации. Утилизируйте электролит KCl в подходящую дренажную систему.



3. Установите трубку с электролитом KCl обратно на референсный электрод.
4. Заполните резервуар для электролита KCl следующим образом:
 - a. Поверните защелку на аналитической панели в разблокированное положение. Откройте аналитическую панель.
 - b. Снимите крышку с резервуара для электролита KCl. См. [Рисунок 2](#).
 - c. Заполните резервуар на 90% (приблизительно 200 мл).
 - d. Установите крышку.
5. Выпустите пузырьки воздуха из трубки для электролита KCl следующим образом:
 - a. Сожмите трубку с электролитом KCl с лицевой стороны аналитической панели большим и указательным пальцами, чтобы переместить пузырьки воздуха вверх, в резервуар. См. [Рисунок 2](#).
 - b. Когда пузырек воздуха будет находиться рядом с резервуаром, используйте обе руки, чтобы зажать трубки с обеих сторон от аналитической панели и переместить пузырек воздуха вверх.
 - c. Продолжайте сжимать трубку до тех пор, пока уровень электролита в верхней части референсного электрода не достигнет места соединения стеклянной трубки, где электролит KCl попадает в электрод. См. [Рисунок 2](#).
6. Закройте аналитическую панель. Поверните защелку на аналитической панели в заблокированное положение.
7. Введите уровень в бутылке следующим образом:
 - a. Нажмите **меню (меню)**, затем выберите REAGENTS/STANDARDS (РЕАГЕНТЫ/СТАНДАРТЫ).
 - b. Выберите SET KCL LEVEL (УСТАНОВИТЬ УРОВЕНЬ KCL), затем введите 100%.

Рисунок 2 Заполните резервуар для электролита KCl



3.7 Замена предохранителя на входе питания

▲ ОПАСНОСТЬ



Опасность смертельного поражения электрическим током. Перед началом этой процедуры отключите питание прибора.

▲ ОПАСНОСТЬ



Опасность возникновения пожара. При замене предохранителей используйте предохранители того же типа и номинала.

Осмотрите предохранители. Замените перегоревшие предохранители новыми.

Детали, предоставляемые пользователем: предохранитель Т 1,6 А, 250 В перем. тока

1. Отсоедините кабель питания от электрической розетки.
2. Снимите крышку доступа к электрооборудованию. См. иллюстрации на [Рисунок 3](#).
3. Замените предохранитель. См. иллюстрации на [Рисунок 4](#)
4. Установите крышку доступа к электрооборудованию. Затяните все винты, чтобы обеспечить требуемый класс защиты корпуса.
5. Закройте аналитическую панель. Поверните защелку на аналитической панели в заблокированное положение.
6. Подключите кабель питания к электрической розетке.
7. Нажмите **меню (меню)**, затем выберите START ANALYZER (ЗАПУСТИТЬ АНАЛИЗАТОР).

Рисунок 3 Снятие крышки доступа к электрооборудованию

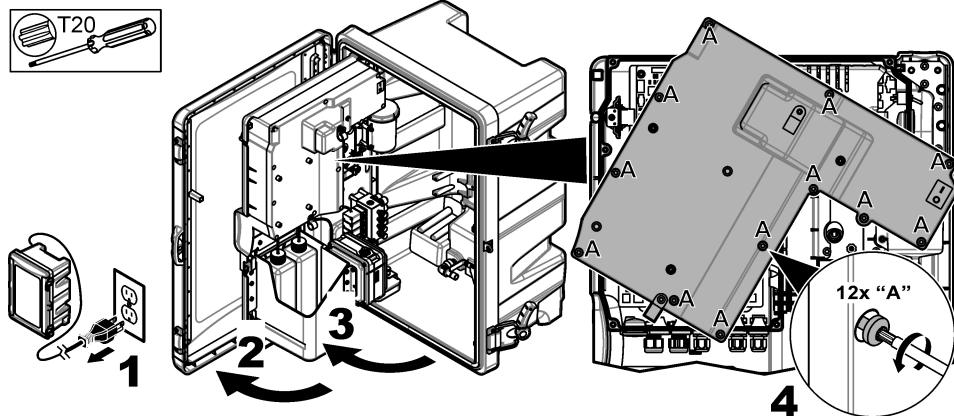
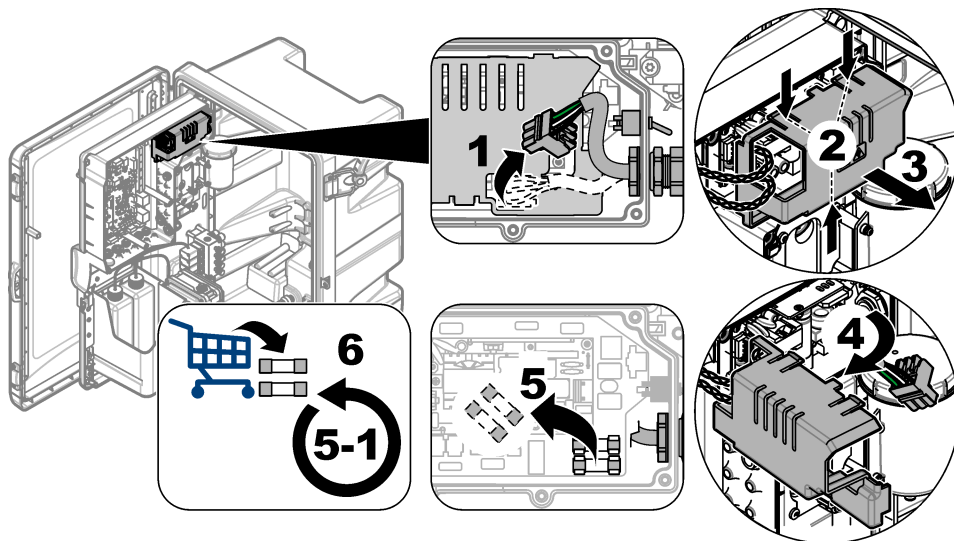


Рисунок 4 Замена предохранителя питания



3.8 Подготовка анализатора к кратковременному отключению

Подготовьте анализатор к кратковременному отключению (от 2 дней до 1 недели) следующим образом:

Детали, предоставляемые пользователем: Зажим-ножницы

1. Нажмите **меню (меню)**, затем выберите STOP ANALYZER (ОСТАНОВИТЬ АНАЛИЗАТОР).

Примечание: Если появляется надпись START ANALYZER (ЗАПУСТИТЬ АНАЛИЗАТОР), это означает, что анализатор уже находится в режиме ожидания.

2. Закрепите зажим-ножницы (металлический или пластиковый) на конце трубки подачи электролита KCl, чтобы остановить поток электролита KCl в референсный электрод.

Примечание: Если анализатор находится в режиме ожидания или выключен, электролит KCl продолжает вытекать из референсного электрода. Электролит KCl будет медленно заполнять левую камеру измерительной ячейки и вытекать из верхней части левой камеры.

3. Переведите запорные клапаны пробоотборной линии (линий) в положение "выкл".
4. Если необходимо отключить питание анализатора, добавьте раствор для реактивации в среднюю камеру измерительной ячейки, чтобы предотвратить повреждение натриевого электрода.

Примечание: После 4 часов работы в режиме ожидания анализатор автоматически добавляет раствор для реактивации в среднюю камеру измерительной ячейки.

3.9 Подготовка анализатора к долгосрочному отключению

▲ ПРЕДУПРЕЖДЕНИЕ



Опасность вредного химического воздействия. Необходимо соблюдать правила техники безопасности работы в лаборатории и использовать все средства индивидуальной защиты, соответствующие используемым химическим веществам. Перед заполнением бутылок или подготовкой реагентов ознакомьтесь с паспортом безопасности от поставщика. Только для лабораторного использования. В соответствии с местными требованиями доведите до сведения пользователя информацию о существующей опасности.

▲ ОСТОРОЖНО



Опасность вредного химического воздействия. Утилизируйте химические вещества и отходы в соответствии с местными, региональными и общегосударственными правилами и законами.

Подготовьте анализатор к долгосрочному отключению (более 1 недели) следующим образом:

Детали, предоставляемые пользователем:

- Маленький контейнер, емкость 250 мл или больше
- Деионизированная вода, 1,5 л
- Чистая безворсовая ткань

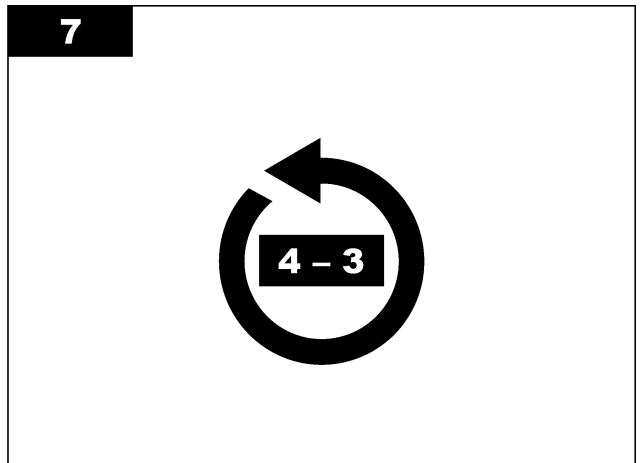
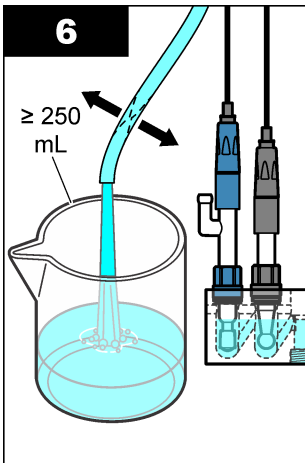
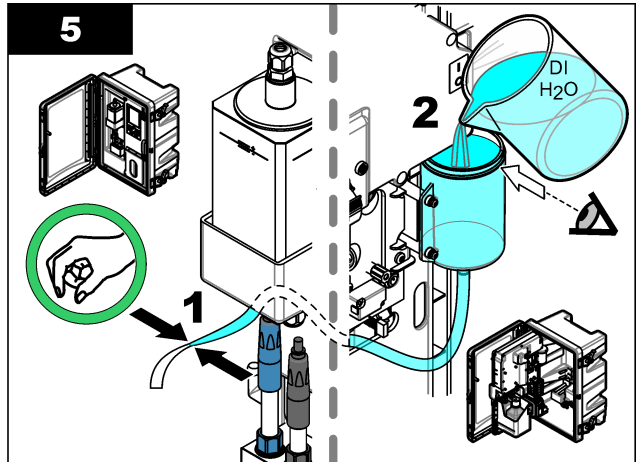
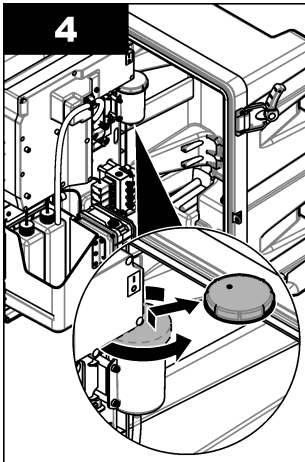
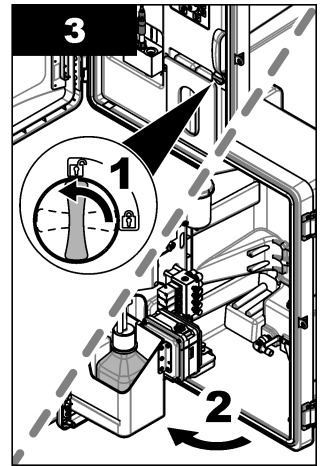
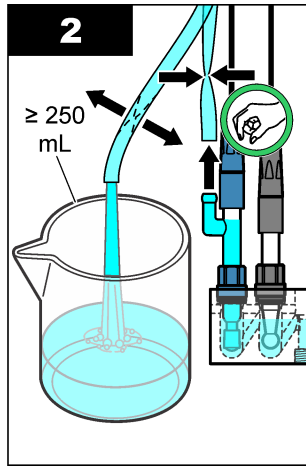
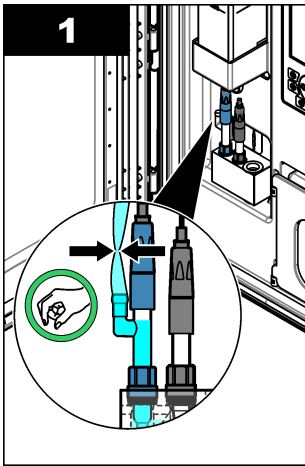
Необходимые предметы:

- Бутылки для хранения электродов (2х)
- Защитные крышки для электродов (2х)
- Черная крышка для стеклянной мембраны референсного электрода

3.9.1 Слейте и ополосните емкость для электролита KCl

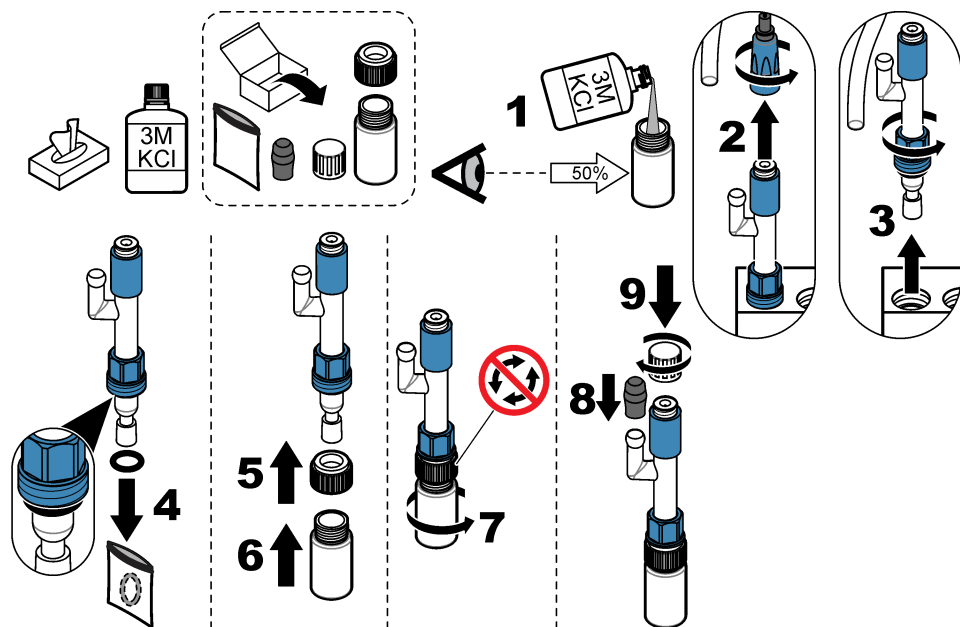
См. представленные ниже иллюстрации.

Наденьте индивидуальные средства защиты, указанные в паспорте безопасности (MSDS/SDS).



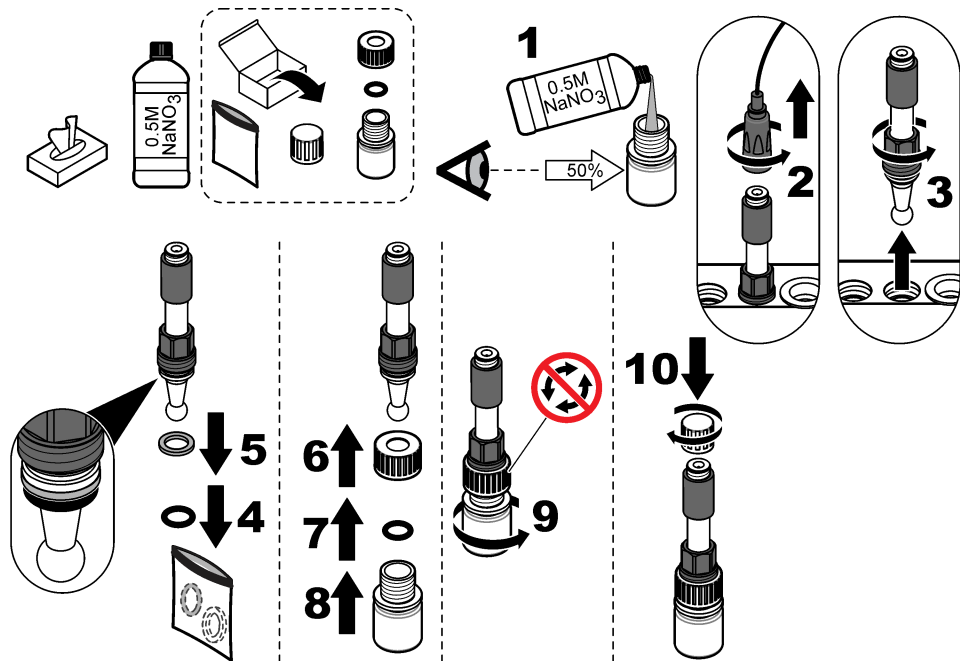
3.9.2 Снимите референсный электрод

См. представленные ниже иллюстрации.



3.9.3 Снимите натриевый электрод

См. представленные ниже иллюстрации.



3.9.4 Отсоедините бутылку с раствором для кондиционирования

▲ ПРЕДУПРЕЖДЕНИЕ



Опасность вдыхания. Ни в коем случае не вдыхайте пары диизопропиламина (DIPA) или аммония. Их воздействие может привести к тяжелой травме или смерти.

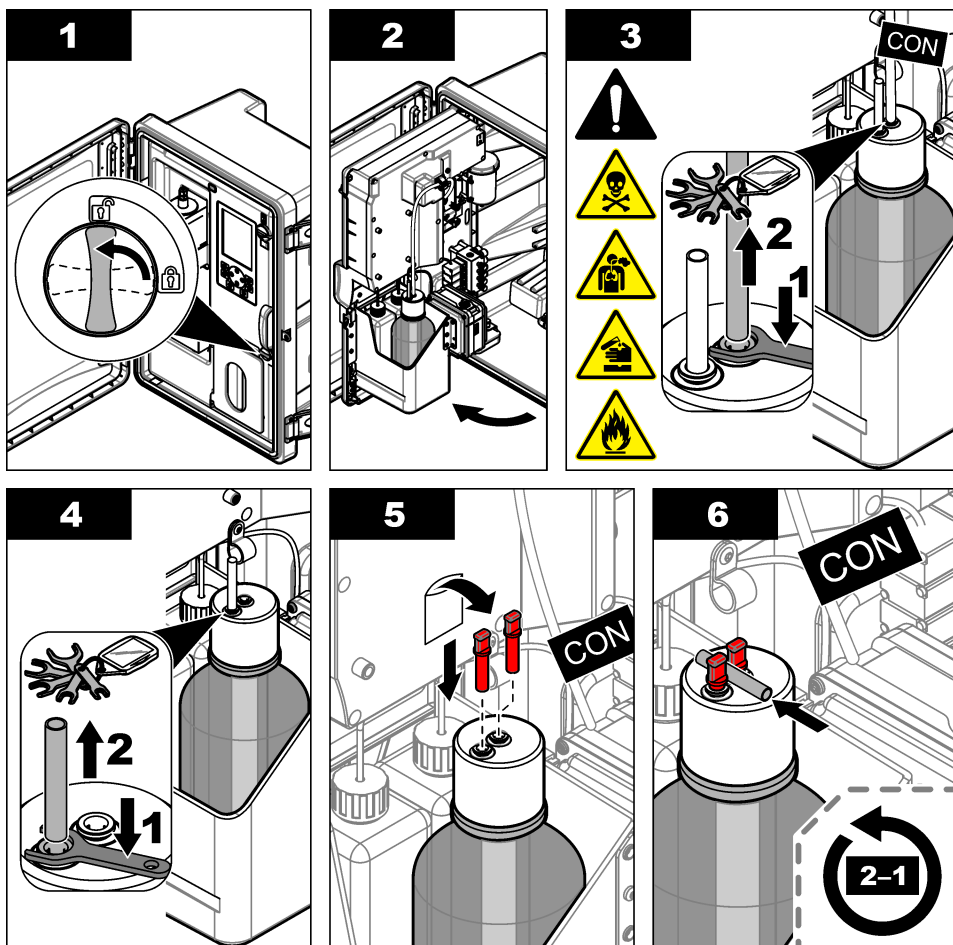
▲ ПРЕДУПРЕЖДЕНИЕ



Химическая опасность. Диизопропиламин (DIPA) и аммоний являются легковоспламеняющимися, коррозионными и токсичными химическими веществами. Их воздействие может привести к тяжелой травме или смерти.

См. представленные ниже иллюстрации.

Наденьте индивидуальные средства защиты, указанные в паспорте безопасности (MSDS/SDS).



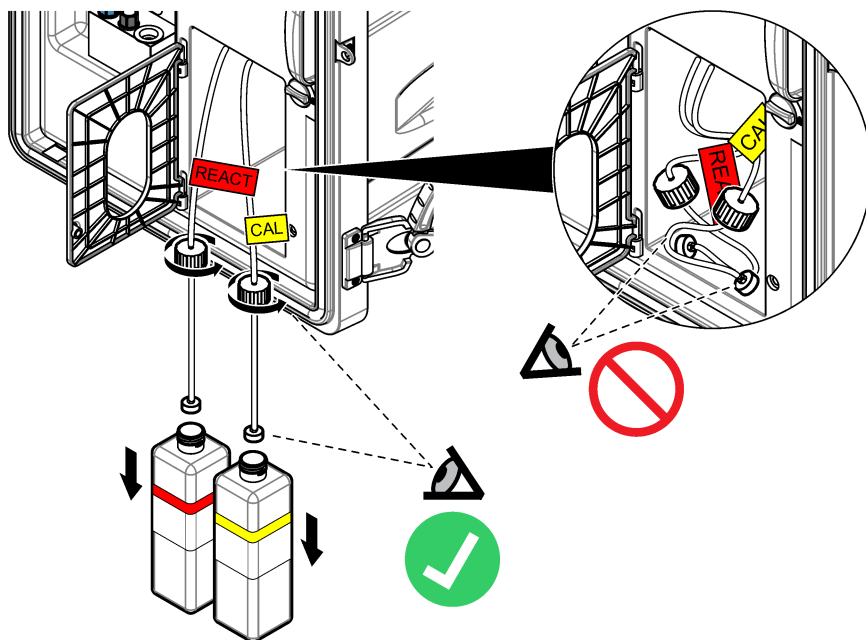
3.9.5 Промойте трубку подачи реагента

1. Наденьте индивидуальные средства защиты, указанные в паспорте безопасности (MSDS/SDS).
2. Извлеките из анализатора бутылки с раствором для реактивации и с калибровочным раствором. См. [Рисунок 5](#).

Примечание: Бутылка для калибровочного раствора предусмотрена только для анализаторов с опцией автоматической калибровки.

3. Утилизируйте растворы из бутылок в соответствующей дренажной системе.
4. Промойте и наполовину заполните бутылки деионизированной водой.
5. Установите бутылки в анализатор.
6. Нажмите **меню (меню)**, затем выберите REAGENTS/STANDARDS (РЕАГЕНТЫ/СТАНДАРТЫ) > PRIME REAGENTS (ЗАПРАВКА РЕАГЕНТОВ). Трубки реагента промываются деионизированной водой.

Рисунок 5 Извлечение бутылки



3.9.6 Слейте жидкость из переливной камеры

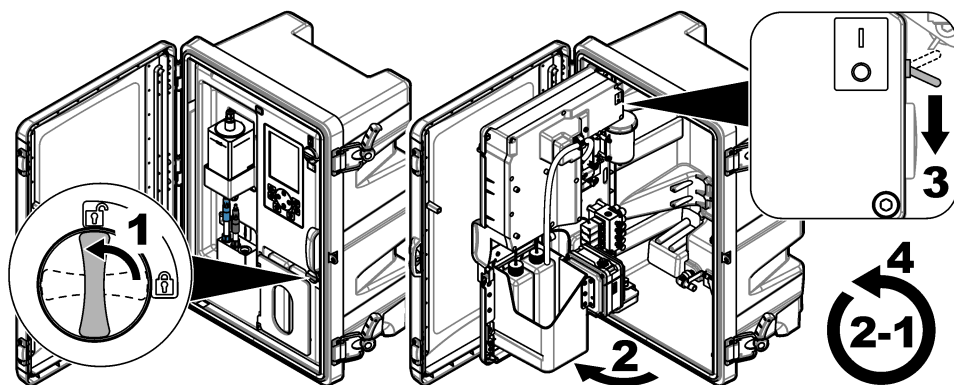
1. Нажмите **diag** (диагностика), затем выберите PERFORM TEST (ВЫПОЛНИТЬ ТЕСТ) и нажмите **enter** (ввод).
2. Нажмите **Enter**, чтобы выбрать YES (ДА).
3. Выберите SAMPLE DRAIN (СЛИВ ПРОБЫ), затем нажмите **enter** (ввод).
4. Введите 150 секунд.
5. Нажмите **enter** два раза.
6. Когда переливная камера будет пуста, нажмите **back** (назад).
7. Нажмите **home** (главный).

3.9.7 Отключение анализатора

Отключите питание и подачу пробы в анализатор следующим образом:

1. Переключите регулятор питания в положение "выключено". См. [Рисунок 6](#).
2. Закройте аналитическую панель. Поверните защелку на аналитической панели в заблокированное положение.
3. Отсоедините кабель питания от электрической розетки.
4. Переведите запорные клапаны пробоотборной линии (линий) в положение "выкл".
5. Используя чистую безворсовую ткань, удалите воду из переливной камеры.
6. Используйте чистую безворсовую ткань для удаления воды из левой и средней камер измерительной ячейки.

Рисунок 6 Установите переключатель питания в положение выключения



3.9.8 Утилизируйте деионизированную воду в бутылках

1. Извлеките из анализатора бутылки с раствором для реактивации и с калибровочным раствором. Потяните крышки бутылок вниз, чтобы они висели под анализатором.
Во избежание загрязнения не допускайте, чтобы крышка бутылки или внутренние трубки касались анализатора.
2. Утилизируйте деионизированную воду в бутылках.
3. Дайте бутылкам полностью высохнуть.
4. Установите бутылки в анализатор.
5. Закройте дверцу анализатора.

Раздел 4 Поиск и устранение неисправностей

Проблема	Возможная причина	Решение
Строка состояния не отображается на экране измерений.	Канал, отображаемый на экране измерений, не является измеряемым в данный момент каналом.	Нажимайте кнопки со стрелками ВВЕРХ или ВНИЗ до тех пор, пока на экране измерений не отобразится измеряемый канал.
При нажатии кнопок со стрелками ВВЕРХ или ВНИЗ канал на экране измерений не отображается.	Канал не выбран в настройках дисплея.	Нажмите menu (меню) , затем выберите SETUP SYSTEM (НАСТРОЙКА СИСТЕМЫ) > DISPLAY SETUP (НАСТРОЙКА ДИСПЛЕЯ) > ADJUST ORDER (НАСТРОЙКА ПОРЯДКА) > SEE CURRENT ORDER (СМ. ТЕКУЩИЙ ПОРЯДОК) . Если канал не отображается, нажмите back (назад) , а затем выберите ADD MEASUREMENTS (ДОБАВИТЬ ИЗМЕРЕНИЯ) . Нажмите кнопку со стрелкой ВЛЕВО , чтобы установить флажок или отменить его установку.

Проблема	Возможная причина	Решение
Измерение канала не выполняется.	Канал не активирован.	Нажмите меню (меню) , затем выберите SETUP SYSTEM (НАСТРОЙКА СИСТЕМЫ) > CONFIGURE ANALYZER (НАСТРОЙКА АНАЛИЗАТОРА) > CONFIGURE SEQUENCER (НАСТРОЙКА КОНТРОЛЛЕРА ПОСЛЕДОВАТЕЛЬНОСТИ) > ACTIVATE CHANNELS (АКТИВИРОВАТЬ КАНАЛЫ). Добавьте канал. Нажмите кнопку со стрелкой ВЛЕВО , чтобы установить флажок или отменить его установку.
	Канал не входит в последовательность измерений канала.	Нажмите меню (меню) , затем выберите SETUP SYSTEM (НАСТРОЙКА СИСТЕМЫ) > CONFIGURE ANALYZER (НАСТРОЙКА АНАЛИЗАТОРА) > CONFIGURE SEQUENCER (НАСТРОЙКА КОНТРОЛЛЕРА ПОСЛЕДОВАТЕЛЬНОСТИ) > SEQUENCE CHANNELS (ПОСЛЕДОВАТЕЛЬНОСТЬ КАНАЛОВ). Нажимайте кнопки со стрелками ВВЕРХ и ВНИЗ , чтобы выбрать строку, затем нажмите кнопку со стрелкой ВЛЕВО или ВПРАВО для выбора канала. S1 — первый измеренный канал, затем идут S2, S3 и S4. <i>Примечание: Не выбирайте каналы, содержащие символ "~" (например, 4~SAMPLE4). Измерение для каналов, содержащих символ "~", не выполняется.</i>
Появляется предупреждение "UNSTABLE READING (НЕСТАБИЛЬНЫЕ ПОКАЗАНИЯ).	Слишком короткое время промывки между измерениями канала.	Нажмите меню (меню) , затем выберите SETUP SYSTEM (НАСТРОЙКА СИСТЕМЫ) > CONFIGURE ANALYZER (НАСТРОЙКА АНАЛИЗАТОРА) > MEASUREMENT (ИЗМЕРЕНИЕ) > SET MEASURE CYCLE (НАСТРОЙКА ЦИКЛА ИЗМЕРЕНИЯ) > MAX CYCLE TIME (МАКС. ВРЕМЯ ЦИКЛА) или CYCLE TIME (ВРЕМЯ ЦИКЛА). Увеличьте значения параметров MAX CYCLE TIME (МАКС. ВРЕМЯ ЦИКЛА) или CYCLE TIME (ВРЕМЯ ЦИКЛА), чтобы увеличить время промывки.

Проблема	Возможная причина	Решение
Появляется предупреждение "SAMPLE MISSING (ПРОБА ОТСУТСТВУЕТ).	Запорный клапан в пробоотборной линии закрыт.	Поверните запорный клапан, чтобы открыть его.
	Пробоотборная линия подсоединена неправильно.	Убедитесь в том, что пробоотборная линия подсоединена к нужному порту. См. раздел <i>Порты подключения трубок</i> в руководстве по установке.
	Клапан подачи пробы закрыт.	Запустите мастер запуска. Нажмите menu (меню) , затем выберите SETUP SYSTEM (НАСТРОЙКА СИСТЕМЫ) > STARTUP ANALYZER (ЗАПУСК АНАЛИЗАТОРА). Нажимайте enter (ввод) , пока не появится запрос на настройку расхода пробы. Поверните клапан регулировки расхода пробы против часовой стрелки, чтобы увеличить расход до 6-9 л/ч на каждом канале.
	Электромагнитный клапан для канала не работает должным образом.	Нажмите diag (диагностика) , затем выберите PERFORM TEST (ВЫПОЛНИТЬ ТЕСТ) > SAMPLE DRAIN (СЛИВ ПРОБЫ) для слива переливной камеры. Нажмите diag (диагностика) , затем выберите PERFORM TEST (ВЫПОЛНИТЬ ТЕСТ) > SAMPLE DELIVERY (ПОДАЧА ПРОБЫ), чтобы открыть пробоотборный клапан. Если проба не поступает в переливную камеру, проверьте подключение пробоотборного клапана. При необходимости замените пробоотборный клапан.
Появляется предупреждение "PH TOO LOW (СЛИШКОМ НИЗКИЙ PH).	Крышка с правой камеры измерительной ячейки была снята.	Установите крышку на правую камеру измерительной ячейки.
	Бутылка с раствором для кондиционирования заполнена менее чем на 10% или совсем пустая.	Замените раствор для кондиционирования. См. Замена раствора для кондиционирования на стр. 415.
	Утечка воздуха в крышке бутылки для кондиционирования.	<ul style="list-style-type: none"> Убедитесь в том, что крышка бутылки для кондиционирования плотно затянута. Осмотрите шайбу в крышке бутылки. При наличии износа или повреждений замените шайбу. Осмотрите пластиковый фланец на ободке бутылки. При обнаружении износа или повреждений замените бутылку с раствором.
	Утечка воздуха в трубопроводе кондиционирования.	Проверьте наличие закупорки или утечки воздуха в трубопроводе кондиционирования. При необходимости замените трубку. Примечание: Трубки для кондиционирования содержат газ, а не раствор.
	Клапан кондиционирования работает неправильно.	Нажмите diag (диагностика) , затем выберите PERFORM TEST (ВЫПОЛНИТЬ ТЕСТ) > CONDITIONING VALVE (КЛАПАН КОНДИЦИОНИРОВАНИЯ), чтобы открыть клапан кондиционирования. Если поток газа не поступает в правую камеру измерительной ячейки (в виде пузырьков), замените клапан кондиционирования.

Проблема	Возможная причина	Решение
Появляется предупреждение "CALIBRATION FAIL (СБОЙ КАЛИБРОВКИ).	Значение для калибровочного раствора, отображаемое в настройках автоматической калибровки, отличается от значения, указанного на бутылке с калибровочным раствором.	Поменяйте значение для калибровочного раствора, отображаемое в меню калибровки, так, чтобы оно совпадало со значением, указанным на бутылке с калибровочным раствором. См. раздел <i>Настройка параметров автоматической калибровки</i> в руководстве по эксплуатации.
	Бутылка калибровочного раствора пуста.	Замените калибровочный раствор. См. Замена растворов для калибровки и реактивации на стр. 413.
	Утечка или засорение трубки подачи калибровочного раствора.	Проверьте наличие закупорки или утечки в трубопроводе. При необходимости замените трубки.
	Насос подачи калибровочного раствора работает неправильно.	<p>Нажмите diag (диагностика), затем выберите PERFORM TEST (ВЫПОЛНИТЬ ТЕСТ) > SAMPLE DRAIN (СЛИВ ПРОБЫ) для полного слива переливной камеры.</p> <p>Нажмите diag (диагностика), затем выберите PERFORM TEST (ВЫПОЛНИТЬ ТЕСТ) > CAL STD DELIVERY (подача стандартного раствора), чтобы включить насос подачи калибровочного раствора. Если калибровочный раствор не поступает в переливную камеру, замените насос подачи калибровочного раствора.</p>
	Магнитная мешалка не вращается. <i>Примечание: Магнитная мешалка вращается с перебоями.</i>	Нажмите diag (диагностика) , затем выберите PERFORM TEST (ВЫПОЛНИТЬ ТЕСТ) > MIXER (МЕШАЛКА) , чтобы включить двигатель мешалки. Если магнитная мешалка не движется, замените электродвигатель мешалки.
	Магнитная мешалка не находится в переливной камере.	Убедитесь, что магнитная мешалка находится в переливной камере.

Проблема	Возможная причина	Решение
Появляется предупреждение "REACT VOLTAGE LOW (низкий потенциал при реактивации).	Бутылка раствора для реактивации пуста.	Убедитесь в том, что конец трубки с раствором для реактивации находится в нижней части бутылки. Замените раствор для реактивации. См. Замена растворов для калибровки и реактивации на стр. 413.
	Натриевый электрод не работает должным образом.	<ul style="list-style-type: none"> Убедитесь, что натриевый электрод установлен правильно. См. руководство по установке. Убедитесь в отсутствии воздуха в стеклянной колбе натриевого электрода.
	Референсный электрод не работает должным образом.	<ul style="list-style-type: none"> Извлеките референсный электрод из измерительной ячейки. Поднимите кольцо, расположенное на стеклянной части, чтобы вылить некоторое количество электролита KCl. Надавите на кольцо, чтобы опустить вниз, затем поверните кольцо менее чем на 1/4 оборота, чтобы зафиксировать. Если кольцо зафиксировано, оно не вращается. Установите референсный электрод в измерительную ячейку. Убедитесь, что референсный электрод установлен правильно. См. руководство по установке. Чтобы определить, устранена ли проблема, нажмите diag (диагностика), а затем выберите SENSOR REACTIVATION (РЕАКТИВАЦИЯ ДАТЧИКА) для выполнения реактивации.
	Утечка или засорение трубки раствора для реактивации.	Проверьте наличие закупорки или утечки в трубопроводе. При необходимости замените трубку.
	Насос подачи раствора для реактивации работает неправильно.	Нажмите diag (диагностика) , затем выберите PERFORM TEST (ВЫПОЛНИТЬ ТЕСТ) > REACT SOL DELIVERY (ПОДАЧА РАСТВОРА РЕАКТИВАЦИИ) > HIGH (ВЕРХНИЙ), чтобы переключить насос подачи раствора для реактивации на высокий уровень расхода. Если раствор для реактивации не поступает в среднюю камеру измерительной ячейки, замените насос подачи раствора для реактивации.
Нестабильные показания прибора.	Анализатор был запущен менее 2 часов назад.	Для стабилизации дайте анализатору поработать 2 часа.
	Кабели электродов переплелись на электродах.	Отсоедините кабель от электрода. Полностью надвиньте разъем на разъем электрода, затем поверните разъем до упора.
	Кабели электродов подключены к неправильным электродам.	Подсоедините синий кабель к референсному электроду. Подсоедините черный кабель к натриевому электроду.
	Слишком высокий расход электролита KCl.	Извлеките референсный электрод из измерительной ячейки. Надавите на кольцо, чтобы опустить вниз, затем поверните кольцо менее чем на 1/4 оборота, чтобы зафиксировать. Если кольцо зафиксировано, оно не вращается. Если кольцо не заблокировано, электролит KCl будет слишком быстро поступать из референсного электрода в измерительную ячейку.

Проблема	Возможная причина	Решение
Неточные результаты измерений.	Анализатор не откалиброван.	Откалибруйте анализатор. См. раздел <i>Выполнение калибровки</i> в руководстве по эксплуатации. Для обеспечения максимальной точности выполняйте калибровку анализатора с интервалом в 7 дней (еженедельно).
	Автоматическая реактивация отключена, или интервал между реактивациями составляет более 24 часов.	Запустите автоматическую реактивацию. Нажмите diag (диагностика) , затем выберите SENSOR REACTIVATION (РЕАКТИВАЦИЯ ДАТЧИКА). <i>Примечание:</i> Для получения максимальной точности включите автоматическую реактивацию. Установите интервал равным 24 часа. См. руководство по эксплуатации.
	Бутылка раствора для реактивации пуста.	Замените раствор для реактивации. См. Замена растворов для калибровки и реактивации на стр. 413.
	Утечка или засорение трубки раствора для реактивации.	Проверьте наличие закупорки или утечки в трубопроводе. При необходимости замените трубки.
	Насос подачи раствора для реактивации работает неправильно.	Нажмите diag (диагностика) , затем выберите PERFORM TEST (ВЫПОЛНИТЬ ТЕСТ) > REACT SOL DELIVERY (ПОДАЧА РАСТВОРА РЕАКТИВАЦИИ) > HIGH (ВЕРХНИЙ), чтобы переключить насос подачи раствора для реактивации на высокий уровень расхода. Если раствор для реактивации не поступает в среднюю камеру измерительной ячейки, замените насос подачи раствора для реактивации.
Магнитная мешалка в переливной камере не вращается.	Мешалка работает неправильно. <i>Примечание:</i> Магнитная мешалка вращается с перебоями.	Нажмите diag (диагностика) , затем выберите PERFORM TEST (ВЫПОЛНИТЬ ТЕСТ) > MIXER (МЕШАЛКА), чтобы включить двигатель мешалки. Если магнитная мешалка не двигается, замените электродвигатель мешалки.
Слишком высокий расход электролита KCl ¹ .	Кольцо на стеклянной части референсного электрода не зафиксировано.	Снимите референсный электрод. Поднимите кольцо вверх. Надавите на кольцо, чтобы опустить вниз, затем поверните кольцо менее чем на 1/4 оборота, чтобы зафиксировать. См. иллюстрации в разделе <i>Установка референсного электрода</i> в руководстве по установке. Если кольцо зафиксировано, оно не вращается. Если кольцо не заблокировано, электролит KCl будет слишком быстро поступать из референсного электрода в измерительную ячейку.

¹ Расход электролита KCl считается слишком высоким, если уровень жидкости в резервуаре снизился более чем на 3 мм (1/8 дюйма) за два дня

Проблема	Возможная причина	Решение
Слишком низкий расход электролита KCl ² .	Кольцо на стеклянной части референсного электрода не было повернуто так, чтобы нарушить уплотнение.	Снимите референсный электрод. Осторожно поверните кольцо, чтобы нарушить уплотнение. Если кольцо вращается легко, уплотнение повреждено. См. иллюстрации в разделе <i>Установка референсного электрода</i> в руководстве по установке. Надавите на кольцо, чтобы опустить вниз, затем поверните кольцо менее чем на 1/4 оборота, чтобы зафиксировать. Если кольцо зафиксировано, оно не вращается. Если кольцо не заблокировано, электролит KCl будет слишком быстро поступать из референсного электрода в измерительную ячейку.
Индикатор реле на экране измерений мигает.	Истекло время действия таймера ограничителя.	Сбросьте таймер ограничителя. См. Сброс таймера ограничителя для реле на стр. 434. <i>Примечание:</i> Настройка таймера ограничителя включается только в том случае, если для параметра SET FUNCTION (ЗАДАТЬ ФУНКЦИЮ) задано значение FEEDER CONTROL (УПРАВЛЕНИЕ ПИТАТЕЛЯ).

4.1 Сброс таймера ограничителя для реле

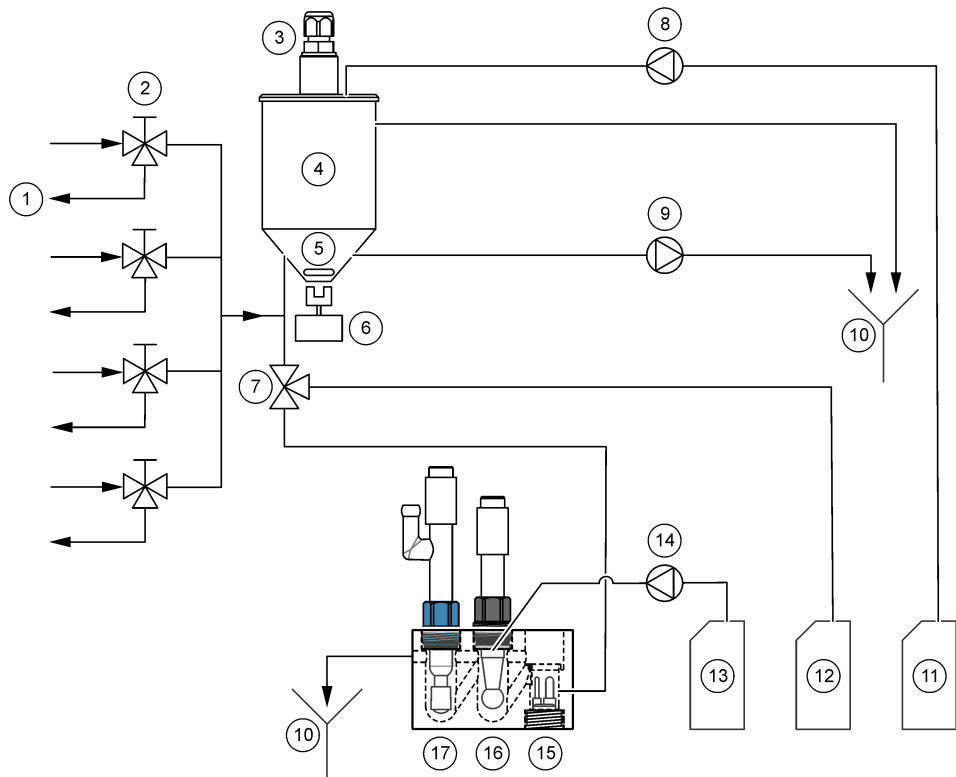
Настройка таймера ограничителя для реле предотвращает ситуации, при которых значение измерения поддерживается выше заданного или границы зоны нечувствительности (например, при повреждении электрода или нарушении процесса) и при этом реле постоянно включено. Таймер ограничителя ограничивает продолжительность работы реле и подключенных элементов управления вне зависимости от условий.

По истечении выбранного интервала времени для таймера ограничителя значок статуса реле будет мигать на дисплее в верхнем правом углу экрана измерений, пока не будет выполнен сброс таймера ограничителя. Нажмите **diag(диагностика)**, затем выберите **OVERFEED RESET (СБРОС ОГРАНИЧИТЕЛЯ)**, чтобы сбросить таймер ограничителя.

² Расход электролита KCl считается слишком низким, если уровень жидкости в резервуаре за два дня уменьшился менее чем на 1 мм

Раздел 5 Диагностика

5.1 Схема соединений



1 Байпас в дренаж	7 Клапан кондиционирования	13 Раствор для реактивации
2 Вход пробы	8 Насос подачи калибровочного раствора ³	14 Насос подачи раствора для реактивации
3 Датчик уровня	9 Сливной насос	15 Датчик температуры
4 Переливная камера	10 Дренаж	16 Натриевый электрод
5 Магнитная мешалка	11 Калибровочный раствор ³	17 Референсный электрод
6 Электродвигатель мешалки	12 Раствор для кондиционирования	

5.2 Запуск проверки анализатора

Запустите проверку анализатора, чтобы проверить, работают ли индикатор состояния, электродвигатель мешалки, насос или клапан должным образом.

³ Насос подачи калибровочного раствора и калибровочный раствор предусмотрены только для анализаторов с опцией автоматической калибровки.

1. Нажмите **diag** (**диагностика**), затем выберите PERFORM TEST (ВЫПОЛНИТЬ ТЕСТ).
2. Выберите опцию.

Опция	Описание
REACT SOL DELIVERY (ПОДАЧА РАСТВОРА РЕАКТИВАЦИИ)	Запускает насос подачи раствора для реактивации. Раствор реактивации поступает в среднюю камеру измерительной ячейки. Примечание: Измерительная ячейка представляет собой прозрачный блок, в котором установлены электроды.
SAMPLE DELIVERY (ПОДАЧА ПРОБЫ)	Устанавливает электромагнитный клапан пробы для выбранного канала в открытое положение. Проба поступает в переливную камеру. Примечание: Если переливная камера заполнена, уровень воды в переливной камере не изменится. Для слива жидкости из переливной камеры выполните проверку SAMPLE DRAIN (СЛИВ ПРОБЫ).
CAL STD DELIVERY (подача стандартного раствора)	Примечание: Опция CAL STD DELIVERY (подача стандартного раствора) доступна только для анализаторов с опцией автоматической калибровки. Включает насос подачи калибровочного раствора. Калибровочный раствор поступает в переливную камеру.
CONDITIONING VALVE (КЛАПАН КОНДИЦИОНИРОВАНИЯ)	Устанавливает клапан кондиционирования в открытое положение. Газ кондиционирования поступает в правую камеру измерительной ячейки. Примечание: Измерительная ячейка представляет собой прозрачный блок, в котором установлены электроды.
SAMPLE DRAIN (СЛИВ ПРОБЫ)	Включает сливной насос. Вода из переливной камеры сливается через трубку дренажа реагентов.
MIXER (МЕШАЛКА)	Включает электродвигатель мешалки. Магнитная мешалка в переливной камере вращается.
STATUS LED (СВЕТОДИОД СОСТОЯНИЯ)	Непрерывно переключает цвет индикатора состояния: желтый, красный, зеленый.
AIR PUMP (ВОЗДУШНЫЙ НАСОС)	Примечание: Опция AIR PUMP (ВОЗДУШНЫЙ НАСОС) доступна только при установке дополнительного насоса. Включает дополнительный насос. Дополнительный насос подает воздух в бутылку раствора кондиционирования (DIPA). Местоположение дополнительного насоса в анализаторе см. в разделе <i>Основная информация о приборе</i> в руководстве по установке.
SELECT SCRIPT (ВЫБОР СЦЕНАРИЯ)	Примечание: Опция SELECT SCRIPT (ВЫБОР СЦЕНАРИЯ) предназначена только для обслуживания. Настраивает анализатор для использования обычного сценария прибора или тестового сценария.

5.3 Запуск проверки выходного сигнала 4-20 мА или реле

Запустите проверку выходного сигнала 4-20 мА или реле, чтобы определить, правильно ли выполняется работа выходного сигнала 4-20 мА или реле.

1. Нажмите **diag** (**диагностика**) и выберите OUTPUTS (ВЫХОДНЫЕ СИГНАЛЫ).
2. Выберите опцию.

Опция	Описание
TEST 4–20 mA (ПРОВЕРКА 4–20 МА)	Устанавливает сигнал (мА) на выбранном выходе 4-20 мА. Измерьте ток на выходе 4-20 мА с помощью мультиметра.

Опция	Описание
TEST RELAY (ПРОВЕРКА РЕЛЕ)	Переводит выбранное реле в положение on (включено) или off (выключено). Измерьте сопротивление на реле с помощью мультиметра, чтобы определить, является ли реле разомкнутым или замкнутым.
HOLD OUTPUTS (ФИКС. ВЫХОД)	Фиксирует выходные значения на последнем значении или устанавливает их на передаваемое значение. ACTIVATION (АКТИВАЦИЯ) —Выберите LAUNCH (ЗАПУСК), чтобы зафиксировать выходные значения на последнем значении или установить их на передаваемое значение. Выберите RELEASE (ВЫПУСК), чтобы выходные значения отображались в обычном режиме. SET OUTMODE (УСТАНОВИТЬ ВЫХОДНОЙ РЕЖИМ) —Выберите HOLD OUTPUTS (ФИКС. ВЫХОД) для фиксации выходных значений на последнем значении. Выберите TRANSFER OUTPUTS (ПЕРЕДАВАЕМЫЕ ВЫХОДНЫЕ ЗНАЧЕНИЯ), чтобы установить выходные значения на передаваемое значение. Порядок установки передаваемого значения для выходных значений см. в руководстве по эксплуатации. SET CHANNELS (УСТ. КАНАЛОВ) —Выберите ALL (ВСЕ) для выбора всех каналов. Выберите ANALYZER (АНАЛИЗАТОР), чтобы выбрать все каналы для выбранного анализатора.
OUTPUT STATUS (СОСТОЯНИЕ ВЫХОДНЫХ ЗНАЧЕНИЙ)	Показывает сигналы (мА) на выходах 4-20 мА.
SIMULATE MEASUREMENT (ИМИТИРОВАТЬ ИЗМЕРЕНИЕ)	Вводит показание анализатора на выбранном канале для выполнения проверки выходных значений. Имитация останавливается после выхода пользователя из этого экрана. SELECT SOURCE (ВЫБРАТЬ ИСТОЧНИК) —Выбор анализатора. SET PARAMETER (ЗАДАТЬ ПАРАМЕТР) —Выбор канала. SET SIM VALUE (УСТАНОВИТЬ ЗНАЧЕНИЕ ИМИТАЦИИ) —Установка показаний анализатора.

5.4 Показать информацию об анализаторе

Чтобы отобразить информацию об анализаторе, нажмите **menu (меню)**, затем выберите VIEW DATA (ПРОСМОТР ДАННЫХ) > ANALYZER DATA (ДАННЫЕ АНАЛИЗАТОРА). См. [Таблица 2](#).

Таблица 2 Описания данных анализатора

Деталь	Описание
DATE/TIME (ДАТА/ВРЕМЯ)	Текущее время (24-часовой формат) и дата, указанные в настройках
NAME (ИМЯ)	Имя анализатора
TYPE (ТИП)	Тип анализатора
AMBIENT TEMP (ОКРУЖ. ТЕМП)	Температура окружающей среды для анализатора
CONDITION SOL LEVEL (УРОВЕНЬ РАСТВОРА КОНДИЦИОНИРОВАНИЯ)	Уровень раствора в бутылке для кондиционирования
REACT SOL LEVEL (УРОВЕНЬ РАСТВОРА РЕАКТИВАЦИИ)	Уровень раствора в бутылке с раствором для реактивации
STANDARD LEVEL (СТАНДАРТНЫЙ УРОВЕНЬ)	Уровень раствора в бутылке с калибровочным раствором
KCL LEVEL (УРОВЕНЬ KCL)	Уровень раствора в резервуаре для электролита KCl
LAST REACTIVATION (ПОСЛЕДНЯЯ РЕАКТИВАЦИЯ)	Дата завершения последней автоматической реактивации
LAST CAL (ПОСЛЕДНЯЯ КАЛИБРОВКА)	Дата последней калибровки
LAST SERVICE (ПОСЛЕДНЕЕ ОБСЛУЖИВАНИЕ)	Дата последнего обслуживания

Таблица 2 Описания данных анализатора (продолжение)

Деталь	Описание
SOFTWARE VERS (ВЕРСИЯ ПРОГРАММНОГО ОБЕСПЕЧЕНИЯ)	Версия установленного ПО
DD FIRMWARE (ПРОШИВКА ДР. У-ВА)	Версия прошивки драйвера устройства
DD CONTENT (СОДЕРЖ. ДР. У-ВА)	Версия содержимого данных драйвера устройства
SCRIPT VERSION (ВЕРСИЯ СЦЕНАРИЯ)	Версия блока каталога файлов сценариев
SCRIPT CONTENT (СОДЕРЖАНИЕ СЦЕНАРИЯ)	Версия содержания каталога файлов сценариев
MEAS_CONTROL SW REV (РЕД. ПО ДЛЯ УПРАВЛ. ИЗМЕР.)	Версия установленного программного обеспечения для управления измерением
SERIAL NUMBER (СЕРИЙНЫЙ НОМЕР)	Серийный номер анализатора

5.5 Отображение состояния анализатора и системных данных

Для отображения текущего состояния анализатора, состояния Modbus, системных данных или данных I2C выполните следующие действия:

1. Нажмите **diag** (диагностика).
2. Выберите опцию.

Опция	Описание
CURRENT STATUS (ТЕКУЩЕЕ СОСТОЯНИЕ)	OPERATION (ЭКСПЛУАТАЦИЯ) —Текущий режим измерения. SAMPLE CHANNEL (КАНАЛ ОТБОРА ПРОБ) —Текущий канал отбора проб. STEP STATUS (СОСТОЯНИЕ ШАГА) —Текущий этап в цикле измерений. STEP TIME (ВРЕМЯ ШАГА) —Оставшееся время этапа. MINUTES LEFT (ОСТАЛОСЬ МИНУТ) —Количество минут, оставшихся до завершения текущего этапа. COMPLETION (ЗАВЕРШЕНИЕ) —% завершения цикла измерения.
MODBUS STATS (СТАТИСТИКА MODBUS)	Показывает состояние портов Modbus: датчика, контроллера, сети и обслуживания. Показывает количество успешных и неуспешных передач.
SYSTEM DATA (ДАнные СИСТЕМЫ)	AMBIENT TEMP (ОКРУЖ. ТЕМП) —Температура окружающей среды, измеренная в градусах Цельсия (С). POWER SOURCE FREQUENCY (ЧАСТОТА ИСТОЧНИКА ПИТАНИЯ) —Частота питающей сети (Гц). POWER SOURCE VOLTAGE (НАПРЯЖЕНИЕ ИСТОЧНИКА ПИТАНИЯ) —Напряжение питающей сети (перем. тока). 12V VOLTAGE (НАПРЯЖЕНИЕ 12 В) —Измеренное напряжение питания (В пост. тока). 3,3V VOLTAGE (НАПРЯЖЕНИЕ 12 В) —Измеренное регулируемое напряжение питания 3,3 В (В пост. тока). 12V CURRENT (ТОК 12 В) —Измеренная сила тока при напряжении 12 В (амперы).
I2C DATA (ДАнные I2C)	Показывает данные о связи (I ² C) и номер версии.

5.6 Показать информацию об обслуживании

Используйте меню Service (Обслуживание) для просмотра или настройки истории обслуживания деталей прибора.

1. Нажмите **diag** (диагностика).
2. Выберите SERVICE (ОБСЛУЖИВАНИЕ).

3. Выберите опцию.

Опция	Описание
CONSUMABLE (РАСХОДНЫЕ МАТЕРИАЛЫ)	Отображает список расходных деталей. Показывает дату последней замены и количество дней с момента замены детали. Сброс счетчика после замены детали.
SERVICE PARTS (ДЕТАЛИ ДЛЯ ОБСЛУЖИВАНИЯ)	Примечание: Опция <i>SERVICE PARTS (ДЕТАЛИ ДЛЯ ОБСЛУЖИВАНИЯ)</i> доступна для использования только при обслуживании. Отображает список деталей и дату последнего обслуживания. После замены детали представитель отдела обслуживания клиентов сбрасывает показания счетчика.
ANNUAL MAINTENANCE (ЕЖЕГОДНОЕ ОБСЛУЖИВАНИЕ)	Отображает дату последнего ежегодного технического обслуживания, дату следующего ежегодного технического обслуживания и количество дней до следующего ежегодного технического обслуживания. Сброс счетчика после ежегодного обслуживания.
EDIT ELECTRODES SN (РЕДАКТИРОВАТЬ СЕРИЙНЫЕ НОМЕРА ЭЛЕКТРОДОВ)	Записывает серийные номера электродов.
SERVICE HISTORY (ИСТОРИЯ ОБСЛУЖИВАНИЯ)	Показывает выполненные работы по техническому обслуживанию и дату их проведения (например, Replace reactivation solution (Замена раствора для реактивации)). START TIME (ДАТА НАЧАЛА) — Отображает данные, записанные после выбранной даты и времени. NUMBER OF READINGS (КОЛИЧЕСТВО ПОКАЗАНИЙ) — Показывает выбранное количество точек данных.
POST ENABLE (ВКЛЮЧИТЬ ДИАГНОСТИКУ ПРИ ВКЛЮЧЕНИИ)	NO (НЕТ) —После включения анализатора аппаратная диагностика не выполняется. YES (ДА) —После включения анализатора выполняется аппаратная диагностика.

Раздел 6 Запасные части и аксессуары

▲ ПРЕДУПРЕЖДЕНИЕ



Риск получения травмы. Использование несогласованных деталей может стать причиной травм, повреждения прибора или нарушения в работе оборудования. Запасные детали, описанные в данном разделе, одобрены производителем.

Примечание: Номера изделия и товара могут меняться для некоторых регионов продаж. Свяжитесь с соответствующим дистрибьютором или см. контактную информацию на веб-сайте компании.

Реагенты и стандартные растворы

Описание	Количество	Изд. №
Раствор электролита 3М KCl	250 мл	LZW9500.99
Раствор электролита 3М KCl	500 мл	363140,00500
Диизопропиламин (DIPA) 99%	1 л	2834453
Стандартный раствор хлорида натрия, 10 ppm	1 л	2835153
Нитрат натрия, 0,5 М	500 мл	2507149

Запасные части

Описание	Количество	Изд. №
Бутылка для раствора кондиционирования с крышкой, пустая	1	8352000
Шайба, крышка бутылки для кондиционирования	1	8417200
Коленчатый патрубок, дренаж, ½ дюйма, полипропилен	1	6772800
Электрод, референсный	1	09240=C=0310
Электрод, натриевый	1	09240=C=0320
Предохранитель, 1,6 А, 250 В, 5 x 20 мм	1	5208300
Предохранитель, 5 А, 250 В с задержкой срабатывания, 5 x 20 мм	1	4693800
Комплект для установки, 1-канальный анализатор, анализатор в корпусе	1	8375400
Комплект для установки, 2-канальный анализатор, анализатор в корпусе	1	8375300
Комплект для установки, 4-канальный анализатор, анализатор в корпусе	1	8371500
Комплект для установки, 1-канальный анализатор, анализатор без корпуса	1	8375700
Комплект для установки, 2-канальный анализатор, анализатор без корпуса	1	8375600
Комплект для установки, 4-канальный анализатор, анализатор без корпуса	1	8375500
Электродвигатель мешалки	1	8420000
Винты для монтажа панели, М6 x 20, с плоскоконической головкой, из нержавеющей стали, Тогах	4	8415500
Пробивной инструмент для внутренних электрических заглушек, металлическая трубка, используется с 8379900	1	8380000
Пробивной инструмент для внутренних электрических заглушек, металлическая пластина, используется с 8380000	1	8379900
Регулятор давления, 0,3 бар (4 фунта/кв. дюйм), нерегулируемый	1	6782900
Насос, калибровочный раствор	1	8364300
Насос, дренаж	1	8357400
Насос, раствор для реактивации	1	8364200
Запорный клапан, трубка с наружным диаметром 6 мм	1	8385200
Магнитная мешалка	1	W_4510_001_FF
Фитинг разгрузочной муфты (кабельный сальник), PG9, 4 - 8 мм	1	8356300
Фитинг разгрузочной муфты (кабельный сальник), NPT ½ дюйма От 4 мм до 9 мм	1	8368400
Кронштейны для монтажа на столе	2	8370400
Винты, кронштейн для монтажа на столе, #8 x ½, нерж. сталь, Тогах	2	8412200

Запасные части (продолжение)

Описание	Количество	Изд. №
Трубопровод, слив реагентов и слив из корпуса, 17,5 мм ($1\frac{1}{16}$ дюйма) НД x 3,2 мм ($\frac{1}{8}$ дюйма) толщина	2 м (6,5 фута)	LZX278
Трубка, проба, 6 мм НД x 4 мм ВД	5,5 м (18 футов)	6772500
Труборез	1	8385400
Кронштейны для монтажа на стену	2	8364100
Винты, кронштейн для монтажа на стену, М4 x 10, плоские, нержавеющая сталь, Тогх	2	8412500
Клапан, кондиционирование	1	8367600
Клапан, проба	1	8370200

Аксессуары

Описание	Количество	Изд. №
Адаптер для бутылок, бутылка DIPA, Merck	1	09073=C=0350
Адаптер для бутылок, бутылка DIPA, Orion	1	09073=C=0360
Фильтр, вход пробы, 100 мкм, трубка с наружным диаметром $\frac{1}{4}$ дюйма	1	595=010=005
Фильтр, вход пробы, 100 мкм, трубка с наружным диаметром 6 мм	1	595=010=000
Теплообменник, макс. 4 канала	1	8368900
Комплект дооснащения дополнительным насосом	1	8371200
Кабель питания, стандарт США	1	9179700
Комплект переоснащения с 1 на 4 канала	1	8365100
Комплект переоснащения с 2 на 4 канала	1	8365000
Комплект дооснащения функцией автоматической калибровки	1	8368000
Адаптер для трубопроводов, с НД 6 мм на НД $\frac{1}{4}$ дюйма	2	09245=A=8300

İçindekiler

- | | | | |
|---|---|---|---|
| 1 | Güvenlik bilgileri sayfa 442 | 4 | Sorun giderme sayfa 457 |
| 2 | Aktif hataların, uyarıların ve hatırlatmaların gösterilmesi sayfa 442 | 5 | Tanılama sayfa 463 |
| 3 | Bakım sayfa 442 | 6 | Yedek parçalar ve aksesuarlar sayfa 467 |

Bölüm 1 Güvenlik bilgileri

Genel güvenlik bilgileri, tehlike açıklamaları ve önlem etiketi açıklamaları için kurulum kullanıcı kılavuzuna bakın.

Bölüm 2 Aktif hataların, uyarıların ve hatırlatmaların gösterilmesi

Ekran arka planı ve durum gösterge ışığı, bir hata oluştuğunda kırmızıya; bir uyarı durumu oluştuğunda ise sarıya döner.

- **Hata:** Kırmızı ekran arka planı ve durum göstergesi ışığı. Cihazın çalışmasını etkileyecek önemli bir sorun oluşmuştur. Geçerli ölçüm durur ve analiz cihazı kapatma moduna geçer.
- **Uyarı:** Sarı ekran arka planı ve durum göstergesi ışığı. Gelecekte bir soruna yol açabilecek bir olay meydana gelmiştir. Analiz cihazı çalışmaya devam eder.
- **Hatırlatmalar:** Ekranda İngiliz anahtarı sembolü görünür ve durum gösterge ışığı sarı renkte yanar. Bakım işlemi için süre geçmiştir.

Aktif hataları, uyarıları ve hatırlatmaları göstermek için aşağıdaki adımları uygulayın:

Not: Olası tüm hataları, uyarıları, hatırlatmaları ve bunlarla ilgili yardım bilgilerini görmek için **Diag (Tanılama)** düğmesine basın, ardından **ANALYZER HELP (ANALİZ CİHAZI YARDIMI)** ögesini seçin.

1. **Diag (Tanılama)** düğmesine basın ve ardından **DIAGNOSTICS (TANILAMALAR)** ögesini seçin. Aktif hatalar, uyarılar ve hatırlatmalar gösterilir.
2. Listedeki bir hata, uyarı veya hatırlatma seçin.
3. Bir seçenek belirleyin.

Seçenek	Açıklama
ACKNOWLEDGE (Onayla)	Seçilen hata, uyarı veya hatırlatmayı onaylar. Tüm aktif hatalar, uyarılar ve hatırlatmalar onaylandığında, ekran arka planı beyaza, durum gösterge ışığıysa yeşile döner.
VIEW HELP (Yardım Bilgilerini Görüntüle)	Seçilen hata, uyarı veya hatırlatmanın yardım bilgilerini gösterir.

Bölüm 3 Bakım

▲ TEHLİKE



Birden fazla tehlike. Belgenin bu bölümünde açıklanan görevleri yalnızca yetkili personel gerçekleştirmelidir.

3.1 Bakım çizelgesi

Tablo 1 ile bakım işlemleri için önerilen plan gösterilmektedir. Tesis gereksinimleri ve çalışma koşulları bazı işlemlerin daha sık yapılmasını gerektirebilir.

Tablo 1 Bakım çizelgesi

İşlem	3 ay	Gerektiğinde
Kalibrasyon ve reaktivasyon çözeltilerinin değiştirilmesi sayfa 443	X	
Koşullama çözeltisinin değiştirilmesi sayfa 445	X	
KCl elektrolitinin değiştirilmesi sayfa 448	X	
Giriş elektrik sigortasının değiştirilmesi sayfa 449		X

3.2 Cihazın temizlenmesi

BİLGİ

Cihazı, ekranını ve aksesuarlarını temizlemek için kesinlikle terebentin, aseton veya benzeri temizlik malzemelerini kullanmayın.

Cihazın dışını nemli bezle ve hafif sabunlu bir çözeltiyle temizleyin.

3.3 Dökülmeleri temizleme

▲ DİKKAT



Kimyasal maddelere maruz kalma tehlikesi. Kimyasal maddeleri ve atıkları, yerel, bölgesel ve ulusal yönetmeliklere uygun şekilde atın.

1. Dökülme kontrolü için tesisin tüm güvenlik protokollerine uyun.
2. Atıkları uygun düzenlemelere göre atın.

3.4 Kalibrasyon ve reaktivasyon çözeltilerinin değiştirilmesi

▲ DİKKAT



Kimyasal maddelere maruz kalma tehlikesi. Laboratuvar güvenlik talimatlarına uyun ve kullanılan kimyasallara uygun tüm kişisel koruma ekipmanlarını kullanın. Güvenlik protokolleri için mevcut güvenlik veri sayfalarına (MSDS/SDS) başvurun.

▲ DİKKAT



Kimyasal maddelere maruz kalma tehlikesi. Kimyasal maddeleri ve atıkları, yerel, bölgesel ve ulusal yönetmeliklere uygun şekilde atın.

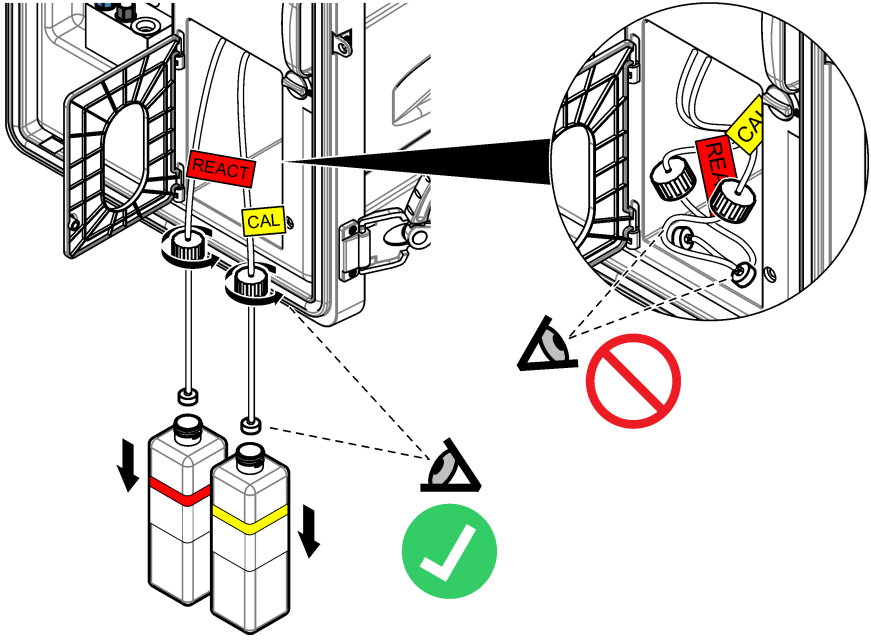
Reaktivasyon çözeltisini 3 aylık aralıklarla veya doluluk düzeyi %10'un altına indiğinde değiştirin.

Kullanıcı tarafından temin edilecek malzemeler:

- Kişisel koruyucu ekipman (bkz. MSDS/SDS)
- 0,5 M Sodyum Nitrat (NaNO_3), 500 mL
- 10 ppm Sodyum Klorür Standardı (NaCl), 500 mL
- Deiyonize su, 100 mL

1. Güvenlik veri sayfasında (MSDS/SDS) belirtilen kişisel koruyucu ekipmanı giyin.
2. **Menu (Menü)** tuşuna basın ve STOP ANALYZER (ANALİZ CİHAZINI DURDUR) öğesini seçin.
Not: START ANALYZER (ANALİZ CİHAZINI BAŞLAT) öğesi görüntülenirse analiz cihazı zaten bekleme modundadır.
3. Reaktivasyon ve kalibrasyon çözeltilerini aşağıda belirtilen şekilde değiştirin:
 - a. Reaktivasyon ve kalibrasyon çözeltilerinin şişelerini analiz cihazından çıkarın. Bkz. [Şekil 1](#).
Not: Kalibrasyon çözeltisi şişesi, yalnızca otomatik kalibrasyon seçeneği bulunan analiz cihazlarında mevcuttur.
 - b. Şişelerdeki çözeltileri uygun bir tahliye sisteminden atın.
 - c. Şişeleri deiyonize suyla yıkayın.
 - d. Kalibrasyon çözeltisi şişesine yeni 10 ppm Sodyum Klorür (NaCl) çözeltisi (500 mL) doldurun. Kalibrasyon çözeltisi şişesinin üzerinde sarı çizgili bir etiket bulunur.
Not: 10 ppm Sodyum Klorür (NaCl) çözeltisi hazırlamak için kullanım kılavuzuna bakın.
 - e. Reaktivasyon çözeltisi şişesine yeni 0,5 M Sodyum Nitrat (NaNO₃) çözeltisi (500 mL) doldurun. Kalibrasyon çözeltisi şişesinin üzerinde kırmızı çizgili bir etiket bulunur.
Not: 0,5 M Sodyum Nitrat (NaNO₃) çözeltisi hazırlamak için kullanım kılavuzuna bakın.
 - f. Şişeleri analiz cihazına takın. Üzerinde kırmızı "REACT" etiketi bulunan hortumun, üzerinde kırmızı çizgili etiket bulunan şişeye takıldığından emin olun.
Üzerinde Sarı "CAL" etiketi bulunan hortumun, üzerinde sarı çizgili etiket bulunan şişeye takıldığından emin olun.
4. Şişe seviyelerini aşağıda belirtilen şekilde girin:
 - a. **Menu (Menü)** tuşuna basın ve ardından REAGENTS/STANDARDS (REAKTİFLER/STANDARTLAR) öğesini seçin.
 - b. SET REACT LEVEL (REAKTİVASYON DÜZEYİNİ AYARLA) öğesini seçin ve %100 yazın.
 - c. SET STANDARD LEVEL (STANDART DÜZEYİ AYARLA) öğesini seçin ve %100 yazın.
5. PRIME REAGENTS (REAKTİFLERİ AKIT) öğesini seçin.
6. Reaktifleri akıtma adımı tamamlandığında, **Menu (Menü)** düğmesine basın, ardından START ANALYZER (ANALİZ CİHAZINI BAŞLAT) öğesini seçin.

Şekil 1 Şişenin çıkarılması



3.5 Koşullama çözeltisinin değiştirilmesi

⚠ UYARI



Soluma tehlikesi. Diizopropilamin (DIPA) veya amonyak dumanını solumayın. Bu maddelere maruz kalınması, ciddi yaralanma veya ölüme neden olabilir.

⚠ UYARI



Kimyasal maddelere maruz kalma tehlikesi. Diizopropilamin (DIPA) ve amonyak yanıcı, aşındırıcı ve toksik kimyasal maddelerdir. Bu maddelere maruz kalınması, ciddi yaralanma veya ölüme neden olabilir.

⚠ UYARI



Kimyasal maddelere maruz kalma tehlikesi. Laboratuvar güvenlik talimatlarına uyun ve kullanılan kimyasallara uygun tüm kişisel koruma ekipmanlarını kullanın. Şişeler doldurulmadan veya reaktifler hazırlanmadan önce tedarikçi tarafından sağlanan güvenlik veri sayfalarını okuyun. Yalnızca laboratuvar kullanımı içindir. Kullanıcının tehlikeyle ilgili bilgiler konusunda yerel yönetmeliklere uygun olarak bilgilendirilmesini sağlayın.

⚠ DİKKAT



Kimyasal maddelere maruz kalma tehlikesi. Kimyasal maddeleri ve atıkları, yerel, bölgesel ve ulusal yönetmeliklere uygun şekilde atın.

Koşullama çözeltisini 3 aylık aralıklarla veya doluluk düzeyi %10'un altına indiğinde değiştirin. Koşullama çözeltisi için DIPA (önerilir) veya amonyak (%28'den fazla) kullanın.

Kullanıcı tarafından temin edilecek malzemeler:

- Kişisel koruyucu ekipman (bkz. MSDS/SDS)
- Diizopropilamin (DIPA) %99, 1 litrelik şişe
- Uygun durumlarda, Merck veya Orion DIPA şişeleri için şişe adaptörü

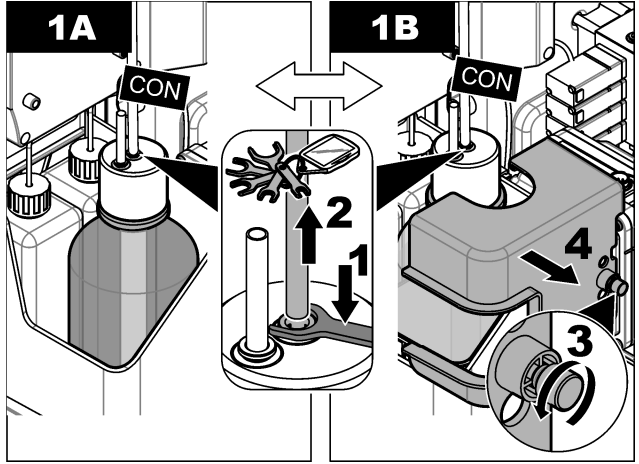
Koşullama şişesini aşağıda belirtilen şekilde değiştirin:

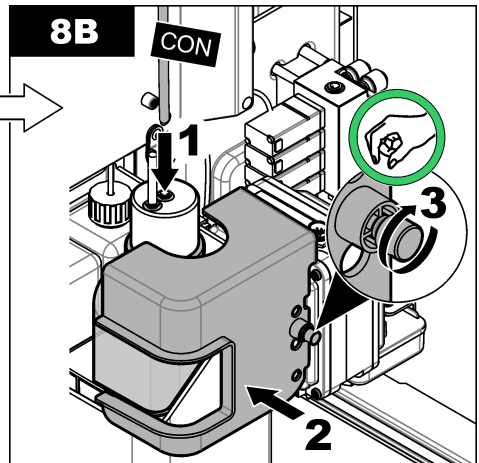
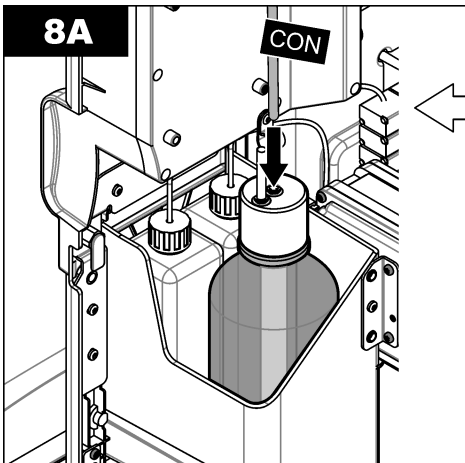
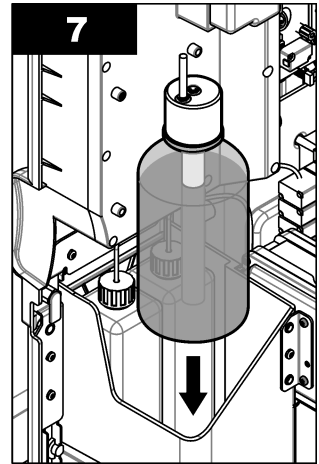
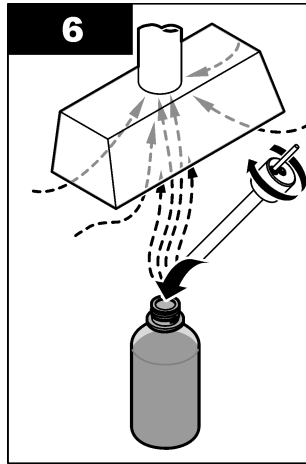
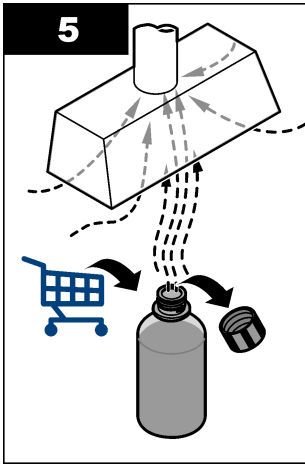
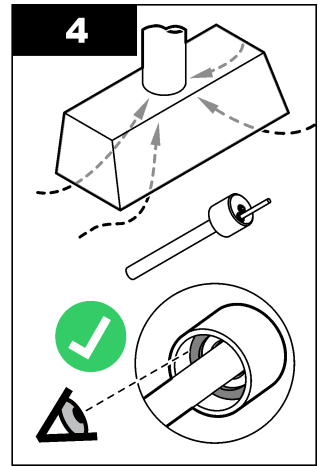
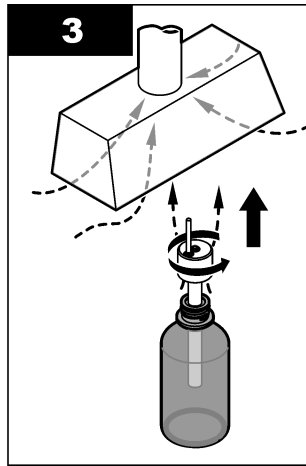
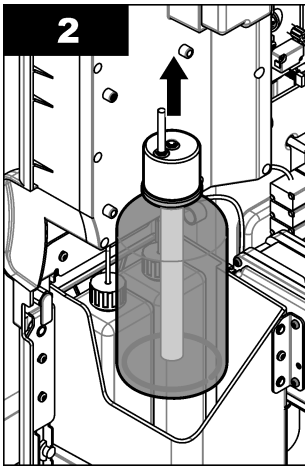
1. Güvenlik veri sayfasında (MSDS/SDS) belirtilen kişisel koruyucu ekipmanı giyin.
2. **Menu (Menü)** tuşuna basın ve STOP ANALYZER (ANALİZ CİHAZINI DURDUR) ögesini seçin.
Not: START ANALYZER (ANALİZ CİHAZINI BAŞLAT) ögesi görüntülenirse analiz cihazı zaten bekleme modundadır.
3. Analiz panelindeki mandalı açık konuma getirin. Analiz panelini açın.
4. Koşullama çözeltisi şişesini değiştirin. Aşağıda gösterilen resimli adımlara bakın.

Not: İsteğe bağlı katyonik pompalı analiz cihazlarında, koşullama şişesi kapağına giren iki hortum bulunur. Her iki hortumu da çıkarın.

Not: 1. ve 8. resimli adımlar için yalnızca muhafazasız analiz cihazlarında koşullama şişesi tutucu bulunduğunu göz önünde bulundurun.

3.–6. resimli adımları, varsa bir çeker ocağın altında uygulayın. DIPA veya amonyak dumanını solumayın.





5. İsteğe bağlı katyonik pompalı analiz cihazlarında, katyonik pompanın çıkış hortumunu tekrar kapağın ortasındaki deliğe takın.
6. Analiz panelini kapatın. Analiz panelindeki mandalı kilitli konuma getirin.
7. Şişe seviyesini aşağıda belirtilen şekilde girin:
 - a. **Menu (Menü)** tuşuna basın ve ardından REAGENTS/STANDARDS (REAKTİFLER/STANDARTLAR) öğesini seçin.
 - b. SET COND LEVEL (KOŞULLAMA DÜZEYİNİ AYARLA) öğesini seçin ve %100 yazın.
8. **Menu (Menü)** düğmesine basın ve START ANALYZER (ANALİZ CİHAZINI BAŞLAT) öğesini seçin.

3.6 KCl elektrolitinin değiştirilmesi

⚠ DİKKAT



Kimyasal maddelere maruz kalma tehlikesi. Laboratuvar güvenlik talimatlarına uyun ve kullanılan kimyasallara uygun tüm kişisel koruma ekipmanlarını kullanın. Güvenlik protokolleri için mevcut güvenlik veri sayfalarına (MSDS/SDS) başvurun.

⚠ DİKKAT



Kimyasal maddelere maruz kalma tehlikesi. Kimyasal maddeleri ve atıkları, yerel, bölgesel ve ulusal yönetmeliklere uygun şekilde atın.

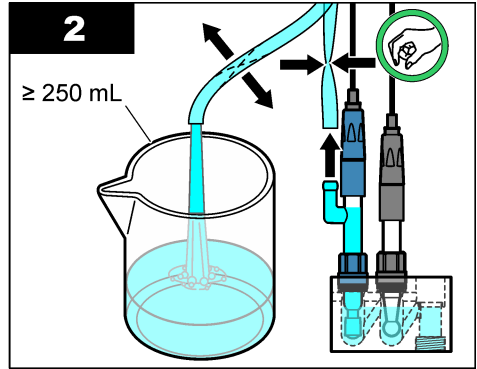
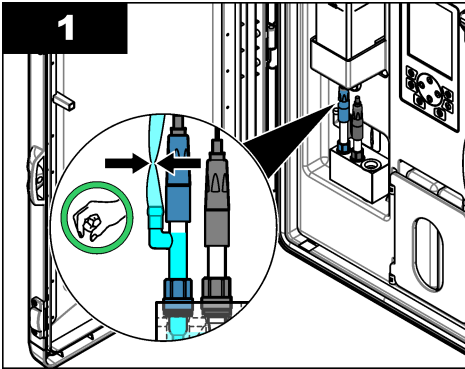
KCl elektrolit haznesindeki KCl elektrolitini 3 aylık aralıkla değiştirin.

Gerekten araç ve gereçler:

- Kişisel koruyucu ekipman (bkz. MSDS/SDS)
- 3 M KCl elektroliti, 200 mL
- Küçük kap, 250 mL veya daha büyük

KCl elektrolitini aşağıda belirtilen şekilde değiştirin:

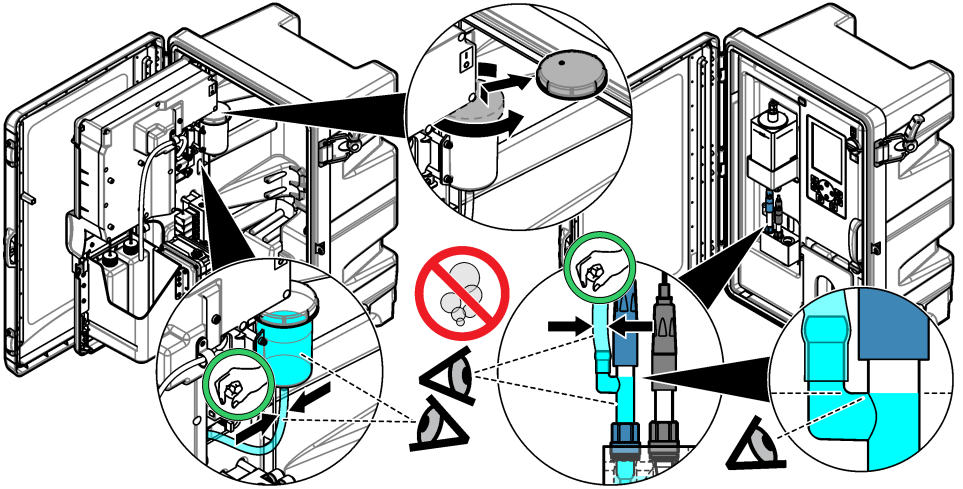
1. Güvenlik veri sayfasında (MSDS/SDS) belirtilen kişisel koruyucu ekipmanı giyin.
2. KCl elektrolit haznesinin içeriğini küçük kaba boşaltın. Aşağıda gösterilen resimli adımlara bakın. KCl elektroliti uygun bir tahliye sisteminden atın.



3. KCl elektroliti hortumunu tekrar referans elektrotuna takın.
4. KCl elektrolit haznesini aşağıda belirtilen şekilde doldurun:
 - a. Analiz panelindeki mandalı açık konuma getirin. Analiz panelini açın.
 - b. KCl elektroliti haznesindeki kapağı çıkarın. Bkz. Şekil 2.

- c. Hazneyi %90 seviyesine kadar doldurun (yaklaşık 200 mL).
 - d. Kapağı takın.
5. Aşağıda belirtilen şekilde hava kabarcıklarını KCl elektrolit hortumundan uzaklaştırın:
- a. Analiz panelinin ön kısmından başlayarak KCl elektrolit hortumunu baş ve işaret parmaklarınızla sıkın ve hava kabarcıklarını hortumdan yukarı hazneye doğru itin. Bkz. [Şekil 2](#).
 - b. Hava kabarcıkları hazneye yaklaştığında yukarı itmek için analiz panelinin ön ve arka kısmında hortumu iki elinizle sıkın.
 - c. Referans elektrotundaki KCl elektroliti, elektrota girdiği cam bağlantı parçasının üst kısmına ulaşana kadar hortumu sıkmaya devam edin. Bkz. [Şekil 2](#).
6. Analiz panelini kapatın. Analiz panelindeki mandalı kilitli konuma getirin.
7. Şişe seviyesini aşağıda belirtilen şekilde girin:
- a. **Menu (Menü)** tuşuna basın ve ardından REAGENTS/STANDARDS (REAKTİFLER/STANDARTLAR) ögesini seçin.
 - b. SET KCL LEVEL (KCL DÜZEYİNİ AYARLA) ögesini seçin ve %100 yazın.

Şekil 2 KCl elektrolit haznesinin doldurulması



3.7 Giriş elektrik sigortasının değiştirilmesi

⚠ TEHLİKE



Elektrik çarpması nedeniyle ölüm tehlikesi. Bu prosedürü uygulamaya başlamadan önce cihaza giden elektriği kesin.

⚠ TEHLİKE



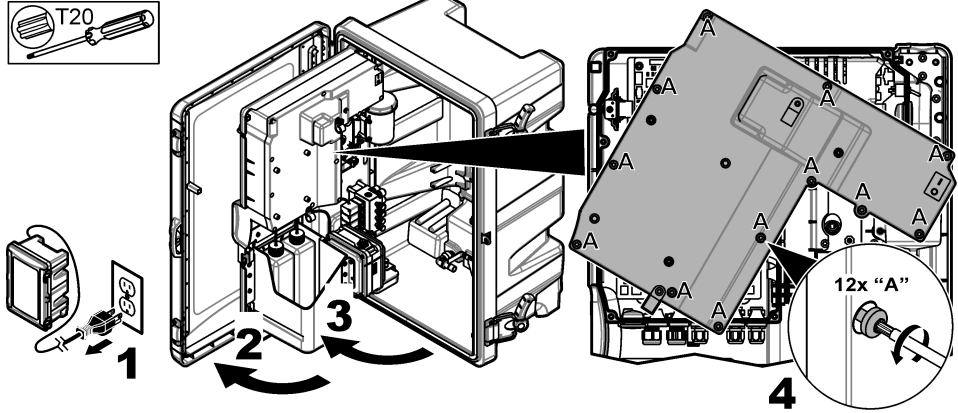
Yangın tehlikesi. Sigortaları aynı tipteki ve aynı akım değerine sahip sigortalarla değiştirin.

Sigortaları inceleyin. Tüm açık sigortaları yeni sigortalarla değiştirin.

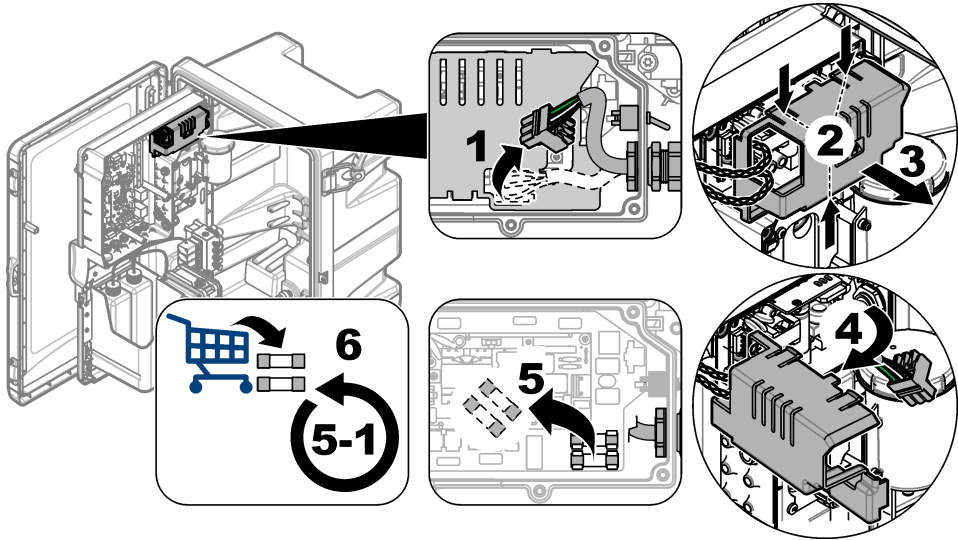
Kullanıcı tarafından temin edilecek malzemeler: T 1,6 A, 250 VAC sigorta

1. Güç kablosunu elektrik prizinden çekin.
2. Elektrik tertibatı erişim kapağını çıkarın. Resimli adımlar için bkz. [Şekil 3](#).
3. Sigortayı değiştirin. Resimli adımlar için bkz. [Şekil 4](#)
4. Elektrik tertibatı erişim kapağını takın. Muhafazanın koruma sınıfını korumak için tüm vidaları sıkın.
5. Analiz panelini kapatın. Analiz panelindeki mandalı kilitleyici konuma getirin.
6. Güç kablosunu bir elektrik prizine takın.
7. **Menu (Menü)** düğmesine basın ve START ANALYZER (ANALİZ CİHAZINI BAŞLAT) ögesini seçin.

Şekil 3 Elektrik tertibatı erişim kapağının çıkarılması



Şekil 4 Elektrik sigortasının değiştirilmesi



3.8 Analiz cihazının kısa süreli kesinti için hazırlanması

Analiz cihazını, aşağıda belirtilen şekilde kısa süreli kesintiler (2 gün - 1 hafta) için hazırlayın:

Kullanıcı tarafından temin edilecek malzemeler: Kelepçe

1. **Menu (Menü)** tuşuna basın ve STOP ANALYZER (ANALİZ CİHAZINI DURDUR) öğesini seçin.

Not: START ANALYZER (ANALİZ CİHAZINI BAŞLAT) öğesi görüntülenirse analiz cihazı zaten bekleme modundadır.

2. Kelepçeyi (metal veya plastik) KCl elektroliti hortumunun ucuna takarak KCl elektrolitinin referans elektrotuna akışını kesin.


Not: Analiz cihazı bekleme modunda veya kapalı olduğunda, KCl elektroliti referans elektrotundan akmaya devam eder. KCl elektroliti yavaş yavaş ölçüm hücresinin sol odasını doldurur ve sol odanın üstünden taşar.

3. Numune hatlarındaki kapatma valflerini kapalı konuma getirin.

4. Analiz cihazının elektriğinin kesilmesi gerekiyorsa sodyum elektrotunun hasar görmesini önlemek için ölçüm hücresinin orta odasına reaktivasyon çözeltisi ekleyin.

Not: Analiz cihazı, 4 saat bekleme modunda durduktan sonra, ölçüm hücresinin orta odasına otomatik olarak reaktivasyon çözeltisi ekler.

3.9 Analiz cihazının uzun süreli kesinti için hazırlanması

⚠ UYARI	
	Kimyasal maddelere maruz kalma tehlikesi. Laboratuvar güvenlik talimatlarına uyun ve kullanılan kimyasallara uygun tüm kişisel koruma ekipmanlarını kullanın. Şişeler doldurulmadan veya reaktifler hazırlanmadan önce tedarikçi tarafından sağlanan güvenlik veri sayfalarını okuyun. Yalnızca laboratuvar kullanımı içindir. Kullanıcının tehlikeyle ilgili bilgiler konusunda yerel yönetmeliklere uygun olarak bilgilendirilmesini sağlayın.

⚠ DİKKAT	
	Kimyasal maddelere maruz kalma tehlikesi. Kimyasal maddeleri ve atıkları, yerel, bölgesel ve ulusal yönetmeliklere uygun şekilde atın.

Analiz cihazını, aşağıda belirtilen şekilde uzun süreli kesintiler (1 haftadan uzun) için hazırlayın:

Kullanıcı tarafından temin edilecek malzemeler:

- Küçük kap, 250 mL veya daha büyük
- Deiyonize su, 1,5 L
- Temiz ve tüy bırakmayan bez

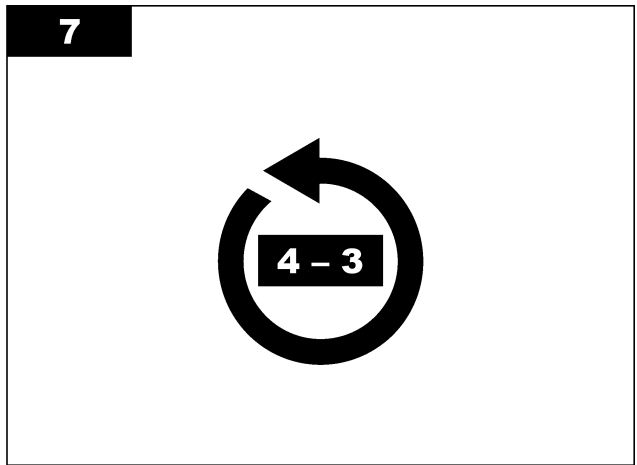
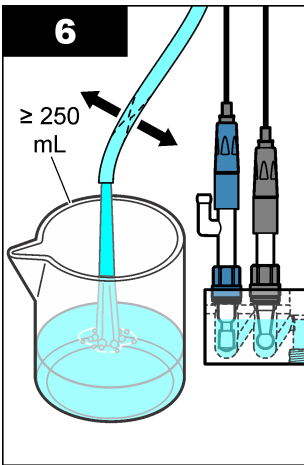
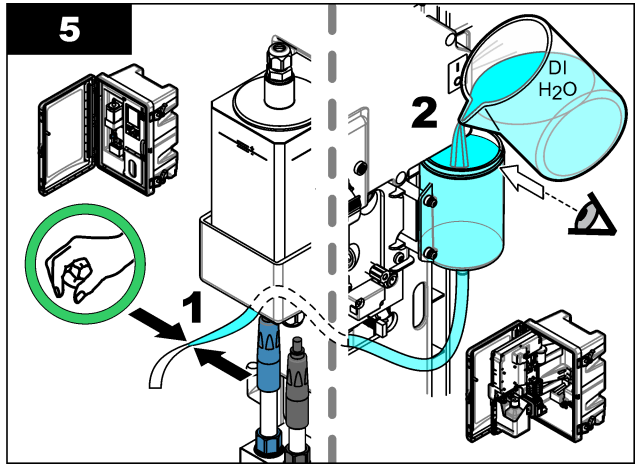
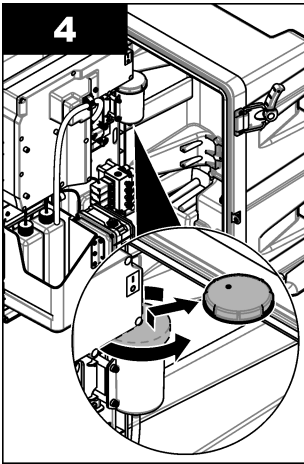
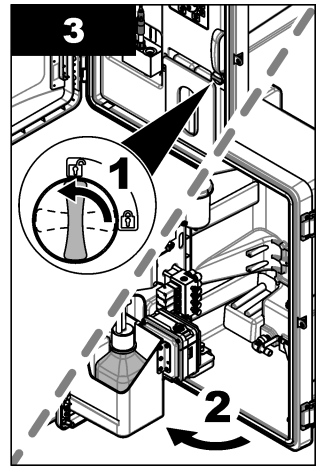
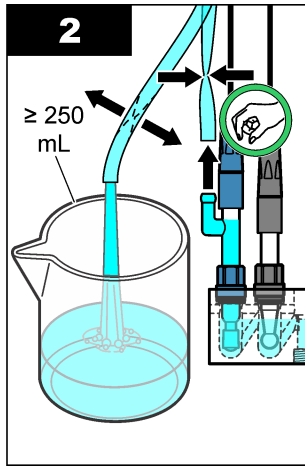
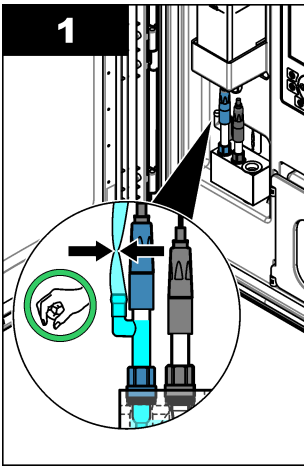
Gereken araç ve gereçler:

- Elektrotlar için saklama şişeleri (2 adet)
- Elektrotlar için koruyucu kapaklar (2 adet)
- Referans elektrotunun cam bağlantı parçası için siyah örtü

3.9.1 KCl elektrolit haznesinin boşaltılması ve yıkanması

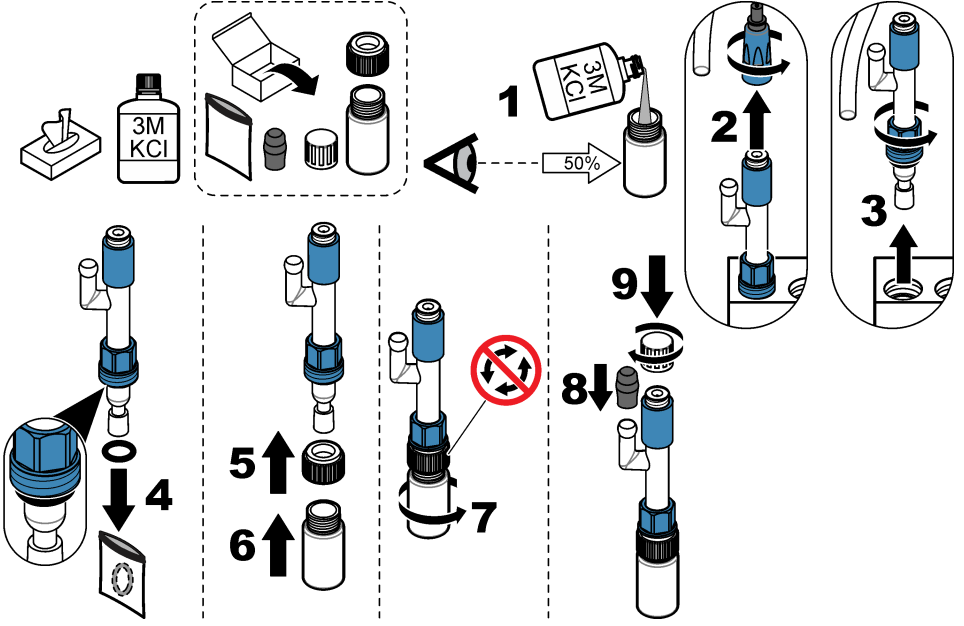
Aşağıda gösterilen resimli adımlara bakın.

Güvenlik veri sayfasında (MSDS/SDS) belirtilen kişisel koruyucu ekipmanı giyin.



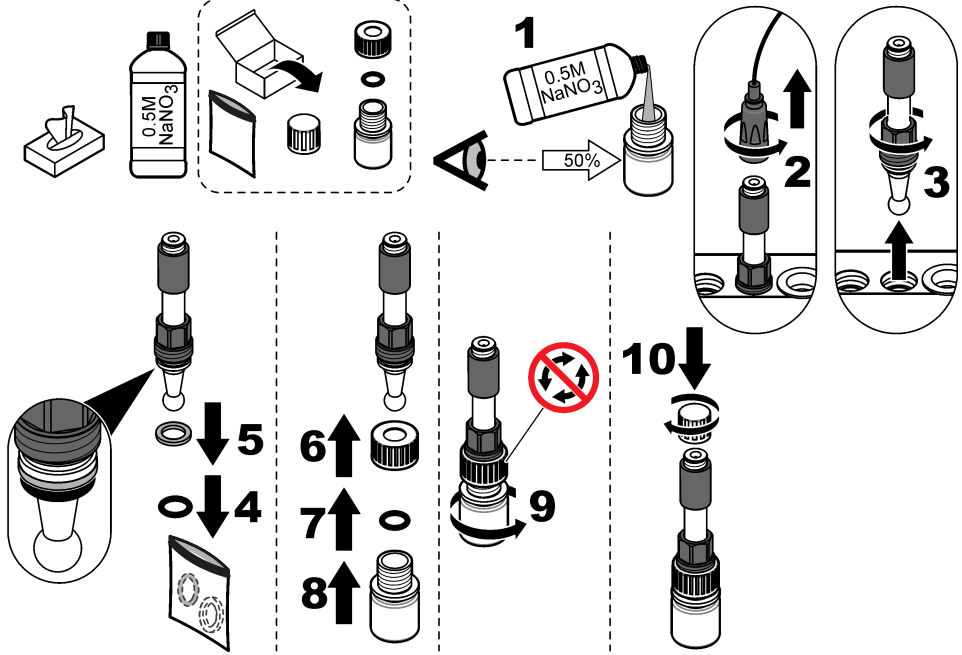
3.9.2 Referans elektrotunun çıkarılması

Aşağıda gösterilen resimli adımlara bakın.



3.9.3 Sodyum elektrotunun çıkarılması

Aşağıda gösterilen resimli adımlara bakın.



3.9.4 Koşullama çözeltisi şişesinin çıkarılması

⚠ UYARI



Solunma tehlikesi. Diizopropilamin (DIPA) veya amonyak dumanını solumayın. Bu maddelere maruz kalınması, ciddi yaralanma veya ölüme neden olabilir.



⚠ UYARI

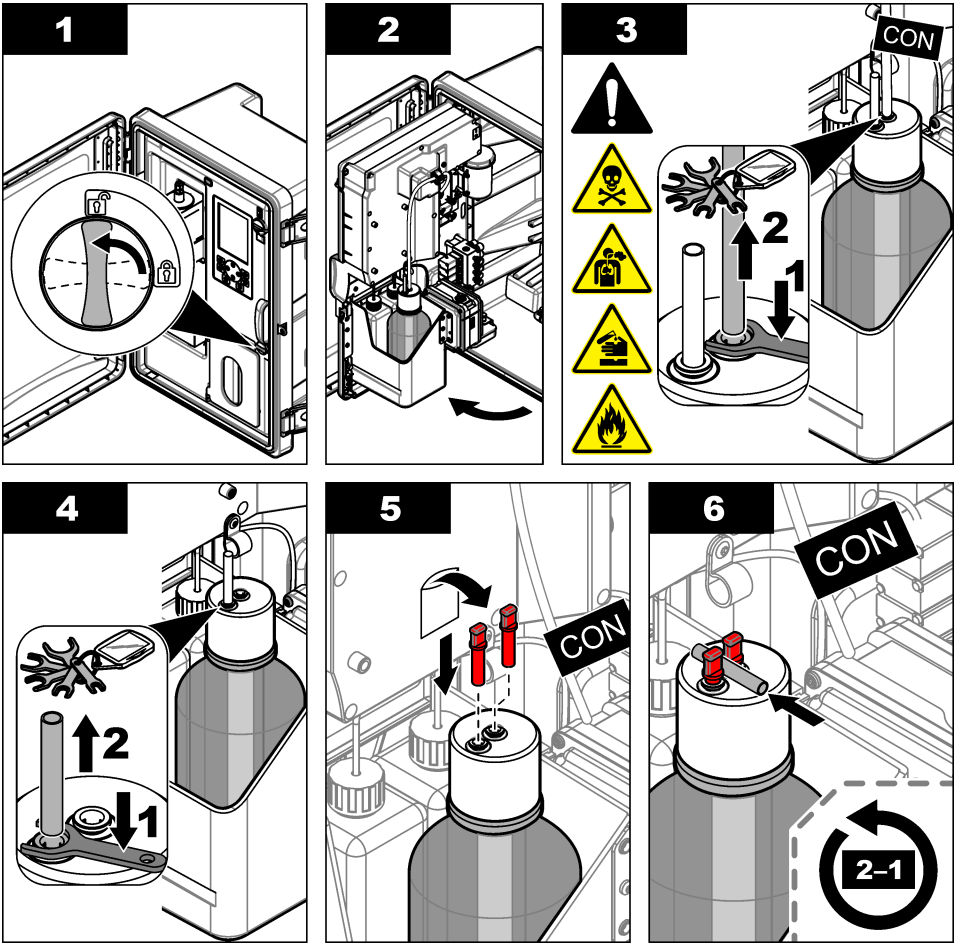


Kimyasal maddelere maruz kalma tehlikesi. Diizopropilamin (DIPA) ve amonyak yanıcı, aşındırıcı ve toksik kimyasal maddelerdir. Bu maddelere maruz kalınması, ciddi yaralanma veya ölüme neden olabilir.



Aşağıda gösterilen resimli adımlara bakın.

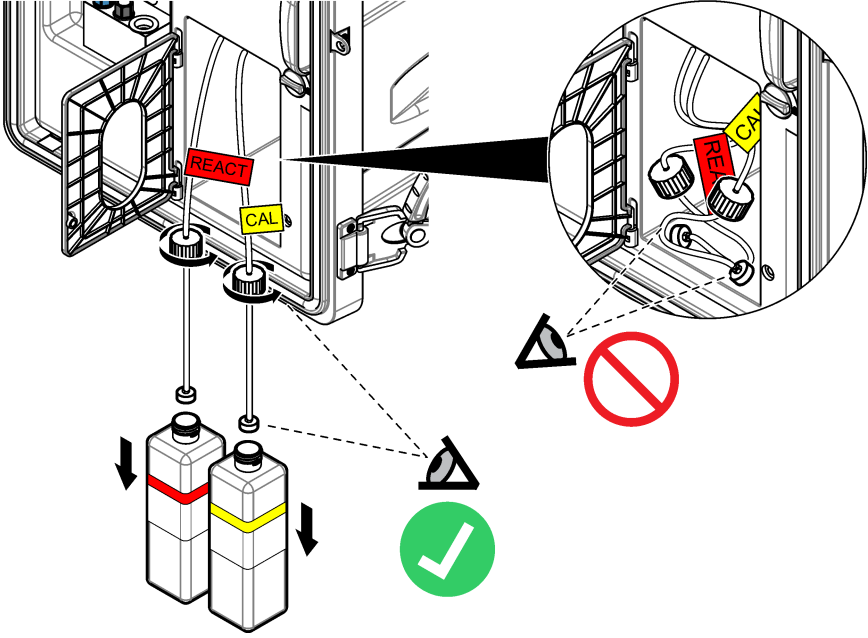
Güvenlik veri sayfasında (MSDS/SDS) belirtilen kişisel koruyucu ekipmanı giyin.



3.9.5 Reaktif hortumunun yıkanması

1. Güvenlik veri sayfasında (MSDS/SDS) belirtilen kişisel koruyucu ekipmanı giyin.
2. Reaktifasyon ve kalibrasyon çözeltilerinin şişelerini analiz cihazından çıkarın. Bkz. [Şekil 5](#).
Not: Kalibrasyon çözeltisi şişesi, yalnızca otomatik kalibrasyon seçeneği bulunan analiz cihazlarında mevcuttur.
3. Şişelerdeki çözeltileri uygun bir tahliye sisteminden atın.
4. Şişeleri deiyonize suyla yıkayıp yarısına kadar deiyonize su doldurun.
5. Şişeleri analiz cihazına takın.
6. **Menu (Menü)** düğmesine basın, ardından REAGENTS/STANDARDS (REAKTİFLER/STANDARTLAR) > PRIME REAGENTS (REAKTİFLERİ AKIT) öğesini seçin. Reaktif hortumunu deiyonize suyla yıkayın.

Şekil 5 Şişenin çıkarılması



3.9.6 Taşma kabının boşaltılması

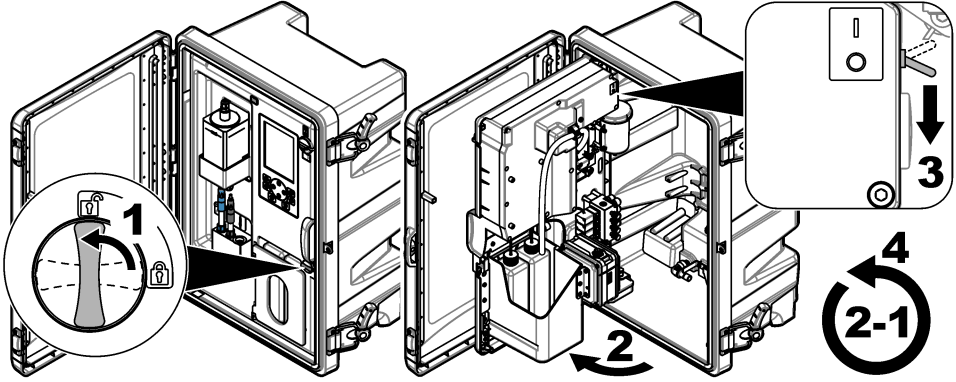
1. **diag** düğmesine basın, ardından **PERFORM TEST (TEST UYGULA)** ögesini seçin ve **enter** düğmesine basın.
2. **enter** düğmesine basarak **YES (EVET)** ögesini seçin.
3. **SAMPLE DRAIN (Numune Tahliyesi)** ögesini seçin ve ardından **enter** düğmesine basın.
4. 150 saniye yazın.
5. İki kez **enter** düğmesine basın.
6. Taşma kabı boşaldığında **back** düğmesine basın.
7. **home** düğmesine basın.

3.9.7 Analiz cihazının kapatılması

Analiz cihazına giden gücü kapatmak ve numuneyi kaldırmak için aşağıdaki adımları uygulayın:

1. Güç düğmesini kapalı konuma getirin. Bkz. [Şekil 6](#).
2. Analiz panelini kapatın. Analiz panelindeki mandalı kilitli konuma getirin.
3. Güç kablosunu elektrik prizinden çekin.
4. Numune hatlarındaki kapatma valflerini kapalı konuma getirin.
5. Temiz ve tüy bırakmayan bir bez yardımıyla taşma kabındaki suyu uzaklaştırın.
6. Temiz ve tüy bırakmayan bir bez yardımıyla ölçüm hücresinin sol ve orta odasındaki suyu uzaklaştırın.

Şekil 6 Güç düğmesini kapalı konuma getirme



3.9.8 Şişelerdeki deiyonize suyun atılması

1. Reaktivasyon ve kalibrasyon çözümlerinin şişelerini analiz cihazından çıkarın. Şişe kapaklarını, analiz cihazının altından sarkacak şekilde aşağı doğru çekin.
Kontaminasyonu önlemek için şişe kapağının veya dahili hortumun analiz cihazına temas etmesine izin vermeyin.
2. Şişelerdeki deiyonize suyu atın.
3. Şişeler açık havada tam olarak kuruyana kadar bekleyin.
4. Şişeleri analiz cihazına takın.
5. Analiz cihazının kapağını kapatın.

Bölüm 4 Sorun giderme

Sorun	Olası neden	Çözüm
Durum çubuğu ölçüm ekranında görünmüyor.	Ölçüm ekranında gösterilen kanal, ölçülmekte olan kanal değildir.	Ölçülmekte olan kanal ölçüm ekranında gösterilene kadar YUKARI veya AŞAĞI ok tuşuna basın.
YUKARI veya AŞAĞI ok tuşuna basıldığında ölçüm ekranında kanal görünmüyor.	Ekran ayarları alanında kanal seçilmemiştir.	Menu (Menü) düğmesine basın, ardından SETUP SYSTEM (SİSTEM KURULUMU) > DISPLAY SETUP (EKRAN KURULUMU) > ADJUST ORDER (SIRALAMAYI AYARLA) > SEE CURRENT ORDER (GEÇERLİ SIRALAMAYI GÖSTER) öğesini seçin. Kanal gösterilmiyorsa back (geri) tuşuna basın, ardından ADD MEASUREMENTS (ÖLÇÜM EKLE) öğesini seçin. Onay kutusunu işaretlemek veya işaretini kaldırmak için SOL ok tuşuna basın.

Sorun	Olası neden	Çözüm
Kanal ölçülmüyor.	Kanal etkinleştirilmemiştir.	Menu (Menü) düğmesine basın, ardından SETUP SYSTEM (SİSTEM KURULUMU) > CONFIGURE ANALYZER (ANALİZ CİHAZINI YAPILANDIR) > CONFIGURE SEQUENCER (SIRALAYICIYI YAPILANDIR) > ACTIVATE CHANNELS (KANALLARI AKTİVE ET) öğesini seçin. Kanalı ekleyin. Onay kutusunu işaretlemek veya işaretini kaldırmak için SOL ok tuşuna basın.
	Kanal, kanal ölçümü sekansında değildir.	Menu (Menü) düğmesine basın, ardından SETUP SYSTEM (SİSTEM KURULUMU) > CONFIGURE ANALYZER (ANALİZ CİHAZINI YAPILANDIR) > CONFIGURE SEQUENCER (SIRALAYICIYI YAPILANDIR) > SEQUENCE CHANNELS (KANALLARI SIRALA) öğesini seçin. YUKARI ve AŞAĞI ok tuşlarını kullanarak bir sıra seçin, ardından SOL veya SAĞ ok tuşlarını kullanarak bir kanal seçin. S1, ölçülen ilk kanaldır; bunu S2, S3 ve S4 takip eder. Not: "~" sembolünü içeren kanalları seçmeyin (ör. 4~SAMPLE4). "~" sembolünü içeren kanallar ölçülmez.
"UNSTABLE READING (STABİL OLMAYAN OKUMA DEĞERİ) uyarı durumu oluşuyor.	Kanal ölçümleri arasındaki yıkama süresi çok kısadır.	Menu (Menü) düğmesine basın, ardından SETUP SYSTEM (SİSTEM KURULUMU) > CONFIGURE ANALYZER (ANALİZ CİHAZINI YAPILANDIR) > MEASUREMENT (ÖLÇÜM) > SET MEASURE CYCLE (ÖLÇÜM DÖNGÜSÜNÜ AYARLA) > MAX CYCLE TIME (MAKS. DÖNGÜ SÜRESİ) veya CYCLE TIME (DÖNGÜ SÜRESİ) öğesini seçin. Yıkama süresini artırmak için MAX CYCLE TIME (MAKS. DÖNGÜ SÜRESİ) veya CYCLE TIME (DÖNGÜ SÜRESİ) ayarının değerini artırın.
"SAMPLE MISSING (NUMUNE YOK) uyarı durumu oluşuyor.	Numune hattındaki kapatma valfi kapalıdır.	Kapatma valfini açık konuma getirin.
	Numune hattı doğru bağlanmamıştır.	Numune hattının doğru tesisat bağlantı noktasına bağlandığından emin olun. Kurulum kılavuzundaki <i>Tesisat bağlantı noktaları</i> başlıklı bölüme bakın.
	Numune akış valfi kapalıdır.	Başlatma sihirbazını çalıştırın. Menu (Menü) düğmesine basın, ardından SETUP SYSTEM (SİSTEM KURULUMU) > STARTUP ANALYZER (ANALİZ CİHAZINI BAŞLAT) öğesini seçin. Numune akış hızını ayarlamaz istenene kadar enter (giriş) tuşuna basın. Numune akış valfini saat yönünün tersine döndürerek akış hızını her kanalda 6–9 L/saate yükseltin.
	Kanalın solenoid valfi düzgün çalışmıyordur.	Diag (Tanılama) düğmesine basın, ardından PERFORM TEST (TEST UYGULA) > SAMPLE DRAIN (Numune Tahliyesi) öğesini seçerek taşma kabını tahliye edin. Diag (Tanılama) düğmesine basın, ardından PERFORM TEST (TEST UYGULA) > SAMPLE DELIVERY (Numune İletimi) öğesini seçerek numune valfini açın. Numune taşma kabına akıyorsa numune valfi kablolarını kontrol edin. Gerekliyorsa numune valfini değiştirin.

Sorun	Olası neden	Çözüm
"PH TOO LOW (PH ÇOK DÜŞÜK)" uyarı durumu oluşuyor.	Ölçüm hücresinin sağ odasındaki kapak çıkarılmıştır.	Kapağı ölçüm hücresinin sağ odasına takın.
	Koşullama çözeltisi şişesinin doluluk oranı %10'dan azdır veya şişe boştur.	Koşullama çözeltisini değiştirin. Bkz. Koşullama çözeltisinin değiştirilmesi sayfa 445.
	Koşullama şişesinin kapağında hava kaçağı vardır.	<ul style="list-style-type: none"> Koşullama şişesinin kapağının sıkıca kapatıldığından emin olun. Şişe kapağındaki pulu kontrol edin. Aşınma veya hasar belirtileri görünüyorsa pulu değiştirin. Şişenin ağzındaki plastik flanşı kontrol edin. Aşınma veya hasar varsa koşullama çözeltisini şişesini değiştirin.
	Koşullama hortumunda hava kaçağı vardır.	Koşullama hortumunda tıkanıklık veya hava kaçağı olup olmadığını kontrol edin. Gerektiğinde hortumu değiştirin. Not: Koşullama hortumu, çözelti değil gaz içerir.
	Koşullama valfi düzgün çalışmıyordur.	Diag (Tanılama) düğmesine basın, ardından PERFORM TEST (TEST UYGULA) > CONDITIONING VALVE (Koşullama Valfi) öğesini seçerek koşullama valfini açın. Koşullama gazı ölçüm hücresinin sağ odasına akıyorsa (kabarlıklar olarak görünür) koşullama valfini değiştirin.
"CALIBRATION FAIL (KALİBRASYON BAŞARISIZ)" uyarı durumu oluşuyor.	Otomatik kalibrasyon ayarları alanındaki kalibrasyon çözeltisinin değeri, kalibrasyon çözeltisi şişesindeki değerden farklıdır.	Kalibrasyon menüsündeki kalibrasyon çözeltisinin değerini, kalibrasyon çözeltisi şişesinde görünen değerle değiştirin. Kullanım kılavuzundaki <i>Otomatik kalibrasyon ayarlarını yapma</i> başlıklı bölüme bakın.
	Kalibrasyon çözeltisinin şişesi boştur.	Kalibrasyon çözeltisini yenileyin. Bkz. Kalibrasyon ve reaktivasyon çözeltilerinin değiştirilmesi sayfa 443.
	Kalibrasyon çözeltisi hortumunda kaçak veya tıkanıklık vardır.	Hortumda tıkanıklık veya kaçak olup olmadığını kontrol edin. Gerektiğinde hortumu değiştirin.
	Kalibrasyon çözeltisi pompası düzgün çalışmıyordur.	<p>Diag (Tanılama) düğmesine basın, ardından PERFORM TEST (TEST UYGULA) > SAMPLE DRAIN (Numune Tahliyesi) öğesini seçerek taşma kabını tamamıyla tahliye edin.</p> <p>Diag (Tanılama) düğmesine basın, ardından PERFORM TEST (TEST UYGULA) > CAL STD DELIVERY (Kalibrasyon Standardı İletimi) öğesini seçerek kalibrasyon çözeltisi pompasını açık konuma getirin. Kalibrasyon çözeltisi taşma kabına akıyorsa kalibrasyon çözeltisi pompasını değiştirin.</p>
	Karıştırma çubuğu dönmüyordur. Not: Karıştırma çubuğu belirli aralıklarla döner.	Diag (Tanılama) düğmesine basın, ardından PERFORM TEST (TEST UYGULA) > MIXER (Karıştırıcı) öğesini seçerek karıştırıcı motorunu açık konuma getirin. Karıştırma çubuğu hareket etmiyorsa karıştırıcı motorunu değiştirin.
	Karıştırma çubuğu taşma kabının içinde değildir.	Karıştırma çubuğunun taşma kabının içinde olduğundan emin olun.

Sorun	Olası neden	Çözüm
"REACT VOLTAGE LOW (REAKTİVASYON GERİLİMİ DÜŞÜK) uyarı durumu oluşuyor.	Reaktivasyon çözeltisinin şişesi boştur.	Reaktivasyon çözeltisi hortumunun ucunun şişenin tabanına ulaştığından emin olun. Reaktivasyon çözeltisini değiştirin. Bkz. Kalibrasyon ve reaktivasyon çözeltilerinin değiştirilmesi sayfa 443.
	Sodyum elektrotu düzgün çalışmıyordur.	<ul style="list-style-type: none"> Sodyum elektrotunun doğru takıldığından emin olun. Kurulum kılavuzuna bakın. Sodyum elektrotunun cam haznesinde hava olmadığından emin olun.
	Referans elektrotu düzgün çalışmıyordur.	<ul style="list-style-type: none"> Referans elektrotunu ölçüm hücresinden çıkarın. Cam parçanın üzerindeki bileziği kaldırarak bir miktar KCl elektrolitinin dışarı akmasını sağlayın. Bileziği aşağı doğru itin ve bir turun 1/4'inden daha az döndürerek kilitleyin. Bilezik kilittikten sonra dönmez. Referans elektrotunu ölçüm hücresine takın. Referans elektrotunun doğru takıldığından emin olun. Kurulum kılavuzuna bakın. Sorunun giderilip giderilmediğini belirlemek için Diag (Tanılama) düğmesine basın, ardından SENSOR REACTIVATION (SENSÖR REAKTİVASYONU) öğesini seçerek reaktivasyon işlemi gerçekleştirin.
	Reaktivasyon çözeltisi hortumunda kaçak veya tıkanıklık vardır.	Hortumda tıkanıklık veya kaçak olup olmadığını kontrol edin. Gerekliğinde hortumu değiştirin.
	Reaktivasyon çözeltisi pompası düzgün çalışmıyordur.	Diag (Tanılama) düğmesine basın, ardından PERFORM TEST (TEST UYGULA) > REACT SOL DELIVERY (Reaktivasyon Çözeltisi İletimi) > HIGH (YÜKSEK) öğesini seçerek reaktivasyon çözeltisi pompasını yüksek bir akış hızı değerine ayarlayın. Reaktivasyon çözeltisi, ölçüm hücresinin orta odasına akıyorsa reaktivasyon çözeltisi pompasını değiştirin.
Cihaz okuma değerleri stabil değil.	Analiz cihazı, 2 saatten daha kısa bir süre önce çalıştırılmıştır.	Stabil hale gelebilmesi için analiz cihazının 2 saat çalışmasını bekleyin.
	Elektrot kabloları, elektrotlara dolanmıştır.	Kabloyu elektrottan sökün. Konektörü, elektrot konektörünün üzerine sıkıca bastırın ve ardından konektörü döndürerek parmakla sıkın.
	Elektrot kabloları yanlış elektrotlara bağlanmıştır.	Mavi kabloyu referans elektrotuna bağlayın. Siyah kabloyu sodyum elektrotuna bağlayın.
	KCl elektrolitinin akış hızı çok yüksektir.	Referans elektrotunu ölçüm hücresinden çıkarın. Bileziği aşağı doğru itin ve bir turun 1/4'inden daha az döndürerek kilitleyin. Bilezik kilittikten sonra dönmez. Bilezik kilitle değilse KCl elektroliti, referans elektrotundan ölçüm hücresine çok hızlı akar.

Sorun	Olası neden	Çözüm
Ölçümler doğru değil.	Analiz cihazı kalibre edilmemiştir.	Analiz cihazını kalibre edin. Kullanım kılavuzundaki <i>Kalibrasyon gerçekleştirme</i> başlıklı bölüme bakın. En doğru ölçümler için analiz cihazını 7 günlük aralıklarla (haftada bir) kalibre edin.
	Otomatik reaktivasyon devre dışıdır veya reaktivasyonlar arasındaki aralık 24 saatten fazladır.	Otomatik reaktivasyon işlemi başlatın. Diag (Tanılama) düğmesine basın, ardından SENSOR REACTIVATION (SENSÖR REAKTİVASYONU) öğesini seçin. Not: <i>En doğru değerler için otomatik reaktivasyon işlevini açık olarak ayarlayın. Aralığı 24 saate ayarlayın. Çalıştırma kılavuzuna başvurun.</i>
	Reaktivasyon çözeltisinin şişesi boştur.	Reaktivasyon çözeltisini değiştirin. Bkz. Kalibrasyon ve reaktivasyon çözeltilerinin değiştirilmesi sayfa 443.
	Reaktivasyon çözeltisi hortumunda kaçak veya tıkanıklık vardır.	Hortumda tıkanıklık veya kaçak olup olmadığını kontrol edin. Gerektiğinde hortumu değiştirin.
	Reaktivasyon çözeltisi pompası düzgün çalışmıyordur.	Diag (Tanılama) düğmesine basın, ardından PERFORM TEST (TEST UYGULA) > REACT SOL DELIVERY (Reaktivasyon Çözeltisi İletimi) > HIGH (YÜKSEK) öğesini seçerek reaktivasyon çözeltisi pompasını yüksek bir akış hızı değerine ayarlayın. Reaktivasyon çözeltisi, ölçüm hücresinin orta odasına akmıyorsa reaktivasyon çözeltisi pompasını değiştirin.
Taşma kabındaki karıştırma çubuğu dönmüyor.	Karıştırıcı düzgün çalışmıyordur. Not: <i>Karıştırma çubuğu belirli aralıklarla döner.</i>	Diag (Tanılama) düğmesine basın, ardından PERFORM TEST (TEST UYGULA) > MIXER (Karıştırıcı) öğesini seçerek karıştırıcı motorunu açık konuma getirin. Karıştırma çubuğu hareket etmiyorsa karıştırıcı motorunu değiştirin.
KCl elektroliti tüketimi çok hızlı ¹ .	Referans elektrotunun cam kısmındaki bilezik kilittir.	Referans elektrotunu çıkarın. Bileziği yukarı doğru itin. Bileziği aşağı doğru itin ve bir turun 1/4'inden daha az döndürerek kilitleyin. Kurulum kılavuzundaki <i>Referans elektrotunun yerleştirilmesi</i> başlıklı bölümde verilen resimli adımlara bakın. Bilezik kilittendikten sonra dönmez. Bilezik kilittir değilse KCl elektroliti, referans elektrotundan ölçüm hücreğine çok hızlı akar.
KCl elektroliti tüketimi çok yavaş ² .	Mührü kırmak için referans elektrotunun cam kısmındaki bilezik döndürülmemiştir.	Referans elektrotunu çıkarın. Bileziği dikkatlice döndürerek mührü kırın. Bilezik hafifçe dönüyorsa mührü kırılmıştır. Kurulum kılavuzundaki <i>Referans elektrotunun yerleştirilmesi</i> başlıklı bölümde verilen resimli adımlara bakın. Bileziği aşağı doğru itin ve bir turun 1/4'inden daha az döndürerek kilitleyin. Bilezik kilittendikten sonra dönmez. Bilezik kilittir değilse KCl elektroliti, referans elektrotundan ölçüm hücreğine çok hızlı akar.
Ölçüm ekranında bir röle göstergesi yanıp sönüyor.	Aşırı besleme zamanlayıcısının süresi dolmuştur.	Aşırı besleme zamanlayıcısını sıfırlayın. Bkz. Rölelerin aşırı yük zamanlayıcısının sıfırlanması sayfa 462. Not: <i>Aşırı besleme zamanlayıcısı ayarı yalnızca röle SET FUNCTION (FONKSİYON AYARLA) ayarı, FEEDER CONTROL (BESLEYİCİ KONTROLÜ) olarak belirlendiğinde etkinleşir.</i>

¹ Hazne seviyesi iki gün içinde 3 mm'den (1/8 inç) daha fazla düşerse KCl elektroliti tüketimi çok hızlıdır

² Hazne seviyesi iki gün içinde 1 mm'den daha az düşerse KCl elektroliti tüketimi çok yavaştır

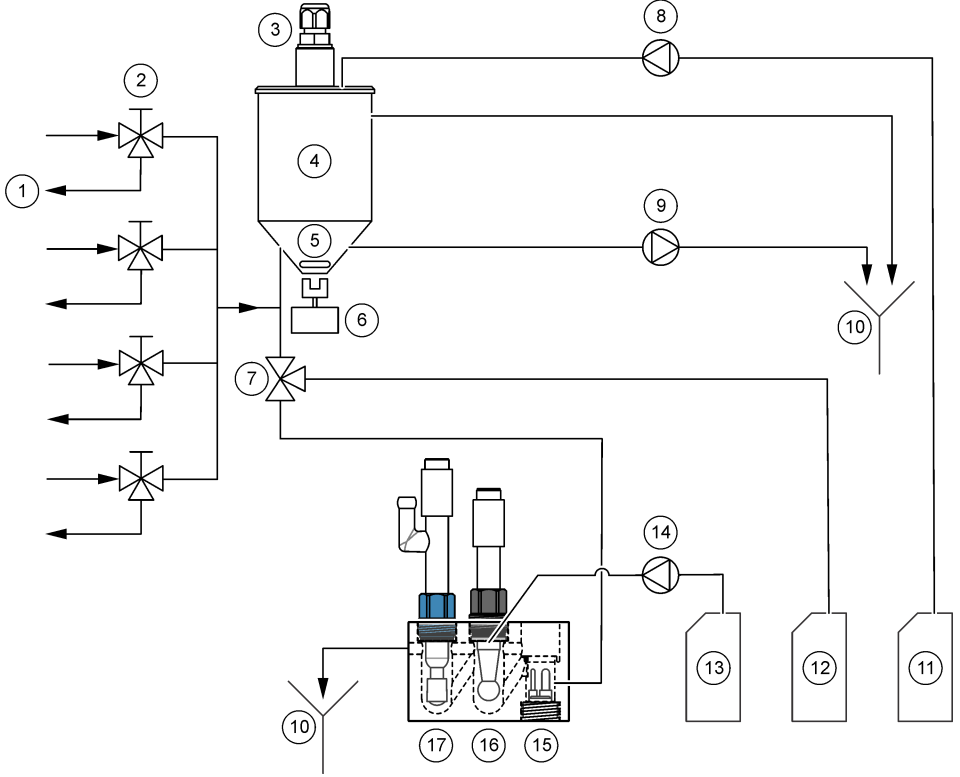
4.1 R lelerin aŐırı y k zamanlayıcısının sıfırlanması

R lelerin aŐırı y k zamanlayıcısı ayarı, ayar noktası veya  l  aralıktan y ksek olan  l m deęerinin bir r lenin s rekli olarak aŐık kalmasına neden olan durumları ( r. elektrotun hasar g rmesi veya bir prosesin bozulması)  nler. AŐırı y k zamanlayıcısı, r lelerin ve r lelere baęlı kontrol elemanlarının koŐullardan baęımsız olarak aŐık kalabileceęi s reyi sınırlar.

AŐırı y k zamanlayıcısı i in belirlenen zaman aralıęı sona erdięinde, r le durumu aŐırı y k zamanlayıcısı sıfırlandıncaya dek  l m ekranının saę  st k Őesinde yanıp s ner. **Diag (Tanılama)** d ęmesine basın, ardından OVERFEED RESET (AŐIRI Y K SIFIRLAMA)  ęesini se erek aŐırı y k zamanlayıcısını sıfırlayın.

Bölüm 5 Tanılama

5.1 Tesizat şeması



1 Numune baypas tahliyesi	7 Koşullama valfi	13 Reaktivasyon çözeltisi
2 Numune girişi	8 Kalibrasyon çözeltisi pompası ³	14 Reaktivasyon çözeltisi pompası
3 Seviye sensörü	9 Tahliye pompası	15 Sıcaklık sensörü
4 Taşma kabı	10 Tahliye	16 Sodyum elektrotu
5 Karıştırma çubuğu	11 Kalibrasyon çözeltisi ³	17 Referans elektrotu
6 Karıştırıcı motoru	12 Koşullama çözeltisi	

5.2 Analiz cihazı testinin başlatılması

Durum gösterge ışığının, karıştırıcı motorunun, bir pompa ya da valfin düzgün çalışıp çalışmadığını belirlemek için analiz cihazı testi başlatın.

³ Kalibrasyon çözeltisi pompası ve kalibrasyon çözeltisi, yalnızca otomatik kalibrasyon seçeneği bulunan analiz cihazlarında mevcuttur.

1. **Diag (Tanılama)** düğmesine basın, ardından PERFORM TEST (TEST UYGULA) öğesini seçin.
2. Bir seçenek belirleyin.

Seçenek	Açıklama
REACT SOL DELIVERY (Reaktivasyon Çözültisi İletimi)	Reaktivasyon çözeltisi pompasını çalıştırır. Reaktivasyon çözeltisi, ölçüm hücresinin orta odasına akar. Not: Ölçüm hücresi, elektrotların takıldığı yerdeki şeffaf gövdedir.
SAMPLE DELIVERY (Numune İletimi)	Seçilen kanalın numune solenoid valfini açık konuma ayarlar. Numune, taşma kabına akar. Not: Taşma kabı dolmuşsa taşma kabındaki su seviyesi değişmez. Taşma kabını boşaltmak için SAMPLE DRAIN (Numune Tahliyesi) testini gerçekleştirin.
CAL STD DELIVERY (Kalibrasyon Standardı İletimi)	Not: CAL STD DELIVERY (Kalibrasyon Standardı İletimi) seçeneği, yalnızca otomatik kalibrasyon seçeneği bulunan analiz cihazlarında kullanılabilir. Kalibrasyon çözeltisi pompasını açık konuma getirir. Kalibrasyon çözeltisi, taşma kabına akar.
CONDITIONING VALVE (Koşullama Valfi)	Koşullama valfini açık konuma getirir. Koşullama gazı, ölçüm hücresinin sağ odasına akar. Not: Ölçüm hücresi, elektrotların takıldığı yerdeki şeffaf gövdedir.
SAMPLE DRAIN (Numune Tahliyesi)	Tahliye pompasını açık konuma getirir. Taşma kabındaki su, kimyasal tahliyesi hortumundan boşaltılır.
MIXER (Karıştırıcı)	Karıştırıcı motorunu açık konuma getirir. Taşma kabındaki karıştırma çubuğu döner.
STATUS LED (Durum LED'i)	Durum gösterge ışığını kesintisiz döngüye ayarlar: sarı, kırmızı, yeşil.
AIR PUMP (Hava Pompası)	Not: AIR PUMP (Hava Pompası) seçeneği, yalnızca isteğe bağlı katyonik pompa takılı olduğunda kullanılabilir. Katyonik pompayı açık konuma getirir. Katyonik pompa, havayı koşullama çözeltisi (DIPA) şişesine iter. Katyonik pompanın analiz cihazındaki konumunu belirlemek için kurulum kılavuzundaki Ürüne genel bakış başlıklı bölüme bakın.
SELECT SCRIPT (Komut Dosyası Seç)	Not: SELECT SCRIPT (Komut Dosyası Seç) seçeneği yalnızca Servis kullanımına yöneliktir. Analiz cihazını, normal cihaz komut dosyasını veya test komut dosyasını kullanacak şekilde ayarlar.

5.3 4-20 mA çıkış veya röle testinin başlatılması

4-20 mA çıkışın veya rölenin doğru çalışıp çalışmadığını belirlemek için bir 4-20 mA çıkış veya röle testi başlatın.

1. **Diag (Tanılama)** düğmesine basın ve OUTPUTS (ÇIKIŞLAR) öğesini seçin.
2. Bir seçenek belirleyin.

Seçenek	Açıklama
TEST 4–20 mA (4-20 mA Testi)	Seçilen 4–20 mA çıkışında sinyali (mA) ayarlar. Bir multimetre yardımıyla 4-20 mA çıkışındaki akımı ölçün.
TEST RELAY (Röle Testi)	Seçilen röleyi açık (güç alıyor) veya kapalı (güç almıyor) olarak ayarlar. Bir multimetre yardımıyla röledeki rezistansla ölçerek rölenin açık veya kapalı olup olmadığını belirleyin.

Seenek	Aıklama
HOLD OUTPUTS (ıkışları Tut)	ıkışları son deęerde tutar veya bunları aktarma deęerine ayarlar. ACTIVATION (AKTİFLEŞTİR) : ıkışları son deęerde tutmak veya bunları aktarma deęerine ayarlamak için LAUNCH (BAŞLAT) öęesini seçin. ıkışların normal şekilde alışması için RELEASE (SERBEST BIRAK) öęesini seçin. SET OUTMODE (IKIŞ MODU AYARI) : ıkışları son deęerde tutmak için HOLD OUTPUTS (ıkışları Tut) öęesini seçin. ıkışları transfer deęerine ayarlamak için TRANSFER OUTPUTS (IKIŞLARI AKTAR) öęesini seçin. ıkışların aktarma deęerini ayarlamak için Kullanım kılavuzuna bakın. SET CHANNELS (KANAL AYARLA) : Kanalların tümünü seçmek için ALL (TÜMÜ) öęesini seçin. Seçilen analiz cihazının tüm kanallarını seçmek için ANALYZER (ANALİZ CİHAZI) öęesini seçin.
OUTPUT STATUS (ıkış Durumu)	4-20 mA ıkışlarındaki sinyalleri (mA) gösterir.
SIMULATE MEASUREMENT (Ölçümü Simüle Et)	ıkış testi yapmak için seçilen kanala bir analiz cihazı okuma deęeri girer. Kullanıcı ekrandan ıktıktan sonra simülasyon durur. SELECT SOURCE (KAYNAK SEÇ) : Analiz cihazını seçer. SET PARAMETER (PARAMETRE AYARLA) : Kanal seçer. SET SIM VALUE (SIM DEęERİ AYARLA) : Analiz cihazı okuma deęerini ayarlar.

5.4 Analiz cihazı bilgilerinin gösterilmesi

Aşağıdaki analiz cihazı bilgilerini göstermek için **Menu (Menü)** düğmesine basın, ardından VIEW DATA (VERİLERİ GÖRÜNTÜLE) > ANALYZER DATA (ANALİZ CİHAZI VERİLERİ) öęesini seçin. Bkz. [Tablo 2](#).

Tablo 2 Analiz cihazı verilerinin açıklamaları

Para	Aıklama
DATE/TIME (Tarih/Saat)	Ayarlarda belirtilen geerli saat (24 saat formatı) ve tarihi belirtir
NAME (Ad)	Analiz cihazının adını belirtir
TYPE (Tür)	Analiz cihazının türünü belirtir
AMBIENT TEMP (Ortam Sıcaklığı)	Analiz cihazının ortam sıcaklığını belirtir
CONDITION SOL LEVEL (Koşullama Çözeltisi Seviyesi)	Koşullama çözeltisi şişesinin çözelti seviyesini belirtir
REACT SOL LEVEL (Reaktivasyon Çözeltisi Seviyesi)	Reaktivasyon çözeltisi şişesinin çözelti seviyesini belirtir
STANDARD LEVEL (Standart Çözelti Seviyesi)	Kalibrasyon çözeltisi şişesinin çözelti seviyesini belirtir
KCL LEVEL (KCI Çözeltisi Seviyesi)	KCI elektrolit haznesinin çözelti seviyesini belirtir
LAST REACTIVATION (Son Reaktivasyon)	Son otomatik reaktivasyon işleminin yapıldığı tarihi belirtir
LAST CAL (Son Kalibrasyon)	Son kalibrasyon işleminin yapıldığı tarihi belirtir
LAST SERVICE (Son Servis)	Son servis tarihini belirtir
SOFTWARE VERS (Yazılım Sürümü)	Yükli yazılım sürümünü belirtir
DD FIRMWARE (Cihaz Sürücüsü Ürün Yazılımı)	Yüklenen cihaz sürücüsü ürün yazılımını belirtir
DD CONTENT (Cihaz Sürücüsü İerięi)	Cihaz sürücüsünün veri ierięi sürümünü belirtir
SCRIPT VERSION (Komut Dosyası Sürümü)	Komut dosyası dizin bloğunun sürümünü belirtir
SCRIPT CONTENT (Komut Dosyası İerięi)	Komut dosyası dizin ierięinin sürümünü belirtir

Tablo 2 Analiz cihazı verilerinin açıklamaları (devamı)

Parça	Açıklama
MEAS_CONTROL SW REV (ÖLÇÜM KONTROLÜ YAZILIM REVİZYONU)	Yüklenen ölçüm kontrolü yazılımının revizyonunu belirtir
SERIAL NUMBER (Seri Numarası)	Analiz cihazının seri numarasını belirtir

5.5 Analiz cihazı durumunun ve sistem verilerinin gösterilmesi

Analiz cihazının güncel durumunu, Modbus durumunu, sistem verilerini veya I2C verilerini göstermek için aşağıdaki adımları uygulayın:

1. **Diag (Tanılama)** düğmesine basın.
2. Bir seçenek belirleyin.

Seçenek	Açıklama
CURRENT STATUS (Geçerli Durum)	OPERATION (ÇALIŞMA) : Geçerli ölçüm modunu belirtir. SAMPLE CHANNEL (NUMUNE KANALI) : Geçerli numune kanalını belirtir. STEP STATUS (ADIM DURUMU) : Ölçüm döngüsündeki geçerli adımı belirtir. STEP TIME (ADIM SÜRESİ) : Kalan adım süresini belirtir. MINUTES LEFT (KALAN DAKİKA) : Geçerli adımda kalan dakikayı belirtir. COMPLETION (TAMAMLANMA) : Ölçüm döngüsünün tamamlanma yüzdesini belirtir.
MODBUS STATS (Modbus İstatistikleri)	Modbus portunun durumunu gösterir: sensör, kontrolör, ağ ve servis. İyi ve kötü iletimlerin sayısını gösterir.
SYSTEM DATA (Sistem Verileri)	AMBIENT TEMP (Ortam Sıcaklığı) : Celsius (C) cinsinden ölçülen ortam sıcaklığını belirtir. POWER SOURCE FREQUENCY (GÜÇ KAYNAĞI FREKANSI) : Hat güç frekansını (Hz) belirtir. POWER SOURCE VOLTAGE (GÜÇ KAYNAĞI GERİLİMİ) : Hat gücünü (AC) belirtir. 12V VOLTAGE (12 V GERİLİM) : Ölçülen güç kaynağı gerilimini (VDC) gösterir. 3.3V VOLTAGE (3,3 V GERİLİM) : Ölçülen regüle edilen 3,3 V kaynağı (VDC) gösterir. 12V CURRENT (12 V AKIM) : Ölçülen 12 V güç kaynağı akımını (amper) gösterir.
I2C DATA (I2C Verileri)	İletişim bilgilerini (I ² C) ve sürüm numarasını gösterir.

5.6 Servis bilgilerinin gösterilmesi

Cihaz parçalarının servis geçmişi görüntülemek veya ayarlamak için Service (Servis) menüsünü kullanın.

1. **Diag (Tanılama)** düğmesine basın.
2. **SERVICE (SERVİS)** ögesini seçin.
3. Bir seçenek belirleyin.

Seçenek	Açıklama
CONSUMABLE (Sarf Parçaları)	Sarf parçalarının listesini gösterir. Son değiştirme tarihini ve parça değiştirildikten sonra geçen günlerin sayısını gösterir. Parça değişimi yapıldıktan sonra sayacı sıfırlayın.
SERVICE PART (SERVİS PARÇASI)	Not: SERVICE PART (SERVİS PARÇASI) seçeneği yalnızca Servis kullanımına yöneliktir. Parça listesini ve son servis tarihini gösterir. Parça değişimi yapıldıktan sonra müşteri servis temsilcisi sayacı sıfırlar.
ANNUAL MAINTENANCE (Yıllık Bakım)	Son yıllık bakımın tarihini, bir sonraki yıllık bakımın tarihini ve bir sonraki yıllık bakım için kalan günleri gösterir. Yıllık bakımdan sonra sayacı sıfırlayın.

Seçenek	Açıklama
EDIT ELECTRODES SN (ELEKTROT SERİ NUMARASINI DÜZENLE)	Elektrotların seri numaralarını kaydeder.
SERVICE HISTORY (Servis Geçmişi)	Gerçekleştirilen bakım işlemlerini ve bunların tarihlerini gösterir (ör. Replace reactivation solution (Reaktivasyon çözeltisini değiştir). START TIME (BAŞLANGIÇ ZAMANI) : Seçilen tarih ve saatten sonra kaydedilen verileri gösterir. NUMBER OF READINGS (OKUMA DEĞERİ SAYISI) : Seçilen veri noktası sayısını gösterir.
POST ENABLE (Sonrasında Etkinleştir)	NO (HAYIR) : Analiz cihazına elektrik verildiğinde donanım tanılama testleri gerçekleştirilmez. YES (EVET) : Analiz cihazına elektrik verildiğinde donanım tanılama testleri gerçekleştirilir.

Bölüm 6 Yedek parçalar ve aksesuarlar

⚠ UYARI



Fiziksel yaralanma tehlikesi. Onaylanmayan parçaların kullanımı kişisel yaralanmalara, cihazın zarar görmesine ya da donanım arızalarına neden olabilir. Bu bölümdeki yedek parçalar üretici tarafından onaylanmıştır.

Not: Bazı satış bölgelerinde Ürün ve Madde numaraları değişebilir. İrtibat bilgileri için ilgili distribütörle iletişime geçin veya şirketin web sitesine başvurun.

Reaktifler ve standart çözeltiler

Açıklama	Miktar	Öge no.
3 M KCl elektrolit çözeltisi	250 mL	LZW9500.99
3 M KCl elektrolit çözeltisi	500 mL	363140,00500
Diizopropilamin (DIPA) %99	1 L	2834453
Sodyum Klorür Standardı, 10 ppm	1 L	2835153
Sodyum Nitrat, 0,5 M	500 mL	2507149

Yedek parçalar

Açıklama	Miktar	Öge no.
Kapaklı koşullama çözeltisi şişesi, boş	1	8352000
Pul, koşullama şişesi kapağı	1	8417200
Dirsek teçhizatı, tahliye, ½ inç, polipropilen	1	6772800
Elektrot, referans	1	09240=C=0310
Elektrot, sodyum	1	09240=C=0320
Sigorta, 1,6 A, 250 V, 5 x 20 mm	1	5208300
Sigorta, 5 A, 250 V, yavaş atan sigorta, 5 x 20 mm	1	4693800
Kurulum Kiti, 1 kanallı analiz cihazı, muhafazalı analiz cihazı	1	8375400
Kurulum Kiti, 2 kanallı analiz cihazı, muhafazalı analiz cihazı	1	8375300
Kurulum Kiti, 4 kanallı analiz cihazı, muhafazalı analiz cihazı	1	8371500
Kurulum Kiti, 1 kanallı analiz cihazı, muhafazasız analiz cihazı	1	8375700
Kurulum Kiti, 2 kanallı analiz cihazı, muhafazasız analiz cihazı	1	8375600

Yedek parçalar (devamı)

Açıklama	Miktar	Öge no.
Kurulum Kiti, 4 kanallı analiz cihazı, muhafazasız analiz cihazı	1	8375500
Karıştırıcı motoru	1	8420000
Panel montaj vidaları, M6 x 20 tava başlı, paslanmaz çelik, Torx	4	8415500
Dahili elektrik prizleri için delme aleti, metal tüp, 8379900 ile kullanılır	1	8380000
Dahili elektrik prizleri için delme aleti, metal plaka, 8380000 ile kullanılır	1	8379900
Basınç regülatörü, 0,3 bar (4 psi), ayarlanamaz	1	6782900
Pompa, kalibrasyon çözeltisi	1	8364300
Pompa, tahliye	1	8357400
Pompa, reaktivasyon çözeltisi	1	8364200
Kapatma valfi, 6 mm dış çaplı hortum	1	8385200
Karıştırma çubuğu	1	W_4510_001_FF
Gerilim azaltıcı eleman (kablo rakoru), PG9 4 mm - 8 mm	1	8356300
Gerilim azaltıcı eleman (kablo rakoru), NPT ½ inç 4 mm - 9 mm	1	8368400
Masa montaj braketleri	2	8370400
Vidalara, masa montaj braketleri, #8 x ½ paslanmaz çelik, Torx	2	8412200
Hortum, kimyasal ve muhafaza tahliyesi, 17,5 mm (¹¹ / ₁₆ inç) dış çap x 3,2 mm (¹ / ₈ inç) kalınlık	2 m (6,5 ft)	LZX278
Hortum, numune, 6 mm dış çap x 4 mm iç çap	5,5 m (18 ft)	6772500
Hortum kesici	1	8385400
Duvara montaj braketleri	2	8364100
Vida, duvara montaj braketleri, M4 x 10 düz paslanmaz çelik, Torx	2	8412500
Valf, koşullama	1	8367600
Valf, numune	1	8370200

Aksesuarlar

Açıklama	Miktar	Öge no.
Şişe adaptörü, DIPA şişesi, Merck	1	09073=C=0350
Şişe adaptörü, DIPA şişesi, Orion	1	09073=C=0360
Filtre, numune girişi, 100 µm, ¼ inç dış çaplı hortum	1	595=010=005
Filtre, numune girişi, 100 µm, 6 mm dış çaplı hortum	1	595=010=000
Isı eşanjörü, maksimum 4 kanal	1	8368900
Katyonik Yükseltme Kiti	1	8371200
Güç kablosu, Kuzey Amerika	1	9179700
1 Kanaldan 4 Kanala Yükseltme Kiti	1	8365100
2 Kanaldan 4 Kanala Yükseltme Kiti	1	8365000

Aksesuarlar (devamı)

Açıklama	Miktar	Öge no.
Otomatik Kalibrasyon Yükseltme Kiti	1	8368000
Hortum adaptörü, 6 mm dış çap - ¼ inç dış çap	2	09245=A=8300

Obsah

- | | | | |
|---|--|---|--|
| 1 | Bezpečnostné informácie na strane 470 | 4 | Riešenie problémov na strane 485 |
| 2 | Zobrazenie aktívnych chýb, výstrah a pripomienok na strane 470 | 5 | Diagnostika na strane 491 |
| 3 | Údržba na strane 470 | 6 | Náhradné diely a príslušenstvo na strane 495 |

Odsek 1 Bezpečnostné informácie

Všeobecné bezpečnostné informácie, popisy rizík a popisy preventívnych označení nájdete v návode na inštaláciu.

Odsek 2 Zobrazenie aktívnych chýb, výstrah a pripomienok

Keď sa vyskytne chyba, pozadie displeja a indikátor stavu zmenia farbu na červenú a keď sa vyskytne výstraha, zmenia sa na žltú.

- **Chyba** – červené pozadie displeja a indikátora stavu. Vyskytol sa závažný problém ovplyvňujúci činnosť prístroja. Aktuálne meranie sa zastaví a analyzátor prejde do režimu vypnutia.
- **Výstraha** – žlté pozadie displeja a indikátora stavu. Vyskytla sa udalosť, ktorá by v budúcnosti mohla predstavovať problém. Analyzátor pokračuje v činnosti.
- **Pripomienky** – na displeji sa zobrazí symbol francúzskeho kľúča a žltá kontrolka indikátora stavu. Uplynul čas na údržbu.

Ak chcete zobrazit' aktívne chyby, výstrahy a pripomienky, vykonajte nasledujúce kroky:

Poznámka: Ak chcete zobrazit' všetky možné chyby, výstrahy a pripomienky a príslušné pomocné informácie, stlačte tlačidlo **diag** a následne zvolte položku **ANALYZER HELP** (Pomocník analyzátor).

1. Stlačte **diag** a následne zvolte položku **DIAGNOSTICS** (Diagnostika). Zobrazia sa aktívne chyby, výstrahy a pripomienky.
2. Vyberte chybu, výstrahu alebo pripomienku zo zoznamu.
3. Vyberte niektorú z možností.

Voľba	Popis
ACKNOWLEDGE (Potvrdit')	Potvrďuje zvolenú chybu, výstrahu alebo pripomienku. Keď sa potvrdia všetky aktívne chyby, výstrahy a pripomienky, pozadie displeja sa zmení späť na biele a indikátor stavu sa zmení na zelený.
VIEW HELP (Zobrazit' pomocníka)	Zobrazuje pomocné informácie k vybranej chybe, výstraha alebo pripomienke.

Odsek 3 Údržba

⚠ NEBEZPEČIE



Viacnásobné nebezpečenstvo. Úkony popísané v tejto časti návodu smú vykonávať iba kvalifikovaní pracovníci.

3.1 Harmonogram údržby

Tabuľka 1 uvádza odporúčaný harmonogram údržbových úloh. Požiadavky a prevádzkové podmienky závodu môžu zvýšiť frekvenciu niektorých úloh.

Tabuľka 1 Harmonogram údržby

Úloha	3 mesiace	Podľa potreby
Výmena kalibračného a reaktivačného roztoku na strane 471	X	
Výmena roztoku na kondicionáciu na strane 473	X	
Výmena elektrolytu KCl na strane 476	X	
Výmena poistky vstupného napájania na strane 477		X

3.2 Čistenie prístroja

POZNÁMKA

Na čistenie prístroja, vrátane displeja a príslušenstva, nikdy nepoužívajte terpentín, acetón ani podobné čistiace prostriedky.

Na čistenie vonkajších povrchov prístroja používajte vlhkú handru a slabý mydlový roztok.

3.3 Čistenie rozliatych vzoriek

▲ UPOZORNENIE



Nebezpečenstvo expozície chemikáliám. Chemikálie a odpad likvidujte podľa miestnej, regionálnej a národnej legislatívy.

1. Riadte sa všetkými laboratórnymi bezpečnostnými protokolmi na kontrolu rozliatych vzoriek.
2. Odpad likvidujte v súlade s príslušnými nariadeniami.

3.4 Výmena kalibračného a reaktivačného roztoku

▲ UPOZORNENIE



Nebezpečenstvo expozície chemikáliám. Dodržiavajte laboratórne bezpečnostné postupy a používajte všetky osobné ochranné pomôcky zodpovedajúce chemikáliám, s ktorými pracujete. Bezpečnostné protokoly nájdete v aktuálnych kartách bezpečnostných údajov (KBÚ).

▲ UPOZORNENIE



Nebezpečenstvo expozície chemikáliám. Chemikálie a odpad likvidujte podľa miestnej, regionálnej a národnej legislatívy.

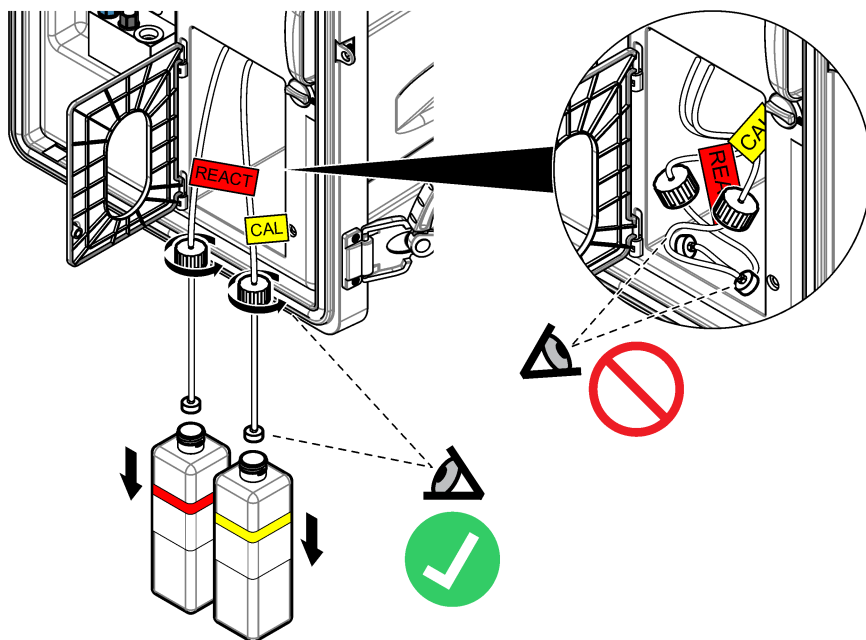
Reaktivačný roztok a kalibračný roztok vymieňajte v 3-mesačných intervaloch alebo ak sú naplnené na menej ako 10 %.

Položky dodávané používateľom:

- Osobné ochranné prostriedky (pozrite KBÚ)
- 0,5 M dusičnan sodný (NaNO_3), 500 ml
- 10 ppm štandard chlorid sodný (NaCl), 500 ml
- Deionizovaná voda, 100 ml

1. Nasadíte si osobné ochranné prostriedky uvedené v karte bezpečnostných údajov (KBÚ).
2. Stlačíte tlačidlo **menu** a potom zvolíte STOP ANALYZER (Zastaviť analyzátor).
Poznámka: Ak sa zobrazí START ANALYZER (Spustiť analyzátor), znamená to, že analyzátor je v pohotovostnom režime.
3. Reaktívny roztok a kalibračný roztok vymeňte nasledovne:
 - a. Z analyzátoru vyberte fľaše s reaktívnym roztokom a kalibračným roztokom. Pozrite si časť **Obrázok 1**.
Poznámka: Fľaše s kalibračným roztokom majú iba analyzátory s možnosťou automatickej kalibrácie.
 - b. Roztoky vo fľašiach zlikvidujte vo vhodnom odtoku.
 - c. Vypláchnite fľaše deionizovanou vodou.
 - d. Fľašu s kalibračným roztokom naplňte novým 10 ppm roztokom chloridu sodného (NaCl) (500 ml). Fľaša s kalibračným roztokom má štítok so žltým pruhom.
Poznámka: Informácie o príprave 10 ppm roztoku chloridu sodného (NaCl) nájdete v prevádzkovej príručke.
 - e. Fľašu s reaktívnym roztokom naplňte novým 0,5 M roztokom dusičnanu sodného (NaNO₃) (500 ml). Fľaša s reaktívnym roztokom má štítok s červeným pruhom.
Poznámka: Informácie o príprave 0,5 M roztoku dusičnanu sodného (NaNO₃) nájdete v prevádzkovej príručke.
 - f. Fľaše umiestnite do analyzátoru. Uistite sa, že hadička s červeným štítkom „REACT“ je vložená do fľaše, ktorá má štítok s červeným pruhom.
Uistite sa, že hadička so žltým štítkom „CAL“ je vložená do fľaše, ktorá má štítok so žltým pruhom.
4. Hladina roztoku vo fľašiach zadajte nasledovne:
 - a. Stlačíte tlačidlo **menu** a následne zvolíte položku REAGENTS/STANDARDS (Reagencie/štandardy).
 - b. Zvolíte položku SET REACT LEVEL (Nastaviť množstvo reaktívneho roztoku) a potom zadajte 100 %.
 - c. Zvolíte položku SET STANDARD LEVEL (Nastaviť množstvo štandardu) a potom zadajte 100 %.
5. Zvolíte položku PRIME REAGENTS (Naplniť reagencie).
6. Po dokončení kroku naplnenia reagencií stlačíte tlačidlo **menu** a následne zvolíte položku START ANALYZER (Spustiť analyzátor).

Obrázok 1 Vybratie fliaš



3.5 Výmena roztoku na kondicionáciu

⚠ VAROVANIE



Nebezpečenstvo inhalácie. Nevdychujte výpary diizopropylamónia (DIPA) ani amoniaku. Vystavenie môže spôsobiť závažné zranenie alebo smrť.

⚠ VAROVANIE



Nebezpečenstvo vystavenia chemikáliám. Diizopropylamín (DIPA) a amoniak sú horľavé, korozívne a toxické chemikálie. Vystavenie môže spôsobiť závažné zranenie alebo smrť.

⚠ VAROVANIE



Nebezpečenstvo expozície chemikáliám. Dodržiavajte laboratórne bezpečnostné postupy a používajte všetky osobné ochranné pomôcky zodpovedajúce chemikáliám, s ktorými pracujete. Pred naplnením fliašičiek alebo prípravou reagentov si prečítajte kartu bezpečnostných údajov od dodávateľa. Len na laboratórne použitie. Informácie týkajúce sa bezpečnostných rizík treba zverejniť v súlade s miestnymi nariadeniami používateľa.

▲ UPOZORNENIE



Nebezpečenstvo expozície chemikáliám. Chemikálie a odpad likvidujte podľa miestnej, regionálnej a národnej legislatívy.

Roztok na kondicionáciu vymieňajte v 3-mesačných intervaloch alebo ak je naplnený na menej ako 10 %. Ako roztok na kondicionáciu použite DIPA (odporúčané) alebo amóniumamoniak (viac ako 28 %).

Položky dodávané používateľom:

- Osobné ochranné prostriedky (pozri KBÚ)
- Diizopropylamín (DIPA) 99 %, 1 l fľaša
- Adaptér na fľaše pre fľaše Merck alebo Orion na DIPA, ak je to relevantné

Fľašu na kondicionačný roztok vymeňte nasledujúcim spôsobom:

1. Nasadte si osobné ochranné prostriedky uvedené v karte bezpečnostných údajov (KBÚ).
2. Stlačte tlačidlo **menu** a následne zvolte STOP ANALYZER (Zastaviť analyzátor).

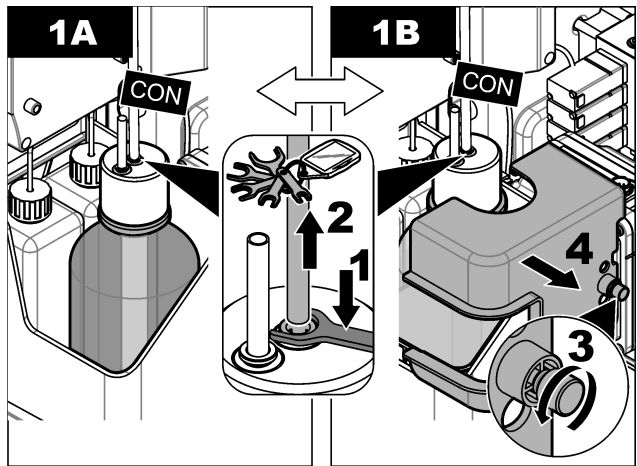
Poznámka: Keď sa zobrazí START ANALYZER (Spustiť analyzátor), znamená to, že analyzátor je v pohotovostnom režime.

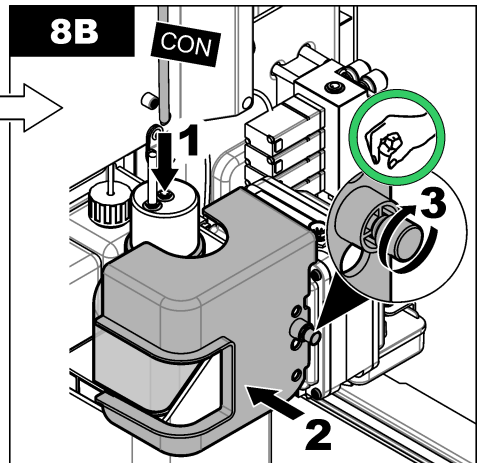
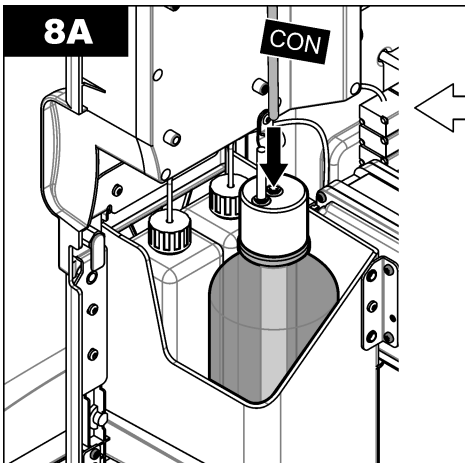
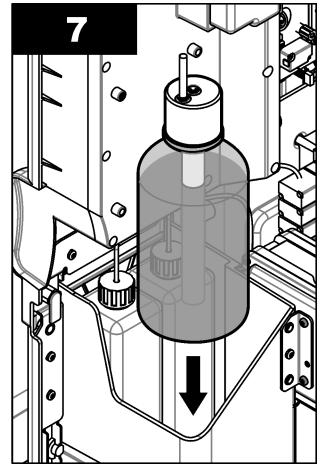
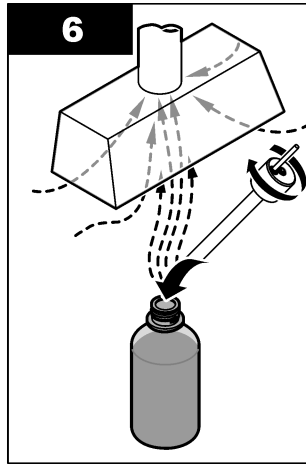
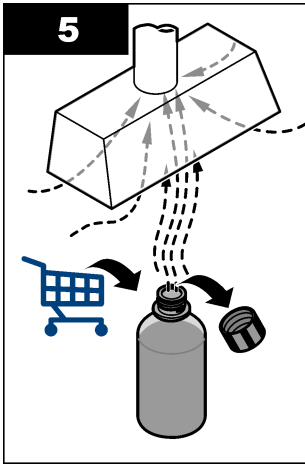
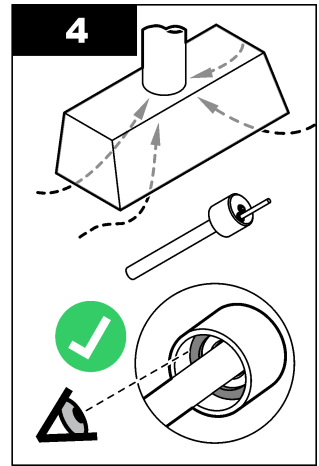
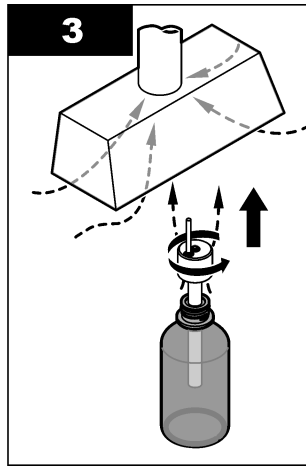
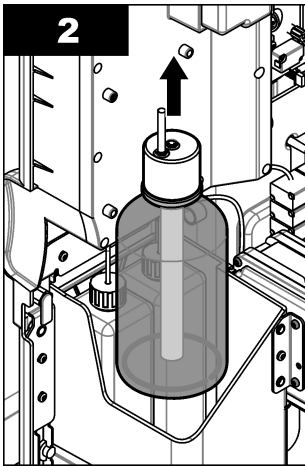
3. Západku na analytickom paneli otočte do odomknutej polohy. Otvorte analytický panel.
4. Vymeňte fľašu s roztokom na kondicionáciu. Pozrite si nasledujúci ilustrovaný postup.

Poznámka: Analyzátory s voliteľným kationovým čerpadlom majú dve hadičky, ktoré prechádzajú do uzáveru fľaše s roztokom na kondicionáciu. Vyberte obidve hadičky.

Poznámka: Na ilustrovanom postupe 1 a 8 majú držiak fľaše s roztokom na kondicionáciu iba analyzátory bez krytu.

Ak je to k dispozícii, postup na ilustrovaných krokoch 3 – 6 vykonajte pod digestorom. Nevdychujte výpary DIPA ani amoniaku.





5. V prípade analyzátorov s voliteľným kationovým čerpadlom výstupnú hadičku z kationového čerpadla umiestnite späť do iného ako stredového otvoru v uzávere.
6. Zatvorte analytický panel. Západku na analytickom paneli otočte do uzamknutej polohy.
7. Hladina roztoku vo fľaši zadajte nasledovne:
 - a. Stlačte tlačidlo **menu** a následne zvolte položku REAGENTS/STANDARDS (Reagencie/štandardy).
 - b. Zvolte položku SET COND LEVEL (Nastaviť množstvo roztoku na kondicionáciu) a potom zadajte 100 %.
8. Stlačte tlačidlo **menu** a potom zvolte START ANALYZER (Spustiť analyzátor).

3.6 Výmena elektrolytu KCl

⚠ UPOZORNENIE



Nebezpečenstvo expozície chemikáliám. Dodržiavajte laboratórne bezpečnostné postupy a používajte všetky osobné ochranné pomôcky zodpovedajúce chemikáliám, s ktorými pracujete. Bezpečnostné protokoly nájdete v aktuálnych kartách bezpečnostných údajov (KBÚ).

⚠ UPOZORNENIE



Nebezpečenstvo expozície chemikáliám. Chemikálie a odpad likvidujte podľa miestnej, regionálnej a národnej legislatívy.

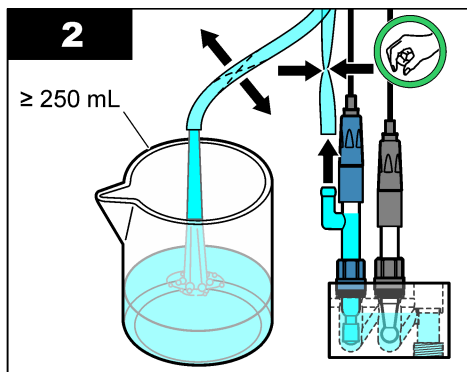
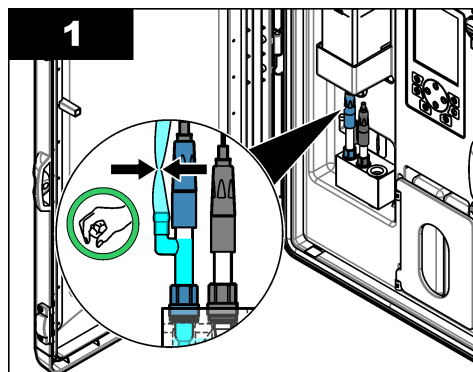
Elektrolytu KCl v zásobníku elektrolytu KCl vymieňajte v 3-mesačných intervaloch.

Potrebné príslušenstvo:

- Osobné ochranné prostriedky (pozrite KBÚ)
- 3 M elektrolyt KCl, 200 ml
- Malá nádoba, objem 250 ml alebo väčší

Elektrolyt KCl vymeňte nasledovne:

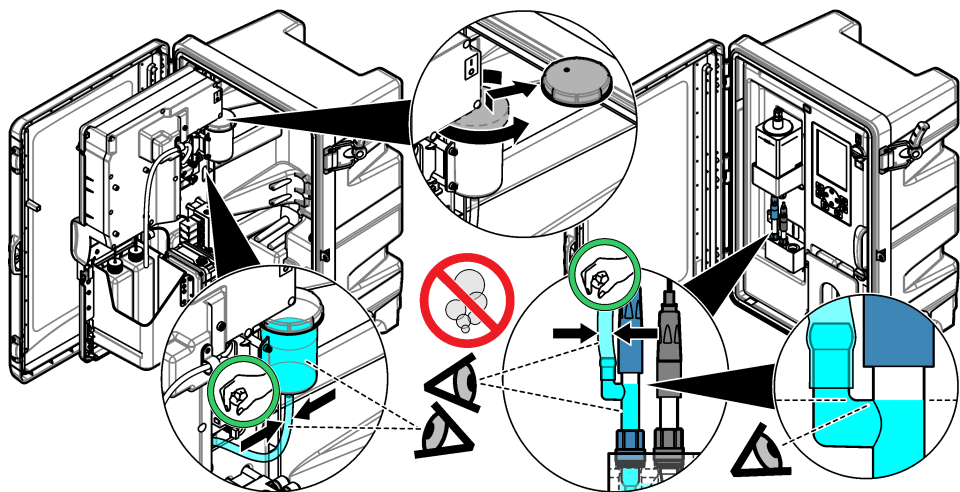
1. Nasadte si osobné ochranné prostriedky uvedené v karte bezpečnostných údajov (KBÚ).
2. Obsah zásobníka elektrolytu KCl vypustíte do malej nádoby. Pozrite si nasledujúci ilustrovaný postup. Elektrolyt KCl zlikvidujte vo vhodnom odtoku.



3. Hadičku elektrolytu KCl umiestnite späť na referenčnú elektródu.
4. Zásobník elektrolytu KCl naplňte nasledovne:
 - a. Západku na analytickom paneli otočte do odomknutej polohy. Otvorte analytický panel.
 - b. Odstráňte veko zo zásobníka elektrolytu KCl. Pozrite si časť **Obrázok 2**.

- c. Zásobník naplníte na 90 % (približne 200 ml).
 - d. Nasadíte veko.
5. Z hadičky elektrolytu KCl vytlačíte vzduchové bubliny nasledovne:
- a. Na prednej strane analytického panela palcom a ukazovákom stlačíte hadičku elektrolytu KCl, aby ste vytlačili vzduchové bubliny nahor cez hadičku do zásobníka. Pozrite si časť **Obrázok 2**.
 - b. Keď je vzduchová bublina v blízkosti zásobníka, dvoma rukami stlačíte hadičku spredu a zozadu analytického panela, aby sa vzduchová bublina vytlačila nahor.
 - c. Pokračujte v stláčaní hadičky, kým sa elektrolyt KCl v referenčnej elektróde nebude nachádzať v hornej časti skleneného spoja, kde elektrolyt KCl vstupuje do elektródy. Pozrite si časť **Obrázok 2**.
6. Zatvorte analytický panel. Otočte západkou na analytickom paneli do zaistenej polohy.
7. Hladina roztoku vo fľaši zadajte nasledovne:
- a. Stlačíte tlačidlo **menu** a následne zvolíte položku REAGENTS/STANDARDS (Reagencie/štandardy).
 - b. Zvolíte položku SET KCL LEVEL (Nastaviť množstvo KCL) a potom zadajte 100 %.

Obrázok 2 Naplnenie zásobníka elektrolytu KCl



3.7 Výmena poistky vstupného napájania

⚠ NEBEZPEČIE



Nebezpečenstvo smrteľného úrazu elektrickým prúdom. Pre spustenie tejto procedúry odpojte nástroj od napájania.

⚠ NEBEZPEČIE



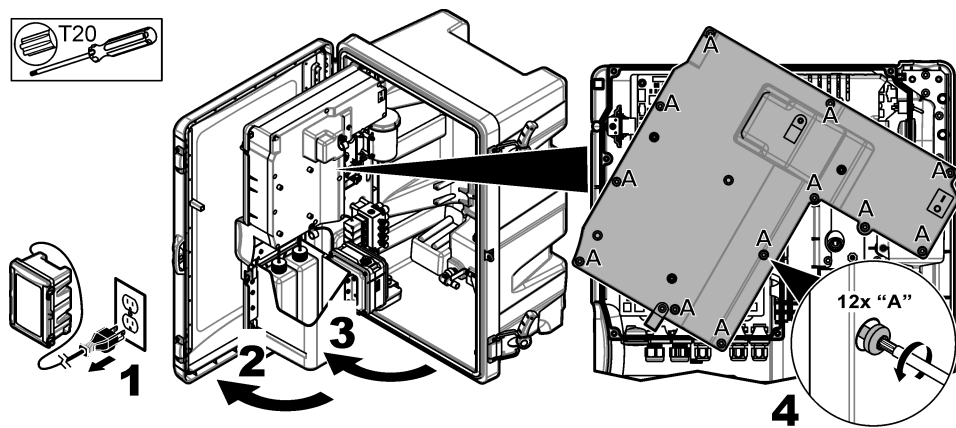
Nebezpečenstvo vzniku požiaru. Poistky nahrádzajte iba poistkami rovnakého typu a s rovnakým menovitým prúdom.

Skontrolujte poistky. Vymeňte všetky vypálené poistky za nové.

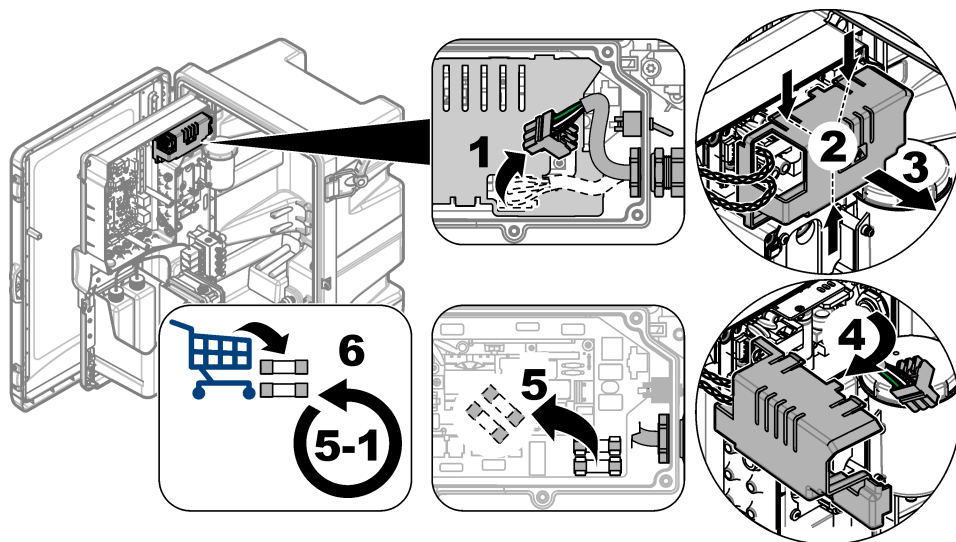
Položky dodávané používateľom: T 1,6 A, 250 V AC poistka

1. Napájací kábel odpojte z elektrickej zásuvky.
2. Odstráňte prístupový kryt k elektronike. Pozrite si ilustrovaný postup v časti **Obrázok 3**.
3. Vymeňte poistku. Pozrite ilustrovaný postup v časti **Obrázok 4**
4. Nasadte prístupový kryt k elektronike. Utiahnite všetky skrutky, aby sa zachoval stupeň environmentálnej ochrany krytu.
5. Zatvorte analytický panel. Západku na analytickom paneli otočte do uzamknutej polohy.
6. Napájací kábel zapojte do elektrickej zásuvky.
7. Stlačte tlačidlo **menu** a následne zvolte **START ANALYZER** (Spustiť analyzátor).

Obrázok 3 Odstránenie prístupového krytu k elektronike



Obrázok 4 Výmena poistky napájania





3.8 Príprava analyzátoru na krátkodobé vypnutie

Analýzátor pripravíte na krátkodobé vypnutie (2 dni až 1 týždeň) nasledovne:

Položky dodávané používateľom: svorkové nožnice

1. Stlačte tlačidlo **menu** a následne zvolte **STOP ANALYZER** (Zastaviť analyzátor).
***Poznámka:** Keď sa zobrazí **START ANALYZER** (Spustiť analyzátor), znamená to, že analyzátor je v pohotovostnom režime.*
2. Svorkové nožnice (kovové alebo plastové) pripojte na koniec hadičky s elektrolytom KCl, aby sa zastavil tok elektrolytu KCl do referenčnej elektródy.
***Poznámka:** Keď je analyzátor v pohotovostnom režime alebo je vypnutý, elektrolyt KCl naďalej vyteká z referenčnej elektródy. Elektrolyt KCl pomaly naplní ľavú komoru meracej kyvety a vyjde z hornej časti ľavej komory.*
3. Uzatvorte uzatváracie ventily na hadičkách vzorky.
4. Ak je potrebné od analyzátoru odpojiť napájanie, pridajte reaktívny roztok do strednej komory meracej kyvety, aby nedošlo k poškodeniu sodíkovej elektródy.
***Poznámka:** Po 4 hodinách v pohotovostnom režime analyzátor automaticky pridá reaktívny roztok do strednej komory meracej kyvety.*

3.9 Príprava analyzátoru na dlhodobé vypnutie

▲ V AROU ANIE	
	Nebezpečenstvo expozície chemikáliám. Dodržiavajte laboratórne bezpečnostné postupy a používajte všetky osobné ochranné pomôcky zodpovedajúce chemikáliám, s ktorými pracujete. Pred naplnením fľaštičiek alebo prípravou reagentov si prečítajte kartu bezpečnostných údajov od dodávateľa. Len na laboratórne použitie. Informácie týkajúce sa bezpečnostných rizík treba zverejniť v súlade s miestnymi nariadeniami používateľa.
▲ UPOZORNENIE	
	Nebezpečenstvo expozície chemikáliám. Chemikálie a odpad likvidujte podľa miestnej, regionálnej a národnej legislatívy.

Analyzátor pripravíte na dlhodobé vypnutie (viac ako 1 týždeň) nasledovne:

Položky dodávané používateľom:

- Malá nádoba, objem 250 ml alebo väčší
- Deionizovaná voda, 1,5 l
- Čistá utierka, ktorá nezanecháva vlákna

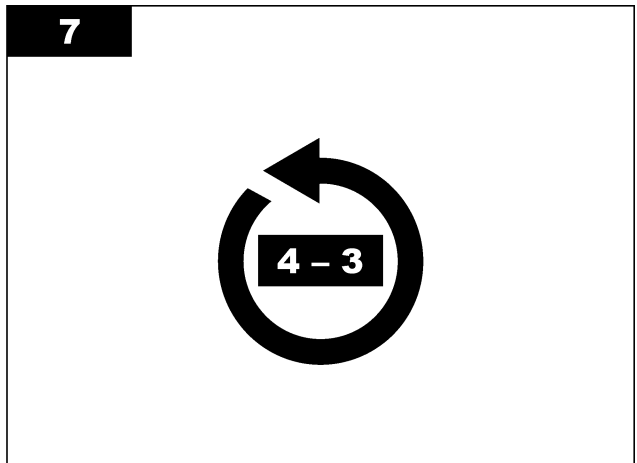
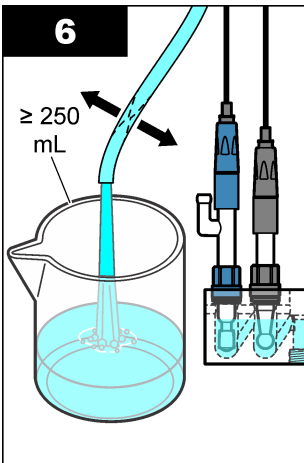
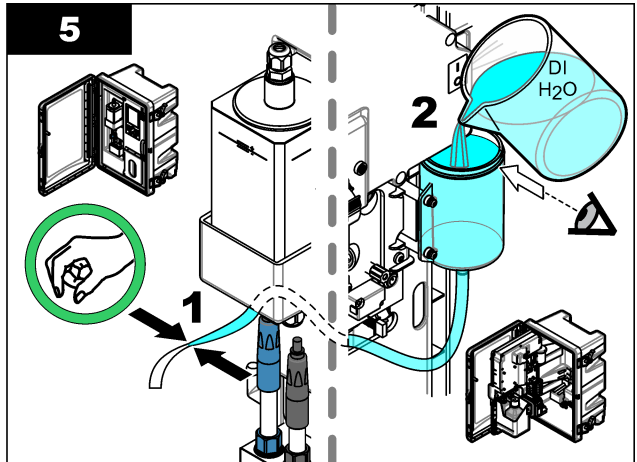
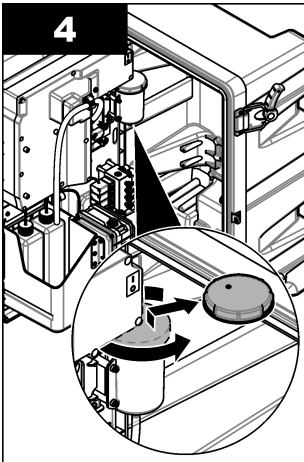
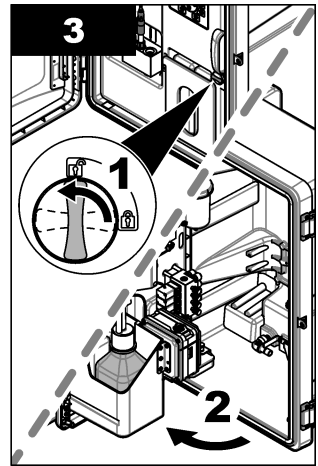
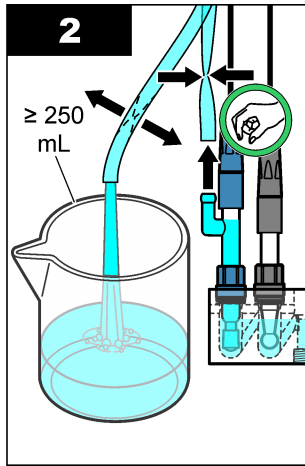
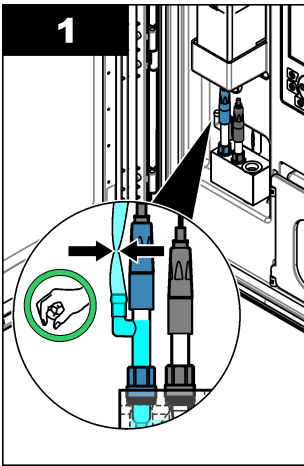
Potrebné príslušenstvo:

- Skladovacie fľaše na elektródy (2 x)
- Ochranné uzávery na elektródy (2 x)
- Čierny kryt na sklenený spoj referenčnej elektródy

3.9.1 Vypustenie a opláchnutie zásobníka elektrolytu KCl

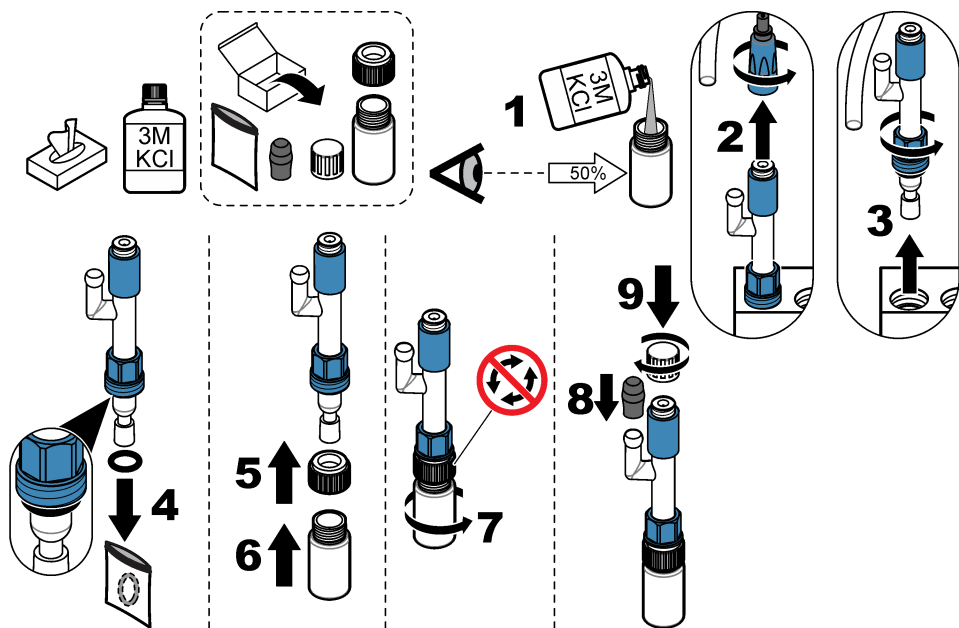
Pozrite si nasledujúci ilustrovaný postup.

Nasadte si osobné ochranné prostriedky uvedené v karte bezpečnostných údajov (KBÚ).



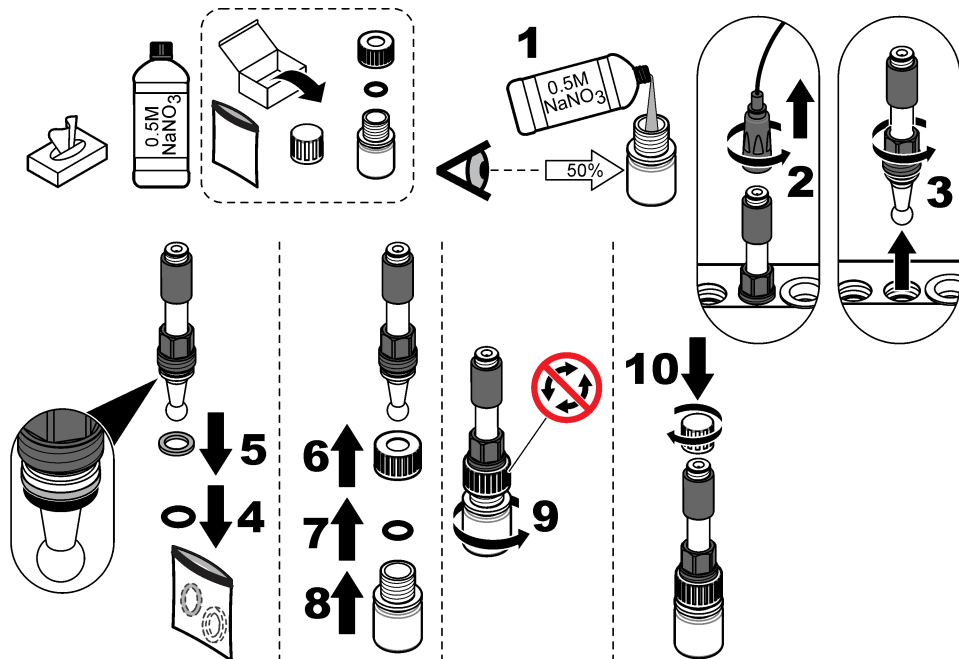
3.9.2 Vybratie referenčnej elektródy

Pozrite si nasledujúci ilustrovaný postup.



3.9.3 Vybratie sodíkovej elektródy

Pozrite si nasledujúci ilustrovaný postup.



3.9.4 Odpojenie fľaše s roztokom na kondicionáciu

⚠ V AROVANIE



Nebezpečenstvo vdýchnutia. Nevdychujte výpary diizopropylamónia (DIPA) ani amoniaku. Vystavenie môže spôsobiť závažné zranenie alebo smrť.



⚠ V AROVANIE

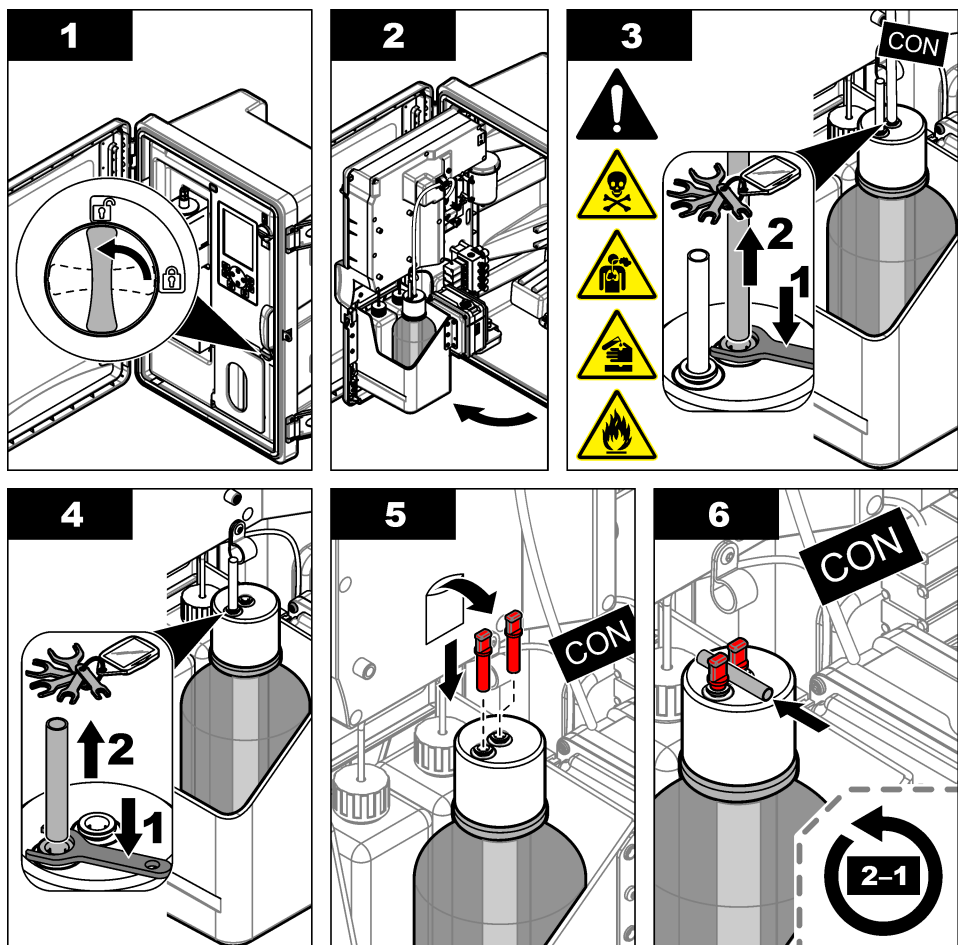


Nebezpečenstvo vystavenia chemikáliám. Diizopropylamín (DIPA) a amoniak sú horľavé, korozívne a toxické chemikálie. Vystavenie môže spôsobiť závažné zranenie alebo smrť.



Pozrite si nasledujúci ilustrovaný postup.

Nasadte si osobné ochranné prostriedky uvedené v karte bezpečnostných údajov (KBÚ).



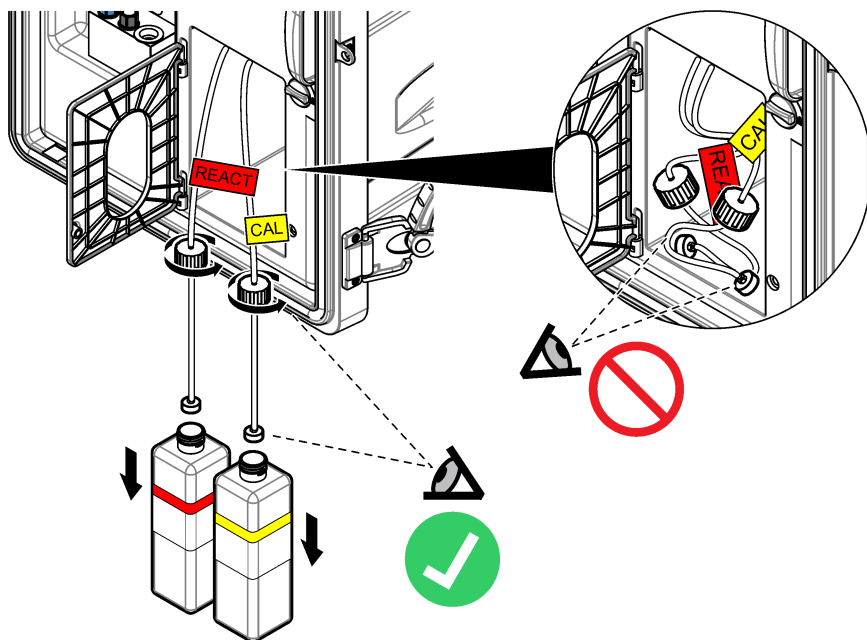
3.9.5 Prepláchnutie reagenčnej hadičky

1. Nasadte si osobné ochranné prostriedky uvedené v karte bezpečnostných údajov (KBÚ).
2. Z analyzátora vyberte fľaše s reaktivačným roztokom a kalibračným roztokom. Pozrite si časť [Obrázok 5](#).

Poznámka: Fľašu s kalibračným roztokom majú iba analyzátory s možnosťou automatickej kalibrácie.

3. Roztoky vo fľašiach zlikvidujte vo vhodnom odtoku.
4. Vypláchnite fľaše a potom ich naplňte do $\frac{1}{2}$ deionizovanou vodou.
5. Fľaše umiestnite do analyzátora.
6. Stlačte tlačidlo **menu** a následne zvolte položku REAGENTS/STANDARDS (Reagencie/štandardy) > PRIME REAGENTS (Naplniť reagencie). Reagenčná hadička sa prepláchnie deionizovanou vodou.

Obrázok 5 Vybratie fliaš



3.9.6 Vypustenie prepadovej nádoby

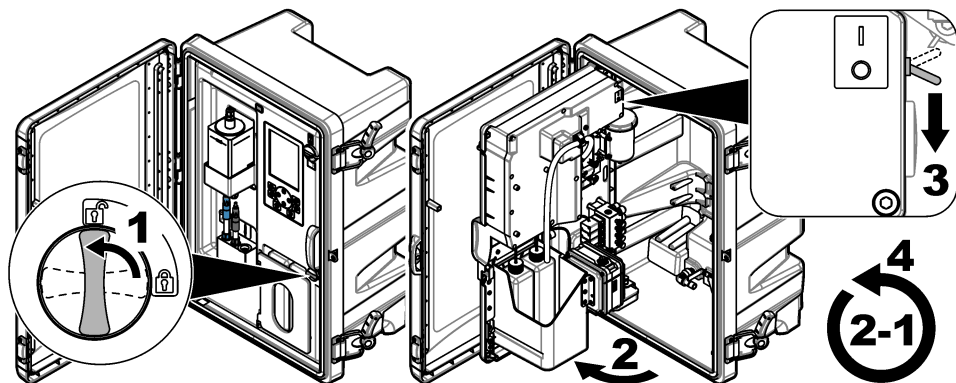
1. Stlačte tlačidlo **diag** a potom zvolte položku **PERFORM TEST** (Vykonať test) a stlačte **enter**.
2. Stlačte tlačidlo **enter** a zvolte **YES** (Áno).
3. Zvolte položku **SAMPLE DRAIN** (Odtok vzorky) a potom stlačte **enter**.
4. Zadajte 150 sekúnd.
5. Dvakrát stlačte tlačidlo **enter**.
6. Keď je prepadová nádoba prázdna, stlačte tlačidlo **back**.
7. Stlačte tlačidlo **home**.

3.9.7 Vypnutie analyzátora

Odpojte napájanie a vzorku od analyzátora nasledovne:

1. Vypnutie hlavného vypínača. Pozrite si časť **Obrázok 6**.
2. Zatvorte analytický panel. Západku na analytickom paneli otočte do uzamknutej polohy.
3. Napájací kábel odpojte z elektrickej zásuvky.
4. Uzatvorte uzatváracie ventily na hadičkách vzorky.
5. Z prepadovej nádoby odstráňte vodu pomocou čistej utierky, ktorá nezanecháva vlákna.
6. Z ľavej komory a strednej komory meracej kyvety odstráňte vodu pomocou čistej utierky, ktorá nezanecháva vlákna.

Obrázok 6 Vypnite hlavný vypínač



3.9.8 Likvidácia deionizovanej vody vo fľašiach

1. Z analyzátora vyberte fľaše s reaktivačným roztokom a kalibračným roztokom. Zložte viečka fliaš tak, aby viseli pod analyzátorom.
Nedovoľte, aby sa uzáver fľaše alebo vnútorné hadičky dotýkali analyzátora. Zabráňte tak kontaminácii.
2. Zlikvidujte deionizovanú vodu vo fľašiach.
3. Fľaše nechajte úplne vyschnúť na vzduchu.
4. Fľaše umiestnite do analyzátora.
5. Zatvorte dvere analyzátora.

Odsek 4 Riešenie problémov

Problém	Možná príčina	Riešenie
Stavový riadok sa na obrazovke merania nezobrazuje.	Kanál zobrazený na obrazovke merania nie je meraným kanálom.	Stlačajte šípku NAHOR alebo NADOL , kým sa na obrazovke merania nezobrazí meraný kanál.
Po stlačení klávesu so šípkou NAHOR alebo NADOL sa kanál na obrazovke merania nezobrazí.	V nastaveniach displeja nie je vybraný kanál.	Stlačte tlačidlo menu a následne zvolte SETUP SYSTEM (Nastaviť systém) > DISPLAY SETUP (Nastaviť displej) > ADJUST ORDER (Upraviť poradie) > SEE CURRENT ORDER (Zobraziť aktuálne poradie). Ak sa kanál nezobrazí, stlačte tlačidlo back a následne zvolte ADD MEASUREMENTS (Pridať merania). Stlačením šípky VLAVO začiaroknite alebo zrušte začiaroknutie políčka.

Problém	Možná příčina	Riešenie
Kanál sa nemeria.	Kanál nie je aktivovaný.	Stlačte tlačidlo menu a následne zvolte SETUP SYSTEM (Nastaviť systém) > CONFIGURE ANALYZER (Konfigurovať analyzátor) > CONFIGURE SEQUENCER (Konfigurovať radič) > ACTIVATE CHANNELS (Aktivovať kanály). Pridajte kanál. Stlačením šípky VĽAVO začiarknute alebo zrušte začiarknutie políčka.
	Kanál nie je v poradí merania kanálov.	Stlačte tlačidlo menu a následne zvolte SETUP SYSTEM (Nastaviť systém) > CONFIGURE ANALYZER (Konfigurovať analyzátor) > CONFIGURE SEQUENCER (Konfigurovať radič) > SEQUENCE CHANNELS (Zoradiť kanály). Stlačením šípok NAHOR a NADOL vyberte riadok, potom stlačte šípku VĽAVO alebo VPRAVO a vyberte kanál. S1 je prvý meraný kanál, za ktorým nasledujú S2, S3 a S4. Poznámka: Nevyberajte kanály, ktoré obsahujú symbol „~“ (napr. 4~SAMPLE4). Kanály, ktoré obsahujú symbol „~“, sa nemerajú.
Zobrazí sa výstraha „UNSTABLE READING (Nestabilný údaj)“.	Doba vyplachovania medzi meraniami kanálov je príliš krátka.	Stlačte tlačidlo menu a následne zvolte SETUP SYSTEM (Nastaviť systém) > CONFIGURE ANALYZER (Konfigurovať analyzátor) > MEASUREMENT (Meranie) > SET MEASURE CYCLE (Nastaviť cyklus merania) > MAX CYCLE TIME (Max. doba cyklu) alebo CYCLE TIME (Čas cyklu). Zvýšte nastavenie MAX CYCLE TIME (Max. doba cyklu) alebo CYCLE TIME (Čas cyklu) na predĺženie doby vyplachovania.
Zobrazí sa výstraha „SAMPLE MISSING (Chýba vzorka)“.	Uzatvárací ventil na vedení so vzorkou je uzavretý.	Otočte uzatvárací ventil za účelom otvorenia.
	Vedenie so vzorkou nie je správne pripojené.	Skontrolujte, či je vedenie so vzorkou pripojené k správnemu pripájaciemu portu. Prečítajte si časť <i>Pripájacie porty</i> v inštalačnej príručke.
	Prietokový ventil vzorky je zatvorený.	Spustíte sprievodcu spustením. Stlačte tlačidlo menu a následne zvolte SETUP SYSTEM (Nastaviť systém) > STARTUP ANALYZER (Spustenie analyzátor). Tlačidlo enter stláčajte až do výzvy na úpravu prietokovej rýchlosti vzorky. Prietokový ventil vzorky otáčajte proti smeru hodinových ručičiek, aby ste zvýšili prietok na 6 – 9 l/h v každom kanáli.
	Solenoidový ventil pre kanál nefunguje správne.	Stlačte tlačidlo diag a následne zvolte PERFORM TEST (Vykonať test) > SAMPLE DRAIN (Odtok vzorky) na vypustenie prepadovej nádoby. Stlačte tlačidlo diag a následne zvolte PERFORM TEST (Vykonať test) > SAMPLE DELIVERY (Dodávka vzorky) na otvorenie ventilu vzorky. Ak vzorka neprúdi do prepadovej nádoby, skontrolujte zapojenie vedenia so vzorkou. V prípade potreby vymeňte ventil vzorky.

Problém	Možná príčina	Riešenie
Zobrazí sa výstraha „PH TOO LOW (pH príliš nízke)“.	Kryt bol odstránený z pravej komory meracej kyvety.	Namontujte kryt na pravú komoru meracej kyvety.
	Objem vo fľaši s roztokom na kondicionáciu je menej ako 10 % alebo je fľaša prázdna.	Vymeňte roztok na kondicionáciu. Pozrite si časť Výmena roztoku na kondicionáciu na strane 473.
	Z uzáveru fľaše s roztokom na kondicionáciu uniká vzduch.	<ul style="list-style-type: none"> Uistite sa, že je uzáver fľaše s roztokom na kondicionáciu pevne utiahnutý. Skontrolujte podložku v uzávere fľaše. Ak zistíte opotrebovanie alebo poškodenie, vymeňte podložku. Skontrolujte plastovú prírubu na okraji fľaše. Ak zistíte opotrebovanie alebo poškodenie, vymeňte fľašu s roztokom na kondicionáciu.
	Z hadičky roztoku na kondicionáciu uniká vzduch.	Skontrolujte upchatie alebo únik vzduchu v hadičke roztoku na kondicionáciu. Podľa potreby hadičku vymeňte. Poznámka: <i>Hadička roztoku na kondicionáciu obsahuje plyn, nie roztok.</i>
	Ventil na kondicionáciu nefunguje správne.	Stlačte tlačidlo diag a následne zvolte PERFORM TEST (Vykonať test) > CONDITIONING VALVE (Ventil na kondicionáciu) na otvorenie ventilu na kondicionáciu. Ak plyn na kondicionáciu neprúdi do pravej komory meracej kyvety (pozorované ako bubliny), vymeňte ventil na kondicionáciu.
Zobrazí sa výstraha „CALIBRATION FAIL (Kalibrácia zlyhala)“.	Hodnota kalibračného roztoku v nastaveniach automatickej kalibrácie sa líši od hodnoty uvedenej na fľaši kalibračného roztoku.	Zmeňte hodnotu kalibračného roztoku v ponuke kalibrácie na hodnotu uvedenú na fľaši kalibračného roztoku. Prečítajte si časť Nastavenia automatickej kalibrácie v prevádzkovej príručke .
	Fľaša kalibračného roztoku je prázdna.	Vymeňte kalibračný roztok. Pozrite si časť Výmena kalibračného a reaktivačného roztoku na strane 471.
	V hadičke kalibračného roztoku je únik alebo upchatie.	Skontrolujte upchatie alebo únik v hadičke. Podľa potreby hadičku vymeňte.
	Čerpadlo kalibračného roztoku nefunguje správne.	Stlačte tlačidlo diag a následne zvolte PERFORM TEST (Vykonať test) > SAMPLE DRAIN (Odtok vzorky) na úplné vypustenie prepadovej nádoby. Stlačte tlačidlo diag a následne zvolte PERFORM TEST (Vykonať test) > CAL STD DELIVERY (Prívod kalibračného štandardu) na zapnutie čerpadla kalibračného roztoku. Ak kalibračný roztok neprúdi do prepadovej nádoby, vymeňte čerpadlo kalibračného roztoku.
	Miešacia tyčinka sa neotáča. Poznámka: <i>Miešacia tyčinka sa otáča prerušovane.</i>	Stlačte tlačidlo diag a následne zvolte PERFORM TEST (Vykonať test) > MIXER (miešačka) na zapnutie motora miešačky. Ak sa miešacia tyčinky nepohne, vymeňte motor miešačky.
	Miešacia tyčinka nie je v prepadovej nádobe.	Zabezpečte, aby bola miešacia tyčinka v prepadovej nádobe.

Problém	Možná příčina	Riešenie
Zobrazí sa výstraha „REACT VOLTAGE LOW (Nízke napätie reaktívácie)“.	Fľaša reaktivačného roztoku je prázdna.	Uistite sa, že koniec hadičky reaktivačného roztoku je na dne fľaše. Vymeňte reaktivačný roztok. Pozrite si časť Výmena kalibračného a reaktivačného roztoku na strane 471.
	Sodíková elektróda nefunguje správne.	<ul style="list-style-type: none"> Uistite sa, že je sodíková elektróda správne umiestnená. Prečítajte si inštalačnú príručku. Uistite sa, že v sklenenej banke sodíkovej elektródy nie je žiadny vzduch.
	Referenčná elektróda nefunguje správne.	<ul style="list-style-type: none"> Vyberte referenčnú elektródu z meracej kvety. Zdvihnite objímku, ktorá je na sklenenej časti, aby vytieklo malé množstvo elektrolytu KCl. Objímku zatlačte nadol a otočte ju o menej ako 1/4 otáčky, aby ste ju zaistili. Keď je objímka zaistená, už sa neotáča. Referenčnú elektródu umiestnite do meracej kvety. Uistite sa, že je referenčná elektróda správne umiestnená. Prečítajte si inštalačnú príručku. Ak chcete zistiť, či je problém vyriešený, stlačte tlačidlo diag a následne zvolte SENSOR REACTIVATION (Reaktivácia snímača) na vykonanie reaktívácie.
	V hadičke reaktivačného roztoku je únik alebo upchatie.	Skontrolujte upchatie alebo únik v hadičke. Podľa potreby hadičku vymeňte.
	Čerpadlo reaktivačného roztoku nefunguje správne.	Stlačte tlačidlo diag a následne zvolte PERFORM TEST (Vykonať test) > REACT SOL DELIVERY (Prívod reaktivačného roztoku) > HIGH (Vysoký) na nastavenie čerpadla reaktivačného roztoku na vysoký prietok. Ak reaktivačný roztok neprúdi do strednej komory meracej kvety, vymeňte čerpadlo reaktivačného roztoku.
Merané hodnoty nie sú stabilné.	Analyzátor bol spustený pred menej ako 2 hodinami.	Analyzátor nechajte fungovať 2 hodiny, aby bol stabilný.
	Káble elektródy sú skrížené na závitoch elektród.	Kábel odpojte z elektródy. Konektor úplne zatlačte na konektor elektródy, potom ho otáčajte dovtedy, kým nebude pevne utiahnutý (prstami).
	Káble elektród sú pripojené k nesprávnym elektródam.	Modrý kábel pripojte k referenčnej elektróde. Čierny kábel pripojte k sodíkovej elektróde.
	Prietoková rýchlosť elektrolytu KCl je príliš vysoká.	Vyberte referenčnú elektródu z meracej kvety. Objímku zatlačte nadol a otočte ju o menej ako 1/4 otáčky, aby ste ju zaistili. Keď je objímka zaistená, už sa neotáča. Ak objímka nie je zablokovaná, bude elektrolyt KCl prúdiť príliš rýchlo z referenčnej elektródy do meracej kvety.

Problém	Možná príčina	Riešenie
Merania nie sú presné.	Analyzátor nie je nakalibrovaný.	Nakalibrujte analyzátor. Prečítajte si časť <i>Vykonanie kalibrácie</i> v prevádzkovej príručke. Ak chcete získať najlepšiu presnosť, analyzátor kalibrujte v 7-denných intervaloch (týždenne).
	Automatická reaktivácia je deaktivovaná alebo interval medzi reaktiváciami je dlhší ako 24 hodín.	Spustite automatickú reaktiváciu. Stlačte tlačidlo diag a potom zvolte SENSOR REACTIVATION (Reaktivácia snímača). Poznámka: Ak chcete získať najlepšiu presnosť, zapnite automatickú reaktiváciu. Nastavte interval na 24 hodín. Pozrite si prevádzkovú príručku.
	Fľaša reaktivačného roztoku je prázdna.	Vymeňte reaktivačný roztok. Pozrite si časť <i>Výmena kalibračného a reaktivačného roztoku</i> na strane 471.
	V hadičke reaktivačného roztoku je únik alebo upchatie.	Skontrolujte upchatie alebo únik v hadičke. Podľa potreby hadičku vymeňte.
	Čerpadlo reaktivačného roztoku nefunguje správne.	Stlačte tlačidlo diag a následne zvolte PERFORM TEST (Vykonať test) > REACT SOL DELIVERY (Prívod reaktivačného roztoku) > HIGH (Vysoký) na nastavenie čerpadla reaktivačného roztoku na vysoký prietok. Ak reaktivačný roztok neprúdi do strednej komory meracej kyvety, vymeňte čerpadlo reaktivačného roztoku.
Miešacia tyčinka v prepadovej nádobe sa netočí.	Miešačka nefunguje správne. Poznámka: Miešacia tyčinka sa otáča prerušovane.	Stlačte tlačidlo diag a následne zvolte PERFORM TEST (Vykonať test) > MIXER (miešačka) na zapnutie motora miešačky. Ak sa miešacia tyčinka nepohne, vymeňte motor miešačky.
Spotreba elektrolytu KCl je príliš rýchla. ¹	Objímka na sklenenej časti referenčnej elektródy nie je zaistená.	Vyberte referenčnú elektródu. Objímku zatlačte nahor. Objímku zatlačte nadol a otočte ju o menej ako 1/4 otáčky, aby ste ju zaistili. Pozrite si ilustrované kroky v časti <i>Inštalácia referenčnej elektródy</i> v inštaláčnej príručke. Keď je objímka zaistená, už sa neotáča. Ak objímka nie je zablokovaná, bude elektrolyt KCl prúdiť príliš rýchlo z referenčnej elektródy do meracej kyvety.
Spotreba elektrolytu KCl je príliš pomalá. ²	Objímka na sklenenej časti referenčnej elektródy nebola otočená, aby sa narušilo tesnenie.	Vyberte referenčnú elektródu. Opatrne otočte objímku, aby sa narušilo tesnenie. Keď sa objímka ľahko otáča, tesnenie je narušené. Pozrite si ilustrované kroky v časti <i>Inštalácia referenčnej elektródy</i> v inštaláčnej príručke. Objímku zatlačte nadol a otočte ju o menej ako 1/4 otáčky, aby ste ju zaistili. Keď je objímka zaistená, už sa neotáča. Ak objímka nie je zablokovaná, bude elektrolyt KCl prúdiť príliš rýchlo z referenčnej elektródy do meracej kyvety.
Na obrazovke merania bliká indikátor relé.	Časovač preplnenia vypršal.	Resetujte časovač preplnenia. Pozrite si časť <i>Reset časovača preplnenia pre relé</i> na strane 490. Poznámka: Nastavenie časovača preplnenia je aktivované iba vtedy, keď je nastavenie SET FUNCTION (Nastaviť funkciu) relé nastavené na FEEDER CONTROL (Riadenie dávkočvača).

¹ Spotreba elektrolytu KCl je príliš rýchla, ak sa hladina v zásobníku zníži o viac ako 3 mm (1/8 palca) za dva dni

² Spotreba elektrolytu KCl je príliš pomalá, ak sa hladina v zásobníku zníži o menej ako 1 mm za dva dni

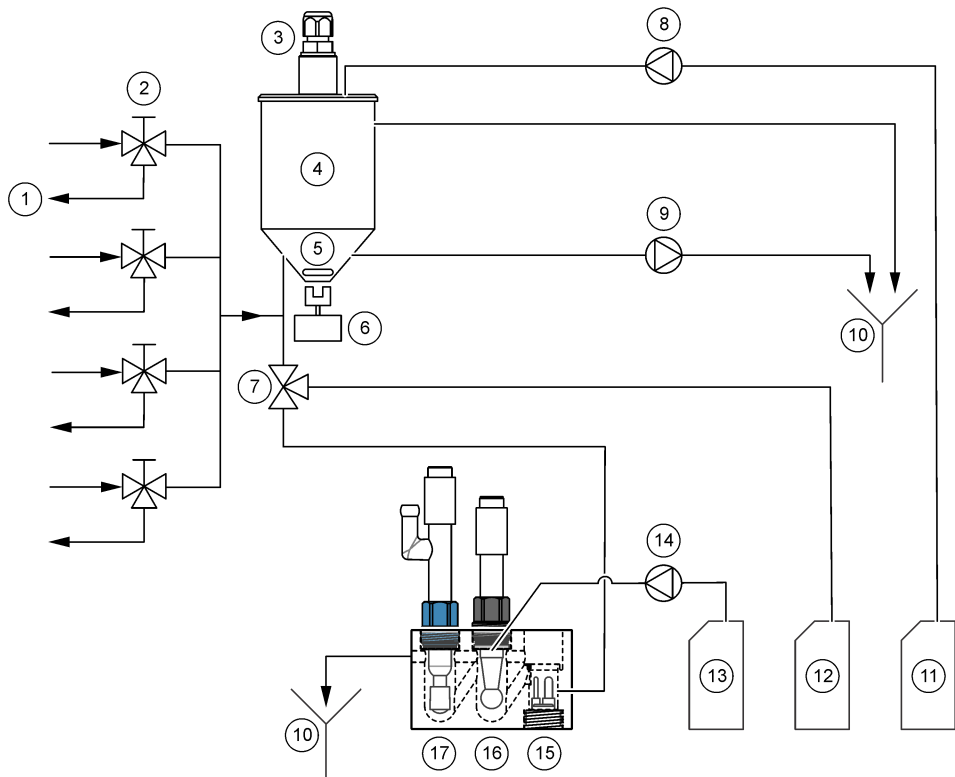
4.1 Reset časovača preplnenia pre relé

Nastavenie časovača preplnenia pre relé zabraňuje stavu, ktorý udržiava hodnotu merania vyššiu, ako je požadovaná hodnota alebo nastavenie mŕtveho pásma (napr. poškodená elektróda alebo narušenie prevádzky), a teda tomu, aby bolo relé nepretržite zapnuté. Časovač preplnenia obmedzuje, ako dlho zostanú relé a ich pripojený ovládací prvok zapnuté nezávisle od podmienok.

Keď zvolený časový interval pre časovač preplnenia uplynie, stav relé bliká v pravom hornom rohu obrazovky merania, kým sa časovač preplnenia neresetuje. Na resetovanie časovača preplnenia stlačte tlačidlo **diag** a potom zvolte OVERFEED RESET (Reset preplnenia).

Odsek 5 Diagnostika

5.1 Schéma pripojení



1 Odtok obtokovej hadičky na vzorku	7 Ventil na kondicionáciu	13 Reaktívny roztok
2 Vstup vzorky	8 Čerpadlo kalibračného roztoku ³	14 Čerpadlo reaktívneho roztoku
3 Snímač hladiny	9 Odtokové čerpadlo	15 Snímač teploty
4 Prepadová nádoba	10 Odtok	16 Sodíková elektróda
5 Miešacia tyčinka	11 Kalibračný roztok ³	17 Referenčná elektróda
6 Motor miešačky	12 Roztok na kondicionáciu	

5.2 Spustenie testu analyzátora

Spustíte test analyzátoru, aby ste zistili, či kontrolka indikátora stavu, motor miešačky, čerpadlo alebo ventil fungujú správne.

³ Čerpadlo kalibračného roztoku a kalibračný roztok majú iba analyzátory s možnosťou automatickej kalibrácie.

1. Stlačte tlačidlo **diag** a potom zvolte PERFORM TEST (Vykonať test).
2. Vyberte niektorú z možností.

Voľba	Popis
REACT SOL DELIVERY (Prívod reaktivačného roztoku)	Spustí čerpadlo reaktivačného roztoku. Reaktivačný roztok prúdi do strednej komory meracej kyvety. Poznámka: Meracia kyveta je číry blok, v ktorom sú umiestnené elektródy.
SAMPLE DELIVERY (Dodávka vzorky)	Nastavuje solenoidový ventil vzorky pre vybraný kanál na otvorený. Vzorka prúdi do prepadovej nádoby. Poznámka: Ak je prepadová nádoba plná, hladina vody v prepadovej nádobe sa nezmení. Na vypustenie prepadovej nádoby vykonajte test SAMPLE DRAIN (Odtok vzorky).
CAL STD DELIVERY (Prívod kalibračného štandardu)	Poznámka: Možnosť CAL STD DELIVERY (Prívod kalibračného štandardu) je k dispozícii iba v analyzátoroch, ktoré majú možnosť automatickej kalibrácie. Zapne čerpadlo kalibračného roztoku. Kalibračný roztok prúdi do prepadovej nádoby.
CONDITIONING VALVE (Ventil na kondicionáciu)	Nastaví ventil na kondicionáciu na otvorený. Plyn na kondicionáciu prúdi do pravej komory meracej kyvety. Poznámka: Meracia kyveta je číry blok, v ktorom sú umiestnené elektródy.
SAMPLE DRAIN (Odtok vzorky)	Zapne odtokové čerpadlo. Voda v prepadovej nádobe odvádza hadičku na odtok chemikálií.
MIXER (miešačka)	Zapne motor miešačky. Miešacia tyčinka v prepadovej nádobe sa točí.
STATUS LED (Stavová LED dióda)	Nastaví svetelný indikátor stavu pre nepretržitý cyklus: žltá, červená, zelená.
AIR PUMP (Vzduchové čerpadlo)	Poznámka: Možnosť AIR PUMP (Vzduchové čerpadlo) je k dispozícii iba vtedy, ak je nainštalované voliteľné kationové čerpadlo. Zapne kationové čerpadlo. Kationové čerpadlo tlačí vzduch do fľaše s roztokom na kondicionáciu (DIPA). Informácie o umiestnení kationového čerpadla v analyzátoch nájdete v časti <i>Prehľad výroby</i> v inštaláčnej príručke.
SELECT SCRIPT (Vybrať skript)	Poznámka: Možnosť SELECT SCRIPT (Vybrať skript) je určená len na servisné použitie. Nastaví analyzátor tak, aby používal normálny skript prístroja alebo testovací skript.

5.3 Spustenie 4 – 20 mA výstupu alebo testu relé

Spustite 4 – 20 mA výstup alebo test relé, aby ste zistili, či je prevádzka 4 – 20 mA výstupu alebo relé správna.

1. Stlačte tlačidlo **diag** a vyberte možnosť OUTPUTS (Výstupy).
2. Vyberte niektorú z možností.

Voľba	Popis
TEST 4–20 mA	Nastavuje signál (mA) na zvolený 4 – 20 mA výstup. Odmerajte prúd na 4 – 20 mA výstupe pomocou multimetra.
TEST RELAY (Test relé)	Nastaví zvolené relé na zapnuté (napájané) alebo vypnuté (nenapájané). Odmerajte odpor na relé pomocou multimetra, aby ste zistili, či je relé otvorené alebo zatvorené.

Voľba	Popis
HOLD OUTPUTS (Podržať výstupy)	Podrží výstupy na poslednej hodnote alebo ich nastaví na hodnotu prenosu. ACTIVATION (Aktivácia) – zvolte LAUNCH (Spustiť) na podržanie výstupov na poslednej hodnote alebo ich nastavenie na hodnotu prenosu. Zvolte RELEASE (Uvoľniť), aby výstupy fungovali normálne. SET OUTMODE (Nastaviť výstupný režim) – zvolte HOLD OUTPUTS (Podržať výstupy) na podržanie výstupov na poslednej hodnote. Zvolte TRANSFER OUTPUTS (Preniesť výstupy) na nastavenie výstupov na hodnotu prenosu. Informácie o nastavení hodnoty prenosu výstupov nájdete v prevádzkovej príručke. SET CHANNELS (Nastaviť kanály) – zvolte ALL (Všetko) na výber všetkých kanálov. Zvolte ANALYZER (Analyzátor) na výber všetkých kanálov pre zvolený analyzátor.
OUTPUT STATUS (Stav výstupov)	Zobrazuje signály (mA) na zvolených 4 – 20 mA výstupoch.
SIMULATE MEASUREMENT (Simulovať meranie)	Otvorí merania analyzátoru na vybranom kanáli a vykoná výstupný test. Simulácia sa zastaví po tom, čo používateľ opustí túto obrazovku. SELECT SOURCE (Vybrať zdroj) – vyberie analyzátor. SET PARAMETER (Nastaviť parameter) – vyberie kanál. SET SIM VALUE (Nastaviť sim. hodnotu) – nastaví merania analyzátoru.

5.4 Zobrazenie informácií o analyzátoře

Ak chcete zobraziť nasledujúce informácie o analyzátoře, stlačte tlačidlo **menu** a následne zvolte položku VIEW DATA (Zobraziť údaje) > ANALYZER DATA (Údaje analyzátoru). Pozrite si časť [Tabuľka 2](#).

Tabuľka 2 Popis údajov analyzátoru

Položka	Popis
DATE/TIME (Dátum/Čas)	Aktuálny čas (24-hodinový formát) a dátum uvedené v nastaveniach
NAME (Názov)	Názov analyzátoru
TYPE (Typ)	Typ analyzátoru
AMBIENT TEMP (Okolité teplota)	Okolité teplota analyzátoru
CONDITION SOL LEVEL (Hladina roztoku na kondicionáciu)	Hladina roztoku vo fľaši s roztokom na kondicionáciu
REACT SOL LEVEL (Hladina reaktivačného roztoku)	Hladina roztoku vo fľaši s reaktivačným roztokom
STANDARD LEVEL (Hladina štandardu)	Hladina roztoku vo fľaši s kalibračným roztokom
KCL LEVEL (Hladina KCL)	Hladina roztoku v zásobníku elektrolytu KCl
LAST REACTIVATION (Posledná reaktivácia)	Dátum, kedy bola vykonaná posledná automatická reaktivácia
LAST CAL (Posledná kalibrácia)	Dátum poslednej kalibrácie
LAST SERVICE (Posledný servis)	Dátum posledného servisu
SOFTWARE VERS (Verzia softvéru)	Nainštalovaná verzia softvéru
DD FIRMWARE (Firmvér DD)	Verzia nainštalovaného firmvéru ovládača zariadenia
DD CONTENT (Obsah DD)	Verzia dátového obsahu ovládača zariadenia
SCRIPT VERSION (Verzia skriptu)	Verzia bloku adresárov súborov skriptu
SCRIPT CONTENT (Obsah skriptu)	Verzia obsahu adresárov súborov skriptu

Tabuľka 2 Popis údajov analyzátoru (pokračovanie)

Položka	Popis
MEAS_CONTROL SW REV (Riadenie merania, revízia softvéru)	Nainštalovaná verzia ovládacieho softvéru merania
SERIAL NUMBER (Sériové číslo)	Sériové číslo analyzátoru

5.5 Zobrazenie stavu analyzátoru a systémových údajov

Ak chcete zobraziť aktuálny stav analyzátoru, stav Modbus, systémové údaje alebo údaje I2C, postupujte takto:

1. Stlačte **diag**.
2. Vyberte niektorú z možností.

Voľba	Popis
CURRENT STATUS (Aktuálny stav)	OPERATION (Prevádzka) – aktuálny režim merania. SAMPLE CHANNEL (Kanál vzorky) – aktuálny kanál vzorky. STEP STATUS (Stav kroku) – aktuálny krok v meracom cykle. STEP TIME (Doba kroku) – zostávajúci čas kroku. MINUTES LEFT (Zostávajúce minúty) – zostávajúce minúty aktuálneho kroku. COMPLETION (Dokončenie) – % dokončenia meracieho cyklu.
MODBUS STATS (Stavy MODBUS)	Zobrazí stav portov Modbus: senzor, kontrolér, sieť a servis. Zobrazí počet dobrých a zlých prenosov.
SYSTEM DATA (Systémové údaje)	AMBIENT TEMP (Okolité teplota) – nameraná okolitá teplota v stupňoch Celzia (C). POWER SOURCE FREQUENCY (Frekvencia zdroja napájania) – frekvencia sieťového napájania (Hz). POWER SOURCE VOLTAGE (Napätie zdroja napájania) – sieťové napájanie (AC). 12V VOLTAGE (Napätie 12 V) – namerané napätie napájacieho zdroja (V DC). 3.3V VOLTAGE (Napätie 3,3 V) namerané regulované 3,3 V napájanie (V DC). 12V CURRENT (Prúd 12 V) – nameraný 12 V napájací prúd (ampére).
I2C DATA (Údaje I2C)	Zobrazí informácie o komunikácii (I ² C) a číslo verzie.

5.6 Zobrazenie servisných informácií


Pomocou servisnej ponuky si môžete zobraziť alebo nastaviť históriu servisu dielov prístroja.

1. Stlačte **diag**.
2. Zvoľte **SERVICE** (Servis).
3. Vyberte niektorú z možností.

Voľba	Popis
CONSUMABLE (Spotrebný materiál)	Zobrazí zoznam spotrebných dielov. Zobrazuje dátum poslednej výmeny a počet dní od výmeny dielu. Po výmene dielu vynulujte počítadlo.
SERVICE PART (Servisný diel)	Poznámka: Možnosť SERVICE PART (Servisný diel) je k dispozícii len na servisné použitie. Zobrazuje zoznam dielov a dátum posledného servisu. Zástupca zákazníckeho servisu vynuluje počítadlo po výmene dielu.
ANNUAL MAINTENANCE (Ročná údržba)	Zobrazuje dátum poslednej ročnej údržby, dátum nasledujúcej ročnej údržby a počet dní pred očakávanou nasledujúcou ročnou údržbou. Po ročnej údržbe vynulujte počítadlo.
EDIT ELECTRODES SN (Upraviť sér. č. elektródy)	Zaznamenáva sériové čísla elektród.

Voľba	Popis
SERVICE HISTORY (História servisu)	Zobrazuje vykonané úlohy údržby a dátum (napr. Replace reactivation solution (Vymeniť reaktivačný roztok)). START TIME (Čas spustenia) – zobrazuje údaje zaznamenané po zvolenom dátume a čase. NUMBER OF READINGS (Počet nameraných údajov) – zobrazuje zvolený počet údajových bodov.
POST ENABLE (Aktivovať miesto)	NO (Nie) – hardvérová diagnostika sa nevykonáva, keď je analyzátor napájaný. YES (Áno) – hardvérová diagnostika sa vykonáva, keď je analyzátor napájaný.

Odsek 6 Náhradné diely a príslušenstvo

⚠ V A R O V A N I E	
	Nebezpečenstvo poranenia osôb. Používanie neschválených častí môže spôsobiť poranenie osôb, poškodenie prístroja alebo poruchy zariadenia. Náhradné diely uvedené v tejto časti sú schválené výrobcom.

Poznámka: Čísla produktov a položiek sa môžu odlišovať v niektorých predajných oblastiach. Pre kontaktné informácie sa obráťte na príslušného distribútora alebo si pozrite webovú stránku spoločnosti.

Reagencie a štandardné roztoky

Popis	Množstvo	Katalógové čísla
3 M roztok elektrolytu KCl	250 ml	LZW9500.99
3 M roztok elektrolytu KCl	500 ml	363140,00500
Diizopropylamín (DIPA) 99 %	1 l	2834453
Štandardný chlorid sodný, 10 ppm	1 l	2835153
Dusičnan sodný, 0,5 M	500 ml	2507149

Náhradné diely

Popis	Množstvo	Katalógové čísla
Fľaša na roztok na kondicionáciu s uzáverom, prázdna	1	8352000
Podložka, uzáver fľaše na roztok na kondicionáciu	1	8417200
Kolenová spojka, odtok, ½ palca, polypropylén	1	6772800
Elektróda, referenčná	1	09240=C=0310
Elektróda, sodíková	1	09240=C=0320
Poistka, 1,6 A, 250 V, 5 x 20 mm	1	5208300
Poistka, 5 A, 250 V, pomalá, 5 x 20 mm	1	4693800
Inštalacia súprava, 1-kanálový analyzátor, analyzátor s krytom	1	8375400
Inštalacia súprava, 2-kanálový analyzátor, analyzátor s krytom	1	8375300
Inštalacia súprava, 4-kanálový analyzátor, analyzátor s krytom	1	8371500
Inštalacia súprava, 1-kanálový analyzátor, analyzátor bez krytu	1	8375700
Inštalacia súprava, 2-kanálový analyzátor, analyzátor bez krytu	1	8375600
Inštalacia súprava, 4-kanálový analyzátor, analyzátor bez krytu	1	8375500
Motor miešačky	1	8420000

Náhradné diely (pokračovanie)

Popis	Množstvo	Katalógové čísla
Skrutky na upevnenie panela, M6 x 20, krížová kónická hlava, nehrdzavejúca oceľ, Torx	4	8415500
Prepichovací nástroj pre vnútorné elektrické zástrčky, kovová hadička, používaný s 8379900	1	8380000
Prepichovací nástroj pre vnútorné elektrické zástrčky, kovová platňa, používaný s 8380000	1	8379900
Regulátor tlaku, 0,3 bar (4 psi), nenastaviteľný	1	6782900
Čerpadlo, kalibračný roztok	1	8364300
Čerpadlo, odtok	1	8357400
Čerpadlo, reaktivačný roztok	1	8364200
Uzatvárací ventil, hadička s vonkajším priemerom 6 mm	1	8385200
Miešacia tyčinka	1	W_4510_001_FF
Prípojka s odľahčením ťahu (káblová priechodka), PG9 4 mm až 8 mm	1	8356300
Prípojka s odľahčením ťahu (káblová priechodka), NPT ½ palca 4 mm až 9 mm	1	8368400
Konzoly na upevnenie na stôl	2	8370400
Skrutky, konzola na upevnenie na stôl, č. 8 x ½, nehrdzavejúca oceľ, Torx	2	8412200
Hadička, odtok chemikálií a odtok z plášte, vonkajší priemer 17,5 mm (¹¹ / ₁₆ palca) x 3,2 mm (¹ / ₈ -palca) hrúbka	2 m (6,5 stopy)	LZX278
Hadička, vzorka, vonkajší priemer 6 mm x vnútorný priemer 4 mm	5,5 m (18 stôp)	6772500
Nôž na hadičky	1	8385400
Konzoly na upevnenie na stenu	2	8364100
Skrutky, konzola na upevnenie na stenu, M4 x 10, ploché, nehrdzavejúca oceľ, Torx	2	8412500
Ventil, na kondicionáciu	1	8367600
Ventil, vzorka	1	8370200

Príslušenstvo

Popis	Množstvo	Katalógové čísla
Adaptér na fľašu, fľaša DIPA, Merck	1	09073=C=0350
Adaptér na fľašu, fľaša DIPA, Orion	1	09073=C=0360
Filter, vstup vzorky, 100 µm, hadička s vonkajším priemerom ¼ palca	1	595=010=005
Filter, vstup vzorky, 100 µm, hadička s vonkajším priemerom 6 mm	1	595=010=000
Výmenník tepla, max. 4 kanály	1	8368900
Katiónová inovačná súprava	1	8371200
Napájací kábel, Severná Amerika	1	9179700
Inovačná súprava pre 1 až 4 kanály	1	8365100

Príslušenstvo (pokračovanie)

Popis	Množstvo	Katalógové číslo
Inovačná súprava pre 2 až 4 kanály	1	8365000
Inovačná súprava s automatickou kalibráciou	1	8368000
Adaptér hadičiek, vonkajší priemer 6 mm až ¼ palca	2	09245=A=8300

Πίνακας περιεχομένων

- | | | | |
|---|--|---|--|
| 1 | Πληροφορίες σχετικά με την ασφάλεια
στη σελίδα 498 | 4 | Αντιμετώπιση προβλημάτων στη σελίδα 514 |
| 2 | Εμφάνιση των ενεργών σφαλμάτων,
προειδοποιήσεων και υπενθυμίσεων στη σελίδα 498 | 5 | Διαγνωστικά στη σελίδα 522 |
| 3 | Συντήρηση στη σελίδα 498 | 6 | Ανταλλακτικά και εξαρτήματα στη σελίδα 526 |

Ενότητα 1 Πληροφορίες σχετικά με την ασφάλεια

Ανατρέξτε στο εγχειρίδιο λειτουργίας εγκατάστασης για γενικές πληροφορίες ασφαλείας, περιγραφές κινδύνων και περιγραφές των ετικετών προφύλαξης.

Ενότητα 2 Εμφάνιση των ενεργών σφαλμάτων, προειδοποιήσεων και υπενθυμίσεων

Το φόντο της οθόνης και η ενδεικτική λυχνία κατάστασης γίνονται κόκκινα όταν προκύπτει κάποιο σφάλμα και κίτρινα όταν υπάρχει προειδοποίηση.

- **Σφάλμα**—φόντο οθόνης και ενδεικτική λυχνία κατάστασης με κόκκινο χρώμα. Προέκυψε σημαντικό πρόβλημα που επηρεάζει τη λειτουργία του οργάνου. Η τρέχουσα μέτρηση σταματά και ο αναλυτής μεταβαίνει σε κατάσταση τερματισμού λειτουργίας.
- **Προειδοποίηση**—φόντο οθόνης και ενδεικτική λυχνία κατάστασης με κίτρινο χρώμα. Προέκυψε ένα συμβάν που ενδέχεται να προκαλέσει πρόβλημα στο μέλλον. Ο αναλυτής συνεχίζει να λειτουργεί.
- **Υπενθυμίσεις**—στην οθόνη εμφανίζεται το σύμβολο του κλειδιού και η ενδεικτική λυχνία κατάστασης ανάβει με κίτρινο χρώμα. Έχει παρέλθει ο χρόνος για κάποια εργασία συντήρησης.

Ακολουθήστε τα παρακάτω βήματα για να εμφανίσετε τα ενεργά σφάλματα, τις προειδοποιήσεις και τις υπενθυμίσεις:

Σημείωση: Για να δείτε όλα τα πιθανά σφάλματα, τις προειδοποιήσεις και τις υπενθυμίσεις, καθώς και τις αντίστοιχες πληροφορίες βοήθειας, πατήστε **diag (διάγν.)** και κατόπιν επιλέξτε **ANALYZER HELP (ΒΟΗΘΕΙΑ ΑΝΑΛΥΤΗ)**.

1. Πατήστε **diag (διάγν.)** και κατόπιν επιλέξτε **DIAGNOSTICS (ΔΙΑΓΝΩΣΤΙΚΟΙ ΕΛΕΓΧΟΙ)**. Εμφανίζονται τα ενεργά σφάλματα, οι προειδοποιήσεις και οι υπενθυμίσεις.
2. Επιλέξτε ένα σφάλμα, μια προειδοποίηση ή μια υπενθύμιση από τη λίστα.
3. Επιλέξτε ένα στοιχείο.

Επιλογή	Περιγραφή
ACKNOWLEDGE (ΑΝΑΓΝΩΡΙΣΗ)	Αναγνωρίζει το επιλεγμένο σφάλμα, προειδοποίηση ή υπενθύμιση. Όταν όλα τα ενεργά σφάλματα, οι προειδοποιήσεις και οι υπενθυμίσεις έχουν αναγνωριστεί, το φόντο της οθόνης γίνεται και πάλι λευκό και η ενδεικτική λυχνία κατάστασης γίνεται ξανά πράσινη.
VIEW HELP (ΠΡΟΒΟΛΗ ΒΟΗΘΕΙΑΣ)	Εμφανίζει πληροφορίες βοήθειας για το επιλεγμένο σφάλμα, προειδοποίηση ή υπενθύμιση.

Ενότητα 3 Συντήρηση

▲ ΚΙΝΔΥΝΟΣ



Πολλαπλοί κίνδυνοι. Μόνο ειδικευμένο προσωπικό πρέπει να εκτελεί τις εργασίες που περιγράφονται σε αυτήν την ενότητα του εγχειριδίου.

3.1 Χρονοδιάγραμμα συντήρησης

Ο Πίνακας 1 παρουσιάζει το συνιστώμενο χρονοδιάγραμμα εργασιών συντήρησης. Οι απαιτήσεις του χώρου εγκατάστασης και οι συνθήκες λειτουργίας ενδέχεται να αυξήσουν τη συχνότητα εκτέλεσης ορισμένων εργασιών.

Πίνακας 1 Χρονοδιάγραμμα συντήρησης

Εργασία	3 μήνες	Όπως απαιτείται
Αντικατάσταση των διαλυμάτων βαθμονόμησης και επανενεργοποίησης στη σελίδα 499	X	
Αντικατάσταση του διαλύματος προετοιμασίας στη σελίδα 501	X	
Αντικατάσταση του ηλεκτρολύτη KCl στη σελίδα 504	X	
Αντικατάσταση ασφάλειας τροφοδοσίας εισόδου στη σελίδα 505		X

3.2 Καθαρισμός του οργάνου

ΕΙΔΟΠΟΙΗΣΗ

Ποτέ μην χρησιμοποιείτε καθαριστικά, όπως νέφτι, ακετόνη ή παρόμοια προϊόντα, για τον καθαρισμό του οργάνου, συμπεριλαμβανομένης της οθόνης και των εξαρτημάτων.

Καθαρίζετε το εξωτερικό μέρος του οργάνου με ένα υγρό πανί και ήπιο διάλυμα σαπουνιού.

3.3 Καθαρισμός εκχύσεων

⚠ ΠΡΟΣΟΧΗ



Κίνδυνος έκθεσης σε χημικά. Απορρίψτε τα χημικά και τα απόβλητα σύμφωνα με τους τοπικούς, περιφερειακούς και εθνικούς κανονισμούς.

1. Ακολουθείτε πιστά όλα τα πρωτόκολλα ασφαλείας των εγκαταστάσεων για τον έλεγχο της έκχυσης υλικών.
2. Απορρίψτε τα απόβλητα σύμφωνα με τους ισχύοντες κανονισμούς.

3.4 Αντικατάσταση των διαλυμάτων βαθμονόμησης και επανενεργοποίησης

⚠ ΠΡΟΣΟΧΗ



Κίνδυνος έκθεσης σε χημικά. Τηρείτε τις εργαστηριακές διαδικασίες ασφαλείας και φοράτε όλα τα μέσα ατομικής προστασίας που είναι κατάλληλα για τα χημικά που χειρίζεστε. Ανατρέξτε στα υπάρχοντα φύλλα δεδομένων ασφαλείας υλικού (MSDS/SDS) για τα πρωτόκολλα ασφαλείας.

⚠ ΠΡΟΣΟΧΗ



Κίνδυνος έκθεσης σε χημικά. Απορρίψτε τα χημικά και τα απόβλητα σύμφωνα με τους τοπικούς, περιφερειακούς και εθνικούς κανονισμούς.

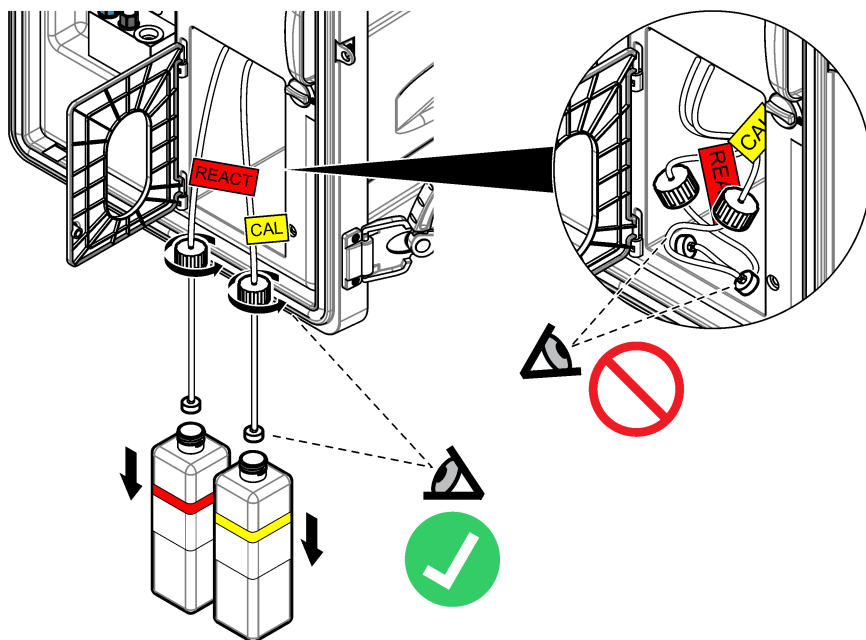
Αντικαθιστάτε το διάλυμα βαθμονόμησης και το διάλυμα επανενεργοποίησης σε διαστήματα 3 μηνών ή όταν η στάθμη είναι κάτω από 10%.

Στοιχεία παρεχόμενα από τον χρήστη:

- Μέσα ατομικής προστασίας (ανατρέξτε στα MSDS/SDS)
- Νιτρικό νάτριο 0,5 M (NaNO₃), 500 mL
- Πρότυπο χλωριούχο νάτριο 10 ppm (NaCl), 500 mL

- Απιονισμένο νερό, 100 mL
- 1. Φορέστε τα μέσα ατομικής προστασίας που ορίζονται στο φύλλα δεδομένων ασφάλειας (MSDS/SDS).
- 2. Πατήστε **menu (μενού)** και κατόπιν επιλέξτε STOP ANALYZER (ΔΙΑΚΟΠΗ ΑΝΑΛΥΤΗ).
Σημείωση: Εάν εμφανιστεί η ένδειξη START ANALYZER (ΕΝΑΡΞΗ ΑΝΑΛΥΤΗ), ο αναλυτής βρίσκεται ήδη σε κατάσταση αναμονής.
- 3. Αντικαταστήστε το διάλυμα επανενεργοποίησης και το διάλυμα βαθμονόμησης ως εξής:
 - a. Αφαιρέστε τις φιάλες διαλύματος επανενεργοποίησης και διαλύματος βαθμονόμησης από τον αναλυτή. Ανατρέξτε στην ενότητα **Εικόνα 1**.
Σημείωση: Μόνο οι αναλυτές με την επιλογή αυτόματης βαθμονόμησης διαθέτουν φιάλη διαλύματος βαθμονόμησης.
 - b. Απορρίψτε τα διαλύματα στις φιάλες σε κατάλληλη αποστράγγιση.
 - c. Εκπλύνετε τις φιάλες με απιονισμένο νερό.
 - d. Πληρώστε τη φιάλη διαλύματος βαθμονόμησης με καινούργιο διάλυμα χλωριούχου νατρίου 10 ppm (NaCl) (500 mL). Η φιάλη διαλύματος βαθμονόμησης διαθέτει μια ετικέτα με μια κίτρινη λωρίδα.
Σημείωση: Για να προετοιμάσετε διάλυμα χλωριούχου νατρίου (NaCl) 10 ppm, ανατρέξτε στο εγχειρίδιο λειτουργιών.
 - e. Πληρώστε τη φιάλη διαλύματος επανενεργοποίησης με καινούργιο διάλυμα νιτρικού νατρίου (NaNO₃) 0,5 M (500 mL). Η φιάλη διαλύματος βαθμονόμησης διαθέτει μια ετικέτα με μια κόκκινη λωρίδα.
Σημείωση: Για να προετοιμάσετε διάλυμα νιτρικού νατρίου (NaNO₃) 0,5 M, ανατρέξτε στο εγχειρίδιο λειτουργιών.
 - f. Τοποθετήστε τις φιάλες στον αναλυτή. Βεβαιωθείτε ότι ο σωλήνας με μια κόκκινη ετικέτα "REACT" τοποθετείται στη φιάλη που έχει μια ετικέτα με κόκκινη λωρίδα.
Βεβαιωθείτε ότι ο σωλήνας με μια κίτρινη ετικέτα "CAL" τοποθετείται στη φιάλη που έχει μια ετικέτα με κίτρινη λωρίδα.
- 4. Εισαγάγετε τις στάθμες των φιαλών ως εξής:
 - a. Πατήστε **menu (μενού)** και κατόπιν επιλέξτε REAGENTS/STANDARDS (ΑΝΤΙΔΡΑΣΤΗΡΙΑ/ΠΡΟΤΥΠΑ).
 - b. Επιλέξτε SET REACT LEVEL (ΡΥΘΜΙΣΗ ΣΤΑΘΜΗΣ ΕΠΑΝΕΝΕΡΓΟΠΟΙΗΣΗΣ) και κατόπιν εισαγάγετε 100%.
 - c. Επιλέξτε SET STANDARD LEVEL (ΡΥΘΜΙΣΗ ΣΤΑΘΜΗΣ ΠΡΟΤΥΠΟΥ) και κατόπιν εισαγάγετε 100%.
- 5. Επιλέξτε PRIME REAGENTS (ΠΛΗΡΩΣΗ ΑΝΤΙΔΡΑΣΤΗΡΙΩΝ).
- 6. Όταν το βήμα πλήρωσης αντιδραστηρίων έχει ολοκληρωθεί, πατήστε **menu (μενού)** και κατόπιν επιλέξτε START ANALYZER (ΕΝΑΡΞΗ ΑΝΑΛΥΤΗ).

Εικόνα 1 Αφαίρεση φιάλης



3.5 Αντικατάσταση του διαλύματος προετοιμασίας

▲ ΠΡΟΕΙΔΟΠΟΙΗΣΗ



Κίνδυνος εισπνοής. Μην εισπνέετε αναθυμιάσεις αμμωνίας ή διισοπροπυλαμίνης (DIPA). Η έκθεση ενδέχεται να οδηγήσει σε σοβαρό τραυματισμό ή θάνατο.



▲ ΠΡΟΕΙΔΟΠΟΙΗΣΗ



Κίνδυνος έκθεσης σε χημικά. Η διισοπροπυλαμίνη (DIPA) και η αμμωνία είναι εύφλεκτες, διαβρωτικές και τοξικές χημικές ουσίες. Η έκθεση ενδέχεται να οδηγήσει σε σοβαρό τραυματισμό ή θάνατο.



▲ ΠΡΟΕΙΔΟΠΟΙΗΣΗ



Κίνδυνος έκθεσης σε χημικά. Τηρείτε τις εργαστηριακές διαδικασίες ασφάλειας και φοράτε όλα τα μέσα ατομικής προστασίας που είναι κατάλληλα για τα χημικά που χειρίζεστε. Διαβάξτε το φύλλο δεδομένων ασφάλειας από τον προμηθευτή πριν από την πλήρωση των φιαλών ή την προετοιμασία των αντιδραστηρίων. Μόνο για εργαστηριακή χρήση. Γνωστοποιείτε τις πληροφορίες σχετικά με κινδύνους, σύμφωνα με τους κανονισμούς στην τοποθεσία του χρήστη.

⚠ ΠΡΟΣΟΧΗ



Κίνδυνος έκθεσης σε χημικά. Απορρίψτε τα χημικά και τα απόβλητα σύμφωνα με τους τοπικούς, περιφερειακούς και εθνικούς κανονισμούς.

Αντικαθιστάτε το διάλυμα προετοιμασίας σε διαστήματα 3 μηνών ή όταν η στάθμη είναι χαμηλότερη από 10%. Χρησιμοποιήστε DIPA (συνιστάται) ή αμμωνία (άνω του 28%) για το διάλυμα προετοιμασίας.

Στοιχεία παρεχόμενα από τον χρήστη:

- Μέσα ατομικής προστασίας (ανατρέξτε στα MSDS/SDS)
- Δισοπρωτυλαμίνη (DIPA) 99%, φιάλη 1 L
- Προσαρμογέας φιάλης για τις φιάλες DIPA MerckOrion, εφόσον ισχύει

Αντικαταστήστε τη φιάλη προετοιμασίας ως εξής:

1. Φορέστε τα μέσα ατομικής προστασίας που ορίζονται στο φύλλα δεδομένων ασφαλείας (MSDS/SDS).
2. Πατήστε **menu (μενού)** και κατόπιν επιλέξτε STOP ANALYZER (ΔΙΑΚΟΠΗ ΑΝΑΛΥΤΗ).

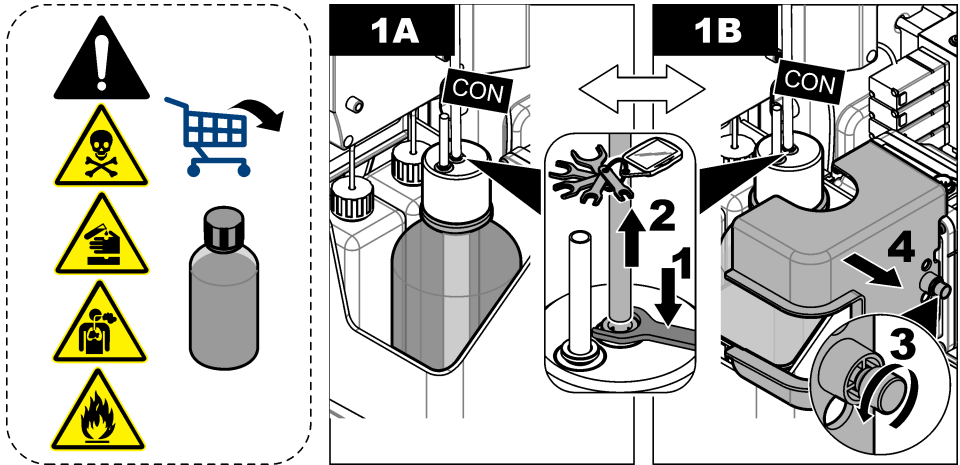
Σημείωση: Εάν εμφανιστεί η ένδειξη START ANALYZER (ΕΝΑΡΞΗ ΑΝΑΛΥΤΗ), ο αναλυτής βρίσκεται ήδη σε κατάσταση αναμονής.

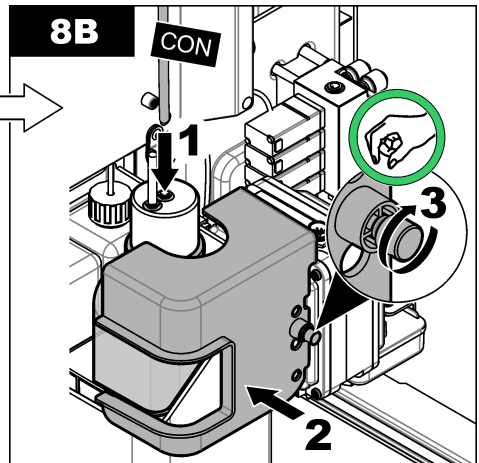
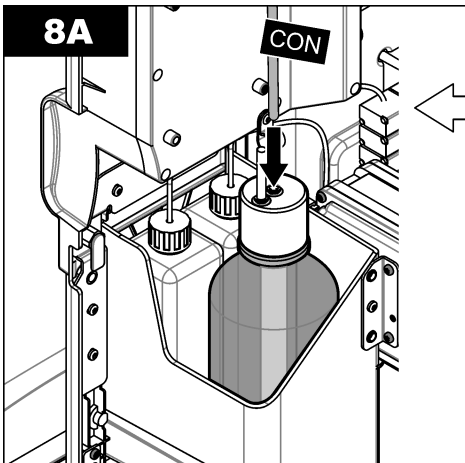
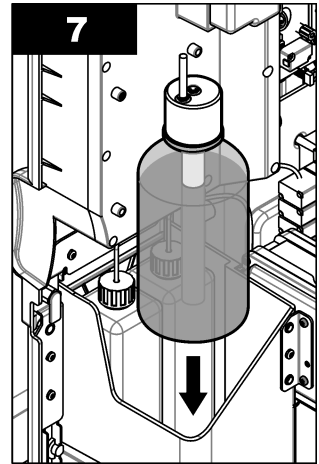
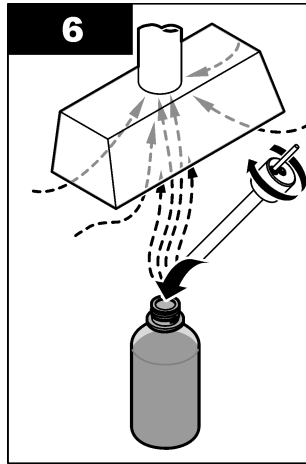
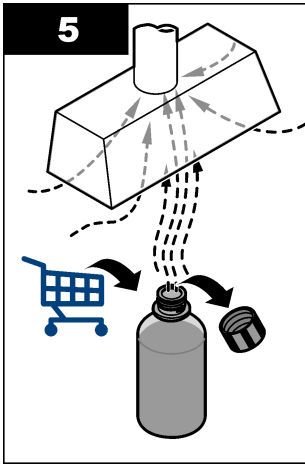
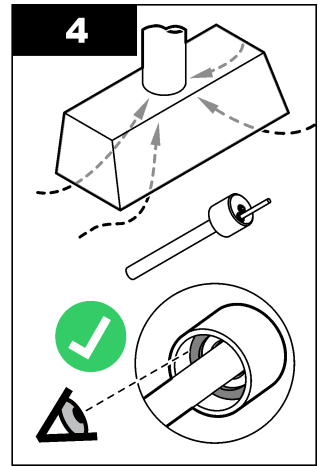
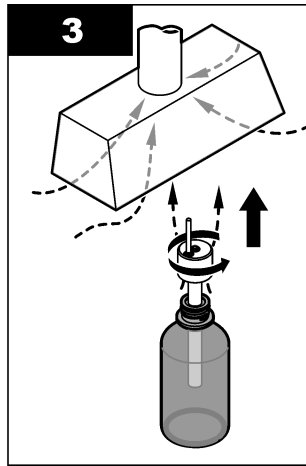
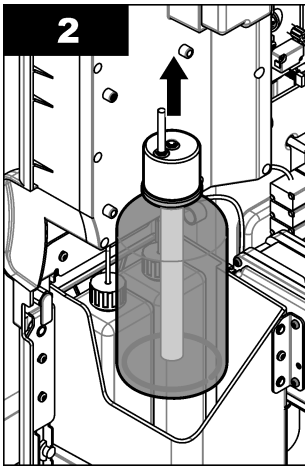
3. Στρέψτε το μάνδαλο στον πίνακα τιμών ανάλυσης στη θέση απασφάλισης. Ανοίξτε τον πίνακα τιμών ανάλυσης.
4. Αντικαταστήστε τη φιάλη διαλύματος προετοιμασίας. Ανατρέξτε στα εικονογραφημένα βήματα που ακολουθούν.

Σημείωση: Οι αναλυτές με την προαιρετική κατιονική αντίλη διαθέτουν δύο σωλήνες που εισέρχονται στο καπάκι της φιάλης προετοιμασίας. Αφαιρέστε και τους δύο σωλήνες.

Σημείωση: Στα βήματα 1 και 8 που απεικονίζονται, μόνο οι αναλυτές χωρίς περίβλημα διαθέτουν υποδοχή φιάλης προετοιμασίας.

Εκτελέστε τα βήματα 3–6 που απεικονίζονται κάτω από χοάνη αναρρόφησης αναθυμιάσεων, εάν υπάρχει διαθέσιμη. Μην εισπνέετε αναθυμιάσεις αμμωνίας ή DIPA.





5. Για τους αναλυτές με την προαιρετική κατιονική αντλία, τοποθετήστε τον σωλήνα εξόδου από την κατιονική αντλία πίσω στην εκτός κέντρου οπή στο καπάκι.
6. Κλείστε τον πίνακα τιμών ανάλυσης. Στρέψτε το μάνδαλο στον πίνακα τιμών ανάλυσης στη θέση ασφάλισης.
7. Εισαγάγετε τη στάθμη της φιάλης ως εξής:
 - a. Πατήστε **menu (μενού)** και κατόπιν επιλέξτε REAGENTS/STANDARDS (ΑΝΤΙΔΡΑΣΤΗΡΙΑ/ΠΡΟΤΥΠΑ).
 - b. Επιλέξτε SET COND LEVEL (ΡΥΘΜΙΣΗ ΣΤΑΘΜΗΣ ΠΡΟΕΤΟΙΜΑΣΙΑΣ) και κατόπιν εισαγάγετε 100%.
8. Πατήστε **menu (μενού)** και κατόπιν επιλέξτε START ANALYZER (ΕΝΑΡΞΗ ΑΝΑΛΥΤΗ).

3.6 Αντικατάσταση του ηλεκτρολύτη KCl

⚠ ΠΡΟΣΟΧΗ



Κίνδυνος έκθεσης σε χημικά. Τηρείτε τις εργαστηριακές διαδικασίες ασφάλειας και φοράτε όλα τα μέσα ατομικής προστασίας που είναι κατάλληλα για τα χημικά που χειρίζεστε. Ανατρέξτε στα υπάρχοντα φύλλα δεδομένων ασφάλειας υλικού (MSDS/SDS) για τα πρωτόκολλα ασφάλειας.

⚠ ΠΡΟΣΟΧΗ



Κίνδυνος έκθεσης σε χημικά. Απορρίπτετε τα χημικά και τα απόβλητα σύμφωνα με τους τοπικούς, περιφερειακούς και εθνικούς κανονισμούς.

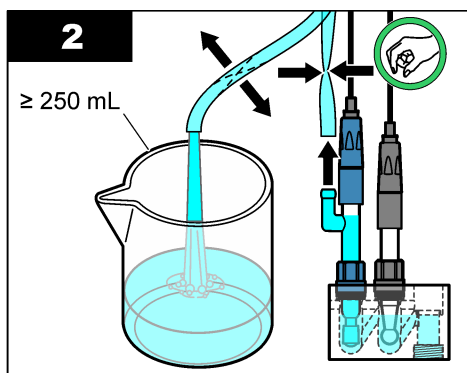
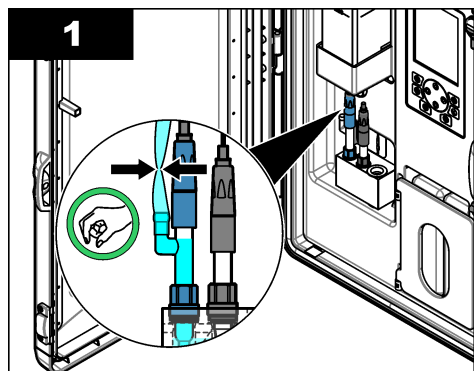
Αντικαθιστάτε τον ηλεκτρολύτη KCl στο δοχείο ηλεκτρολύτη KCl σε διαστήματα 3 μηνών.

Απαιτούμενα στοιχεία:

- Μέσα ατομικής προστασίας (ανατρέξτε στα MSDS/SDS)
- Ηλεκτρολύτης KCl 3 M, 200 mL
- Μικρό δοχείο 250 mL ή μεγαλύτερο

Αντικαταστήστε τον ηλεκτρολύτη KCl ως εξής:

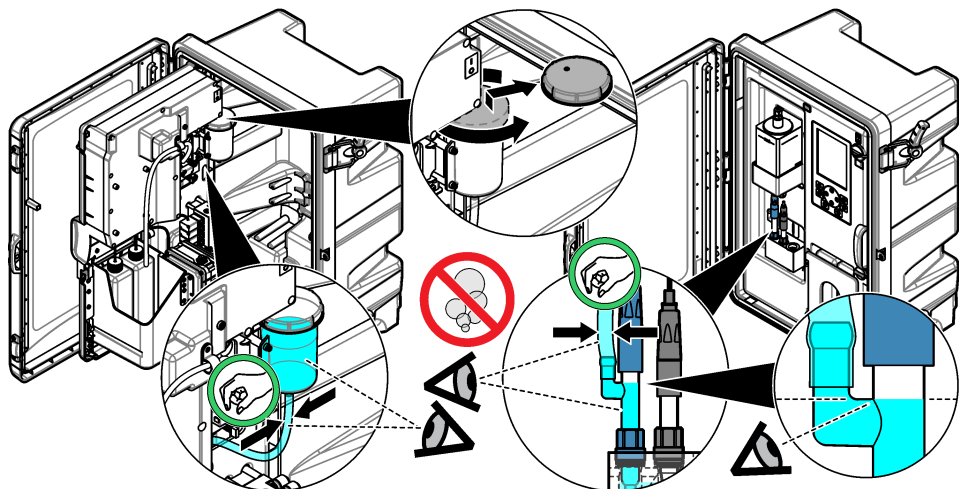
1. Φορέστε τα μέσα ατομικής προστασίας που ορίζονται στο φύλλα δεδομένων ασφάλειας (MSDS/SDS).
2. Αποστραγγίστε το περιεχόμενο του δοχείου ηλεκτρολύτη KCl μέσα στο μικρό δοχείο. Ανατρέξτε στα εικονογραφημένα βήματα που ακολουθούν. Απορρίψτε τον ηλεκτρολύτη KCl σε κατάλληλη αποστράγγιση.



3. Τοποθετήστε τον σωλήνα ηλεκτρολύτη KCl πίσω στο ηλεκτρόδιο αναφοράς.

4. Πληρώστε το δοχείο ηλεκτρολύτη KCl ως εξής:
 - a. Στρέψτε το μάνδαλο στον πίνακα τιμών ανάλυσης στη θέση απασφάλισης. Ανοίξτε τον πίνακα τιμών ανάλυσης.
 - b. Αφαιρέστε το καπάκι από το δοχείο ηλεκτρολύτη KCl. Ανατρέξτε στην ενότητα [Εικόνα 2](#).
 - c. Πληρώστε το δοχείο κατά 90% (περίπου 200 mL).
 - d. Τοποθετήστε το καπάκι.
5. Αφαιρέστε τις φυσαλίδες αέρα από τον σωλήνα ηλεκτρολύτη KCl ως εξής:
 - a. Από το μπροστινό μέρος του πίνακα τιμών ανάλυσης, πιέστε τον σωλήνα ηλεκτρολύτη KCl με τον αντίχειρα και το δάκτυλό σας, για να ωθήσετε τις φυσαλίδες αέρα προς τα επάνω από τον σωλήνα στο δοχείο. Ανατρέξτε στην ενότητα [Εικόνα 2](#).
 - b. Όταν μια φυσαλίδα αέρα βρίσκεται κοντά στο δοχείο, χρησιμοποιήστε και τα δύο χέρια σας για να πιέσετε τον σωλήνα από το μπροστινό και το πίσω μέρος του πίνακα τιμών ανάλυσης, ώστε να ωθήσετε τη φυσαλίδα αέρα προς τα επάνω.
 - c. Συνεχίστε να πιέζετε τον σωλήνα μέχρι ο ηλεκτρολύτης KCl στο ηλεκτρόδιο αναφοράς να βρίσκεται στο επάνω μέρος του γυάλινου συνδέσμου όπου ο ηλεκτρολύτης KCl εισέρχεται στο ηλεκτρόδιο. Ανατρέξτε στην ενότητα [Εικόνα 2](#).
6. Κλείστε τον πίνακα τιμών ανάλυσης. Στρέψτε το μάνδαλο στον πίνακα τιμών ανάλυσης στη θέση ασφάλισης.
7. Εισαγάγετε τη στάθμη της φιάλης ως εξής:
 - a. Πατήστε **menu (μενού)** και κατόπιν επιλέξτε REAGENTS/STANDARDS (ΑΝΤΙΔΡΑΣΤΗΡΙΑ/ΠΡΟΤΥΠΑ).
 - b. Επιλέξτε SET KCL LEVEL (ΡΥΘΜΙΣΗ ΣΤΑΘΜΗΣ KCL) και κατόπιν εισαγάγετε 100%.

Εικόνα 2 Πλήρωση του δοχείου ηλεκτρολύτη KCl



3.7 Αντικατάσταση ασφάλειας τροφοδοσίας εισόδου

⚠ ΚΙΝΔΥΝΟΣ



Κίνδυνος ηλεκτροπληξίας. Πριν από την έναρξη αυτής της διαδικασίας, αποσυνδέστε το όργανο από την τροφοδοσία ρεύματος.



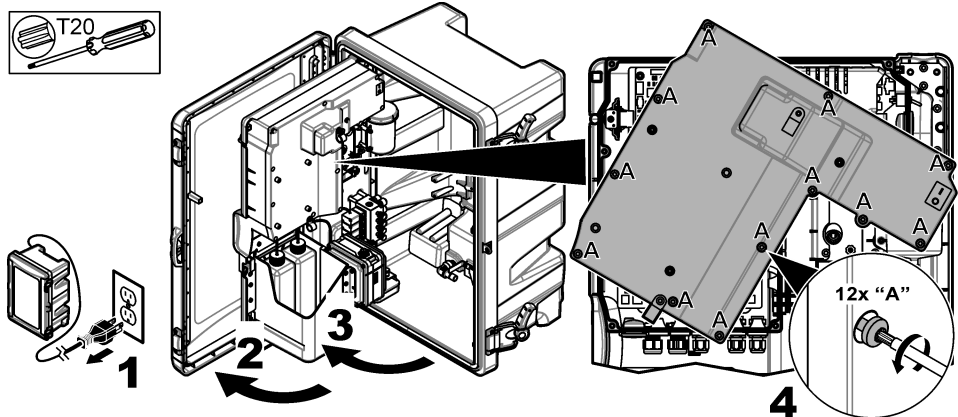
Κίνδυνος πυρκαγιάς. Χρησιμοποιείτε τον ίδιο τύπο και την ονομαστική τιμή ρεύματος για να αντικαθιστάτε τις ασφάλειες.

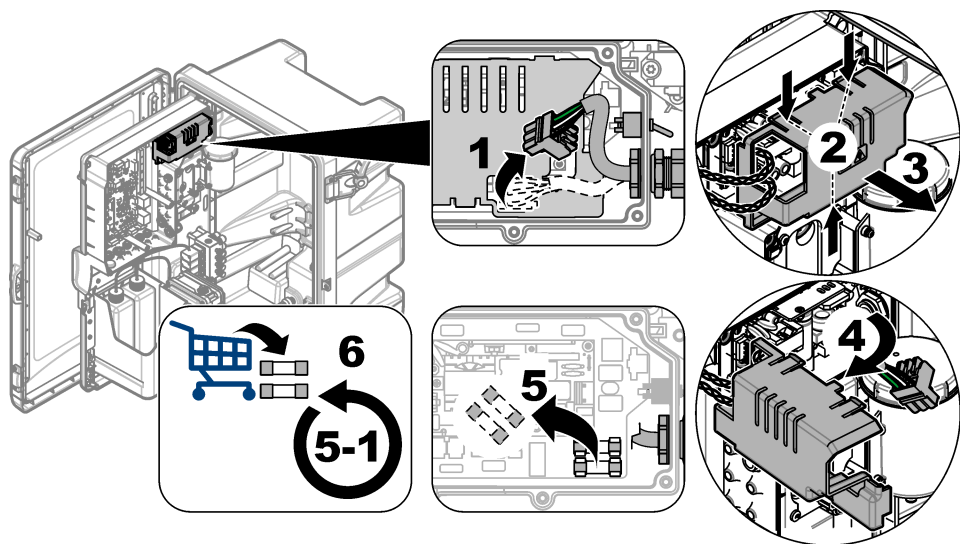
Εξετάστε τις ασφάλειες. Αντικαταστήστε τυχόν ανοιχτές ασφάλειες με καινούργιες ασφάλειες.

Στοιχείο που παρέχεται από τον χρήστη: Ασφάλεια T 1,6 A, 250 VAC

1. Αποσυνδέστε το καλώδιο τροφοδοσίας από την πρίζα.
2. Αφαιρέστε το κάλυμμα πρόσβασης στα ηλεκτρικά μέρη. Ανατρέξτε στα εικονογραφημένα βήματα στην ενότητα [Εικόνα 3](#).
3. Αντικαταστήστε την ασφάλεια. Ανατρέξτε στα εικονογραφημένα βήματα στην ενότητα [Εικόνα 4](#)
4. Τοποθετήστε το κάλυμμα πρόσβασης στα ηλεκτρικά μέρη. Σφίξτε όλες τις βίδες για να διατηρήσετε την περιβαλλοντική ταξινόμηση του περιβλήματος.
5. Κλείστε τον πίνακα τιμών ανάλυσης. Στρέψτε το μάνδαλο στον πίνακα τιμών ανάλυσης στη θέση ασφάλισης.
6. Συνδέστε το καλώδιο ρεύματος σε μια ηλεκτρική πρίζα.
7. Πατήστε **menu (μενού)** και κατόπιν επιλέξτε START ANALYZER (ΕΝΑΡΞΗ ΑΝΑΛΥΤΗ).

Εικόνα 3 Αφαίρεση καλύμματος πρόσβασης στα ηλεκτρικά μέρη





3.8 Προετοιμασία του αναλυτή για βραχυπρόθεσμο τερματισμό λειτουργίας

Προετοιμάστε τον αναλυτή για βραχυπρόθεσμο τερματισμό λειτουργίας (από 2 ημέρες έως 1 εβδομάδα) ως εξής:

Στοιχεία που παρέχονται από τον χρήστη: Ψαλίδι με σφιγκτήρα

1. Πατήστε **menu (μενού)** και κατόπιν επιλέξτε STOP ANALYZER (ΔΙΑΚΟΠΗ ΑΝΑΛΥΤΗ).

Σημείωση: Εάν εμφανιστεί η ένδειξη START ANALYZER (ΕΝΑΡΞΗ ΑΝΑΛΥΤΗ), ο αναλυτής βρίσκεται ήδη σε κατάσταση αναμονής.

2. Προσαρτήστε το ψαλίδι με σφιγκτήρα (μεταλλικό ή πλαστικό) στο άκρο του σωλήνα ηλεκτρολύτη KCl, για να σταματήσετε τη ροή του ηλεκτρολύτη KCl στο ηλεκτρόδιο αναφοράς.

Σημείωση: Όταν ο αναλυτής βρίσκεται σε κατάσταση αναμονής ή είναι απενεργοποιημένος, ο ηλεκτρολύτης KCl συνεχίζει να εκρέει από το ηλεκτρόδιο αναφοράς. Ο ηλεκτρολύτης KCl θα γεμίσει αργά τον αριστερό θάλαμο της κυψελίδας μέτρησης και θα βγει από το επάνω μέρος του αριστερού θαλάμου.

3. Γυρίστε τις βαλβίδες διακοπής στις γραμμές δείγματος στην κλειστή θέση.

4. Εάν πρέπει να διακοπεί η τροφοδοσία από τον αναλυτή, προσθέστε διάλυμα επανενεργοποίησης στον μεσαίο θάλαμο της κυψελίδας μέτρησης, ώστε να μην προκληθεί ζημιά στο ηλεκτρόδιο νατρίου.

Σημείωση: Μετά από 4 ώρες σε κατάσταση αναμονής, ο αναλυτής προσθέτει αυτόματα διαλύματα επανενεργοποίησης στον μεσαίο θάλαμο της κυψελίδας μέτρησης.

3.9 Προετοιμασία του αναλυτή για μακροπρόθεσμο τερματισμό λειτουργίας

▲ ΠΡΟΕΙΔΟΠΟΙΗΣΗ



Κίνδυνος έκθεσης σε χημικά. Τηρείτε τις εργαστηριακές διαδικασίες ασφάλειας και φοράτε όλα τα μέσα ατομικής προστασίας που είναι κατάλληλα για τα χημικά που χειρίζεστε. Διαβάζετε το φύλλο δεδομένων ασφάλειας από τον προμηθευτή πριν από την πλήρωση των φιαλών ή την προετοιμασία των αντιδραστηρίων. Μόνο για εργαστηριακή χρήση. Γνωστοποιείτε τις πληροφορίες σχετικά με κινδύνους, σύμφωνα με τους κανονισμούς στην τοποθεσία του χρήστη.

⚠ ΠΡΟΣΟΧΗ



Κίνδυνος έκθεσης σε χημικά. Απορρίψτε τα χημικά και τα απόβλητα σύμφωνα με τους τοπικούς, περιφερειακούς και εθνικούς κανονισμούς.

Προετοιμάστε τον αναλυτή για μακροπρόθεσμο τερματισμό λειτουργίας (περισσότερο από 1 εβδομάδα) ως εξής:

Στοιχεία παρεχόμενα από τον χρήστη:

- Μικρό δοχείο 250 mL ή μεγαλύτερο
- Απιονισμένο νερό, 1,5 L
- Καθαρό πανί που δεν αφήνει χνούδι

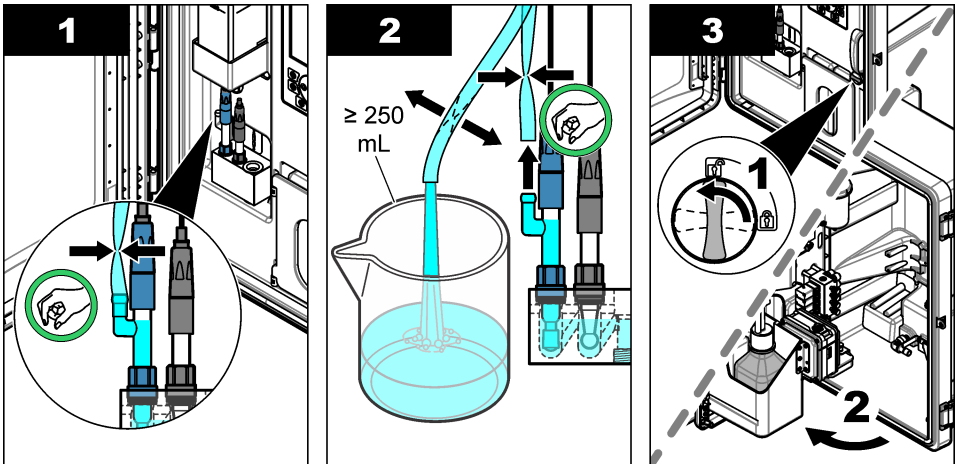
Απαιτούμενα στοιχεία:

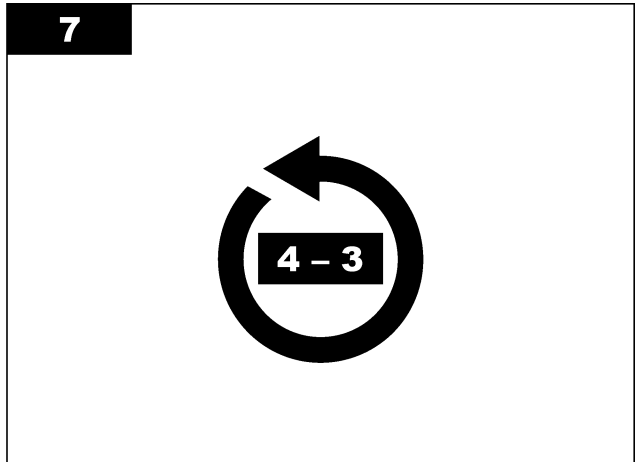
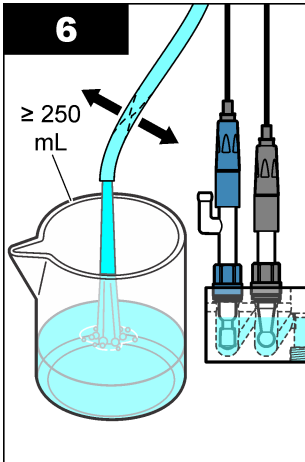
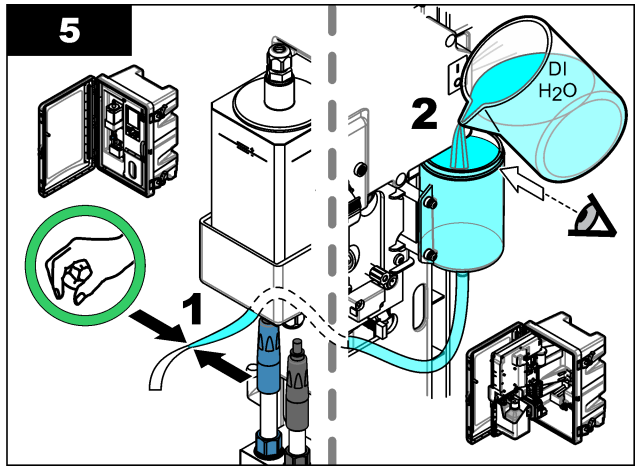
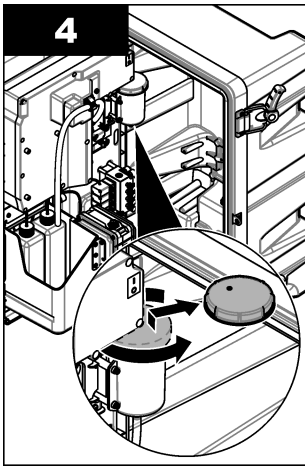
- Φιάλες αποθήκευσης για ηλεκτρόδια (2x)
- Προστατευτικά καπάκια για ηλεκτρόδια (2x)
- Μαύρο κάλυμμα για γυάλινο σύνδεσμο του ηλεκτροδίου αναφοράς

3.9.1 Αποστράγγιση και έκπλυση του δοχείου ηλεκτρολύτη KCl

Ανατρέξτε στα εικονογραφημένα βήματα που ακολουθούν.

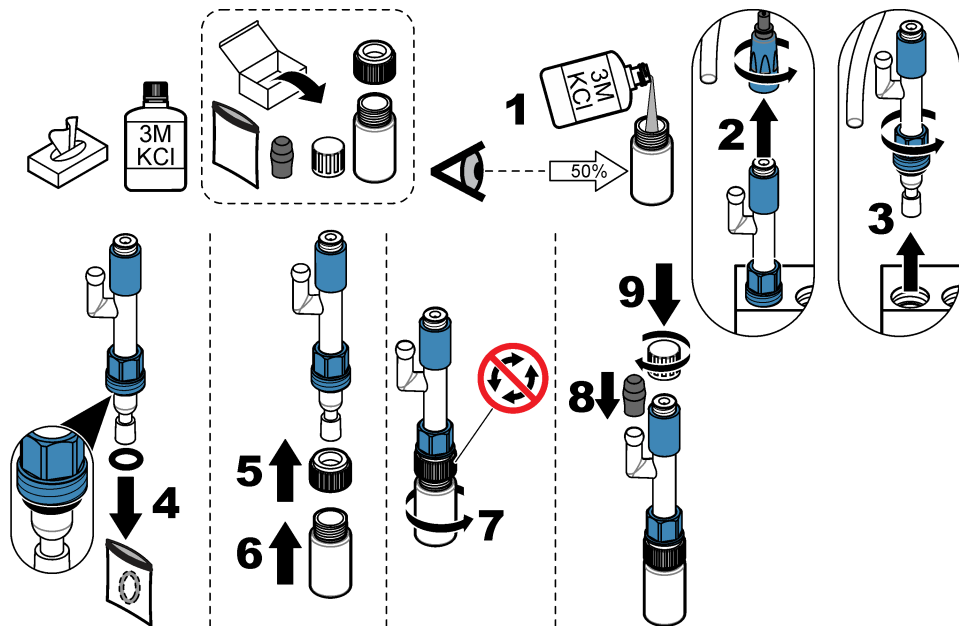
Φορέστε τα μέσα ατομικής προστασίας που ορίζονται στο φύλλα δεδομένων ασφαλείας (MSDS/SDS).





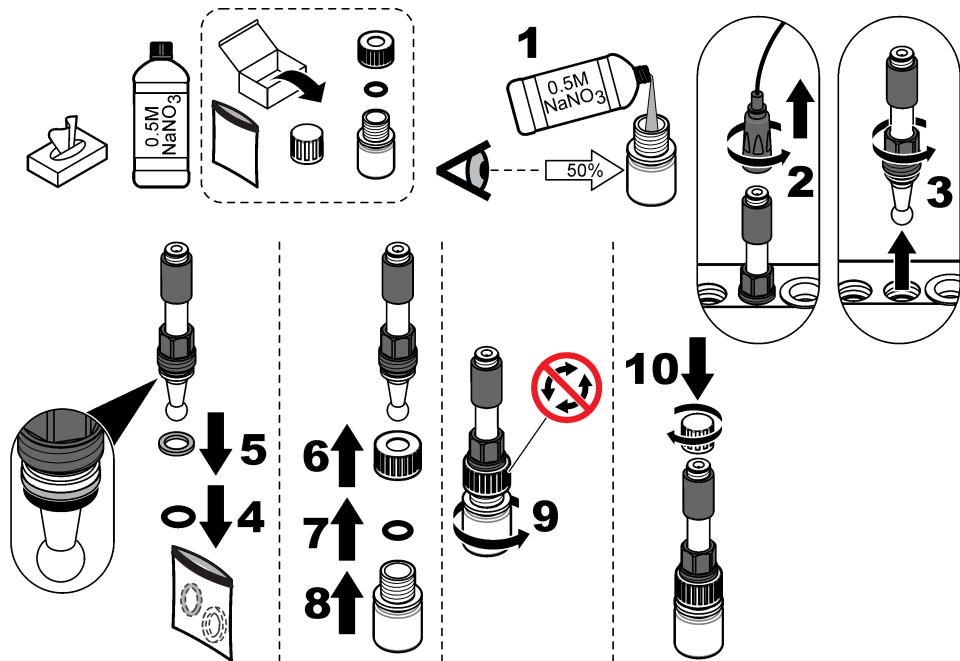
3.9.2 Αφαίρεση του ηλεκτροδίου αναφοράς

Ανατρέξτε στις εικόνες βημάτων που ακολουθούν.



3.9.3 Αφαίρεση του ηλεκτροδίου νατρίου

Ανατρέξτε στις εικόνες βημάτων που ακολουθούν.



3.9.4 Αποσύνδεση της φιάλης διαλύματος προετοιμασίας

▲ ΠΡΟΕΙΔΟΠΟΙΗΣΗ



Κίνδυνος εισπνοής. Μην εισπνέετε αναθυμιάσεις αμμωνίας ή διισοπροπυλαμίνης (DIPA). Η έκθεση ενδέχεται να οδηγήσει σε σοβαρό τραυματισμό ή θάνατο.



▲ ΠΡΟΕΙΔΟΠΟΙΗΣΗ

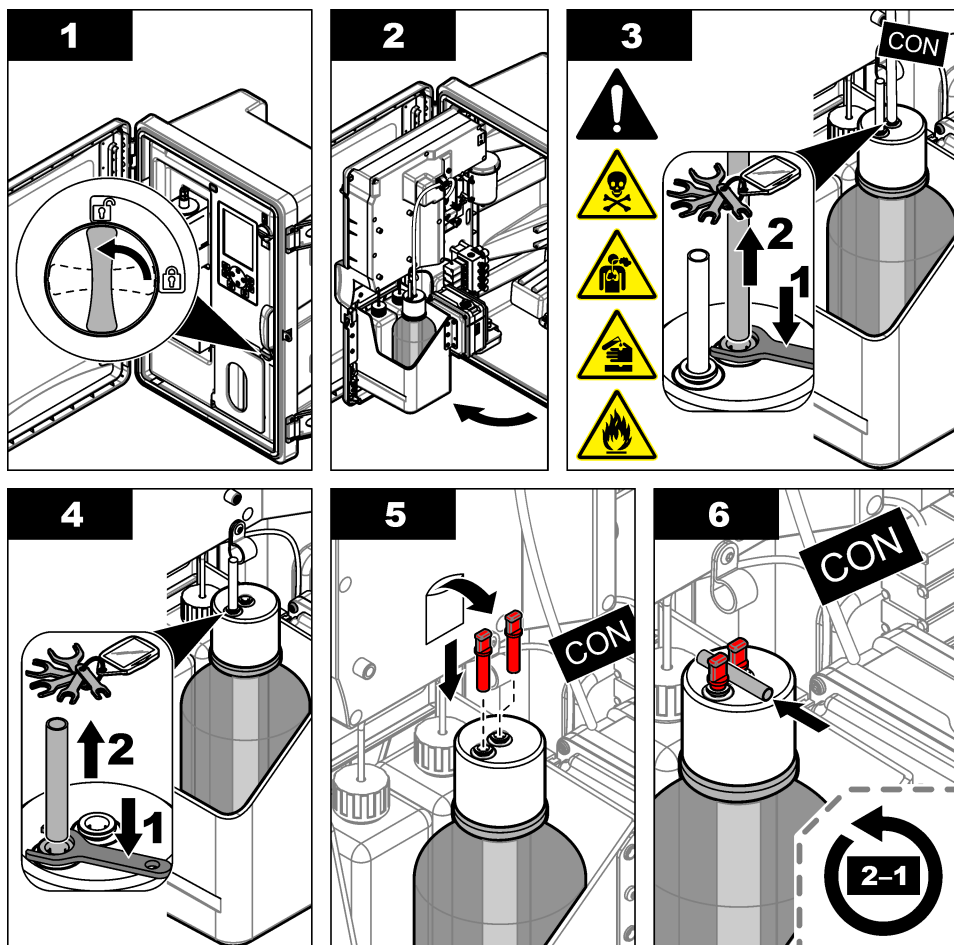


Κίνδυνος έκθεσης σε χημικά. Η διισοπροπυλαμίνη (DIPA) και η αμμωνία είναι εύφλεκτες, διαβρωτικές και τοξικές χημικές ουσίες. Η έκθεση ενδέχεται να οδηγήσει σε σοβαρό τραυματισμό ή θάνατο.



Ανατρέξτε στα εικονογραφημένα βήματα που ακολουθούν.

Φορέστε τα μέσα ατομικής προστασίας που ορίζονται στο φύλλα δεδομένων ασφαλείας (MSDS/SDS).



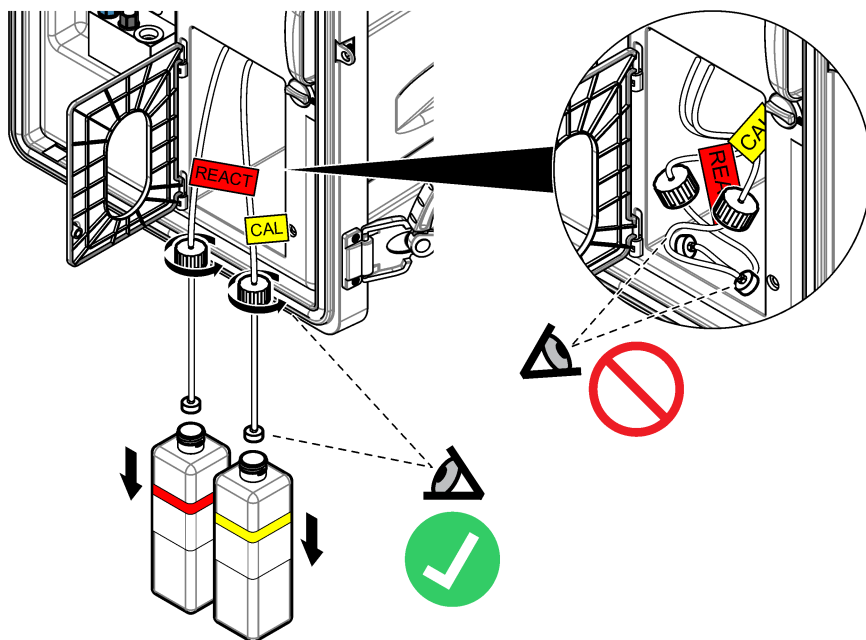
3.9.5 Έκπλυση του σωλήνα αντιδραστήριου

1. Φορέστε τα μέσα ατομικής προστασίας που ορίζονται στο φύλλα δεδομένων ασφάλειας (MSDS/SDS).
2. Αφαιρέστε τις φιάλες διαλύματος επανενεργοποίησης και διαλύματος βαθμονόμησης από τον αναλυτή. Ανατρέξτε στην ενότητα [Εικόνα 5](#).

Σημείωση: Μόνο οι αναλυτές με την επιλογή αυτόματης βαθμονόμησης διαθέτουν φιάλη διαλύματος βαθμονόμησης.

3. Απορρίψτε τα διαλύματα στις φιάλες σε κατάλληλη αποστράγγιση.
4. Εκπλύνετε τις φιάλες και κατόπιν γεμίστε τις με απιονισμένο νερό μέχρι τη μέση.
5. Τοποθετήστε τις φιάλες στον αναλυτή.
6. Πατήστε **menu (μενού)** και κατόπιν επιλέξτε REAGENTS/STANDARDS (ΑΝΤΙΔΡΑΣΤΗΡΙΑ/ΠΡΟΤΥΠΑ) > PRIME REAGENTS (ΠΛΗΡΩΣΗ ΑΝΤΙΔΡΑΣΤΗΡΙΩΝ). Η έκπλυση του σωλήνα του αντιδραστήριου πραγματοποιείται με απιονισμένο νερό.

Εικόνα 5 Αφαίρεση φιάλης



3.9.6 Αποστράγγιση του δοχείου υπερχείλισης

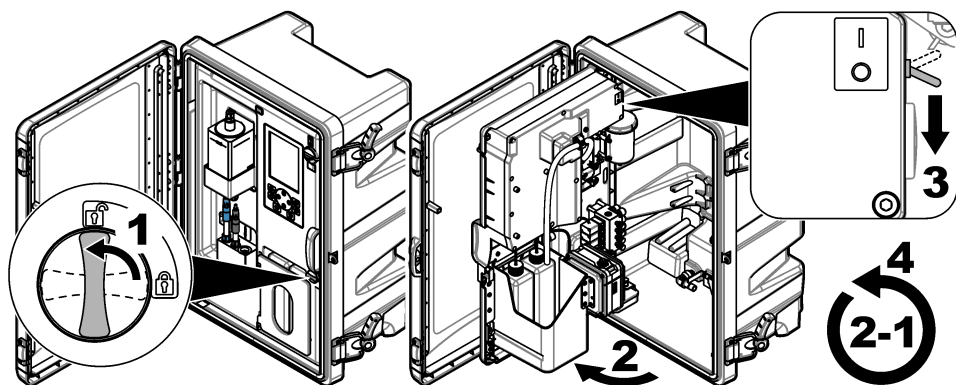
1. Πατήστε **diag** (διάγν.), κατόπιν επιλέξτε PERFORM TEST (ΕΚΤΕΛΕΣΗ ΕΛΕΓΧΟΥ) και πατήστε **enter** (εισαγωγή).
2. Πατήστε **enter** (εισαγωγή) για να επιλέξετε YES (ΝΑΙ).
3. Επιλέξτε SAMPLE DRAIN (ΑΠΟΣΤΡΑΓΓΙΣΗ ΔΕΙΓΜΑΤΟΣ) και κατόπιν πατήστε **enter** (εισαγωγή).
4. Εισαγάγετε 150 δευτερόλεπτα
5. Πατήστε **enter** (εισαγωγή) δύο φορές.
6. Όταν το δοχείο υπερχείλισης είναι κενό, πατήστε **back** (πίσω).
7. Πατήστε **home** (αρχική οθόνη).

3.9.7 Τερματισμός λειτουργίας του αναλυτή

Διακόψτε την τροφοδοσία και αφαιρέστε το δείγμα από τον αναλυτή ως εξής:

1. Γυρίστε τον διακόπτη λειτουργίας στη θέση απενεργοποίησης. Ανατρέξτε στην ενότητα [Εικόνα 6](#).
2. Κλείστε τον πίνακα τιμών ανάλυσης. Στρέψτε το μάνδαλο στον πίνακα τιμών ανάλυσης στη θέση ασφάλισης.
3. Αποσυνδέστε το καλώδιο τροφοδοσίας από την πρίζα.
4. Γυρίστε τις βαλβίδες διακοπής στις γραμμές δείγματος στην κλειστή θέση.
5. Με ένα καθαρό πανί που δεν αφήνει χνούδι αφαιρέστε το νερό από το δοχείο υπερχείλισης.
6. Με ένα καθαρό πανί που δεν αφήνει χνούδι αφαιρέστε το νερό από τον αριστερό θάλαμο και τον μεσαίο θάλαμο της κυψελίδας μέτρησης.

Εικόνα 6 Γυρίστε τον διακόπτη λειτουργίας στη θέση απενεργοποίησης



3.9.8 Απόρριψη του απιονισμένου νερού στις φιάλες

1. Αφαιρέστε τις φιάλες διαλύματος επανενεργοποίησης και διαλύματος βαθμονόμησης από τον αναλυτή. Τραβήξτε τα καπάκια των φιαλών προς τα κάτω, έτσι ώστε να κρέμονται ελεύθερα κάτω από τον αναλυτή.
Μην αφήνετε το καπάκι της φιάλης ή τον εσωτερικό σωλήνα να έρθει σε επαφή με τον αναλυτή, ώστε να αποτραπεί τυχόν επιμόλυνση.
2. Απορρίψτε το απιονισμένο νερό στις φιάλες.
3. Αφήστε τις φιάλες να στεγνώσουν τελείως στον αέρα.
4. Τοποθετήστε τις φιάλες στον αναλυτή.
5. Κλείστε τη θύρα του αναλυτή.

Ενότητα 4 Αντιμετώπιση προβλημάτων

Πρόβλημα	Πιθανή αιτία	Λύση
Η γραμμή κατάστασης δεν εμφανίζεται στην οθόνη μέτρησης.	Το κανάλι που εμφανίζεται στην οθόνη μέτρησης δεν είναι το κανάλι που μετράται.	Πατήστε το ΕΠΑΝΩ ή το ΚΑΤΩ βέλος έως ότου εμφανιστεί το κανάλι που μετράται στην οθόνη μέτρησης.
Ένα κανάλι δεν εμφανίζεται στην οθόνη μέτρησης κατά το πάτημα του πλήκτρου ΕΠΑΝΩ ή ΚΑΤΩ βέλους.	Το κανάλι δεν είναι επιλεγμένο στις ρυθμίσεις οθόνης.	Πατήστε menu (μενού) και κατόπιν επιλέξτε SETUP SYSTEM (ΡΥΘΜΙΣΗ ΣΥΣΤΗΜΑΤΟΣ) > DISPLAY SETUP (ΡΥΘΜΕΝΔΕΙΞΕΩΝ) > ADJUST ORDER (ΠΡΟΣΑΡΜΟΓΗ ΣΕΙΡΑΣ) > SEE CURRENT ORDER (ΠΡΟΒΟΛΗ ΤΡΕΧ.ΣΕΙΡΑΣ) . Εάν το κανάλι δεν εμφανίζεται, πατήστε back (πίσω) και κατόπιν επιλέξτε ADD MEASUREMENTS (ΠΡΟΣΘΗΚΗ ΜΕΤΡΗΣΕΩΝ) . Πατήστε το ΑΡΙΣΤΕΡΟ βέλος για να επιλέξετε ή να αποεπιλέξετε ένα πλαίσιο ελέγχου.

Πρόβλημα	Πιθανή αιτία	Λύση
Δεν πραγματοποιείται μέτρηση ενός καναλιού.	Το κανάλι δεν είναι ενεργοποιημένο.	<p>Πατήστε menu (μενού) και κατόπιν επιλέξτε SETUP SYSTEM (ΡΥΘΜΙΣΗ ΣΥΣΤΗΜΑΤΟΣ) > CONFIGURE ANALYZER (ΔΙΑΜΟΡΦΩΣΗ ΑΝΑΛΥΤΗ) > CONFIGURE SEQUENCER (ΔΙΑΜΟΡΦΩΣΗ ΡΥΘΜΙΣΗΣ ΑΚΟΛΟΥΘΙΑΣ) > ACTIVATE CHANNELS (ΕΝΕΡΓΟΠΟΙΗΣΗ ΚΑΝΑΛΙΩΝ). Προσθέστε το κανάλι. Πατήστε το ΑΡΙΣΤΕΡΟ βέλος για να επιλέξετε ή να αποεπιλέξετε ένα πλαίσιο ελέγχου.</p>
	Το κανάλι δεν περιλαμβάνεται στην ακολουθία μέτρησης καναλιών.	<p>Πατήστε menu (μενού) και κατόπιν επιλέξτε SETUP SYSTEM (ΡΥΘΜΙΣΗ ΣΥΣΤΗΜΑΤΟΣ) > CONFIGURE ANALYZER (ΔΙΑΜΟΡΦΩΣΗ ΑΝΑΛΥΤΗ) > CONFIGURE SEQUENCER (ΔΙΑΜΟΡΦΩΣΗ ΡΥΘΜΙΣΗΣ ΑΚΟΛΟΥΘΙΑΣ) > SEQUENCE CHANNELS (ΤΑΞΙΝΟΜΗΣΗ ΚΑΝΑΛΙΩΝ ΣΕ ΑΚΟΛΟΥΘΙΑ).</p> <p>Πατήστε το ΕΠΑΝΩ και το ΚΑΤΩ βέλος για να επιλέξετε μια σειρά και κατόπιν πατήστε το ΑΡΙΣΤΕΡΟ ή το ΔΕΞΙΟ βέλος για να επιλέξετε ένα κανάλι. Το S1 είναι το πρώτο κανάλι που μετράται και ακολουθείται από τα S2, S3 και S4.</p> <p>Σημείωση: Μην επιλέξετε κανάλια που περιέχουν το σύμβολο "~" (π.χ. 4~ΔΕΙΓΜΑ4). Δεν πραγματοποιείται μέτρηση των καναλιών που περιέχουν το σύμβολο "~".</p>
Εμφανίζεται η προειδοποίηση "UNSTABLE READING (ΑΣΤΑΘΗΣ ΕΝΔΕΙΞΗ)".	Ο χρόνος έκπλυσης μεταξύ των μετρήσεων καναλιών είναι υπερβολικά σύντομος.	<p>Πατήστε menu (μενού) και κατόπιν επιλέξτε SETUP SYSTEM (ΡΥΘΜΙΣΗ ΣΥΣΤΗΜΑΤΟΣ) > CONFIGURE ANALYZER (ΔΙΑΜΟΡΦΩΣΗ ΑΝΑΛΥΤΗ) > MEASUREMENT (ΜΕΤΡΗΣΗ) > SET MEASURE CYCLE (ΡΥΘΜΙΣΗ ΚΥΚΛΟΥ ΜΕΤΡΗΣΗΣ) > MAX CYCLE TIME (ΜΕΓ. ΧΡΟΝΟΣ ΚΥΚΛΟΥ) ή CYCLE TIME (ΧΡΟΝΟΣ ΚΥΚΛΟΥ). Αυξήστε το MAX CYCLE TIME (ΜΕΓ. ΧΡΟΝΟΣ ΚΥΚΛΟΥ) ή το CYCLE TIME (ΧΡΟΝΟΣ ΚΥΚΛΟΥ) για να αυξηθεί ο χρόνος έκπλυσης.</p>

Πρόβλημα	Πιθανή αιτία	Λύση
Εμφανίζεται η προειδοποίηση "SAMPLE MISSING (ΑΠΟΥΣΙΑ ΔΕΙΓΜΑΤΟΣ)".	Η βαλβίδα διακοπής στη γραμμή δείγματος είναι κλειστή.	Στρέψτε τη βαλβίδα διακοπής για να την ανοίξετε.
	Οι υδραυλικές σωληνώσεις της γραμμής δείγματος δεν έχουν συνδεθεί σωστά.	Βεβαιωθείτε ότι η γραμμή δείγματος είναι συνδεδεμένη στη σωστή θύρα υδραυλικών σωληνώσεων. Ανατρέξτε στην ενότητα <i>Θύρες υδραυλικών σωληνώσεων</i> στο εγχειρίδιο εγκατάστασης.
	Η βαλβίδα ροής δείγματος είναι κλειστή.	Ξεκινήστε τον οδηγό εκκίνησης. Πατήστε menu (μενού) και κατόπιν επιλέξτε SETUP SYSTEM (ΡΥΘΜΙΣΗ ΣΥΣΤΗΜΑΤΟΣ) > STARTUP ANALYZER (ΕΚΚΙΝΗΣΗ ΑΝΑΛΥΤΗ). Πατήστε enter (εισαγωγή) μέχρι να σας ζητηθεί να προσαρμόσετε τον ρυθμό ροής δείγματος. Στρέψτε τη βαλβίδα ροής δείγματος αριστερόστροφα, για να αυξήσετε τον ρυθμό ροής σε 6–9 L/ώρα σε κάθε κανάλι.
	Η ηλεκτρομαγνητική βαλβίδα για το κανάλι δεν λειτουργεί σωστά.	Πατήστε diag (διάγν.) και κατόπιν επιλέξτε PERFORM TEST (ΕΚΤΕΛΕΣΗ ΕΛΕΓΧΟΥ) > SAMPLE DRAIN (ΑΠΟΣΤΡΑΓΓΙΣΗ ΔΕΙΓΜΑΤΟΣ) για να αποστραγγίσετε το δοχείο υπερχειλίσης. Πατήστε diag (διάγν.) και κατόπιν επιλέξτε PERFORM TEST (ΕΚΤΕΛΕΣΗ ΕΛΕΓΧΟΥ) > SAMPLE DELIVERY (ΠΑΡΟΧΗ ΔΕΙΓΜΑΤΟΣ) για να ανοίξετε τη βαλβίδα δείγματος. Εάν το δείγμα δεν ρέει στο δοχείο υπερχειλίσης, εξετάστε την καλωδίωση της βαλβίδας δείγματος. Αντικαταστήστε τη βαλβίδα δείγματος, εάν είναι απαραίτητο.

Πρόβλημα	Πιθανή αιτία	Λύση
Εμφανίζεται η προειδοποίηση "PH TOO LOW (PH ΠΟΛΥ ΧΑΜΗΛΟ)".	Το κάλυμμα αφαιρέθηκε από τον δεξιό θάλαμο της κυψελίδας μέτρησης.	Τοποθετήστε το κάλυμμα στον δεξιό θάλαμο της κυψελίδας μέτρησης.
	Η φιάλη διαλύματος προετοιμασίας είναι κατά λιγότερο από 10% πλήρης ή κενή.	Αντικαταστήστε το διάλυμα προετοιμασίας. Ανατρέξτε στην ενότητα Αντικατάσταση του διαλύματος προετοιμασίας στη σελίδα 501.
	Υπάρχει διαρροή αέρα στο πώμα φιάλης προετοιμασίας.	<ul style="list-style-type: none"> Βεβαιωθείτε ότι το πώμα φιάλης προετοιμασίας έχει τοποθετηθεί σωστά. Εξετάστε τη ροδέλα στο πώμα της φιάλης. Εάν παρατηρηθεί φθορά ή ζημιά, αντικαταστήστε τη ροδέλα. Εξετάστε την πλαστική φλάντζα στο χείλος της φιάλης. Εάν παρατηρηθεί φθορά ή ζημιά, αντικαταστήστε τη φιάλη διαλύματος προετοιμασίας.
	Υπάρχει διαρροή αέρα στον σωλήνα προετοιμασίας.	Αναζητήστε τυχόν έμφραξη ή διαρροή αέρα στη σωλήνωση προετοιμασίας. Αντικαταστήστε τη σωλήνωση όπως απαιτείται. Σημείωση: Η σωλήνωση προετοιμασίας περιέχει αέριο, όχι διάλυμα.
	Η βαλβίδα προετοιμασίας δεν λειτουργεί σωστά.	Πατήστε diag (διάγν.) και κατόπιν επιλέξτε PERFORM TEST (ΕΚΤΕΛΕΣΗ ΕΛΕΓΧΟΥ) > CONDITIONING VALVE (ΒΑΛΒΙΔΑ ΠΡΟΕΤΟΙΜΑΣΙΑΣ) για να ανοίξετε τη βαλβίδα προετοιμασίας. Εάν το αέριο προετοιμασίας δεν ρέει μέσα στον δεξιό θάλαμο της κυψελίδας μέτρησης (το οποίο φαίνεται ως φυσαλίδες), αντικαταστήστε τη βαλβίδα προετοιμασίας.

Πρόβλημα	Πιθανή αιτία	Λύση
Εμφανίζεται η προειδοποίηση "CALIBRATION FAIL (ΑΠΟΤΥΧΙΑ ΒΑΘΜΟΝΟΜΗΣΗΣ)".	Η τιμή του διαλύματος βαθμονόμησης στις ρυθμίσεις αυτόματης βαθμονόμησης διαφέρει από την τιμή στη φιάλη διαλύματος βαθμονόμησης.	Αλλάξτε την τιμή διαλύματος βαθμονόμησης στο μενού βαθμονόμησης με την τιμή στη φιάλη διαλύματος βαθμονόμησης. Ανατρέξτε στην ενότητα <i>Ορισμός των ρυθμίσεων αυτόματης βαθμονόμησης</i> στο εγχειρίδιο λειτουργιών.
	Η φιάλη διαλύματος βαθμονόμησης είναι κενή.	Αντικαταστήστε το διάλυμα βαθμονόμησης. Ανατρέξτε στην ενότητα Αντικατάσταση των διαλυμάτων βαθμονόμησης και επανενεργοποίησης στη σελίδα 499.
	Υπάρχει διαρροή ή έμφραξη στη σωλήνωση διαλύματος βαθμονόμησης.	Αναζητήστε τυχόν έμφραξη ή διαρροή στη σωλήνωση. Αντικαταστήστε τη σωλήνωση όπως απαιτείται.
	Η αντλία διαλύματος βαθμονόμησης δεν λειτουργεί σωστά.	Πατήστε diag (διάγν.) και κατόπιν επιλέξτε PERFORM TEST (ΕΚΤΕΛΕΣΗ ΕΛΕΓΧΟΥ) > SAMPLE DRAIN (ΑΠΟΣΤΡΑΓΓΙΣΗ ΔΕΙΓΜΑΤΟΣ) για να αποστραγγίσετε τελείως το δοχείο υπερχειλίσης. Πατήστε diag (διάγν.) και κατόπιν επιλέξτε PERFORM TEST (ΕΚΤΕΛΕΣΗ ΕΛΕΓΧΟΥ) > CAL STD DELIVERY (ΠΑΡΟΧΗ ΠΡΟΤΥΠΟΥ ΒΑΘΜΟΝΟΜΗΣΗΣ) για να ρυθμίσετε την αντλία διαλύματος βαθμονόμησης στη θέση ενεργοποίησης. Εάν το διάλυμα βαθμονόμησης δεν ρέει στο δοχείο υπερχειλίσης, αντικαταστήστε την αντλία διαλύματος βαθμονόμησης.
	Η ράβδος ανάδευσης δεν περιστρέφεται. <i>Σημείωση: Η ράβδος ανάδευσης περιστρέφεται κατά διαστήματα.</i>	Πατήστε diag (διάγν.) και κατόπιν επιλέξτε PERFORM TEST (ΕΚΤΕΛΕΣΗ ΕΛΕΓΧΟΥ) > MIXER (ΜΙΚΤΗΣ) για να ρυθμίσετε το μοτέρ αναμείκτη στη θέση ενεργοποίησης. Εάν η ράβδος ανάδευσης δεν κινείται, αντικαταστήστε το μοτέρ αναμείκτη.
	Η ράβδος ανάδευσης δεν βρίσκεται μέσα στο δοχείο υπερχειλίσης.	Βεβαιωθείτε ότι η ράβδος ανάδευσης βρίσκεται μέσα στο δοχείο υπερχειλίσης.

Πρόβλημα	Πιθανή αιτία	Λύση
Εμφανίζεται η προειδοποίηση "REACT VOLTAGE LOW (ΧΑΜΗΛΗ ΤΑΣΗ ΕΠΑΝΕΝΕΡΓΟΠΟΙΗΣΗΣ)".	Η φιάλη διαλύματος επανενεργοποίησης είναι κενή.	Βεβαιωθείτε ότι το άκρο του σωλήνα διαλύματος επανενεργοποίησης βρίσκεται στον πυθμένα της φιάλης. Αντικαταστήστε το διάλυμα επανενεργοποίησης. Ανατρέξτε στην ενότητα Αντικατάσταση των διαλυμάτων βαθμονόμησης και επανενεργοποίησης στη σελίδα 499.
	Το ηλεκτρόδιο νατρίου δεν λειτουργεί σωστά.	<ul style="list-style-type: none"> Βεβαιωθείτε ότι το ηλεκτρόδιο νατρίου έχει τοποθετηθεί σωστά. Ανατρέξτε στο εγχειρίδιο εγκατάστασης. Βεβαιωθείτε ότι δεν υπάρχει αέρας μέσα στον γυάλινο λαμπτήρα του ηλεκτροδίου νατρίου.
	Το ηλεκτρόδιο αναφοράς δεν λειτουργεί σωστά.	<ul style="list-style-type: none"> Αφαιρέστε το ηλεκτρόδιο αναφοράς από την κυψελίδα μέτρησης. Ανασηκώστε το κολάρο που βρίσκεται στο γυάλινο τμήμα, ώστε να είναι δυνατή η εκροή ενός μέρους του ηλεκτρολύτη KCl. Πιέστε το κολάρο προς τα κάτω και στρέψτε το κατά λιγότερο από το 1/4 της στροφής, για να το ασφαλίσετε. Μόλις το κολάρο είναι ασφαλισμένο, δεν στρέφεται. Τοποθετήστε το ηλεκτρόδιο αναφοράς στην κυψελίδα μέτρησης. Βεβαιωθείτε ότι το ηλεκτρόδιο αναφοράς έχει τοποθετηθεί σωστά. Ανατρέξτε στο εγχειρίδιο εγκατάστασης. Για να διαπιστώσετε εάν το πρόβλημα έχει διορθωθεί, πατήστε diag (διάγν.) και κατόπιν επιλέξτε SENSOR REACTIVATION (ΕΠΑΝΕΝΕΡΓΟΠΟΙΗΣΗ ΑΙΣΘΗΤΗΡΑ) για να εκτελέσετε επανενεργοποίησης.
	Υπάρχει διαρροή ή έμφραξη στον σωλήνα διαλύματος επανενεργοποίησης.	Αναζητήστε τυχόν έμφραξη ή διαρροή στον σωλήνα. Αντικαταστήστε τον σωλήνα όπως απαιτείται.
	Η αντλία διαλύματος επανενεργοποίησης δεν λειτουργεί σωστά.	Πατήστε diag (διάγν.) και κατόπιν επιλέξτε PERFORM TEST (ΕΚΤΕΛΕΣΗ ΕΛΕΓΧΟΥ) > REACT SOL DELIVERY (ΠΑΡΟΧΗ ΔΙΑΛΥΜΑΤΟΣ ΕΠΑΝΕΝΕΡΓΟΠΟΙΗΣΗΣ) > HIGH (ΥΨΗΛΟ) για να ρυθμίσετε την αντλία διαλύματος επανενεργοποίησης σε υψηλό ρυθμό ροής. Εάν το διάλυμα επανενεργοποίησης δεν ρέει στον μεσαίο θάλαμο της κυψελίδας μέτρησης, αντικαταστήστε την αντλία διαλύματος επανενεργοποίησης.

Πρόβλημα	Πιθανή αιτία	Λύση
Οι ενδείξεις οργάνων δεν είναι σταθερές.	Ο αναλυτής εκκινήθηκε πριν από λιγότερο από 2 ώρες.	Αφήστε τον αναλυτή να λειτουργήσει για 2 ώρες για να σταθεροποιηθεί.
	Τα καλώδια ηλεκτροδίου δεν έχουν σωστή αντιστοίχιση σπειρωμάτων στα ηλεκτρόδια.	Αποσυνδέστε το καλώδιο από το ηλεκτρόδιο. Πιέστε τον σύνδεσμο εντελώς προς τα κάτω στον σύνδεσμο του ηλεκτροδίου και κατόπιν στρέψτε τον σύνδεσμο μέχρι να σφίξει εντελώς.
	Τα καλώδια των ηλεκτροδίων είναι συνδεδεμένα σε λάθος ηλεκτρόδια.	Συνδέστε το μπλε καλώδιο στο ηλεκτρόδιο αναφοράς. Συνδέστε το μαύρο καλώδιο στο ηλεκτρόδιο νατρίου.
	Ο ρυθμός ροής του ηλεκτρολύτη KCl είναι υπερβολικά γρήγορος.	Αφαιρέστε το ηλεκτρόδιο αναφοράς από την κυψελίδα μέτρησης. Πιέστε το κολάρο προς τα κάτω και στρέψτε το κατά λιγότερο από το 1/4 της στροφής, για να το ασφαλίσετε. Μόλις το κολάρο είναι ασφαλισμένο, δεν στρέφεται. Εάν το κολάρο δεν είναι ασφαλισμένο, ο ηλεκτρολύτης KCl θα ρέει πολύ γρήγορα από το ηλεκτρόδιο αναφοράς μέσα στην κυψελίδα μέτρησης.
Οι μετρήσεις δεν είναι ακριβείς.	Ο αναλυτής δεν έχει βαθμονομηθεί.	Βαθμονομήστε τον αναλυτή. Ανατρέξτε στην ενότητα <i>Εκτέλεση βαθμονόμησης</i> στο εγχειρίδιο λειτουργιών. Για βέλτιστη ακρίβεια, βαθμονομήστε τον αναλυτή σε διαστήματα 7 ημερών (εβδομαδιαίως).
	Η αυτόματη επανενεργοποίηση είναι απενεργοποιημένη ή το διάστημα μεταξύ των επανενεργοποιήσεων είναι μεγαλύτερο από 24 ώρες.	Ξεκινήστε μια αυτόματη επανενεργοποίηση. Πατήστε diag (διάγν.) και κατόπιν επιλέξτε SENSOR REACTIVATION (ΕΠΑΝΕΝΕΡΓΟΠΟΙΗΣΗ ΑΙΣΘΗΤΗΡΑ) . <i>Σημείωση:</i> Για βέλτιστη ακρίβεια, ρυθμίστε την αυτόματη επανενεργοποίηση στη θέση ενεργοποίησης. Ρυθμίστε το διάστημα σε 24 ώρες. Ανατρέξτε στο εγχειρίδιο λειτουργιών.
	Η φιάλη διαλύματος επανενεργοποίησης είναι κενή.	Αντικαταστήστε το διάλυμα επανενεργοποίησης. Ανατρέξτε στην ενότητα Αντικατάσταση των διαλυμάτων βαθμονόμησης και επανενεργοποίησης στη σελίδα 499.
	Υπάρχει διαρροή ή έμφραξη στον σωλήνα διαλύματος επανενεργοποίησης.	Αναζητήστε τυχόν έμφραξη ή διαρροή στον σωλήνα. Αντικαταστήστε τη σωλήνωση όπως απαιτείται.
	Η αντλία διαλύματος επανενεργοποίησης δεν λειτουργεί σωστά.	Πατήστε diag (διάγν.) και κατόπιν επιλέξτε PERFORM TEST (ΕΚΤΕΛΕΣΗ ΕΛΕΓΧΟΥ) > REACT SOL DELIVERY (ΠΑΡΟΧΗ ΔΙΑΛΥΜΑΤΟΣ ΕΠΑΝΕΝΕΡΓΟΠΟΙΗΣΗΣ) > HIGH (ΥΨΗΛΟ) για να ρυθμίσετε την αντλία διαλύματος επανενεργοποίησης σε υψηλό ρυθμό ροής. Εάν το διάλυμα επανενεργοποίησης δεν ρέει στον μεσαίο θάλαμο της κυψελίδας μέτρησης, αντικαταστήστε την αντλία διαλύματος επανενεργοποίησης.
Η ράβδος ανάδευσης στο δοχείο υπερχειλίσας δεν περιστρέφεται.	Ο αναμεικτής δεν λειτουργεί σωστά. <i>Σημείωση:</i> Η ράβδος ανάδευσης περιστρέφεται κατά διαστήματα.	Πατήστε diag (διάγν.) και κατόπιν επιλέξτε PERFORM TEST (ΕΚΤΕΛΕΣΗ ΕΛΕΓΧΟΥ) > MIXER (ΜΙΚΤΗΣ) για να ρυθμίσετε το μοτέρ αναμεικτή στη θέση ενεργοποίησης. Εάν η ράβδος ανάδευσης δεν κινείται, αντικαταστήστε το μοτέρ αναμεικτή.

Πρόβλημα	Πιθανή αιτία	Λύση
Η κατανάλωση του ηλεκτρολύτη KCl είναι υπερβολικά γρήγορη. ¹	Το κολάρο στο γυάλινο τμήμα του ηλεκτροδίου αναφοράς δεν είναι ασφαλισμένο.	Αφαιρέστε το ηλεκτρόδιο αναφοράς. Πιέστε το κολάρο προς τα επάνω. Πιέστε το κολάρο προς τα κάτω και στρέψτε το κατά λιγότερο από το 1/4 της στροφής, για να το ασφαλίσετε. Ανατρέξτε στα εικονογραφημένα βήματα στην ενότητα <i>Τοποθέτηση του ηλεκτροδίου αναφοράς</i> στο εγχειρίδιο εγκατάστασης. Μόλις το κολάρο είναι ασφαλισμένο, δεν στρέφεται. Εάν το κολάρο δεν είναι ασφαλισμένο, ο ηλεκτρολύτης KCl θα ρέει πολύ γρήγορα από το ηλεκτρόδιο αναφοράς μέσα στην κυψελίδα μέτρησης.
Η κατανάλωση του ηλεκτρολύτη KCl είναι υπερβολικά αργή. ²	Το κολάρο στο γυάλινο τμήμα του ηλεκτροδίου αναφοράς δεν περιστράφηκε για να σπιάσει η σφράγιση.	Αφαιρέστε το ηλεκτρόδιο αναφοράς. Περιστρέψτε προσεκτικά το κολάρο για να σπιάσετε τη σφράγιση. Μόλις το κολάρο περιστρέφεται εύκολα, η σφράγιση έχει σπιάσει. Ανατρέξτε στα εικονογραφημένα βήματα στην ενότητα <i>Τοποθέτηση του ηλεκτροδίου αναφοράς</i> στο εγχειρίδιο εγκατάστασης. Πιέστε το κολάρο προς τα κάτω και στρέψτε το κατά λιγότερο από το 1/4 της στροφής, για να το ασφαλίσετε. Μόλις το κολάρο είναι ασφαλισμένο, δεν στρέφεται. Εάν το κολάρο δεν είναι ασφαλισμένο, ο ηλεκτρολύτης KCl θα ρέει πολύ γρήγορα από το ηλεκτρόδιο αναφοράς μέσα στην κυψελίδα μέτρησης.
Μια ένδειξη ρελέ στην οθόνη μέτρησης αναβοσβήνει.	Το χρονόμετρο υπερτροφοδότησης έχει λήξει.	Μηδενίστε το χρονόμετρο υπερτροφοδότησης. Ανατρέξτε στην ενότητα Μηδενισμός του χρονόμετρου υπερχειλίσης για τα ρελέ στη σελίδα 521. Σημείωση: Η ρύθμιση του χρονόμετρου υπερτροφοδότησης είναι ενεργοποιημένη μόνο όταν η ρύθμιση SET FUNCTION (ΟΡΙΣΛΕΙΟΥΡ) του ρελέ έχει οριστεί σε FEEDER CONTROL (ΕΛΕΓΧΟΣ ΤΡΟΦΟΔΟΤΗΣΗΣ).

4.1 Μηδενισμός του χρονόμετρου υπερχειλίσης για τα ρελέ

Η ρύθμιση του χρονόμετρου υπερχειλίσης για τα ρελέ αποτρέπει μια συνθήκη που διατηρεί την τιμή μέτρησης υψηλότερη από την προκαθορισμένη τιμή ή τη ρύθμιση υστέρησης (π.χ. φθαρμένο ηλεκτρόδιο ή πρόβλημα διεργασίας) να διατηρήσει ένα ρελέ συνεχώς ενεργοποιημένο. Το χρονόμετρο υπερχειλίσης περιορίζει το διάστημα στο οποίο τα ρελέ και το συνδεδεμένο στοιχείο ελέγχου τους παραμένουν ενεργοποιημένα ανεξάρτητα από τις συνθήκες.

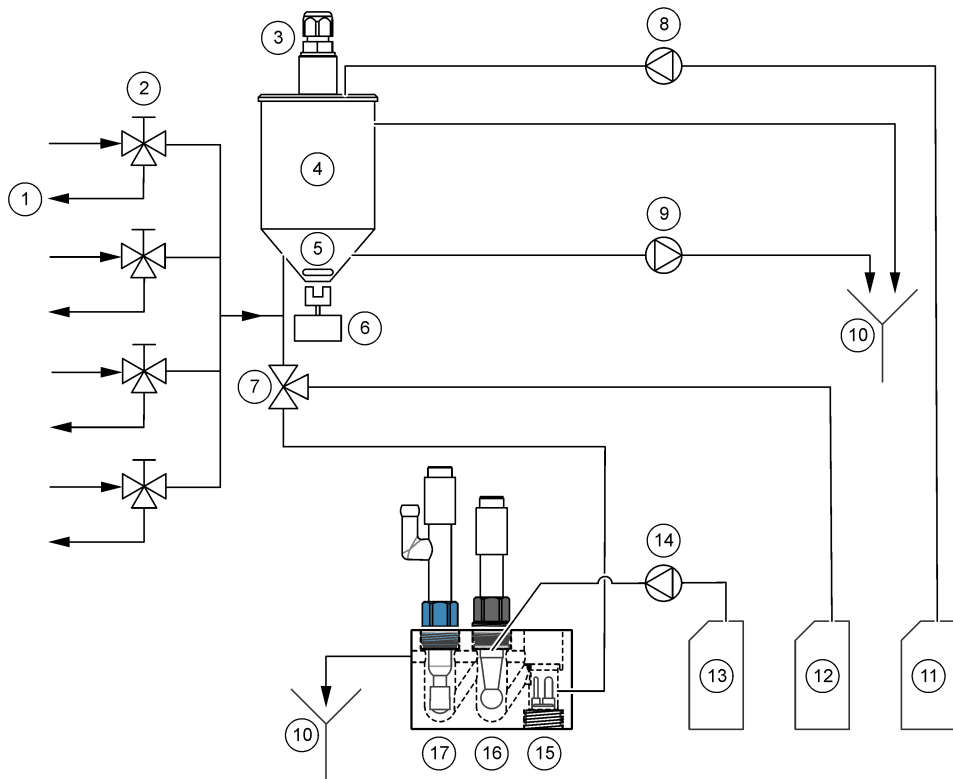
Όταν το επιλεγμένο χρονικό διάστημα για το χρονόμετρο υπερχειλίσης λήξει, η κατάσταση των ρελέ αναβοσβήνει στην επάνω δεξιά γωνία της οθόνης μετρήσεων μέχρι να μηδενιστεί το χρονόμετρο υπερχειλίσης. Πατήστε **diag (διάγνωση)** και κατόπιν επιλέξτε OVERFEED RESET (ΕΠΑΝΥΠΕΧΕΙΛ) για να μηδενίσετε το χρονόμετρο υπερχειλίσης.

¹ Η κατανάλωση του ηλεκτρολύτη KCl είναι υπερβολικά γρήγορη εάν η στάθμη του δοχείου μειωθεί κατά περισσότερο από 3 mm (1/8 in.) σε δύο ημέρες

² Η κατανάλωση του ηλεκτρολύτη KCl είναι υπερβολικά αργή εάν η στάθμη του δοχείου μειωθεί κατά λιγότερο από 1 mm σε δύο ημέρες

Ενότητα 5 Διαγνωστικά

5.1 Διάγραμμα υδραυλικών σωληνώσεων



1 Αποστράγγιση δείγματος με παράκαμψη	7 Βαλβίδα προετοιμασίας	13 Διάλυμα επανενεργοποίησης
2 Είσοδος δείγματος	8 Αντλία διαλύματος βαθμονόμησης ³	14 Αντλία διαλύματος επανενεργοποίησης
3 Αισθητήρας στάθμης	9 Αντλία αποστράγγισης	15 Αισθητήρας θερμοκρασίας
4 Δοχείο υπερχείλισης	10 Αποστράγγιση	16 Ηλεκτρόδιο νατρίου
5 Ράβδος ανάδευσης	11 Διάλυμα βαθμονόμησης ³	17 Ηλεκτρόδιο αναφοράς
6 Μοτέρ αναμείκτη	12 Διάλυμα προετοιμασίας	

5.2 Έναρξη ελέγχου αναλυτή

Ξεκινήστε έναν έλεγχο αναλυτή για να διαπιστώσετε εάν η ενδεικτική λυχνία κατάστασης, το μοτέρ αναμείκτη, μια αντλία ή μια βαλβίδα λειτουργούν σωστά.

³ Μόνο οι αναλυτές με την επιλογή αυτόματης βαθμονόμησης διαθέτουν αντλία διαλύματος βαθμονόμησης και διάλυμα βαθμονόμησης.

1. Πατήστε **diag** (διάγν.) και κατόπιν επιλέξτε PERFORM TEST (ΕΚΤΕΛΕΣΗ ΕΛΕΓΧΟΥ).
2. Επιλέξτε ένα στοιχείο.

Επιλογή	Περιγραφή
REACT SOL DELIVERY (ΠΑΡΟΧΗ ΔΙΑΛΥΜΑΤΟΣ ΕΠΑΝΕΝΕΡΓΟΠΟΙΗΣΗΣ)	Ξεκινά την αντλία διαλύματος επανενεργοποίησης. Το διάλυμα επανενεργοποίησης ρέει μέσα στον μεσαίο θάλαμο της κυψελίδας μέτρησης. Σημείωση: Η κυψελίδα μέτρησης είναι το διάφανο μπλοκ όπου έχουν τοποθετηθεί τα ηλεκτρόδια.
SAMPLE DELIVERY (ΠΑΡΟΧΗ ΔΕΙΓΜΑΤΟΣ)	Ρυθμίζει την ηλεκτρομαγνητική βαλβίδα δείγματος για το επιλεγμένο κανάλι προς άνοιγμα. Το δείγμα ρέει μέσα στο δοχείο υπερχείλισης. Σημείωση: Εάν το δοχείο υπερχείλισης είναι πλήρες, η στάθμη του νερού στο δοχείο υπερχείλισης δεν θα αλλάξει. Για να αποστραγγίσετε το δοχείο υπερχείλισης, εκτελέστε τον έλεγχο SAMPLE DRAIN (ΑΠΟΣΤΡΑΓΓΙΣΗ ΔΕΙΓΜΑΤΟΣ).
CAL STD DELIVERY (ΠΑΡΟΧΗ ΠΡΟΤΥΠΟΥ ΒΑΘΜΟΝΟΜΗΣΗΣ)	Σημείωση: Η επιλογή CAL STD DELIVERY (ΠΑΡΟΧΗ ΠΡΟΤΥΠΟΥ ΒΑΘΜΟΝΟΜΗΣΗΣ) είναι διαθέσιμη μόνο στους αναλυτές που διαθέτουν την επιλογή αυτόματης βαθμονόμησης. Ρυθμίζει την αντλία διαλύματος βαθμονόμησης στη θέση ενεργοποίησης. Το διάλυμα βαθμονόμησης ρέει μέσα στο δοχείο υπερχείλισης.
CONDITIONING VALVE (ΒΑΛΒΙΔΑ ΠΡΟΕΤΟΙΜΑΣΙΑΣ)	Ρυθμίζει τη βαλβίδα προετοιμασίας στην ανοικτή θέση. Το αέριο προετοιμασίας ρέει μέσα στον δεξιό θάλαμο της κυψελίδας μέτρησης. Σημείωση: Η κυψελίδα μέτρησης είναι το διάφανο μπλοκ όπου έχουν τοποθετηθεί τα ηλεκτρόδια.
SAMPLE DRAIN (ΑΠΟΣΤΡΑΓΓΙΣΗ ΔΕΙΓΜΑΤΟΣ)	Ρυθμίζει την αντλία αποστράγγισης στη θέση ενεργοποίησης. Το νερό στο δοχείο υπερχείλισης αποστραγγίζεται από τον σωλήνα αποστράγγισης χημικής ουσίας.
MIXER (ΜΙΚΤΗΣ)	Ρυθμίζει το μοτέρ αναμείκτη στη θέση ενεργοποίησης. Η ράβδος ανάδευσης στο δοχείο υπερχείλισης περιστρέφεται.
STATUS LED (ΛΥΧΝΙΑ LED ΚΑΤΑΣΤΑΣΗΣ)	Ρυθμίζει την ενδεικτική λυχνία κατάστασης σε συνεχή κυκλική λειτουργία: κίτρινο, κόκκινο, πράσινο.
AIR PUMP (ΑΝΤΛΙΑ ΑΕΡΑ)	Σημείωση: Η επιλογή AIR PUMP (ΑΝΤΛΙΑ ΑΕΡΑ) είναι διαθέσιμη μόνο όταν έχει τοποθετηθεί η προαιρετική κατιονική αντλία. Ρυθμίζει την κατιονική αντλία στη θέση ενεργοποίησης. Η κατιονική αντλία ωθεί τον αέρα μέσα στη φιάλη διαλύματος προετοιμασίας (DIPA). Ανατρέξτε στην ενότητα <i>Επισκόπηση προϊόντος</i> του εγχειριδίου εγκατάστασης, για να προσδιορίσετε τη θέση της κατιονικής αντλίας στον αναλυτή.
SELECT SCRIPT (ΕΠΙΛΟΓΗ ΔΕΣΜΗΣ ΕΝΕΡΓΕΙΩΝ)	Σημείωση: Η επιλογή SELECT SCRIPT (ΕΠΙΛΟΓΗ ΔΕΣΜΗΣ ΕΝΕΡΓΕΙΩΝ) προορίζεται μόνο για χρήση στο Service. Ρυθμίζει τον αναλυτή ώστε να χρησιμοποιεί την κανονική δέσμη ενεργειών του οργάνου ή τη δέσμη ενεργειών ελέγχου.

5.3 Έναρξη δοκιμής ρελέ ή εξόδου 4–20 mA

Ξεκινήστε μια δοκιμή ρελέ ή εξόδου 4–20 mA για να διαπιστώσετε εάν η λειτουργία ενός ρελέ ή μιας εξόδου 4–20 mA είναι σωστή.

1. Πατήστε **diag** (διάγν.) και επιλέξτε OUTPUTS (ΕΞΟΔΟΙ).
2. Επιλέξτε ένα στοιχείο.

Επιλογή	Περιγραφή
TEST 4–20 mA (ΔΟΚΙΜΗ ΕΞΟΔΩΝ 4–20 mA)	Ρυθμίζει το σήμα (mA) στην επιλεγμένη έξοδο 4–20 mA. Μετρήστε την ένταση ρεύματος στην έξοδο 4–20 mA με ένα πολύμετρο.

Επιλογή	Περιγραφή
TEST RELAY (ΔΟΚΙΜΗ ΡΕΛΕ)	Ρυθμίζει το επιλεγμένο ρελέ στη θέση ενεργοποίησης ή απενεργοποίησης. Μετρήστε την αντίσταση στο ρελέ με ένα πολύμετρο, για να διαπιστώσετε εάν το ρελέ είναι ανοικτό ή κλειστό.
HOLD OUTPUTS (ΚΡΑΤΗΣΗ ΕΞΟΔΩΝ)	Διατηρεί τις εξόδους στην τελευταία τιμή ή τις ρυθμίζει στην τιμή μεταφοράς. ACTIVATION (ΕΝΕΡΓΟΠΟΙΗΣΗ) —Επιλέξτε LAUNCH (ΕΝΑΡΞΗ) για να διατηρήσετε τις εξόδους στην τελευταία τιμή ή να τις ρυθμίσετε στην τιμή μεταφοράς. Επιλέξτε RELEASE (ΑΠΕΛΕΥΘΕΡΩΣΗ) για να επιτρέψετε την κανονική λειτουργία των εξόδων. SET OUTMODE (ΟΡΙΣ. ΕΞΟΔΩΝ) —Επιλέξτε HOLD OUTPUTS (ΚΡΑΤΗΣΗ ΕΞΟΔΩΝ) για να διατηρήσετε τις εξόδους στην τελευταία τιμή. Επιλέξτε TRANSFER OUTPUTS (ΕΞΟΔΟΙ ΜΕΤΑΦΟΡΑΣ) για να ρυθμίσετε τις εξόδους στην τιμή μεταφοράς. Ανατρέξτε στο εγχειρίδιο λειτουργιών για να ρυθμίσετε την τιμή μεταφοράς για τις εξόδους. SET CHANNELS (ΟΡΙΣ. ΚΑΝΑΛΙΩΝ) —Επιλέξτε ALL (ΟΛΑ) για να επιλέξετε όλα τα κανάλια. Επιλέξτε ANALYZER (ΑΝΑΛΥΤΗΣ) για να επιλέξετε όλα τα κανάλια για τον επιλεγμένο αναλυτή.
OUTPUT STATUS (ΚΑΤΑΣΤΑΣΗ ΕΞΟΔΩΝ)	Εμφανίζει τα σήματα (mA) στις εξόδους 4–20 mA.
SIMULATE MEASUREMENT (ΠΡΟΣΟΜΙΩΣΗ ΜΕΤΡΗΣΗΣ)	Εισάγει μια ένδειξη του αναλυτή σε ένα επιλεγμένο κανάλι για την εκτέλεση δοκιμής εξόδου. Η προσομοίωση σταματά μόλις ο χρήστης κλείσει αυτήν την οθόνη. SELECT SOURCE (ΕΠΙΛΟΓΗ ΠΡΟΕΛΕΥΣΗΣ) —Επιλέγει τον αναλυτή. SET PARAMETER (ΟΡΙΣ. ΠΑΡΑΜΕΤΡΩΝ) —Επιλέγει το κανάλι. SET SIM VALUE (ΤΙΜΗ ΠΡΟΣΟΜ) —Ρυθμίζει την ένδειξη του αναλυτή.

5.4 Εμφάνιση των πληροφοριών του αναλυτή

Για να εμφανίσετε τις ακόλουθες πληροφορίες του αναλυτή, πατήστε **menu (μενού)** και κατόπιν επιλέξτε VIEW DATA (ΠΡΟΒΟΛΗ ΔΕΔΟΜΕΝΩΝ) > ANALYZER DATA (ΔΕΔΟΜΕΝΑ ΑΝΑΛΥΤΗ). Ανατρέξτε στην ενότητα [Πίνακας 2](#).

Πίνακας 2 Περιγραφές δεδομένων αναλυτή

Εξάρτημα	Περιγραφή
DATE/TIME (ΗΜΕΡΟΜΗΝΙΑ/ΩΡΑ)	Η τρέχουσα ώρα (24ωρη μορφή) και ημερομηνία που καθορίζεται στις ρυθμίσεις
NAME (ΟΝΟΜΑ)	Το όνομα του αναλυτή
TYPE (ΤΥΠΟΣ)	Ο τύπος του αναλυτή
AMBIENT TEMP (ΘΕΡΜΟΚΡΑΣΙΑ ΠΕΡΙΒΑΛΛΟΝΤΟΣ)	Η θερμοκρασία περιβάλλοντος του αναλυτή
CONDITION SOL LEVEL (ΣΤΑΘΜΗ ΔΙΑΛΥΜΑΤΟΣ ΠΡΟΕΤΟΙΜΑΣΙΑΣ)	Η στάθμη διαλύματος της φιάλης διαλύματος προετοιμασίας
REACT SOL LEVEL (ΣΤΑΘΜΗ ΔΙΑΛΥΜΑΤΟΣ ΕΠΑΝΕΝΕΡΓΟΠΟΙΗΣΗΣ)	Η στάθμη διαλύματος της φιάλης διαλύματος επανενεργοποίησης
STANDARD LEVEL (ΣΤΑΘΜΗ ΠΡΟΤΥΠΟΥ)	Η στάθμη διαλύματος της φιάλης διαλύματος βαθμονόμησης
KCL LEVEL (ΣΤΑΘΜΗ KCL)	Η στάθμη διαλύματος του δοχείου ηλεκτρολύτη KCl
LAST REACTIVATION (ΤΕΛΕΥΤΑΙΑ ΕΠΑΝΕΝΕΡΓΟΠΟΙΗΣΗ)	Η ημερομηνία της τελευταίας αυτόματης επανενεργοποίησης
LAST CAL (ΤΕΛΕΥΤΑΙΑ ΒΑΘΜΟΝΟΜΗΣΗ)	Η ημερομηνία της τελευταίας βαθμονόμησης
LAST SERVICE (ΤΕΛΕΥΤΑΙΟ SERVICE)	Η ημερομηνία του τελευταίου service
SOFTWARE VERS (ΕΚΔΟΣΗ ΛΟΓΙΣΜ)	Η εγκατεστημένη έκδοση λογισμικού

Πίνακας 2 Περιγραφές δεδομένων αναλυτή (συνέχεια)

Εξάρτημα	Περιγραφή
DD FIRMWARE (ΥΛΙΚΟΛΟΓΙΣΜΙΚΟ ΠΡΟΓΡΑΜΜΑΤΟΣ ΟΔΗΓΗΣΗΣ ΣΥΣΚΕΥΗΣ)	Η εγκατεστημένη έκδοση του υλικολογισμικού του προγράμματος οδήγησης της συσκευής
DD CONTENT (ΠΕΡΙΕΧΟΜΕΝΟ ΠΡΟΓΡΑΜΜΑΤΟΣ ΟΔΗΓΗΣΗΣ ΣΥΣΚΕΥΗΣ)	Η έκδοση του περιεχομένου δεδομένων του προγράμματος οδήγησης της συσκευής
SCRIPT VERSION (ΕΚΔΟΣΗ ΔΕΣΜΗΣ ΕΝΕΡΓΕΙΩΝ)	Η έκδοση του μπλοκ καταλόγου του αρχείου δέσμης ενεργειών
SCRIPT CONTENT (ΠΕΡΙΕΧΟΜΕΝΟ ΔΕΣΜΗΣ ΕΝΕΡΓΕΙΩΝ)	Η έκδοση του περιεχομένου καταλόγου του αρχείου δέσμης ενεργειών
MEAS_CONTROL SW REV (ΑΝΑΘΕΩΡΗΣΗ ΛΟΓΙΣΜΙΚΟΥ ΕΛΕΓΧΟΥ ΜΕΤΡΗΣΗΣ)	Η αναθεώρηση του εγκατεστημένου λογισμικού ελέγχου μέτρησης
SERIAL NUMBER (ΑΡΙΘΜ ΣΕΙΡΑΣ)	Ο αριθμός σειράς του αναλυτή

5.5 Εμφάνιση της κατάστασης του αναλυτή και των δεδομένων του συστήματος

Για να εμφανίσετε την τρέχουσα κατάσταση του αναλυτή, την κατάσταση του Modbus, τα δεδομένα του συστήματος ή τα δεδομένα I2C, ακολουθήστε τα εξής βήματα:

1. Πατήστε **diag** (διάγν.).
2. Επιλέξτε ένα στοιχείο.

Επιλογή	Περιγραφή
CURRENT STATUS (ΤΡΕΧΟΥΣΑ ΚΑΤΑΣΤΑΣΗ)	OPERATION (ΛΕΙΤΟΥΡΓΙΑ) —Τρέχουσα λειτουργία μέτρησης. SAMPLE CHANNEL (ΚΑΝΑΛΙ ΔΕΙΓΜΑΤΟΣ) —Τρέχον κανάλι δείγματος. STEP STATUS (ΚΑΤΑΣΤΑΣΗ ΒΗΜΑΤΟΣ) —Τρέχον βήμα στον κύκλο μέτρησης. STEP TIME (ΧΡΟΝΟΣ ΒΗΜΑΤΟΣ) —Υπόλοιπο χρόνου βήματος. MINUTES LEFT (ΥΠΟΛΟΙΠΑ ΛΕΠΤΑ) —Λεπτά που απομένουν για την ολοκλήρωση του τρέχοντος βήματος. COMPLETION (ΟΛΟΚΛΗΡΩΣΗ) —Ποσοστό (%) ολοκλήρωσης του κύκλου μέτρησης.
MODBUS STATS (ΚΑΤΑΣΤ MODBUS)	Εμφανίζει την κατάσταση των θυρών Modbus: αισθητήρας, ελεγκτής, δίκτυο και service. Εμφανίζει τον αριθμό των σωστών και λανθασμένων μεταδόσεων.
SYSTEM DATA (ΔΕΔΟΜΕΝΑ ΣΥΣΤΗΜΑΤΟΣ)	AMBIENT TEMP (ΘΕΡΜΟΚΡΑΣΙΑ ΠΕΡΙΒΑΛΛΟΝΤΟΣ) —Η μετρούμενη θερμοκρασία περιβάλλοντος σε βαθμούς Κελσίου (C). POWER SOURCE FREQUENCY (ΣΥΧΝΟΤΗΤΑ ΠΗΓΗΣ ΤΡΟΦΟΔΟΣΙΑΣ) —Συχνότητα τροφοδοσίας γραμμής (Hz). POWER SOURCE VOLTAGE (ΤΑΣΗ ΠΗΓΗΣ ΤΡΟΦΟΔΟΣΙΑΣ) —Τροφοδοσία γραμμής (AC). 12V VOLTAGE (ΤΑΣΗ 12 V) —Μετρούμενη τάση παροχής τροφοδοσίας (VDC). 3.3V VOLTAGE (ΤΑΣΗ 3,3 V) —Μετρούμενη ρυθμισμένη παροχή 3,3 V (VDC). 12V CURRENT (ΡΕΥΜΑ 12 V) —Μετρούμενη ένταση ρεύματος παροχής τροφοδοσίας 12 V (A).
I2C DATA (ΔΕΔΟΜΕΝΑ I2C)	Εμφανίζει τις πληροφορίες επικοινωνίας (I ² C) και τον αριθμό έκδοσης.

5.6 Εμφάνιση πληροφοριών service

Χρησιμοποιήστε το μενού Service για να εμφανίσετε ή να ρυθμίσετε το ιστορικό service για τα εξαρτήματα του οργάνου.

1. Πατήστε **diag** (διάγν.).
2. Επιλέξτε SERVICE.

3. Επιλέξτε ένα στοιχείο.

Επιλογή	Περιγραφή
CONSUMABLE (ΑΝΑΛΩΣΙΜΑ)	Εμφανίζει μια λίστα με τα αναλώσιμα εξαρτήματα. Εμφανίζει την ημερομηνία της τελευταίας αντικατάστασης και τον αριθμό των ημερών από την αντικατάσταση του εξαρτήματος. Μηδενίστε τον μετρητή μετά την αντικατάσταση ενός εξαρτήματος.
SERVICE PART (ΕΞΑΡΤΗΜΑ SERVICE)	Σημείωση: Η επιλογή SERVICE PART (ΕΞΑΡΤΗΜΑ SERVICE) είναι διαθέσιμη μόνο για χρήση στο Service. Εμφανίζει μια λίστα των εξαρτημάτων και την ημερομηνία του τελευταίου service. Ο αντιπρόσωπος του τμήματος εξυπηρέτησης πελατών μηδενίζει τον μετρητή μετά την αντικατάσταση ενός εξαρτήματος.
ANNUAL MAINTENANCE (ΕΤΗΣΙΑ ΣΥΝΤΗΡΗΣΗ)	Εμφανίζει την ημερομηνία της τελευταίας ετήσιας συντήρησης, την ημερομηνία της επόμενης ετήσιας συντήρησης και τον αριθμό των ημερών που απομένουν μέχρι την επόμενη ετήσια συντήρηση. Μηδενίστε τον μετρητή μετά την ετήσια συντήρηση.
EDIT ELECTRODES SN (ΕΠΕΞΕΡΓΑΣΙΑ ΑΡΙΘΜΟΥ ΣΕΙΡΑΣ ΗΛΕΚΤΡΟΔΙΩΝ)	Καταγράφει τους αριθμούς σειράς των ηλεκτροδίων.
SERVICE HISTORY (ΙΣΤΟΡΙΚΟ SERVICE)	Εμφανίζει τις εργασίες συντήρησης που πραγματοποιήθηκαν και την ημερομηνία (π.χ., Replace reactivation solution (Αντικατάσταση διαλύματος επανενεργοποίησης)). START TIME (ΩΡΑ ΕΝΑΡΞΗΣ) — Εμφανίζει τα δεδομένα που καταγράφηκαν μετά την επιλεγμένη ημερομηνία και ώρα. NUMBER OF READINGS (ΑΡΙΘΜΟΣ ΕΝΔΕΙΞΕΩΝ) — Εμφανίζει τον επιλεγμένο αριθμό σημείων δεδομένων.
POST ENABLE (ΜΕΤΑ ΤΗΝ ΕΝΕΡΓΟΠΟΙΗΣΗ)	NO (OXI) —Οι διαγνωστικοί έλεγχοι υλικού δεν πραγματοποιούνται όταν παρέχεται τροφοδοσία στον αναλυτή. YES (ΝΑΙ) —Οι διαγνωστικοί έλεγχοι υλικού πραγματοποιούνται όταν παρέχεται τροφοδοσία στον αναλυτή.

Ενότητα 6 Ανταλλακτικά και εξαρτήματα

▲ ΠΡΟΕΙΔΟΠΟΙΗΣΗ



Κίνδυνος τραυματισμού. Η χρήση μη εγκεκριμένων εξαρτημάτων ενδέχεται να προκαλέσει τραυματισμό, ζημιά στο όργανο ή δυσλειτουργία του εξοπλισμού. Τα ανταλλακτικά εξαρτήματα της παρούσας ενότητας είναι εγκεκριμένα από τον κατασκευαστή.

Σημείωση: Οι κωδικοί προϊόντος και οι αριθμοί καταλόγου μπορεί να διαφέρουν σε ορισμένες περιοχές πώλησης. Επικοινωνήστε με τον κατάλληλο διανομέα ή ανατρέξτε στη δικτυακή τοποθεσία της εταιρείας για τα στοιχεία επικοινωνίας.

Αντιδραστήρια και πρότυπα διαλύματα

Περιγραφή	Ποσότητα	Αρ. προϊόντος
Διάλυμα ηλεκτρολύτη KCl 3 M	250 mL	LZW9500.99
Διάλυμα ηλεκτρολύτη KCl 3 M	500 mL	363140.00500
Δισοπροπυλαμίνη (DIPA) 99%	1 L	2834453
Πρότυπο χλωριούχο νάτριο, 10 ppm	1 L	2835153
Νιτρικό νάτριο, 0,5 M	500 mL	2507149

Ανταλλακτικά

Περιγραφή	Ποσότητα	Αρ. προϊόντος
Φιάλη διαλύματος προετοιμασίας με καπάκι, κενή	1	8352000
Ροδέλα, καπάκι φιάλης προετοιμασίας	1	8417200
Γωνιακός σύνδεσμος, αποστράγγιση, ½ in., πολυπροπυλένιο	1	6772800
Ηλεκτρόδιο, αναφορά	1	09240=C=0310
Ηλεκτρόδιο, νάτριο	1	09240=C=0320
Ασφάλεια, 1,6 A, 250 V, 5 x 20 mm	1	5208300
Ασφάλεια, 5 A, 250 V, αργής τήξης, 5 x 20 mm	1	4693800
Κιτ εγκατάστασης, αναλυτής 1 καναλιού, αναλυτής με περίβλημα	1	8375400
Κιτ εγκατάστασης, αναλυτής 2 καναλιού, αναλυτής με περίβλημα	1	8375300
Κιτ εγκατάστασης, αναλυτής 4 καναλιού, αναλυτής με περίβλημα	1	8371500
Κιτ εγκατάστασης, αναλυτής 1 καναλιού, αναλυτής χωρίς περίβλημα	1	8375700
Κιτ εγκατάστασης, αναλυτής 2 καναλιού, αναλυτής χωρίς περίβλημα	1	8375600
Κιτ εγκατάστασης, αναλυτής 4 καναλιού, αναλυτής χωρίς περίβλημα	1	8375500
Μοτέρ αναμείκτη	1	8420000
Βίδες τοποθέτησης σε πίνακα, επίπεδη κεφαλή M6 x 20, ανοξείδωτος χάλυβας, Torx	4	8415500
Εργαλείο διάτρησης για εσωτερικά ηλεκτρικά βύσματα, μεταλλικός σωλήνας, χρησιμοποιείται με το 8379900	1	8380000
Εργαλείο διάτρησης για εσωτερικά ηλεκτρικά βύσματα, μεταλλική πλάκα, χρησιμοποιείται με το 8380000	1	8379900
Ρυθμιστής πίεσης, 0,3 bar (4 psi), μη ρυθμιζόμενος	1	6782900
Αντλία, διάλυμα βαθμονόμησης	1	8364300
Αντλία, αποστράγγιση	1	8357400
Αντλία, διάλυμα επανενεργοποίησης	1	8364200
Βαλβίδα διακοπής, σωλήνας εξωτερικής διαμέτρου 6 mm	1	8385200
Ράβδος ανάδευσης	1	W_4510_001_FF
Εξάρτημα μείωσης μηχανικής καταπόνησης (στυπιοθλίπτης καλωδίου), PG9 4 mm έως 8 mm	1	8356300
Εξάρτημα μείωσης μηχανικής καταπόνησης (στυπιοθλίπτης καλωδίου), NPT ½ in. 4 mm έως 9 mm	1	8368400
Βραχίονες στερέωσης σε τραπέζι	2	8370400
Βίδες, βραχίονας στερέωσης σε τραπέζι, #8 x ½, ανοξείδωτος χάλυβας, Torx	2	8412200
Σωλήνας, αποστράγγιση χημικών ουσιών και περιβλήματος, 17,5 mm (11/16 in.) Εξωτερική διάμετρος x 3,2 mm (1/8 in.) πάχος	2 m (6,5 ft)	LZX278
Σωλήνας, δείγμα, εξωτερική διάμετρος 6 mm x εσωτερική διάμετρος 4 mm	5,5 m (18 ft)	6772500
Κόπτης σωλήνα	1	8385400
Βραχίονες τοποθέτησης σε τοίχο	2	8364100

Ανταλλακτικά (συνέχεια)

Περιγραφή	Ποσότητα	Αρ. προϊόντος
Βίδες, βραχίονας τοποθέτησης σε τοίχο, επίπεδες M4 x 10, ανοξείδωτος χάλυβας, Τοιχ	2	8412500
Βαλβίδα, προετοιμασία	1	8367600
Βαλβίδα, δείγμα	1	8370200

Παρελκόμενα

Περιγραφή	Ποσότητα	Αρ. προϊόντος
Προσαρμογέας φιάλης, φιάλη DIPA, Merck	1	09073=C=0350
Προσαρμογέας φιάλης, φιάλη DIPA, Orion	1	09073=C=0360
Φίλτρο, είσοδος δείγματος, 100 μm, σωλήνας με εξωτερική διάμετρο ¼ in.	1	595=010=005
Φίλτρο, είσοδος δείγματος, 100 μm, σωλήνας με εξωτερική διάμετρο 6 mm	1	595=010=000
Εναλλάκτης θερμότητας, 4 κανάλια μέγιστο	1	8368900
Κατιονικό κιτ αναβάθμισης	1	8371200
Καλώδιο ρεύματος, για τη Βόρεια Αμερική	1	9179700
Κιτ αναβάθμισης 1 καναλιού έως 4 καναλιών	1	8365100
Κιτ αναβάθμισης 2 καναλιού έως 4 καναλιών	1	8365000
Κιτ αναβάθμισης αυτόματης βαθμονόμησης	1	8368000
Προσαρμογέας σωλήνα, εξωτερική διάμετρος 6 mm έως εξωτερική διάμετρος ¼ in.	2	09245=A=8300



HACH COMPANY World Headquarters

P.O. Box 389, Loveland, CO 80539-0389 U.S.A.
Tel. (970) 669-3050
(800) 227-4224 (U.S.A. only)
Fax (970) 669-2932
orders@hach.com
www.hach.com

HACH LANGE GMBH

Willstätterstraße 11
D-40549 Düsseldorf, Germany
Tel. +49 (0) 2 11 52 88-320
Fax +49 (0) 2 11 52 88-210
info-de@hach.com
www.de.hach.com

HACH LANGE Sàrl

6, route de Compois
1222 Vézenaz
SWITZERLAND
Tel. +41 22 594 6400
Fax +41 22 594 6499