



DOC026.97.80015

FL900 Series Flow Logger

07/2024, Edition 10

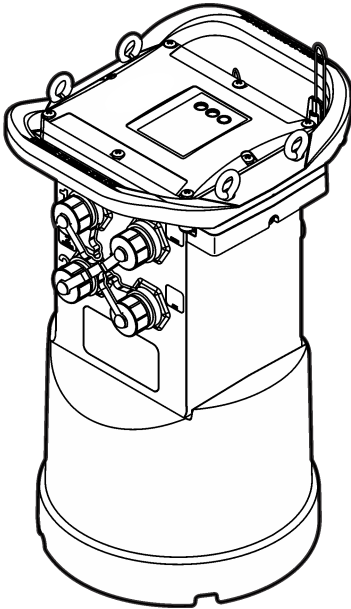


Table of Contents

English.....	3
Français.....	29
Español.....	56
Português.....	82

Table of Contents

1	Expanded manual version on page 3	7	Modbus communication on page 21
2	Specifications on page 3	8	Basic setup on page 21
3	General information on page 4	9	Site installation on page 24
4	Apply power to the Logger on page 9	10	Maintenance on page 25
5	System startup on page 12	11	Troubleshooting on page 26
6	Program a unit equipped with a modem on page 15	12	Replacement parts and accessories on page 27

Section 1 Expanded manual version

For additional information, refer to the expanded version of this manual, which is available on the manufacturer's website.

Section 2 Specifications

Specifications are subject to change without notice.

Specification	Details
Dimensions (W x D x H)	25.4 x 22 x 40 cm (10.0 x 8.7 x 16.0 in.)
Enclosure	PC/ABS structural foam
Environmental rating	NEMA 6P/IP68 (24 hours at 1.8 m (6 ft) submersion)
Weight (model FL900)	4.5 kg (10 lb) with no batteries, 6.3 kg (14 lb) with 2 batteries and 8.2 kg (18 lb) with 4 batteries
Operating temperature	-18 to 60 °C (0 to 140 °F) at 95% RH
Storage temperature	-40 to 60 °C (-40 to 140 °F)
Power requirements	8 to 18 VDC from batteries or external power source, 2.5 W max
Battery life	<p>Varies with sensor type, logging intervals, telemetry and environment.</p> <p>For a 15 minute logging interval, with no modem, four 6 V lantern batteries at room temperature:</p> <ul style="list-style-type: none">• Flo-tote 3 sensor 306 days• Area Velocity sensor with AV9000 Analyzer 296 days• Flo-Dar sensor 185 days• Ultrasonic sensor 456 days <p>Note: For longer deployments use with Long Life Battery, PN 8542900.</p>
Installation category	I
Protection class	III
Pollution degree	4
Sensor ports	1, 2 or 4 ports
Connectors	Stainless steel connectors
Datalog channels	16 maximum
Alarms	<p>Maximum of 16 channel alarms with high/high, high, low, low/low options.</p> <p>System alarms include low battery, low RTC battery, low slate memory, slate memory full, sensor time out, sensor ID.</p>
Alarm actions	<p>Start the sampler, change the log interval, change the call interval, send an e-mail or a text message (SMS) from logger or server.</p> <p>Note: SMS rates may apply. Not all alarm types may be available with all cellular carriers and service plans.</p>

Specification	Details
Logging intervals	1, 2, 3, 4, 5, 6, 10, 12, 15, 20, 30 or 60 minutes
	Primary and secondary intervals for dynamic logging
Data storage	Event log: 1000 events maximum in non-volatile flash memory
	Sample history: 2000 sample events maximum in non-volatile flash memory
	Datalog: 325,000 data points; 1128 days for 3 channels at 15-minute log intervals
PC communication	USB
	RS232 (Baud rates: 9600, 19200, 38400, 57600, 115200)
Remote communication (optional)	Wireless modem: 3G, 4G LTE (Verizon); 3G, 4G LTE, PTCRB (USA and Canada)
Protocols	Modbus RTU (RS232)
	Mobile-Terminated SMS
	Mobile-Originated SMS
Timebase accuracy	±0.002%, synchronized every 24 hours with server software and modem
Supported sensors	Flo-Dar, Flo-Dar with SVS, Flo-Tote, Rain Gauge, Ultrasonic, Submerged Area Velocity ¹ , Sigma 950 ¹
Sampler interface	Compatible with Sigma 900 Standard, Sigma 900 Max, Hach SD900 and AS950 to support set point sampling, flow-pacing and sample history logging
Certifications	Logger: CE
	Optional AC power supply: UL/CSA standards (cETLus)/CE
	Modems: FCC, IC, others may be available—contact the manufacturer for more information.
Warranty	1 year

Section 3 General information

In no event will the manufacturer be liable for damages resulting from any improper use of product or failure to comply with the instructions in the manual. The manufacturer reserves the right to make changes in this manual and the products it describes at any time, without notice or obligation. Revised editions are found on the manufacturer's website.

3.1 Safety information

The manufacturer is not responsible for any damages due to misapplication or misuse of this product including, without limitation, direct, incidental and consequential damages, and disclaims such damages to the full extent permitted under applicable law. The user is solely responsible to identify critical application risks and install appropriate mechanisms to protect processes during a possible equipment malfunction.

Please read this entire manual before unpacking, setting up or operating this equipment. Pay attention to all danger and caution statements. Failure to do so could result in serious injury to the operator or damage to the equipment.

Make sure that the protection provided by this equipment is not impaired. Do not use or install this equipment in any manner other than that specified in this manual.






¹ This device attaches through an external module.

3.1.1 Use of hazard information


⚠ DANGER
Indicates a potentially or imminently hazardous situation which, if not avoided, will result in death or serious injury.
⚠ WARNING
Indicates a potentially or imminently hazardous situation which, if not avoided, could result in death or serious injury.
⚠ CAUTION
Indicates a potentially hazardous situation that may result in minor or moderate injury.
NOTICE
Indicates a situation which, if not avoided, may cause damage to the instrument. Information that requires special emphasis.

3.1.2 Precautionary labels

Read all labels and tags attached to the instrument. Personal injury or damage to the instrument could occur if not observed. A symbol on the instrument is referenced in the manual with a precautionary statement.

	This is the safety alert symbol. Obey all safety messages that follow this symbol to avoid potential injury. If on the instrument, refer to the instruction manual for operation or safety information.
	This symbol indicates that a risk of electrical shock and/or electrocution exists.
	This symbol indicates the presence of devices sensitive to Electro-static Discharge (ESD) and indicates that care must be taken to prevent damage with the equipment.
	This symbol indicates radio waves.
	Electrical equipment marked with this symbol may not be disposed of in European domestic or public disposal systems. Return old or end-of-life equipment to the manufacturer for disposal at no charge to the user.

3.1.3 Confined space precautions

⚠ DANGER	
	Explosion hazard. Training in pre-entry testing, ventilation, entry procedures, evacuation/rescue procedures and safety work practices is necessary before entering confined spaces.

The information that follows is supplied to help users understand the dangers and risks that are associated with entry into confined spaces.

On April 15, 1993, OSHA's final ruling on CFR 1910.146, Permit Required Confined Spaces, became law. This standard directly affects more than 250,000 industrial sites in the United States and was created to protect the health and safety of workers in confined spaces.

Definition of a confined space:

A confined space is any location or enclosure that has (or has the immediate potential for) one or more of the following conditions:

- An atmosphere with an oxygen concentration that is less than 19.5% or more than 23.5% and/or a hydrogen sulfide (H₂S) concentration that is more than 10 ppm.
- An atmosphere that can be flammable or explosive due to gases, vapors, mists, dusts or fibers.
- Toxic materials which upon contact or inhalation can cause injury, impairment of health or death.

Confined spaces are not designed for human occupancy. Confined spaces have a restricted entry and contain known or potential hazards. Examples of confined spaces include manholes, stacks, pipes, vats, switch vaults and other similar locations.

Standard safety procedures must always be obeyed before entry into confined spaces and/or locations where hazardous gases, vapors, mists, dusts or fibers can be present. Before entry into a confined space, find and read all procedures that are related to confined space entry.

3.2 Certification

Canadian Radio Interference-Causing Equipment Regulation, ICES-003, Class A:

Supporting test records reside with the manufacturer.

This Class A digital apparatus meets all requirements of the Canadian Interference-Causing Equipment Regulations: CAN ICES-3(A)/NMB-3(A).

Cet appareil numérique de classe A répond à toutes les exigences de la réglementation canadienne sur les équipements provoquant des interférences.

FCC Part 15, Class "A" Limits

Supporting test records reside with the manufacturer. The device complies with Part 15 of the FCC Rules. Operation is subject to the following conditions:

1. The equipment may not cause harmful interference.
2. The equipment must accept any interference received, including interference that may cause undesired operation.

Changes or modifications to this equipment not expressly approved by the party responsible for compliance could void the user's authority to operate the equipment. This equipment has been tested and found to comply with the limits for a Class A digital device, pursuant to Part 15 of the FCC rules.

These limits are designed to provide reasonable protection against harmful interference when the equipment is operated in a commercial environment. This equipment generates, uses and can radiate radio frequency energy and, if not installed and used in accordance with the instruction manual, may cause harmful interference to radio communications. Operation of this equipment in a residential area is likely to cause harmful interference, in which case the user will be required to correct the interference at their expense. The following techniques can be used to reduce interference problems:

1. Disconnect the equipment from its power source to verify that it is or is not the source of the interference.
2. If the equipment is connected to the same outlet as the device experiencing interference, connect the equipment to a different outlet.
3. Move the equipment away from the device receiving the interference.
4. Reposition the receiving antenna for the device receiving the interference.
5. Try combinations of the above.

3.3 Wireless modem certification


The device complies with Part 15 of the FCC Rules and Industry Canada license-exempt RSS standard(s). Operation is subject to the following conditions:


1. The equipment may not cause harmful interference.
2. The equipment must accept any interference received, including interference that may cause undesired operation.

Changes or modifications to this wireless communication equipment not expressly approved by the party responsible for compliance could void the user's authority to operate the equipment. Any change to the equipment will void the Industry Canada certification and FCC grant. Changes and modifications include any modifications to the wireless modems and associated antennas, including antenna cables. Follow the manufacturer recommendations for product installation, configuration and wireless operation.

3.4 Cellular devices

NOTICE	
Network and access point security is the responsibility of the customer that uses the wireless instrument. The manufacturer will not be liable for any damages, inclusive however not limited to indirect, special, consequential or incidental damages, that have been caused by a gap in, or breach of network security.	

⚠ WARNING	
	<p>Pacemaker precautions. If electromagnetic interference (EMI) occurs, it can either:</p> <ul style="list-style-type: none"> • Stop the stimulating pulses from the pacemaker that control the rhythm of the heart. • Cause the pacemaker to supply the pulses irregularly. • Cause the pacemaker to ignore the rhythm of the heart and supply pulses at a set interval. <p>Current research shows that cellular devices are not a significant health problem for most pacemaker wearers. However, persons with pacemakers should use precautions to make sure that their device does not cause a problem. Keep the device a minimum of 20 cm (7.9 in.) from the user.</p>

⚠ CAUTION	
	<p>Electromagnetic radiation hazard. Make sure that the antenna is kept at a minimum distance of 20 cm (7.9 in.) from all personnel in normal use. The antenna cannot be co-located or operated in conjunction with any other antenna or transmitters.</p>

⚠ CAUTION	
	<p>Electromagnetic radiation hazard. In portable applications, do not use the modem within 20 cm (7.9 in.) of the user.</p>

Regulatory RF device approvals

Modem MTSMC-LAT3 (Equipment Class: PCS Licensed Transmitter, LTE/3G module):

- FCC: Approved as a Modular Device with a TCB Grant of Authorization. FCC ID: R17LE910NAV2
- IC: Approved as a Modular Device with Certificat D'Acceptabilite' Technique C-REL ID: 5131A-LE910NAV2

Modem MTSMC-LVW3 (PCS Licensed Transmitter, LTE/3G module):

- FCC: Approved as a Modular Device with a TCB Grant of Authorization. FCC ID: R17LE910SVV2
- IC: Approved as a Modular Device with Certificat D'Acceptabilite' Technique C-REL ID: 5131A-LE910SVV2

Table 1 Cellular Modem: MTSMC-LAT3

FCC rule parts	Frequency bands (MHz)	Maximum output power (Watts)
22, 24, 27	700 (B12/ B13), 850 (B5), 1700 (B4), 1900 (B2)	0.232

Cellular Modem MTSMC-LAT3—FCC Grant Notes & Conditions :

Single Modular Approval. Power output listed is conducted. This device is approved for mobile and fixed use with respect to RF exposure compliance, and may only be marketed to OEM installers. The antenna(s) used for this transmitter, as described in this filing, must be installed to provide a separation distance of at least 20 cm from all persons. Installers and end-users must be provided

with operating conditions for satisfying RF exposure compliance. Maximum permitted antenna gain/cable loss: 6.63 dBi for 700 MHz & 850 MHz; 6.00 dBi for 1700 MHz; 8.51 dBi for 1900 MHz.

Table 2 Cellular Modem: MTSMC-LVW3

FCC rule parts	Frequency bands (MHz)	Maximum output power (Watts)
24, 27	700 (B13), 1700 (B4), 1900 (B2)	0.219

Cellular Modem MTSMC-LVW3—FCC Grant Notes & Conditions :

Single Modular Approval. Power output listed is conducted. This device is approved for mobile and fixed use with respect to RF exposure compliance, and may only be marketed to OEM installers. The antenna(s) used for this transmitter, as described in this filing, must be installed to provide a separation distance of at least 20 cm from all persons. Installers and end-users must be provided with operating conditions for satisfying RF exposure compliance. Maximum permitted antenna gain/cable loss: 6.94 dBi for 700 MHz; 6.00 dBi for 1700 MHz; 9.01 dBi for 1900 MHz.

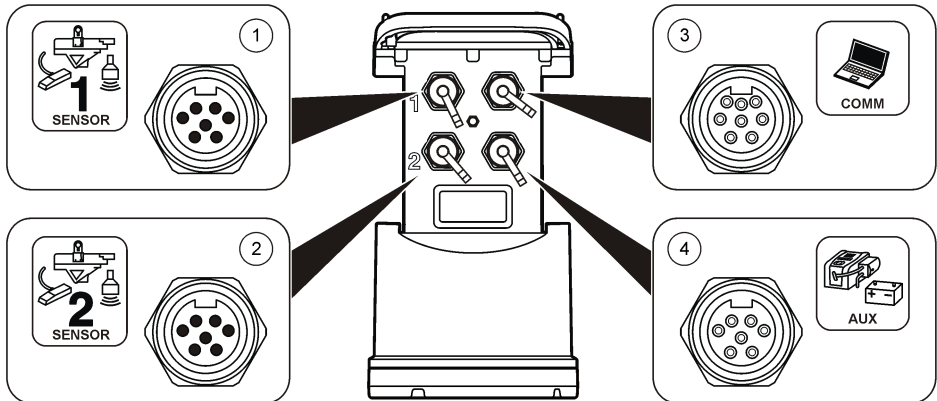
3.5 Product overview

The FL900 series flow loggers are used in open-channel flow monitoring studies such as inflow & infiltration (I&I), combined sewer overflow (CSO), capacity and planning and storm water runoff monitoring.

Data is collected from attached sensors and logged for future retrieval. The sensors can be added or changed in the field. Depending on the model, up to four sensors can be connected. The data can be retrieved directly through a USB or RS232 cable or remotely through a wireless network with FSDATA Desktop and FSDATA server software. The FL900 Series loggers can also connect to an external power source, rain gauge or be used to pace a Sigma or Hach sampler.

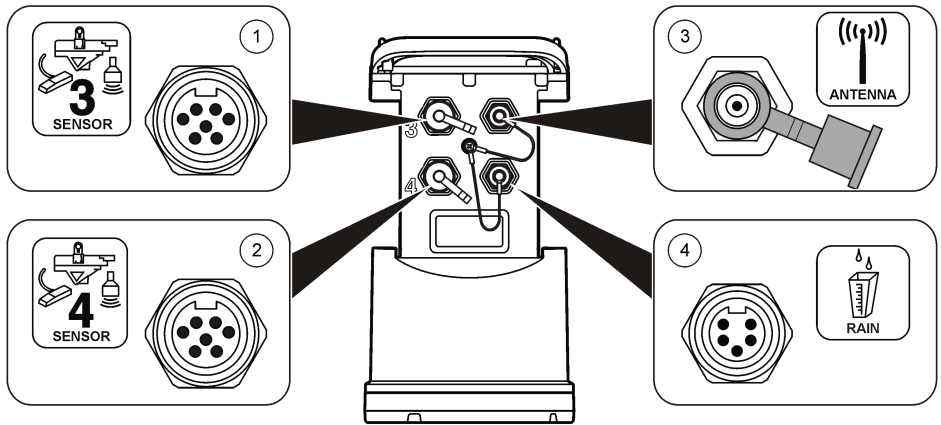
The wireless option and the number of available connectors varies with the model of the logger. Refer to [Figure 1](#) and [Figure 2](#).

Figure 1 Connectors—side 1



1 Sensor (all models)	3 Computer—USB or RS232 cable (all models)
2 Sensor (FL902, FL904 only)	4 Auxiliary—external power or sampler (all but FL900)

Figure 2 Connectors—side 2



1 Sensor (FL904 only)	3 Antenna option (all but FL900)
2 Sensor (FL904 only)	4 Rain gauge (all but FL900)

3.6 Product components

If any items are missing or damaged, contact the manufacturer or a sales representative immediately.

Section 4 Apply power to the Logger

4.1 Install the batteries

⚠ WARNING



Explosion hazard. Incorrect battery installation can cause the release of explosive gases. Be sure that the batteries are of the same approved chemical type and are inserted in the correct orientation. Do not mix new and used batteries.

⚠ WARNING



Fire hazard. Battery substitution is not permitted. Use only alkaline batteries.

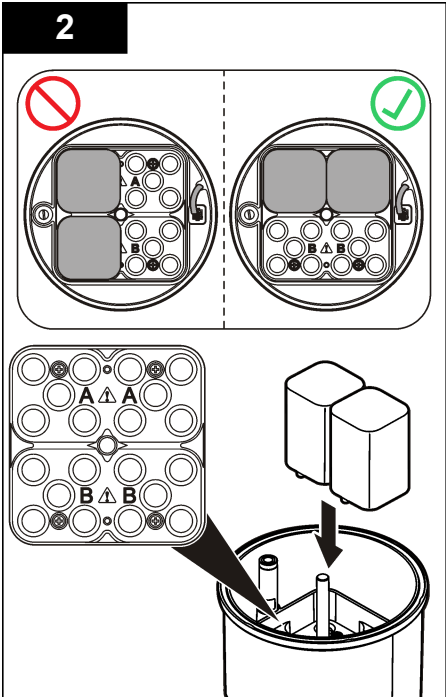
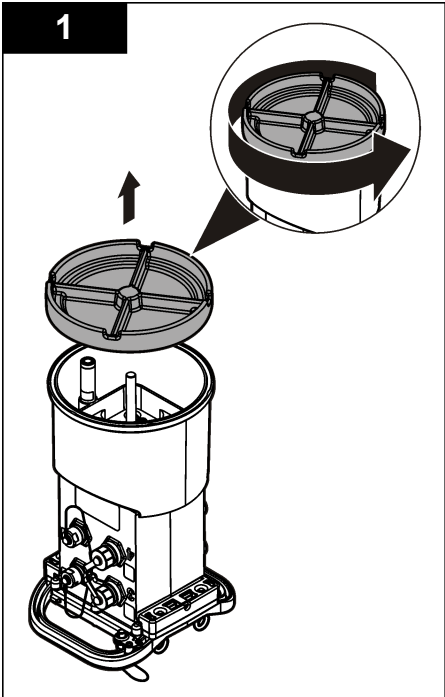
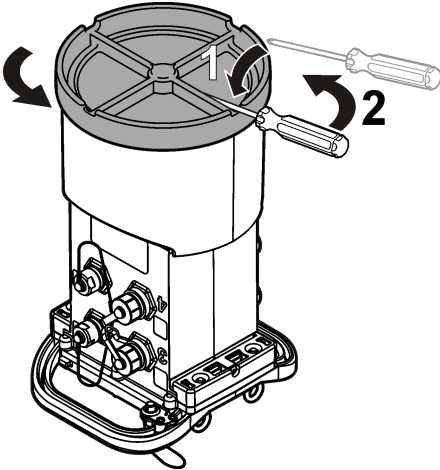
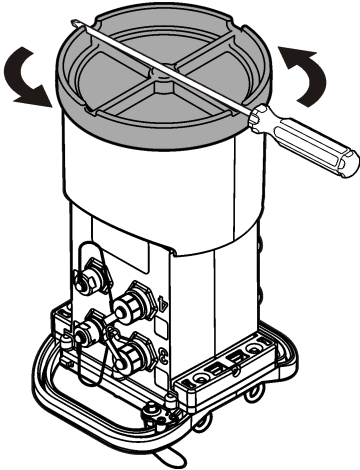
NOTICE

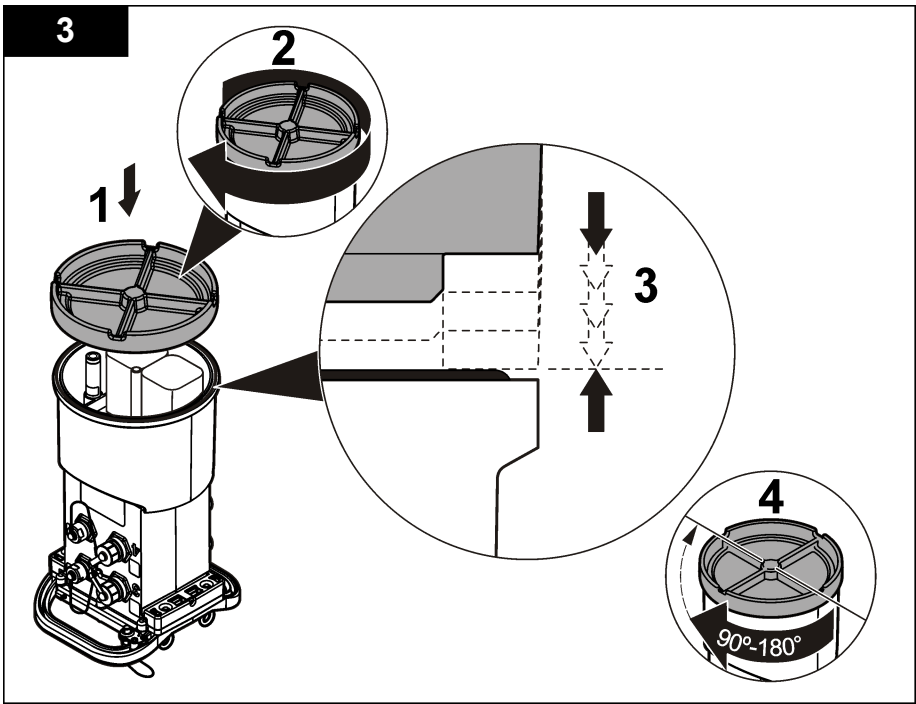
Do not over-tighten the cover. Tighten until the cover just touches the O-ring, then tighten one-quarter to one-half turn maximum from O-ring contact. Keep the O-ring lubricated with silicone grease.

The instrument can use two or four 6 V batteries for power. Use two batteries for short-term use or four batteries for long-term use (for battery life, refer to [Specifications](#) on page 3). When only two batteries are used, put both batteries on the same side of the compartment (A-A or B-B). Refer to the illustrated steps that follow.

Changes in temperature and pressure can cause the battery compartment cover to be difficult to remove by hand. If this occurs, a tool can be used to remove the cover ([Figure 3](#)).

Figure 3 Battery cover removal





4.2 Attach an external power supply (optional)

▲ WARNING

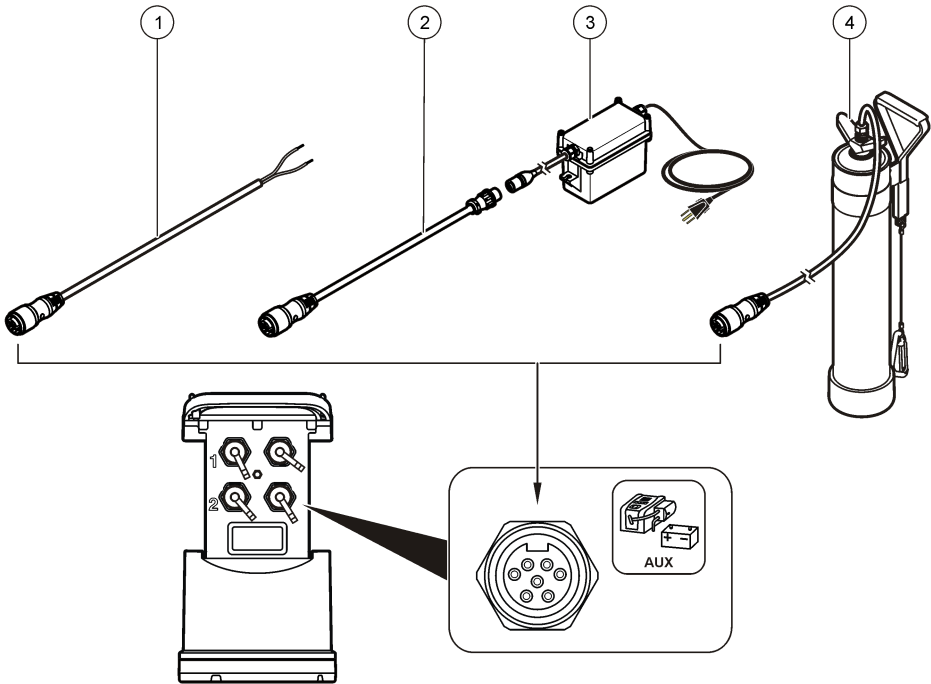


Potential explosion hazard. The instrument is not approved for use in hazardous locations.

The instrument can be powered by an external long-life battery, an AS950 power supply or other source that can supply power in the specified range (refer to [Specifications](#) on page 3 and [Replacement parts and accessories](#) on page 27). If the logger has both external power and internal batteries, the internal batteries are used as an auxiliary power supply. When the external power falls below approximately 9 V, the internal batteries supply power until the voltage from the external source is above 9 V.

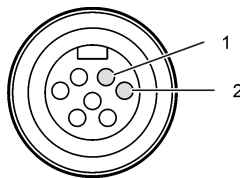
1. Install the external power source in a safe location near the logger. Be sure to obey all safety precautions for the power supply.
2. Attach the cable from the power source to the AUX connector on the logger ([Figure 4](#)).
3. Apply power to the power source, if applicable.

Figure 4 External power options



1 2-conductor power cable (Figure 5)	3 AS950 power supply
2 Power adapter cable	4 Long-life battery

Figure 5 2-conductor power cable wiring



1 Power—#16 AWG red	2 Common—#16 AWG black
---------------------	------------------------

Section 5 System startup

5.1 Install FSDATA Desktop on a computer

Before the flow logger or sampler is connected to a computer, make sure that FSDATA Desktop is installed on the computer. FSDATA Desktop is available at www.hachflow.com.

5.2 Attach the logger to the computer

Pre-requisites: Make sure that FSDATA Desktop is installed on the computer. Connect only one logger to the computer.

1. Attach the logger to the computer.
2. When a USB cable is attached for the first time, the Found New Hardware wizard opens. Run the new hardware wizard to install the USB driver for the logger. When finished, the message "Your new hardware is installed and ready to use" is shown. In the event the wizard does not run or the install fails, contact technical support to assist with trouble shooting your specific operating system.

5.3 Attach a sensor or external devices to the logger

Pre-requisite: Make sure that the connection status is "not connected".

⚠ WARNING	
	Sensor Hazardous Locations and RF Exposure Hazards. Some sensors have RF radiation exposure hazards and are used in explosive atmospheres. See sensor manual warnings and instructions before connecting a sensor to the logger.

The number of sensors that can attach to the logger varies with the model of the logger. Some sensors must attach to an external module that is used as an interface between the sensor and the logger. [Figure 7](#) shows the AV9000 Area Velocity Analyzer module on the side of the logger and the connection to a submerged area/velocity sensor.

1. If the sensor cable has connectors on both ends, attach the cable to the sensor first.
2. Attach the sensor (or module) to any SENSOR port on the logger ([Figure 6](#) or [Figure 7](#)). Tighten the connector by hand.
Note: For rain gauges, attach the sensor to the RAIN connector.
3. If the sensor uses an external module, attach the module to the logger, then attach the sensor to the module ([Figure 7](#)).
4. If the sensor cable has a desiccant hub, align the desiccant hub vertically and make sure that the air port points down ([Figure 6](#)).

Figure 6 Attach a sensor to the logger

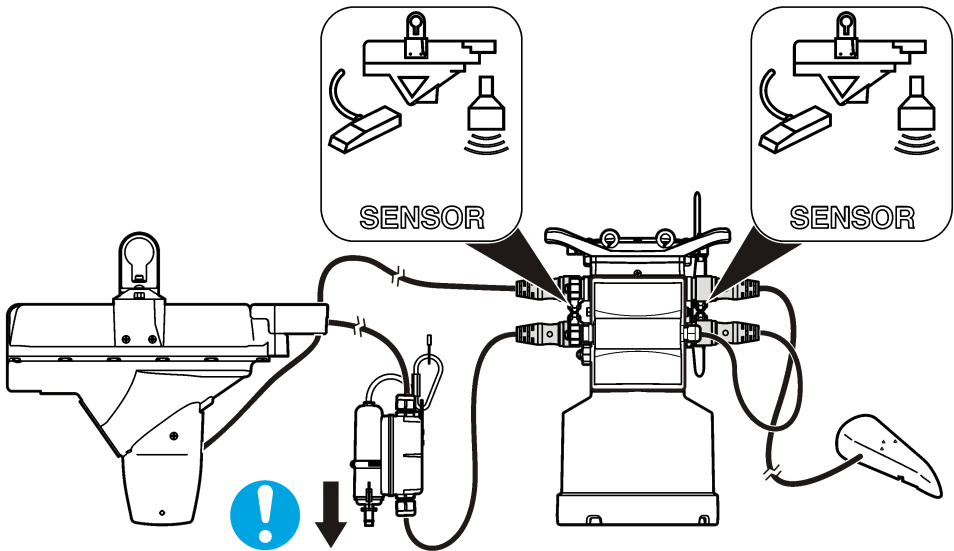
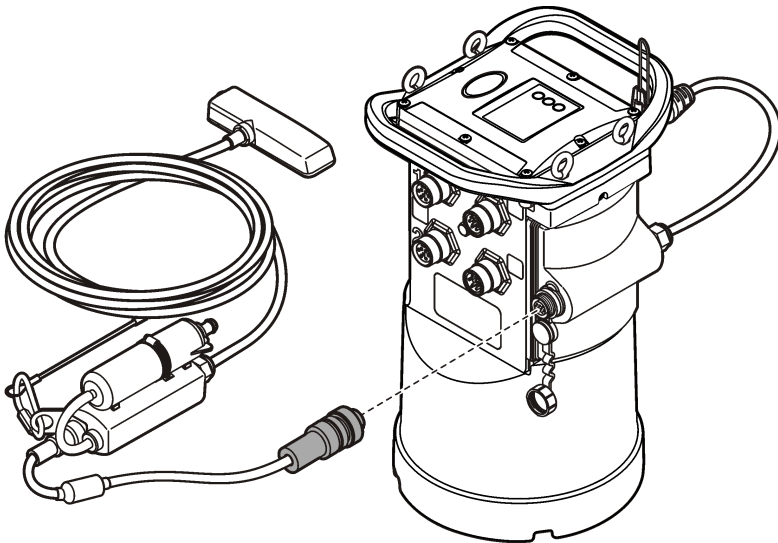


Figure 7 Attach a sensor to an external module



5.4 Attach an external module

An external module must be used as an interface between some sensor types and the logger. The external module is mounted on the side of the logger (Figure 7 on page 14). Refer to the documentation that is supplied with the module for mounting instructions.

5.5 Attach a sampler

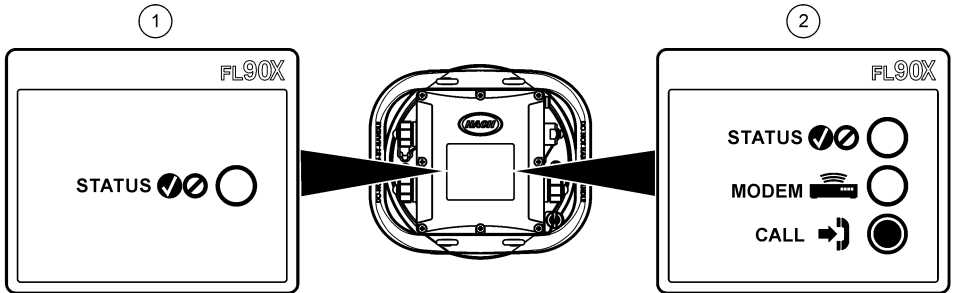
The logger can attach to a Sigma 900 Standard, Sigma 900 Max, Hach SD900 or Hach AS950 sampler for flow-paced and set point sampling. Connect the AUX port on the logger to the

auxiliary port on the sampler using a full auxiliary cable. If it is necessary to externally power the logger while connected to an AS950 sampler, use the power input aux cable assembly. To make a sampler program, refer to the documentation supplied with the sampler.

5.6 User interface

The indicators on the user interface show the status of the instrument and the modem. Refer to [Figure 8](#) and [Table 3](#).

Figure 8 User interface



1 Instrument without modem	2 Instrument with modem
----------------------------	-------------------------

Table 3 LED status indicators

Indicator	LED color	Description
STATUS	Green	Flashes every 3 seconds during normal operation. Flashes every 15 seconds during sleep mode.
	Red	Flashes when an attached sensor does not agree with the logger program, an expected sensor is not found or the sensor operation has failed.
MODEM	Green	Stays green during a call to the server.
	Red	Flashes red if the call to the server failed.

Section 6 Program a unit equipped with a modem

⚠ CAUTION



Electromagnetic radiation hazard. Make sure that the antenna is kept at a minimum distance of 20 cm (7.9 in.) from all personnel in normal use. The antenna cannot be co-located or operated in conjunction with any other antenna or transmitters.

For units without a modem, refer to [Basic setup](#) on page 21. For units that come with activated modem accounts², go to [Add the logger to the FSDATA Server](#) on page 19.

6.1 Set up the wireless account

Note: Adequate cellular coverage from the selected carrier must be verified for each site before a logger with a cellular modem is purchased.

² The units that come with activated modem accounts have part numbers with .AX, .AR, .VX, or .VR as the last digits.

NOTICE

Network and access point security is the sole responsibility of the customer using the wireless instrument. The manufacturer will not be liable for any indirect, special, incidental or consequential damages caused by a breach in network security.

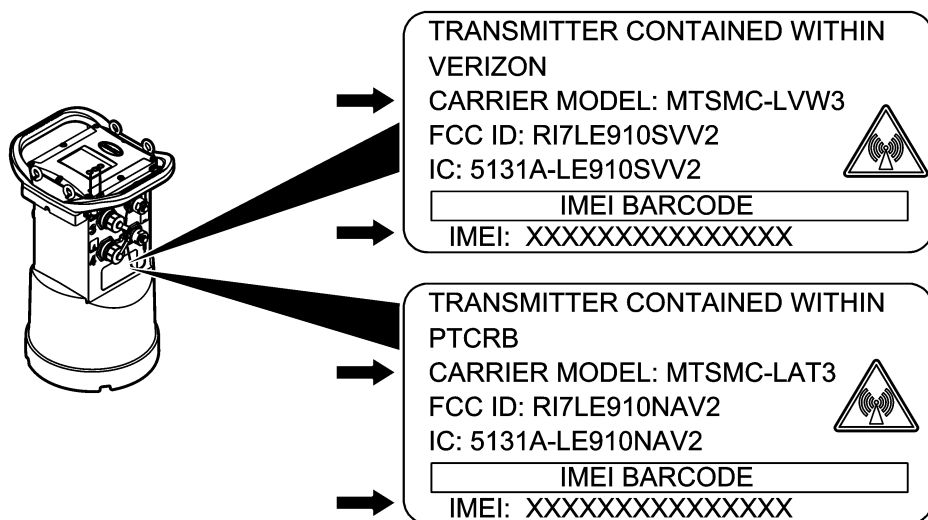
When the logger has a modem, data can be sent from the logger to the internet for remote access. The user must first open an account with a mobile (wireless) provider. The instrument is then registered to the data-hosting server (FSDATA), and the applicable communication settings are programmed into the logger with FSDATA Desktop. If the modem was activated at the factory, go to [Add the logger to the FSDATA Server](#) on page 19.

Pre-requisite: Make sure that the logger, logger test certificate and antenna are nearby.

Note: For optimal troubleshooting, install the FSDATA Desktop driver, add the logger to the FSDATA server, and verify telemetry before visiting the deployment site.

1. Gather your account information.
 - a. Find the IMEI number from the label. Refer to [Figure 9](#).
 - b. Find the modem carrier model from the label.
2. Contact a wireless provider to start service on the modem. Make sure the wireless provider matches the modem type in the logger, LVW3 = Verizon or LAT3 = PTCRB (AT&T, T-Mobile, etc.). Request a data plan with a minimum 10 MB of data per month and SMS. (SMS is optional but required to transmit alarm notifications to an email or mobile number).
 - a. Give the IMEI number to the provider. If requested, give the carrier model, also found on the transmitter label.
 - b. Record the phone number for the modem.
3. Use the modem diagnostics in FSDATA Desktop to verify operation. Refer to the FSDATA Desktop documentation.

Figure 9 Transmitter Label Examples



6.1.1 Install a SIM card

NOTICE

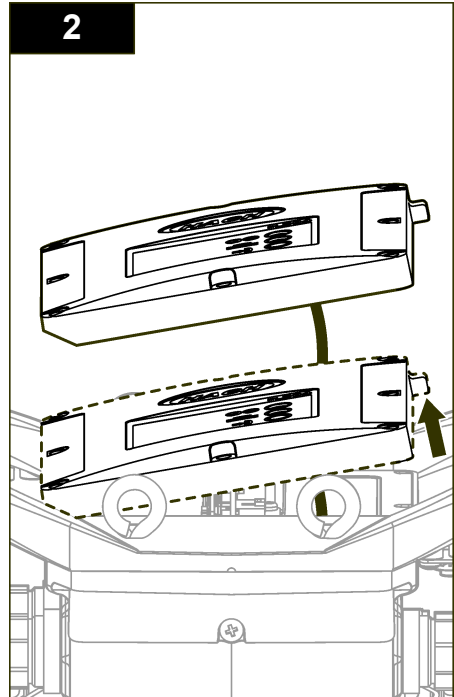
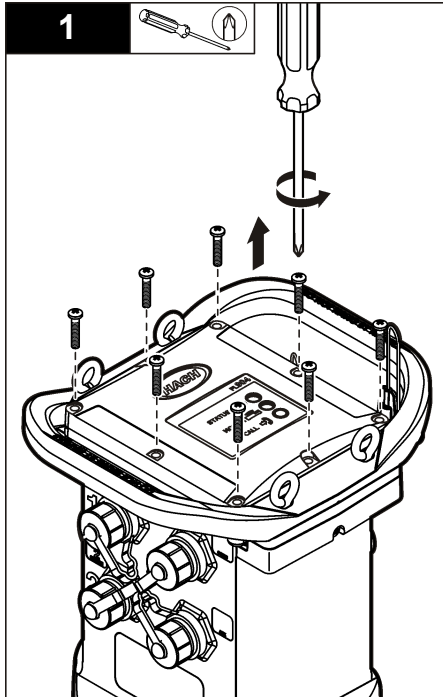


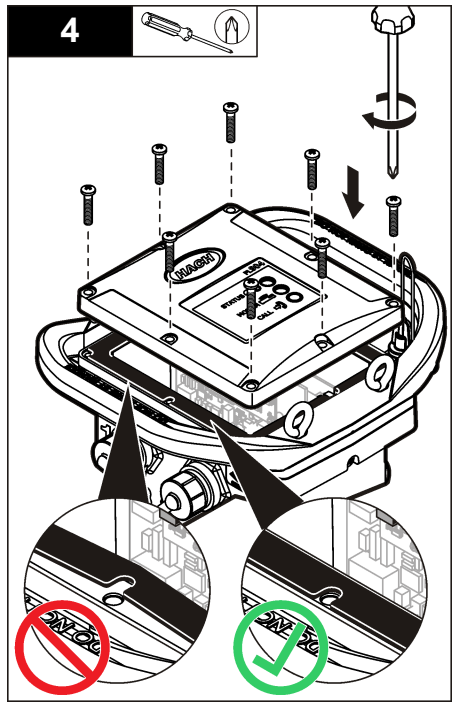
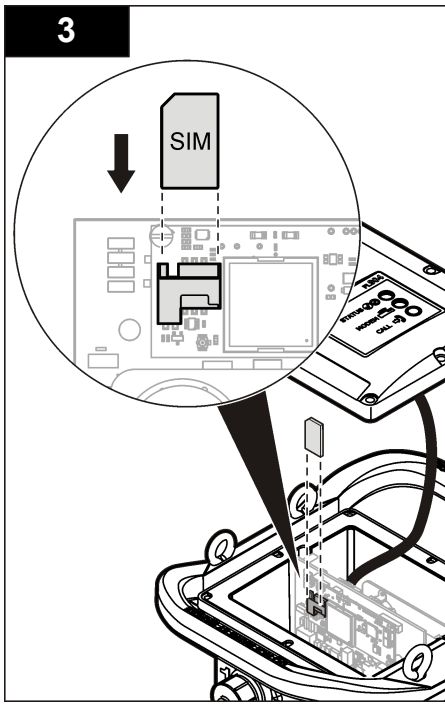
Potential Instrument Damage. Delicate internal electronic components can be damaged by static electricity, resulting in degraded performance or eventual failure.

NOTICE

The instrument enclosure can break if the cover screws are over-tightened. Tighten the cover screws by hand with a maximum torque of 2.0 Nm (20 in./lb). Make sure that the gasket is lubricated with grease.


Install a SIM card from the mobile carrier. Refer to the illustrated steps that follow. Make sure that the PIN of the SIM card is disabled, and that the SIM card is for 4G LTE data.





6.1.2 Attach an antenna (wireless option)

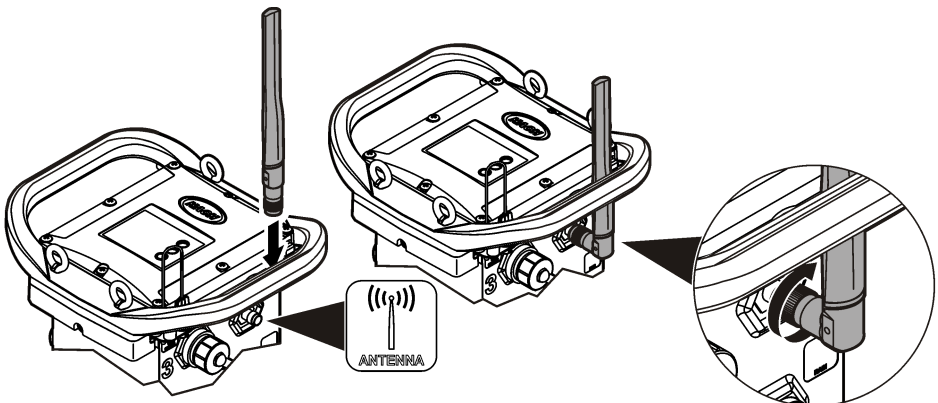
⚠ CAUTION



Electromagnetic radiation hazard. Make sure that the antenna is kept at a minimum distance of 20 cm (7.9 in.) from all personnel in normal use. The antenna cannot be co-located or operated in conjunction with any other antenna or transmitters.

An antenna can be attached to the instrument for wireless communication. Various antenna options are available. Refer to [Replacement parts and accessories](#) on page 27. Attach an antenna directly to the logger or attach an antenna cable to the ANTENNA connector ([Figure 10](#)).

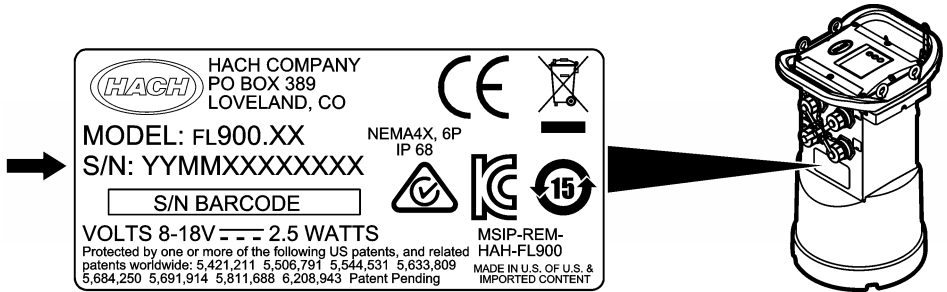
Figure 10 Attach the blade antenna



6.1.3 Add the logger to the FSDATA Server

Pre-requisite: Serial number of the logger

Figure 11 Serial number location



NOTICE

Be sure to enter the serial number and SVC correctly to prevent communication failure.

1. Go to the website <http://fsdata.hach.com> to access the FSDATA server.
2. Enter the user name and password:
 - User name—the default user name is the 8-digit customer ID number
 - Password—the default password is HachWebData
3. Go to **Instruments>Instrument Manager**.
4. Record the SVC (Server Verification Code) from the upper left corner of the screen:
5. Click **ADD NEW**. The Add Instrument window opens.
6. Enter the serial number (SN) of the logger (Figure 11).
7. Select the Instrument Type.
8. Select the Active check box and click **OK**. The instrument is shown in the Instrument Manager.

6.1.4 Configure the logger for remote communication

Pre-requisites: The logger must be attached to the computer. An account with a network provider must be set up, and the server must be configured.

The settings for remote communication must be entered into FSDATA Desktop and then written to the logger.

1. Start a communication session with the logger:
 - a. Open FSDATA Desktop.
 - b. Click **CONNECT**. The Connect to Instrument window opens.
 - c. Click the FL900 button.
 - d. Select the port on the computer where the logger is attached (serial or USB), then click **Connect**.
Note: If the sensor mismatch message is shown, select "Create new program based on sensors connected."
 - e. Make sure that the connection status shows "connected".
2. Go to the Communications tab. Enter the information for the desired site. Select Time Zone.
3. Complete the Remote Settings information:

Option	Description
Verizon 4G	No additional configuration is necessary.

Option	Description
LAT3 4G	Select the network provider and enter the user name and password, if applicable.
Primary Call Interval	The frequency that the logger calls the server.
Secondary call interval	The frequency that the logger calls the server during an alarm condition.
Server Verification Code	The code that specifies which account on the FSDATA server the logger belongs to. The server cannot store data without this code.

4. Click **WRITE TO LOGGER** to save the settings. A message window is shown:

Option	Description
Warning: all data will be lost. Continue?	All data that is stored in the logger is erased when a program is written to the logger. To save the data, select No and download the data to a safe location. Select Yes to erase all data and update the logger with the new program.
Set Logger Clock	Synchronize to Computer Clock—the logger uses the date and time settings of the computer. Set Logger Clock—the logger uses the date and time settings that are set by the user. If the unit has a modem, the logger automatically uses the date time settings of the server.

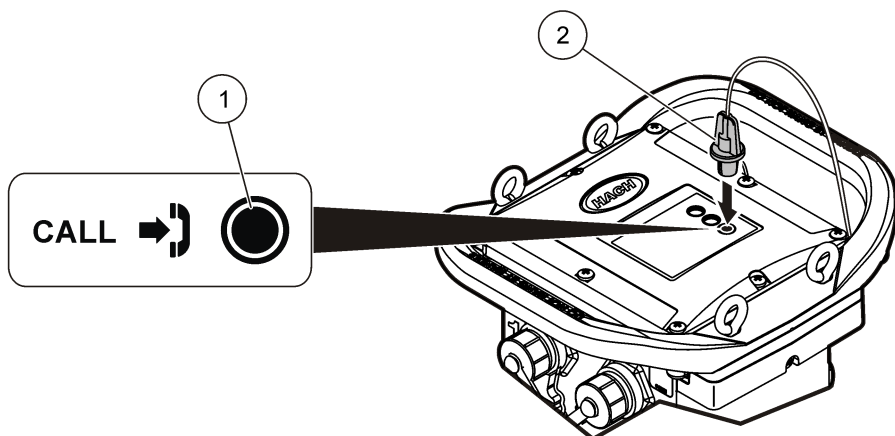
6.1.5 Verify the telemetry (wireless option)

The user can manually send a call to the server to make sure that the network communication is good.

1. Temporarily attach the antenna to the logger to test the antenna and the cell coverage at the site location before installation.
2. Touch the magnet to the call initiation target (Figure 12). The modem LED indicator changes to green.
3. Look at the modem LED indicator during the call (45 to 90 seconds) and wait for a change:
 - LED goes off—the call to the server was successful.
 - LED flashes red—the call to the server failed.

Note: If the connection failed, refer to [Troubleshooting](#) on page 26 for more information.

Figure 12 Call the server



1 Call initiation target	2 Magnet
--------------------------	----------

6.1.6 Verify the telemetry with FSDATA Desktop

1. In FSDATA Desktop, select Communications>Modem Diagnostics.
2. Make sure the registration status is either home or roaming. If blank or "identify" is shown, the connection has failed.
3. Adjust the antenna for optimum signal strength and quality.
4. Click Call Server to make a call to the network.
A pop up screen will indicate success or failure.

6.1.7 Troubleshooting telemetry

- Make sure the SVC is correct.
- Make sure the serial number is registered and active on the host server.
- Make sure the modem is enabled and the Hach IP address has been correctly entered.
- If the problem persists, contact technical support.

6.1.8 Use the mobile SMS option

Configure the FL900 modem to send or receive SMS messages (optional). Refer to FSDATA Desktop documentation for configuration information.

Section 7 Modbus communication

The Modbus protocol can be used for communication with this instrument. Attach an external network device, such as a PLC, to the RS232 interface on the instrument to read data as it is logged. Contact technical support for more information on Modbus communications.

Note: Historical data cannot be read with Modbus communication.

Section 8 Basic setup

The information in this manual can be used to make a simple program for the logger and to calibrate the sensors. Refer to the FSDATA Desktop documentation for advanced options. Complete the sections in the order that they are shown.

8.1 Make a basic logger program

A basic program must be written to the logger to specify the channels to be logged.

1. Open a communication session with the logger:
 - a. Open FSDATA Desktop.
 - b. Click **CONNECT**. The Connect to Instrument window opens.
 - c. Click the FL900 button.
 - d. Select the port on the computer where the logger is attached (serial or USB), then click **CONNECT**.
Note: If the sensor mismatch message is shown, select "Create new program based on sensors connected."
 - e. Make sure that the connection status shows "connected".
2. Complete the information in the General Settings tab.

Option	Description
Site Identification	Enter a unique name for the site.

3. Select the channels to be logged in the Select channels to log section:
 - a. Expand the tree for the Logger channel group. The Power Supply channel is always shown in this group. Logging the power supply will provide values for the battery level. An alarm could be set at a specific level to alert the account manager of a low level, thus prompting a field

visit to change the batteries and prevent lost data. If the logger contains a port for a rain gauge, the Rain channel is also shown. To include a Logger channel in the datalog, select the check box next to the channel name.

- b. Expand the tree for each Port[1](Sensor Name) channel group to view the available channels for the sensor. If the check box next to Logger or Port[1] is selected, all of the channels in the group are automatically selected.
- c. To include a Sensor channel in the datalog, select the check box next to the channel name. The log channel count increases each time a channel is selected.

Note: For loggers with multiple sensor ports, the port number is added to the channel name. For example, Velocity 3 is the velocity channel name for sensor port 3.

PO

P

3

SO

4. To set the logging interval for a channel group:
 - a. Click on the channel group name, for example **Port1 (Flo-Dar)**. The logging intervals are shown.
 - b. Select the interval from the drop-down list. The primary logging interval is used for normal operation. The secondary logging interval is used during alarm conditions.
Note: The logging interval cannot be set for an individual sensor channel.
5. Click **WRITE TO LOGGER** to save the settings. A message window is shown:

Option	Description
Warning: all data will be lost. Continue?	All data that is stored in the logger is erased when a program is written to the logger. To save the data, select No and download the data to a safe location. Select Yes to erase all data and update the logger with the new program.
Set Logger Clock	Synchronize to Computer Clock—the logger uses the date and time settings of the computer. Set Logger Clock—the logger uses the date and time settings that are set by the user. If the unit has a modem, the logger automatically uses the date time settings of the server.

8.2 Calibrate the sensor with the Cal Wizard

Pre-requisite: The logger must be connected to the computer and must be online for calibration. The sensor can be configured and calibrated with the calibration wizard.

1. Click the Sensors tab.
2. Click on Sensor Port[1] (sensor name).
3. Click on the **CAL WIZARD** button. The Calibration Wizard window opens.
4. Select the options on each screen. When the Calibration Complete screen is shown, click **FINISH**.
5. Click **WRITE TO LOGGER** to save the settings. A message window is shown:

Option	Description
Warning: all data will be lost. Continue?	All data that is stored in the logger is erased when a program is written to the logger. To save the data, select No and download the data to a safe location. Select Yes to erase all data and update the logger with the new program.
Set Logger Clock	Synchronize to Computer Clock—the logger uses the date and time settings of the computer. Set Logger Clock—the logger uses the date and time settings that are set by the user. If the unit has a modem, the logger automatically uses the date and time settings of the server.

The installation is complete. The Status light should flash green if the programming was successful.

Section 9 Site installation

⚠ WARNING



Multiple hazards. Only qualified personnel must conduct the tasks described in this section of the document.

9.1 Hang from a cable

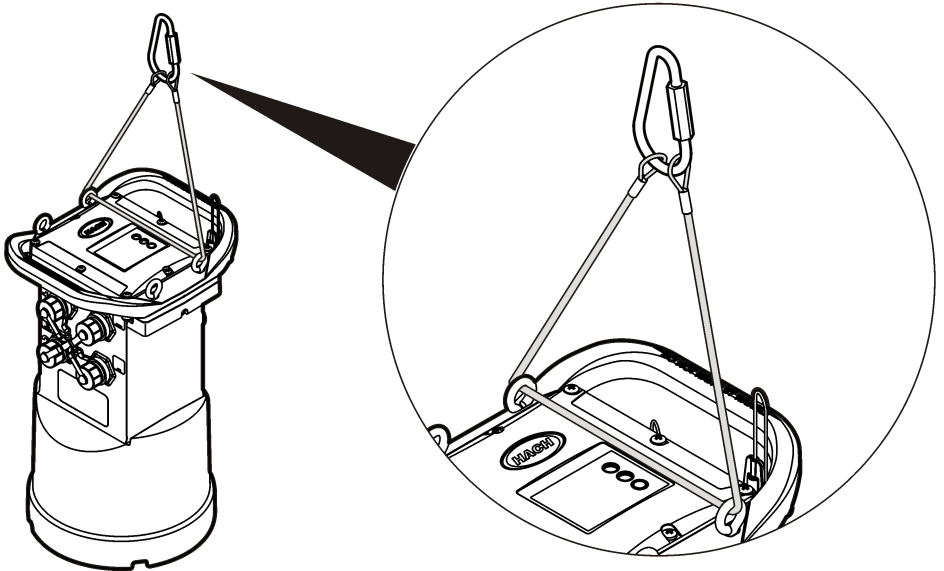
NOTICE

Do not use the handles to hang the logger. The handles are not designed to hold the weight of the logger.

The logger can hang from a cable for installation in an area such as a manhole.

1. Connect a cable to the eye bolts on the top of the logger. Refer to [Figure 13](#).
2. Hang the cable from a strong support such as an optional spanner bar.

Figure 13 Hang the logger from a cable



9.2 Install on a wall bracket

The logger can be attached to a wall, pole or ladder. Refer to the documents that are supplied with the hardware for installation instructions.

Section 10 Maintenance

▲ WARNING



Multiple hazards. Only qualified personnel must conduct the tasks described in this section of the document.

▲ WARNING



Biological hazard. Obey safety handling protocols and wear all of the personal protective equipment required when handling an instrument that may have come in contact with biological hazardous materials. Wash and decontaminate the instrument with a disinfectant soap solution and rinse with hot water before maintenance or shipping.

▲ CAUTION



Electromagnetic radiation hazard. Make sure that the antenna is kept at a minimum distance of 20 cm (7.9 in.) from all personnel in normal use. The antenna cannot be co-located or operated in conjunction with any other antenna or transmitters.

10.1 Clean the instrument

Clean the exterior of the instrument with a moist cloth and a mild soap solution and then wipe the instrument dry as necessary.

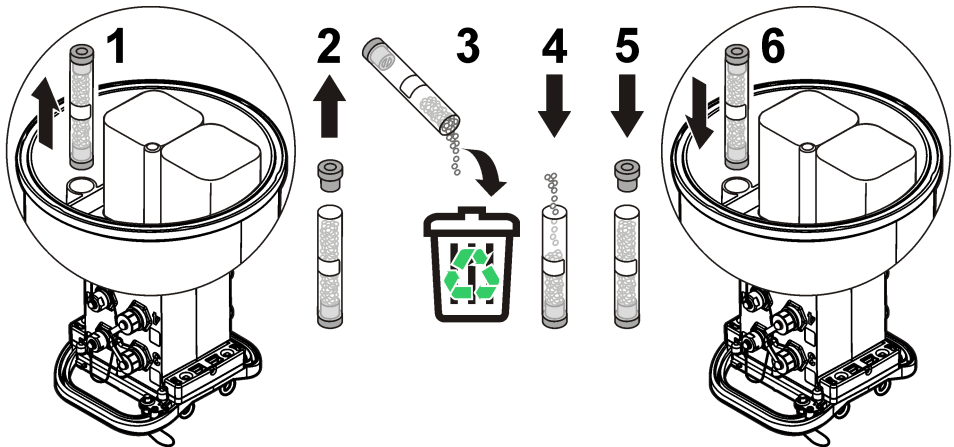
10.2 Replace the batteries

Replace the batteries with the same type and rating. Refer to [Install the batteries](#) on page 9 and [Specifications](#) on page 3.

10.3 Replace the desiccant

The desiccant is located in the battery compartment. To remove the battery cover, refer to [Install the batteries](#) on page 9. The desiccant absorbs moisture from the air and prevents corrosion to the instrument components. The desiccant beads change color when they become saturated. Replace the desiccant when the beads change from a yellow to a green color (refer to [Figure 14](#)). As a best practice, replace the desiccant when the batteries are replaced.

Figure 14 Desiccant replacement



Section 11 Troubleshooting

If problems occur in the system, try to find whether the problem is with the sensor, the logger or the cable connections.

- Examine all connections to the sensors. Make sure all connections are tight.
- Remove and examine the sensor connectors for moisture. Clean and dry if necessary.
- Examine the sensors for debris and remove the debris.
- Examine the Event Log for problem events.

11.1 Communication failure

If a call was sent to the server but the connection failed, complete the following tasks:

- Disconnect and apply power to the instrument.
- Adjust the antenna to increase the signal strength.
- Log on to the server and make sure that the serial number was entered correctly and that the SVC used for configuration was recorded correctly.
- Make sure that the communication settings were entered correctly in the FL900 driver window.

- Connect the logger to the computer and open a communications session. In the FL900 driver window, click on the Diagnostics tab and then the Modem menu. The Registration Status should be Home.
- If there is no resolution, call technical support.

Section 12 Replacement parts and accessories

Note: Product and Article numbers may vary for some selling regions. Contact the appropriate distributor or refer to the company website for contact information.

Replacement parts

Description	Item no.
Battery compartment cover	8524400
Battery compartment cover, O-ring	8533400
Desiccant cap assembly (battery compartment desiccant)	8754900
Desiccant tube assembly (battery compartment desiccant)	8535200
Desiccant, replacement beads, 680 g (1.5 lb)	8755500
Eyebolts, 1/4–20 x 2.5-in. stainless steel	8535500
Gasket, top cover	8533300
Enclosure screw, #10–14 x 1 in.	8753300
Logger handle	8524200
Lubricant, silicone, 0.25 oz	000298HY
Magnet assembly	8537800
Cap and lanyard for the Sensor, Comm or Aux connectors	8535000
Cap and lanyard for the rain gauge connector	9492500

Power

Description	Item no.
Battery, 6 V lantern	11013M
Battery, long-life alkaline	8542900
Long-life alkaline battery pack top cap adapter and cable	8543000
Cable assembly, external power, 2.7 m (9 ft)	8528700
Cable assembly, external power, 7.6 m (25 ft)	8528701

Mounting hardware

Description	Item no.
Wall-mount bracket without ladder hanger	8542700
Wall-mount bracket adapter	8543800

Antennas

Description	Item no.
Blade, 3G/4G LTE, 3 dBi	8623800
Mini-wing, 2G/3G/4G LTE, 2.5 m (8.2 ft) cable, 5.5 dBi	8624000
Burial, 3G/4G LTE, 3 m (9.8 ft) cable, 3 dBi	8624200
Manhole Lid, 3G/4G LTE, 3 m (9.8 ft) cable, 3 dBi	8624400

Auxiliary/Sampler cables

Description	Item no.
Cable, auxiliary, multi-purpose half, 7 pin, 2.7 m (9 ft)	8528500
Cable, auxiliary, multi-purpose half, 7 pin, 7.6 m (25 ft)	8528501
Cable, FL900 logger to AS950 AUX port, 7 pin, 2.7 m (9 ft)	9500700
Cable, FL900 logger to AS950 AUX port, 7 pin, 7.6 m (25 ft)	9500701
Cable assembly, power input AUX, AS950-FL900 with power adapter	8322800

Table des matières

1	Version enrichie de ce manuel à la page 29	7	Communication Modbus à la page 48
2	Caractéristiques techniques à la page 29	8	Configuration de base à la page 48
3	Généralités à la page 30	9	Installation in situ à la page 51
4	Mise sous tension de l'enregistreur à la page 36	10	Maintenance à la page 52
5	Démarrage du système à la page 39	11	Dépannage à la page 53
6	Programmation d'une unité équipée d'un modem à la page 41	12	Pièces de rechange et accessoires à la page 54

Section 1 Version enrichie de ce manuel

Pour de plus amples informations, consultez la version enrichie de ce manuel, accessible sur le site Web du fabricant.

Section 2 Caractéristiques techniques

Ces caractéristiques sont susceptibles d'être modifiées sans avis préalable.

Caractéristique	Détails
Dimensions (l x P x H)	25,4 x 22 x 40 cm (10,0 x 8,7 x 16,0 pouces)
Boîtier	Mousse structurée PC/ABS
Classement environnemental	NEMA 6P/IP68 (submersion 24 heures à 1,8 m (6 pieds))
Poids (modèle FL900)	4,5 kg (10 lb) sans piles, 6,3 kg (14 lb) avec 2 piles et 8,2 kg (18 lb) avec 4 piles
Température de fonctionnement	-18 à 60 °C (0 à 140 °F) à 95 % HR
Température de stockage	-40 à 60 °C (-40 à 140 °F)
Alimentation électrique	8 à 18 VCC avec des piles ou une source d'alimentation externe, 2,5 W maximum
Durée de vie de la batterie	Varie selon le type de capteur, les intervalles d'enregistrement, la télémétrie et l'environnement. Avec un intervalle d'enregistrement de 15 minutes, sans modem, quatre piles 6 V à température ambiante : <ul style="list-style-type: none">• Capteur Flo-tote 306 jours• Capteur de vitesse avec analyseur AV9000 296 jours• Capteur Flo-Dar 185 jours• Capteur ultrasonique 456 jours Remarque : Pour des durées plus longues, utilisez des piles longue durée, ref. 8542900.
Catégorie d'installation	I
Classe de protection	III
Niveau de pollution	4
Ports du capteur	1, 2 ou 4 ports
Connecteurs	Connecteurs en acier inoxydable
Voies d'enregistrement	16 maximum
Alarmes	Jusqu'à 16 alarmes avec options élevé/élevé, élevé, faible, faible/faible. Les alarmes du système sont sur pile faible, une pile RTC faible, mémoire faible, mémoire slate pleine, non réponse du capteur et identifiant de capteur.

Caractéristique	Détails
Actions d'alarme	A partir de l'enregistreur ou du serveur, vous pouvez démarrer l'échantillonneur, modifier l'intervalle d'enregistrement, modifier l'intervalle d'appel et envoyer un courriel électronique ou un SMS. <i>Remarque : Des frais peuvent s'appliquer pour les SMS. Certains types d'alarme peuvent ne pas être disponibles avec tous les opérateurs cellulaires ni toutes les offres de service.</i>
Intervalles d'enregistrement	1, 2, 3, 4, 5, 6, 10, 12, 15, 20, 30 ou 60 minutes
	Intervalles principaux et secondaires pour un enregistrement dynamique
Stockage des données	Journal des événements : jusqu'à 1 000 événements dans une mémoire flash non-volatile
	Historique de l'échantillonneur : jusqu'à 2 000 événements d'échantillonnage dans une mémoire flash non-volatile
	Datalog : 325 000 valeurs mesurées ; 1 128 jours pour 3 voies à 15 minutes d'intervalle d'enregistrement
Communication avec l'ordinateur.	USB
	RS232 (débits en bauds : 9 600, 19 200, 38 400, 57 600, 115 200)
Communication à distance (en option)	Modem sans fil : 3G, 4G LTE (Verizon) ; 3G, 4G LTE, PTCRB (Etats-Unis et Canada)
Protocoles	Modbus RTU (RS232)
	SMS MT
	SMS MO
Précision de la base de temps	± 0,002 %, synchronisation toutes les 24 heures avec logiciel serveur et modem
Capteurs pris en charge	Flo-Dar, Flo-Dar avec SVS, Flo-Tote, Pluviomètre, ultrasonique, sonde hauteur/vitesse ¹ , Sigma 950 ¹
Interface de l'échantillonneur	Compatible avec Sigma 900 Standard, Sigma 900 Max , Hach SD900 et AS950 pour l'échantillonnage des points de consigne, la vitesse d'écoulement et l'enregistrement de l'historique des échantillons
Certifications	Enregistreur : CE
	Alimentation CA en option : normes UL/CSA (cETLus)/CE
	Modems : FCC, IC. Si vous souhaitez d'autres modèles, veuillez contacter le fabricant pour de plus amples informations.
Garantie	1 an

Section 3 Généralités

En aucun cas le fabricant ne pourra être tenu responsable des dommages résultant d'une utilisation incorrecte du produit ou du non-respect des instructions du manuel. Le constructeur se réserve le droit d'apporter des modifications à ce manuel et aux produits décrits, à tout moment, sans avertissement ni obligation. Les éditions révisées se trouvent sur le site Internet du fabricant.

3.1 Consignes de sécurité

Le fabricant décline toute responsabilité quant aux dégâts liés à une application ou un usage inappropriés de ce produit, y compris, sans toutefois s'y limiter, des dommages directs ou indirects, ainsi que des dommages consécutifs, et rejette toute responsabilité quant à ces dommages dans la mesure où la loi applicable le permet. L'utilisateur est seul responsable de la vérification des risques

¹ Cet appareil se raccorde via un module externe.

d'application critiques et de la mise en place de mécanismes de protection des processus en cas de défaillance de l'équipement.

Veillez lire l'ensemble du manuel avant le déballage, la configuration ou la mise en fonctionnement de cet appareil. Respectez toutes les déclarations de prudence et d'attention. Le non-respect de cette procédure peut conduire à des blessures graves de l'opérateur ou à des dégâts sur le matériel.






Assurez-vous que la protection fournie par cet équipement n'est pas compromise. Ne pas utiliser ou installer cet équipement autrement qu'indiqué dans le présent manuel.

3.1.1 Informations sur les risques d'utilisation

▲ DANGER
Indique une situation de danger potentiel ou imminent qui, si elle n'est pas évitée, entraîne des blessures graves, voire mortelles.
▲ AVERTISSEMENT
Indique une situation de danger potentiel ou imminent qui, si elle n'est pas évitée, peut entraîner des blessures graves, voire mortelles.
▲ ATTENTION
Indique une situation de danger potentiel qui peut entraîner des blessures mineures ou légères.
AVIS
Indique une situation qui, si elle n'est pas évitée, peut occasionner l'endommagement du matériel. Informations nécessitant une attention particulière.

3.1.2 Etiquettes de mise en garde

Lisez toutes les étiquettes et tous les repères apposés sur l'instrument. Des personnes peuvent se blesser et le matériel peut être endommagé si ces instructions ne sont pas respectées. Un symbole sur l'appareil est signalé dans le manuel avec une instruction de mise en garde.

	Ceci est le symbole d'alerte de sécurité. Respectez tous les messages de sécurité qui suivent ce symbole afin d'éviter tout risque de blessure. S'ils sont apposés sur l'appareil, se référer au manuel d'utilisation pour connaître le fonctionnement ou les informations de sécurité.
	Ce symbole indique qu'il existe un risque de choc électrique et/ou d'électrocution.
	Ce symbole indique la présence d'appareils sensibles aux décharges électrostatiques et indique que des précautions doivent être prises afin d'éviter d'endommager l'équipement.
	Ce symbole signale la présence d'ondes radioélectriques.
	Le matériel électrique portant ce symbole ne doit pas être mis au rebut dans les réseaux domestiques ou publics européens. Retournez le matériel usé ou en fin de vie au fabricant pour une mise au rebut sans frais pour l'utilisateur.

3.1.3 Précautions concernant l'espace confiné

▲ DANGER



Risque d'explosion. Une formation portant sur les tests de pré-entrée, la ventilation, les procédures d'entrée, les procédures d'évacuation/de sauvetage et les mesures de sécurité est nécessaire avant d'entrer dans des lieux confinés.

Les informations suivantes sont fournies dans le but d'aider les utilisateurs à appréhender les dangers et les risques associés aux espaces confinés.

Le 15 avril 1993, le règlement final de l'OSHA concernant le CFR 1910.146, Permit Required Confined Spaces (Espaces confinés nécessitant l'autorisation), est devenue une loi. Cette norme affecte directement plus de 250 000 sites industriels aux Etats-Unis et a été rédigée dans le but de protéger la santé et la sécurité des travailleurs en espace confiné.

Définition d'un espace confiné :

Tout endroit ou clôture qui présente (ou est susceptible de présenter) une ou plusieurs des conditions suivantes :

- Une atmosphère qui contient une concentration d'oxygène inférieure à 19,5 % ou supérieure à 23,5 % et/ou une concentration de sulfure d'hydrogène (H₂S) supérieure à 10 ppm.
- Une atmosphère qui peut être inflammable ou explosive en présence de gaz, vapeurs, brumes, poussières ou fibres.
- Des matériaux toxiques qui, en cas de contact ou d'inhalation, sont susceptibles d'occasionner des blessures, des problèmes de santé ou la mort.

Les espaces confinés ne sont pas conçus pour l'occupation humaine. Les espaces confinés disposent d'un accès limité et présentent des risques connus ou potentiels. Les trous d'homme, les colonnes, les tuyaux, les cuves, les chambres de commutation et autres emplacements similaires sont des exemples d'espaces confinés.

Il convient de toujours suivre les procédures de sécurité standard avant d'entrer dans des espaces et/ou des endroits confinés soumis à des gaz dangereux, des vapeurs, des brumes, des poussières ou des fibres. Avant de pénétrer dans un espace confiné, veuillez lire l'ensemble des procédures liées à l'accès.

3.2 Certification

Règlement canadien sur les équipements causant des interférences radio, ICES-003, Classe A :

Les données d'essai correspondantes sont conservées chez le constructeur.

Cet appareil numérique de classe A répond à toutes les exigences de la réglementation canadienne sur les équipements provoquant des interférences : CAN ICES-3(A)/NMB-3(A).

Cet appareil numérique de classe A répond à toutes les exigences de la réglementation canadienne sur les équipements provoquant des interférences.

FCC part 15, limites de classe A :

Les données d'essai correspondantes sont conservées chez le constructeur. L'appareil est conforme à la partie 15 de la réglementation FCC. Le fonctionnement est soumis aux conditions suivantes :

1. Cet équipement ne peut pas causer d'interférence nuisible.
2. Cet équipement doit accepter toutes les interférences reçues, y compris celles qui pourraient entraîner un fonctionnement inattendu.

Les modifications de cet équipement qui n'ont pas été expressément approuvées par le responsable de la conformité aux limites pourraient annuler l'autorité dont l'utilisateur dispose pour utiliser cet équipement. Cet équipement a été testé et déclaré conforme aux limites définies pour les appareils numériques de classe A, conformément à la section 15 de la réglementation FCC. Ces limites ont pour but de fournir une protection raisonnable contre les interférences néfastes lorsque l'équipement fonctionne dans un environnement commercial. Cet équipement génère, utilise et peut irradier l'énergie des fréquences radio et, s'il n'est pas installé ou utilisé conformément au mode d'emploi, il

peut entraîner des interférences dangereuses pour les communications radio. Le fonctionnement de cet équipement dans une zone résidentielle risque de causer des interférences nuisibles, dans ce cas l'utilisateur doit corriger les interférences à ses frais. Les techniques ci-dessous peuvent permettre de réduire les problèmes d'interférences :

1. Débrancher l'équipement de la prise de courant pour vérifier s'il est ou non la source des perturbations
2. Si l'équipement est branché sur le même circuit de prises que l'appareil qui subit des interférences, branchez l'équipement sur un circuit différent.
3. Eloigner l'équipement du dispositif qui reçoit l'interférence.
4. Repositionner l'antenne de réception du périphérique qui reçoit les interférences.
5. Essayer plusieurs des techniques ci-dessus à la fois.

3.3 Certification de modem sans fil

Le produit répond aux exigences de la section 15 de la réglementation FCC et aux normes RSS d'Industrie Canada. Le fonctionnement est soumis aux conditions suivantes :

1. Cet équipement ne peut pas causer d'interférence nuisible.
2. Cet équipement doit accepter toutes les interférences reçues, y compris celles qui pourraient entraîner un fonctionnement inattendu.

Les modifications de cet équipement de communication sans fil qui n'ont pas été expressément approuvées par le responsable de la conformité aux limites pourraient annuler l'autorité dont l'utilisateur dispose pour utiliser cet équipement. Tout changement apporté à l'équipement annulera la certification d'Industrie Canada et l'autorisation FCC. Les changements et modifications incluent toute modification effectuée sur les modems sans fil et les antennes associées, y compris les câbles d'antenne. Suivez les recommandations du fabricant pour l'installation, la configuration et l'utilisation sans fil du produit.

3.4 Appareils cellulaires

AVIS

La sécurité du réseau et du point d'accès relève de la responsabilité du client utilisant l'appareil sans fil. Le fabricant ne peut être tenu pour responsable des dommages, y compris mais sans s'y limiter, indirects, particuliers, fortuits ou accessoires occasionnés en raison d'une brèche dans la sécurité du réseau ou d'une violation de la sécurité du réseau.

▲ AVERTISSEMENT



Précautions relatives aux stimulateurs cardiaques. Si des interférences électromagnétiques (IEM) se produisent, elles peuvent :

- Interrompre les impulsions du stimulateur cardiaque qui contrôle le rythme du cœur.
- Perturber la régularité des impulsions du stimulateur cardiaque.
- Empêcher le stimulateur cardiaque de tenir compte du rythme du cœur, l'obligeant à donner des impulsions à un intervalle défini.

Des recherches en cours montrent que les appareils cellulaires ne posent pas de problème de santé significatif pour les porteurs de stimulateur cardiaque. Cependant, les personnes portant un stimulateur cardiaque doivent faire preuve de prudence et s'assurer que leur appareil ne leur pose pas de problème. Gardez à l'appareil à au moins 20 cm (7,9 po) de l'utilisateur.

▲ ATTENTION



Risque lié au rayonnement électromagnétique. Assurez-vous que l'antenne est maintenue à une distance minimale de 20 cm (7,9 po) de l'ensemble du personnel dans des conditions d'utilisation dites normales. L'antenne ne peut pas être colocalisée ou utilisée en combinaison avec une autre antenne ou d'autres transmetteurs.

⚠ ATTENTION



Risque lié au rayonnement électromagnétique. Dans les applications portables, n'utilisez pas le modem à moins de 20 cm de l'utilisateur.

Agréments des dispositifs de contrôle RF

Modem MTSMC-LAT3 (classe d'équipement : transmetteur sous licence PCS, module LTE/3G) :

- FCC : homologué en tant qu'appareil modulaire avec octroi d'autorisation TCB. ID FCC : R17LE910NAV2
- IC : homologué en tant qu'appareil modulaire avec certificat d'acceptabilité technique, ID C-REL : 5131A-LE910NAV2

Modem MTSMC-LVW3 (transmetteur sous licence PCS, module LTE/3G) :

- FCC : homologué en tant qu'appareil modulaire avec octroi d'autorisation TCB. ID FCC : R17LE910SVV2
- IC : homologué en tant qu'appareil modulaire avec certificat d'acceptabilité technique, ID C-REL : 5131A-LE910SVV2

Tableau 1 Modem cellulaire : MTSMC-LAT3

Sections de la réglementation FCC	Bandes de fréquence (MHz)	Puissance de sortie maximale (Watts)
22, 24, 27	700 (B12/ B13), 850 (B5), 1 700 (B4), 1 900 (B2)	0.232

Modem cellulaire MTSMC-LAT3, conditions d'octroi et remarques :

Approbation modulaire unique. Vérification de la puissance en sortie. Cet appareil est homologué pour les utilisations fixes et mobiles en termes de conformité aux limites d'exposition aux fréquences radio et ne peut être distribué qu'à des installateurs OEM. La ou les antennes utilisées pour ce transmetteur, telles que décrites dans cette déclaration, doivent être installées avec une distance de séparation d'au moins 20 cm par rapport à la personne la plus proche. Vous devez mettre en place un environnement d'exploitation conforme aux normes d'exposition aux fréquences radio. Valeurs maximales de gain d'antenne/perte sur câble : 6.63 dBi pour 700 MHz et 850 MHz ; 6,00 dBi pour 1 700 MHz ; 8.51 dBi pour 1 900 MHz.

Tableau 2 Modem cellulaire : MTSMC-LVW3

Sections de la réglementation FCC	Bandes de fréquence (MHz)	Puissance de sortie maximale (Watts)
24, 27	700 (B13), 1 700 (B4), 1 900 (B2)	0.219

Modem cellulaire MTSMC-750 LB3, conditions d'octroi et remarques :

Approbation modulaire unique. Vérification de la puissance en sortie. Cet appareil est homologué pour les utilisations fixes et mobiles en termes de conformité aux limites d'exposition aux fréquences radio et ne peut être distribué qu'à des installateurs OEM. La ou les antennes utilisées pour ce transmetteur, telles que décrites dans cette déclaration, doivent être installées avec une distance de séparation d'au moins 20 cm par rapport à la personne la plus proche. Vous devez mettre en place un environnement d'exploitation conforme aux normes d'exposition aux fréquences radio. Valeurs maximales de gain d'antenne/perte sur câble : 6,94 dBi pour 700 MHz ; 6,00 dBi pour 1 700 MHz ; 9,01 dBi pour 1 900 MHz.

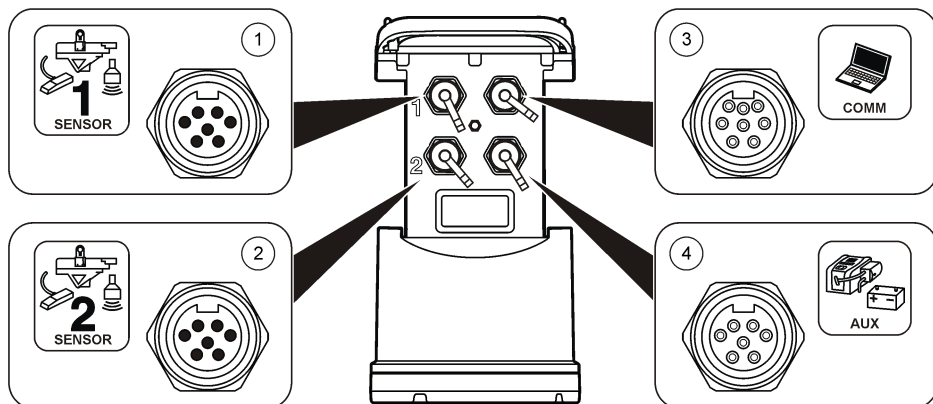
3.5 Présentation du produit

Les enregistreurs d'écoulement série FL900 sont utilisés dans le cadre d'études de contrôle d'écoulement à surface libre sur le débit et l'infiltration, les débordements d'égouts unitaires (DEU), la capacité de débit et la planification, et le contrôle des eaux pluviales d'orage.

Les données sont recueillies par les capteurs raccordés à l'enregistreur et enregistrées pour être extraites ultérieurement. Il est possible d'ajouter ou de modifier les capteurs sur le terrain. En fonction du modèle, vous pouvez raccorder jusqu'à 4 capteurs. Les données peuvent être récupérées directement via le port USB ou un câble RS232, ou encore à distance via un réseau sans fil avec FSDATA Desktop et le logiciel serveur FSDATA. Les enregistreurs série FL900 peuvent également être raccordés à une source d'alimentation externe, un pluviomètre ou être utilisés pour régler la vitesse d'un échantillonneur Sigma ou Hach.

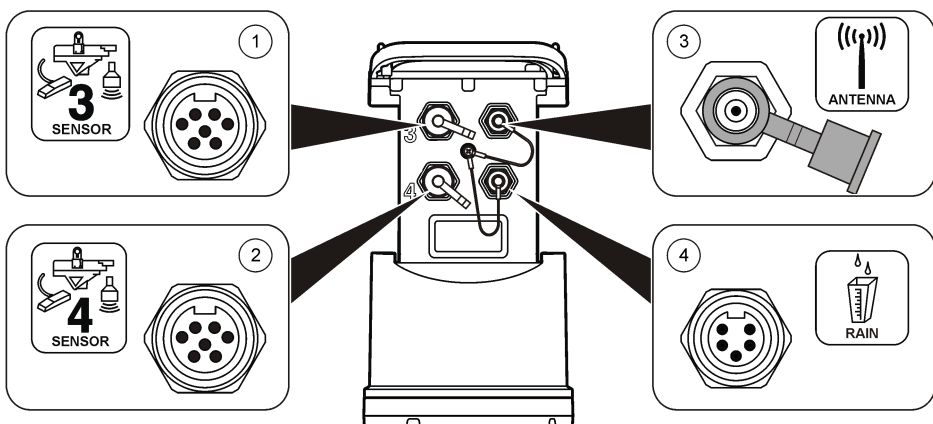
L'option sans fil et le nombre de connecteurs disponibles varient selon le modèle de l'enregistreur. Reportez-vous aux sections [Figure 1](#) et [Figure 2](#).

Figure 1 Connecteurs : côté 1



1 Capteur (tous les modèles)	3 Ordinateur : câble USB ou RS232 (tous les modèles)
2 Capteur (FL902 et FL904 uniquement)	4 Auxiliaire : alimentation externe ou échantillonneur (tous les modèles, sauf FL900)

Figure 2 Connecteurs : côté 2



1 Capteur (FL904 uniquement)	3 Option antenne (tous les modèles, sauf FL900)
2 Capteur (FL904 uniquement)	4 Pluviomètre (tous les modèles, sauf FL900)

3.6 Composants du produit

Si des éléments manquent ou sont endommagés, contactez immédiatement le fabricant ou un représentant commercial.

Section 4 Mise sous tension de l'enregistreur

4.1 Installation des piles

▲ AVERTISSEMENT



Risque d'explosion. Une installation incorrecte des piles peut libérer des gaz explosifs. Veillez à ce que les piles soient du même type chimique homologué et à ce qu'elles soient insérées dans le bon sens. Ne mélangez pas des piles neuves et des piles usagées.

▲ AVERTISSEMENT



Risque d'incendie. La substitution du type de pile n'est pas autorisée. Utilisez uniquement des piles alcalines.

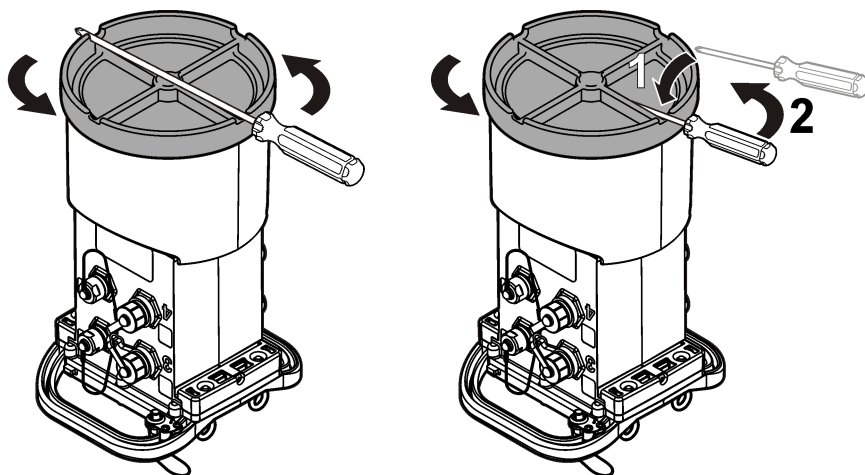
AVIS

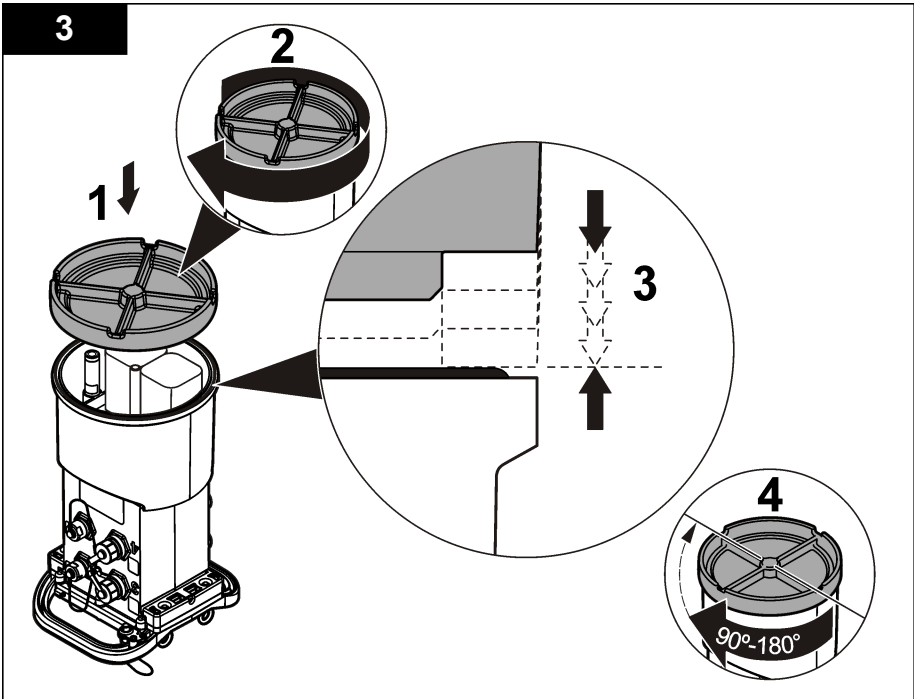
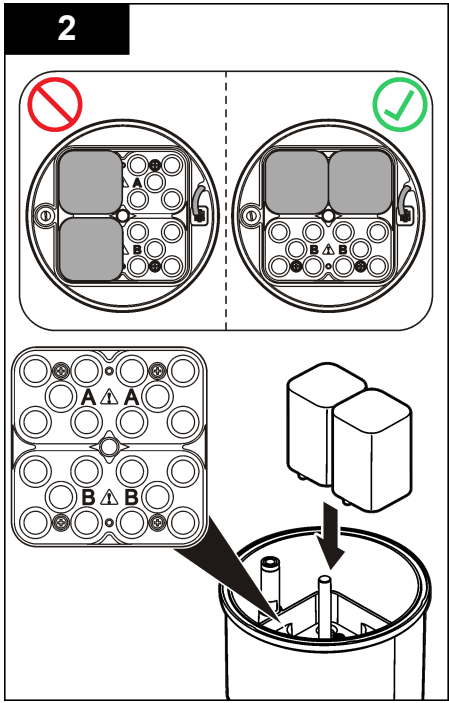
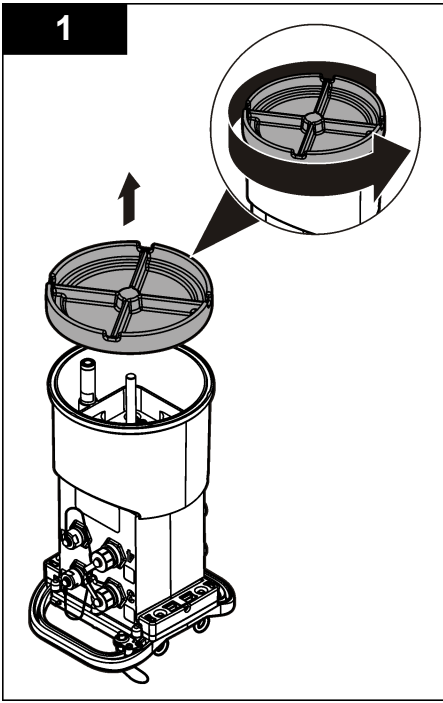
Ne serrez pas excessivement le cache. Serrez jusqu'à ce que le cache effleure le joint torique, puis d'un quart de tour à un demi-tour maximum à partir de l'effleurement avec le joint torique. Lubrifiez régulièrement le joint torique avec de la graisse de silicone.

L'appareil peut être utilisé avec 2 ou 4 piles de 6 V. Utilisez deux piles pour une utilisation courte ou quatre piles pour une utilisation longue (pour la durée de vie des piles, reportez-vous à [Caractéristiques techniques](#) à la page 29). Lorsque vous utilisez deux piles, placez-les du même côté dans le compartiment (A-A ou B-B). Reportez-vous aux illustrations suivantes.

En cas de changements de température et de pression, il peut s'avérer difficile de retirer manuellement le cache du compartiment à piles. Dans ce cas, vous pouvez utiliser un outil ([Figure 3](#)).

Figure 3 Dépose du cache du compartiment à piles





4.2 Raccordement d'une alimentation externe (en option)

▲ AVERTISSEMENT

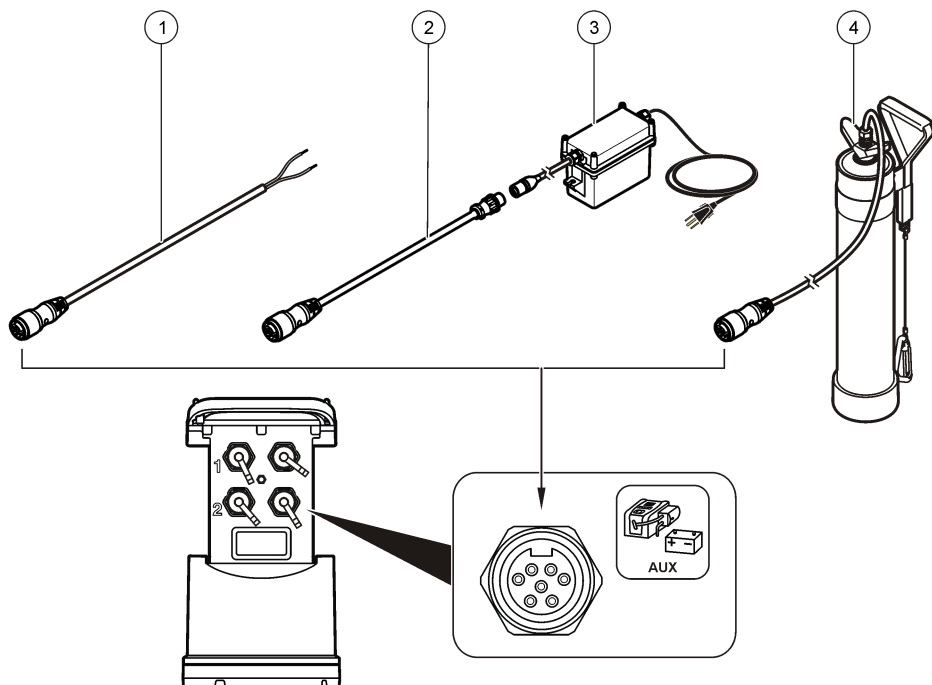


Risque d'explosion. L'appareil n'est pas homologué pour une utilisation dans des conditions dangereuses.

L'appareil peut être alimenté par une pile longue durée externe, une alimentation AS950 ou toute autre source d'alimentation issue de la gamme spécifiée (reportez-vous aux sections [Caractéristiques techniques](#) à la page 29 et [Pièces de rechange et accessoires](#) à la page 54). Si l'enregistreur est doté d'une source d'alimentation externe et de piles internes, les piles sont utilisées comme source d'alimentation auxiliaire. Lorsque l'alimentation externe est inférieure à 9 V environ, les piles internes alimentent l'appareil jusqu'à ce que la tension de la source externe dépasse 9 V.

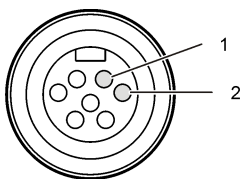
1. Installez la source d'alimentation externe dans un endroit sûr à proximité de l'enregistreur. Assurez-vous de respecter toutes les mesures de sécurité en matière d'alimentation.
2. Reliez le câble de la source d'alimentation au connecteur AUX de l'enregistreur ([Figure 4](#)).
3. Raccordez l'appareil à la source d'alimentation, le cas échéant.

Figure 4 Options d'alimentation externe



1 Câble d'alimentation à 2 conducteurs (Figure 5)	3 Alimentation AS950
2 Câble adaptateur d'alimentation	4 Pile longue durée

Figure 5 Câbles d'alimentation à 2 conducteurs



1 Puissance—fil rouge, 1,31 mm ²	2 Commun—fil noir, 1,31 mm ²
---	---

Section 5 Démarrage du système

5.1 Installation de FSDATA Desktop sur un ordinateur

Avant de connecter l'enregistreur de débit ou l'échantillonneur à un ordinateur, vérifiez que FSDATA Desktop est installé sur cet ordinateur. FSDATA Desktop est disponible à l'adresse www.hachflow.com.

5.2 Raccordement de l'enregistreur à l'ordinateur

Conditions préalables : vérifiez que FSDATA Desktop est installé sur votre ordinateur. Raccordez uniquement un enregistreur à l'ordinateur

1. Reliez l'enregistreur à l'ordinateur.
2. Lorsque vous raccordez un câble USB pour la première fois, l'assistant Nouveau matériel détecté s'ouvre. Exécutez l'assistant du nouveau matériel pour installer le pilote USB de l'enregistreur. Une fois terminé, le message « Votre nouveau matériel est installé et prêt à l'emploi » s'affiche. Si l'assistant ne s'ouvre pas ou si l'installation échoue, contactez l'assistance technique pour qu'elle vous aide à dépanner votre système d'exploitation spécifique.

5.3 Branchement du capteur ou des périphériques externes à l'enregistreur

Conditions préalables : l'état de la connexion doit être « Not connected » (Non connecté).

▲ AVERTISSEMENT



Emplacements dangereux pour le capteur et risques d'exposition aux radiofréquences. Certains capteurs présentent des risques d'exposition au rayonnement RF et sont utilisés dans des atmosphères explosives. Avant de brancher un capteur sur l'enregistreur, reportez-vous aux avertissements et aux instructions du manuel du capteur.

Le nombre de capteurs qui peuvent être raccordés à l'enregistreur dépend du modèle de l'enregistreur. Certains capteurs se branchent à un module externe servant d'interface entre le capteur et l'enregistreur. Figure 7 montre le module d'analyse Hauteur/vitesse AV900 couplé à côté de l'enregistreur et le branchement à un capteur de hauteur/vitesse.

1. Si le câble du capteur est équipé de connecteurs aux deux extrémités, raccordez d'abord le câble au capteur.
2. Branchez le capteur (ou module) à n'importe quel port SENSOR de l'enregistreur Figure 6 ou Figure 7. Serrez le connecteur à la main.

Remarque : Pour l'installation d'un pluviomètre, reliez le capteur au connecteur RAIN (PLUIE).

3. Si le capteur utilise un module externe, branchez le module à l'enregistreur, puis raccordez le capteur au module (Figure 7).
4. Si le câble du capteur comporte un concentrateur déshydratant, alignez-le verticalement et vérifiez que l'orifice de passage d'air pointe vers le bas (Figure 6).

Figure 6 Raccordement d'un capteur à l'enregistreur

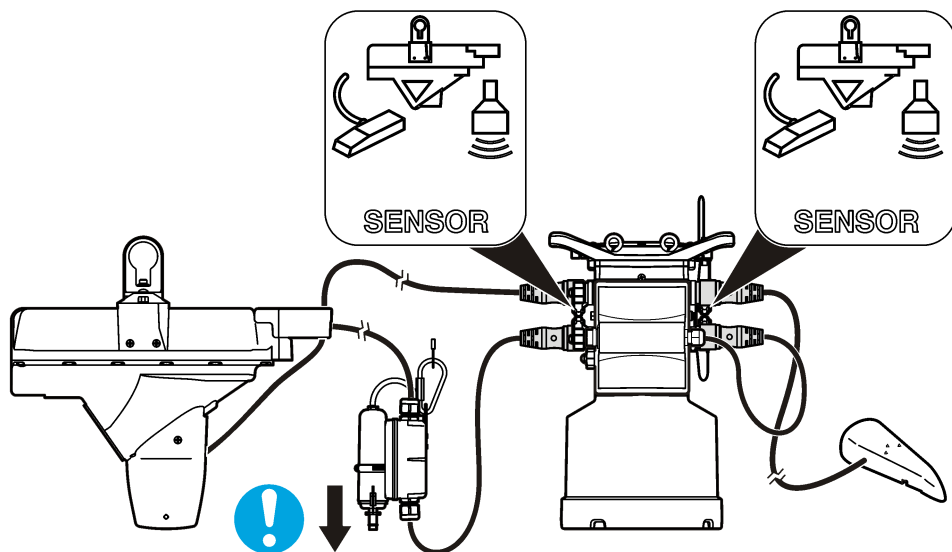
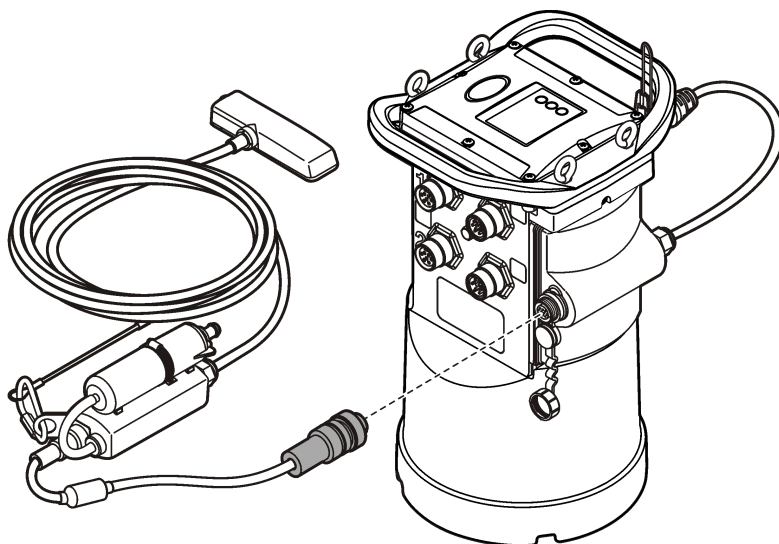


Figure 7 Raccordement d'un capteur à un module externe



5.4 Raccordement d'un module externe

Vous devez utiliser un module externe pour servir d'interface entre certains types de capteur et l'enregistreur. Le module externe se monte sur le côté de l'enregistreur (Figure 7 à la page 40). Reportez-vous à la documentation fournie avec le module pour connaître les instructions de montage.

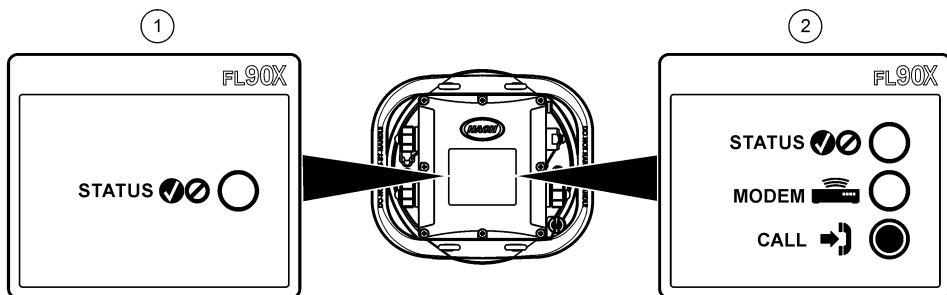
5.5 Raccordement d'un échantillonneur

L'enregistreur peut être branché sur un échantillonneur Sigma 900 Standard, Sigma 900 Max, Hach SD900 ou Hach AS950 pour un échantillonnage réglé sur le débit et le point de consigne. Connectez le port AUX de l'enregistreur au port auxiliaire de l'échantillonneur à l'aide d'un câble auxiliaire. S'il convient de raccorder l'enregistreur à une alimentation externe lorsque celui-ci est connecté à un échantillonneur AS950, utilisez l'ensemble de câblage auxiliaire pour entrée alimentation secteur. Pour créer un programme d'échantillonnage, reportez-vous à la documentation fournie avec l'échantillonneur.

5.6 Interface utilisateur

Les voyants de l'interface utilisateur affichent l'état de l'appareil et du modem. Reportez-vous à la [Figure 8](#) et au [Tableau 3](#).






Figure 8 Interface utilisateur



1 Appareil sans modem

2 Appareil avec modem

Tableau 3 Voyants d'état DEL

Voyant	Couleur du voyant	Description
STATUS   	Vert	Clignote toutes les 3 secondes en fonctionnement normal. Clignote toutes les 15 secondes en mode veille.
	Rouge	Clignote lorsqu'un capteur raccordé n'est pas compatible avec le programme de l'enregistreur, lorsqu'un capteur est introuvable ou en cas de dysfonctionnement du capteur.
MODEM  	Vert	Reste vert lors de l'émission d'un appel vers le serveur.
	Rouge	Clignotement de couleur rouge en cas d'échec de l'appel vers le serveur.

Section 6 Programmation d'une unité équipée d'un modem

▲ ATTENTION



Risque lié au rayonnement électromagnétique. Assurez-vous que l'antenne est maintenue à une distance minimale de 20 cm (7,9 po) de l'ensemble du personnel dans des conditions d'utilisation dites normales. L'antenne ne peut pas être colocalisée ou utilisée en combinaison avec une autre antenne ou d'autres transmetteurs.

Pour les unités sans modem, reportez-vous à la section [Configuration de base](#) à la page 48. Pour les unités fournies avec des comptes modem activés², reportez-vous à la section [Ajout de l'enregistreur au serveur FSDATA](#) à la page 45.

6.1 Configuration du compte sans fil

Remarque : Vous devez vérifier que vous bénéficiez d'une couverture mobile suffisante de la part du fournisseur que vous avez choisi pour chaque site avant d'acheter un enregistreur doté d'un modem mobile.

AVIS

La sécurité du réseau et du point d'accès relève de la seule responsabilité du client utilisant l'appareil sans fil. Le fabricant ne peut être tenu pour responsable des dommages indirects, particuliers, fortuits ou accessoires occasionnés en raison d'une violation de la sécurité du réseau.

Dès lors que l'enregistreur est équipé d'un modem, il est possible d'envoyer des données de l'enregistreur vers Internet pour un accès à distance. L'utilisateur doit d'abord ouvrir un compte auprès d'un opérateur de téléphonie mobile (sans fil). L'instrument est ensuite inscrit sur le serveur hébergeant les données (FSDATA) et les réglages de communication applicables sont programmés dans l'enregistreur avec FSDATA Desktop. Si le modem a été activé à l'usine, allez à [Ajout de l'enregistreur au serveur FSDATA](#) à la page 45.

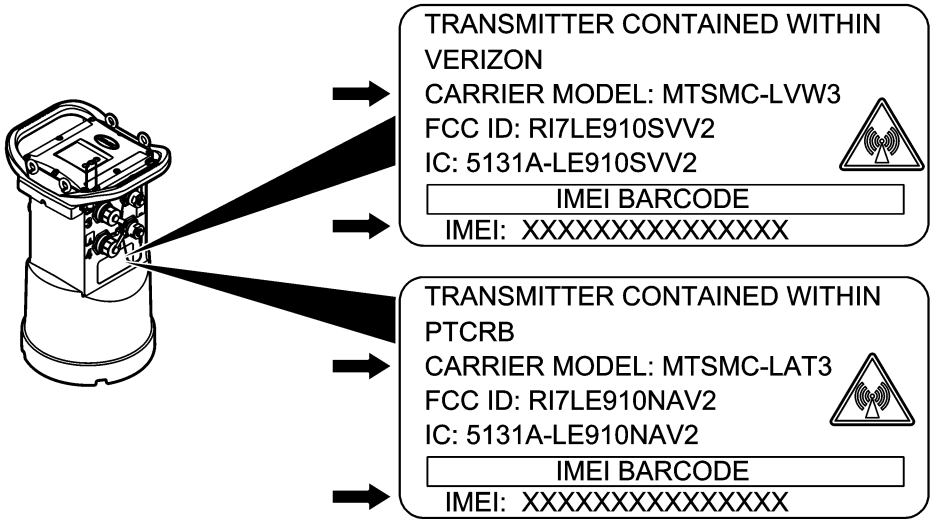
Conditions préalables : assurez-vous que l'enregistreur, le certificat de test de l'enregistreur et l'antenne se trouvent à proximité.

Remarque : Pour un dépannage optimal, installez le pilote FSDATA Desktop, ajoutez l'enregistreur au serveur FSDATA et vérifiez la télémétrie avant de visiter le site de déploiement.


1. Munissez-vous des informations de votre compte.
 - a. Identifiez le numéro IMEI sur l'étiquette. Reportez-vous à la [Figure 9](#).
 - b. Recherchez le modèle de porteuse du modem indiqué sur l'étiquette.
2. Contactez un fournisseur de services sans fil pour mettre en service le modem. Assurez-vous que le fournisseur de services sans fil correspond au type de modem de l'enregistreur, LVW3 = Verizon ou LAT3 = PTCRB (AT&T, T-Mobile, etc.). Demandez un forfait données et SMS de 10 Mo minimum par mois. (SMS en option mais nécessaire pour les notifications d'alarme à un e-mail ou numéro de mobile).
 - a. Indiquez le numéro IMEI au fournisseur. Le cas échéant, communiquez le modèle de porteuse situé également sur l'étiquette de l'émetteur.
 - b. Relevez le numéro de téléphone du modem.
3. Utilisez l'option de diagnostic du modem dans FSDATA Desktop pour vérifier son fonctionnement. Reportez-vous à la documentation de FSDATA Desktop.

² Les numéros de référence des unités fournies avec des comptes modem activés se terminent par .AX, .AR, .VX ou .VR.

Figure 9 Exemples d'étiquette d'émetteur

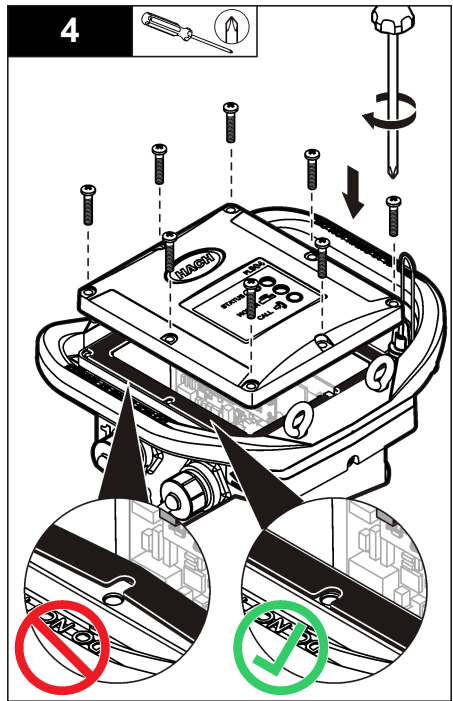
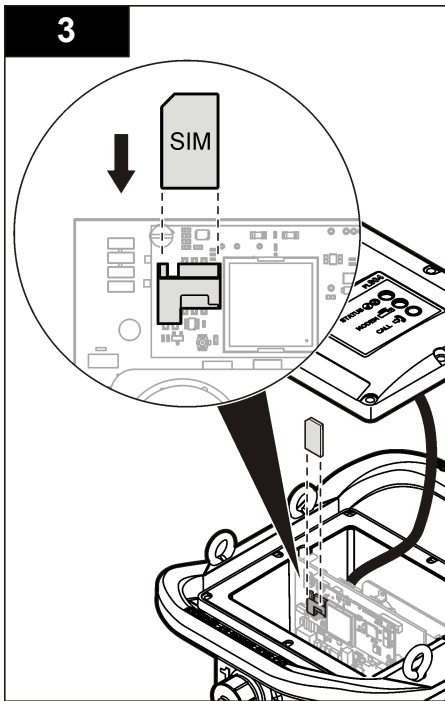
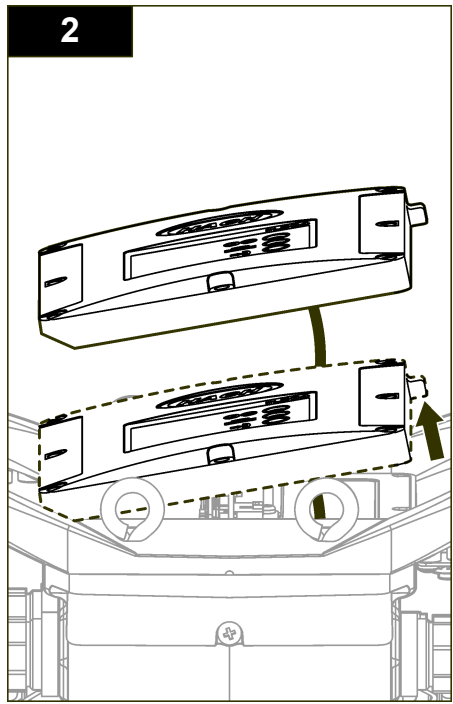
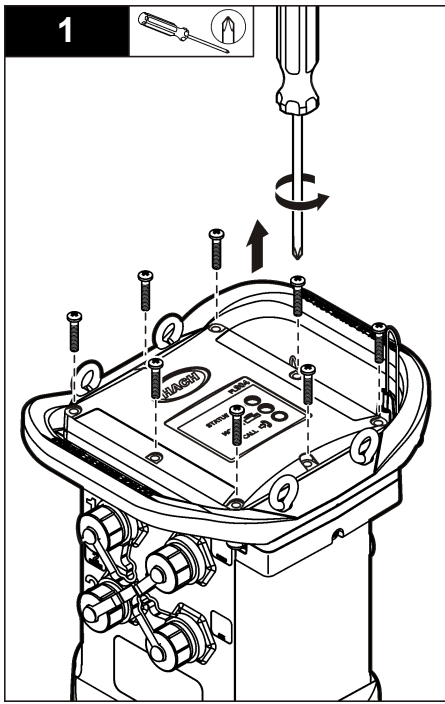


6.1.1 Installez une carte SIM

AVIS	
	Dégât potentiel sur l'appareil. Les composants électroniques internes de l'appareil peuvent être endommagés par l'électricité statique, qui risque d'altérer ses performances et son fonctionnement.

AVIS	
Le boîtier de l'appareil peut se casser si les vis du couvercle sont trop serrées. Serrez les vis du couvercle à la main à un couple de serrage maximum de 2 Nm (20 livrespouces). Assurez-vous que le joint est lubrifié.	

Installez une carte SIM de l'opérateur de téléphonie mobile. Reportez-vous aux étapes illustrées suivantes. Assurez-vous que le code PIN de la carte SIM est désactivé et que la carte SIM prend en charge les données 4G LTE.



6.1.2 Raccordement d'une antenne (option sans fil)

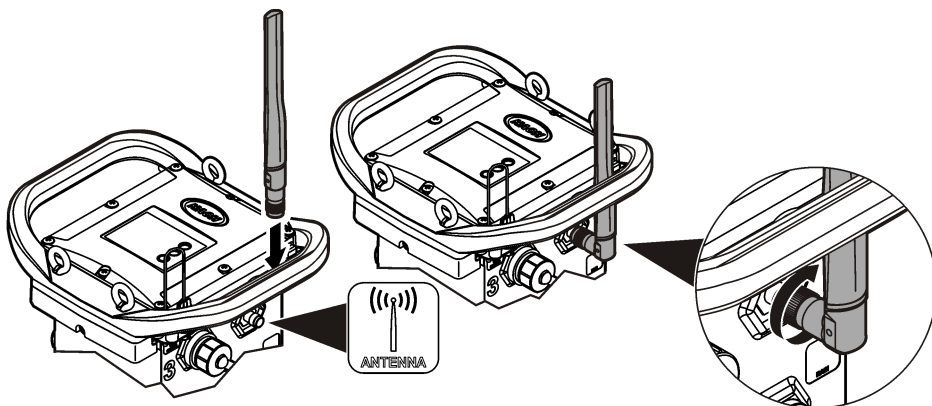
⚠ ATTENTION



Risque lié au rayonnement électromagnétique. Assurez-vous que l'antenne est maintenue à une distance minimale de 20 cm (7,9 po) de l'ensemble du personnel dans des conditions d'utilisation dites normales. L'antenne ne peut pas être colocalisée ou utilisée en combinaison avec une autre antenne ou d'autres transmetteurs.

Dans le cadre de communications sans fil, il est possible de brancher une antenne à l'appareil. Vous avez le choix entre plusieurs types d'antenne. Reportez-vous à la [Pièces de rechange et accessoires](#) à la page 54. Branchez l'antenne directement à l'enregistreur ou branchez un câble d'antenne au connecteur ANTENNA (Figure 10).

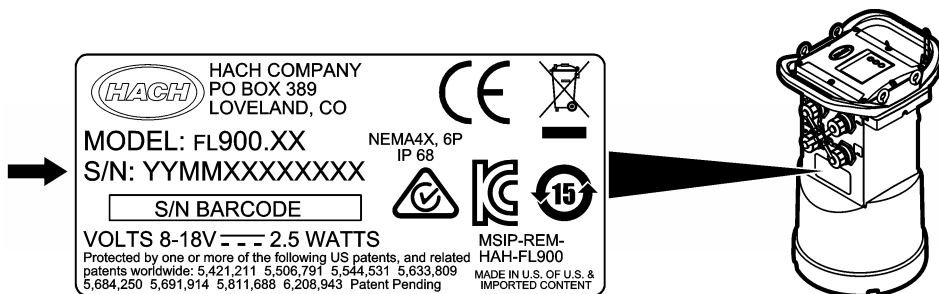
Figure 10 Raccordement de l'antenne à lame



6.1.3 Ajout de l'enregistreur au serveur FSDATA

Conditions préalables : numéro de série de l'enregistreur

Figure 11 Emplacement du numéro de série



AVIS

Pour éviter tout échec de communication, assurez-vous de saisir correctement le numéro de série et le SVC.

1. Pour accéder au serveur FSDATA, consultez le site Web <http://fsdata.hach.com>.
2. Saisissez le nom d'utilisateur et le mot de passe :
 - Nom d'utilisateur : le nom d'utilisateur par défaut est le numéro d'identifiant du client à 8 chiffres
 - Mot de passe : le mot de passe par défaut est HachWebData.

3. Allez à **Instruments** (Appareils)>**Instrument Manager** (Gestionnaire d'appareils).
4. Relevez le code de vérification du serveur (SVC : Server Verification Code) en haut à gauche de l'écran : _____
5. Cliquez sur **ADD NEW** (AJOUTER NOUVEAU). La fenêtre Add Instrument (Ajouter un appareil) s'ouvre.
6. Saisissez le numéro de série (SN) de l'enregistreur (**Figure 11**).
7. Sélectionnez le type d'appareil.
8. Sélectionnez la case à cocher active et cliquez sur **OK**. L'appareil s'affiche dans le Gestionnaire d'appareil.

6.1.4 Configuration de l'enregistreur pour la communication à distance

Conditions préalables : l'enregistreur doit être raccordé à l'ordinateur. Vous devez configurer un compte rattaché à un opérateur de réseau et configurer le serveur.

Les réglages pour la communication à distance doivent être saisis dans FSDATA Desktop, puis inscrits sur l'enregistreur.

1. Démarrez une session de communication avec l'enregistreur :
 - a. Ouvrez FSDATA Desktop.
 - b. Cliquez sur **CONNECT** (CONNECTER). La fenêtre Connect to Instrument (Connexion à l'instrument) s'ouvre.
 - c. Cliquez sur le bouton FL900.
 - d. Sélectionnez le port de l'ordinateur sur lequel l'enregistreur est branché (série ou USB), puis cliquez sur **Connect** (Connecter).
Remarque : Si le message de défaut d'adaptation du capteur s'affiche, sélectionnez « Create new program based on sensors connected » (Créer un nouveau programme basé sur les capteurs raccordés).
 - e. Vérifiez que l'état de la connexion indique « Connected » (Connecté).
2. Accédez à l'onglet Communications (Communications). Saisissez les informations relatives au site qui convient. Sélectionnez Time Zone (Fuseau horaire).
3. Saisissez les informations relatives aux paramètres à distance :

Option	Description
Verizon 4G	Aucune configuration supplémentaire n'est nécessaire.
LAT3 4G	Sélectionnez le fournisseur de réseau et saisissez le nom d'utilisateur et le mot de passe, le cas échéant.
Intervalle d'appel principal	La fréquence à laquelle l'enregistreur émet des appels vers le serveur.
Intervalle d'appel secondaire	La fréquence à laquelle l'enregistreur émet des appels vers le serveur en situation d'alarme.
Code de vérification du serveur	Le code qui indique à quel compte du serveur FSDATA appartient l'enregistreur. Le serveur ne peut pas stocker des données sans ce code.

4. Cliquez sur **WRITE TO LOGGER** (INSCRIRE SUR L'ENREGISTREUR) pour sauvegarder les paramètres. Un message s'affiche :

Option	Description
Attention : toutes les données seront perdues. Continuer ?	Toutes les données stockées sur l'enregistreur sont effacées lors de l'inscription d'un programme sur l'enregistreur. Pour sauvegarder les données, sélectionnez Non et téléchargez les données à un endroit sûr. Sélectionnez Oui pour supprimer les données et mettre à jour l'enregistreur avec le nouveau programme.
Configuration de l'horloge de l'enregistreur	Synchronisation avec l'horloge de l'ordinateur : l'enregistreur utilise la date et l'heure de l'ordinateur. Configuration de l'horloge de l'enregistreur : l'enregistreur utilise la date et l'heure paramétrées par l'utilisateur. Si l'unité possède un modem, l'enregistreur utilise automatiquement la date et l'heure du serveur.

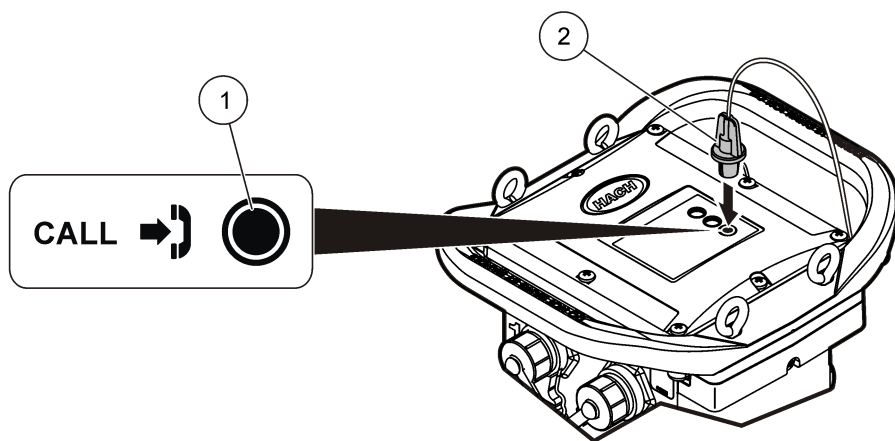
6.1.5 Vérification de la télémesure (option sans fil)

L'utilisateur peut émettre manuellement un appel vers le serveur pour s'assurer que la communication réseau ne présente pas de défaut.

1. Avant toute installation, veuillez raccorder momentanément l'antenne à l'enregistreur pour tester l'antenne et la couverture cellulaire sur le site.
2. Faites toucher la clef magnétique et la touche « appel cible émis » (Figure 12). Le voyant DEL du modem passe au vert.
3. Pendant l'appel (entre 45 et 90 secondes), observez le voyant DEL du modem et attendez qu'un changement se produise.
 - La DEL s'éteint : l'appel au serveur a réussi.
 - La DEL clignote en rouge : l'appel au serveur a échoué.

Remarque : En cas d'échec de connexion, consultez la section [Dépannage](#) à la page 53 pour plus d'informations.

Figure 12 Appelez le serveur



1 Touche appel cible

2 Clef magnétique

6.1.6 Vérification de la télémétrie avec FSDATA Desktop

1. Dans FSDATA Desktop, sélectionnez Communications>Modem Diagnostics (Communications>Diagnostic du modem)
2. Vérifiez que le statut d'enregistrement est local ou itinérance. Si le champ est vide ou si « Identity » (Identité) s'affiche, la connexion a échoué.
3. Réglez l'antenne pour disposer d'une puissance de signal et d'une qualité optimales.
4. Cliquez sur Call Server (Appeler serveur) pour appeler le réseau. Une fenêtre contextuelle indique la réussite ou l'échec de l'opération.

6.1.7 Dépannage de la télémétrie

- Vérifiez que le code de vérification du serveur est correct.
- Vérifiez que le numéro de série est enregistré et activé sur le serveur hôte.
- Vérifiez que le modem est activé et que l'adresse IP Hach est correctement saisie.
- Si le problème persiste, contactez l'assistance technique.

6.1.8 Utilisation de l'option SMS

Configurez le modem FL900 de façon à envoyer ou recevoir des messages SMS (en option). Reportez-vous à la documentation de FSDATA Desktop pour obtenir davantage d'informations sur la configuration.

Section 7 Communication Modbus

Le protocole Modbus peut être utilisé pour communiquer avec cet appareil. Connectez un périphérique réseau externe, par exemple un automate programmable, au port RS232 de l'appareil pour lire les données pendant leur enregistrement.

Contactez l'assistance technique pour obtenir davantage d'informations sur les communications Modbus.

Remarque : Les anciennes données ne peuvent pas être lues avec la communication Modbus.

Section 8 Configuration de base

Les informations contenues dans ce manuel peuvent servir à créer un programme simple destiné à l'enregistreur et à étalonner les capteurs. Reportez-vous à la documentation de FSDATA Desktop pour obtenir davantage d'informations sur les options avancées. Respectez l'ordre de présentation des sections.

8.1 Création d'un programme de base pour l'enregistreur

Il convient d'écrire un programme de base sur l'enregistreur pour spécifier les canaux à enregistrer.

1. Démarrez une session de communication avec l'enregistreur :

- a. Ouvrez FSDATA Desktop.
- b. Cliquez sur **CONNECT** (Connecter). La fenêtre Connect to Instrument (Connexion à l'instrument) s'ouvre.
- c. Cliquez sur le bouton FL900.
- d. Sélectionnez le port de l'ordinateur sur lequel l'enregistreur est branché (série ou USB), puis cliquez sur **CONNECT** (Connecter).

Remarque : Si le message de défaut d'adaptation du capteur s'affiche, sélectionnez « Create new program based on sensors connected » (Créer un nouveau programme basé sur les capteurs raccordés).

- e. Vérifiez que l'état de la connexion indique « Connected » (Connecté).

2. Saisissez les informations dans l'onglet General Settings (Réglages généraux).

Option	Description
Identification du site	Saisissez un nom unique pour le site.

3. Sélectionnez les chaînes à enregistrer dans la section « Select channels to log » (Sélectionner les voies à enregistrer) :

- a. Développez l'arborescence du groupe de voies de l'enregistreur. La voie « alimentation » s'affiche systématiquement dans ce groupe. Branchez l'alimentation pour connaître l'état des piles. Vous pouvez paramétrer une alarme à un seuil spécifique afin d'alerter le gestionnaire de compte en cas de niveau faible et de l'inviter à venir remplacer les piles pour éviter une perte de données. Si l'enregistreur est équipé d'un port pour pluviomètre, le canal Rain (Pluie) s'affiche également. Pour ajouter une voie d'enregistreur dans le Datalog, cochez la case correspondante en regard du nom de la voie d'enregistrement.
- b. Développez l'arborescence de chaque groupe de canaux du Port [1](Nom du capteur) pour visualiser les voies disponibles pour le capteur. Si la case à côté de Logger (Enregistreur) ou Port[1] est cochée, tous les voies du groupe sont automatiquement sélectionnées.

- c. Pour ajouter une voie de capteur dans le Datalog, cochez la case correspondante en regard du nom de voie. Le compteur des voies augmente à chaque fois qu'une nouvelle voie est sélectionnée.

Remarque : Pour les enregistreurs dotés de plusieurs ports de capteur, le numéro du port est ajouté au nom de la voie. Par exemple, Velocity 3 correspond au nom de la voie de vitesse pour le port du capteur 3.

Po

Pr

3

Se

4. Pour paramétrer l'intervalle d'enregistrement d'un groupe de canaux :
 - a. Cliquez sur le nom du groupe de canaux, par exemple **Port 1 (Flo-Dar)**. Les intervalles d'enregistrement s'affichent.
 - b. Sélectionnez l'intervalle dans la liste déroulante. Le premier intervalle d'enregistrement correspond à l'exploitation normale. Le second intervalle d'enregistrement correspond à des conditions alarme.

Remarque : Vous ne pouvez pas définir un intervalle d'enregistrement pour un canal de capteur en particulier.

5. Cliquez sur **WRITE TO LOGGER** (INSCRIRE SUR L'ENREGISTREUR) pour sauvegarder les paramètres. Un message s'affiche :

Option	Description
Attention : toutes les données seront perdues. Continuer ?	Toutes les données stockées sur l'enregistreur sont effacées lors de l'inscription d'un programme sur l'enregistreur. Pour sauvegarder les données, sélectionnez Non et téléchargez les données à un endroit sûr. Sélectionnez Oui pour supprimer les données et mettre à jour l'enregistreur avec le nouveau programme.
Configuration de l'horloge de l'enregistreur	Synchronisation avec l'horloge de l'ordinateur : l'enregistreur utilise la date et l'heure de l'ordinateur. Configuration de l'horloge de l'enregistreur : l'enregistreur utilise la date et l'heure paramétrées par l'utilisateur. Si l'unité possède un modem, l'enregistreur utilise automatiquement la date et l'heure du serveur.

8.2 Étalonnage du capteur avec l'assistant d'étalonnage

Conditions préalables : L'enregistreur doit être raccordé à l'ordinateur et en ligne pour l'étalonnage. Il peut être configuré et étalonné à l'aide de l'assistant d'étalonnage.

1. Cliquez sur l'onglet Sensors (Capteurs).
2. Cliquez sur Sensor Port[1] (Port du capteur) (nom du capteur).
3. Cliquez sur le bouton **CAL WIZARD** (ASSISTANT D'ETAL). La fenêtre Calibration Wizard (Assistant d'étalonnage) s'ouvre.
4. Sélectionnez les options sur chaque écran. Lorsque l'écran Calibration Complete (Étalonnage terminé) s'affiche, cliquez sur **FINISH** (TERMINE).
5. Cliquez sur **WRITE TO LOGGER** (INSCRIRE SUR L'ENREGISTREUR) pour sauvegarder les paramètres. Un message s'affiche :

Option	Description
Attention : toutes les données seront perdues, continuer ?	Toutes les données stockées sur l'enregistreur sont effacées lors de l'inscription d'un programme sur l'enregistreur. Pour sauvegarder les données, sélectionnez Non et téléchargez les données à un endroit sûr. Sélectionnez Oui pour supprimer toutes les données et mettre à jour l'enregistreur avec le nouveau programme.
Configuration de l'horloge de l'enregistreur	Synchronisation avec l'horloge de l'ordinateur : l'enregistreur utilise la date et l'heure de l'ordinateur. Configuration de l'horloge de l'enregistreur : l'enregistreur utilise la date et l'heure paramétrées par l'utilisateur. Si l'unité possède un modem, l'enregistreur utilise automatiquement la date et l'heure du serveur.

L'installation est terminée. Le témoin d'état doit clignoter en vert si la programmation est correcte.

Section 9 Installation in situ

▲ AVERTISSEMENT



Dangers multiples. Seul le personnel qualifié doit effectuer les tâches détaillées dans cette section du document.

9.1 Suspension à un câble

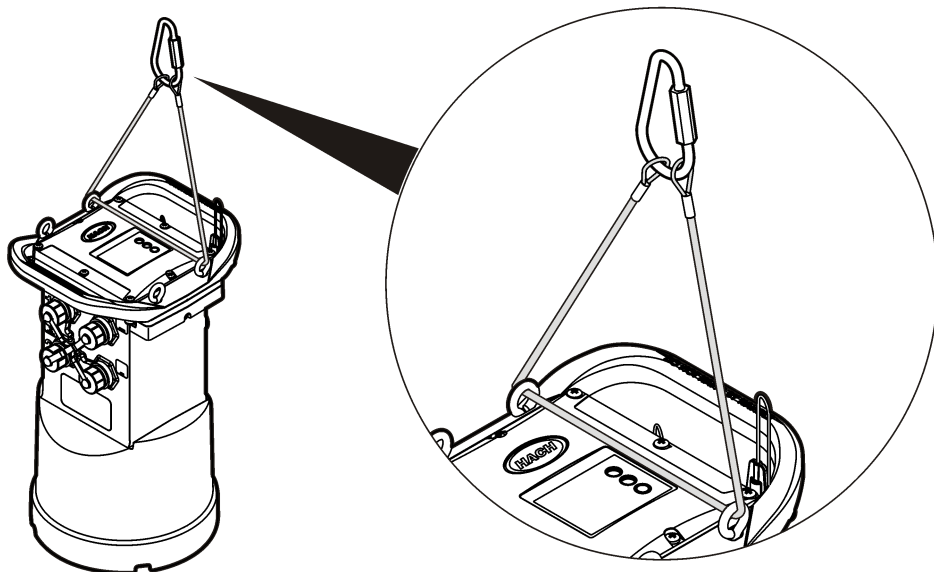
AVIS

N'utilisez pas les poignées pour suspendre l'enregistreur. Les poignées ne sont pas conçues pour supporter le poids de l'enregistreur.

L'enregistreur peut être suspendu à un câble dans le cadre d'une installation dans une zone telle qu'un trou d'homme.

1. Passez un câble dans les vis à œil situées sur la partie supérieure de l'enregistreur. Reportez-vous à la [Figure 13](#).
2. Suspendez le câble à un support solide tel qu'un mousqueton.

Figure 13 Suspendez l'enregistreur à un câble.



9.2 Installation sur une fixation murale

L'enregistreur peut être fixé à un mur, une tringle ou une échelle. Pour obtenir les instructions d'installation, reportez-vous aux documents fournis avec le matériel.

Section 10 Maintenance

▲ AVERTISSEMENT



Dangers multiples. Seul le personnel qualifié doit effectuer les tâches détaillées dans cette section du document.

▲ AVERTISSEMENT



Risques biologiques. Respectez scrupuleusement les protocoles de manipulation et portez tous les équipements de protection nécessaires lors de l'utilisation d'un instrument susceptibles d'être entré en contact avec des matériaux présentant un risque biologique. Lavez et décontaminez l'instrument avec une solution savonneuse désinfectante et rincez à l'eau chaude avant la maintenance ou le transport.

▲ ATTENTION



Risque lié au rayonnement électromagnétique. Assurez-vous que l'antenne est maintenue à une distance minimale de 20 cm (7,9 po) de l'ensemble du personnel dans des conditions d'utilisation dites normales. L'antenne ne peut pas être colocalisée ou utilisée en combinaison avec une autre antenne ou d'autres transmetteurs.

10.1 Nettoyer l'instrument

Nettoyer l'extérieur de l'instrument avec un chiffon humide et une solution de savon doux, puis essuyer l'instrument autant que nécessaire.

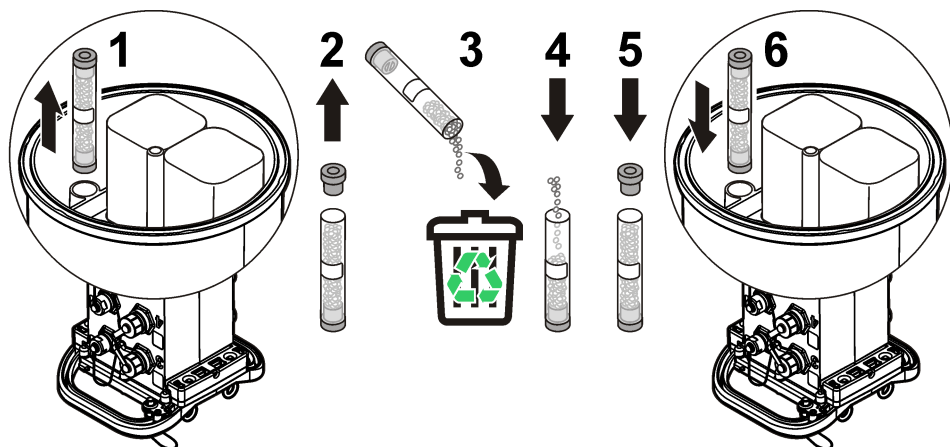
10.2 Remplacement des piles

Remplacez les piles par des piles de même type et de même capacité. Reportez-vous à la [Installation des piles](#) à la page 36 et aux [Caractéristiques techniques](#) à la page 29.

10.3 Remplacement du dessiccateur

Le dessiccateur est situé dans le compartiment à piles. Pour retirer le cache des piles, reportez-vous à [Installation des piles](#) à la page 36. Le dessiccateur absorbe l'humidité de l'air et empêche les composants de l'appareil de rouiller. Lorsqu'il est saturé, le gel du dessiccateur change de couleur. Remplacez le dessiccateur lorsque la couleur du gel passe du jaune au vert (reportez-vous à [Figure 14](#)). Il convient d'adopter les meilleures pratiques et de remplacer le dessiccateur en même temps que les piles.

Figure 14 Remplacement du dessiccateur



Section 11 Dépannage

Si votre système rencontre des problèmes, vérifiez si le problème provient du capteur, de l'enregistreur ou du raccordement des câbles.

- Vérifiez tous les branchements vers les capteurs. Vérifiez le serrage de tous les branchements.

- Déposez les connecteurs de capteurs et vérifiez qu'ils ne présentent pas de traces d'humidité. Nettoyez et séchez-les si nécessaire.
- Vérifiez que les capteurs ne contiennent pas de débris ; retirez les débris le cas échéant.
- Vérifiez que le journal des événements ne contient pas d'événements défectueux.

11.1 Panne de communication

En cas d'échec de connexion lors de l'émission d'un appel au serveur, procédez comme suit :

- Débranchez et rebranchez l'appareil.
- Réglez l'antenne pour augmenter la force du signal.
- Connectez-vous au serveur, assurez-vous que le numéro de série a été saisi correctement et que le circuit virtuel commuté (SVC) utilisé pour la configuration a bien été enregistré.
- Vérifiez que les paramètres de communication ont été saisis correctement dans la fenêtre du pilote FL900.
- Raccordez l'enregistreur à l'ordinateur et ouvrez une session de communication. Dans la fenêtre du pilote FL900, cliquez sur l'onglet Diagnostics, puis sur le menu Modem. L'état d'enregistrement devrait être Page d'accueil.
- Si le problème n'est pas réglé, appelez l'assistance technique.

Section 12 Pièces de rechange et accessoires

Remarque : Les numéros de référence de produit et d'article peuvent dépendre des régions de commercialisation. Prenez contact avec le distributeur approprié ou consultez le site web de la société pour connaître les personnes à contacter.

Pièces de rechange

Description	Article n°
Cache du compartiment à piles	8524400
Couvercle du compartiment à piles, joint torique	8533400
Ensemble du couvercle du dessiccateur (dessiccateur du compartiment à piles)	8754900
Ensemble du tube du dessiccateur (dessiccateur du compartiment à piles)	8535200
Dessiccateur, perles de rechange, 680 g (1,5 lb)	8755500
Vis à œil, 1/4–20 x 2,5 pouces Acier inoxydable	8535500
Joint, couvercle supérieur	8533300
Vis de fermeture, #10–14 x 1 pouce	8753300
Poignée de l'enregistreur	8524200
Lubrifiant, silicone, 0,25 oz	000298HY
Clé magnétique	8537800
Capuchon et dragonne pour les connecteurs Sensor (Capteur), Comm (Communication) et Aux (Auxiliaire)	8535000
Capuchon et dragonne pour le connecteur de jauge de pluie	9492500

Alimentation

Description	Article n°
Pile pour lanterne 6 V	11013M
Pile alcaline longue durée	8542900

Alimentation (suite)

Description	Article n°
Adaptateur et câble pour cache supérieur du bloc de piles alcalines longue durée	8543000
Ensemble de câblage, alimentation externe, 2,7 m (9 pi)	8528700
Ensemble de câblage, alimentation externe, 7,6 m (25 pi)	8528701

Matériel de montage

Description	Article n°
Fixation murale sans crochet de suspension pour échelle	8542700
Adaptateur de fixation murale	8543800

Antennes

Description	Article n°
Lame, 3G/4G LTE, 3 dBi	8623800
Ailette, 2G/3G/4G LTE, câble de 2,5 m (8,2 pi), 5,5 dBi	8624000
Enterrée, 3G/4G LTE, câble de 3 m (9,8 pi), 3 dBi	8624200
Couvercle pour regard, 3G/4G LTE, câble de 3 m (9,8 pi), 3 dBi	8624400

Câbles d'échantillonneur/auxiliaires

Description	Article n°
Câble auxiliaire multifonction 7 broches, 2,7 m (9 pi)	8528500
Câble auxiliaire multifonction 7 broches, 7,6 m (25 pi)	8528501
Câble, enregistreur FL900 vers port AUX AS950, 7 broches, 2,7 m (9 pi)	9500700
Câble, enregistreur FL900 vers port AUX AS950, 7 broches, 7,6 m (25 pi)	9500701
Ensemble de câblage, AUX entrée alimentation, AS950-FL900 avec adaptateur secteur	8322800

Tabla de contenidos

- | | |
|---|--|
| 1 Versión ampliada del manual en la página 56 | 7 Comunicación Modbus en la página 74 |
| 2 Especificaciones en la página 56 | 8 Configuración básica en la página 75 |
| 3 Información general en la página 57 | 9 Lugar de instalación en la página 77 |
| 4 Conexión de una fuente de alimentación eléctrica al registrador en la página 63 | 10 Mantenimiento en la página 78 |
| 5 Arranque del sistema en la página 66 | 11 Solución de problemas en la página 79 |
| 6 Programación de una unidad con módem incorporado en la página 68 | 12 Piezas de repuesto y accesorios en la página 80 |

Sección 1 Versión ampliada del manual

Para obtener más información, consulte la versión expandida de este manual de usuario que se encuentra disponible en el sitio web del fabricante.

Sección 2 Especificaciones

Las especificaciones están sujetas a cambios sin previo aviso.

Especificación	Detalles
Dimensiones (An. x Pr. x Al.)	25,4 x 22 x 40 cm (10,0 x 8,7 x 16,0 pulg.)
Carcasa	Espuma estructural PC/ABS
Clasificación medioambiental	NEMA 6P/IP68 (24 horas a 1,8 m (6 pies) de sumersión)
Peso (modelo FL900)	4,5 kg (10 lb) sin pilas, 6,3 kg (14 lb) con 2 pilas y 8,2 kg (18 lb) con 4 pilas
Temperatura de funcionamiento	−18 a 60 °C (0 a 140 °F) a 95% HR
Temperatura de almacenamiento	−40 a 60 °C (−40 a 140 °F)
Requerimientos de alimentación	8 a 18 VCC de pilas o fuentes de alimentación eléctrica, 2,5 W máx.
Duración de la batería	Varía en función del tipo de sensor, los intervalos de registro, la telemetría y el entorno. Para un intervalo de registro de 15 minutos, sin módem, cuatro baterías de linterna de 6 V a temperatura ambiente: <ul style="list-style-type: none">• Sensor Flo-Tote 3, 306 días• Sensor de velocidad de área con el Analizador AV9000, 296 días• Sensor Flo-Dar, 185 días• Sensor ultrasónico, 456 días Nota: Para utilizaciones de larga duración, utilice una batería de larga duración, PN 8542900.
Categoría de instalación	I
Clase de protección	III
Grado de contaminación	4
Puertos de sensor	1, 2 o 4 puertos
Conectores	Conectores de acero inoxidable
Canales de registro de datos	16 máximo
Alarmas	Máximo de 16 alarmas de canal con opciones alto/alto, alto, bajo, bajo/bajo. Las alarmas de sistema incluyen batería baja, batería RTC baja, memoria estática baja, memoria estática completa, interrupción de sensor, ID de sensor.

Especificación	Detalles
Acciones de alarma	Inicio de tomamuestras, cambio de intervalo de registro, cambio de intervalo de llamada, envío de correo electrónico o mensaje de texto (SMS) desde el registrador o el servidor. <i>Nota: Se aplica la tarifa de SMS. Es posible que no todos los tipos de alarma estén disponibles con los operadores móviles y los planes de servicio.</i>
Intervalos de registro	1, 2, 3, 4, 5, 6, 10, 12, 15, 20, 30 o 60 minutos
	Intervalos principales y secundarios para registro dinámico
Almacenamiento de datos	Registro de eventos: 1.000 eventos como máximo en memoria flash no volátil
	Historial de muestra: 2.000 eventos de muestra como máximo en memoria flash no volátil
	Registro de datos: 325.000 puntos de datos; 1.128 días por 3 canales a intervalos de registro de 15 minutos
Comunicación con PC	USB
	RS232 (velocidad de transferencia: 9600, 19200, 38400, 57600, 115200)
Comunicación remota (opcional)	Módem inalámbrico: 3G, 4G LTE (Verizon); 3G, 4G LTE, PTCRB (EE. UU. y Canadá)
Protocolos	Modbus RTU (RS232)
	SMS de llegada (MT)
	SMS originado (MO)
Exactitud de la base de tiempo	±0,002%, sincronizado cada 24 horas con el software de servidor y el módem
Sensores admitidos	Flo-Dar, Flo-Dar con SVS, Flo-Tote, pluviómetro, ultrasónico, velocidad de área sumergida ¹ , Sigma 950 ¹
Interfaz del tomamuestras	Compatible con Sigma 900 Standard, Sigma 900 Max, Hach SD900 y AS950 para admitir muestreo por alarma o en función del caudal y registros de historial de muestras
Certificaciones	Registrador de datos: CE
	Fuente de alimentación eléctrica de CA opcional: estándares UL/CSA (cETLus)/CE
	Módems: FCC, IC, puede haber otros disponibles: póngase en contacto con el fabricante para obtener más información.
Garantía	1 año

Sección 3 Información general

El fabricante no será responsable en ningún caso de los daños resultantes de un uso inadecuado del producto o del incumplimiento de las instrucciones del manual. El fabricante se reserva el derecho a modificar este manual y los productos que describen en cualquier momento, sin aviso ni obligación. Las ediciones revisadas se encuentran en la página web del fabricante.

3.1 Información de seguridad

El fabricante no es responsable de ningún daño debido a un mal uso de este producto incluyendo, sin limitación, daños directos, fortuitos o circunstanciales y reclamaciones sobre los daños que no estén recogidos en la legislación vigente. El usuario es el responsable de la identificación de los riesgos críticos y de tener los mecanismos adecuados de protección de los procesos en caso de un posible mal funcionamiento del equipo.

¹ Este dispositivo se conecta a un módulo externo.

Sírvase leer todo el manual antes de desembalar, instalar o trabajar con este equipo. Ponga atención a todas las advertencias y avisos de peligro. El no hacerlo puede provocar heridas graves al usuario o daños al equipo.

Asegúrese de que la protección proporcionada por este equipo no se vea afectada. No use o instale este equipo de una manera diferente a la explicada en este manual.

3.1.1 Uso de la información relativa a riesgos

▲ PELIGRO
Indica una situación potencial o de riesgo inminente que, de no evitarse, provocará la muerte o lesiones graves.
▲ ADVERTENCIA
Indica una situación potencial o inminentemente peligrosa que, de no evitarse, podría provocar la muerte o lesiones graves.
▲ PRECAUCIÓN
Indica una situación potencialmente peligrosa que podría provocar una lesión menor o moderada.
AVISO
Indica una situación que, si no se evita, puede provocar daños en el instrumento. Información que requiere especial énfasis.

3.1.2 Etiquetas de precaución

Lea todas las etiquetas y rótulos adheridos al instrumento. En caso contrario, podrían producirse heridas personales o daños en el instrumento. Cada símbolo que aparezca en el instrumento se comentará en el manual con una indicación de precaución.

	Este es un símbolo de alerta de seguridad. Obedezca todos los mensajes de seguridad que se muestran junto con este símbolo para evitar posibles lesiones. Si se encuentran sobre el instrumento, consulte el manual de instrucciones para obtener información de funcionamiento o seguridad.
	Este símbolo indica que hay riesgo de descarga eléctrica y/o electrocución.
	Este símbolo indica la presencia de dispositivos susceptibles a descargas electrostáticas. Asimismo, indica que se debe tener cuidado para evitar que el equipo sufra daño.
	Este símbolo indica ondas de radio.
	En Europa, el equipo eléctrico marcado con este símbolo no se debe desechar mediante el servicio de recogida de basura doméstica o pública. Devuelva los equipos viejos o que hayan alcanzado el término de su vida útil al fabricante para su eliminación sin cargo para el usuario.

3.1.3 Precauciones para espacios confinados

▲ PELIGRO	
	Peligro de explosión. Es necesario disponer de formación sobre la realización de pruebas previas de entrada, ventilación, procedimientos de entrada, procedimientos de evacuación/rescate y prácticas de seguridad en el trabajo antes de acceder a espacios confinados.

La información que se incluye a continuación se ofrece para ayudar a los usuarios a comprender los peligros y riesgos asociados a los espacios confinados.

El 15 de abril de 1993, el dictamen definitivo de la OSHA (Administración de Seguridad y Salud Ocupacional) sobre los Espacios Confinados que Requieren Permiso para Ingresar (CFR 1910.146), se hizo ley. Esta nueva norma afecta directamente a más de 250.000 sitios industriales de los Estados Unidos, y fue creada con el fin de proteger la salud y la seguridad de los trabajadores en espacios confinados.

Definición de espacio confinado:

Un espacio confinado es cualquier lugar o recinto que presente (o tenga la posibilidad inmediata de presentar) una o más de las siguientes condiciones:

- Una atmósfera con una concentración de oxígeno que sea inferior al 19,5% o superior al 23,5% y/o una concentración de sulfuro de hidrógeno (H₂S) superior a 10 ppm.
- Una atmósfera que pueda ser inflamable o explosiva debido a gases, vapores, nieblas, polvos o fibras.
- Materiales tóxicos que, ante el contacto o la inhalación, puedan provocar lesiones, el deterioro de la salud o la muerte.

Los espacios confinados no están destinados a ser ocupados por seres humanos. Los espacios confinados tienen entrada restringida y contienen riesgos conocidos o potenciales. Como ejemplos de espacios confinados encontramos las bocas de inspección, las chimeneas, los caños, las tinas, los armarios de distribución y demás lugares similares.

Antes de entrar en espacios confinados y/o lugares con presencia de gases, vapores, nieblas, polvos o fibras peligrosos, se deben seguir siempre procedimientos de seguridad estándares. Antes de entrar en un espacio confinado, lea todos los procedimientos relacionados con la entrada a espacios confinados.

3.2 Certificación

Reglamentación canadiense sobre equipos que provocan interferencia, ICES-003, Clase A

Registros de pruebas de control del fabricante.

Este aparato digital de Clase A cumple todos los requerimientos de las reglamentaciones canadienses para equipos que producen interferencias: CAN ICES-3(A)/NMB-3(A).

Cet appareil numérique de classe A répond à toutes les exigences de la réglementation canadienne sur les équipements provoquant des interférences.

FCC Parte 15, Límites Clase "A"

Registros de pruebas de control del fabricante. Este dispositivo cumple con la Parte 15 de las normas de la FCC estadounidense. Su operación está sujeta a las siguientes dos condiciones:

1. El equipo no puede causar interferencias perjudiciales.
2. Este equipo debe aceptar cualquier interferencia recibida, incluyendo las interferencias que pueden causar un funcionamiento no deseado.

Los cambios o modificaciones a este equipo que no hayan sido aprobados por la parte responsable podrían anular el permiso del usuario para operar el equipo. Este equipo ha sido probado y encontrado que cumple con los límites para un dispositivo digital Clase A, de acuerdo con la Parte 15 de las Reglas FCC. Estos límites están diseñados para proporcionar una protección razonable contra las interferencias perjudiciales cuando el equipo está operando en un entorno comercial. Este equipo genera, utiliza y puede irradiar energía de radio frecuencia, y si no es instalado y utilizado de acuerdo con el manual de instrucciones, puede causar una interferencia dañina a las radio comunicaciones. La operación de este equipo en un área residencial es probable que produzca interferencias dañinas, en cuyo caso el usuario será requerido para corregir la interferencia bajo su propio cargo. Pueden utilizarse las siguientes técnicas para reducir los problemas de interferencia:

1. Desconecte el equipo de su fuente de alimentación para verificar si éste es o no la fuente de la interferencia.
2. Si el equipo está conectado a la misma toma eléctrica que el dispositivo que experimenta la interferencia, conecte el equipo a otra toma eléctrica.
3. Aleje el equipo del dispositivo que está recibiendo la interferencia.

4. Cambie la posición de la antena del dispositivo que recibe la interferencia.
5. Pruebe combinaciones de las opciones descritas.

3.3 Certificación del módem inalámbrico

El dispositivo cumple con la sección 15 de las normas de la FCC y los estándares canadienses RSS exentos de licencia. Su operación está sujeta a las siguientes dos condiciones:

1. El equipo no puede causar interferencias perjudiciales.
2. Este equipo debe aceptar cualquier interferencia recibida, incluyendo las interferencias que pueden causar un funcionamiento no deseado.

Los cambios o modificaciones a este equipo de comunicación inalámbrica que no hayan sido aprobados por la parte responsable podrían anular el permiso del usuario para operar el equipo. Todos los cambios efectuados en el equipo anularán la certificación canadiense y la concesión de la FCC. Cambios y modificaciones hace referencia a todas las modificaciones realizadas a los módems inalámbricos y las antenas asociadas, incluidos los cables de antena. Siga las indicaciones del fabricante para la instalación, configuración y funcionamiento inalámbrico.

3.4 Dispositivos móviles

AVISO

La seguridad de la red y del punto de acceso es responsabilidad del cliente que utiliza el instrumento inalámbrico. El fabricante no se hará responsable de ningún daño, incluyendo, sin limitación, daños indirectos, especiales, fortuitos o circunstanciales provocados por el incumplimiento o la violación de la seguridad en la red.

⚠ ADVERTENCIA



Precauciones para el uso con marcapasos. Si se dan interferencias electromagnéticas (EMI), podrían:

- Detener los impulsos del marcapasos que controlan el ritmo cardíaco.
- Provocar que los estímulos del marcapasos sean irregulares.
- Provocar que el marcapasos ignore el ritmo cardíaco y transmita impulsos a un intervalo fijo.

Según investigaciones recientes, los dispositivos móviles no suponen un problema de salud importante para las personas con marcapasos. No obstante, los usuarios con marcapasos deben extremar las precauciones para asegurarse de que su dispositivo no tenga problemas. Mantenga el dispositivo alejado del usuario a un mínimo de 20 cm (7,9 pulg.).

⚠ PRECAUCIÓN



Peligro de radiación electromagnética. Asegúrese de que la antena se mantiene a una distancia mínima de 20 cm (7,9 pulg.) de todo el personal durante el uso normal. La antena no puede colocarse ni utilizarse conjuntamente con ninguna otra antena o transmisor.

⚠ PRECAUCIÓN



Peligro de radiación electromagnética. En aplicaciones portátiles, no utilice el módem a menos de 20 cm del usuario.

Aprobaciones regulatorias de dispositivos de RF

Módem MTSMC-LAT3 (Clase de equipo: transmisor con licencia PCS, módulo LTE/3G):

- FCC: Aprobado como dispositivo modular con una concesión de autorización TCB. FCC ID: R17LE910NAV2
- IC: Aprobado como dispositivo modular bajo Certificat D'Acceptabilité Technique C-REL ID: 5131A-LE910NAV2

Módem MTSMC-LVW3 (Transmisor con licencia PCS, módulo LTE/3G):

- FCC: Aprobado como dispositivo modular con una concesión de autorización TCB. FCC ID: RI7LE910SVV2
- IC: Aprobado como dispositivo modular bajo Certificat D'Acceptabilité Technique C-REL ID: 5131A-LE910SVV2

Tabla 1 Módem celular: MTSMC-LAT3

Secciones de la normativa de la FCC	Bandas de frecuencia (MHz)	Potencia de salida máxima (vatios)
22, 24, 27	700 (B12/B13), 850 (B5), 1700 (B4), 1900 (B2)	0,232

Módem celular MTSMC-LAT3. Notas y condiciones de concesión FCC:

Aprobación modular única. Se mantiene la salida de alimentación indicada. Este dispositivo está aprobado para su uso móvil y fijo en lo que respecta a la conformidad de la exposición a radiofrecuencias y solo se puede vender a instaladores del fabricante original del equipo. La antena o antenas utilizadas para este transmisor, como se describe en este documento, deben instalarse de forma que ofrezcan una distancia de separación de al menos 20 cm de cualquier persona. Los instaladores y los usuarios finales deben proporcionar las condiciones de funcionamiento adecuadas para cumplir con las normativas de exposición a RF. Ganancia de antena/pérdida de cable máxima permitida: 6,63 dBi para 700 MHz y 850 MHz; 6,00 dBi para 1700 MHz; 8,51 dBi para 1900 MHz.

Tabla 2 Módem celular: MTSMC-LVW3

Sección de la normativa de la FCC	Bandas de frecuencia (MHz)	Potencia de salida máxima (vatios)
24, 27	700 (B13), 1700 (B4), 1900 (B2)	0,219

Módem celular MTSMC-LVW3. Notas y condiciones de concesión FCC:

Aprobación modular única. Se mantiene la salida de alimentación indicada. Este dispositivo está aprobado para su uso móvil y fijo en lo que respecta a la conformidad de la exposición a radiofrecuencias y solo se puede vender a instaladores del fabricante original del equipo. La antena o antenas utilizadas para este transmisor, como se describe en este documento, deben instalarse de forma que ofrezcan una distancia de separación de al menos 20 cm de cualquier persona. Los instaladores y los usuarios finales deben proporcionar las condiciones de funcionamiento adecuadas para cumplir con las normativas de exposición a RF. Ganancia de antena/pérdida de cable máxima permitida: 6,94 dBi para 700 MHz; 6,00 dBi para 1700 MHz; 9,01 dBi para 1900 MHz.

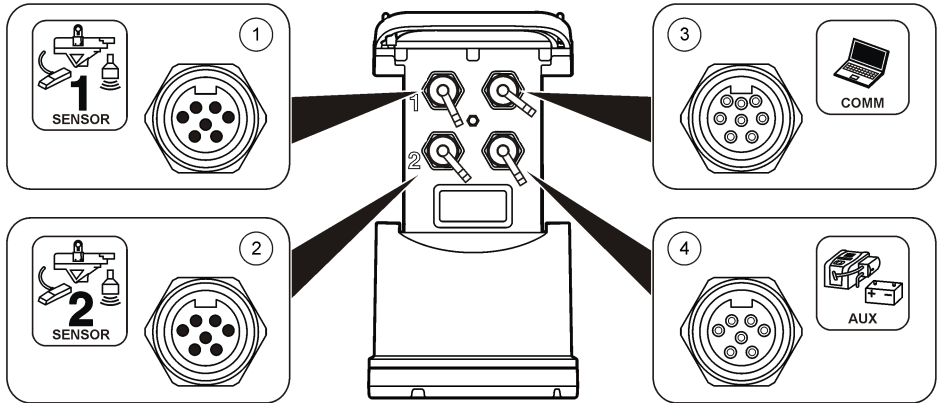
3.5 Descripción general del producto

Los registradores de datos de flujo de la serie FL900 se utilizan en estudios de control de flujo en canal abierto como afluencia e infiltración, aliviadero de canal de desagüe unitario, capacidad y planificación, así como control de agua de lluvia.

Los datos se recopilan en los sensores conectados y se registran para recuperarlos en el futuro. Los sensores se pueden agregar o cambiar sobre el terreno. En función del modelo, se pueden conectar hasta cuatro sensores. Los datos se pueden recuperar directamente por cable USB o RS232, o bien de forma remota mediante red inalámbrica con el software FSDATA Desktop y el software de servidor FSDATA. Los registradores de la serie FL900 también se pueden conectar a una fuente de alimentación externa, pluviómetro o utilizarse para marcar el ritmo de un tomamuestras Sigma o Hach.

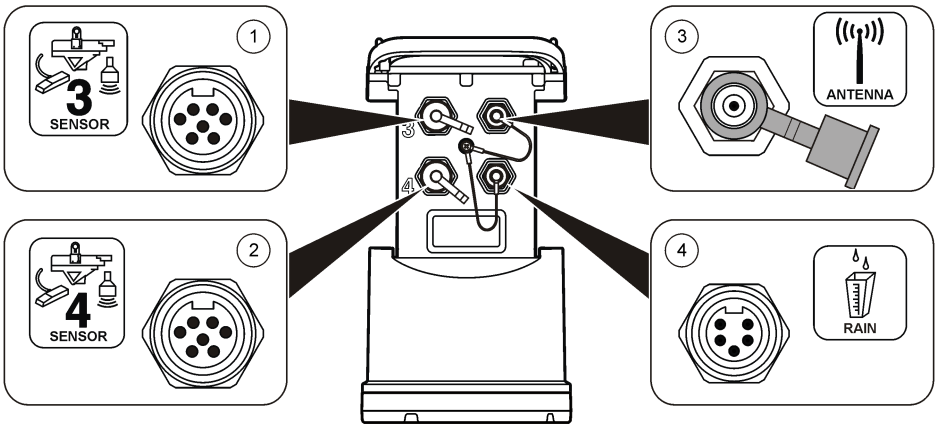
La opción inalámbrica y el número de conectores disponibles dependen del modelo del registrador. Consulte la [Figura 1](#) y la [Figura 2](#).

Figura 1 Conectores: lado 1



1 Sensor (todos los modelos)	3 Ordenador: cable USB o RS232 (todos los modelos)
2 Sensor (FL902, FL904 sólo)	4 Auxiliar: alimentación eléctrica externa o tomamuestras (todos excepto FL900)

Figura 2 Conectores: lado 2



1 Sensor (FL904 solo)	3 Opción con antena (todos excepto FL900)
2 Sensor (FL904 solo)	4 Pluviómetro (todos excepto FL900)

3.6 Componentes del producto

Si faltan artículos o están dañados, póngase en contacto con el fabricante o el representante de ventas inmediatamente.

Sección 4 Conexión de una fuente de alimentación eléctrica al registrador

4.1 Instalación de las pilas

⚠ ADVERTENCIA



Peligro de explosión. Si la batería no está colocada correctamente, se puede producir la liberación de gases explosivos. Asegúrese de que las pilas son del mismo tipo y material químico aprobado y están insertadas en el sentido correcto. No mezcle baterías nuevas y usadas.

⚠ ADVERTENCIA



Peligro de incendio. No se permite la sustitución de la pila. Utilice solamente baterías alcalinas.

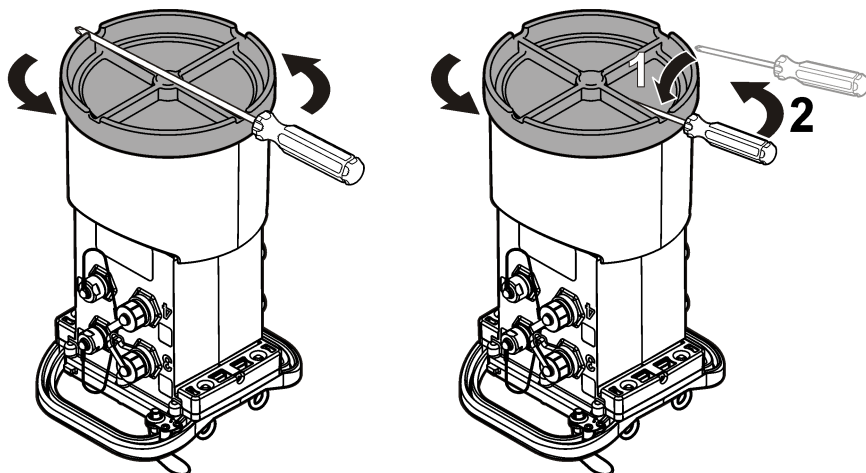
AVISO

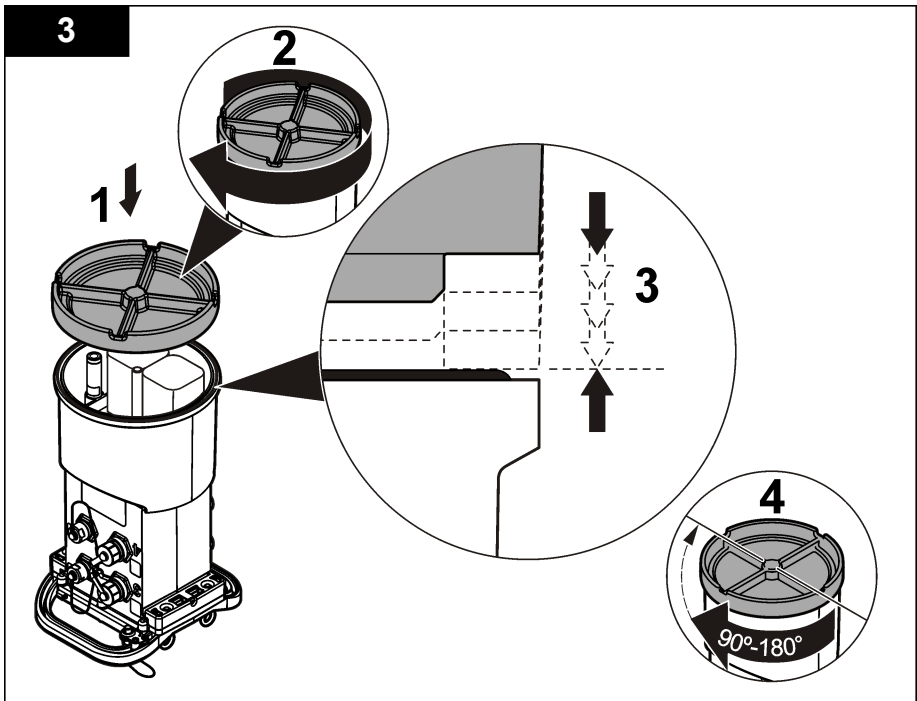
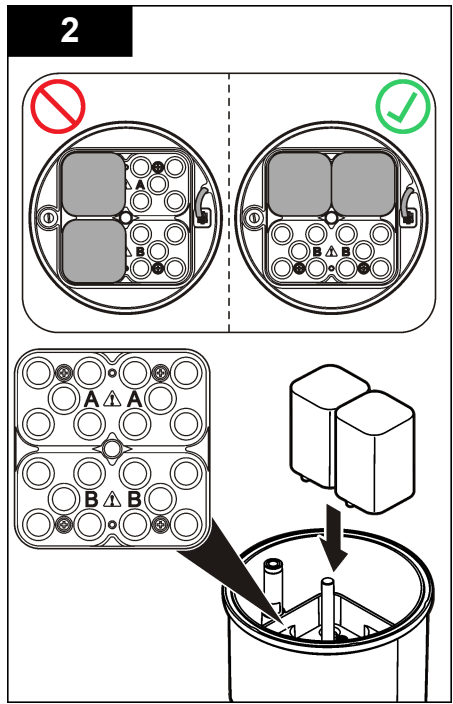
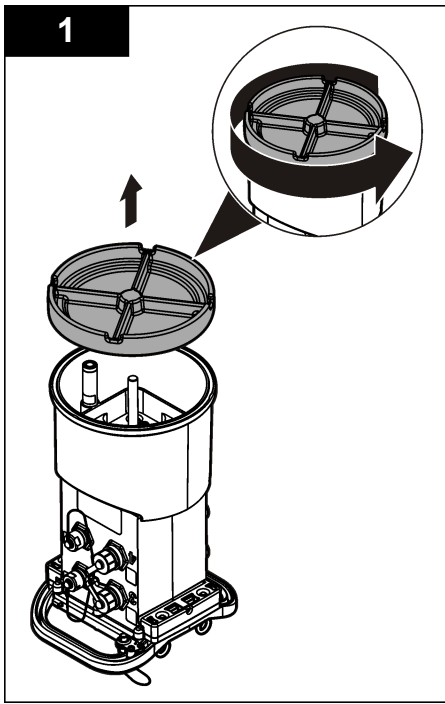
No ajuste la cubierta de forma excesiva. Apriete hasta que la cubierta roce ligeramente la junta tórica, a continuación, apriete entre un cuarto de vuelta y media vuelta como máximo a partir del contacto con la junta tórica. Mantenga la junta tórica lubricada con grasa de silicona.

El instrumento puede utilizar dos o cuatro pilas de 6 V para su alimentación. Utilice dos pilas para usos de corta duración o cuatro pilas para usos de larga duración (para obtener información sobre la duración de las pilas, consulte [Especificaciones](#) en la página 56). Si se utilizan solo dos pilas, coloque ambas en el mismo lado del compartimento (A-A o B-B). Consulte los pasos ilustrados que se muestran a continuación.

Los cambios de temperatura y presión pueden hacer que sea difícil extraer a mano la tapa del compartimento de las pilas. En ese caso, se puede utilizar una herramienta para extraer la tapa ([Figura 3](#)).

Figura 3 Extracción de la tapa de las pilas





4.2 Conexión de una fuente de alimentación eléctrica (opcional)

⚠ ADVERTENCIA

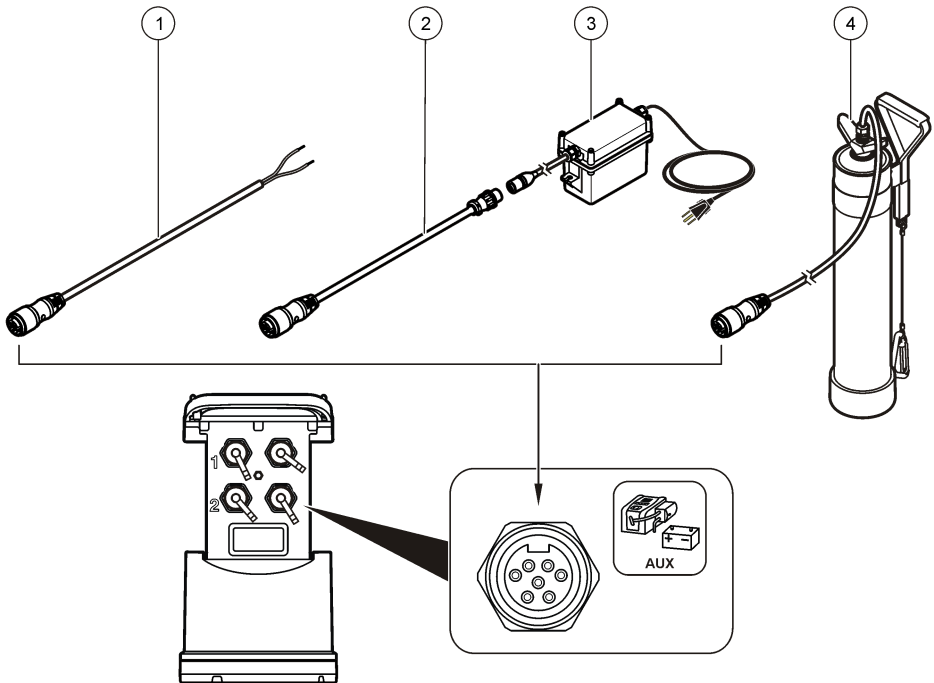


Posible riesgo de explosión. El instrumento no está aprobado para su uso en lugares peligrosos.

El instrumento puede recibir alimentación de una batería externa de larga duración, una fuente de alimentación eléctrica AS950 u otra fuente que pueda proporcionar alimentación eléctrica en el rango especificado (consulte las [Especificaciones](#) en la página 56 y la sección [Piezas de repuesto y accesorios](#) en la página 80). Si el registrador dispone de alimentación externa y baterías internas, estas últimas se utilizan como fuente de alimentación auxiliar. Cuando la alimentación eléctrica externa desciende por debajo de 9 V aproximadamente, las baterías internas proporcionan alimentación hasta que la tensión de la fuente externa alcance más de 9 V.

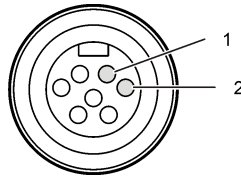
1. Instale la fuente de alimentación eléctrica externa en una ubicación segura cerca del registrador. Asegúrese de seguir las precauciones de seguridad para la fuente de alimentación eléctrica.
2. Conecte el cable de la fuente de alimentación eléctrica al conector AUX del registrador ([Figura 4](#)).
3. Conecte la alimentación de la fuente, si corresponde.

Figura 4 Opciones de alimentación eléctrica externa



1 Cable de alimentación eléctrica de 2 conductores (Figura 5)	3 Fuente de alimentación AS950
2 Cable de adaptador de alimentación eléctrica	4 Batería de larga duración

Figura 5 Cableado de alimentación eléctrica de 2 conectores



1 Alimentación eléctrica: 16 AWG rojo

2 Común: 16 AWG negro

Sección 5 Arranque del sistema

5.1 Instale FSDATA Desktop en el ordenador.

Antes de conectar el registrador de caudal o tomamuestras a un ordenador, asegúrese de que FSDATA Desktop está instalado. FSDATA Desktop está disponible en www.hachflow.com.

5.2 Conexión del registrador al ordenador

Requisito: Asegúrese de que FSDATA Desktop está instalado en el ordenador. Conecte sólo un registrador al ordenador.

1. Conecte el registrador al ordenador.
2. Cuando se conecta por primera vez un cable USB, se abre el Asistente para hardware nuevo encontrado. Ejecute el Asistente para hardware nuevo encontrado para instalar el controlador de USB del registrador. Una vez haya finalizado, aparecerá el mensaje "Your new hardware is installed and ready to use" (Su nuevo hardware está instalado y listo para usarse). En caso de que el asistente no se ejecute o de que se produzca un error en la instalación, póngase en contacto con el servicio de asistencia técnica para obtener ayuda con su sistema operativo.

5.3 Conexión de un sensor o dispositivos externos al registrador

Requisito: Asegúrese de que el estado de conexión es "no conectado".

⚠ ADVERTENCIA



Ubicaciones peligrosas de sensores y peligros de exposición a radiofrecuencia. Algunos sensores entrañan peligros de exposición a radiofrecuencia y se utilizan en atmósferas explosivas. Consulte las advertencias e instrucciones del manual de sensores antes de conectar un sensor al registrador.

El número de sensores que se pueden conectar al registrador varía en función del modelo de registrador. Algunos sensores deben conectarse a un módulo externo que se utiliza como interfaz entre el sensor y el registrador. [Figura 7](#) muestra el módulo del Analizador de velocidad de área AV9000 del lateral del registrador y la conexión a un área sumergida/sensor de velocidad.

1. Si el cable del sensor tiene conectores en ambos extremos, primero conecte el cable al sensor.
2. Conecte el sensor (o módulo) a cualquier puerto SENSOR del registrador ([Figura 6](#) o [Figura 7](#)). Apriete el conector manualmente.

Nota: En el caso de pluviómetros, conecte el sensor al conector RAIN.

3. Si el sensor utiliza un módulo externo, conecte el módulo al registrador y, a continuación, conecte el sensor al módulo ([Figura 7](#)).
4. Si el cable del sensor cuenta con un contenedor de desecante, alinéelo verticalmente y asegúrese de que el puerto de aire está orientado hacia abajo ([Figura 6](#)).

Figura 6 Conexión de un sensor al registrador

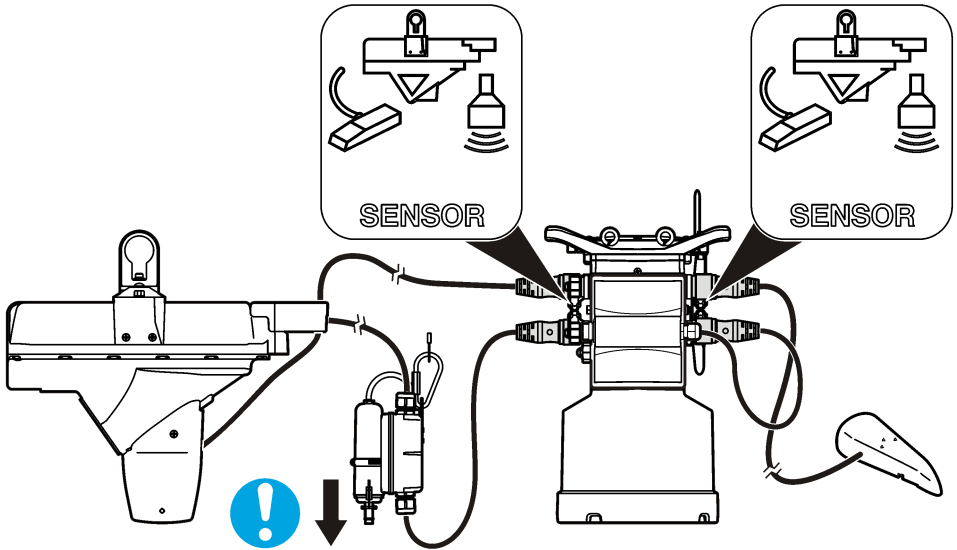
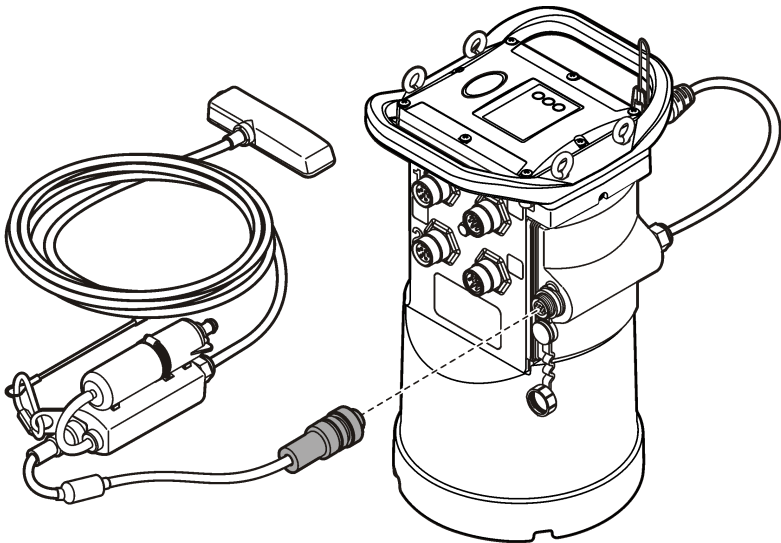


Figura 7 Conexión de un sensor a un módulo externo



5.4 Conexión de un módulo externo

Se debe utilizar un módulo externo como interfaz entre algunos tipos de sensores y el registrador. El módulo externo se instala en el lateral del registrador (Figura 7 en la página 67). Para obtener las instrucciones de instalación, consulte la documentación suministrada con el módulo.

5.5 Conexión de un tomamuestras

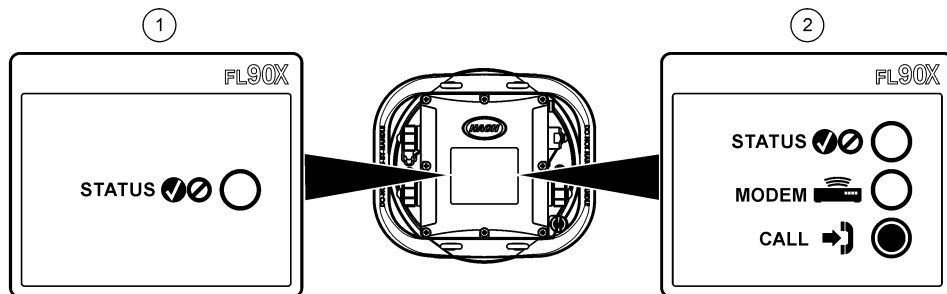
El registrador se puede conectar a un tomamuestras Sigma 900 Standard, Sigma 900 Max o Hach SD900 para muestreos por alarma o en función del caudal. Conecte el puerto AUX del registrador al

puerto auxiliar del tomamuestras usando un cable auxiliar completo. Si el registrador necesita una alimentación eléctrica externa mientras está conectado a un tomamuestras AS950, utilice la entrada de alimentación del conjunto de cables auxiliares. Para programar el tomamuestras, consulte la documentación suministrada con el tomamuestras.

5.6 Interfaz del usuario






Los indicadores de la interfaz de usuario muestran el estado del instrumento y el módem. Consulte [Figura 8](#) y [Tabla 3](#).

Figura 8 Interfaz del usuario



1 Instrumento sin módem	2 Instrumento con módem
-------------------------	-------------------------

Tabla 3 Indicadores LED del estado

Indicador	Color del LED	Descripción
STATUS   	Verde	Parpadea cada 3 segundos durante el funcionamiento normal. Parpadea cada 15 segundos durante el modo de inactividad.
	Rojo	Parpadea cuando un sensor conectado no coincide con el programa del registrador, cuando se encuentra un error inesperado o no funciona el sensor.
MODEM  	Verde	Permanece en verde durante una llamada al servidor.
	Rojo	Parpadea en rojo si se produce un error en la llamada al servidor.

Sección 6 Programación de una unidad con módem incorporado

⚠ PRECAUCIÓN



Peligro de radiación electromagnética. Asegúrese de que la antena se mantiene a una distancia mínima de 20 cm (7,9 pulg.) de todo el personal durante el uso normal. La antena no puede colocarse ni utilizarse conjuntamente con ninguna otra antena o transmisor.

Para las unidades sin módem, consulte [Configuración básica](#) en la página 75. Para las unidades con cuentas de módem activadas², vaya a [Adición del registrador al servidor FSDATA](#) en la página 72.

6.1 Configuración de la cuenta inalámbrica

Nota: Antes de adquirir un registrador con un módem celular, se ha de comprobar que la cobertura celular proporcionada por el proveedor seleccionado es adecuada en todos los sitios.

² Las unidades con cuentas de módem activadas tienen números de referencia que acaban en .AX, .AR, .VX o .VR.

AVISO

La seguridad de red y de punto de acceso es responsabilidad exclusiva del cliente que utiliza el instrumento inalámbrico. El fabricante no se hará responsable de ningún daño indirecto, especial, imprevisto o consiguiente provocado por la violación de seguridad en la red.

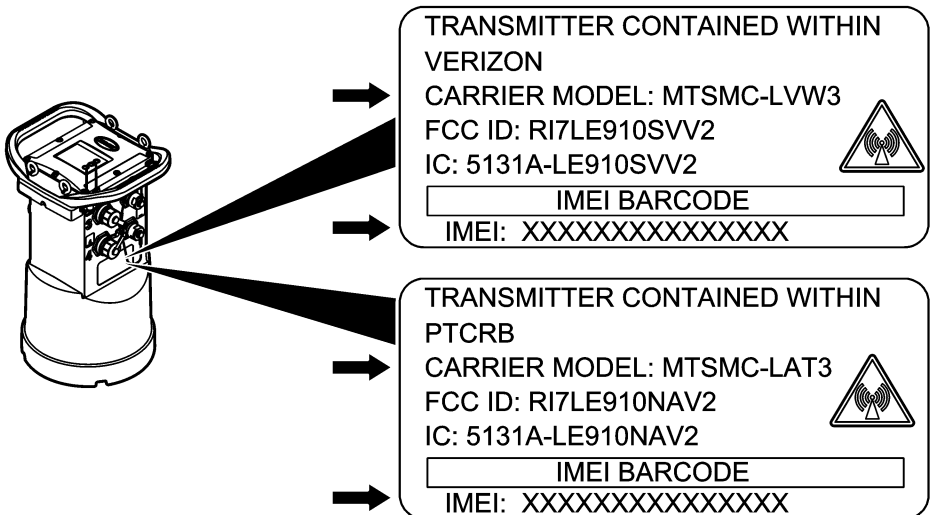
Cuando el registrador dispone de un módem, los datos se pueden enviar desde el registrador a Internet para el acceso remoto. El usuario tendrá que abrir primero una cuenta con un proveedor móvil (inalámbrico). El instrumento quedará registrado en el servidor de alojamiento de datos (FSDATA) y los ajustes de comunicación aplicables se programarán en el registrador con FSDATA Desktop. Si el módem se activó en la fábrica, vaya a [Adición del registrador al servidor FSDATA](#) en la página 72.

Requisito: Asegúrese de que el registrador, el certificado de prueba del registrador y la antena están cerca.

Nota: Para disponer de una solución de problemas óptima, instale el controlador de FSDATA Desktop, añada el registrador al servidor FSDATA y compruebe la telemetría antes de visitar el sitio de utilización.

1. Obtenga su información de cuenta.
 - a. Localice el número IMEI en la etiqueta. Consulte [Figura 9](#).
 - b. Localice el modelo del módem en la etiqueta.
2. Póngase en contacto con un proveedor de servicios inalámbricos para poner en funcionamiento el módem. Asegúrese de que el proveedor de servicios inalámbricos coincide con el tipo de módem del registrador, LVW3 = Verizon o LAT3 = PTCRB (AT&T, T-Mobile, etc.). Solicite un plan de datos con un mínimo de 10 MB de datos por mes y SMS. (El servicio de SMS es opcional, aunque se necesita para transmitir notificaciones de alarmas a un correo electrónico o número de móvil).
 - a. Proporcione el número IMEI al proveedor. Si se le solicita, proporcione el modelo, también indicado en la etiqueta del transmisor.
 - b. Registre el número de teléfono para el módem.
3. Utilice el diagnóstico del módem en FSDATA Desktop para comprobar el funcionamiento. Consulte la documentación de FSDATA Desktop.

Figura 9 Ejemplos de etiquetas del transmisor



6.1.1 Instale una tarjeta SIM

AVISO

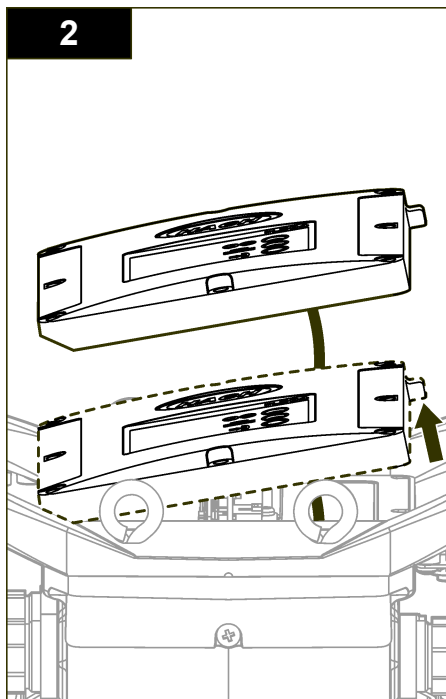
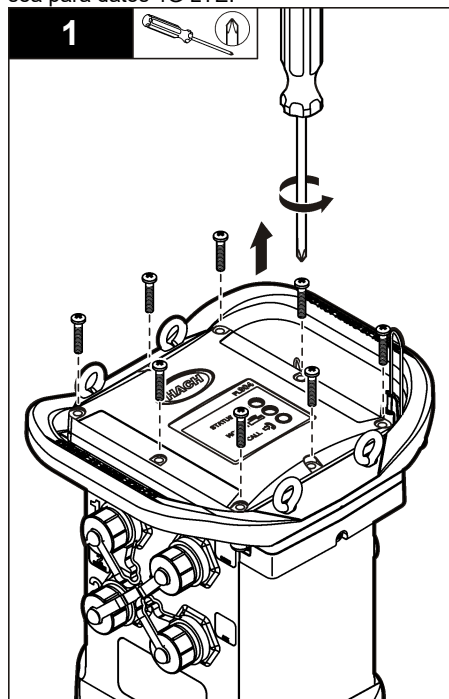


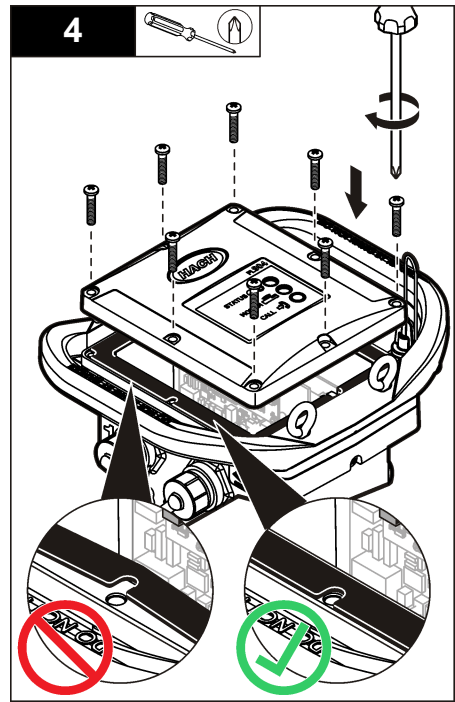
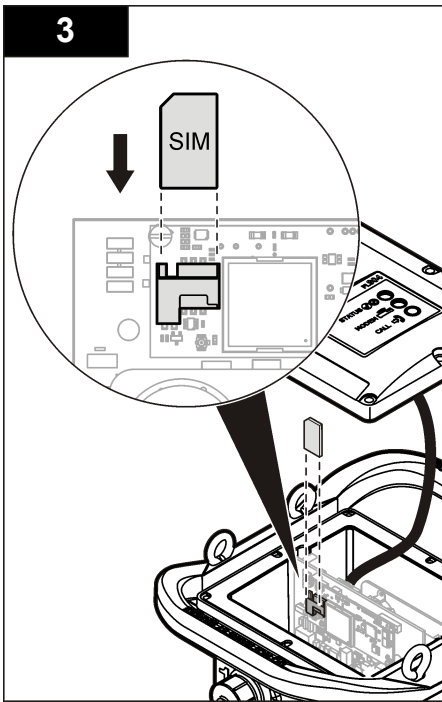
Daño potencial al instrumento. Los delicados componentes electrónicos internos pueden sufrir daños debido a la electricidad estática, lo que acarrearía una disminución del rendimiento del instrumento y posibles fallos.

AVISO

La carcasa del instrumento se puede romper si los tornillos de la cubierta se aprietan excesivamente. Apriete los tornillos de la cubierta a mano con un par de apriete máximo de 2,0 Nm (20 pulg./lb). Asegúrese de que la junta está lubricada con grasa.

Instale una tarjeta SIM del operador móvil. Consulte los pasos ilustrados que se muestran a continuación. Asegúrese de que el PIN de la tarjeta SIM esté desactivado y de que la tarjeta SIM sea para datos 4G LTE.





6.1.2 Conexión de una antena (opción inalámbrica)

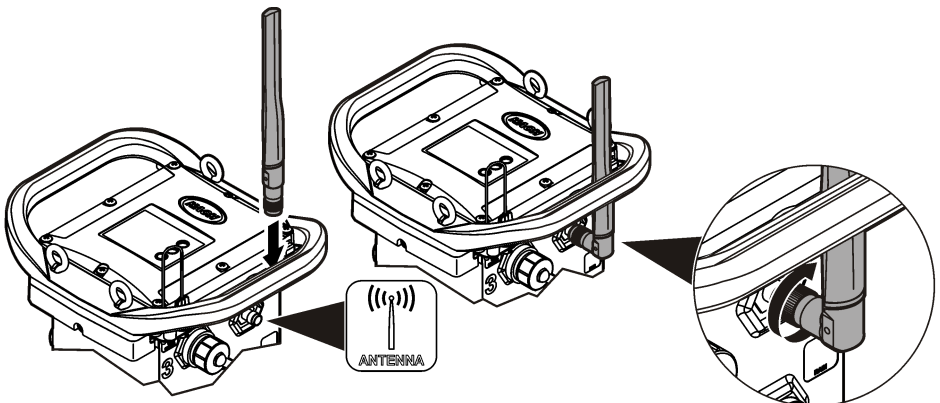
⚠ PRECAUCIÓN



Peligro de radiación electromagnética. Asegúrese de que la antena se mantiene a una distancia mínima de 20 cm (7,9 pulg.) de todo el personal durante el uso normal. La antena no puede colocarse ni utilizarse conjuntamente con ninguna otra antena o transmisor.

Se puede conectar una antena al instrumento para establecer comunicación inalámbrica. Existen varias opciones de antenas disponibles. Consulte [Piezas de repuesto y accesorios](#) en la página 80. Conecte una antena directamente al registrador o conecte un cable de antena al conector ANTENNA (ANTENNA) (Figura 10).

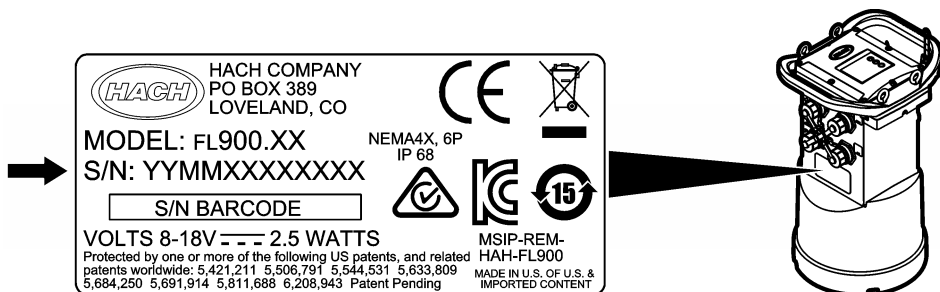
Figura 10 Conecte la antena de hoja



6.1.3 Adición del registrador al servidor FSDATA

Requisito: Número de serie del registrador de datos

Figura 11 Ubicación del número de serie



AVISO

Asegúrese de que introduce correctamente el número de serie y el SVC para evitar fallo de comunicación.

1. Vaya al sitio web <http://fsdata.hach.com> para acceder al servidor FSDATA.
2. Introduzca el nombre de usuario y la contraseña:
 - Nombre de usuario: el nombre de usuario predeterminado es el número de 8 dígitos de ID de usuario
 - Contraseña: la contraseña predeterminada es HachWebData
3. Vaya a **Instrumentos>Gestor de instrumentos**.
4. Registre el SVC (Código de verificación del servidor) que aparece en la esquina superior izquierda de la pantalla: _____
5. Haga clic en **AGREGAR NUEVO**. Se abrirá la ventana Agregar instrumento.
6. Introduzca el número de serie (SN) del registrador ([Figura 11](#)).
7. Seleccione el tipo de instrumento.
8. Seleccione la casilla de verificación Activo y haga clic en **ACEPTAR**. El instrumento se muestra en Gestor de instrumentos.

6.1.4 Configuración del registrador para la comunicación remota

Requisitos: El registrador debe estar conectado al ordenador. Se debe configurar una cuenta con un proveedor de red y el servidor debe estar configurado.

Los ajustes para la comunicación remota deben introducirse en FSDATA Desktop y, posteriormente, incorporarse en el registrador.

1. Abra una sesión de comunicación con el registrador:
 - a. Abra FSDATA Desktop.
 - b. Haga clic en **CONNECT** (Conectar). Se abre la ventana de conexión al instrumento.
 - c. Haga clic en el botón FL900.
 - d. Seleccione el puerto del ordenador en el que está conectado el registrador (serie o USB) y haga clic en **Connect** (Conectar).

Nota: Si se muestra un mensaje indicando que los sensores no coinciden, seleccione "Crear programa nuevo según los sensores conectados".
 - e. Asegúrese de que el estado de conexión indica "connected" (conectado).
2. Vaya a la pestaña de comunicaciones. Introduzca la información del sitio deseado. Seleccione la zona horaria.

3. Rellene la información relativa a los Remote Settings (Ajustes remotos):

Opción	Descripción
Verizon 4G	No necesita configuración adicional.
LAT3 4G	Seleccione el proveedor de red e introduzca el nombre de usuario y contraseña, si corresponde.
Intervalo de llamada principal	La frecuencia con la que el registrador llama al servidor.
Intervalo de llamada secundaria	La frecuencia con la que el registrador llama al servidor durante un estado de alarma.
Código de verificación de servidor	El código que especifica a qué cuenta del servidor FSDATA pertenece el registrador. El servidor no puede almacenar datos sin este código.

4. Haga clic en **WRITE TO LOGGER (INCORPORAR EN EL REGISTRADOR)** para guardar los ajustes. Se muestra una ventana con un mensaje:

Opción	Descripción
Warning: all data will be lost. (Advertencia: se perderán todos los datos.) Continue? (¿Desea continuar?)	Todos los datos almacenados en el registrador se eliminan cuando se incorpora un programa al registrador. Para guardar los datos, seleccione No y descárguelos en una ubicación segura. Seleccione Yes (Si) para eliminar todos los datos y actualizar el registrador con el programa nuevo.
Configuración del reloj del registrador	Sincronización con el reloj del ordenador: el registrador utiliza los ajustes de la fecha y la hora del ordenador. Configuración del reloj del registrador: el registrador utiliza los ajustes de la fecha y la hora que establece el usuario. Si la unidad dispone de un módem, el registrador utiliza de forma automática los ajustes de la fecha y la hora del servidor.

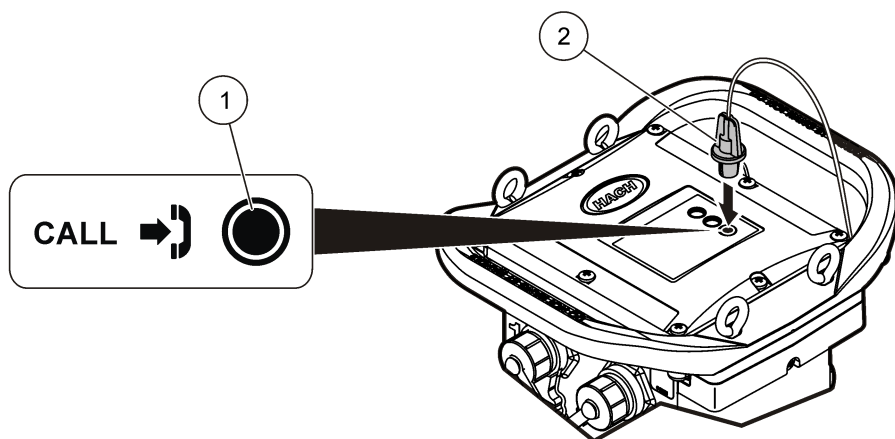
6.1.5 Verificación de la telemetría (opción inalámbrica)

El usuario puede enviar manualmente una llamada al servidor para asegurarse de que la comunicación de red es correcta.

1. Conecte de forma temporal la antena al registrador para comprobar la antena y la cobertura de célula en la ubicación antes de la instalación.
2. Sitúe el imán sobre el objetivo de iniciación de llamada (Figura 12). El indicador LED del módem cambia a verde.
3. Observe el indicador LED del módem durante la llamada (45 a 90 segundos) y espere a que cambie:
 - Si el LED se apaga, la llamada al servidor se ha realizado correctamente.
 - Si el LED parpadea en rojo, se ha producido un error al realizar la llamada al servidor.

Nota: Si la conexión falla, consulte [Solución de problemas](#) en la página 79 para obtener más información.

Figura 12 Llamada al servidor



1 Objetivo de iniciación de llamada

2 Imán

6.1.6 Verificación de telemetría con FSDATA Desktop

1. En FSDATA Desktop, seleccione **Communications>Modem Diagnostics** (Comunicaciones>Diagnóstico del módem).
2. Asegúrese de que el estado del registro es tanto estático como móvil. Si aparece un estado en blanco o de "identificación", la conexión ha fallado.
3. Ajuste la antena para obtener una intensidad y calidad óptimas de la señal.
4. Haga clic en **Call Server** (Llamar al servidor) para llamar a la red. Una pantalla emergente indica si se ha realizado con éxito o se ha producido un error.

6.1.7 Solución de problemas de telemetría

- Asegúrese de que el SVC es correcto.
- Asegúrese de que el número de serie está registrado y activado en el servidor host.
- Asegúrese de que el módem está habilitado y de que la dirección IP de Hach se ha introducido correctamente.
- Si el problema persiste, póngase en contacto con el servicio de asistencia técnica.

6.1.8 Uso de la opción móvil SMS

Configure el módem FL900 para enviar o recibir mensajes SMS (opcional). Consulte la documentación de FSDATA Desktop para obtener información de configuración.

Sección 7 Comunicación Modbus

Puede utilizarse el protocolo Modbus para comunicarse con este instrumento. Conecte un dispositivo de la red externa, como un PLC, a la interfaz RS232 en el instrumento para leer los datos tras el registro.

Póngase en contacto con la asistencia técnica para obtener más información sobre las comunicaciones de Modbus.

Nota: Los datos del historial no pueden leerse a través de la comunicación Modbus.

Sección 8 Configuración básica

La información que se incluye en este manual se puede utilizar para realizar una programación simple del registrador y para calibrar los sensores. Consulte la documentación de FSDATA Desktop para informarse sobre las opciones avanzadas. Complete las secciones en el orden en el que se muestran.

8.1 Realización de un programa básico de registrador

Se debe incorporar un programa básico en el registrador para especificar los canales que deberán registrarse.

1. Abra una sesión de comunicación con el registrador:
 - a. Abra FSDATA Desktop.
 - b. Haga clic en **CONNECT** (Conectar). Se abre la ventana de conexión al instrumento.
 - c. Haga clic en el botón FL900.
 - d. Seleccione el puerto del ordenador en el que está conectado el registrador (serie o USB) y haga clic en **CONNECT** (Conectar).
Nota: Si se muestra un mensaje indicando que los sensores no coinciden, seleccione "Create new program based on sensor connected" (Crear programa nuevo según los sensores conectados).
 - e. Asegúrese de que el estado de conexión indica "connected" (conectado).
2. Complete la información de la pestaña de configuración general.

Opción	Descripción
Identificación del sitio	Introduzca un nombre exclusivo para el sitio.

3. Seleccione los canales que desea registrar en la sección Select Channels to log (Seleccionar canales de registro de datos):
 - a. Amplíe el árbol del grupo de canales del Registrador. El canal Fuente de alimentación eléctrica siempre se muestra en este grupo. El registro de la fuente de alimentación eléctrica proporcionará valores para el nivel de batería. Se puede establecer una alarma en un nivel específico para alertar al gestor de cuentas de un nivel bajo, además de para sugerir una visita de campo para cambiar las baterías y evitar que se pierdan datos. Si el registrador contiene un puerto para pluviómetro, también se mostrará el canal Lluvia. Para incluir un canal Registrador en el registro de datos, seleccione la casilla de verificación junto al nombre del canal.
 - b. Amplíe el árbol para cada grupo de canales Puerto[1] (nombre del sensor) para ver los canales disponibles para el sensor. Si la casilla de verificación próxima al Registrador o al Puerto[1] está seleccionada, todos los canales del grupo se seleccionarán de forma automática.
 - c. Para incluir un canal Sensor en el registro de datos, seleccione la casilla de verificación junto al nombre del canal. El recuento de canales de registro aumenta cada vez que se selecciona un canal.
Nota: Para los registradores con varios puertos de sensores, el número de puerto se agrega al nombre de canal. Por ejemplo, Velocidad 3 es el nombre de canal de velocidad para el puerto de sensor 3.

Po

Pr

3

Se

4. Para establecer el intervalo de registro de un grupo de canales:
 - a. Haga clic en el nombre del grupo de canales, por ejemplo **Puerto1 (Flo-Dar)**. Se muestran los intervalos de registro.
 - b. Seleccione el intervalo de la lista desplegable. El intervalo de registro principal se utiliza para operaciones normales. El intervalo de registro secundario se utiliza en condiciones de alarma.

Nota: El intervalo de registro no puede establecerse para un solo canal de sensor.
5. Haga clic en **WRITE TO LOGGER (INCORPORAR EN EL REGISTRADOR)** para guardar los ajustes. Se muestra una ventana con un mensaje:

Opción	Descripción
Warning: all data will be lost. (Advertencia: se perderán todos los datos.) Continue? (¿Desea continuar?)	Todos los datos almacenados en el registrador se eliminan cuando se incorpora un programa al registrador. Para guardar los datos, seleccione No y descárguelos en una ubicación segura. Seleccione Yes (Sí) para eliminar todos los datos y actualizar el registrador con el programa nuevo.
Configuración del reloj del registrador	Sincronización con el reloj del ordenador: el registrador utiliza los ajustes de la fecha y la hora del ordenador. Configuración del reloj del registrador: el registrador utiliza los ajustes de la fecha y la hora que establece el usuario. Si la unidad dispone de un módem, el registrador utiliza de forma automática los ajustes de la fecha y la hora del servidor.

8.2 Calibración del sensor con el asistente de calibración

Prerrequisito: el registrador debe conectarse al ordenador y estar en línea para la calibración. El sensor se puede configurar y calibrar con el asistente de calibración.

1. Haga clic en la ficha del sensor.
2. Haga clic en Puerto del sensor[1] (nombre del sensor).
3. Haga clic en el botón **ASISTENTE DE CALIBRACIÓN**. Se abrirá la ventana del Asistente de calibración.
4. Seleccione las opciones de cada pantalla. Cuando se muestre la pantalla Calibración completa, haga clic en **FINALIZAR**.
5. Haga clic en **WRITE TO LOGGER (INCORPORAR EN EL REGISTRADOR)** para guardar los ajustes. Se muestra una ventana con un mensaje:

Opción	Descripción
Advertencia: se perderán todos los datos, ¿desea continuar?	Todos los datos almacenados en el registrador se eliminan cuando se incorpora un programa al registrador. Para guardar los datos, seleccione No y descárguelos en una ubicación segura. Seleccione Yes (Sí) para eliminar todos los datos y actualizar el registrador con el programa nuevo.
Configuración del reloj del registrador	Sincronización con el reloj del ordenador: el registrador utiliza los ajustes de la fecha y la hora del ordenador. Configuración del reloj del registrador: el registrador utiliza los ajustes de la fecha y la hora que establece el usuario. Si la unidad dispone de un módem, el registrador utiliza de forma automática los ajustes de la fecha y la hora del servidor.

La instalación ha finalizado. Si la programación se realizó de forma satisfactoria, la luz de estado debe parpadear en verde.

Sección 9 Lugar de instalación

⚠ ADVERTENCIA	
	<p>Peligros diversos. Solo el personal cualificado debe realizar las tareas descritas en esta sección del documento.</p>

9.1 Colgado de un cable

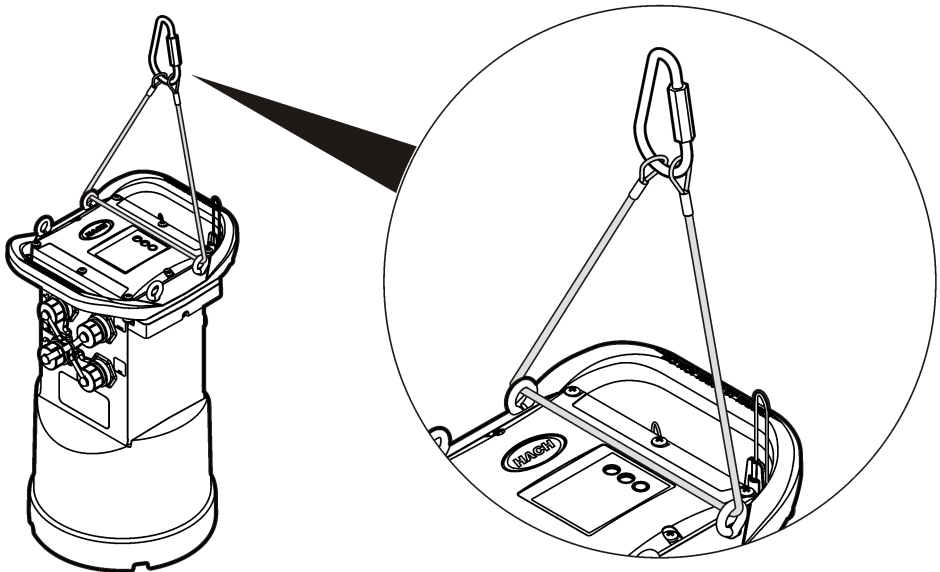
AVISO

No utilice las asas para colgar el registrador. Las asas no están diseñadas para soportar el peso del registrador.

El registrador puede colgarse de un cable para instalarlo en un área como, por ejemplo, un pozo.

1. Conecte un cable en los cáncamos de la parte superior del registrador. Consulte [Figura 13](#).
2. Cuelgue el cable de un soporte resistente como, por ejemplo, una barra de llave de tuercas opcional.

Figura 13 Registrador colgado de un cable



9.2 Instalación en un soporte de pared

El registrador se puede instalar en una pared, poste o escalera. Consulte los documentos proporcionados con el hardware para obtener instrucciones de instalación.

Sección 10 Mantenimiento

▲ ADVERTENCIA



Peligros diversos. Solo el personal cualificado debe realizar las tareas descritas en esta sección del documento.

▲ ADVERTENCIA



Riesgo biológico. Obedezca los protocolos de tratamiento de seguridad y utilice el equipo de protección personal necesario cuando manipule un instrumento que haya podido estar en contacto con materiales biológicos peligrosos. Lave y descontamine el instrumento con una solución jabonosa desinfectante y enjuáguelo con agua caliente antes de proceder a su mantenimiento o envío.

⚠ PRECAUCIÓN



Peligro de radiación electromagnética. Asegúrese de que la antena se mantiene a una distancia mínima de 20 cm (7,9 pulg.) de todo el personal durante el uso normal. La antena no puede colocarse ni utilizarse conjuntamente con ninguna otra antena o transmisor.

10.1 Limpieza del instrumento

Limpie el exterior del instrumento con un paño húmedo y una solución jabonosa suave y, a continuación, seque el instrumento según sea necesario.

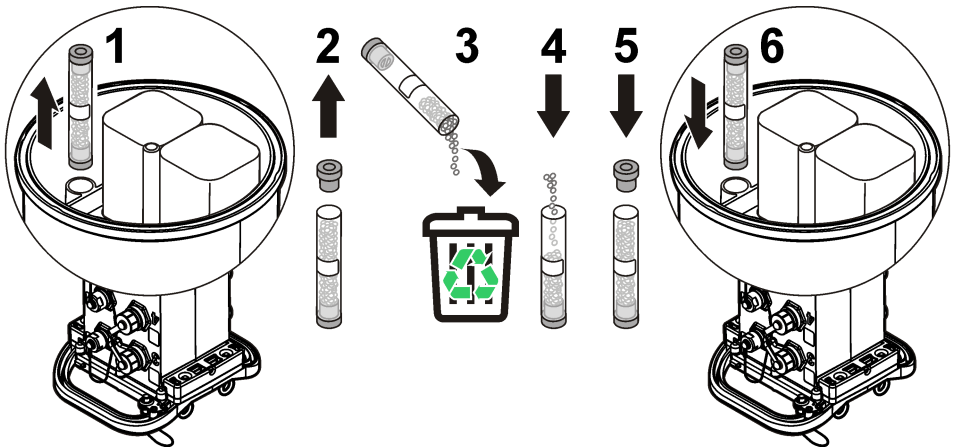
10.2 Cambio de las pilas

Cambie las pilas por el mismo tipo y potencia. Consulte [Instalación de las pilas](#) en la página 63 y [Especificaciones](#) en la página 56.

10.3 Cambio del desecante

El desecante está situado en el compartimento de las pilas. Para retirar la tapa de las pilas, consulte [Instalación de las pilas](#) en la página 63. El desecante absorbe la humedad del aire y previene la corrosión de los componentes del instrumento. Las partículas del desecante cambian de color cuando se saturan. Cambie el desecante cuando las partículas cambien de color de amarillo a verde (consulte [Figura 14](#)). Como práctica recomendada, cambie el desecante cuando cambie las pilas.

Figura 14 Reemplazo del desecante



Sección 11 Solución de problemas

Si el problema se produce en el sistema, intente averiguar si el problema se encuentra en el sensor, el registrador o las conexiones de cables.

- Compruebe todas las conexiones de los sensores. Asegúrese de que todas las conexiones están sujetas.
- Retire y compruebe si hay humedad en los conectores de los sensores. Límpielo y deje secar, si es necesario.
- Compruebe si hay restos de suciedad en los sensores y, en su caso, retire los restos.
- Compruebe si hay eventos de problemas en el registro de eventos.

11.1 Fallo de comunicación

Si se ha enviado una llamada al servidor pero se ha producido un fallo de conexión, realice las siguientes tareas:

- Desconecte y conecte la alimentación al instrumento.
- Ajuste la antena para aumentar la intensidad de la señal.
- Inicie sesión en el servidor y asegúrese de que se ha introducido el número de serie correcto y de que el SVC utilizado para la configuración se ha registrado correctamente.
- Asegúrese de que los ajustes de comunicación se han introducido correctamente en la ventana del controlador de FL900.
- Conecte el registrador al ordenador y abra una sesión de comunicación. En la ventana del controlador de FL900, haga clic en la pestaña Diagnósticos y, a continuación, en el menú Módem. El estado de registro debe ser Inicio.
- Si no se resuelve el problema, llame al servicio de asistencia técnica.

Sección 12 Piezas de repuesto y accesorios

Nota: Las referencias de los productos pueden variar para algunas regiones de venta. Póngase en contacto con el distribuidor correspondiente o visite la página web de la empresa para obtener la información de contacto.

Piezas de repuesto

Descripción	Referencia
Tapa del compartimento de las pilas	8524400
Compartimento de las baterías, junta tórica	8533400
Conjunto de casquillos de desecante (desecante del compartimento de las pilas)	8754900
Conjunto de tubo con desecante (desecante del compartimento de las pilas)	8535200
Esferas desecantes, 680 g (1,5 lb)	8755500
Cáncamos, 1/4–20 x 2,5 pulg. Acero inoxidable	8535500
Junta, cubierta superior	8533300
Tornillo de carcasa, n.º 10–14 x 1 pulg.	8753300
Asa del registrador	8524200
Lubricante, silicona 0,25 oz	000298HY
Conjunto de imanes	8537800
Tapa y junta del sensor, conectores Comm y Aux	8535000
Tapa y junta del sensor del conector del pluviómetro	9492500

Encendido

Descripción	Referencia
Pila de petaca de 6 V	11013M
Pila alcalina de larga duración	8542900
Cable y adaptador de tapa superior de conjunto de pilas alcalinas de larga duración	8543000
Conjunto de cables de alimentación eléctrica externa, 2,7 m (9 pies)	8528700
Conjunto de cables de alimentación eléctrica externa, 7,6 m (25 pies)	8528701

Hardware de montaje

Descripción	Referencia
Soporte de pared sin gancho para escalera	8542700
Adaptador para soporte de pared	8543800

Antenas

Descripción	Referencia
De hoja, 3G/4G LTE, 3 dBi	8623800
Miniala, 2G/3G/4G LTE, cable de 2,5 m (8,2 pies), 5,5 dBi	8624000
Enterrada, 3G/4G LTE, cable de 3 m (9,8 pies), 3 dBi	8624200
Tapa de registro, 3G/4G LTE, cable de 3 m (9,8 pies), 3 dBi	8624400

Cables de tomamuestras/auxiliares

Descripción	Referencia
Cable, auxiliar, multiuso, 7 pines, 2,7 m (9 pies)	8528500
Cable, auxiliar, multiuso, 7 pines, 7,6 m (25 pies)	8528501
Cable, registrador FL900 a puerto AS950 AUX, 7 pines, 2,7 m (9 pies)	9500700
Cable, registrador FL900 a puerto AS950 AUX, 7 pines, 7,6 m (25 pies)	9500701
Conjunto de cables, entrada de alimentación AUX, AS950-FL900 con adaptador de alimentación eléctrica	8322800

Índice

- | | | | |
|---|--|----|---|
| 1 | Versão completa do manual na página 82 | 7 | Comunicação Modbus na página 100 |
| 2 | Especificações na página 82 | 8 | Configuração básica na página 100 |
| 3 | Informações gerais na página 83 | 9 | Instalação no local na página 103 |
| 4 | Forneça energia ao Logger na página 89 | 10 | Manutenção na página 104 |
| 5 | Inicialização do sistema na página 92 | 11 | Solução de problemas na página 105 |
| 6 | Programar uma unidade equipada com um modem na página 94 | 12 | Peças e acessórios de reposição na página 106 |

Seção 1 Versão completa do manual

Para obter informações adicionais, consulte a versão expandida desse manual, disponível no site do fabricante.

Seção 2 Especificações

As especificações estão sujeitas a alterações sem aviso prévio.

Especificação	Detalhes
Dimensões (L x P x A)	25,4 x 22 x 40 cm (10,0 x 8,7 x 16,0 pol.)
Invólucro	Espuma estrutural PC/ABS
Classificação ambiental	NEMA 6P/IP68 (24 horas em submersão de 1,8 m (6 pés))
Peso (modelo FL900)	4,5 kg sem baterias, 6,3 kg com 2 baterias e 8,2 kg com 4 baterias
Temperatura de operação	-18 a 60 °C (0 a 140 °F) a 95% de UR
Temperatura de armazenamento	-40 a 60 °C (-40 a 140 °F)
Alimentação elétrica	8 a 18 V CC de baterias ou fonte externa de energia, máx. de 2,5 W
Vida da bateria	<p>Varia com o tipo de sensor, os intervalos de registro, a telemetria e o ambiente.</p> <p>Para um intervalo de registro de 15 minutos, sem modem, quatro baterias de 6V em temperatura ambiente:</p> <ul style="list-style-type: none">• Sensor Flo-tote 3 306 dias• Sensor de velocidade da área com Analisador AV9000 296 dias• Sensor Flo-Dar 185 dias• Sensor ultrassônico 456 dias <p>Observação: Para uso mais prolongado com Bateria de Longa Duração, PN 8542900.</p>
Categoria de instalação	I
Classe de proteção	III
Grau de poluição	4
Portas de sensor	1, 2 ou 4 portas
Conectores	Conectores de aço inoxidável
Canais do datalog	Máximo de 16
Alarmes	Máximo de 16 alarmes de canal com opções alto/alto, alto, baixo, baixo/baixo. Os alarmes do sistema incluem bateria baixa, bateria RTC baixa, memória slate baixa, memória slate cheia, tempo limite do sensor, ID do sensor.

Especificação	Detalhes
Ações do alarme	Inicie o sampler, altere o intervalo de registro, altere o intervalo de chamada, envie e-mail ou uma mensagem de texto (SMS) do logger ou servidor. <i>Observação: Taxas de SMS podem ser aplicáveis. Nem todos os tipos de alarmes estarão disponíveis em todas as operadoras de telefonia móvel e planos de serviços.</i>
Intervalos de registro	1, 2, 3, 4, 5, 6, 10, 12, 15, 20, 30 ou 60 minutos
	Intervalos primários e secundários para geração dinâmica de registros
Armazenamento de dados	Log de evento: máximo de 1000 eventos em uma memória flash não volátil
	Histórico de amostras: máximo de 2000 eventos de amostra em memória flash não volátil
	Datalog: 325.000 pontos de dados; 1128 dias para 3 canais em intervalos de registro de 15 minutos
Comunicação com PC	USB
	RS232 (taxas de transmissão: 9600, 19200, 38400, 57600, 115200)
Comunicação remota (opcional)	Modem sem fio: 3G, 4G LTE (Verizon); 3G, 4G LTE, PTCRB (EUA e Canadá)
Protocolos	Modbus RTU (RS232)
	SMS com destino móvel
	SMS com origem móvel
Precisão da base de tempo	±0,002%, sincronizada a cada 24 horas com software do servidor e modem
Sensores suportados	Flo-Dar, Flo-Dar com SVS, Flo-Tote, Medidor de Chuva, Ultrassônico, Velocidade de área submersa ¹ , Sigma 950 ¹
Interface com Amostrador	Compatível com Sigma 900 Standard, Sigma 900 Max, Hach SD900 e AS950 para suporte na configuração de amostragem por eventos, pulso de vazão e registro de histórico de amostras
Certificações	Logger: CE
	Fonte de energia AC opcional: padrões UL/CSA (cETLus)/CE
	Modems: FCC, IC, outros podem estar disponíveis — entre em contato com o fabricante para obter mais informações.
Garantia	1 ano

Seção 3 Informações gerais

Em hipótese alguma o fabricante será responsável por danos resultantes de qualquer uso inadequado do produto ou não cumprimento das instruções contidas no manual. O fabricante reserva-se o direito de fazer alterações neste manual e nos produtos aqui descritos a qualquer momento, sem aviso ou obrigação. As edições revisadas podem ser encontradas no site do fabricante.

3.1 Informações de segurança

O fabricante não é responsável por quaisquer danos devido ao uso ou aplicação incorreta deste produto, incluindo, sem limitação, danos diretos, acidentais ou consequenciais, e se isenta desses danos à extensão total permitida pela lei aplicável. O usuário é unicamente responsável por identificar riscos críticos de aplicação e por instalar os mecanismos apropriados para proteger os processos durante um possível mau funcionamento do equipamento.

¹ Este dispositivo é conectado por meio de um módulo externo.

Leia todo o manual antes de tirar da embalagem, montar ou operar esse equipamento. Preste atenção a todos os avisos de perigo e advertência. Caso contrário, o operador poderá sofrer ferimentos graves ou o equipamento poderá ser danificado.

Certifique-se de que a proteção fornecida por este equipamento não seja prejudicada. Não use ou instale este equipamento de qualquer modo diferente do especificado neste manual.

3.1.1 Uso de informações de risco

▲ PERIGO

Indica uma situação potencial ou iminentemente perigosa que, se não for evitada, resultará em morte ou lesão grave.

▲ ADVERTÊNCIA

Indica uma situação potencialmente perigosa que, se não for evitada, pode resultar em morte ou ferimento grave.

▲ CUIDADO






Indica uma situação potencialmente perigosa que pode resultar em ferimento leve a moderado.

AVISO

Indica uma situação que, se não evitada, pode causar danos ao instrumento. Informações que necessitam de uma ênfase especial.

3.1.2 Avisos de precaução

Leia todas as etiquetas e rótulos fixados no instrumento. Caso não sejam observadas, podem ocorrer lesões pessoais ou danos ao instrumento. Um símbolo no instrumento tem sua referência no manual com uma medida preventiva.

	Este é o símbolo de alerta de segurança. Acate todas as mensagens de segurança que seguem este símbolo a fim de evitar lesões potenciais. Se o símbolo estiver no instrumento, consulte o manual de instruções para obter informações sobre a operação ou segurança.
	Este símbolo indica que existe um risco de choque elétrico ou de eletrocussão.
	Este símbolo identifica a presença de dispositivos sensíveis a Descargas eletrostáticas (ESD) e indica que se deve tomar cuidado para evitar dano ao equipamento.
	Este símbolo indica ondas de rádio.
	O equipamento elétrico marcado com este símbolo não pode ser descartado em sistemas de descarte público ou doméstico europeus. Devolva equipamentos antigos ou no final da vida útil para o fabricante para descarte, sem custo adicional para o usuário.

3.1.3 Precauções em espaços confinados

▲ PERIGO



Perigo de explosão. Treinamento em testes pré-entrada, ventilação, procedimentos de entrada, procedimentos de evacuação/resgate e práticas de trabalho de segurança são necessárias antes de entrar em espaços confinados.

As informações a seguir são fornecidas para ajudar os usuários a entenderem os perigos e os riscos associados com a entrada em espaços confinados.

Em 15 de abril de 1993, a decisão final da OSHA sobre o CFR 1910.146, Autorização Requerida para Espaços Confinados, se tornou lei. Este padrão afeta diretamente mais de 250.000 locais industriais nos EUA e foi criado para proteger a saúde e a segurança dos trabalhadores em espaços confinados.

Definição de um espaço confinado:

Um espaço confinado é qualquer local ou recinto que apresente (ou tenha potencial imediato para apresentar) uma ou mais das seguintes condições:

- Uma atmosfera com uma concentração de oxigênio menor que 19,5% ou maior que 23,5% e/ou uma concentração de sulfeto de hidrogênio (H₂S) que seja maior que 10 ppm.
- Uma atmosfera que possa ser inflamável ou explosiva devido a gases, vapores, névoas, poeira ou fibras.
- Materiais tóxicos que, mediante contato ou inalação, podem causar lesões, danos à saúde ou morte.

Os espaços confinados não são feitos para ocupação humana. Os espaços confinados têm uma entrada restrita e contêm riscos conhecidos ou potenciais. Exemplos de espaços confinados incluem câmaras subterrâneas, chaminés, tanques, subterrâneos de troca e outros locais semelhantes.

Os procedimentos de segurança padrão devem sempre ser obedecidos antes da entrada nos espaços confinados e/ou locais onde possam estar presentes gases perigosos, vapores, névoas, poeiras ou fibras. Antes de entrar em um local confinado, encontre e leia todos os procedimentos relacionados à entrada em um espaço confinado.

3.2 Certificação

Canadian Radio Interference-Causing Equipment Regulation (Regulamentação para equipamentos de rádio causadores de interferência do Canadá), ICES-003, Classe A:

Os registros de testes de comprovação encontram-se com o fabricante.

Esse aparato digital Classe A atende todas as exigências das Regulamentações de Equipamento que Causam Interferência do Canadá: CAN ICES-3(A)/NMB-3(A).

Cet appareil numérique de classe A répond à toutes les exigences de la réglementation canadienne sur les équipements provoquant des interférences.

FCC parte 15, limites Classe "A"

Os registros de testes de comprovação encontram-se com o fabricante. O dispositivo está em conformidade com a Parte 15 das Regras da FCC. A operação está sujeita às seguintes condições:

1. O equipamento não deve causar interferência prejudicial.
2. O equipamento deve aceitar todas as interferências recebidas, inclusive interferências que podem causar funcionamento indesejado.

Alterações ou modificações a este equipamento não aprovadas expressamente pela parte responsável pela conformidade podem anular a autoridade do usuário de operar o equipamento. Este equipamento foi testado e está em conformidade com os limites de dispositivo digital Classe A, de acordo com a Parte 15 das Regras da FCC. Esses limites foram estabelecidos para proporcionar uma razoável proteção contra interferências nocivas quando o equipamento for operado em ambientes comerciais. Este equipamento gera, utiliza e pode irradiar energia de radiofrequência e, se não instalado e usado de acordo com o manual de instruções, poderá causar interferências prejudiciais às comunicações de rádio. É provável que o funcionamento deste equipamento em área residencial possa causar interferência indesejada, caso em que o usuário será solicitado a corrigir a interferência por conta própria. As seguintes técnicas podem ser usadas para reduzir problemas de interferência:

1. Desconecte o equipamento de sua fonte de alimentação para verificar se ele é ou não a origem da interferência.
2. Se o equipamento está conectado à mesma tomada do dispositivo que está sofrendo interferência, conecte o equipamento a uma tomada diferente.
3. Afaste o equipamento do dispositivo que estiver recebendo a interferência.

4. Reposicione a antena de recebimento do dispositivo que está sofrendo interferência.
5. Tente algumas combinações das opções acima.

3.3 Certificação do modem sem fio

O dispositivo está em conformidade com a Parte 15 das Regras da FCC e com o(s) padrão(ões) RSS de isenção de licença da Industry Canada. A operação está sujeita às seguintes condições:

1. O equipamento não deve causar interferência prejudicial.
2. O equipamento deve aceitar todas as interferências recebidas, inclusive interferências que podem causar funcionamento indesejado.

Alterações ou modificações a este equipamento de comunicação sem fio não aprovadas expressamente pela parte responsável pela conformidade podem anular a autoridade do usuário de operar o equipamento. Qualquer alteração ao equipamento anula a certificação e a concessão FCC da Industry Canada. Alterações e modificações incluem qualquer modificação aos modems sem fio e antenas associadas, incluindo os cabos da antena. Siga as recomendações do fabricante para instalação do produto, configuração e operação sem fio.

3.4 Aparelhos celulares

AVISO

A segurança de rede e de ponto de acesso é responsabilidade do cliente que utiliza o instrumento sem fio. O fabricante não será responsável por quaisquer danos, incluindo, e não se limitando a danos acidental ou consequenciais, especiais ou indiretos que foram causados por falha ou violação de segurança de rede.

⚠ ADVERTÊNCIA



Cuidados com marca-passo. Se ocorrer interferência eletromagnética (EMI), é possível:

- Interromper os pulsos estimulantes do marca-passo que controlam o ritmo do coração.
- Fazer com que o marca-passo forneça pulsos irregulares.
- Fazer com que o marca-passo ignore o ritmo do coração e forneça pulsos a um intervalo definido.

Pesquisas atuais mostram que aparelhos celulares não apresentam um problema significativo de saúde para portadores de marca-passo. No entanto, pessoas com marca-passo devem tomar precauções a fim de garantir que seus dispositivos não causem nenhum problema. Mantenha o dispositivo a uma distância mínima de 20 cm (7,9 pol.) do usuário.

⚠ CUIDADO



Perigo de radiação eletromagnética. Certifique-se de que a antena seja mantida a uma distância mínima de 20 cm (7,9 pol.) de todo o pessoal em uso normal. A antena não pode ser reposicionada ou operada em conjunto com qualquer outra antena ou com outros transmissores.

⚠ CUIDADO



Perigo de radiação eletromagnética. Em aplicativos portáteis, não use o modem a menos de 20 cm (7,9 pol.) do usuário.

Aprovações regulatórias de dispositivos de RF

Modem MTSMC-LAT3 (classe de equipamento: transmissor licenciado para PCS, módulo LTE/3G):

- FCC: aprovado como dispositivo modular com a Concessão de Autorização TCB. ID FCC: RI7LE910NAV2
- IC: aprovado como dispositivo modular com o Certificat D'Acceptabilite' Technique C-REL ID: 5131A-LE910NAV2

Modem MTSMC-LVW3 (transmissor licenciado para PCS, módulo LTE/3G):

- FCC: aprovado como dispositivo modular com a Concessão de Autorização TCB. ID FCC: RI7LE910SVV2
- IC: aprovado como dispositivo modular com o Certificat D'Acceptabilite' Technique C-REL ID: 5131A-LE910SVV2

Tabela 1 Modem Celular: MTSMC-LAT3

Norma FCC para peças	Bandas de frequência (MHz)	Potência de saída máxima (Watts)
22, 24, 27	700 (B12/ B13), 850 (B5), 1700 (B4), 1900 (B2)	0.232

Modem Celular MTSMC-LAT3 — Condições e notas de autorização FCC :

Aprovação única do módulo. A potência de saída listada é conduzida. Este dispositivo é aprovado para celular e telefone fixo com relação às condições de exposição a RF e só pode ser comercializado para instaladores OEM. As antenas utilizadas neste transmissor, conforme descrito nesta apresentação, devem ser instaladas de forma a oferecer uma distância de separação de pelo menos 20 cm de todas as pessoas. Os instaladores e usuários finais devem ter as condições operacionais para satisfazer às condições de exposição a RF. Ganho máximo permitido da antena/perda de cabo: 6,63 dBi para 700 MHz e 850 MHz; 6,00 dBi para 1.700 MHz; 8,51 dBi para 1.900 MHz.

Tabela 2 Modem Celular: MTSMC-LVW3

Norma FCC para peças	Bandas de frequência (MHz)	Potência de saída máxima (Watts)
24, 27	700 (B13), 1.700 (B4), 1.900 (B2)	0.219

Modem Celular MTSMC-LVW3 — Condições e notas de autorização FCC:

Aprovação única do módulo. A potência de saída listada é conduzida. Este dispositivo é aprovado para celular e telefone fixo com relação às condições de exposição a RF e só pode ser comercializado para instaladores OEM. As antenas utilizadas neste transmissor, conforme descrito nesta apresentação, devem ser instaladas de forma a oferecer uma distância de separação de pelo menos 20 cm de todas as pessoas. Os instaladores e usuários finais devem ter as condições operacionais para satisfazer às condições de exposição a RF. Ganho máximo permitido da antena/perda de cabo: 6,94 dBi para 700 MHz; 6,00 dBi para 1.700 MHz; 9,01 dBi para 1.900 MHz.

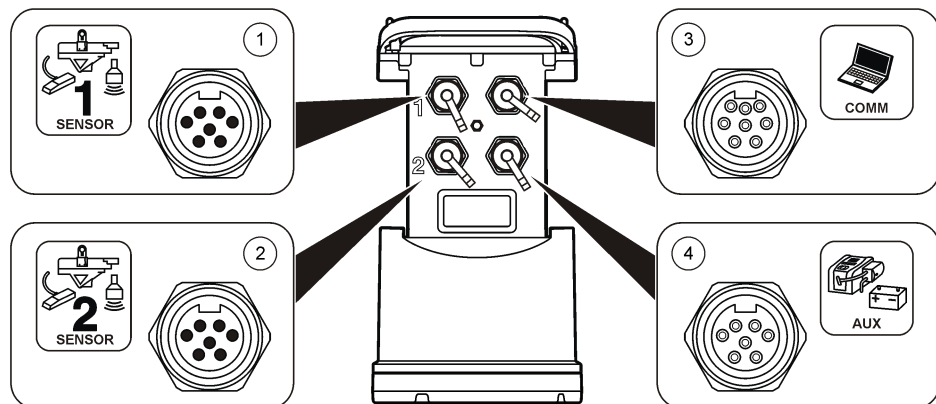
3.5 Visão geral do produto

Os loggers de fluxo da série FL900 são usados para estudos de monitoramento de fluxo de canal aberto como I&I (inflow & infiltration), CSO (combined sewer overflow), capacidade e planejamento e monitoramento de corrente de águas pluviais.

Os dados são coletados a partir dos sensores anexados e registrados para recuperação futura. Os sensores podem ser adicionados ou alterados em campo. Dependendo do modelo, até quatro sensores podem ser conectados. Os dados podem ser recuperados diretamente através de um cabo USB ou RS232 ou remotamente através de uma rede sem fio com FSDATA Desktop e software de servidor FSDATA. Os loggers da série FL900 também podem ser conectados a uma fonte de energia externa, medidor de chuva ou serem usados para medir o ritmo de um Sigma ou Amostradores HACH.

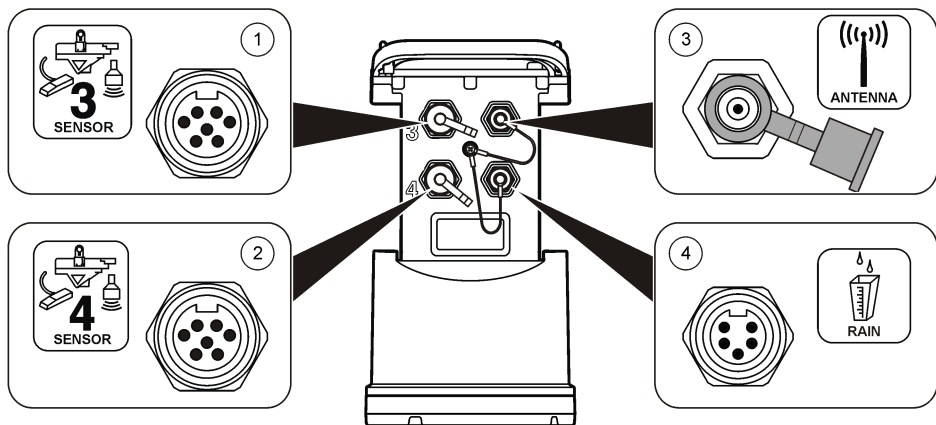
A opção sem fio e o número de conectores disponíveis variam conforme o modelo do logger. Consulte [Figura 1](#) e [Figura 2](#).

Figura 1 Conectores — lado 1



1 Sensor (todos os modelos)	3 Computador — cabo USB ou RS232 (todos os modelos)
2 Sensor (somente FL902, FL904)	4 Auxiliar — energia auxiliar ou sampler (todos exceto FL900)

Figura 2 Conectores — lado 2



1 Sensor (somente FL904)	3 Opção de antena (todos exceto FL900)
2 Sensor (somente FL904)	4 Medidor de chuva (todos exceto FL900)

3.6 Componentes do produto

Se houver itens ausentes ou danificados, entre em contato imediatamente com o fabricante ou com um representante de vendas.

Seção 4 Forneça energia ao Logger

4.1 Instalar as baterias

⚠ ADVERTÊNCIA



Perigo de explosão. A instalação incorreta das baterias pode causar liberação de gases explosivos. As baterias devem ser do mesmo tipo químico aprovado e ser inseridas com a orientação correta. Não misture baterias novas com antigas.

⚠ ADVERTÊNCIA



Perigo de incêndio. Não é permitida a substituição da pilha. Use somente baterias alcalinas.

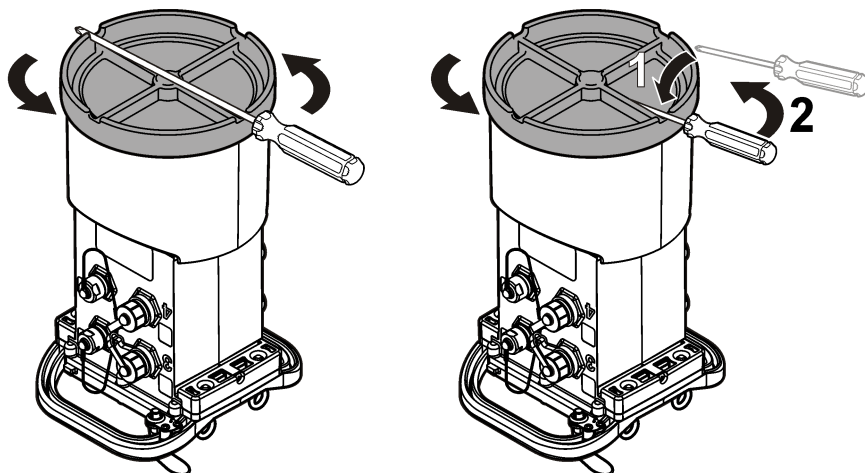
AVISO

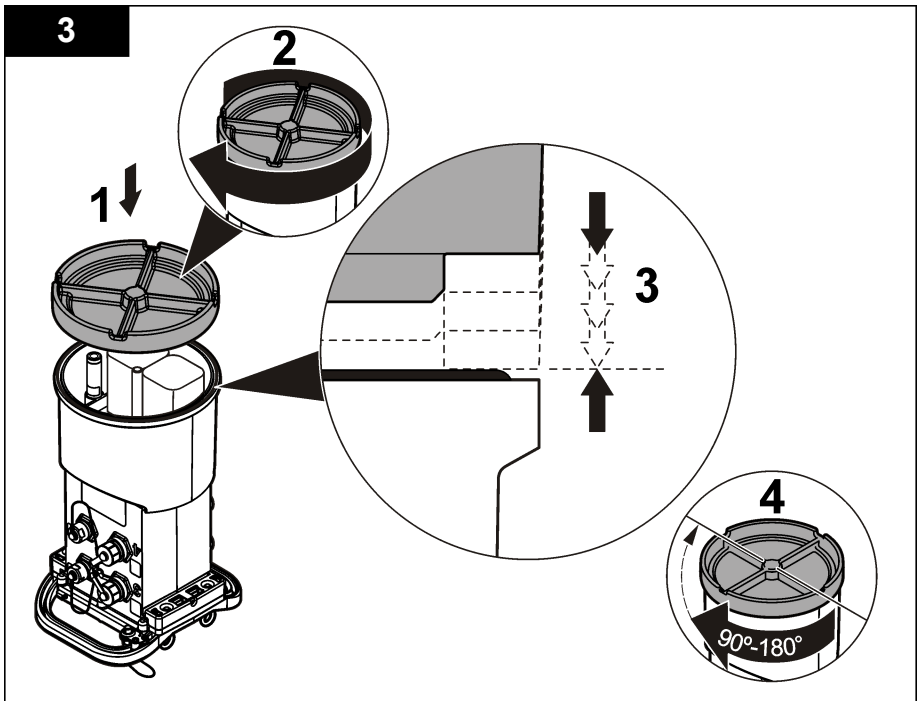
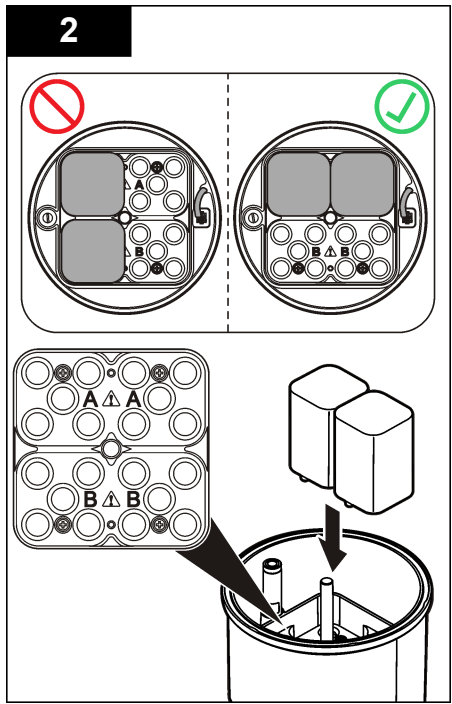
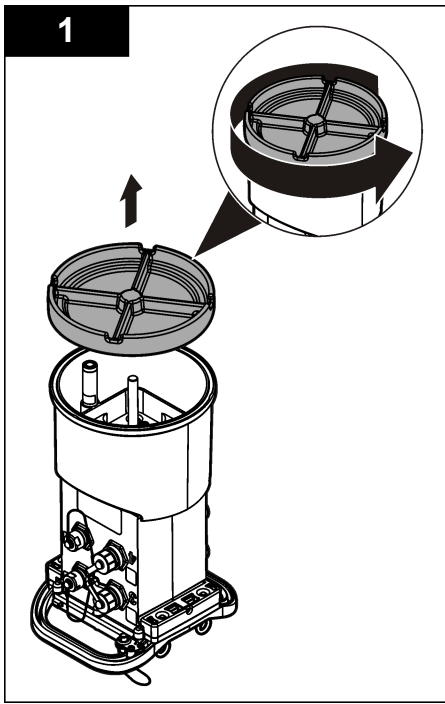
Não aperte a tampa excessivamente. Aperte até a tampa apenas tocar no anel de vedação e, em seguida, aperte de um quarto a metade de uma volta, no máximo, a partir do contato do anel de vedação. Mantenha o anel de vedação lubrificado com graxa de silicone.

O instrumento pode usar duas ou quatro baterias de 6 v para energia. Use duas baterias para uso por um curto período ou quatro baterias para uso de longa duração (para obter a vida útil da bateria, consulte [Especificações](#) na página 82). Quando somente duas baterias forem usadas, coloque ambas as baterias no mesmo lado do compartimento (A-A ou B-B). Consulte as etapas ilustradas seguintes.

Alterações na temperatura e pressão podem dificultar a remoção manual da tampa do compartimento da bateria. Se isso ocorrer, uma ferramenta poderá ser usada para remover a tampa (Figura 3).

Figura 3 Remoção da tampa da bateria





4.2 Anexar uma fonte de energia externa (opcional)

⚠ ADVERTÊNCIA

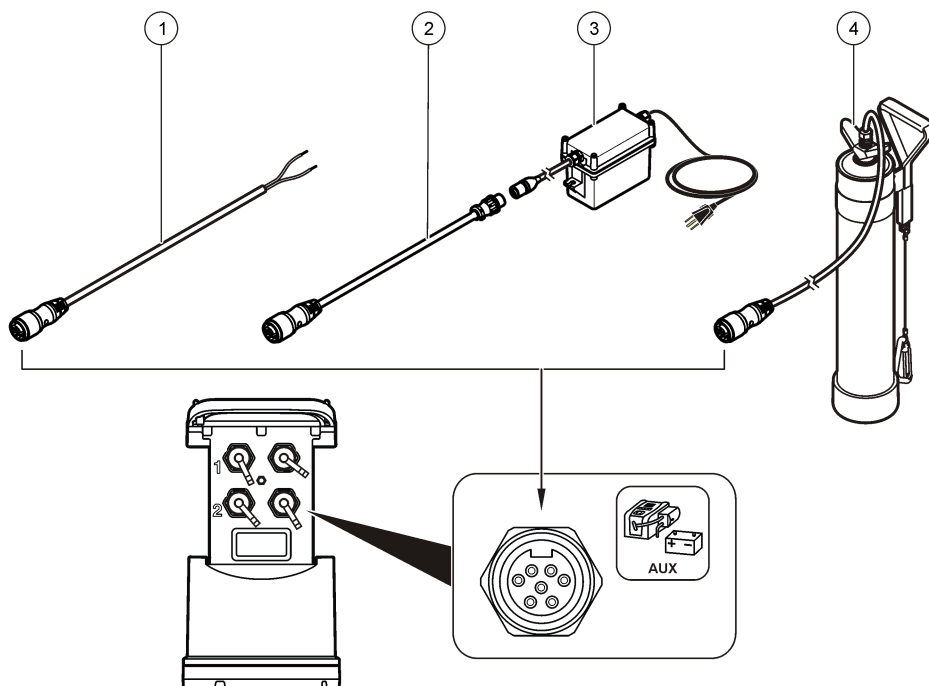


Risco potencial de explosão. O instrumento não é aprovado para uso em locais perigosos.

O instrumento pode ser alimentado por uma bateria externa de longa vida, uma fonte de alimentação AS950 ou outra fonte que possa fornecer energia no intervalo especificado (consulte as [Especificações](#) na página 82 e [Peças e acessórios de reposição](#) na página 106). Se o logger possuir tanto alimentação externa como baterias internas, as baterias internas serão usadas como uma fonte de energia auxiliar. Quando a energia externa cai para menos de aproximadamente 9 V, as baterias internas fornecem energia até a tensão da fonte externa ficar acima de 9 V.

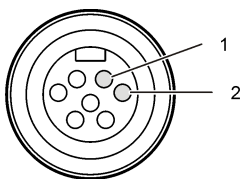
1. Instale a fonte de energia externa em um local seguro próximo ao logger. Certifique-se de obedecer todas as precauções de segurança para a fonte de energia.
2. Anexe um cabo da fonte de energia ao conector AUX no logger ([Figura 4](#)).
3. Alimente a fonte de energia, se aplicável.

Figura 4 Opções de energia externa



1 Cabo de energia com 2 condutores (Figura 5)	3 Fonte de alimentação AS950
2 Cabo do adaptador de energia	4 Bateria de vida útil prolongada

Figura 5 Fiação do cabo de energia com 2 condutores



1 Energia — AWG 16 vermelho

2 Comum — AWG 16 preto

Seção 5 Inicialização do sistema

5.1 Instale o FSDATA Desktop em um computador

Antes do logger de fluxo ou o sampler ser conectado a um computador, certifique-se de que o FSDATA Desktop esteja instalado no computador. O FSDATA Desktop está disponível em www.hachflow.com.

5.2 Anexar o logger ao computador

Pré-requisito: Certifique-se de que o FSDATA Desktop esteja instalado no computador. Conecte somente um logger ao computador.

1. Anexe o logger ao computador.
2. Quando um cabo USB é conectado pela primeira vez, o assistente Novo hardware encontrado é aberto. Execute o assistente de novo hardware para instalar o driver USB para o logger. Ao concluir, a mensagem "Seu novo hardware está instalado e pronto para usar" será exibida. Se o assistente não funcionar ou a instalação falhar, entre em contato com o suporte técnico para auxiliá-lo na solução do problema específico de seu sistema operacional.

5.3 Anexar um sensor ou dispositivos externos ao logger

Pré-requisito: Certifique-se de que o status da conexão seja "não conectado".

⚠ ADVERTÊNCIA



Locais perigosos do sensor e Perigos de exposição a RF. Alguns sensores apresentam perigos de exposição à radiação de RF e são usados em atmosferas explosivas. Consulte as advertências e instruções do manual do sensor antes de conectar um sensor ao logger.

O número de sensores que podem ser anexados ao logger varia conforme o modelo do logger. Alguns sensores devem ser anexados a um módulo externo que é utilizado como interface entre o sensor e o logger. [Figura 7](#) mostra o módulo Analisador de Velocidade da Área AV9000 no lado do logger e a conexão com um sensor de área/velocidade submerso.

1. Se o cabo do sensor possuir conectores em ambas as extremidades, prenda primeiro o cabo ao sensor.
2. Anexe o sensor (ou módulo) a qualquer porta de SENSOR no logger ([Figura 6](#) ou [Figura 7](#)). Aperte o conector manualmente.

Observação: Para medidores de chuva, anexe o sensor ao conector RAIN.

3. Se o sensor utilizar o módulo externo, anexe o módulo ao logger e, em seguida, anexe o sensor ao módulo ([Figura 7](#)).
4. Se o cabo do sensor possui um hub dessecante, alinhe-o verticalmente e certifique-se que a porta de ar esteja virada para baixo. [Figura 6](#)

Figura 6 Anexar um sensor ao logger

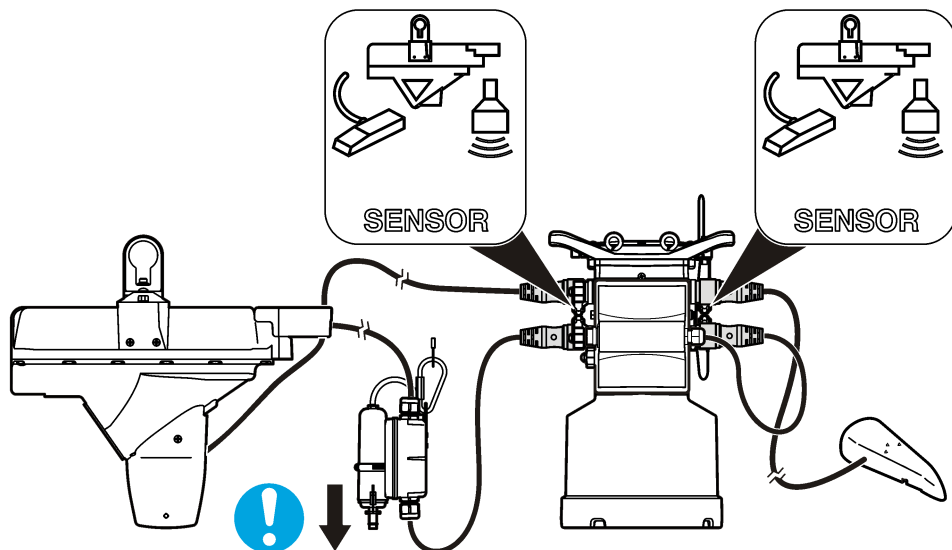
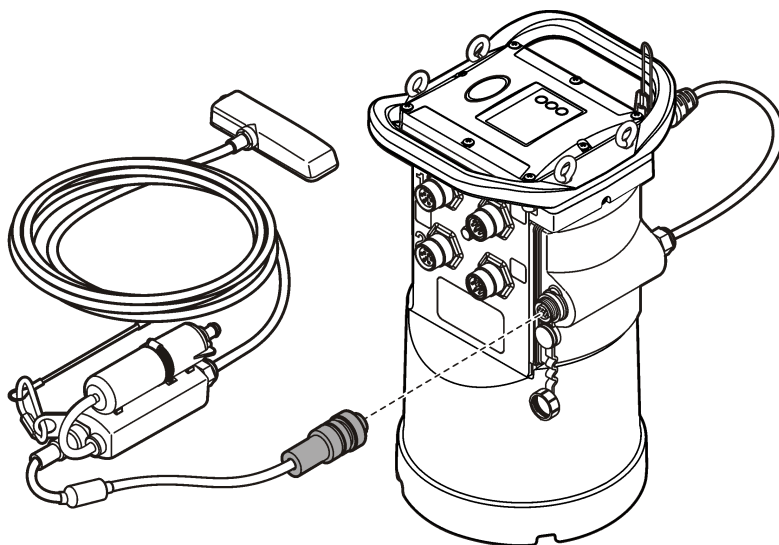


Figura 7 Anexar um sensor a um módulo externo



5.4 Anexar um módulo externo

Deve-se usar um módulo externo como interface entre alguns tipos de sensor e o logger. O módulo externo é instalado na lateral do logger (Figura 7 na página 93). As instruções de instalação são encontradas na documentação fornecida com o módulo

5.5 Anexar um sampler

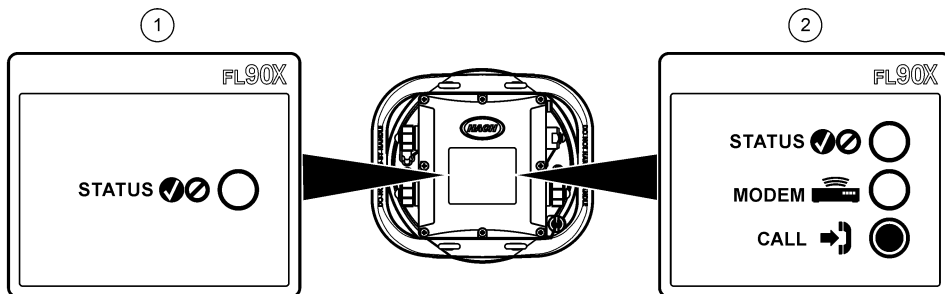
O logger pode ser anexado a um amostrador Sigma 900 Standard, Sigma 900 Max, Hach SD900 ou Hach AS950 para amostragem de pulso de vazão e com configuração de amostragem por eventos.

Conecte a porta AUX do logger na porta auxiliar do sampler usando um cabo auxiliar completo. Se for necessário energizar o logger externamente enquanto estiver conectado a um sampler AS950, use o conjunto do cabo auxiliar de entrada de alimentação. Para fazer um programa de sampler, consulte a documentação fornecida com o sampler.

5.6 Interface do usuário

Os indicadores na interface do usuário mostram o status do instrumento e do modem. Consulte a [Figura 8](#) e a [Tabela 3](#).

Figura 8 Interface do usuário



1 Instrumento sem modem

2 Instrumento com modem

Tabela 3 Indicadores LED de status

Indicador	Cor do LED	Descrição
STATUS	Verde	Pisca a cada 3 segundos durante a operação normal. Pisca a cada 15 segundos durante o modo de suspensão.
	Vermelho	Pisca quando um sensor conectado não concorda com o programa do logger, um sensor esperado não é encontrado ou a operação do sensor falha.
MODEM	Verde	Fica verde durante uma chamada com o servidor
	Vermelho	Pisca em vermelho em caso de falha na chamada para o servidor.

Seção 6 Programar uma unidade equipada com um modem

⚠ CUIDADO



Perigo de radiação eletromagnética. Certifique-se de que a antena seja mantida a uma distância mínima de 20 cm (7,9 pol.) de todo o pessoal em uso normal. A antena não pode ser reposicionada ou operada em conjunto com qualquer outra antena ou com outros transmissores.

Para unidades sem modem, consulte a [Configuração básica](#) na página 100. Para unidades que possuem contas de modem ativadas², vá até [Adicionar o logger ao servidor FSDATA](#) na página 98.

6.1 Configurar a conta sem fio

Observação: É preciso verificar a cobertura de celular adequada, fornecida pelo provedor escolhido, para cada local antes de comprar um logger com modem celular.

² As unidades que possuem contas de modem ativadas possuem números de peça com .AX, .AR, .VX ou .VR como os últimos dígitos.

AVISO

A segurança da rede e do ponto de acesso é de total responsabilidade do cliente que está usando o instrumento sem fio. O fabricante não será responsável por quaisquer danos indiretos, especiais, incidentais ou consequentes causados por uma violação na segurança da rede.

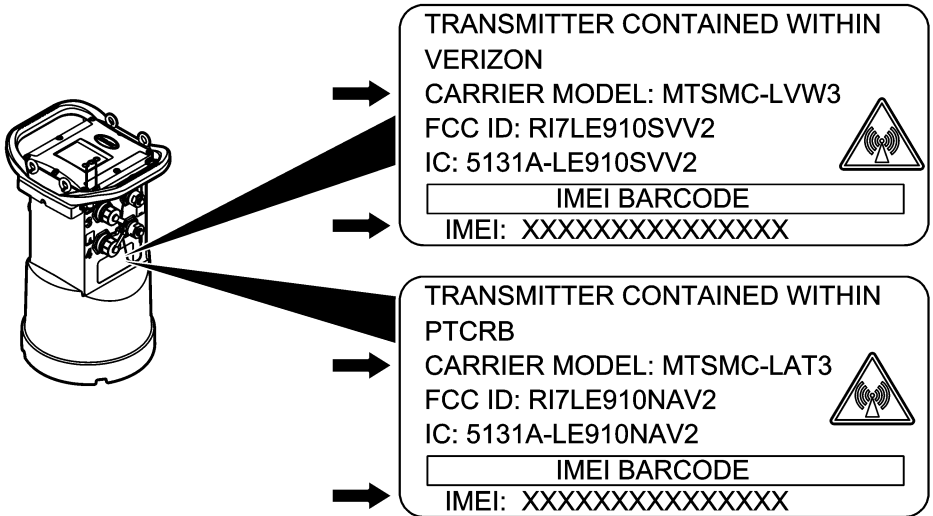
Quando o logger possui um modem, os dados podem ser enviados do logger para a Internet para acesso remoto. O usuário deve primeiro abrir uma conta com um provedor (sem fio) móvel. O instrumento é então registrado no servidor de hospedagem de dados (FSDATA), e as configurações de comunicação aplicáveis são programadas no logger com FSDATA Desktop. Se o modem foi ativado em fábrica, vá para [Adicionar o logger ao servidor FSDATA](#) na página 98.

Pré-requisito: Certifique-se de que o logger, o certificado de teste do logger e a antena estejam próximos.

Observação: Para facilitar a solução de problemas, instale o driver do FSDATA Desktop, adicione o logger ao servidor FSDATA e verifique a telemetria antes de visitar o site de implementação.

1. Reúna as informações da sua conta.
 - a. Encontre o número IMEI na etiqueta. Consulte [Figura 9](#).
 - b. Encontre o modelo da operadora do modem na etiqueta.
2. Entre em contato com um provedor de telefonia sem fio para iniciar o serviço do modem. Verifique se o provedor sem fio corresponde ao tipo de modem no logger, LVW3 = Verizon ou LAT3 = PTCRB (AT&T, T-Mobile etc.). Solicite um plano de dados com no mínimo 10 MB de dados por mês e SMS. (O SMS é opcional, mas necessário para transmitir notificações de alarme para um e-mail ou número de celular).
 - a. Forneça o número IMEI ao provedor. Se solicitado, forneça o modelo da operadora, também encontrado na etiqueta do transmissor.
 - b. Anote o número de telefone do modem.
3. Use o diagnóstico do modem no FSDATA Desktop para verificar a operação. Consulte a documentação do FSDATA Desktop.

Figura 9 Exemplos de rótulo do transmissor



6.1.1 Instalar um cartão SIM

AVISO

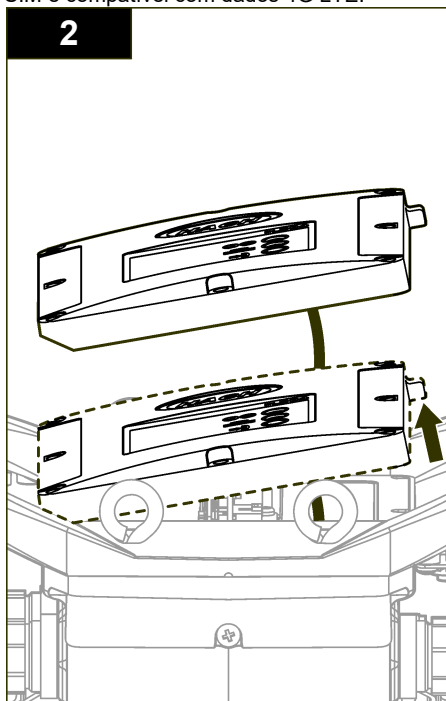
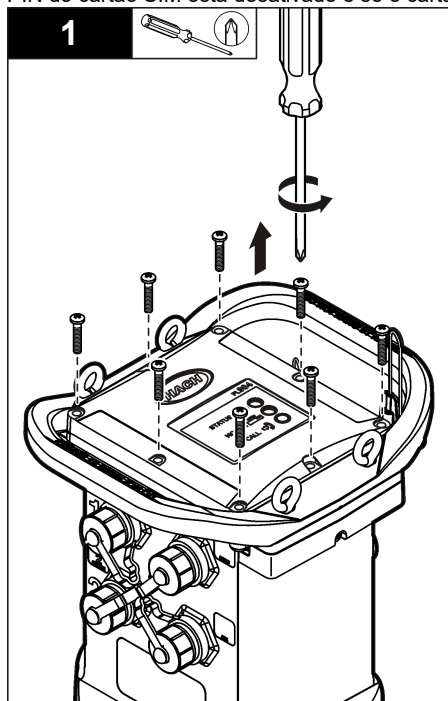


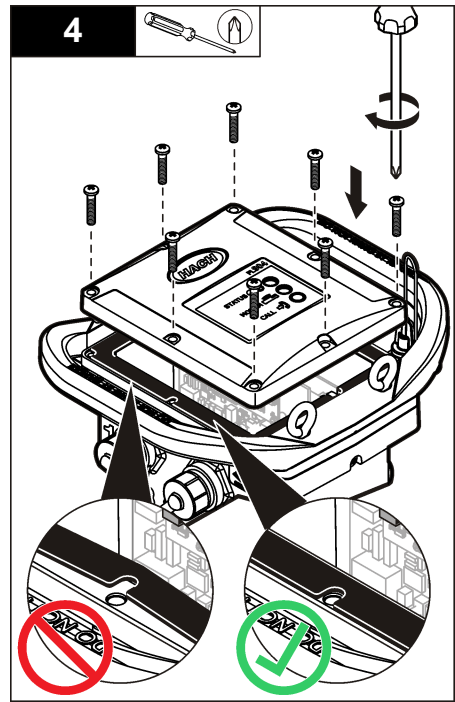
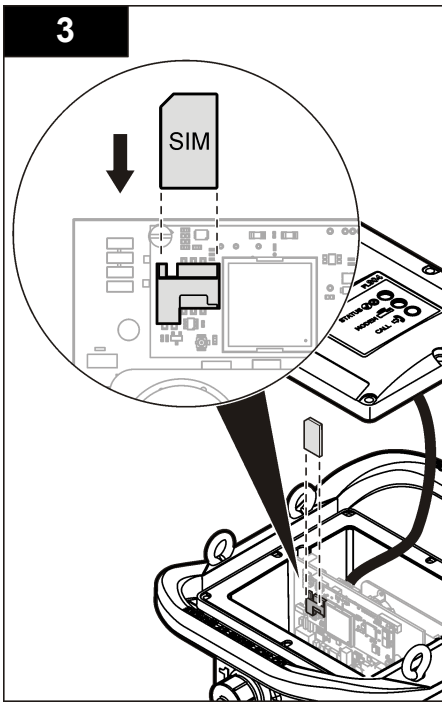
Dano potencial do instrumento. Componentes eletrônicos internos delicados podem ser danificados devido à eletricidade estática, podendo resultar em degradação do desempenho ou em uma eventual falha.

AVISO

A caixa deste instrumento pode quebrar se os parafusos da tampa forem apertados em excesso. Aperte os parafusos da tampa manualmente com um torque máximo de 2,0 Nm (20 pol/lb). Certifique-se de que as gaxetas estão lubrificadas com graxa.

Instale um cartão SIM da operadora móvel. Consulte as etapas ilustradas seguintes. Verifique se o PIN do cartão SIM está desativado e se o cartão SIM é compatível com dados 4G LTE.





6.1.2 Anexar uma antena (opção sem fio)

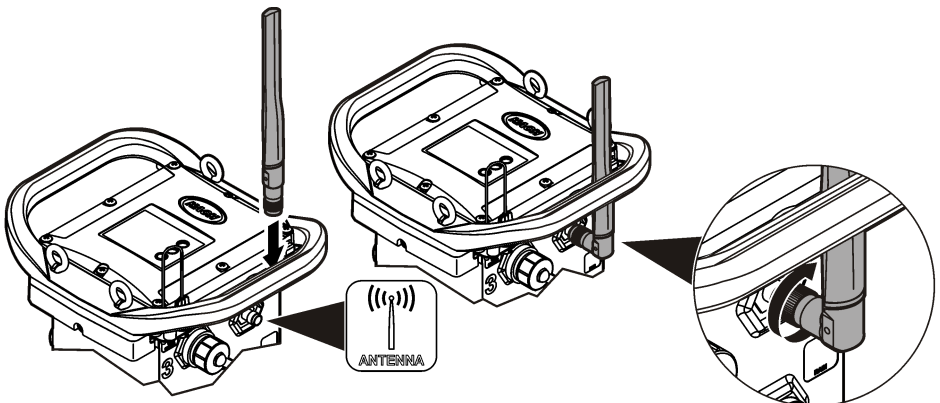
⚠ CUIDADO



Perigo de radiação eletromagnética. Certifique-se de que a antena seja mantida a uma distância mínima de 20 cm (7,9 pol.) de todo o pessoal em uso normal. A antena não pode ser reposicionada ou operada em conjunto com qualquer outra antena ou com outros transmissores.

Uma antena pode ser anexada ao instrumento para a comunicação sem fio. Diversas opções de antena estão disponíveis. Consulte [Peças e acessórios de reposição](#) na página 106. Anexe uma antena diretamente ao logger ou prenda um cabo de antena ao conector ANTENNA ([Figura 10](#)).

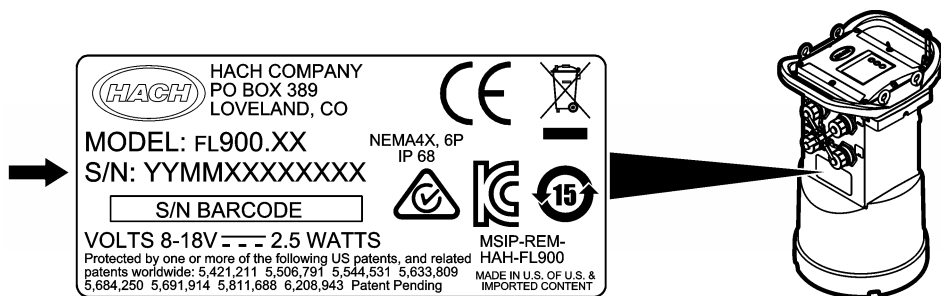
Figura 10 Conecte a antena no logger



6.1.3 Adicionar o logger ao servidor FSDATA

Pré-requisito: Número de série do logger

Figura 11 Local do número de série



AVISO

Certifique-se de inserir o número de série e o SVC corretamente para evitar falhas de comunicação.

1. Acesse o site <http://fsdata.hach.com> para acessar o servidor FSDATA.
2. Insira o nome de usuário e a senha:
 - Nome de usuário — o nome de usuário padrão é o número de ID de cliente com 8 dígitos
 - Senha — a senha padrão é HachWebData
3. Acesse **Instruments>Instrument Manager**.
4. Registre o SVC (Código de verificação do servidor) no canto superior esquerdo da tela:
5. Clique em **ADD NEW**. A janela Add Instrument é aberta.
6. Insira o número de série (SN) do logger (Figura 11).
7. Selecione o Tipo de instrumento.
8. Selecione a caixa de seleção Active e clique em **OK**. O instrumento é mostrado no Instrument Manager.

6.1.4 Configurar o logger para comunicação remota

Pré-requisitos: O logger deve estar conectado ao computador. Uma conta com um provedor de rede deve ser configurada, e o servidor deve estar configurado.

As configurações para comunicação remota devem ser inseridas no FSDATA Desktop e, em seguida, gravadas no logger.

1. Inicie uma sessão de comunicação com o logger:
 - a. Abra o FSDATA Desktop.
 - b. Clique em **CONECTAR**. A janela Conectar ao Instrumento será exibida.
 - c. Clique no botão FL900.
 - d. Selecione a porta no computador onde o logger está conectado (serial ou USB) e clique em **Conectar**.

Observação: Se o sensor não corresponder à mensagem exibida, selecione "Create new program based on sensors connected."
 - e. Certifique-se de que o status da conexão mostre "conectado".
2. Vá até a aba Comunicações. Insira as informações do local desejado. Selecionar fuso horário.

3. Complete as informações de Configurações remotas:

Opção	Descrição
Verizon 4G	Não é necessária nenhuma configuração adicional.
LAT3 4G	Selecione o provedor de rede e digite o nome de usuário e a senha, se aplicável.
Intervalo de chamada principal	A frequência com que o logger chama o servidor.
Intervalo de chamada secundário	A frequência com que o logger chama o servidor durante uma condição de alarme.
Código de verificação do servidor	O código que especifica à qual conta no servidor FSDATA o logger pertence. O servidor não pode armazenar dados sem esse código.

4. Clique em **WRITE TO LOGGER** para salvar as configurações. Uma janela de mensagem aparece:

Opção	Descrição
Aviso: todos os dados serão perdidos. Deseja continuar?	Todos os dados armazenados no logger são apagados quando um programa é gravado no logger. Para salvar os dados, selecione Não e baixe os dados em um local seguro. Selecione Sim para apagar todos os dados e atualize o logger com o novo programa.
Configurar relógio do logger	Sincronizar o relógio do computador—o logger utilizará as configurações de data e hora do computador. Configurar relógio do logger—o logger utilizará as configurações de data e hora definidas pelo usuário. Se a unidade tiver um modem, o logger automaticamente utilizará as configurações de data e hora do servidor.

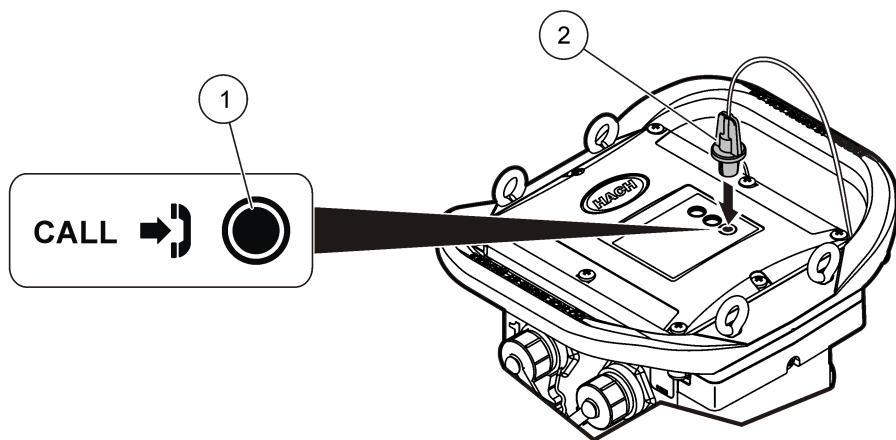
6.1.5 Verificar a telemetria (opção sem fio)

O usuário pode enviar manualmente uma chamada para o servidor para certificar-se de que a comunicação de rede está boa.

1. Conecte temporariamente a antena ao logger para testar a antena e a cobertura de celular no local antes da instalação.
2. Toque o ímã do destino de inicialização da chamada ([Figura 12](#)). O LED indicador do modem muda para verde.
3. Observe o LED indicador do modem durante a chamada (45 a 90 segundos) e aguarde uma mudança:
 - LED se apaga—a chamada ao servidor foi bem-sucedida.
 - LED pisca em vermelho—a chamada ao servidor falhou.

Observação: Se a conexão falhou, consulte [Solução de problemas](#) na página 105 para obter mais informações.

Figura 12 Ligar para o servidor



1 Destino de inicialização da chamada

2 Ímã

6.1.6 Verifique a telemetria com o FSDATA Desktop

1. No FSDATA Desktop, selecione Comunicações > Diagnóstico do modem.
2. O status do registro deve ser "home" ou "roaming". Se aparecer em branco ou "identify", houve falha na conexão.
3. Ajuste a antena para força de sinal e qualidade excelentes.
4. Clique em Call Server para fazer uma chamada à rede.
Uma tela pop-up indicará se a ação foi bem-sucedida ou não.

6.1.7 Solução de problemas de telemetria

- Verifique se o SVC está correto.
- Verifique se o número de série está registrado e ativo no servidor host.
- Verifique se o modem está habilitado e se o endereço IP da Hach foi inserido corretamente.
- Se o problema persistir, entre em contato com o suporte técnico.

6.1.8 Usar a opção de SMS móvel

Configure o modem FL900 para enviar ou receber mensagens SMS (opcional). Consulte a documentação do FSDATA Desktop para obter informações sobre a configuração.

Seção 7 Comunicação Modbus

O protocolo Modbus pode ser utilizado para se comunicar com este instrumento. Conecte um dispositivo de rede externo (como um PLC) à interface RS232 no instrumento para ler dados à medida que eles são registrados.

Entre em contato com o suporte técnico para obter mais informações sobre comunicações com Modbus.

Observação: Não é possível ler dados históricos com a comunicação Modbus.

Seção 8 Configuração básica

As informações neste manual podem ser usadas para fazer um programa simples para o logger e para calibrar os sensores. Consulte a documentação do FSDATA Desktop para obter opções avançadas. Execute as seções na ordem em que elas são mostradas.

8.1 Fazer um programa básico de logger

Um programa básico de logger deve ser gravado no logger para especificar os canais a serem registrados.

1. Abra uma sessão de comunicação com o logger:
 - a. Abra o FSDATA Desktop.
 - b. Clique em **CONNECTAR**. A janela Conectar ao Instrumento será exibida.
 - c. Clique no botão FL900.
 - d. Selecione a porta no computador onde o logger está conectado e clique em **Conectar**.
Observação: Se o sensor não corresponde à mensagem exibida, selecione "Create new program based on sensors connected."
 - e. Certifique-se de que o status da conexão mostre "conectado".
2. Complete as informações na aba Configurações gerais.

Opção	Descrição
Identificação do local	Insira um nome exclusivo para o local.

3. Selecione os canais a serem registrados na seção Selecionar canais para registrar:
 - a. Expanda a árvore do grupo de canais Logger. O canal Power Supply sempre é exibido neste grupo. O registro da fonte de alimentação fornecerá valores para o nível da bateria. É possível definir um alarme com um nível específico para alertar o gerente da conta sobre um nível baixo, indicando a necessidade de uma vista de campo para trocar as baterias e evitar a perda de dados. Se o logger contiver uma porta para um medidor de chuva, o canal Rain também será exibido. Para incluir um canal Logger no datalog, marque a caixa de seleção ao lado do nome do canal.
 - b. Expanda a árvore para cada grupo de canais Port[1](Nome do sensor) para exibir os canais disponíveis do sensor. Se a caixa de seleção ao lado do Logger ou Port[1] estiver selecionada, todos os canais do grupo serão automaticamente selecionados.
 - c. Para incluir um canal Sensor no datalog, marque a caixa de seleção ao lado do nome do canal. O número de canais de registro aumenta a cada seleção de canal.
Observação: Para loggers com várias portas de sensor, o número da porta é adicionado ao nome do canal. Por exemplo, Velocity 3 é o nome do canal de velocidade da porta de sensor 3.

Po

Pr

3

Se

4. Para definir o intervalo de registro para um grupo de canais:
 - a. Clique no nome do grupo de canais, por exemplo, **Port1 (Flo-Dar)**. Os intervalos de registro são exibidos.
 - b. Selecione o intervalo na lista suspensa. O intervalo de registro principal é usado para operação normal. O intervalo de registro secundário é usado durante condições de alarme.

Observação: O intervalo de registro não pode ser definido para um canal de sensores separado.
5. Clique em **WRITE TO LOGGER** para salvar as configurações. Uma janela de mensagem aparece:

Opção	Descrição
Aviso: todos os dados serão perdidos. Deseja continuar?	Todos os dados armazenados no logger são apagados quando um programa é gravado no logger. Para salvar os dados, selecione Não e baixe os dados em um local seguro. Selecione Sim para apagar todos os dados e atualize o logger com o novo programa.
Configurar relógio do logger	Sincronizar o relógio do computador—o logger utilizará as configurações de data e hora do computador. Configurar relógio do logger—o logger utilizará as configurações de data e hora definidas pelo usuário. Se a unidade tiver um modem, o logger automaticamente utilizará as configurações de data e hora do servidor.

8.2 Calibrar o sensor com o Assistente de Calibração

Pré-requisito: O logger deve estar conectado ao computador e estar on-line para a calibração. O sensor pode ser configurado e calibrado através do assistente de calibração.

1. Clique na aba Sensores.
2. Clique em Sensor Port[1] (nome do sensor).
3. Clique no botão **CAL WIZARD**. A janela do Assistente de Calibração é aberta.
4. Selecione as opções em cada tela. Quando a tela de calibração concluída for exibida, clique em **FINISH**.
5. Clique em **WRITE TO LOGGER** para salvar as configurações. Uma janela de mensagem aparece:

Opção	Descrição
Aviso: todos os dados serão perdidos. Deseja continuar?	Todos os dados armazenados no logger são apagados quando um programa é gravado no logger. Para salvar os dados, selecione Não e baixe os dados em um local seguro. Selecione Sim para apagar todos os dados e atualizar o logger com o novo programa.
Configurar o relógio do logger	Sincronizar com o relógio do computador—o logger utilizará as configurações de data e hora do computador. Configurar o relógio do logger—o logger utilizará as configurações de data e hora definidas pelo usuário. Se a unidade tiver um modem, o logger automaticamente utilizará as configurações de data e hora do servidor.

A instalação está concluída. A luz de Status deve piscar em verde se a programação tiver sido bem-sucedida.

Seção 9 Instalação no local

⚠ ADVERTÊNCIA	
	Vários perigos. Somente pessoal qualificado deve realizar as tarefas descritas nesta seção do manual.

9.1 Pendurar com um cabo

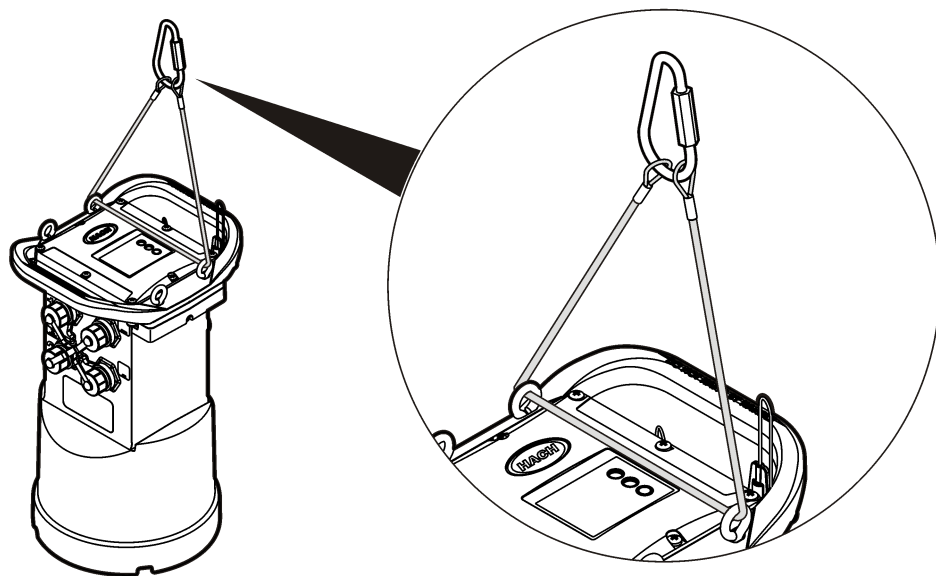
AVISO

Não use as alças para pendurar o logger. As alças não são projetadas para aguentar o peso do logger.

O logger pode ser pendurado a partir de um cabo para instalação em uma área como um poço.

1. Conecte um cabo aos parafusos olhal na parte superior do logger. Consulte a seção [Figura 13](#).
2. Pendure o cabo em um suporte resistente como uma barra opcional.

Figura 13 Pendure o logger em um cabo.



9.2 Instalar em um suporte de parede

O logger pode ser preso a uma parede, poste ou escada. Consulte os documentos que são fornecidos com o hardware para obter as instruções de instalação.

Seção 10 Manutenção

▲ ADVERTÊNCIA



Vários perigos. Somente pessoal qualificado deve realizar as tarefas descritas nesta seção do manual.

▲ ADVERTÊNCIA



Risco biológico. Obedeça aos protocolos de manipulação segura e use todos os equipamentos de proteção individual necessários ao manusear um instrumento que possa ter tido contato com materiais biológicos perigosos. Lave e descontamine o instrumento com uma solução de sabão desinfetante e enxágue-o com água quente antes de repará-lo ou transportá-lo.

⚠ CUIDADO



Perigo de radiação eletromagnética. Certifique-se de que a antena seja mantida a uma distância mínima de 20 cm (7,9 pol.) de todo o pessoal em uso normal. A antena não pode ser reposicionada ou operada em conjunto com qualquer outra antena ou com outros transmissores.

10.1 Como limpar o instrumento

Limpe a parte externa do instrumento com um pano úmido e uma solução de sabão neutro e seque conforme necessário.

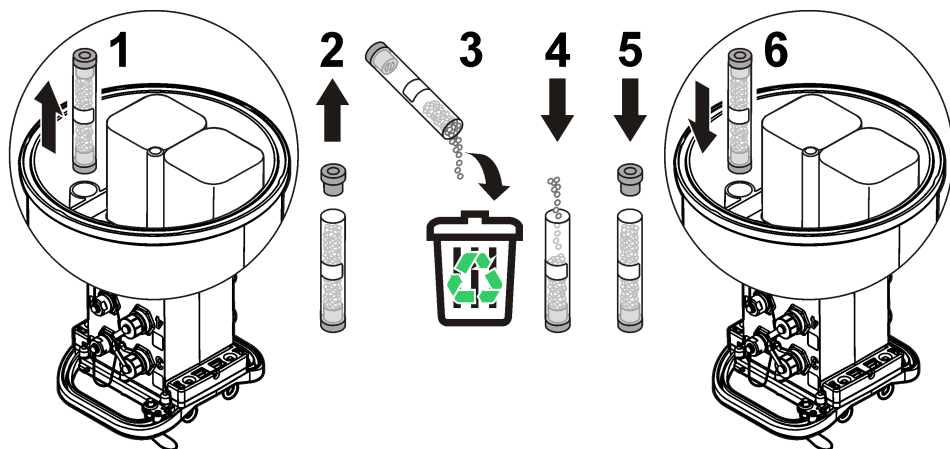
10.2 Substituir as baterias

Substitua as baterias pelo mesmo tipo e classificação. Consulte a [Instalar as baterias](#) na página 89 e a [Especificações](#) na página 82.

10.3 Substituir o dessecante

O dessecante se encontra no compartimento da bateria. Para remover a tampa da bateria, consulte [Instalar as baterias](#) na página 89. O dessecante absorve a umidade do ar e impede a corrosão dos componentes do instrumento. As pastilhas dessecantes mudam de cor quando ficam saturadas. Substitua o dessecante quando as pastilhas mudarem da cor amarela para verde (consulte [Figura 14](#)). Como uma prática recomendada, substitua o dessecante quando as baterias forem substituídas.

Figura 14 Substituição do dessecante



Seção 11 Solução de problemas

Se ocorrerem problemas no sistema, tente descobrir se o problema é com o sensor, o logger ou as conexões do cabo.

- Examine todas as conexões dos sensores. Certifique-se de que todas as conexões estejam firmes.
- Remova o sensor e examine para verificar a existência de umidade. Limpe e seque se necessário.
- Examine os sensores para verificar a existência de detritos e remova os detritos.
- Examine o log de eventos para obter os eventos de problemas.

11.1 Falha de comunicação

Se uma chamada for enviada ao servidor, mas a conexão falhar, execute as seguintes tarefas:

- Desconecte e alimente o instrumento com energia.
- Ajuste a antena para aumentar a intensidade do sinal.
- Faça logon no servidor e certifique-se de que o número de série foi inserido corretamente e que o SVC usado para a configuração foi gravado corretamente.
- Certifique-se de que as configurações de comunicação foram inseridas corretamente na janela do driver FL900.
- Conecte o logger ao computador e abra uma sessão de comunicação. Na janela do driver FL900, clique na guia Diagnostics e, em seguida, no menu Modem. O status de registro deve ser Home.
- Caso não seja possível solucionar, entre em contato com o suporte técnico.

Seção 12 Peças e acessórios de reposição

Observação: Os códigos dos produtos podem variar para algumas regiões. Entre em contato com o distribuidor apropriado ou consulte o website da empresa para obter informações de contato.

Peças de reposição

Descrição	Nº do item
Tampa do compartimento da bateria	8524400
Tampa do compartimento da bateria, anel O-ring	8533400
Conjunto da tampa do dessecante (dessecante do compartimento da bateria)	8754900
Tubo de dessecante conjunto (dessecante do compartimento da bateria)	8535200
Dessecante, pontos de substituição, 680 g (1,5 lb)	8755500
Parafusos olhal, 1/4–20 x 2,5 pol. Aço inoxidável	8535500
Gaxeta, tampa superior	8533300
Parafuso de fechamento, nº 10–14 x 1 pol.	8753300
Alça do logger	8524200
Lubrificante, silicone, 0,25 oz	000298HY
Conjunto de imã	8537800
Tampa e cordão de segurança para os conectores do sensor, de comunicação ou auxiliar	8535000
Tampa e cordão de segurança para o conector do pluviômetro	9492500

Liga/desliga

Descrição	Nº do item
Bateria, 6 V lanterna	11013M
Bateria, alcalina de vida útil prolongada	8542900
Adaptador e cabo da tampa superior do grupo de bateria alcalina de vida útil prolongada	8543000
Conjunto de cabos, fonte de alimentação externa, 2,7 m (9 pés)	8528700
Conjunto de cabos, fonte de alimentação externa, 7,6 m (25 pés)	8528701

Dispositivo de montagem

Descrição	Nº do item
Braçadeira de fixação na parede sem suporte para escada	8542700
Adaptador da braçadeira de fixação na parede	8543800

Antenas

Descrição	Nº do item
Conector, 3G/4G LTE, 3 dBi	8623800
Mini-alheta, 2G/3G/4G LTE, cabo de 2,5 m (8,2 pés), 5,5 dBi	8624000
Subterrâneo, 3G/4G LTE, cabo de 3 m (9,8 pés), 3 dBi	8624200
Tampa de poço, 3G/4G LTE, cabo de 3 m (9,8 pés), 3 dBi	8624400

Cabos auxiliares/sampler

Descrição	Nº do item
Cabo, auxiliar, meio multiuso, 7 pinos, 2,7 m (9 pés)	8528500
Cabo, auxiliar, meio multituto, 7 pinos, 7,6 m (25 pés)	8528501
Cabo, logger FL900 para porta AUX AS950, 7 pinos, 2,7 m (9 pés)	9500700
Cabo, logger FL900 para porta AUX AS950, 7 pinos, 7,6 m (25 pés)	9500701
Conjunto de cabos, entrada de alimentação AUX, AS950-FL900 com adaptador de energia	8322800



McCrometer, Inc.

3255 West Stetson Avenue

Hemet, CA 92545 USA

Tel: 951-652-6811

800-220-2279

Fax: 951-652-3078

hachflowtechsupport@mccrometer.com

www.hach.com/flow

USA Copyright © McCrometer, Inc. All printed material should not be changed or altered without permission of McCrometer. Any published pricing, technical data, and instructions are subject to change without notice. Contact your McCrometer representative for current pricing, technical data, and instructions.