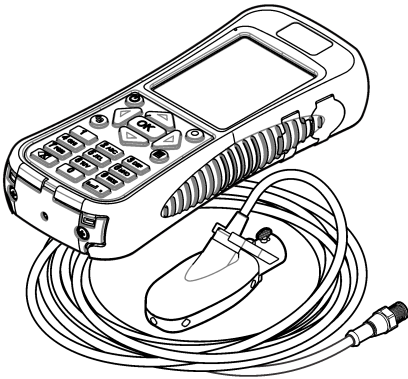




DOC026.97.80210

FH950

07/2024, Edition 9



Basic User Manual
Manuel d'utilisation simplifié
Manual básico del usuario
Manual básico do usuário
基本用户手册
基本取扱説明書

Table of Contents

English.....	3
Français.....	23
Español.....	44
Português.....	65
中文.....	86
日本語.....	104

Table of Contents

- 1 [Online user manual](#) on page 3
- 2 [Specifications](#) on page 3
- 3 [General information](#) on page 5
- 4 [Installation](#) on page 10
- 5 [User interface and navigation](#) on page 14
- 6 [Startup and self-test](#) on page 19
- 7 [Maintenance](#) on page 20
- 8 [Troubleshooting](#) on page 21

Section 1 Online user manual

This Basic User Manual contains less information than the User Manual, which is available on the manufacturer's website.

Section 2 Specifications

Specifications are subject to change without notice.

2.1 Sensor specifications

Specification	Details
Velocity measurement	
Method	Electromagnetic
Range	0 to 6.09 m/s (0 to 20 ft/s)
Minimum water depth	3.18 cm (1.25 in.)
Accuracy	$\pm 2\%$ of reading ± 0.015 m/s (± 0.05 ft/s) 0 to 3.04 m/s (0 to 10 ft/s); $\pm 4\%$ of reading from 3.04 to 4.87 m/s (10 to 16 ft/s)
Resolution	$0 \leq \text{value} < 10$: 3 decimal places; $10 \leq \text{value} < 100$: 2 decimal places; $100 \leq \text{value} < 1000$: 1 decimal place; $\text{value} \geq 1000$: 0 decimal places
Zero stability	± 0.015 m/s (± 0.05 ft/s)
Material	ABS, glass filled
Enclosure rating	IP68
Dimensions (L x W x H)	11.9 x 4.3 x 6.3 cm (4.7 x 1.7 x 2.5 in.)
Cable material	Polyurethane jacketed
Cable lengths	2, 6.1, 12.2 and 30.5 m (6.5, 20, 40 and 100 ft)
Depth measurement	
Method	Diaphragm type: absolute pressure with single point calibration
Accuracy (static)	The larger of $\pm 2\%$ of reading or ± 0.015 m (± 0.504 inches). Steady state temperature and static non-flowing water.
Range	3.05 m (0-10 ft)
Resolution	$0 \leq \text{value} < 10$: 3 decimal places; $10 \leq \text{value} < 100$: 2 decimal places; $100 \leq \text{value} < 1000$: 1 decimal place; $\text{value} \geq 1000$: 0 decimal places

2.2 Portable meter specifications

Specification	Details
Pollution degree	2
Protection class	II

Specification	Details
Charging temperature	0 to 40 °C (32 to 104 °F)
Operating temperature	-20 to 55 °C (-4 to 131 °F)
Storage temperature	-20 to 60 °C (-4 to 140 °F)
Enclosure rating	IP67
Battery life gauge	Five-segment bar graph
Battery type	Rechargeable lithium ion, 3.6 V, 5.0 Ah, 18 Wh
Battery life	18 hours heavy typical day use ¹ ; 20 °C (68 °F)
Battery charger	External power adapter, energy efficiency VI, 100–240 VAC, 50–60 Hz, 0.5 A input; 12 VDC, 1.25 A output
Dimensions (L x W x H)	21.8 x 9.3 x 5.3 cm (8.6 x 3.7 x 2.1 in.)
USB connector	Type Mini-B, 5-pin, rated to IP67 when capped
Material	Polycarbonate with a thermoplastic elastomer (TPE) overmold

2.3 User interface specifications

Specification	Details
Graphics display	Color, LCD 3.5" QVGA transfective (readable in direct sunlight)
Measurement resolution	0 ≤ value < 10: 3 decimal places; 10 ≤ value < 100: 2 decimal places; 100 ≤ value < 1000: 1 decimal place; value ≥ 1000: 0 decimal places
Keypad	Alpha-numeric
Operating modes	Real time, profiling
Profile types	Stream, conduit
Conduit shapes	Circular, rectangular, trapezoidal, 2/3 egg, inverted 2/3 egg
Stream entries	Fixed, non-fixed stations
Noise rejection	User-selectable, 50 Hz or 60 Hz
Units of measure	Velocity: ft/s, m/s, cm/s, mm/s Flow: ft ³ /sec, million gal/day, gal/day, gal/min, m ³ /s, m ³ /min, m ³ /hour, m ³ /day, liters/s, liters/min Depth: in., ft, m, cm, mm
Stream flow calculation	Mean-section or mid-section method
Diagnostics	Self test, keypad, display, event log
Conduit profiling methods	0.9 x Vmax, 0.2/0.4/0.8, velocity and level integrator, 2D
Stream profiling methods	1, 2, 3, 4, 5 and 6 point (velocity method - USGS and ISO), 2 point KREPS method, 1 point surface method, 1 and 2 point ice method

¹ Defined as 30 minutes of set up, six 1-hour periods of continuous use with an active sensor and the display at maximum brightness and 30 minutes of sleep mode between use periods, data download and power off.

Specification	Details
File types	Real-time, profiling, event log
Languages	English, French, Spanish, German, Italian, Dutch, Danish, Swedish, Chinese, Polish, Japanese, Korean, Portuguese, Slovak, Russian, Hungarian, Bulgarian, Romanian, Czech, Turkish, Finnish, Greek

2.4 General specifications

Specification	Details
Maximum number of real-time files	50 each with up to 75 readings captured by the user.
Firmware	The sensor and portable meter are field upgradeable via USB

Section 3 General information

In no event will the manufacturer be liable for damages resulting from any improper use of product or failure to comply with the instructions in the manual. The manufacturer reserves the right to make changes in this manual and the products it describes at any time, without notice or obligation. Revised editions are found on the manufacturer's website.

3.1 Safety information

The manufacturer is not responsible for any damages due to misapplication or misuse of this product including, without limitation, direct, incidental and consequential damages, and disclaims such damages to the full extent permitted under applicable law. The user is solely responsible to identify critical application risks and install appropriate mechanisms to protect processes during a possible equipment malfunction.

Please read this entire manual before unpacking, setting up or operating this equipment. Pay attention to all danger and caution statements. Failure to do so could result in serious injury to the operator or damage to the equipment.

Make sure that the protection provided by this equipment is not impaired. Do not use or install this equipment in any manner other than that specified in this manual.

3.1.1 Use of hazard information

▲ DANGER

Indicates a potentially or imminently hazardous situation which, if not avoided, will result in death or serious injury.

▲ WARNING

Indicates a potentially or imminently hazardous situation which, if not avoided, could result in death or serious injury.

▲ CAUTION




Indicates a potentially hazardous situation that may result in minor or moderate injury.

NOTICE

Indicates a situation which, if not avoided, may cause damage to the instrument. Information that requires special emphasis.

3.1.2 Precautionary labels

Read all labels and tags attached to the instrument. Personal injury or damage to the instrument could occur if not observed. A symbol on the instrument is referenced in the manual with a precautionary statement.

	This is the safety alert symbol. Obey all safety messages that follow this symbol to avoid potential injury. If on the instrument, refer to the instruction manual for operation or safety information.
	This symbol indicates the presence of devices sensitive to Electro-static Discharge (ESD) and indicates that care must be taken to prevent damage with the equipment.
	Electrical equipment marked with this symbol may not be disposed of in European domestic or public disposal systems. Return old or end-of-life equipment to the manufacturer for disposal at no charge to the user.

3.1.3 EMC compliance

⚠ CAUTION

This equipment is not intended for use in residential environments and may not provide adequate protection to radio reception in such environments.

CE (EU)

The equipment meets the essential requirements of EMC Directive 2014/30/EU.

UKCA (UK)

The equipment meets the requirements of the Electromagnetic Compatibility Regulations 2016 (S.I. 2016/1091).

Canadian Radio Interference-Causing Equipment Regulation, ICES-003, Class A:

Supporting test records reside with the manufacturer.

This Class A digital apparatus meets all requirements of the Canadian Interference-Causing Equipment Regulations.

Cet appareil numérique de classe A répond à toutes les exigences de la réglementation canadienne sur les équipements provoquant des interférences.

FCC Part 15, Class "A" Limits

Supporting test records reside with the manufacturer. The device complies with Part 15 of the FCC Rules. Operation is subject to the following conditions:

1. The equipment may not cause harmful interference.
2. The equipment must accept any interference received, including interference that may cause undesired operation.

Changes or modifications to this equipment not expressly approved by the party responsible for compliance could void the user's authority to operate the equipment. This equipment has been tested and found to comply with the limits for a Class A digital device, pursuant to Part 15 of the FCC rules. These limits are designed to provide reasonable protection against harmful interference when the equipment is operated in a commercial environment. This equipment generates, uses and can radiate radio frequency energy and, if not installed and used in accordance with the instruction manual, may cause harmful interference to radio communications. Operation of this equipment in a residential area is likely to cause harmful interference, in which case the user will be required to correct the interference at their expense. The following techniques can be used to reduce interference problems:

1. Disconnect the equipment from its power source to verify that it is or is not the source of the interference.
2. If the equipment is connected to the same outlet as the device experiencing interference, connect the equipment to a different outlet.
3. Move the equipment away from the device receiving the interference.
4. Reposition the receiving antenna for the device receiving the interference.
5. Try combinations of the above.

3.2 Product overview

The portable velocity system is used in the field, laboratory and municipalities. Turbulent, noisy and low flows can be measured with this system.

When the sensor is placed in flowing water, a magnetic field around the sensor creates a voltage proportional to the flow velocity. This voltage amplitude, which represents the rate of water flow around the sensor, is detected by electrodes in the sensor and processed by the sensor microprocessor. The processed signal is digitally transmitted through the sensor cable to the portable meter and the information is shown on the meter display. The system includes a portable meter, sensor with cable and accessories.

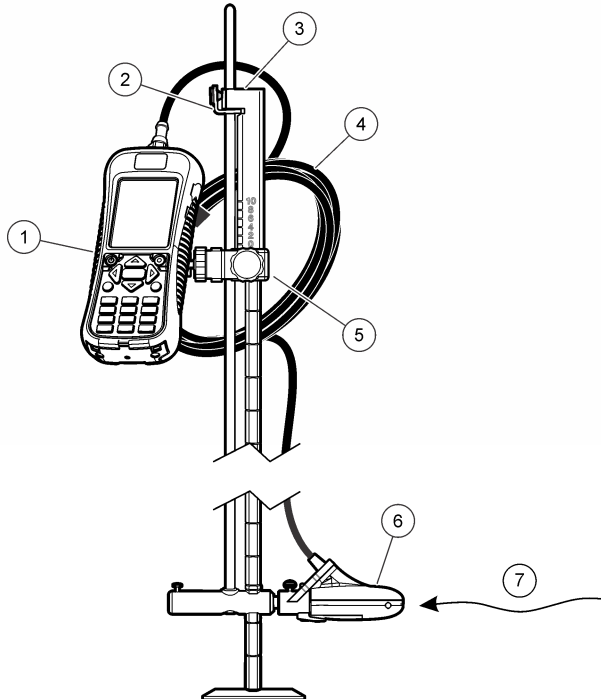
The meter and sensor get velocity information in conduits and streams. These measurements are important for calibration in municipal wastewater industries, as well as for environmental-impact evaluations.

Two types of sensor are available: velocity-only and velocity plus depth. This manual covers both types of sensors. If information applies to a specified type of sensor, this fact is noted in the text.

3.2.1 System overview

An overview of an assembled system is shown in [Figure 1](#). Refer to the documentation supplied with the individual components or accessories for more information.

Figure 1 Assembled components

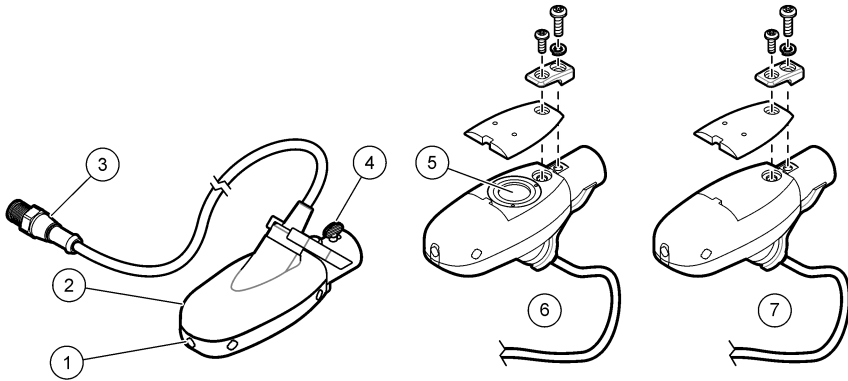


1 Portable meter	5 Adjustable mount for portable meter
2 Sensor height lock/release device	6 Sensor assembly
3 Top setting wading rod (accessory)	7 Flow direction
4 Sensor cable	

3.2.2 Sensor overview

Figure 2 shows the main sensor components. Instructions for how to attach the sensor on a standard or top-setting wading rod are supplied with the accessory.

Figure 2 Sensor components

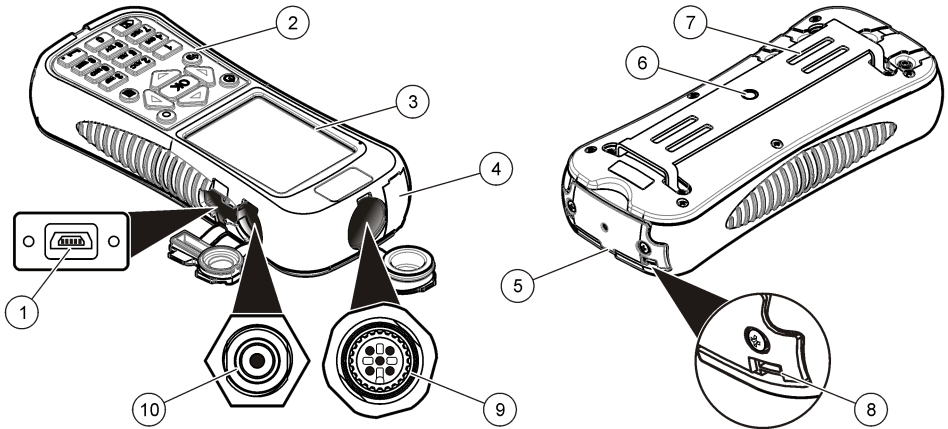


1 Sensor electrodes	5 Pressure cell (sensors with depth option)
2 Sensor body	6 Sensor with depth option
3 Sensor connection plug	7 Sensor without depth option
4 Sensor attachment thumb screw	

3.2.3 Meter overview

Figure 3 shows the features of the meter.

Figure 3 Meter components



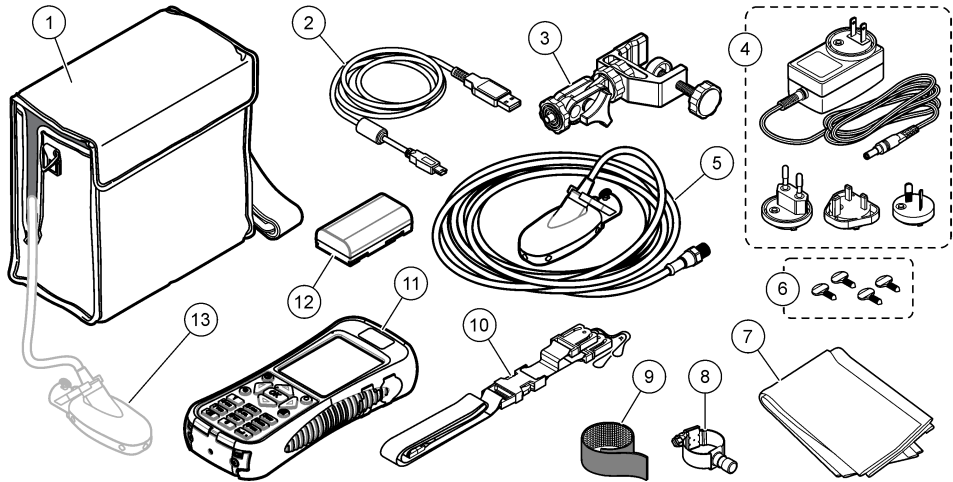
1 USB connection port ²	6 Threaded hole for adjustable meter mount
2 Keypad	7 Slots for velcro or strap attachment
3 Meter display	8 Slot for neck strap attachment threads (2x)
4 Expansion port (not used)	9 Sensor connection port
5 Battery compartment cover	10 Battery charger connector

² Do not use the USB connection to charge the battery.

3.3 Product components

When purchasing a complete system, refer to [Figure 4](#) to make sure that all components have been received. If any of these items are missing or damaged, contact the manufacturer or a sales representative immediately.

Figure 4 System components



1 Carrying case (with slot for sensor cable)	8 Universal sensor mount
2 USB cable with mini-USB connector, 1 m (3 ft)	9 Velcro strap
3 Adjustable portable meter mount	10 Lanyard
4 Battery charger, 100–240 VAC	11 Portable meter
5 Sensor	12 Lithium battery pack
6 Extra thumb screws (4x)	13 Sensor as connected to meter inside case
7 Cloth to dry the sensor	

Section 4 Installation

4.1 Install the sensor on the universal sensor mount

Use the universal sensor mount to attach the sensor to poles 1 inch or less in diameter. For correct operation and accurate readings, the front of the sensor must be pointed upstream with the electrodes in full contact with the flow.

Note: Keep the sensor electrodes free from nonconductive substances such as oil and grease. To remove sensor contamination, refer to [Clean the sensor](#) on page 20.

1. The front part of the sensor is round and contains three electrodes. The sensor has a mounting hole in back and a thumbscrew on top. Put the mounting shaft of the universal mount in the mounting hole at the back of the sensor. Make sure that the mounting shaft is completely engaged with the mounting hole and the thumbscrew is engaged with the groove.
2. Hand tighten the thumbscrew.
3. Move a pole 1 inch or less in diameter through the clamp of the universal sensor mount. Tighten the clamp.

Note: Instructions for how to mount the sensor on a standard or top setting wading rod are supplied with the accessory.

4.2 Lithium battery safety

⚠ WARNING



Fire and explosion hazard. Lithium batteries may get hot, explode or ignite and cause serious injury if exposed to abuse conditions.

- Do not use the battery if there is visible damage.
- Do not use the battery after strong shock or vibration occurs.
- Do not expose the battery to fire.
- Keep the battery at temperatures less than 60 °C (140 °F).
- Keep the battery dry and away from water.
- Prevent contact between the positive and negative battery terminals.
- Do not let unauthorized persons touch the battery.
- Discard the battery in accordance with local, regional and national regulations.
- Do not use or store the instrument in direct sunlight, near a heat source or in high temperature environments such as a closed vehicle in direct sunlight.

4.3 Install the battery

⚠ WARNING



Fire and explosion hazard. This equipment contains a high energy lithium battery which can ignite and cause fire or explosion, even without power. To maintain the safety provided by the instrument enclosure, the instrument enclosure covers must be installed and secured with the supplied hardware.

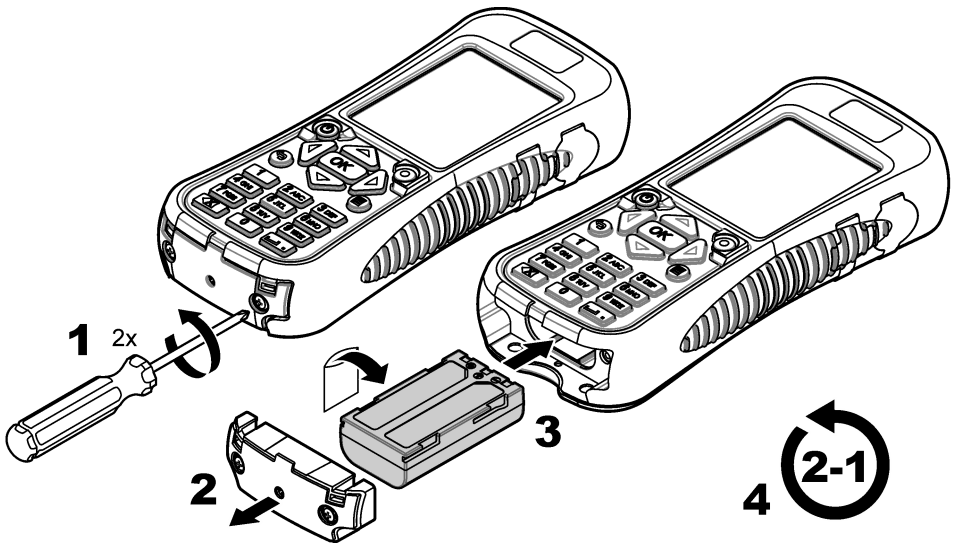
⚠ WARNING



Explosion and fire hazard. Battery substitution is not permitted. Use only batteries that are supplied by the instrument manufacturer.

Install the supplied lithium battery as shown in [Figure 5](#).

Figure 5 Install the battery



4.4 Charge the battery

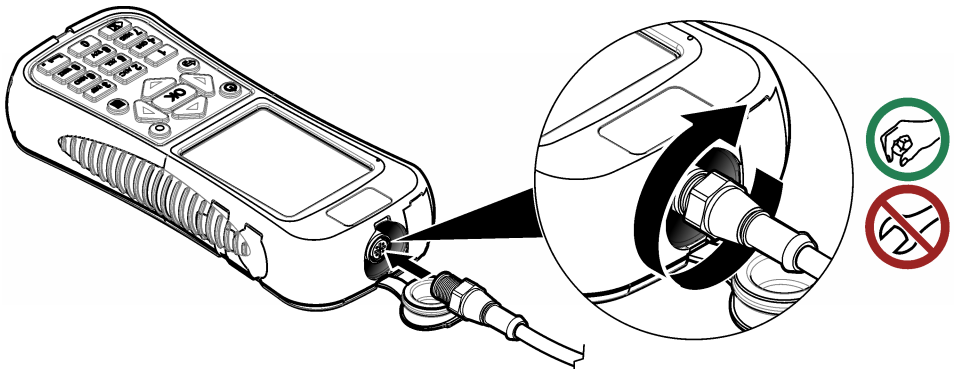
Note: Battery charger substitution is not permitted. Use only the charger specified in the list of parts and accessories for the instrument. Refer to Replacement parts and accessories in the expanded version of the manual.

Before initial use, fully charge the instrument battery with the supplied battery charger. A discharged battery is fully charged in approximately 8 hours.

1. Make sure that the correct type of plug for the geographic location is installed on the battery charger.
2. Connect the battery charger to an electrical outlet with earth ground.
3. Connect the battery charger to the battery charger connector on the instrument. Refer to [Meter overview](#) on page 9. The battery level shows on the display.
A blue light shows around the charge port while the battery charges. When the charge process is complete, the blue light goes off.

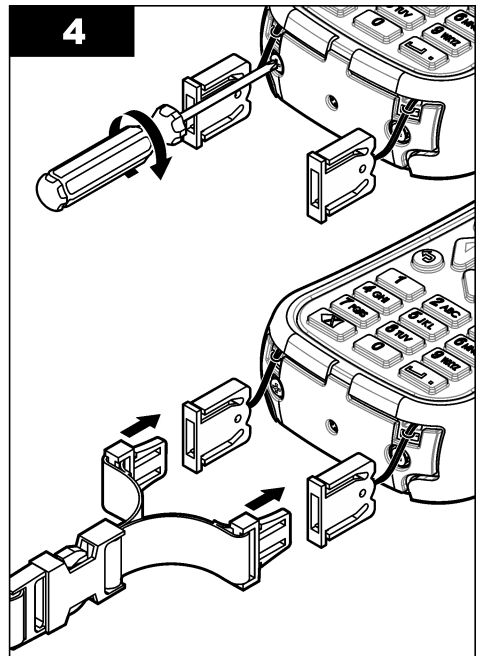
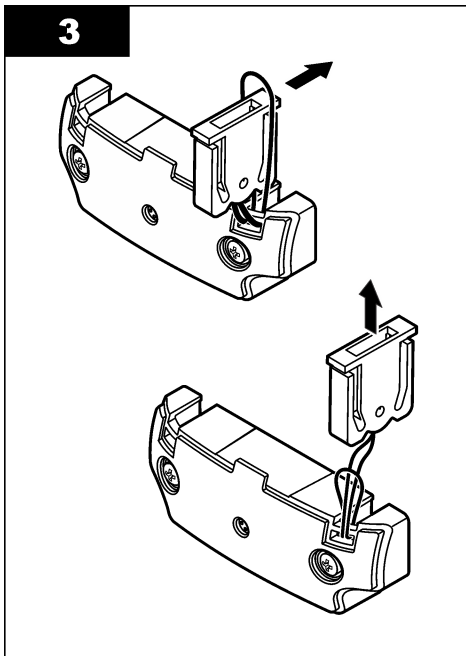
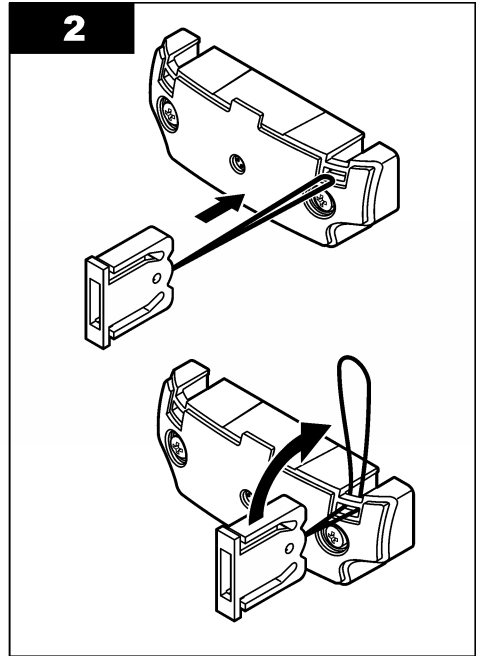
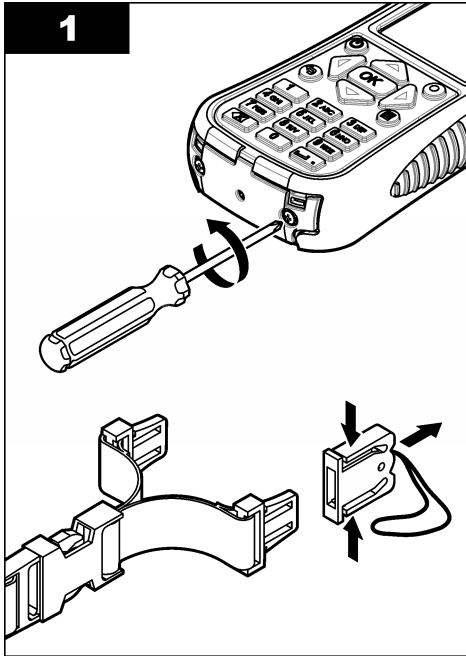
Note: The meter is not operational while the battery charges. The battery does not charge through the USB cable connection.

4.5 Connect the sensor to the meter



4.6 Attach the lanyard

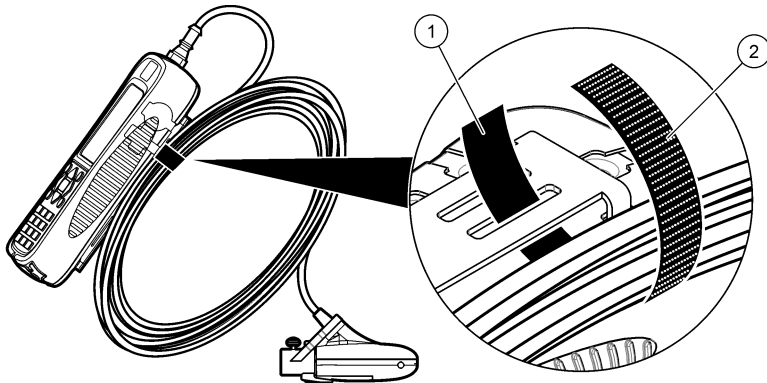
Attach the lanyard to wear the meter safely around the neck.



4.7 Attach the velcro strap

Use the velcro strap to hold the extra cable. Refer to [Figure 6](#).

Figure 6 Attach the velcro strap



1 Loop side

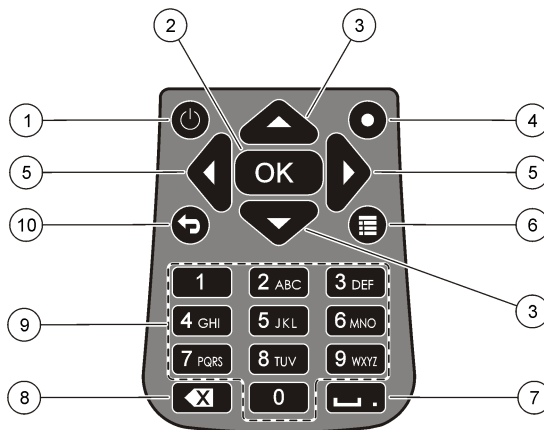
2 Hook side

Section 5 User interface and navigation

5.1 Keypad and key functions

[Figure 7](#) shows the meter keypad. [Table 1](#) gives the functions of each key or key type.

Figure 7 Keypad



1 Power On/Off	6 Main Menu
2 OK	7 Underscore or decimal
3 Up and Down arrows	8 Backspace
4 Quick Jump	9 Alpha-numeric
5 Right and Left arrows	10 Previous menu

Table 1 Key description

Key	Description
Power On/Off	Energizes and de-energizes the meter.
OK	Confirms an entry or highlighted menu option.
Up and Down arrows	Moves up or down in the display. If the cursor is at the top or bottom of the display, the cursor wraps to the bottom or top when the UP or DOWN arrow is pushed.
Quick Jump	In normal operation, this key jumps to the Select conduit shape screen. In profiler operation, the Quick Jump key is disabled. If the auto-zero feature is disabled, hold this key for five seconds to do a manual zero of the depth sensor. In Real-Time mode, the Quick Jump key toggles between the digital and graph views.
Right and Left arrows	Moves to the right or left in the display.
Main Menu	Moves to the Main Menu from any submenu or screen.
Underscore or decimal	Puts in an underscore or decimal character. In numeric-only fields, this key automatically puts a decimal point in the cursor position.
Backspace	Moves the cursor back one space.
Alpha-numeric	Puts in the key alpha or numeric value. Values are put in the order shown on the key. After 2 seconds, the value shown in the display is stored and the cursor advances.
Previous menu	Moves to the previous screen.

5.2 Status bar

A status bar is shown in the top of the display. Descriptions of the information in the status bar are given in [Table 2](#).

Table 2 Status bar indicators

Indicator	Description
Time and Date	Shows the current time and date.
USB	Shows when a USB cable is connected. If a USB cable is connected and this indicator does not show in the status bar, the USB cable is not fully engaged. Make sure that the USB cable is pushed in completely and makes full contact with the connection port.
Conductivity	If the sensor is out of the water and non-conductive, a blue ring appears next to the battery icon. If the sensor is in the water and conductive, the indicator is a solid blue circle.
Battery	A five-bar graph shows the level of charge in the battery.
File access	Shows while the meter gets access to a file.
Auto zero depth indicator	If the depth sensor was zeroed in the last 30 minutes, a solid green circle shows next to the Conductivity indicator. If the depth sensor was not zeroed in the last 30 minutes, this indicator flashes red.

5.3 Navigation and Main Menu

Push **OK** to confirm a selected menu option or a value shown in the display. Select More and push **OK** to see additional screens and options if available. Push the Main Menu button to go to the Main Menu from a submenu.

Note: Some operations cannot be completed unless a sensor is connected to the meter. If these operations are tried when there is no sensor connected, the display shows an error message. Connect a sensor and try the operation again.

- Real time**—Select this option to get real-time velocity and depth information. (A sensor with depth capability is necessary to read depth). An example of a Real Time screen for sensors with velocity only is shown in [Figure 8](#). Real time screens for sensors with both velocity and depth is shown in [Figure 9](#). The format of the information and options shown depends on the type of sensor used. In Real Time mode, the Quick Jump key toggles between digital and graphic views of Real Time information. The velocity is updated in FPA filter mode according to fixed period averaging time. In RC filter mode, the velocity is updated continuously on the screen every 250 ms.

Option	Description
Capture	Stores the depth and velocity information shown in memory. The information is saved until power is cycled, the memory is saved to a non-volatile real-time file, or the user exits from real-time mode.
Save	Saves captured measurements in the volatile memory to a non-volatile real-time file. A message will show if the number of files is greater than the maximum possible. Files are stored in tab delimited (.tsv) format.
Done or OK	Exits the real-time mode and returns to the Main Menu. If there is unsaved data in volatile memory, a confirmation message asks the user to confirm the exit without saving the data.
Clear	Clears captured measurements from the volatile memory buffer. The user can choose from Clear Last, Clear All or Cancel options.
Setup	Allows the user to modify the main filter parameters and enable and program the Maximum Depth sensor positioning feature. The Maximum depth feature allows a user to enter system parameters for depth measurement in Real Time mode. The user can choose to enter a maximum depth value taken directly with a ruler measurement (manual), or taken indirectly with the depth measurement (automatic). Both methods enable the Maximum Depth sensor positioning feature. In automatic mode setup, the user directly enters the distance from the bottom of the channel to the bottom of the sensor mount (offset). The setup interface will continuously show the current depth value returned by the sensor plus the offset. The meter stores this value as the Maximum Depth when the OK button is pushed. In all other cases, the depth values shown do not include the offset. The Maximum depth feature requires a sensor with velocity plus depth.
Files or View	Shows a summary of each real-time file stored in non-volatile memory. Files can be individually viewed and deleted.

Figure 8 Real time screen

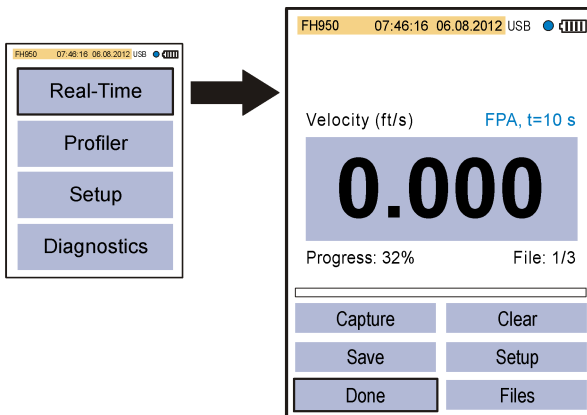
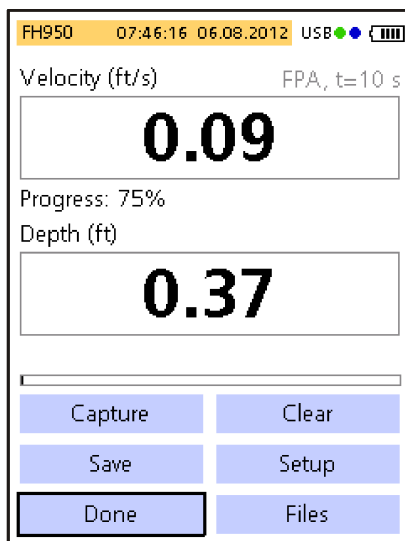


Figure 9 Real time screen for sensor with depth



2. **Profiler**— Select this option to do stream or conduit velocity measurements. The meter shows prompts when user input is necessary. A percentage of the remaining memory is given in 1% resolution. Refer to the expanded version of the manual for more information about profiles.

Option	Description
Stream	This option is used to set up a profile for a stream or flowing channel. Do velocity measurements to calculate total discharge based on ISO 748 or USGS standards for Mid-section or Mean-section methods.
Conduit	This option is used to set up a profile for a conduit.
Files	This option is used to view or delete stored files. Files can be deleted all at once or individually.
Setup	This option is used to set up or change the settings for filter parameters and the Maximum Depth feature.

3. **Set up**—Select this option to change general system settings and preferences.


Option	Description
Velocity calibration	Calibrates the sensor. Adds a field offset to the factory calibration. Refer to the appendix in the expanded version of the manual for more information.


Option	Description
Filter parameters	<p>Applies a data acquisition filter (Main filter or Pre-filter). The user can select the filter parameters.</p> <p>Main filter</p> <ul style="list-style-type: none"> Fixed Period Averaging (FPA)—Fixed Period Averaging averages data over a user selectable fixed period of time (1 to 480 seconds). The default is 10 seconds. If the FPA value is 5, the velocity value shown in the display is updated once every 5 seconds. RCA time constant—The RC filter helps smooth out turbulence through the use of a selected time constant in the filter algorithm. This mode is useful when searching for a maximum velocity, for example in the common $0.9 \times V_{max}$ profile method. High RC filter time constants give higher degrees of smoothing. The time constant can be set from 2 to 20 seconds, with a default value of 6. At 1 time constant, the filter settles to approximately 60% of the final value. At 5 time constants, the filter settles to 99.9% of the final value. Thus, if the RC value is set to 2, the final value shows after 10 seconds. <p>Pre-filter</p> <ul style="list-style-type: none"> Median filter—The filtering process is done in the sensor. The feature can be disabled. However, the recommended (default) value is 5. Enable the feature to enter or change this value.
Wet/dry threshold	Sets the sensor submersion threshold for wet and dry conditions. The default value is 20%. Refer to the appendix in the expanded version of the manual for more information.
Auto zero depth	<p>Sets the Auto Zero feature to On or Off.</p> <p>If set to On, the instrument does an air calibration when the sensor is removed from the water and is in the air. To do the air calibration, the instrument automatically zeroes the sensor.</p> <p>If set to Off, the user can manually zero the sensor. To do this, remove the sensor from the flow, then push and hold the Quick Jump key for five seconds.</p> <p>When the sensor has been in the flow for 30 minutes, the green circle in the upper right corner goes from green to red. This is a prompt to the user to remove and zero the sensor again.</p>
EMI	Sets the local line frequency for ambient noise rejection to 50 Hz or 60 Hz (default).
Clock	Sets the date and time of the portable meter in 24-hour format. Daylight savings time is not supported.
USB	<p>Sets the USB mode.</p> <ul style="list-style-type: none"> Mass Storage (default)—This mode operates like a memory stick or hard drive. Files are read-only. CDC—This mode is used to update firmware.
Language	Selects the language used in the menus.
Units	Sets the units for velocity, flow and depth measurements. Options are Metric or English (default).
Beeper	<p>On (default) or Off. If set to On, the meter makes an audible tone when:</p> <ul style="list-style-type: none"> The sensor is at the correct depth for applicable profile methods. 95% of the measurement time is complete (profiler mode). An inactive button is pushed in any menu. <p>This feature is available only with the optional depth sensor.</p>
Flow calculation	<p>Selects the method of flow calculation for open water segment (stream profiles only). Options are Mean-section or Mid-section. Refer to the appendix in the expanded version of the manual for more information.</p>

Option	Description
Station entry	<ul style="list-style-type: none"> Fixed—The operator puts in the width of the stream and the number of stations for measurements. The meter divides the cross-section into evenly spaced distances between the station verticals. Non-fixed (default)—The operator selects the spacing between station verticals. This is the more commonly used option as it lets the operator include obstructions and other restrictions in the cross section. Fixed and Non-fixed—The operator selects the reference plane for depth measurements. Values: Top or Bottom.
Restore defaults	Sets all meter options to the factory default values.

4. **Diagnostics**— Select this option to troubleshoot problems with the meter or an attached sensor. For more information about the Diagnostics options, refer to [Diagnostics](#) on page 21.

Section 6 Startup and self-test

⚠ DANGER	
	<p>Chemical or biological hazards. If this instrument is used to monitor a treatment process and/or chemical feed system for which there are regulatory limits and monitoring requirements related to public health, public safety, food or beverage manufacture or processing, it is the responsibility of the user of this instrument to know and abide by any applicable regulation and to have sufficient and appropriate mechanisms in place for compliance with applicable regulations in the event of malfunction of the instrument.</p>

⚠ WARNING	
	<p>Fire and explosion hazards. Do not use or store the instrument in direct sunlight, near a heat source or in high temperature environments such as a closed vehicle in direct sunlight. Failure to take this precaution can make the battery overheat and cause a fire or explosion.</p>

The battery must be installed in the meter and charged before use. For more information about battery installation and replacement, refer to [Install the battery](#) on page 11. For information on how to charge the battery, refer to [Charge the battery](#) on page 12.

Note: *The meter is not operational while the battery charges.*

1. Push the meter power button until an audible beep is heard.
The meter does a self test and the display shows the results. If the meter fails the self-test, the display shows FAIL next to the failed parameter. If the sensor fails, attach a different sensor if available.
2. When the self test is complete, push **OK** to go to the Main Menu.
3. To de-energize the meter, push the power button again. In the Confirmation screen, select Yes and push **OK**.
If the portable meter becomes unresponsive, push and hold the power button for more than 3 seconds to force the power off. Do not force off the power in normal operation or when the file access icon is visible.

6.1 Instrument self test

The meter does a diagnostic self-test when energized. After the self-test is complete, the display shows the self-test results. Push **OK** to go to the Main Menu.

If the meter fails the self-test, the display shows FAIL next to the parameter in question. If the sensor fails, attach a different sensor if available.


6.2 Sleep mode

The meter backlight goes dim after 30 seconds of no activity and goes into sleep mode after 60 seconds of no activity. These actions do not occur if the meter is in real-time mode or while the meter is measuring. After 30 minutes in sleep mode, the meter power goes off.

To cancel the sleep mode, push any key. The display brightness goes back to the normal level and all keys go back to their normal functions.

Section 7 Maintenance

7.1 Clean the sensor

⚠ WARNING	
	Chemical exposure hazard. Obey laboratory safety procedures and wear all of the personal protective equipment appropriate to the chemicals that are handled. Refer to the current safety data sheets (MSDS/SDS) for safety protocols.

Clean the sensor when unexpected increases or decreases in flow or level trends occur and after use in sandy or muddy waterways.

For heavy contamination, soak the sensor in clear water for a few minutes to help make the contamination easy to remove.

Disconnect the sensor from the meter before it is cleaned. Use only solutions listed as acceptable in [Table 3](#) to clean the sensor. For sensors with a pressure cell (i.e., velocity plus depth sensors), make sure the holes for the pressure cell chambers are washed out and clear of contamination. Rinse the sensor with clean water before re-attaching the sensor to the assembly.



Table 3 Acceptable and unacceptable cleaning solutions

Acceptable	Do not use
Dish detergent and water	Concentrated bleach
Window cleaner	Kerosene
Isopropyl alcohol	Gasoline
	Aromatic hydrocarbons

7.2 Clean the meter

1. Push the power button to de-energize the meter.
2. Use a clean, moist cloth to clean the meter exterior. Mix the water with a mild detergent if necessary.
3. Dry the meter exterior with a clean cloth. Let the meter dry in air completely before it is energized again.
Note: Do not use paper-based cloths to clean the display. This type of cloth can cause damage to the display screen.

7.3 Replace the battery

⚠ WARNING	
 	Fire and explosion hazard. This equipment contains a high energy lithium battery which can ignite and cause fire or explosion, even without power. To maintain the safety provided by the instrument enclosure, the instrument enclosure covers must be installed and secured with the supplied hardware.

▲ WARNING



Explosion and fire hazard. Battery substitution is not permitted. Use only batteries that are supplied by the instrument manufacturer.

Replace the battery when the battery does not hold power when charged.

Note: If the instrument must be returned to the factory for repair or maintenance, remove the battery and put the battery in a protective cover before shipment.

1. Set the power to off.
2. Remove the battery. Refer to [Install the battery](#) on page 11.
3. Discard the battery in accordance with local, regional and national regulations.
4. Install a new battery in the same location and with the same orientation. Refer to [Install the battery](#) on page 11.

Use only batteries that are supplied by the instrument manufacturer.

5. Install the battery cover. Make sure that the cover is secure to keep the enclosure rating.
6. Charge the battery if necessary. Refer to [Charge the battery](#) on page 12.

Section 8 Troubleshooting

8.1 Diagnostics

In the Main Menu, select Diagnostics to see information about the meter and do the diagnostic tests in [Table 4](#).

Table 4 Meter diagnostics

Option	Description
About	Shows information about the meter and the sensor. Includes the serial number and the firmware version.
Delete files	Deletes all files from memory to make space for new measurements. Make sure that the data is downloaded to a PC before this option is selected. The system automatically reformats the memory after file deletion.
Sensor	Shows diagnostic information about the sensor.
Self test	Makes the meter do a diagnostic self test.
Key pad test	Does a test of any button to make sure that the button is functional.
Display test	Does a test on the display to make sure that the display is functional.
Event log	Lets the user see, delete or export the event log. Export the event log to make the contents available as an accessible file through USB mass storage. This option is used primarily by factory service.

8.2 Troubleshoot errors

The meter and sensor contain no user-serviceable parts. For the errors and messages listed, try the corrective action.

If the problem does not go away or a problem occurs that is not in the list, contact the manufacturer.

Message or problem	Solution
Sensor is not connected	Connect a sensor and try the action again.
Value is out of range	Change the measurement parameters or put in a different value, then try the action again.

Message or problem	Solution
Sensor data is known to be not correct or not accurate	Clean the sensor and test.
Sensor is not recognized	Check the sensor connection. Make sure that the lock nut on the connection port is tight (finger-tighten only).
Display is dim or is not visible	Push a key on the keypad.
Data is not available or access to the data is not possible	Make sure that the USB option (Main Menu) is set to Mass Storage.
Meter is unresponsive	<p>Push and hold the power button for at least 3 seconds. This de-energizes the meter. Energize the meter again.</p> <p>Note: Do not use this method to power off while in normal operation or if the file access icon is visible in the display.</p>

Table des matières

1 Manuel de l'utilisateur en ligne à la page 23

2 Caractéristiques à la page 23

3 Généralités à la page 25

4 Installation à la page 30

5 Interface utilisateur et navigation à la page 34

6 Démarrage et autotest à la page 40

7 Maintenance à la page 41

8 Dépannage à la page 42

Section 1 Manuel de l'utilisateur en ligne

Ce manuel utilisateur simplifié contient moins d'informations que le manuel d'utilisation détaillé, disponible sur le site Web du fabricant.

Section 2 Caractéristiques

Les caractéristiques techniques peuvent être modifiées sans préavis.

2.1 Caractéristiques techniques des capteurs

Caractéristique	Détails
Mesure de la vitesse	
Méthode	Électromagnétique
Echelle	0 à 6,09 m/s (0 à 20 pi/s)
Profondeur minimale de l'eau	3,18 cm (1,25 po)
Exactitude	$\pm 2\%$ de la lecture $\pm 0,015$ m/s ($\pm 0,05$ pi/s) 0 à 3,04 m/s (0 à 10 pi/s) ; $\pm 4\%$ de la lecture de 3,04 à 4,87 m/s (10 à 16 pi/s)
Résolution	$0 \leq \text{valeur} < 10$: 3 décimales ; $10 \leq \text{valeur} < 100$: 2 décimales ; $100 \leq \text{valeur} < 1000$: 1 décimale ; valeur ≥ 1000 : 0 décimale
Stabilité du zéro	$\pm 0,015$ m/s ($\pm 0,05$ pi/s)
Matériau	ABS, chargé verre
Indice de protection du boîtier	IP68
Dimensions (L x l x h)	11,9 x 4,3 x 6,3 cm (4,7 x 1,7 x 2,5 po)
Matériau du câble	Polyuréthane gainé
Longueurs de câble	2 ; 6,1 ; 12,2 et 30,5 m (6,5, 20, 40 et 100 pi)
Mesure de la profondeur	
Méthode	Type à diaphragme : pression absolue avec étalonnage en un seul point
Précision (statique)	Valeur la plus grande $\pm 2\%$ de la lecture ou $\pm 0,015$ m ($\pm 0,504$ po). Température en régime stationnaire et eau statique sans circulation.
Echelle	3,05 m (0-10 ft)
Résolution	$0 \leq \text{valeur} < 10$: 3 décimales ; $10 \leq \text{valeur} < 100$: 2 décimales ; $100 \leq \text{valeur} < 1000$: 1 décimale ; valeur ≥ 1000 : 0 décimale

2.2 Caractéristiques de l'appareil de mesure portable

Caractéristique	Détails
Niveau de pollution	2
Classe de protection	II

Caractéristique	Détails
Température de charge	0 à 40 °C (32 à 104 °F)
Température de fonctionnement	-20 à 55 °C (4 à 131 °F)
Température de stockage	-20 à 60 °C (4 à 140 °F)
Indice de protection du boîtier	IP67
Jauge de durée de vie de batterie	Graphique à barres à cinq segments
Type de batterie	Lithium ion rechargeable, 3,6 V, 5,0 Ah, 18 Wh
Durée de vie de la batterie	18 heures en utilisation quotidienne courante intensive ¹ ; 20 °C (68 °F)
Chargeur de batterie	Adaptateur électrique externe, efficacité énergétique VI, 100 à 240 V CA, 50 à 60 Hz, entrée 0,5 A ; 12 V DC, sortie 1,25 A
Dimensions (L x l x h)	21,8 x 9,3 x 5,3 cm (8,6 x 3,7 x 2,1 po)
Connecteur USB	Type Mini-B, 5 broches, protection IP67 avec le capuchon
Matériau	Polycarbonate et surmoulage élastomère thermoplastique (TPE)

2.3 Caractéristiques de l'interface utilisateur

Caractéristique	Détails
Ecran graphique	Couleur, LCD 3,5" QVGA transflectif (lisible en plein soleil)
Résolution de mesure	0 ≤ valeur < 10 : 3 décimales ; 10 ≤ valeur < 100 : 2 décimales ; 100 ≤ valeur < 1000 : 1 décimale ; valeur ≥ 1000 : 0 décimale
Clavier	Alphanumérique
Modes de fonctionnement	Temps réel, création de profil
Types de profil	Voie, conduit
Formes de conduit	Circulaire, rectangulaire, trapézoïdal, 2/3 œuf, 2/3 œuf inversé
Entrées de voie	Stations fixes et non fixes
Réjection de bruit	Sélectionnable par l'utilisateur, 50 Hz ou 60 Hz
Unités de mesure	Vitesse : pi/s, m/s, cm/s, mm/s Débit : pi ³ /s, million gal/jour, gal/jour, gal/min, m ³ /s, m ³ /min, m ³ /heure, m ³ /jour, litres/s, litres/min Profondeur : po, pi, m, cm, mm
Calcul de débit de voie	Méthode de section moyenne ou de section médiane
Diagnostics	Autotest, clavier, écran, journal d'événements
Méthodes de profilage de conduit	0,9 x Vmax, 0,2/0,4/0,8, intégrateur de vitesse de niveau, 2D
Méthodes de création de profil de voie	Point 1, 2, 3, 4, 5 et 6 (méthode de vitesse, USGS et ISO), méthode KREPS point 2, méthode de surface point 1 et méthode de glace point 1 et 2

¹ Défini comme 30 minutes de configuration, six périodes de 1 heure d'utilisation en continu avec un capteur actif et l'écran à la luminosité maximale, et 30 minutes de mode veille entre les périodes d'utilisation, téléchargement des données et extinction.

Caractéristique	Détails
Types de fichier	Temps réel, création de profil, journal d'événements
Langues	Anglais, français, espagnol, allemand, italien, néerlandais, danois, suédois, chinois, polonais, japonais, coréen, portugais, slovaque, russe, hongrois, bulgare, roumain, tchèque, turc, finnois, grec

2.4 Caractéristiques générales

Caractéristique	Détails
Nombre maximum de fichiers en temps réel.	50 chacun avec un maximum de 75 mesures capturées par l'utilisateur.
Microprogramme	Le capteur et l'instrument de mesure portable peuvent être mis à niveau sur site par USB

Section 3 Généralités

En aucun cas le fabricant ne pourra être tenu responsable des dommages résultant d'une utilisation incorrecte du produit ou du non-respect des instructions du manuel. Le constructeur se réserve le droit d'apporter des modifications à ce manuel et aux produits décrits, à tout moment, sans avertissement ni obligation. Les éditions révisées se trouvent sur le site Internet du fabricant.

3.1 Consignes de sécurité

Le fabricant décline toute responsabilité quant aux dégâts liés à une application ou un usage inappropriés de ce produit, y compris, sans toutefois s'y limiter, des dommages directs ou indirects, ainsi que des dommages consécutifs, et rejette toute responsabilité quant à ces dommages dans la mesure où la loi applicable le permet. L'utilisateur est seul responsable de la vérification des risques d'application critiques et de la mise en place de mécanismes de protection des processus en cas de défaillance de l'équipement.

Veuillez lire l'ensemble du manuel avant le déballage, la configuration ou la mise en fonctionnement de cet appareil. Respectez toutes les déclarations de prudence et d'attention. Le non-respect de cette procédure peut conduire à des blessures graves de l'opérateur ou à des dégâts sur le matériel.

Assurez-vous que la protection fournie par cet équipement n'est pas compromise. Ne pas utiliser ou installer cet équipement autrement qu'indiqué dans le présent manuel.

3.1.1 Informations sur les risques d'utilisation

▲ DANGER

Indique une situation de danger potentiel ou imminent qui, si elle n'est pas évitée, entraîne des blessures graves, voire mortelles.

▲ AVERTISSEMENT

Indique une situation de danger potentiel ou imminent qui, si elle n'est pas évitée, peut entraîner des blessures graves, voire mortelles.

▲ ATTENTION




Indique une situation de danger potentiel qui peut entraîner des blessures mineures ou légères.

AVIS

Indique une situation qui, si elle n'est pas évitée, peut occasionner l'endommagement du matériel. Informations nécessitant une attention particulière.

3.1.2 Étiquettes de mise en garde

Lisez toutes les informations et toutes les étiquettes apposées sur l'appareil. Des personnes peuvent se blesser et le matériel peut être endommagé si ces instructions ne sont pas respectées. Tout symbole sur l'appareil renvoie à une instruction de mise en garde dans le manuel.

	Ceci est le symbole d'alerte de sécurité. Respectez tous les messages de sécurité qui suivent ce symbole afin d'éviter tout risque de blessure. S'ils sont apposés sur l'appareil, se référer au manuel d'utilisation pour connaître le fonctionnement ou les informations de sécurité.
	Ce symbole indique la présence d'appareils sensibles aux décharges électrostatiques et indique que des précautions doivent être prises afin d'éviter d'endommager l'équipement.
	Le matériel électrique portant ce symbole ne doit pas être mis au rebut dans les réseaux domestiques ou publics européens. Retournez le matériel usé ou en fin de vie au fabricant pour une mise au rebut sans frais pour l'utilisateur.

3.1.3 Compatibilité électromagnétique (CEM)

▲ ATTENTION

Cet équipement n'est pas conçu pour être utilisé dans des environnements résidentiels et peut ne pas offrir une protection adéquate à la réception radio dans de tels environnements.

CE (EU)

Cet équipement respecte les exigences essentielles de la Directive CEM 2014/30/UE.

UKCA (UK)

L'équipement est conforme aux exigences des règlements de 2016 sur la compatibilité électromagnétique (S.I. 2016/1091).

Règlement canadien sur les équipements causant des interférences radio, ICES-003, Classe A :

Les données d'essai correspondantes sont conservées chez le constructeur.

Cet appareil numérique de classe A respecte toutes les exigences du Règlement sur le matériel brouilleur du Canada.

Cet appareil numérique de classe A répond à toutes les exigences de la réglementation canadienne sur les équipements provoquant des interférences.

FCC part 15, limites de classe A :

Les données d'essai correspondantes sont conservées chez le constructeur. L'appareil est conforme à la partie 15 de la réglementation FCC. Le fonctionnement est soumis aux conditions suivantes :

1. Cet équipement ne peut pas causer d'interférence nuisible.
2. Cet équipement doit accepter toutes les interférences reçues, y compris celles qui pourraient entraîner un fonctionnement inattendu.

Les modifications de cet équipement qui n'ont pas été expressément approuvées par le responsable de la conformité aux limites pourraient annuler l'autorité dont l'utilisateur dispose pour utiliser cet équipement. Cet équipement a été testé et déclaré conforme aux limites définies pour les appareils numériques de classe A, conformément à la section 15 de la réglementation FCC. Ces limites ont pour but de fournir une protection raisonnable contre les interférences néfastes lorsque l'équipement fonctionne dans un environnement commercial. Cet équipement génère, utilise et peut irradier l'énergie des fréquences radio et, s'il n'est pas installé ou utilisé conformément au mode d'emploi, il peut entraîner des interférences dangereuses pour les communications radio. Le fonctionnement de cet équipement dans une zone résidentielle risque de causer des interférences nuisibles, dans ce cas l'utilisateur doit corriger les interférences à ses frais. Les techniques ci-dessous peuvent permettre de réduire les problèmes d'interférences :

1. Débrancher l'équipement de la prise de courant pour vérifier s'il est ou non la source des perturbations
2. Si l'équipement est branché sur le même circuit de prises que l'appareil qui subit des interférences, branchez l'équipement sur un circuit différent.
3. Eloigner l'équipement du dispositif qui reçoit l'interférence.
4. Repositionner l'antenne de réception du périphérique qui reçoit les interférences.
5. Essayer plusieurs des techniques ci-dessus à la fois.

3.2 Présentation du produit

Le système de vitesse portable s'utilise sur le terrain, en laboratoire et dans les municipalités. Il est possible de mesurer avec ce système des débits turbulents, bruyants et lents.

Quand le capteur est placé dans l'eau en mouvement, un champ magnétique autour du capteur crée une tension proportionnelle à la vitesse de circulation. Cette amplitude de tension, qui représente le débit d'eau autour du capteur, est détectée par des électrodes dans le capteur et traitée par le microprocesseur du capteur. Le signal traité est transmis numériquement par le câble du capteur à l'appareil de mesure portable et les informations sont affichées sur l'écran de l'appareil de mesure. Le système comporte un appareil de mesure portable, un capteur avec câble et accessoires.

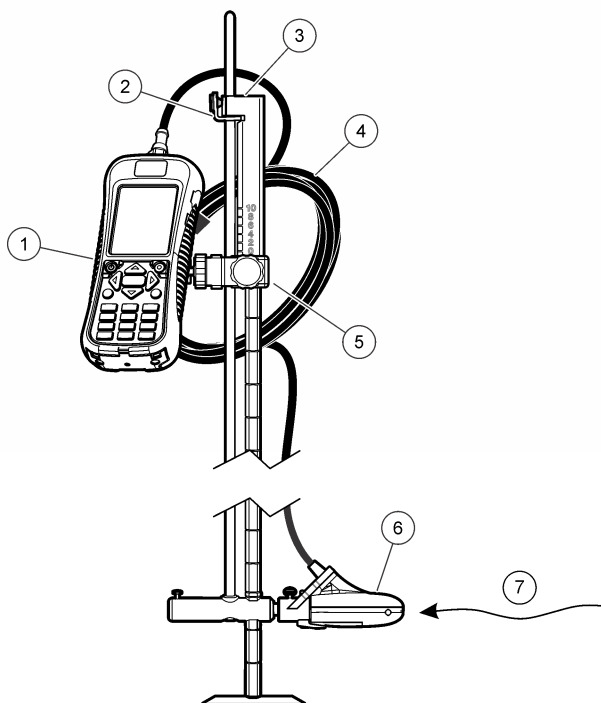
L'appareil de mesure et le capteur prennent des informations de vitesse dans des conduits et des rivières. Ces mesures sont importantes pour l'étalonnage dans les industries des eaux usées municipales, ainsi que pour les évaluations d'impact sur l'environnement.

Deux types de capteur sont proposés : vitesse seulement et vitesse plus profondeur. Ce manuel traite des deux types de capteur. Si des informations ne seront applicables qu'à un type particulier de capteur, le texte en fait mention.

3.2.1 Vue d'ensemble du système

Une vue d'ensemble d'un système monté est présentée dans la [Figure 1](#). Consultez la documentation fournie avec chaque composant ou accessoire pour en savoir plus.

Figure 1 Composants montés

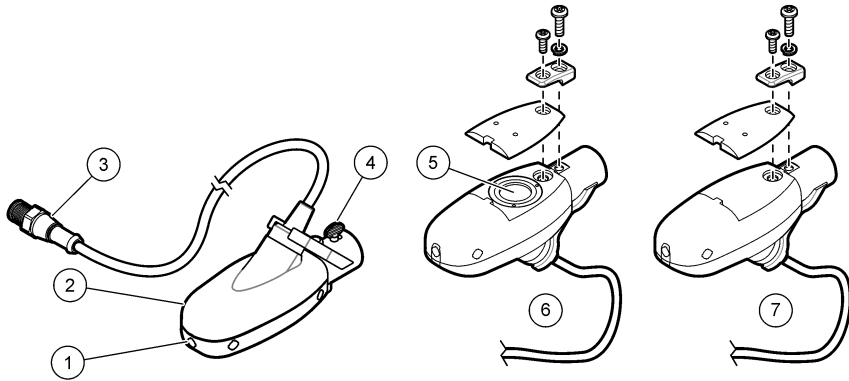


1 Courantomètre portable	5 Montage ajustable du courantomètre portable
2 Verrou de hauteur/dispositif de libération du capteur	6 Ensemble du capteur
3 Partie supérieure de la perche à gué (accessoire)	7 Sens du débit
4 Câble du capteur	

3.2.2 Aperçu du capteur

La [Figure 2](#) présente les composants principaux du capteur. Les instructions de fixation du capteur sur un support standard ou à fixation par le haut, sur une tige de barbotage, sont fournies avec l'accessoire.

Figure 2 Composants du capteur

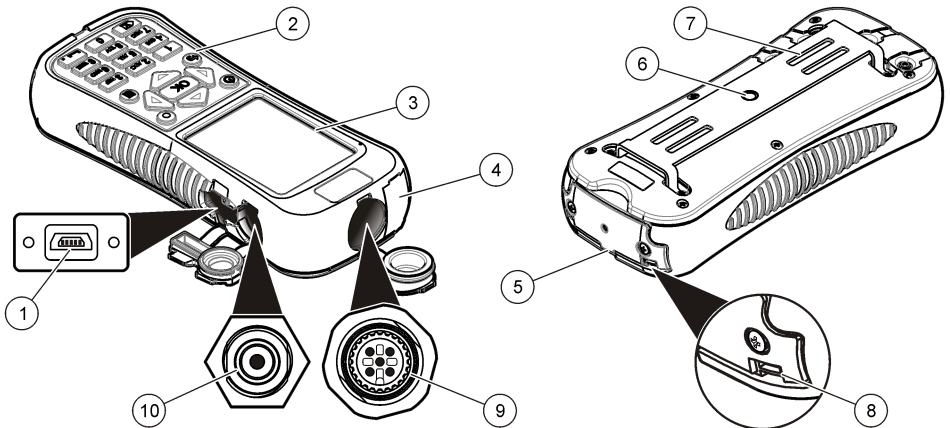


1 Electrodes de capteur	5 Cuve de pression (capteurs avec option de profondeur)
2 Corps du capteur	6 Capteur avec option de profondeur
3 Fiche de connexion du capteur	7 Capteur sans option de profondeur
4 Vis moletée de fixation du capteur	

3.2.3 Aperçu général de l'appareil de mesure

La **Figure 3** présente l'appareil de mesure.

Figure 3 Composants de l'appareil



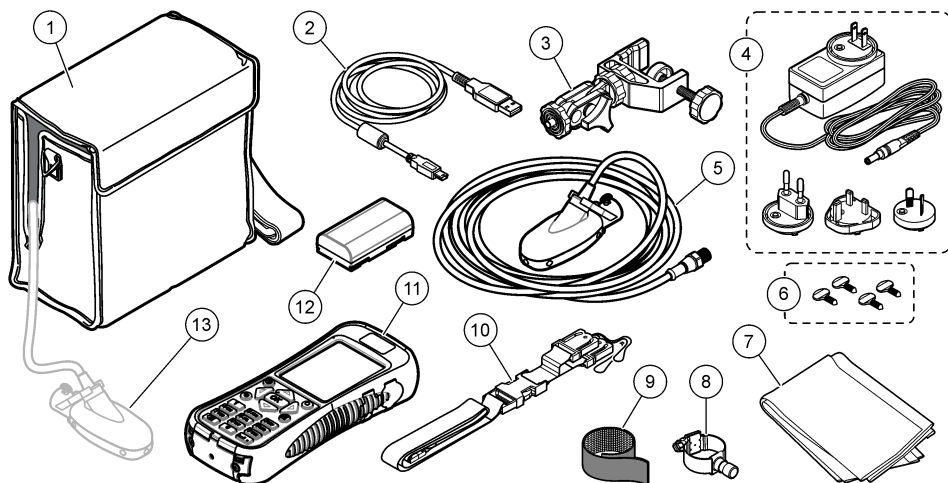
1 Port de connexion USB ²	6 Trou fileté pour support réglable d'appareil de mesure
2 Clavier	7 Fentes pour fixation par velcro ou sangle
3 Ecran de l'appareil de mesure	8 Fente pour passage de la sangle de suspension au cou (2x)
4 Port d'extension (non utilisé)	9 Port de connexion du capteur
5 Capot du compartiment des batteries	10 Connecteur du chargeur de batterie

² Ne pas utiliser la connexion USB pour charger la batterie.

3.3 Composants du produit

En cas d'achat d'un système complet, consultez le [Figure 4](#) pour vous assurer d'avoir reçu tous les composants. Si un élément est manquant ou endommagé, contactez immédiatement le fabricant ou un représentant.

Figure 4 Composants du système



1 Mallette de transport (avec fente pour le câble du capteur)	8 Montage capteur universel
2 Câble USB avec connecteur mini-USB, 1 m (3 pieds)	9 Sangle velcro
3 Support réglable pour appareil de mesure portable	10 Cordon
4 Chargeur de batterie, 100 à 240 V c.a.	11 Courantomètre portable
5 Capteur	12 Batterie au lithium
6 Vis moletées supplémentaires (4x)	13 Capteur tel qu'il est connecté au compteur à l'intérieur de la mallette
7 Chiffon pour nettoyer le capteur	

Section 4 Installation

4.1 Pose du capteur sur le support universel

Utilisez le support de capteur universel pour fixer le capteur à des manches de 1 pouce de diamètre au maximum. Pour un fonctionnement correct et des relevés exacts, l'avant du capteur doit être dirigé vers l'amont et les électrodes en plein contact avec le flux.

Remarque : Maintenez les électrodes du capteur propres en évitant toute trace de substance non conductrice telle que de l'huile et de la graisse. Pour éliminer les salissures du capteur, consultez la section [Nettoyage du capteur](#) à la page 41.

1. La partie avant du capteur est ronde et contient trois électrodes. Le capteur comporte un trou de montage à l'arrière et une vis moletée au-dessus. Placez l'axe de fixation du support universel dans le trou de fixation à l'arrière du capteur. Assurez-vous que l'axe de fixation est engagé à fond dans le trou de fixation et que la vis moletée est engagée dans la gorge.
2. Serrez à la main la vis moletée.

3. Passez un manche de 2,5 cm (1 pouce) au plus de diamètre dans la bride du support universel de capteur. Serrez la pince.

Remarque : Instructions de montage du capteur sur une tige de barbotage standard ou par le haut fournie avec l'accessoire.

4.2 Sécurité des batteries au lithium

▲ AVERTISSEMENT



Risque d'incendie et d'explosion. Les batteries au lithium peuvent chauffer, exploser ou prendre feu et provoquer des blessures graves en cas d'exposition à des conditions abusives.

- N'utilisez pas la batterie si elle apparaît endommagée.
- N'utilisez pas la batterie après un choc fort ou des vibrations importantes.
- N'exposez pas la batterie à une flamme.
- Conservez la batterie à des températures inférieures à 60 °C (140 °F).
- Conservez la batterie au sec et à l'abri de l'eau.
- Evitez que la borne positive et la borne négative de la batterie n'entrent en contact.
- Ne laissez pas les personnes non autorisées toucher la batterie.
- Jetez la batterie conformément à la réglementation locale, régionale et nationale.
- N'utilisez et ne stockez pas l'appareil sous la lumière directe du soleil, près d'une source de chaleur ou dans des environnements à haute température tel que dans un véhicule fermé en plein soleil.

4.3 Installation de la batterie

▲ AVERTISSEMENT



Risque d'incendie et d'explosion. Cet équipement contient une pile au lithium à haute énergie pouvant s'enflammer et provoquer un incendie ou une explosion, même en l'absence d'alimentation électrique. Pour maintenir le niveau de sécurité offert par le boîtier de l'instrument, les couvercles du boîtier de l'instrument doivent être installés et fermés à l'aide du matériel fourni.

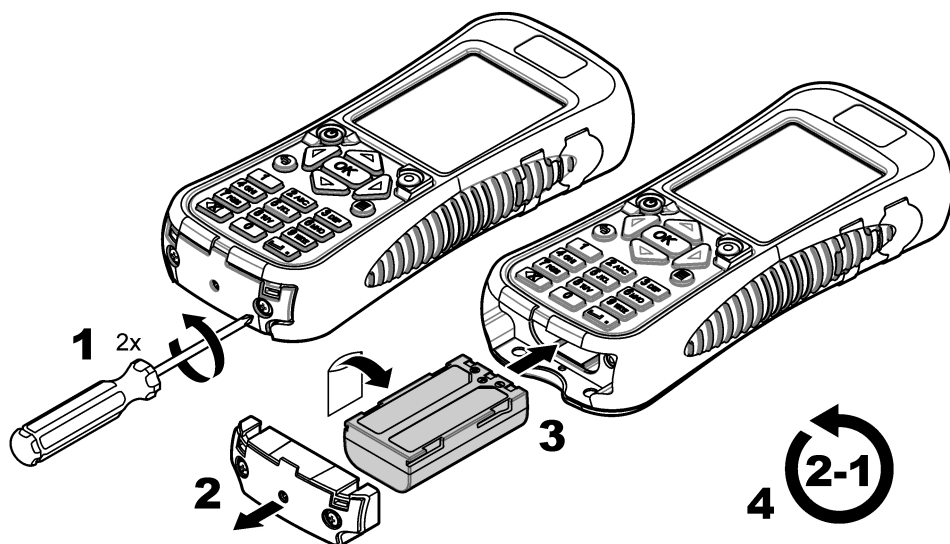
▲ AVERTISSEMENT



Risque d'explosion et d'incendie. La substitution du type de pile n'est pas autorisée. Utilisez uniquement les piles fournies par le fabricant de l'appareil.

Installez la batterie au lithium fournie comme indiqué dans la [Figure 5](#).

Figure 5 Installation de la batterie



4.4 Mise en charge de la batterie

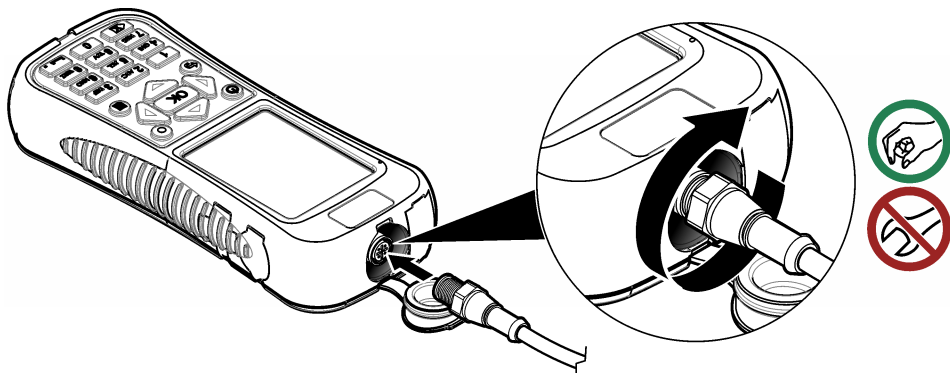
Remarque : Le remplacement du chargeur de batterie n'est pas autorisé. N'utilisez que le chargeur préconisé dans la liste de pièces détachées et accessoires pour l'instrument. Consultez la section Pièces de rechange et accessoires dans la version complète du manuel.

Avant la première utilisation, chargez totalement la batterie de l'instrument avec le chargeur de batterie fourni. Une batterie totalement déchargée se charge en 8 heures environ.

1. Assurez-vous d'utiliser le type de fiche correspondant à l'emplacement géographique où est installé le chargeur de batterie.
2. Branchez le chargeur de batterie sur une prise électrique avec mise à la terre.
3. Connectez le chargeur de batterie au connecteur correspondant sur l'instrument. Reportez-vous à [Aperçu général de l'appareil de mesure](#) à la page 29. Le niveau de la batterie s'affiche. Un voyant bleu autour de l'orifice de charge s'allume pendant la charge de la batterie. Quand la charge est terminée, le voyant bleu s'éteint.

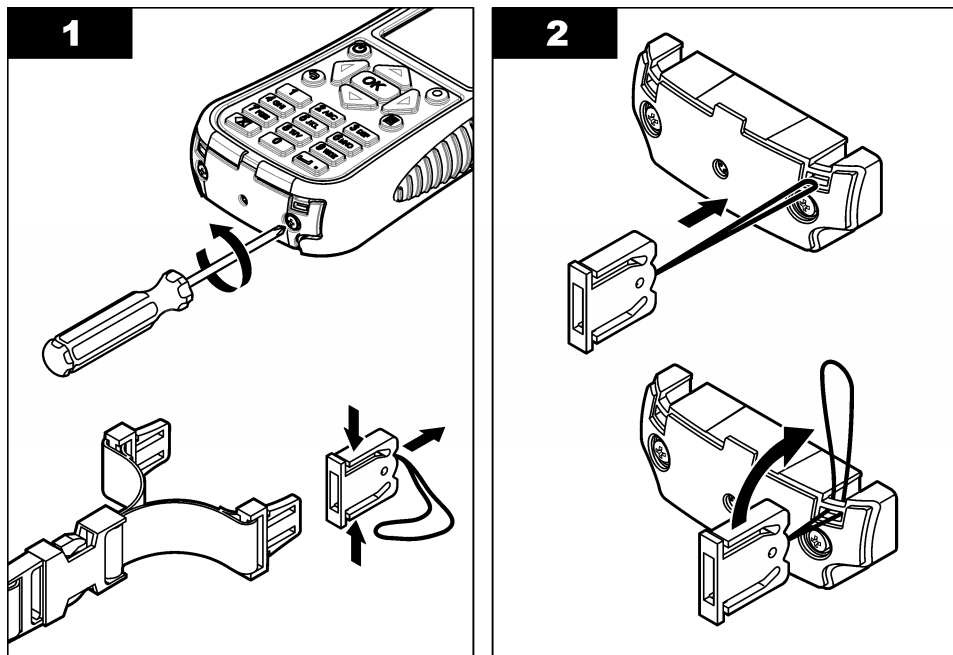
Remarque : L'instrument n'est pas opérationnel pendant la charge de la batterie. La batterie ne se charge pas par la connexion par câble USB.

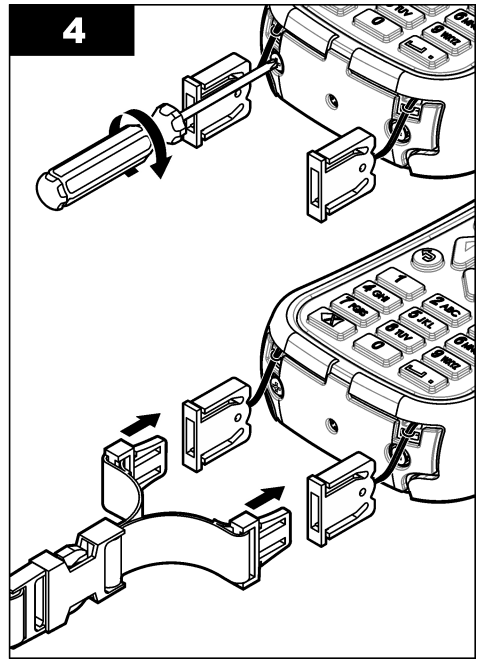
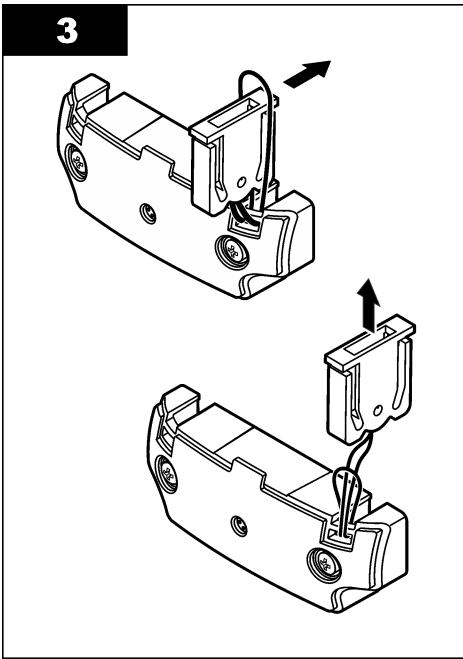
4.5 Branchement du capteur à l'appareil de mesure



4.6 Fixation du cordon

Fixez le cordon pour porter l'instrument en toute sécurité au tour du cou.

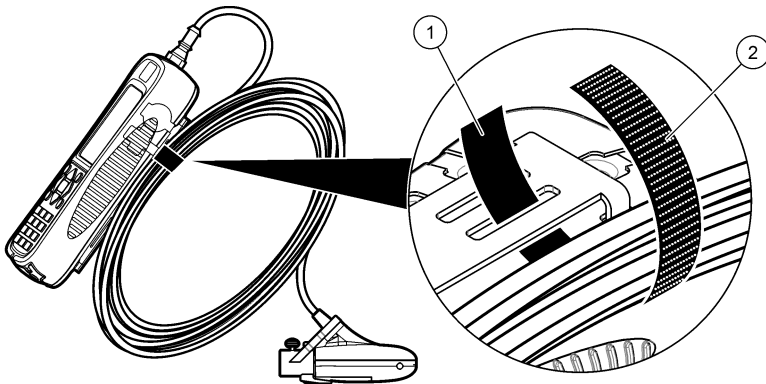




4.7 Fixation de la sangle velcro

Utilisez la sangle velcro pour maintenir le câble supplémentaire. Reportez-vous à [Figure 6](#).

Figure 6 Fixation de la sangle velcro



1 Côté boucles

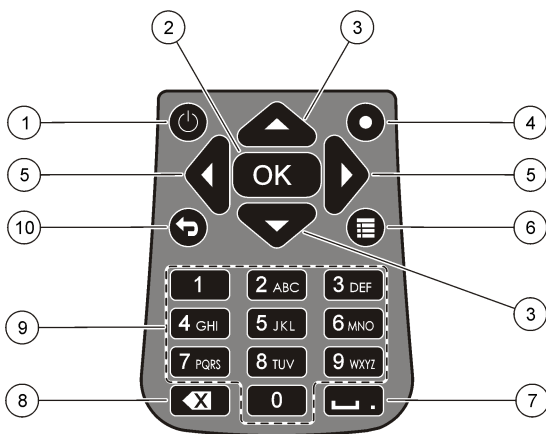
2 Côté crochets

Section 5 Interface utilisateur et navigation

5.1 Fonctions du clavier et des touches

La [Figure 7](#) présente le clavier de l'appareil de mesure. Le [Tableau 1](#) donne les fonctions de chaque touche ou type de touche.

Figure 7 Clavier



1 Alimentation marche/arrêt	6 Menu Principal
2 OK	7 Soulignement ou point décimal
3 Flèches Haut et Bas	8 Retour arrière
4 Saut rapide	9 Alphanumérique
5 Flèches Gauche et Droite	10 Menu précédent

Tableau 1 Description de la touche

Touche	Description
Alimentation marche/arrêt	Active et désactive l'instrument de mesure.
OK	Valide une saisie ou une option de menu sélectionnée.
Flèches Haut et Bas	Déplace vers le haut ou vers le bas sur l'écran. Si le curseur se trouve en haut ou en bas de l'écran, il revient en bas en haut en appuyant sur la touche HAUT ou BAS.
Saut rapide	En fonctionnement normal, cette touche fait sauter à l'écran Sélect. forme du conduit. En fonctionnement Profileur, la touche Saut rapide est désactivée. Si la fonction de zéro automatique est désactivée, maintenez cette touche enfoncée pendant cinq secondes pour une mise à zéro manuelle du capteur de profondeur. En mode Temps réel, la touche Saut rapide fait alterner les vues numérique et graphique.
Flèches Gauche et Droite	Déplace vers la gauche ou la droite sur l'écran.
Menu Principal	Passes au menu principal depuis tout sous-menu ou écran.
Soulignement ou point décimal	Insère un caractère de soulignement ou un point décimal. Dans les champs numériques seulement, cette touche place automatique un point décimal à la position du curseur.
Retour arrière	Ramène le curseur en arrière d'un caractère.
Alphanumérique	Passes le clavier en mode alphabétique ou numérique. Les valeurs sont placées dans l'autre indiqué sur la touche. Après 2 secondes, la valeur affichée à l'écran est enregistrée et le curseur avance.
Menu précédent	Passes à l'écran précédent.

5.2 Barre d'état.

Une barre d'état apparaît en haut du menu. Vous trouverez des descriptions des informations de la barre d'état dans la section [Tableau 2](#).

Tableau 2 Indicateurs dans la barre d'état

Indicateur	Description
Heure et date	Affiche l'heure et la date en cours.
USB	Apparaît quand un câble USB est connecté. Si un câble USB est connecté et que cet indicateur n'apparaît pas dans la barre d'état, le câble USB n'est pas engagé à fond. Assurez-vous que le câble USB est enfoncé complètement et fait un bon contact avec le port de connexion.
Conductivité	Si le capteur est en dehors de l'eau et non conducteur, un rond bleu apparaît en regard de l'icône de batterie. Si le capteur est dans l'eau et conducteur, l'indicateur est un disque bleu plein.
Batterie	Un graphique à cinq barres indique le niveau de charge de la batterie.
Accès au fichier	Apparaît quand l'appareil de mesure est en train d'accéder à un fichier.
Indicateur de profondeur à zéro automatique	Si le capteur de profondeur a été mis à zéro dans les 30 minutes, un rond vert plein apparaît en regard de l'indicateur de conductivité. Si le capteur de profondeur n'a pas été mis à zéro dans les 30 dernières minutes, cet indicateur clignote en rouge.

5.3 Navigation et menu Princ.

Appuyez sur **OK** pour confirmer une option de menu sélectionnée ou une valeur affichée à l'écran. Sélectionnez Plus et appuyez sur **OK** pour afficher des écrans et options supplémentaires le cas échéant. Appuyez sur le bouton Menu principal pour passer au menu principal depuis un sous-menu.

Remarque : Certaines opérations ne peuvent pas être effectuées sans connecter un capteur à l'appareil de mesure. Si vous tentez ces opérations en l'absence de capteur connecté, l'écran affiche un message d'erreur. Branchez un capteur et recommencez l'opération.

1. **Temps réel**—Sélectionnez cette option pour obtenir des données de vitesse et de profondeur en temps réel. (Un capteur avec capacité de profondeur est indispensable pour afficher la profondeur). Vous trouverez un exemple d'écran Temps réel pour des capteurs de vitesse seulement sur la [Figure 8](#). Vous trouverez des écrans Temps réel de capteurs avec vitesse et profondeur sur la [Figure 9](#). Le format des données et options présentées dépend du type de capteur utilisé. En mode Temps réel, la touche Saut rapide bascule entre les vues numériques et graphiques des données en temps réel. La vitesse est mise à jour en mode de filtre FPA en fonction d'un temps de calcul de moyenne sur période fixe. En mode de filtre RC, la vitesse est mise à jour en continu sur l'écran toutes les 250 ms.

Option	Description
Capturer	Enregistre en mémoire les données de profondeur et de vitesse affichées. Les données sont enregistrées jusqu'à une extinction suivie d'un rallumage, l'enregistrement de la mémoire dans un fichier temps réel non volatil, ou la sortie de l'utilisateur du mode temps réel.
Enr.	Enregistre les mesures capturées dans la mémoire volatile vers un fichier temps réel non volatil. Un message apparaît si le nombre de fichiers est supérieur au maximum possible. Les fichiers sont enregistrés en format délimité par des tabulations (.tsv).
Done ou OK	Quitte le mode temps réel et revient au menu Princ. Si la mémoire volatile contient des données non enregistrées, un message de confirmation demande à l'utilisateur de confirmer la sortie sans enregistrement des données.
Transparent	Efface les mesures capturées depuis le tampon de mémoire volatile. L'utilisateur peut choisir parmi les options Effacer dernier, Effacer tout ou Annuler.

Option	Description
Setup	<p>Permet à l'utilisateur de modifier les paramètres du filtre principal, d'activer et de programmer la fonction de positionnement de capteur à Profondeur max. La fonction Profondeur max. permet à l'utilisateur de saisir des paramètres système pour la mesure de profondeur en mode temps réel. L'utilisateur peut choisir de saisir une valeur de profondeur maximale prise directement avec une règle (manuel), ou indirectement par la mesure de profondeur (automatique). Les deux méthodes activent la fonction de positionnement de capteur à Profondeur max.</p> <p>Dans la configuration de mode automatique, l'utilisateur saisit directement la distance à partir du fond du canal jusqu'au bas du support du capteur (décalage). L'interface de configuration affiche en permanence la valeur de profondeur en cours renvoyée par le capteur plus le décalage. L'appareil enregistre cette valeur comme Profondeur max. à l'appui sur le bouton OK. Dans tous les autres cas, les valeurs de profondeur affichées n'incluent pas le décalage.</p> <p>La fonction de Profondeur max. exige un capteur disposant de fonctions de vitesse plus profondeur.</p>
Fichiers ou Voir	Affiche un récapitulatif de chaque fichier en temps réel enregistré en mémoire non volatile. Les fichiers peuvent être affichés et supprimés individuellement.

Figure 8 Ecran temps réel

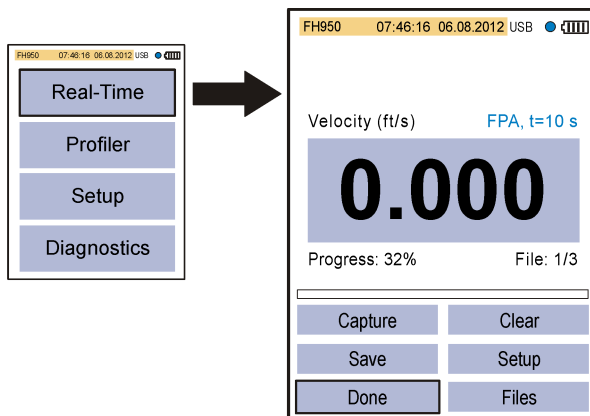
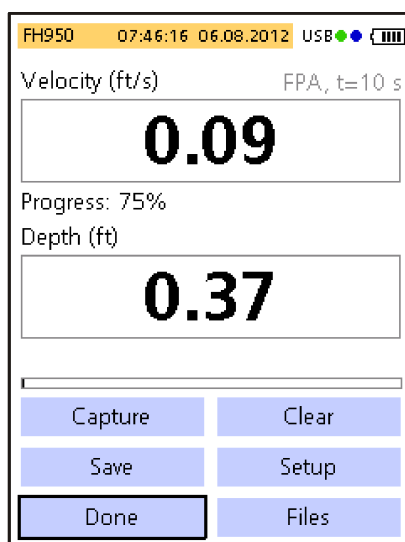


Figure 9 Ecran Temps réel pour un capteur avec profondeur



2. **Profileur**— Sélectionnez cette option pour faire des mesures de vitesse dans une voie ou un conduit. L'appareil de mesure affiche des invites quand une saisie de l'utilisateur est nécessaire. Un pourcentage de la mémoire restante est donné avec résolution de 1%. Consultez la version complète du manuel pour en savoir plus sur les profils.

Option	Description
--------	-------------

Voie	Cette option permet de configurer un profil pour une voie ou un canal de circulation. Prenez des mesures de vitesse pour calculer le refoulement total en fonction des normes ISO 748 ou USGS par les méthodes de section médiane ou de section moyenne.
Conduit	Cette option permet de configurer un profil pour un conduit.
Fichiers	Cette option s'utilise pour afficher ou supprimer des fichiers enregistrés. Les fichiers peuvent être supprimés tous d'un coup ou individuellement.
Setup	Cette option permet de configurer ou de modifier les réglages des paramètres du filtre ainsi que la fonction de Profondeur max.

3. **Config**—Sélectionnez cette option pour modifier des paramètres et préférences générales du système.

Option	Description
--------	-------------


Étalonnage de vitesse	Étalonne le capteur. Ajoute un décalage de site à l'étalonnage d'usine. Consultez l'annexe dans la version complète du manuel pour en savoir plus.
------------------------------	--

Option	Description
Paramètres de filtre	<p>Applique un filtre d'acquisition de données (filtre principal ou préfiltre). L'utilisateur peut sélectionner les paramètres du filtre.</p> <p>Filtre principal</p> <ul style="list-style-type: none"> • Moyenne sur période fixe (FPA) (Fixed Period Averaging) — la moyenne sur période fixe calcule une moyenne des données sur une durée fixe sélectionnable par l'utilisateur (1 à 480 secondes). La valeur par défaut est 10 secondes. Si la valeur de FPA est 5, la valeur de vitesse présentée à l'affichage est mise à jour toutes les 5 secondes. • Constante de temps — le filtre RC permet de lisser les turbulences par une constante de temps sélectionnée dans l'algorithme de filtre. Ce mode est utile pour la recherche d'une vitesse maximale, par exemple dans la méthode de profil courante $0,9 \times V_{max}$. Les constantes de temps élevées pour le filtre RC donnent un lissage supérieur. La constante de temps peut être comprise entre 2 et 20 secondes, avec une valeur par défaut de 6. A 1 fois la constante de temps, le filtre se stabilise à environ 60% de la valeur finale. A 5 fois la constante de temps, le filtre se stabilise à 99,9% de la valeur finale. Donc, si la valeur RC est réglée à 2, la valeur finale apparaît après 10 secondes. <p>Pré-filtre</p> <ul style="list-style-type: none"> • Filtre médian — La procédure de filtrage est effectuée dans le capteur. La fonction peut être désactivée. Mais la valeur recommandée (par défaut) est de 5. Activez la fonction pour saisir ou modifier cette valeur.
Seuil humide/sec	Règle le seuil d'immersion du capteur pour les conditions humide et sèche. La valeur par défaut est 20%. Consultez l'annexe dans la version complète du manuel pour en savoir plus.
Prof. zéro auto	<p>Active ou désactive la fonction de zéro automatique.</p> <p>Si la fonction est activée, l'instrument effectue un étalonnage dans l'air quand le capteur est sorti de l'eau et qu'il se trouve dans l'air. Pour effectuer l'étalonnage dans l'air, l'instrument met automatiquement le capteur à zéro.</p> <p>Si la fonction est désactivée, l'utilisateur peut mettre à zéro le capteur manuellement. Pour cela, sortir le capteur du flux, puis appuyer et maintenir enfoncée la touche Saut rapide pendant cinq secondes.</p> <p>Quand le capteur est resté dans le flux pendant 30 minutes, le cercle vert en haut à droite passe de vert à rouge. C'est une indication pour l'utilisateur qu'il doit sortir le capteur pour le remettre à zéro.</p>
EMI	Définit la fréquence de réjection de bruit ambiant à 50 Hz ou 60 Hz (Valeur par défaut).
Horloge	Règle la date et l'heure de l'appareil de mesure portable au format 24 heures. Le passage à l'heure d'été n'est pas pris en charge.
USB	Définit le mode USB. <ul style="list-style-type: none"> • Stockage de masse (Valeur par défaut) — Dans ce mode l'appareil se comporte comme une clé USB ou un disque dur. Les fichiers sont en lecture seule. • CDC—Ce mode permet de mettre à jour le microprogramme.
Langue	Sélectionne la langue utilisée dans les menus.
Unités	Définit les unités pour les mesures de vitesse, de débit et de profondeur. Les options sont Métrique ou Anglaise (Valeur par défaut).
Signal sonore	<p>Activé (Valeur par défaut) ou désactivé. Si ceci est activé, l'appareil émet une tonalité lorsque :</p> <ul style="list-style-type: none"> • Le capteur est à la profondeur correcte pour les méthodes de profil concernées. • 95 % du temps de mesure est écoulé (mode profileur). • Un bouton inactif est enfoncé dans un menu. <p>Cette fonction n'est disponible qu'avec le capteur de profondeur en option</p>

Option	Description
Calcul de débit	Sélectionne la méthode de calcul de débit pour un segment de pleine eau (profils de voie seulement). Les options sont Section moyenne ou Section médiane. Consultez l'annexe dans la version complète du manuel pour en savoir plus.
Saisie station	<ul style="list-style-type: none"> • Fixe — L'opérateur entre la largeur de la voie et le nombre de stations verticales pour les mesures. L'appareil de mesure divise la section transversale en distances régulièrement espacées entre les verticales de la station. • Non fixe (Valeur par défaut) — L'opérateur sélectionne l'espacement entre les verticales de la station. C'est l'option la plus couramment utilisée car elle permet à l'opérateur de tenir compte des obstacles et autres limitations dans la section transversale. • Fixe et non-fixe : l'opérateur sélectionne le plan de référence pour mesurer la profondeur. Valeurs : Haut ou Bas.
Restaurer les valeurs par défaut	Ramène toutes les options de l'appareil de mesure à leur valeur par défaut d'usine.

4. **Diagnostics**— Sélectionnez cette option pour dépanner des problèmes sur l'appareil de mesure ou un capteur relié. Pour en savoir plus sur l'option Diagnostics, consultez [Diagnostics](#) à la page 42.

Section 6 Démarrage et autotest

⚠ DANGER	
	Dangers chimiques ou biologiques. Si cet appareil est utilisé pour la surveillance d'un procédé de traitement et/ou d'un système de dosage de réactifs chimiques auxquels s'appliquent des limites réglementaires et des normes de surveillance motivées par des préoccupations de santé et de sécurité publiques ou de fabrication et de transformation d'aliments ou de boissons, il est de la responsabilité de l'utilisateur de cet appareil de connaître et d'appliquer les normes en vigueur et d'avoir à sa disposition suffisamment de mécanismes pour s'assurer du respect de ces normes dans l'éventualité d'un dysfonctionnement de l'appareil.

⚠ AVERTISSEMENT	
	Risques d'incendie et d'explosion. N'utilisez et ne stockez pas l'instrument sous la lumière directe du soleil, près d'une source de chaleur ou dans des environnements à haute température tel que dans un véhicule fermé en plein soleil. Le non-respect de cette consigne peut entraîner une surchauffe de la batterie et ainsi un incendie ou une explosion.

La batterie doit être installée dans l'appareil de mesure et chargée avant utilisation. Pour en savoir plus sur l'installation et le remplacement de la batterie, consultez la section [Installation de la batterie](#) à la page 31. Pour en avoir plus sur la façon de charger la batterie, consultez la section [Mise en charge de la batterie](#) à la page 32.

Remarque : *L'instrument n'est pas opérationnel pendant la charge de la batterie.*

1. Appuyez sur le bouton d'alimentation du compteur jusqu'à entendre un bip sonore. Le compteur effectue un autotest et l'écran affiche les résultats. Si l'appareil de mesure échoue à l'autotest, l'écran indique ECHEC en regard du paramètre en question. En cas de défaillance du capteur, branchez un capteur différent s'il en existe un disponible.
2. Quand l'autotest est terminé, appuyez sur **OK** pour passer au menu principal.
3. Pour désactiver l'appareil de mesure, appuyez sur le bouton d'alimentation. Sur l'écran de Confirmation, sélectionnez Oui et appuyez sur **OK**.
Si l'appareil de mesure portable ne répond plus, maintenez enfoncé le bouton d'alimentation pendant plus de 3 secondes pour forcer l'extinction. Ne forcez pas l'extinction en fonctionnement normal pendant que l'icône d'accès au fichier est visible.

6.1 Autotest de l'instrument

L'appareil de mesure effectue un autotest de diagnostic lors de son activation. L'écran affiche les résultats de l'autotest après l'achèvement de celui-ci. Appuyez sur **OK** pour passer au menu principal.

Si l'appareil de mesure échoue à l'autotest, l'écran indique ECHEC en regard du paramètre en question. En cas de défaillance du capteur, branchez un capteur différent s'il en existe un disponible.

6.2 Mode veille

Le rétroéclairage de l'appareil de mesure réduit sa luminosité après 30 secondes d'inactivité et passe en mode veille après 60 secondes d'inactivité. Ces actions ne se produisent pas si l'appareil de mesure est en mode temps réel ou tant qu'il est en cours de mesure. Après 30 minutes en mode veille, l'alimentation de l'appareil de mesure est coupée.

Pour annuler le mode veille, appuyez sur une touche. La luminosité de l'écran revient au niveau normal et toutes les touches reviennent à leur fonction normale.

Section 7 Maintenance

7.1 Nettoyage du capteur

▲ AVERTISSEMENT



Risque d'exposition chimique. Respectez les procédures de sécurité du laboratoire et portez tous les équipements de protection personnelle adaptés aux produits chimiques que vous manipulez. Consultez les fiches de données de sécurité (MSDS/SDS) à jour pour connaître les protocoles de sécurité applicables.

Nettoyez le capteur en cas d'augmentation ou de diminution inattendue de débit ou de variation de tendance de niveau, comme après l'utilisation dans des cours d'eau sableux ou boueux.

En cas de contamination importante, laissez tremper le capteur dans de l'eau claire quelques minutes pour faciliter l'élimination des dépôts.

Débranchez le capteur de l'instrument avant le nettoyage. N'utilisez que des solutions indiquées comme acceptable dans le [Tableau 3](#) pour nettoyer le capteur. Pour les capteurs équipés d'une cuve de pression (c'est-à-dire capteurs de vitesse plus profondeur), assurez-vous que les trous des chambres de la cuve de pression sont rincés et dégagés de tout dépôt. Rincez le capteur à l'eau propre avant de le refixer sur l'ensemble.

Tableau 3 Solutions de nettoyage agréées et non agréées

Autorisée	Ne pas utiliser
Produit à vaisselle et eau	Eau de Javel concentrée
Produit à vitre	Kérosène
Alcool isopropylique	Essence
	Hydrocarbures aromatiques

7.2 Nettoyage de l'appareil de mesure

1. Appuyez sur le bouton d'alimentation pour couper l'alimentation de l'appareil de mesure.
2. Nettoyez l'extérieur de l'appareil de mesure avec un chiffon humide propre. Ajoutez un détergent doux à l'eau si nécessaire.
3. Séchez l'extérieur de l'appareil de mesure avec un chiffon propre. Laissez sécher complètement l'appareil à l'air avant de rétablir l'alimentation.

Remarque : N'utilisez pas de chiffons à base de papier pour nettoyer l'écran. Ce type de chiffon peut endommager l'écran d'affichage.

7.3 Remplacement de la batterie

▲ AVERTISSEMENT



Risque d'incendie et d'explosion. Cet équipement contient une pile au lithium à haute énergie pouvant s'enflammer et provoquer un incendie ou une explosion, même en l'absence d'alimentation électrique. Pour maintenir le niveau de sécurité offert par le boîtier de l'instrument, les couvercles du boîtier de l'instrument doivent être installés et fermés à l'aide du matériel fourni.



▲ AVERTISSEMENT



Risque d'explosion et d'incendie. La substitution du type de pile n'est pas autorisée. Utilisez uniquement les piles fournies par le fabricant de l'appareil.

Remplacez la batterie si vous constatez des pertes de puissance alors qu'elle est à pleine charge.

Remarque : Si l'instrument doit être renvoyé à l'usine pour réparation ou entretien, retirez la batterie et placez-la dans une enveloppe de protection avant l'expédition.

1. Coupez l'alimentation.
2. Retirez la batterie. Reportez-vous à [Installation de la batterie](#) à la page 31.
3. Jetez la batterie conformément à la réglementation locale, régionale et nationale.
4. Posez une batterie neuve au même emplacement et dans le même sens. Reportez-vous à [Installation de la batterie](#) à la page 31.
Utilisez uniquement les batteries fournies par le fabricant de l'appareil.
5. Posez le capot de la batterie. Assurez-vous que le capot est bien fixé pour conserver le classement d'environnement du boîtier.
6. Chargez la batterie si nécessaire. Reportez-vous à [Mise en charge de la batterie](#) à la page 32.

Section 8 Dépannage

8.1 Diagnostics

Sur le menu principal, sélectionnez Diagnostics pour afficher les informations concernant l'appareil de mesure et les essais de diagnostic dans [Tableau 4](#).

Tableau 4 Diagnostics de l'appareil de mesure

Option	Description
A propos de...	Affiche des informations sur l'appareil de mesure et le capteur. Inclut le numéro de série et la version du microprogramme.
Supprimer les fichiers	Supprime tous les fichiers de la mémoire pour faire de la place pour de nouvelles mesures. Assurez-vous que les données ont été téléchargées vers un PC avant de sélectionner cette option. Le système reformate automatiquement la mémoire après suppression des fichiers.
Capteur	Affiche des informations de diagnostic sur le capteur.
Autotest	Fait effectuer un autotest de diagnostic par l'appareil de mesure.
Test clavier	Effectue un test de chaque bouton pour s'assurer qu'il fonctionne.

Tableau 4 Diagnostics de l'appareil de mesure (suite)

Option	Description
Test d'écran	Effectue un test d'écran pour s'assurer qu'il fonctionne.
Journal événements	Permet de voir, de supprimer ou d'exporter le journal d'événements. Exportez le journal d'événements pour rendre son contenu accessible sous forme d'un fichier sur un stockage de masse USB. Cette option est utilisée essentiellement par le service après-vente d'usine.

8.2 Dépannage des erreurs

L'appareil de mesure et le capteur ne contiennent aucune pièce réparable par l'utilisateur. Pour les erreurs et messages indiqués, essayez l'action corrective.

Si le problème ne disparaît pas ou s'il apparaît un problème qui n'est pas dans la liste, contactez le constructeur.

Message ou problème	Solution
Le capteur n'est pas connecté	Connectez un capteur et recommencez l'action.
La valeur est en dehors de la plage	Changez les paramètres de mesure ou entrez une valeur différente, puis réessayez l'action.
Les données de capteur sont apparemment incorrectes ou inexactes	Nettoyez le capteur et faites un test.
Le capteur n'est pas reconnu	Vérifiez le branchement du capteur. Assurez-vous que le contre-écrou du port de connexion est serré (ne serrez qu'à la main).
L'écran est sombre ou n'est pas visible	Appuyez sur une touche sur le clavier.
Les données ne sont pas disponibles ou l'accès aux données n'est pas possible	Assurez-vous que l'option USB (menu principal) est réglée sur Stockage de masse.
L'appareil de mesure ne répond pas	Maintenez enfoncé le bouton d'alimentation pendant au moins 3 secondes. Ceci désactive l'appareil de mesure. Réactivez l'appareil de mesure. <i>Remarque : N'utilisez pas cette méthode pour éteindre l'appareil en fonctionnement normal si l'icône d'accès au fichier apparaît à l'écran.</i>

Tabla de contenidos

- 1 [Manual del usuario en línea](#) en la página 44
- 2 [Especificaciones](#) en la página 44
- 3 [Información general](#) en la página 46
- 4 [Instalación](#) en la página 51
- 5 [Interfaz del usuario y navegación](#) en la página 55
- 6 [Inicio y auto diagnóstico](#) en la página 61
- 7 [Mantenimiento](#) en la página 62
- 8 [Solución de problemas](#) en la página 63

Sección 1 Manual del usuario en línea

Este manual básico de usuario contiene menos información que el manual de usuario completo, que está disponible en la página web del fabricante.

Sección 2 Especificaciones

Las especificaciones están sujetas a cambios sin previo aviso.

2.1 Especificaciones del sensor

Especificación	Datos
Medición de velocidad	
Método	Electromagnético
Rango	0 a 6,09 m/s (0 a 20 pies/s)
Profundidad mínima del agua	3,18 cm (1,25 pulg.)
Exactitud	±2% de lectura ±0,015 m/s (±0,05 pies/s) a 3,04 m/s (0 a 10 pies/s); ± 4% de lectura entre 3,04 y 4,87 m/s (10 a 16 pies/s)
Solución	0 ≤ valor < 10: 3 decimales; 10 ≤ valor < 100: 2 decimales; 100 ≤ valor < 1000: 1 decimal; valor ≥ 1000: 0 decimales
Estabilidad cero	±0,015 m/s (0,05 pies/s)
Material	ABS, lleno de gas
Grado de protección	IP68
Dimensiones (Prof. x An. x Al.)	11,9 x 4,3 x 6,3 cm (4,7 x 1,7 x 2,5 pulg.)
Material del cable	Sobrecubierta de poliuretano
Longitud de los cables	2, 6,1, 12,2 y 30,5 m (6,5, 20, 40 y 100 pies)
Medición de la profundidad	
Método	Tipo diafragma: presión absoluta con calibración de un punto.
Exactitud (estática)	La mayor de ± 2% de la lectura o ± 0,015 m (± 0.504 pulgadas). Temperatura constante y agua estática que no corre.
Rango	3,05 m (0-10 ft)
Solución	0 ≤ valor < 10: 3 decimales; 10 ≤ valor < 100: 2 decimales; 100 ≤ valor < 1000: 1 decimal; valor ≥ 1000: 0 decimales

2.2 Especificaciones del medidor portátil

Especificación	Detalles
Grado de contaminación	2
Clase de protección	II
Temperatura de carga	0 a 40 °C (32 a 104 °F)

Especificación	Detalles
Temperatura de funcionamiento	-20 a 55 °C (-4 a 131 °F)
Temperatura de almacenamiento	-20 a 60 °C (-4 a 140 °F)
Grado de protección	IP67
Medidor de duración de la batería	Gráfico de barras de cinco segmentos
Tipo de batería	Ion de litio recargable: 3,6 V, 5,0 Ah, 18 Wh
Duración de la batería	18 horas de uso intensivo diario típico ¹ ; 20 °C (68 °F)
Cargador de batería	Adaptador externo de corriente, eficiencia energética VI, 100-240 V CA, 50-60 Hz, 0,5 A de entrada; 12 V CC, 1,25 A de salida
Dimensiones (L x An x A)	21,8 x 9,3 x 5,3 cm (8,6 x 3,7 x 2,1 pulg.)
Conector USB	Tipo mini-B, de 5 clavijas, clasificado como IP67 con la cubierta
Material	Policarbonato con sobremolde de elastómero termoplástico (TPE)

2.3 Especificaciones de interfaz del usuario

Especificación	Datos
Visualizador de gráficos	Color, LCD de 3,5" QVGA transreflectivo (legible bajo luz solar directa)
Resolución de medición	0 ≤ valor < 10: 3 decimales; 10 ≤ valor < 100: 2 decimales; 100 ≤ valor < 1000: 1 decimal; valor ≥ 1000: 0 decimales
Teclado	Alfanumérico
Modos de operación	Tiempo real, perfilado
Tipos de perfil	Flujo, conducto
Formas de conducto	Circular, rectangular, trapezoidal, 2/3 huevoide, huevoide invertido 2/3
Entradas de flujo	Estaciones fijas, no fijas
Rechazo de ruidos	Seleccionable por el usuario, 50 Hz o 60 Hz
Unidades de medida	Velocidad: pies/s, m/s, cm/s, mm/s
	Flujo: pies ³ /seg, millón de galones/día, galones/min, m ³ /seg, m ³ /min, m ³ /hora, m ³ /día, litros/seg, litros/min
	Prof.: pulg., pies, m, cm, mm
Cálculo de flujo	Método de la sección media o mediana
Diagnósticos	Autoprueba, teclado, pantalla, registro de eventos
Métodos de perfil de conducto	0.9 x Vmax, 0.2/0.4/0.8, integrador de velocidad y nivel, 2D
Métodos de perfil de flujo	1, 2, 3, 4, 5 y 6 puntos (método de velocidad: USGS e ISO), método KREPS de 2 puntos, método de superficie de 1 punto, método de hielo de 1 y 2 puntos
Tipos de archivos	Tiempo real, perfilado, registro de eventos
Idiomas	Inglés, francés, español, alemán, italiano, holandés, danés, sueco, chino, polaco, japonés, coreano, portugués, eslovaco, ruso, húngaro, búlgaro, rumano, checo, turco, finés, griego

¹ Definido como 30 minutos de configuración, seis períodos de 1 hora de uso continuo con un sensor activo y la pantalla con claridad máxima y 30 minutos de modo de descanso entre períodos de uso, descarga de datos y apagado.

2.4 Especificaciones generales

Especificación	Datos
Número máximo de archivos en tiempo real	50 cada uno hasta con 75 lecturas capturadas por el usuario.
Firmware	El sensor y el medidor portátil son actualizables vía USB

Sección 3 Información general

El fabricante no será responsable en ningún caso de los daños resultantes de un uso inadecuado del producto o del incumplimiento de las instrucciones del manual. El fabricante se reserva el derecho a modificar este manual y los productos que describen en cualquier momento, sin aviso ni obligación. Las ediciones revisadas se encuentran en la página web del fabricante.

3.1 Información de seguridad

El fabricante no es responsable de ningún daño debido a un mal uso de este producto incluyendo, sin limitación, daños directos, fortuitos o circunstanciales y reclamaciones sobre los daños que no estén recogidos en la legislación vigente. El usuario es el responsable de la identificación de los riesgos críticos y de tener los mecanismos adecuados de protección de los procesos en caso de un posible mal funcionamiento del equipo.

Sírvase leer todo el manual antes de desembalar, instalar o trabajar con este equipo. Ponga atención a todas las advertencias y avisos de peligro. El no hacerlo puede provocar heridas graves al usuario o daños al equipo.

Asegúrese de que la protección proporcionada por este equipo no se vea afectada. No use o instale este equipo de una manera diferente a la explicada en este manual.

3.1.1 Uso de la información relativa a riesgos

▲ PELIGRO

Indica una situación potencial o de riesgo inminente que, de no evitarse, provocará la muerte o lesiones graves.

▲ ADVERTENCIA

Indica una situación potencial o inminentemente peligrosa que, de no evitarse, podría provocar la muerte o lesiones graves.

▲ PRECAUCIÓN




Indica una situación potencialmente peligrosa que podría provocar una lesión menor o moderada.

AVISO

Indica una situación que, si no se evita, puede provocar daños en el instrumento. Información que requiere especial énfasis.

3.1.2 Etiquetas de precaución

Lea todas las etiquetas y rótulos adheridos al instrumento. En caso contrario, podrían producirse heridas personales o daños en el instrumento. El símbolo que aparezca en el instrumento se comentará en el manual con una declaración de precaución.

	Este es un símbolo de alerta de seguridad. Obedezca todos los mensajes de seguridad que se muestran junto con este símbolo para evitar posibles lesiones. Si se encuentran sobre el instrumento, consulte el manual de instrucciones para obtener información de funcionamiento o seguridad.
	Este símbolo indica la presencia de dispositivos susceptibles a descargas electrostáticas. Asimismo, indica que se debe tener cuidado para evitar que el equipo sufra daño.
	En Europa, el equipo eléctrico marcado con este símbolo no se debe desechar mediante el servicio de recogida de basura doméstica o pública. Devuelva los equipos viejos o que hayan alcanzado el término de su vida útil al fabricante para su eliminación sin cargo para el usuario.

3.1.3 Compatibilidad electromagnética (CEM)

⚠ PRECAUCIÓN

Este equipo no está diseñado para su uso en entornos residenciales y puede que no brinde la protección adecuada para la recepción de radio en dichos entornos.

CE (EU)

El equipo cumple los requisitos esenciales de la Directiva CEM 2014/30/UE.

UKCA (UK)

El equipo cumple los requisitos del Reglamento de Compatibilidad Electromagnética de 2016 (S.I. 2016/1091).

Reglamentación canadiense sobre equipos que provocan interferencia, ICES-003, Clase A

Registros de pruebas de control del fabricante.

Este aparato digital de clase A cumple con todos los requerimientos de las reglamentaciones canadienses para equipos que producen interferencias.

Cet appareil numérique de classe A répond à toutes les exigences de la réglementation canadienne sur les équipements provoquant des interférences.

FCC Parte 15, Límites Clase "A"

Registros de pruebas de control del fabricante. Este dispositivo cumple con la Parte 15 de las normas de la FCC estadounidense. Su operación está sujeta a las siguientes dos condiciones:

1. El equipo no puede causar interferencias perjudiciales.
2. Este equipo debe aceptar cualquier interferencia recibida, incluyendo las interferencias que pueden causar un funcionamiento no deseado.

Los cambios o modificaciones a este equipo que no hayan sido aprobados por la parte responsable podrían anular el permiso del usuario para operar el equipo. Este equipo ha sido probado y encontrado que cumple con los límites para un dispositivo digital Clase A, de acuerdo con la Parte 15 de las Reglas FCC. Estos límites están diseñados para proporcionar una protección razonable contra las interferencias perjudiciales cuando el equipo está operando en un entorno comercial. Este equipo genera, utiliza y puede irradiar energía de radio frecuencia, y si no es instalado y utilizado de acuerdo con el manual de instrucciones, puede causar una interferencia dañina a las radio comunicaciones. La operación de este equipo en un área residencial es probable que produzca interferencias dañinas, en cuyo caso el usuario será requerido para corregir la interferencia bajo su propio cargo. Pueden utilizarse las siguientes técnicas para reducir los problemas de interferencia:

1. Desconecte el equipo de su fuente de alimentación para verificar si éste es o no la fuente de la interferencia.
2. Si el equipo está conectado a la misma toma eléctrica que el dispositivo que experimenta la interferencia, conecte el equipo a otra toma eléctrica.
3. Aleje el equipo del dispositivo que está recibiendo la interferencia.
4. Cambie la posición de la antena del dispositivo que recibe la interferencia.
5. Pruebe combinaciones de las opciones descritas.

3.2 Descripción general del producto

El sistema de velocidad portátil se usa en el campo, en el laboratorio y en los municipios. Con este sistema se pueden medir los flujos turbulentos, ruidosos y bajos.

Cuando el sensor se coloca en agua que corre, un campo magnético alrededor del sensor crea un voltaje proporcional a la velocidad de flujo. Esta amplitud de voltaje, que representa el índice de flujo de agua alrededor del sensor, es captada por electrodos en el sensor y procesada por el microprocesador del sensor. La señal procesada se transmite digitalmente por medio del cable del sensor al medidor portátil y la información que se muestra en la pantalla del medidor. El sistema incluye un medidor portátil, un sensor con cable y accesorios.

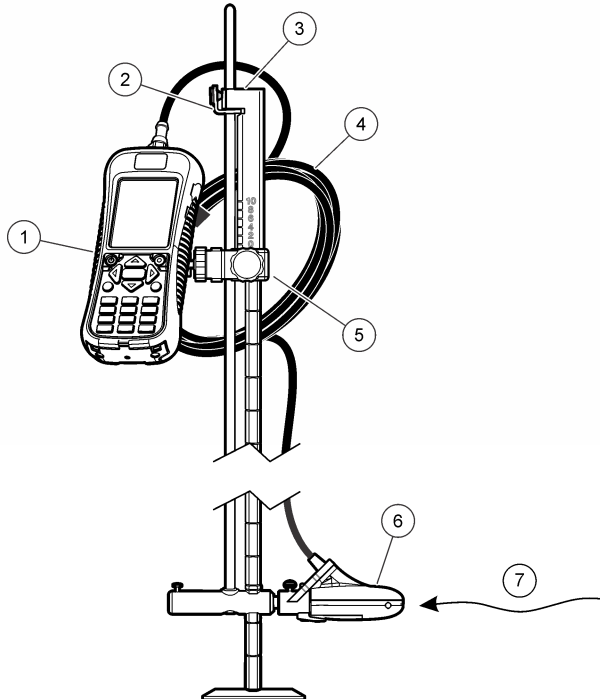
El medidor y el sensor obtienen información de velocidad de los conductos y flujos. Estas mediciones son importantes para la calibración en las industrias de las aguas residuales municipales, como así también para evaluaciones de impacto ambiental. desarrolla y mantiene las curvas de relación de etapa de descarga.

Están disponibles dos tipos de sensor: solo velocidad y velocidad con profundidad. Este manual cubre los dos tipos de sensores. Si la información es aplicable a un tipo específico de sensor, este hecho se indica en el texto.

3.2.1 Componentes del sistema

En la [Figura 1](#) se muestra una visión general del sistema ensamblado. En la Consulte la documentación que acompaña los componentes individuales o accesorios para obtener más información

Figura 1 Componentes ensamblados

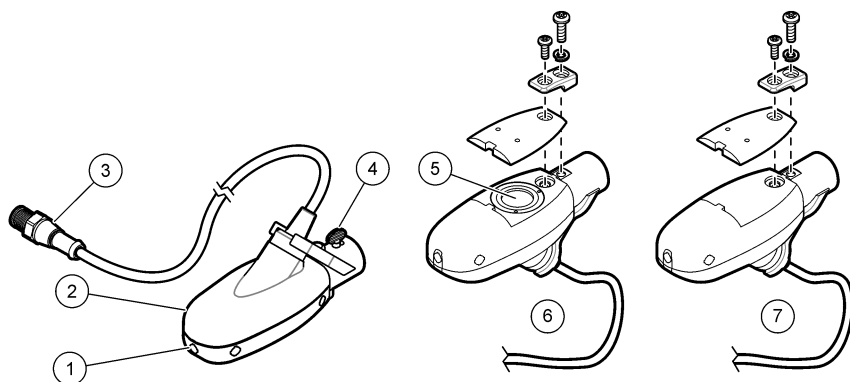


1 Medidor portátil	5 Montaje ajustable para el medidor portátil
2 Dispositivo de bloqueo/liberación de altura del sensor	6 Conjunto del sensor
3 Varilla de vadeo de configuración superior (accesorio)	7 Dirección del flujo
4 Cable del sensor	

3.2.2 Descripción general del sensor

Figura 2 muestra los componentes principales del sensor. Instrucciones para conectar el sensor a una varilla de vadeo estándar o de configuración superior acompañan al accesorio

Figura 2 Componentes del sensor

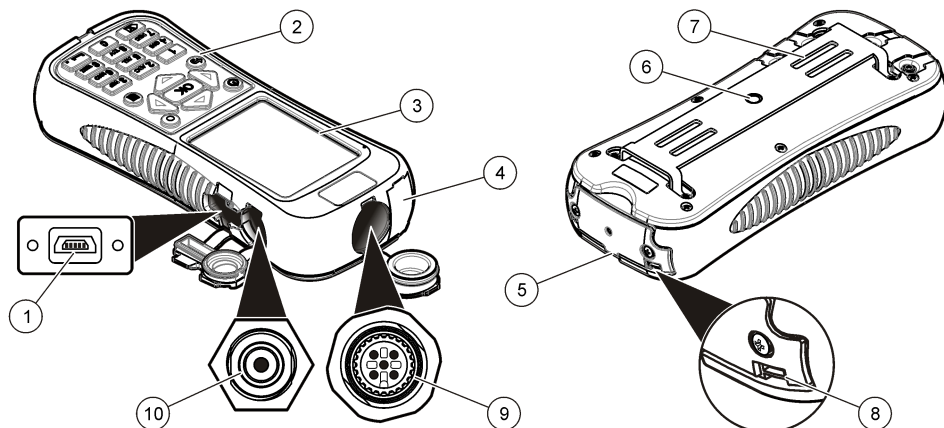


1 Electrodo del sensor	5 Celda de presión (sensores con opción de prof.)
2 Cuerpo del sensor	6 Sensor con la opción Prof.
3 Enchufe de conexión del sensor	7 Sensor sin la opción Prof.
4 Tornillo mariposa para la sujeción del sensor	

3.2.3 Generalidades del medidor

Figura 3 muestra las características del medidor.

Figura 3 Componentes del medidor



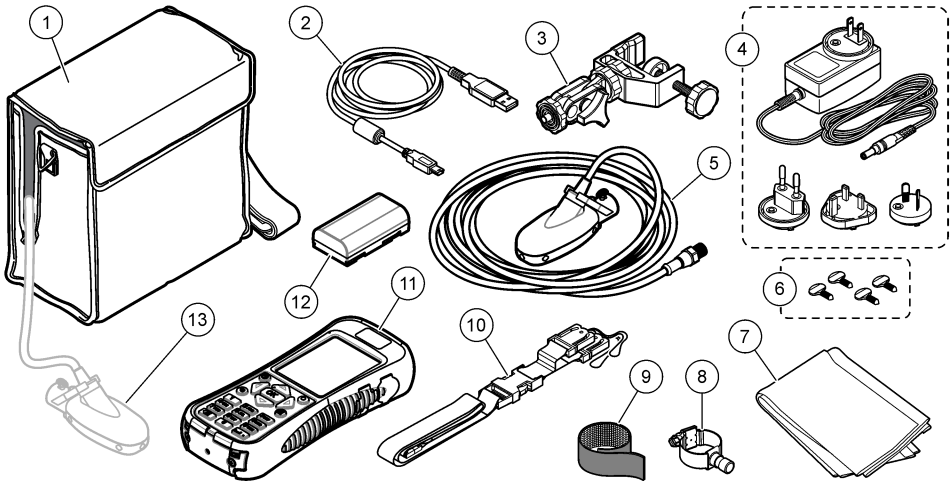
1 Puerto de conexión USB ²	6 Orificio roscado para montaje ajustable del medidor.
2 Teclado	7 Ranuras para el adjunto de velcro o correas.
3 Pantalla del medidor	8 Ranura para las roscas de fijación de la correa del cuello (x2)
4 Puerto de expansión (no usado)	9 Puerto de conexión del sensor
5 Tapa del compartimiento de las pilas	10 Conector del cargador de batería

² La batería no debe cargarse a través de la conexión USB.

3.3 Componentes del producto

Cuando adquiera un sistema completo, diríjase a [Figura 4](#) para asegurarse que ha recibido todos los componentes. Si falta algún elemento, o alguno está dañado, póngase en contacto con el fabricante o con un representante de ventas inmediatamente.

Figura 4 Componentes del sistema



1 Caja de transporte (con ranura para el cable del sensor)	8 Montaje del sensor universal
2 Cable USB con conector mini USB, 1 m (3 pies)	9 Tira de velcro
3 Montaje ajustable del medidor portátil	10 Cordón
4 Cargador de batería, 100–240 V CA	11 Medidor portátil
5 Sensor	12 Batería de litio
6 Tornillos mariposa extra (x4)	13 El sensor conectado al medidor dentro del estuche.
7 Paño para secar el sensor	

Sección 4 Instalación

4.1 Instale el sensor en la montura universal para el sensor

Use la montura universal para el sensor para conectar el sensor a polos de 1 pulgada o menos de diámetro. Para un funcionamiento correcto y lecturas exactas, la parte frontal del sensor debe estar contracorriente con los electrodos en contacto absoluto con el flujo.

Nota: Mantenga los electrodos del sensor libres de sustancias no conductivas como aceite y grasa. Para eliminar la contaminación del sensor, consulte [Limpieza del sensor](#) en la página 62

1. La parte frontal del sensor es redonda y contiene tres electrodos. El sensor tiene un orificio de montaje y un tornillo mariposa en la parte superior. Coloque el eje de montaje del montaje universal en el orificio de montaje en la parte trasera del sensor. Asegúrese de que el eje de montaje esté completamente unido al orificio de montaje y el tornillo mariposa esté unido con la muesca.

2. Ajuste el tornillo mariposa a mano.

3. Mueva un polo de 1 pulgada o menos de diámetro a través de la abrazadera de la montura universal para el sensor. Ajuste la abrazadera.

Nota: Junto con el accesorio se ofrecen las instrucciones para montar el sensor en una varilla de vadeo de configuración estándar o superior.

4.2 Seguridad de la batería de litio

▲ ADVERTENCIA



Peligro de incendio y explosión. Si se exponen a condiciones abusivas, las pilas de litio pueden calentarse, explotar o inflamarse y causar lesiones graves.

- No utilice la pila si presenta daños visibles.
- No utilice la pila tras producirse un fuerte choque o vibración.
- No exponga la batería al fuego.
- Mantenga la batería a temperaturas inferiores a 60 °C (140 °F).
- Mantenga la pila seca y alejada del agua.
- Evite el contacto entre los terminales de la pila positivo y negativo.
- No permita que personas no autorizadas toquen la pila.
- Deseche la pila de acuerdo con las normativas locales, regionales y nacionales.
- No utilice ni almacene la unidad en un lugar donde reciba luz solar directa, cerca de una fuente de calor o en entornos con una temperatura elevada, como un vehículo cerrado expuesto a la luz solar directa.

4.3 Instalación de la batería

▲ ADVERTENCIA



Peligro de incendio y explosión. Este equipo cuenta con una pila de litio de alto rendimiento, que es inflamable y puede provocar un incendio o explosión, incluso sin energía. Para mantener el nivel de seguridad que proporciona la carcasa del instrumento, la cubierta debe instalarse y asegurarse con el hardware suministrado.

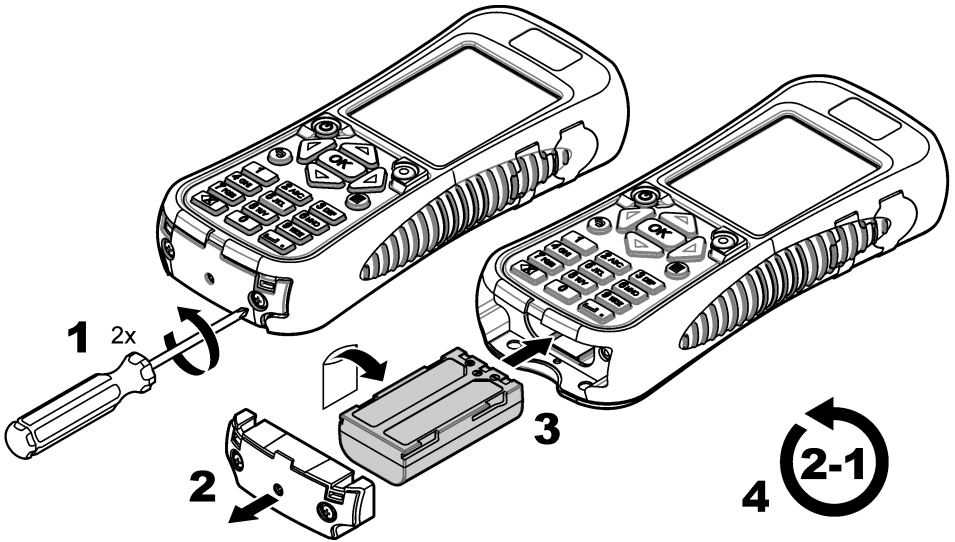
▲ ADVERTENCIA



Peligro de explosión e incendio. No se permite la sustitución de la pila. Utilice únicamente pilas suministradas por el fabricante del instrumento.

Instale la batería de litio suministrada como se muestra en la [Figura 5](#).

Figura 5 Instalación de la batería



4.4 Carga de la batería

Nota: No se permite la sustitución del cargador de la batería. Use solamente el cargador especificado en la lista de piezas y accesorios para el instrumento. Consulte Piezas de repuesto y accesorios en la versión extendida del manual.

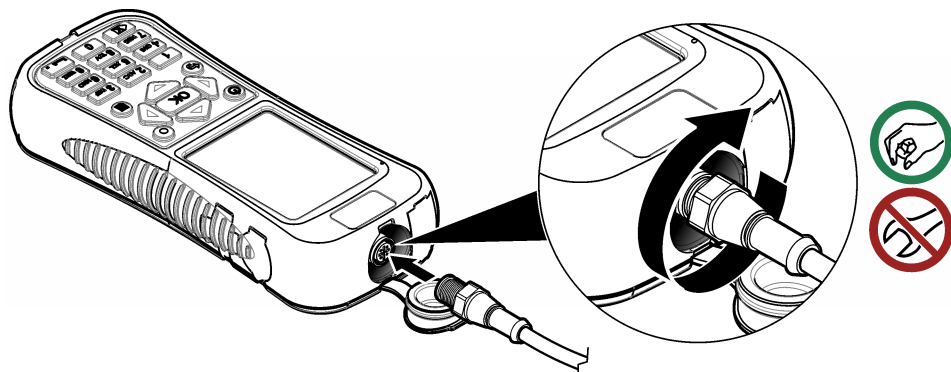
Antes del primer uso, cargue completamente la batería del instrumento mediante el cargador de batería suministrado. Una batería descargada tarda aproximadamente 8 horas en cargarse completamente.

1. Asegúrese de usar el tipo de enchufe del cargador de batería indicado para la ubicación geográfica.
2. Conecte el cargador de batería a una toma de corriente con conexión a tierra.
3. Enchufe el cargador de batería al conector para cargador de batería del instrumento. Consulte [Generalidades del medidor](#) en la página 50. El nivel de carga de la batería se muestra en la pantalla.

Cerca del puerto de carga una luz azul indica que la batería se está cargando. Cuando se completa un proceso de carga, la luz azul se apaga.

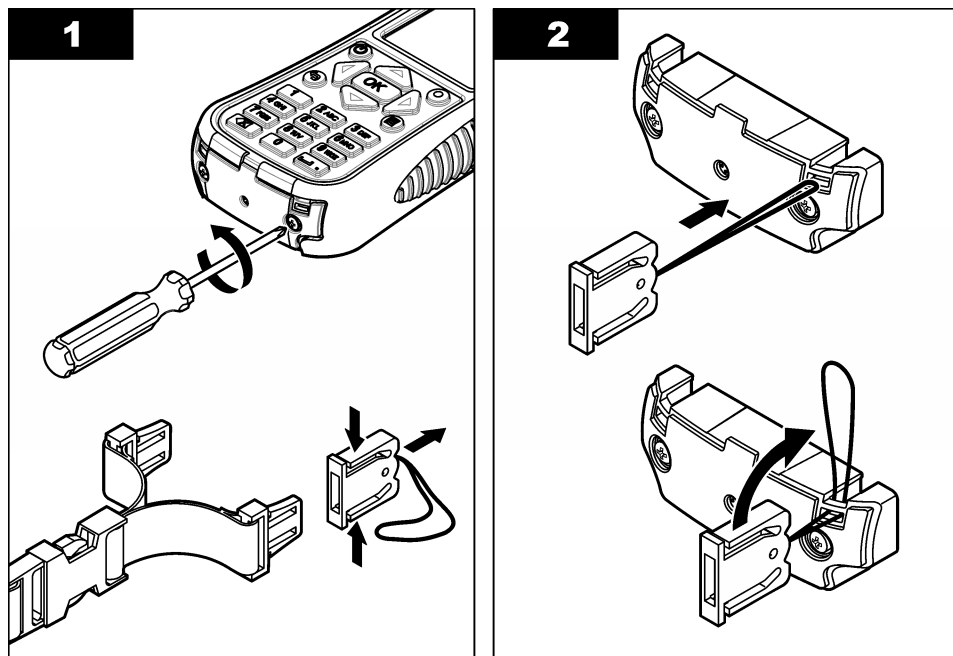
Nota: El medidor no funciona mientras se carga la batería. La batería no carga mediante conexión de cable USB

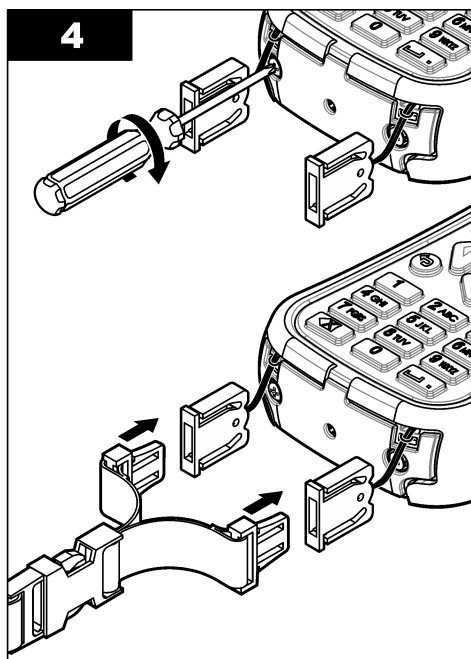
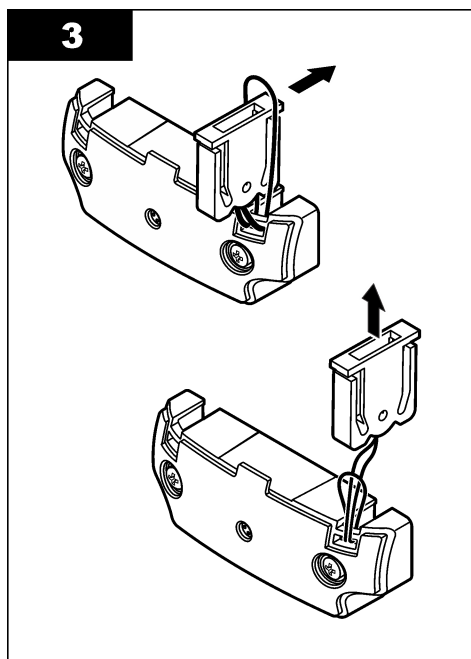
4.5 Conecte el sensor al medidor



4.6 Coloque el acollador

Coloque el acollador para poder usar el medidor cómodamente alrededor del cuello.

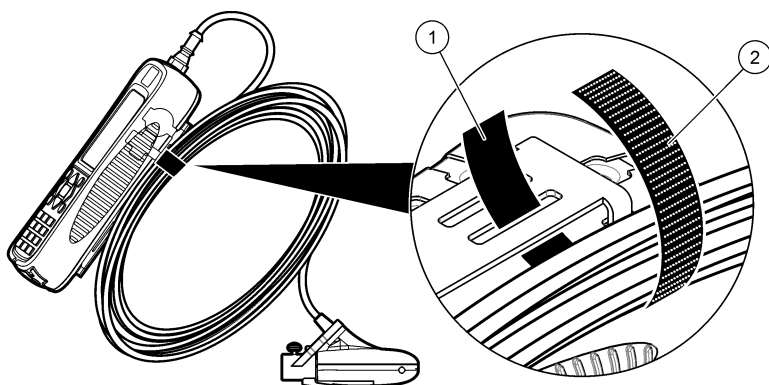




4.7 Una la correa de velcro.

Use la correa de velcro para sujetar el cable extra. Consulte la [Figura 6](#).

Figura 6 Una la correa de velcro.



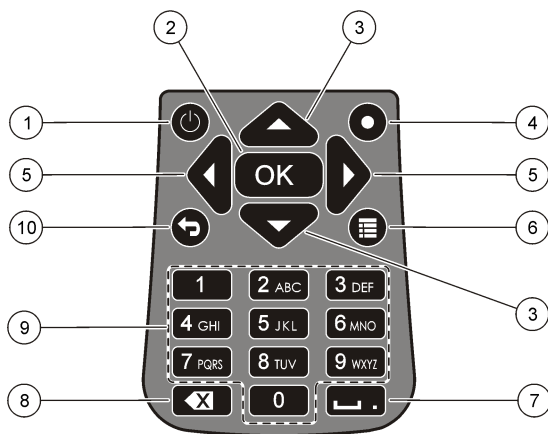
1 Lado del lazo	2 Lado del gancho
-----------------	-------------------

Sección 5 Interfaz del usuario y navegación

5.1 Teclado y funciones clave

[Figura 7](#) muestra el teclado del medidor. [Tabla 1](#) indica las funciones para cada tecla o tipo de tecla.

Figura 7 Teclado



1 Encendido/apagado	6 Menú principal
2 OK (Aceptar)	7 Barra baja o decimal
3 Flechas hacia arriba y hacia abajo	8 Retroceso
4 Salto rápido	9 Alfanumérico
5 Fechas derecha e izquierda	10 Menú anterior

Tabla 1 Descripción de tecla

Tecla	Descripción
Encendido/apagado	Energiza y desenergiza el medidor.
OK (Aceptar)	Confirma una entrada o una opción de menú resaltada.
Flechas hacia arriba y hacia abajo	Se mueve hacia arriba y abajo de la pantalla. Si el cursor está en la parte superior o inferior de la pantalla, el cursor se desplaza hacia la parte superior o inferior cuando se presiona la flecha hacia ARRIBA o hacia ABAJO.
Salto rápido	En funcionamiento normal, esta tecla salta a la pantalla Select conduit shape (Seleccionar la forma del tubo). En el modo de generador de perfiles, la tecla de salto rápido está desactivada. Si la función de Cal. auto. está desactivada, mantenga esta tecla presionada por 5 segundos para hacer una puesta a cero manual del sensor de prof. En el modo Tiempo real, la tecla de salto rápido alterna entre vista digital y gráfica.
Fechas derecha e izquierda	Se mueve hacia la derecha o izquierda en la pantalla.
Menú principal	Se mueve al Menú principal desde cualquier submenú o pantalla.
Barra baja o decimal	Coloca un subrayado o carácter decimal. En los campos exclusivamente numéricos, esta tecla automáticamente un punto decimal en la posición del cursor.
Retroceso	Mueve el cursor un espacio hacia atrás.
Alfanumérico	Coloca el valor numérico o alfabético de la tecla. Los valores se colocan en el orden en que aparecen en la tecla. Tras 2 segundos, el valor que se muestra en la pantalla se almacena en los avances del cursor.
Menú anterior	Se mueve a la pantalla anterior

5.2 Barra de estado

Se ve una barra de estado en la parte superior de la pantalla. En [Tabla 2](#) podrá encontrar las descripciones de la información de la barra de estado.

Tabla 2 Indicadores de la barra de estado

Indicador	Descripción
Hora y fecha	Muestra la hora y fecha actuales.
USB	Muestra cuando hay un cable USB conectado Si está conectado un cable USB y no se muestra este indicador en la barra de estado, el cable USB no está totalmente conectado. Asegúrese de haber introducido por completo el cable USB de manera que haga contacto total con el puerto de conexión.
Conductividad	Si el sensor está fuera del agua y no produce conducción de corriente, un anillo azul aparece junto al ícono de la batería. Si el sensor está dentro del agua y transmite, el indicador es un círculo azul.
Pilas	Un gráfico de cinco barras muestra el nivel de carga de la batería.
Acceso a archivos	Se muestra mientras el medidor obtiene acceso a un archivo.
Indicador de Cal. auto. prof.	Si el sensor de profundidad se puso a cero en los últimos 30 minutos, se muestra un círculo de color verde junto al indicador de conductividad. Si el sensor de prof. no se puso a cero en los últimos 30 minutos, este indicador parpadea en rojo.

5.3 Navegación y Menú principal

Pulse **Aceptar** para confirmar una opción seleccionada del menú o un valor que se muestra en la pantalla. Seleccionar **Más** y presione **OK** para ver pantallas adicionales y opciones si estuvieran disponibles. Presione el botón Menú principal para ir al Menú principal desde un submenú.

Nota: Algunas operaciones no se pueden completar a menos que un sensor esté conectado al medidor. Si se intenta realizar estas operaciones cuando no hay un sensor conectado, la pantalla muestra un mensaje de error. Conecte un sensor e intente realizar la operación nuevamente.

1. Tiempo real—Seleccionar esta opción para obtener la velocidad en tiempo real y la información de profundidad. (Un sensor con capacidad de profundidad es necesario para leer la Prof.) Un ejemplo de una Pantalla en tiempo real para sensores con solo velocidad se muestra en [Figura 8](#) Pantalla en tiempo real para sensores con Veloc. y profund. se muestra en [Figura 9](#) El formato de la información y opciones mostradas depende del tipo de sensor utilizado. En el modo Tiempo real, la tecla de salto rápido alterna entre vista digital y gráfica de la información en tiempo real. La velocidad se actualiza en el modo de filtro FPA según el tiempo promedio de período fijo. En el modo de filtro RC, la velocidad se actualiza constantemente en pantalla cada 250 ms.

Opción	Descripción
Capturar	Almacena la información de profundidad y velocidad mostrada en la memoria. La información se guarda hasta que se apaga la unidad, la memoria se guarda en un archivo en tiempo real no volátil o el usuario sale del modo en tiempo real.
Grdr	Guarda las mediciones capturadas en la memoria volátil en un archivo en tiempo real no volátil. Un mensaje mostrará si el número de archivos es mayor que el máximo permitido. Los archivos se almacenan en formato variable separado por tabulaciones (.tsv)
Fin o OK	Sale del modo en tiempo real y regresa al menú principal. Si hay datos que no han sido guardados en la memoria volátil, un mensaje de confirmación pregunta al usuario si confirma salir sin guardar los datos.
Borrar	Borra mediciones capturadas desde el búfer de memoria volátil. El usuario puede elegir entre las opciones Borrar el último, Borrar todo o Cancél.

Opción	Descripción
Configuración	<p>Permite al usuario modificar los parámetros del filtro principal y activar y programar la función de posición del sensor de profundidad máxima. La función de prof. máx. permite al usuario introducir al sistema parámetros para la medición de profundidad en el modo Tiempo real. El usuario puede elegir introducir un valor máximo de profundidad tomado directamente con una regla de medición (manual) o tomada indirectamente con la medición de prof. (auto). Ambos métodos activan la función de posición del sensor de profundidad máxima</p> <p>En modo de configuración auto, el usuario directamente introduce la distancia desde el fondo del canal a la parte inferior del montaje del sensor (desplazamiento). La interfaz de configuración mostrará continuamente el valor actual de prof. devuelto por el sensor, más el desplazamiento. El medidor guarda este valor como Prof. máx. cuando presiona el botón de OK. En todos los otros casos, los valores de profundidad no incluyen el desplazamiento.</p> <p>La función de Prof. máx. requiere un sensor con veloc. y profund.</p>
ArchivosVer	<p>Muestra un resumen de cada archivo en tiempo real guardado en la memoria no volátil. Los archivos se pueden ver individualmente y eliminarse.</p>

Figura 8 Pantalla en tiempo real

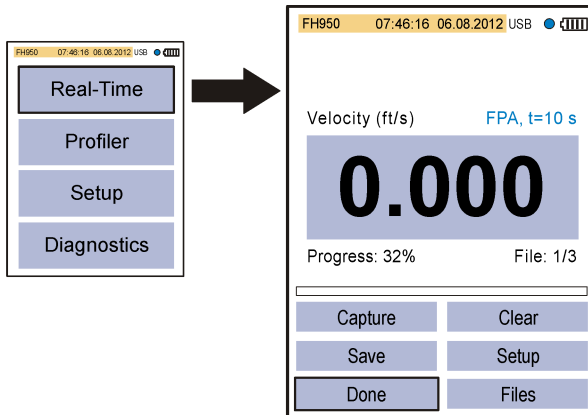
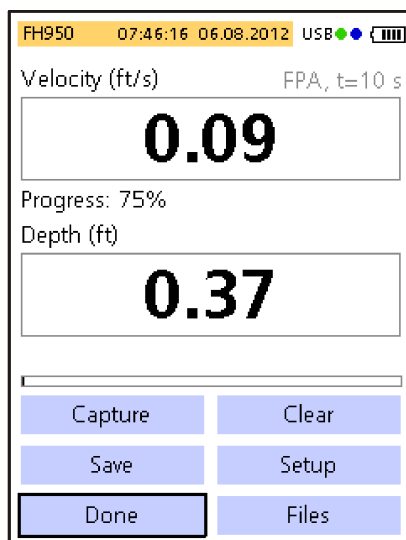


Figura 9 Pantalla en tiempo real para sensor con Prof.



2. **Generador perf.**— Seleccionar esta opción para realizar mediciones del flujo y de tubo. El medidor muestra indicaciones cuando se requiere la intervención del usuario. Un porcentaje de la memoria restante se asigna en resolución de 1%. Consulte la versión extendida del manual para obtener más información sobre perfiles.

Opción	Descripción
Flujo	Esta opción se usa para fijar un perfil para un canal con flujo o corriente. Tome mediciones de velocidad para calcular la descarga total basado en la norma ISO 748 o los estándares para los métodos de la sección mediana y media.
Conducto	Esta opción se usa para configurar un perfil para un tubo.
Archivos	Esta opción se usa para ver o eliminar datos almacenados. Los archivos se pueden eliminar todos a la vez o individualmente.
Configuración	Esta opción se utiliza para configurar o cambiar la configuración de los parámetros del filtro y la función Prof. máx.

3. **Conf.** —Seleccionar esta opción para cambiar la configuración general del sistema y Preferencias.


Opción	Descripción
Calibración de velocidad	Calibra el sensor. Añade un desplazamiento de campo a la calibración de fábrica. Consulte el apéndice en la versión extendida del manual para obtener más información.


Opción	Descripción
Parámetros del filtro	<p>Aplica el filtro de adquisición de datos (Filtro principal o Pre-filtro). El usuario puede seleccionar los parámetros del filtro.</p> <p>Filtro principal</p> <ul style="list-style-type: none"> • Promedio de período fijo (FPA)—El promedio de período fijo promedia los datos respecto a un período de tiempo fijo seleccionado por el usuario (entre 1 y 480 segundos). El predeterminado es de 10 segundos. Si el valor FPA es 5, el valor de velocidad mostrado en la pantalla se actualiza cada 5 segundos. • Constante de tiempo RCA—El filtro RC ayuda a normalizar la turbulencia por medio de una constante de tiempo seleccionada en el algoritmo del filtro. Este modo resulta muy útil para buscar una velocidad máxima, por ejemplo en el método de perfil $0,9 \times V_{max}$. Las constantes elevadas del filtro RC ofrecen mayores grados de normalización. La constante de tiempo se puede configurar entre 2 y 20 segundos, con un valor predeterminado de 6. Con una constante de tiempo 1, el filtro se asienta aproximadamente al 60% del valor final. Con una constante de tiempo 5, el filtro se asienta al 99,9% del valor final. Por consiguiente, si el valor de RC se establece en 2, el valor final se muestra después de 10 segundos. <p>Pre-filtro</p> <ul style="list-style-type: none"> • Filtro mediano—El proceso de filtrado se realiza en el sensor. Esta opción se puede desactivar. Sin embargo, el valor recomendado (predeterminado) es 5. Activa la opción de introducir o cambiar este valor.
Umbral húmedo/seco	<p>Establece el umbral de inmersión del sensor para condiciones húmedas y secas. El valor predeterminado es del 20%. Consulte el apéndice en la versión extendida del manual para obtener más información.</p>
Cal. auto. prof.	<p>Configura la función Cal. auto. prof. a Activado o Desactivado.</p> <p>Si está activado, el instrumento hace una calibración de aire cuando se retira el sensor del agua y está en el aire. Para hacer la calibración de aire, el instrumento automáticamente pone a cero el sensor.</p> <p>Si está desactivado, el usuario puede manualmente poner a cero el sensor. Para hacer esto, quite el sensor del flujo, luego presione y mantenga presionada la tecla de salto rápido por 5 segundos.</p> <p>Cuando el sensor ha estado en el flujo durante 30 minutos, el círculo verde en la esquina superior derecha cambia de verde a rojo. Esta es una indicación para el usuario para remover y poner de nuevo a cero el sensor.</p>
EMI	<p>Establece la frecuencia de línea local para rechazo de ruidos ambientales a 50 Hz o 60 Hz (Predet.).</p>
Reloj	<p>Establece la fecha y hora del medidor portátil en formato de 24 horas. No se admite horario de verano.</p>
USB	<p>Establece el modo USB.</p> <ul style="list-style-type: none"> • Almacenamiento masivo (Predet.)—Este modo funciona como una tarjeta de memoria o disco duro. Los archivos son de solo lectura. • CDC—Este modo se usa para actualizar el firmware.
Idioma	<p>Selecciona el idioma usado en los menús.</p>
Unidades	<p>Vea las unidades para las mediciones de velocidad, flujo y profundidad. Las opciones son Métricas o Inglesas (Predet.)</p>

Opción	Descripción
Tono	<p>Activado (Predet.) o Desactivado. Si está activado, el medidor emite un tono audible cuando:</p> <ul style="list-style-type: none"> • El sensor se encuentra a la profundidad correcta para los métodos de perfil correspondientes. • Se ha completado el 95% del tiempo de medición (modo de generador de perfiles). • Se pulsa un botón inactivo en cualquier menú. <p>Esta opción está disponible únicamente con el sensor de profundidad opcional.</p>
Cálculo de flujo	<p>Selecciona el método para el cálculo de flujo para un segmento abierto de agua (sólo perfil corr.). Las opciones son Sección media y sección mediana. Consulte el apéndice en la versión extendida del manual para obtener más información.</p>
Entrada estación	<ul style="list-style-type: none"> • Fija—El operador ingresa el ancho del flujo y el número de estaciones para medición. El medidor divide la sección transversal en distancias distribuidas equitativamente entre los verticales de estación. • No-fija (Predet.)—El operador selecciona el espacio entre los verticales de estación. Es la opción más utilizada ya que permite que el operador incluya instrucciones y otras restricciones en la sección transversal. • Fija y no fija—El operador selecciona el plano de referencia para las mediciones de profundidad. Valores: superior o inferior.
Restablecer predeterminados	<p>Fija todas las opciones del medidor en los valores predeterminados de fábrica.</p>

4. **Diagnóstico**— Seleccione esta opción para solucionar problemas con el medidor o el sensor adjunto. Para obtener más información sobre las opciones de Diagnóstico, consulte [Diagnóstico](#) en la página 63.

Sección 6 Inicio y auto diagnóstico

▲ PELIGRO	
	<p>Peligro químico o biológico. Si este instrumento se usa para controlar un proceso de tratamiento y/o un sistema de suministro químico para el que existan límites normativos y requisitos de control relacionados con la salud pública, la seguridad pública, la fabricación o procesamiento de alimentos o bebidas, es responsabilidad del usuario de este instrumento conocer y cumplir toda normativa aplicable y disponer de mecanismos adecuados y suficientes que satisfagan las normativas vigentes en caso de mal funcionamiento del equipo.</p>

▲ ADVERTENCIA	
	<p>Peligro de incendio y explosión. No utilice ni almacene la unidad en un lugar donde reciba luz solar directa, cerca de una fuente de calor o en entornos con una temperatura elevada, como un vehículo cerrado expuesto a la luz solar directa. Si no considera esta precaución puede provocar un sobrecalentamiento de la batería, un incendio o una explosión.</p>

Se debe colocar la batería en el medidor y cargarla antes del uso. Para obtener más información sobre la instalación y reemplazo de la batería, consulte [Instalación de la batería](#) en la página 52. Para obtener información sobre cómo cambiar la batería, consulte [Carga de la batería](#) en la página 53.

Nota: El medidor no funcionará mientras se carga la batería.

1. Presione el botón de encendido del medidor hasta que escuche un bip audible. El medidor hace un auto diagnóstico y la pantalla muestra los resultados. Si el medidor no completa la auto prueba, la pantalla muestra ERROR junto al parámetro con falla. Si el sensor falla, adjunte un sensor diferente si estuviera disponible.
2. Cuando finalice la autopruueba, presione **OK** para volver al Menú principal.
3. Para desenergizar el medidor, vuelva a presionar el botón de encendido. En la pantalla de Confirmación, seleccionar **Sí** y presione **OK**.

Si el medidor portátil deja de responder, presione y mantenga presionado el botón de encendido durante 3 segundos para forzar el apagado. No fuerce el apagado en funcionamiento normal o cuando se ve el ícono de acceso a archivos.

6.1 Autoprueba del instrumento

El medidor realiza una autoprueba de diagnóstico cuando recibe energía. Luego de completar la autoprueba, la pantalla muestra los resultados. Pulse **OK** para ir al Menú principal.

Si el medidor no completa la autoprueba, la pantalla muestra FAIL (Falló) junto al parámetro en cuestión. Si el sensor falla, adjunte un sensor diferente si estuviera disponible.


6.2 Modo "dormido"

Se apaga la retroiluminación del medidor luego de 30 segundos sin actividad y cambia a modo dormido luego de 60 segundos de inactividad. Estas acciones no se producen si el medidor se encuentra en modo en tiempo real o mientras el medidor obtiene una medición. Luego de 30 minutos en modo dormido, el medidor se apaga.

Para cancelar el modo dormido, presione cualquier tecla. La claridad de la pantalla vuelve al nivel normal y todas las teclas retoman sus funciones normales.

Sección 7 Mantenimiento

7.1 Limpieza del sensor

⚠ ADVERTENCIA	
	Peligro por exposición química. Respete los procedimientos de seguridad del laboratorio y utilice el equipo de protección personal adecuado para las sustancias químicas que vaya a manipular. Consulte los protocolos de seguridad en las hojas de datos de seguridad actuales (MSDS/SDS).

Limpie el sensor cuando haya aumento o disminución inesperado en flujo o tendencias en los niveles y después de usarse en vías fluviales arenosas o enlodadas.

Para suciedad excesiva, remoje el sensor en agua limpia durante unos minutos para ayudar a que la suciedad sea fácil de eliminar.

Desconecte el sensor del medidor antes de limpiarlo. Use únicamente soluciones catalogadas como aceptables en [Tabla 3](#) para limpiar el sensor. Para sensores con celda de presión (es decir, sensores con veloc. y prof.), asegúrese de lavar y limpiar de suciedad los agujeros para las cámaras de las celdas de presión. Enjuague el sensor con agua limpia antes de volver a conectar el sensor al ensamblaje.

Tabla 3 Soluciones limpiadoras aceptables y no aceptables

Aceptable	No aceptable
Lavavajillas y agua	Lejía (soda cáustica) concentrada
Limpiacristales	Queroseno
Alcohol isopropílico	Gasolina
	Hidrocarburos aromáticos



7.2 Limpieza del medidor.

1. Presione el botón de encendido para desenergizar el medidor.
2. Use un paño limpio y seco para limpiar el exterior del medidor. De ser necesario, mezcle el agua con un detergente suave.

- Seque el exterior del medidor con un paño limpio. Deje que el medidor se seque por completo al aire antes de volver a energizarlo.

Nota: No use paños de papel para limpiar la pantalla. Este tipo de paño puede causar daños en la pantalla de visualización.

7.3 Sustitución de la batería

⚠ ADVERTENCIA	
 	<p>Peligro de incendio y explosión. Este equipo cuenta con una pila de litio de alto rendimiento, que es inflamable y puede provocar un incendio o explosión, incluso sin energía. Para mantener el nivel de seguridad que proporciona la carcasa del instrumento, la cubierta debe instalarse y asegurarse con el hardware suministrado.</p>

⚠ ADVERTENCIA	
	<p>Peligro de explosión e incendio. No se permite la sustitución de la pila. Utilice únicamente pilas suministradas por el fabricante del instrumento.</p>

Sustituya la batería cuando note que esta se descarga rápidamente tras haberla cargado.

Nota: Si se debe devolver el instrumento a fábrica para reparación o mantenimiento, retire la batería y colóquela en la cubierta de protección antes de enviarlo.

- Desconecte la alimentación.
- Retire la batería. Consulte [Instalación de la batería](#) en la página 52.
- Deseche la batería de acuerdo con las normativas locales, regionales y nacionales.
- Coloque la batería nueva en la misma posición y con la misma orientación. Consulte [Instalación de la batería](#) en la página 52.

Utilice únicamente baterías suministradas por el fabricante del instrumento.

- Instale la cubierta de la batería. Asegúrese de que la cubierta esté bien cerrada para mantener el tipo de protección.
- En caso necesario, cargue la batería. Consulte [Carga de la batería](#) en la página 53.

Sección 8 Solución de problemas

8.1 Diagnóstico

En el Menú principal, elija Diagnóstico para ver información del medidor y realizar las pruebas de diagnóstico en [Tabla 4](#)

Tabla 4 Diagnóstico del medidor

Opción	Descripción
Acercar de	Muestra información del medidor y el sensor. Incluye el número de serie y la versión de firmware.
Eliminar archivos	Elimina todos los archivos de la memoria para liberar espacio para nuevas mediciones. Asegúrese de descargar los datos a una PC antes de elegir esta opción. El sistema reformatea automáticamente la memoria luego de eliminar los archivos.
Sensor	Muestra la información de diagnóstico del sensor.
Autotest	Hace que el medidor realice una autoprueba de diagnóstico.
Prueba de teclado	Realiza una prueba de cualquier botón para asegurarse de que el botón funciona.

Tabla 4 Diagnóstico del medidor (continúa)

Opción	Descripción
Prueba de pantalla	Realiza una prueba de pantalla para garantizar que la pantalla funcione.
Registro de eventos	Permite que el usuario vea, elimine o exporte el registro de eventos. Exporta el registro de eventos para que el contenido esté disponible como archivo disponible gracias al almacenamiento masivo USB. Esta opción se usa principalmente en el servicio de fábrica.

8.2 Solucionar errores

El medidor y el sensor no contienen piezas que pueda reparar el usuario. Para los errores y mensajes que se indican, intente la acción correctiva.

Si el problema no desaparece o si no aparece en la lista, póngase en contacto con el fabricante.

Mensaje o problema	Solución
El sensor no está conectado	Conecte un sensor e intente realizar la operación nuevamente.
El valor está fuera del intervalo	Cambie los parámetros de medición o ingrese un valor diferente, luego vuelva a intentar la operación.
Se sabe que los datos del sensor no son correctos o exactos	Limpiar y evaluar el sensor.
No se reconoce el sensor	Verifique la conexión del sensor. Asegúrese de que la contratuerca del puerto de conexión esté ajustada (ajuste solamente con los dedos).
La pantalla está oscura o no visible.	Presione cualquier tecla.
La información no está disponible o no es posible acceder a la información.	Asegúrese de que la opción USB (Menú principal) está configurada en Almacenamiento masivo.
El medidor no responde	Presione y mantenga presionado el botón de encendido por al menos 3 segundos. Esto desenergizará el medidor. Vuelva a energizar el medidor. <i>Nota: No use este método para apagar el medidor durante el funcionamiento normal o si el icono de acceso a archivo se encuentra visible en la pantalla.</i>

Índice

- | | |
|--|---|
| 1 Manual do usuário on-line na página 65 | 5 Interface do usuário e navegação na página 76 |
| 2 Especificações na página 65 | 6 Inicialização e teste automático na página 82 |
| 3 Informações gerais na página 67 | 7 Manutenção na página 83 |
| 4 Instalação na página 72 | 8 Solução de problemas na página 84 |

Seção 1 Manual do usuário on-line

Este Manual básico do usuário contém menos informações do que o Manual do usuário, disponível no site do fabricante.

Seção 2 Especificações

As especificações estão sujeitas a alterações sem aviso prévio.

2.1 Especificações do sensor

Especificação	Detalhes
Medição da velocidade	
Método	Eletromagnético
Faixa	0 a 6,09 m/s (0 a 20 pés/s)
Profundidade mínima da água	3,18 cm (1,25 pol.)
Precisão	±2% da leitura ±0,015 m/s (±0,05 pé/s) 0 a 3,04 m/s (0 a 10 pés/s); ± 4% da leitura de 3,04 a 4,87 m/s (10 a 16 pés/s)
Resolução	0 ≤ valor < 10: 3 casas decimais; 10 ≤ valor < 100: 2 casas decimais; 100 ≤ valor < 1000: 1 casa decimal; valor ≥ 1000: 0 casas decimais
Estabilidade zero	±0,015 m/s (±0,05 pé/s)
Material	ABS, preenchido com vidro
Classificação do invólucro	IP68
Dimensões (C x L x A)	11,9 x 4,3 x 6,3 cm (4,7 x 1,7 x 2,5 pol.)
Material do cabo	Poliuretano revestido
Comprimentos dos cabos	2, 6,1, 12,2 e 30,5 m (6,5, 20, 40 e 100 pés)
Medição de profundidade	
Método	Tipo de diafragma: pressão absoluta com calibração em um só ponto
Precisão (estática)	O máximo de ± 2% de leitura ou ± 0,015 m (± 0,504 pol). Temperatura estável e água estática.
Faixa	3,05 m (0 a 10 pés)
Resolução	0 ≤ valor < 10: 3 casas decimais; 10 ≤ valor < 100: 2 casas decimais; 100 ≤ valor < 1000: 1 casa decimal; valor ≥ 1000: 0 casas decimais

2.2 Especificações do medidor portátil

Especificação	Detalhes
Grau de poluição	2
Classe de proteção	II

Especificação	Detalhes
Temperatura de carga	0°C a 40°C (32°F a 104°F)
Temperatura de operação	-20°C a 55°C (-4°F a 131°F)
Temperatura de armazenamento	-20°C a 60°C (-4°F a 140°F)
Classificação do compartimento	IP67
Medidor de carga da bateria	Gráfico de barras com cinco segmentos
Tipo de bateria	Íon de lítio recarregável, 3,6 V, 5,0 Ah, 18 Wh
Vida útil da bateria	18 horas de uso intenso em um dia típico ¹ ; 20°C (68°F)
Carregador de bateria	Fonte de energia externa, eficiência energética VI, 100–240 VCA, 50–60 Hz, entrada de 0,5 A; 12 VCC, saída de 1,25 A
Dimensões (C x L x A)	21,8 x 9,3 x 5,3 cm (8,6 x 3,7 x 2,1 pol.)
Conector USB	Tipo Mini-B de 5 pinos, classificado como IP67 quando tampado
Material	Polycarbonato com um molde externo de elastômero termoplástico (TPE)

2.3 Especificações da interface do usuário

Especificação	Detalhes
Visor gráfico	LCD em cores de 3,5" QVGA transreflectivo (legível sob luz solar direta)
Resolução das medições	0 ≤ valor < 10: 3 casas decimais; 10 ≤ valor < 100: 2 casas decimais; 100 ≤ valor < 1000: 1 casa decimal; valor ≥ 1000: 0 casas decimais
Teclado	Alfanumérico
Modos de operação	Tempo real, perfilamento
Tipos de perfil	Curso d'água, conduíte
Formas de conduíte	Circular, retangular, trapezoidal, 2/3 ovalado, 2/3 ovalado invertido
Entradas de cursos d'água	Estações fixas e não fixas
Rejeição de ruído	Selecionável pelo usuário, 50 Hz ou 60 Hz
Unidades de medida	Velocidade: pés/s, m/s, cm/s, mm/s Fluxo: pés ³ /s, milhões de galões/dia, galões/dia, galões/min, m ³ /s, m ³ /min, m ³ /hora, m ³ /dia, litros/s, litros/min Profundidade: pol., pés, m, cm, mm
Cálculo do fluxo do curso d'água	Método de seção média ou seção central
Diagnóstico	Autoteste, teclado, visor, registro de eventos
Métodos de perfilamento de conduíte	0,9 x V _{máx} , 0,2/0,4/0,8, integrador de velocidade e nível, 2D
Métodos de perfilamento de curso d'água	1, 2, 3, 4, 5 e 6 pontos (método de velocidade - USGS e ISO), método KREPS de 2 pontos, método de superfície de 1 ponto, método de medição de gelo de 1 e 2 pontos

¹ Definido com 30 minutos de configuração, seis períodos de uma hora de uso contínuo com um sensor ativo e visor com brilho máximo e 30 minutos no modo de suspensão entre os períodos de uso, download de dados e desligamento.

Especificação	Detalhes
Tipos de arquivo	Tempo real, perfilamento, registro de eventos
Idiomas	Português, francês, espanhol, alemão, italiano, holandês, sueco, chinês, polonês, japonês, coreano, português, eslovaco, russo, húngaro, búlgaro, romeno, tcheco, turco, finlandês, grego

2.4 Especificações gerais

Especificação	Detalhes
Número máximo de arquivos em tempo real	50, cada um com até 75 leituras capturadas pelo usuário.
Firmware	O sensor e o medidor portátil podem ser atualizados em campo via USB

Seção 3 Informações gerais

Em hipótese alguma o fabricante será responsável por danos resultantes de qualquer uso inadequado do produto ou não cumprimento das instruções contidas no manual. O fabricante reserva-se o direito de fazer alterações neste manual e nos produtos aqui descritos a qualquer momento, sem aviso ou obrigação. As edições revisadas podem ser encontradas no site do fabricante.

3.1 Informações de segurança

O fabricante não é responsável por quaisquer danos devido ao uso ou aplicação incorreta deste produto, incluindo, sem limitação, danos diretos, acidentais ou consequenciais, e se isenta desses danos à extensão total permitida pela lei aplicável. O usuário é unicamente responsável por identificar riscos críticos de aplicação e por instalar os mecanismos apropriados para proteger os processos durante um possível mau funcionamento do equipamento.

Leia todo o manual antes de tirar da embalagem, montar ou operar esse equipamento. Preste atenção a todos os avisos de perigo e advertência. Caso contrário, o operador poderá sofrer ferimentos graves ou o equipamento poderá ser danificado.

Certifique-se de que a proteção fornecida por este equipamento não seja prejudicada. Não use ou instale este equipamento de qualquer modo diferente do especificado neste manual.

3.1.1 Uso de informações de risco

▲ PERIGO
Indica uma situação potencial ou iminentemente perigosa que, se não for evitada, resultará em morte ou lesão grave.




▲ ADVERTÊNCIA
Indica uma situação potencialmente perigosa que, se não for evitada, pode resultar em morte ou ferimento grave.

▲ CUIDADO
Indica uma situação potencialmente perigosa que pode resultar em ferimento leve a moderado.

AVISO
Indica uma situação que, se não evitada, pode causar danos ao instrumento. Informações que necessitam de uma ênfase especial.

3.1.2 Avisos de precaução

Leia todas as etiquetas e rótulos fixados no instrumento. Caso não sejam observados, podem ocorrer lesões pessoais ou danos ao instrumento. Um símbolo no instrumento tem sua referência no manual com uma medida preventiva.

	Este é o símbolo de alerta de segurança. Acate todas as mensagens de segurança que seguem este símbolo a fim de evitar lesões potenciais. Se o símbolo estiver no instrumento, consulte o manual de instruções para obter informações sobre a operação ou segurança.
	Este símbolo identifica a presença de dispositivos sensíveis a Descargas eletrostáticas (ESD) e indica que se deve tomar cuidado para evitar dano ao equipamento.
	O equipamento elétrico marcado com este símbolo não pode ser descartado em sistemas de descarte público ou doméstico europeus. Devolva equipamentos antigos ou no final da vida útil para o fabricante para descarte, sem custo adicional para o usuário.

3.1.3 Conformidade com a compatibilidade eletromagnética (EMC)

⚠ CUIDADO

Esse equipamento não se destina para uso em ambientes residenciais e pode não fornecer a proteção adequada para a recepção de rádio nesses ambientes.

CE (EU)

O equipamento atende aos requisitos essenciais da Diretiva EMC 2014/30/UE.

UKCA (UK)

O equipamento atende aos requisitos dos Regulamentos de Compatibilidade Eletromagnética de 2016 (S.I. 2016/1091).

Canadian Radio Interference-Causing Equipment Regulation (Regulamentação para equipamentos de rádio causadores de interferência do Canadá), ICES-003, Classe A:

Os registros de testes de comprovação encontram-se com o fabricante.

Este aparelho digital Classe A atende a todos os requisitos de regulamentações canadenses sobre equipamentos que causam interferências.

Cet appareil numérique de classe A répond à toutes les exigences de la réglementation canadienne sur les équipements provoquant des interférences.

FCC parte 15, limites Classe "A"

Os registros de testes de comprovação encontram-se com o fabricante. O dispositivo está em conformidade com a Parte 15 das Regras da FCC. A operação está sujeita às seguintes condições:

1. O equipamento não deve causar interferência prejudicial.
2. O equipamento deve aceitar todas as interferências recebidas, inclusive interferências que podem causar funcionamento indesejado.

Alterações ou modificações a este equipamento não aprovadas expressamente pela parte responsável pela conformidade podem anular a autoridade do usuário de operar o equipamento. Este equipamento foi testado e está em conformidade com os limites de dispositivo digital Classe A, de acordo com a Parte 15 das Regras da FCC. Esses limites foram estabelecidos para proporcionar uma razoável proteção contra interferências nocivas quando o equipamento for operado em ambientes comerciais. Este equipamento gera, utiliza e pode irradiar energia de radiofrequência e, se não instalado e usado de acordo com o manual de instruções, poderá causar interferências prejudiciais às comunicações de rádio. É provável que o funcionamento deste equipamento em área residencial possa causar interferência indesejada, caso em que o usuário será solicitado a corrigir a interferência por conta própria. As seguintes técnicas podem ser usadas para reduzir problemas de interferência:

1. Desconecte o equipamento de sua fonte de alimentação para verificar se ele é ou não a origem da interferência.
2. Se o equipamento está conectado à mesma tomada do dispositivo que está sofrendo interferência, conecte o equipamento a uma tomada diferente.
3. Afaste o equipamento do dispositivo que estiver recebendo a interferência.
4. Reposicione a antena de recebimento do dispositivo que está sofrendo interferência.
5. Tente algumas combinações das opções acima.

3.2 Visão geral do produto

O sistema de velocidade portátil é usado em campo, em laboratório e em municipalidades. É possível medir fluxos turbulentos, ruidosos e baixos com este sistema.

Quando o sensor é posicionado na água fluente, um campo magnético ao redor do sensor cria uma voltagem proporcional à velocidade do fluxo. Essa amplitude de voltagem, que representa a taxa do fluxo de água ao redor do sensor, é detectada por eletrodos no sensor e processada pelo microprocessador do sensor. O sinal processado é transmitido digitalmente pelo cabo do sensor para o medidor portátil e a informação é mostrada no visor do medidor. O sistema inclui um medidor portátil, sensor com cabo e acessórios.

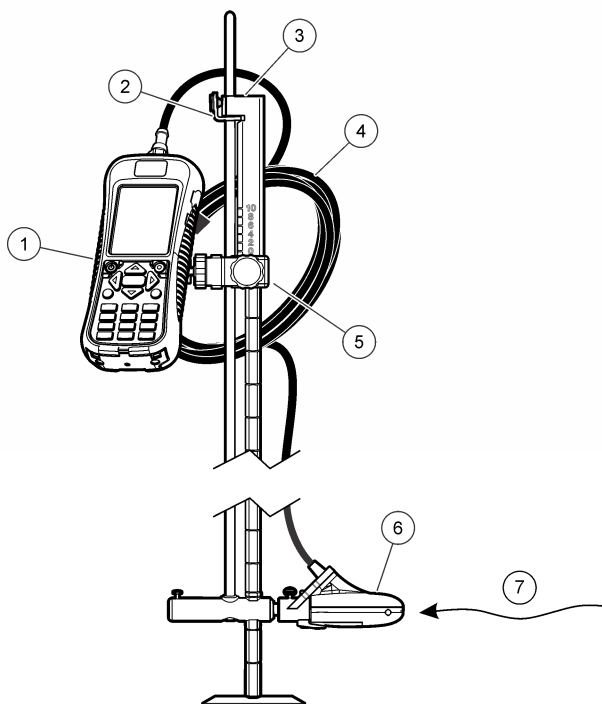
O medidor e o sensor obtêm informações de velocidade em conduítes e cursos d'água. Essas medições são importantes para a calibração em setores públicos de águas residuais, bem como para avaliações do impacto ambiental.

Dois tipos de sensor estão disponíveis: velocidade e profundidade; apenas velocidade. Esse manual aborda os dois tipos de sensor. O texto indicará se as informações são aplicáveis a um tipo específico.

3.2.1 Visão geral do sistema

Uma visão geral de um sistema montado é mostrada na [Figura 1](#). Consulte a documentação fornecida com cada componente ou acessório para obter mais informações.

Figura 1 Componentes montados

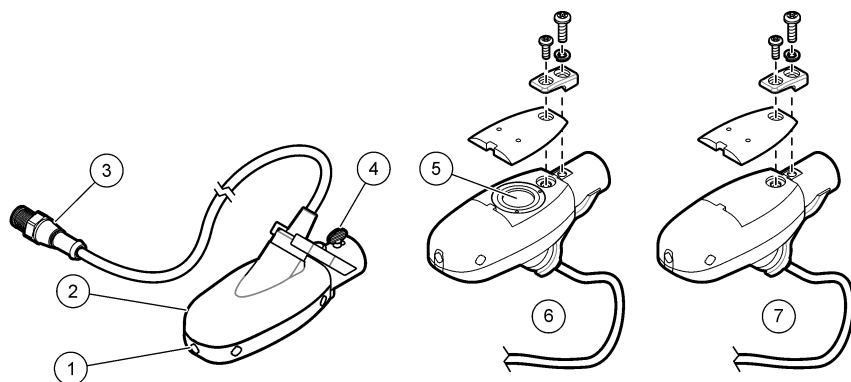


1 Medidor portátil	5 Suporte ajustável do medidor portátil
2 Dispositivo de trava/liberação da altura do sensor	6 Conjunto do sensor
3 Manopla (para as mãos) acoplada na parte superior da haste (acessório)	7 Direção do fluxo
4 Cabo do sensor	

3.2.2 Visão geral do sensor

A [Figura 2](#) mostra os principais componentes do sensor. Instruções de como acoplar o sensor a uma haste de medição padrão, acoplada na parte superior, são fornecidas com o acessório.

Figura 2 Componentes do sensor

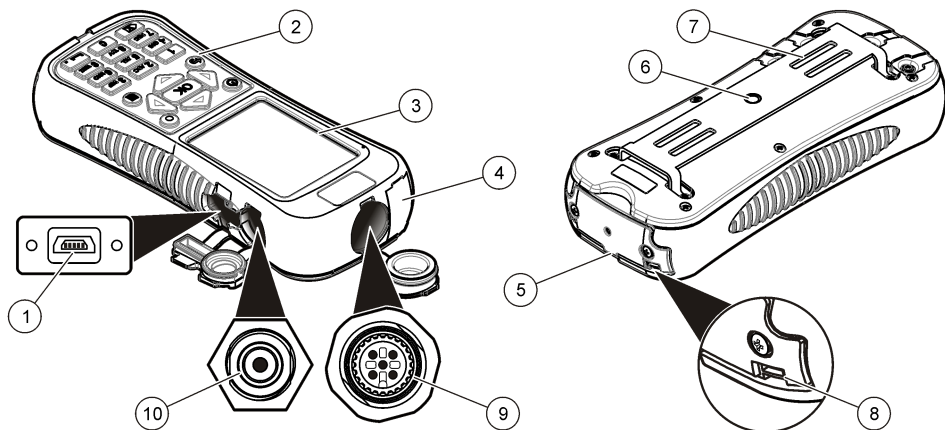


1 Eletrodos do sensor	5 Célula de pressão (sensores com opção de profundidade)
2 Corpo do sensor	6 Sensor com opção de profundidade
3 Plugue de conexão do sensor	7 Sensor sem opção de profundidade
4 Parafuso borboleta de acoplamento do sensor	

3.2.3 Visão geral do medidor

A **Figura 3** mostra os recursos do medidor.

Figura 3 Componentes do medidor



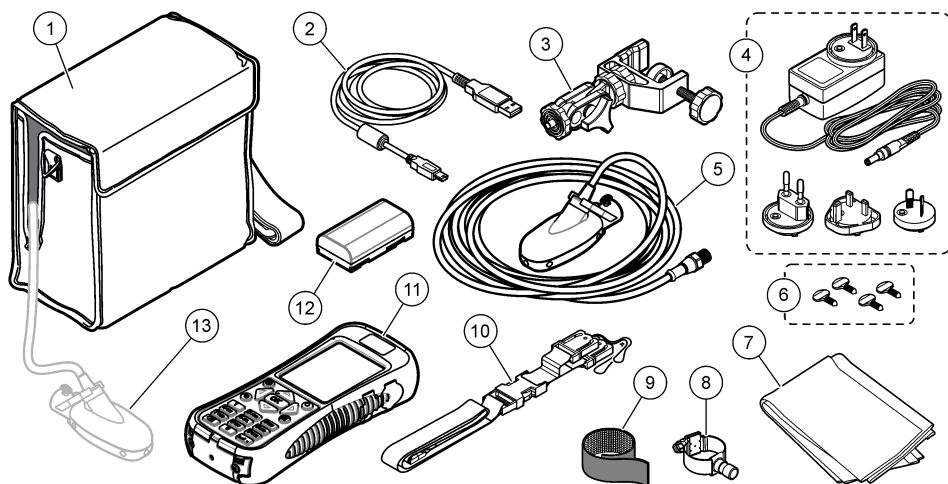
1 Porta de conexão USB ²	6 Furo rosqueado para o suporte ajustável do medidor
2 Teclado	7 Slots para acoplamento do velcro ou da correia
3 Visor do medidor	8 Roscas de acoplamento do cordão de pescoço (2x)
4 Porta de expansão (não usada)	9 Porta de conexão do sensor
5 Tampa do compartimento da bateria	10 Conector do carregador de bateria

² Não use a conexão USB para carregar a bateria.

3.3 Componentes do produto

Ao comprar um sistema completo, consulte [Figura 4](#) para verificar se todos os componentes foram recebidos. Se qualquer destes itens estiver faltando ou danificado, entre em contato com o fabricante ou representante de vendas imediatamente.

Figura 4 Componentes do sistema



1 Estoque de transporte (com entrada para o cabo do sensor)	8 Suporte universal para sensor
2 Cabo USB com conector mini-USB, 1 m (3 pés)	9 Correia de velcro
3 Suporte ajustável do medidor portátil	10 Cordão de pescoço
4 Carregador de bateria, 100–240 VCA	11 Medidor portátil
5 Sensor	12 Pacote da bateria de lítio
6 Parafusos borboleta extras (4x)	13 Sensor conectado ao medidor dentro do estojo
7 Pano para secar o sensor	

Seção 4 Instalação

4.1 Instalar o sensor no suporte universal para sensor


Use o suporte do sensor universal para conectar o sensor aos polos com até 1 pol de diâmetro. Para obter a operação correta e leituras precisas, a frente do sensor precisa apontar contra a corrente com os eletrodos em contato total com o fluxo.

Observação: Mantenha os eletrodos do sensor livres de substâncias não condutivas, como óleo e graxa. Para remover a contaminação do sensor, consulte a [Limpar o sensor](#) na página 83.

1. A parte frontal do sensor é redonda e contém três eletrodos. O sensor tem um furo para montagem na parte posterior e um parafuso borboleta no topo. Coloque o eixo de montagem do suporte universal no furo de montagem localizado na parte posterior do sensor. Certifique-se de que o eixo de montagem esteja completamente encaixado no furo do suporte e que o parafuso borboleta esteja encaixado na ranhura.
2. Aperte o parafuso borboleta à mão.
3. Mova um polo com até 1 pol de diâmetro pela fixação da unidade de sensor universal. Aperte a braçadeira.

Observação: Instruções de como montar o sensor em uma haste de medição padrão ou acoplada na parte superior são fornecidas com o acessório.


4.2 Segurança da bateria de lítio

▲ ADVERTÊNCIA	
	Perigo de explosão e incêndio. Baterias de lítio podem esquentar, explodir ou inflamar, e causar ferimentos graves se expostas a condições de abuso.

- Não use a bateria se houver danos visíveis.
- Não use a bateria após a ocorrência de choque forte ou vibração.
- Não exponha a bateria a fogo.
- Mantenha a bateria a temperaturas menores que 60 °C (140 °F).
- Mantenha a bateria seca e longe de água.
- Evite o contato entre os terminais positivos e negativos da bateria.
- Não deixe pessoas não autorizadas tocarem a bateria.
- Descarte a bateria de acordo com normas nacionais, regionais e locais.
- Não use nem guarde o instrumento em local diretamente exposto à luz solar, próximo a uma fonte de calor ou em ambientes sob alta temperatura, como um veículo fechado sob a luz solar.

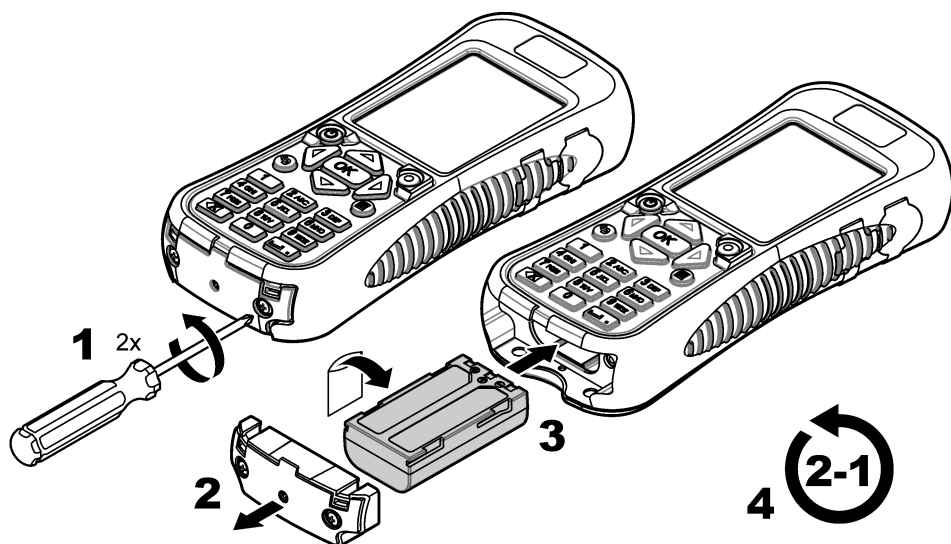
4.3 Instale a pilha

▲ ADVERTÊNCIA	
	Perigo de explosão e incêndio. Este equipamento contém bateria de lítio de alta energia que pode inflamar e causar explosão ou incêndio, mesmo sem energia. Para manter a segurança proporcionada pela proteção do equipamento, a tampa de proteção do equipamento deve ser instalada e protegida com o hardware fornecido.

▲ ADVERTÊNCIA	
	Risco de explosão e incêndio. Não é permitida a substituição da pilha. Use somente as pilhas fornecidas pelo fabricante do instrumento.

Instale a bateria de lítio fornecida como mostrado em [Figura 5](#).

Figura 5 Instale a pilha



4.4 Carregar a bateria

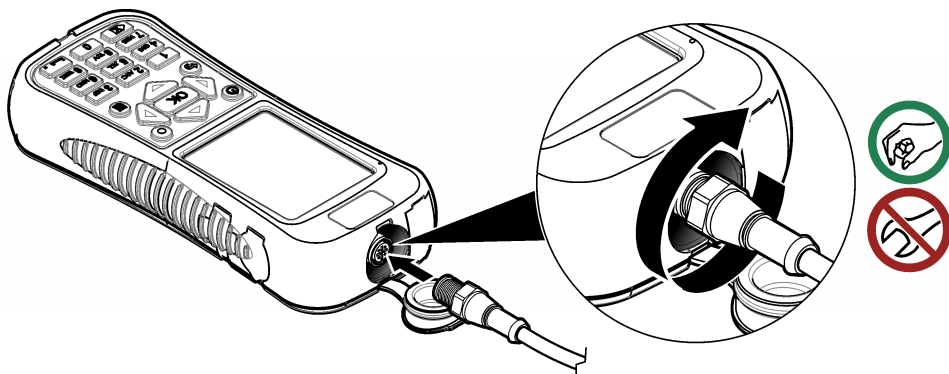
Observação: Não é permitida a substituição do carregador de bateria. Use somente o carregador especificado na lista de peças e acessórios do instrumento. Consulte Peças de reposição e acessórios na versão expandida do manual.

Antes do uso inicial, carregue totalmente a bateria do instrumento com o carregador de bateria fornecido. Uma bateria descarregada é totalmente carregada em, aproximadamente, 8 horas.

1. Certifique-se de que o tipo de plugue correto para a região geográfica esteja instalado no carregador de bateria.
2. Conecte o carregador de bateria a uma tomada elétrica com aterramento.
3. Conecte o carregador de bateria ao conector do carregador de bateria no instrumento. Consulte [Visão geral do medidor](#) na página 71. O nível de bateria aparece na tela. Uma luz azul se acende ao redor da porta de carga enquanto a bateria é carregada. Quando o processo de carga é concluído, a luz azul se apaga.

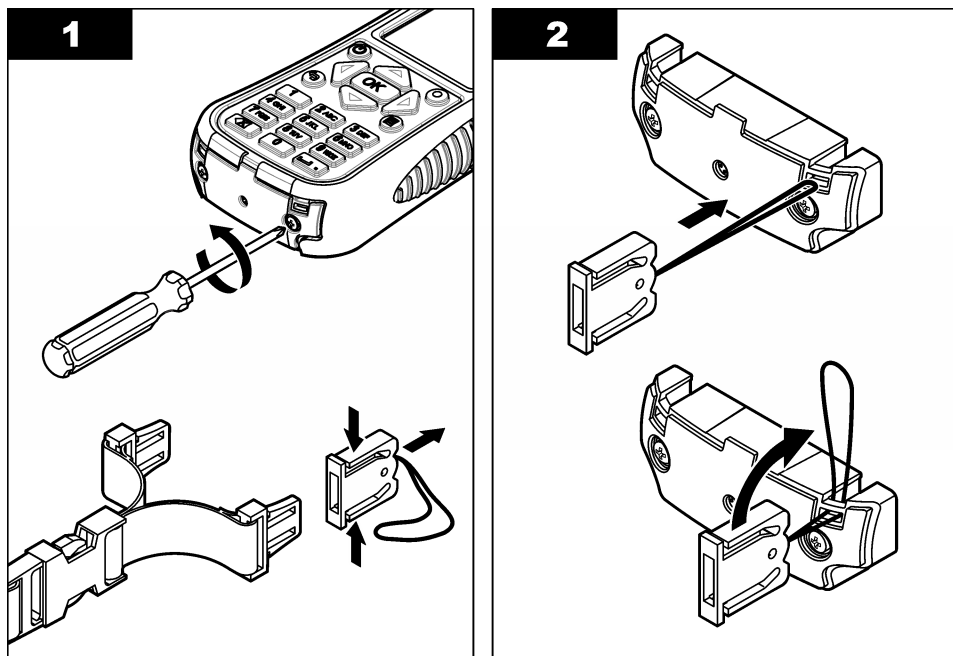
Observação: O medidor não fica operacional enquanto a bateria é carregada. Não é possível carregar a bateria usando a conexão de cabo USB.

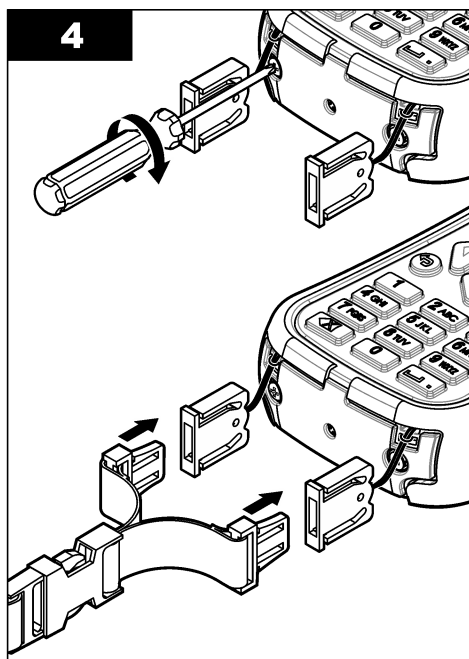
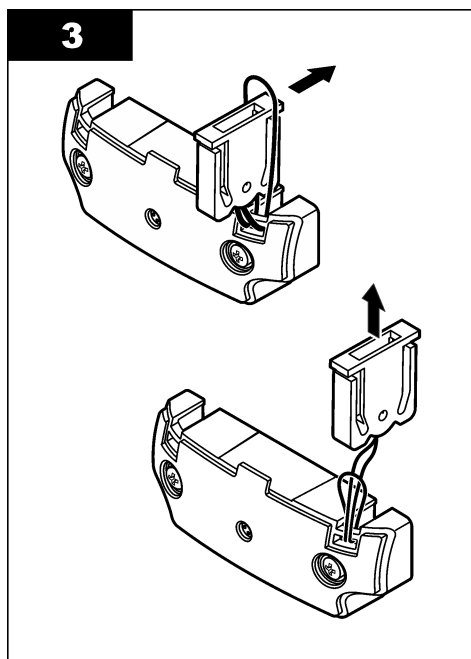
4.5 Conecte o sensor ao medidor



4.6 Acoplar o cordão

Acople o cordão para pendurar o medidor no pescoço com segurança.

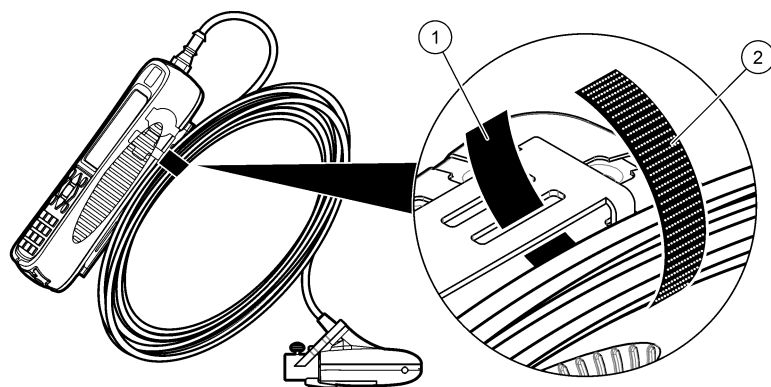




4.7 Acoplar a correia de velcro

Use a correia de velcro para prender o cabo extra. Consulte [Figura 6](#).

Figura 6 Acoplar a correia de velcro



1 Lado dos laços

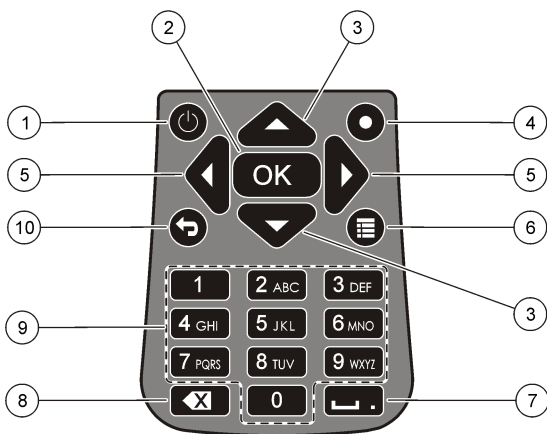
2 Lado dos ganchos

Seção 5 Interface do usuário e navegação

5.1 Teclado e função das teclas

A [Figura 7](#) mostra o teclado do medidor. A [Tabela 1](#) indica as funções de cada tecla ou tipo de tecla.

Figura 7 Teclado



1	Ligar/desligar	6	Menu principal
2	OK	7	Sublinhado ou decimal
3	Setas para cima e para baixo	8	Backspace
4	Salto rápido	9	Alfanumérico
5	Setas para a direita e para a esquerda	10	Menu anterior

Tabela 1 Descrição das teclas

Tecla	Descrição
Ligar/desligar	Energiza e desenergiza o medidor.
OK	Confirma uma entrada ou uma opção destacada do menu.
Setas para cima e para baixo	Movem para cima ou para baixo no visor. Se o cursor estiver na parte superior ou inferior do visor, o cursor quebra na parte inferior ou superior quando a tecla para cima ou para baixo é pressionada.
Salto rápido	Na operação normal, essa tecla direciona o usuário para a tela Select conduit shape (Selecionar formato da tubulação). Na operação do perfilador, a tecla Quick Jump está desativada. Caso o recurso auto-zero (zeramento automático), mantenha essa tecla pressionada por cinco segundos para realizar o zeramento manual do sensor de profundidade. No modo Real-Time (Tempo real), a tecla Quick Jump (Avanço rápido) alterna entre exibições digital e gráfica.
Setas para a direita e para a esquerda	Movem para a direita ou para a esquerda no visor.
Menu principal	Sai de qualquer submenu ou tela e acessa o Menu principal.
Sublinhado ou decimal	Inclui um caractere de sublinhado ou decimal. Em campos somente numéricos, esta tecla inclui um ponto decimal automaticamente na posição do cursor.
Backspace	Movimenta o cursor um espaço para trás.
Alfanumérico	Inclui o valor alfabético ou numérico da tecla. Os valores são incluídos na ordem mostrada na tecla. Após 2 segundos, o valor mostrado no visor é armazenado e o cursor avança.
Menu anterior	Acessa a tela anterior.

5.2 Barra de status

Uma barra de status é exibida na parte superior do visor. Descrições das informações na barra de status são fornecidas na [Tabela 2](#).

Tabela 2 Indicadores da barra de status

Indicador	Descrição
Hora e data	Mostra a hora e data atuais.
USB	Mostra quando um cabo USB está conectado. Se um cabo USB estiver conectado e esse indicador não estiver exibido na barra de status, isso indica que o cabo USB não está totalmente encaixado. Certifique-se de que o cabo USB está completamente inserido e que faça contato total com a porta de conexão.
Condutividade	Se o sensor estiver fora da água e não for condutor, um anel azul será exibido próximo ao ícone da bateria. Se o sensor estiver na água e estiver condutivo, o indicador será um círculo sólido azul.
Bateria	Um gráfico com cinco barras exibe o nível de carga da bateria.
Acesso a arquivo	Exibido enquanto o medidor obtém acesso a um arquivo.
Indicador Auto zero depth (Zerar profundidade automaticamente)	Se o sensor de profundidade tiver sido zerado nos últimos 30 minutos, um círculo verde contínuo será exibido próximo ao indicador Conductivity (Condutividade). Se o sensor de profundidade não tiver sido zerado nos últimos 30 minutos, esse indicador piscará em vermelho.

5.3 Navegação e menu principal

Pressione **OK** para confirmar uma opção de menu selecionada ou um valor mostrado no visor. Selecione **More** (Mais) e pressione **OK** para ver outras telas e opções, se disponíveis. Pressione o botão Menu principal para ir para o menu principal a partir de um submenu.

Observação: Algumas operações não podem ser concluídas a menos que um sensor esteja conectado ao medidor. Se essas opções forem tentadas quando não houver um sensor conectado, o visor mostrará uma mensagem de erro. Conecte um sensor e experimente realizar a operação novamente.

- 1. Real time** (Tempo real) — selecione esta opção para obter informações de profundidade e velocidade em tempo real. (É necessário um sensor com recurso de profundidade para ler a profundidade). Um exemplo da tela Real Time (Tempo real) em sensores com apenas velocidade é exibido em [Figura 8](#). Telas Real time (Tempo real) em sensores com velocidade e profundidade são exibidas em [Figura 9](#). O formato das opções e informações exibidas depende do tipo de sensor usado. No modo Real Time (Tempo real), a tecla Quick Jump (Avanço rápido) alterna entre exibições digital e gráfica das informações em tempo real. A velocidade é atualizada no modo de filtro FPA de acordo com o tempo de cálculo de média de período fixo. No modo de filtro RC, a velocidade é atualizada continuamente na tela a cada 250 ms.

Opção	Descrição
Capture (Captura)	Armazena na memória as informações de profundidade e velocidade exibidas. As informações são salvas até a energia acabar, a memória é salva em um arquivo real-time não volátil, ou o usuário sai do modo real-time (tempo real).
Salvar	Salva medições capturadas na memória volátil em um arquivo real-time não volátil. Uma mensagem é exibida quando o número de arquivos é maior do que o limite máximo permitido. Os arquivos são armazenados em um formato separado por tabelas (.tsv).
Done (Concluído) ou OK	Sai do modo real-time (tempo real) e retorna ao Menu principal. Se houver dados não salvos na memória volátil, uma mensagem de confirmação perguntará se o usuário confirma a saída sem salvar os dados.
Transparente	Apaga as medições capturadas do buffer da memória volátil. O usuário pode escolher entre Clear Last (Apagar última), Clear All (Apagar todas) ou Cancel (Cancelar).

Opção	Descrição
Configuração	<p>Permite que o usuário modifique os parâmetros do filtro principal, habilite e programe o recurso de posicionamento do sensor Maximum Depth (Profundidade máxima). O recurso Maximum depth (Profundidade máxima) permite que o usuário insira parâmetros do sistema para medição de profundidade no modo Real Time (Tempo real). O usuário pode optar por inserir um valor máximo obtido diretamente com uma medição com régua (manual) ou obtido indiretamente com a medição de profundidade (automática). Os dois métodos habilitam o recurso de posicionamento do sensor Maximum Depth (Profundidade máxima).</p> <p>Na configuração do modo automático, o usuário insere diretamente a distância da parte inferior do canal até a unidade de sensor (deslocamento). A interface de configuração exibirá constantemente o valor de profundidade atual retornado pelo sensor, além do deslocamento. Quando o botão OK é pressionado, o medidor armazena esse valor como Profundidade máxima. Em todos os demais casos, os valores de profundidade exibidos não incluem o deslocamento.</p> <p>O recurso Maximum depth (Profundidade máxima) requer um sensor com velocidade e profundidade.</p>
Files (Arquivos) ou View (Exibição)	Exibe um resumo de cada arquivo real-time armazenado na memória não volátil. É possível exibir/excluir individualmente os arquivos.

Figura 8 Tela em tempo real

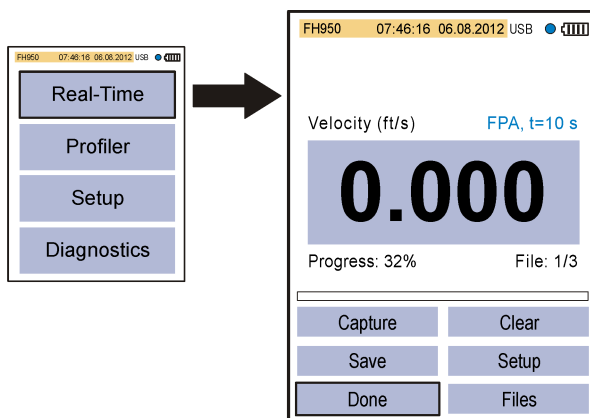
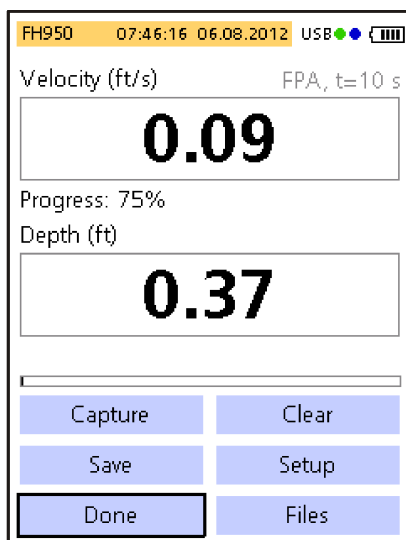


Figura 9 Tela Real time (Tempo real) para sensor com profundidade



- 2. Profiler (Perfilador)** — selecione esta opção para fazer medições da velocidade de cursos d'água ou tubulações. O medidor mostra avisos quando é necessário que o usuário insira dados. Uma porcentagem da memória restante é concedida na resolução de 1%. Consulte a versão expandida do manual para obter mais informações sobre perfis.

Opção	Descrição
Curso d'água	Essa opção é usada para configurar um perfil para um curso d'água ou canal fluente. Faça medições de velocidade para calcular a descarga total com base nos padrões ISO 748 ou USGS para os métodos de Seção central ou Seção média.
Conduíte	Essa opção é usada para configurar um perfil para uma tubulação.
Arquivos	Essa opção é usada para visualizar ou excluir arquivos armazenados. É possível excluir todos os arquivos de uma vez ou individualmente.
Configuração	Essa opção é usada para configurar ou alterar as configurações dos parâmetros de filtro e do recurso Maximum Depth (Profundidade máxima).

- 3. Set up (Configuração)** — selecione esta opção para alterar preferências e configurações gerais do sistema.



Opção	Descrição
Calibração da velocidade	Calibra o sensor. Adiciona uma compensação em campo com relação à calibração de fábrica. Consulte o apêndice na versão expandida do manual para obter mais informações.

Opção	Descrição
Parâmetros de filtro	<p>Aplica um filtro de aquisição de dados (Filtro principal ou Pré-filtro). O usuário pode selecionar os parâmetros de filtro.</p> <p>Filtro principal</p> <ul style="list-style-type: none"> • Cálculo de média de período fixo (FPA) – O Cálculo de média de período fixo calcula a média dos dados de um período fixo que pode ser selecionado pelo usuário (1 a 480 segundos). O padrão é 10 segundos. Se o valor de FPA for 5, o valor da velocidade exibido no visor será atualizado a cada cinco segundos. • Constante de tempo RCA – O filtro RC ajuda a suavizar a turbulência por meio do uso de uma constante de tempo selecionada no algoritmo de filtro. Este modo é útil quando se busca uma velocidade máxima como, por exemplo, no método comum de perfil $0,9 \times V_{m\acute{a}x}$. As constantes de tempo de filtro RC proporcionam mais altos graus de suavização. A constante de tempo pode ser definida de 2 a 20 segundos, sendo que o valor padrão é 6. Com 1 constante de tempo, o filtro é perfilado a aproximadamente 60% do valor final. Com 5 constante de tempo, o filtro é perfilado a 99,9% do valor final. Assim, se o valor de RC for definido como 2, o valor final será exibido após 10 segundos. <p>Pré-filtro</p> <ul style="list-style-type: none"> • Filtro de mediana – O processo de filtragem é feito no sensor. O recurso pode ser desativado. No entanto, o valor recomendado (padrão) é 5. Ative o recurso para inserir ou alterar esse valor.
Limite úmido/seco	<p>Define o limite de submersão do sensor para condições úmidas e secas. O valor padrão é 20%. Consulte o apêndice na versão expandida do manual para obter mais informações.</p>
Auto zero depth (Zerar profundidade automaticamente)	<p>Ativa/desativa o recurso Auto Zero (Zeramento automático).</p> <p>Se o recurso estiver ativado, o instrumento realizará uma calibração de ar quando o sensor for removido da água e estiver no ar. Para realizar a calibração de ar, o instrumento zera automaticamente o sensor.</p> <p>Se o recurso estiver desativado, o usuário poderá zerar o sensor manualmente. Para isso, remova o sensor do fluxo e mantenha a tecla Quick Jump (Avanço rápido) pressionada por cinco segundos.</p> <p>Após deixar o sensor no fluxo por 30 minutos, o círculo verde no canto superior direito ficará vermelho. Isso é um aviso de que o usuário deve remover e zerar o sensor novamente.</p>
EMI	<p>Define a frequência da linha local para rejeição de ruído ambiente como 50 Hz ou 60 Hz (padrão).</p>
Relógio	<p>Define a data e a hora do medidor portátil no formato de 24 horas. Não há suporte para o horário de verão.</p>
USB	<p>Define o modo USB.</p> <ul style="list-style-type: none"> • Mass Storage (Armazenamento em massa) (padrão) – Este modo funciona como um cartão de memória ou disco rígido. Os arquivos são somente leitura. • CDC — Esse modo é usado para atualizar o firmware.
Idioma	<p>Seleciona o idioma usado nos menus.</p>
Unidades	<p>Define as unidades das medições de velocidade, fluxo e profundidade. As opções são Métrico e Inglês (padrão).</p>
Bipe	<p>Ligado (padrão) ou Desligado. Se definido como Ligado, o medidor emite um som audível quando:</p> <ul style="list-style-type: none"> • O sensor está na profundidade correta para os métodos de perfil aplicáveis. • 95% do tempo de medição foi concluído (perfilador). • Um botão inativo é pressionado em qualquer menu. <p>Este recurso está disponível apenas com o sensor de profundidade opcional.</p>

Opção	Descrição
Cálculo do fluxo	Seleciona o método de cálculo de fluxo para o segmento de água a céu aberto (apenas em perfis de curso d'água). As opções são Seção média e Seção central. Consulte o apêndice na versão expandida do manual para obter mais informações.
Entrada da estação	<ul style="list-style-type: none"> Fixed (Fixo) – O operador insere a largura do curso d'água e o número de estações para medição. O medidor divide a amostra representativa em distâncias espaçadas igualmente entre os verticais da estação. Não fixo (padrão) – O operador seleciona o espaçamento entre os verticais da estação. Esta é a opção usada mais comumente, visto que permite ao operador incluir obstruções e outras restrições na amostra representativa. Fixo e não fixo – o operador seleciona o plano de referência para medições de profundidade. Valores: superior ou inferior.
Restaurar padrões	Define todas as opções do medidor com os valores padrão de fábrica.

4. **Diagnóstico** – Selecione esta opção para solucionar problemas com o medidor ou com um sensor acoplado. Para obter mais informações sobre as opções de Diagnóstico, consulte [Diagnóstico](#) na página 84.

Seção 6 Inicialização e teste automático

▲ PERIGO	
	Riscos químicos ou biológicos. Se esse instrumento for usado para monitorar um processo de tratamento e/ou sistema de alimentação química para o qual existam limites de regulamentação e requisitos de monitoramento relacionados à saúde pública, à produção ou ao processamento de alimentos ou bebidas, é responsabilidade do usuário deste instrumento conhecer e cumprir as regulamentações aplicáveis e ter mecanismos suficientes e apropriados para obter conformidade com as regulamentações aplicáveis no caso de mau funcionamento do instrumento.
▲ ADVERTÊNCIA	
	Perigo de incêndio e explosão. Não use nem guarde o instrumento em local diretamente exposto à luz solar, próximo a uma fonte de calor ou em ambientes sob alta temperatura, como um veículo fechado sob a luz solar. A inobservância desta precaução pode causar o superaquecimento da bateria e ocasionar um incêndio ou explosão.

A bateria precisa ser instalada no medidor e carregada antes do uso. Para obter mais informações sobre a instalação e a troca da bateria, consulte [Instale a pilha](#) na página 73. Para obter informações sobre como carregar a bateria, consulte [Carregar a bateria](#) na página 74.

Observação: O medidor não fica operacional enquanto a bateria é carregada.

1. Pressione o botão liga/desliga do medidor até ouvir um bipe.
O medidor realiza um teste automático, e o visor exibe os resultados. Se o medidor for reprovado no teste automático, o visor exibirá FAIL (FALHA) próximo ao parâmetro com falha. Se o sensor falhar, acople um sensor diferente, se disponível.
2. Quando o autoteste for concluído, pressione **OK** para ir para o menu principal.
3. Para desenergizar o medidor, pressione o botão liga/desliga novamente. Na tela Confirmation (Confirmação), selecione Yes (Sim) e pressione **OK**.
Se o medidor portátil parar de responder, mantenha o botão liga/desliga pressionado por mais de 3 segundos para forçar o desligamento. Não force o desligamento quando a operação estiver normal ou quando o ícone de acesso a arquivo estiver visível.

6.1 Autoteste do instrumento

O medidor executa um autoteste de diagnóstico quando energizado. Após a conclusão do autoteste, o visor mostrará os resultados do autoteste. Pressione **OK** para ir para o menu principal.

Se o medidor for reprovado no autoteste, o visor mostrará FAIL (FALHA) ao lado do parâmetro em questão. Se o sensor falhar, acople um sensor diferente, se disponível.

6.2 Modo de suspensão

A luz de fundo do medidor é esmaecida após 30 segundos de inatividade e o modo de suspensão é ativado após 60 segundos de inatividade. Essas ações não ocorrem se o medidor estiver no modo de tempo real ou durante as medições. Após 30 minutos no modo de suspensão, o medidor é desligado.

Para cancelar o modo de suspensão, pressione qualquer tecla. O brilho do visor volta ao nível normal e todas as teclas retomam suas funções normais.

Seção 7 Manutenção

7.1 Limpar o sensor

▲ ADVERTÊNCIA



Risco de exposição a produtos químicos. Obedeça aos procedimentos de segurança laboratoriais e use todos os equipamentos de proteção individual adequados aos produtos químicos que estão sendo manipulados. Consulte as planilhas de dados de segurança (MSDS/SDS) atuais para verificar os protocolos de segurança.

Limpe o sensor quando as tendências de nível/fluxo tiverem reduções ou aumentos inesperados, e após a utilização em hidrovias com areia ou lama.

Em caso de grande contaminação, mergulhe o sensor em água limpa por alguns minutos para eliminar a contaminação com mais facilidade.

Desconecte o sensor do medidor antes de limpá-lo. Ao limpar o sensor, use apenas soluções descritas como aceitáveis em [Tabela 3](#). Em sensores com uma célula de pressão (por exemplo, sensores de profundidade e velocidade), verifique se as câmaras da célula de pressão estão lavadas e sem contaminação. Lave o sensor com água limpa antes de reconectá-lo ao conjunto.

Tabela 3 Soluções de limpeza aceitáveis e inaceitáveis

Aceitáveis	Não use
Detergente de cozinha e água	Água sanitária concentrada
Limpador de vidros	Querosene
Álcool isopropil	Gasolina
	Hidrocarbonos aromáticos

7.2 Limpar o medidor

1. Pressione o botão liga/desliga para desenergizar o medidor.
2. Use um pano limpo e úmido para limpar a parte externa do medidor. Misture água com um detergente neutro, se necessário.
3. Seque a parte externa do medidor com um pano limpo. Deixe o medidor secar naturalmente por completo antes de voltar a energizá-lo.

Observação: Não use panos à base de papel para limpar o visor. Esse tipo de pano pode causar danos à tela do visor.

7.3 Substitua a pilha

⚠ ADVERTÊNCIA



Perigo de explosão e incêndio. Este equipamento contém bateria de lítio de alta energia que pode inflamar e causar explosão ou incêndio, mesmo sem energia. Para manter a segurança proporcionada pela proteção do equipamento, a tampa de proteção do equipamento deve ser instalada e protegida com o hardware fornecido.



⚠ ADVERTÊNCIA



Risco de explosão e incêndio. Não é permitida a substituição da pilha. Use somente as pilhas fornecidas pelo fabricante do instrumento.

Substitua a bateria quando ela não segurar a carga ao ser carregada.

Observação: Se for necessário devolver o instrumento à fábrica para reparos ou manutenção, remova a bateria e a coloque em uma capa protetora antes do envio.

1. Desligue a alimentação.
2. Remova a bateria. Consulte [Instale a pilha](#) na página 73.
3. Descarte a bateria de acordo com normas nacionais, regionais e locais.
4. Instale uma nova bateria no mesmo local e com a mesma orientação. Consulte [Instale a pilha](#) na página 73.
Use somente as baterias fornecidas pelo fabricante do instrumento.
5. Instale a tampa da bateria. Certifique-se de que a tampa esteja firme no lugar a fim de manter a classificação do compartimento.
6. Troque a bateria, se necessário. Consulte a [Carregar a bateria](#) na página 74.

Seção 8 Solução de problemas

8.1 Diagnóstico

No menu principal, selecione Diagnóstico para ver informações sobre o medidor e fazer os testes de diagnóstico na [Tabela 4](#).

Tabela 4 Diagnóstico do medidor

Opção	Descrição
Sobre	Mostra informações sobre o medidor e o sensor. Inclui o número de série e a versão do firmware.
Excluir arquivos	Exclui todos os arquivos da memória para liberar espaço para novas medições. Certifique-se de que os dados tenham sido baixados para um PC antes de selecionar esta opção. O sistema reformata a memória automaticamente após a exclusão dos arquivos.
Sensor	Mostra informações de diagnóstico do sensor.
Autoteste	Instrui o medidor a fazer um autoteste para diagnóstico.
Teste do teclado	Executa o teste de qualquer botão para assegurar-se de que o botão esteja funcional.
Teste do visor	Executa o teste do visor para assegurar-se de que o visor esteja funcional.
Registro de eventos	Permite ao usuário ver, excluir ou exportar o registro de eventos. Exporte o registro de eventos para disponibilizar seu conteúdo em um arquivo acessível por meio do armazenamento em massa USB. Esta opção é usada principalmente pelo serviço na fábrica.

8.2 Erros para solução de problemas

O medidor e o sensor não contêm peças cuja manutenção possa ser feita pelo usuário. Caso receba os erros e mensagens relacionados, experimente executar a ação corretiva indicada.

Se o problema não for solucionado ou se ocorrer algum problema que não conste da lista, entre em contato com o fabricante.

Mensagem ou problema	Solução
O sensor não está conectado	Conecte um sensor e experimente realizar a ação novamente.
O valor está fora do intervalo	Altere os parâmetros de medição ou insira um valor diferente e, em seguida, experimente executar a ação novamente.
Os dados do sensor sabidamente estão incorretos ou imprecisos	Limpe o sensor e faça o teste.
O sensor não é reconhecido	Verifique a conexão do sensor. Certifique-se de que a porca de aperto na porta de conexão esteja apertado (aperte-o somente com a mão).
O visor está esmaecido ou não está visível	Pressione uma tecla no teclado.
Os dados não estão disponíveis ou não é possível acessar os dados	Certifique-se de que a opção USB (Menu principal) esteja definida como Armazenamento em massa.
O medidor não responde	Mantenha o botão liga/desliga pressionado por pelo menos 3 segundos. Isso desenergiza o medidor. Volte a energizar o medidor. <i>Observação: Não use este método para desligar quando estiver no modo normal de operação ou se o ícone de acesso a arquivo estiver visível no visor.</i>

目录

- 1 在线用户手册 第 86 页
- 2 规格 第 86 页
- 3 基本信息 第 88 页
- 4 安装 第 92 页
- 5 用户界面及导航 第 96 页
- 6 启动和自检 第 100 页
- 7 维护 第 101 页
- 8 故障排除 第 102 页

第 1 节 在线用户手册

该《基本用户手册》包含的信息少于制造商网站上提供的《用户手册》。

第 2 节 规格

产品规格如有变化，恕不另行通知。

2.1 传感器规格

规格	详细信息
流速测量	
方法	电磁
范围	0 至 6.09 米/秒 (0 至 20 英尺/秒)
最小水深	3.18 厘米 (1.25 英寸)
示值误差	读数 ± 0.015 米/秒 (± 0.05 英尺/秒) 的 $\pm 2\%$, 0 至 3.04 米/秒 (0 至 10 英尺/秒); 读数 3.04 至 4.87 米/秒 (10 至 16 英尺/秒) 的 $\pm 4\%$
分辨率	$0 \leq \text{值} < 10$: 3 个小数位; $10 \leq \text{值} < 100$: 2 个小数位; $100 \leq \text{值} < 1000$: 1 个小数位; $\text{值} \geq 1000$: 0 个小数位
零稳定性	± 0.015 米/秒 (± 0.05 英尺/秒)
材料	ABS, 玻璃填充
外壳防护等级	IP68
尺寸 (长 x 宽 x 高)	11.9 x 4.3 x 6.3 厘米 (4.7 x 1.7 x 2.5 英寸)
电缆材料	聚氨酯外壳
电缆长度	2、6.1、12.2 和 30.5 米 (6.5、20、40 和 100 英尺)
深度测量	
方法	图表类型: 采用单点刻度法的绝对压力
精度 (静态)	读数 $\pm 2\%$ 或 ± 0.015 米 (± 0.504 英寸)。稳态温度和静态不流动水。
范围	3.05 米 (0-10 英尺)
分辨率	$0 \leq \text{值} < 10$: 3 个小数位; $10 \leq \text{值} < 100$: 2 个小数位; $100 \leq \text{值} < 1000$: 1 个小数位; $\text{值} \geq 1000$: 0 个小数位

2.2 便携式仪表规格

规格	详细信息
污染等级	2
防护等级	II
充电温度	0 至 40°C (32 至 104°F)

规格	详细信息
工作温度	-20 至 55°C (-4 至 131°F)
存储温度	-20 至 60°C (-4 至 140°F)
外壳防护等级	IP67
电池寿命表	五段式条形图
电池类型	可充电锂离子电池, 3.6 V, 5.0 Ah, 18 Wh
电池寿命	18 小时典型日常重复使用 ¹ ; 20 °C (68 °F)
电池充电器	外部电源适配器, 能效 VI, 100–240 VAC, 50–60 Hz, 0.5 A 输入; 12 VDC, 1.25 A 输出
尺寸 (长 x 宽 x 高)	21.8 x 9.3 x 5.3 厘米 (8.6 x 3.7 x 2.1 英寸)
USB 连接器	Mini-B 型、5 引脚、带外壳时额定防护等级为 IP67
材料	聚碳酸酯和热塑性弹性体 (TPE) 包胶模

2.3 用户界面规格

规格	详细信息
图形显示	彩色、LCD 3.5 英寸 QVGA 半透反射式 (在阳光直接照射下可读取)
测量分辨率	0 ≤ 值 < 10: 3 个小数位; 10 ≤ 值 < 100: 2 个小数位; 100 ≤ 值 < 1000: 1 个小数位; 值 ≥ 1000: 0 个小数位
键盘	字母数字
工作模式	实时、剖面测量
剖面类型	河流、渠道
渠道形状	圆形、矩形、梯形、2/3 蛋形、2/3 倒蛋形
河流项	固定监测点、非固定监测点
噪声抑制	用户可选择, 50Hz 或 60Hz
测量单位	流速: 英尺/秒、米/秒、厘米/秒、毫米/秒
	流量: 立方英尺/秒、万加/天、加/天、加/分、立方/秒、立方米/分、立方米/时、立方米/天、升/秒、升/分
	深度: 英寸、英尺、米、厘米、毫米
河流流量计算	平均截面法或中间截面法
诊断	自检、键盘、显示、事件日志
渠道剖面法	0.9 x Vmax、0.2/0.4/0.8、流速和水位积分器、2D
河流剖面法	1、2、3、4、5 和 6 点 (速度法 - 符合 USGS 和 ISO 标准), 2 点 KREPS 法, 1 点表面流速法, 1 点和 2 点冰下测量法
文件类型	实时、剖面测量、事件日志
语言	英语、法语、西班牙语、德语、意大利语、荷兰语、丹麦语、瑞典语、中文、波兰语、日语、韩语、葡萄牙语、斯洛伐克语、俄语、匈牙利语、保加利亚语、罗马尼亚语、捷克语、土耳其语、芬兰语、希腊语

¹ 定义为 30 分钟安装, 六个 1 小时连续使用期间, 且带有活动状态的传感器和最大亮度的显示屏, 使用期间、数据下载和关机之间 30 分钟的睡眠模式。

2.4 一般技术指标

规格	详细信息
最大实时文件数	50 个，每个文件最多可让用户采集 75 个读数。
固件	传感器和便携式仪表通过 USB 可现场升级

第 3 节 基本信息

在任何情况下，对于因产品使用不当或未能遵守手册中的说明而造成的损害，制造商概不负责。制造商保留随时更改本手册和手册中描述的产品的权利，如有更改恕不另行通知或承担有关责任。修订版可在制造商的网站上找到。

3.1 安全信息

对于误用或滥用本产品造成的任何损坏，包括但不限于直接、附带和从属损害，制造商概不负责，并且在适用法律允许的最大范围内拒绝承认这些损害。用户独自负责识别重大应用风险并安装适当的保护装置，以在设备可能出现故障时保护工艺流程。

请在拆开本设备包装、安装或使用前，完整阅读本手册。特别要注意所有的危险警告和注意事项。否则，可能导致操作员受到严重伤害或设备受到损坏。




请确保产品拆开时的完整无损伤。请勿以本手册指定方式之外的其它方式使用或安装本设备。

3.1.1 危害指示标识说明

▲ 危险
表示潜在的或紧急的危险情况，如果不加以避免，将会导致死亡或严重伤害。
▲ 警告
表示潜在的或紧急的危险情况，如果不加以避免，将会导致死亡或严重伤害。
▲ 警告
表示潜在的或紧急的危险情形，可能导致轻度或中度人身伤害。
注意
表明如不加以避免可能会导致仪器损坏的情况。此信息需要特别强调。

3.1.2 警告标签

请阅读贴在仪器上的所有标签和标记。如未遵照这些安全标签的指示操作，则可能造成人身伤害或仪器损坏。仪器上的符号在手册中通过警告说明参考。

	这是安全警报标志。请遵守此标志后面的所有安全信息，以避免可能造成的伤害。如果仪器上有此标志，则请参见仪器手册，了解操作或安全信息。
	此标志指示存在静电释放（ESD）敏感的设备，且必须小心谨慎以避免设备损坏。
	标有此符号的电气设备在欧洲不能通过家庭或公共垃圾系统进行处理。请将老旧或报废设备寄回至制造商处进行处置，用户无需承担费用。

3.1.3 电磁兼容性 (EMC) 合规性

▲ 警告

本设备不适合在住宅环境中使用，在此类环境中可能无法为无线电接收提供充分的保护。

CE (EU)

该设备符合 EMC 指令 2014/30/EU 的基本要求。

UKCA (UK)

设备符合《电磁兼容性规定 2016》(S.I. 2016/1091) 的要求。

加拿大无线电干扰产生设备法规 (Canadian Radio Interference-Causing Equipment Regulation), ICES-003, A 类:

支持性测试结果在制造商处保存。

此 A 类数字设备符合加拿大由于无线电干扰所产生的设备法规的所有要求。

Cet appareil numérique de classe A répond à toutes les exigences de la réglementation canadienne sur les équipements provoquant des interférences.

FCC 第 15 部分, “A”类限制

支持性测试结果在制造商处保存。该设备符合 FCC 规定第 15 部分的要求。设备操作满足以下两个条件:

1. 本设备不会造成有害干扰。
2. 设备会接收任何干扰, 包括可能造成意外的干扰。

若未经负责出具符合声明的一方明确同意擅自对本设备进行改动或改装, 可能会导致取消用户操作该设备的权限。本设备已经过测试, 符合 FCC 规定第 15 部分中确定的 A 类数字设备限制。这些限制专门提供当设备在商业环境下工作时针对有害干扰的合理保护。该设备产生、使用和放射无线电射频能量, 如果不按照说明手册的要求对其进行安装和使用, 可能会对无线电通讯造成有害干扰。本设备在居民区工作时可能会产生有害干扰, 这种情况下用户须自行承担费用消除这种干扰。以下方法可用于减少干扰问题:

1. 断开设备的电源, 以便确定它是干扰源与否。
2. 如果设备与遭受干扰的仪器连接到相同的插座, 将设备连接到其他插座。
3. 将设备从接受干扰的仪器边上移开。
4. 重新定位受干扰仪器的接收天线。
5. 同时尝试以上多项措施。

3.2 产品概述

便携式测速系统可用于野外、实验室和化工厂。使用此系统, 您可以测量湍流、嘈杂和小流量。

当将传感器放置在流动的水中时, 传感器周围的磁场会产生与流速成比例的电压。此电压振幅可由传感器中的电极检测到并由传感器微处理器处理, 代表传感器周围的水流速度。经处理的信号将通过传感器线以数字方式传送到便携式仪表, 且有关信息会在仪表显示屏上显示。此系统包括便携式仪表、传感器、电缆和附件。

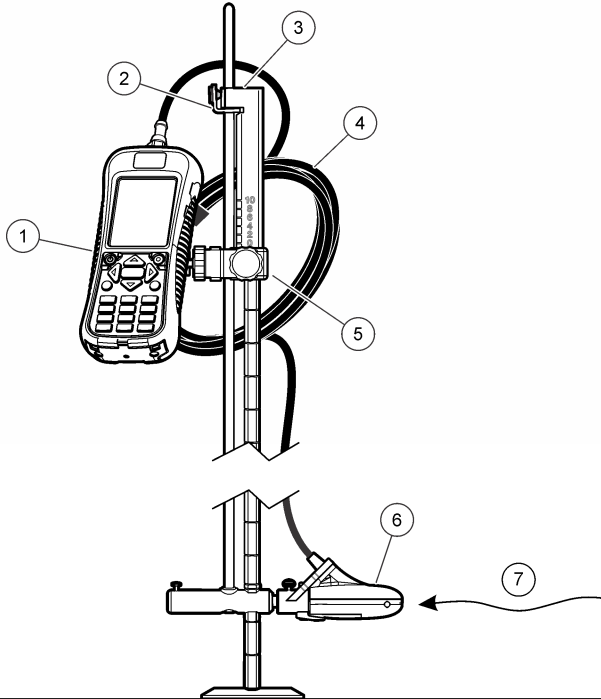
仪表和传感器可获取渠道与河流中的流速信息。这些测量信息对于市政污水行业校准及环境影响评估至关重要。

可用的传感器类型有以下两种: 仅流速以及流速和深度。本手册同时涵盖这两种传感器。如果信息适用于某种指定类型的传感器, 则会在文中说明这一事实。

3.2.1 系统概述

组装系统概述如图 1 所示。有关详细信息, 请参阅单个组件或附件随附的文档。

图 1 组装组件

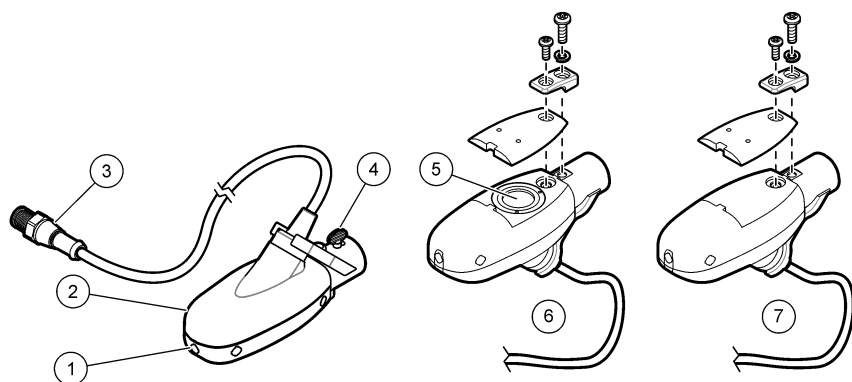


1 便携式仪表	5 便携式仪表的可调整支架
2 传感器高度锁定/释放装置	6 传感器组件
3 顶设置测流杆（附件）	7 流动方向
4 传感器电缆	

3.2.2 传感器概述

图 2 显示了主要的传感器组件。附件随附有关如何在标准或顶设置测流杆上安装传感器的说明。

图 2 传感器组件

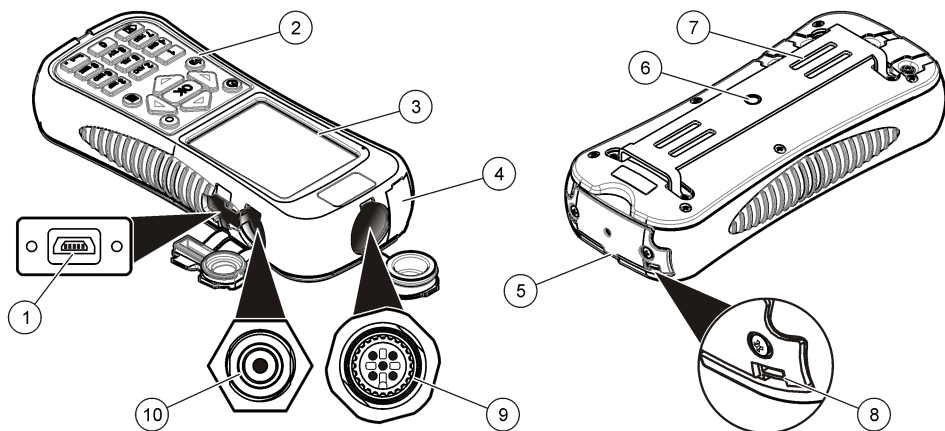


1 传感器电极	5 压敏元件（带有深度选件的传感器）
2 传感器体	6 带有深度选件的传感器
3 传感器连接插头	7 不带深度选件的传感器
4 传感器附件翼形螺钉	

3.2.3 仪表概述

图 3 显示仪表的特性。

图 3 仪表组件



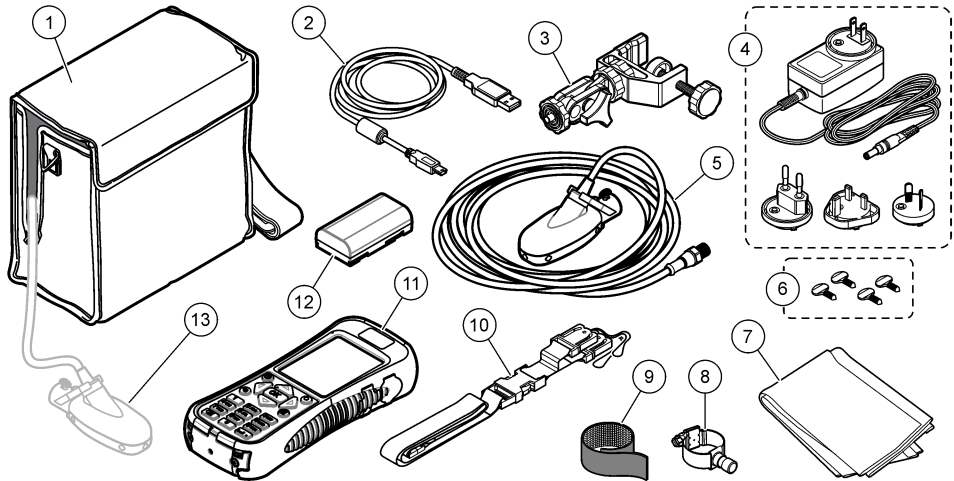
1 USB 连接端口 ²	6 可调整仪表支架的螺纹孔
2 键盘	7 尼龙搭扣或系带附件的插槽
3 仪表显示屏	8 用于颈带连接绳的插槽（2 个）
4 扩展端口（未使用）	9 传感器连接端口
5 电池盒盖	10 电池充电器连接器

² 请勿使用 USB 连接为电池充电。

3.3 产品部件

购买全套系统时，请参阅图 4 以确保您已收到所有组件。这些物品如有任何缺少或损坏，请立即与厂家或销售代表联系。

图 4 系统组件



1 便携式仪器箱（带传感器电缆存放槽）	8 通用传感器支架
2 带迷你 USB 连接器的 USB 数据线，1 m (3 ft)	9 尼龙搭扣带
3 可调整便携式仪表支架	10 系索
4 电池充电器，100–240 VAC	11 便携式仪表
5 传感器	12 锂电池组
6 额外翼形螺钉（4 个）	13 传感器（连接到箱子里的仪表）
7 用于擦干传感器的软布	

第 4 节 安装

4.1 在通用传感器支架上安装传感器


使用通用传感器支架将传感器连接到直径为 1 英寸或以下的柱上。为确保正确操作和精确读数，传感器正面必须指向上游，且电极与水流完全接触。

注： 确保传感器电极免受油脂等非导电性物质的影响。要去除传感器污物，请参阅[清洗传感器](#) 第 101 页。

1. 传感器的前面部分为圆形，并包含三个电极。传感器的背面含有一个安装孔，顶部有一个翼形螺钉。将通用支架的安装轴放入传感器背面的安装孔。确保安装轴与安装孔完全啮合，且翼形螺钉与凹槽啮合。
2. 用手紧固翼形螺钉。
3. 将直径为 1 英寸或以下的柱穿过通用传感器支架的夹具。紧固夹具。


注： 附件随附有关如何在标准或顶设置测流杆上安装传感器的说明。


4.2 锂电池安全性

▲ 警告	
	火灾和爆炸危险。如果暴露在不当条件下，锂电池可能变热、爆炸或起火，并导致严重伤害。

- 如果目视检查发现电池损坏，切勿使用该电池。
- 如果电池遭受强烈冲击或振动，切勿使用该电池。
- 请勿将电池投入火中。
- 请将电池保存在温度低于 60 °C（140 °F）的环境中。
- 请保持电池干燥，远离水源。
- 防止电池正极端子与负极端子相连。
- 切勿允许未经许可的人员触碰电池。
- 请遵循当地、地区和国家法规弃置电池。
- 请勿在阳光直接照射、靠近热源或高温环境下（如阳光直接照射下全封闭的车辆中）使用或储存本仪器。

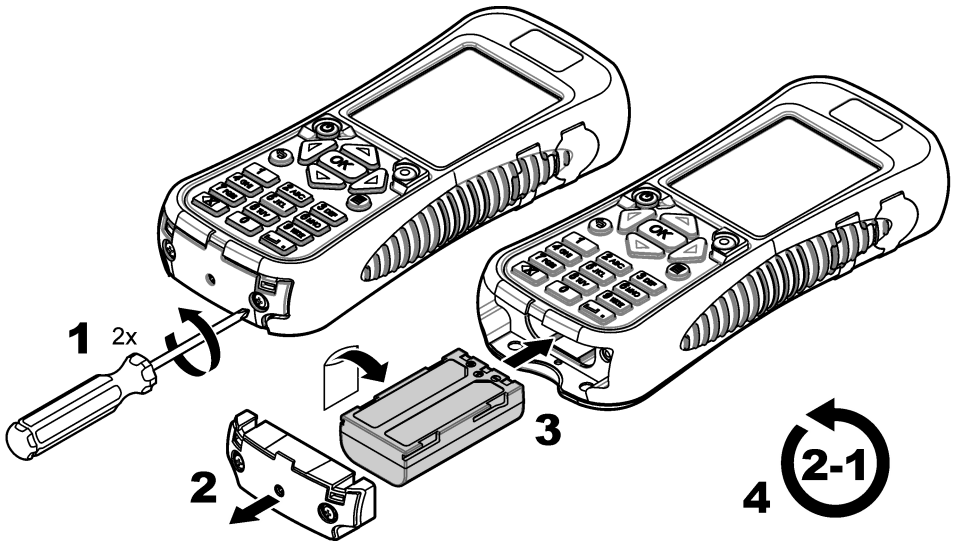
4.3 安装电池

▲ 警告	
	火灾和爆炸危险。本设备配备高能量锂电池，这种电池即使在没有电量的情况下也能点燃并引起火灾或爆炸。为了维持仪器外壳提供的安全性，必须使用随附的紧固件来安装和固定仪器外壳盖。

▲ 警告	
	爆炸和火灾危险。不得使用替代电池。仅使用由仪器制造商提供的电池。

如 图 5 所示安装提供的锂电池。

图 5 安装电池



4.4 给电池充电

注：不得使用替代电池充电器。仅限使用仪器的部件和附件列表中指定的充电器。请参阅手册扩充版本中的“更换部件和附件”。

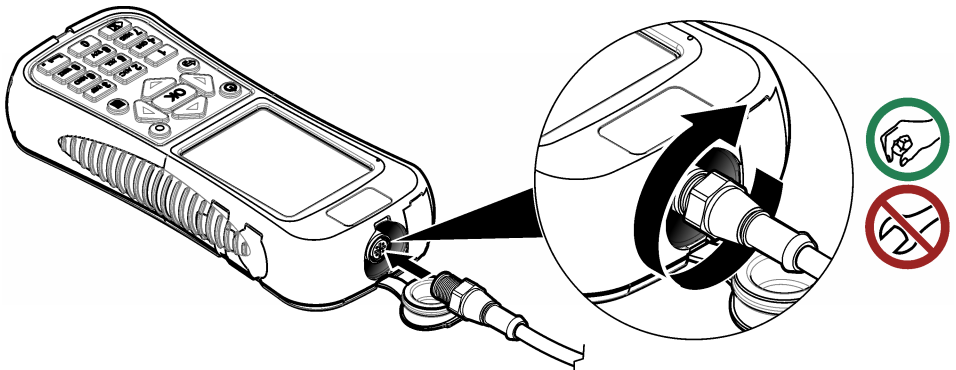
首次使用之前，使用提供的电池充电器为仪器电池充满电。完全放电的电池充满电需要约 8 小时。

1. 确保电池充电器上已安装适用于当地国家/地区的正确插头类型。
2. 将电池充电器连接至带接地的电源插座。
3. 将电池充电器连接至仪器上的电池充电器连接器。请参阅 [仪表概述](#) 第 91 页。电池电量显示在显示屏上。

电池充电时，充电接口附近会亮蓝灯。充电过程完成后，蓝灯熄灭。

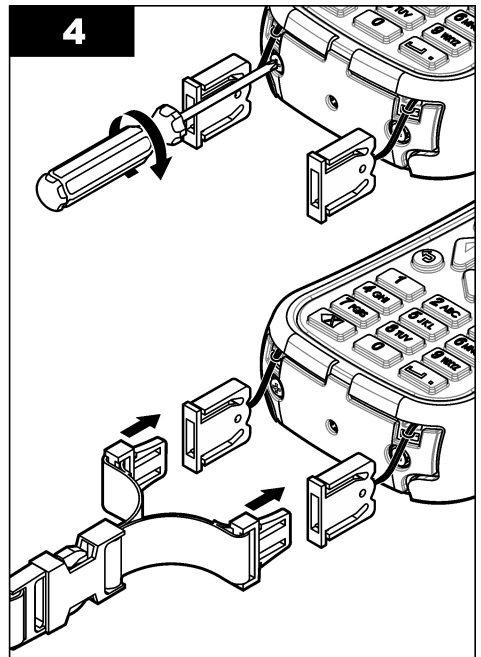
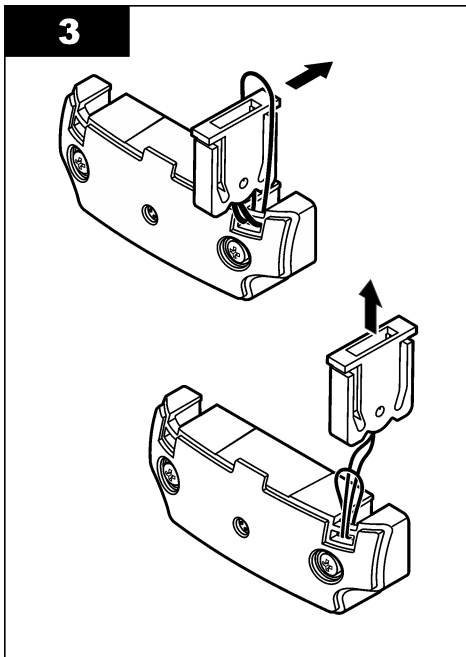
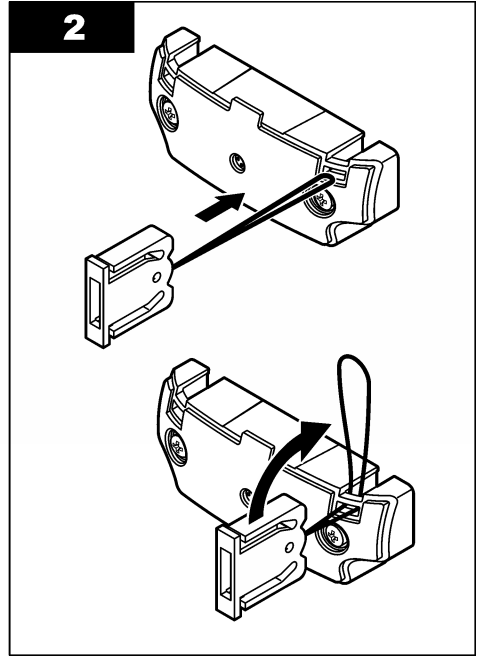
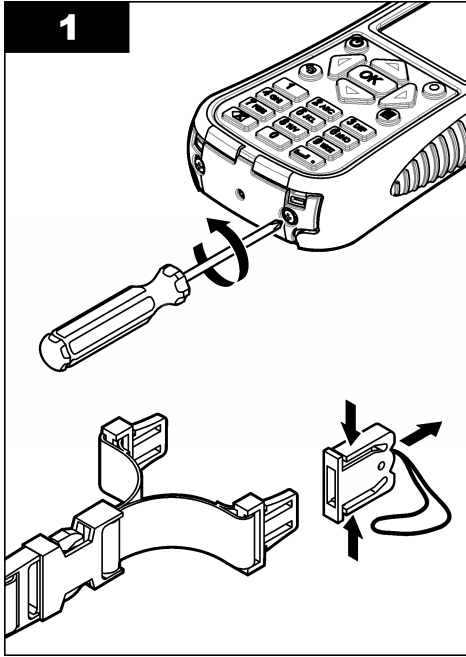
注：电池充电时，仪表不会运行。电池无法通过 USB 电缆连接进行充电。

4.5 将传感器连接到仪表



4.6 系上系索

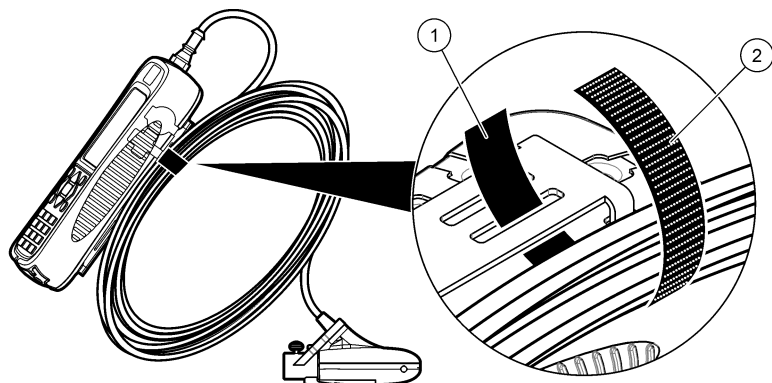
系上系索以便将仪表安全地佩戴在脖子上。



4.7 系上尼龙搭扣带

使用尼龙搭扣带固定多余的绳索。请参阅图 6。

图 6 系上尼龙搭扣带



1 圈面

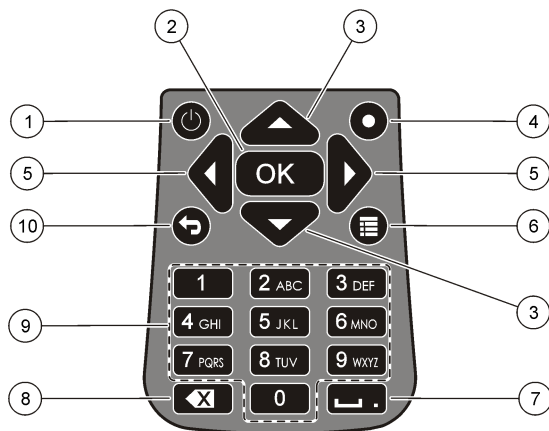
2 钩面

第 5 节 用户界面及导航

5.1 键盘和键功能

图 7 显示仪表键盘。表 1 提供每个键或键类型的功能。

图 7 键盘



1 电源开/关	6 主菜单
2 确定	7 下划线或小数点
3 上下箭头	8 退格
4 快速跳转	9 字母数字
5 左右箭头	10 上一个菜单

表 1 键说明

键	说明
电源开/关	仪表通电和断电。
确定	确认某个条目或突出显示的菜单项。
上下箭头	在显示屏中向上或向下移动。在光标位于显示屏顶部或底部时，如果按下“向上”或“向下”箭头，光标会跳转到底部或顶部。
快速跳转	在正常工作模式下，按下此按钮将跳转到“选择渠道形状”屏幕。在剖面测量模式中，快速跳转键被禁用。 如果自动归零功能已禁用，则按住此按钮五秒钟会执行深度传感器的手动归零。 在“实时”模式下，按下“快速跳转”按钮可在数字视图与图形视图之间切换。
左右箭头	在显示屏中向右或向左移动。
主菜单	从任何子菜单或屏幕移到“主菜单”。
下划线或小数点	插入下划线或十进制字符。在只允许数值型的字段中，此键会自动在光标位置插入小数点。
退格	将光标向后移动一个位置。
字母数字	插入键字母值或数值。值会按键上显示的顺序插入。2 秒后，显示屏上显示的值便会存储，而光标则向前移动。
上一个菜单	移到上一个屏幕。

5.2 状态栏

状态栏显示在显示屏顶部。表 2 中提供了状态栏中信息的说明。

表 2 状态栏指示器

指示器	说明
时间和日期	显示当前时间和日期。
USB	在连接 USB 电缆时显示。如果已连接 USB 电缆，但状态栏中未显示此指示器，则 USB 电缆未完全啮合。确保 USB 电缆完全插入，并与连接端口完全接触。
传导率	如果传感器不在水中且不具有传导性，则电池图标旁边会显示蓝色圆圈。如果传感器在水中且具有传导性，则此指示器为实心蓝色圆圈。
电池	五段式条形图显示电池电量。
文件访问	在仪表访问文件时显示。
自动将深度指示器归零	如果过去 30 分钟内深度传感器已归零，则“传导率”指示器旁边会显示实心的绿色圆形。如果过去 30 分钟内深度传感器未归零，则此指示器会以红色闪烁。

5.3 导航和主菜单

按下“确定”，以确认所选的菜单选项或显示屏中显示的值。选择“更多”并按下“确定”可查看更多屏幕和选项（如果可用）。按下“主菜单”按钮，可从子菜单进入“主菜单”。

注：只有在将传感器连接到仪表时，部分操作才能完成。如果在未连接任何传感器时尝试这些操作，则显示屏会显示错误消息。连接传感器，然后再次尝试操作。

- 实时** — 选择此选项可获取实时的流速和深度信息。（需要具有深度功能的传感器才能读取深度）。如图 8 所示是仅具有流速功能的传感器的“实时”屏幕示例。同时具有流速和深度功能的传感器的实时屏幕如图 9 所示。所显示的信息和选项的格式取决于所使用的传感器类型。在“实时”模式下，按下“快速跳转”按钮可在实时信息的数字视图与图形视图之间切换。在 FPA 过滤器模式下，流

速会根据固定期间平均值时间进行更新。在 RC 过滤器模式下，屏幕上的流速会每 250 毫秒持续更新。

选项	说明
捕获数据	将显示的深度和流速信息存储在内存中。除非发生下列情况，否则信息会一直保存：电源中断、内存保存到非易失性实时文件或用户退出实时模式。
保存	将易失性内存中已捕获的测量结果保存到非易失性实时文件。如果文件的个数超过允许的最大个数，则会显示一则消息。文件将以制表符分隔格式 (.tsv) 存储。
完成或确定	退出实时模式并返回到“主菜单”。如果易失性内存中有未保存的数据，则会显示一则确认消息，要求用户确认是否要退出而不保存数据。
清除	将已捕获的测量结果从易失性内存缓冲区中清除。用户可以从“清除上一个”、“全部清除”或“取消”三个选项中选择一个。
设置	<p>可让用户修改主过滤器参数，还可让用户启用并编制“最大深度”传感器定位功能。“最大深度”功能可让用户输入“实时”模式下深度测量的系统参数。用户可以选择输入直接通过标尺测量（手动）测得的最大深度值，或者也可以输入间接通过深度测量（自动）测得的最大深度值。这两种方法均已启用“最大深度”传感器定位功能。</p> <p>在自动模式设置下，用户可直接输入河道底部到传感器支架底部的距离（偏离值）。设置界面将一直显示传感器当前返回的深度值加以偏离值。按下“确定”按钮后，仪表会将这个值存储为“最大深度”。在所有其他情况下，所显示的深度值不包括偏离值。</p> <p>需要具有流速和深度功能的传感器才能使用“最大深度”功能。</p>
文件或查看	显示存储在非易失性内存中的每个实时文件的摘要。您可以单独查看和删除各个文件。

图 8 实时屏幕

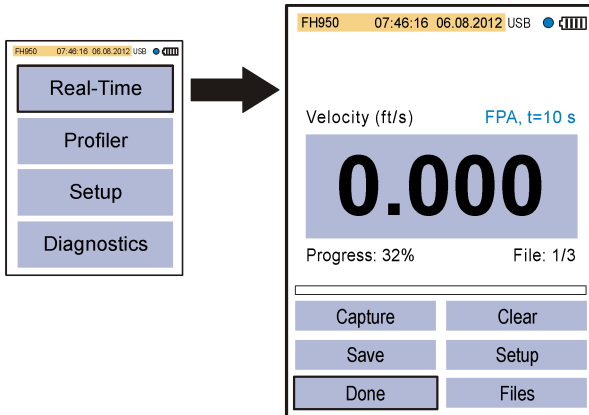
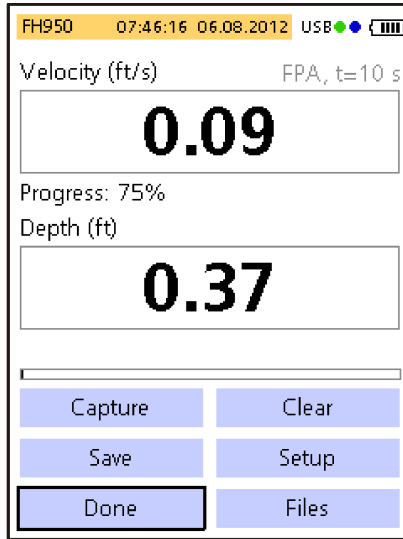


图 9 具有深度功能的传感器的实时屏幕



2. **剖面仪** — 选择此选项可进行河流或渠道流速测量。如果需要用户输入，则仪表会显示提示。以 1% 分辨率显示剩余内存的百分比。有关剖面的详细信息，请参阅手册扩充版本。

选项 说明

- 河流** 此选项用于设置河流或流输河道的剖面。进行流速测量，以根据 ISO 748 或 USGS 的中间截面法或平均截面法标准计算总流量。
- 渠道** 此选项用于设置渠道的剖面。
- 文件** 此选项用于查看或删除已存储的文件。您可以一次性删除所有文件，或者也可以逐个删除。
- 设置** 此选项用于设置或更改过滤器参数和“最大深度”功能的设置。

3. **设置** — 选择此选项可更改系统常规设置和首选项。



选项 说明

- 流速校准** 校准传感器。将现场偏移量添加至出厂校准值。有关详细信息，请参阅手册扩充版本中的附录。
- 过滤器参数** 应用数据采集过滤器（主过滤器或预过滤器）。用户可以选择过滤器参数。
- 主过滤器**
- 固定期间平均值 (FPA)—固定期间平均值可对用户可选固定时间段内（1 至 480 秒）的数据求平均值。默认值为 10 秒。如果 FPA 值为 5，则显示屏所显示的流速值每 5 秒钟会更新一次。
 - RCA 时间常数—RC 过滤器有助于消除在过滤器算法中使用所选时间常数过程中的波动。在搜索最大流速时（例如，在常用 $0.9 \times V_{max}$ 剖面法中），此模式非常实用。RC 过滤器时间常数越大，则平滑度越高。时间常数可以设为 2 至 20 秒，默认值为 6 秒。在时间常数为 1 时，过滤器可达到最终值的约 60%。在时间常数为 5 时，过滤器可达到最终值的约 99.9%。因此，如果 RC 值设为 2，则最终值会在 10 秒后显示。
- 预过滤器**
- 中值过滤器—过滤过程在传感器中完成。此功能可以禁用。但是，推荐值（默认值）为 5。启用此功能可输入或更改这个值。
- 干度/湿度阈值** 设置湿态和干态条件下的传感器浸没阈值。默认值为 20%。有关详细信息，请参阅手册扩充版本中的附录。

选项	说明
自动将深度归零	<p>将“自动归零”功能设置为“开”或“关”。</p> <p>如果设置为“开”，则将传感器从水中取出并置于空气中时，仪器会执行空气校准。为了执行空气校准，仪器会自动将传感器归零。</p> <p>如果设置为“关”，用户可以手动将传感器归零。若要执行此操作，请将传感器从流水中取出，然后按住“快速跳转”按钮五秒钟。</p> <p>如果传感器置于流水中已达 30 分钟，则右上角的绿色圆形会由绿色变为红色。这是为了提示用户取出传感器并再次将其归零。</p>
EMI	将环境噪声抑制的本地线路频率设为 50 Hz 或 60 Hz（默认值）。
时钟	以 24 小时制设置便携式仪表的日期和时间。不支持夏时制。
USB	<p>设置 USB 模式。</p> <ul style="list-style-type: none"> 大容量存储器（默认）— 此模式的工作方式类似于记忆棒或硬盘驱动器。文件为只读。 CDC — 此模式用于更新固件。
语言	选择菜单所使用的语言。
单位	设置流速、流量和深度测量的单位。选项包括“公制”或“英制”（默认值）。
蜂鸣器	<p>“开”（默认值）或“关”。如果设置为“开”，仪表会在以下情况下发出声音：</p> <ul style="list-style-type: none"> 对于适用的剖面法，传感器处于正确的深度。 95% 的测量时间完成（剖面仪模式）。 任何菜单中的非活动按钮被按下。 <p>此功能仅适用于可选购的深度传感器。</p>
流量计算	选择开阔水域（仅限河流剖面）的流量计算方法。选项包括“平均截面法”或“中间截面法”。有关详细信息，请参阅手册扩充版本中的附录。
监测点条目	<ul style="list-style-type: none"> 固定 — 操作人员输入待测量河流的宽度和监测点数目。仪表会将横截面分为等间距的站线。 非固定（默认值）— 操作人员选择站线之间的间距。这是更常用的选项，因为它可让操作人员在横截面中包括障碍物和其他限制。 固定和非固定 - 操作员选择参考平面进行深度测量。值：顶部或底部。
恢复默认值	将所有仪表选项设置为出厂默认值。

4. **诊断**—选择此选项可排除仪表或连接的传感器出现的问题。有关诊断选项的详细信息，请参阅**诊断**第 102 页。

第 6 节 启动和自检

▲ 危险	
	化学或生物危害。如果该仪器用于监测处理过程和/或化学品添加系统，但是存在与公共健康、公共安全、食品或饮料制造或加工有关的相应监管限制和监测要求，则仪器的使用者有责任了解并遵守所有适用的法规，并应建立足够和适当的机制，确保在仪器发生故障时也不会违法这些法规。
▲ 警告	
	有火灾和爆炸危险。请勿在阳光直接照射、靠近热源或高温环境下（如阳光直接照射下全封闭的车辆中）使用或储存本仪器。如果未采取此预防措施，则可能使电池过热，并导致火灾或爆炸。

电池必须安装在仪表中，并在使用前对电池充电。有关电池安装和更换的详细信息，请参阅**安装电池**第 93 页。有关如何为电池充电详细信息，请参阅**给电池充电**第 94 页。

注： 电池充电时，仪表不会运行。

1. 按下仪表电源按钮，直至听到哔的一声。

仪表会进行自检，并且显示屏会显示结果。如果仪表自检失败，则显示屏会在失败参数旁边显示“失败”。如果传感器发生故障，请连接其他传感器（如可用）。

2. 自检完成后，按下“确定”以进入“主菜单”。
3. 要切断仪表电源，请再次按下电源按钮。在“确认”屏幕中，选择“是”并按下“确定”。
如果便携式仪表没有响应，请按住电源按钮超过 3 秒以强制关闭电源。在正常操作或文件访问图标可见时，请勿强制关闭电源。

6.1 仪器自检

仪表在通电时会进行诊断自检。自检完成后，显示屏会显示自检结果。按下“确定”以进入“主菜单”。如果仪表自检失败，则显示屏会在相关参数旁显示“失败”。如果传感器发生故障，请连接其他传感器（如可用）。

6.2 睡眠模式

仪表背光灯在 30 秒不活动后将变暗，并在 60 秒不活动后进入睡眠模式。如果仪表处于实时模式或仪表正在进行测量，则不会发生这些动作。进入睡眠模式 30 分钟后，仪表电源将关闭。

要取消睡眠模式，请按下任何键。显示屏亮度将恢复正常水平，且所有键将恢复其正常功能。

第 7 节 维护

7.1 清洗传感器

▲ 警告



化学品暴露风险。遵守实验室安全规程，穿戴适用于所处理化学品的所有个人防护装备。有关安全规程，请参阅当前安全数据表 (MSDS/SDS)。

下列情况下请清洗传感器：流量趋势或水位趋势发生意外上升或下降；在布满泥沙的水道中使用。

如果传感器受到严重污染，请将其浸泡在清水中几分钟，以便易于清除污染物。

清洗传感器之前，请断开传感器与仪表的连接。仅使用表 3 中列为可接受的清洁剂来清洗传感器。对于带有压敏元件的传感器（即流速和深度传感器），请确保压敏元件室的孔清洗干净并且没有污染物。将传感器重新连接到组件之前，用清水冲洗传感器。

表 3 可接受和不可接受的清洁剂



可接受	请勿使用
碗碟洗涤剂和水	浓缩漂白剂
玻璃清洗剂	煤油
异丙醇	汽油
	芳香烃

7.2 清洁仪表

1. 按下电源按钮以切断仪表电源。
2. 使用干净的湿布清洁仪表外部。如有必要，请在水中加入温和的洗涤剂。
3. 请用清洁布擦干仪表外部。待仪表完全自然风干后，再重新上电。

注： 请勿使用纸巾来清洁显示屏。此类布可能导致显示屏受损。

7.3 更换电池

▲ 警告	
	火灾和爆炸危险。本设备配备高能量锂电池，这种电池即使在没有电量的情况下也能点燃并引起火灾或爆炸。为了维持仪器外壳提供的安全性，必须使用随附的紧固件来安装和固定仪器外壳盖。
▲ 警告	
	爆炸和火灾危险。不得使用替代电池。仅使用由仪器制造商提供的电池。

当电池在充电后无法蓄存电力时，应更换电池。

注： 如果仪器必须返回工厂进行维修或维护，请在运送前取出电池，并将电池放入保护盖中。

1. 将电源设置为关闭。
2. 取出电池。请参阅[安装电池](#) 第 93 页。
3. 请遵循当地、地区和国家法规弃置电池。
4. 在相同位置并按相同方向安装新电池。请参阅[安装电池](#) 第 93 页。
仅使用由仪器制造商提供的电池。
5. 安装电池盖。确保电池盖安装牢固以保持防护等级。
6. 在必要时给电池充电。请参阅[给电池充电](#) 第 94 页。

第 8 节 故障排除

8.1 诊断

在“主菜单”中，选择“诊断”可查看关于仪表的信息，并进行[表 4](#) 中的诊断测试。

表 4 仪表诊断

选项	说明
关于	显示关于仪表和传感器的信息。包括序列号和固件版本。
删除文件	删除内存中的所有文件，以为新测量腾出空间。选择此选项前，请确保数据已下载至电脑。文件删除后，系统会自动重新格式化内存。
传感器	显示关于传感器的诊断信息。
自检	使仪表进行诊断自检。
键盘测试	测试任何按钮，以确保按钮可正常运作。
显示测试	测试显示，以确保显示正常运作。
事件日志	让用户可查看、删除或导出事件日志。导出事件日志，使有关内容成为通过 USB 大容量存储器可访问的文件。此选项主要供工厂维修使用。

8.2 排除错误

仪表和传感器不含用户可维修的部件。对于列出的错误和信息，请尝试纠正措施。

如果问题仍无法解决或发生列表中未列出的问题，请与制造商联系。

消息或问题	解决方案
未连接传感器	连接传感器，然后再次尝试操作。
值超出范围	更改测量参数或输入不同的值，然后再次尝试操作。
传感器数据不正确或不准确	清洗传感器并测试。
未识别到传感器	检查传感器连接。确定连接端口上的锁定螺母已拧紧（只需用手拧紧）。
显示屏变暗或不显示	按下键盘上的任意键。
数据不可用或无法访问数据	确定 USB 选项（主菜单）已设为“大容量存储器”。
仪表没有反应	按住电源按钮至少 3 秒。此操作将切断仪表的电源。重新对仪表上电。 注： 在正常操作或文件访问图标在显示屏中可见时，请勿使用此方法关闭电源。

目次

- | | |
|----------------------|--------------------------------|
| 1 オンライン取扱説明書 104 ページ | 5 ユーザーインターフェースとナビゲーション 114 ページ |
| 2 仕様 104 ページ | 6 起動および自己試験 119 ページ |
| 3 一般情報 106 ページ | 7 メンテナンス 120 ページ |
| 4 設置 110 ページ | 8 トラブルシューティング 121 ページ |

第 1 章 オンライン取扱説明書

本取扱説明書は、製造元 Web サイトにある取扱説明書よりも記載される情報が少なくなっています。

第 2 章 仕様

この仕様は予告なく変更されることがあります。

2.1 センサの仕様

仕様	詳細
速度測定	
方法	電磁
範囲	0~6.09 m/s(0~20 ft/s)
最小水深	3.18 cm(1.25 in.)
精度	読み取り値の $\pm 2\% \pm 0.015$ m/s (± 0.05 ft/s) 0~3.04 m/s (0~10 ft/s)。読み取り値の $\pm 4\%$ 3.04~4.87 m/s (10~16 ft/s)
解決方法	0 ≤ 値 < 10 (小数点以下 3 桁)、10 ≤ 値 < 100 (小数点以下 2 桁)、100 ≤ 値 < 1000 (小数点以下 1 桁)、値 ≥ 1000 (小数点以下は無し)
ゼロ安定性	± 0.015 m/s(± 0.05 ft/s)
材質	ABS、ガラス充填
筐体保護等級	IP68
寸法(奥行き x 幅 x 高さ)	11.9 x 4.3 x 6.3 cm(4.7 x 1.7 x 2.5 インチ)
ケーブル材質	ポリウレタンジャケット
ケーブル長	2、6.1、12.2、30.5 m(6.5、20、40 および 100 フィート)
深度測定	
メソッド	ダイアフラムタイプ:1 点校正の絶対圧力
精度(静的)	読み取り値の $\pm 2\%$ または ± 0.015 m (± 0.504 インチ)のいずれか大きい方 定常状態の温度および静的非フロー水
範囲	3.05 m (0~10 フィート)
表示桁数	0 ≤ 値 < 10 (小数点以下 3 桁)、10 ≤ 値 < 100 (小数点以下 2 桁)、100 ≤ 値 < 1000 (小数点以下 1 桁)、値 ≥ 1000 (小数点以下は無し)

2.2 携帯型メーター仕様

仕様	詳細
汚染度	2
保護クラス	II
充電温度	0~40 °C(32~104 °F)

仕様	詳細
動作温度	-20~55 °C (-4~131 °F)
保管温度	-20~60 °C(4~140°F)
筐体保護等級	IP67
バッテリー寿命ゲージ	5 セグメントバーグラフ
バッテリーの種類	再充電可能リチウムイオン、3.6 V、5.0 Ah、18 Wh
バッテリー稼働時間	1 日 18 時間の過酷使用 ¹ ;20 °C(68°F)
バッテリー充電器	外部電源アダプタ、エネルギー効率 VI、100 ~ 240 VAC、50 ~ 60 Hz、0.5 A 入力; 12 VDC、1.25 A 出力
寸法 (奥行き x 幅 x 高さ)	21.8 x 9.3 x 5.3 cm(8.6 x 3.7 x 2.1 インチ)
USB コネクタ	タイプミニ B、5 ピン、キャップ付きで IP67 定格
材質	熱可塑性エラストマー(TPE)被覆モールドポリカーボネート

2.3 ユーザーインターフェイス仕様

仕様	詳細
グラフィック表示	カラー、LCD 3.5 インチ QVGA 半透過型 (直射日光で読み取り可能)
測定分解能	0 ≤ 値 < 10 (小数点以下 3 桁)、10 ≤ 値 < 100 (小数点以下 2 桁)、100 ≤ 値 < 1000 (小数点以下 1 桁)、値 ≥ 1000 (小数点以下は無し)
キーパッド	英数字
動作モード	リアルタイム、プロファイリング
プロファイルタイプ	ストリーム、導管
導管の形状	円形、四角形、台形、2/3 卵形、反転 2/3 卵形
ストリームエントリー	固定、非固定ステーション
ノイズリジェクション	ユーザー選択、50Hz または 60Hz
測定単位	速度: ft/s, m/s, cm/s, mm/s フロー: ft ³ /sec, million gal/day, gal/day, gal/min, m ³ /s, m ³ /min, m ³ /hour, m ³ /day, liters/s, liters/min 深度: in., ft, m, cm, mm
ストリームフロー計算	平均セクション法または中間セクション法
診断	自己診断、キーパッド、ディスプレイ、イベントログ
導管プロファイル法	0.9 x Vmax, 0.2/0.4/0.8、速度およびレベルのインテグレータ、2D
ストリームプロファイル法	1、2、3、4、5、6 ヶ所 (速度法 - USGS および ISO)、2 ヶ所 KREPS 法、1 ヶ所表面法、1 ヶ所および 2 ヶ所水法
ファイルタイプ	リアルタイム、プロファイリング、イベントログ
言語	英語、フランス語、スペイン語、ドイツ語、イタリア語、オランダ語、デンマーク語、スウェーデン語、中国語、ポーランド語、日本語、韓国語、ポルトガル語、スロバキア語、ロシア語、ハンガリア語、ブルガリア語、ルーマニア語、チェコ語、トルコ語、フィンランド語、ギリシャ語

¹ 設定に 30 分、センサをアクティブにしてディスプレイは最大輝度で使用期間の間に 30 分のスリープモード、データダウンロードおよび電源オフで 1 時間周期の連続使用を 6 回と定義。

2.4 一般仕様

仕様	詳細
リアルタイムファイルの最大数	各 50、ユーザーによる測定値最大 75 件
ファームウェア	センサと携帯型メーターは USB 経由でフィールドアップグレード可能です。

第 3 章 一般情報

いかなる場合も、製造元は、製品の不適切な使用またはマニュアルの指示に従わなかったことに起因する損害について責任を負いません。製造元は、通知または義務なしに、随時本マニュアルおよび製品において、その記載を変更する権利を有します。改訂版は、製造元の Web サイト上にあります。

3.1 安全情報

メーカーは、本製品の目的外使用または誤用に起因する直接損害、偶発的損害、結果的損害を含むあらゆる損害に対して、適用法で認められている範囲で一切責任を負わないものとします。ユーザーは、適用に伴う危険性を特定したり、装置が誤作動した場合にプロセスを保護するための適切な機構を設けることに関して、全責任を負うものとします。

この機器の開梱、設定または操作を行う前に、このマニュアルをすべてよく読んでください。危険、警告、注意に記載されている内容をよく読み、遵守してください。これを怠ると、使用者が重傷を負う可能性、あるいは機器が損傷を受ける可能性があります。

この機器による保護機能が損なわれていないことを確認してください。この装置は本マニュアルで指定されている方法以外の方法で使用したり、取り付けたりしないでください。

3.1.1 危険情報

▲ 危険

回避しないと死亡または重傷につながる潜在的または切迫した危険な状況を示します。

▲ 警告

回避しなければ、死亡または重傷につながるおそれのある潜在的または切迫した危険な状況を示します。

▲ 注意




軽傷または中程度のけがをする事故の原因となる可能性のある危険な状況を示します。

告知

回避しなければ、本製品を損傷する可能性のある状況や、特に強調したい情報を示します。特に強調する必要がある情報。

3.1.2 使用上の注意ラベル

測定器上に貼付されたラベルや注意書きを全てお読みください。これに従わない場合、人身傷害や装置の損傷につながるおそれがあります。測定器に記載されたシンボルは、使用上の注意と共にマニュアルを参照してください。

	これは安全警報シンボルです。潜在的な障害を避けるためにこのシンボルのすべて安全メッセージに従ってください。装置上では、作業または安全情報に関しては取り扱い説明書を参照してください。
	このシンボルは、静電気放電 (ESD) に敏感なデバイスがあることと、機器の破損を防止する措置をとる必要があることを示しています。
	このシンボルが付いている電気機器は、ヨーロッパ域内または公共の廃棄処理システムで処分できません。古くなったり耐用年数を経た機器は、廃棄するためにメーカーに無償返却してください。

3.1.3 電磁両立性(EMC)コンプライアンス

▲ 注意

本機器は、住宅環境での使用を意図しておらず、そのような環境ではラジオの聴取に対する十分な保護が得られない可能性があります。

CE (EU)

装置は EMC 指令 2014/30/EU の必須要件を満たしています。

UKCA (UK)

本装置は、Electromagnetic Compatibility Regulations 2016 (S.I. 2016/1091)の要件を満たしています。

カナダ電波妨害装置規則、ICES-003、クラス A:

これを裏付けるテスト記録はメーカーにあります。

このクラス A デジタル装置は、カナダの障害発生機器規則の要件をすべて満たしています。

Cet appareil numérique de classe A répond à toutes les exigences de la réglementation canadienne sur les équipements provoquant des interférences.

FCC PART 15、クラス「A」 限度値

これを裏付けるテスト記録はメーカーにあります。この機器は FCC 規則のパート 15 に準拠します。この機器の動作は以下の条件を前提としています:

1. この装置が有害な干渉の原因とならないこと。
2. この装置が望ましくない動作の原因となる可能性のある干渉を含めた、いかなる干渉にも対応しなければなりません。

これらの規格への準拠に責任を持つ当事者による明示的承認を伴わずにこの装置に対する改変または改造を行うと、ユーザーはこの機器を使用する権限を失う可能性があります。この装置は、FCC 規則のパート 15 に従って、クラス A のデジタル機器の制限に準拠することが試験によって確認されています。これらの制限は、この機器が商用の環境で使用されたときに、有害な干渉から適切に保護することを目的に設定されています。この機器は、無線周波数エネルギーを生成および使用するもので、取扱説明書に従って取り付けおよび使用しない場合にはそれを放射する場合があります。無線通信に対して有害な干渉を発生させる可能性があります。住宅地域における本装置の使用は有害な電波妨害を引き起こすことがあり、その場合ユーザーは自己負担で電波妨害の問題を解決する必要があります。干渉の問題を軽減するために以下の手法が利用可能です。

1. 装置から電源を取り外して、装置が干渉源かどうかを確認します。
2. 装置が干渉を受けている装置と同じコンセントに接続されている場合は、装置を別のコンセントに接続してください。
3. 妨害を受けている装置から本装置を離します。
4. 干渉を受けるデバイスの受信アンテナの位置を変更します。
5. 上記の措置を組み合わせます。

3.2 製品概要

携帯型速度システムはフィールド、研究所、および自治体で使用されます。乱流でノイズの多い低速フローはこのシステムで測定可能です。

センサが流水に置かれると、センサの周囲の磁界が流速に比例する電圧を発生します。センサの周りの水の流れる速度を表す電圧振幅はセンサの電極で検出されて、センサ内のマイクロプロセッサで処理されます。処理された信号はセンサケーブルを通してデジタル的に携帯型メーターに伝送され情報がメーターディスプレイに表示されます。システムには携帯型メーター、ケーブルとアクセサリ付きのセンサが含まれます。

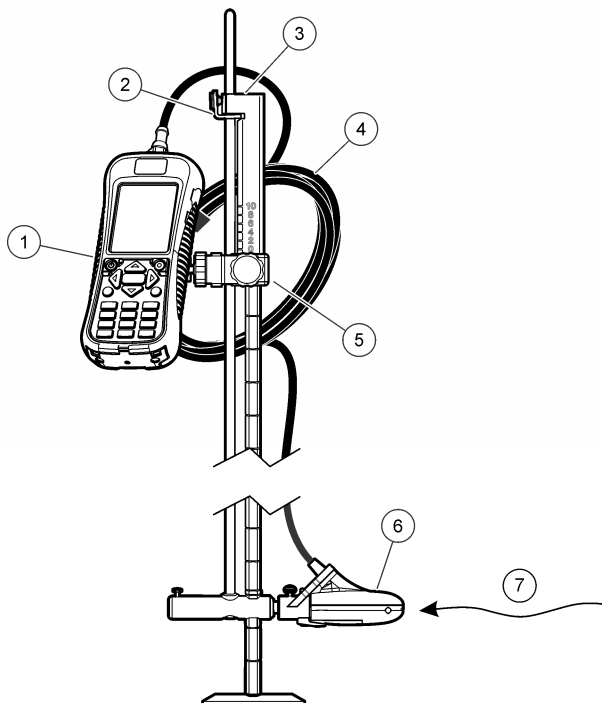
メーターとセンサは導管とストリーム内の速度情報を得ます。これらの測定は自治体の廃水産業の校正および環境インパクト評価に対して重要です。

2つのタイプのセンサを利用可能:速度専用と速度プラス深度このマニュアルは両方のタイプのセンサをカバーしています。情報が特定のタイプにのみ適用される場合は、このことはテキストに記述されます。

3.2.1 システムの全体図

組み立てられたシステムの概要は図 1 に示されています。詳細は個別の構成部品またはアクセサリに添付されるドキュメントを参照してください。

図 1 組み立てられた構成部品

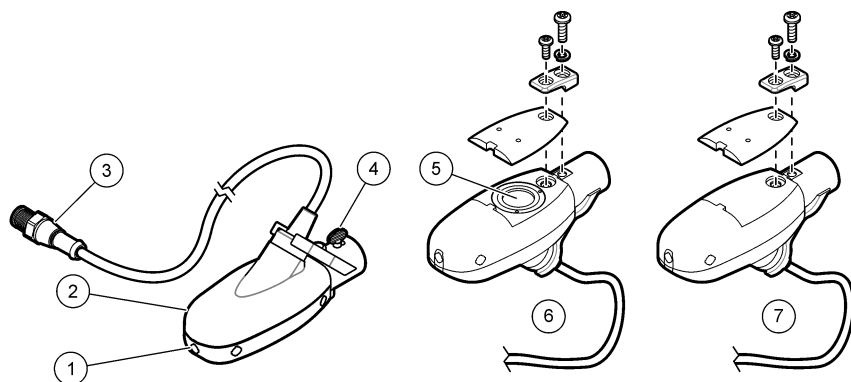


1 携帯型メーター	5 携帯型メーター用の調整可能マウント
2 センサの高さを固定/解放するデバイス	6 センサアセンブリ
3 上部設定流速測定用竿 (アクセサリ)	7 フローの方向
4 センサケーブル	

3.2.2 センサの概要

図 2 はセンサの主な構成部品を示しています。センサを標準または上部設定の流速測定用竿に取り付ける方法の説明はアクセサリに添付されています。

図 2 センサ構成部品

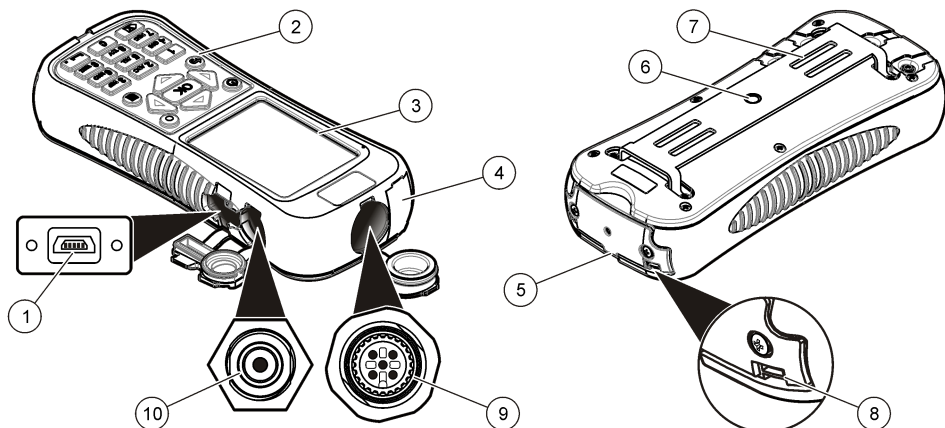


1 センサ電極	5 圧力セル(深度オプションを備えたセンサ)
2 センサ本体	6 深度オプションを備えたセンサ
3 センサ接続プラグ	7 深度オプションのないセンサ
4 センサ取り付けちょうねじ	

3.2.3 メーターの概要

図 3 はメーターの機能の表示です。

図 3 製品の構成



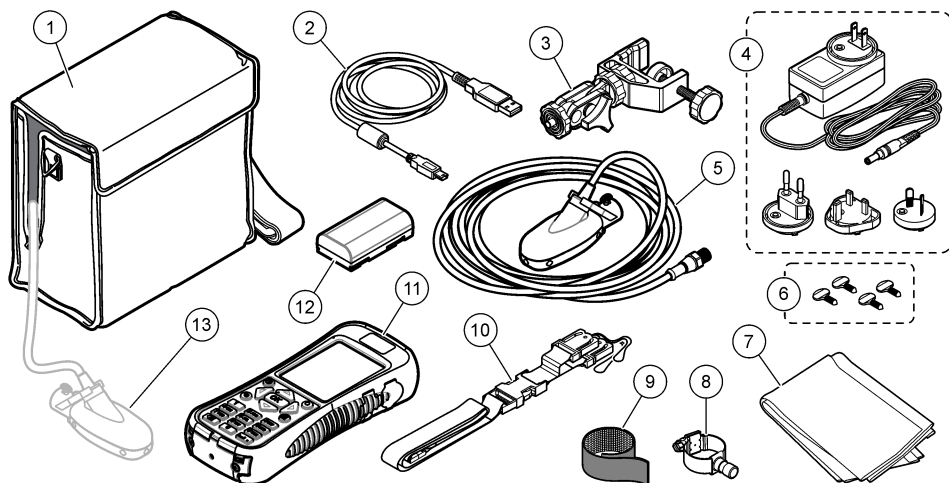
1 USB 接続ポート ²	6 メーター取り付けの調整用ねじ穴
2 キーボード	7 ベルコまたはストラップ取り付けスロット
3 メーターディスプレイ	8 ネックストラップ取り付けねじ用スロット(2x)
4 拡張ポート(不使用)	9 センサ接続ポート
5 バッテリーコンパートメントカバー	10 充電器コネクタ

² バッテリーの充電に USB 接続を使用しないでください。

3.3 製品構成部品

全システムを購入された際、**図 4**を参照して、すべての構成部品を受け取り済みであることを確認してください。いずれかの品目がない、または破損している場合は、メーカーまたは販売店までご連絡ください。

図 4 システム構成部品



1 携帯ケース(センサケーブル用スロット付き)	8 万能センサ取り付け
2 mini-USB コネクタ付き USB ケーブル、1 m	9 ベルコストラップ
3 調整可能携帯メーター取り付け	10 吊りひも
4 充電器、AC 100 ~ 240 V	11 携帯型メーター
5 センサ	12 リチウムバッテリーパック
6 追加ちょうねじ(4x)	13 メーターの内部ケースに接続されたセンサ
7 センサをぬぐって乾燥させる布	

第 4 章 設置


4.1 センサを汎用センサマウントに取り付けます

汎用センサマウントを使用してセンサを直径が 1 インチ以下のポールに取り付けます。正しい作動と正確な読み取り値を得るには、電極をフローに完全に接触させて、センサを流れに対向させる必要があります。

注: センサの電極には油やグリースなどの非導電物質がないようにしてください。センサの汚れを取り除くには、**センサの清掃** 120 ページを参照してください。


1. センサの正面部分は丸く、3 つの電極があります。センサには取り付け穴が後部にあり、上部にはちょうねじがあります。汎用マウントの取り付け軸をセンサ後部の取り付け穴に入れます。取り付け軸が完全に取り付け穴と吻合し、ちょうねじが溝と吻合していることを確認します。
2. ちょうねじを手で締め付けます。
3. 汎用センサマウントのクランプを通して直径が 1 インチ以下のポールを移動します。クランプを締め付けます。
注: 標準またはアクセサリに添付されています。

4.2 リチウムバッテリーの安全性

▲ 警告	
	火災および爆発の危険。リチウムバッテリーは、使用方法を誤ると、加熱して破裂または発火して、大けがを招く可能性があります。

- バッテリーに損傷がある場合は、使用しないでください。
- 強い衝撃や振動のかかったバッテリーは使用しないでください。
- バッテリーを火気にさらさないでください。
- バッテリーの周囲の温度を 60 °C 以上にしないでください。
- バッテリーは液体から離してください。
- バッテリーのプラスとマイナスの端子が接触しないようにしてください。
- 許可されていない人がバッテリーに触れないようにしてください。
- バッテリーは、自治体や国の規則に従って廃棄してください。
- 直射日光の当たる場所、熱源の近く、密閉された車内や直射日光の下などの高温の環境で本装置を使用したり、保管したりしないでください。

4.3 電池の取り付け

▲ 警告	
	火災および爆発の危険。本装置には高エネルギーのリチウム電池が内蔵されており、この電池は電源がオフの状態でも発火し、火災や爆発の原因となる可能性があります。装置の筐体に施されている安全防護性能を保持するため、筐体のカバーは必ず設置し、付属のハードウェアと固定してください。


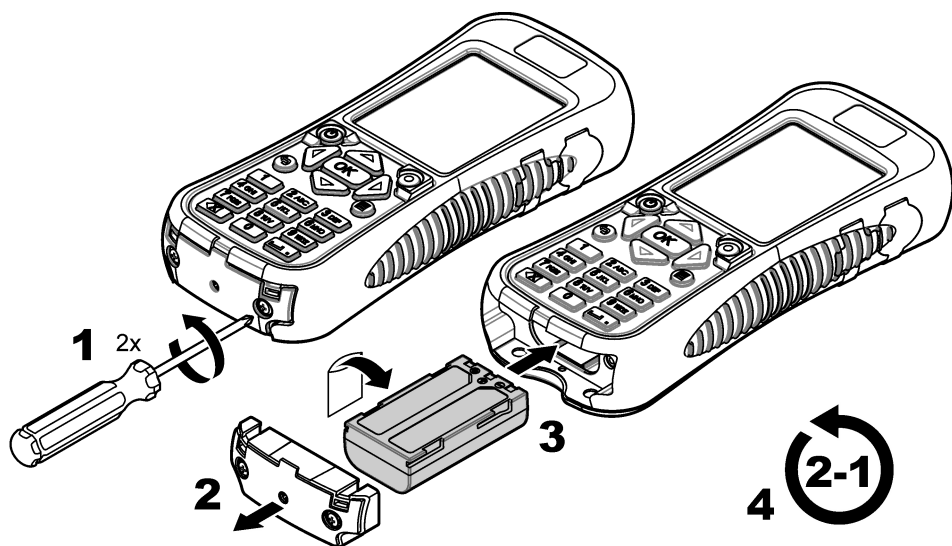
▲ 警告	
	爆発および火災の危険。バッテリーの代用は許可されません。装置メーカーが提供するバッテリーのみを使用してください。

図 5 に示すように付属のリチウム電池を取り付けます。

図 5 電池の取り付け



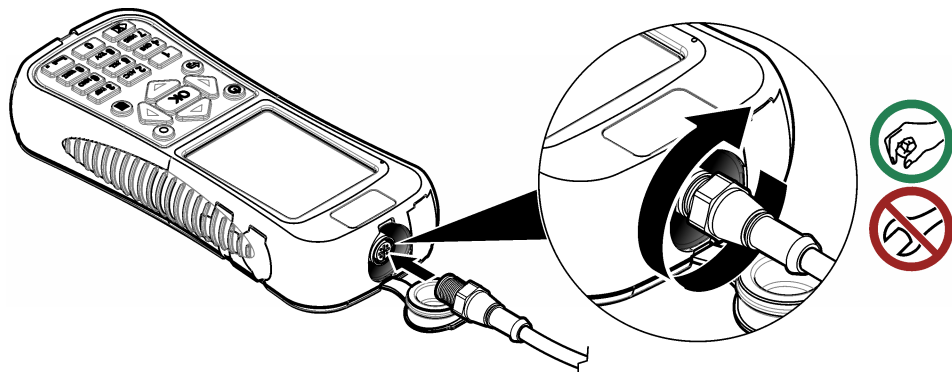
4.4 バッテリーの充電

注: バッテリー充電器の代用は許可されません。装置の部品とアクセサリのリストに指定した充電器のみを使用してください。交換部品とアクセサリをマニュアルの拡張版で参照してください。

初回使用前に、付属の充電器で装置のバッテリーを完全に充電してください。放電したバッテリーは、約 8 時間で完全に充電されます。

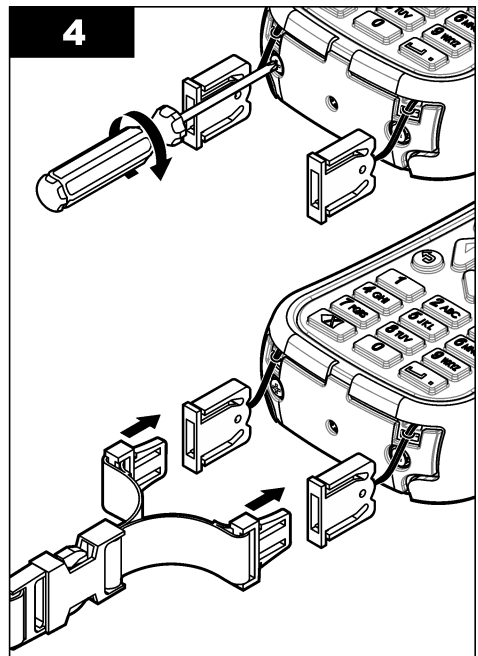
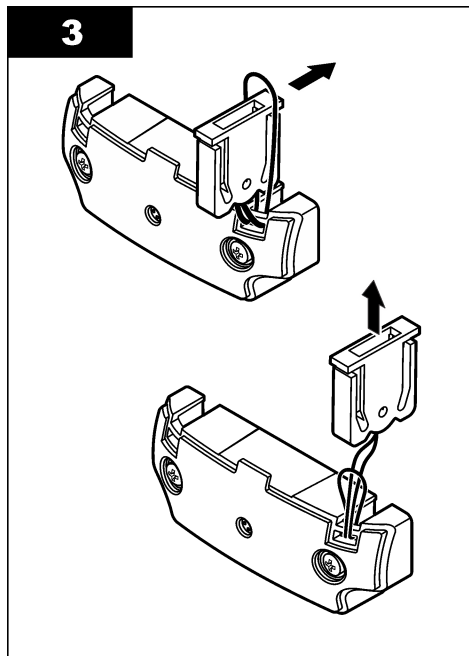
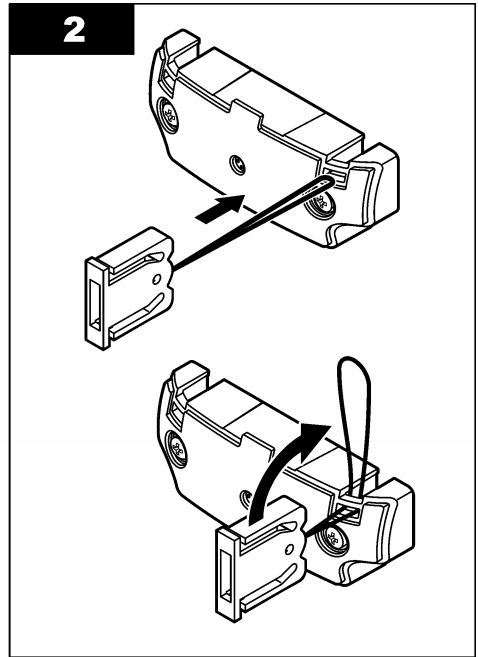
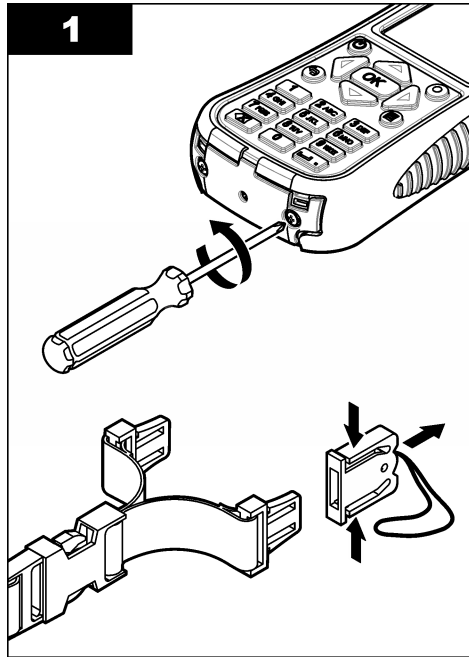
1. 充電器に、正しいタイプのプラグが取り付けられていることを確認します。
2. 充電器をアース付きコンセントに接続します。
3. 充電器を装置の充電器コネクタに接続します。メーターの概要 109 ページを参照してください。ディスプレイにバッテリーの残量が表示されます。
バッテリー充電中は充電ポート辺りに青色ライトが点灯します。充電が完了すると、青色ライトが消灯します。
注: バッテリーの充電中、メーターは動作しません。バッテリーは USB ケーブル接続を通しては充電しません。

4.5 センサのメーターへの接続



4.6 吊りひもの取り付け

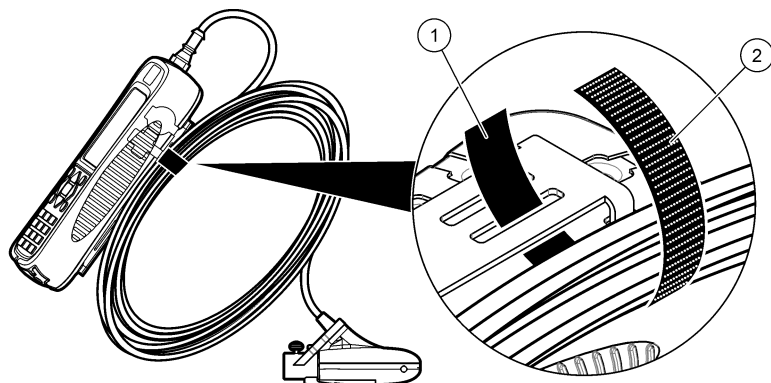
吊りひもを取り付けてメーターを首の周りに安全に着用します。



4.7 ベルクロストラップの取り付け

ベルクロストラップを使用して追加のケーブルを保持します。図 6 を参照してください。

図 6 ベルクロストラップの取り付け



1 ループ側

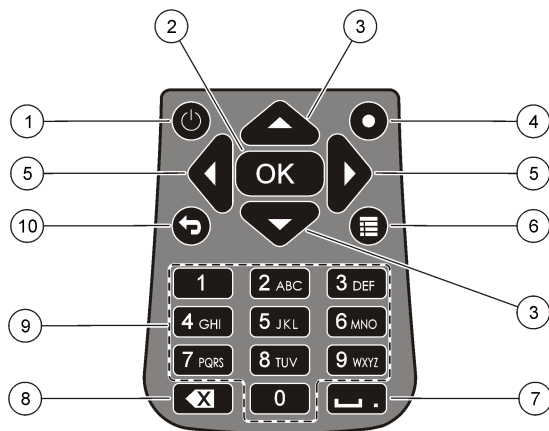
2 フック側

第 5 章 ユーザーインターフェースとナビゲーション

5.1 キーパッドとキーの機能

図 7 はメーターのキーパッドの表示です。表 1 には各キーの機能またはキータイプを示します。

図 7 キーパッド



1 電源オン/オフ	6 メインメニュー
2 OK	7 下線または小数点
3 上下の矢印	8 バックスペース
4 クイックジャンプ	9 英数字
5 左右の矢印	10 前のメニュー

表 1 キーの説明

キー	説明
電源オン/オフ	メーターを起動または停止します。
OK	入力またはハイライト表示されたメニューオプションを確認します。
上下の矢印	ディスプレイを上下に動かします。カーソルがディスプレイの上部または下部にあると、上矢印または下矢印を押すと下部または上部に戻ります。
クイックジャンプ	通常の動作では、このキーによって、選択された導管形状画面にジャンプします。プロファイラ操作では、クイックジャンプキーが無効になっています。 自動ゼロ機能が無効の場合、このキーを 5 秒間押さえたままにすると、深度センサの手動ゼロが行われます。 リアルタイムモードでは、クイックジャンプキーによって、デジタルとグラフ表示が切り替わります。
左右の矢印	表示が右または左に移動します。
メインメニュー	メインメニューから 1 つのサブメニューまたは画面に移動します。
下線または小数点	下線または小数点文字を入力します。数字のみのフィールドではこのキーは自動的にカーソル位置に小数点を入力します。
バックスペース	カーソルを 1 スペース戻します。
英数字	英字または数値を入力します。値はキーに表示された順番で入力されます。2 秒後にディスプレイに表示された値が格納されてカーソルが進みます。
前のメニュー	前の画面に移動します。

5.2 ステータスバー

ステータスバーはディスプレイの上部に表示されます。ステータスバーの情報の説明は表 2 に示します。

表 2 ステータスバーのインジケータ

インジケータ	説明
Time and Date(時刻と日付)	現在の時刻と日付を表示します。
USB	USB ケーブルが接続されていることを示します。USB ケーブルが接続されて、このインジケータがステータスバーを表示しない場合、USB ケーブルは完全に接続されていません。USB ケーブルが完全に押し込まれて、接続ポートと完全に接触していることを確認します。
Conductivity(導電率)	センサが水の外にあり、非電導である場合、青色のリングがバッテリーアイコンの隣に表示されます。センサが水中にあり導電的である場合、インジケータは点灯したままの青色の円です。
Battery(バッテリー)	5 つのバーグラフがバッテリーの充電レベルを表示します。
File access(ファイルアクセス)	メーターがファイルにアクセス中を示します。
Auto zero depth indicator(自動ゼロ深度インジケータ)	深度センサが最後の 30 分でゼロ校正されたら、点灯したままの緑色のサークルが導電率インジケータの隣に表示されます。深度センサが最後の 30 分でゼロ校正されなかった場合は、このインジケータが赤色で点滅します。

5.3 メインメニューへのナビゲーション

[OK] を押して選択したメニューオプションまたはディスプレイに表示した値を確定します。[More (詳細)] を選択して、[OK] を押し、別の画面および利用可能な場合のオプションを確認します。[Main Menu (メインメニュー)] ボタンを押してサブメニューからメインメニューに移動します。

注: センサがメーターに接続されていない場合は、操作を完了できない場合があります。センサを接続しないでこの操作を試行すると、ディスプレイにはエラーメッセージが表示されます。センサを接続してその操作を再試行してください。

1. **[Real time (リアルタイム)]**—このオプションを選択して現在の速度および深度情報を獲得します。(深度機能を備えたセンサは深度の読み取りに必要です)。速度のみを備えたセンサのリアルタイム画面の例は図 8 に表示されています。速度と深度の両方を備えたセンサのリアルタイム画面は図 9 に表示されます。表示される情報とオプションのフォーマットは使用するセンサのタイプに依存します。リアルタイムモードでは、[Quick Jump (クイックジャンプ)] キーはリアルタイム情報のデジタルとグラフィック表示の間を切り替えます。速度は固定周期平均時間に従って FPA フィルタで更新されます。RC フィルタモードでは、速度は画面上で 250ms ごとに連続して更新されます。

オプション	解説
Capture (キャプチャ)	表示される深度および流速情報をメモリに格納します。情報は電源がサイクルするまで保存され、メモリは不揮発性リアルタイムファイルに保存されるか、またはユーザーはリアルタイムモードを終了します。
Save (保存)	揮発性メモリ内のキャプチャされた測定は不揮発性リアルタイムメモリに保存されます。ファイル数が最大可能数を超えるとメッセージが表示されます。ファイルはタブ区切り (.tsv) フォーマットで格納されます。
Done (完了) または OK	リアルタイムモードを終了してメインメニューに戻ります。揮発性メモリに保存されていないデータがある場合、データを保存しないで終了するかどうかの確認メッセージが表示されます。
Clear (クリア)	キャプチャした測定を揮発性メモリバッファから消去します。[Clear Last(最後を消去)], [Clear All(すべてを消去)]または[Cancel(中止)]オプションから選択可能です。
Setup (セットアップ)	メインフィルタパラメータを変更して最大深度センサ位置機能を有効にしてプログラムすることを可能にします。最大深度機能によってリアルタイムモードで深度測定のためのシステムパラメータを入力することが可能になります。最大深度値の入力を、ルーラー測定 (手動) で直接取得するか、または深度測定 (自動) で間接的に取得するかを選択できます。いずれの方法も最大深度センサ位置機能を有効にします。 自動モード設定では、チャンネルの底部からセンサ取り付けの底部までの距離(オフセット)を直接入力します。設定インターフェイスはセンサプラスオフセットから戻された現在の深度値を連続して表示します。[OK] ボタンが押されると、メーターはこの値を最大深度として格納します。他のすべての場合、表示された深度値にはオフセットは含まれません。 最大深度機能には速度プラス深度を備えたセンサが必要です。
Files (ファイル) または View (表示)	不揮発性メモリに格納された各リアルタイムファイルのサマリを表示します。各ファイルは個別に表示および削除可能です。

図 8 リアルタイム画面

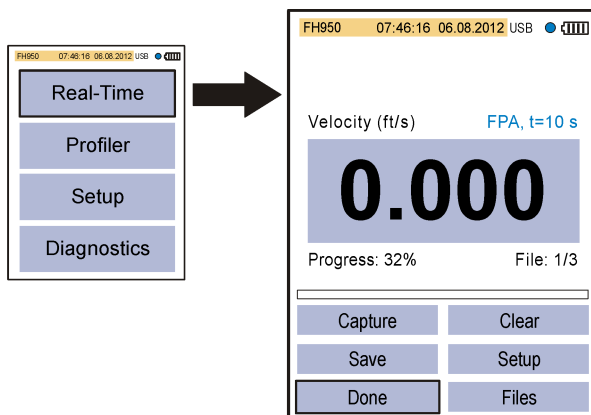
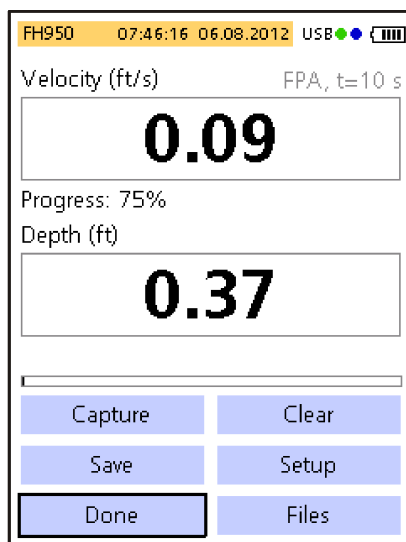


図 9 深度を備えたセンサのリアルタイム画面



2. **Profile (プロフィール)**—このオプションを選択するとストリームおよび導管速度測定ができます。ユーザー入力が必要である場合、メーターはプロンプトを表示します。メモリの残り容量のパーセントは 1% 刻みで表示されます。プロフィールの詳細は、マニュアルの拡張バージョンを参照してください。

オプション	解説
Stream (ストリーム)	このオプションはストリームまたはフローチャンネル用のプロフィールの設定に使用されます。流速測定を行って ISO 748、または中間セクションまたは平均セクションに対する USGS 標準に基づいて総放出量を計算します。
Conduit (導管)	このオプションは導管のプロフィール設定に使用されます。
Files (ファイル)	このオプションは格納されたファイルの表示または削除に使用されます。ファイルはすべて同時にまたは個別に削除可能です。
Setup (セットアップ)	このオプションはフィルタパラメータおよび最大深度機能の設定または設定変更で使用されます。

3. **Set up (設定)**—このオプションを選択して、一般システム設定と選択設定を変更します。

オプション	解説
Velocity calibration (速度校正)	センサを校正します。出荷時校正にフィールドオフセットを追加します。詳細はマニュアルの拡張版の付録を参照してください。

オプション	解説
Filter parameters (フィルタパラメータ)	<p>データ収集フィルタ (メインフィルタまたは前フィルタ) を適用します。フィルタパラメータを選択できます。</p> <p>Main filter (メインメニュー)</p> <ul style="list-style-type: none"> 固定期間平均 (FPA)-固定期間平均はデータをユーザー選択の固定時間 (1~480 秒) の間、平均します。初期設定は 10 秒です。FPA の値が 5 である場合、ディスプレイに表示される速度値は 5 秒ごとに更新されます。 RCA 時定数-RC フィルタがフィルタアルゴリズムで選択された時定数の使用により乱流を円滑にするのに役立ちます。このモードは、例えば、一般的な 0.9 x Vmax プロファイル法によって、最高速度を検索する場合に有用です。大きい RC フィルタの時定数ほど円滑化が大きくなります。時定数は初期設定が 6 秒で 2~20 秒を設定可能です。1 時定数ではフィルタは最終値のおよそ 60% に静定します。5 時定数ではフィルタは最終値の 99.9% に静定します。このように、RC の値が 2 に設定されたら、最終値は 10 秒後に表示されます。 <p>Pre-filter (前フィルタ)</p> <ul style="list-style-type: none"> メディアンフィルタ-フィルタプロセスはセンサで行われます。この機能は無効にできません。しかし、推奨値 (デフォルト) 値は 5 です。この機能を有効にしてこの値を入力するか、または変更します。
Wet/dry threshold (ウエット/ドライしきい値)	<p>ウエットおよびドライの条件に対するセンサの浸漬しきい値を設定します。初期設定値は 20% です。詳細は付録をマニュアルの拡張版で参照してください。</p>
Auto zero depth (自動ゼロ深度)	<p>自動ゼロ機能をオンまたはオフに設定します。</p> <p>オンに設定すると、装置はセンサが水中にない場合と空気中にある場合の空気校正を行います。空気校正をする場合、装置は自動的にセンサの自動ゼロ校正をします。</p> <p>オフに設定すると、ユーザーはセンサを手動でゼロ校正できます。これを行うには、センサを流水から取り外して、[Quick Jump (クイックジャンプ)] キーを 5 秒間押したままにします。</p> <p>センサが流水の中に 30 分間あった場合、右上隅の緑色のサークルが緑色から赤色に変わります。これはユーザーにセンサを再び取り外してゼロ校正を行うよう、促しています。</p>
EMI	<p>50Hz または 60Hz (初期設定) に対する環境ノイズリジェクションのローカルライン周波数を設定します。</p>
Clock (クロック)	<p>24 時間形式で携帯型メーターの日付と時刻を設定します。サマータイムは適用されません。</p>
USB	<p>USB モードを設定します。</p> <ul style="list-style-type: none"> マストストレージ (初期設定)-このモードはメモリスティックまたはハードディスクのような動作をします。ファイルは読み取り専用です。 CDC-このモードはファームウェアの更新に使用されます。
Language (言語)	<p>メニューで使用する言語を選択します。</p>
Units (単位)	<p>速度、流速および深度測定単位を設定します。オプションはメートル法または英国法 (初期設定) です。</p>
Beeper (ピーパー)	<p>オン (初期設定) またはオフオンに設定した場合、次の場合にメーターで音が鳴ります。</p> <ul style="list-style-type: none"> センサが、適用可能なプロファイル法の正しい深度にある場合。 測定時間の 95% が完了した場合 (プロファイラーモード)。 いずれかのメニューで非アクティブなボタンが押された場合。 <p>この機能はオプションの深度センサの場合にのみ利用可能です。</p>
Flow calculation (フロー計算)	<p>開放水面 (ストリームプロファイルのみ) のフロー計算法を選択します。オプションは平均セクションまたは中間セクションです。詳細はマニュアルの拡張版の付録を参照してください。</p>

オプション

解説

Station entry (ステーション入力)

- Fixed (固定)—オペレータはストリームの幅と測定ステーションの数を入力します。メーターは断面をステーション間で均等な間隔に分割します。
- Non-fixed (非固定) (初期設定)—オペレータはステーション間の間隔を選択します。これはオペレータが断面に障害物やその他の制限物を置くことができるため、より広く使用されるオプションです。
- Fixed and Non-fixed (固定および非固定) - オペレータは深度測定のための基準平面を選択します。値: [Top (上部)] または [Bottom (底部)]。

Restore defaults (デフォルトを復元)

すべてのメーターオプションを出荷時初期設定値に設定します。

4. **Diagnostics (診断)**—このオプションを選択してメーターまたは付属センサに関する問題を解決します。診断に関する詳細は、[診断](#) 121 ページを参照してください。

第 6 章 起動および自己試験

▲ 危険



化学的および生物学的な危険。この装置の用途が処理工程や薬液注入システムの監視であり、それらに対して公衆衛生、公衆安全、食品/飲料の製造/加工に関する規制や監視要件が存在する場合、この装置の使用するには、該当するすべての規制を把握して遵守する責任、および装置の異常時に関する当該規制に従って十分かつ適切な措置を講じる責任があります。

▲ 警告



火災および爆発の危険。直射日光の当たる場所、熱源の近く、密閉された車内や直射日光の下などの高温の環境で本装置を使用したり、保管したりしないでください。これを守らないと、バッテリーの過熱や、火災、爆発が起こる場合があります。

バッテリーはメーター内に取り付けて使用前に充電しなければなりません。バッテリーの取り付けと交換についての詳細情報は、[電池の取り付け](#) 111 ページを参照してください。バッテリーの充電方法は、[バッテリーの充電](#) 112 ページを参照してください。

注: バッテリーの充電中はメーターは動作しません。

1. メーターの電源ボタンを可聴ビーブ音が聞こえるまで、押します。メーターは自己試験を行いディスプレイにはその結果が表示されます。メーターが自己試験に失敗すると、ディスプレイには障害のあるパラメータの隣に [FAIL (不合格)] が表示されます。センサが故障したら、利用可能なら他のセンサを取り付けます。
2. 自己試験が完了すると、[OK]を押してメインメニューに進みます。
3. メーターの電源をオフにするには、電源ボタンを再び押します。確認画面で、[yes(はい)]を選択して[OK]を押します。携帯型メーターが応答しなくなった場合、電源ボタンを 3 秒以上押したままにすると、電源がオフに強制されます。通常動作時またはファイルアクセスアイコンが表示されている場合は電源を強制オフにしないでください。

6.1 装置の自己試験

電源が入ると、メーターは診断の自己試験を行います。自己試験を完了すると、ディスプレイは自己試験の結果を表示し、[OK]を押してメインメニューに移動します。

メーターが自己試験に失敗すると、ディスプレイには問題のパラメータの隣に [FAIL(故障)] が表示されます。センサが故障したら、利用可能なら他のセンサを取り付けます。

6.2 スリープモード

メーターのバックライトは不使用后 30 秒で暗くなり、不使用后 60 秒でスリープモードになります。メーターがリアルタイムモードまたはメーターが測定中はこのような動作は起こりません。スリープモードで 30 分経過するとメーター電源がオフになります。

スリープモードをキャンセルするにはいずれかのキーを押します。すると、ディスプレイの輝度は通常レベルに戻りすべてのキーが通常の機能に戻ります。

第7章 メンテナンス

7.1 センサの清掃

▲ 警告



化学物質による人体被害の危険。検査室の安全手順に従い、取り扱い薬品に適した個人用保護具をすべて装着してください。安全手順に関する現在の安全性データシート (MSDS/SDS) を参照してください。

フローまたはレベルトレンドの予期せぬ増加または減少が砂の多いまたは泥の多い水路で使用した後に発生した場合は、センサを清掃してください。

汚れが酷い場合は、センサを清潔な水に数分間浸して、汚れを除去しやすくします。

清掃する前にはセンサをメーターから外してください。センサの清掃には、表3で可能としてリストに示された洗浄液のみを使用してください。圧力セル(例、速度プラス深度)を備えたセンサに対しては、圧力セルチャンバーのホールが洗浄されて、汚れがないことを確認してください。センサをアセンブリに再取り付けする前に清潔な水ですすぎ洗います。

表3 使用可能および使用不可能な洗浄溶液

使用可能	使用不可能
食器用洗剤および水	濃縮ブリーチ
ウィンドウクリーナー	灯油
イソプロピルアルコール	ガソリン
	芳香族炭化水素

7.2 測定器の洗浄

1. 電源ボタンを押してメーターの電源を切ります。
2. 清潔な湿った布でメーターの外側を洗浄します。必要に応じて水に中性洗剤を混ぜます。
3. 清潔な布でメーターの外側をぬぐって乾かします。電源を入れる前にエアでメーターを完全に乾かします。

注: ディスプレイの清掃に紙ベースの布を使用しないでください。この種類の布はディスプレイ画面に損傷を与えることがあります。

7.3 バッテリーの交換

▲ 警告



火災および爆発の危険。本装置には高エネルギーのリチウム電池が内蔵されており、この電池は電源がオフの状態でも発火し、火災や爆発の原因となる可能性があります。装置の筐体に施されている安全防護性能を保持するため、筐体のカバーは必ず設置し、付属のハードウェアと固定してください。

▲ 警告



爆発および火災の危険。バッテリーの代用は許可されません。装置メーカーが提供するバッテリーのみを使用してください。

バッテリーが充電されたときに電力を保持しなくなったら、バッテリーを交換します。

注: 装置を修理またはメンテナンスのために戻さなければならない場合、バッテリーを取り外して輸送の前にバッテリーを保護カバー内に入れます。

1. 電源をオフにします。
2. バッテリーを取り外します。[電池の取り付け](#) 111 ページ を参照してください。
3. バッテリーは、自治体や国の規則に従って廃棄してください。
4. 新しいバッテリーを同じ場所に同じ向きで取り付けます。[電池の取り付け](#) 111 ページ を参照してください。
装置メーカーが提供するバッテリーのみを使用してください。
5. バッテリーカバーを取り付けます。筐体保護等級に準拠するようにカバーが固定されていることを確認します。
6. 必要に応じてバッテリーを充電します。[バッテリーの充電](#) 112 ページ を参照してください。

第 8 章 トラブルシューティング

8.1 診断

メインメニューで、[診断] を選択してメーターの情報を確認して [表 4](#) の診断試験を行います。

表 4 メーター診断

オプション	説明
About(概要)	メーターおよびセンサの情報を表示します。シリアル番号とファームウェアバージョンが含まれます。
ファイルの削除	メモリから全ファイルを削除して新規測定のために空き容量を作ります。本オプションを選択する前にデータが PC にダウンロードされることを確認します。ファイルが削除された後でシステムは自動的にメモリを再フォーマットします。
センサ	センサの診断情報を表示します。
セルフテスト	メーターに自己試験を行わせます。
Key pad test(キーパッド試験)	ボタンの機能を確認するために各ボタンの試験を行います。
表示テスト	ディスプレイが機能することを確認するためにディスプレイで試験します。
イベントログ	ユーザーがイベントログの表示、削除またはエクスポートができます。イベントログをエクスポートすると USB マスストレージからアクセス可能なファイルとしてコンテンツを利用できます。このオプションは主として出荷サービスで使用されます。

8.2 トラブルシュートエラー

メーターとセンサにはユーザーにサービスする部品はありません。記載されたエラーとメッセージに対して、修正アクションを行ってください。

問題が消えないか、またはリストにない問題が生じたら、メーカーにお問い合わせください。

メッセージまたは問題	対処方法
センサが接続されていません	センサを接続してアクションを再試行してください。
値が域外です	測定パラメータを変更するか、または異なった値を入力してから、アクションを再試行してください。
センサデータが正確でも高精度でもないことが分かる	センサを洗浄して試験してください。
センサが認識されない	センサの接続をチェックしてください。接続ポートのロックナットが硬く締まっているか確認します(指締めのみ)。
ディスプレイが暗いか、または表示されない	キーパッドのキーを押します。

メッセージまたは問題	対処方法
データが得られないか、またはデータへのアクセスができない。	USB オプション(メインメニュー)がマスタストレージに設定されていることを確認します。
メーターが応答しない	<p>最低 3 秒間電源ボタンを押したままにします。このことによってメーターの電源がオフになります。メーターの電源を再びオンにします。</p> <p>注: 通常の操作時またはファイルアクセスのアイコンがディスプレイに表示されている間はこの方法で電源をオフにしないでください。</p>



McCrometer, Inc.

3255 West Stetson Avenue

Hemet, CA 92545 USA

Tel: 951-652-6811

800-220-2279

Fax: 951-652-3078

hachflowtechsupport@mccrometer.com

www.hach.com/flow

USA Copyright © McCrometer, Inc. All printed material should not be changed or altered without permission of McCrometer. Any published pricing, technical data, and instructions are subject to change without notice. Contact your McCrometer representative for current pricing, technical data, and instructions.