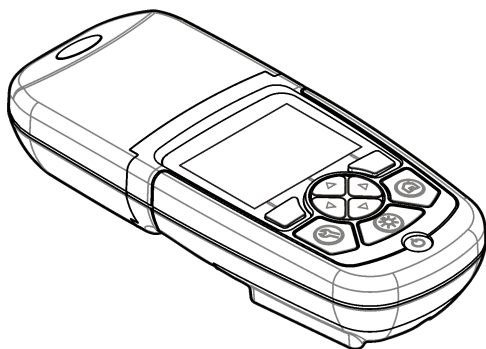




DOC022.98.80344

DR 900

04/2022, Edition 4



User Manual
Benutzerhandbuch
Manuale utente
Manuel de l'utilisateur
Manual del usuario
Manual do utilizador
Návod k použití
Brugervejledning
Gebbruikershandleiding
Instrukcja obsługi
Bruksanvisning
Käyttöopas
Ръководство за потребителя
Felhasználói kézikönyv
Manual de utilizare
Naudotojo vadovas
Руководство пользователя
Kullanıcı Kılavuzu
Návod na použitie
Navodila za uporabo
Korisnički priručnik
Εγχειρίδιο χρήστη
Kasutusjuhend

Table of Contents

English.....	3
Deutsch.....	19
Italiano.....	37
Français.....	53
Español.....	69
Português.....	86
Čeština.....	102
Dansk.....	118
Nederlands.....	134
Polski.....	151
Svenska.....	169
Suomi.....	184
български.....	199
Magyar.....	217
Română.....	234
lietuvių kalba.....	250
Русский.....	267
Türkçe.....	285
Slovenský jazyk.....	300
Slovenski.....	316
Hrvatski.....	332
Ελληνικά.....	348
eesti keel.....	367

Table of Contents

- | | |
|---|---|
| 1 Specifications on page 3 | 6 Standard operation on page 10 |
| 2 General information on page 3 | 7 Advanced operation on page 13 |
| 3 Installation on page 6 | 8 Maintenance on page 16 |
| 4 User interface and navigation on page 8 | 9 Troubleshooting on page 17 |
| 5 Startup on page 10 | 10 Replacement parts and accessories on page 17 |

Section 1 Specifications

Specifications are subject to change without notice.

Specification	Details
Measurement mode	Transmittance (%), Absorbance (Abs) and Concentration (Conc)
Dimensions (W x D x H)	23.6 x 8.7 x 4.7 cm (9.3 x 3.4 x 1.9 in.)
Enclosure rating	IP67
Weight	0.6 kg (1.3 lb)
Power requirements (internal)	AA Alkaline batteries (4x)
Battery life	6 months (typical) at 5 readings a day/5 day week without the backlight
Interface	USB mini
Operating temperature	0 to 50 °C (32 to 122 °F), maximum 90% relative humidity non-condensing
Storage temperature	-30 to 60 °C (-22 to 140 °F), maximum 90% relative humidity non-condensing
Lamp source	Light emitting diode (LED)

Specification	Details
Detector	Silicon photodiode
Wavelength range	420, 520, 560, 610 nm
Photometric measuring range	0–2 Abs
Wavelength accuracy	±1 nm
Photometric accuracy	±0.03 Abs
Photometric linearity	±0.002 Abs (0–1 Abs)
Wavelength selection	Automatic, based on the method selection
Photometric repeatability	±0.002 Abs (0–1 Abs)
Data readout	Graphical display, 240 x 160 pixel (backlit)
Sample cells	16 mm, 1 cm/10 mL, 1-inch (25 mm) round
Protection class	Class III
Certifications	CE certified
Warranty	1 year (EU: 2 years)

Section 2 General information

In no event will the manufacturer be liable for direct, indirect, special, incidental or consequential damages resulting from any defect or omission in this manual. The manufacturer reserves the right to make changes in this manual and the products it describes at any time, without notice or obligation. Revised editions are found on the manufacturer's website.

2.1 Safety information

The manufacturer is not responsible for any damages due to misapplication or misuse of this product including, without limitation, direct, incidental and consequential damages, and disclaims such damages to the full extent permitted under applicable law. The user is solely responsible to identify critical application risks and install appropriate mechanisms to protect processes during a possible equipment malfunction.

Please read this entire manual before unpacking, setting up or operating this equipment. Pay attention to all danger and caution statements. Failure to do so could result in serious injury to the operator or damage to the equipment.

Make sure that the protection provided by this equipment is not impaired. Do not use or install this equipment in any manner other than that specified in this manual.

2.2 Use of hazard information

▲ DANGER

Indicates a potentially or imminently hazardous situation which, if not avoided, will result in death or serious injury.

▲ WARNING

Indicates a potentially or imminently hazardous situation which, if not avoided, could result in death or serious injury.

▲ CAUTION







Indicates a potentially hazardous situation that may result in minor or moderate injury.

NOTICE

Indicates a situation which, if not avoided, may cause damage to the instrument. Information that requires special emphasis.

2.3 Precautionary labels

Read all labels and tags attached to the instrument. Personal injury or damage to the instrument could occur if not observed. A symbol on the instrument is referenced in the manual with a precautionary statement.

	This symbol, if noted on the instrument, references the instruction manual for operation and/or safety information.
	This symbol indicates that a risk of explosion is present.
	This symbol indicates that a risk of fire is present.
	This symbol identifies a risk of chemical harm and indicates that only individuals qualified and trained to work with chemicals should handle chemicals or perform maintenance on chemical delivery systems associated with the equipment.
	This symbol indicates the need for protective eye wear.
	Electrical equipment marked with this symbol may not be disposed of in European domestic or public disposal systems. Return old or end-of-life equipment to the manufacturer for disposal at no charge to the user.

2.4 Compliance and certification

⚠ CAUTION

This equipment is not intended for use in residential environments and may not provide adequate protection to radio reception in such environments.

Canadian Radio Interference-Causing Equipment Regulation, ICES-003, Class A:

Supporting test records reside with the manufacturer.

This Class A digital apparatus meets all requirements of the Canadian Interference-Causing Equipment Regulations.

Cet appareil numérique de classe A répond à toutes les exigences de la réglementation canadienne sur les équipements provoquant des interférences.

FCC Part 15, Class "A" Limits

Supporting test records reside with the manufacturer. The device complies with Part 15 of the FCC Rules. Operation is subject to the following conditions:

1. The equipment may not cause harmful interference.
2. The equipment must accept any interference received, including interference that may cause undesired operation.

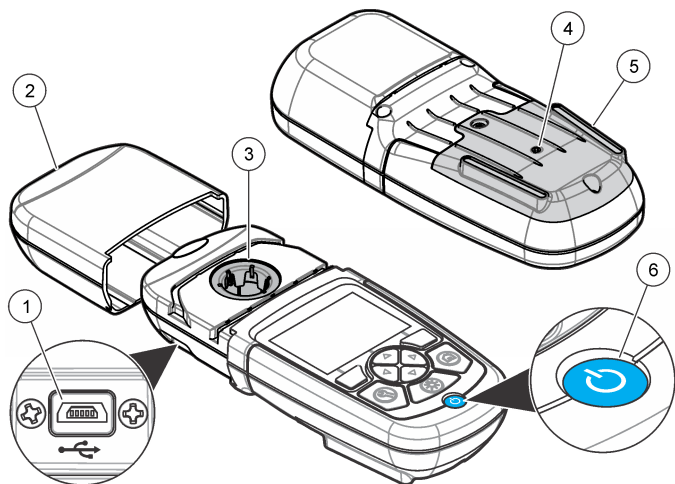
Changes or modifications to this equipment not expressly approved by the party responsible for compliance could void the user's authority to operate the equipment. This equipment has been tested and found to comply with the limits for a Class A digital device, pursuant to Part 15 of the FCC rules. These limits are designed to provide reasonable protection against harmful interference when the equipment is operated in a commercial environment. This equipment generates, uses and can radiate radio frequency energy and, if not installed and used in accordance with the instruction manual, may cause harmful interference to radio communications. Operation of this equipment in a residential area is likely to cause harmful interference, in which case the user will be required to correct the interference at their expense. The following techniques can be used to reduce interference problems:

1. Disconnect the equipment from its power source to verify that it is or is not the source of the interference.
2. If the equipment is connected to the same outlet as the device experiencing interference, connect the equipment to a different outlet.
3. Move the equipment away from the device receiving the interference.
4. Reposition the receiving antenna for the device receiving the interference.
5. Try combinations of the above.

2.5 Product overview

The DR 900 is a portable, LED-sourced colorimeter that measures at wavelengths of 420, 520, 560 and 610 nm. The instrument is used to measure various parameters in drinking water, wastewater and industrial applications. The instrument comes with a complete set of stored programs (pre-installed methods) and the availability of user program storage and favorite program selection. Refer to [Figure 1](#).

Figure 1 Instrument overview

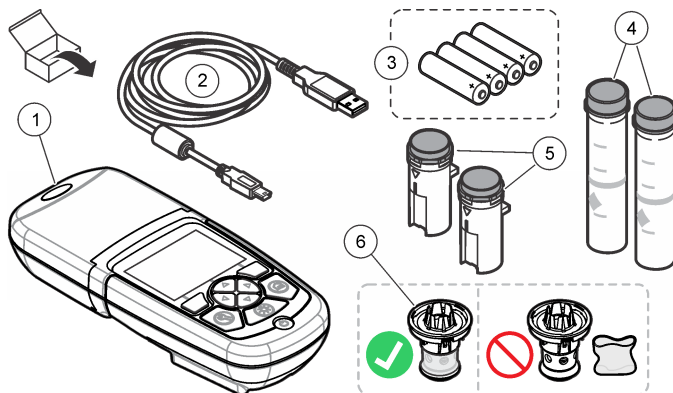


1 USB port	4 Vent
2 Instrument cap	5 Battery compartment
3 Cell compartment	6 Power key

2.6 Product components

Make sure that all components have been received. Refer to [Figure 2](#). If any items are missing or damaged, contact the instrument supplier or a sales representative immediately.

Figure 2 Product components



1 DR 900	4 Glass sample cell, 1-inch (25 mm) round, 10, 20, 25-mL marks (2x)
2 USB cable with mini-USB connector	5 Sample cell, 1 cm/10 mL (2x)
3 AA alkaline batteries (4x)	6 Sample cell adapter

Section 3 Installation

⚠ WARNING



Multiple hazards. Only qualified personnel must conduct the tasks described in this section of the document.

NOTICE

Make sure not to cause a blockage of the instrument battery vent during use or storage.

3.1 Install the batteries

⚠ WARNING



Explosion hazard. Incorrect battery installation can cause the release of explosive gases. Be sure that the batteries are of the same approved chemical type and are inserted in the correct orientation. Do not mix new and used batteries.

⚠ WARNING



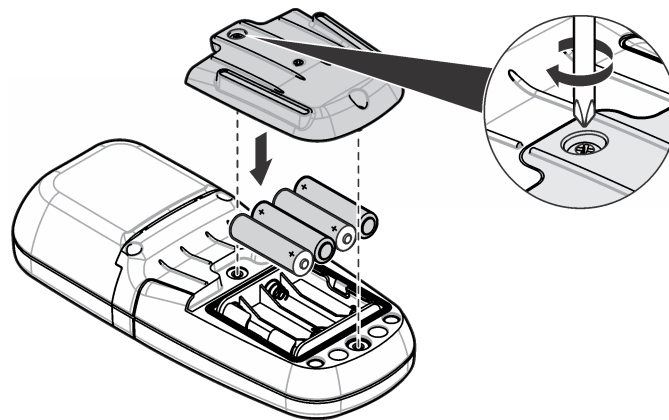
Fire hazard. Battery substitution is not permitted. Use only alkaline batteries.

NOTICE

Make sure to tighten the screws to 1–1.4 N·m (9–12 in.·lb) for a correct seal fit and to maintain the enclosure environmental rating.

The instrument is powered with four AA alkaline batteries. Make sure that the batteries are installed in the correct orientation. Refer to [Figure 3](#) for the battery installation.

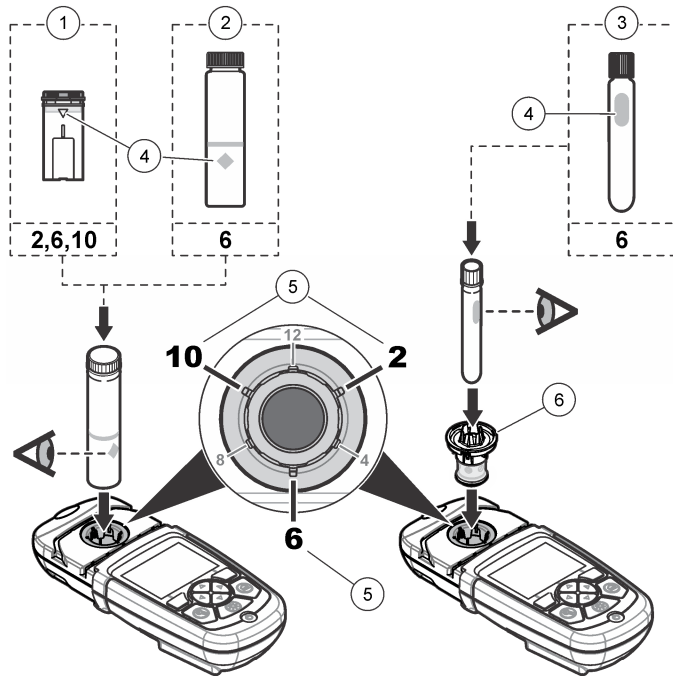
Figure 3 Battery installation



3.2 Install the sample cell and cell adapter

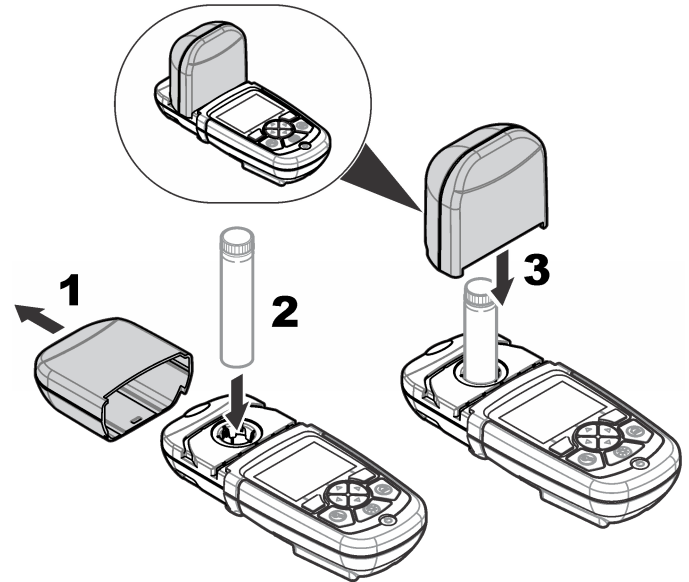
The instrument has one cell compartment which can use one adapter for different sample cell types. Make sure to install the sample cell in the correct orientation and in a consistent orientation so that the results are more repeatable and precise. Refer to [Figure 4](#). Close the instrument cap before the instrument zero is set or a measurement is made to prevent light interferences. Refer to [Figure 5](#).

Figure 4 Sample cell orientation



1 1-cm/10-mL plastic sample cell	4 Orientation mark
2 1-inch (25 mm) glass sample cell	5 Orientation position (clockwise)
3 16-mm glass test vial	6 Sample cell adapter

Figure 5 Sample cell and instrument cap installation

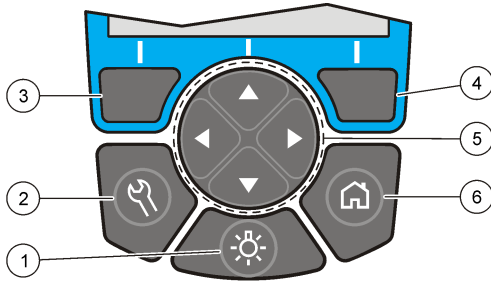


Section 4 User interface and navigation

4.1 Keypad description

Refer to [Figure 6](#) for the keypad description and navigation information.

Figure 6 Keypad description

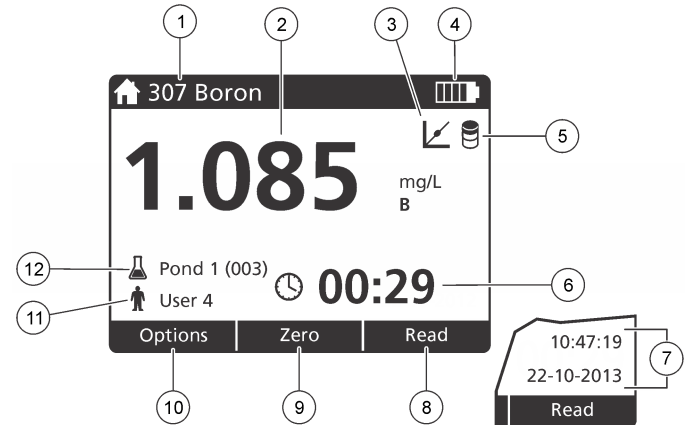


<p>1 BACKLIGHT: set the display illumination to on or off</p>	<p>4 RIGHT selection key (contextual): read sample, selects or confirms options, opens sub-menus</p>
<p>2 SETTINGS: setup options¹</p>	<p>5 Navigation keys UP, DOWN, RIGHT, LEFT: scroll through menus, enter numbers and letters²</p>
<p>3 LEFT selection key (contextual): access for options, cancels or exits the current menu screen to the previous one</p>	<p>6 HOME/Options: go to the main reading screen¹, select program, data management</p>

4.2 Display description

The reading screen shows the selected mode, unit, date and time, operator ID and sample ID. Refer to [Figure 7](#).

Figure 7 Single screen display



<p>1 Program name and number</p>	<p>7 Time and date</p>
<p>2 Reading value, unit, chemical form, under "----" or over measuring range "++++"</p>	<p>8 Read (contextual: done, select, start, ok)</p>
<p>3 Standard adjust icon</p>	<p>9 Zero (contextual: navigation key UP arrow)</p>
<p>4 Battery status</p>	<p>10 Options (contextual: back, cancel)</p>
<p>5 Reagent blank icon</p>	<p>11 Operator identification</p>
<p>6 Timer</p>	<p>12 Sample identification</p>

¹ While in an edit mode, the key does not operate.

² When an UP or DOWN key is held, it scrolls fast. When a LEFT or RIGHT key is pushed, it scrolls by page.

4.3 Navigation

The instrument contains menus to change various options. Use the navigation keys (**UP**, **DOWN**, **RIGHT** and **LEFT** arrows) to highlight different options. Push the **RIGHT** selection key to select an option. Enter an option value with the navigation keys. Push the navigation keys (**UP**, **DOWN**, **RIGHT** and **LEFT** arrows) to enter or change a value. Push the **RIGHT** arrow to advance to the next space. Push the **RIGHT** selection key under **Done** to accept the value. Push the **LEFT** selection key to exit the current menu screen to the previous one.

Section 5 Startup

5.1 Set the instrument to on or off

Push the **POWER** key to set the instrument to on or off. If the instrument does not power on, make sure that the batteries are correctly installed.

5.2 Set the language

There are two options to set the language:

- Set the display language when the instrument is set to on for the first time.
- Set the language from the **SETTINGS** menu.

1. Push **SETTINGS>Setup>Language**.

2. Select a language from the list.

5.3 Set the date and time

There are two options to set the date and time:

- Set the date and time when the instrument is set to on for the first time.
- Set the date and time from the **Date & Time** menu.

1. Push **SETTINGS>Setup>Date & Time**.

2. Select **Set Date & Time Format**, then select a format for the date and time.
3. Select **Set Date & Time**.
4. Use the navigation keys to enter the current date and time, then push **OK**.

Section 6 Standard operation

6.1 Program list

The instrument is delivered with a complete series of application programs. Refer to [Table 1](#) for the program descriptions.

Table 1 Program options

Program option	Description
Stored programs	Stored programs are factory-installed, pre-programmed methods. Refer to Select a stored program on page 10.
User programs	Methods can be developed and can be saved as a user program. ³ Refer to User programs on page 13.
Favorites	Methods which are often used can be saved in the favorite list. ¹

6.1.1 Select a stored program

1. Push **HOME>Options>All Programs**.
2. Select the applicable method and push **Start**.
3. Select **Options>Add to Favorites** to add the selected method to favorites for faster access.

6.1.2 Select basic program options

When a program is selected, additional parameter options are available.

³ A maximum of ten methods (user programs and/or favorites) can be saved.

1. Push **Options** to access the option menu.
2. Select the applicable options.

Option	Description
Start Timer	Select a pre-set timer or set a manual timer to make sure that the steps of an analysis are correctly timed (e.g., reaction times or wait times can be exactly specified). When the timer is on, the timer icon is shown on the display. The instrument makes an audible sound when the time is over. Pre-set timer —Select the applicable pre-set timer for one or more stored procedure steps and push Start. Timer Manual —Enter the applicable time with the navigation keys and push Done . Default = 00:00
Favorites/User Programs	Select from the stored favorites or user programs list. Refer to Select a favorite or a user program on page 13 for more information.
All Programs	Select a pre-programmed method from the list.
Data Log	Show all saved readings. Refer to Data log on page 13 for more information.
Add to Favorites	Save stored programs and user programs methods which are often used in the favorites list. Refer to Add a program to favorites on page 13.

Option	Description
%T/Abs/Conc	Switch to % transmittance, absorbance or concentration readings. Transmittance reading (%) —Reads the percent of the original light that passes through the sample and reaches the detector. Absorbance readings —The light absorbed by the sample is read in absorbance units. Concentration readings —The measured absorbance values are converted into concentration values with the program-specific stored equation.
Advanced Options	Use the advanced options to specify more parameters. Refer to Select advanced program options on page 11.
Save	Save the last reading manually when the auto save option is set to Off.

6.1.3 Select advanced program options

Every program has various additional advanced options from which to select.

1. Push **Options** to access **Options>Advanced Options**.
2. Use the advanced options to specify more parameters.

Option	Description
Auto Save	Toggle between On and Off. Every reading is automatically saved when the option is set to On. The reading can be saved manually when the option is set to Off.
Chemical Form	Select the alternate chemical form and the associated measuring range on some factory-installed methods.

Option	Description
Reagent Blank	The Reagent Blank correction can be used with some of the factory-installed methods. Enter the result of a completed test using deionized water as the sample. The blank value is subtracted from every result to correct for any background color due to reagents. Enter the blank correction before the Standard Adjust option is used. Complete this correction for each new lot of test reagents.
Standard Adjust	Change stored calibration. Complete a test on a known standard at a concentration near the top of the test range. Use this function to adjust the result to align the standard concentration.
Sort Program	Select an alphabetical or numerical program order for the stored program list.

6.2 Use an operator ID

The operator ID tag associates readings with an individual operator. All stored data will include this ID.

1. Push **SETTINGS>Operator ID** in the reading screen.
2. Select, create or delete an operator ID:

Option	Description
Current ID	Select an ID from a list. The current ID will be associated with the sample data until a different ID is selected.
Create New ID	Enter a name for a new operator ID. A maximum of 10 names can be entered.
Delete ID	Erase an existing operator ID.

6.3 Use a sample ID

The sample ID tag is used to associate readings with a particular sample or with a location. If assigned, stored data will include this ID.

1. Push **SETTINGS>Sample ID** in the reading screen.
2. Select, create or delete an operator ID:

Option	Description
Current ID	Select an ID from a list. The current ID will be associated with the sample data until a different ID is selected.
Create New ID	Enter a name for a new sample ID. A maximum of 10 names can be entered. The samples are numbered in sequence for each measurement until a different ID is selected (e.g., Pond 1, Pond 2).
Delete ID	Erase an existing sample ID.

6.4 How to do a measurement

Basic measurement steps are necessary to complete a measurement. Every method has a step-by-step procedure. Refer to the applicable method to run a specific test. The example that follows is a basic procedure to complete a measurement.

1. Select the applicable program from the programs menu (e.g., Stored Programs, User Programs, Favorites).
2. Install the cell adapter, if necessary.
3. Push **Start** to start the program.
4. Prepare the blank according to the method document. Close the sample cell and clean the optical faces of the sample cell with a lint-free cloth.
5. Insert the blank sample cell into the cell compartment. Make sure to install the blank sample cell in the correct and in a consistent orientation so that the results are more repeatable and precise. Refer to [Figure 4](#) on page 8.
6. Close the instrument cap to prevent light interferences. Refer to [Figure 5](#) on page 8.
7. Push **Zero**. The display shows a concentration of zero (e.g., mg/L, ABS, µg/L).

8. Prepare the sample. Add reagents as specified by the method document.
9. Select **Options>Start Timer** to use the stored timers within the program.
10. Close the sample cell and clean the optical surfaces of the cell with a lint-free cloth
11. Insert the sample into the cell compartment. Make sure to install the sample cell in the correct and in a consistent orientation so that the results are more repeatable and precise. Refer to [Figure 4](#) on page 8.
12. Close the instrument cap to prevent light interferences. Refer to [Figure 5](#) on page 8.
13. Push **Read**. The display shows the results in the selected units.
Note: The display shows "+++" or "---" if the measured absorbance is less or more than the calibration range of the test.

6.5 Data log

The data log shows all saved readings. Push **HOME>Options>Data Log** to see the readings. Refer to [Export the data log](#) on page 16 for information about the data log export.

Section 7 Advanced operation

7.1 Select a favorite or a user program

The favorite and user programs database is empty when the instrument is started for the first time. A method can be saved in the favorites for faster access. A user program can be programmed for specific needs.

1. Push **HOME>Options>Favorites/User Programs>Select**.
2. Push **New Program** to make a new user program. Refer to [User programs](#) on page 13.

7.2 Add a program to favorites

Stored programs and user programs methods which are often used can be saved in the favorites list.

1. Select **HOME>Options>All Programs**.
2. Select the applicable method and push **Start**.
3. Select **Options>Add to Favorites** to add the selected method to favorites.

7.3 User programs

The user programs database is empty when the instrument is started for the first time. Use **New Program** to make new programs for specific needs. To make a new user program, do the steps that follow.

1. Push **HOME>Options>Favorites/User Programs>Select>New Program**.
2. Select an available program number from 1001 to 1010.
Note: A maximum of ten programs (user programs and/or favorites) can be saved.
3. Enter a method name (up to 12 characters).
4. Select the wavelength: 420, 520, 560 or 610 nm.
5. Select the unit: None, µg/L, mg/L or g/L.
6. Select the resolution: 0000, 000.0, 00.00 or 0.000.
7. Add the calibration points: a minimum of 2 and a maximum of 12 calibration points.⁴ Select **Edit Std 1** and enter the first standard concentration value. Push **Done**.
Note: A beep means that the concentration is a duplicate of a previously entered standard or the concentration is too high for the selected resolution. Enter a different value and continue.

⁴ If the curve is known to be linear, only two concentration data points (e.g., a standard with zero absorbance and another known standard) are necessary. Use additional data points to confirm linearity or define a nonlinear curve.

- Enter the absorbance value:

Option	Description
Edit ABS Manual	Use the navigation keys to enter the absorbance value manually.
Edit ABS Auto	<ol style="list-style-type: none"> Put the blank into the cell holder and push Zero. Put the prepared sample into the cell holder and push Read. Push Done.

Note: A beep means that the absorbance is a duplicate of a previously entered standard or that it falls between two previous standards. Enter a different value and continue.

- Push **Done**.
- Select Add Cal Point.
- Enter additional calibration points as described in steps 7–9.
- Select **Save User Program**.

7.3.1 Edit a user program

To edit a stored user program:

- Select **HOME>Favorites/User Programs**.
- Select the applicable program and push **Options**.
- Push **Edit**.
- Obey the screen prompts to edit the procedure.

7.3.2 Delete a user or a favorite program

Delete a stored user or favorite program if the program is not used anymore.

- Select **HOME>Options>Favorites/User Programs**.
- Highlight the applicable program and push **Options>Delete** and obey the screen prompts.

7.4 Instrument information

The instrument information menu shows specific information such as the instrument name, serial number, software version, database version, memory used and program availability. Push **SETTINGS>Instrument Information**.

7.5 Set the password

The password settings options are used to prevent access to restricted menus.

Note: If the specified password is forgotten and Security Options is set to on, the operator is locked out of the restricted menus. Contact technical support if the password is forgotten.

- Push **SETTINGS>Setup>Password Settings**.
- Select an option.

Option	Description
Password Settings	Select On or Off to set the password protection to on or off.
Protected Items	Shows the list of protected items: edit operator ID, edit sample ID, edit user programs, date & time, upgrade firmware, upgrade methods, language and edit favorites list.

7.6 Set the display and sound

Use the display options to change the display contrast, the battery auto-shutoff options or the backlight option. Use the sound options for an audible sound when a key is pushed or a reading is complete.

- Push **SETTINGS>Setup>Display & Sound>Display Options**.
- Select an option.

Option	Description
Contrast	Adjust the display contrast. The lightest setting is 0 and the darkest setting is 9. Default: 5

Option	Description
Auto-Shutoff	To maximize battery life, set a time period after which the instrument will automatically set the power to off if no key is pushed (5, 10, 15, 20, 30 minutes, 1 hour, 2 hours or Disable). Default: 10 minutes
Backlight	The display backlight is set to on when BACKLIGHT is pushed. Set a time period after which the backlight will automatically power off if no key is pushed (10, 20, 30 seconds, 1, 2, 5, 10 minutes or Disable). Default: 1 minute

3. Push **SETTINGS>Setup>Display & Sound>Sounds**.
4. Select an option.

Option	Description
Keystroke	The instrument will make an audible sound whenever a key is pushed. Default: off
Reading Complete	The instrument will make an audible sound whenever a reading is complete. Default: on

7.7 USB main menu

When the instrument is connected with a USB cable to a computer, the USB Main Menu opens. Update the software, export or import programs or export the data log and event log from the USB Main Menu.

7.7.1 Update the firmware

Find the firmware upgrade file on the product website or contact the instrument supplier. Save the file from the website to the computer.

1. Set the instrument to on and connect the USB cable to the instrument and to the computer.
The USB Main Menu prompts.
2. Select **Update DR900**.
The instrument shows as a USB drive on the computer. Open the folder.
3. Copy the file DR900.bin to the open folder.

4. Push **Ok**.
5. When the update is done, push **Ok**.
6. Select **Disconnect USB**, push **Ok** and disconnect the USB cable.
7. Push **Ok**.
8. Restart the instrument.

7.7.2 Manage programs

With the Manage Programs function, user programs can be exported and/or imported and new factory programs can be imported.

1. Set the instrument to on and connect the USB cable to the instrument and to the computer.
The USB Main Menu prompts.
2. Select **Manage Programs** and select an option:

Option	Description
Export User Programs	Export all user programs to the computer for storage or to move the user programs to another DR 900.
Import User Programs	Replace all user programs with the user programs from another DR 900 via computer.
Import Factory Programs	Import new factory programs from the manufacturer website.

The instrument shows as a USB drive on the computer. Open the folder.

3. Copy the export file from drive to the computer or copy the import file from the computer to the drive.
4. Push **Ok**.
5. When the transfer is done, select **Disconnect USB** and disconnect the USB cable.
6. Push **Ok**.

7.7.3 Export the data log

The event log and the data log can be exported to the computer. The event log contains the date, time, event number, parameter and the description of a configuration related action. Sample measurements are stored manually or automatically in the data log. Refer to [Select advanced program options](#) on page 11.

1. Set the instrument to on and connect the USB cable to the instrument and to the computer.
The USB Main Menu prompts.
2. Select **Export Datalog**.
The instrument shows as a USB drive on the computer. Open the folder.
3. Copy and save the export files (DR900_DataLog.csv and DR900_EventLog.csv) to the computer.
4. Push **Ok**.
5. When the files are copied to the computer, select **Disconnect USB** and disconnect the USB cable.
6. Push **Ok**.

Section 8 Maintenance

⚠ WARNING



Multiple hazards. Only qualified personnel must conduct the tasks described in this section of the document.

8.1 Clean the instrument

Clean the exterior of the instrument with a moist cloth and a mild soap solution and then wipe the instrument dry as necessary.

8.2 Clean the sample cells

⚠ CAUTION



Chemical exposure hazard. Obey laboratory safety procedures and wear all of the personal protective equipment appropriate to the chemicals that are handled. Refer to the current safety data sheets (MSDS/SDS) for safety protocols.



⚠ CAUTION



Chemical exposure hazard. Dispose of chemicals and wastes in accordance with local, regional and national regulations.

Most laboratory detergents are used at recommended concentrations. Neutral detergents, such as Liquinox, are safer to use when regular cleaning is necessary. To decrease the cleaning times, increase the temperature or use an ultrasonic bath. To complete the cleaning, rinse a few times with deionized water and then let the sample cell air dry. Sample cells may also be cleaned with acid, followed by a thorough rinse with deionized water.

Note: Always use acid to clean sample cells that were used for low-level metal tests.

Special cleaning methods are necessary for individual procedures. When a brush is used to clean sample cells, take extra care to avoid scratches on the interior surfaces of the sample cells.

8.3 Replace the batteries

⚠ WARNING



Explosion hazard. Expired batteries can cause hydrogen gas buildup inside the instrument. Replace the batteries before they expire and do not store the instrument for long periods with the batteries installed.

⚠ WARNING



Fire hazard. Battery substitution is not permitted. Use only alkaline batteries.

NOTICE

Make sure to tighten the screws to 1–1.4 N·m (9–12 in.·lb) for a correct seal fit and to maintain the enclosure environmental rating.

Refer to [Install the batteries](#) on page 7 for battery replacement.

Section 9 Troubleshooting

Error code	Possible cause	Solution
1	Instrument is not configured.	Contact technical support.
2	Could not read program data	
3	Could not write program data	
4	Battery error	Replace the batteries.
5	A/D error during a measurement	Contact technical support.
6	Offset error during a measurement	Make sure that the instrument cap is correctly installed.

Error code	Possible cause	Solution
7	Low light error during a measurement	<ul style="list-style-type: none">• Make sure that there is no light path blockage.• Zero is out of instrument range• Contact technical support.
8	Over range error during a measurement, a potential light blockage or the concentration is too high	<ul style="list-style-type: none">• Make sure that there is no light path blockage and that the concentration is not too high for the program.• Make sure that the instrument cap is correctly installed.• Contact technical support.

Section 10 Replacement parts and accessories

⚠ WARNING



Personal injury hazard. Use of non-approved parts may cause personal injury, damage to the instrument or equipment malfunction. The replacement parts in this section are approved by the manufacturer.

Note: Product and Article numbers may vary for some selling regions. Contact the appropriate distributor or refer to the company website for contact information.

Replacement parts

Description	Item no.
Adapter assembly, COD	4846400
Battery set, AA alkaline batteries (4x)	1938004
Sample cell with cap, 25 x 95 mm, 10-20-25 mL (6x)	2401906

Replacement parts (continued)

Description	Item no.
Sample cell with cap, 1 cm/10 mL (2x)	4864302
USB cable	LZV818

Accessories

Description	Item no.
Cap, sample cell, for 25 x 95 mL cell	2401812
Carrying case, hard-sided	4942500
Carrying case, soft-sided with shoulder strap	2722000
Carrying case, portable laboratory	4943000
DR/Check™ absorbance standards	2763900
Instrument cap, DR 900	9390500

Inhaltsverzeichnis

- | | |
|---|--|
| 1 Technische Daten auf Seite 19 | 6 Standardbetrieb auf Seite 27 |
| 2 Allgemeine Informationen auf Seite 19 | 7 Fortgeschrittener Betrieb auf Seite 30 |
| 3 Installation auf Seite 22 | 8 Wartung auf Seite 34 |
| 4 Benutzerschnittstelle und Navigation auf Seite 24 | 9 Fehlerbehebung auf Seite 35 |
| 5 Inbetriebnahme auf Seite 26 | 10 Ersatzteile und Zubehör auf Seite 36 |

Kapitel 1 Technische Daten

Änderungen vorbehalten.

Technische Daten	Details
Messmodus	Transmission (%), Absorption (Abs.) und Konzentration (Konz.)
Abmessungen (B x T x H)	23,6 x 8,7 x 4,7 cm (9,3 x 3,4 x 1,9 Zoll)
Gehäuseschutzart	IP67
Gewicht	0,6 kg (1,3 lb)
Spannungsversorgung (intern)	Alkali-Batterien 4 x Größe AA
Akkulebensdauer	6 Monate (typischer Wert) bei 5 Messwerten pro Tag und 5 Tagen pro Woche, ohne Hintergrundbeleuchtung
Schnittstelle	USB-Mini
Betriebstemperatur	0 bis 50 °C (32 bis 122 °F), maximal 90 % relative Luftfeuchtigkeit, nicht-kondensierend

Technische Daten	Details
Lagerungstemperatur	−30 bis 60 °C (22 bis 140 °F), maximal 90 % relative Luftfeuchtigkeit, nicht-kondensierend
Lichtquelle	Leuchtdiode (LED)
Detektor	Silizium-Photodiode
Wellenlängenbereich	420, 520, 560, 610 nm
Photometrischer Messbereich	0–2 Abs
Wellenlängengenauigkeit	±1 nm
Photometrische Genauigkeit	±0.03 Abs
Photometrische Linearität	±0,002 Abs. (0–1 Abs)
Wellenlängen-Auswahl	Automatisch, basierend auf der Methodenwahl
Photometrische Wiederholgenauigkeit	±0,002 Abs. (0–1 Abs)
Datenanzeige	Grafikfähige Anzeige, 240 x 160 Pixel (beleuchtet)
Küvetten	16 mm, 1/cm/10 mL, 25 mm (1 Zoll) rund
Schutzklasse	Klasse III
Zertifizierungen	CE-zertifiziert
Gewährleistung	1 Jahr (EU: 2 Jahre)

Kapitel 2 Allgemeine Informationen

Der Hersteller ist nicht verantwortlich für direkte, indirekte, versehentliche oder Folgeschäden, die aus Fehlern oder Unterlassungen in diesem Handbuch entstanden. Der Hersteller behält

sich jederzeit und ohne vorherige Ankündigung oder Verpflichtung das Recht auf Verbesserungen an diesem Handbuch und den hierin beschriebenen Produkten vor. Überarbeitete Ausgaben der Bedienungsanleitung sind auf der Hersteller-Webseite erhältlich.

2.1 Sicherheitshinweise

Der Hersteller ist nicht für Schäden verantwortlich, die durch Fehlanwendung oder Missbrauch dieses Produkts entstehen, einschließlich, aber ohne Beschränkung auf direkte, zufällige oder Folgeschäden, und lehnt jegliche Haftung im gesetzlich zulässigen Umfang ab. Der Benutzer ist selbst dafür verantwortlich, schwerwiegende Anwendungsrisiken zu erkennen und erforderliche Maßnahmen durchzuführen, um die Prozesse im Fall von möglichen Gerätefehlern zu schützen.

Bitte lesen Sie dieses Handbuch komplett durch, bevor Sie dieses Gerät auspacken, aufstellen oder bedienen. Beachten Sie alle Gefahren- und Warnhinweise. Nichtbeachtung kann zu schweren Verletzungen des Bedienpersonals oder Schäden am Gerät führen.

Stellen Sie sicher, dass die durch dieses Messgerät gebotene Sicherheit nicht beeinträchtigt wird. Verwenden bzw. installieren Sie das Messgerät nur wie in diesem Handbuch beschrieben.

2.2 Bedeutung von Gefahrenhinweisen

▲ GEFÄHR

Kennzeichnet eine mögliche oder drohende Gefahrensituation, die, wenn sie nicht vermieden wird, zum Tod oder zu schweren Verletzungen führt.

▲ WARNUNG

Kennzeichnet eine mögliche oder drohende Gefahrensituation, die, wenn sie nicht vermieden wird, zum Tod oder zu schweren Verletzungen führen kann.

▲ VORSICHT







Kennzeichnet eine mögliche Gefahrensituation, die zu leichteren Verletzungen führen kann.

ACHTUNG

Kennzeichnet eine Situation, die, wenn sie nicht vermieden wird, das Gerät beschädigen kann. Informationen, die besonders beachtet werden müssen.

2.3 Warnhinweise

Lesen Sie alle am Gerät angebrachten Aufkleber und Hinweise. Nichtbeachtung kann Verletzungen oder Beschädigungen des Geräts zur Folge haben. Im Handbuch wird in Form von Warnhinweisen auf die am Gerät angebrachten Symbole verwiesen.

	Dieses Symbol am Gerät weist auf Betriebs- und/oder Sicherheitsinformationen im Handbuch hin.
	Dieses Symbol weist auf eine Explosionsgefahr hin.
	Dieses Symbol weist auf Brandgefahr hin.
	Dieses Symbol weist auf Gefahren durch Chemikalien hin. Nur Personen, die im Umgang mit Chemikalien geschult und entsprechend qualifiziert sind, dürfen mit Chemikalien arbeiten oder Wartungsarbeiten an den chemischen Versorgungssystemen des Gerätes vornehmen.
	Dieses Symbol kennzeichnet den Bedarf für einen Augenschutz.
	Elektrogeräte, die mit diesem Symbol gekennzeichnet sind, dürfen nicht im normalen öffentlichen Abfallsystem entsorgt werden. Senden Sie Altgeräte an den Hersteller zurück. Dieser entsorgt die Geräte ohne Kosten für den Benutzer.

2.4 Konformität und Zertifizierung

▲ VORSICHT

Dieses Gerät ist nicht für den Einsatz in Wohnumgebungen bestimmt und kann in solchen Umgebungen keinen angemessenen Schutz vor Funkwellen bieten.

Kanadische Vorschriften zu Störungen verursachenden Einrichtungen, ICES-003, Klasse A:

Entsprechende Prüfnachweise hält der Hersteller bereit.

Dieses digitale Gerät der Klasse A erfüllt alle Vorgaben der kanadischen Normen für Interferenz verursachende Geräte.

Cet appareil numérique de classe A répond à toutes les exigences de la réglementation canadienne sur les équipements provoquant des interférences.

FCC Teil 15, Beschränkungen der Klasse "A"

Entsprechende Prüfnachweise hält der Hersteller bereit. Das Gerät entspricht Teil 15 der FCC-Vorschriften. Der Betrieb unterliegt den folgenden Bedingungen:

1. Das Gerät darf keine Störungen verursachen.
2. Das Gerät muss jegliche Störung, die es erhält, einschließlich jener Störungen, die zu unerwünschtem Betrieb führen, annehmen.

Änderungen oder Modifizierungen an diesem Gerät, die nicht ausdrücklich durch die für die Einhaltung der Standards verantwortliche Stelle bestätigt wurden, können zur Aufhebung der Nutzungsberechtigung für dieses Gerät führen. Dieses Gerät wurde geprüft, und es wurde festgestellt, dass es die Grenzwerte für digitale Geräte der Klasse A entsprechend Teil 15 der FCC-Vorschriften einhält. Diese Grenzwerte sollen einen angemessenen Schutz gegen gesundheitsschädliche Störungen gewährleisten, wenn dieses Gerät in einer gewerblichen Umgebung betrieben wird. Dieses Gerät erzeugt und nutzt hochfrequente Energie und kann diese auch abstrahlen, und es kann, wenn es nicht in Übereinstimmung mit der Bedienungsanleitung installiert und eingesetzt wird, schädliche Störungen der Funkkommunikation verursachen. Der Betrieb dieses Geräts in Wohngebieten kann schädliche Störungen verursachen. In diesem Fall muss der Benutzer die Störungen auf eigene Kosten beseitigen.

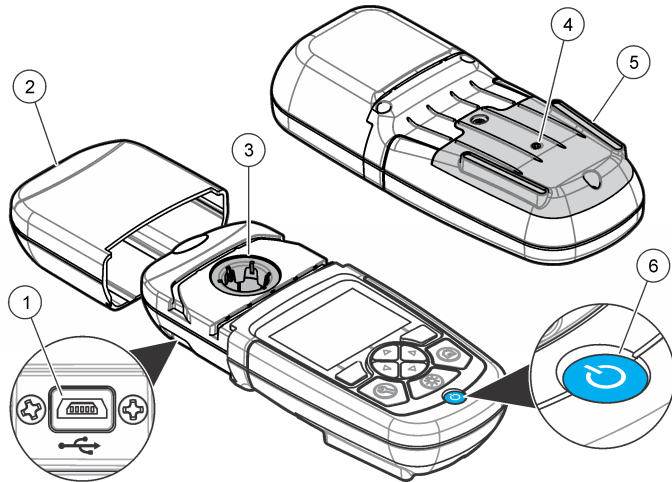
Probleme mit Interferenzen lassen sich durch folgende Methoden mindern:

1. Trennen Sie das Gerät von der Stromversorgung, um sicherzugehen, dass dieser die Störungen nicht selbst verursacht.
2. Wenn das Gerät an die gleiche Steckdose angeschlossen ist wie das gestörte Gerät, schließen Sie das störende Gerät an eine andere Steckdose an.
3. Vergrößern Sie den Abstand zwischen diesem Gerät und dem gestörten Gerät.
4. Ändern Sie die Position der Empfangsantenne des gestörten Geräts.
5. Versuchen Sie auch, die beschriebenen Maßnahmen miteinander zu kombinieren.

2.5 Produktübersicht

Der DR 900 ist ein tragbares Kolorimeter mit LED-Lichtquellen zur Messung bei den Wellenlängen 420, 520, 560 und 610 nm. Das Gerät wird zur Messung verschiedener Messgrößen in Trinkwasser, Abwasser und industriellen Anwendungen eingesetzt. Das Gerät wird mit einem Satz gespeicherter Programme (vorinstallierten Methoden) ausgeliefert. Weiterhin sind Speicherplätze für Anwenderprogramme und Favoriten vorhanden. Siehe [Abbildung 1](#).

Abbildung 1 Messgerät

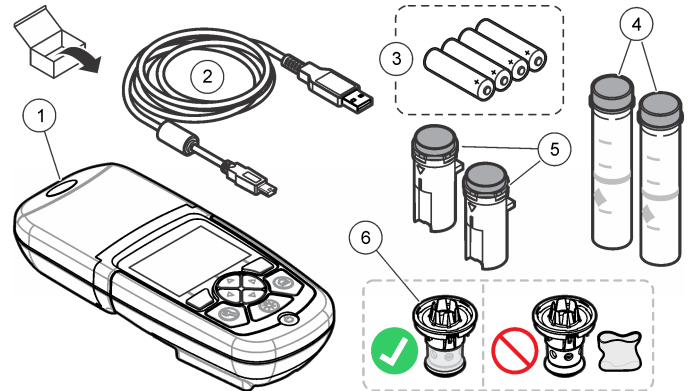


1 USB-Port	4 Entlüftung
2 Geräteabdeckkappe	5 Akkufach/Batteriefach
3 Messschacht	6 Ein/Aus-Taste

2.6 Produktkomponenten

Stellen Sie sicher, dass Sie alle Teile erhalten haben. Siehe [Abbildung 2](#). Wenn irgendwelche Komponenten fehlen oder beschädigt sind, kontaktieren Sie bitte den Gerätelieferanten oder Verkäufer.

Abbildung 2 Produktkomponenten



1 DR 900	4 Glas-Küvette, 25 mm (1 Zoll) rund, Markieren für 10, 20, 25 mL (2x)
2 USB-Kabel mit Mini-USB-Stecker	5 Küvette, 1 cm/10 ml (2x)
3 Alkali-Batterien Größe AA (4x)	6 Küvettenadapter

Kapitel 3 Installation

⚠ WARNUNG



Mehrere Gefahren. Nur qualifiziertes Personal sollte die in diesem Kapitel des Dokuments beschriebenen Aufgaben durchführen.

ACHTUNG

Vergewissern Sie sich, dass die Batterie-Entlüftung des Gerät während der Verwendung oder des Speicherns nicht blockiert ist.

3.1 Einlegen der Batterien

⚠ WARNUNG



Explosionsgefahr. Das unsachgemäße Einlegen von Batterien kann zur Freisetzung explosiver Gase führen. Vergewissern Sie sich, dass Sie Batterien mit dem zulässigen Chemikaliertyp verwenden und dass sie mit der korrekten Polung eingelegt wurden. Verwenden Sie nicht alte und neue Batterien zusammen.

⚠ WARNUNG



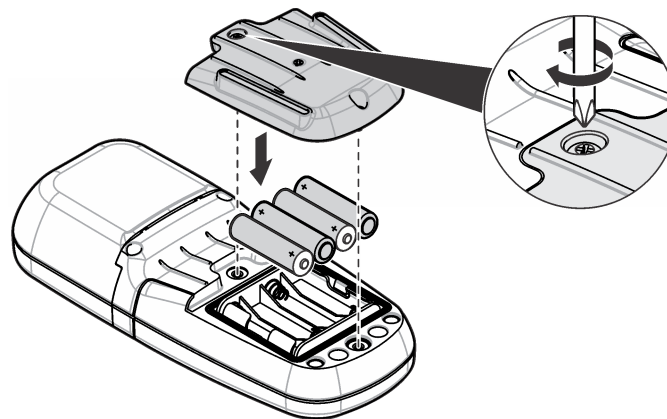
Brandgefahr. Eine Substitution der Batterie ist unzulässig. Verwenden Sie ausschließlich Alkalibatterien.

ACHTUNG

Achten Sie darauf, die Schrauben mit 1 bis 1,4 Nm (9 bis 12 in. lb) festzuziehen, um einen korrekten Sitz der Dichtung zu gewährleisten und die Gehäuseumweltspezifikation einzuhalten.

Das Gerät wird mit vier Alkali-Batterien der Größe AA versorgt. Achten Sie darauf, die Batterien in der korrekten Ausrichtung einzulegen. Informationen zum Einlegen der Batterien finden Sie unter [Abbildung 3](#).

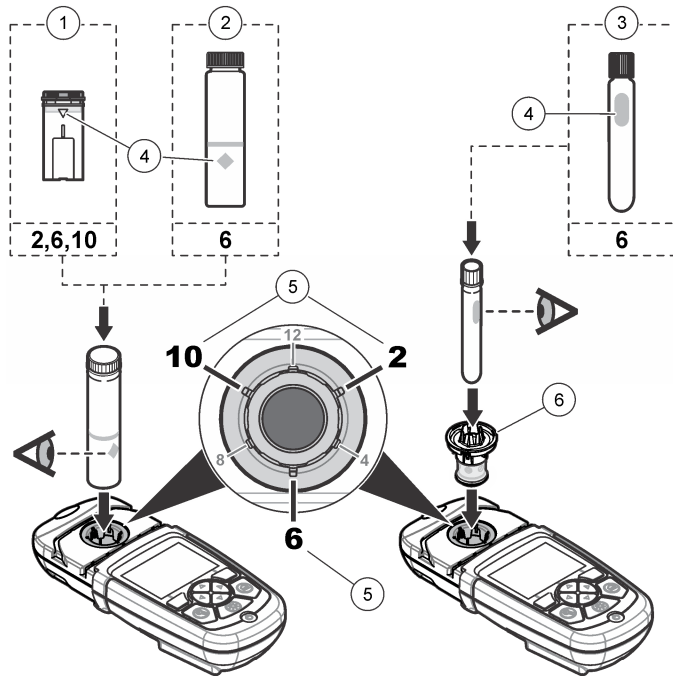
Abbildung 3 Einlegen der Batterien



3.2 Einsetzen von Küvette und Küvettenadapter

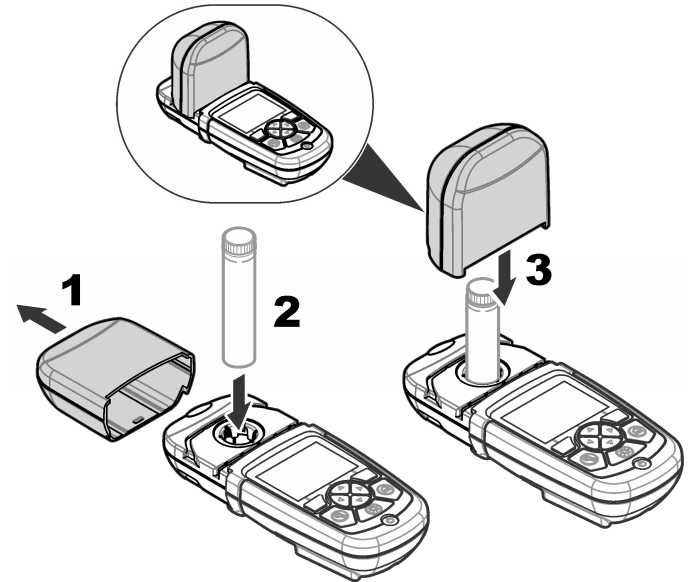
Das Gerät verfügt über einen Messschacht, in dem über einen Adapter verschiedene Küvettentypen eingesetzt werden können. Achten Sie darauf, die Probenküvette immer korrekt und in der gleichen Ausrichtung einzusetzen, um genaue und reproduzierbare Ergebnisse zu erhalten. Siehe [Abbildung 4](#). Schließen Sie Geräteabdeckkappe, bevor der Geräte Nullpunkt eingestellt oder eine Messung ausgeführt wird, um störendes Licht fernzuhalten. Siehe [Abbildung 5](#).

Abbildung 4 Küvettenausrichtung



1 1-cm/10-mL-Kunststoffküvette	4 Ausrichtungsmarkierung
2 25-mm-Glas-Küvette (1 Zoll)	5 Ausrichtungsposition (im Uhrzeigersinn)
3 16-mm-Glas-Teströhrchen	6 Küvettenadapter

Abbildung 5 Einsetzen von Küvette und Geräteabdeckkappe

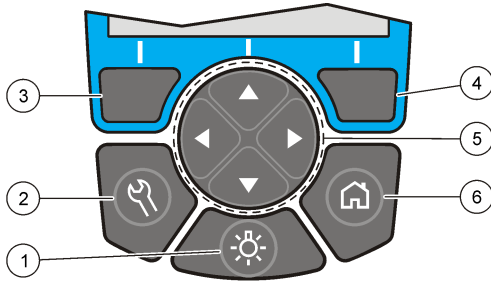


Kapitel 4 Benutzerschnittstelle und Navigation

4.1 Beschreibung des Tastenfelds

Eine Beschreibung des Tastenfelds und Informationen zur Navigation finden Sie unter [Abbildung 6](#).

Abbildung 6 Beschreibung des Tastenfelds



4.2 Anzeigenbeschreibung

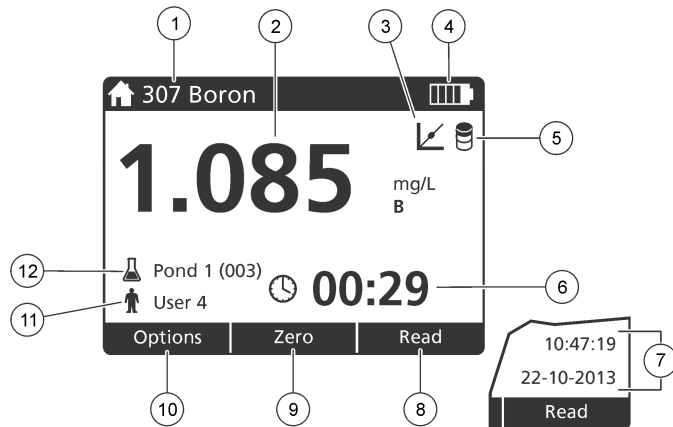
In der Messwertanzeige werden die gewählten Betriebsart, Einheit, Datum und Uhrzeit, Bediener-ID und Proben-ID angezeigt. Siehe [Abbildung 7](#).

<p>1 BELEUCHTUNG: Schaltet die Anzeigenbeleuchtung ein oder aus</p>	<p>4 RECHTS-Auswahltaste (kontextabhängig): Misst die Probe, wählt Optionen aus oder bestätigt diese und öffnet Untermenüs</p>
<p>2 EINSTELLUNGEN: Einrichtung-Optionen¹</p>	<p>5 Navigationstasten: AUF, AB, RECHTS, LINKS: Blättern durch Menüs, Eingabe von Zahlen und Buchstaben²</p>
<p>3 LINKS-Auswahltaste (kontextabhängig): Ruft Optionen auf, verlässt die aktuelle Menüanzeige durch Abbrechen oder Beenden und kehrt zur vorherigen Auswahl zurück</p>	<p>6 HOME/Optionen: Ruft die Messwertanzeige¹ auf, wählt ein Programm, Datenmanagement</p>

¹ Im Bearbeitungsmodus hat diese Taste keine Funktion.

² Wenn die Taste AUF oder AB gedrückt gehalten wird, blättert diese mit höherer Geschwindigkeit. Wenn die Taste LINKS oder RECHTS gedrückt wird, blättert diese seitenweise.

Abbildung 7 Einzelne Bildschirmanzeige



1 Programmname und -nummer	7 Uhrzeit und Datum
2 Messwert, Einheit, chemische Form, unterhalb "----" oder oberhalb des Messbereichs "+ ++"	8 Messen (kontextabhängig: Fertig, Auswählen, Start, OK)
3 Standardanpassungs-Symbol	9 Nullpunkt (kontextabhängig: Navigationstaste AUFWÄRTS-Pfeil)
4 Batteriestatus	10 Optionen (kontextabhängig: Zurück, Abbrechen)
5 Reagenzienblindwert-Symbol	11 Anwenderkennung
6 Timer	12 Probenkennung

4.3 Navigation

Das Gerät verfügt über Menüs zur Änderung der verschiedenen Optionen. Verwenden Sie die Navigationstasten (Pfeile **AUF**, **AB**,

RECHTS und **LINKS**), um die verschiedenen Optionen zu markieren. Drücken Sie die Auswahlstaste **RECHTS**, um eine Option zu wählen. Geben Sie mit den Navigationstasten einen Wert ein. Drücken Sie die Navigationstasten (Pfeile **AUF**, **AB**, **RECHTS** und **LINKS**), um einen Wert einzugeben oder ihn zu ändern. Drücken Sie auf den **RECHTS**-Pfeil, um zur nächsten Position zu gelangen. Drücken Sie die Auswahlstaste **RECHTS** unter **Fertig**, um den Wert anzunehmen. Drücken Sie die Auswahlstaste **LINKS**, um das aktuelle Menü zu verlassen und zum vorherigen Bildschirm zurückzukehren.

Kapitel 5 Inbetriebnahme

5.1 Ein-/Ausschalten des Geräts

Drücken Sie die Taste **EIN/AUS**, um das Gerät ein- oder auszuschalten. Wenn sich das Gerät nicht einschalten lässt, vergewissern Sie sich, dass die Batterien korrekt eingelegt sind.

5.2 Einstellen der Sprache

Es gibt zwei Optionen zur Einstellung der Sprache:

- Stellen Sie beim ersten Einschalten des Geräts die Sprache für die Anzeige ein.
- Stellen Sie die Sprache über das Menü „EINSTELLUNGEN“ ein.

1. Drücken Sie **EINSTELLUNGEN**>**Einrichtung**>**Sprache**.
2. Wählen Sie eine Sprache aus der Liste.

5.3 Einrichten von Datum und Uhrzeit

Es gibt zwei Optionen zur Einstellung von Datum und Uhrzeit:

- Stellen Sie beim ersten Einschalten des Geräts Datum und Uhrzeit ein.

- Datum und Zeit können im Menü „Datum und Uhrzeit“ geändert werden.

1. Drücken Sie **EINSTELLUNGEN>Einrichtung>Datum und Uhrzeit**.
2. Wählen Sie **Datum und Uhrzeitformat wählen**, und wählen Sie dann ein Format für Datum und Uhrzeit aus.
3. Wählen Sie **Datum und Uhrzeit einstellen**.
4. Verwenden Sie die Navigationstasten, um das aktuelle Datum und die Uhrzeit einzugeben, und drücken Sie dann **OK**.

Kapitel 6 Standardbetrieb

6.1 Programmliste

Das Gerät wird mit einer Reihe von Anwendungsprogrammen ausgeliefert. Die Programmbeschreibungen finden Sie unter [Tabelle 1](#).

Tabelle 1 Programmoptionen

Programmoption	Beschreibung
Gespeicherte Programme	Gespeicherte Programme sind werksseitig installierte, vorprogrammierte Methoden. Siehe Auswählen eines gespeicherten Programms auf Seite 27.
Anwenderprogramme	Eigene Methoden können als Anwenderprogramm gespeichert werden. ³ Siehe Anwenderprogramme auf Seite 31.
hinzufügen	Häufig verwendete Methoden können in der Favoritenliste gespeichert werden. ¹

6.1.1 Auswählen eines gespeicherten Programms

1. Drücken Sie **HOME>Optionen>Alle Progr..**
2. Wählen Sie die gewünschte Methode und drücken Sie **Start**.

3. Wählen Sie **Optionen>Zu Favoriten hinzufügen**., um die gewählte Methode zu den Favoriten hinzuzufügen. So kann die Methode schneller aufgerufen werden.

6.1.2 Wählen der grundlegenden Programmoptionen

Nach Auswahl eines Programm sind weitere Parameter verfügbar.

1. Drücken Sie **Optionen**, um das Optionsmenü aufzurufen.
2. Wählen Sie die gewünschte Optionen.

Optionen	Beschreibung
Timer starten	Wählen Sie einen voreingestellten Timer oder stellen Sie einen Timer manuell ein, um sicherzustellen, dass die erforderlichen Zeiten für die einzelnen Analyseschritte eingehalten werden (z. B. Reaktions- oder Wartezeiten). Wenn der Timer eingeschaltet ist, wird auf der Anzeige das Timer -Symbol eingeblendet. Nach Ablauf der Zeit gibt das Gerät ein akustisches Signal ab. Voreingestellte Timer —Wählen Sie den gewünschten Timer für eine oder mehrere gespeicherte Schritte des Ablaufs und drücken Sie Start . Timer manuell —Geben Sie die erforderliche Zeit mit den Navigationstasten ein und drücken Sie Fertig . Grundeinstellung = 00:00

Favoriten/Benutzerprogr. Wählen Sie aus den gespeicherten Favoriten oder der Anwenderprogrammliste. Weitere Informationen finden Sie unter [Auswählen eines Favoriten oder eines Anwenderprogramms](#) auf Seite 30.

³ Es können maximal zehn Methoden (Anwenderprogramme und/oder Favoriten) gespeichert werden.

Optionen	Beschreibung
Alle Progr.	Wählen Sie eine vorprogrammierte Methode aus der Liste.
Datenprot.	Zeigt alle gespeicherten Messwerte an. Weitere Informationen finden Sie unter Datenspeicher auf Seite 30.
Zu Favoriten hinzufüg.	Speichern Sie häufig verwendete gespeicherte Programme und Anwenderprogramm-Methoden in der Favoritenliste. Siehe Programm Zu Favoriten hinzufüg. auf Seite 30.
%T/Abs./Konz.	Schalten Sie zwischen der Anzeige der % Transmissions-, Absorptions- oder Konzentrationsmesswerte um. Transmissionsmesswert (%) —Misst den Anteil des abgegebenen Lichts in Prozent, das die Probe durchdringt und den Detektor erreicht. Absorptionsmesswerte —Das von der Probe absorbierte Licht wird in Absorptionseinheiten gemessen. Konzentrationsmesswerte —Die gemessenen Absorptionswerte werden mit der im Programm gespeicherten Gleichung in Konzentrationswerte umgerechnet.
Erweiterte Optionen	Verwenden Sie die erweiterten Optionen, um weitere Parameter zu konfigurieren. Siehe Wählen der erweiterten Programmooptionen auf Seite 28.
Speichern	Speichern Sie die letzten Messwerte manuell, wenn die automatische Speicheroption abgeschaltet ist (Aus).

6.1.3 Wählen der erweiterten Programmooptionen

In jedem Programm können verschiedene erweiterte Optionen ausgewählt werden.

1. Drücken Sie **Optionen**, um **Optionen>Erweiterte Optionen** aufzurufen.
2. Verwenden Sie die erweiterten Optionen, um weitere Parameter zu konfigurieren.

Optionen	Beschreibung
Autom. Speicherung	Schalten Sie zwischen Ein und Aus um. Wenn diese Option auf „Ein“ gesetzt ist, wird jeder Messwert automatisch gespeichert. Der Messwert kann manuell gespeichert werden, wenn die Option auf „Aus“ gesetzt ist.
Chemische Form	Wählen Sie die alternative chemische Form und den dazugehörigen Messbereich für einige ab Werk installierte Methoden.
Reagenzienblindwert	Für einige ab Werk installierte Methoden kann der Reagenzienblindwert korrigiert werden. Geben Sie das Ergebnis eines Tests ein, der mit entionisiertem Wasser ausgeführt wurde. Der Blindwert wird dann von allen Ergebnissen abgezogen, um die durch Reagenzien verursachte Hintergrundfarbe zu kompensieren. Geben Sie den Blindwert ein, bevor Sie die Option „Standardanpassung“ verwenden. Führen Sie diesen Korrektur für jede neue Reagenziencharge aus.

Optionen	Beschreibung
Standardanpassung	Ändern Sie eine gespeicherte Kalibrierung. Führen Sie einen Test gegen einen bekannten Standard mit einer Konzentration nahe der oberen Messbereichsgrenze aus. Verwenden Sie diese Funktion, um das Ergebnis auf die Konzentration des Standards einzustellen.
Sortieren des Programms	Wählen Sie eine alphabetische oder numerische Reihenfolge zum Sortieren der Programmliste.

6.2 Verwenden einer Bediener-ID

Die Bediener-ID-Kennung ordnet Messungen einem bestimmten Anwender zu. Alle gespeicherten Daten enthalten diese ID.

1. Drücken Sie in der Messwertanzeige **EINSTELLUNGEN>Bediener-ID**.
2. Wählen, erstellen oder löschen Sie eine Bediener-ID:

Optionen	Beschreibung
Aktuelle ID	Wählen Sie eine ID aus einer Liste. Die aktuelle ID wird den Probanden zugewiesen, bis eine andere ID gewählt wurde.
Neue ID erstellen	Geben Sie einen Namen für die neue Bediener-ID ein. Es können maximal 10 Namen eingegeben werden.
ID löschen	Löschen Sie eine vorhandene Bediener-ID.

6.3 Verwenden einer Proben-ID

Die Proben-ID-Kennung wird verwendet, um Messungen einer bestimmten Probe oder einem bestimmten Ort zuzuweisen. Wenn sie zugewiesen wurde, enthalten alle gespeicherten Daten diese ID.

1. Drücken Sie in der Messwertanzeige **EINSTELLUNGEN>Proben-ID**.
2. Wählen, erstellen oder löschen Sie eine Bediener-ID:

Optionen	Beschreibung
Aktuelle ID	Wählen Sie eine ID aus einer Liste. Die aktuelle ID wird den Probanden zugewiesen, bis eine andere ID gewählt wurde.
Neue ID erstellen	Geben Sie einen Namen für die neue Proben-ID ein. Es können maximal 10 Namen eingegeben werden. Die Proben sind in der Reihenfolge der Messungen nummeriert, bis eine andere ID gewählt wird (z. B. Becken 1, Becken 2).
ID löschen	Löschen Sie eine vorhandene Proben-ID.

6.4 So führen Sie eine Messung aus

Die Messung besteht aus einer Reihe grundlegender Schritte. Jede Methode setzt sich aus einem schrittweisen Ablauf zusammen. Informationen zum Ausführen eines bestimmten Tests finden Sie bei der entsprechenden Methode. Das folgende Beispiel zeigt den grundlegenden Ablauf einer Messung.

1. Wählen Sie das gewünschte Programm aus dem Programm-Menü (z. B. Gespeicherte Progr., Anwenderprogramme, Favoriten).
2. Setzen Sie bei Bedarf den Küvettenadapter ein.
3. Drücken Sie auf **Start**, um das Programm zu starten.
4. Bereiten Sie die Blindwertmessung vor wie im Methodendokument angegeben. Schließen Sie die Küvette und reinigen Sie die optischen Flächen der Küvette mit einem fusselfreien Tuch.
5. Setzen Sie die Küvette mit Blindwert in den Messschacht ein. Achten Sie darauf, die Blindwertprobe immer korrekt und in der gleichen Ausrichtung einzusetzen, um genaue und reproduzierbare Ergebnisse zu erhalten. Siehe [Abbildung 4](#) auf Seite 24.
6. Schließen Sie die Geräteabdeckkappe, um störendes Licht fernzuhalten. Siehe [Abbildung 5](#) auf Seite 24.

7. Drücken Sie **Nullpunkt**. Auf der Anzeige wird die Null-Konzentration angezeigt (z. B. mg/L, ABS, µg/L).
8. Vorbereiten der Probe. Geben Sie die Reagenzien zu wie im Methodendokument angegeben.
9. Wählen Sie **Optionen>Timer starten**, um die im Programm gespeicherten Timer zu verwenden.
10. Schließen Sie die Küvette und reinigen Sie die optischen Flächen der Küvette mit einem fusselfreien Tuch
11. Setzen Sie die Küvette mit der Probe in den Messschacht ein. Achten Sie darauf, die Probenküvette immer korrekt und in der gleichen Ausrichtung einzusetzen, um genaue und reproduzierbare Ergebnisse zu erhalten. Siehe [Abbildung 4](#) auf Seite 24.
12. Schließen Sie die Geräteabdeckkappe, um störendes Licht fernzuhalten. Siehe [Abbildung 5](#) auf Seite 24.
13. Drücken Sie **Messen**. Auf der Anzeige werden die Ergebnisse in den ausgewählten Einheiten angezeigt.
Hinweis: Auf der Anzeige wird "+++" oder "---" angezeigt, wenn die gemessene Absorption unter oder über dem Kalibrierungsbereich des Tests liegt.

6.5 Datenspeicher

Das Datenprotokoll enthält alle gespeicherten Messungen. Drücken Sie **HOME>Optionen>Datenprot.**, um die Messwerte anzuzeigen. Siehe [Exportieren des Datenprotokolls](#) auf Seite 33 für Informationen zum Exportieren des Datenprotokolls.

Kapitel 7 Fortgeschrittener Betrieb

7.1 Auswählen eines Favoriten oder eines Anwenderprogramms

Beim ersten Einschalten des Gerätes ist die Datenbank der Favoriten und Anwenderprogramme leer. Um einen schnelleren Zugriff zu ermöglichen, kann eine Methode als Favorit gespeichert werden. Ein Benutzerprogramm kann für spezifische Anforderungen programmiert werden.

1. Drücken Sie **HOME>Optionen>Favoriten/Benutzerprogr.>Auswählen**.
2. Drücken Sie **Neues Programm**, um ein neues Anwenderprogramm zu erstellen. Siehe [Anwenderprogramme](#) auf Seite 31.

7.2 Programm Zu Favoriten hinzufüg.

Häufig verwendete gespeicherte Programme und Anwenderprogramm-Methoden können in der Favoritenliste gespeichert werden.

1. Wählen Sie **HOME>Optionen>Alle Progr.**
2. Wählen Sie die gewünschte Methode und drücken Sie **Start**.
3. Wählen Sie **Optionen>Zu Favoriten hinzufüg.**, um die gewählte Methode zu den Favoriten hinzuzufügen.

7.3 Anwenderprogramme

Beim ersten Einschalten des Gerätes ist die Datenbank der Anwenderprogramme leer. Verwenden Sie die Funktion **Neues Programm**, um neue Programme für Ihren spezifischen Bedarf zu erstellen. Führen Sie die folgenden Schritte aus, um ein neues Anwenderprogramm zu erstellen.

1. Drücken Sie **HOME>Optionen>Favoriten/Benutzerprogr.>Auswählen>Neues Programm**.
2. Wählen Sie eine verfügbare Programmnummer von 1001 bis 1010.
Hinweis: Es können maximal zehn Programme (Anwenderprogramme und/oder Favoriten) gespeichert werden.
3. Geben Sie einen Methodennamen (mit bis zu 12 Zeichen) ein.
4. Wählen Sie eine Wellenlänge: 420, 520, 560 oder 610 nm.
5. Wählen Sie die Einheit: Aus, µg/L, mg/L oder g/L.
6. Wählen Sie die Auflösung: 0000, 000,0, 00,00 oder 0,000.
7. Geben Sie die Kalibrierungspunkte ein: mindestens 2, maximal 12 Kalibrierungspunkte.⁴ Wählen Sie „Std bearb. 1“ und geben Sie den ersten Konzentrationswert des Standards ein. Drücken Sie **Fertig**.
Hinweis: Ein Piepton bedeutet, dass die Konzentration bereits für einen vorher eingegebenen Standard vorhanden ist oder dass die Konzentration zu hoch für die gewählte Auflösung ist. Geben Sie einen anderen Wert ein und fahren Sie fort.

8. Geben Sie den Adsorptionswert ein:

Optionen	Beschreibung
ABS man. bearb.	Verwenden Sie die Navigationstasten, um den Adsorptionswert manuell einzugeben.
ABS aut. bearb.	<ol style="list-style-type: none">1. Setzen Sie die Blindwertprobe in den Küvettenhalter ein und drücken Sie Nullpunkt.2. Setzen Sie die vorbereitete Probe in den Küvettenhalter ein und drücken Sie Messen.3. Drücken Sie Fertig.

Hinweis: Ein Piepton bedeutet, dass die Absorption bereits für einen vorher eingegebenen Standard vorhanden ist oder dass sie zwischen zwei vorherigen Standards liegt. Geben Sie einen anderen Wert ein und fahren Sie fort.

9. Drücken Sie **Fertig**.
10. Wählen Sie „Kal.-Punkt hinz“.
11. Geben Sie zusätzliche Kalibrierungspunkte ein, wie unter Schritt 7–9 beschrieben.
12. Wählen Sie **Anwenderprogramm speichern**.

7.3.1 Bearbeiten eines Anwenderprogramms

So bearbeiten Sie ein gespeichertes Anwenderprogramm:

1. Wählen Sie **HOME>Favoriten/Benutzerprogr.**
2. Wählen Sie das gewünschte Programm und drücken Sie **Optionen**.
3. Drücken Sie **Bearbeiten**.
4. Befolgen Sie die Anweisungen auf dem Bildschirm, um den Ablauf zu bearbeiten.

⁴ Wenn die Kurve bekannterweise linear ist, sind nur zwei Konzentrations-Datenpunkte erforderlich. (Dies ist z. B. für einen Standard mit einer Absorption von Null oder andere bekannte Standards der Fall.) Verwenden Sie weitere Datenpunkte, um die Linearität zu bestätigen oder eine nicht-lineare Kurve zu definieren.

7.3.2 Löschen eines Anwender- oder eines Favoritenprogramms

Löschen Sie ein gespeichertes Anwender- oder Favoritenprogramm, wenn das Programm nicht mehr benötigt wird.

1. Wählen Sie **HOME>Optionen>Favoriten/Benutzerprogr..**
2. Markieren das gewünschte Programm, drücken Sie **Optionen>Löschen** und befolgen Sie die Anweisungen auf dem Bildschirm.

7.4 Geräteinformationen

Im Menü Geräteinformationen werden spezifische Informationen wie Gerätenamen, Seriennummer, Software-Version, Datenbankversion, belegter Speicherplatz und verfügbare Programme angezeigt. Drücken Sie **EINSTELLUNGEN > Geräteinformation**.

7.5 Einstellen des Kennworts

Die Optionen zur Kennworteinstellung werden verwendet, um den unbefugten Zugang zu geschützten Menüs zu verhindern.

Hinweis: Wenn das Kennwort bei aktivierten Sicherheitsoptionen vergessen wird, ist der Anwender von geschützten Menüs ausgesperrt. Wenden Sie sich an den technischen Kundenservice, wenn das Kennwort verloren gegangen ist.

1. Drücken Sie **EINSTELLUNGEN>Einrichtung>Kennworteinst..**
2. Wählen Sie eine Option.

Optionen	Beschreibung
Kennworteinst.	Wählen Sie Ein oder Aus, um den Kennwortschutz ein- oder auszuschalten.
Geschützte Elemente	Zeigt eine Liste der geschützten Elemente an: Bediener-ID bearbeiten, Proben-ID bearbeiten, Benutzerprogramme bearbeiten, Datum und Uhrzeit, Firmware aktualisieren, Firmware aktualisieren, Sprache und Favoritenliste bearbeiten.

7.6 Einstellen von Anzeigen und Ton

Verwenden Sie die Anzeigeneinstellungen zur Einstellung von Anzeigekontrast, automatischer Abschaltung und Hintergrundbeleuchtung. Verwenden Sie die Töneinstellungen, um eine akustische Rückmeldung für Tastendrucke oder der Ende der Messung zu aktivieren.

1. Drücken Sie **EINSTELLUNGEN>Einrichtung>Anzeige und Ton>Anzeigeneinstellungen**.
2. Wählen Sie eine Option.

Optionen	Beschreibung
Kontrast	Einstellen des Anzeigekontrasts. Die hellste Einstellung ist 0, die dunkelste Einstellung ist 9. Default: 5
Automatische Abschaltung	Zur Maximierung der Batterielebensdauer stellen Sie einen Zeitraum (5, 10, 15, 20, 30 Min, 1 h, 2 h oder „Deaktivieren“) ein, nachdem sich das Gerät automatisch abschaltet, wenn keine Taste gedrückt wurde. Grundeinstellung: 10 Minuten
Beleuchtung	Die Hintergrundbeleuchtung der Anzeige wird eingeschaltet, wenn die Taste BELEUCHTUNG gedrückt wird. Stellen Sie den Zeitraum ein, nachdem die Hintergrundbeleuchtung automatisch abgeschaltet wird, wenn keine Taste gedrückt wird. (10, 20, 30 Sekunden, 1, 2, 5, 10 Minuten oder Deaktivieren). Grundeinstellung: 1 Minute

- Drücken Sie **EINSTELLUNGEN>Einrichtung>Anzeige und Ton>Töne**.
- Wählen Sie eine Option.

Optionen	Beschreibung
Tastenanschlag	Das Gerät gibt einen Signalton aus, wenn eine Taste gedrückt wird. Grundeinstellung: Aus
Messung beendet	Das Gerät gibt einen Signalton aus, wenn eine Messung abgeschlossen ist. Grundeinstellung: Ein

7.7 USB-Hauptmenü

Wenn das Gerät mit einem USB-Kabel an einen Computer angeschlossen wird, öffnet es das USB-Hauptmenü. Im USB-Hauptmenü können Funktionen zum Aktualisieren der Software, Exportieren oder Importieren von Programmen oder zum Exportieren der Daten- und Ereignisprotokolle ausgewählt werden.

7.7.1 Firmware-Aktualisierung

Suchen Sie die Firmware-Upgradedatei auf der Produkt-Website oder wenden Sie sich an den Lieferante des Gerätes. Speichern Sie die Datei von der Website auf dem Computer.

- Schalten Sie das Gerät ein und schließen Sie das USB-Kabel an das Gerät und an den Computer an. Das USB-Hauptmenü wird angezeigt.
- Wählen Sie **DR900 aktualisieren**. Das Gerät wird auf dem Computer als USB-Laufwerk angezeigt. Öffnen Sie den Ordner.
- Kopieren Sie die Datei „DR900.bin“ in den geöffneten Ordner.
- Drücken Sie **OK**.
- Wenn das Update abgeschlossen ist, drücken Sie **OK**.
- Wählen Sie **USB trennen**, drücken Sie **Ok** und trennen Sie das USB-Kabel.
- Drücken Sie **OK**.
- Starten Sie das Gerät neu.

7.7.2 Programme verwalten

Mit der Funktion „Programme verwalten“ können Anwenderprogramme exportiert und Anwender- und Werksprogramme importiert werden.

- Schalten Sie das Gerät ein und schließen Sie das USB-Kabel an das Gerät und an den Computer an. Das USB-Hauptmenü wird angezeigt.
- Wählen Sie **Programme verwalten** und wählen Sie eine Option:

Optionen	Beschreibung
Benutzerprogr. export.	Exportieren Sie alle Anwenderprogramme auf den Computer, um sie dort zu speichern oder sie auf einen anderen DR 900 zu kopieren.
Benutzerprogr. import.	Ersetzt alle Anwenderprogramme mit den Anwenderprogrammen eines anderen DR 900, die auf einem Computer gespeichert sind.
Werksprogr. import.	Importieren Sie Werksprogramme von der Website des Herstellers.

Das Gerät wird auf dem Computer als USB-Laufwerk angezeigt. Öffnen Sie den Ordner.

- Kopieren Sie die Exportdatei vom Laufwerk auf den Computer oder kopieren Sie die Importdatei vom Computer auf das Laufwerk.
- Drücken Sie **OK**.
- Wenn die Übertragung abgeschlossen ist, wählen Sie **USB trennen** und trennen Sie das USB-Kabel.
- Drücken Sie **OK**.

7.7.3 Exportieren des Datenprotokolls

Ereignisprotokoll und Datenprotokoll können auf einen Computer exportiert werden. Das Ereignisprotokoll enthält Datum, Zeit, Ereignisnummer, Parameter und eine Beschreibung von konfigurationsbezogenen Vorgängen. Probenmessungen werden

manuell oder automatisch im Datenprotokoll gespeichert. Siehe [Wählen der erweiterten Programmoptionen](#) auf Seite 28.

1. Schalten Sie das Gerät ein und schließen Sie das USB-Kabel an das Gerät und an den Computer an.
Das USB-Hauptmenü wird angezeigt.
2. Wählen Sie **Datenprotokoll export..**
Das Gerät wird auf dem Computer als USB-Laufwerk angezeigt.
Öffnen Sie den Ordner.
3. Kopieren und speichern Sie die zu exportierenden Dateien (DR900_DataLog.csv und DR900_EventLog.csv) auf dem Computer.
4. Drücken Sie **OK**.
5. Wenn die Dateien auf den Computer kopiert wurden, wählen Sie **USB trennen** und trennen Sie das USB-Kabel.
6. Drücken Sie **OK**.

Kapitel 8 Wartung

⚠️ WARNUNG



Mehrere Gefahren. Nur qualifiziertes Personal sollte die in diesem Kapitel des Dokuments beschriebenen Aufgaben durchführen.

8.1 Reinigung des Geräts

Reinigen Sie das Gerät außen mit einem feuchten Tuch und wischen Sie das Gerät anschließend nach Bedarf trocken.

8.2 Reinigen der Küvetten

⚠️ VORSICHT



Gefahr von Kontakt mit Chemikalien. Halten Sie sich an die Sicherheitsmaßnahmen im Labor, und tragen Sie Schutzkleidung entsprechend den Chemikalien, mit denen Sie arbeiten. Beachten Sie die Sicherheitsprotokolle in den aktuellen Material Sicherheitsdatenblättern (MSDS/SDB).

⚠️ VORSICHT



Gefahr durch Kontakt mit Chemikalien. Entsorgen Sie Chemikalien und Abfälle gemäß lokalen, regionalen und nationalen Vorschriften.


Die meisten Laborreinigungsmittel werden mit den empfohlenen Konzentrationen verwendet. Neutrale Reinigungsmittel wie Liquinox sind sicherer in der Anwendung, wenn eine regelmäßige Reinigung erforderlich ist. Um kürzere Reinigungszeiten zu erhalten, können Sie die Temperatur erhöhen oder ein Ultraschallbad verwenden. Spülen Sie die Küvetten zum Abschluss der Reinigung mehrmals mit entionisiertem Wasser und lassen Sie sie anschließend an der Luft trocknen. Küvetten können auch mit Säure gereinigt werden und müssen dann gründlich mit entionisiertem Wasser gespült werden.

Hinweis: Reinigen Sie Küvetten, die für Metalltests mit niedrigen Konzentrationen verwendet wurden, immer mit Säure.


Für individuelle Verfahren sind spezielle Reinigungsmethoden erforderlich. Wenn die Küvetten mit einer Bürste gereinigt werden, achten Sie darauf, die Innenseiten der Küvetten nicht zu verkratzen.

8.3 Auswechseln der Batterien

⚠️ WARNUNG

	Explosionsgefahr. Abgelaufene Batterien können eine Ansammlung von Wasserstoffgas im Gerät verursachen. Tauschen Sie die Batterien aus, bevor sie ablaufen, und nehmen Sie die Batterien aus dem Gerät, wenn Sie es über längere Zeiträume lagern möchten.
---	--

⚠️ WARNUNG

	Brandgefahr. Eine Substitution der Batterie ist unzulässig. Verwenden Sie ausschließlich Alkalibatterien.
---	---

ACHTUNG

Achten Sie darauf, die Schrauben mit 1 bis 1,4 Nm (9 bis 12 in. lb) festzuziehen, um einen korrekten Sitz der Dichtung zu gewährleisten und die Gehäuseumweltspezifikation einzuhalten.

Siehe [Einlegen der Batterien](#) auf Seite 23 zum Austausch der Batterie.

Kapitel 9 Fehlerbehebung

Fehlercode	Mögliche Ursache	Lösung
1	Gerät ist nicht konfiguriert	Wenden Sie sich an den technischer Kundenservice.
2	Programmdateien konnten nicht gelesen werden	
3	Programmdateien konnten nicht geschrieben werden	
4	Batteriefehler	Auswechseln der Batterien.
5	A/D-Fehler während der Messung	Wenden Sie sich an den technischer Kundenservice.

Fehlercode	Mögliche Ursache	Lösung
6	Offset-Fehler während der Messung	Stellen Sie sicher, dass die Geräteabdeckkappe korrekt angebracht ist.
7	Zu wenig Licht während der Messung	<ul style="list-style-type: none"> • Stellen Sie sicher, dass der optische Pfad nicht blockiert ist. • Nullpunkt liegt außerhalb des Gerätemessbereichs • Wenden Sie sich an den technischer Kundenservice.
8	Messbereichsüberschreitungs-Fehler während der Messung, mögliche Blockade des optischen Pfades oder Konzentration zu hoch	<ul style="list-style-type: none"> • Stellen Sie sicher, dass der optische Pfad nicht blockiert ist und dass die Konzentration nicht zu hoch für das Programm ist. • Stellen Sie sicher, dass die Geräteabdeckkappe korrekt angebracht ist. • Wenden Sie sich an den technischer Kundenservice.

Kapitel 10 Ersatzteile und Zubehör

⚠ WARNUNG



Verletzungsgefahr. Die Verwendung nicht zugelassener Teile kann zur Verletzung von Personen, zu Schäden am Messgerät oder zu Fehlfunktionen der Ausrüstung führen. Die Ersatzteile in diesem Abschnitt sind vom Hersteller zugelassen.

Hinweis: Produkt- und Artikelnummern können für einige Verkaufsgebiete abweichen. Wenden Sie sich an die zuständige Vertriebsgesellschaft oder an die auf der Webseite des Unternehmens aufgeführten Kontaktinformationen.

Ersatzteile

Beschreibung	Bestellnr.
Adapter-Baugruppe, COD	4846400
Batteriesatz, Alkali-Batterien 4x Größe AA	1938004
Küvette mit Kappe, 25 x 95 mm, 10-20-25 mL (6x)	2401906
Küvette mit Kappe, 1 cm/10 mL (2x)	4864302
USB-Kabel	LZV818

Zubehör

Beschreibung	Bestellnr.
Kappe, für 25 x 95-mL-Küvette	2401812
Transportkoffer	4942500
Transporttasche mit Schultergurt	2722000
Transporttasche, tragbares Labor	4943000
DR/Check™ Absorptions-Standards	2763900
Geräteabdeckkappe, DR 900	9390500

Sommario

- 1 [Specifiche tecniche](#) a pagina 37
- 2 [Informazioni generali](#) a pagina 37
- 3 [Installazione](#) a pagina 40
- 4 [Interfaccia utente e navigazione](#) a pagina 42
- 5 [Avviamento](#) a pagina 44
- 6 [Funzionamento standard](#) a pagina 44
- 7 [Operazioni avanzate](#) a pagina 47
- 8 [Manutenzione](#) a pagina 50
- 9 [Risoluzione dei problemi](#) a pagina 51
- 10 [Parti di ricambio e accessori](#) a pagina 52

Sezione 1 Specifiche tecniche

Le specifiche tecniche sono soggette a modifica senza preavviso.

Dato tecnico	Dettagli
Modalità di misurazione	Trasmittanza (%), assorbanza (Abs) e Concentrazione (Conc)
Dimensioni (L x P x A)	23,6 x 8,7 x 4,7 cm (9,3 x 3,4 x 1,9 poll.)
Classe involucro	IP67
Peso	0,6 kg (1,3 libbre)
Requisiti di alimentazione (interna)	Batterie Alcaline AA (4x)
Durata della batteria	6 mesi (tipico) a 5 letture al giorno/5 giorni a settimana senza la retroilluminazione
Interfaccia	USB mini
Temperatura di esercizio	Da 0 a 50 °C (da 32 a 122 °F), massimo 90% umidità relativa, non condensante

Dato tecnico	Dettagli
Temperatura di stoccaggio	Da -30 a 60 °C (da -22 a 140 °F), massimo 90% umidità relativa, non condensante
Fonte luminosa	LED
Rilevatore	Fotodiodo al silicio
Spettro lunghezze d'onda	420, 520, 560, 610 nm
Intervallo di misura fotometrica	0–2 Abs
Precisione lunghezza d'onda	±1 nm
Precisione fotometrica	±0.03 Abs
Accuratezza fotometrica	±0,002 Abs (0–1 Abs)
Selezione lunghezza d'onda	Automatica, in base alla selezione del metodo
Ripetibilità fotometrica	±0,002 Abs (0–1 Abs)
Lettura dei dati	Display grafico, 240 x 160 pixel (retroilluminazione)
Celle campione	16 mm, 1 cm/10 ml, 1 pollice (25 mm) rotonde
Classe di protezione	Classe III
Certificazioni	CEcertificazioni
Garanzia	1 anno (UE: 2 anni)

Sezione 2 Informazioni generali

In nessun caso, il produttore potrà essere ritenuto responsabile per danni diretti, indiretti o accidentali per qualsiasi difetto o omissione

relativa al presente manuale. Il produttore si riserva il diritto di apportare eventuali modifiche al presente manuale e ai prodotti ivi descritti in qualsiasi momento senza alcuna notifica o obbligo preventivi. Le edizioni riviste sono presenti nel sito Web del produttore.

2.1 Informazioni sulla sicurezza

Il produttore non sarà da ritenersi responsabile in caso di danni causati dall'applicazione errata o dall'uso errato di questo prodotto inclusi, a puro titolo esemplificativo e non limitativo, i danni diretti, incidentali e consequenziali; inoltre declina qualsiasi responsabilità per tali danni entro i limiti previsti dalle leggi vigenti. La responsabilità relativa all'identificazione dei rischi critici dell'applicazione e all'installazione di meccanismi appropriati per proteggere le attività in caso di eventuale malfunzionamento dell'apparecchiatura compete unicamente all'utilizzatore.

Prima di disimballare, installare o utilizzare l'apparecchio, si prega di leggere l'intero manuale. Si raccomanda di leggere con attenzione e rispettare le istruzioni riguardanti note di pericolosità. La non osservanza di tali indicazioni potrebbe comportare lesioni gravi all'operatore o danni all'apparecchio.

Assicurarsi che i dispositivi di sicurezza insiti nell'apparecchio siano efficaci all'atto della messa in servizio e durante l'utilizzo dello stesso. Non utilizzare o installare questa apparecchiatura in modo diverso da quanto specificato nel presente manuale.

2.2 Indicazioni e significato dei segnali di pericolo

⚠ PERICOLO

Indica una situazione di pericolo potenziale o imminente che, se non evitata, causa lesioni gravi anche mortali.

⚠ AVVERTENZA

Indica una situazione di pericolo potenziale o imminente che, se non evitata, potrebbe comportare lesioni gravi, anche mortali.

⚠ ATTENZIONE





Indica una situazione di pericolo potenziale che potrebbe comportare lesioni lievi o moderate.



AVVISO

Indica una situazione che, se non evitata, può danneggiare lo strumento. Informazioni che richiedono particolare attenzione da parte dell'utente.

2.3 Etichette precauzionali

Leggere tutte le etichette e targhette affisse allo strumento. La mancata osservanza delle stesse può causare lesioni personali o danni allo strumento. Un simbolo sullo strumento è indicato nel manuale unitamente a una frase di avvertenza.

	Tale simbolo, se apposto sullo strumento, fa riferimento al manuale delle istruzioni per il funzionamento e/o informazioni sulla sicurezza.
	Questo simbolo indica un rischio di esplosione.
	Questo simbolo indica un rischio di incendio.
	Questo simbolo identifica un rischio di danno chimico e indica che solo individui qualificati e addestrati a lavorare con sostanze chimiche devono maneggiare sostanze chimiche o eseguire la manutenzione di sistemi di erogazione di sostanze chimiche associati all'apparecchiatura.

	Questo simbolo indica la necessità di indossare occhiali protettivi.
	Le apparecchiature elettriche contrassegnate con questo simbolo non possono essere smaltite attraverso sistemi domestici o pubblici europei. Restituire le vecchie apparecchiature al produttore il quale si occuperà gratuitamente del loro smaltimento.

2.4 Conformità e certificazione

⚠ ATTENZIONE

Questa apparecchiatura non è destinata all'uso in ambienti residenziali e potrebbe non fornire un'adeguata protezione alla ricezione radio in tali ambienti.

Normativa canadese sulle apparecchiature che causano interferenze radio ICES-003, Classe A:

Le registrazioni dei test di supporto sono disponibili presso il produttore.

Questo apparecchio digitale di Classe A soddisfa tutti i requisiti di cui agli Ordinamenti canadesi sulle apparecchiature causanti interferenze.

Cet appareil numérique de classe A répond à toutes les exigences de la réglementation canadienne sur les équipements provoquant des interférences.

FCC Parte 15, Limiti Classe "A"

Le registrazioni dei test di supporto sono disponibili presso il produttore. Il presente dispositivo è conforme alla Parte 15 della normativa FCC. Il funzionamento è soggetto alle seguenti condizioni:

1. L'apparecchiatura potrebbe non causare interferenze dannose.
2. L'apparecchiatura deve tollerare tutte le interferenze subite, comprese quelle causate da funzionamenti inopportuni.

Modifiche o cambiamenti eseguiti su questa unità senza previa approvazione da parte dell'ente responsabile della conformità potrebbero annullare il diritto di utilizzare l'apparecchiatura. Questo

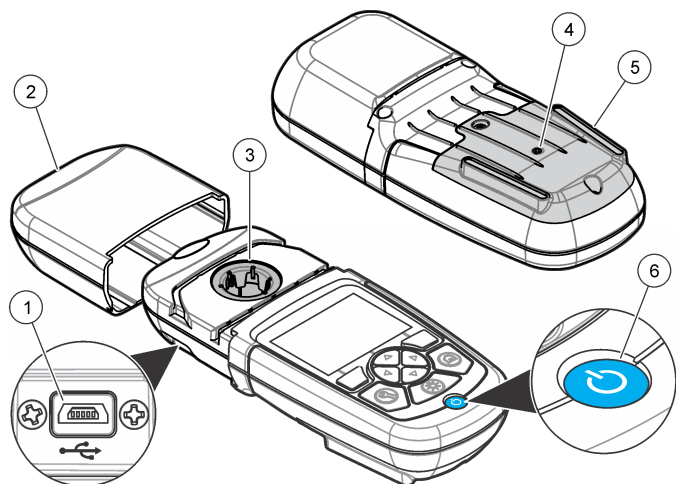
apparecchio è stato testato ed è conforme con i limiti per un dispositivo digitale di Classe A, secondo la Parte 15 delle normative FCC. I suddetti limiti sono stati fissati in modo da garantire una protezione adeguata nei confronti di interferenze nocive se si utilizza l'apparecchiatura in ambiti commerciali. L'apparecchiatura produce, utilizza e può irradiare energia a radiofrequenza e, se non installata e utilizzata in accordo a quanto riportato nel manuale delle istruzioni, potrebbe causare interferenze dannose per le radiocomunicazioni. L'utilizzo di questa apparecchiatura in una zona residenziale potrebbe causare interferenze dannose. In questo caso, l'utente sarà tenuto a risolvere il problema a proprie spese. Per ridurre i problemi di interferenza, è possibile utilizzare le seguenti tecniche:

1. Scollegare l'apparecchiatura dalla sua fonte di alimentazione per verificare che sia la fonte dell'interferenza o meno.
2. Se l'apparecchiatura è collegata alla stessa uscita del dispositivo in cui si verifica l'interferenza, collegarla ad un'uscita differente.
3. Allontanare l'apparecchiatura dal dispositivo che riceve l'interferenza.
4. Riposizionare l'antenna ricevente del dispositivo che riceve l'interferenza.
5. Provare una combinazione dei suggerimenti sopra riportati.

2.5 Descrizione del prodotto

Il DR 900 è un colorimetro portatile alimentato a LED che misura a lunghezze d'onda di 420, 520, 560 e 610 nm. Lo strumento viene utilizzato per misurare vari parametri in acqua potabile, acque reflue e applicazioni industriali. Lo strumento viene fornito con un set completo di programmi memorizzati (metodi pre-installati) e la possibilità di archiviazione di programmi utente e selezione dei programmi preferiti. Fare riferimento a [Figura 1](#).

Figura 1 Strumento

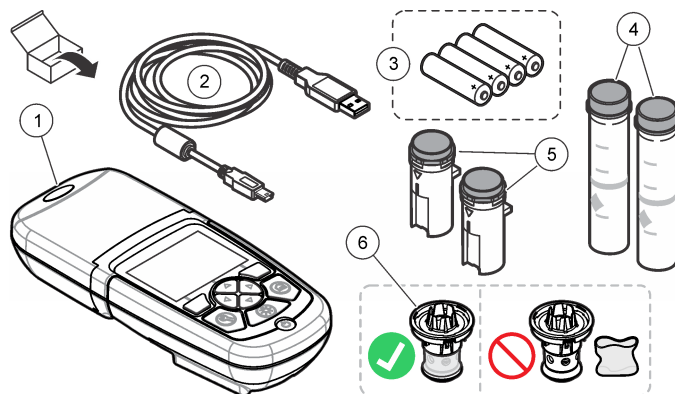


1 Porta USB	4 Sfiato
2 Coperchio dello strumento	5 Vano batteria
3 Vano celle	6 Tasto di alimentazione

2.6 Componenti del prodotto

Accertarsi che tutte le parti oggetto della fornitura siano state ricevute. Fare riferimento alla sezione [Figura 2](#). In caso manchi un componente o si notino eventuali danni, contattare immediatamente il fornitore dello strumento o il rappresentante.

Figura 2 Componenti del prodotto



1 DR 900	4 Cella campione in vetro, 1 pollice (25 mm) rotonda, segni da 10, 20, 25 ml (2x)
2 Cavo USB con connettore Mini USB	5 Cella campione, 1 cm/10 ml (2x)
3 Batterie alcaline AA (4x)	6 Adattatore celle campione

Sezione 3 Installazione

⚠ AVVERTENZA



Pericoli multipli. Gli interventi descritti in questa sezione del documento devono essere eseguiti solo da personale qualificato.

AVVISO

Verificare che in fase di uso o di stoccaggio la ventola della batteria dello strumento non venga bloccata.

3.1 Installazione delle batterie

⚠ AVVERTENZA



Pericolo di esplosione. L'errata installazione della batteria può causare il rilascio di gas esplosivi. Accertarsi che le batterie siano dello stesso tipo chimico approvato e che siano inserite nell'orientamento corretto. Non mettere insieme batterie nuove con batterie vecchie.

⚠ AVVERTENZA



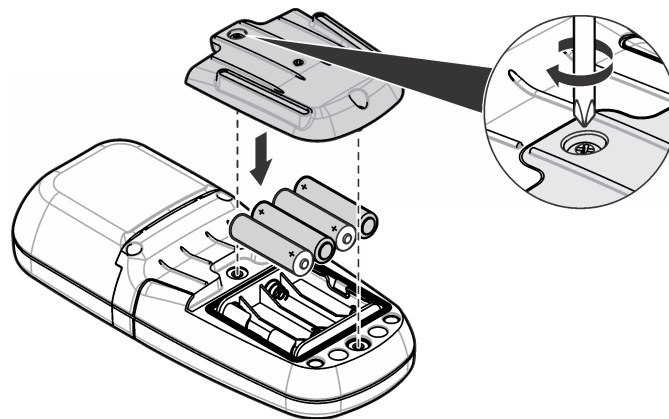
Pericolo di incendio. È vietato utilizzare batterie non originali. Utilizzare esclusivamente batterie alcaline.

AVVISO

Serrare le viti a una coppia di serraggio di 1–1,4 N·m (9–12 in.·lb) per una corretta tenuta e per mantenere la classe di protezione ambientale dell'involucro.

Lo strumento è alimentato con quattro batterie alcaline AA. Accertarsi che le batterie siano installate con l'orientamento corretto. Fare riferimento alla [Figura 3](#) per l'installazione delle batterie.

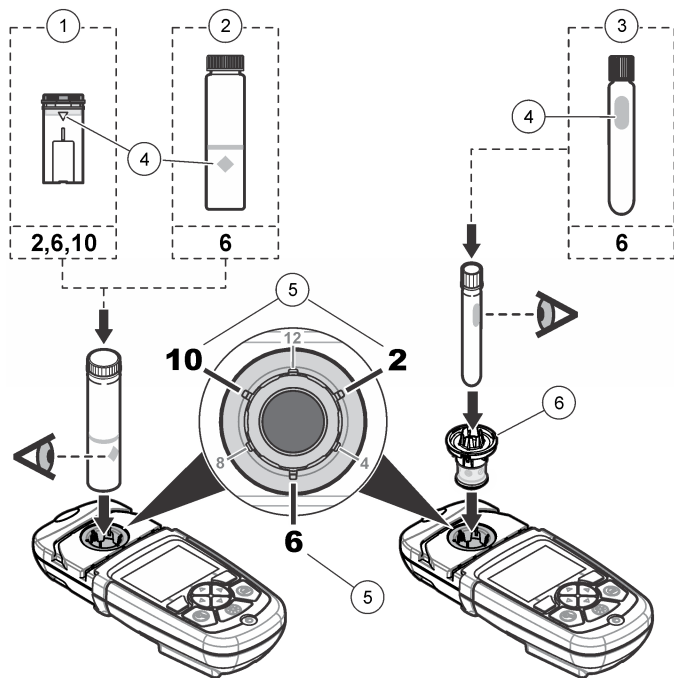
Figura 3 Installazione della batteria



3.2 Installare la cella campione e l'adattatore

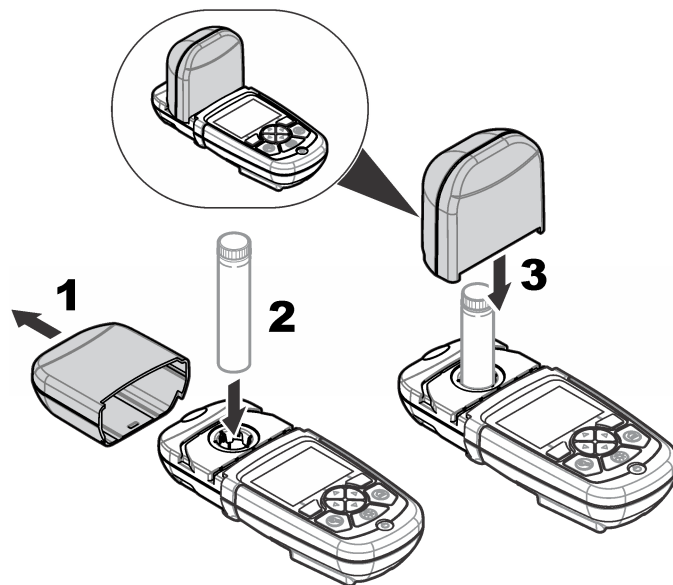
Lo strumento ha un vano di celle che può utilizzare un adattatore per diversi tipi di celle campione. Assicurarsi di installare la cella campione in un orientamento costante e corretto in modo che i risultati siano più precisi e ripetibili. Fare riferimento a [Figura 4](#). Chiudere il coperchio dello strumento prima che lo zero dello strumento sia impostato o che sia eseguita una misurazione per evitare interferenze luminose. Fare riferimento a [Figura 5](#).

Figura 4 Orientamento celle campione



1 Cella campione in plastica 1 cm/10 ml	4 Segno orientamento
2 Cella campione in vetro 1 pollice (25 mm)	5 Posizione orientamento (in senso orario)
3 Flacone di test in vetro da 16 mm	6 Adattatore celle campione

Figura 5 Installazione del coperchio dello strumento e delle celle campione

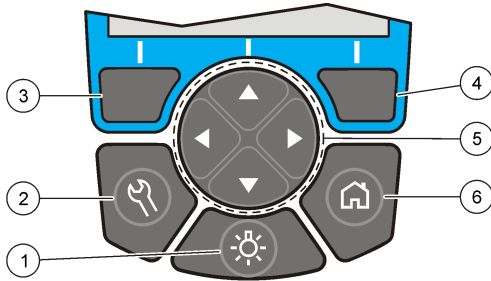


Sezione 4 Interfaccia utente e navigazione

4.1 Descrizione della tastiera

Fare riferimento a [Figura 6](#) per la descrizione della tastiera e le informazioni sulla navigazione.

Figura 6 Descrizione della tastiera



<p>1 RETROILLUMINAZIONE: attivare o disattivare l'illuminazione del display</p>	<p>4 Tasto di selezione DESTRO (contestuale): lettura campione, consente di selezionare o confermare le opzioni, apre sotto-menu</p>
<p>2 IMPOSTAZIONI: opzioni di configurazione¹</p>	<p>5 Tasti di navigazione SU, GIÙ, DESTRA, SINISTRA: consentono di scorrere i menu, immettere numeri e lettere²</p>
<p>3 Tasto di selezione SINISTRO (contestuale): accesso alle opzioni, cancella o chiude la schermata del menu corrente per tornare alla precedente</p>	<p>6 HOME/Opzioni: consente di passare alla schermata principale delle letture¹, selezionare il programma, gestire i dati</p>

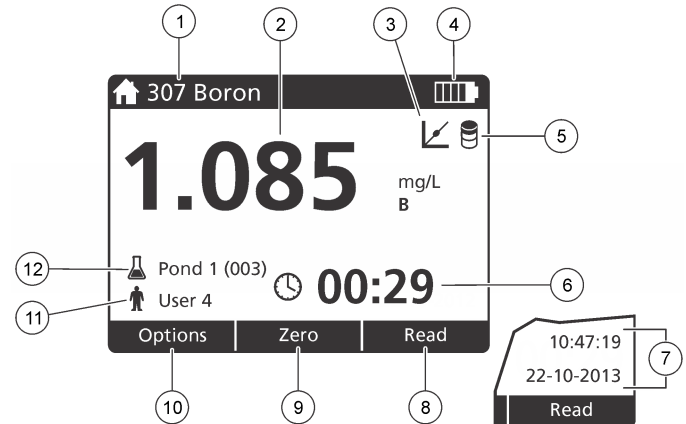
4.2 Descrizione del display

La schermata delle letture mostra la modalità selezionata, l'unità, la data e l'ora, l'ID operatore e l'ID campione. Fare riferimento a [Figura 7](#).

¹ Quando si è in una modalità di modifica, il tasto non funziona.

² Quando un tasto SU o GIÙ viene tenuto premuto, consente di scorrere velocemente. Quando viene premuto un tasto SINISTRO o DESTRO, consente di scorrere per pagina.

Figura 7 Display a schermata singola



<p>1 Nome e numero del programma</p>	<p>7 Ora e data</p>
<p>2 Lettura di valore, unità, formula chimica, al di sotto "----" o al di sopra "+++" della gamma di misurazione</p>	<p>8 Leggi (contestuale: fine, seleziona, start, ok)</p>
<p>3 Regolazione standard</p>	<p>9 Zero (contestuale: freccia SU tasto di navigazione)</p>
<p>4 Stato batterie</p>	<p>10 Opzioni (contestuale: indietro, annulla)</p>
<p>5 Bianco reagente</p>	<p>11 Identificazione operatore</p>
<p>6 Timer</p>	<p>12 Identificazione campione</p>

4.3 Menu di navigazione

Lo strumento contiene dei menu per modificare differenti opzioni. Utilizzare i tasti di navigazione (freccie **SU**, **GIÙ**, **DESTRA** e **SINISTRA**) per evidenziare le diverse opzioni. Premere il tasto di selezione **DESTRO** per selezionare un'opzione. Immettere un valore opzionale con i tasti di navigazione. Premere i tasti di navigazione (freccie **SU**, **GIÙ**, **DESTRA** e **SINISTRA**) per inserire o modificare un valore. Premere il tasto a freccia **DESTRO** per passare allo spazio successivo. Premere il tasto di selezione **DESTRO** sotto **Fine** per confermare il valore. Premere il tasto di selezione **SINISTRO** per uscire dalla schermata di menu corrente e tornare alla precedente.

Sezione 5 Avviamento

5.1 Accendere o spegnere lo strumento

Premere il tasto **POWER** per accendere o spegnere lo strumento. Se lo strumento non si accende, assicurarsi che le batterie siano installate correttamente.

5.2 Impostazione della lingua

Per impostare la lingua sono disponibili due opzioni:

- Impostare la lingua dal display quando lo strumento è impostato su On per la prima volta.
- Impostare la lingua dal menu IMPOSTAZIONI.

1. Premere **IMPOSTAZIONI**>**Configurazione**>**Lingua**.
2. Selezionare una lingua dall'elenco.

5.3 Impostazione della data e dell'ora

Per impostare la data e l'ora sono disponibili due opzioni:

- Impostare la data e l'ora quando lo strumento è impostato su On per la prima volta.

- Impostare la data e l'ora dal menu Data e ora.

1. Premere **IMPOSTAZIONI**>**Configurazione**>**Data e ora**.
2. Selezionare **Set Date & Time Format (Imposta data e formato ora)**, quindi selezionare un formato per data e ora.
3. Selezionare **Impostare data e ora**.
4. Utilizzare i tasti di navigazione per inserire la data e l'ora correnti e premere **OK**.

Sezione 6 Funzionamento standard

6.1 Elenco programmi

Lo strumento viene fornito con una serie completa di programmi applicativi. Fare riferimento alla [Tabella 1](#) per le descrizioni dei programmi.

Tabella 1 Opzioni programmi

Opzione programmi	Descrizione
Programmi salvati	I programmi memorizzati sono metodi installati in fabbrica pre-programmati. Fare riferimento a Selezionare un programma memorizzato a pagina 45.
Programmi utente	I metodi possono essere sviluppati e possono essere salvati come un programma utente. ³ Fare riferimento a Programmi utente a pagina 48.
Preferiti	I metodi che vengono utilizzati spesso possono essere salvati nella lista dei preferiti. ¹

³ È possibile salvare un massimo di dieci metodi (programmi utente e/o preferiti).

6.1.1 Selezionare un programma memorizzato

1. Premere **Home>Opzioni>Tutti i programmi**.
2. Selezionare il metodo applicabile e premere **Start**.
3. Selezionare **Opzioni>Aggiungi ai Preferiti** per aggiungere il metodo selezionato ai preferiti per un accesso più rapido.

6.1.2 Selezionare le opzioni di programma di base

Quando viene selezionato un programma, sono disponibili opzioni parametriche aggiuntive.

1. Premere **Opzioni** per accedere al menu delle opzioni.
2. Selezionare le opzioni applicabili.

Opzione	Descrizione
Avvia timer	Selezionare un timer preimpostato o impostare un timer manuale per assicurarsi che le fasi di analisi siano correttamente temporizzate (ad esempio, i tempi di reazione e di attesa possono essere specificati con esattezza). Quando il timer è attivo, l'icona del timer viene visualizzata sul display. Lo strumento emette un segnale acustico al termine del tempo. Timer pre-impostato: selezionare il timer pre-impostato applicabile per una o più fasi della procedura memorizzata e premere Start . Timer manuale: inserire il tempo da applicare con i tasti di navigazione e premere Fine . Default = 00:00
Preferiti/Progr. utente	Scegliere tra i preferiti memorizzati o dalla lista dei programmi utente. Per ulteriori informazioni, fare riferimento a Selezionare un preferito o un programma utente a pagina 47.
Tutti i programmi	Selezionare un metodo pre-programmato dall'elenco.

Opzione	Descrizione
Registro dati	Consente di visualizzare tutte le letture salvate. Per ulteriori informazioni, fare riferimento a Registro dati a pagina 47.
Aggiungi ai Preferiti	Consente di salvare i metodi dei programmi memorizzati e dei programmi utente che vengono utilizzati spesso nella lista dei preferiti. Fare riferimento a Aggiungere un programma ai preferiti a pagina 47.
%T/Abs/Conc	Consente di passare alle letture come % di trasmittanza, assorbanza o concentrazione. Letture trasmittanza (%): legge la percentuale della luce originale che passa attraverso il campione e raggiunge il rilevatore. Letture assorbanza: la luce assorbita dal campione viene letta in unità di assorbanza. Letture concentrazione: i valori dell'assorbanza misurati vengono convertiti in valori di concentrazione con l'equazione memorizzata specifica del programma.
Opzioni avanzate	Usare le opzioni avanzate per specificare altri parametri. Fare riferimento a Selezionare le opzioni di programma avanzate a pagina 45.
Salva	Consente di salvare l'ultima lettura manualmente quando l'opzione di salvataggio automatico è disattivata.

6.1.3 Selezionare le opzioni di programma avanzate

Ogni programma ha diverse opzioni aggiuntive avanzate tra cui selezionare.

1. Premere **Opzioni** per accedere a **Opzioni>Opzioni avanzate**.
2. Usare le opzioni avanzate per specificare altri parametri.

Opzione	Descrizione
Salvataggio automatico	Consente di passare da On a Off e viceversa. Ogni lettura è salvata automaticamente quando l'opzione è impostata su On. La lettura può essere salvata manualmente quando l'opzione è impostata su Off.
Forma chimica	Selezionare la forma chimica alternativa e l'intervallo di misurazione associato su alcuni metodi installati in fabbrica.
Bianco reagente	La correzione Bianco reagente può essere utilizzata con alcuni dei metodi preinstallati. Immettere il risultato di un test completato utilizzando acqua deionizzata come campione. Il valore del bianco è sottratto da ogni risultato per correggere l'eventuale colore di fondo dovuto ai reagenti. Inserire la correzione del bianco prima di utilizzare l'opzione Regolazione standard. Completare questa correzione per ogni nuovo lotto di reagenti.
Regolazione standard	Modificare la calibrazione memorizzata. Completare un test su uno standard noto a una concentrazione vicina al limite superiore dell'intervallo di test. Usare questa funzione per regolare il risultato e allineare la concentrazione standard.
Ordina programma	Selezionare un ordine del programma alfabetico o numerico per l'elenco di programmi memorizzato.

6.2 Utilizzo di un ID operatore

Il tag dell'ID operatore associa le letture del campione a un singolo operatore. Tutti i dati memorizzati includeranno questo ID.

1. Premere **IMPOSTAZIONI>ID operatore** nella schermata della lettura.
2. Selezionare, creare o eliminare un ID operatore:

Opzione	Descrizione
ID corrente	Selezionare un ID da un elenco. L'ID corrente verrà associato ai dati campione finché non è selezionato un ID diverso.
Crea nuovo ID	Specificare il nome per il nuovo ID operatore. Possono essere inseriti al massimo 10 nomi.
Elimina ID	Consente di cancellare un ID operatore esistente.

6.3 Utilizzo di un ID campione

Il tag ID campione viene utilizzato per associare le letture con un campione o con una posizione specifici. Se assegnati, i dati memorizzati includeranno questo ID.

1. Premere **IMPOSTAZIONI>ID modello** nella schermata della lettura.
2. Selezionare, creare o eliminare un ID operatore:

Opzione	Descrizione
ID corrente	Selezionare un ID da un elenco. L'ID corrente verrà associato ai dati campione finché non è selezionato un ID diverso.
Crea nuovo ID	Specificare un nome per il nuovo ID campione. Possono essere inseriti al massimo 10 nomi. I campioni sono numerati in sequenza per ogni misurazione finché non è selezionato un ID diverso (ad esempio, Pond 1, Pond 2).
Elimina ID	Consente di cancellare un ID campione esistente.

6.4 Come eseguire una misurazione

Per completare la misurazione, sono necessari passaggi di misurazione di base. Ogni metodo ha una procedura dettagliata. Per eseguire un test

specifico, fare riferimento al metodo applicabile. L'esempio che segue è una procedura di base per completare una misurazione.

1. Selezionare il programma applicabile dal menu dei programmi (ad esempio, Programmi memorizzati, Programmi utenti, Preferiti).
2. Installare l'adattatore delle celle, se necessario.
3. Premere **Start** per avviare il programma.
4. Preparare il bianco secondo il documento del metodo. Chiudere la cella campione e pulire le superfici ottiche della cella campione con un panno privo di lanugine.
5. Inserire la cella campione del bianco nel vano delle celle. Assicurarsi di installare la cella campione bianco in un orientamento costante e corretto in modo che i risultati siano più precisi e ripetibili. Fare riferimento a [Figura 4](#) a pagina 42.
6. Chiudere il coperchio dello strumento per impedire interferenze luminose. Fare riferimento a [Figura 5](#) a pagina 42.
7. Premere **Zero**. Il display mostra una concentrazione pari a zero (ad esempio mg/l, ABS, µg/l).
8. Preparare il campione. Aggiungere i reagenti come specificato dal documento del metodo.
9. Selezionare **Opzioni>Avvia timer** per utilizzare i timer memorizzati all'interno del programma.
10. Chiudere la cella campione e pulire le superfici ottiche della cella con un panno privo di lanugine.
11. Inserire il campione nel vano delle celle. Assicurarsi di installare la cella campione in un orientamento costante e corretto in modo che i risultati siano più precisi e ripetibili. Fare riferimento a [Figura 4](#) a pagina 42.
12. Chiudere il coperchio dello strumento per impedire interferenze luminose. Fare riferimento a [Figura 5](#) a pagina 42.
13. Selezionare **Leggi**. Il display mostra i risultati nelle unità selezionate.
Nota: Il display mostra "+++" o "---" se l'assorbanza misurata è inferiore o superiore alla gamma di calibrazione del test.

6.5 Registro dati

Il registro dei dati mostra tutte le letture salvate. Premere **Home>Opzioni>Registro dati** per visualizzare le letture. Fare riferimento alla [Esportazione del registro dati](#) a pagina 50 per informazioni sull'esportazione del registro dati.

Sezione 7 Operazioni avanzate

7.1 Selezionare un preferito o un programma utente

Il database dei preferiti e dei programmi utente è vuoto quando lo strumento è avviato per la prima volta. Un metodo può essere salvato nei preferiti per un accesso più rapido. Un programma utente può essere programmato per esigenze specifiche.

1. Premere **Home>Opzioni>Preferiti/Progr. utente>Seleziona**.
2. Premere **Nuovo programma** per creare un nuovo programma utente. Fare riferimento a [Programmi utente](#) a pagina 48.

7.2 Aggiungere un programma ai preferiti

I metodi dei programmi memorizzati e dei programmi utente che vengono utilizzati spesso possono essere salvati nella lista dei preferiti.

1. Selezionare **Home>Opzioni>Tutti i programmi**.
2. Selezionare il metodo applicabile e premere **Start**.
3. Selezionare **Opzioni>Aggiungi a preferiti** per aggiungere il metodo selezionato ai preferiti.

7.3 Programmi utente

Il database dei programmi utente è vuoto quando lo strumento è avviato per la prima volta. Utilizzare **Nuovo programma** per creare nuovi programmi per esigenze specifiche. Per creare un nuovo programma utente, procedere come segue.

1. Premere **Home>Opzioni>Preferiti/Progr. utente>Seleziona>Nuovo programma**.
2. Selezionare un numero di programma disponibile da 1001 a 1010.
Nota: È possibile salvare un massimo di dieci programmi (programmi utente e/o preferiti).
3. Inserire il nome del metodo (fino a 12 caratteri).
4. Selezionare la lunghezza d'onda: 420, 520, 560 o 610 nm.
5. Selezionare l'unità: Nessuna, µg/L, mg/L o g/L.
6. Selezionare la risoluzione: 0000, 000,0, 00,00 o 0,000.
7. Aggiungere i punti di calibrazione: un minimo di 2 e un massimo di 12 punti di calibrazione.⁴ Modifica standard 1 e inserire il primo valore di concentrazione standard. Premere **Fine**.
Nota: Un segnale acustico indica che la concentrazione è un duplicato di uno standard precedentemente inserito o la concentrazione è troppo elevata per la risoluzione selezionata. Inserire un valore diverso e continuare.
8. Inserire il valore dell'assorbanza:

Opzione	Descrizione
Modifica assorb. manuale	Utilizzare i tasti di navigazione per inserire il valore dell'assorbanza manualmente.
Modifica assorb. automatica	<ol style="list-style-type: none">1. Mettere il bianco nel supporto celle e premere Zero.2. Mettere il campione preparato nel supporto celle e premere Leggi.3. Premere Fine.

Nota: Un segnale acustico indica che l'assorbanza è un duplicato di uno standard precedentemente inserito o che rientra in un intervallo compreso tra due standard precedenti. Inserire un valore diverso e continuare.

9. Premere **Fine**.
10. Aggiungi punto di calibrazione.
11. Inserire punti di calibrazione addizionali, come descritto nei passaggi 7-9.
12. Selezionare **Salva programma utente**.

7.3.1 Modificare un programma utente

Per modificare un programma utente memorizzato:

1. Selezionare **Home>Preferiti/Progr. utente**.
2. Selezionare il programma applicabile e premere **Opzioni**.
3. Premere **Modifica**.
4. Seguire le istruzioni sullo schermo per modificare la procedura.

7.3.2 Eliminazione di un programma utente o di un programma preferito

Eliminare un programma utente o un programma preferito memorizzato, se non viene più utilizzato.

1. Selezionare **Home>Opzioni>Preferiti/Progr. utente**.
2. Evidenziare il programma e premere **Opzioni>Elimina** e seguire le istruzioni sullo schermo.

7.4 Informazioni sullo strumento

Il menu delle informazioni dello strumento riporta informazioni specifiche, come nome dello strumento, numero di serie, versione del software, versione del database, memoria utilizzata e disponibilità del programma. Premere **IMPOSTAZIONI>Informazioni strumento**.

⁴ Se la curva è nota come lineare, sono necessari soltanto due punti dati di concentrazione (ad esempio, uno standard con assorbanza zero e un altro standard noto). Utilizzare altri punti dati per confermare la linearità o definire una curva non lineare.

7.5 Impostazione della password

Le opzioni per l'impostazione della password vengono utilizzate per impedire l'accesso ai menu limitati.

Nota: Se la password specificata viene dimenticata e Opzioni di sicurezza è impostato su on, l'operatore non può accedere ai menu limitati. Contattare assistenza tecnica se si dimentica la password.

1. Premere **IMPOSTAZIONI>Configurazione>Impostazioni password**.
2. Selezionare un'opzione.

Opzione	Descrizione
Impostazioni password	Selezionare On o Off per attivare o disattivare la protezione con password.
Voci protette	Mostra l'elenco delle voci protette: modifica ID operatore, modifica ID campione, modifica programmi utente, data e ora, aggiornamento del firmware, metodi di aggiornamento, lingua e modifica lista dei preferiti.

7.6 Impostazione del display e del suono

Utilizzare le opzioni del display per modificare il contrasto del display, le opzioni di spegnimento automatico della batteria o l'opzione di retroilluminazione. Utilizzare le opzioni audio per l'emissione di un suono udibile quando viene premuto un tasto o una lettura è completa.

1. Premere **IMPOSTAZIONI>Configurazione>Schermo e audio>Opzioni schermo**.
2. Selezionare un'opzione.

Opzione	Descrizione
Contrasto	Consente di regolare il contrasto del display. L'impostazione più chiara è 0 e quella più scura è 9. Default: 5

Opzione	Descrizione
Spegnimento automatico	Per massimizzare la durata della batteria, impostare un periodo di tempo dopo il quale lo strumento imposterà automaticamente l'alimentazione su Off se non viene premuto alcun tasto (5, 10, 15, 20, 30 minuti, 1 ora, 2 ore o Disattiva). Default: 10 minuti
Retroilluminazione	La retroilluminazione del display viene impostata su On quando viene premuto RETROILLUMINAZIONE . Impostare un periodo di tempo dopo il quale la retroilluminazione si spegne automaticamente se nessun tasto viene premuto (10, 20, 30 secondi, 1, 2, 5, 10 minuti o Disattiva). Default: 1 minuto

3. Premere **IMPOSTAZIONI>Configurazione>Schermo e audio>Suoni**.
4. Selezionare un'opzione.

Opzione	Descrizione
Pressione tasto	Lo strumento emetterà un segnale acustico quando viene premuto un tasto. Default: off
Lettura completa	Lo strumento emetterà un segnale acustico quando una lettura è completa. Default: on

7.7 Menu principale USB

Quando lo strumento è collegato con un cavo USB a un computer, si apre il menu principale USB. Aggiornare i programmi software, esportare o importare i programmi o esportare il registro dati e il registro eventi dal menu principale USB.

7.7.1 Aggiornamento del firmware

Individuare il file dell'aggiornamento del firmware sul sito Web del prodotto o contattare il fornitore dello strumento. Salvare il file dal sito Web sul computer.

1. Impostare lo strumento su On e collegare il cavo USB allo strumento e al computer.
Appare il menu principale USB.
2. Selezionare **Aggiorna DR900**.
Lo strumento viene visualizzato come un'unità USB sul computer.
Aprire la cartella.
3. Copiare il file DR900.bin nella cartella aperta.
4. Premere **OK**.
5. Al termine dell'aggiornamento, premere **OK**.
6. Selezionare **Scollega USB**, premere **OK** e scollegare il cavo USB.
7. Premere **OK**.
8. Riavviare lo strumento.

7.7.2 Gestione dei programmi

Con la funzione Gestisci programmi, i programmi utente possono essere esportati e/o importati ed è possibile importare nuovi programmi di fabbrica.

1. Impostare lo strumento su On e collegare il cavo USB allo strumento e al computer.
Appare il menu principale USB.
2. Selezionare **Gestisci programmi** e selezionare un'opzione:

Opzione	Descrizione
Esporta programmi utente	Consente di esportare tutti i programmi utente sul computer per l'archiviazione o di spostare i programmi utente su un altro DR 900.
Importa programmi utente	Consente di sostituire tutti i programmi utente con i programmi degli utenti da un altro DR 900 tramite computer.
Importa programmi di fabbrica	Consente di importare nuovi programmi di fabbrica dal sito Web del produttore.

Lo strumento viene visualizzato come un'unità USB sul computer.
Aprire la cartella.

3. Copiare il file dell'esportazione dall'unità al computer o copiare il file di importazione dal computer sull'unità.
4. Premere **OK**.
5. Al termine del trasferimento, selezionare **Scollega USB** e scollegare il cavo USB.
6. Premere **OK**.

7.7.3 Esportazione del registro dati

Il registro eventi e il registro dati possono essere esportati sul computer. Il registro eventi contiene la data, l'ora, il numero di eventi, il parametro e la descrizione di un'azione relativa alla configurazione. Le misurazioni dei campioni sono memorizzate manualmente o automaticamente nel registro dati. Fare riferimento a [Selezionare le opzioni di programma avanzate](#) a pagina 45.

1. Impostare lo strumento su On e collegare il cavo USB allo strumento e al computer.
Appare il menu principale USB.
2. Selezionare **Esporta registro dati**.
Lo strumento viene visualizzato come un'unità USB sul computer.
Aprire la cartella.
3. Copiare e salvare i file dell'esportazione (DR900_DataLog.csv e DR900_EventLog.csv) sul computer.
4. Premere **OK**.
5. Quando i file vengono copiati sul computer, selezionare **Scollega USB** e scollegare il cavo USB.
6. Premere **OK**.

Sezione 8 Manutenzione

▲ AVVERTENZA




Pericoli multipli. Gli interventi descritti in questa sezione del documento devono essere eseguiti solo da personale qualificato.

8.1 Pulizia dello strumento

Pulire le superfici esterne dello strumento con un panno inumidito con una soluzione contenente sapone delicato; quindi asciugare lo strumento secondo necessità.

8.2 Pulire le celle dei campioni

⚠ ATTENZIONE	
 	Pericolo di esposizione ad agenti chimici. Rispettare le procedure di sicurezza del laboratorio e indossare tutte le apparecchiature protettive appropriate per le sostanze chimiche utilizzate. Fare riferimento alle attuali schede di sicurezza (MSDS/SDS) per i protocolli di sicurezza.
⚠ ATTENZIONE	
	Pericolo di esposizione ad agenti chimici. Smaltire i prodotti chimici e i rifiuti conformemente alle normative locali, regionali e nazionali.



La maggior parte dei detergenti di laboratorio sono utilizzati a concentrazioni raccomandate. I detergenti neutri, come Liquinox, sono più sicuri quando è necessaria una pulizia regolare. Per ridurre i tempi di pulizia, aumentare la temperatura o utilizzare un bagno a ultrasuoni. Per completare la pulizia, sciacquare alcune volte con acqua deionizzata e lasciare che la cella campione si asciughi all'aria.

Le celle campione possono essere pulite con acido, seguito da un accurato risciacquo con acqua deionizzata.

Nota: Utilizzare sempre l'acido per pulire le celle campione utilizzate per test di metallo a basso livello.

Metodi di pulizia speciali sono necessari per singole procedure. Quando viene utilizzato un pennello per pulire le celle campione, fare molta attenzione a non graffiare le superfici interne delle celle campione.

8.3 Sostituzione delle batterie

⚠ AVVERTENZA	
	Pericolo di esplosione. Batterie scadute possono causare l'accumulo di gas di idrogeno all'interno dello strumento. Sostituire le batterie prima della scadenza e non conservare lo strumento per lunghi periodi con le batterie installate.
⚠ AVVERTENZA	
	Pericolo di incendio. È vietato utilizzare batterie non originali. Utilizzare esclusivamente batterie alcaline.
AVVISO	
Serrare le viti a una coppia di serraggio di 1–1,4 N·m (9–12 in.·lb) per una corretta tenuta e per mantenere la classe di protezione ambientale dell'involucro.	

Fare riferimento alla [Installazione delle batterie](#) a pagina 41 per la sostituzione delle batterie.

Sezione 9 Risoluzione dei problemi

Codice errore	Possibile causa	Soluzione
1	Lo strumento non è configurato.	Contattare l'assistenza tecnica.
2	Impossibile leggere i dati del programma	
3	Impossibile scrivere i dati del programma	
4	Errore batterie	Sostituire le batterie.
5	Errore A/D durante una misurazione	Contattare l'assistenza tecnica.

Codice errore	Possibile causa	Soluzione
6	Errore offset durante una misurazione	Assicurarsi che il coperchio dello strumento sia installato correttamente.
7	Errore bassa luminosità durante una misurazione	<ul style="list-style-type: none"> Assicurarsi che non ci siano blocchi al percorso luminoso. Lo Zero è fuori dal range dello strumento Contattare l'assistenza tecnica.
8	Errore fuori range durante una misurazione, un potenziale blocco della luce o concentrazione troppo elevata	<ul style="list-style-type: none"> Assicurarsi che non vi siano blocchi al percorso luminoso e che la concentrazione non sia troppo elevata per il programma. Assicurarsi che il coperchio dello strumento sia installato correttamente. Contattare l'assistenza tecnica.

Sezione 10 Parti di ricambio e accessori

⚠ AVVERTENZA



Pericolo di lesioni personali. L'uso di parti non approvate può causare lesioni personali, danni alla strumentazione o malfunzionamenti dell'apparecchiatura. La parti di ricambio riportate in questa sezione sono approvate dal produttore.

Nota: numeri di prodotti e articoli possono variare per alcune regioni di vendita. Contattare il distributore appropriato o fare riferimento al sito Web dell'azienda per dati di contatto.

Parti di ricambio

Descrizione	Prodotto n.
Gruppo adattatore, COD	4846400
Set batterie, batterie alcaline AA (4x)	1938004
Cella campione con tappo, 25 x 95 mm, 10-20-25 ml (6x)	2401906
Cella campione con tappo, 1 cm/10 ml (2x)	4864302
Cavo USB	LZV 818

Accessori

Descrizione	Prodotto n.
Tappo cella campione, per cella 25 x 95 ml	2401812
Custodia di trasporto, lati rinforzati	4942500
Custodia di trasporto, lati morbidi con tracolla	2722000
Custodia di trasporto, portatile per laboratorio	4943000
Standard assorbanza DR/Check™	2763900
Coperchio dello strumento, DR 900	9390500

Table des matières

- | | |
|---|---|
| 1 Caractéristiques techniques
à la page 53 | 7 Utilisation avancée
à la page 63 |
| 2 Généralités à la page 53 | 8 Maintenance à la page 66 |
| 3 Installation à la page 56 | 9 Dépannage à la page 67 |
| 4 Interface utilisateur et navigation
à la page 58 | 10 Pièces de rechange et accessoires à la page 68 |
| 5 Mise en marche à la page 60 | |
| 6 Fonctionnement standard
à la page 60 | |

Section 1 Caractéristiques techniques

Ces caractéristiques sont susceptibles d'être modifiées sans avis préalable.

Caractéristique	Détails
Mode de mesure	Transmittance (%), Absorbance (Abs) et Concentration (Conc)
Dimensions (l x P x H)	23,6 x 8,7 x 4,7 cm (9,3 x 3,4 x 1,9 pouces)
Indice de protection du boîtier	IP67
Poids	0,6 kg (1,3 livre)
Alimentation (interne)	Piles alcalines AA (4x)
Niveau de charge de la batterie	6 mois (couramment) avec 5 lectures par jour/5 jours par semaine sans rétroéclairage
Interface	Mini-USB
Température de fonctionnement	0° à 50°C (32 à 122°F), maximum 90% d'humidité relative sans condensation

Caractéristique	Détails
Température de stockage	-30° à 60°C (-22 à 140°F), maximum 90% d'humidité relative sans condensation
Lampe source	Diode électroluminescente (DEL)
Détecteur	Photodiode au silicium
Gamme de longueurs d'onde	420, 520, 560, 610 nm
Plage de mesure photométrique	0–2 Abs
Exactitude de la longueur d'onde	±1 nm
Exactitude photométrique	±0.03 Abs
Linéarité photométrique	±0,002 Abs (0–1 Abs)
Sélection de la longueur d'onde	Automatique, en fonction du choix de méthode
Répétabilité photométrique	±0,002 Abs (0–1 Abs)
Lecture de données	Écran graphique, 240 x 160 pixels (rétroéclairé)
Cuves d'échantillon	16 mm, 1 cm/10 mL, 1 pouce (25 mm) ronde
Classe de protection	Classe III
Certifications	Certifié CE
Garantie	1 an (UE : 2 ans)

Section 2 Généralités

En aucun cas le constructeur ne saurait être responsable des dommages directs, indirects, spéciaux, accessoires ou consécutifs

résultant d'un défaut ou d'une omission dans ce manuel. Le constructeur se réserve le droit d'apporter des modifications à ce manuel et aux produits décrits, à tout moment, sans avertissement ni obligation. Les éditions révisées se trouvent sur le site Internet du fabricant.

2.1 Consignes de sécurité

Le fabricant décline toute responsabilité quant aux dégâts liés à une application ou un usage inappropriés de ce produit, y compris, sans toutefois s'y limiter, des dommages directs ou indirects, ainsi que des dommages consécutifs, et rejette toute responsabilité quant à ces dommages dans la mesure où la loi applicable le permet. L'utilisateur est seul responsable de la vérification des risques d'application critiques et de la mise en place de mécanismes de protection des processus en cas de défaillance de l'équipement.

Veillez lire l'ensemble du manuel avant le déballage, la configuration ou la mise en fonctionnement de cet appareil. Respectez toutes les déclarations de prudence et d'attention. Le non-respect de cette procédure peut conduire à des blessures graves de l'opérateur ou à des dégâts sur le matériel.

Assurez-vous que la protection fournie avec cet appareil n'est pas défaillante. N'utilisez ni n'installez cet appareil d'une façon différente de celle décrite dans ce manuel.

2.2 Informations sur les risques d'utilisation

DANGER

Indique une situation de danger potentiel ou imminent qui, si elle n'est pas évitée, entraîne des blessures graves, voire mortelles.

AVERTISSEMENT

Indique une situation de danger potentiel ou imminent qui, si elle n'est pas évitée, peut entraîner des blessures graves, voire mortelles.

ATTENTION





Indique une situation de danger potentiel qui peut entraîner des blessures mineures ou légères.



AVIS

Indique une situation qui, si elle n'est pas évitée, peut occasionner l'endommagement du matériel. Informations nécessitant une attention particulière.

2.3 Étiquettes de mise en garde

Lisez toutes les étiquettes et tous les repères apposés sur l'instrument. Des personnes peuvent se blesser et le matériel peut être endommagé si ces instructions ne sont pas respectées. Un symbole sur l'appareil est désigné dans le manuel avec une instruction de mise en garde.

	Si l'appareil comporte ce symbole, reportez-vous au manuel d'instructions pour consulter les informations de fonctionnement et de sécurité.
	Ce symbole signale un risque d'explosion.
	Ce symbole indique un risque d'incendie.
	Ce symbole identifie un risque chimique et indique que seules les personnes qualifiées et formées pour travailler avec des produits chimiques sont autorisées à les manipuler ou à réaliser des opérations de maintenance sur les systèmes associés à l'équipement et utilisant des produits chimiques.

	<p>Ce symbole indique la nécessité de porter des lunettes de protection.</p>
	<p>Le matériel électrique portant ce symbole ne doit pas être mis au rebut dans les réseaux domestiques ou publics européens. Retournez le matériel usé ou en fin de vie au fabricant pour une mise au rebut sans frais pour l'utilisateur.</p>

2.4 Conformité et certification

▲ ATTENTION

Cet équipement n'est pas conçu pour être utilisé dans des environnements résidentiels et peut ne pas offrir une protection adéquate à la réception radio dans de tels environnements.

Règlement canadien sur les équipements causant des interférences radio, ICES-003, Classe A :

Les données d'essai correspondantes sont conservées chez le constructeur.

Cet appareil numérique de classe A respecte toutes les exigences du Règlement sur le matériel brouilleur du Canada.

Cet appareil numérique de classe A répond à toutes les exigences de la réglementation canadienne sur les équipements provoquant des interférences.

FCC part 15, limites de classe A :

Les données d'essai correspondantes sont conservées chez le constructeur. L'appareil est conforme à la partie 15 de la réglementation FCC. Le fonctionnement est soumis aux conditions suivantes :

1. Cet équipement ne peut pas causer d'interférence nuisible.
2. Cet équipement doit accepter toutes les interférences reçues, y compris celles qui pourraient entraîner un fonctionnement inattendu.

Les modifications de cet équipement qui n'ont pas été expressément approuvées par le responsable de la conformité aux limites pourraient annuler l'autorité dont l'utilisateur dispose pour utiliser cet équipement.

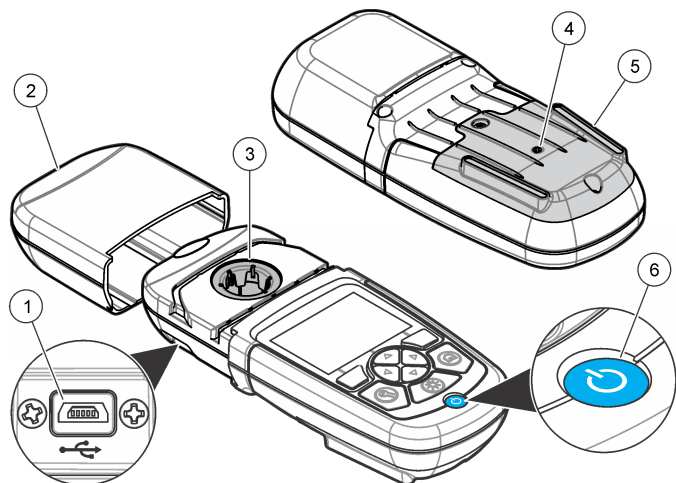
Cet équipement a été testé et déclaré conforme aux limites définies pour les appareils numériques de classe A, conformément à la section 15 de la réglementation FCC. Ces limites ont pour but de fournir une protection raisonnable contre les interférences néfastes lorsque l'équipement fonctionne dans un environnement commercial. Cet équipement génère, utilise et peut irradier l'énergie des fréquences radio et, s'il n'est pas installé ou utilisé conformément au mode d'emploi, il peut entraîner des interférences dangereuses pour les communications radio. Le fonctionnement de cet équipement dans une zone résidentielle risque de causer des interférences nuisibles, dans ce cas l'utilisateur doit corriger les interférences à ses frais. Les techniques ci-dessous peuvent permettre de réduire les problèmes d'interférences :

1. Débrancher l'équipement de la prise de courant pour vérifier s'il est ou non la source des perturbations
2. Si l'équipement est branché sur le même circuit de prises que l'appareil qui subit des interférences, branchez l'équipement sur un circuit différent.
3. Eloigner l'équipement du dispositif qui reçoit l'interférence.
4. Repositionner l'antenne de réception du périphérique qui reçoit les interférences.
5. Essayer plusieurs des techniques ci-dessus à la fois.

2.5 Présentation du produit

Le DR 900 est un colorimètre portable à source de lumière LED capable de mesurer des longueurs d'onde de 420, 520, 560 et 610 nm. L'instrument permet de mesurer divers paramètres dans les applications d'eau potables, d'eaux usées et industrielles. L'instrument est livré avec un ensemble complet de programmes enregistrés (méthodes préinstallées) et la possibilité de stockage de programmes utilisateur et de sélection de programme favori. Voir [Figure 1](#).

Figure 1 Instrument

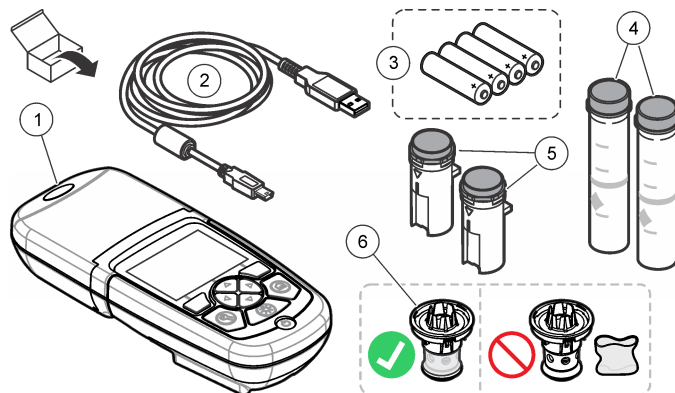


1 Port USB	4 Mise à l'air libre
2 Capuchon de l'instrument	5 Compartiment à piles
3 Compartiment de la cuve	6 Touche d'alimentation

2.6 Composants du produit

Assurez-vous d'avoir bien reçu tous les composants. Reportez-vous à la [Figure 2](#). Si des articles sont manquants ou endommagés, contactez immédiatement le fournisseur de l'instrument ou un commercial.

Figure 2 Composants du produit



1 DR 900	4 Cuve d'échantillon en verre, 1 pouce (25 mm) ronde, graduations 10, 20, 25 mL (2x)
2 Câble USB avec connecteur mini-USB	5 Cuve à échantillon, 1 cm/10 mL (2x)
3 Piles alcalines AA (x4)	6 Adaptateur de cuve à échantillon

Section 3 Installation

⚠ AVERTISSEMENT



Dangers multiples. Seul le personnel qualifié doit effectuer les tâches détaillées dans cette section du document.

AVIS

Veillez à ne pas gêner la connexion des piles de l'instrument lors de son utilisation ou du stockage

3.1 Installation des piles

⚠ AVERTISSEMENT



Risque d'explosion. Une installation incorrecte des piles peut libérer des gaz explosifs. Veillez à ce que les piles soient du même type chimique homologué et qu'elles soient insérées dans le bon sens. Ne mélangez pas des piles neuves et des piles usagées.

⚠ AVERTISSEMENT



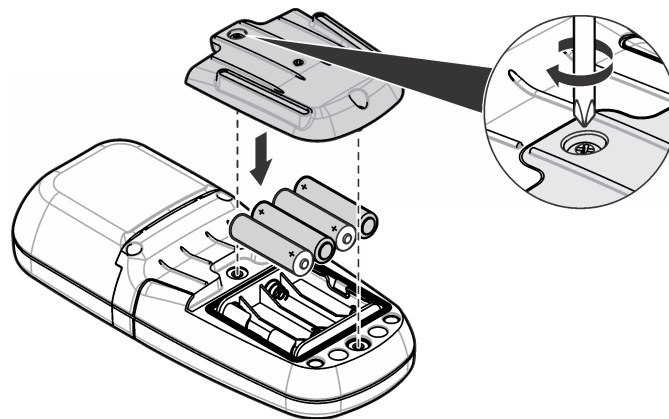
Risque d'incendie. La substitution du type de pile n'est pas autorisée. Utilisez uniquement des piles alcalines.

AVIS

Assurez-vous de bien serrer les vis de 1 à 1,4 Nm (de 9 à 12 po lb) afin de garantir un bon maintien et de préserver l'indice de protection.

L'instrument est alimenté par quatre piles alcalines AA. Vérifier que les piles sont installées dans le bon sens. Consultez [Figure 3](#) pour la mise en place des piles.

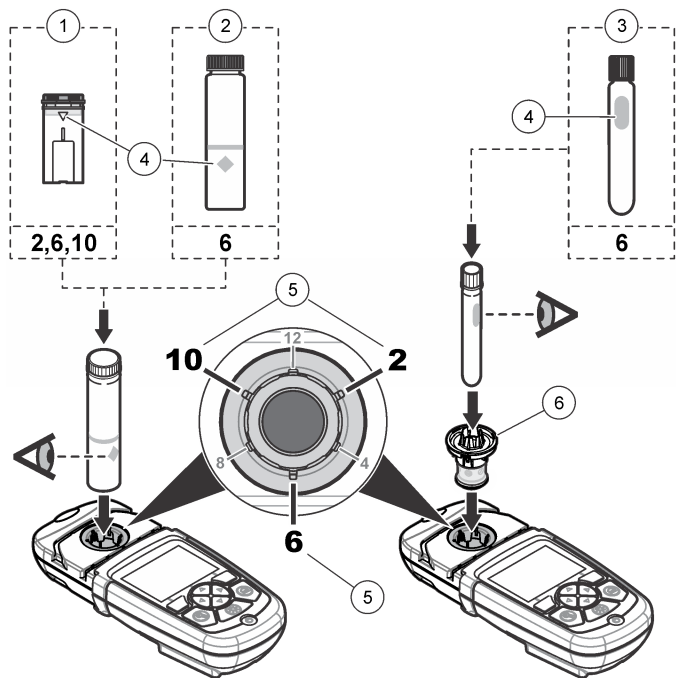
Figure 3 Installation des piles



3.2 Installation de la cuve à échantillon et de l'adaptateur de cuve

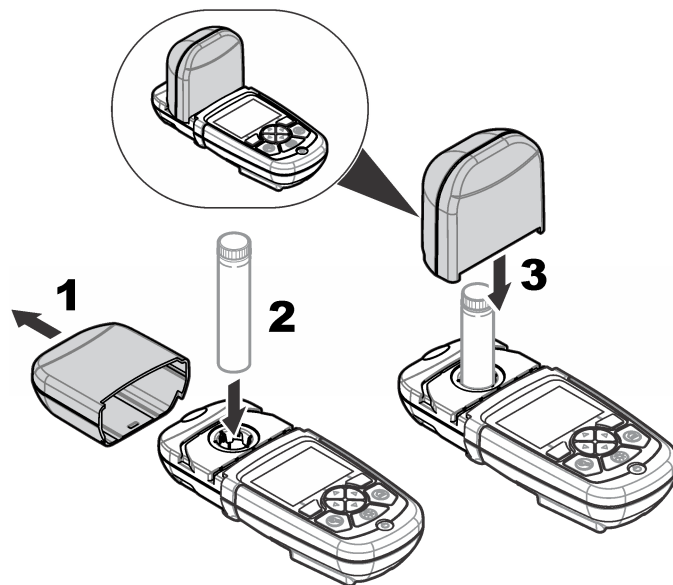
L'instrument comporte un compartiment de cuve pouvant recevoir un adaptateur pour différents types de cuve à échantillon. Assurez-vous d'installer la cuve à échantillon correctement et dans une orientation fixe pour des résultats plus répétables et précis. Voir [Figure 4](#). Fermez le capuchon de l'instrument avant de régler le zéro ou d'effectuer une mesure pour éviter les interférences lumineuses. Voir [Figure 5](#).

Figure 4 Orientation de la cuve à échantillon



1 Cuve à échantillon en plastique 1 cm/10 mL	4 Repère d'orientation
2 Cuve à échantillon en verre 1 pouce (25 mm)	5 Position d'orientation (horaire)
3 Flacon d'essai en verre 16 mm	6 Adaptateur de cuve à échantillon

Figure 5 Installation de la cuve à échantillon et du capuchon d'instrument

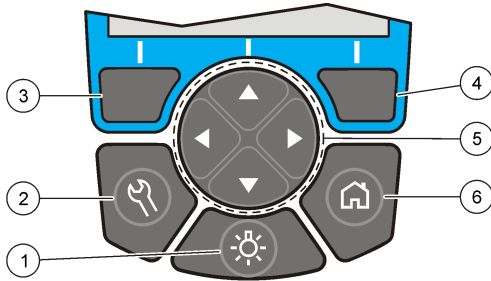


Section 4 Interface utilisateur et navigation

4.1 Description du clavier

Consultez [Figure 6](#) pour une description du clavier et des informations de parcours des menus.

Figure 6 Description du clavier



1 RÉTROÉCLAIRAGE : allume ou éteint l'éclairage de l'écran	4 Touche de sélection DROITE (contextuelle) : Lire d'échantillon, sélections ou confirmations d'options, ouverture de sous-menus
2 PARAMÈTRES : options de configuration ¹	5 Touches de navigation HAUT, BAS, DROITE, GAUCHE : parcours des menus, saisie de chiffres et de lettres ²
3 Touche de sélection GAUCHE (contextuelle) : accès aux options, annulations ou sorties de l'écran de menu pour revenir au précédent	6 ACCUEIL/Options : pour revenir à l'écran principal de lecture ¹ , sélectionner un programme, gérer les données

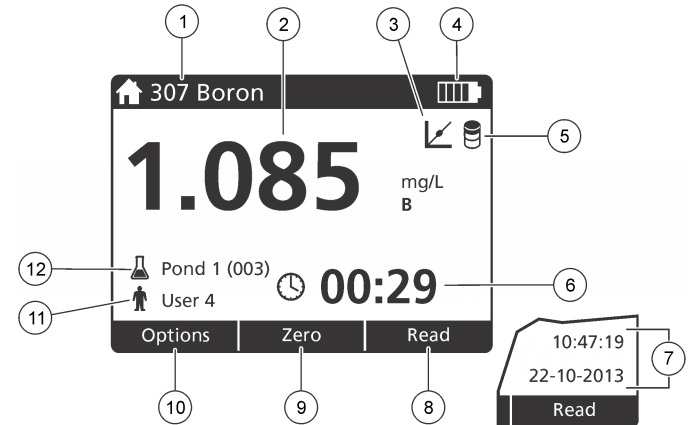
4.2 Description de l'affichage

L'écran de lecture affiche le mode sélectionné, l'unité, la date et l'heure, l'identifiant de l'opérateur et l'identifiant de l'échantillon. Voir [Figure 7](#).

¹ En mode de modification, la touche n'est plus active.

² Le maintien de la touche HAUT ou BAS actionne un défilement rapide. L'appui sur la touche GAUCHE ou DROITE fait défiler par page.

Figure 7 Affichage sur écran unique



1 Nom et numéro du programme	7 Heure et date
2 Valeur, unité et formule chimique affichées inférieures « --- » ou supérieures à la plage de mesure « +++ »	8 Lire (contextuel : Terminer, Sélect., Départ, OK)
3 Icône de réglage standard	9 Zéro (contextuel : touche de navigation flèche haut)
4 Etat des piles	10 Options (contextuel : Préc., Annuler)
5 Icône de blanc de réactif	11 Identification d'opérateur
6 Minuterie	12 Identification d'échantillon

4.3 Navigation

L'instrument contient des menus permettant de modifier diverses options. Utilisez les touches de navigation (**HAUT**, **BAS**, **DROITE** et **GAUCHE**) pour mettre en évidence les différentes options. Appuyez sur la touche de sélection **DROITE** pour sélectionner une option. Saisissez une valeur d'option avec les touches de navigation. Appuyez sur les touches de navigation (**HAUT**, **BAS**, **DROITE** et **GAUCHE**) pour saisir ou modifier une valeur. Appuyez sur la touche **DROITE** pour passer à l'espace suivant. Appuyez sur la touche de sélection **DROITE** sous **Terminer** pour accepter la valeur. Appuyez sur la touche de sélection **GAUCHE** pour quitter l'écran de menu en cours et revenir au précédent.

Section 5 Mise en marche

5.1 Allumage et extinction de l'instrument

Appuyez sur la touche **ALIMENTATION** pour allumer ou éteindre l'instrument. Si l'instrument ne s'allume pas, vérifiez que les piles sont installées correctement.

5.2 Choix de la langue

Il existe deux possibilités de choix de la langue :

- Régler la langue d'affichage au premier allumage de l'instrument.
- Régler la langue depuis le menu **PARAMÈTRES**.

1. Appuyez sur **PARAMÈTRES>Setup>Langue**.

2. Sélectionnez une langue dans la liste.

5.3 Réglage de la date et de l'heure

Il existe deux possibilités de réglage de la date et de l'heure :

- Régler la date et l'heure au premier allumage de l'instrument.

- Régler la date et l'heure à partir du menu **Date et heure**.

1. Appuyez sur **PARAMÈTRES>Setup>Date et heure**.

2. Sélectionnez **Réglage du format de la date et de l'heure**, puis sélectionnez un format pour la date et l'heure.

3. Sélectionnez **Réglage de la date et de l'heure**.

4. Utilisez les touches de navigation pour saisir la date et l'heure en cours, puis appuyez sur **OK**.

Section 6 Fonctionnement standard

6.1 Liste des programmes

L'instrument est livré avec une série complète de programmes d'application. Consultez [Tableau 1](#) pour la description des programmes.

Tableau 1 Options du programme

Option de programme	Description
Programmes enregistrés	Les programmes enregistrés sont des méthodes préprogrammées installées en usine. Voir Sélection d'un programme enregistré à la page 61.
Programmes utilisateur	Il est possible de concevoir des méthodes pour les enregistrer en tant que programme utilisateur. ³ Voir Programmes utilisateur à la page 64.
Favoris	Les méthodes utilisées le plus souvent peuvent être enregistrées dans la liste de favoris. ¹

³ Dix méthodes au maximum (programme utilisateur ou favoris) peuvent être enregistrées.

6.1.1 Sélection d'un programme enregistré

1. Appuyez sur **ACCUEIL>Options>All Programs**.
2. Sélectionnez la méthode correspondante et appuyez sur **Départ**.
3. Sélectionnez **Options>Ajouter aux favoris** pour ajouter la méthode sélectionnée aux favoris pour y accéder plus rapidement.

6.1.2 Sélection des options de programme de base

Quand un programme est sélectionné, des options supplémentaires des paramètres deviennent disponibles.

1. Appuyez sur **Options** pour accéder au menu d'option.
2. Sélectionnez les options applicables.

Option	Description
Démarrer le chrono	Sélectionnez une temporisation prédéfinie ou définissez une temporisation manuelle pour vous assurer que les étapes d'une analyse sont programmées correctement (par exemple il est possible de spécifier exactement les temps de réaction ou les temps d'attente). Quand le temporisateur est actif, l'icône de temporisateur apparaît à l'écran. L'instrument émet un signal sonore quand le temps est écoulé. Tempo prédéf. —Sélectionnez la temporisation prédéfinie pour une ou plusieurs étapes de procédure enregistrées et appuyez sur Départ . Tempo manuelle —Entrez le temps applicable avec les touches de navigation et appuyez sur Terminer . Par défaut = 00:00
Favorites/User Programs	Sélectionnez parmi les listes de favoris ou de programmes utilisateur enregistrés. Pour en savoir plus, reportez-vous à la section Sélection d'un favori ou d'un programme utilisateur à la page 63.

Option	Description
All Programs	Sélectionnez une méthode préprogrammée dans la liste.
Journal des données	Affiche toutes les valeurs lues enregistrées. Pour en savoir plus, reportez-vous à la section Journal de données à la page 63.
Ajout aux favoris	Enregistrez les programmes et méthodes de programme utilisateur utilisés le plus souvent dans la liste de favoris. Voir Ajout d'un programme aux favoris à la page 63.
%T/Abs/Conc	Commutation des lectures en % transmittance, absorbance ou concentration. Lire transmittance (%) —Lit le pourcentage de lumière incidente qui traverse l'échantillon et atteint le détecteur. Lecture absorbance —La lumière absorbée par l'échantillon est mesurée en termes d'unités d'absorption. Lecture concentration —Les valeurs d'absorbance mesurées sont converties en valeurs de concentration par l'équation enregistrée dans le programme.
Options avancées	Utilisez les options avancées pour préciser des paramètres supplémentaires. Voir Sélection des options de programme avancées à la page 61.
Enr.	Enregistre manuellement la dernière valeur lue quand l'option Enreg. auto est sur Désactivé.

6.1.3 Sélection des options de programme avancées

Chaque programme dispose de diverses options avancées au choix.

1. Appuyez sur **Options** pour accéder à **Options>Options avancées**.
2. Utilisez les options avancées pour préciser des paramètres supplémentaires.

Option	Description
Enreg auto	Bascule entre activé et Désactivé. Chaque lecture est enregistrée automatiquement quand l'option est sur On. La lecture peut être enregistrée manuellement quand l'option est sur Désactivé.
Formule chimique	Sélectionnez l'autre forme chimique et la plage de mesure correspondante sur certaines méthodes installées en usine.
Blanc réactif	La correction de blanc de réactif peut s'utiliser avec certaines méthodes installées en usine. Saisissez le résultat de l'essai terminé avec de l'eau déionisée comme échantillon. La valeur du blanc est soustraite de chaque résultat pour corriger la couleur d'arrière-plan due aux réactifs. Saisissez la correction de blanc avant d'utiliser l'option Ajuster l'étalon. Effectuez cette correction pour chaque nouveau lot de réactifs de test.
Ajuster l'étalon	Modifiez l'étalonnage enregistré. Effectuez un essai sur un standard connu à une concentration proche du haut de la plage de test. Utilisez cette fonction pour ajuster le résultat en fonction de la concentration du standard.
Tri des programmes	Sélectionnez l'ordre alphabétique ou numérique pour la liste des programmes enregistrés.

6.2 Utiliser un ID d'opérateur

L'étiquette d'ID d'opérateur associe les mesures à un opérateur particulier. Toutes les données enregistrées incluent cet ID.

1. Appuyez sur **PARAMÈTRES>ID opérateur** sur l'écran de mesure.

2. Sélection, création ou suppression d'un ID d'opérateur :

Option	Description
ID en cours	Sélectionne un ID dans une liste. L'identifiant en cours sera alors associé aux données d'échantillon jusqu'à la sélection d'un autre identifiant.
Créer un ID	Entre un nom pour un nouvel ID d'opérateur. Il est possible de créer 10 noms au maximum.
Supprimer ID	Efface un identifiant d'opérateur existant.

6.3 Utiliser un ID d'échantillon

L'étiquette d'ID d'échantillon permet d'associer les mesures à un échantillon ou à un emplacement d'échantillon spécifique. Les données enregistrées incluent cette identification si elle est attribuée.

1. Appuyez sur **PARAMÈTRES>ID d'échantillon** sur l'écran de mesure.
2. Sélection, création ou suppression d'un ID d'opérateur :

Option	Description
ID en cours	Sélectionne un ID dans une liste. L'identifiant en cours sera alors associé aux données d'échantillon jusqu'à la sélection d'un autre identifiant.
Créer un ID	Entre un nom pour un nouvel ID d'échantillon. Il est possible de créer 10 noms au maximum. Les échantillons sont numérotés dans l'ordre pour chaque mesure jusqu'à sélection d'un identifiant différent (par exemple Mare 1, Mare 2).
Supprimer ID	Efface un identifiant d'échantillon existant.

6.4 Comment effectuer une mesure

Des étapes de mesure de base sont nécessaires pour effectuer une mesure. Chaque méthode est détaillée par une procédure pas à pas. Consultez la méthode correspondante pour exécuter un essai particulier.

L'exemple qui suit est une procédure de base pour effectuer une mesure.

1. Sélectionnez le programme correspondant dans le menu des programmes (par exemple Stored Programs, User Programs, Favorites).
2. Installez l'adaptateur de cuve, si nécessaire.
3. Appuyez sur **Start** pour démarrer le programme.
4. Préparez le blanc selon le document descriptif de la méthode. Fermez la cuve à échantillon et nettoyez les faces optiques de la cuve avec un chiffon non pelucheux.
5. Insérez la cuve d'échantillon blanc dans le compartiment de cuves. Assurez-vous d'installer la cuve d'échantillon blanc correctement et dans une orientation toujours identique pour obtenir des résultats plus répétables et précis. Voir [Figure 4](#) à la page 58.
6. Fermez le capuchon de l'échantillon pour éviter les interférences lumineuses. Voir [Figure 5](#) à la page 58.
7. Appuyez sur **Zéro**. L'écran affiche une concentration égale à zéro (par exemple mg/L, ABS, µg/L).
8. Préparation de l'échantillon. Ajoutez les réactifs selon les indications du document de méthode.
9. Sélectionnez **Options>Démarrer le chrono** pour utiliser les temporisations enregistrées dans le programme.
10. Fermez la cuve à échantillon et nettoyez les surfaces optiques de la cuve avec un chiffon non pelucheux.
11. Insérez l'échantillon dans le compartiment de cuves. Assurez-vous d'installer la cuve d'échantillon correctement et dans une orientation toujours identique pour obtenir des résultats plus répétables et précis. Voir [Figure 4](#) à la page 58.
12. Fermez le capuchon de l'échantillon pour éviter les interférences lumineuses. Voir [Figure 5](#) à la page 58.
13. Appuyez sur **Mesure**. L'affichage indique les résultats dans les unités sélectionnées.

Remarque : L'écran indique « +++ » ou « --- » si la valeur d'absorbance est inférieure ou supérieure à la plage d'étalonnage de l'essai.

6.5 Journal de données

Le journal des données affiche l'enregistrement de toutes les valeurs. Appuyez sur **ACCUEIL>Options>Journal des données** pour afficher les valeurs lues. Consultez [Exportation du journal des données](#) à la page 66 pour plus de détails sur l'exportation du journal des données.

Section 7 Utilisation avancée

7.1 Sélection d'un favori ou d'un programme utilisateur

La base de données de favoris et de programmes utilisateur est vide au premier démarrage de l'instrument. Il est possible d'enregistrer une méthode dans la liste de favoris pour y accéder plus rapidement. Il est possible de programmer un programme utilisateur pour des besoins spécifiques.

1. Appuyez sur **ACCUEIL>Options>Favoris/Programmes utilisateur>Sélectionner**.
2. Appuyez sur **Nouveau programme** pour créer un programme utilisateur. Voir [Programmes utilisateur](#) à la page 64.

7.2 Ajout d'un programme aux favoris

Les programmes enregistrés et méthodes de programme utilisateur couramment utilisés peuvent être enregistrés dans la liste de favoris.

1. Sélectionnez **ACCUEIL>Options>Tous les programmes**.
2. Sélectionnez la méthode correspondante et appuyez sur **Départ**.
3. Sélectionnez **Options>Ajouter aux favoris** pour ajouter la méthode sélectionnée aux favoris.

7.3 Programmes utilisateur

La base de données de programmes utilisateur est vide au premier démarrage de l'instrument. Utilisez **Nouveau programme** pour créer des programmes correspondant à vos besoins spécifiques. Pour créer un programme utilisateur, procédez comme suit.

1. Appuyez sur **ACCUEIL>Options>Favoris/Programmes utilisateur>Sélectionner>Nouveau programme**.
2. Sélectionnez un numéro de programme disponible entre 1001 et 1010.
Remarque : Il est possible d'enregistrer au maximum dix programmes (programmes utilisateur ou favoris).
3. Entrez un nom de méthode (jusqu'à 12 caractères).
4. Sélectionnez la longueur d'onde : 420, 520, 560 ou 610 nm.
5. Sélectionnez l'unité : None, µg/L, mg/L ou g/L.
6. Sélectionnez la résolution : 0000, 000,0, 00,00 ou 0,000.
7. Ajoutez les points d'étalonnage : au minimum 2 et au maximum 12 points d'étalonnage.⁴ Sélectionnez **Modif Std 1** et entrez la valeur de concentration du premier standard. Appuyez sur **Terminer**.
Remarque : Un bip signale que la concentration est en double d'un standard précédemment saisi ou que la concentration est trop élevée pour la résolution sélectionnée. Entrez une valeur différente et continuez.
8. Entrez la valeur d'absorbance :

Option	Description
Modif ABS manuel	Utilisez les touche de navigation pour saisir manuellement la valeur d'absorbance.
Modif ABS auto	<ol style="list-style-type: none">1. Placez le blanc dans le porte-cuve et appuyez sur Zéro.2. Placez l'échantillon préparé dans le porte-cuve et appuyez sur Lire.3. Appuyez sur Terminer.

Remarque : Un bip signale que l'absorbance est en double d'un standard précédemment saisi ou se trouve entre deux standards précédents. Entrez une valeur différente et continuez.

9. Appuyez sur **Terminer**.
10. Sélectionnez **Ajout pt étal..**
11. Entrez les points d'étalonnage supplémentaires comme indiqué dans les étapes 7–9.
12. Sélectionnez **Enreg. prog. util..**

7.3.1 Modification d'un programme utilisateur

Pour modifier un programme utilisateur enregistré :

1. Sélectionnez **ACCUEIL>Favoris/User Programs**.
2. Sélectionnez le programme correspondant et appuyez sur **Options**.
3. Appuyez sur **Modif..**
4. Suivez les invites à l'écran pour modifier la procédure.

7.3.2 Supprimer un programme utilisateur ou favori

Supprimer un programme utilisateur ou favori enregistré, s'il n'est plus utilisé.

1. Sélectionnez **ACCUEIL>Options>Favoris/User Programs**.
2. Mettez en évidence le programme correspondant et appuyez sur **Options>Supprimer**, puis suivez les invites à l'écran.

7.4 Données d'instrument

Le menu Informations sur l'instrument affiche des données spécifiques telles que le nom de l'appareil, le numéro de série, la version du logiciel, la version de la base de données, la mémoire utilisée et la disponibilité des programmes. Appuyez sur **MENU PRINCIPAL>Informations sur l'instrument**.

⁴ Si la courbe est linéaire, seuls deux points de données de concentration (par exemple un standard d'absorbance zéro et un autre standard connu) sont nécessaires. Utilisez les points de données supplémentaires pour confirmer la linéarité ou pour définir une courbe non linéaire.

7.5 Définition du mot de passe

Les options de définition de mot de passe permettent d'éviter l'accès aux menus restreints.

Remarque : En cas d'oubli du mot de passe spécifié si Options de sécurité est sur activé, l'opérateur ne peut plus accéder aux menus restreints. Contactez le support technique en cas d'oubli du mot de passe.

1. Appuyez sur **PARAMÈTRES>Setup>Param. mots de passe**.
2. Sélectionnez une option.

Option	Description
Param. mots de passe	Sélectionnez activé ou Désactivé pour respectivement activer ou désactiver la protection par mot de passe.
Éléments protégés	Affiche la liste des éléments protégés : modif ID opérateur, modif ID d'échantillon, modif prog. util., Date et heure, mise à jour log., mettre à jour méthodes, langue et modif liste favoris.

7.6 Réglage de l'écran et des sons

Utilisez les options d'affichage pour modifier le contraste de l'écran, les options d'arrêt automatique sur piles ou l'option de rétroéclairage.

Utilisez les options sonores pour obtenir un signal sonore lors de l'appui sur une touche ou de l'achèvement d'une mesure.

1. Appuyez sur **PARAMÈTRES>Setup>Affichage et son>Options d'affichage**.
2. Sélectionnez une option.

Option	Description
Contraste	Règle le contraste de l'écran. Le réglage le plus clair est 0 et le plus sombre est 9. Par défaut : 5

Option	Description
Arrêt auto	Pour optimiser la durée de vie des piles, réglez une durée après laquelle l'instrument s'éteindra automatiquement si aucune touche n'est actionnée (5, 10, 15, 20, 30 minutes, 1 heure, 2 heures ou Désactivé). Par défaut : 10 minutes
Rétroéclairage	Le rétroéclairage de l'écran s'allume en appuyant sur la touche RÉTROÉCLAIRAGE . Réglez une durée après laquelle le rétroéclairage s'éteint automatiquement quand aucune touche n'est actionnée (10, 20, 30 secondes, 1, 2, 5, 10 minutes ou Désactivé). Par défaut : 1 minute

3. Appuyez sur **PARAMÈTRES>Setup>Affichage et son>Sons**.
4. Sélectionnez une option.

Option	Description
Touche	L'instrument émet un signal sonore à chaque pression sur une touche. Par défaut : Désactivé
Lecture terminée	L'instrument émet un signal sonore à chaque achèvement d'une lecture. Par défaut : activé

7.7 Menu principal USB

Quand l'instrument est connecté à un ordinateur par un câble USB, le menu principal USB s'ouvre. Le menu principal USB permet de mettre à jour le logiciel, d'exporter ou d'importer des programmes ou d'exporter le journal d'événement et le journal des données.

7.7.1 Mise à niveau du micrologiciel

Trouvez le fichier de mise à jour de micrologiciel sur le site web du produit ou contactez le fournisseur de l'instrument. Enregistrez le fichier du site web sur l'ordinateur.

1. Allumez l'instrument et connectez le câble USB à l'instrument et à l'ordinateur.

Les invites du menu principal USB.

2. Sélectionnez **Update DR900 (Mettre à jour DR900)**. L'instrument apparaît comme lecteur USB sur l'ordinateur. Ouvrez le dossier.
3. Copiez le fichier DR900.bin dans le dossier ouvert.
4. Appuyez sur **OK**.
5. Quand la mise à jour est terminée, appuyez sur **Ok**.
6. Sélectionnez **Déconnecter USB**, appuyez sur **Ok** et déconnectez le câble USB.
7. Appuyez sur **OK**.
8. Redémarrez l'instrument.

7.7.2 Gérer les programmes

La fonction Gérer les programmes permet d'exporter ou d'importer des programmes utilisateur ou de nouveaux programmes d'usine.

1. Allumez l'instrument et connectez le câble USB à l'instrument et à l'ordinateur.
Les invites du menu principal USB.
2. Sélectionnez **Gérer les programmes** et sélectionnez une option :

Option	Description
Exporter prog. util.	Exporte tous les programmes utilisateur vers l'ordinateur pour stockage ou pour faire passer les programmes utilisateur vers un autre appareil DR 900.
Importer prog. util.	Remplace tous les programmes utilisateur par ceux provenant d'un autre appareil DR 900 depuis l'ordinateur.
Importer prog. usine	Importe de nouveaux programmes d'usine depuis le site web du fabricant.

L'instrument apparaît comme lecteur USB sur l'ordinateur. Ouvrez le dossier.

3. Copiez le fichier d'exportation depuis le lecteur vers l'ordinateur ou copiez le fichier d'importation depuis l'ordinateur vers le lecteur.
4. Appuyez sur **OK**.
5. À l'achèvement du transfert, sélectionnez **Déconnecter USB** et déconnectez le câble USB.
6. Appuyez sur **OK**.

7.7.3 Exportation du journal des données

Le journal d'événements et le journal des données peuvent être exportés vers l'ordinateur. Le journal d'événements contient la date, l'heure, le numéro d'événement, le paramètre et la description d'une action associée à la configuration. Les mesures d'échantillon sont stockées manuellement ou automatiquement dans le journal des données. Voir [Sélection des options de programme avancées](#) à la page 61.

1. Allumez l'instrument et connectez le câble USB à l'instrument et à l'ordinateur.
Les invites du menu principal USB.
2. Sélectionnez **Exporter journal**.
L'instrument apparaît comme lecteur USB sur l'ordinateur. Ouvrez le dossier.
3. Copiez et enregistrez les fichiers d'exportation (DR900_DataLog.csv et DR900_EventLog.csv) sur l'ordinateur.
4. Appuyez sur **OK**.
5. Après copie des fichiers sur l'ordinateur, sélectionnez **Déconnecter USB** et déconnectez le câble USB.
6. Appuyez sur **OK**.

Section 8 Maintenance

▲ AVERTISSEMENT



Dangers multiples. Seul le personnel qualifié doit effectuer les tâches détaillées dans cette section du document.

8.1 Nettoyage de l'instrument

Nettoyez l'extérieur de l'instrument avec un chiffon humide, puis essuyez l'instrument en ne laissant aucune trace d'humidité.

8.2 Nettoyage des cuves d'échantillon

⚠ ATTENTION



Risque d'exposition chimique. Respectez les procédures de sécurité du laboratoire et portez tous les équipements de protection personnelle adaptés aux produits chimiques que vous manipulez. Consultez les fiches de données de sécurité (MSDS/SDS) à jour pour connaître les protocoles de sécurité applicables.



⚠ ATTENTION



Risque d'exposition chimique. Mettez au rebut les substances chimiques et les déchets conformément aux réglementations locales, régionales et nationales.

La plupart des détergents de la laboratoires s'utilisent aux concentrations recommandées. Les détergents neutres, par exemple le Liquinox, sont plus sûrs quand un nettoyage régulier est nécessaire. Pour réduire le temps de nettoyage, augmentez la température ou utilisez un bain à ultrasons. Pour terminer le nettoyage, rincez plusieurs fois à l'eau déionisée, puis laissez sécher la cuve à échantillon à l'air. Les cuves à échantillon peuvent également être nettoyées à l'acide, avant d'être rincées soigneusement à l'eau déionisée.

Remarque : *Toujours utiliser de l'acide pour nettoyer les cuves à échantillon destinées aux essais de basse teneur en métaux.*

Des méthodes de nettoyage spécifiques sont nécessaires pour certaines procédures. En cas d'utilisation d'une brosse pour nettoyer les cuves à échantillon, veillez à ne pas rayer la surface intérieure des cuves.

8.3 Remplacement des piles

⚠ AVERTISSEMENT



Risque d'explosion. Les piles vides peuvent entraîner l'accumulation d'hydrogène dans l'appareil. Remplacez les piles avant qu'elles ne soient vides et ne stockez pas l'appareil de façon prolongée sans retirer les piles.

⚠ AVERTISSEMENT



Risque d'incendie. La substitution du type de pile n'est pas autorisée. Utilisez uniquement des piles alcalines.

AVIS

Assurez-vous de bien serrer les vis de 1 à 1,4 Nm (de 9 à 12 po lb) afin de garantir un bon maintien et de préserver l'indice de protection.

Consultez [Installation des piles](#) à la page 57 pour le remplacement de la pile.

Section 9 Dépannage

Code d'erreur	Cause possible	Solution
1	L'instrument n'est pas configuré.	Contactez le support technique.
2	Impossible de lire les données de programme	
3	Impossible d'écrire les données de programme	
4	Erreur de piles	Remplacement des piles.
5	Erreur A/N pendant une mesure	Contactez le support technique.

Code d'erreur	Cause possible	Solution
6	Erreur de décalage pendant une mesure	Assurez-vous que le capuchon de l'instrument est installé correctement.
7	Erreur de manque de lumière pendant une mesure	<ul style="list-style-type: none"> Assurez-vous qu'il n'y a pas d'obstacle sur le trajet optique. Zéro hors de la gamme de l'instrument Contactez le support technique.
8	Erreur de dépassement de gamme pendant une mesure, obstacle potentiel sur le chemin optique ou concentration trop élevée.	<ul style="list-style-type: none"> Vérifiez l'absence d'obstacle sur le chemin optique et vérifiez que la concentration n'est pas trop élevée pour le programme. Assurez-vous que le capuchon de l'instrument est installé correctement. Contactez le support technique.

Section 10 Pièces de rechange et accessoires

▲ AVERTISSEMENT



Risque de blessures corporelles. L'utilisation de pièces non approuvées comporte un risque de blessure, d'endommagement de l'appareil ou de panne d'équipement. Les pièces de rechange de cette section sont approuvées par le fabricant.

Remarque : Les numéros de référence de produit et d'article peuvent dépendre des régions de commercialisation. Prenez contact avec le distributeur approprié ou consultez le site web de la société pour connaître les personnes à contacter.

Pièces de rechange

Description	Article n°
Assemblage d'adaptateur, COD	4846400
Jeu de piles, piles alcalines AA (4x)	1938004
Cuve à échantillon avec capuchon, 25 x 95 mm, 10-20-25 mL (6x)	2401906
Cuve à échantillon avec capuchon, 1 cm/10 mL (2x)	4864302
Câble USB	LZV818

Accessoires

Description	Article n°
Capuchon, cuve à échantillon, pour cuve 25 x 95 mL	2401812
Sacoche de transport, côtés rigides	4942500
Sacoche de transport, côtés souples avec sangle d'épaule	2722000
Sacoche de transport, laboratoire portable	4943000
Normes d'absorbance DR/Check™	2763900
Capuchon de l'instrument, DR 900	9390500

Tabla de contenidos

- | | |
|--|---|
| 1 Especificaciones
en la página 69 | 6 Funcionamiento estándar
en la página 76 |
| 2 Información general
en la página 69 | 7 Funcionamiento avanzado
en la página 79 |
| 3 Instalación en la página 72 | 8 Mantenimiento en la página 83 |
| 4 Interfaz del usuario y navegación en la página 74 | 9 Solución de problemas
en la página 84 |
| 5 Puesta en marcha
en la página 76 | 10 Piezas de repuesto y accesorios en la página 84 |

Sección 1 Especificaciones

Las especificaciones están sujetas a cambios sin previo aviso.

Especificación	Datos
Configurar el modo medición	Transmitancia (%), absorbancia (Abs) y concentración (Conc)
Dimensiones (An. x Pr. x Al.)	23,6 x 8,7 x 4,7 cm (9,3 x 3,4 x 1,9 pulg.)
Grado de protección	IP67
Peso	0,6 kg (1,3 lb)
Requisitos de alimentación (interna)	Pilas alcalinas AA (4)
Duración de las pilas	6 meses (normal) a 5 mediciones por día por 5 días a la semana sin retroiluminación
Interfaz	Mini USB
Temperatura de funcionamiento	0° a 50 °C (32° a 122 °F), a 90% de humedad relativa, sin condensación

Especificación	Datos
Temperatura de almacenamiento	-30° a 60 °C (-22° a 140 °F), a 90% de humedad relativa, sin condensación
Fuente de luz	Diodo de emisión de luz (LED)
Detector	Fotodiodo de silicón
Rango de longitud de onda	420, 520, 560, 610 nm
Rango de meda fotométrico	0–2 Abs
Exactitud de longitud de onda	±1 nm
Exactitud fotométrica	±0.03 Abs
Linealidad fotométrica	±0,002 Abs (0–1 Abs)
Selección de longitud de onda	Automática, basada en el método de selección
Repetibilidad fotométrica	±0,002 Abs (0–1 Abs)
Lectura de datos	Descripción de la pantalla, 240 x 160 píxel (retroiluminada)
Cubetas de muestras	16 mm, 1 cm/10 mL, 1 pulgada (25 mm) de circunferencia
Clase de protección	Clase III
Certificaciones	CEcertificación
Garantía	1 año (UE: 2 años)

Sección 2 Información general

En ningún caso el fabricante será responsable de ningún daño directo, indirecto, especial, accidental o resultante de un defecto u omisión en este manual. El fabricante se reserva el derecho a modificar este manual y los productos que describen en cualquier momento, sin aviso

ni obligación. Las ediciones revisadas se encuentran en la página web del fabricante.

2.1 Información de seguridad

El fabricante no es responsable de ningún daño debido a un mal uso de este producto incluyendo, sin limitación, daños directos, fortuitos o circunstanciales y reclamaciones sobre los daños que no estén recogidos en la legislación vigente. El usuario es el único responsable de identificar los riesgos críticos y de instalar los mecanismos adecuados de protección de los procesos en caso de un posible mal funcionamiento del equipo.

Sírvase leer todo el manual antes de desembalar, instalar o trabajar con este equipo. Ponga atención a todas las advertencias y avisos de peligro. El no hacerlo puede provocar heridas graves al usuario o daños al equipo.

Asegúrese de que la protección proporcionada por el equipo no está dañada. No utilice ni instale este equipo de manera distinta a lo especificado en este manual.

2.2 Uso de la información relativa a riesgos

▲ PELIGRO

Indica una situación potencial o de riesgo inminente que, de no evitarse, provocará la muerte o lesiones graves.

▲ ADVERTENCIA

Indica una situación potencial o inminentemente peligrosa que, de no evitarse, podría provocar la muerte o lesiones graves.

▲ PRECAUCIÓN

Indica una situación potencialmente peligrosa que podría provocar una lesión menor o moderada.

AVISO

Indica una situación que, si no se evita, puede provocar daños en el instrumento. Información que requiere especial énfasis.

2.3 Etiquetas de precaución

Lea todas las etiquetas y rótulos adheridos al instrumento. En caso contrario, podrían producirse heridas personales o daños en el instrumento. Cada símbolo que aparezca en el instrumento se indica en el manual con una explicación de advertencia.

	Este símbolo (en caso de estar colocado en el equipo) hace referencia a las instrucciones de uso o a la información de seguridad del manual.
	Este símbolo indica que existe riesgo de explosión.
	Este símbolo indica que hay riesgo de incendio.
	Este símbolo identifica un peligro químico e indica que el trabajo se debe ejecutar exclusivamente por personal cualificado y entrenados en el manejo de productos químicos, el cual debe realizar también los trabajos de mantenimiento en el sistema de alimentación de productos químicos asociado con este equipo.
	Este símbolo indica la necesidad de usar protectores para ojos.
	En Europa, el equipo eléctrico marcado con este símbolo no se debe desechar mediante el servicio de recogida de basura doméstica o pública. Devuelva los equipos viejos o que hayan alcanzado el término de su vida útil al fabricante para su eliminación sin cargo para el usuario.

2.4 Normativa y certificación

▲ PRECAUCIÓN

Este equipo no está diseñado para su uso en entornos residenciales y puede que no brinde la protección adecuada para la recepción de radio en dichos entornos.

Reglamentación canadiense sobre equipos que provocan interferencia, ICES-003, Clase A

Registros de pruebas de control del fabricante.

Este aparato digital de clase A cumple con todos los requerimientos de las reglamentaciones canadienses para equipos que producen interferencias.

Cet appareil numérique de classe A répond à toutes les exigences de la réglementation canadienne sur les équipements provoquant des interférences.

FCC Parte 15, Límites Clase "A"

Registros de pruebas de control del fabricante. Este dispositivo cumple con la Parte 15 de las normas de la FCC estadounidense. Su operación está sujeta a las siguientes dos condiciones:

1. El equipo no puede causar interferencias perjudiciales.
2. Este equipo debe aceptar cualquier interferencia recibida, incluyendo las interferencias que pueden causar un funcionamiento no deseado.

Los cambios o modificaciones a este equipo que no hayan sido aprobados por la parte responsable podrían anular el permiso del usuario para operar el equipo. Este equipo ha sido probado y encontrado que cumple con los límites para un dispositivo digital Clase A, de acuerdo con la Parte 15 de las Reglas FCC. Estos límites están diseñados para proporcionar una protección razonable contra las interferencias perjudiciales cuando el equipo está operando en un entorno comercial. Este equipo genera, utiliza y puede irradiar energía de radio frecuencia, y si no es instalado y utilizado de acuerdo con el manual de instrucciones, puede causar una interferencia dañina a las radio comunicaciones. La operación de este equipo en un área residencial es probable que produzca interferencias dañinas, en cuyo caso el usuario será requerido para corregir la interferencia bajo su

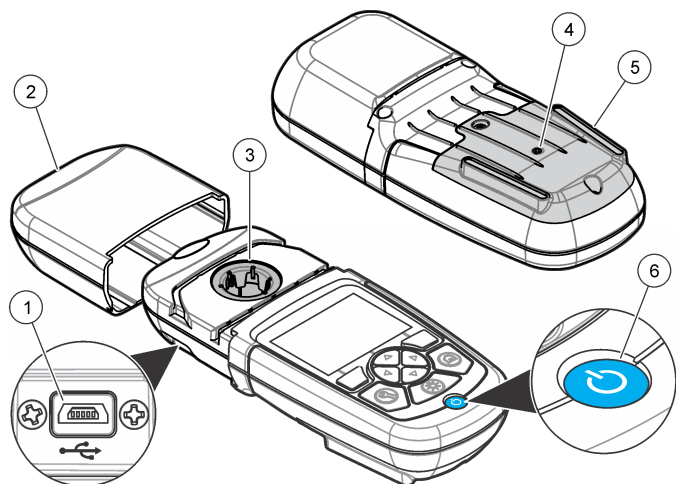
propio cargo. Pueden utilizarse las siguientes técnicas para reducir los problemas de interferencia:

1. Desconecte el equipo de su fuente de alimentación para verificar si éste es o no la fuente de la interferencia.
2. Si el equipo está conectado a la misma toma eléctrica que el dispositivo que experimenta la interferencia, conecte el equipo a otra toma eléctrica.
3. Aleje el equipo del dispositivo que está recibiendo la interferencia.
4. Cambie la posición de la antena del dispositivo que recibe la interferencia.
5. Pruebe combinaciones de las opciones descritas.

2.5 Generalidades del producto

El DR 900 es un colorímetro portátil con fuente LED que mide longitudes de onda de 420, 520, 560 y 610 nm. El instrumento se usa para medir varios parámetros del agua potable, el agua residual y las aplicaciones industriales. El instrumento viene con un conjunto completo de programas almacenados (métodos pre-instalados) y disponibilidad del programa de usuario y selección de programa favorito. Consulte la [Figura 1](#).

Figura 1 Instrumento

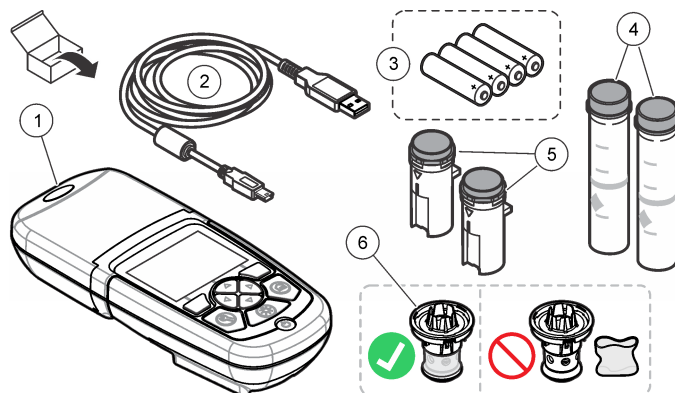


1 Puerto USB	4 Ventilación
2 Tapa del instrumento	5 Compartimento de las baterías
3 Compartimento de cubetas	6 Tecla de encendido

2.6 Componentes del producto

Asegúrese de haber recibido todos los componentes. Consulte [Figura 2](#). Si faltan artículos o están dañados, póngase en contacto con el proveedor o el representante de ventas inmediatamente.

Figura 2 Componentes del producto



1 DR 900	4 Cubeta de muestra de vidrio con 1 pulgada (25 mm) de circunferencia y marcas de 10, 20, 25-mL (2)
2 Cable USB con mini conector USB	5 Cubeta de muestra de 1 cm/10 mL (2)
3 Pilas alcalinas AA (4)	6 Adaptador de cubeta de muestra

Sección 3 Instalación

⚠ ADVERTENCIA



Peligros diversos. Solo el personal cualificado debe realizar las tareas descritas en esta sección del documento.

AVISO

Asegúrese de no provocar un bloqueo de la ventilación de la batería del instrumento durante el uso o almacenamiento.

3.1 Instalar las baterías

⚠ ADVERTENCIA



Peligro de explosión. Si la batería no están colocada correctamente, se puede producir la liberación de gases explosivos. Asegúrese de que las pilas son del mismo tipo y material químico aprobado y están insertadas en el sentido correcto. No mezcle pilas nuevas y usadas.

⚠ ADVERTENCIA



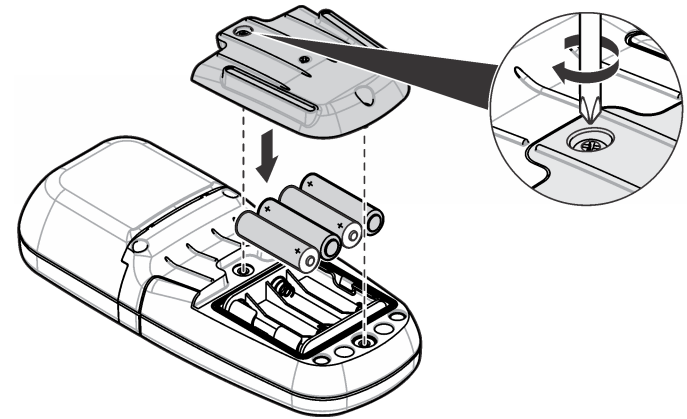
Peligro de incendio. No se permite la sustitución de la pila. Utilice solamente baterías alcalinas.

AVISO

Asegúrese de apretar los tornillos a 1–1,4 N·m (9–12 in.·lb) para obtener un correcto ajuste de sellado y mantener la clasificación ambiental de la carcasa.

El instrumento utiliza cuatro pilas alcalinas AA. Asegúrese de que las pilas se coloquen con la orientación correcta. Consulte la [Figura 3](#) para ver la instalación de las pilas.

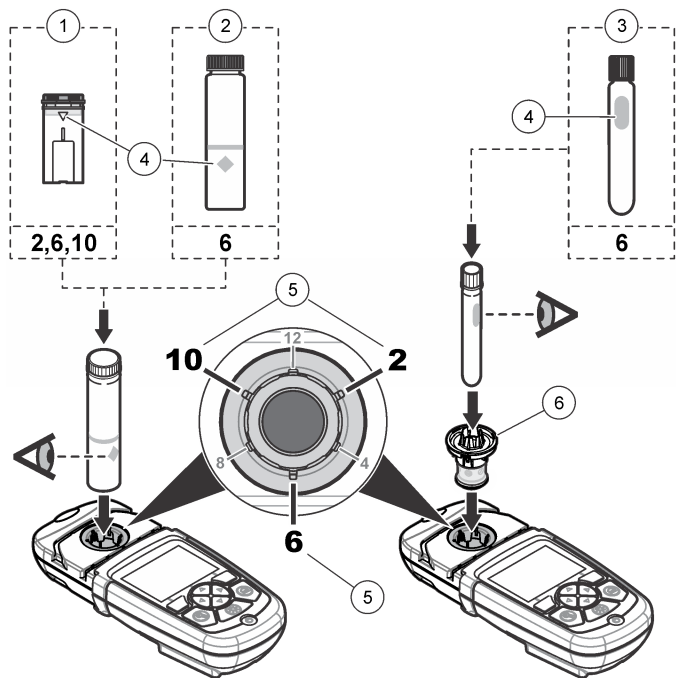
Figura 3 Instalación de las pilas



3.2 Instalar la cubeta de la muestra y el adaptador de cubeta

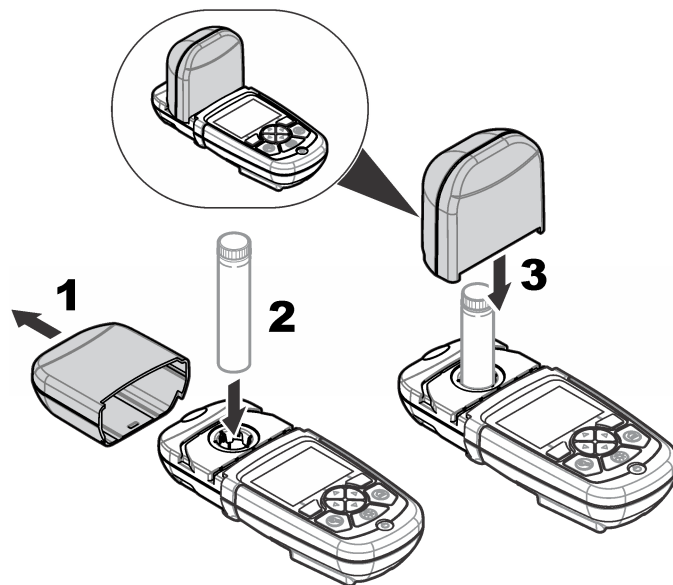
El instrumento tiene un compartimento de cubeta que puede usar un adaptador para diferentes tipos de cubeta de muestra. Asegúrese de colocar la cubeta de muestra en la orientación correcta y consistente para que los resultados sean aceptables y precisos. Consulte la [Figura 4](#). Cierre la tapa del instrumento antes de configurar el instrumento a cero o de realizar una medición para evitar interferencias de luz. Consulte la [Figura 5](#).

Figura 4 Orientación de la cubeta de muestra



1 Cubeta de muestra de plástico de 1-cm/10-mL	4 Marca de orientación
2 Cubeta de muestra de vidrio de 1 pulgada (25 mm)	5 Posición de orientación (sentido de las agujas del reloj)
3 Vial de prueba de vidrio de 16-mm	6 Adaptador de cubeta de muestra

Figura 5 Instalación de la cubeta de muestra y la tapa del instrumento



Sección 4 Interfaz del usuario y navegación

4.1 Descripción del teclado

Consulte la [Figura 6](#) para ver una descripción y del teclado e información de navegación.

Figura 6 Descripción del teclado

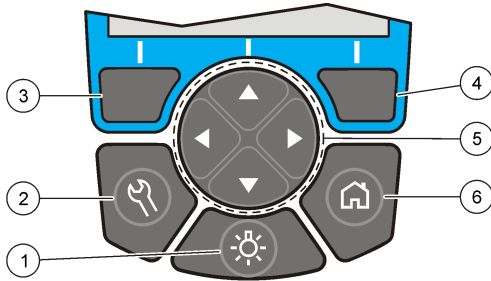
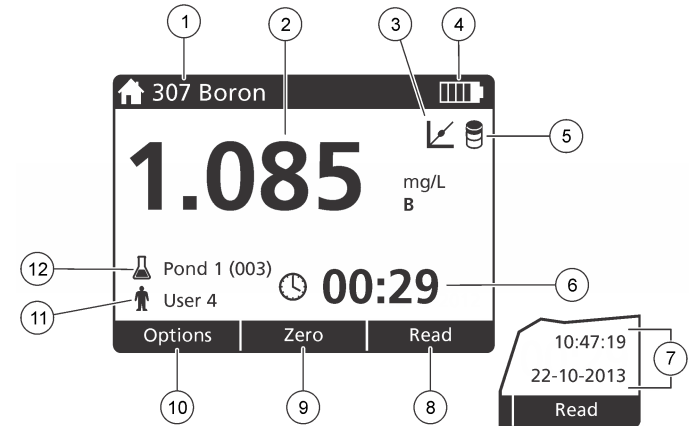


Figura 7 Pantalla única



<p>1 RETROILUMINACIÓN: configurar la iluminación de pantalla para que se encienda y se apague</p>	<p>4 Tecla de selección DERECHA (contextual): lee muestras, selecciona o confirma opciones, abre sub-menús</p>
<p>2 CONFIGURACIÓN: opciones de configuración¹</p>	<p>5 Teclas de navegación hacia ARRIBA, ABAJO, IZQUIERDA, DERECHA: se desplaza en los menús, ingresa números y letras²</p>
<p>3 Tecla de selección IZQUIERDA (contextual): accede a opciones, cancela o sale de la pantalla del menú actual para ir al anterior</p>	<p>6 INICIO/Opciones: se dirige a la pantalla de meda principal¹, programa de selección, administración de datos</p>

<p>1 Nombre y número del programa</p>	<p>7 Hora y fecha</p>
<p>2 Valor de lectura, unidad, forma química, rango de medición inferior "---" o superior "+++"</p>	<p>8 Medición (contextual: hecha, seleccionar, comenzar, aceptar)</p>
<p>3 Ícono de ajuste estándar</p>	<p>9 Cero (contextual: la tecla de navegación es la flecha hacia arriba)</p>
<p>4 Estado de la batería</p>	<p>10 Opciones (contextual: volver, cancelar)</p>
<p>5 Ícono del blanco reactivo</p>	<p>11 Identificación del usuario</p>
<p>6 Temporizador</p>	<p>12 Identificación de la muestra</p>

4.2 Descripción de la pantalla

La pantalla de meda muestra el modo seleccionado, la unidad, la fecha y la hora, ID de operador y ID de muestra. Consulte la [Figura 7](#).

¹ Mientras está en el modo edición, la tecla no funciona.

² Cuando se presiona una tecla hacia ARRIBA o ABAJO, se desplaza más rápido. Cuando se presiona una tecla IZQUIERDA o DERECHA, se desplaza por página.

4.3 Navegación

El instrumento contiene menús para cambiar varias opciones. Use las teclas de navegación (flechas hacia **ARRIBA**, **ABAJO**, **DERECHA** e **IZQUIERDA**) para resaltar diferentes opciones. Pulse la tecla de selección **DERECHA** para seleccionar una opción. Introduzca un valor con las teclas de navegación. Pulse las teclas de navegación (flechas hacia **ARRIBA**, **ABAJO**, **DERECHA** e **IZQUIERDA**) para introducir o cambiar un valor. Pulse la flecha **DERECHA** para avanzar al siguiente espacio. Pulse la tecla de selección **DERECHA** en **Listo** para aceptar el valor. Pulse la tecla de selección **IZQUIERDA** para salir de la pantalla del menú actual y volver al anterior.

Sección 5 Puesta en marcha

5.1 Configure el instrumento en encendido o apagado

Pulse la tecla de **ENCENDIDO** para configurar el instrumento en encendido o apagado. Si el instrumento no se enciende, asegúrese de que las pilas se han instalado correctamente.

5.2 Configuración del idioma

Existen dos opciones para establecer el idioma:

- Configurar el idioma de la pantalla cuando el instrumento se enciende por primera vez.
- Configurar el idioma desde el menú CONFIGURACIÓN.

1. Pulsar **CONFIGURACIÓN>Configuración>Idioma**.
2. Seleccione un idioma de la lista.

5.3 Ajuste de la fecha y la hora

Hay dos opciones para configurar la fecha y hora:

- Configurar fecha y hora cuando el instrumento se enciende por primera vez.
- Configurar fecha y hora desde el menú Fecha y Hora.

1. Pulse **AJUSTES>Configuración>Fecha y Hora**.
2. Seleccione **Formato fecha y hora** y, a continuación, seleccione el formato de la fecha y la hora.
3. Seleccione **Ajustar fecha y hora**.
4. Use las teclas de navegación para indicar la fecha y la hora actuales y, a continuación, pulse **OK**.

Sección 6 Funcionamiento estándar

6.1 Lista de programas

El instrumento se envía con una serie completa de programas de aplicación. Consulte [Tabla 1](#) para obtener descripciones de los programas.

Tabla 1 Opciones de programa

Opción de programa	Descripción
Programas guardados	Los programas guardados son métodos pre-programados instalados de fábrica. Consulte la Seleccione un programa guardado en la página 77.
Programas de usuario	Los métodos se pueden desarrollar y almacenar como programa de usuario. ³ Consulte la Programas de usuario en la página 80.
Favoritos	Los métodos que se usan con frecuencia se pueden almacenar en la lista de favoritos. ¹

³ Se puede guardar un máximo de diez métodos (programas de usuario y/o favoritos).

6.1.1 Seleccione un programa guardado.

1. Pulse **INICIO>Opciones>Todos los programas**.
2. Seleccione el método aplicable y pulse **Iniciar**.
3. Seleccione **Opciones>Añadir a favoritos** para agregar el método seleccionado a favoritos para acceder más fácilmente.

6.1.2 Seleccionar opciones básicas de programa

Cuando se selecciona un programa, habrá disponible opciones de parámetro adicionales.

1. Pulse **Opciones** para acceder al menú de opción.
2. Seleccione las opciones aplicables.

Opción	Descripción
Iniciar temporizador	Seleccione un temporizador pre-configurado o configure un temporizador manual para asegurarse de que los pasos del análisis están correctamente temporizados (por ejemplo, los tiempos de reacción o de espera se puede especificar exactamente). Cuando el temporizador está encendido, el ícono del temporizador se muestra en la pantalla. El instrumento hace un sonido cuando el tiempo se acaba. Temporizador pre-configurado — Seleccione el temporizador pre-establecido aplicable para ver uno o más pasos de procedimiento almacenados y pulse Iniciar . Temporizador manual —Ingrese el tiempo aplicable con las teclas de navegación y pulse Listo . Predeterminado = 00:00
Programas favoritos/de usuario	Seleccione de la lista de programas favoritos o de usuario guardados. Consulte Seleccione un programa favorito o de usuario en la página 79 para obtener más información.
Todos los programas	Seleccione un método pre-programado de la lista.

Opción	Descripción
Registro de datos	Muestra todas las medidas guardadas. Consulte Registro de datos en la página 79 para obtener más información.
Añadir a favoritos	Guarde los programas almacenados y de usuario que se usan con frecuencia en la lista de favoritos. Consulte la Agregar un programa a favoritos en la página 79.
%T/Abs/Conc	Cambia a medidas de % de transmitancia, absorción o concentración. Medas de transmitancia (%) —Me el porcentaje de luz original que atraviesa la muestra y alcanza el detector. Medas de absorbancia — La luz absorba por la muestra se mide en unidades de absorbancia. Medas de concentración —Los valores de absorbancia medidos se convierten en valores de concentración con ecuación almacenada específica del programa.
Opciones avanzadas	Utilice opciones avanzadas para especificar más parámetros. Consulte la Seleccione las opciones de programa en la página 77.
Guardar	Almacena la última medición manual cuando la opción de almacenamiento automático está configurada en apagado.

6.1.3 Seleccione las opciones de programa.

Cada programa tiene diversas opciones avanzadas adicionales de las cuales se puede elegir.

1. Pulse **Opciones** para acceder a **Opciones>Opciones avanzadas**.
2. Utilice opciones avanzadas para especificar más parámetros.

Opción	Descripción
Guardar automáticamente	Alternar entre encendido y apagado. Cada meda se guarda automáticamente cuando la opción se configura en encendido. La meda se puede guardar manualmente cuando la opción se configura en apagado.
Forma química	Seleccione la forma química alternativa y el rango de medición asociado en algún método instalado de fábrica.
Blanco reactivo	Blanco reactivo Ingrese el resultado de una prueba finalizada usando agua desionizada como muestra. El valor del blanco se sustrae de cada resultado para corregir cualquier el color de fondo de reactivos. Ingrese la corrección del blanco antes de usar la opción Ajuste estándar. Finalice esta corrección en cada lote nuevo de reactivos de prueba.
Ajuste estándar	Cambiar la calibración guardada. Finalizar una prueba con un estándar conocido a una concentración cerca del rango de prueba superior. Use esta función para ajustar el resultado y alinear la concentración estándar.
Clasificar programa	Seleccione un orden alfabético o numérico para la lista de almacenamiento de programas.

6.2 Usar una ID de operador

La etiqueta de ID de operador asocia mediciones con un usuario individual. Todos los datos almacenados incluirán esta ID.

1. Pulse **CONFIGURACIÓN>ID de operador** en la pantalla de medición.
2. Seleccione, cree o borre una ID de operador:

Opción	Descripción
actual	Seleccione una de una lista. La ID actual se asociará con los datos de la muestra hasta que se seleccione una ID diferente.
Crear ID nueva	Introducir un nombre para una ID de operador nueva. Se puede usar un máximo de 10 nombres.
Eliminar ID	Eliminar ID de operador existente.

6.3 Usar una de muestra

La etiqueta de muestra se usa para asociar mediciones con muestras o ubicaciones en particular. Si se asocian, los datos guardados incluirán esta .

1. Pulse **CONFIGURACIÓN>ID de muestra** en la pantalla de medición.
2. Seleccione, cree o borre una ID de operador:

Opción	Descripción
actual	Seleccione una de una lista. La actual se asociará con los datos de la muestra hasta que se seleccione una diferente.
Crear nueva	Introducir un nombre para una de muestra nueva Se puede usar un máximo de 10 nombres. Las muestras están enumeradas en secuencia para cada medición hasta que se selecciona una diferente (como Pond 1, Pond 2).
Eliminar ID	Eliminar ID de muestra existente.

6.4 Cómo hacer una medición

Los pasos de medición básicos son necesarios para completar una medición. Cada método tiene un procedimiento paso a paso. Consulte el método aplicable para llevar a cabo una prueba específica. El ejemplo a continuación es un procedimiento básico para completar una medición.

1. Seleccione el programa aplicable del menú de programas (como programas guardados, programas de usuario, programas favoritos).
2. Instale el adaptador de cubeta, si es necesario.
3. Pulse **Inicio** para iniciar el programa.
4. Prepare el blanco según el documento del método. Cierre la cubeta de la muestra y limpie las ópticas con un paño libre de pelusas.
5. Coloque la cubeta del blanco de muestra dentro del compartimento de cubetas. Asegúrese de colocar la cubeta del blanco de muestra en la orientación correcta y consistente para que los resultados sean aceptables y precisos. Consulte la [Figura 4](#) en la página 74.
6. Cierre la tapa del instrumento para evitar interferencias de luz. Consulte la [Figura 5](#) en la página 74.
7. Pulse **Cero**. La pantalla muestra una concentración de cero (como mg/L, ABS, µg/L).
8. Prepare la muestra. Agregue los reactivos como se especifica en el documento del método.
9. Seleccione **Opciones>Iniciar temporizador** para usar los temporizadores almacenados dentro del programa.
10. Cierre la cubeta de la muestra y limpie las superficies de las ópticas con un paño libre de pelusas.
11. Coloque la muestra dentro del compartimento de cubetas. Asegúrese de colocar la cubeta de la muestra en la orientación correcta y consistente para que los resultados sean aceptables y precisos. Consulte la [Figura 4](#) en la página 74.
12. Cierre la tapa del instrumento para evitar interferencias de luz. Consulte la [Figura 5](#) en la página 74.
13. Pulse **Leer**. La pantalla muestra los resultados en las unidades seleccionadas.
Nota: En la pantalla se muestra "+++" o "---" si la medición de absorbencia es inferior o superior al rango de calibración de la prueba.

6.5 Registro de datos

El registro de datos muestra todas las medidas guardadas. Pulse **INICIO>Opciones>Registro de datos** para ver las medidas. Consulte [Exportar el registro de datos](#) en la página 82 para obtener información acerca de la exportación de registro de datos.

Sección 7 Funcionamiento avanzado

7.1 Seleccione un programa favorito o de usuario

La base de datos del programa favorito o de usuario está vacía cuando se inicia por primera vez el instrumento. Se puede almacenar un método en los favoritos para acceder más fácilmente. Se puede programar un programa de usuario para necesidades específicas.

1. Pulse **INICIO>Opciones>Fav./Prog. de usuario>Seleccionar**.
2. Pulse **Programa nuevo** para hacer un programa nuevo. Consulte la [Programas de usuario](#) en la página 80.

7.2 Agregar un programa a favoritos

Los métodos de programas almacenados y de programas de usuario, que se usan con frecuencia, se pueden guardar en la lista de favoritos.

1. Seleccione **INICIO>Opciones>Todos los programas**.
2. Seleccione el método aplicable y pulse **Iniciar**.
3. Seleccione **Opciones>Añadir a favoritos** para agregar el método seleccionado a favoritos.

7.3 Programas de usuario

La base de datos de los programas de usuario está vacía cuando se inicia por primera vez el instrumento. Use **Programa nuevo** para hacer programas nuevos según sus necesidades. Para hacer un programa de usuario nuevo, siga los siguientes pasos.

1. Pulse **INICIO>Opciones>Fav./Prog. de usuario>Seleccionar>Programa nuevo**.
2. Seleccione un número de programa disponible del 1001 al 1010.
Nota: Se puede guardar un máximo de diez programas (programas de usuario y/o favoritos).
3. Ingrese un nombre de método (hasta 12 caracteres).
4. Seleccione la longitud de onda: 420, 520, 560 o 610 nm.
5. Seleccione la unidad: ninguna, µg/L, mg/L o g/L.
6. Seleccione la resolución: 0000, 000.0, 00.00 ó 0.000.
7. Agregue los puntos de calibración: un mínimo de 2 y un máximo de 12 puntos de calibración.⁴ Seleccione Editar estándar 1 e ingrese el primer valor de concentración estándar. Pulse **Listo**.
Nota: Un pip significa que la concentración es una duplicación de una estándar ingresada previamente o la concentración es muy alta para la resolución seleccionada. Ingresar un valor diferente y continuar.
8. Ingresar el valor de absorbancia:

Opción	Descripción
Editar ABS manual	Usar las teclas de navegación para ingresar el valor de absorbancia manualmente.
Editar ABS automático	<ol style="list-style-type: none">1. Coloque el blanco en el compartimiento de cubetas y pulse Cero.2. Coloque la muestra preparada en el compartimiento de cubetas y pulse Leer.3. Pulse Listo.

Nota: Un pip significa que la absorbancia es un duplicado de una estándar ingresada anteriormente o que está dentro de dos estándar anteriores. Ingresar un valor diferente y continuar.

9. Pulse **Listo**.
10. Seleccione **Agregar punto de cal.**
11. Ingrese puntos de calibración adicionales como se describe en los pasos del 7 al 9.
12. Seleccione **Guardar programa de usuario**.

7.3.1 Editar programa del usuario

Para editar un programa almacenado:

1. Seleccione **INICIO>Fav./Prog. de usuario**.
2. Seleccione el programa aplicable y pulse **Opciones**.
3. Pulse **Editar**.
4. Siga los mensajes en pantalla para editar el procedimiento.

7.3.2 Eliminar un programa favorito o de usuario

Puede eliminar un programa favorito o de usuario almacenado si ya no se utiliza.

1. Seleccione **INICIO>Opciones>Fav./Prog. de usuario**.
2. Marque el programa aplicable y pulse **Opciones>Eliminar** y siga los mensajes de la pantalla.

7.4 Inf. del instrumento

El menú de información del instrumento muestra información específica como el nombre del instrumento, el número de serie, la versión del software, la versión de la base de datos, la memoria usada y disponibilidad del programa. Pulse **Menú Principal>Información del instrumento**.

⁴ Si la curva es lineal, se necesitan sólo dos puntos de dato de concentración (por ejemplo, un estándar con absorbancia cero y otra estándar conocido). Use puntos de dato adicionales para confirmar la linealidad o definir una curva no lineal.

7.5 Configurar contraseña

Las opciones de conf. de contraseña se usan para evitar acceso restringido a los menús.

Nota: Si olvida la contraseña especificada y están activadas las Opciones de seguridad, el usuario tendrá bloqueados los menús restringidos. Si pierde la contraseña, póngase en contacto con la asistencia técnica.

1. Pulse **CONFIGURACIÓN>Configuración>Conf. de contraseña**.
2. Seleccione una opción.

Opción	Descripción
Conf. de contraseña	Seleccione encender o apagar para configurar la protección de contraseñas.
Elementos protegidos	Muestra la lista de elementos protegidos: editar ID de operador, editar ID de muestra, editar programas de usuario, fecha y hora, actualizar firmware, actualizar métodos, lenguaje y editar lista de favoritos.

7.6 Configurar la pantalla y el sonido

Use las op. de presentación para cambiar el contraste, las opciones de apagado automático de la batería o la opción de retroiluminación. Use las opciones de sonido para escuchar las teclas al ser pulsadas o cuando la medición ha finalizado.

1. Pulse **CONFIGURACIÓN>Configuración>Pantalla y sonido>Op. de presentación**.
2. Seleccione una opción.

Opción	Descripción
Contraste	Ajustar el contraste de la pantalla. La configuración más clara es 0 y la más oscura 9. Predeterminado: 5

Opción	Descripción
Apagado automático	Para maximizar la duración de la batería, configure el período de tiempo después del cual el instrumento se apagará automáticamente si no se está pulsando ninguna tecla (5, 10, 15, 20, 30 minutos, 1 hora, 2 horas o deshabilitar). Predeterminado: 10 minutos
Retroiluminación	La retroiluminación de la pantalla se enciende cuando se pulsa RETROILUMINACIÓN . Configure un período de tiempo después del cual la retroiluminación se apagará automáticamente si no se está pulsando ninguna tecla (10, 20, 30 segundos, 1, 2, 5, 10 minutos o deshabilitar). Predeterminado: 1 minuto

3. Pulse **CONFIGURACIÓN>Configuración>Pantalla y sonido>Sonidos**.
4. Seleccione una opción.

Opción	Descripción
Tecleado	El instrumento emitirá un sonido cuando se pulse una tecla. Predeterminado: apagado
Medición completa	El instrumento emitirá un sonido cuando la medición haya finalizado. Predeterminado: encendido

7.7 Menú principal del USB

Cuando el instrumento está conectado con un cable USB a un ordenador, el menú principal del USB se abre. Actualizar el software, exportar o importar programas o exportar el registro de datos y el registro de casos del menú principal del USB.

7.7.1 Actualizar el firmware

Encontrará el archivo de actualización del firmware en el sitio Web del producto o comunicándose con el proveedor del instrumento. Guarde el archivo del sitio Web en el ordenador.

1. Configure el instrumento para activar y conectar el cable USB al instrumento y al ordenador.
Aparecerá el menú principal del USB.
2. Seleccione **Actualizar DR900**.
En el ordenador, el se instrumento se muestra como una unidad USB. Abra la carpeta.
3. Copie el archivo DR900.bin en la carpeta abierta.
4. Pulse **Aceptar**.
5. Cuando la actualización esté hecha, pulse **Aceptar**.
6. Seleccione **Desconectar USB**, pulse **Aceptar** y desconecte el cable USB.
7. Pulse **Aceptar**.
8. Reinicie el instrumento.

7.7.2 Manejar programas

Con la función de Manejar programas, los programas de usuario pueden exportarse y/o importarse y se pueden importar programas de fábrica nuevos.

1. Configure el instrumento para activar y conectar el cable USB al instrumento y al ordenador.
Aparecerá el menú principal del USB.
2. Seleccione **Manejar programas** y seleccione una opción:

Opción	Descripción
Exportar programas de usuario	Exportar todos los programas de usuario al ordenador para almacenar o mover los programas de usuario a otro DR 900.

Opción	Descripción
Importar programas de usuario	Reemplace todos los programas de usuario con los programas de usuario de otro DR 900 por medio del ordenador.
Importar los programas de fábrica	Importar programas de fábrica nuevos de los sitios Web del fabricante.

En el ordenador, el instrumento se muestra como una unidad USB. Abra la carpeta.

3. Copie el archivo exportado de la unidad al ordenador o copie el archivo importado del ordenador a la unidad.
4. Pulse **Aceptar**.
5. Cuando la transferencia está hecha, seleccione **Desconectar USB** y desconecte el cable USB.
6. Pulse **Aceptar**.

7.7.3 Exportar el registro de datos

El registro de casos y el registro de datos pueden exportarse al ordenador. El registro de casos contiene la fecha, la hora, el número de caso, el parámetro y la descripción de una acción de configuración relacionada. Las mediciones de la muestra se almacenan manualmente o automáticamente en el registro de datos. Consulte la [Seleccione las opciones de programa](#) en la página 77.

1. Configure el instrumento para activar y conectar el cable USB al instrumento y al ordenador.
Aparecerá el menú principal del USB.
2. Seleccione **Exp. registro de datos**.
En el ordenador, el instrumento se muestra como una unidad USB. Abra la carpeta.
3. Copie y guarde los archivos exportados (DR900_DataLog.csv y DR900_EventLog.csv) al ordenador.
4. Pulse **Aceptar**.

5. Cuando copia los archivos al ordenador, seleccione **Desconectar USB** y desconecte el cable USB.
6. Pulse **Aceptar**.

Sección 8 Mantenimiento

▲ ADVERTENCIA



Peligros diversos. Solo el personal cualificado debe realizar las tareas descritas en esta sección del documento.

8.1 Limpieza del instrumento

Limpie el exterior del instrumento con un paño húmedo y una solución jabonosa suave y, a continuación, seque el instrumento según sea necesario.

8.2 Limpiar las cubetas de muestra

▲ PRECAUCIÓN



Peligro por exposición a productos químicos. Respete los procedimientos de seguridad del laboratorio y utilice el equipo de protección personal adecuado para las sustancias químicas que vaya a manipular. Consulte los protocolos de seguridad en las hojas de datos de seguridad actuales (MSDS/SDS).

▲ PRECAUCIÓN



Peligro por exposición a productos químicos. Deshágase de los productos químicos y los residuos de acuerdo con las normativas locales, regionales y nacionales.

La mayoría de los detergentes de laboratorio se usan en concentraciones recomendadas. El uso de los detergentes neutros, como el Liquinox, es más seguro cuando se necesita limpiar regularmente. Para disminuir el tiempo de limpieza, aumente la

temperatura o use un baño ultrasónico. Para completar la limpieza, enjuague varias veces con agua desionizada y deje que la cubeta de muestra se seque.

Las cubetas de muestras también se pueden limpiar con ácido después de enjuagar bien con agua desionizada.

Nota: Siempre utilice ácido para limpiar las cubetas de muestras que se hayan utilizado para tests de metal de bajo nivel.

Los métodos de limpieza especial son necesarios para procedimientos individuales. Al utilizar un cepillo para limpiar las cubetas de muestras, tenga especial cuidado de no rayar la superficie interior de las mismas.

8.3 Cambio de las pilas

▲ ADVERTENCIA



Peligro de explosión. Las pilas caducadas pueden provocar la acumulación de gas hidrógeno en el interior del instrumento. Sustituya las pilas antes de que caduquen y no guarde el instrumento durante un periodo prolongado de tiempo con las pilas colocadas.

▲ ADVERTENCIA



Peligro de incendio. No se permite la sustitución de la pila. Utilice solamente baterías alcalinas.

AVISO

Asegúrese de apretar los tornillos a 1–1,4 N·m (9–12 in.·lb) para obtener un correcto ajuste de sellado y mantener la clasificación ambiental de la carcasa.

Consulte la [Instalar las baterías](#) en la página 73 para ver la sustitución de las pilas.

Sección 9 Solución de problemas

Código de error	Posible causa	Solución
1	El instrumento no está configurado.	Póngase en contacto con la asistencia técnica.
2	No se pueden leer los datos del programa	
3	No se pueden grabar los datos del programa	
4	Error de las pilas	Cambio de las pilas.
5	Error de A/D durante una medición	Póngase en contacto con la asistencia técnica.
6	Error de compensación durante una medición	Asegúrese de que la tapa del instrumento esté colocada correctamente.
7	Error de luz baja durante una medición	<ul style="list-style-type: none"> Asegúrese de que no haya bloqueo de la luz. Cero está fuera del rango del instrumento Póngase en contacto con la asistencia técnica.
8	Fuera de rango durante una medición, potencial bloqueo de iluminación o concentración muy alta	<ul style="list-style-type: none"> Asegúrese de que no hay un bloqueo de iluminación y que la concentración no sea demasiado alta para el programa. Asegúrese de que la tapa del instrumento esté colocada correctamente. Póngase en contacto con la asistencia técnica.

Sección 10 Piezas de repuesto y accesorios

⚠ ADVERTENCIA



Peligro de lesión personal. El uso de piezas no aprobadas puede causar lesiones personales, daños al instrumento o un mal funcionamiento del equipo. Las piezas de repuesto que aparecen en esta sección están aprobadas por el fabricante.

Nota: Las referencias de los productos pueden variar para algunas regiones de venta. Póngase en contacto con el distribuidor correspondiente o visite la página web de la empresa para obtener la información de contacto.

Piezas de repuesto

Descripción	Referencia
Ensamblaje del adaptador, COD	4846400
Juego de pilas AA alcalinas (4)	1938004
Cubeta de muestra con tapa, 25 x 95 mm, 10-20-25 mL (6)	2401906
Cubeta de muestra con tapa, 1 cm/10 mL (2)	4864302
Cable USB	LZV 818

Accesorios

Descripción	Referencia
Tapa, cubeta de muestra, para cubeta de 25 x 95 mL	2401812
Estuche de transporte con laterales rígidos	4942500
Estuche de transporte con laterales blandos y correa	2722000
Estuche de transporte, portátil de laboratorio	4943000

Accesorios (continúa)

Descripción	Referencia
Estándares de absorbencia DR/Check™	2763900
Tapa del instrumento, DR 900	9390500

Índice

- 1 [Especificações](#) na página 86
- 2 [Informação geral](#) na página 86
- 3 [Instalação](#) na página 89
- 4 [Interface do utilizador e navegação](#) na página 91
- 5 [Arranque](#) na página 93
- 6 [Operação padrão](#) na página 93
- 7 [Operação avançada](#) na página 96
- 8 [Manutenção](#) na página 99
- 9 [Resolução de problemas](#) na página 100
- 10 [Acessórios e peças de substituição](#) na página 101

Secção 1 Especificações

As especificações podem ser alteradas sem aviso prévio.

Especificação	Detalhes
Modo de medição	Transmitância (%), Absorvância (Abs) e Concentração (Conc)
Dimensões (L x P x A)	23.6 x 8.7 x 4.7 cm (9.3 x 3.4 x 1.9 polegadas)
Classificação da estrutura	IP67
Peso	0.6 kg (1.3 libras)
Requisitos de alimentação (interna)	Pilhas Alcalinas AA (4x)
Duração da bateria	6 meses (típico) para 5 leituras por dia/5 dias por semana, sem luz de fundo
Interface	Mini USB
Temperatura de funcionamento	0 a 50 °C (32 a 122 °F), máximo de 90% de humidade relativa, sem condensação

Especificação	Detalhes
Temperatura de armazenamento	-30 a 60 °C (-22 a 140 °F), máximo de 90% de humidade relativa, sem condensação
Fonte de luz	Díodo de emissão de luz (LED)
Detector	Fotodíodo de silício
Gama do comprimento de onda	420, 520, 560, 610 nm
Gama de medição fotométrica	0–2 Abs
Precisão do comprimento de onda	±1 nm
Precisão fotométrica	±0.03 Abs
Linearidade fotométrica	±0,002 Abs (0–1 Abs)
Seleção do comprimento de onda	Seleção automática, com base na seleção do método
Repetibilidade fotométrica	±0,002 Abs (0–1 Abs)
Leitura de dados	Ecrã gráfico, 240 x 160 pixels (retroiluminado)
Recipientes de amostra	16 mm, 1 cm/10 mL, 1 polegada (25 mm) de diâmetro
Classe de proteção	Classe III
Certificações	CEcertificação
Garantia	1 ano (EU: 2 anos)

Secção 2 Informação geral

Em caso algum o fabricante será responsável por quaisquer danos directos, indirectos, especiais, acidentais ou consequenciais resultantes de qualquer incorrecção ou omissão deste manual. O fabricante

reserva-se o direito de, a qualquer altura, efectuar alterações neste manual ou no produto nele descrito, sem necessidade de o comunicar ou quaisquer outras obrigações. As edições revistas encontram-se disponíveis no website do fabricante.

2.1 Informações de segurança

O fabricante não é responsável por quaisquer danos resultantes da aplicação incorrecta ou utilização indevida deste produto, incluindo, mas não limitado a, danos directos, incidentais e consequenciais, não se responsabilizando por tais danos ao abrigo da lei aplicável. O utilizador é o único responsável pela identificação de riscos de aplicação críticos e pela instalação de mecanismos adequados para a protecção dos processos na eventualidade de uma avaria do equipamento.

Leia este manual até ao fim antes de desembalar, programar ou utilizar o aparelho. Dê atenção a todos os avisos relativos a perigos e precauções. A não leitura destas instruções pode resultar em lesões graves para o utilizador ou em danos para o equipamento.

Certifique-se de que a protecção oferecida por este equipamento não é comprometida. Não o utilize ou instale senão da forma especificada neste manual.

2.2 Uso da informação de perigo

▲ PERIGO

Indica uma situação de perigo potencial ou eminente que, se não for evitada, resultará em morte ou lesões graves.

▲ ADVERTÊNCIA

Indica uma situação de perigo potencial ou eminente que, se não for evitada, poderá resultar em morte ou lesões graves.

▲ AVISO







Indica uma situação de perigo potencial, que pode resultar em lesões ligeiras a moderadas.

ATENÇÃO

Indica uma situação que, se não for evitada, pode causar danos no equipamento. Informação que requer ênfase especial.

2.3 Etiquetas de precaução

Leia todas as etiquetas presentes no aparelho. A sua não observação pode resultar em lesões para as pessoas ou em danos para o aparelho. Um símbolo no aparelho é referenciado no manual com uma frase de precaução.

	Quando encontrar este símbolo no equipamento, isto significa que deverá consultar o manual de instruções para obter informações sobre o funcionamento do equipamento e/ou de segurança.
	Este símbolo indica a probabilidade de risco de explosão.
	Este símbolo indica a probabilidade de risco de incêndio.
	Este símbolo identifica o risco de perigo químico e indica que apenas o pessoal qualificado e com formação para trabalhar com químicos deve manusear os produtos químicos ou efectuar manutenção em sistemas de produção química associados ao equipamento.
	Este símbolo indica a necessidade de usar equipamento de protecção ocular.
	O equipamento eléctrico marcado com este símbolo não pode ser eliminado nos sistemas europeus de recolha de lixo doméstico e público. Devolva os equipamentos antigos ou próximos do final da sua vida útil ao fabricante para que os mesmos sejam eliminados sem custos para o utilizador.

2.4 Conformidade e certificação

▲ AVISO

Este equipamento não se destina a ser utilizado em ambientes residenciais e pode não oferecer uma proteção adequada para recepção de rádio nesses ambientes.

Regulamento Canadano de Equipamentos Causadores de Interferências, ICES-003, Classe A:

Os registos de suporte dos testes estão na posse do fabricante.

Este aparelho de Classe A obedece a todos os requisitos dos Regulamentos Canadanos de Equipamentos Causadores de Interferências.

Cet appareil numérique de classe A répond à toutes les exigences de la réglementation canadienne sur les équipements provoquant des interférences.

Parte 15 das Normas FCC, Limites da Classe “A”

Os registos de suporte dos testes estão na posse do fabricante. Este aparelho está conforme com a Parte 15 das Normas FCC. O funcionamento está sujeito às duas condições seguintes:

1. O equipamento não provoca interferências nocivas.
2. O equipamento deve aceitar qualquer interferência recebida, incluindo interferências suscetíveis de determinar um funcionamento indesejado.

Alterações ou modificações efetuadas nesta unidade que não sejam expressamente aprovadas pela entidade responsável pela conformidade podem retirar ao utilizador a legitimidade de usar o aparelho. Este equipamento foi testado e considerado em conformidade relativamente aos limites para os dispositivos digitais de Classe A, de acordo com a Parte 15 das Normas FCC. Estes limites estão desenhados para fornecer proteção razoável contra interferências prejudiciais quando o equipamento for operado num ambiente comercial. Este equipamento gera, utiliza e pode irradiar energia de radiofrequência e, se não for instalado e utilizado em conformidade com o manual de instruções, poderá provocar interferências nocivas com comunicações por rádio. É provável que a utilização deste equipamento numa zona residencial provoque interferências nocivas. Neste caso, o utilizador deverá corrigi-

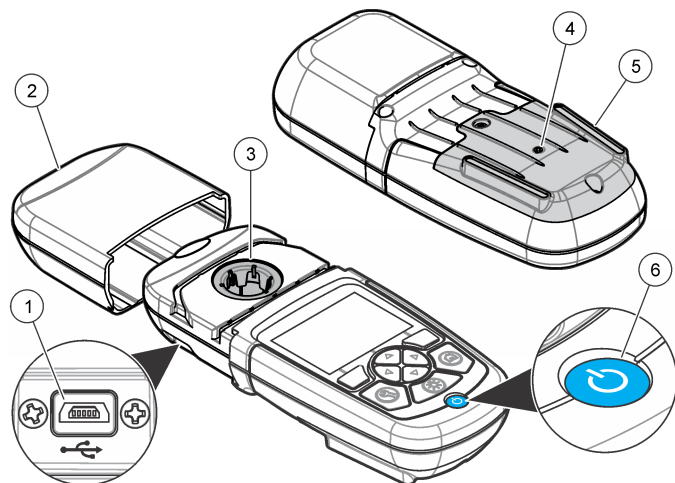
las pelos seus próprios meios. As técnicas a seguir podem ser utilizadas para diminuir os problemas de interferência:

1. Desligue o aparelho da corrente e verifique se esta é ou não a fonte de interferência.
2. Se o aparelho estiver ligado à mesma tomada que o dispositivo que apresenta interferências, ligue-o a uma tomada diferente.
3. Afaste o equipamento do dispositivo que está a receber a interferência.
4. Reposicione a antena de recepção do dispositivo que está a receber a interferência.
5. Experimente combinações das sugestões anteriores.

2.5 Vista geral do produto

O DR 900 é um colorímetro LED portátil que mede em comprimentos de onda de 420, 520, 560 e 610 nm. O instrumento destina-se a medir vários parâmetros em água potável, águas residuais e aplicações industriais. O instrumento é fornecido com um conjunto completo de programas armazenados (métodos pré-instalados) e a possibilidade de armazenamento de programas do utilizador e programas favoritos. Consulte [Figura 1](#).

Figura 1 Visão geral do Instrumento

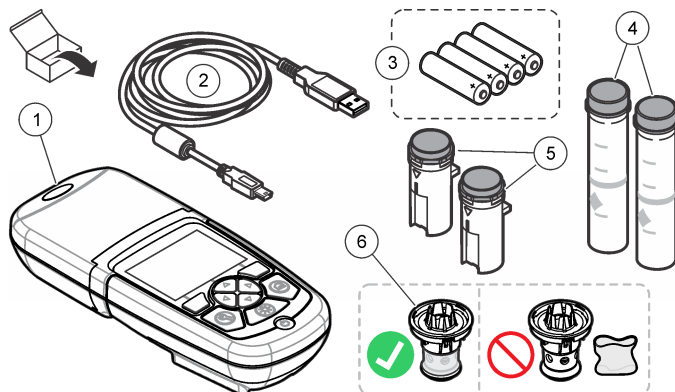


1 Porta USB	4 Abertura
2 Tampa do instrumento	5 Compartimento de pilhas
3 Compartimento do recipiente	6 Tecla de alimentação

2.6 Componentes do produto

Certifique-se de que recebeu todos os componentes. Consulte [Figura 2](#). Se algum destes itens estiver em falta ou apresentar danos, contacte imediatamente o fornecedor do instrumento ou um representante de vendas.

Figura 2 Componentes do produto



1 DR 900	4 Recipiente de amostra de vidro, 1 polegada (25 mm) de diâmetro, marcas de 10, 20, 25 mL (2x)
2 Cabo USB com conector mini-USB	5 Recipiente de amostra, 1 cm/10 mL (2x)
3 Pilhas alcalinas AA (4x)	6 Adaptador para recipiente de amostra

Secção 3 Instalação

▲ ADVERTÊNCIA



Vários perigos. Apenas pessoal qualificado deverá realizar as tarefas descritas nesta secção do documento.

ATENÇÃO

Tenha cuidado para não bloquear a ventoinha da bateria do instrumento durante a utilização ou o armazenamento.

3.1 Instalação das pilhas

⚠ ADVERTÊNCIA



Perigo de explosão. A instalação indevida das pilhas pode provocar a libertação de gases explosivos. Certifique-se de que as pilhas correspondem ao tipo de produto químico aprovado e de que as insere na orientação correcta. Não misture pilhas novas com pilhas usadas.

⚠ ADVERTÊNCIA



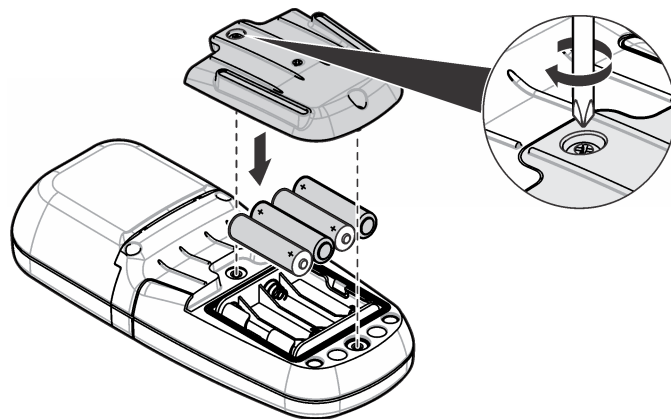
Perigo de incêndio. Não é permitido substituir as pilhas. Utilize apenas pilhas alcalinas.

ATENÇÃO

Certifique-se de os parafusos são apertados a 1–1,4 Nm (9–12 pol. libras) para um encaixe correto e para manter a classificação de protecção ambiental.

O instrumento é alimentado por quatro pilhas AA alcalinas. Certifique-se de que as instala com a orientação correcta. Consulte [Figura 3](#) para a instalação das pilhas.

Figura 3 Instalação das pilhas



3.2 Instalar o recipiente de amostra e o adaptador de recipientes

O instrumento tem um compartimento de recipiente que pode utilizar um adaptador para diferentes tipos de recipientes de amostra. Certifique-se de que instala o recipiente de amostra na posição correcta e de modo consistente para que os resultados sejam repetíveis e exactos. Consulte [Figura 4](#). Feche a tampa do instrumento antes de ser estabelecido o zero do instrumento ou de ser efectuada uma medição para evitar interferências de luz. Consulte [Figura 5](#).

Figura 4 Orientação do recipiente de amostra

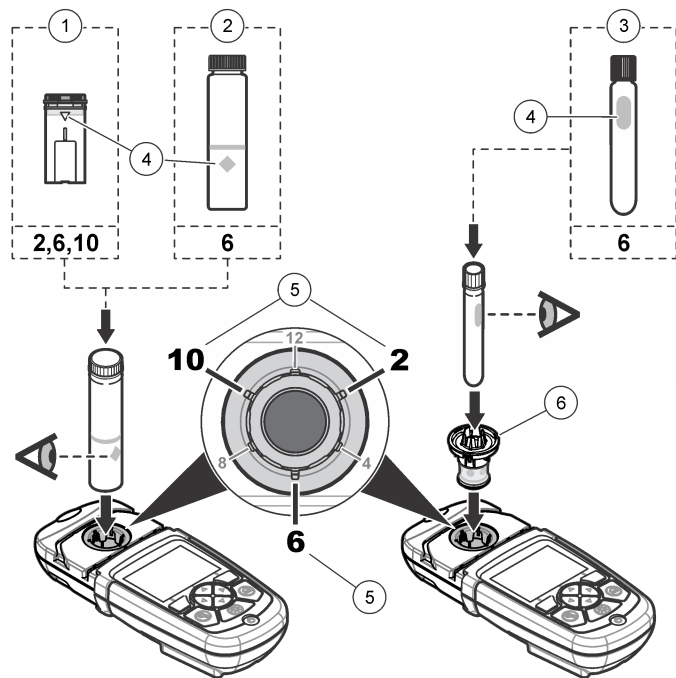
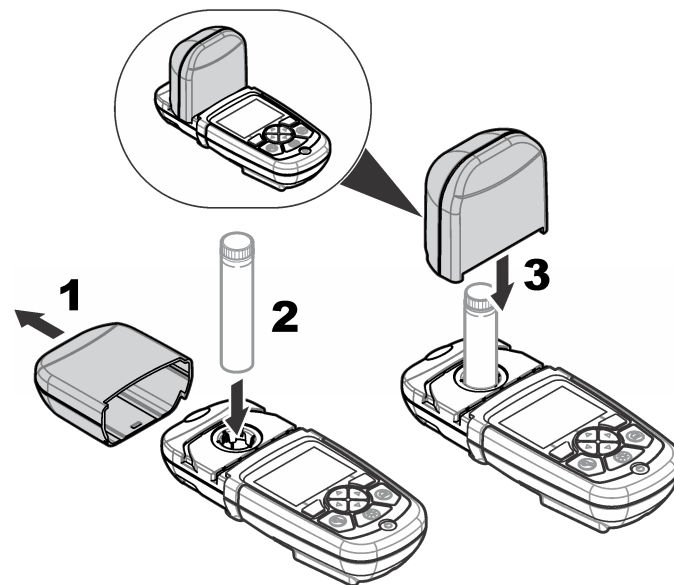


Figura 5 Instalação do recipiente de amostra e da tampa do instrumento



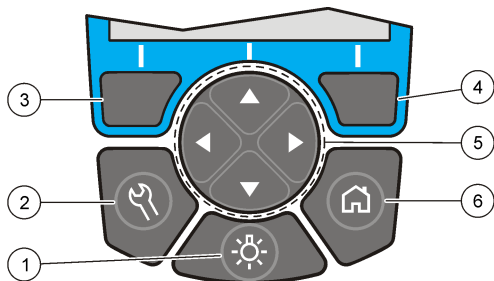
Secção 4 Interface do utilizador e navegação

4.1 Descrição do teclado

Consulte [Figura 6](#) para obter informações de navegação e uma descrição do teclado.

1 Recipiente de amostra de plástico de 1 cm/10 mL	4 Marca de orientação
2 Recipiente de amostra de vidro de 1 polegada (25 mm)	5 Posição de orientação (sentido horário)
3 Frasco de teste de vidro de 16 mm	6 Adaptador para recipiente de amostra

Figura 6 Descrição do teclado

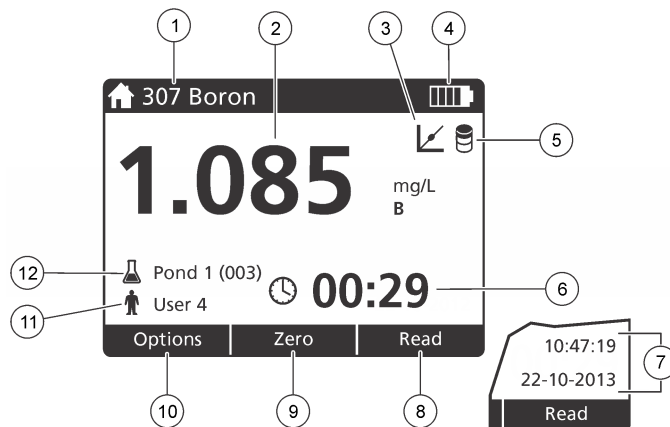


<p>1 LUZ DE FUNDO: ligar ou desligar a iluminação do ecrã</p>	<p>4 Tecla de selecção da DIREITA (contextual): ler amostra, seleccionar ou confirmar opções, abrir sub-menus</p>
<p>2 DEFINIÇÕES: opções de configuração¹</p>	<p>5 Teclas de navegação para CIMA, BAIXO, DIREITA e ESQUERDA: navegar pelos menus, introduzir números e letras²</p>
<p>3 Tecla de selecção da ESQUERDA (contextual): acesso a opções, cancelar ou sair do ecrã do menu actual e voltar ao anterior</p>	<p>6 INÍCIO/Opções: ir para o ecrã de leitura principal¹, seleccionar programa, gestão de dados</p>

4.2 Descrição do ecrã

O ecrã de leitura mostra o modo, a unidade, a data e hora, a ID do operador e a ID da amostra seleccionados. Consulte [Figura 7](#).

Figura 7 Exibição de ecrã único



<p>1 Nome e número do programa</p>	<p>7 Hora e data</p>
<p>2 Valor da leitura, unidade, fórmula química, abaixo "----" ou acima do intervalo de medição "+++"</p>	<p>8 Ler (contextual: concluído, seleccionar, iniciar, ok)</p>
<p>3 Ícone de ajuste padrão</p>	<p>9 Zero (contextual: tecla de navegação seta para CIMA)</p>
<p>4 Estado da pilha</p>	<p>10 Opções (contextual: voltar, cancelar)</p>
<p>5 Ícone do reagente vazio</p>	<p>11 Identificação do operador</p>
<p>6 Temporizador</p>	<p>12 Identificação da amostra</p>

¹ No modo de edição, a tecla não funciona.

² Quando se mantém premida a tecla para CIMA ou para BAIXO, a deslocação é rápida. Quando se prime a tecla para a ESQUERDA ou para a DIREITA, a deslocação é feita por página.

4.3 Navegação

O instrumento contém menus para alterar várias opções. Utilize as teclas de navegação (setas para **CIMA**, **BAIXO**, **DIREITA** e **ESQUERDA**) para realçar as diversas opções. Pressione a tecla de selecção da **DIREITA** para seleccionar uma opção. Introduza um valor com as teclas de navegação. Pressione as teclas de navegação (setas para **CIMA**, **BAIXO**, **DIREITA** e **ESQUERDA**) para introduzir ou alterar um valor. Pressione a seta para a **DIREITA** para avançar para o espaço seguinte. Pressione a tecla de selecção da **DIREITA** sob **Concluído** para aceitar o valor. Pressione a tecla de selecção da **ESQUERDA** para sair do ecrã do menu actual e voltar ao anterior.

Secção 5 Arranque

5.1 Ligar ou desligar o instrumento

Pressione a tecla de **ALIMENTAÇÃO** para ligar ou desligar o instrumento. Se o instrumento não se ligar, certifique-se de que as pilhas estão bem colocadas.

5.2 Definir o idioma

Existem duas opções para definir o idioma:

- Definir o idioma de apresentação quando o instrumento é ligado pela primeira vez.
- Definir o idioma a partir do menu DEFINIÇÕES.

1. Pressione **DEFINIÇÕES>Configuração>Idioma**.
2. Selecciono o idioma a partir da lista.

5.3 Definir a data e a hora

Existem duas opções para definir a data e hora:

- Definir a data e a hora nas quais o instrumento é ligado pela primeira vez.

- Definir a data e hora a partir do menu Data e hora.

1. Pressione **DEFINIÇÕES>Configuração>Data e hora**.
2. Selecciono **Definir formato de data e hora** e, em seguida, seleccione o formato da data e das horas.
3. Selecciono **Definir Data e Hora**.
4. Utilize as teclas de navegação para introduzir a data e horas actuais. Em seguida, pressione **OK**.

Secção 6 Operação padrão

6.1 Lista de programas

O instrumento é entregue com uma série completa de programas de aplicação. Consulte a [Tabela 1](#) relativamente às descrições dos programas armazenados.

Tabela 1 Opções de programas

Opção de programa	Descrição
Programas armazenados	Os programas armazenados são métodos pré-programados, instalados de fábrica. Consulte Seleccionar um programa armazenado na página 94.
Programas do utilizador	Os métodos podem ser desenvolvidos e guardados como um programa do utilizador. ³ Consulte Programas do utilizador na página 97.
Favoritos	Os métodos que são utilizados com frequência podem ser guardados na lista de favoritos. ¹

³ Podem ser guardados até dez métodos (programas do utilizador e/ou favoritos).

6.1.1 Seleccionar um programa armazenado

1. Pressione **INÍCIO>Opções>Todos os programas**.
2. Seleccione o método aplicável e pressione **Iniciar**.
3. Seleccione **Opções>Adicionar aos favoritos** para adicionar o método seleccionado aos favoritos para um acesso mais rápido.

6.1.2 Seleccionar opções de programa básicas

Quando um programa é seleccionado, estão disponíveis opções de parâmetros adicionais.

1. Pressione **Opções** para aceder ao menu de opções.
2. Seleccione as opções aplicáveis.

Opção	Descrição
Iniciar temporizador	Seleccione um temporizador predefinido ou defina um temporizador manual para garantir que os passos de uma análise têm a duração correcta (por exemplo, os tempos de reacção ou de espera podem ser especificados com precisão). Quando o temporizador está activo, é apresentado no ecrã o ícone de temporizador. O instrumento emite um som quando o tempo chega ao fim. Temporizador predefinido — Seleccione o temporizador predefinido aplicável para um ou mais passos do procedimento e pressione Iniciar . Manual do temporizador — Introduza o período de tempo aplicável com as teclas de navegação e pressione Concluído . Predefinição = 00:00
Favs./Progs. utilizador	Seleccione a partir dos favoritos armazenados ou da lista de programas do utilizador. Consulte Seleccionar um favorito ou um programa de utilizador na página 96 para obter mais informações.
Todos os programas	Seleccione um método pré-programado da lista.

Opção	Descrição
Registo de dados	Mostra todas as leituras guardadas. Consulte Registo de dados na página 96 para obter mais informações.
Adicionar aos favoritos	Guarde na lista de favoritos os programas armazenados e métodos de programas do utilizador que são utilizados com frequência. Consulte Adicionar um programa aos favoritos na página 96.
%T/Abs/Conc	Alterna entre as leituras de transmitância (%), absorvância ou concentração. Leitura de transmitância (%) — Lê a percentagem da luz original que atravessa a amostra e atinge o detector. Leituras de absorvância — A luz absorvida pela amostra é lida em unidades de absorvância. Leituras de concentração — Os valores de absorvância medidos são convertidos em valores de concentração com a equação armazenada específica do programa.
Opções avançadas	Utilize as opções avançadas para especificar mais parâmetros. Consulte Seleccionar opções de programa avançadas na página 94.
Guardar	Guarde a última leitura manualmente quando a opção de guardar automaticamente está desligada.

6.1.3 Seleccionar opções de programa avançadas

Cada programa tem várias opções avançadas adicionais que podem ser seleccionadas.

1. Pressione **Opções** para aceder a **Opções>Opções avançadas**.
2. Utilize as opções avançadas para especificar mais parâmetros.

Opção	Descrição
Auto-gravar	Alterna entre ligar e desligar. Cada leitura é guardada automaticamente quando a opção está ligada. A leitura pode ser guardada manualmente se a opção estiver desligada.
Fórmula química	Selecione a fórmula química alternativa e o intervalo de medição associado em alguns métodos pré-instalados.
Reagente vazio	A correcção de Reagente vazio pode ser utilizada com alguns dos métodos pré-instalados. Introduza o resultado de um teste efectuado utilizando água desionizada como amostra. O valor de vazio é subtraído de cada resultado para corrigir qualquer cor de fundo devido a reagentes. Introduza a correcção de vazio antes da opção Ajuste padrão ser utilizada. Faça esta correcção para cada novo lote de reagentes de teste.
Ajuste padrão	Altera a calibração armazenada. Faça um teste com um padrão conhecido e com uma concentração perto do limite superior do intervalo de testes. Utilize esta função para ajustar o resultado para alinhar a concentração padrão.
Ordenar programa	Selecione uma ordem alfabética ou numérica para a lista de programas armazenados.

6.2 Utilizar uma identificação de operador

A identificação do operador associa leituras a um determinado operador. Todos os dados armazenados incluirão esta identificação.

1. Pressione **DEFINIÇÕES>ID do operador** no ecrã de leitura.

2. Selecione, crie ou apague uma identificação de operador:

Opção	Descrição
ID actual	Selecione uma identificação a partir da lista. A identificação seleccionada será associada aos dados da amostra até ser seleccionada uma identificação diferente.
Criar nova ID	Introduzir um nome para identificar o operador. Podem ser introduzidos até 10 nomes.
Eliminar ID	Apagar uma identificação de operador existente.

6.3 Utilizar uma identificação da amostra

A identificação da amostra é usada para associar leituras a uma dada amostra ou localização. Se atribuída, os dados armazenados incluirão essa identificação.

1. Pressione **DEFINIÇÕES>ID da amostra** no ecrã de leitura.
2. Selecione, crie ou apague uma identificação de operador:

Opção	Descrição
ID actual	Selecione uma identificação a partir da lista. A identificação seleccionada será associada aos dados da amostra até ser seleccionada uma identificação diferente.
Criar nova ID	Introduzir um nome para identificar a amostra. Podem ser introduzidos até 10 nomes. As amostras são numeradas sequencialmente para cada medição até ser seleccionada uma identificação diferente (ex.: Lago 1, Lago 2).
Eliminar ID	Apagar uma identificação de amostra existente.

6.4 Como efectuar uma medição

Para proceder a uma medição é necessário executar alguns passos básicos. Cada método tem um procedimento passo a passo. Consulte o

método aplicável para executar um teste específico. O exemplo seguinte é um procedimento básico para efectuar uma medição.

1. Selecione o programa aplicável no menu de programas (ex.: Programas armazenados, Programas do utilizador, Favoritos).
2. Instale o adaptador de recipientes, se for necessário.
3. Pressione **Iniciar** para dar início ao programa.
4. Prepare o vazio de acordo com o documento do método. Feche o recipiente de amostra e limpe as superfícies ópticas do recipiente com um pano sem pêlos.
5. Introduza o recipiente de amostra vazio no compartimento do recipiente. Certifique-se de que instala o recipiente de amostra vazio na posição correcta e de modo consistente para que os resultados sejam repetíveis e exactos. Consulte [Figura 4](#) na página 91.
6. Feche a tampa do instrumento para evitar interferências de luz. Consulte [Figura 5](#) na página 91.
7. Pressione **Zero**. O ecrã mostra uma concentração de zero (ex.: mg/L, ABS, µg/L).
8. Prepare a amostra. Adicione reagentes conforme especificado pelo documento do método.
9. Selecione **Opções>Iniciar temporizador** para utilizar os temporizadores armazenados no programa.
10. Feche o recipiente de amostra e limpe as superfícies ópticas do recipiente com um pano sem pêlos.
11. Introduza a amostra no compartimento do recipiente. Certifique-se de que instala o recipiente de amostra na posição correcta e de modo consistente para que os resultados sejam repetíveis e exactos. Consulte [Figura 4](#) na página 91.
12. Feche a tampa do instrumento para evitar interferências de luz. Consulte [Figura 5](#) na página 91.
13. Pressione **Ler**. O ecrã mostra os resultados nas unidades seleccionadas.

Nota: O ecrã mostra "+++" ou "---" se o valor de absorvância medido for inferior ou superior ao intervalo de calibração do teste.

6.5 Registo de dados

O registo de dados mostra todas as leituras guardadas. Pressione **INÍCIO>Opções>Registo de dados** para ver as leituras. Consulte [Exportar o registo de dados](#) na página 99 para obter informações acerca da exportação do registo de dados.

Secção 7 Operação avançada

7.1 Seleccionar um favorito ou um programa de utilizador

A base de dados de favoritos e programas de utilizador está vazia quando o instrumento é iniciado pela primeira vez. É possível guardar um método nos favoritos para um acesso mais rápido. Um programa de utilizador pode ser programado de acordo com necessidades específicas.

1. Pressione **INÍCIO>Opções>Favs./Progs. utilizador>Selecionar**.
2. Pressione **Novo programa** para criar um programa de utilizador novo. Consulte [Programas do utilizador](#) na página 97.

7.2 Adicionar um programa aos favoritos

Os programas armazenados e os métodos de programas do utilizador que são utilizados com frequência podem ser guardados na lista de favoritos.

1. Selecione **INÍCIO>Opções>Todos os programas**.
2. Selecione o método aplicável e pressione **Iniciar**.
3. Selecione **Opções>Adicionar aos favoritos** para adicionar o método seleccionado aos favoritos.

7.3 Programas do utilizador

A base de programas do utilizador está vazia quando o instrumento é iniciado pela primeira vez. Utilize **Novo programa** para criar programas novos de acordo com as suas necessidades específicas. Para criar um programa novo, execute os passos seguintes.

1. Pressione **INÍCIO>Opções>Favs./Progs. utilizador>Selecionar>Novo programa**.
2. Selecciono um número de programa disponível de 1001 a 1010.
Nota: Podem ser guardados até dez programas (programas do utilizador e/ou favoritos).
3. Introduza o nome de um método (até 12 caracteres).
4. Selecciono o comprimento de onda: 420, 520, 560 ou 610 nm.
5. Selecciono a unidade: Nenhuma, µg/L, mg/L ou g/L.
6. Selecciono a resolução: 0000, 000.0, 00.00 ou 0.000.
7. Adicione os pontos de calibração: no mínimo 2 e no máximo 12 pontos de calibração.⁴ Selecciono Editar Std 1 e introduza o primeiro valor de concentração do padrão. Pressione **Concluído**.
Nota: Um sinal sonoro indica que a concentração é um duplicado de um padrão já introduzido ou que a concentração é demasiado elevada para a resolução seleccionada. Introduza outro valor e continue.
8. Introduza o valor de absorvância:

Opção	Descrição
Editar manual de ABS	Utilize as teclas de navegação para introduzir o valor de absorvância manualmente.
Editar auto-ABS	<ol style="list-style-type: none">1. Coloque o vazio no suporte do recipiente e pressione Zero.2. Coloque a amostra preparada no suporte do recipiente e pressione Ler.3. Pressione Concluído.

Nota: Um sinal sonoro indica que a concentração é um duplicado de um padrão já introduzido ou que se encontra entre dois padrões anteriores. Introduza outro valor e continue.

9. Pressione **Concluído**.
10. Selecciono Adicionar ponto de cal.
11. Introduza os pontos de calibração adicionais conforme descrito nos passos 7 a 9.
12. Selecciono **Guardar programa do utilizador**.

7.3.1 Editar um programa do utilizador

Para editar um programa do utilizador armazenado:

1. Selecciono **INÍCIO>Favs./Progs. utilizador**.
2. Selecciono o programa aplicável e pressione **Opções**.
3. Pressione **Editar**.
4. Siga as instruções apresentadas no ecrã para editar o procedimento.

7.3.2 Eliminar um programa do utilizador ou um programa favorito

Elimine um programa do utilizador ou um programa favorito armazenado se o programa já não for utilizado.

1. Selecciono **INÍCIO>Opções>Favs./Progs. utilizador**.
2. Realce o programa aplicável, pressione **Opções>Eliminar** e siga as instruções apresentadas no ecrã.

7.4 Informações instrumento

O menu de informação sobre o instrumento mostra informações específicas como o nome do instrumento, o número de série, a versão do software, a versão da base de dados, a memória utilizada e a disponibilidade de programas. Pressione **DEFINIÇÕES>Informações instrumento**.

⁴ Se souber que a curva é linear, são necessários apenas dois pontos de dados de concentração (ex.: um padrão com absorvância zero e outro padrão conhecido). Utilize pontos de dados adicionais para confirmar a linearidade ou definir uma curva não linear.

7.5 Definir a palavra-passe

As opções de definição de palavra-passe destinam-se a impedir o acesso a menus restritos.

Nota: Em caso de esquecimento da palavra-passe especificada, e se as Opções de segurança estiverem activadas, o operador é impedido de aceder aos menus restritos. Contacte a assistência técnica se se esquecer da palavra-passe.

1. Pressione **DEFINIÇÕES>Configuração>Def. palavra-passe**.
2. Selecciona uma opção.

Opção	Descrição
Def. palavra-passe	Seleccione Activar ou Desactivar para activar ou desactivar a protecção por palavra-passe.
Itens protegidos	Mostra a lista dos itens protegidos: editar ID do operador, editar ID da amostra, editar programas do utilizador, data e hora, actualizar firmware, actualizar métodos, idioma e editar lista de favoritos.

7.6 Definir o ecrã e o som

Utilize as opções de visualização para alterar o contraste do ecrã, as opções de desligar automático ou a opção de luz de fundo. Utilize as opções de som para ser emitido um sinal sonoro sempre que uma tecla é pressionada ou é efectuada uma leitura.

1. Pressione **DEFINIÇÕES>Configuração>Visualização e som>Opções de visualização**.
2. Selecciona uma opção.

Opção	Descrição
Contraste	Ajustar o contraste do ecrã. A definição mais clara é indicada por 0 e a mais escura por 9. Predefinição: 5

Opção	Descrição
Auto-desligamento	Para maximizar a vida útil das pilhas, defina um período de tempo após o qual o instrumento se deve desligar automaticamente caso não seja pressionada qualquer tecla (5, 10, 15, 20, 30 minutos, 1 hora, 2 horas ou Desactivar). Predefinição: 10 minutos
Luz de fundo	A luz de fundo do ecrã é ligada quando a tecla LUZ DE FUNDO é pressionada. Defina um período de tempo após o qual a luz de fundo se deve desligar automaticamente caso não seja pressionada qualquer tecla (10, 20, 30 segundos, 1, 2, 5, 10 minutos ou Desactivar). Predefinição: 1 minuto

3. Pressione **DEFINIÇÕES>Configuração>Visualização e som>Sons**.
4. Selecciona uma opção.

Opção	Descrição
Premir tecla	O instrumento emitirá um som sempre que for pressionada uma tecla. Predefinição: desligado
Leitura terminada	O instrumento emitirá um som sempre que for concluída uma leitura. Predefinição: ligado

7.7 Menu principal de USB

Quando o instrumento é ligado a um computador através de um cabo USB, o menu principal de USB abre-se. Actualize o software, exporte ou importe programas ou exporte o registo de dados e o registo de eventos a partir do menu principal de USB.

7.7.1 Actualizar o firmware

Localize o ficheiro de actualização de firmware no website do produto ou contacte o fornecedor do instrumento. Guarde o ficheiro do website no computador.

1. Ligue o instrumento e conecte o cabo USB ao instrumento e ao computador.
É apresentado o menu principal de USB.
2. Seleccione **Actualizar DR900**.
O instrumento mostra uma unidade USB no computador. Abra a pasta.
3. Copie o ficheiro DR900.bin para a pasta aberta.
4. Pressione **Ok**.
5. Após concluída a actualização, pressione **Ok**.
6. Seleccione **Desligar USB**, pressione **Ok** e desligue o cabo USB.
7. Pressione **Ok**.
8. Reinicie o instrumento.

7.7.2 Gerir programas

Com a função Gerir programas, é possível exportar/importar os programas do utilizador e também podem ser importados novos programas de fábrica.

1. Ligue o instrumento e conecte o cabo USB ao instrumento e ao computador.
É apresentado o menu principal de USB.
2. Seleccione **Gerir programas** e seleccione uma opção:

Opção	Descrição
Exportar programas do utilizador	Exporta todos os programas do utilizador para o computador, para fins de armazenamento, ou move os programas do utilizador para outro DR 900.
Importar programas do utilizador	Substitui todos os programas do utilizador pelos programas do utilizador de outro DR 900 através do computador.
Importar programas de fábrica	Importa novos programas de fábrica a partir do website do fabricante.

O instrumento mostra uma unidade USB no computador. Abra a pasta.

3. Copie o ficheiro para exportação da unidade para o computador ou copie o ficheiro para importação do computador para a unidade.
4. Pressione **Ok**.
5. Após concluída a transferência, seleccione **Desligar USB** e desligue o cabo USB.
6. Pressione **Ok**.

7.7.3 Exportar o registo de dados

O registo de eventos e o registo de dados podem ser exportados para o computador. O registo de eventos contém a data, a hora, o número de evento, o parâmetro e a descrição de uma acção relacionada com a configuração. As medições das amostras são armazenadas de forma manual ou automática no registo de dados. Consulte [Seleccionar opções de programa avançadas](#) na página 94.

1. Ligue o instrumento e conecte o cabo USB ao instrumento e ao computador.
É apresentado o menu principal de USB.
2. Seleccione **Exportar registo dados**.
O instrumento mostra uma unidade USB no computador. Abra a pasta.
3. Copie e guarde os ficheiros de exportação (DR900_DataLog.csv e DR900_EventLog.csv) no computador.
4. Pressione **Ok**.
5. Quando os ficheiros estiverem copiados no computador, seleccione **Desligar USB** e desligue o cabo USB.
6. Pressione **Ok**.

Secção 8 Manutenção

▲ ADVERTÊNCIA






Vários perigos. Apenas pessoal qualificado deverá realizar as tarefas descritas nesta secção do documento.

8.1 Limpeza do instrumento

Limpe a parte exterior do instrumento com um pano humedecido e uma solução de detergente suave e depois seque o instrumento, conforme necessário.

8.2 Limpeza dos recipientes de amostra

▲ AVISO	
 	Perigo de exposição a produtos químicos. Siga os procedimentos de segurança do laboratório e utilize todo o equipamento de proteção pessoal adequado aos produtos químicos manuseados. Consulte as fichas de dados sobre segurança de materiais (MSDS/SDS) para protocolos de segurança.
▲ AVISO	
	Perigo de exposição a produtos químicos. Elimine os produtos químicos e os resíduos de acordo com os regulamentos locais, regionais e nacionais.


A maioria dos detergentes de laboratório são utilizados com as concentrações recomendadas. Os detergentes neutros, como o Liquinox, são mais seguros quando é necessária uma limpeza regular. Para diminuir os tempos de limpeza, aumente a temperatura ou utilize um banho de ultrassons. Para terminar a limpeza, enxague algumas vezes com água desionizada e, em seguida, deixe o recipiente de amostra secar ao ar.


A limpeza dos recipientes de amostra também pode ser feita com ácido, seguido de um enxaguamento por completo com água desionizada.

Nota: Utilize sempre ácido para lavar os recipientes de amostra que tenham sido usados para testes de metal de baixo nível

Certos procedimentos requerem métodos de limpeza especiais. Se for utilizada uma escova para limpar os recipientes de amostra, é necessário ter cuidado adicional para evitar riscar as superfícies interiores dos recipientes de amostra.

8.3 Substituir as pilhas

▲ ADVERTÊNCIA	
	Perigo de explosão. As pilhas fora do prazo de validade podem causar a acumulação de hidrogénio gasoso no interior do equipamento. Substitua as pilhas antes do final do prazo de validade e não armazene o equipamento durante longos períodos de tempo com as pilhas colocadas.

▲ ADVERTÊNCIA	
	Perigo de incêndio. Não é permitido substituir as pilhas. Utilize apenas pilhas alcalinas.

ATENÇÃO	
Certifique-se de os parafusos são apertados a 1–1,4 Nm (9–12 pol. libras) para um encaixe correto e para manter a classificação de proteção ambiental.	

Consulte [Instalação das pilhas](#) na página 90 para a substituição de pilhas.

Secção 9 Resolução de problemas

Código de erro	Causa possível	Solução
1	Instrumento não configurado.	Contacte a assistência técnica.
2	Não foi possível ler os dados do programa	
3	Não foi possível escrever os dados do programa	
4	Erro das pilhas	Substituir as pilhas.

Código de erro	Causa possível	Solução
5	Erro de A/D durante uma medição	Contacte a assistência técnica.
6	Erro de desvio durante uma medição	Certifique-se de que a tampa do instrumento está bem colocada.
7	Erro de luz fraca durante uma medição	<ul style="list-style-type: none"> • Certifique-se de que a luz não é bloqueada. • Zero fora do alcance do instrumento • Contacte a assistência técnica.
8	Erro de valor acima do intervalo durante uma medição, um potencial bloqueio de luz ou uma concentração demasiado elevada	<ul style="list-style-type: none"> • Certifique-se de que a luz não é bloqueada e que a concentração não é demasiado elevada para o programa. • Certifique-se de que a tampa do instrumento está bem colocada. • Contacte a assistência técnica.

Secção 10 Acessórios e peças de substituição

▲ ADVERTÊNCIA



Perigo de danos pessoais. A utilização de peças não aprovadas poderá causar ferimentos, danos ou avarias no equipamento. As peças de substituição mencionadas nesta secção foram aprovadas pelo fabricante.

Nota: Os números do Produto e Artigo podem variar consoante as regiões de venda. Para mais informações de contacto, contacte o distribuidor apropriado ou consulte o site web da empresa.

Peças de substituição

Descrição	Item n.º
Conjunto de adaptador, COD	4846400
Conjunto de pilhas, pilhas alcalinas AA (4x)	1938004
Recipiente de amostra com tampa, 25 x 95 mm, 10-20-25 mL (6x)	2401906
Recipiente de amostra com tampa, 1 cm/10 mL (2x)	4864302
Cabo USB	LZV818

Acessórios

Descrição	Item n.º
Tampa, recipiente de amostra, para recipiente de 25 x 95 mL	2401812
Estojo de transporte, revestimento rígido	4942500
Estojo de transporte, revestimento flexível com correia de ombro	2722000
Estojo de transporte, laboratório portátil	4943000
Padrões de absorvância DR/Check™	2763900
Tampa do equipamento, DR 900	9390500

Obsah

- | | |
|---|--|
| 1 Technické údaje na straně 102 | 7 Rozšířené operace na straně 112 |
| 2 Obecné informace na straně 102 | 8 Údržba na straně 115 |
| 3 Instalace na straně 105 | 9 Řešení problémů na straně 116 |
| 4 Uživatelské rozhraní a navigační tlačítka na straně 107 | 10 Náhradní díly a příslušenství na straně 117 |
| 5 Spuštění na straně 109 | |
| 6 Standardní operace na straně 109 | |

Kapitola 1 Technické údaje

Technické údaje podléhají změnám bez předchozího upozornění.

Specifikace	Podrobnosti
Režim měření	Transmittance (%), absorbance (Abs) a koncentrace (Conc)
Rozměry (šířka × hloubka × výška)	23,6 x 8,7 x 4,7 cm (9,3 x 3,4 x 1,9 in.)
Stupeň krytí	IP67
Hmotnost	0,6 kg (1,3 libry)
Požadavky na napájení (interní)	Alkalické baterie AA (4x)
Životnost baterie	6 měsíců (obvyklá) při 5 měřeních denně / 5 dní v týdnu bez podsvícení
Rozhraní	USB mini
Provozní teplota	0 až 50 °C (32 až 122 °F); maximální relativní vlhkost vzduchu 90 %, bez kondenzace

Specifikace	Podrobnosti
Skladovací teplota	-30 až 60 °C (-22 až 140 °F); maximální relativní vlhkost vzduchu 90 %, bez kondenzace
Zdrojová žárovka	Dioda emitující světlo (LED)
Detektor	Křemíková fotodioda
Rozsah vlnových délek	420, 520, 560, 610 nm
Fotometrický měřicí rozsah	0–2 Abs
Přesnost vlnové délky	±1 nm
Fotometrická přesnost	±0.03 Abs
Fotometrická linearita	±0,002 Abs (0–1 Abs)
Výběr vlnové délky	Automatický, na základě výběru metody
Fotometrická opakovatelnost	±0,002 Abs (0–1 Abs)
Čtení dat	Grafický displej, 240 x 160 pixelů (podsvětlený)
Kyvety na vzorky	16 mm, 1 cm/10 ml, 1palcová (25mm), kulatá
Třída ochrany	Třída III
Certifikáty	Certifikováno CE
Záruka	1 rok (EU: 2 roky)

Kapitola 2 Obecné informace

Výrobce není v žádném případě zodpovědný za nepřímé, zvláštní, náhodné či následné škody, které jsou výsledkem jakékoli chyby nebo opomenutí v tomto návodu. Výrobce si vyhrazuje právo provádět v tomto

návodu a výrobcích v něm popisovaných změny, a to kdykoliv, bez předchozích oznámení či jakýchkoli následných závazků. Revidovaná vydání jsou dostupná na internetových stránkách výrobce.

2.1 Bezpečnostní informace

Výrobce neodpovídá za škody způsobené nesprávnou aplikací nebo nesprávným použitím tohoto produktu včetně (nikoli pouze) přímých, náhodných a následných škod a zřídka se odpovědnosti za takové škody v plném rozsahu, nakolik to umožňuje platná legislativa. Uživatel je výhradně zodpovědný za určení kritických rizik aplikace a za instalaci odpovídajících mechanismů ochrany procesů během potenciální nesprávné funkce zařízení.

Před vybalením, montáží a uvedením přístroje do provozu si prosím pozorně přečtěte celý tento návod. Zvláštní pozornost věnujte všem upozorněním na možná nebezpečí a výstražným informacím. V opačném případě může dojít k vážným poraněním obsluhy a poškození přístroje.

Ujistěte se, že nedošlo k poškození obalu tohoto zařízení a přístroj nepoužívejte a neinstalujte jinak, než jak je uvedeno v tomto návodu.

2.2 Informace o možném nebezpečí

▲ NEBEZPEČÍ

Označuje možnou nebo bezprostředně rizikovou situaci, jež může v případě, že jí nezabráníte, vést k usmrcení nebo vážnému zranění.

▲ VAROVÁNÍ

Upozorňuje na možné nebo skryté nebezpečné situace, jež by bez vhodných preventivních opatření mohly vést k úmrtí nebo vážnému poranění.

▲ POZOR






Upozorňuje na možnou nebezpečnou situaci, jež by mohla mít za následek menší nebo mírné poranění.

UPOZORNĚNÍ

Označuje situaci, která může způsobit poškození přístroje, pokud se nezabrání jejímu vzniku. Upozorňuje na informace vyžadující zvláštní pozornost.

2.3 Výstražné symboly

Věnujte pozornost všem nálepkám a štítkům umístěným na zařízení. V opačném případě může dojít k poranění osob nebo poškození přístroje. Odkazy na symboly na přístroji naleznete v návodu spolu s výstražnou informací.

	Tento symbol, pokud je uveden na zařízení, odkazuje na provozní a/nebo bezpečnostní informace uvedené v návodu k obsluze.
	Tento symbol označuje, že hrozí nebezpečí výbuchu.
	Tento symbol označuje, že hrozí nebezpečí požáru.
	Tento symbol upozorňuje na nebezpečí působení chemických látek. Zacházení s chemikáliemi a provádění údržbových prací na zařízeních dopravujících chemické látky je dovoleno pouze kvalifikovaným osobám vyškoleným k práci s chemikáliemi.
	Tento symbol označuje, že je třeba použít ochranné pomůcky pro oči.
	Elektrické zařízení označené tímto symbolem se nesmí likvidovat v evropských systémech domácího nebo veřejného odpadu. Staré nebo vysloužilé zařízení vraťte výrobci k bezplatné likvidaci.

2.4 Dodržování předpisů a certifikace

▲ POZOR

Toto zařízení není určeno pro použití v obytných prostředích a nemusí poskytovat přiměřenou ochranu pro příjem rádiového signálu v takovém prostředí.

Kanadské předpisy o zařízeních způsobujících rádiové rušení, IECS-003, třída A:

Záznamy o testech jsou uloženy u výrobce.

Tento digitální přístroj třídy A splňuje všechny požadavky kanadských předpisů o zařízeních způsobujících rušení.

Cet appareil numérique de classe A répond à toutes les exigences de la réglementation canadienne sur les équipements provoquant des interférences.

FCC Část 15, meze třídy "A"

Záznamy o testech jsou uloženy u výrobce. Zařízení splňuje požadavky uvedené v části 15 pravidel FCC. Jeho provoz je dovolen jen při splnění následujících podmínek:

1. Zařízení nemůže způsobit škodlivé rušení.
2. Zařízení musí akceptovat veškeré přijaté rušení, včetně rušení, které může působit nežádoucí provoz.

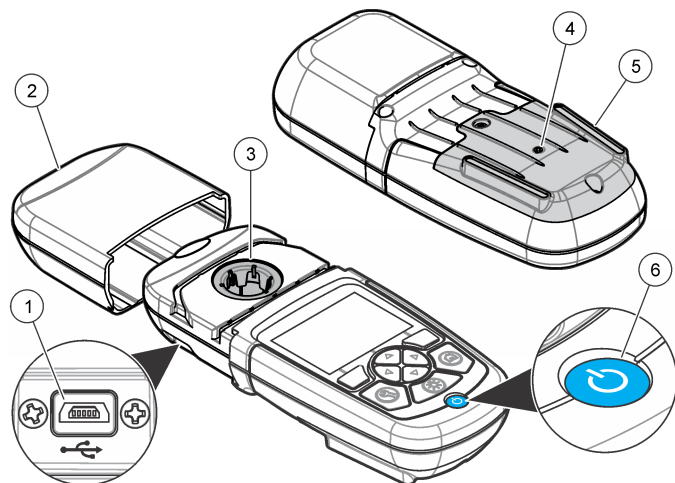
Změny nebo úpravy tohoto zařízení, které nebyly výslovně schváleny stranou odpovědnou za vyhovění normám, mohou způsobit neplatnost oprávnění uživatele provozovat toto zařízení. Toto zařízení bylo testováno a bylo zjištěno, že vyhovuje limitům digitálního zařízení Třídy A na základě části 15 pravidel FCC. Uvedené meze byly stanoveny za účelem poskytnutí dostatečné ochrany před škodlivými interferencemi, je-li zařízení v provozu v komerčním prostředí. Toto zařízení vytváří, používá a může vyzařovat vysokofrekvenční energii a jestliže není instalováno a používáno v souladu s návodem k použití, může působit rušení rádiových komunikací. Provoz tohoto zařízení v obytných oblastech může pravděpodobně působit škodlivé rušení. V tomto případě uživatel bude muset odstranit rušení na své vlastní náklady. Ke snížení problémů způsobených rušením lze použít následující postupy:

1. Odpojením zařízení od elektrické sítě se přesvědčte, zda zařízení je či není zdrojem rušení.
2. Pokud je zařízení připojeno do stejné zásuvky jako zařízení trpící rušením, zapojte jej do jiné zásuvky.
3. Zařízení posuňte dále od rušeného přístroje.
4. Změňte polohu přijímací antény zařízení, jež rušení přijímá.
5. Vyzkoušejte případně kombinaci několika uvedených opatření.

2.5 Celkový přehled

Přístroj DR 900 je přenosný kolorimetr, který jako zdroj světla používá LED diody a umožňuje měření s vlnovými délkami 420, 520, 560 a 610 nm. Přístroj slouží k měření různých parametrů pitné vody, odpadní vody a průmyslových aplikací. Přístroj je dodáván s kompletní sadou uložených programů (předinstalované metody) a umožňuje ukládání uživatelských programů a výběr oblíbených programů. Viz [Obr. 1](#).

Obr. 1 Informace o Přístroje

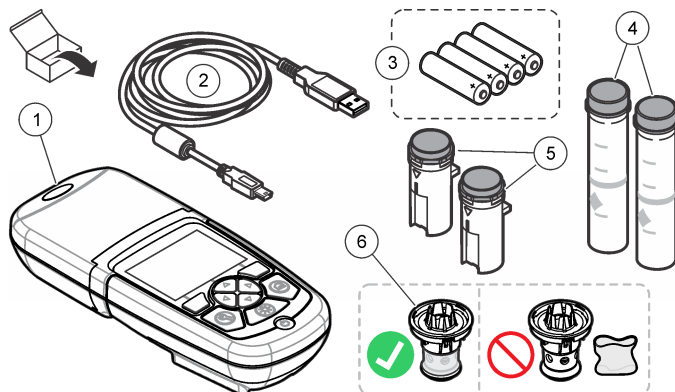


1 Port rozhraní USB	4 Větrací otvor
2 Kryt přístroje	5 Prostor pro baterie
3 Kyvetová přihrádka	6 Vypínač

2.6 Součásti výrobku

Ujistěte se, že byly dodány všechny součásti. Viz část Obr. 2. V případě, že některé položky chybí nebo jsou poškozené, se ihned obraťte na dodavatele přístroje nebo obchodního zástupce.

Obr. 2 Součásti výrobku



1 DR 900	4 Skleněná kyveta na vzorky, 1 palcová (25mm), kulatá, značky pro 10, 20, 25 ml (2x)
2 Kabel USB s konektorem mini-USB	5 Kyveta na vzorky, 1 cm/10 ml (2x)
3 Alkalické baterie AA (4x)	6 Nástavec pro kyvety se vzorkem

Kapitola 3 Instalace

⚠ VAROVÁNÍ



Různá nebezpečí. Práce uvedené v tomto oddíle dokumentu smí provádět pouze dostatečně kvalifikovaný personál.

UPOZORNĚNÍ

Zajistěte, aby během používání nebo skladování zařízení nedošlo k ucpání větracího otvoru baterie přístroj.

3.1 Instalace baterií

⚠ VAROVÁNÍ



Nebezpečí výbuchu. Nesprávné vložení baterie může způsobit uvolňování výbušných plynů. Dbejte, aby baterie byly stejného chemického typu a aby byly vloženy se správnou orientací. Nepoužívejte současně nové a použité baterie.

⚠ VAROVÁNÍ



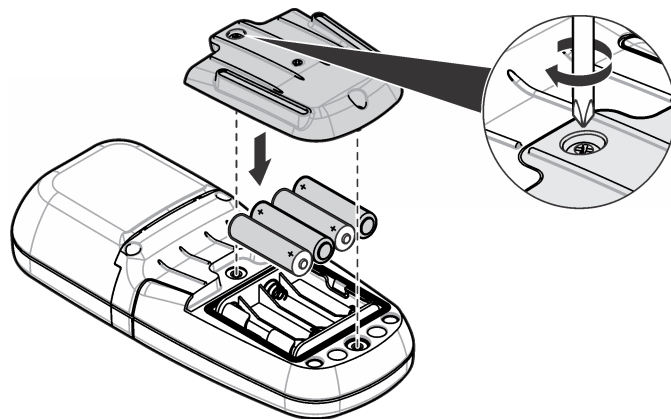
Nebezpečí požáru. Nahrazení baterie není povoleno. Používejte výhradně alkalické baterie.

UPOZORNĚNÍ

Šrouby utáhněte momentem 1–1,4 N·m (9–12 in.·lb) pro zajištění správného usednutí těsnění a zachování úrovně krytí prostředí obalu.

přístroj je napájen čtyřmi alkalickými bateriemi AA. Dbejte na správnou orientaci baterií při instalaci. Postup instalace baterií viz [Obr. 3](#).

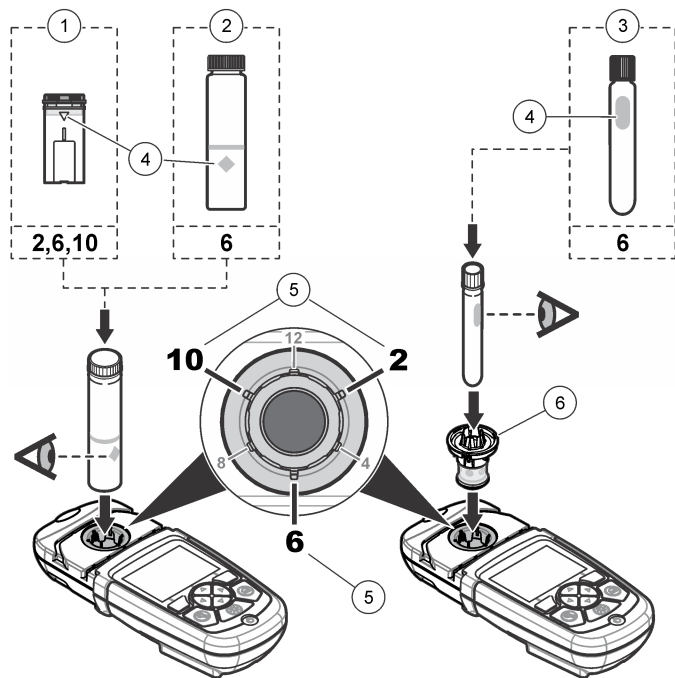
Obr. 3 Instalace baterie



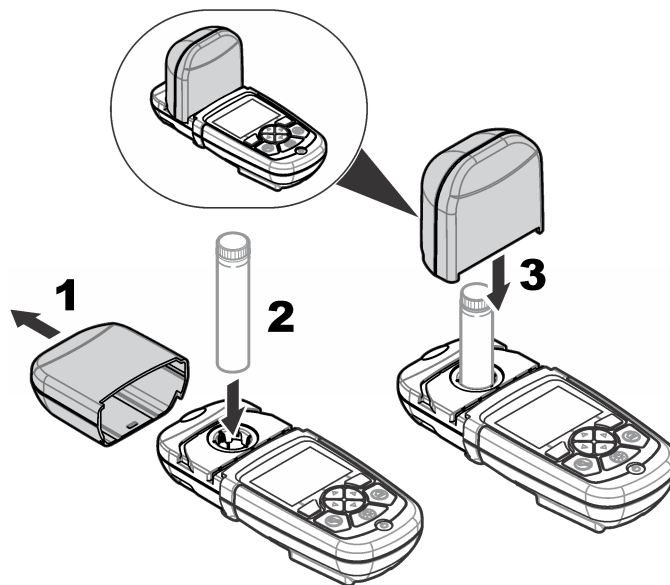
3.2 Instalace kyvety se vzorkem a nástavce kyvety

přístroj je vybaven jednou přihrádkou na kyvety a jeden nástavec umožňuje používat čtyři typy kyvet. Ujistěte se, že je kyveta se vzorkem správně nainstalována a má konzistentní orientaci, aby výsledky byly opakovatelné a přesné. Viz [Obr. 4](#). Před nulováním nebo měřením zavřete kryt přístroje, aby nedocházelo k rušení světlem. Viz [Obr. 5](#).

Obr. 4 Orientace kyvety se vzorkem



Obr. 5 Instalace kyvety se vzorkem a krytu přístroje



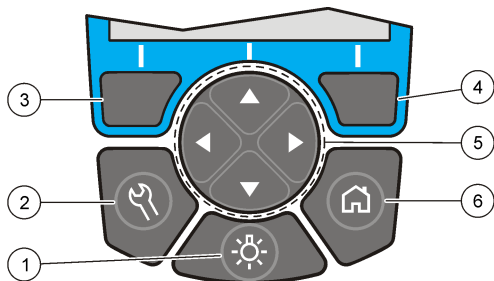
Kapitola 4 Uživatelské rozhraní a navigační tlačítka

4.1 Popis ovládacího panelu

Popis ovládacího panelu a navigace viz [Obr. 6](#).

1 1cm/10ml plastová kyveta na vzorky	4 Značka pro orientaci
2 1palcová (25mm) skleněná kyveta na vzorky	5 Orientace (po směru hodinových ručiček)
3 16mm skleněná vialka	6 Nástavec pro kyvety se vzorkem

Obr. 6 Popis ovládacího panelu

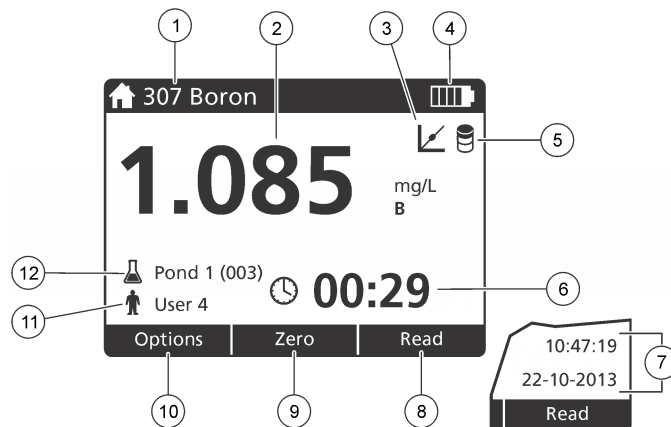


<p>1 PODSVÍCENÍ: zapíná a vypíná podsvícení displeje</p>	<p>4 PRAVÉ tlačítko pro výběr (kontextové): měření vzorku, výběr nebo potvrzení možností, otevírání dílčích nabídek</p>
<p>2 NASTAVENÍ: možnosti nastavení¹</p>	<p>5 Navigační tlačítka NAHORU, DOLŮ, DOPRAVA, DOLEVA: posun v nabídkách, zadávání čísel a písmen²</p>
<p>3 LEVÉ tlačítko pro výběr (kontextové): přístup k možnostem, zrušení nebo ukončení stávající nabídky a přesun na předchozí</p>	<p>6 VÝCHOZÍ OBRAZOVKA/Možnosti: přechod na hlavní obrazovku¹, výběr programu, správa dat</p>

4.2 Popis displeje

Obrazovka zobrazuje zvolený režim, jednotky, datum a čas, ID operátora a ID vzorku. Viz [Obr. 7](#).

Obr. 7 Displej s jedinou obrazovkou



<p>1 Název a číslo programu</p>	<p>7 Čas a datum</p>
<p>2 Odečtená hodnota, jednotka, forma chemikálie, pod "---" nebo nad měřicím rozsahem "+++"</p>	<p>8 Měření (kontextové: hotovo, výběr, spuštění, ok)</p>
<p>3 Ikona úpravy na standard</p>	<p>9 Nulování (kontextové: navigační tlačítko šipka NAHORU)</p>
<p>4 Stav baterie</p>	<p>10 Možnosti (kontextové: zpět, zrušit)</p>
<p>5 Ikona Reagenční blank</p>	<p>11 Identifikace operátora</p>
<p>6 Časovač</p>	<p>12 Identifikace vzorku</p>

¹ V režimu úprav toto tlačítko nefunguje.

² Pokud tlačítka NAHORU a DOLŮ podržíte, přesun bude rychlejší. Pokud stisknete tlačítka DOLEVA a DOPRAVA, dojde k posunu o stránku.

4.3 Navigace

Přístroj obsahuje nabídky pro změnu různých možností. Pomocí navigačních tlačítek (šipky **NAHORU**, **DOLŮ**, **DOPRAVA** a **DOLEVA**) označte patřičné možnosti. Stisknutím tlačítka **DOPRAVA** vyberete možnost. Hodnotu možnosti nastavíte pomocí navigačních tlačítek. Stisknutím navigačních tlačítek (šipky **NAHORU**, **DOLŮ**, **DOPRAVA** a **DOLEVA**) můžete zadat nebo změnit hodnotu. Chcete-li se přesunout na další políčko, stiskněte tlačítko **DOPRAVA**. Stisknutím tlačítka **DOPRAVA** pod tlačítkem **Hotovo** přijmete hodnotu. Stisknutím tlačítka **DOLEVA** ukončíte stávající obrazovku nabídky a přesunete se na předchozí.

Kapitola 5 Spuštění

5.1 Zapnutí a vypnutí přístroje

Stisknutím tlačítka **NAPÁJENÍ** se přístroj zapíná a vypíná. Pokud se přístroj nezapne, ověřte, že jsou správně nainstalovány baterie.

5.2 Nastavení jazyka

Pro nastavení jazyka existují dvě možnosti:

- Jazyk displeje lze nastavit po prvním spuštění přístroje.
- Jazyk se nastavuje v nabídce **NASTAVENÍ**.

1. Stiskněte tlačítka **NASTAVENÍ**>**Nastavení**>**Jazyk**.
2. Zvolte jazyk ze seznamu.

5.3 Nastavení data a času

Datum a čas lze nastavit dvěma způsoby:

- Datum a čas lze nastavit po prvním spuštění přístroje.
- Datum a čas se nastavuje v nabídce **Datum a čas**.

1. Stiskněte tlačítka **NASTAVENÍ**>**Nastavení**>**Datum a čas**.

2. Vyberte možnost **Nastavit formát data a času**, pak vyberte formát data a času.
3. Vyberte možnost (**Nastavit datum a čas**).
4. Pro zadání aktuálního data a času použijte navigační tlačítka, poté stiskněte **OK**.

Kapitola 6 Standardní operace

6.1 Seznam programů

přístroj je dodáván s kompletní sadou programů. Popis programů viz [Tabulka 1](#).

Tabulka 1 Možnosti programů

Možnost programu	Popis
Uložené programy	Uložené programy jsou instalovány výrobcem a jedná se o předprogramované metody. Viz Výběr uloženého programu na straně 109.
Uživatelské programy	Metody je možné vytvářet a lze je uložit jako uživatelský program. ³ Viz Uživatelské programy na straně 112.
Oblíbené	Často používané metody lze uložit do seznamu oblíbených. ¹

6.1.1 Výběr uloženého programu

1. Stiskněte tlačítka **Hlavní obrazovka**>**Možnosti**>**Všechny programy**.
2. Vyberte příslušnou metodu a stiskněte tlačítko **Start**.
3. Chcete-li urychlit přístup k metodě, uložte ji do oblíbených výběrem položky **Možnosti**>**Přidat k oblíbeným**.

³ Uložit lze maximálně deset metod (uživatelské programy nebo oblíbené).

6.1.2 Výběr základních možností programu

Po výběru programu jsou k dispozici další možnosti parametrů.

1. Stiskněte tlačítko **Možnosti** a přejděte do nabídky možností.
2. Vyberte patřičné možnosti.

Volba	Popis
Spuštění časovače	Výběr přednastaveného časovače nebo ruční nastavení časovače, který zajistí správné načasování jednotlivých kroků analýzy (např. přesné nastavení reakční doby nebo doby čekání). Pokud je časovač zapnutý, na displeji je zobrazená ikona časovače. přístroj signalizuje vypršení doby zvukovým signálem. Přednastavený časovač – Vyberte přednastavený časovač pro jeden nebo více kroků uloženého postupu a stiskněte tlačítko Start. Ruční časovač – Zadejte patřičnou dobu pomocí navigačních tlačítek a stiskněte tlačítko Hotovo . Výchozí nastavení = 00:00
Oblíbené/uživ. Programy	Výběr uložených oblíbených položek nebo seznamu uživatelských programů. Další informace naleznete v Výběr oblíbeného nebo uživatelského programu na straně 112.
Všechny programy	Výběr předprogramované metody ze seznamu.

Volba	Popis
Protokol dat	Zobrazení všech uložených měření. Další informace naleznete v Protokol dat na straně 112.
Přidat k oblíbeným	Uložení často používaných uložených programů a metod uživatelských programů do seznamu oblíbených. Viz Přidání programu mezi oblíbené na straně 112.
Transmittance (%T)/absorbance/koncentrace	Přepnutí měření na % transmittance, absorbance nebo koncentrace. Měření transmittance (%) – Měření procenta původního světla, které projde vzorkem a dosáhne detektoru. Měření absorbance – Měření světla pohlceného vzorkem v jednotkách absorbance. Měření koncentrace – Naměřené hodnoty absorbance jsou převedeny na hodnoty koncentrace pomocí rovnice uložené v programu.
Rozšířené možnosti	Pomocí rozšířených možností můžete zadat více parametrů. Viz Výběr rozšířených možností programu na straně 110.
Uložit	Pokud je volba automatického ukládání nastavena na Vypnuto, uložte měření ručně.

6.1.3 Výběr rozšířených možností programu

Každý program má různé další volitelné rozšířené možnosti.

1. Stiskněte tlačítko **Možnosti** a přejděte na položku **Možnosti>Rozšířené možnosti**.
2. Pomocí rozšířených možností můžete zadat více parametrů.

Volba	Popis
Automatické uložení	Přepínání mezi Zapnuto a Vypnuto. Pokud je volba nastavena na Zapnuto, každé měření se automaticky uloží. Pokud je volba nastavena na Vypnuto, je měření nutné ukládat ručně.
Forma chemické látky	Výběr alternativní chemické formy a souvisejícího měřicího rozsahu některé z metod instalovaných výrobcem.
Reagenční blank	Korekci Reagenční blank lze používat u některých z metod instalovaných výrobcem. Zadejte výsledek provedeného testu, u kterého byla jako vzorek použita deionizovaná voda. Hodnota reagenčního blanku se odečítá od každého výsledku a vyrovnává libovolnou barvu pozadí způsobenou činidly. Hodnotu reagenčního blanku zadejte před použitím možnosti úpravy standardu. Korekci proveďte před použitím každé nové šarže zkušebních činidel.
Úprava standardu	Změna uložené kalibrace. Proveďte zkoušku na známém standardu s koncentrací blízkou horní hranici zkušebního rozsahu. Pomocí této funkce můžete upravit výsledek tak, aby odpovídal koncentraci standardu.
Uřídění programů	Výběr abecedního nebo číselného pořadí programů uložených v seznamu programů.

6.2 Použití ID operátora

Záložka ID operátora propojuje naměřené hodnoty s jednotlivými operátory. Všechny uložené údaje budou toto ID obsahovat.

1. Na obrazovce měření stiskněte tlačítka **NASTAVENÍ>ID operátora**.

2. Výběr, vytvoření nebo vymazání ID operátora:

Volba	Popis
Aktuální ID	Zvolte ID ze seznamu. Aktuální ID bude spojeno s daty vzorku, dokud nebude vybráno odlišné ID.
Vytvoření nového ID	Zadejte název pro nové ID operátora. Zadat lze maximálně 10 názvů.
Vymazání ID	Vymazání existujícího ID operátora.

6.3 Použití ID vzorku

Záložka ID vzorku se používá k propojení naměřených hodnot s konkrétním vzorkem nebo umístěním. Jestliže bylo nastaveno ID vzorku, budou uložená data obsahovat toto ID.

1. Na obrazovce měření stiskněte tlačítka **NASTAVENÍ>ID vzorku**.
2. Výběr, vytvoření nebo vymazání ID operátora:

Volba	Popis
Aktuální ID	Zvolte ID ze seznamu. Aktuální ID bude spojeno s daty vzorku, dokud nebude vybráno odlišné ID.
Vytvoření nového ID	Zadejte název pro nové ID vzorku. Zadat lze maximálně 10 názvů. Vzorky jsou číslovány podle pořadí jednotlivých měření, dokud není zvoleno jiné ID (např. nádrž 1, nádrž 2).
Vymazání ID	Vymazání existujícího ID vzorku.

6.4 Provádění měření

Měření se skládá z několika základních kroků. Každá metoda má vlastní podrobný postup. Při spuštění konkrétní zkoušky postupujte podle návodu k příslušné metodě. Následující příklad představuje základní postup měření.

1. Vyberte příslušný program v nabídce programů (např. uložené programy, uživatelské programy, oblíbené).
2. Podle potřeby nainstalujte nástavec kyvety.
3. Stisknutím tlačítka **Start** spusťte program.
4. Podle dokumentace k metodě připravte blank. Zavřete kyvetu se vzorkem a očistěte optické plochy kyvety hadříkem nepouštějícím vlákna.
5. Vložte kyvetu s blankem do kyvetové přihrádky. Ujistěte se, že je kyveta s blankem správně nainstalována a má konzistentní orientaci, aby výsledky byly opakovatelné a přesné. Viz [Obr. 4](#) na straně 107.
6. Zavřete kryt přístroje, aby nedocházelo k rušení světlem. Viz [Obr. 5](#) na straně 107.
7. Stiskněte tlačítko **Nulovat**. Na displeji se zobrazí koncentrace nuly (např. mg/l, ABS, µg/l).
8. Připravte vzorek. Podle dokumentace k metodě přidejte činidla.
9. Chcete-li použít časovač uložený v programu, vyberte položku **Možnosti>Spustit časovač**.
10. Zavřete kyvetu se vzorkem a očistěte optické plochy kyvety hadříkem nepouštějícím vlákna.
11. Vložte vzorek do kyvetové přihrádky. Ujistěte se, že je kyveta se vzorkem správně nainstalována a má konzistentní orientaci, aby výsledky byly opakovatelné a přesné. Viz [Obr. 4](#) na straně 107.
12. Zavřete kryt přístroje, aby nedocházelo k rušení světlem. Viz [Obr. 5](#) na straně 107.
13. Stiskněte **Načíst**. Na displeji se zobrazí výsledky ve zvolených jednotkách.
Poznámka: Pokud je naměřená absorbance nižší nebo vyšší než kalibrační rozsah testu, je zobrazeno "+++" nebo "---".

6.5 Protokol dat

Protokol dat zobrazuje všechny uložené hodnoty. Chcete-li zobrazit hodnoty, stiskněte **HLAVNÍ OBRAZOVKA>Možnosti>Protokol dat**. Informace o exportu protokolu dat naleznete v části [Export protokolu dat](#) na straně 115.

Kapitola 7 Rozšířené operace

7.1 Výběr oblíbeného nebo uživatelského programu

Po prvním spuštění přístroje je databáze oblíbených a uživatelských programů prázdná. Chcete-li urychlit přístup k metodě, uložte ji do oblíbených. Uživatelské programy lze upravovat podle konkrétních požadavků.

1. Stiskněte tlačítko **HLAVNÍ OBRAZOVKA > Možnosti > Oblíbené / Uživatelské programy > Vybrat**.
2. Chcete-li vytvořit nový program, stiskněte tlačítko **Nový program**. Viz [Uživatelské programy](#) na straně 112.

7.2 Přidání programu mezi oblíbené

Často používané uložené programy a metody uživatelských programů lze uložit do seznamu oblíbených.

1. Vyberte položku **HLAVNÍ OBRAZOVKA > Možnosti > Všechny programy**.
2. Vyberte příslušnou metodu a stiskněte tlačítko **Start**.
3. Chcete-li vybranou metodu přidat do oblíbených, vyberte položku **Možnosti > Přidat k oblíbeným**.

7.3 Uživatelské programy

Po prvním spuštění přístroje je databáze uživatelských programů prázdná. Pomocí možnosti **Nový program** můžete vytvořit nový program vyhovující konkrétním požadavkům. Chcete-li vytvořit nový uživatelský program, proveďte následující kroky.

1. Stiskněte tlačítko **HLAVNÍ OBRAZOVKA > Možnosti > Oblíbené / Uživatelské programy > Nový program**.
2. Vyberte dostupné číslo programu od 1001 do 1010.
Poznámka: Uložit lze maximálně deset programů (uživatelské programy nebo oblíbené).
3. Zadejte název metody (až 12 znaků).
4. Zvolte vlnovou délku: 420, 520, 560 nebo 610 nm.

5. Zvolte jednotky: Žádné, µg/l, mg/l nebo g/l.
6. Zvolte rozlišení: 0000, 000.0, 00.00 nebo 0.000.
7. Přidejte kalibrační body: minimálně 2 a maximálně 12 kalibračních bodů.⁴ Vyberte možnost Upravit standard 1 a zadejte hodnotu koncentrace prvního standardu. Stiskněte tlačítko **Hotovo**.
Poznámka: Pipnutí signalizuje, že koncentrace je stejná jako u dříve zadaného standardu nebo je pro zvolené rozlišení koncentrace příliš vysoká. Zadejte jinou hodnotu a pokračujte.
8. Zadejte hodnotu absorbance:

Volba	Popis
Ruční úprava ABS	Pomocí navigačních kláves zadejte ručně hodnotu absorbance.
Automatická úprava ABS	<ol style="list-style-type: none"> 1. Vložte do držáku kvety blank a stiskněte tlačítko Nulovat. 2. Vložte do držáku kvety připravený vzorek a stiskněte tlačítko Načíst. 3. Stiskněte tlačítko Hotovo.

Poznámka: Pipnutí signalizuje, že koncentrace je stejná jako u dříve zadaného standardu nebo spadá mezi dva předchozí standardy. Zadejte jinou hodnotu a pokračujte.

9. Stiskněte tlačítko **Hotovo**.
10. Vyberte možnost Přidat kalibrační bod.
11. Zadejte další kalibrační body podle postupu v krocích 7–9.
12. Vyberte možnost **Uložit uživatelský program**.

7.3.1 Úprava uživatelského programu

Chcete-li upravit uživatelský program:

1. Vyberte položky **HLAVNÍ OBRAZOVKA>Oblíbené/uživ. Programy**.
2. Vyberte příslušný program a stiskněte tlačítko **Možnosti**.

3. Stiskněte tlačítko **Editovat**.
4. Dodržujte pokyny na obrazovce a upravte postup.

7.3.2 Smazat uživatele nebo oblíbený program

Smazat uloženého uživatele nebo oblíbený program, který není nadále používán.

1. Vyberte položky **HLAVNÍ OBRAZOVKA>Možnosti>Oblíbené/uživ. Programy**.
2. Označte příslušný program, stiskněte tlačítka **Možnosti>Odstranit** a postupujte podle pokynů na obrazovce.

7.4 Informace o přístroji

Nabídka s informacemi o přístroji zobrazuje konkrétní informace, jako například název přístroje, sériové číslo, verzi softwaru, verzi databáze, použitou paměť a dostupnost programu. Stiskněte tlačítko **NASTAVENÍ>Informace o přístroji**.

7.5 Nastavení hesla

Možnost nastavení hesla brání přístupu do vyhrazených nabídek.

⁴ Pokud je křivka lineární, stačí zadat pouze body koncentrace (např. standard s nulovou absorbancí a další známý standard). Pomocí dalších bodů potvrďte linearitu nebo definujte nelineární křivku.

Poznámka: Pokud operátor nezná heslo a položka Možnosti zabezpečení je zapnutá, nemá operátor přístup do vyhrazených nabídek. Pokud jste zapoměli heslo, obraťte se na technická podpora.

1. Stiskněte tlačítka **NASTAVENÍ>Nastavení>Nastavení hesla**.
2. Vyberte některou z možností.

Volba	Popis
Nastavení hesla	Výběrem možností Zapnuto a Vypnuto se zapíná a vypíná ochrana heslem.
Chráněné položky	Seznam chráněných položek: úprava ID operátora, úprava ID vzorku, úprava uživatelských programů, datum a čas, aktualizace firmwaru, aktualizace metod, jazyk a úprava seznamu oblíbených položek.

7.6 Nastavení displeje a zvuku

Možnosti displeje slouží k nastavení kontrastu displeje, možnosti automatického vypnutí při provozu na baterie a možnost podsvícení. Možnosti zvuku slouží k nastavení zvuku při stisknutí klávesy nebo po dokončení měření.

1. Stiskněte tlačítka **NASTAVENÍ>Nastavení>Displej a zvuk>Možnosti displeje**.
2. Vyberte některou z možností.

Volba	Popis
Kontrast	Nastavení kontrastu displeje. Nejsvětější nastavení představuje hodnota 0 a nejtmaší nastavení hodnota 9. Výchozí nastavení: 5

Volba	Popis
Automatické vypnutí	Chcete-li maximálně prodloužit výdrž baterií, nastavte časovou dobu, po které se přístroj automaticky vypne, pokud není stisknuto žádné tlačítko (5, 10, 15, 20, 30 minut, 1 hodina, 2 hodiny nebo Vypnuto). Výchozí nastavení: 10 minut

Podsvícení	Podsvícení displeje se zapíná stisknutím tlačítka PODSVÍCENÍ . Nastavte časovou dobu, po které se podsvícení automaticky vypne, pokud není stisknuto žádné tlačítko (10, 20, 30 sekund, 1, 2, 5, 10 minut nebo Vypnuto). Výchozí nastavení: 1 minuta
-------------------	---

3. Stiskněte tlačítka **NASTAVENÍ>Nastavení>Displej a zvuk>Zvuky**.
4. Vyberte některou z možností.

Volba	Popis
Stisknutí tlačítka	přístroj signalizuje stisknutí tlačítka zvukovým signálem. Výchozí hodnota: vypnuto
Dokončení měření	přístroj signalizuje dokončení měření zvukovým signálem. Výchozí hodnota: zapnuto

7.7 Hlavní nabídka USB

Po připojení přístroj pomocí kabelu USB k počítači se zobrazí hlavní nabídka USB. Pomocí hlavní nabídky USB aktualizujte software, exportujte nebo importujte programy nebo exportujte protokol dat a protokol událostí.

7.7.1 Aktualizace firmwaru

Vyhledejte soubor s aktualizací firmwaru na webových stránkách produktu nebo se obraťte na dodavatele přístroje. Uložte soubor z webových stránek do počítače.

1. Zapněte přístroj a připojte kabel USB do přístroje a do počítače.

Zobrazí se výzva hlavní nabídky USB.

2. Vyberte možnost **Aktualizovat DR 900**.
Přístroj je na počítači viditelný jako USB disk. Otevřete složku.
3. Zkopírujte soubor DR900.bin do otevřené složky.
4. Stiskněte tlačítko **Ok**.
5. Po dokončení aktualizace stiskněte tlačítko **Ok**.
6. Vyberte možnost **Odpojit zařízení USB**, stiskněte tlačítko **Ok** a odpojte kabel USB.
7. Stiskněte tlačítko **Ok**.
8. Restartujte přístroj.

7.7.2 Spravovat programy

Funkce Spravovat programy umožňuje exportovat a importovat uživatelské programy a importovat programy od výrobce.

1. Zapněte přístroj a připojte kabel USB do přístroje a do počítače.
Zobrazí se výzva hlavní nabídky USB.
2. Vyberte možnost **Spravovat programy** a poté volbu:

Volba	Popis
Export uživatelských programů	Export veškerých uživatelských programů do počítače nebo přesun uživatelských programů do dalšího přístroje DR 900.
Import uživatelských programů	Nahrazení veškerých uživatelských programů uživatelskými programy z dalšího přístroje DR 900 prostřednictvím počítače.
Import programů od výrobce	Import programů od výrobce z webových stránek výrobce.

Přístroj je na počítači viditelný jako USB disk. Otevřete složku.

3. Zkopírujte exportní soubor z disku do počítače nebo zkopírujte importní soubor z počítače na disk.
4. Stiskněte tlačítko **OK**.

5. Po dokončení kopírování vyberte možnost **Odpojit zařízení USB** a odpojte USB kabel.
6. Stiskněte tlačítko **Ok**.

7.7.3 Export protokolu dat

Protokol událostí a protokol dat lze exportovat do počítače. Protokol událostí obsahuje datum, čas, typ události, parametr a popis konfigurace související akce. Ukázková měření jsou ukládána ručně nebo automaticky do protokolu dat. Viz [Výběr rozšířených možností programu](#) na straně 110.

1. Zapněte přístroj a připojte kabel USB do přístroje a do počítače.
Zobrazí se výzva hlavní nabídky USB.
2. Vyberte možnost **Exportovat protokol dat**.
Přístroj je na počítači viditelný jako USB disk. Otevřete složku.
3. Zkopírujte a uložte exportní soubory (DR900__DataLog.csv a DR900__EventLog.csv) do počítače.
4. Stiskněte tlačítko **OK**.
5. Po dokončení kopírování souborů do počítače vyberte možnost **Odpojit zařízení USB** a odpojte USB kabel.
6. Stiskněte tlačítko **Ok**.

Kapitola 8 Údržba

⚠ VAROVÁNÍ






Různá nebezpečí. Práce uvedené v tomto oddíle dokumentu smí provádět pouze dostatečně kvalifikovaný personál.

8.1 Čištění přístroje

Vyčistěte vnější povrch přístroje vlhkým hadříkem a jemným mýdlovým roztokem a poté přístroj podle potřeby otřete dosucha.

8.2 Čištění kyvet na vzorky

▲ POZOR	
 	Nebezpečí expozice chemikáliím. Dodržujte laboratorní bezpečnostní postupy a noste veškeré osobní ochranné pomůcky vyžadované pro manipulaci s příslušnými chemikáliemi. Bezpečnostní protokoly naleznete v aktuálních datových bezpečnostních listech (MSDS/SDS).


▲ POZOR	
	Nebezpečí styku s chemikáliemi. Likvidujte chemikálie a odpad v souladu s místními, regionálními a národními předpisy.


Použit lze většinu laboratorních detergentů v doporučených koncentracích. Pokud je nutné pravidelné čištění, je bezpečnější používat neutrální detergenty, jako je například Liquinox. Chcete-li zkrátit dobu čištění, zvýšte teplotu nebo použijte ultrazvukovou lázeň. Čištění zakončete několikanásobným opláchnutím deionizovanou vodou a testovací celu poté nechte uschnout na vzduchu. Testovací cely lze také čistit kyselinou a následně důkladně opláchnout deionizovanou vodou.

Poznámka: Při zkouškách s nízkými koncentracemi kovů při čištění testovacích cel vždy použijte kyselinu.

Jednotlivé postupy vyžadují speciální čisticí metody. Pokud k čištění testovacích cel používáte kartáč, dávejte pozor, aby nedošlo k poškrábání jejich vnitřních ploch.

8.3 Výměna baterií

▲ VAROVÁNÍ	
	Nebezpečí výbuchu. Baterie s prošlou expirací mohou způsobit nahromadění vodíku uvnitř přístroje. Vyměňte baterie dříve, než projde jejich expirace, a neskladujte přístroj příliš dlouho s vloženými bateriemi.

▲ VAROVÁNÍ	
	Nebezpečí požáru. Nahrazení baterie není povoleno. Používejte výhradně alkalické baterie.

UPOZORNĚNÍ	
Šrouby utáhněte momentem 1–1,4 N·m (9–12 in.·lb) pro zajištění správného usednutí těsnění a zachování úrovně krytí prostředí obalu.	

Postup výměny baterií najdete v tématu [Instalace baterií](#) na straně 106.

Kapitola 9 Řešení problémů

Chybový kód	Možná příčina	Řešení
1	Přístroj není nakonfigurovaný	Obraťte se na technická podpora.
2	Data programu nelze načíst	
3	Data programu nelze zapisovat	
4	Chyba baterie	Výměna baterií.
5	Výskyt chyby A/D během měření	Obraťte se na technická podpora.
6	Výskyt chyby posunu během měření	Zkontrolujte, že je správně nasazený kryt přístroje.

Chybový kód	Možná příčina	Řešení
7	Výskyt chyby související s nedostatečnou intenzitou světla během měření	<ul style="list-style-type: none"> Zkontrolujte, že nic nezakrývá světelný zdroj. Nulování je mimo rozsah přístroje Obraťte se na technická podpora.
8	Přesažení rozsahu při měření, možné zablokování světelného zdroje nebo příliš vysoká koncentrace	<ul style="list-style-type: none"> Zkontrolujte, že nic nezakrývá světelný zdroj a koncentrace nepřesahuje limit programu. Zkontrolujte, že je správně nasazený kryt přístroje. Obraťte se na technická podpora.

Kapitola 10 Náhradní díly a příslušenství

▲ VAROVÁNÍ



Nebezpečí poranění osob. Použití neschválených součástí může způsobit poranění osob, poškození nebo nesprávné fungování přístroje či vybavení. Náhradní díly v tomto oddíle jsou schváleny výrobcem.

Poznámka: Čísla produktů a položek se mohou v různých regionech prodeje lišit. Obratě se na příslušného distributora, kontaktní informace naleznete na webových stránkách společnosti.

Náhradní díly

Popis	Položka č.
Nástavec, sestava, CHSK (chemická spotřeba kyslíku)	4846400
Sada baterií, alkalické baterie AA (4x)	1938004
Kyveta na vzorek s víčkem, 25 x 95 mm, 10, 20, 25 ml (6x)	2401906
Kyveta na vzorky s víčkem, 1 cm/10 ml (2x)	4864302
Kabel USB	LZV818

Příslušenství

Popis	Položka č.
Víčko pro kyvetu na vzorky, pro kyvetu 25 x 95 ml	2401812
Plastový kufík	4942500
Textilní kufík s popruhem přes rameno	2722000
Kufík, přenosná laboratoř	4943000
Standardy absorbance DR/Check™	2763900
Kryt přístroje, DR 900	9390500

Indholdsfortegnelse

- 1 [Specifikationer](#) på side 118
- 2 [Generelle oplysninger](#) på side 118
- 3 [Installation](#) på side 121
- 4 [Brugergrænseflade og navigation](#) på side 123
- 5 [Opstart](#) på side 124
- 6 [Standardbetjening](#) på side 125
- 7 [Udvidet betjening](#) på side 128
- 8 [Vedligeholdelse](#) på side 131
- 9 [Fejlsøgning](#) på side 132
- 10 [Reserve dele og tilbehør](#) på side 132

Sektion 1 Specifikationer

Specifikationer kan ændres uden varsel.

Specifikation	Detaljer
Målingsmetode	Transmittans (%), absorptions (abs) og koncentration (konc)
Dimensioner (B x D x H)	23,6 x 8,7 x 4,7 cm (9,3 x 3,4 x 1,9")
Kapslingsklasse	IP67
Vægt	0,6 kg (1,3 lb)
Strømkraft (internt)	AA-alkalinebatterier (4x)
Batterilevetid	6 måneder (typisk) ved 5 aflæsninger om dagen / 5-dages uge uden baggrundslyset
Interface	USB mini
Driftstemperatur	0 til 50 °C (32 til 122 °F), maksimum 90 % relativ fugtighed ikke-kondenserende
Opbevaringstemperatur	-30 til 60 °C (-22 to 140 °F), maksimum 90 % relativ fugtighed ikke-kondenserende
Lyskilde	Lysafgivende diode (LED)
Detektor	Silikonfotodiode

Specifikation	Detaljer
Bølgelængdeinterval	420, 520, 560, 610 nm
Fotometrisk område	0–2 abs
Bølgelængdenøjagtighed	±1 nm
Fotometrisk nøjagtighed	±0.03 Abs
Fotometrisk linearitet	±0,002 abs (0–1 abs)
Valg af bølgelængde	Automatisk, baseret på metodevalget
Fotometrisk gentagelighed	±0,002 abs (0–1 abs)
Dataud aflæsning	Grafisk skærm, 240 x 160 pixel (baggrundsbelyst)
Kuvetter	16 mm, 1 cm/10 mL, 25 mm (1 tomme) rund
Beskyttelsesklasse	Klasse III
Certificeringer	CE-certificeret
Garanti	1 år (EU: 2 år)

Sektion 2 Generelle oplysninger

Producenten kan under ingen omstændigheder holdes ansvarlig for direkte, indirekte, specielle, hændelige eller følgeskader der opstår på baggrund af en defekt eller udeladelse i denne vejledning. Producenten forbeholder sig ret til når som helst at foretage ændringer i denne manual og de beskrevne produkter uden varsel eller forpligtelser. Reviderede udgaver kan findes på producentens websted.

2.1 Sikkerhedsoplysninger

Producenten er ikke ansvarlig for eventuelle skader på grund af forkert anvendelse eller misbrug af dette produkt, herunder uden begrænsning direkte skader, hændelige skader eller følgeskader, og fraskriver sig ansvaret for sådanne skader i det fulde omfang, som tillades ifølge

gældende lov. Kun brugeren er ansvarlig for at identificere alvorlige risici ved anvendelsen og installere relevante mekanismer til beskyttelse af processerne i forbindelse med en eventuel fejl på udstyret.

Læs hele manualen inden udpakning, installation eller betjening af dette udstyr. Overhold alle sikkerhedshenvisninger og advarsler. Undladelse heraf kan medføre, at brugeren kommer alvorligt til skade, eller det kan medføre beskadigelse af analysatoren.

Kontroller, at den beskyttelse, som dette udstyr giver, ikke forringes. Du må ikke bruge eller installere dette udstyr på nogen anden måde end den, der er angivet i denne manual.

2.2 Brug af sikkerhedsoplysninger

▲ FARE

Angiver en eventuel eller overhængende farlig situation, der vil medføre dødsfald eller alvorlige kvæstelser, hvis den ikke undgås.

▲ ADVARSEL

Angiver en potentiel eller umiddelbart farlig situation, som kan resultere i død eller alvorlig tilskadekomst, hvis den ikke undgås.

▲ FORSIGTIG

Indikerer en potentiel farlig situation, der kan resultere i mindre eller moderat tilskadekomst.







BEMÆRKNING

Angiver en situation, der kan medføre skade på instrumentet, hvis ikke den undgås. Oplysninger, der er særligt vigtige.

2.3 Sikkerhedsmærkater

Læs alle etiketter og mærkater, som er placeret på apparatet. Der kan opstå person- eller instrumentskade, hvis forholdsreglerne ikke

respekteres. I håndbogen refereres der til et symbol på instrumentet med en forholdsreglerklæring.

	Hvis dette symbol findes på instrumentet, henviser det til instruktionsmanualen vedrørende drifts- og/eller sikkerhedsoplysninger.
	Dette symbol angiver potentiel eksplosionsfare.
	Dette symbol indikerer, at der er brandfare.
	Dette symbol identificerer risiko for kemisk skade og angiver, at kun personer, der er kvalificerede og uddannet til at arbejde med kemikalier, bør håndtere kemikalier eller udføre vedligeholdelse af kemiske leveringssystemer i forbindelse med udstyret.
	Dette symbol angiver, at der skal bæres beskyttelsesbriller.
	Elektrisk udstyr mærket med dette symbol må, i Europa, ikke bortskaffes i sammen med husholdningsaffald eller offentligt affald. Returner gammelt eller udtjent udstyr til producenten til bortskaffelse uden gebyr.

2.4 Overholdelse og certificering

▲ FORSIGTIG

Dette udstyr er ikke beregnet til brug i boligmiljøer og muliggør ikke tilstrækkelig beskyttelse mod radiomodtagelse i sådanne omgivelser.

Canadian Radio Interference-Causing Equipment Regulation, IECIS-003, Klasse A:

Producenten opbevarer understøttende testfortegnelser.

Dette Klasse A digitale apparat opfylder alle krav i the Canadian Interference-Causing Equipment Regulations.

Cet appareil numérique de classe A répond à toutes les exigences de la réglementation canadienne sur les équipements provoquant des interférences.

FCC del 15, klasse "A" grænser

Producenten opbevarer understøttende testfortegnelser. Enheden overholder Afs. 15 i FCC's regelsæt. Anvendelsen er underlagt følgende betingelser:

1. Udstyret må ikke forårsage skadelig interferens.
2. Udstyret skal acceptere modtaget interferens, hvilket omfatter interferens, der kan forårsage uønsket drift.

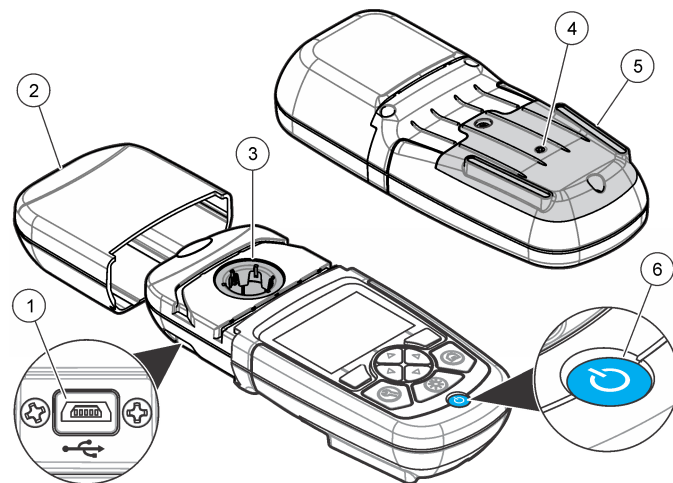
Ændringer og modifikationer af dette udstyr, som ikke er udtrykkeligt godkendt af den part, som er ansvarlig for overholdelsen, kan opheve brugerens ret til at betjene udstyret. Dette udstyr er blevet testet og overholder grænserne for Klasse A digitalt udstyr i overensstemmelse med Afs. 15 af FCC's regelsæt. Disse grænser er udformet til at yde rimelig beskyttelse mod skadelig interferens, når udstyret betjenes i et kommercielt miljø. Dette udstyr genererer, bruger og kan udsende radiofrekvensenergi og kan, hvis det ikke installeres og anvendes i overensstemmelse med brugervejledningen, forårsage skadelig interferens for radiokommunikationer. Anvendelse af dette udstyr i et beboelsesområde vil sandsynligvis forårsage skadelig interferens, i hvilket tilfælde brugeren skal udbedre interfeferensen for egen regning. Følgende teknikker kan anvendes til at reducere problemer med interferens:

1. Afbryd udstyret fra strømkilden for at kontrollere, om det er kilden til interferensen.
2. Hvis udstyret er forbundet til den samme stikkontakt som den enhed der oplever interferensen, skal udstyret forbindes til en anden stikkontakt.
3. Flyt udstyret væk fra den enhed, som modtager interferensen.
4. Indstil modtageantennen på den enhed, der modtager interferens, igen.
5. Prøv kombinationer af ovennævnte.

2.5 Produktoversigt

DR 900 er mobil, LED-kilde-kolorimeter, der måler ved bølgelængder på 420, 520, 560 og 610 nm. Instrumentet bruges til at måle forskellige parametre i drikkevand, spildevand og industrielle programmer. Instrumentet kommer med et komplet sæt gemte programmer (præinstallerede metoder), og muligheden for at gemme brugerdefinerede programmer og valg af favoritprogram. Se [Figur 1](#).

Figur 1 Oversigt over Instrument

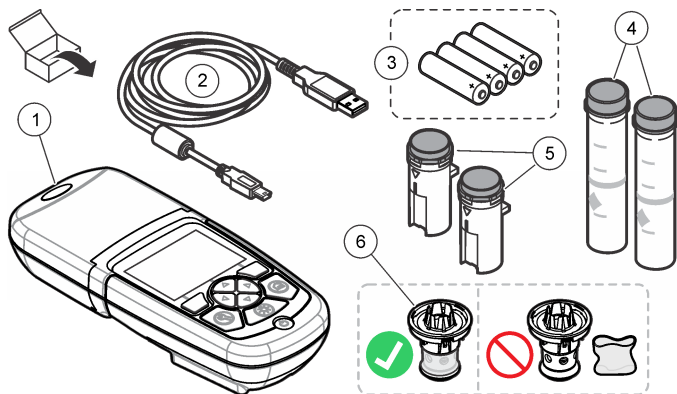


1 USB-port	4 Ventil
2 Instrumenthætte	5 Batterium
3 Kuvettebrønd	6 Tænd/sluk knap

2.6 Produktkomponenter

Sørg for, at alle komponenter er modtaget. Se i [Figur 2](#). Hvis nogle dele mangler eller er beskadiget, skal du kontakte instrumentleverandøren eller en salgsrepræsentant øjeblikkeligt.

Figur 2 Produktkomponenter



1 DR 900	4 Glas kuvette, 25 mm (1 tomme) rund, 10, 20, 25-mL mærker (2x)
2 USB-kabel med mini-USB-stik	5 Kuvette, 1 cm/10 mL (2x)
3 AA-alkalinebatterier (4x)	6 Kuvetteadapter

Sektion 3 Installation

⚠ ADVARSEL



Flere risici. Kun kvalificeret personale må udføre de opgaver, som er beskrevet i dette afsnit i dokumentet.

BEMÆRKNING

Sørg for ikke at lave en blokering i instrument batterirør under brug eller opbevaring.

3.1 Isæt batterierne

⚠ ADVARSEL



Eksplodingsfare. Ved forkert isætning af batterier kan der slippe eksplosive gasser ud. Sørg for, at batterierne er af den samme godkendte kemiske type og isat i den rigtige retning. Isæt ikke nye og brugte batterier sammen.

⚠ ADVARSEL



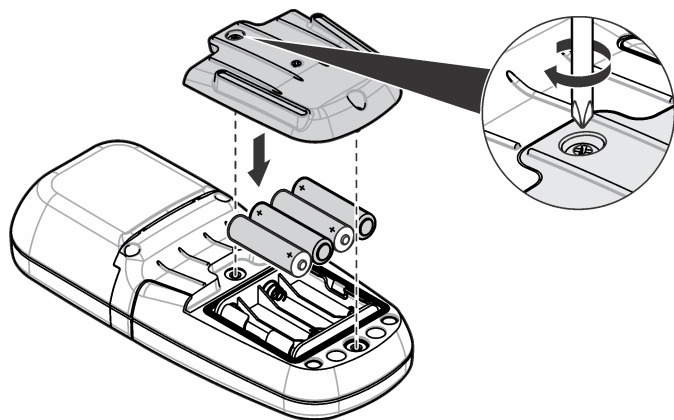
Brandfare. Batterierstatning er ikke tilladt. Brug kun alkalinebatterier.

BEMÆRKNING

Sørg for at stramme skruerne til 1–1.4 N·m (9–12 tommer-lb), så forseglingen er tæt og for at opretholde de miljømæssige krav for kabinettet.

instrument anvender fire AA-alkalinebatterier. Sørg for at batterierne vender rigtigt. Se [Figur 3](#) for installation af batteriet.

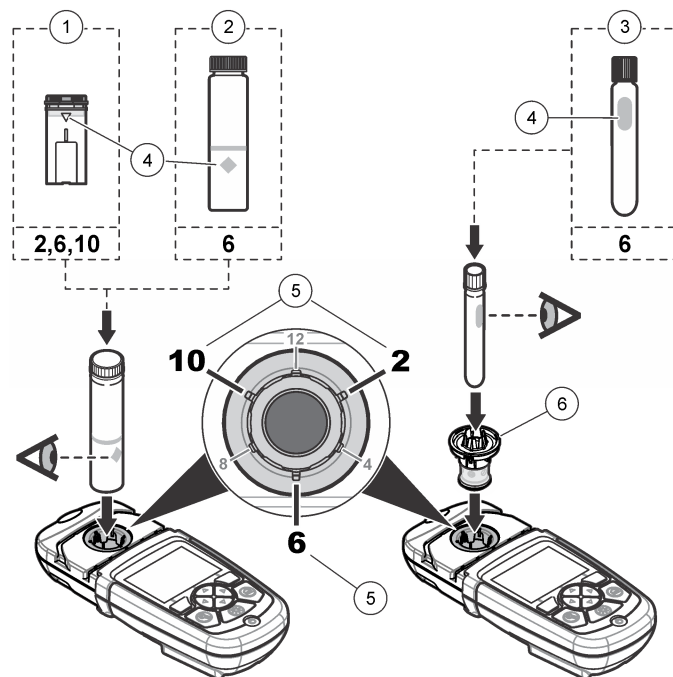
Figur 3 Isætning af batterier



3.2 Installer kuvetten og kuvetteadapteren.

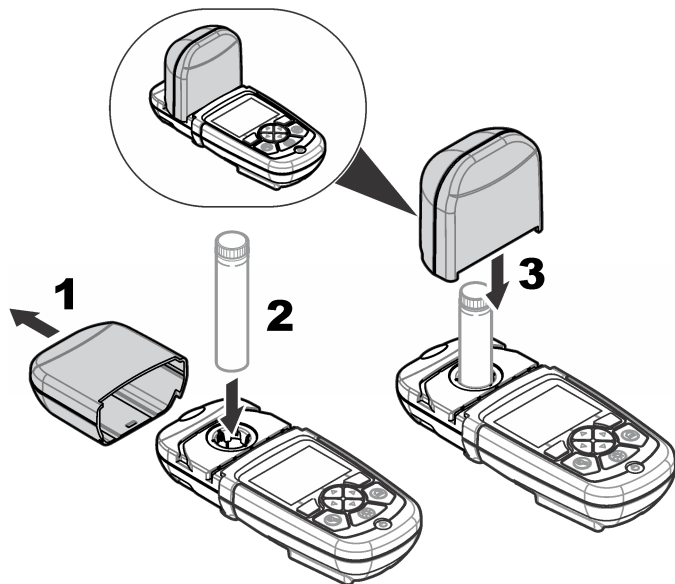
Instrumentet har én kuvettebrønd, der kan bruge én adapter til forskellige kuvettetypers. Sørg for at installere kuvetten i den korrekte og i den samme retning, herved opnås mere ensartede og præcise målinger. Se [Figur 4](#). Sæt instrumenthætten på før instrumentet nulstilles for at forhindre lysinterferenser. Se [Figur 5](#).

Figur 4 Kuvetteretning

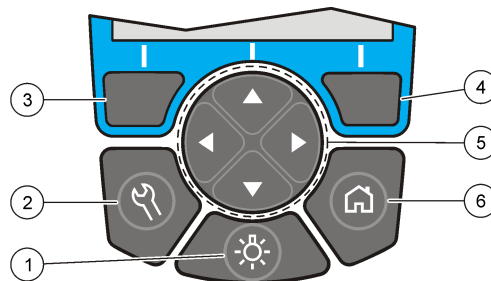


1	1-cm/10-mL plastikkuvette	4	Orienteringsmærke
2	1-tonner (25 mm) glaskuvette	5	Orienteringsposition (i urets retning)
3	16 mm glaskuvette	6	Kuvetteadapter

Figur 5 Kuvette og instrumenthætte installation



Figur 6 Beskrivelse af tastatur



1 MODLYS: indstil skærmyset til at være tændt eller slukket	4 HØJRE valgast (menubestemt): læs prøve, vælger eller bekræfter funktioner, åbner undermenuer
2 INDSTILLINGER: opsætningsfunktioner ¹	5 Navigationstasterne OP, NED, HØJRE, VENSTRE: rul gennem menuer, indtast tal og bogstaver ²
3 VENSTRE valgast (menubestemt): adgang til funktioner, annullerer eller afslutter det aktuelle menuskærbillede og vender tilbage til den forrige.	6 HJEM/fFunktioner: gå til startside ¹ , vælg program, datastyring

Sektion 4 Brugergrenseflade og navigation

4.1 Beskrivelse af tastatur

Se [Figur 6](#) for tastaturbeskrivelse og navigeringsinformation.

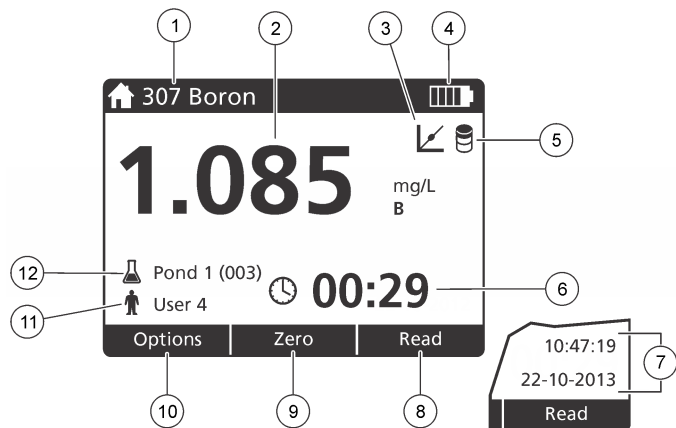
4.2 Skærmbeskrivelse

Displayet viser den valgte modus, enhed, dato og klokkeslæt, operatør-ID og prøve-ID. Se [Figur 7](#).

¹ I redigeringsmodus arbejder tasten ikke.

² Når en OP- eller NED-tast holdes trykket ned, ruller den hurtigt. Når der trykkes på en VENSTRE- eller HØJRE-tast, scrolles der mellem sider.

Figur 7 Enkeltskærmsvisning



1 Programnavn og -tal	7 Klokkeslæt og dato
2 Læseværdi, enhed, kemisk formular, under "----" eller over måleområde "+++"	8 Læs (menubestemt: udført, vælg, start, ok)
3 Standardjusteringsikon	9 Nul (menubestemt: navigeringsnøgle UP-pil)
4 Batteristatus	10 Funktioner (menubestemt: sort, annullér)
5 Ikonet Blind reagens	11 Operatøridentifikation
6 Timer	12 Prøveidentifikation

4.3 Navigering

Instrumentet indeholder menuer til at ændre forskellige funktioner. Brug navigeringstasterne (pilene **OP**, **NED**, **HØJRE** og **VENSTRE**) til at markere forskellige funktioner. Tryk på valgtasten **HØJRE** for at vælge en funktion. Indtast en funktionsværdi med navigeringstasterne. Tryk på

navigeringstasterne (pilene **OP**, **NED**, **HØJRE** og **VENSTRE**) for at indtaste en værdi. Tryk på pilen **HØJRE** for at gå videre til næste plads. Tryk på valgtasten **HØJRE** under **Udført** for at acceptere værdien. Tryk på valgtasten **VENSTRE** for at afslutte det aktuelle menuskærbillede og vende tilbage til den forrige.

Sektion 5 Opstart

5.1 Indstil instrumentet til tændt eller slukket

Tryk på **TÆND-/SLUK** knappen for at tænde eller slukke instrument. Hvis instrument ikke tændes, skal du sørge for, at batterierne er korrekt installeret.

5.2 Indstil sproget

Der er to funktioner til indstilling af sproget:

- Indstil skærmsproget, når instrumentet tændes for første gang.
- Indstil sproget fra menuen **INDSTILLINGER**.

1. Tryk på **INDSTILLINGER>Opsætning>Sprog**.

2. Vælg et sprog fra listen.

5.3 Angiv dato og tid

Der er to funktioner til at indstille dato og klokkeslæt med.

- Indstil dato og klokkeslæt, når instrumentet er indstillet til tændt for første gang.
- Indstil datoen og klokkeslættet fra menuen **Dato & klokkeslæt**.

1. Tryk på **INDSTILLINGER>Opsætning>Dato & Klokkeslæt**.

2. Vælg **Indstil format for dato og klokkeslæt**, vælg derefter et format for datoen og klokkeslættet.

3. Vælg **Indstil dato og klokkeslæt**.

4. Brug navigeringstasterne til at indtaste den aktuelle dato og klokkeslæt og tryk derefter på **OK**.

Sektion 6 Standardbetjening

6.1 Programliste

Instrument leveres med en komplet serie anvendelsesprogrammer. Se [Tabel 1](#) for programbeskrivelserne.

Tabel 1 Programfunktioner

Programfunktion	Beskrivelse
Gemte programmer	Gemte programmer er fabriksinstallerede, præprogrammerede metoder. Se Vælg et gemt program på side 125.
Brugerprogrammer	Metoder kan udvikles og gemmes som brugerprogram. ³ Se Brugerprogrammer på side 128.
Foretrukne	Metoder, der ofte bruges, kan gemmes på favorittlisten. ¹

6.1.1 Vælg et gemt program

1. Tryk på **HJEM>Funktioner>Alle Programmer**.
2. Vælg den relevante metode og tryk på **Start**.
3. Vælg **Funktioner>Tilføj til Foretrukne** for at tilføje den valgte metode til favoritter for hurtigere adgang.

6.1.2 Vælg grundlæggende programfunktioner

Når et program vælges, er der ekstra parameterfunktioner tilgængelige.

1. Tryk på **Funktioner** for at gå ind i funktionsmenuen.

2. Vælg de relevante funktioner.

Funktion	Beskrivelse
Start timer	Vælg en præindstillet timer eller indstil en manuel timer for at sørge for, at trinene i en analyse er korrekt timede (f.eks. kan reaktionstider eller ventetider specificeres nøjagtigt). Når timeren er tændt, vises timer-ikonet på skærmen. Instrument afgiver en hørbar lyd, når tiden er gået. Præindstillet timer —Vælg den gældende timer for ét eller flere gemte proceduretrin og tryk på Start . Timer-håndbog —Indtast den gældende tid med navigeringstasterne og tryk på Udført . Standard = 00:00
Foretrukne/Brugerpr.	Vælg blandt de gemte favoritter eller fra brugerprogramlisten. Du kan finde flere oplysninger under Vælg et favorit- eller brugerprogram på side 128.
Alle Programmer	Vælg en præprogrammeret metode fra listen.
Datalog	Vis alle gemte aflæsninger. Du kan finde flere oplysninger under Datalog på side 127.
Tilføj til Foretrukne	Gem opbevarede programmer og brugerprogrammetoder, der ofte bruges på favorittlisten. Se Tilføj et program til Favoritter på side 128.

³ Et maksimum på ti metoder (brugerprogrammer og/eller favoritter) kan gemmes.

Funktion	Beskrivelse
%T/Abs/konc	Skift til % transmittans-, absorptions- eller koncentrationsaflysninger. Transmittansaflysning (%) —Læser procentandelen af det oprindelige lys, der passerer gennem prøven og når detektoren. Absorptionsaflysninger —Lys, der absorberes af prøven, læses i absorptionsenheder. Koncentrationsaflysninger —De målte absorptionsværdier konverteres til koncentrationsværdier med den programspecifikke gemte ligning.
Avancerede funktioner	Brug de avancerede funktioner til at specificere flere parametre. Se Vælg avancerede programfunktioner på side 126.
Gem	Gem den sidste aflæsning manuelt, når funktionen Gem automatisk er indstillet til Slukket.

6.1.3 Vælg avancerede programfunktioner

Hvert program har forskellige ekstra avancerede funktioner, der kan vælges fra.

1. Tryk på **Funktioner** for at gå ind i **Funktioner>Avancerede Funktioner**.
2. Brug de avancerede funktioner til at specificere flere parametre.

Funktion	Beskrivelse
Gem automatisk	Skift mellem Tændt og Slukket. Hver aflæsning gemmes automatisk, når funktionen er indstillet til Tændt. Aflæsningen kan gemmes manuelt, når funktionen er indstillet til Slukket.

Funktion	Beskrivelse
Kemisk form	Vælg den alternative kemiske form og det tilknyttede målingsområde på visse fabriksinstallerede metoder.
Blind reagens	Korrigeringen Blind reagens kan bruges med nogle af de fabriksinstallerede metoder. Indtast resultatet af en fuldført test, der bruger deioniseret vand som prøven. Den blinde værdi subtraheres fra hvert resultat for at korrigere for en hvilken som helst baggrundsfarve på grund af reagenserne. Indtast blindkorrigeringen, før funktionen Standardjustering bruges. Fuldfør denne korrigering for hvert nyt lot af testreagenser.
Standardjustering	Ændring af gemt kalibrering. Fuldfør en test af en kendt standard ved en koncentration tæt på toppen af testområdet. Brug denne funktion til at justere resultatet for at tilpasse standardkoncentrationen.
Sortér program	Vælg alfabetisk eller numerisk programrækkefølge for programmerne, der er gemt på listen.

6.2 Brug af et operatør-ID

Operatør-ID'et knytter aflæsninger til en individuel operatør. Alle lagrede data vil indeholde dette ID.

1. Tryk på **INDSTILLINGER>Operatør-ID** på aflæsnings-skærm-billedet.
2. Vælg, opret eller slet et operatør-ID:

Funktion	Beskrivelse
Aktuelt ID	Vælg et ID fra en liste. Den aktuelle ID vil blive tilknyttet til prøvedataene, til der indlæses en anden ID.

Funktion	Beskrivelse
Opret ny ID	Indtast et navn til en ny operatør-ID. Der kan maksimalt indtastes 10 navne.
Slet ID	Slet en eksisterende prøve-ID.

6.3 Brug af prøve-ID

Prøve-ID-mærket bruges til at tilknytte aflæsninger til en særlig prøve eller lokation. Hvis det tildeles, vil gemte data inkludere dette ID.

1. Tryk på **INDSTILLINGER>Prøve-ID** på aflæsnings-skærbilledet.
2. Vælg, opret eller slet et operatør-ID:

Funktion	Beskrivelse
Aktuelt ID	Vælg et ID fra en liste. Den aktuelle ID vil blive tilknyttet til prøvedataene, til der indlæses en anden ID.
Opret ny ID	Indtast et navn på et nyt prøve-ID. Der kan maksimalt indtastes 10 navne. Prøverne er nummereret i rækkefølge for hver måling, til der vælges en anden ID (f.eks. Bassin 1, Bassin 2).
Slet ID	Slet en eksisterende prøve-ID.

6.4 Sådan foretages en måling

Grundlæggende målingstrin er nødvendige for at fuldføre en måling. Hver metode har en trin-for-trin-procedure. Se den metode, der gælder for at køre en specifik test. Det følgende eksempel er den grundlæggende procedure til fuldførelse af en måling.

1. Vælg det relevante program fra programmenuen (f.eks. Gemte programmer, Brugerprogrammer, Favoritter).
2. Installér celleadapteren, hvis det er nødvendigt.
3. Tryk på **Start** for at starte programmet.

4. Forbered blindprøven i overensstemmelse med metodedokumentet. Luk kuvetten og rengør kuvettens optiske overflader med en fnugfri klud.
5. Isæt blindprøven i kuvettebrønden. Sørg for at installere blindprøven i den korrekte og i den samme retning, herved opnås mere ensartede og præcise målinger. Se [Figur 4](#) på side 122.
6. Luk instrumenthætten for at forhindre lysinterferenser. Se [Figur 5](#) på side 123.
7. Tryk på **Nul**. Skærmen viser en koncentration på nul (f.eks. mg/L, ABS, µg/L).
8. Klargør prøven. Tilføj reagenser, som specificeret i metodedokumentet.
9. Vælg **Funktioner>Start Timer** for at bruge de gemte timer i programmet.
10. Luk kuvetten og rengør cellens optiske overflader med en fnugfri klud.
11. Isæt prøven i kuvettebrønden. Sørg for at installere kuvetten i den korrekte og i den samme retning, herved opnås mere ensartede og præcise målinger. Se [Figur 4](#) på side 122.
12. Luk instrumenthætten for at forhindre lysinterferenser. Se [Figur 5](#) på side 123.
13. Tryk på **Læs**. Skærmen viser resultaterne i de valgte enheder.
***BEMÆRK:** Skærmen viser "+++" eller "---", hvis den målte absorbans er mindre eller større end testens kalibreringsområde.*

6.5 Datalog

Dataloggen viser alle gemte aflæsninger. Tryk på **HJEM>Funktioner>Datalog** for at se aflæsningerne. Se [Eksportér dataloggen](#) på side 130 for information om eksport af datalog.

Sektion 7 Udvidet betjening

7.1 Vælg et favorit- eller brugerprogram

Favorit- og brugerprogramdatabasen er tom, når instrumentet startes for første gang. En metode kan gemmes i favoritterne for hurtigere adgang. Et brugerprogram kan programmeres til specifikke behov.

1. Tryk på **HJEM>Funktioner>Foretrukne/Brugerprogrammer>Vælg**.
2. Tryk på **Nyt program** for at oprette et nyt brugerprogram. Se [Brugerprogrammer](#) på side 128.

7.2 Tilføj et program til Favoritter

Gemte programmer og brugerdefinerede programmer, der ofte bruges, kan gemmes på favoritlisten.

1. Vælg **HJEM>Funktioner>Alle programmer**.
2. Vælg den relevante metode, og tryk på **Start**.
3. Vælg **Funktioner>Tilføj til foretrukne** for at tilføje den valgte metode til foretrukne.

7.3 Brugerprogrammer

Brugerprogramdatabasen er tom, når instrumentet startes for første gang. Brug **Nyt Program** til at udarbejde nye programmer efter specifikke behov. For at udarbejde et nyt brugerprogram skal du udføre følgende trin.

1. Tryk på **HJEM>Funktioner>Foretrukne /Brugerprogrammer>Vælg>Nyt program**.
2. Vælg et tilgængeligt programnummer fra 1001 til 1010.
BEMÆRK: Der kan maksimalt gemmes ti programmer (brugerprogrammer og/eller favoritter).

3. Indtast et metodenavn (op til 12 tegn).
4. Vælg bølgelængden: 420, 520, 560 eller 610 nm.
5. Vælg enheden: ingen, µg/L, mg/L eller g/L.
6. Vælg opløsningen: 0000, 000,0, 00,00 eller 0,000.
7. Tilføj kalibreringspunkter: en minimum på 2 og et maksimum på 12 kalibreringspunkter.⁴ Vælg **Redigér std.** 1 og indtast den første standardkoncentrationsværdi. Tryk på **Udført**.
BEMÆRK: Et bip betyder, at koncentrationen er et duplikat af en tidligere indtastet standard, eller at koncentrationen er for høj til den valgte opløsning. Indtast en anden værdi og fortsæt.
8. Indtast absorptionsværdien:

Funktion	Beskrivelse
Redigér ABS-håndbog	Brug navigeringstasterne til at indtaste absorptionsværdien manuelt.
Redigér ABS automatisk	<ol style="list-style-type: none">1. Kom blindprøven i kuvettebrønden og tryk på Nul.2. Kom den forberedte prøve ind i kuvettebrønden og tryk på Læs.3. Tryk på Udført.

BEMÆRK: Et bip betyder, at absorptionsværdien er et duplikat af en tidligere indtastet standard, eller at den falder mellem to tidligere standarder. Indtast en anden værdi og fortsæt.

9. Tryk på **Udført**.
10. Vælg Tilføj kal-punkt.
11. Indtast ekstra kalibreringspunkter, som beskrevet i trinene 7-9.
12. Vælg **Gem Brugerprogram**.

7.3.1 Redigér et brugerprogram

Sådan redigeres et gemt brugerprogram:

⁴ Hvis kurven er kendt som lineær, er der kun behov for to koncentrationsdatapunkter (f.eks. standard med nul-absorbans og en anden kendt standard). Brug ekstra datapunkter til at bekræfte linearitet eller definere en ikke-lineær kurve.

1. Vælg **HJEM>Foretrukne/Brugerpr.**
2. Vælg det relevante program og tryk på **Funktioner**.
3. Tryk på **Redigér**.
4. Følg kommandoerne på skærbilledet for at redigere proceduren.

7.3.2 Slet en bruger eller et foretrukket program

Slet et gemt bruger eller foretrukket program, hvis programmet ikke længere er i brug.

1. Vælg **HJEM>Funktioner>Foretrukne/Brugerpr.**
2. Markér det program, der skal anvendes, og tryk på **Funktioner>Slet** og følg kommandoerne på skærbilledet.

7.4 Instrumentinformation

Instrument informations menuen viser specifik information, som f.eks. instrumentets navn, serienummer, software version, database version, hukommelsesbrug og programtilgængelighed. Tryk på **INDSTILLINGER>Instrument Information**.

7.5 Indstil adgangskoden

Funktionerne til indstilling af adgangskoden bruges til at forhindre adgang til begrænsede menuer.

BEMÆRK: Hvis operatøren har glemt den anførte adgangskode, og sikkerhedsfunktionerne er tændt, kan operatøren ikke gå ind i de begrænsede menuer. Kontakt teknisk support, hvis adgangskoden er glemt.

1. Tryk på **INDSTILLINGER>Opsætning>Adg.-kodeindst.**

2. Vælg en funktion.

Funktion	Beskrivelse
Adg.-kodeindst.	Vælg Tændt eller Slukket for at tænde eller slukke adgangskodebeskyttelsen.
Beskyttede emner	Viser listen over beskyttede emner: redigér operatør-ID, redigér prøve-ID, redigér brugerprogrammer, dato & klokkeslæt, opgradér firmware, opgradér metoder, sprog og redigér favoritlisten.

7.6 Indstil skærm og lyd

Brug skærmfunktionerne til at ændre skærmkontrasten, den automatiske batterisparefunktion eller MODLYSfunktionen. Brug lydfunktionerne til en hørbar lyd, når der trykkes på en tast, eller en aflæsning er fuldført.

1. Tryk på **INDSTILLINGER>Opsætning>Skærm & Lyd>Skærmfunktioner**.
2. Vælg en funktion.

Funktion	Beskrivelse
Kontrast	Juster skærmkontrasten. Den lyseste indstilling er 0, og den mørkeste indstilling er 9. Default: 5
Automatisk nedlukning	For at maksimere batteriets levetid skal der indstilles en tidsperiode, hvorefter instrument automatisk frakobler strømmen, hvis der ikke trykkes på en tast (5, 10, 15, 20, 30 minutter, 1 time, 2 timer eller Deaktivér). Standard: 10 minutter
Modlys	Skærmens modlys indstilles til tændt, når der trykkes på MODLYS . Indstil et tidsrum, som baggrundslyset automatisk slukkes efter, hvis der ikke trykkes på en tast (10, 20, 30 sekunder, 1, 2, 5, 10 minutter eller Deaktivér). Standard: 1 minut

3. Tryk på **INDSTILLINGER>Opsætning>Skærm & Lyd>Lyde**.

4. Vælg en funktion.

Funktion	Beskrivelse
Tasteanslag	instrument afgiver en hørbar lyd, når der trykkes på en tast. Standard: slukket
Aflæsning fuldført	instrument afgiver en hørbar lyd, når en aflæsning er fuldført. Standard: tændt

7.7 USB-hovedmenuen

Når instrument er forbundet med et USB-kabel til computeren, åbnes USB-hovedmenuen. Opdatér softwaren, eksportér eller importér programmer eller eksportér dataloggen og hændelsesloggen fra USB-hovedmenuen.

7.7.1 Opdatér firmwaren

Find firmwareopgraderingsfilen på produktets webside, eller kontakt instrumentleverandøren. Gem filen fra websiden til computeren.

1. Indstil instrumentet til tændt og forbind USB-kablet til instrument og til computeren.
USB-hovedmenukommandoerne.
2. Vælg **Opdatér DR900**.
Instrumentet vises som et USB-drev på computeren. Åbn mappen.
3. Kopiér filen DR900.bin til den åbne folder.
4. Tryk på **Ok**.
5. Når opdateringen er udført, skal du trykke på **Ok**.
6. Vælg **Frakobl USB**, tryk på **Ok** og frakobl USB-kablet.
7. Tryk på **Ok**.
8. Genstart instrument.

7.7.2 Administrér programmer

Med funktionen Administrér programmer kan brugerprogrammer eksporteres og/eller importeres, og nye fabriksprogrammer kan importeres.

1. Indstil instrumentet til tændt og forbind USB-kablet til instrument og til computeren.
USB-hovedmenukommandoerne.
2. Vælg **Administrér Programmer** og vælg funktion:

Funktion	Beskrivelse
Eksportér brugerprogrammer	Eksportér alle brugerprogrammer til computeren til opbevaring, eller fjern brugerprogrammerne til en anden DR 900.
Importér brugerprogrammer	Udskift alle brugerprogrammer med brugerprogrammerne fra en anden DR 900 via computer.
Importér fabriksprogrammer	Importér nye fabriksprogrammer fra producentens webside.

Instrumentet vises som et USB-drev på computeren. Åbn mappen.

3. Kopiér eksportfilen fra drevet til computeren eller kopiér importfilen fra computeren til drevet.
4. Tryk på **Ok**.
5. Vælg **Frakobl USB** og frakobl USB-kablet, når overførslen er udført.
6. Tryk på **Ok**.


7.7.3 Eksportér dataloggen

Hændelsesloggen og dataloggen kan eksporteres til computeren. Hændelsesloggen indeholder dato, klokkeslæt, hændelsesnummer, parameter og beskrivelse af konfigurationsrelateret handling.

Prøvemålinger gemmes manuelt eller automatisk i dataloggen. Se [Vælg avancerede programfunktioner](#) på side 126.

1. Indstil instrumentet til tændt og forbind USB-kablet til instrument og til computeren.
USB-hovedmenukommandoerne.
2. Vælg **Eksportér Datalog**.
Instrumentet vises som et USB-drev på computeren. Åbn mappen.
3. Kopiér og gem eksportfilerne (DR900_DataLog.csv og DR900_EventLog.csv) til computeren.
4. Tryk på **Ok**.
5. Når filerne er kopieret til computeren, skal du vælge **Frakobl USB** og frakoble USB-kablet.
6. Tryk på **Ok**.

Sektion 8 Vedligeholdelse

▲ ADVARSEL	
	Flere risici. Kun kvalificeret personale må udføre de opgaver, som er beskrevet i dette afsnit i dokumentet.

8.1 Rengør instrumentet

Rengør instrumentet udvendigt med en fugtig klud og en mild sæbeopløsning, og tør derefter instrumentet efter behov.

8.2 Rengør kuvetterne

▲ FORSIGTIG	
 	Fare for eksponering for kemiske stoffer. Overhold laboratoriets sikkerhedsprocedurer, og bær alt det personlige beskyttelsesudstyr, der er nødvendigt for at beskytte dig mod de kemikalier, du bruger. Se de aktuelle sikkerhedsdataark (MSDS/SDS) for sikkerhedsprotokoller.


▲ FORSIGTIG	
	Fare for eksponering for kemiske stoffer. Bortskaf kemikalier og affald i overensstemmelse med lokale, regionale og nationale bestemmelser.

De fleste laboratorieopløsningsmidler bruges ved anbefalede koncentrationer. Neutrale laboratorieopløsningsmidler, som f.eks. Liquinox, er mere sikre, når regelmæssig rengøring er nødvendig. For at reducere antallet af rengøringer kan du forøge temperaturerne eller bruge et ultralydsbad. For at afslutte rengøringen skal du skylle efter nogle gange med deioniseret vand og lade kuvetten lufttørre. Kuvetterne kan også rengøres med syre, fulgt af en omhyggelig skylning med deioniseret vand.

BEMÆRK: Brug altid syre til at rengøre kuvetter, der er blevet brugt til tests med lavt metalniveau.

Specielle rengøringsmetoder er nødvendige til individuelle procedurer. Når der bruges en børste til at rengøre kuvetter, skal du være ekstra forsigtig for at undgå skrammer på kuvetternes indvendige overflade.

8.3 Udskift batterierne

▲ ADVARSEL	
	Ekspløsningsfare. Udløbne batterier kan forårsage, at der samler sig hydrogengas inde i instrumentet. Udskift batterierne, før de udløber, og opbevar ikke instrumentet i længere perioder med batterierne isat.

⚠ ADVARSEL



Brandfare. Batterierstatning er ikke tilladt. Brug kun alkaline-batterier.

BEMÆRKNING

Sørg for at stramme skruerne til 1–1.4 N·m (9–12 tommer·lb), så forseglingen er tæt og for at opretholde de miljømæssige krav for kabinettet.

Se [Isæt batterierne](#) på side 121 for udskiftning af batterier.

Sektion 9 Fejlsøgning

Fejlkode	Mulig årsag	Løsning
1	Instrumentet er ikke konfigureret	Kontakt teknisk support.
2	Kunne ikke læse programdata	
3	Kunne ikke skrive programdata	
4	Batterifejl	Udskift batterierne.
5	A/D-fejl under en måling	Kontakt teknisk support.
6	Offset-fejl under en måling	Sørg for, at instrumenthætten er korrekt installeret.

Fejlkode	Mulig årsag	Løsning
7	Lav lysfejl under en måling	<ul style="list-style-type: none">• Sørg for, at lysvejen ikke er blokeret.• Nul er uden for instrumentets område• Kontakt teknisk support.
8	Fejlen over området under en måling, en potentiel lysblokering eller koncentrationen er for høj	<ul style="list-style-type: none">• Sørg for, lysvejen ikke er blokeret, og at koncentrationen ikke er for høj for programmet.• Sørg for, at instrumenthætten er korrekt installeret.• Kontakt teknisk support.

Sektion 10 Reservedele og tilbehør

⚠ ADVARSEL



Fare for personskade. Anvendelse af ikke-godkendte dele kan medføre personskade, beskadigelse af instrumentet eller fejlfunktion af udstyret. Reservedelene i dette afsnit er godkendt af producenten.

BEMÆRK: Produkt- og varenumre kan variere i visse salgsregioner. Kontakt den relevante distributør, eller se virksomhedens webside for kontaktinformation.

Reservedele

Beskrivelse	Varenr.
Adaptersamling, COD	4846400
Batterisæt, AA-alkalinbatterier (4x)	1938004
Kuvette med hætte, 25 x 95 mm, 10-20-25 mL (6x)	2401906

Reserve dele (fortsat)

Beskrivelse	Varenr.
Kuvette med hætte, 1 cm/10 mL (2x)	4864302
USB-kabel	LZV818

Tilbehør

Beskrivelse	Varenr.
Hætte, kuvette, for 25 x 95 mL celle	2401812
Bæreboks, med hårde sider	4942500
Bæreboks, bløde sider med skulderstrop	2722000
Bæreboks, mobilt laboratorium	4943000
DR/Check™ absorptionsstandarder	2763900
Instrumenthætte, DR 900	9390500

Inhoudsopgave

- 1 [Specificaties](#) op pagina 134
- 2 [Algemene informatie](#) op pagina 134
- 3 [Installatie](#) op pagina 137
- 4 [Gebruikersinterface en navigatie](#) op pagina 139
- 5 [Opstarten](#) op pagina 141
- 6 [Standaardbediening](#) op pagina 141
- 7 [Geavanceerde bediening](#) op pagina 144
- 8 [Onderhoud](#) op pagina 148
- 9 [Problemen oplossen](#) op pagina 149
- 10 [Reserveonderdelen en accessoires](#) op pagina 149

Hoofdstuk 1 Specificaties

Specificaties kunnen zonder kennisgeving vooraf worden gewijzigd.

Specificatie	Details
Meetmodus	Transmissie (%), Absorptie (Abs) en Concentratie (Conc)
Afmetingen (B x D x H)	23,6 x 8,7 x 4,7 cm (9,3 x 3,4 x 1,9 inch)
Afdichtingsgraad	IP67
Gewicht	0,6 kg (1,3 lb)
Voedingseisen (intern)	AA Alkalinebatterijen (4x)
Levensduur batterij	6 maanden (typisch) bij 5 metingen per dag/5 dagen per week zonder gebruik van de schermverlichting
Interface	USB mini
Bedrijfstemperatuur	0 tot 50 °C (32 tot 122 °F), maximaal 90% relatieve vochtigheid, niet-condenserend

Specificatie	Details
Opslagtemperatuur	–30 tot 60 °C (–22 tot 140 °F), maximaal 90% relatieve vochtigheid, niet-condenserend
Lichtbron	Light emitting diode (LED)
Detector	Siliconen fotodiode
Golflengtebereik	420, 520, 560, 610 nm
Fotometrisch meetbereik	0–2 Abs
Nauwkeurigheid golflengte	±1nm
Fotometrische nauwkeurigheid	±0.03 abs
Fotometrische lineariteit	±0,002 Abs (0–1 Abs)
Keuze golflengte	Automatisch, gebaseerd op de keuze van de methode
Fotometrische reproduceerbaarheid	±0,002 Abs (0–1 Abs)
Gegevens uitlezen	Grafische display, 240 x 160 pixel (schermverlichting)
Kuvetten	16 mm, 1 cm/10 ml, 25 mm (1 inch), rond
Beschermingsklasse	Klasse III
Certificeringen	CEgecertificeerd
Garantie	1 jaar (EU: 2 jaar)

Hoofdstuk 2 Algemene informatie

De fabrikant kan onder geen enkele omstandigheid aansprakelijk worden gesteld voor directe, indirecte, speciale, incidentele of continue schade die als gevolg van enig defect of onvolledigheid in deze

handleiding is ontstaan. De fabrikant behoudt het recht om op elk moment, zonder verdere melding of verplichtingen, in deze handleiding en de producten die daarin worden beschreven, wijzigingen door te voeren. Gewijzigde versies zijn beschikbaar op de website van de fabrikant.

2.1 Veiligheidsinformatie

De fabrikant is niet verantwoordelijk voor enige schade door onjuist toepassen of onjuist gebruik van dit product met inbegrip van, zonder beperking, directe, incidentele en gevolgschade, en vrijwaart zich volledig voor dergelijke schade voor zover dit wettelijk is toegestaan. Uitsluitend de gebruiker is verantwoordelijk voor het identificeren van kritische toepassingsrisico's en het installeren van de juiste mechanismen om processen te beschermen bij een mogelijk onjuist functioneren van apparatuur.

Lees deze handleiding voor het uitpakken, installeren of gebruiken van het instrument. Let op alle waarschuwingen. Wanneer u dit niet doet, kan dit leiden tot ernstig persoonlijk letsel of schade aan het instrument.

Controleer voor gebruik of het instrument niet beschadigd is. Het instrument mag op geen andere wijze gebruikt worden dan als in deze handleiding beschreven.

2.2 Gebruik van gevareninformatie

▲ GEVAAR

Geeft een potentieel gevaarlijke of dreigende situatie aan die, als deze niet kan worden voorkomen, kan resulteren in dodelijk of ernstig letsel.

▲ WAARSCHUWING

Geeft een potentieel of op handen zijnde gevaarlijke situatie aan, die als deze niet wordt vermeden, kan leiden tot de dood of ernstig letsel.

▲ VOORZICHTIG





Geeft een mogelijk gevaarlijke situatie aan die kan resulteren in minder ernstig letsel of lichte verwondingen.

LET OP

Duidt een situatie aan die (indien niet wordt voorkomen) kan resulteren in beschadiging van het apparaat. Informatie die speciaal moet worden benadrukt.

2.3 Waarschuwingsetiketten

Lees alle labels en etiketten die op het instrument zijn bevestigd. Het niet naleven van deze waarschuwingen kan leiden tot letsel of beschadiging van het instrument. In de handleiding wordt door middel van een veiligheidsvoorschrift uitleg gegeven over een symbool op het instrument.

	Dit symbool, indien op het instrument aangegeven, verwijst naar de handleiding voor bediening en/of veiligheidsinformatie.
	Dit symbool duidt op explosiegevaar.
	Dit symbool duidt op brandgevaar.
	Dit symbool duidt op een kans op chemisch letsel en geeft aan dat alleen personen die bevoegd en opgeleid zijn om met chemicaliën te werken chemische producten mogen hanteren of onderhoudswerkzaamheden mogen uitvoeren aan chemicaliënleveringssystemen voor de apparatuur.

	Dit symbool geeft aan dat u een veiligheidsbril moet dragen.
	Elektrische apparatuur gemarkeerd met dit symbool mag niet worden afgevoerd via Europese systemen voor afvoer van huishoudelijk of openbaar afval. Oude apparatuur of apparatuur aan het einde van zijn levensduur kan naar de fabrikant worden geretourneerd voor kosteloze verwerking.

2.4 Naleving en certificering

⚠ VOORZICHTIG

Deze apparatuur is niet bedoeld voor gebruik in woonomgevingen en biedt in dergelijke omgevingen mogelijk onvoldoende bescherming voor radio-ontvangst.

Canadese norm inzake apparatuur die radio-interferentie veroorzaakt, ICES-003, Klasse A:

Aanvullende informatie en testresultaten zijn via de fabrikant verkrijgbaar.

Dit Klasse A instrument voldoet aan alle eisen van de Canadese norm inzake apparatuur die radio-interferentie veroorzaakt.

Cet appareil numérique de classe A répond à toutes les exigences de la réglementation canadienne sur les équipements provoquant des interférences.

FCC deel 15, Klasse "A" bepalingen

Aanvullende informatie en testresultaten zijn via de fabrikant verkrijgbaar. Dit instrument voldoet aan Deel 15 van de FCC-voorschriften. Het gebruik van dit instrument is aan de volgende voorwaarden onderworpen:

1. Het instrument mag geen schadelijke storingen veroorzaken.
2. Het instrument moet elke willekeurige ontvangen storing accepteren, inclusief storingen die mogelijk een ongewenste invloed kunnen hebben.

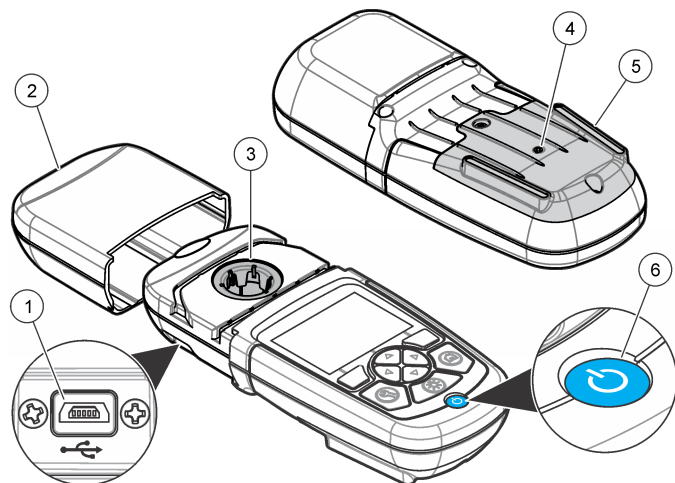
Door veranderingen of aanpassingen aan dit toestel die niet uitdrukkelijk zijn goedgekeurd door de partij verantwoordelijk voor certificering, kan de certificering van dit instrument komen te vervallen. Dit apparaat is getest en voldoet aan de normen voor een elektrisch instrument van Klasse A, volgens Deel 15 van de FCC-voorschriften. Deze bepalingen zijn vastgesteld om een redelijke bescherming te bieden tegen hinderlijke storingen wanneer het instrument in een commerciële omgeving wordt gebruikt. Dit instrument produceert en gebruikt radiogolven, en kan deze uitstralen. Als het niet wordt geïnstalleerd en gebruikt volgens de handleiding, kan het hinderlijke storing voor radiocommunicatie veroorzaken. Gebruik van het instrument in een woonomgeving zal waarschijnlijk zorgen voor hinderlijke storing. De gebruiker dient deze storing dan op eigen kosten te verhelpen. Om storingen op te lossen kan het volgende worden geprobeerd:

1. Ontkoppel het instrument van zijn stroombron om te controleren of deze stroombron al dan niet de storing veroorzaakt.
2. Als het instrument op hetzelfde stopcontact is aangesloten als het apparaat dat storing ondervindt, dient u het apparaat op een ander stopcontact aan te sluiten.
3. Plaats het apparaat weg van het apparaat waarop de storing van toepassing is.
4. Verplaats de ontvangstantenne voor het apparaat dat de storing ontvangt.
5. Probeer verschillende combinaties van de hierboven genoemde suggesties.

2.5 Productoverzicht

De DR 900 is een draagbare colorimeter met led die metingen uitvoert op golflengten van 420, 520, 560 en 610 nm. Het apparaat wordt gebruikt voor het meten van talloze parameters in drinkwater, afvalwater en industriële toepassingen. Het apparaat wordt geleverd met een volledige set opgeslagen programma's (vooraf geïnstalleerde methoden) en de beschikbaarheid van opslag voor gebruikersprogramma's en selectie van favoriete programma's. Raadpleeg [Afbeelding 1](#).

Afbeelding 1 apparaatoverzicht

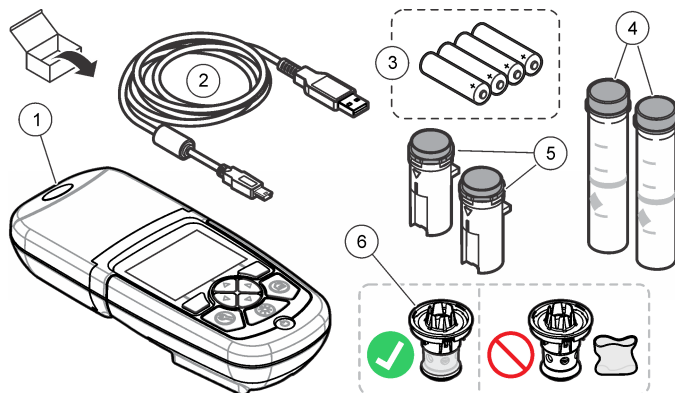


1 USB-poort	4 Ventilatieopening
2 Kap van het apparaat	5 Batterijvak
3 Meetschacht	6 Aan-uitknop

2.6 Productcomponenten

Controleer of alle componenten zijn ontvangen. Raadpleeg [Afbeelding 2](#). Neem contact op met de fabrikant van het apparaat of een verkoopvertegenwoordiger in geval van ontbrekende of beschadigde onderdelen.

Afbeelding 2 Productcomponenten



1 DR 900	4 Glazen monsterkuvet, 25 mm (1 inch) rond, 10, 20, 25 ml markeringen (2x)
2 USB-kabel met mini-USB-connector	5 Monsterkuvet, 1 cm/10 ml (2x)
3 AA alkalinebatterijen (4x)	6 Adapter voor monsterkuvet

Hoofdstuk 3 Installatie

⚠ WAARSCHUWING



Diverse gevaren. Alleen bevoegd personeel mag de in dit deel van het document beschreven taken uitvoeren.

LET OP

Tijdens opslag of gebruik van het apparaat mag de ventilatieopening voor de batterij niet worden geblokkeerd.

3.1 De batterijen plaatsen

⚠ WAARSCHUWING



Explosiegevaar. Door onjuiste plaatsing van de batterijen kunnen explosieve gassen vrijkomen. Controleer of de batterijen van hetzelfde goedgekeurde chemische type zijn en in de juiste richting zijn aangebracht. Gebruik nieuwe batterijen nooit samen met oude batterijen.

⚠ WAARSCHUWING



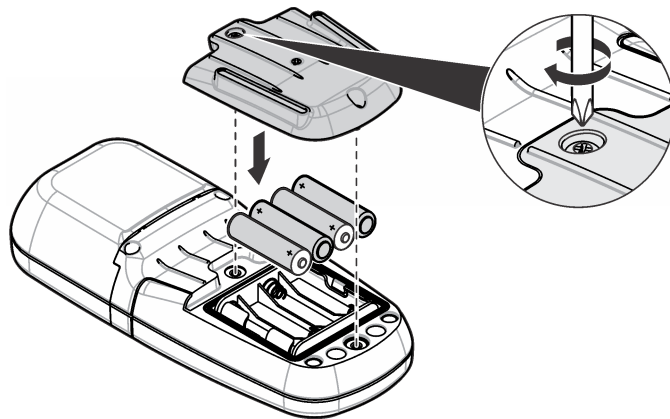
Brandgevaar. Alternatieven voor de batterijen worden niet toegestaan. Gebruik alleen alkalinebatterijen.

LET OP

Zorg ervoor dat de schroeven zijn aangehaald met 1 tot 1,4 Nm (9 tot 12 in. lb), zodat de afdichting goed aansluit en de beschermingsklasse van de behuizing handhaafd blijft.

Het apparaat werkt op vier AA alkalinebatterijen. Zorg ervoor dat de polen van de batterijen de juiste kant op wijzen. Raadpleeg [Afbeelding 3](#) voor plaatsing van de batterijen.

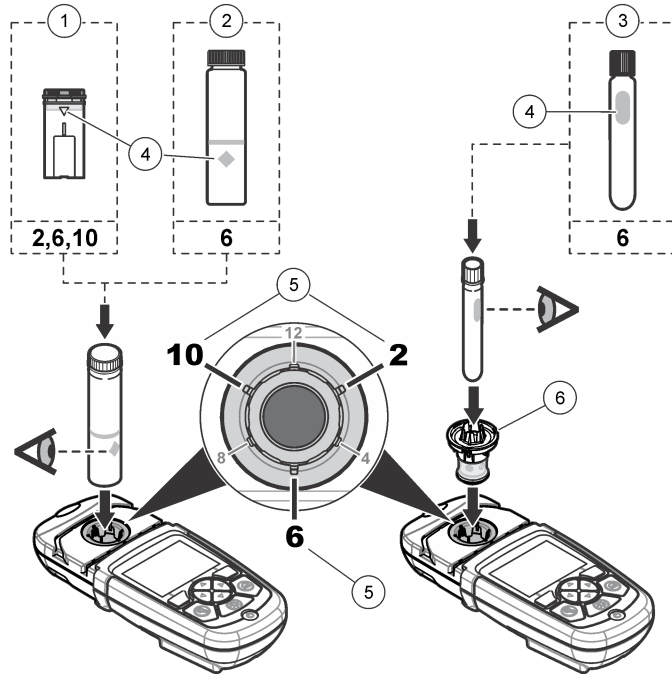
Afbeelding 3 De batterij plaatsen



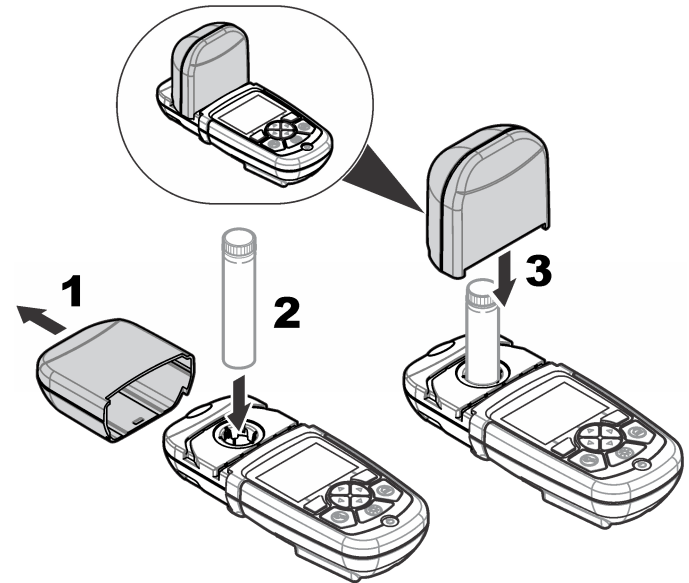
3.2 De monsterkuvet en de kuvetadapter plaatsen

Het apparaat heeft één meetschacht waarin een adapter kan worden geplaatst voor verschillende types monsterkuvetten. Zorg dat het monsterkuvet in de correcte en een consistente richting wordt geplaatst, zodat de resultaten beter reproduceerbaar en nauwkeuriger zijn. Raadpleeg [Afbeelding 4](#). Sluit de kap van het apparaat voordat het apparaat wordt nulgesteld of een meting wordt uitgevoerd om interferentie door licht te vermijden. Raadpleeg [Afbeelding 5](#).

Afbeelding 4 Richting van het monsterkuvet



Afbeelding 5 Plaatsing van het monsterkuvet en van de kap van het apparaat



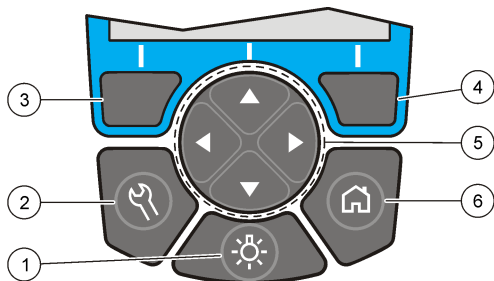
Hoofdstuk 4 Gebruikersinterface en navigatie

4.1 Functies van de toetsen

Raadpleeg [Afbeelding 6](#) voor een beschrijving van de functies van de toetsen en voor informatie over de navigatie.

1 Plastic monsterkuvet, 1 cm/10 ml	4 Oriëntatietekens
2 Monsterkuvet van glas, 25 mm (1 inch)	5 Oriëntatiepositie (naar s)
3 Testflaçon van glas, 16 mm	6 Adapter voor monsterkuvet

Afbeelding 6 Functies van de toetsen

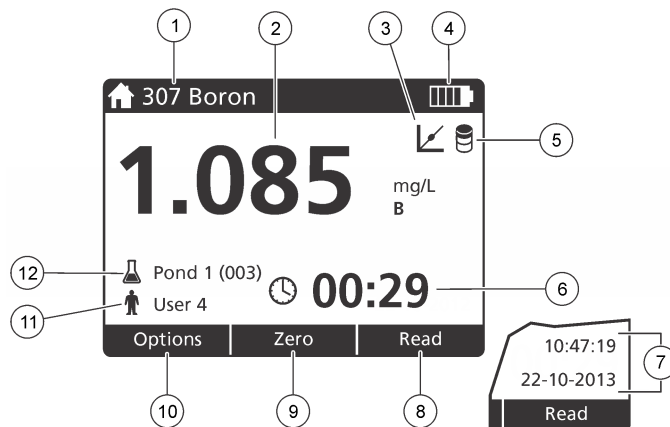


<p>1 SCHERMVERLICHTING: schakel de displayverlichting in of uit.</p>	<p>4 Selectietoets S (contextueel): monster lezen, opties selecteren of bevestigen, submenu's openen.</p>
<p>2 INSTELLINGEN: Installatieopties¹</p>	<p>5 Navigatietoetsen OMHOOG, OMLAAG, S, LINKS: door menu's scrollen, nummers en letters invoeren.²</p>
<p>3 Selectietoets LINKS (contextueel): toegang voor opties, annuleert of sluit het actieve menuscherm naar de vorige.</p>	<p>6 HOME/Opties: ga naar het hoofdscherm¹, selecteer program, gegevensbeheer.</p>

4.2 Het display

In het hoofdscherm worden de geselecteerde modus, eenheid, datum en tijd, gebruikers-ID en monster-ID getoond. Raadpleeg [Afbeelding 7](#).

Afbeelding 7 Display met één scherm



<p>1 Programmanaam en -nummer</p>	<p>7 Tijd en datum</p>
<p>2 Meetwaarde, eenheid, chemische formule, onder "---" of boven meetbereik "+++"</p>	<p>8 Lezen (contextueel: gereed, selecteren, starten, ok)</p>
<p>3 Standaardpictogram voor aanpassen</p>	<p>9 Nulstellen (contextueel: navigatietoets pijl omhoog)</p>
<p>4 Batterijstatus</p>	<p>10 Opties (contextueel: terug, annuleren)</p>
<p>5 Pictogram voor blanco meting</p>	<p>11 Gebruikers-ID</p>
<p>6 Timer</p>	<p>12 Monster-ID</p>

¹ De toets werkt niet in een bewerkmodus.

² Wanneer een toets OMHOOG of OMLAAG ingedrukt wordt gehouden, gaat het scrollen sneller. Wanneer een toets LINKS of S wordt ingedrukt, wordt per pagina gescrold.

4.3 Navigatie

Het apparaat bevat menu's om talloze opties te wijzigen. Gebruik de navigatietoetsen (**OMHOOG**, **OMLAAG**, **RECHTS** en **LINKS**) om verschillende opties te markeren. Druk de selectietoets **RECHTS** om een optie te selecteren. Voer een optionele waarde in met de navigatietoets. Druk op de navigatietoetsen (**OMHOOG**, **OMLAAG**, **RECHTS** en **LINKS**) om een waarde in te voeren of te wijzigen. Druk op de pijltoets **RECHTS** om naar de volgende positie te gaan. Druk op de selectietoets **RECHTS** onder **Klaar** om de waarde te accepteren. Druk op de selectietoets **LINKS** om het actieve menu-scherm af te sluiten en terug te gaan naar het vorige scherm.

Hoofdstuk 5 Opstarten

5.1 Het apparaat in- of uitschakelen

Druk op de **AAN-UIT**toets om het apparaat in of uit te schakelen. Als het apparaat niet opstart, controleer dan of de batterijen goed zijn geplaatst.

5.2 De taal instellen

De taal kan op twee manieren worden ingesteld:

- Stel de taal van het display in wanneer het apparaat voor de eerste keer wordt aangezet.
- Stel de taal in vanuit het menu **INSTELLINGEN**.

1. Ga naar **INSTELLINGEN>Instellingen>Taal**.
2. Selecteer een taal uit de lijst.

5.3 Datum en tijd instellen

Er zijn twee opties voor het instellen van de datum en tijd:

- Stel de datum en tijd in wanneer het apparaat voor de eerste keer wordt aangezet.

- Stel de datum en tijd in vanuit het menu **Datum & Tijd**.

1. Ga naar **INSTELLINGEN>Instellingen>Datum & Tijd**.
2. Selecteer **Stel datum & tijd instellen** en selecteer een indeling voor de datum en tijd.
3. Selecteer **Set Date & Time**.
4. Gebruik de navigatietoetsen om de huidige datum en tijd in te voeren en druk op **OK**.

Hoofdstuk 6 Standaardbediening

6.1 Lijst met programma's

Het apparaat wordt geleverd met een volledige reeks toepassingsprogramma's. Raadpleeg [Tabel 1](#) voor de programmabeschrijvingen.

Tabel 1 Programmaopties

Programmaoptie	Beschrijving
Opgeslagen programma's	Opgeslagen programma's zijn voorgeprogrammeerde methoden die in de fabriek zijn geïnstalleerd. Raadpleeg Een opgeslagen programma selecteren op pagina 142.
Gebruikersprogramma's	Methoden kunnen worden ontwikkeld en als een gebruikersprogramma worden opgeslagen. ³ Raadpleeg Gebruikersprogramma's op pagina 145.
Favorieten	Methoden die vaak worden gebruikt, kunnen worden opgeslagen in de lijst met favorieten. ¹

³ Er kunnen maximaal tien methoden (gebruikersprogramma's en/of favorieten) worden opgeslagen.

6.1.1 Een opgeslagen programma selecteren

1. Ga naar **HOME>Opties>Alle programma's**.
2. Selecteer de betreffende methode en druk op **Start**.
3. Selecteer **Opties>Aan fav. toevoegen** om de geselecteerde methode toe te voegen aan de favorieten voor een snellere toegang.

6.1.2 Basisprogrammaopties selecteren

Wanneer een programma is geselecteerd, worden aanvullende parameteropties beschikbaar.

1. Druk op **Opties** om het optiemenu te openen.
2. Selecteer de beschikbare opties.

Optie	Omschrijving
Timer starten	Selecteer een vooraf ingestelde timer of stel een handmatige timer in om te zorgen dat de stappen van een analyse correct worden getimed (bijv. reactietijden of wachttijden kunnen nauwkeurig worden gespecificeerd). Wanneer de timer is ingeschakeld, verschijnt het timerpictogram op het display. Het apparaat laat een geluid horen als de tijd voorbij is. Vooraf ingestelde timer: selecteer de vooraf ingestelde timer voor één of meerdere opgeslagen procedurestappen en druk op Starten . Timer handmatig: voer de betreffende tijd in met de navigatietoetsen en druk op Klaar . Standaard = 00:00
Fav./Gebr.program	Selecteer uit de lijst met opgeslagen favorieten of gebruikersprogramma's. Raadpleeg Een favoriet of gebruikersprogramma selecteren op pagina 144 voor meer informatie.
Alle programma's	Selecteer een voorgeprogrammeerde methode uit de lijst.

Optie	Omschrijving
Datalogger	Toon alle opgeslagen waarden. Raadpleeg Gegevenslogboek op pagina 144 voor meer informatie.
Aan fav. toevoegen	Sla opgeslagen programma's en gebruikersprogramma's die vaak worden gebruikt op in de lijst met favorieten. Raadpleeg Een programma aan favorieten toevoegen op pagina 144.
%T/Abs/Conc	Schakel over naar waarden voor % transmissie, absorptie of concentratie. Transmissiewaarde (%): het percentage van het oorspronkelijk licht dat door het monster dringt en de detector bereikt. Absorptiewaarden: het licht dat wordt geabsorbeerd door het monster in eenheden van absorptie. Concentratiewaarden: de gemeten absorptiewaarde worden omgezet in concentratiewaarden met de programmaspecifieke opgeslagen vergelijking.
Geavanceerde opties	Gebruik de geavanceerde opties om meer parameters te specificeren. Raadpleeg Geavanceerde programmaopties selecteren op pagina 142.
Opslaan	Sla de laatste waarde handmatig op wanneer de optie Automatisch opslaan is ingesteld op Uit.

6.1.3 Geavanceerde programmaopties selecteren

Elk programma heeft verschillende geavanceerde opties die u kunt selecteren.

1. Druk op **Opties** om **Opties>Geavanceerde opties** te openen.
2. Gebruik de geavanceerde opties om meer parameters te specificeren.

Optie	Omschrijving
Automatisch opslaan	Schakelen tussen Aan en Uit. Elke waarde wordt automatisch opgeslagen wanneer de optie wordt ingesteld op Aan. De waarde kan handmatig worden opgeslagen wanneer de optie is ingesteld op Uit.
Chemische formule	Selecteer de alternatieve chemische formule en het bijbehorende meetbereik van enkele in de fabriek geïnstalleerde methoden.
Blanco meting	De blanco correctie kan worden gebruikt met enkele van de in de fabriek geïnstalleerde methoden. Voer het resultaat van een voltooide test in en gebruik daarbij gedeïoniseerd water als het monster. De blanco waarde wordt van elk resultaat afgetrokken om achtergrondkleuren door reagentia te corrigeren. Voer de blanco correctie in voordat de optie Aanpassen met een standaard wordt gebruikt. Voltooi deze correctie voor elke nieuwe partij testreagentia.
Aanpassen met een standaard	Wijzig de opgeslagen kalibratie. Voltooi een test op een bekende standaard met een concentratie die dicht bij de bovengrens van de test ligt. Gebruik deze functie om het resultaat aan te passen en de standaardconcentratie uit te lijnen.
Programma sorteren	Selecteer een alfabetische of numerieke programmvolgorde voor de lijst met opgeslagen programma's.

6.2 Een gebruikers-ID gebruiken

Om metingen aan een bepaalde gebruiker toe te wijzen, kan de gebruikers-ID ingesteld worden. Alle opgeslagen gegevens bevatten deze ID.

1. Ga naar **INSTELLINGEN>Gebruikers-id** in het afleesscherm.
2. Een gebruikers-ID selecteren, maken of verwijderen:

Optie	Omschrijving
Huidige ID	Selecteer uit de lijst een andere monster-ID. Totdat een andere ID wordt geselecteerd, wordt de huidige ID aan de monstergegevens toegewezen.
Een nieuwe ID maken	Voer een naam in voor een nieuwe gebruikers-ID. Er kunnen maximaal 10 namen worden ingevoerd.
Id wissen	Verwijder een bestaande gebruikers-ID.

6.3 Een monster-ID gebruiken

Het monster-ID-label wordt gebruikt om metingen aan een bepaald monster of een bepaalde locatie toe te wijzen. Daarna bevatten alle opgeslagen gegevens deze id.

1. Ga naar **INSTELLINGEN>Monster-id** in het afleesscherm.
2. Een gebruikers-ID selecteren, maken of verwijderen.

Optie	Omschrijving
Huidige ID	Selecteer een monster-ID uit een lijst. Totdat een andere ID wordt geselecteerd, wordt de huidige ID aan de monstergegevens toegewezen.
Een nieuwe ID maken	Voer een naam in voor een nieuwe monster-ID. Er kunnen maximaal 10 namen worden ingevoerd. De monsters worden op volgorde genummerd voor elke meting totdat een andere ID wordt geselecteerd (bijv. Pond 1, Pond 2).
Id wissen	Verwijder een bestaande monster-ID.

6.4 Een meting uitvoeren

Voor het voltooien van een meting zijn basismetestappen nodig. Elke methode heeft een stap voor stap procedure. Raadpleeg de betreffende methode om een specifieke test uit te voeren. Hierna volgt een voorbeeld van een basisprocedure voor het voltooien van een meting.

1. Selecteer het betreffende programma in het programmamenu (bijv. Opgeslagen programma's, Gebruikersprogramma's, Favorieten).
2. Installeer de kuvetadapter, indien nodig.
3. Druk op **Starten** om het programma te starten.
4. Bereid de blanco voor op basis van het methodedocument. Sluit het monsterkuvet en reinig de optische vlakken van het monsterkuvet met een stofvrije doek.
5. Plaats de blanco in de meetschacht. Zorg dat de blanco in de correcte en een consistente richting wordt geplaatst, zodat de resultaten beter reproduceerbaar en nauwkeuriger zijn. Raadpleeg [Afbeelding 4](#) op pagina 139.
6. Sluit de kap van het apparaat om interferentie door licht te vermijden. Raadpleeg [Afbeelding 5](#) op pagina 139.
7. Druk op **Nulstellen**. Het display toont een concentratie van nul (bijv. mg/l, ABS, µg/l).
8. Bereid het monster voor. Voeg reagentia toe zoals in het methodedocument is aangegeven.
9. Ga naar **Opties>Timer starten** om de opgeslagen timers in het programma te gebruiken.
10. Sluit het monsterkuvet en reinig de optische oppervlakken van het kuvet met een stofvrije doek.
11. Plaats het monster in de meetschacht. Zorg dat het monsterkuvet in de correcte en een consistente richting wordt geplaatst, zodat de resultaten beter reproduceerbaar en nauwkeuriger zijn. Raadpleeg [Afbeelding 4](#) op pagina 139.
12. Sluit de kap van het apparaat om interferentie door licht te vermijden. Raadpleeg [Afbeelding 5](#) op pagina 139.
13. Druk op de toets **Lezen**. Het display toont de resultaten in de geselecteerde eenheden.

Opmerking: Op het display wordt "+++" of "---" weergegeven wanneer de gemeten absorptie lager of hoger is dan het kalibratiebereik van de test.

6.5 Gegevenslogboek

De datalog toont alle opgeslagen waarden. Ga naar **HOME>Opties>Datalogger** om de waarden te bekijken. Raadpleeg [De datalog exporteren](#) op pagina 147 voor informatie over het exporteren van datalogs.

Hoofdstuk 7 Geavanceerde bediening

7.1 Een favoriet of gebruikersprogramma selecteren

De database met favorieten en gebruikersprogramma's is leeg wanneer het apparaat voor de eerste keer wordt opgestart. Voor snellere toegang tot een methode kan deze worden opgeslagen in de favorieten. Voor specifieke wensen kan een gebruikersprogramma worden geprogrammeerd.

1. Ga naar **HOME>Opties>Fav./Gebr.program>Selecteren**.
2. Ga naar **Nieuwe programma's** om een nieuw gebruikersprogramma aan te maken. Raadpleeg [Gebruikersprogramma's](#) op pagina 145.

7.2 Een programma aan favorieten toevoegen

Opgeslagen programma's en gebruikersprogrammamethoden die vaak worden gebruikt, kunnen worden opgeslagen in de lijst met favorieten.

1. Kies **HOME>Opties>Alle programma's**.
2. Selecteer de betreffende methode en druk op **Start**.
3. Kies **Opties>Toevoegen aan favorieten** om de geselecteerde methode toe te voegen aan de favorieten.

7.3 Gebruikersprogramma's

De database met gebruikersprogramma's is leeg wanneer het apparaat voor de eerste keer wordt opgestart. Gebruik **Nieuw programma** om nieuwe programma's te maken voor specifieke behoeften. Voer de onderstaande stappen uit om een nieuw gebruikersprogramma te maken.

1. Ga naar **HOME>Opties>Fav./Gebr.program>Selecteren>Nieuw programma**.
2. Selecteer een beschikbaar programmanummer van 1001 tot 1010.
Opmerking: Er kunnen maximaal tien programma's (gebruikersprogramma's en/of favorieten) worden opgeslagen.
3. Voer een methodenaam in (maximaal 12 tekens).
4. Selecteer de golflengte: 420, 520, 560 of 610 nm.
5. Selecteer de eenheid: Geen, µg/l, mg/l of g/l.
6. Selecteer de resolutie: 0000; 000,0; 00,00 of 0,000.
7. Voeg de kalibratiepunten toe: minimaal 2 en maximaal 12 kalibratiepunten.⁴ Selecteer Std 1 bewerken en voer de eerste standaard concentratiewaarde in. Druk op **Klaar**.
Opmerking: Een piep houdt in dat de concentratie een duplicaat is van een eerder ingevoerde standaard of de concentratie is te hoog voor de geselecteerde resolutie. Voer een andere waarde in en ga verder.
8. Voer de absorptiewaarde in:

Optie	Omschrijving
ABS handmatig bewerken	Gebruik de navigatietoetsen om de absorptiewaarde handmatig in te voeren.
ABS automatisch bewerken	<ol style="list-style-type: none">1. Plaats de blanco in de kuvethouder en druk op Nulstellen.2. Plaats het voorbereide monster in de kuvethouder en druk op Lezen.3. Druk op Klaar.

Opmerking: Een piep houdt in dat de absorptie een duplicaat is van een eerder ingevoerde standaard of dat deze tussen tussen twee eerdere standaarden valt. Voer een andere waarde in en ga verder.

9. Druk op **Klaar**.
10. Selecteer Kalibratiepunt toevoegen.
11. Voer aanvullende kalibratiepunten in, zoals wordt beschreven in stap 7 – 9.
12. Selecteer **Gebruikersprogramma opslaan**.

7.3.1 Een gebruikersprogramma bewerken

Een opgeslagen gebruikersprogramma bewerken:

1. Ga naar **HOME>Fav./Gebr.program**.
2. Selecteer het betreffende programma en druk op **Opties**.
3. Druk op **Bewerken**.
4. Volg de instructies op het scherm om de procedure te bewerken.

7.3.2 Een gebruikersprogramma of favoriet programma verwijderen

Verwijder een opgeslagen gebruikersprogramma of favoriet programma als het programma niet meer wordt gebruikt.

1. Ga naar **HOME>Opties>Fav./Gebr.program**.
2. Selecteer het betreffende programma en druk op **Opties>Wissen** en volg de instructies op het scherm.

7.4 Apparaatgegevens

Het menu apparaatgegevens toont specifieke gegevens, zoals de apparaatnaam, het serienummer, de softwareversie, de databaseversie, het gebruikte geheugen en beschikbaarheid van programma's. Ga naar **INSTELLINGEN>Instrumentinformatie**.

⁴ Als bekend is dat de curve lineair is, zijn slechts twee concentratiedatapunt (bijv. een standaard met nul absorptie en een andere bekende standaard) nodig. Gebruik aanvullende gegevenspunten om de lineariteit te bevestigen of een niet-lineaire curve te definiëren.

7.5 Het wachtwoord instellen

De instelopties voor het wachtwoord worden gebruikt om toegang tot beperkte menu's te vermijden.

Opmerking: Als het opgegeven wachtwoord wordt vergeten en de beveiligingsopties zijn ingeschakeld, heeft de gebruikers geen toegang tot de beperkte menu's. Neem contact op met de technische ondersteuningsafdeling als u het wachtwoord bent vergeten.

1. Ga naar **INSTELLINGEN>Instellingen>Wachtwoordinstellingen**.
2. Selecteer een optie.

Optie	Omschrijving
Wachtwoordinstellingen	Selecteer Aan of Uit om de wachtwoordbeveiliging in of uit te schakelen.
Beschermde items	Toont de lijst met beschermde items: operator-ID bewerken, monster-ID bewerken, gebruikersprogramma's bewerken, datum & tijd, bijv. upgraden, methoden upgraden, taal en favorietenlijst bewerken.

7.6 Het display en het geluid instellen

Gebruik de displayopties om het contrast van het display, de opties voor automatisch uitschakelen van de batterij of de schermverlichtingoptie te wijzigen. Gebruik de geluidsopties voor een geluid wanneer een toets wordt ingedrukt of wanneer een meting is voltooid.

1. Ga naar **INSTELLINGEN>Instellingen>Beeld & Geluid>Weergaveopties**.
2. Selecteer een optie.

Optie	Omschrijving
Contrast	Displaycontrast instellen. De lichtste instelling is 0 en de donkerste instelling is 9. Standaard: 5

Optie	Omschrijving
Automatisch afsluiten	Als u de levensduur van de batterij wilt maximaliseren, stel dan een tijdsperiode in waarna het apparaat automatisch de stroom instelt op Off als er geen toets wordt ingedrukt (5, 10, 15, 20, 30 minuten, 1 uur, 2 uur of Uitschakelen). Standaard: 10 minuten

Schermerverlicht	Wanneer SCHERMVERLICHTING wordt ingedrukt, wordt de schermverlichting van het display ingesteld op Aan. Stel een tijdsperiode in waarna de schermverlichting automatisch wordt uitgeschakeld als er geen toets wordt ingedrukt (10, 20, 30 seconden, 1, 2, 5, 10 minuten of Uitschakelen). Standaard: 1 minuut
-------------------------	---

3. Ga naar **INSTELLINGEN>Instelling>Beeld & Geluid>Geluiden**.
4. Selecteer een optie.

Optie	Omschrijving
Toetsaanslag	Het apparaat laat een geluid horen als een toets wordt ingedrukt. Standaard: uit
Lezen voltooid	Het apparaat laat een geluid horen wanneer een meting voltooid is. Standaard: aan

7.7 USB-hoofdmenu

Wanneer het apparaat met een USB-kabel is aangesloten op een computer, dan wordt het USB-hoofdmenu geopend. Update de software, exporteer of importeer programma's of exporteer de datalogger en eventlogger vanuit het USB-hoofdmenu.

7.7.1 De bijv. updaten

Vind het firmware upgradebestand op de productwebsite of neem contact op met de leverancier van het apparaat. Sla het bestand van de website op de computer op.

1. Zet het apparaat aan en sluit de USB-kabel aan op het apparaat en op de computer.
Het USB-hoofdmenu verschijnt.
2. Selecteer **DR900 bijwerken**.
Het apparaat wordt op de computer als een USB-station weergegeven. Open de map.
3. Kopieer het bestand DR900.bin naar de geopende map.
4. Druk op **Ok**.
5. Druk op **Ok** als de update is voltooid.
6. Selecteer **USB loskoppelen**, druk op **Ok** en koppel de USB-kabel los.
7. Druk op **Ok**.
8. Start het apparaat opnieuw op.

7.7.2 Programma's beheren

Met de functie Programma's beheren kunnen gebruikersprogramma's worden geëxporteerd en/of geïmporteerd en nieuwe fabrieksprogramma's worden geïmporteerd.

1. Zet het apparaat aan en sluit de USB-kabel aan op het apparaat en op de computer.
Het USB-hoofdmenu verschijnt.
2. Ga naar **Programma's beheren** en selecteer een optie:

Optie	Omschrijving
Gebruikersprogramma's exporteren	Exporteer alle gebruikersprogramma's naar de computer voor opslag of om de gebruikersprogramma's naar een andere DR 900 te verplaatsen.

Optie	Omschrijving
Gebruikersprogramma's importeren	Vervang alle gebruikersprogramma's door gebruikersprogramma's van een andere DR 900 via de computer.
Fabrieksprogramma's importeren	Importeer nieuwe fabrieksprogramma's vanaf de website van de fabrikant.

Het apparaat wordt op de computer als een USB-station weergegeven. Open de map.

3. Kopieer het exportbestand van het station naar de computer of kopieer het importbestand van de computer naar het station.
4. Druk op **Ok**.
5. Selecteer **USB loskoppelen** en koppel de USB-kabel los wanneer de overdracht is voltooid.
6. Druk op **Ok**.

7.7.3 De datalog exporteren

De eventlog en de datalog kunnen naar de computer worden geëxporteerd. De eventlog bevat de datum, tijd, eventnummer, parameter en beschrijving van een configuratie-gerelateerde actie. Monstermetingen worden handmatig of automatisch opgeslagen in de datalog. Raadpleeg [Geavanceerde programmaopties selecteren](#) op pagina 142.

1. Zet het apparaat aan en sluit de USB-kabel aan op het apparaat en op de computer.
Het USB-hoofdmenu verschijnt.
2. Selecteer **Datalog exporteren**.
Het apparaat wordt op de computer als een USB-station weergegeven. Open de map.
3. Maak een kopie van de exportbestanden (DR900_DataLog.csv and DR900_EventLog.csv) en sla deze op de computer op.
4. Druk op **Ok**.

- Selecteer **USB loskoppelen** en koppel de USB-kabel los wanneer de bestanden naar de computer zijn gekopieerd.
- Druk op **OK**.

Hoofdstuk 8 Onderhoud

▲ WAARSCHUWING



Diverse gevaren. Alleen bevoegd personeel mag de in dit deel van het document beschreven taken uitvoeren.

8.1 Reiniging van het apparaat

Reinig de buitenzijde van het instrument met een vochtige doek en een milde zeepoplossing en veeg het instrument vervolgens, indien nodig, droog.

8.2 De monsterkuvetten reinigen

▲ VOORZICHTIG



Gevaar van blootstelling aan chemicaliën. Volg alle laboratorium technische veiligheidsvoorschriften op en draag alle persoonlijke beschermingsuitrustingen die geschikt zijn voor de gehanteerde chemicaliën. Raadpleeg de huidige veiligheidsinformatiebladen (MSDS/SDS) voor veiligheidsprotocollen.



▲ VOORZICHTIG



Gevaar van blootstelling aan chemicaliën. Chemicaliën en afval dienen te worden afgevoerd in overeenstemming met de plaatselijke, regionale en nationale voorschriften.

De meeste laboratoriumreinigingsmiddelen worden gebruikt in de aanbevolen concentraties. Bij regelmatig reinigen is het gebruik van neutrale reinigingsmiddelen, zoals Liquinox, veiliger. Verhoog de temperatuur of gebruik een ultrasoon bad om de reinigingstijden te

verkorten. Spoel enkele keren met demi-water en laat de monsterkuvet aan de lucht drogen om de reiniging te voltooien. Monsterkuvetten kunnen ook met zuur gereinigd worden, gevolgd door grondig spoelen met demi-water.

Opmerking: Gebruik altijd zuur om kuvetten te reinigen die zijn gebruikt voor lage-concentratie metaaltesten.

Speciale reinigingsmethoden zijn nodig voor afzonderlijke procedures. Zorg dat de binnenzijde van de monsterkuvetten niet bekrast raakt wanneer een borstel wordt gebruikt om monsterkuvetten te reinigen.

8.3 De batterijen vervangen

▲ WAARSCHUWING



Explosiegevaar. Verouderde batterijen kunnen ertoe leiden dat waterstofgas in het instrument wordt opgebouwd. Vervang de batterijen voordat deze zijn verouderd en berg het instrument niet langdurig op als het is voorzien van batterijen.

▲ WAARSCHUWING



Brandgevaar. Alternatieven voor de batterijen worden niet toegestaan. Gebruik alleen alkalinebatterijen.

LET OP

Zorg ervoor dat de schroeven zijn aangehaald met 1 tot 1,4 Nm (9 tot 12 in. lb), zodat de afdichting goed aansluit en de beschermingsklasse van de behuizing handhaafd blijft.

Raadpleeg [De batterijen plaatsen](#) op pagina 138 voor instructies voor het vervangen van batterijen.

Hoofdstuk 9 Problemen oplossen

Foutcode	Mogelijke oorzaak	Oplossing
1	Apparaat is niet geconfigureerd.	Neem contact op met de technische ondersteuningsafdeling.
2	Programmagegevens konden niet worden	
3	Programmagegevens konden niet worden geschreven	
4	Batterijfout	De batterijen vervangen.
5	A/D-fout tijdens een meting	Neem contact op met de technische ondersteuningsafdeling.
6	Offsetfout tijdens een meting	Zorg dat de kap van het apparaat goed is geplaatst.
7	Weinig-lichtfout tijdens een meting	<ul style="list-style-type: none"> • Zorg dat het lichtpad niet wordt geblokkeerd. • Nul is buiten bereik van apparaat • Neem contact op met de technische ondersteuningsafdeling.
8	Overschrijdingsfout tijdens een meting, een mogelijke lichtblokkering of de concentratie is te hoog	<ul style="list-style-type: none"> • Zorg dat het lichtpad niet wordt geblokkeerd en dat de concentratie niet te hoog is voor het programma. • Zorg dat de kap van het apparaat goed is geplaatst. • Neem contact op met de technische ondersteuningsafdeling.

Hoofdstuk 10 Reserveonderdelen en accessoires

▲ WAARSCHUWING



Gevaar voor letsel. Het gebruik van niet-goedgekeurde onderdelen kan leiden tot letsel, beschadiging van het instrument of onjuiste werking van apparatuur. De reserveonderdelen in dit hoofdstuk zijn goedgekeurd door de fabrikant.

Opmerking: Product- en artikelnummers kunnen verschillen per regio. Neem contact op met de desbetreffende distributeur of bezoek de website voor contactgegevens.

Reserveonderdelen

Beschrijving	Item nr.
Adapter, COD	4846400
Batterijset, AA alkalinebatterijen (4x)	1938004
Monsterkuvet met dop, 25 x 95 mm, 10-20-25 ml (6x)	2401906
Monsterkuvet met dop, 1 cm/10 ml (2x)	4864302
USB-kabel	LZV818

Accessoires

Beschrijving	Item nr.
Dop, monsterkuvet, voor kuvet van 25 x 95 mm	2401812
Draagkoffer, hard	4942500
Draagkoffer, zacht met schouderband	2722000
Draagkoffer, draagbaar laboratorium	4943000

Accessoires (vervolg)

Beschrijving	Item nr.
DR/Check™ absorptiestandaarden	2763900
Kap van het apparaat, DR 900	9390500

Spis treści

- | | |
|--|---|
| 1 Dane techniczne na stronie 151 | 7 Zaawansowana obsługa na stronie 163 |
| 2 Ogólne informacje na stronie 152 | 8 Konserwacja na stronie 166 |
| 3 Instalacja na stronie 154 | 9 Rozwiązywanie problemów na stronie 167 |
| 4 Interfejs użytkownika i nawigacja na stronie 156 | 10 Części zamienne i akcesoria na stronie 168 |
| 5 Rozruch na stronie 158 | |
| 6 Standardowa obsługa na stronie 159 | |

Rozdział 1 Dane techniczne

Dane techniczne mogą ulec zmianie bez wcześniejszego powiadomienia.

Dane techniczne	Informacje szczegółowe
Tryb pomiaru	Transmitancja (%), Absorbancja (Abs) oraz Stężenie (Conc)
Wymiary (szer. x gł. x wys.)	23,6 x 8,7 x 4,7 cm (9,3 x 3,4 x 1,9 cala)
Stopień ochrony obudowy	IP67
Waga	0,6 kg (1,3 funta)
Wymagania dotyczące zasilania (wewnętrzne źródło zasilania)	Baterie alkaliczne AA (4 sztuki)
Trwałość baterii	6 miesięcy (typowo) przy 5 odczytach na dzień/5 dni w tygodniu, bez podświetlania
Interfejs	mini-USB

Dane techniczne	Informacje szczegółowe
Temperatura pracy	-0 do 50°C (-32 do 122°F), maksymalnie 90% wilgotności względnej bez kondensacji
Temperatura przechowywania	-30 do 60°C (-22 do 140°F), maksymalnie 90% wilgotności względnej bez kondensacji
Źródło światła	Dioda świecąca (LED)
Detektor	Fotodioda krzemowa
Zakres długości fal	420, 520, 560, 610 nm
Zakres pomiaru fotometrycznego	0 - 2 Abs
Dokładność długości fali	±1nm
Dokładność fotometryczna	±0.03 Abs
Liniiowość fotometryczna	±0,002 Abs (0-1 Abs)
Wybór długości fali	Automatyczny, oparty na wyborze metody
Powtarzalność fotometryczna	±0,002 Abs (0-1 Abs)
Wskazanie danych	Wyświetlacz graficzny, 240 x 160 pikseli (z podświetlaniem)
Kuwety	16 mm, 1 cm/10 ml, 1 cal (25 mm) okrągłe
Klasa ochrony	Klasa III
Certyfikaty	Certyfikat CE
Gwarancja	1 rok (EU: 2 lata)

Rozdział 2 Ogólne informacje

W żadnym przypadku producent nie ponosi odpowiedzialności za bezpośrednie, pośrednie, specjalne, przypadkowe lub wtórne szkody wynikające z błędu lub pominięcia w niniejszej instrukcji obsługi. Producent zastrzega sobie prawo do dokonania zmian w niniejszej instrukcji obsługi i w produkcie, której dotyczy w dowolnym momencie, bez powiadomienia lub zobowiązania. Na stronie internetowej producenta można znaleźć poprawione wydania.

2.1 Informacje dotyczące bezpieczeństwa

Producent nie ponosi odpowiedzialności za ewentualne szkody wynikłe z niewłaściwego stosowania albo użytkowania tego produktu, w tym, bez ograniczeń za szkody bezpośrednie, przypadkowe i wtórne, oraz wyklucza odpowiedzialność za takie szkody w pełnym zakresie dozwolonym przez obowiązujące prawo. Użytkownik jest wyłącznie odpowiedzialny za zidentyfikowanie krytycznych zagrożeń aplikacji i zainstalowanie odpowiednich mechanizmów ochronnych procesów podczas ewentualnej awarii sprzętu.

Prosimy przeczytać całą niniejszą instrukcję obsługi przed rozpakowaniem, włączeniem i rozpoczęciem użytkowania urządzenia. Należy zwrócić uwagę na wszystkie informacje dotyczące niebezpieczeństwa i kroków zapobiegawczych. Niezastosowanie się do tego może spowodować poważne obrażenia obsługującego lub uszkodzenia urządzenia.

Należy upewnić się, czy systemy zabezpieczające wbudowane w urządzenie pracują prawidłowo. Nie używać ani nie instalować tego urządzenia w inny sposób, aniżeli podany w niniejszej instrukcji.

2.2 Korzystanie z informacji o zagrożeniach

▲ NIEBEZPIECZEŃSTWO

Wskazuje potencjalnie lub bezpośrednio niebezpieczną sytuację, która — jeśli się jej nie zapobiegnie — doprowadzi do śmierci lub poważnych obrażeń.

▲ OSTRZEŻENIE

Wskazuje na potencjalną lub bezpośrednio niebezpieczną sytuację, która, jeżeli się jej nie uniknie, może doprowadzić do śmierci lub ciężkich obrażeń.

▲ UWAGA




Wskazuje na potencjalnie niebezpieczną sytuację, która może doprowadzić do mniejszych lub umiarkowanych obrażeń.




POWIADOMIENIE

Wskazuje sytuację, która — jeśli się jej nie zapobiegnie — może doprowadzić do uszkodzenia urządzenia. Informacja, która wymaga specjalnego podkreślenia.

2.3 Etykiety ostrzegawcze

Przeczytaj wszystkie etykiety dołączone do urządzenia. Nieprzestrzeżenie zawartych na nich ostrzeżeń może doprowadzić do obrażeń ciała i/lub uszkodzenia urządzenia. Symbol umieszczony na urządzeniu jest zamieszczony w instrukcji i opatrzony informacją o należytych środkach ostrożności.

	Ten symbol, jeżeli znajduje się na przyrządzie, odsyła do instrukcji obsługi i/lub informacji dotyczących bezpieczeństwa.
	Ten symbol informuje o istnieniu zagrożenia wybuchem.
	Ten symbol informuje o istnieniu zagrożenia pożarem.

	Ten symbol ostrzega o niebezpieczeństwie natury chemicznej i informuje, że jedynie osoby odpowiednio wykwalifikowane i przeszkolone do pracy z substancjami chemicznymi powinny mieć styczność z takimi substancjami i wykonywać prace konserwacyjne przy systemach doprowadzania substancji chemicznych do urządzenia.
	Ten symbol informuje o konieczności zastosowania środków ochrony indywidualnej w obrębie oczu.
	Urządzeń elektrycznych oznaczonych tym symbolem nie wolno wyrzucać do europejskich publicznych systemów utylizacji odpadów. Wyeksploatowane urządzenia należy zwrócić do producenta w celu ich utylizacji. Producent ma obowiązek przyjąć je bez pobierania dodatkowych opłat.

2.4 Zgodność i certyfikacja

▲ UWAGA

To urządzenie nie jest przeznaczone do użytku w środowisku mieszkalnym i może nie zapewniać odpowiedniej ochrony dla odbioru radiowego w takich środowiskach.

Kanadyjska regulacja prawna dotycząca sprzętu powodującego zakłócenia radiowe, ICES-003, klasa A:

Stosowne wyniki testów dostępne są u producenta.

Ten cyfrowy aparat klasy A spełnia wszystkie wymogi kanadyjskiej regulacji prawnych dotyczących sprzętu powodującego zakłócenia.

Cet appareil numérique de classe A répond à toutes les exigences de la réglementation canadienne sur les équipements provoquant des interférences.

FCC Część 15, Ograniczenia Klasy "A"

Stosowne wyniki testów dostępne są u producenta. Niniejsze urządzenie spełnia warunki Części 15 Zasad FCC. Przy pracy obowiązują poniższe warunki:

1. Sprzęt nie może powodować szkodliwego zakłócenia.

2. Sprzęt musi akceptować wszelkie odbierane zakłócenia, w tym zakłócenia, które mogą powodować niepożądane działanie.

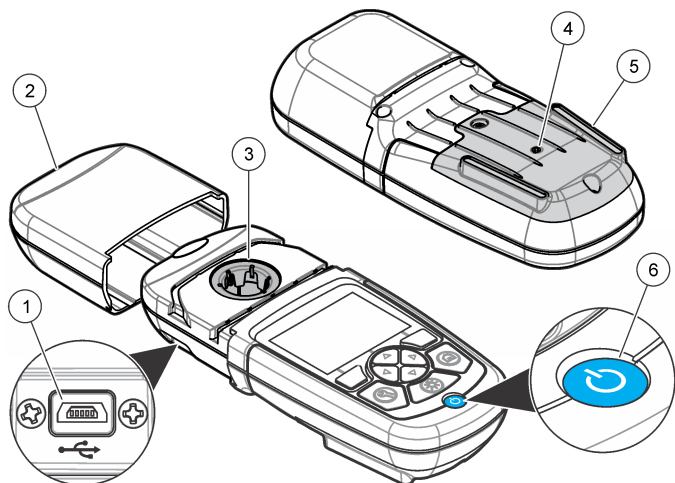
Zmiany oraz modyfikacje tego urządzenia, które nie zostały wyraźnie zaakceptowane przez stronę odpowiedzialną za zgodność, mogą spowodować pozbawienie użytkownika upoważnienia do korzystania z niniejszego urządzenia. To urządzenie zostało przetestowane i odpowiada ograniczeniom dla urządzenia cyfrowego klasy A, stosownie do części 15 zasad FCC. Ograniczenia te zostały wprowadzone w celu zapewnienia należytej ochrony przed szkodliwymi zakłóceniami, gdy urządzenie jest użytkowane w środowisku komercyjnym. Niniejsze urządzenie wytwarza, używa i może wydzielać energię o częstotliwości radiowej oraz, jeśli nie jest zainstalowane i używane zgodnie z instrukcją obsługi, może powodować szkodliwe zakłócenia w łączności radiowej. Istnieje prawdopodobieństwo, że wykorzystywanie tego urządzenia w terenie mieszkalnym może spowodować szkodliwe zakłócenia. W takim przypadku użytkownik jest zobowiązany do usunięcia zakłóceń na własny koszt. W celu zmniejszenia problemów z zakłóceniami można wykorzystać poniższe metody:

1. Odłączyć urządzenie od źródła zasilania, aby zweryfikować, czy jest ono źródłem zakłóceń, czy też nie.
2. Jeśli sprzęt jest podłączony do tego samego gniazdka co urządzenie wykazujące zakłócenie, podłączyć sprzęt do innego gniazdka.
3. Odsunąć sprzęt od zakłócanego urządzenia.
4. Zmienić pozycję anteny odbiorczej urządzenia zakłócanego.
5. Spróbować kombinacji powyższych metod.

2.5 Krótki opis produktu

DR 900 jest przenośnym kolorymetrem z diodą LED źródła promieniowania, wykonującym pomiary przy długościach fal 420, 520, 560 i 610 nm. Przyrząd jest używany do pomiarów różnych parametrów w wodzie do picia, ściekach w zastosowaniach przemysłowych. przyrząd jest dostarczany z pełnym zestawem programów zapisanych (preinstalowanych metod), z możliwością zapisywania programów użytkownika oraz wyboru programów ulubionych. Zobacz [Rysunek 1](#).

Rysunek 1 Krótki opis przyrządu

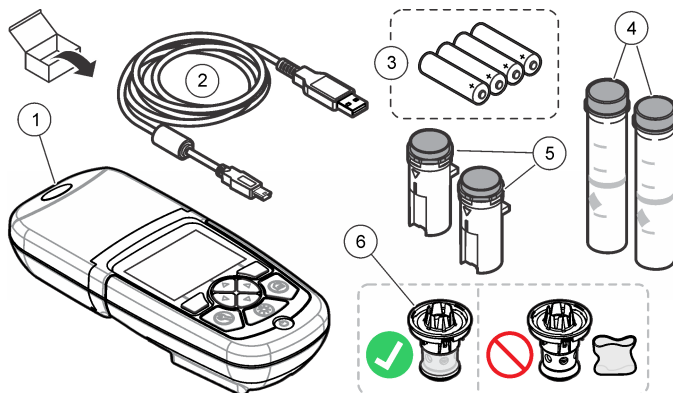


1 Port USB	4 Odpowietrzenie
2 Kołpak przyrządu	5 Komora na baterie
3 Przedział kuwety	6 Przycisk zasilania

2.6 Komponenty urządzenia

Upewnić się, że zostały dostarczone wszystkie komponenty. Patrz [Rysunek 2](#). Jeśli brakuje jakiegokolwiek elementu zestawu lub któryś z tych elementów jest uszkodzony, należy niezwłocznie skontaktować się z dostawcą lub z przedstawicielem handlowym.

Rysunek 2 Elementy produktu



1 DR 900	4 Kuveta szklana, 1cal (25 mm) okrągła, z oznaczeniami 10, 20, 25ml marks (2 szt.)
2 Kabel USB ze złączem mini-USB	5 Kuveta, 1 cm/10 ml (2 szt.)
3 Baterie alkaliczne AA (4 szt.)	6 Przejściówka dla naczynia próbki

Rozdział 3 Instalacja

⚠ OSTRZEŻENIE



Wiele zagrożeń. Tylko wykwalifikowany personel powinien przeprowadzać prace opisane w tym rozdziale niniejszego dokumentu.

POWIADOMIENIE

Pamiętaj, aby nie dopuścić do zatkania wejścia baterii przyrząd podczas użytkowania lub przechowywania.

3.1 Instalowanie baterii

⚠ OSTRZEŻENIE



Niebezpieczeństwo wybuchu. Niewłaściwie zainstalowane baterie mogą uwalniać gazy wybuchowe. Upewnij się, że bateria jest odpowiedniego typu i została zainstalowana we właściwy sposób z zachowaniem biegunowości. Nie używać razem zużytych i nowych baterii.

⚠ OSTRZEŻENIE



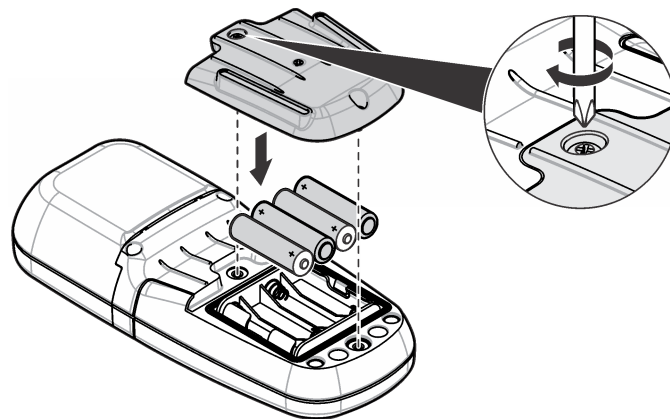
Zagrożenie pożarem. Niedozwolone jest stosowanie zastępczych baterii. Używać jedynie baterii alkalicznych.

POWIADOMIENIE

Pamiętaj, aby dokręcić śruby 1–1,4 N·m (9–12 cal·funt), aby dopasować uszczelkę i zapewnić obudowie właściwy stopień ochrony przed działaniem środowiska.

przyrząd jest zasilany czterema bateriami alkalicznymi typu AA. Zadbaj o włożenie baterii we właściwej orientacji. Patrz [Rysunek 3](#), aby zapoznać się z informacjami o instalowaniu baterii.

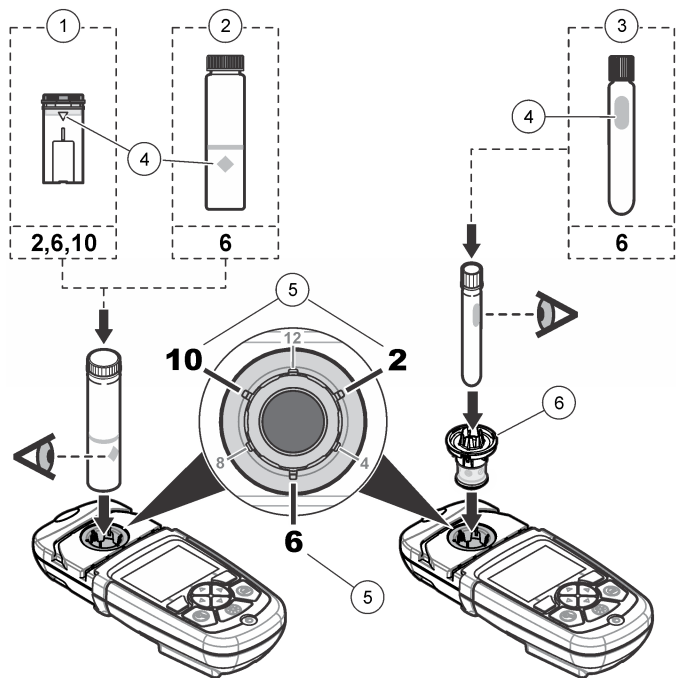
Rysunek 3 Instalacja baterii



3.2 Instalowanie kuwety i adaptera kuwet

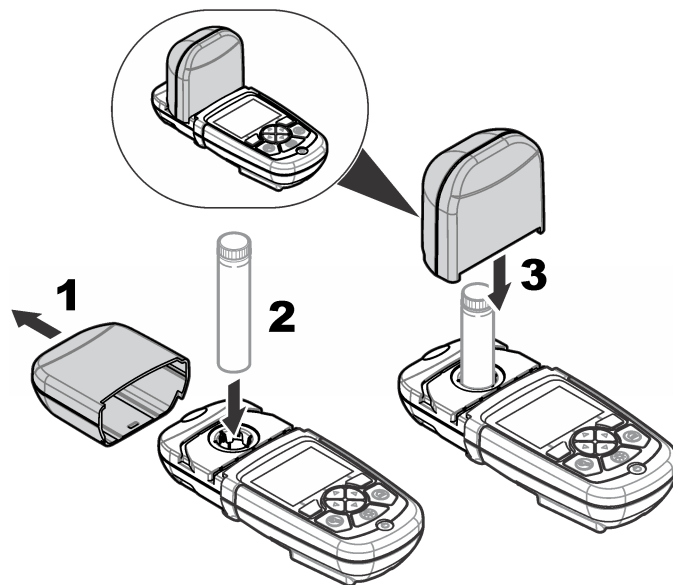
przyrząd posiada jeden przedział kuwety, w którym można stosować jeden adapter dla różnych typów kuwet. Należy dbać o wkładanie kuwet w prawidłowej i konsekwentnej orientacji, tak aby wyniki były bardziej powtarzalne i precyzyjne. Zobacz [Rysunek 4](#). Zamykać kołpak przyrządu przez ustawienie punktu zerowego przyrządu lub przed wykonaniem pomiaru, aby zapobiec zakłóceniom świetlnym. Zobacz [Rysunek 5](#).

Rysunek 4 Orientacja kuwety



1 Kuweta z tworzywa sztucznego 1 cm/10 ml	4 Znacznik orientacji
2 Kuweta szklana 1 cal (25 mm)	5 Położenie orientacji (zgodnie z kierunkiem ruchu wskazówek zegara)
3 Szklana ampulka do testów 16 mm	6 Adapter kuwety

Rysunek 5 Instalowanie kuwety i kołpaka przyrządu

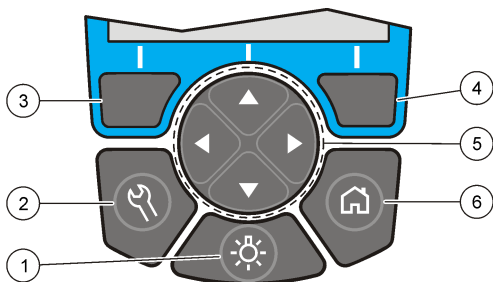


Rozdział 4 Interfejs użytkownika i nawigacja

4.1 Opis klawiatury

Zobacz [Rysunek 6](#), aby zapoznać się z opisem klawiatury oraz z informacjami o nawigacji.

Rysunek 6 Opis klawiatury



4.2 Opis ekranu

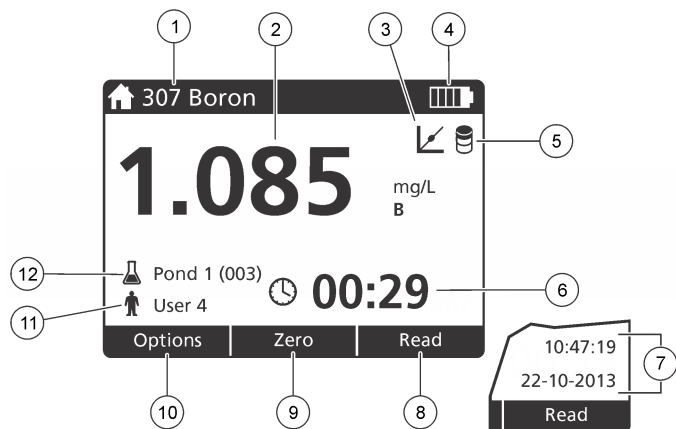
Ekran odczytów przedstawia wybrany tryb, jednostkę, datę i godzinę, identyfikator użytkownika oraz identyfikator próbki. Zobacz [Rysunek 7](#).

1 PODŚWIETLENIE: włącza i wyłącza oświetlenie wyświetlacza.	4 PRAWY klawisz wyboru (kontekstowo): umożliwia odczyt próbki, wybór lub potwierdzenie opcji, otwarcie podmenu.
2 USTAWIENIA: umożliwia ustawianie opcji. ¹	5 Klawisze nawigacyjne W GÓRĘ, W DÓŁ, W PRAWO, W LEWO: pozwalają przewijać pozycje menu, wprowadzać liczby oraz litery. ²
3 LEWY klawisz wyboru (kontekstowo): zapewnia dostęp do opcji, anulowanie lub zamknięcie bieżącego ekranu menu i przejście do poprzedniego.	6 EKRAŃ GŁÓWNY/Opcje: umożliwia przejście do głównego ekranu wskazań ¹ , wybór programu, zarządzanie danymi.

¹ W trybie edycji klawisz ten nie jest czynny.

² Przytrzymanie wciśniętego klawisza W GÓRĘ lub W DÓŁ powoduje szybkie przewijanie. Naciśnięcie klawisza W LEWO lub W PRAWO powoduje przewijanie stronami.

Rysunek 7 Pojedynczy ekran



1 Nazwa i numer programu	7 Godzina i data
2 Wartość odczytu, jednostka, wzór chemiczny, pod znakami "----" lub nad zakresem pomiaru "+++"	8 Odczyt (kontekstowo: gotowe, wybierz, rozpocznij, OK)
3 Ikona dopasowania wzorca	9 Zero (kontekstowo: klawisz nawigacji ze strzałką W GÓRĘ)
4 Informacje o stanie baterii	10 Opcje (kontekstowo: wstecz, anuluj)
5 Ikona odczynnika do ślepej próby	11 Identyfikator operatora
6 Zegar	12 Identyfikator próbki

4.3 Nawigacja

Przy użyciu menu w urządzeniu można zmieniać różne opcje. Używać klawiszy nawigacyjnych (strzałka **W GÓRĘ**, **W DÓŁ**, **W PRAWO** i **W LEWO**) do wyróżniania różnych opcji. Naciśnąć klawisz **W PRAWO**, aby wybrać opcję. Wprowadzić wartość opcji za pomocą klawiszy nawigacji. W celu wprowadzenia lub dokonania zmiany wartości należy naciskać klawisze nawigacyjne (strzałka **W GÓRĘ**, **W DÓŁ**, **W PRAWO** i **W LEWO**). Naciśnij klawisz strzałki **W PRAWO**, aby przejść do następnego pola. Naciśnąć **PRAWY** klawisz wyboru w menu **Gotowe**, aby zaakceptować wartość. Naciśnąć **LEWY** klawisz wyboru, aby zamknąć bieżący ekran menu i przejść do poprzedniego.

Rozdział 5 Rozruch

5.1 Włączanie i wyłączanie przyrządu

Naciśnąć klawisz **ZASILANIE**, aby włączyć przyrząd lub wyłączyć go. Jeśli zasilanie przyrząd nie włączy się, upewnić się, czy baterie są prawidłowo zainstalowane.

5.2 Ustawianie języka

Istnieją dwie opcje ustawienia języka:

- Po włączeniu urządzenia po raz pierwszy, ustawić język.
- Ustawienie języka z menu **USTAWIENIA**.

1. Naciśnąć **USTAWIENIA > Konfiguracja > Język**.
2. Wybrać język z listy.

5.3 Ustawianie daty i godziny

Istnieją dwie opcje ustawiania daty i godziny

- Po włączeniu urządzenia po raz pierwszy, ustawia się datę i godzinę.

- Ustawienie daty i godziny z menu Data i godzina.
1. Nacisnąć **USTAWIENIA > Konfiguracja > Data i godzina**.
 2. Wybierz **Ustaw format godziny i daty**, a następnie wybierz format dla daty i godziny.
 3. Wybierz **Ustaw datę i godzinę**.
 4. Użyj klawiszy nawigacyjnych, aby wprowadzić aktualną datę i godzinę, a następnie wybrać przycisk **OK**.

Rozdział 6 Standardowa obsługa

6.1 Lista programów

przyrząd jest dostarczany z pełnym zestawem programów aplikacyjnych. Opisy programów znajdują się w [Tabela 1](#).

Tabela 1 Opcje programów

Opcja programu	Opis
Programy zapisane	Programami zapisanymi są fabrycznie instalowane, wstępnie zaprogramowane metody. Zobacz Wybieranie zapisanego programu na stronie 159.
Programy użytkownika	Metody można opracowywać i zapisywać jako programy użytkownika. ³ Zobacz Programy użytkownika na stronie 163.
Ulubione	Często używane metody można zapisać na liście ulubionych ¹

6.1.1 Wybieranie zapisanego programu

1. Nacisnąć **EKRAN GŁÓWNY > Opcje > Wszystkie programy**.
2. Wybrać odpowiednią metodę i nacisnąć **Start**.

3. Wybrać **Opcje > Dodaj do ulubionych**, aby dodać wybraną metodę do ulubionych w celu zapewnienia szybszego dostępu.

6.1.2 Wybieranie podstawowych opcji programów

Po wybraniu programu dostępne są dodatkowe opcje parametrów.

1. Nacisnąć **Opcje** w celu przejścia do menu opcji.
2. Wybrać odpowiednie opcje.

Opcja	Opis
Uruchom czasomierz	Wybrać wstępnie ustawiony zegar lub ustawić ręczny zegar, aby mieć pewność, że etapy analizy są właściwie zsynchronizowane (np. można ściśle zdefiniować czasy reakcji lub czasy oczekiwania). Po włączeniu zegara, ikona zegara jest wyświetlana na ekranie. przyrząd generuje dźwiękowy sygnał, kiedy nastawiony czas upłynie. Wstępnie ustawiony zegar - Wybrać odpowiedni wstępnie ustawiony zegar dla jednego lub więcej etapów zapisanej procedury i nacisnąć Start . Ręcznie ustawiany zegar - Wprowadzić stosowny czas za pomocą klawiszy nawigacyjnych i nacisnąć Gotowe . Domyślnie: 00:00

³ Można zapisać maksymalnie dziesięć metod (programów użytkownika i/lub ulubionych).

Opcja	Opis
Ulubione/Programy użytk	Dokonać wyboru z listy zapisanych ulubionych programów lub programów użytkownika. Zobacz Wybieranie programu ulubionego lub programu użytkownika na stronie 163, aby uzyskać więcej informacji.
Wszystkie programy	Wybrać z listy wstępnie zaprogramowaną metodę.
Dziennik danych	Wyświetla wszystkie zapisane odczyty. Zobacz Rejestr danych na stronie 162, aby uzyskać więcej informacji.
Dodaj do ulubionych	Zapisuje na liście ulubionych często używane zapisane programy metod i programy użytkownika. Zobacz Dodawanie programu do ulubionych na stronie 163.

Opcja	Opis
% transmitancji/absorbancja/stężenie	Przełącza na wskazania % transmitancji, absorbancji lub stężenia. Wskazania transmitancji (%) - Przedstawia procent początkowego światła, jakie przechodzi przez próbkę i dociera do detektora. Wskazania absorbancji - Światło zaabsorbowane przez próbkę jest mierzone w jednostkach absorbancji. Wskazania stężenia - Zmierzone wartości absorbancji są konwertowane na wartości stężenia z wykorzystaniem zapisanego równania, specyficznego dla danego programu
Opcje zaawansowane	Wykorzystać zaawansowane opcje, aby określić więcej parametrów. Zobacz Wybieranie zaawansowanych opcji programu na stronie 161.
Zapisz	Kiedy opcja automatycznego zapisu została ustawiona jako Wyłącz, ostatnie wskazanie można zapisać ręcznie.

6.1.3 Wybieranie zaawansowanych opcji programu

Każdy program posiada różne dodatkowe opcje zaawansowane, spośród których można dokonać wyboru.

1. Nacisnąć **Opcje**, aby uzyskać dostęp do **Opcje > Opcje zaawansowane**.
2. Wykorzystać zaawansowane opcje, aby określić więcej parametrów.

Opcja	Opis
Automatyczny zapis	Umożliwia przełączanie pomiędzy wartością Włącz i Wyłącz. Jeśli zostanie ustawiona wartość Włącz dla tej opcji, każdy odczyt będzie automatycznie zapisywany. Jeśli opcja jest ustawiona jako Wyłącz, odczyty można zapisywać ręcznie.
Wzór chemiczny	W przypadku niektórych fabrycznie instalowanych metod można wybrać inny wzór chemiczny i związany z tym zakres pomiarowy.
Ślepa próba odczynników	W przypadku niektórych fabrycznie instalowanych metod można zastosować korekcję ślepej próby odczynników. Trzeba wprowadzić wynik wykonanego testu z użyciem wody dejonizowanej jako próbki. Wartość dla ślepej próby jest odejmowana od każdego wyniku, aby skorygować kolor tła spowodowany obecnością odczynników. Korekcję ślepej próby należy wprowadzić przed zastosowaniem opcji Dopasowanie wzorca. Tę korekcję należy przeprowadzać dla każdej nowej partii odczynników.

Opcja	Opis
Dopasowanie wzorca	Powoduje zmianę zapisanej kalibracji. Należy wykonać test dla znanego wzorca o stężeniu zbliżonym do maksymalnej wartości zakresu testu. Z funkcji tej korzystać w celu dostosowania wyniku dla zapewnienia zgodności ze stężeniem wzorca.
Sortuj programy	Umożliwia wybranie alfabetycznej lub liczbowej kolejności programów dla listy zapisanych programów.

6.2 Używanie identyfikatorów operatorów

Znacznik identyfikatora operatora wiąże odczyt z konkretnym operatorem. Wszystkie zapisane dane będą zawierały ten identyfikator.

1. Nacisnąć **USTAWIENIA > ID operatora** na ekranie odczytów.
2. Można wybrać, utworzyć lub usunąć identyfikator operatora:

Opcja	Opis
Bieżący identyfikator	Umożliwia wybranie identyfikatora z listy. Bieżący identyfikator będzie powiązany z danymi tej próbki, dopóki nie zostanie wybrany inny identyfikator.
Utwórz nowy identyfikator	Wprowadzić nazwę dla nowego identyfikatora operatora. Można wprowadzić maksymalnie 10 nazw.
Usuń identyfikator	Umożliwia usunięcie istniejącego identyfikatora operatora.

6.3 Używanie identyfikatorów próbek

Znacznik identyfikatora próbki stosuje się w celu powiązania odczytów z konkretnymi próbkami lub lokalizacjami. Zapisane dane będą zawierać ten identyfikator, jeśli został przypisany.

1. Nacisnąć **USTAWIENIA > ID próbki** na ekranie wskazań.
2. Można wybrać, utworzyć lub usunąć identyfikator operatora:

Opcja	Opis
Bieżący identyfikator	Umożliwia wybranie identyfikatora z listy. Bieżący identyfikator będzie powiązany z danymi tej próbki, dopóki nie zostanie wybrany inny identyfikator.
Utwórz nowy identyfikator	Wprowadzić nazwę dla nowego identyfikatora próbki. Można wprowadzić maksymalnie 10 nazw. Próbkę są numerowane zgodnie z kolejnością pomiarów, dopóki nie zostanie wybrany inny identyfikator (np. Basen 1, Basen 2).
Usuń identyfikator	Umożliwia usunięcie istniejącego identyfikatora próbki.

6.4 Wykonywanie pomiaru

Do wykonania pomiaru konieczne jest wykonanie podstawowych kroków pomiaru. Każda metoda posiada procedurę "krok po kroku". W celu wykonania określonego testu należy zapoznać się z odpowiednią metodą. Poniższy przykład przedstawia podstawową procedurę wykonania pomiaru

1. Wybrać odpowiedni program z menu programów (np. Programy zapisane, Programy użytkownika, Ulubione).
2. W razie potrzeby zainstalować kuwetę.
3. Nacisnąć **Start**, aby uruchomić program.
4. Sporządzić ślepą próbkę zgodnie z dokumentacją metody. Zamknąć kuwetę i oczyścić płaszczyzny optyczne kuwety ściereczką nie pozostawiającą włókien.
5. Wprowadzić kuwetę z próbką ślepą do przedziału kuwety. Zadbać o włożenie kuwety w prawidłowej i konsekwentnej orientacji, tak aby wyniki były bardziej powtarzalne i precyzyjne. Zobacz [Rysunek 4](#) na stronie 156.

6. Zamknąć kołpak przyrządu, aby zapobiec zakłóceniom świetlnym. Zobacz [Rysunek 5](#) na stronie 156.
7. Nacisnąć **Zero**. Na wyświetlaczu pojawi się stężenie zerowe (np. mg/L, ABS, µg/L).
8. Przygotować próbkę. Dodać odczynniki, jak to określono w dokumentacji metody.
9. Wybrać **Opcje > Uruchom czasomierz**, aby użyć zapisanych zegarów wewnątrz programu.
10. Zamknąć kuwetę i oczyścić płaszczyzny optyczne kuwety ściereczką nie pozostawiającą włókien.
11. Wprowadzić kuwetę z próbką do przedziału kuwety. Zadbać o włożenie kuwety w prawidłowej i konsekwentnej orientacji, tak aby wyniki były bardziej powtarzalne i precyzyjne. Zobacz [Rysunek 4](#) na stronie 156.
12. Zamknąć kołpak przyrządu, aby zapobiec zakłóceniom świetlnym. Zobacz [Rysunek 5](#) na stronie 156.
13. Nacisnąć **Odczyt**. Na wyświetlaczu pojawią się wyniki w wybranych jednostkach.
Uwaga: Na ekranie pojawiają się znaki "+++" lub "---", jeśli zmierzona absorpcja wynosi więcej lub mniej niż zakres kalibracji dla danego testu.

6.5 Rejestr danych

Rejestr danych zawiera wszystkie zapisane wskazania. W celu odczytania wskazań nacisnąć **EKRAN GŁÓWNY > Opcje > Dziennik danych**. Przejdź do podrozdziału [Eksportowanie rejestru danych](#) na stronie 166, aby zapoznać się informacjami na temat eksportowania rejestru danych.

Rozdział 7 Zaawansowana obsługa

7.1 Wybieranie programu ulubionego lub programu użytkownika

Baza danych programów ulubionych i programów użytkownika jest pusta przy pierwszym uruchomieniu przyrządu. Daną metodę można zapisać w ulubionych, aby zapewnić szybszy dostęp. Program użytkownika może być zaprogramowany w sposób uwzględniający określone potrzeby.

1. Wciśnij przycisk **Ekran główny>Opcje>Ulubione / programy użytkownika>Wybór**.
2. Nacisnąć **Nowy program**, aby utworzyć nowy program użytkownika. Zobacz [Programy użytkownika](#) na stronie 163.

7.2 Dodawanie programu do ulubionych

Często używane zapisane programy metod i programy użytkownika można zapisać na liście ulubionych.

1. Wybierz menu **Ekran główny>OPcje>Wszystkie programy**.
2. Wybrać odpowiednią metodę i nacisnąć **Start**.
3. Wybierz menu **Opcje>Dodaj do ulubionych**, aby zastosować tę opcję do zaznaczonej metody.

7.3 Programy użytkownika

Baza danych programów użytkownika jest pusta przy pierwszym uruchomieniu przyrządu. Skorzystać z funkcji **Nowy program**, aby utworzyć nowy program odpowiadający określonym potrzebom. W celu utworzenia nowego programu należy wykonać poniższe kroki.

1. Wciśnij przycisk **Ekran główny>Opcje>Ulubione / programy użytkownika>Nowy program**.
2. Wybrać dostępny numer programu z przedziału od 1001 do 1010.

***Uwaga:** Można zapisać maksymalnie dziesięć programów (programów użytkownika i/lub ulubionych).*

3. Wprowadzić nazwę metody (maksymalnie 12 znaków).
4. Wybrać długość fali: 420, 520, 560 lub 610 nm.
5. Wybrać jednostkę: Brak, µg/l, mg/l lub g/l.
6. Wybrać rozdzielczość: 0000, 000.0, 00.00 lub 0.000.
7. Dodać punkty kalibracyjne: minimalnie 2 i maksymalnie 12 punktów kalibracyjnych.⁴ Wybrać Edycja wzorca 1 i wprowadzić stężenie dla pierwszego wzorca. Nacisnąć **Gotowe**.
***Uwaga:** Krótki sygnał dźwiękowy oznacza powtórzenie poprzednio wprowadzonego wzorca lub zbyt wysokie stężenie dla wybranej rozdzielczości. Wprowadzić inną wartość i kontynuować.*
8. Wprowadzić wartość absorbancji:

Opcja	Opis
Ręczna edycja absorbancji	Użyć klawiszy nawigacyjnych do ręcznego wprowadzenia wartości absorbancji.
Automatyczna edycja absorbancji	<ol style="list-style-type: none">1. Włożyć ślepą próbkę do obsady kuwety i nacisnąć Punkt zerowy.2. Włożyć przygotowaną próbkę do obsady kuwety i nacisnąć Odczyt.3. Nacisnąć Gotowe.

***Uwaga:** Krótki sygnał dźwiękowy oznacza, że wartość absorbancji stanowi duplikat poprzednio wprowadzonego wzorca lub, że przypada pomiędzy dwoma poprzednimi wzorcami. Wprowadzić inną wartość i kontynuować.*

9. Nacisnąć **Gotowe**.
10. Wybrać **Dodaj punkt kalibracyjny**.
11. Wprowadzić dodatkowe punkty kalibracyjne, jak to opisano w krokach 7-9.
12. Wybrać **Zapisz program użytkownika**.

⁴ Jeżeli wiadomo, że krzywa kalibracyjna jest liniowa, potrzebne są tylko dwa punkty kalibracji stężeń (np. wzorec o zerowej absorbancji oraz inny znany wzorec). Wprowadzić dodatkowe punkty danych dla potwierdzenia liniowości lub zdefiniowania krzywej nieliniowej.

7.3.1 Edycja programu użytkownika

W celu edycji programu użytkownika:

1. Wybrać **EKRAN GŁÓWNY > Ulubione/Programy użyt.**
2. Wybrać odpowiedni program i nacisnąć **Opcje**.
3. Nacisnąć **Edycja**.
4. Stosować się do monitów wyświetlanych na ekranie, aby dokonać edycji procedury.

7.3.2 Usuwanie użytkownika lub ulubionego programu

Usunąć zapisanego użytkownika lub ulubiony program, jeżeli już z niego nie korzystasz.

1. Wybrać **EKRAN GŁÓWNY > Opcje > Ulubione/Programy użyt.**
2. Wyróżnić żądany program i nacisnąć **Opcje > Usunąć** i stosować się do monitów wyświetlanych na ekranie.

7.4 Informacje o przyrz.

Menu informacji o przyrządzie przedstawia określone informacje, takie jak nazwa przyrządu, numer seryjny, wersja oprogramowania, wersja bazy danych, ilość zajętej pamięci oraz dostępność programów. Nacisnąć **USTAWIENIA > Informacje o przyrz.**

7.5 Ustawianie hasła

Opcję ustawienia hasła wykorzystuje się w celu uniemożliwienia dostępu do zastrzeżonych menu.

***Uwaga:** W przypadku zapomnienia określonego hasła, gdy opcje zabezpieczeń są uaktywnione, dostęp operatora do zastrzeżonych menu pozostaje zablokowany. Skontaktować się z pomocą techniczną, jeśli hasło zostało zapomniane.*

1. Nacisnąć **USTAWIENIA > Konfiguracja > Ustawienia hasła**.

2. Wybrać opcję.

Opcja	Opis
Ustawienia hasła	Wybrać Włącz lub Wyłącz w celu uaktywnienia lub dezaktywacji zabezpieczenia hasłem.
Chronione elementy	Wyświetla listę chronionych elementów: edycja identyfikatora operatora, edycja identyfikatora próbki, edycja programów użytkownika, data i godzina, aktualizacja oprogramowania układowego, aktualizacja metod, język oraz edycja listy ulubionych.

7.6 Konfigurowanie wyświetlacza i dźwięku

Opcje wyświetlacza wykorzystywać do zmiany kontrastu wyświetlacza, opcji automatycznego wyłączenia baterii lub opcji podświetlenia ekranu. Użyć opcji dźwięku do generowania sygnału dźwiękowego, kiedy zostanie naciśnięty jakiś klawisz lub zostanie zakończony odczyt.

1. Nacisnąć **USTAWIENIA > Konfiguracja > Wyświetlacz i dźwięk > Opcje wyświetlania**.
2. Wybrać opcję.

Opcja	Opis
Kontrast	Umożliwia ustawianie kontrastu wyświetlacza. Najjaśniejszym ustawieniem jest 0, a najciemniejszym ustawieniem jest 9. Ustawienie domyślne: 5

Opcja	Opis
Automatyczne wyłączenie	W celu zmaksymalizowania okresu trwałości baterii trzeba ustawić okres czasu, po którym przyrząd automatycznie wyłączy zasilanie, jeśli nie został naciśnięty żaden klawisz (5, 10, 15, 20, 30 minut, 1 godzina, 2 godziny lub Funkcja nieaktywna). Wartość domyślna: 10 minut
Podświetlenie	Kiedy zostanie naciśnięty klawisz PODŚWIETLENIE , następuje włączenie podświetlenia wyświetlacza. Można ustawić okres czasu, po którym nastąpi automatyczne wyłączenie zasilania podświetlenia wyświetlacza, jeśli nie został naciśnięty żaden klawisz (10, 20, 30 sekund, 1, 2, 5, 10 minuty lub Funkcja nieaktywna). Wartość domyślna: 1 minuta

- Nacisnąć **USTAWIENIA > Konfiguracja > Wyświetlacz i dźwięk > Dźwięki**.
- Wybrać opcję.

Opcja	Opis
Naciśnięcie klawisza	przyrząd będzie generował sygnał dźwiękowy przy każdym naciśnięciu klawisza. Wartość domyślna: wyłączony
Odczyt został zakończony	przyrząd będzie generował sygnał dźwiękowy za każdym razem, gdy zostanie zakończony odczyt. Wartość domyślna: włączony

7.7 Menu główne USB

Kiedy przyrząd zostanie połączony kablem USB z komputerem, wyświetla się menu główne USB. Z menu głównego USB przeprowadza się aktualizację oprogramowania, eksport lub import programów lub eksport rejestru danych oraz dziennika zdarzeń.

7.7.1 Aktualizacja oprogramowania układowego

Odszukać plik aktualizacji oprogramowania układowego witrynie internetowej produktu lub skontaktować się z dostawcą przyrządu. Pobrać plik z witryny i zapisać w komputerze PC.

- Włączyć przyrząd i przyłączyć kabel USB do przyrządu i do komputera.
Wyświetla się komunikat Menu główne USB.
- Wybrać pozycję **Aktualizuj DR900**.
Przyrząd wyświetla w komputerze napęd USB. Otworzyć ten folder.
- Skopiować plik DR900.bin do otwartego folderu.
- Nacisnąć **Ok**.
- Po wykonaniu aktualizacji nacisnąć **Ok**.
- Wybrać **Odłącz USB**, nacisnąć **Ok** i odłączyć kabel USB.
- Nacisnąć **Ok**.
- Ponownie uruchomić przyrząd.

7.7.2 Zarządzanie programami

Korzystając z funkcji Zarządzanie programami, można eksportować i/lub importować programy użytkownika oraz importować nowe programy fabryczne.

- Włączyć przyrząd i przyłączyć kabel USB do przyrządu i do komputera.
Wyświetla się komunikat Menu główne USB.
- Wybrać pozycję **Zarządzanie programami** i wybrać opcję:

Opcja	Opis
Eksportuj programy użytkownika	Umożliwia wyeksportowanie wszystkich programów użytkownika do komputera w celu przechowania lub w celu przeniesienia programów użytkownika do innego przyrządu DR 900.

Opcja	Opis
Importuj programy użytkownika	Umożliwia zastąpienie wszystkich programów użytkownika programami użytkownika z innego przyrządu DR 900 poprzez komputer.
Importuj programy fabryczne	Umożliwia importowanie nowych programów fabrycznych ze strony internetowej producenta.

Przyrząd wyświetla w komputerze napęd USB. Otworzyć ten folder.

3. Skopiować plik eksportu z napędu na komputer lub skopiować plik importu z komputera na napęd.
4. Nacisnąć **Ok**.
5. Po zakończeniu transferu wybrać **Odłącz USB** i odłączyć kabel USB.
6. Nacisnąć **Ok**.

7.7.3 Eksportowanie rejestru danych

Rejestr zdarzeń oraz rejestr danych można wyeksportować do komputera. Rejestr zdarzeń zawiera datę, godzinę, numer zdarzenia, parametr, oraz opis akcji dotyczącej danej konfiguracji. W rejestrze danych zapisywane są ręcznie lub automatycznie wyniki pomiarów próbek. Zobacz [Wybieranie zaawansowanych opcji programu](#) na stronie 161.

1. Włączyć przyrząd i przyłączyć kabel USB do przyrządu i do komputera.
Wyświetla się komunikat Menu główne USB.
2. Wybrać **Eksp. dziennik danych**.
Przyrząd wyświetla w komputerze napęd USB. Otworzyć ten folder.
3. Skopiować i zapisać eksportowane pliki (DR900_DataLog.csv oraz DR900_EventLog.csv) w komputerze.
4. Nacisnąć **Ok**.
5. Kiedy pliki zostaną skopiowane do komputera, wybrać **Odłącz USB** i odłączyć kabel USB.
6. Nacisnąć **Ok**.

Rozdział 8 Konserwacja

▲ OSTRZEŻENIE



Wiele zagrożeń. Tylko wykwalifikowany personel powinien przeprowadzać prace opisane w tym rozdziale niniejszego dokumentu.

8.1 Czyszczenie urządzenia

Oczyszczyć zewnętrzną powierzchnię instrumentu wilgotną ściereczką i łagodnym roztworem mydła, a następnie wytrzeć instrument do sucha.

8.2 Czyszczenie kuwet

▲ UWAGA



Narażenie na działanie substancji chemicznych. Stosować się do procedur bezpieczeństwa w laboratoriach i zakładać sprzęt ochrony osobistej, odpowiedni dla używanych substancji chemicznych. Protokoły warunków bezpieczeństwa można znaleźć w aktualnych kartach charakterystyki (MSDS/SDS) materiałów.

▲ UWAGA



Narażenie na działanie substancji chemicznych. Usuwać substancje chemiczne i odpady zgodnie z przepisami lokalnymi, regionalnymi i państwowymi.

Używa się większości detergentów laboratoryjnych w zalecanych stężeniach. Naturalne środki czyszczące (np. Liquinox) są bezpieczniejsze w użytkowaniu, gdy konieczne jest regularne czyszczenie. Aby skrócić czas czyszczenia, należy podwyższyć temperaturę lub skorzystać z łaźni ultradźwiękowej. Aby zakończyć czyszczenie, przepłucz kilkakrotnie za pomocą dejonizowanej wody i pozostaw zbiornik do wyschnięcia. Zbiorniki próbek można również wyczyścić kwasem, a następnie przepłukać dejonizowaną wodą.

Uwaga: Jeśli zbiorniki były używane podczas testów na niskie stężenia metali, zawsze używaj kwasu do ich czyszczenia.

W indywidualnych procedurach konieczne jest stosowanie specjalnych metod czyszczenia. Jeżeli czyszczenie zbiorników próbek wymaga użycia szczoteczki, pamiętaj żeby zachować szczególną ostrożność i nie zarysować ich wewnętrznej powierzchni.

8.3 Wymiana baterii

▲ OSTRZEŻENIE



Niebezpieczeństwo wybuchu. Zużyte baterie mogą powodować gromadzenie się wodoru wewnątrz urządzenia. Należy wymienić baterie przed upływem daty ważności i nie przechowywać urządzenia przez długi okres czasu, jeśli ma zainstalowane baterie.

▲ OSTRZEŻENIE



Zagrożenie pożarem. Niedozwolone jest stosowanie zastępczych baterii. Używać jedynie baterii alkalicznych.

POWIADOMIENIE

Pamiętaj, aby dokręcić śruby 1–1,4 N·m (9–12 cal·funt), aby dopasować uszczelkę i zapewnić obudowie właściwy stopień ochrony przed działaniem środowiska.

Zobacz [Instalowanie baterii](#) na stronie 155, aby zapoznać się z informacjami o wymianie baterii.

Rozdział 9 Rozwiązywanie problemów

Kod błędu	Prawdopodobna przyczyna	Rozwiązanie
1	Przyrząd nie został skonfigurowany.	Skontaktować się pomoc techniczna.
2	Nie można odczytać danych programu.	
3	Nie można zapisać danych programu.	
4	Błąd baterii.	Wymienić baterie.
5	Wystąpił błąd A/D podczas pomiaru.	Skontaktować się pomoc techniczna.
6	Wystąpił błąd przesunięcia podczas pomiaru.	Upewnić się, czy kołpak przyrządu został poprawnie założony.

Kod błędu	Prawdopodobna przyczyna	Rozwiązanie
7	Wystąpił błąd niskiego poziomu oświetlenia podczas pomiaru.	<ul style="list-style-type: none"> • Upewnić się, czy nie doszło do przesłonięcia toru świetlnego. • Punkt zerowy poza zakresem przyrządu. • Skontaktować się pomoc techniczna.
8	Wystąpił błąd przekroczenia zakresu podczas pomiaru, potencjalne przesłonięcie toru świetlnego lub stężenie jest zbyt wysokie.	<ul style="list-style-type: none"> • Upewnić się, czy nie doszło do przesłonięcia toru świetlnego oraz, czy stężenie nie jest zbyt wysokie dla danego programu. • Upewnić się, czy kołpak przyrządu został poprawnie założony. • Skontaktować się pomoc techniczna.

Rozdział 10 Części zamienne i akcesoria

▲ OSTRZEŻENIE



Niebezpieczeństwo uszkodzenia ciała. Stosowanie niezatwierdzonych części grozi obrażeniami ciała, uszkodzeniem urządzenia lub nieprawidłowym działaniem osprzętu. Części zamienne wymienione w tym rozdziale zostały zatwierdzone przez producenta.

Uwaga: Numery produktów i części mogą być różne w różnych regionach. Należy skontaktować się z odpowiednim dystrybutorem albo znaleźć informacje kontaktowe na stronie internetowej firmy.

Części zamienne

Opis	Numer pozycji
Zestaw z przejściówką, COD	4846400
Zestaw baterii, baterie alkaliczne AA (4 szt.)	1938004
Kuweta z kołpakiem, 25 x 95 mm, 10-20-25 ml (6 szt.)	2401906
Kuweta z kołpakiem, 1 cm/10 ml (2 szt.)	4864302
Kabel USB	LZV818

Akcesoria

Opis	Numer pozycji
Kołpak, kuwety, dla kuwet 25 x 95 ml	2401812
Futerał do przenoszenia, twardy	4942500
Futerał do przenoszenia, miękki	2722000
Futerał do przenoszenia, przenośne laboratorium	4943000
Wzorce absorbancji DR/Check™	2763900
Kołpak przyrządu, DR 900	9390500

Innehållsförteckning

- | | | | | | |
|---|-----------------------------------|--------------|----|---------------------------|--------------|
| 1 | Specifikationer | på sidan 169 | 7 | Avancerade funktioner | på sidan 178 |
| 2 | Allmän information | på sidan 169 | 8 | Underhåll | på sidan 182 |
| 3 | Installation | på sidan 172 | 9 | Felsökning | på sidan 182 |
| 4 | Användargränssnitt och navigering | på sidan 174 | 10 | Reservdelar och tillbehör | på sidan 183 |
| 5 | Start | på sidan 175 | | | |
| 6 | Standardåtgärd | på sidan 176 | | | |

Avsnitt 1 Specifikationer

Specifikationerna kan ändras utan föregående meddelande.

Specifikation	Information
Mätläge	Transmittans (%), absorptions (abs.) och koncentration (konc.)
Mått (B×D×H)	23,6 x 8,7 x 4,7 cm (9,3 x 3,4 x 1,9 tum)
Höljets skyddsklass	IP67
Vikt	0,6 kg (1,3 pund)
Spänningsmatning (intern)	Alkaliska AA-batterier (4 st)
Batteriets livslängd	6 månader (typisk) vid 5 mätningar per dag/5 dagar i veckan utan bakgrundsbelysning
Gränssnitt	USB-mini
Drifttemperatur	0 till 50 °C (32 till 122 °F), maximalt 90 % relativ luftfuktighet, icke-kondenserande
Förvaringstemperatur	-30 till 60 °C (-22 till 140 °F), maximalt 90 % relativ luftfuktighet, icke-kondenserande
Lampa	Lysdiod (LED)

Specifikation	Information
Detektor	Silikonfotodiod
Våglängdsområde	420, 520, 560, 610 nm
Fotometrisk mätområde	0–2 Abs
Våglängdsnoggrannhet	±1 nm
Fotometrisk noggrannhet	±0.03 Abs
Fotometrisk linjäritet	±0,002 Abs (0–1 Abs)
Våglängdsurval	Automatisk, baserat på metodval
Fotometrisk repeterbarhet	±0,002 Abs (0–1 Abs)
Dataläsning	Grafisk display, 240 x 160 bildpunkter (bakgrundsbelyst)
Provkvyetter	16 mm, 1 cm/10 mL, 1 tum (25 mm) rund
Skyddsklass	Klass III
Certifieringar	CE-certifierad
Garanti	1 år (EU 2 år)

Avsnitt 2 Allmän information

Tillverkaren är under inga omständigheter ansvarig för direkta, särskilda, indirekta eller följskador som orsakats av eventuellt fel eller utelämnande i denna bruksanvisning. Tillverkaren förbehåller sig rätten att göra ändringar i denna bruksanvisning och i produkterna som beskrivs i den när som helst och utan föregående meddelande och utan skyldigheter. Reviderade upplagor finns på tillverkarens webbsida.

2.1 Säkerhetsinformation

Tillverkaren tar inget ansvar för skador till följd av att produkten används på fel sätt eller missbrukas. Det omfattar utan begränsning direkta skador, oavsiktliga skador eller följskador. Tillverkaren avsäger sig allt

ansvar i den omfattning gällande lag tillåter. Användaren är ensam ansvarig för att identifiera kritiska användningsrisker och installera lämpliga mekanismer som skyddar processer vid eventuella utrustningsfel.

Läs igenom hela handboken innan instrumentet packas upp, monteras eller startas. Följ alla faro- och varningshänvisningar. Om dessa anvisningar inte följs kan användaren utsättas för fara eller utrustningen skadas.

Kontrollera att skyddet som ges av den här utrustningen inte är skadat. Utrustningen får inte användas eller installeras på något annat sätt än så som specificeras i den här handboken.

2.2 Anmärkning till information om risker

▲ FARA

Indikerar en potentiellt eller överhängande riskfylld situation som kommer att leda till livsfarliga eller allvarliga skador om den inte undviks.

▲ VARNING

Indikerar en potentiellt eller överhängande riskfylld situation som kan leda till livsfarliga eller allvarliga skador om situationen inte undviks.

▲ FÖRSIKTIGHET

Indikerar en potentiellt riskfylld situation som kan resultera i lindrig eller måttlig skada.

ANMÄRKNING:

Indikerar en potentiellt riskfylld situation som kan medföra att instrumentet skadas. Information som användaren måste ta hänsyn till vid hantering av instrumentet.

2.3 Säkerhetsskyltar

Beakta samtliga dekaleringar och märken på instrumentet. Personskador eller skador på instrumentet kan uppstå om dessa ej beaktas. En symbol på instrumentet beskrivs med en försiktighetsvarning i handboken.

	Denna symbol, om den finns på instrumentet, refererar till bruksanvisningen angående drifts- och/eller säkerhetsinformation.
	Denna symbol betyder explosionsrisk.
	Denna symbol indikerar brandrisk.
	Denna symbol visar på risk för kemisk skada och indikerar att endast personer som är kvalificerade och utbildade för att arbeta med kemikalier bör hantera kemikalier eller utföra underhåll på system för tillförsel av kemikalier till utrustningen.
	Denna symbol betyder att skyddsglasögon behövs.
	Elektrisk utrustning markerad med denna symbol får inte avyttras i europeiska hushållsavfallssystem eller allmänna avfallssystem. Returnera utrustning som är gammal eller har nått slutet på sin livscykel till tillverkaren för avyttring, utan kostnad för användaren.

2.4 Efterlevnad och certifiering

▲ FÖRSIKTIGHET

Denna utrustning är inte avsedd att användas i bostadsmiljöer och kan inte ge tillräckligt med skydd mot radiomottagning i sådana miljöer.

Canadian Radio Interference-causing Equipment Regulation, ICES-003, Klass A:

Referenstestresultat finns hos tillverkaren.

Den digitala apparaten motsvarar klass A och uppfyller alla krav enligt kanadensiska föreskrifter för utrustning som orsakar störning.

Cet appareil numérique de classe A répond à toutes les exigences de la réglementation canadienne sur les équipements provoquant des interférences.

FCC del 15, klass "A" gränser

Referenstestresultat finns hos tillverkaren. Denna utrustning uppfyller FCC-reglerna, del 15. Användning sker under förutsättning att följande villkor uppfylls:

1. Utrustningen bör inte orsaka skadlig störning.
2. Utrustningen måste tåla all störning den utsätts för, inklusive störning som kan orsaka driftsstörning.

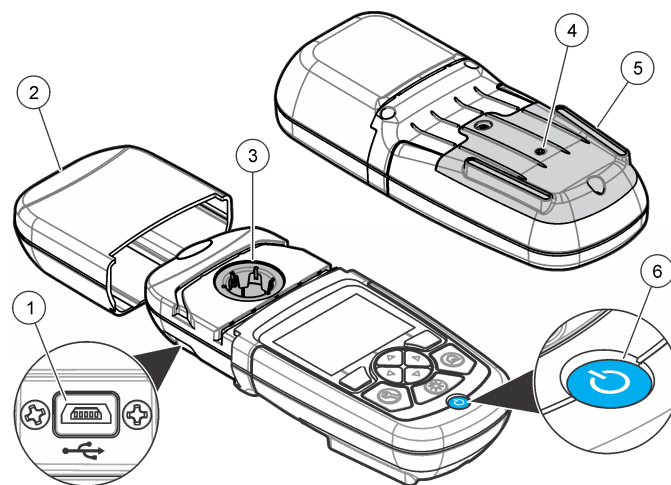
Ändringar eller modifieringar av utrustningen, som inte uttryckligen har godkänts av den part som ansvarar för överensställelsen, kan ogiltigförklara användarens rätt att använda utrustningen. Den här utrustningen har testats och faller inom gränserna för en digital enhet av klass A i enlighet med FCC-reglerna, del 15. Dessa gränser har tagits fram för att ge rimligt skydd mot skadlig störning när utrustningen används i en kommersiell omgivning. Utrustningen genererar, använder och kan utstråla radiofrekvensenergi och kan, om den inte installeras och används enligt handboken, leda till skadlig störning på radiokommunikation. Användning av utrustningen i bostadsmiljö kan orsaka skadlig störning. Användaren ansvarar då för att på egen bekostnad korrigera störningen. Följande tekniker kan användas för att minska problemen med störningar:

1. Koppla ifrån utrustningen från strömkällan för att kontrollera om detta utgör orsaken till störningen eller inte.
2. Om utrustningen är kopplad till samma uttag som enheten som störs ska den kopplas till ett annat uttag.
3. Flytta utrustningen bort från den utrustning som tar emot störningen.
4. Positionera om mottagningsantennen för den utrustning som tar emot störningen.
5. Prova med kombinationer av ovanstående.

2.5 Produktöversikt

DR 900 är en portabel kolerimeter med LCD-ljuskälla som mäter våglängder på 420, 520, 560 och 610 nm. Instrumentet används för att mäta olika parametrar i dricksvatten, tvättvatten och industriella tillämpningar. Instrumentet levereras med en komplett uppsättning lagrade förinstallerade metoder och med lagring av användarprogram och val av favoritprogram. Se [Figur 1](#).

Figur 1 Instrument

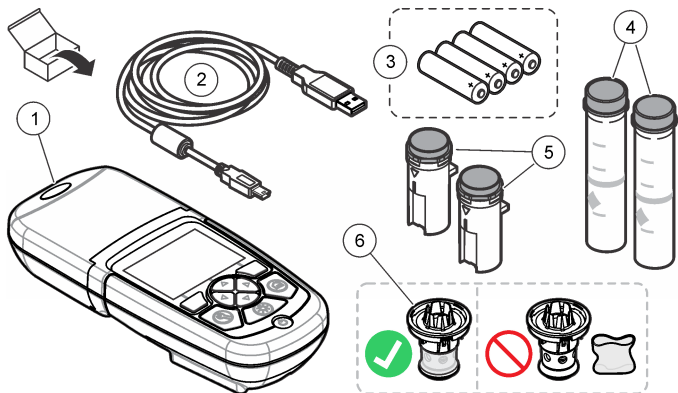


1 USB-port	4 Ventil
2 Instrumentlock	5 Batterifack
3 Cellultrymme	6 Strömbrytare

2.6 Produktens komponenter

Se till att alla delar har tagits emot. Mer information finns i [Figur 2](#). Om det saknas komponenter eller om det finns skadade komponenter ska du genast kontakta leverantören av instrumentet eller en säljrepresentant.

Figur 2 Produktens komponenter



1 DR 900	4 Provcell av glas, 1 tum (25 mm) rund, markeringar vid 10, 20 och 25 ml (2 st)
2 USB-kabel med min-USB-kontakt.	5 Provcell, 1 cm/10 ml (2 st)
3 Alkaliska AA-batterier (4 st)	6 Adapter för provcell

Avsnitt 3 Installation

⚠ VARNING



Flera risker. Endast kvalificerad personal får utföra de moment som beskrivs i den här delen av dokumentet.

ANMÄRKNING:

Kontrollera att instrument batteriventilering inte är blockerat vid användning och förvaring.

3.1 Installera batterierna

⚠ VARNING



Explosionsrisk. Felaktig placering av batterierna kan göra att explosiva gaser frisätts. Kontrollera att batterierna är av samma godkända kemiska typ och har placerats i rätt riktning. Blanda inte nya och redan använda batterier.

⚠ VARNING



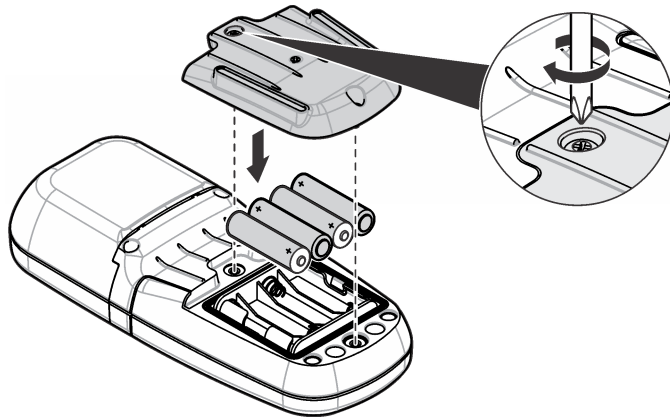
Brandfara. Batteriersättning är inte tillåtet. Använd endast alkaliska batterier.

ANMÄRKNING:

Kontrollera att skruvarna dras åt med kraften 1–1,4 Nm för en korrekt tätning och för att bibehålla höljets miljöklassning.

Instrument drivs av fyra alkaliska AA-batterier. Se till att batterierna installeras med rätt polaritet. Se [Figur 3](#) för installation av batterier.

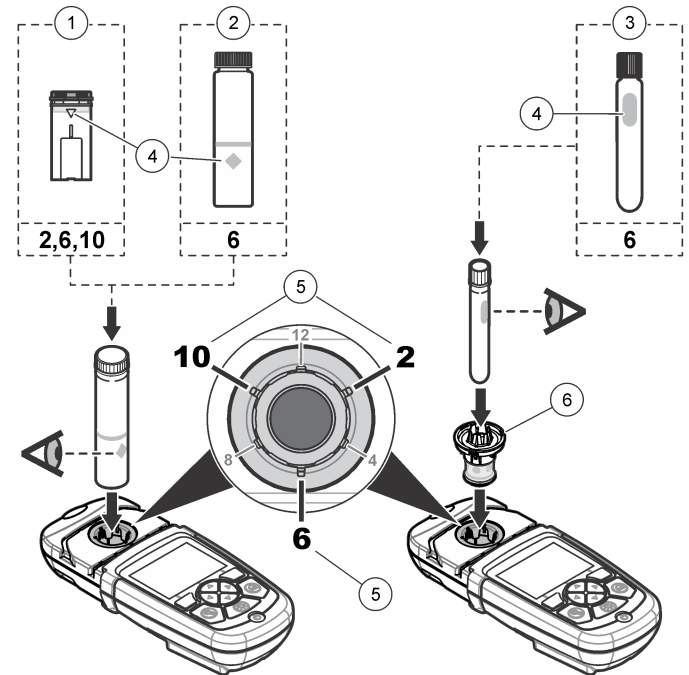
Figur 3 Batteriinstallation



3.2 Installera provcellen och celladaptern

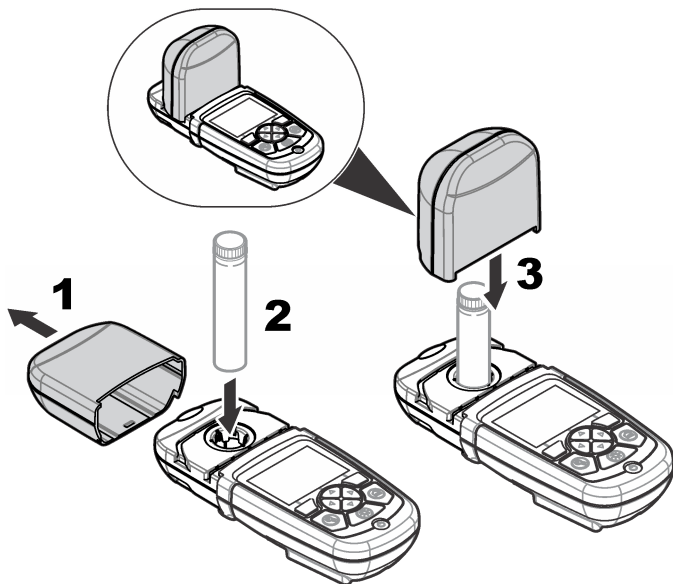
Instrumentet har ett cellutrymme som kan användas för olika typer av provceller. Se till att installera provcellen med rätt och enhetlig orientering så att resultaten blir mer repeterbara och exakta. Se [Figur 4](#). Stäng instrumentlocket innan instrumentet nollställs eller en mätning görs för att undvika ljusstörningar. Se [Figur 5](#).

Figur 4 Orientering av provcell



1 1 cm/10 ml provcell av plast	4 Orienteringsmärke
2 1 tum (25 mm) provcell av glas	5 Orienteringsläge (medurs)
3 16 mm provflaska	6 Adapter för provcell

Figur 5 Installation av provcell och instrumentlock

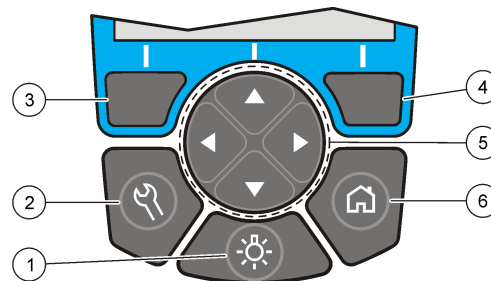


Avsnitt 4 Användargränssnitt och navigering

4.1 Beskrivning av knappsatsen

Se [Figur 6](#) för beskrivning av knappsatsen och navigeringsinformation.

Figur 6 Beskrivning av knappsatsen



1 BAKGRUNDSBELYSNING: slå på/stäng av displaybelysningen	4 HÖGER valknapp (kontextuell): mät prov, välj eller bekräfta alternativ, öppna undermenyer
2 INSTÄLLNINGAR: inställningsalternativ ¹	5 Navigeringstangenter UPP, NED, HÖGER, VÄNSTER: bläddra i menyer, ange nummer och bokstäver ²
3 VÄNSTER valknapp (kontextuell): öppna alternativ, avbryt eller avsluta nuvarande meny och gå till föregående	6 START/Alternativ: gå till huvudmätsskärmen ¹ , välj program, datahantering

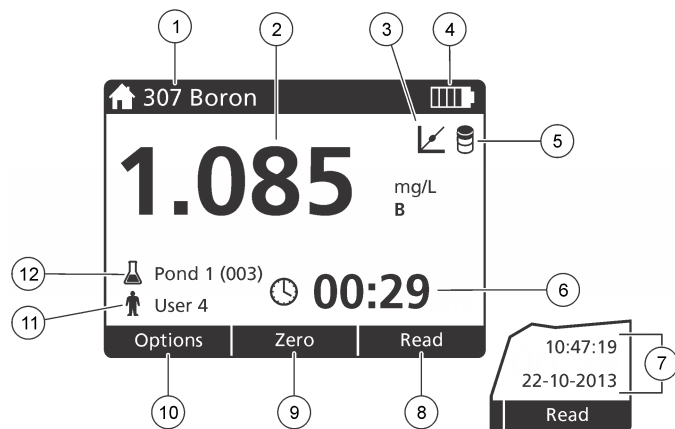
4.2 Beskrivning av displayen.

Mätsskärmen visar det valda läget, enhet, datum och tid, operatörs-ID och prov-ID. Se [Figur 7](#).

¹ Denna knapp fungerar inte i ändringsläge.

² När UPP- eller NED-tangenten hålls intryckt, bläddrar den snabbt. När VÄNSTER- eller HÖGER-tangenten trycks in, bläddrar den en sida.

Figur 7 Visning på en skärm



1 Programnamn och -nummer	7 Tid och datum
2 Mätvärde, enhet, kemisk formel, under "---" eller över mätintervall "+++"	8 Mätning (kontextuell: klar, välj, start, ok)
3 Ikonen standardjustering	9 Noll (kontextuell: navigeringstangent UPP-pil)
4 Batteristatus	10 Alternativ (kontextuell: tillbaka, avbryt)
5 Ikon för reagensblank	11 Användaridentifiering
6 Tidtagare	12 Providentifiering

4.3 Navigering

Instrumentet innehåller menyer så att olika alternativ kan ställas in. Använd navigeringstangenterna (pilarna **UPP**, **NED**, **HÖGER** och **VÄNSTER**) för att markera olika alternativ. Tryck på valknappen **HÖGER** för att välja ett alternativ. Ange ett värde för ett alternativ med

navigeringstangenterna. Tryck på navigeringstangenterna (pilarna **UPP**, **NED**, **HÖGER** och **VÄNSTER**) för att ändra ett värde. Tryck på **HÖGER**-pilen för att flytta till nästa position. Tryck på valknappen **HÖGER** under **Klar** för att godkänna värdet. Tryck på valknappen **VÄNSTER** för att avsluta nuvarande meny och gå tillbaka till föregående.

Avsnitt 5 Start

5.1 Slå på och stänga av instrumentet

Tryck på **STRÖMBRYTAREN** för att slå på och stänga av instrument. Om instrument inte slås på kontrollerar du att batterierna är rätt installerade.

5.2 Ställa in språk

Det finns två sätt att ställa in språket:

- Ange displayspråk när instrumentet slås på för första gången.
- Ange språk från menyn **INSTÄLLNINGAR**.

1. Tryck på **INSTÄLLNINGAR>Inställning>Språk**.

2. Välj ett språk i listan.

5.3 Ange datum och tid

Det finns två sätt att ange datum och tid:

- Ange datum och tid när instrumentet slås på för första gången.
- Ange datum och tid från menyn **Datum & tid**.

1. Tryck på **INSTÄLLNINGAR>Inställning>Datum & tid**.

2. Välj **Ange datum-/tidsformat**, välj sedan ett format för datum och tid.

3. Välj **Ställ in datum/tid**.

4. Använd navigeringstangenterna för att ange nuvarande datum och tid, tryck sedan på **OK**.

Avsnitt 6 Standardåtgärd

6.1 Programlista

instrument levereras med en komplett uppsättning av applikationsprogram. Beskrivningar av programmen finns i [Tabell 1](#).

Tabell 1 Programalternativ

Programalternativ	Beskrivning
Lagrade program	Lagrade program är fabriksinstallerade, förprogrammerade metoder. Se Välj ett lagrat program på sidan 176.
Användarprogram	Metoder kan utvecklas och sparas som ett användarprogram. ³ Se Användarprogram på sidan 179.
Favoriter	Metoder som ofta används kan sparas i favoritlistan. ¹

6.1.1 Välj ett lagrat program.

1. Tryck **START>Alternativ>Alla program**.
2. Välj önskad metod och tryck på **Start**.
3. Välj **Alternativ>Lägg till i favoriter** för att lägga till den valda metoden i favoriter för snabbare åtkomst.

6.1.2 Välja grundalternativ för program

När ett program är valt finns ytterligare alternativ tillgängliga.

1. Tryck **Alternativ** för att öppna menyn med alternativ.

2. Välj önskade alternativ.

Alternativ	Beskrivning
Starttidur	Välj ett förinställt eller manuellt tidur för att se till att analysstegen klockas korrekt (t.ex. så kan reaktionstider och väntetider anges exakt). När tiduret är på visas ikonen för tiduret på displayen. instrument avger en ljudsignal när tiden är nådd. Förinställt tidur —Välj önskat förinställt tidur för en eller flera lagrade procedursteg och tryck på Start . Manuellt tidur —Ange önskad tid med navigeringstangenterna och tryck på Klar . Standardinställning = 00:00
Favoriter/anv.program	Välj från lagrade favoriter eller listan med användarprogram. Mer information finns i Välj en favorit eller ett användarprogram på sidan 178.
Alla program	Välj en förprogrammerad metod från listan.
Datalogg	Visa alla sparade mätningar. Mer information finns i Datalogg på sidan 178.
Lägg till i favoriter	Spara lagrade program och användarprogrammetoder som ofta använd i favoritlistan. Se Lägga till ett program i favoriter på sidan 179.

³ Det går att spara upp till tio metoder (användarprogram och/eller favoriter).

Alternativ	Beskrivning
%T/Abs/Conc	Byt till mätning av % transmittans, absorbans eller koncentration. Transmittansmätning (%) —Mäter procent ursprungligt ljus som passerar genom provet och när detektorn. Absorbansmätning —Ljuset som absorberas av provet mäts i absorbansenheter. Koncentrationsmätning —De mätta absorbansvärdena omvandlas till koncentrationen med den lagrade programspecifika ekvationen.
Avancerade alternativ	Använd de avancerade alternativen för att ange fler parametrar. Se Välja avancerad programalternativ på sidan 177.
Spara	Spara den senaste mätningen manuellt när alternativet autospara är satt till Av.

6.1.3 Välja avancerad programalternativ

Varje program har ett olika ytterligare avancerad alternativ som kan väljas.

- Tryck på **Alternativ** för att öppna **Alternativ>Avancerade alternativ**.
- Använd de avancerade alternativen för att ange fler parametrar.

Alternativ	Beskrivning
Autospara	Välj På eller Av. Varje mätning sparas automatiskt när alternativet är satt till På. Mätningen kan sparas manuellt när alternativet är satt till Av.
Kemisk form	Välj en alternativ kemisk form och associerat mätområde för vissa fabriksinstallerade metoder.

Alternativ	Beskrivning
Reagensblank	Korrigerig med reagensblank kan användas med vissa fabriksinstallerade metoder. Ange resultatet från ett avslutat test med avjoniserat vatten som prov. Blankvärdet subtraheras från varje resultat för att korrigera för bakgrundsfärg på grund av reagens. Ange blankkorrigeringen innan alternativet Standardjustering används. Fyll i korrigeringen för varje nytt parti med testreagenser.
Standardjustering	Ändra lagrad kalibrering. Slut för ett test på en känd standard vid en koncentration nära den översta gränsen av testområdet. Använd den här funktionen för att justera resultatet för att anpassa standardkoncentrationen.
Sortera program	Välj alfabetisk eller numerisk programordning för listan med lagrade program.

6.2 Använda användar-ID

Etiketten Användar-ID kopplar mätningar till en individuell användare. All lagrad data kommer att inkludera detta ID.

- Tryck på **INSTÄLLNINGAR>Operatörs-ID** i mätskärmen.
- Välj, skapa eller ta bort ett användar-ID:

Alternativ	Beskrivning
Nuvarande ID	Välj ett ID från en lista. Det nuvarande ID:t kopplas med provdata tills ett annat ID väljs.
Skapa nytt ID	Ange ett namn för ett nytt operatörs-ID. Högst 10 namn kan anges.
Ta bort ID	Radera ett befintligt användar-ID.

6.3 Använda prov-ID.

Etiketten prov-ID används för att koppla mätningar med ett visst prov eller ett visst provställe. Om ID tilldelats kommer lagrad data att inkludera detta ID.

1. Tryck på **INSTÄLLNINGAR>Prov-ID** i mätskärmen.
2. Välj, skapa eller ta bort ett användar-ID:

Alternativ	Beskrivning
Nuvarande ID	Välj ett ID från en lista. Det nuvarande ID:t kopplas med provdata tills ett annat ID väljs.
Skapa nytt ID	Ange ett namn för ett nytt prov-ID. Högst 10 namn kan anges. Proven numreras i sekvens för varje mätning tills ett nytt ID väljs (t.ex. Damm 1, Damm 2).
Ta bort ID	Radera ett befintligt prov-ID.

6.4 Så här mäter du

De grundläggande mätstegen måste utföras för att slutföra en mätning. Varje metod har en steg för steg-procedur. Hänvisa till tillämplig metod för att köra ett visst test. Exemplet som följer är en grundprocedur för att slutföra en mätning.

1. Välj önskat program från programmenyn (dvs. Lagrade program, Användarprogram, Favoriter).
2. Installera celladaptorn vid behov.
3. Tryck på **Start** för att starta programmet.
4. Förbered blankprovet i enlighet med metoddokumentet. Stäng provcellen och rengör de optiska ytorna på provcellen med en luddfri trasa.
5. För in blankprovcellen i cellutrymmet. Se till att installera blankprovcellen korrekt med rätt orientering så att resultaten blir mer repeterbara och exakta. Se [Figur 4](#) på sidan 173.
6. Stäng instrumentlocket för att förhindra ljusstörningar. Se [Figur 5](#) på sidan 174.

7. Tryck **Nollställ**. Displayen visar en nollkoncentration (t.ex., mg/L, ABS, µg/L).
8. Förbered provet. Lägg till reagenser i enlighet med metoddokumentet.
9. Välj **Alternativ>Starttidur** för att använda de lagrade tiduren i programmet.
10. Stäng provcellen och rengör de optiska ytorna på cellen med en luddfri trasa.
11. För in provet i cellutrymmet. Se till att installera provcellen korrekt med rätt orientering så att resultaten blir mer repeterbara och exakta. Se [Figur 4](#) på sidan 173.
12. Stäng instrumentlocket för att förhindra ljusstörningar. Se [Figur 5](#) på sidan 174.
13. Tryck på **Läs**. Displayen visar resultatet i de valda enheterna.
Observera: Skärmen visar "+++" eller "---" om den uppmätta absorbansen är mindre eller mer än kalibreringsintervallet för testet.

6.5 Datalogg

Dataloggen visar alla sparade mätningar. Tryck **START>Alternativ>Datalogg** för att visa mätningarna. Se [Exportera dataloggen](#) på sidan 181 för information om export av dataloggen.

Avsnitt 7 Avancerade funktioner

7.1 Välj en favorit eller ett användarprogram.

Databasen med favoriter och användarprogram är tom när instrumentet slås på för första gången. En metod kan sparas som en favorit för snabbare åtkomst. Ett användarprogram kan programmeras för specifika ändamål.

1. Tryck på **START>Alternativ>Favoriter/anv.program>Välj**.
2. Tryck **Nytt program** för att skapa ett nytt användarprogram. Se [Användarprogram](#) på sidan 179.

7.2 Lägg till ett program i favoriter

Lagrade program och användarprogrammetoder som ofta används kan sparas i favoritlistan.

1. Välj **START>Alternativ>Alla program**.
2. Välj önskad metod och tryck på **Start**.
3. Välj **Alternativ>Lägg till i favoriter** för att lägga till den valda metoden i favoriter.

7.3 Användarprogram

Databasen med användarprogram är tom när instrumentet slås på för första gången. Använd **Nytt program** för att skapa nya program för specifika ändamål. Följ stegen som följer för att skapa ett nytt användarprogram.

1. Tryck på **START>Alternativ>Favoriter/anv.program>Välj>Nytt program**.
2. Välj ett tillgängligt programnummer från 1001 till 1010.
Observera: Det går att spara upp till tio program (användarprogram och/eller favoriter).
3. Ange ett metodnamn (upp till 12 tecken).
4. Välj en våglängd: 420, 520, 560 eller 610 nm.
5. Välj enhet: Ingen, µg/L, mg/L eller g/L.
6. Välj upplösning: 0000, 000.0, 00.00 eller 0.000.
7. Lägg till kalibreringspunkter: minst 2 och högst 12 kalibreringspunkter.⁴ Välj Ändr. std 1 och ange det första standardkoncentrationsvärdet. Tryck på **Klar**.
Observera: En ljudsignal innebär att koncentrationen är en duplicering av en tidigare angiven standard eller att koncentrationen är för hög för den valda upplösningen. Ange ett annat värde och fortsätt.

8. Ange absorbansvärde:

Alternativ	Beskrivning
Ändra ABS manuellt	Använd navigeringstangenterna för att ange absorbansvärdet manuellt.
Ändra ABS automatiskt	<ol style="list-style-type: none">1. Placera blankprovet i cellhållaren och tryck på Nollställ.2. Placera det förberedda provet i cellhållaren och tryck på Läs.3. Tryck på Klar.

Observera: En ljudsignal innebär att absorbansen är en duplicering av en tidigare angiven standard eller att den faller mellan två föregående standarder. Ange ett annat värde och fortsätt.

9. Tryck på **Klar**.
10. Välj Lägg till kalibreringspunkt.
11. Ange ytterligare kalibreringspunkter enligt beskrivning i steg 7–9.
12. Välj **Spara användarprogram**.

7.3.1 Ändra ett användarprogram

Så här ändrar du ett lagrat användarprogram:

1. Välj **START>Favoriter/anv.program**.
2. Välj önskat program och tryck **Alternativ**.
3. Tryck **Ändra**.
4. Följ anvisningarna på skärmen för att ändra proceduren.

⁴ Om kurvan är känd att vara linjär behövs endast två koncentrationsdatapunkter (dvs. en standard med noll absorbans och en annan känd standard). Använd ytterligare datapunkter för att bekräfta linjäritet eller definiera en icke linjär kurva.

7.3.2 Ta bort ett användar- eller favoritprogram

Ta bort ett lagrat användar- eller favoritprogram om det inte längre används.

1. Välj **START>Alternativ>Favoriter/anv.program**.
2. Markera önskat program och tryck **Alternativ>Ta bort** och följ anvisningarna på skärmen.

7.4 Instrumentinformation

Menyn med instrumentinformation visar specifik information så som instrumentnamn, serienummer, programvaruversion, databasversion, använt minne och tillgängliga program. Tryck **INSTÄLLNINGAR>Instrumentinformation**.

7.5 Ställa in lösenordet

Lösenordsalterantivet används för att förhindra åtkomst till begränsade menyer.

Observera: Om du glömmet bort det angivna lösenordet och alternativet Säkerhetsalternativ är på så kommer inte operatören åt de begränsade menyerna. Kontakta teknisk support om lösenordet glöms bort.

1. Tryck på **INSTÄLLNINGAR>Inställning>Lösenordsinställningar**.
2. Välj ett alternativ.

Alternativ	Beskrivning
Lösenordsinställningar	Välj På eller Av för att slå lösenordsskyddet på eller av.
Skyddade objekt	Visar en lista med skyddade objekt: ändra operatörs-ID, ändra prov-ID, ändra användarprogram, datum & tid, uppgradera inbyggd programvara, uppgradera metoder, språk och ändra favoritlista.

7.6 Ställ in display och ljud

Använd displayalternativen för att ändra kontrasten på displayen, batterialternativ för automatisk avstängning och bakgrundsbelysning. Använd ljudalternativen för att ställa in en ljudsignal som ljuder när en tangent trycks in eller en mätning är slutförd.

1. Tryck på **INSTÄLLNINGAR>Inställning>Display & ljud>Displayalternativ**.
2. Välj ett alternativ.

Alternativ	Beskrivning
Kontrast	Justera displayens kontrast. Den ljusaste inställningen är 0 och den mörkaste är 9. Standardinställning: 5
Automatisk avstängning	För att maximera batterilivslängden, ställ in en period efter vilken instrument automatiskt stängs av om inte någon tangent trycks in (5, 10, 15, 20, 30 minuter, 1 timme, 2 timmar eller Inaktivera. Standardinställning: 10 minuter
Bakgrundsbelysning	Bakgrundsbelysningen slås på när BAKGRUNDSBELYSNING trycks in. Ange en period efter vilken bakgrundsbelysningen automatiskt stängs av om inte någon tangent trycks in (10, 20, 30 sekunder, 1, 2, 5, 10 minuter eller Inaktivera. Standardinställning: 1 minut

3. Tryck på **INSTÄLLNINGAR>Inställning>Display & ljud>Ljud**.
4. Välj ett alternativ.

Alternativ	Beskrivning
Tangenttryckning	instrument avger en ljudsignal varje gång som en tangent trycks in. Standardinställning: av
Mätning slutförd	instrument avger en ljudsignal varje gång som en mätning slutförs. Standardinställning: på

7.7 Huvudmeny för USB

När instrument är anslutet med en USB-kabel till en dator visas USB-huvudmenyn. Uppdatera programvaran, exportera eller importera data- och händelselogg från USB-huvudmenyn.

7.7.1 Uppdatera den inbyggda programvaran

Leta upp uppgraderingsfilen för den inbyggda programvaran på produktens webbplats eller kontakta leverantören av instrumentet. Spara filen från webbplatsen till datorn.

1. Slå på instrumentet och anslut USB-kabeln till instrument och datorn. USB-huvudmenyn visas.
2. Välj **Uppdatera DR900**. Instrumentet visas som en USB-enhet på datorn. Öppna mappen.
3. Kopiera filen DR900.bin till den öppna mappen.
4. Tryck **Ok**.
5. När uppdateringen är klar, tryck på **Ok**.
6. Välj **Koppla bort USB**, tryck på **Ok** och koppla bort USB-kabeln.
7. Tryck **Ok**.
8. Starta om instrument.

7.7.2 Hantera program

Med funktionen Hantera program kan användarprogram exporteras och/eller importeras och nya fabriksprogram kan importeras.

1. Slå på instrumentet och anslut USB-kabeln till instrument och datorn. USB-huvudmenyn visas.
2. Välj **Hantera program** och välj ett alternativ:

Alternativ	Beskrivning
Exportera användarprogram	Exportera alla användarprogram till datorn för lagring eller flytta användarprogram till en annan DR 900.

Alternativ	Beskrivning
Importera användarprogram	Ersätt alla användarprogram med användarprogram från en annan DR 900 via en dator.
Importera fabriksprogram	Importera nya fabriksprogram från tillverkarens webbplats.

Instrumentet visas som en USB-enhet på datorn. Öppna mappen.

3. Kopiera exportfilen från enheten till datorn eller kopiera importfilen från datorn till enheten.
4. Tryck **Ok**.
5. När överföringen är gjord, välj **Koppla bort USB** och koppla bort USB-kabeln.
6. Tryck **Ok**.

7.7.3 Exportera dataloggen

Händelse- och dataloggen kan exporteras till datorn. Händelseloggen innehåller datum, tid, händelsenummer, parameter och beskrivning av en konfigurationsrelaterad åtgärd. Provmätningar lagras manuellt eller automatiskt i dataloggen. Se [Välja avancerad programalternativ](#) på sidan 177.

1. Slå på instrumentet och anslut USB-kabeln till instrument och datorn. USB-huvudmenyn visas.
2. Välj **Exportera datalogg**. Instrumentet visas som en USB-enhet på datorn. Öppna mappen.
3. Kopiera och spara exportfilerna (DR900_DataLog.csv och DR900_EventLog.csv) till datorn.
4. Tryck **Ok**.
5. När filerna har kopierats till datorn, välj **Koppla bort USB** och koppla bort USB-kabeln.
6. Tryck **Ok**.

Avsnitt 8 Underhåll

▲ VARNING



Flera risker. Endast kvalificerad personal får utföra de moment som beskrivs i den här delen av dokumentet.

8.1 Rengöra instrumentet

Rengör instrumentets utsida med en fuktig duk och en mild tvållösning, och torka sedan av instrumentet efter behov.

8.2 Rengör provcellerna

▲ FÖRSIKTIGHET



Risk för kemikalieexponering. Följ laboratoriets säkerhetsanvisningar och bär all personlig skyddsutrustning som krävs vid hantering av kemikalier. Läs aktuella datablad (MSDS/SDS) om säkerhetsanvisningar.



▲ FÖRSIKTIGHET



Risk för kemikalieexponering. Kassera kemikalier och avfall enligt lokala, regionala och nationella lagar.

De flesta rengöringsmedel för laboratorier används vid rekommenderade koncentrationer. Naturliga lösningsmedel, så som Liquinox, är säkrare att använda när regelbunden rengöring är nödvändig. För att minska rengöringstillfällena, öka temperaturen eller använd ett ultraljudsbad. Avsluta rengöringen med att skölja några gånger med avjoniserat vatten och sedan låta provcellen lufttorka. Provceller kan även rengöras med syra, följt av en grundlig sköljning med avjoniserat vatten.

Observera: Använd alltid syra för att rengöra provceller som har använts för att testa låga nivåer av metall.

Specialmetoder för rengöring krävs för individuella procedurer. Om en borste används för att rengöra provcellerna, var extra noga med att inte repa de inre ytorna på provcellerna.

8.3 Byta ut batterierna

▲ VARNING



Explosionsrisk. Utgångna batterier kan orsaka att vätgas ansamlas i instrumentet. Byt ut batterierna innan de går ut och förvara inte instrumentet under långa perioder med batterier installerade.

▲ VARNING



Brandfara. Batteriersättning är inte tillåtet. Använd endast alkaliska batterier.

ANMÄRKNING:

Kontrollera att skruvarna dras åt med kraften 1–1,4 Nm för en korrekt tätning och för att bibehålla höljets miljöklassning.

Information om byte av batteri finns i [Installera batterierna](#) på sidan 172.

Avsnitt 9 Felsökning

Felkod	Möjlig orsak	Lösning
1	Instrumentet är inte kalibrerat.	Kontakta teknisk support.
2	Kunde inte läsa programdata	
3	Kunde inte skriva programdata	
4	Batterifel	Byta ut batterierna.
5	A/D-fel vid mätning	Kontakta teknisk support.

Felkod	Möjlig orsak	Lösning
6	Offsetfel vid mätning	Se till att instrumentlocket är rätt installerat.
7	Fel för svagt ljus vid mätning	<ul style="list-style-type: none"> • Se till att ljuset inte är blockerat. • Nollvärdet ligger utanför instrumentets mätområde • Kontakta teknisk support.
8	Fel för värde över mätområdet vid mätning, möjlig blockering av ljus eller för hög koncentration	<ul style="list-style-type: none"> • Se till att ljuset inte är blockerat och att koncentrationen inte är för hög för programmet. • Se till att instrumentlocket är rätt installerat. • Kontakta teknisk support.

Avsnitt 10 Reservdelar och tillbehör

▲ VARNING



Risk för personskada. Användning av icke godkända delar kan orsaka personskador eller skador på maskinen eller utrustningen. Reservdelar i detta avsnitt är godkända av tillverkaren.

Observera: Produkt- och artikelnummer kan variera i olika försäljningsregioner. Kontakta lämplig återförsäljare eller se företagets webbsida för att få kontaktinformation.

Reservdelar

Beskrivning	Produktnr
Adaptermontering, COD	4846400
Batterisats, alkaliska AA-batterier (4 st)	1938004
Provcell med lock, 25 x 95 mm, 10-20-25 mL (6 st)	2401906

Reservdelar (fortsättning)

Beskrivning	Produktnr
Provcell med lock 1 cm/10 ml (2 st)	4864302
USB-kabel	LZV818

Tillbehör

Beskrivning	Produktnr
Lock, provcell, för 25 x 95 ml cell	2401812
Bärväska med hårda sidor	4942500
Bärväska med mjuka sidor och axelrem	2722000
Bärväska, portabelt laboratorium	4943000
DR/Check™ absorptionsstandarder	2763900
Instrumentlock, DR 900	9390500

Sisällysluettelo

- 1 Tekniset tiedot sivulla 184
- 2 Yleistietoa sivulla 184
- 3 Asentaminen sivulla 187
- 4 Käyttöliittymä ja selaaminen sivulla 189
- 5 Käynnistyminen sivulla 190
- 6 Peruskäyttö sivulla 191
- 7 Edistynyt käyttö sivulla 193
- 8 Huolto sivulla 196
- 9 Vianmääritys sivulla 197
- 10 Varaosat ja lisävarusteet sivulla 198

Osa 1 Tekniset tiedot

Tekniset tiedot voivat muuttua ilman ennakoilmoitusta.

Ominaisuus	Tiedot
Mittaustila	Transmittanssi (%), Absorbanssi (Abs) ja Konsentraatio (Kons)
Mitat (L x S x K)	23.6 x 8.7 x 4.7 cm (9.3 x 3.4 x 1.9 tuumaa)
Kotelointiluokitus	IP67
Paino	0,6 kg (1,3 lb)
Virtalähde (sisäinen)	AA-alkaliparistot (4 kpl)
Paristojen kesto	6 kuukautta (tyypillinen) 5 lukemalla päivässä 5 päivänä viikossa ilman taustavaloa
Liitäntä	USB mini
Käyttölämpötila	0–50 °C (32–122 °F), enintään 90 % tiivistymätön suhteellinen kosteus
Säilytyslämpötila	-30–60 °C (-22–140 °F), enintään 90 % tiivistymätön suhteellinen kosteus
Valonlähde	LED
Detektori	Silikoninen fotodiodi

Ominaisuus	Tiedot
Aallonpituusalue	420, 520, 560, 610 nm
Fotometrinen mittaussalue	0–2 Abs
Aallonpituuden tarkkuus	±1 nm
Fotometrinen tarkkuus	±0.03 Abs
Fotometrinen mittaustarkkuus	±0.002 Abs (0–1 Abs)
Aallonpituuden valinta	Automaattinen, perustuu menetelmän valintaan
Fotometrinen toistettavuus	±0.002 Abs (0–1 Abs)
Lukemanäyttö	Graafinen näyttö, 240 x 160 pikseliä (taustavalaistu)
Näyteastiat	16 mm, 1 cm/10 mL, 25 mm (1 tuuma) pyöreä
Suojausluokka	Luokka III
Sertifioinnit	CE-merkintä
Takuu	1 vuosi (EU: 2 vuotta)(EU)

Osa 2 Yleistietoa

Valmistaja ei ole missään tapauksessa vastuussa suorista, epäsuorista, erityisistä, tuottamuksellisista tai välillisistä vahingoista, jotka johtuvat mistään tämän käyttöohjeen virheestä tai puutteesta. Valmistaja varaa oikeuden tehdä tähän käyttöohjeeseen ja kuvaamaan tuotteeseen muutoksia koska tahansa ilman eri ilmoitusta tai velvoitteita. Päivitetyt käyttöohjeet ovat saatavilla valmistajan verkkosivuilta.

2.1 Turvallisuustiedot

Valmistaja ei ole vastuussa mistään virheellisestä käytöstä aiheuvista vahingoista mukaan lukien rajoituksetta suorista, satunnaisista ja välillisistä vahingoista. Valmistaja sanoutuu irti tällaisista vahingoista

soveltuvien lakien sallimissa rajoissa. Käyttäjä on yksin vastuussa sovellukseen liittyvien kriittisten riskien arvioinnista ja sellaisten asianmukaisten mekanismien asentamisesta, jotka suojaavat prosesseja laitteen toimintahäiriön aikana.

Lue nämä käyttöohjeet kokonaan ennen tämän laitteen pakkauksesta purkamista, asennusta tai käyttöä. Kiinnitä huomiota kaikkiin vaara- ja varoimilausekkeisiin. Niiden laiminlyönti voi johtaa käyttäjän vakavaan vammaan tai laitteistovaurioon.

Jotta laitteen suojaus ei heikentyisi, sitä ei saa käyttää tai asentaa muuten kuin näissä ohjeissa kuvatulla tavalla.

2.2 Vaaratilanteiden merkintä

▲ VAARA

Ilmoittaa mahdollisesti vaarallisesta tai välittömän vaaran aiheuttavasta tilanteesta, joka aiheuttaa kuoleman tai vakavan vamman.

▲ VAROITUS

Ilmoittaa potentiaalisesti tai uhkaavasti vaarallisen tilanteen, joka, jos sitä ei vältetä, voi johtaa kuolemaan tai vakavaan vammaan.

▲ VAROTOIMI

Ilmoittaa mahdollisesti vaarallisesta tilanteesta, joka voi aiheuttaa lievän tai kohtalaisen vamman.

HUOMAUTUS

Ilmoittaa tilanteesta, joka saattaa aiheuttaa vahinkoa laitteelle. Nämä tiedot edellyttävät erityistä huomiota.

2.3 Varoitustarrat

Lue kaikki laitteen tarrat ja merkinnät. Ohjeiden laiminlyönnistä voi seurata henkilövamma tai laitevaurio. Laitteen symboliin viitataan käsikirjassa, ja siihen on liitetty varoitus.

	Tämä symboli, jos se on merkitty laitteeseen, viittaa laitteen käyttöohjeeseen käyttö- ja/tai turvallisuustietoja varten.
	Tämä symboli varoittaa räjähdysvaarasta.
	Tämä symboli varoittaa tulipalon vaarasta.
	Tämä symboli varoittaa kemiallisten vahinkojen vaarasta ja ilmaisee, että ainoastaan kemikaalien kanssa työskentelyyn pätevät ja asianmukaisesti koulutetut henkilöt saavat käsitellä kemikaaleja tai huoltaa laitteen kemikaalinsyöttöjärjestelmiä.
	Tämä symboli merkitsee, että silmäsuojaimia on käytettävä.
	Sähkölaitteita, joissa on tämä symboli, ei saa hävittää yleisille tai kotitalousjätteille tarkoitetuissa eurooppalaisissa jätteen hävitysjärjestelmissä. Vanhat tai käytöstä poistetut laitteet voi palauttaa maksutta valmistajalle hävittämistä varten.

2.4 Vaatimustenmukaisuus ja sertifiointi

▲ VAROTOIMI

Tätä laitetta ei ole tarkoitettu käytettäväksi asuinympäristöissä eikä se välttämättä tarjoa riittävää suojaa radiovastaanottimelle tällaisissa ympäristöissä.

Canadian Radio Interference-Causing Equipment Regulation, ICES-003, luokka A:

Tarkemmat testitulokset ovat valmistajalla.

Tämä luokan A digitaalinen laite vastaa kaikkia Kanadan häiriötä tuottavista laitteista annettujen säädösten vaatimuksia.

Cet appareil numérique de classe A répond à toutes les exigences de la réglementation canadienne sur les équipements provoquant des interférences.

FCC Osa 15, luokan "A" rajoitukset

Tarkemmat testitulokset ovat valmistajalla. Laite vastaa FCC-säädösten osaa 15. Laitteen toimintaa koskevat seuraavat ehdot:

1. Laite ei saa aiheuttaa haitallisia häiriöitä.
2. Laitteen on voitava vastaanottaa häiriöitä, mukaan lukien häiriöt, jotka voivat olla synnä epätoivottuun toimintaan.

Tähän laitteeseen tehdyt, muut kuin yhteensopivuudesta vastaavan osapuolen hyväksymät muutokset tai muokkaukset saattavat johtaa käyttäjän menettämään oikeutensa käyttää tätä laitetta. Tämä laite on testattu ja sen on todettu olevan luokan A digitaalinen laite, joka vastaa FCC-säädösten osaa 15. Nämä rajoitukset on laadittu antamaan kohtuullinen suoja haitallisilta häiriöiltä, kun laitetta käytetään kaupallisessa ympäristössä. Tämä laite kehittää, käyttää ja saattaa säteillä radiotaajuusenergiaa, ja näiden ohjeiden vastaisesti asennettuna tai käytettynä se saattaa aiheuttaa haitallisia häiriöitä radioliikenteeseen. Tämän laitteen käyttö asuinalueella aiheuttaa todennäköisesti haitallisia häiriöitä, missä tapauksessa käyttäjän on korjattava tilanne omalla kustannuksellaan. Häiriöitä voidaan vähentää seuraavilla tavoilla:

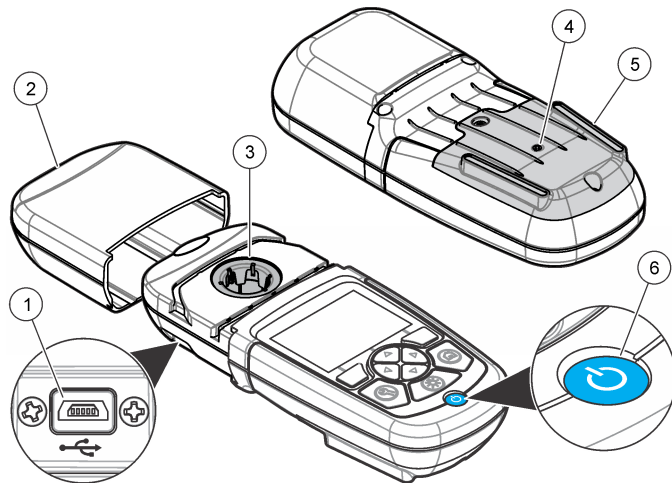
1. Irrota laite sähköverkosta varmistaaksesi, onko laite häiriöiden syy.
2. Jos laite on kytketty samaan pistorasiaan kuin häiriötä vastaanottava laite, kytkä tämä laite toiseen pistorasiaan.

3. Siirrä laite kauemmas häiriötä vastaanottavasta laitteesta.
4. Sijoita häiriötä vastaanottavan laitteen antenni toiseen paikkaan.
5. Kokeile edellä annettujen ohjeiden yhdistelmiä.

2.5 Tuotteen yleiskuvaus

DR 900 on kannettava, LED-toiminen kolorimetri, joka mittaa aallonpituuksia 420, 520 ja 620 nm. Instrumentti on tarkoitettu juomaveden, jäteveden ja teollisuusovellusten analysointiin. Instrumentti mukana tulee kattava sarja tallennettuja ohjelmia (esiohjelmoituja menetelmiä), ja mahdollisuus tallentaa käyttäjän omia ohjelmia tai valita suosikkiohjelmia. Katso kohta [Kuva 1](#).

Kuva 1 Instrumentti yleisesti

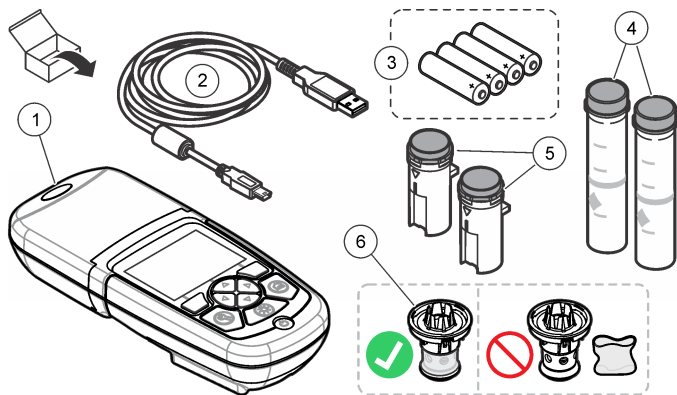


1 USB-portti	4 Tuuletusaukko
2 Instrumentin kansi	5 Paristopesä
3 näytepaikka	6 Virtapainike

2.6 Tuotteen osat

Varmista, että laitteen mukana on toimitettu kaikki tarvittavat osat. Katso [Kuva 2](#). Jos jokin kohta puuttuu tai on vioittunut, ota yhteys instrumentin toimittajaan tai myyntiedustajaan välittömästi.

Kuva 2 Tuotteen osat



1 DR 900	4 Lasinen näyteastia, 25 mm (1 tuuma) pyöreä, 10, 20, 25 mL merkit (2x)
2 USB-kaapeli ja mini-USB-liitin	5 Näyteastia, 1 cm/10 mL (2x)
3 AA-alkaliparistot (4 kpl)	6 Näyteastian sovitin

Osa 3 Asentaminen

▲ VAROITUS



Useita vaaroja. Vain ammattitaitoinen henkilö saa suorittaa käyttöohjeen tässä osassa kuvatut tehtävät.

HUOMAUTUS

Varmista, ettet tuki instrumentti akun tuuletusaukkoa käytön tai varastoinnin aikana.

3.1 Paristojen asentaminen

▲ VAROITUS



Räjähdyksvaara. Akun asentaminen väärin voi vapauttaa räjähtäviä kaasuja. Varmista, että akut ovat samaa hyväksytyä kemiallista tyyppiä ja että ne on asennettu oikein päin. Älä käytä uusia ja vanhoja paristoja sekaisin.

▲ VAROITUS



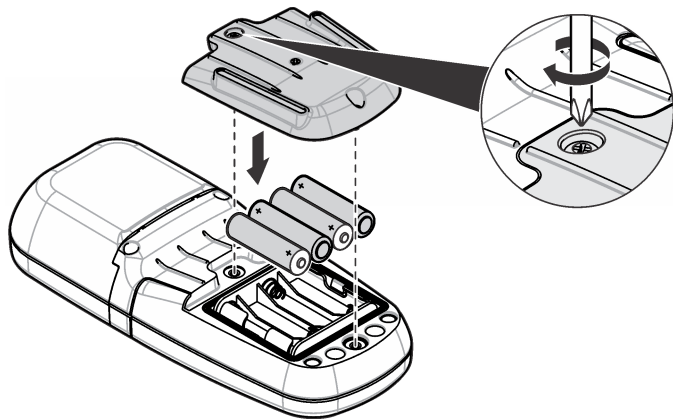
Tulipalon vaara. Battery substitution is not permitted. Käytä ainoastaan alkaliparistoja.

HUOMAUTUS

Muista kiristää ruuvit tiukkuuteen 1–1,4 Nm (9–12 in.·lb), jotta varmistat liitoksen tiiviyyden ja kotelon ympäristöluokituksen.

instrumentti saa virran neljästä AA-alkaliparistosta. Varmista, että paristot tulevat oikein päin. Paristojen asennus kuvataan kohdassa [Kuva 3](#).

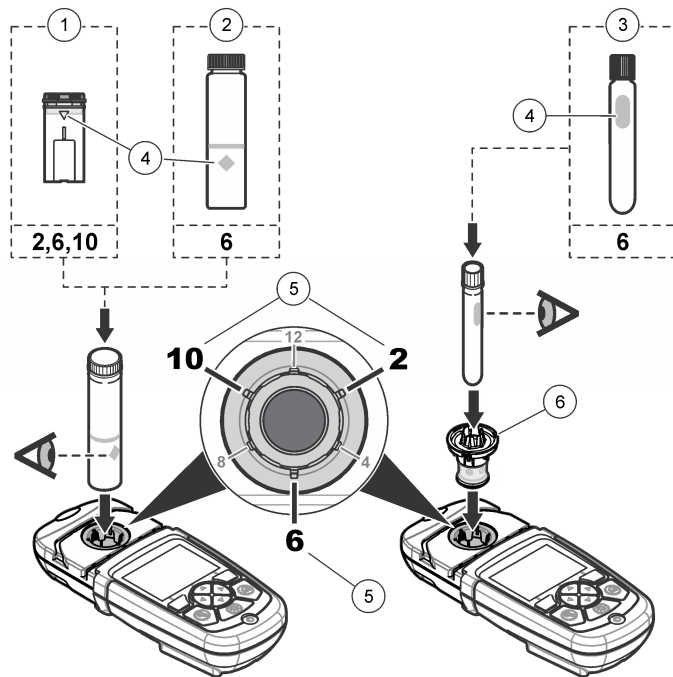
Kuva 3 Paristojen asennus



3.2 Näytekyvetin ja kyvettisovittimen asentaminen

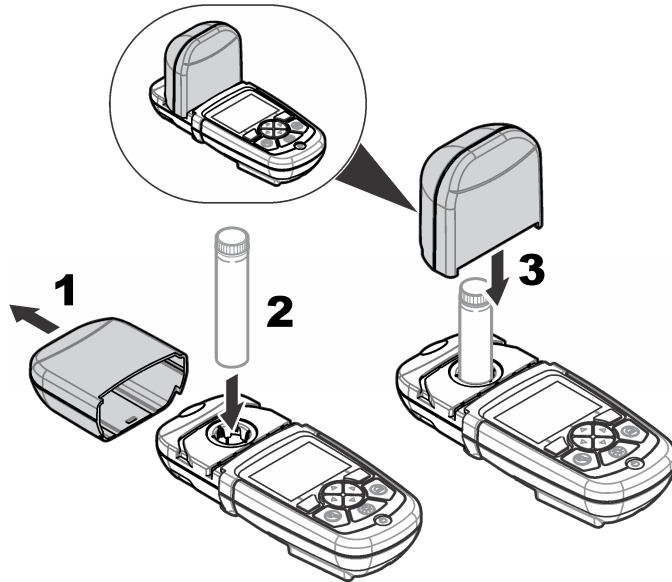
instrumentti on yksi näytepaikka, jossa voidaan käyttää yhtä sovitinta erilaisille näyteastiatyypeille. Muista asentaa näytekyvetti oikeassa ja yhdenmukaisessa asennossa, jotta tuloksista tulee paremmin toistettavia ja tarkempia. Katso kohta [Kuva 4](#). Sulje instrumentin kansi ennen instrumentin nollan asettamista tai suoritettuasi mittauksen estääksesi valon vaikutuksen. Katso kohta [Kuva 5](#).

Kuva 4 Näyteastian suunta



1	1 cm/10 mL muovinen näytekyvetti	4	Suuntamerkki
2	25 mm (1 tuuman) lasinen näytekyvetti	5	Suunta (myötöpäivään)
3	16 mm lasinen koeputki	6	kyvettisovitin

Kuva 5 näytekyvetin ja instrumentin kannen asentaminen

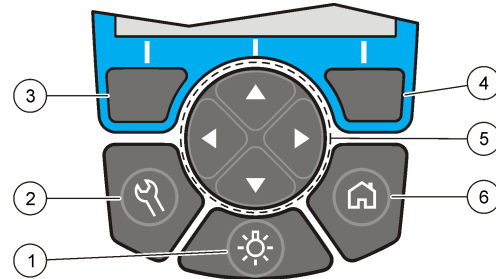


Osa 4 Käyttöliittymä ja selaaminen

4.1 Näppäimistön kuvaus

Kohdassa [Kuva 6](#) kuvataan näppäimistö ja navigointitiedot.

Kuva 6 Näppäimistön kuvaus



1 TAUSTAVALO: aseta näytön valaistus päälle tai pois	4 OIKEA valintapainike (asiayhteys): lukee näytteen, valitsee tai vahvistaa asetukset, avaa alivalikot
2 ASETUKSET: asennusasetukset ¹	5 YLÖS-, ALAS-, OIKEA-, VASEN-navigointipainike: selaa valikossa, syötä numeroita ja kirjaimia. ²
3 VASEN valintapainike (asiayhteys): pääsy aseuksiin, peruuttaa nykyisen valikkonytön tai pistuu siitä edelliseen	6 KOTI/Asetukset: siirry päälukemanäyttöön ¹ , valitse ohjelma, tiedonhallinta

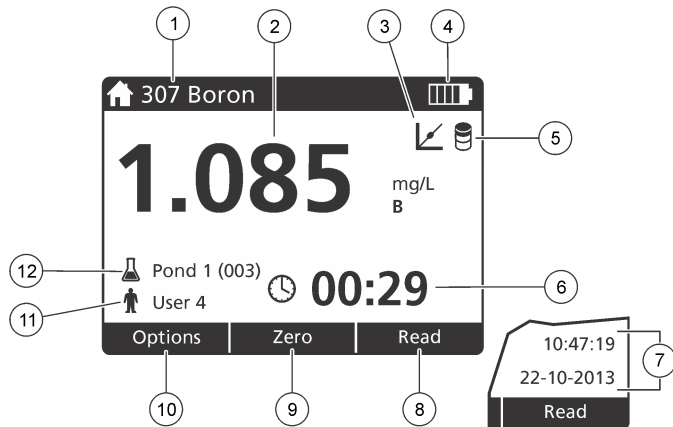
4.2 Näytön kuvaus

Lukemanäytössä esitetään valittu tila, yksikkö, pvm ja kellonaika, operaattorin tunnus ja näytteen tunnus. Katso kohta [Kuva 7](#).

¹ Painike ei toimi muokkaustilassa.

² Kun YLÖS- tai ALAS-painike pidetään pohjassa, selataan nopeasti. Kun VASEN- tai OIKEA-painiketta painetaan, selataan sivu kerrallaan.

Kuva 7 Yhden ruudun näyttö



1 Ohjelman nimi ja numero	7 Aika ja päivä
2 Lukema-arvo, yksikkö, kemiallinen kaava, alle "----" tai yli "+++" määrittysrajan	8 Lukema (asiayhteys: valmis, valitse, aloita, ok)
3 Standardin säätökuvake	9 Nolla (asiayhteys: navigointipainikkeen ylänuoli)
4 Paristojen tila	10 Asetukset (asiayhteys: paluu, peruuta)
5 Reagenssinollan kuvake	11 Käyttäjän määrittely
6 Ajastin	12 Näytteen määrittely

4.3 Navigointi

Laitteessa on valikoita, joilla voidaan muuttaa eri asetuksia. Korosta eri asetukset **YLÖS-**, **ALAS-**, **OIKEA-** ja **VASEN-**nuolilla. Valitse asetukset painamalla **OIKEA-**valintapainiketta. Syötä asetuksen arvo navigointipainikkeilla. Syötä arvo tai muuta sitä painamalla (**YLÖS-**,

ALAS-, **OIKEA-** ja **VASEN-**nuolta. Siirry seuraavaan kohtaan painamalla **OIKEA-**nuolta. Hyväksy arvo painamalla **OIKEA-**valintapainiketta kohdassa **Valmis**. Poistu valikkonäytöstä painamalla **VASEN-**valintapainiketta.

Osa 5 Käynnistys

5.1 Aseta instrumentti On tai Off.

Paina **VIRTA-**painiketta kytkeäksesi instrumentti On tai Off. Jos instrumentti ei käynnisty, varmista että paristot on asennettu oikein.

5.2 Valitse kieli

Kielen valinnalle on kaksi vaihtoehtoa:

- Valitse näytön kieli, kun laite käynnistetään ensimmäistä kertaa.
- Valitse kieli **ASETUKSET**-valikosta.

1. Paina **ASETUKSET>Asennus>Kieli**.

2. Valitse luettelosta haluamasi kieli.

5.3 Päivämäärän ja ajan asettaminen

Päivän ja ajan määrittämiselle on kaksi vaihtoehtoa:

- Aseta päivämäärä ja kellonaika, kun laite käynnistetään ensimmäistä kertaa.
- Aseta pvm ja kellonaika Pvm ja kellonaika -valikosta.

1. Paina **ASETUKSET>Asennus>Pvm ja kellonaika**.

2. Valitse **Asetä päivämäärän ja ajan esitysmuoto** ja valitse sitten päivämäärän ja ajan esitysmuoto.

3. Valitse **Aseta päivä ja aika**.

4. Syötä päivämäärä ja kellonaika nuolipainikkeilla ja valitse **OK**.

Osa 6 Peruskäyttö

6.1 Ohjelmaluettelo

instrumentti mukana tulee täysi sarja ohjelmia. Ohjelma kuvataan kohdassa [Taulukko 1](#).

Taulukko 1 Ohjelma-asetukset

Ohjelmavaihtoehto	Kuvaus
Tallennetut ohjelmat	Tallennetut ohjelmat ovat tehdasasetteisia, esiohjelmoituja menetelmiä. Katso kohta Tallennetun ohjelman valinta sivulla 191.
Käyttäjän ohjelmat	Menetelmiä voidaan kehittää, ja ne voidaan tallentaa käyttäjäohjelmaksi. ³ Katso kohta Käyttäjän ohjelmat sivulla 194.
Suosikit	Usein käytetyt menetelmät voidaan tallentaa suosikkiluetteloon. ¹

6.1.1 Tallennetun ohjelman valinta

1. Paina **KOTI>Asetukset>Kaikki ohjelmat**.
2. Valitse menetelmä ja paina **Käynnistä**.
3. Lisää valittu menetelmä suosikeihin myöhempää käyttöä varten valitsemalla **Asetukset>Lisää suosikeihin**.

6.1.2 Ohjelman perusasetusten valinta

Kun ohjelma on valittu, käytettävissä on lisäparametrejä.

1. Siirry asetusvalikkoon painamalla **Asetukset**.

2. Valitse haluamasi asetukset.

Vaihtoehto	Kuvaus
Käynnistä ajastin	Valitse esiasetettu ajastin tai aseta manuaalinen ajastin varmistaaksesi, että analyysin vaiheet on ajoitettu oikein (esim. reaktioajat ja odotusajat voidaan määrittää täsmällisesti). Kun ajastin on päällä, näytössä näkyy ajastinkuvake. instrumentti päästää merkkiäänän, kun aika on kulunut umpeen. Esiasetettu ajastin – Valitse asianmukainen esiasetettu ajastin yhdelle tai useammalle tallennetulle menetelmävaiheelle ja paina Käynnistä . Manuaalinen ajastin – Syötä asianmukainen aika navigointipainikkeilla ja paina Valmis . Oletusarvo = 00:00
Suosikit/Käytt. ohj.	Valitse tallennetuista suosikeista tai käyttäjäohjelmaluettelosta. Lisätietoa saa kohdasta Suosikin tai käyttäjäohjelman valinta sivulla 193.
Kaikki ohjelmat	Valitse luettelosta esiohjelmoitu menetelmä.
Dataloki	Näytä kaikki tallennetut lukemat. Lisätietoa saa kohdasta Datan keruu sivulla 193.
Lisää suosikeihin	Tallenna usein käytetyt tallennetut ohjelmat ja käyttäjäohjelmamenetelmät suosikkiluetteloon. Katso kohta Lisää ohjelma suosikeihin sivulla 194.

³ Menetelmiä (käyttäjäohjelma ja/tai suosikkeja) voidaan tallentaa enintään kymmenen.

Vaihtoehto	Kuvaus
%T/Abs/Kons	Vaihda transmittanssi-%-, absorbanssi- tai konsentraatiolukemiin. Transmittanssilukema (%) – Lukee, montako prosenttia alkuperäisestä valosta kulkee näytteen läpi ja saapuu detektoriin. Absorbanssilukema – Näytteen absorboima valo luetaan absorbanssiyksiköissä. Konsentraatiolukemat – Mitatut absorbanssiarvot muunnetaan konsentraatioarvoiksi ohjelman määrittämällä tallennetulla yhtälöllä.
Lisäasetukset	Määritä lisäparametrejä lisäasetuksilla. Katso kohta Ohjelman lisäasetusten valinta sivulla 192.
Tallenna	Tallenna viimeisin lukema manuaalisesti, kun automaattinen tallennus on Off.

6.1.3 Ohjelman lisäasetusten valinta

Kullakin ohjelmalla on erilaisia valittavia lisäasetuksia.

1. Paina **Asetukset** päästäksesi kohtaan **Asetukset>Lisäasetukset**.
2. Määritä lisäparametrejä lisäasetuksilla.

Vaihtoehto	Kuvaus
Automaattinen tallennus	Kytke On tai Off. Jokainen lukema tallennetaan automaattisesti, kun asetus on On. Lukema voidaan tallentaa manuaalisesti, kun asetus on Off.
Kemiallinen kaava	Valitse parametreille vaihtoehtoinen kemiallinen kaava ja siihen liittyvä mittataulukko (joissain tehdasasenteisissa menetelmissä).

Vaihtoehto	Kuvaus
Reagenssinolla	Reagenssinollan korjausta voidaan käyttää joissain tehdasasenteisissa menetelmissä. Syötä valmiin testin tulos käyttäen deionisoitua vettä näytteenä. Reagenssinollan arvo vähennetään jokaisesta tuloksesta reagensseista johtuvan taustavärin korjaamiseksi. Syötä reagenssinollan korjaus ennen standardisäätöasetuksen käyttöä. Suorita tämä korjaus kullekin uudelle testireagenssierälle.
Standardisäätö	Muuta tallennettua kalibrointia. Suorita tunnetun standardin testi konsentraatiolla, joka on lähellä testialueen yläpäättä. Tällä toiminnolla voit säätää tulosta vakiokonsentraation kohdistamiseksi.
Järjestele ohjelma	Valitse tallennettujen ohjelmien luettelolle aakkosellinen tai numeerinen järjestys.

6.2 Käyttäjätunnuksen käyttö

Operaattorin tunnus liitetään yksittäisen käyttäjän tekemiin mittauksiin. Kaikissa tallennetuissa mittaustiedoissa on tämä tunnus.

1. Paina **ASETUKSET>Operaattorin tunnus** lukemanäytössä.
2. Käyttäjätunnuksen valitseminen, luominen ja poistaminen:

Vaihtoehto	Kuvaus
Nykyinen tunnus	Valitse tunnus luettelosta. Nykyinen tunnus kytketään näytetietoihin, kunnes valitaan toinen tunnus.
Luo uusi tunnus	Anna uuden käyttäjätunnuksen nimi. Nimiä voidaan syöttää enintään 10.
Poista tunnus	Poista operaattorin tunnus.

6.3 Näytetunnuksen käyttö

Näytetunnusmerkinnällä lukemat kytketään tiettyyn näytteeseen tai sijaintiin. Jos toiminto on käytössä, tallennettu mittaus tieto sisältää kyseisen tunnuksen.

1. Paina **ASETUKSET>Näytteen tunnus** lukemanäytössä.
2. Käyttäjätunnuksen valitseminen, luominen ja poistaminen:

Vaihtoehto	Kuvaus
Nykyinen tunnus	Valitse tunnus luettelosta. Nykyinen tunnus kytketään näytetietoihin, kunnes valitaan toinen tunnus.
Luo uusi tunnus	Syötä uuden näytetunnuksen nimi. Nimiä voidaan syöttää enintään 10. Näytteet numeroidaan järjestyksessä kussakin mittauksessa, kunnes valitaan toinen tunnus (esim. Lampi1, Lampi2).
Poista tunnus	Poista näytteen tunnus.

6.4 Mittaukset

Mittaukset edellyttävät perusmittausvaiheita. Kullakin menetelmällä on vaiheittainen menettelytapansa. Suorita tietty testi asianmukaisen menetelmän mukaisesti. Seuraava esimerkki on mittauksen perusmenettelytapa.

1. Valitse asianmukainen ohjelma ohjelmavalikosta (esim. Tallennetut ohjelmat, Käyttäjäohjelmat, Suosikit).
2. Asenna tarvittaessa Kyvettisovitin.
3. Käynnistä ohjelma valitsemalla **Start** (Käynnistä).
4. Valmistele nollanäyte menetelmädokumentin mukaisesti. Sulje näyteastia ja puhdista näyteastian optiset pinnat nukattomalla liinalla.
5. Aseta näytepaikkaan nollanäyte. Muista asentaa näytekyvetti oikeassa ja yhdenmukaisessa asennossa, jotta tuloksista tulee paremmin toistettavia ja tarkempia. Katso kohta [Kuva 4](#) sivulla 188.

6. Sulje instrumenttikansi estääksesi valon vaikutuksen. Katso kohta [Kuva 5](#) sivulla 189.
7. Paina **Nolla**. Näytössä näkyy nollan konsentraatio (esim. mg/L, ABS, µg/L).
8. Valmistele näyte. Lisää reagenssejä menetelmädokumentin mukaisesti.
9. Valitse **Asetukset>Käynnistä ajastin** käyttääksesi ohjelmassa tallennettuja ajastimia.
10. Sulje näyteastia ja puhdista näyteastian optiset pinnat nukattomalla liinalla.
11. Aseta näyte näytepaikkaan. Muista asentaa näytekyvetti oikeassa ja yhdenmukaisessa asennossa, jotta tuloksista tulee paremmin toistettavia ja tarkempia. Katso kohta [Kuva 4](#) sivulla 188.
12. Sulje instrumenttikansi estääksesi valon vaikutuksen. Katso kohta [Kuva 5](#) sivulla 189.
13. Valitse **Mittaa**. Näytössä esitetään tulokset valituissa yksiköissä.
Huomautus: Näytössä näkyy merkintä "+++" tai "---", jos mitattu absorbanssi on testin kalibrointialueen ala-arvoa pienempi tai yläarvoa suurempi.

6.5 Datan keruu

Kaikki tallennetut lukemat ovat datalokissa. Paina **KOTI>Asetukset>Dataloki** nähdäksesi lukemat. Lisätietoja lokin viennistä on kohdassa [Datalokin vienti](#) sivulla 196.

Osa 7 Edistynyt käyttö

7.1 Suosikin tai käyttäjäohjelman valinta

Suosikkien ja käyttäjäohjelmien tietokanta on tyhjä, kun instrumentti käynnistetään ensimmäistä kertaa. Menetelmä voidaan tallentaa suosikkeihin myöhempää käyttöä varten. Käyttäjäohjelma voidaan ohjelmoida täyttämään tietyt tarpeet.

1. Valitse **KOTI>Asetukset>Suosikit/Käytt. ohj.>Valitse**.
2. Luo uusi ohjelma painamalla **Uusi ohjelma**. Katso kohta [Käyttäjän ohjelmat](#) sivulla 194.

7.2 Lisää ohjelma suosikeihin

Tallennetut ohjelmat ja käyttäjäohjelmat usein käytetyt menetelmät voidaan tallentaa suosikkiluetteloon.

1. Valitse **KOTI>Asetukset>Kaikki ohjelmat**.
2. Valitse menetelmä ja paina **Käynnistä**-painiketta.
3. Lisää valittu menetelmä suosikkeihin valitsemalla **Asetukset>Lisää suosikkeihin**.

7.3 Käyttäjän ohjelmat

Käyttäjäohjelmatietokanta on tyhjä, kun instrumentti käynnistetään ensimmäistä kertaa. Luo uusi ohjelma eritystarpeisiin valitsemalla **Uusi ohjelma**. Luo uusi käyttäjäohjelma seuraavasti:

1. Valitse **KOTI>Asetukset>Suosikit/Käytt. ohj.>Valitse>Uusi ohjelma**.
2. Valitse vapaa ohjelmanumero väliltä 1001–1010.
Huomautus: Ohjelmia (käyttäjäohjelmia ja/tai suosikkeja) voidaan tallentaa enintään kymmenen.
3. Anna menetelmän nimi (enintään 12 merkkiä).
4. Valitse aallonpituus: 420, 520, 560 tai 610 nm.
5. Valitse yksikkö: None, µg/L, mg/L or g/L.
6. Valitse tarkkuus: 0000, 000.0, 00.00 or 0.000.
7. Lisää kalibrointipisteet: vähintään 2 ja enintään 12 kalibrointipistettä.⁴ Valitse Muokkaa Std 1 ja anna ensimmäinen standardikonsentraation arvo. Paina **Valmis**.
Huomautus: Piippaus tarkoittaa, että konsentraatio on sama kuin aikaisemmin annettu standardi tai että konsentraatio on liian suuri valitulle tarkkuudelle. Anna uusi arvo ja jatka.

8. Anna absorbanssiarvo.

Vaihtoehto	Kuvaus
Muokkaa manuaalinen ABS	Anna absorbanssiarvo manuaalisesti navigointipainikkeilla.
Muokkaa automaattinen ABS	<ol style="list-style-type: none">1. Aseta nollanäyte näytepaikkaan ja paina Nolla.2. Aseta valmisteltu näyte näytepaikkaan ja paina Lue.3. Paina Valmis.

Huomautus: Piippaus tarkoittaa, että absorbanssi on sama kuin aikaisemmin annettu standardi tai että se sijoittuu kahden aiemman standardin väliin. Anna uusi arvo ja jatka.

9. Paina **Valmis**.
10. Valitse lisäkalibrointipiste
11. Valitse lisäkalibrointipisteitä vaiheiden 7–9 mukaisesti.
12. Valitse **Tallenna käyttäjäohjelma**.

7.3.1 Käyttäjäohjelman muokkaaminen

Tallennetun käyttäjäohjelman muokkaaminen:

1. Valitse **KOTI>Suosikit/Käytt. ohj..**
2. Valitse asianmukainen ohjelma ja paina **Asetukset**.
3. Paina **Muokkaa**.
4. Muokkaa menetelmää näytön ohjeiden mukaisesti.

⁴ Jos käyrä tiedetään lineaariseksi, tarvitaan vain kaksi konsentraatitietopistettä (esim. standardi nolla-absorbanssilla ja toinen tunnettu standardi). Muilla tietopisteillä voit vahvistaa lineaarisuuden tai määrittää epälineaarisen käyrän.

7.3.2 Käyttäjä- tai suosikkiohjelman poistaminen

Poista tallennettu käyttäjä- tai suosikkiohjelma, jos ohjelmaa ei enää käytetä.

1. Valitse **KOTI>Asetukset>Suosikit/Käytt. ohj.**
2. Korosta asianmukainen ohjelma ja paina **Asetukset>Poista** ja noudata näytön ohjeita.

7.4 Laitteen tiedot

Instrumentin tietovalikko esittää tietyt tiedot, kuten instrumentin nimen, sarjanumeron, ohjelmistoversion, tietokannan version, käytetyn muistin ja ohjelman käytettävyyden. Paina **ASETUKSET>Laitteen tiedot**.

7.5 Aseta salasana

Salasana-asetuksella estetään pääsy rajoitettuihin valikkoihin.
Huomautus: Jos määritetty salasana unohtuu ja suojausasetukset ovat käytössä, käyttäjä lukittuu ulos rajoitetuista valikoista. Jos unohdat salasana, ota yhteys tekninen tuki.

1. Paina **ASETUKSET>Asennus>Salasana-asetukset**.
2. Valitse vaihtoehto.

Vaihtoehto	Kuvaus
Salasana-asetukset	Aseta salasanasuojaus päälle tai pois valitsemalla On tai Off.
Suojatut kohteet	Esittää suojattujen kohteiden luettelon: muokkaa käyttäjätunnusta, muokkaa näytetunnusta, muokkaa käyttäjäohjelmaa, pvm ja kellonaika, päivitä laitteisto-ohjelmisto, päivitä menetelmät, kieli ja muokkaa suosikkiluettelo.

7.6 Määritä näyttö ja ääni

Muuta näytön kontrastia, paristojen automaattisammutusasetuksia ja taustavaloasetusta näytön asetuksilla. Ääniasetuksella voit valita äänimerkin, kun painiketta painetaan tai lukema valmistuu.

1. Paina **ASETUKSET>Asennus>Näyttö ja ääni>Näyttövalinnat**.
2. Valitse vaihtoehto.

Vaihtoehto	Kuvaus
Kontrasti	Näytön kontrastin säätäminen. Valoisin asetus on 0 ja tummin 9. Oletusarvo: 5
Automaattinen sammutus	Voit maksimoida pariston keston määrittämällä ajan, jonka jälkeen instrumentti kytkee virran pois automaattisesti, jos mitään painiketta ei paineta (5, 10, 15, 20, 30 minuuttia, 1 tunti, 2 tuntia tai Pois käytöstä). Oletusarvo: 10 minuuttia
Taustavalo	Näytön taustavalo kytkeytyy päälle, kun painetaan TAUSTAVALO . Aseta aika, jonka jälkeen taustavalo sammuu automaattisesti, jos mitään painiketta ei paineta (10, 20, 30 sekuntia, 1, 2, 5, 10 minuuttia tai Pois käytöstä). Oletusarvo: 1 minuutti

3. Paina **ASETUKSET>Asennus>Näyttö ja ääni>Äänet**.
4. Valitse vaihtoehto.

Vaihtoehto	Kuvaus
Painallus	instrumentti päästää merkkiäänen, kun jotain näppäintä painetaan. Oletusasetus: Off
Lukema valmis	instrumentti päästää merkkiäänen, kun lukema on valmis. Oletusasetus: On

7.7 USB-päävalikko

Kun instrumentti on kytketty tietokoneeseen USB-kaapelilla, USB-päävalikko avautuu. Päivitä ohjelmisto, vie tai tuo ohjelmia tai vie dataloki ja tapahtumaloki USB-päävalikosta.

7.7.1 Päivitä laitteisto-ohjelmisto

Etsi laitteisto-ohjelmiston päivytystiedosto tuotesivustolta tai ota yhteys instrumentin toimittajaan. Tallenna tiedosto sivustolta tietokoneelle.

1. Aseta instrumentti on-asentoon ja yhdistä USB-kaapeli instrumentti ja tietokoneeseen.
USB-päävalikon komennot.
2. Valitse **Päivitä DR900**.
Instrumentti näkyy tietokoneella USB-asemana. Avaa kansio.
3. Kopioi tiedosto DR900.bin avoimeen kansioon.
4. Paina **Ok**.
5. Kun päivitys on valmis, paina **Ok**.
6. Valitse **Irrota USB**, paina **Ok** ja irrota USB-kaapeli.
7. Paina **Ok**.
8. Käynnistä instrumentti uudelleen.

7.7.2 Hallinnoi ohjelmia

Ohjelmienhallintatoiminnolla käyttäjäohjelmat voidaan viedä ja/tai tuoda ja uusia tehdasohjelmia voidaan tuoda.

1. Aseta instrumentti on-asentoon ja yhdistä USB-kaapeli instrumentti ja tietokoneeseen.
USB-päävalikon komennot.
2. Valitse **Hallinnoi ohjelmia** ja valitse vaihtoehto:

Vaihtoehto	Kuvaus
Vie käyttäjäohjelmat	Vie kaikki käyttäjäohjelmat tallennettavaksi tietokoneelle tai siirrä käyttäjäohjelmat toiselle DR 900:lle.
Tuo käyttäjäohjelmat	Korvaa kaikki käyttäjäohjelmat toisen DR 900:n käyttäjäohjelmilla tietokoneen avulla.
Tuo tehdasohjelmat	Tuo uudet tehdasohjelmat valmistajan sivustolta.

Instrumentti näkyy tietokoneella USB-asemana. Avaa kansio.

3. Kopioi vientitiedosto asemalta tietokoneelle tai kopioi tuontitiedosto tietokoneelta asemalle.
4. Paina **Ok**.

5. Kun siirto on valmis, valitse **Irrota USB** ja irrota USB-kaapeli.
6. Paina **Ok**.

7.7.3 Datalokin vienti

Tapahtumaloki ja dataloki voidaan viedä tietokoneelle. Tapahtumaloki sisältää päivän, ajan, tapahtuman numeron, parametrin ja konfiguraatioon liittyvän toiminnon kuvauksen. Näyttemittaukset tallennetaan manuaalisesti tai automaattisesti datalokiin. Katso kohta [Ohjelman lisäasetusten valinta](#) sivulla 192.

1. Aseta instrumentti on-asentoon ja yhdistä USB-kaapeli instrumentti ja tietokoneeseen.
USB-päävalikon komennot.
2. Valitse **Vie dataloki**.
Instrumentti näkyy tietokoneella USB-asemana. Avaa kansio.
3. Kopioi ja tallenna vientitiedostot (DR900_DataLog.csv ja DR900_EventLog.csv) tietokoneelle.
4. Paina **Ok**.
5. Kun tiedostot on kopioitu tietokoneelle, valitse **Irrota USB** ja irrota USB-kaapeli.
6. Paina **Ok**.

Osa 8 Huolto

▲ VAROITUS






Useita vaaroja. Vain ammattitaitoinen henkilö saa suorittaa käyttöohjeen tässä osassa kuvatut tehtävät.

8.1 Laitteen puhdistaminen

Puhdista laitteen ulkopinta kostealla liinalla ja laimealla saippualliuoksella ja pyyhi se sitten kuivaksi.

8.2 Näyteastioiden puhdistaminen

▲ VAROTOIMI	
 	Kemikaalille altistumisen vaara. Noudata laboratorion turvallisuusohjeita ja käytä käsiteltäville kemikaaleille soveltuvia suojavarusteita. Lue turvallisuusprotokollat ajan tasalla olevista käyttöturvatieotteista (MSDS/SDS).


▲ VAROTOIMI	
	Kemikaalille altistumisen vaara. Hävitä kemikaalit ja muut jätteet paikallisten ja kansallisten säädösten mukaisesti.


Useimpia laboratoripuhdistusaineita käytetään suositelluin pitoisuuksiin. Neutraalit pesuaineet, kuten Liquinox, ovat turvallisempia käyttäessä säännöllisessä puhdistuksessa. Voit lyhentää puhdistusaikaa kasvattamalla lämpötilaa tai käyttämällä yliäänikylypää. Huuhtelee lopuksi deionisoidulla vedellä ja anna sitten näyteastian kuivua. Näyteastiat voidaan myös puhdistaa hapolla ja sitten huuhdella huolellisesti deionisoidulla vedellä.

Huomautus: Puhdista matalan tason metallitesteihin käytetyt näyteastiat aina hapolla.

Yksittäisissä menetelmissä vaaditaan erityisiä puhdistusmenetelmiä. Kun näyteastiat puhdistetaan harjalla, varo, ettet naarmuta niiden sisäpintoja.

8.3 Paristojen vaihtaminen

▲ VAROITUS	
	Räjähdysvaara. Tyhjentyneet paristot voivat aiheuttaa vetykaasun kerääntymisen laitteen sisälle. Vaihda paristot ennen niiden tyhjentymistä. Älä säilytä laitetta pitkään paristot asennettuina.

▲ VAROITUS	
	Tulipalon vaara. Battery substitution is not permitted. Käytä ainoastaan alkaliparistoja.

HUOMAUTUS	
Muista kiristää ruuvit tiukkuuteen 1–1,4 Nm (9–12 in. ·lb), jotta varmistat liitoksen tiiviyyden ja kotelon ympäristöluokituksen.	


Paristojen vaihto kuvataan kohdassa [Paristojen asentaminen](#) sivulla 187.

Osa 9 Vianmääritys

Virhekoodi	Mahdollinen syy	Ratkaisu
1	Instrumenttia ei ole konfiguroitu.	Ota yhteys tekninen tuki.
2	Ohjelmätietoja ei voitu lukea	
3	Ohjelmätietoja ei voitu kirjoittaa	
4	Paristovirhe	Paristojen vaihtaminen.
5	A/D-virhe mittauksen aikana	Ota yhteys tekninen tuki.
6	Siirtymävirhe mittauksen aikana	Varmista, että instrumentin kansi on asennettu asianmukaisesti.

Virhekoodi	Mahdollinen syy	Ratkaisu
7	Vähäisen valon virhe mittauksen aikana	<ul style="list-style-type: none"> Varmista, että valon tiellä ei ole esteitä. Nolla on instrumentin alueen ulkopuolella Ota yhteys tekninen tuki.
8	Alueen ylitysvirhe mittauksen aikana, mahdollinen este valon tiellä tai konsentraatio on liian suuri.	<ul style="list-style-type: none"> Varmista, että valon tiellä ei ole estettä ja että konsentraatio ei ole ohjelmalle liian suuri. Varmista, että instrumentin kansi on asennettu asianmukaisesti. Ota yhteys tekninen tuki.

Osa 10 Varaosat ja lisävarusteet

⚠ VAROITUS	
	Henkilövahinkojen vaara. Hyväksymättömien osien käyttö voi aiheuttaa henkilövahingon tai laitteen toimintahäiriön tai vaurioittaa laitetta. Tässä osassa esitellyt varaosat ovat valmistajan hyväksymiä.

Huomautus: Tuote- ja artikkelinumerot voivat vaihdella joillain markkina-alueilla. Ota yhteys asianmukaiseen jälleenmyyjään tai hae yhteystiedot yhtiön Internet-sivustolta.

Varaosat

Kuvaus	Osanumero
Sovitinkokoonpano, COD	4846400
Paristot, AA-alkaliparistot (4x)	1938004

Varaosat (jatk.)

Kuvaus	Osanumero
Näytekyvetti ja kansi, 25 x 95 mm, 10-20-25 mL (6x)	2401906
Näytekyvetti ja kansi, 1 cm/10 mL (2x)	4864302
USB-johto	LZV818

Lisävarusteet

Kuvaus	Osanumero
Kansi, näyteastia, 25 x 95 mL astiaan	2401812
Kantolaukku, kovakylkinen	4942500
Kantolaukku, pehmeäkylkinen, olkahihna	2722000
Kantolaukku, kannettava laboratorio	4943000
DR/Check™-absorbanssistandardit	2763900
Instrumentin kansi, DR 900	9390500

Съдържание

- | | |
|---|--|
| 1 Спецификации на страница 199 | 7 Усъвършенствана операция на страница 210 |
| 2 Обща информация на страница 200 | 8 Поддръжка на страница 213 |
| 3 Инсталиране на страница 202 | 9 Отстраняване на повреди на страница 214 |
| 4 Потребителски интерфейс и навигация на страница 204 | 10 Резервни части и принадлежности на страница 215 |
| 5 Включване на страница 206 | |
| 6 Стандартна операция на страница 206 | |

Раздел 1 Спецификации

Спецификациите подлежат на промяна без уведомяване.

Спецификация	Подробности
Режим на измерване	Светлопропускливост (%), Абсорбция (Abs) и Концентрация (Conc)
Размери (Ш x Д x В)	23,6 X 8,7 X 4,7 cm (9,3 X 3,4 X 1,9 инча)
Категория на корпуса	IP67
Тегло	0,6 kg (1,3 lb)
Изисквания за захранването (вътрешно)	Алкалини батерии с размер AA (4x)
Живот на батерията	6 месеца (обикновено) при 5 отчитания дневно/5 дена в седмицата без подсветка
Интерфейс	USB mini

Спецификация	Подробности
Работна температура	0 до 50 °C (32 до 122 °F), максимум 90% относителна влажност, без конденз
Температура на съхранение	-30 до 60 °C (-22 до 140 °F), максимум 90% относителна влажност, без конденз
Лампа-източник	Светодиод (LED)
Детектор	Силиконов фотодиод
Диапазон на дължините на вълната	420, 520, 560, 610 nm
Фотометричен обхват на измерване	0–2 Abs
Точност на дължината на вълната	±1 nm
Фотометрична точност	±0.03 Abs
Фотометрична линейност	±0,002 Abs (0–1 Abs)
Избор на дължината на вълната	Автоматично, в зависимост от избрания метод
Фотометрична повторяемост	±0,002 Abs (0–1 Abs)
Извеждане на данни	Графичен дисплей, 240 x 160 пиксела (със задна подсветка)
Кювети	16 mm, 1 cm/10 mL, 1-inch (25 mm) кръгла
Клас на защита	Клас III
Сертификации	CE сертифициран
Гаранция	1 година (ЕС: 2 години)

Раздел 2 Обща информация

При никакви обстоятелства производителят няма да носи отговорност за преки, непреки, специални, инцидентни или последващи щети, които са резултат от дефект или пропуск в това ръководство. Производителят си запазва правото да прави промени в това ръководство и в описаните в него продукти във всеки момент и без предупреждение или поемане на задължения. Коригираните издания можете да намерите на уебсайта на производителя.

2.1 Информация за безопасността

Производителят не носи отговорност за никакви повреди, възникнали в резултат на погрешно приложение или използване на този продукт, включително, без ограничения, преки, случайни или възникнали впоследствие щети, и се отхвърля всяка отговорност към такива щети в пълната позволена степен от действащото законодателство. Потребителят носи пълна отговорност за установяване на критични за приложението рискове и монтаж на подходящите механизми за подsigуряване на процесите по време на възможна неизправност на оборудването.

Моля, внимателно прочетете ръководството преди разопаковане, инсталиране и експлоатация на оборудването. Обръщайте внимание на всички твърдения за опасност и предпазливост. Пренебрегването им може да доведе до сериозни наранявания на оператора или повреда на оборудването.

(Уверете се, че защитата, осигурена от това оборудване, не е занижена. Не го използвайте и не го монтирайте по начин, различен от определения в това ръководство.

2.2 Използване на информация за опасностите

▲ ОПАСНОСТ

Указва наличие на потенциална или непосредствена опасна ситуация, която, ако не бъде избегната, ще предизвика смърт или сериозно нараняване.

▲ ПРЕДУПРЕЖДЕНИЕ

Указва потенциално или непосредствено опасна ситуация, която, ако не бъде избегната, може да доведе до смърт или сериозно нараняване.

▲ ВНИМАНИЕ





Указва наличие на потенциално опасна ситуация, която може да предизвика леко или средно нараняване.



Забележка

Показва ситуация, която ако не бъде избегната, може да предизвика повреда на инструмента. Информация, която изисква специално изтъкване.

2.3 Предупредителни надписи

Прочетете всички надписи и етикети, поставени на инструмента. Неспазването им може да доведе до физическо нараняване или повреда на инструмента. Символът върху инструмента е описан в ръководството с препоръка за повишено внимание.

	Ако е отбелязан върху инструмента, настоящият символ означава, че е необходимо да се направи справка с ръководството за работа и/или информацията за безопасност.
	Този символ указва, че съществува опасност от експлозия.
	Този символ указва, че съществува опасност от възникване на пожар.
	Този символ сочи риск от химически увреждания и указва, че само лица, квалифицирани и обучени химикалите или да извършват поддръжка на системите за подаване на химикали, свързани с оборудването.

	<p>Този символ указва необходимостта от носене на защитни очила.</p>
	<p>Електрическо оборудване, което е обозначено с този символ, не може да бъде изхвърляно в европейските частни или публични системи за изхвърляне на отпадъци. Оборудването, което е остаряло или е в края на жизнения си цикъл, трябва да се връща на производителя, без да се начисляват такси върху потребителя.</p>

2.4 Съответствие и сертификация

▲ ВНИМАНИЕ

Това оборудване не е предназначено за използване в жилищни помещения и може да не осигурява адекватна защита на радиоприемането в такива среди.

Канадски регламент за оборудване, предизвикващо радиосмущения, ICES-003, клас А:

Поддържането на тестовите записи е задължение на производителя.

Тази цифрова апаратура от клас "А" съответства на всички изисквания на канадските разпоредби за съоръжения, предизвикващи смущения.

Set appareil numérique de classe A répond à toutes les exigences de la réglementation canadienne sur les équipements provoquant des interférences.

ФКК (Федерална комисия по комуникациите) част 15, ограничения относно клас "А"

Поддържането на тестовите записи е задължение на производителя. Това устройство съответства на част 15 от наредбите на ФКК. Работата с него представлява предмет на следните условия:

1. Оборудването не може да причинява вредни смущения.

2. Оборудването трябва да приема всички получени смущения, включително такива, които могат да причинят нежелан начин на работа.

Промени или модификации на това оборудване, които не са изрично одобрени от страните, отговорни за неговата съвместимост, могат да доведат до анулиране на правото за експлоатация на оборудването. Оборудването е тествано, като е установена неговата съвместимост с ограниченията за цифрово устройство от клас "А", което е в съответствие с част 15 от наредбите на ФКК. Тези ограничения са предназначени да осигурят разумна защита срещу вредни смущения при работа на оборудването, когато това става в търговска среда. Оборудването генерира, използва и може да излъчва радиочестотна енергия, като в случай че не бъде инсталирано и експлоатирано в съответствие с ръководството за употреба, може да предизвика вредни смущения на радио комуникациите. Възможно е работата на това оборудване в жилищни зони да доведе до вредни смущения, при който случай потребителят ще трябва да коригира смущенията за своя сметка. За намаляване на проблемите със смущенията могат да се използват следните техники:

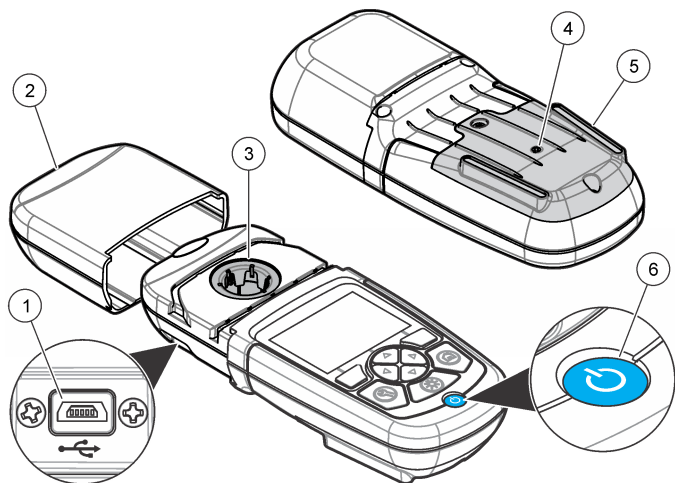
1. Изключете оборудването от захранването, за да проверите дали то причинява смущенията.
2. Ако оборудването е свързано към един и същ контакт с устройството, при което се проявяват смущенията, свържете оборудването към друг контакт.
3. Отдалечете оборудването от устройството, което приема смущенията.
4. Променете положението на приемателната антена на устройството, което приема смущенията.
5. Опитайте да приложите комбинация от горните мерки.

2.5 Общ преглед на продукта

DR 900 е портативен, колориметър със светодиоден източник, който измерва дължини на вълната 420, 520, 560 и 610 nm. Инструментът се използва за измерване на различни параметри в питейната вода, отпадъчните води и промишлени приложения. Инструмент се доставя с пълен набор от записани програми (предварително

инсталирани) и възможност за записване на потребителски програми и избор на предпочитани програми. Вижте [Фигура 1](#).

Фигура 1 Общ преглед на Инструмент

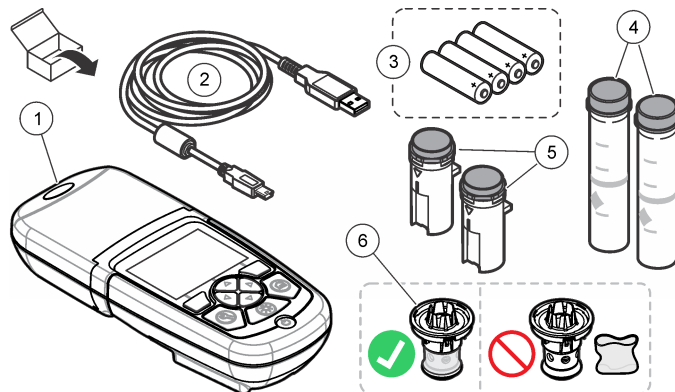


1 USB порт	4 Вентилационен отвор
2 Капачка на инструмента	5 Отделение за батериите
3 Отделение за кювета	6 Бутон за включване

2.6 Компоненти на продукта

Проверете дали всички компоненти са получени. Направете справка с [Фигура 2](#). Ако някои от компонентите липсват или са повредени, свържете се незабавно с доставчика на инструмента или с търговски представител.

Фигура 2 Компоненти на продукта



1 DR 900	4 Стъклена кювета, 1-inch (25 mm) кръгла, маркировки 10, 20, 25-mL (2x)
2 USB кабел с mini-USB конектор	5 Кювета, 1 cm/10 mL (2x)
3 Алкални батерии AA (4x)	6 Преходник за кювета

Раздел 3 Инсталиране

▲ ПРЕДУПРЕЖДЕНИЕ



Множество опасности. Задачите, описани в този раздел на документа, трябва да се извършват само от квалифициран персонал.

Забележка

Внимавайте да не блокирате отвора за батерията на Инструмент по време на употреба или съхранение.

3.1 Поставяне на батериите

▲ ПРЕДУПРЕЖДЕНИЕ



Опасност от експлозия. Неправилното поставяне на батериите може да доведе до освобождаването на експлозивни газове. Уверете се, че батериите са от един и същ одобрен химически модел и че са поставени с правилната ориентация. Не смесвайте нови с използвани батерии.

▲ ПРЕДУПРЕЖДЕНИЕ



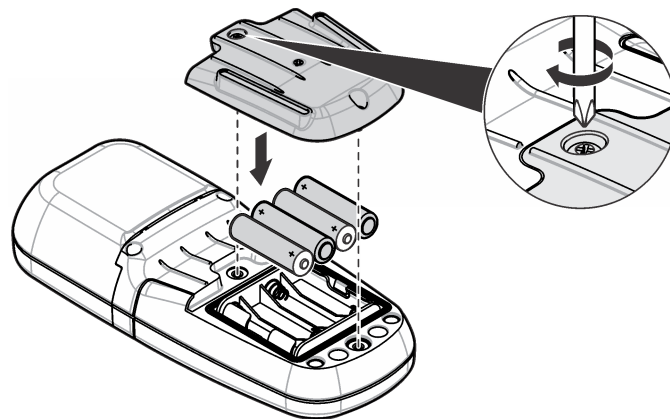
Опасност от пожар. Не е разрешена замяна на батерията. Използвайте само алкални батерии.

Забележка

Уверете се, че винтовете са затегнати до 1 – 1,4 н/м (9 – 12 инч/фут), за да се осигури правилно уплътняване и да се запази екологичната категория на корпуса.

Инструмент се захранва с четири алкални батерии AA. Уверете се, че са монтирани и ориентирани правилно. Вижте [Фигура 3](#) за монтиране на батериите.

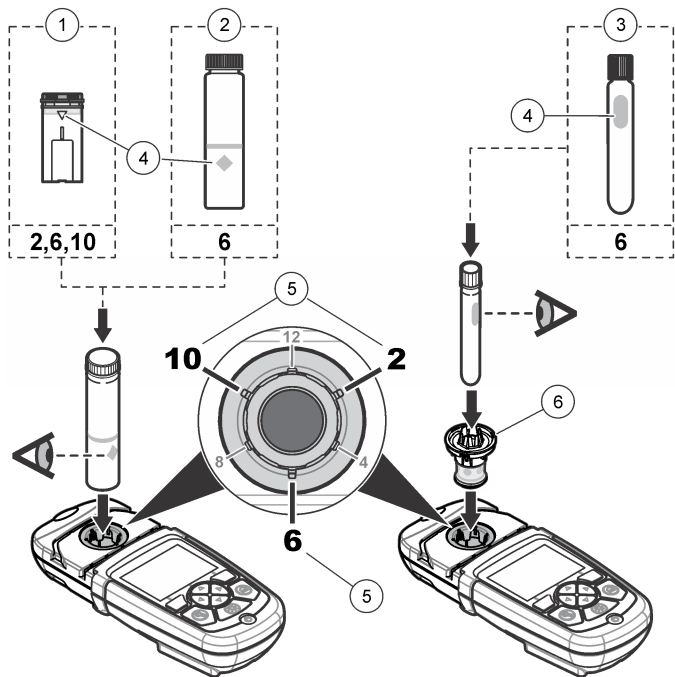
Фигура 3 Поставяне на батериите



3.2 Монтиране на кюветата и преходника за кювети

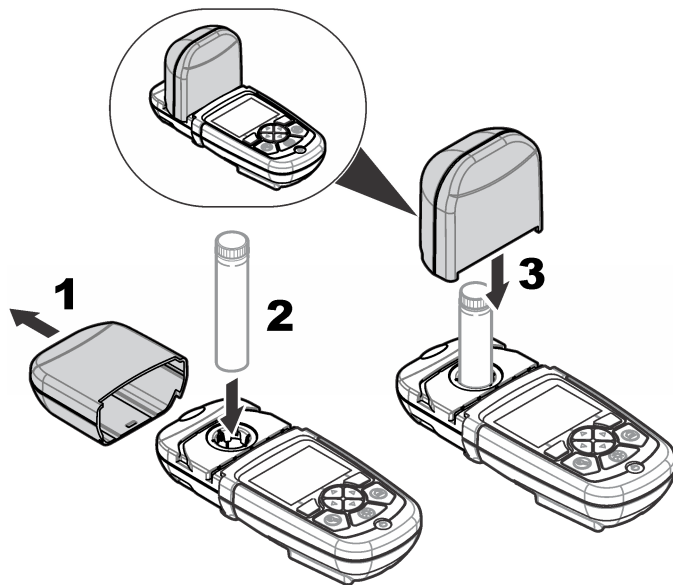
Инструмент има едно отделение за кювети, което може да използва един преходник за различни типове кювети. Уверете се, че поставяте кюветата с коректна ориентацията, така че резултатите да бъдат по-повторяеми и точни. Вижте [Фигура 4](#). Затворете капачката на инструмента преди да зададете нулиране на инструмента или да бъде извършено измерване, за да се предотвратят смущения от светлини. Вижте [Фигура 5](#).

Фигура 4 Ориентация на кюветата



1 1-cm/10-mL пластмасова кювета	4 Маркировка за ориентацията кювета
2 1-inch (25 mm) стъклена кювета	5 Позиция за ориентацията (по посока на часовниковата стрелка)
3 16-mm стъклен тестов флакон	6 Преходник за кювета

Фигура 5 Монтиране на кювета и капачка на инструмента

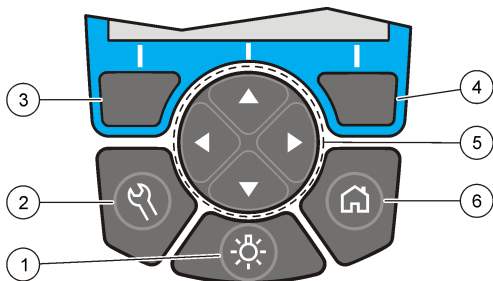


Раздел 4 Потребителски интерфейс и навигация

4.1 Описание на клавиатурата

Вижте [Фигура 6](#) за описание на клавиатурата и информация за навигацията.

Фигура 6 Описание на клавиатурата



<p>1 ПОДСВЕТКА: включва и изключва осветлението на дисплея</p>	<p>4 Бутон за избор НАДЯСНО (контекстуален): отчита проби, избира и потвърждава опции, отваря подменюта</p>
<p>2 SETTINGS: опции за Настройки¹</p>	<p>5 Навигационни бутони НАГОРЕ, НАДОЛУ, НАЛЯВО, НАДЯСНО: прелистват в менютата, въвеждат се числа и букви²</p>
<p>3 Бутон за избор НАЛЯВО (контекстуален): осигурява достъп до опции, отказ или изход от текущото меню на екрана към предходното.</p>	<p>6 НАЧАЛО/Опции: преминава към основен екран с показания¹, избира програма, управление на данните</p>

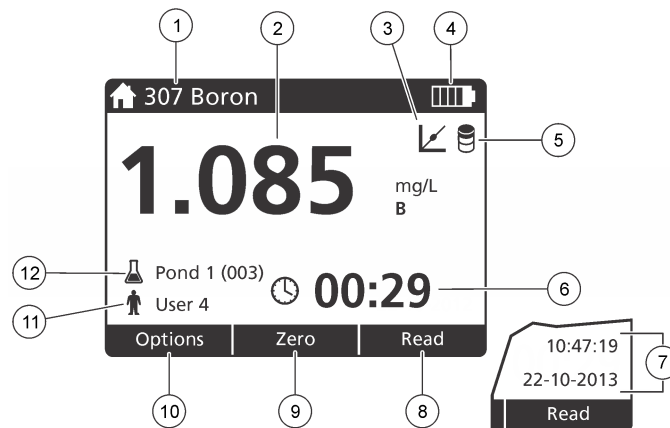
4.2 Описание на дисплея

Екранът с показанията показва избрания режим, мерната единица, дата и час, ID на оператор и ID. ID на проба. Вижте [Фигура 7](#).

¹ Докато е в режим на редактиране, бутонът не работи.

² Когато се задържи бутон НАГОРЕ или НАДОЛУ се прелиства бързо. Когато се натисне бутон НАЛЯВО или НАДЯСНО се прелиства страница по страница.

Фигура 7 Дисплей с единичен екран



<p>1 Име и номер на програмата</p>	<p>7 Час и дата</p>
<p>2 Стойност на показанията, мерна единица, химична форма, под "---" или над обхвата на измерване "+++"</p>	<p>8 Отчитане (контекстуално: извърши, избери, старт, ок)</p>
<p>3 Икона на стандартно коригиране</p>	<p>9 Нула (контекстуално: бутон за навигация стрелка нагоре)</p>
<p>4 Състояние на батерията</p>	<p>10 Опции (контекстуално: назад, отказ)</p>
<p>5 Икона на контролен реагент</p>	<p>11 Идентификация на оператора</p>
<p>6 Таймер</p>	<p>12 Идентификация на пробата</p>

4.3 Навигация

Инструментът съдържа менюта за промяна на различни опции. Използвайте бутоните за навигация (стрелки **НАГОРЕ**, **НАДОЛУ**, **НАДЯСНО** и **НАЛЯВО**) за маркиране на различни опции. Натиснете бутона за избор **НАДЯСНО**, за да изберете опция. Въведете стойност за опцията с навигационните бутони. Натиснете навигационните бутони (стрелки **НАГОРЕ**, **НАДОЛУ**, **НАДЯСНО** и **НАЛЯВО**), за да въведете или промените стойност. Натиснете стрелка **НАДЯСНО**, за да преминете към следващата позиция. Натиснете бутона за избор **Надясно в Завършено**, за да приемете стойността. Натиснете навигационен бутон **НАЛЯВО**, за да излезете от текущото меню и да преминете към предходното.

Раздел 5 Включване

5.1 Включване или изключване на инструмента

Натиснете бутон **ЗАХРАНВАНЕ** за да включите или изключите Инструмент. Ако Инструмент не се включи, проверете дали батериите са правилно инсталирани.

5.2 Задаване на езика

Има две опции за настройване на езика:

- Задаване на езика, когато инструментът се включи за пръв път.
- Задаване на езика от меню **НАСТРОЙКИ**

1. Натиснете **НАСТРОЙКИ>Настройки>Език**.

2. Изберете език от списъка

5.3 Задаване на датата и часа

Има две опции за задаване на датата и часа:

- Задаване на дата и час, когато инструментът се включи за пръв път.

- Задаване на дата и час от меню **Дата & час**.

1. Натиснете **НАСТРОЙКИ>Настройки>Дата & час**.

2. Изберете **Определете Дата & Time Format**, след което изберете формат за датата и часа.

3. Изберете **Настройване дата и време**.

4. Използвайте навигационните бутони за въвеждане на текущите дата и час, след което натиснете **ОК**.

Раздел 6 Стандартна операция

6.1 Списък с програми

Инструмент се доставя с пълен набор от приложни програми. Виж [Таблица 1](#) за описание на програмите.

Таблица 1 Програмни опции

Програмна опция	Описание
Запазени програми	Запазените програми са фабрично инсталирани, предварително програмирани методи. Вижте Избор на запазена програма на страница 207.
Потребителски програми	Могат да бъдат разработени методи и да бъдат запазени като потребителска програма. ³ Вижте Потребителски програми на страница 210.
Предпочитания	Методи, които се използват често могат да бъдат запазени в списъка с предпочитания. ¹

³ Могат да бъдат записани максимум десет метода (потребителски програми и/или предпочитания).

6.1.1 Избор на запаметена програма

1. Натиснете **НАЧАЛО>Опции>Всички програми**.
2. Изберете приложимия метод и натиснете **Старт**.
3. Изберете **Опции>Доб. към предпочитани**, за да добавите избран метод към предпочитанията за по-бърз достъп.

6.1.2 Избор на базови програмни опции

Когато е избрана програма, на разположение има допълнителни опции за параметрите.

1. Натиснете **Опции** за достъп до менюто с опции.
2. Изберете приложимите опции.

Опция	Описание
Старт таймер	Изберете предварително зададен таймер или ръчно задайте таймер, за да сте сигурни, че стъпките от анализа са с правилно зададено време (напр. могат да бъдат точно посочени времена на реакция или времена на изчакване). Когато таймерът е включен, на дисплея е изведена икона на таймера. Инструмент извежда звук от сигнал, когато времето изтече. Предварително зададен таймер —Изберете приложимия предварително зададен таймер за една или повече запаметени процедурни стъпки и натиснете Старт Ръчен таймер —Въведете необходимото време с навигационните бутони и натиснете Завършено . По подразбиране = 00:00

Опция	Описание
Предп./Прогр. на погр.	Изберете от запаметените предпочитания или от списъка с потребителски програми. Направете справка в Избор на предпочитание или потребителска програма на страница 210 за повече информация.
Всички програми	Изберете предварително програмиран метод от списъка.
Регистър данни	Показва всички запаметени показания. Направете справка в Регистър данни на страница 209 за повече информация.
Добавяне към предпочитания	Запамятава съхранени програми и методи на потребителски програми, които често се използват, в списъка с предпочитания. Вижте Добавяне на програма в предпочитания на страница 210.
%T/Abs/Conc	Превключва между показания за %светопропускливост, абсорбция или концентрация. Показание за %светопропускливост - Отчита процента от първоначалното количество светлина, което преминава през пробата и достига детектора. Измерване на абсорбция - Отчита се количеството светлина, погълнато от пробата в единици за абсорбция. Показания за концентрация —Измерените стойности за абсорбция се конвертират в стойности за концентрация чрез съхранено уравнение, специфично за програмата.

Опция	Описание
Разширени опции	Използвайте допълнителните опции, за да определите повече параметри. Вижте Изберете допълнителна опция от програмата на страница 208.
Запис	Запаметява последното показание ръчно, когато опцията за автоматично запаметяване е изключена.

6.1.3 Изберете допълнителна опция от програмата

Всяка програма има различни разширени опции, от които може да се избира.

1. Натиснете **Опции**, за да достигнете до **Опции>Разширени опции**.
2. Използвайте допълнителните опции, за да определите повече параметри.

Опция	Описание
Автоматично съхранение	Има две позиции - Оп и Off. (Вкл. и Изкл.) Всяко показание автоматично се запаметява, ако опцията е установена на Оп. Показанието може да бъде запаметено ръчно, когато опцията е установена на Off.
Химична форма	Изберете алтернативна химическа формула и свързан с нея диапазон на измерване за някои от фабрично инсталираните методи.

Опция	Описание
Контролен реагент	Корекцията с контролен реагент може да се използва с някои от фабрично инсталираните методи. Въведете резултата от завършения тест с дейонизирана вода като проба. Контролната стойност се изважда от всеки резултат, за да се коригира фонов цвят, дължащ се на реагентите. Въведете корекцията с контролния реагент преди да използвате опция Стандартна корекция. Извършвайте тази корекция за всяка нова партида от тестови реагенти.
Стандартна корекция	Смяна на запаметена калибрация Извършете тест върху известен стандартен реагент при концентрация близка до най-горния тестов диапазон. Използвайте тази функция, за да коригирате резултатът и за изравняване на стандартната концентрация.
Сортиране на програми	Изберете азбучен или цифров ред на програмите за списъка със запаметени програми.

6.2 Използване на ИД № на оператор

Маркерът ИД № на оператор свързва отчитанията с конкретен оператор. Всички запомнени данни включват този ИД №.

1. Натиснете **НАСТРОЙКИ>ИД на оператор** в екрана с показанията.
2. Избор, създаване или изтриване на ИД № на оператор:

Опция	Описание
Текущ ИД №	Изберете ИД № от списък. Текущият ИД № ще бъде свързан с данните за пробите, докато не бъде избран друг ИД №.

Опция	Описание
Създаване на нов ИД №	Въведете име за нов ИД № на оператор. Могат да бъдат въведени максимално 10 имена.
Изтрий ID	Изтриване на съществуващ ИД № на оператор.

6.3 Използване на ИД № на проба

Маркерът за ИД № на проба се използва за присвояване на показанията с конкретната проба или място. Запомнените данни включват този ИД №, ако е зададен.

1. Натиснете **НАСТРОЙКИ>ID на проба** в екрана с показанията.
2. Избор, създаване или изтриване на ИД № на оператор:

Опция	Описание
Текущ ИД №	Изберете ИД № от списък. Текущият ИД № ще бъде свързан с данните за пробите, докато не бъде избран друг ИД №.
Създаване на нов ИД №	Въведете име за нов ИД № на проба. Могат да бъдат въведени максимално 10 имена. Пробите се номерират последователно за всяко измерване, докато не се избере друг ИД № (напр., Pond 1, Pond 2).
Изтрий ID	Изтриване на съществуващ ИД № на проба.

6.4 Как се прави измерване

За да се изпълни измерване е необходимо да се изпълнят основни стъпки. Всеки метод има процедура от последователни стъпки. Вижте приложимия метод, за да изпълните определен тест. Примерът, който е даден по-долу е основна процедура за извършване на измерване.

1. Изберете подходящата програма от менюто с програми (напр. Stored Programs, User Programs, Favorites).
2. Монтирайте преходника за кювети, ако е необходимо.
3. За да стартирате програмата, натиснете бутона **Старт**.
4. Подгответе контролна проба съгласно документацията на метода. Затворете кюветата и почистете оптичните чела на кюветата с немъхеста кърпа.
5. Поставете празна кювета за проба в отделението за кювети. Уверете се, че поставяте празната кювета в коректна и вярна ориентацията, така че резултатите да бъдат по-повторяеми и точни. Вижте **Фигура 4** на страница 204.
6. Затворете капачката на инструмента, за да предотвратите смущения от светлини. Вижте **Фигура 5** на страница 204.
7. Натиснете **Нула**. Дисплеят извежда нулева концентрация (напр., mg/L, ABS, µg/L).
8. Подгответе пробата. Добавете реагенти, както е посочено в документацията на метода.
9. Изберете **Опции>Старт таймер**, за да използвате съхранените таймери в програмата.
10. Затворете кюветата и почистете оптичните повърхности на кюветата с немъхеста кърпа.
11. Поставете кюветата в отделението за кювети. Уверете се, че поставяте кюветата в коректна и вярна ориентацията, така че резултатите да бъдат по-повторяеми и точни. Вижте **Фигура 4** на страница 204.
12. Затворете капачката на инструмента, за да предотвратите смущения от светлини. Вижте **Фигура 5** на страница 204.
13. Натиснете **Отчитане**. На дисплея се извеждат резултатите в избраните мерни единици.
Забележка: На дисплея се показва "+++" или "--", ако измерената абсорбция е по-ниска или по-висока от обхвата за калибриране на теста.

6.5 Регистър данни

Регистърът на данни показва всички съхранени показания. Натиснете **НАЧАЛО>Опции>Регистър за данни**, за да видите

показанията. Вижте [Експортиране на файла за регистриране на данни](#) на страница 213 за информацията относно експортиране на регистъра на данни.

Раздел 7 Усъвършенствана операция

7.1 Избор на предпочитание или потребителска програма

Базата данни с предпочитания и потребителски програми е празна, когато инструментът се стартира за първи път. За по-бърз достъп може да бъде записан някой метод в предпочитания. За специфични нужди може да бъде направена потребителска програма.

1. Натиснете **НАЧАЛО>Опции>/Предп./Прогр. на потр.>Избери**.
2. Натиснете **Нова програма**, за да направите нова потребителска програма. Вижте [Потребителски програми](#) на страница 210.

7.2 Добавяне на програма в предпочитания

Запометени програми и методи на потребителски програми, които често се използват, могат да бъдат запометени в списъка с предпочитания.

1. Изберете **НАЧАЛО>Опции>Всички програми**.
2. Изберете приложимия метод и натиснете **Старт**.
3. Изберете **Опции>Доб. към предпочитани**, за да добавите избран метод към предпочитанията.

7.3 Потребителски програми

Базата данни с потребителски програми е празна, когато инструментът се стартира за първи път. Използвайте **Нова програма**, за да се създадат нови програми за конкретни нужди. За създаване на нова потребителска програма, изпълнете стъпките, както следва.

1. Натиснете **НАЧАЛО>Предп./Прогр. на потр.>Избери>Нова програма**.
2. Изберете номер на програма от 1001 до 1010.
Забележка: Могат да бъдат записани максимум десет програми (потребителски програми и/или предпочитания).
3. Въведете име на метод (до 12 символа).
4. Изберете дължина на вълната: 420, 520, 560 или 610 nm.
5. Изберете мерна единица: None, µg/L, mg/L или g/L.
6. Изберете точността: 0000, 000.0, 00.00 или 0.000.
7. Добавете точки за калибриране: минимум 2 и максимум 12 точки за калибриране.⁴ Изберете Edit Std 1 и въведете първата стойност за стандартна концентрация. Натиснете **Завършено**.
Забележка: Ако се чуе кратък звук, това означава, че концентрацията е дублирана с предходно въведената стандартна или концентрацията е твърде висока за избраната точност. Въведете друга стойност и продължете.

⁴ Ако кривата е известно, че ще бъде линейна са необходими само две точки от данни за концентрация (напр. стандартна с нулева абсорбция и друга позната стандартна концентрация). Използвайте допълнителни точки с данни за потвърждаване на линейността или за дефиниране на нелинейна крива.

8. Въведете стойност на абсорбция:

Опция	Описание
Ръчно редактиране на абсорбция	Използвайте навигационните бутони, за да въведете ръчно стойност за абсорбция.
Автоматично редактиране на абсорбция	<ol style="list-style-type: none">1. Поставете контролна проба в държача за кюветите и натиснете Нула.2. Поставете подготвената проба в държача за кюветите и натиснете Отчитане.3. Натиснете Завършено.

Забележка: Ако се чуе кратък звук, това означава, че абсорбцията е дублирана с предходно въведената контролна проба или че тя попада между две предходни контролни проби. Въведете друга стойност и продължете.

9. Натиснете **Завършено**.

10. Изберете Add Cal Point.

11. Въведете допълнителни точки за калибриране, както е описано в стъпки 7–9.

12. Изберете **Запомети потребителска програма**.

7.3.1 Редактиране на потребителска програма

За да редактирате запаметена потребителска програма:

1. Изберете **НАЧАЛО>Предп./Прогр. на потр..**
2. Изберете необходимата програма и натиснете **Опции**
3. Натиснете **Редактиране**
4. Следвайте инструкциите на екрана, за да редактирате процедурата.

7.3.2 Изтриване на потребител или предпочитана програма

Изтрийте запаметен потребител или предпочитана програма, ако програмата не се използва вече.

1. Изберете **НАЧАЛО>Опции>Предп./Прогр. на потр..**
2. Маркирайте съответната програма и натиснете **Опции>Изтрий** и следвайте.

7.4 Инф. за инструмент

Информационното меню на инструмента извежда специфична информация, например име на инструмента, сериен номер, версия на софтуера, версия на базата данни, използвана памет и наличност на програми. Натиснете **НАСТРОЙКИ>Инф. за инструмент**.

7.5 Задаване на парола

Опциите за настройки на парола се използват за предотвратяване на достъпа до ограничени менюта.

Забележка: Ако се забрави зададената парола и опциите за сигурност са включени, на оператора е забранено да влиза в ограничените менюта. Съвръжете се с техническа поддръжка, ако сте забравили паролата.

1. Натиснете **НАСТРОЙКИ>Настройки>Настройки на парола**.
2. Изберете опция

Опция	Описание
Настройки на парола	Изберете Вкл. или Изкл., за да включите или изключите защитата с парола.
Защитени елементи	Извежда списък на защитените елементи: редактиране на ИД № на оператора, редактиране на ИД № на пробата, редактиране на потребителски програми, дата и час, актуализиране на фирмуера, актуализиране на методи, език и редактиране на списъка с предпочитанията.

7.6 Настройване на дисплея и звука

Използвайте опциите на дисплея, за да промените контраста му, опциите му за автоматично изключване с цел пестене на батерията или опцията за подсветка. Използвайте опциите за звука за звуков сигнал, когато е натиснат бутон или когато отчитането е завършено.

1. Натиснете **НАСТРОЙКИ>Настройки>Показване & звукови>Опции на показване**.
2. Изберете опция

Опция	Описание
Контраст	Регулиране на контраста на дисплея. Настройката за най-силно осветление е 0, а тази за най-слабо - 9. Стойност по подразбиране: 5
Автоматично изключване	За увеличаване максимално на живота на батерията, задайте периода, след който Инструмент автоматично ще се изключи, ако няма натиснат бутон (5, 10, 15, 20, 30 минути, 1 час, 2 часа или Изключен). Стойност по подразбиране: 10 минути
Подсветка	Фоновото осветление се включва, когато е натиснат ПОДСВЕТКА . Задайте период, след който фоновото осветление автоматично ще се изключи, ако няма натиснат бутон (10, 20, 30 секунди, 1, 2, 5, 10 минути или Изключен). Стойност по подразбиране: 1 минута

3. Натиснете **НАСТРОЙКИ>Настройки>Показване & звукови>Звуци**.

4. Изберете опция

Опция	Описание
Натискане на бутон	Когато бъде натиснат бутон, Инструмент ще изведе звуков сигнал. Стойност по подразбиране: ИЗКЛ.
Завършено отчитане	Когато завърши отчитането, Инструмент ще изведе звуков сигнал. Стойност по подразбиране: Вкл.

7.7 Главно меню USB

Когато Инструмент е свързан с USB кабел към компютър се отваря Главно меню USB. Актуализирайте софтуера, експортирайте или импортирайте програми или експортирайте регистъра на данни и регистъра на събития от Главно меню USB.

7.7.1 Актуализиране на фирмуеъра

Намерете файла за актуализиране на фирмуеъра в уебсайта на продукта или се свържете с доставчика на инструмента. Запазете файла от уебсайта на компютъра.

1. Включете инструмента и свържете USB кабел към Инструмент и към компютъра. Появява се главното меню USB.
2. Изберете **Актуализиране на DR 900**. На компютъра инструментът е показан като USB устройство. Отворете папката.
3. Копирайте файла DR900.bin в отворената папка.
4. Натиснете **ОК**
5. Когато актуализирането завърши, натиснете **ОК**.
6. Изберете **Прекъсни USB**, натиснете **ОК** и изключете USB кабела.
7. Натиснете **ОК**
8. Рестартирайте Инструмент.

7.7.2 Управление на програми

С функцията за Управление на програми могат да бъдат експортирани и/или импортират програми и могат да бъдат импортирани нови фабрични програми.

1. Включете инструмента и свържете USB кабел към Инструмент и към компютъра.
Появява се главното меню USB.
2. Изберете **Управление на програми** и изберете опция:

Опция	Описание
Експорт на потребителски програми	Експортира всички потребителски програми към компютъра за съхранение или прехвърля потребителски програми към друг DR 900.
Импорт на потребителски програми	Заменя всички потребителски програми с потребителски програми от друг DR 900 посредством компютър.
Импорт на фабрични програми	Импортира нови фабрични програми от уебсайта на производителя.

На компютъра инструментът е показан като USB устройство.
Отворете папката.

3. Копирайте експортирания файл от устройството към компютъра или копирайте импортирания файл от компютъра към устройството.
4. Натиснете **OK**
5. Когато трансферът завърши, изберете **Прекъсни USB** и изключете USB кабела.
6. Натиснете **OK**

7.7.3 Експортиране на файла за регистриране на данни

Регистърът за събития и регистърът за данни могат да бъдат експортирани към компютър. Регистърът за събития съдържа дата,

час, номер на събитие, параметър и описание на свързано с конфигурацията действие. Измерванията на пробите се съхраняват ръчно или автоматично във файл за регистриране на данни. Вижте [Изберете допълнителна опция от програмата](#) на страница 208.

1. Включете инструмента и свържете USB кабел към Инструмент и към компютъра.
Появява се главното меню USB.
2. Изберете **Екс. на регистър данни**
На компютъра инструментът е показан като USB устройство.
Отворете папката.
3. Копирайте и запишете експортираните файлове (DR900_DataLog.csv и DR900_EventLog.csv) на компютъра.
4. Натиснете **OK**
5. Когато файловете се копират в компютъра, изберете **Прекъсни USB** и изключете USB кабела.
6. Натиснете **OK**

Раздел 8 Поддръжка

▲ ПРЕДУПРЕЖДЕНИЕ






Множество опасности. Задачите, описани в този раздел на документа, трябва да се извършват само от квалифициран персонал.

8.1 Почистване на инструмента

Почистете външните повърхности на инструмента с влажна кърпа и слаб сапунен разтвор и след това изтрийте инструмента, за да се подсуши, ако е необходимо.

8.2 Почистване на кюветите

▲ ВНИМАНИЕ	
 	Опасност от химическа експозиция. Спазвайте лабораторните процедури за безопасност и носете пълното необходимо лично предпазно оборудване при боравене със съответните химически вещества. За информация относно протоколите по безопасност направете справка с информационните листове за безопасност на материала (MSDS/SDS).
▲ ВНИМАНИЕ	
	Опасност от химическа експозиция. Изхвърляйте химическите и отпадни вещества в съответствие с местните, регионални и национални разпоредби.



Използват се повечето лабораторни почистващи препарати с препоръчаните концентрации. Неутрални почистващи препарати, като Liquinox, са по-безопасни, когато е необходимо редовно почистване. За да се намали времето за почистване, увеличете температурата или използвайте ултразвукова вана. За да завършите почистването, изплакнете няколко пъти с дейонизирана вода и оставете кюветата да изсъхне на въздух.

Кюветите могат да бъдат почиствани с киселина, като след това бъдат изплаквани с дейонизирана вода.

Забележка: *Винаги използвайте киселина, за да почиствате кюветите, които са били използвани за тестове за ниско ниво на съдържание на метал.*

За отделни процедури са необходими специални начини на почистване. Когато се използва четка за почистване на кюветите, обръщайте особено внимание, за да избегнете драскотини по вътрешните повърхности на кюветите.

8.3 Смяна на батериите

▲ ПРЕДУПРЕЖДЕНИЕ	
	Опасност от експлозия. Батериите с изтекъл срок на годност могат да причинят натрупване на водород в инструмента. Сменете батериите преди да са достигнали максималната продължителност на полезно действие и не прибирайте инструмента за продължително време с поставени батерии.
▲ ПРЕДУПРЕЖДЕНИЕ	
	Опасност от пожар. Не е разрешена замяна на батерията. Използвайте само алкални батерии.

Забележка

Уверете се, че винтовете са затегнати до 1 – 1,4 н/м (9 – 12 инч/фут), за да се осигури правилно уплътняване и да се запази екологичната категория на корпуса.

Вижте [Поставяне на батериите](#) на страница 203 за смяна на батериите.

Раздел 9 Отстраняване на повреди

Код за грешка	Възможна причина	Решение
1	Инструментът не е конфигуриран.	Свържете се с екип за техническа поддръжка.
2	Не се разчитат данните от програмата	
3	Не се записват програмни данни	
4	Грешка в батерията	Сменете батериите.

Код за грешка	Възможна причина	Решение
5	A/D грешка по време на техническа поддръжка	Свържете се с екип за техническа поддръжка.
6	Грешка от отклонение по време на измерване	Уверете се, че капачката на инструмента е правилно монтирана.
7	Грешка - слаба светлина по време на измерване	<ul style="list-style-type: none"> Уверете се, че няма препречване на пътя на светлината. Нулата е извън диапазона на инструмента Свържете се с екип за техническа поддръжка.
8	Грешка - излизане от обхват при измерване, възможно препречване на светлината или концентрацията е твърде висока	<ul style="list-style-type: none"> Уверете се, че няма препречване на пътя на светлината и че концентрацията не е твърде висока за програмата. Уверете се, че капачката на инструмента е правилно монтирана. Свържете се с екип за техническа поддръжка.

Раздел 10 Резервни части и принадлежности

▲ ПРЕДУПРЕЖДЕНИЕ



Опасност от нараняване. Използването на части, които не са одобрени за употреба, може да причини нараняване, повреда на инструмента или неизправност на оборудването. Резервните части, упоменати в този раздел, са одобрени от производителя.

Забележка: Продуктовите и каталожните номера може да се различават в някои региони на продажба. Свържете се със съответния дистрибутор или посетете уебсайта на компанията за информация за контакт.

Резервни части

Описание	Каталожен номер
Адаптер, възел, COD	4846400
Комплект батерии, алкални батерии AA (4x)	1938004
Кювета с капачка, 25 x 95 mm, 10-20-25 mL (6x)	2401906
Кювета с капачка, 1 cm/10 mL (2x)	4864302
USB кабел	LZV818

Принадлежности

Описание	Каталожен номер
Капачка, кювета, за кювета 25 x 95 mL	2401812
Куфарче за пренасяне с твърди страници	4942500
Куфарче за пренасяне, меко, с дълга дръжка за рамо	2722000
Куфарче за пренасяне, портативна лаборатория	4943000

Принадлежности (продължава)

Описание	Каталожен номер
Стандарти на абсорбция DR/Check™	2763900
Капачка на инструмента, DR 900	9390500

Tartalomjegyzék

- | | | | | | |
|---|----------------------------|-------------|----|--------------------------------|-------------|
| 1 | Műszaki adatok | oldalon 217 | 7 | Speciális üzemeltetés | oldalon 227 |
| 2 | Általános tudnivaló | oldalon 217 | 8 | Karbantartás | oldalon 231 |
| 3 | Telepítés | oldalon 220 | 9 | Hibaelhárítás | oldalon 232 |
| 4 | Kezelőfelület és navigálás | oldalon 222 | 10 | Cserealkatrészek és tartozékok | oldalon 232 |
| 5 | Beindítás | oldalon 224 | | | |
| 6 | Normál üzemeltetés | oldalon 224 | | | |

Szakasz 1 Műszaki adatok

A műszaki adatok előzetes bejelentés nélkül változhatnak.

Műszaki adatok	Részletes adatok
Mérési mód	Transzmittancia (%), abszorbanca (Abs) és koncentráció (Konc.)
Méreték (Sz x Mé x Ma)	23,6×8,7×4,7 cm (9,3×3,4×1,9 hüvelyk)
Burkolat védelmi osztálya	IP67
Tömeg	0,6 kg (1,3 font)
Tápellátási igény (belső)	AA alkáli akkumulátorok (4x)
Az akkumulátor élettartama	6 hónap (tipikus) napi 5 leolvasás/5 napos hét a háttérvilágítás nélkül
Kapcsolódási felület	USB mini
Üzemi hőmérséklet	0 - 50 °C (32 - 122 °F), maximális 90%-os relatív páratartalom, nem kondenzáló

Műszaki adatok	Részletes adatok
Tárolási hőmérséklet	-30 - 60 °C (-22 - 140 °F), maximális 90%-os relatív páratartalom, nem kondenzáló
Lámpa forrás	Fénykibocsátó dióda (LED)
Detektor	Szilícium fotodióda
Hullámhossz-tartomány	420, 520, 560, 610 nm
Fotometrikus mérési tartomány	0–2 Abs
Hullámhossz-pontosság	±1 nm
Fotometrikus pontosság	±0.03 Abs
Fotometrikus linearitás	±0,002 Abs (0–1 Abs)
Hullámhossz választása	Automata, a módszerválasztás alapján
Fotometriás reprodukálhatóság	±0,002 Abs (0–1 Abs)
Adatkiolvasás	Grafikus kijelző, 240 x 160 pixel (háttérvilágításos)
Mintacellák	16 mm, 1 cm/10 ml, 1-inch (25 mm) kerek
Védelmi osztály	III-as osztály
Tanúsítványok	CE hitelesített
Jótállás	1 év (EU: 2 év)

Szakasz 2 Általános tudnivaló

A gyártó semmilyen körülmények között sem felelős a jelen kézikönyv hibájából, vagy hiányosságaiból eredő közvetlen, közvetett, véletlenszerű, vagy következményként bekövetkezett kárért. A gyártó

fenntartja a kézikönyv és az abban leírt termékek megváltoztatásának jogát minden értesítés vagy kötelezettség nélkül. Az átdolgozott kiadások a gyártó webhelyén találhatóak.

2.1 Biztonsági tudnivalók

A gyártó nem vállal felelősséget a termék nem rendeltetésszerű alkalmazásából vagy használatából eredő semmilyen kárért, beleértve de nem kizárólag a közvetlen, véletlen vagy közvetett károkat, és az érvényes jogszabályok alapján teljes mértékben elhárítja az ilyen kárigényeket. Kizárólag a felhasználó felelőssége, hogy felismerje a komoly alkalmazási kockázatokat, és megfelelő mechanizmusokkal védje a folyamatokat a berendezés lehetséges meghibásodása esetén.

Kérjük, olvassa végig ezt a kézikönyvet a készülék kicsomagolása, beállítása vagy működtetése előtt. Szenteljen figyelmet az összes veszélyjelző és óvatosságra intő mondatra. Ennek elmulasztása a kezelő súlyos sérüléséhez vagy a berendezés megrongálódásához vezethet.

A berendezés nyújtotta védelmi funkciók működését nem szabad befolyásolni. Csak az útmutatóban előírt módon használja és telepítse a berendezést.

2.2 A veszélyekkel kapcsolatos tudnivalók alkalmazása

▲ VESZÉLY

Lehetséges vagy közvetlenül veszélyes helyzetet jelez, amely halálhoz vagy súlyos sérüléshez vezet.

▲ FIGYELMEZTETÉS

Lehetséges vagy közvetlenül veszélyes helyzetet jelez, amely halálhoz vagy súlyos sérüléshez vezethet.

▲ VIGYÁZAT

Lehetséges veszélyes helyzetet jelez, amely enyhe vagy kevésbé súlyos sérüléshez vezethet.

MEGJEGYZÉS

A készülék esetleges károsodását okozó helyzet lehetőségét jelzi. Különleges figyelmet igénylő tudnivaló.

2.3 Figyelmeztető címkék

Olvasson el a műszeren található minden címkét és feliratot. Ha nem tartja be, ami rajtuk olvasható, személyi sérülés vagy műszer rongálódás következhet be. A műszeren látható szimbólum jelentését a kézikönyv egy óvintézkedési mondatával adja meg.

	Ha a készüléken ez a szimbólum látható, az a használati útmutató kezelési és/vagy biztonsági tudnivalóira utal.
	Ez a szimbólum robbanásveszély jelenlétét jelzi.
	Ez a szimbólum tűzveszély jelenlétét jelzi.
	Ez a szimbólum vegyi ártalom veszélyét jelzi, valamint hogy csak vegyszerek használatára kiképzett személyek kezelhetik a vegyszereket, illetve végezhetnek karbantartást a berendezéshez tartozó vegyszertovábbító rendszereken.
	Ez a szimbólum védőszemüveg szükségességére figyelmeztet.
	Az ezzel a szimbólummal jelölt elektromos készülékek Európában nem helyezhetők háztartási vagy lakossági hulladékfeldolgozó rendszerekbe. A gyártó köteles ingyenesen átvenni a felhasználóktól a régi vagy elhasznált elektromos készülékeket.

2.4 Megfelelés és tanúsítás

▲ VIGYÁZAT

Ez a berendezés nem lakott környezetben való használatra készült, és lehet, hogy nem biztosít megfelelő védelmet a rádióvétel zavarása ellen ilyen környezetben.

A rádió interferenciát okozó eszközök kanadai szabályozása, ICES-003 A osztály:

A vizsgálati eredmények bizonyítása a gyártónál található.

Ez az A osztályú berendezés megfelel A rádió interferenciát okozó eszközök kanadai szabályozásának.

Cet appareil numérique de classe A répond à toutes les exigences de la réglementation canadienne sur les équipements provoquant des interférences.

FCC 15 szakasz, az "A" osztályra vonatkozó határokkal

A vizsgálati eredmények bizonyítása a gyártónál található. Az eszköz megfelel az FCC szabályok 15. szakaszában foglaltaknak. A működés a következő feltételek függvénye:

1. A berendezés nem okozhat káros interferenciát.
2. A berendezésnek minden felvett interferenciát el kell fogadnia, beleértve azokat az interferenciákat is, amelyek nem kívánatos működéshez vezethetnek.

A berendezésben véghezvitt, és a megfelelőségbiztosításra kijelölt fél által kifejezetten el nem fogadott változtatások vagy módosítások a berendezés működtetési jogának megvonását vonhatják maguk után. Ezt a berendezést bevizsgálták, és azt az FCC szabályok 15. szakaszának megfelelően, az A osztályú készülékekre érvényes határértékek szerintinek minősítették. E határértékek kialakításának célja a tervezés során a megfelelő védelem biztosítása a káros interferenciák ellen a berendezés kereskedelmi környezetben történő használata esetén. A berendezés rádió frekvencia energiát gerjeszt, használ és sugároz, és amennyiben nem a használati kézikönyvnek megfelelően telepítik vagy használják, káros interferenciát okozhat a rádiós kommunikációban. A berendezésnek lakott területen való működtetése valószínűleg káros interferenciát okoz, amely következtében a felhasználót saját költségére az interferencia

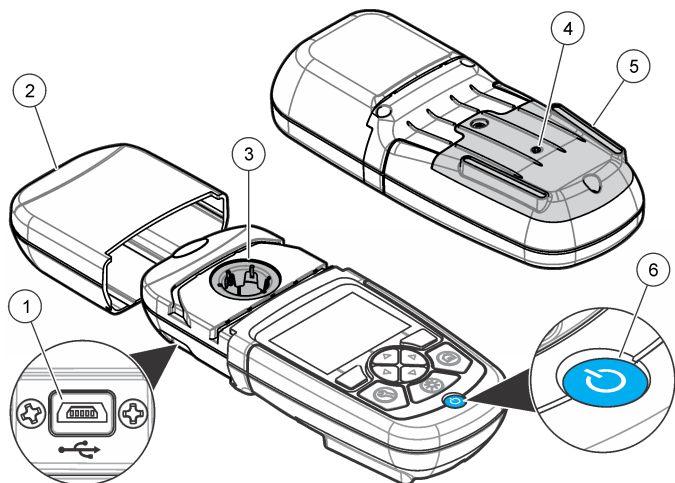
korrekciójára kötelezik. A következő megoldások használhatók az interferencia problémák csökkentésére:

1. Kapcsolja le a berendezést az áramforrásról annak megállapításához, hogy az eszköz az interferencia forrása.
2. Amennyiben a berendezés ugyanarra a csatlakozó aljzatra van téve, mint az interferenciát észlelő készülék, csatlakoztassa a készüléket egy másik csatlakozó aljzatba.
3. Vigye távolabb a készüléket az interferenciát észlelő készüléktől.
4. Állítsa más helyzetbe annak a készüléknek az antennáját, amelyet zavar.
5. Próbálja ki a fenti intézkedések több kombinációját.

2.5 A termék áttekintése

A DR 900 hordozható, LED-es forrású koloriméter, amely a 420, 520, 560 és 610 nm-es hullámhosszok mindegyikén képes mérést végezni. A műszert különböző paraméterek mérésére használják ivóvízben, szennyvízben és ipari alkalmazások során. A műszer tárolt programok teljes készletét (előre telepített módszerek) tartalmazza, és rendelkezésre áll a felhasználói programok tárolásának és a kedvenc programok kiválasztásának lehetősége. Lásd: [1. ábra](#).

1. ábra Műszer áttekintése

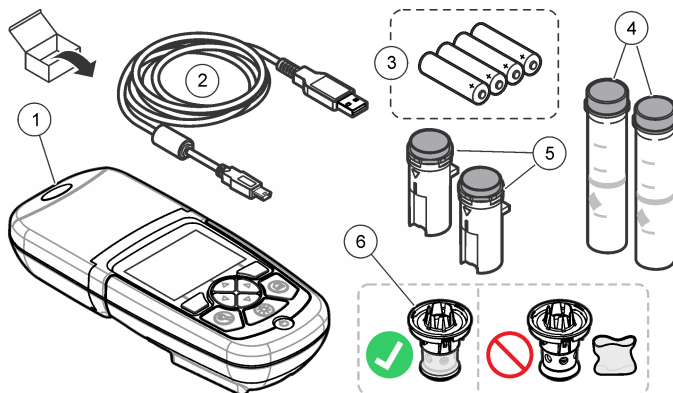


1 USB port	4 Szellőzőnyílás
2 Műszer sapka	5 Akkumulátor rekesz
3 Cellakamra	6 Bekapcsológomb

2.6 A termék részegységei

Győződjön meg arról, hogy minden részegységet megkapott. Lásd: [2. ábra](#). Ha bármelyik elem hiányzik vagy sérült, forduljon azonnal a gyártóhoz vagy a forgalmazóhoz.

2. ábra A termék részegységei



1 DR 900	4 Üveg mintacella, 1 inch (25 mm) kerek, 10, 20, 25 ml-es jelek (2x)
2 USB-kábel mini-USB csatlakozóval	5 Mintacella 1 cm/10 ml (2x)
3 AA alkáli elemek (4x)	6 Mintacella adapter

Szakasz 3 Telepítés

▲ FIGYELMEZTETÉS





Többszörös veszély. A dokumentumnak ebben a fejezetében ismertetett feladatokat csak képzett szakemberek végezhetik el.

MEGJEGYZÉS

Ügyeljen, hogy ne legyen eltömődve a műszer akkumulátornyílása használat vagy tárolás közben.

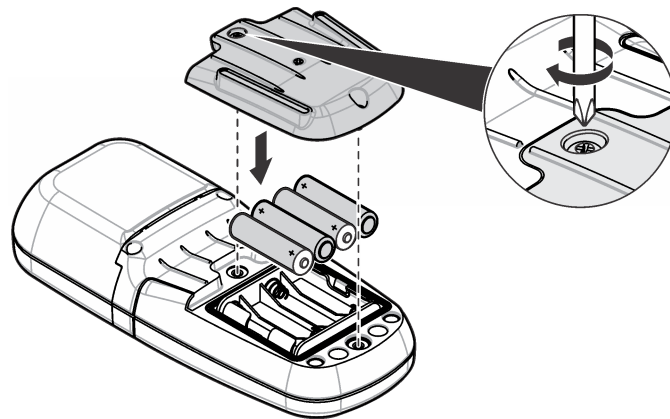
3.1 Az elemek behelyezése

▲ FIGYELMEZTETÉS	
	Robbanásveszély. A szabálytalanul behelyezett akkumulátorok miatt robbanásveszélyes gázok szabadulhatnak fel. Ügyeljen az akkumulátorok azonos, jóváhagyott típusára, és hogy a megfelelő irányban legyenek behelyezve. Ne használjon egyidejűleg új és használt elemeket (akkumulátorokat).
▲ FIGYELMEZTETÉS	
	Tűzveszély. Más akkumulátort nem szabad használni. Kizárólag alkáli akkumulátorokat használjon.
MEGJEGYZÉS	
A csavarokat 1–1,4 Nm (9–12 hüvelyk-font) nyomatékkal húzza meg a megfelelő tömítés, valamint a házburkolat környezetvédelmi osztályozásának fenntartása érdekében.	

A műszer feszültségellátásáról négy AA alkáli akkumulátor gondoskodik. Győződjön meg arról, hogy az akkumulátorok behelyezési iránya megfelelő. Az akkumulátor behelyezését lásd a következő részben:

[3. ábra](#)

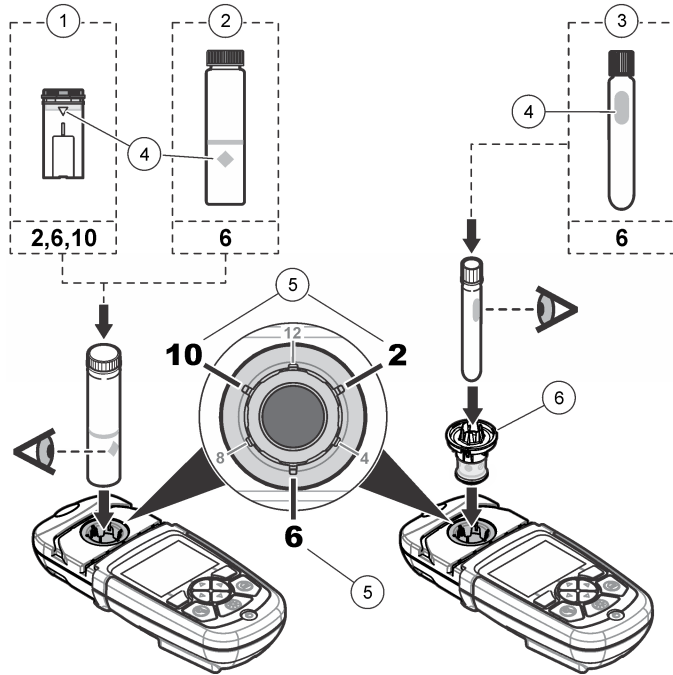
3. ábra Az akkumulátorok behelyezése



3.2 Szerelje be a mintacellát és a cellaadaptert.

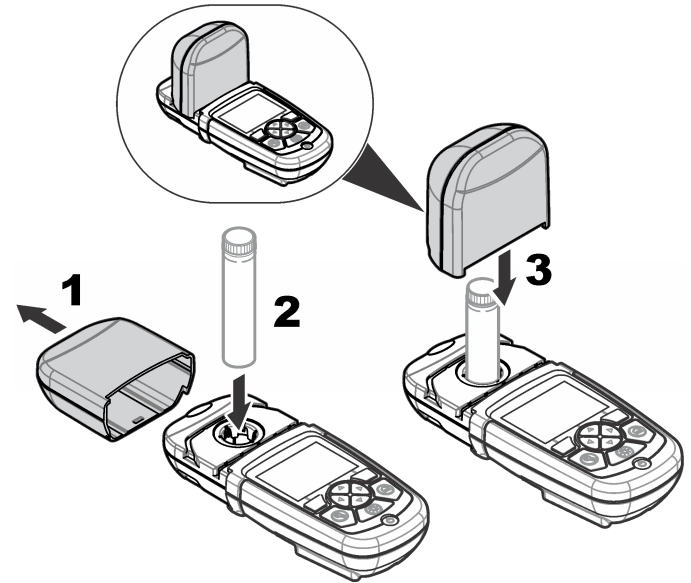
A műszer egy cellarekesszel rendelkezik, amely egy adaptert alkalmazhat különböző mintacella-típusokhoz. Győződjön meg arról, hogy a mintacellát helyes és a jelzésnek megfelelő irányban helyezte be annak érdekében, hogy az eredmények reprodukálhatóbbak és pontosabbak legyenek. Lásd: [4. ábra](#). Zárja le a műszer sapkát a műszer zéró értékének beállítása vagy a mérés elvégzése előtt a fényinterferenciák megakadályozása érdekében. Lásd: [5. ábra](#).

4. ábra Mintacella irányultsága



1 1-cm/10-ml műanyag mintacella	4 Irányjelölés
2 1-inch (25 mm) üveg mintacella	5 Iránypozíció (az óramutató járásával egyező irányban)
3 16 mm üveg tesztampulla	6 Mintacella adapter

5. ábra Mintacella és műszer sapka telepítése

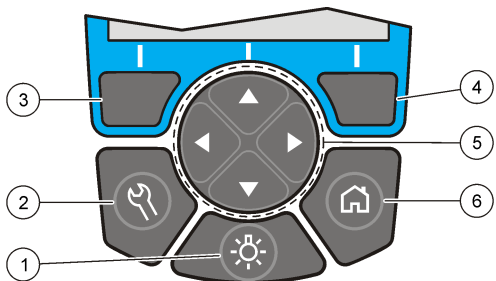


Szakasz 4 Kezelőfelület és navigálás

4.1 Gombok leírása

A gombok leírását és a navigációs információkat lásd a következő részben: [6. ábra](#)

6. ábra Gombok leírása

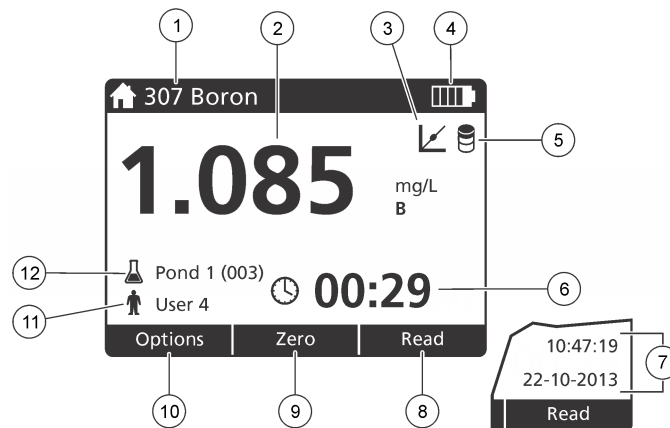


<p>1 HÁTTÉRVILÁGÍTÁS: a kijelző megvilágításának be- vagy kikapcsolása</p>	<p>4 JOBB oldali választógomb (kontextuális): minta olvasása, opciók kiválasztása és megerősítése, almenük nyitása</p>
<p>2 BEÁLLÍTÁSOK: beállítási lehetőségek¹</p>	<p>5 FEL, LE, JOBB, BAL, navigációs gombok: görgetés a menükben, számok és betűk beírása²</p>
<p>3 BAL oldali választógomb (kontextuális): opciók elérése, az aktuális menüképernyőt törlő vagy visszalép az előzőhöz</p>	<p>6 KEZDŐLAP/Opciók: menjen a fő leolvasó képernyőre¹, válassza ki a programot, az adatkezelést</p>

4.2 A kijelző ismertetése

A leolvasási képernyő megjeleníti a kiválasztott üzemmódot, az egységet, dátumot és időt, a kezelő és a minta azonosítóját. Lásd: 7. ábra.

7. ábra Egyképernyős kijelzés



<p>1 A program neve és száma</p>	<p>7 Idő és dátum</p>
<p>2 Leolvasási érték, egység, vegyi forma, "----" alatt vagy "+++" mérési tartomány felett</p>	<p>8 Leolvasás (kontextuális: elkészült, választás, start, ok)</p>
<p>3 Normál beállító ikon</p>	<p>9 Zéró (kontextuális: navigációs gomb FELFELÉ mutató nyíl)</p>
<p>4 Akkumulátorok állapota</p>	<p>10 Opciók (kontextuális: vissza, mégse)</p>
<p>5 Reagens vakpróba ikon</p>	<p>11 Kezelői azonosítás</p>
<p>6 Időzítő</p>	<p>12 Minta azonosítás</p>

¹ Szerkesztés módban a gomb nem működik.

² A FEL vagy LE gomb lenyomva tartásakor a görgetés gyorsan történik. A BAL vagy JOBB gomb lenyomásakor a görgetés oldalanként történik.

4.3 Navigáció

A műszer menüket tartalmaz, amelyek célja a különböző opciók megváltoztatása. Használja a navigációs gombokat (**FEL**, **LE**, **JOBB** és **BAL** irányba mutató nyilak) a különböző opciók kijelöléséhez. Nyomja meg a **JOBB** választógombot egy opció kiválasztásához. Adja meg egy opció értékét a navigációs gombok segítségével. Nyomja meg a navigációs gombokat (**FEL**, **LE**, **JOBB** és **BAL** irányba mutató nyilak) egy adott érték beírásához vagy megváltoztatásához. Nyomja meg a **JOBB** irányba mutató nyilat, hogy előrelépjen a következő karakterhelyre. Nyomja meg a **JOBB** irányba mutató választógombot a **Kész** elem alatt az érték elfogadásához. Nyomja meg a **BAL** irányba mutató választógombot, hogy az aktuális menüképernyőből visszalépjen az előzőre.

Szakasz 5 Beindítás

5.1 Állítsa a műszert be- vagy kikapcsolt állapotba.

Nyomja meg a **POWER** gombot a műszer be- vagy kikapcsolásához. Ha a műszer nem kapcsol be, ellenőrizze, hogy az akkumulátorok megfelelően vannak-e behelyezve.

5.2 Állítsa be a nyelvet

Két lehetőség van a nyelv beállítására:

- Állítsa be a kijelző nyelvét a műszer első bekapcsolásakor.
- Állítsa be a nyelvet a **BEÁLLÍTÁSOK** menüben.

1. Nyomja meg a **BEÁLLÍTÁSOK>Beállítás>Nyelv** gombot.
2. Válasszon ki egy nyelvet a listáról.

5.3 A dátum és az idő beállítása

Két lehetőség van a dátum és az idő beállítására:

- Állítsa be a dátumot és az időt a műszer első bekapcsolásakor.

- Állítsa be a dátumot és az időt a **Dátum és idő** menüből.

1. Nyomja meg a **BEÁLLÍTÁSOK>Beállítás>Dátum és idő** gombot.
2. Válassza ki a **Dátum- és időformátum beállítása** lehetőséget, majd válasszon ki egy dátum- és időformátumot.
3. Válassza ki a **Dátum és idő beállítása** lehetőséget.
4. A navigációs gombok segítségével írja be az aktuális dátumot és időt, majd nyomja meg az **OK** gombot.

Szakasz 6 Normál üzemeltetés

6.1 Programlista

A műszer alkalmazási programok teljes sorozatával szállítják. A program leírását lásd a következő helyen: [1. táblázat](#).

1. táblázat Programopciók

Programopció	Leírás
Tárolt programok	A tárolt programok gyárilag telepített, előre programozott módszerek. Lásd: Válasszon ki egy tárolt programot oldalon 225.
Felhasználói programok	Lehetőség van adott módszerek kidolgozására és lementésére felhasználói program formájában. ³ Lásd: Felhasználói programok oldalon 228.
Kedvencek	A gyakran használt módszerek menthetők a kedvencek listájába. ¹

³ Legfeljebb tíz módszer (felhasználói programok és/vagy kedvencek) mentése lehetséges.

6.1.1 Válasszon ki egy tárolt programot

1. Nyomja meg a **KEZDŐLAP>Opciók>Minden program** gombot.
2. Válassza ki az alkalmazandó módszert és nyomja meg a **Start** gombot.
3. Válassza ki az **Opciók>Kedvencekhez ad** lehetőséget, hogy a kiválasztott módszert hozzáadja a kedvencekhez a gyorsabb hozzáférés érdekében.

6.1.2 Válassza ki az alapvető programopciókat.

Egy program kiválasztásakor további paraméteropciók állnak rendelkezésre.

1. Nyomja meg az **Opciók** gombot az opciómenü eléréséhez.
2. Válassza ki a megfelelő opciókat.

Opció	Leírás
Időzítő indítása	Válasszon ki egy előre beállított időzítőt, vagy állítson be egy manuális időzítőt annak biztosítása érdekében, hogy egy adott analízis lépéseinek időzítése helyes legyen (pl. reakcióidők vagy várakozási idők pontosan meghatározhatók). Amikor az időzítő be van kapcsolva, a kijelzőn az időzítő ikon jelenik meg. A műszer hallható hangot ad, amikor az idő lejárt. Előre beállított időzítés —Válassza ki a megfelelő előre beállított időzítőt egy vagy több tárolt eljárás lépésre vonatkozóan, majd nyomja meg a Start gombot. Manuális időzítő —Adja meg a megfelelő időt a navigációs gombok segítségével, majd nyomja meg a Kész gombot. Alapértelmezett = 00:00
Kedvencek/Felh. prog.	Válasszon a tárolt kedvencek vagy a felhasználói programok listájából. A további tudnivalókat lásd: Válasszon egy kedvenc vagy egy felhasználói programot oldalon 227.

Opció	Leírás
Minden program	Válasszon egy előre programozott módszert a listából.
Adatnapló	Mutassa meg az összes mentett leolvasást. A további tudnivalókat lásd: Adatnapló oldalon 227.
Kedvencekhez ad	Mentse a gyakran használt tárolt programokat és a felhasználói programokat és módszereket a kedvencek listájában. Lásd: Adjon hozzá egy programot a kedvencekhez oldalon 228.
%T/Abs/Conc	Váltás %-os transzmittancia, abszorbancia vagy koncentráció leolvasására. Transzmittancia leolvasása (%) —Leolvassa az eredeti fény azon százalékértékét, amely áthatol a mintán és eléri a detektort. Abszorbancia leolvasása —A minta által elnyelt fény abszorbancia-egységekben kerül leolvasásra. Koncentráció leolvasása —A mért abszorbanciaértékek koncentrációértékekre kerülnek átalakításra a programspecifikus tárolt egyenlet segítségével.
Speciális opciók	A speciális opciók használatával további paraméterek adhatók meg. Lásd: Válassza ki a speciális programopciókat. oldalon 225.
Mentés	Az utolsó leolvasást manuálisan mentse, ha az automatikus mentési beállítás ki van kapcsolva.

6.1.3 Válassza ki a speciális programopciókat.

Minden program számos további speciális opcióval rendelkezik, amelyekből választani lehet.

1. Nyomja meg az **Opciók** gombot az **Opciók>Speciális opciók** eléréséhez.
2. A speciális opciók használatával további paraméterek adhatók meg.

Opció	Leírás
Automatikus mentés	Váltás a be- és kikapcsolás között. Minden leolvasás automatikus mentésre kerül, ha ez az opció be van kapcsolva. A leolvasás manuálisan menthető, ha az opció ki van kapcsolva.
Vegyí forma	Válassza ki az alternatív vegyi formát, valamint az ehhez kapcsolódó mérési tartományt bizonyos gyárilag telepített módszerekhez.
Reagens tiszta	A Reagens tiszta (vakpróba) korrekció használható néhány gyárilag telepített módszerrel. Adja meg a mintaként ionmentes víz használatával végrehajtott vizsgálat eredményét. A vakpróba értéke kivonásra kerül minden eredményből, melynek célja bármilyen háttérszín korrigálása, amely a reagensek miatt felléphet. Adja meg a vakpróba korrekciót a Standard módosítás opció alkalmazása előtt. Végezze el ezt a korrekciót a vizsgálati reagentek összes új tételéhez.
Standard módosítás	Változtassa meg a tárolt kalibrálást. Végezzen egy tesztet ismert standardon a vizsgálati tartomány maximális értéke közelében. Ezzel a funkcióval beállíthatja az eredményt a standard koncentráció összehangolásához.
Rendezze a programot.	Válasszon ki egy betűkkel vagy számokkal jelzett programsorozatot a tárolt programlistára vonatkozóan.

6.2 Használjon kezelői azonosítót.

A kezelői azonosító címke kapcsolja össze a leolvasást az egyedi kezelővel. Minden tárolt adat tartalmazza ezt az azonosítót.

1. Nyomja le a **BEÁLLÍTÁSOK>Kezelő azonosító** gombot a leolvasó képernyőn.
2. Kezelő azonosító kiválasztása, létrehozása vagy törlése:

Opció	Leírás
Jelenlegi azonosító	Azonosító választása a listából. A rendszer a jelenlegi azonosítót társítja a minta adataihoz, amíg egy másik azonosító nem kerül kiválasztásra.
Hozzon létre új azonosítót	Adjon meg egy nevet az új kezelő azonosítóhoz. Legfeljebb 10 nevet lehet beírni.
Törölje az azonosítót	Töröljön egy meglévő kezelő azonosítót.

6.3 A mintaazonosító használata

A mintaazonosító címkét arra használják, hogy a leolvasott értékeket egy adott mintával vagy helyszínnel társítsák. Kijelöléskor a tárolt adat tartalmazza ezt az azonosítót.

1. Nyomja le a **BEÁLLÍTÁSOK>Minta azonosító** gombot a leolvasóképernyőn.
2. Kezelő azonosító kiválasztása, létrehozása vagy törlése:

Opció	Leírás
Jelenlegi azonosító	Azonosító választása a listából. A rendszer a jelenlegi azonosítót társítja a minta adataihoz, amíg egy másik azonosító nem kerül kiválasztásra.

Opció	Leírás
Új azonosító létrehozása	Írjon be egy nevet az új mintaazonosítóhoz. Legfeljebb 10 nevet lehet beírni. A minták számozása sorrendben történik minden egyes mérésre vonatkozóan, amíg egy másik azonosító kiválasztásra nem kerül (pl. 1. rekesz, 2. rekesz).
Törölje az azonosítót	Töröljön egy meglévő mintaazonosítót.

6.4 Hogyan kell mérést végezni?

Alapvető mérési lépések szükségesek egy mérés elvégzéséhez. Minden módszer lépésről-lépésre részletezett eljárással rendelkezik. A konkrét teszt futtatásához lásd az alkalmazható módszert. A következő példa a mérés elvégzésére vonatkozó alapeljárást ismerteti.

1. Válassza ki a megfelelő programot a programmenüből (pl. Tárolt programok, Felhasználói programok, Kedvencek).
2. Telepítse a cellaadaptert, ha szükséges.
3. A program indításához nyomja meg a **Start** gombot.
4. Készítse el a vakpróbát a módszert ismertető dokumentum szerint. Zárja le a mintacellát és tisztítsa meg a mintacella optikai felületeit szőszmentes ruhával.
5. Helyezze be a vakpróbát tartalmazó mintacellát a cellakamrába. Győződjön meg arról, hogy a vakpróbát tartalmazó mintacellát helyes és a jelzésnek megfelelő irányban helyezte be annak érdekében, hogy az eredmények reprodukálhatóbbak és pontosabbak legyenek. Lásd: [4. ábra](#) oldalon 222.
6. Zárja le a műszersapkát a fényinterferenciák megakadályozásához. Lásd: [5. ábra](#) oldalon 222.
7. Nyomja meg a **Zéró** gombot. A kijelzőn zéró koncentráció jelenik meg (pl., mg/l, ABS, µg/l).
8. Készítse el a mintát. Adja hozzá a reagenseket a módszert leíró dokumentumban meghatározott módon.

9. Válassza ki az **Opciók>Időzítő indítása** elemet, hogy a tárolt időzítőket használja a programon belül.
10. Zárja le a mintacellát és tisztítsa meg a cella optikai felületeit szőszmentes ruhával.
11. Helyezze be a mintát a cellakamrába. Győződjön meg arról, hogy a mintacellát helyes és a jelzésnek megfelelő irányban helyezte be annak érdekében, hogy az eredmények reprodukálhatóbbak és pontosabbak legyenek. Lásd: [4. ábra](#) oldalon 222.
12. Zárja le a műszersapkát a fényinterferenciák megakadályozásához. Lásd: [5. ábra](#) oldalon 222.
13. Nyomja meg az **Olvadás** gombot. A kijelző az eredményeket a kiválasztott egységekben mutatja.
Megjegyzés: A kijelző "+++" vagy "---" értéket mutat, ha a mért abszorbancia kevesebb vagy több a teszt kalibrációs tartományánál.

6.5 Adatnapló

Az adatnapló az összes, elmentett leolvasott értéket mutatja. Nyomja meg a **KEZDŐLAP>Opciók>Adatnapló** menüelemet a leolvasott értéket megtekintéséhez. Lásd a(z) [Exportálja az adatnaplót](#) oldalon 230 részben az adatnapló exportálására vonatkozó információkat.

Szakasz 7 Speciális üzemeltetés

7.1 Válasszon egy kedvenc vagy egy felhasználói programot

A kedvenc és a felhasználói programok adatbázisa üres, ha a módszert az első alkalommal indítják el. Egy adott módszer menthető a kedvencek között a gyorsabb hozzáférés érdekében. Egy adott felhasználói program programozható a sajátos igényeknek megfelelően.

1. Nyomja meg a **KEZDŐLAP>Opciók>Kedvencek/Felhasználói programok>Kiválaszt** gombot.
2. Nyomja meg az **Új program** gombot egy új felhasználói program létrehozásához. Lásd: [Felhasználói programok](#) oldalon 228.

7.2 Adjon hozzá egy programot a kedvencekhez

A tárolt programok és a gyakran használt felhasználói programok és módszerek a kedvencek listájában menthetők.

1. Válassza a **KEZDŐLAP>Opciók>Minden program** gombot.
2. Válassza ki az alkalmazandó módszert és nyomja meg a **Start** gombot.
3. Válassza az **Opciók>Kedvencekhez ad** lehetőséget, hogy a kiválasztott módszert hozzáadja a kedvencekhez.

7.3 Felhasználói programok

A felhasználói programok adatbázisa üres, amikor a műszert először elindítják. Használja az **Új program** opciót, hogy új programokat hozzon létre a sajátos igényekhez. Egy új felhasználói program létrehozásához végezze el a következő lépéseket.

1. Nyomja meg a **KEZDŐLAP>Opciók>Kedvencek/Felhasználói programok>Kiválaszt>Új program** gombot.

2. Válasszon ki egy rendelkezésre álló programszámot a 1001-1010 tartományban.

Megjegyzés: Legfeljebb tíz program (felhasználói programok és/vagy kedvencek) mentése lehetséges.

3. Írja be egy módszer nevét (legfeljebb 12 karakter).
4. Válassza ki a hullámhosszt: 420, 520, 560 vagy 610 nm.
5. Válassza ki a mértékegységet: Nincs, µg/l, mg/l vagy g/l.
6. Válassza ki a felbontást: 0000, 000,0, 00,00 vagy 0,000.
7. Adja hozzá a kalibrációs pontokat: legalább 2 és legfeljebb 12 kalibrációs pont.⁴ Válassza az Edit Std 1 opciót és írja be az első standard koncentráció értéket. Nyomja meg a **Kész** gombot.

Megjegyzés: Egy sípoló hang azt jelenti, hogy a koncentráció egy korábban megadott standarddal megegyezik vagy túl magas a kiválasztott felbontáshoz. Írjon be egy másik értéket és folytassa.

8. Adja meg az abszorbanancia értékét:

Opció	Leírás
ABS kézi szerkesztése	A navigációs gombok segítségével írja be manuálisan az abszorbananciaértéket.
ABS auto szerkesztése	<ol style="list-style-type: none">1. Helyezze a vakpróbát a cellatartóba és nyomja meg a Zéró gombot.2. Helyezze az előkészített mintát a cellatartóba és nyomja meg a aLeolvasás gombot.3. Nyomja meg a Kész gombot.

Megjegyzés: Egy sípoló hang azt jelenti, hogy az abszorbanancia megegyezik egy korábban megadott standarddal vagy két korábbi standard közé esik. Írjon be egy másik értéket és folytassa.

9. Nyomja meg a **Kész** gombot.
10. Válassza az Add Cal Point opciót.
11. Adjon meg további kalibrálási pontokat a 7-9. lépésben leírtak szerint.
12. Válassza a **Felhasználói program mentése** opciót.

7.3.1 Felhasználói program szerkesztése

Tárolt felhasználói program szerkesztéséhez:

1. Válassza ki a **KEZDŐLAP>Kedvencek/Felh. prog.** lehetőséget.
2. Válassza ki a megfelelő programot és nyomja meg az **Opciók** gombot.
3. Nyomja meg a **Szerkesztés** gombot.
4. Az eljárás szerkesztéséhez kövesse a képernyőn megjelenő utasításokat.

⁴ Ha a görbéről ismert, hogy lineáris, csak két koncentráció-adatpont (pl. egy standard nulla abszorbananciával és egy másik ismert standard) szükséges. Használjon további adatpontokat a linearitás igazolásához vagy határozzon meg egy nemlineáris görbét.

7.3.2 Felhasználó vagy kedvenc program törlése

Törölje a tárolt felhasználót vagy kedvenc programot, ha azt már senki sem használja.

1. Válassza ki a **KEZDŐLAP>Opciók>Kedvencek/Felh. prog.** lehetőséget.
2. Jelölje ki a megfelelő programot, majd nyomja le az **Opciók>Törlés** gombot, és kövesse be a képernyőn megjelenő utasításokat.

7.4 A műszer adatai

A műszer információ menü konkrét információkat mutat, mint például a műszer nevét, sorozatszámát, a szoftver verzióját, az adatbázis verzióját, a használt memóriát és a program elérhetőségét. Nyomja meg a következőt: **BEÁLLÍTÁSOK>Műszer információk**.

7.5 Állítsa be a jelszót

A jelszóbeállítási lehetőségek a korlátozott menükhöz való hozzáférés megakadályozásához használatosak.

Megjegyzés: Ha a megadott jelszót elfelejtették és a Biztonsági opciók be vannak kapcsolva, az üzemeltető nem tud hozzáférni a korlátozott menükhöz. Forduljon a műszaki támogatás, ha a jelszót elfelejtette.

1. Nyomja meg a **BEÁLLÍTÁSOK>Beállítás>Jelszó beállítások** gombot.
2. Válasszon ki egy opciót.

Opció	Leírás
Jelszó beállítások	Válassza a Be vagy Ki lehetőséget a jelszavas védelem be- vagy kikapcsolásához.
Védett tételek	Megjeleníti a védett tételek listáját: kezelőazonosító szerkesztése, mintaazonosító szerkesztése, felhasználói programok szerkesztése, dátum és idő, firmware frissítése, módszerek, nyelv frissítése, kedvencek listájának szerkesztése.

7.6 Állítsa be a kijelzőt és a hangot.

A kijelző opciói segítségével változtassa meg a kijelző kontrasztját, az akkumulátor automatikus kikapcsolási opcióit vagy a háttérvilágítási opciót. A hang opciók segítségével hallható hang szólaltatható meg egy billentyű lenyomásakor vagy a leolvasás befejezésekor.

1. Nyomja meg a **BEÁLLÍTÁSOK>Beállítás>Kijelző és hang>Kijelző opciók** gombot.
2. Válasszon ki egy opciót.

Opció	Leírás
Kontraszt	A kijelző kontrasztjának beállítása. A legvilágosabb beállítás 0, a legsötétebb pedig 9. Alapbeállítás: 5
Automatikus kikapcsolás	Az akkumulátor élettartamának maximalizálása érdekében állítson be egy olyan időtartamot, amely után a műszer automatikusan kikapcsolja a hálózati ellátást, kivéve, ha valamilyen gombot lenyomnak (5, 10, 15, 20, 30 perc, 1 óra, 2 óra vagy Letiltás). Alapértelmezett: 10 perc
Háttérvilágítás	A kijelző háttérvilágítása be van kapcsolva, ha a HÁTTÉRVILÁGÍTÁS meg van nyomva. Állítson be egy időtartamot, amely után a háttérvilágítás automatikusan kikapcsol, kivéve, ha valamilyen gombot lenyomnak (10, 20, 30 másodperc, 1, 2, 5, 10 perc vagy Letiltás). Alapértelmezett: 1 perc

- Nyomja meg a **BEÁLLÍTÁSOK>Beállítás>Kijelző és hang>Hangok** gombot.
- Válasszon ki egy opciót.

Opció	Leírás
Billentőüleítés	A műszer hallható hangot ad egy gomb lenyomásakor. Alapértelmezett: ki
Leolvasás teljes	A műszer hallható hangot ad, amikor a leolvasás befejeződött. Alapértelmezett: be

7.7 USB főmenü

Ha a műszer USB-kábellel csatlakozik a számítógéphez, az USB főmenü megnyílik. Frissítse a szoftvert, az exportáló vagy importáló programokat, vagy exportálja az adatnaplót és az eseménynaplót az USB főmenüből.

7.7.1 Frissítse a firmware-t

Keresse meg a firmware-frissítő fájlt a termék weboldalán vagy lépjen kapcsolatba a műszer szállítójával. Mentse a fájlt a weboldalról a számítógépre.

- Kapcsolja be a műszert és csatlakoztassa az USB-kábelt a műszer és a számítógéphez.
Az USB Főmenü utasításai.
- Válassza a **DR900 frissítése** opciót.
A műszer USB meghajtóként jelenik meg a számítógépen. Nyissa meg a mappát.
- Másolja a DR900.bin fájlt a nyitott mappába.
- Nyomja meg az **Ok** gombot.
- Amikor a frissítés befejeződött, nyomja meg az **Ok** gombot.
- Válassza ki a **USB lecsatlakoztatása** opciót, nyomja meg az **Ok** gombot, majd húzza ki az USB-kábelt.
- Nyomja meg az **Ok** gombot.
- Indítsa újra a műszert.

7.7.2 Kezelje a programokat

A programkezelési funkcióval a felhasználói programok exportálhatók és/vagy importálhatók és új gyári programok importálhatók.

- Kapcsolja be a műszert és csatlakoztassa az USB-kábelt a műszer és a számítógéphez.
Az USB Főmenü utasításai.
- Válassza ki a **Programok kezelése** lehetőséget, majd válasszon ki egy opciót:

Opció	Leírás
Felh. prog. exportálása	Exportálja az összes felhasználói programot a számítógépre tárolás céljából, vagy vigye át a felhasználói programokat egy másik DR 900 egységre.
Felh. prog. importálása	Cserélje le az összes felhasználói programot egy másik DR 900 egységről származó felhasználói programra a számítógépen keresztül.
Gyári prog. importálása	Importálja az új gyári programokat a gyártó honlapjáról.

A műszer USB meghajtóként jelenik meg a számítógépen. Nyissa meg a mappát.

- Másolja át az exportfájlt a meghajtóról a számítógépre, vagy másolja az importfájlt a számítógépről a meghajtóra.
- Nyomja meg az **Ok** gombot.
- Ha az átvitel megtörtént, válassza ki az **USB lecsatlakoztatása** elemet, majd húzza ki az USB-kábelt.
- Nyomja meg az **Ok** gombot.


7.7.3 Exportálja az adatnaplót

Az eseménynapló és az adatnapló exportálható a számítógépre. Az eseménynapló tartalmazza a konfigurációhoz kapcsolódó cselekvés dátumát, idejét, eseményszámát, paraméterét és leírását. A minta mérései manuálisan vagy automatikusan kerülnek tárolásra az

adatnaplóban. Lásd: [Válassza ki a speciális programopciókat](#) oldalon 225.

1. Kapcsolja be a műszert és csatlakoztassa az USB-kábelt a műszer és a számítógéphez.
Az USB Főmenü utasításai.
2. Válassza az **Adatnapló exportálása** opciót.
A műszer USB meghajtóként jelenik meg a számítógépen. Nyissa meg a mappát.
3. Másolja és mentse az exportfájlokat (DR900_DataLog.csv és DR900_EventLog.csv) a számítógépre.
4. Nyomja meg az **Ok** gombot.
5. Ha a fájloknak a számítógépre való másolása folyamatban van, válassza ki az **USB lecsatlakoztatása** opciót és húzza ki az USB-kábelt.
6. Nyomja meg az **Ok** gombot.



Szakasz 8 Karbantartás


▲ FIGYELMEZTETÉS	
	Többszörös veszély. A dokumentumnak ebben a fejezetében ismertetett feladatokat csak képzett szakemberek végezhetik el.

8.1 A berendezés tisztítása

Tisztítsa meg a készülék külsejét nedves ruhával és enyhe szappanos oldattal, majd szükség szerint törölje szárazra.

8.2 Tisztítsa meg a mintacellákat

▲ VIGYÁZAT	
 	Kémiai expozíció veszélye. Kövesse a laboratóriumi biztonsági eljárásokat, és viselje a kezelt vegyszereknek megfelelő összes személyes védőfelszerelést. A biztonsági protokollokkal kapcsolatban lásd az aktuális biztonsági adatlapokat (MSDS/SDS).

▲ VIGYÁZAT	
	Kémiai expozíció veszélye. Semmisítse meg a vegyszereket és a hulladékokat a helyi, területi és nemzeti előírásoknak megfelelően.


A legtöbb laboratóriumi detergenst az ajánlott koncentrációban használják. A semleges detergensnek, mint például a Liquinox, használata biztonságosabb, ha rendszeres tisztításra van szükség. A tisztítási idők csökkentése érdekében növelje a hőmérsékletet vagy használjon ultrahangos fűrdőt. A tisztítás befejezéséhez öblítse néhányszor ionmentes vízzel, és hagyja, hogy a mintacella a levegőn megszáradjon.

A mintacellák tisztíthatók savval is, melyet alapos öblítésnek kell követnie ionmentesített vízzel.

Megjegyzés: Mindig savat használjon olyan mintacellák tisztítására, amelyeket alacsony szintű fémtestekhez használtak.

Különleges tisztítási módszerekre van szükség az egyes eljárásoknál. Ha ecetet használunk a mintacellák tisztítására, különösen figyeljünk arra, hogy elkerüljük a karcolásokat a mintacellák belső felületén.

8.3 Akkumulátorcsere

▲ FIGYELMEZTETÉS	
	Robbanásveszély. A lejárt élettartamú akkumulátorokból hidrogéngáz gyűlhet össze a műszer belsejében. Cserélje ki az akkumulátorokat még a lejárta előtt, és ne tárolja hosszú ideig behelyezett akkumulátorokkal a műszert.

▲ FIGYELMEZTETÉS



Tűzveszély. Más akkumulátort nem szabad használni. Kizárólag alkáli akkumulátorokat használjon.

MEGJEGYZÉS

A csavarokat 1–1,4 Nm (9–12 hüvelyk-font) nyomatékkal húzza meg a megfelelő tömítés, valamint a házburkolat környezetvédelmi osztályozásának fenntartása érdekében.

Az akkumulátor cseréjét lásd a következő helyen: [Az elemek behelyezése](#) oldalon 221

Szakasz 9 Hibaelhárítás

Hibakód	Lehetséges ok	Megoldás
1	A műszer nincs konfigurálva.	Forduljon a műszaki támogatás.
2	A program adatai nem olvashatók	
3	A program adatai nem írhatók	
4	Akkumulátor hiba	Akkumulátor csere.
5	A/D hiba a mérés alatt	Forduljon a műszaki támogatás.
6	Ofszet hiba a mérés alatt	Győződjön meg arról, hogy a műszer sapka helyesen legyen telepítve.

Hibakód	Lehetséges ok	Megoldás
7	Gyenge megvilágítási hiba a mérés alatt	<ul style="list-style-type: none">• Győződjön meg arról, hogy a fény útját ne akadályozza semmi.• A zero érték kívül van a műszer tartományán• Forduljon a műszaki támogatás.
8	Méréstartomány túllépési hiba mérés alatt, a fényút esetleges elzáródása, vagy a koncentráció túl magas	<ul style="list-style-type: none">• Győződjön meg arról, hogy a fény útját nem akadályozza semmi, és hogy a koncentráció nem túl magas a program számára.• Győződjön meg arról, hogy a műszer sapka helyesen van telepítve.• Forduljon a műszaki támogatás.

Szakasz 10 Cserealkatrészek és tartozékok

▲ FIGYELMEZTETÉS



Személyi sérülés veszélye. A nem jóváhagyott alkatrészek használata személyi sérüléshez, a műszer károsodásához vagy a berendezés meghibásodásához vezethet. Az ebben a fejezetben található cserealkatrészek a gyártó által jóváhagyott alkatrészek.

Megjegyzés: A termék- és cikkszámok értékesítési régióként eltérhetnek. Lépjen kapcsolatba a megfelelő viszonteladóval, vagy látogasson el a cég honlapjára a kapcsolattartási tudnivalóért.

Cserealkatrészek

Leírás	Cikksz.
Adapterszerelvény, COD	4846400
Akkumulátor készlet, AA alkáli akkumulátorok (4x)	1938004
Mintacella sapkával, 25 x 95 mm, 10-20-25 ml (6x)	2401906
Mintacella sapkával, 1 cm/10 ml (2x)	4864302
USB-kábel	LZV818

Tartozékok

Leírás	Cikksz.
Sapka, mintacella, a 25 x 95 ml-es cellához	2401812
Hordtáska, kemény oldalú	4942500
Hordtáska, puha oldalú, vállpánttal	2722000
Hordtáska, hordozható laboratórium	4943000
DR/Check™ abszorbancia standardok	2763900
Műszer sapka, DR 900	9390500

Cuprins

- | | | | |
|---|---|----|---|
| 1 | Specificații de la pagina 234 | 6 | Operațiune standard de la pagina 241 |
| 2 | Informații generale de la pagina 234 | 7 | Operațiune avansată de la pagina 244 |
| 3 | Instalarea de la pagina 237 | 8 | Întreținerea de la pagina 247 |
| 4 | Interfața cu utilizatorul și navigarea de la pagina 239 | 9 | Depanare de la pagina 248 |
| 5 | Pornirea sistemului de la pagina 241 | 10 | Piese de schimb și accesorii de la pagina 249 |

Secțiunea 1 Specificații

Specificațiile pot fi modificate fără notificare prealabilă.

Specificație	Detalii
Modul de măsurare	Transmitanță (%), Absorbantă (Abs) și Concentrație (Conc)
Dimensiuni (l x D x Î)	23,6 x 8,7 x 4,7 cm (9,3 x 3,4 x 1,9")
Clasă incintă	IP67
Greutate	0,6 kg (1,3 lb)
Energie necesară (intern)	Baterii Alcaline AA (4x)
Durată de viață a bateriei	6 luni (uzual) la 5 citiri pe zi, 5 zile pe săptămână, fără lumină de fundal
Interfață	Mini-USB
Temperatură de funcționare	De la 0 la 50 °C (de la 32 la 122 °F); umiditate relativă maximă 90%, fără condens
Temperatură de depozitare	De la -30 la 60 °C (de la -22 la 140 °F); umiditate relativă maximă 90%, fără condens
Sursă lampă	Diodă luminiscentă (LED)

Specificație	Detalii
Detector	Fotodiodă siliconică
Interval lungime de undă	420, 520, 560, 610 nm
Interval de măsurare fotometric	0–2 Abs
Acuratețe lungime de undă	±1 nm
Precizie fotometrică	±0.03 Abs
Liniaritate fotometrică	±0,002 Abs (0–1 Abs)
Selectare lungime de undă	Automat, în funcție de metoda selectată
Repetabilitate fotometrică	±0,002 Abs (0–1 Abs)
Citire date	Afișaj grafic, 240 x 160 pixeli (lumină de fundal)
Cuve	16 mm, 1 cm/10 mL, 1-inch (25 mm) rotundă
Clasă de protecție	Clasa III
Certificări	Atestare CE
Garanție	1 an (UE: 2 ani)

Secțiunea 2 Informații generale

Producătorul nu se face responsabil în nicio situație de deteriorări directe, indirecte, speciale, accidentale sau pe cale de consecință ce ar rezulta din orice defect sau omisiune din acest manual. Producătorul își rezervă dreptul de a efectua modificări în acest manual și produselor pe care le descrie, în orice moment, fără notificare sau obligații. Edițiile revizuite pot fi găsite pe site-ul web al producătorului.

2.1 Informații referitoare la siguranță

Producătorul nu este responsabil pentru daunele cauzate de utilizarea incorectă a acestui produs, inclusiv și fără a se limita la daunele directe, accidentale sau pe cale de consecință și neagă responsabilitatea pentru astfel de daune în măsura maximă permisă de lege. Utilizatorul este unicul responsabil pentru identificarea riscurilor critice și pentru instalarea de mecanisme corespunzătoare pentru protejarea proceselor în cazul unei posibile defectări a echipamentului.

Citiți în întregime manualul înainte de a despacheta, configura și utiliza aparatul. Respectați toate atenționările de pericol și avertismentele. Nerespectarea acestei recomandări poate duce la vătămări serioase ale operatorului sau la deteriorarea echipamentului.

Verificați dacă protecția cu care este prevăzută aparatul nu este defectă. Nu utilizați sau nu instalați aparatul în niciun alt mod decât cel specificat în prezentul manual.

2.2 Informații despre utilizarea produselor periculoase

▲ PERICOL

Indică o situație periculoasă în mod potențial sau iminent care, dacă nu este evitată, va avea ca rezultat decesul sau vătămarea corporală gravă.

▲ AVERTISMENT

Indică o situație periculoasă în mod potențial sau iminent care, dacă nu este evitată, poate conduce la deces sau la o vătămare corporală gravă.

▲ ATENȚIE







Indică o situație periculoasă în mod potențial care poate conduce la o vătămare corporală minoră sau moderată.

NOTĂ

Indică o situație care, dacă nu este evitată, poate provoca defectarea aparatului. Informații care necesită o accentuare deosebită.

2.3 Etichete de avertizare

Citiți toate etichetele și avertismentele cu care este prevăzută instrumentul. În caz de nerespectare se pot produce vătămări personale sau avarieri ale instrumentului. Toate simbolurile de pe instrument sunt menționate în manual cu câte o afirmație de avertizare.

	Acest simbol, dacă este notat pe instrument, se regăsește în manualul de instrucțiuni referitoare la funcționare și/sau siguranță.
	Acest simbol indică faptul că există un risc de explozie.
	Acest simbol indică faptul că există un risc de incendiu.
	Acest simbol indică riscul de accidente chimice și faptul că întreținerea sistemelor de distribuție a substanțelor chimice legate de aparatul trebuie efectuată numai de persoane calificate și instruite în vederea lucrului cu substanțe chimice.
	Acest simbol indică necesitatea echipamentului de protecție pentru ochi.
	Echipamentele electrice inscripționate cu acest simbol nu pot fi eliminate în sistemele publice europene de deșeuri. Returnați producătorului echipamentele vechi sau la sfârșitul duratei de viață în vederea eliminării, fără niciun cost pentru utilizator.

2.4 Conformitate și certificare

⚠ ATENȚIE

Acest echipament nu este conceput pentru utilizarea în medii rezidențiale și este posibil să nu furnizeze protecție adecvată pentru recepția radio în astfel de medii.

Reglementările canadiene privind echipamentele care produc interferențe radio, ICES-003, clasa A:

Înregistrările testelor relevante se află la producător.

Acest aparat digital de clasă A întrunește toate cerințele reglementărilor canadiene privind echipamentele care produc interferențe.

Cet appareil numérique de classe A répond à toutes les exigences de la réglementation canadienne sur les équipements provoquant des interférences.

FCC Partea 15, limite pentru clasa „A”

Înregistrările testelor relevante se află la producător. Acest dispozitiv este conform cu Partea 15 din Regulile FCC. Funcționarea se supune următoarelor condiții:

1. Este posibil ca echipamentul să nu genereze interferențe dăunătoare.
2. Echipamentul trebuie să accepte orice interferențe recepționate, inclusiv interferențe care pot provoca funcționare nedorită.

Schimbările sau modificările aduse acestui echipament care nu sunt în mod expres aprobate de partea responsabilă pentru respectarea standardelor, pot conduce la anularea autorității utilizatorului de a folosi acest aparat. Acest aparat a fost testat și s-a constatat că respectă limitele pentru aparate digitale de clasă A, conform Părții 15 a Regulilor FCC. Aceste limite sunt stabilite pentru a asigura o protecție rezonabilă împotriva interferențelor dăunătoare atunci când aparatura este exploatată în condiții comerciale. Acest echipament generează, folosește și poate radia energie cu frecvență radio și, dacă nu este instalat și folosit în conformitate cu manualul de instrucțiuni, poate cauza interferențe dăunătoare asupra comunicațiilor radio. Este probabil ca exploatarea acestui echipament într-o zonă rezidențială să producă interferențe dăunătoare, caz în care utilizatorului i se va solicita să

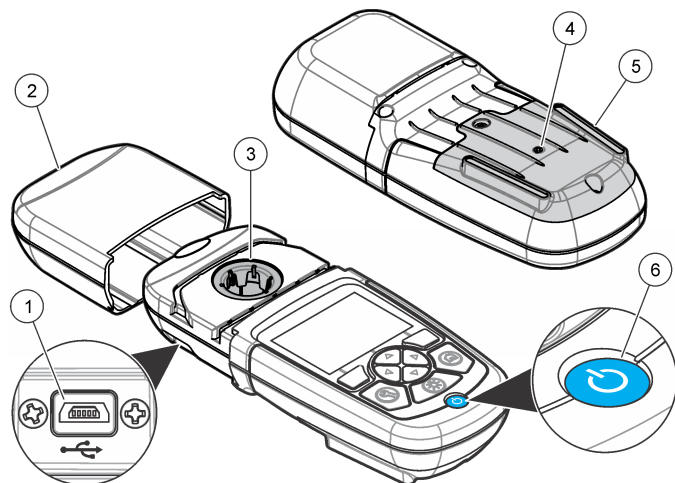
remedieze interferența pe propria cheltuială. Pentru a reduce problemele de interferențe, pot fi utilizate următoarele tehnici:

1. Deconectați echipamentul de la sursa de curent pentru a verifica dacă reprezintă sau nu sursa interferențelor.
2. Dacă echipamentul este conectat la aceeași priză ca dispozitivul care prezintă interferențe, conectați echipamentul la o altă priză.
3. Depărtați echipamentul de dispozitivul care recepționează interferențe.
4. Repoziționați antena de recepție a dispozitivului afectat de interferență.
5. Încercați combinații ale soluțiilor de mai sus.

2.5 Prezentare generală a produsului

DR 900 este un colorimetru portabil, cu LED, care măsoară la lungimi de undă de 420, 520, 560 și 610 nm. Instrumentul este utilizat pentru măsurarea mai multor parametri din apa potabilă, ape uzate și aplicații industriale. Instrument are stocat un set complet de programe (metode preinstalate) și oferă posibilitatea stocării unor programe ale utilizatorului și selectarea din programe favorite. Consultați [Figura 1](#).

Figura 1 Prezentarea generală a Instrument

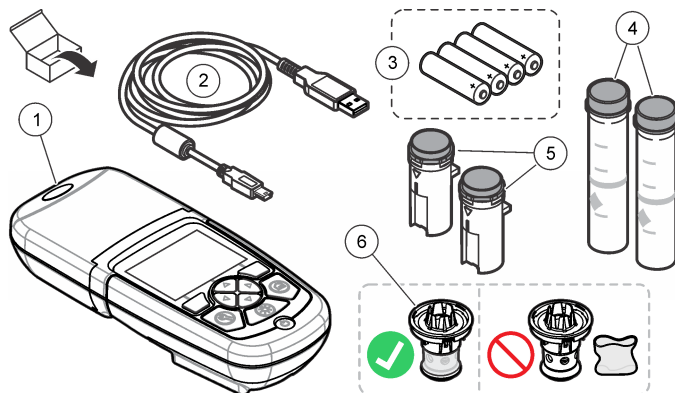


1 Port USB	4 Orificiu de ventilație
2 Capac instrument	5 Compartiment pentru baterii
3 Compartiment cuvă	6 Tastă de alimentare

2.6 Componentele produsului

Asigurați-vă că ați primit toate componentele. Consultați **Figura 2**. Dacă oricare dintre elementele componente lipsește sau este avariata, contactați imediat fie furnizorul instrumentului, fie reprezentanța comercială a acestuia.

Figura 2 Componentele produsului



1 DR 900	4 Cuvă din sticlă, 1 inch (25 mm) rotundă, marcaje la 10, 20, 25 mL (2x)
2 Cablu USB cu conector mini-USB	5 Cuvă, 1 cm/10 mL (2x)
3 Baterii alcaline AA (4x)	6 Adaptor cuvă

Secțiunea 3 Instalarea

⚠ AVERTISMENT



Pericole multiple. Numai personalul calificat trebuie să efectueze activitățile descrise în această secțiune a documentului.

NOTĂ

Asigurați-vă că nu blocați orificiul de ventilație al bateriei instrument în timpul utilizării sau depozitării.

3.1 Instalarea bateriilor

⚠️ AVERTISMENT



Pericol de explozie. Instalarea incorectă a bateriilor poate provoca eliberarea de gaze explozive. Asigurați-vă că bateriile sunt de același tip chimic aprobat și că sunt introduse cu orientarea corectă. Nu amestecați baterii noi și uzate.

⚠️ AVERTISMENT



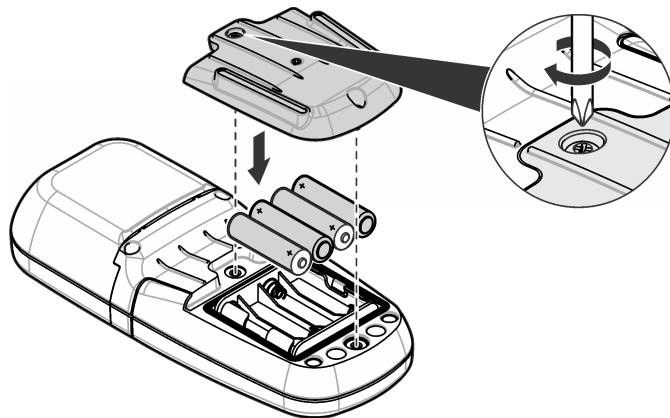
Pericol de incendiu. Înlocuirea bateriei nu este permisă. Utilizați numai baterii alcaline

NOTĂ

Asigurați-vă că șuruburile sunt strânse la 1–1,4 N·m (9–12 in. ·lb) pentru o potrivire etanșă și pentru a menține clasificarea de mediu a incintei.

Instrument este alimentat cu patru baterii alcaline AA. Asigurați-vă că bateriile sunt instalate în poziția corectă. Consultați [Figura 3](#) pentru instalarea bateriilor.

Figura 3 Instalarea bateriilor



3.2 Instalarea cuvei și a adaptorului pentru cuve

Instrument are un compartiment pentru cuve care poate utiliza un adaptor pentru tipuri diferite de cuve. Asigurați-vă că instalați cuva cu orientarea potrivită, astfel încât rezultatele să fie repetabile și precise. Consultați [Figura 4](#). Închideți capacul instrumentului înainte de setarea citirii zero a instrumentului sau de efectuarea unei măsurători pentru a preveni interferențele luminii. Consultați [Figura 5](#).

Figura 4 Orientarea cuvei

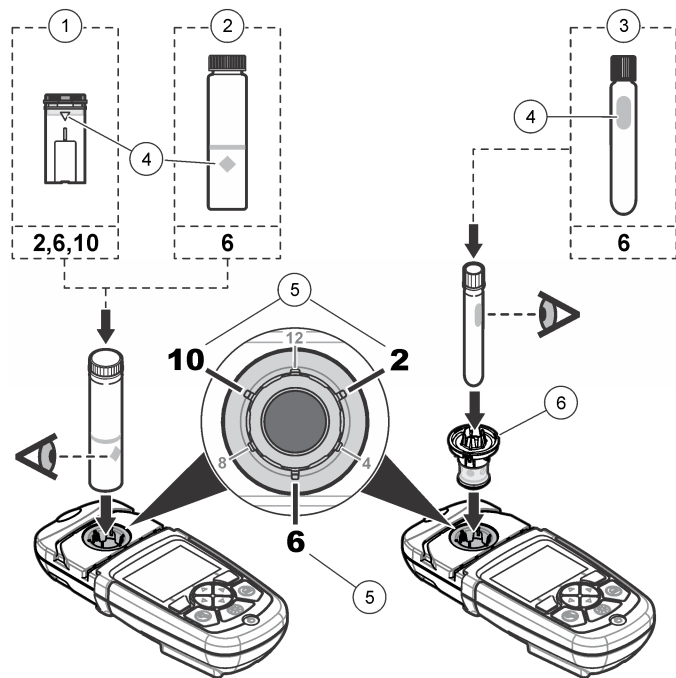
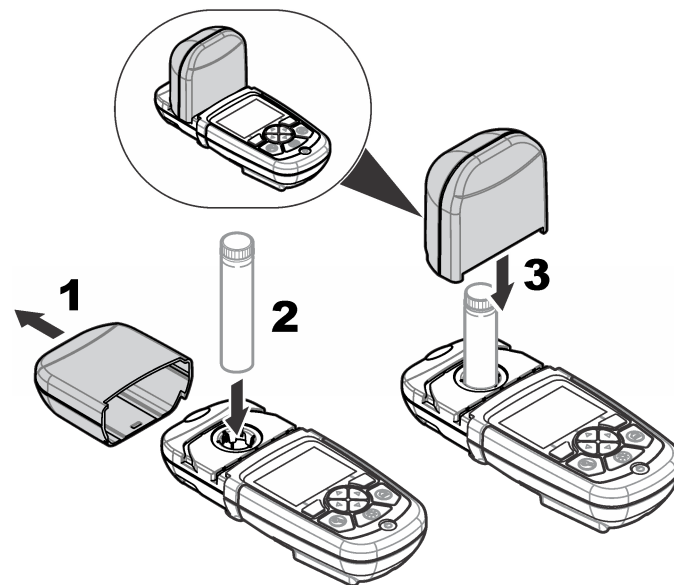


Figura 5 Instalarea cuvei și a capacului instrumentului



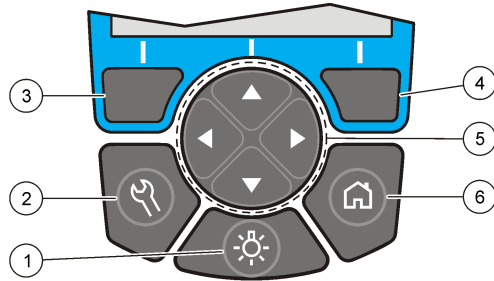
Secțiunea 4 Interfața cu utilizatorul și navigarea

4.1 Descrierea tastaturii

Consultați [Figura 6](#) pentru descrierea tastaturii și informații despre navigare.

1 Cuvă din plastic, 1 cm/10 mL	4 Marcaj de orientare
2 Cuvă din sticlă, 1 inch (25 mm)	5 Poziție de orientare (în sensul acelor de ceas)
3 Fiolă de testare din sticlă, 16 mm	6 Adaptor cuvă

Figura 6 Descrierea tastaturii

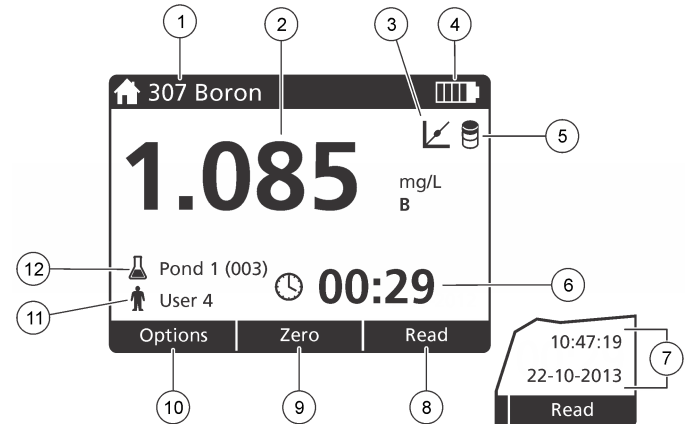


<p>1 LUMINĂ DE FUNDAL: activați sau dezactivați iluminarea afișajului</p>	<p>4 Tasta de selecție DREAPTA (contextual): citește eșeanționul, selectează sau confirmă opțiuni, deschide submeniuri</p>
<p>2 SETĂRI: opțiuni de configurare¹</p>	<p>5 Tastele de navigare SUS, JOS, DREAPTA, STÂNGA: derulează meniuri, introduc numere și litere²</p>
<p>3 Tasta de selecție STÂNGA (contextual): accesează opțiuni, anulează sau păreșește ecranul de meniu curent la cel anterior</p>	<p>6 PAGINA PRINCIPALĂ/Opțiuni: deplasare la ecranul de citire principal¹, selectare program, gestionare date</p>

4.2 Descrierea afișajului

Ecranul de citire prezintă modul selectat, unitatea, data și ora, ID-ul operatorului și ID-ul probei. Consultați [Figura 7](#).

Figura 7 Afișaj cu un singur ecran



<p>1 Numele și numărul programului</p>	<p>7 Ora și data</p>
<p>2 Valoare citire, unitate, formă chimică, sub „-” sau peste intervalul de măsurare „+++”</p>	<p>8 Citire (contextual: gata, selectare, start, ok)</p>
<p>3 Pictogramă pentru ajustarea standard</p>	<p>9 Zero (contextual: tastă de navigare, săgeată SUS)</p>
<p>4 Starea bateriei</p>	<p>10 Opțiuni (contextual: înapoi, anulare)</p>
<p>5 Pictogramă pentru martor</p>	<p>11 Identificarea operatorului</p>
<p>6 Cronometru</p>	<p>12 Identificarea probei</p>

¹ În modul de editare, tasta nu funcționează.

² La ținerea apăsată a tastei SUS sau JOS, derularea este accelerată. La apăsarea tastei STÂNGA sau DREAPTA, se derulează câte o pagină.

4.3 Navigarea

Instrumentul conține meniuri pentru a modifica diverse opțiuni. Utilizați tastele de navigare (săgețile **SUS**, **JOS**, **DREAPTA** și **STÂNGA**) pentru a evidenția diferite opțiuni. Apăsati tasta de selectare **DREAPTA** pentru a selecta o opțiune. Introduceți o valoare pentru o opțiune cu tastele de navigare Apăsati pe tastele de navigare (săgețile **SUS**, **JOS**, **DREAPTA** și **STÂNGA**) pentru a introduce sau modifica o valoare. Apăsati pe săgeata **DREAPTA** pentru a avansa la următorul spațiu. Apăsati pe tasta de selectare **DREAPTA** de sub **Terminat** pentru a accepta valoarea. Apăsati pe tasta de selectare **STÂNGA** pentru a părăsi ecranul de meniu curent la cel anterior.

Secțiunea 5 Pornirea sistemului

5.1 Pornirea sau oprirea instrumentului

Apăsati pe tasta **ALIMENTARE** pentru a porni sau opri instrument. Dacă instrument nu pornește, asigurați-vă că bateriile sunt instalate corect.

5.2 Setarea limbii

Există două opțiuni de setare a limbii:

- Setati limba de afișare când instrumentul este pornit prima dată.
- Setati limba din meniul SETĂRI.

1. Apăsati pe **SETĂRI>Configurare>Limbă**.

2. Selectați o limbă din listă.

5.3 Reglați data și ora

Există două opțiuni pentru setarea datei și orei:

- Reglați data și ora când instrumentul este pornit prima dată.
- Reglați data și ora din meniul Dată și oră.

1. Apăsati pe **SETĂRI>Configurare>Dată și oră**.

2. Selectați **Setare format dată și oră**, după care selectați un format pentru dată și oră.
3. Selectați **Setare dată și oră**
4. Utilizați tastele de navigare pentru a introduce data și ora actuale, după care apăsați **OK**

Secțiunea 6 Operațiune standard

6.1 Lista de programe

Instrumentul este furnizat cu o serie completă de programe pentru aplicații. Consultați [Tabelul 1](#) pentru descrieri ale programelor.

Tabelul 1 Opțiuni program

Opțiuni program	Descriere
Programe stocate	Programele stocate sunt metode pre-programate, instalate din fabrică. Consultați Selectarea unui program stocat de la pagina 241.
Programele utilizatorului	Metodele pot fi dezvoltate și pot fi salvate ca programe ale utilizatorului. ³ Consultați Programele utilizatorului de la pagina 244.
Favorite	Metodele utilizate des pot fi salvate în lista de favorite. ¹

6.1.1 Selectarea unui program stocat

1. Apăsati pe **PAGINA PRINCIPALĂ>Opțiuni>Toate programele**.
2. Selectați metoda aplicabilă și apăsați pe **Start**.
3. Selectați **Opțiuni>Adăugare în favorite** pentru a adăuga metoda selectată în favorite pentru un acces mai rapid.

³ Se pot salva maxim zece programe (programe utilizator și/sau favorite).

6.1.2 Selectarea opțiunilor de program de bază

La selectarea unui program, sunt disponibile opțiuni pentru parametri suplimentari.

1. Apăsați pe **Opțiuni** pentru a accesa meniul de opțiuni.
2. Selectați opțiunile aplicabile.

Opțiune	Descriere
Pornire cronometru	Selectați un cronometru presetat sau setați un cronometru manual pentru a vă asigura că pașii dintr-o analiză sunt corect cronometrați (de ex. timpii de reacție sau timpii de așteptare pot fi specificați cu exactitate). Când un cronometrul este pornit, pictograma pentru cronometru este afișată pe ecran. Instrumentul produce un sunet la expirarea timpului. Cronometru presetat - Selectați cronometrul presetat aplicabil pentru unul sau mai mulți pași din procedura stocată și apăsați pe Start . Cronometru manual - Introduceți timpul aplicabil folosind tastele de navigare și apăsați pe Terminat . Valoare implicită = 00:00
Favorite/Prog. utiliz.	Selectați din lista de favorite sau programe utilizator stocate. Pentru informații suplimentare, consultați Selectarea unui program favorit sau de utilizator de la pagina 244.
Toate programele	Selectați o metodă preprogramată din listă.
Jurnal de date	Afișați toate citirile salvate. Pentru informații suplimentare, consultați Jurnal de date de la pagina 244.
Adăugarea la favorite	Salvați programele stocate și programele de utilizator utilizate adesea în lista de favorite. Consultați Adăugarea unui program în favorite de la pagina 244.

Opțiune	Descriere
%T/Abs/Conc	Comutați la citirile pentru transmitanță, absorbantă și concentrație. Măsurarea transferului (%) - afișează procentul luminii inițiale care trece prin probă și ajunge la detector. Măsurători de absorbantă - lumina absorbită de probă este citită în unități de absorbantă. Măsurători de concentrație - Valorile absorbantei măsurate sunt convertite în valori ale concentrației cu ecuația stocată, specifică programului.
Opțiuni avansate	Utilizați opțiunile avansate pentru a specifica mai mulți parametri. Consultați Selectarea opțiunilor de program avansate de la pagina 242.
Salvare	Salvați ultima citire manual când opțiunea de salvare automată este Dezactivată.

6.1.3 Selectarea opțiunilor de program avansate

Fiecare program conține diverse opțiuni avansate suplimentare din care puteți selecta.

1. Apăsați pe **Opțiuni** pentru a accesa **Opțiuni>Opțiuni avansate**.
2. Utilizați opțiunile avansate pentru a specifica mai mulți parametri.

Opțiune	Descriere
Salvare automată	Comutați între Activată și Dezactivată. Fiecare citire este salvată automată când opțiunea este Activată. Citirea poate fi salvată manual când opțiunea este Dezactivată.
Forma chimică	Selectați forma chimică alternativă și intervalul de măsurare asociat în unele metode instalate din fabrică.

Opțiune	Descriere
Martor	Corecția Martorului poate fi utilizată cu unele metode instalate din fabrică. Introduceți rezultatul unui test finalizat utilizând apă deionizată drept probă. Valoarea martorului este scăzută din fiecare rezultat pentru a corecta o eventuală culoare de fundal apărută din cauza reactivilor. Introduceți corecția martorului înainte de a utiliza opțiunea Ajustare standard. Efectuați această corecție pentru fiecare lot nou de reactivi de testat.
Ajustare standard	Modificați calibrarea stocată. Efectuați un test pe un standard cunoscut, la o concentrație apropiată de vârful intervalului de testat. Utilizați această funcție pentru a ajusta rezultatul în vederea alinierii concentrației standard.
Sortare programe	Selectați o ordine alfabetică sau numerică a programelor pentru lista de programe stocate.

6.2 Utilizați un ID operator

Eticheta ID operator asociază valori unui operator separat. Toate datele stocate includ acest ID.

1. Apăsati pe **SETĂRI>ID operator** din ecranul de citire.
2. Selectați, creați sau ștergeți un ID operator:

Opțiune	Descriere
ID probă	Selectați un ID dintr-o listă. ID-ul curent va fi asociat cu datele probei până va fi selectat un ID diferit.
Creare ID nou	Introduceți un nume pentru un ID operator nou. Se pot introduce maxim 10 nume.
Ștergere ID	Ștergeți un ID operator existent.

6.3 Utilizarea unui ID probă

Eticheta ID probă este utilizată pentru a asocia valorile asociate cu o anumită probă și o locație. Dacă sunt atribuite, datele stocate vor include acest ID.

1. Apăsati pe **SETĂRI>ID eșantion** din ecranul de citire.
2. Selectați, creați sau ștergeți un ID operator:

Opțiune	Descriere
ID probă	Selectați un ID dintr-o listă. ID-ul curent va fi asociat cu datele probei până va fi selectat un ID diferit.
Creare ID nou	Introduceți un nume pentru un ID probă nou. Se pot introduce maxim 10 nume. Probele sunt numerotate în ordine pentru fiecare măsurătoare până când se selectează alt ID (de ex. Bazinul 1, Bazinul 2).
Ștergere ID	Ștergeți un ID probă existent.

6.4 Cum se efectuează o măsurătoare

Pentru efectuarea unei măsurători sunt necesari anumiți pași de bază. Fiecare metodă are o procedură pas-cu-pas. Consultați metoda aplicabilă pentru a efectua un test specific. Exemplul care urmează reprezintă o procedură de bază pentru efectuarea unei măsurători.

1. Selectați programul aplicabil din meniul de programe (de ex. Programe stocate, Programe utilizator, Favorite).
2. Instalați adaptorul pentru cuvă, dacă este necesar.
3. Apăsati **Start** pentru a porni programul.
4. Pregătiți martorul conform documentației metodei. Închideți cuva și curățați fețele optice ale cuvei cu o cârpă care nu lasă scame.
5. Introduceți cuva cu martorul în compartimentul pentru cuve. Asigurați-vă că instalați cuva cu martor corect și cu orientarea potrivită, astfel încât rezultatele să fie repetabile și precise. Consultați [Figura 4](#) de la pagina 239.

6. Închideți capacul instrumentului pentru a preveni interferența luminii. Consultați [Figura 5](#) de la pagina 239.
7. Apăsăți pe **Zero**. Afișajul indică o concentrație zero (de ex. mg/L, ABS, µg/L).
8. Pregătiți proba. Adăugați reactivii specificați în documentația metodei.
9. Selectați **Opțiuni>Pornire cronometru** pentru a utiliza cronometrele stocate în program.
10. Închideți cuva și curățați suprafețele optice cu o cârpă care nu lasă scame.
11. Introduceți proba în compartimentul pentru cuve. Asigurați-vă că instalați cuva și cu orientarea potrivită, astfel încât rezultatele să fie repetabile și precise. Consultați [Figura 4](#) de la pagina 239.
12. Închideți capacul instrumentului pentru a preveni interferența luminii. Consultați [Figura 5](#) de la pagina 239.
13. Apăsăți pe **Citire**. Afișajul indică rezultatele în unitățile selectate.
Notă: Afișajul indică „+++” sau „---” dacă absorbanța măsurată este mai mică sau mai mare decât intervalul de calibrare al testului.

6.5 Jurnal de date

Jurnalul de date prezintă toate citirile salvate. Apăsăți pe **PAGINA PRINCIPALĂ>Opțiuni>Jurnal de date** pentru a vedea citirile. Consultați [Exportul jurnalului de date](#) de la pagina 247 pentru informații despre exportul jurnalului de date.

Secțiunea 7 Operațiune avansată

7.1 Selectarea unui program favorit sau de utilizator

Baza de date de programe favorite și de utilizator este goală la prima pornire a instrumentului. O metodă poate fi salvată în favorite pentru a fi accesată mai repede. Un program utilizator poate fi programat pentru anumite necesități.

1. Apăsăți pe **PAGINA PRINCIPALĂ>Opțiuni>Favorite/Prog. utiliz.>Selectare**.
2. Apăsăți pe **Program nou** pentru a crea un program utilizator nou. Consultați [Programele utilizatorului](#) de la pagina 244.

7.2 Adăugarea unui program în favorite

Programele stocate și programele de utilizator utilizate adesea pot fi salvate în lista de favorite.

1. Selectați **PAGINA PRINCIPALĂ>Opțiuni>Toate programele**.
2. Selectați metoda aplicabilă și apăsați pe **Start**.
3. Selectați **Opțiuni>Adăugare în favorite** pentru a adăuga metoda selectată la favorite.

7.3 Programele utilizatorului

Baza de date de programe utilizator este goală la prima pornire a instrumentului. Utilizați **Program nou** pentru a crea programe noi pentru anumite nevoi. Pentru a crea un program utilizator nou, efectuați pașii următori.

1. Apăsăți pe **PAGINA PRINCIPALĂ>Opțiuni>Favorite/Prog. utiliz>Selectare>Program nou**.
2. Selectați un număr de program disponibil, de la 1001 la 1010.
Notă: Se pot salva maxim zece programe (programe utilizator și/sau favorite).
3. Introduceți un nume de metodă (până la 12 caractere).

4. Selectați lungimea de undă: 420, 520, 560 sau 610 nm.
5. Selectați unitatea: Niciuna, µg/L, mg/L sau g/L.
6. Selectați rezoluția: 0000; 000,0; 00,00 (implicit) sau 0,000.
7. Adăugați punctele de calibrare: minim 2 și maxim 12 puncte de calibrare.⁴ Selectați Editare std. 1 și introduceți prima valoare pentru concentrația standard. Apăsați pe **Terminat**.
Notă: Un semnal sonor indică faptul că concentrația este un duplicat al unui standard introdus anterior sau concentrația este prea mare pentru rezoluția selectată. Introduceți o valoare diferită și continuați.
8. Introduceți valoarea pentru absorbnanță.

Opțiune	Descriere
Editare ABS manuală	Utilizați tastele de navigare pentru a introduce manual valoarea absorbnanței.
Editare ABS automată	<ol style="list-style-type: none"> 1. Puneți marorul în suportul de cuvă și apăsați pe Zero. 2. Puneți proba preparată în suportul de cuvă și apăsați pe Citire. 3. Apăsați pe Terminat.

Notă: Un semnal sonor indică faptul că absorbnanța este un duplicat al unui standard introdus anterior sau că nu se încadrează între cele două standarde anterioare. Introduceți o valoare diferită și continuați.

9. Apăsați pe **Terminat**.
10. Selectați Adăugare punct cal.
11. Introduceți puncte de calibrare suplimentare așa cum este descris în pașii 7-9.
12. Selectați **Salvare program utilizator**.

7.3.1 Editarea unui program utilizator

Pentru a edita un program utilizator stocat:

1. Selectați **PAGINA PRINCIPALĂ>Favorite/Prog. utiliz.**
2. Selectați programul aplicabil și apăsați pe **Opțiuni**.
3. Apăsați pe **Editare**.
4. Urmați instrucțiunile de pe ecran pentru a edita procedura.

7.3.2 Ștergerea unui program favorit sau de utilizator

Ștergeți un program favorit sau de utilizator stocat în cazul în care programul nu va mai fi folosit.

1. Selectați **PAGINA PRINCIPALĂ>Opțiuni>Favorite/Prog. utiliz..**
2. Evidențiați programul aplicabil și apăsați pe **Opțiuni>Ștergere** și urmați instrucțiunile de pe ecran.

7.4 Informații despre instrument

Meniul de informații al instrumentului prezintă informații specifice precum numele instrumentului, numărul de serie, versiunea software, versiunea bazei de date, memoria utilizată și programele disponibile. Apăsați pe **SETĂRI>Informații instrument**.

7.5 Setarea parolei

Opțiunile pentru setarea parolei sunt utilizate pentru prevenirea accesului la meniuri restricționate.

⁴ În cazul în care curba este cunoscută drept liniară, sunt necesar doar două puncte pentru date despre concentrație (de ex. un standard cu absorbnanță zero și alt standard cunoscut). Utilizați puncte de date suplimentare pentru a confirma liniaritatea sau definiți o curbă neliniară.

Notă: Dacă parola specificată este uitată și funcția Opțiuni securitate este activă, operatorul nu va mai putea accesa meniurile restricționate. Contactați departamentul de suport tehnic în cazul uitării parolei.

1. Apăsăți pe **SETĂRI>Configurare>Setări parolă**.
2. Selectați o opțiune.

Opțiune	Descriere
Setări parolă	Selectați Activat sau Dezactivat pentru a activa sau dezactiva protecția cu parolă.
Elemente protejate	Prezintă lista elementelor protejate: editarea ID-ului operatorului, editarea ID-ului probei, editarea programelor utilizator, data și ora, upgrade-ul firmware, metodele de upgrade, limba și editarea listei de preferate.

7.6 Setarea afișajului și a sunetului

Folosiți opțiunile pentru afișaj pentru a modifica contrastul afișajului, opțiunile de închidere automată pentru baterie sau opțiunea pentru lumina de fundal. Utilizați opțiunile pentru sunet pentru un avertisment sonor la apăsarea unei taste sau finalizarea unei citiri.

1. Apăsăți pe **SETĂRI>Configurare>Afișaj și sunet>Opțiuni afișare**.
2. Selectați o opțiune.

Opțiune	Descriere
Contrast	Ajustați contrastul afișajului. Setarea cea mai iluminată este 0 și setarea cea mai întunecată este 9. Valoare implicită: 5

Opțiune	Descriere
Închidere automată	Pentru a maximiza durata de viață a bateriei, setați o perioadă de timp după care instrument să se închidă automat dacă nu se apasă pe nicio tastă (5, 10, 15, 20, 30 minute, 1 oră, 2 ore sau Dezactivat). Valoarea implicită: 10 minute
Sursă de lumină din fundal	Lumina de fundal a afișajului este activată când se apasă pe LUMINĂ DE FUNDAL . Setati o perioadă de timp după care lumina de fundal să se stingă în cazul în care nu se apasă pe nicio tastă (10, 20, 30 secunde, 1, 2, 5, 10 minute sau Dezactivat). Valoarea implicită: 1 minut

3. Apăsăți pe **SETĂRI>Configurare>Afișaj și sunet>Sunete**.
4. Selectați o opțiune.

Opțiune	Descriere
Apăsare de tastă	instrument va produce un sunet la fiecare apăsare de tastă. Valoare implicită: dezactivat
Citare finalizată	instrument va produce un sunet la fiecare finalizare a unei citiri. Valoare implicită: activat

7.7 Meniul principal USB

Când instrument este conectat la computer cu un cablu USB, se va deschide Meniul principal USB. Actualizați software-ul, exportați sau importați programe sau exportați jurnalul de date și jurnalul de evenimente din Meniul principal USB.

7.7.1 Efectuarea unei actualizări pentru firmware

Găsiți fișierul de upgrade pentru firmware pe site-ul Web al produsului sau contactați furnizorul instrumentului. Salvați fișierul de pe site-ul Web în computer.

1. Activați instrumentul și conectați cablul USB la instrument și la computer.

Va apărea Meniul principal USB.

2. Selectați **Actualizare DR900**. Instrumentul este afișat pe computer ca o unitate USB. Deschideți folderul.
3. Copiați fișierul DR900.bin în folderul deschis.
4. Apăsați pe **OK**.
5. După finalizarea actualizării, apăsați pe **OK**.
6. Selectați **Deconectare USB**, apăsați pe **OK** și deconectați cablul USB.
7. Apăsați pe **OK**.
8. Reporniți instrument.

7.7.2 Gestionare programe

Cu funcția Gestionare programe, programele utilizatorului pot fi exportate și/sau importate și noi programe din fabrică pot fi importate.

1. Activați instrumentul și conectați cablul USB la instrument și la computer.
Va apărea Meniul principal USB.
2. Selectați **Gestionare programe** și selectați o opțiune:

Opțiune	Descriere
Export programe utilizator	Exportați toate programele utilizatorului pe computer pentru stocare sau mutați programele utilizatorului pe alt dispozitiv DR 900.
Import programe utilizator	Înlocuiți toate programele utilizatorului cu programe de utilizator de pe alt dispozitiv DR 900 prin intermediul computerului.
Import programe de fabrică	Importați programe din fabrică noi de pe site-ul Web al producătorului.

Instrumentul este afișat pe computer ca o unitate USB. Deschideți folderul.

3. Copiați fișierul de exportat din unitate pe computer sau copiați fișierul de importat din computer pe unitate.
4. Apăsați pe **OK**.
5. După finalizarea transferului, selectați **Deconectare USB** și deconectați cablul USB.
6. Apăsați pe **OK**.

7.7.3 Exportul jurnalului de date

Jurnalul de evenimente și jurnalul de date pot fi exportate pe computer. Jurnalul de evenimente conține data, ora, numărul evenimentului, parametrul și descrierea unei acțiuni legată de configurație. Măsurătorile de probe sunt stocate manual sau automat în jurnalul de date. Consultați [Selectarea opțiunilor de program avansate](#) de la pagina 242.

1. Activați instrumentul și conectați cablul USB la instrument și la computer.
Va apărea Meniul principal USB.
2. Selectați **Export jurnal date**. Instrumentul este afișat pe computer ca o unitate USB. Deschideți folderul.
3. Copiați și salvați fișierele exportate (DR900_DataLog.csv și DR900_EventLog.csv) pe computer.
4. Apăsați pe **OK**.
5. După copierea fișierelor pe computer, selectați **Deconectare USB** și deconectați cablul USB.
6. Apăsați pe **OK**.

Secțiunea 8 Întreținerea

▲ AVERTISMENT






Pericole multiple. Numai personalul calificat trebuie să efectueze activitățile descrise în această secțiune a documentului.

8.1 Curățarea instrumentului

Curățați exteriorul instrumentului cu o lavetă umedă și cu o soluție de săpun delicat, iar apoi uscați instrumentul prin ștergere, dacă este necesar.

8.2 Curățarea cuvelor

⚠ ATENȚIE	
 	Pericol de expunere chimică. Respectați procedurile de siguranță în laborator și purtați toate echipamentele de protecție personală adecvate pentru substanțele chimice care sunt manipulate. Consultați fișele tehnice de securitate (MSDS/SDS) pentru protocoalele de siguranță.
⚠ ATENȚIE	
	Pericol de expunere chimică. Substanțele chimice și deșeurile trebuie eliminate în conformitate cu reglementările locale, regionale și naționale.

Se utilizează majoritatea detergenților de laborator, la concentrațiile recomandate. Detergenții neutrii, precum Liquinox, sunt mai siguri de utilizat când este necesară curățarea regulată. Pentru a reduce timpul de curățare, creșteți temperatura sau utilizați o baie ultrasonică. Pentru a finaliza curățarea, clătiți de câteva ori cu apă deionizată și apoi lăsați cuva să se usuce în aer liber.

Cuvele pot fi curățate și cu acid, urmat de o clătire intensă cu apă deionizată.

Notă: Utilizați întotdeauna acid pentru a curăța cuvele care au fost utilizate pentru teste pe metal de nivel scăzut.

Pentru anumite proceduri, sunt necesare metode speciale de curățare. În cazul utilizării unei perii pentru curățarea cuvelor, acordați o atenție suplimentară pentru a evita zgârierea suprafețelor interioare ale cuvelor.

8.3 Înlocuirea bateriilor

⚠ AVERTISMENT	
	Pericol de explozie. Bateriile expirate pot provoca acumulări de gaz hidrogen în interiorul instrumentului. Înlocuiți bateriile înainte ca acestea să expire și nu depozitați instrumentul pe perioade lungi cu bateriile instalate.

⚠ AVERTISMENT	
	Pericol de incendiu. Înlocuirea bateriei nu este permisă. Utilizați numai baterii alcaline

NOTĂ	
Asigurați-vă că șuruburile sunt strânse la 1–1,4 N·m (9–12 in.·lb) pentru o potrivire etanșă și pentru a menține clasificarea de mediu a incintei.	

Consultați [Instalarea bateriilor](#) de la pagina 238 pentru înlocuirea bateriilor.

Secțiunea 9 Depanare

Cod de eroare	Cauză posibilă	Soluție
1	Instrumentul nu a putut fi configurat.	Contactați departamentul de suport tehnic.
2	Nu au putut fi citite datele programului	
3	Nu au putut fi scrise datele programului	
4	Eroare de baterie	Înlocuirea bateriilor.
5	Eroare A/D în timpul măsurării	Contactați departamentul de suport tehnic.

Cod de eroare	Cauză posibilă	Soluție
6	Eroare de decalare în timpul măsurării	Asigurați-vă că ați montat corect capacul instrumentului.
7	Eroare de lumină slabă în timpul măsurării.	<ul style="list-style-type: none"> Asigurați-vă că nu există niciun blocaj în calea luminii. Zero nu se încadrează în intervalul instrumentului Contactați departamentul de suport tehnic.
8	Eroare de depășire a intervalului în timpul măsurării, un posibil blocaj al luminii sau concentrația este prea mare	<ul style="list-style-type: none"> Asigurați-vă că nu există niciun blocaj în calea luminii și concentrația nu este prea mare pentru program. Asigurați-vă că ați montat corect capacul instrumentului. Contactați departamentul de suport tehnic.

Secțiunea 10 Piese de schimb și accesorii

▲ AVERTISMENT



Pericol de vătămare corporală. Utilizarea pieselor neaprobate poate cauza vătămare corporală, deteriorarea instrumentului sau defectarea echipamentului. Piese de schimb din această secțiune sunt aprobate de producător.

Notă: Numerele pentru produs și articol pot varia în anumite regiuni de comercializare. Contactați distribuitorul respectiv sau consultați site-ul Web al companiei pentru informațiile de contact.

Piese de schimb

Descriere	Nr. articol
Ansamblu adaptor, COD	4846400
Set de baterii, baterii alcaline AA (4x)	1938004
Cuvă cu capac, 25 x 95 mm, 10-20-25 mL (6x)	2401906
Cuvă cu capac, 1 cm/10 mL (2x)	4864302
Cablu USB	LZV818

Accesorii

Descriere	Nr. articol
Capac cuvă, pentru cuve de 25 x 95 mL	2401812
Geantă de transport	4942500
Geantă de transport, cu fețe moi și curea de umăr	2722000
Geantă de transport, laborator portabil	4943000
Standarde de absorbantă DR/Check™	2763900
Capac instrument, DR 900	9390500

Turinys

- | | |
|--|---|
| 1 Techniniai duomenys
Puslapyje 250 | 7 Papildomas naudojimas
Puslapyje 260 |
| 2 Bendrojo pobūdžio informacija
Puslapyje 251 | 8 Techninė priežiūra
Puslapyje 264 |
| 3 Montavimas Puslapyje 253 | 9 Trikčių šalinimas Puslapyje 265 |
| 4 Naudotojo sąsają ir naršymas
Puslapyje 255 | 10 Atsarginės dalys ir priedai
Puslapyje 265 |
| 5 Paleidimas Puslapyje 257 | |
| 6 Įprastas naudojimas
Puslapyje 257 | |

Skirius 1 Techniniai duomenys

Techniniai duomenys gali būti keičiami neperspėjus.

Techniniai duomenys	Išsami informacija
Matavimo veikseną	Praleidimas (%), absorbcija (Abs) ir koncentracija (Conc)
Matmenys (P x G x A) (plotis x gylis x aukštis)	23,6 x 8,7 x 4,7 cm (9,3 x 3,4 x 1,9 col.)
Korpuso klasė	IP67
Svoris	0,6 kg (1,3 svar.)
Maitinimo reikalavimai (naudojant baterijas)	AA šarminės baterijos (4 vnt.)
Baterijos naudojimo laikas	6 mėnesiai (įprastai) atliekant 5 rodymus per dieną, 5 dienas per savaitę ir nenaudojant foninio apšvietimo funkcijos
Sąsaja	Mini USB

Techniniai duomenys	Išsami informacija
Darbinė temperatūra	0–50 °C (32–122 °F), ne didesnis nei 90 % santykinis oro drėgnumas be kondensacijos
Laikymo temperatūra	Nuo –30 iki 60 °C (nuo –22 iki 140 °F), ne didesnis nei 90 % santykinis oro drėgnumas be kondensacijos
Lempos šaltinis	Šviesos diodas (LED)
Detektorius	Silicio fotodiodas
Bangų ilgio diapazonas	420, 520, 560, 610 nm
Fotometrinių matavimo diapazonas	0–2 Abs
Bangos ilgio tikslumas	±1 nm
Fotometrinis tikslumas	±0.03 Abs
Fotometrinis tiesiškumas	±0,002 Abs (0–1 Abs)
Bangos ilgio parinkimas	Automatinis, pagrįstas pasirinktu metodu
Fotometrinis pasikartojimas	±0,002 Abs (0–1 Abs)
Duomenų parodymas	Grafinis ekranas, 240 x 160 taškų (foninis apšvietimas)
Mėginių kiuvetės	16 mm, 1 cm/10 ml, 1 col.(25 mm) aplink
Apsaugos klasė	III klasė
Sertifikatai	CE sertifikatas
Garantija	1 metai (ES: 2 metai)

Styrius 2 Bendrojo pobūdžio informacija

Gamintojas jokių būdu nėra atsakingas už tiesioginę, netiesioginę, specialią, atsitiktinę arba didelę žalą, kuri būtų padaryta dėl šio vadovo bet kokio defekto ar praleidimo. Gamintojas pasilieka teisę bet kada iš dalies pakeisti šį vadovą ir jame aprašytus produktus nepranešdamas apie keitimą ir neprisiimdamas įsipareigojimų. Pataisytuosius leidimus rasite gamintojo žiniatinklio svetainėje.

2.1 Saugos duomenys

Gamintojas nėra atsakingas už jokių nuostolių dėl netinkamo šio gaminio taikymo ar naudojimo, įskaitant tiesioginius, atsitiktinius ir šalutinius nuostolius, bet tuo neapsiribojant, ir nepripažįsta jokios atsakomybės už tokius nuostolius, kiek tai leidžia galiojantys įstatymai. Tik naudotojas yra atsakingas už taikymo lemiamo pavojaus nustatymą ir tinkamų mechanizmų procesams apsaugoti per galimą įrangos triktį įrengimą.

Perskaitykite visą šį dokumentą prieš išpakuodami, surinkdami ir pradėdami naudoti šį įrenginį. Atkreipkite dėmesį į visus įspėjimus apie pavojų ir atsargumo priemones. Priešingu atveju įrenginio naudotojas gali smarkiai susižeisti arba sugadinti įrenginį.

Įsitikinkite, kad šio įrenginio apsauga nepažeista. Nenaudokite ir nemontuokite šio įrenginio kitokiu būdu, nei nurodyta šiame vadove.

2.2 Informacijos apie pavojų naudojimas

PAVOJUS

Žymi galimą arba neišvengiamą pavojingą situaciją, į kurią pakliuvus galima mirtinai ar stipriai susižeisti.

ĮSPĖJIMAS

Žymi galimą arba neišvengiamą pavojingą situaciją, kurios nevengiant gali grėsti mirtis ar stiprus sužeidimas.

ATSARGIAI

Žymi galimą pavojingą situaciją, dėl kurios galima lengvai ar vidutiniškai susižeisti.

PASTABA

Žymi situaciją, kurios neišvengus gali būti sugadintas prietaisas. Informacija, kuriai reikia skirti ypatingą dėmesį.

2.3 Apie pavojų perspėjančios etiketės

Perskaitykite visas prie prietaiso pritvirtintas etiketes ir žymas. Nesilaikant nurodytų įspėjimų galima, susižaloti arba sugadinti prietaisą. Simbolis, kuriuo pažymėtas prietaisas, vadove yra nurodytas su įspėjamoju pareiškimu.

	Šis simbolis, jeigu juo pažymėtas įtaisas, reiškia, kad turite skaityti naudojimo vadovą ir (arba) saugos informaciją.
	Šis simbolis rodo esamą sprogdimo pavojų.
	Šis simbolis rodo esamą gaisro pavojų.
	Šis simbolis reiškia, kad yra cheminio pakenkimo rizika, taip pat rodo, kad tik tinkamą kvalifikaciją turintiems ir specialiai išmokytiems asmenims leidžiama dirbti su cheminėmis medžiagomis ir atlikti su įranga susijusių cheminių medžiagų pristatymo sistemų techninę priežiūrą.
	Šis simbolis reiškia, kad būtina dėvėti apsauginius akinius.
	Šiuo simboliu pažymėto elektros įrenginio negalima išmesti namų arba viešosiose atliekų išmetimo vietose Europoje. Nemokamai grąžinkite nebenaudojamą įrangą gamintojui, kad ji būtų utilizuota.

2.4 Atitiktis ir sertifikatai

▲ ATSAUGIAI

Ši įranga nėra skirta naudoti gyvenamojoje patalpoje ir gali neužtikrinti tokiai aplinkai reikiamos radijo ryšio apsaugos.

Kanados taisyklės dėl radijo trukdžius keliančios įrangos, ICES-003, A klasė:

Tai patvirtinančių patikrinimų dokumentų teirautis gamintojo.

A klasės skaitmeninis įtaisas atitinka visus Kanados taisyklių dėl radijo trukdžius keliančios įrangos reikalavimus.

Cet appareil numérique de classe A répond à toutes les exigences de la réglementation canadienne sur les équipements provoquant des interférences.

FCC 15 dalis, A klasės apribojimai

Tai patvirtinančių patikrinimų dokumentų teirautis gamintojo. Šis prietaisas atitinka FCC taisyklių 15 dalies reikalavimus. Naudojimui taikomos šios sąlygos:

1. Įranga negali kelti kenksmingų trukdžių.
2. Ši įranga turi priimti visus gaunamus trukdžius, įskaitant tuos, dėl kurių prietaisas veiks netinkamai.

Šios įrangos pakeitimai arba modifikacijos, kurios nėra tiesiogiai patvirtintos už atitiktį atsakingos šalies, gali panaikinti naudotojo teisę naudotis šia įranga. Ši įranga yra patikrinta ir nustatyta, kad ji atitinka A klasės skaitmeninių prietaisų apribojimuose keliamus reikalavimus pagal FCC taisyklių 15 dalį. Šie apribojimai taikomi siekiant suteikti tinkamą apsaugą nuo žalingųjų trukdžių poveikio, kai įranga yra naudojama komercinėse patalpose. Ši įranga sukuria, naudoja ir skleidžia radijo bangų energiją ir, jei naudojama nesilaikant naudotojo instrukcijoje pateiktų nurodymų, gali kelti radijo ryšio žalinguosius trukdžius. Šią įrangą naudojant gyvenamosiose patalpose gali būti keliami žalingieji trukdžiai ir tokiu atveju naudotojas juos turės pašalinti savo lėšomis. Norėdami sumažinti trukdžius, galite pasinaudoti šiais būdais:

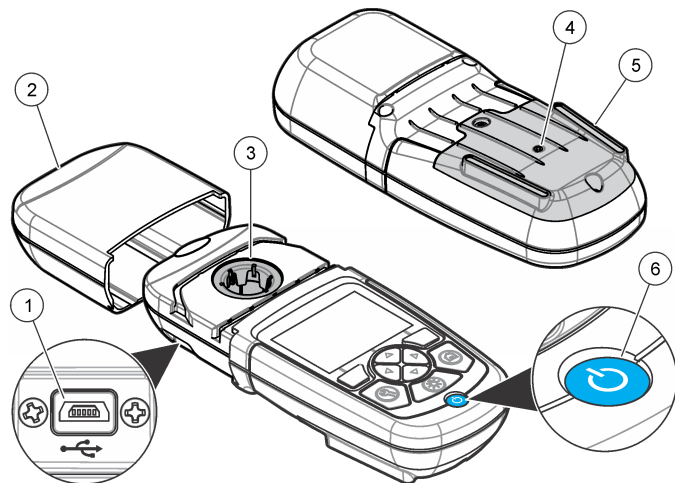
1. Atjunkite įrangą nuo maitinimo šaltinio ir patikrinkite, ar jis yra trukdžių šaltinis.

2. Jei įranga prijungta prie to paties maitinimo lizdo kaip ir trukdžius patiriantis prietaisas, prijunkite įrangą prie kito maitinimo lizdo.
3. Perkelkite įrangą toliau nuo trukdžius patiriančio prietaiso.
4. Trukdžius patiriančio prietaiso anteną pastatykite kitoje vietoje.
5. Pabandykite derinti anksčiau pateiktus būdus.

2.5 Gaminio apžvalga

DR 900 yra nešiojamas LED šaltinio kolorimetras, kuriuo galima matuoti esant 420, 520, 560 ir 610 nm bangų ilgiui. Prietaisas naudojamas įvairiems geriamojo vandens, vandens nuotekų ir pramonėje naudojamo vandens parametrams matuoti. Prietaisas įsigijamas su visu išsaugotų programų (iš anksto įdiegtų metodu) rinkiniu bei su prieinama naudotojo programų atmintine ir parankinių programų parinkimu. Žr. [Paveikslėlis 1](#).

Paveikslėlis 1 Prietaisas apžvalga

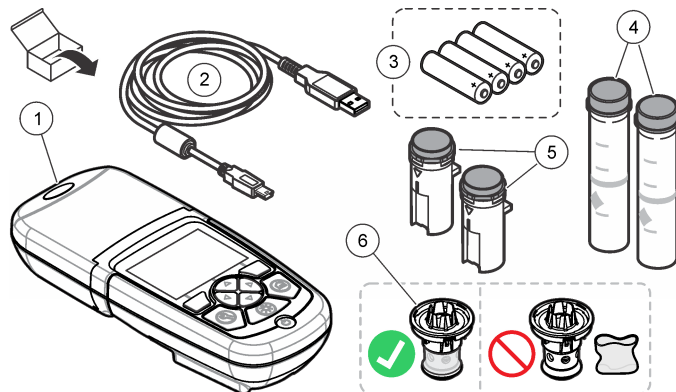


1 USB prievadas	4 Ventilacijos anga
2 Prietaiso dangtelis	5 Baterijos skyrius
3 Kiuvetės skyrius	6 Įjungimo klavišas

2.6 Gaminio sudedamosios dalys

Įsitikinkite, kad gavote visas sudedamąsias dalis. Žr. [Paveikslėlis 2](#). Jei trūksta kokių nors dalių ar jos yra apgadintos, nedelsdami susisiekiite su prietaiso tiekėju arba pardavimų atstovu.

Paveikslėlis 2 Gaminio sudedamosios dalys



1 DR 900	4 Stiklinė mėginio kiuvetė, 1 col. (25 mm) aplink, 10, 20, 25 ml žymės (2 vnt.)
2 USB kabelis su mini USB jungtimi	5 Mėginio kiuvetė, 1 cm/10 ml (2 vnt.)
3 AA šarminės baterijos (4 vnt.)	6 Mėginio kiuvetės adapteris

Skyrius 3 Montavimas

⚠ ĮSPĖJIMAS



Įvairūs pavojai. Šiame dokumento skyriuje aprašytas užduotis turi vykdyti tik kvalifikuoti darbuotojai.

PASTABA

Pasirūpinkite, kad naudojant arba saugant nebūtų užkimštos prietaisas baterijų angos.

3.1 Baterijų įdėjimas

⚠ ĮSPĖJIMAS



Sprogimo pavojus. Neteisingai įdėjus bateriją gali išsiskirti sprogios dujos. Baterijos būtinai turi būti to paties patvirtinto cheminio tipo ir įdėtos tinkama kryptimi. Nedėkite kartu naujų ir naudotų baterijų.

⚠ ĮSPĖJIMAS



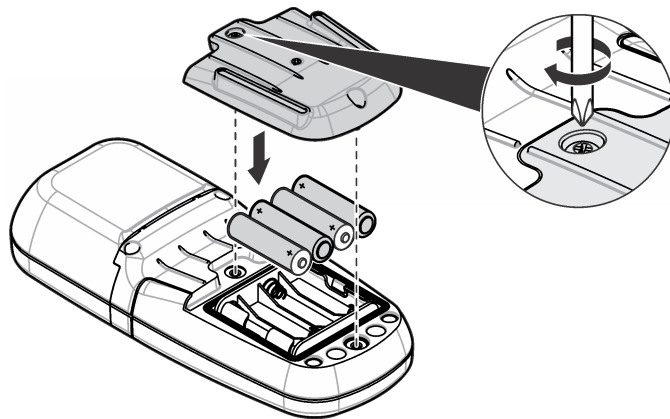
Gaisro pavojus. Neleidžiama pakeisti baterijos jos pakaitalu. Naudokite tik šarmines baterijas.

PASTABA

Priveržkite varžtus iki 1–1,4 N·m (9–12 col.·lb), kad tinkamai priglustų sandariklis ir išlaikytumėte gaubto aplinkosauginį vertinimą.

prietaisas maitinamas keturiomis AA šarminėmis baterijomis. Patikrinkite, ar baterijos įdėtos tinkama kryptimi. Informacijos apie baterijos įdėjimą žr. [Paveikslėlis 3](#).

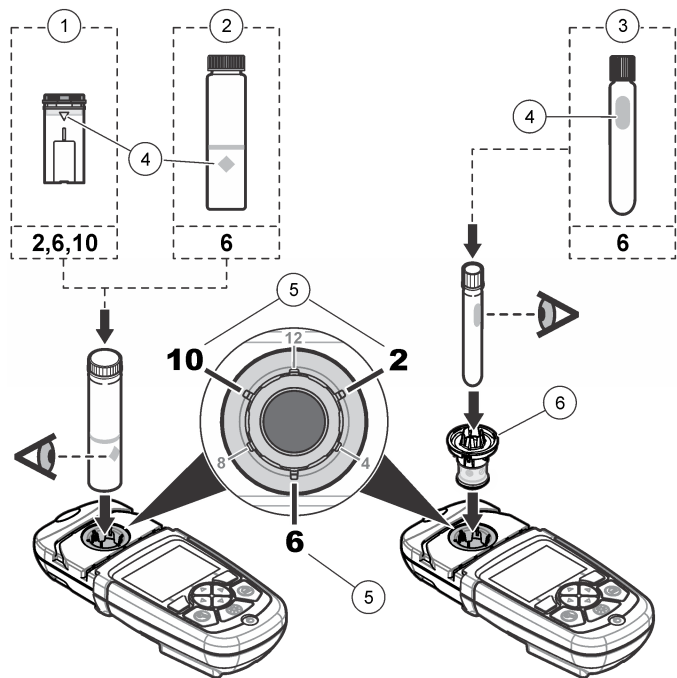
Paveikslėlis 3 Baterijos įdėjimas



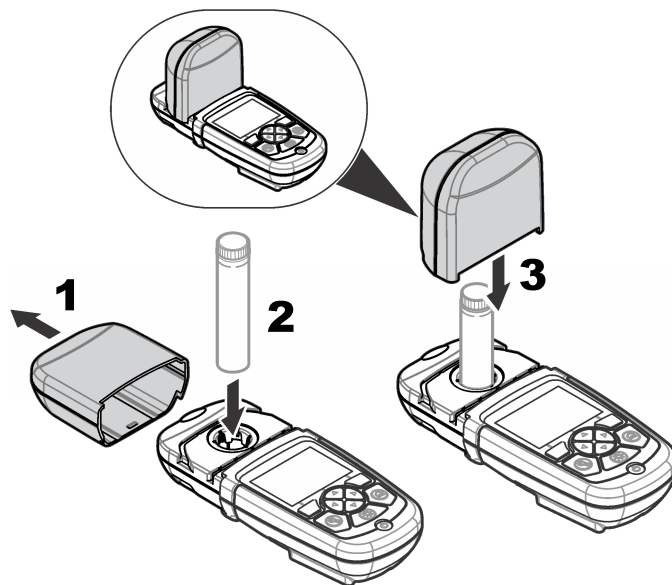
3.2 Mėginio kiuvetės ir kiuvetės adapterio įdėjimas

prietaisas yra vienas kiuvetės skyrius, kuriame gali būti naudojamas vienas adapteris, tinkantis skirtingiems mėginių kiuvečių tipams. Mėginio kiuvetę būtina įstatyti taip, kad jos padėtis būtų tinkama ir stabili. Taip rezultatai bus labiau pasikartojantys ir tikslesni. Žr. [Paveikslėlis 4](#). Norėdami išvengti šviesos trukdžių, prietaiso dangtelį uždenkite prieš nustatydami nulinę prietaiso padėtį arba prieš atlikdami matavimą. Žr. [Paveikslėlis 5](#).

Paveikslėlis 4 Mėginio kiuvetės padėtis



Paveikslėlis 5 Mėginio kiuvetės įdėjimas ir prietaiso dangtelio uždėjimas



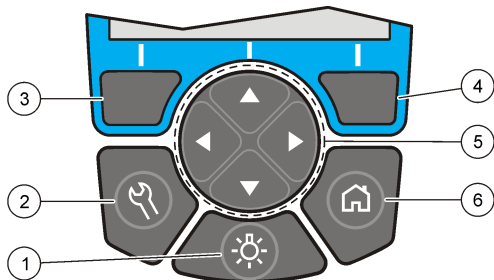
Skyrius 4 Naudotojo sąsają ir naršymas

4.1 Klaviatūros mygtukų aprašas

Klaviatūros mygtukų aprašo ir informacijos apie naršymą žr. [Paveikslėlis 6](#).

1 1 cm/10 ml plastikinė mėginio kiuvetė	4 Padėties žymė
2 1 col. (25 mm) stiklinė mėginio kiuvetė	5 Krypties pozicija (pagal laikrodžio rodyklę)
3 16 mm stiklinis bandymų buteliukas	6 Mėginio kiuvetės adapteris

Paveikslėlis 6 Klaviatūros mygtukų aprašas



<p>1 FONINIS APŠVIETIMAS: ekrano apšvietimo įjungimas arba išjungimas</p>	<p>4 DEŠINYSIS parinkimo klavišas (kontekstinis): mėginio rodymas, parinkčių pasirinkimas arba patvirtinimas, submeniu atvėrimas</p>
<p>2 NUOSTATOS: parinkčių nustatymas¹</p>	<p>5 Naršymo klavišai AUKŠTYN, ŽEMYN, DEŠINĖN, KAIRĖN: slinkimas per meniu, skaičių ir raidžių įvedimas²</p>
<p>3 KAIRYSIS parinkimo klavišas (kontekstinis): prieiga prie parinkčių, atsisakymas arba išėjimas iš esamo meniu ekrano į ankstesnįjį</p>	<p>6 PRADŽIA/parinktys:ėjimas į pagrindinį rodymo ekraną¹, programos pasirinkimas, duomenų tvarkymas</p>

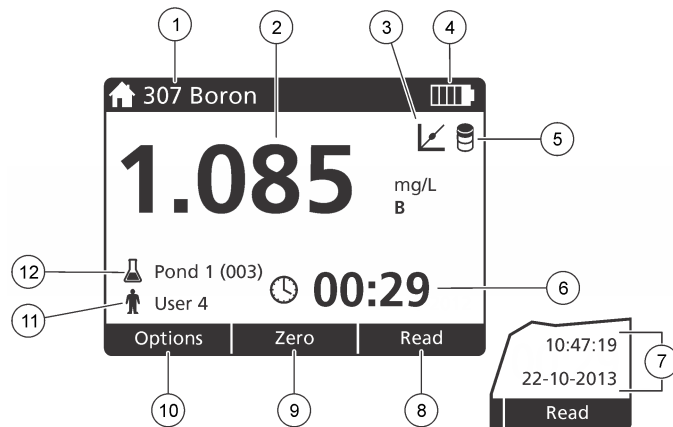
4.2 Ekranų aprašas

Rodmenų ekrane rodoma pasirinkta veiksmas, matavimo vienetas, data ir laikas, operatoriaus ID ir mėginio ID. Žr. [Paveikslėlis 7](#).

¹ Kai įjungta redagavimo veiksmas, klavišas neveikia.

² Kai laikomas nuspauštas rodyklių klavišas AUKŠTYN arba ŽEMYN, slenkama greitai. Kai laikomas nuspauštas rodyklių klavišas KAIRĖN arba DEŠINĖN, slenkama po puslapį.

Paveikslėlis 7 Vienas langas per visą ekraną



<p>1 Programos pavadinimas ir numeris</p>	<p>7 Laikas ir data</p>
<p>2 Rodmens vertė, vienetas, chemikalų forma, mažiau „---“ arba daugiau matavimo diapazono „+++“</p>	<p>8 Rodyti (kontekstinis: atlikta, pasirinkti, pradėti, gerai)</p>
<p>3 Standartinio koregavimo piktograma</p>	<p>9 Nulis (kontekstinis: naršymo klavišas – rodyklė aukštyn)</p>
<p>4 Baterijos būseną</p>	<p>10 Parinktys (kontekstinis: atgal, atsisakyti)</p>
<p>5 Tuščiojo reagento piktograma</p>	<p>11 Operatoriaus identifikavimas</p>
<p>6 Laikmatis</p>	<p>12 Mėginio identifikavimas</p>

4.3 Naršymas

Prietaise yra meniu, kuriuose galima keisti įvairias parinktis. Norėdami pažymėti skirtingas parinktis, naudokite naršymo klavišus (rodyklės **AUKŠTYN**, **ŽEMYN**, **DEŠINĖN** ir **KAIRĖN**). Norėdami pasirinkti parinktį, paspauskite **DEŠINĮJ** parinkimo klavišą. Naudodami naršymo klavišus, įveskite parinktį reikšmę. Norėdami įvesti arba pakeisti reikšmę, paspauskite naršymo klavišus (rodyklės **AUKŠTYN**, **ŽEMYN**, **DEŠINĖN** ir **KAIRĖN**). Norėdami pereiti į kitą tarpą, paspauskite rodyklės klavišą **DEŠINĖN**. Norėdami gauti reikšmę, paspauskite **DEŠINĮJ** parinkimo klavišą, esantį dalyje **Atlikta**. Norėdami išeiti iš esamo meniu ekrano į ankstesnįjį, paspauskite **KAIRĮJ** parinkimo klavišą.

Skyrius 5 Paleidimas

5.1 Prietaiso įjungimas arba išjungimas

Paspauskite **ĮJUNGIMO** klavišą, kad įjungtumėte arba išjungtumėte prietaisą. Jei prietaisas neįsijungia, patikrinkite, ar baterijos įdėtos tinkamai.

5.2 Kalbos nustatymas

Yra dvi kalbos nustatymo parinktys.

- Ekraną kalbą nustatykite, kai prietaisas įjungiamas pirmąjį kartą.
- Ekraną kalbą nustatykite naudodami meniu **NUOSTATOS**.

1. Paspauskite **NUOSTATOS>Sąranka>Kalba**.
2. Sąraše pasirinkite kalbą.

5.3 Datos ir laiko nustatymas

Yra dvi parinktys datai ir laikui nustatyti.

- Datą ir laiką nustatykite, kai prietaisas įjungiamas pirmąjį kartą.

- Datą ir laiką nustatykite naudodami datos ir laiko meniu.

1. Paspauskite **NUOSTATOS>Sąranka>Data ir Laikas**.
2. Pasirinkite **Set Date & Time Format** (Nustatyti datos ir laiko formatą) ir pasirinkite datos ir laiko formatą.
3. Pasirinkite **Set Date & Time** (Nustatyti datą ir laiką).
4. Naršymo klavišais įveskite esamą datą ir laiką, tada paspauskite **OK** (Gerai).

Skyrius 6 Įprastas naudojimas

6.1 Programų sąrašas

prietaisas pristatomas su visa taikomųjų programų serija. Programų aprašai pateikiami [Lentelė 1](#).

Lentelė 1 Programų parinktys

Programos parinktis	Aprašas
Išsaugotos programos	Išsaugotos programos – tai gamykloje įdiegti, iš anksto užprogramuoti metodai. Žr. Išsaugotos programos pasirinkimas Puslapyje 258.
Naudotojo programos	Metodai gali būti išplėtojami ir įrašomi kaip naudotojo programos. ³ Žr. Naudotojo programos Puslapyje 261.
Parankiniai	Dažnai naudojami metodai gali būti įrašomi į parankinių sąrašą. ¹

³ Galima įrašyti iki dešimties metodų (naudotojo programų ir (arba) parankinių).

6.1.1 Išsaugotos programos pasirinkimas

1. Paspauskite **PRADŽIA>Parinktys>Visos Programos**.
2. Pasirinkite taikomą metodą ir paspauskite **Ppradėti**.
3. Norėdami pridėti pasirinktą metodą prie parankinių, kad greičiau jį pasiektumėte, pasirinkite **Parinktys>Pridėti prie Parankinių**.

6.1.2 Pagrindinių programos parinkčių pasirinkimas

Pasirinkus programą, galimos papildomos parametų parinktys.

1. Norėdami pasiekti parinkčių meniu, paspauskite **Parinktys**.
2. Pasirinkite taikomas parinktis.

Parinktis	Aprašas
„Paleisti Laikmatį“	Pasirenkamas iš anksto nustatytas laikmatis arba nustatomas rankinis laikmatis, kad būtų užtikrinamas analizės žingsnių atlikimas reikiamu metu (pvz., reakcijų laikas arba laukimo laikas gali būti tiksliai apibrėžiami). Kai laikmatis įjungtas, ekrane rodoma laikmačio piktograma. Pasibaigus laikui prietaisas skleidžia garsinį signalą. Iš anksto nustatyti laikmatį – pasirinkite tinkamą iš anksto nustatytą laikmatį vienam ar daugiau išsaugotos procedūros žingsniams atlikti ir paspauskite Pradėti . Rankinis Laikmatis – įveskite taikomą laiką naudodami naršymo klavišus ir paspauskite Atlikta . Numatytasis = 00:00
„Parankiniai/Naudotojo Programos“	Galima pasirinkti iš išsaugotų parankinių arba naudotojo programų sąrašo. Daugiau informacijos žr. Parankinio arba naudotojo programos pasirinkimas Puslapyje 260.

Parinktis	Aprašas
„Visos Programos“	Sąrašas pasirenkamas iš anksto užprogramuotas metodus.
„Duomenų Žurnalas“	Rodomi visi įrašyti rodmenys. Daugiau informacijos žr. Duomenų žurnalas Puslapyje 260.
„Pridėti prie Parankinių“	Įrašomos išsaugotos programos ir naudotojo programų metodai, kurie dažnai naudojami parankinių sąrašo. Žr. Programos pridėjimas prie parankinių Puslapyje 261.
% pral./abs./konc.	Galima perjungti į % praleidimo, absorbcijos arba koncentracijos rodmenis. Praleidimo rodmuo (%) – rodoma pirminės šviesos, kuri patenka į mėginį ir pasiekia detektorių, procentinė reikšmė. Absorbcijos rodmuo – šviesa, kuri susigeria į mėginį, rodoma absorbcijos vienetais. Koncentracijos rodmuo – išmatuotos absorbcijos reikšmės konvertuojamos į koncentracijos reikšmes, naudojant specialias programoje esančias lygtis.
„Išplėstinės Parinktys“	Norėdami nurodyti daugiau parametų, naudokite išplėstines parinktis. Žr. Išplėstinių programos parinkčių pasirinkimas Puslapyje 259.
„Įrašyti“	Kai automatinio įrašymo parinktis nustatyta „Išjungta“, įrašoma paskutinė rankiniu būdu pasirinkto rodmens informacija.

6.1.3 Išplėstinių programos parinkčių pasirinkimas

Kiekvienoje programoje yra įvairių papildomų išplėstinių parinkčių, iš kurių galima rinktis.

1. Paspauskite **Parinktys**, kad pasiektumėte **Parinktys>Išplėstinės Parinktys**.
2. Norėdami nurodyti daugiau parametrų, naudokite išplėstines parinktis.

Parinktis	Aprašas
„Automatinis Įrašymas“	Įjungimo ir išjungimo perjungimas. Kiekvienas rodmuo automatiškai įrašomas, kai parinktis nustatyta „Įjungta“. Kaip parinktis nustatyta „Išjungta“, rodmuo gali būti įrašomas rankiniu būdu.
„Cheminė Forma“	Galima pasirinkti kintamą cheminę formą ir susijusio matavimo diapazoną, kai naudojami kai kurie gamykloje įdiegti metodai.
„Tuščiasis Reagentas“	Kai kuriais gamykloje įdiegtais metodais galima naudoti tuščiojo reagento pataisą. Įveskite atlikto bandymo, kuriam atlikti kaip mėginys buvo naudotas dejonizuotas vanduo, rezultata. Iš kiekvieno rezultato atimama tuščiojo mėginio reikšmė, kad būtų pataisyta bet kokia fono spalva, susidariusi dėl reagentų. Prieš naudodami standartinio koregavimo parinktį, įveskite tuščiojo mėginio pataisą. Užbaikite kiekvienos naujos bandymo reagentų serijos pataisą.

Parinktis	Aprašas
„Standartinis Koregavimas“	Pakeičiamas išsaugotas kalibravimo parametras. Atlikite bandymą pagal žinomą standartą, kai koncentracija yra arti bandymo diapazono pabaigos. Šią funkciją naudokite rezultatai pakoreguoti, kad standartinė koncentracija būtų išlyginta.
„Rūšiuoti Programas“	Pasirenkama išsaugotų programų sąrašo abėcėlinė tvarka arba tvarka pagal numerius.

6.2 Operatoriaus ID naudojimas

Operatoriaus ID žymė susieja rodmenis su konkrečiu operatoriumi. Visi išsaugoti duomenys turės šį ID.

1. Rodmenų ekrane paspauskite **NUOSTATOS>Operatoriaus ID**.
2. Operatoriaus ID pasirinkimas, sukūrimas ar pašalinimas:

Parinktis	Aprašas
„Esamas ID“	Pasirinkite ID iš sąrašo. Esamas ID bus susietas su mėginio duomenimis tol, kol bus pasirinktas kitas ID.
„Sukurti Naują ID“	Įvedamas naujojo operatoriaus ID pavadinimas. Galima įvesti ne daugiau kaip 10 pavadinimų.
„Pašalinti ID“	Panaikinamas esamas operatoriaus ID.

6.3 Mėginio ID naudojimas

Mėginio ID žymė naudojama rodmenims su tam tikru mėginiu arba vieta susieti. Saugomi duomenys turės šį ID, jei jis bus tiems duomenims priskirtas.

1. Rodmenų ekrane paspauskite **NUOSTATOS>Mėginio ID**.
2. Operatoriaus ID pasirinkimas, sukūrimas ar pašalinimas:

Parinktis	Aprašas
„Esamas ID“	Pasirinkite ID iš sąrašo. Esamas ID bus susietas su mėginio duomenimis tol, kol bus pasirinktas kitas ID.
„Sukurti Naują ID“	Įvedamas naujojo mėginio ID pavadinimas. Galima įvesti ne daugiau kaip 10 pavadinimų. Mėginiai yra sunumeruojami kiekvieno matavimo sekos tvarka, kol nepasirenkamas kitas ID (pvz., 1 vandens telkinys, 2 vandens telkinys).
„Pašalinti ID“	Panaikinamas esamas mėginio ID.

6.4 Kaip atlikti matavimą

Matavimui atlikti būtina vykdyti pagrindinius matavimo veiksmus. Kiekvienam metodui būdinga procedūra, atliekama žingsnis po žingsnio. Norėdami atlikti konkretų bandymą, remkitės taikomu metodu. Toliau nurodytame pavyzdyje aprašoma pagrindinė procedūra matavimui atlikti.

1. Pasirinkite taikomą programą iš programų meniu (pvz., „Išsaugotos Programos“, „Naudotojo Programos“, „Parankiniai“).
2. Jei reikia, įstatykite kiuvetės adapterį.
3. Paspauskite **Pradėti**, kad paleistumėte programą.
4. Paruoškite tuščią mėginį pagal dokumente nurodytą metodą. Uždenkite mėginio kiuvetę ir nuvalykite kiuvetės optinį paviršių naudodami nepūkuoto audeklo skiautę.
5. Įstatykite tuščiojo mėginio kiuvetę į kiuvetės skyrių. Tuščiojo mėginio kiuvetę būtina įstatyti taip, kad jos padėtis būtų tinkama ir stabilī. Taip rezultatai bus labiau pasikartojantys ir tikslesni. Žr. [Paveikslėlis 4](#) Puslapyje 255.
6. Uždenkite prietaiso dangtelį, kad būtų išvengta šviesos trukdžių. Žr. [Paveikslėlis 5](#) Puslapyje 255.
7. Paspauskite **Nulis**. Ekrane rodoma nulinė koncentracija (pvz., mg/l, ABS, µg/l).

8. Paruoškite mėginį. Pridėkite reagentus kaip nurodyta metodo dokumente.
9. Norėdami naudoti programoje išsaugotus laikmačius, pasirinkite **Parinkty>Paleisti laikmatį**.
10. Uždenkite mėginio kiuvetę ir nuvalykite kiuvetės optinį paviršių naudodami nepūkuoto audeklo skiautę.
11. Įstatykite mėginį į kiuvetės skyrių. Mėginio kiuvetę būtina įstatyti taip, kad jos padėtis būtų tinkama ir stabilī. Taip rezultatai bus labiau pasikartojantys ir tikslesni. Žr. [Paveikslėlis 4](#) Puslapyje 255.
12. Uždenkite prietaiso dangtelį, kad būtų išvengta šviesos trukdžių. Žr. [Paveikslėlis 5](#) Puslapyje 255.
13. Paspauskite **Rodyti**. Ekrane rodomi rezultatai pateikiami pasirinktais matavimo vienetais.
Pastaba: Jei išmatuota sugertis yra mažesnė arba didesnė už tyrimo kalibravimo diapazoną, ekrane bus rodoma „+++“ arba „---“.

6.5 Duomenų žurnalas

Duomenų žurnale rodomi visi įrašyti rodmenys. Norėdami pamatyti rodmenis, paspauskite **PRADŽIA>Parinkty>Duomenų žurnalas**. Informacijos apie duomenų žurnalo eksportavimą žr. [Duomenų žurnalo eksportavimas](#) Puslapyje 263.

Skyrius 7 Papildomas naudojimas

7.1 Parankinio arba naudotojo programos pasirinkimas

Kai prietaisas paleidžiamas pirmąjį kartą, parankinių ir naudotojo programų duomenų bazė yra tuščia. Metodą galima įrašyti į parankinių sąrašą, kad būtų galima greitesnė prieiga prie jo. Naudotojo programa gali būti užprogramuojama pagal konkrečius poreikius.

1. Paspauskite **PRADŽIA>Parinkty>Parankiniai/Naudotojo programos>Pasirinkti**.
2. Norėdami sukurti naują naudotojo programą, paspauskite **Nauja programa**. Žr. [Naudotojo programos](#) Puslapyje 261.

7.2 Programos pridėjimas prie parankinių

Išsaugotas programos ir naudotojo programų metodus, kurie dažnai naudojami, galima įrašyti į parankinių sąrašą.

1. Pasirinkite **PRADŽIA>Parinkty>Visos programos**.
2. Pasirinkite taikomą metodą ir paspauskite **Pradėti**.
3. Norėdami pridėti pasirinktą metodą prie parankinių, pasirinkite **Parinkty>Pridėti prie parankinių**.

7.3 Naudotojo programos

Kai prietaisas paleidžiamas pirmą kartą, naudotojo programų duomenų bazė yra tuščia. Norėdami sukurti naujas programas pagal konkrečius poreikius, naudokite parinktį **Nauja Programa**. Norėdami sukurti naują naudotojo programą, atlikite toliau nurodytus veiksmus.

1. Paspauskite **PRADŽIA>Parinkty>Parankiniai/Naudotojo programos>Pasirinkti>Nauja programa**.
2. Pasirinkite iš galimų programos numerių nuo 1001 iki 1010.
Pastaba: Galima įrašyti iki dešimties programų (naudotojo programų ir (arba) parankinių).
3. Įveskite metodo pavadinimą (iki 12 ženklų).
4. Pasirinkite bangos ilgį: 420, 520, 560 arba 610 nm.
5. Pasirinkite matavimo vienetą: joks, µg/l, mg/l arba g/l.
6. Pasirinkite skiriamąją gebą: 0000, 000,0, 00,00 arba 0,000.
7. Pridėkite kalibravimo taškus: ne mažiau kaip 2 ir ne daugiau kaip 12 kalibravimo taškų.⁴ Pasirinkite „Redaguoti 1 Standartą“ ir įveskite pirmąją standartinę koncentracijos reikšmę. Paspauskite **Atlikta**.
Pastaba: Pyptelėjimas reiškia, kad koncentracijos reikšmė atitinka anksčiau įvestą standartinę reikšmę arba koncentracija yra per didelė esant pasirinktai skiriamajai gebai. Įveskite kitą reikšmę ir tęskite.

8. Įveskite absorbcijos reikšmę:

Parinktis	Aprašas
„Redaguoti ABS Neautomatiniu Būdu“	Norėdami įvesti absorbcijos reikšmes neautomatiniu būdu, naudokite naršymo klavišus.
„Automatiškai Redaguoti ABS“	<ol style="list-style-type: none">1. Įdėkite tuščiąjį mėginį į kiuvetės laikiklį ir paspauskite Nulis.2. Įdėkite paruoštą mėginį į kiuvetės laikiklį ir paspauskite Rodyti.3. Paspauskite Atlikta.

Pastaba: Pyptelėjimas reiškia, kad absorbcijos reikšmė atitinka anksčiau įvestą standartinę reikšmę arba patenka tarp dviejų ankstesnių standartinių reikšmių. Įveskite kitą reikšmę ir tęskite.

9. Paspauskite **Atlikta**.
10. Pasirinkite „Pridėti Kalibravimo Tašką“.
11. Įveskite papildomus kalibravimo taškus, kaip aprašyta 7–9 veiksmuose.
12. Pasirinkite **Įrašyti Naudotojo Programą**.

7.3.1 Naudotojo programos redagavimas

Norėdami redaguoti išsaugotą naudotojo programą:

1. Pasirinkite **PRADŽIA>Parankiniai/Naudotojo Programos**.
2. Pasirinkite taikomą programą ir paspauskite **Parinkty**.
3. Paspauskite **Redaguoti**.
4. Vykdykite ekrane pateikiamus raginimus, kad galėtumėte redaguoti procedūrą.

⁴ Jei žinoma, kad kreivė yra tiesinė, reikalingi tik du koncentracijos duomenų taškai (pvz., standartinis su nuline absorbcija ir kitas žinomas standartinis taškas). Norėdami patvirtinti tiesiškumą arba nustatyti netiesinę kreivę, naudokite papildomus duomenų taškus.

7.3.2 Pašalinkite naudotojo arba parankinių programą

Pašalinkite išsaugotą naudotojo arba parankinių programą, jei ji daugiau nebenaudojama.

1. Pasirinkite **PRADŽIA>Parinkty>Parankiniai/Naudotojo Programos**.
2. Pažymėkite taikomą programą ir paspauskite **Parinkty>Šalinti** bei vykdykite ekrane pateikiamus raginimus.

7.4 Informacija apie prietaisą

Prietaiso informacijos meniu rodoma konkreti informacija, pvz., prietaiso pavadinimas, serijos numeris, programinės įrangos versija, duomenų bazės versija, išnaudota atmintis ir programos tinkamumas. Paspauskite **NUOSTATOS>Prietaiso Informacija**.

7.5 Slaptažodžio nustatymas

Slaptažodžio nuostatų parinkty naudojamos siekiant užkirsti kelią prieigai prie įslaptintųjų meniu.

Pastaba: Jei pamirštamas reikalaujamas slaptažodis, o saugos parinkty įjungtos, operatorius negali patekti į įslaptintuosius meniu. Jei pamiršote slaptažodį, susisiekite su techninė pagalba tarnyba.

1. Paspauskite **NUOSTATOS>Sąranka>Slaptažodžio Nuostatos**.
2. Pasirinkite parinktį.

Parinktis	Aprašas
„Slaptažodžio Nuostatos“	Galima pasirinkti „Ijungti“ arba „Išjungti“, kad būtų įjungta arba išjungta apsauga slaptažodžiu.
„Apsaugoti Elementai“	Rodomas apsaugotų elementų sąrašas: operatoriaus ID redagavimas, mėginio ID redagavimas, naudotojo programų redagavimas, data ir laikas, programinės aparatinės įrangos naujovinimas, metodų naujovinimas, kalba ir parankinių sąrašo redagavimas.

7.6 Ekranų ir garso nustatymas

Norėdami pakeisti ekranų kontrastą, baterijos automatinio išjungimo parinktis arba foninio apšvietimo parinktį, naudokite ekranų parinktis. Naudokite girdimo garso parinktis, kai klavišas paspaustas arba rodomas užbaigtas.

1. Paspauskite **NUOSTATOS>Sąranka>Ekranas ir Garsas>Ekranų Parinkty**.
2. Pasirinkite parinktį.

Parinktis	Aprašas
„Kontrastas“	Ekranų kontrasto reguliavimas. Šviesiausias nustatymas yra 0, o tamsiausias – 9. Numatytasis: 5
„Automatinis Išjungimas“	Norėdami maksimaliai pailginti baterijos naudojimo laiką, nustatykite laiko tarpą, po kurio prietaisas bus automatiškai išjungtas, jei nebus spaudžiamas joks klavišas (5, 10, 15, 20, 30 minučių, 1 valanda, 2 valandos arba išjungta). Numatytasis: 10 minučių
„Foninis apšvietimas“	Foninis apšvietimas įjungiamas paspaudus FONINIO APŠVIETIMO klavišą. Nustatykite laiko tarpą, po kurio foninio apšvietimo funkcija automatiškai išsijungs, jei nebus spaudžiamas joks klavišas (10, 20, 30 sekundžių; 1, 2, 5, 10 minučių arba išjungta). Numatytasis: 1 minutė

3. Paspauskite **NUOSTATOS>Sąranka>Ekranas ir Garsas>Garsai**.
4. Pasirinkite parinktį.

Parinktis	Aprašas
„ Klavišo paspaudimas “	prietaisas skleis girdimą garsą kiekvieną kartą paspaudus klavišą. Numatytasis: išjungta
„ Rodymas Baigtas “	prietaisas skleis girdimą garsą kiekvieną kartą užbaigus rodyimą. Numatytasis: įjungta

7.7 Pagrindinis USB meniu

Kai prietaisas USB laidu prijungtas prie kompiuterio, atveriamas pagrindinis USB meniu. Pagrindiniame USB meniu atnaujinkite programinę įrangą, eksportuokite arba importuokite programas, eksportuokite duomenų ir įvykių žurnalą.

7.7.1 Programinės aparatinės įrangos naujinimas

Susiraskite programinės aparatinės įrangos naujovinio failą gaminio svetainėje arba susisiekite su prietaiso tiekėju. Įrašykite svetainėje esantį failą į kompiuterį.

1. Įjunkite prietaisą ir prijunkite USB laidą prie prietaisas bei kompiuterio.
Pagrindinio USB meniu raginimai.
2. Pasirinkite **Atnaujinti DR900**.
Prietaisas kompiuteryje rodomas kaip USB atmintinė. Atverkite aplanką.
3. Nukopijuokite failą „DR900.bin“ į atvertą aplanką.
4. Paspauskite **Gerai**.
5. Baigę naujinti, paspauskite **Gerai**.
6. Pasirinkite **Atjungti USB**, paspauskite **Gerai** ir atjunkite USB laidą.
7. Paspauskite **Gerai**.
8. prietaisas paleiskite iš naujo.

7.7.2 Programų tvarkymas

Naudojant programų tvarkymo funkciją, naudotojo programos gali būti eksportuojamos ir (arba) importuojamos. Taip pat gali būti importuojamos naujos gamyklos programos.

1. Įjunkite prietaisą ir prijunkite USB laidą prie prietaisas bei kompiuterio.
Pagrindinio USB meniu raginimai.
2. Pasirinkite **Tvarkyti Programas**, tada pasirinkite parinktį:

Parinktis	Aprašas
„ Eksportuoti Naudotojo Programas “	Visos naudotojo programos eksportuojamos į kompiuterį, kad būtų išsaugotos, arba perkeliamos į kitą DR 900.
„ Importuoti Naudotojo Programas “	Naudojant kompiuterį, visos naudotojo programos pakeičiamos programomis iš kito DR 900.
„ Importuoti Gamyklos Programas “	Iš gamintojo svetainės importuojamos naujos gamyklos programos.

Prietaisas kompiuteryje rodomas kaip USB atmintinė. Atverkite aplanką.

3. Nukopijuokite eksportuojamą failą iš disko į kompiuterį arba importuojamą failą iš kompiuterio į diską.
4. Paspauskite **Gerai**.
5. Baigę perkėlimą pasirinkite **Atjungti USB** ir atjunkite USB kabelį.
6. Paspauskite **Gerai**.

7.7.3 Duomenų žurnalo eksportavimas

Įvykių žurnalą ir duomenų žurnalą galima eksportuoti į kompiuterį. Įvykių žurnale nurodoma data, laikas, įvykio numeris, parametrai ir su konfigūracija susijusių veiksmų aprašas. Imties matavimai išsaugomi

duomenų žurnale neautomatiniu būdu arba automatiškai. Žr. [Išplėstinių programos parinkčių pasirinkimas](#) Puslapyje 259.

1. Įjunkite prietaisą ir prijunkite USB laidą prie prietaisas bei kompiuterio.
Pagrindinio USB meniu raginimai.
2. Pasirinkite **Eksportuoti Duomenų Žurnalą**.
Prietaisas kompiuteryje rodomas kaip USB atmintinė. Atverkite aplanką.
3. Nukopijuokite ir įrašykite eksportuojamus failus („DR900_DataLog.csv“ ir „DR900_EventLog.csv“) į kompiuterį.
4. Paspauskite **Gerai**.
5. Nukopijavę failus į kompiuterį, pasirinkite **Atjungti USB** ir atjunkite USB kabelį.
6. Paspauskite **Gerai**.

Skryrius 8 Techninė priežiūra

⚠️ ĮSPĖJIMAS



Įvairūs pavojai. Šiame dokumento skyriuje aprašytas užduotis turi vykdyti tik kvalifikuoti darbuotojai.

8.1 Prietaiso valymas

Prietaiso išorę pagal poreikį valykite drėgna audeklo skiaute ir švelniu muilo tirpalu, tada nušluostykite jį sausiai.

8.2 Mėginių kiuvečių valymas

⚠️ ATSARGIAI



Sąlyčio su cheminėmis medžiagomis pavojus. Vykdykite laboratorijos saugos procedūras ir dėvėkite visas asmeninės saugos priemones, tinkančias naudojamiems chemikalams. Saugos protokolai nurodyti galiojančiuose saugos duomenų lapuose (MSDS / SDS).



⚠️ ATSARGIAI



Sąlyčio su cheminėmis medžiagomis pavojus. Chemikalus ir atliekas išmeskite pagal vietas, regiono ir valstybines taisykles.

Dauguma laboratorijoje naudojamų ploviklių yra rekomenduojamos koncentracijos. Jei reikia valyti reguliariai, saugiau naudoti neutralius ploviklius, pvz., „Liquinox“. Norėdami sutrumpinti valymo laiką, padidinkite temperatūrą arba naudokite ultragarso vonelę. Norėdami užbaigti valymą, kelis kartus praskalaukite dejonizuotu vandeniu ir leiskite mėginio kiuvetei išdžiūti. Mėginių kiuvetes taip pat galima valyti rūgštimi, po to kruopščiai jas išskalaujant dejonizuotu vandeniu.

Pastaba: Valydami mėginių kiuvetes, kurias naudojote žemo lygio metalo bandymams atlikti, visada naudokite rūgštį.

Atskiroms procedūroms atlikti būtini specialūs valymo metodai. Kai naudojate šepetį mėginių kiuvetėms išvalyti, imkitės papildomų atsargumo priemonių, kad nesubraižytumėte vidinio mėginių kiuvečių paviršiaus.

8.3 Baterijų keitimas

⚠️ ĮSPĖJIMAS



Sprogimo pavojus. Dėl išsikrovusių baterijų prietaise gali kauptis vandenilio dujos. Pakeiskite baterijas prieš joms išsikraunant ir ilgai nelaikykite prietaiso su įdėtomis baterijomis.

⚠️ ĮSPĖJIMAS



Gaisro pavojus. Neleidžiama pakeisti baterijos jos pakaitalu. Naudokite tik šarmines baterijas.

PASTABA

Priveržkite varžtus iki 1–1,4 N·m (9–12 col. lb), kad tinkamai priglustų sandariklis ir išlaikytumėte gaubto aplinkosauginį vertinimą.

Informacijos apie baterijos pakeitimą žr. [Baterijų įdėjimas](#) Puslapyje 254.

Skyrius 9 Trikčių šalinimas

Klaidos kodas	Galima priežastis	Sprendimas
1	Prietaisas nesukonfigūruotas.	Kreipkitės į techninę pagalbą.
2	Nepavyko perskaityti programos duomenų	
3	Nepavyko įrašyti programos duomenų	
4	Baterijos klaida	Pakeiskite baterijas.
5	A/D klaida atliekant matavimą	Kreipkitės į techninę pagalbą.
6	Poslinkio klaida atliekant matavimą	Patikrinkite, ar prietaiso dangtelis uždėtas tinkamai.

Klaidos kodas	Galima priežastis	Sprendimas
7	Silpnos šviesos klaida atliekant matavimą	<ul style="list-style-type: none">Patikrinkite, ar neblokuojamas šviesos praėjimas.Nulis nepatenka į prietaiso diapazonąKreipkitės į techninę pagalbą.
8	Diapazono klaida atliekant matavimą, galimas šviesos blokavimas arba koncentracija yra per didelė	<ul style="list-style-type: none">Patikrinkite, ar šviesos praėjimas neblokuojamas ir ar ne per didelė koncentracija, būtina naudojant programą.Patikrinkite, ar prietaiso dangtelis uždėtas tinkamai.Kreipkitės į techninę pagalbą.

Skyrius 10 Atsarginės dalys ir priedai

⚠️ ĮSPĖJIMAS



Pavojus susižeisti. Naudojant nepatvirtintas dalis galima sužaloti žmones, sugadinti prietaisą arba įrangą gali netinkamai veikti. Šiame skyriuje nurodytos atsarginės dalys yra patvirtintos gamintojo.

Pastaba: Kai kuriuose pardavimo regionuose gaminių ir prekių numeriai gali skirtis. Kreipkitės į atitinkamą pardavimo agentą arba apsilankykite bendrovės tinklalapyje, kur rasite informaciją apie asmenis, į kuriuos galite kreiptis.

Atsarginės dalys

Aprašas	Eil. Nr.
Adapterio komplektas, COD	4846400
Baterijų komplektas, AA šarminės baterijos (4 vnt.)	1938004
Mėginio kiuvetė su dangteliu, 25 x 95 mm, 10-20-25 ml (6 vnt.)	2401906
Mėginio kiuvetė su dangteliu, 1 cm/10 ml (2 vnt.)	4864302
USB kabelis	LZV818

Priedai

Aprašas	Eil. Nr.
Mėginio kiuvetės dangtelis, skirtas 25 x 95 ml kiuvetei	2401812
Nešiojimo dėklas tvirtomis sienelėmis	4942500
Nešiojimo dėklas minkštomis sienelėmis su peties diržu	2722000
Nešiojimo dėklas, nešiojamoji laboratorija	4943000
DR/„Check“ TM sugerties standartai	2763900
Prietaiso dangtelis, DR 900	9390500

Оглавление

- | | |
|--|--|
| 1 Характеристики на стр. 267 | 7 Расширенные функции на стр. 278 |
| 2 Общая информация на стр. 268 | 8 Обслуживание на стр. 282 |
| 3 Монтаж на стр. 271 | 9 Поиск и устранение проблем на стр. 283 |
| 4 Пользовательский интерфейс и управление курсором на стр. 272 | 10 Запасные части и принадлежности на стр. 284 |
| 5 Начало работы на стр. 274 | |
| 6 Стандартная операция на стр. 275 | |

Раздел 1 Характеристики

Характеристики могут быть изменены без предварительного уведомления.

Характеристика	Подробная информация
Режим измерения	Пропускание (%), Поглощение и Концентрация
Габариты (Ш x Г x В)	23,6 x 8,7 x 4,7 см (9,3 x 3,4 x 1,9 дюйма)
Класс защиты корпуса	IP67
Масса	0,6 кг (1,3 фунта)
Питание (от внутреннего источника)	Щелочные батареи AA (4 шт.)
Время работы от аккумулятора	6 месяцев (типичное) при 5 измерениях в день/5 дней в неделю без использования подсветки
Интерфейс	mini-USB

Характеристика	Подробная информация
Рабочая температура	от 0 до 50°C (от 32 до 122°F); максимальная относительная влажность 90% без выпадения конденсата
Температура хранения	от -30 до 60°C (от -22 до 140°F); максимальная относительная влажность 90% без выпадения конденсата
Источник излучения	Светоизлучающий диод (СИД)
Детектор	Кремниевый фотодиод
Спектральный диапазон длин волн	420, 520, 560, 610 нм
Фотометрический диапазон	0% – 2 Abs (оптическая плотность)
Погрешность установки длины волны	±1 нм
Фотометрическая погрешность	±0.03 Abs
Фотометрическая линейность	±0,002 Abs (0–1 Abs)
Выбор длины волны	Автоматический, на основе выбранной методики
Фотометрическая повторяемость	±0,002 Abs (0–1 Abs)
Индикация данных	Графический дисплей 240 x 160 пикселей (с подсветкой)
Кюветы для проб	круглые 16 мм, 1 см/10 мл, 1 дюйм (25 мм)
Класс защиты	Класс III

Характеристика	Подробная информация
Сертификаты	Сертификат соответствия CE
Гарантия	1 год (ЕС: 2 года)

Раздел 2 Общая информация

Производитель ни при каких обстоятельствах не несет ответственности за прямой, не прямой, умышленный, неумышленный или косвенный ущерб в результате любых недочетов или ошибок, содержащихся в данном руководстве. Производитель оставляет за собой право вносить изменения в руководство или описанную в нем продукцию без извещений и обязательств. Обновленные версии руководства можно найти на веб-сайте производителя.

2.1 Информация по безопасности

Изготовитель не несет ответственности за любые повреждения, вызванные неправильным применением или использованием изделия, включая, без ограничения, прямой, неумышленный или косвенный ущерб, и снимает с себя ответственность за подобные повреждения в максимальной степени, допускаемой действующим законодательством. Пользователь несет исключительную ответственность за выявление критических рисков в работе и установку соответствующих механизмов для защиты обследуемой среды в ходе возможных неполадок оборудования.

Внимательно прочтите все руководство пользователя, прежде чем распаковывать, устанавливать или вводить в эксплуатацию оборудование. Соблюдайте все указания и предупреждения относительно безопасности. Их несоблюдение может привести к серьезной травме обслуживающего персонала или выходу из строя оборудования.

Чтобы гарантировать, что обеспечиваемая оборудованием защита не нарушена, не используйте или не устанавливайте данное оборудование никаким иным способом, кроме указанного в данном руководстве.

2.2 Информация о потенциальных опасностях

▲ ОПАСНОСТЬ

Указывает на потенциально или неизбежно опасные ситуации, которые, если их не избежать, приведут к смерти или серьезным травмам.

▲ ПРЕДУПРЕЖДЕНИЕ

Указывает на потенциально или неизбежно опасные ситуации, которые, если их не избежать, могут привести к смерти или серьезным травмам.

▲ ОСТОРОЖНО



Указывает на потенциально опасную ситуацию, которая может привести к травмам малой и средней тяжести.





УВЕДОМЛЕНИЕ

Указывает на ситуацию, которая, если ее не избежать, может привести к повреждению оборудования. Информация, на которую следует обратить особое внимание.

2.3 Этикетки с предупредительными надписями

Прочитайте все наклейки и ярлыки на корпусе прибора. При несоблюдении указанных на них требований существует опасность получения травм и повреждений прибора. Нанесенный на корпус прибора предупредительный символ вместе с предостережением об опасности или осторожности содержится в руководстве пользователя.

	Если данный символ нанесен на прибор, в руководстве по эксплуатации необходимо найти информацию об эксплуатации и/или безопасности.
	Этот символ указывает на риск взрыва.

	Этот символ указывает на риск возгорания.
	Этот символ указывает на наличие химической опасности и указывает на то, что только лица, имеющие необходимую квалификацию и опыт по работе с химикатами, допускаются к выполнению операций с химикатами и обслуживанию связанных с оборудованием систем подачи химикатов.
	Этот символ указывает на необходимость ношения защитных очков.
	Возможен запрет на утилизацию электрооборудования, отмеченного этим символом, в европейских домашних и общественных системах утилизации. Пользователь может бесплатно вернуть старое или неработающее оборудование производителю для утилизации.

2.4 Соответствие нормам и сертификация

⚠ ОСТОРОЖНО

Данное оборудование не предназначено для использования в жилых помещениях и может не обеспечивать достаточную защиту радиоприема в таких условиях.

Канадские нормативные требования к оборудованию, вызывающему помехи, ICES-003, класс А:

Прилагающиеся протоколы испытаний находятся у производителя.

Данное цифровое устройство класса А отвечает всем требованиям канадских норм относительно вызывающего помехи оборудования.

Cet appareil numérique de classe A répond à toutes les exigences de la réglementation canadienne sur les équipements provoquant des interférences.

Правила FCC, часть 15, ограничения класса “А”

Прилагающиеся протоколы испытаний находятся у производителя. Данное устройство соответствует требованиям части 15 правил FCC. Эксплуатация может производиться при выполнении двух следующих условий:

1. Устройство не должно создавать опасные помехи.
2. Устройство должно допускать любое внешнее вмешательство, в том числе способное привести к выполнению нежелательной операции.

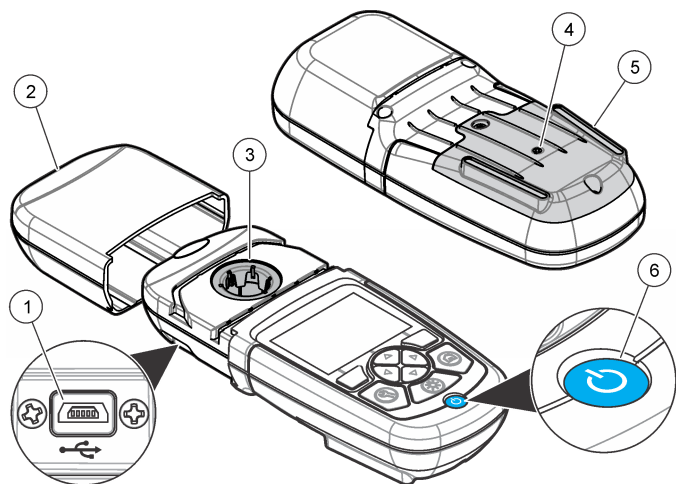
Изменения и модификации данного устройства без явного на то согласия стороны, ответственной за соответствие стандартам, могут привести к лишению пользователя прав на эксплуатацию данного устройства. Результаты испытаний данного устройства свидетельствуют о соответствии ограничениям для цифровых устройств класса “А”, изложенным в части 15 правил FCC. Данные ограничения предназначены для обеспечения разумной защиты от вредных помех при работе оборудования в коммерческой среде. Данное устройство генерирует, использует и может излучать радиочастотную энергию, и в случае установки и использования вопреки требованиям руководства по эксплуатации может стать источником помех, опасных для устройств радиосвязи. Эксплуатация данного устройства в жилых районах может привести к возникновению опасных помех – в этом случае пользователь будет обязан устранить их за свой счет. Для сокращения помех можно использовать следующие методы:

1. Отсоедините устройство от источника питания, чтобы убедиться, что именно оно является источником помех.
2. Если устройство подключено к той же розетке, что и прибор, при работе которого наблюдаются помехи, подключите устройство к другой розетке.
3. Переместите устройство подальше от прибора, для работы которого он создает помехи.
4. Поменяйте положение антенны другого устройства, принимающего помехи.
5. Попробуйте разные сочетания указанных выше мер.

2.5 Основные сведения об изделии

DR 900 — портативный колориметр со светодиодными источниками излучения, который позволяет выполнять измерения на следующих длинах волн: 420, 520, 560 и 610 нм. Прибор используется для измерения различных параметров питьевой воды, сточных вод и технической воды. Данный прибор поставляется с комплектом хранимых программ (предустановленных методов), а также предоставляется возможность хранения пользовательских программ и назначения избранных. См. [Рисунок 1](#).

Рисунок 1 Общий вид Прибор

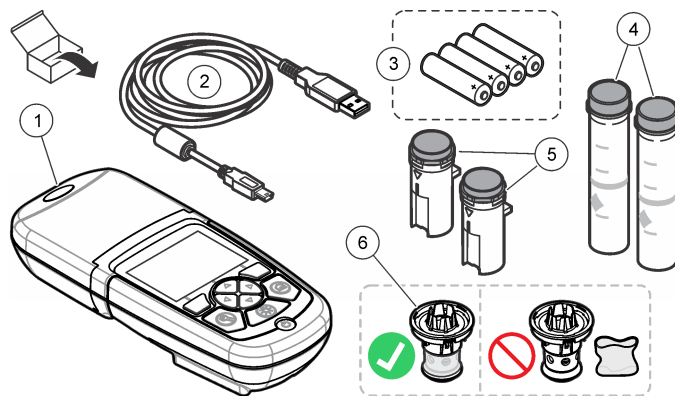


1 Порт USB	4 Вентиляционное отверстие
2 Крышка прибора	5 Аккумуляторный отсек
3 Отсек для кювет	6 Клавиша питания

2.6 Компоненты прибора

Убедитесь в том, что все компоненты в наличии. См. [Рисунок 2](#). Если какой-либо элемент отсутствует или поврежден, незамедлительно свяжитесь с поставщиком прибора или торговым представителем.

Рисунок 2 Компоненты прибора



1 DR 900	4 Стекла измерительная кювета 1 дюйм (25 мм), круглая, с отметками 10, 20, 25 мл (2 шт.)
2 Кабель USB с разъемом mini-USB	5 Измерительная кювета 1 см/10 мл (2 шт.)
3 Щелочные батареи AA (4 шт.)	6 Адаптер измерительной кюветы

Раздел 3 Монтаж

▲ ПРЕДУПРЕЖДЕНИЕ



Различные опасности. Работы, описываемые в данном разделе, должны выполняться только квалифицированным персоналом.

УВЕДОМЛЕНИЕ

Убедитесь, что при использовании или хранении не произошла блокировка вентиляции батареи прибор.

3.1 Установка батарей

▲ ПРЕДУПРЕЖДЕНИЕ



Угроза взрыва. При неправильной установке батареи могут выделяться взрывоопасные газы. Убедитесь, что используются батареи одного и того же подходящего типа, и они установлены с соблюдением полярности. Не устанавливайте одновременно новые и старые батареи.

▲ ПРЕДУПРЕЖДЕНИЕ



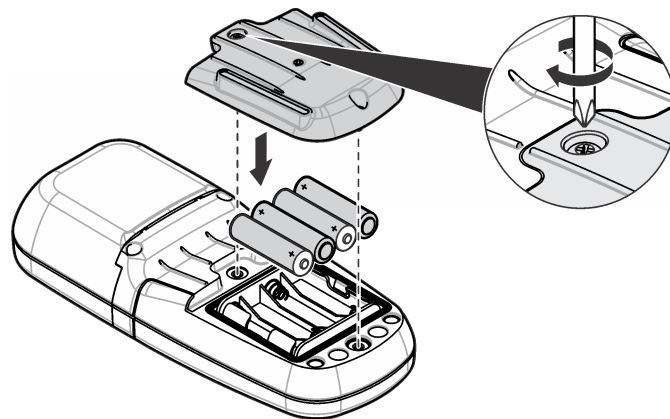
Опасность возникновения пожара. Замена батареи не разрешается. Допускается использование только щелочных батарей.

УВЕДОМЛЕНИЕ

Убедитесь, что винты затянуты усилием 1-1,4 Н м (9-12дюймофунтов) для правильной посадки уплотнения и для поддержания уровня экологической защиты корпуса.

Для питания прибор используются четыре щелочные батареи AA. При установке батарей соблюдайте полярность. Установка батарей — см. в [Рисунок 3](#).

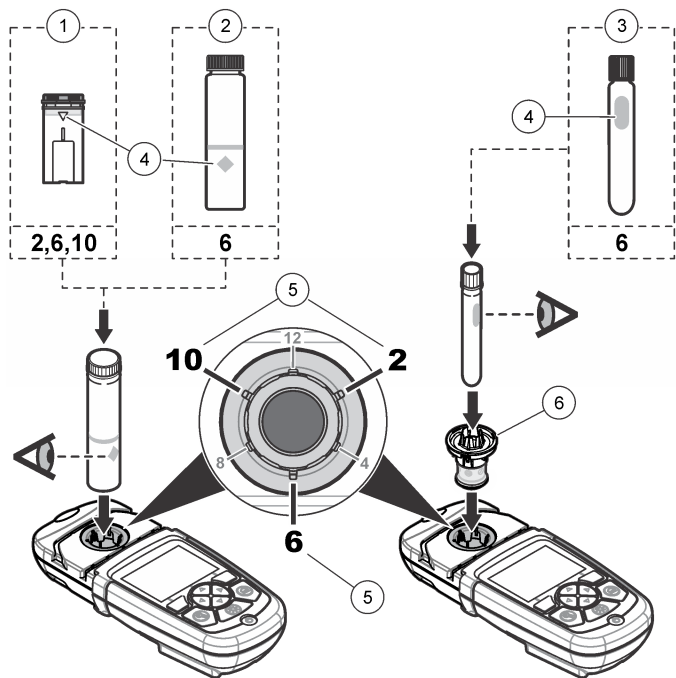
Рисунок 3 Установка батарей



3.2 Установка кювет и адаптера кюветы

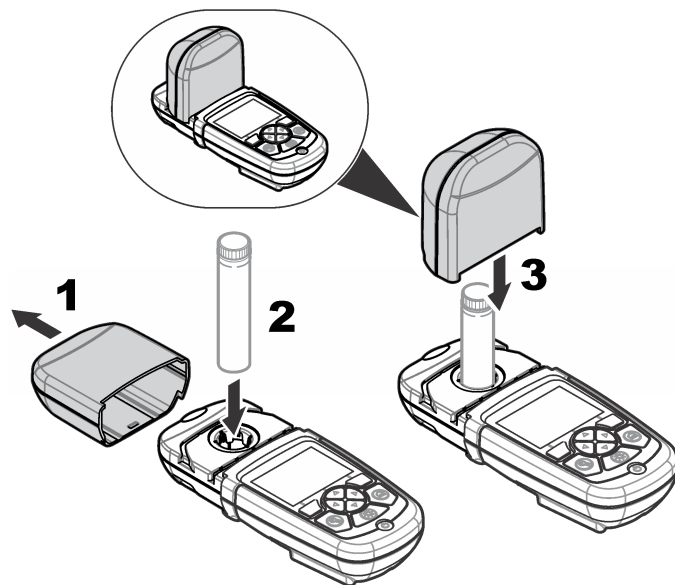
Данный прибор имеет одно кюветное отделение, для установки различных типов кювет используется один адаптер. Устанавливая кювету, соблюдайте правильную и постоянную ориентацию, чтобы обеспечить более высокую точность и повторяемость результатов. См. [Рисунок 4](#). Закройте крышку прибора перед установкой нуля или измерением, чтобы избежать помех от постороннего света. См. [Рисунок 5](#).

Рисунок 4 Ориентация кюветы



1 Пластиковая кювета 1 см/10 мл	4 Метка для ориентировки кюветы
2 Стеклоная кювета 1 дюйм (25 мм)	5 Позиция (по часовой стрелке)
3 Стеклоная виала 16 мм	6 Адаптер измерительной кюветы

Рисунок 5 Установка кюветы и крышки прибора

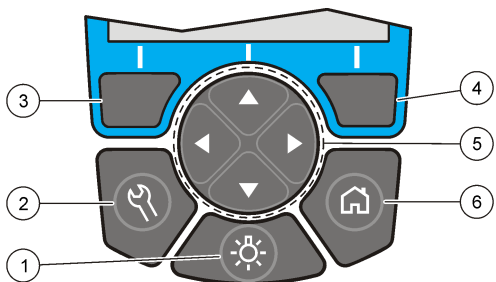


Раздел 4 Пользовательский интерфейс и управление курсором

4.1 Описание клавиатуры

Описание клавиатуры и информацию о назначении клавиш см. в [Рисунок 6](#).

Рисунок 6 Описание клавиатуры



4.2 Описание дисплея

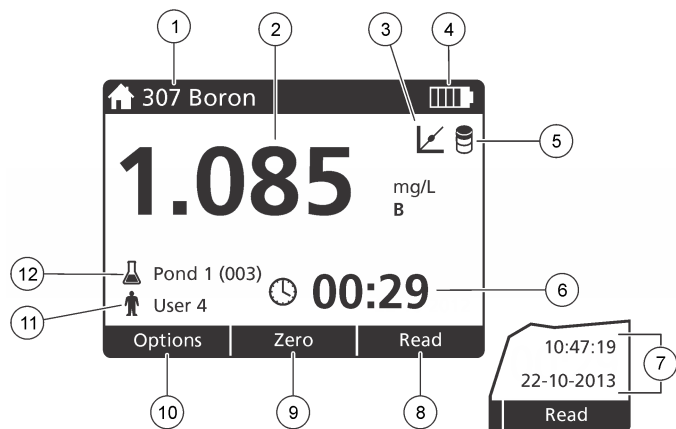
На экране отображается выбранный режим, единицы измерения, дата и время, код оператора и код образца. См. [Рисунок 7](#).

1 ПОДСВЕТКА: включает и отключает подсветку дисплея	4 Клавиша выбора ВПРАВО (контекстная): измерение образца, выбирает или подтверждает параметры, открывает меню более низкого уровня
2 НАСТРОЙКИ: изменение настроек ¹	5 Клавиши управления ВВЕРХ, ВНИЗ, ВПРАВО, ВЛЕВО: прокрутка меню, ввод цифр и букв ²
3 Клавиша выбора ВЛЕВО (контекстная): доступ к параметрам, отменяет или позволяет выйти из текущего экрана меню для перехода к предыдущему	6 ГЛАВНАЯ/Параметры: переход к главному экрану измерений ¹ , выбор программы, управление данными

¹ Если прибор находится в режиме внесения изменений, кнопка не функционирует.

² При удержании клавиш ВВЕРХ или ВНИЗ прокрутка ускоряется. При нажатии клавиш ВЛЕВО ИЛИ ВПРАВО выполняется постраничная прокрутка.

Рисунок 7 Элементы дисплея



1	Имя и номер программы	7	Время и дата
2	Значение показания, единица, химическая форма, ниже "---" или выше диапазона измерения "+++"	8	Измерение (в контексте: готово, выбрать, запуск, ОК)
3	Значок настройки по стандарту	9	Ноль (в контексте: клавиша управления курсором, стрелка ВВЕРХ)
4	Состояние батареи	10	Параметры (в контексте: назад, отмена)
5	Значок холостого опыта	11	Код оператора
6	Таймер	12	Код образца

4.3 Управление

Для выбора настроек используйте различные меню прибора. Для выделения различных настроек используйте клавиши управления

(со стрелками **ВВЕРХ**, **ВНИЗ**, **ВПРАВО** и **ВЛЕВО**). Для выбора настройки нажмите клавишу **ВПРАВО**. С помощью клавиш управления установите значение. Для ввода и изменения значения нажмите клавиши управления (**ВВЕРХ**, **ВНИЗ**, **ВПРАВО** и **ВЛЕВО**). Чтобы передвинуться к следующему пробелу, нажмите клавишу с изображением стрелки **ВПРАВО**. Чтобы подтвердить значение, нажмите **ПРАВУЮ** клавишу под надписью **Готово**. Для выхода из текущего экрана меню в предыдущий нажмите клавишу **ВЛЕВО**.

Раздел 5 Начало работы

5.1 Включение и отключение прибора

Нажмите клавишу **ПИТАНИЕ**, чтобы включить или отключить прибор. Если прибор не включается, убедитесь в том, что батареи установлены правильно.

5.2 Выбор языка

Есть два способа выбора языка:

- Выбор языка отображения информации на дисплее при первом включении прибора.
- Выбор языка из меню **НАСТРОЙКИ**.

1. Нажмите **НАСТРОЙКИ>Настройка>Язык**.
2. Выберите язык из списка.

5.3 Установка даты и времени

Есть два способа задать дату и время:

- Задать дату и время при первом включении прибора.
- Задать дату и время из меню **Дата и время**.

1. Нажмите **НАСТРОЙКИ>Настройка>Дата и время**.
2. Выберите **Set Date & Time Format** (Задать дату и формат времени) и выберите формат для даты и времени.

3. Выберите **Set Date & Time** (Задать дату и время).
4. С помощью клавиш навигации введите текущие дату и время и нажмите **ОК**.

Раздел 6 Стандартная операция

6.1 Список программ

В прибор встроены программы для всех используемых методик. Описания программ см. в [Таблица 1](#).

Таблица 1 Опции программы

Опция	Функция
Методики в памяти	Методики в памяти программ ируются на заводе. Они представляют собой заранее запрограммированные методы. См. Выбор методики на стр. 275.
Методики пользователя	Пользователь может разработать собственные методы и сохранить их. ³ См. Методики пользователя на стр. 279.
Избранные	Часто используемые методы могут быть сохранены в списке избранных. ¹

6.1.1 Выбор методики

1. Нажмите **ГЛАВНАЯ>Параметры>Все программы**.
2. Выберите требуемый метод и нажмите **Запуск**.
3. Для быстрого доступа к нужным методам рекомендуется добавить их в избранные, выберите **Параметры>Добавить в избранные**.

6.1.2 Выбор основных опций программы

После того как программа выбрана, в ней доступны дополнительные опции.

1. Чтобы получить доступ к меню опций, нажмите **Параметры**.
2. Выберите необходимые опции.

Опция	Функция
Запуск таймера	Выберите предварительно заданный таймер или задайте таймер вручную, чтобы убедиться в том, время этапов анализа соблюдаются (например, можно точно задать продолжительность реакции или время ожидания). Если таймер включен, на дисплее отображается пиктограмма таймера. После истечения времени прибор прибор издает звуковой сигнал. Заранее настроенный таймер — выберите необходимый заранее настроенный таймер для одного или нескольких шагов методики, после чего нажмите Запуск . Ручной таймер — с помощью клавиш управления введите требуемый промежуток времени, после чего нажмите Готово . Значение по умолчанию = 00:00
Избран./Пользов. прогр.	Выберите из списка избранных или пользовательских хранимых программ. Дополнительная информация приведена в разделе Выбор избранной или пользовательской программы на стр. 278.
Все программы	Выберите из списка предварительно запрограммированный метод.

³ Всего можно сохранить не более десяти методов (пользовательских программ).

Опция	Функция
Журнал данных	Отображаются все сохраненные результаты измерений. Дополнительная информация приведена в разделе Журнал регистрации данных на стр. 278.
Добавить в избранные	Сохраняйте методы часто используемых хранимых и пользовательских программ в списке "Избранные". См. Добавление программы в "Избранные" на стр. 279.
%Т/Оптическая плотность/Концентрация	Переключает на результаты измерений (в %) пропускания, оптической плотности или концентрации. Результат измерения светопропускаемости в % — отображается процент пропускания исходного светового излучения, проходящего через образец и достигающего чувствительного элемента. Результат измерения оптической плотности — отображается результат измерения поглощенного образцом светового излучения в единицах оптической плотности. Результат измерения концентрации — измеренное значение оптической плотности преобразуется в значение концентрации с помощью хранимого уравнения, индивидуального для каждой программы.

Опция	Функция
Расширенные параметры	Воспользуйтесь дополнительными опциями, чтобы задать большее число параметров. См. Выбор дополнительных опций программы на стр. 276.
Сохранение	Сохраняется последний результат измерений, если опция автосохранения установлена в Выкл.

6.1.3 Выбор дополнительных опций программы

В каждой программе имеются дополнительные опции для выбора.

1. Нажмите **Параметры** для получения доступа к меню **Параметры>Расширенные параметры**.
2. Воспользуйтесь дополнительными опциями, чтобы задать большее число параметров.

Опция	Функция
Автосохранение	Включение и выключение автоматического сохранения. Если настройка включена, измеренные значения автоматически сохраняются. Если настройка отключена, то значения можно сохранить вручную.
Химическая формула	В некоторых методиках в памяти можно выбрать альтернативную химическую формулу и связанный с ней диапазон измерения.

Опция	Функция
Холостой опыт	В некоторых методиках в памяти можно выбрать коррекцию значений, используя Холостой опыт. Введите результат измерения, выполненного с дистиллированной водой в качестве образца. Значение холостого опыта вычитается из каждого результата, корректируя тем самым влияние фоновой окраски, источником которой источником которого является такой реагент. Прежде чем использовать опцию Настройка по стандарту, введите значение корректировки для контрольного реагента. Такие корректировки следует выполнять для каждой новой партии испытательных реагентов.
Настройка по стандарту	Изменение хранимой калибровки. Выполните испытание с известными стандартными образцами при концентрации, близкой к максимальному значению диапазона измерений. Используйте данную функцию для настройки результатов по концентрации стандартного образца.
Сортировка программ	Выберите метод сортировки в списке программ: по алфавиту или по номерам.

6.2 Использование кода оператора

Код оператора используется для привязки результатов измерений к конкретному оператору. Все последующие результаты измерений будут включать данный код. Все хранимые данные будут содержать в себе данный код.

1. На экране результатов измерения нажмите **НАСТРОЙКИ>ID оператора**.

2. Выберите, создайте или удалите код оператора:

Опция	Функция
Текущий код	Выберите код из списка. Текущий код будет привязан к данным образца до тех пор, пока не будет выбран иной код.
Создание нового кода	Введите название для нового кода оператора. Может быть введено не более 10 кодов.
Удаление кода	Удаление существующего кода оператора.

6.3 Использование кода образца

Метка кода образца используется для привязки результатов измерений к конкретному образцу либо к месту отбора образца. После закрепления хранимые данные будут содержать в себе данный код.

1. На экране результатов измерения нажмите **НАСТРОЙКИ>ID образца**.
2. Выберите, создайте или удалите код оператора:

Опция	Функция
Текущий код	Выберите код из списка. Текущий код будет привязан к данным образца до тех пор, пока не будет выбран иной код.
Создание нового кода	Введите название для нового кода образца. Может быть введено не более 10 кодов. Образцы нумеруются последовательно для каждого измерения до тех пор, пока не будет выбран иной код (например, Pond 1, Pond 2).
Удаление кода	Удаление существующего кода

6.4 Порядок выполнения измерения

Для выполнения измерения необходимо выполнить основные шаги. Для каждого метода предусмотрена своя пошаговая процедура. Для выполнения конкретного метода обратитесь к соответствующей процедуре. Приведенный ниже пример представляет собой базовую процедуру выполнения измерения.

1. Выберите соответствующую программу из меню программ (например, Хранимые программы, Пользовательские программы, Избранные).
2. При необходимости установите кюветный адаптер.
3. Нажмите **Пуск**, чтобы запустить программу.
4. Подготовьте холостую пробу в соответствии с процедурой метода. Закройте кюветы и очистите оптические поверхности кюветы безворсовой тканью.
5. Поместите кювету с холостой пробой в кюветное отделение. Убедитесь, что кювета с холостой пробой установлена в правильное положение, чтобы обеспечить более высокую точность и повторяемость результатов. См. [Рисунок 4](#) на стр. 272.
6. Закройте крышку прибора, чтобы исключить попадание постороннего света. См. [Рисунок 5](#) на стр. 272.
7. Нажмите **Ноль**. На дисплее отобразится нулевая концентрация (например, mg/L (мг/л), ABS (оптическая плотность), µg/L (мкг/л)).
8. Подготовьте образец. Добавьте реагенты в соответствии с процедурой метода.
9. Выберите **Параметры>Таймер запуска**, чтобы использовать в хранимые в программе таймеры.
10. Закройте измерительную кювету и очистите оптические поверхности кюветы безворсовой тканью.
11. Поместите кювету с образцом в кюветное отделение. Убедитесь, что кювета установлена в правильное положение, чтобы обеспечить более высокую точность и повторяемость результатов. См. [Рисунок 4](#) на стр. 272.

12. Закройте крышку прибора, чтобы исключить попадание постороннего света. См. [Рисунок 5](#) на стр. 272.

13. Нажмите кнопку **Измерение**. На дисплее отображаются результаты в выбранных единицах измерения.

Примечание: На экране отображается "+++\" или \"---\", если измеряемая оптическая плотность меньше или больше диапазона калибровки данной проверки.

6.5 Журнал регистрации данных

В журнале регистрации данных содержатся все сохраненные результаты измерений. Нажмите **ГЛАВНАЯ>Параметры>Журнал данных**, чтобы просмотреть результаты измерений. Порядок экспорта данных из журнала регистрации см. в [Экспорт журнала регистрации данных](#) на стр. 282.

Раздел 7 Расширенные функции

7.1 Выбор избранной или пользовательской программы

При первом запуске прибора база данных избранных и пользовательских программ пуста. Для ускорения доступа метод может быть сохранен в избранных. Пользовательская программа может быть запрограммирована для решения специальных задач.

1. Нажмите **HOME (Главная)>Options (Параметры)>Favorites/User Programs (Избранное/Пользовательские программы)>Select (Выбрать)**.
2. Для создания новой пользовательской программы нажмите **Новая программа**. См. [Методики пользователя](#) на стр. 279.

7.2 Добавление программы в "Избранные"

Часто используемые методы в памяти или пользовательские можно сохранить в списке "Избранные".

1. Нажмите **HOME (Главная)**>**Options (Параметры)**>**All Programs (Все программы)**
2. Выберите требуемый метод и нажмите **Start (Запуск)**.
3. Чтобы добавить выбранный метод в "Избранные", нажмите **Options (Параметры)**>**Add to Favorites (Добавить в "Избранные")**.

7.3 Методики пользователя

При первом запуске прибора база пользовательских программ пуста. Для создания новой программы выберите **Новая программа**. Для создания новой пользовательской программы выполните действия, приведенные ниже.

1. Нажмите **HOME (Главная)**>**Options (Параметры)**>**Favorites/User Programs (Избранные/Пользовательские программы)**>**Select (Выбрать)**>**New Program (Новая программа)**.
2. Выберите доступный номер программы в диапазоне от 1001 до 1010.
Примечание: может быть сохранено не более десяти программ (пользовательских и/или избранных программ).
3. Введите название метода (до 12 символов).
4. Выберите длину волны: 420, 520, 560 или 610 нм.
5. Выберите единицы измерений: безразмерные, мкг/л, мг/л или г/л.
6. Выберите значение разрешения: 0000; 000,0; 00,00 (по умолчанию) или 0,000.

7. Добавьте точки калибровки: не менее 2 и не более 12.⁴ Выберите Изменить стандартный образец 1 и введите значение концентрации для первого образца. Нажмите **Готово**.
Примечание: Звуковой сигнал будет означать, что значение концентрации дублирует введенное перед этим значение для стандартного образца, либо что значение концентрации чрезмерно высокое при выбранном разрешении. Выберите другое значение и продолжайте работу.
8. Введите значение оптической плотности:

Опция	Функция
Изменение значения ABS (ОПТ. ПЛОТН.) вручную	Используйте клавиши управления для ввода значения оптической плотности вручную
Автоматическое изменение значения ABS (ОПТ. ПЛОТН.)	<ol style="list-style-type: none">1. Поместите кювету с холостой пробой в кюветное отделение и нажмите Ноль.2. Поместите кювету с подготовленным образцом в кюветное отделение и нажмите Получить.3. Нажмите Готово.

Примечание: звуковой сигнал будет означать, что значение оптической плотности дублирует введенное перед этим значение для стандартного образца, либо что это значение попало в промежуток между значениями для двух стандартных образцов. Выберите другое значение и продолжайте работу.

9. Нажмите **Готово**.
10. Выберите **Добавить точку калибровки**.
11. Введите дополнительные точки калибровки, как описано в пунктах 7—9.
12. Выберите **Сохранить пользовательскую программу**.

⁴ Если известно, что кривая вырождена в прямую, необходимо будет всего два значения концентрации например, стандартного образца с нулевой оптической плотностью и данные по другому известному стандартному образцу. Используйте другие дополнительные значения, чтобы либо подтвердить линейность, либо задать кривую.

7.3.1 Изменение пользовательской программы

Для изменения пользовательской программы:

1. Выберите **ГЛАВНАЯ>Избран./Пользов. прогр..**
2. Выберите требуемую программу и нажмите **Параметры**.
3. Нажмите **Изменить**.
4. Для изменения процедуры следуйте указаниям на экране.

7.3.2 Удалите пользовательскую программу или программу из списка "Избранных"

Если сохраненная пользовательская программа или программа из списка "Избранных" больше не используется, удалите ее.

1. Выберите **ГЛАВНАЯ>Параметры>Избран./Пользов. прогр..**
2. Выделите нужную программу и нажмите **Параметры>Удалить**, после чего следуйте указаниям на экране.

7.4 Информация о приборе

Информационное меню прибора отображает специфичную информацию (наименование прибора, версия программного обеспечения, версия базы данных, используемая память и доступность программы). Нажмите **НАСТРОЙКИ>Сведен. об инструм..**

7.5 Настройка пароля

Пароль используется для предотвращения доступа к пунктам меню, на которые наложено ограничение.

***Примечание:** Если пользователь забыл пароль, и при этом параметр Опции безопасности установлен ВКЛ, оператор не будет иметь доступа к меню, на которые наложены ограничения. Если пользователь забыл пароль, ему необходимо связаться с технической поддержкой.*

1. Нажмите **НАСТРОЙКИ>Настройка>Настройки пароля**.

2. Выберите опцию.

Опция	Функция
Настройки пароля	Чтобы включить или отключить парольную защиту, следует выбрать ВКЛ или ВЫКЛ.
Защищенные пункты меню	Отображается список защищенных пунктов меню: изменение кода оператора, изменение кода образца, изменение пользовательских программ, дата и время, обновление версии микропрограммы, обновление методов, язык изменение списка избранных программ.

7.6 Настройка дисплея и звука

Для изменения контрастности дисплея, выбора параметров автоматического отключения батареи и параметров подсветки, используйте настройки дисплея. Для включения звукового сигнала после нажатия клавиши или завершения измерения используйте настройки звука.

1. Нажмите **НАСТРОЙКИ>Настройка>Дисплей и звук>Параметры дисплея**.
2. Выберите опцию.

Опция	Функция
Контрастность	Настройка контрастности дисплея. Самый светлый: 0, самый темный: 9. По умолчанию: 5

Опция	Функция
Автоматическое отключение	Для максимального сохранения заряда батареи укажите период времени, после которого прибор автоматически отключается, если не нажата клавиша (5, 10, 15, 20, 30 минут, 1, 2 часа или "Отмена"). По умолчанию: 10 минут
Подсветка	Подсветка дисплея включается клавишей ПОДСВЕТКА . Устанавливается период времени, после которого подсветка будет автоматически отключена, если не нажата клавиша (10, 20, 30 секунд, 1, 2, 5, 10 минут или "Отмена") По умолчанию: 1 минута

3. Нажмите **НАСТРОЙКИ>Настройка>Дисплей и звук>Звуки**.

4. Выберите опцию.

Опция	Функция
Нажатие клавиши	При нажатии на клавишу прибор сигнал. По умолчанию: Выкл
Измерение завершено	После завершения измерения прибор сигнал. По умолчанию: Вкл

7.7 Главное меню USB

Если прибор подключен к компьютеру через кабель USB, открывается главное меню USB. Из главного меню USB можно обновить программное обеспечение, экспортировать или импортировать программы, а также экспортировать журнал регистрации данных.

7.7.1 Обновление микропрограммы

Найдите файл обновленной версии микропрограммы на веб-сайте продукта или свяжитесь с поставщиком прибора. Сохраните на компьютере файл, скачанный с веб-сайта.

1. Включите прибор и подсоедините кабель USB к прибор и к компьютеру. Отобразится главное меню USB.
2. Выберите **Update DR 900** (Обновить DR 900). Прибор отображается в компьютере как USB-накопитель. Откройте папку.
3. Скопируйте файл DR 900.bin в открытую папку.
4. Нажмите **Ok**.
5. По завершении обновления нажмите **Ok**.
6. Выберите **Отсоединить USB**, нажмите **Ok** и отсоедините кабель USB.
7. Нажмите **Ok**.
8. Перезапустите прибор.

7.7.2 Управление программами

При помощи функции Управление программами можно экспортировать и/или импортировать пользовательские программы, а также импортировать новые заводские программы.

1. Включите прибор и подсоедините кабель USB к прибор и к компьютеру. Отобразится главное меню USB.
2. Выберите **Управление программами**, а затем выберите параметр:

Опция	Функция
Экспорт пользовательской программы	Экспорт всех пользовательских программ на компьютер для хранения или для перемещения пользовательских программ на другой прибор DR 900.

Опция	Функция
Импорт пользовательских программ	Замена через компьютер всех пользовательских программ программами с другого прибора DR 900.
Импорт заводских программ	Импорт новых заводских программ с веб-сайта производителя.

Прибор отображается в компьютере как USB-накопитель. Откройте папку.

3. Скопируйте файл экспорта с накопителя на компьютер либо скопируйте файл импорта с компьютера на накопитель.
4. Нажмите **Ok**.
5. После завершения передачи выберите **Отсоединить USB** и отсоедините кабель USB.
6. Нажмите **Ok**.

7.7.3 Экспорт журнала регистрации данных

Журнал регистрации событий и журнал регистрации данных можно экспортировать на компьютер. В журнале регистрации событий содержатся дата, время, номер события, параметр и описание действия в соответствии с конфигурацией. Результаты измерения образца записываются вручную или автоматически в журнал регистрации данных. См. [Выбор дополнительных опций программы](#) на стр. 276.

1. Включите прибор и подсоедините кабель USB к прибор и к компьютеру. Отобразится главное меню USB.
2. Выберите **Экспорт журнала данных**. Прибор отображается в компьютере как USB-накопитель. Откройте папку.
3. Скопируйте и сохраните файлы экспорта (DR 900__DataLog.csv и DR 900__EventLog.csv) в компьютере.
4. Нажмите **Ok**.

5. Если файлы копируются на компьютер, выберите **Отсоединить USB** и отсоедините кабель USB.
6. Нажмите **Ok**.

Раздел 8 Обслуживание

▲ ПРЕДУПРЕЖДЕНИЕ



Различные опасности. Работы, описываемые в данном разделе, должны выполняться только квалифицированным персоналом.

8.1 Очистка прибора

Очистите наружную поверхность прибора влажной тканью, смоченной слабым мыльным раствором, и при необходимости вытрите прибор насухо.

8.2 Очистка измерительных кювет

▲ ОСТОРОЖНО



Опасность вредного химического воздействия. Необходимо соблюдать правила техники безопасности работы в лаборатории и использовать все средства индивидуальной защиты, соответствующие используемым химическим веществам. При составлении протоколов по технике безопасности воспользуйтесь действующими паспортами безопасности / паспортами безопасности материалов (MSDS/SDS).



▲ ОСТОРОЖНО



Опасность вредного химического воздействия. Утилизируйте химические вещества и отходы в соответствии с местными, региональными и общегосударственными правилами и законами.

Большинство лабораторных моющих средств используются в рекомендованных концентрациях. Если необходима регулярная очистка, безопаснее использовать нейтральные моющие средства,


такие как Liquinox. Чтобы снизить количество чисток, увеличьте температуру или используйте ультразвуковую ванну. Очистку завершают многократным ополаскиванием в деионизированной воде, после чего следует дать измерительной кювете высохнуть на воздухе.


Кюветы можно также очищать кислотой, после чего следует тщательно прополоскать ее деионизированной водой.

Примечание: После определения низких концентраций металлов обязательно выполняйте чистку кювет с помощью кислоты.

Для отдельных процедур требуются специальные методы очистки. Если для чистки кювет используется щетка, примите меры предосторожности во избежание нанесения царапин на внутреннюю поверхность кюветы.

8.3 Замена батарей

▲ ПРЕДУПРЕЖДЕНИЕ	
	Угроза взрыва. Батареи с истекшим сроком годности могут привести к накоплению водорода в приборе. Своевременно заменяйте батареи, не дожидаясь истечения срока их годности, и не храните прибор с установленными в нем батареями в течение длительного времени.

▲ ПРЕДУПРЕЖДЕНИЕ	
	Опасность возникновения пожара. Замена батарей не разрешается. Допускается использование только щелочных батарей.

УВЕДОМЛЕНИЕ	
Убедитесь, что винты затянуты усилием 1-1,4 Н м (9-12дюймофунтов) для правильной посадки уплотнения и для поддержания уровня экологической защиты корпуса.	

Порядок замены батарей см. [Установка батарей](#) на стр. 271.

Раздел 9 Поиск и устранение проблем

Код ошибки	Возможная причина	Способ устранения
1	Не настроена конфигурация прибора.	Свяжитесь с технической поддержкой.
2	Невозможно получить данные для работы программы	
3	Невозможно записать результаты работы программы	
4	Отказ батареи	Заменить батарею.
5	Ошибка аналогово-цифрового преобразования в процессе измерения	Свяжитесь с технической поддержкой.
6	Ошибка смещения в процессе измерения	Убедитесь в том, что крышка прибора установлена надлежащим образом.

Код ошибки	Возможная причина	Способ устранения
7	Ошибка в связи с низкой освещенностью в процессе измерения	<ul style="list-style-type: none"> Убедитесь в отсутствии препятствий на пути света. Ноль находится за пределами измерения прибора Свяжитесь с технической поддержкой.
8	Ошибка в связи с выходом за пределы диапазона в процессе измерения, возможной причиной может быть препятствие на пути света или чрезмерно высокая концентрация	<ul style="list-style-type: none"> Убедитесь в отсутствии препятствий на пути света, а также в том что для программы выбрана не чрезмерно высокая концентрация. Убедитесь в том, что крышка прибора установлена надлежащим образом. Свяжитесь с технической поддержкой.

Раздел 10 Запасные части и принадлежности

▲ ПРЕДУПРЕЖДЕНИЕ



Риск получения травмы. Использование несогласованных деталей может стать причиной травм, повреждения прибора или нарушения в работе оборудования. Запасные детали, описанные в данном разделе, одобрены производителем.

Примечание: Номера изделия и товара могут меняться для некоторых регионов продаж. Свяжитесь с соответствующим дистрибьютором или см. контактную информацию на веб-сайте компании.

Запасные части

Описание	Изд. №
Адаптер в сборе, ХПК	4846400
Комплект щелочных батарей AA (4 шт.)	1938004
Кювета с крышкой, 25 x 95 мм, 10-20-25 мл (6 шт.)	2401906
Кювета с крышкой, 1 см/10 мл (2 шт.)	4864302
Кабель USB	LZV818

Аксессуары

Описание	Изд. №
Крышка для кювет 25 x 95 мл	2401812
Сумка для переноски с жесткими боковыми поверхностями	4942500
Сумка для переноски с мягкими боковыми поверхностями и наплечным ремнем	2722000
Сумка для переноски "переносная лаборатория"	4943000
Стандарты оптической плотности DR/Check™	2763900
Крышка прибора, DR 900	9390500

İçindekiler

- | | |
|--|--|
| 1 Teknik özellikler sayfa 285 | 6 Standart çalışma sayfa 292 |
| 2 Genel bilgiler sayfa 285 | 7 Gelişmiş çalışma sayfa 294 |
| 3 Kurulum sayfa 288 | 8 Bakım sayfa 298 |
| 4 Kullanıcı arayüzü ve gezinme sayfa 290 | 9 Sorun giderme sayfa 298 |
| 5 Başlatma sayfa 291 | 10 Yedek parçalar ve aksesuarlar sayfa 299 |

Bölüm 1 Teknik özellikler

Teknik özellikler önceden bildirilmeksizin değiştirilebilir.

Teknik Özellik	Ayrıntılar
Ölçüm modu	Transmitans (%), Absorbans (Abs) ve Konsantrasyon (Kons)
Boyutlar (G x D x Y)	23,6 x 8,7 x 4,7 cm (9,3 x 3,4 x 1,9 inç)
Muhafaza koruma sınıfı	IP67
Ağırlık	0,6 kg (1,3 lb)
Güç gereksinimleri (dahili)	AA Alkali pil (4x)
Pil ömrü	Arka ışısız haftanın 5 günü/günde 5 okuma ile 6 ay (tipik)
Arabirim	USB mini
Çalışma sıcaklığı	0 - 50 °C (32 - 122 °F), maksimum %90 bağıl nem; yoğuşmasız
Saklama sıcaklığı	-30 - 60 °C (-22 - 140 °F), maksimum %90 bağıl nem; yoğuşmasız
Lamba kaynağı	Işık yayan diyot (LED)
Detektör	Silikon fotodiyot
Dalgaboyu aralığı	420, 520, 560, 610 nm

Teknik Özellik	Ayrıntılar
Fotometrik ölçüm aralığı	0–2 Abs
Dalgaboyu doğruluğu	±1 nm
Fotometrik doğruluk	±0.03 Abs
Fotometrik doğrusallık	±0,002 Abs (0–1 Abs)
Dalgaboyu seçimi	Otomatik, yöntem seçimine dayalı
Fotometrik tekrarlanabilirlik	±0,002 Abs (0–1 Abs)
Veri okumaları	Grafik ekran, 240 x 160 piksel (arka ışık)
Numune hücreleri	16 mm, 1 cm/10 mL, 1-inç (25 mm) yuvarlak
Koruma sınıfı	Sınıf III
Sertifikalar	CE sertifikalı
Garanti	1 yıl (AB: 2 yıl)

Bölüm 2 Genel bilgiler

Hiçbir durumda üretici, bu kılavuzdaki herhangi bir hata ya da eksiklikten kaynaklanan doğrudan, dolaylı, özel, tesadüfi ya da sonuçta meydana gelen hasarlardan sorumlu olmayacaktır. Üretici, bu kılavuzda ve açıkladığı ürünlerde, önceden haber vermeden ya da herhangi bir zorunluluğa sahip olmadan değişiklik yapma hakkını saklı tutmaktadır. Güncellenmiş basımlara, üreticinin web sitesinden ulaşılabilir.

2.1 Güvenlik bilgileri

Üretici, doğrudan, arızı ve sonuç olarak ortaya çıkan zararlar dahil olacak ancak bunlarla sınırlı olmayacak şekilde bu ürünün hatalı uygulanması veya kullanılmasından kaynaklanan hiçbir zarardan sorumlu değildir ve yürürlükteki yasaların izin verdiği ölçüde bu tür zararları reddeder. Kritik uygulama risklerini tanımlamak ve olası bir

cihaz arızasında prosesleri koruyabilmek için uygun mekanizmaların bulunmasını sağlamak yalnızca kullanıcının sorumluluğundadır.

Bu cihazı paketinden çıkarmadan, kurmadan veya çalıştırmadan önce lütfen bu kılavuzun tümünü okuyun. Tehlikeler ve uyarılarla ilgili tüm ifadeleri dikkate alın. Aksi halde, kullanıcının ciddi şekilde yaralanması ya da ekipmanın hasar görmesi söz konusu olabilir.

Bu cihazın korumasının bozulmadığından emin olun. Cihazı bu kılavuzda belirtilenden başka bir şekilde kullanmayın veya kurmayın.

2.2 Tehlikeyle ilgili bilgilerin kullanılması

⚠ TEHLİKE

Kaçınılmadığı takdirde ölüm veya ciddi yaralanmaya yol açabilecek potansiyel veya tehdit oluşturacak tehlikeli bir durumu belirtir.

⚠ UYARI

Kaçınılmadığı takdirde ölüm veya ciddi yaralanmaya yol açabilecek potansiyel veya tehdit oluşturabilecek tehlikeli bir durumu belirtir.

⚠ DİKKAT





Küçük veya orta derecede yaralanmalarla sonuçlanabilecek potansiyel bir tehlikeli durumu gösterir.

BİLGİ

Engellenmediği takdirde cihazda hasara neden olabilecek bir durumu belirtir. Özel olarak vurgulanması gereken bilgiler.

2.3 Önlem etiketleri

Cihazın üzerindeki tüm etiketleri okuyun. Talimatlara uyulmadığı takdirde yaralanma ya da cihazda hasar meydana gelebilir. Cihaz üzerindeki bir sembol, kılavuzda bir önlem ibaresiyle belirtilir.

	Bu sembol cihazın üzerinde mevcutsa çalışma ve/veya güvenlik bilgileri için kullanım kılavuzuna referansta bulunur.
	Bu sembol bir patlama riski bulunduğunu gösterir.
	Bu sembol yangın riski bulunduğunu gösterir.
	Bu sembol kimyasal maddelerden zarar görme tehlikesi olduğunu gösterir ve yalnızca uzman ve kimyasal maddelerle çalışmak üzere eğitilmiş kimselerin kimyasal maddelerle çalışması ya da ekipmanın kimyasal salım sistemi üzerinde bakım çalışması yapması gerektiğini belirtir.
	Bu sembol koruyucu gözlük takılması gerektiğini belirtir.
	Bu sembolü taşıyan elektrikli cihazlar, Avrupa evsel ya da kamu atık toplama sistemlerine atılamaz. Eski veya kullanım ömrünü doldurmuş cihazları, kullanıcı tarafından ücret ödenmesine gerek olmadan atılması için üreticiye iade edin.

2.4 Uyumluluk ve sertifika

⚠ DİKKAT

Bu ekipman, mesken ortamlarda kullanım için tasarlanmamıştır ve bu tür ortamlarda radyo sinyaline karşı yeterli koruma sağlayamayabilir.

Kanada Radyo Girişimine Neden Olan Cihaz Yönetmeliği, ICES-003, A Sınıfı:

Destekleyen test kayıtları, üreticide bulunmaktadır.

Bu A Sınıfı dijital cihaz, Kanada Parazite Neden Olan Cihaz Yönetmeliğinin tüm şartlarını karşılamaktadır.

Cet appareil numérique de classe A répond à toutes les exigences de la réglementation canadienne sur les équipements provoquant des interférences.

FCC PART 15, "A" Sınıfı Limitleri

Destekleyen test kayıtları, üreticide bulunmaktadır. Bu cihaz, FCC Kurallarının 15. bölümüne uygundur. Çalıştırma için aşağıdaki koşullar geçerlidir:

1. Cihaz, zararlı girişime neden olmaz.
2. Bu cihaz, istenmeyen işleyişe yol açabilecek parazit de dahil olmak üzere, alınan her türlü paraziti kabul edecektir.

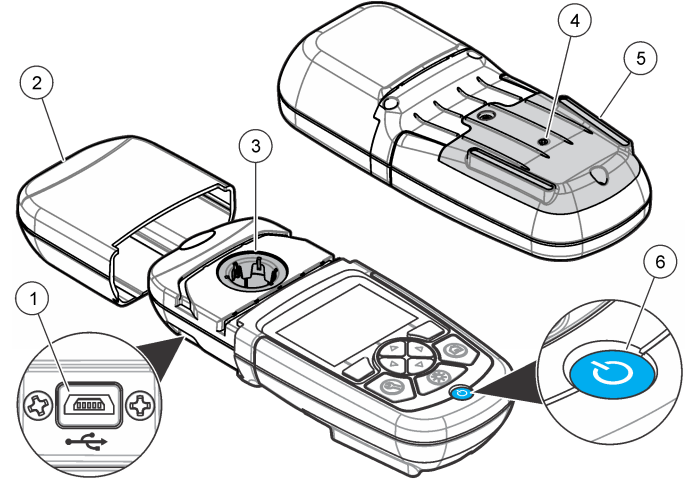
Bu cihaz üzerinde, uyumluluktan sorumlu tarafın açıkça onaylamadığı her türlü değişiklik, kullanıcının cihazı çalıştırma yetkisini geçersiz kılacaktır. Bu cihaz, test edilmiş ve FCC kuralları, Bölüm 15 uyarınca A Sınıfı bir dijital cihaz limitlerini karşıladığı tespit edilmiştir. Bu limitler, ekipmanın bir işyeri ortamında çalıştırılması durumunda zararlı parazitlere karşı uygun koruma sağlayacak şekilde tasarlanmıştır. Bu cihaz, telsiz frekansı enerjisi üretir, kullanır ve yayabilir ve kullanım kılavuzuna uygun olarak kurulmazsa ve kullanılmazsa telsiz iletişimlerine zararlı parazitlere neden olabilir. Bu cihazın bir konut alanında kullanılması zararlı parazitlere neden olabilir. Böyle bir durumda kullanıcının masrafları kendisine ait olmak üzere bu parazitleri düzeltmesi gerekecektir. Parazit sorunlarını azaltmak için aşağıdaki teknikler kullanılabilir:

1. Parazitin kaynağı olup olmadığını öğrenmek için bu ekipmanın güç kaynağı bağlantısını kesin.
2. Eğer cihaz, parazit sorunu yaşayan cihazla aynı prize bağlıysa, cihazı farklı bir prize takın.
3. Cihazı parazit alan cihazdan uzaklaştırın.
4. Cihazın parazite neden olduğu cihazın alıcı antenini başka bir yere taşıyın.
5. Yukarıda sıralanan önlemleri birlikte uygulamayı deneyin.

2.5 Ürüne genel bakış

DR 900, 420, 520, 560 ve 610 nm dalga boylarında ölçüm yapan LED kaynaklı taşınabilir bir kolorimetredir. Cihaz, içme suyu, atık su ve endüstriyel uygulamalardaki farklı parametreleri ölçmede kullanılır. cihaz metod programları yüklenmiş, iş olarak gelir ve cihaza kullanıcı programı yüklenebilir, sık kullanılan metodlar seçilebilir. Bkz. [Şekil 1](#).

Şekil 1 Cihaz genel bakış

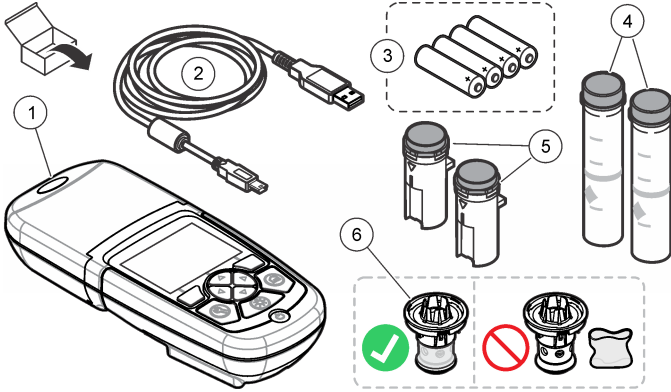


1	USB portu	4	Havalandırma deliği
2	Cihaz kapağı	5	Pil bölmesi
3	Hücre bölmesi	6	Açma kapama tuşu

2.6 Ürünün parçaları

Bütün bileşenlerin teslim alındığından emin olun. Bkz. [Şekil 2](#). Eksik veya hasarlı bir parça varsa derhal cihaz üreticisi veya satış temsilcisiyle bağlantıya geçin.

Şekil 2 Ürün bileşenleri



1 DR 900	4 Cam numune hücresi, 1 inç (25 mm) yuvarlak, 10, 20, 25- mL işaretleri (2x)
2 Mini USB konnektörlü USB kablosu	5 Numune hücresi, 1 cm/10 mL (2x)
3 AA alkalin piller (4x)	6 Numune hücresi adaptörü

Bölüm 3 Kurulum

⚠ UYARI



Birden fazla tehlike. Belgenin bu bölümünde açıklanan görevleri yalnızca yetkili personel gerçekleştirmelidir.

BİLGİ

Kullanım veya saklama sırasında cihaz pil havalandırmasının herhangi bir şekilde kapatılmadığından emin olun.

3.1 Pillerin takılması

⚠ UYARI



Patlama tehlikesi. Pilin yanlış takılması, patlayıcı gazların salınmasına neden olabilir. Pillerin aynı onaylanmış kimyasal türde olduğundan ve doğru yönlere takıldığından emin olun. Yeni ve kullanılmış pilleri bir arada kullanmayın.

⚠ UYARI



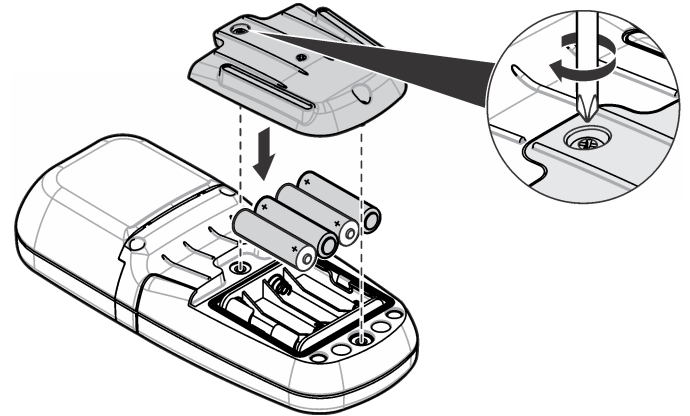
Yangın tehlikesi. Başka pil kullanımına izin verilmez. Yalnızca alkalin piller kullanın.

BİLGİ

Sağlam bir şekilde oturması ve muhafaza çevresel oranını korumak için vidaların 1–1.4 N·m (9–12 in. ·lb) sıkıldığından emin olun.

cihaz dört AA alkalin pille çalışır. Pillerin doğru yönlere takıldığından emin olun. Pilin takılması için [Şekil 3](#) kısmına bakın.

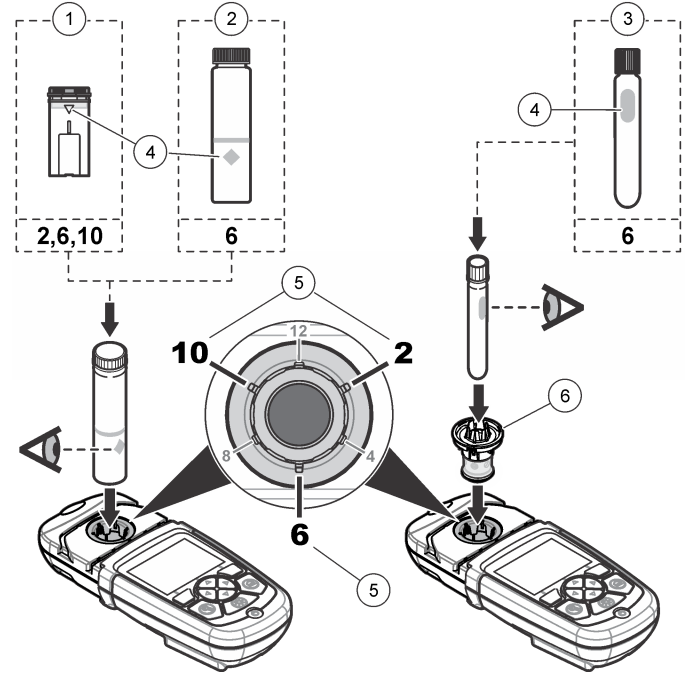
Şekil 3 Pilin takılması



3.2 Numune hücresi ve hücre adaptörünün takılması

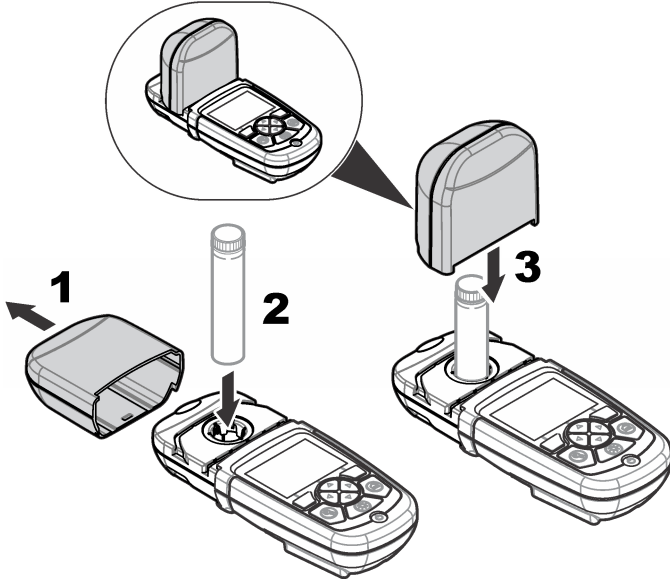
cihaz, farklı numune hücre tipleri için tek bir adaptörün kullanılabilirdiği bir hücre bölmesine sahiptir. Sonuçların daha tekrarlanabilir ve hassas olması için numune hücresini doğru bir şekilde ve doğru yönde taktığınızdan emin olun. Bkz. [Şekil 4](#). Işığın ölçümü etkilememesi için sıfırlama veya ölçüm yapmadan önce cihazın kapağını kapatın. Bkz. [Şekil 5](#).

Şekil 4 Numune hücresi yönü



1 1-cm/10-mL plastik numune hücresi	4 Yön işareti
2 1-inç (25 mm) cam numune hücresi	5 Yön konumu (saat yönü)
3 16 mm cam test viyali	6 Numune hücresi adaptörü

Şekil 5 Numune hücresi ve cihazın kapağının takılması

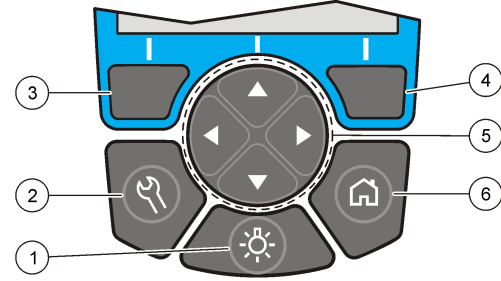


Bölüm 4 Kullanıcı arayüzü ve gezinme

4.1 Tuş takımının açıklaması

Tuş takımını açıklamaları ve gezinme bilgileri için bkz. [Şekil 6](#).

Şekil 6 Tuş takımının açıklaması



1 ARKA IŞIK: ekran aydınlatmasını açar veya kapatır	4 SAĞ seçim tuşu (duruma bağlı): numune okuma, seçenekleri seçme veya doğrulama, alt menüleri açma
2 AYARLAR: kurulum seçenekleri ¹	5 YUKARI, AŞAĞI, SAĞ, SOL navigasyon tuşları: menülerde gezinme, sayı ve harfleri girme ²
3 SOL seçim tuşu (duruma bağlı): seçeneklere erişim, mevcut menü ekranını iptal edip öncekine geçme	6 ANA MENÜ/Seçenekler: ana okuma ekranına ¹ e gitme, program seçme, veri yönetimi

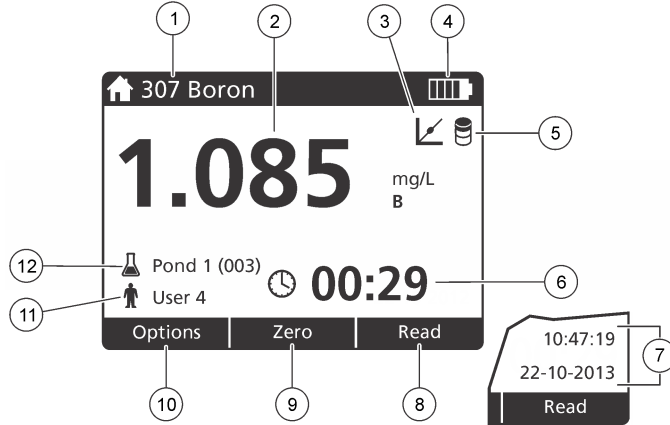
4.2 Ekran açıklaması

Okuma ekranı seçili modu, birimi, tarih ve saati, operatör kimliğini ve numune kimliğini gösterir. Bkz. [Şekil 7](#).

¹ Düzenleme modundayken tuş çalışmaz.

² YUKARI veya AŞAĞI tuşuna basıldığında, hızlı kaydırır. SOL veya SAĞ tuşuna basıldığında, sayfaya göre kaydırır.

Şekil 7 Tek ekranda gösterim



1 Program adı ve numarası	7 Saat ve tarih
2 Okunan değer, birim, kimyasal biçim, ölçüm aralığının altında "---" veya üzerinde "+++"	8 Oku (değişken: seç, başlat, tamam)
3 Standart ayarlama simgesi	9 Sıfırla (değişken: navigasyon tuşu Yukarı oku)
4 Pil durumu	10 Seçenekler (değişken: geri, iptal)
5 Şahit reaktif	11 Kullanıcı ismi
6 Zamanlayıcı	12 Numune ismi

4.3 Gezinme

Cihaz, çeşitli seçeneklerin değiştirilmesini sağlayan menüler içerir. Farklı seçenekleri vurgulamak için gezinti tuşlarını (YUKARI, AŞAĞI, SAĞ ve SOL ok tuşları) kullanın. Bir seçeneği seçmek için SAĞ seçim tuşuna basın. Navigasyon tuşlarıyla bir seçenek değeri girin. Bir değeri girmek

veya değiştirmek için navigasyon tuşlarına (YUKARI, AŞAĞI, SAĞ ve SOL ok tuşları) basın. Bir sonraki alana ilerlemek için SAĞ ok tuşuna basın. Bir değeri kabul etmek için Bitti altındaki SAĞ seçim tuşuna basın. Mevcut menü ekranından bir önceki ekrana gitmek için SOL seçim tuşuna basın.

Bölüm 5 Başlatma

5.1 Cihazın açılması ve kapanması

cihaz açık veya kapalı konuma getirmek için GÜÇ tuşuna basın. cihaz açılmazsa, pillerin düzgün takıldığından emin olun.

5.2 Dilin ayarlanması

Dili ayarlamak için iki seçenek bulunmaktadır:

- Cihaz ilk kez açıldığında gösterim dilini ayarlayın.
- AYARLAR menüsünden dil ayarlanabilir.

1. AYARLAR>Kurulum>Dil öğelerine basın.

2. Listeden dili seçin.

5.3 Tarihin ve saatin ayarlanması

Tarih ve saati belirlemek için iki seçenek mevcuttur:

- Cihaz ilk kez açıldığında tarih ve saat ayarlanabilir.
- Tarih & Saat menüsünden ayarlanabilir.

1. AYARLAR>Kurulum>Tarih & Saat öğelerine basın.

2. Tarih ve Saat Biçimini Ayarla seçeneğini belirleyin, ardından tarih ve saat için bir biçim seçin.

3. Tarih ve Saati Ayarla seçeneğini belirleyin.

4. Geçerli tarih ve saati girmek için navigasyon tuşlarını kullanın ve OK seçeneğine basın.

Bölüm 6 Standart çalıştırma

6.1 Program listesi

cihaz, eksiksiz bir uygulama programı serisiyle teslim edilir. Program açıklamaları için bkz. [Tablo 1](#).

Tablo 1 Program seçenekleri

Program seçeneği	Açıklama
Yüklenmiş programlar	Yüklenmiş programlar fabrikada yüklenmiş, önceden programlanmış yöntemlerdir. Bkz. Yüklenmiş programın seçilmesi sayfa 292.
Kullanıcı programları	Yöntemler geliştirilebilir ve kullanıcı programı olarak kaydedilebilir. ³ Bkz. Kullanıcı programları sayfa 295.
Sık Kullanılanlar	Sık kullanılan yöntemler sık kullanılanlar listesine kaydedilebilir. ¹

6.1.1 Yüklenmiş programın seçilmesi

1. **GİRİŞ>Seçenekler>Tüm Programlar** öğelerine basın.
2. Uygulanabilir yöntemi seçip **Başlat** tuşuna basın.
3. Daha hızlı erişim için seçilen yöntemi sık kullanılanlara eklemek üzere **Seçenekler>Favorilere Ekle** öğelerine basın.

6.1.2 Temel program seçeneklerinin seçilmesi

Bir program seçildiğinde, ilave parametre seçenekleri mevcuttur.

1. Seçenek menüsüne erişmek için **Seçenekler** öğesine basın.

2. Geçerli seçenekleri seçin.

Seçenek	Açıklama
Zamanlayıcıyı Başlatma	Analiz adımlarının zamanlamasının doğruluğundan emin olmak için ön ayarlı bir zamanlayıcı seçin veya manüel bir zamanlayıcı ayarlayın (örn. reaksiyon süreleri veya bekleme süreleri tam olarak belirtildiği şekilde olabilir). Zamanlayıcı açıkken, zamanlayıcı simgesi ekranda görüntülenir. Zaman dolduğunda cihaz sesli uyarı verir. Ön ayarlı zamanlayıcı —Bir ya da daha fazla kayıtlı prosedür adımı için geçerli ön ayarlı zamanlayıcıyı seçip Başlat düğmesine basın. Zamanlayıcı Manüel — Navigasyon tuşlarını kullanarak geçerli zamanı girin ve Bitti düğmesine basın. Varsayılan = 00:00
Fvrlr/Kulln Programları	Kayıtlı sık kullanılanlar veya kullanıcı programları listesinden seçin. Daha fazla bilgi için bkz. Sık kullanılan bir programın veya kullanıcı programının seçilmesi sayfa 294.
Tüm Programlar	Listeden önceden programlanmış bir metodu seçin.
Veri Günlüğü	Tüm kayıtlı okumaları gösterir. Daha fazla bilgi için bkz. Veri günlüğü sayfa 294.
Favorilere Ekle	Sık kullanılan kayıtlı programlar ve kullanıcı programı yöntemlerini sık kullanılanlar listesine kaydeder. Bkz. Bir programın sık kullanılanlara eklenmesi sayfa 295.

³ Maksimum on yöntem (kullanıcı programları ve/veya sık kullanılanlar) kaydedilebilir.

Seenek	Aıklama
%T/Abs/Kons	% transmitans, absorbans veya konsantrasyon okumalarına geer. Transmitans okuması (%) —Numuneden geip dedektöre ulařan orijinal ışığın yzdesini okur. Absorbans okumaları —Numunenin absorbe ettiėi ışık absorbans birimlerinde okunur. Konsantrasyon okumaları —Ölülen absorbans deėerleri programa zg kayıtlı denklemlerle konsantrasyon deėerlerine dnřtrlr.
Geliřmiř Seenekler	Daha fazla parametre belirtmek iin geliřmiř seenekleri kullanın. Bkz. Geliřmiř program seeneklerinin seilmesi sayfa 293.
Kaydet	Otomatik kayıt seeneėi Kapalı olarak ayarlandığında son okumayı manel olarak kaydeder.

6.1.3 Geliřmiř program seeneklerinin seilmesi

Her programın, seilebilecek farklı ek geliřmiř seenekleri mevcuttur.

1. Seenekler gesine basarak **Seenekler>Geliřmiř Seenekler** kısmına eriřin.
2. Daha fazla parametre belirtmek iin geliřmiř seenekleri kullanın.

Seenek	Aıklama
Otomatik Kaydetme	Aık ve Kapalı arasında geiř yapar. Seenek Aık olarak belirlendiėinde, her okuma otomatik olarak kaydedilir. Seenek Kapalı olarak belirlendiėinde okuma manel olarak kaydedilebilir.
Kimyasal Forml	Alternatif kimyasal formu ve bazı fabrika kurulumlu yntemlerdeki ilgili lm aralıėını sein.

Seenek	Aıklama
řahit reaktif	řahit Reaktif dzeltmesi fabrika kurulumlu bazı yntemlerde kullanılabilir. Numune olarak deiyonize su kullanılarak tamamlanan testin sonucunu girin. Reaktiflerden kaynaklanan arka plan renklerini dzeltmek iin řahit deėeri her bir sonutan ıkarılır. Standart Ayarlama seeneėini semeden nce řahit dzeltmeyi girin. Bu dzeltmeyi her bir yeni test reaktifi partisi iin girin.
Standart Ayarlama	Kayıtlı kalibrasyonu deėiřtirin. Test aralıėının st limitine yakın bir konsantrasyonda bilinen bir standart ile bir testi tamamlayın. Sonucu standart konsantrasyona hizalamak iin bu iřlevi kullanın.
Program Sıralama	Kayıtlı program listesi iin alfabetik veya sayısal bir program sırası sein.

6.2 Bir kullanıcı ismi kullanılması

Kullanıcı ismi, deėerleri kullanıcılarla iliřkilendirir. Tm saklanan verilerde bu isim bulunur.

1. Okuma ekranında **AYARLAR>Operatr Kimliėi** gelerine basın.
2. Kullanıcı ismi oluřturmayı ya da silmeyi sein:

Seenek	Aıklama
Geerli İsim	Listeden bir isim sein. Farklı bir kimlik seilene dek, mevcut kimlik numune verileriyle iliřkilendirilir.
Yeni Kimlik Oluřtur	Yeni operatr kimliėi iin bir ad girin. Maksimum 10 isim girilebilir.
Kimliėi Sil	Varolan bir operatr kimliėini siler.

6.3 Numune ismi kullanılması

rnek Kimliėi etiketi, okumaları belirli bir rnek veya konuyla iliřkilendirmede kullanılır. Atanırsa, saklanan verilerde bu isim bulunur.

1. Okuma ekranında **AYARLAR>Örnek Kimliği** öğelerine basın.
2. Kullanıcı ismi oluşturmayı ya da silmeyi seçin:

Seçenek	Açıklama
Geçerli İsim	Listeden bir isim seçin. Farklı bir kimlik seçilene dek, mevcut kimlik numune verileriyle ilişkilendirilir.
Yeni Kimlik Oluştur	Yeni numune ismi için bir isim girin. Maksimum 10 isim girilebilir. Farklı bir kimlik seçilene kadar, numuneler her bir ölçüm birimi için sırayla numaralandırılır (örn., Pond 1, Pond 2).
Kimliği Sil	Mevcut bir örnek kimliğini siler.

6.4 Ölçüm yapılması

Bir ölçümü tamamlamak için temel ölçüm adımları gereklidir. Her yöntemin adım adım prosedürü vardır. Belirli bir testi gerçekleştirmek için uygun yöneme başvurun. Aşağıdaki örnek, bir ölçümü tamamlamak için temel bir prosedürü gösterir.

1. Program menüsünden ilgili programı seçin (örn. Yüklenmiş Programlar, Kullanıcı Programları, Sık Kullanılanlar).
2. Gerekirse hücre adaptörünü takın.
3. Programı başlatmak için **Başlat** tuşuna basın.
4. Şahidi metodun prosedürüne göre hazırlayın. Numune hücrelerini kapatın ve numune hücrelerinin optik yüzlerini tiftiksiz, toz ve leke bırakmayan bir bezle temizleyin.
5. Şahit numune hücrelerini hücre tutucuya takın. Sonuçların daha tekrarlanabilir ve hassas olması için şahit numune hücrelerini doğru bir şekilde ve doğru yönde taktığınızdan emin olun. Bkz. [Şekil 4](#) sayfa 289.
6. Işıklı etkileşimi önlemek için cihazın kapağını kapatın. Bkz. [Şekil 5](#) sayfa 290.
7. **Sıfırla** düğmesine basın. Ekranda konsantrasyon sıfır olarak görünür (örn., mg/L, ABS, µg/L).

8. Numuneyi hazırlayın. Reaktifleri metodun prosedüründe gösterildiği şekilde ekleyin.
9. Programdaki kayıtlı zamanlayıcıları kullanmak için **Seçenekler>Zamanlayıcıyı Başlat** öğelerini seçin.
10. Numune hücrelerini kapatın ve hücrenin optik yüzlerini tiftiksiz, toz ve leke bırakmayan bir bezle temizleyin.
11. Numuneyi hücre tutucuya takın. Sonuçların daha tekrarlanabilir ve hassas olması için numune hücrelerini doğru bir şekilde ve doğru yönde taktığınızdan emin olun. Bkz. [Şekil 4](#) sayfa 289.
12. Işıklı etkileşimi önlemek için cihazın kapağını kapatın. Bkz. [Şekil 5](#) sayfa 290.
13. **Oku**'ya basın. Ekranda, sonuçlar seçilen birimde görüntülenir.
Not: Ölçülen absorpsiyon değeri testin kalibrasyon aralığının altında veya üzerindeyse ekranda "+++" veya "---" gösterilir.

6.5 Veri günlüğü

Veri günlüğü kayıtlı okumaların tümünü gösterir. Okumaları görmek için **GİRİŞ>Seçenekler>Veri Günlüğü** kısmına bakın. Veri günlüğünün aktarımı hakkında bilgi için [Veri günlüğünün aktarılması](#) sayfa 297 bölümüne bakın.

Bölüm 7 Gelişmiş çalışma

7.1 Sık kullanılan bir programın veya kullanıcı programının seçilmesi

Cihaz ilk kez çalıştırıldığında, sık kullanılan ve kullanıcı programları veritabanı boştur. Daha hızlı erişim için bir yöntem sık kullanılanlara kaydedilebilir. Bir kullanıcı programı, belirli ihtiyaçlar için programlanabilir.

1. **GİRİŞ>Seçenekler>Favoriler/Kullanıcı Programları>Seç** öğelerine basın.
2. Yeni bir kullanıcı programı oluşturmak için **Yeni Program**'a basın. Bkz. [Kullanıcı programları](#) sayfa 295.

7.2 Bir programın sık kullanılanlara eklenilmesi

Sık kullanılan kayıtlı programlar ve kullanıcı programı yöntemleri sık kullanılanlar listesine kaydedilebilir.

1. **GİRİŞ>Seçenekler>Tüm Programlar** öğelerini seçin.
2. Uygulanabilir yöntemi seçip **Başlat** tuşuna basın.
3. Seçilen yöntemi sık kullanılanlara eklemek için **Seçenekler>Favorilere Ekle** öğelerini seçin.

7.3 Kullanıcı programları

Cihaz ilk kez başladığında kullanıcı programları veritabanı boştur. Belirli ihtiyaçlar için yeni programlar oluşturmak üzere **Yeni Program** seçeneğini kullanın. Yeni bir kullanıcı programı oluşturmak için, takip eden adımları gerçekleştirin.

1. **GİRİŞ>Seçenekler>Favoriler/Kullanıcı Programları>Seç>Yeni Program** öğelerine basın.
2. 1001 ile 1010 arasında kullanılabilir bir program numarası seçin.
Not: En fazla on program (kullanıcı programları ve/veya sık kullanılanlar) kaydedilebilir.
3. Bir metod adı girin (en fazla 12 karakter).
4. Dalga boyunu seçin: 420, 520, 560 veya 610 nm.
5. Birimi seçin: Birimsiz, µg/L, mg/L veya g/L.
6. Çözünürlüğü seçin: 0000, 000.0, 00.00 veya 0.000.
7. Kalibrasyon noktalarını ekleyin: en az 2, en fazla 12 kalibrasyon noktası.⁴ Std 1 girin seçeneğini belirleyin ve ilk standart konsantrasyon değerini girin. **Bitti** düğmesine basın.
Not: Bip sesi konsantrasyonun önceden girilen bir standardın tekrarı olduğunu veya konsantrasyonun, seçilen çözünürlük için çok yüksek olduğunu gösterir. Farklı bir değer girip devam edin.

8. Absorbans değerini girin:

Seçenek	Açıklama
ABS'yi Manüel Düzenleme	Absorbans değerini elle girmek için navigasyon tuşlarını kullanın.
ABS'yi Otomatik Düzenleme	<ol style="list-style-type: none">1. Şahidi hücre tutucuya koyup Sıfır düğmesine basın.2. Hazırlanan örneği hücre tutucuya koyup Oku düğmesine basın.3. Bitti düğmesine basın.

Not: Bip sesi absorbansın daha önce girilen standartı tekrarladığını veya önceki iki standart dahilinde olduğunu gösterir. Farklı bir değer girip devam edin.

9. **Bitti** düğmesine basın.
10. Kal Noktası Ekle öğesini seçin.
11. 7-9. adımlarda açıklanan ek kalibrasyon noktalarını girin.
12. **Kullanıcı Programını Kaydet** öğesini seçin.

7.3.1 Bir kullanıcı programının düzenlenmesi

Kayıtlı bir kullanıcı programını düzenlemek için:

1. **GİRİŞ>Fvrlr/Kulln Programları** öğelerini seçin.
2. İlgili programı seçip **Seçenekler**'e basın.
3. **Düzenle**'ye basın.
4. Prosedürü düzenlemek için ekrandaki talimatlara uyun.

⁴ Eğrinin lineer olduğu biliniyorsa, yalnız iki konsantrasyon veri noktası (örn. sıfır absorbanslı standart ve bilinen başka bir standart) gereklidir. Lineerliği doğrulamak veya lineer olmayan bir eğri belirlemek için ek veri noktaları kullanın.

7.3.2 Kullanıcı veya favori program silme

Program artık kullanılmıyorsa kayıtlı kullanıcıyı veya favori programı silin.

1. **GİRİŞ>Seçenekler>Fvrlr/Kulln Programları** öğelerine basın.
2. İlgili programı vurgulayıp **Seçenekler>Sil** öğelerine basın ve ekrandaki talimatları izleyin.

7.4 Cihaz Bilgisi

Cihaz bilgisi menüsü, cihaz adı, seri numarası, yazılım sürümü, veritabanı sürümü, kullanılan bellek ve program kullanılabilirliği gibi özel bilgileri görüntüler. **AYARLAR>Kurulum>Cihaz Bilgisi** öğelerine basın.

7.5 Parola belirleme

Parola ayarları seçenekleri, kısıtlı menülere erişimi engellemek için kullanılır.

Not: Belirlenen parola unutulmuşsa ve Güvenlik Seçenekleri açık olarak ayarlanmışsa, kısıtlı menüler operatöre kapatılır. Parolayı unutursanız teknik destek ile bağlantı kurun.

1. **AYARLAR>Kurulum>Parola Ayarları** öğelerine basın.
2. Bir seçenek belirleyin.

Seçenek	Açıklama
Parola Ayarları	Parola korumasını açmak veya kapatmak için Açık veya Kapalı seçeneklerinden birini seçin.
Korunan Öğeler	Korunan öğelerin listesini gösterir: operatör kimliğini düzenleme, numune kimliğini düzenleme, kullanıcı programlarını düzenleme, tarih & saat, yazılım güncelleme, metod güncelleme, dil ve sık kullanılanlar listesini düzenleme.

7.6 Ekranın ve sesin ayarlanması

Ekran kontrastı, pil otomatik kapatma seçenekleri veya arka ışık seçeneğini değiştirmek için ekran seçeneklerini kullanın. Bir tuşa

basıldığında veya bir okuma tamamlandığında sesli uyarı verilmesi için ses seçeneklerini kullanın.

1. **AYARLAR>Kurulum>Görüntü & Ses>Görüntü Seçenekleri** öğelerine basın.
2. Bir seçenek belirleyin.

Seçenek	Açıklama
Kontrast	Ekran kontrastının ayarlanması. En açık ayar 0, en koyu ayar 9'dur. Varsayılan: 5
Otomatik Kapatma	Pil ömrünü maksimuma çıkarmak için, bir tuşa basılmadığı takdirde ne kadar süre sonra (5, 10, 15, 20, 30 dakika, 1 saat, 2 saat veya Devre dışı) cihaz otomatik olarak kapanacağını seçin. Varsayılan: 10 dakika
Arka ışık	ARKA IŞIK basıldığında ekranın arka ışığı açık olarak ayarlanır. Bir tuşa basılmadığı takdirde arka ışığın ne kadar süre sonra (10, 20, 30 saniye, 1, 2, 5, 10 dakika veya Devre dışı) otomatik olarak kapatılacağını belirleyin. Varsayılan: 1 dakika

3. **AYARLAR>Kurulum>Görüntü & Ses>Sesler** öğelerine basın.
4. Bir seçenek belirleyin.

Seçenek	Açıklama
Tuş vuruşu	Bir tuşa basıldığında cihaz sesli uyarı verir. Varsayılan değer: kapalı
Okuma Tamamlandı	Bir okuma tamamlandığında cihaz sesli uyarı verir. Varsayılan değer: açık

7.7 USB ana menüsü

cihaz, USB kablosuyla bilgisayara bağlandığında, USB Ana Menüsü açılır. USB Ana Menüsünden yazılımı güncelleyin, programları cihaz veya bilgisayara aktarın ya da veri ve etkinlik günlüğünü bilgisayara aktarın.

7.7.1 Yazılımın güncellenmesi

Yazılım güncelleme dosyasını ürünün web sitesinde bulun veya cihaz tedarikçisiyle bağlantı kurun. Dosyayı web sitesinden bilgisayara kaydedin.

1. Cihazı açık konuma getirin ve USB kablосunu cihaz ve bilgisayara bağlayın.
USB Ana Menü'sü açılır.
2. **DR900'ü Güncelle** seçeneğini seçin.
Cihaz bilgisayarda USB sürücü olarak görüntülenir. Klasörü açın.
3. DR900.bin dosyasını açık klasöre kopyalayın.
4. **Tamam'a** basın.
5. Güncelleme tamamlandığında **Tamam** düğmesine basın.
6. **USB'yi Çıkar** seçeneğini seçin, **Tamam** düğmesine basın ve USB kablосunu çıkarın.
7. **Tamam'a** basın.
8. cihaz yeniden başlatın.

7.7.2 Programların yönetilmesi

Programları Yönet işleviyle, kullanıcı programları cihaze ve/veya bilgisayara aktarılabilir ve yeni fabrika programları cihaza aktarılabilir.

1. Cihazı açık konuma getirin ve USB kablосunu cihaz ve bilgisayara bağlayın.
USB Ana Menü'sü açılır.
2. **Programları Yönet** seçeneğini işaretleyip bir seçenek belirleyin:

Seçenek	Açıklama
Kullanıcı Programlarını Bilgisayara Aktarma	Tüm kullanıcı programlarını saklamak için veya kullanıcı programlarını başka bir DR 900'e taşımak için bilgisayara aktarır.

Seçenek	Açıklama
Kullanıcı Programlarını Cihaza Aktarma	Tüm kullanıcı programlarını bilgisayar aracılığıyla başka bir DR 900'deki kullanıcı programlarıyla değiştirir.
Fabrika Programlarını Cihaza Aktarma	Üreticinin web sitesinden yeni fabrika programlarını cihaza aktarır.

- Cihaz bilgisayarda USB sürücü olarak görüntülenir. Klasörü açın.
3. Aktarılacak dosyayı sürücüden bilgisayara veya bilgisayardan sürücüye kopyalayın.
 4. **Tamam'a** basın.
 5. Aktarım tamamlandığında, **USB'yi Çıkar** seçeneğini belirleyip USB kablосunu çıkarın.
 6. **Tamam'a** basın.

7.7.3 Veri günlüğünün aktarılması

Etkinlik ve veri günlüğü bilgisayara aktarılabilir. Etkinlik günlüğü yapılandırma ile bağlantılı bir işlemin tarih, saat, etkinlik numarası, parametre ve tanımını içerir. Numune ölçümleri veri günlüğüne manuel veya otomatik olarak kaydedilir. Bkz. [Gelişmiş program seçeneklerinin seçilmesi](#) sayfa 293.

1. Cihazı açık konuma getirin ve USB kablосunu cihaz ve bilgisayara bağlayın.
USB Ana Menü'sü açılır.
2. **Veri Günlüğünü Aktar** ögesini seçin.
Cihaz bilgisayarda USB sürücü olarak görüntülenir. Klasörü açın.
3. Aktarılacak dosyaları kopyalayarak (DR900_DataLog.csv and DR900_EventLog.csv) bilgisayara kaydedin.
4. **Tamam'a** basın.
5. Dosyalar bilgisayara kopyalandığında, **USB'yi Çıkar'** seçip USB kablосunu çıkarın.
6. **Tamam'a** basın.

Bölüm 8 Bakım

⚠ UYARI



Birden fazla tehlike. Belgenin bu bölümünde açıklanan görevleri yalnızca yetkil personel gerçekleştirmelidir.

8.1 Cihazın temizlenmesi

Cihazın dış kısmını nemli bir bezle ve hafif sabunlu bir solüsyonla temizleyin, daha sonra cihazı silerek gereken şekilde kurulaşın.

8.2 Numune hücrelerinin temizlenmesi

⚠ DİKKAT



Kimyasal maddelere maruz kalma tehlikesi. Laboratuvar güvenlik talimatlarına uyun ve kullanılan kimyasallara uygun tüm kişisel koruma ekipmanlarınızı kullanın. Güvenlik protokolleri için mevcut güvenlik veri sayfalarına (MSDS/SDS) başvurun.



⚠ DİKKAT



Kimyasal maddelere maruz kalma tehlikesi. Kimyasal maddeleri ve atıkları, yerel, bölgesel ve ulusal yönetmeliklere uygun şekilde atın.

Laboratuvar deterjanlarının çoğu önerilen konsantrasyonlarda kullanılır. Düzenli temizlik gerektiğinde Liqinox gibi nötr deterjanların kullanılması daha güvenlidir. Temizleme süresini kısaltmak için, sıcaklığı artırmak veya bir ultrasonik banyo kullanın. Temizleme işlemini tamamlamak için numune hücrelerini birkaç kez deiyonize suyla yıkayıp kendi kendine kurumaya bırakın.

Numune hücreler aynı zamanda asitle temizlenerek ardından deiyonize suyla iyice yıkanabilir.

Not: Düşük seviyeli metal testlerinde kullanılan numune hücrelerini temizlemek için her zaman asit kullanın.

Bazı prosedürler için özel temizleme yöntemleri gereklidir. Numune hücrelerini temizlerken fırça kullanıldığında, numune hücrelerinin iç yüzeyini çizmemek için ekstra özen gösterin.

8.3 Pillerin değiştirilmesi

⚠ UYARI



Patlama tehlikesi. Kullanım süresi dolan piller aygıtın içinde hidrojen gazının birikmesine neden olabilir. Pilleri kullanım süreleri dolmadan değiştirin ve cihazı piller takılıken uzun süre saklamayın.

⚠ UYARI



Yangın tehlikesi. Başka pil kullanımına izin verilmez. Yalnızca alkalin piller kullanın.

BİLGİ

Sağlam bir şekilde oturması ve muhafaza çevresel oranını korumak için vidaların 1–1.4 N·m (9–12 in. ·lb) sıkıldığından emin olun.

Pil değişimi için bkz. [Pillerin takılması](#) sayfa 288.

Bölüm 9 Sorun giderme

Hata kodu	Olası neden	Çözüm
1	Cihaz yapılandırılmamış.	teknik destek ile bağlantı kurun.
2	Program verileri okunamadı	
3	Program verileri yazılamadı	
4	Pil hatası	Pilleri değiştirin.
5	Ölçüm sırasında A/D hatası	teknik destek ile bağlantı kurun.

Hata kodu	Olası neden	Çözüm
6	Ölçüm sırasında ofset hatası	Cihaz kapağının doğru takıldığından emin olun.
7	Ölçüm sırasında yetersiz ışık hatası	<ul style="list-style-type: none"> • Işık yolunun engellenmediğinden emin olun. • Sıfır, cihaz aralığının dışında • teknik destek ile bağlantı kurun.
8	Ölçüm sırasında aralık dışı hatası, potansiyel bir ışık engeli veya konsantrasyon çok yüksek	<ul style="list-style-type: none"> • Işık yolunun engellenmediğinden ve konsantrasyonun program için çok yüksek olmadığından emin olun. • Cihaz kapağının doğru takıldığından emin olun. • teknik destek ile bağlantı kurun.

Bölüm 10 Yedek parçalar ve aksesuarlar

⚠ UYARI



Fiziksel yaralanma tehlikesi. Onaylanmayan parçaların kullanımı kişisel yaralanmalara, cihazın zarar görmesine ya da donanım arızalarına neden olabilir. Bu bölümdeki yedek parçalar üretici tarafından onaylanmıştır.

Not: Bazı satış bölgelerinde Ürün ve Madde numaraları değişebilir. İrtibat bilgileri için ilgili distribütörle iletişime geçin veya şirketin web sitesine başvurun.

Yedek parçalar

Açıklama	Öge no.
Adaptör aksamı, KOİ	4846400
Pil takımı, AA alkalin piller (4x)	1938004

Yedek parçalar (devamı)

Açıklama	Öge no.
Kapaklı numune hücresi, 25 x 95 mm, 10-20-25 mL (6x)	2401906
Kapaklı numune hücresi, 1 cm/10 mL (2x)	4864302
USB kablosu	LZV818

Aksesuarlar

Açıklama	Öge no.
25 x 95 mL numune hücresi için kapak	2401812
Taşıma çantası, sert yapıda	4942500
Taşıma çantası; omuz kemerli, yumuşak yapıda	2722000
Taşıma çantası, portatif laboratuvar	4943000
DR/Check™ absorbands standartları	2763900
Cihaz kapağı, DR 900	9390500

Obsah

- 1 [Technické údaje](#) na strane 300
- 2 [Všeobecné informácie](#) na strane 300
- 3 [Inštalácia](#) na strane 303
- 4 [Užívateľské rozhranie a navigácia](#) na strane 305
- 5 [Spustenie do prevádzky](#) na strane 307
- 6 [Štandardná prevádzka](#) na strane 307
- 7 [Rozšírená prevádzka](#) na strane 310
- 8 [Údržba](#) na strane 313
- 9 [Riešenie problémov](#) na strane 314
- 10 [Náhradné diely a príslušenstvo](#) na strane 315

Odsek 1 Technické údaje

Technické údaje podliehajú zmenám bez upozornenia.

Technické údaje	Podrobnosti
Režim merania	Transmitancia (%), Absorbancia (Abs) a Koncentrácia (Konc)
Rozmery (Š x H x V)	23,6 x 8,7 x 4,7 cm (9,3 x 3,4 x 1,9 in.)
Stupeň krytia krytu	IP67
Hmotnosť	0,6 kg (1,3 lb)
Požiadavky na napájanie (interné)	Alkalické batérie typu AA (4 x)
Životnosť batérií	6 mesiacov (zvyčajne) pri 5 načítaniach za deň/5 dní týždenne bez podsvietenia
Rozhranie	USB mini
Prevádzková teplota	0 až 50 °C (32 až 122 °F), relatívna vlhkosť maximálne 90 % bez kondenzácie

Technické údaje	Podrobnosti
Teplota skladovania	-30 až 60 °C (-22 až 140 °F), relatívna vlhkosť maximálne 90 % bez kondenzácie
Zdroj svetla	Svetlo emitujúca dióda (LED)
Detektor	Kremíková fotodióda
Rozsah vlnových dĺžok	420, 520, 560, 610 nm
Rozsah fotometrického merania	0–2 Abs
Presnosť vlnovej dĺžky	±1nm
Fotometrická presnosť	±0.03 Abs
Fotometrická linearita	±0,002 Abs (0–1 Abs)
Výber vlnovej dĺžky	Automatický, na základe voľby metódy
Fotometrická opakovateľnosť	±0,002 Abs (0–1 Abs)
Výstup údajov na čítanie	Grafický displej, 240 x 160 pixlov (s podsvietením)
Meracie kyvety	16 mm, 1 cm/10 ml, 1-palcová (25 mm) okrúhla
Trieda ochrany	Trieda III
Certifikácie	S certifikátom CE
Záruka	1 rok (EÚ: 2 roky)

Odsek 2 Všeobecné informácie

Výrobca v žiadnom prípade nenesie zodpovednosť za priame, nepriame, mimoriadne, náhodné alebo následné škody spôsobené chybou alebo opomenutím v tomto návode na použitie. Výrobca si vyhradzuje právo na vykonávanie zmien v tomto návode alebo na predmetnom zariadení

kedykoľvek, bez oznámenia alebo záväzku. Revidované vydania sú k dispozícii na webových stránkach výrobcu.

2.1 Bezpečnostné informácie

Výrobca nie je zodpovedný za škody spôsobené nesprávnym alebo chybným používaním tohto zariadenia vrátane, okrem iného, priamych, náhodných a následných škôd, a odmieta zodpovednosť za takéto škody v plnom rozsahu povolenom príslušným zákonom. Používateľ je výhradne zodpovedný za určenie kritického rizika pri používaní a zavedenie náležitých opatrení na ochranu procesov počas prípadnej poruchy prístroja.

Pred vybalením, nastavením alebo prevádzkou tohto zariadenia si prečítajte celý návod. Venujte pozornosť všetkým výstrahám a upozorneniam na nebezpečenstvo. Zanedbanie môže mať za následok vznik vážnych zranení obsluhy alebo poškodenie zariadenia.

Ak si chcete byť istí, že ochrana tohto zariadenia nebude porušená, toto zariadenie nepoužívajte ani nemontujte iným spôsobom, ako je uvedený v tomto návode.

2.2 Informácie o možnom nebezpečenstve

⚠ NEBEZPEČIE

Označuje potenciálne alebo bezprostredne nebezpečnú situáciu, ktorá, ak sa jej nezabráni, spôsobí smrť alebo vážne zranenie.

⚠ VAROVANIE

Označuje potenciálne alebo bezprostredne nebezpečnú situáciu, ktorá, ak sa jej nezabráni, by mohla spôsobiť smrť alebo vážne zranenie.

⚠ UPOZORNENIE

Označuje potenciálne ohrozenie s možným ľahkým alebo stredne ťažkým poranením.

POZNAMKA

Označuje situáciu, ktorá, ak sa jej nezabráni, môže spôsobiť poškodenie prístroja. Informácie, ktoré vyžadujú zvýšenú pozornosť.

2.3 Výstražné nálepky

Preštudujte si všetky štítky a značky, ktoré sa na prístroji nachádzajú. Pri nedodržaní pokynov na nich hrozí poranenie osôb alebo poškodenie prístroja. Symbol na prístroji je vysvetlený v príručke s bezpečnostnými pokynmi.

	Tento symbol na prístroji upozorňuje na prevádzkovú alebo bezpečnostnú informáciu v príručke s pokynmi.
	Tento symbol označuje, že je hrozí riziko explózie.
	Tento symbol označuje, že hrozí riziko vzniku požiaru.
	Tento symbol označuje chemické nebezpečenstvo a znamená, že manipulovať s chemikáliami a vykonávať údržbu systémov dodávania chemických látok, ktoré sú súčasťou zariadenia, môžu jedine kvalifikované osoby vyškolené v oblasti práce s chemikáliami.
	Tento symbol indikuje, že je nevyhnutné nosiť ochranné prostriedky očí.
	Elektrické zariadenie označené týmto symbolom sa v rámci Európy nesmie likvidovať v systémoch likvidácie domového alebo verejného odpadu. Staré zariadenie alebo zariadenie na konci životnosti vráťte výrobcovi na bezplatnú likvidáciu.

2.4 Zhoda s normami a certifikácia

▲ UPOZORNENIE

Toto zariadenie nie je určené na používanie v obytnom prostredí a nemusí poskytovať dostatočnú ochranu rádiového príjmu v takýchto prostrediach.

Kanadská smernica týkajúca sa zariadení spôsobujúceho rádiové rušenie (Canadian Radio Interference-Causing Equipment Regulation), ICES-003, trieda A:

Príslušné protokoly zo skúšok sú uchovávané u výrobcu zariadenia.

Tento digitálny prístroj tTriedy A vyhovuje všetkým požiadavkám Kanadskej smernice týkajúcej sa o zariadeniach spôsobujúcich elektromagnetické rušenie o zariadeniach spôsobujúcich elektromagnetické rušenie zariadení spôsobujúcich rádiové rušenie.

Cet appareil numérique de classe A répond à toutes les exigences de la réglementation canadienne sur les équipements provoquant des interférences.

Obmedzenia podľa smernice FCC, časť 15, trieda „A“

Príslušné protokoly zo skúšok sú uchovávané u výrobcu zariadenia.

Toto zariadenie vyhovuje požiadavkám časti 15 smernice FCC.

Používanie zariadenia podlieha nasledujúcim podmienkam:

1. Zariadenie nesmie spôsobovať elektromagnetické rušenie.
2. Toto zariadenie musí byť schopné prijať akékoľvek rušenie, vrátane takého, ktoré môže spôsobiť neželanúidanú prevádzku.

V dôsledku zmien alebo úprav na tomto zariadení vykonaných bez výslovného schválenia organizáciou zodpovednou za posúdenie zhody môže používateľ stratiť oprávnenie prevádzkovať toto zariadenie. Skúškou bolo potvrdené, že toto zariadenie vyhovuje obmedzeniam pre digitálne zariadenia tTriedy A, podľa časti 15 smernice FCC. Tieto obmedzenia sú určené na zabezpečenie primeranej miery ochrany proti elektromagnetickému rušeniu pri prevádzke zariadenia v priemyselnom prostredí. Toto zariadenie vytvára, využíva a môže vyžarovať energiu v pásme rádiových frekvencií a v prípade, ak nie je nainštalované a používané v súlade s návodom na obsluhu, môže spôsobovať rušenie rádiovkej komunikácie. Pri používaní tohto zariadenia v obytnej zóne je vysoká pravdepodobnosť, že dôjde k takémuto rušeniu. V takom prípade

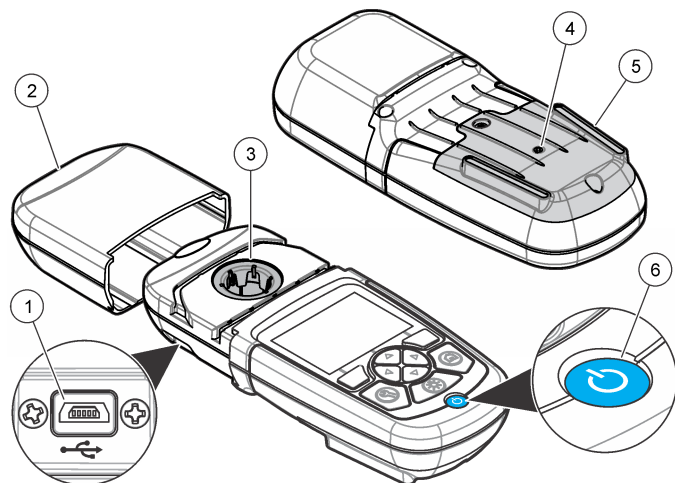
je používateľ zariadenia povinný obmedziť elektromagnetické rušenie na vlastné náklady. Pri odstraňovaní problémov s elektromagnetickým rušením možno použiť nasledujúce postupy:

1. Odpojte zariadenie od zdroja napájania a overte, či je skutočne zdrojom elektromagnetického rušenia.
2. Ak je zariadenie pripojené k tej istej zásuvke ako zariadenie zasiahnuté rušením, pripojte ho k inej zásuvke.
3. Presuňte zariadenie ďalej od zariadenia zasiahnutého rušením.
4. Zmeňte polohu prijímacej antény na zariadení zasiahnutom rušením.
5. Skúste kombináciu vyššie uvedených postupov.

2.5 Popis výrobku

DR 900 je prenosný kolorimeter so zdrojom svetla LED, ktorý meria pri vlnových dĺžkach 420, 520, 560 a 610 nm. Prístroj sa používa na meranie rôznych parametrov v pitnej vode, v odpadových vodách a pri priemyselných aplikáciách. Prístroj sa dodáva s kompletnou sadou uložených programov (vopred nainštalované metódy) a s možnosťou uloženia používateľských programov a voľby obľúbeného programu. Pozri [Obrázok 1](#).

Obrázok 1 Popis Prístroj

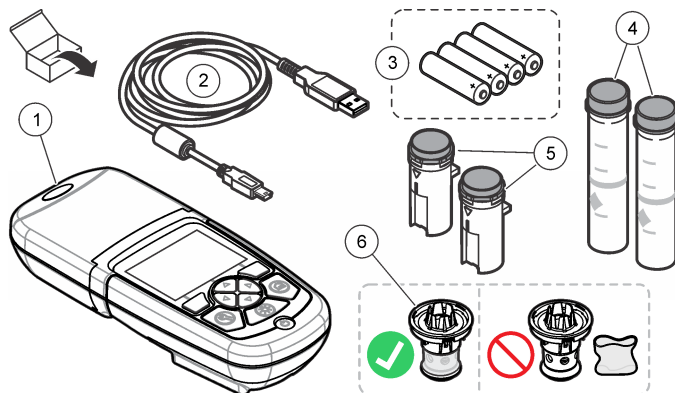


1 Port USB	4 Vetrací otvor
2 Veko prístroja	5 Priestor pre batérie
3 Priehradka na kyvetu	6 Vypínač

2.6 Súčasti produktu

Uistite sa, že vám boli doručené všetky súčasti. Pozrite časť [Obrázok 2](#). Ak by niektoré položky chýbali alebo by boli poškodené, okamžite kontaktujte dodávateľa prístroja alebo obchodného zástupcu.

Obrázok 2 Súčasti produktu



1 DR 900	4 Sklenená kyveta na vzorku, 1-palcová (25 mm) okrúhla, so značkami 10, 20, 25 ml (2 x)
2 Kábel USB s konektorom mini-USB	5 Kyveta na vzorku, 1 cm/10 m (2 x)
3 Alkalické batérie typu AA (4 x)	6 Adaptér pre kyvetu na vzorku

Odsek 3 Inštalácia

▲ VAROVANIE



Viacnásobné nebezpečenstvo. Úkony popísané v tejto časti návodu smú vykonávať iba kvalifikovaní pracovníci.

POZNAMKA

Zabezpečte, aby ste počas používania alebo skladovania nespôsobili zablokovanie ventilátora batérie prístroj.

3.1 Vkládanie batérií

⚠ V A R O V A N I E



Nebezpečenstvo výbuchu. Z nesprávne vložených batérií môžu unikáť výbušné plyny. Ubezpečte sa, že batérie sú rovnakého odporúčaného chemického typu a že sú správne orientované. Nepoužívajte nové batérie spolu so starými.

⚠ V A R O V A N I E



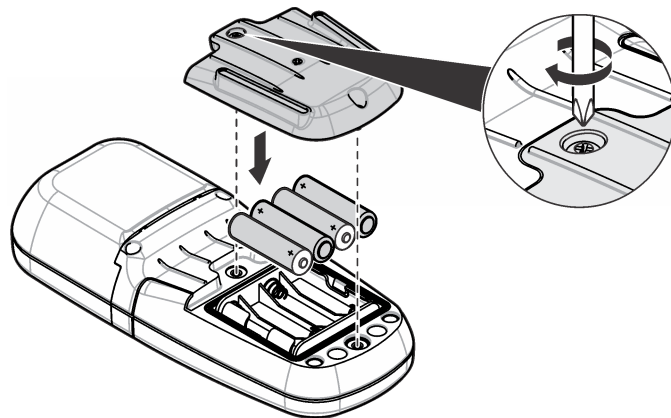
Nebezpečenstvo vzniku požiaru. Náhrada batérie nie je povolená. Používajte iba alkalické batérie.

P O Z N Á M K A

Utiahnite skrutky na 1 – 1,4 Nm (9 – 12 in. lb), aby tesnenie správne sedelo a aby sa zachoval stupeň krytia skrine.

prístroj sa napája štyrmi alkalickými batériami typu AA. Uistite sa o správnosti orientácie nainštalovaných batérií. Pozrite si [Obrázok 3](#) s postupom pri inštalácii batérií.

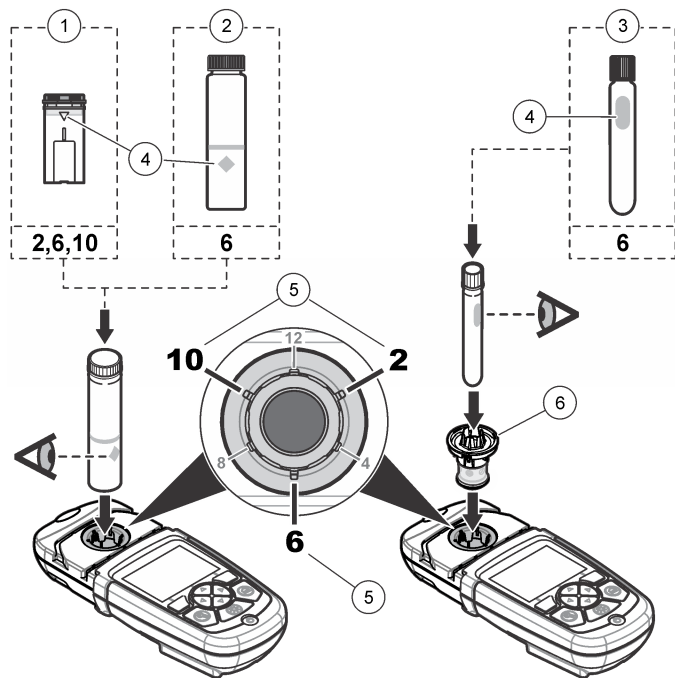
Obrázok 3 Vloženie batérií



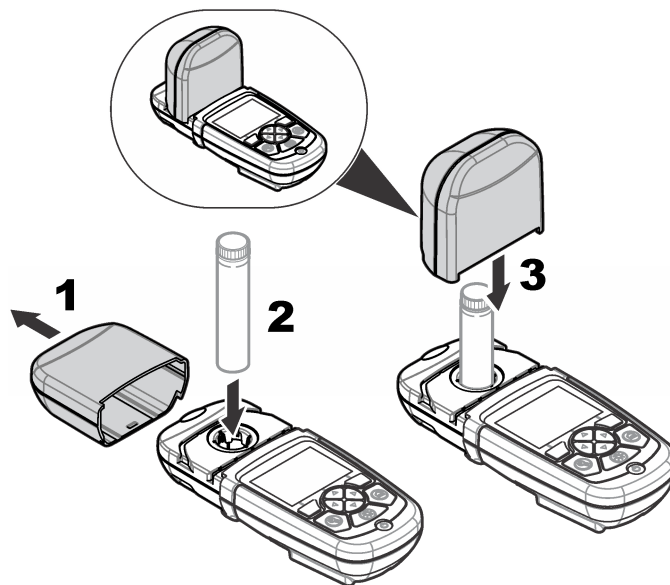
3.2 Inštalácia kyvety na vzorku a adaptéra kyvety

prístroj má k dispozícii jednu priehradku na kyvetu na vzorku, v ktorej možno použiť jeden adaptér pre rôzne druhy kyvety na vzorky. Uistite sa, že ste kyvetu na vzorku nainštalovali do správnej polohy a v zhodnej orientácii, dosiahnete tak výsledky s vyššou opakovateľnosťou a presnosťou. Pozri [Obrázok 4](#). Pred nastavením nuly alebo pred vykonaním merania zatvorte veko prístroja, aby ste predišli rušeniu svetlom. Pozri [Obrázok 5](#).

Obrázok 4 Orientácia kyvety na vzorku



Obrázok 5 Inštalácia kyvety na vzorku a veka prístroja



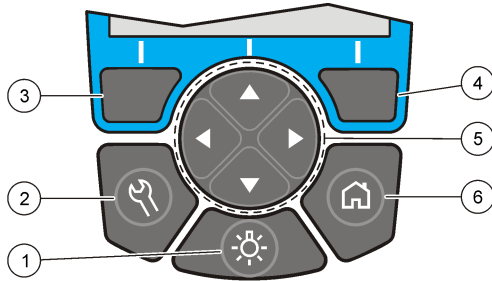
Odsek 4 Uživatelské rozhranie a navigácia

4.1 Opis klávesnice

Pozrite [Obrázok 6](#), kde nájdete opis klávesnice a informácie o navigácii.

1 1-cm/10-ml plastová kyveta na vzorku	4 Orientačná značka
2 1-palcová (25 mm) sklenená kyveta na vzorku	5 Orientačná poloha (v smere hodinových ručičiek)
3 16-mm sklenená testovacia vialka	6 Adaptér pre kyvetu na vzorku

Obrázok 6 Opis klávesnice

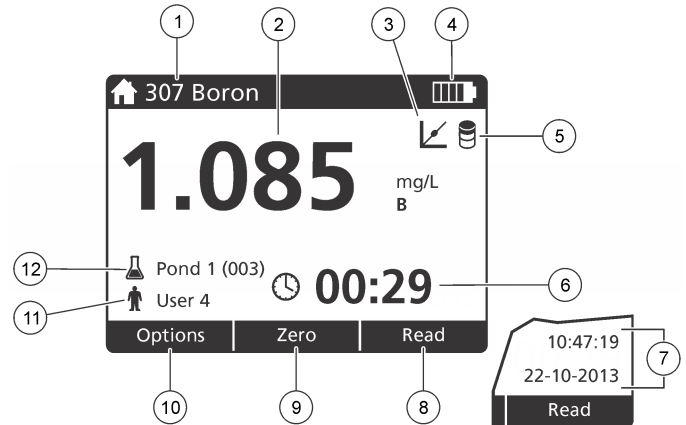


<p>1 OSVETLENIE POZADIA: nastavte zapnutie alebo vypnutie osvetlenia displeja</p>	<p>4 Kláves voľby VPRAVO (podľa kontextu): načítanie vzorky, voľby alebo potvrdenie možností, otvorenie rozšírených ponúk</p>
<p>2 NASTAVENIA: nastavenie možností¹</p>	<p>5 Navigačné klávesy HORE, DOLU, VPRAVO, VĽAVO: posun po ponukách, zadanie číslíc a písmen²</p>
<p>3 Kláves voľby VĽAVO (podľa kontextu): prístup k možnostiam, vymazania alebo výstup z aktuálnej ponuky na obrazovke a prechod k predchádzajúcej</p>	<p>6 DOMOVSKÁ STRÁNKA/Možnosti: prechod na hlavnú stránku načítania¹, voľba programu, riadenie údajov</p>

4.2 Opis displeja

Na obrazovke načítania je zobrazený zvolený režim, jednotka, dátum a čas, ID operátora a ID vzorky. Pozri [Obrázok 7](#).

Obrázok 7 Jednoduchá obrazovka displeja



<p>1 Názov a číslo programu</p>	<p>7 Čas a dátum</p>
<p>2 Hodnota načítania, jednotka, chemická forma, pod „---“ alebo nad „+++“ rozsahom merania</p>	<p>8 načítanie (podľa kontextu: Hotovo, voľba, štart, ok)</p>
<p>3 Ikona úpravy na štandard</p>	<p>9 nula (podľa kontextu: navigačný kláves so šípkou HORE)</p>
<p>4 Stav batérie</p>	<p>10 možnosti (podľa kontextu: späť, vymazať)</p>
<p>5 Ikona reagenčného blanku</p>	<p>11 Identifikácia operátora</p>
<p>6 Časomer</p>	<p>12 Identifikácia vzorky</p>

¹ Počas režimu úpravy tlačidlo nie je funkčné.

² Keď klávesy HORE alebo DOLU podržíte stlačené, posun bude rýchlejší. Stlačením klávesov VĽAVO alebo VPRAVO dosiahnete posun po stranách.

4.3 Navigácia

Prístroj má k dispozícii ponuku, pomocou ktorých možno zmeniť rôzne možnosti. Pomocou navigačných klávesov (šípky **HORE**, **DOLU**, **VPRAVO** a **VĽAVO**) zvýrazníte rôzne možnosti. Stlačením klávesu voľby **VPRAVO** zvolíte určitú možnosť. Zadáte hodnotu určitej možnosti navigačnými klávesmi. Stláčaním navigačných klávesov (šípky **HORE**, **DOLU**, **VPRAVO** a **VĽAVO**) zadajte alebo zmeňte hodnotu. Stlačením šípky **VPRAVO** prejdite dopredu na ďalšie miesto. Stlačte kláves voľby **VPRAVO** v rámci **Hotovo**, čím prijmete hodnotu. Stlačením klávesu voľby **VĽAVO** vystúpte z aktuálnej ponuky na obrazovke a prejdite na predchádzajúcu.

Odsek 5 Spustenie do prevádzky

5.1 Zapnutie alebo vypnutie prístroja

Stlačením klávesu **Vypínač** prístroj zapnete alebo vypnete. Ak sa prístroj nezapne, uistite sa o správnom vložení batérií.

5.2 Nastavenie jazyka

K dispozícii sú dve možnosti nastavenia jazyka:

- Jazyk nastavte pri prvom zapnutí prístroja.
- Jazyk nastavte pomocou ponuky Nastavenia.

1. Stlačte **Nastavenia>Nastavenie>Jazyk**.
2. Zvoľte jazyk zo zoznamu.

5.3 Nastavenie dátumu a času

Pri nastavení dátumu a času sú k dispozícii dve možnosti:

- Dátum a čas nastavte pri prvom zapnutí prístroja.
- Dátum a čas nastavte pomocou ponuky Dátum a čas.

1. Stlačte **Nastavenia>Nastavenie>Dátum a čas**.

2. Vyberte **Nastaviť formát dátumu a času**, potom zvolíte formát pre dátum a čas.
3. Vyberte **Nastaviť dátum a čas**.
4. Na zadanie aktuálneho dátumu a času použite navigačné klávesy, potom stlačte **OK**.

Odsek 6 Štandardná prevádzka

6.1 Zoznam programov

prístroj sa dodáva s kompletnou sériou aplikačných programov. Opis programov nájdete v [Tabuľka 1](#).

Tabuľka 1 Možnosti programu

Možnosť programu	Opis
Uložené programy	Uložené programy sú z výroby nainštalované, vopred naprogramované metódy. Pozri Voľba uloženého programu na strane 307.
Používateľské programy	Metódy sa dajú upraviť a možno ich uložiť ako používateľský program. ³ Pozri Používateľské programy na strane 310.
Obľúbené	Metódy, ktoré sa často používajú, možno uložiť do zoznamu obľúbených. ¹

6.1.1 Voľba uloženého programu

1. Stlačte **Domovská stránka>Možnosti>Všetky programy**.
2. Zvoľte aplikovateľnú metódu a stlačte **Štart**.
3. S cieľom zjednodušenia prístupu k zvolenej metóde ju pridajte k obľúbeným pomocou **Možnosti>Pridať k obľúbeným**.

6.1.2 Voľba možností základného programu

Po voľbe programu sú k dispozícii možnosti doplnkových parametrov.

³ Uložiť možno maximálne desať metód (používateľských programov a/alebo obľúbených položiek).

1. Stlačením **Možnosti** budete mať prístup k ponuke možností.
2. Zvoľte aplikovateľné možnosti.

Možnosť	Opis
Spustiť časovač	Zvoľte predvolený časomer alebo nastavte manuálny časomer, aby ste sa uistili, že kroky analýzy budú správne načasované (napr. dajú sa presne špecifikovať reakčné časy alebo doby čakania). Keď je časomer zapnutý, ma displeji sa zobrazí ikona časomeru. Po uplynutí nastaveného času prístroj vydá zvukové znamenie. Predvolený časomer — Zvoľte aplikovateľný predvolený časomer pre jeden alebo viac krokov uloženého postupu a stlačte Štart. Manuálny časomer — Pomocou navigačných klávesov zadajte aplikovateľný čas a stlačte Hotovo . Pôvodné nastavenie = 00:00
Obľúbené/Použív. prog	Zvoľte zo zoznamu uložených obľúbených položiek alebo používateľských programov. Viac informácií nájdete v časti Voľba obľúbeného alebo používateľského programu na strane 310.
Všetky programy	Zvoľte vopred naprogramovanú metódu zo zoznamu.
Údajový denník	Zobrazí všetky uložené načítania. Viac informácií nájdete v časti Protokol údajov na strane 310.
Pridať k obľúbeným	Uloží často používané metódy uložených programov a používateľských programov do zoznamu obľúbených. Pozri Pridať program k obľúbeným na strane 310.

Možnosť	Opis
%T/Abs/Konc	Prepína načítania na % transmittancie, absorbcanciu alebo koncentráciu. Načítanie transmittancie (%) — Načíta percentuálny podiel pôvodného svetla po prechode cez vzorku a po dosiahnutí detektora. Načítania absorbcancie — Svetlo pohltené vzorkou sa načíta v jednotkách absorbcancie. Načítania koncentrácie — Hodnoty nameranej absorbcancie sa pomocou rovnice uloženej pre konkrétny program prevedú na hodnoty koncentrácie.
Rozšírené možnosti	Rozšírené možnosti použite na špecifikáciu viacerých parametrov. Pozri Voľba možností rozšíreného programu na strane 308.
Uložiť	Manuálne uloží posledné načítanie, pokiaľ je možnosť automatického ukladania nastavená na Vypnuté.

6.1.3 Voľba možností rozšíreného programu

Každý program má k dispozícii rôzne možnosti rozšírenia, z ktorých si môžete vybrať.

1. Stlačte **Možnosti**, aby ste získali prístup k **Možnosti>Rozšírené možnosti**.
2. Rozšírené možnosti použite na špecifikáciu viacerých parametrov.

Možnosť	Opis
Automatické uloženie	Možnosť voľby Zapnuté alebo Vypnuté. Keď je táto možnosť nastavená na Zapnuté, každé načítanie sa uloží automaticky. Keď je táto možnosť nastavená na Vypnuté, načítanie sa dá uložiť manuálne.

Možnosť	Opis
Chemický vzorec	Voľba chemickej formy a priradeného rozsahu merania pre niektoré metódy nainštalované z výroby.
Reagenčný blank	Pri niektorých metódach nainštalovaných z výroby sa dá použiť korekcia reagenčného blanku. Zadajte výsledok ukončeného testu, pričom ako vzorku použijete deionizovanú vodu. Hodnota blanku sa odpočíta od každého výsledku, čím sa dosiahne korekcia zafarbenia pozadia spôsobeného reagentmi. Korekciu blanku zadajte pred použitím možnosti úpravy na štandard. Túto korekciu upravte pre každú novú šaržu činidiel.
Úprava štandardu	Zmení uloženú kalibráciu. Zanalyzujte štandard so zníženou koncentráciou v blízkosti hornej hranice meracieho rozsahu. Použite túto funkciu na úpravu výsledku na zosúladenie s koncentráciou štandardu.
Triedenie programov	Zvoľte abecedné alebo číselné poradie programov pre zoznam uložených programov.

6.2 Použitie ID operátora

Značka ID operátora pridruhuje merania k jednotlivému pracovníkovi obsluhy. Všetky uložené údaje budú obsahovať toto ID.

1. Na obrazovke načítaní stlačte **Nastavenia>ID operátora**.
2. Voľba, vytvorenie alebo vymazanie ID operátora:

Možnosť	Opis
Aktuálne ID	Zvoľte ID zo zoznamu. Aktuálne ID bude pridružené k údajom vzorky, kým sa nezvoľí iné ID.

Možnosť	Opis
Vytvoriť nové ID	Zadajte meno pre ID nového operátora. Maximálne možno zadať 10 názvov.
Vymazať ID	Vymaže existujúce ID operátora.

6.3 Použitie ID vzorky

Značka ID vzorky sa používa na priradenie meraní ku konkrétnej vzorke alebo k určitému umiestneniu. Ak je priradená, uložené údaje budú obsahovať toto ID.

1. Na obrazovke meraní stlačte **Nastavenia>ID vzorky**.
2. Voľba, vytvorenie alebo vymazanie ID operátora:

Možnosť	Opis
Aktuálne ID	Zvoľte ID zo zoznamu. Aktuálne ID bude pridružené k údajom vzorky, kým sa nezvoľí iné ID.
Vytvoriť nové ID	Zadajte názov nového ID vzorky. Maximálne možno zadať 10 názvov. Vzorky sú očíslované pre každé meranie postupne, kým sa nezvoľí iné ID (napr. Nádrž 1, Nádrž 2).
Vymazať ID	Vymaže existujúce ID vzorky.

6.4 Ako vykonať meranie

Na kompletizáciu merania treba vykonať základné kroky merania. Meranie sa skladá z niekoľkých krokov. Pri spustení konkrétneho testu si pozrite príslušný pracovný postup. Príklad, ktorý nasleduje, predstavuje základný postup merania.

1. Z ponuky programov si zvoľte program (napr. Uložené programy, Používateľské programy, Oblúbené).
2. Podľa potreby nainštalujte adaptér kyvety.
3. Stlačte **Štart** na spustenie programu.

4. Podľa pracovného postupu pripravte slepú vzorku, blank. Zatvorte kyvetu na vzorku a vyčistite optické plochy kyvety na vzorku utierkou, ktorá nezanecháva chlípky.
5. Kyvetu na vzorku s blankom vložte do priehradky na kyvetu. Uistite sa, že ste kyvetu na vzorku s blankom nainštalovali do správnej polohy a v zhodnej orientácii, dosiahnete tak výsledky s vyššou opakovateľnosťou a presnejšie. Pozri **Obrázok 4** na strane 305.
6. Zatvorte veko prístroja, aby sa predišlo svetelnej interferencii. Pozri **Obrázok 5** na strane 305.
7. Stlačte **Nula**. Na displeji sa zobrazí koncentrácia nuly (napr. mg/l, ABS, µg/l).
8. Pripravte vzorku. Pridajte reagenty podľa pracovného postupu.
9. Zvolením **Možnosti>Spustiť časovač** použijete časomery uložené v rámci programu.
10. Zatvorte kyvetu na vzorku a vyčistite optické plochy kyvety utierkou, ktorá nezanecháva chlípky
11. Vložte vzorku do priehradky na kyvetu. Uistite sa, že ste kyvetu na vzorku nainštalovali do správnej polohy a v zhodnej orientácii, dosiahnete tak výsledky s vyššou opakovateľnosťou a presnejšie. Pozri **Obrázok 4** na strane 305.
12. Zatvorte veko prístroja, aby sa predišlo svetelnej interferencii. Pozri **Obrázok 5** na strane 305.
13. Stlačte **Načítať**. Na displeji sa zobrazia výsledky v zvolených jednotkách.
Poznámka: Na displeji sa zobrazí „+++“ alebo „---“, ak je nameraná absorbanca menšia alebo väčšia ako rozsah kalibrácie testu.

6.5 Protokol údajov

Protokol údajov zobrazuje všetky uložené načítania. Stlačením **Domovská stránka>Možnosti>Údajový denník** sa zobrazia načítania. Pozrite si **Exportovanie protokolu údajov** na strane 313, kde nájdete informácie o exporte protokolu údajov.

Odsek 7 Rozšírená prevádzka

7.1 Voľba obľúbeného alebo používateľského programu

Pri prvom spustení prístroja je databáza obľúbených a používateľských programov prázdna. Určitú metódu môžete uložiť ako obľúbenú, aby ste si uľahčili prístup k nej. Pre špecifické potreby môžete naprogramovať používateľský program.

1. Stlačte **Domovská stránka>Možnosti>Obľúbené/Používateľské programy>Zvoliť**.
2. Stlačte **Nový program**, aby ste mohli pripraviť nový používateľský program. Pozri **Používateľské programy** na strane 310.

7.2 Pridať program k obľúbeným

Často používané metódy uložených programov a používateľských programov môžete uložiť do zoznamu obľúbených.

1. Zvoľte možnosť **Domovská stránka>Možnosti>Všetky programy**.
2. Zvoľte aplikovateľnú metódu a stlačte **Štart**.
3. S cieľom pridať zvolenú metódu k obľúbeným zvoľte **Možnosti>Pridať k obľúbeným**.

7.3 Používateľské programy

Databáza používateľských programov je pri prvom spustení prístroja prázdna. Pri príprave nových programov podľa svojich špecifických potrieb použijete **Nový program**. Pri príprave nového používateľského programu postupujte podľa nasledujúcich krokov.

1. Stlačte **Domovská stránka>Možnosti>Obľúbené/Používateľské programy>Zvoliť>Nový program**.
2. Zvoľte dostupné číslo programu z intervalu 1001 až 1010.
Poznámka: Môžete uložiť maximálne desať programov (používateľské programy a/alebo obľúbené).
3. Zadajte názov metódy (až 12 znakov).
4. Zvoľte vlnovú dĺžku: 420, 520, 560 alebo 610 nm.

5. Zvoľte jednotku: žiadna, µg/l, mg/l alebo g/l.
6. Zvoľte rozlíšenie: 0000, 000.0, 00.00 alebo 0.000.
7. Pridajte kalibračné body: minimálne 2 a maximálne 12 kalibračných bodov.⁴ Zvoľte Upraviť štandard 1 a zadajte hodnotu koncentrácie prvého štandardu. Stlačte **Hotovo**.
Poznámka: Pipnutie znamená, že koncentrácia je duplicitná a zhoduje sa s predtým zadanou hodnotou štandardu alebo je koncentrácia príliš vysoká pre zvolené rozlíšenie. Zadajte odlišnú hodnotu a pokračujte.
8. Zadajte hodnotu absorpcie:

Možnosť	Opis
Upraviť ABS manuálne	Pomocou navigačných klávesov zadajte manuálne hodnotu absorpcie.
Upraviť ABS automaticky	<ol style="list-style-type: none"> 1. Vložte blank do držača kvety a stlačte Nula. 2. Vložte pripravenú vzorku do držača kvety a stlačte Načítanie. 3. Stlačte Hotovo.

Poznámka: Pipnutie znamená, že absorpcia je duplicitná a zhoduje sa s predtým zadanou hodnotou štandardu alebo spadá medzi dva predchádzajúce štandardné vzorky. Zadajte odlišnú hodnotu a pokračujte.

9. Stlačte **Hotovo**.
10. Zvoľte Pridať kalibračný bod.
11. Zadajte ďalšie kalibračné body podľa opisu v krokoch 7-9.
12. Zvoľte **Uložiť používateľský program**.

7.3.1 Úprava používateľského programu

Pri úprave uloženého používateľského programu:

1. Zvoľte **Domovská stránka>Oblíbené/Používateľské programy**.
2. Zvoľte aplikovateľný program a stlačte **Možnosti**.

3. Stlačte **Upraviť**.
4. Pri postupe úpravy dodržiavajte pokyny na obrazovke.

7.3.2 Vymazanie používateľa alebo obľúbeného programu

Vymažte uloženého používateľa alebo obľúbený program, ak sa program už nepoužíva.

1. Zvoľte **Domovská stránka>Možnosti>Oblíbené/Použív. prog.**
2. Zvýraznite aplikovateľný program a stlačte **Možnosti>Vymazať** a postupujte podľa pokynov na obrazovke.

7.4 Informácie o prístroji

Ponuka informácií o prístroji zobrazuje konkrétne informácie, ako názov prístroja, sériové číslo, verziu softvéru, verziu databázy, kapacitu pamäti a dostupnosť programu. Stlačte **Nastavenia>Informácie o prístroji**.

7.5 Nastavenie hesla

Možnosti nastavenia hesla sa používajú na zabránenie prístupu k ponukám s obmedzeným prístupom.

⁴ Ak je známe, že krivka má byť lineárna, je nevyhnutné zadať iba údaje bodov pri dvoch koncentráciách (napr. štandard s nulovou absorpciou a iný známy štandard). Ďalšie kalibračné údaje použite na potvrdenie linearít alebo na definovanie nelineárnej krivky.

Poznámka: Ak špecifikované heslo zabudnete alebo je aktivovaná bezpečnostná funkcia, operátor nebude mať prístup k ponukám s obmedzeným prístupom. Ak ste zabudli heslo, kontaktujte technickú podporu.

1. Stlačte **Nastavenia>Nastavenie>Nastavenia hesiel**.
2. Zvoľte možnosť.

Možnosť	Opis
Nastavenia hesiel	Zvolením Zapnuté alebo Vypnuté aktivujete alebo vypnete ochranu pomocou hesla.
Chránené položky	Zobrazuje zoznam chránených položiek: úprava ID operátora, úprava ID vzorky, úprava používateľských programov, dátum a čas, rozšírenie firmvéru, rozšírenie metód, jazyk a úprava zoznamu obľúbených.

7.6 Nastavenie displeja a zvuku

Možnosti displeja použité na zmenu kontrastu displeja, na zmenu možností automatického vypnutia batérií alebo osvetlenia pozadia. Možnosti zvuku použité na nastavenie zvukového znamenia pri stlačení klávesu alebo pri ukončení načítania.

1. Stlačte **Nastavenia>Nastavenie>Displej a zvuk>Možnosti zobrazenia**.
2. Zvoľte možnosť.

Možnosť	Opis
Kontrast	Nastavenie kontrastu displeja. Najsvetlejšie nastavenie je 0 a najtmavšie 9. Pôvodné nastavenie: 5

Možnosť	Opis
Automatické vypnutie	Na dosiahnutie maximálneho predĺženia životnosti batérií nastavte dobu, po ktorej sa prístroj automaticky prestane napájať, pokiaľ nestlačíte žiadne tlačidlo (5, 10, 15, 20, 30 minút, 1 hodina, 2 hodiny alebo Zrušené). Pôvodné nastavenie: 10 minút
Osvetlenie pozadia	Osvetlenie pozadia displeja je aktívne, keď je stlačené OSVETLENIE POZADIA . Nastavte dobu, po ktorej sa osvetlenie pozadia automaticky vypne, pokiaľ nestlačíte žiadne tlačidlo (10, 20, 30 sekúnd, 1, 2, 5, 10 minút alebo Zrušené). Pôvodné nastavenie: 1 minúta

3. Stlačte **Nastavenia>Nastavenie>Displej a zvuk**.
4. Zvoľte možnosť.

Možnosť	Opis
Stlačenie klávesu	prístroj vydá zvukové znamenie pri každom stlačení klávesu. Pôvodné nastavenie: vypnuté
Ukončenie načítania	prístroj vydá zvukové znamenie pri každom ukončení načítania. Pôvodné nastavenie: zapnuté

7.7 Hlavná ponuka USB

Keď je prístroj pripojený pomocou kábla USB k počítaču, otvorí sa hlavná ponuka USB. Pomocou Hlavná ponuka USB aktualizujete softvér, exportujete alebo importujete programy alebo exportujete protokol údajov a protokol udalosti.

7.7.1 Aktualizácia firmvéru

Na internetovej stránke výrobcu vyhľadajte súbor s rozšírením firmvéru alebo kontaktujte dodávateľa prístroja. Súbor z internetovej stránky uložte do počítača.

1. Prístroj zapnite a kábel USB pripojte k prístroju a k počítaču.

Zobrazí sa dialógové okno hlavnej ponuky USB.

2. Zvoľte **Aktualizovať DR900**. Prístroj sa na počítači zobrazí ako zariadenie USB. Otvorte adresár.
3. Skopírujte súbor DR900.bin do otvoreného adresára.
4. Stlačte **Ok**.
5. Po ukončení aktualizácie stlačte **Ok**.
6. Zvoľte **Odpojiť pripojenie USB**, stlačte **Ok** a odpojte kábel USB.
7. Stlačte **Ok**.
8. Reštartujte prístroj.

7.7.2 Riadenie programov

Pomocou funkcie Správa programov možno exportovať a/alebo importovať používateľské programy a možno importovať nové programy od výrobcu.

1. Prístroj zapnite a kábel USB pripojte k prístroj a k počítaču. Zobrazí sa dialógové okno hlavnej ponuky USB.
2. Zvoľte **Správa programov** a zvoľte nejakú možnosť:

Možnosť	Opis
Export používateľských programov	Export všetkých používateľských programov na uloženie do počítača alebo presun používateľských programov do iného prístroja DR 900.
Import používateľských programov	Nahradí všetky používateľské programy používateľskými programami z iného prístroja DR 900 prostredníctvom počítača.
Import programov od výrobcu	Importuje nové programy od výrobcu z internetovej stránky výrobcu.

Prístroj sa na počítači zobrazí ako zariadenie USB. Otvorte adresár.

3. Skopírujte exportovaný súbor zo zariadenia do počítača alebo skopírujte importovaný súbor z počítača na zariadenie.

4. Stlačte **Ok**.
5. Po prenesení zvoľte **Odpojiť pripojenie USB** a odpojte kábel USB.
6. Stlačte **Ok**.

7.7.3 Exportovanie protokolu údajov

Protokol udalostí a protokol údajov sa dá exportovať do počítača. Protokol udalostí obsahuje dátum, čas, číslo udalosti, parameter a opis konfigurácie spojenej s príslušným úkonom. Merania vzorky sa ukladajú manuálne alebo automaticky do protokolu údajov. Pozri [Voľba možností rozšíreného programu](#) na strane 308.

1. Prístroj zapnite a kábel USB pripojte k prístroj a k počítaču. Zobrazí sa dialógové okno hlavnej ponuky USB.
2. Zvoľte **Exportovať údaj. denník**. Prístroj sa na počítači zobrazí ako zariadenie USB. Otvorte adresár.
3. Skopírujte a uložte exportované súbory (DR900_DataLog.csv a DR900_EventLog.csv) do počítača.
4. Stlačte **Ok**.
5. Po skopírovaní súborov do počítača zvoľte **Odpojiť pripojenie USB** a odpojte kábel USB.
6. Stlačte **Ok**.

Odsek 8 Údržba

▲ V AROVANIE






Viacnásobné nebezpečenstvo. Úkony popísané v tejto časti návodu smú vykonávať iba kvalifikovaní pracovníci.

8.1 Čistenie prístroja

Podľa potreby očistíte vonkajší povrch prístroja pomocou utierky navlhčenej v roztoku jemného saponátu a potom prístroj utrite dosucha.

8.2 Čistenie kyviet na vzorky

▲ UPOZORNENIE	
 	Nebezpečenstvo vystavenia chemikáliám. Dodržiavajte laboratórne bezpečnostné postupy a používajte všetky osobné ochranné pomôcky zodpovedajúce chemikáliám, s ktorými pracujete. Bezpečnostné protokoly nájdete v aktuálnych kartách bezpečnostných údajov (KBÚ).


▲ UPOZORNENIE	
	Nebezpečenstvo vystavenia chemikáliám. Likvidácia chemikálií a odpadu podľa miestnej, regionálnej a národnej legislatívy.


Väčšina laboratórných detergentov sa používa pri odporúčaných koncentráciách. Neutrálne detergenty, ako Liquinox, sú bezpečnejšie, pokiaľ sa vyžaduje pravidelné čistenie. S cieľom znížiť doby čistenia zvýšte teplotu alebo použite ultrazvukový kúpeľ. Na dokončenie čistenia opláchnite niekoľkokrát deionizovanou vodou a potom nechajte kyvetu na vzorky uschnúť na vzduchu. Kyvetu na vzorky sa môžu čistiť aj pomocou kyseliny, potom ich treba dôkladne opláchnuť deionizovanou vodou.

Poznámka: Kyselinu používajte vždy na čistenie kyviet na vzorky, ktoré boli použité pri analýzach kovov v nízkych koncentráciách.

Pri jednotlivých postupoch je nevyhnutné používať špeciálne metódy čistenia. Ak pri čistení kyviet na vzorky použijete kefkou, dávajte veľký pozor, aby ste nepoškriabali vnútorné povrchy kyviet na vzorky.

8.3 Výmena batérií

▲ VAROVANIE	
	Nebezpečenstvo výbuchu. Expirované batérie môžu spôsobiť hromadenie plyného vodíka vnútri prístroja. Vymeňte batérie pred ich expiráciou a prístroj s inštalovanými batériami dlhodobo neuskladňujte.

▲ VAROVANIE	
	Nebezpečenstvo vzniku požiaru. Náhrada batérie nie je povolená. Používajte iba alkalické batérie.

POZNÁMKA	
Utiahnite skrutky na 1 – 1,4 Nm (9 – 12 in. lb), aby tesnenie správne sedelo a aby sa zachoval stupeň krytia skrine.	

Informácie o výmene batérií nájdete v [Vkladaníe batérií](#) na strane 304.

Odsek 9 Riešenie problémov

Kód poruchy	Možná príčina	Riešenie
1	Prístroj nie je nakonfigurovaný.	Kontaktujte technickú podporu.
2	Nebolo možné načítať údaje programu	Kontaktujte technickú podporu.
3	Nebolo možné zapísať údaje programu	
4	Chyba batérií	Vymeňte batérie.
5	Chyba A/D počas merania	Kontaktujte technickú podporu.
6	Chyba odsadenia počas merania	Uistite sa, že je správne nainštalované veko prístroja.

Kód poruchy	Možná príčina	Riešenie
7	Chyba v dôsledku slabého svetla počas merania	<ul style="list-style-type: none"> • Uistite sa, že v dráhe svetla nie je žiadna prekážka. • Nula je mimo rozsahu prístroja • Kontaktujte technickú podporu.
8	Chyba presiahnutia rozsahu počas merania, možná prekážka v dráhe svetla alebo príliš vysoká koncentrácia	<ul style="list-style-type: none"> • Uistite sa, že v dráhe svetla nie je žiadna prekážka a že koncentrácia nie je príliš vysoká pre daný program. • Uistite sa, že je správne nainštalované veko prístroja. • Kontaktujte technickú podporu.

Odsek 10 Náhradné diely a príslušenstvo

⚠ VAROVANIE



Nebezpečenstvo poranenia osôb. Používanie neschválených častí môže spôsobiť poranenie osôb, poškodenie prístroja alebo poruchy zariadenia. Náhradné diely uvedené v tejto časti sú schválené výrobcom.

Poznámka: Čísla produktov a položiek sa môžu odlišovať v niektorých predajných oblastiach. Pre kontaktné informácie sa obráťte na príslušného distribútora alebo si pozrite webovú stránku spoločnosti.

Náhradné diely

Popis	Číslo položky
Zostava adaptéra, CHSK	4846400
Sada batérií, alkalické batérie typu AA (4 x)	1938004
Kyveta na vzorku s viečkom, 25 x 95 mm, 10-20-25 ml (6 x)	2401906
Kyveta na vzorku s viečkom, 1cm/10 ml (2 x)	4864302
Kábel USB	LZV818

Príslušenstvo

Popis	Číslo položky
Viečko na kyvetu na vzorku pre kyvetu 25 x 95 ml	2401812
Prepravné puzdro s pevnými stenami	4942500
Prepravné puzdro s mäkkými stenami a s popruhom	2722000
Prepravné puzdro, prenosné laboratórium	4943000
Štandardy absorbancie DR/Check™	2763900
Veko prístroja, DR 900	9390500

Vsebina

- 1 [Specifikacije](#) na strani 316
- 2 [Splošni podatki](#) na strani 316
- 3 [Namestitvev](#) na strani 319
- 4 [Uporabniški vmesnik in pomikanje](#) na strani 321
- 5 [Zagon](#) na strani 323
- 6 [Standardni postopki](#) na strani 323
- 7 [Napredni postopki](#) na strani 326
- 8 [Vzdrževanje](#) na strani 329
- 9 [Odpravljanje težav](#) na strani 330
- 10 [Nadomestni deli in dodatna oprema](#) na strani 331

Razdelek 1 Specifikacije

Pridržana pravica do spremembe tehničnih podatkov brez predhodnega obvestila.

Tehnični podatki	Podrobnosti
Način meritve	Prepustnost (%), Absorbanca (Abs) in Koncentracija (Konc)
Mere (Š × G × V)	23,6 x 8,7 x 4,7 cm (9,3 x 3,4 x 1,9 palca)
Zaščita ohišja	IP 67
Teža	0,6 kg
Zahteve za napajanje (notranje)	Alkalne baterije AA (4x)
Življenjska doba baterije	6 mesecev (tipično) pri 5 odčitkih na dan/5 dni na teden brez osvetlitve zaslona
Vmesnik	USB mini
Delovna temperatura	0 do 50 °C (32 do 122 °F), največ 90 % relativne vlažnosti brez kondenzacije

Tehnični podatki	Podrobnosti
Temperatura shranjevanja	−30 do 60 °C (−22 do 140 °F), največ 90 % relativne vlažnosti brez kondenzacije
Vir žarnice	Svetlobna dioda (LED)
Detektor	Silikonska fotodioda
Razpon valovne dolžine	420, 520, 560, 610 nm
Fotometrično merilno območje	0–2 Abs
Natančnost valovne dolžine	±1 nm
Fotometrična natančnost	±0.03 Abs
Fotometrična linearnost	±0,002 Abs (0–1 Abs)
Izbira valovne dolžine	Avtomatsko, glede na izbiro metode
Fotometrična ponovljivost	±0,002 Abs (0–1 Abs)
Odčitek podatkov	Grafični prikaz, 240 x 160 slikovnih pik (osvetljeno ozadje)
Kivete z vzorcem	16 mm, 1 cm/10 mL, 1-palčna (25 mm) okrogla
Razred zaščite	Razred III
Certifikati	Certifikat CE
Garancija	1 leto (EU: 2 let)

Razdelek 2 Splošni podatki

V nobenem primeru proizvajalec ne prevzema odgovornosti za neposredno, posredno, posebno, nezgodno ali posledično škodo, nastalo zaradi kakršnekoli napake ali izpusta v teh navodilih. Proizvajalec si pridržuje pravico do sprememb v navodilih in izdelku, ki

ga opisuje, brez vnaprejšnjega obvestila. Prenovljene različice najdete na proizvajalčevi spletni strani.

2.1 Varnostni napotki

Proizvajalec ne odgovarja za škodo, ki bi nastala kot posledica napačne aplikacije ali uporabe tega izdelka, kar med drugim zajema neposredno, naključno in posledično škodo, in zavrača odgovornost za vso škodo v največji meri, dovoljeni z zadevno zakonodajo. Uporabnik je v celoti odgovoren za prepoznavo tveganj, ki jih predstavljajo kritične aplikacije, in namestitvev ustreznih mehanizmov za zaščito procesov med potencialno okvaro opreme.

Še pred razpakiranjem, zagonom ali delovanjem te naprave v celoti preberite priložena navodila. Še posebej upoštevajte vse napotke o nevarnostih in varnostne napotke. V nasprotnem primeru obstaja nevarnost hudih poškodb uporabnika oz. škode na opremi.

Zaščita te opreme mora biti brezhibna. Uporabljajte in nameščajte jo izključno tako, kot je navedeno v tem priročniku.

2.2 Uporaba varnostnih informacij

▲ NEVARNOST

Označuje možno ali neposredno nevarno situacijo, ki lahko povzroči smrt ali hude poškodbe.

▲ OPOZORILO

Označuje možno ali neposredno nevarno situacijo, ki lahko privede do hude poškodbe ali povzroči smrt, če se ji ne izognete.

▲ PREVIDNO







Označuje možno nevarno situacijo, ki lahko povzroči manjše ali srednje težke poškodbe.

OPOMBA

Označuje situacijo, ki lahko, če se ji ne izognete, povzroči poškodbe instrumenta. Informacija, ki zahteva posebno pozornost.

2.3 Opozorilne oznake

Upoštevajte vse oznake in tablice, ki so nameščene na napravo. Neupoštevanje tega lahko privede do telesnih poškodb ali poškodb naprave. Simbol na napravi se nanaša na opozorilo, ki je navedeno v navodilih.

	Če je na napravi ta simbol, preberite podrobnosti o njem v navodilih za uporabo in/ali v razdelku za informacije o varnosti.
	Ta simbol opozarja, da obstaja nevarnost eksplozije.
	Ta simbol opozarja, da obstaja nevarnost požara.
	Ta simbol opozarja na tveganje kemičnih poškodb in označuje, da sme delo s kemikalijami ali vzdrževalna dela na sistemih za dovajanje kemikalij v povezavi s to opremo opravljati samo osebe, ki je ustrezno usposobljeno za delo s kemikalijami.
	Ta simbol opozarja, da je treba nositi zaščitna očala.
	Električne opreme, označene s tem simbolom, v EU ni dovoljeno odlagati v domačih ali javnih sistemih za odstranjevanje odpadkov. Staro ali izrabljeno opremo vrnite proizvajalcu, ki jo mora odstraniti brez stroškov za uporabnika.

2.4 Skladnost in potrdila

▲ PREVIDNO

Oprema ni namenjena za uporabo v stanovanjskem okolju in v takem okolju morda ne bo dovolj zaščitena pred radijskim sprejemom.

Pravilnik za opremo, ki povzroča motnje (Kanada), ICES-003, razred A:

Zapiske o opravljenih preizkusih hrani proizvajalec.

Digitalna naprava razreda A izpolnjuje vse zahteve kanadskega pravilnika glede opreme, ki povzroča motnje.

Cet appareil numérique de classe A répond à toutes les exigences de la réglementation canadienne sur les équipements provoquant des interférences.

FCC del 15, omejitve razreda "A"

Zapiske o opravljenih preizkusih hrani proizvajalec. Ta naprava je skladna s 15. delom pravil FCC. Delovanje mora ustrezati naslednjima pogojeva:

1. Oprema lahko ne sme povzročati škodljivih motenj.
2. Oprema mora sprejeti katerokoli sprejeto motnjo, vključno z motnjo, ki jo lahko povzroči neželeno delovanje.

Spremembe ali prilagoditve opreme, ki jih izrecno ne odobri oseba, odgovorna za zagotavljanje skladnosti, lahko razveljavijo uporabnikovo pravico do uporabe te naprave. Oprema je bila preizkušena in je preverjeno skladna z omejitvami za digitalne naprave razreda A glede na 15. del pravil FCC. Te omejitve omogočajo zaščito pred škodljivim sevanjem, ko se naprava uporablja v komercialnem okolju. Ta oprema ustvarja, uporablja in lahko oddaja radiofrekvenčno energijo. Če ni nameščena ali uporabljena v skladu s priročnikom z navodili, lahko povzroča škodljive motnje pri radijski komunikaciji. Uporaba te opreme v bivalnem okolju verjetno povzroča škodljive motnje, zato mora uporabnik motnje na lastne stroške odpraviti. Za zmanjšanje težav z motnjami lahko uporabite naslednje tehnike:

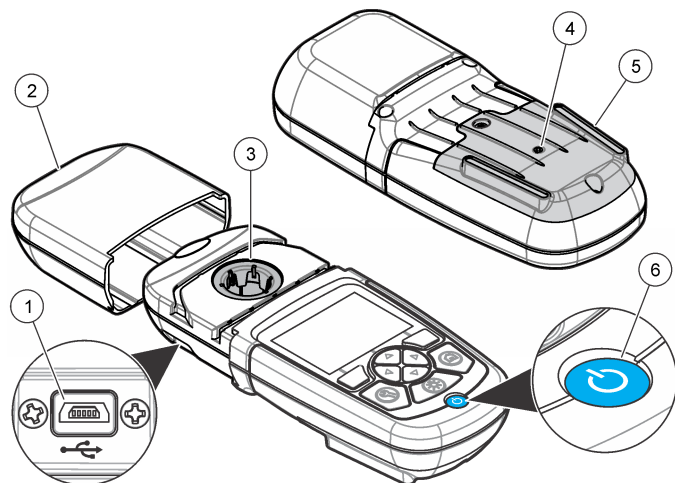
1. Odklopite opremo iz vira napajanja, da preverite, ali je to vzrok motnje.

2. Če je oprema priključena na enako vtičnico kot naprava z motnjami, jo priključite na drugo vtičnico.
3. Opremo umaknite stran od opreme, ki dobiva motnje.
4. Prestavite anteno naprave, ki prejema motnje.
5. Poskusite kombinacijo zgornjih možnosti.

2.5 Pregled izdelka

DR 900 je prenosen kolorimeter z LED virom, ki meri valovne dolžine 420, 520, 560 in 610 nm. Instrument se uporablja za merjenje različnih parametrov v pitni vodi, odpadni vodi in za industrijsko rabo. Instrument je opremljen s celotnim kompletom shranjenih programov (vnaprej nameščene metode) ter možnostjo shranjevanja uporabniških programov in izbiri priljubljenega programa. Glejte [Slika 1](#).

Slika 1 Instrument

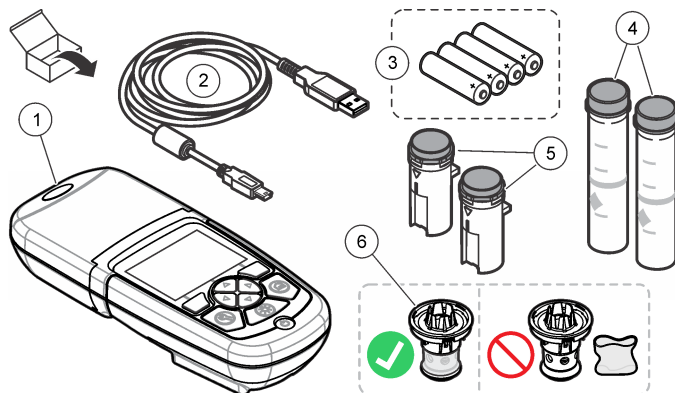


1 Vrata USB	4 Odprtina
2 Pokrovček instrumenta	5 Predal za baterije
3 Vložišče kivet	6 Tipka za vklop/izklop

2.6 Sestavni deli izdelka

Preverite, ali ste prejeli vse sestavne dele. Glejte [Slika 2](#). Če posamezni deli manjkajo ali so poškodovani, se takoj obrnite na dobavitelja instrumenta ali prodajnega predstavnika.

Slika 2 Sestavni deli izdelka



1 DR 900	4 Staklena kiveta za vzorec, 1-palčna (25 mm) okrogla, 10, 20, 25-mL oznake (2x)
2 USB-kabel s priključkom mini-USB	5 Kiveta za vzorec, 1 cm/10 mL (2x)
3 Alkalne baterije AA (4 x)	6 Adapter kivete z vzorcem

Razdelek 3 Namestitvev

⚠ OPOZORILO



Različne nevarnosti Opravila, opisane v tem delu dokumenta, lahko izvajajo samo usposobljeno osebje.

OPOMBA

Pazite, da med uporabo ali shranjevanjem ne prekrijete zračnikov za hlajenje baterije instrument.

3.1 Namestite baterije

⚠ OPOZORILO



Nevarnost eksplozije. Nepravilno vstavljanje baterij lahko povzroči sproščanje eksplozivnih plinov. Preverite, da ste vzeli baterije enake odobrene kemijske vrste ter da so pravilno vstavljene. Ne mešajte novih in uporabljenih baterij.

⚠ OPOZORILO



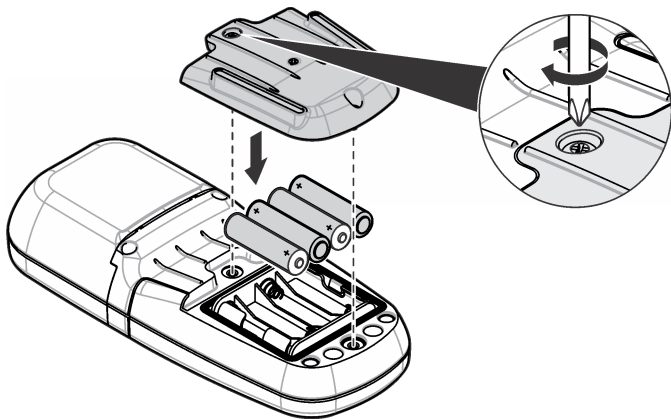
Nevarnost požara. Nadomeščanje baterij ni dovoljeno. Uporabljajte samo alkalne baterije.

OPOMBA

Za zadostno zatesnitev, ki zagotavlja ustrezno zaščito pred okoljskimi vplivi, morajo biti vijaki zategnjeni z 1–1,4 N·m (9–12 in ·lb).

instrument napajajo štiri alkalne baterije AA. Zagotovite, da so baterije pravilno usmerjene. Za namestitev baterij glejte [Slika 3](#).

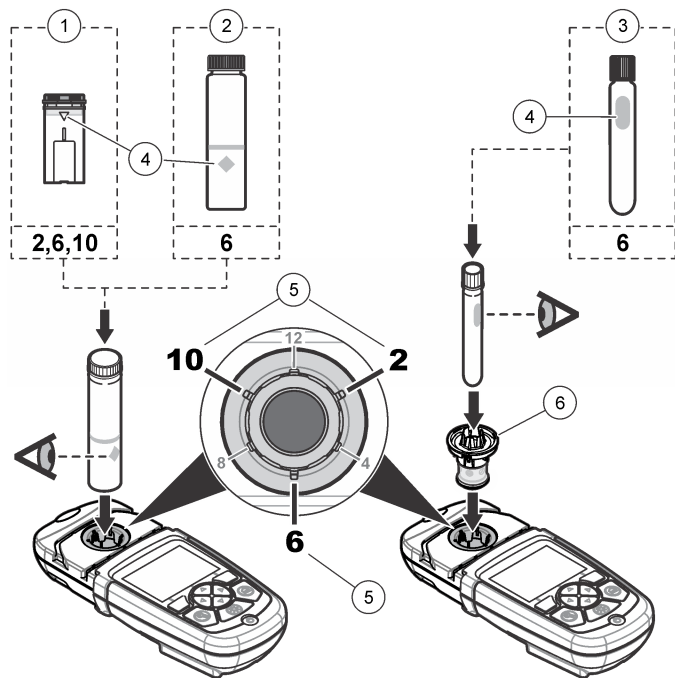
Slika 3 Namestitev baterij



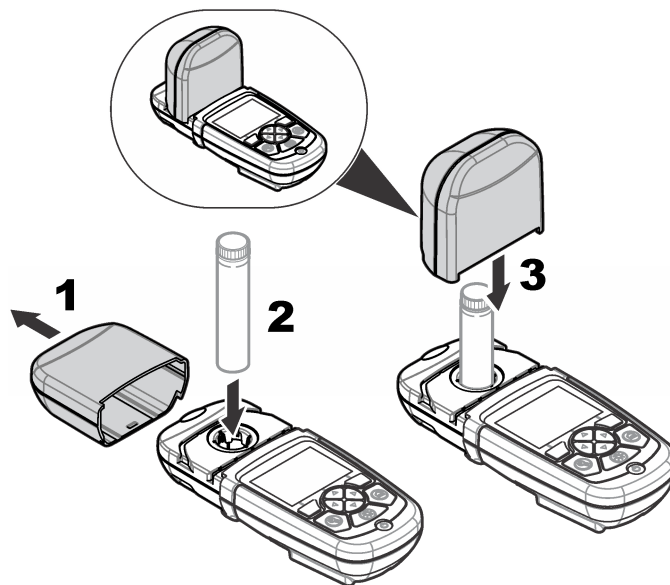
3.2 Vstavite kiveto z vzorcem in njen adapter

instrument ima vložišče za eno kiveto, ki lahko uporablja en adapter za različne vrste kivet z vzorcem. Prepričajte se, da ste kiveto z vzorcem namestili tako, da je pravilno in dosledno usmerjena, s čimer poskrbite za lažje ponovljive in bolj točne rezultate. Glejte [Slika 4](#). Preden instrument nastavite na nič ali izvedete meritev, zaprite pokrovček instrumenta, da preprečite vdor svetlobe. Glejte [Slika 5](#).

Slika 4 Usmeritev kivete z vzorcem



Slika 5 Namestitev kivete z vzorcem in pokrovčka instrumenta



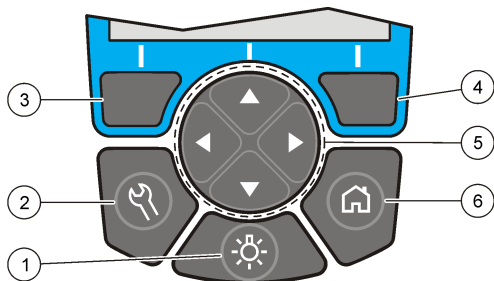
Razdelek 4 Uporabniški vmesnik in pomikanje

4.1 Opis tipkovnice

Glejte [Slika 6](#) za opis tipkovnice in podatke o navigaciji.

1 1-cm/10-mL plastična kiveta za vzorec	4 Oznaka za usmeritev
2 1-palčna (25 mm) steklena kiveta za vzorec	5 Položaj usmeritve (v smeri urinega kazalca)
3 16-mm steklena testna kiveta	6 Adapter kivete z vzorcem

Slika 6 Opis tipkovnice

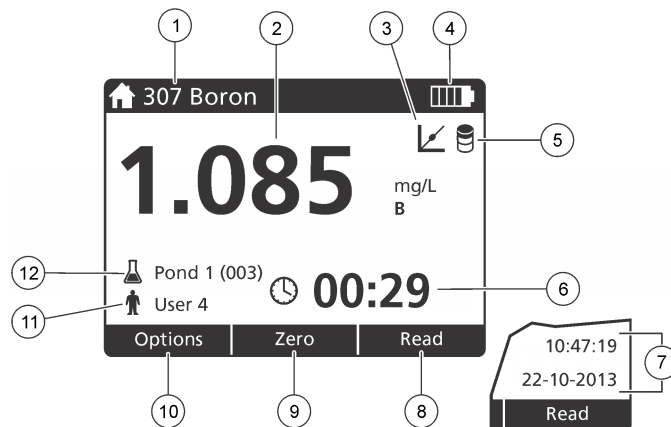


<p>1 OSVETLITEV ZASLONA: vklopite ali izklopite osvetlitev zaslona</p>	<p>4 DESNA tipka za izbiro (v skladu s kontekstom): branje vzorca, izbere ali potrdi možnosti, odpre podmenije</p>
<p>2 NASTAVITVE: možnosti nastavitve¹</p>	<p>5 Navigacijske tipke GOR, DOL, DESNO, LEVO: pomikanje po menijih, vnos števil in črk²</p>
<p>3 LEVA tipka za izbiro (v skladu s kontekstom): dostop do možnosti, prekliče ali zapusti trenutni zaslav z menjem in preklopi na prejšnjega</p>	<p>6 DOMOV/Možnosti: pojdi na glavni zaslav za branje¹, izberi program, upravljanje podatkov</p>

4.2 Opis zaslona

Zaslav za branje prikazuje izbrani način, enoto, datum in čas, ID operaterja in vzorčni ID. Glejte [Slika 7](#).

Slika 7 Prikaz enojnega zaslona



<p>1 Ime in številka programa</p>	<p>7 Čas in datum</p>
<p>2 Vrednost meritve, enota, kemijska oblika, odstopanje od merilnega razpona ("---" za prenizke ali "+++" za previsoke vrednosti).</p>	<p>8 Branje (v skladu s kontekstom: končano, izberi, začni, v redu)</p>
<p>3 Standardna ikona za prilagoditev</p>	<p>9 Nič (v skladu s kontekstom: puščica za GOR navigacijske tipke)</p>
<p>4 Stanje baterije</p>	<p>10 Možnosti (v skladu s kontekstom: nazaj, prekliči)</p>
<p>5 Ikona za praznost reagenta</p>	<p>11 Identifikacija upravljavca</p>
<p>6 Štoparica</p>	<p>12 Identifikacija vzorca</p>

¹ V načinu za urejanje ta tipka ne deluje.

² Če držite tipko za GOR ali DOL, je pomikanje hitro. Če pritisnete tipko LEVO ali DESNO, se pomika s strani na stran.

4.3 Navigacija

Instrument vsebuje menije za spreminjanje različnih možnosti. Z navigacijskimi tipkami (puščice **GOR**, **DOL**, **DESNO** in **LEVO**) označite različne možnosti. Pritisnite **DESNO** tipko za izbiro, da izberete posamezno možnost. Z navigacijskimi tipkami vnesite vrednost možnosti. Pritisnite navigacijske tipke (puščice **GOR**, **DOL**, **DESNO** in **LEVO**) za vnos ali spremembo vrednosti. Pritisnite puščico **DESNO** za premik na naslednji prostor. Pritisnite tipko za izbiro **DESNO** pod **Končano**, da sprejmete to vrednost. Pritisnite tipko za izbiro **LEVO** za izhod iz trenutnega zaslonskega menija in preklon na prejšnjega.

Razdelek 5 Zagon

5.1 Instrument vklopite ali izklopite

Pritisnite tipko **VKLOP/IZKLOP**, da instrument vklopite ali izklopite. Če se instrument ne vklopi, se prepričajte, da so baterije pravilno vstavljene.

5.2 Nastavite jezik

Za nastavev jezika sta na voljo dve možnosti:

- Jezik prikaza nastavite, ko se instrument prvič vklopi.
- Jezik nastavite v meniju **NASTAVITVE**.

1. Pritisnite **NASTAVITVE>Namestitev>Jezik**.
2. Izberite jezik s seznama.

5.3 Nastavite datum in čas

Za nastavev datuma in časa sta na voljo dve možnosti:

- Datum in čas nastavite, ko se instrument prvič vklopi.
- Datum in čas nastavite v meniju **Date & Time (Datum & čas)**.

1. Pritisnite **NASTAVITVE>Namestitev>Datum & čas**.

2. Izberite **Set Date & Time Format** (Nastavitev oblike datuma in ure), nato izberite želeno obliko zapisa za datum in uro.
3. Izberite **Set Date & Time** (Nastavitev datuma in časa).
4. Z navigacijskimi tipkami vnesite trenutna datum in uro, nato pritisnite tipko **V redu**.

Razdelek 6 Standardni postopki

6.1 Seznam programov

Instrument vključuje celotno serijo programov za uporabo. Za opise programov glejte [Tabela 1](#).

Tabela 1 Možnosti programa

Možnost programa	Opis
Shranjeni programi	Shranjeni programi so tovarniško nameščene, vnaprej programirane metode. Glejte Izberite shranjeni program na strani 323.
Uporabniški programi	Metode lahko razvijete in shranite kot uporabniški program. ³ Glejte Uporabniški programi na strani 326.
Priljubljene	Pogosto uporabljane metode lahko shranite na seznam priljubljenih. ¹

6.1.1 Izberite shranjeni program

1. Pritisnite **DOMOV>Možnosti>Vsi programi**.
2. Izberite ustrezno metodo in pritisnite **Začetek**.
3. Izberite **Možnosti>Dodaj priljubljenim**, da izbrano metodo dodate med priljubljene za hitrejši dostop.

6.1.2 Izberite osnovne možnosti programa

Ko je program izbran, so na voljo dodatne možnosti parametrov.

³ Shranite lahko največ deset metod (uporabniški programi in/ali priljubljene).

1. Pritisnite **Možnosti** za dostop do menija z možnostmi.
2. Izberite ustrezne možnosti.

Možnost	Opis
Zagon časovnika	Izberite prednastavljeni časovnik ali nastavite ročni časovnik, s čimer zagotovite, da bo čas korakov analize pravilno izmerjen (npr. lahko natančno določite reakcijske ali čakalne čase). Ko je časovnik vklopljen, je na zaslonu prikazana ikona časovnika. Ko čas poteče, se iz instrument zasliši zvok. Prednastavljeni časovnik —Izberite ustrezen prednastavljeni časovnik za enega ali več shranjenih korakov postopka in pritisnite Začetek . Časovnik ročno —Vnesite ustrezen čas z navigacijskimi tipkami in pritisnite Končano . Privzeto = 00:00
Priljub./Upor. programi	Izberite med shranjenimi priljubljenimi ali s seznama uporabniških programov. Za več informacij glejte Uporabite priljubljene ali uporabniški program na strani 326.
Vsi programi	Na seznamu izberite predprogramirano metodo.
Podatkovni dnevnik	Prikaži vse shranjene odčitke. Za več informacij glejte Podatkovni dnevnik na strani 326.
Dodaj priljubljenim	Shranjene programe in metode uporabniških programov, ki se pogosto uporabljajo, shranite na seznam priljubljenih. Glejte Program dodajte med priljubljene na strani 326.

Možnost	Opis
%/Abs/Konc	Preklopite na odčitke % prepustnosti, absorbance ali koncentracije. Odčitek prepustnosti (%) —Odčitna odstotek originalne svetlobe, ki gre skozi vzorec in doseže detektor. Odčitek absorbance —Svetloba, ki jo vpije vzorec, je odčitana v enotah absorbance. Odčitek koncentracije —Izmerjene vrednosti absorbance se pretvorijo v vrednosti koncentracije s shranjeno enačbo za posamezen program.
Napredne možnosti	Za specificiranje več parametrov izberite napredne možnosti. Glejte Izberite napredne možnosti programa na strani 324.
Shrani	Ročno shranite zadnji odčitek, ko je možnost avtomatskega shranjevanja izklopljena.

6.1.3 Izberite napredne možnosti programa

Pri vsakem programu lahko izbirate med različnimi dodatnimi naprednimi možnostmi.

1. Pritisnite **Možnosti** za dostop do **Možnosti>Napredne možnosti**
2. Za specificiranje več parametrov izberite napredne možnosti.

Možnost	Opis
Avtomatsko shranjevanje	Preklaplajte med vklopom in izklopom. Vsak odčitek se avtomatsko shrani, ko je možnost vklopljena. Ko je možnost izklopljena, odčitek lahko shranite ročno.
Kemijska oblika	Izberite alternativno kemijsko obliko in s tem povezan obseg merjenja pri nekaterih tovarniško-nameščenih metodah.

Možnost	Opis
Prazen reagent	Popravek Prazen reagent lahko uporabite pri nekaterih tovarniško-nameščenih metodah. Vnesite rezultat opravljenega testa, kjer je kot vzorec uporabljena deionizirana voda. Prazna vrednost se odšteje od vsakega rezultata, s čimer se popravi barva ozadja zaradi reagentov. Vnesite popravek s prazno vrednostjo še preden uporabite možnost Korekcije s standardom. Ta popravek izvedite za vsak nov set testnih reagentov.
Korekcija s standardom	Spremenite shranjeno kalibracijo. Test izvedite na znanem standardu s koncentracijo blizu vrha testnega območja. S to funkcijo prilagodite rezultati in poravnajte standardno koncentracijo.
Razvrsti program	Izberite abecedni ali numerični vrstni red programov za seznam shranjenih programov.

6.2 Uporabite ID upravljalca

Oznaka ID upravljalca povezuje odčitke s posameznim upravljalcem. Vsi shranjeni podatki bodo vsebovali ta ID.

1. Pritisnite **NASTAVITVE>ID operaterja** na zaslonu za branje.
2. Izberite, ustvarite ali izbrišite ID upravljalca:

Možnost	Opis
Trenutni ID	Izberite ID s seznama. Trenutni ID bo povezan s podatki vzorca, dokler ne izberete drugega ID-ja.
Ustvari nov ID	Vnesite ime za nov ID upravljalca. Vnesete lahko največ 10 imen.
Izbriši ID	Izbrišite obstoječi ID upravljalca.

6.3 Uporaba ID vzorca

Oznaka ID vzorca se uporablja za povezavo odčitka s posameznim vzorcem ali z lokacijo. Če je ID dodeljen, se bo poleg podatkov shranil tudi ID.

1. Pritisnite **NASTAVITVE>Vzorčna ID** na zaslonu za branje.
2. Izberite, ustvarite ali izbrišite ID upravljalca:

Možnost	Opis
Trenutni ID	Izberite ID s seznama. Trenutni ID bo povezan s podatki vzorca, dokler ne izberete drugega ID-ja.
Ustvari nov ID	Vnesite ime za nov ID vzorca. Vnesete lahko največ 10 imen. Vzorci so oštevilčeni v zaporedju za vsako meritev, dokler ne izberete drugega ID-ja (npr., Pond 1, Pond 2).
Izbriši ID	Izbrišite obstoječi ID vzorca.

6.4 Kako izvesti meritev

Meritev izvedite po osnovnih korakih za meritev. Vsaka metoda je opisana korak za korakom. Za izvedbo specifičnega testa glejte ustrezno metodo. V nadaljevanju podani primer je osnovni postopek za izvedbo meritve.

1. Iz menija programov izberite ustrezn program (npr. Shranjeni programi, Uporabniški programi, Priljubljene).
2. Po potrebi namestite celični adapter.
3. Za začetek programa pritisnite tipko **Start**.
4. V skladu z dokumentom metode pripravite prazno kiveto. Zaprite kiveto z vzorcem in optične strani kivete z vzorcem očistite s krpo, ki ne pušča nitk.
5. Prazno kiveto z vzorcem vstavite v vložišče kivet. Prepričajte se, da ste prazno kiveto z vzorcem namestili tako, da je pravilno in dosledno usmerjena, s čimer poskrbite za lažje ponovljive in bolj točne rezultate. Glejte [Slika 4](#) na strani 321.

6. Zaprite pokrovček instrumenta, da preprečite vstop svetlobe. Glejte [Slika 5](#) na strani 321.
7. Pritisnite **Nič**. Na zaslonu je prikazana koncentracija za nič (npr., mg/L, ABS, µg/L).
8. Pripravite vzorec. Dodajte reagente, tako kot je to specificirano v dokumentu metode.
9. Izberite **Možnosti>Zagon časovnika**, da uporabite v programu shranjene časovnike.
10. Zaprite kiveto z vzorcem in optične površine celice očistite s krpo, ki ne pušča nitk.
11. Vzorec vstavite v vložišče kiveta. Prepričajte se, da ste kiveto z vzorcem namestili tako, da je pravilno in dosledno usmerjena, s čimer poskrbite za lažje ponovljive in bolj točne rezultate. Glejte [Slika 4](#) na strani 321.
12. Zaprite pokrovček instrumenta, da preprečite vstop svetlobe. Glejte [Slika 5](#) na strani 321.
13. Pritisnite **Branje**. Na prikazu so rezultati v izbranih enotah.
Napotek: Če je izmerjena absorbanca pod ali nad umerjenim razponom testa, se na zaslonu pojavi oznaka "----" oziroma "+++".

6.5 Podatkovni dnevnik

Podatkovni dnevnik prikazuje vse shranjene odčitke. Pritisnite **DOMOV>Možnosti>Podatkovni dnevnik** za ogled odčitkov. Za informacije o izvozu podatkovnega dnevnika glejte [Izvozite podatkovni dnevnik](#) na strani 329

Razdelek 7 Napredni postopki

7.1 Uporabite priljubljeni ali uporabniški program

Ko instrument prvič zaženete, je podatkovna zbirka priljubljenih in uporabniških programov prazna. Za hitrejši dostop metodo lahko shranite med priljubljene. Uporabniški program lahko programirate za specifične potrebe.

1. Pritisnite **DOMOV > Možnosti > Priljub./Upor. programi > Izberi**.
2. Pritisnite **Novi programi**, da ustvarite nov uporabniški program. Glejte [Uporabniški programi](#) na strani 326.

7.2 Program dodajte med priljubljene

Shranjeni programi in metode uporabniških programov, ki se pogosto uporabljajo, lahko shranite na seznam priljubljenih.

1. Izberite **DOMOV > Možnosti > Vsi programi**.
2. Izberite ustrezno metodo in pritisnite **Začetek**.
3. Če želite dodati izbrano metodo med priljubljene za hitrejši dostop izberite **Možnosti > Dodaj priljubljenim**.

7.3 Uporabniški programi

Ko instrument prvič zaženete, je podatkovna zbirka uporabniških programov prazna. Uporabite **Nov program** za ustvarjanje novih programov za specifične potrebe. Za nov uporabniški program sledite spodnjim korakom.

1. Pritisnite **DOMOV > Možnosti > Priljub./Upor. programi > Izberi > Nov program**
2. Izberite številko programa, ki je na voljo, med 1001 in 1010.
Napotek: Shranite lahko največ deset programov (uporabniški programi in/ali priljubljene).
3. Vnesite ime metode (največ 12 znakov).

4. Izberite valovno dolžino: 420, 520, 560 ali 610 nm.
5. Izberite enoto: brez, µg/L, mg/L ali g/L.
6. Izberite ločljivost: 0000, 000,0, 00,00 ali 0,000.
7. Dodajte točke kalibracije: najmanj 2 in največ 12 točk kalibracije.⁴ Izberite Uredi Std 1 in vnesite prvo standardno vrednost koncentracije. Pritisnite **Končano**.
Napotek: Pisk pomeni, da je koncentracija podvojitvev prej vnesenega standarda ali pa da je koncentracija previsoka za izbrano ločljivost. Vnesite drugo vrednost in nadaljujte.
8. Vnesite vrednost absorbance:

Možnost	Opis
Ročno uredi ABS	Z navigacijskimi tipkami ročno vnesite vrednost absorbance.
Avtomatsko uredi ABS	<ol style="list-style-type: none"> 1. Prazno vstavite v držalo kive in pritisnite Nič. 2. Pripravljeni vzorec vstavite v držalo kive in pritisnite Branje. 3. Pritisnite Končano.

Napotek: Pisk pomeni, da je absorbanca podvojitvev predhodno vnesenega standarda, ali pa pade med dva prejšnja standarda. Vnesite drugo vrednost in nadaljujte.

9. Pritisnite **Končano**.
10. Izberite Dodaj točko kal.
11. Vnesite dodatno točko kal., kot je opisano v korakih 7–9.
12. Izberite **Shrani uporabniški program**.

7.3.1 Uredite uporabniški program

Če želite urediti uporabniški program:

1. Izberite **DOMOV>Priljub./Upor. programi**.

2. Izberite ustrezní program in pritisnite **Možnosti**.
3. Pritisnite **Uredi**.
4. Upoštevajte navodila na zaslonu za urejanje postopka.

7.3.2 Brisanje uporabniškega ali priljubljenega programa

Če shranjenega uporabniškega ali priljubljenega programa ne uporabljate več, ga lahko izbrišete.

1. Izberite **DOMOV>Možnosti>Priljub./Upor. programi**.
2. Označite ustrezní program in pritisnite **Možnosti>Izbriši** ter sledite pozivom na zaslonu.

7.4 Podatki o instrumentu

Meni s podatki o instrumentu prikazuje specifične informacije, kot je ime instrumenta, njegova serijska številka, različica programske opreme, različica podatkovne zbirke, uporabljen pomnilnik in razpoložljivost programa. Pritisnite **NASTAVITVE>Informacije o napravi**.

7.5 Nastavite geslo

Za preprečitev dostopa do omejenih menijev se uporabljajo možnosti nastavitvev gesla.

⁴ Če je krivulja linearna, sta potrebni samo dve podatkovni točki koncentracije (npr. standardna z ničelno absorbanco in drug znan standard). Za potrditev linearosti ali določitev nelinearne krivulje uporabite dodatne podatkovne točke.

Napotek: Če specificirano geslo pozabite in so Možnosti zaščite vklopljene, operater ne more dostopati do omejenih menijev. Če pozabite geslo, se obrnite na tehnična podpora.

1. Pritisnite **NASTAVITVE>Namestitev>Nastavitve gesla**.
2. Izberite možnost.

Možnost	Opis
Nastavitve gesla	Izberite Vkllop ali Izkllop, da zaščito gesla vklopite ali izklopite.
Zaščiteni elementi	Prikaže seznam zaščitenih elementov: uredi ID operaterja, uredi ID vzorca, uredi uporabniške programe, datum in čas, nadgradi vdelano programsko opremo, metode nadgradnje, jezik in uredi seznam priljubljenih.

7.6 Nastavite zaslon in zvok

Uporabite možnosti zaslona, da spremenite kontrast zaslona, možnosti avtomatskega izklopa baterije ali možnost osvetlitve zaslona. Uporabite možnosti zvoka, da se zasliši zvok, ko pritisnete tipko oz. ko je branje končano.

1. Pritisnite **NASTAVITVE>Namestitev>Prikaz & zvok>Možnosti prikaza**.
2. Izberite možnost.

Možnost	Opis
Kontrast	Nastavitev kontrasta zaslona. Najsvetlejša nastavitev je 0, najtemnejša pa 9. Privzeto: 5

Možnost	Opis
Samodejni izkllop	Za čim daljši čas življenjske dobe baterije nastavite časovno obdobje, po katerem bo instrument napajanje avtomatsko izklopil, če ne pritisnete nobene tipke (5, 10, 15, 20, 30 minut, 1 uro, 2 uri ali Onemogoči). Privzeto: 10 minut
Osvetlitev zaslona	Osvetlitev zaslona se vklopi, če pritisnete OSVETLITEV ZASLONA . Nastavite časovno obdobje, po katerem se bo napajanje avtomatsko izklopilo, če ne pritisnete tipke (10, 20, 30 sekund, 1, 2, 5, 10 minut ali Onemogoči). Privzeto: 1 minuta

3. Pritisnite **NASTAVITVE>Namestitev>Prikaz & zvok>Zvoki**.
4. Izberite možnost.

Možnost	Opis
Pritisk tipke	Ko pritisnete tipko, instrument ustvari zvok. Privzeto: izklopljeno
Branje končano	Ko je branje končano, instrument ustvari zvok. Privzeto: vklopljeno

7.7 Glavni meni USB

Ko je instrument z USB-kablom priključen na računalnik, se odpre Glavni meni USB. Posodobite programsko opremo, izvozite ali uvozite programe ali izvozite podatkovni dnevnik in dnevnik dogodkov iz Glavnega menija USB.

7.7.1 Posodobite vdelano programsko opremo

Datoteko za posodobitev vdelane programske opreme poiščite na spletni strani izdelka ali pa se obrnite na dobavitelja instrumenta. Datoteko s spletne strani prenesite in shranitev v računalnik.

1. Instrument vklopite, USB-kabel pa priključite na instrument in na računalnik.

Poziv Glavnega menija USB.

2. Izberite **Posodobi DR900**.
Instrument je v računalniku prikazan kot USB-pogon. Odprite mapo.
3. Datoteko DR900.bin kopirajte v odprto mapo.
4. Pritisnite **V redu**.
5. Ko je posodobitev končana, pritisnite **V redu**.
6. Izberite **Izključi USB**, pritisnite **V redu** in odklopite USB-kabel.
7. Pritisnite **V redu**.
8. Ponovno zaženite instrument.

7.7.2 Upravljanje programov

S funkcijo Upravljanje programov lahko izvažate in/ali uvažate uporabniške programe ter uvažate nove tovarniške programe.

1. Instrument vklopite, USB-kabel pa priključite na instrument in na računalnik.
Poziv Glavnega menija USB.
2. Izberite **Upravljanje programov** in izberite možnost:

Možnost	Opis
Izvoz uporabniški programov	Vse uporabniške programe izvozite v računalnik za shranjevanje ali pa uporabniške programe premaknete v drug DR 900.
Uvozite uporabniške programe	Vse uporabniške programe prek računalnika nadomestite z uporabniškimi programi iz drugih DR 900.
Uvozite tovarniške programe	S spletne strani proizvajalca uvozite nove tovarniške programe.

Instrument je v računalniku prikazan kot USB-pogon. Odprite mapo.

3. Kopirajte datoteko za izvoz iz pogona v računalnik ali pa kopirajte datoteko za uvoz iz računalnika v pogon.
4. Pritisnite **V redu**.

5. Ko je prenos končan, izberite **Izključi USB** in odklopite USB-kabel.
6. Pritisnite **V redu**.

7.7.3 Izvozite podatkovni dnevnik

Dnevnik dogodkov in podatkovni dnevnik lahko izvozite v računalnik. Dnevnik dogodkov vsebuje datum, čas, številko dogodka, parameter in opis dejanja v zvezi s konfiguracijo. Vzorčne meritve se ročno ali avtomatsko shranijo v podatkovnem dnevniku. Glejte [Izberite napredne možnosti programa](#) na strani 324.

1. Instrument vklopite, USB-kabel pa priključite na instrument in na računalnik.
Poziv Glavnega menija USB.
2. Izberite **Izvoz podatk. dnevnika**.
Instrument je v računalniku prikazan kot USB-pogon. Odprite mapo.
3. V računalnik kopirajte in shranite izvozne datoteke (DR900_DataLog.csv in DR900_EventLog.csv).
4. Pritisnite **V redu**.
5. Ko so datoteke kopirane v računalnik, izberite **Izključi USB** in odklopite USB-kabel.
6. Pritisnite **V redu**.

Razdelek 8 Vzdrževanje

⚠ OPOZORILO






Različne nevarnosti Opravila, opisana v tem delu dokumenta, lahko izvaja samo usposobljeno osebje.

8.1 Čiščenje instrumenta

Zunanost instrumenta očistite z vlažno krpo in blago milno raztopino ter ga obrišite, če je to potrebno.

8.2 Očistite kivete z vzorci

▲ OPOZORILO	
 	Nevarnost izpostavljenosti kemikalijam. Upoštevajte varnostne predpise v laboratoriju in nosite vso osebno zaščitno opremo, primerno za delo s kemikalijami, ki jih trenutno uporabljate. Za varnostne protokole glejte veljaven varnostni list (MSDS/SDS).


▲ OPOZORILO	
	Nevarnost izpostavljenosti kemikalijam. Kemikalije in odpadke zavrzite v skladu z lokalnimi, regionalnimi in nacionalnimi predpisi.


Večina laboratorijskih detergentov se uporablja v priporočenih koncentracijah. Če je potrebno redno čiščenje, je varnejša uporaba nevtralnih detergentov, kot je Liquinox. Za skrajšanje časa čiščenja povečajte temperaturo ali uporabite ultrazvočno kopel. Čiščenje zaključite tako, da nekajkrat splaknete z deionizirano vodo in počakate, da se kiveta za vzorce posuši na zraku. Kivete za vzorce lahko očistite tudi s kislino, ki jo nato temeljito splaknete z deionizirano vodo.

Napotek: Za čiščenje kivet, ki so bile uporabljene pri testih za nizko koncentracijo kovin, vedno uporabite kislino.

Pri posameznih postopkih so potrebne posebne metode čiščenja. Kadar kivete za vzorce čistite s ščetkanjem, bodite še zlasti previdni, da ne opraskate notranjih površin kivet.

8.3 Zamenjava baterij

▲ OPOZORILO	
	Nevarnost eksplozije. Zaradi pretečenih baterij se v instrumentu lahko začne nabirati vodikov plin. Baterije zamenjajte, preden pretečejo, in jih ne puščajte v instrumentu, če bo ta shranjen dlje časa.

▲ OPOZORILO	
	Nevarnost požara. Nadomeščanje baterij ni dovoljeno. Uporabljajte samo alkalne baterije.

OPOMBA	
Za zadostno zatesnitev, ki zagotavlja ustrezno zaščito pred okoljskimi vplivi, morajo biti vijaki zategnjeni z 1–1,4 N·m (9–12 in ·lb).	


Za zamenjavo baterij glejte [Namestite baterije](#) na strani 320.

Razdelek 9 Odpravljanje težav

Koda napake	Možen vzrok	Rešitev
1	Instrument ni konfiguriran.	Obrnite se na tehnična podpora.
2	Branje podatkov programa ni možno	
3	Zapis podatkov programa ni možen	
4	Napaka baterije	Zamenjava baterij.
5	Napaka A/D med meritvijo.	Obrnite se na tehnična podpora.
6	Napaka zamika med meritvijo	Prepričajte se, da je pokrovček instrumenta pravilno nameščen.

Koda napake	Možen vzrok	Rešitev
7	Napaka šibke svetlobe med meritvijo	<ul style="list-style-type: none"> • Prepričajte, da svetloba ni ovirana. • Nič je izven obsega instrumenta • Obrnite se na tehnična podpora.
8	Napaka izven obsega med meritvijo, morebitna oviranost svetlobe ali previsoka koncentracija	<ul style="list-style-type: none"> • Prepričajte se, da svetloba ni ovirana in da koncentracija ni previsoka za program. • Prepričajte se, da je pokrovček instrumenta pravilno nameščen. • Obrnite se na tehnična podpora.

Razdelek 10 Nadomestni deli in dodatna oprema

▲ OPOZORILO	
	Nevarnost telesnih poškodb. Z uporabo neodobrenih delov tvegate telesne poškodbe, materialno škodo na instrumentih ali okvaro opreme. Nadomestne dele v tem razdelku je odobril proizvajalec.

Napotek: Za nekatere prodajne regije se lahko številka izdelka in artikla razlikuje. Za kontaktne informacije stopite v stik z ustreznim prodajalcem ali pa jih poiščite na spletni strani podjetja.

Nadomestni deli

Opis	Št. elementa
Adapterski sklop, KPK	4846400
Komplet baterij, alkalne baterije AA (4x)	1938004
Kiveta za vzorec s pokrovčkom, 25 x 95 mm, 10-20-25 mL (6x)	2401906
Kiveta za vzorec s pokrovčkom, 1 cm/10 mL (2x)	4864302
USB-kabel	LZV818

Dodatna oprema

Opis	Št. elementa
Pokrovček, kiveta za vzorec, za kiveto 25 x 95 mL	2401812
Etui za nošenje, trden	4942500
Etui za nošenje, mehek s paščkom za čez rame	2722000
Etui za nošenje, prenosni laboratorij	4943000
Standardi za absorbanco DR/Check™	2763900
Pokrovček instrumenta, DR 900	9390500

Sadržaj

- | | |
|---|--|
| 1 Specifikacije na stranici 332 | 7 Napredni rad na stranici 342 |
| 2 Opći podaci na stranici 332 | 8 Održavanje na stranici 345 |
| 3 Ugradnja na stranici 335 | 9 Rješavanje problema na stranici 346 |
| 4 Korisničko sučelje i navigacija na stranici 337 | 10 Zamjenski dijelovi i dodatna oprema na stranici 347 |
| 5 Pokretanje na stranici 339 | |
| 6 Standardni rad na stranici 339 | |

Odjeljak 1 Specifikacije

Specifikacije se mogu promijeniti bez prethodne najave.

Specifikacije	Pojedinosti
Režim mjerenja	Prozirnost (%), Apsorpcija (Abs) i koncentracija (Conc)
Dimenzije (Š x D x V)	23.6 x 8.7 x 4.7 cm (9.3 x 3.4 x 1.9 inča)
Klasa kućišta	IP67
Težina	0,6 kg (1.3 lb)
Zahtjevi napajanja (interni)	AA Alkalne baterije (4x)
Vijek trajanja baterija	6 mjeseci (tipično) na 5 očitavanja po danu/5 dana u tjednu bez pozadinskog osvjetljenja
Sučelje	USB mini
Radna temperatura	0 do 50 °C (32 do 122 °F); maksimalno 90% relativne vlažnosti, nekondenzirajuće
Temperatura za pohranu	-30 do 60°C (-22 do 140°F); maksimalno 90% relativne vlažnosti, nekondenzirajuće

Specifikacije	Pojedinosti
Lampa	Dioda koja emitira svjetlo (LED)
Detektor	Silikonska fotodioda
Raspon valne duljine	420, 520, 560, 610 nm
Fotometrijski raspon mjerenja	0–2 Abs
Preciznost valne duljine	±1 nm
Fotometrijska preciznost	±0.03% Abs
Fotometrijska linearnost	±0.002 Abs (0–1 Abs)
Odabir valne duljine	Automatski, na temelju metode odabira
Fotometrijska ponovljivost	±0.002 Abs (0–1 Abs)
Očitavanje podataka	Grafički zaslon, 240 x 160 piksela (pozadinsko osvjetljenje)
Kivete za uzorak	16 mm, 1 cm/10 mL, 1-inč (25 mm) okruglo
Klasa zaštite	Klasa III
Certifikati	CE certificirano
Jamstvo	1 godina (EU: 2 godine)

Odjeljak 2 Opći podaci

Ni u kojem slučaju proizvođač neće biti odgovoran za direktne, indirektne, specijalne, slučajne ili posljedične štete uzrokovane nedostacima ili propustima u ovom priručniku. Proizvođač zadržava pravo na izmjene u ovom priručniku te na opise proizvoda u bilo kojem trenutku, bez prethodne najave ili obaveze. Izmijenjena izdanja se nalaze na proizvođačevoj web stranici.

2.1 Sigurnosne informacije

Proizvođač nije odgovoran za štetu nastalu nepravilnom primjenom ili nepravilnom upotrebom ovog proizvoda, uključujući, bez ograničenja, izravnu, slučajnu i posljedičnu štetu, te se odriče odgovornosti za takvu štetu u punom opsegu, dopuštenom prema primjenjivim zakonima. Korisnik ima isključivu odgovornost za utvrđivanje kritičnih rizika primjene i za postavljanje odgovarajućih mehanizama za zaštitu postupaka tijekom mogućeg kvara opreme.

Prije raspakiravanja, postavljanja ili korištenja opreme pročitajte cijeli ovaj korisnički priručnik. Poštujte sva upozorenja na opasnost i oprez. Nepoštivanje ove upute može dovesti do tjelesnih ozljeda operatera ili oštećenja na opremi.

Uvjerite se da zaštita koja se nalazi uz ovu opremu nije oštećena. Ne koristite i ne instalirajte ovu opremu na bilo koji način koji nije naveden u ovom priručniku.

2.2 Korištenje informacija opasnosti

▲ OPASNOST

Označava potencijalno ili neposredno opasnu situaciju koja će, ako se ne izbjegne, dovesti do smrti ili ozbiljnih ozljeda.

▲ UPOZORENJE

Označava potencijalno ili neposredno opasnu situaciju koja će, ako se ne izbjegne, dovesti do smrti ili ozbiljnih ozljeda.

▲ OPREZ

Označava potencijalno opasnu situaciju koja će dovesti do manjih ili umjerenih ozljeda.

OBAVIJEST

Označava situaciju koja, ako se ne izbjegne će dovesti do oštećenja instrumenta. Informacije koje je potrebno posebno istaknuti.

2.3 Oznake mjera predostrožnosti

Pročitajte sve naljepnice i oznake na instrumentu. Ako se ne poštuju, može doći do tjelesnih ozljeda ili oštećenja instrumenta. Simbol na instrumentu odgovara simbolu u priručniku uz navod o mjerama predostrožnosti.

	Ovaj simbol, ako se nalazi na instrumentu, navodi korisnički priručnik kao referencu za informacije o radu i/ili zaštiti.
	Ovaj simbol naznačuje opasnost od eksplozije.
	Ovaj simbol naznačuje opasnost od požara.
	Ovaj simbol naznačuje opasnost od kemikalija i ukazuje da samo osobe koje su kvalificirane i obučene za rad s kemikalijama smiju rukovati kemikalijama ili izvoditi radove održavanja na sustavima za prijenos kemikalija koji su povezani s opremom.
	Ovaj simbol upozorava da je potrebno koristiti zaštitu za oči.
	Električna oprema označena ovim simbolom ne smije se odlagati u europskim domaćim ili javnim odlagalištima. Staru ili isteklu opremu vratite proizvođaču koji će je odložiti bez naknade.

2.4 Usklađenost i certifikati

⚠ OPREZ

Ova oprema nije namijenjena za upotrebu u stambenim područjima i možda neće pružiti odgovarajuću zaštitu za radijski prijam u takvim okruženjima.

Kanadska odredba o opremi koja uzrokuje smetnje, ICES-003, klasa A:

Izvješća s testiranja nalaze se kod proizvođača.

Ovo digitalno pomagalo klase A udovoljava svim zahtjevima Kanadskog zakona o opremi koja uzrokuje smetnje.

Cet appareil numérique de classe A répond à toutes les exigences de la réglementation canadienne sur les équipements provoquant des interférences.

FCC dio 15, ograničenja klase "A"

Izvješća s testiranja nalaze se kod proizvođača. Uređaj je sukladan s dijelom 15 FCC pravila. Rad uređaja mora ispunjavati sljedeće uvjete:

1. Oprema ne smije uzrokovati štetne smetnje.
2. Oprema mora prihvatiti svaku primljenu smetnju, uključujući smetnju koja može uzrokovati neželjen rad.

Zbog promjena ili prilagodbi ovog uređaja koje nije odobrila stranka nadležna za sukladnost korisnik bi mogao izgubiti pravo korištenja opreme. Ova je oprema testirana i u sukladnosti je s ograničenjima za digitalne uređaje klase A, koja su u skladu s dijelom 15 FCC pravila. Ta ograničenja su osmišljena da bi se zajamčila razmjerna zaštita od štetnih smetnji kada se oprema koristi u poslovnom okruženju. Ova oprema proizvodi, koristi i odašilje energiju radio frekvencije, te može prouzročiti smetnje u radio komunikaciji ako se ne instalira i koristi prema korisničkom priručniku. Koristite li ovu opremu u naseljenim područjima ona može prouzročiti smetnje, a korisnik će sam snositi odgovornost uklanjanja smetnji o vlastitom trošku. Sljedeće tehnike mogu se koristiti kao bi se smanjili problemi uzrokovani smetnjama:

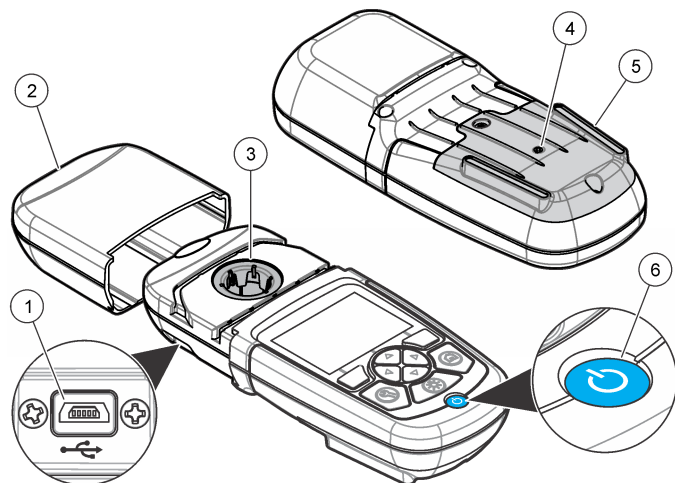
1. Isključite opremu iz izvora napajanja kako biste provjerili je li ili nije uzrok smetnji.

2. Ako je oprema uključena u istu utičnicu kao i uređaj kod kojeg se javljaju smetnje, uključite opremu u drugu utičnicu.
3. Odmaknite opremu od uređaja kod kojeg se javljaju smetnje.
4. Promijenite položaj antene uređaja kod kojeg se javljaju smetnje.
5. Isprobajte kombinacije gore navedenih rješenja.

2.5 Prikaz proizvoda

DR 900 prijenosni, kolimetar s LED-om koji mjeri duljinu valova od 420, 520, 560 i 610 nm. Instrument se koristi za mjerenje različitih parametara u pitkoj vodi, otpadnoj vodi i u industriji. Instrument je isporučen s cijelim kompletom spremljenih programa (prethodno instaliranim načinima) i mogućnošću spremanja korisničkog programa i odabira programa favorita. Pogledajte [Slika 1](#).

Slika 1 Pregled instrument

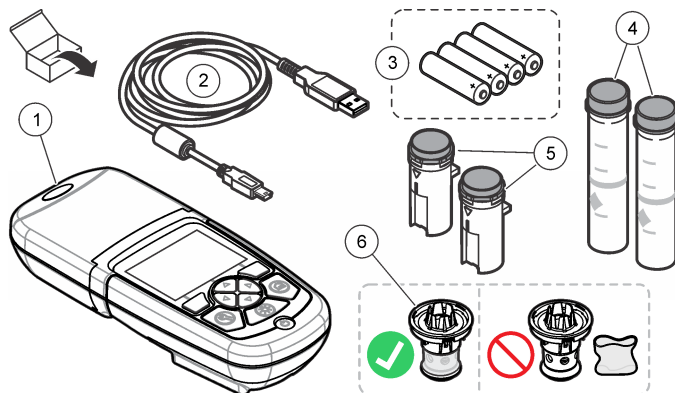


1 USB ulaz	4 Ventilacijski otvor
2 Poklopac instrumenta	5 Pretinac baterije
3 Odjeljak za kivetu	6 Tipka za napajanje

2.6 Komponente proizvoda

Provjerite jeste li dobili sve komponente. Pročitajte [Slika 2](#). Ako neka stavka nedostaje ili je oštećena, odmah se obratite dobavljaču instrumenta ili prodajnom predstavniku.

Slika 2 Komponente proizvoda



1 DR 900	4 Staklena kiveta s uzorkom, 1-inča (25 mm) okrugla, oznake 10, 20, 25-mL (2x)
2 USB kabel s mini USB priključkom	5 Kiveta s uzorkom, 1 cm/10 mL (2x)
3 AA alkalne baterije (4x)	6 Adapter kivete s uzorkom

Odjeljak 3 Ugradnja

▲ UPOZORENJE



Višestruka opasnost. Zadatke opisane u ovom odjeljku priručnika treba obavljati isključivo kvalificirano osoblje.

OBAVIJEST

Pazite da tijekom upotrebe ili pohrane ne blokirate ventilacijski otvor baterije na instrument.

3.1 Umetanje baterija

⚠ UPOZORENJE



Opasnost od eksplozije. Neodgovarajućim postavljanjem baterija može doći do ispuštanja eksplozivnih plinova. Provjerite jesu li baterije iste odobrene kemijske vrste i jesu li ispravno okrenute. Nemojte kombinirati nove i stare baterije.

⚠ UPOZORENJE



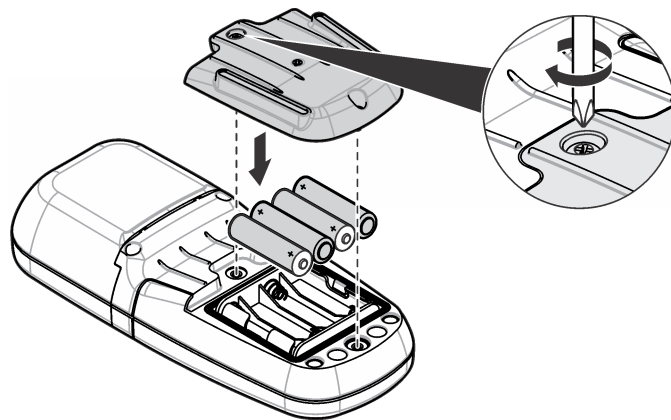
Opasnost od požara. Nije dopuštena zamjena baterija. Koristite isključivo alkalne baterije.

OBAVIJEST

Obavezno pritegnite vijke na 1–1,4 N·m (9–12 in·lb) kako bi brtva pravilno sjela i kako bi se održala klasa kućišta.

instrument se napaja s četiri AA alkalne baterije. Osigurajte da su baterije ugrađene u točnoj orijentaciji. Za instalaciju baterije pogledajte [Slika 3](#).

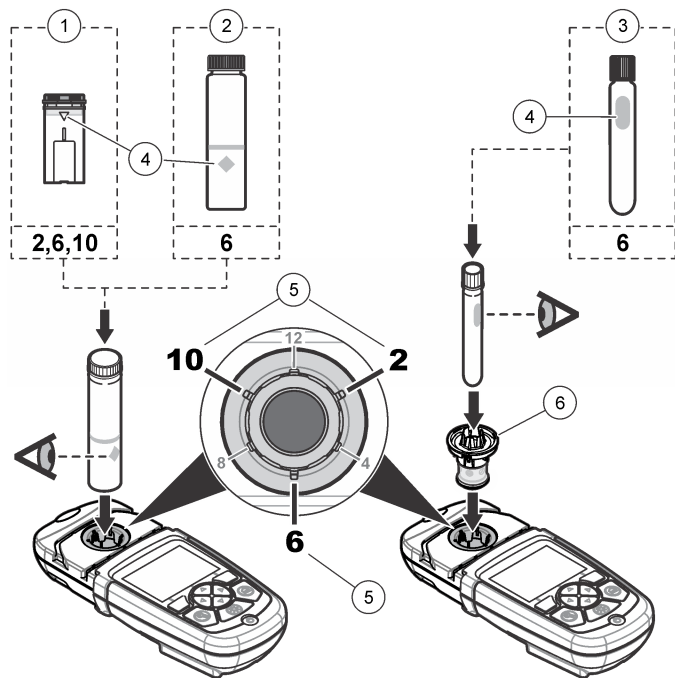
Slika 3 Umetanje baterija



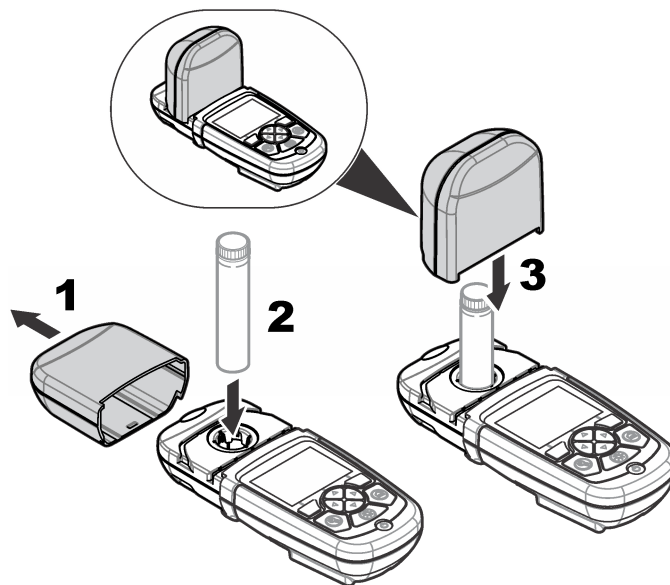
3.2 Instalirajte kivetu s uzorkom i adapter kivete

instrument ima jedan pretinac za kivetu koji može koristiti jedan adapter za različite vrste kiveta s uzorkom. Provjerite jeste li instalirali praznu kivetu s uzorkom u točnom i konzistentnom smjeru tako da su rezultati ponovljivi i precizni. Pogledajte [Slika 4](#). Zatvorite poklopac instrumenta prije postavljanja instrumenta na nulu ili mjerenja radi sprječavanja smetnji svjetlosti. Pogledajte [Slika 5](#).

Slika 4 Položaj kivete s uzorkom



Slika 5 Namještanje kivete s uzorkom i poklopca instrumenta



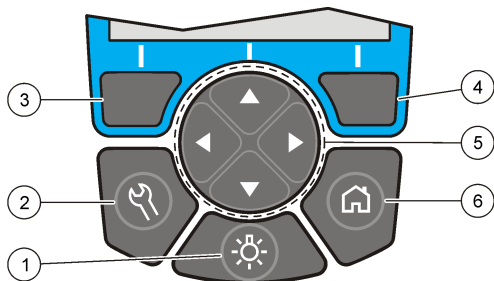
Odjeljak 4 Korisničko sučelje i navigacija

4.1 Opis tipkovnice

Za opis tipkovnice i podatke o navigaciji pogledajte [Slika 6](#).

1 1-cm/10-mL plastična kiveta s uzorkom	4 Orijentacijska oznaka
2 1-inča (25 mm) staklena kiveta s uzorkom	5 Orijentacijski položaj (smjer sata)
3 16-mm staklena testna kiveta	6 Adapter kivete s uzorkom

Slika 6 Opis tipkovnice

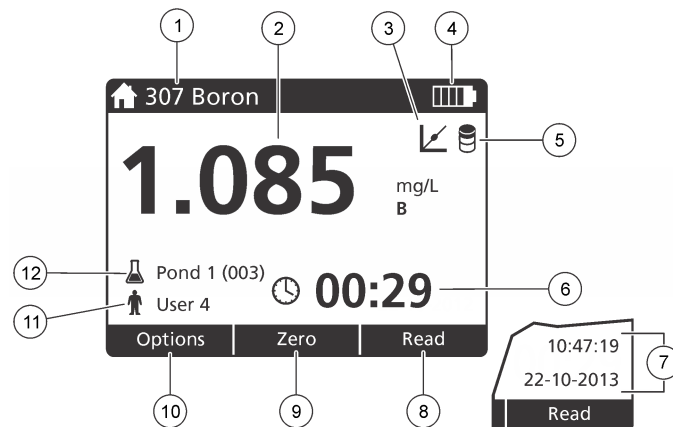


<p>1 POZADINSKO OSVJETLJENJE: postavite osvjetljenje zaslona na uključeno ili isključeno</p>	<p>4 DESNA tipka za odabir (kontekstualno): čitanje uzorak, odabir ili potvrda opcija, otvaranje podizbornike</p>
<p>2 POSTAVKE: opcije za postavljanje¹</p>	<p>5 Navigacijske tipke gore, dolje, desno, lijevo: pomicanje kroz izbornika, unos brojeva i slova²</p>
<p>3 LIJEVA tipka za odabir (kontekstualno): pristup opcijama, otkaz ili izlaz iz trenutnog zaslona izbornika u prethodni</p>	<p>6 POČETNO/Opcije: odlazak u glavni zaslon očitavanja¹, odabir programa, upravljanje podacima.</p>

4.2 Opis zaslona

Očitavanje zaslona prikazuje odabrani način, jedinicu, datum i vrijeme, ID operatera i ID uzorka. Pogledajte [Slika 7](#).

Slika 7 Zaslom s jednostrukim prikazom



1 Naziv i broj programa	7 Vrijeme i datum
2 Očitavanje vrijednosti, jedinice, kemijskog oblika ispod "---" ili iznad mjernog raspona "+++"	8 Čitanje (kontekstualno: izvršeno, odaberi, pokreni, u redu)
3 Ikona standardnog podešenja	9 Nula (kontekstualno: navigacijska tipka strelice GORE)
4 Status baterije	10 Opcije (kontekstualno: natrag, otkazi)
5 Ikona praznog reagenta	11 Identifikacija operatera
6 Timer	12 Jednostavna identifikacija

¹ Dok je u načinu uređivanja, tipka ne radi.

² Kada se drži tipka UP ili DOWN, pomicanje je brže. Kada se pritisnu LEFT ili RIGHT pomicanje je stranicu po stranicu.

4.3 Navigacija

Instrument sadrži izbornike za promjenu raznih opcija. Koristite navigacijske tipke (strelice **GORE**, **DOLJE**, **DESNO** i **LIJEVO**) za označavanje različitih opcija. Za odabir opcije pritisnite tipku za odabir **DESNO**. Pomoću navigacijskih tipki unesite vrijednost opcije. Za unos ili promjenu vrijednosti pritisnite navigacijske tipke **GORE**, **DOLJE**, **DESNO** i **LIJEVO**. Za odlazak na sljedeće mjesto pritisnite strelicu **DESNO**. Za prihvrat vrijednosti pritisnite tipku **DESNO** ispod **Gotovo**. Za izlazak iz trenutnog zaslona izbornika u prethodni pritisnite **LIJEVO** tipku za odabir.

Odjeljak 5 Pokretanje

5.1 Postavite instrument na uključeno ili isključeno

Pritisnite tipku **NAPAJANJE** za postavljanje instrument na uključeno ili isključeno. Ako se instrument ne uključi, provjerite jesu li baterije ispravno postavljene.

5.2 Postavite jezik

Postoje tri opcije za postavljanje jezika:

- Postavite jezik zaslona kada je instrument po prvi puta uključen.
- Postavite jezik iz izbornika **POSTAVKE**.

1. Pritisnite **POSTAVKE>Postavljanje>Jezik**.

2. Odaberite jezik s popisa.

5.3 Postavite datum i vrijeme

Za postavljanje datuma i vremena postoje dvije opcije:

- Postavite datum i vrijeme kada je instrument po prvi puta uključen.
- Postavite datum i vrijeme iz izbornika **datum i vrijeme**.

1. Pritisnite **POSTAVKE>Postavljanje>Datum i vrijeme**.

2. Odaberite **Postavite format datuma i vremena**, a zatim odaberite format datuma i vremena.
3. Odaberite **Postavite datum i vrijeme**.
4. Unesite trenutni datum i vrijeme pomoću navigacijskih tipki, a zatim pritisnite **U redu**.

Odjeljak 6 Standardni rad

6.1 Popis programa

Instrument je isporučen uz kompletnu seriju aplikacijskih programa. Za opis programa pogledajte [Tablica 1](#).

Tablica 1 Opcije programa

Opcija programa	Opis
Spremljeni programi	Spremljeni programi su tvorički instalirane, prethodno programirane metode. Pogledajte Odaberite pohranjeni program na stranici 339.
Korisnički programi	Metode se mogu razvijati i mogu biti spremljene kao korisnički programi. ³ Pogledajte Korisnički programi na stranici 343.
Favoriti	Metode koje se često koriste mogu se spremi u popis favorita. ¹

6.1.1 Odaberite pohranjeni program

1. Pritisnite **POČETAK>Opcije>Svi programi**.
2. Odaberite primjenjivi način i pritisnite **Start**.
3. Odaberite **Opcije>Dodaj u favorite** za dodavanje odabranog načina u favorite radi bržeg pristupa.

6.1.2 Odabir osnovnih opcija programa

Kada je odabran program, dostupne su dodatne opcije parametara.

³ Može se spremi maksimalno deset metoda (korisnički programi i/ili favoriti).

1. Za pristup izborniku opcija pritisnite **Opcije**.
2. Odaberite primjenjive opcije.

Opcija	Opis
Pokreni tajmer	Odaberite podešavanje tajmera ili ručno postavljanje tajmera kako biste bili sigurni da su koraci analize točno vremenski određeni (npr. vrijeme reakcije ili vrijeme čekanja se mogu točno odrediti). Kada je tajmer uključen, na zaslonu se prikazuje ikona tajmera. instrument stvara audio zvuk nakon isteka vremena. Podešavanje tajmera —Odaberite primjenjivo podešavanje tajmera za jedan ili više spremljenih postupak i pritisnite Start . Ručni tajmer —Upišite primjenjivo vrijeme pomoću navigacijskih tipki i pritisnite Gotovo . Zadano = 00:00
Favoriti/koris. prog.	Odaberite iz popisa spremljenih favorita ili korisničkih programa. Dodatne informacije opisuje Odaberite favorita ili korisnički program na stranici 342.
Svi programi	Odaberite metodu preprogramiranja iz popisa.
Evidencija podataka	Prikaz svih spremljenih očitavanja. Dodatne informacije opisuje Dnevnik podataka na stranici 342.
Dodaj u favorite	Sprema u popis favorita spremljene programe i metode korisničkih programa koje se često koriste. Pogledajte Dodaj program u favorite na stranici 342.

Opcija	Opis
%T/Abs/Conc	Prebacite na % očitavanja prijenosa, apsorpcije ili koncentracije. Očitavanje prijenosa —očitava postotak izvornog osvjetljenja koje prolazi kroz uzorak i stiže do detektora. Očitavanje apsorpcije —Svjetlost koju uzorak apsorbira mjeri se u jedinicama za apsorpciju. Očitavanje koncentracije —Izmjerene vrijednosti apsorpcije su pretvorene u vrijednosti koncentracija pomoću posebne jednadžbe spremljene u programu.
Napredne opcije	Za određivanje više parametara koristite napredne opcije. Pogledajte Odabir naprednih opcija programa na stranici 340.
Spremi	Sprema ručno zadnje očitavanje kada je isključena opcija automatskog spremanja.

6.1.3 Odabir naprednih opcija programa

Svaki program ima različite dodatne opcije koje možete odabrati.

1. Pritisnite **Opcije** za pristup **Opcije>Napredne opcije**.
2. Za određivanje više parametara koristite napredne opcije.

Opcija	Opis
Automatsko spremanje	Prebacite između Uklj. i isklj.. Svako očitavanje automatski se sprema kada je opcija postavljena na Uklj.. Očitavanje se može ručno spremiti kada je opcija postavljena na isklj..
Kemijski oblik	Odaberite alternativni kemijski oblik i pridruženi raspon mjerenja na neke tvornički instalirane načine.

Opcija	Opis
Slijepi reagens	Korekcija Slijepi reagens može se koristiti s nekim tvornički instaliranim načinima. Upišite rezultat dovršenog testa korištenjem destilirane vode kao uzorak. Slijepa vrijednost oduzima se za svaki rezultat radi korekcije bilo koje pozadinske boje zbog reagensa. Unesite slijepu korekciju prije korištenja opcije Standardno podešavanje. Dovršite ovu korekciju za svaki novi skup testa reagensa.
Standardno podešavanje	Promjena spremljene kalibracije. Dovršetak testa na poznatom standardu pri koncentraciji blizu vrha testnog raspona. Koristite ovu funkciju za podešavanje rezultata poravnanja standardne koncentracije.
Sortiranje programa	Odaberite abecedni ili brojni redoslijed programa za popis spremljenih programa.

6.2 Korištenje ID operatera

Oznaka ID operatera pridružuje očitavanja s pojedinačnim operaterom. Svi pohranjeni podaci uključuju ovaj ID.

1. Pritisni **POSTAVKE>ID operatera** u zaslonu očitavanja.
2. Odabire, izrađuje i briše ID operatera.

Opcija	Opis
Trenutačni ID	Odaberite ID s popisa. Trenutačni ID bit će pridružen s podacima uzorka sve dok se ne odabere drugačiji ID.
Izrada novog ID	Unesite naziv za novi ID uzorka. Može biti unijeto maksimalno 10 naziva.
Obriši ID	Briše postojeći ID uzorka.

6.3 Koristite ID uzorka

Oznaka ID uzorka se koristi za pridruživanje očitavanja s određenim uzorkom ili lokacijom. Ako je pridružena, pohranjeni podaci uključivat će ovaj ID.

1. Pritisnite **POSTAVKE>ID uzorka** u zaslonu očitavanja.
2. Odabire, izrađuje i briše ID operatera.

Opcija	Opis
Trenutačni ID	Odaberite ID s popisa. Trenutačni ID bit će pridružen s podacima uzorka sve dok se ne odabere drugačiji ID.
Izrada novog ID	Unesite naziv za novi ID uzorka. Može biti unijeto maksimalno 10 naziva. Uzorci su numerirani u nizu za svako mjerenje sve dok se ne odabere drugačiji ID (npr. Pond 1, Pond 2).
Obriši ID	Briše postojeći ID uzorka.

6.4 Kako izvršiti mjerenje

Za izvršenje mjerenja potrebni su osnovni koraci za mjerenje. Svaki način ima postupak korak-po-korak. Za pokretanje određenog testa pogledajte način za primjenu. Primjer u nastavku je osnovni postupak za izvršenje mjerenja.

1. Odaberite primjenjivi program iz izbornika programa (npr. Spremljeni programi, korisnički programi, favoriti).
2. Po potrebi instalirajte adapter za kivete.
3. Za pokretanje programa pritisnite **Start**.
4. Pripremite prazan dokument prema metodi dokumenta. Zatvorite kivetu s uzorkom i obrišite optičko lice kivete s uzorkom s tkaninom bez dlačica.
5. Umetnite praznu kivetu s uzorkom u odjeljak za kivetu. Provjerite jeste li instalirali praznu kivetu s uzorkom u točnom i konzistentnom smjeru tako da su rezultati ponovljivi i precizni. Pogledajte [Slika 4](#) na stranici 337.

- Zatvorite poklopac instrumenta kako biste spriječili svjetlosne smetnje. Pogledajte [Slika 5](#) na stranici 337.
- Pritisnite **Nula**. Zaslom prikazuje koncentraciju nula (npr., mg/L, ABS, µg/L).
- Pripremite uzorak. Dodajte reagens kako je specificirano po dokumentaciji metode.
- Za korištenje spremljenih tajmera u programu odaberite **Opcije>Pokreni tajmer**.
- Zatvorite kivetu s uzorkom i obrišite optičke površine kivete s uzorkom s tkaninom bez dlačica.
- Umetnite kivetu s uzorkom u odjeljak za kivetu. Provjerite jeste li instalirali kivetu s uzorkom u točnom i konzistentnom smjeru tako da su rezultati ponovljivi i precizni. Pogledajte [Slika 4](#) na stranici 337.
- Zatvorite poklopac instrumenta kako biste spriječili svjetlosne smetnje. Pogledajte [Slika 5](#) na stranici 337.
- Pritisnite **Očitaj**. Zaslom prikazuje rezultate u odabranim jedinicama.
Napomena: Na zaslonu se prikazuje "+++” ili "---” ako je izmjerena apsorpcija iznad ili ispod kalibracijskog raspona testa.

6.5 Dnevnik podataka

Dnevnik podataka prikazuje sva spremljena očitavanja. Za pregled očitavanja pritisnite **POČETAK>Opcije>Evidencija podataka**. Za informacije o izvozu dnevnika podataka pogledajte [Izvezite dnevnik podataka](#) na stranici 345.

Odjeljak 7 Napredni rad

7.1 Odaberite favorita ili korisnički program

Baza podataka favorita i korisničkog programa je prazna kada se instrument pokrene po prvi puta. Radi bržeg pristupa u favorite se može pohraniti način. Korisnički program se može programirati za određene potrebe.

- Pritisnite **HOME>Options>Favorites/User Programs>Select** (POČETAK>Opcije>Favoriti/korisnički programi>Odabir).
- Za izradu novog korisničkog programa pritisnite **Novi program**. Pogledajte [Korisnički programi](#) na stranici 343.

7.2 Dodaj program u favorite

Spremljeni programi i metode korisničkih programa koje su često korištena mogu se spremi u popis favorita.

- Odaberite **HOME>Options>All Programs** (Početak>Opcije>Svi programi).
- Odaberite primjenjivi način i pritisnite **Start**.
- Odaberite **Options>Add to Favorites** (Opcije>Dodaj u favorite) za dodavanje odabrane metode u favorite.

7.3 Korisnički programi

Baza podataka korisničkog programa je prazna kada se instrument pokrene po prvi puta. Koristite **Novi program** kako biste izradili novi program za određene potrebe. Za izradu novog korisničkog programa, učinite sljedeće korake.

1. Pritisnite **HOME>Options>Favorites/User Programs>Select>New Program** (POČETAK>Opcije>Favoriti/korisnički programi>Odabir>Novi program).
2. Odaberite dostupne brojeve programa od 1001 do 1010.
Napomena: Može se spremiti maksimalno deset programa (korisnički programi/ili favoriti).
3. Upišite naziv metode (do 12 znamenki).
4. Odaberite valnu duljinu: 420, 520, 560 ili 610 nm.
5. Odaberite jedinicu: ništa, µg/L, mg/L ili g/L.
6. Odaberite razlučivost: 0000, 000.0, 00.00 ili 0.000.
7. Dodajte točke kalibracije: minimalno 2 i maksimalno 12 kalibracijskih točki.⁴ Odaberite Edit Std 1 i upišite prvu standardnu vrijednost koncentracije. Pritisnite **Gotovo**.
Napomena: Zvučni signal znači dupliciranu vrijednost koncentracije prethodno upisanog standarda ili preveliku koncentraciju za odabranu razlučivost. Upišite drugačiju vrijednost i nastavite.
8. Upišite vrijednost apsorpcije:

Opcija	Opis
Uredi ručno ABS	Koristite navigacijske tipke za ručni unos vrijednosti apsorpcije.
Uredi automatski ABS	<ol style="list-style-type: none">1. Postavite praznu kivetu u držač kivete i pritisnite Nula.2. Postavite pripremljenu uzorak u držač kivete i pritisnite Čitaj.3. Pritisnite Gotovo.

Napomena: Zvučni signal znači da je duplicirana apsorpcija prethodno upisanog standarda ili da je pala između dva prethodno upisana standarda. Upišite drugačiju vrijednost i nastavite.

9. Pritisnite **Gotovo**.
10. Odaberite Dodaj točku kalibracije
11. upišite dodatne točke kalibracije kao što je opisano u koracima od 7 do 9.
12. Odaberite **Spremi korisnički program**.

7.3.1 Uredi korisnički program

Za uređenje spremljenog korisničkog programa:

1. Odaberite **POČETAK>Opcije>Favoriti/koris. prog..**
2. Odaberite primjenjivi program i pritisnite **Opcije**.
3. Pritisnite **Uredi**.
4. Slijedite upute na zaslonu za uređenje postupka.

7.3.2 Brisanje korisničkog ili omiljenog programa

Izbrišite spremljeni korisnički ili omiljeni program ako se program više ne koristi.

1. Odaberite **POČETAK>Opcije>Favoriti/koris. prog..**
2. Označite primjenjivi program i pritisnite **Opcije>Obriši** i slijedite upute na zaslonu.

7.4 Informacije o instrumentu

Izbornik informacija o instrumentu prikazuje određene informacije poput naziva instrumenta, serijskog broja, verzije softvera, verzije baze podataka, korištene memorije i dostupnosti programa. Pritisnite **POSTAVKE>Info o instrumentu**.

⁴ Ako je krivulja linearna potrebne su samo dvije točke podataka o koncentraciji (npr., standardna s apsorpcijom nula i drugi poznati standard). Za potvrdu linearnosti ili definiranje nelinearne krivulje koristite dodatne točke podataka.

7.5 Postavite zaporku

Opcije za postavljanje zaporkе koriste se za sprječavanje pristupa zabranjenim izbornicima.

Napomena: Ako se određena zaporkа zaboravi i opcije za sigurnost su uključene, operateru su zaključani zabranjeni izbornici. Ako zaboravite zaporku obratite se tehnička podrška.

1. Pritisnite **POSTAVKE>Postavljanje>Postavke zaporkе**.
2. Odaberite opciju.

Opcija	Opis
Postavke zaporkе	Odaberi Uklj. ili isklj. za postavljanje zaštite zaporkom.
Zaštićene stavke	Prikazuje popis zaštićenih stavki: uredi ID operatera, uredi ID uzorka, uredi korisničke programe, datum i vrijeme, nadogradnja firmvarea, metode nadogradnje, jezik i uredi popis favorita.

7.6 Postavite zaslon i zvuk

Koristite opcije zaslona kako biste promijenili kontrast zaslona, opcije automatskog isključivanja zbog štednje baterije ili opciju pozadinskog osvjetljenja. Koristite opcije zvuka za audio zvuk kada je tipka pritisnuta ili kada je očitavanje gotovo.

1. Pritisnite **POSTAVKE>Postavljanje>Zaslon i zvuk>Opcije prikaza**.
2. Odaberite opciju.

Opcija	Opis
Kontrast	Podešavanje kontrasta zaslona. Najsvjetlija postavka je 0, a najtamnija je 9. Zadano: 5

Opcija	Opis
Automatsko isključivanje	Za produljenje vijeka trajanja baterije, postavite vremensko razdoblje nakon kojeg će instrument napajanje automatski isključiti ako se neka tipka ne pritisne (za 5, 10, 15, 20, 30 minuta, 1 sat, 2 sata ili onemogućeno). Zadano: 10 minuta
Pozadinsko osvjetljenje	Kada se pritisne POZADINSKO OSVJETLJENJE uključeno je pozadinsko osvjetljenje zaslona. Postavite vremensko razdoblje nakon kojeg se pozadinsko osvjetljenje automatski isključuje ako nijedna tipka nije pritisnuta (10, 20, 30 sekunda, 1, 2, 5, 10 minuta ili onemogućeno). Zadano: 1 minuta

3. Pritisnite **POSTAVKE>Postavljanje>Zaslon i zvuk>Zvukovi**.
4. Odaberite opciju.

Opcija	Opis
Dodir tipke	instrument stvara audio zvuk kadgod se pritisne tipke. Zadano: isključeno
Očitavanje dovršeno	instrument stvara audio zvuk kadgod se dovrši očitavanje. Zadano: uključeno

7.7 Glavni izbornik USB-a

Kada je instrument spojen s USB kabelom na računalo, otvara se glavni izbornik USB-a. Ažurirajte softver, izvoz ili uvoz programa ili izvoz zapisnika podataka i zapisnik događanja iz glavnog izbornika USB-a.

7.7.1 Ažuriranje firmvarea

Pronađite nadogradnju za firmvare na web stranici proizvođača ili se obratite dobavljaču instrumenta. Spremite datoteku s web stranice na osobno računalo.

1. Postavite instrument na uključeno i povežite kabel USB-a na instrument i računalo.

Zahtjevi glavnog izbornika USB-a.

2. Odaberite **Ažuriraj DR900**. Instrument se na računalu prikazuje kao USB pogon. Otvorite mapu.
3. Kopirajte datoteku DR900.bin u otvorenu mapu.
4. Pritisnite **U redu**.
5. Kad je ažuriranje završeno, pritisnite **U redu**.
6. Odaberite **Odspoji USB**, pritisnite **U redu** i odspojite USB kabel.
7. Pritisnite **U redu**.
8. Ponovno pokrenite instrument.

7.7.2 Upravljanje programima

Pomoću funkcije upravljanja programima, korisničke programe možete izvesti i/ili uvesti, a novi tvornički programi mogu se uvesti.

1. Postavite instrument na uključeno i povežite kabel USB-a nainstrument i računalo.
Zahtjevi glavnog izbornika USB-a.
2. Odaberite **Upravljanje programima** i odaberite opciju:

Opcija	Opis
Izvoz korisničkih programa	Izvezite sve korisničke programe na računalo radi pohrane ili za prebacivanje korisničkih programa na drugi DR 900.
Uvoz korisničkih programa	Zamijenite sve korisničke programe s korisničkim programima s drugog DR 900 preko računala.
Uvoz tvorničkih programa	Uvezite nove tvorničke programe s web stranice proizvođača.

Instrument se na računalu prikazuje kao USB pogon. Otvorite mapu.

3. Kopirajte datoteku za izvoz s pogona na računalo ili kopirajte datoteku za izvoz s računala na pogon.
4. Pritisnite **U redu**.
5. Kad je prijenos gotov odaberite **Odspoji USB** i odspojite kabel USB.

6. Pritisnite **U redu**.

7.7.3 Izvezite dnevnik podataka

Dnevnik događaja i dnevnik podataka mogu se izvesti na računalo. Dnevnik događanja sadrži datum, vrijeme, broj događanja, parametar i opis konfiguracije vezano za radnju. Mjere uzoraka spremjene su ručno ili automatski u dnevniku podataka. Pogledajte [Odabir naprednih opcija programa](#) na stranici 340.

1. Postavite instrument na uključeno i povežite kabel USB-a nainstrument i računalo.
Zahtjevi glavnog izbornika USB-a.
2. Odaberite **Izvezi evid. podataka**. Instrument se na računalu prikazuje kao USB pogon. Otvorite mapu.
3. Kopirajte i spremite izvezene datoteke (DR900_DataLog.csv i DR900_EventLog.csv) na računalo.
4. Pritisnite **U redu**.
5. Kada su datoteke kopirane na računalo odaberite **Odspoji USB** i odspojite USB kabel.
6. Pritisnite **U redu**.

Odjeljak 8 Održavanje

⚠ UPOZORENJE






Višestruka opasnost. Zadatke opisane u ovom odjeljku priručnika treba obavljati isključivo kvalificirano osoblje.

8.1 Čišćenje instrumenta

Očistite vanjski dio instrumenta vlažnom krpom i otopinom blagog sapuna, a zatim krpom po potrebi osušite instrument.

8.2 Obrišite kivete za uzorak

▲ OPREZ	
 	Opasnost od izlaganja kemikalijama. Poštujte laboratorijske sigurnosne propise i opremite se svom odgovarajućom osobnom zaštitnom opremom s obzirom na kemikalije kojima ćete rukovati. Sigurnosne protokole potražite na trenutno važećim sigurnosno tehničkim listovima materijala (MSDS/SDS).

▲ OPREZ	
	Opasnost od izlaganja kemikalijama. Kemikalije i otpad odlažite sukladno lokalnim, regionalnim i državnim propisima.


Većina deterdženata u laboratoriju se koristi pri preporučenim koncentracijama. Neutralni deterdženti, poput Liquinosa, su sigurniji kad je potrebno redovno čišćenje. Za smanjenje vremena čišćenja, povećajte temperaturu ili koristite ultrazvučnu kupku. Za dovršetak čišćenja, isperite nekoliko puta deioniziranom vodom i ostavite da se kiveta za uzorke osuši.


Kivete za uzorke se mogu čistiti s kiselinom, koju treba temeljito isprati s destiliranom vodom.

Napomena: *Uvijek koristite kiselinu za čišćenje kiveta za uzorke kada se koriste za testove s nikom razinom metala.*

Za pojedinačne načine potrebne su posebne metode čišćenja. Kada se za čišćenje koristi četka, budite pažljivi kako biste izbjegli ogrebotine na unutaršnjim površinama kiveta za uzorke.

8.3 Zamjena baterija

▲ UPOZORENJE	
	Opasnost od eksplozije. Istrošene baterije mogu uzrokovati nakupljanje vodika unutar instrumenta. Zamijenite baterije prije nego što se istroše i nemojte ostavljati baterije u instrumentu koji se ne koristi tijekom dugog vremenskog razdoblja.

▲ UPOZORENJE	
	Opasnost od požara. Nije dopuštena zamjena baterija. Koristite isključivo alkalne baterije.

OBAVIJEST	
Obavezno pritegnite vijke na 1–1,4 N·m (9–12 in.·lb) kako bi brtva pravilno sjela i kako bi se održala klasa kućišta.	

Za zamjenu baterija pogledajte [Umetanje baterija](#) na stranici 336.

Odjeljak 9 Rješavanje problema

Kód pogreške	Mogući uzrok	Rješenje
1	Instrument nije konfiguriran.	Obratite setehnička podrška.
2	Nije moguće čitati podatke programa.	
3	Nije moguće pisati podatke programa.	
4	Pogreška baterije	Zamjena baterija.
5	A/D pogreška tijekom mjerenja	Obratite setehnička podrška.
6	Pogreška pomaka tijekom mjerenja	Provjerite je li poklopac instrumenta pravilno instaliran.

Kód pogreške	Mogući uzrok	Rješenje
7	Mala svjetlosna pogreška tijekom mjerenja	<ul style="list-style-type: none"> • Provjerite da nema blokade na putu svjetla • Nula je izvan raspona instrumenta • Obratite setehnička podrška.
8	Pogreška izvan raspona tijekom mjerenja, moguća blokada svjetla ili je previsoka koncentracija	<ul style="list-style-type: none"> • Provjerite da nema blokade na putu svjetla i da koncentracija nije previsoka za program. • Provjerite je li poklopac instrumenta pravilno instaliran. • Obratite setehnička podrška.

Odjeljak 10 Zamjenski dijelovi i dodatna oprema

⚠ UPOZORENJE



Opasnost od ozljede. Korištenje neodobrenih dijelova može uzrokovati osobne ozljede, oštećenje instrumenta ili neispravno funkcioniranje opreme. Proizvođač je odobrio upotrebu rezervnih dijelova navedenih u ovom odjeljku.

Napomena: Brojevi proizvoda i artikla mogu varirati za neke regije prodaje. Obratite se odgovarajućem distributeru ili pogledajte web stranicu tvrtke za kontaktne podatke.

Zamjenski dijelovi

Opis	Broj proizvoda
Sklop adaptera, COD	4846400
Baterija, AA alkalne (4x)	1938004
Kiveta s uzorkom i kapičom, 25 x 95 mm, 10-20-25 mL (6x)	2401906
Kiveta s uzorkom i kapičom, 1 cm/10 mL (2x)	4864302
USB kabel	LZV818

Dodaci

Opis	Broj proizvoda
Kapica, kiveta s uzorkom za 25 x 95 mL kivetu	2401812
Torba za nošenje, tvrda	4942500
Torba za nošenje, mekana s remenom za rame	2722000
Torba za nošenje, prenosiva-laboratorijska	4943000
DR/Check™ – standardi apsorpcije	2763900
Poklopac instrumenta, DR 900	9390500

Πίνακας περιεχομένων

- | | |
|---|---|
| 1 Προδιαγραφές στη σελίδα 348 | 7 Προηγμένη λειτουργία στη σελίδα 360 |
| 2 Γενικές πληροφορίες στη σελίδα 348 | 8 Συντήρηση στη σελίδα 364 |
| 3 Εγκατάσταση στη σελίδα 351 | 9 Αντιμέτωση προβλημάτων στη σελίδα 365 |
| 4 Περιβάλλον και πλοήγηση χρήστη στη σελίδα 353 | 10 Ανταλλακτικά και εξαρτήματα στη σελίδα 365 |
| 5 Εκκίνηση στη σελίδα 355 | |
| 6 Τυπική λειτουργία στη σελίδα 356 | |

Ενότητα 1 Προδιαγραφές

Οι προδιαγραφές ενδέχεται να αλλάξουν χωρίς προειδοποίηση.

Προδιαγραφή	Λεπτομέρειες
Λειτουργία μέτρησης	Διαπερατότητα (%), απορρόφηση (Abs) και συγκέντρωση (Conc)
Διαστάσεις (Π x Β x Υ)	23,6 x 8,7 x 4,7 cm (9,3 x 3,4 x 1,9 in.)
Κατάταξη περιβλήματος	IP 67
Βάρος	0,6 kg (1,3 lb)
Απαιτήσεις τροφοδοσίας (εσωτερική)	Αλκαλικές μπαταρίες AA (4x)
Διάρκεια ζωής μπαταρίας	6 μήνες (τυπικά) με 5 ενδείξεις ανά ημέρα/5 ημέρες την εβδομάδα, χωρίς τον πίσω φωτισμό
Διεπαφή	Mini USB
Θερμοκρασία λειτουργίας	0 έως 50 °C (32 έως 122 °F), σχετική υγρασία έως 90% το μέγιστο, χωρίς συμπύκνωση

Προδιαγραφή	Λεπτομέρειες
Θερμοκρασία αποθήκευσης	-30 έως 60 °C (-22 έως 140 °F), σχετική υγρασία έως 90% το μέγιστο, χωρίς συμπύκνωση
Πηγή λυχνίας	Δίοδος εκπομπής φωτός (LED)
Ανιχνευτής	Φωτοδίοδος σιλικόνης
Εύρος μήκους κύματος	420, 520, 560, 610 nm
Εύρος φωτομετρικών μετρήσεων	0–2 Abs
Ακρίβεια μήκους κύματος	±1 nm
Φωτομετρική ακρίβεια	±0.03 Abs
Φωτομετρική γραμμικότητα	±0,002 Abs (0–1 Abs)
Επιλογή μήκους κύματος	Αυτόματη, με βάση την επιλογή της μεθόδου
Φωτομετρική επαναληψιμότητα	±0,002 Abs (0–1 Abs)
Ανάγνωση δεδομένων	Οθόνη γραφικών, 240 x 160 pixel (με πίσω φωτισμό)
Κυψελίδες δείγματος	16 mm, 1 cm/10 mL, κυκλική διατομή 1 ίντσας (25 mm)
Κατηγορία προστασίας	Κατηγορία III
Πιστοποιήσεις	Πιστοποίηση CE
Εγγύηση	1 έτος (EE: 2 έτη)

Ενότητα 2 Γενικές πληροφορίες

Σε καμία περίπτωση ο κατασκευαστής δεν είναι υπεύθυνος για άμεσες, έμμεσες, ειδικές, τυχαίες ή παρεπόμενες ζημιές που προκύπτουν από οποιοδήποτε ελάττωμα ή παράλειψη του παρόντος εγχειριδίου. Ο

κατασκευαστής διατηρεί το δικαίωμα να πραγματοποιήσει αλλαγές στο παρόν εγχειρίδιο και στα προϊόντα που περιγράφει ανά στιγμή, χωρίς ειδοποίηση ή υποχρέωση. Αναθεωρημένες εκδόσεις διατίθενται από τον ιστοχώρο του κατασκευαστή.

2.1 Πληροφορίες σχετικά με την ασφάλεια

Ο κατασκευαστής δεν φέρει ευθύνη για τυχόν ζημιές που οφείλονται σε λανθασμένη εφαρμογή ή κακή χρήση αυτού του προϊόντος, συμπεριλαμβανομένων, χωρίς περιορισμό, των άμεσων, συμπτωματικών και παρεπόμενων ζημιών, και αποποιείται την ευθύνη για τέτοιες ζημιές στο μέγιστο βαθμό που επιτρέπει το εφαρμοστέο δίκαιο. Ο χρήστης είναι αποκλειστικά υπεύθυνος για την αναγνώριση των σημαντικών κινδύνων εφαρμογής και την εγκατάσταση των κατάλληλων μηχανισμών για την προστασία των διεργασιών κατά τη διάρκεια μιας πιθανής δυσλειτουργίας του εξοπλισμού.

Παρακαλούμε διαβάστε ολόκληρο αυτό το εγχειρίδιο προτού αποσυσκευάσετε, ρυθμίσετε ή λειτουργήσετε αυτόν τον εξοπλισμό. Προσέξτε όλες τις υποδείξεις κινδύνου και προσοχής. Η παράλειψη μπορεί να οδηγήσει σε σοβαρούς τραυματισμούς του χειριστή ή σε ζημιές της συσκευής.

Διασφαλίστε ότι δεν θα προκληθεί καμία βλάβη στις διατάξεις προστασίας αυτού του εξοπλισμού. Μην χρησιμοποιείτε και μην εγκαθιστάτε τον συγκεκριμένο εξοπλισμό με κανέναν άλλον τρόπο, εκτός από αυτούς που προσδιορίζονται στο παρόν εγχειρίδιο.

2.2 Χρήση των πληροφοριών προειδοποίησης κινδύνου

▲ ΚΙΝΔΥΝΟΣ

Υποδεικνύει κάποια ενδεχόμενη ή επικείμενη επικίνδυνη κατάσταση, η οποία, εάν δεν αποτραπεί, θα οδηγήσει σε θάνατο ή σοβαρό τραυματισμό.

▲ ΠΡΟΕΙΔΟΠΟΙΗΣΗ

Υποδεικνύει μια ενδεχόμενη ή επικείμενη επικίνδυνη κατάσταση, η οποία, αν δεν αποτραπεί, μπορεί να προκαλέσει θάνατο ή σοβαρό τραυματισμό.

▲ ΠΡΟΣΟΧΗ





Υποδεικνύει κάποια ενδεχόμενη επικίνδυνη κατάσταση, η οποία μπορεί να καταλήξει σε ελαφρό ή μέτριο τραυματισμό.



ΕΙΔΟΠΟΙΗΣΗ

Υποδεικνύει κατάσταση που, εάν δεν αποτραπεί, μπορεί να προκληθεί βλάβη στο όργανο. Πληροφορίες που απαιτούν ειδική έμφαση.

2.3 Ετικέτες προφύλαξης

Διαβάστε όλες τις ετικέτες και τις σημάνσεις που είναι επικολλημένες στο όργανο. Εάν δεν τηρήσετε τις οδηγίες, ενδέχεται να προκληθεί τραυματισμός ή ζημιά στο όργανο. Το κάθε σύμβολο που θα δείτε στο όργανο, αναφέρεται στο εγχειρίδιο μαζί με την αντίστοιχη δήλωση προειδοποίησης.

	Το σύμβολο αυτό, εάν υπάρχει επάνω στο όργανο, παραπέμπει σε πληροφορίες σχετικά με την ασφάλεια ή/και το χειρισμό, στο εγχειρίδιο λειτουργίας.
	Το σύμβολο αυτό υποδεικνύει ότι υπάρχει κίνδυνος έκρηξης.
	Το σύμβολο αυτό υποδεικνύει ότι υπάρχει κίνδυνος πυρκαγιάς.
	Το σύμβολο αυτό υποδεικνύει ότι υπάρχει κίνδυνος πρόκλησης βλάβης από χημικά και ότι η διαχείριση των χημικών και η εκτέλεση εργασιών συντήρησης στα συστήματα παροχής χημικών θα πρέπει να πραγματοποιείται αποκλειστικά από καταρτισμένο προσωπικό που είναι εκπαιδευμένο για εργασίες με χρήση χημικών ουσιών.

	<p>Το σύμβολο αυτό υποδεικνύει την ανάγκη χρήσης προστασίας για τα μάτια.</p>
	<p>Αν ο ηλεκτρικός εξοπλισμός φέρει το σύμβολο αυτό, δεν επιτρέπεται η απόρριψή του σε ευρωπαϊκά οικιακά και δημόσια συστήματα συλλογής απορριμμάτων. Μπορείτε να επιστρέψετε παλαιό εξοπλισμό ή εξοπλισμό του οποίου η ωφέλιμη διάρκεια ζωής έχει παρέλθει στον κατασκευαστή για απόρριψη, χωρίς χρέωση για το χρήστη.</p>

2.4 Συμμόρφωση και πιστοποίηση

⚠ ΠΡΟΣΟΧΗ

Αυτός ο εξοπλισμός δεν προορίζεται για χρήση σε οικιακά περιβάλλοντα και ενδέχεται να μην παρέχει επαρκή προστασία στη ραδιοφωνική λήψη σε τέτοια περιβάλλοντα.

Καναδικός Κανονισμός Εξοπλισμού Πρόκλησης Παρεμβολών, ICES-003, Κατηγορία A:

Ο κατασκευαστής διατηρεί τα αρχεία των ελέγχων υποστήριξης.

Η παρούσα ψηφιακή συσκευή Κατηγορίας A ανταποκρίνεται σε όλες τις προδιαγραφές του Καναδικού Κανονισμού Εξοπλισμού Πρόκλησης Παρεμβολών (ICES).

Cet appareil numérique de classe A répond à toutes les exigences de la réglementation canadienne sur les équipements provoquant des interférences.

FCC Κεφάλαιο 15, Κατηγορία "A" Όρια

Ο κατασκευαστής διατηρεί τα αρχεία των ελέγχων υποστήριξης. Η συσκευή συμμορφώνεται με το Κεφ. 15 των Κανόνων της FCC. Η λειτουργία υπόκειται στις ακόλουθες προϋποθέσεις:

1. Ο εξοπλισμός μπορεί να μην προκαλέσει επιβλαβείς παρεμβολές.
2. Ο εξοπλισμός πρέπει να δέχεται οποιοσδήποτε παρεμβολές λαμβάνονται, καθώς και παρεμβολές που μπορεί να προκαλέσουν ανεπιθύμητη λειτουργία.

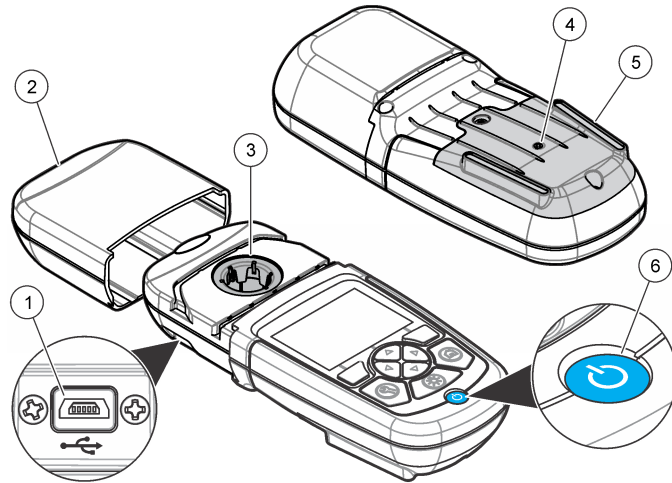
Αλλαγές ή τροποποιήσεις αυτού του εξοπλισμού που δεν έχουν ρητά εγκριθεί από τον υπεύθυνο συμμόρφωσης, μπορεί να ακυρώσουν την αρμοδιότητα του χρήστη να λειτουργήσει τον εξοπλισμό. Ο εξοπλισμός αυτός έχει δοκιμαστεί και κρίθηκε ότι συμμορφώνεται με τους περιορισμούς περί ψηφιακών συσκευών Κατηγορίας A, σύμφωνα με το Κεφάλαιο 15 των κανόνων της FCC. Αυτά τα όρια έχουν σχεδιαστεί για να παρέχουν εύλογη προστασία από τις επιβλαβείς παρεμβολές όταν ο εξοπλισμός λειτουργεί σε εμπορικό περιβάλλον. Αυτό ο εξοπλισμός λειτουργεί, χρησιμοποιεί και μπορεί να εκπέμπει ενέργεια ραδιοσυχνοτήτων και, εάν δεν εγκατασταθεί και δεν χρησιμοποιηθεί σύμφωνα με το εγχειρίδιο οδηγιών, ενδέχεται να προκαλέσει επιβλαβείς παρεμβολές στις ραδιοεπικοινωνίες. Η λειτουργία του εξοπλισμού σε οικιστική περιοχή ενδεχομένως να προκαλέσει επιβλαβείς παρεμβολές, στην οποία περίπτωση ο χρήστης θα χρειαστεί να καλύψει με δικά του έξοδα την αποκατάσταση των παρεμβολών. Για τη μείωση των προβλημάτων παρεμβολών, μπορούν να χρησιμοποιηθούν οι ακόλουθες τεχνικές:

1. Αποσυνδέστε τον εξοπλισμό από την πηγή ισχύος της, προκειμένου να διαπιστωθεί εάν είναι ή δεν είναι η πηγή της παρεμβολής.
2. Αν ο εξοπλισμός είναι συνδεδεμένος με την ίδια έξοδο όπως και η συσκευή που παρουσιάζει παρεμβολές, συνδέστε τον εξοπλισμό σε μια διαφορετική έξοδο.
3. Μετακινήστε τον εξοπλισμό μακριά από τη συσκευή που λαμβάνει την παρεμβολή.
4. Επανατοποθετήστε την κεραία λήψης της συσκευής που λαμβάνει την παρεμβολή.
5. Δοκιμάστε συνδυασμούς των παραπάνω.

2.5 Επισκόπηση προϊόντος

Η συσκευή DR 900 είναι ένα φορητό χρωματόμετρο με πηγή LED, το οποίο πραγματοποιεί μετρήσεις στα μήκη κύματος 420, 520, 560 και 610 nm. Η συσκευή χρησιμοποιείται για τη μέτρηση διάφορων παραμέτρων σε πόσιμο νερό, σε λύματα και σε βιομηχανικές εφαρμογές. Η συσκευή παρέχεται με ένα πλήρες σύνολο αποθηκευμένων προγραμμάτων (προεγκατεστημένες μέθοδοι) και με διαθέσιμο χώρο αποθήκευσης προγραμμάτων χρήστη και μια διαθέσιμη ποικιλία αγαπημένων προγραμμάτων. Ανατρέξτε στην [Εικόνα 1](#).

Εικόνα 1 Επισκόπηση Συσσκευή

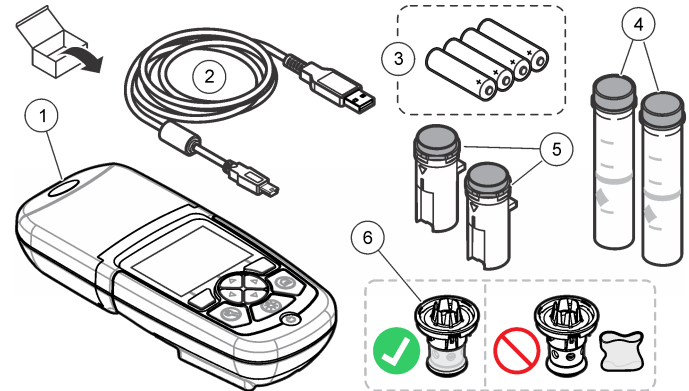


1 Θύρα USB	4 Οπή εξαερισμού
2 Κάλυμμα συσκευής	5 Χώρος μπαταριών
3 Διαμέρισμα κυψελίδας	6 Πλήκτρο ενεργοποίησης/ απενεργοποίησης

2.6 Εξαρτήματα προϊόντος

Βεβαιωθείτε ότι έχετε λάβει όλα τα εξαρτήματα. Ανατρέξτε στην [Εικόνα 2](#). Εάν κάποιο αντικείμενο λείπει ή είναι κατεστραμμένο, επικοινωνήστε αμέσως με τον προμηθευτή της συσκευής ή με έναν αντιπρόσωπο πωλήσεων.

Εικόνα 2 Εξαρτήματα προϊόντος



1 DR 900	4 Γυάλινη κυψελίδα δείγματος, κυκλική διατομή 1 ίντσας (25 mm), ενδείξεις 10, 20, 25 mL (2x)
2 Καλώδιο USB με σύνδεσμο mini-USB	5 Κυψελίδα δείγματος, 1 cm/10 mL (2x)
3 Αλκαλικές μπαταρίες AA (4x)	6 Προσαρμογέας κυψελίδας δείγματος

Ενότητα 3 Εγκατάσταση

▲ ΠΡΟΕΙΔΟΠΟΙΗΣΗ



Πολλαπλοί κίνδυνοι. Μόνο ειδικευμένο προσωπικό πρέπει να εκτελεί τις εργασίες που περιγράφονται σε αυτήν την ενότητα του εγχειριδίου.

ΕΙΔΟΠΟΙΗΣΗ

Βεβαιωθείτε ότι δεν φράσσεται η γρίλια αερισμού της μπαταρίας του συσκευής κατά τη χρήση ή τη φύλαξη.

3.1 Τοποθέτηση μπαταριών

⚠ ΠΡΟΕΙΔΟΠΟΙΗΣΗ



Κίνδυνος έκρηξης. Η εσφαλμένη τοποθέτηση των μπαταριών μπορεί να προκαλέσει την απελευθέρωση εκρηκτικών αερίων. Βεβαιωθείτε ότι οι μπαταρίες είναι του ίδιου εγκεκριμένου χημικού τύπου και έχουν τοποθετηθεί προς το σωστό προσανατολισμό. Μην συνδυάζετε καινούριες και χρησιμοποιημένες μπαταρίες.

⚠ ΠΡΟΕΙΔΟΠΟΙΗΣΗ



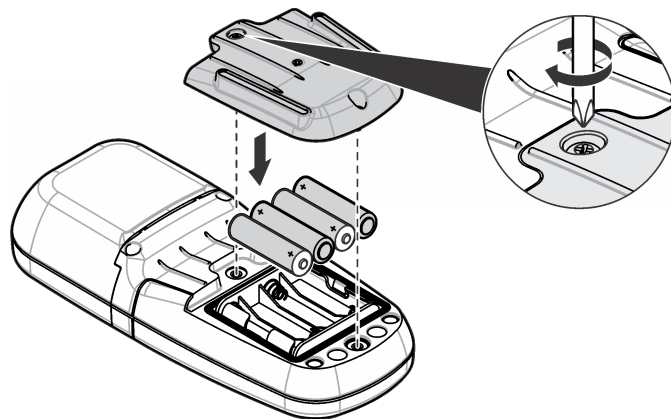
Κίνδυνος πυρκαγιάς. Η αντικατάσταση μπαταριών δεν επιτρέπεται. Χρησιμοποιήστε μόνο αλκαλικές μπαταρίες.

ΕΙΔΟΠΟΙΗΣΗ

Σφίξτε τις βίδες με ροπή 1–1,4 N·m (9–12 in.·lb), προκειμένου να εξασφαλιστεί η στεγανότητα και να διατηρηθεί ο βαθμός προστασίας από περιβαλλοντικές συνθήκες.

Η συσκευή τροφοδοτείται με 4 αλκαλικές μπαταρίες AA. Σιγουρευτείτε ότι οι μπαταρίες έχουν τοποθετηθεί με το σωστό προσανατολισμό. Για την τοποθέτηση των μπαταριών, ανατρέξτε στην ενότητα [Εικόνα 3](#).

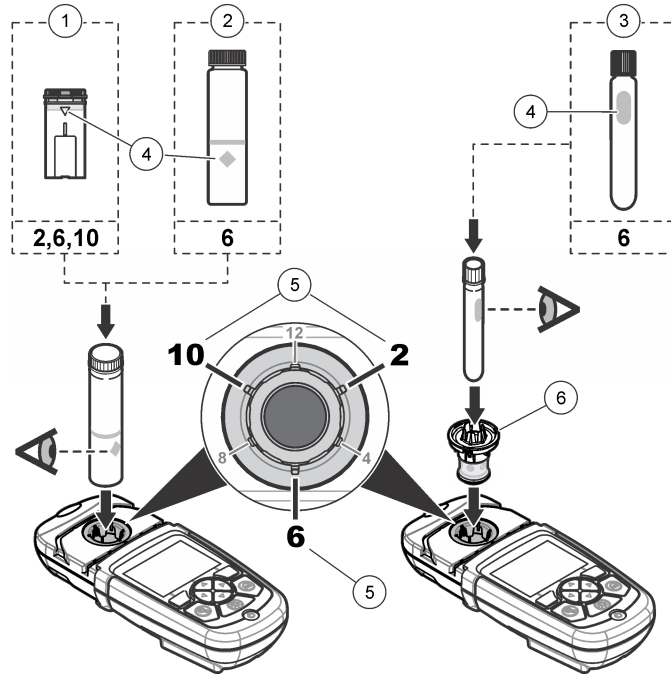
Εικόνα 3 Τοποθέτηση μπαταρίας



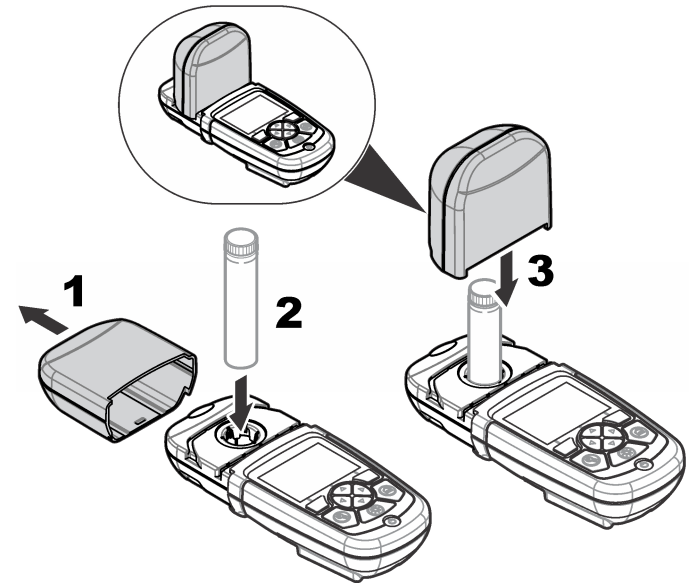
3.2 Τοποθέτηση της κυψελίδας δείγματος και του προσαρμογέα κυψελίδας

Η συσκευή έχει ένα διαμέρισμα κυψελίδας, στο οποίο μπορεί να χρησιμοποιηθεί ένας προσαρμογέας για διαφορετικούς τύπους κυψελίδων δείγματος. Φροντίστε να τοποθετήσετε την κυψελίδα τυφλού δείγματος με σωστό και σταθερό προσανατολισμό, ούτως ώστε τα αποτελέσματα να είναι επαναλήψιμα και πιο ακριβή. Ανατρέξτε στην [Εικόνα 4](#). Κλείστε το κάλυμμα της συσκευής πριν από τη ρύθμιση της συσκευής στο μηδέν ή πριν από την πραγματοποίηση μιας μέτρησης, για να αποτρέψετε τυχόν παρεμβολές από το φως. Ανατρέξτε στην [Εικόνα 5](#).

Εικόνα 4 Προσανατολισμός κυψελίδας δείγματος



Εικόνα 5 Τοποθέτηση κυψελίδας δείγματος και καλύμματος συσκευής



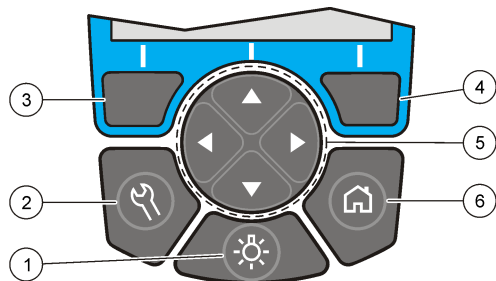
Ενότητα 4 Περιβάλλον και πλοήγηση χρήστη

4.1 Περιγραφή πληκτρολογίου

Για την περιγραφή του πληκτρολογίου και για πληροφορίες πλοήγησης, ανατρέξτε στην [Εικόνα 6](#).

1 Πλαστική κυψελίδα δείγματος 1 cm/10 mL	4 Ένδειξη προσανατολισμού
2 Γυάλινη κυψελίδα δείγματος 1 ίντσας (25 mm)	5 Θέση προσανατολισμού (δεξιόστροφα)
3 Γυάλινο δοκιμαστικό φιαλίδιο 16 mm	6 Προσαρμογέας κυψελίδας δείγματος

Εικόνα 6 Περιγραφή πληκτρολογίου



4.2 Περιγραφή οθόνης

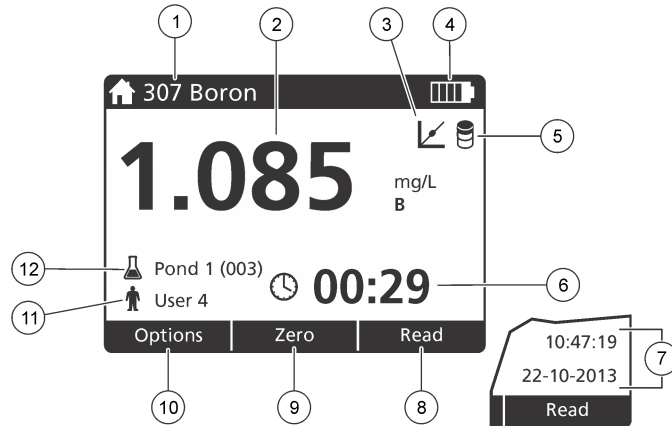
Η οθόνη ενδείξεων εμφανίζει την επιλεγμένη λειτουργία, τη μονάδα, την ημερομηνία και την ώρα, το ID χειριστή και το ID δείγματος. Ανατρέξτε στην [Εικόνα 7](#).

1 ΠΙΣΩ ΦΩΤΙΣΜΟΣ: Ενεργοποίηση ή απενεργοποίηση του φωτισμού της οθόνης	4 Πλήκτρο επιλογής ΔΕΞΙΑ (εξαρτάται από το μενού): Ανάγνωση δείγματος, επιλογή ή επιβεβαίωση επιλογών, άνοιγμα υπομενού
2 ΡΥΘΜΙΣΕΙΣ: Επιλογές ρύθμισης ¹	5 Πλήκτρα πλοήγησης ΕΠΑΝΩ, ΚΑΤΩ, ΔΕΞΙΑ, ΑΡΙΣΤΕΡΑ: μετακίνηση με κύλιση μεταξύ των μενού, εισαγωγή αριθμών και γραμμάτων ²
3 Πλήκτρο επιλογής ΑΡΙΣΤΕΡΑ (εξαρτάται από το μενού): Πρόσβαση για επιλογές, ακύρωση ή έξοδος από την τρέχουσα οθόνη μενού στην προηγούμενη	6 ΑΡΧΙΚΗ ΣΕΛΙΔΑ/Επιλογές: Μετάβαση στην κύρια οθόνη ένδειξης ¹ , επιλογή προγράμματος, διαχείριση δεδομένων

¹ Όταν βρίσκεστε σε λειτουργία επεξεργασίας, το πλήκτρο δεν λειτουργεί.

² Κρατώντας πατημένο το πλήκτρο ΕΠΑΝΩ ή ΚΑΤΩ, γίνεται γρήγορη μετακίνηση με κύλιση. Κρατώντας πατημένο το πλήκτρο ΑΡΙΣΤΕΡΑ ή ΔΕΞΙΑ, γίνεται μετακίνηση με κύλιση ανά σελίδα.

Εικόνα 7 Εμφάνιση μίας οθόνης



1 Όνομα και αριθμός προγράμματος	7 Ημερομηνία και ώρα
2 Τιμή ένδειξης, μονάδα, χημική μορφή, κάτω από "----" ή πάνω από εύρος μέτρησης "+++"	8 Ανάγνωση (σχετικές επιλογές: Τέλος, Επιλογή, Έναρξη, ok)
3 Εικονίδιο πρότυπης ρύθμισης	9 Μηδέν (σχετικές επιλογές: πλήκτρο βέλους πλοήγησης ΕΠΑΝΩ)
4 Κατάσταση μπαταρίας	10 Επιλογές (σχετικές επιλογές: Πίσω, Άκυρο)
5 Εικονίδιο τυφλού αντιδραστηρίου	11 Αναγνώριση χειριστή
6 Χρονιστής	12 Αναγνώριση δείγματος

4.3 Πλοήγηση

Η συσκευή περιλαμβάνει μενού για την αλλαγή διαφόρων επιλογών. Χρησιμοποιήστε τα πλήκτρα πλοήγησης (βέλη **ΕΠΑΝΩ**, **ΚΑΤΩ**, **ΔΕΞΙΑ** και **ΑΡΙΣΤΕΡΑ**) για να επισημάνετε διάφορες επιλογές. Πατήστε το πλήκτρο επιλογής **ΔΕΞΙΑ** για να επιλέξετε μια επιλογή. Εισαγάγετε μια τιμή επιλογής με τα πλήκτρα πλοήγησης. Χρησιμοποιήστε τα πλήκτρα πλοήγησης (βέλη **ΕΠΑΝΩ**, **ΚΑΤΩ**, **ΔΕΞΙΑ** και **ΑΡΙΣΤΕΡΑ**) για να επισημάνετε ή να αλλάξετε μια τιμή. Πιέστε το βέλος **ΔΕΞΙΑ** για να προχωρήσετε στο επόμενο κενό. Πατήστε το πλήκτρο επιλογής **ΔΕΞΙΑ** στο **Τέλος** για να αποδεχτείτε την τιμή. Πατήστε το πλήκτρο επιλογής **ΑΡΙΣΤΕΡΑ** για να κάνετε έξοδο από την τρέχουσα οθόνη μενού στην προηγούμενη οθόνη.

Ενότητα 5 Εκκίνηση

5.1 Ενεργοποίηση ή απενεργοποίηση της συσκευής

Πατήστε το πλήκτρο **Ενεργοποίηση/ απενεργοποίηση** για να ενεργοποιήσετε ή να απενεργοποιήσετε τη συσκευή. Εάν δεν είναι δυνατή η ενεργοποίηση της συσκευής, βεβαιωθείτε ότι οι μπαταρίες έχουν τοποθετηθεί σωστά.

5.2 Ρύθμιση της γλώσσας

Υπάρχουν δύο επιλογές ρύθμισης της γλώσσας:

- Ρυθμίστε τη γλώσσα εμφάνισης όταν ενεργοποιήσετε τη συσκευή για πρώτη φορά.
- Ρυθμίστε τη γλώσσα από το μενού **ΡΥΘΜΙΣΕΙΣ**.

1. Πατήστε **ΡΥΘΜΙΣΕΙΣ>Ρύθμιση>Γλώσσα**.
2. Επιλέξτε μια γλώσσα από τη λίστα.

5.3 Ρύθμιση της ημερομηνίας και της ώρας

Υπάρχουν δύο επιλογές ρύθμισης της ημερομηνίας και της ώρας:

- Ρυθμίστε την ημερομηνία και την ώρα όταν ενεργοποιήσετε τη συσκευή για πρώτη φορά.

- Ρυθμίστε την ημερομηνία και την ώρα από το μενού **Ημ/νία & ώρα**.
1. Πατήστε **ΡΥΘΜΙΣΕΙΣ>Ρύθμιση>Ημ/νία & ώρα**.
 2. Επιλέξτε **Ρύθμιση μορφής ημερομηνίας και ώρας** και, στη συνέχεια, επιλέξτε μια μορφή για την ημερομηνία και την ώρα.
 3. Επιλέξτε **Ρύθμιση ημερομηνίας και ώρας**.
 4. Χρησιμοποιήστε τα πλήκτρα πλοήγησης για να εισαγάγετε την τρέχουσα ημερομηνία και ώρα και, στη συνέχεια, πατήστε **OK**.

Ενότητα 6 Τυπική λειτουργία

6.1 Λίστα προγραμμάτων

Η συσκευή παραδίδεται με μια ολοκληρωμένη σειρά προγραμμάτων εφαρμογών. Για τις περιγραφές των προγραμμάτων, ανατρέξτε στην ενότητα [Πίνακας 1](#).

Πίνακας 1 Επιλογές προγράμματος

Επιλογή προγράμματος	Περιγραφή
Αποθηκευμένα προγράμματα	Τα αποθηκευμένα προγράμματα είναι ήδη προγραμματισμένες μέθοδοι, εγκατεστημένες από το εργοστάσιο. Ανατρέξτε στην Επιλογή αποθηκευμένου προγράμματος στη σελίδα 356.
Προγράμματα χρήστη	Οι μέθοδοι είναι δυνατό να αναπτυχθούν και να αποθηκευτούν ως πρόγραμμα χρήστη. ³ Ανατρέξτε στην Προγράμματα χρήστη στη σελίδα 360.
Προτιμώμενα	Οι μέθοδοι που χρησιμοποιούνται συχνά είναι δυνατό να αποθηκευτούν στη λίστα με τα αγαπημένα. ¹

6.1.1 Επιλογή αποθηκευμένου προγράμματος

1. Πατήστε **Αρχική σελίδα>Επιλογές>Όλα τα προγράμματα**.
2. Επιλέξτε το πρόγραμμα που θέλετε και πατήστε **Έναρξη**.
3. Επιλέξτε **Επιλογές>Προσθήκη στα Αγαπημένα** για να προσθέσετε την επιλεγμένη μέθοδο στα αγαπημένα για πιο γρήγορη πρόσβαση.

6.1.2 Ενεργοποίηση βασικών επιλογών προγράμματος

Όταν επιλέγετε ένα πρόγραμμα, καθίστανται διαθέσιμες πρόσθετες επιλογές παραμέτρων.

³ Είναι δυνατή η αποθήκευση έως και 10 μεθόδων το μέγιστο (προγράμματα χρήστη και/ή αγαπημένα).

1. Πατήστε **Επιλογές** για να αποκτήσετε πρόσβαση στο μενού επιλογών.
2. Επιλέξτε τις επιλογές που θέλετε.

Επιλογή	Περιγραφή
Έναρξη χρονόμετρου	Επιλέξτε ένα προρυθμισμένο χρονόμετρο ή ορίστε ένα μη αυτόματο χρονόμετρο για να διασφαλίσετε ότι τα βήματα μιας ανάλυσης χρονομετρούνται σωστά (π.χ. οι χρόνοι αντίδρασης ή οι χρόνοι αναμονής μπορούν να καθοριστούν με ακρίβεια). Όταν το χρονόμετρο είναι ενεργοποιημένο, το εικονίδιο χρονομέτρου εμφανίζεται στην οθόνη. Όταν ο χρόνος παρέλθει, ακούγεται ένας ήχος από τη συσκευή. Προρυθμισμένο χρονόμετρο — Επιλέξτε το προρυθμισμένο χρονόμετρο που θέλετε για ένα ή περισσότερα αποθηκευμένα βήματα διαδικασίας και πατήστε Έναρξη. Μη αυτόματο χρονόμετρο — Εισαγάγετε τον επιθυμητό χρόνο με τα πλήκτρα πλοήγησης και πατήστε Τέλος . Προεπιλογή = 00:00
Αγαπ/να/Προγράμ.χρήστη	Επιλέξτε από τη λίστα αποθηκευμένων αγαπημένων προγραμμάτων ή προγραμμάτων χρήστη. Ανατρέξτε στην ενότητα Επιλογή ενός αγαπημένου ή ενός προγράμματος χρήστη στη σελίδα 360 για περισσότερες πληροφορίες.
Όλα τα προγράμματα	Επιλέξτε μια ήδη προγραμματισμένη μέθοδο από τη λίστα.

Επιλογή	Περιγραφή
Αρχείο καταγρ.δεδομ.	Εμφανίζει όλες τις αποθηκευμένες ενδείξεις. Ανατρέξτε στην ενότητα Μητρώο καταγραφής δεδομένων στη σελίδα 360 για περισσότερες πληροφορίες.
Προσθήκη στα Αγαπημένα	Αποθηκεύστε στη λίστα με τα Αγαπημένα τα αποθηκευμένα προγράμματα και τις μεθόδους προγραμμάτων χρήστη που χρησιμοποιούνται συχνά. Ανατρέξτε στην Προσθήκη ενός προγράμματος στα Αγαπημένα στη σελίδα 360.
%T/Abs/Conc	Μεταβείτε σε ενδείξεις % διαπερατότητας, απορρόφησης ή συγκέντρωσης. Ένδειξη διαπερατότητας (%) — Διαβάζει το ποσοστό του αρχικού φωτός που διέρχεται από το δείγμα και φθάνει στον ανιχνευτή. Ενδείξεις απορρόφησης — Το φως που απορροφάται από το δείγμα διαβάζεται σε μονάδες απορρόφησης. Ενδείξεις συγκέντρωσης — Οι μετρούμενες τιμές απορρόφησης μετατρέπονται σε τιμές συγκέντρωσης με την αποθηκευμένη εξίσωση που ισχύει για το εκάστοτε πρόγραμμα.

Επιλογή	Περιγραφή
Προηγμ.επιλογές	Χρησιμοποιήστε τις επιλογές για προχωρημένους για να καθορίσετε περισσότερες παραμέτρους. Ανατρέξτε στην Ενεργοποίηση επιλογών προγράμματος για προχωρημένους στη σελίδα 358.
Αποθήκευση	Αποθηκεύει μη αυτόματα την τελευταία ένδειξη όταν η επιλογή αυτόματης αποθήκευσης είναι ρυθμισμένη σε Απενεργοποίηση.

6.1.3 Ενεργοποίηση επιλογών προγράμματος για προχωρημένους

Κάθε πρόγραμμα διαθέτει διάφορες πρόσθετες επιλογές για προχωρημένους από τις οποίες μπορείτε να επιλέξετε.

1. Πατήστε **Επιλογές** για να αποκτήσετε πρόσβαση στο στοιχείο **Επιλογές>Προηγμ.επιλογές**.
2. Χρησιμοποιήστε τις επιλογές για προχωρημένους για να καθορίσετε περισσότερες παραμέτρους.

Επιλογή	Περιγραφή
Αυτόματη αποθήκευση	Εναλλαγή μεταξύ Ενεργοποίηση και Απενεργοποίηση. Κάθε ένδειξη αποθηκεύεται αυτόματα όταν αυτή η επιλογή είναι ρυθμισμένη σε Ενεργοποίηση. Η ένδειξη είναι δυνατό να αποθηκευτεί μη αυτόματα όταν η επιλογή είναι ρυθμισμένη σε Απενεργοποίηση.
Χημικός τύπος	Επιλέξτε τον εναλλακτικό χημικό τύπο και το σχετικό εύρος μέτρησης σε ορισμένες, εγκατεστημένες από το εργοστάσιο, μεθόδους.

Επιλογή	Περιγραφή
Αντιδραστήριο τυφλό	Η διόρθωση τυφλού αντιδραστηρίου μπορεί να χρησιμοποιηθεί με ορισμένες, εγκατεστημένες από το εργοστάσιο, μεθόδους. Εισαγάγετε το αποτέλεσμα μιας ολοκληρωμένης δοκιμής, χρησιμοποιώντας ως δείγμα απιονισμένο νερό. Η τυφλή τιμή αφαιρείται από κάθε αποτέλεσμα για τη διόρθωση τυχόν χρώματος φόντου λόγω των αντιδραστηρίων. Εισαγάγετε την τυφλή διόρθωση πριν από τη χρήση της επιλογής Πρότυπη ρύθμιση. Συμπληρώστε αυτήν τη διόρθωση για κάθε νέα παρτίδα δοκιμαστικών αντιδραστηρίων.
Πρότυπη ρύθμιση	Αλλάζει την αποθηκευμένη βαθμονόμηση. Ολοκληρώστε μια δοκιμή με γνωστό πρότυπο σε συγκέντρωση που πλησιάζει το άνω όριο του εύρους δοκιμής. Χρησιμοποιήστε τη συγκεκριμένη λειτουργία για να ρυθμίσετε το αποτέλεσμα για την ευθυγράμμιση της πρότυπης συγκέντρωσης.
Ταξινόμηση προγράμματος	Επιλέξτε μια αλφαβητική ή αριθμητική σειρά για τη λίστα αποθηκευμένων προγραμμάτων.

6.2 Χρησιμοποιήστε ένα ID χειριστή

Η ετικέτα του ID Χειριστή συνδέει μετρήσεις με ένα χειριστή. Όλα τα αποθηκευμένα δεδομένα θα περιλαμβάνουν αυτό το ID.

1. Στην οθόνη ένδειξης, πατήστε **ΡΥΘΜΙΣΕΙΣ>Αναγν/κό χειριστή**.
2. Επιλέξτε, δημιουργήστε ή διαγράψτε ένα ID χειριστή:

Επιλογή	Περιγραφή
Τρέχον ID	Επιλέξτε ένα ID από μια λίστα. Το τρέχον ID θα συσχετιστεί με τα δεδομένα δείγματος μέχρι να επιλεγεί διαφορετικό ID.

Επιλογή	Περιγραφή
Δημιουργία νέου ID	Εισαγάγετε ένα όνομα για το νέο ID χειριστή. Είναι δυνατή η εισαγωγή έως και 10 ονομάτων το πολύ.
Διαγραφή ID	Διαγράψτε ένα υπάρχον ID χειριστή.

6.3 Χρησιμοποιήστε ένα ID δείγματος

Η ετικέτα ID δείγματος χρησιμοποιείται για να συσχετίσει ενδείξεις με συγκεκριμένο δείγμα ή με μια θέση. Αν ανατεθεί, τα αποθηκευμένα δεδομένα θα περιλαμβάνουν αυτό το ID.

1. Στην οθόνη ένδειξης, πατήστε **ΡΥΘΜΙΣΕΙΣ>Αναγν/κό δείγματος**.
2. Επιλέξτε, δημιουργήστε ή διαγράψτε ένα ID χειριστή:

Επιλογή	Περιγραφή
Τρέχον ID	Επιλέξτε ένα ID από μια λίστα. Το τρέχον ID θα συσχετιστεί με τα δεδομένα δείγματος μέχρι να επιλεγεί διαφορετικό ID.
Δημιουργία νέου ID	Εισαγάγετε ένα όνομα για το ID νέου δείγματος. Είναι δυνατή η εισαγωγή έως και 10 ονομάτων το πολύ. Τα δείγματα αριθμούνται με σειρά για κάθε μέτρηση μέχρι να επιλεγεί διαφορετικό ID (δηλαδή, Pond 1, Pond 2).
Διαγραφή ID	Διαγράψτε ένα υπάρχον ID δείγματος.

6.4 Τρόπος πραγματοποίησης μιας μέτρησης

Για την ολοκλήρωση μιας μέτρησης είναι απαραίτητα κάποια βασικά βήματα μέτρησης. Κάθε μέθοδος διαθέτει μια διαδικασία βήμα προς βήμα. Για την εκτέλεση μιας συγκεκριμένης δοκιμής, ανατρέξτε στην αντίστοιχη μέθοδο. Το παράδειγμα που ακολουθεί είναι μια βασική διαδικασία για την ολοκλήρωση μιας μέτρησης.

1. Επιλέξτε το πρόγραμμα που θέλετε από το μενού προγραμμάτων (π.χ., Αποθηκευμένα προγράμματα, Προγράμματα χρήστη, Αγαπημένα).
2. Εάν είναι απαραίτητο, εγκαταστήστε τον προσαρμογέα κυψελίδων.
3. Πατήστε **Εναρξη** για να ξεκινήσει το πρόγραμμα.
4. Ετοιμάστε το τυφλό δείγμα σύμφωνα με το έγγραφο της μεθόδου. Κλείστε την κυψελίδα δείγματος και καθαρίστε τις οπτικές όψεις της κυψελίδας δείγματος με ένα πανί που δεν αφήνει χνούδι.
5. Τοποθετήστε την κυψελίδα τυφλού δείγματος στο διαμέρισμα της κυψελίδας. Φροντίστε να τοποθετήσετε την κυψελίδα τυφλού δείγματος με σωστό και σταθερό προσανατολισμό, ούτως ώστε τα αποτελέσματα να είναι επαναλήψιμα και πιο ακριβή. Ανατρέξτε στην [Εικόνα 4](#) στη σελίδα 353.
6. Κλείστε το κάλυμμα της συσκευής για να αποτρέψετε τυχόν παρεμβολές φωτός. Ανατρέξτε στην [Εικόνα 5](#) στη σελίδα 353.
7. Πατήστε **Μηδέν**. Στην οθόνη εμφανίζεται μηδενική συγκέντρωση (π.χ. mg/L, ABS, µg/L).
8. Προετοιμάστε το δείγμα. Προσθέστε αντιδραστήρια, όπως καθορίζεται στο έγγραφο της μεθόδου.
9. Επιλέξτε **Επιλογές>Εναρξη χρονομέτρου** για να χρησιμοποιήσετε το χρονόμετρο που είναι αποθηκευμένο στο πρόγραμμα.
10. Κλείστε την κυψελίδα δείγματος και καθαρίστε τις οπτικές επιφάνειες της κυψελίδας με ένα πανί που δεν αφήνει χνούδι.
11. Τοποθετήστε το δείγμα στο διαμέρισμα της κυψελίδας. Φροντίστε να τοποθετήσετε την κυψελίδα τυφλού δείγματος με σωστό και σταθερό προσανατολισμό, ούτως ώστε τα αποτελέσματα να είναι επαναλήψιμα και πιο ακριβή. Ανατρέξτε στην [Εικόνα 4](#) στη σελίδα 353.
12. Κλείστε το κάλυμμα της συσκευής για να αποτρέψετε τυχόν παρεμβολές φωτός. Ανατρέξτε στην [Εικόνα 5](#) στη σελίδα 353.
13. Πατήστε **Μέτρηση**. Η οθόνη εμφανίζει τα αποτελέσματα στις επιλεγμένες μονάδες.
Σημείωση: Η οθόνη εμφανίζει την ένδειξη “+++” ή “---”, αν η μετρηθείσα απορρόφηση είναι μικρότερη ή μεγαλύτερη από το εύρος βαθμονόμησης της δοκιμής.

6.5 Μητρώο καταγραφής δεδομένων

Το μητρώο καταγραφής δεδομένων εμφανίζει όλες τις αποθηκευμένες ενδείξεις. Για να δείτε τις ενδείξεις, πατήστε **Αρχική σελίδα>Επιλογές>Αρχείο καταγρ.δεδομ.** Για πληροφορίες σχετικά με την εξαγωγή του μητρώου καταγραφής δεδομένων, ανατρέξτε στην ενότητα **Εξαγωγή του μητρώου καταγραφής δεδομένων** στη σελίδα 363.

Ενότητα 7 Προηγμένη λειτουργία

7.1 Επιλογή ενός αγαπημένου ή ενός προγράμματος χρήστη

Η βάση δεδομένων με τα αγαπημένα και τα προγράμματα χρήστη είναι κενή όταν η συσκευή εκκινείται για πρώτη φορά. Είναι δυνατή η αποθήκευση μιας μεθόδου στα αγαπημένα για πιο γρήγορη πρόσβαση. Είναι δυνατός ο προγραμματισμός ενός προγράμματος χρήστη για συγκεκριμένες ανάγκες.

1. Πατήστε **Αρχική σελίδα>Επιλογές>Αγαπ/να/Προγράμ.χρήστη>Επιλογή**.
2. Πατήστε **Νέο πρόγραμμα** για να δημιουργήσετε ένα νέο πρόγραμμα χρήστη. Ανατρέξτε στην **Προγράμματα χρήστη** στη σελίδα 360.

7.2 Προσθήκη ενός προγράμματος στα Αγαπημένα

Τα αποθηκευμένα προγράμματα και οι μέθοδοι προγραμμάτων χρήστη που χρησιμοποιούνται συχνά είναι δυνατόν να αποθηκευτούν στη λίστα με τα Αγαπημένα.

1. Επιλέξτε **Αρχική σελίδα>Επιλογές>Όλα τα προγράμματα**.
2. Επιλέξτε το πρόγραμμα που θέλετε και πατήστε **Έναρξη**.
3. Επιλέξτε **Επιλογές>Προσθήκη στα Αγαπημένα**, για να προσθέσετε την επιλεγμένη μέθοδο στα αγαπημένα.

7.3 Προγράμματα χρήστη

Η βάση δεδομένων με τα προγράμματα χρήστη είναι κενή όταν η συσκευή εκκινείται για πρώτη φορά. Χρησιμοποιήστε την επιλογή **Νέο πρόγραμμα** για να δημιουργήσετε νέα προγράμματα για συγκεκριμένες ανάγκες. Για να δημιουργήσετε ένα νέο πρόγραμμα χρήστη, εκτελέστε τα παρακάτω βήματα.

1. Πατήστε **Αρχική σελίδα>Επιλογές>Αγαπ/να/Προγράμ.χρήστη>Επιλογή>Νέο πρόγραμμα**.
2. Επιλέξτε έναν διαθέσιμο αριθμό προγράμματος από το 1001 έως το 1010.
***Σημείωση:** Είναι δυνατή η αποθήκευση έως και 10 προγραμμάτων το μέγιστο (προγράμματα χρήστη και/ή αγαπημένα).*
3. Εισαγάγετε ένα όνομα μεθόδου (έως και 12 χαρακτήρες).
4. Επιλέξτε μήκος κύματος: 420, 520, 560 ή 610 nm.
5. Επιλέξτε μονάδα: Καμία, $\mu\text{g/L}$, mg/L ή g/L .
6. Επιλέξτε ανάλυση: 0000, 000.0, 00.00 ή 0.000.
7. Προσθέστε τα σημεία βαθμονόμησης: τουλάχιστον 2 και έως 12 σημεία βαθμονόμησης το μέγιστο.⁴ Επιλέξτε Επεξεργασία προτύπου 1 και εισαγάγετε την πρώτη τιμή πρότυπης συγκέντρωσης. Πατήστε **Τέλος**.
***Σημείωση:** Εάν ακουστεί ηχητικό σήμα σημαίνει ότι η συγκέντρωση είναι διπλή καταχώριση ενός προτύπου που καταχωρίστηκε σε προγενέστερο χρόνο ή ότι η συγκέντρωση είναι υπερβολικά υψηλή για την ανάλυση που επιλέχθηκε. Εισαγάγετε μια άλλη τιμή και συνεχίστε.*

⁴ Εάν είναι γνωστό ότι η καμπύλη είναι γραμμική, απαιτούνται μόνο δύο σημεία δεδομένων συγκέντρωσης (δηλαδή, ένα πρότυπο με μηδενική απορρόφηση και ένα άλλο γνωστό πρότυπο). Χρησιμοποιήστε πρόσθετα σημεία δεδομένων για να επιβεβαιώσετε τη γραμμικότητα ή για να καθορίσετε μια μη γραμμική καμπύλη.

8. Εισαγάγετε την τιμή της απορρόφησης:

Επιλογή	Περιγραφή
Επεξεργ.χειροκ.ABS	Χρησιμοποιήστε τα πλήκτρα πλοήγησης για να εισαγάγετε μη αυτόματα την τιμή απορρόφησης.
Επεξεργ.αυτόμ.ABS	<ol style="list-style-type: none">1. Τοποθετήστε το τυφλό στη βάση της κυψελίδας και πατήστε Μηδέν.2. Τοποθετήστε το προετοιμασμένο δείγμα στη βάση της κυψελίδας και πατήστε Ανάγνωση.3. Πατήστε Τέλος.

Σημείωση: Εάν ακουστεί ηχητικό σήμα σημαίνει ότι η απορρόφηση είναι διπλή καταχώριση ενός προτύπου που καταχωρίστηκε σε προγενέστερο χρόνο ή ότι βρίσκεται μεταξύ δύο προηγούμενων προτύπων. Εισαγάγετε μια άλλη τιμή και συνεχίστε.

9. Πατήστε **Τέλος**.

10. Επιλέξτε Προσθ.σημ.βαθμ/σης.

11. Εισαγάγετε επιπλέον σημεία βαθμονόμησης σύμφωνα με όσα περιγράφονται στα βήματα 7–9.

12. Επιλέξτε **Αποθ/ση προγράμ.χρήστη**.

7.3.1 Επεξεργασία προγράμματος χρήστη

Για να επεξεργαστείτε ένα αποθηκευμένο πρόγραμμα χρήστη:

1. Επιλέξτε **Αρχική σελίδα>Αγαπ/να/Προγράμ.χρήστη**.

2. Επιλέξτε το πρόγραμμα που θέλετε και πατήστε **Επιλογές**.

3. Πατήστε **Επεξεργασία**.

4. Για να επεξεργαστείτε τη διαδικασία, ακολουθήστε τις προτροπές στην οθόνη.

7.3.2 Διαγραφή προγράμματος χρήστη ή αγαπημένου προγράμματος

Διαγράψτε ένα αποθηκευμένο πρόγραμμα χρήστη ή ένα αγαπημένο πρόγραμμα στην περίπτωση που το πρόγραμμα δεν χρησιμοποιείται πλέον.

1. Επιλέξτε **Αρχική σελίδα>Επιλογές>Αγαπ/να/Προγράμ.χρήστη**.

2. Επισημάνετε το πρόγραμμα που θέλετε, πατήστε **Επιλογές>Διαγραφή** και ακολουθήστε τις προτροπές στην οθόνη.

7.4 Πληροφορίες συσκευής

Το μενού πληροφοριών της συσκευής εμφανίζει συγκεκριμένες πληροφορίες, όπως το όνομα της συσκευής, τον αριθμό σειράς, την έκδοση του λογισμικού, την έκδοση της βάσης δεδομένων, τη χρησιμοποιούμενη μνήμη και τη διαθεσιμότητα του προγράμματος. Πατήστε **ΡΥΘΜΙΣΕΙΣ>Πληροφορίες οργάνου**.

7.5 Ρύθμιση του κωδικού πρόσβασης

Οι επιλογές των ρυθμίσεων του κωδικού πρόσβασης χρησιμοποιούνται για να αποτραπεί η πρόσβαση σε περιορισμένα μενού.

Σημείωση: Εάν ξεχάσετε τον καθορισμένο κωδικό πρόσβασης και η ρύθμιση Επιλογές ασφάλειας είναι ενεργοποιημένη, ο χειριστής κλειδώνεται εκτός των

περιορισμένων μενού. Εάν ξεχάσετε τον κωδικό πρόσβασης, επικοινωνήστε με το τμήμα τεχνικής υποστήριξης.

1. Πατήστε **ΡΥΘΜΙΣΕΙΣ>Ρύθμιση>Ρυθμίσεις κωδ. πρόσβ..**
2. Ορίστε μια επιλογή.

Επιλογή	Περιγραφή
Ρυθμίσεις κωδ. πρόσβ.	Επιλέξτε Ενεργοποίηση ή Απενεργοποίηση για να ενεργοποιήσετε ή να απενεργοποιήσετε την προστασία του κωδικού πρόσβασης.
Προστατευμένα στοιχεία	Εμφανίζει τη λίστα με τα προστατευμένα στοιχεία: επεξεργασία ID χειριστή, επεξεργασία ID δείγματος, επεξεργασία προγραμμάτων χρήση, ημερομηνία και ώρα, αναβάθμιση υλικολογισμικού, μέθοδοι αναβάθμισης, γλώσσα και επεξεργασία λίστας αγαπημένων.

7.6 Ρύθμιση οθόνης και ήχου

Χρησιμοποιήστε τις επιλογές οθόνης για να αλλάξετε την αντίθεση της οθόνης, τις επιλογές αυτόματης απενεργοποίησης της μπαταρίας ή την επιλογή πίσω φωτισμού. Χρησιμοποιήστε τις επιλογές ήχου για να ορίσετε έναν ήχο που θα ακούγεται όταν πατάτε ένα πλήκτρο ή όταν ολοκληρώνεται μια ένδειξη.

1. Πατήστε **ΡΥΘΜΙΣΕΙΣ>Ρύθμιση>Οθόνη & ήχος>Επιλογές εμφάνισης.**
2. Ορίστε μια επιλογή.

Επιλογή	Περιγραφή
Αντίθεση	Προσαρμογή της αντίθεσης οθόνης. Η πιο ανοιχτή ρύθμιση είναι 0 και η πιο σκούρα ρύθμιση είναι 9. Προεπιλεγμένη τιμή: 5

Επιλογή	Περιγραφή
Αυτόματα απενεργοποίηση	Για τη μείωση της διάρκειας ζωής της μπαταρίας, ορίστε ένα χρονικό διάστημα μετά την παρέλευση του οποίου η συσκευή θα απενεργοποιεί αυτόματα τη λειτουργία εάν δεν πατηθεί κανένα πλήκτρο (5, 10, 15, 20, 30 λεπτά, 1 ώρα, 2 ώρες ή Απενεργοποίηση). Προεπιλογή: 10 λεπτά
Πίσω φωτισμός	Ο πίσω φωτισμός της οθόνης ορίζεται σε Ενεργοποίηση όταν πιέζετε την επιλογή Πίσω φωτισμός . Ορίστε ένα χρονικό διάστημα μετά την παρέλευση του οποίου ο πίσω φωτισμός θα απενεργοποιείται αυτόματα εάν δεν πατηθεί κανένα πλήκτρο (10, 20, 30 δευτερόλεπτα, 1, 2, 5, 10 λεπτά ή Απενεργοποίηση). Προεπιλογή: 1 λεπτό

3. Πατήστε **ΡΥΘΜΙΣΕΙΣ>Ρύθμιση>Οθόνη & ήχος>Ήχοι.**
4. Ορίστε μια επιλογή.

Επιλογή	Περιγραφή
Πάτημα πλήκτρου	Κάθε φορά που πατάτε ένα πλήκτρο, από τη συσκευή θα ακούγεται ένας ήχος. Προεπιλογή: Απενεργοποίηση
Ολοκλήρωση ένδειξης	Κάθε φορά που ολοκληρώνεται μια ένδειξη, από τη συσκευή θα ακούγεται ένας ήχος. Προεπιλογή: Ενεργοποίηση

7.7 Κύριο μενού USB

Όταν η συσκευή είναι συνδεδεμένη σε υπολογιστή μέσω καλωδίου USB, ανοίγει το Κύριο μενού USB. Ενημερώστε το λογισμικό, εισαγάγετε ή εξαγάγετε προγράμματα ή εξαγάγετε το μητρώο καταγραφής δεδομένων και το μητρώο καταγραφής συμβάντων από το Κύριο μενού USB..

7.7.1 Ενημέρωση του υλικολογισμικού

Εντοπίστε το αρχείο αναβάθμισης υλικολογισμικού στη διαδικτυακή τοποθεσία του προϊόντος ή επικοινωνήστε με τον προμηθευτή της

συσκευής. Αποθηκεύστε το αρχείο από τη διαδικτυακή τοποθεσία στον υπολογιστή.

1. Θέστε το όργανο σε λειτουργία και συνδέστε το καλώδιο USB στο συσκευή και στον υπολογιστή.
Εμφανίζεται το Κύριο μενού USB.
2. Επιλέξτε **Ενημέρωση DR900**.
Η συσκευή εμφανίζεται στον υπολογιστή ως μονάδα USB. Ανοίξτε τον φάκελο.
3. Αντιγράψτε το αρχείο DR900.bin στον ανοιχτό φάκελο.
4. Πατήστε **Ok**.
5. Όταν η ενημέρωση ολοκληρωθεί, πατήστε **Ok**.
6. Επιλέξτε **Αποσύνδεση USB**, πατήστε **Ok** και αποσυνδέστε το καλώδιο USB.
7. Πατήστε **Ok**.
8. Επανεκκινήστε τη συσκευή.

7.7.2 Διαχείριση προγραμμάτων

Με τη λειτουργία Διαχείριση προγραμμάτων, τα προγράμματα χρήστη μπορούν να εξαχθούν ή/και να εισαχθούν και είναι δυνατό να εισαχθούν νέων εργοστασιακών προγραμμάτων.

1. Θέστε το όργανο σε λειτουργία και συνδέστε το καλώδιο USB στο συσκευή και στον υπολογιστή.
Εμφανίζεται το Κύριο μενού USB.
2. Επιλέξτε **Διαχείρ.προγραμμάτων** και επιλέξτε μία επιλογή:

Επιλογή	Περιγραφή
Εξαγωγή προγραμμάτων χρήστη	Εξαγάγετε όλα τα προγράμματα χρήστη στον υπολογιστή για αποθήκευση ή μετακινήστε τα προγράμματα χρήστη σε άλλη συσκευή DR 900.

Επιλογή	Περιγραφή
(Εισαγωγή προγραμμάτων χρήστη	Αντικαταστήστε όλα τα προγράμματα χρήστη με τα προγράμματα χρήστη από άλλη συσκευή DR 900 μέσω υπολογιστή.
Εισαγωγή εργοστασιακών προγραμμάτων	Εισαγάγετε νέα εργοστασιακά προγράμματα από τη διαδικτυακή τοποθεσία του κατασκευαστή.

Η συσκευή εμφανίζεται στον υπολογιστή ως μονάδα USB. Ανοίξτε τον φάκελο.

3. Αντιγράψτε το αρχείο εξαγωγής από τη μονάδα στον υπολογιστή ή αντιγράψτε το αρχείο εισαγωγής από τον υπολογιστή στη μονάδα.
4. Πατήστε **Ok**.
5. Μόλις ολοκληρωθεί η μεταφορά, επιλέξτε **Αποσύνδεση USB** και αποσυνδέστε το καλώδιο USB.
6. Πατήστε **Ok**.

7.7.3 Εξαγωγή του μητρώου καταγραφής δεδομένων

Το μητρώο συμβάντων και το μητρώο καταγραφής δεδομένων είναι δυνατό να εξαχθούν στον υπολογιστή. Το μητρώο συμβάντων περιλαμβάνει την ημερομηνία, την ώρα, τον αριθμό συμβάντος, την παράμετρο και την περιγραφή μιας ενέργειας που έχει σχέση με διαμόρφωση. Οι μετρήσεις δείγματος αποθηκεύονται αυτόματα ή μη αυτόματα στο μητρώο καταγραφής δεδομένων. Ανατρέξτε στην [Ενεργοποίηση επιλογών προγράμματος για προχωρημένους](#) στη σελίδα 358.

1. Θέστε το όργανο σε λειτουργία και συνδέστε το καλώδιο USB στο συσκευή και στον υπολογιστή.
Εμφανίζεται το Κύριο μενού USB.
2. Επιλέξτε **Εξαγ.αρχ.καταγρ.δεδομ.**.
Η συσκευή εμφανίζεται στον υπολογιστή ως μονάδα USB. Ανοίξτε τον φάκελο.
3. Αντιγράψτε και αποθηκεύστε τα αρχεία εξαγωγής (DR900_DataLog.csv και DR900_EventLog.csv) στον υπολογιστή.
4. Πατήστε **Ok**.

- Μόλις τα αρχεία αντιγραφούν στον υπολογιστή, επιλέξτε **Αποσύνδεση USB** και αποσυνδέστε το καλώδιο USB.
- Πατήστε **Ok**.

Ενότητα 8 Συντήρηση

▲ ΠΡΟΕΙΔΟΠΟΙΗΣΗ



Πολλαπλοί κίνδυνοι. Μόνο ειδικευμένο προσωπικό πρέπει να εκτελεί τις εργασίες που περιγράφονται σε αυτήν την ενότητα του εγχειριδίου.

8.1 Καθαρισμός του οργάνου

Καθαρίστε το εξωτερικό μέρος της συσκευής με ένα υγρό πανί και ήπιο διάλυμα σαπουνιού και, στη συνέχεια, σκουπίστε τη συσκευή για να την στεγνώσετε, όπως είναι απαραίτητο.

8.2 Καθαρισμός των κυψελίδων δείγματος

▲ ΠΡΟΣΟΧΗ



Κίνδυνος έκθεσης σε χημικά. Τηρείτε τις εργαστηριακές διαδικασίες ασφάλειας και φοράτε όλα τα μέσα ατομικής προστασίας που είναι κατάλληλα για τα χημικά που χειρίζεστε. Ανατρέξτε στα υπάρχοντα φύλλα δεδομένων ασφάλειας υλικού (MSDS/SDS) για τα πρωτόκολλα ασφάλειας.



▲ ΠΡΟΣΟΧΗ



Κίνδυνος έκθεσης σε χημικά. Απορρίπτετε τα χημικά και τα απόβλητα σύμφωνα με τους τοπικούς, περιφερειακούς και εθνικούς κανονισμούς.

Πολλά εργαστηριακά απορρυπαντικά χρησιμοποιούνται στις συνιστώμενες συγκεντρώσεις. Τα ουδέτερα απορρυπαντικά, όπως το Liquinox, είναι πιο ασφαλή, όταν είναι απαραίτητος ο τακτικός καθαρισμός. Για να ελαττώσετε τον χρόνο καθαρισμού, αυξήστε τη

θερμοκρασία ή χρησιμοποιήστε λουτρό υπερήχων. Για να ολοκληρώσετε τον καθαρισμό, ξεπλύνετε μερικές φορές με απιονισμένο νερό και αφήστε την κυψελίδα δείγματος να στεγνώσει ελεύθερα στον αέρα. Οι κυψελίδες δείγματος είναι, επίσης, δυνατό να καθαριστούν με οξύ και, στη συνέχεια, να ξεπλυθούν σχολαστικά με απιονισμένο νερό.

Σημείωση: Χρησιμοποιείτε πάντοτε οξύ για τον καθαρισμό κυψελίδων δείγματος που χρησιμοποιήθηκαν για χαμηλής βαμίδας δοκιμές μετάλλων.

Για ξεχωριστές διαδικασίες είναι απαραίτητο να ακολουθούνται ειδικές μέθοδοι καθαρισμού. Όταν χρησιμοποιείτε βούρτσα για τον καθαρισμό των κυψελίδων δείγματος, πρέπει να είστε ιδιαίτερα προσεκτικός(-ή) ώστε να αποφεύγετε να χαράξετε τις εσωτερικές επιφάνειες των κυψελίδων.

8.3 Αντικατάσταση των μπαταριών

▲ ΠΡΟΕΙΔΟΠΟΙΗΣΗ



Κίνδυνος έκρηξης. Στην περίπτωση χρήσης μπαταριών που έχουν λήξει, ενδέχεται να προκληθεί συσώρευση αερίου υδρογόνου στο εσωτερικό του οργάνου. Αντικαθιστάτε τις μπαταρίες προτού λήξουν και μην αποθηκεύετε το όργανο για μεγάλα χρονικά διαστήματα με τοποθετημένες τις μπαταρίες.

▲ ΠΡΟΕΙΔΟΠΟΙΗΣΗ



Κίνδυνος πυρκαγιάς. Η αντικατάσταση μπαταριών δεν επιτρέπεται. Χρησιμοποιήστε μόνο αλκαλικές μπαταρίες.

ΕΙΔΟΠΟΙΗΣΗ

Σφίξτε τις βίδες με ροπή 1–1,4 N·m (9–12 in.·lb), προκειμένου να εξασφαλιστεί η στεγανότητα και να διατηρηθεί ο βαθμός προστασίας από περιβαλλοντικές συνθήκες.

Για την αντικατάσταση των μπαταριών, ανατρέξτε στην ενότητα [Τοποθέτηση μπαταριών](#) στη σελίδα 352.

Ενότητα 9 Αντιμετώπιση προβλημάτων

Κωδικός σφάλματος	Πιθανή αιτία	Λύση
1	Δεν έχει γίνει διαμόρφωση της συσκευής.	Επικοινωνήστε με το τμήμα τεχνικής υποστήριξης.
2	Αδυναμία ανάγνωσης δεδομένων προγράμματος	
3	Αδυναμία εγγραφής δεδομένων προγράμματος	
4	Σφάλμα μπαταριών	Αντικατάσταση των μπαταριών.
5	Σφάλμα A/D κατά τη διάρκεια μιας μέτρησης	Επικοινωνήστε με το τμήμα τεχνικής υποστήριξης.
6	Σφάλμα μετατόπισης κατά τη διάρκεια μιας μέτρησης	Βεβαιωθείτε ότι το κάλυμμα της συσκευής έχει τοποθετηθεί σωστά.

Κωδικός σφάλματος	Πιθανή αιτία	Λύση
7	Σφάλμα κάτω φωτός κατά τη διάρκεια μιας μέτρησης	<ul style="list-style-type: none"> Βεβαιωθείτε ότι δεν υπάρχει φραγή της διαδρομής του φωτός. Το μηδέν βρίσκεται εκτός του εύρους της συσκευής Επικοινωνήστε με το τμήμα τεχνικής υποστήριξης.
8	Σφάλμα υπέρβασης εύρους κατά τη διάρκεια μιας μέτρησης, πιθανή φραγή φωτός ή υπερβολικά υψηλή συγκέντρωση	<ul style="list-style-type: none"> Βεβαιωθείτε ότι δεν υπάρχει φραγή της διαδρομής του φωτός και ότι η συγκέντρωση δεν είναι υπερβολικά υψηλή για το πρόγραμμα. Βεβαιωθείτε ότι το κάλυμμα της συσκευής έχει τοποθετηθεί σωστά. Επικοινωνήστε με το τμήμα τεχνικής υποστήριξης.

Ενότητα 10 Ανταλλακτικά και εξαρτήματα

▲ ΠΡΟΕΙΔΟΠΟΙΗΣΗ



Κίνδυνος τραυματισμού. Η χρήση μη εγκεκριμένων εξαρτημάτων ενδέχεται να προκαλέσει τραυματισμό, ζημιά στο όργανο ή δυσλειτουργία του εξοπλισμού. Τα ανταλλακτικά εξαρτήματα της παρούσας ενότητας είναι εγκεκριμένα από τον κατασκευαστή.

Σημείωση: Οι κωδικοί προϊόντος και οι αριθμοί καταλόγου μπορεί να διαφέρουν σε ορισμένες περιοχές πώλησης. Επικοινωνήστε με τον κατάλληλο διανομέα ή ανατρέξτε στη δικτυακή τοποθεσία της εταιρείας για τα στοιχεία επικοινωνίας.

Ανταλλακτικά

Περιγραφή	Αρ. προϊόντος
Συγκρότημα προσαρμογέα, COD	4846400
Σετ μπαταριών, αλκαλικές μπαταρίες AA (4x)	1938004
Κυψελίδα δείγματος με κάλυμμα, 25 x 95 mm, 10-20-25 mL (6x)	2401906
Κυψελίδα δείγματος με κάλυμμα, 1 cm/10 mL (2x)	4864302
Καλώδιο USB	LZV818

Παρελκόμενα

Περιγραφή	Αρ. προϊόντος
Κάλυμμα, κυψελίδα δείγματος, για κυψελίδα 25 x 95 mL	2401812
Θήκη μεταφοράς, με σκληρή πλευρά	4942500
Θήκη μεταφοράς, μαλακή πλευρά με λουράκι ώμου	2722000
Θήκη μεταφοράς, φορητό εργαστήριο	4943000
Πρότυπα απορρόφησης DR/Check™	2763900
Κάλυμμα συσκευής, DR 900	9390500

Sisukord

- | | |
|--|--|
| 1 Tehnilised andmed leheküljel 367 | 6 Tavatoimingud leheküljel 374 |
| 2 Üldteave leheküljel 367 | 7 Keerukamad toimingud leheküljel 377 |
| 3 Paigaldamine leheküljel 370 | 8 Hooldus leheküljel 380 |
| 4 Kasutajaliides ja navigeerimine leheküljel 372 | 9 Veoatsing leheküljel 381 |
| 5 Käivitamine leheküljel 373 | 10 Varuosad ja tarvikud leheküljel 381 |

Osa 1 Tehnilised andmed

Tehnilisi andmeid võidakse ette teatamata muuta.

Tehniline näitaja	Üksikasjad
Mõõtereziiim	Läbitustegur (%), neeldumine (Abs) ja kontsentratsioon (Conc)
Mõõtmed (L × S × K)	23,6 x 8,7 x 4,7 cm (9,3 x 3,4 x 1,9 tolli)
Korpuse kaitseklass	IP67
Kaal	0,6 kg (1,3 naela)
Energiatarve (sisemine)	AA-leelispatareid (4 tk)
Patarei kasutusiga	(Tavaliselt) 6 kuud 5 nädaliga päevas, 5 päeva nädalas, ilma taustvalgustusega
Liides	USB-mini
Töötemperatuur	0 kuni 50 °C (32 kuni 122 °F), suhteline õhuniiskus maksimaalselt 90%, mittekondenseeruv
Hoiutemperatuur	−30 kuni 60 °C (−22 kuni 140 °F), suhteline õhuniiskus maksimaalselt 90%, mittekondenseeruv
Valgusallikas	Valgusdiodid (LED)

Tehniline näitaja	Üksikasjad
Detektor	Silikonist fotodiodid
Lainepikkuse vahemik	420, 520, 560, 610 Nm
Fotomeetriline mõõteulatus	0–2 Abs
Lainepikkuse täpsus	±1 Nm
Fotomeetria täpsus	±0.03 Abs
Fotomeetria lineaarsus	±0,002 Abs (0–1 Abs)
Lainepikkuse valimine	Automaatne, põhineb valitud meetodil
Fotomeetria korduvus	±0,002 Abs (0–1 Abs)
Andmete lugemine	Graafiline ekraan, 240 x 160 pikslit (taustvalgustusega)
Prooviküvetid	16 mm, 1 cm/10 mL, 1-tolline (25 mm) ümar
Kaitseklass	Klass III
Serdid	CE serdiga
Garantii	1 aasta (EL: 2 aastat)

Osa 2 Üldteave

Tootja ei ole mingil juhul vastutav otseste, kaudsete, erijuhtudest tingitud, kaasnevate või tulenevate vigastuste eest, mis on tingitud käesoleva kasutusjuhendi vigadest või puudustest. Tootja jätab endale õiguse igal ajal teha käesolevas kasutusjuhendis ja tootes muudatusi, ilma neist teatamata või kohustusi võtmata. Uuendatud väljaanded on kättesaadavad tootja veebilehel.

2.1 Ohutusteave

Tootja ei vastuta mis tahes kahjude eest, mida põhjustab toote vale kasutamine, sealhulgas (kuid mitte ainult) otsesed, juhuslikud ja

tegevuse tulemusest tingitud kahjud, ning ütleb sellistest kahjunõuetest lahti kohaldatava seadusega lubatud täielikul määral. Kasutaja vastutab ainuisikuliselt oluliste kasutusohetude tuvastamise ja sobivate kaitsemeetodite rakendamise eest protsesside kaitsmiseks seadme võimaliku rikke puhul.

Palun lugege enne lahtipakkimist, häälestamist või kasutamist läbi kogu käesolev juhend. Järgige kõiki ohutus- ja ettevaatusjuhiseid. Vastasel juhul võib kasutaja saada raskeid kehavigastusi või võib seade vigasta saada.

Tagage, et seadmega tarnitud ohutusseadised ei ole vigastatud. Ärge kasutage või paigaldage seadet mingil muul viisil kui käesolevas kasutusjuhendis kirjeldatud.

2.2 Ohutusteabe kasutamine

▲ OHT

Näitab võimalikku või vahetult ohtlikku olukorda, mis selle eiramisel põhjustab surma või raskeid vigastusi.

▲ HOIATUS

Näitab võimalikku või vahetult ohtlikku olukorda, mis selle eiramisel võib põhjustada surma või raskeid vigastusi.

▲ ETTEVAATUST

Näitab võimalikku ohtlikku olukorda, mis selle eiramisel võib põhjustada kergeid või keskmisi vigastusi.







TEADE

Tähistab olukorda, mis selle eiramisel võib seadet kahjustada. Eriti tähtis teave.

2.3 Hoiatussildid

Lugege läbi kõik seadmele kinnitatud sildid ja märgised. Juhiste eiramise korral võite saada kehavigastusi või võib seade kahjustada saada.

Mõõteriistal olevad sümbolid viitavad kasutusjuhendis esitatud ettevaatusabinõudele.

	See mõõteriistal olev sümbol viitab kasutusjuhendile ja/või ohutuseeskirjadele.
	See sümbol viitab plahvatusohtu olemasolule.
	See sümbol viitab tuleohtu olemasolule.
	See sümbol viitab kemikaalidest tulenevatele ohtudele ja annab teada, et ainult need töötajad, kes on kemikaalidega töötamise osas väljaõppe saanud, tohivad kemikaale käsitleda ning selle seadmega seotud kemikaale väljastavaid süsteeme hooldada.
	See sümbol näitab, et vajalikud on kaitseprillid.
	Selle sümboliga tähistatud elektriseadmeid ei tohi käidelda Euroopa kodustes või avalikes jäätmekäitlussüsteemides. Tagastage vanad ja kasutuskõlbmatud seadmed tasuta utiliseerimiseks tootjale.

2.4 Vastavus ja sertifitseerimine

▲ ETTEVAATUST

See seade pole ette nähtud kasutamiseks elupiirkondades ja ei pruugi tagada sellises keskkonnas piisavat raadioside vastuvõtu kaitset.

Kanada raadiohäireid põhjustavate seadmete määrus, ICES-003, klass A.

Tootja valduses on kinnitavad katseandmed.

See A-klassi digitaalseade vastab kõigile Kanada häireid põhjustavate seadmete määruse nõuetele.

Cet appareil numérique de classe A répond à toutes les exigences de la réglementation canadienne sur les équipements provoquant des interférences.

FCC 15. osa, klassi „A” piirangud

Tootja valduses on kinnitavad katseandmed. See seade vastab FCC eeskirjade 15. osale. Kasutamisele kehtivad järgmised tingimused.

1. Seade ei tohi põhjustada kahjulikke häireid.
2. Seade peab vastu võtma mistahes häired, sealhulgas häired, mis võivad põhjustada seadme töös tõrkeid.

Selle seadme muutused või täiendused, mis ei ole nõuetele vastavuse eest vastutava osapoole poolt heaks kiidetud, võivad tühistada kasutaja õiguse seadet kasutada. Seda seadet on testitud ning on leitud selle vastavus A-klassi digitaalseadmete piirangutele vastavalt FCC eeskirjade 15. osale. Need piirangud on loodud, et tagada mõistlik kaitse kahjulike häirete eest, kui seda seadet kasutatakse ärikeskkonnas. See seade toodab, kasutab ja võib kiirata raadiosageduslikku energiat ning kui seda ei paigaldada ja ei kasutata vastavalt kasutusjuhendile, võib see põhjustada raadioside häireid. Selle seadme kasutamine elamupiirkonnas põhjustab tõenäoliselt kahjulikke häireid. Sellisel juhul on kasutaja kohustatud häired omal kulul parandama. Häiretega seotud probleemide lahendamiseks võib kasutada järgmisi võtteid.

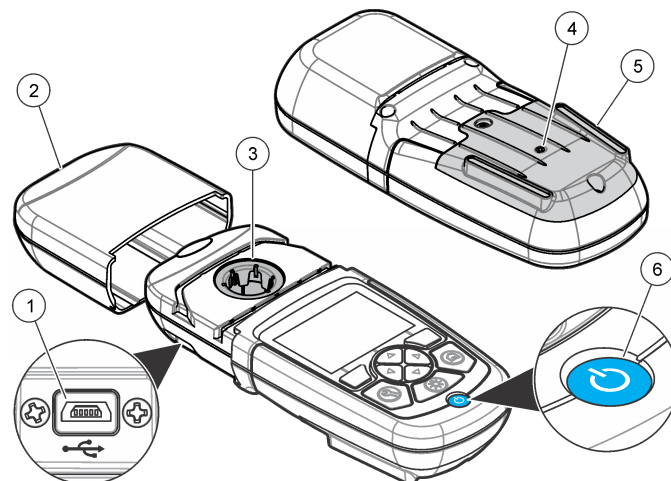
1. Lahutage seade toiteallikast, et kontrollida, kas seade on häirete põhjustajaks.
2. Kui seade on ühendatud samasse seinakontakti mõne muu häiritud seadmega, ühendage seade teise seinakontakti.
3. Liigutage seade teistest häiritud seadmetest eemale.
4. Paigutage häiritud seadme vastuvõtuantenn teise asendisse.
5. Proovige eelmiste võtete kombinatsioone.

2.5 Toote kirjeldus

DR 900 on kaasaskantav LED-allikaga kolorimeeter, mis mõõdab 420, 520, 560 ja 610 Nm väärtusega lainepikkustel. Seadet kasutatakse

erinevate parameetrite mõõtmiseks joogivees, reovees ja tööstuslikes rakendustes. Seade on täiskomplekt salvestatud programme (eelpaigaldatud meetodid) ja võimalus salvestada kasutajaprogramme ja valida lemmikprogramme. Vt [Joonis 1](#).

Joonis 1 Seade ülevaade

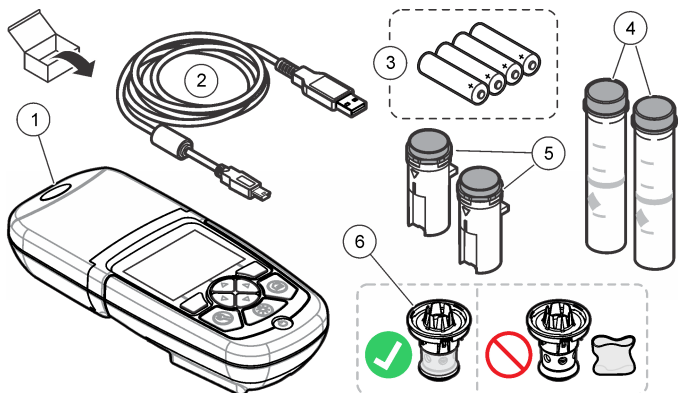


1	USB-port	4	Tuulutusava
2	Seadme kork	5	Patareisahtel
3	Küveti hoidik	6	Toiteklahv

2.6 Toote osad

Veenduge, et olete kõik osad kätte saanud. Vt [Joonis 2](#). Kui mõni üksus puudub või on kahjustatud, siis pöörduge kohe toote edasimüüja või müügiesindaja poole.

Joonis 2 Toote osad



1 DR 900	4 Klaasist prooviküvetid, 1-tolline (25 mm), ümar, 10, 20 ja 25 mL märgised (2 tk)
2 Mini-USB-pistmikuga USB-kaabel	5 Proovianum, 1 cm/10 mL (2 tk)
3 AA-leelispatareid (4 tk)	6 Prooviküveti adapter

Osa 3 Paigaldamine

⚠ HOIATUS



Erinevad ohud. Selles dokumendi osas kirjeldatud toiminguid tohivad teha vaid pädevad töötajad.

TEADE

Kasutamisel ja ka hoiundamisel veenduge, et seade patarei õhuava ei ole blokeeritud.

3.1 Patareide paigaldamine

⚠ HOIATUS



Plahvatusoht. Patareide vale paigaldus võib põhjustada plahvatusohtlike gaaside vabanemist. Veenduge, et patareid oleksid ühesugust heakskiidetud keemilist tüüpi ja et need sisestataks õigesti. Ärge kasutage korraga uusi ja kasutatud patareid.

⚠ HOIATUS



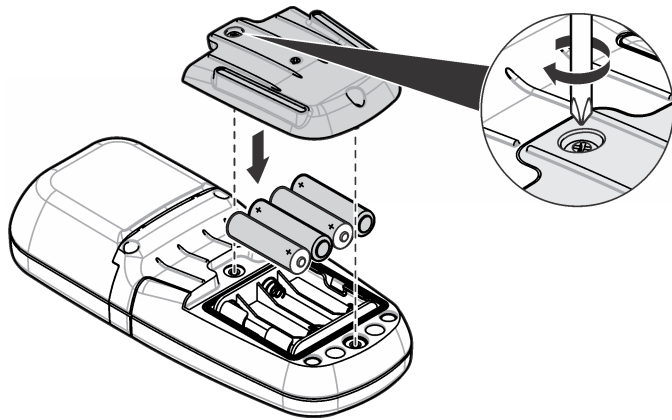
Tuleoht. Patareide asendus pole lubatud. Kasutage ainult leelispatareid.

TEADE

Keerake kruvid kinni jõumomendiga 1–1,4 N·m (9–12 in·lb), et tihend korralikult kinnituks ning vastavad keskkonnanõuded oleks täidetud.

seade kasutab toiteks nelja AA-leelispatareid. Paigaldage patareid kindlasti õiges suunas. Patareide paigaldamise kohta vt [Joonis 3](#).

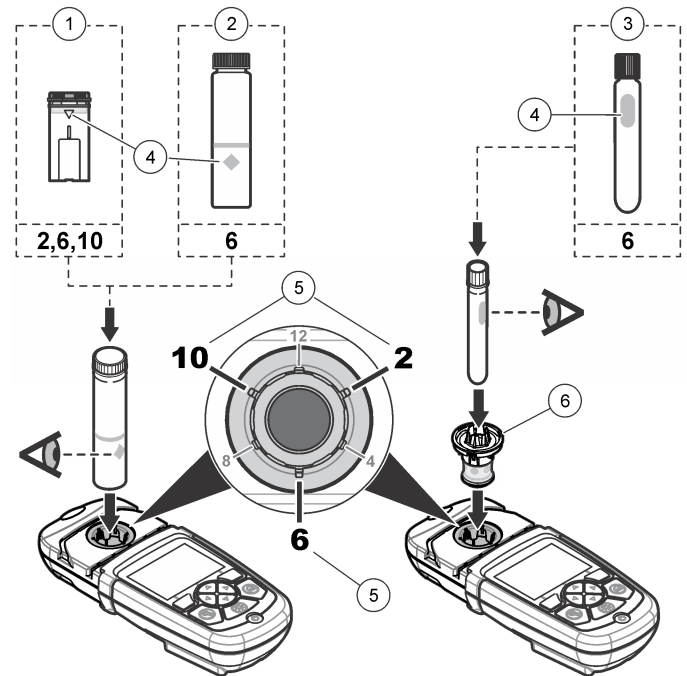
Joonis 3 Patareide paigaldamine



3.2 Prooviküveti ja küveti adapteri paigaldamine

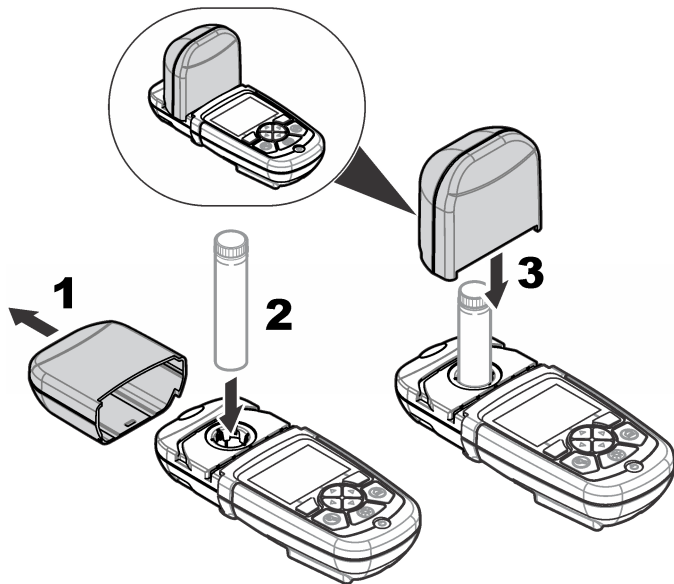
seade on üks hoidik, milles saab kasutada erinevate prooviküvetide tüüpide jaoks mõeldud ühte adapterit. Asetage prooviküvet õiges suunas ja alati samas asendis, et tulemused oleksid paremini loetavad ja täpsemad. Vt [Joonis 4](#). Sulgege seadme korpas enne nullpunkti määramist või mõõtmist, et vältida valgusest tulenevaid häireid. Vt [Joonis 5](#).

Joonis 4 Prooviküveti suund



1	1 cm/10 mL plastmassist prooviküvet	4	Suuna märgis
2	1-tolline (25 mm) klaasist prooviküvet	5	Suuna asend (päripäeva)
3	16 mm klaasist viaal	6	Prooviküveti adapter

Joonis 5 Prooviküveti ja seadme korgi paigaldamine

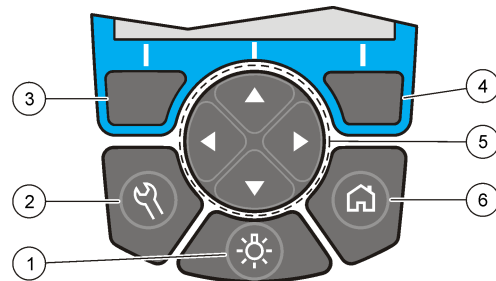


Osa 4 Kasutajaliides ja navigeerimine

4.1 Nupustiku kirjeldus

Teavet nupustiku kirjelduse ja navigeerimise kohta vt [Joonis 6](#).

Joonis 6 Nupustiku kirjeldus



1 TAUSTVALGUSTUS: lülitage ekraani valgustus sisse või välja	4 PAREM valikuklahv (kontekst): proovi näit, valib või kinnitab valikud, avab alam-menüüd
2 SÄTTED: häälestusvalikud ¹	5 Navigeerimisklahvid ÜLES, ALLA, PAREMALE, VASAKULE: kerivad menüüdes, sisestavad numbreid ja tähti ²
3 VASAK valikuklahv (kontekst): juurdepääs valikutele, tühistab kuvatud menüüekraani (või väljub sellest) ja naaseb eelmisele	6 AVAKUVA/Valikud: liigute peamisele näitude ekraanile ¹ , saate programmi valida ja andmeid hallata

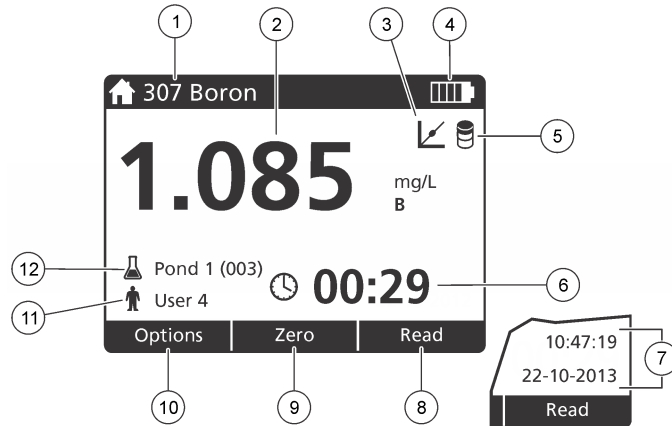
4.2 Ekraani kirjeldus

Näitude ekraanil kuvatakse valitud režiim, mõõtühik, kuupäev ja kellaaeg, operaatori ID ja proovi ID. Vt [Joonis 7](#).

¹ Redigeerimisrežiimis see klahv ei tööta.

² ÜLES- või ALLA-klahvi all hoides keritakse kiiresti. VASAKULE- või PAREMALE-klahvi vajutades keritakse lehe kaupa.

Joonis 7 Ühe ekraani kuva



1 Programmi nimi ja number	7 Kellaeg ja kuupäev
2 Näidu väärtus, ühik, keemiline vorm, alla "---" või üle mõõtmisvahemiku "+++"	8 Näit (kontekst: valmis, vali, käivita, ok)
3 Standardreguleerimise ikoon	9 Null (kontekst: liikumisklahv on ülesnool)
4 Patarei olek	10 Valikud (kontekst: tagasi, tühist)
5 Reaktiivfooni (0-küveti) ikoon	11 Operaatori ID
6 Taimer	12 Proovi ID

4.3 Navigeerimine

Seadmel on menüüd, mis võimaldavad erinevaid valikuid muuta. Erinevate valikute esiletõstmiseks kasutage navigeerimisklahve (nooleklahvid **ÜLES**, **ALLA**, **PAREMALE** ja **VASAKULE**). Vajutage valiku tegemiseks valikuklahvi **PAREMALE**. Sisestage

navigeerimisklahvidega valiku väärtus. Väärtuse sisestamiseks või muutmiseks vajutage navigeerimisklahve (nooleklahvid **ÜLES**, **ALLA**, **PAREMALE** ja **VASAKULE**). Järgmisele väljale liikumiseks vajutage nooleklahvi **PAREMALE**. Väärtuse aktsepteerimiseks vajutage **PAREMAT** valikuklahvi valiku **Valmis** all. Kuvatud menüüekraanilt eelmisele liikumiseks vajutage **VASAKUT** valikuklahvi.

Osa 5 Käivitamine

5.1 Seadme sisse- ja väljalülitamine

Vajutage klahvi **TOIDE** seade sisse- või väljalülitamiseks. Kui seade sisse ei lülitu, veenduge, et patareid on õigesti paigaldatud.

5.2 Keele seadistamine

Keele seadistamiseks on kaks võimalust.

- Seadistage kuvakeel seadme esmakordsel sisselülitamisel.
- Seadistage keel menüüs **SÄTTED**.

1. Vajutage nuppe **SÄTTED**>**Häälestus**>**Keel**.

2. Valige loendist keel.

5.3 Kuupäeva ja kellaaja seadistamine

Kuupäeva ja kellaaja seadistamiseks on kaks võimalust.

- Seadistage kuupäev ja kellaeg seadme esmakordsel sisselülitamisel.
- Seadistage kuupäev ja kellaeg menüüs **Kuupäev ja kellaeg**.

1. Vajutage nuppe **SÄTTED**>**Häälestus**>**Kuupäev ja kellaeg**.

2. Valige **Kuupäeva ja kellaaja vormingu määramine** ning seejärel valige kuupäeva ja kellaaja vorming.

3. Valige **Määra kuupäev ja kellaeg**.

4. Sisestage navigeerimisklahvidega praegune kuupäev ja kellaeg, seejärel vajutage nuppu **OK**.

Osa 6 Tavatoimingud

6.1 Programmide loend

seade tarnitakse koos kõikide rakendusprogrammidega. Programmide kirjeldusi vt Tabel 1.

Tabel 1 Programmi valikud

Programmi valik	Kirjeldus
Salvestatud programmid	Salvestatud programmid on tehases installitud eelprogrammeeritud meetodid. Vt Salvestatud programmi valimine leheküljel 374.
Kasutajaprogrammid	Meetodeid saab koostada ja salvestada kasutajaprogrammidena. ³ Vt Kasutajaprogrammid leheküljel 377.
Lemmikud	Sageli kasutatavad meetodid saab salvestada lemmikute loendisse. ¹

6.1.1 Salvestatud programmi valimine

1. Vajutage nuppe **AVAKUVA>Valikud>Kõik programmid**.
2. Valige sobiv meetod ja vajutage nuppu **Käivita**.
3. Valitud meetodi kiiremaks juurdepääsuks lemmikutesse lisamiseks valige **Valikud>Lisa lemmikutesse**.

6.1.2 Peamiste programmivalikute valimine

Pärast programmi valimist on saadaval täiendavad parameetrite valikud.

1. Valikumenüüsse minemiseks vajutage nuppu **Valikud**.

2. Valige sobivad valikud.

Valik	Kirjeldus
Käivita taimer	Valige eelseadistatud taimer või seadistage taimer käsitsi veendumaks, et analüüsi toimingud ajastatakse õigesti (näiteks saab reaktsiooniajad või ooteajad täpselt määrata). Kui taimer on sisse lülitatud, on ekraanil kuvatud taimeri ikoon. Aja lõppedes annab seade helisignaali. Eelseadistatud taimer – valige ühe või mitme salvestatud protseduuri toimingu jaoks sobiv eelseadistatud taimer ja vajutage nuppu Käivita . Käsitsi seadistatud taimer – sisestage navigeerimisklahvidega sobiv aeg ja vajutage nuppu Valmis . Vaikeväärtus = 00:00
Lemmikud/Kasutajaprogrammid	Valige salvestatud lemmikute või kasutajaprogrammide loendist. Vaadake täpsema teabe saamiseks Lemmikprogrammi või kasutajaprogrammi valimine leheküljel 377.
Kõik programmid	Valige loendist eelprogrammeeritud meetod.
Andmelogi	Kuvatakse kõik salvestatud näidud. Vaadake täpsema teabe saamiseks Andmelogi leheküljel 376.

³ Salvestada saab maksimaalselt kümme meetodit (kasutajaprogrammi ja/või lemmikut).

Valik	Kirjeldus
Lisa lemmikutesse	Salvestage sageli kasutatavad salvestatud programmide ja kasutajaprogrammide meetodid lemmikute loendisse. Vt Programmi lisamine lemmikutesse leheküljel 377.
%T/Abs/Conc	Vahetage % läbitusteguri, neeldumise või kontsentratsiooni näitude vahel. Läbitusteguri näit (%) – näitab algse valguse protsenti, mis läbib proovi ja jõuab detektorisse. Neeldumise näidud – proovi neeldunud valgust loendatakse neeldumise ühikutes. Kontsentratsiooni näidud – mõõdetud neeldumise väärtused teisendatakse programmipõhise salvestatud võrrandi abil kontsentratsiooni väärtusteks.
Täpsemad valikud	Kasutage täpsemaid valikuid enamate parameetrite määramiseks. Vt Täpsemate programmivalikute valimine leheküljel 375.
Salvesta	Salvestage viimane näit käsitsi, kui automaatse salvestamise valik on välja lülitatud.

6.1.3 Täpsemate programmivalikute valimine

Igal programmil on erinevad täiendavad täpsemad valikud, mida valida.

1. Vajutage nuppu **Valikud**, et avada menüü **Valikud>Täpsemad valikud**.

2. Kasutage täpsemaid valikuid enamate parameetrite määramiseks.

Valik	Kirjeldus
Automaatsalvestus	Lülitage sisse või välja. Kui see valik on sisse lülitatud, siis salvestatakse iga näit automaatselt. Kui valik on välja lülitatud, saab näidu salvestada käsitsi.
Keemiline vorm	Mõne tehases installitud meetodi puhul valige teine keemiline vorm ja sellega seotud mõõtmisvahemik.
Reaktiivfoon	Reaktiivfooni parandust saab kasutada mõne tehases installitud meetodiga. Sisestage läbitud katse tulemus, kasutades proovina deioniseeritud vett. Fooni väärtus lahutatakse igalt tulemuselt, et parandada reaktiividest tulenevaid taustavärve. Sisestage fooni parandus enne standardreguleerimise valiku kasutamist. Tehke see parandus iga uue testreaktiivide partii puhul.
Standardreguleerimine	Muutke salvestatud kalibreeringut. Läbige katse teadaoleva standardiga, mille kontsentratsioon jääb meetodi mõõtevahemiku maksimumi juurde. Kasutage seda funktsiooni valitud mõõtemetodi kalibreerimistulemuste seadmiseks mõõdetud standardlahuse kontsentratsiooni järgi.
Programmide sortimine	Järjestage salvestatud programmide loend tähestiku või numbrite põhjal.

6.2 Operaatori ID kasutamine

Operaatori ID siilt seostab näidud konkreetse operaatoriga. Kõik salvestatavad andmed sisaldavad seda ID-silti.

1. Vajutage näitude ekraanil nuppe **SÄTTED>Operaatori ID**.
2. Valige, looge või kustutage operaatori ID-silt.

Valik	Kirjeldus
Praegune ID	Valige loendist ID. Praegune ID seostatakse proovi andmetega, kuni valitakse teine proovi ID-silt.
Loo uus ID	Sisestage uue operaatori ID-silt. Sisestada saab maksimaalselt 10 proovide ID-silti.
Kustuta ID	Kustutage olemasolev operaatori ID-silt.

6.3 Proovi ID kasutamine

Proovi ID-silti kasutatakse näitude seostamiseks konkreetse proovi- või asukoha andmetega. Kui see on määratud, sisaldavad salvestatavad andmed ka selle proovi ID-silti.

1. Vajutage näitude ekraanil nuppe **SÄTTED>Proovi ID**.
2. Valige, looge või kustutage operaatori ID-silt.

Valik	Kirjeldus
Praegune ID	Valige loendist ID. Praegune ID seostatakse proovi andmetega, kuni valitakse teine proovi ID-silt.
Loo uus ID	Sisestage uue proovi ID-silt. Sisestada saab maksimaalselt 10 proovide ID-silti. Proovid on nummerdatud järjest iga mõõtmise puhul, kuni valitakse teine ID (nt Tiik 1, Tiik 2).
Kustuta ID	Kustutage olemasolev proovi ID-silt.

6.4 Mõõtmise juhised

Mõõtmiseks on vaja teha peamised mõõtmistoimingud. Igal meetodil on samm-sammuline protseduur. Konkreetse katse tegemiseks vaadake teavet vajaliku meetodi kohta. Järgmises näites kirjeldatakse mõõtmiseks vajalikku peamist protseduuri.

1. Valige programmide menüüst (nt Salvestatud programmid, Kasutajaprogrammid, Lemmikud) vajalik programm.
2. Vajaduse korral paigaldage prooviküveti adapter.
3. Vajutage nuppu **Käivita**, et programm käivitada.
4. Valmistage foon (0-lahus) ette vastavalt meetodi dokumendile. Sulgege prooviküvett ja puhastage selle nähtav külg ebemevaba lapiga.
5. Sisestage fooni (0-lahuse) küvett küvetihoidikusse. Paigaldage fooni (0-lahuse) küvett kindlasti õiges suunas ja alati samas asendis, et tulemused oleksid paremini loetavad ja täpsemad. Vt [Joonis 4](#) leheküljel 371.
6. Valgusest tulenevate häirete vältimiseks sulgege seadme kork. Vt [Joonis 5](#) leheküljel 372.
7. Vajutage nuppu **Null**. Ekraanil kuvatakse kontsentratsioon null (nt mg/L, ABS, µg/L).
8. Valmistage proov ette. Lisage reaktiive vastavalt meetodi dokumendile.
9. Programmi salvestatud taimerite kasutamiseks valige **Valikud>Käivita taimer**.
10. Sulgege prooviküvett ja puhastage selle nähtavad pinnad ebemevaba lapiga
11. Sisestage prooviküvett küvetihoidikusse. Paigaldage prooviküvett kindlasti õiges suunas ja alati samas asendis, et tulemused oleksid paremini loetavad ja täpsemad. Vt [Joonis 4](#) leheküljel 371.
12. Valgusest tulenevate häirete vältimiseks sulgege seadme kork. Vt [Joonis 5](#) leheküljel 372.
13. Vajutage nuppu **Näit**. Ekraanil kuvatakse tulemused valitud ühikutes.
Märkus. Kui mõõdetud absorptsioon on kalibreerimistesti vahemikust väiksem või suurem, kuvatakse ekraanile "+++" või "---".

6.5 Andmelogi

Andmelogi kuvab kõik salvestatud näidud. Näitude läbi vaatamiseks vajutage nuppu **AVAKUVA>Valikud>Andmelogi**. Teavet andmelogi ülekandmise kohta vt [Andmelogi üleslaadimine](#) leheküljel 380.

Osa 7 Keerukamad toimingud

7.1 Lemmikprogrammi või kasutajaprogrammi valimine

Seadme esmakordsel käivitamisel on lemmik- ja kasutajaprogrammide andmebaas tühi. Meetodi saab kiiremaks juurdepääsuks lemmikutesse salvestada. Kasutajaprogrammi saab programmeerida spetsiaalseteks vajadusteks.

1. Vajutage nuppe **HOME>Valikud>Lemmikud/Kasutajaprogrammid>Vali**.
2. Uue kasutajaprogrammi loomiseks vajutage nuppu **Uus programm**. Vt **Kasutajaprogrammid** leheküljel 377.

7.2 Programmi lisamine lemmikutesse

Sageli kasutatavad salvestatud programmide ja kasutajaprogrammide meetodid saab salvestada lemmikute loendisse.

1. Valige **AVAKUVA>Valikud>Kõik programmid**.
2. Valige sobiv meetod ja vajutage nuppu **Käivita**.
3. Valitud meetodi lisamiseks lemmikutesse valige **Valikud>Lisa lemmikutesse**.

7.3 Kasutajaprogrammid

Seadme esmakordsel käivitamisel on kasutajaprogrammide andmebaas tühi. Spetsiaalseteks vajadusteks uute programmide loomiseks kasutage funktsiooni **Uus programm**. Uue kasutajaprogrammi loomiseks toimige järgmiselt.

1. Vajutage nuppe **AVAKUVA>Valikud>Lemmikud/Kasutajaprogrammid>Vali>Uus programm**.
2. Valige saadaolev programmi number vahemikus 1001 kuni 1010.

***Märkus.** Salvestada saab maksimaalselt kümme programmi (kasutajaprogrammi ja/või lemmikut).*

3. Sisestage meetodi nimi (kuni 12 tähemärki).
4. Valige lainepikkus: 420, 520, 560 või 610 Nm.
5. Valige mõõtühik: Puudub, µg/L, mg/L või g/L.
6. Valige eraldusvõime: 0000, 000,0, 00,00 või 0,000.
7. Lisage kalibreerimispunktid: minimaalselt 2 ja maksimaalselt 12 kalibreerimispunkti.⁴ Valige Muuda std. 1 ja sisestage esimese standardi kontsentratsiooniväärtus. Vajutage nuppu **Valmis**.
***Märkus.** Piiks tähendab, et kontsentratsioon on eelnevalt sisestatud standardi duplikaat või standardi kontsentratsioon on valitud eraldusvõime jaoks liiga kõrge. Sisestage teine väärtus ja jätkake.*
8. Sisestage neeldumise väärtus.

Valik	Kirjeldus
ABS-i käsitsi redigeerimine	Neeldumise väärtuse käsitsi sisestamiseks kasutage navigeerimisklahve.
ABS-i automaatne redigeerimine	<ol style="list-style-type: none">1. Asetage foon (0-lahuse) küvetihoidikusse ja vajutage nuppu Null.2. Asetage ettevalmistatud proov küvetihoidikusse ja vajutage nuppu Näit.3. Vajutage nuppu Valmis.

***Märkus.** Piiks tähendab, et neeldumine on eelnevalt sisestatud standardi duplikaat või see jääb kahe eelmise standardi vahele. Sisestage teine väärtus ja jätkake.*

9. Vajutage nuppu **Valmis**.
10. Valige käsk Lisa kalibreerimispunkt.
11. Sisestage täiendav kalibreerimispunkt vastavalt toimingutele 7–9.
12. Valige käsk **Salvesta kasutajaprogramm**.

⁴ Kui kõver on lineaarne, on vaja sisestada ainult kaks kontsentratsiooni andmepunkti (nt nullneeldumisega ja teine teadaolev standard). Lineaarsuse kinnitamiseks või mittelineaarse kõvera määratlemiseks kasutage täiendavaid andmepunkte.

7.3.1 Kasutajaprogrammi redigeerimine

Kasutajaprogrammi redigeerimiseks toimige järgmiselt.

1. Valige **AVAKUVA>Lemmikud/Kasutajaprogrammid**.
2. Valige sobiv programm ja vajutage nuppu **Valikud**.
3. Vajutage nuppu **Redigeeri**.
4. Protseduuri redigeerimiseks toimige vastavalt ekraanil kuvatud viibale.

7.3.2 Kasutaja või lemmikprogrammi kustutamine

Kui salvestatud kasutajat või programmi enam ei kasutata, siis kustutage see.

1. Valige **AVAKUVA>Valikud>Lemmikud/Kasutajaprogrammid**.
2. Tõstke soovitud programm esile ja vajutage nuppe **Valikud>Kustuta** ning toimige vastavalt ekraanil kuvatud viipadele.

7.4 Teave seadme kohta

Seadme teabemenüüs kuvatakse spetsiaalne teave, nagu seadme nimi, seerianumber, tarkvaraversioon, andmebaasi versioon, kasutatud mälu ja programmi saadavus. Vajutage nuppe **SÄTTED>Seadme teave**.

7.5 Parooli seadistamine

Parooli sätete valikuid kasutatakse juurdepääsu piiramiseks keelatud menüüdesse.

Märkus. Kui määratud parooli unustate ja turvavalikud on sisse lülitatud, ei pääse operaator keelatud menüüdesse. Kui parooli unustate, võtke ühendust tehniline tugi.

1. Vajutage nuppe **SÄTTED>Häälestus>Parooli valikud**.

2. Tehke valik.

Valik	Kirjeldus
Parooli sätted	Paroolikaitse sisse- või väljalülitamiseks valige säte Sees või Väljas.
Kaitstud üksused	Kuvatakse kaitstud üksuste loend: operaatori ID muutmine, proovi ID muutmine, kasutajaprogrammide muutmine, kuupäeva ja kellaaja muutmine, püsivara värskendamine, meetodite täiendamine, keele ja lemmikute loendi muutmine.

7.6 Ekraani ja heli seadistamine

Ekraanivalikute abil saate muuta ekraani kontrastsust, patareide automaatse väljalülitamise valikuid ja taustvalgustuse valikuid. Helivalikute abil saate seadistada klahvivajutuse heli või näidu valmisoleku heli.

1. Vajutage nuppe **SÄTTED>Häälestus>Ekraan ja heli>Ekraanivalikud**.
2. Tehke valik.

Valik	Kirjeldus
Kontrastsus	Reguleerige ekraani kontrastsust. Kõige heledam säte on 0 ja kõige tumedam 9. Vaikesäte: 5

Valik	Kirjeldus
Automaatne väljalülitamine	Patareide kasutusea pikendamiseks seadistage periood, pärast mida seade automaatselt toite välja lülitab, kui ühtegi klahvi ei vajutata (valikud on 5, 10, 15, 20, 30 minutit, 1 tund, 2 tundi või välja lülitatud). Vaikesäte: 10 minutit
taustvalgustus	Ekraani taustvalgustus lülitatakse sisse nupu Taustvalgustus vajutamisel. Seadistage periood, pärast mida taustvalgustus automaatselt välja lülitatakse, kui ühtegi klahvi ei vajutata (valikud on 10, 20, 30 sekundit, 1, 2, 5, 10 minutit või välja lülitatud). Vaikesäte: 1 minut

- Vajutage nuppe **SÄTTED>Häälestus>Ekraan ja heli>Helid**.
- Tehke valik.

Valik	Kirjeldus
Nupuvajutus	seade annab klahvi vajutamisel helisignaali. Vaikesäte: väljas
Näit valmis	seade annab näidu valmisolekul helisignaali. Vaikesäte: sees

7.7 USB peamenüü

Kui seade USB-kaabli abil arvutiga ühendatakse, avaneb USB peamenüü. Värskendage tarkvara, laadige üles või alla programme või kandke üle andmelogi ja sündmustelogi USB peamenüüst.

7.7.1 Püsivara värskendamine

Leidke püsivara täiendusfail toote veebisaidilt või võtke ühendust seadme edasimüüjaga. Salvstage fail veebisaidilt arvutisse.

- Lülitage seade sisse ja ühendage seade ja arvuti omavahel USB-kaabliga. Kuvatakse USB põhimenüü viip.

- Valige käsk **Värskenda DR900**. Seade kuvatakse arvutis USB-kettana. Avage kaust.
- Kopeerige fail DR900.bin avatud kausta.
- Vajutage **OK**.
- Kui värskendamine on lõpetatud, vajutage **OK**.
- Valige käsk **Eemalda USB**, vajutage nuppu **OK** ja eemaldage USB-kaabel.
- Vajutage **OK**.
- Taaskäivitage seade.

7.7.2 Programmide haldamine

Funktsiooniga Programmide haldamine saab üles ja/või alla laadida kasutajaprogramme ning alla laadida uusi tehaseprogramme.

- Lülitage seade sisse ja ühendage seade ja arvuti omavahel USB-kaabliga. Kuvatakse USB põhimenüü viip.
- Valige **Programmide haldamine** ja tehke seejärel valik.

Valik	Kirjeldus
Kasutajaprogrammide üleslaadimine	Saate kõik kasutajaprogrammid salvestamiseks arvutisse üles laadida või teisaldada kasutajaprogrammid teise DR 900 seadmesse.
Kasutajaprogrammide allalaadimine	Asendage arvuti abiga kõik kasutajaprogrammid teisest DR 900 seadme pärinevate kasutajaprogrammidega.
Tehaseprogrammide allalaadimine	Laadige uued tehaseprogrammid tootja veebisaidilt alla.

Seade kuvatakse arvutis USB-kettana. Avage kaust.

- Kopeerige üleslaaditud fail kettalt arvutisse või kopeerige allalaaditud fail arvutist kettale.
- Vajutage **OK**.


- Kui ülekanne on tehtud, valige käsk **Eemalda USB** ja eemaldage USB-kaabel.
- Vajutage **OK**.

7.7.3 Andmelogi üleslaadimine

Sündmustelogi ja andmelogi saab arvutisse üles laadida. Sündmustelogi sisaldab konfiguratsiooniga seotud toimingu kuupäeva, kellaaega, sündmuse numbrit, parameetrit ja kirjeldust. Proovide mõõtetulemused salvestatakse andmelogisse käsitsi või automaatselt. Vt [Täpsemate programmivalikute valimine](#) leheküljel 375.

- Lülitage seade sisse ja ühendage seade ja arvuti omavahel USB-kaabliga. Kuvatakse USB põhimenüü viip.
- Valige toiming **Andmelogi üleslaadimine**. Seade kuvatakse arvutis USB-kettana. Avage kaust.
- Kopeerige ja salvestage üles laetud failid (DR900_DataLog.csv ja DR900_EventLog.csv) arvutisse.
- Vajutage **OK**.
- Kui failid on arvutisse kopeeritud, valige käsk **Eemalda USB** ja eemaldage USB-kaabel.
- Vajutage **OK**.



Osa 8 Hooldus


▲ HOIATUS	
	Erinevad ohud. Selles dokumendi osas kirjeldatud toiminguid tohivad teha vaid pädevad töötajad.

8.1 Seadme puhastamine

Puhastage seadme pind niiske lapi ja lahja seebilahusega, seejärel kasutage vajaduse korral kuivatamiseks lappi.

8.2 Prooviküvetide puhastamine

▲ ETTEVAATUST	
 	Kemikaalidega kokkupuute oht. Järgige labori ohutusprotseduure ja kasutage käideldavatele kemikaalidele vastavat kaitsevarustust. Ohutuseeskirjad leiate käesolevatelt ohutuskartidelt (MSDS/SDS).


▲ ETTEVAATUST	
	Kemikaalidega kokkupuute oht. Järgige kemikaalide ja jäätmete kõrvaldamisel kohalikke, piirkondlikke ja riiklikke õigusakte.

Enamikku laboris kasutatavaid puhastusvahendeid kasutatakse soovituslikes kontsentratsioonides. Kui regulaarne puhastamine on vajalik, on neutraalsed puhastusvahendid, nagu Liquinox, ohutumad. Puhastusaja vähendamiseks suurendage temperatuuri või kasutage ultrahelivanni. Puhastamise lõpetamisel loputage prooviküveti deioniseeritud veega ja laske sellel õhu käes kuivada. Küvette võib puhastada ka happega, pärast mida tuleb see deioniseeritud veega põhjalikult loputada.

Märkus. Küvette, mida kasutati madala tasemega metallitsetide puhul, tuleb puhastada happega.

Konkreetsete protseduuride puhul on vajalikud spetsiaalsed puhastusmeetodid. Kui puhastate küvette harjaga, olge ettevaatlik, et te ei kriimustaks küvetteid sisepindasid.

8.3 Patareide vahetamine

▲ HOIATUS	
	Plahvatusoht. Kõlblikkusaja ületanud patareid võivad põhjustada vesinikgaasi teket seadme sees. Vahetage patareid välja enne kõlblikkusaja lõppu ja ärge hoiustage seadet pikalt nii, et patareid on seadmes.

▲ HOIATUS



Tuleoht. Patareide asendus pole lubatud. Kasutage ainult leelispatareiseid.

TEADE

Keerake kruvid kinni jõumomendiga 1–1,4 N·m (9–12 in.·lb), et tihend korralikult kinnituks ning vastavad keskkonnanõuded oleks täidetud.

Patareide vahetamise kohta vt [Patareide paigaldamine](#) leheküljel 370.

Osa 9 Veotsing

Veakood	Võimalik põhjus	Lahendus
1	Seade on konfigureerimata	Võtke ühendust tehniline tugi.
2	Programmi andmeid ei saanud lugeda	
3	Programmi andmeid ei saanud kirjutada	
4	Patarei tõrge	Vahetage patareid.
5	A/D tõrge mõõtmisel	Võtke ühendust tehniline tugi.
6	Nihke tõrge mõõtmisel	Veenduge, et seadme kork on korralikult paigaldatud.

Veakood	Võimalik põhjus	Lahendus
7	Vähese valguse tõrge mõõtmisel	<ul style="list-style-type: none">• Veenduge, et valguse liikumistee ei ole blokeeritud.• Nullväärtus on seadme vahemikust väljas• Võtke ühendust tehniline tugi.
8	Liiga suure vahemiku tõrge mõõtmisel, võimalik valguse blokeerimine või kontsentratsioon on liiga kõrge	<ul style="list-style-type: none">• Veenduge, et valguse liikumistee ei ole blokeeritud ja et kontsentratsioon pole programmi jaoks liiga kõrge.• Veenduge, et seadme kork on korralikult paigaldatud.• Võtke ühendust tehniline tugi.

Osa 10 Varuosad ja tarvikud

▲ HOIATUS



Kehavigastuse oht. Heakskiitmata osade kasutamine võib põhjustada kehavigastusi, kahjustada seadet või põhjustada selle talitlushäireid. Selles jaotises kirjeldatud varuosad on tootja heaks kiitnud.

Märkus. Toote- ja artiklinumbrid võivad müügiipiirkonniti erineda. Lisateavet saate edasimüüjatelt või firma veebilehelt.

Varuosad

Kirjeldus	Osa nr
Adapteriblokk, COD	4846400
Patareide komplekt, AA-leelispatareid (4 tk)	1938004
Korgiga prooviküvet, 25 x 95 mm, 10, 20, 25 mL (6 tk)	2401906

Varuosad (järgneb)

Kirjeldus	Osa nr
Korgiga prooviküvett, 1 cm/10 mL (2 tk)	4864302
USB-kaabel	LZV818

Tarvikud

Kirjeldus	Osa nr
Kork, prooviküvett, 25 x 95 mL küvetile	2401812
Kandekott, tugevdatud	4942500
Kandekott, pehme, õlarihmaga	2722000
Kandekott, kaasaskantav labor	4943000
DR/Check™ absorptsioonistandardid	2763900
Seadme kork, DR 900	9390500

HACH COMPANY World Headquarters

P.O. Box 389, Loveland, CO 80539-0389 U.S.A.

Tel. (970) 669-3050

(800) 227-4224 (U.S.A. only)

Fax (970) 669-2932

orders@hach.com

www.hach.com

HACH LANGE GMBH

Willstätterstraße 11

D-40549 Düsseldorf, Germany

Tel. +49 (0) 2 11 52 88-320

Fax +49 (0) 2 11 52 88-210

info-de@hach.com

www.de.hach.com

HACH LANGE Sàrl

6, route de Compois

1222 Vérenaz

SWITZERLAND

Tel. +41 22 594 6400

Fax +41 22 594 6499

