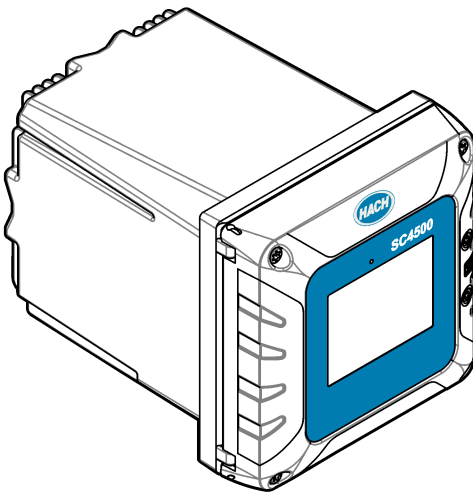




DOC023.97.90690

SC4500

06/2024, Edition 10



Basic User Manual
Manuel d'utilisation simplifié
Manual básico del usuario
Manual básico do usuário

基本用户手册
基本取扱説明書
기본 사용 설명서

คู่มือผู้ใช้เบื้องต้น
دليل المستخدم الأساسي

Table of Contents

English.....	3
Français.....	23
Español.....	44
Português.....	65
中文.....	86
日本語.....	106
한국어.....	126
ไทย.....	146
العربية.....	166

Table of Contents

- | | |
|---------------------------------|-------------------------------------|
| 1 Specifications on page 3 | 4 Installation on page 8 |
| 2 Online user manual on page 4 | 5 Startup on page 22 |
| 3 General information on page 4 | 6 Additional information on page 22 |

Section 1 Specifications

Specifications are subject to change without notice.

Specification	Details
Dimensions (W x H x D)	½ DIN-144 x 144 x 192 mm (5.7 x 5.7 x 7.6 in.)
Enclosure	UL50E type 4X, IEC/EN 60529-IP 66, NEMA 250 type 4X Metal enclosure with a corrosion-resistant finish
Weight	1.7 kg (3.7 lb) (Controller weight without optional expansion modules)
Pollution degree	Environment: 4; instrument: 2
Overvoltage category	II
Protection class	I, connected to protective earth
Environmental conditions	Indoor and outdoor use
Power requirements	AC controller: 100–240 VAC ±10%, 50/60 Hz; 1 A (50 VA with 8W sensor load, 100VA with 28W sensor load) DC controller: 18–28 VDC; 2.5 A (12W with 9W sensor load, 36W with 20 W sensor load)
Operating temperature	–20 to 60 °C (–4 to 140 °F) (8 W (AC)/9 W (DC) sensor load) –20 to 45 °C (–4 to 113 °F) (28 W (AC)/20 W (DC) sensor load) Linear derating between 45 and 60 °C (–1.33 W/°C)
Storage temperature	–20 to 70 °C (–4 to 158 °F)
Relative humidity	0 to 95%, non-condensing
Altitude	3000 m (9842 ft) maximum
Display	3.5-inch TFT color display with capacitive touchpad
Measurement	Two device, digital SC connectors
Relays (high voltage)	Two relays (SPDT); Wire gauge: 0.75 to 1.5 mm ² (18 to 16 AWG) AC controller Maximum switching voltage: 100–240 VAC Maximum switching current: 5 A Resistive/1 A Pilot Duty Maximum switching power: 1200 VA Resistive/360 VA Pilot Duty DC controller Maximum switching voltage: 30 VAC or 42 VDC Maximum switching current: 4 A Resistive/1 A Pilot Duty Maximum switching power: 125 W Resistive/28 W Pilot Duty
Analog inputs (optional) ³	One 0–20 mA (or 4–20 mA) analog input on each analog input module One analog sensor input on each sensor module Maximum of two analog inputs

Specification	Details
Analog outputs (optional) ³	Five 0–20 mA (or 4-20 mA) analog outputs on each analog output module ¹
Digital communication (optional) ³	Profibus DPV1 module, Modbus RS232/RS485 module, Modbus TCP, PROFINET module, EtherNet/IP™ ² module
Software module (optional)	Contact sales or technical support for information. Note: <i>Only one software module can be installed on a controller at the same time.</i>
Network connection ³	LAN version (optional): Two Ethernet connectors (10/100 Mbps), M12 female D-coding connector; Cellular version and WiFi version (optional) ⁴
USB port	Used for data download and software upload. The controller records approximately 20,000 data points for each connected sensor.
Compliance information	CE, ETL certified to UL and CSA safety standards (with all sensor types), FCC, ISED, KC, RCM, EAC, UKCA, SABS, CMIM, Morocco
Warranty	1 year (EU: 2 years)

Section 2 Online user manual

This Basic User Manual contains less information than the User Manual, which is available on the manufacturer's website.

Section 3 General information

In no event will the manufacturer be liable for damages resulting from any improper use of product or failure to comply with the instructions in the manual. The manufacturer reserves the right to make changes in this manual and the products it describes at any time, without notice or obligation. Revised editions are found on the manufacturer's website.

3.1 Safety information

The manufacturer is not responsible for any damages due to misapplication or misuse of this product including, without limitation, direct, incidental and consequential damages, and disclaims such damages to the full extent permitted under applicable law. The user is solely responsible to identify critical application risks and install appropriate mechanisms to protect processes during a possible equipment malfunction.

Please read this entire manual before unpacking, setting up or operating this equipment. Pay attention to all danger and caution statements. Failure to do so could result in serious injury to the operator or damage to the equipment.

Make sure that the protection provided by this equipment is not impaired. Do not use or install this equipment in any manner other than that specified in this manual.

3.1.1 Use of hazard information

▲ DANGER

Indicates a potentially or imminently hazardous situation which, if not avoided, will result in death or serious injury.

▲ WARNING

Indicates a potentially or imminently hazardous situation which, if not avoided, could result in death or serious injury.

¹ Refer to the module documentation for additional information.

Note: *Install only one module in one of the available slots.*

² EtherNet/IP is a trademark of OVDA Inc.

³ Dependent on controller configuration.

⁴ An external USB box WiFi is necessary for network connection on WiFi versions. An external USB box cellular is necessary for network connection on cellular versions.

⚠ CAUTION





Indicates a potentially hazardous situation that may result in minor or moderate injury.

NOTICE

Indicates a situation which, if not avoided, may cause damage to the instrument. Information that requires special emphasis.

3.1.2 Precautionary labels

Read all labels and tags attached to the instrument. Personal injury or damage to the instrument could occur if not observed. A symbol on the instrument is referenced in the manual with a precautionary statement.

	This is the safety alert symbol. Obey all safety messages that follow this symbol to avoid potential injury. If on the instrument, refer to the instruction manual for operation or safety information.
	This symbol indicates that a risk of electrical shock and/or electrocution exists.
	This symbol indicates the presence of devices sensitive to Electro-static Discharge (ESD) and indicates that care must be taken to prevent damage with the equipment.
	Electrical equipment marked with this symbol may not be disposed of in European domestic or public disposal systems. Return old or end-of-life equipment to the manufacturer for disposal at no charge to the user.

3.1.3 EMC compliance

⚠ CAUTION

This equipment is not intended for use in residential environments and may not provide adequate protection to radio reception in such environments.

CE (EU)

The equipment meets the essential requirements of EMC Directive 2014/30/EU.

UKCA (UK)

The equipment meets the requirements of the Electromagnetic Compatibility Regulations 2016 (S.I. 2016/1091).

Canadian Radio Interference-Causing Equipment Regulation, ICES-003, Class A:

Supporting test records reside with the manufacturer.

This Class A digital apparatus meets all requirements of the Canadian Interference-Causing Equipment Regulations.

Cet appareil numérique de classe A répond à toutes les exigences de la réglementation canadienne sur les équipements provoquant des interférences.

FCC Part 15, Class "A" Limits

Supporting test records reside with the manufacturer. The device complies with Part 15 of the FCC Rules. Operation is subject to the following conditions:

1. The equipment may not cause harmful interference.
2. The equipment must accept any interference received, including interference that may cause undesired operation.


Changes or modifications to this equipment not expressly approved by the party responsible for compliance could void the user's authority to operate the equipment. This equipment has been tested and found to comply with the limits for a Class A digital device, pursuant to Part 15 of the FCC rules. These limits are designed to provide reasonable protection against harmful interference when the equipment is operated in a commercial environment. This equipment generates, uses and can radiate radio frequency energy and, if not installed and used in accordance with the instruction manual, may cause harmful interference to radio communications. Operation of this equipment in a residential area is likely to cause harmful interference, in which case the user will be required to correct the interference at their expense. The following techniques can be used to reduce interference problems:

1. Disconnect the equipment from its power source to verify that it is or is not the source of the interference.
2. If the equipment is connected to the same outlet as the device experiencing interference, connect the equipment to a different outlet.
3. Move the equipment away from the device receiving the interference.
4. Reposition the receiving antenna for the device receiving the interference.
5. Try combinations of the above.

3.2 Intended use

The SC4500 controller is intended for use by water treatment professionals who measure multiple water quality parameters in industrial water, municipal water or waste water plants. The SC4500 controller does not treat or alter water.

3.3 Product overview

⚠ DANGER	
	Chemical or biological hazards. If this instrument is used to monitor a treatment process and/or chemical feed system for which there are regulatory limits and monitoring requirements related to public health, public safety, food or beverage manufacture or processing, it is the responsibility of the user of this instrument to know and abide by any applicable regulation and to have sufficient and appropriate mechanisms in place for compliance with applicable regulations in the event of malfunction of the instrument.

NOTICE	
Network and access point security is the responsibility of the customer that uses the wireless instrument. The manufacturer will not be liable for any damages, inclusive however not limited to indirect, special, consequential or incidental damages, that have been caused by a gap in, or breach of network security.	

NOTICE	
Perchlorate Material—Special handling may apply. Refer to www.dtsc.ca.gov/perchlorate . This perchlorate warning applies only to primary batteries (provided singly or installed on this equipment) when sold or distributed in California, USA.	

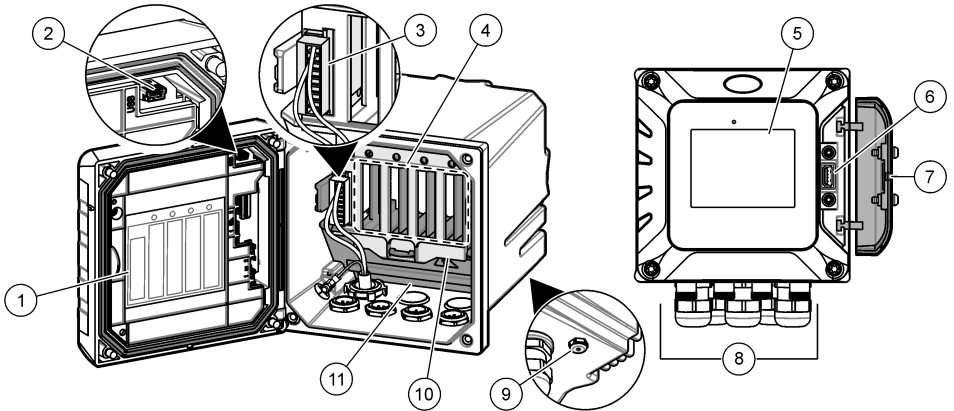
NOTICE	
The controller is supplied with a protection foil installed on the display. Make sure to remove the protection foil before the controller is used.	

The SC4500 Controller is a 2-channel controller for digital analytical devices (e.g., sensors and analyzers) and analog sensors that are connected to a digital gateway or expansion module. Refer to [Figure 1](#).

The controller shows sensor measurements and other data on the display, can transmit analog and digital signals, and can interact with and control other devices through outputs and relays. Outputs, relays, sensors and expansion modules are configured and calibrated through the user interface on the front of the controller or remotely for network connected controllers. The controller connects to Claros with a cellular network⁵, WiFi network⁵ or through LAN connection. The Prognosys diagnostic system⁵ shows the status of maintenance tasks and gives the status of the instrument condition.

The instrument display is a touchscreen. The instrument enclosure has a protective vent in the bottom. Do not cover or remove the protective vent. Replace the protective vent if damage is seen. The controller is available with optional expansion modules. Refer to the expanded user manual on the manufacturer's website for additional information.

Figure 1 Product overview



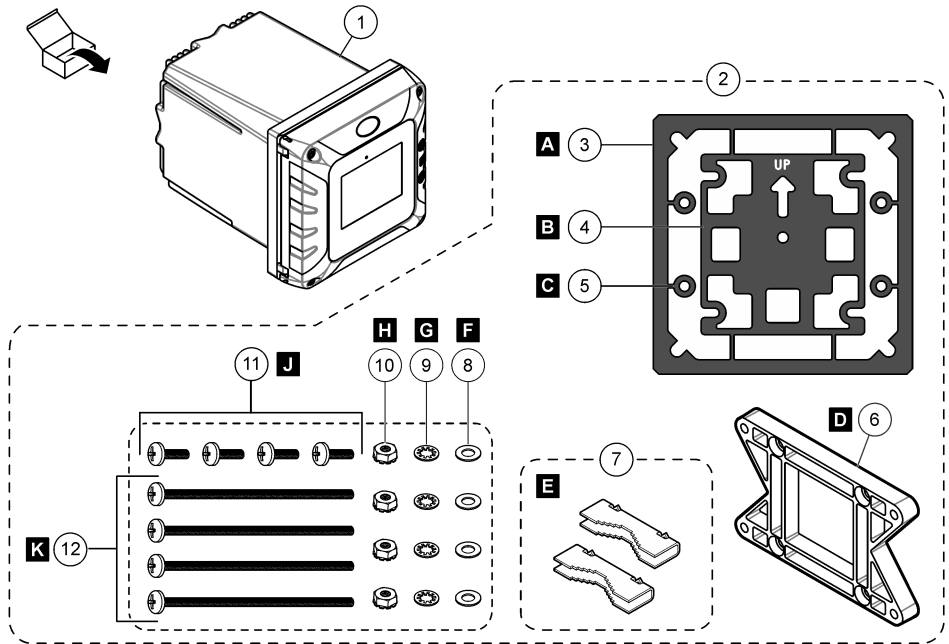
1 Label for module installation and wiring information	7 USB cover
2 USB connection for external USB box (WiFi or cellular connection)	8 Electrical connections and fittings
3 Expansion module (Slot 0) ⁵	9 Protective vent
4 Additional expansion module slots (Slots 1, 2, 3 and 4)	10 Cover for module installation
5 Touchpad display	11 High-voltage barrier
6 USB connection for data download and firmware update	

⁵ Dependent on controller configuration. The expansion modules are factory-installed based on controller configuration.

3.4 Product components

Make sure that all components have been received. Refer to [Figure 2](#). If any items are missing or damaged, contact the manufacturer or a sales representative immediately.

Figure 2 Product components



1 SC4500 controller	7 Mounting foot (mounting bracket inserts) (2x)
2 Mounting hardware	8 Flat washer, ¼-inch ID (4x)
3 Sealing gasket for panel mount, Neoprene	9 Lock washer, ¼-inch ID (4x)
4 Vibration isolation gasket for pipe mount	10 Keps hexnut, M5 x 0.8 (4x)
5 Vibration isolation washer for pipe mount (4x)	11 Pan head screws, M5 x 0.8 x 15 mm (4x)
6 Bracket for wall and pipe mounting ⁶	12 Pan head screws, M5 x 0.8 x 100 mm (4x) ⁷

Section 4 Installation

▲ DANGER



Multiple hazards. Only qualified personnel must conduct the tasks described in this section of the document.

⁶ A bracket for panel mounting is available as an optional accessory. Refer to the expanded user manual for replacement parts and accessories.

⁷ Used for variable diameter pipe mount installations.

4.1 Installation guidelines

⚠ DANGER



Electrical shock hazard. Externally connected equipment must have an applicable country safety standard assessment.

⚠ WARNING



Explosion hazard. This manual is only for installation of the unit in a non-hazardous location. For installation of the unit in hazardous locations, use only the instructions and approved control drawing provided in the hazardous location installation manual.

NOTICE

Do not install the controller in an environment with a caustic atmosphere without a protective enclosure. A caustic atmosphere will cause damage to electronic circuitry and components.

NOTICE

Do not install the controller outdoors in an environment that receives direct sunlight or UV radiation or damage to the controller can occur. Install the optional UV protection screen with sunroof to prevent damage from UV exposure when installed outdoors in direct sunlight.

Note: (Network and Claros version only) Make sure that your IT department has approval for the installation and commissioning of the device. Administrator rights are not necessary. The email address "No-reply@hach.com" sends the setup email and "donotreply@hach.com" sends the system notifications that are necessary for the installation. Add the two email addresses to the safe senders list to make sure to receive mails from these senders. Hach does not send a request to confirm that the sender is not a robot.

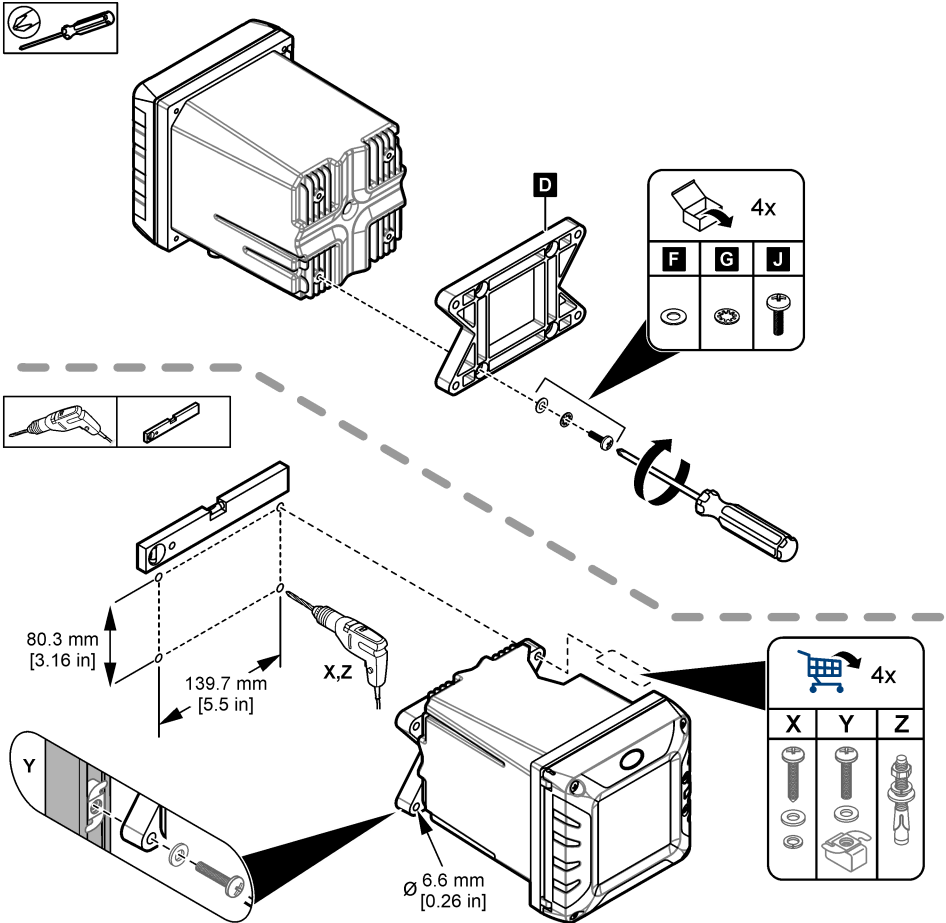
- Install the controller in a location where the power disconnect device for the controller is easily operated.
- Attach the controller upright and level on a flat, vertical surface.
- As an alternative, attach the instrument to a panel, vertical pole or horizontal pole.
- Make sure that the device is in a location where there is sufficient clearance around it to make connections and to do maintenance tasks.
- Make sure that there is a minimum of 16 cm (6.30 in.) of clearance for the controller door to open.
- Install the instrument in a location with minimum vibration.
- The optional holder for mobile phones is recommended for all installations.
- The optional sunroof or the optional UV protection screen with sunroof is recommended for all outdoor installations.
- Give protection to computers or other connected equipment that may not have equivalent environmental ratings based on the enclosure rating of the equipment.
- Obey specified ambient ratings on the internal side of panels for panel mount installations.
- Make sure that the maximum power rating is correct for the ambient temperature.

4.2 Mechanical installation

4.2.1 Attach the instrument to a wall

Attach the controller upright and level on a flat, vertical surface. Make sure that the wall mounting is able to hold 4 times the weight of the equipment. Refer to the illustrated steps in [Figure 3](#) and [Product components](#) on page 8 for the necessary mounting hardware.

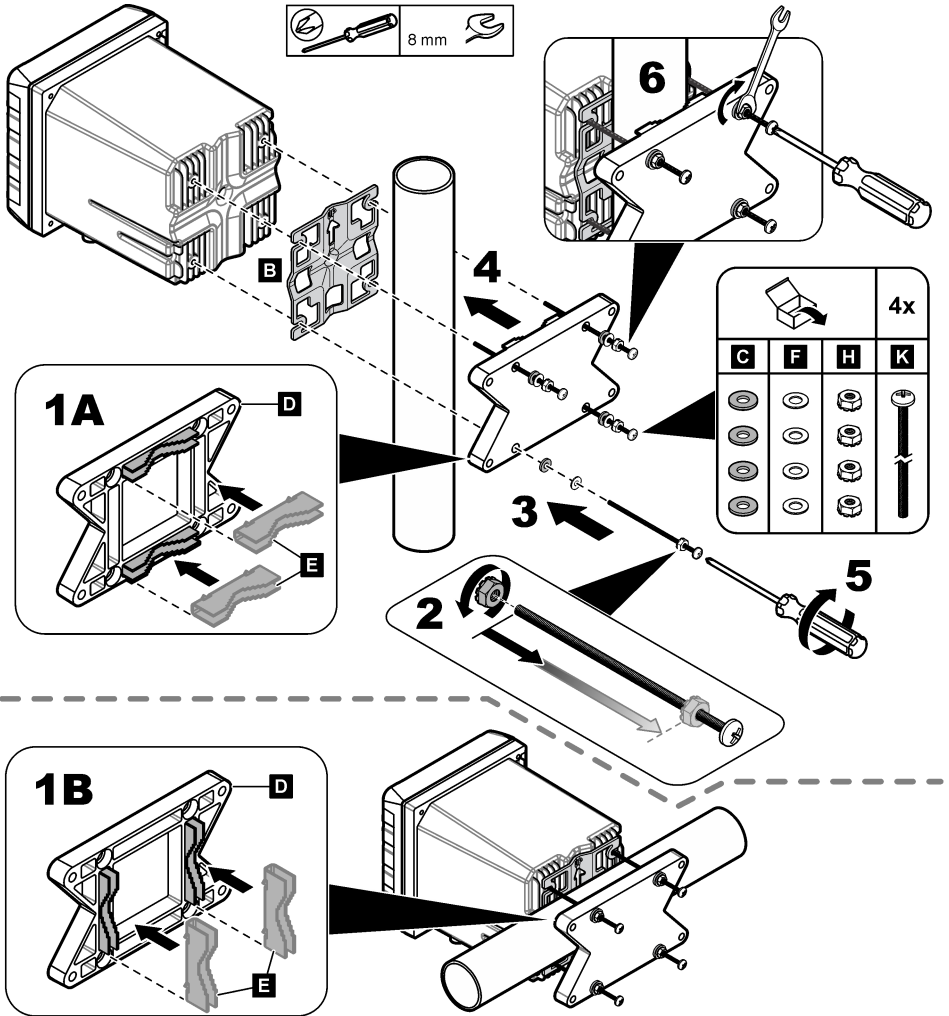
Figure 3 Wall mounting



4.2.2 Attach the instrument to a pole

Attach the controller upright to a pole or pipe (horizontal or vertical). Make sure that the pipe diameter is 19 to 65 mm (0.75 to 2.5 in.) Refer to the illustrated steps in [Figure 4](#) and [Product components](#) on page 8 for the necessary mounting hardware.

Figure 4 Pole mounting

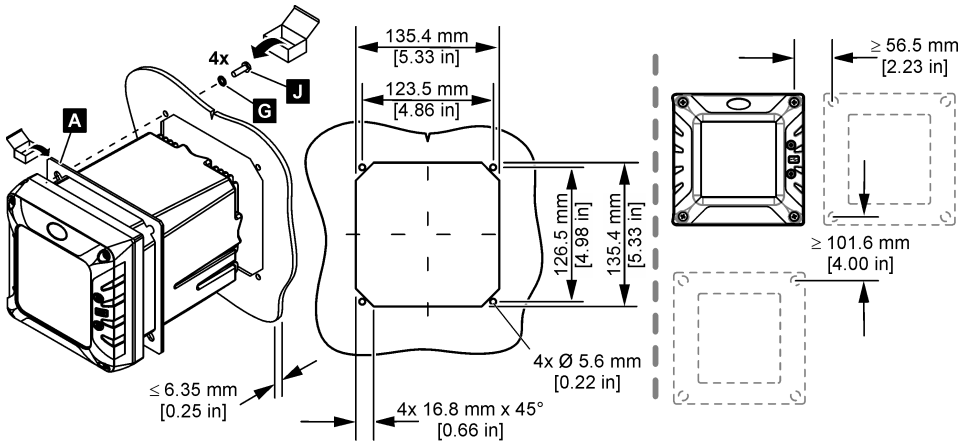


4.2.3 Install the instrument in a panel

A rectangular hole is necessary for panel installation. Use the supplied sealing gasket for panel mount as a template to cut the hole in the panel. Make sure to use the template in the up position to install the controller vertical. Refer to [Figure 5](#).

Note: If using the bracket (optional) for panel mounting, push the controller through the hole in the panel and then slide the bracket over the controller on the back side of the panel. Use the four 15 mm pan head screws (supplied) to attach the bracket to the controller and secure the controller to the panel.

Figure 5 Panel mounting dimensions



4.3 Electrical installation

4.3.1 Electrical connectors and fittings

Figure 6 shows the electrical connectors and fittings on the instrument. To keep the environmental rating of the enclosure, make sure that there is a plug in the strain relief fittings that are not used and a connector cap on the unused connectors.

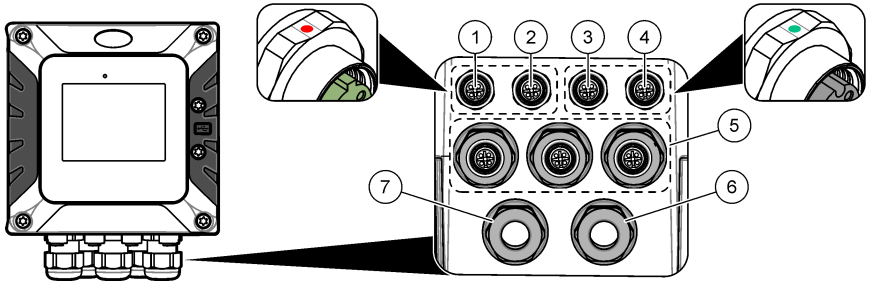
Based on the controller configuration, the controller has:

- Ethernet connectors (LAN) to give internet access to the controller through a customer network.
- Ethernet connectors for Industrial Ethernet Protocols: EtherNet/IP or PROFINET.
- Digital SC connectors for sc digital sensors, sc digital gateways and analyzers.

A color code identifies the connectors. The LAN connectors are green with a red dot. The EtherNet/IP or PROFINET connectors are yellow with a red dot. The sc digital sensor connectors are black with a green dot. Refer to Table 1 for the applicable options for each connector and fitting.

Note: The controller is supplied without strain relief fittings installed. The user must supply the necessary strain reliefs. Refer to the expanded user manual on the manufacturer's website for additional information.

Figure 6 Electrical connectors and fittings



1 Ethernet connector (optional) for LAN port 1 or EtherNet/IP or PROFINET connector	5 Strain relief fitting for USB box and expansion modules: Analog inputs/outputs, Profibus DP
2 Ethernet connector (optional) for LAN port 2 or EtherNet/IP or PROFINET connector	6 Power cord (or conduit hub) ⁹
3 Digital SC connector: Channel 1. Optional: Analog sensor connection to sensor module or analog input connection to 4-20 mA input module ⁸	7 Strain relief fitting for high voltage relay
4 Digital SC connector: Channel 2. Optional: Analog sensor connection to sensor module or analog input connection to 4-20 mA input module	

Table 1 Options for each connector and fitting

Device	1 ¹⁰	2	Option ¹¹	3	4	5	6	7
sc digital sensor, sc digital gateway or analyzer				X	X			
Analog sensor				X	X			
Sensor analog module				X	X			
4-20 mA output						X		
Profibus DP module						X		
Modbus RS232/RS485 module						X		
USB Box						X		
LAN + LAN	Green	Green	Split / Chaining					
LAN + Modbus TCP	Green	Green	Split / Chaining					
EtherNet/IP	Yellow	Yellow	IEP only					
LAN + EtherNet/IP	Green	Yellow	Mix IEP					
PROFINET	Yellow	Yellow	IEP only					
LAN + PROFINET	Green	Yellow	Mix IEP					

⁸ To connect an analog sensor or 4-20 mA input to the controller, install the applicable expansion module, if not already installed. Refer to the documentation supplied with the expansion module for additional information.

⁹ The power cord is factory-installed based on the controller configuration.

¹⁰ A color code identifies the connectors. The LAN connectors are green. The EtherNet/IP or PROFINET connectors are yellow.

¹¹ Refer to the expanded user manual on the manufacturer's website for additional information.

Table 1 Options for each connector and fitting (continued)

Device	1 ¹⁰	2	Option ¹¹	3	4	5	6	7
High voltage relay								X
Power supply							X	

4.3.2 Electrostatic discharge (ESD) considerations

NOTICE



Potential Instrument Damage. Delicate internal electronic components can be damaged by static electricity, resulting in degraded performance or eventual failure.

Refer to the steps in this procedure to prevent ESD damage to the instrument:

- Touch an earth-grounded metal surface such as the chassis of an instrument, a metal conduit or pipe to discharge static electricity from the body.
- Avoid excessive movement. Transport static-sensitive components in anti-static containers or packages.
- Wear a wrist strap connected by a wire to earth ground.
- Work in a static-safe area with anti-static floor pads and work bench pads.

4.3.3 Power connections

⚠ DANGER



Multiple hazards. Only qualified personnel must conduct the tasks described in this section of the document.

⚠ DANGER



Electrocution hazard. Always remove power to the instrument before making electrical connections.

If the controller does not have an installed power cord, connect power with conduit or a power cord. Refer to the sections that follow to connect power with conduit or a power cord.

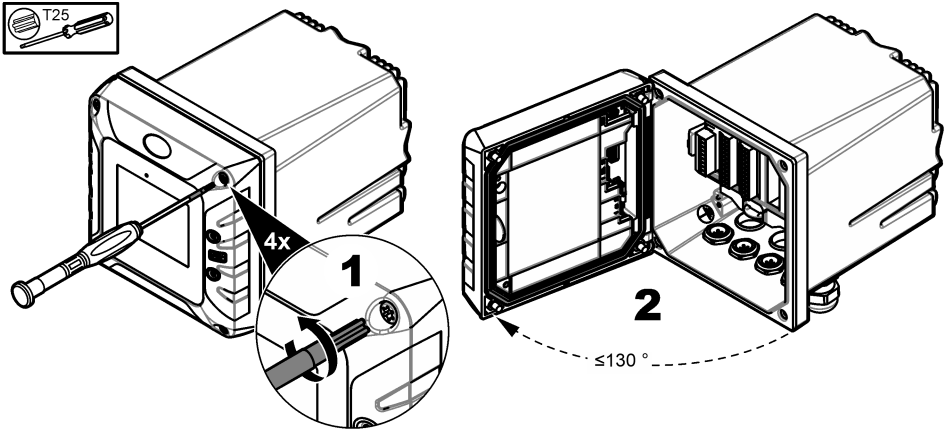
4.3.3.1 Open the controller cover

Open the controller cover to get access to the wiring connections. Refer to [Figure 7](#).

¹⁰ A color code identifies the connectors. The LAN connectors are green. The EtherNet/IP or PROFINET connectors are yellow.

¹¹ Refer to the expanded user manual on the manufacturer's website for additional information.

Figure 7 Open the controller

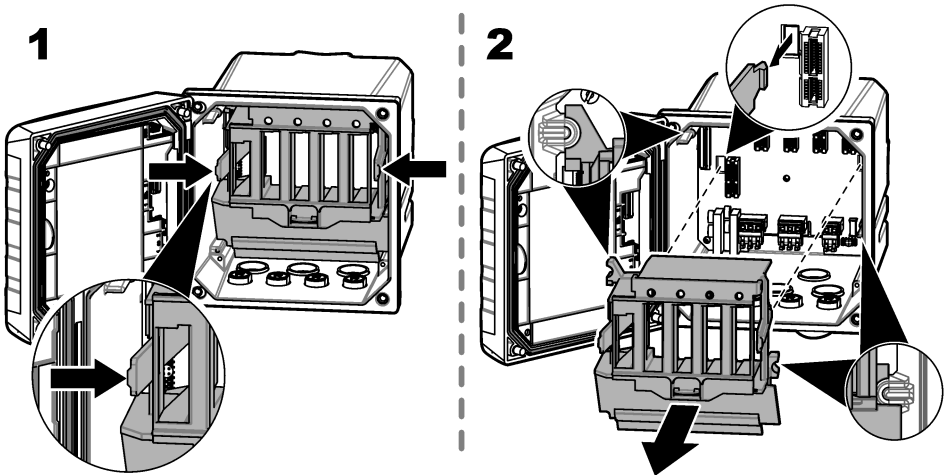


4.3.3.2 Remove the high-voltage barrier

High-voltage wiring for the controller is located behind a high-voltage barrier in the controller enclosure. Do not remove the barrier while power is supplied to the controller. Make sure that the barrier is installed before power is supplied to the controller.

Remove the high-voltage barrier to get access to the high-voltage wiring. Refer to [Figure 8](#).

Figure 8 High-voltage barrier



4.3.3.3 Wiring for power

⚠ DANGER



Electrocution hazard. Protective Earth Ground (PE) connection is required.

⚠ DANGER



Electrical shock and fire hazards. Make sure to identify the local disconnect clearly for the conduit installation.

⚠ WARNING



Potential Electrocutation Hazard. If this equipment is used outdoors or in potentially wet locations, a **Ground Fault Interrupt** device must be used for connecting the equipment to its mains power source.

⚠ WARNING



Electrocution hazard. The local disconnection means must disconnect all the electrical current-carrying conductors. Mains connection must keep supply polarity. The separable plug is the disconnect means for cord connected equipment.

⚠ WARNING



Electrical shock and fire hazards. Make sure that the user-supplied power cord and non-locking plug meet the applicable country code requirements.

⚠ WARNING



Explosion hazard. This manual is only for installation of the unit in a non-hazardous location. For installation of the unit in hazardous locations, use only the instructions and approved control drawing provided in the hazardous location installation manual.

NOTICE

Install the device in a location and position that gives easy access to the disconnect device and its operation.

The controller can be purchased as either a 100-240 VAC powered model or a 18-28 VDC powered model. Follow the appropriate wiring instructions for the purchased model.

Supply power to the instrument with conduit or a power cable. Make sure that a circuit breaker with sufficient current capacity is installed in the power line. The circuit breaker size is based on the wire gauge used for installation.

For installation with conduit:

- Install a local disconnect for the instrument within 3 m (10 ft) of the instrument. Put a label on the disconnect that identifies it as the main disconnect device for the instrument.
- Rated for at least 90 °C (194 °F) and applicable to the installation environment
- For permanent connections use only solid wires. Use cable dimensions between 0.75 to 1.5 mm² (18 to 16 AWG). Flexible wires must have a crimped ferrule or pin type terminal on the end.
- Connect equipment in accordance with local, state or national electrical codes.
- Connect the conduit through a conduit hub that holds the conduit securely and seals the enclosure when tightened.
- If metal conduit is used, make sure that the conduit hub is tightened so that the conduit hub connects the metal conduit to safety ground.
- The DC power source that supplies power to the DC controller must maintain voltage regulation within the specified 18-28 VDC voltage limits. The DC power source must also provide adequate protection against surges and line transients.

For installation with a power cable, make sure that the power cable is:

- Less than 3 m (10 ft) in length
- Rated sufficient for the supply voltage and current.
- Rated for at least 90 °C (194 °F) and applicable to the installation environment

- Not less than 0.75 mm² (18 AWG) with applicable insulation colors for local code requirements. Flexible wires must have a crimped ferrule or pin type terminal on the end.
- A power cable with a three-prong plug (with ground connection) that is applicable to the supply connection
- Connected through a cable gland (strain relief) that holds the power cable securely and seals the enclosure when tightened
- Does not have a locking type device on the plug

4.3.3.4 Connect conduit or a power cord

NOTICE

The manufacturer recommends the use of manufacturer-supplied electrical components, such as power cord, connectors and strain relief fittings.

NOTICE



Make sure that the cable sheath goes through the inner side of the enclosure to keep the environmental rating of the enclosure.

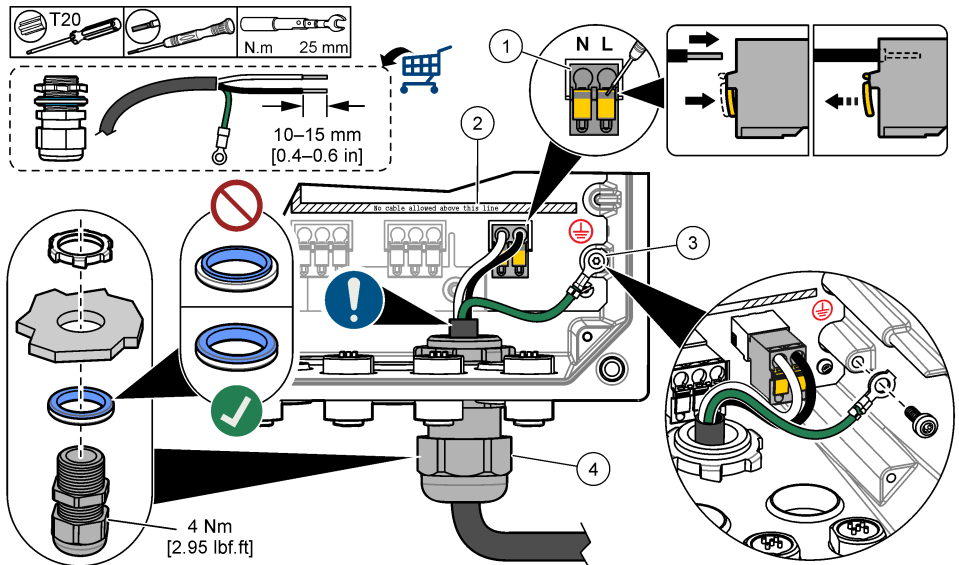
The controller can be wired for line power by hard-wiring in conduit or wiring to a power cord. Regardless of the wire used, the connections are made at the same terminals.

The power cable plug is used to connect and disconnect power to the controller. For installation in conduit, the installed local disconnect is used to connect and disconnect power to the controller.

Refer to [Figure 9](#) and [Table 2](#) or [Table 3](#) to connect conduit or a power cord. Insert each wire into the appropriate terminal until the insulation is seated against the connector with no bare wire exposed. Tug gently after insertion to make sure that there is a secure connection. If necessary, remove the connector from the PCBA for easier wiring of the terminals.

Note: Make sure that all of the cables stay below the cable limit line printed on the PCBA to prevent interferences with the high-voltage barrier. Refer to [Figure 9](#).

Figure 9 Connect conduit or a power cord



1 AC and DC power terminal	3 Protective earth ground
2 Cables limit: do not put cables above the line.	4 Conduit hub (or strain relief fitting for power cord)

Table 2 Wiring information—AC power



Terminal	Description	Color—North America	Color—EU
L	Hot (Line 1)	Black	Brown
N	Neutral (N)	White	Blue
	Protective earth ground	Green	Green with yellow stripe

Table 3 Wiring information—DC power

Terminal	Description	Color—North America	Color—EU
L	+24 VDC	Red	Red
N	24 VDC return	Black	Black
	Protective earth ground	Green	Green with yellow stripe

4.3.4 Connect the high-voltage relays

⚠ DANGER



Electrocution hazard. Always remove power to the instrument before making electrical connections.

⚠ WARNING



Potential Electrocution Hazard. Power and relay terminals are designed for only single wire termination. Do not use more than one wire in each terminal.

⚠ WARNING



Potential fire hazard. Do not daisy-chain the common relay connections or jumper wire from the mains power connection inside the instrument.

⚠ WARNING



Explosion hazard. This manual is only for installation of the unit in a non-hazardous location. For installation of the unit in hazardous locations, use only the instructions and approved control drawing provided in the hazardous location installation manual.

⚠ CAUTION



Fire hazard. Relay loads must be resistive. Always limit current to the relays with an external fuse or breaker. Obey the relay ratings in the Specifications section.

NOTICE



Make sure that the cable sheath goes through the inner side of the enclosure to keep the environmental rating of the enclosure.

The instrument has two non-powered relays, each with a single-pole change-over contact. For AC controllers, the wiring compartment is not made for voltage connections more than 264 VAC.

The relay terminals are located behind a high-voltage barrier in the controller enclosure. Do not remove the barrier while power is supplied to the relay terminals. Do not supply power to the relay terminals when the barrier is not installed.

Connect each relay to a control device or an alarm device as necessary. Refer to [Figure 10](#) and [Table 4](#) to connect to the relays. Refer to the expanded user manual on the manufacturer's website for additional information.

Refer to [Specifications](#) on page 3 for the relay specifications. The relays are isolated from each other and the low-voltage input/output circuitry.

The largest gauge wire the power and relay plugs are rated for 1.5 mm² (16 AWG). The relay terminals accept 0.75 to 1.5 mm² (18 to 16 AWG) wire (as determined by load application). Use wire with an insulation rating of 300 VAC or higher. Insert each wire into the appropriate terminal until the insulation is seated against the connector with no bare wire exposed. Tug gently after insertion to make sure that there is a secure connection. If necessary, remove the connector from the PCBA for easier wiring of the terminals. Flexible wires must have a crimped ferrule or a pin type terminal on the end.

Note: Make sure that all of the cables stay below the cable limit line printed on the PCBA to prevent interferences with the high-voltage barrier.

The current to the relay contacts must be 5 A (resistive only load), 1250 VA 125 W (resistive only load) or less. Make sure to have a second switch available to remove power from the relays locally in case of an emergency or for maintenance.

For AC controllers, use the relays at high voltage. For DC controllers, use the relays at low voltage. Refer to [Specifications](#) on page 3 for the relay specifications. Do not configure a combination of both high and low voltage.

Relay terminal connections to the mains circuit in permanent connection applications must have insulation rated for a minimum of 300 V, 90 °C (194 °F). Terminals connected to the mains circuit with a power cord connection must be double insulated and rated 300 V, 90 °C (194 °F) at both the inner and outer insulation levels.

Note: Put the wires for relays through the strain relief fitting for the high voltage relay. Refer to [Figure 6](#) on page 13.

Figure 10 Connect the relays

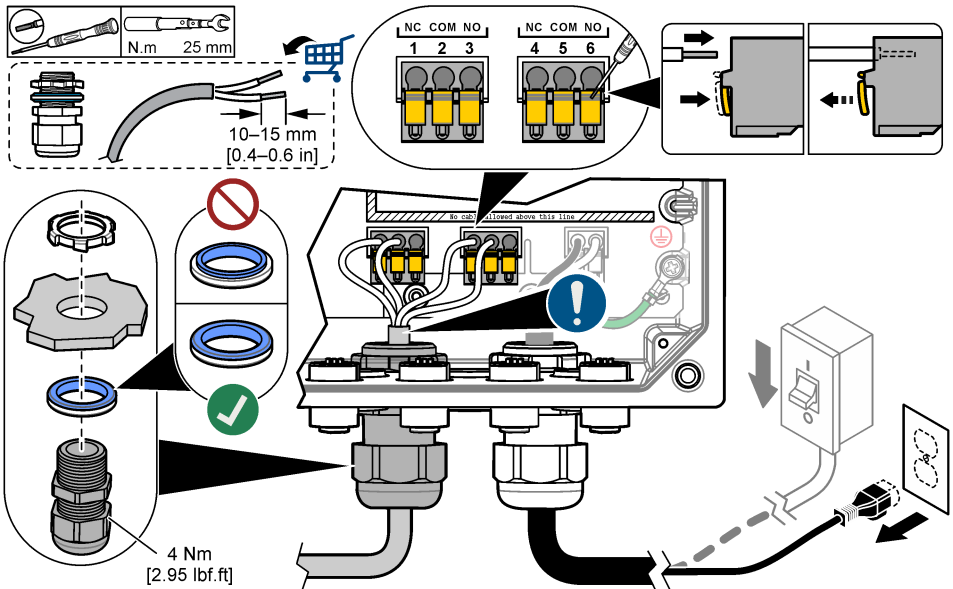


Table 4 Wiring information—relays

Terminal	Description	Terminal	Description
1	Relay 2, NC	4	Relay 1, NC
2	Relay 2, common	5	Relay 1, common
3	Relay 2, NO	6	Relay 1, NO

NC = normally closed; NO = normally open

4.3.5 Install an expansion module

⚠ WARNING



Explosion hazard. This manual is only for installation of the unit in a non-hazardous location. For installation of the unit in hazardous locations, use only the instructions and approved control drawing provided in the hazardous location installation manual.

Expansion modules for analog outputs, analog inputs, analog sensors and Profibus communication are available for the controller. Refer to the documentation supplied with the expansion module for additional information.

4.4 Close the cover

⚠ DANGER



Electrocution hazard. High voltage wiring for the controller is connected behind the high voltage barrier in the controller enclosure. The barrier must remain in place except when installing modules, or when a qualified installation technician is wiring for power, relays or analog and network cards.

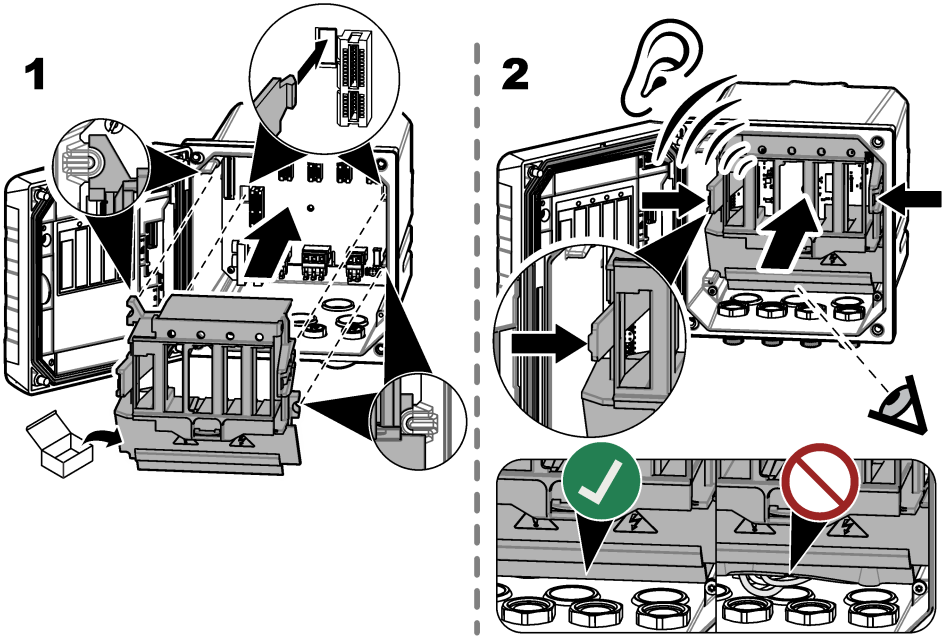
NOTICE

Close the controller cover and make sure that the cover screws are tight to keep the environmental rating of the enclosure.

After the power connections are made, install the high-voltage barrier. Make sure that the high-voltage barrier is correctly put on the enclosure guides and fixed to the main PCBA. A click sound is heard when the high-voltage barrier is correctly installed. Make sure that the lower part of the high-voltage barrier (soft rubber lip) is correctly installed and has no deformation. Refer to [Figure 11](#).

Close the controller cover. Tighten the cover screws with 2 Nm (17.70 lbf-in) torque. Refer to [Figure 7](#) on page 15.

Figure 11 Install the high voltage barrier

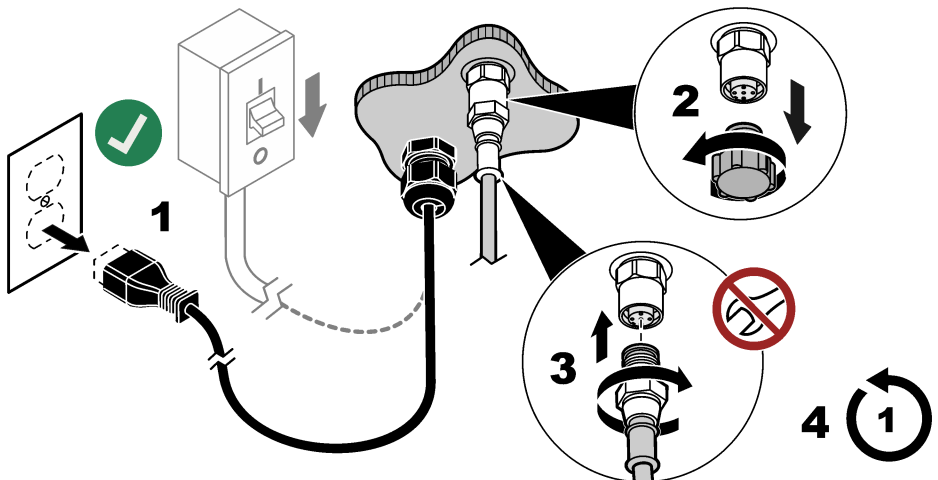


4.5 Connect measurement devices

Connect digital devices (e.g., sensors and analyzers) to the device connectors on the instrument. Refer to [Figure 12](#). Keep the device connector caps for future use.

Make sure that the device cables do not cause a trip hazard and do not have sharp bends.

Figure 12 Connect a device



Section 5 Startup

Connect the power cord to an electrical outlet with protective earth ground or set the circuit breaker for the controller to on.

5.1 Enter initial settings

At initial startup, follow the prompts on the display to set up the language, the date, the time and network information. Refer to the expanded user manual on the manufacturer's website for instructions.

Section 6 Additional information

The following additional information is available in the expanded user manual.

- User interface and navigation
- Operation
- Maintenance
- Troubleshooting
- Replacement part lists

Scan the QR codes that follow to go to the expanded user manual.



English



Italian



Spanish



German



French



Chinese

Table des matières

- | | | | | | |
|---|----------------------------------|--------------|---|------------------------------|--------------|
| 1 | Spécifications | à la page 23 | 4 | Installation | à la page 28 |
| 2 | Manuel de l'utilisateur en ligne | à la page 24 | 5 | Mise en marche | à la page 42 |
| 3 | Généralités | à la page 24 | 6 | Informations supplémentaires | à la page 42 |

Section 1 Spécifications

Les spécifications peuvent être modifiées sans préavis.

Spécification	Détails
Dimensions (L x H x P)	½ DIN - 144 x 144 x 192 mm (5,7 x 5,7 x 7,6 po)
Boîtier	UL50E type 4X, CEI/EN 60529–IP 66, NEMA 250 type 4X Boîtier métallique avec finition résistante à la corrosion
Poids	1,7 kg (3,7 livres) (Poids du transmetteur sans modules d'extension optionnels)
Niveau de pollution	Environnement : 4; instrument : 2
Catégorie de surtension	II
Classe de protection	I, mise à la terre de protection
Conditions environnementales	Utilisation en intérieur et en extérieur
Alimentation électrique	Transmetteur CA : 100–240 V CA ± 10 %, 50/60 Hz ; 1 A (50 VA avec charge du capteur 8 W, 100 VA avec charge du capteur 28 W) Transmetteur CC : 18–28 V CC ; 2,5 A (12 W avec charge de capteur 9 W, 36 W avec charge de capteur 20 W)
Température de fonctionnement	–20 à 60 °C (–4 à 140 °F) (charge du capteur 8 W (CA)/9 W (CC)) –20 à 45 °C (–4 à 113 °F) (charge du capteur 28 W (CA)/20 W (CC)) Déclassement linéaire entre 45 et 60 °C (–1,33 W/°C)
Température de stockage	–20 à 70 °C (–4 à 158 °F)
Humidité relative	0 à 95 %, sans condensation
Altitude	3 000 m (9 842 pieds) maximum
Ecran	Ecran couleur TFT 3,5 pouces avec pavé tactile capacitif
Mesure	Unappareils, connecteurs SC numériques
Relais (haute tension)	Deux relais (SPDT) ; Calibre de fil : 0,75 à 1.5 mm ² (18 à 16 AWG) Transmetteur CA Tension maximale de commutation : 100–240 V CA Courant maximal de commutation : 5 A résistif/1 A service pilote Puissance maximale de commutation : 1 200 VA résistif/360 VA service pilote Transmetteur CC Tension maximale de commutation : 30 V CA ou 42 V CC Courant maximal de commutation : 4 A résistif/1 A service pilote Puissance maximale de commutation : 125 W résistif/28 W service pilote
Entrées analogiques (en option) ³	Une entrée analogique 0-20 mA (ou 4-20 mA) sur chaque module d'entrée analogique Une entrée de capteur analogique sur chaque module de capteur Maximum de deux entrées analogiques

Spécification	Détails
Sorties analogiques (en option) ³	Cinq sorties analogiques 0–20 mA ou (4-20 mA) sur chaque module de sortie analogique ¹
Communication numérique (en option) ³	Module Profibus DPV1, module Modbus RS232/RS485, Modbus TCP, module PROFINET, EtherNet/IP™ ² module
Module logiciel (en option)	Veillez contacter le représentant commercial ou le support technique pour plus d'informations. Remarque : Un seul module logiciel peut être installé sur un transmetteur à la fois.
Connexion réseau ³	Versión LAN (en option) : deux connecteurs Ethernet (10/100 Mb/s), connecteur femelle M12 codage D ; version cellulaire et version Wi-Fi (en option) ⁴
Port USB	Permet le téléchargement des données et de logiciel. Le transmetteur enregistre environ 20 000 points de données pour chaque capteur raccordé.
Informations de conformité	CE. Certification ETL conforme aux normes de sécurité UL et CSA (avec tous les types de capteurs), FCC, ISED, KC, RCM, EAC UKCA, SABS, CMM, Maroc
Garantie	1 an (UE : 2 ans)

Section 2 Manuel de l'utilisateur en ligne

Ce manuel utilisateur simplifié contient moins d'informations que le manuel d'utilisation détaillé, disponible sur le site Web du fabricant.

Section 3 Généralités

En aucun cas le fabricant ne pourra être tenu responsable des dommages résultant d'une utilisation incorrecte du produit ou du non-respect des instructions du manuel. Le constructeur se réserve le droit d'apporter des modifications à ce manuel et aux produits décrits, à tout moment, sans avertissement ni obligation. Les éditions révisées se trouvent sur le site Internet du fabricant.

3.1 Consignes de sécurité

Le fabricant décline toute responsabilité quant aux dégâts liés à une application ou un usage inappropriés de ce produit, y compris, sans toutefois s'y limiter, des dommages directs ou indirects, ainsi que des dommages consécutifs, et rejette toute responsabilité quant à ces dommages dans la mesure où la loi applicable le permet. L'utilisateur est seul responsable de la vérification des risques d'application critiques et de la mise en place de mécanismes de protection des processus en cas de défaillance de l'équipement.

Veillez lire l'ensemble du manuel avant le déballage, la configuration ou la mise en fonctionnement de cet appareil. Respectez toutes les déclarations de prudence et d'attention. Le non-respect de cette procédure peut conduire à des blessures graves de l'opérateur ou à des dégâts sur le matériel.

Assurez-vous que la protection fournie par cet équipement n'est pas compromise. Ne pas utiliser ou installer cet équipement autrement qu'indiqué dans le présent manuel.

¹ Reportez-vous à la documentation du module pour obtenir des informations supplémentaires.

Remarque : Installez un seul module dans l'un des emplacements disponibles.

² EtherNet/IP est une marque commerciale de OVD A Inc.

³ En fonction de la configuration du transmetteur.

⁴ Un boîtier USB externe Wi-Fi est nécessaire pour la connexion réseau sur les versions Wi-Fi.

Un boîtier USB externe avec modem cellulaire est nécessaire pour la connexion réseau sur les versions cellulaires.

3.1.1 Informations sur les risques d'utilisation

▲ DANGER

Indique une situation de danger potentiel ou imminent qui, si elle n'est pas évitée, entraîne des blessures graves, voire mortelles.

▲ AVERTISSEMENT

Indique une situation de danger potentiel ou imminent qui, si elle n'est pas évitée, peut entraîner des blessures graves, voire mortelles.

▲ ATTENTION





Indique une situation de danger potentiel qui peut entraîner des blessures mineures ou légères.

AVIS

Indique une situation qui, si elle n'est pas évitée, peut occasionner l'endommagement du matériel. Informations nécessitant une attention particulière.

3.1.2 Etiquettes de mise en garde

Lisez toutes les informations et toutes les étiquettes apposées sur l'appareil. Des personnes peuvent se blesser et le matériel peut être endommagé si ces instructions ne sont pas respectées. Tout symbole sur l'appareil renvoie à une instruction de mise en garde dans le manuel.

	Ceci est le symbole d'alerte de sécurité. Respectez tous les messages de sécurité qui suivent ce symbole afin d'éviter tout risque de blessure. S'ils sont apposés sur l'appareil, se référer au manuel d'utilisation pour connaître le fonctionnement ou les informations de sécurité.
	Ce symbole indique qu'il existe un risque de choc électrique et/ou d'électrocution.
	Ce symbole indique la présence d'appareils sensibles aux décharges électrostatiques et indique que des précautions doivent être prises afin d'éviter d'endommager l'équipement.
	Le matériel électrique portant ce symbole ne doit pas être mis au rebut dans les réseaux domestiques ou publics européens. Retournez le matériel usé ou en fin de vie au fabricant pour une mise au rebut sans frais pour l'utilisateur.

3.1.3 Compatibilité électromagnétique (CEM)

▲ ATTENTION

Cet équipement n'est pas conçu pour être utilisé dans des environnements résidentiels et peut ne pas offrir une protection adéquate à la réception radio dans de tels environnements.

CE (EU)

Cet équipement respecte les exigences essentielles de la Directive CEM 2014/30/UE.

UKCA (UK)

L'équipement est conforme aux exigences des règlements de 2016 sur la compatibilité électromagnétique (S.I. 2016/1091).

Règlement canadien sur les équipements causant des interférences radio, ICES-003, Classe A :

Les données d'essai correspondantes sont conservées chez le constructeur.

Cet appareil numérique de classe A respecte toutes les exigences du Règlement sur le matériel brouilleur du Canada.

Cet appareil numérique de classe A répond à toutes les exigences de la réglementation canadienne sur les équipements provoquant des interférences.

FCC part 15, limites de classe A :

Les données d'essai correspondantes sont conservées chez le constructeur. L'appareil est conforme à la partie 15 de la réglementation FCC. Le fonctionnement est soumis aux conditions suivantes :

1. Cet équipement ne peut pas causer d'interférence nuisible.
2. Cet équipement doit accepter toutes les interférences reçues, y compris celles qui pourraient entraîner un fonctionnement inattendu.


Les modifications de cet équipement qui n'ont pas été expressément approuvées par le responsable de la conformité aux limites pourraient annuler l'autorité dont l'utilisateur dispose pour utiliser cet équipement. Cet équipement a été testé et déclaré conforme aux limites définies pour les appareils numériques de classe A, conformément à la section 15 de la réglementation FCC. Ces limites ont pour but de fournir une protection raisonnable contre les interférences néfastes lorsque l'équipement fonctionne dans un environnement commercial. Cet équipement génère, utilise et peut irradier l'énergie des fréquences radio et, s'il n'est pas installé ou utilisé conformément au mode d'emploi, il peut entraîner des interférences dangereuses pour les communications radio. Le fonctionnement de cet équipement dans une zone résidentielle risque de causer des interférences nuisibles, dans ce cas l'utilisateur doit corriger les interférences à ses frais. Les techniques ci-dessous peuvent permettre de réduire les problèmes d'interférences :

1. Débrancher l'équipement de la prise de courant pour vérifier s'il est ou non la source des perturbations
2. Si l'équipement est branché sur le même circuit de prises que l'appareil qui subit des interférences, branchez l'équipement sur un circuit différent.
3. Eloigner l'équipement du dispositif qui reçoit l'interférence.
4. Repositionner l'antenne de réception du périphérique qui reçoit les interférences.
5. Essayer plusieurs des techniques ci-dessus à la fois.

3.2 Usage prévu

Le transmetteur SC4500 est conçu pour être utilisé par des professionnels du traitement de l'eau qui mesurent plusieurs paramètres de qualité de l'eau dans les stations de traitement d'eau industrielle, d'eau municipale ou d'eaux usées. Le transmetteur SC4500 ne traite pas et n'altère pas l'eau.

3.3 Présentation générale du produit

▲ DANGER	
	Dangers chimiques ou biologiques. Si cet appareil est utilisé pour la surveillance d'un procédé de traitement et/ou d'un système de dosage de réactifs chimiques auxquels s'appliquent des limites réglementaires et des normes de surveillance motivées par des préoccupations de santé et de sécurité publiques ou de fabrication et de transformation d'aliments ou de boissons, il est de la responsabilité de l'utilisateur de cet appareil de connaître et d'appliquer les normes en vigueur et d'avoir à sa disposition suffisamment de mécanismes pour s'assurer du respect de ces normes dans l'éventualité d'un dysfonctionnement de l'appareil.

AVIS	
La sécurité du réseau et du point d'accès relève de la responsabilité du client utilisant l'appareil sans fil. Le fabricant ne peut être tenu pour responsable des dommages, y compris mais sans s'y limiter, indirects, particuliers, fortuits ou accessoires occasionnés en raison d'une brèche dans la sécurité du réseau ou d'une violation de la sécurité du réseau.	

AVIS	
Perchlorate : une manipulation spéciale peut s'appliquer. Reportez-vous à la section www.dtsc.ca.gov/perchlorate . Cet avertissement concernant le perchlorate s'applique uniquement aux batteries primaires (fournies à part ou installées sur cet équipement) lorsqu'elles sont vendues ou distribuées en Californie, aux Etats-Unis.	

Le transmetteur est livré avec un film de protection placé sur l'écran. Veuillez à retirer le film de protection avant d'utiliser le transmetteur.

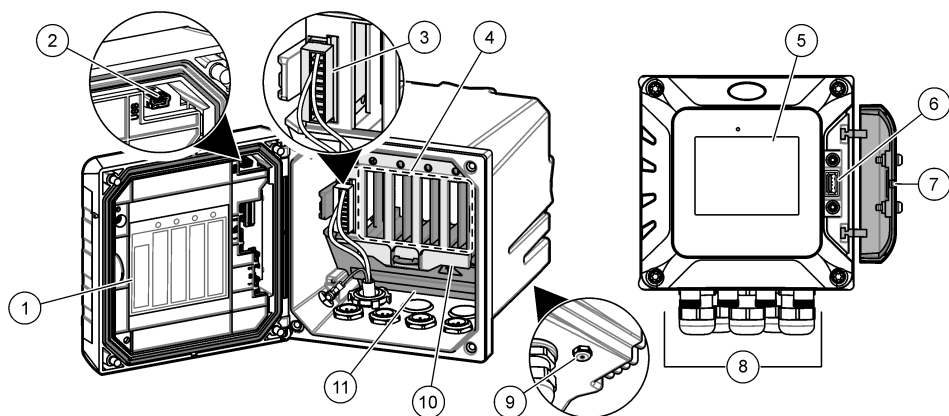
Le transmetteur SC4500 est un transmetteur à 2 voies destiné aux appareils d'analyse numérique (par ex. capteurs et analyseurs) et aux capteurs analogiques connectés à une passerelle numérique ou à un module d'extension. Consultez la section **Figure 1**.

Le transmetteur affiche des mesures de capteur et d'autres données sur l'écran, peut transmettre des signaux numériques et analogiques, et interagir avec d'autres appareils via les sorties et les relais et les contrôler. Les sorties, relais, capteurs et modules d'extension sont configurés et étalonnés via l'interface utilisateur à l'avant du transmetteur, ou à distance pour les transmetteurs connectés au réseau. Le transmetteur se connecte à Claros avec un réseau cellulaire⁵, un réseau Wi-Fi⁵ ou par connexion LAN. Le système de diagnostic Prognosis⁵ indique l'état des tâches de maintenance et indique l'état de l'instrument.

L'écran de l'appareil est tactile. Le boîtier de l'instrument est équipé d'un événement de protection dans la partie inférieure. Ne couvrez pas et ne retirez pas l'événement de protection. Remplacez l'événement de protection en cas de dommages.

Le transmetteur est disponible avec des modules d'extension optionnels. Pour plus d'informations, reportez-vous au manuel d'utilisation complet sur le site Web du fabricant.

Figure 1 Présentation du produit



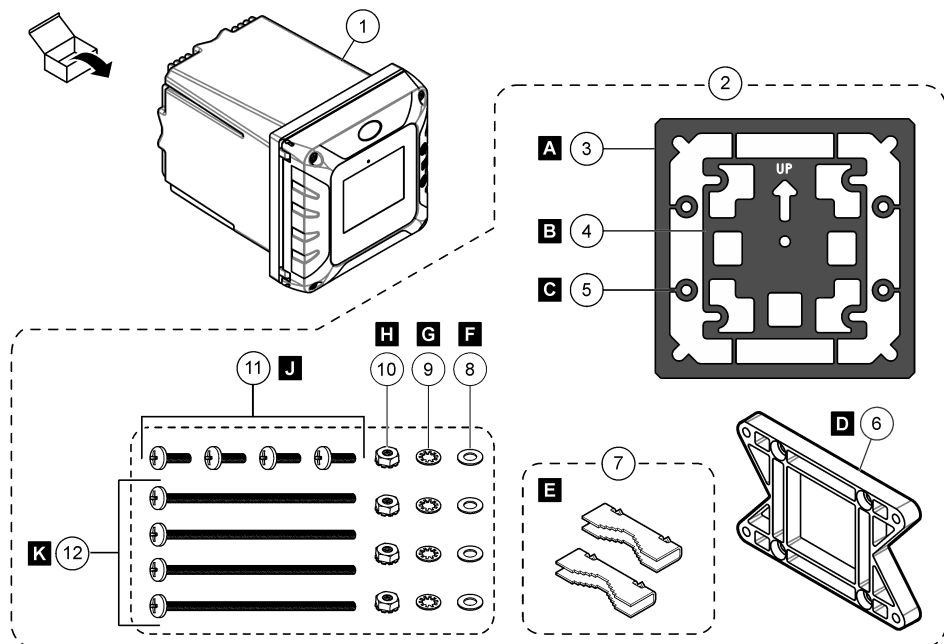
1	Étiquette d'installation de modules et d'informations sur le câblage.	7	Couvercle USB
2	Connexion USB pour boîtier USB externe (connexion Wi-Fi ou cellulaire)	8	Connexions et raccords électriques
3	Module d'extension (emplacement 0) ⁵	9	Événement de protection
4	Emplacements supplémentaires pour module d'extension (Emplacements 1, 2, 3 et 4)	10	Capot pour l'installation du module
5	Écran tactile	11	Barrière de protection haute tension
6	Connexion USB pour le téléchargement de données et la mise à jour du firmware		

⁵ En fonction de la configuration du transmetteur. Les modules d'extension sont installés en usine en fonction de la configuration du transmetteur.

3.4 Composants du produit

Assurez-vous d'avoir bien reçu tous les composants. Reportez-vous à la section [Figure 2](#). Si un élément est absent ou endommagé, contactez immédiatement le fabricant ou un représentant commercial.

Figure 2 Composants du produit



1 Transmetteur SC4500	7 Pied de montage (inserts pour support de montage) (2x)
2 Matériel de montage	8 Rondelle plate, DI 6,35 mm (0,25 in) (x 4)
3 Joint d'étanchéité en néoprène pour fixation murale	9 Rondelle frein, DI 6,35 mm (0,25 in) (x 4)
4 Joint antivibration pour fixation sur tuyau	10 Ecrou Keps, M5 x 0,8 (4x)
5 Rondelle antivibration pour fixation sur tuyau (x 4)	11 Vis à tête cylindrique bombée M5 x 0,8 x 15 mm (x 4)
6 Support pour fixation murale et fixation sur tuyau ⁶	12 Vis à tête cylindrique bombée M5 x 0,8 x 100 mm (x 4) ⁷

Section 4 Installation

⚠ DANGER



Dangers multiples. Seul le personnel qualifié doit effectuer les tâches détaillées dans cette section du document.

⁶ Un support de fixation sur panneau est disponible en option. Reportez-vous au manuel d'utilisation détaillé pour les pièces de rechange et les accessoires.

⁷ Utilisation pour les installations de montage sur tube de diamètre variable.

4.1 Conseils d'installation

⚠ DANGER



Risque d'électrocution. Tout équipement externe relié doit avoir fait l'objet d'un contrôle de sécurité conformément aux normes nationales applicables.

⚠ AVERTISSEMENT



Risque d'explosion. Ce manuel concerne uniquement l'installation de l'unité dans un environnement non dangereux. Pour une installation de l'unité dans un environnement dangereux, utilisez uniquement les instructions et le schéma de contrôle approuvé fournis dans le manuel d'installation dans les environnements dangereux.

AVIS

N'installez pas le contrôleur dans un environnement avec une atmosphère caustique sans un boîtier de protection. Une atmosphère caustique endommagerait le circuit et les composants électroniques.

AVIS

N'installez pas le transmetteur en extérieur dans un environnement exposé aux rayons directs du soleil ou aux radiations ultraviolettes en raison des risques de dommages du transmetteur. Installez l'écran de protection contre les UV avec pare-soleil pour l'installation en extérieur sur un site exposé aux rayons directs du soleil.

Remarque : (Version réseau et Claros uniquement) Assurez-vous que votre service informatique dispose des approbations nécessaires à l'installation et la mise en service de l'appareil. Il n'est pas indispensable de disposer de droits d'administration. L'adresse e-mail « No-reply@hach.com » sert aux messages de configuration, tandis que « donotreply@hach.com » envoie les notifications indispensables à l'installation. Incluez ces deux adresses dans la liste d'expéditeurs reconnus pour vous assurer qu'elles ne sont pas bloquées. Hach n'envoie pas de demande de confirmation à l'utilisateur pour s'assurer qu'il n'est pas un robot.

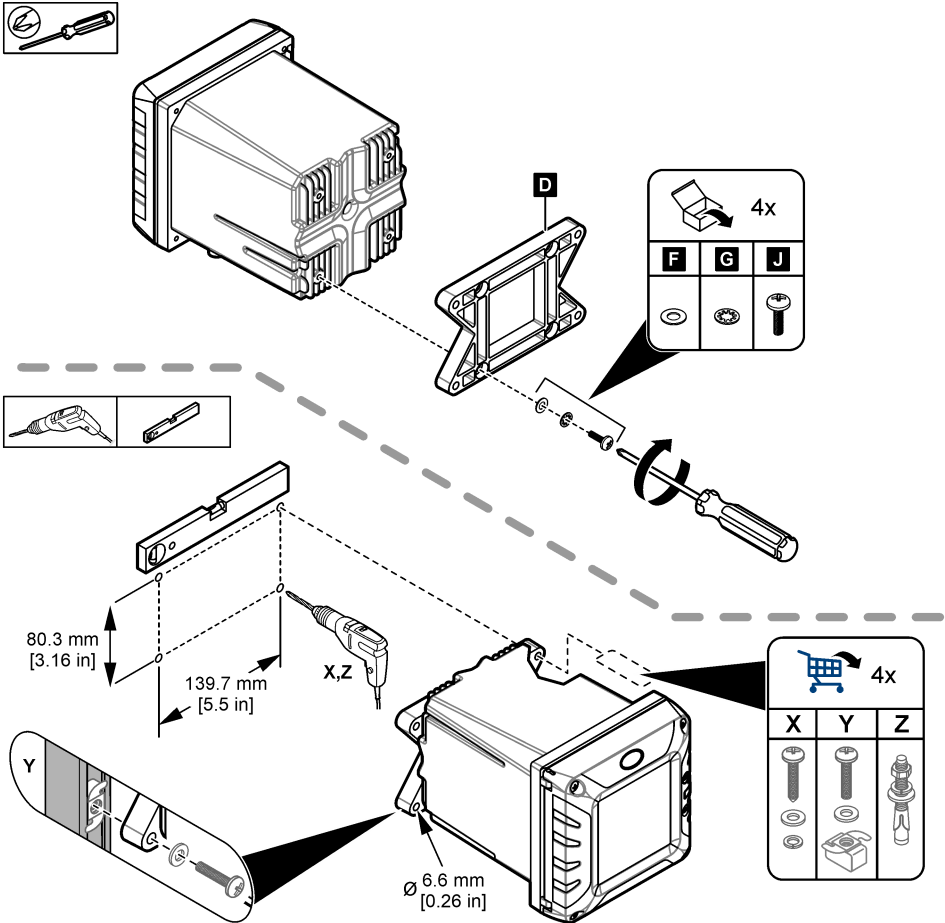
- Installez le contrôleur à un endroit où le dispositif de sectionnement du transmetteur est facilement accessible.
- Fixez le contrôleur à la verticale et alignez-le sur une surface plane verticale.
- Sinon, fixez l'instrument sur un panneau, un poteau vertical ou horizontal.
- Assurez-vous de ménager suffisamment d'espace autour de ce dispositif pour permettre d'effectuer les branchements et d'assurer la maintenance.
- Assurez-vous que le dégagement fasse 16 cm (6,30 po) au minimum pour que la porte du transmetteur soit en mesure de s'ouvrir.
- Installez l'appareil à un endroit aussi peu soumis aux vibrations que possible.
- Le support optionnel pour téléphones mobiles est recommandé pour toutes les installations.
- Le pare-soleil facultatif ou l'écran de protection contre les UV en option avec pare-soleil est recommandé pour toutes les installations en extérieur.
- Protégez les ordinateurs ou tout autre équipement connecté dont la classe de protection du boîtier ne répond pas à des normes environnementales équivalentes.
- Respectez les températures ambiantes nominales spécifiées sur le côté intérieur des panneaux pour les installations à montage sur panneau.
- Assurez-vous que la puissance nominale maximale est correcte pour la température ambiante.

4.2 Installation mécanique

4.2.1 Monter l'instrument sur un mur

Fixez le transmetteur à la verticale et alignez-le sur une surface plane verticale. Vérifiez que le montage mural est capable de supporter 4 fois le poids de l'équipement. Reportez-vous aux étapes illustrées à la [Figure 3](#) et à la section [Composants du produit](#) à la page 28 pour le matériel de montage nécessaire.

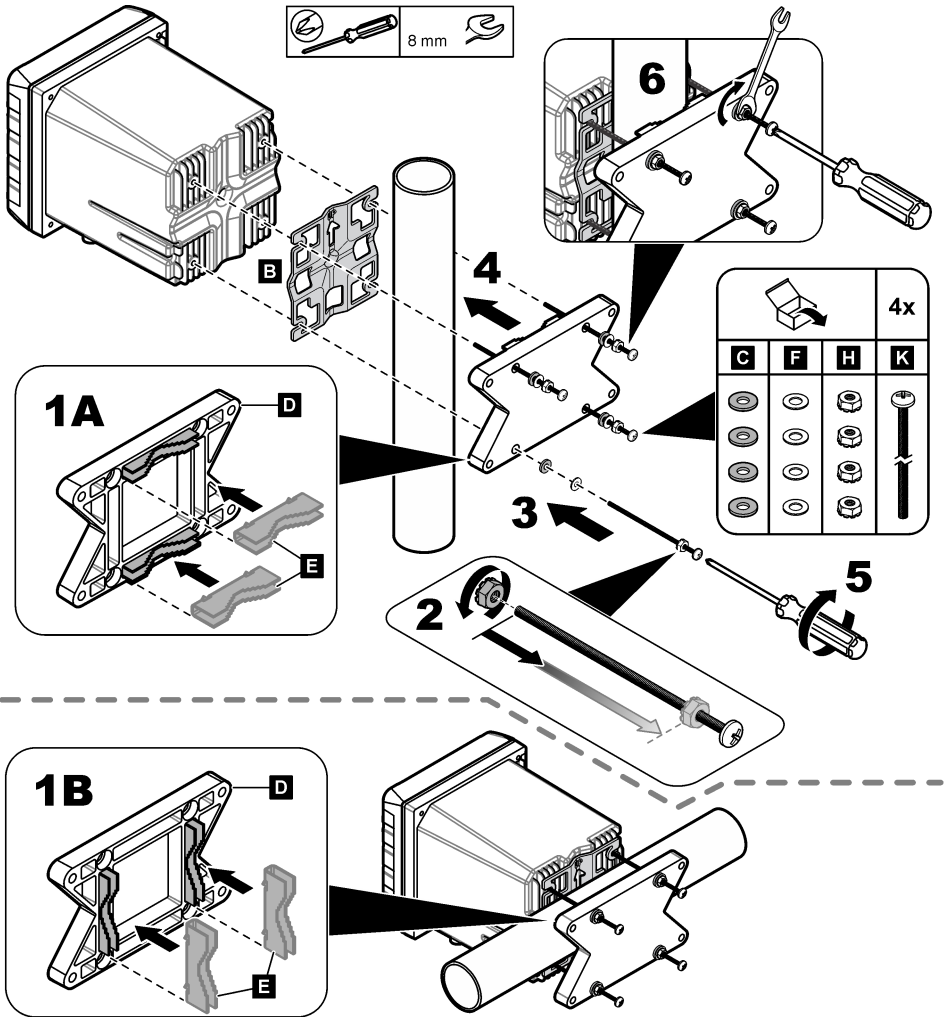
Figure 3 Montage sur un mur



4.2.2 Fixer l'instrument à un mât

Fixer le contrôleur en position verticale à un mât ou à un tuyau (horizontal ou vertical). Assurez-vous que le diamètre du raccord mesure entre 19 et 65 mm (0,75 à 2,5 po). Consultez les étapes illustrées dans [Figure 4](#) et [Composants du produit](#) à la page 28 pour le matériel de montage nécessaire.

Figure 4 Montage sur un mât

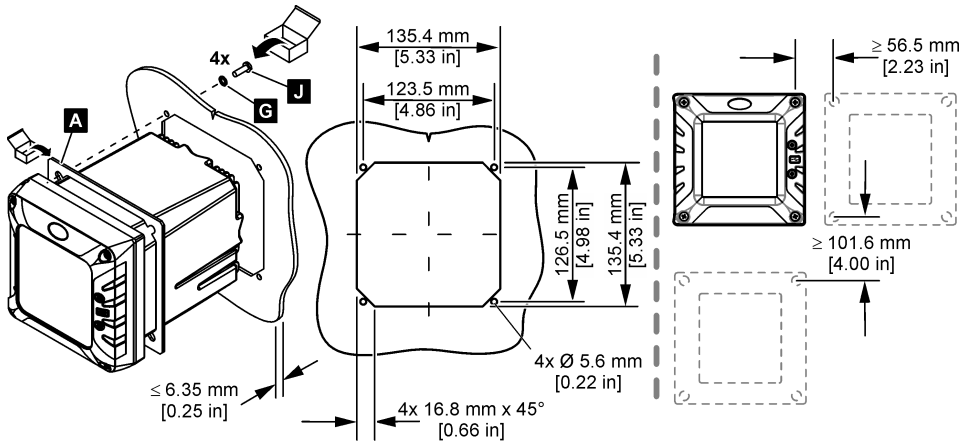


4.2.3 Installer l'instrument dans un panneau

L'installation du panneau nécessite un trou rectangulaire. Utilisez le joint d'étanchéité fourni pour la fixation sur panneau comme gabarit pour percer le trou dans le panneau. Veillez à utiliser le gabarit orienté vers le haut pour installer le transmetteur à la verticale. Reportez-vous à [Figure 5](#).

Remarque : En cas d'utilisation du support (optionnel) de fixation sur panneau, poussez le transmetteur dans l'ouverture du panneau, puis faites glisser le support par-dessus le transmetteur à l'arrière du panneau. Utilisez les quatre vis à tête cylindrique bombée de 15 mm (fournies) pour fixer le support au transmetteur et monter le transmetteur sur le panneau.

Figure 5 Dimensions de fixation sur panneau



4.3 Installation électrique

4.3.1 Connecteurs électriques et fixations

Figure 6 illustre les connecteurs électriques et les fixations de l'instrument. Afin d'assurer les propriétés environnementales du boîtier, assurez-vous que les fixations avec protecteur de cordon qui ne sont pas utilisées soient bouchées et que les connecteurs inutilisés sont protégés par un capot.

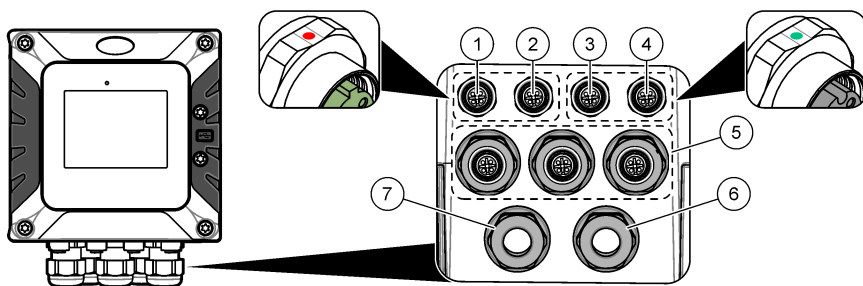
En fonction de la configuration du transmetteur, celui-ci dispose des éléments suivants :

- Connecteurs Ethernet (LAN) qui assurent la connexion Internet du transmetteur grâce à un réseau client.
- Connecteurs Ethernet pour protocoles Ethernet : EtherNet/IP ou PROFINET.
- Connecteurs SC numériques pour capteurs SC numériques, passerelles SC numériques et analyseurs.

Un code couleur identifie les connecteurs. Les connecteurs LAN sont verts avec un point rouge. Les connecteurs EtherNet/IP ou PROFINET sont jaunes avec un point rouge. Les connecteurs du capteur numérique sc sont noirs avec un point vert. Reportez-vous à la section [Tableau 1](#) pour connaître les options applicables à chaque connecteur et raccord.

Remarque : Le transmetteur est livré sans fixations avec protecteur de cordon. L'utilisateur doit fournir les protecteurs de cordon nécessaires. Pour plus d'informations, reportez-vous au manuel d'utilisation complet sur le site Web du fabricant.

Figure 6 Connecteurs électriques et fixations



1 Connecteur Ethernet (en option) pour le port LAN 1 ou connecteur EtherNet/IP ou PROFINET	5 Fixation avec protecteur de cordon pour boîtier et modules d'extension USB : entrées/sorties analogiques, Profibus DP
2 Connecteur Ethernet (en option) pour le port LAN 2 ou connecteur Ethernet/IP ou PROFINET	6 Cordon d'alimentation (ou raccord de conduite) ⁹
3 Connecteur SC numérique : canal 1. En option : Connexion du capteur analogique au module de capteur ou connexion de l'entrée analogique au module d'entrée 4-20 mA. ⁸	7 Fixation avec protecteur de cordon pour relais haute tension
4 Connecteur SC numérique : canal 2. En option : Connexion du capteur analogique au module de capteur ou connexion de l'entrée analogique au module d'entrée 4-20 mA.	

Tableau 1 Options pour chaque connecteur et raccord

Appareil	1 ¹⁰	2	Option ¹¹	3	4	5	6	7
capteur sc numérique, passerelle SC numérique ou analyseur				X	X			
Capteur analogique				X	X			
Module analogique de capteur				X	X			
Sortie 4-20 mA						X		
Module Profibus DP						X		
Module Modbus RS232/RS485						X		
Boîtier USB						X		
LAN + LAN	Vert	Vert	Fractionner / Chaînage					
LAN + TCP Modbus	Vert	Vert	Fractionner / Chaînage					
EtherNet/IP	Jaune	Jaune	IEP uniquement					
LAN + EtherNet/IP	Vert	Jaune	Combinaison IEP					

⁸ Pour connecter un capteur analogique ou une entrée 4-20 mA au contrôleur, installez le module d'extension applicable, s'il n'est pas déjà installé. Pour plus d'informations, reportez-vous à la documentation fournie avec le module d'extension.

⁹ Le cordon d'alimentation est installé en usine en fonction de la configuration du transmetteur.

¹⁰ Un code couleur identifie les connecteurs. Les connecteurs LAN sont verts. Les connecteurs EtherNet/IP ou PROFINET sont jaunes.

¹¹ Pour plus d'informations, reportez-vous au manuel d'utilisation complet sur le site Web du fabricant.

Tableau 1 Options pour chaque connecteur et raccord (suite)

Appareil	1 ¹⁰	2	Option ¹¹	3	4	5	6	7
PROFINET	Jaune	Jaune	IEP uniquement					
LAN + PROFINET	Vert	Jaune	Combinaison IEP					
Relais haute tension								X
Alimentation							X	

4.3.2 Remarques relatives aux décharges électrostatiques (ESD)

AVIS



Dégât potentiel sur l'appareil. Les composants électroniques internes de l'appareil peuvent être endommagés par l'électricité statique, qui risque d'altérer ses performances et son fonctionnement.

Reportez-vous aux étapes décrites dans cette procédure pour éviter d'endommager l'appareil par des décharges électrostatiques.

- Touchez une surface métallique reliée à la terre (par exemple, le châssis d'un appareil, un conduit ou un tuyau métallique) pour décharger l'électricité statique de votre corps.
- Evitez tout mouvement excessif. Transportez les composants sensibles à l'électricité statique dans des conteneurs ou des emballages antistatiques.
- Portez un bracelet spécial relié à la terre par un fil.
- Travaillez dans une zone à protection antistatique avec des tapis de sol et des sous-mains antistatiques.

4.3.3 Branchements électriques

⚠ DANGER



Dangers multiples. Seul le personnel qualifié doit effectuer les tâches détaillées dans cette section du document.

⚠ DANGER



Risque d'électrocution. Débranchez systématiquement l'alimentation de l'appareil avant tout branchement électrique.

Si le transmetteur n'est pas fourni avec un cordon d'alimentation, utilisez une conduite ou un câble d'alimentation pour le raccorder au secteur. Reportez-vous aux sections suivantes pour connecter l'alimentation avec une conduite ou un câble d'alimentation.

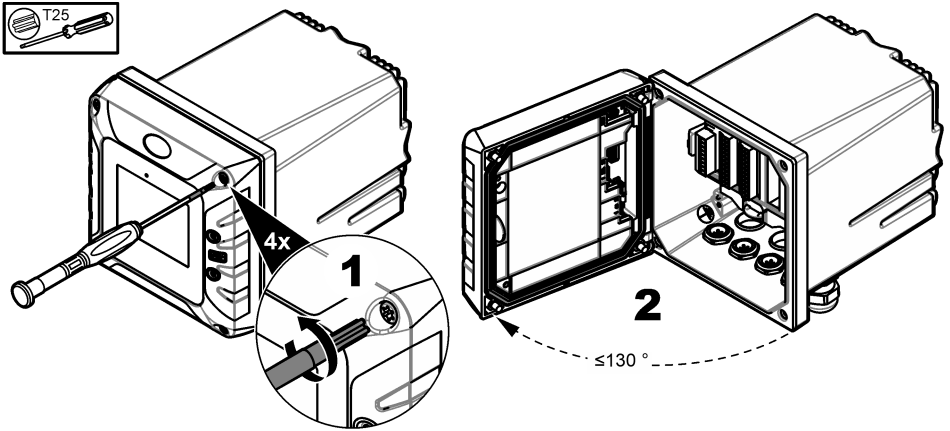
4.3.3.1 Ouvrir le capot du transmetteur

Ouvrez le capot du transmetteur pour accéder aux connexions électriques. Reportez-vous à [Figure 7](#).

¹⁰ Un code couleur identifie les connecteurs. Les connecteurs LAN sont verts. Les connecteurs EtherNet/IP ou PROFINET sont jaunes.

¹¹ Pour plus d'informations, reportez-vous au manuel d'utilisation complet sur le site Web du fabricant.

Figure 7 Ouvrir le transmetteur

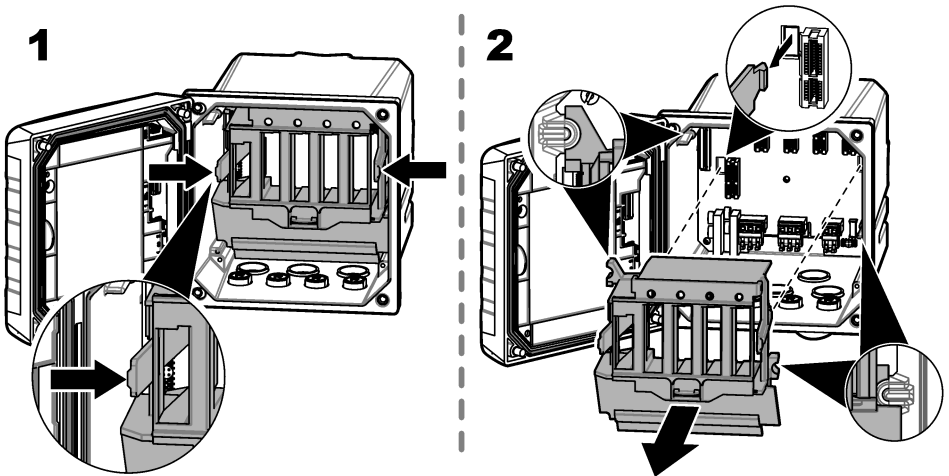


4.3.3.2 Retirer la protection haute tension

Le câblage haute tension du contrôleur est situé derrière la protection haute tension, dans le boîtier du contrôleur. Ne retirez pas la protection lorsque le contrôleur est sous tension. Assurez-vous que la protection est installée avant de mettre le contrôleur sous tension.

Retirez la protection haute tension pour avoir accès au câblage haute tension. Reportez-vous à la section [Figure 8](#).

Figure 8 Protection haute tension



4.3.3.3 Câblage pour l'alimentation

⚠ DANGER



Risque d'électrocution. Un raccordement à la terre est nécessaire.

⚠ DANGER



Risque d'incendie et de choc électrique. Assurez-vous d'identifier clairement l'emplacement du dispositif de déconnexion local pour l'installation du conduit.

⚠ AVERTISSEMENT



Risque potentiel d'électrocution. Si cet équipement est utilisé à l'extérieur ou dans des lieux potentiellement humides, un dispositif de **disjoncteur de fuite à la terre** doit être utilisé pour le branchement de l'équipement à sa source d'alimentation secteur.

⚠ AVERTISSEMENT



Risque d'électrocution. Le système de déconnexion local doit débrancher tous les conducteurs sous tension. Le raccordement à l'alimentation doit conserver la polarité d'alimentation. La fiche séparable permet de débrancher l'équipement relié par le cordon.

⚠ AVERTISSEMENT



Risque d'incendie et de choc électrique. Assurez-vous que le cordon et la fiche non verrouillable fournis par l'utilisateur sont conformes aux normes du pays concerné.

⚠ AVERTISSEMENT



Risque d'explosion. Ce manuel concerne uniquement l'installation de l'unité dans un environnement non dangereux. Pour une installation de l'unité dans un environnement dangereux, utilisez uniquement les instructions et le schéma de contrôle approuvé fournis dans le manuel d'installation dans les environnements dangereux.

AVIS

Installez l'appareil à un emplacement et dans une position qui ne gênent pas son fonctionnement et permettent d'accéder facilement à l'interrupteur externe.

Deux modèles de transmetteur sont disponibles : un modèle alimenté en courant alternatif de 100-240 V CA et un modèle alimenté en courant continu de 18-28 V CC. Suivez les instructions de câblage correspondant au modèle acheté.

Alimentez l'instrument avec une conduite ou un câble d'alimentation. Assurez-vous qu'un disjoncteur d'une capacité en courant suffisante est installé dans la ligne d'alimentation. Le calibre du disjoncteur dépend du calibre des fils utilisés pour l'installation.

Pour une installation avec gaine :

- Installez un dispositif de coupure local pour l'instrument à moins de 3 m (10 pi) de cet instrument. Placez une étiquette sur le dispositif de coupure signalant qu'il s'agit du dispositif de coupure principal de l'instrument.
- Résiste au moins à des températures allant jusqu'à 90 °C (194 °F) et est conforme aux conditions de l'installation
- Utilisez des fils pleins pour les connexions permanentes. Utilisez des câbles dont la section est comprise entre 0,75 et 1,5 mm² (18 à 16 AWG). Les fils flexibles doivent comporter une virole sertie ou une borne à broche sur leur extrémité.
- Raccordez l'équipement conformément aux codes électriques locaux ou nationaux.
- Insérez la conduite dans un raccord la maintenant fermement et scellez le boîtier une fois le raccord serré.
- En cas d'utilisation d'une conduite métallique, vérifiez que le raccord est serré de sorte qu'il relie la conduite métallique à la masse de sécurité.
- La source d'alimentation CC qui alimente le transmetteur CC doit maintenir la régulation de tension dans les limites de tension spécifiées, à savoir 18-28 V CC. La source d'alimentation CC doit également offrir une protection appropriée contre les surcharges et les perturbations de courant.

Pour l'installation avec un câble d'alimentation, assurez-vous que le câble d'alimentation présente les caractéristiques suivantes :

- Inférieur à 3 m (10 pi) de long
- a une valeur nominale adaptée à la tension et au courant fournis ;
- Résiste au moins à des températures allant jusqu'à 90 °C (194 °F) et est conforme aux conditions de l'installation
- Pas moins de 0.75 mm² (18 AWG) avec les couleurs d'isolation correspondant aux normes applicables localement. Les fils flexibles doivent comporter une virole sertie ou une borne à broche sur leur extrémité.
- Câble d'alimentation avec une fiche tripolaire (et prise de terre) conforme à la connexion de l'alimentation
- connecté par un presse-étoupe (protecteur de cordon) qui le maintient en place et scelle le boîtier lorsqu'il est serré ;
- Ne présente pas de dispositif de verrouillage au niveau de la fiche

4.3.3.4 Connexion à un conduit ou câble d'alimentation

AVIS

Le fabricant recommande l'utilisation de composants électriques fournis par le fabricant, tels que le câble d'alimentation, les connecteurs et les fixations de protection des cordons.

AVIS



Assurez-vous que la gaine du câble passe par l'intérieur du boîtier pour conserver ses caractéristiques environnementales.

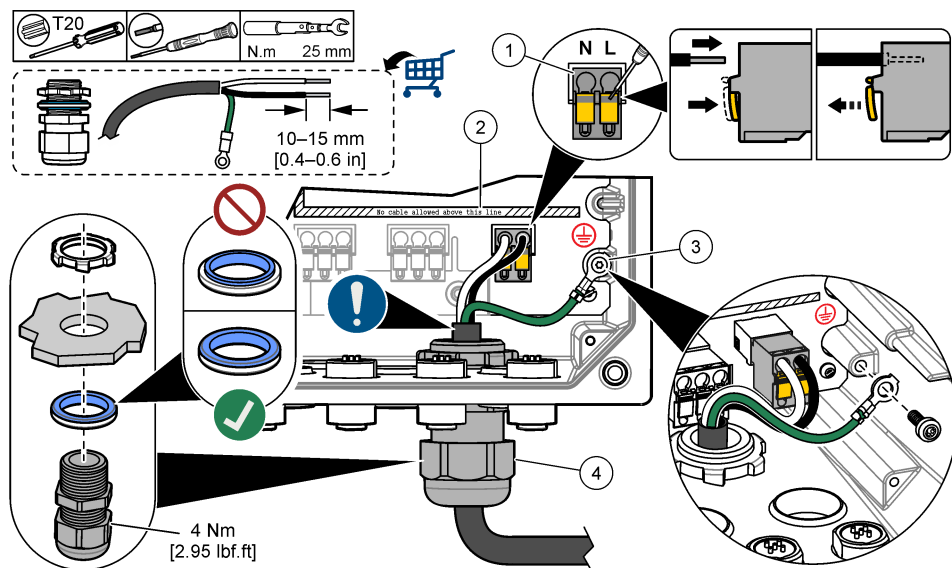
Le transmetteur peut être connecté à l'alimentation électrique par passage des câbles dans un conduit ou par connexion à un câble d'alimentation. Quel que soit le câble utilisé, les connexions sont effectuées au niveau des mêmes bornes.

Le câble d'alimentation est utilisé pour connecter et déconnecter l'alimentation du transmetteur. Pour l'installation dans un conduit, le dispositif de coupure local installé est utilisé pour connecter et déconnecter l'alimentation du transmetteur.

Voir Connect conduit or a power cord et Connect conduit or a power cord Connect conduit or a power cord pour la connexion à une conduite ou un cordon d'alimentation. [Figure 9](#) [Tableau 2](#) [Tableau 3](#) Insérez chaque câble dans la borne correspondante jusqu'à ce que l'isolant touche le connecteur, de sorte à ne laisser aucune partie dénudée visible. Tirez légèrement après l'insertion afin de vérifier que le branchement a été bien effectué. Si nécessaire, retirez le connecteur du PCBA pour faciliter le branchement des bornes.

Remarque : Assurez-vous que tous les câbles restent en dessous de la ligne de limite de câble imprimée sur le PCBA, pour éviter les interférences avec la protection haute tension. Reportez-vous à la section [Figure 9](#).

Figure 9 Connexion à un conduit ou câble d'alimentation



1	Borne d'alimentation CA et CC	3	Mise à la terre de protection
2	Limite de câbles : ne pas placer de câbles au-dessus de la ligne.	4	Raccord de conduite (ou fixation avec protecteur pour le cordon d'alimentation)

Tableau 2 Informations de câblage : alimentation CA

Borne	Description	Couleur (Amérique du Nord)	Couleur (UE)
L	Chaud (Ligne 1)	Noir	Marron
N	Neutre (N)	Blanc	Bleu
⊕	Mise à la terre de protection	Vert	Vert avec des bandes jaunes

Tableau 3 Informations de câblage : alimentation CC

Borne	Description	Couleur (Amérique du Nord)	Couleur (UE)
L	+24 VCC	Rouge	Rouge
N	Retour de 24 VCC	Noir	Noir
⊕	Mise à la terre de protection	Vert	Vert avec des bandes jaunes

4.3.4 Connecter les relais haute tension

⚠ DANGER

Risque d'électrocution. Débranchez systématiquement l'alimentation de l'appareil avant tout branchement électrique.

⚠ AVERTISSEMENT



Risque potentiel d'électrocution Les bornes d'alimentation et de relais sont conçues pour le raccordement d'un seul fil. N'utilisez pas plus d'un fil à chaque borne.

⚠ AVERTISSEMENT



Risque d'incendie potentiel Ne raccordez pas en guirlande les connexions relais standard ou le câble volant à partir de la connexion secteur située dans l'appareil.

⚠ AVERTISSEMENT



Risque d'explosion. Ce manuel concerne uniquement l'installation de l'unité dans un environnement non dangereux. Pour une installation de l'unité dans un environnement dangereux, utilisez uniquement les instructions et le schéma de contrôle approuvé fournis dans le manuel d'installation dans les environnements dangereux.

⚠ ATTENTION



Risque d'incendie. Les charges de relais doivent être résistantes. Limitez toujours le courant vers les relais avec un fusible ou un disjoncteur externe. Respectez les courants nominaux des relais indiqués dans la section Spécifications.

AVIS



Assurez-vous que la gaine du câble passe par l'intérieur du boîtier pour conserver ses caractéristiques environnementales.

L'instrument comporte deux relais non alimentés, chacun disposant d'un contact inverseur unipolaire. Pour les transmetteurs CA, le compartiment de câblage n'est pas prévu pour les connexions de tension supérieures à 264 V CA.

Les bornes du relais sont situées derrière un écran de protection contre les hautes tensions dans le boîtier du transmetteur. Ne retirez pas l'écran lorsque les bornes du relais sont sous tension. Ne mettez pas les bornes du relais sous tension avant d'installer l'écran de protection contre les hautes tensions.

Connectez chaque relais sur un appareil de contrôle ou d'alarme en fonction des besoins. Voir la [Figure 10](#) et la section [Tableau 4](#) pour la connexion des relais. Pour plus d'informations, reportez-vous au manuel d'utilisation complet sur le site Web du fabricant.

Les caractéristiques techniques des relais sont indiquées dans la section [Spécifications](#) à la page 23. Les relais sont isolés les uns des autres, ainsi que du circuit basse tension des entrées/sorties.

Les fils d'alimentation et de fiches de relais doivent être d'une épaisseur maximum de 1,5 mm² (16 AWG). Les bornes de relais acceptent des fils de 0,75 à 1,5 mm² (18 à 16 AWG) (en fonction de l'application de charge). Utilisez un fil d'une isolation nominale de 300 V c.a. ou plus. Insérez chaque câble dans la borne correspondante jusqu'à ce que l'isolant touche le connecteur, de sorte à ne laisser aucune partie dénudée visible. Tirez légèrement après l'insertion afin de vérifier que le branchement a été bien effectué. Si nécessaire, retirez le connecteur du PCBA pour faciliter le branchement des bornes. Les fils flexibles doivent comporter une virole sertie ou une borne de type broche sur leur extrémité.

Remarque : Assurez-vous que tous les câbles restent en dessous de la ligne de limite de câble imprimée sur le PCBA, pour éviter les interférences avec la protection haute tension.

Le courant allant vers les contacts du relais doit être de 5 A (charge résistive uniquement), 1 250 VA 125 W (charge résistive uniquement) ou toute valeur inférieure. Veillez à ce qu'un second interrupteur soit disponible pour couper le courant des relais localement en cas d'urgence ou à des fins d'entretien.

• Pour les transmetteurs CA, utilisez les relais à haute tension. Pour les transmetteurs CC, utilisez les relais à basse tension. Les caractéristiques techniques des relais sont indiquées dans la section [Spécifications](#) à la page 23. Ne configurez pas de combinaison de haute et basse tension.

Les connexions des bornes au secteur dans les applications à connexion permanente doivent présenter une isolation nominale supportant au minimum 300 V, 90 °C (194 °F). Les bornes reliées au secteur à l'aide d'un cordon d'alimentation doivent présenter une double isolation supportant 300 V, 90 °C (194 °F) au niveau de l'isolation interne et externe.

Remarque : passez les câbles pour relais dans la fixation avec protecteur de cordon pour le relais haute tension. Reportez-vous à [Figure 6](#) à la page 33.

Figure 10 Branchement des relais

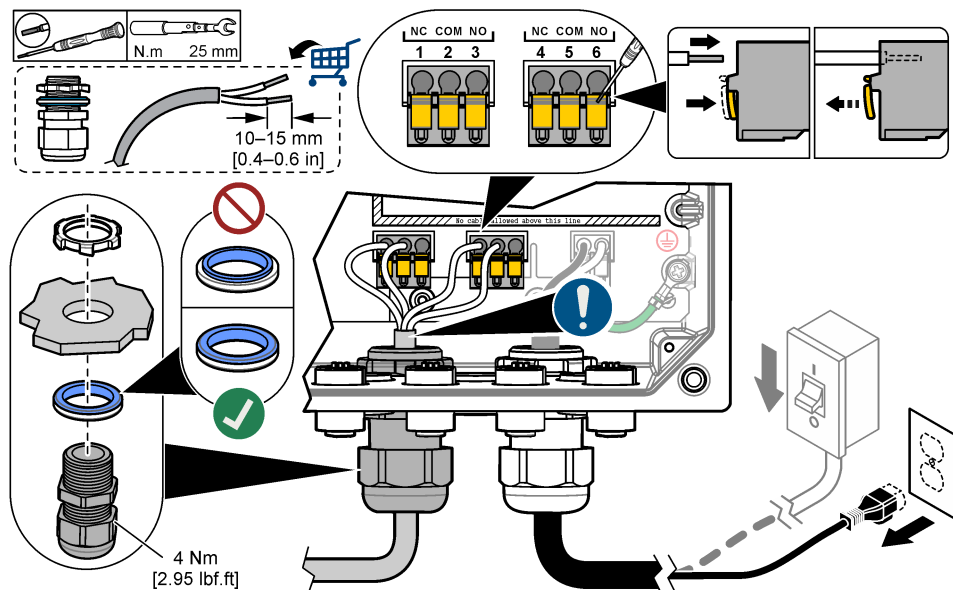


Tableau 4 Informations de câblage : relais

Borne	Description	Borne	Description
1	Relais 2, NF	4	Relais 1, NF
2	Relais 2, commun	5	Relais 1, commun
3	Relais 2, NO	6	Relais 1, NO

NF = normalement fermé ; NO = normalement ouvert

4.3.5 Installer un module d'extension

⚠ AVERTISSEMENT



Risque d'explosion. Ce manuel concerne uniquement l'installation de l'unité dans un environnement non dangereux. Pour une installation de l'unité dans un environnement dangereux, utilisez uniquement les instructions et le schéma de contrôle approuvé fournis dans le manuel d'installation dans les environnements dangereux.

Les modules d'extension pour sorties analogiques, entrées analogiques, capteurs analogiques et communication Profibus sont disponibles pour le transmetteur. Pour plus d'informations, reportez-vous à la documentation fournie avec le module d'extension.

4.4 Fermeture du couvercle

⚠ DANGER



Risque d'électrocution. Le câblage à haute tension du transmetteur est connecté derrière la barrière de protection à haute tension du boîtier du transmetteur. L'écran de protection doit rester en place, sauf lors de l'installation de modules ou l'installation par un technicien qualifié du câblage d'alimentation, de relais ou de cartes analogiques et réseau.

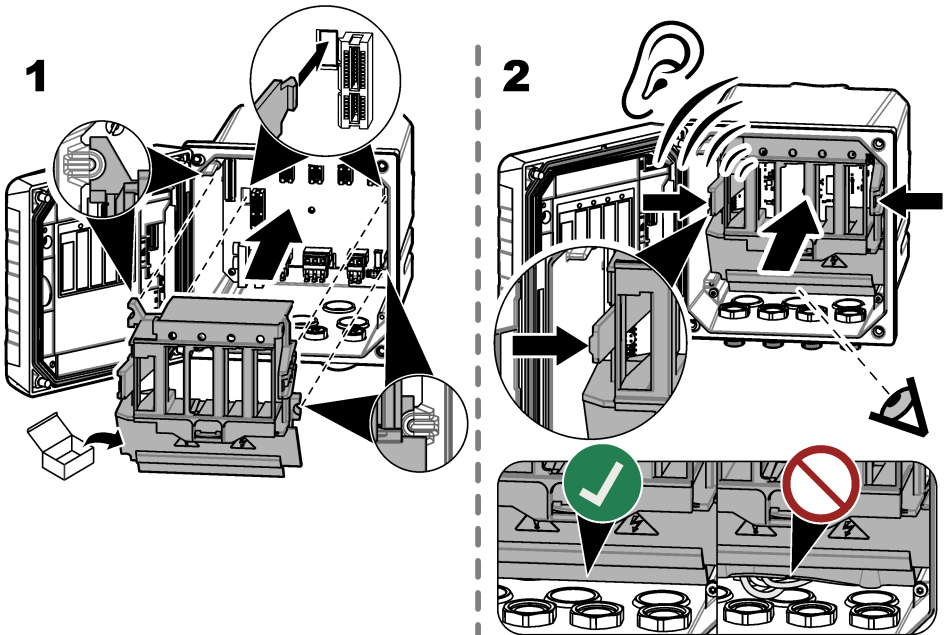
AVIS

Fermez le couvercle du transmetteur et vérifiez que les vis du couvercle sont bien serrées pour conserver les propriétés environnementales du boîtier.

Une fois les connexions électriques réalisées, installez l'écran de protection contre les hautes tensions. Assurez-vous que la protection haute tension est correctement installée dans les guides du boîtier et fixée au PCBA principal. Un clic se fait entendre lorsque la barrière haute tension est installée correctement. Assurez-vous que la partie inférieure de la protection haute tension (lèvre en caoutchouc souple) est correctement installée et qu'elle n'est pas déformée. Reportez-vous à [Figure 11](#).

Fermez le couvercle du transmetteur. Serrez les vis du couvercle avec un couple de 2 Nm (17,70 lbf-in). Reportez-vous à [Figure 7](#) à la page 35.

Figure 11 Installation de la protection haute tension

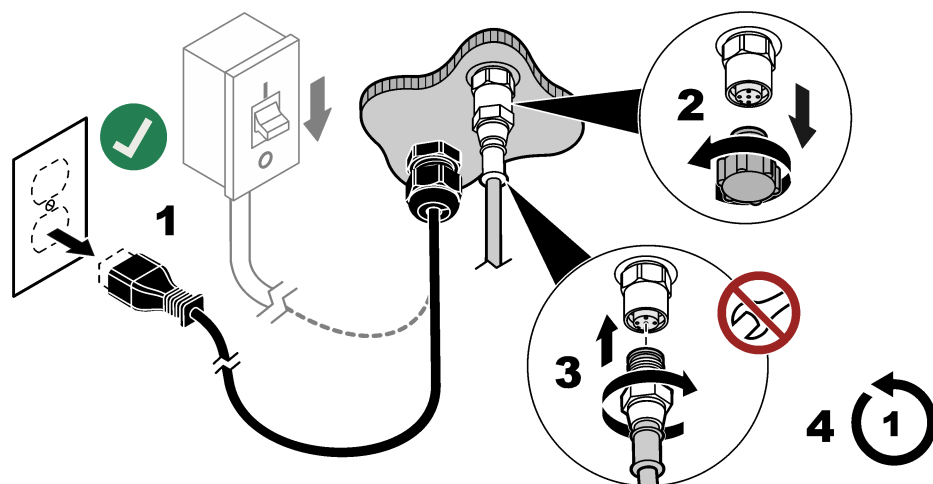


4.5 Connexion des appareils de mesure

Connectez les appareils numériques (p. ex., capteurs et analyseurs) aux connecteurs d'appareil sur l'instrument. Reportez-vous à la section [Figure 12](#). Conservez les couvercles de connecteur d'appareil pour une utilisation ultérieure.

Assurez-vous que les câbles de l'appareil ne risquent pas de créer un risque de chute et ne forment pas d'angles droits ou pointus.

Figure 12 Connexion d'un appareil



Section 5 Mise en marche

Branchez le cordon d'alimentation sur une prise électrique raccordée la terre ou mettez le disjoncteur du transmetteur en marche.

5.1 Accès aux paramètres initiaux

Lors du premier démarrage, suivez les indications sur l'écran pour configurer la langue, la date, l'heure et les informations réseau. Pour obtenir les instructions, reportez-vous au manuel d'utilisation complet sur le site Web du fabricant.

Section 6 Informations supplémentaires

Les informations complémentaires suivantes sont disponibles dans le manuel d'utilisation élargi.

- Interface utilisateur et navigation
- Fonctionnement
- Entretien
- Dépannage
- Listes de pièces de rechange

Scannez les codes QR suivants pour accéder au manuel d'utilisation détaillé.



Anglais



Italien



Espagnol



Allemand



Français



Chinois

Tabla de contenidos

- | | |
|---------------------------------------------------------------|---------------------------------------------------------|
| 1 Especificaciones en la página 44 | 4 Instalación en la página 50 |
| 2 Manual del usuario en línea en la página 45 | 5 Arranque en la página 63 |
| 3 Información general en la página 45 | 6 Información adicional en la página 63 |

Sección 1 Especificaciones

Las especificaciones están sujetas a cambios sin previo aviso.

Especificación	Datos
Dimensiones (An. x Al. x Pr.)	½ DIN-144 x 144 x 192 mm (5,7 x 5,7 x 7,6 pulg.)
Carcasa	UL50E tipo 4X, IEC/EN 60529–IP 66, NEMA 250 tipo 4X Carcasa de metal con acabado resistente a la corrosión
Peso	1,7 kg (3,7 lb) (peso del controlador sin módulos de expansión opcionales)
Grado de contaminación	Medioambiente: 4; instrumento: 2
Categoría de sobretensión	II
Clase de protección	I, conectado a protección de toma a tierra
Condiciones ambientales	Uso en interiores y exteriores
Requisitos de alimentación	Controlador de CA: 100-240 V CA ±10 %, 50/60 Hz; 1 A (50 VA con carga de sensor de 8 W, 100 VA con carga de sensor de 28 W) Controlador de CC: 18-28 V CC; 2,5 A (12 W con carga de sensor de 9 W, 36 W con carga de sensor de 20 W)
Temperatura de funcionamiento	De –20 a 60°C (–4 a 140°F) (carga del sensor 8 W (CA)/9 W (CC)) De –20 a 45°C (–4 a 113°F) (carga del sensor 28 W (CA)/20 W (CC)) Reducción lineal entre 45 y 60°C (–1,33 W/°C)
Temperatura de almacenamiento	De –20 a 70 °C (de –4 a 158 °F)
Humedad relativa	Del 0 al 95% sin condensación
Altitud	3000 m (9842 pies) como máximo
Pantalla	Pantalla TFT a color de 3,5 pulgadas con pantalla táctil capacitiva
Medición	Conectores SC digitales para dos dispositivo
Relés (alta tensión)	Dos relés (SPDT); Sección del cable: de 0,75 a 1,5 mm ² (de 18 a 16 AWG) Controlador de CA Tensión máxima de conmutación: 100–240 V CA Corriente máxima de conmutación: resistiva 5 A/inductiva 1 A Potencia máxima de conmutación: resistiva 1200 VA/inductiva 360 VA Controlador de CC Tensión máxima de conmutación: 30 V CA o 42 V CC Corriente máxima de conmutación: resistiva 4 A/inductiva 1 A Potencia máxima de conmutación: resistiva 125 W/inductiva 28 W
Entradas analógicas (opcional) ³	Una entrada analógica 0-20 mA (o 4-20 mA) en cada módulo de entrada analógico Una entrada de sensor analógico en cada módulo de sensores Máximo de dos entradas analógicas

Especificación	Datos
Salidas analógicas (opcional) ³	Cinco salidas analógicas de 0-20 mA (o 4-20 mA) en cada módulo de salidas analógicas ¹
Comunicación digital (opcional) ³	Módulo Profibus DPV1, módulo Modbus RS232/RS485, Modbus TCP, módulo PROFINET, EtherNet/IP ^{TM2} módulo
Módulo de software (opcional)	Póngase en contacto con el departamento de ventas o con el servicio de asistencia técnica para obtener más información Nota: Solo se puede instalar un módulo de software en un controlador al mismo tiempo.
Conexión de red ³	Versión LAN (opcional): dos conectores Ethernet (10/100 Mbps), conector codificación D hembra M12; versión móvil y versión WiFi (opcional) ⁴
Puerto USB	Se utiliza para descargar datos y cargar software. El controlador registra aproximadamente 20.000 puntos de datos por cada sensor conectado.
Información de conformidad	CE. Certificación ETL conforme a las normas de seguridad UL y CSA (con todos los tipos de sensores), FCC, ISED, KC, RCM, EAC, UKCA, SABS, CMIM y de Marruecos.
Garantía	1 año (UE: 2 años)

Sección 2 Manual del usuario en línea

Este manual básico de usuario contiene menos información que el manual de usuario completo, que está disponible en la página web del fabricante.

Sección 3 Información general

El fabricante no será responsable en ningún caso de los daños resultantes de un uso inadecuado del producto o del incumplimiento de las instrucciones del manual. El fabricante se reserva el derecho a modificar este manual y los productos que describen en cualquier momento, sin aviso ni obligación. Las ediciones revisadas se encuentran en la página web del fabricante.

3.1 Información de seguridad

El fabricante no es responsable de ningún daño debido a un mal uso de este producto incluyendo, sin limitación, daños directos, fortuitos o circunstanciales y reclamaciones sobre los daños que no estén recogidos en la legislación vigente. El usuario es el responsable de la identificación de los riesgos críticos y de tener los mecanismos adecuados de protección de los procesos en caso de un posible mal funcionamiento del equipo.

Sírvase leer todo el manual antes de desembalar, instalar o trabajar con este equipo. Ponga atención a todas las advertencias y avisos de peligro. El no hacerlo puede provocar heridas graves al usuario o daños al equipo.

Asegúrese de que la protección proporcionada por este equipo no se vea afectada. No use o instale este equipo de una manera diferente a la explicada en este manual.

3.1.1 Uso de la información relativa a riesgos

▲ PELIGRO

Indica una situación potencial o de riesgo inminente que, de no evitarse, provocará la muerte o lesiones graves.

¹ Consulte la documentación de los módulos para obtener información adicional.

Nota: Instale solo un módulo en cada una de las ranuras disponibles.

² Ethernet/IP es una marca comercial de OVDA Inc.

³ Depende de la configuración del controlador.

⁴ Se necesita una conexión WiFi de caja USB externa para la conexión de red en las versiones WiFi. Se necesita una caja USB con conexión móvil para la conexión de red en las versiones móviles.

⚠ ADVERTENCIA

Indica una situación potencial o inminentemente peligrosa que, de no evitarse, podría provocar la muerte o lesiones graves.

⚠ PRECAUCIÓN





Indica una situación potencialmente peligrosa que podría provocar una lesión menor o moderada.

AVISO

Indica una situación que, si no se evita, puede provocar daños en el instrumento. Información que requiere especial énfasis.

3.1.2 Etiquetas de precaución

Lea todas las etiquetas y rótulos adheridos al instrumento. En caso contrario, podrían producirse heridas personales o daños en el instrumento. El símbolo que aparezca en el instrumento se comentará en el manual con una declaración de precaución.

	Este es un símbolo de alerta de seguridad. Obedezca todos los mensajes de seguridad que se muestran junto con este símbolo para evitar posibles lesiones. Si se encuentran sobre el instrumento, consulte el manual de instrucciones para obtener información de funcionamiento o seguridad.
	Este símbolo indica que hay riesgo de descarga eléctrica y/o electrocución.
	Este símbolo indica la presencia de dispositivos susceptibles a descargas electrostáticas. Asimismo, indica que se debe tener cuidado para evitar que el equipo sufra daño.
	En Europa, el equipo eléctrico marcado con este símbolo no se debe desechar mediante el servicio de recogida de basura doméstica o pública. Devuelva los equipos viejos o que hayan alcanzado el término de su vida útil al fabricante para su eliminación sin cargo para el usuario.

3.1.3 Compatibilidad electromagnética (CEM)

⚠ PRECAUCIÓN

Este equipo no está diseñado para su uso en entornos residenciales y puede que no brinde la protección adecuada para la recepción de radio en dichos entornos.

CE (EU)

El equipo cumple los requisitos esenciales de la Directiva CEM 2014/30/UE.

UKCA (UK)

El equipo cumple los requisitos del Reglamento de Compatibilidad Electromagnética de 2016 (S.I. 2016/1091).

Reglamentación canadiense sobre equipos que provocan interferencia, ICES-003, Clase A

Registros de pruebas de control del fabricante.

Este aparato digital de clase A cumple con todos los requerimientos de las reglamentaciones canadienses para equipos que producen interferencias.

Cet appareil numérique de classe A répond à toutes les exigences de la réglementation canadienne sur les équipements provoquant des interférences.

FCC Parte 15, Límites Clase "A"

Registros de pruebas de control del fabricante. Este dispositivo cumple con la Parte 15 de las normas de la FCC estadounidense. Su operación está sujeta a las siguientes dos condiciones:

1. El equipo no puede causar interferencias perjudiciales.
2. Este equipo debe aceptar cualquier interferencia recibida, incluyendo las interferencias que pueden causar un funcionamiento no deseado.


Los cambios o modificaciones a este equipo que no hayan sido aprobados por la parte responsable podrían anular el permiso del usuario para operar el equipo. Este equipo ha sido probado y encontrado que cumple con los límites para un dispositivo digital Clase A, de acuerdo con la Parte 15 de las Reglas FCC. Estos límites están diseñados para proporcionar una protección razonable contra las interferencias perjudiciales cuando el equipo está operando en un entorno comercial. Este equipo genera, utiliza y puede irradiar energía de radio frecuencia, y si no es instalado y utilizado de acuerdo con el manual de instrucciones, puede causar una interferencia dañina a las radio comunicaciones. La operación de este equipo en un área residencial es probable que produzca interferencias dañinas, en cuyo caso el usuario será requerido para corregir la interferencia bajo su propio cargo. Pueden utilizarse las siguientes técnicas para reducir los problemas de interferencia:

1. Desconecte el equipo de su fuente de alimentación para verificar si éste es o no la fuente de la interferencia.
2. Si el equipo está conectado a la misma toma eléctrica que el dispositivo que experimenta la interferencia, conecte el equipo a otra toma eléctrica.
3. Aleje el equipo del dispositivo que está recibiendo la interferencia.
4. Cambie la posición de la antena del dispositivo que recibe la interferencia.
5. Pruebe combinaciones de las opciones descritas.

3.2 Uso previsto

El controlador SC4500 está diseñado para ser utilizado por profesionales en el tratamiento de aguas que deban medir varios parámetros de calidad en aguas industriales, de abastecimiento municipal o residuales. El controlador SC4500 no trata ni altera el agua.

3.3 Descripción general del producto

⚠ PELIGRO	
	<p>Peligro químico o biológico. Si este instrumento se usa para controlar un proceso de tratamiento y/o un sistema de suministro químico para el que existan límites normativos y requisitos de control relacionados con la salud pública, la seguridad pública, la fabricación o procesamiento de alimentos o bebidas, es responsabilidad del usuario de este instrumento conocer y cumplir toda normativa aplicable y disponer de mecanismos adecuados y suficientes que satisfagan las normativas vigentes en caso de mal funcionamiento del equipo.</p>

AVISO
<p>La seguridad de la red y del punto de acceso es responsabilidad del cliente que utiliza el instrumento inalámbrico. El fabricante no se hará responsable de ningún daño, incluyendo, sin limitación, daños indirectos, especiales, fortuitos o circunstanciales provocados por el incumplimiento o la violación de la seguridad en la red.</p>

AVISO
<p>Material de perclorato: pueden aplicarse protocolos de manipulación especiales. Consulte www.dtsc.ca.gov/perchlorate. Esta advertencia de perclorato se aplica solo a las baterías (proporcionadas individualmente o instaladas en este equipo) vendidas o distribuidas en California, EE. UU.</p>

AVISO
<p>El controlador se suministra con una lámina de protección sobre la pantalla. Asegúrese de retirar la lámina de protección antes de comenzar a utilizar el controlador.</p>

El controlador SC4500 es un controlador de 2 canales para dispositivos analíticos digitales (por ejemplo, sensores y analizadores) y sensores analógicos que están conectados a un gateway digital o a un módulo de expansión. Consulte la [Figura 1](#)

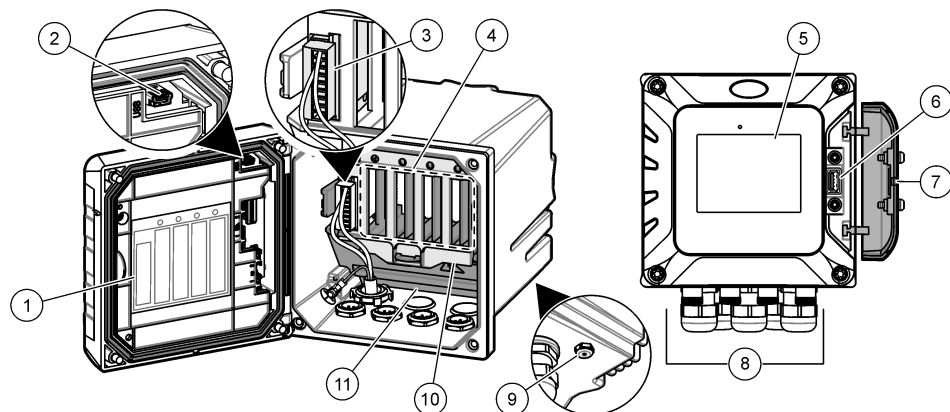
El controlador muestra las mediciones del sensor y otros datos en la pantalla, puede transmitir señales tanto analógicas como digitales y puede interactuar con otros dispositivos y controlarlos a través de las salidas y relés. Las salidas, los relés, los sensores y los módulos de expansión se configuran y calibran mediante la interfaz de usuario que se encuentra en la parte frontal del

controlador o en remoto en el caso de los controladores conectados a la red. El controlador se conecta a Claros mediante una red móvil⁵, una red WiFi⁵ o una conexión LAN. El sistema de diagnóstico predictivo Prognosis⁵ muestra el estado de las tareas de mantenimiento y el estado del instrumento.

La pantalla del instrumento es táctil. La carcasa del instrumento tiene unos conductos de ventilación de protección en la parte inferior. No cubra ni elimine estos conductos. Sustituya los conductos de ventilación si observa que están dañados.

El controlador está disponible con módulos de expansión opcionales. Consulte Para obtener más información, consulte la versión ampliada del manual del usuario disponible en la página web del fabricante.

Figura 1 Descripción general del producto



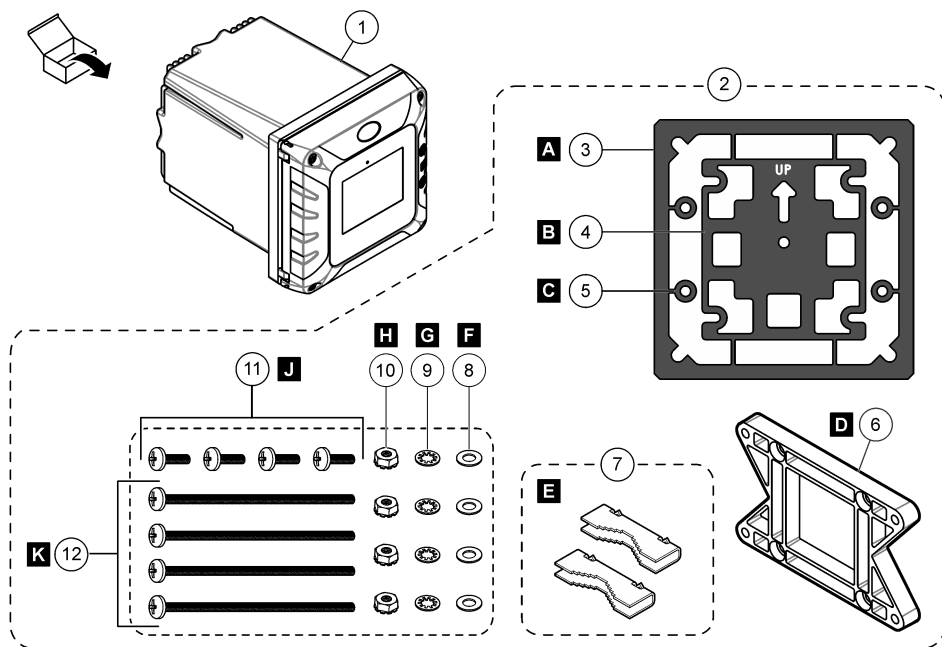
1 Etiqueta para la instalación del módulo e información sobre el cableado	7 Tapa USB
2 Conexión USB para caja USB externa (Conexión WiFi o red móvil)	8 Conectores eléctricos y prensacables
3 Módulo de expansión (ranura 0) ⁵	9 Conductos de ventilación de protección
4 Ranuras para módulos opcionales de expansión (ranuras 1, 2, 3 y 4)	10 Tapa para la instalación de módulos
5 Pantalla táctil	11 Barrera de alta tensión
6 Conexión USB para la descarga de datos y actualización del firmware	

⁵ Depende de la configuración del controlador. Los módulos de expansión vienen instalados de fábrica según la configuración del controlador.

3.4 Componentes del producto

Asegúrese de que ha recibido todos los componentes. Consulte la [Figura 2](#). Si faltasen artículos o estuvieran dañados, póngase en contacto con el fabricante o un representante de ventas inmediatamente.

Figura 2 Componentes del producto



1 Controlador SC4500	7 Base montaje (inserciones de soporte de montaje) (2 unidades)
2 Hardware de montaje	8 Arandela plana, DI de ¼" (0,6 mm) (4 unidades)
3 Junta de sellado para el montaje en panel (neopreno)	9 Arandela de seguridad, DI de ¼" de pulgada (0,6 mm) (4 unidades)
4 Junta de aislamiento de la vibración para el montaje en pértiga	10 Tuerca hexagonal, M5 x 0,8 (4 unidades)
5 Arandela de aislamiento de la vibración para el montaje en pértiga (4 unidades)	11 Tornillos de cabeza plana, M5 x 0,8 x 15 mm (4 unidades)
6 Soporte para el montaje en pared o pértiga ⁶	12 Tornillos de cabeza plana, M5 x 0,8 x 100 mm (4 unidades) ⁷

⁶ Un soporte para el montaje en panel está disponible como accesorio opcional. Consulte el manual del usuario ampliado para conocer las piezas de repuesto y los accesorios.

⁷ Se utilizan para instalaciones en pértigas de diferentes diámetros.

Sección 4 Instalación

▲ PELIGRO



Peligros diversos. Solo el personal cualificado debe realizar las tareas descritas en esta sección del documento.

4.1 Instrucciones de instalación

▲ PELIGRO



Peligro de descarga eléctrica. El equipo conectado de forma externa debe someterse a una evaluación estándar de seguridad aplicable.

▲ ADVERTENCIA



Peligro de explosión. En este manual se describe únicamente la instalación de la unidad en una ubicación no peligrosa. Para instalar de forma segura en ubicaciones peligrosas, utilice solamente las instrucciones y los diagramas de control aprobados en el manual de instalación en ubicaciones peligrosas que se proporciona.

AVISO

No instale el controlador en un entorno con una atmósfera corrosiva sin una carcasa protectora. Una atmósfera corrosiva provocará daños a los circuitos y componentes electrónicos.

AVISO

No instale el controlador en el exterior, en un entorno que reciba luz solar directa o radiación UV, ya que se podrían producir daños en el controlador. Instale la pantalla de protección UV opcional con protector solar para evitar los daños producidos por la exposición UV cuando se instala al aire libre, bajo la luz solar directa.

Nota: (Solo para la versión de red o de Claros) Asegúrese de que su departamento de IT cuenta con aprobación para la instalación y la puesta en marcha del dispositivo. No son necesarios derechos de administrador. La dirección de correo electrónico "No-reply@hach.com" envía el correo electrónico de configuración y "donotreply@hach.com" envía las notificaciones del sistema necesarias para la instalación. Agregue las dos direcciones de correo electrónico a la lista de remitentes seguros para asegurarse de que recibe los correos electrónicos de estos remitentes. Hach no envía una solicitud para confirmar que el remitente no es un robot.

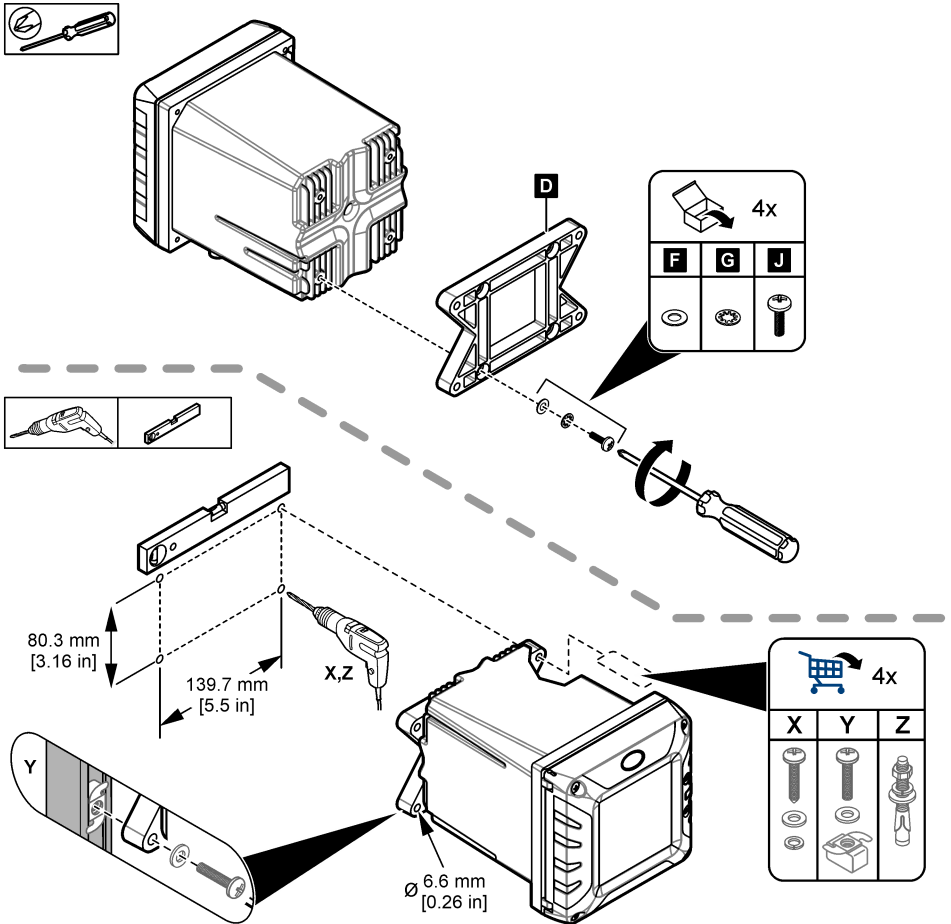
- Instale el controlador en una ubicación en la que pueda acceder con facilidad al dispositivo de desconexión de la alimentación eléctrica del controlador.
- Monte el controlador en posición vertical sobre una superficie plana en la que quede nivelado.
- Como alternativa, monte el instrumento en un panel, un conducto vertical o un conducto horizontal.
- Asegúrese de que el dispositivo se encuentra en una ubicación con suficiente espacio alrededor para poder realizar conexiones y tareas de mantenimiento.
- Asegúrese de que haya un mínimo de 16 cm (6,30 pulg.) de espacio libre para abrir la puerta del controlador.
- Instale el instrumento en una ubicación con una vibración mínima.
- Se recomienda utilizar el soporte para teléfonos móviles opcional en todas las instalaciones.
- Se recomienda el uso del protector solar opcional o de la pantalla de protección UV opcional en todas las instalaciones al aire libre.
- Proteja ordenadores u otros equipos conectados que puedan no tener una clasificación medioambiental equivalente a la de la carcasa del equipo.
- Respete las especificaciones de temperatura ambiente que se muestran en el lateral interno de los paneles para el montaje de estos.
- Asegúrese de que la potencia nominal sea correcta para la temperatura ambiente.

4.2 Instalación mecánica

4.2.1 Montaje del instrumento en la pared

Monte el controlador sobre una superficie plana vertical en la que quede nivelado. Asegúrese de que la pared de montaje pueda soportar un peso 4 veces superior al del equipo. Consulte los pasos ilustrados de la [Figura 3](#) y de [Componentes del producto](#) en la página 49 para ver el hardware de montaje necesario.

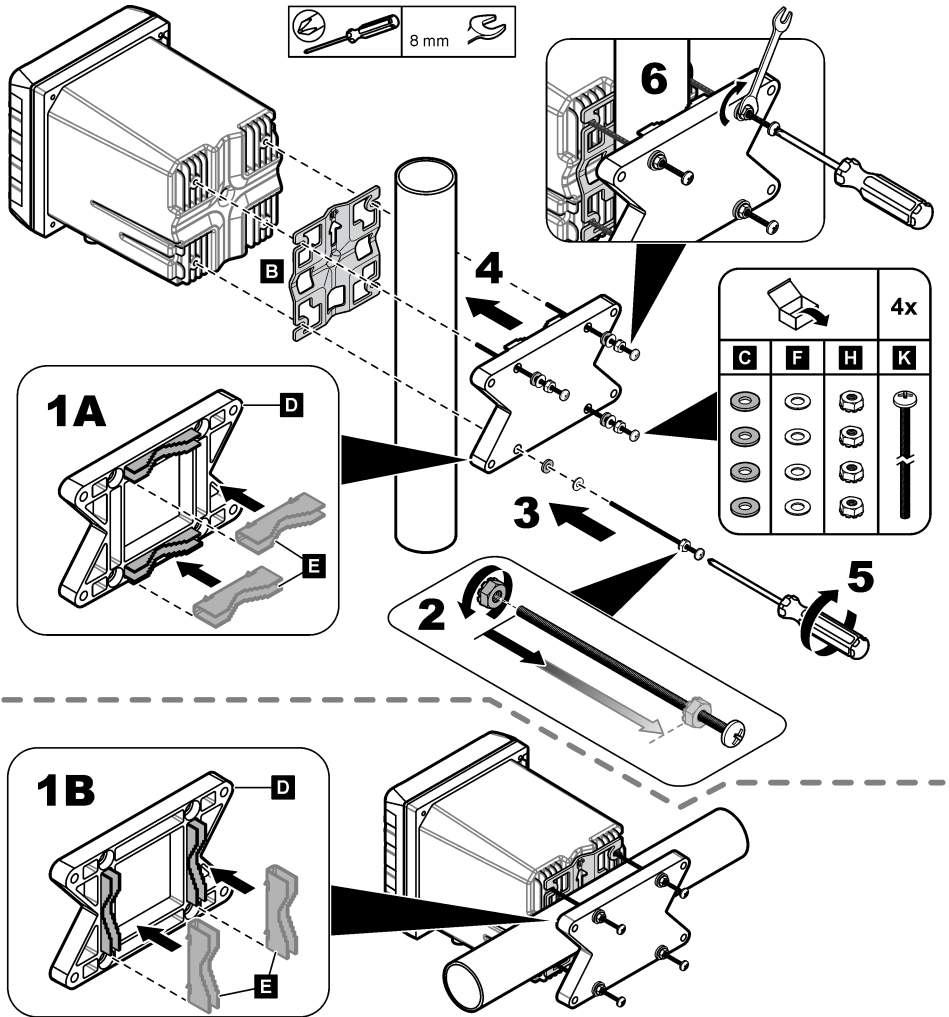
Figura 3 Montaje en pared



4.2.2 Montaje del instrumento en un conducto

Monte el controlador en posición vertical en un conducto o tubo (horizontal o vertical). Asegúrese de que el diámetro del tubo sea de 19 a 65 mm (0,75 a 2,5 pulg.). Consulte los pasos ilustrados en [Figura 4](#) y [Componentes del producto](#) en la página 49 para obtener información sobre los elementos de montaje necesarios.

Figura 4 Montaje en un conducto

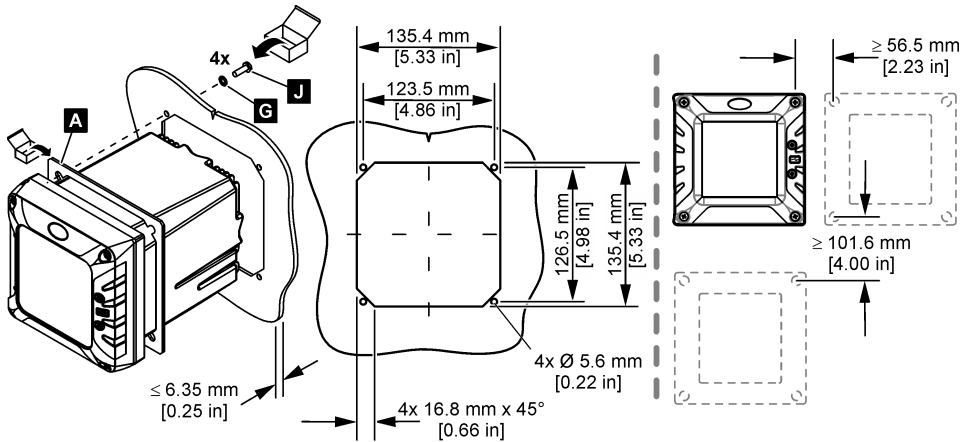


4.2.3 Instalación del instrumento en panel

Para realizar la instalación en panel, se requiere un orificio rectangular. Para cortar el orificio en el panel, utilice a modo de plantilla la junta de sellado suministrada para el montaje en panel. Asegúrese de utilizar la plantilla colocada hacia arriba para instalar el controlador en posición vertical. Consulte la [Figura 5](#).

Nota: Si utiliza el soporte (opcional) para montaje en panel, empuje el controlador a través del orificio practicado en el panel y, a continuación, deslice el soporte por encima del controlador en la parte trasera del panel. Utilice cuatro tornillos de cabeza plana de 15 mm (suministrados con el equipo) para acoplar el soporte al controlador y fijar el controlador al panel.

Figura 5 Dimensiones del panel de montaje



4.3 Instalación eléctrica

4.3.1 Conectores eléctricos y prensacables

En la [Figura 6](#) se muestran los conectores eléctricos y prensacables del instrumento. Para preservar el grado de protección de la carcasa, asegúrese de que los prensacables que no se estén utilizando tengan un tapón y de que los conectores que no se emplean tengan una tapa.

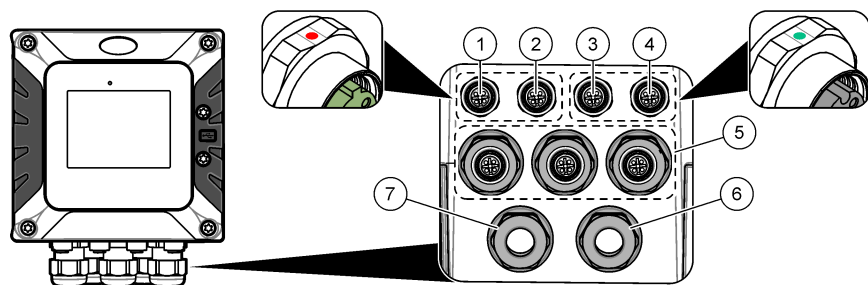
Según la configuración del controlador, este dispone de:

- Conectores Ethernet (LAN) para proporcionar acceso a Internet al controlador a través de una red del cliente.
- Conectores Ethernet para protocolos Ethernet industriales: Ethernet/IP o PROFINET.
- Conectores sc digitales para sensores sc digitales, gateways sc digitales y analizadores.

Un código de color identifica los conectores. Los conectores LAN son de color verde con un punto rojo. Los conectores EtherNet/IP o PROFINET son amarillos con un punto rojo. Los conectores de sensores digitales sc son negros con un punto verde. Consulte la [Tabla 1](#) para conocer las opciones de aplicación de cada conector y prensacables.

Nota: El controlador se suministra sin prensacables instalados. El usuario debe proveerse de los prensacables necesarios. Para obtener más información, consulte la versión ampliada del manual del usuario disponible en la página web del fabricante.

Figura 6 Conectores eléctricos y prensables



1 Conector Ethernet (opcional) para el puerto LAN 1 o conector Ethernet/IP o PROFINET	5 Prensables para módulos de expansión y caja USB: entradas/salidas analógicas, Profibus DP
2 Conector Ethernet (opcional) para el puerto LAN 2 o conector Ethernet/IP o PROFINET	6 Cable de alimentación (o adaptador para conducto) ⁹
3 Conector sc digital: canal 1. Opcional: conexión de sensor analógico al módulo de sensores o conexión de entrada analógica al módulo de entradas de 4-20 mA. ⁸	7 Prensables para relé de alta tensión
4 Conector sc digital: canal 2. Opcional: conexión de sensor analógico al módulo de sensores o conexión de entrada analógica al módulo de entradas de 4-20 mA.	

Tabla 1 Opciones para cada conector y prensables

Dispositivo	1 ¹⁰	2	Opción ¹¹	3	4	5	6	7
Sensor digital sc, gateway sc digital o analizador				X	X			
Sensor analógico				X	X			
Módulo de sensor analógico				X	X			
Salida de 4-20 mA						X		
Módulo DP Profibus						X		
Módulo Modbus RS232/RS485						X		
Caja USB						X		
LAN + LAN	Verde	Verde	Dividir/Encadenando					
LAN + Modbus TCP	Verde	Verde	Dividir/Encadenando					
Ethernet/IP	Amarillo	Amarillo	Solo IEP					
LAN + Ethernet/IP	Verde	Amarillo	IEP mezclado					
PROFINET	Amarillo	Amarillo	Solo IEP					

⁸ Para conectar un sensor analógico o una entrada de 4-20 mA al controlador, instale el módulo de expansión correspondiente, si aun no está instalado. Consulte la documentación suministrada con el módulo de expansión para obtener más información.

⁹ El cable de alimentación se instala en fábrica en función de la configuración del controlador.

¹⁰ Un código de color identifica los conectores. Los conectores LAN son de color verde. Los conectores Ethernet/IP o PROFINET son de color amarillo.

¹¹ Para obtener más información, consulte la versión ampliada del manual del usuario disponible en la página web del fabricante.

Tabla 1 Opciones para cada conector y prensacables (continúa)

Dispositivo	1 ¹⁰	2	Opción ¹¹	3	4	5	6	7
LAN + PROFINET	Verde	Amarillo	IEP mezclado					
Relé de alta tensión								X
Fuente de alimentación							X	

4.3.2 Indicaciones para la descarga electrostática

AVISO



Daño potencial al instrumento. Los delicados componentes electrónicos internos pueden sufrir daños debido a la electricidad estática, lo que acarrearía una disminución del rendimiento del instrumento y posibles fallos.

Consulte los pasos en este procedimiento para evitar daños de descarga electrostática en el instrumento:

- Toque una superficie metálica a tierra como el chasis de un instrumento, un conducto metálico o un tubo para descargar la electricidad estática del cuerpo.
- Evite el movimiento excesivo. Transporte los componentes sensibles a la electricidad estática en envases o paquetes anti-estáticos.
- Utilice una muñequera conectada a tierra mediante un alambre.
- Trabaje en una zona sin electricidad estática con alfombras antiestáticas y tapetes antiestáticos para mesas de trabajo.

4.3.3 Conexiones eléctricas

⚠ PELIGRO



Peligros diversos. Solo el personal cualificado debe realizar las tareas descritas en esta sección del documento.

⚠ PELIGRO



Peligro de electrocución. Desconecte siempre la alimentación eléctrica del instrumento antes de realizar conexiones eléctricas.

Si el controlador no tiene instalado un cable de alimentación, conéctelo a la alimentación eléctrica con un conducto o un cable de alimentación. Consulte las siguientes secciones para conectar el instrumento a la alimentación eléctrica con un conducto o un cable de alimentación.

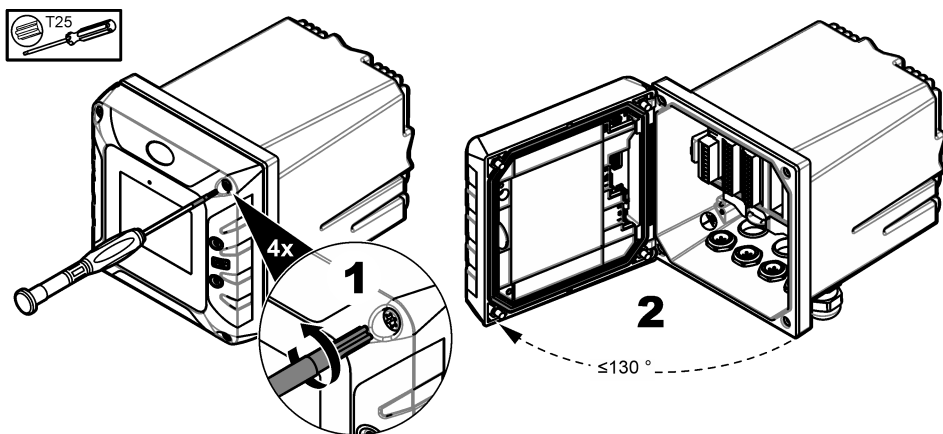
4.3.3.1 Apertura de la tapa del controlador

Abra la tapa del controlador para acceder a las conexiones de los cables. Consulte la [Figura 7](#).

¹⁰ Un código de color identifica los conectores. Los conectores LAN son de color verde. Los conectores Ethernet/IP o PROFINET son de color amarillo.

¹¹ Para obtener más información, consulte la versión ampliada del manual del usuario disponible en la página web del fabricante.

Figura 7 Apertura del controlador

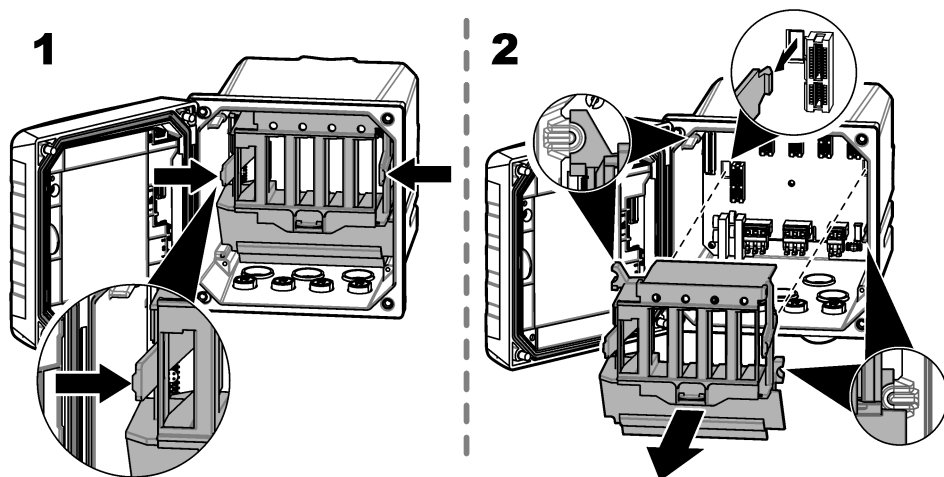


4.3.3.2 Retirar la barrera de alta tensión

El cableado de alta tensión del controlador se ubica detrás de la barrera de alta tensión en la carcasa del controlador. No retire la barrera mientras el controlador reciba alimentación eléctrica. Asegúrese de que la barrera esté instalada antes de suministrar alimentación eléctrica al controlador.

Retire la barrera de alta tensión para acceder al cableado de alta tensión. Consulte la [Figura 8](#).

Figura 8 Barrera de alta tensión



4.3.3.3 Cableado para la conexión

⚠ PELIGRO



Peligro de electrocución. Se requiere una conexión de toma a tierra (PE).

⚠ PELIGRO



Peligro de descarga eléctrica e incendio. Asegúrese de identificar claramente el desconectador local para la instalación del conducto.

⚠ ADVERTENCIA



Posible peligro de electrocución. Si este equipo se utiliza en exteriores o en lugares potencialmente húmedos, debe usarse un **interruptor de fallo a tierra** para conectar el equipo a la alimentación eléctrica.

⚠ ADVERTENCIA



Peligro de electrocución. El medio de desconexión local debe desconectar todos los conductores que transporten corriente eléctrica. La conexión de red debe mantener la polaridad del suministro. La clavija separable es el medio de desconexión para equipos conectados con cable.

⚠ ADVERTENCIA



Peligro de descarga eléctrica e incendio. Asegúrese de que el cable de alimentación suministrado por el usuario y el enchufe a prueba de bloqueo cumplen los requisitos del código de país pertinente.

⚠ ADVERTENCIA



Peligro de explosión. En este manual se describe únicamente la instalación de la unidad en una ubicación no peligrosa. Para instalar de forma segura en ubicaciones peligrosas, utilice solamente las instrucciones y los diagramas de control aprobados en el manual de instalación en ubicaciones peligrosas que se proporciona.

AVISO

Instale el dispositivo en un lugar y una posición que facilite el acceso al dispositivo de desconexión y su operación.

Puede adquirir un modelo de controlador con alimentación 100-240 VAC o 18-28 V CC. Siga las instrucciones de cableado adecuadas para el modelo adquirido.

Para suministrar alimentación eléctrica al instrumento, utilice un conducto eléctrico o un cable de alimentación. Asegúrese de que haya instalado un interruptor de circuito con suficiente capacidad de corriente en la línea de alimentación. El tamaño del disyuntor depende del calibre del cable usado para la instalación.

Para la instalación bajo conducto:

- Instale una desconexión local para el instrumento a 3 m (10 pies) del instrumento. Etiquete la desconexión para que se identifique como el principal dispositivo de desconexión del instrumento.
- Tenga capacidad para al menos 90 °C (194 °F) y sea adecuado para el entorno de la instalación.
- Para conexiones permanentes, utilice únicamente cables rígidos. Utilice un cable con unas dimensiones de entre 0,75 y 1,5 mm² (de 18 a 16 AWG). Los cables flexibles deben tener un casquillo ondulado o un terminal de tipo pin en el extremo.
- Conecte el equipamiento de acuerdo con los códigos eléctricos locales, estatales o nacionales.
- Conecte el conducto a través de un adaptador que lo sujete y selle la carcasa cuando esté apretado.
- Si se utiliza un conducto de metal, asegúrese de que el adaptador de conductos esté bien asegurado de modo que conecte el conducto de metal a la protección de conexión a tierra.
- La fuente de alimentación de CC que suministra corriente al controlador de CC debe regular la tensión dentro de los límites especificados de 18-28 V CC. La fuente de alimentación CC debe proporcionar también la protección adecuada frente a subidas de tensión e irregularidades de la línea.

Para la instalación con cable de alimentación, asegúrese de que el cable de alimentación:

- Tenga una longitud de menos de 3 m (10 pies).
- Tenga capacidad suficiente para admitir la corriente y la tensión de la alimentación eléctrica.
- Tenga capacidad para al menos 90 °C (194 °F) y sea adecuado para el entorno de la instalación.
- Tenga una sección no inferior a 0,75 mm² (18 AWG) y los colores de aislamiento aplicables a los requisitos de codificación locales. Los cables flexibles deben tener un casquillo ondulado o un terminal de tipo pin en el extremo.
- Sea un cable de alimentación con enchufe de tres terminales (con conexión a tierra) adecuado para la conexión de suministro.
- Esté conectado a través de un prensacables (liberador de tensión) que sostenga el cable de alimentación firmemente y selle la carcasa cuando se apriete.
- No tenga ningún tipo de dispositivo de bloqueo en el enchufe.

4.3.3.4 Conexión de un conducto o de un cable de alimentación

AVISO

El fabricante recomienda el uso de los componentes eléctricos que él mismo suministra, como el cable de alimentación, los conectores y los prensacables.

AVISO



Asegúrese de que la envoltura del cable pasa hasta la parte interior de la carcasa para preservar el grado de protección ambiental de esta.

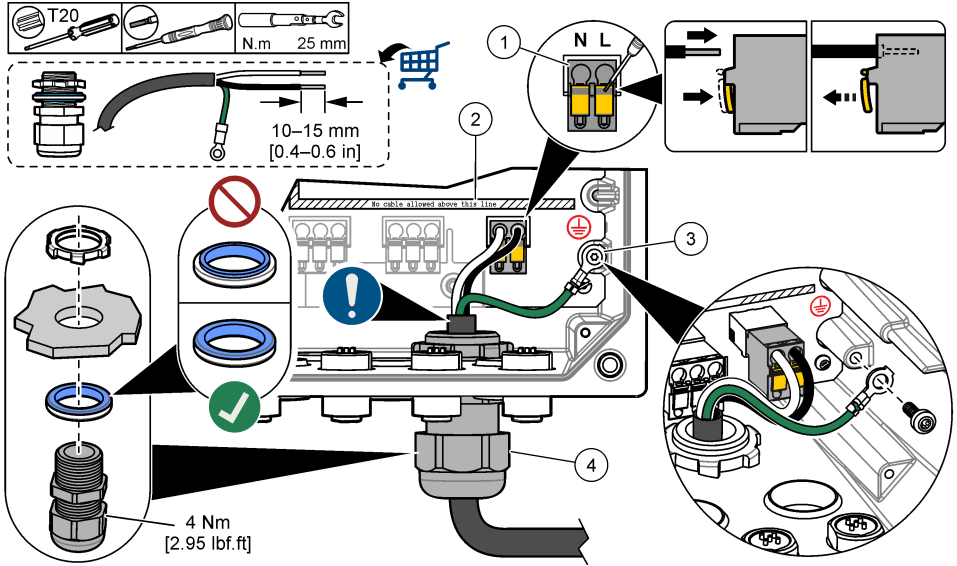
El controlador se puede conectar a una línea de alimentación a través de un conducto de conexión física o de un cable de alimentación. Independientemente del tipo de conexión utilizado, las conexiones se realizan a los mismos terminales.

El cable de alimentación se utiliza para conectar y desconectar la alimentación que se suministra al controlador. En el caso de las instalaciones en conductos, se utiliza el dispositivo de desconexión local instalado para conectar y desconectar la alimentación que se suministra al controlador.

Consulte la [Figura 9](#) y la [Tabla 2](#) o la [Tabla 3](#) para conectar el conducto o un cable de alimentación. Inserte cada cable en el terminal adecuado hasta que el conector esté totalmente aislado sin ningún cable pelado expuesto. Tire suavemente después de realizar la conexión para garantizar que es segura. Si es necesario, quite el conector de la PCBA para facilitar el cableado de los terminales.

Nota: Asegúrese de que todos los cables queden por debajo de la línea límite impresa en la PCBA para evitar interferencias con la barrera de alta tensión. Consulte la [Figura 9](#).

Figura 9 Conexión de un conducto o de un cable de alimentación



1 Terminal de alimentación de CA y CC	3 Protección de toma a tierra
2 Límite para cables: no ponga ningún cable por encima de esta línea	4 Adaptador de conductos (o prensable para cable de alimentación)

Tabla 2 Información sobre el cableado: alimentación de CA

Terminal	Descripción	Color: Norteamérica	Color: UE
L	Fase (línea 1)	Negro	Marrón
N	Neutro (N)	Blanco	Azul
⊕	Protección de toma a tierra	Verde	Verde y amarillo

Tabla 3 Información de cableado: alimentación de CC

Terminal	Descripción	Color: Norteamérica	Color: UE
L	+24 V CC	Rojo	Rojo
N	Retorno de 24 VDC	Negro	Negro
⊕	Protección de toma a tierra	Verde	Verde y amarillo

4.3.4 Conexión del relé de alta tensión

⚠ PELIGRO



Peligro de electrocución. Desconecte siempre la alimentación eléctrica del instrumento antes de realizar conexiones eléctricas.

⚠ ADVERTENCIA



Posible peligro de electrocución. Las terminales de alimentación y de los relés están diseñadas para usar con un solo cable por terminal. No conecte más de un cable a cada terminal.

⚠ ADVERTENCIA



Posible peligro de fuego. No conecte entre sí las conexiones comunes de relé o coloque un puente a las conexiones de alimentación en el interior del instrumento.

⚠ ADVERTENCIA



Peligro de explosión. En este manual se describe únicamente la instalación de la unidad en una ubicación no peligrosa. Para instalar de forma segura en ubicaciones peligrosas, utilice solamente las instrucciones y los diagramas de control aprobados en el manual de instalación en ubicaciones peligrosas que se proporciona.

⚠ PRECAUCIÓN



Peligro de incendio. Las cargas del relé deben ser resistivas. Limite siempre la corriente que reciben los relés mediante un fusible o un disyuntor. Respete los tipos de relés de la sección Especificaciones.

AVISO



Asegúrese de que la envoltura del cable pasa hasta la parte interior de la carcasa para preservar el grado de protección ambiental de esta.

El instrumento tiene dos relés libres de tensión, cada uno con un contacto conmutado de un solo polo. Para los controladores de CA, el compartimento de cableado no permite conexiones de tensión de más de 264 V CA.

Los terminales de relé se encuentran detrás de la barrera de alta tensión en la carcasa del controlador. No retire la barrera mientras los terminales de relé reciban alimentación eléctrica. No suministre alimentación eléctrica a los terminales de relé cuando la barrera no esté instalada.

Conecte cada relé a un dispositivo de control o a un dispositivo de alarma según sea necesario. Consulte la [Figura 10](#) y la [Tabla 4](#) para conectar los relés. Para obtener más información, consulte la versión ampliada del manual del usuario disponible en la página web del fabricante.

Consulte [Especificaciones](#) en la página 44 para ver las especificaciones de los relés. Los relés están aislados unos de otros y de los circuitos de entrada/salida de baja tensión.

El cable de mayor calibre para las bornas de alimentación y relé tiene una sección de 1,5 mm² (16 AWG). Los terminales del relé admiten cables de 0,75 a 1,5 mm² (de 18 a 16 AWG), según determine la carga de la aplicación. Utilice un cable con un valor nominal de aislamiento de 300 V CA o superior. Inserte cada cable en el terminal adecuado hasta que el conector esté totalmente aislado sin ningún cable pelado expuesto. Tire suavemente después de realizar la conexión para garantizar que es segura. Si es necesario, quite el conector de la PCBA para facilitar el cableado de los terminales. Los cables flexibles deben tener un casquillo ondulado o un terminal de tipo pin en el extremo.

Nota: Asegúrese de que todos los cables queden por debajo de la línea límite impresa en la PCBA para evitar interferencias con la barrera de alta tensión.

La corriente a los contactos del relé debe ser de 5 A (carga solo resistiva), 1250 VA y 125 W (carga solo resistiva) o inferior. Asegúrese de que haya disponible un segundo interruptor para cortar la alimentación de los relés de forma local en caso de emergencia o para realizar tareas de mantenimiento.

Para los controladores de CA; utilice los relés a alta tensión. Para los controladores de CC utilice los relés a baja tensión. Consulte [Especificaciones](#) en la página 44 para ver las especificaciones de los relés. No configure una combinación de tensión baja y alta.

Las conexiones de los terminales de relé a la tensión de alimentación en aplicaciones de conexión permanente deben estar aisladas para soportar como mínimo 300 V y 90 °C (194 °F). Los terminales conectados a la tensión de alimentación con una conexión por cable de alimentación deben tener un doble aislamiento para soportar 300 V y 90 °C (194 °F) tanto en el nivel de aislamiento interior como exterior.

Nota: Pase los cables de los relés a través del prensacables para el relé de alta tensión. Consulte la [Figura 6](#) en la página 54.

Figura 10 Conexión de los relés

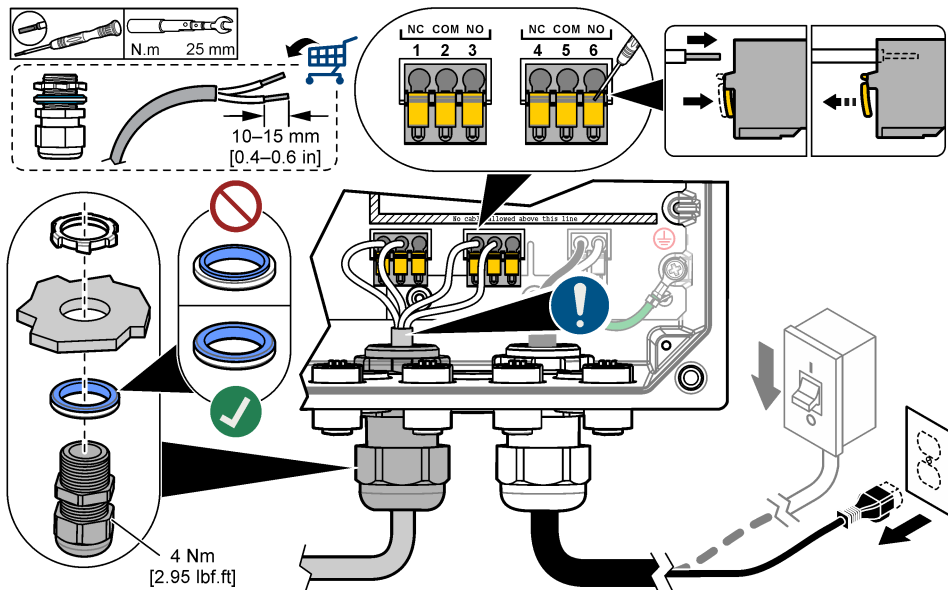


Tabla 4 Información sobre el cableado: relés

Terminal	Descripción	Terminal	Descripción
1	Relé 2, NC	4	Relé 1, NC
2	Relé 2, común	5	Relé 1, común
3	Relé 2, NA	6	Relé 1, NA

NC = normalmente cerrado; NA = normalmente abierto

4.3.5 Instalación de un módulo de expansión

⚠ ADVERTENCIA



Peligro de explosión. En este manual se describe únicamente la instalación de la unidad en una ubicación no peligrosa. Para instalar de forma segura en ubicaciones peligrosas, utilice solamente las instrucciones y los diagramas de control aprobados en el manual de instalación en ubicaciones peligrosas que se proporciona.

Hay disponibles para el controlador módulos de expansión con salidas analógicas, entradas analógicas, sensores analógicos y comunicación Profibus. Consulte la documentación suministrada con el módulo de expansión para obtener más información.

4.4 Cierre de la tapa

⚠ PELIGRO



Peligro de electrocución. El cableado de alto voltaje del controlador está conectado detrás de la barrera de alto voltaje del gabinete del controlador. La barrera debe permanecer en su lugar excepto durante la instalación de módulos o cuando un técnico de instalación cualificado esté realizando el cableado de alimentación, de los relés o de las tarjetas analógicas y de red.

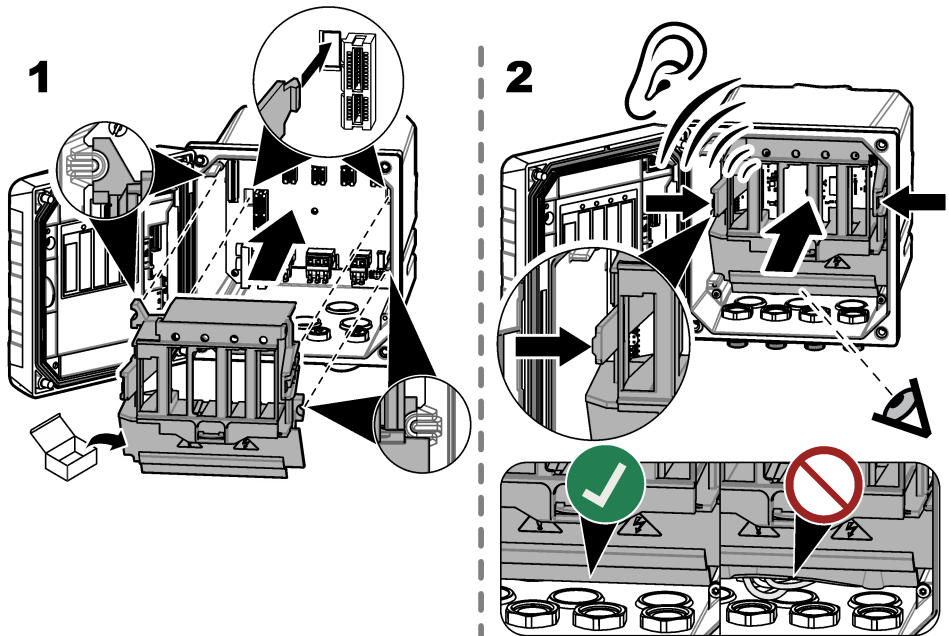
AVISO

Cierre la tapa del controlador y asegúrese de que los tornillos de esta se aprietan a fin de preservar el grado de protección de la carcasa.

Cuando haya terminado las conexiones de alimentación, instale la barrera de alta tensión. Asegúrese de que la barrera de alta tensión esté instalada correctamente en las guías de la carcasa y fijada a la PCBA principal. Se oirá un clic cuando la barrera de alto tensión esté correctamente instalada. Asegúrese de que la parte inferior de la barrera de alta tensión (borde de goma blanda) esté instalada correctamente y no esté deformada. Consulte la [Figura 11](#).

Cierre la tapa del controlador. Apriete los tornillos de la tapa con un par de 2 Nm (17,70 lbf-in). Consulte la [Figura 7](#) en la página 56.

Figura 11 Instale la barrera de alta tensión.

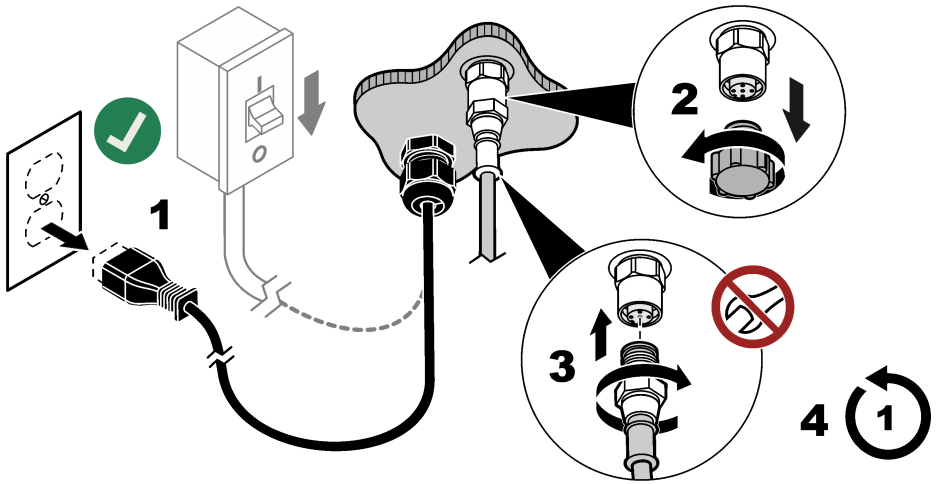


4.5 Conexión de los dispositivos de medición

Conecte los dispositivos digitales (p. ej., sensores y analizadores) a los conectores para dispositivos del instrumento. Consulte la [Figura 12](#). Guarde los tapones de los conectores para dispositivos para utilizarlos en el futuro.

Asegúrese de que los cables de los dispositivos no suponen un riesgo de tropiezo y de que no se doblan en exceso.

Figura 12 Conexión de un dispositivo



Sección 5 Arranque

Conecte el cable de alimentación a una salida eléctrica con conexión a tierra de protección o active el interruptor de circuito del controlador.

5.1 Introducción de los valores de configuración iniciales

En el arranque inicial, siga las indicaciones en la pantalla para configurar el idioma, la fecha, la hora y la información de la red. Para obtener instrucciones, consulte la versión ampliada del manual del usuario disponible en la página web del fabricante.

Sección 6 Información adicional

La siguiente información adicional está disponible en el manual de usuario ampliado.

- Interfaz del usuario y navegación
- Funcionamiento
- Mantenimiento
- Localización de averías
- Listas de piezas de recambio

Escanee los códigos QR que aparecen a continuación para ir al manual de usuario ampliado.



Español



Italian



Español



Alemán



Francés



Chino

Índice

- | | |
|------------------------------------------|---------------------------------------|
| 1 Especificações na página 65 | 4 Instalação na página 71 |
| 2 Manual do usuário on-line na página 66 | 5 Como iniciar na página 84 |
| 3 Informações gerais na página 66 | 6 Informações adicionais na página 84 |

Seção 1 Especificações

As especificações estão sujeitas a alteração sem aviso prévio.

Especificação	Detalhes
Dimensões (L x A x P)	½ DIN 144 x 144 x 192 mm (5,7 x 5,7 x 7,6 pol)
Gabinete	4 do tipo UL50E, IEC/EN 60529–IP 66, 4 do tipo NEMA 250 Gabinete de metal com acabamento resistente a corrosão
Peso	1,7 kg (3,7 lb) (peso do controlador sem módulos de expansão opcionais)
Grau de poluição	Ambiente: 4; instrumento: 2
Capacidade de sobrecarga	II
Classe de proteção	I, conectado no aterramento de proteção
Condições ambientais	Uso interno e externo
Requisitos de energia	Controlador CA: 100–240 VCA $\pm 10\%$, 50/60 Hz; 1 A (50 VA com carga de sensor de 8 W, 100 VA com carga de sensor de 28 W) Controlador CC: 18–28 VCC; 2,5 A (12 W com carga do sensor de 9 W, 36 W com carga do sensor de 20 W)
Temperatura de operação	-20 a 60 °C (-4 a 140 °F) (carga do sensor de 8 W (CA)/9 W (CC)) -20 a 45 °C (-4 a 113 °F) (carga do sensor de 28 W (CA)/20 W (CC)) Redução linear entre 45 e 60 °C (-1,33 W/°C)
Temperatura de armazenamento	-20 a 70°C (-4 a 158°F)
Umidade relativa	0 a 95% sem condensação
Altitude	No máximo 3.000 m (9.843 pés)
Tela	Tela TFT colorida de 3,5 polegadas com touchpad capacitivo
Medição	Um dispositivos, conectores SC digitais
Relés (alta tensão)	Dois relés (SPDT); Bitola do fio: 0,75 a 1,5 mm ² (18 a 16 AWG) Controlador CA Tensão máxima de comutação: 100 a 240 VCA Corrente de comutação máxima: 5 A resistiva/1 A para carga altamente indutiva Potência máxima de comutação: 360 VA resistiva/1200 VA para carga altamente indutiva Controlador CC Tensão máxima de comutação: 30 VCA, 42 VCC Corrente de comutação máxima: 4 A resistiva/1 A para carga altamente indutiva Potência máxima de comutação: 125 W resistiva/ 28 W para carga altamente indutiva

Especificação	Detalhes
Entradas analógicas (opcional) ³	Uma entrada analógica de 0-20 mA (ou 4-20 mA) em cada módulo de entrada analógica Uma entrada de sensor analógico em cada módulo de sensor Máximo de duas entradas analógicas
Saídas analógicas (opcional) ³	Cinco saídas analógicas de 0-20 mA (ou 4-20 mA) em cada módulo de saída analógica ¹
Comunicação digital (opcional) ³	Módulo Profibus DPV1, módulo Modbus RS232/RS485, Modbus TCP, módulo PROFINET, EtherNet/IP™ ² Módulo
Módulo software (opcional)	Entre em contato com o suporte técnico para obter mais informações. Observação: Somente um módulo de software pode ser instalado em um controlador ao mesmo tempo.
Conexão de rede ³	Versão LAN (opcional): dois conectores Ethernet (10/100 Mbps), conector fêmea M12 de codificação D; Versão para celular e versão Wi-Fi (opcional) ⁴
Porta USB	Usada para download de dados e upload de software. O controlador registra aproximadamente 20.000 pontos de dados para cada sensor conectado.
Informações de conformidade	CE. Certificado da ETL de acordo com os padrões de segurança UL e CSA (com todos os tipos de sensores), FCC, ISED, KC, RCM, EAC, UKCA, SABS, CMIM, Marrocos
Garantia	1 ano (UE: 2 anos)

Seção 2 Manual do usuário on-line

Este Manual básico do usuário contém menos informações do que o Manual do usuário, disponível no site do fabricante.

Seção 3 Informações gerais

Em hipótese alguma o fabricante será responsável por danos resultantes de qualquer uso inadequado do produto ou não cumprimento das instruções contidas no manual. O fabricante reserva-se o direito de fazer alterações neste manual e nos produtos aqui descritos a qualquer momento, sem aviso ou obrigação. As edições revisadas podem ser encontradas no site do fabricante.

3.1 Informações de segurança

O fabricante não é responsável por quaisquer danos devido ao uso ou aplicação incorreta deste produto, incluindo, sem limitação, danos diretos, acidentais ou consequenciais, e se isenta desses danos à extensão total permitida pela lei aplicável. O usuário é unicamente responsável por identificar riscos críticos de aplicação e por instalar os mecanismos apropriados para proteger os processos durante um possível mau funcionamento do equipamento.

Leia todo o manual antes de tirar da embalagem, montar ou operar esse equipamento. Preste atenção a todos os avisos de perigo e advertência. Caso contrário, o operador poderá sofrer ferimentos graves ou o equipamento poderá ser danificado.

Certifique-se de que a proteção fornecida por este equipamento não seja prejudicada. Não use ou instale este equipamento de qualquer modo diferente do especificado neste manual.

¹ Consulte a documentação do módulo para obter informações adicionais.

Observação: Instale apenas um módulo em um dos slots disponíveis.

² EtherNet/IP é uma marca comercial da OVDA Inc.

³ Depende da configuração do controlador.





⁴ É necessário Wi-Fi da caixa USB externa para conexão de rede em versões Wi-Fi. É necessário celular da caixa USB externa para conexão de rede em versões para celular.

3.1.1 Uso de informações de risco

▲ PERIGO
Indica uma situação potencial ou iminentemente perigosa que, se não for evitada, resultará em morte ou lesão grave.
▲ ADVERTÊNCIA
Indica uma situação potencialmente perigosa que, se não for evitada, pode resultar em morte ou ferimento grave.
▲ CUIDADO
Indica uma situação potencialmente perigosa que pode resultar em ferimento leve a moderado.
AVISO
Indica uma situação que, se não evitada, pode causar danos ao instrumento. Informações que necessitam de uma ênfase especial.

3.1.2 Avisos de precaução

Leia todas as etiquetas e rótulos fixados no instrumento. Caso não sejam observados, podem ocorrer lesões pessoais ou danos ao instrumento. Um símbolo no instrumento tem sua referência no manual com uma medida preventiva.

	Este é o símbolo de alerta de segurança. Acate todas as mensagens de segurança que seguem este símbolo a fim de evitar lesões potenciais. Se o símbolo estiver no instrumento, consulte o manual de instruções para obter informações sobre a operação ou segurança.
	Este símbolo indica que existe um risco de choque elétrico ou de eletrocussão.
	Este símbolo identifica a presença de dispositivos sensíveis a Descargas eletrostáticas (ESD) e indica que se deve tomar cuidado para evitar dano ao equipamento.
	O equipamento elétrico marcado com este símbolo não pode ser descartado em sistemas de descarte público ou doméstico europeus. Devolva equipamentos antigos ou no final da vida útil para o fabricante para descarte, sem custo adicional para o usuário.

3.1.3 Conformidade com a compatibilidade eletromagnética (EMC)

▲ CUIDADO
Esse equipamento não se destina para uso em ambientes residenciais e pode não fornecer a proteção adequada para a recepção de rádio nesses ambientes.

CE (EU)

O equipamento atende aos requisitos essenciais da Diretiva EMC 2014/30/UE.

UKCA (UK)

O equipamento atende aos requisitos dos Regulamentos de Compatibilidade Eletromagnética de 2016 (S.I. 2016/1091).

Canadian Radio Interference-Causing Equipment Regulation (Regulamentação para equipamentos de rádio causadores de interferência do Canadá), ICES-003, Classe A:

Os registros de testes de comprovação encontram-se com o fabricante.

Este aparelho digital Classe A atende a todos os requisitos de regulamentações canadenses sobre equipamentos que causam interferências.

Cet appareil numérique de classe A répond à toutes les exigences de la réglementation canadienne sur les équipements provoquant des interférences.

FCC parte 15, limites Classe "A"

Os registros de testes de comprovação encontram-se com o fabricante. O dispositivo está em conformidade com a Parte 15 das Regras da FCC. A operação está sujeita às seguintes condições:

1. O equipamento não deve causar interferência prejudicial.
2. O equipamento deve aceitar todas as interferências recebidas, inclusive interferências que podem causar funcionamento indesejado.


Alterações ou modificações a este equipamento não aprovadas expressamente pela parte responsável pela conformidade podem anular a autoridade do usuário de operar o equipamento. Este equipamento foi testado e está em conformidade com os limites de dispositivo digital Classe A, de acordo com a Parte 15 das Regras da FCC. Esses limites foram estabelecidos para proporcionar uma razoável proteção contra interferências nocivas quando o equipamento for operado em ambientes comerciais. Este equipamento gera, utiliza e pode irradiar energia de radiofrequência e, se não instalado e usado de acordo com o manual de instruções, poderá causar interferências prejudiciais às comunicações de rádio. É provável que o funcionamento deste equipamento em área residencial possa causar interferência indesejada, caso em que o usuário será solicitado a corrigir a interferência por conta própria. As seguintes técnicas podem ser usadas para reduzir problemas de interferência:

1. Desconecte o equipamento de sua fonte de alimentação para verificar se ele é ou não a origem da interferência.
2. Se o equipamento está conectado à mesma tomada do dispositivo que está sofrendo interferência, conecte o equipamento a uma tomada diferente.
3. Afaste o equipamento do dispositivo que estiver recebendo a interferência.
4. Reposicione a antena de recebimento do dispositivo que está sofrendo interferência.
5. Tente algumas combinações das opções acima.

3.2 Uso pretendido

O controlador SC4500 destina-se ao uso por profissionais de tratamento de água que medem vários parâmetros de qualidade da água em instalações de águas industriais, municipais ou residuais. O controlador SC4500 não trata nem altera a água.

3.3 Visão geral do produto

▲ PERIGO	
	Riscos químicos ou biológicos. Se esse instrumento for usado para monitorar um processo de tratamento e/ou sistema de alimentação química para o qual existam limites de regulamentação e requisitos de monitoramento relacionados à saúde pública, à produção ou ao processamento de alimentos ou bebidas, é responsabilidade do usuário deste instrumento conhecer e cumprir as regulamentações aplicáveis e ter mecanismos suficientes e apropriados para obter conformidade com as regulamentações aplicáveis no caso de mau funcionamento do instrumento.

AVISO
A segurança de rede e de ponto de acesso é responsabilidade do cliente que utiliza o instrumento sem fio. O fabricante não será responsável por quaisquer danos, incluindo, e não se limitando a danos acidental ou consequenciais, especiais ou indiretos que foram causados por falha ou violação de segurança de rede.

AVISO
Material de perclorato - Manuseio especial pode ser aplicado. Consulte www.dtsc.ca.gov/perchlorate . Este aviso de perclorato se aplica apenas a baterias primárias (fornecidas isoladamente ou instaladas neste equipamento) quando vendidas ou distribuídas na Califórnia, EUA.

AVISO
O controlador é fornecido com uma película de proteção instalada na tela. Remova a película de proteção antes de usar o controlador.

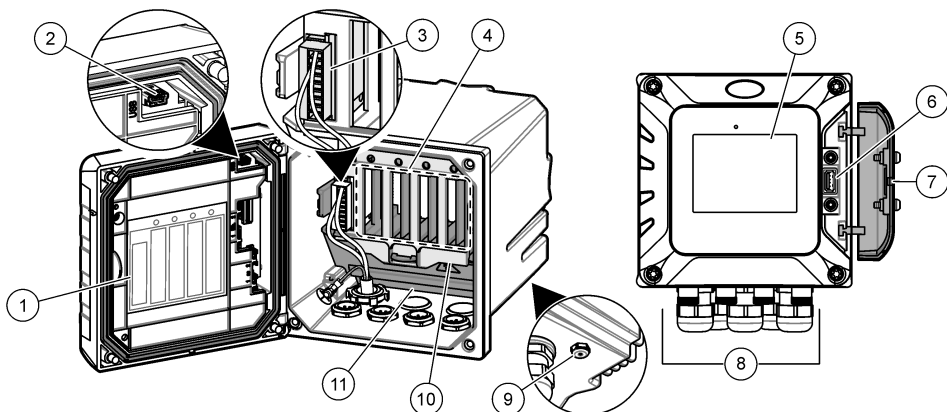
O controlador SC4500 é um controlador de 2 canais para dispositivos analíticos digitais (por exemplo, sensores e analisadores) e sensores analógicos conectados a um gateway digital ou módulo de expansão. Consulte [Figura 1](#).

O controlador mostra na tela medições do sensor e outros dados. Ele pode transmitir sinais analógicos/digitais, além de interagir e também controlar outros dispositivos através das saídas e dos relés. Saídas, relés, sensores e módulos de expansão são configurados e calibrados através da interface do usuário na parte frontal do controlador ou remotamente para controladores conectados em rede. O controlador se conecta ao Claros com uma rede celular⁵, rede Wi-Fi⁵ ou por meio de conexão LAN. O sistema de diagnóstico Prognosis⁵ mostra o status das tarefas de manutenção e fornece o status da condição do instrumento.

A tela do instrumento é sensível ao toque. O gabinete do instrumento tem uma ventilação protetora na parte inferior. Não cubra nem remova a ventilação protetora. Substitua a ventilação protetora em caso de danos.

O controlador está disponível com módulos de expansão opcionais. Consulte .Consulte o manual completo do usuário no site do fabricante para obter informações adicionais.

Figura 1 Visão geral do produto



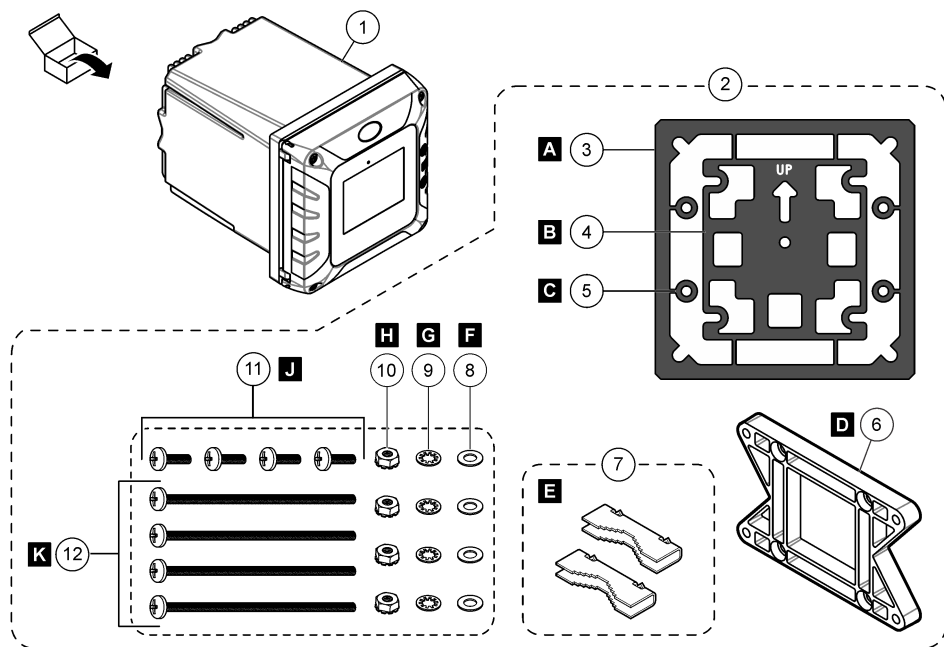
1 Etiqueta para instalação do módulo e informações de fixação	7 Tampa do USB
2 Conexão USB para caixa USB externa (conexão Wi-Fi ou celular)	8 Conexões e encaixes elétricos
3 Módulo de expansão (Slot 0) ⁵	9 Ventilação protetora
4 Slots adicionais do módulo de expansão (Slots 1, 2, 3 e 4)	10 Tampa para instalação do módulo
5 Tela do touchpad	11 Barreira de alta tensão
6 Conexão USB para download de dados e atualização de firmware	

⁵ Depende da configuração do controlador. Os módulos de expansão são instalados de fábrica com base na configuração do controlador.

3.4 Componentes do produto

Certifique-se de que todos os componentes foram recebidos. Consulte [Figura 2](#). Se houver itens ausentes ou danificados, entre em contato imediatamente com o fabricante ou com um representante de vendas.

Figura 2 Componentes do produto



1 Controlador SC4500	7 Pé de montagem (insertos do suporte de montagem) (2x)
2 Dispositivo de montagem	8 Arruelas planas de ¼ de pol (4)
3 Gaxeta de selagem para suporte do painel, Neoprene	9 Arruelas de aperto de ¼ de pol (4)
4 Gaxeta de isolamento de vibração para montagem em barra	10 Mantém a porca sextavada, M5 x 0,8 (4x)
5 Arruelas de isolamento de vibração para montagem em barra (4)	11 Parafusos de cabeça plana, M5 x 0,8 x 15 mm (4x)
6 Base para montagem na parede e em barra ⁶	12 Parafusos de cabeça plana, M5 x 0,8 x 100 mm (4x) ⁷

⁶ Um suporte para montagem do painel está disponível como acessório opcional. Consulte o manual do usuário expandido para obter peças de reposição e acessórios.

⁷ Usado para instalações de montagem de tubo de diâmetro variável.

Seção 4 Instalação

⚠ PERIGO



Vários perigos. Somente pessoal qualificado deve realizar as tarefas descritas nesta seção do manual.

4.1 Diretrizes de instalação

⚠ PERIGO



Risco de choque elétrico. Equipamento conectado externamente deve ter uma avaliação apropriada do padrão de segurança do país.

⚠ ADVERTÊNCIA



Perigo de explosão. Este manual destina-se somente à instalação da unidade em um local não perigoso. Para a instalação da unidade em locais perigosos, use somente as instruções e o desenho de controle aprovado, fornecido no manual de instalação em locais perigosos.

AVISO

Não instale o controlador em um ambiente com uma atmosfera cáustica sem um compartimento protetor. Uma atmosfera cáustica causará danos ao circuito eletrônico e aos componentes.

AVISO

Não instale o controlador ao ar livre em um ambiente que receba luz solar direta ou radiação UV, pois isso pode danificar o controlador. Instale a tela de proteção UV opcional com teto solar para evitar danos causados por exposição a UV quando instalado ao ar livre sob luz solar direta.

Observação: (Somente para a versão de rede e Claros) Certifique-se de que o departamento de TI tenha aprovação para a instalação e comissionamento do dispositivo. Não é necessário ter direitos de administrador. O endereço de e-mail "No-reply@hach.com" envia o e-mail de configuração e "donotreply@hach.com" envia as notificações do sistema necessárias para a instalação. Adicione os dois endereços de e-mail à lista de remetentes seguros para garantir o recebimento de e-mails desses remetentes. A Hach não envia uma solicitação para confirmar que o remetente não é um robô.

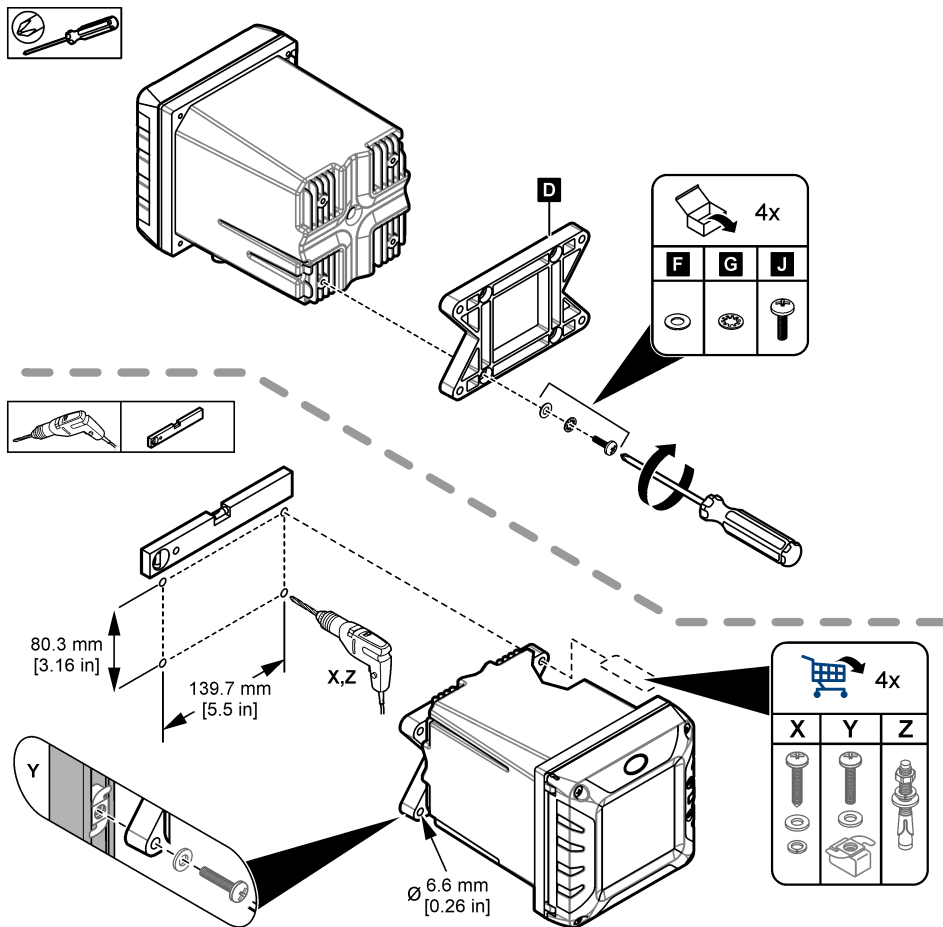
- Instale o controlador em um local no qual o dispositivo de desconexão de energia do controlador seja facilmente operado.
- Prenda o controlador voltado para cima e nivelado em uma superfície plana e vertical.
- Como alternativa, prenda o instrumento a um painel, polo vertical ou polo horizontal.
- Certifique-se de que o dispositivo esteja em um local com espaço suficiente ao redor, para realização das conexões e de tarefas de manutenção.
- Certifique-se de que haja um espaço mínimo de 16 cm (6,30 pol.) para a abertura da porta do controlador
- Instale o instrumento em um local com o mínimo de vibração.
- O uso do suporte opcional para celulares é recomendado para todas as instalações.
- O uso do teto solar opcional ou da tela de proteção contra UV opcional com teto solar é recomendado para todas as instalações externas.
- Forneça proteção a computadores ou outros equipamentos conectados que podem não ter classificações ambientais equivalentes com base na classificação do gabinete do equipamento.
- Obedeça as classificações ambientais especificadas na lateral interna dos painéis para instalações de fixação em painel.
- Certifique-se de que a potência nominal máxima da temperatura ambiente esteja correta.

4.2 Instalação mecânica

4.2.1 Fixar o instrumento na parede

Prenda o controlador voltado para cima e nivelado em uma superfície plana e vertical. Certifique-se de que a montagem em parede é capaz de suportar 4 vezes o peso do equipamento. Consulte as etapas ilustradas em [Figura 3](#) e [Componentes do produto](#) na página 70 para o hardware de montagem necessário.

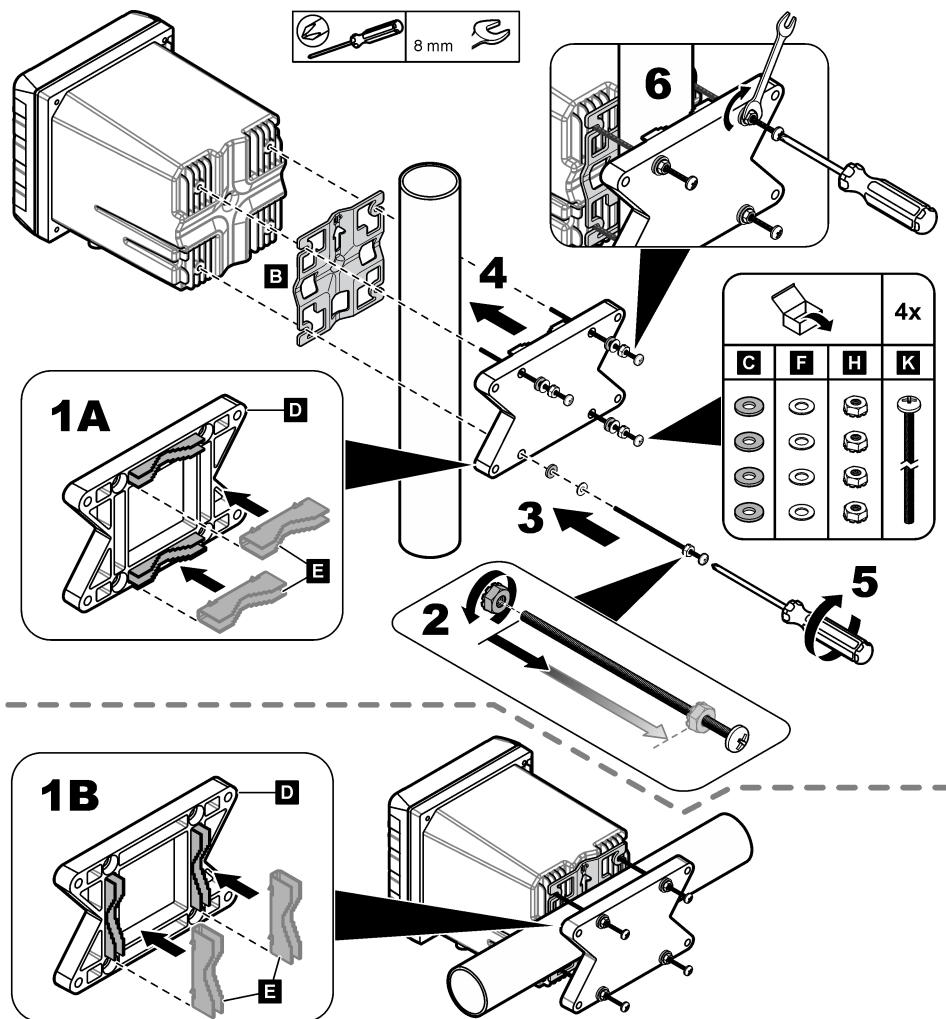
Figura 3 Montagem na parede



4.2.2 Conecte o instrumento a um poste

Conecte o controlador na vertical a um poste ou tubo (horizontal ou vertical). Certifique-se de que o diâmetro do tubo seja de 19 a 65 mm (0,75 a 2,5 pol.). Consulte as etapas ilustradas em [Figura 4](#) e [Componentes do produto](#) na página 70 para obter informações sobre as peças de montagem necessárias.

Figura 4 Montagem em poste

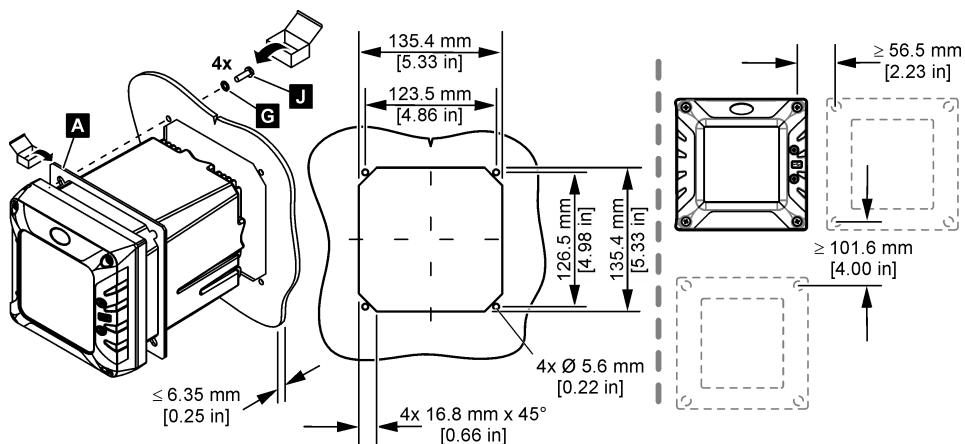


4.2.3 Instalar o instrumento em um painel

Um orifício retangular é necessário para a instalação do painel. Para a montagem do painel, use a junta de vedação fornecida como modelo para cortar o orifício no painel. Certifique-se de usar o modelo na posição para cima para instalar o controlador vertical. Consulte [Figura 5](#).

Observação: Se estiver usando o suporte (opcional) para a montagem do painel, empurre o controlador pelo orifício no painel e deslize o suporte por cima do controlador no lado posterior do painel. Use os quatro parafusos de cabeça plana de 15 mm (fornecidos) para prender o suporte no controlador e fixar o controlador no painel.

Figura 5 Dimensões da montagem do painel



4.3 Instalação elétrica

4.3.1 Conectores e encaixes elétricos

Figura 6 mostra os conectores e os encaixes elétricos no instrumento. Para manter a classificação ambiental do compartimento, certifique-se de que haja um plugue nas conexões elétricas de tensão não utilizadas e uma tampa nos conectores não utilizados.

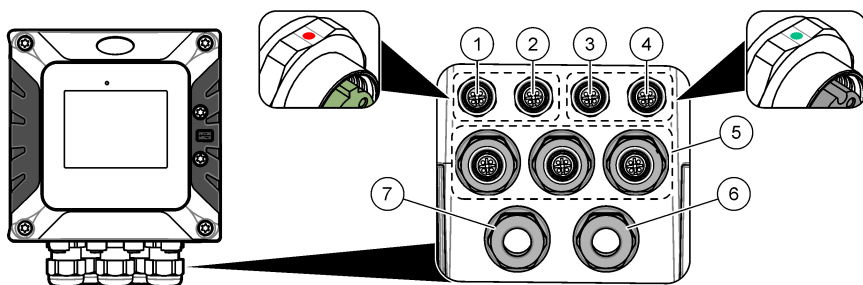
Com base na configuração do controlador, ele tem:

- Conectores Ethernet (LAN) para dar acesso pela Internet ao controlador através de uma rede do cliente.
- Conectores Ethernet para protocolos Ethernet industriais: EtherNet/IP ou PROFINET.
- Conectores SC digitais para sensores digitais SC, gateways digitais sc e analisadores.

Um código de cor identifica os conectores. Os conectores LAN são verdes com um ponto vermelho. Os conectores EtherNet/IP ou PROFINET são amarelos com um ponto vermelho. Os conectores digitais dos sensores sc são pretos com um ponto verde. Consulte **Tabela 1** para saber quais são as opções aplicáveis para cada conector e acessório.

Observação: O controlador é fornecido sem acessórios de alívio de tensão instalados. O usuário deve fornecer os alívios de tensão necessários. Consulte o manual completo do usuário no site do fabricante para obter informações adicionais.

Figura 6 Conectores e encaixes elétricos



1 Conector Ethernet (opcional) para porta LAN 1 ou conector EtherNet/IP ou PROFINET	5 Encaixe de alívio de tensão para caixa USB e módulos de expansão: entradas/saídas analógicas, Profibus DP
2 Conector Ethernet (opcional) para porta LAN 2 ou conector EtherNet/IP ou PROFINET	6 Cabo de alimentação (ou hub do condutoite) ⁹
3 Conector SC digital: canal 1. Opcional: conexão do sensor analógico ao módulo do sensor ou conexão de entrada analógica ao módulo de entrada de 4-20 mA ⁸	7 Conexão de alívio de tensão para relé de alta tensão
4 Conector SC digital: canal 2. Opcional: conexão do sensor analógico ao módulo do sensor ou conexão de entrada analógica ao módulo de entrada de 4-20 mA	

Tabela 1 Opções para cada conector e acessório

Dispositivo	1 ¹⁰	2	Opção ¹¹	3	4	5	6	7
sensor digital SC, gateway digital sc ou analisador				X	X			
Sensor analógico				X	X			
Módulo analógico do sensor				X	X			
Saída 4-20 mA						X		
Módulo Profibus DP						X		
Módulo Modbus RS232/RS485						X		
Caixa USB						X		
LAN + LAN	Verde	Verde	Dividir/Encadeamento					
LAN + Modbus TCP	Verde	Verde	Dividir/Encadeamento					
EtherNet/IP	Amarelo	Amarelo	Apenas IEP					
LAN + EtherNet/IP	Verde	Amarelo	Misturar IEP					

⁸ Para conectar um sensor analógico ou uma entrada de 4-20 mA ao controlador, instale o módulo de expansão aplicável, se ainda não estiver instalado. Consulte a documentação fornecida com o módulo de expansão para obter informações adicionais.

⁹ O cabo de alimentação é instalado de fábrica com base na configuração do controlador.

¹⁰ Um código de cor identifica os conectores. Os conectores de LAN são verdes. Os conectores EtherNet/IP ou PROFINET são amarelos.

¹¹ Consulte o manual completo do usuário no site do fabricante para obter informações adicionais.

Tabela 1 Opções para cada conector e acessório (continuação)

Dispositivo	1 ¹⁰	2	Opção ¹¹	3	4	5	6	7
PROFINET	Amarelo	Amarelo	Apenas IEP					
LAN + PROFINET	Verde	Amarelo	Misturar IEP					
Relé de alta tensão								X
Fonte de alimentação							X	

4.3.2 Considerações da descarga eletrostática (ESD)

AVISO



Dano potencial do instrumento. Componentes eletrônicos internos delicados podem ser danificados devido à eletricidade estática, podendo resultar em degradação do desempenho ou em uma eventual falha.

Consulte as etapas deste procedimento para evitar que a ESD danifique o instrumento:

- Encoste em uma superfície metálica aterrada, como o chassi de um instrumento, um conduíte ou tubo metálico, para descarregar a eletricidade estática do corpo.
- Evite movimentação excessiva. Transporte componentes sensíveis a estática em recipientes ou embalagens antiestáticas.
- Use uma pulseira conectada a um cabo aterrado.
- Trabalhe em uma área protegida de estática com revestimento antiestático no piso e na bancada.

4.3.3 Conexões de energia

⚠ PERIGO



Vários perigos. Somente pessoal qualificado deve realizar as tarefas descritas nesta seção do manual.

⚠ PERIGO



Risco de choque elétrico. Desligue sempre a energia do instrumento antes de fazer conexões elétricas.

Se o controlador não tiver um cabo de energia instalado, conecte a energia a um conduíte ou a um cabo de energia. Consulte as seções a seguir para conectar a energia a um conduíte ou a um cabo de energia.

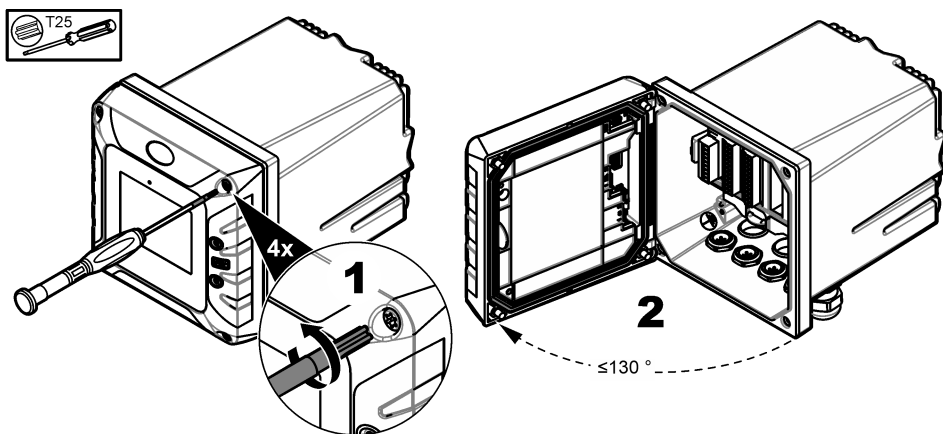
4.3.3.1 Abra a tampa do controlador

Abra a tampa do controlador para acessar as conexões elétricas. Consulte [Figura 7](#).

¹⁰ Um código de cor identifica os conectores. Os conectores de LAN são verdes. Os conectores EtherNet/IP ou PROFINET são amarelos.

¹¹ Consulte o manual completo do usuário no site do fabricante para obter informações adicionais.

Figura 7 Abra o controlador

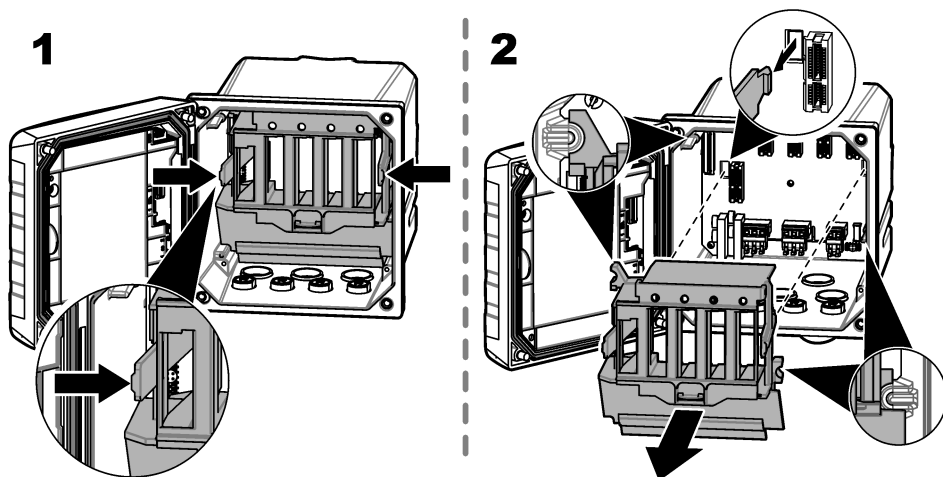


4.3.3.2 Remova a barreira de alta tensão

A fiação de alta tensão do controlador está localizada atrás da barreira de alta tensão no gabinete do controlador. Não remova a barreira com o controlador energizado. Certifique-se de que a barreira esteja instalada antes de energizar o controlador.

Remova a barreira de alta tensão para obter acesso à fiação de alta tensão. Consulte [Figura 8](#).

Figura 8 Barreira de alta voltagem



4.3.3.3 Fios de energia

⚠ PERIGO



Risco de choque elétrico. A conexão com aterramento protetor (PE) é obrigatória

⚠ PERIGO



Riscos de choque elétrico e de incêndio. Certifique-se de identificar claramente a desconexão local para a instalação do condute.

⚠ ADVERTÊNCIA



Perigo potencial de eletrocussão. Se este equipamento é usado ao ar livre ou em locais potencialmente úmidos, um dispositivo **interruptor por falha de aterramento** deve ser usado para conectar o equipamento à sua fonte de energia elétrica.

⚠ ADVERTÊNCIA



Risco de choque elétrico. A desconexão local significa que todos os condutores contendo corrente elétrica devem ser desconectados. As conexões da rede elétrica devem manter uma polaridade de alimentação. O plugue separável é o meio de desconexão para o equipamento conectado por cabo.

⚠ ADVERTÊNCIA



Riscos de choque elétrico e de incêndio. Certifique-se de que o cabo de alimentação e o plugue sem travamento fornecidos pelo usuário atendam aos requisitos do código do país aplicáveis.

⚠ ADVERTÊNCIA



Perigo de explosão. Este manual destina-se somente à instalação da unidade em um local não perigoso. Para a instalação da unidade em locais perigosos, use somente as instruções e o desenho de controle aprovado, fornecido no manual de instalação em locais perigosos.

AVISO

Instale o dispositivo em local e posição que permitam o acesso fácil ao dispositivo de desconexão e sua operação.

O controlador pode ser adquirido nos modelos com alimentação 100-240 VCA ou 18-28 VCC. Siga as instruções sobre fiação apropriada para o modelo adquirido.

Aplice energia ao instrumento com um condute ou fio de alimentação. Certifique-se de instalar na linha da alimentação um disjuntor com suficiente capacidade de corrente. O tamanho do disjuntor é baseado na bitola da fiação usada na instalação.

Para instalação com o condute:

- Instale um dispositivo de desconexão local para o instrumento a uma distância de até 3 m (10 pés) do instrumento. Coloque uma etiqueta no dispositivo de desconexão que o identifique como o principal dispositivo de desconexão do instrumento.
- Classificado para pelo menos 90 ° C (194 ° F) e aplicável ao ambiente de instalação
- Para conexões permanentes, use apenas fios sólidos. Use dimensões de cabo entre 0,75 a 1,5 mm² (18 a 16 AWG). Os fios flexíveis devem ter um terminal do tipo ponteira ou pino na extremidade.
- Conecte o equipamento de acordo com as codificações elétricas locais, estaduais ou nacionais.
- Conecte a parte central do conduto que o mantém seguro e veda sua conexão ao ser apertado.
- Se for usado um condute de metal, certifique-se de que a caixa do condute esteja apertada de forma que ela conecte o condute de metal ao aterramento de segurança.
- A fonte de alimentação CC que fornece energia ao controlador CC deve manter a regulação de tensão dentro dos limites de tensão de 18-28 VCC especificados. A fonte de alimentação CC também deve fornecer proteção adequada contra oscilação de voltagem e variações de linha.

Para a instalação com um fio de energia, certifique-se de que o fio fornecido seja:

- Menor que 3 m (10 pés) de comprimento
- Tenha uma classificação suficiente para a tensão e corrente da alimentação.

- Classificado para pelo menos 90 ° C (194 ° F) e aplicável ao ambiente de instalação
- Não seja menor que 0.75 mm² (18 AWG) com cores de isolamento aplicáveis nas exigências de código locais. Os fios flexíveis devem ter um terminal do tipo ponteira ou pino na extremidade.
- Um cabo de alimentação com tomada de três pontas (conexão com aterramento) que seja aplicável à conexão de alimentação
- Conectado através de uma prensa cabo (alívio de tensão) que mantém o cabo de alimentação seguro e veda conexão ao ser apertado
- Não há um aparelho de bloqueio no plugue

4.3.3.4 Conecte o conduíte ou um cabo de alimentação

AVISO

O fabricante recomenda o uso de componentes elétricos fornecidos pelo fabricante, como cabo de alimentação, conectores e encaixes de alívio de tensão.

AVISO



Certifique-se de que o revestimento do cabo passe pela lateral interna do gabinete para manter a classificação ambiental do gabinete.

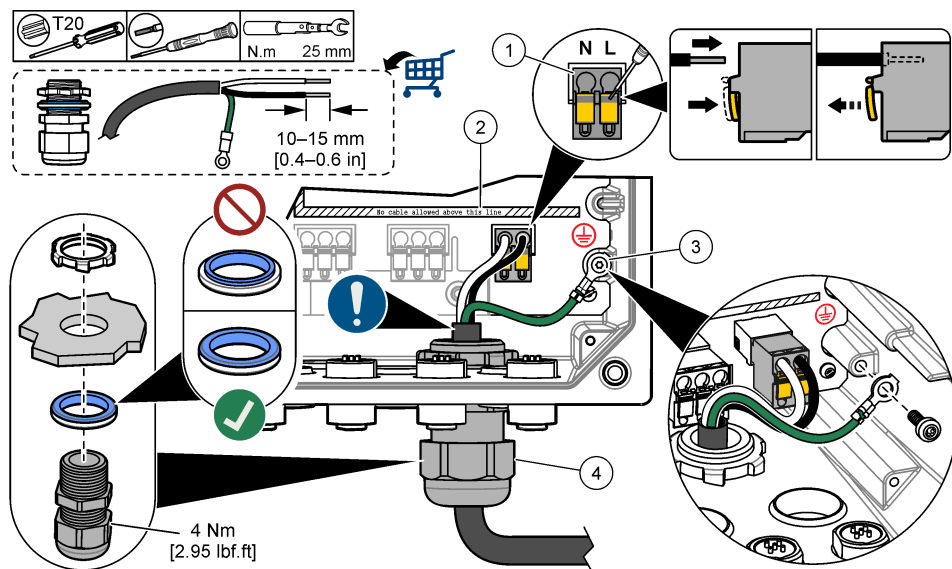
O controlador pode ser conectado a uma linha de alimentação com fios rígidos em um conduíte ou a um cabo de alimentação. Independentemente do fio usado, as conexões são feitas nos mesmos terminais.

O plugue do cabo de alimentação é usado para conectar e desconectar a energia do controlador. Para instalação no conduíte, a desconexão local instalada é usada para conectar e desconectar a energia do controlador.

Consulte Connect conduit or a power cord e Connect conduit or a power cord para conectar o conduíte ou o cabo de alimentação. [Figura 9](#) [Tabela 2](#) [Tabela 3](#) Insira cada fio no terminal apropriado até que o isolante encaixe-se no conector sem fio desencapado exposto. Puxe um pouco após inseri-los para garantir que haja uma conexão segura. Se necessário, remova o conector do PCBA para facilitar a fiação dos terminais.

Observação: *Certifique-se de que todos os cabos fiquem abaixo da linha limite impressa no PCBA para evitar interferências na barreira de alta tensão. Consulte [Figura 9](#).*

Figura 9 Conecte o conduto ou um cabo de alimentação



1 Terminal de energia CA e CC	3 Aterramento de proteção
2 Limite de cabos: não coloque cabos acima da linha.	4 Hub de conduto (ou acessório de alívio de tensão para o cabo de alimentação)

Tabela 2 Informações sobre a fiação: alimentação CA

Terminal	Descrição	Cor: América do Norte	Cor: UE
L	Quente (linha 1)	Preto	Marrom
N	Neutro (N)	Branco	Azul
⊕	Aterramento de proteção	Verde	Verde com listra amarela

Tabela 3 Informações sobre a fiação - energia CC

Terminal	Descrição	Cor: América do Norte	Cor: UE
L	+24 VCC	Vermelho	Vermelho
N	Retorno 24 VCC	Preto	Preto
⊕	Aterramento de proteção	Verde	Verde com listra amarela

4.3.4 Conecte os relés de alta tensão

⚠ PERIGO



Risco de choque elétrico. Desligue sempre a energia do instrumento antes de fazer conexões elétricas.

⚠ ADVERTÊNCIA



Perigo potencial de eletrocussão. Os terminais de energia e de relé são projetados somente para uma terminação unifilar. Não use mais de um fio em cada terminal.

⚠ ADVERTÊNCIA



Perigo potencial de incêndio. Não altere com frequência as conexões de relés ou fios do jumper nas conexões elétricas principais dentro do instrumento.

⚠ ADVERTÊNCIA



Perigo de explosão. Este manual destina-se somente à instalação da unidade em um local não perigoso. Para a instalação da unidade em locais perigosos, use somente as instruções e o desenho de controle aprovado, fornecido no manual de instalação em locais perigosos.

⚠ CUIDADO



Perigo de incêndio. As cargas de relé devem ser resistivas. Sempre limite a corrente aos relés com um fusível ou disjuntor externo. Siga as classificações de relé da seção Especificações.

AVISO



Certifique-se de que o revestimento do cabo passe pela lateral interna do gabinete para manter a classificação ambiental do gabinete.

O instrumento possui dois relés sem energia, cada um com um contato de comutação unipolar. Para controladores CA, o compartimento da fiação não é feito para conexões de tensão com mais de 264 VCA.

Os terminais do relé estão localizados atrás de uma barreira de alta tensão no gabinete do controlador. Não remova a barreira enquanto houver energia nos terminais do relé. Não forneça energia aos terminais do relé quando a barreira não estiver instalada.

Conecte cada relé a um dispositivo de controle ou dispositivo de alarme, conforme necessário. Consulte [Figura 10](#) e [Tabela 4](#) para conectar os relés. Consulte o manual completo do usuário no site do fabricante para obter informações adicionais.

Consulte [Especificações](#) na página 65 para obter as especificações do relé. Os relés são isolados um do outro e do circuito de entrada/saída de tensão baixa.

O maior fio de bitola que os plugues de alimentação e de relé são classificados para 1,5 mm² (16 AWG). Os terminais do relé aceitam fios de 0,75 a 1,5 mm² (18 a 16 AWG) (conforme determinado pela aplicação de carga). Use o fio com uma classificação de isolamento de 300 VCA ou mais. Insira cada fio no terminal apropriado até que o isolante encaixe-se no conector sem fio desencapado exposto. Puxe um pouco após inseri-los para garantir que haja uma conexão segura. Se necessário, remova o conector do PCBA para facilitar a fiação dos terminais. Os fios flexíveis devem ter uma virola frisada ou um terminal tipo pino na extremidade.

Observação: *Certifique-se de que todos os cabos fiquem abaixo da linha limite impressa no PCBA para evitar interferências na barreira de alta tensão.*

A corrente nos contatos do relé deve ser de 5 A (carga somente resistiva), 1250 VA 125 W (carga somente resistiva) ou menos. Certifique-se de ter um segundo interruptor disponível para remover a alimentação dos relés localmente no caso de uma emergência ou para manutenção.

Para controladores CA, use os relés em alta tensão. Para controladores CC, use os relés em baixa tensão. Consulte [Especificações](#) na página 65 para obter as especificações do relé. Não configure uma combinação de alta e baixa tensão.

As conexões dos terminais de relé ao circuito de rede em aplicações de conexão permanente devem ter isolamento classificado para um mínimo de 300 V, 90 ° C (194 ° F). Terminais conectados no circuito de alimentação com conexão de um cabo de alimentação devem ter isolamento duplo e classificação em 300 V, 90 ° C (194 ° F) tanto no nível interno de isolamento quanto no externo.

Observação: Passe os fios dos relés pelo encaixe de alívio de tensão do relé de alta tensão. Consulte [Figura 6](#) na página 75.

Figura 10 Conectar os relés

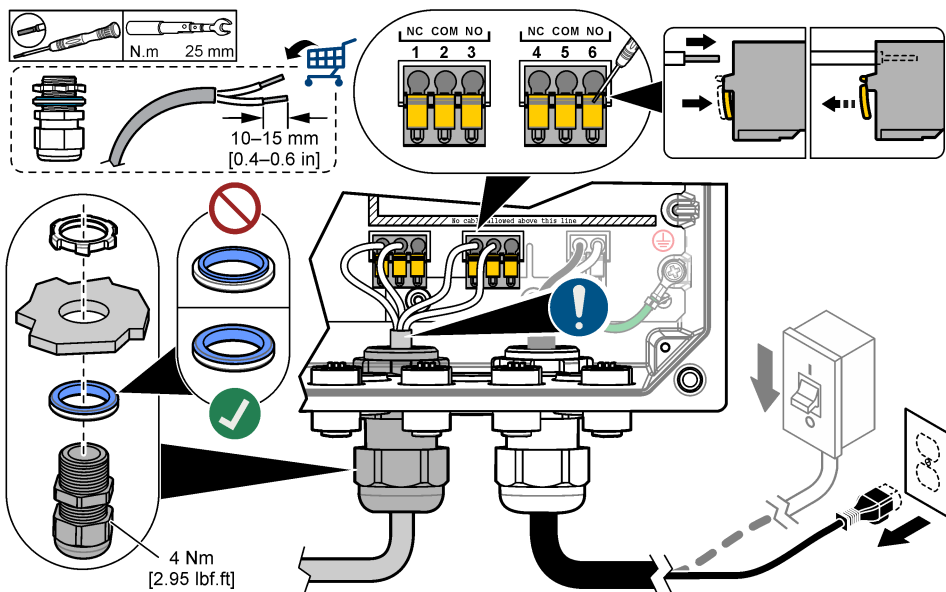


Tabela 4 Informações sobre a fiação - relés

Terminal	Descrição	Terminal	Descrição
1	Relé 2, NC	4	Relé 1, NC
2	Relé 2, comum	5	Relé 1, comum
3	Relé 2, NO	6	Relé 1, NO

NC = normalmente fechado; NÃO = normalmente aberto

4.3.5 Instale um módulo de expansão

⚠ ADVERTÊNCIA



Perigo de explosão. Este manual destina-se somente à instalação da unidade em um local não perigoso. Para a instalação da unidade em locais perigosos, use somente as instruções e o desenho de controle aprovado, fornecido no manual de instalação em locais perigosos.

Módulos de expansão para saídas analógicas, entradas analógicas, sensores analógicos e comunicação Profibus estão disponíveis para o controlador. Consulte a documentação fornecida com o módulo de expansão para obter informações adicionais.

4.4 voltada para o lado direito

⚠ PERIGO



Risco de choque elétrico. Os fios de alta tensão para o controlador são conectados por trás da barreira de alta tensão no compartimento do controlador. A barreira deve permanecer encaixada exceto na instalação de módulos ou quando um técnico de instalação qualificado estiver instalando fiação de energia, alarmes, saídas ou relés.

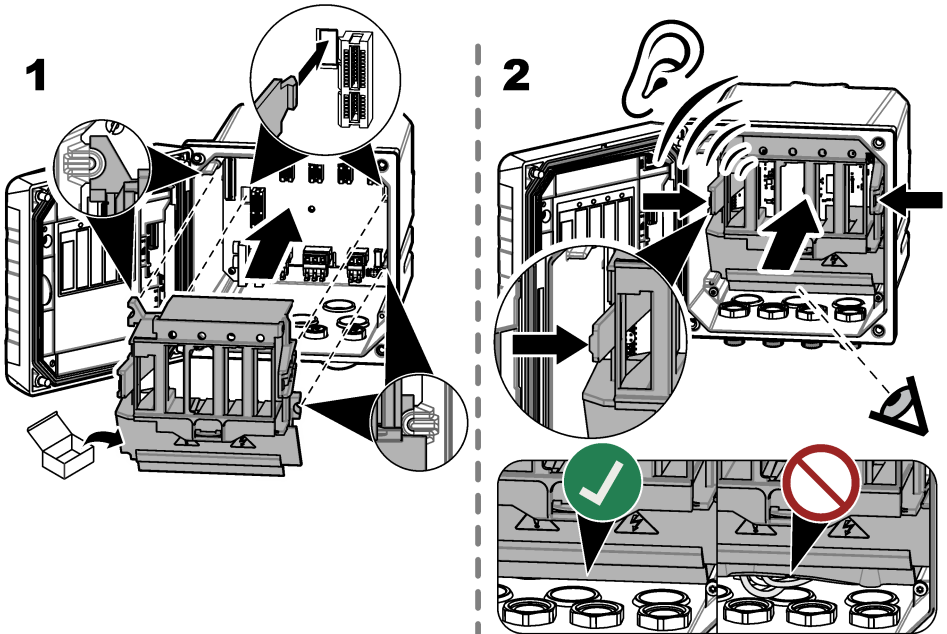
AVISO

Feche a tampa do controlador e verifique se os parafusos da tampa estão apertados para manter a classificação ambiental do gabinete.

Após as conexões de energia, instale a barreira de alta tensão. Certifique-se de que a barreira de alta tensão esteja corretamente colocada nas guias do gabinete e fixada no PCBA principal. Ouve-se um som de clique quando a barreira de alta tensão é corretamente instalada. Certifique-se de que a parte inferior da barreira de alta tensão (rebordo de borracha macio) esteja corretamente instalada e não tenha qualquer deformação. Consulte [Figura 11](#).

Feche a tampa do controlador. Aperte os parafusos da tampa com um torque de 2 Nm (17,70 lbf-pol.). Consulte [Figura 7](#) na página 77.

Figura 11 Instale a barreira de alta voltagem

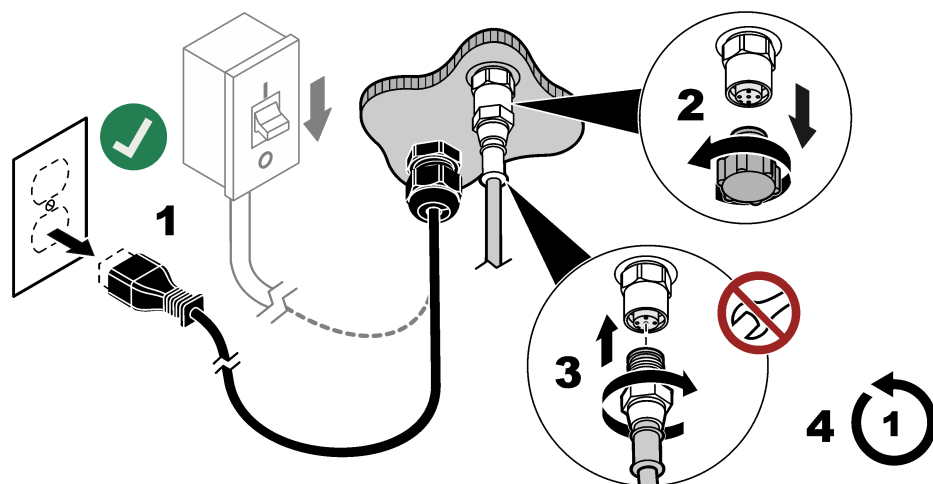


4.5 Conectar dispositivos de medição

Conecte dispositivos digitais (por exemplo, sensores e analisadores) aos conectores de dispositivos no instrumento. Consulte [Figura 12](#). Guarde as tampas dos conectores do dispositivo para uso futuro.

Verifique se os cabos do dispositivo não causam risco de tropeçar e não apresentam curvas acentuadas.

Figura 12 Conecte um dispositivo



Seção 5 Como iniciar

Conecte o cabo de alimentação a uma tomada elétrica com aterramento de proteção ou ligue o disjuntor do controlador.

5.1 Inserir configurações iniciais

Na inicialização, siga as instruções no visor para configurar o idioma, a data, a hora e as informações da rede. Consulte o manual do usuário expandido no site do fabricante para obter instruções.

Seção 6 Informações adicionais

As informações adicionais a seguir estão disponíveis no manual do usuário expandido.

- Interface do usuário e navegação
- Operação
- Manutenção
- Resolução de problemas
- Listas de peças de reposição

Leia os códigos QR a seguir para acessar o manual do usuário expandido.



Português



Italiano



Espanhol



Alemão



Francês



Chinês

目录

- | | |
|-----------------|----------------|
| 1 规格 第 86 页 | 4 安装 第 91 页 |
| 2 在线用户手册 第 87 页 | 5 启动 第 104 页 |
| 3 基本信息 第 87 页 | 6 附加信息 第 104 页 |

第 1 节 规格

规格如有更改，恕不另行通知。

规格	详细信息
尺寸 (W x H x D)	½ DIN-144 x 144 x 192 mm (5.7 x 5.7 x 7.6 in.)
外壳	UL50E 4X 型, IEC/EN 60529-IP 66, NEMA 250 4X 型 配有经过防腐蚀处理的金属外壳
重量	1.7 kg (3.7 lb) (控制器重量, 不含可选扩展模块)
污染等级	环境: 4; 仪器: 2
过电压类别	II
防护等级	I, 连接至保护接地
使用环境	室内和室外使用
电源要求	交流控制器: 100–240 VAC ±10%, 50/60 Hz; 1 A (传感器负载为 8W 时达 50 VA, 28W 时达 100VA) 直流控制器: 18–28 VDC; 2.5 A (传感器负载为 9W 时达 12W, 20W 时达 36W)
工作温度	-20 至 60 °C (-4 至 140 °F) (8 W (AC)/9 W (DC) 传感器负载) -20 至 45 °C (-4 至 113 °F) (28 W (AC)/20 W (DC) 传感器负载) 45 至 60 °C (-1.33 W/°C) 之间的线性降额
储存温度	-20 至 70 °C (-4 至 158 °F)
相对湿度	0 - 95%, 无冷凝
海拔	3000 m (9842 ft) (最大)
显示屏	3.5 英寸 TFT 彩色显示屏, 带电容式触摸屏
测量	两个设备, 数字 SC 连接器
高电压继电器	两个继电器 (SPDT); 线规: 0.75 - 1.5 mm ² (18 - 16 AWG) 交流控制器 最大切换电压: 100-240 VAC 最大切换电流: 5 A 电阻/1 A 先导负载 最大切换功率: 1200 VA 电阻/360 VA 先导负载 直流控制器 最大切换电压: 30 VAC 或 42 VDC 最大切换电流: 4 A 电阻/1 A 先导负载 最大切换功率: 125 W 电阻/28 W 先导负载
模拟输入 (可选) ³	每个模拟输入模块有一路 0-20 mA (或 4-20 mA) 模拟输入 每个传感器模块上一个模拟传感器输入模块 最多两个模拟输入模块

规格	详细信息
模拟输出（可选） ³	每个模拟输出模块有五路 0-20 mA（或 4-20 mA）模拟输出 ¹
数字通信（可选） ³	Profibus DPV1 模块、Modbus RS232/RS485 模块、Modbus TCP 模块、PROFINET 模块、EtherNet/IP™ 模块 ² 模块
软件模块（可选）	请联系销售或技术支持获取有关信息。 注： 一个控制器上仅可同时安装一个软件模块。
网络连接 ³	LAN 版本 （可选）：两个以太网连接器（10/100 Mbps），M12 插孔式 D 编码连接器； 蜂窝网络版本 和 WiFi 版本 （可选） ⁴
USB 端口	用于数据下载和软件上传。控制器可为每个连接的传感器记录大约 20,000 个数据点。
合规信息	获得 CE、ETL（符合 UL 和 CSA 安全标准，针对所有传感器类型）、FCC、ISED、KC、RCM、EAC、UKCA、SABS、CMIM、摩洛哥认证
保修期	1 年

第 2 节 在线用户手册

该《基本用户手册》包含的信息少于制造商网站上提供的《用户手册》。

第 3 节 基本信息

在任何情况下，对于因产品使用不当或未能遵守手册中的说明而造成的损害，制造商概不负责。制造商保留随时更改本手册和手册中描述的产品的权利，如有更改恕不另行通知或承担有关责任。修订版可在制造商的网站上找到。

3.1 安全信息

对于误用或滥用本产品造成的任何损坏，包括但不限于直接、附带和从属损害，制造商概不负责，并且在适用法律允许的最大范围内拒绝承认这些损害。用户自负责任识别重大应用风险并安装适当的保护装置，以在设备可能出现故障时保护工艺流程。

请在拆开本设备包装、安装或使用前，完整阅读本手册。特别要注意所有的危险警告和注意事项。否则，可能导致操作员受到严重伤害或设备受到损坏。

请确保产品拆开时的完整无损伤。请勿以本手册指定方式之外的其它方式使用或安装本设备。

3.1.1 危害指示标识说明

▲ 危险
表示潜在的或紧急的危险情况，如果不加以避免，将会导致死亡或严重伤害。
▲ 警告
表示潜在的或紧急的危险情况，如果不加以避免，将会导致死亡或严重伤害。
▲ 警告
表示潜在的危险情形，可能导致轻度或中度人身伤害。
注意
表明如不加以避免可能会导致仪器损坏的情况。此信息需要特别强调。

¹ 有关更多信息，请参阅模块文档。
注： 仅将一个模块安装到其中一个可用插槽中。





² EtherNet/IP 是 OVIDA Inc. 的商标。

³ 取决于控制器配置。

⁴ 对于 WiFi 版本的网络连接，需要使用外置 WiFi USB 盒。对于蜂窝网络版本的网络连接，需要使用外置蜂窝网络 USB 盒。

3.1.2 警告标签

请阅读贴在仪器上的所有标签和标记。如未遵照这些安全标签的指示操作，则可能造成人身伤害或仪器损坏。仪器上的符号在手册中通过警告说明参考。

	这是安全警报标志。请遵守此标志后面的所有安全信息，以避免可能造成的伤害。如果仪器上有此标志，则请参见仪器手册，了解操作或安全信息。
	此标志指示存在电击和/或触电死亡危险。
	此标志指示存在静电释放（ESD）敏感的设备，且必须小心谨慎以避免设备损坏。
	标有此符号的电气设备在欧洲不能通过家庭或公共垃圾系统进行处理。请将老旧或报废设备寄回至制造商处进行处置，用户无需承担费用。

3.1.3 电磁兼容性 (EMC) 合规性

⚠ 警告

本设备不适合在住宅环境中使用，在此类环境中可能无法为无线电接收提供充分的保护。

CE (EU)

该设备符合 EMC 指令 2014/30/EU 的基本要求。

UKCA (UK)

设备符合《电磁兼容性规定 2016》（S.I. 2016/1091）的要求。

加拿大无线电干扰产生设备法规（Canadian Radio Interference-Causing Equipment Regulation），ICES-003，A 类：

支持性测试结果在制造商处保存。

此 A 类数字设备符合加拿大由于无线电干扰所产生的设备法规的所有要求。

Cet appareil numérique de classe A répond à toutes les exigences de la réglementation canadienne sur les équipements provoquant des interférences.

FCC 第 15 部分，“A”类限制

支持性测试结果在制造商处保存。该设备符合 FCC 规定第 15 部分的要求。设备操作满足以下两个条件：

1. 本设备不会造成有害干扰。
2. 设备会接收任何干扰，包括可能造成意外的干扰。

若未经负责出具符合声明的一方明确同意擅自对本设备进行改动或改装，可能会导致取消用户操作该设备的权限。本设备已经过测试，符合 FCC 规定第 15 部分中确定的 A 类数字设备限制。这些限制专门提供当设备在商业环境下工作时针对有害干扰的合理保护。该设备产生、使用和放射无线电射频能量，如果不按照说明手册的要求对其进行安装和使用，可能会对无线电通讯造成有害干扰。本设备在居民区工作时可能会产生有害干扰，这种情况下用户须自行承担费用消除这种干扰。以下方法可用于减少干扰问题：


1. 断开设备的电源，以便确定它是干扰源与否。
2. 如果设备与遭受干扰的仪器连接到相同的插座，将设备连接到其他插座。
3. 将设备从接受干扰的仪器边上移开。

4. 重新定位受干扰仪器的接收天线。
5. 同时尝试以上多项措施。

3.2 应用场合

SC4500 控制器适合在工业用水、市政用水或废水处理厂中测量多项水质参数的专业水处理人员使用。SC4500 控制器不处理水或改变水。

3.3 产品概述

▲ 危险	
	化学或生物危害。如果该仪器用于监测处理过程和/或化学品添加系统，但是存在与公共健康、公共安全、食品或饮料制造或加工有关的相应监管限制和监测要求，则仪器的使用者有责任了解并遵守所有适用的法规，并应建立足够和适当的机制，确保在仪器发生故障时也不会违法这些法规。

注意	
如果用户使用无线仪器，则有责任确保网络和接入点的安全性。制造商不对由于网络安全漏洞或入侵所导致的任何损坏承担责任，其中包括但不限于间接性、特殊性、结果性或附带性损坏。	

注意	
高氯酸盐材料——可能需要特殊处理。请参阅 www.dtsc.ca.gov/perchlorate 。此高氯酸盐警告仅适用于在美国加利福尼亚销售或分销的原电池（单独提供或安装在本设备上）。	

注意	
该控制器交付时贴有显示屏保护膜。在使用控制器之前，务必揭下保护膜。	

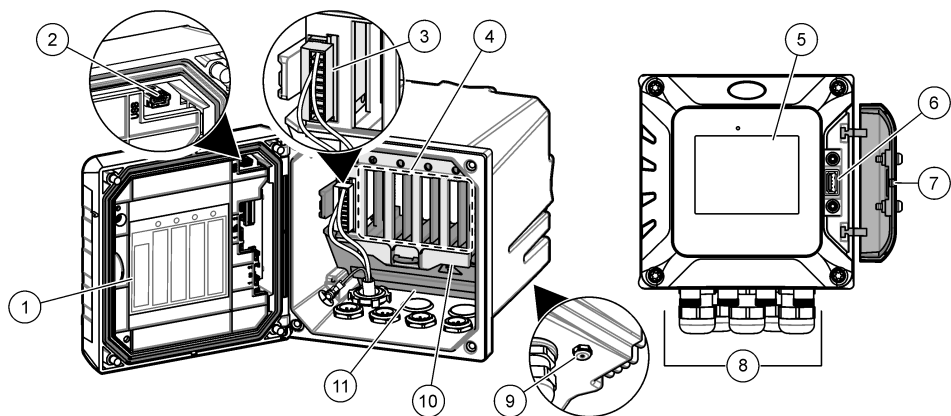
SC4500 控制器是一款双通道控制器，其用于数字分析设备（如传感器和分析仪）和连接数字网关或扩展模块的模拟传感器。请参见图 1。

控制器显示屏显示了传感器测量值和其他数据，可传输模拟和数字信号，并可通过输出端和继电器与其他设备进行交互以及控制其他设备。通过控制器正面的用户界面来配置和校准输出端、继电器、传感器和扩展模块，或者为通过网络连接的控制器进行远程配置和校准。控制器可通过蜂窝网络⁵、WiFi 网络⁵或 LAN 连接到 Claros。Prognosis 诊断系统⁵显示维护任务的状态，并提供仪器状况的状态。

仪表显示屏为触摸屏。仪器外壳底部有一个防护通风口。请勿盖住或拆下防护通风口。如果发现损坏，请更换防护通风口。

控制器可以选配扩展模块。有关其他信息，请参阅制造商网站上提供的详细用户手册。

图 1 产品概述



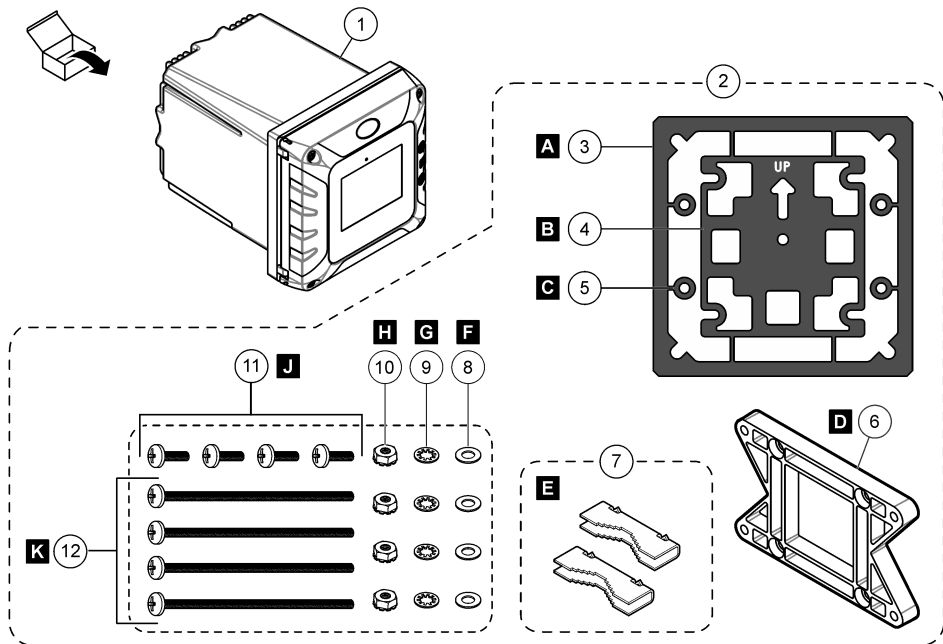
1 模块安装和接线信息标签	7 USB 护盖
2 用于连接外部 USB 盒的 USB 接口（WiFi 或蜂窝连接）	8 电气连接器和接头
3 扩展模块（插槽 0） ⁵	9 防护通风口
4 其他扩展模块插槽（插槽 1、2、3 和 4）	10 模块安装护盖
5 触摸板显示屏	11 高电压防护层
6 用于数据下载和固件更新的 USB 接口	

⁵ 取决于控制器配置。扩展模块已经在出厂时根据控制器配置装好。

3.4 产品部件

确保已收到所有部件。请参见图2。如有任何物品缺失或损坏，请立即联系制造商或销售代表。

图2 产品部件



1 SC4500 控制器	7 安装支脚（安装支架嵌件）（2个）
2 安装硬件	8 平垫圈，内径 ¼ 英寸（4个）
3 面板安装密封垫，氯丁橡胶材质	9 锁紧垫圈，内径 ¼ 英寸（4个）
4 管式安装的减振垫	10 齿形六角螺母，M5 x 0.8（4个）
5 管式安装的减振垫圈（4个）	11 盘头螺钉，M5 x 0.8 x 15 mm（4个）
6 壁式和管式安装支架 ⁶	12 盘头螺钉，M5 x 0.8 x 100 mm（4个） ⁷

第4节 安装

⚠ 危险



多重危险。只有符合资质的专业人员才能从事文档本部分所述的任务。

⁶ 面板安装支架作为可选附件。有关更换部件和配件，请参阅扩展用户手册。

⁷ 用于可变直径的管道安装。

4.1 安装指南

▲ 危险



电击危险。外部连接的设备必须具有适用的国家安全标准评估。

▲ 警告



爆炸危险。本手册仅适用于在安全场所安装设备。如需在危险场所安装设备，请仅使用危险场所安全手册中的说明和经批准的控制图进行安装。

注意

请勿在没有防护罩的情况下在腐蚀性空气环境中安装控制器。腐蚀性空气将导致电子电路系统和组件损坏。

注意

请勿将控制器安装在室外阳光直射或紫外线辐射的环境中，否则可能会损坏控制器。选装带天窗的紫外线防护屏，以防止在户外阳光直射下紫外线照射造成的损坏。

注：（仅限“通过网络连接到 Claros”版本）确保您的 IT 部门已批准设备的安装和调试。无需具有管理员权限。电子邮件地址“No-reply@hach.com”用于发送设置邮件，“donotreply@hach.com”用于发送安装所需的系统通知。请将这两个电子邮件地址添加到安全发件人列表，以确保接收这些发件人发送的邮件。Hach 不发送用于确认“发件人不是机器人”的请求。

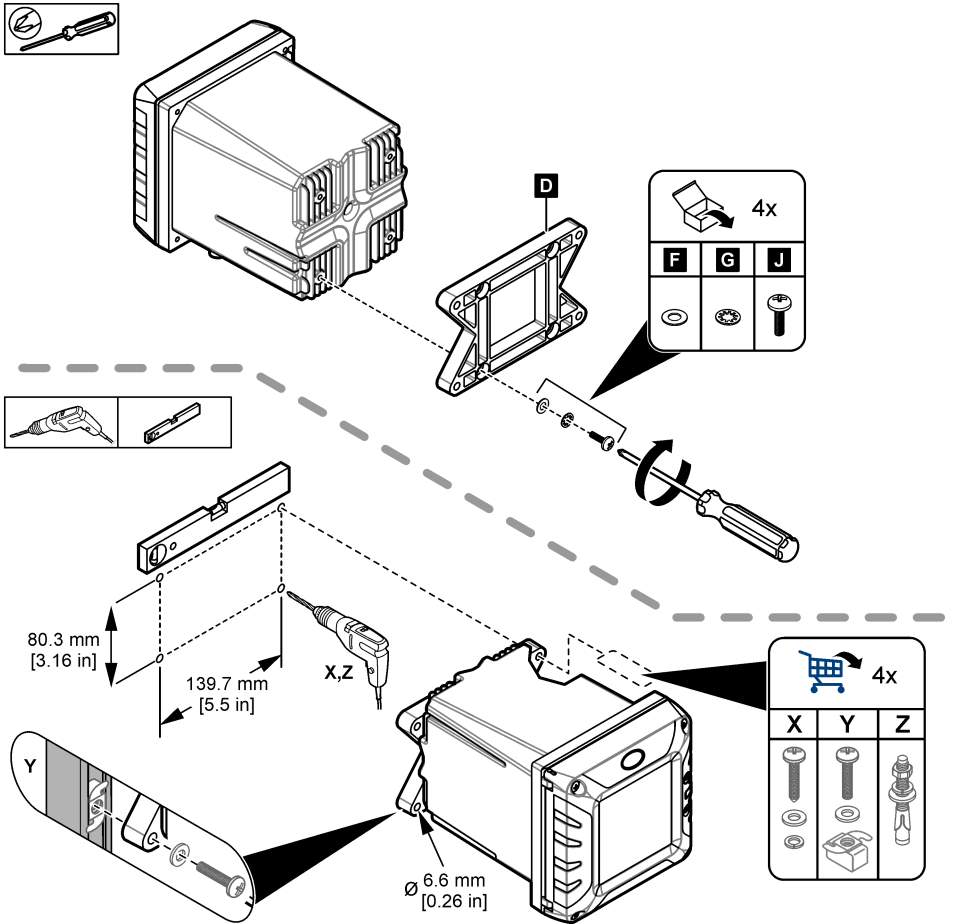
- 将控制器安装在控制器的电源切断装置易于操作的位置。
- 竖直地安装控制器，并平放在垂直的平坦表面上。
- 或者，也可将仪器安装在面板、直立杆或横杆上。
- 确保设备周围具有足够的间隙以便进行连接和执行维护任务。
- 确保控制器门开启所需的最小 16 cm (6.30 in.) 间隙。
- 将仪器安装在振动最小的位置。
- 推荐选择安装移动电话支架。
- 对于所有户外安装，建议使用天窗选件或带天窗的紫外线防护屏选件。
- 根据设备的外壳防护等级，为可能没有同等环保等级的计算机或其他连接设备提供保护。
- 对于面板安装，请遵守面板内侧的指定环保等级。
- 确保最大额定功率符合环境温度方面的要求。

4.2 机械安装

4.2.1 将仪器安装到墙壁上

竖直地安装控制器，平贴在垂直的平坦表面上。确保壁挂安装能够承受 4 倍于设备的重量。请参见图 3 所示的步骤，并参见 [产品部件](#) 第 91 页 了解所需的安装硬件。

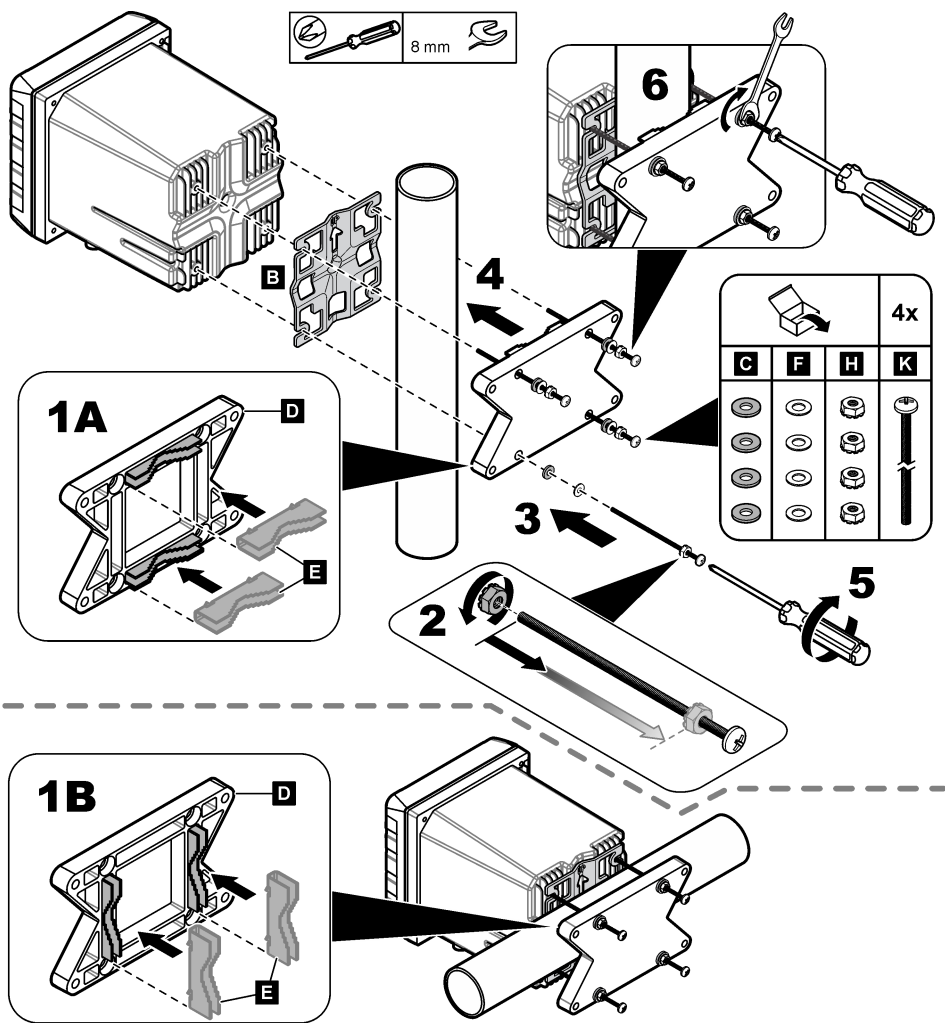
图 3 墙面安装



4.2.2 将仪器安装到杆上

将控制器竖直安装到杆或管道上（水平或垂直）。确认管道直径为 19 至 65 mm（0.75 至 2.5 in.）。参阅图 4 和产品部件 第 91 页中适用于必需安装硬件的图示步骤。

图 4 杆安装

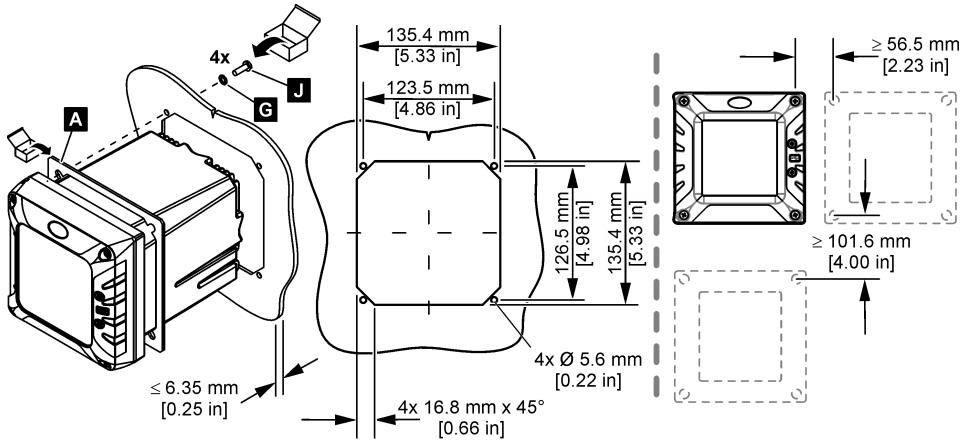


4.2.3 将仪器安装在面板中

面板安装需要一个矩形孔。为此，请将随附的面板安装密封垫作为模板，在面板上切割孔。请确保模板处在上方以便垂直安装控制器。请参见 图 5。

注： 如果安装面板时使用支架（可选件），请首先使控制器穿过面板中的孔，然后将支架滑过位于面板背侧的控制器。使用四颗 15 mm 的平头螺钉（已提供）将支架固定在控制器上，然后将控制器固定到面板上。

图 5 面板安装尺寸



4.3 电气安装

4.3.1 电气连接器和接头

图 6 显示了仪器上的电气连接器和接头。为保持外壳的环境防护等级，请确保在未使用的应力消除接头中放置一个塞子，在未使用的连接器上放置一个连接器盖。

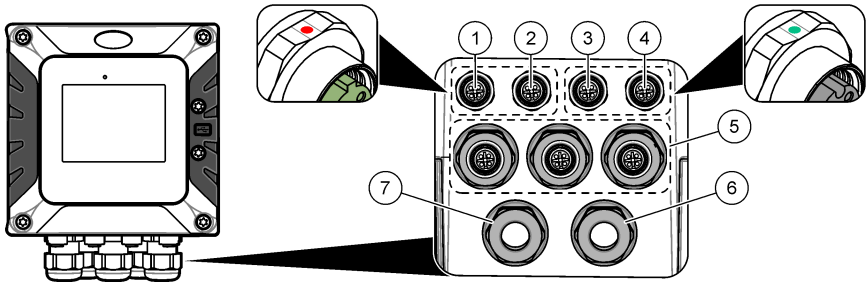
根据控制器配置，控制器具有：

- 以太网连接器 (LAN)，通过客户网络提供对控制器的互联网访问。
- 用于工业以太网协议的以太网连接器：EtherNet/IP 或 PROFINET。
- 数字 SC 连接器，用于 sc 数字传感器、sc 数字网关和分析仪。

采用颜色代码标识各个连接器。LAN 连接器为绿色，带有一个红点。EtherNet/IP 或 PROFINET 连接器为黄色，带有一个红点。SC 数字传感器连接器为黑色，带有一个绿点。有关每个连接器和接头的适用选项，请参阅表 1。

注： 控制器交付时未安装应力消除接头。用户必须提供必要的应力消除装置。有关其他信息，请参阅制造商网站上提供的详细用户手册。

图 6 电气连接器和接头



1 用于 LAN 端口 1 的以太网连接器（可选）或 EtherNet/IP 或 PROFINET 连接器	5 USB 盒和扩展模块的应力消除接头：模拟输入/输出、Profibus DP
2 用于 LAN 端口 2 的以太网连接器（可选）或 EtherNet/IP 或 PROFINET 连接器	6 电源线（或导线管集线头） ⁹
3 数字 SC 连接器：通道 1。可选；至传感器模块的模拟传感器连接，或至 4-20 mA 输入模块的模拟输入连接 ⁸	7 高压继电器的应力消除装置
4 数字 SC 连接器：通道 2。可选；至传感器模块的模拟传感器连接，或至 4-20 mA 输入模块的模拟输入连接	

表 1 各个连接器和接头的选项

设备	1 ¹⁰	2	选项 ¹¹	3	4	5	6	7
sc 数字传感器、sc 数字网关或分析仪				X	X			
模拟传感器				X	X			
传感器模拟模块				X	X			
4-20 mA 输出						X		
Profibus DP 模块						X		
Modbus RS232/RS485 模块						X		
USB 盒						X		
LAN + LAN	绿色	绿色	分离/链接					
LAN + Modbus TCP	绿色	绿色	分离/链接					
EtherNet/IP	黄色	黄色	仅 IEP					
LAN + EtherNet/IP	绿色	黄色	混合 IEP					
PROFINET	黄色	黄色	仅 IEP					
LAN + PROFINET	绿色	黄色	混合 IEP					

⁸ 安装适用的扩展模块（若尚未安装）以将模拟传感器或 4-20 mA 输入模块连接至控制器。有关详细信息，请参阅扩展模块随附的文档。

⁹ 电源线在出厂时已根据控制器配置进行了安装。


¹⁰ 采用颜色代码标识各个连接器。LAN 连接器为绿色。以太网/IP 或 PROFINET 连接器为黄色。

¹¹ 有关其他信息，请参阅制造商网站上提供的详细用户手册。

表 1 各个连接器和接头的选项（续）

设备	1 ¹⁰	2	选项 ¹¹	3	4	5	6	7
高压继电器								X
电源							X	


4.3.2 静电放电 (ESD) 注意事项

注意	
	<p>可能导致仪器损坏。静电会损害精密的内部电子元件，从而导致仪器性能降低或最终出现故障。</p>

请参阅此流程中的步骤以防止 ESD 损坏仪器：

- 触摸接地金属表面（如仪器外壳、金属导管或管道），泄放人体静电。
- 避免过度移动。运送静电敏感的元件时，请使用抗静电容器或包装。
- 配戴连接到接地线缆的腕带。
- 使用防静电地板垫和工作台垫，以使工作区具备静电安全性。

4.3.3 电源连接

⚠ 危险	
	<p>多重危险。只有符合资质的专业人员才能从事文档本部分所述的任务。</p>

⚠ 危险	
	<p>电击致命危险。进行电气连接前，务必断开仪器的电源。</p>

如果控制器还没有安装电源线，使用导管或电源线连接电源。参阅下面各部分，使用导管或电源线连接电源。

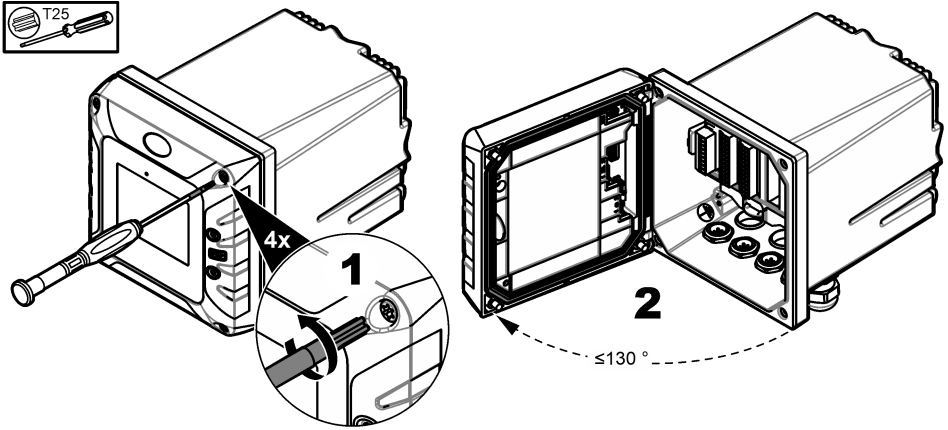
4.3.3.1 打开控制器护盖

打开控制器护盖以便接触到电线接头。请参见 [图 7](#)。

¹⁰ 采用颜色代码标识各个连接器。LAN 连接器为绿色。以太网/IP 或 PROFINET 连接器为黄色。

¹¹ 有关其他信息，请参阅制造商网站上提供的详细用户手册。

图 7 打开控制器

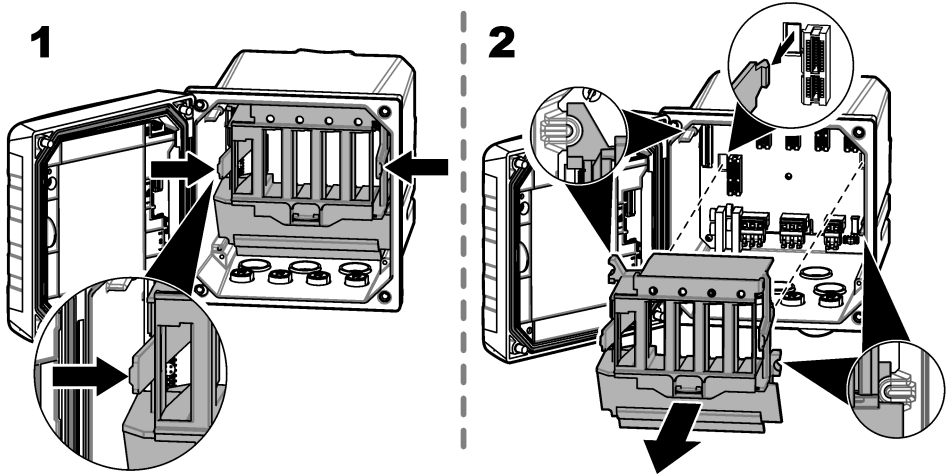


4.3.3.2 拆下高压防护层

控制器的高电压配线位于控制器里面高电压防护层的后面。不要在控制器通电的情况下拆卸防护层。在为控制器供电之前，请确保已安装防护层。

卸下高电压防护层后，可接触到高压配线。请参见图 8。

图 8 高电压防护层



4.3.3.3 电源接线

⚠ 危险



电击致命危险。需要连接保护接地地线。

⚠ 危险



电击和火灾危险。务必在导线管上清晰地标识本地断电开关的位置。

⚠ 警告



可能存在电击致命危险。如果此设备在户外或在可能潮湿的场所使用，则必须使用**防高压触电**装置将此设备连接到其电源。

⚠ 警告



电击致命危险。本地断开装置必须断开所有带电导体。电源连接必须保持电源极性。可分离插头是电线连接设备的断开装置。

⚠ 警告



电击和火灾危险。确保由用户提供的电线和非锁定插头符合相关国家/地区的适用标准。

⚠ 警告



爆炸危险。本手册仅适用于在安全场所安装设备。如需在危险场所安装设备，请仅使用危险场所安全手册中的说明和经批准的控制图进行安装。

注意

请将设备安装在于便于切断设备开关和其操作的场所和位置。

控制器有 100-240V 交流供电的型号或 18-28V 直流供电的型号可供选购。请遵照所购型号的相关接线说明操作。

利用导管或电源线为仪器供电。确保电源线中安装一个电流能力充足的断路器。断路器的规格取决于装置所用的线号。

对于含有导管的装置：

- 在仪器 3 m (10 ft) 范围内为仪器安装一个本地断路器。在断路器上贴上标签，将其标为仪器的主断路装置。
- 额定工作温度至少为 90 (194)，并且适用于安装环境
- 对于永久性连接，请仅使用实心电线。使用尺寸介于 0.75 - 1.5 mm² (18 - 16 AWG) 之间的线缆。柔性电线的末端必须配有压接套管或销型端子。
- 按照当地、州或国家的电气规范连接设备。
- 通过一个导管接头来连接导管，以便牢固地固定导管，并在拧紧后密封外壳。
- 如果使用了金属导管，则请确保紧固管毂，从而使管毂连接金属导管以安全接地。
- 为直流控制器供电的直流电源必须在指定的 18-28 V 直流电压限值内。直流电源还必须提供充分的浪涌和线路瞬态保护。

对于含有电源电缆的装置，确保电源电缆：

- 长度小于 3 m (10 ft)
- 电源电压和电流达到额定值。
- 额定工作温度至少为 90 (194)，并且适用于安装环境
- 电线的横截面积不小于 0.75 mm² (18 AWG)，并且电线需具有符合当地规范要求的绝缘颜色。柔性电线的末端必须配有压接套管或销型端子。
- 供电接头采用三芯插头式（带有接地端）电源电缆
- 通过电缆接头（应力消除装置）进行连接，以便牢固地固定电源电缆并在拧紧时密封外壳

- 插头上不含锁紧装置

4.3.3.4 连接导线管或电源线

注意

制造商建议使用他们提供的电气元件，例如电源线、连接器和应力消除接头。

注意



确保线缆护套穿过外壳内侧以保持外壳的防护等级。

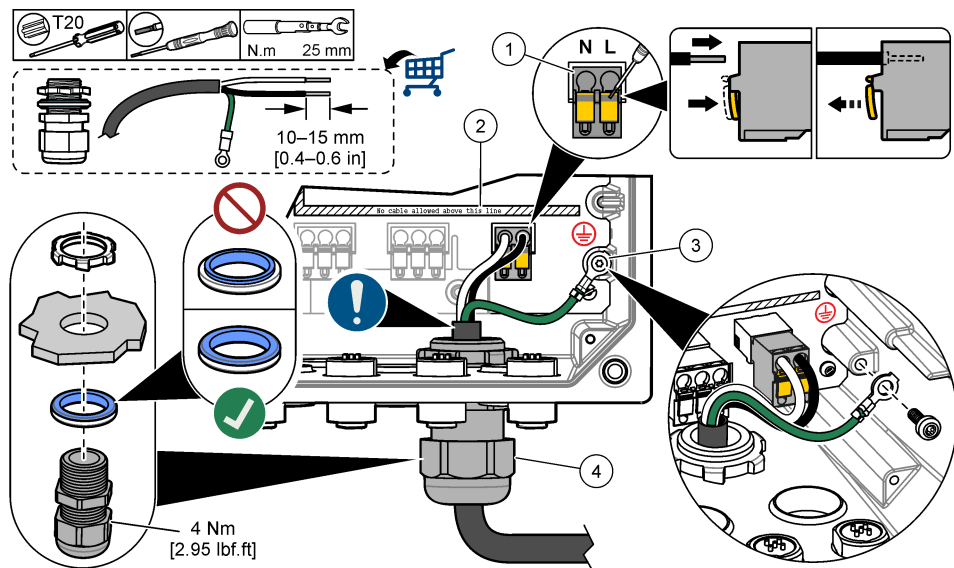
控制器可采取导线管硬接线连接电源或采取电源线连接。不管使用何种连接方式，都将在相同端子进行连接。

电源线插头用于接通和断开控制器的电源。对于导线管安装，安装的本地断路装置用于接通和断开控制器的电源。

请参阅图 9 和表 2 或表 3 以连接导管或电源线。将所有电线插入相应的端子，直到对连接器绝缘且无裸线暴露在外为止。插入之后轻轻拉拔，以确保牢固连接。如有必要，可从 PCBA 上拆下连接器，以便连接端子。

注： 确保所有线缆都保持在 PCBA 上印刷的线缆限制线的下方，以防止干扰高压防护层。请参见图 9。

图 9 连接导线管或电源线



1 交流和直流电源端子

3 保护接地

2 线缆限制线：不要让线缆超过此限制线。

4 导线管集线器（或电源线应力释放接头）

表 2 接线信息 — 交流电源



端子	说明	颜色 — 北美	颜色 — 欧盟
L	热 (第 1 行)	黑色	棕色
N	零线 (N)	白色	蓝色
	保护接地	绿色	带有黄色条纹的绿色

表 3 接线信息—直流电源

端子	说明	颜色 — 北美	颜色 — 欧盟
L	+24 VDC	红色	红色
N	24 VDC 逆流	黑色	黑色
	保护接地	绿色	带有黄色条纹的绿色

4.3.4 连接高电压继电器

⚠ 危险



电击致命危险。进行电气连接前，务必断开仪器的电源。

⚠ 警告



可能存在电击致命危险。电源和继电器的端子仅适用于单线端接。请勿在每个端子连接多根电线。

⚠ 警告



可能存在火灾危险。请勿在分析仪内部将继电器公共端或跳线以菊花链形式连接到仪器内部的主电源。

⚠ 警告



爆炸危险。本手册仅适用于在安全场所安装设备。如需在危险场所安装设备，请仅使用危险场所安全手册中的说明和经批准的控制图进行安装。

⚠ 警告



火灾危险。继电器负载必须为电阻负载。确保使用外部保险丝或者断路器限制继电器电流。遵守“规格”部分的继电器额定值。

注意



确保线缆护套穿过外壳内侧以保持外壳的防护等级。

仪器包含两个无源继电器，它们各自拥有一个单极转换触点。对于交流控制器，接线盒不适用于超过 264 VAC 的电压连接。

继电器端子位于控制器外壳内高压防护层的后面。当继电器端子已通电时，不要卸下防护层。请勿在没有安装防护层时给继电器端子通电。

必要时将每个继电器连接至控制装置或警报装置。请参见图 10 和表 4 来连接继电器。有关其他信息，请参阅制造商网站上提供的详细用户手册。

请参阅规格第 86 页以了解继电器规格。各继电器之间相互独立且与低电压输入/输出电路分开。

电源和继电器插头的最大规格导线的额定值为 1.5 mm^2 (16 AWG)。继电器端子可连接 0.75 - 1.5 mm^2 (18 - 16 AWG) 电线（具体应用取决于负载条件）。使用绝缘额定值为 300 VAC 或更高的电线。将所有电线插入相应的端子，直到对连接器绝缘且无裸线暴露在外为止。插入之后轻轻拉拔，以确保牢固连接。如有必要，可从 PCBA 上拆下连接器，以便连接端子。柔性电线的末端必须配有压接套管或销型端子。

注： 确保所有线缆都保持在 PCBA 上印刷的线缆限制线的下方，以防止干扰高压防护层。

继电器触点的电流必须为 5A（纯电阻负载），功率为 1250 VA/125 W（纯电阻负载）或更低。确保有一个备用开关可以在紧急情况下或进行维护时局部断开继电器的电源。

对于交流控制器，使用高压继电器。对于直流控制器，请在低电压下使用继电器。请参阅规格第 86 页以了解继电器规格。但是，切勿配置高电压与低电压的组合。

在永久连接应用中，继电器端子与电源电路的连接必须具有额定最低 300 V， 90°C (194°F) 的绝缘。通过电源线连接到主电路的端子必须是双重绝缘的，且内部和外部绝缘层的额定绝缘值均为 300 V， 90°C (194°F)。

注： 将继电器接线穿过高压继电器的应力释放接头。请参见图 6 第 96 页。

图 10 连接继电器

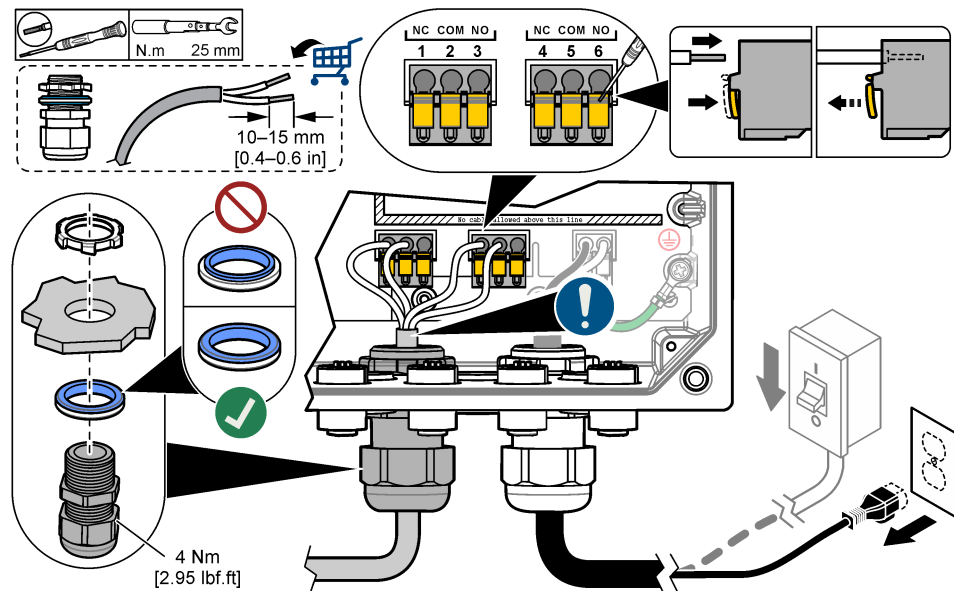


表 4 接线信息 — 继电器

端子	说明	端子	说明
1	继电器 2, NC	4	继电器 1, NC
2	继电器 2, 公用	5	继电器 1, 公用
3	继电器 2, NO	6	继电器 1, NO

NC = 常闭; NO = 常开

4.3.5 安装扩展模块

⚠ 警告



爆炸危险。本手册仅适用于在安全场所安装设备。如需在危险场所安装设备，请使用危险场所安全手册中的说明和经批准的控制图进行安装。

扩展模块可为控制器提供模拟输出、模拟输入、模拟传感器和 Profibus 通信功能。有关详细信息，请参阅扩展模块随附的文档。

4.4 盖上护盖

⚠ 危险



电击致命危险。控制器的高压线连接至控制器外壳内高压防护层的后面。除了在安装模块时或由合格的安装技术人员对电源、继电器或模拟卡和网卡进行布线时，防护层必须保持在正确位置。

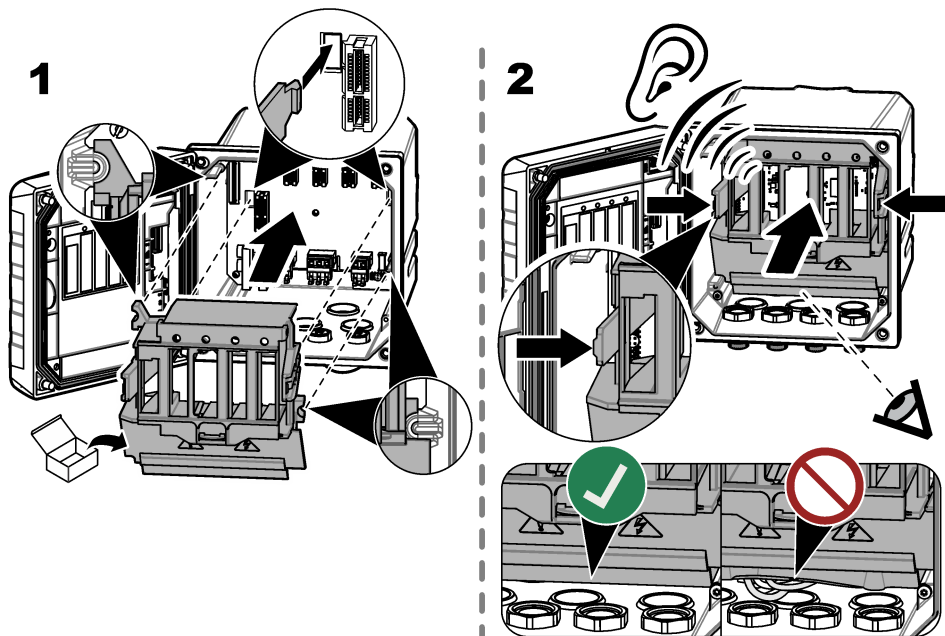
注意

合上控制器护盖，确保护盖螺钉已拧紧，以保持外壳的防护等级。

在连接电源后，安装高压防护层。确保高压防护层正确安装在外壳导轨上，并固定至主 PCBA。高压防护层正确安装时，会听到一声咔嗒声。确保高压防护层的下部（软橡胶凸缘）安装正确且没有变形。请参见图 11。

合上控制器护盖。以 2 Nm (17.70 lbf-in) 的扭矩拧紧盖板螺钉。请参见图 7 第 98 页。

图 11 安装高压防护层

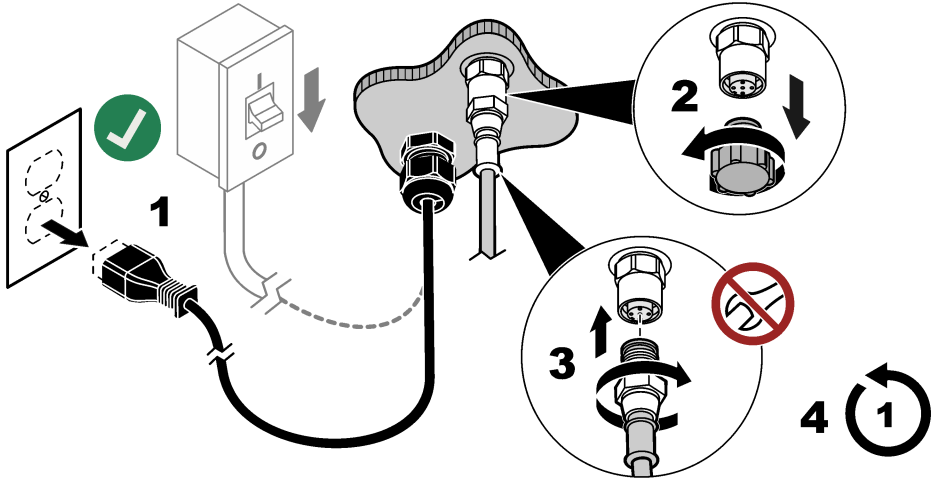


4.5 连接测量设备

将数字设备（例如传感器和分析仪）连接至仪器上的设备连接器。请参阅图 12。保留设备连接器护帽以备将来使用。

确保设备电缆不会导致跳断，没有急弯。

图 12 连接设备



第 5 节 启动

将电源线连接至具有保护接地的电气插座上，或将控制器的断路器设置为打开。

5.1 输入初始设置

初次启动时，请按照显示屏上的提示设置语言，日期，时间和网络信息。请参阅制造商网站上提供的扩展版用户手册。

第 6 节 附加信息

以下补充信息可在扩展用户手册中获取。

- 用户界面及导航
- 运行
- 维护
- 故障排除
- 替换零件清单

扫描下面的二维码，即可进入扩展用户手册。



英语



意大利文



西班牙文



德文



法文



中文

目次

- | | |
|----------------------|-------------------|
| 1 仕様 106 ページ | 4 取り付け 111 ページ |
| 2 オンライン取扱説明書 107 ページ | 5 スタートアップ 124 ページ |
| 3 一般情報 107 ページ | 6 追加情報 124 ページ |

第1章 仕様

仕様は予告なく変更されることがあります。

仕様	詳細
寸法 (W x H x D)	1/2 DIN—144 x 144 x 192 mm
筐体	UL50E Type 4 個、IEC/EN 60529-IP66、NEMA 250 Type 4 個 腐食耐性仕上げの金属筐体
重量	1.7 kg (3.7 lb) (変換器重量、オプションの拡張モジュールなし)
汚染度	環境: 4、装置: 2
過電圧カテゴリ	II
感電保護クラス	I (保護接地に接続済み)
設置条件	屋内外使用
供給電源	AC 変換器: 100~240 VAC ±10%、50/60 Hz、1 A (消費電力 8 W 検出器接続時 50 VA、消費電力 28 W 検出器接続時 100 VA) DC 変換器: 18~28 VDC、2.5 A (消費電力 9 W 検出器接続時 12 W、消費電力 20 W 検出器接続時 36 W)
作動温度	-20 ~ 60 °C (消費電力 8 W(AC)/9 W(DC)検出器接続時) -20 ~ 45 °C (消費電力 28 W(AC)/36 W(DC)検出器接続時) 45 ~ 60 °C ディレーティング: -1.33/°C
保管温度	-20 ~ 70 °C
相対湿度	0 % ~ 95 %、結露のないこと
標高	最大 3000 m (9842 ft)
画面	静電容量方式タッチパネル搭載 3.5 インチ TFT カラー画面
接続	デバイス 2、デジタル検出器
リレー出力	2 チャンネル (SPDT): 適合ケーブル: 0.75 ~ 1.5 mm ² (18 ~ 16 AWG) AC 変換器 電圧: 100~240 VAC 電流: 5 A (抵抗)/1 A (パイロットデューティ) 電力: 1200 VA (抵抗)/360 VA (パイロットデューティ) DC 変換器 電圧: 30 VAC または 42 VDC 電流: 4 A (抵抗)/1 A (パイロットデューティ) 電力: 125 W (抵抗)/28 W (パイロットデューティ)
伝送入力 (オプション) ³	0~20 mA (または 4~20 mA) の伝送入力 (各伝送入力モジュールに 1 チャンネル) 各センサモジュールに 1 つのアナログ検出器 最大 2 つの伝送入力

仕様	詳細
伝送出力 (オプション) ³	0～20 mA (または 4～20 mA) の伝送出力 (各伝送出力モジュールに 5 チャンネル) ¹
デジタル通信 (オプション) ³	Profibus DPV1 モジュール、Modbus RS232/RS485 モジュール、Modbus TCP、PROFINET モジュール、EtherNet/IP™モジュール ² モジュール
ソフトウェアモジュール (オプション)	詳細については、セールスまたはテクニカルサポートにお問い合わせください。 ※ コントローラに同時にインストールできるソフトウェアモジュールは、1 つだけです。
ネットワーク接続 ³	LAN パーバージョン (オプション): イーサネットコネクタ (10/100 Mbps) として M12 D コードコネクタ (メス) 2 個、 セルラーバージョン および Wi-Fi パーバージョン (オプション) ⁴
USB ポート	データのダウンロードとソフトウェアのアップロードに使用されます。変換器は、接続されている検出器ごとに約 20,000 個のデータポイントを記録します。
適合性情報	CE, UL および CSA 安全規格に対する ETL 認定 (全検出器タイプ)、FCC, ISED, KC, RCM, EAC, UKCA, SABS, CMIM, モロッコ
保証	1 年 (EU: 2 年)

第 2 章 オンライン取扱説明書

本取扱説明書は、製造元 Web サイトにある取扱説明書よりも記載される情報が少なくなっています。

第 3 章 一般情報

いかなる場合も、製造元は、製品の不適切な使用またはマニュアルの指示に従わなかったことに起因する損害について責任を負いません。製造元は、通知または義務なしに、随時本マニュアルおよび製品において、その記載を変更する権利を有します。改訂版は、製造元の Web サイト上にあります。

3.1 安全情報

メーカーは、本製品の目的外使用または誤用に起因する直接損害、偶発的損害、結果的損害を含むあらゆる損害に対して、適用法で認められている範囲で一切責任を負わないものとします。ユーザーは、適用に伴う危険性を特定したり、装置が誤作動した場合にプロセスを保護するための適切な機構を設けることに関して、全責任を負うものとします。

この機器の開梱、設定または操作を行う前に、このマニュアルをすべてよく読んでください。危険、警告、注意に記載されている内容をよく読み、遵守してください。これを怠ると、使用者が重傷を負う可能性、あるいは機器が損傷を受ける可能性があります。

この機器による保護機能が損なわれていないことを確認してください。この装置は本マニュアルで指定されている方法以外の方法で使用したり、取り付けたりしないでください。

3.1.1 危険情報

▲ 危険
回避しないと死亡または重傷につながる潜在的または切迫した危険な状況を示します。
▲ 警告
回避しなければ、死亡または重傷につながるおそれのある潜在的または切迫した危険な状況を示します。
▲ 注意
軽傷または中程度のけがをする事故の原因となる可能性のある危険な状況を示します。

¹ 詳細については、各モジュールの取扱説明書を参照してください。

※ モジュールは、使用可能なスロット 1 つに 1 つだけ設置します。

² EtherNet/IP は、OVDA Inc. の商標です。

³ 変換器の設定によって異なります。





⁴ Wi-Fi パーバージョンのネットワーク接続には、外部 USB ボックス Wi-Fi が必要です。セルラーバージョンのネットワーク接続には、外部 USB ボックスセルラーが必要です。

告知

回避しなければ、本製品を損傷する可能性のある状況や、特に強調したい情報を示します。特に強調する必要がある情報。

3.1.2 使用上の注意ラベル

測定器上に貼付されたラベルや注意書きを全てお読みください。これに従わない場合、人身傷害や装置の損傷につながるおそれがあります。測定器に記載されたシンボルは、使用上の注意と共にマニュアルを参照してください。

	これは安全警報シンボルです。潜在的な障害を避けるためにこのシンボルのすべて安全メッセージに従ってください。装置上では、作業または安全情報に関しては取り扱い説明書を参照してください。
	このシンボルは感電の危険があり、場合によっては感電死の原因となる恐れのあることを示しています。
	このシンボルは、静電気放電 (ESD) に敏感なデバイスがあることと、機器の破損を防止する措置をとる必要があることを示しています。
	このシンボルが付いている電気機器は、ヨーロッパ域内または公共の廃棄処理システムで処分できません。古くなったり耐用年数を経た機器は、廃棄するためにメーカーに無償返却してください。

3.1.3 電磁両立性(EMC)コンプライアンス

▲ 注意

本機器は、住宅環境での使用を意図しておらず、そのような環境ではラジオの聴取に対する十分な保護が得られない可能性があります。

CE (EU)

装置は EMC 指令 2014/30/EU の必須要件を満たしています。

UKCA (UK)

本装置は、Electromagnetic Compatibility Regulations 2016 (S.I. 2016/1091)の要件を満たしています。

カナダ電波妨害装置規則、ICES-003、クラス A:

これを裏付けるテスト記録はメーカーにあります。

このクラス A デジタル装置は、カナダの障害発生機器規則の要件をすべて満たしています。

Cet appareil numérique de classe A répond à toutes les exigences de la réglementation canadienne sur les équipements provoquant des interférences.

FCC PART 15、クラス「A」限度値

これを裏付けるテスト記録はメーカーにあります。この機器は FCC 規則のパート 15 に準拠します。この機器の動作は以下の条件を前提としています:

1. この装置が有害な干渉の原因とならないこと。
2. この装置が望ましくない動作の原因となる可能性のある干渉を含めた、いかなる干渉にも対応しなければなりません。

これらの規格への準拠に責任を持つ当事者による明示的承認を伴わずにこの装置に対する改変または改造を行うと、ユーザーはこの機器を使用する権限を失う可能性があります。この装置は、FCC 規則のパート 15 に従って、クラス A のデジタル機器の制限に準拠することが試験によって確認されています。これらの制限は、この機器が商用の環境で使用されたときに、有害な干渉から適切に保護することを目的に設定されています。この機器は、無線周波数エネルギーを生成および使用するもので、取扱説明書に従って取り付けおよび使用しない場合にはそれを放射する場合があります、無線通信に対して有害な干渉を発生させる可能性が


あります。住宅地域における本装置の使用は有害な電波妨害を引き起こすことがあり、その場合ユーザーは自己負担で電波妨害の問題を解決する必要があります。干渉の問題を軽減するために以下の手法が利用可能です。

1. 装置から電源を取り外して、装置が干渉源かどうかを確認します。
2. 装置が干渉を受けている装置と同じコンセントに接続されている場合は、装置を別のコンセントに接続してください。
3. 妨害を受けている装置から本装置を離します。
4. 干渉を受けるデバイスの受信アンテナの位置を変更します。
5. 上記の措置を組み合わせます。

3.2 使用目的

SC4500 変換器は、産業用水、水道水、または廃水プラントで複数の水質パラメータを測定する水処理専門業者を対象としています。SC4500 変換器では、水の処理や浄化は行いません。

3.3 製品概要

▲ 危険	
	化学的および生物学的な危険。この装置の用途が処理工程や薬液注入システムの監視であり、それらに対して公衆衛生、公衆安全、食品/飲料の製造/加工に関する規制や監視要件が存在する場合、この装置の使用するには、該当するすべての規制を把握して遵守する責任、および装置の異常時に関する当該規制に従って十分かつ適切な措置を講じる責任があります。

告知
ネットワークおよびアクセスポイントのセキュリティ確保は、ワイヤレス機器を使用されるお客様の責任で行われるものとします。製造元は、ネットワークセキュリティの乖離またはネットワークセキュリティの侵害によって引き起こされた間接的、特別的、必然的または偶発的な損害を含むがこれらに限定されない、いかなる損害についても責任を負わないものとします。

告知
過塩素酸塩物質—特別な取り扱いが適用される場合があります。 www.dtsc.ca.gov/perchlorate を参照してください。この過塩素酸塩の規制は、米国カリフォルニア州で販売または輸送される、一次電池(単体および機器に取り付けられている)に適用されます。

告知
変換器の画面には、保護フィルムが取り付けられています。この保護フィルムは、変換器を使用する前に必ず取り外します。

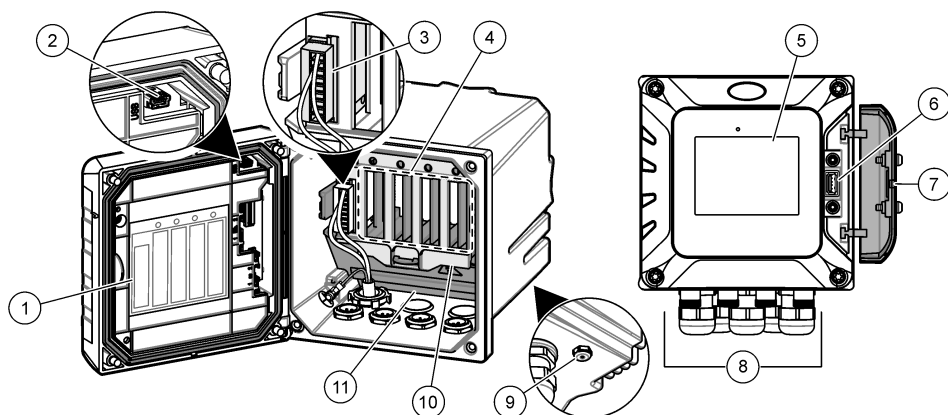
SC4500 コントローラは、デジタルゲートウェイや拡張モジュールに接続されたデジタル分析機器(センサーやアナライザーなど)およびアナログセンサー用の 2 チャンネルコントローラです。を参照して、すべての構成部品が揃っていることを確認します。図 1

この変換器は、検出器測定値やその他のデータを画面に表示し、伝送およびデジタルデータを送信し、伝送やリレー出力を通じて他の装置とのやりとりおよび制御が可能です。伝送やリレー出力、および拡張モジュールは、変換器の前面にあるユーザーインターフェイスを介して、またはリモートでネットワーク接続された変換器に対して設定および校正されます。変換器は、セルラーネットワーク⁵、Wi-Fi ネットワーク⁵、または LAN 接続を通じて Claros に接続します。Prognosys 診断システム⁵ では、メンテナンスタスクのステータスが表示され、装置の状態が示されます。

装置の表示部はタッチスクリーンです。装置の筐体の底面には、保護用通気孔があります。この通気孔は、覆ったり、取り外したりしないでください。損傷がある場合は、保護用通気孔を交換します。

変換器は、オプションの拡張モジュールを利用できます。詳細は、製造元の Web サイト上にある拡張部品の取扱説明書を参照してください。

図 1 製品概要



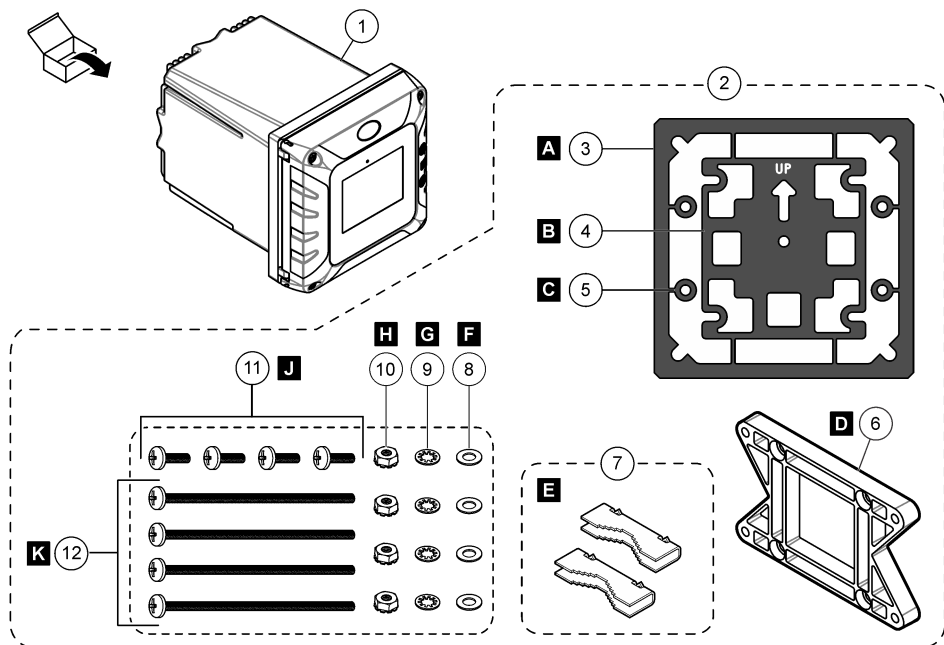
1 モジュールの取り付けおよび配線に関するラベル	7 USB カバー
2 外部 USB ボックス用 USB 接続部 (Wi-Fi またはセルラー接続)	8 配線口
3 拡張モジュール (スロット 0) ⁵	9 保護用通気孔
4 追加拡張モジュールスロット (スロット 1、2、3、4)	10 モジュール取付け用カバー
5 タッチスクリーン画面	11 高電圧バリア
6 データダウンロードおよびソフトウェア更新用の USB ポート	

⁵ 変換器の設定によって異なります。拡張モジュールは、変換器の設定に基づいて工場出荷時に取り付けられます。

3.4 製品構成部品

すべての構成部品が届いていることを確認してください。図 2 を参照してください。欠品や破損品がある場合は、直ちに製造元または販売代理店にお問い合わせください。

図 2 製品構成部品



1 SC4500 変換器	7 取付けブラケット用インサート (2 個)
2 取付金具	8 内径 1/4 インチ座金 (4 個)
3 防振ガスケット、ネオプレン	9 内径 1/4 インチ歯付座金 (4 個)
4 ポール取付け防振ガスケット	10 歯付座金ナット、M5 x 0.8 (4 個)
5 ポール取付け防振ワッシャ(4 個)	11 なべ子ねじ、M5 x 0.8 x 15 mm (4 個)
6 壁、ポール取付け用ブラケット ⁶	12 なべ子ねじ、M5 x 0.8 x 100 mm (4 個) ⁷

第 4 章 取り付け

▲ 危険



複合的な危険。本書のこのセクションに記載されている作業は、必ず資格のある作業員が行う必要があります。

⁶ パネル取付け用ブラケットはオプションです。交換部品や付属品については、拡張ユーザーマニュアルを参照してください。

⁷ ポールマウントの取り付けに使用します。

4.1 設置ガイドライン

▲ 危険



感電の危険。外部接続された機器には、該当する国の安全標準評価が必要です。

▲ 警告



爆発の危険。本取扱説明書の説明は、変換器や計器を非危険区域に設置する場合にのみ該当します。変換器や計器を危険区域に設置する場合は、必ず危険区域への設置説明書に記載されている指示に従い、承認制御図を使用してください。

告知

変換器は、保護筐体を使用せずに腐食性雰囲気環境に取り付けしないでください。腐食性雰囲気は電子回路およびコンポーネントに損傷を引き起こします。

告知

直射日光や紫外線を受ける環境では、変換器を屋外に設置しないでください。変換器が損傷するおそれがあります。直射日光が当たる屋外に設置する場合は、オプションのサンルーフ付き紫外線保護スクリーンを取り付け、紫外線ばく露による損傷を防ぎます。

注: (ネットワークおよび Claros バージョンのみ) IT 部門が装置の設置と試運転を承認していることを確認します。管理者権限は必要ありません。メールアドレス「No-reply@hach.com」からセットアップメールが送信され、「donotreply@hach.com」からインストールに必要なシステム通知が送信されます。これらの送信者からのメールを確実に受信できるように、2 つの電子メールアドレスを受信者リストに追加します。送信者がロボットでないことを確認要求のメールは送信しません。

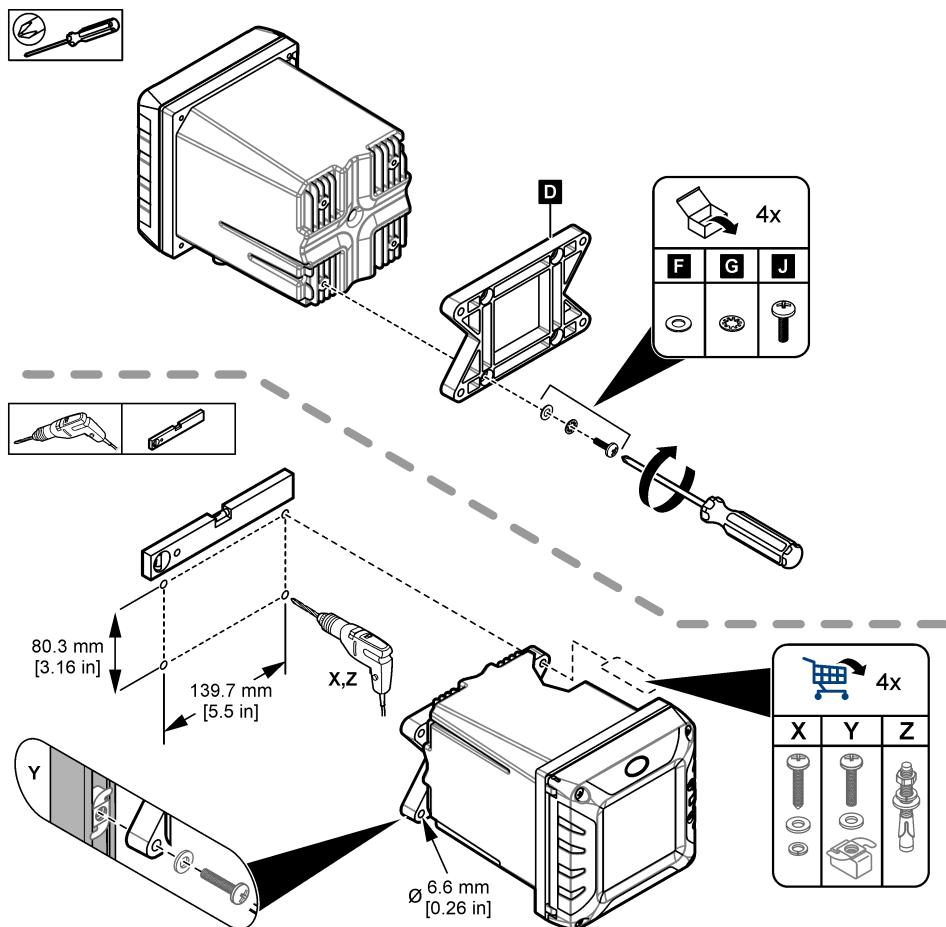
- 変換器は、その電源スイッチがすぐに稼働できる場所に取り付けます。
- 平坦で垂直な表面にまっすぐ水平に変換器を取り付けてください。
- または、パネル、垂直のポールまたは水平のポールに装置を取り付けてください。
- 変換器の作業は、十分な作業スペースと接続やメンテナンスが行える場所にあることを確認します。
- 変換器の扉の開閉のために、少なくとも 16 cm (6.30 in.) の間隔を保つようにしてください。
- 装置は、振動が最も小さい場所に設置します。
- オプションの携帯電話用ホルダーは、どこでも設置できます。
- 屋外設置時は、オプションの日除けカバーか、日除けカバー付き UV 保護カバーの使用をお勧めします。
- 機器筐体の定格値と同等の環境定格値を持たないコンピュータや他の接続機器は、機器筐体の定格値に基づいて保護します。
- パネルマウントを取り付ける際は、パネル内部の定格値に従ってください。
- 最大定格電力が周囲温度に対して適正であることを確認します。

4.2 変換器の設置

4.2.1 壁面取り付け

平らで垂直な表面に水平に変換器を取り付けてください。壁取り付け部の耐荷重が、装置の重量の 4 倍以上であることを確認してください。必要な取付金具については、[図 3](#) および [製品構成部品](#) 111 ページを参照してください。

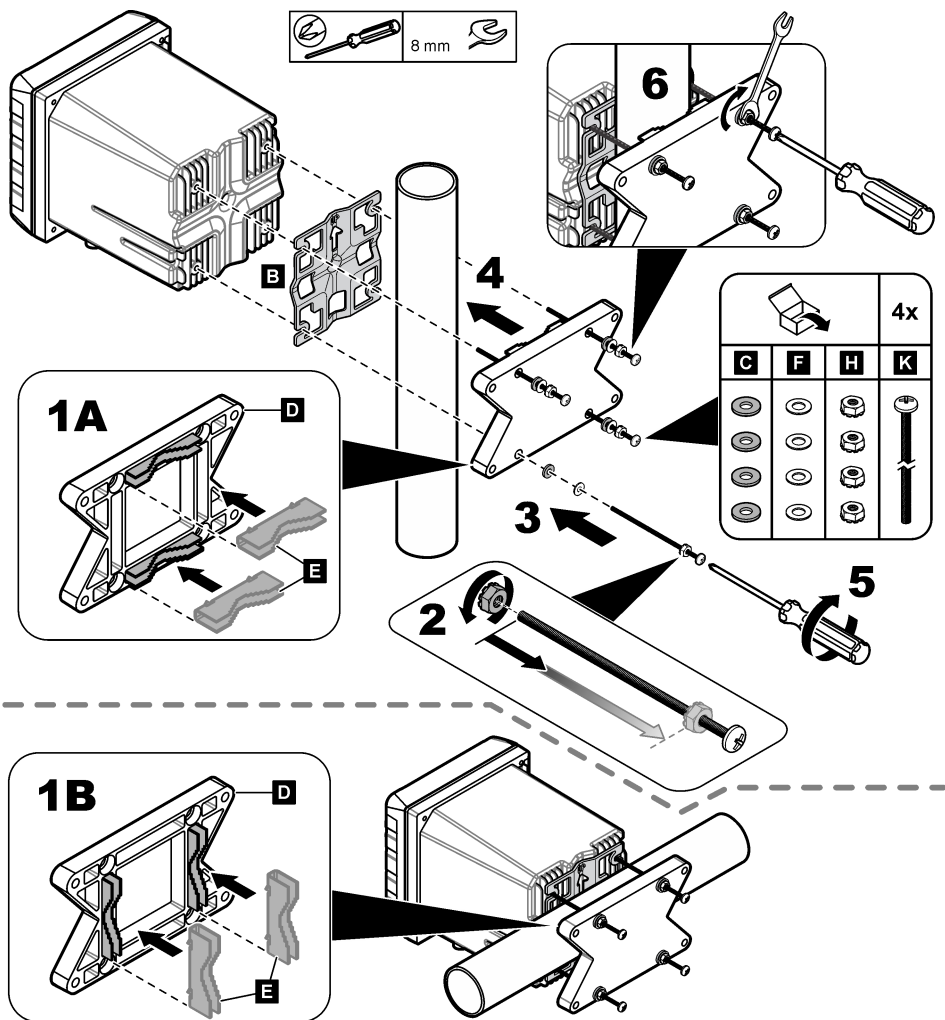
図 3 壁面取り付け



4.2.2 変換器のポールへの取り付け

変換器をポールまたはポール(横方向または縦方向)に上向きに取り付けます。パイプの直径が 19 ~ 65 mm (0.75 ~ 2.5 in) であることを確認してください。必要なハードウェアについては、[図 4](#) および [製品構成部品](#) 111 ページ で示した手順をご確認ください。

図 4 ポールへの取り付け

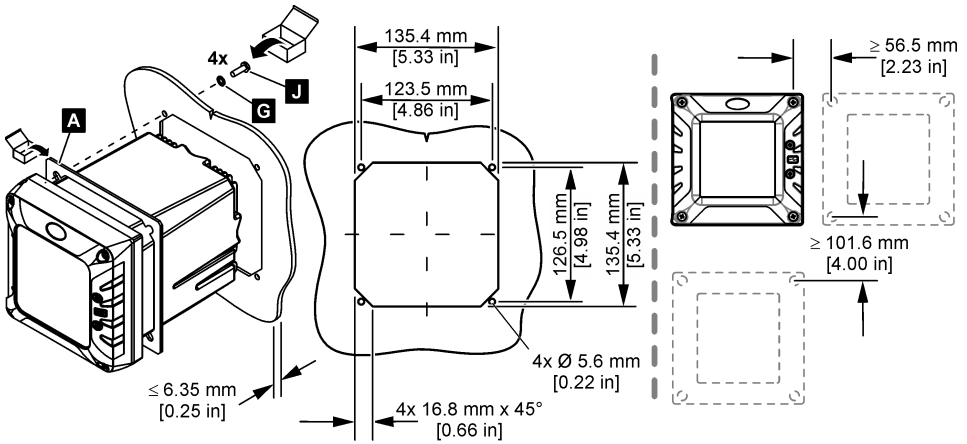


4.2.3 パネル取り付け

パネルへの取り付けには長方形の穴が必要です。パネル取り付け用に付属のシーリングガスケットをテンプレートとして使用し、パネルの穴を切断します。変換器を垂直に取り付けるには、テンプレートを上向きで使用します。図 5 を参照して、すべての構成部品が揃っていることを確認します。

注: パネル取り付けにブラケット (オプション) を使用する場合は、パネルの穴に変換器を差し込み、パネルの裏側でブラケットをスライドさせて変換器にかがせます。次に 4 本の 15 mm なべ子ネジ (付属) を使用してブラケットを取り付け、変換器をパネルに固定します。

図 5 パネル取付け寸法



4.3 配線

4.3.1 配線口と継手

図 6 に、配線口と継手を示します。筐体の環境定格を維持するため、筐体に取り付けたケーブルグランドなどが未使用の場合はプラグを取り付け、未使用の配線口にはコネクタキャップを取り付けます。

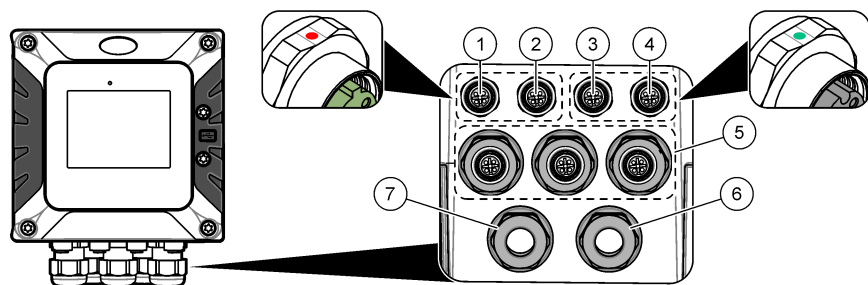
変換器の構成に基づき、変換器には次のコネクタがあります。

- イーサネットコネクタ (LAN)。顧客のネットワークを介して変換器にインターネットアクセスを提供します。
- 産業用イーサネットプロトコル (EtherNet/IP または PROFINET) 用イーサネットコネクタ。
- デジタル検出器、デジタルゲートウェイ、および分析装置用デジタルコネクタ。

コネクタはカラーコードで識別されます。LAN コネクタは緑色で、赤い点がついています。EtherNet/IP または PROFINET のコネクタは、黄色に赤い点が付いています。sc デジタルセンサーのコネクタは、黒地に緑のドットです。各コネクタおよびフィッティングに適用可能なオプションについては、表 1 を参照してください。

注: 変換器にはケーブルグランドが取り付けられていません。必要なケーブルグランドを別途用意する必要があります。詳細は、製造元の Web サイト上にある詳細版の取扱説明書を参照してください。

図 6 電気コネクタとフィッティング



1 LANポート 1: インサートネットワークコネクタ(オプション)または、EtherNet/IP や PROFINET コネクタ	5 ケーブルグランド用の配線口: USB ボックス、拡張モジュール、伝送入出力、PROFIBUS DP 用
2 LANポート 2: インサートネットワークコネクタ(オプション)または、EtherNet/IP や PROFINET コネクタ	6 電源コード ⁹
3 デジタル検出器コネクタ: チャンネル 1。オプション: アナログ検出器からセンサモジュールへの接続または伝送入力から 4-20 mA 入力モジュールへの接続 ⁸	7 高電圧リレー用ストレインリレーフittings
4 デジタル検出器コネクタ: チャンネル 2。オプション: アナログ検出器からセンサモジュールへの接続または伝送入力から 4-20 mA 入力モジュールへの接続	

表 1 各コネクタとフィッティングの選択肢

Device (デバイス)	1 ¹⁰	2	オプション ¹¹	3	4	5	6	7
デジタル検出器、または分析装置				X	X			
アナログ検出器				X	X			
センサーアナログモジュール				X	X			
4~20 mA 出力						X		
Profibus DP モジュール						X		
Modbus RS232/RS485 モジュール						X		
USB ボックス						X		
LAN + LAN	緑	緑	分割/連鎖					
LAN + Modbus TCP	緑	緑	分割/連鎖					
EtherNet/IP	黄色	黄色	IEP のみ					
LAN + EtherNet/IP	緑	黄色	混合 IEP					
PROFINET	黄色	黄色	IEP のみ					
LAN + PROFINET	緑	黄色	混合 IEP					

⁸ アナログ検出器または 4-20 mA 入力を変換器に接続する際に、拡張モジュールを取り付けていない場合は取り付けてください。詳細情報は、拡張モジュールに付属の取扱説明書を参照してください。

⁹ 電源コードは、各国の仕様に適応したケーブルが別途用意が必要です。


¹⁰ コネクタはカラーコードで識別されます。LAN コネクタは緑です。EtherNet/IP や PROFINET コネクタは黄です。

¹¹ 追加情報については、メーカーウェブサイトの拡張ユーザーマニュアルを参照してください。

表 1 各コネクタとフィッティングの選択肢（続き）

Device (デバイス)	1 ¹⁰	2	オプション ¹¹	3	4	5	6	7
リレー出力								X
電源							X	


4.3.2 静電気放電(ESD)への配慮


告知	
	<p>装置の損傷の可能性。静電気による装置内部の精密な電子部品の破損により、装置の性能低下や故障を招く恐れがあります。</p>

以下の手順を参照して、ESD による装置の損傷を回避してください。

- 機器のシャーシ、金属製導管/パイプなど、接地された金属の表面を触り、体から静電気を放電します。
- 過度な移動を避けます。静電気に敏感なコンポーネントは静電気防止コンテナや包装材料内に入れて運搬してください。
- 接地線で接続したリストストラップを身に付けます。
- 静電気防止フロアパッドおよび作業台パッドを用意し、静電気が発生しない場所で作業します。

4.3.3 電源の接続

▲ 危険	
	<p>複合的な危険。本書のこのセクションに記載されている作業は、必ず資格のある作業員が行う必要があります。</p>

▲ 危険	
	<p>感電死の危険。電気の接続を行う際には、常に装置への電源を切り離してください。</p>

変換器に電源コードが取り付けられていない場合は、コンジェットまたは電源コードを使用して電源に接続します。コンジェットまたは電源コードを使用して電源を接続するには、以降のセクションを参照してください。

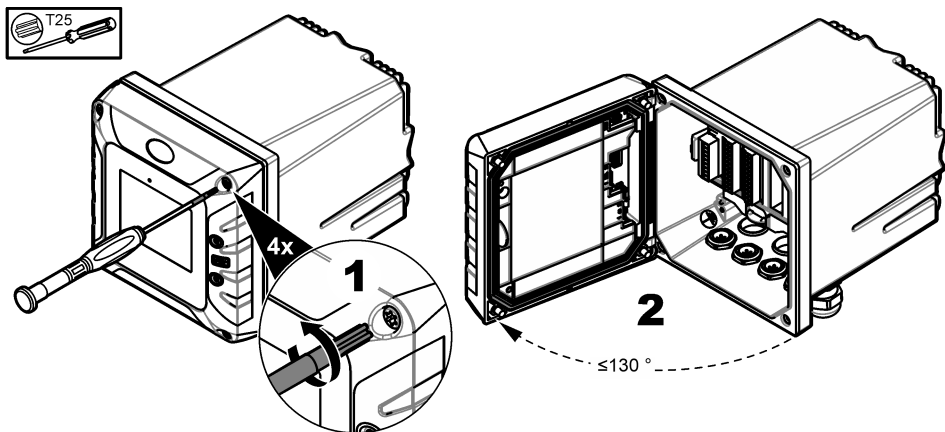
4.3.3.1 変換器の扉を開ける

変換器の扉を開けて、配線口を確認します。図 7 を参照してください。

¹⁰ コネクタはカラーコードで識別されます。LAN コネクタは緑です。EtherNet/IP や PROFINET コネクタは黄です。

¹¹ 追加情報については、メーカーウェブサイトの拡張ユーザーマニュアルを参照してください。

図7 変換器を開ける

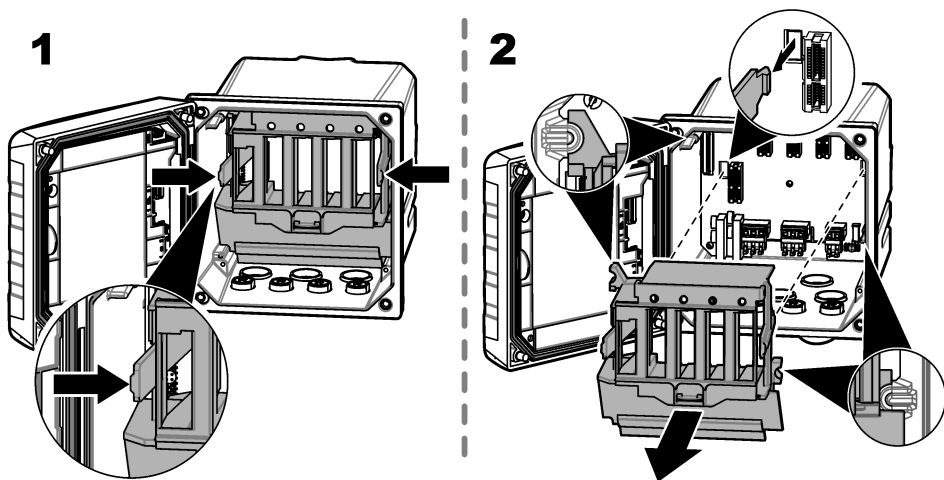


4.3.3.2 高電圧バリアの取り外し

変換器の高電圧配線は変換器筐体内の高電圧バリアの後ろにあります。電源が変換器に供給されている間はバリアを外さないでください。変換器に電源を供給する前に、バリアが取り付けられていることを確認してください。

高電圧配線に配線するには、高電圧バリアを取り外します。図8を参照してください。

図8 高電圧バリア



4.3.3.3 電源配線

▲ 危険



感電死の危険。保護アース接地 (PE) 接続が必要です。

▲ 危険



感電および火災の危険。電線管の敷設のためのローカル切断を明確にしてください。

▲ 警告



感電の危険の可能性。この装置が戸外または湿っている可能性がある場所で使用される場合、漏電ブレーカーなどを使用して装置を主電源に接続しなければなりません。

▲ 警告



感電死の危険。各変換器への電源供給停止手段は、すべての電流伝導体を切断する必要があります。主電源接続は、電源の極性を維持する必要があります。分離可能なプラグは、ケーブルが接続された変換器への電源供給停止手段です。

▲ 警告



感電および火災の危険。ユーザーが用意したコードと非ロック式プラグが、該当する国の電気法規の要件を満たしていることを確認してください。

▲ 警告



爆発の危険。本取扱説明書の説明は、変換器や計器を非危険区域に設置する場合にのみ該当します。変換器や計器を危険区域に設置する場合は、必ず危険区域への設置説明書に記載されている指示に従い、承認制御図を使用してください。

告知

意装置は装置の切断および操作が容易になる位置と場所に取り付けてください。

変換器は、100～240 VAC または 18～28 VDC 仕様のいずれかを選択します。仕様に対して適切な配線の説明書に従ってください。

装置への電力はコンジットまたは電源ケーブルで供給されます。十分な電流容量の回路ブレーカーが電源ラインに取り付けられていることを確認してください。回路ブレーカーのサイズは、取り付けに使用するケーブルゲージに基づきます。

コンジット配線の場合は、次の手順に従います。

- 装置の 3 m 以内に装置用のローカル切断装置を取り付けます。装置のメイン切断装置であることが分かるように、切断装置にラベルを貼ります。
- 定格が 90 °C (194 °F) 以上で、設置環境に対して適切であること
- 常時接続の場合は、単線のみ使用します。適応ケーブル径は、0.75 ~ 1.5 mm² (18 ~ 16 AWG) を使用します。末端処理は、フェルール端子かピン端子が必要です。
- 地域、州または国の電気規格に従って装置を接続します。
- コンジットをコンジットハブに通して接続します。コンジットハブを締めるときにコンジットをしっかりと固定し、筐体を密閉するためです。
- 金属コンジットを使用する場合は、コンジットハブを締め、コンジットハブで金属コンジットがアースに接続されるようにしてください。
- DC 変換器に供給する DC 電源は、18～28 VDC 仕様の電圧限界内に電圧範囲の規格を維持しなければなりません。DC 電源はサージおよび電源超過に対する十分な保護も備えていなければなりません。

電源ケーブルを使用する場合は、電源ケーブルが以下の条件を満たしていることを確認してください。

- 長さが 3 m 未満であること
- 定格が電源の電圧と電流に対して十分であること
- 定格が 90 °C (194 °F) 以上で、設置環境に対して適切であること
- 0.75 mm² (18 AWG) 以上で、地域の法規の要件に対して絶縁を示す色分けが適切であること。末端処理は、フェルール端子かピン端子が必要です。

- 電源接続用の 3 極プラグ付き電源ケーブル (アース付き) であること
- コンジレットをケーブルグラウンド (ストレインリリーフ) に通して接続します。ケーブルグラウンド (ストレインリリーフ) を締めたときに電源ケーブルをしっかりと固定し、筐体を密閉するためです。
- プラグにロック式のデバイスが付いていないこと

4.3.3.4 コンジレットや電源コードの接続

告知

製造元は、電源コード、コネクタ、ケーブルグラウンドなど、製造元が提供する電気部品の使用を推奨しています。

告知



筐体の環境定格を維持するために、ケーブル被覆が筐体の内側を通過していることを確認してください。

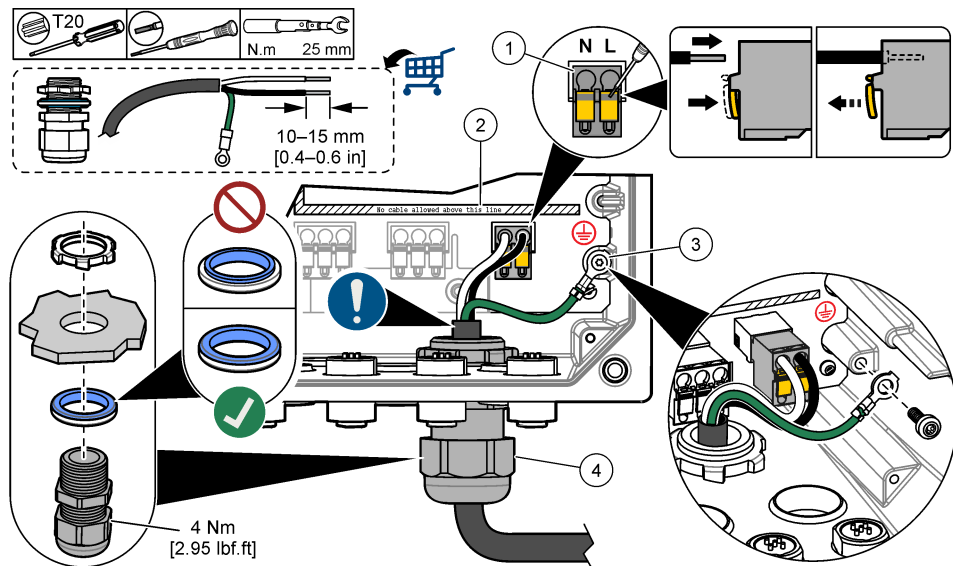
変換器は、コンジレット内の配線または電源コードへの配線によって電源ライン用に配線できます。使用する配線に関係なく、接続は同じ端子で行います。

電源ケーブルのプラグは、変換器への電源入り切りに使用します。コンジレットへの取り付け時は、現場に設置されているブレーカーなどを使用して、変換器への電源入り切りを行います。

コンジレットや電源コードの接続については、**図 9** と、**表 2** または **表 3** を参照してください。配線が露出しないように絶縁体がコネクタに突き当たるまで、各線材を適切な長さで被覆を処理後、端子に挿入します。挿入した後、軽く引っ張り、確実に接続されているかどうかを確認します。端子は、SC4500 メイン基板からコネクタを取り外しできます。

注: 高電圧ノイズとの干渉を防ぐため、すべてのケーブルが基盤に印刷されているケーブル制限線より下側にあることを確認します。**図 9** を参照して、すべての構成部品が揃っていることを確認します。

図 9 コンジレットや電源コードの接続



1 AC および DC 電源端子	3 保護設置ネジ
2 ケーブル制限線: ケーブルはこの線より下側で配線します。	4 コンジレットハブまたはケーブルグラウンド

表 2 配線情報—AC 電源


端子	解説	色 — 北米	色 — EU
L	HOT (L)	黒	茶
N	NEUTRAL (N)	白	青
	保護接地	緑	緑と黄の縞模様

表 3 配線情報—DC 電源

端子	説明	色 — 北米	色 — EU
L	+24 VDC	赤	赤
N	24 VDC リターン	黒	黒
	保護接地	緑	緑と黄の縞模様

4.3.4 リレー出力の接続

▲ 危険



感電死の危険。電気の接続を行う際には、常に装置への電源を切り離してください。

▲ 警告



感電の危険の可能性。電源とリレー端子は単線終端として設計されています。各端子には単線以外には使用しないでください。

▲ 警告



火災危険の可能性。装置内部でリレーのコモン出力のデジジーチェーン(直列接続)や主電源からのジャンパー配線による接続はしないでください。

▲ 警告



爆発の危険。本取扱説明書の説明は、変換器や計器を非危険区域に設置する場合にのみ該当します。変換器や計器を危険区域に設置する場合は、必ず危険区域への設置説明書に記載されている指示に従い、承認制御図を使用してください。

▲ 注意



火災の危険。リレーの負荷は抵抗性でなければなりません。必ず外部ヒューズまたはブレーカーを用いてリレーへの電流を制限してください。「仕様」セクションに記載されているリレー定格に従ってください。

告知



筐体の環境定格を維持するために、ケーブル被覆が筐体の内側を通過していることを確認してください。

装置には 2 つのリレー出力があり、それぞれが単極チェンジオーバ接点を備えています。AC 変換器の場合、配線部分は 264 VAC 以下で使用します。

リレー出力端子は、変換器筐体内の高電圧バリアの背後にあります。リレー端子に電源供給されている間、バリアを外さないでください。バリアが取り付けられていないときは、リレー端子に電力を供給しないでください。

必要に応じて、各リレーを制御計器またはアラーム計器に接続します。リレーを接続するには、**図 10**と**表 4**を参照してください。詳細は、製造元の Web サイト上にある拡張部品の取扱説明書を参照してください。

リレー出力の仕様については、**仕様 106** ページを参照してください。リレー出力は、個々に絶縁され、低電圧入力/出力回路からも絶縁されています。

電源とリレーに配線する最大ケーブル径は、 1.5 mm^2 (16 AWG) です。リレー端子には、負荷に応じて $0.75 \sim 1.5 \text{ mm}^2$ (18 ~ 16 AWG) のケーブルを使用します。絶縁定格が 300 VAC 以上であるケーブルを使用します。配線が露出しないように絶縁体がコネクタに突き当たるまで、各ケーブルを適切な端子に挿入します。挿入した後、軽く引っ張り、確実に接続されているかどうかを確認します。端子の配線を行い易くするため、必要に応じて、SC4500 メイン基板からコネクタを取り外します。末端処理には、フェール端端子か、ピン端子が必要です。

注: 高電圧ノイズとの干渉を防ぐため、すべてのケーブルが基板に印刷されているケーブル制限線より下にあることを確認します。

リレー出力端子へのリレー容量は 5 A、1250 VA 125 W 以下でなければなりません。緊急時や保守で、リレー出力への個別供給電源を停止するために、別途スイッチが必要です。

AC 変換器の場合は、高電圧でリレー出力を使用します。DC 変換器の場合は、低電圧でリレー出力を使用します。リレー出力の仕様については、**仕様 106** ページを参照してください。高電圧と低電圧両方の混在で設定しないでください。

主回路へのリレー端子接続するケーブルは、永久的に使用できる、少なくとも 300 V、90 °C (194 °F) の絶縁定格が必要です。主回路に接続する電源ケーブルの端子は、二重絶縁とし、内部と外部の絶縁レベルはともに 300 V、90 °C (194 °F) の定格とする必要があります。

注: リレー用配線を高電圧リレーのストレインリリーフ金具に通してください。**図 6** 116 ページを参照してください。

図 10 リレー出力接続

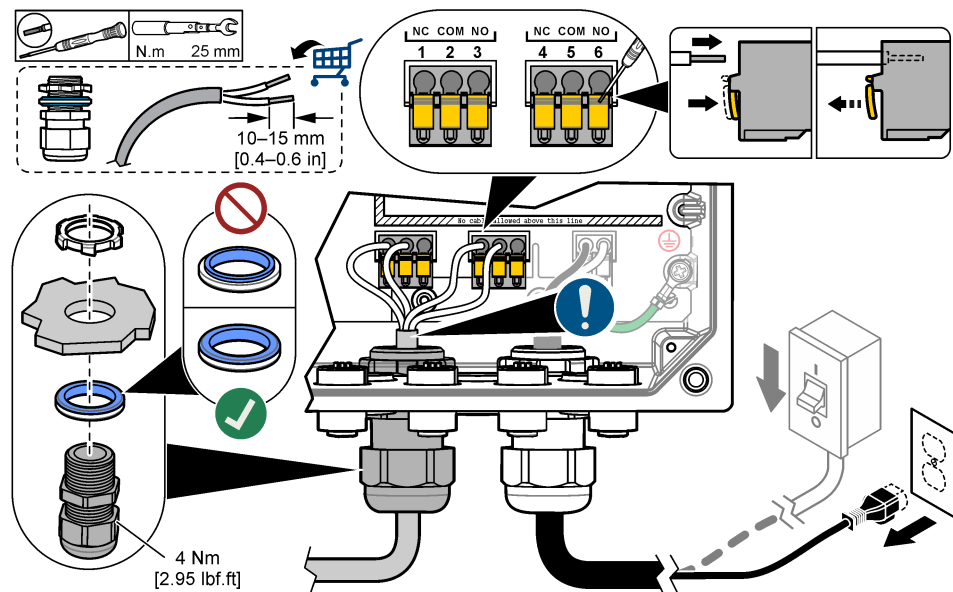


表 4 配線情報 — リレー

端子	解説	端子	解説
1	リレー 2、NC	4	リレー 1、NC
2	リレー 2、コモン	5	リレー 1、コモン
3	リレー 2、NO	6	リレー 1、NO

NC = 常時閉、NO = 常時開

4.3.5 拡張モジュールの設置

▲ 警告



爆発の危険。本取扱説明書の説明は、変換器や計器を非危険区域に設置する場合にのみ該当します。変換器や計器を危険区域に設置する場合は、必ず危険区域への設置説明書に記載されている指示に従い、承認制御図を使用してください。

変換器には、伝送出力、伝送入力、アナログ検出器および Profibus 通信用の拡張モジュールを使用できます。詳細情報は、拡張モジュールに付属の取扱説明書を参照してください。

4.4 変換器の扉を閉じる

▲ 危険



感電死の危険。変換器の高電圧配線は、変換器筐体の高電圧防護壁の後ろに接続します。この防護壁は、資格のある取り付け技術者が電源、リレー、またはアナログおよびネットワークカードの配線を取り付ける場合を除いて同じ場所に置いておいてください。

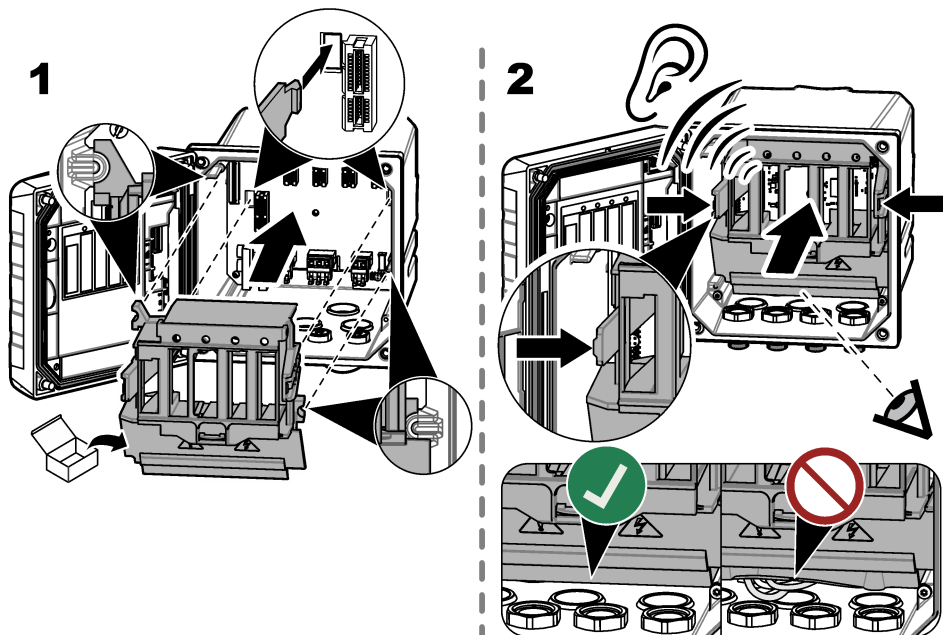
告知

環境定格を維持するために変換器の扉が閉じられ、前面扉のねじがしっかりと締められていることを確認します。

電源の接続が完了したら、高電圧バリアを取り付けます。高電圧バリアが筐体ガイドに正しく取り付けられ、基板に固定されていることを確認します。高電圧バリアが正しく設置されると、カチッという音がします。高電圧バリアの下部（ソフトラバーリップ）が正しく取り付けられ、変形していないことを確認します。図 11 を参照して、すべての構成部品が揃っていることを確認します。

変換器の扉を閉じます。扉のねじを 2 Nm (17.70 lbf-in) トルクで締めます。図 7 118 ページ を参照して、すべての構成部品が揃っていることを確認します。

図 11 高電圧バリアを取り付けます

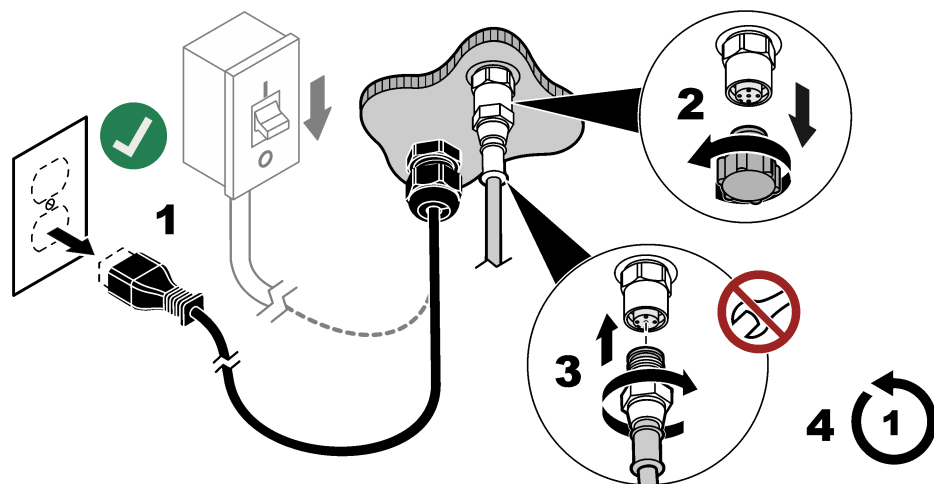


4.5 測定装置の接続

デジタル検出器や分析装置を変換器の検出器コネクタに接続します。図 12 を参照してください。検出器コネクタのキャップを今後の使用のために取っておきます。

検出器ケーブルによるつまずきの危険やケーブルが鋭角に曲がらないようにしてください。

図 12 デバイスへの接続



第 5 章 スタートアップ

電源ケーブルを保護用接地線のあるコンセントに接続するか、変換器へ接続しているブレーカーをオンにします。

5.1 初期設定の入力

初めて起動するときは、画面に表示される指示に従って、言語、日付、時刻、ネットワーク情報を設定します。手順については、メーカーウェブサイトの拡張ユーザーマニュアルを参照してください。

第 6 章 追加情報

以下の追加情報は、拡張ユーザーマニュアルに記載されています。

- 操作パネルと操作
- 操作
- [メンテナンス]
- トラブルシューティング
- 交換部品リスト

次の QR コードをスキャンすると、拡大されたユーザーマニュアルにジャンプします。



英語



イタリア語



スペイン語



ドイツ語



フランス語



中国語

목차

- 1 사양 126 페이지
- 2 온라인 사용 설명서 127 페이지
- 3 일반 정보 127 페이지
- 4 설치 131 페이지
- 5 시작 145 페이지
- 6 추가 정보 145 페이지

섹션 1 사양

사양은 사전 통지 없이 변경될 수 있습니다.

사양	세부 사항
치수(W x H x D)	½ DIN-144 x 144 x 192 mm(5.7 x 5.7 x 7.6 in.)
외함	UL50E type 4X, IEC/EN 60529-IP 66, NEMA 250 type 4X 부식 방지 표면 처리된 금속 케이스
무게	1.7kg(3.7lb)(옵션 확장 모듈이 없는 컨트롤러 중량)
오염도	환경: 4; 기기: 2
과전압 범주	II
보호 등급	I, 보호용 어스에 연결됨
환경 조건	실내 및 실외 사용
전원 조건	AC 컨트롤러: 100 ~ 240VAC ±10%, 50/60Hz, 1A(8W 센서 부하에서 50VA, 28W 센서 부하에서 100VA) DC 컨트롤러: 18 ~ 28VDC, 2.5A(9W 센서 부하에서 12W, 20W 센서 부하에서 36W)
작동 온도	-20 ~ 60°C (-4 ~ 140°F) (8W (AC)/9W (DC) 센서 부하) -20 ~ 45 °C (-4 ~ 113 °F) (28W (AC)/20W (DC) 센서 부하) 45°C ~ 60°C(-1.33W/°C) 사이 리니어 디레이팅
보관 온도	-20-70 °C(-4-158 °F)
상대 습도	0-95%, 비응축 시
사용 고도	최대 3000m(9842피트)
디스플레이	정전식 터치패드가 있는 3.5인치 TFT 컬러 디스플레이
측정	두 개 장치, 디지털 SC 커넥터
릴레이(고전압)	릴레이 2개(SPDT); 와이어 게이지: 0.75 ~ 1.5mm ² (18 ~ 16AWG) AC 컨트롤러 최대 스위칭 전압: 100~240 VAC 최대 스위칭 전류: 5A 저항성/1A 파일릿 듀티 최대 스위칭 전력: 1200 VA 저항성/360 VA 파일릿 듀티 DC 컨트롤러 최대 스위칭 전압: 30 VAC 또는 42 VDC 최대 스위칭 전류: 4A 저항성/1A 파일릿 듀티 최대 스위칭 전력: 125W 저항성/28W 파일릿 듀티
아날로그 입력(옵션) ³	각 아날로그 입력 모듈에서 0~20mA(또는 4~20mA) 아날로그 입력 1개 각 센서 모듈에 하나의 아날로그 센서 입력 최대 2개의 아날로그 입력

사양	세부 사항
아날로그 출력(옵션) ³	각 아날로그 출력 모듈에서 0~20mA(또는 4~20mA) 아날로그 출력 5개 ¹
디지털 통신(옵션) ³	프로피버스 DPV1 모듈, 모드버스 RS232/RS485 모듈, 모드버스 TCP, 프로피넷 모듈, EtherNet/IP™ ² 모듈
소프트웨어 모듈 (선택 사항)	자세한 내용은 영업 또는 기술 지원부에 문의하십시오. 참고: 컨트롤러에는 동시에 하나의 소프트웨어 모듈만 설치할 수 있습니다.
네트워크 연결 ³	LAN 버전(옵션): 이더넷 커넥터 2개(10/100 Mbps), M12암 D-coding 커넥터, 셀룰러 버전 및 WiFi 버전(옵션)⁴
USB 포트	데이터 다운로드 및 소프트웨어 업로드에 사용됩니다. 컨트롤러는 연결된 각 센서마다 약 20,000개의 데이터 포인트를 기록합니다.
규정 준수 정보	CE, UL 및 CSA 안전 표준(모든 센서 유형)에 대한 TTL 인증, FCC, ISED, KC, RCM, EAC, UKCA, SABS, CMIM, 모로코
보증	1년(EU: 2년)

섹션 2 온라인 사용 설명서

이 기본 사용 설명서는 제조업체 웹사이트에서 제공하는 사용 설명서보다 적은 정보를 제공합니다.

섹션 3 일반 정보

어떠한 경우에도 제조업체는 제품의 부적절한 사용 또는 설명서의 지침을 준수하지 않아 발생하는 손해에 대해 책임을 지지 않습니다. 제조업체는 본 설명서와 여기에 설명된 제품을 언제라도 통지나 추가적 책임 없이 변경할 수 있습니다. 개정본은 제조업체 웹 사이트에서 확인할 수 있습니다.

3.1 안전 정보

제조사는 본 제품의 잘못된 적용 또는 잘못된 사용으로 인한 직접, 우발적 또는 간접적 손해에 국한하지 않는 모든 손해에 대한 어떠한 책임도 지지 않으며, 관계 법령이 최대한 허용하는 손해에 관한 면책이 있습니다. 사용자는 사용상 중대한 위험을 인지하고 장비 오작동이 발생할 경우에 대비하여 적절한 보호 장치를 설치하여야 합니다.

장치 포장을 풀거나 설치하거나 작동하기 전에 본 설명서를 모두 읽으십시오. 모든 위험 및 주의사항 설명에 유의하시기 바랍니다. 이를 지키지 않으면 사용자가 중상을 입거나 장치가 손상될 수 있습니다.

이 장비가 제공하는 보호 기능이 손상되지 않았는지 확인하세요. 본 설명서에서 설명하는 방법이 아닌 다른 방법으로 본 장비를 사용하거나 설치하지 마십시오.

3.1.1 위험 정보 표시

▲ 위험
지키지 않을 경우 사망하거나 또는 심각한 부상을 초래하는 잠재적 위험이나 긴급한 위험 상황을 뜻합니다.
▲ 경고
지키지 않을 경우 사망하거나 또는 심각한 부상을 초래할 수 있는 잠재적 위험이나 긴급한 위험 상황을 뜻합니다.

¹ 자세한 내용은 모듈 설명서를 참조하십시오.

참고: 사용 가능한 슬롯 중 하나에 하나의 모듈만 설치합니다.

² EtherNet/IP는 ODVA Inc.의 상표입니다.

³ 컨트롤러 구성에 따라.

⁴ WiFi 버전의 네트워크 연결을 위해서는 외부 USB 박스 WiFi가 필요합니다. 셀룰러 버전의 네트워크 연결을 위해서는 외부 USB 박스 셀룰러가 필요합니다.

⚠ 주의





경미하거나 심하지 않은 부상을 초래할 수 있는 잠재적인 위험 상황을 뜻합니다.

주의사항

지키지 않으면 기기에 손상을 일으킬 수 있는 상황을 나타냅니다. 특별히 강조할 필요가 있는 정보.

3.1.2 주의 경고 라벨

본 기기에 부착된 모든 라벨 및 태그를 참조하시기 바랍니다. 지침을 따르지 않을 경우 부상 또는 기기 손상이 발생할 수 있습니다. 기기에 있는 기호는 주의사항에 대한 설명과 함께 설명서에서 참조합니다.

	이는 안전 경고 심볼입니다. 잠재적인 부상 위험을 방지할 수 있도록 이 기호를 따라 모든 안전 메시지를 준수하십시오. 기기에 안전 기호가 부착되어 있는 경우 작동 및 안전 정보에 대해서는 작동 설명서에서 참조하십시오.
	본 심볼은 감전 및/또는 전기쇼크의 위험이 있음을 나타냅니다.
	본 심볼은 정전기 방출(ESD)에 민감한 장치가 있으므로 장치 손상을 방지하기 위해 세심한 주의가 필요함을 나타냅니다.
	이 심볼이 표시된 전기 장비는 유럽 내 공공 폐기 시스템에 따라 폐기할 수 없습니다.

3.1.3 전자파 적합성(EMC) 준수

⚠ 주의

이 장비는 거주 환경에서는 사용할 수 없으며 이러한 환경에서의 주파수 수신에 대한 적절한 보호를 제공하지 않을 수 있습니다.

CE (EU)

이 장비는 EMC 지침 2014/30/EU의 필수 요구 사항을 충족합니다.

UKCA (UK)

이 장비는 전자파 적합성 규정 2016(S.I. 2016/1091)의 요구 사항을 충족합니다.

캐나다 무선 간섭 유발 장치 규정, IECIS-003, 등급 A:

보조 테스트 기록은 제조업체가 제공합니다.

본 등급 A 디지털 장치는 캐나다 간섭 유발 장치 규제 of 모든 요구조건을 만족합니다.

Cet appareil numérique de classe A répond à toutes les exigences de la réglementation canadienne sur les équipements provoquant des interférences.

FCC Part 15, Class "A" 제한

보조 테스트 기록은 제조업체가 제공합니다. 본 장치는 FCC 규칙, Part 15를 준수합니다. 본 장치는 다음 조건에 따라 작동해야 합니다.

1. 유해한 간섭을 일으키지 않아야 합니다.
2. 오작동을 유발할 수 있는 간섭을 포함하여 수신되는 모든 간섭에도 정상적으로 작동해야 합니다.

본 장치의 준수 책임이 있는 측이 명시적으로 허용하지 않은 변경 또는 수정을 가하는 경우 해당 사용자의 장치 작동 권한이 무효화될 수 있습니다. 본 장치는 FCC 규칙, Part 15에 의거하여 등급 A 디지털 장치 제한 규정을 준수합니다. 이러한 제한은 상업 지역에서 장치를 작동할 때 유해한 간섭으로부터 적절하게 보호하기 위하여 제정되었습니다. 본 장치는 무선 주파수 에너지를 생성 및 사용하며 방출할


수 있고 사용 설명서에 따라 설치하고 사용하지 않을 경우 무선 통신에 해로운 간섭을 일으킬 수 있습니다. 주거 지역에서 본 장치를 사용하면 해로운 간섭을 일으킬 수 있으며, 이 경우 사용자는 자비를 들여 간섭 문제를 해결해야 합니다. 다음과 같은 방법으로 간섭 문제를 줄일 수 있습니다.

1. 장치를 전원에서 분리하여 장치가 간섭의 원인인지 여부를 확인합니다.
2. 장치가 간섭을 받는 장치와 동일한 콘센트에 연결된 경우, 장치를 다른 콘센트에 연결해보십시오.
3. 장치를 간섭을 받는 장치로부터 멀리 분리하여 두십시오.
4. 간섭을 받는 장치의 안테나 위치를 바꿔보십시오.
5. 위의 방법들을 함께 적용해보십시오.

3.2 사용 목적

SC4500 컨트롤러는 산업 용수, 지역 용수 또는 폐수 공장의 다양한 수질 매개변수를 측정하는 수처리 전문가가 사용하도록 제작되었습니다. SC4500 컨트롤러는 물을 처리하거나 변경하지 않습니다.

3.3 제품 개요

▲ 위험	
	<p>화학적 또는 생물학적 위험 존재. 본 장비를 공중 위생, 공중 안전, 식음료 제조 또는 가공에 관련한 시행령 및 감시 규정 목적으로 처리공정이나 약품 주입 시스템을 감시하기 위하여 사용하는 경우, 이 장비에 적용되는 모든 규정을 이해하고 준수하며, 장비가 오작동하는 경우 해당 규정에 따라 충분하고 합당한 메커니즘을 보유하는 것은 사용자의 책임입니다.</p>

주의사항	
<p>네트워크 및 액세스 포인트 보안은 무선 기기를 사용하는 고객에게 책임이 있습니다. 제조업체는 네트워크 보안의 틈 또는 결함으로 인해 발생한 간접적, 특수한, 결과적 또는 부수적 손상을 포함하되 이에 국한되지 않는 손상에 대해 책임을 지지 않습니다.</p>	

주의사항	
<p>과염소산염 물질 - 특별 처리가 요구될 수 있습니다. www.dtsc.ca.gov/perchlorate의 내용을 참조하십시오. 이 과염소산염 경고는 미국 캘리포니아에서 판매 또는 유통될 때, 기본배터리(장비 설치되어 또는 단독으로 공급됨)에 적용됩니다.</p>	

주의사항	
<p>컨트롤러는 디스플레이에 보호 포일이 설치되어 제공됩니다. 컨트롤러를 사용하기 전에 보호 포일을 제거하십시오.</p>	

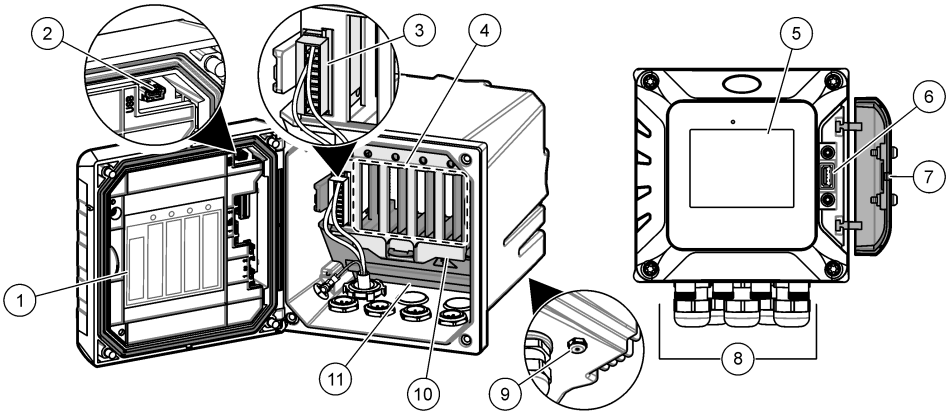
SC4500 컨트롤러는 디지털 게이트웨이 또는 확장 모듈에 연결된 디지털 분석 장치(예: 센서 및 분석기) 및 아날로그 센서를 위한 2채널 컨트롤러입니다. **그림 1**을(를) 참조하십시오.

컨트롤러는 디스플레이에 센서 측정값 및 기타 데이터를 표시하고, 아날로그 및 디지털 신호를 전송할 수 있으며, 출력 및 릴레이를 통해 다른 장치와 통신하고 제어 작업을 수행할 수 있습니다. 출력, 릴레이, 센서 및 확장 모듈은 컨트롤러 전면에 있는 사용자 인터페이스를 통해 또는 네트워크 연결 컨트롤러에 대해 원격으로 구성하고 교정합니다. 컨트롤러는 셀룰러 네트워크⁵, WiFi 네트워크⁵ 또는 LAN 연결을 통해 Claros에 연결됩니다. Prognosis 진단 시스템은⁵ 유지 관리 작업의 상태를 표시하고 장비 조건의 상태를 제공합니다.

기기 디스플레이는 터치스크린입니다. 기기 외함에는 하단에 보호 통풍구가 있습니다. 보호 통풍구를 덮거나 제거하지 마십시오. 손상이 발견되면 보호 통풍구를 교체하십시오.

컨트롤러는 옵션 확장 모듈과 함께 사용할 수 있습니다. 을(를) 참조하십시오. 자세한 내용은 제조업체 웹사이트의 세부 사용 설명서를 참조하십시오.

그림 1 제품 개요



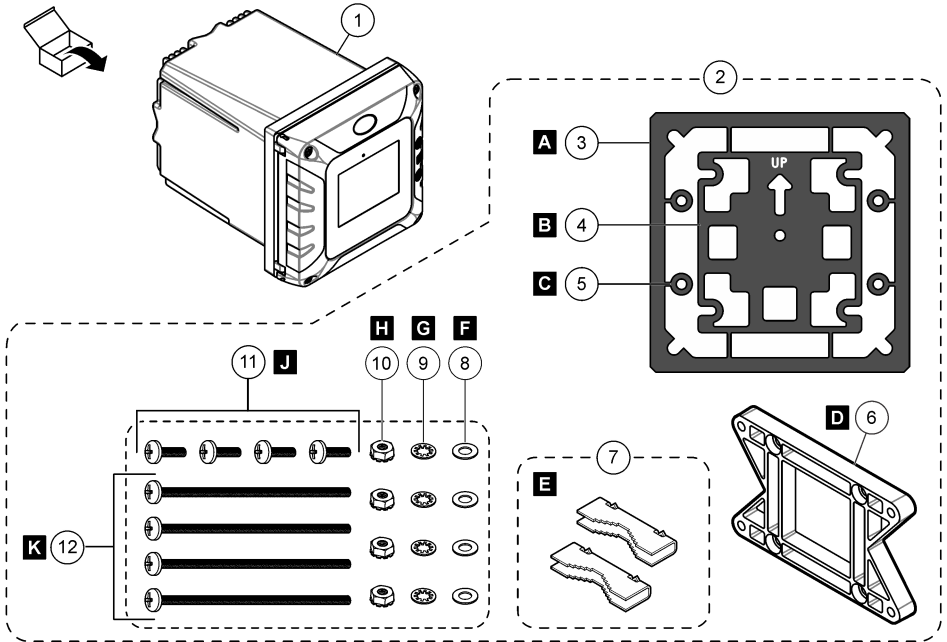
1 모듈 설치 및 배선 정보 라벨	7 USB 덮개
2 외부 USB 박스용 USB 연결(WiFi 또는 셀룰러 연결)	8 전기 연결부 및 피팅
3 확장 모듈(슬롯 0) ⁵	9 보호 통풍구
4 추가 확장 모듈 슬롯 (슬롯 1, 2, 3 및 4)	10 모듈 설치를 위한 덮개
5 터치패드 디스플레이	11 고전압 배리어
6 데이터 다운로드 및 펌웨어 업데이트용 USB 커넥터	

⁵ 컨트롤러 구성에 따라. 확장 모듈은 컨트롤러 구성에 따라 출하시 설치됩니다.

3.4 제품 구성품

모든 구성품을 수령했는지 확인하십시오. 그림 2의 내용을 참조하십시오. 품목이 누락되었거나 손상된 경우에는 제조업체 또는 판매 담당자에게 즉시 연락하시기 바랍니다.

그림 2 제품 구성품



1 SC4500 컨트롤러	7 장착 다리(장착 브래킷 인서트)(2개)
2 하드웨어 장착하기	8 플랫 와셔, ¼인치 ID(4개)
3 패널 장착용 밀폐 개스킷, 네오프렌	9 잠금 와셔, ¼인치 ID(4개)
4 파이프 장착용 진동 차단 개스킷	10 Keps 육각 너트, M5 x 0.8(4개)
5 파이프 장착용 진동 차단 와셔(4개)	11 팬 헤드 나사, M5 x 0.8 x 15 mm(4개)
6 벽면 및 파이프 장착용 브래킷 ⁶	12 팬 헤드 나사, M5 x 0.8 x 100 mm(4개) ⁷

섹션 4 설치

⚠ 위험



여러 가지 위험이 존재합니다. 자격을 부여받은 담당자만 본 문서에 의거하여 작업을 수행해야 합니다.

⁶ 패널 장착에 필요한 브래킷은 옵션 액세서리입니다. 교체 부품 및 액세서리는 확장된 사용자 설명서를 참조하세요.

⁷ 가변 직경 파이프 장착 설치에 사용됩니다.

4.1 설치 지침

⚠ 위험



감전 위험. 외부 연결된 장비는 해당하는 국가 안전 표준에 따라 평가를 받은 상태여야 합니다.

⚠ 경고



폭발 위험 본 설명서는 위험하지 않은 위치에 장치를 설치하는 경우에만 적용됩니다. 위험한 위치에 장치를 설치하려면 제공되는 위험 위치 설치 설명서에 기재된 지침 및 승인된 컨트롤 도면만 사용하십시오.

주의사항

부식이 발생할 수 있는 대기 환경에서는 보호용 외함 없이 컨트롤러를 설치하지 마십시오. 부식이 발생할 수 있는 대기는 전기 회로 및 구성 부품을 손상시킵니다.

주의사항

직사광선이나 자외선 또는 컨트롤러가 손상될 수 있는 환경에서 컨트롤러를 실외에 설치하지 마십시오. 직사광선에 노출된 실외에 설치하는 경우 자외선 노출로 인한 손상을 방지하기 위해 선루프와 함께 자외선 차단 스크린(음선)을 장착하십시오.

참고: (네트워크 및 Claros 버전만 해당) IT 부서에서 장치 설치 및 시운전에 대한 승인을 받았는지 확인하십시오. 관리자 권한이 필요하지 않습니다. 이메일 주소 "No-reply@hach.com"이 설치 이메일을 보내고 "donotreply@hach.com"은 설치에 필요한 시스템 알림을 보냅니다. 이들 발신자로부터 메일을 받으려면 안전 발신자 목록에 이 두 개의 메일 주소를 추가하십시오. Hach 는 발신자가 로봇이 야님을 확인하는 요청을 보내지 않습니다.

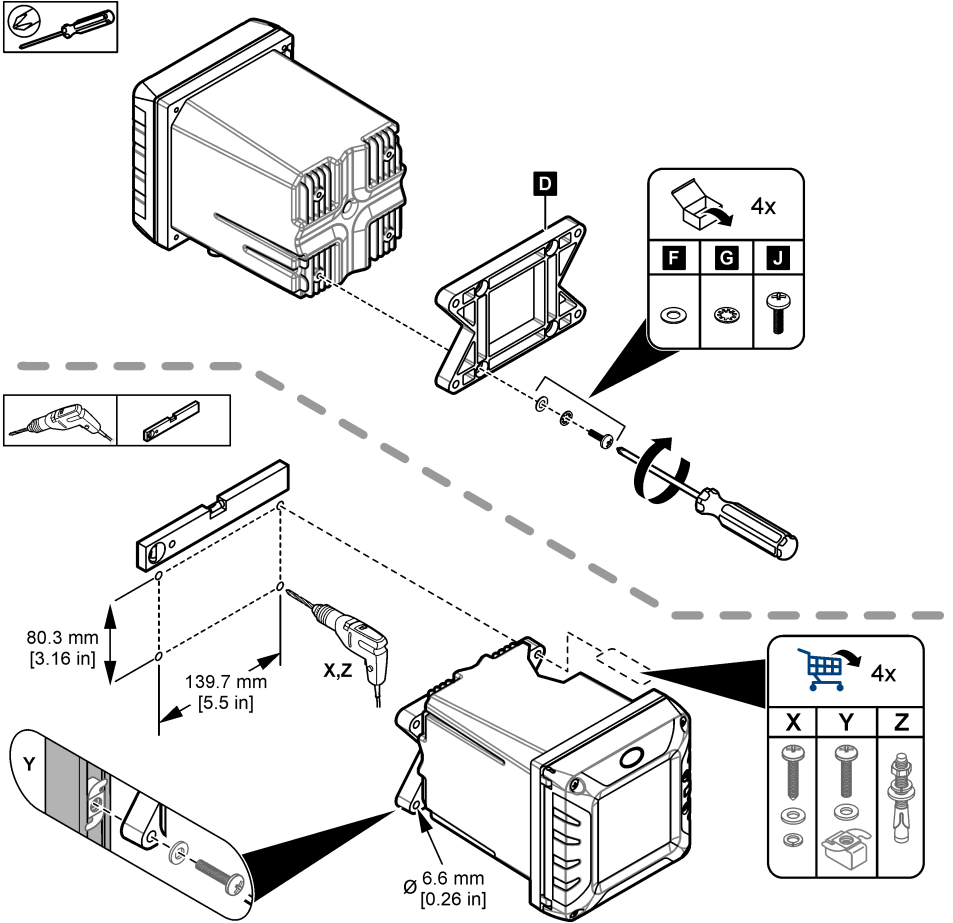
- 컨트롤러의 전원 차단 장치를 쉽게 조작할 수 있는 위치에 컨트롤러를 설치하십시오.
- 컨트롤러는 평평한 표면에 똑바르게 세워져 부착합니다.
- 패널, 수직 기둥 또는 수평 기둥에 장비를 부착하십시오.
- 장치는 주변에 연결하고 유지 관리 작업을 수행할 충분한 공간이 있는 곳에 위치해야 합니다.
- 컨트롤러 도어를 열기 위해 16cm(6.30인치) 이상의 간격이 있는지 확인하십시오.
- 진동이 가장 적은 위치에 기기를 설치합니다.
- 모든 설치 시 휴대폰을 위한 옵션 거치대를 사용하는 것이 좋습니다.
- 모든 실외 설치에 옵션 선루프 또는 선루프가 있는 옵션 자외선 차단 스크린이 권장됩니다.
- 장비의 외함 등급에 기반하여 동등한 환경 등급을 가질 수 없는 컴퓨터 또는 기타 연결된 장비에 대한 보호 조치를 제공합니다.
- 패널 장착 설치의 경우 패널 내부 측면에 대해 지정된 주변 정격을 준수하십시오.
- 최대 전력 등급이 주변 온도에 맞는지 확인하십시오.

4.2 기계 설치

4.2.1 벽에 기기 부착

컨트롤러는 평평한 표면에 똑바르게 세워져 부착합니다. 벽면 장착부가 장비 무게의 4배를 지탱할 수 있는지 확인하십시오. 필요한 장착 하드웨어는 그림 3 및 제품 구성품 131 페이지의 단계별 그림 설명을 참조하십시오.

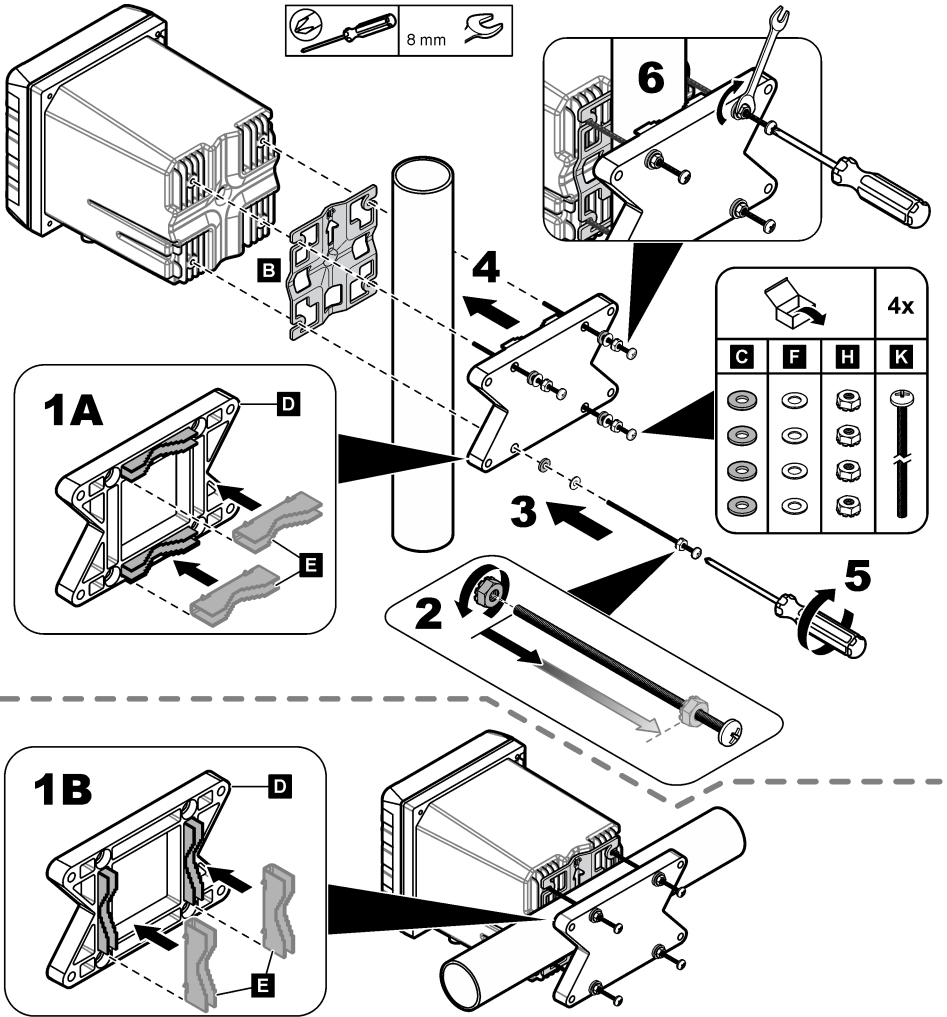
그림 3 벽 장착



4.2.2 기둥에 기기 부착

컨트롤러를 기둥 또는 파이프(수평 또는 수직)에 똑바로 부착하십시오. 파이프 직경이 19~65mm(0.75 인치~2.5인치)인지 확인하십시오. 필요한 장착 하드웨어는 [그림 4](#) 및 [제품 구성품 131](#) 페이지의 단계 별 그림 설명을 참조하십시오.

그림 4 폴 장착



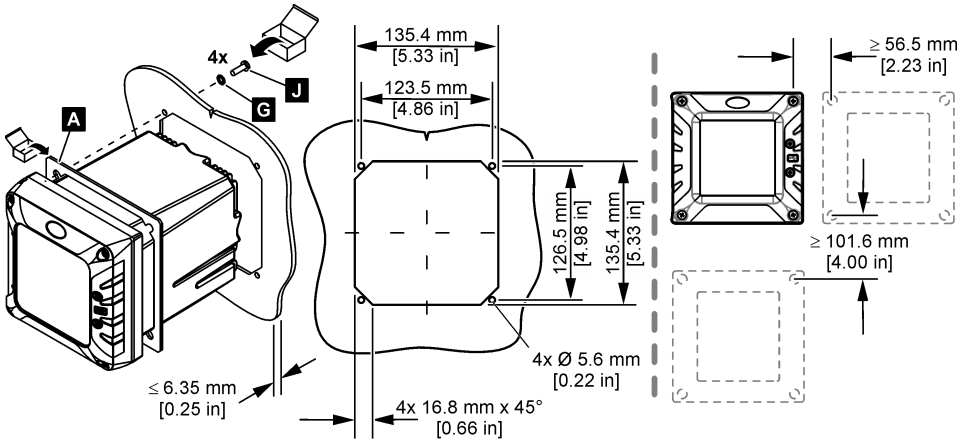
4.2.3 패널에 기기 설치

패널 설치에 직사각형 구멍이 필요합니다. 패널 장착을 위해 제공된 씰링 개스킷을 템플릿으로 사용하여 패널에 구멍을 냅니다. 템플릿을 위쪽 위치로 사용하여 컨트롤러를 수직으로 설치해야 합니다.

그림 5을(를) 참조하십시오.

참고: 패널 장착에 브래킷(옵션)을 사용하는 경우 패널의 구멍을 통해 컨트롤러를 누른 다음 패널 뒷면에 있는 컨트롤러 위에서 브래킷을 밀니다. 4개의 15 mm 팬 헤드 나사(제공)를 사용하여 컨트롤러에 브래킷을 부착하고 컨트롤러를 패널에 고정시킵니다.

그림 5 패널 장착 치수



4.3 전기 설치

4.3.1 전기 커넥터 및 피팅

그림 6에는 기기의 전기 커넥터 및 피팅이 나와 있습니다. 외함의 환경 등급을 유지하기 위해 사용한 적이 없는 스트레인 릴리프 피팅에 플러그가 있고 사용한 적이 없는 커넥터에 커넥터 캡이 있는지 확인하십시오.

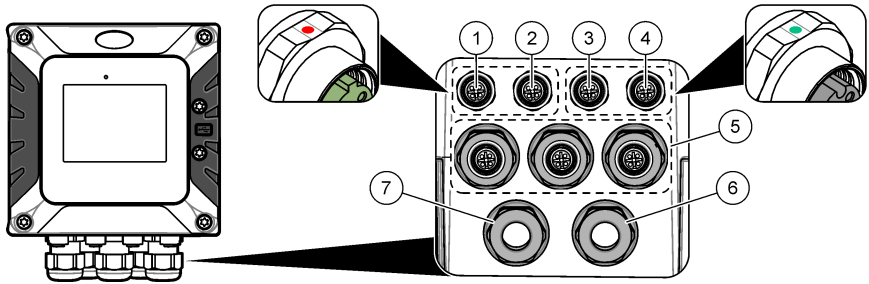
컨트롤러 구성에 따라 컨트롤러에는 다음이 있습니다.

- 고객 네트워크를 통해 컨트롤러에 대한 인터넷 액세스를 제공하는 이더넷 커넥터(LAN)
- 산업용 이더넷 프로토콜용 이더넷 커넥터: EtherNet/IP 또는 PROFINET
- sc 디지털 센서, sc 디지털 게이트웨이 및 분석기용 디지털 SC 커넥터

색상 코드는 커넥터를 식별합니다. LAN 커넥터는 빨간색 점이 있는 녹색입니다. 이더넷/IP 또는 프로피넷 커넥터는 빨간색 점이 있는 노란색입니다. sc 디지털 센서 커넥터는 녹색 점이 있는 검은색입니다. 각 커넥터 및 피팅에 적용할 수 있는 옵션은 표 1을(를) 참조하십시오.

참고: 컨트롤러는 스트레인 릴리프 피팅이 설치되지 않은 상태로 제공됩니다. 사용자는 필요한 스트레인 릴리프를 제공해야 합니다. 자세한 내용은 제조업체 웹사이트의 세부 사용 설명서를 참조하십시오.

그림 6 전기 커넥터 및 피팅



1 LAN 포트 1 또는 EtherNet/IP 또는 PROFINET 커넥터용 이더넷 케이블(옵션)	5 USB 박스 및 확장 모듈용 스트레인 릴리프 피팅: 아날로그 입력/출력, Profibus DP
2 LAN 포트 2 또는 EtherNet/IP 또는 PROFINET 커넥터용 이더넷 케이블(옵션)	6 전원 코드(또는 전선관 허브) ⁹
3 디지털 SC 커넥터: 채널 1. 옵션: 센서 모듈에 아날로그 센서 연결 또는 4-20mA 입력 모듈에 아날로그 입력 연결 ⁸	7 고전압 릴레이용 스트레인 릴리프 피팅
4 디지털 SC 커넥터: 채널 2. 옵션: 센서 모듈에 아날로그 센서 연결 또는 4-20mA 입력 모듈에 아날로그 입력 연결	

표 1 각 커넥터 및 피팅에 대한 옵션

Device(장치)	1 ¹⁰	2	옵션 ¹¹	3	4	5	6	7
sc 디지털 센서, sc 디지털 게이트웨이 또는 분석기				X	X			
아날로그 센서				X	X			
센서 아날로그 모듈				X	X			
4-20 mA 출력						X		
Profibus DP 모듈						X		
모드버스 RS232/RS485 모듈						X		
USB 박스						X		
LAN + LAN	녹색	녹색	Split / Chaining					
LAN + Modbus TCP	녹색	녹색	Split / Chaining					
EtherNet/IP	노란색	노란색	IEP only					
LAN + EtherNet/IP	녹색	노란색	Mix IEP					
PROFINET	노란색	노란색	IEP only					
LAN + PROFINET	녹색	노란색	Mix IEP					

⁸ 아날로그 센서 또는 4-20mA 입력을 컨트롤러에 연결하려면 해당 확장 모듈을 설치합니다(아직 설치되지 않은 경우). 자세한 내용은 확장 모듈과 함께 제공된 설명서를 참조하십시오.

⁹ 전원 코드는 컨트롤러 구성에 따라 출하시 설치됩니다.


¹⁰ 색상 코드는 커넥터를 식별합니다. LAN 커넥터는 녹색입니다. EtherNet/IP 또는 PROFINET 커넥터는 노란색입니다.

¹¹ 자세한 내용은 제조업체 웹사이트의 세부 사용 설명서를 참조하십시오.

표 1 각 커넥터 및 피팅에 대한 옵션 (계속)

Device(장치)	1 ¹⁰	2	옵션 ¹¹	3	4	5	6	7
고전압 릴레이								X
전원 공급 장치							X	


4.3.2 정전기 방전(ESD) 문제


주의사항	
	잠재적인 장치 손상. 정교한 내부 전자 부품이 정전기에 의해 손상되어 장치 성능이 저하되거나 고장이 날 수 있습니다.

기기의 ESD 손상을 방지하려면 이 절차의 단계를 참조하십시오.

- 기기의 새시, 금속 도관 또는 파이프 같은 어스 접지된 금속 표면을 만져 정전기를 방전시키십시오.
- 너무 많이 움직이지 마십시오. 정전기에 민감한 부품은 정전기 방지 용기나 포장재에 넣어 운반하십시오.
- 전선을 통해 접지된 손목 스트랩을 착용하십시오.
- 정전기로부터 안전한 구역에서 정전기 방지 바닥 패드와 작업대 패드를 사용하여 작업하십시오.

4.3.3 전원 연결

⚠ 위험	
	여러 가지 위험이 존재합니다. 자격을 부여받은 담당자만 본 문서에 의거하여 작업을 수행해야 합니다.

⚠ 위험	
	감전 위험. 전기 연결 전에 항상 기기의 전원을 차단하십시오.

컨트롤러에 설치된 전원 코드가 없으면 전선관 또는 전원 코드로 전원을 연결합니다. 전선관 또는 전원 코드로 전원을 연결하려면 다음 섹션을 참조하십시오.

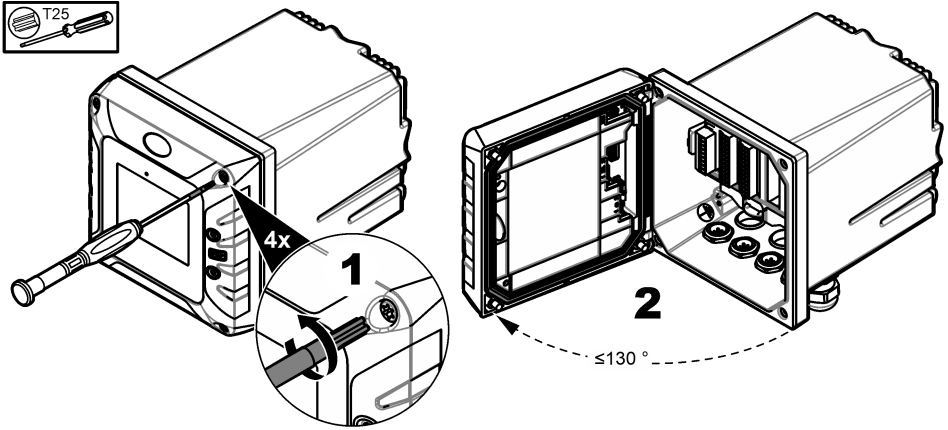
4.3.3.1 컨트롤러 커버를 엽니다

배선 연결부에 접근하려면 컨트롤러 커버를 엽니다. 그림 7을(를) 참조하십시오.

¹⁰ 색상 코드는 커넥터를 식별합니다. LAN 커넥터는 녹색입니다. EtherNet/IP 또는 PROFINET 커넥터는 노란색입니다.

¹¹ 자세한 내용은 제조업체 웹사이트의 세부 사용 설명서를 참조하십시오.

그림 7 컨트롤러를 엽니다

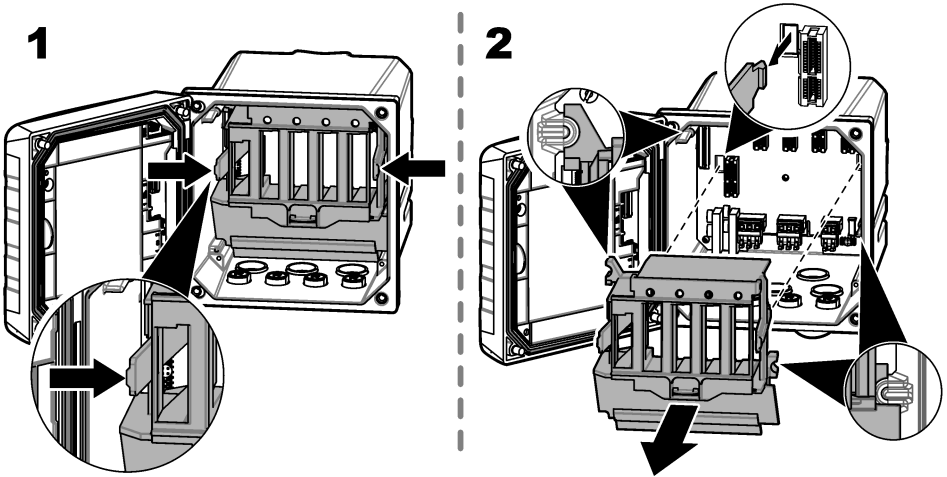


4.3.3.2 고전압 배리어 제거

컨트롤러의 고전압 배선은 컨트롤러 엔클로저의 고전압 배리어 뒤에 있습니다. 컨트롤러에 전원이 공급되는 동안 배리어를 제거하지 마십시오. 컨트롤러에 전원을 공급하기 전에 배리어가 설치되었는지 확인하십시오.

고전압 배선에 접근하려면 고전압 배리어를 제거하십시오. 그림 8을(를) 참조하십시오.

그림 8 고전압 배리어



4.3.3.3 전력 배선

⚠ 위험	
	감전 위험. 보호 접지(PE) 연결이 필요합니다.

⚠ 위험



전기쇼크 및 화재 위험. 도관 설치를 위한 국부 분리 장치를 분명하게 식별하십시오.

⚠ 경고



잠재적 감전 위험. 본 장치를 실외에서 사용하거나 젖은 수 있는 장소에서 사용하는 경우, 장치를 주전원에 연결할 때 **접지 결합 인터럽트** 장치를 사용해야 합니다.

⚠ 경고



감전 위험. 국부 분리 장치는 모든 전류가 흐르는 모든 도체를 분리해야 합니다. 주 전원 연결은 극성 공급을 유지해야 합니다. 분리 가능한 플러그는 코드로 연결된 장비의 분리 수단입니다.

⚠ 경고



전기쇼크 및 화재 위험. 사용자의 전원 코드와 비감금형 플러그가 해당 국가 법규정을 충족하는지 확인하십시오.

⚠ 경고



폭발 위험 본 설명서는 위험하지 않은 위치에 장치를 설치하는 경우에만 적용됩니다. 위험한 위치에 장치를 설치하려면 제공되는 위험 위치 설치 설명서에 기재된 지침 및 승인된 컨트롤 도면만 사용하십시오.

주의사항

장치를 쉽게 분리하고 작동시킬 수 있는 위치에 설치하십시오.

컨트롤러는 100~240 VAC 전원 모델 또는 18~28 VDC 전원 모델로 구입할 수 있습니다. 구입 모델에 해당하는 배선 지침을 따르십시오.

도관 또는 전원 케이블로 기기에 전원을 공급합니다. 전류 용량이 충분한 회로 차단기를 전력선에 설치합니다. 회로 차단기 크기는 설치에 사용된 와이어 게이지에 기반을 둡니다.

도관 설치 시:

- 기기의 3 m(10 ft) 이내에 기기에 대한 로컬 연결 해제를 설치합니다. 기기에 대한 주요 연결 해제 장치로 식별된 연결 해체에 라벨을 부착합니다.
- 온도가 최소한 90 °C (194 °F)이고 설치 환경에 적합해야 합니다.
- 영구 연결의 경우 솔리드 와이어만 사용합니다. 0.75~1.5 mm²(18~16 AWG) 사이의 케이블 치수를 사용하십시오. 플렉서블 와이어는 끝에 크립프 페룰 또는 핀 유형 단자가 있어야 합니다
- 로컬, 상태 또는 국가 전기 코드에 따라 장비를 연결합니다.
- 도관을 단단히 고정하는 도관 허브를 통해 도관을 연결하고 조일 때 케이스를 밀봉합니다.
- 금속 도관을 사용하는 경우 도관 허브가 조여져서 금속 도관과 안전 접지를 연결하는지 확인하십시오.
- DC 컨트롤러에 전력을 공급하는 DC 전원은 지정된 18~28 VDC 전압 제한 내에서 전압을 조절해야 합니다. DC 전원은 서지와 라인 순간 전압으로부터 적합한 보호를 제공해야 합니다.

전원 케이블 설치 시 전원 케이블은 다음과 같아야 합니다.

- 길이가 3 m(10 ft)이하여야 합니다.
- 공급 전압과 전류에 적합해야 합니다.
- 온도가 최소한 90 °C (194 °F)이고 설치 환경에 적합해야 합니다.
- 현지 코드 요구사항에 해당되는 절연 색상을 갖춘 0.75mm²(18AWG) 이상입니다. 플렉서블 와이어는 끝에 크립프 페룰 또는 핀 유형 단자가 있어야 합니다
- 전원 공급 장치 연결에 적합한 3 프롱 플러그(접지 연결됨)가 있는 전원 케이블

- 전원 케이블을 단단히 고정하고 조일 때 케이스를 밀봉하는 케이블 글랜드(스트레인 릴리프)를 통해 연결됩니다.
- 플러그에 대해 잠금 타입 장치는 사용하지 않습니다.

4.3.3.4 전선관 또는 전원 코드 연결

주의사항

제조업체는 전원 코드, 커넥터 및 스트레인 릴리프 피팅과 같이 제조업체에서 제공한 전기 구성 요소를 사용할 것을 권장합니다.

주의사항



케이블 피복이 인클로저의 내부 측면을 통과하는지 확인하여 인클로저의 환경 등급을 유지하십시오.

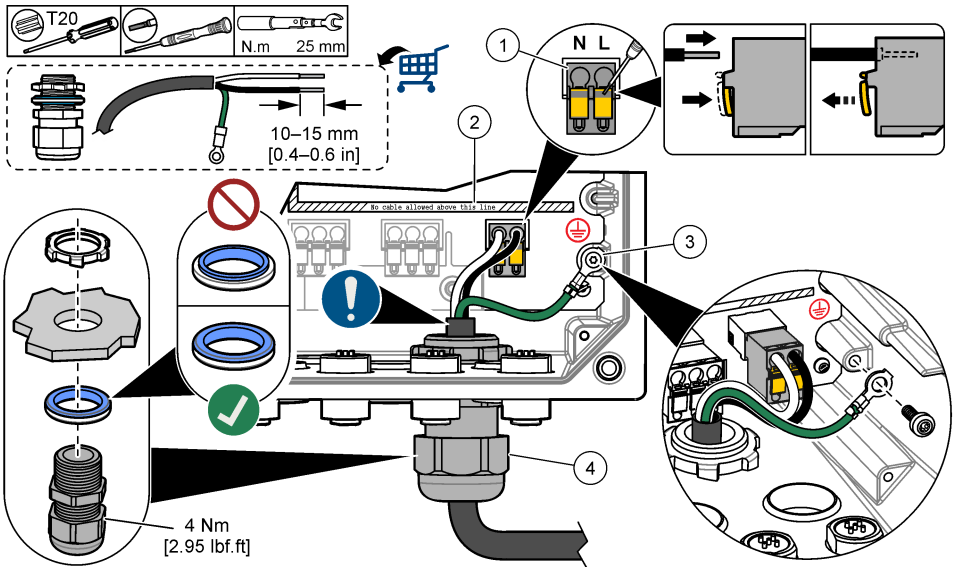
컨트롤러는 전선관에 하드 와이어링하거나 전원 코드에 배선하는 식으로 라인 전원에 배선할 수 있습니다. 사용 와이어에 관계없이 연결은 동일 단계에서 수행합니다.

전원 케이블 플러그는 컨트롤러에 전원을 연결하고 분리하는 데 사용됩니다. 전선관에 설치하는 경우, 설치된 국부 분리 장치를 사용하여 컨트롤러에 전원을 연결하고 분리합니다.

전선관 또는 전원 코드를 연결하려면 Connect conduit or a power cord 및 Connect conduit or a power cord Connect conduit or a power cord 또는 을(를) 참조하십시오. **그림 9 표 2 표 3** 금속 부분이 노출되지 않고 절연 피복이 커넥터에 맞닿을 때까지 각 와이어를 해당 단자에 끼워 넣습니다. 삽입 후 살짝 잡아당겨 확실하게 연결했는지 확인합니다. 필요한 경우 단자를 보다 쉽게 배선할 수 있도록 PCBA에서 커넥터를 분리하십시오.

참고: 모든 케이블이 PCBA에 인쇄된 케이블 제한선 아래에 있는지 확인하여 고전압 배리어에 대한 간섭을 방지하십시오. **그림 9**을(를) 참조하십시오.

그림 9 전선관 또는 전원 코드 연결



1 AC 및 DC 전원 단자	3 보호용 어스 접지
2 케이블 제한: 케이블을 선 위에 놓지 마십시오.	4 전선관 허브(또는 전원 코드용 스트레인 릴리프 피팅)


표 2 배선 정보-AC 전원

종단	설명	색상-복미	색상-유립
L	핫(라인 1)	검은색	갈색
N	뉴트럴(N)	흰색	파란색
	보호용 어스 접지	녹색	녹색 (노란색 줄무늬 포함)

표 3 배선 정보-DC 전원

종단	설명	색상-복미	색상-유립
L	+24 VDC	빨간색	빨간색
N	24 VDC 복귀	검은색	검은색
	보호용 어스 접지	녹색	녹색 (노란색 줄무늬 포함)

4.3.4 고전압 릴레이 연결

⚠ 위험	
	감전 위험. 전기 연결 전에 항상 기기의 전원을 차단하십시오.
⚠ 경고	
	잠재적 감전 위험. 전원 및 릴레이 단자는 단선 중단용으로만 설계되었습니다. 각 단자에 와이어를 두 개 이상 사용하지 마십시오.
⚠ 경고	
	잠재적 화재 위험. 일반 릴레이 연결 또는 점퍼 와이어를 장비 내부의 주전원 연결로부터 테일리 체인으로 연결하지 마십시오.
⚠ 경고	
	폭발 위험 본 설명서는 위험하지 않은 위치에 장치를 설치하는 경우에만 적용됩니다. 위험한 위치에 장치를 설치하려면 제공되는 위험 위치 설치 설명서에 기재된 지침 및 승인된 컨트롤 도면만 사용하십시오.
⚠ 주의	
	화재 위험. 릴레이 부하는 저항성이 있어야 합니다. 항상 외부 퓨즈 또는 차단기를 사용하여 릴레이에 대한 전류를 제한하십시오. 사양 섹션의 릴레이 등급을 준수하십시오.
주의사항	
	케이블 피복이 인클로저의 내부 측면을 통과하는지 확인하여 인클로저의 환경 등급을 유지하십시오.

이 장비에는 두 개의 비동력 릴레이가 있으며, 각 릴레이에는 단극 변환 접점이 있습니다. AC 컨트롤러의 경우 배선 구획은 264VAC를 초과하는 전압 연결에 적합하지 않습니다.

릴레이 단자는 컨트롤러 엔클로저의 고전압 배리어 뒤에 있습니다. 릴레이 단자에 전원이 공급되는 동안 배리어를 제거하지 마십시오. 배리어가 설치되지 않은 경우 릴레이 단자에 전원을 공급하지 마십시오.

필요에 따라 각 릴레이를 제어 장치 또는 알람 장치에 연결합니다. 릴레이를 연결하려면 **그림 10** 및 **표 4**을(를) 참조하십시오. 자세한 내용은 제조업체 웹사이트의 세부 사용 설명서를 참조하십시오.

릴레이 사양은 **사양 126** 페이지 섹션을 참조하십시오. 릴레이는 서로 절연되어 있으며 저전압 입력/출력 회로입니다.

전원 및 릴레이 플러그의 가장 큰 게이지 와이어는 1.5mm² (16AWG)의 정격입니다. 릴레이 단자는 0.75~1.5mm²(18~16AWG) 와이어를 수용합니다(부하 적용에 따라 결정). 절연 등급이 300VAC 이상인 와이어를 사용하십시오. 금속 부분이 노출되지 않고 절연 피복이 커넥터에 맞닿을 때까지 각 와이어를 해당 단자에 끼워 넣습니다. 삽입 후 살짝 잡아당겨 확실하게 연결했는지 확인합니다. 필요한 경우 단자를 보다 쉽게 배선할 수 있도록 PCBA에서 커넥터를 분리하십시오. 플렉서블 와이어는 끝에 크립프 페룰 또는 핀 유형 단자가 있어야 합니다

참고: 모든 케이블이 PCBA에 인쇄된 케이블 제한선 아래에 있는지 확인하여 고전압 배리어에 대한 간섭을 방지하십시오.

릴레이 접점에 대한 전류는 5A(저항성 부하), 1250VA 125W(저항성 부하) 이하여야 합니다. 비상시 또는 유지 관리를 위해 국부적으로 릴레이에서 전원을 분리하는 데 사용할 수 있는 보조 스위치가 있어야 합니다.

입니다. AC 컨트롤러의 경우 고전압에서 릴레이를 사용하십시오. DC 컨트롤러의 경우 저전압에서 릴레이를 사용하십시오. 릴레이 사양은 **사양 126** 페이지 섹션을 참조하십시오. 고전압과 저전압을 혼합해서 구성하지 마십시오.

영구 연결 시공 시 메인 회로의 릴레이 단자 연결부는 최소 300 V, 90 °C(194 °F)의 절연 정격을 갖추어야 합니다. 전원 코드 연결을 사용하여 메인 회로에 연결된 단자는 이중 절연하고 내부와 외부 절연 수준 모두 정격이 300 V, 90 °C(194 °F)여야 합니다.

참고: 고전압 릴레이용 스트레인 릴리프 피팅을 통해 릴레이용 전선을 넣습니다. **그림 6 136** 페이지의 내용을 참조하십시오.

그림 10 릴레이 연결

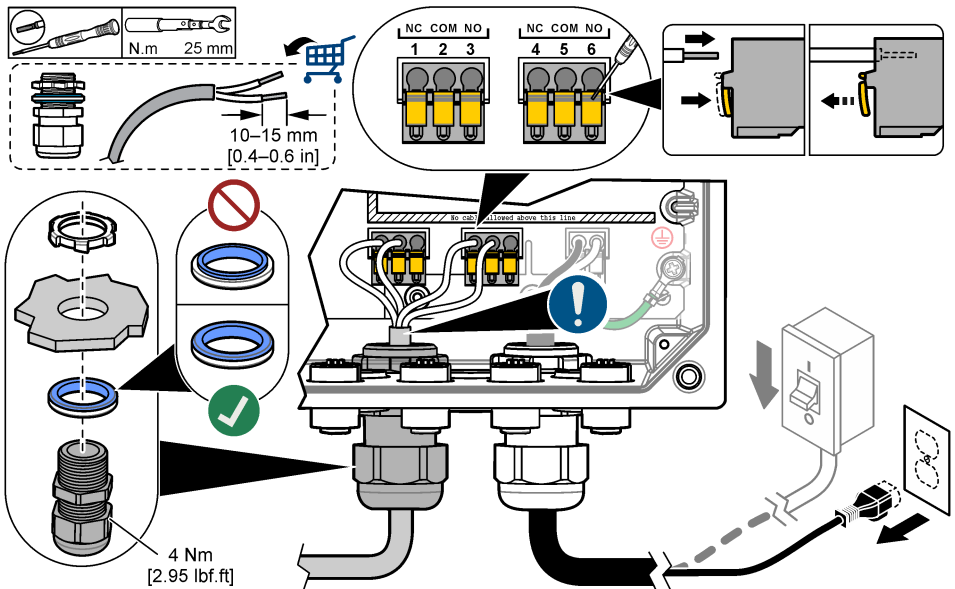


표 4 배선 정보 - 릴레이

종단	설명	종단	설명
1	릴레이 2, NC	4	릴레이 1, NC
2	릴레이 2, 공통	5	릴레이 1, 공통
3	릴레이 2, NO	6	릴레이 1, NO

NC = 보통 닫힘, NO = 보통 열림

4.3.5 확장 모듈 설치

▲ 경고



폭발 위험 본 설명서는 위험하지 않은 위치에 장치를 설치하는 경우에만 적용됩니다. 위험한 위치에 장치를 설치하려면 제공되는 위험 위치 설치 설명서에 기재된 지침 및 승인된 컨트롤 도면만 사용하십시오.

컨트롤러에 아날로그 출력, 아날로그 입력, 아날로그 센서 및 Profibus 통신용 확장 모듈을 사용할 수 있습니다. 자세한 내용은 확장 모듈과 함께 제공된 설명서를 참조하십시오.

4.4 덮개 닫기

▲ 위험



감전 위험. 컨트롤러의 고전압 배선은 컨트롤러 엔클로저의 고전압 장벽 뒤에서 연결됩니다. 모듈을 설치하는 경우, 또는 자격을 갖춘 설치 기술자가 전원, 릴레이 또는 아날로그와 네트워크 카드를 배선할 때를 제외하고 장벽을 원래 위치에 두어야 합니다.

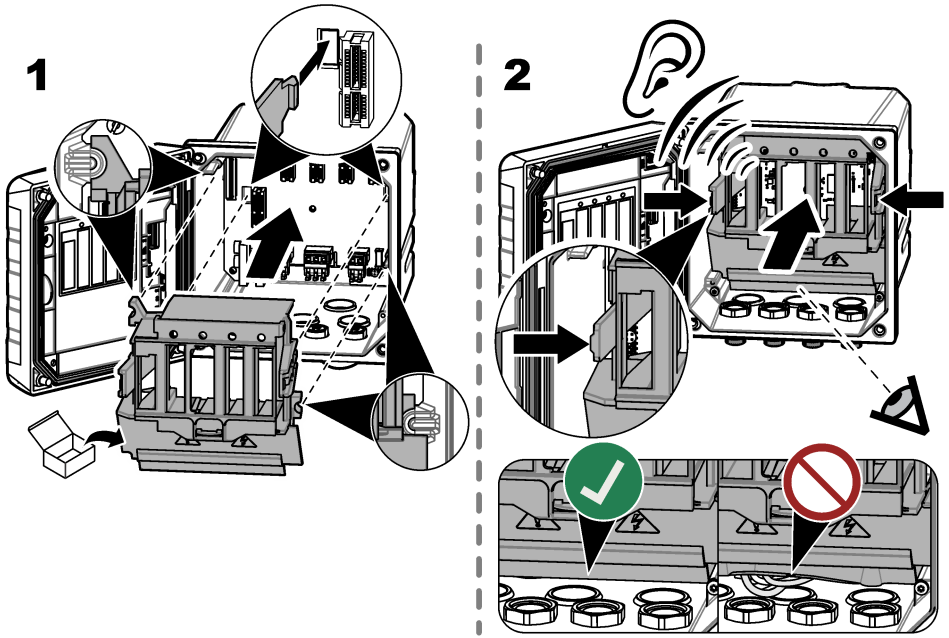
주의사항

컨트롤러 커버를 닫고 인클로저의 환경 등급을 유지하기 위해 커버 나사가 조여 졌는지 확인합니다.

전원 연결 후 고전압 배리어를 설치합니다. 고전압 배리어가 엔클로저 가이드에 올바르게 장착되고 메인 PCBA에 고정되어 있는지 확인합니다. 고전압 차단기가 올바르게 설치되면 딸깍 소리가 납니다. 고전압 배리어(부드러운 고무 락)의 하부가 올바르게 장착되고 변형이 없는지 확인합니다. **그림 11**을(를) 참조하십시오.

컨트롤러 덮개를 닫습니다. 2Nm(17.70 lbf-in) 토크로 덮개 나사를 조입니다. **그림 7 138** 페이지을(를) 참조하십시오.

그림 11 고압 배리어를 설치합니다

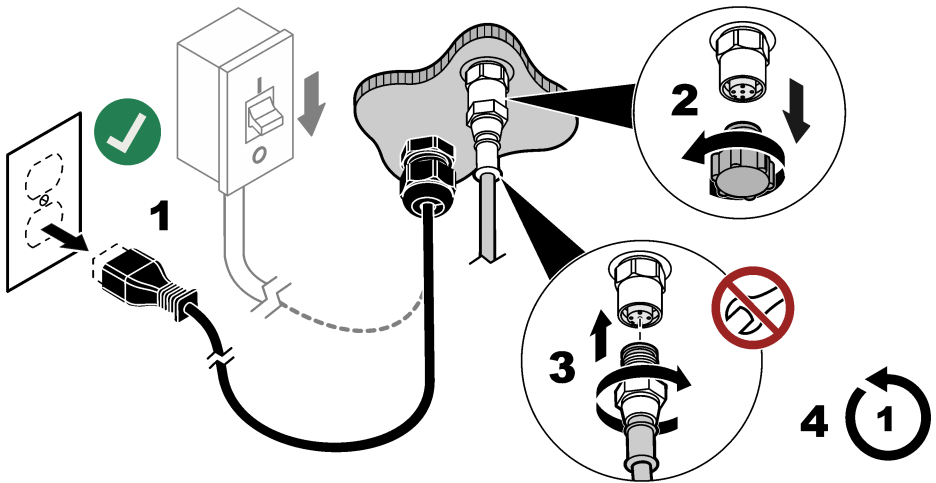


4.5 측정 장치 연결

디지털 장치(예: 센서 및 분석기)를 기기의 장치 커넥터에 연결합니다. 그림 12을(를) 참조하십시오. 장치 커넥터 캡은 나중에 사용할 수 있도록 보관하십시오.

장치 케이블에 걸려 넘어지지 않게 유의하고 심하게 굽어 있지 않게 보관하십시오.

그림 12 장치 연결



섹션 5 시작

전원 코드를 보호 어스 접지가 있는 전기 콘센트에 연결하거나 컨트롤러의 회로 차단기를 ON으로 설정합니다.

5.1 초기 설정 입력

처음 시작할 때 디스플레이의 지시에 따라 언어, 날짜, 시간 및 네트워크 정보를 설정합니다. 자세한 지침은 제조업체 웹사이트의 확장된 사용 설명서를 참조하세요.

섹션 6 추가 정보

확장된 사용자 설명서에서 다음과 같은 추가 정보를 확인할 수 있습니다.

- 사용자 인터페이스 및 탐색
- 작동
- 유지관리
- 문제 해결
- 교체 부품 목록

다음의 QR 코드를 스캔하면 확장된 사용 설명서로 이동합니다.



한국어



이탈리아어



스페인어



독일어



프랑스어



중국어

สารบัญ

- 1 รายละเอียดทางเทคนิค ในหน้า 146
- 2 คู่มือผู้ใช้ออนไลน์ ในหน้า 147
- 3 ข้อมูลทั่วไป ในหน้า 147

- 4 การติดตั้ง ในหน้า 151
- 5 การเริ่มทำงาน ในหน้า 165
- 6 ข้อมูลเพิ่มเติม ในหน้า 165

หัวข้อที่ 1 รายละเอียดทางเทคนิค

รายละเอียดทางเทคนิคอาจเปลี่ยนแปลงได้โดยไม่ต้องแจ้งให้ทราบล่วงหน้า

รายละเอียดทางเทคนิค	รายละเอียด
ขนาด (ก. x ส. x ล.)	½ DIN-144 x 144 x 192 มม. (5.7 x 5.7 x 7.6 นิ้ว)
ตัวเครื่อง	UL50E Type 4X, IEC/EN 60529–IP 66, NEMA 250 Type 4X ตัวเครื่องโลหะ พื้นผิวป้องกันการกัดกร่อนได้
น้ำหนัก	1.7 กก. (3.7 ปอนด์) (น้ำหนักชุดควบคุมไม่รวมโมดูลขยายเสริม)
ระดับของมลภาวะ	สภาพแวดล้อม: 4; เครื่องมือ: 2
หมวดหมู่ของการเกิดแรงดันไฟฟ้าเกิน	II
ระดับการป้องกัน	I, เชื่อมต่อกับสายดินสำหรับป้องกัน
สภาพแวดล้อม	การใช้งานภายในอาคารและกลางแจ้ง
ข้อกำหนดด้านพลังงาน	ชุดควบคุม AC: 100–240 VAC ±10%, 50/60 Hz; 1 A (50 VA พร้อมโหลดเซ็นเซอร์ 8W, 100VA พร้อมโหลดเซ็นเซอร์ 28W) ชุดควบคุม DC: 18–28 VDC; 2.5 A (12W พร้อมโหลดเซ็นเซอร์ 9W, 36W พร้อมโหลดเซ็นเซอร์ 20W)
อุณหภูมิในการทำงาน	–20 ถึง 60 °C (–4 ถึง 140 °F) (โหลดเซ็นเซอร์ 8W (AC)/9W (DC)) –20 ถึง 45 °C (–4 ถึง 113 °F) (โหลดเซ็นเซอร์ 28 W (AC)/20 W (DC)) การปรับลดที่กีดขวางเซ็นระหว่าง 45 และ 60 °C (–1.33 W/°C)
อุณหภูมิสำหรับจัดเก็บ	–20 ถึง 70 °C (–4 ถึง 158 °F)
ความชื้นสัมพัทธ์	0 ถึง 95% ไม่มีการควบแน่น
ความสูง	สูงสุด 3000 ม. (9842 ฟุต)
Display (หน้าจอ)	หน้าจอสี TFT ขนาด 3.5 นิ้วพร้อมจอสัมผัสแบบ capacitive
การตรวจวัด	ข้อต่อ SC ดิจิตอลของอุปกรณ์สอง ตัว
รีเลย์ (แรงดันไฟฟ้าสูง)	รีเลย์สองตัว (SPDT) ขนาดสายไฟ: 0.75 ถึง 1.5 มม. ² (18 ถึง 16 AWG) ชุดควบคุม AC แรงดันไฟฟ้าสลับสูงสุด: 100–240 VAC กระแสไฟสลับสูงสุด: 5 A Resistive/1 A Pilot Duty พลังงานไฟสลับสูงสุด: 1200 VA Resistive/360 VA Pilot Duty ชุดควบคุม DC แรงดันไฟฟ้าสลับสูงสุด: 30 VAC หรือ 42 VDC กระแสไฟสลับสูงสุด: 4 A Resistive/1 A Pilot Duty พลังงานไฟสลับสูงสุด: 125 W Resistive/28 W Pilot Duty

รายละเอียดทางเทคนิค	รายละเอียด
อินพุตอะนาล็อก (อุปกรณ์เสริม) ³	อินพุตอะนาล็อก 0-20 mA (หรือ 4-20 mA) หนึ่งตัวในโมดูลอินพุตอะนาล็อกแต่ละตัว อินพุตเซ็นเซอร์อะนาล็อกหนึ่งตัวต่อโมดูลเซ็นเซอร์แต่ละตัว อินพุตอะนาล็อกสูงสุดสองตัว
เอาต์พุตอะนาล็อก (อุปกรณ์เสริม) ³	เอาต์พุตอะนาล็อก 0–20 mA (หรือ 4-20 mA) หนึ่งตัวในโมดูลเอาต์พุตอะนาล็อกแต่ละตัว ¹
การสื่อสารระบบดิจิทัล (อุปกรณ์เสริม) ³	Profibus DPV1 module, Modbus RS232/RS485 module, Modbus TCP, PROFINET module, EtherNet/IP™ ² โมดูล
โมดูลซอฟต์แวร์ (ทางเลือก)	ติดต่อฝ่ายขายหรือฝ่ายสนับสนุนทางเทคนิคสำหรับข้อมูลเพิ่มเติม บันทึก: สามารถติดตั้งโมดูลซอฟต์แวร์บนคอนโทรลเลอร์ได้ครั้งละหนึ่งโมดูลเท่านั้น
การเชื่อมต่อเครือข่าย ³	เวอร์ชัน LAN (อุปกรณ์เสริม): ขั้วต่ออีเทอร์เน็ตสองขั้ว (10/100 Mbps), ขั้วต่อ D-coding ตัวเมีย M12; เวอร์ชันเซลลูลาร์ และ เซลลูลาร์ WiFi (อุปกรณ์เสริม) ⁴
พอร์ต USB	ใช้สำหรับการดาวน์โหลดข้อมูลและการอัปโหลดซอฟต์แวร์ ชุดควบคุมจะบันทึกข้อมูลได้ถึง 20,000 จุดสำหรับเซ็นเซอร์ที่เชื่อมต่อแต่ละตัว
ข้อมูลการรับรองมาตรฐาน	CE. ได้รับการรับรอง ETL ตามมาตรฐานความปลอดภัย UL และ CSA (สำหรับเซ็นเซอร์ทุกประเภท), FCC, ISED, KC, RCM, EAC, UKCA, SABS, CMIM, (ในร็อคโก)
การรับประกัน	1 ปี (สหภาพยุโรป: 2 ปี)

หัวข้อที่ 2 คู่มือผู้ใช้ออนไลน์

คู่มือใช้พื้นฐานนี้มีข้อมูลน้อยกว่าคู่มือผู้ใช้¹ ซึ่งพร้อมให้บริการบนเว็บไซต์ของผู้ผลิต

หัวข้อที่ 3 ข้อมูลทั่วไป

ไม่ว่าจะในกรณีใด ผู้ผลิตจะไม่รับผิดชอบต่อความเสียหายที่เกิดจากการใช้งานผลิตภัณฑ์ที่ไม่เหมาะสมใดๆ หรือความล้มเหลวในการปฏิบัติตามคำแนะนำในคู่มือ ผู้ผลิตสงวนสิทธิ์ในการแก้ไขคู่มือและเปลี่ยนแปลงผลิตภัณฑ์ที่อธิบายได้ตลอดเวลา โดยไม่ต้องแจ้งให้ทราบหรือขออนุญาตใดๆ ข้อมูลฉบับแก้ไขจะมีให้ในเว็บไซต์ของผู้ผลิต

3.1 ข้อมูลเพื่อความปลอดภัย

ผู้ผลิตจะไม่รับผิดชอบต่อความเสียหายใดๆ ที่เกิดจากการนำผลิตภัณฑ์ไปใช้หรือการใช้งานที่คิดไว้ที่ผิดวัตถุประสงค์ รวมถึง แต่ไม่จำกัดเพียงความเสียหายทางตรง ความเสียหายที่ไม่ได้ตั้งใจ และความเสียหายที่ต่อเนื่องตามมา และขอปฏิเสธในการรับผิดชอบต่อความเสียหายเหล่านี้ในระดับสูงสุดเท่าที่กฎหมายที่เกี่ยวข้องจะอนุญาต ผู้ใช้เป็นผู้รับผิดชอบแต่เพียงผู้เดียวในการระบุถึงความเสี่ยงในการนำไปใช้งานที่สำคัญ และการติดตั้งกลไกที่เหมาะสมเพื่อป้องกันกระบวนการต่างๆ ที่เป็นไปได้ในกรณีอุปกรณ์ทำงานผิดพลาด

กรุณาอ่านคู่มือฉบับนี้โดยละเอียดก่อนเปิดกล่อง คิดตั้งหรือใช้งานอุปกรณ์นี้ ศึกษาอันตรายและข้อควรระวังต่าง ๆ ที่แจ้งให้ทราบให้ครบถ้วน หากไม่ปฏิบัติตามอาจทำให้เกิดการบาดเจ็บร้ายแรงต่อผู้ใช้หรือเกิดความเสียหายต่ออุปกรณ์

ตรวจสอบให้แน่ใจว่าการป้องกันที่ได้รับจากอุปกรณ์นี้ไม่บกพร่อง ห้ามใช้หรือติดตั้งอุปกรณ์นี้ในลักษณะอื่นนอกเหนือจากที่ระบุไว้ในคู่มือนี้

¹ คู่มือข้อมูลเพิ่มเติมในเอกสารกำกับ โมดูล

บันทึก: ติดตั้งโมดูลเดียวในหนึ่งสล็อตที่มีอยู่เท่านั้น

² EtherNet/IP เป็นเครื่องหมายการค้าของ OVDA Inc.

³ ขึ้นอยู่กับข้อกำหนดค่าชุดควบคุม





⁴ WiFi กล้อง USB ภายนอกจำเป็นสำหรับการเชื่อมต่อเครือข่ายในเวอร์ชัน WiFi เซลลูลาร์กล้อง USB ภายนอกจำเป็นสำหรับการเชื่อมต่อเครือข่ายในเวอร์ชันเซลลูลาร์

3.1.1 การใช้ข้อมูลแจ้งเตือนเกี่ยวกับอันตราย

▲ อันตราย
ระบุอันตรายที่อาจเกิดขึ้น ซึ่งหากไม่หลีกเลี่ยง อาจทำให้เสียชีวิตหรือได้รับบาดเจ็บร้ายแรงได้
▲ คำเตือน
ระบุอันตรายที่อาจเกิดขึ้น ซึ่งหากไม่หลีกเลี่ยง อาจทำให้เสียชีวิตหรือได้รับบาดเจ็บร้ายแรงได้
▲ ข้อควรระวัง
ระบุอันตรายที่อาจเกิดขึ้นซึ่งอาจทำให้เกิดการบาดเจ็บเล็กน้อยถึงปานกลาง
หมายเหตุ
ข้อควรทราบระบุกรณีที่หากไม่หลีกเลี่ยง อาจทำให้อุปกรณ์ได้รับความเสียหายได้ ข้อมูลที่ควรมีการเน้นย้ำเป็นพิเศษ

3.1.2 ผลการระบุข้อควรระวัง

อ่านฉลากและป้ายระบุทั้งหมดที่มีมาให้พร้อมกับอุปกรณ์ อาจเกิดการบาดเจ็บหรือความเสียหายต่ออุปกรณ์ หากไม่ปฏิบัติตาม คู่มืออ้างอิง สัญลักษณ์ที่ตัวอุปกรณ์หรือข้อความเพื่อเฟาระวังเบื้องต้น

	นี่เป็นสัญลักษณ์แจ้งเตือนเพื่อความปลอดภัย ปฏิบัติตามข้อความแจ้งเพื่อความปลอดภัยที่ระบุต่อจากสัญลักษณ์นี้เพื่อหลีกเลี่ยงการบาดเจ็บ คู่มือเพื่อรับทราบข้อมูลการใช้งานและข้อมูลด้านความปลอดภัยสำหรับอุปกรณ์
	สัญลักษณ์นี้ระบุว่ามีความเสี่ยงจากไฟฟ้าช็อตและอันตรายจากกระแสไฟฟ้า
	เครื่องหมายนี้แสดงว่ามีอุปกรณ์ที่ไวต่อการปล่อยไฟฟ้าสถิตย์ (ESD) และแสดงว่าต้องระมัดระวังเพื่อไม่ให้เกิดความเสียหายต่ออุปกรณ์ดังกล่าว
	อุปกรณ์อิเล็กทรอนิกส์ที่มีเครื่องหมายนี้ไม่สามารถทิ้งแบบขยะปกติในเขตยุโรปหรือระบบกำจัดขยะสาธารณะได้ ส่งคืนอุปกรณ์เก่าหรือที่หมดอายุการใช้งานให้กับผู้ผลิตเพื่อการกำจัดไม่มีค่าใช้จ่ายใดๆ กับผู้ใช้

3.1.3 การปฏิบัติตามข้อกำหนดความเข้ากันได้ทางแม่เหล็กไฟฟ้า (EMC)

▲ ข้อควรระวัง
อุปกรณ์เครื่องนี้ไม่ได้ออกแบบสำหรับการใช้งานในที่ที่อาศัยและอาจมีการป้องกันการรับสัญญาณวิทยุที่ไม่เพียงพอในสภาพแวดล้อมดังกล่าว

CE (EU)

อุปกรณ์นี้ตรงตามข้อกำหนดที่จำเป็นของ EMC Directive 2014/30/EU

UKCA (UK)

อุปกรณ์นี้ตรงตามข้อกำหนดของกฎระเบียบความเข้ากันได้ทางแม่เหล็กไฟฟ้าปี 2016 (S.I. 2016/1091)

หลักเกณฑ์เกี่ยวกับอุปกรณ์ที่ทำให้เกิดสัญญาณรบกวนของแคนาดา ICES-003, Class A:

รองรับข้อมูลการทดสอบของผู้ผลิต

อุปกรณ์ดิจิทัล Class A นี้ได้มาตรฐานตามเงื่อนไขภายใต้หลักเกณฑ์เกี่ยวกับอุปกรณ์ที่ทำให้เกิดสัญญาณรบกวนของแคนาดา

Cet appareil numérique de classe A répond à toutes les exigences de la réglementation canadienne sur les équipements provoquant des interférences.

FCC Part 15, Class "A" Limits

รองรับข้อมูลการทดสอบของผู้ผลิต อุปกรณ์ได้มาตรฐานตาม Part 15 ของ FCC Rules การใช้งานจะต้องอยู่ภายใต้เงื่อนไขดังต่อไปนี้:

1. อุปกรณ์จะต้องไม่ทำให้เกิดอันตรายจากสัญญาณรบกวน
2. อุปกรณ์จะต้องสามารถรับสัญญาณรบกวนที่ได้รับ รวมทั้งสัญญาณรบกวนอื่น ๆ ที่อาจทำให้การทำงานไม่เป็นไปตามที่คาดหวัง


การเปลี่ยนแปลงหรือปรับแต่งอุปกรณ์นี้ซึ่งไม่ได้รับการรับรองโดยผู้เกี่ยวข้องเพื่อควบคุมมาตรฐาน อาจทำให้ผู้ใช้เสียสิทธิ์ในการใช้งาน อุปกรณ์ อุปกรณ์นี้ผ่านการทดสอบและพบว่าได้มาตรฐานตามข้อกำหนดสำหรับอุปกรณ์ดิจิทัล Class A ภายใต้ Part 15 ของ FCC Rules ข้อกำหนดนี้กำหนดขึ้นเพื่อเป็นการป้องกันสัญญาณรบกวนที่เป็นอันตรายเมื่อมีการใช้งานอุปกรณ์ในเชิงพาณิชย์ อุปกรณ์นี้ทำให้เกิดใช้ และสามารถแพร่คลื่นความถี่วิทยุ และหากมีการติดตั้งและใช้งานไม่เป็นไปตามคู่มือการใช้งาน อาจทำให้เกิดสัญญาณรบกวนที่เป็นอันตรายต่อการสื่อสารทางวิทยุ การทำงานของอุปกรณ์ในที่ปกออาจทำให้เกิดสัญญาณรบกวนที่เป็นอันตราย ซึ่งในกรณีนี้ผู้ใช้จะต้องแก้ไขปัญหาสัญญาณรบกวนด้วยตัวเอง สามารถใช้เทคนิคต่อไปนี้เพื่อลดปัญหาจากสัญญาณรบกวน:

1. ปลดอุปกรณ์จากแหล่งจ่ายไฟเพื่อยืนยันว่าอุปกรณ์เป็นสาเหตุของสัญญาณรบกวนหรือไม่
2. หากต่ออุปกรณ์เข้ากับเต้ารับไฟฟ้าเดียวกันกับอุปกรณ์ที่มีปัญหาสัญญาณรบกวน ให้ต่ออุปกรณ์กับเต้ารับไฟฟ้าอื่น
3. ย้ายอุปกรณ์ออกจากอุปกรณ์ที่ได้รับสัญญาณรบกวน
4. ปรับตำแหน่งสายอากาศสำหรับอุปกรณ์ที่ได้รับสัญญาณรบกวน
5. ลองดำเนินการตามวิธีการต่าง ๆ ข้างต้น

3.2 วัตถุประสงค์การใช้งาน

ชุดควบคุม SC4500 มีวัตถุประสงค์เพื่อให้ผู้ใช้ปฏิบัติงานด้านการบำบัดน้ำใช้ โดยใช้วัดพารามิเตอร์คุณภาพน้ำในน้ำอุตสาหกรรม น้ำประปาหรือน้ำเสียจากโรงงาน ชุดควบคุม SC4500 ไม่ได้ใช้เพื่อบำบัดหรือเปลี่ยนแปลงน้ำ

3.3 ภาพรวมผลิตภัณฑ์

⚠️ อันตราย	
	อันตรายจากสารเคมีหรืออันตรายทางชีวภาพ หากอุปกรณ์นี้ถูกใช้งานในการตรวจสอบกระบวนการบำบัด และ/หรือระบบบำบัดน้ำเสีย ซึ่งมีขีดจำกัดตามกฎข้อบังคับและมีข้อกำหนดในการตรวจสอบ ซึ่งเกี่ยวข้องกับด้านสาธารณสุข ความปลอดภัยของสาธารณะ การผลิตหรือกระบวนการต่างๆ ของเครื่องเค็มหรืออาหาร ถือเป็นความรับผิดชอบของผู้ใช้อุปกรณ์นี้ ในการรับทราบและปฏิบัติตามกฎข้อบังคับที่เกี่ยวข้อง รวมถึงการมีกลไกที่เหมาะสมและเพียงพอไว้รองรับ เพื่อให้เป็นไปตามกฎข้อบังคับที่เกี่ยวข้องในกรณีที่อุปกรณ์ทำงานผิดพลาด
หมายเหตุ	
การรักษาความปลอดภัยของเครื่องจ่ายและจุดเข้าสู่งานเป็นความรับผิดชอบของผู้ใช้และผู้ประกอบการ ผู้ผลิตจะไม่รับผิดชอบต่อความเสียหายใดๆ รวมถึงแต่ไม่จำกัดเพียงความเสียหายทางอ้อม พิษ อันเป็นผลต่อเนื่อง หรือเหตุบังเอิญ ที่เกิดจากช่องว่างหรือการรุดล้าความปลอดภัยของเครื่องจ่าย	
หมายเหตุ	
วัสดุ Perchlorate—อาจมีการจัดการเป็นพิเศษ อ้างถึง รายละเอียดใน www.dtsc.ca.gov/perchlorate คำเตือน - Perchlorate จะต้องมีารคิดค้นร่วมกับแบตเตอรี่ตัวหลักเท่านั้น (เป็นแบตเตอรี่แยกเดี่ยวหรือติดตั้งมาในอุปกรณ์ที่มาจากโรงงาน) เมื่อขายหรือจำหน่ายในแคลิฟอร์เนีย สหรัฐอเมริกา	
หมายเหตุ	
ชุดควบคุมมาพร้อมกับแผ่นฟอยล์ป้องกันที่ติดตั้งอยู่บนหน้าจอ ตรวจสอบให้แน่ใจว่าได้ออกแผ่นฟอยล์ป้องกันออกก่อนที่จะใช้ชุดควบคุม	

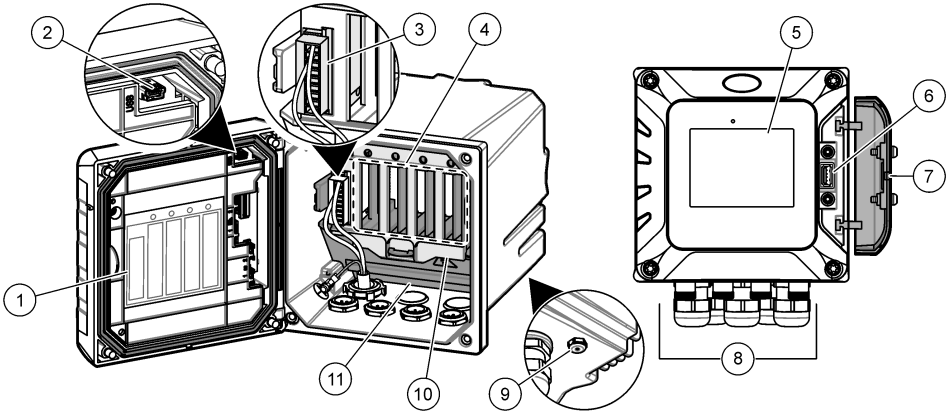
ตัวควบคุม SC4500 เป็นตัวควบคุม 2 ช่องสัญญาณสำหรับอุปกรณ์วิเคราะห์ดิจิทัล (เช่น เซ็นเซอร์และเครื่องวิเคราะห์) และเซ็นเซอร์อะนาล็อกที่เชื่อมต่อกับเกตเวย์ดิจิทัลหรือโมดูลส่วนขยาย โปรโตคอลรายละเอียดใน รูปที่ 1

ชุดควบคุมจะแสดงข้อมูลการตรวจวัดของเซ็นเซอร์และข้อมูลอื่นๆ บนหน้าจอ และสามารถส่งข้อมูลผ่านช่องสัญญาณอะนาล็อกหรือดิจิทัล รวมทั้งได้อุปและควบคุมอุปกรณ์อื่นผ่านเอาต์พุตและรีเลย์ต่างๆ ได้ เอาต์พุต รีเลย์ เซ็นเซอร์ และ โมดูลขยายได้รับการกำหนดค่าและสอบเทียบผ่านอินเทอร์เฟซผู้ใช้ที่ด้านหน้าของชุดควบคุมหรือจากระยะไกลสำหรับชุดควบคุมที่เชื่อมต่อเครือข่าย ชุดควบคุมจะเชื่อมต่อกับ Claros ฝ่ายเครือข่ายเซลลูลาร์⁵, เครือข่าย WiFi⁵ หรือผ่านการเชื่อมต่อ LAN ระบบวิเคราะห์ Prognosis⁵ จะแสดงสถานะของงานบำรุงรักษาและแสดงสถานะของสภาพของอุปกรณ์

จอแสดงผลของอุปกรณ์เป็นหน้าจอสัมผัส ตัวเครื่องของอุปกรณ์มีจุดป้องกันช่องระบายอากาศอยู่ด้านล่าง ห้ามปิดหรืออุดจุดป้องกันช่องระบายอากาศ เปลี่ยนจุดป้องกันช่องระบายอากาศหากพบความเสียหาย

ชุดควบคุมพร้อมใช้งานกับตัวเลือกโมดูลขยาย โปรโตคอลข้อมูลเพิ่มเติมในคู่มือผู้ใช้แบบละเอียดที่เว็บไซต์ของผู้ผลิต

รูปที่ 1 ภาพรวมผลิตภัณฑ์



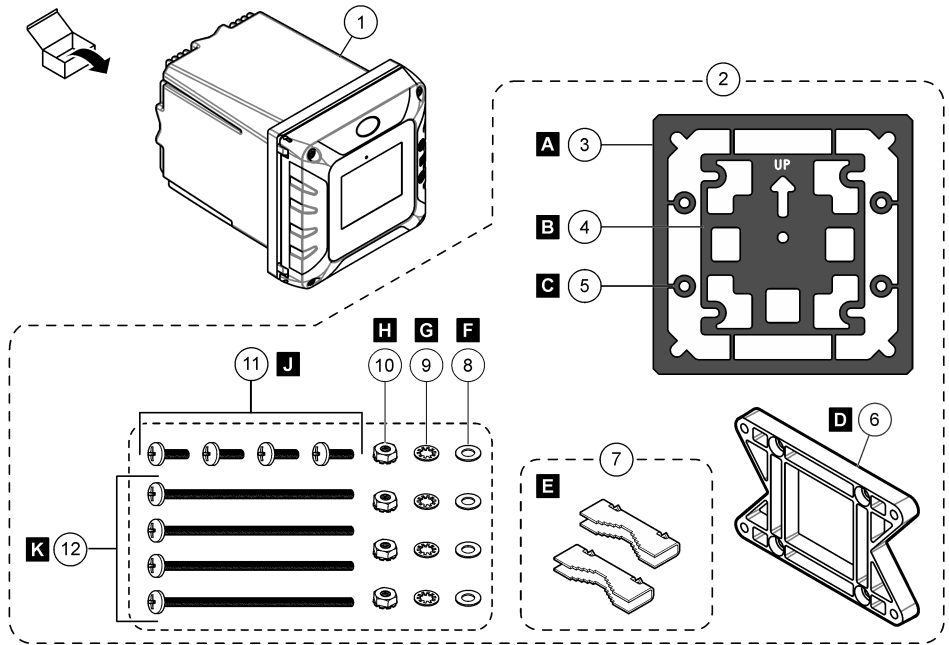
1 ฉลากสำหรับการติดตั้งโมดูลและข้อมูลการต่อสาย	7 ฝาปิด USB
2 การเชื่อมต่อ USB สำหรับกล่อง USB ภายนอก (การเชื่อมต่อ WiFi หรือเซลลูลาร์)	8 การเชื่อมต่อไฟฟ้าและอุปกรณ์
3 โมดูลซาย (สล็อต 0) ⁵	9 จุกป้องกันช่องระบายอากาศ
4 สล็อตโมดูลซายเพิ่มเติม (สล็อต 1, 2, 3 และ 4)	10 ฝาปิดสำหรับการติดตั้งโมดูล
5 หน้าจอทัชสแควด	11 แผ่นกันแรงดันไฟฟ้าสูง
6 การเชื่อมต่อ USB สำหรับการดาวน์โหลดข้อมูลและอัปเดตเฟิร์มแวร์	

⁵ ขึ้นอยู่กับข้อกำหนดค่าชุดควบคุม โมดูลซายนั้นติดตั้งมาจากโรงงาน โดยขึ้นอยู่กับข้อกำหนดค่าชุดควบคุม

3.4 ส่วนประกอบของผลิตภัณฑ์


ตรวจสอบให้แน่ใจว่าได้รับส่วนประกอบทั้งหมดแล้ว โปรดดูรายละเอียดใน **รูปที่ 2** หากพบว่าชิ้นส่วนใดสูญหายหรือชำรุด โปรดติดต่อผู้ผลิตหรือตัวแทนฝ่ายขายทันที

รูปที่ 2 ส่วนประกอบของผลิตภัณฑ์



1 ชุดควบคุม SC4500	7 ฐานยึด (เม็คมัดหูยึดสำหรับติดตั้ง) (2x)
2 อุปกรณ์ที่ใช้ติดตั้ง	8 หัวนรองแบน เส้นผ่านศูนย์กลางด้านใน 1/4 นิ้ว (4x)
3 ปะเก็นกันรั่วสำหรับยึดแผงติดตั้ง Neoprene	9 หัวนรองล๊อค เส้นผ่านศูนย์กลางด้านใน 1/4 นิ้ว (4x)
4 ปะเก็นขับเคลื่อนสำหรับยึดต่อ	10 น็อตหกเหลี่ยม, M5 x 0.8 (4x)
5 หัวนรองขับเคลื่อนสำหรับยึดต่อ (4x)	11 สกรูหัวจอม M5 x 0.8 x 15 มม. (4x)
6 วัสดุผนังและยึดต่อ ⁶	12 สกรูหัวจอม M5 x 0.8 x 100 มม. (4x) ⁷

หัวข้อที่ 4 การติดตั้ง

⚠️ อันตราย	
	<p>อันตรายหลายประการ บุคลากรผู้เชี่ยวชาญเท่านั้นที่ควรดำเนินการตามขั้นตอนที่ระบุในเอกสารส่วนนี้</p>

⁶ มีหูยึดสำหรับแผงติดตั้งเป็นอุปกรณ์เสริมทางเลือก โปรดดูคู่มือผู้ใช้แบบขยายสำหรับชิ้นส่วนอะไหล่และอุปกรณ์เสริม

⁷ ใช้สำหรับติดตั้งกับท่อขนาดเส้นผ่านศูนย์กลางต่างกัน

4.1 คำแนะนำในการติดตั้ง

⚠️ อันตราย	
	อันตรายจากการถูกไฟฟ้าดูด อุปกรณ์ที่เชื่อมต่อจากภายนอกจะต้องมีการประเมินตามมาตรฐานด้านความปลอดภัยของประเทศไทยที่ใช้อยู่

⚠️ คำเตือน	
	อันตรายจากการระเบิด คู่มือผู้ใช้สำหรับการติดตั้งชนิดในสถานที่ที่ไม่อันตรายเท่านั้น สำหรับการติดตั้งชนิดในสถานที่ที่อันตราย ให้ใช้คำแนะนำและเอกสารควบคุมที่ได้รับการอนุมัติ ในคู่มือผู้ใช้ที่ห้ เรื่องการติดตั้งในสถานที่อันตราย

หมายเหตุ	
อย่าติดตั้งชุดควบคุมในสภาพแวดล้อมที่มีสภาพอากาศเป็นกรดโดยไม่มีสิ่งป้องกัน สภาพอากาศที่เป็นกรดจะสร้างความเสียหายให้กับวงจรไฟฟ้าและส่วนประกอบ	

หมายเหตุ	
ห้ามติดตั้งชุดควบคุมภายนอกอาคารในสภาพแวดล้อมที่ได้รับแสงแดดโดยตรงหรือรังสี UV หรือสร้างความเสียหายต่อชุดควบคุมได้ ติดตั้งแผ่นป้องกัน UV เสริมพร้อมหลังคากันแดดเพื่อป้องกันความเสียหายจากการจากรังสี UV เมื่อติดตั้งภายนอกอาคารได้แสงแดดโดยตรง	

บันทึก: (เวอร์ชัน Network และ Claros เท่านั้น) ตรวจสอบให้แน่ใจว่าแผนก IT ของคุณได้รับการอนุมัติให้ทำการติดตั้งและทดสอบการทำงานของอุปกรณ์แล้ว ไม่จำเป็นต้องมีสิทธิ์ของผู้ดูแลระบบ ที่อยู่อีเมล "No-reply@hach.com" จะส่งอีเมลการตั้งค่าและ "donotreply@hach.com" จะส่งการแจ้งเตือนระบบที่จำเป็นสำหรับการติดตั้ง เพิ่มที่อยู่อีเมลสองที่อยู่ลงในรายชื่อผู้ส่งที่ปลอดภัยเพื่อให้แน่ใจว่าจะได้รับอีเมลจากผู้ส่งเหล่านี้ Hach จะไม่ส่งคำขอเพื่อยืนยันว่าผู้ส่งไม่ใช่หุ่นยนต์

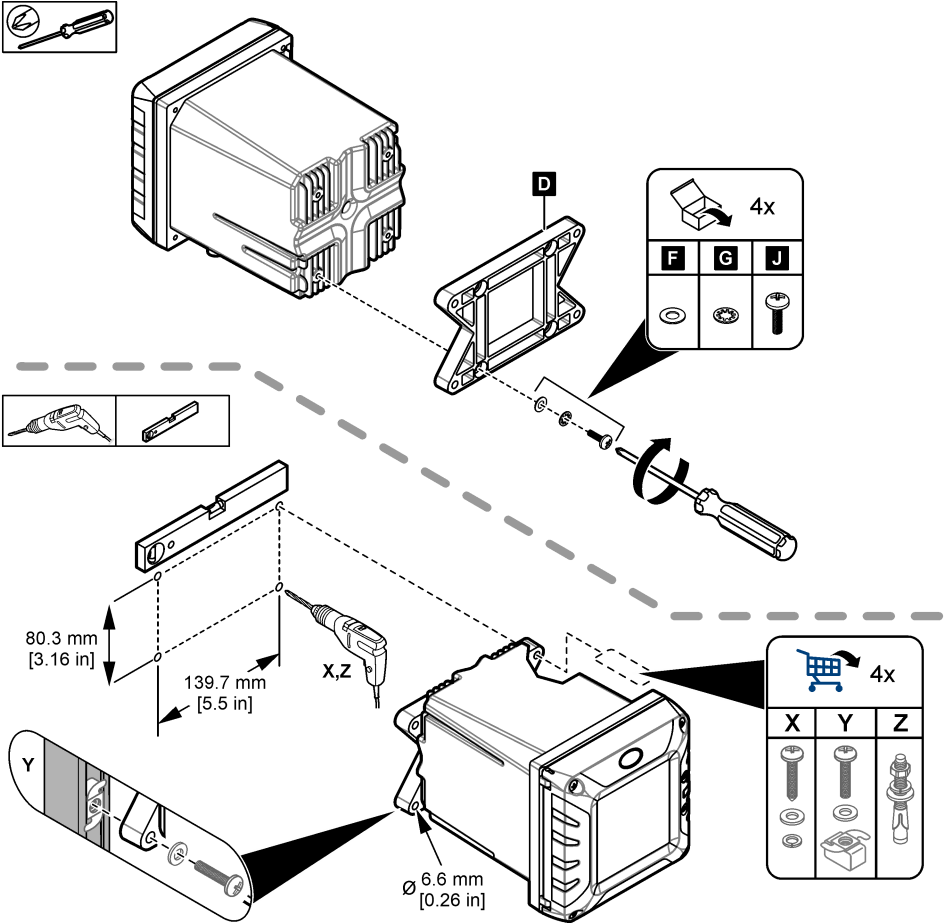
- ติดตั้งชุดควบคุมในที่ที่อุปกรณ์ถอดพลังงานสำหรับชุดควบคุมสามารถทำงานได้ง่าย
- ต่อชุดควบคุมให้ตั้งขึ้นและได้ระดับบนพื้นผิวที่เรียบและตั้งตรง
- อีกทางเลือกคือ ต่อเครื่องมือกับแผง เสาแนวตั้ง หรือเสาแนวนอน
- ต้องให้อุปกรณ์อยู่ในตำแหน่งที่มีระยะห่างโดยรอบเพื่อสร้างการเชื่อมต่อและเพื่อการบำรุงรักษา
- ตรวจสอบให้แน่ใจว่ามีพื้นที่ว่างอย่างน้อย 16 ซม. (6.30 นิ้ว) ไว้สำหรับเปิดฝาชุดควบคุม
- ติดตั้งอุปกรณ์ในสถานที่ตั้งที่มีการสั่นไหวน้อยที่สุด
- ขอแนะนำให้ใช้ที่ขีด ไทเทเนียมที่มือถือเสริมสำหรับการติดตั้งทั้งหมด
- ขอแนะนำให้ใช้หลังคากันแดดเสริมหรือแผ่นป้องกัน UV เสริมพร้อมหลังคากันแดดสำหรับการติดตั้งภายนอกอาคารทุกประเภท
- ให้การปกป้องคอมพิวเตอร์หรืออุปกรณ์ที่เชื่อมต่ออื่นๆ ที่อาจไม่มีระดับมาตรฐานการป้องกันสภาพแวดล้อมที่เท่ากันตามระดับมาตรฐานการป้องกันของอุปกรณ์
- ปฏิบัติตามระดับมาตรฐานการป้องกันโดยรอบที่กำหนดที่ด้านในของแผงควบคุมสำหรับการติดตั้งที่แผงควบคุม
- ตรวจสอบให้แน่ใจว่าระดับกำลังไฟสูงสุดถูกต้องสำหรับอุณหภูมิแวดล้อม

4.2 การติดตั้งเครื่องมือ

4.2.1 การติดตั้งกับผนัง

ต่อชุดควบคุมให้ตั้งขึ้นและได้ระดับบนพื้นผิวที่เรียบและตั้งตรง ตรวจสอบให้แน่ใจว่าตัวยึดกำแพงนั้นสามารถรับน้ำหนักได้ 4 เท่าของอุปกรณ์ โปรดดูภาพแสดงขั้นตอนใน รูปที่ 3 และ ส่วนประกอบของผลิตภัณฑ์ ในหน้า 151 สำหรับอุปกรณ์ที่ใช้ติดตั้งที่เป็น

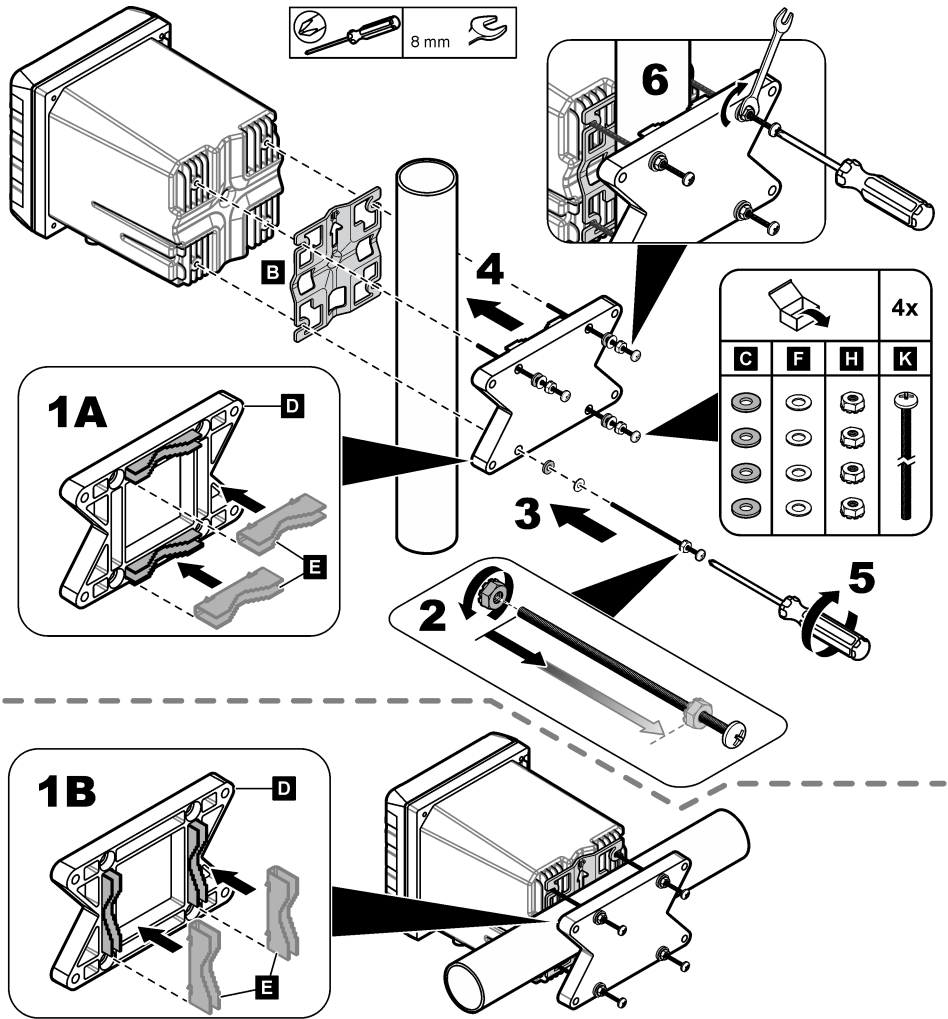
รูปที่ 3 การยึดกับผนัง



4.2.2 การติดตั้งกับเสา

ติดตั้งชุดควบคุมตั้งตรงกับเสาหรือท่อ (แนวนอนหรือแนวตั้ง) ตรวจสอบให้แน่ใจว่าเส้นผ่าศูนย์กลางของท่อ 19 ถึง 65 มม. (0.75 ถึง 2.5 นิ้ว) โปรตุจที่ขึ้นคอนที่แสดงในรูปภาพใน รูปที่ 4 และ ส่วนประกอบของผลิตภัณฑ์ ในหน้า 151 สำหรับอุปกรณ์ที่ใช้ติดตั้งที่จำเป็น

รูปที่ 4 การติดตั้งเสา

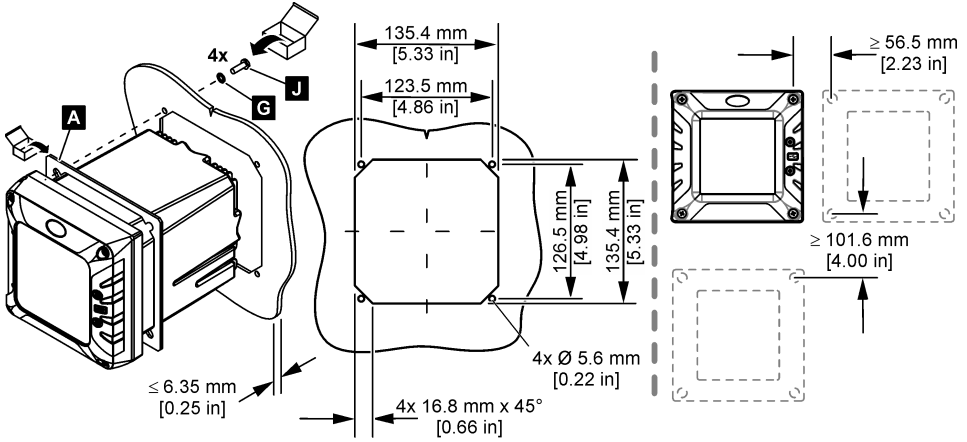


4.2.3 การติดตั้งอุปกรณ์ที่แผง

ช่องสี่เหลี่ยมจำเป็นต้องการติดตั้งที่แผง ใช้ปะเก็นกันรั่วที่แฉกให้สำหรับการติดตั้งที่แผงเป็นแม่แบบเพื่อติดตั้งที่แผง ตรวจสอบให้แน่ใจว่าใช้แม่แบบในตำแหน่งตั้งขึ้นเพื่อติดตั้งชุดควบคุมในแนวตั้ง โปรดดูรายละเอียดใน [รูปที่ 5](#)

บันทึก: ถ้าทำการยึดเข้ากับแผงด้วยหูยึด (เลือกได้) ให้ค้นชุดควบคุมผ่านช่องโบนแผง จากนั้นเลื่อนหูยึดไปบนชุดควบคุมที่ด้านหลังของแผง ใช้สกรูหัวทรงแทงขนาด 15 มม. (ที่แฉกให้) ในการติดตั้งหูยึดเข้ากับชุดควบคุม และยึดชุดควบคุมเข้ากับแผง

รูปที่ 5 ขนาดในการติดตั้งแผงควบคุม



4.3 การติดตั้งทางไฟฟ้า

4.3.1 ขั้วต่อไฟฟ้าและอุปกรณ์

รูปที่ 6 แสดงขั้วต่อไฟฟ้าและอุปกรณ์ของเครื่องมือ เพื่อรักษาสภาพแวดล้อมของการปิดกัน ต้องมีจุดปิดอุปกรณ์จัดระเบียบสายไฟที่ไม่ได้ใช้ และมีฝาครอบขั้วต่อที่ไม่ได้ใช้งาน

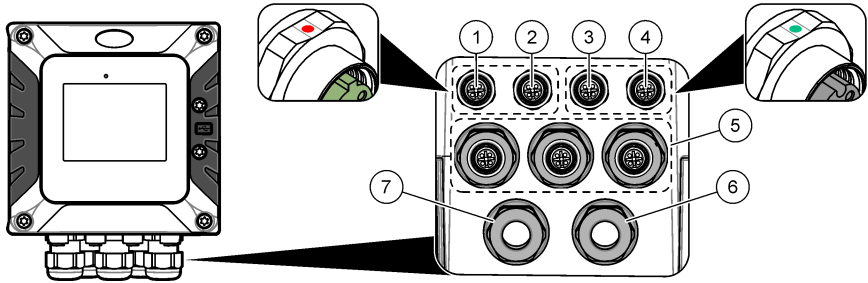
ชุดควบคุมมีดังต่อไปนี้ โดยขึ้นอยู่กับข้อกำหนดค่าชุดควบคุม:

- ขั้วต่ออีเทอร์เน็ต (LAN) เพื่อให้การเข้าถึงอินเทอร์เน็ตให้กับชุดควบคุมผ่านเครือข่ายของลูกค้า
- ขั้วต่ออีเทอร์เน็ตสำหรับโปรโตคอลอีเทอร์เน็ตอุตสาหกรรม: EtherNet/IP หรือ PROFINET
- ขั้วต่อ SC คิวคอลลสำหรับเซ็นเซอร์ SC คิวคอลล, เกตเวย์คิวคอลล และเครื่องรีเกราะท์

รหัสสีระบุขั้วต่อ ขั้วต่อ LAN เป็นสีเขียวมีจุดสีแดง ขั้วต่อ EtherNet/IP หรือ PROFINET เป็นสีเหลืองมีจุดสีแดง ขั้วต่อเซ็นเซอร์คิวคอลล sc เป็นสีดำมีจุดสีเขียว โปรดดูที่ **ตาราง 1** เพื่อดูตัวเลือกที่เหมาะสมสำหรับแต่ละขั้วต่อและอุปกรณ์เชื่อมต่อ

บันทึก: ชุดควบคุมใหม่โดยไม่มีอุปกรณ์จัดระเบียบสายไฟติดตั้งอยู่ ผู้ใช้ต้องจัดหาอุปกรณ์จัดระเบียบสายไฟที่จำเป็น โปรดดูข้อมูลเพิ่มเติมในคู่มือผู้ใช้ระบบละเอียดที่เว็บไซต์ของผู้ผลิต

รูปที่ 6 ขั้วต่อไฟฟ้าและอุปกรณ์



1 ขั้วต่ออีเทอร์เน็ต (อุปกรณ์เสริม) สำหรับพอร์ต LAN พอร์ต 1 หรือขั้วต่อ EtherNet/IP หรือ PROFINET	5 อุปกรณ์จัดระเบียบสายไฟสำหรับกล่อง USB และโมดูลขยาย: อินพุต/เอาต์พุตอะนาล็อก, Profibus DP
2 ขั้วต่ออีเทอร์เน็ต (อุปกรณ์เสริม) สำหรับพอร์ต LAN พอร์ต 2 หรือขั้วต่อ EtherNet/IP หรือ PROFINET	6 สายไฟ (หรืออับทอร์มสาย) ⁹
3 ขั้วต่อ SC ดิจิตอล: แชนเนล 1 เสริม: การเชื่อมต่อเซ็นเซอร์อะนาล็อกเข้ากับโมดูลเซ็นเซอร์ หรือการเชื่อมต่ออินพุตอะนาล็อกเข้ากับโมดูลอินพุต 4-20 mA ⁸	7 อุปกรณ์จัดระเบียบสายไฟสำหรับรีเลย์แรงดันไฟฟ้าสูง
4 ขั้วต่อ SC ดิจิตอล: แชนเนล 2 เสริม: การเชื่อมต่อเซ็นเซอร์อะนาล็อกเข้ากับโมดูลเซ็นเซอร์ หรือการเชื่อมต่ออินพุตอะนาล็อกเข้ากับโมดูลอินพุต 4-20 mA	

ตาราง 1 ตัวเลือกสำหรับแต่ละขั้วต่อและอุปกรณ์เชื่อมต่อ

อุปกรณ์	1 ¹⁰	2	ตัวเลือก ¹¹	3	4	5	6	7
เซ็นเซอร์ดิจิตอล SC, เกตเวย์ดิจิตอล SC หรือเครื่องวิเคราะห์				X	X			
เซ็นเซอร์อะนาล็อก				X	X			
โมดูลอะนาล็อกเซนเซอร์				X	X			
ช่องสัญญาณขาออก 4-20 mA						X		
โมดูล Profibus DP						X		
โมดูล Modbus RS232/RS485						X		
กล่อง USB						X		
LAN + LAN	สี่ขีว	สี่ขีว	Split / ChainingSplit (แยก)Chaining					
LAN + Modbus TCP	สี่ขีว	สี่ขีว	Split / ChainingSplit (แยก)Chaining					
EtherNet/IP	สี่เหลือง	สี่เหลือง	IEP only (IEP เท่านั้น)					
LAN + EtherNet/IP	สี่เขียว	สี่เหลือง	Mix IEP (IEP ผสม)					

⁸ เพื่อที่จะเชื่อมต่อเซ็นเซอร์อะนาล็อกหรืออินพุต 4-20 mA เข้ากับชุดควบคุม ให้ติดตั้งโมดูลขยายที่เกี่ยวข้องหากยังไม่ได้ติดตั้ง ดูรายละเอียดเพิ่มเติมจากเอกสารกำกับที่จัดมาให้สำหรับโมดูลขยาย

⁹ สายไฟติดตั้งมาจากโรงงาน โดยขึ้นอยู่กับข้อกำหนดค่าชุดควบคุม


¹⁰ รหัสสีระบุขั้วต่อ ขั้วต่อ LAN คือสี่เขียว ขั้วต่อ EtherNet/IP หรือ PROFINET คือสี่เหลือง

¹¹ โปรดดูข้อมูลเพิ่มเติมในคู่มือผู้ใช้แบบละเอียดที่เว็บไซต์ของผู้ผลิต

ตาราง 1 ตัวเลือกสำหรับแต่ละขั้วต่อและอุปกรณ์เชื่อมต่อ (ต่อ)

อุปกรณ์	1 ¹⁰	2	ตัวเลือก ¹¹	3	4	5	6	7
PROFINET	สีเหลือง	สีเหลือง	IEP only (IEP เท่านั้น)					
LAN + PROFINET	สีเขียว	สีเหลือง	Mix IEP (IEP ผสม)					
รีเลย์แรงดันไฟฟ้าสูง								X
อุปกรณ์จ่ายไฟ							X	



4.3.2 ข้อพิจารณาเกี่ยวกับการปล่อยประจุไฟฟ้าสถิต (ESD)

หมายเหตุ	
	กรณีที่ต้องทำให้เกิดความเสียหายต่ออุปกรณ์ ส่วนประกอบอิเล็กทรอนิกส์ภายในที่มีความบอบบาง อาจได้รับความเสียหายเนื่องจากประจุไฟฟ้าสถิต ทำให้ประสิทธิภาพลดลงหรือการทำงานมีข้อบกพร่อง

โปรดดูขั้นตอนต่างๆ ในขั้นตอนนี้เพื่อป้องกันความเสียหายจาก ESD ที่เกิดกับเครื่องวัด:

- แตะพื้นผิวโลหะที่มีการต่อกราวด์ดิน เช่น ตัวถังของเครื่องวัด รางหรือท่อโลหะ เพื่อปล่อยไฟฟ้าสถิตออกจากร่างกาย
- หลีกเลี่ยงการเคลื่อนไหวที่มากเกินไป ลำเลียงส่วนประกอบที่ไวต่อไฟฟ้าสถิตในภาชนะหรือบรรจุภัณฑ์ที่ป้องกันไฟฟ้าสถิต
- สวมสายรัดข้อมือที่เชื่อมต่อด้วยสายกับกราวด์ดิน
- ทำงานในบริเวณที่ปลอดภัยจากไฟฟ้าสถิตซึ่งมีแผ่นรองพื้นและแผ่นรองโต๊ะทำงานแบบป้องกันไฟฟ้าสถิต

4.3.3 การเชื่อมต่อสายไฟ

⚠ อันตราย	
	อันตรายหลายประการ บุคลากรผู้เชี่ยวชาญเท่านั้นที่ควรดำเนินการตามขั้นตอนที่ระบุในเอกสารส่วนนี้
⚠ อันตราย	
	อันตรายที่ทำให้เกิดการเสียชีวิตจากกระแสไฟฟ้า ปลอดภัยก่อนทำการเชื่อมต่อกระแสไฟฟ้าเสมอ

หากชุดควบคุมไม่มีสายไฟติดตั้งไว้ ให้เชื่อมต่อสายไฟกับท่อร้อยสายหรือสายไฟ โปรดดูที่ส่วนที่เกี่ยวข้องเพื่อเชื่อมต่อสายไฟกับท่อร้อยสายหรือสายไฟ

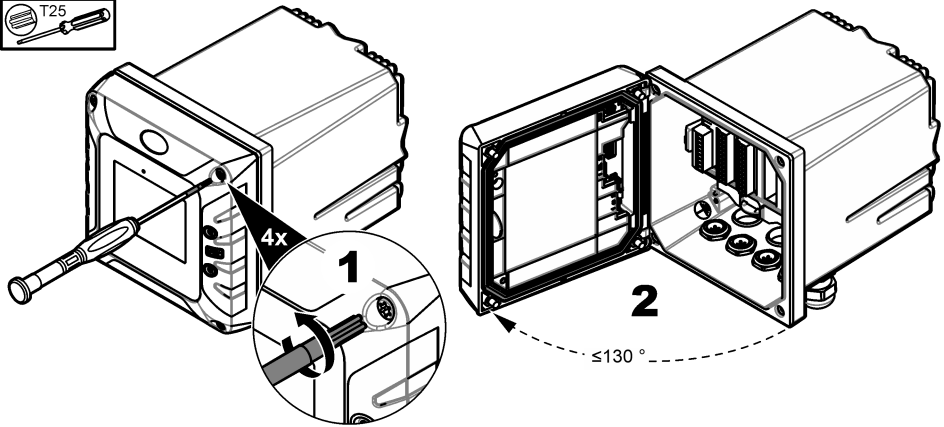
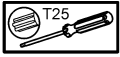
4.3.3.1 เปิดฝาครอบชุดควบคุม

เปิดฝาครอบชุดควบคุมเพื่อเข้าถึงขั้วต่อสายไฟ โปรดดูรายละเอียดใน รูปที่ 7

¹⁰ รหัสสีระบุขั้วต่อ ขั้วต่อ LAN คือสีเขียว ขั้วต่อ EtherNet/IP หรือ PROFINET คือสีเหลือง

¹¹ โปรดดูข้อมูลเพิ่มเติมในคู่มือผู้ใช้แบบละเอียดที่เว็บไซต์ของผู้ผลิต

รูปที่ 7 เปิดชุดควบคุม

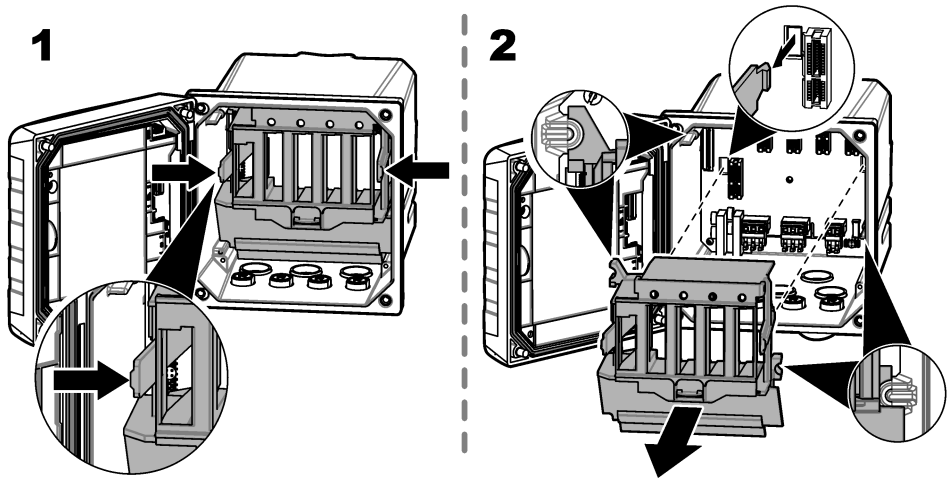


4.3.3.2 การถอดแผ่นกันแรงดันไฟฟ้าสูง

สายไฟฟ้าแรงดันสูงสำหรับชุดควบคุมจะอยู่ด้านหลังของแผ่นกันแรงดันไฟฟ้าสูงที่ตัวเครื่องของชุดควบคุม ห้ามถอดแผ่นกันแรงดันไฟฟ้าขณะจ่ายไฟไปยังชุดควบคุม ตรวจสอบให้แน่ใจว่าได้ติดตั้งแผ่นกันก่อนจ่ายไฟให้กับชุดควบคุม

ถอดแผ่นกันแรงดันไฟฟ้าสูงเพื่อเข้าถึงสายไฟฟ้าแรงดันสูง โปรดดูรายละเอียดใน [รูปที่ 8](#)

รูปที่ 8 แผ่นกันแรงดันไฟฟ้าสูง



4.3.3.3 การต่อระบบไฟ

⚠️ อันตราย



อันตรายที่ทำให้เกิดการเสียชีวิตจากกระแสไฟฟ้า ต้องมีการเชื่อมต่อกับระบบกราวด์นิรภัย (PE)

⚠️ อันตราย



อันตรายจากไฟดูดและไฟไหม้ ตรวจสอบว่าได้ล็อกเชื่อมต่อกับระบบก่อนการติดตั้ง

⚠️ คำเตือน



อาจเกิดอันตรายจากไฟฟ้าช็อต หากใช้อุปกรณ์นี้กลางแจ้งหรือในที่ที่อาจมีความเปียกชื้น อุปกรณ์ **ทดสอบกราวด์ (Ground Fault Interrupt)** จะต้องถูกนำมาใช้สำหรับเชื่อมต่อกับอุปกรณ์เข้ากับแหล่งจ่ายไฟหลัก

⚠️ คำเตือน



อันตรายที่ทำให้เกิดการเสียชีวิตจากกระแสไฟฟ้า วิธีการจัดการเชื่อมต่อไปพื้นที่ต้องจัดการเชื่อมต่อกับคาน้ำที่มีกระแสไฟฟ้าทั้งหมด การเชื่อมต่อหลักจะต้องจ่ายชั่วคราว ปลั๊กที่แยกส่วนได้คือการจัดการเชื่อมต่อที่มีไว้สำหรับอุปกรณ์ที่เชื่อมต่อกับสาย

⚠️ คำเตือน



อันตรายจากไฟดูดและไฟไหม้ ตรวจสอบให้แน่ใจว่าสายไฟและปลั๊กแบบไม่มีล๊อคที่ผู้ใช้ชดทานั้นมีคุณสมบัติตามข้อกำหนดของประเทศ

⚠️ คำเตือน



อันตรายจากการระเบิด คู่มือผู้ใช้สำหรับการติดตั้งชนิดในสถานที่ที่ไม่อันตรายเท่านั้น สำหรับการติดตั้งชนิดในสถานที่ที่อันตราย ให้ใช้คำแนะนำและเอกสารควบคุมที่ได้รับการอนุมัติ ในคู่มือผู้ใช้ที่ใช้ เรื่องการติดตั้งในสถานที่อันตราย

หมายเหตุ

ข้อควรทราบติดตั้งอุปกรณ์ในบริเวณและตำแหน่งที่สามารถเข้าออกได้ง่ายเพื่อความสะดวกในการปลดการใช้งานหรือส่งการอุปกรณ์

สามารถเชื่อมชุดควบคุมรุ่นที่รองรับไฟฟ้า 100-240 VAC หรือรุ่นที่รองรับไฟฟ้า 18-28 VDC ที่ตามคำแนะนำในการเชื่อมต่อสายสำหรับรุ่นที่ซื้อ

จ่ายกระแสไฟให้กับเครื่องมือด้วยท่อร้อยสายหรือสายไฟ ตรวจสอบให้แน่ใจว่าการติดตั้งเบรกเกอร์วงจรที่มีความจุกระแสเพียงพอนในสายไฟ ขนาดของเบรกเกอร์วงจรขึ้นอยู่กับมาตรฐาน วิศวกรรมคลัดที่ใช้สำหรับการติดตั้ง

สำหรับการติดตั้งด้วยท่อร้อยสายนั้น


- ติดตั้งตัวจัดการเชื่อมต่อเฉพาะที่สำหรับเครื่องมือภายในระยะ 3 ม. (10 ฟุต) จากเครื่องมือ ติดลากลบในตัวจัดการเชื่อมต่อเพื่อระบุว่าเป็นอุปกรณ์จัดการเชื่อมต่อหลักสำหรับเครื่องมือ
- ประเมินแล้วว่าและอย่างน้อย 90 °C (194 °F) ใช้ได้กับสภาพแวดล้อมในการติดตั้ง
- สำหรับการเชื่อมต่อถาวรให้ใช้สายแข็งเท่านั้น ใช้สายเคเบิลที่มีขนาด 0.75 ถึง 1.5 มม.² (18 ถึง 16 AWG) สายไฟแบบยึดหยุ่นต้องมีหัวหุ้มเกลียวหรือหัวค้อนชนิดหนุ่ดที่ปลาย
- ต่อเครื่องมือตามข้อกำหนดไฟฟ้าของท้องถิ่น รัฐ หรือประเทศนั้น
- ต่อท่อร้อยสายผ่านฮับที่รวมท่อร้อยสายไว้อย่างแน่นหนาและผนึกฝาปิดเมื่อกระชับให้แน่น
- หากใช้ท่อร้อยสายเหล็ก ให้ตรวจสอบว่าฮับของท่อร้อยสายนั้นแน่นกระชับ เพื่อว่าฮับของท่อร้อยสายจะได้เชื่อมต่อกับท่อร้อยสายเหล็กกับสายกราวด์
- แหล่งจ่ายไฟ DC ที่จ่ายไฟสำหรับชุดควบคุม DC จะต้องเป็นไปตามเกณฑ์จำกัดแรงดันไฟฟ้าที่กำหนดภายใน 18-28 VDC เสมอ แหล่งจ่ายไฟ DC จะต้องมีการป้องกันต่อกระแสไฟเกินและกระแสไฟไหลกลับเสมอ

สำหรับการติดตั้งด้วยสายไฟ ให้ตรวจสอบว่าสายไฟนั้น

- มีความยาวน้อยกว่า 3 ม. (10 ฟุต)
- ประเมินแล้วว่าเพียงพอสำหรับการจ่ายแรงดันไฟฟ้าและกระแส
- ประเมินแล้วว่าและอย่างน้อย 90 °C (194 °F) ใช้ได้กับสภาพแวดล้อมในการติดตั้ง

- ไม่ต่ำกว่า 0.75 มม.² (18 AWG) พร้อมด้วยสัญญาณที่ใช้ตามข้อกำหนดท้องถิ่น สายไฟแบบชนิดขุ่นต้องมีหัวหุ้มเกลียวหรือหัวต่อชนิดหมุนที่ปลาย
- สายไฟที่มีปลั๊ก 3 ขา (พร้อมด้วยการต่อสายกราวด์) ที่ใช้สำหรับการเชื่อมต่อกระแส
- เชื่อมต่อผ่านเคเบิลแกนคู่ (ตัวกลางสาย) ที่ยึดสายไฟไว้อย่างแน่นหนาและปิดผนึกกล่องหุ้มเมื่อขันให้แน่น
- ไม่มีอุปกรณ์ถือคอนนำจุก

4.3.3.4 การเชื่อมต่อหรือสายหรือสายไฟ

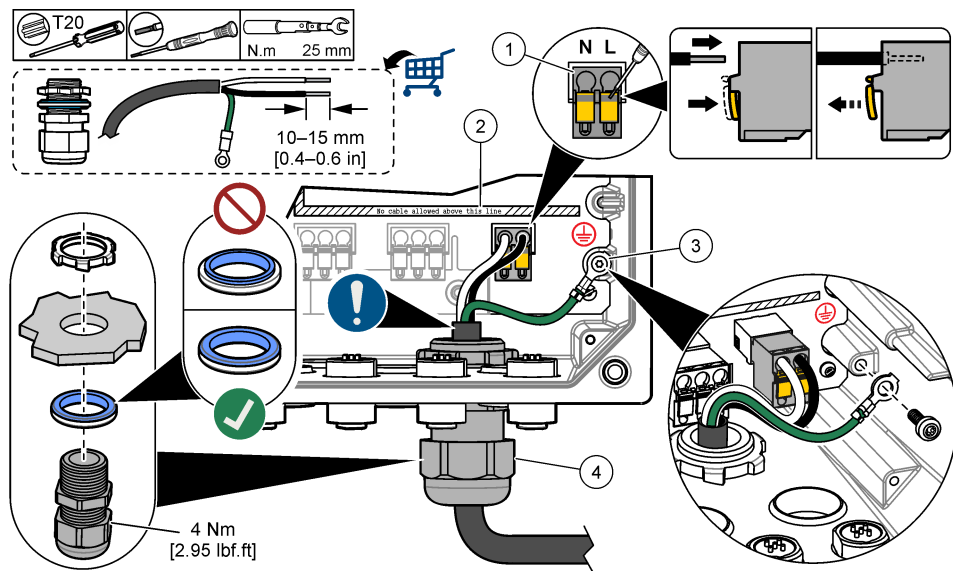
หมายเหตุ	
ผู้ผลิตขอแนะนำให้ใช้ส่วนประกอบทางไฟฟ้าที่ผู้ผลิตจัดเตรียมไว้ให้ เช่น สายไฟ ขั้วต่อ และอุปกรณ์จัดระเบียบสายไฟ	
หมายเหตุ	
	ตรวจสอบให้แน่ใจว่าปลอกสายเคเบิลผ่านด้านในของตัวเครื่องเพื่อรักษาระดับมาตรฐานการป้องกันจากสภาพแวดล้อม

สามารถต่อชุดควบคุมโดยการเดินสายไฟในท่อร้อยสายหรือสายไฟ ไม่ว่าจะใช้สายไฟแบบใด การเชื่อมต่อจะต้องเข้ากันกับขั้วต่อเดียวกัน ปลั๊กสายไฟที่ใช้เพื่อเชื่อมต่อและตัดไฟจากชุดควบคุม สำหรับการติดตั้งในท่อร้อยสาย ให้ใช้ตัวตัดการเชื่อมต่อเฉพาะที่ติดตั้งไว้เพื่อเชื่อมต่อและตัดไฟจากชุดควบคุม

โปรดดูที่ **รูปที่ 9** และ **ตาราง 2** หรือ **ตาราง 3** เพื่อเชื่อมต่อท่อร้อยสายหรือสายไฟ เลียบสายเข้ากับขั้วต่อที่เหมาะสมจนกระทั่งจนกว่าเข้าที่พอดีกับขั้วต่อโดยไม่มีสายตัวนำโผล่ออกมา ดึงสายออกมาเบาๆ เล็กน้อยหลังเสียบเพื่อให้แน่ใจว่าการเชื่อมต่อแน่นหนาดี หากจำเป็น ให้ถอดขั้วต่อออกจาก PCBA เพื่อให้เดินสายขั้วต่อได้ง่ายขึ้น

บันทึก: ตรวจสอบให้แน่ใจว่าสายเคเบิลทั้งหมดอยู่ต่ำกว่าเส้นขีดจำกัดสายเคเบิลที่พิมพ์บน PCBA เพื่อป้องกันการรบกวนแม่เหล็กแรงดันไฟฟ้าสูง โปรดดูรายละเอียดใน **รูปที่ 9**

รูปที่ 9 การเชื่อมต่อท่อร้อยสายหรือสายไฟ




1 ขั้วต่อไฟ AC และ DC	3 กรรวนคัลลงดินแบบมีการป้องกัน
2 ขีดจำกัดสายเคเบิล: อย่าใส่สายเคเบิลสูงกว่าเส้นนี้	4 อับท่อยร้อยสาย (หรืออุปกรณ์จัดระเบียบสายไฟ)

ตาราง 2 ข้อมูลการต่อสาย—ไฟ AC


ขั้วต่อ	คำอธิบาย	สี—อเมริกาเหนือ	สี—สหภาพยุโรป
L	Hot (Line 1)	สีดำ	สีน้ำตาล
N	Neutral (N)	สีขาว	สีน้ำเงิน
	กราวด์ลงดินแบบมีการป้องกัน	สีเขียว	สีเขียวพาดแนวสีเหลือง

ตาราง 3 ข้อมูลการต่อสาย—ไฟ DC

ขั้วต่อ	คำอธิบาย	สี—อเมริกาเหนือ	สี—สหภาพยุโรป
L	+24 VDC	สีแดง	สีแดง
N	24 VDC กระแสทวน	สีดำ	สีดำ
	กราวด์ลงดินแบบมีการป้องกัน	สีเขียว	สีเขียวพาดแนวสีเหลือง

4.3.4 การเชื่อมต่อรีเลย์แรงดันไฟฟ้าสูง

⚠️ อันตราย




อันตรายที่ทำให้เกิดการเสียชีวิตจากกระแสไฟฟ้า ปลดระบบไฟจากอุปกรณ์ก่อนทำการเชื่อมต่อกระแสไฟฟ้าเสมอ

⚠️ คำเตือน




อาจเกิดอันตรายจากไฟฟ้าช็อต ขั้วต่อไฟฟ้าและรีเลย์ออกแบบมาสำหรับการเชื่อมต่อแบบสายเดี่ยวเท่านั้น ห้ามใช้มากกว่าหนึ่งสายในแต่ละขั้ว

⚠️ คำเตือน




อาจเกิดอันตรายจากเพลิงไหม้ อย่างพ่วงต่อรีเลย์ common หรือจับปัสสายจากแหล่งจ่ายไฟหลักในตู้อุปกรณ์

⚠️ คำเตือน




อันตรายจากกระแสเปิด คู่มือผู้ใช้สำหรับการติดตั้งชุดในสถานที่ที่ไม่อันตรายเท่านั้น สำหรับการติดตั้งชุดในสถานที่ที่อันตราย ให้ใช้คำแนะนำและเอกสารควบคุมที่ได้รับรองอนุมัติ ในคู่มือผู้ใช้ที่ให้ เรื่องการติดตั้งในสถานที่อันตราย

⚠️ ข้อควรระวัง



อันตรายจากไฟ โหลดรีเลย์จะต้องเป็นตัวต้านทาน จำกัดกระแสไฟฟ้าที่ส่งไปยังรีเลย์โดยใช้ฟิวส์หรือเบรกเกอร์ภายนอกเสมอ ปฏิบัติตามข้อกำหนดที่รีเลย์ในส่วนรายละเอียดทางเทคนิค

หมายเหตุ



ตรวจสอบให้แน่ใจว่าปลอกสายเคเบิลผ่านด้านในของตัวเครื่องเพื่อรักษาระดับมาตรฐานการป้องกันจากสภาพแวดล้อม

อุปกรณ์รีเลย์แบบไม่ใช้พลังงานไฟฟ้าสองตัว แต่ละตัวมีหน้าสัมผัสแบบขั้วเดียว สำหรับชุดควบคุม AC ช่องเดินสายไฟไม่ได้ผลิดมาสำหรับการเชื่อมต่อแรงดันไฟฟ้าที่มากกว่า 264 VAC

ขั้วต่อรีเลย์อยู่ด้านหลังแผ่นกันแรงดันไฟฟ้าสูงในตัวเครื่องของชุดควบคุม ห้ามถอดแผ่นกันแรงดันไฟฟ้าขณะจ่ายไฟไปยังขั้วต่อรีเลย์ ห้ามจ่ายไฟไปยังขั้วต่อรีเลย์เมื่อไม่ได้ติดตั้งแผ่นกันแรงดันไฟฟ้า

เชื่อมต่อรีเลย์แต่ละตัวเข้ากับอุปกรณ์ควบคุมหรืออุปกรณ์สัญญาณเตือนตามความจำเป็น โปรดดูที่ **รูปที่ 10** และ **ตาราง 4** เพื่อเชื่อมต่อรีเลย์ โปรดดูข้อมูลเพิ่มเติมในคู่มือผู้ใช้แบบละเอียดที่เว็บไซต์ของผู้ผลิต

โปรดดูที่ **รายละเอียดทางเทคนิค** ในหน้า 146 สำหรับรายละเอียดทางเทคนิคของรีเลย์ รีเลย์จะแยกออกจากกันและจากวงจรอินพุต/เอาต์พุตแรงดันไฟฟ้า

ขนาดสายไฟที่ใหญ่ที่สุดของปลั๊กไฟและรีเลย์ที่ใช้ได้คือ 1.5 มม.² 16 (16 AWG) ขั้วต่อรีเลย์รองรับสายขนาด 0.75 ถึง 1.5 มม.² (18 ถึง 16 AWG) (พิจารณาตามโหลด) ใช้สายไฟหุ้มฉนวนที่กัก 300 VAC หรือสูงกว่า เสียบสายเข้ากับขั้วต่อที่เหมาะสมจนกระทั่งจนกว่าเข้าที่พอดีกับขั้วต่อโดยไม่มีสายคว้านาไหลออกมา ดึงสายออกมาเบาๆ เล็กน้อยหลังเสียบเพื่อให้แน่ใจว่าการเชื่อมต่อแน่นหนาดี หากจำเป็นให้ถอดขั้วต่อออกจาก PCBA เพื่อให้เดินสายขั้วต่อได้ง่ายขึ้น สายไฟแบบยึดหยุ่นต้องมีหัวหุ้มเกลียวหรือขั้วต่อชนิดหมุดที่ปลาย

บันทึก: ตรวจสอบให้แน่ใจว่าสายเคเบิลทั้งหมดอยู่ต่ำกว่าเส้นขีดจำกัดสายเคเบิลที่พิมพ์บน PCBA เพื่อป้องกันการรบกวนแผ่นกันแรงดันไฟฟ้าสูง

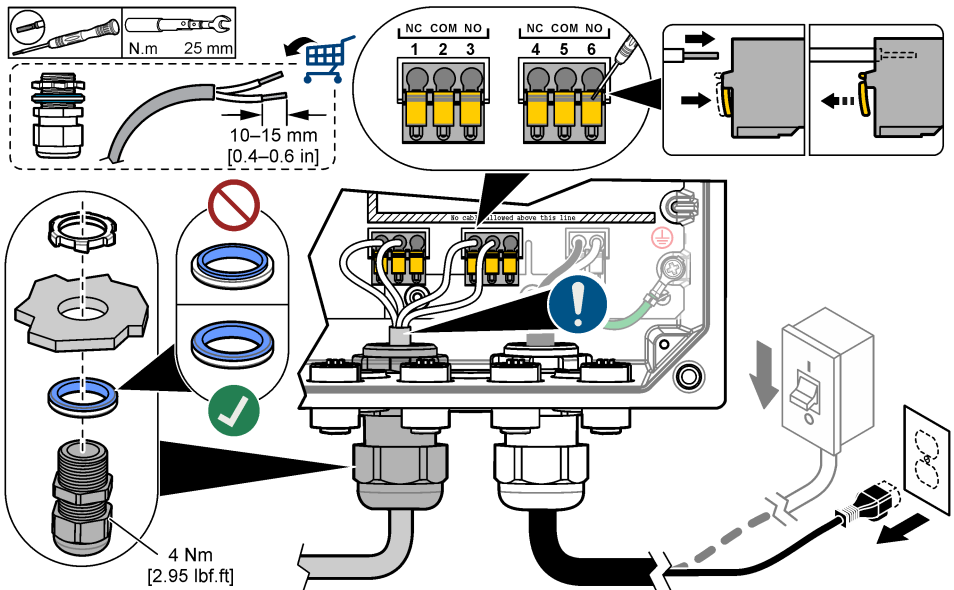
กระแสไปยังหน้าสัมผัสรีเลย์ต้องเป็น 5 A (โหลดชนิดต้านทานเท่านั้น), 1250 VA 125 W (โหลดชนิดต้านทานเท่านั้น) หรือน้อยกว่า ต้องมีตัวรีดส์สำรองที่สามารถลดพลังงานจากรีเลย์ได้ในกรณีฉุกเฉินหรือสำหรับการบำรุงรักษา

สำหรับชุดควบคุม AC ให้ใช้รีเลย์ที่แรงดันไฟฟ้าสูง สำหรับชุดควบคุม DC ให้ใช้รีเลย์ที่แรงดันไฟฟ้าต่ำ โปรดดูที่ **รายละเอียดทางเทคนิค** ในหน้า 146 สำหรับรายละเอียดทางเทคนิคของรีเลย์ ห้ามกำหนดให้ใช้แรงดันไฟฟ้าสูงและต่ำร่วมกัน

การเชื่อมต่อขั้วต่อรีเลย์กับวงจรหลักในการเชื่อมต่ออาจมีพิกัดอุณหภูมิที่ 300 V, 90 °C (194 °F) ขั้วต่อที่เชื่อมต่อกับวงจรหลักที่มีการเชื่อมต่อสายไฟต้องมีการหุ้มฉนวนสองชั้นและมีพิกัดอุณหภูมิที่ 300 V, 90 °C (194 °F) ที่ชั้นฉนวนทั้งด้านในและด้านนอก

บันทึก: วางสายไฟสำหรับรีเลย์ผ่านข้อต่อกลยความเครียดสำหรับรีเลย์ไฟฟ้าแรงสูง โปรดดูรายละเอียดใน **รูปที่ 6** ในหน้า 156

รูปที่ 10 เชื่อมต่อรีเลย์



ตาราง 4 ข้อมูลการต่อสาย—รีเลย์

ขั้วต่อ	คำอธิบาย	ขั้วต่อ	คำอธิบาย
1	รีเลย์ 2, NC	4	รีเลย์ 1, NC
2	รีเลย์ 2, ทั่วไป	5	รีเลย์ 1, ทั่วไป

ตาราง 4 ข้อมูลการต่อสาย—รีเลย์ (ต่อ)


ข้อต่อ	คำอธิบาย	ข้อต่อ	คำอธิบาย
3	รีเลย์ 2, NO	6	รีเลย์ 1, NO
NC = ปกติปิด; NO = ปกติเปิด			

4.3.5 การติดตั้งโมดูลขยาย

⚠ คำเตือน	
	อันตรายจากการระเบิด คู่มือผู้ใช้สำหรับการติดตั้งยูนิคในสถานที่ที่ไม่อันตรายเท่านั้น สำหรับการติดตั้งยูนิคในสถานที่ที่อันตราย ให้ใช้คำแนะนำและเอกสารควบคุมที่ได้รับรองอนุมัติ ในคู่มือผู้ใช้ที่ให้ เรื่องการติดตั้งในสถานที่อันตราย

โมดูลขยายสำหรับเอาต์พุตอะนาล็อก อินพุตอะนาล็อก เช่น เซอร์อะนาล็อก และการสื่อสาร Profibus นั้นพร้อมใช้งานสำหรับชุดควบคุม ดูรายละเอียดเพิ่มเติมจากเอกสารกำกับที่จัดมาให้สำหรับ โมดูลขยาย

4.4 การปิดฝาครอบ

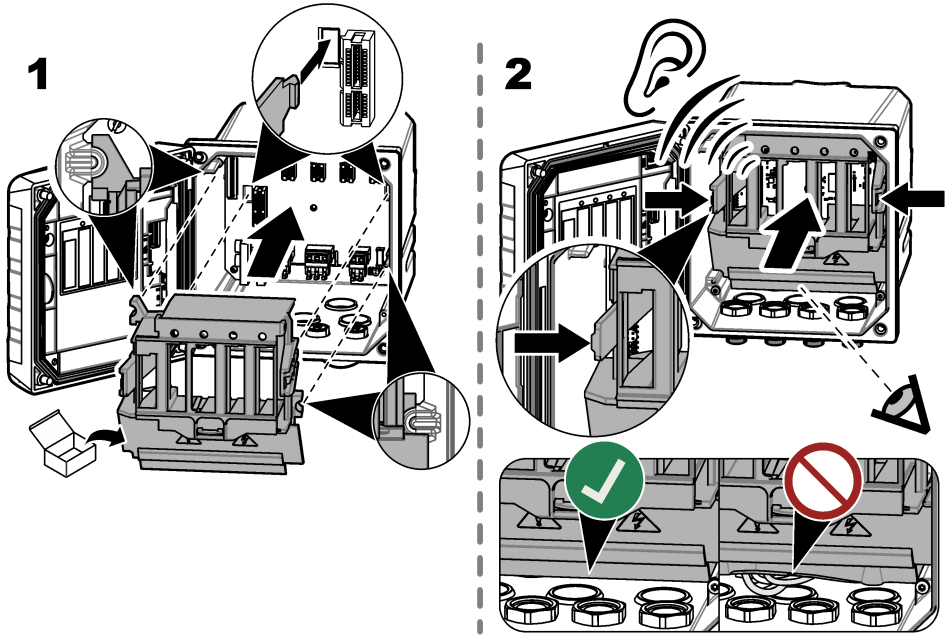
⚠ อันตราย	
	อันตรายที่ทำให้เกิดการเสียชีวิตจากกระแสไฟฟ้า สายไฟแรงสูงสำหรับตัวควบคุมจะเชื่อมต่อหลังแผงกันแรงดันไฟฟ้าสูงในกรอบตัวควบคุม แผงกันแรงดันไฟฟ้าจะต้องติดตั้งอยู่ในตำแหน่ง ยกเว้นในขณะทำการติดตั้งโมดูล หรือในกรณีที่ช่างเทคนิคผู้เชี่ยวชาญทำการต่อระบบไฟ รีเลย์ การอะนาล็อกหรืออาร์คเรื้อรัง

หมายเหตุ	
ปิดฝาครอบแผงควบคุมและตรวจสอบว่าสกรูฝานั้นติดตั้งแน่นหนาเพื่อรักษาระดับมาตรฐานการป้องกันจากสภาพแวดล้อม	

หลังจากทำการเชื่อมต่อไฟฟ้าแล้ว ให้ติดตั้งแผงกันแรงดันไฟฟ้าสูง ตรวจสอบให้แน่ใจว่าได้ติดตั้งแผงกันแรงดันไฟฟ้าสูงบนตัวกันของตัวเครื่องและยึดติดกับ PCBA หลัก ได้ยินเสียงคลิกเมื่อติดตั้งแผงกันไฟฟ้าแรงสูงอย่างถูกต้อง ตรวจสอบให้แน่ใจว่าได้ติดตั้งส่วนล่างของแผงกันแรงดันไฟฟ้าสูง (ขอบขางนุ่ม) อย่างถูกต้องและไม่เกิดการเปลี่ยนรูป โปรดดูรายละเอียดใน [รูปที่ 11](#)

ปิดฝาครอบชุดควบคุม ขึ้นสกรูฝาครอบให้แน่นด้วยทอร์ก 2 Nm (17.70 lbf-in) โปรดดูรายละเอียดใน [รูปที่ 7](#) ในหน้า 158

รูปที่ 11 ติดตั้งแผ่นกันแรงดันไฟฟ้าสูง

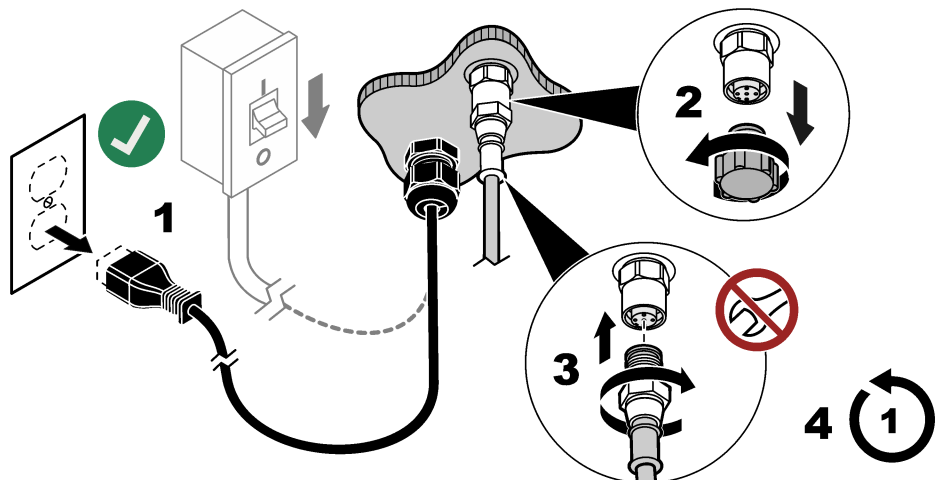


4.5 การเชื่อมต่ออุปกรณ์วัด

เชื่อมต่ออุปกรณ์ดิจิทัล (เช่น เซ็นเซอร์และเครื่องวิเคราะห์) เข้ากับขั้วต่ออุปกรณ์ โปรดดูรายละเอียดใน [รูปที่ 12](#) เก็บฝาปิดขั้วต่ออุปกรณ์ไว้สำหรับใช้ในอนาคต

ตรวจสอบให้แน่ใจว่าสายเคเบิลของอุปกรณ์จะไม่ทำให้เกิดอันตรายจากการเสียดและไม่มีการหักมุม

รูปที่ 12 การเชื่อมต่ออุปกรณ์



หัวข้อที่ 5 การเริ่มทำงาน

เชื่อมต่อสายไฟเข้ากับเต้ารับไฟฟ้าที่มีระบบกราวด์ลงดินแบบมีการป้องกันหรือติดตั้งเบรกเกอร์วงจรสำหรับชุดควบคุมเป็น On (เปิด)

5.1 การป้อนการตั้งค่าเริ่มต้น

เมื่อเริ่มต้นการทำงานครั้งแรก ให้ทำตามการแจ้งเตือนบนหน้าจอเพื่อตั้งค่าภาษา วันที่ เวลา และข้อมูลเครือข่าย โปรดดูคำแนะนำในกลุ่มผู้ใช้แบบขยายบนเว็บไซต์ของผู้ผลิต

หัวข้อที่ 6 ข้อมูลเพิ่มเติม

ข้อมูลเพิ่มเติมต่อไปนี้มีอยู่ในคู่มือผู้ใช้แบบขยาย

- อินเทอร์เน็ตผู้ใช้และ โครงสร้างเมนู
- การทำงาน
- Maintenance (การบำรุงรักษา)
- การแก้ไขปัญหา
- รายการชิ้นส่วนทดแทน

สแกนรหัส QR ที่ตามมาเพื่อไปที่คู่มือผู้ใช้แบบขยาย



อังกฤษ



อิตาลี



สเปน



เยอรมัน



ฝรั่งเศส



ชาวจีน

جدول المحتويات

- | | |
|---|----------------------------------------|
| 1 | المواصفات في صفحة 166 |
| 2 | دليل المستخدم عبر الإنترنت في صفحة 167 |
| 3 | معلومات عامة في صفحة 167 |
| 4 | التركيب في صفحة 171 |
| 5 | بدء التشغيل في صفحة 184 |
| 6 | معلومات إضافية في صفحة 184 |

القسم 1 المواصفات

تخضع المواصفات للتغيير من دون إخطار بذلك.

المواصفات	التفاصيل
الأبعاد (العرض × الارتفاع × القطر)	½ بمقياس المعهد الألماني للتوحيد القياسي (DIN) 144 × 144 × 192 مم (5,7 × 5,7 × 7,6 بوصات)
الحاوية	معيار UL50E النوع 4X، IEC/EN 60529-IP 66، معيار NEMA 250 النوع 4X حاوية معدنية مع طلاء مقاوم للتآكل
الوزن	1,7 كجم (3,7 أرطال) (وزن وحدة التحكم من دون وحدات التوسعة الاختيارية)
درجة التلوث	البيئة: 4؛ الجهاز: 2
فئة الجهد الزائد	الثانية
فئة الحماية	الأولى، موصولة بسلك تأريض وقلبي
الظروف البيئية	للاستخدام الداخلي والخارجي
متطلبات الطاقة	وحدة التحكم في التيار المتردد: 100-240 فولت تيار متردد ±10%، بتردد 50/60 هرتز؛ شدة تيار 1 أمبير (50 فولت أمبير مع حمل مستشعر يبلغ 8 واط، 100 فولت أمبير مع حمل مستشعر يبلغ 28 واط) وحدة التحكم في التيار المباشر: 18-28 فولت تيار مباشر؛ شدة تيار 2,5 أمبير (12 واط مع حمل مستشعر يبلغ 9 واط، 36 واط مع حمل مستشعر 20 واط)
درجة حرارة التشغيل	من -20 إلى 60 درجة مئوية (من -4 إلى 140 درجة فهرنهايت) (حمل مستشعر يبلغ 8 واط (التيار المتردد)/9 واط (التيار المباشر)) من -20 إلى 45 درجة مئوية (من -4 إلى 113 درجة فهرنهايت) (حمل مستشعر يبلغ 28 واط (التيار المتردد)/20 واط (التيار المباشر)) تقليص حجم الطاقة الخطي بين 45 و60 درجة مئوية (من -33 واط/درجة مئوية)
درجة حرارة التخزين	من -20 إلى 70 درجة مئوية (من -4 إلى 158 درجة فهرنهايت)
الرطوبة النسبية	من 0 إلى 95%، من دون تكثيف
الارتفاع	3000 م (9842 قدمًا) كحد أقصى
(شاشة العرض) Display	شاشة ملونة TFT بمقاس 3,5 بوصة مزودة بلوحة لمس سعوية
القياس	جهازان ، موصلات SC رقمية
المرحلات (فولتية عالية)	مرحلتان (أحادي القطب بتحويلتين)؛ قياس السلك: بين 0,75 و1,5 مم ² (بين 18 و16 بمعيار السلك الأمريكي) وحدة التحكم في التيار المتردد الحد الأقصى لفولتية التبديل: 100 و240 فولت تيار متردد الحد الأقصى لتيار التبديل: 5 أمبير للمقاوم/1 أمبير للتشغيل الموجه الحد الأقصى لطاقة التبديل: 1200 فولت أمبير للمقاوم/360 فولت أمبير للتشغيل الموجه وحدة التحكم في التيار المباشر الحد الأقصى لفولتية التبديل: 30 فولت للتيار المتردد أو 42 فولت للتيار المباشر الحد الأقصى لتيار التبديل: 4 أمبير للمقاوم/1 أمبير للتشغيل الموجه الحد الأقصى لطاقة التبديل: 125 واط للمقاوم/28 واط للتشغيل الموجه

المواصفات	التفاصيل
إدخالات تناظرية (اختيارية) ³	إدخال تناظري واحد من 0 إلى 20 مللي أمبير (أو 4 إلى 20 مللي أمبير) على كل وحدة إدخال تناظرية إدخال مستشعر تناظري واحد على كل وحدة مستشعر متفذان للإدخال التناظري كحد أقصى
مخرجات تناظرية (اختيارية) ³	خمس مخرجات تناظرية من 0 إلى 20 مللي أمبير (أو 4 إلى 20 مللي أمبير) على كل وحدة مخرجات تناظرية ¹
الاتصال الرقمي (اختياري) ³	Profibus DPV1 module, Modbus RS232/RS485 module, Modbus TCP, PROFINET module, EtherNet/IP™ ² الوحدة
وحدة البرامج (اختياري)	تواصل مع قسم المبيعات أو الدعم الفني للحصول على معلومات. ملاحظة: يمكن تثبيت وحدة برمجية واحدة فقط على وحدة تحكم في نفس الوقت.
اتصال الشبكة ³	إصدار LAN (اختياري): موصل إيثرنت (10/100 ميغابت في الثانية)، موصل M12 من النوع D أنثى؛ الإصدار الخلوي وإصدار WiFi (اختياري) ⁴
منفذ USB	يتم استخدامه لتنزيل البيانات وتحميل البرنامج. تسجل وحدة التحكم 20000 نقطة بيانات تقريبًا لكل أداة استشعار متصلة.
معلومات التوافق	CE, ETL بحسب معايير سلامة UL و CSA (مع كل أنواع أدوات الاستشعار)، FCC, ISED, KC, RCM, EAC, UKCA, SABS, CMIM, المغرب
الضمان	عام واحد (الاتحاد الأوروبي: عامان)

القسم 2 دليل المستخدم عبر الإنترنت

يحتوي دليل المستخدم الأساسي على معلومات أقل من دليل المستخدم، الذي يتوفر على الموقع الإلكتروني للشركة المصنعة.

القسم 3 معلومات عامة

لن تتحمل الشركة المصنعة بأي حال من الأحوال المسؤولية عن الأضرار الناتجة عن أي استخدام غير لائق للمنتج أو عدم الامتثال للتعليمات الواردة في الدليل. وتحتفظ الشركة المصنعة بالحق في إجراء تغييرات على هذا الدليل والمنتجات الموضحة به في أي وقت، دون إشعار أو التزام مسبق. يمكن العثور على الإصدارات التي تمت مراجعتها على موقع الشركة المصنعة على الويب.

3.1 معلومات السلامة

الشركة المصنعة غير مسؤولة عن أية أضرار تنتج عن سوء استخدام هذا المنتج، بما في ذلك على سبيل المثال لا الحصر الأضرار المباشرة والعرضية واللاحقة، وتخلي مسؤوليتها عن مثل هذه الأضرار إلى الحد الكامل المسموح به وفق القانون المعمول به. يتحمل المستخدم وحده المسؤولية الكاملة عن تحديد مخاطر الاستخدام الحرجة وتركيب الأليات المناسبة لحماية العمليات أثناء أي قصور محتمل في تشغيل الجهاز. يُرجى قراءة هذا الدليل بالكامل قبل تفريغ محتويات العبوة أو إعداد هذا الجهاز أو تشغيله. انتبه جيدًا لجميع بيانات الخطر والتنبيه. فإن عدم الالتزام بذلك قد يؤدي إلى إصابة خطيرة تلحق بالمشغل أو تلف بالجهاز.

تأكد أن الحماية التي يوفرها هذا الجهاز لم تضعف. تجنب استخدام هذا الجهاز أو تركيبه بأية طريقة بخلاف الموضحة في هذا الدليل.

3.1.1 استخدام معلومات الخطر

⚠️ خطر

يشير إلى موقف خطير محتمل أو وشيك والذي إذا لم يتم تجنبه، فسوف يؤدي إلى الوفاة أو يتسبب في حدوث إصابة خطيرة.

⚠️ تحذير

يشير إلى موقف خطير محتمل أو وشيك والذي إذا لم يتم تجنبه، فسوف يؤدي إلى الوفاة أو يتسبب في حدوث إصابة خطيرة.

⚠️ تنبيه

يشير إلى موقف خطير محتمل يمكن أن يؤدي إلى إصابة طفيفة أو متوسطة.

1 راجع مستند الوحدة للحصول على معلومات إضافية.

ملاحظة: ركب وحدة واحدة فقط في إحدى الفتحات المتوفرة.





2 EtherNet/IP هي علامة تجارية لشركة OVDA Inc.

3 يعتمد على تكوين وحدة التحكم.

4 يلزم توفر شبكة WiFi لصندوق USB الخارجي لاتصال الشبكة في إصدارات WiFi. يلزم توفر شبكة خلوية لصندوق USB الخارجي لاتصال الشبكة في الإصدارات الخلوية.

3.1.2 الملصقات الوقائية

اقرأ جميع الملصقات والعلامات المرفقة بالجهاز. فمن الممكن أن تحدث إصابة شخصية أو يتعرض الجهاز للتلف في حالة عدم الانتباه لها. لاحظ أن كل رمز على الجهاز يُشار إليه في الدليل من خلال بيان وقائي.

هذا هو رمز تنبيه السلامة. التزم بجميع رسائل السلامة التي تتبع هذا الرمز لتجنب الإصابة المحتملة. إذا كان موجودًا على الجهاز، فراجع دليل الإرشادات لمعرفة كيفية التشغيل أو معلومات السلامة.	
يشير هذا الرمز إلى وجود خطر يتعلق بصدمة كهربائية و/أو الوفاة بسبب صدمة كهربائية.	
يشير هذا الرمز إلى وجود أجهزة حساسة للتفريغ الإلكتروني (ESD) كما يشير إلى أنه يجب توخي الحذر لمنع تلف الجهاز.	
لا يمكن التخلص من الأجهزة الكهربائية التي تحمل هذا الرمز في الأنظمة الأوروبية للتخلص من النفايات المحلية أو العامة. لكن يتم إرجاع الجهاز القديم أو منتهي الصلاحية إلى الشركة المصنعة للتخلص منه بدون أن يحمل المستخدم أي رسوم.	

3.1.3 الامتثال للتوافق الكهرومغناطيسي (EMC)

ت ن ب ي ه

لم يتم تصميم هذا الجهاز لاستخدامه في البيئات السكنية وقد لا يوفر الحماية الكاملة من استقبال الراديو في هذه البيئات.

(CE EU)

تتلبى المعدات المتطلبات الأساسية لتوجيه EMC رقم 2014/30/EU.

(UKCA UK)

يفي الجهاز بمتطلبات لوائح التوافق الكهرومغناطيسي لعام 2016 (S.I. 2016/1091).

الوائح الكندية للأجهزة المسببة للتداخل اللاسلكي، ICES-003، الفئة "A":

يتوافق مع سجلات الاختبارات التي تجريها الشركة المصنعة.

هذا الجهاز الرقمي من الفئة "A" يفي بجميع متطلبات اللوائح الكندية للأجهزة المسببة للتداخل.

Cet appareil numérique de classe A répond à toutes les exigences de la réglementation canadienne sur les équipements provoquant des interférences.

الفقرة 15 من قواعد لجنة الاتصالات الفيدرالية، قيود الفئة "A"

يتوافق مع سجلات الاختبارات التي تجريها الشركة المصنعة. يتوافق الجهاز مع الفقرة 15 من قواعد لجنة الاتصالات الفيدرالية. تخضع عملية التشغيل للشروط التالية:

1. قد لا يتسبب الجهاز في حدوث تداخل ضار.
2. يجب أن يتقبل الجهاز أي تداخل وارد، بما في ذلك التداخل الذي قد يؤدي إلى تشغيل غير مرغوب فيه.

إن إحداث تغييرات أو إدخال تعديلات على هذا الجهاز بدون الاعتماد الصريح بذلك من الجهة المسؤولة عن التوافق من شأنه أن يبطل حق المستخدم في تشغيل الجهاز. خضع هذا الجهاز للاختبارات وثبت أنه يمتثل لقيود الأجهزة الرقمية من الفئة "A"، والمطابقة للجزء 15 من قواعد لجنة الاتصالات الفيدرالية (FCC). إن الغرض من هذه القيود هو توفير حماية معقولة من أي تداخل ضار عند تشغيل الجهاز في بيئة تجارية. يولد هذا الجهاز طاقة من الترددات اللاسلكية ويستخدمها ومن الممكن أن يشعها كذلك، وإذا لم يتم تركيبه واستخدامه وفقًا لدليل الإرشادات، فقد يتسبب في حدوث تداخل ضار مع الاتصالات اللاسلكية. قد يؤدي تشغيل هذا الجهاز في منطقة سكنية إلى حدوث تداخل ضار، وفي هذه الحالة يتعين على المستخدم تصحيح هذا التداخل على نفقته الخاصة. يمكن استخدام الأساليب التالية للحد من مشكلات التداخل:

1. أفضل الجهاز عن مصدر الطاقة للتأكد أنه مصدر التداخل أو أن هناك مصدرًا آخر للتداخل.
2. إذا كان الجهاز متصلًا بالمخرج ذاته الذي يتصل به الجهاز الذي يتعرض للتداخل، فصل الجهاز بمخرج آخر.
3. انقل الجهاز بعيدًا عن الجهاز الذي يستقبل التداخل.


4. عدّل موضع هوائي الاستقبال الخاص بالجهاز الذي يستقبل التداخل.

5. جرّب مجموعات مما تم ذكره أعلاه.

3.2 الاستخدام المقصود

تم تصميم وحدة التحكم SC4500 حتى يستخدمها المتخصصون في معالجة المياه الذين يقيسون معلمات متعددة لجودة المياه في المياه الصناعية، أو المياه البلدية أو محطات مياه الصرف الصحي. لا تعالج وحدة التحكم SC4500 المياه أو تتغير خواصها.

3.3 نظرة عامة على المنتج

⚠️ خطر	
المخاطر الكيميائية أو البيولوجية. إذا تم استخدام هذا الجهاز لمراقبة عملية معالجة و/أو نظام تغذية كيميائية يشتمل على قيود تنظيمية ومتطلبات مراقبة تتعلق بالصحة العامة أو السلامة العامة أو الغذاء أو تصنيع المشروبات أو معالجتها، سيُحتمل استخدام هذا الجهاز مسؤولية معرفة أية لوائح معمول بها والالتزام بها وأن تكون لديه الآليات الكافية والمناسبة للتوافق مع اللوائح السارية في حالة حدوث قصور في تشغيل الجهاز.	

إشعار

تقع مسؤولية أمان نقطة الدخول والشبكة على العميل الذي يستخدم الجهاز اللاسلكي. الشركة المصنعة غير مسؤولة عن أي أضرار بما في ذلك على سبيل المثال لا الحصر الأضرار غير المباشرة أو الخاصة أو التبعية أو العرضية الناتجة عن ثغرة في أمان الشبكة أو اختراقها.

إشعار

مادة البيركلورات - قد تتطوّر المعالجة الخاصة. راجع www.dtsc.ca.gov/perchlorate. ينطبق تحذير البيركلورات هذا على البطاريات الأولية فحسب (المؤفّرة بشكل فردي أو المركّبة في هذا الجهاز) عند بيعها أو توزيعها في كاليفورنيا بالولايات المتحدة الأمريكية.

إشعار

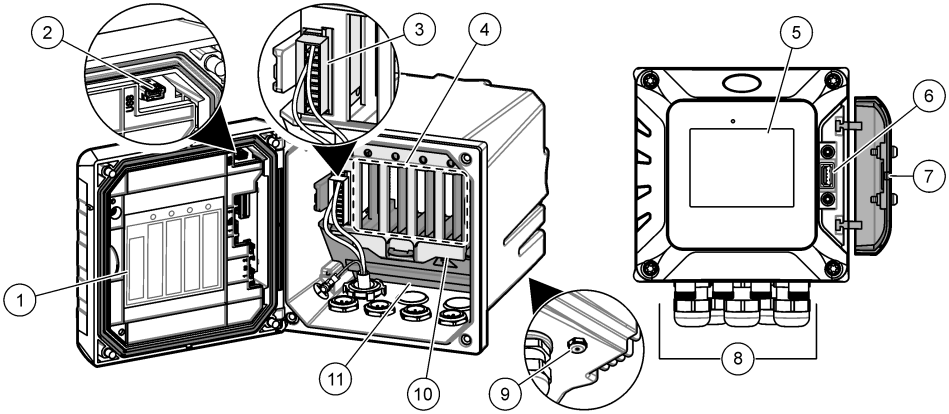
يتم تزويد وحدة التحكم برفاعة حماية مُركّبة على شاشة العرض. تأكد من إزالة رفاعة الحماية قبل استخدام وحدة التحكم.

وحدة التحكم SC4500 عبارة عن وحدة تحكم ثنائية القناة للأجهزة التحليلية الرقمية (على سبيل المثال ، أجهزة الاستشعار والمحلّلات) وأجهزة الاستشعار التناظرية المتصلة ببوابة رقمية أو وحدة توسيع. راجع الشكل 1.

تظهر وحدة التحكم قياسات أدوات الاستشعار والبيانات الأخرى على الشاشة، ويمكنها نقل الإشارات التناظرية والرقمية، ويمكنها التفاعل مع الأجهزة الأخرى والتحكم فيها من خلال المخزجات والمخزلات. يتم تكوين المخزجات والمرحلات والمستشعرات ووحدات التوسعة ومعايرتها عبر واجهة المستخدم على الجهة الأمامية من وحدة التحكم أو عن بُعد لوحدة التحكم المتصلة بالشبكة. تتصل وحدة التحكم بـ Claros عبر شبكة خلوية⁵ أو شبكة WiFi⁵ أو عبر اتصال LAN. يظهر نظام التشخيص⁵ Prognosys حالة مهام الصيانة ويوفر حالة الجهاز.

تعمل شاشة الجهاز باللمس. في حاوية الجهاز فتحة حماية في الجهة السفلية. لا تقم بتغطية فتحة الحماية أو إزالتها. استبدل فتحة الحماية إذا تمت رؤية تلف.

تتوفر وحدة التحكم مع وحدات التوسع الاختيارية. راجع دليل المستخدم الموسع على الموقع الإلكتروني للشركة المُصنّعة للحصول على معلومات إضافية.

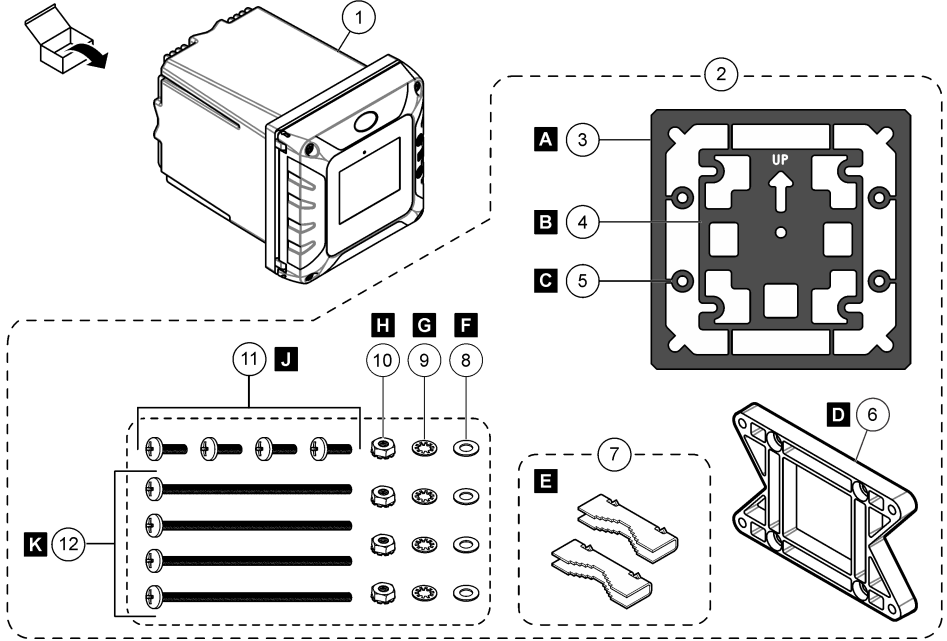


1	ملصق لتركيب الوحدة ومعلومات الأسلاك	7	غطاء USB
2	اتصال USB لصندوق USB الخارجي (اتصال WiFi أو خلوي)	8	التوصيلات الكهربائية والتجهيزات
3	وحدة التوسعة (الفتحة 0) 5	9	فتحة الحماية
4	فتحات وحدة التوسع الإضافية (الفتحات 1 و 2 و 3 و 4)	10	غطاء لتركيب الوحدة
5	شاشة بلوحة لمس	11	حاجز عالي الفولتية
6	اتصال USB لتنزيل البيانات وتحديث البرامج الثابتة		

3.4 مكونات المنتج

تأكد من استلام جميع المكونات. راجع الشكل 2. في حال فقد أي عناصر أو تلفها، اتصل بالشركة المصنعة أو مندوب المبيعات على الفور.

الشكل 2 مكونات المنتج



1	وحدة التحكم SC4500	7	قاعدة التركيب (ولانج كثيفة التركيب) (عدد 2)
2	مكونات التركيب	8	وردة مسطحة، ¼ بوصة (عدد 4)
3	حشية مانعة للتسرب للتركيب على لوحة، من النيوبرين	9	وردة قفل، ¼ بوصة (عدد 4)
4	حشية عزل الاهتزاز للتركيب على الأنابيب	10	صامولة تثبيت سداسية الأضلاع مقاس 0,8 × M5 (عدد 4)
5	وردة عزل الاهتزاز للتركيب على الأنابيب (عدد 4)	11	مسامير مزودة برأس برغي مقاس 15 × 0,8 × M5 مم (عدد 4)
6	رف للتركيب على الحائط والأنابيب ⁶	12	مسامير مزودة برأس برغي مقاس 100 × 0,8 × M5 مم (عدد 4) ⁷

القسم 4 التركيب

⚠ خطر	
مخاطر متعددة. يجب عدم إجراء المهام الموضحة في هذا القسم من المستند إلا بواسطة الموظفين المؤهلين لذلك فقط.	

⁶ رف للتركيب على لوحة متوفر كملحق اختياري. Refer to the expanded user manual for replacement parts and accessories.

⁷ يتم استخدامها لتركيبات الأنابيب بأقطار متعددة.

⚠ خطر

خطر التعرض لصدمة كهربائية. يجب أن يشمل الجهاز الذي يتم توصيله خارجياً على تقييم معايير السلامة المعمول به داخل البلد.



⚠ تحذير

خطر الانفجار. الغرض من هذا الدليل هو تركيب الوحدة في موقع غير خطر. وللتثبيت الآمن للوحدة في أحد المواقع الخطرة، استخدم فقط الإرشادات ورسومات عناصر التحكم المعتمدة والواردة في دليل التركيب في المواقع الخطرة.



إشعار

لا ترتب وحدة التحكم في بيئة كابوية من دون حاوية حماية. ستتسبب البيئة الكابوية في تلف الدارة الإلكترونية والمكونات.

إشعار

لا ترتب وحدة التحكم في الخارج في بيئة تتلقى أشعة الشمس المباشرة أو الأشعة فوق البنفسجية، وإلا قد يحدث تلف في وحدة التحكم. ركب شاشة الحماية من الأشعة فوق البنفسجية الاختيارية مع سقف الحماية من أشعة الشمس لمنع حدوث التلف الناتج عن التعرض للأشعة فوق البنفسجية عند التركيب في الخارج في أشعة الشمس المباشرة.

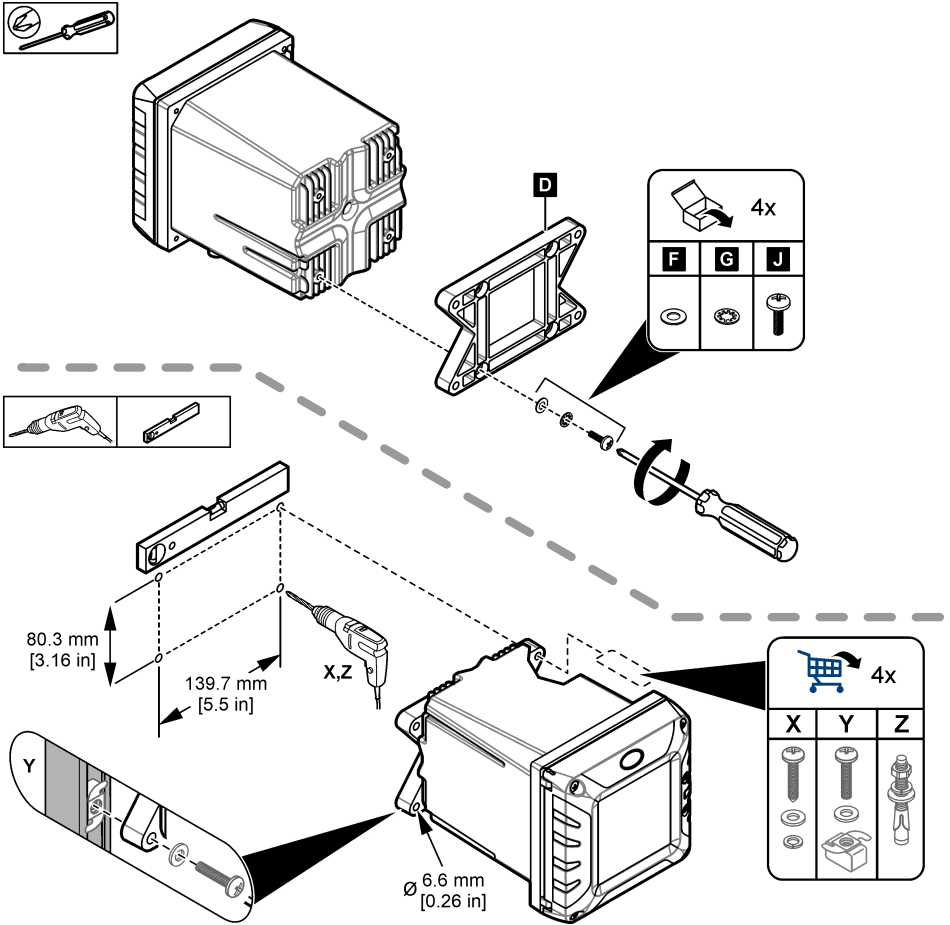
ملاحظة: (الشبكة وإصدار Claros فقط) تأكد من حصول قسم تكنولوجيا المعلومات على الموافقة لتركيب الجهاز وتشغيله. حقوق المسؤول غير ضرورية. يرسل عنوان البريد الإلكتروني "No-reply@hach.com" البريد الإلكتروني الخاص بالإعداد ويرسل عنوان البريد الإلكتروني "donotreply@hach.com" إشعارات النظام الضرورية للتركيب. أضف عنواني البريد الإلكتروني الإلكترونيين إلى قائمة المرسلين الآمنين للتأكد من تلقي رسائل البريد من هؤلاء المرسلين. لا ترسل شركة Hach طلباً لتأكيد أن المرسل ليس روبوت.

- ركب وحدة التحكم في موقع حيث يسهل تشغيل جهاز فصل الطاقة لوحدة التحكم.
- ركب وحدة التحكم بشكل مستقيم ومستوي على سطح مستوي وعمودي.
- وكبدل، قم بتثبيت الجهاز بلوحة أو عمود عمودي أو عمود أفقي.
- تأكد من أن الجهاز في موقع حيث تتوفر مسافة كافية حوله لإجراء التوصيلات ومهام الصيانة.
- تأكد من وجود مسافة تبلغ 16 سم (6,30 بوصة) على الأقل ليفتح باب وحدة التحكم.
- ركب الجهاز في موقع بحد أدنى من الاهتزاز.
- يوصى باستخدام حامل الهوائيات المحمولة الاختياري لكل التركيبات.
- يوصى باستخدام سقف الحماية من أشعة الشمس الاختياري أو شاشة الحماية من الأشعة فوق البنفسجية الاختيارية مع سقف الحماية من أشعة الشمس لكل التركيبات في الخارج.
- امنح الحماية لأجهزة الكمبيوتر أو الأجهزة المتصلة الأخرى التي قد لا تكون بنفس التصنيفات البيئية استناداً إلى تصنيف حاوية الجهاز.
- التزم بتصنيفات الجو المحيط في الجهة الداخلية من اللوحات للتركيبات على اللوحة.
- تأكد من أن الحد الأقصى لتصنيف الطاقة مناسب لدرجة حرارة الجو المحيط.

4.2 تركيب الأجزاء الميكانيكية

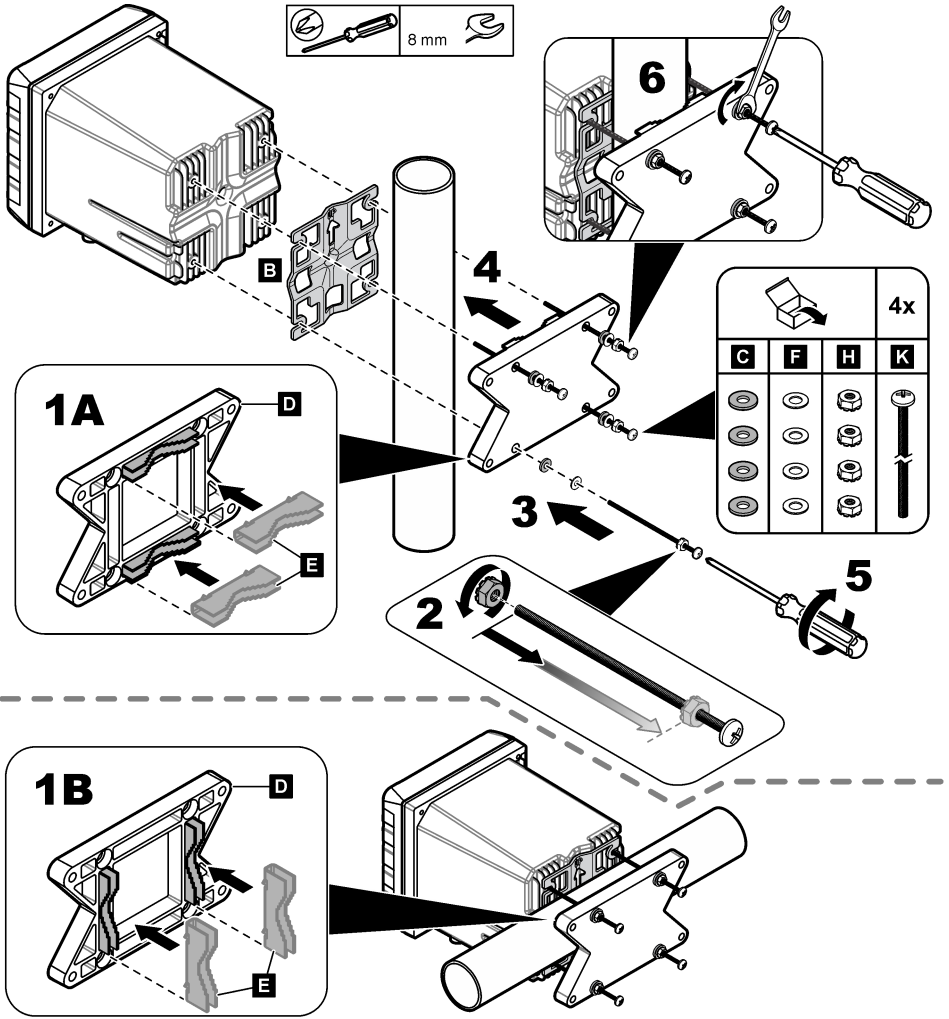
4.2.1 تركيب الجهاز على حائط

ركب وحدة التحكم بشكل مستقيم ومستوي على سطح مستوي وعمودي. تأكد من أن وحدة التثبيت على الحائط يمكنها تحمل أربعة أضعاف وزن الجهاز. راجع الخطوات المبينة في الصور في الشكل 3 ومكونات المنتج في صفحة 171 للاطلاع على مكونات التركيب الضرورية.



4.2.2 تركيب الجهاز على عمود

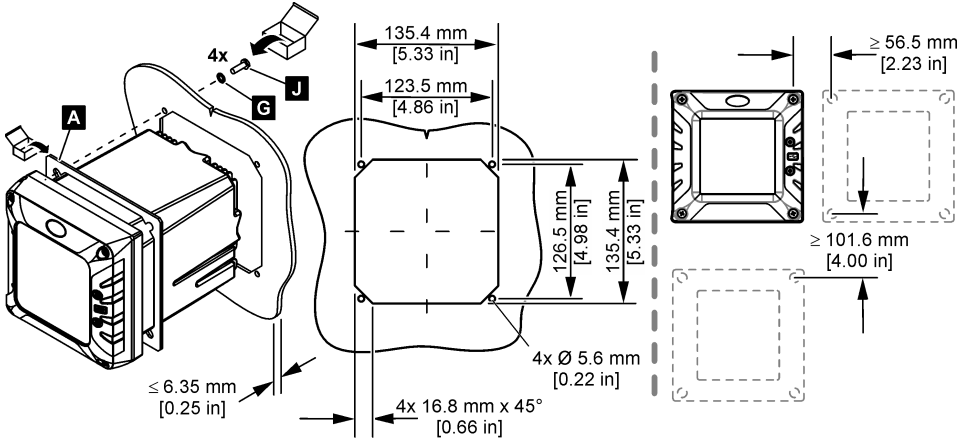
رُكِّب وحدة التحكم بشكل مستقيم على عمود أو أنبوب (أفقي أو عمودي). تأكد من أن يتراوح قطر الأنبوب ما بين 19 و 65 مم (بين 0,75 و 2,5 بوصات). راجع الخطوات المبينة في الشكل 4 ومكونات المنتج في صفحة 171 للاطلاع على مكونات التركيب الضرورية.



4.2.3 تركيب الجهاز في لوحة

الفتحة المستطيلة ضرورية لتركيب اللوحة. استخدم الحشية المانعة للتسرب المتوفرة للتركيب على اللوحة كنموذج لإحداث الفتحة في اللوحة. تأكد من استخدام النموذج بوضعية مستقيمة لتركيب وحدة التحكم بشكل عمودي. راجع الشكل 5.

ملاحظة: في حالة استخدام الرف (اختياري) للتركيب على لوحة، اضغط على وحدة التحكم عبر الفتحة الموجودة في اللوحة، ثم أزرع الرف فوق وحدة التحكم على الجانب الخلفي للوحة. استخدم المسامير الأربعة المزودة برأس برغي مقياس 15 مم (المرفقة) لتثبيت الرف بوحدة التحكم وإحكام تثبيت وحدة التحكم باللوحة.



4.3 تركيب الأجزاء الكهربائية

4.3.1 الموصلات الكهربائية والتجهيزات

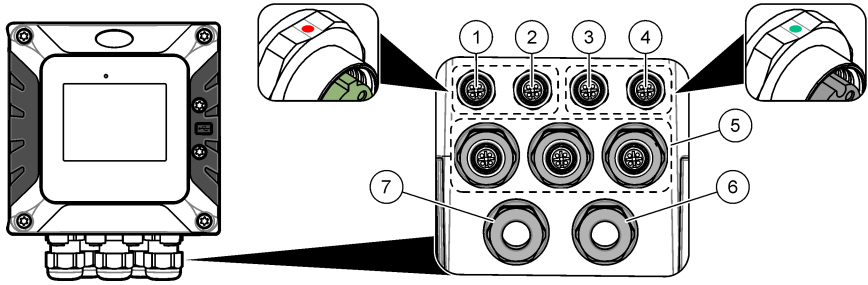
تظهر الشكل 6 الموصلات الكهربائية والتجهيزات على الجهاز. للحفاظ على التصنيف البيئي للحاوية، تأكد من وجود قابس في تجهيزات تخفيف الضغط التي لا يتم استخدامها وغطاء موصل على الموصلات غير المستخدمة.

استنادًا إلى تكوين وحدة التحكم، تتضمن وحدة التحكم:

- موصلات Ethernet (LAN) لتوفير وصول وحدة التحكم إلى الإنترنت من خلال شبكة العميل.
- موصلات Ethernet لبروتوكولات Ethernet الصناعية: EtherNet/IP أو PROFINET.
- موصلات SC الرقمية لمستشعرات SC الرقمية، وبوابات وأجهزة تحليل SC الرقمية.

يُحدّد الرمز اللوني الموصلات. موصلات LAN خضراء مع نقطة حمراء. تكون موصلات EtherNet / IP أو PROFINET صفراء مع نقطة حمراء. موصلات المستشعر الرقمي SC هي سوداء مع نقطة خضراء. راجع الجدول 1 لمعرفة الخيارات المناسبة لكل موصل وتجهيزة.

ملاحظة: تتوفر وحدة التحكم من دون تجهيزات تخفيف الضغط المركبة. يجب على المستخدم توفير تجهيزات تخفيف الضغط الضرورية. راجع دليل المستخدم الموسع على الموقع الإلكتروني للشركة المصنّعة للحصول على معلومات إضافية.



5	وصلة تخفيف الضغط لصندوق USB وإدخالات/مخرجات تناظرية، بروتوكول Profibus DP	1	موصل Ethernet (اختياري) لمنفذ LAN 1 أو EtherNet/IP أو موصل PROFINET
6	سلك الطاقة (أو صامولة الماسورة) ⁹	2	موصل Ethernet (اختياري) لمنفذ LAN 2 أو EtherNet/IP أو موصل PROFINET
7	تجهيزة تخفيف الضغط للمرحل العالي الفولتية	3	موصل SC الرقمي: الفئاة 1. اختيارية: توصيل المستشعر التناظري بوحدة المستشعر أو توصيل منفذ الإدخال التناظري بوحدة منفذ الإدخال بسرعة 20-4 ملي أمبير ⁸
		4	موصل SC الرقمي: الفئاة 2. اختياري: توصيل المستشعر التناظري بوحدة المستشعر أو توصيل منفذ الإدخال التناظري بوحدة منفذ الإدخال بسرعة 20-4 ملي أمبير

الجدول 1 خيارات كل موصل وتجهيزة

7	6	5	4	3	الخيار ¹¹	2	1 ¹⁰	الجهاز
			X	X				مستشعر SC الرقمي أو بوابة SC الرقمية أو المحل
			X	X				المستشعر التناظري
			X	X				وحدة الاستشعار التناظرية
		X						إخراج 20-4 ملي أمبير
		X						وحدة بروتوكول Profibus DP
		X						Modbus RS232/RS485 module
		X						صندوق USB
					أخضر / Split (تقسيم) / Chaining (التسلسل)	أخضر		LAN + LAN
					أخضر / Split (تقسيم) / Chaining (التسلسل)	أخضر		LAN + Modbus TCP
					أصفر (IEP only فقط)	أصفر		EtherNet/IP
					Mix IEP	أخضر		LAN + EtherNet/IP
					أصفر (IEP only فقط)	أصفر		PROFINET
					Mix IEP	أخضر		LAN + PROFINET
X								المرحل العالي الفولتية
	X							مصدر الطاقة

⁸ لتوصيل مستشعر تناظري أو منفذ إدخال بسرعة 20-4 ملي أمبير بوحدة التحكم، ركب وحدة التوسعة القابلة للتطبيق، إذا لم يكن تم تركيبها بالفعل. راجع المستند المتوفر مع وحدة التوسعة للحصول على مزيد من المعلومات.

⁹ يتم تركيب سلك الطاقة في المصنع استنادًا إلى تكوين وحدة التحكم.

¹⁰ يُحدّد الرمز اللوني الموصلات. موصلات LAN خضراء اللون. موصلات EtherNet/IP أو PROFINET صفراء اللون.

¹¹ راجع دليل المستخدم الموسع على الموقع الإلكتروني للشركة المُصنِّعة للحصول على معلومات إضافية.

إشعار

التفريغ المحتمل للجهاز. يمكن أن تتلف المكونات الإلكترونية الداخلية الحساسة بواسطة الكهرباء الساكنة؛ مما يؤدي إلى قصور في الأداء أو عطل تام.



راجع الخطوات الواردة في هذا الإجراء لمنع الضرر الناتج عن التفريغ الإلكتروني للجهاز:

- المس سطحاً معدنيًا تم تفريغه من الشحنات، مثل هيكل الجهاز أو قناة أنبوب معدنية لتفريغ الكهرباء الساكنة من الجسم.
- تجنب الحركة المفترقة. انقل العناصر الحساسة للكهرباء الساكنة في حاويات أو طرود مضادة للكهرباء الساكنة.
- ارتد رباط معصم متصلًا بسلك التفريغ من الشحنات.
- اعمل في منطقة آمنة من الكهرباء الساكنة ومزودة ببطانات أرضية وبطانات طاولات عمل مضادة للكهرباء الساكنة.

4.3.3 توصيلات التيار

⚠ خطر

مخاطر متعددة. يجب عدم إجراء المهام الموضحة في هذا القسم من المستند إلا بواسطة الموظفين المؤهلين لذلك فقط.



⚠ خطر

خطر الصعقات الكهربائية. أفضل الطاقة دومًا عن الجهاز قبل إجراء توصيلات كهربائية.

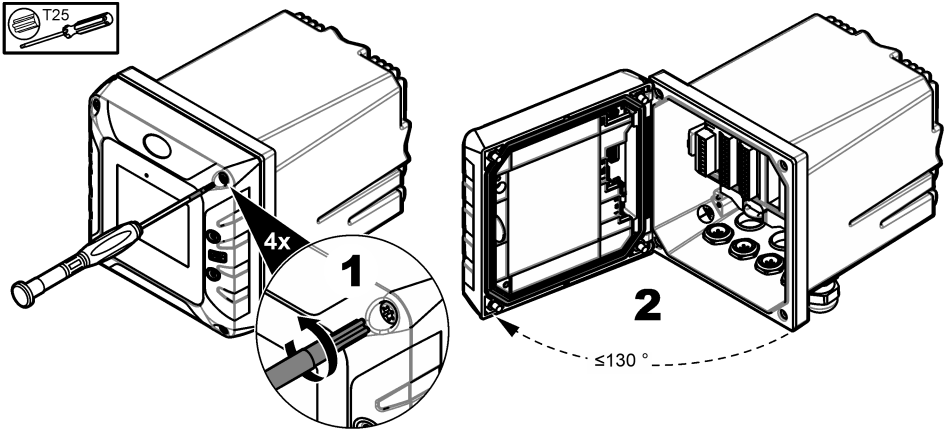


إذا لم يكن في وحدة التحكم سلك طاقة مركب، فقم بتوصيل الطاقة بواسطة ماسورة أو سلك طاقة. راجع الأقسام التالية لتوصيل الطاقة بواسطة ماسورة أو سلك طاقة.

4.3.3.1 فتح غطاء وحدة التحكم

افتح غطاء وحدة التحكم لتتمكن من الوصول إلى توصيلات الأسلاك. راجع الشكل 7.

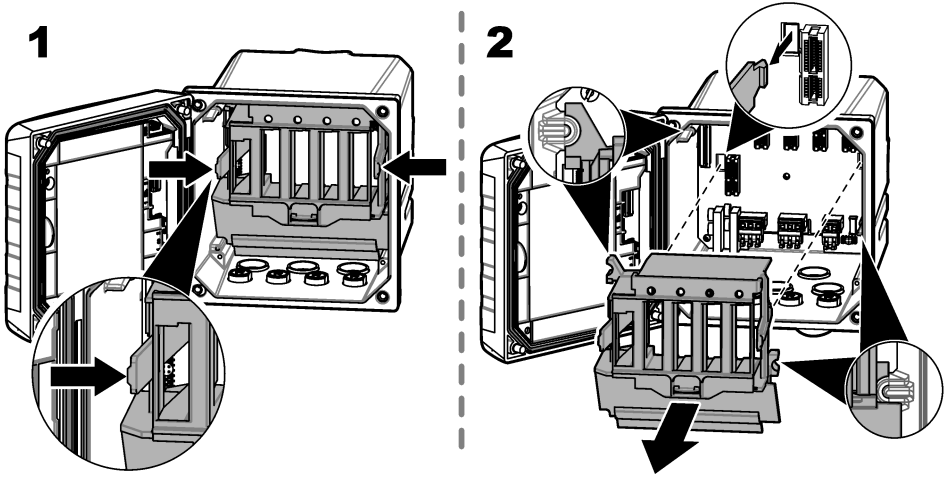
الشكل 7 فتح وحدة التحكم



4.3.3.2 إزالة الحاجز العالي الفولتية

تقع الأسلاك العالية الفولتية الخاصة بوحدة التحكم خلف الحاجز العالي الفولتية في حاوية وحدة التحكم. لا تقم بإزالة الحاجز في أثناء تزويد وحدة التحكم بالطاقة. تأكد من تركيب الحاجز قبل تزويد وحدة التحكم بالطاقة.

قم بإزالة الحاجز العالي الفولتية لتتمكن من الوصول إلى الأسلاك العالية الفولتية. راجع الشكل 8.



4.3.3.3 توصيل أسلاك الطاقة

⚠ خطر	
خطر الصعقات الكهربائية. تلتزم وصلة للحماية من التسرب الأرضي (PE).	
⚠ خطر	
مخاطر التعرض لصدمة كهربائية أو نشوب حريق. تأكد من تحديد مفتاح الفصل الموضوعي بوضوح لتركيب القناة.	
⚠ تحذير	
خطر الصعقات الكهربائية المحتملة. إذا تم استخدام هذا الجهاز في أماكن مفتوحة أو في مواقع يُحتمل أن تكون مبللة، فيجب استخدام جهاز قاطع الدائرة للحماية من التسرب الأرضي لتوصيل الجهاز بمصدر الطاقة الرئيسي الخاص به.	
⚠ تحذير	
خطر الصعقات الكهربائية. يجب لوسائل الفصل الموضوعي أن تقوم بفصل جميع الموصلات التي يمر فيها التيار الكهربائي. يجب أن تحافظ وصلة مصدر الطاقة الرئيسي على قطبية مصدر الطاقة. يُعد القابس القابل للفصل وسيلة الفصل في الجهاز الذي يتم توصيله بسلك.	
⚠ تحذير	
مخاطر التعرض لصدمة كهربائية أو نشوب حريق. تأكد من إبقاء السلك والقابس المرند المرفقين للمستخدم بمتطلبات قوانين البلد المعمول بها.	
⚠ تحذير	
خطر الانفجار. الغرض من هذا الدليل هو تركيب الوحدة في موقع غير خطر. وللتثبيت الآمن للوحدة في أحد المواقع الخطرة، استخدم فقط الإرشادات ورسومات عناصر التحكم المعتمدة والواردة في دليل التركيب في المواقع الخطرة.	

إشعار

احرص على تركيب الجهاز في موقع وموضع يوفران سهولة الوصول لفصل الجهاز وتشغيله.

يمكن شراء وحدة التحكم إما كطراز يعمل بالطاقة من 100 إلى 240 فولت تيار متناوب أو طراز يعمل بالطاقة من 18 إلى 28 فولت تيار مباشر. اتبع الإرشادات المناسبة لتوصيل الأسلاك الخاصة بالطراز الذي تم شراؤه.

قم بتزويد الجهاز بالطاقة باستخدام ماسورة أو كابل طاقة. تأكد من تركيب قاطع دائرة بقدرة تيار كافية في خط الطاقة. يستند حجم قاطع الدائرة إلى قياس السلك المستخدم للتركيب.

للتثبيت باستخدام الماسورة:

- ركب قاطعًا محليًا للجهاز ضمن مسافة 3 أمتار (10 أقدام) من الجهاز. ضع ملصقًا على القاطع يشير إليه كجهاز الفصل الرئيسي للجهاز.
- بتصنيف 90 درجة مئوية (194 درجة فهرنهايت) وقابل للتطبيق في بيئة التركيب
- للتوصيلات الدائمة، استخدم الأسلاك الصلبة فقط. استخدم أبعاد الكابل بين 0,75 و1,5 مم² (بين 18 و16 بمعيار السلك الأمريكي). يجب أن تكون في الأسلاك المرنة حلقة معدنية مفضنة أو طرف بنوع دبوس في الطرف.
- قم بتوصيل الجهاز وفقًا لقوانين الكهرباء المحلية أو الحكومية أو الوطنية.
- قم بتوصيل الماسورة عبر صامولة الماسورة التي تثبت الماسورة بشكل آمن وتعلق الحاوية عند ربطها بإحكام.
- إذا تم استخدام ماسورة معدنية، فتأكد من ربط صامولة الماسورة بإحكام لتقوم صامولة الماسورة بتوصيل الماسورة المعدنية بالتفريغ من الشحنات للسلامة.
- يجب أن يحافظ مصدر طاقة التيار المباشر الذي يزود وحدة تحكم التيار المباشر بالطاقة على تنظيم الفولتية ضمن حدود الفولتية المحددة التي تبلغ 18 إلى 28 فولت تيار مباشر. يجب أن يوفر مصدر طاقة التيار المباشر كذلك الحماية الكافية من اندفاع التيار والتغيرات المفاجئة للتيار.

للتثبيت بكابل طاقة، تأكد من أن كابل الطاقة:

- يبلغ طوله أقل من 3 أمتار (10 أقدام)
- بتصنيف كافٍ لفولتية الإمداد والتيار.
- بتصنيف 90 درجة مئوية (194 درجة فهرنهايت) وقابل للتطبيق في بيئة التركيب
- لا يقل مقاسه عن 0,75 مم² (18 بمعيار السلك الأمريكي) مع ألوان عزل قابلة للتطبيق لمتطلبات القانون المحلي. يجب أن تكون في الأسلاك المرنة حلقة معدنية مفضنة أو طرف بنوع دبوس في الطرف.
- كابل طاقة بقياس ثلاثي الأسنان (مع وصلة تأريض) قابل للتطبيق في وصلة مصدر الطاقة
- موصول بعروة ربط الكابل (تجهيزه تخفيف الضغط) التي تثبت كابل الطاقة بشكل آمن وتعلق الحاوية عند ربطها بإحكام
- ليس فيه جهاز بنوع قفل على القابس

4.3.3.4 توصيل ماسورة أو سلك طاقة

إشعار

توصي الشركة المصنعة باستخدام المكونات الكهربائية التي توفرها الشركة المصنعة، مثل سلك الطاقة والموصلات وتجهيزات تخفيف الضغط.

إشعار

تأكد من أن غلاف الكابل يدخل في الجهة الداخلية من الحاوية للحفاظ على التصنيف البيئي للحاوية.

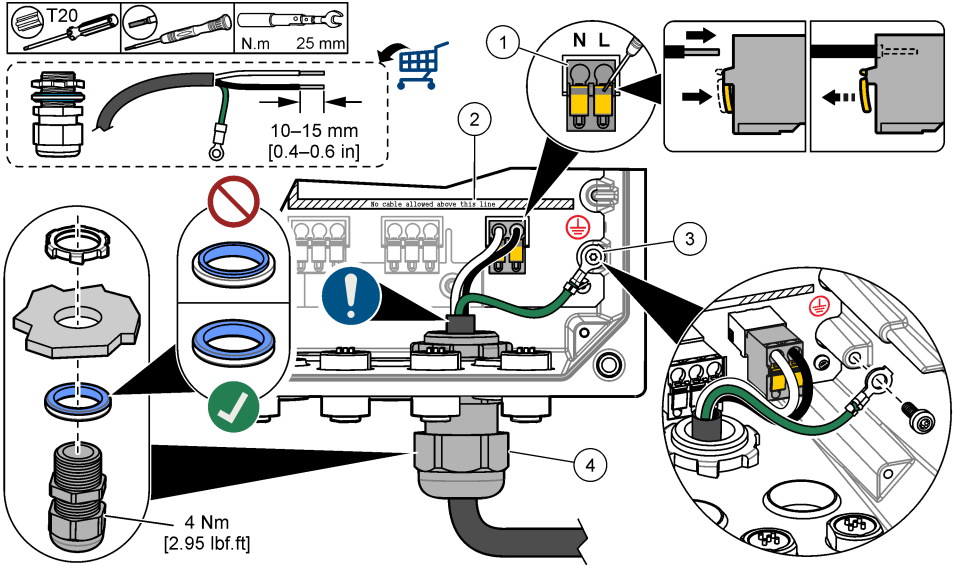


يمكن توصيل أسلاك وحدة التحكم بخط الطاقة من خلال التوصيل المباشر بالقناة أو بسلك طاقة. بغض النظر عن التوصيل المستخدم، فإن التوصيلات يتم إجراؤها بالأطراف ذاتها.

يتم استخدام قابس كابل الطاقة لتوصيل وحدة التحكم بالطاقة وفصلها عنها. للتركيب بالماسورة، يتم استخدام القاطع المحلي المركب لتوصيل وحدة التحكم بالطاقة وفصلها عنها.

راجع الشكل 9 والجدول 2 أو الجدول 3 لتوصيل ماسورة أو سلك طاقة. أدخل كل سلك في الطرف المناسب له حتى يتم استيعاب الجزء المعزول داخل الموصل مع عدم ظهور سلك عارٍ. قم بشده برفق بعد الإدخال للتأكد من توصيله بإحكام. إذا لزم الأمر، قم بإزالة الموصل من مجموعة لوحة الدائرة المطبوعة لتوصيل أسلاك الأطراف بشكل أسهل.

ملاحظة: تأكد من أن تبقى كل الكابلات تحت خط حدود الكابلات المطبوع على مجموعة لوحة الدائرة المطبوعة لمنع التداخلات مع الحاجز العالي الفولتية. راجع الشكل 9.



1 طرف طاقة التيار المتناوب والتيار المباشر	3 التسرب الأرضي الواقي
2 حد الكابلات: لا تضع الكابلات فوق الخط.	4 صامولة الماسورة (أو تجهيزة تخفيف الضغط لسلك الطاقة)

الجدول 2 معلومات توصيل الأسلاك — طاقة التيار المتردد

اللون — أمريكا الشمالية	اللون — الاتحاد الأوروبي	الوصف	الطرف
أسود	بني	حراري (الخط 1)	L
أبيض	أزرق	محايد (N)	N
أخضر	أخضر مع أشرطة صفراء	التسرب الأرضي الواقي	⊕

الجدول 3 معلومات توصيل الأسلاك — طاقة التيار المباشر

اللون — أمريكا الشمالية	اللون — الاتحاد الأوروبي	الوصف	الطرف
أحمر	أحمر	24+ فولت تيار مباشر	L
أسود	أسود	24 فولت تيار مباشر ارتداد	N
أخضر	أخضر مع أشرطة صفراء	التسرب الأرضي الواقي	⊕

4.3.4 توصيل المرحّلين العاليي الفولتية

⚠ خطر	
خطر الصعقات الكهربائية. أفضل الطاقة دوّمًا عن الجهاز قبل إجراء توصيلات كهربائية.	

⚠ تحذير

خطر الصعقات الكهربائية المحتملة. إن النهايات الطرفية لأسلاك الطاقة والمرحلات مصممة لنهاية طرفية لسلك واحد فقط. فلا تستخدم أكثر من سلك واحد في كل نهاية طرفية.



⚠ تحذير

خطر نشوب حريق محتمل. لا تحاول تغيير تسلسل التوصيلات الشائعة لتوصيلات المرحلات أو أسلاك الوصلة من اتصال مصدر الطاقة الرئيسي داخل الجهاز.



⚠ تحذير

خطر الانفجار. الغرض من هذا الدليل هو تركيب الوحدة في موقع غير خطر. وللتثبيت الآمن للوحدة في أحد المواقع الخطرة، استخدم فقط الإرشادات ورسومات عناصر التحكم المعتمدة والواردة في دليل التركيب في المواقع الخطرة.



⚠ تنبيه

خطر نشوب حريق. يجب أن تكون أحمال المرحلات ذات مقاومة. احرص دوماً على تحديد التيار الواصل إلى المرحلات باستخدام منضهر خارجي أو قاطع تيار. التزم بتصنيفات المرحلات في قسم "المواصفات".



إشعار

تأكد من أن غلاف الكابل يدخل في الجهة الداخلية من الحاوية للحفاظ على التصنيف البيئي للحاوية.



في الجهاز مرحلان غير مزدوين بالطاقة، ولكل منهما موصل تحويل احادي القطب. بالنسبة إلى وحدات تحكم التيار المتناوب، لم يتم تصميم حجرة توصيل الأسلاك لتوصيلات الفولتية التي تزيد عن 264 فولت تيار متناوب.

تقع أطراف المرحل خلف حاجز عالي الفولتية في حاوية وحدة التحكم. لا تقم بإزالة الحاجز في أثناء تزويد أطراف المرحل بالطاقة. لا تقم بتزويد أطراف المرحل بالطاقة في حال عدم تركيب الحاجز.

قم بتوصيل كل مرحل بجهاز تحكم أو جهاز تذبذب بحسب الضرورة. راجع الشكل 10 والجداول 4 لتوصيل المرحلين. راجع دليل المستخدم الموسع على الموقع الإلكتروني للشركة المُصنِّعة للحصول على معلومات إضافية.

راجع المواصفات في صفحة 166 للاطلاع على مواصفات المرحل. يتم عزل المرحلين عن بعضهما ودارة الإدخال/الإخراج منخفضة الفولتية.

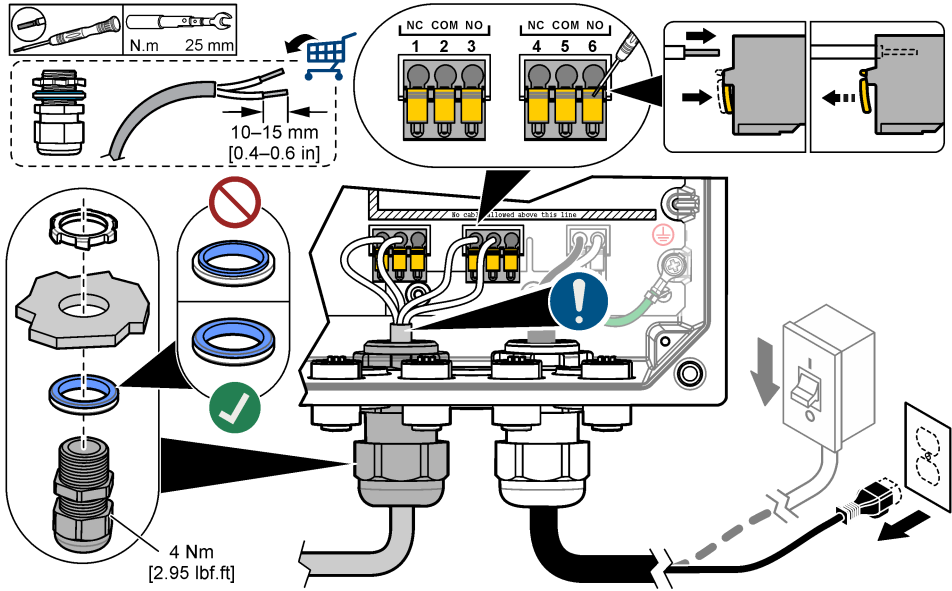
تم تصنيف أسلاك أجهزة القياس الأكبر للطاقة وقوابس المرحلين 1,5 مم² (16 بمعيار السلك الأمريكي). يمكن استخدام سلك بقطر يتراوح بين 0,75 و 1,5 مم² (بين 18 و 16 بمعيار السلك الأمريكي) مع أطراف المرحل (كما هو محدد في التحميل). استخدم السلك مع عازل بتصنيف 300 فولت تيار متناوب أو أكبر. أدخل كل سلك في الطرف المناسب له حتى يتم استيعاب الجزء المعزول داخل الموصل مع عدم ظهور سلك عارٍ. قم بشده برفق بعد الإدخال للتأكد من توصيله بإحكام. إذا لزم الأمر، قم بإزالة الموصل من مجموعة لوحة الدائرة المطبوعة لتوصيل أسلاك الأطراف بشكل أسهل. يجب أن تكون في الأسلاك المرنة حلقة معدنية مغضنة أو طرف بنوع دبوس في الطرف. **ملاحظة:** تأكد من أن تبقى كل الكابلات تحت خط حدود الكابلات المطبوع على مجموعة لوحة الدائرة المطبوعة لمنع التداخلات مع الحاجز العالي الفولتية.

يجب أن يكون التيار المزود لموصلات المرحل بقدره 5 أمبير (تحميل مقاوم فقط)، و 1250 فولت أمبير و 125 واط (تحميل مقاوم فقط) أو أقل. تأكد من توفر مفتاح ثان لفصل الطاقة عن المرحلين كلياً في حال الطوارئ أو للصيانة.

بالنسبة إلى وحدات تحكم التيار المتناوب، استخدم المرحلات ذات الفولتية العالية. أما بالنسبة إلى وحدات تحكم التيار المباشر، فاستخدم المرحلات ذات الفولتية المنخفضة. راجع المواصفات في صفحة 166 للاطلاع على مواصفات المرحل. لا تقم بتكوين مجموعة من الفولتية المرتفعة والمنخفضة.

يجب أن يكون تصنيف عازل توصيلات طرف المرحل بدائرة السلك الرئيسي في تطبيقات التوصيل الدائمة 300 فولت كحد أدنى، ودرجة حرارة تبلغ 90 درجة مئوية (194 درجة فهرنهايت). يجب أن تكون الأطراف الموصولة بدائرة السلك الرئيسي بتوصيل سلك طاقة مزدوجة العزل وتصنيف 300 فولت، ودرجة حرارة تبلغ 90 درجة مئوية (194 درجة فهرنهايت) في مستويي العزل الداخلي والخارجي.

ملاحظة: ضع أسلاك المرحلات من خلال تركيب تخفيف الضغط لمرحل الجهد العالي. راجع الشكل 6 في صفحة 176.



الجدول 4 معلومات توصيل الأسلاك — المرشحين

الطرف	الوصف	الطرف	الوصف
1	المرحل 2، مغلق عادةً	4	المرحل 1، مغلق عادةً
2	المرحل 2، شائع	5	المرحل 1، شائع
3	المرحل 2، مفتوح عادةً	6	المرحل 1، مفتوح عادةً

مغلق عادةً = NO، مفتوح عادةً = NC

4.3.5 تركيب وحدة التوسع

⚠ تحذير

خطر الانفجار. الغرض من هذا الدليل هو تركيب الوحدة في موقع غير خطر. وللتثبيت الآمن للوحدة في أحد المواقع الخطرة، استخدم فقط الإرشادات ورسومات عناصر التحكم المعتمدة والواردة في دليل التركيب في المواقع الخطرة.



تتوفر لوحة التحكم وحدات التوسعة الخاصة بالمخرجات التناظرية والإدخالات التناظرية والمستشعرات التناظرية واتصال Profibus. راجع المستند المتوفر مع وحدة التوسعة للحصول على مزيد من المعلومات.

4.4 إغلاق الغطاء

⚠ خطر

خطر الصعقات الكهربائية. إن أسلاك الجهد العالي الخاصة بوحدة التحكم يتم توصيلها خلف حاجز الجهد العالي في حاوية وحدة التحكم. يجب أن يظل الحاجز في مكانه باستثناء عند تركيب الوحدات أو عند قيام فني تركيب مؤهل بتوصيل الطاقة أو المرخلات أو البطاقات التناظرية وبطاقات الشبكة.



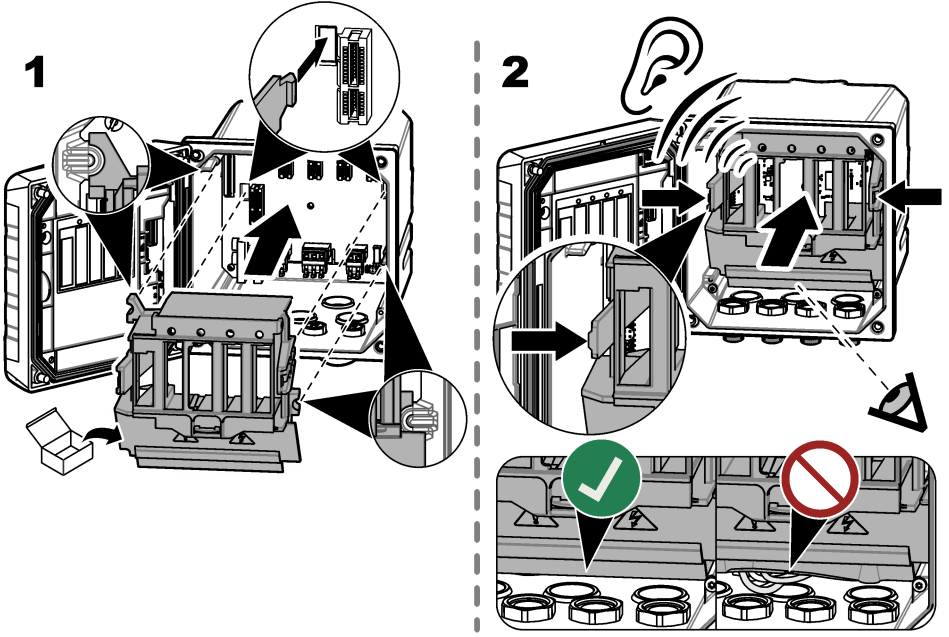
! إشعار

أغلق غطاء وحدة التحكم وتأكد من أن براغي الغطاء مبروطة بإحكام للحفاظ على التصنيف البيئي للحاوية.

بعد إجراء توصيلات تزويد الطاقة، ركب الحاجز العالي الفولتية. تأكد من أن الحاجز العالي الفولتية تم وضعه بشكل صحيح في دلائل الحاوية وتثبيتته بمجموعة لوحة الدائرة المطبوعة الرئيسية. يتم سماع صوت نفرة عند تثبيت حاجز الجهد العالي بشكل صحيح. تأكد من تركيب الجزء السفلي من الحاجز العالي الفولتية (الشفة المطاطية المرنة) بشكل صحيح ومن عدم تشوهه. راجع الشكل 11.

أغلق غطاء وحدة التحكم. أحكم ربط براغي الغطاء ان يبلغ 2 نيوتن متر (17.70 رطل قوة لكل بوصة). راجع الشكل 7 في صفحة 177.

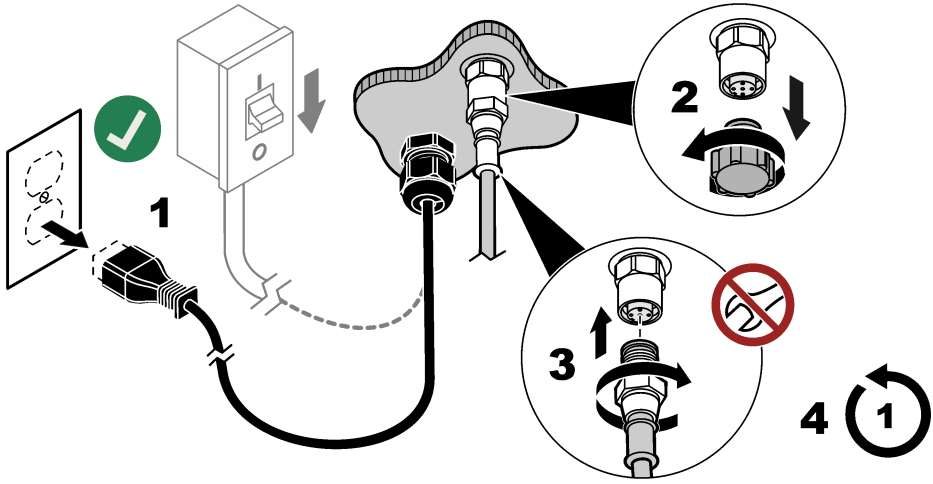
الشكل 11 ركب الحاجز العالي الفولتية



4.5 توصيل أجهزة القياس

قم بتوصيل الأجهزة الرقمية (على سبيل المثال، أدوات الاستشعار والمحللات) بموصلات الجهاز على الجهاز. راجع الشكل 12. احتفظ بأغطية موصل الجهاز لاستخدامها في المستقبل.

تأكد من أن كابلات الجهاز لا تسبب خطر التعثر وليس فيها انحناءات حادة.



القسم 5 بدء التشغيل

قم بتوصيل سلك الطاقة بمخرج كهربائي بسلك تأريض وقائي أو قم بتعيين قاطع الدائرة لوحدة التحكم على التشغيل.

5.1 إدخال الإعدادات الأولية

في بدء التشغيل الأولي، اتبع المطالبات التي تظهر على الشاشة لإعداد اللغة، والتاريخ، والوقت ومعلومات الشبكة. ارجع إلى دليل المستخدم الموسع على موقع الشركة المصنعة للحصول على الإرشادات.

القسم 6 معلومات إضافية

تتوفر المعلومات الإضافية التالية في دليل المستخدم الموسع.

- واجهة المستخدم والتنقل
- التشغيل
- Maintenance (الصيانة)
- استكشاف الأخطاء وإصلاحها
- قوائم القطع البديلة

امسح رموز الاستجابة السريعة التالية للانتقال إلى دليل المستخدم الموسع.



الإسبانية



الإيطالية



إنجليزي



صيني



الفرنسية



الألمانية



HACH COMPANY World Headquarters

P.O. Box 389, Loveland, CO 80539-0389 U.S.A.
Tel. (970) 669-3050
(800) 227-4224 (U.S.A. only)
Fax (970) 669-2932
orders@hach.com
www.hach.com

HACH LANGE GMBH

Willstätterstraße 11
D-40549 Düsseldorf, Germany
Tel. +49 (0) 2 11 52 88-320
Fax +49 (0) 2 11 52 88-210
info-de@hach.com
www.de.hach.com

HACH LANGE Sàrl

6, route de Compois
1222 Vézenaz
SWITZERLAND
Tel. +41 22 594 6400
Fax +41 22 594 6499