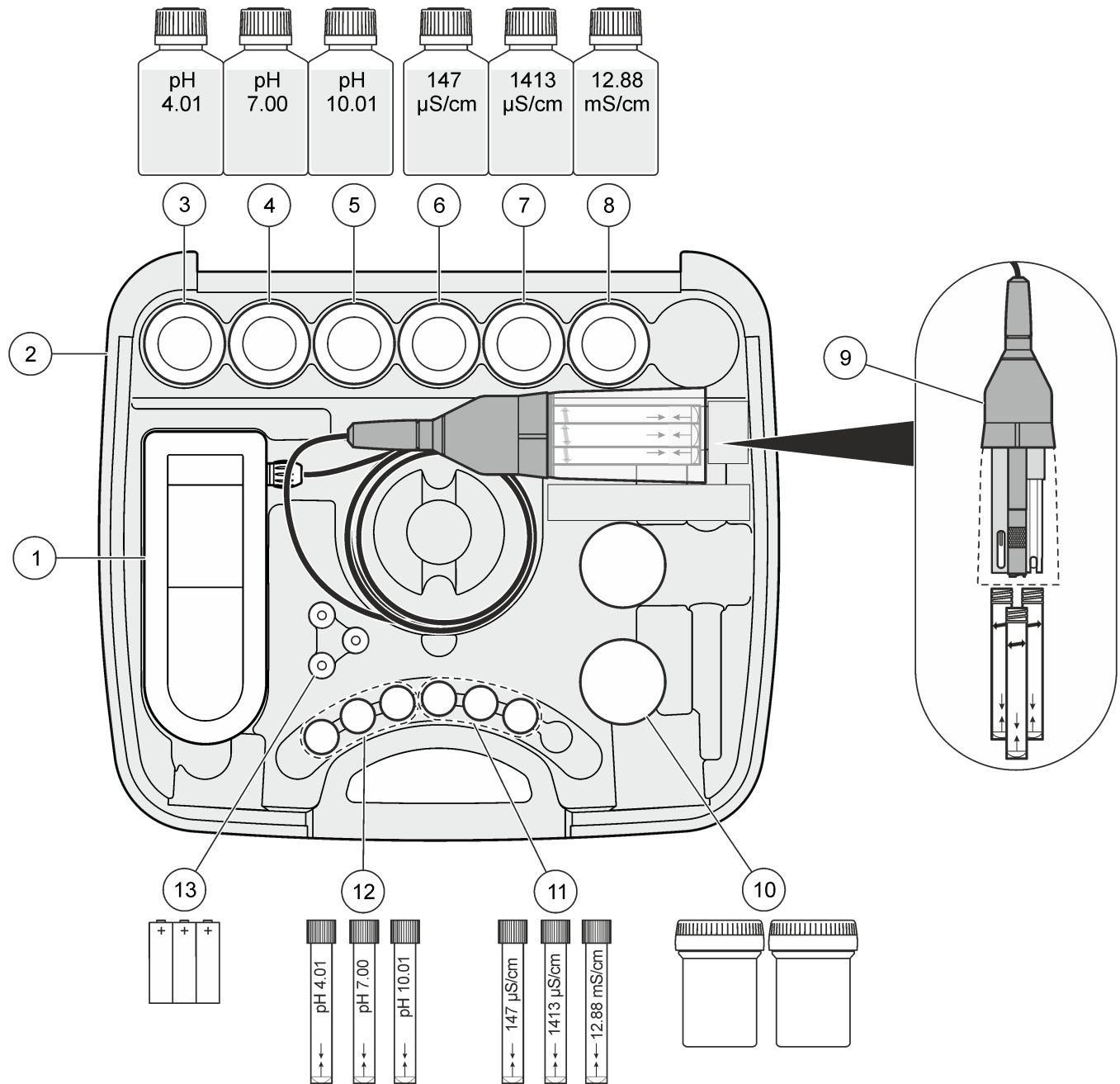


sensION™ + MM156

DOC272.99.80409

LPV4049.9X.0002



1 sensION™ + MM156, LPV4030.9X.0002	8 12.88 mS/cm, LZW9721.99
2 LZW9992.99	9 LZW5049.97.0002
3 pH 4.01, 125 mL, LZW9460.99	10 LZW9314.99 (2x)
4 pH 7.00, 125 mL, LZW9461.9X	11 LZW9138.99
5 pH 10.01, 125 mL, LZW9470.99	12 LZW9137.97
6 147 µS/cm, LZW9701.99	13 AA, 1.5 VDC (3x)
7 1413 µS/cm, LZW9711.99	

HACH COMPANY World Headquarters

P.O. Box 389, Loveland, CO 80539-0389 U.S.A.
Tel. (970) 669-3050
(800) 227-4224 (U.S.A. only)
Fax (970) 669-2932
orders@hach.com
www.hach.com

HACH LANGE GMBH

Willstätterstraße 11
D-40549 Düsseldorf, Germany
Tel. +49 (0) 2 11 52 88-320
Fax +49 (0) 2 11 52 88-210
info@hach-lange.de
www.hach-lange.de

HACH LANGE Sàrl

6, route de Compois
1222 Vézenaz
SWITZERLAND
Tel. +41 22 594 6400
Fax +41 22 594 6499

