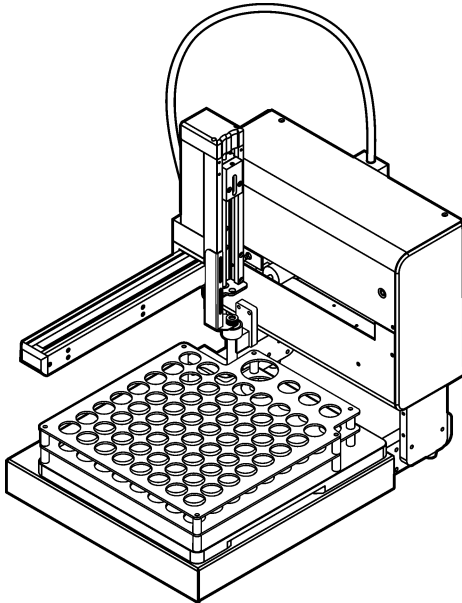




DOC026.97.80463

# QbD1200 AutoSampler

03/2018, Edition 5



**User Manual**  
**Manual del usuario**  
**Manuel de l'utilisateur**  
**Manual do Usuário**  
取扱説明書  
사용 설명서  
用户手册  
使用手册

English ..... 3

Español ..... 18

Français ..... 33

Português ..... 48

日本語 ..... 63

한글 ..... 78

中文 ..... 93

中文 ..... 107

## Table of contents

[Specifications](#) on page 3

[General information](#) on page 3

[Installation](#) on page 8

[Startup](#) on page 13

[Operation](#) on page 13

[Maintenance](#) on page 14

[Troubleshooting](#) on page 16

[Replacement parts and accessories](#) on page 16

## Specifications

Specifications are subject to change without notice.

Specification	Details
Dimensions (W x D x H)	36.6 x 53.7 x 45.7 cm (14.4 x 21.2 x 18.0 in.)
Enclosure	Aluminum alloy, chromated with an epoxy powder layer
Sample (wetted) components	Polyetherimide (PEI) and Polytetrafluoroethylene (PTFE)
Weight	21 kg (45 lb)
Installation category	Power supply: II
	Auto sampler: I
Pollution degree	II
External power supply	Input: 100–240 VAC, 47–63 Hz, 1.9 A
	Output: 24 VDC, 3.33 A
Auto sampler power supply	Input: 24 VDC, 3.33 A. Use only with the supplied power supply.
Operating temperature	10 to 30 °C (50 to 85 °F)
Storage temperature	0 to 55 °C (32 to 131 °F)
Altitude	3048 m (10,000 ft) maximum
Relative humidity	0 to 95% non-condensing
Certifications	CE mark
Warranty	1 year (EU: 2 years)

## General information

In no event will the manufacturer be liable for direct, indirect, special, incidental or consequential damages resulting from any defect or omission in this manual. The manufacturer reserves the right to make changes in this manual and the products it describes at any time, without notice or obligation. Revised editions are found on the manufacturer's website.

## Safety information

### NOTICE

The manufacturer is not responsible for any damages due to misapplication or misuse of this product including, without limitation, direct, incidental and consequential damages, and disclaims such damages to the full extent permitted under applicable law. The user is solely responsible to identify critical application risks and install appropriate mechanisms to protect processes during a possible equipment malfunction.

Please read this entire manual before unpacking, setting up or operating this equipment. Pay attention to all danger and caution statements. Failure to do so could result in serious injury to the operator or damage to the equipment.







Make sure that the protection provided by this equipment is not impaired. Do not use or install this equipment in any manner other than that specified in this manual.

**Use of hazard information**

<b>▲ DANGER</b>
Indicates a potentially or imminently hazardous situation which, if not avoided, will result in death or serious injury.
<b>▲ WARNING</b>
Indicates a potentially or imminently hazardous situation which, if not avoided, could result in death or serious injury.
<b>▲ CAUTION</b>
Indicates a potentially hazardous situation that may result in minor or moderate injury.
<b>NOTICE</b>
Indicates a situation which, if not avoided, may cause damage to the instrument. Information that requires special emphasis.

**Precautionary labels**

Read all labels and tags attached to the instrument. Personal injury or damage to the instrument could occur if not observed.

	This symbol, if noted on the instrument, references the instruction manual for operation and/or safety information.
	Electrical equipment marked with this symbol may not be disposed of in European domestic or public disposal systems. Return old or end-of-life equipment to the manufacturer for disposal at no charge to the user.
	This symbol indicates that a risk of electrical shock and/or electrocution exists.
	This symbol indicates a hazard that may crush a hand from above.
	This symbol indicates a puncture or pinch hazard. Keep hands and fingers away.
	This symbol indicates that the object is heavy.

**Certification**

**Canadian Radio Interference-Causing Equipment Regulation, IECS-003, Class A:**

Supporting test records reside with the manufacturer.

This Class A digital apparatus meets all requirements of the Canadian Interference-Causing Equipment Regulations.

Cet appareil numérique de classe A répond à toutes les exigences de la réglementation canadienne sur les équipements provoquant des interférences.

**FCC Part 15, Class "A" Limits**

Supporting test records reside with the manufacturer. The device complies with Part 15 of the FCC Rules. Operation is subject to the following conditions:

1. The equipment may not cause harmful interference.
2. The equipment must accept any interference received, including interference that may cause undesired operation.

Changes or modifications to this equipment not expressly approved by the party responsible for compliance could void the user's authority to operate the equipment. This equipment has been tested and found to comply with the limits for a Class A digital device, pursuant to Part 15 of the FCC rules. These limits are designed to provide reasonable protection against harmful interference when the equipment is operated in a commercial environment. This equipment generates, uses and can radiate radio frequency energy and, if not installed and used in accordance with the instruction manual, may cause harmful interference to radio communications. Operation of this equipment in a residential area is likely to cause harmful interference, in which case the user will be required to correct the interference at their expense. The following techniques can be used to reduce interference problems:

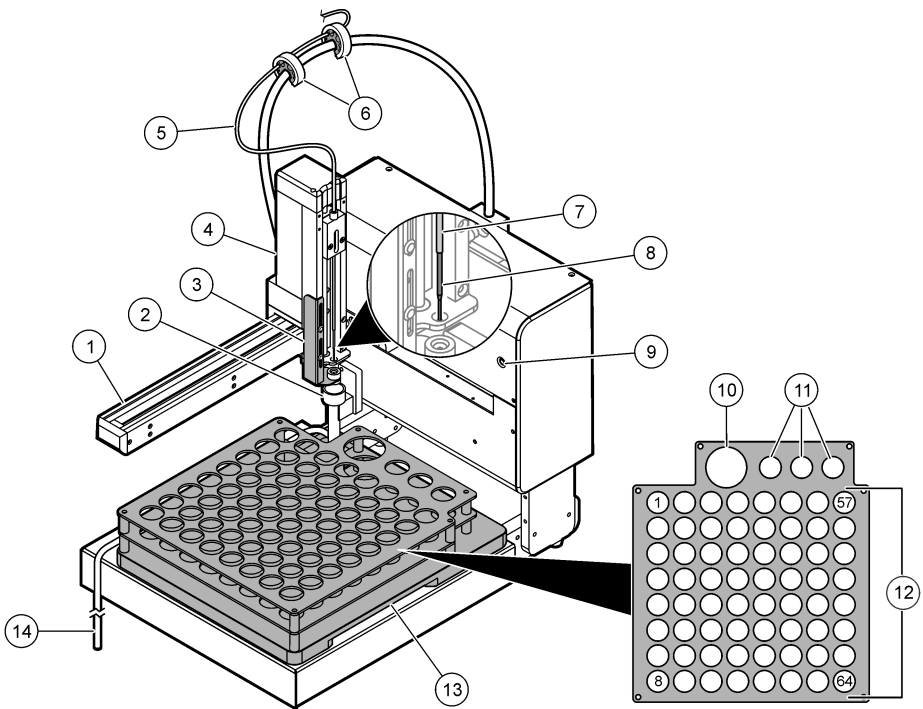
1. Disconnect the equipment from its power source to verify that it is or is not the source of the interference.
2. If the equipment is connected to the same outlet as the device experiencing interference, connect the equipment to a different outlet.
3. Move the equipment away from the device receiving the interference.
4. Reposition the receiving antenna for the device receiving the interference.
5. Try combinations of the above.

## Product overview

The QbD1200 AutoSampler is an automatic sample changer used in analytical laboratories for TOC analysis of aqueous samples. This instrument has a sample tray that holds a maximum of 64 sample vials, one calibration bottle and three system suitability bottles. The instrument operates with minimal user-intervention and is used with the QbD1200 TOC Analyzer. Refer to [Figure 1](#) and [Figure 2](#) for the overview of the instrument.

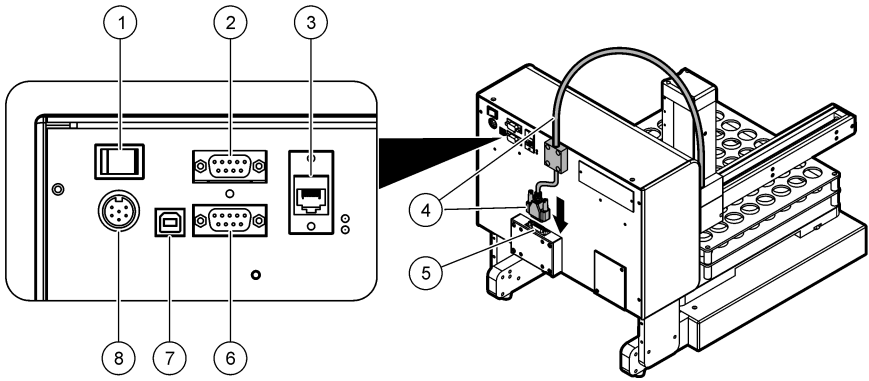
**Note:** *The manufacturer of the instrument is Teledyne CETAC Technologies. Support services and repairs are supplied by Hach Company.*

**Figure 1 Product overview**



1 Arm	8 Sample probe
2 Rinse station	9 Power indicator light
3 Stripper plate	10 Calibration standard holder
4 Mechanical Z-drive	11 System suitability holders
5 Sample tube (from the analyzer)	12 Sample positions (1 to 64)
6 Tube holders	13 Sample tray
7 Needle sleeve	14 Rinse station drain tube

**Figure 2 Rear panel overview**



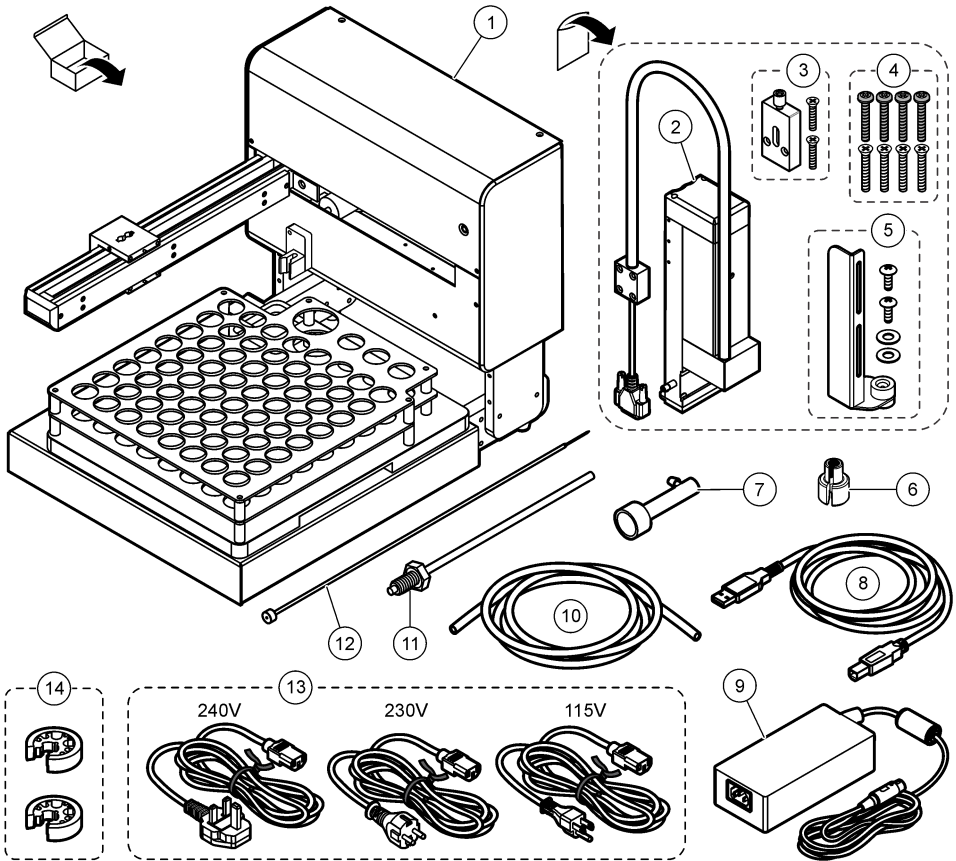
1 Power switch	5 Mechanical Z-drive cable connection
2 COM port 2 <sup>1</sup>	6 COM port 1 <sup>1</sup>
3 Ethernet port <sup>1</sup>	7 USB port
4 Mechanical Z-drive cable	8 Power connector

## Product components

Make sure that all components have been received. Refer to [Figure 3](#). If any items are missing or damaged, contact the manufacturer or a sales representative immediately.

<sup>1</sup> These functions are not used.

**Figure 3 Product components**



1 Auto sampler with sample tray	8 USB cable, 3 m
2 Mechanical Z-drive	9 Power supply
3 Vent holder	10 Drain tubing for the rinse station
4 Mechanical Z-drive installation screws (8x)	11 Needle sleeve
5 Stripper plate assembly	12 Sample probe
6 Nut extender tool	13 Power cords (240 V, 230 V, 115 V)
7 Rinse station	14 Tube holders (2x)

## Installation

### ⚠ WARNING



Multiple hazards. Only qualified personnel must conduct the tasks described in this section of the document.



## Installation guidelines

Install the instrument:

- On a level surface
- In a clean, dry, well ventilated, temperature controlled location
- In a location with minimum vibrations that has no direct exposure to sunlight
- In a location where there is sufficient clearance around it to make connections and to do maintenance tasks
- In a location where the power switch and power cord are visible and easily accessible

## Mechanical installation

### Install the mechanical Z-drive

#### ⚠ WARNING



Personal injury hazard. Instruments or components are heavy. Use assistance to install or move.

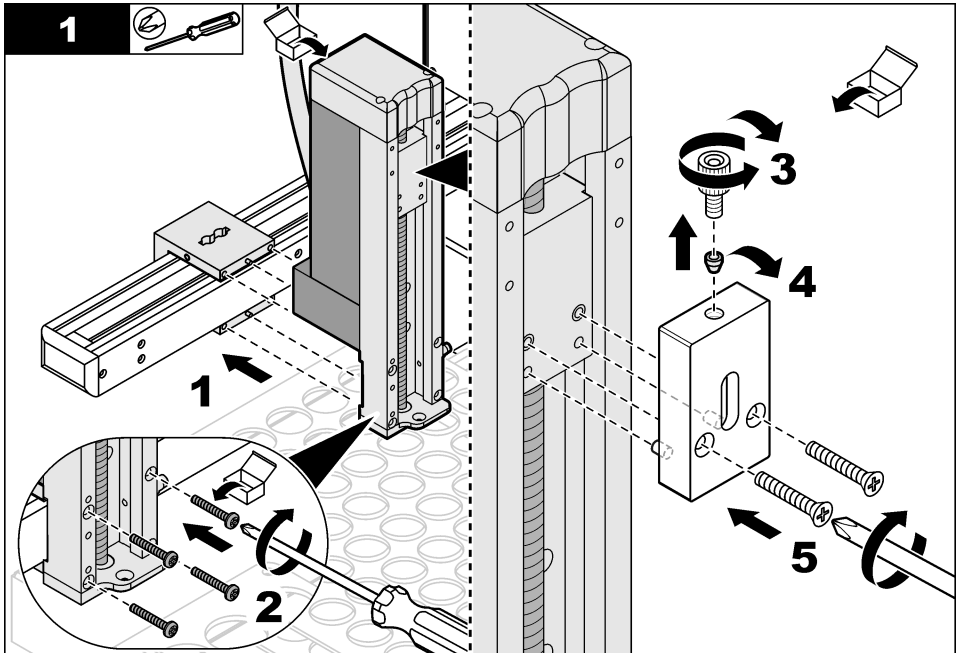
#### ⚠ WARNING

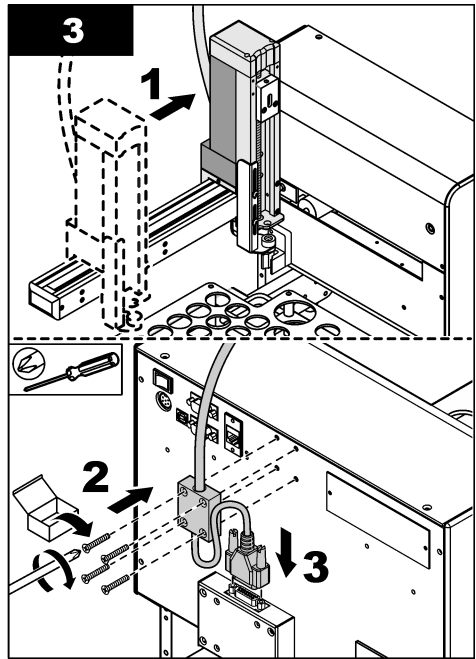
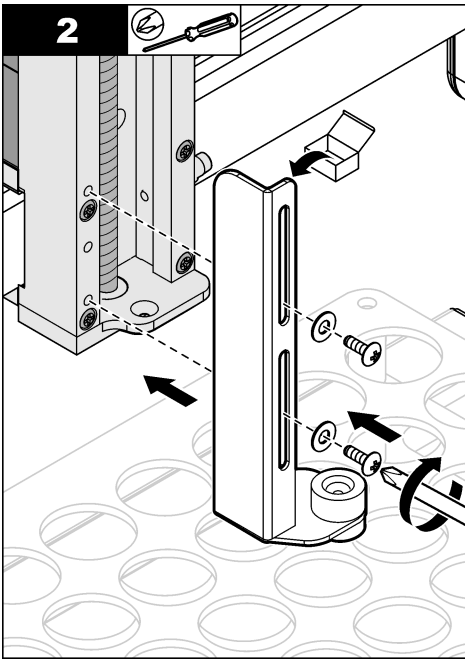


Pinch hazard. Parts that move can pinch and cause injury. Do not touch moving parts.

Refer to the illustrated steps that follow to install the supplied mechanical Z-drive.

**Item to collect:** Phillips-head screwdriver





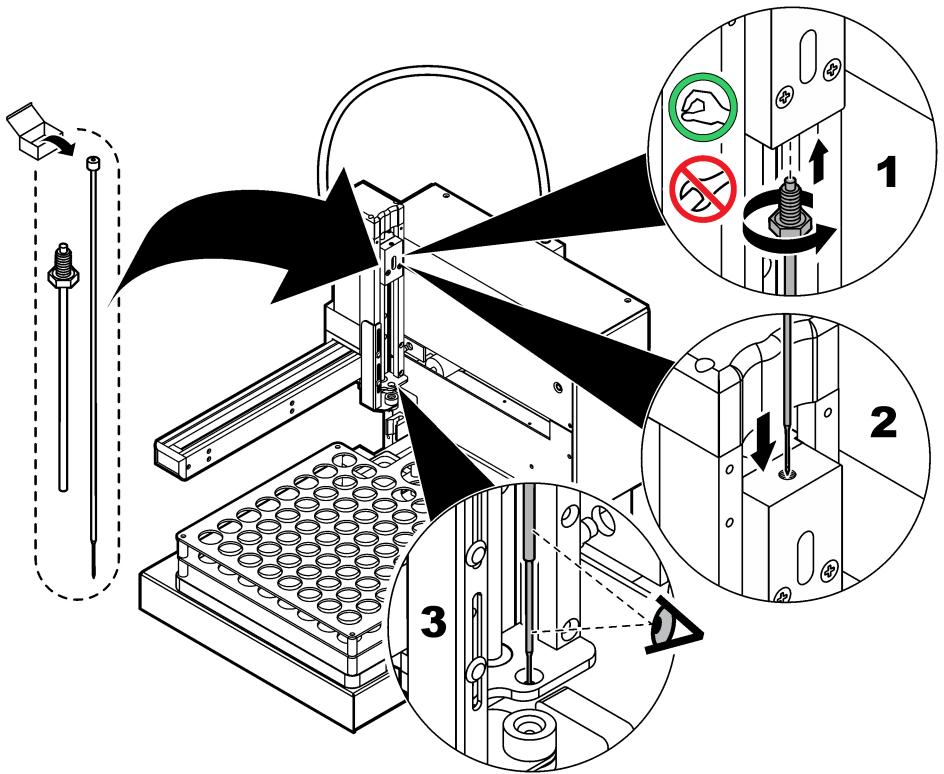
**Install the sleeve and the sample probe**

**▲ WARNING**



Puncture injury hazard. Exposed needles can cause puncture wounds. Use caution when bottles are installed or removed.

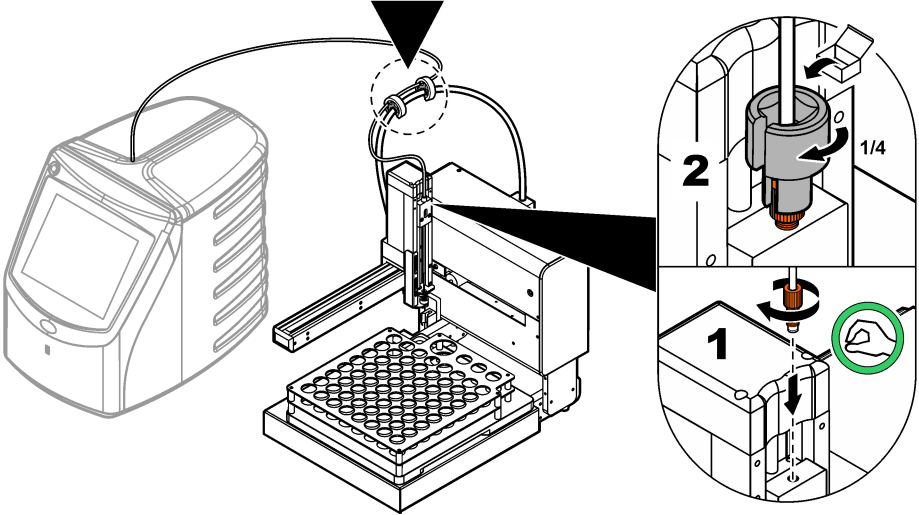
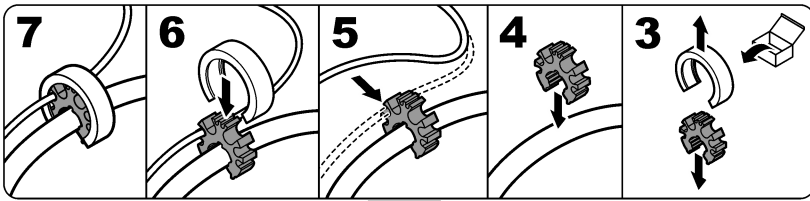
Refer to the illustrated steps that follow to install the needle sleeve and the sample probe.



## Plumbing

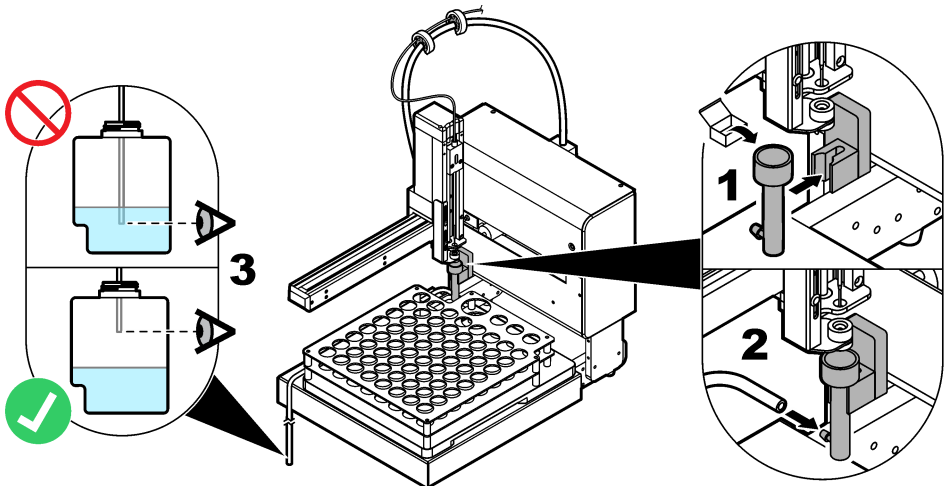
### Plumb to the analyzer

Refer to the illustrated steps that follow to connect the sample tube from the analyzer to the mechanical Z-drive on the auto sampler.



### Install the rinse station

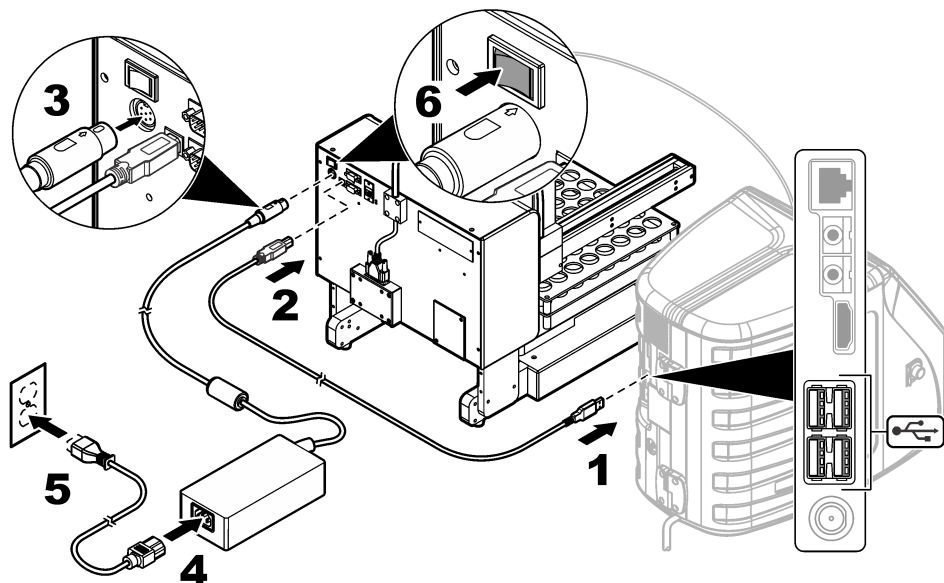
After each sample is analyzed, the reagent is flushed through the sample tube to remove the remaining carbon. The flushed (used) reagent goes to the waste container. If an analyzer is connected to the instrument, the analyzer controls when the rinse station operates. Refer to the illustrated steps that follow to install the rinse station and the drain tubing. Make sure to use a permitted waste container.



## Electrical installation

### Connect the analyzer and the power

Before the procedure starts, make sure that the auto sampler and the analyzer power switches are set to off. Use the supplied USB cable to connect the auto sampler to the analyzer. Use the supplied power cord and power supply to connect power to the auto sampler. The power for the auto sampler must be set to on before the analyzer power is set to on. Refer to the analyzer documentation to connect to power. Refer to the illustrated steps that follow to make the necessary connections.



## Startup

### Set the power to on

1. Make sure that the power connection is correctly installed. Refer to [Connect the analyzer and the power](#) on page 13.
2. Push the power button on the rear panel of the instrument to set the power to on. An LED indicator light shows on the front of the instrument when the power is set to on.
3. The arm and the mechanical Z-drive moves, then stops in the correct position.
4. Set the analyzer power to on.

## Operation

**▲ DANGER**



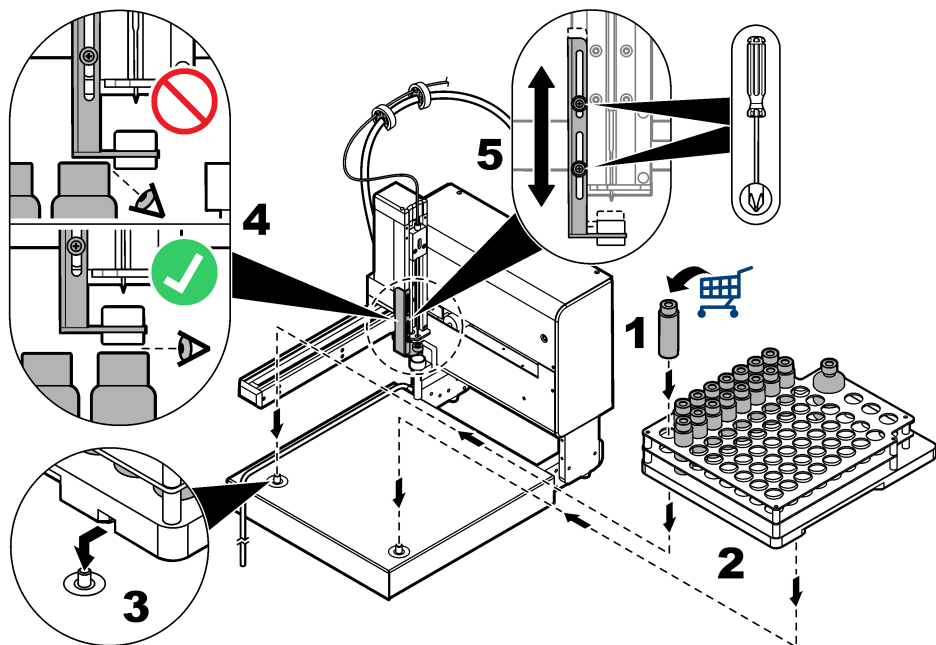
Fire hazard. This product is not designed for use with flammable liquids.

### Prepare the instrument for sampling

Refer to the illustrated steps that follow to prepare the instrument for sampling. After sample collection, put the user-supplied vials in the correct order from one to 64 in the sample tray. Each sample position is numerically identified on the lower left side.

There must be sufficient space between the vials in the sample tray and the platform of the stripper plate. Refer to the illustrated steps that follow (steps 4 and 5) to make adjustments to the stripper plate, if necessary.

Carefully install or remove the sample tray to prevent spills.



## Do a measurement

Make sure that the vials are correctly installed in the sample tray. Refer to [Prepare the instrument for sampling](#) on page 13. The analyzer controls the measurement parameters. Refer to the analyzer documentation.

**Note:** Make sure that all of the necessary plumbing connections are made before this procedure starts. The analyzer controls the backflush operations to flush the sample flow path.

## Maintenance

### ▲ WARNING



Personal injury hazard. Instruments or components are heavy. Use assistance to install or move.

### ▲ CAUTION



Multiple hazards. Only qualified personnel must conduct the tasks described in this section of the document.

**Note:** The manufacturer of the instrument is Teledyne CETAC Technologies. Support services and repairs are supplied by Hach Company.

## Shut-down procedure

Always shut down the instrument before maintenance tasks are done.



1. Set the instrument power to off.
2. Remove the power cord from the power supply.

## Do a leak inspection

Inspect for leaks from the sample probe, the sample tube or the rinse station and the rinse station tubing.

1. Shut down the auto sampler. Refer to the [Shut-down procedure](#) on page 14.
2. Examine the sample probe, the sample tube or the rinse station and the rinse station tubing for damage and evidence of leaks.
3. Replace all of the components that show evidence of leaks or damage.

## Clean the instrument

⚠ CAUTION	
 	Chemical exposure hazard. Obey laboratory safety procedures and wear all of the personal protective equipment appropriate to the chemicals that are handled. Refer to the current safety data sheets (MSDS/SDS) for safety protocols.

NOTICE	
Clean the instrument with water. Fumes from cleaning agents can have an effect on the results. Do not let cleaning agents come into contact with the lead screws. Do not put lubricant on the lead screws.	

Spills can occur during use of the instrument. For the best operation, remove spills daily. Clean the instrument as necessary to prevent instrument damage. Remove contaminants and abrasive material from moving parts. Remove chemical spills according to MSDS/SDS instructions.

### Items to collect:

- Dry, lint-free cloth
  - Soft cloth towel
  - Clean water
1. Remove the instrument from service. Refer to the [Shut-down procedure](#) on page 14.
  2. Remove the sample tray.
  3. Use the dry, lint-free cloth to remove loose particles from the lead screws.
  4. Use the cloth towel to clean the outer surface and base of the instrument.
  5. Use clean water to clean the sample tray. Remove all stains and spills.  
*Note: Make sure to clean the slider block and guide rails along the tube of the arm.*
  6. Use a dry towel to remove all moisture from the instrument.  
Before the power is set to on, let the instrument fully dry.
  7. Put the dry sampler tray on the base.

## Replace the sample probe

If the probe has leaks or shows signs of damage, replace the probe.

1. Remove the instrument from service. Refer to the [Shut-down procedure](#) on page 14.
2. Remove the worn sample probe.  
*Note: Too much force can damage the mechanical Z-drive.*
3. Install the new probe. Refer to [Install the mechanical Z-drive](#) on page 9.

## Troubleshooting

Problem	Possible cause	Solution
The instrument does not operate. The LED status indicators are off.	The power switch is off.	Set the power switch to on.
	The power cord is disconnected from the power supply or wall outlet.	Connect the power cord.
	The power cord is damaged.	Replace the power cord.
	The power supply is faulty.	Contact technical support.
	The electrical transients on the power line are too large, which may disrupt the USB communication between the analyzer and the sampler.	Install any commercially available USB opto-isolator between the analyzer and the auto sampler. To repair USB communications, set the power for both instruments to off, then to on.
The instrument does not operate. The LED status indicators are on.	The home position of the arm has damage.	Contact technical support.
	The sample probe is not moving freely.	Remove the probe to clean and remove debris. Refer to <a href="#">Replace the sample probe</a> on page 15.
		Replace the sample probe. Refer to <a href="#">Replace the sample probe</a> on page 15.
	The mechanical Z-drive has damage.	Contact technical support.
The mechanical Z-drive is not installed correctly.	Validate the installation. Refer to <a href="#">Install the mechanical Z-drive</a> on page 9.	
The arm does not operate correctly.	The instrument was physically damaged.	Set the instrument power to off, then to on. If the problem continues, contact technical support.
The sample probe does not pull up the sample.	The air flow into vial does not correctly flow. The sample tubing is loose.	Examine the sample probe. Make sure that the needle is inside the metal sleeve. Tighten the sample tubing connection.
The sample probe does not go through the septum cap of the vial.	The stripper plate is not aligned correctly.	Adjust the height between the vials in the sample tray and the platform of the stripper plate. Refer to <a href="#">Prepare the instrument for sampling</a> on page 13.
The probe does not easily go into the mechanical Z-drive.		
The sample bottle is lifted up after the probe retracts.		

## Replacement parts and accessories

<b>⚠ WARNING</b>	
	Personal injury hazard. Use of non-approved parts may cause personal injury, damage to the instrument or equipment malfunction. The replacement parts in this section are approved by the manufacturer.

**Note:** Product and Article numbers may vary for some selling regions. Contact the appropriate distributor or refer to the company website for contact information.



## Replacement parts

Description	Item no.
Needle sleeve	9467400
Nut extender tool	9454400
Probe, septum piercing	SP6790
Power supply	9467300
Sample tray	9467200

## Tabla de contenidos

[Especificaciones](#) en la página 18

[Información general](#) en la página 18

[Instalación](#) en la página 23

[Puesta en marcha](#) en la página 28

[Funcionamiento](#) en la página 28

[Mantenimiento](#) en la página 29

[Solución de problemas](#) en la página 31

[Piezas de repuesto y accesorios](#) en la página 32

## Especificaciones

Las especificaciones están sujetas a cambios sin previo aviso.

Especificación	Detalles
Dimensiones (anchura x profundidad x altura)	36,6 x 53,7 x 45,7 cm (14,4 x 21,2 x 18,0 pulg.)
Carcasa	Aleación de aluminio, cromado con una capa de polvo de epoxy
Componentes zona húmeda	Polietierimida (PEI) y politetrafluoroetileno (PTFE)
Peso	21 kg (45 lb)
Categoría de instalación	Suministro de alimentación: II
	Muestreador automático: I
Grado de contaminación	II
Fuente de alimentación externa	Entrada: 100–240 VAC, 47–63 Hz, 1,9 A
	Salida: 24 VDC, 3,33 A
Fuente de alimentación del muestreador automático	Entrada: 24 VDC, 3,33 A. Solo para uso con el suministro de alimentación proporcionado.
Temperatura de funcionamiento	10 a 30 °C (50 a 85 °F)
Temperatura de almacenamiento	0 a 55 °C (32 a 131 °F)
Altitud	3048 m (10,000 pies) máximo
Humedad relativa	0 a 95% sin condensación
Certificaciones	Marcado CE
Garantía	1 año (EU: 2 años)

## Información general

En ningún caso el fabricante será responsable de ningún daño directo, indirecto, especial, accidental o resultante de un defecto u omisión en este manual. El fabricante se reserva el derecho a modificar este manual y los productos que describen en cualquier momento, sin aviso ni obligación. Las ediciones revisadas se encuentran en la página web del fabricante.

## Información de seguridad

### AVISO

El fabricante no es responsable de ningún daño debido a un mal uso de este producto incluyendo, sin limitación, daños directos, fortuitos o circunstanciales y reclamaciones sobre los daños que no estén recogidos en la legislación vigente. El usuario es el responsable de la identificación de los riesgos críticos y de tener los mecanismos adecuados de protección de los procesos en caso de un posible mal funcionamiento del equipo.

Lea todo el manual antes de desembalar, instalar o trabajar con este equipo. Ponga atención a todas las advertencias y avisos de peligro. El no hacerlo puede provocar heridas graves al usuario o daños al equipo.







Asegúrese de que la protección proporcionada por el equipo no está dañada. No utilice ni instale este equipo de manera distinta a lo especificado en este manual.

## Uso de la información sobre riesgos

<b>▲ PELIGRO</b>
Indica una situación potencial o de riesgo inminente que, de no evitarse, provocará la muerte o lesiones graves.
<b>▲ ADVERTENCIA</b>
Indica una situación potencial o inminentemente peligrosa que, de no evitarse, podría provocar la muerte o lesiones graves.
<b>▲ PRECAUCIÓN</b>
Indica una situación potencialmente peligrosa que podría provocar una lesión menor o moderada.
<b>AVISO</b>
Indica una situación que, si no se evita, puede provocar daños en el instrumento. Información que requiere especial énfasis.

## Etiquetas de precaución

Lea todas las etiquetas y rótulos adheridos al instrumento. En caso contrario, podrían producirse heridas personales o daños en el instrumento.

	Este símbolo (en caso de estar colocado en el equipo) hace referencia a las instrucciones de uso o a la información de seguridad del manual.
	En Europa, el equipo eléctrico marcado con este símbolo no se debe desechar mediante el servicio de recogida de basura doméstica o pública. Devuelva los equipos viejos o que hayan alcanzado el término de su vida útil al fabricante para su eliminación sin cargo para el usuario.
	Este símbolo indica que hay riesgo de descarga eléctrica y/o electrocución.
	Este símbolo indica que la parte superior puede suponer un peligro de aplastamiento de la mano.
	Este símbolo indica un peligro de pinchazo o de pellizco. Mantenga alejados los dedos y las manos.
	Este símbolo indica que el objeto es pesado.

## Certificación

### Reglamentación canadiense sobre equipos que provocan interferencia, IECS-003, Clase A

Registros de pruebas de control del fabricante.

Este aparato digital de clase A cumple con todos los requerimientos de las reglamentaciones canadienses para equipos que producen interferencias.

Cet appareil numérique de classe A répond à toutes les exigences de la réglementation canadienne sur les équipements provoquant des interférences.

### FCC Parte 15, Límites Clase "A"

Registros de pruebas de control del fabricante. Este dispositivo cumple con la Parte 15 de las normas de la FCC estadounidense. Su operación está sujeta a las siguientes dos condiciones:

1. El equipo no puede causar interferencias perjudiciales.
2. Este equipo debe aceptar cualquier interferencia recibida, incluyendo las interferencias que pueden causar un funcionamiento no deseado.

Los cambios o modificaciones a este equipo que no hayan sido aprobados por la parte responsable podrían anular el permiso del usuario para operar el equipo. Este equipo ha sido probado y encontrado que cumple con los límites para un dispositivo digital Clase A, de acuerdo con la Parte 15 de las Reglas FCC. Estos límites están diseñados para proporcionar una protección razonable contra las interferencias perjudiciales cuando el equipo está operando en un entorno comercial. Este equipo genera, utiliza y puede irradiar energía de radio frecuencia, y si no es instalado y utilizado de acuerdo con el manual de instrucciones, puede causar una interferencia dañina a las radio comunicaciones. La operación de este equipo en un área residencial es probable que produzca interferencia dañina, en cuyo caso el usuario será requerido para corregir la interferencia bajo su propio cargo. Pueden utilizarse las siguientes técnicas para reducir los problemas de interferencia:

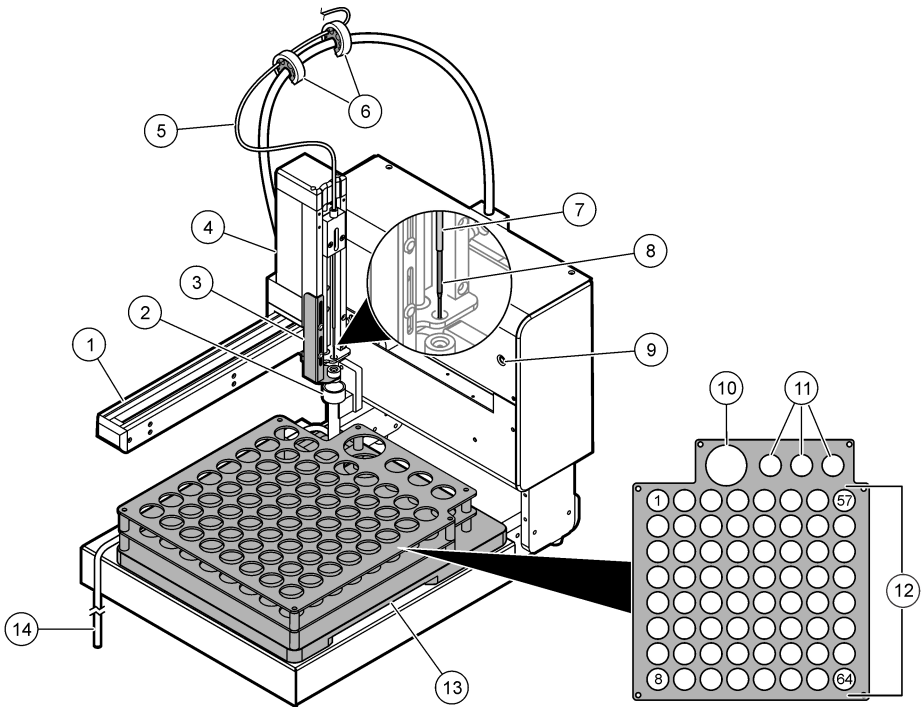
1. Desconecte el equipo de su fuente de alimentación para verificar si éste es o no la fuente de la interferencia.
2. Si el equipo está conectado a la misma toma eléctrica que el dispositivo que experimenta la interferencia, conecte el equipo a otra toma eléctrica.
3. Aleje el equipo del dispositivo que está recibiendo la interferencia.
4. Cambie la posición de la antena del dispositivo que recibe la interferencia.
5. Trate combinaciones de las opciones descritas.

## Descripción general del producto

El muestreador automático QbD1200 es un intercambiador de muestras automático que se utiliza en los laboratorios para analizar el COT de muestras acuosas. El instrumento tiene una bandeja de muestreo con capacidad máxima para 64 viales, una botella de calibración y tres botellas de validación de la idoneidad del sistema. El instrumento requiere muy poca intervención por parte del usuario y se utiliza junto con el analizador de COT QbD1200. Consulte la [Figura 1](#) y la [Figura 2](#) para obtener una descripción general del producto.

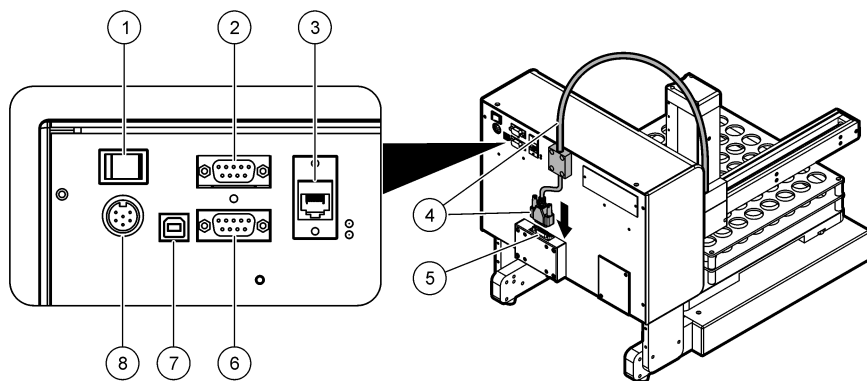
**Nota:** El instrumento ha sido fabricado por Teledyne CETAC Technologies. Hach Company suministra los servicios de mantenimiento y reparación.

**Figura 1 Descripción general del producto**



1 Brazo	8 Sonda de muestra
2 Estación de enjuagado	9 Indicador luminoso de encendido
3 Placa separadora	10 Soporte estándar de calibración
4 Unidad de accionamiento mecánico en Z	11 Soportes para la validación de la idoneidad del sistema
5 Tubo de muestra (del analizador)	12 Posiciones de las muestras (del 1 al 64)
6 Soportes para tubos	13 Bandeja de muestreo
7 Manguito en aguja	14 Tubo de drenaje de la estación de enjuague

**Figura 2 Descripción general del panel trasero**



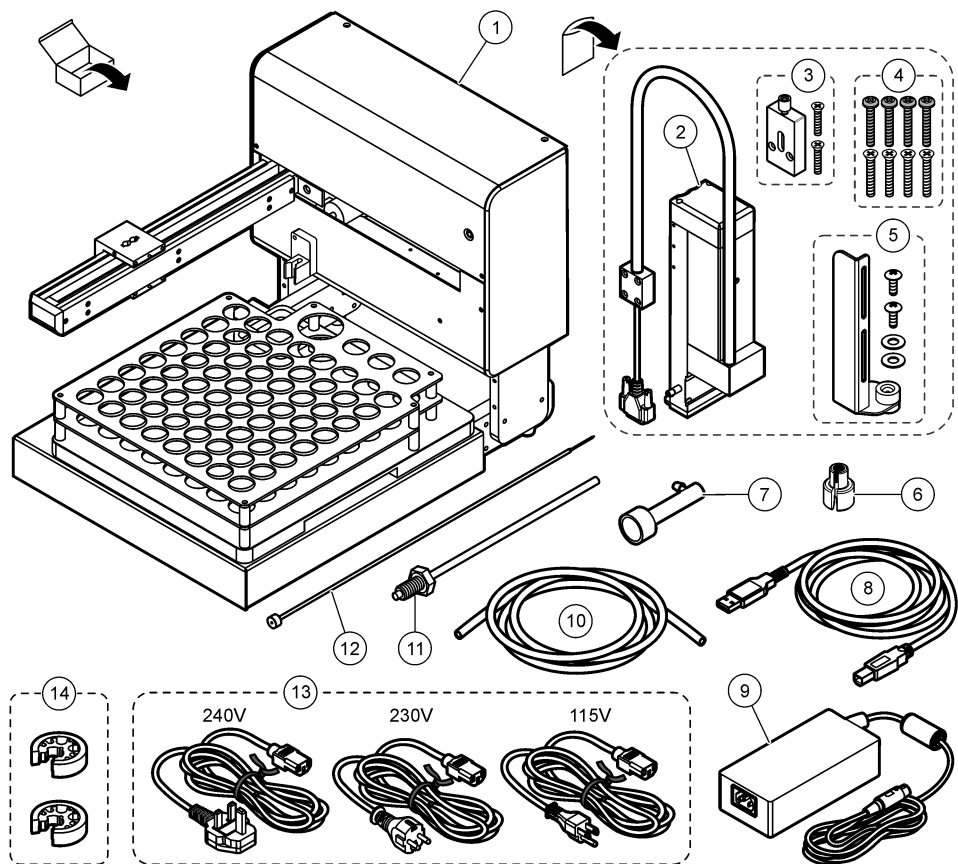
1 Interruptor de encendido	5 Conexión del cable de la unidad de accionamiento mecánico en Z
2 Puerto COM 2 <sup>1</sup>	6 Puerto COM 1 <sup>1</sup>
3 Puerto Ethernet <sup>1</sup>	7 Puerto USB
4 Cable de la unidad de accionamiento mecánico en Z	8 Conector de alimentación

## Componentes del producto

Asegúrese de haber recibido todos los componentes. Consulte la [Figura 3](#). Si faltan artículos o están dañados, póngase en contacto con el fabricante o el representante de ventas inmediatamente.

<sup>1</sup> Estas funciones no se utilizan.

Figura 3 Componentes del producto



1 Muestreador automático con bandeja de muestreo	8 Cable USB, 3 m
2 Unidad de accionamiento mecánico en Z	9 Fuente de alimentación
3 Soporte de ventilación	10 Tubería de drenaje para estación de enjuagado
4 Tornillos de instalación de la unidad de accionamiento mecánico en Z (8 unidades)	11 Manguito en aguja
5 Conjunto de placa separadora	12 Sonda de muestra
6 Herramienta de extensión de tuerca	13 Cables de alimentación (240 V, 230 V y 115 V)
7 Estación de enjuagado	14 Soportes para tubos (2 unidades)

## Instalación

### ▲ ADVERTENCIA



Peligros diversos. Sólo el personal cualificado debe realizar las tareas descritas en esta sección del documento.

## Instrucciones de instalación

Instalación del instrumento:

- Sobre una superficie lisa
- En una ubicación limpia, seca, bien ventilada y con temperatura controlada
- En una ubicación con una vibración mínima que no esté expuesta a la luz solar directa
- En una ubicación con espacio libre alrededor del instrumento suficiente para establecer las conexiones y realizar las tareas de mantenimiento necesarias
- En una ubicación donde el interruptor y los cables de alimentación estén a la vista y tengan fácil acceso

## Instalación mecánica

### Instalación de la unidad de accionamiento mecánico en Z

#### ▲ ADVERTENCIA



Peligro de lesión personal. Los instrumentos o los componentes son pesados. Pida ayuda para instalarlos o moverlos.

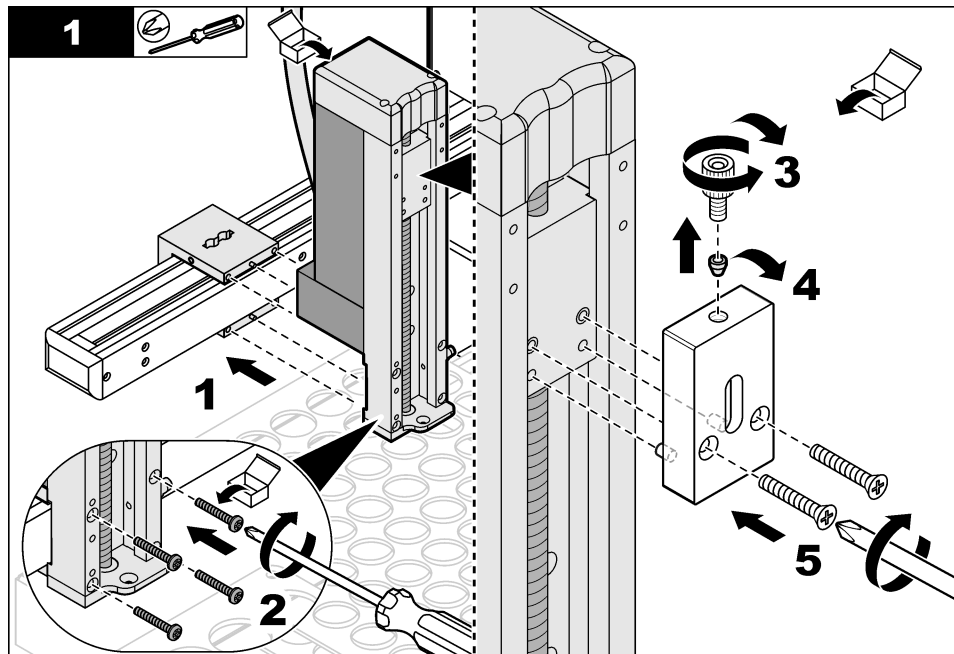
#### ▲ ADVERTENCIA



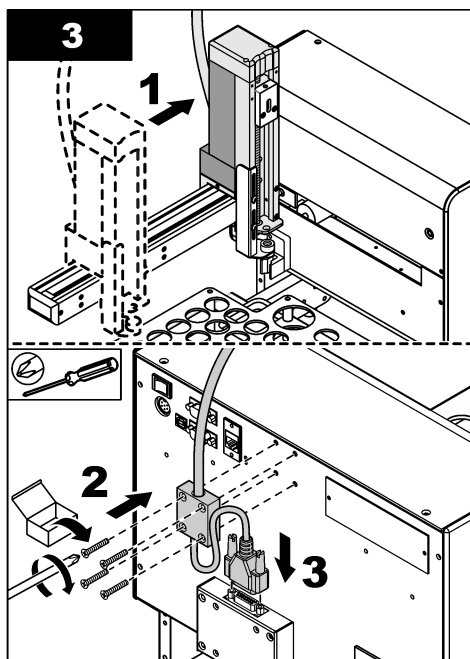
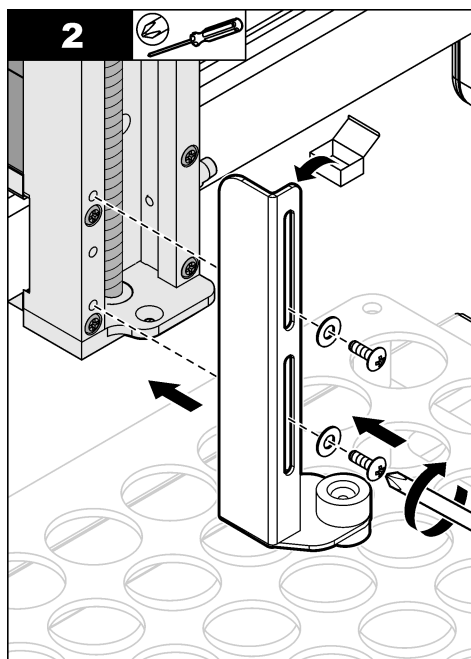
Riesgo de opresión. Las piezas que se mueven pueden oprimir y provocar daños. No toque las piezas móviles.

Consulte esta imagen y siga las instrucciones para instalar la unidad de accionamiento mecánico en Z.

**Material necesario:** destornillador







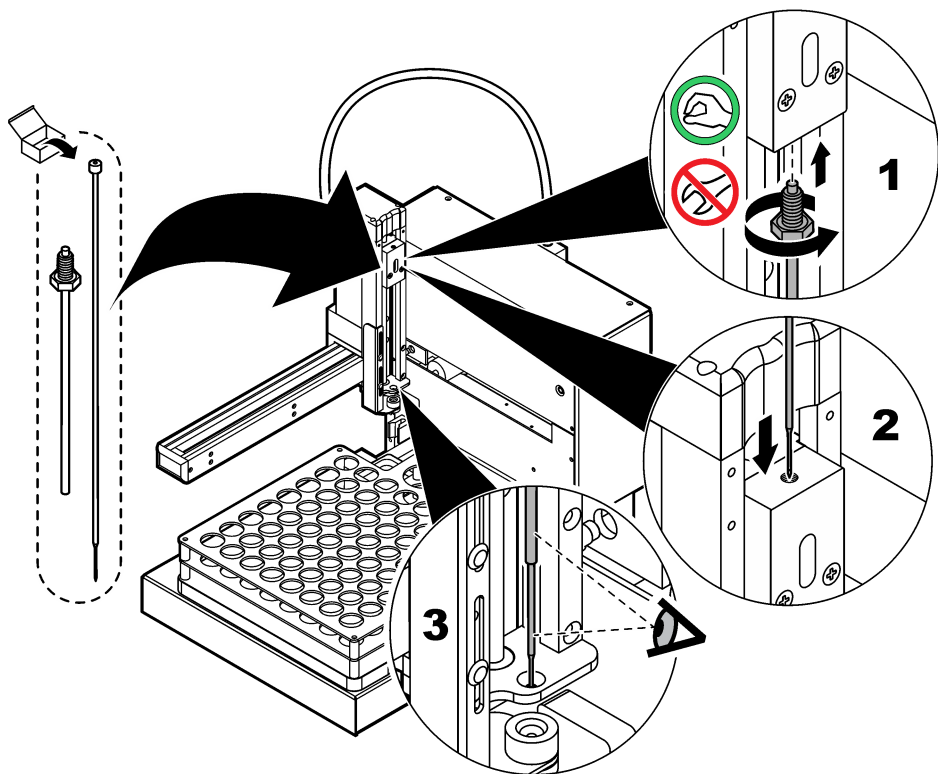
### Instalación del manguito y la sonda de muestra

#### ⚠ ADVERTENCIA



Peligro de lesiones por pinchazos. Las agujas expuestas pueden provocar lesiones debdo a pinchazos. Tenga cuidado al instalar o retirar las botellas.

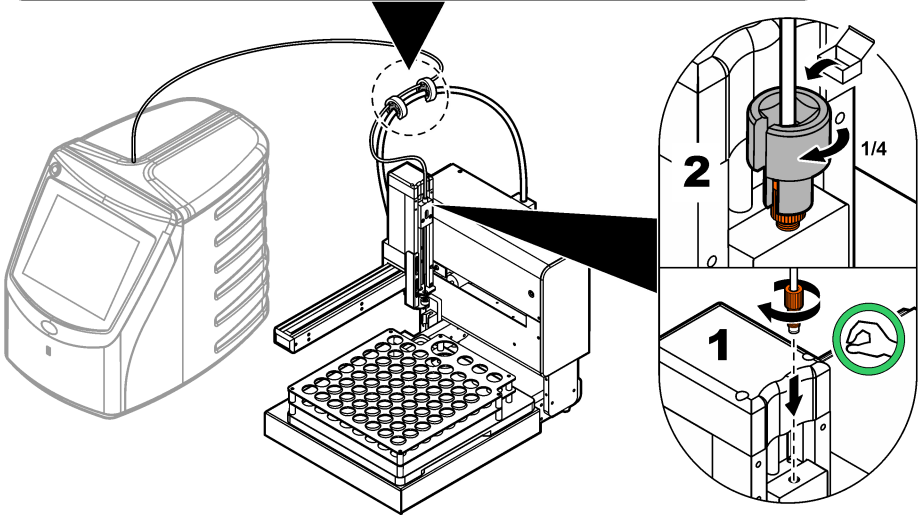
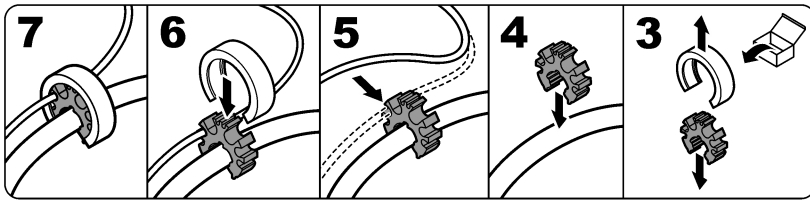
Consulte esta imagen y siga las instrucciones para instalar el manguito en aguja y la sonda de muestra.



## Instalación hidráulica

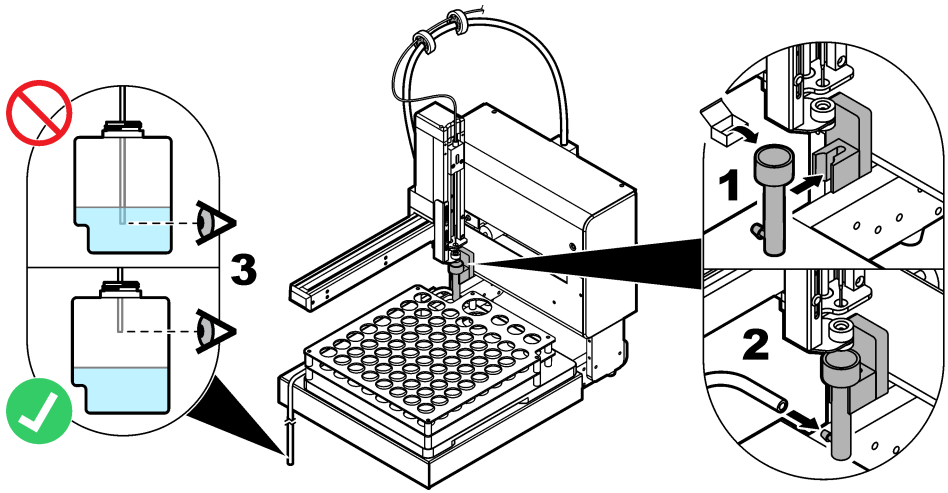
### Conectar al analizador

Consulte esta imagen y siga las instrucciones para conectar el tubo de muestra del analizador a la unidad de accionamiento mecánico en Z del muestreador.



### Instalación de la estación de enjuagado

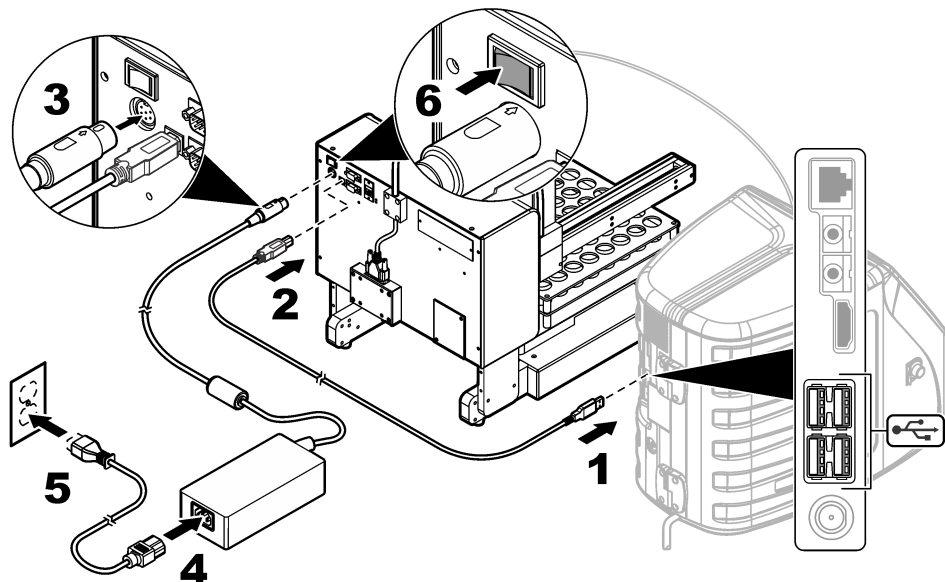
Después de analizar las muestras, el reactivo se purga por el tubo de muestra para eliminar el carbono que pueda quedar. El reactivo purgado (el que se utiliza) pasa al contenedor de residuos. Si se conecta un analizador al instrumento, el analizador controla el funcionamiento de la estación de enjuagado. Consulte esta imagen y siga las instrucciones para instalar la estación de enjuagado y la tubería de drenaje. Asegúrese de que utiliza un contenedor de residuos autorizado.



## Instalación eléctrica

### Conexión del analizador y la alimentación

Antes de que se inicie el procedimiento, compruebe que los interruptores del muestreador automático y el analizador están desconectados. Utilice el cable USB proporcionado para conectar el muestreador automático al analizador. Utilice el cable y la fuente de alimentación para conectar el muestreador automático. El suministro de alimentación del muestreador automático debe conectarse antes de encender el instrumento. Consulte la documentación del analizador para conectarse a la alimentación. Consulte esta imagen y realice las conexiones necesarias.



## Puesta en marcha

### Conexión de la alimentación

1. Asegúrese de que la conexión de alimentación esté colocada correctamente. Consulte [Conexión del analizador y la alimentación](#) en la página 28.
2. Pulse el botón de alimentación en el panel trasero del instrumento para encenderlo. En la parte frontal del instrumento se iluminará un indicador LED.
3. El brazo y la unidad de accionamiento mecánico en Z se mueven y, a continuación, se detienen en la posición correcta.
4. Encienda el analizador.

## Funcionamiento

### ▲ PELIGRO



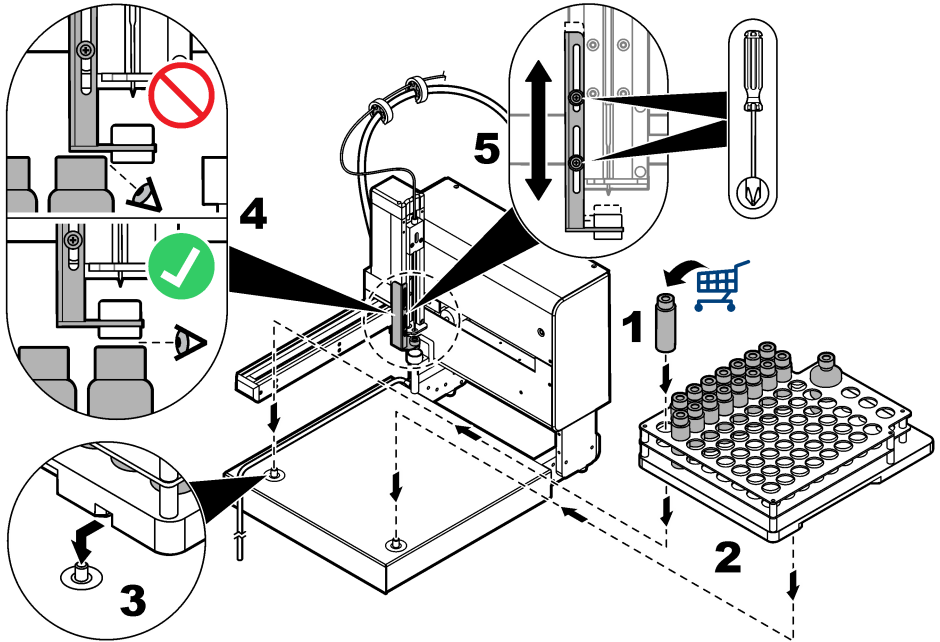
Peligro de incendio. Este producto no ha sido diseñado para utilizarse con líquidos inflamables.

## Preparación del instrumento para el muestreo

Consulte esta imagen y siga las instrucciones para preparar el instrumento para el muestreo. Después de recolectar las muestras, coloque los viales suministrados por el usuario en el orden correcto del 1 al 64 en la bandeja de muestreo. Las muestras están numeradas en la parte inferior del lateral izquierdo.

Entre los viales de la bandeja de muestreo y la plataforma de la placa separadora. Consulte esta imagen y siga las instrucciones (pasos 4 y 5) para ajustar la placa separadora, si es necesario.

Instale o retire la bandeja de muestreo con cuidado para evitar derrames.



## Realización de una medición

Asegúrese de que los viales están instalados correctamente en la bandeja de muestreo. Consulte [Preparación del instrumento para el muestreo](#) en la página 29. El analizador controla los parámetros de medición. Consulte la documentación del analizador.

**Nota:** Antes de iniciar el procedimiento, compruebe que se han realizado todas las conexiones de fontanería necesarias. El analizador controla las operaciones de purgado para lavar el recorrido del flujo de la muestra.

## Mantenimiento

### ⚠ ADVERTENCIA



Peligro de lesión personal. Los instrumentos o los componentes son pesados. Pida ayuda para instalarlos o moverlos.

### ⚠ PRECAUCIÓN



Peligros diversos. Sólo el personal cualificado debe realizar las tareas descritas en esta sección del documento.

**Nota:** El instrumento ha sido fabricado por Teledyne CETAC Technologies. Hach Company suministra los servicios de mantenimiento y reparación.

## Apagado

Apague siempre el instrumento antes de realizar las tareas de mantenimiento.

1. Desconecte la alimentación del instrumento.
2. Desconecte el cable de alimentación de la toma de alimentación.

## Inspección para ver si hay pérdidas

Compruebe que no hay pérdidas en la sonda de muestra, el tubo de muestra, la estación de enjuague ni sus tuberías.

1. Apague el muestreador automático. Consulte los [Apagado](#) en la página 30.
2. Examine la sonda de muestra, el tubo de muestra, la estación de enjuague ni sus tuberías para comprobar que no están dañados ni presentan pérdidas.
3. Reemplace todos los componentes que muestren evidencia de pérdidas o daño.

## Limpieza del instrumento

### ▲ PRECAUCIÓN



Peligro por exposición a productos químicos. Respete los procedimientos de seguridad del laboratorio y utilice el equipo de protección personal adecuado para las sustancias químicas que vaya a manipular. Consulte los protocolos de seguridad en las hojas de datos de seguridad actuales (MSDS/SDS).



### AVISO

Limpie el instrumento con agua. Los gases de los productos de limpieza pueden afectar al resultado. No permita que los productos de limpieza entren en contacto con los tornillos principales. No ponga lubricante en los tornillos principales.

El uso del instrumento puede provocar derrames. Para optimizar el funcionamiento, límpielos a diario. Para evitar daños en el instrumento, límpielo las veces que sea necesario. Quite los contaminantes y el material abrasivo de las partes con movimiento. Para retirar los restos de derrames químicos, siga las instrucciones de limpieza detalladas en la documentación de seguridad del producto.

#### Material necesario:

- Paño de tela seco, que no deje pelusa
- Toalla de tela suave
- Agua limpia

1. Interrumpa el funcionamiento del instrumento. Consulte los [Apagado](#) en la página 30.
2. Extraiga la bandeja de muestreo.
3. Use un paño de tela seco que no deje pelusa para quitar las partículas sueltas de los tornillos principales.
4. Utilice una toalla de tela para limpiar la superficie exterior y la base del instrumento.
5. Use agua limpia para limpiar la bandeja de muestreo y quitar todas las manchas y derrames.  
**Nota:** *Asegúrese de limpiar el bloque deslizador y los carriles de guía a lo largo del tubo del brazo.*
6. Use una toalla seca para quitar la humedad del instrumento.  
Antes de que se encienda la alimentación, deje que el instrumento se seque por completo.
7. Ubique la bandeja del muestreador seca en la base.

## Reemplace la sonda de muestreo

Si la sonda tiene pérdidas o muestra signos de daños, reemplace la sonda.

1. Interrumpa el funcionamiento del instrumento. Consulte los [Apagado](#) en la página 30.
2. Retire la sonda de muestreo dañada.  
*Nota: Un exceso de fuerza puede dañar la unidad de accionamiento mecánico en Z.*
3. Instale la sonda nueva. Consulte la [Instalación de la unidad de accionamiento mecánico en Z](#) en la página 24.

## Solución de problemas

Problema	Posible causa	Solución
El instrumento no funciona. Los indicadores de estado LED están apagados.	El interruptor de alimentación está apagado.	Establezca el interruptor de alimentación en encendido.
	El cable de alimentación está desconectado del suministro de alimentación o la toma de corriente.	Conectar el cable de alimentación.
	El cable de alimentación está dañado.	Reemplace el cable de alimentación.
	El suministro de alimentación tiene problemas.	Póngase en contacto con el servicio de asistencia técnica.
	Las oscilaciones eléctricas momentáneas en la línea de alimentación son demasiado prolongadas, lo que puede alterar la comunicación USB entre el analizador y el muestreador.	Instale cualquier aislador optoelectrónico USB disponible en el mercado entre el analizador y el muestreador automático. Para reparar las comunicaciones USB, desconecte la alimentación de los dos instrumentos y, a continuación, vuelva a conectarla.
El instrumento no funciona. Los indicadores de estado LED están encendidos.	La posición inicial del brazo está dañada.	Póngase en contacto con el servicio de asistencia técnica.
	La sonda de muestra no se está moviendo libremente.	Quite la sonda para limpiar y quitar los desechos. Consulte la <a href="#">Reemplace la sonda de muestreo</a> en la página 30.
		Reemplace la sonda de muestra. Consulte la <a href="#">Reemplace la sonda de muestreo</a> en la página 30.
	La unidad de accionamiento mecánico en Z está dañada.	Póngase en contacto con el servicio de asistencia técnica.
La unidad de accionamiento mecánico en Z no se ha instalado correctamente.	Validación de la instalación. Consulte la <a href="#">Instalación de la unidad de accionamiento mecánico en Z</a> en la página 24.	
El brazo no funciona correctamente.	El instrumento resultó dañado.	Apague y vuelva a encender el instrumento. Si el problema persiste, póngase en contacto con el servicio de asistencia técnica.
La sonda de muestreo no eleva la muestra.	El flujo de aire del interior del vial no es correcto. El tubo de muestra está suelto.	Examine la sonda de la muestra. Asegúrese de que la aguja está dentro del manguito metálico. Apriete la conexión del tubo de muestra.

Problema	Posible causa	Solución
La sonda de la muestra no atraviesa la membrana del vial.	La placa separadora no se ha alineado correctamente.	Ajuste la altura de los viales de la bandeja de la muestra y la plataforma de la placa separadora. Consulte <a href="#">Preparación del instrumento para el muestreo</a> en la página 29.
La sonda no se introduce fácilmente en la unidad de accionamiento mecánico en Z.		
La botella de la muestra se eleva después de que la sombra se haya retirado.		

## Piezas de repuesto y accesorios

### ⚠ ADVERTENCIA



Peligro de lesión personal. El uso de piezas no aprobadas puede causar lesiones personales, daños al instrumento o un mal funcionamiento del equipo. Las piezas de repuesto que aparecen en esta sección están aprobadas por el fabricante.

**Nota:** Los números de producto y artículo pueden variar para algunas regiones de venta. Comuníquese con el distribuidor correspondiente o visite el sitio Web de la compañía para obtener la información de contacto.

### Piezas de repuesto

Descripción	Referencia
Manguito en aguja	9467400
Herramienta de extensión de tuerca	9454400
Sonda, orificio de la membrana	SP6790
Fuente de alimentación	9467300
Bandeja de muestreo	9467200



## Table des matières

[Caractéristiques](#) à la page 33

[Généralités](#) à la page 33

[Installation](#) à la page 38

[Mise en marche](#) à la page 43

[Fonctionnement](#) à la page 43

[Entretien](#) à la page 44

[Dépannage](#) à la page 46

[Pièces de rechange et accessoires](#) à la page 47

## Caractéristiques

Les caractéristiques techniques peuvent être modifiées sans préavis.

Caractéristique	Détails
Dimensions (l x P x H)	36,6 x 53,7 x 45,7 cm (14,4 x 21,2 x 18,0 po)
Boîtier	Alliage d'aluminium, chromaté avec revêtement poudre époxy
Composants en contact avec l'échantillon	Polyétherimide (PEI) et Polytétrafluoroéthylène (PTFE)
Poids	21 kg (45 lb)
Catégorie d'installation	Alimentation : II Echantillonneur automatique : I
Niveau de pollution	II
Alimentation externe	Entrée : 100–240 VCA, 47–63 Hz, 1,9 A Sortie : 24 VCC, 3,33 A
Alimentation de l'échantillonneur automatique	Entrée : 24 VCC, 3,33 A. N'utilisez qu'avec le bloc d'alimentation fourni.
Température de fonctionnement	10 à 30 °C (50 à 85 °F)
Température de stockage	0 à 55 °C (32 à 131 °F)
Altitude	3048 m (10 000 pieds) maximum
Humidité relative	0 à 95% sans condensation
Certifications	Marque CE
Garantie	1 an (UE : 2 ans)

## Généralités

En aucun cas le constructeur ne saurait être responsable des dommages directs, indirects, spéciaux, accessoires ou consécutifs résultant d'un défaut ou d'une omission dans ce manuel. Le constructeur se réserve le droit d'apporter des modifications à ce manuel et aux produits décrits à tout moment, sans avertissement ni obligation. Les éditions révisées se trouvent sur le site Internet du fabricant.

## Consignes de sécurité

### AVIS

Le fabricant décline toute responsabilité quant aux dégâts liés à une application ou un usage inappropriés de ce produit, y compris, sans toutefois s'y limiter, des dommages directs ou indirects, ainsi que des dommages consécutifs, et rejette toute responsabilité quant à ces dommages dans la mesure où la loi applicable le permet. L'utilisateur est seul responsable de la vérification des risques d'application critiques et de la mise en place de mécanismes de protection des processus en cas de défaillance de l'équipement.

Veuillez lire l'ensemble du manuel avant le déballage, la configuration ou la mise en fonctionnement de cet appareil. Respectez toutes les déclarations de prudence et d'attention. Le non-respect de cette procédure peut conduire à des blessures graves de l'opérateur ou à des dégâts sur le matériel.

Assurez-vous que la protection fournie avec cet appareil n'est pas défectueuse. N'utilisez ni n'installez cet appareil d'une façon différente de celle décrite dans ce manuel.

### Interprétation des indications de risques

#### ▲ DANGER

Indique une situation de danger potentiel ou imminent qui, si elle n'est pas évitée, entraîne des blessures graves, voire mortelles.

#### ▲ AVERTISSEMENT

Indique une situation de danger potentiel ou imminent qui, si elle n'est pas évitée, peut entraîner des blessures graves, voire mortelles.

#### ▲ ATTENTION







Indique une situation de danger potentiel qui peut entraîner des blessures mineures ou légères.

#### AVIS

Indique une situation qui, si elle n'est pas évitée, peut occasionner l'endommagement du matériel. Informations nécessitant une attention particulière.

### Étiquettes de mise en garde

Lisez toutes les étiquettes et tous les repères apposés sur l'instrument. Des personnes peuvent se blesser et le matériel peut être endommagé si ces instructions ne sont pas respectées.

	Si l'appareil comporte ce symbole, reportez-vous au manuel d'utilisation pour consulter les informations de fonctionnement et de sécurité.
	Le matériel électrique portant ce symbole ne doit pas être mis au rebut dans les réseaux domestiques ou publics européens. Retournez le matériel usé ou en fin de vie au fabricant pour une mise au rebut sans frais pour l'utilisateur.
	Ce symbole indique qu'il existe un risque de choc électrique et/ou d'électrocution.
	Ce symbole signale un danger qui risque d'écraser la main du dessus.
	Ce symbole indique un danger de pincement ou de perforation. N'approchez pas les mains de cet appareil.
	Ce symbole signale que l'objet est lourd.

### Certification

Règlement canadien sur les équipements causant des interférences radio, IECS-003, Classe A:

Les données d'essai correspondantes sont conservées chez le constructeur.

Cet appareil numérique de classe A respecte toutes les exigences du Règlement sur le matériel brouilleur du Canada.

Cet appareil numérique de classe A répond à toutes les exigences de la réglementation canadienne sur les équipements provoquant des interférences.

### **FCC part 15, limites de classe A :**

Les données d'essai correspondantes sont conservées chez le constructeur. L'appareil est conforme à la partie 15 de la réglementation FCC. Le fonctionnement est soumis aux conditions suivantes :

1. Cet équipement ne peut pas causer d'interférence nuisible.
2. Cet équipement doit accepter toutes les interférences reçues, y compris celles qui pourraient entraîner un fonctionnement inattendu.

Les modifications de cet équipement qui n'ont pas été expressément approuvées par le responsable de la conformité aux limites pourraient annuler l'autorité dont l'utilisateur dispose pour utiliser cet équipement. Cet équipement a été testé et déclaré conforme aux limites définies pour les appareils numériques de classe A, conformément à la section 15 de la réglementation FCC. Ces limites ont pour but de fournir une protection raisonnable contre les interférences néfastes lorsque l'équipement fonctionne dans un environnement commercial. Cet équipement génère, utilise et peut irradier l'énergie des fréquences radio et, s'il n'est pas installé ou utilisé conformément au mode d'emploi, il peut entraîner des interférences dangereuses pour les communications radio. Le fonctionnement de cet équipement dans une zone résidentielle risque de causer des interférences nuisibles, dans ce cas l'utilisateur doit corriger les interférences à ses frais. Les techniques ci-dessous peuvent permettre de réduire les problèmes d'interférences :

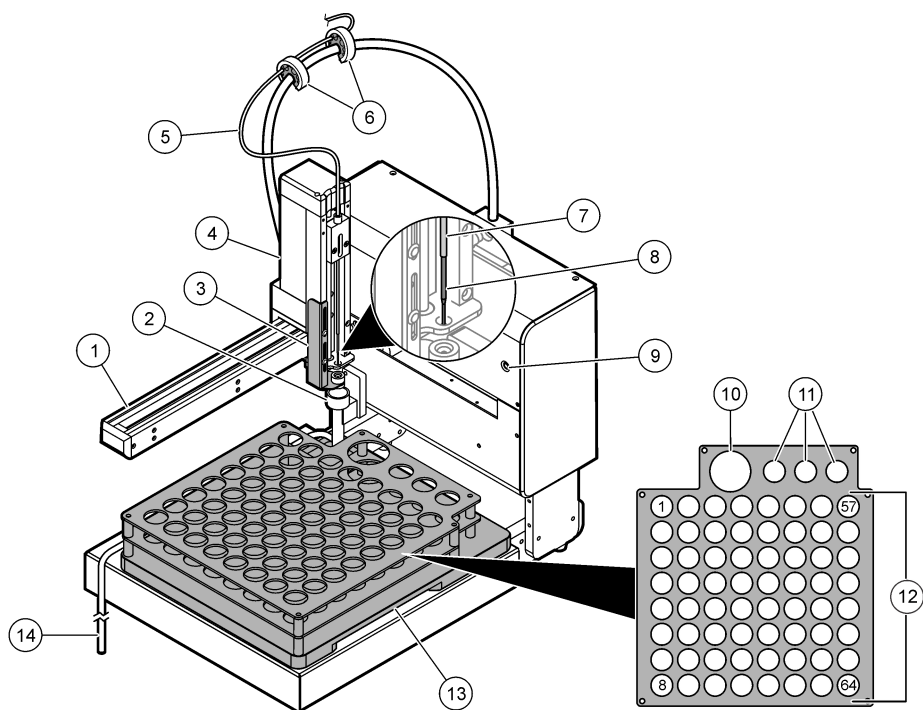
1. Débrancher l'équipement de la prise de courant pour vérifier s'il est ou non la source des perturbations
2. Si l'équipement est branché sur le même circuit de prises que l'appareil qui subit des interférences, branchez l'équipement sur un circuit différent.
3. Éloigner l'équipement du dispositif qui reçoit l'interférence.
4. Repositionner l'antenne de réception du périphérique qui reçoit les interférences.
5. Essayer plusieurs des techniques ci-dessus à la fois.

## **Présentation du produit**

L'échantillonneur automatique QbD1200 est un passeur automatique d'échantillons utilisé dans les laboratoires d'analyse pour l'analyse COT d'échantillons aqueux. Cet instrument dispose d'un plateau d'échantillons pouvant contenir un maximum de 64 tubes d'échantillons, un flacon d'étalonnage et trois flacons d'adaptation du système. Cet instrument fonctionne avec un minimum d'interventions de la part de l'utilisateur. Il s'utilise avec l'analyseur COT QbD1200. Reportez-vous à la [Figure 1](#) et à la [Figure 2](#) pour un aperçu de l'instrument.

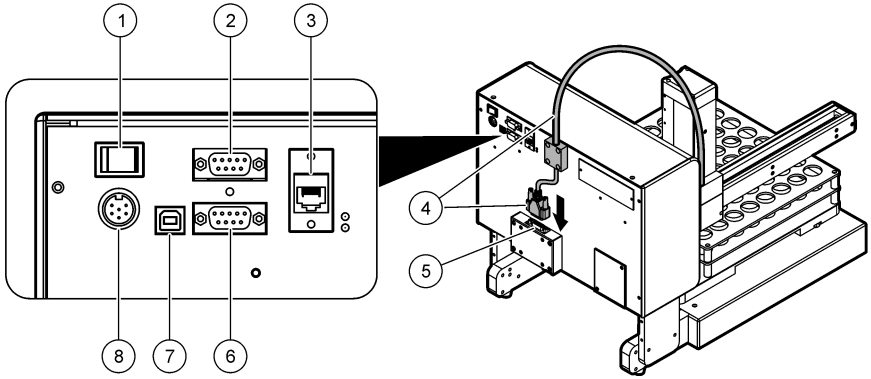
**Remarque :** Cet instrument a été fabriqué par Teledyne CETAC Technologies. Les services d'assistance et de réparation sont proposés par Hach Company.

**Figure 1 Présentation du produit**



1 Bras	8 Sonde d'échantillon
2 Station de rinçage	9 Voyant d'alimentation
3 Plaque de guidage	10 Support standard d'étalonnage
4 Z-drive mécanique	11 Supports d'adaptation du système
5 Tube d'échantillon (de l'analyseur)	12 Positions des échantillons (1 à 64)
6 Supports de tube	13 Plateau d'échantillons
7 Gaine d'aiguille	14 Tube d'évacuation de la station de rinçage

**Figure 2 Aperçu du panneau arrière**



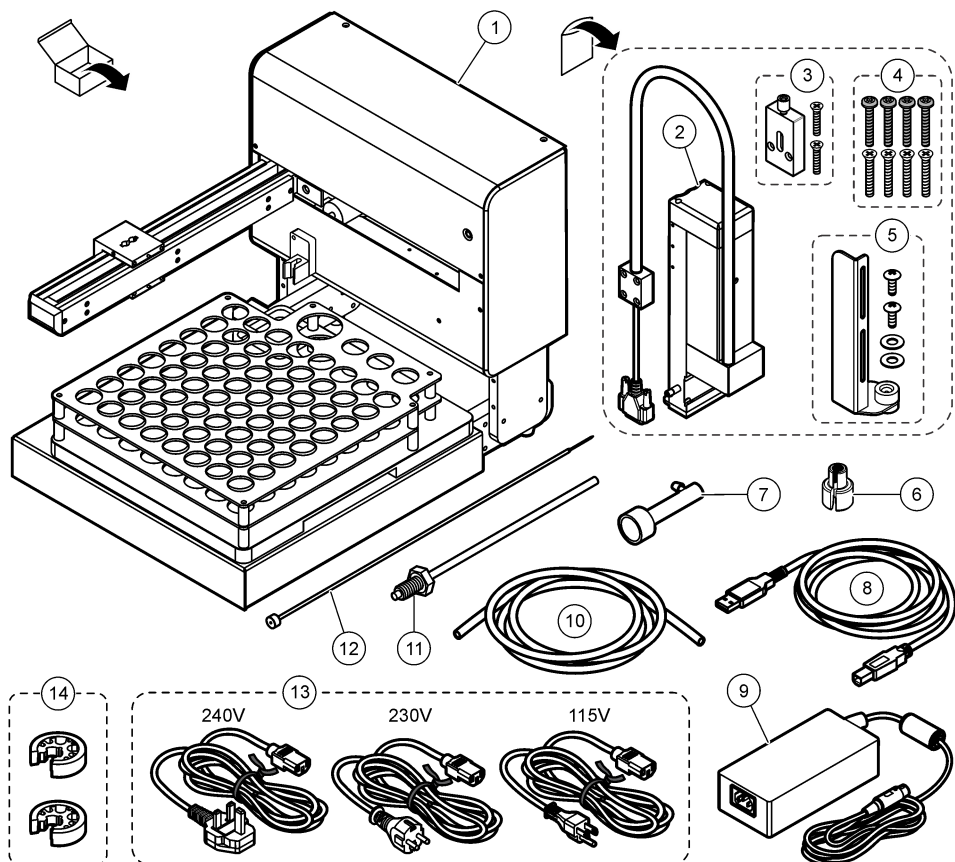
1 Interrupteur d'alimentation	5 Connexion de câble du Z-drive mécanique
2 Port COM 2 <sup>1</sup>	6 Port COM 1 <sup>1</sup>
3 Port Ethernet <sup>1</sup>	7 Port USB
4 Câble du Z-drive mécanique	8 Connecteur d'alimentation

## Composants du produit

Assurez-vous d'avoir bien reçu tous les composants. Reportez-vous à la section [Figure 3](#). Si des éléments manquent ou sont endommagés, contactez immédiatement le fabricant ou un représentant commercial.

<sup>1</sup> Ces fonctions ne sont pas utilisées

Figure 3 Composants du produit



1 Echantillonneur automatique avec plateau d'échantillons	8 Câble USB, 3 m
2 Z-drive mécanique	9 Alimentation
3 Support de conduit	10 Tuyauterie d'évacuation pour la station de rinçage
4 Vis d'installation du Z-drive mécanique (x8)	11 Gaine d'aiguille
5 Ensemble de plaque de guidage	12 Sonde d'échantillon
6 Outil rallonge d'écrou	13 Cordons d'alimentation (240 V, 230 V, 115 V)
7 Station de rinçage	14 Supports de tube (x2)

## Installation

### ▲ AVERTISSEMENT



Dangers multiples. Seul le personnel qualifié doit effectuer les tâches détaillées dans cette section du document.

## Conseils d'installation

Installation de l'instrument :

- Sur une surface plane
- Dans un endroit propre, sec, bien ventilé et dont la température est sous contrôle
- Dans un endroit présentant le moins de vibrations possible et non exposé à la lumière directe du soleil
- Dans un endroit offrant suffisamment d'espace autour de l'instrument pour effectuer les connexions et les interventions de maintenance
- Dans un endroit où l'interrupteur et le cordon d'alimentation sont visibles et facilement accessibles

## Installation mécanique

### Installation du Z-drive mécanique

#### ▲ AVERTISSEMENT



Risque de blessures corporelles. Les instruments ou les composants sont lourds. Ne pas installer ou déplacer seul.

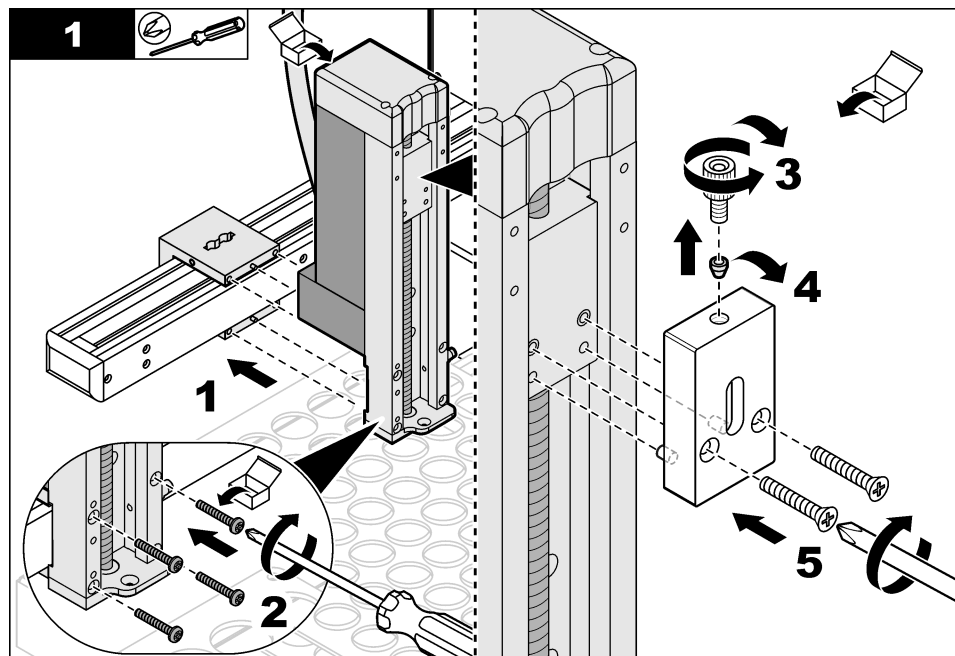
#### ▲ AVERTISSEMENT

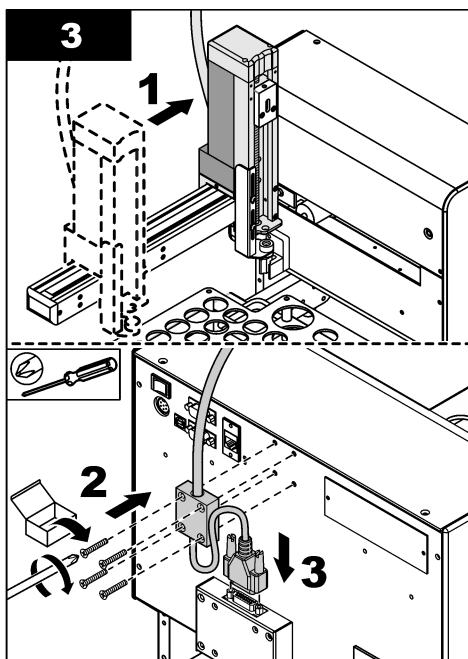
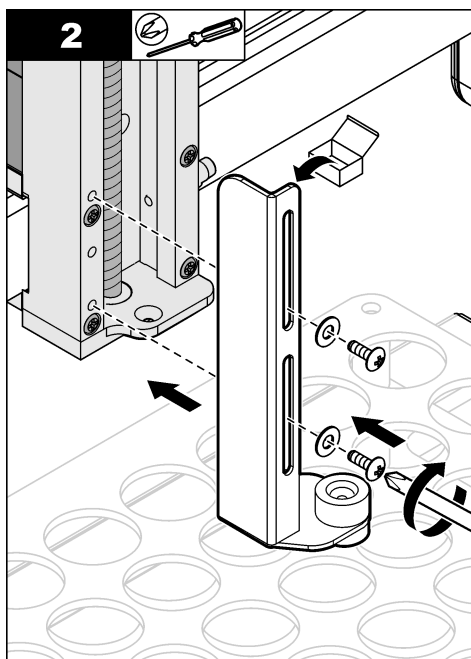


Risque de pincement. Les pièces mobiles peuvent être à l'origine de pincements et provoquer des blessures. Ne touchez pas les pièces mobiles.

Reportez-vous aux étapes illustrées suivantes pour installer le Z-drive mécanique fourni.

Outil à prévoir : tournevis cruciforme





### Installation de la gaine métallique et de la sonde d'échantillon

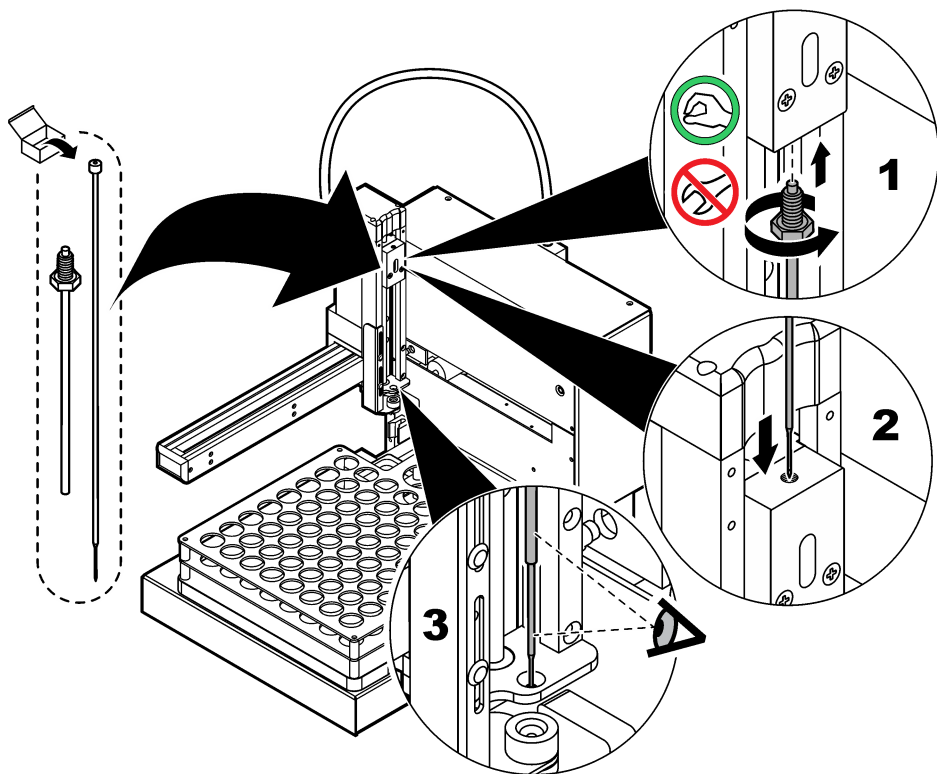
#### ▲ AVERTISSEMENT



Risque de perforation. Les seringues exposées présentent un risque de perforation. Soyez vigilants lorsque vous installez ou retirez des bouteilles

Reportez-vous aux étapes illustrées ci-dessous pour installer la gaine de l'aiguille et la sonde d'échantillon.

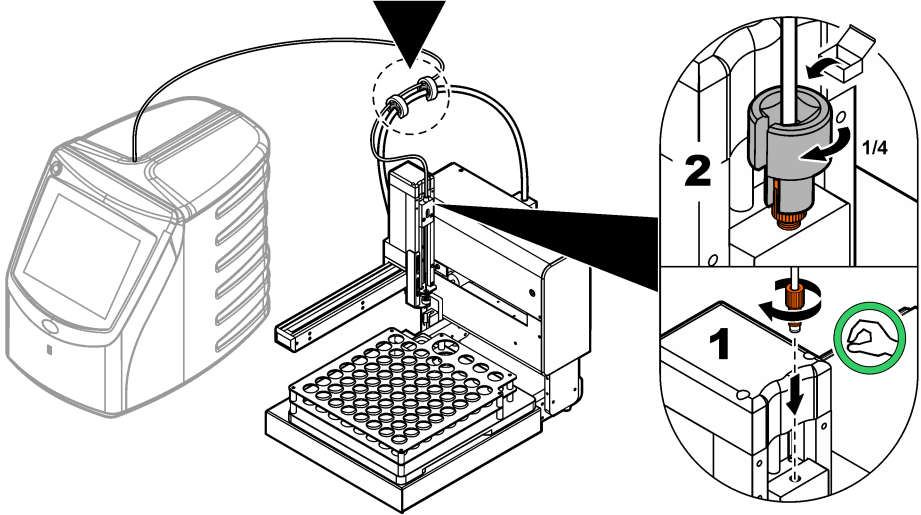
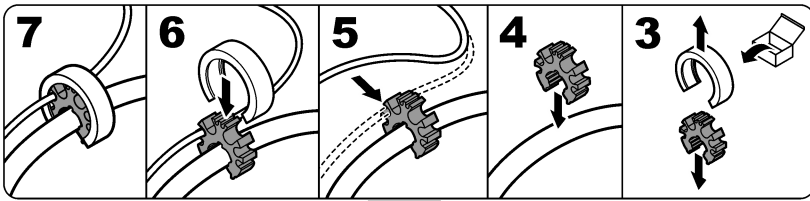




## Plomberie

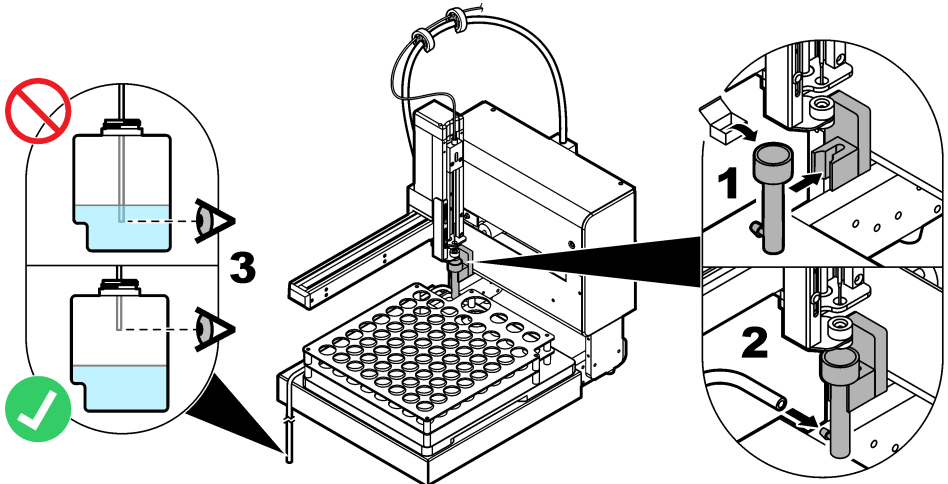
### Plomberie vers l'analyseur

Reportez-vous aux étapes illustrées ci-dessous pour connecter le tube d'échantillon de l'analyseur vers le Z-drive mécanique sur l'échantillonneur automatique.



### Installation de la station de rinçage

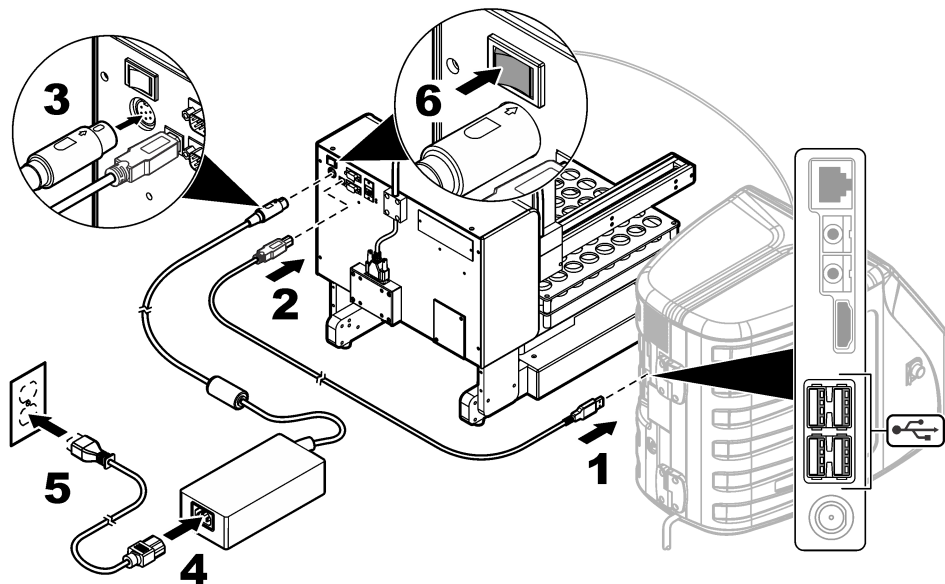
Après l'analyse de chaque échantillon, le tube d'échantillon est rincé avec le réactif afin de nettoyer le carbone restant. Le réactif utilisé pour le rinçage est évacué dans le conteneur à déchets. Si un analyseur est connecté à l'instrument, l'analyseur contrôle le moment où la station de rinçage fonctionne. Reportez-vous aux étapes illustrées suivantes pour installer la station de rinçage et la tuyauterie d'évacuation. Veillez à utiliser un conteneur de déchets homologué.



## Installation électrique

### Brancher l'analyseur et l'alimentation

Avant de démarrer la procédure, veillez à ce que les interrupteurs de mise sous tension de l'échantillonneur automatique et de l'analyseur soient désactivés. Utilisez le câble USB fourni pour connecter l'échantillonneur automatique à l'analyseur. Utilisez le cordon d'alimentation et l'alimentation fournis pour mettre sous tension l'échantillonneur automatique. L'échantillonneur automatique doit être mis sous tension avant l'analyseur. Reportez-vous à la documentation de l'analyseur pour raccorder ce dernier à l'alimentation. Reportez-vous aux étapes illustrées ci-dessous pour établir les connexions nécessaires.



## Mise en marche

### Mise sous tension

1. Veillez à ce que la connexion d'alimentation soit correctement installée. Reportez-vous à la section [Brancher l'analyseur et l'alimentation](#) à la page 43.
2. Appuyez sur le bouton d'alimentation à l'arrière de l'appareil pour mettre ce dernier sous tension. Un voyant LED à l'avant de l'instrument indique que ce dernier est sous tension.
3. Le bras et le Z-drive mécanique se déplacent, puis s'arrêtent dans la position adéquate.
4. Mettez l'analyseur sous tension.

## Fonctionnement

**▲ DANGER**



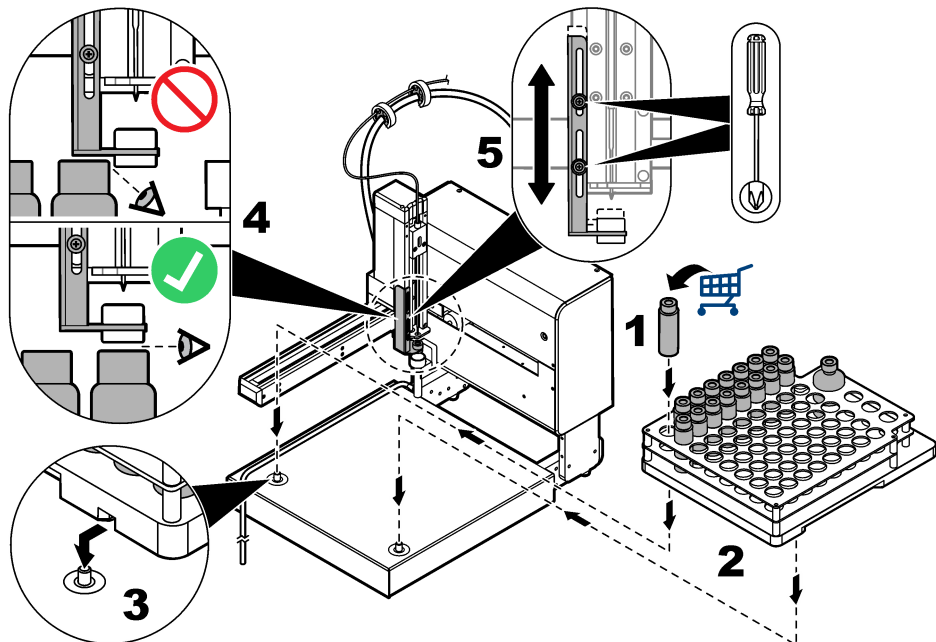
Risque d'incendie. Ce produit n'est pas adapté à l'utilisation avec des liquides inflammables.

## Préparation de l'instrument pour l'échantillonnage

Reportez-vous aux étapes illustrées ci-dessous pour préparer l'instrument à l'échantillonnage. Après la collecte de l'échantillon, placez les tubes fournis par l'utilisateur dans l'ordre correct (de 1 à 64) sur le plateau d'échantillons. Chaque position d'échantillon est identifiée par un numéro sur le côté inférieur gauche.

Un espace suffisant doit se trouver entre les tubes du plateau d'échantillons et la plate-forme de la plaque de guidage. Reportez-vous aux étapes illustrées ci-dessous (étapes 4 et 5) pour régler la plaque de guidage si nécessaire.

Installez et retirez soigneusement le plateau d'échantillons afin d'éviter tout débordement.



## Réalisation d'une mesure

Veillez à ce que les tubes soient correctement installés sur le plateau d'échantillons. Reportez-vous à la section [Préparation de l'instrument pour l'échantillonnage](#) à la page 44. L'analyseur contrôle les paramètres de mesure. Consultez la documentation de l'analyseur.

**Remarque :** Veillez à ce que toutes les connexions de tuyauterie soient effectuées avant de démarrer cette procédure. L'analyseur contrôle les opérations de rinçage afin de nettoyer le chemin d'écoulement de l'échantillon.

## Entretien

### ▲ AVERTISSEMENT



Risque de blessures corporelles. Les instruments ou les composants sont lourds. Ne pas installer ou déplacer seul.

### ▲ ATTENTION



Dangers multiples. Seul le personnel qualifié doit effectuer les tâches détaillées dans cette section du document.

**Remarque :** Cet instrument a été fabriqué par Teledyne CETAC Technologies. Les services d'assistance et de réparation sont proposés par Hach Company.

## Procédure de mise hors tension

Mettez impérativement l'instrument hors tension avant toute intervention de maintenance.



1. Mettez l'instrument hors tension.
2. Débranchez le cordon d'alimentation de l'alimentation.

## Effectuer un contrôle de fuite

Effectuez un contrôle de fuite sur la sonde d'échantillon, le tube d'échantillon ou la station de rinçage et la tuyauterie de la station de rinçage.

1. Mettez l'échantillonneur automatique hors tension. Reportez-vous aux schémas [Procédure de mise hors tension](#) à la page 45.
2. Inspectez la sonde d'échantillon, le tube d'échantillon ou la station de rinçage et la tuyauterie de la station de rinçage afin de détecter les éventuels endommagements et traces de fuite.
3. Remplacez tous les composants présentant des traces de fuite ou de dégâts.

## Nettoyage de l'instrument

<b>▲ ATTENTION</b>	
 	Risque d'exposition chimique. Respectez les procédures de sécurité du laboratoire et portez tous les équipements de protection personnelle adaptés aux produits chimiques que vous manipulez. Consultez les fiches de données de sécurité (MSDS/SDS) à jour pour connaître les protocoles de sécurité applicables.

<b>AVIS</b>
Nettoyez l'instrument à l'eau. Les vapeurs des produits de nettoyage peuvent influencer sur les résultats. Ne laissez pas les produits de nettoyage entrer en contact avec les vis des fils. Ne mettez pas de lubrifiant sur les vis des fils.

Des débordements peuvent se produire lors de l'utilisation de l'instrument. Pour un fonctionnement optimal, nettoyez les débordements quotidiennement. Nettoyez l'instrument aussi souvent que nécessaire afin d'éviter tout endommagement. Éliminez les salissures et matières abrasives des pièces mobiles. Nettoyez les débordements de produits chimiques conformément aux instructions des fiches de données de sécurité de l'instrument et du matériau.

### Éléments à préparer :

- Chiffon sec non pelucheux
- Chiffon doux
- Eau propre

1. Mettez l'instrument hors service. Reportez-vous aux schémas [Procédure de mise hors tension](#) à la page 45.
2. Déposez le plateau d'échantillon.
3. Utilisez un chiffon sec et non pelucheux pour retirer les particules des vis filetées.
4. Utilisez une serviette en tissu pour nettoyer la surface extérieure et la base de l'instrument.
5. Utilisez de l'eau propre pour nettoyer le plateau d'échantillon. Nettoyez toutes les traces d'oxydation et les débordements.  
**Remarque :** Veillez à nettoyer le bloc coulissant et les rails de guidage le long du tube du bras.
6. Utilisez une serviette sèche pour éliminer toute humidité sur l'instrument.

Avant de mettre l'instrument sous tension, laissez-le sécher complètement.

7. Reposez le plateau d'échantillonneur sec sur le socle.

## Repose de la sonde d'échantillon

Remplacez la sonde si elle présente des fuites ou des traces de dégâts.

1. Mettez l'instrument hors service. Reportez-vous aux schémas [Procédure de mise hors tension](#) à la page 45.

2. Déposez la sonde d'échantillon usagée.

*Remarque* : Une force trop importante peut endommager le Z-drive mécanique.

3. Installez la sonde neuve. Voir [Installation du Z-drive mécanique](#) à la page 39.

## Dépannage

Problème	Cause possible	Solution
L'instrument ne fonctionne pas. Les voyants LED d'état sont éteints.	L'interrupteur d'alimentation est sur Off.	Placez l'interrupteur d'alimentation sur on.
	Le cordon d'alimentation est débranché du bloc d'alimentation ou de la prise murale.	Branchez le cordon d'alimentation.
	Le cordon d'alimentation est endommagé.	Remplacez le cordon d'alimentation.
	Le bloc d'alimentation est défectueux.	Contactez l'assistance technique.
	Les transitoires électriques sur la ligne d'alimentation sont trop grands, ce qui peut perturber la communication USB entre l'analyseur et l'échantillonneur.	Installez un opto-isolateur USB du commerce entre l'analyseur et l'échantillonneur automatique. Pour réparer des communications USB, éteignez les deux instruments, puis rallumez-les.
L'instrument ne fonctionne pas. Les voyants LED d'état sont allumés.	La position initiale du bras est endommagée.	Contactez l'assistance technique.
	La sonde d'échantillon ne se déplace pas librement.	Déposez la sonde pour la nettoyer et éliminer les débris. Voir <a href="#">Repose de la sonde d'échantillon</a> à la page 46.
		Remplacez la sonde d'échantillon. Voir <a href="#">Repose de la sonde d'échantillon</a> à la page 46.
	Le Z-drive mécanique est endommagé.	Contactez l'assistance technique.
Le Z-drive mécanique n'est pas installé correctement.	Validation de l'installation. Voir <a href="#">Installation du Z-drive mécanique</a> à la page 39.	
Le bras ne fonctionne pas correctement.	L'instrument est physiquement endommagé.	Eteignez l'instrument, puis rallumez-le. Si le problème persiste, contactez l'assistance technique.
La sonde d'échantillon ne soulève pas l'échantillon.	Le flux d'air n'entre pas correctement dans le tube. La tuyauterie de l'échantillon n'est pas correctement serrée.	Inspectez la sonde d'échantillon. Vérifiez que l'aiguille se trouve dans la gaine métallique. Serrez le raccord de tuyauterie de l'échantillon.

Problème	Cause possible	Solution
La sonde d'échantillon ne traverse pas la membrane supérieure du tube.	La plaque de guidage n'est pas alignée correctement.	Réglez la hauteur entre les tubes qui se trouvent sur le plateau d'échantillons et la plate-forme de la plaque de guidage. Reportez-vous à la section <a href="#">Préparation de l'instrument pour l'échantillonnage</a> à la page 44.
La sonde ne s'intègre pas facilement au Z-drive mécanique.		
Le flacon d'échantillon se soulève après le retrait de la sonde.		

## Pièces de rechange et accessoires

### ⚠ AVERTISSEMENT



Risque de blessures corporelles. L'utilisation de pièces non approuvées comporte un risque de blessure, d'endommagement de l'appareil ou de panne d'équipement. Les pièces de rechange de cette section sont approuvées par le fabricant.

**Remarque :** Les numéros de référence de produit et d'article peuvent dépendre des régions de commercialisation. Prenez contact avec le distributeur approprié ou consultez le site web de la société pour connaître les personnes à contacter.

### Pièces de rechange

Description	Article n°
Gaine de l'aiguille	9467400
Outil rallonge d'écrou	9454400
Sonde, perçage de la membrane	SP6790
Alimentation	9467300
Plateau d'échantillons	9467200

# Índice

Especificações na página 48

Informações gerais na página 48

Instalação na página 53

Inicialização na página 58

Operação na página 58

Manutenção na página 59

Solução de problemas na página 61

Peças e acessórios de reposição na página 62

## Especificações

As especificações estão sujeitas a alterações sem aviso prévio.

Especificação	Detalhes
Dimensões (L x P x A)	36,6 x 53,7 x 45,7 cm (14,4 x 21,2 x 18,0 pol.)
Carcaça	Em liga de alumínio, cromado com uma camada de pó epóxi.
Componente em contato com a amostra	Polieterimida (PEI) e Politetrafluoretileno (PTFE)
Peso	21 kg (45 lb)
Categoria de instalação	Fonte de alimentação: II
	Amostrador automático: I
Grau de poluição	II
Fonte de alimentação externa	Entrada: 100-240 V CA, 47-63 Hz, 1,9 A
	Saída: 24 V CC, 3,33 A
Fonte de alimentação do amostrador automático	Entrada: 24 V CC, 3,33 A. Use somente com a fonte de alimentação fornecida.
Temperatura de operação	10 °C a 30 °C (50 °F a 85 °F)
Temperatura de armazenamento	0 °C a 55 °C (32 °F a 131 °F)
Altitude	3048 m (10.000 pés) máxima
Umidade relativa	0 a 95% sem condensação
Certificações	Marca CE
Garantia	1 ano (EU: 2 anos)

## Informações gerais

Em hipótese alguma o fabricante será responsável por danos diretos, indiretos, especiais, incidentais ou consequenciais resultantes de qualquer defeito ou omissão neste manual. O fabricante reserva-se o direito de fazer alterações neste manual e nos produtos aqui descritos a qualquer momento, sem aviso ou obrigação. As edições revisadas podem ser encontradas no site do fabricante.

## Informações de segurança

### AVISO

O fabricante não é responsável por quaisquer danos devido ao uso ou aplicação incorreta deste produto, incluindo, sem limitação, danos diretos, acidentais ou consequenciais, e se isenta desses danos à extensão total permitida pela lei aplicável. O usuário é unicamente responsável por identificar riscos críticos de aplicação e por instalar os mecanismos apropriados para proteger os processos durante um possível mau funcionamento do equipamento.



Leia todo o manual antes de tirar da embalagem, montar ou operar esse equipamento. Preste atenção a todas as declarações de perigo e cuidado. Caso contrário, o operador poderá sofrer ferimentos graves ou o equipamento poderá ser danificado.







Certifique-se de que a proteção oferecida por este equipamento não seja afetada. Não use nem instale este equipamento de nenhuma outra forma além da especificada neste manual.

### Uso de informações de risco

<b>▲ PERIGO</b>
Indica uma situação potencial ou iminentemente perigosa que, se não for evitada, resultará em morte ou lesão grave.
<b>▲ ADVERTÊNCIA</b>
Indica uma situação potencialmente perigosa que, se não for evitada, pode resultar em morte ou ferimento grave.
<b>▲ CUIDADO</b>
Indica uma situação potencialmente perigosa que pode resultar em ferimento leve a moderado.
<b>AVISO</b>
Indica uma situação que, se não evitada, pode causar danos ao instrumento. Informações que necessitam de uma ênfase especial.

### Avisos de precaução

Leia todas as etiquetas e rótulos fixados no instrumento. Caso não sejam observados, podem ocorrer lesões pessoais ou danos ao instrumento.

	Este símbolo, se observado no instrumento, diz respeito ao manual de instruções para operação e/ou informações de segurança.
	O equipamento elétrico marcado com este símbolo não pode ser descartado em sistemas de descarte público ou doméstico europeus. Devolva equipamentos antigos ou no final da vida útil para o fabricante para descarte, sem custo adicional para o usuário.
	Este símbolo indica que existe um risco de choque elétrico ou de eletrocussão.
	Este símbolo indica risco de esmagamento da mão por cima.
	Este símbolo indica possível risco de pinçamento. Mantenha as mãos e os dedos protegidos.
	Este símbolo indica que o objeto é pesado.

### Certificação

**Canadian Radio Interference-Causing Equipment Regulation (Regulamentação para equipamentos de rádio causadores de interferência do Canadá), IECS-003, Classe A:**

Os registros de testes de comprovação encontram-se com o fabricante.

Este aparelho digital Classe A atende a todos os requisitos de regulamentações canadenses sobre equipamentos que causam interferências.

Cet appareil numérique de classe A répond à toutes les exigences de la réglementation canadienne sur les équipements provoquant des interférences.

### **FCC parte 15, limites Classe "A"**

Os registros de testes de comprovação encontram-se com o fabricante. O dispositivo está em conformidade com a Parte 15 das Regras da FCC. A operação está sujeita às seguintes condições:

1. O equipamento não deve causar interferência prejudicial.
2. O equipamento deve aceitar todas as interferências recebidas, inclusive interferências que podem causar funcionamento indesejado.

Alterações ou modificações a este equipamento não aprovadas expressamente pela parte responsável pela conformidade podem anular a autoridade do usuário de operar o equipamento. Este equipamento foi testado e está em conformidade com os limites de dispositivo digital Classe A, de acordo com a Parte 15 das Regras da FCC. Esses limites foram estabelecidos para proporcionar uma razoável proteção contra interferências nocivas quando o equipamento for operado em ambientes comerciais. Este equipamento gera, utiliza e pode irradiar energia de rádio-frequência e, se não instalado e usado de acordo com o manual de instruções, pode causar interferências prejudiciais às comunicações de rádio. É provável que o funcionamento deste equipamento em área residencial possa causar interferência indesejada, caso em que o usuário será solicitado a corrigir a interferência por conta própria. As seguintes técnicas podem ser usadas para reduzir problemas de interferência:

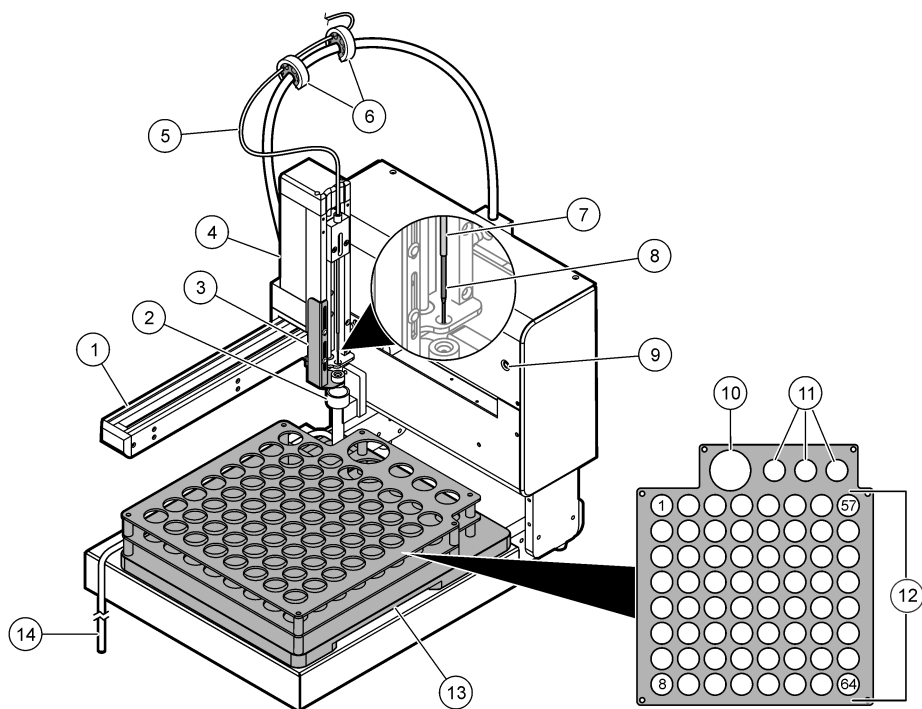
1. Desconecte o equipamento de sua fonte de alimentação para verificar se ele é ou não a origem da interferência.
2. Se o equipamento está conectado à mesma tomada do dispositivo que está sofrendo interferência, conecte o equipamento a uma tomada diferente.
3. Afaste o equipamento do dispositivo que estiver recebendo a interferência.
4. Reposicione a antena de recebimento do dispositivo que está sofrendo interferência.
5. Tente algumas combinações das opções acima.

### **Visão geral do produto**

O Amostrador Automático QbD1200 é um trocador de amostra automático usado em laboratórios analíticos para análise de TOC de amostras aquosas. Esse instrumento possui uma bandeja de amostra que comporta no máximo 64 frascos de amostra, uma garrafa de calibração e três garrafas de adequação de sistema. O instrumento opera com um mínimo de intervenção do usuário e é usado com o Analisador de TOC QbD1200. Consulte [Figura 1](#) e [Figura 2](#) para a visão geral do instrumento.

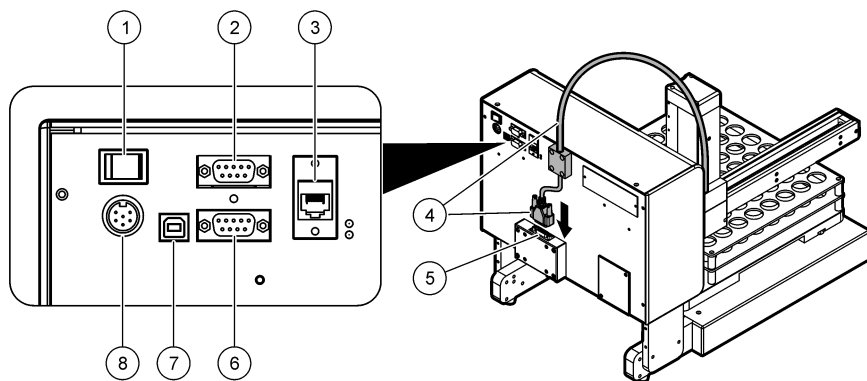
**Observação:** O fabricante do instrumento é a Teledyne CETAC Technologies. Os serviços de suporte e reparos são fornecidos pela Hach Company.

**Figura 1 Visão geral do produto**



1 Braço	8 Sonda de amostra
2 Estação de enxágue	9 Luz indicadora de energia
3 Suporte de retenção do frasco	10 Suporte para padrão de calibração
4 Guia Z mecânica	11 Suportes para padrão de adequação do sistema
5 Tubo de amostra (do analisador)	12 Posições da amostra (1 a 64)
6 Suportes de tubo	13 Bandeja da amostra
7 Luva da agulha	14 Tubo de dreno da estação de enxágue

**Figura 2** Visão geral do painel traseiro



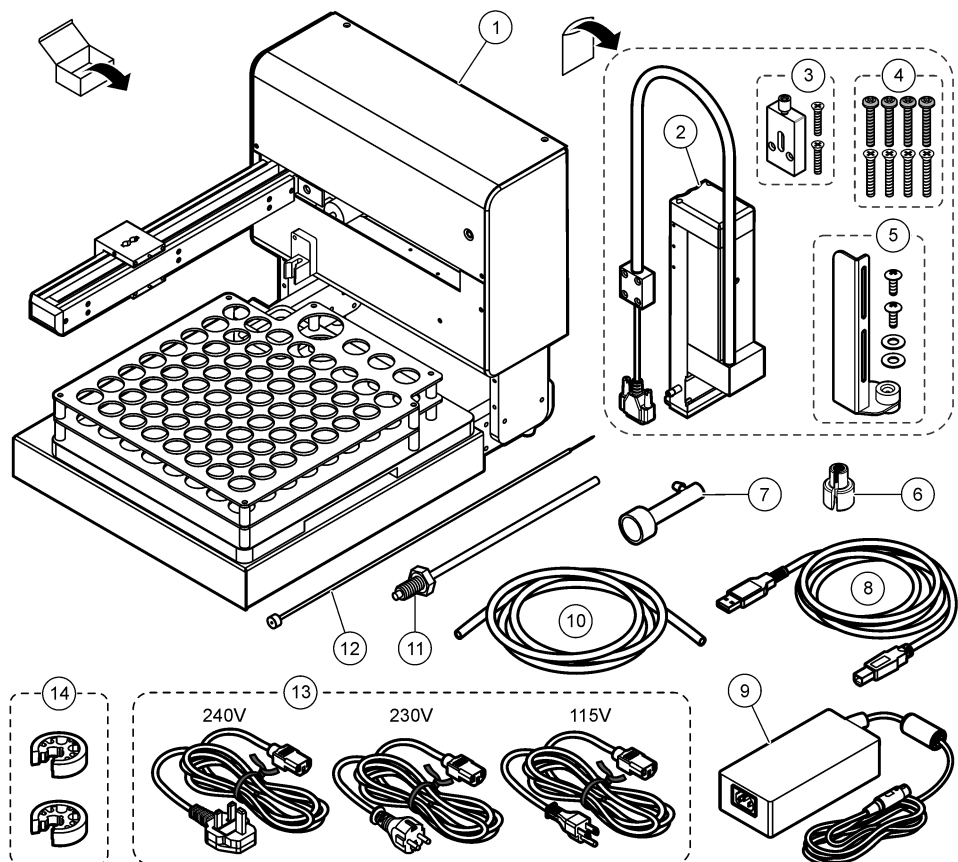
1 Interruptor de energia	5 Conexão do cabo da guia Z mecânica
2 Porta COM 2 <sup>1</sup>	6 Porta COM 1 <sup>1</sup>
3 Porta de Ethernet <sup>1</sup>	7 Porta USB
4 Cabo da guia Z mecânica	8 Conector de energia

## Componentes do produto

Certifique-se de que todos os componentes foram recebidos. Consulte [Figura 3](#). Se houver itens ausentes ou danificados, entre em contato imediatamente com o fabricante ou com um representante de vendas.

<sup>1</sup> Essas funções não são usadas.

**Figura 3 Componentes do produto**



1 Amostrador automático com a bandeja de amostra	8 Cabo USB, 3 m
2 Guia Z mecânica	9 Fonte de alimentação
3 Suporte da ventilação	10 Tubo do dreno-estação de enxague
4 Parafusos de instalação da guia Z mecânica (8x)	11 Luva da agulha
5 Conjunto da placa extratora	12 Sonda de amostra
6 Chave soquete de porca	13 Cabos de alimentação (240 V, 230 V, 115 V)
7 Estação de enxágue	14 Suportes de tubo (2x)

## Instalação

### ▲ ADVERTÊNCIA



Vários perigos. Somente pessoal qualificado deve realizar as tarefas descritas nesta seção do manual.

## Diretrizes de instalação

Instale o instrumento:

- Em uma superfície nivelada
- Em um local limpo, seco, bem ventilado e com temperatura controlada
- Em um local com vibrações mínimas e sem exposição à luz solar direta
- Em um local onde exista um espaço livre ao redor suficiente para fazer conexões e tarefas de manutenção
- Em um local onde o interruptor de alimentação e o cabo de alimentação estejam visíveis e facilmente acessíveis

## Instalação mecânica

Instale a guia Z mecânica

### ⚠ ADVERTÊNCIA



Risco de lesão corporal. Os instrumentos ou componentes são pesados. Use assistência para instalar ou mover os instrumentos.

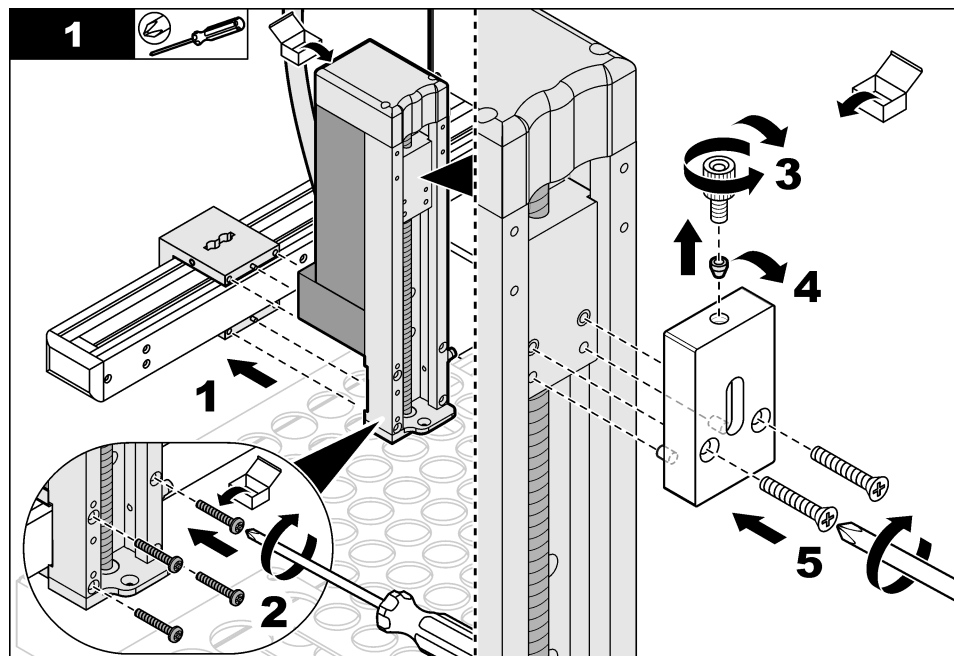
### ⚠ ADVERTÊNCIA

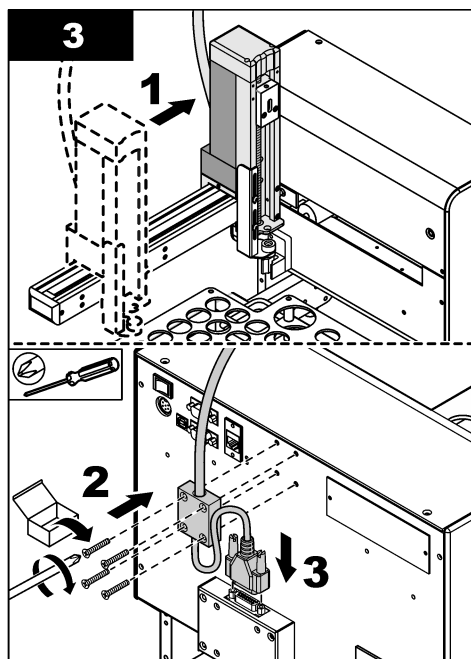
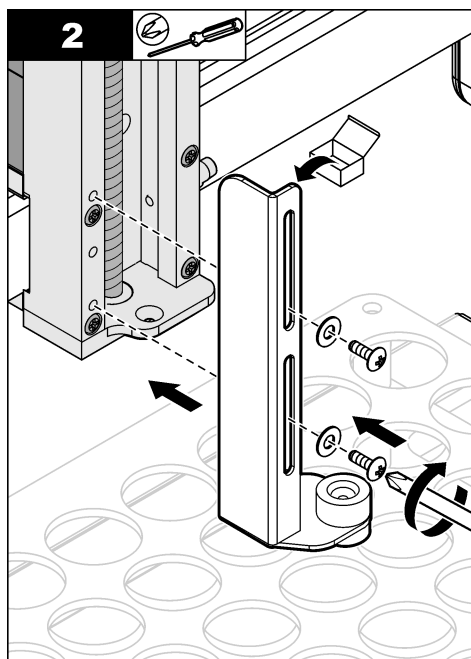


Risco de pressionamento. Partes móveis podem pressionar e causar lesões. Não toque em peças em movimento.

Consulte as etapas ilustradas a seguir para instalar a guia Z mecânica fornecida.

**Item necessário:** chave Phillips





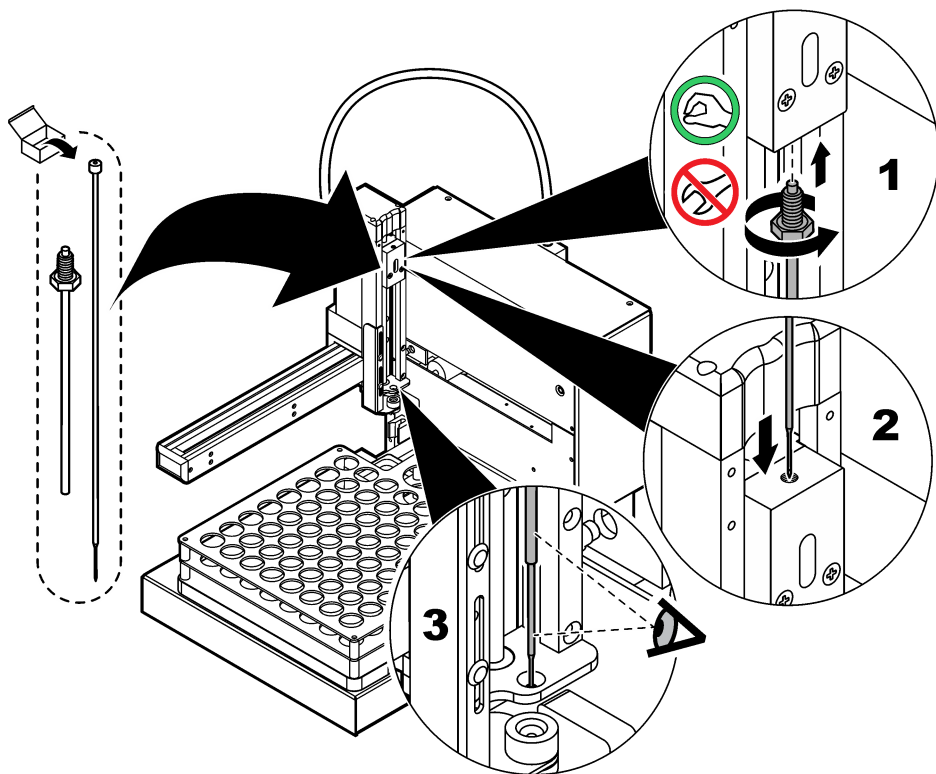
**Instale a luva e a sonda de amostra.**

**⚠ ADVERTÊNCIA**



Risco de ferimento por perfuração. Agulhas expostas podem causar ferimentos por perfuração. Tenha cuidado na instalação ou remoção dos frascos.

Consulte as etapas ilustradas a seguir para instalar a estação de enxágue e o tubo de dreno.

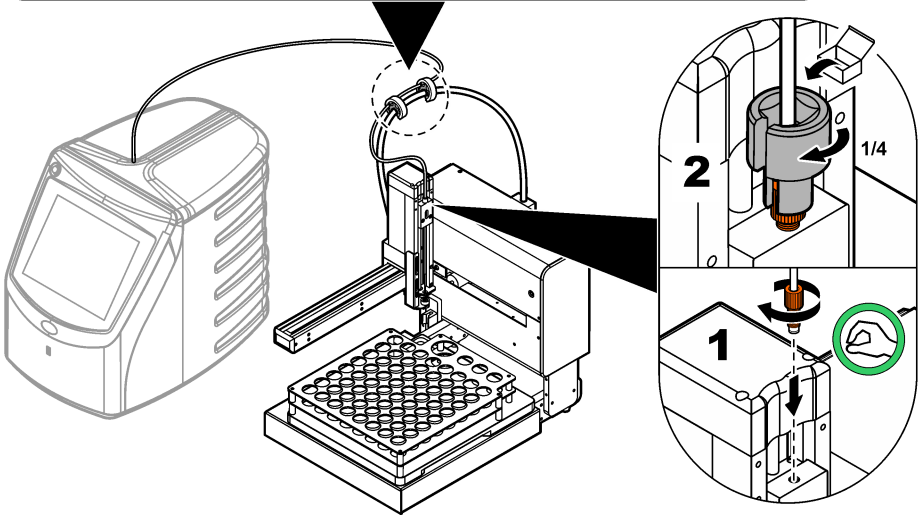
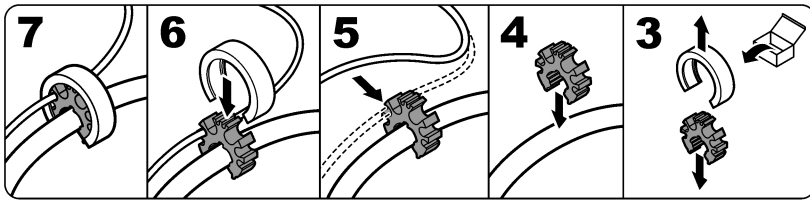


## Instalação da tubulação

### Como orientar até o analisador

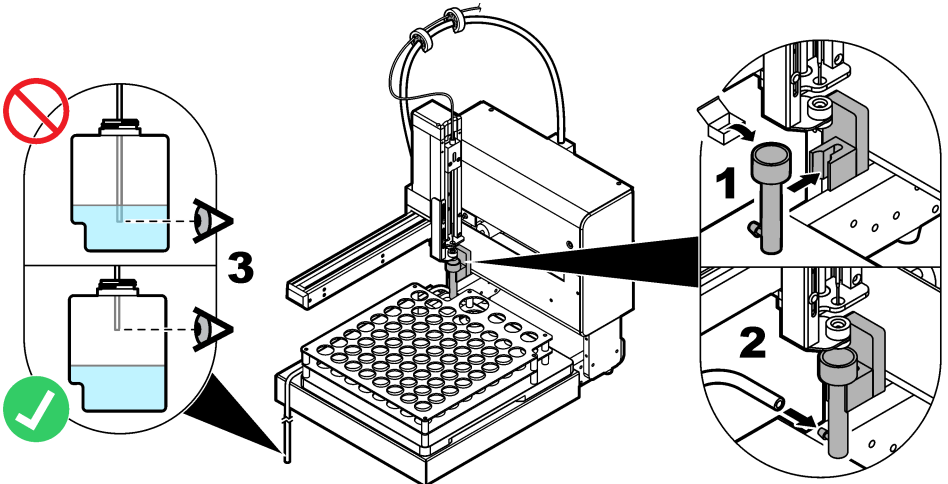
Consulte as etapas ilustradas a seguir para conectar o tubo de amostra do analisador para a guia Z mecânica no amostrador automático.





### Instale a estação de enxágue

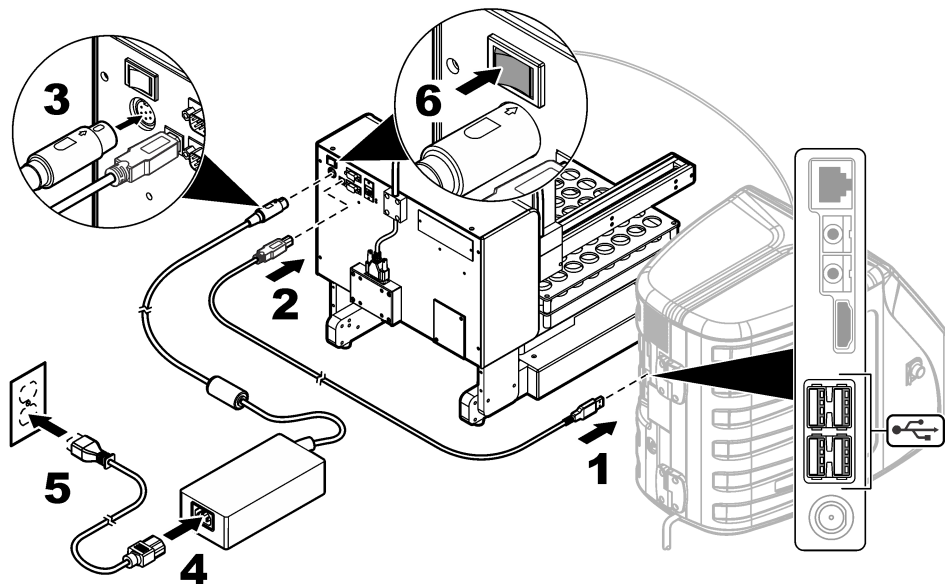
Após cada amostra ser analisada, o tubo é lavado com reagente para remover o carbono restante. O reagente usado para lavagem vai para o compartimento de líquido sujo. Se o analisador estiver conectado ao instrumento, ele controla quando a estação de enxágue é operada. Consulte as etapas ilustradas a seguir para instalar a luva e a sonda de amostra. Certifique-se de usar um compartimento de líquido de descarte permitido.



## Instalação elétrica

### Conecte o analisador e o cabo de alimentação

Antes de iniciar o procedimento, certifique-se de que o amostrador automático e os interruptores de alimentação do analisador estejam desligados. Use o cabo USB fornecido para conectar o amostrador automático no analisador. Use o cabo de alimentação e a fonte de alimentação fornecida para ligar o analisador. A alimentação para o amostrador automático deve ser definida antes do analisador ser ligado. Consulte a documentação do analisador para conectá-lo à energia. Consulte as etapas ilustradas a seguir para fazer as conexões necessárias.



## Inicialização

### Ligue a alimentação

1. Certifique-se de que a conexão de alimentação esteja instalada corretamente. Consulte [Conecte o analisador e o cabo de alimentação](#) na página 58.
2. Pressione o botão de alimentação no painel traseiro do instrumento para ligar. Um indicador de LED acende na frente do instrumento quando a alimentação está ligada.
3. O braço e a guia Z mecânica se movem e, então, param na posição correta.
4. Ligue o analisador.

## Operação

### ⚠ PERIGO



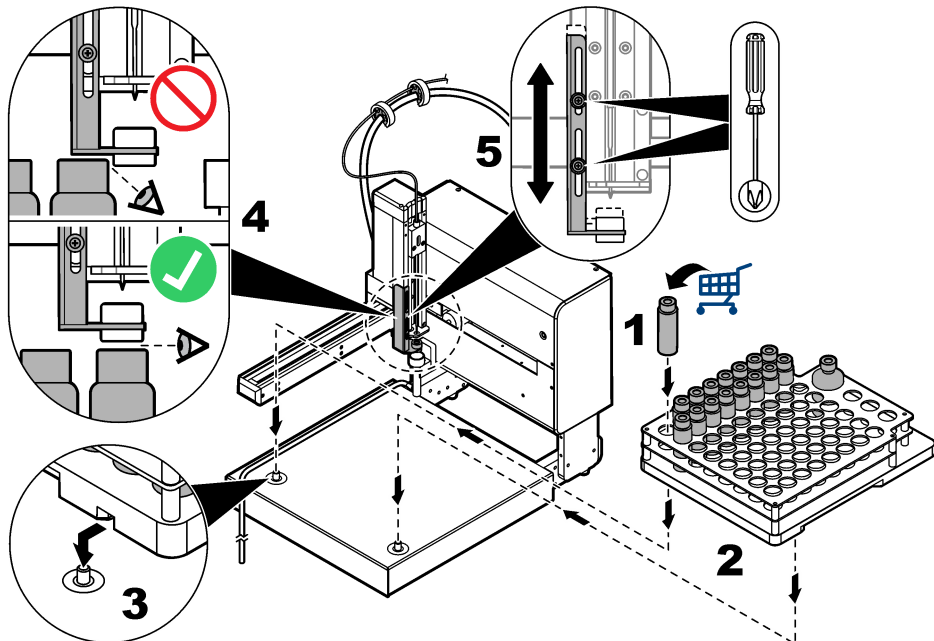
Perigo de incêndio. Este produto não foi projetado para uso com líquidos inflamáveis.

## Prepare o instrumento para a amostragem

Consulte as etapas ilustradas a seguir para preparar o instrumento para a amostragem. Após a coleta da amostra, coloque os frascos fornecidos pelo usuário na ordem correta de um a 64 na bandeja de amostra. Cada posição da amostra é identificada de forma numérica no lado esquerdo inferior.

Deve haver espaço o suficiente entre os frascos na bandeja de amostra e a plataforma do suporte de retenção do frasco. Consulte as etapas ilustradas a seguir (etapas 4 e 5) para fazer ajustes no suporte de retenção do frasco, se necessário.

Instale ou remova cuidadosamente a bandeja de amostra para evitar derramamentos.



## Fazer uma medição

Certifique-se de que os frascos estejam instalados corretamente na bandeja de amostra. Consulte [Prepare o instrumento para a amostragem](#) na página 59. O analisador controla os parâmetros de medição. Consulte a documentação do analisador.

**Observação:** *Certifique-se de que todas as conexões dos tubos foram feitas antes do início desse procedimento. O analisador controla as operações de retrolavagem para lavar o caminho do fluxo da amostra.*

## Manutenção

### ⚠ ADVERTÊNCIA



Risco de lesão corporal. Os instrumentos ou componentes são pesados. Use assistência para instalar ou mover os instrumentos.

### ⚠ CUIDADO



Vários perigos. Somente pessoal qualificado deve realizar as tarefas descritas nesta seção do manual.

**Observação:** O fabricante do instrumento é a Teledyne CETAC Technologies. Os serviços de suporte e reparos são fornecidos pela Hach Company.

## Procedimento de desligamento

Sempre desligue o instrumento antes de realizar tarefas de manutenção.

1. Desligue o instrumento.
2. Remova o cabo de alimentação da fonte de alimentação.

## Como fazer uma inspeção de vazamento

Inspecione quanto a vazamentos na sonda de amostragem, tubo de amostragem ou na estação de enxágue e na tubulação da estação de enxágue.

1. Desligue o amostrador automático. Consulte [Procedimento de desligamento](#) na página 60.
2. Examine a sonda de amostra, o tubo de amostra ou a estação de enxágue e o tubo da estação de enxágue quanto a danos ou evidência de vazamentos.
3. Substitua todos os componentes que apresentem evidência de vazamentos ou danos.

## Como limpar o instrumento

### ⚠ CUIDADO



Risco de exposição a produtos químicos. Obedeça aos procedimentos de segurança laboratoriais e use todos os equipamentos de proteção individual adequados aos produtos químicos que estão sendo manipulados. Consulte as planilhas de dados de segurança (MSDS/SDS) atuais para verificar os protocolos de segurança.



### AVISO

Limpe o instrumento com água. Vapores de agentes de limpeza podem afetar os resultados. Não deixe que os agentes de limpeza entrem em contato com os parafusos de avanço. Não coloque lubrificante nos parafusos de avanço.

Derramamentos podem ocorrer durante o uso do instrumento. Para uma melhor operação, remova conteúdos derramados diariamente. Limpe o instrumento conforme necessário para evitar danos ao instrumento. Remova contaminantes e material abrasivo das partes móveis. Remova químicos derramados de acordo com as instruções do MSDS/SDS.

#### Itens necessários:

- Pano seco e sem pelos
- Toalha de tecido macio
- Água limpa

1. Remova o instrumento da operação. Consulte [Procedimento de desligamento](#) na página 60.
2. Remova a bandeja de amostra.
3. Use o pano seco e sem fiapos para remover partículas soltas dos parafusos de avanço.
4. Use uma toalha de pano para limpar a superfície externa e a base do instrumento.
5. Use água limpa para limpar a bandeja de amostra. Remova todas as manchas e material derramado.  
**Observação:** Certifique-se de limpar o bloco deslizante e os trilhos da guia ao longo do tubo do braço.
6. Use uma toalha seca para remover toda a umidade do instrumento.  
Antes de ligar, deixe o instrumento secar totalmente.
7. Coloque a bandeja de amostra seca sobre a base.

## Como substituir a sonda de amostra

Caso a sonda apresente vazamentos ou mostre sinais de dano, substitua a sonda.

1. Remova o instrumento da operação. Consulte [Procedimento de desligamento](#) na página 60.
2. Remova a sonda de amostra usada.  
*Observação:* Muita força pode danificar a guia Z mecânica.
3. Instale a nova sonda. Consulte a [Instale a guia Z mecânica](#) na página 54.

## Solução de problemas

Problema	Causa possível	Solução
O instrumento não funciona. Os LEDs indicadores de status estão apagados.	O interruptor de energia está desligado.	Ligue o interruptor de energia.
	O cabo de energia está desconectado da fonte de alimentação ou da tomada na parede.	Conecte o cabo de energia.
	O cabo de energia está danificado.	Substitua o cabo de energia.
	A fonte de alimentação está com defeito.	Entre em contato com o suporte técnico.
	Os transientes elétricos na linha de força são muito grandes, o que pode interromper a comunicação USB entre o analisador e o amostrador.	Instale qualquer optoisolador USB disponível no mercado entre o analisador e o amostrador automático. Para reparar comunicações USB, reinicie os dois instrumentos.
O instrumento não funciona. Os LEDs indicadores de status estão acesos.	A posição inicial do braço está danificada.	Entre em contato com o suporte técnico.
	A sonda de amostra não está se movendo livremente.	Remova a sonda de amostra para limpar e remover detritos. Consulte a <a href="#">Como substituir a sonda de amostra</a> na página 61.
		Substitua a sonda de amostra. Consulte <a href="#">Como substituir a sonda de amostra</a> na página 61.
	A guia Z mecânica está danificada.	Entre em contato com o suporte técnico.
	A guia Z mecânica não está instalada corretamente.	Valide a instalação. Consulte <a href="#">Instale a guia Z mecânica</a> na página 54.
O braço não funciona corretamente.	O instrumento foi danificado fisicamente.	Reinicie o instrumento. Se o problema persistir, entre em contato com o suporte técnico.
A sonda de amostra não puxa a amostra.	O fluxo de ar dentro do frasco não flui corretamente. A tubulação de amostra está solta.	Examine a sonda de amostra. Certifique-se de que a agulha esteja dentro da luva de metal. Aperte a conexão da tubulação da amostra.

Problema	Causa possível	Solução
A sonda de amostra não atravessa a tampa do septo do frasco.	O suporte de retenção do frasco não está alinhado corretamente.	Ajuste a altura entre os frascos na bandeja de amostra e a plataforma do suporte de retenção do frasco. Consulte <a href="#">Prepare o instrumento para a amostragem</a> na página 59.
A sonda não entra facilmente na guia Z mecânica.		
A garrafa de amostra é levantada após a sonda retrair.		

## Peças e acessórios de reposição

### ⚠ ADVERTÊNCIA



Risco de lesão corporal. O uso de peças não aprovadas pode causar lesões pessoais, danos ao instrumento ou mau funcionamento do equipamento. As peças de substituição nesta seção foram aprovadas pelo fabricante.

**Observação:** Os códigos dos produtos podem variar para algumas regiões. Entre em contato com o distribuidor apropriado ou consulte o website da empresa para obter informações de contato.

### Peças de reposição

Descrição	Nº de item
Luva da agulha	9467400
Chave soquete de porca	9454400
Sonda, perfuração de septo	SP6790
Fonte de alimentação	9467300
Bandeja da amostra	9467200

## 目次

仕様 63 ページ

総合情報 63 ページ

設置 68 ページ

スタートアップ 73 ページ

操作 73 ページ

保守点検 74 ページ

トラブルシューティング 76 ページ

交換パーツとアクセサリ 77 ページ

## 仕様

この仕様は予告なく変更されることがあります。

項目	仕様
寸法 (W × D × H)	36.6 × 53.7 × 45.7 cm (14.4 × 21.2 × 18.0 インチ.)
筐体	エポキシでコーティングされアルマイト処理されたアルミニウム合金
試料(ウェット)コンポーネント	ポリエーテルイミド(PEI)およびポリテトラフルオロエチレン(PTFE)
質量	21 kg(45 ポンド)
取り付けカテゴリ	電源: II オートサンプラー: I
汚染度	II
外部電源	入力: 100–240 VAC, 47–63 Hz, 1.9 A 出力: 24 VDC, 3.33 A
オートサンプラーの電源	入力: 24 VDC, 3.33 A。供給電源のみで使用。
動作周囲温度	10 ~ 30°C (50 ~ 85 °F)
保管温度	0 ~ 55°C (32 ~ 131 °F)
高度	最大 3048 m (10,000 ft)
相対湿度	0~95% 結露なきこと
認証	CE マーク
保証	1 年 (EU: 2 年)

## 総合情報

いかなる場合も、製造元は、例えそのような損害が生じる可能性について報告を受けていたとしても、本マニュアルに含まれるいかなる瑕疵または脱落から生じる直接的、間接的、特定、付随的または結果的に生じる損害に関して責を負いません。製造元は、通知または義務なしに、随時本マニュアルおよび製品において、その記載を変更する権利を留保します。改訂版は、製造元の Web サイト上にあります。

## 安全情報

### 告知

メーカーは、本製品の目的外使用または誤用に起因する直接損害、偶発的損害、結果的損害を含むあらゆる損害に対して、適用法で認められている範囲で一切責任を負わないものとします。ユーザーは、適用に伴う危険性を特定したり、装置が誤作動した場合にプロセスを保護するための適切な機構を設けることに関して、全責任を負うものとします。

この機器の開棚、設定または操作を行う前に、このマニュアルをすべてよく読んでください。危険および注意の注意事項に注意を払ってください。これを怠ると、使用者が重傷を負う可能性、あるいは機器が損傷を受ける可能性があります。

本装置に備わっている保護機能が故障していないことを確認します。本マニュアルで指定されている以外の方法で本装置を使用または設置しないでください。

## 危険情報の使用

### ▲ 危険

回避しなければ死亡または重傷につながる、潜在的または切迫した危険な状況を示します。

### ▲ 警告

避けられない場合、死亡事故や負傷が起こるかも知れない危険な状況を示します。

### ▲ 注意







軽傷または中傷事故の原因となる可能性のある危険な状況を示しています。

### 告知

回避しなければ、装置の損傷を引き起こす可能性のある状況を示します。特に注意を要する情報。

## 使用上の注意ラベル

装置に取り付けられているラベルとタグをすべてお読みください。これを怠ると、人身傷害や装置の損傷につながるおそれがあります。

	このシンボルが測定器に記載されている場合、操作上の指示マニュアル、または安全情報を参照してください。
	このシンボルが付いている電気機器は、ヨーロッパ域内または公共の廃棄処理システムで処分できません。古くなったり耐用年数を経た機器は、廃棄するためにメーカーに無償返却してください。
	このシンボルは感電の危険があり、場合によっては感電死の原因となる恐れのあることを示しています。
	このシンボルは、上方からの物体によって手を圧潰する危険性があることを示します。
	このシンボルは、穿刺創を負ったり、挟み込みの危険性があることを示します。手や指を近づけないでください。
	このシンボルは、物体が重いことを示します。

## 取得認証

### カナダの障害発生機器規則、IECS-003、クラス A:

テスト記録のサポートはメーカーにあります。

このクラス A デジタル装置はカナダの障害発生機器規則の要件をすべて満たします。

Cet appareil numérique de classe A répond à toutes les exigences de la réglementation canadienne sur les équipements provoquant des interférences.



## FCC PART 15、クラス「A」 限度値

テスト記録のサポートはメーカーにあります。この機器は FCC 規則のパート 15 に準拠します。運転は以下の条件を前提としています:

1. この装置が有害な干渉の原因とならないこと。
2. この装置が望ましくない動作の原因となる可能性のあるいかなる干渉にも対応しなければなりません。

これらの規格への準拠に責任を持つ当事者による明示的承認を伴わずにこの装置に対する改変または改造を行うと、ユーザーはこの機器を使用する権限を失う可能性があります。この装置は、FCC 規則のパート 15 に従って、クラス A のデジタル機器の制限に準拠することが試験によって確認されています。これらの制限は、この機器が商用の環境で使用されたときに、有害な干渉から適切に保護することを目的に設定されています。この機器は、無線周波数エネルギーを生成および使用するもので、取り扱い説明書に従って取り付けおよび使用しない場合にはそれを放射する場合があります、無線通信に対して有害な干渉を発生させる可能性があります。住宅地域における本装置の使用は有害な電波妨害を引き起こすことがあり、その場合ユーザーは自己負担で電波妨害の問題を解決する必要があります。以下の手法が干渉の問題を軽減するために使用可能です。

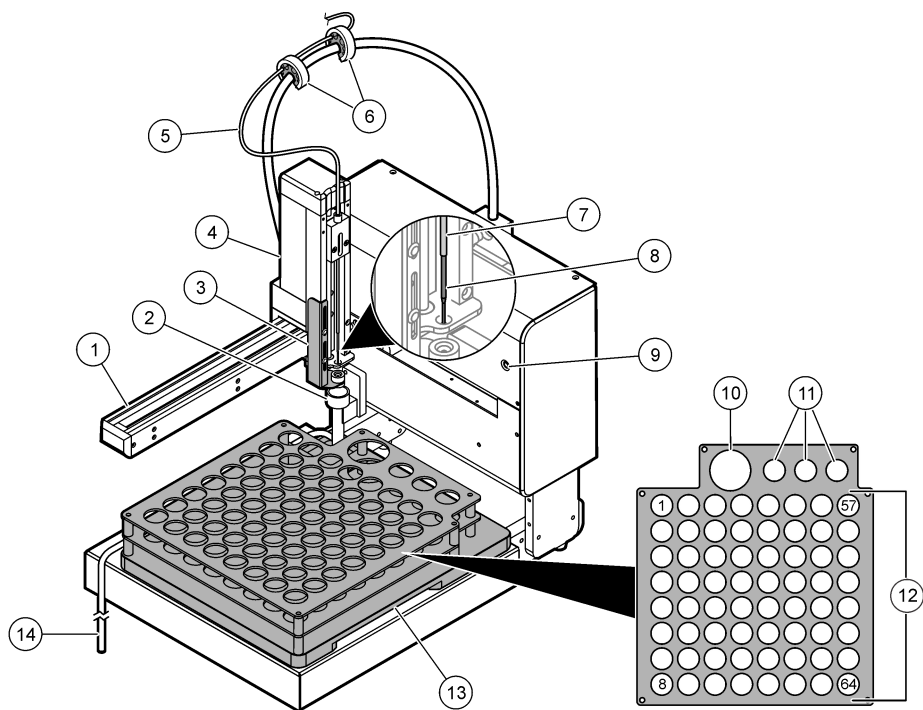
1. 装置から電源を取り外して、電源が干渉源かどうかを確認します。
2. 装置が干渉を受けている装置と同じコンセントに接続されている場合は、装置を別のコンセントに接続してください。
3. 妨害を受けている装置から本装置を離します。
4. 干渉を受けるデバイスの受信アンテナの位置を変更します。
5. 上記の手法を組み合わせてみます。

## 製品の概要

QbD1200 オートサンプラーは、分析ラボで水性試料の TOC 分析に使用する自動試料交換器です。この装置には、最大 64 の試料バイアル、1 つの校正ボトル、および 3 つのシステム適合性ボトルを保持する試料トレイが装備されています。本装置は最小限のユーザー介入で作動し、QbD1200 TOC 分析装置とともに使用します。本装置の概要については、[図 1](#) と [図 2](#) を参照してください。

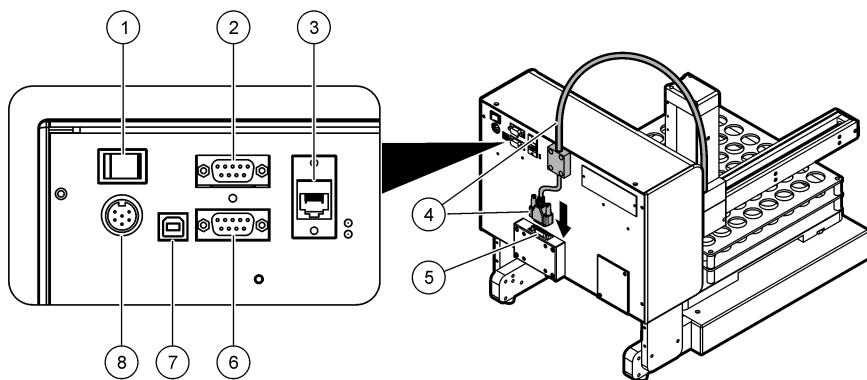
**注:** 本装置の製造者は、Teledyne CETAC Technologies です。サポートサービスおよび修理は、Hach Company で行います。

図 1 製品の概要



1 アーム	8 試料プローブ
2 リンスステーション	9 電源インジケータライト
3 ストリッパープレート	10 校正標準ホルダー
4 機械式 Z ドライブ	11 システム適合性ホルダー
5 試料チューブ (TOC 分析装置から)	12 試料位置 (1 ~ 64)
6 チューブホルダー	13 試料トレイ
7 ニードルスリーブ	14 リンスステーションのドレインチューブ

図 2 背面パネルの概要



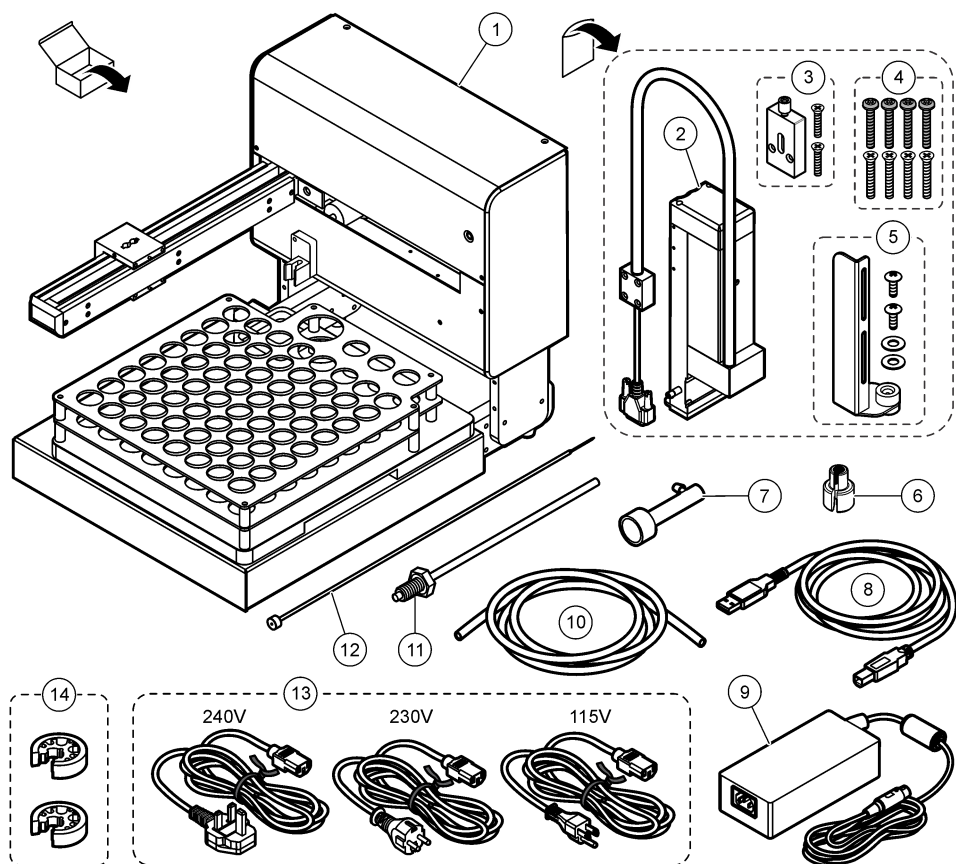
1 電源スイッチ	5 機械式 Z ドライブのケーブル接続部
2 COM ポート 2 <sup>1</sup>	6 COM ポート 1 <sup>1</sup>
3 イーサネットポート 1	7 USB ポート
4 機械式 Z ドライブのケーブル	8 電源コネクタ

## 製品のコンポーネント

すべてのコンポーネントが正しく納品されていることを確認します。図 3 を参照してください。コンポーネントが不足していたり損傷していたりする場合は、直ちに HACH Japan または弊社販売代理店にお問い合わせください。

<sup>1</sup> これらの機能は使用されていません。

図3 製品のコンポーネント



1 オートサンプラー (試料トレイ付き)	8 USB ケーブル、3 m
2 機械式 Z ドライブ	9 電源
3 ベントホルダー	10 リンスステーションのドレインチューブ
4 機械式 Z ドライブ取り付けネジ (8x)	11 ニードルスリーブ
5 ストリッパープレートアセンブリー	12 試料プローブ
6 ナットエクステンダツール	13 電源コード (240 V、230 V、115 V)
7 リンスステーション	14 チューブホルダー (2x)

## 設置

### ▲ 警告



複合的な危険。本書のこのセクションに記載されている作業は、必ず資格のある要員が行う必要があります。



## 取り付けのガイドライン

装置は以下のような場所に設置してください。

- 水平な面
- 清潔で乾燥し、換気がよく、温度が制御された場所
- 直射日光を受けず、振動が最小限の場所
- 接続を行ったりメンテナンス作業を行ったりするために、周囲に十分なクリアランスがある場所
- 電源スイッチと電源コードが見えて、簡単にアクセスできる場所

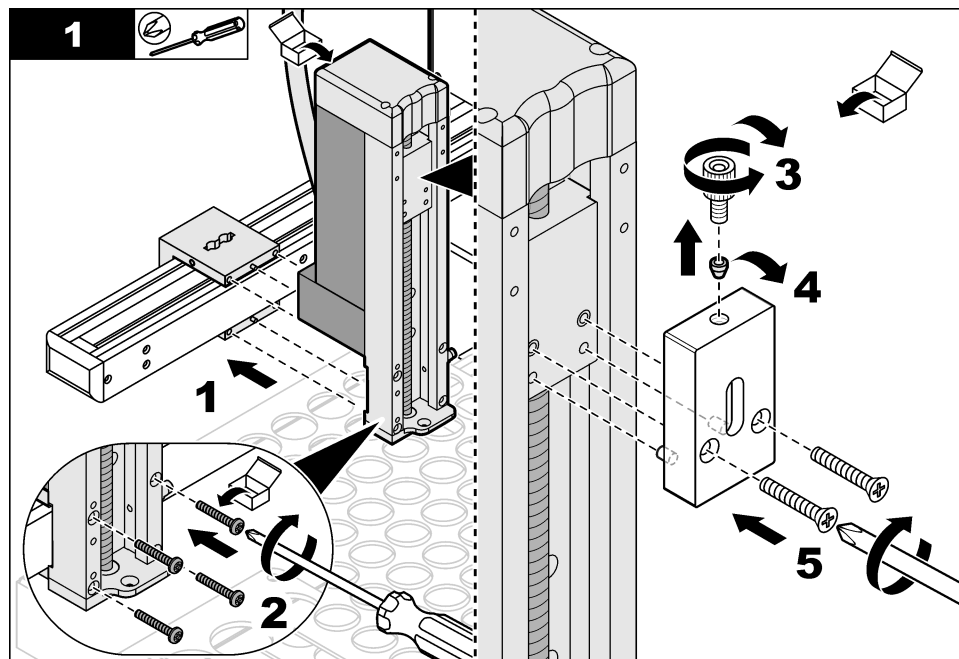
## 設置

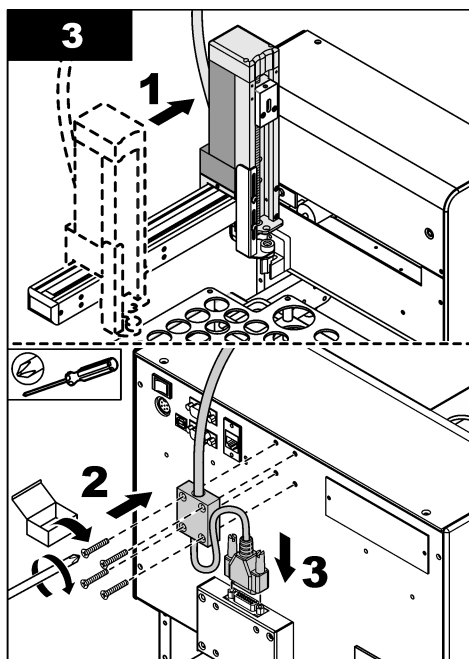
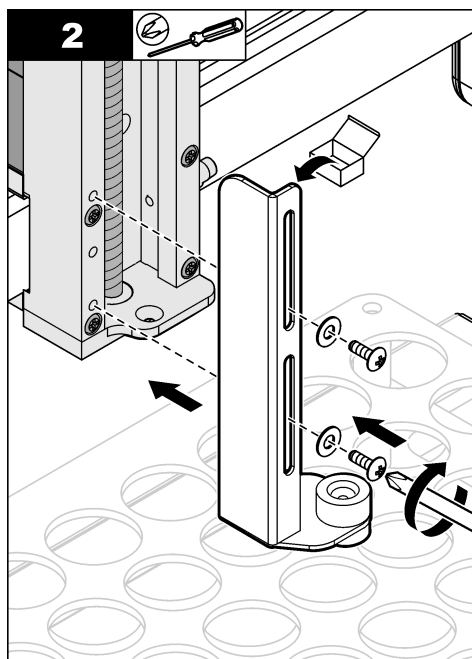
### 機械式 Z ドライブの取り付け

▲ 警告	
	人体損傷の危険。装置や構成部品は重量物です。設置または移動は、複数の要員で行ってください。
▲ 警告	
	作業に際して、機器に指や皮膚を挟み込む可能性があります。可動部品は挟み込みによる怪我の原因となります。可動部品に触れないでください。

付属の機械式 Z ドライブを取り付けるには、図解した手順を参照して従ってください。

用意するもの: プラスドライバー





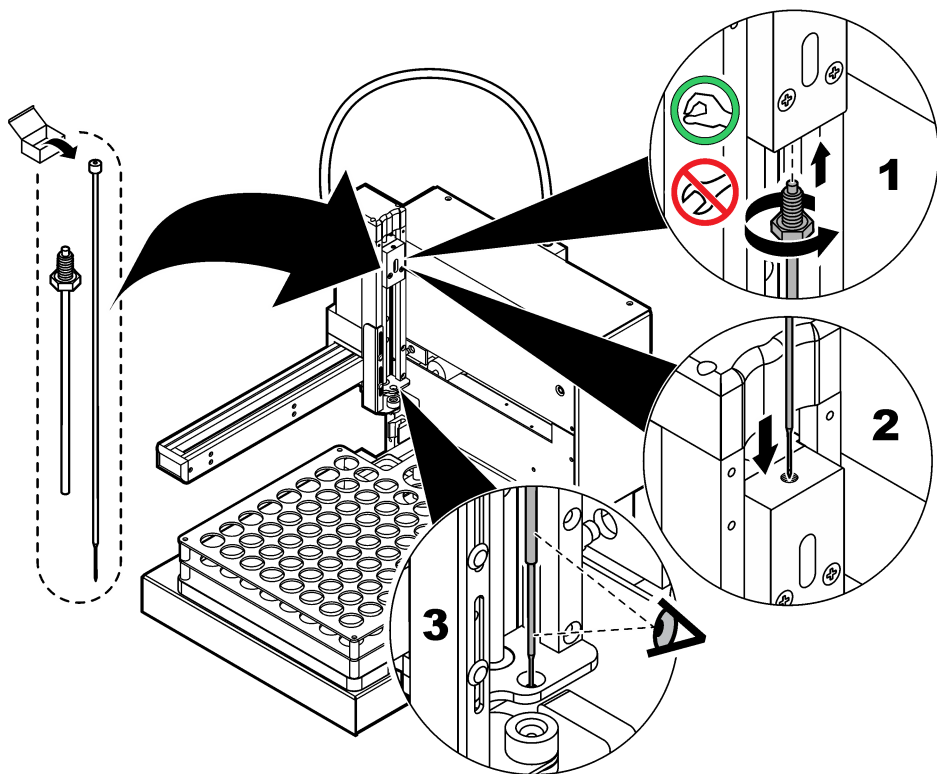
### スリーブと試料プローブの取り付け

#### ▲ 警告



穿刺創の危険。露出した針により穿刺創を負う可能性があります。ボトルの取り付け/取り外し時は、十分注意してください。

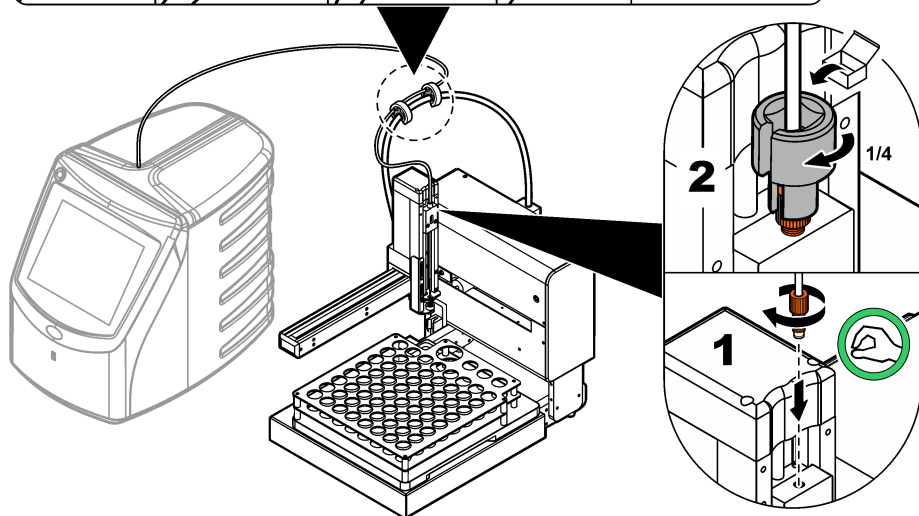
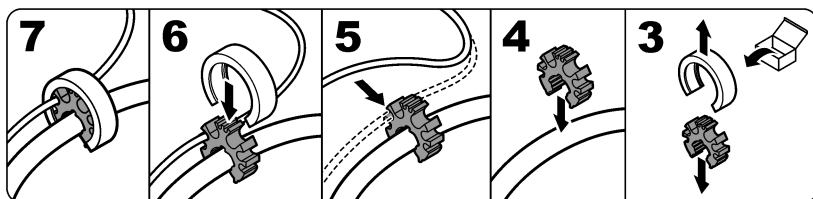
ニードルスリーブと試料プローブを取り付けるには、図解した手順を参照して従ってください。



## 配管

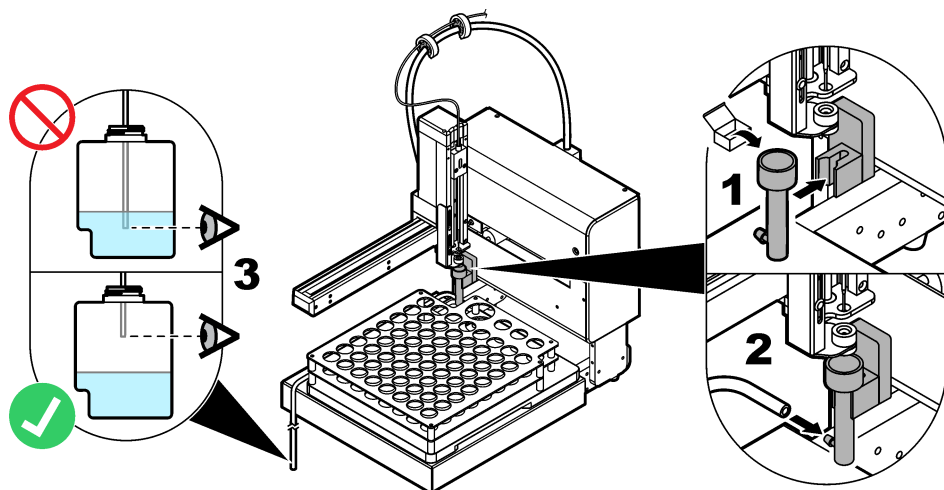
### TOC 分析装置への配管

次の図示された手順を参照して、TOC 分析装置から試料チューブをオートサンプラーの機械式 Z ドライブに接続します。



### リンスステーションの取り付け

各試料が分析されると、試薬が試料チューブを通じてフラッシュされて、残留カーボンが除去されます。フラッシュされた(使用された)試薬は廃液容器に移動します。TOC分析装置が本装置に接続されている場合、TOC分析装置によってリンスステーションの作動タイミングが制御されます。次の図示された手順を参照して、リンスステーションとドレインチューブを取り付けます。必ず許可された廃液容器を使用してください。

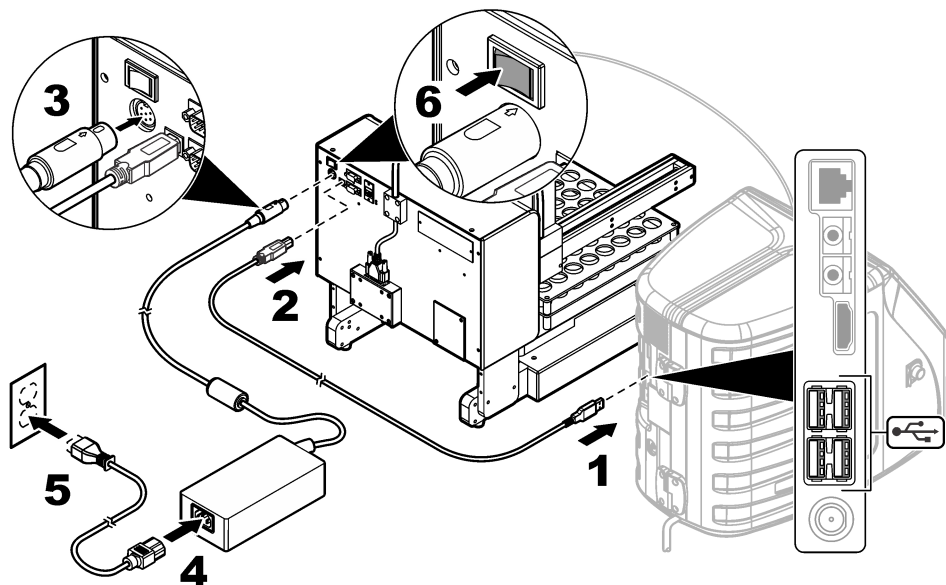




## 配線

### TOC 分析装置と電源の接続

手順を開始する前に、オートサンプラーと TOC 分析装置の電源スイッチがオフになっていることを確認します。付属の USB ケーブルを使って、オートサンプラーを TOC 分析装置に接続します。付属の電源コードと電源を使って、電源をオートサンプラーに接続します。TOC 分析装置の電源をオンにする前に、オートサンプラーの電源をオンにする必要があります。電源への接続については、TOC 分析装置のドキュメントを参照してください。次の図示された手順を参照して、必要な接続を行います。



## スタートアップ

### 電源の投入

1. 電源接続部が正しく取り付けられていることを確認します。TOC TOC 分析装置と電源の接続 73 ページ を参照してください。
2. 本装置の背面パネルにある電源ボタンを押して、電源をオンにします。  
電源をオンにすると、本装置の前面にある LED インジケータライトが点灯します。
3. アームと機械式 Z ドライブが移動し、正しい位置で停止します。
4. TOC 分析装置の電源をオンにします。

## 操作

### ▲ 危険



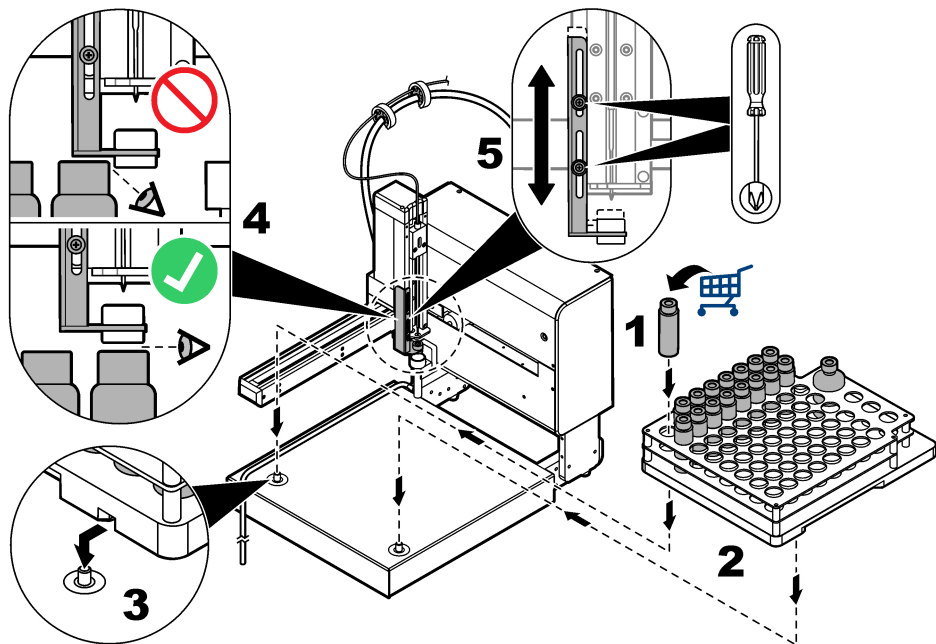
火災の危険。本製品は、可燃性の液体を使用するように設計されていません。

## サンプリングのための装置の準備

次の図示された手順を参照して、サンプリングできるように装置を準備します。試料を収集したら、ユーザーが用意したバイアルを試料トレイの 1 ~ 64 に正しい順序で入れます。各試料位置は左下の数字によって識別します。

試料トレイのバイアルとストリッパープレートのプラットフォームとの間には十分なスペースが必要です。必要に応じて、次の図示された手順 (手順 4 ~ 5) を参照してストリッパープレートの調整を行います。

流出物が発生しないように、試料トレイの取り付け/取り外しは慎重に行ってください。



## 測定の実行

バイアルが試料トレイに正しく取り付けられていることを確認します。サンプリングのための装置の準備 74 ページを参照してください。TOC 分析装置は測定パラメータを制御します。TOC 分析装置のドキュメントを参照してください。

注: この手順を開始する前に、必要な配管接続を必ず行ってください。TOC 分析装置は、バックフラッシュ操作を制御して試料流路をフラッシュします。

## 保守点検

### 警告



人体損傷の危険。装置や構成部品は重量物です。設置または移動は、複数の要員で行ってください。

### 注意



複合的な危険。本書のこのセクションに記載されている作業は、必ず資格のある要員が行う必要があります。

**注:** 本装置の製造者は、Teledyne CETAC Technologies です。サポートサービスおよび修理は、Hach Company で行います。

## シャットダウン手順

メンテナンス作業を行う前に必ず、本装置をシャットダウンします。



1. 本装置の電源をオフにします。
2. 電源から電源コードを取り外します。

## 漏れ検査

試料プローブ、試料チューブまたはリンスステーションおよびリンスステーションチューブに漏れがないかどうかを検査します。

1. オートサンプラーをシャットダウンします。シャットダウン手順 75 ページを参照してください。
2. 試料プローブ、試料チューブまたはリンスステーションおよびリンスステーションチューブに損傷や漏れの形跡がないかどうかを確認します。
3. 漏れまたは破損の形跡を示すコンポーネントをすべて交換します。

## 装置の洗浄

▲ 注意	
 	化学物質による人体被害の危険。検査室の安全手順に従い、取り扱う薬品に適した個人用保護具をすべて装着してください。安全手順に関する現在の安全性データシート(MSDS/SDS)を参照してください。

告知
装置は水で洗浄してください。洗浄剤からの蒸気が結果に影響する可能性があります。洗浄剤をリードネジと接触させないでください。リードネジに潤滑剤を付けないでください。

装置の使用中に流出物が発生する可能性があります。最適な動作のために、流出物を毎日取り除きます。装置の損傷を防ぐために、必要に応じて装置を洗浄します。可動部から汚染物質と研磨剤を取り除きます。MSDS/SDSの説明に従って、化学流出物を取り除きます。

### 用意するもの:

- 乾いた糸くずが出ない布
  - 柔らかい布
  - 清浄水
1. 電源から装置を取り外します。シャットダウン手順 75 ページを参照してください。
  2. 試料トレイを取り外します。
  3. 乾いた糸くずの出ない布を使用して、リードネジから遊離した微塵を取り除きます。
  4. 布タオルを使って、装置の外面と底部を清掃します。
  5. 清浄水を使って、試料トレイを洗浄します。汚れや流出物をすべて取り除きます。  
**注:** アームのチューブ沿いにあるスライダブロックやガイドレールを必ず清掃します。
  6. 乾いたタオルを使って、装置から水滴をすべて取り除きます。  
電源をオンにする前に、装置を完全に乾かしてください。
  7. 乾燥した試料トレイを底部に置きます。

## 試料プローブの交換

プローブに漏れの兆候があったら、プローブを交換します。

1. 電源から装置を取り外します。 **シャットダウン手順 75** ページを参照してください。
2. 古い試料プローブを取り外します。  
**注:** 力をかけ過ぎると、**機械式 Z ドライブ**が損傷する可能性があります。
3. 新しいプローブを取り付けます。 **機械式 Z ドライブの取り付け 69** ページを参照してください。

## トラブルシューティング

問題	考えられる原因	対処方法
本装置が作動しない。LED ステータスインディケータがオフになっている。	電源スイッチが切れている。	電源スイッチを入れる。
	電源コードが電源または壁付コンセントに接続されていない。	電源コードを接続する。
	電源コードが破損している。	電源コードを交換する。
	電源が不良である。	技術サポートにお問い合わせください。
	電源系統の電氣的過渡現象が大きすぎると、TOC 分析装置とサンプラー間の USB 接続を中断させる可能性があります。	TOC 分析装置とオートサンプラーの間に市販の任意の USB 光遮断器を取り付ける。USB 通信を修復するには、両装置の電源をオフしてからオンに戻します。
本装置が作動しない。LED ステータスインディケータがオンになっている。	アームのホームポジションが破損している。	技術サポートにお問い合わせください。
	試料プローブが自由に移動しない。	プローブを取り外した後、クリーニングして碎片を取り除く。 <b>試料プローブの交換 76</b> ページを参照してください。 試料プローブを交換する。 <b>試料プローブの交換 76</b> ページを参照してください。
	機械式 Z ドライブが破損している。	技術サポートにお問い合わせください。
	機械式 Z ドライブが正しく取り付けられていない。	取り付けを確認する。 <b>機械式 Z ドライブの取り付け 69</b> ページを参照してください。
アームが正しく作動しない。	本装置が物理的に損傷した。	本装置の電源をオフしてからオンに戻す。問題が解決しない場合は、技術サポートにお問い合わせください。
試料プローブが試料を引き上げない。	バイアルへのエアフローが正しく流れていない。試料チューブが緩んでいる。	試料プローブを確認する。ニードルが金属スリーブの内側にあることを確認する。試料チューブ接続部を締める。
試料プローブがバイアルの隔壁キャップを通らない。	ストリッパープレートが正しく配置されていない。	試料トレイのバイアルとストリッパープレートのプラットフォームの間の高さを調整する。 <b>サンプリングのための装置の準備 74</b> ページを参照してください。
プローブが機械式 Z ドライブに簡単に入らない。		
プローブが引っ込むと、試料ボトルが持ち上がる。		

## 交換パーツとアクセサリ

### ▲ 警告



負傷の危険。未承認の部品を使用すると、負傷、装置の破損、または装置の誤作動を招く危険性があります。このセクションでの交換部品は、メーカーによって承認済みです。

**注:** プロダクト番号とカタログ番号は、一部の販売地域では異なる場合があります。詳細は、取り扱い販売店にお問い合わせください。お問い合わせ先については、当社の **Web** サイトを参照してください。

### 交換パーツ

説明	アイテム番号
ニードルスリーブ	9467400
ナットエクステンダツール	9454400
プローブ、隔壁穿孔	SP6790
電源	9467300
試料トレイ	9467200

# 목차

사양 78 페이지

일반 정보 78 페이지

설치 83 페이지

시작 88 페이지

작동 88 페이지

유지보수 89 페이지

문제 해결 91 페이지

교체 부품 및 부속품 91 페이지

## 사양

사양은 사전 예고 없이 변경될 수 있습니다.

사양	세부 사항
크기(가로 x 세로 x 높이)	36.6 x 53.7 x 45.7 cm(14.4 x 21.2 x 18.0 인치)
외함	에폭시 분말 처리된 알루미늄 합금
샘플(습식) 구성 부품	폴리에테르이미드(PEI) 및 폴리테트라플루오로에틸렌(PTFE)
무게	21 kg(45 파운드)
설치 범주	전원 공급 장치: II
	자동 샘플 채취기: I
오염 정도	II
외부 전원	입력: 100~240 VAC, 47~63 Hz, 1.9 A
	출력: 24 VDC, 3.33 A
자동 샘플 채취기 전원	입력: 24 VDC, 3.33 A. 함께 제공된 전원 공급 장치만 사용 가능
사용 온도	10~30 °C(50~85 °F)
보관 온도	0~55 °C(32~131 °F)
사용 고도	최대 3,048 m(10,000 피트)
상대 습도	0~95%(비응축 시)
인증	CE 마크
품질 보증	1 년(EU: 2 년)

## 일반 정보

제조업체는 본 설명서에 존재하는 오류나 누락에 의해 발생하는 직접, 간접, 특수, 우발적 또는 결과적 손해에 대해 어떠한 경우에도 책임을 지지 않습니다. 제조업체는 본 설명서와 여기에 설명된 제품을 언제나라도 통지나 추가적 책임 없이 변경할 수 있습니다. 개정본은 제조업체 웹 사이트에서 확인할 수 있습니다.

## 안전 정보

### 주의사항

제조사는 본 제품의 잘못된 적용 또는 잘못된 사용으로 인한 직접, 우발적 또는 간접적 손해에 국한하지 않는 모든 손해에 대한 어떠한 책임도 지지 않으며, 관계 법령이 최대한 허용하는 손해에 관한 면책이 있습니다. 사용자는 사용자 수명 중대한 위험을 인지하고 장비 오작동이 발생할 경우에 대비하여 적절한 보호 장치를 설치하여야 합니다.

장치 포장을 풀거나 설치하거나 작동하기 전에 본 설명서를 모두 읽으십시오. 모든 위험 및 주의사항 설명에 유의하시기 바랍니다. 이를 지키지 않으면 사용자가 중상을 입거나 장치가 손상될 수 있습니다.







본 장치의 보호 기능이 손상되지 않도록 본 설명서에서 설명하는 방법이 아닌 다른 방법으로 본 장치를 사용하거나 설치하지 마십시오.

### 위험 정보 표시

<b>▲ 위험</b>	
	지키지 않을 경우 사망하거나 또는 심각한 부상을 초래하는 잠재적 위험이나 긴급한 위험 상황을 뜻합니다.
<b>▲ 경고</b>	
	지키지 않을 경우 사망하거나 또는 심각한 부상을 초래할 수 있는 잠재적 위험이나 긴급한 위험 상황을 뜻합니다.
<b>▲ 주의</b>	
	경미하거나 심하지 않은 부상을 초래할 수 있는 잠재적인 위험 상황을 뜻합니다.
<b>주의 사항</b>	
	지키지 않으면 기기에 손상을 일으킬 수 있는 상황을 나타냅니다. 특별히 강조할 필요가 있는 정보.

### 주의 경고 라벨

본 기기에 부착된 모든 라벨 및 태그를 참조하시기 바랍니다. 지침을 따르지 않을 경우 부상 또는 기기 손상이 발생할 수 있습니다.

	기기에 이 심볼이 표시되어 있으면 지침서에서 작동 및 안전 주의사항을 참조해야 합니다.
	이 심볼이 표시된 전기 장비는 유럽 내 공공 폐기 시스템에 따라 폐기할 수 없습니다.
	본 심볼은 감전 및/또는 전기쇼크의 위험이 있음을 나타냅니다.
	본 심볼은 손 위로 물체가 떨어질 위험이 있음을 나타냅니다.
	본 심볼은 천공 또는 압착 위험을 나타냅니다. 손이나 손가락을 대지 마십시오.
	본 심볼은 해당 물체가 무겁다는 뜻입니다.

### 인증

#### 캐나다 무선 간섭 유발 장치 규정, IECS-003, 등급 A:

보조 테스트 기록은 제조업체가 제공합니다.

본 등급 A 디지털 장치는 캐나다 간섭 유발 장치 규제의 모든 요구조건을 만족합니다.

Cet appareil numérique de classe A répond à toutes les exigences de la réglementation canadienne sur les équipements provoquant des interférences.

#### FCC Part 15, Class "A" 제한

보조 테스트 기록은 제조업체가 제공합니다. 본 장치는 FCC 규칙, Part 15 를 준수합니다. 본 장치는 다음 조건에 따라 작동해야 합니다.

1. 유해한 간섭을 일으키지 않아야 합니다.
2. 바람직하지 않은 작동을 유발할 수 있는 간섭을 포함하여 수신되는 모든 간섭에도 정상적으로 작동해야 합니다.

본 장치의 준수 책임이 있는 측이 명시적으로 허용하지 않은 변경 또는 수정을 가하는 경우 해당 사용자의 장치 작동 권한이 무효화될 수 있습니다. 본 장치는 FCC 규칙, Part 15 에 의거하여 등급 A 디지털 장치 제한 규정을 준수합니다. 이러한 제한은 상업 지역에서 장치를 작동할 때 유해한 간섭으로부터 적절하게 보호하기 위하여 제정되었습니다. 본 장치는 무선 주파수 에너지를 생성 및 사용하며 방출할 수 있고 사용 설명서에 따라 설치하고 사용하지 않을 경우 무선 통신에 해로운 간섭을 일으킬 수 있습니다. 주거 지역에서 본 장치를 사용하면 해로운 간섭을 일으킬 수 있으며, 이 경우 사용자는 자비를 들여 간섭 문제를 해결해야 합니다. 다음과 같은 방법으로 간섭 문제를 줄일 수 있습니다.

1. 장치를 전원에서 분리하여 장치가 간섭의 원인인지 여부를 확인합니다.
2. 장치가 간섭을 받는 장치와 동일한 콘센트에 연결된 경우, 장치를 다른 콘센트에 연결해보십시오.
3. 장치를 간섭을 받는 장치로부터 멀리 떨어트려 놓으십시오.
4. 간섭을 받는 장치의 안테나 위치를 바꿔보십시오.
5. 위의 방법들을 함께 이용해보십시오.

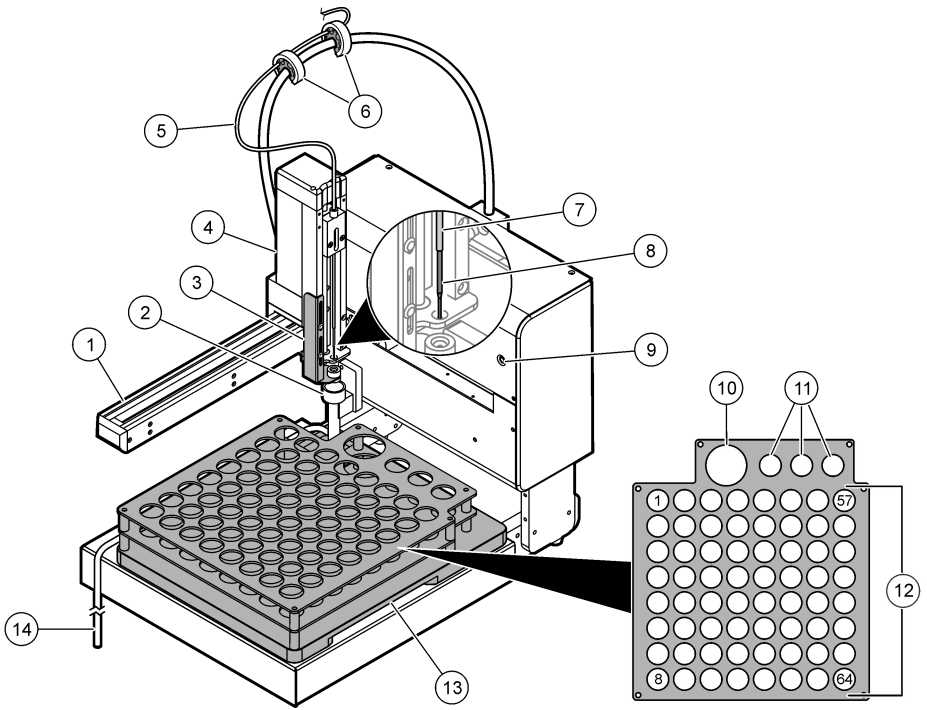
## 제품 개요

QbD1200 자동 샘플 채취기는 수용성 샘플의 TOC 분석을 위해 분석 실험실에서 사용하는 자동 샘플 교환기입니다. 이 기기에는 최대 64 개의 샘플 유리병, 1 개의 교정용 병과 3 개의 시스템 적합성 테스트용 병을 장착할 수 있는 샘플 트레이가 있습니다. 이 기기는 사용자 개입이 최소로 요구되며 QbD1200 TOC 분석기와 함께 사용합니다. 기기의 개요는 [그림 1](#) 및 [그림 2](#) 를 참조하십시오.

**참고:** 기기의 제조업체는 *Teledyne CETAC Technologies* 입니다. 지원 서비스 및 수리는 *Hach Company* 에서 담당합니다.

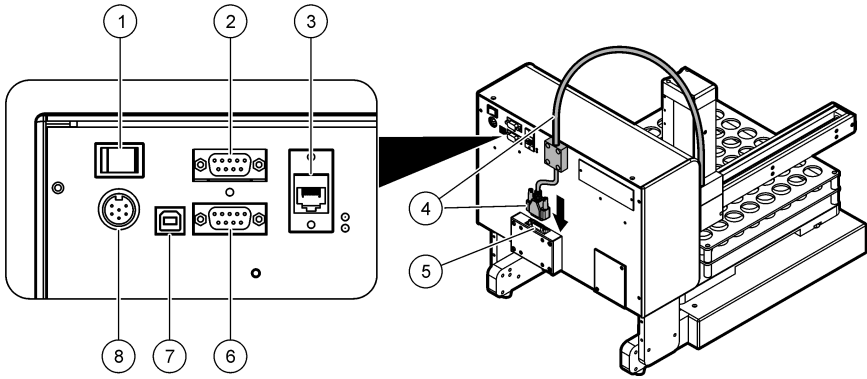


그림 1 제품 개요



1	암	8	샘플 프로브
2	린스 스테이션	9	전원 표시등
3	스트리퍼 플레이트	10	교정용 표준 시약 홀더
4	기계적 Z-드라이브	11	시스템 적합성 테스트 시약 홀더
5	샘플 튜브(분석기)	12	샘플 위치(1 ~ 64)
6	튜브 홀더	13	샘플 트레이
7	니들 슬리브	14	린스 스테이션 배출 튜브

그림 2 후면 패널 개요



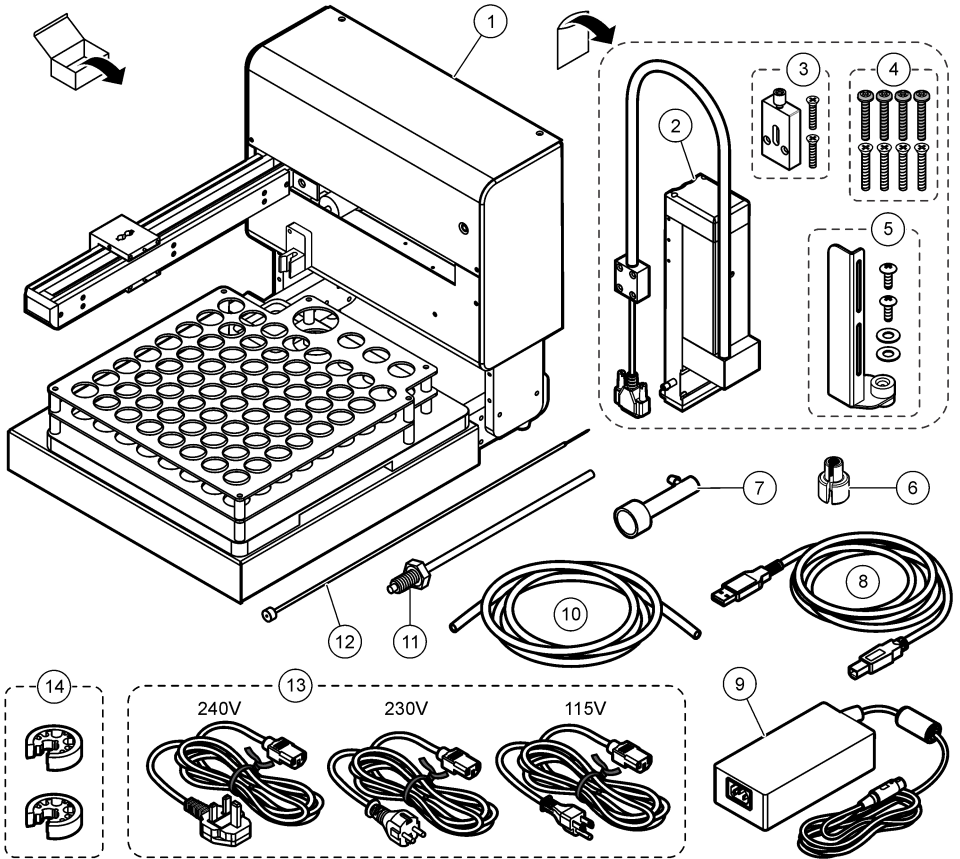
1 전원 스위치	5 기계적 Z-드라이브 케이블 연결부
2 COM 포트 2 <sup>1</sup>	6 COM 포트 1 <sup>1</sup>
3 이더넷 포트 1	7 USB 포트
4 기계적 Z-드라이브 케이블	8 전원 커넥터

### 제품 구성품

모든 구성품을 수령했는지 확인하십시오. 그림 3을 참조하여 제품 구성품을 모두 확인합니다. 품목이 누락되었거나 손상된 경우에는 제조업체 또는 판매 담당자에게 즉시 연락하시기 바랍니다.

<sup>1</sup> 이 기능은 사용되지 않습니다.

그림 3 제품 구성품



1 샘플 트레이가 있는 자동 샘플 채취기	8 USB 케이블, 3 m
2 기계적 Z-드라이브	9 전원 공급 장치
3 배출 홀더	10 린스 스테이션용 배출 튜브
4 기계적 Z-드라이브 설치 나사(8 개)	11 니들 슬리브
5 스트리퍼 플레이트 어셈블리	12 샘플 프로브
6 너트 확장 도구	13 전원 코드(240 V, 230 V, 115 V)
7 린스 스테이션	14 튜브 홀더(2 개)

## 설치

### ▲ 경고



여러 가지 위험이 존재합니다. 해당 전문가만 본 문서에 의거하여 작업을 수행해야 합니다.

## 설치 지침

기기 설치 위치:

- 평평한 표면
- 깨끗하고 건조하며 환기가 잘 되고 온도가 조절되는 위치
- 직사광선에 노출되지 않고 진동이 최소화되는 위치
- 연결 및 유지관리 작업을 할 수 있는 충분한 간격이 있는 위치
- 전원 스위치 및 전원 코드가 보이고 쉽게 접근할 수 있는 위치

## 기계 설치

### 기계적 Z-드라이브 설치

#### ▲ 경고



신체 부상 위험. 기기 또는 구성 부품은 무겁습니다. 설치 또는 이동 시 도움을 받으십시오.

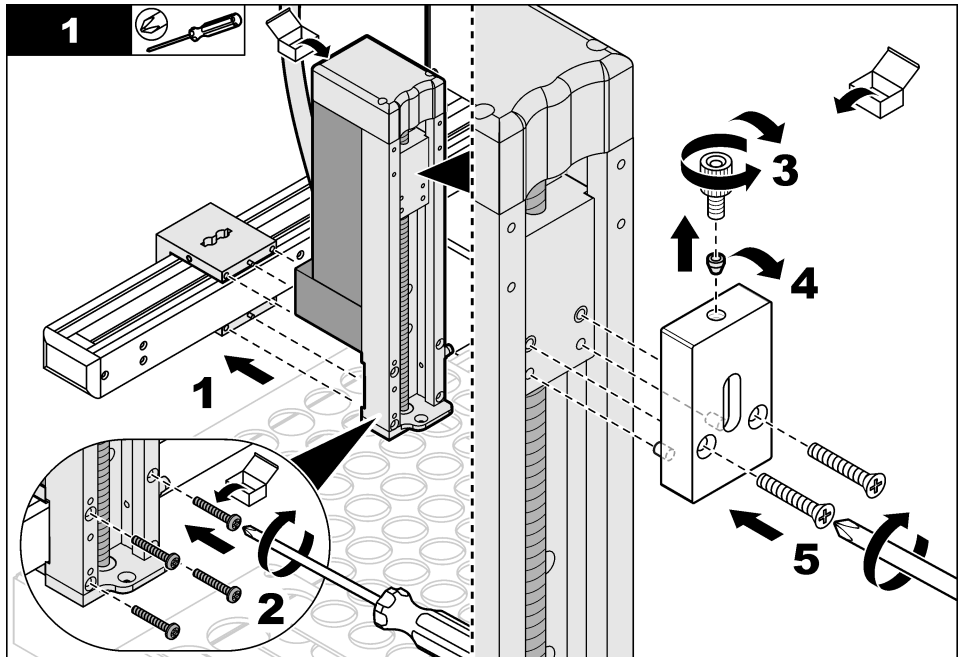
#### ▲ 경고

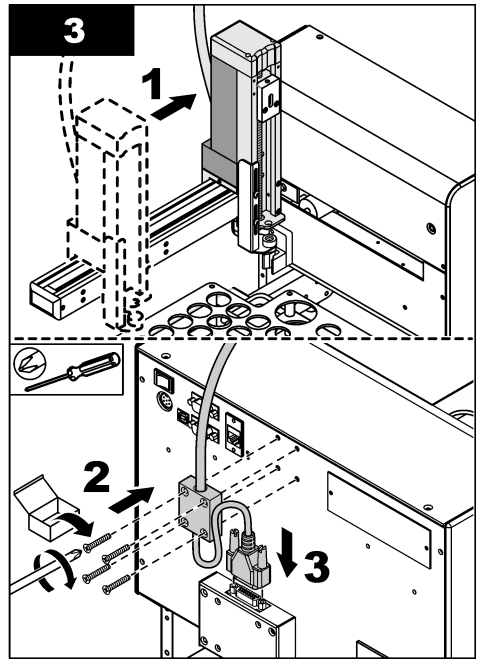
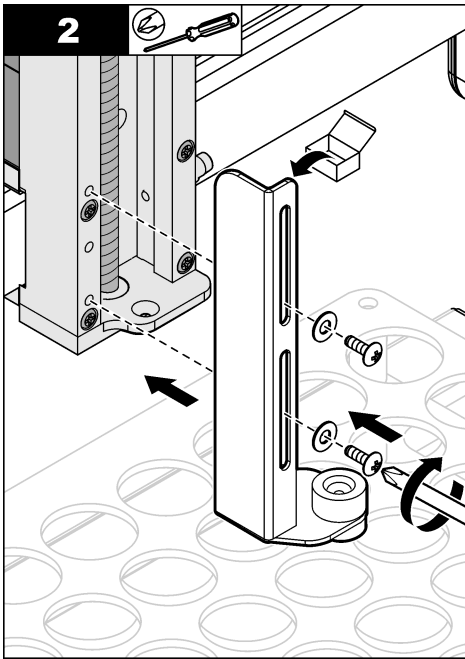


압착 위험. 움직이는 부품에 압착되어 상해를 입을 수 있습니다. 작동하고 있는 부품을 만지지 마십시오.

제공된 기계적 Z-드라이브를 설치하려면 아래 그림의 순서를 참조하십시오.

준비 항목: 필립스 헤드 스크류드라이버





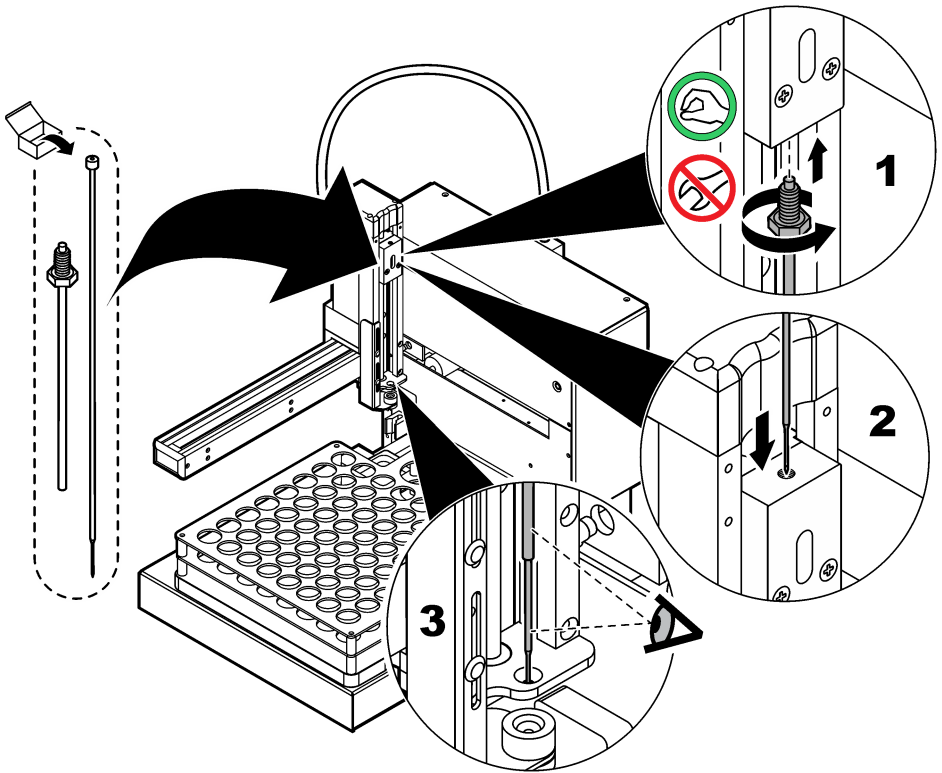
슬리브 및 샘플 프로브 설치

▲ 경고



상처 위험. 노출된 바늘로 인해 상처를 입을 수 있습니다. 병을 설치하거나 제거할 때 주의하십시오.

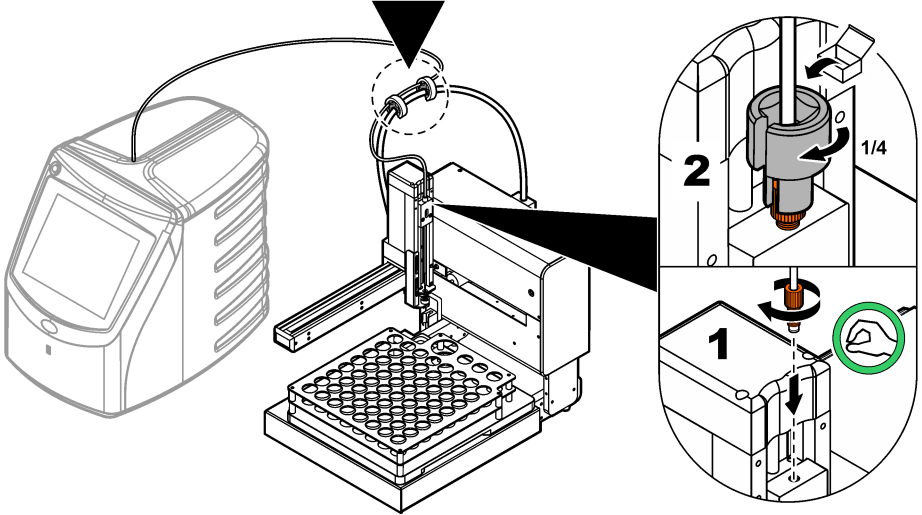
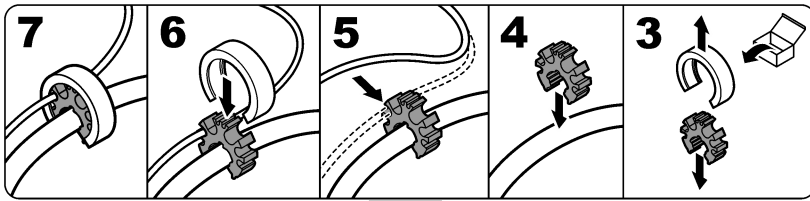
니들 슬리브 및 샘플 프로브를 설치하려면 아래 그림의 순서를 참조하십시오.



## 배관

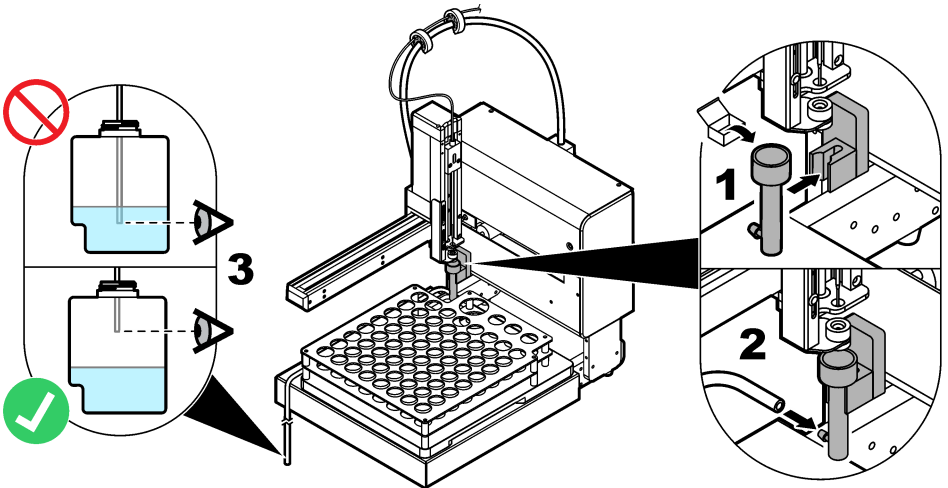
### 분석기 배관 연결

분석기의 샘플 튜브를 자동 샘플 채취기의 기계적 Z-드라이브에 연결하려면 아래 그림의 순서를 참조하십시오.



### 린스 스테이션 설치

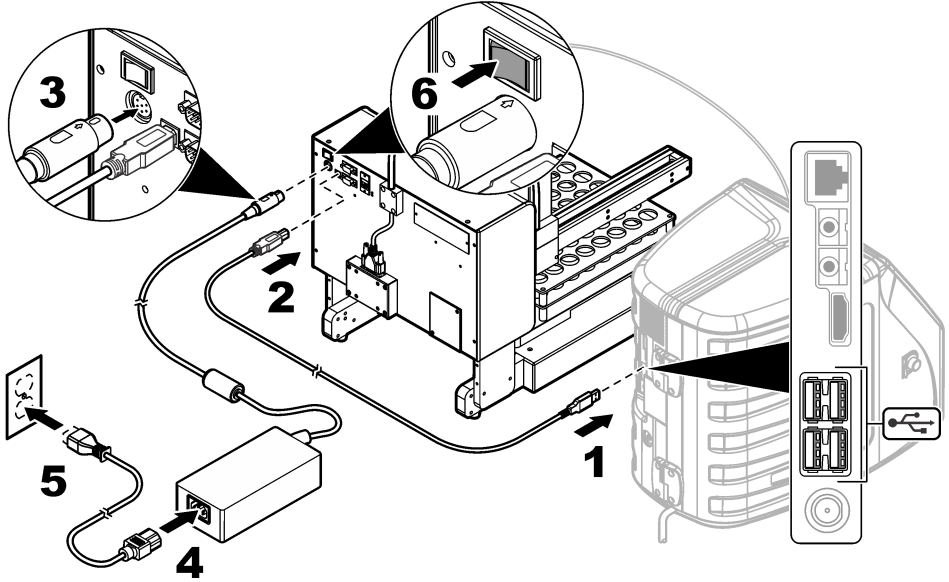
각 샘플 분석 후, 시약으로 샘플 튜브를 세척하여 남아 있는 탄소를 제거합니다. 세척된(사용된) 시약은 폐기물 용기로 이동합니다. 분석기가 기기에 연결되어 있는 경우 분석기는 린스 스테이션이 작동하는 시기를 제어합니다. 린스 스테이션과 배출 튜브를 설치하려면 아래 그림의 순서를 참조하십시오. 허가된 폐기물 용기를 사용하십시오.



## 전기 설치

### 분석기 및 전원 연결

절차를 시작하기 전에 자동 샘플 채취기 및 분석기 전원 스위치가 꺼져 있는지 확인하십시오. 제공된 USB 케이블을 사용하여 자동 샘플 채취기를 분석기에 연결합니다. 제공된 전원 코드 및 전원공급 장치를 사용하여 자동 샘플 채취기에 전원을 연결합니다. 분석기 전원을 켜기 전에 자동 샘플 채취기의 전원이 켜져 있어야 합니다. 전원에 연결하려면 분석기의 사용설명서를 참조하십시오. 아래 그림의 순서를 참조하여 필요한 부분에 연결을 하십시오.



## 시작

### 전원 켜기

1. 전원 연결이 올바르게 설치되었는지 확인하십시오. **분석기 및 전원 연결 88** 페이지를 참조하십시오.
2. 기기 후면 패널에 있는 전원 버튼을 눌러 전원을 켭니다. 전원을 켜면 LED 표시등이 기기의 전면에서 표시됩니다.
3. 암과 기계적 Z-드라이브가 움직인 다음 정확한 위치에서 멈춥니다.
4. 분석기의 전원을 켭니다.

## 작동

### ⚠ 위험



화재 위험. 본 제품은 가연성 약체류와 사용을 금합니다.

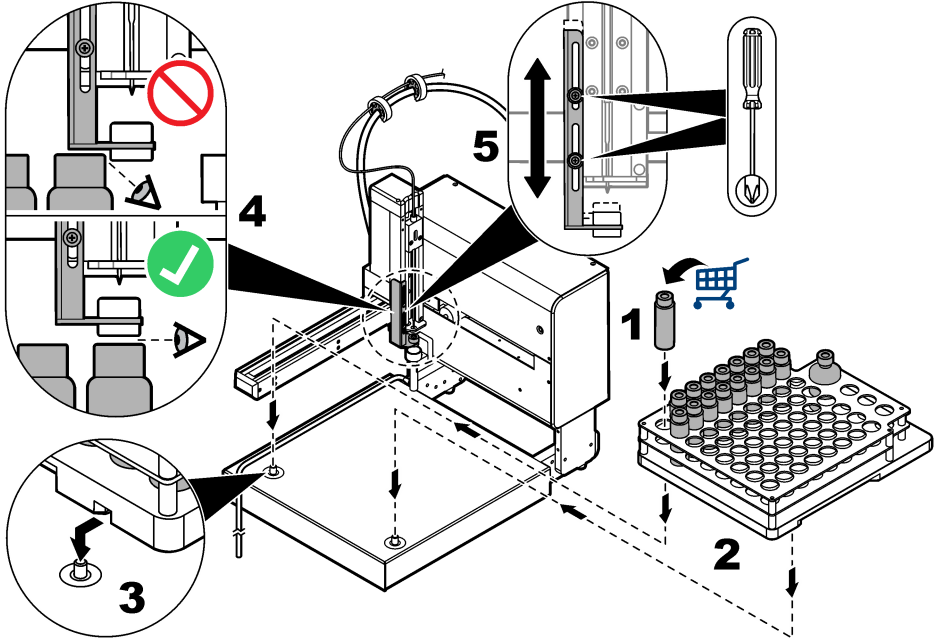
### 기기의 샘플 채취 준비

기기의 샘플 채취를 준비하려면 아래 그림의 순서를 참조하십시오. 샘플 수집 후 사용자가 제공한 유리병을 1부터 64까지 정확한 순서로 샘플 트레이에 넣으십시오. 각 샘플 위치는 하단 왼쪽에 표시된 숫자로 식별됩니다.



샘플 트레이의 유리병과 스트리퍼 플레이트의 플랫폼 사이에는 충분한 공간이 있어야 합니다. 필요한 경우 스트리퍼 플레이트를 조정하려면 아래 그림의 단계(4 및 5 단계)를 참조하십시오.

유출을 방지하려면 샘플 트레이를 조심스럽게 설치 또는 제거하십시오.





## 측정

유리병이 샘플 트레이에 올바르게 설치되어 있는지 확인하십시오. **기기의 샘플 채취 준비 88** 페이지를 참조하십시오. 분석기는 측정 매개변수를 제어합니다. 사용설명서를 참조하십시오.

**참고:** 이 절차를 시작하기 전에 모든 필요한 배관 연결이 완료되었는지 확인하십시오. 분석기는 샘플 흐름 경로를 세척하기 위해 백플러시 작업을 제어합니다.

## 유지보수

▲ 경고	
	신체 부상 위험. 기기 또는 구성 부품은 무겁습니다. 설치 또는 이동 시 도움을 받으십시오.
▲ 주의	
	여러 가지 위험이 존재합니다. 해당 전문가만 본 문서에 의거하여 작업을 수행해야 합니다.

**참고:** 기기의 제조업체는 Teledyne CETAC Technologies 입니다. 지원 서비스 및 수리는 Hach Company 에서 담당합니다.

## 절차 종료

유지관리 작업을 수행하기 전에 항상 기기를 종료하십시오.


1. 기기의 전원을 끕니다.
2. 전원 공급 장치에서 전원 코드를 분리합니다.

## 누수 검사

샘플 프로브, 샘플 튜브 또는 린스 스테이션과 린스 스테이션 튜브에 누수가 있는지 검사하십시오.

1. 자동 샘플 채취기를 종료합니다. **절차 종료 89** 페이지를 참조하십시오.
2. 샘플 프로브, 샘플 튜브 또는 린스 스테이션과 린스 스테이션 튜브에 손상과 누수 흔적이 있는지 조사합니다.
3. 누수나 손상의 증후가 있는 구성품은 모두 교체합니다.

## 기기 청소

▲ 주의	
	<p>화학물질에 노출될 위험이 있습니다. 실험실의 안전절차를 준수하고, 취급하는 화학 물질에 맞는 개인보호장비를 안전하게 착용하십시오. 최신 물질안전보건자료(MSDS/SDS)에서 안전 규정을 참조하십시오.</p>

주의사항
<p>물로 기기를 세척합니다. 세정제의 가스가 결과에 영향을 미칠 수 있습니다. 세정제가 유도 나사에 닿지 않도록 하십시오. 유도 나사에 윤활제를 바르지 마십시오.</p>

기기 사용 중 액체가 유출될 수 있습니다. 최상의 작동을 위해 유출되는 액체는 매일 제거하십시오. 기기 손상을 예방하려면 필요에 따라 기기를 청소해 주십시오. 움직이는 부품 주위에 있는 오염 물질과 마모성 물질을 제거하십시오. MSDS/SDS 지침에 따라 유출된 화학물질을 제거하십시오.

### 준비 항목:

- 보풀이 없는 마른 헝겂
- 부드러운 타월
- 깨끗한 물

1. 기기의 사용을 중단합니다. **절차 종료 89** 페이지를 참조하십시오.
2. 샘플 트레이를 분리합니다.
3. 보풀이 없는 마른 헝겂을 사용하여 유도 나사에서 불순물을 제거합니다.
4. 천으로 된 타월을 사용하여 기기의 외부 표면과 베이스를 청소합니다.
5. 깨끗한 물로 샘플 트레이를 청소하고 얼룩과 유출된 액체를 말끔하게 제거합니다.  
*참고: 앞의 튜브를 따라 슬라이더 블록과 가이드 레일을 청소합니다.*
6. 마른 타월을 사용하여 기기에서 습기를 완전히 없앱니다.  
전원을 켜기 전에 기기가 완전히 마를 때까지 기다립니다.
7. 마른 샘플 채취기 트레이를 바닥에 올려 놓습니다.

## 샘플 프로브 교체

프로브에 누수가 있거나 손상의 증후가 보이면 프로브를 교체하십시오.

1. 기기의 사용을 중단합니다. **절차 종료 89** 페이지를 참조하십시오.
2. 마모된 샘플 프로브를 제거합니다.  
*참고: 지나친 힘을 가하면 기계적 Z-드라이브가 손상될 수 있습니다.*
3. 새 프로브를 설치합니다. **기계적 Z-드라이브 설치 84** 페이지를 참조하십시오.

## 문제 해결

문제	발생 원인	해결방안
기기가 작동하지 않습니다. LED 상태 표시등이 꺼져 있습니다.	전원 스위치가 꺼져 있습니다.	전원 스위치를 켜짐으로 설정하십시오.
	전원 코드가 전원 공급 장치 또는 벽면 콘센트에서 분리되어 있습니다.	전원 코드를 연결하십시오.
	전원 코드가 손상되었습니다.	전원 코드를 교체하십시오.
	전원 공급 장치에 결함이 있습니다.	기술 지원부에 문의하십시오.
	전원 라인의 과도전기량이 너무 커서, 분석기와 샘플 채취기 간의 USB 통신을 교란할 수 있습니다.	시판되고 있는 USB 광 아이솔레이터를 분석기와 자동 샘플 채취기 간에 설치합니다. USB 통신 장치를 수리하려면 두 기기 전원을 모두 껐다가 켵니다.
기기가 작동하지 않습니다. LED 상태 표시등이 켜져 있습니다.	암의 정위치가 손상되었습니다.	기술 지원부에 문의하십시오.
	샘플 프로브가 자유롭게 움직이지 않습니다.	프로브를 제거하여 청소하고 불순물을 제거하십시오. <b>샘플 프로브 교체 90</b> 페이지를 참조하십시오.
	기계적 Z-드라이브가 손상되었습니다.	기술 지원부에 문의하십시오.
	기계적 Z-드라이브가 올바르게 설치되지 않았습니다.	설치가 적합한지 확인하십시오. <b>기계적 Z-드라이브 설치 84</b> 페이지를 참조하십시오.
	암이 올바르게 작동하지 않습니다.	기기가 물리적으로 손상되었습니다. 기기가 전원을 껐다가 켵니다. 문제가 계속되는 경우 기술 지원부에 문의하십시오.
샘플 프로브가 샘플을 끌어올리지 못합니다.	공기가 유리병으로 올바르게 흐르지 않습니다. 샘플 튜브가 느슨합니다.	샘플 프로브를 검사하십시오. 너들이 메탈 슬리브 내에 있는지 확인하십시오. 샘플 튜브 연결을 조이십시오.
샘플 프로브가 유리병의 충격 캡을 통과하지 않습니다.	스트리퍼 플레이트가 올바르게 정렬되어 있지 않습니다.	샘플 트레이의 유리병과 스트리퍼 플레이트의 플랫폼 간 높이를 조정하십시오. <b>기기의 샘플 채취 준비 88</b> 페이지를 참조하여 제품 구성품을 모두 확인합니다.
프로브가 기계적 Z-드라이브로 쉽게 이동하지 않습니다.		
프로브가 뒤로 이동한 후 샘플 병이 들어 올려집니다.		

## 교체 부품 및 부속품

### ▲ 경고



신체 부상 위험. 승인되지 않은 부품을 사용하면 부상, 기기 손상 또는 장비 오작동이 발생할 수 있습니다. 이 장에 설명된 교체 부품은 제조업체의 승인을 받았습니다.

**참고:** 일부 판매 지역의 경우 제품 및 문서 번호가 다를 수 있습니다. 연락처 정보는 해당 대리점에 문의하거나 본사 웹사이트를 참조하십시오.

## 교체 부품

설명	품목 번호
니들 슬리브	9467400
너트 확장 도구	9454400
프로브, 중격 피어싱	SP6790
전원 공급 장치	9467300
샘플 트레이	9467200

# 目录

规格 第 93 页

基本信息 第 93 页

安装 第 98 页

启动 第 103 页

操作 第 103 页

维护 第 104 页

故障排除 第 106 页

更换件与附件 第 106 页

## 规格

产品规格如有变化，恕不另行通知。

规格	详细信息
尺寸 (宽 x 深 x 高)	36.6 x 53.7 x 45.7 厘米 (14.4 x 21.2 x 18.0 英寸)
外壳	铝合金, 使用环氧粉末层进行铬酸处理
样品 (浸湿的) 组件	聚醚酰亚胺 (PEI) 和聚四氟乙烯 (PTFE)
重量	21 千克 (45 磅)
安装类别	电源: II
	自动采样器: I
污染程度	II
外部电源	输入: 100–240 VAC, 47–63 Hz, 1.9 A
	输出: 24 VDC, 3.33 A
自动采样器电源	输入: 24 VDC, 3.33 A。仅使用提供的电源。
操作温度	10 至 30°C (50 至 85°F)
存储温度	0 至 55°C (32 至 131°F)
海拔	3048 米 (10,000 英尺) (最大)
相对湿度	0 至 95% 非冷凝
认证	CE 标志
保修	1 年 (EU: 2 年)

## 基本信息

对于因本手册中的任何不足或遗漏造成的直接、间接、特别、附带或结果性损失，制造商概不负责。制造商保留随时更改本手册和手册中描述的产品的权利，如有更改恕不另行通知或承担有关责任。修订版可在制造商的网站上找到。

## 安全信息

### 注意

对于误用和滥用造成的产品损坏，制造商概不负责，包括但不限于：直接、附带和间接的损坏，并且对于适用法律允许的最大程度的损坏也不承担任何责任。用户唯一的责任是识别重大应用风险和安装适当的系统，以在设备可能出现故障时保护整个操作过程。

请在拆开本设备包装、安装或使用本设备前，完整阅读本手册。特别要注意所有的危险警告和注意事项。否则，可能会对操作者造成严重的人身伤害，或者对设备造成损坏。







确保设备提供的保护没有受损。请勿以本手册指定方式之外的其它方式使用或安装本设备。

## 危险品使用信息

<b>⚠ 危险</b>
表示潜在的或紧急的危险情况，如果不加以避免，将会导致死亡或严重伤害。
<b>⚠ 警告</b>
表示潜在或非常危险的情形，如不避免，可能导致严重的人身伤害。
<b>⚠ 警告</b>
表示潜在的危险情形，可能导致轻度或中度人身伤害。
<b>注意</b>
表明如不加以避免则会导致仪器损坏的情况。需要特别强调的信息。

### 警告标签

请阅读贴在仪器上的所有标签和标记。如未遵照这些安全标签的指示操作，则可能造成人身伤害或仪器损坏。

	本符号如果出现在仪器中，则表示参考说明手册中的操作和/或安全信息。
	标有此符号的电气设备在欧洲不能通过家庭或公共垃圾系统进行处理。请将老旧或报废设备寄回至制造商处进行处置，用户无需承担费用。
	此标志指示存在电击和/或触电死亡危险。
	此标志指示存在从上方挤压手部的危险。
	此标志指示刺伤或夹伤危险。手和手指请不要接触此处。
	此标志指示物体很重。

### 认证

加拿大无线电干扰产生设备法规（**Canadian Radio Interference-Causing Equipment Regulation**），**IECS-003, A类**：

制造商支持测试记录留存。

此 A 类数字设备符合加拿大干扰产生设备法规的所有要求。

Cet appareil numérique de classe A répond à toutes les exigences de la réglementation canadienne sur les équipements provoquant des interférences.

**FCC 第 15 部分，“A”类限制**

制造商支持测试记录留存。该设备符合 FCC 规定第 15 部分的要求。设备操作满足以下两个条件：

1. 本设备不会造成有害干扰。
2. 本设备必须接受任何接收到的干扰，包括可能导致意外操作的干扰。

若未经负责出具符合声明的一方明确同意擅自对本设备进行改动或改装，可能会导致取消用户操作该设备的权限。本设备已经过测试，符合 FCC 规定第 15 部分中确定的 A 类数字设备限制。这些限制专门提供当设备在商业环境下工作时针对有害干扰的合理保护。该设备产生、使用和放射无线电射频能量，如果不按照说明手册的要求对其进行安装和使用，可能会对无线电通讯造成有害干扰。本设备在居民区工作时可能会产生有害干扰，这种情况下用户须自行承担费用消除这种干扰。以下方法可用于减少干扰问题：

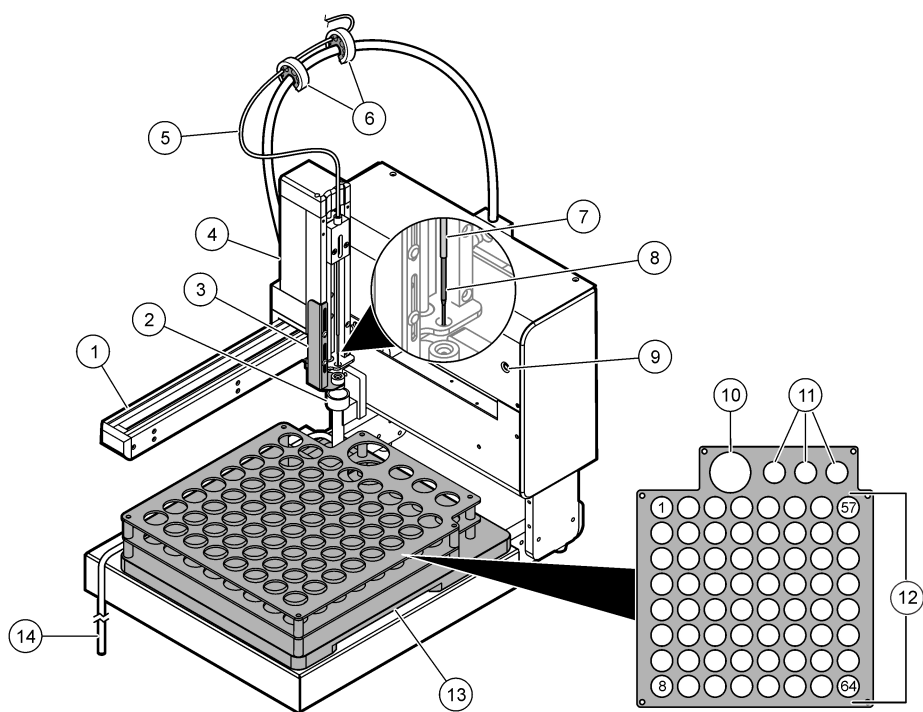
1. 断开设备的电源，以便确证它是干扰源与否。
2. 如果设备与遭受干扰的仪器连接到相同的插座，将设备连接到其他插座。
3. 将设备从接受干扰的仪器边上移开。
4. 重新定位受干扰仪器的接收天线。
5. 同时尝试以上多项措施。

## 产品概述

QbD1200 AutoSampler 是一款在分析实验室中用于水样 TOC 分析的自动样品转换器。该仪器具有 1 个最多可装载 64 个样品试剂瓶的样品托盘、1 个校准瓶和 3 个系统适用性瓶。该仪器操作所需用户介入度低，与 QbD1200 TOC 分析仪配合使用。请参阅图 1 和图 2 了解仪器概述。

**注：** 仪器的制造商为 Teledyne CETAC Technologies。Hach 公司提供支持服务和维修。

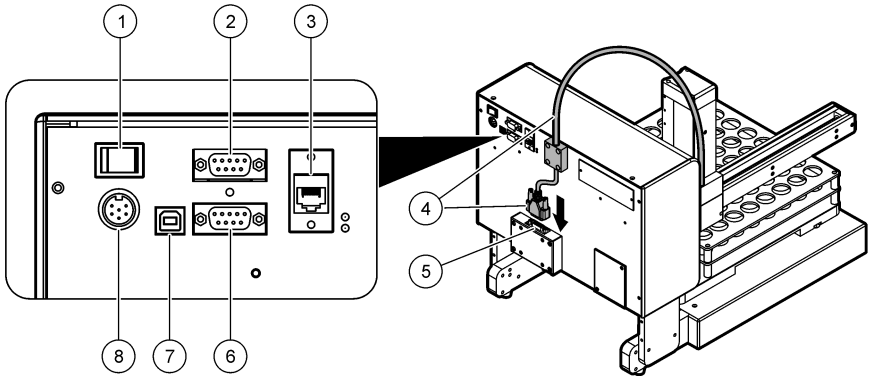
图 1 产品概述



1 臂	8 取样针
2 清洗槽	9 电源指示灯
3 止挡板	10 校准标准液瓶支架
4 机械 Z 驱动	11 系统适应性标准液瓶支架
5 样品管 (自分析仪)	12 样品位置 (1 至 64)
6 管夹	13 样品托盘
7 针套	14 清洗槽排水管



图 2 后面板概述



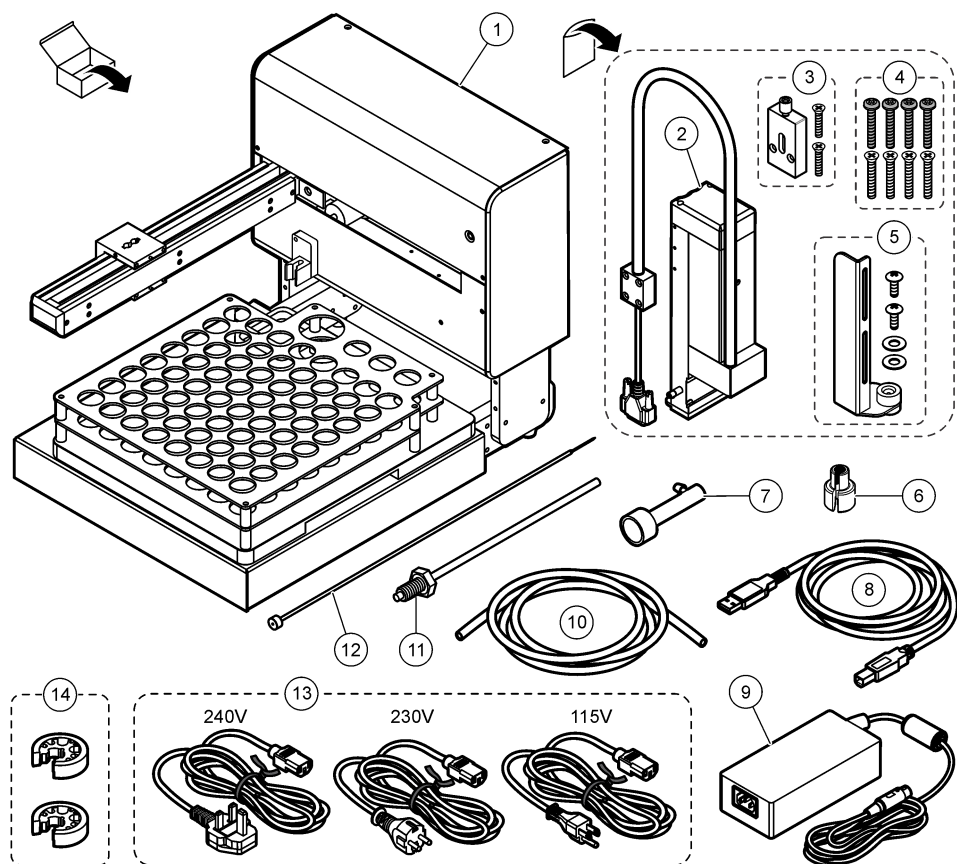
1 电源开关	5 机械 Z 驱动线缆连接端口
2 COM 端口 2 <sup>1</sup>	6 COM 端口 1 <sup>1</sup>
3 以太网端口 1	7 USB 端口
4 机械 Z 驱动线缆	8 电源接头

## 产品部件

确保已收到所有部件。请参阅 图 3。如有任何物品丢失或损坏，请立即联系制造商或销售代表。

<sup>1</sup> 这些功能未使用。

图 3 产品部件



1 带样品托盘的自动采样器	8 USB 电缆, 3 米
2 机械 Z 驱动	9 电源
3 出口固定器	10 清洗槽的排水管
4 机械 Z 驱动安装螺钉 (8 颗)	11 针套
5 卸料板组件	12 取样针
6 螺母扩展工具	13 电源线 (240 V, 230 V, 115 V)
7 清洗槽	14 管夹 (2 个)

## 安装

### ▲ 警告



多种危险。只有合规的专业人员才能从事文件中本部分所述的任务。

## 安装指南

安装仪器：

- 在水平表面上
- 在干净、干燥、通风良好、温度可控的位置
- 在振动最小、无阳光直射的位置
- 在拥有足够空间进行连接以及执行维护任务的位置
- 在电源开关和电源线清晰可见且易于使用的位置

## 机械安装

安装机械 Z 驱动。

### ▲ 警告



人身伤害危险。仪器或部件很重。使用协助资源进行安装或移动。

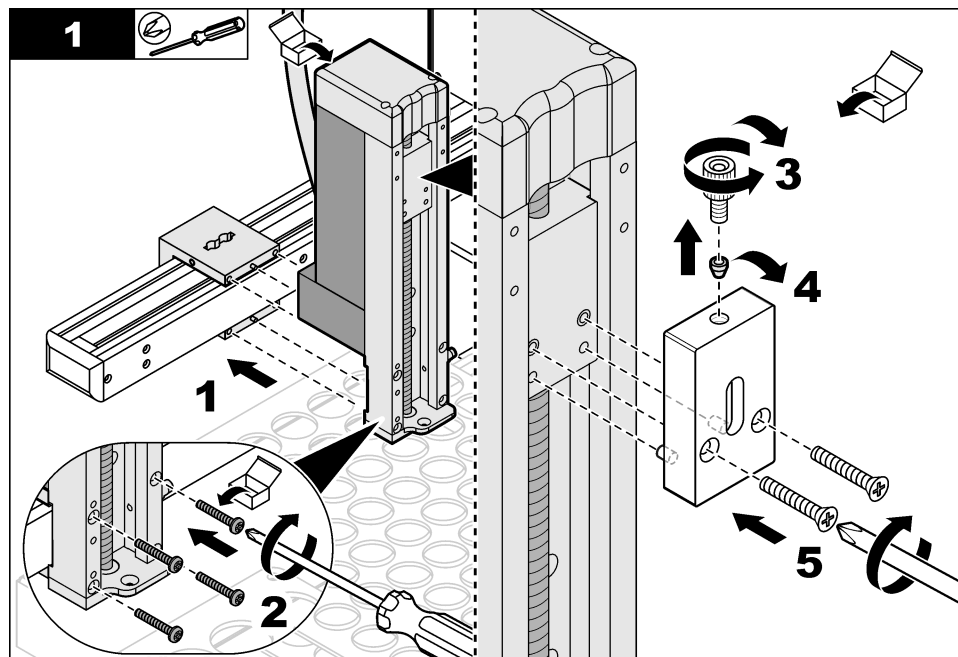
### ▲ 警告

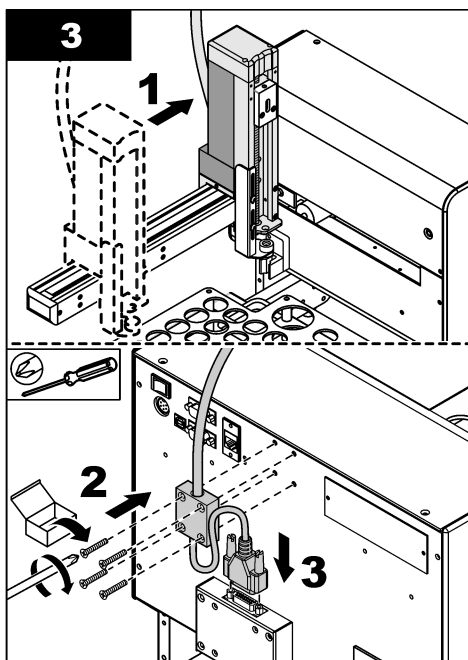
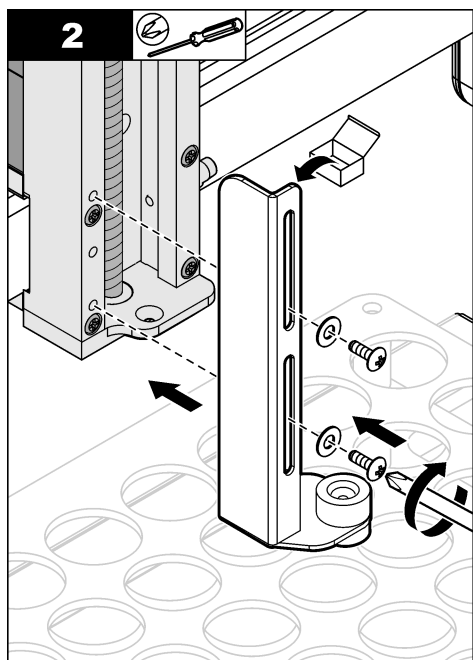


夹伤危险。移动的部件可能夹住人体而导致伤害。切勿接触移动部件。

请参阅以下图示步骤安装所提供的机械 Z 驱动。

所需物品：十字头螺丝刀





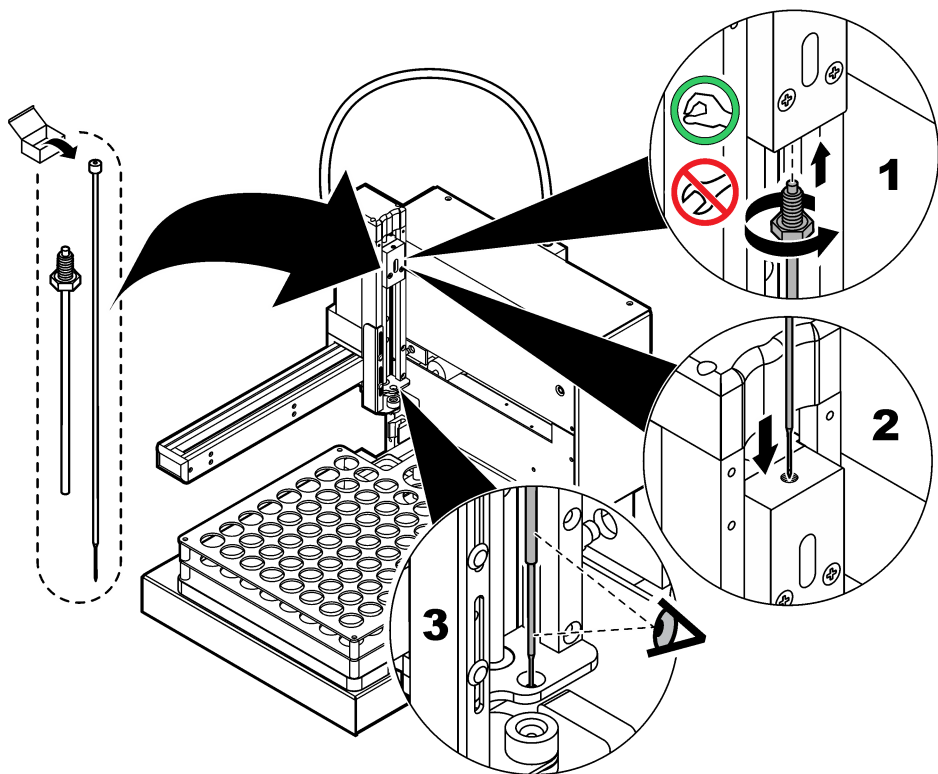
## 安装针套和取样针

### ▲ 警告



刺伤危险。暴露的针头可能导致刺伤。小心安装或移动瓶身。

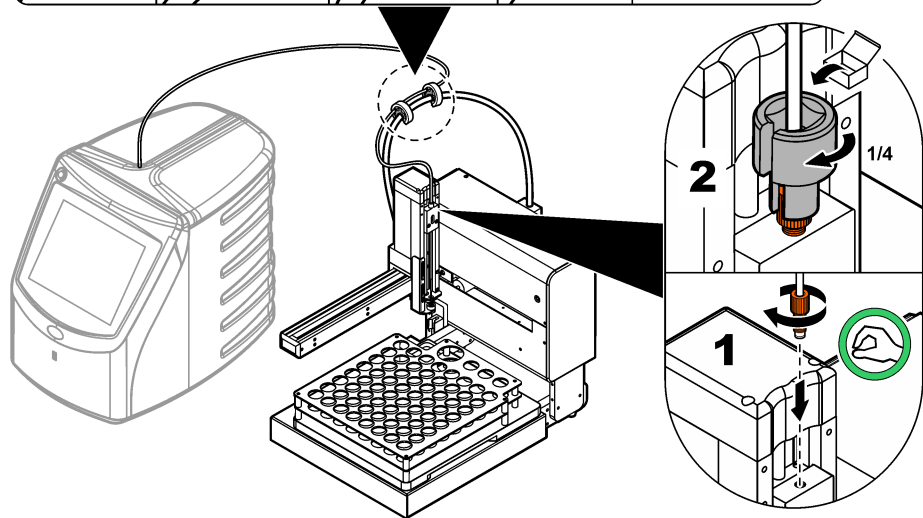
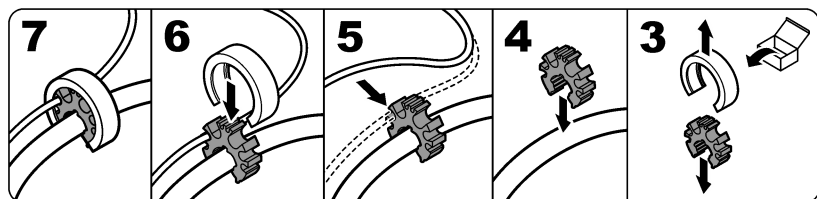
请参阅以下图示步骤安装针套和取样针。



## 装设管道

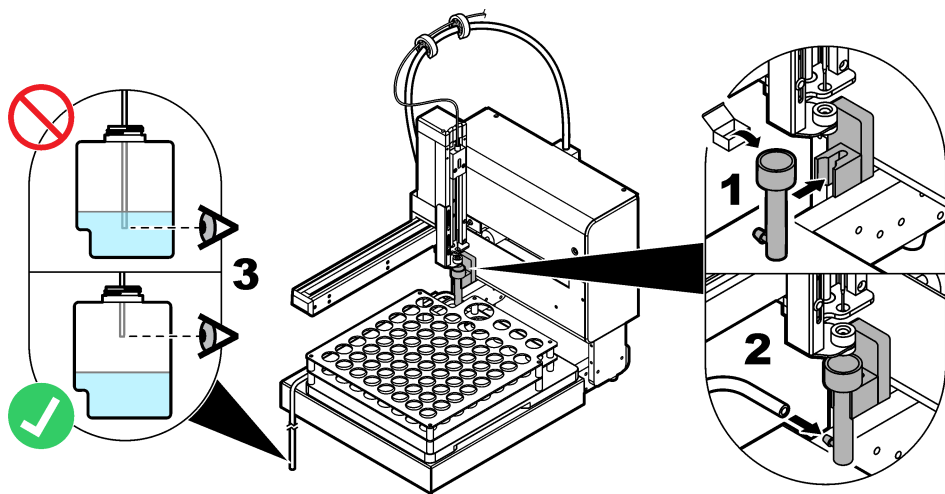
### 连接至分析仪

请参阅以下图示步骤，将样品管从分析仪连接至自动采样器上的机械 Z 驱动。



### 安装清洗槽

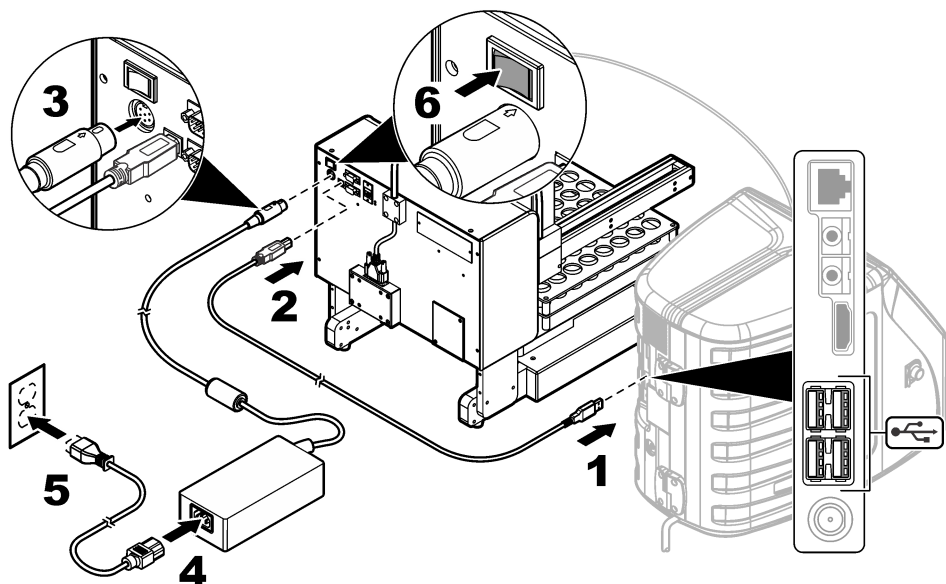
分析完各样品之后，使用试剂冲洗样品管以清除残余碳。冲洗（使用）的试剂流入废液容器。如果分析仪与仪器相连，当清洗槽工作时由分析仪控制。请参阅以下图示步骤安装清洗槽和排水管。确保使用一个经允许的废液容器。



## 电气安装

### 将分析仪连接电源。

流程开始之前，确保自动采样器和分析仪电源开关置于关闭位置。使用所提供的 **USB** 数据线将自动采样器与分析仪相连。使用所提供的电源线和电源将电源与自动采样器相连。打开分析仪的电源之前必须先打开自动采样器的电源。有关电源连接，请参阅分析仪文档。请参阅以下图示步骤完成必要连接。



## 启动

### 开启电源

1. 确保电源接头正确安装。请参阅 [将分析仪连接电源](#)。第 103 页。
2. 按下仪器后面板上的电源按钮开启电源。  
当电源开启时，仪器前部的一个 LED 指示灯亮起。
3. 臂和机械 Z 驱动移动，然后停止在正确位置。
4. 开启分析仪的电源。

## 操作

### ⚠ 危险



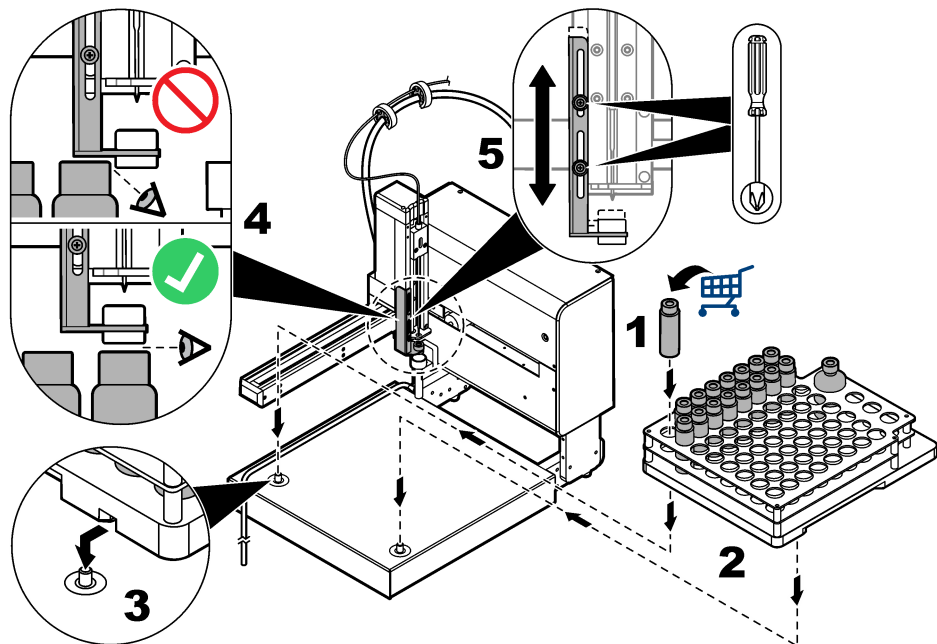
火灾危险。此产品不得与易燃液体一同使用。

### 使仪器准备就绪以便进行采样

请参阅以下图示步骤使仪器准备就绪以便进行采样。样品采集完后，将用户提供的试剂瓶按 1 至 64 的正确顺序置于样品托盘中。各样品位置以数字形式标记在左下侧。

样品托盘中的试剂瓶和止挡板平台之间必须留有足够空间。必要时请参阅以下图示步骤（第 4 步和第 5 步）调节止挡板。

小心安装或移除样品托盘以防止泄露。



## 执行测定

确保试剂瓶正确安装在样品托盘中。请参阅 [使仪器准备就绪以便进行采样](#) 第 103 页。分析仪控制测量参数。请参阅分析仪文档。

**注：** 确保在该流程开始之前完成所有必要的管道连接。分析仪控制逆流洗涤操作以冲洗样品流道。

## 维护

### ▲ 警告



人身伤害危险。仪器或部件很重。使用协助资源进行安装或移动。

### ▲ 警告



多种危险。只有合规的专业人员才能从事文件中本部分所述的任务。

**注：** 仪器的制造商为 Teledyne CETAC Technologies。Hach 公司提供支持服务和维修。

## 关闭流程

务必关闭仪器后再进行维护任务。

1. 关闭仪器电源。
2. 拔掉电源供应器上的电源线。



## 进行泄漏检查

检查取样针、样品管、清洗槽或清洗槽导管是否存在泄露。



1. 关闭自动采样器。请参阅[关闭流程](#) 第 104 页。
2. 检查取样针、样品管、清洗槽或清洗槽导管是否损坏或发生泄露。
3. 更换有泄漏或损坏迹象的所有组件。

## 清洁仪器

<b>警告</b>	
 	<p>存在化学品暴露风险。遵守实验室安全规程，穿戴适用于所处理化学品的所有个人防护装备。有关安全协议，请参阅当前安全数据表 (MSDS/SDS)。</p>

<b>注意</b>	
<p>用水清洁仪器。清洁剂雾气会对结果产生影响。请勿让清洁剂接触导螺杆。请勿在导螺杆上涂抹润滑剂。</p>	

使用仪器过程中会发生泄漏。每天排查泄漏可确保最佳运行。必要时清洁仪器以防止仪器损坏。清除移动部件上的污染物和研磨材料。按照 MSDS/SDS 说明消除化学品泄漏。

### 需准备的物品：

- 干燥、不起毛的布
  - 软的毛巾布
  - 干净的水
1. 使仪器停止操作。请参阅[关闭流程](#) 第 104 页。
  2. 取出样品托盘。
  3. 使用干燥、不起毛的布清除导螺杆上的松散颗粒。
  4. 使用毛巾布清洁仪器外表面和底座。
  5. 使用清水清洁样品托盘。确保无任何污垢或泄漏。  
**注：** 请务必清洁机械臂管上的滑块和导轨。
  6. 使用干毛巾清除仪器上的水分。  
接通电源之前确保使仪器完全干燥。
  7. 将干燥的采样器托盘放在底座上。

## 更换取样针

如果探针有泄漏或有损坏迹象，请更换探针。

1. 使仪器停止操作。请参阅[关闭流程](#) 第 104 页。
2. 移除磨损的取样针。  
**注：** 用力过度可能损坏机械 Z 驱动。
3. 安装新探针。请参阅[安装机械 Z 驱动](#)。 第 99 页。

## 故障排除

问题	可能的原因	解决方案
仪器不工作。LED 状态指示灯不亮。	电源开关关闭。	将电源开关设置为开。
	电源线从电源或墙壁插头上断开连接。	连接电源线。
	电源线已损坏。	更换电源线。
	电源有故障。	请联系技术支持部门。
	电源线上的电瞬变过大，可能干扰了分析仪与采样器之间的 USB 通信。	在分析仪与自动采样器之间安装商用 USB 光电隔离器。要修复 USB 通信，先将两个仪器的电源关闭，然后再打开。
仪器不工作。LED 状态指示灯开启。	臂的初始位置损坏。	请联系技术支持部门。
	取样针不能随意移动。	移除探针以清洁和去除碎屑。请参阅 <a href="#">更换取样针</a> 第 105 页。
		更换取样针。请参阅 <a href="#">更换取样针</a> 第 105 页。
	机械 Z 驱动损坏。	请联系技术支持部门。
机械 Z 驱动未正确安装。	请验证安装。请参阅 <a href="#">安装机械 Z 驱动</a> 。第 99 页。	
臂工作不正确。	仪器发生物理损坏。	关闭仪器电源，然后重新打开。如果问题仍未解决，请联系技术支持部门。
取样针不吸取样品。	进入试剂瓶的空气流向不正确。样品管松动。	检查取样针。确保针位于金属套内。拧紧样品管接头。
取样针没有通过试剂瓶的隔膜帽。	止挡板未正确对齐。	调节样品托盘中试剂瓶和止挡板平台之间的高度。请参阅 <a href="#">使仪器准备就绪以便进行采样</a> 第 103 页。
探针不容易进入机械 Z 驱动。		
探针缩回后样品瓶被升起。		

## 更换件与附件

### 警告



人身伤害危险。使用未经批准的部件可能造成人身伤害、仪器损坏或设备故障。本部分中的更换部件均经过制造商的批准。

**注：** 一些销售地区的产品和物品数量可能有所不同。请与相关分销商联系或参阅公司网站上的联系信息。

### 更换件

说明	物品编号
针套	9467400
螺母扩展工具	9454400
探针，隔膜刺穿	SP6790
电源	9467300
样品托盘	9467200

# 目錄

規格 第 107

一般資訊 第 107

安裝 第 112

啟動 第 117

操作 第 117

保養 第 118

故障排除 第 120

更換零件和配件 第 120

## 規格

規格隨時變更且不另行通知。

規格	細節
尺寸 (寬 x 深 x 高)	36.6 x 53.7 x 45.7 公分 (14.4 x 21.2 x 18.0 英寸)
外殼	以環氧粉層鍍化處理的鋁合金
樣品 (濕式) 元件	聚醚醯亞胺 (PEI) 和聚四氟乙烯 (PTFE)
重量	21 公斤 (45 磅)
安裝類別	電源供應器: II
	自動取樣器: I
污染程度	II
外部電源供應器	輸入: 100–240 VAC, 47–63 Hz, 1.9 A
	輸出: 24 VDC, 3.33 A
自動取樣器電源供應器	輸入: 24 VDC, 3.33 A。請只與提供的電源供應器搭配使用。
操作溫度	10 至 30 °C (50 至 85 °F)
儲放溫度	0 至 55 °C (32 至 131 °F)
海拔	最高 3048 公尺 (10,000 英尺)
相對濕度	0 至 95% 非冷凝
認證	CE 標誌
保固	1 年 (歐盟: 2 年)

## 一般資訊

倘若因此手冊中之任何瑕疵或遺漏，而造成直接性、間接性、特殊性、隨附性或衍生性的損壞，製造商將概不負責。製造商保留權利隨時更改此手冊及其敘述之產品，恕不另行通知，亦不承擔任何責任。修訂版公布於製造商網站。

## 安全資訊

### 注意

倘若因不當使用或誤用此產品而造成任何損壞，製造商概不負責，包括但不限於直接性、隨附性和衍生性的損壞。而且在適用法律允許之最大範圍內，製造商對此類損壞不承擔任何責任。使用者需獨自負責辨別重大的應用風險，並備有適當的機制，以在可能的設備故障情形中保護程序。

拆封、設定或操作本設備前，請先詳讀本手冊。請留意所有危險和警告說明。若未遵循各項說明，則可能造成人員或設備的嚴重傷害。







請確保此設備所提供的防護性並未受損。請勿利用此手冊上未指明的方式，來使用或安裝此設備。

## 運用危險資訊

<b>▲ 危險</b>
表示具有潛在或立即危險的情況，若不避免，將會導致死亡或重傷。
<b>▲ 警告</b>
表示具有潛在或立即危險的情況，若不避免，將會導致死亡或重傷。
<b>▲ 警告</b>
表示具有潛在危險、可能導致輕度或中度傷害的情況。
<b>注意</b>
指示此處具有可能造成設備受損的危險。此處列出需特別注意的資訊。

## 安全注意標籤

請詳閱設備上貼附的所有標籤。若未遵守標籤說明，則可能造成人員傷害或設備損壞。

	對於此一標誌 (若標註於儀器上)，請參考說明書以瞭解操作和/或安全資訊。
	電氣設備若標有此標誌，不可棄置於歐洲家庭或公共棄置系統。使用者可免費將老舊或已無法使用的設備交給製造商棄置。
	此標誌表示存在觸電和/或觸電死亡的風險。
	此標誌表示可能會有自上方壓傷手部的危險。
	此標誌表示有刺穿或夾傷的危險。雙手和手指請保持遠離。
	此標誌表示物體很重。

## 認證

### 加拿大無線電干擾生成設備法規 (Canadian Radio Interference-Causing Equipment Regulation), IECIS-003, Class A:

佐證測試記錄留存於製造商處。

此 Class A 數位設備合乎加拿大無線電干擾生成設備法規的全數規定。

Cet appareil numérique de classe A répond à toutes les exigences de la réglementation canadienne sur les équipements provoquant des interférences.

### FCC 第 15 部分, 「A」類限制

佐證測試記錄留存於製造商處。此裝置符合 FCC 規定的第 15 編。操作必須合乎下列條件:

1. 該設備不會造成有害的干擾。
2. 該設備必須接受任何接收到的干擾，包括可能導致意外操作的干擾。

倘若更動或修改此設備，但其方式並未獲得負責遵從方的明確認可，使用者可能會喪失操作此設備的權利。此設備已經過測試，並符合 FCC 第 15 部分對 A 類數位裝置所做的限制規定。之所以制訂這些限制規定，是為了在設備於商業環境中運作時，針對有害的干擾提供合理的保護。此設備會產生、使用並發射射頻能量，而且若未依照說明書安裝與使用，可能對無線電通訊造成有害干擾。在住宅區中操作此設備可能會造成有害干擾，屆時使用者將需付費修正此干擾。可利用下列技巧來減少干擾問題：

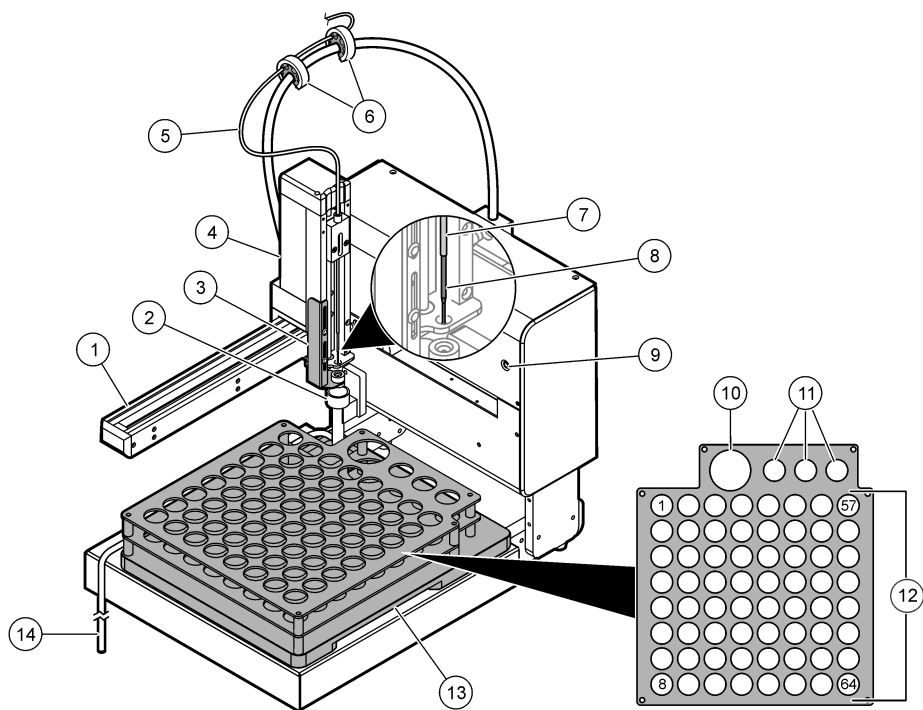
1. 將此設備的電源切斷，以查證其是否為干擾源。
2. 若該設備與受到干擾的裝置均連接至同一個插座，請將該設備連接至不同的插座。
3. 將該設備遠離接收干擾的裝置。
4. 挪動接受干擾之裝置的天線。
5. 嘗試同時採取上述的做法。

## 產品概覽

QbD1200 自動取樣器是一種自動化樣品轉換裝置，可在分析實驗室使用，以進行含水樣品的 TOC 分析。本儀器配備一個樣品托盤，最多可放入 64 個樣品瓶、一個校正瓶和三個系統適用性瓶。本儀器可自行運作，將使用者介入需求降至最低，並可搭配 QbD1200 TOC 分析儀一起使用。請參閱 [圖 1](#) 和 [圖 2](#) 的本儀器概覽。

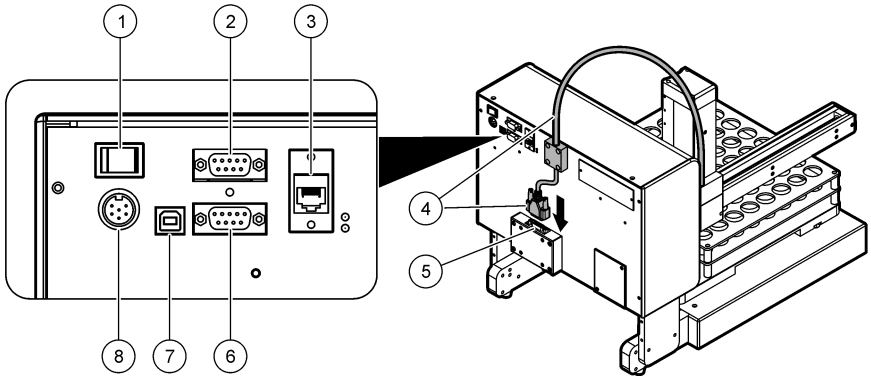
**注：** 此儀器是由 Teledyne CETAC Technologies 生產製造。支援服務和維修則由 Hach Company 提供。

图 1 產品概覽



1 機臂	8 樣品探針
2 沖洗站	9 電源指示燈
3 沖提裝置板	10 校正標準瓶固定器
4 機械 Z-drive 驅動裝置	11 系統適用性瓶固定器
5 取樣管 (來自分析儀)	12 樣品瓶位置 (1 至 64)
6 管子固定器	13 樣品托盤
7 針頭套筒	14 沖洗站排水管

图 2 背板概覽



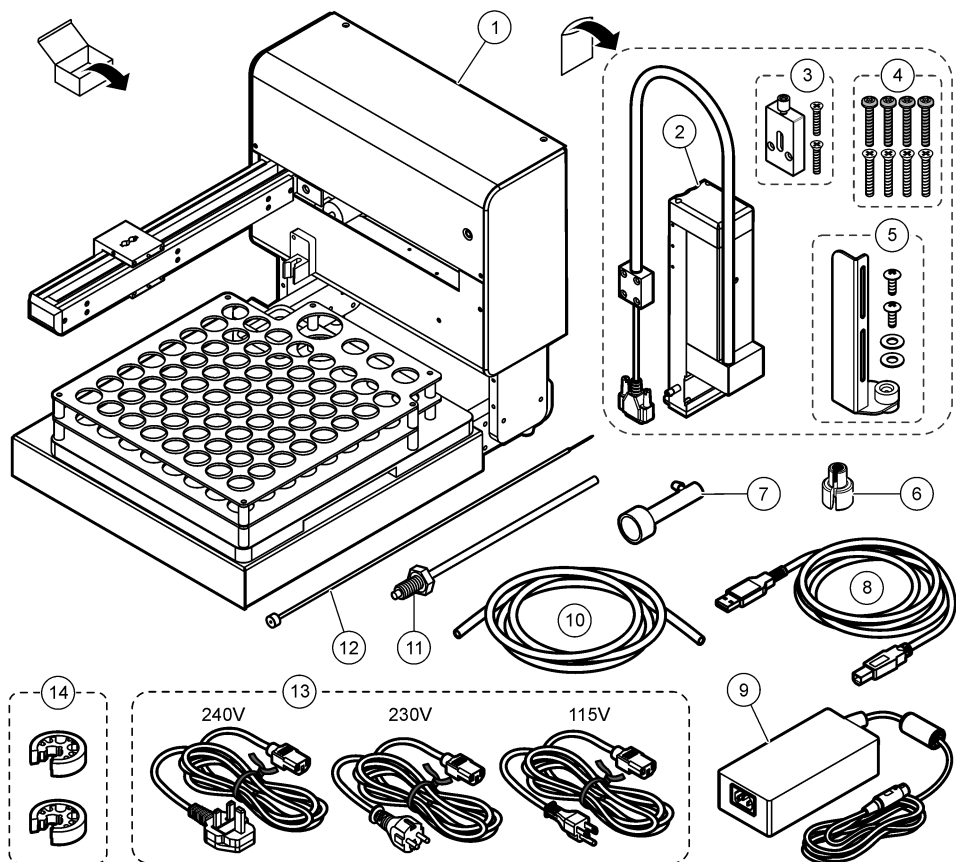
1 電源開關	5 機械 Z-drive 驅動裝置纜線連接處
2 COM 埠 2 <sup>1</sup>	6 COM 埠 1 <sup>1</sup>
3 乙太網路連接埠 <sup>1</sup>	7 USB 連接埠
4 機械 Z-drive 驅動裝置纜線	8 電力接頭

## 產品元件

確認已收到所有的元件。請參閱图 3。若有任何物品遺漏或損壞，請立即與製造商或業務代表聯絡。

<sup>1</sup> 未使用這些功能。

图 3 產品元件



1 自動取樣器，含樣品托盤	8 3 m 的 USB 纜線
2 機械 Z-drive 驅動裝置	9 電源供應器
3 通風口固定器	10 沖洗站的排水管
4 機械 Z-drive 驅動裝置安裝螺桿 (8 個)	11 針頭套筒
5 脫模板組件	12 樣品探針
6 螺帽延伸工具	13 電源線 (240 V、230 V、115 V)
7 沖洗站	14 管子固定器 (2 個)

## 安裝

### ▲ 警告



具有多重危害。唯有合格的人員才能執行本章節中描述的作業。



## 安裝準則

安裝儀器：

- 需置於平坦表面上
- 乾淨、乾燥、通風良好且溫度受到控制的位置
- 不易發生振動搖晃且沒有陽光直射的位置
- 與周圍保持充足間隙，方便進行連接作業及維護工作
- 可看見並輕易觸及電源開關及電源線的位置

## 機械安裝

### 安裝機械 Z-drive 驅動裝置

#### ▲ 警告



有使人受傷的危險。儀器或元件很重。請他人一同協助安裝或移動。

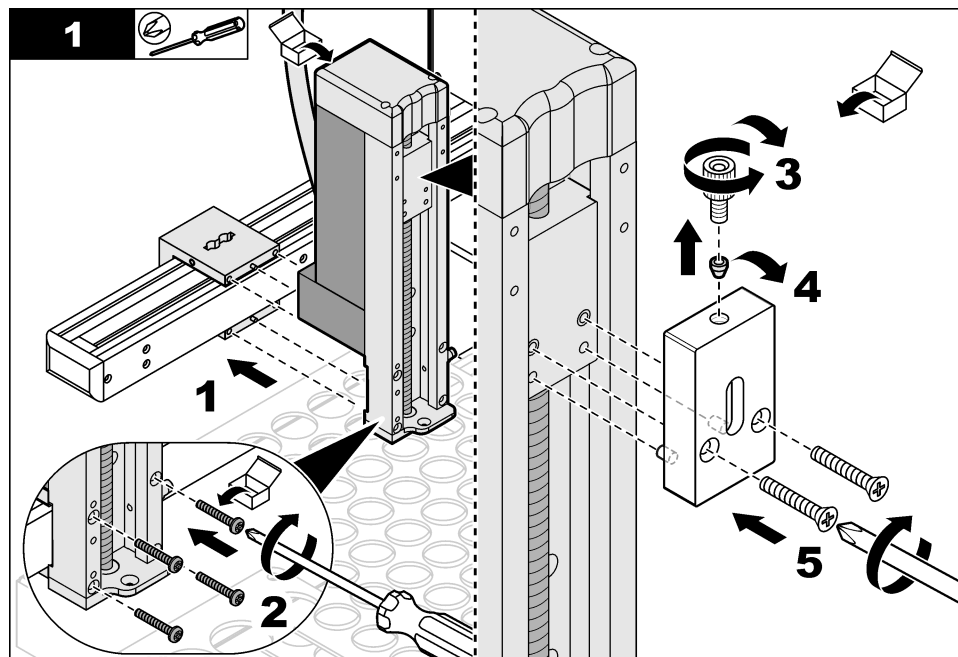
#### ▲ 警告

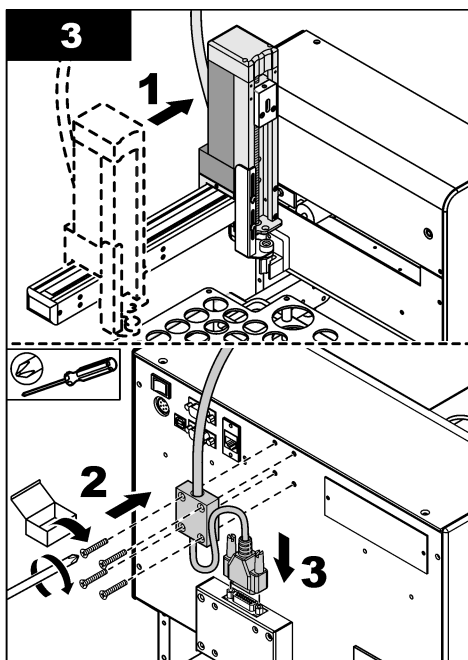
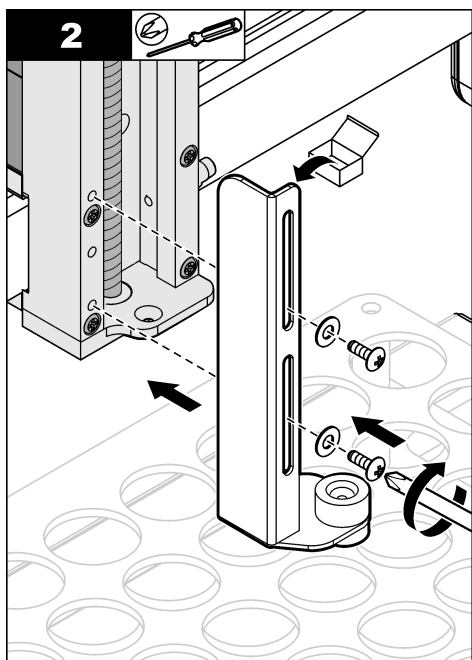


有捲夾的危險。移動式零件可能會產生捲夾並造成傷害。請勿觸摸移動零件。

請參閱下列圖示步驟所示來安裝隨附的機械 Z-drive 驅動裝置。

準備工具：十字型螺絲起子





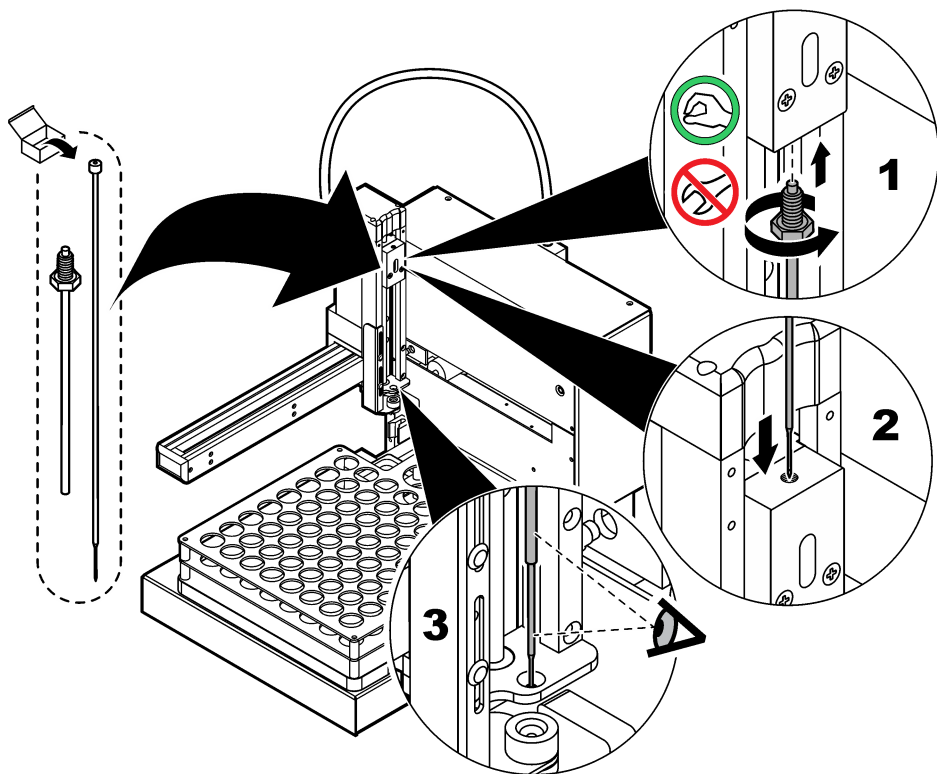
## 安裝套筒和樣品探針

### ▲ 警告



有刺傷的危險。露出的針頭可能會導致穿刺傷。在安裝或移除瓶子時，請謹慎小心。

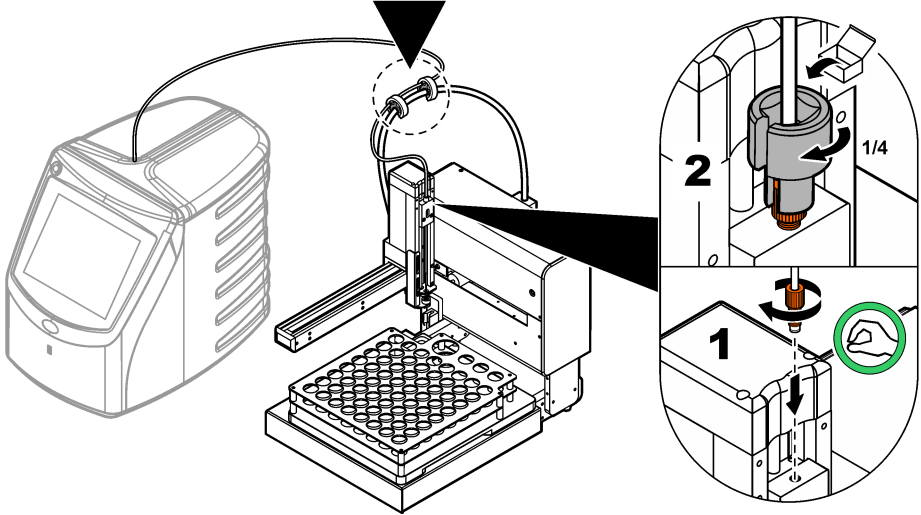
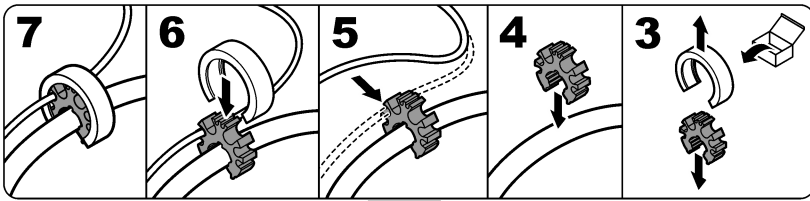
請參閱下列圖示步驟所示來安裝針頭套筒和樣品探針。



## 配管

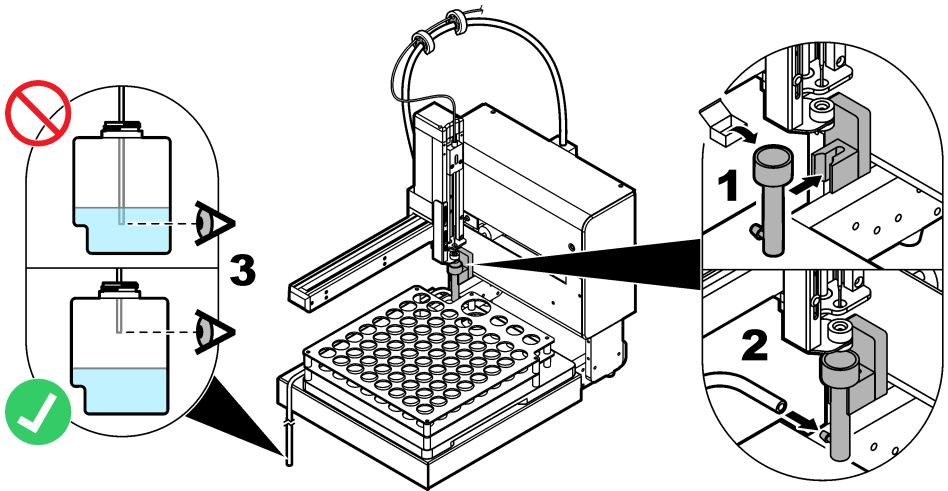
### 連接管線至分析儀

請參閱下列圖示步驟所示，將分析儀的取樣管連接至自動取樣器上的機械 Z-drive 驅動裝置。



### 安裝沖洗站

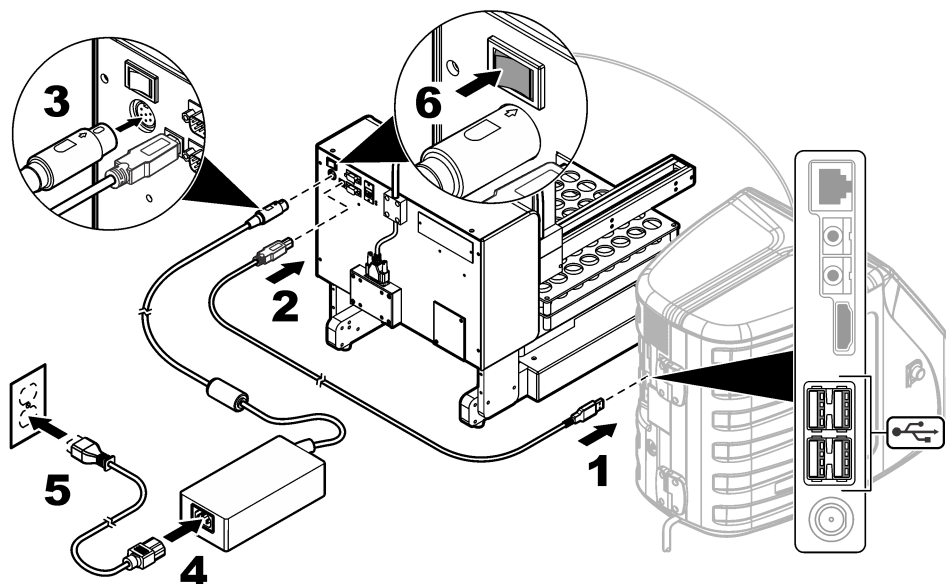
每次分析完樣品後，系統會用試劑沖洗取樣管，沖掉殘餘的碳。沖洗後(用過)的試劑會流至污水箱。若將分析儀連接至儀器，分析儀即可控制沖洗站的運作時機。請參閱下列圖示步驟所示來安裝沖洗站和排水管。請務必使用經過認可的污水箱。



## 電氣安裝

### 將分析儀連接電源

展開此程序前，先確認自動取樣器和分析儀的電源開關均已關閉。使用隨附的 USB 纜線，將自動取樣器連接至分析儀。使用隨附的電源線和電源供應器，將自動取樣器接上電源。開啟分析儀電源前，必須先開啟自動取樣器的電源。請參閱分析儀的使用說明來連接電源。請參閱下列圖示步驟所示來進行必要的連接作業。



## 啟動

### 開啟電源

1. 確認已正確安裝電源連接。請參閱[將分析儀連接電源](#) 第 117。
2. 按下儀器背板上的電源按鈕以開啟電源。  
電源開啟時，儀器正面的 LED 指示燈會亮起。
3. 機臂和機械 Z-drive 驅動裝置會開始移動，然後停在正確位置。
4. 開啟分析儀電源。

## 操作

### ▲ 危險



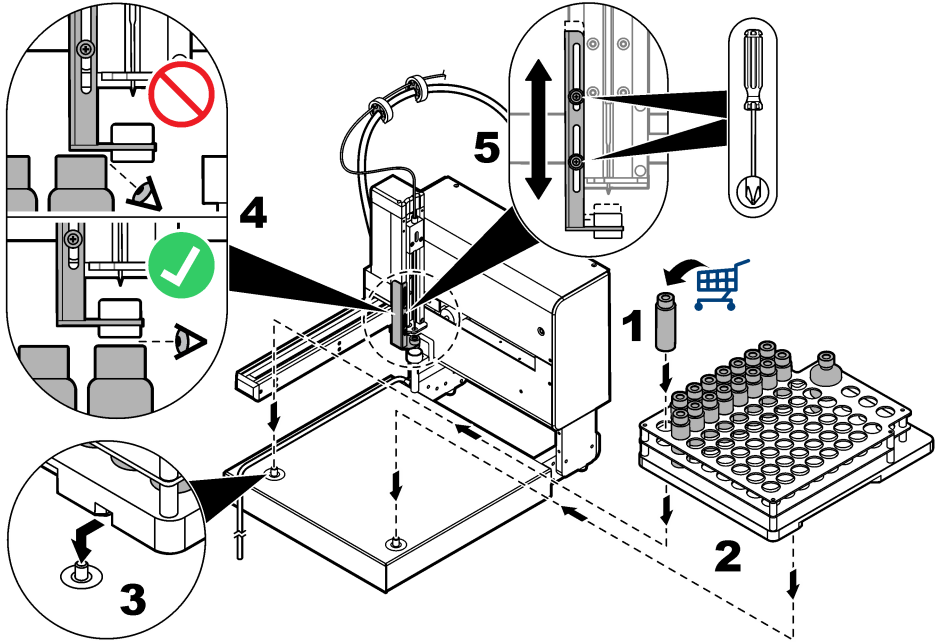
有起火的危險。此產品不得與易燃液體搭配使用。

### 準備儀器以取樣

請參閱下列圖示步驟所示以準備儀器進行取樣。收集樣品後，請將使用者提供的樣品瓶依序從 1 到 64 號正確放入樣品托盤。每個樣品的位置都以號碼標示在左下角。

樣品托盤上的樣品瓶和沖提裝置板平台之間必須保留充足空間。請參閱下列圖示步驟所示 (步驟 4 和 5)，在必要時調整沖提裝置板。

安裝或取下樣品托盤時請小心，以免樣品溢出。



## 進行測量

確認樣品瓶正確安裝至樣品托盤。請參閱 [準備儀器以取樣](#) 第 117。分析儀可控制測量參數。請參閱分析儀的使用說明。

**注：** 展開此程序前，請先確認已完成所有必要的管線連接。分析儀可控制逆向沖洗作業，以沖洗樣品流路。

## 保養

### ▲ 警告



有使人受傷的危險。儀器或元件很重。請他人一同協助安裝或移動。

### ▲ 警告



具有多重危害。唯有合格的人員才能執行本章節中描述的作業。

**注：** 此儀器是由 Teledyne CETAC Technologies 生產製造。支援服務和維修則由 Hach Company 提供。

## 關機程序

展開維護工作前，一律應關閉儀器。


1. 關閉儀器電源。
2. 拔掉電源供應器上的電源線。

## 進行洩漏檢查

檢查樣品探針、取樣管或沖洗站及沖洗站管路是否有洩漏狀況。

1. 關閉自動取樣器。請參閱**關機程序** 第 118。
2. 檢查樣品探針、取樣管或沖洗站及沖洗站管路是否有損壞及洩漏跡象。
3. 更換所有出現洩漏跡象或損壞的元件。

## 清潔儀器

▲ 警告	
	具有化學暴露危害。遵守實驗室安全程序，並針對處理的化學物穿著所有適當的個人防護裝備。請參閱現行的安全資料表 (MSDS/SDS) 以瞭解安全協定。

注意	
以清水清潔該儀器。清潔劑所產生的煙霧可能會影響結果。請勿讓清潔劑接觸導螺桿。請勿在導螺桿上施用潤滑劑。	

使用此儀器的過程中，可能有溢出情況。為了獲得最佳操作效能，請每日清除溢出物。請適時清理儀器，以免儀器受損。從移動零件上除去污染物和磨蝕性物質。請依據 MSDS/SDS 指示，清除化學溢出物。

### 要備妥的物品：

- 乾燥的無絨布
- 軟布巾
- 清水

1. 讓儀器停止運作。請參閱**關機程序** 第 118。
2. 取下樣品托盤。
3. 使用乾燥的無絨布，清除導螺桿上的鬆散微粒。
4. 使用布毛巾，清潔儀器的外部表面和底座。
5. 使用清水清潔樣品托盤。清除所有污垢和溢出物。  
**注：** 請務必清潔機臂管上的滑塊和導軌。
6. 使用乾毛巾，除去儀器上的所有水分。  
開啟電源前，先讓儀器完全乾燥。
7. 將乾燥的樣品托盤置於底座上。

## 更換樣品探針

若探針有裂縫或受損的跡象，請更換探針。

1. 讓儀器停止運作。請參閱**關機程序** 第 118。
2. 取下磨損的樣品探針。  
**注：** 施力過大會損壞機械 Z-drive 驅動裝置。
3. 安裝新的探針。請參閱**安裝機械 Z-drive 驅動裝置** 第 113。

## 故障排除

問題	可能的原因	解決辦法
儀器無法正常運作。LED 狀態指示燈未亮。	電源開關未開。	開啟電源開關。
	電源線已自電源供應器或牆壁電源插座斷開。	連接電源線。
	電源線受損。	更換電源線。
	電源供應器有缺陷。	請聯絡技術支援。
	電線上的電氣瞬態過大，可能會使分析儀和取樣器之間的 USB 通訊中斷。	在分析儀和自動取樣器之間安裝市售的 USB 光隔離器。若要修復 USB 通訊，請關閉兩個儀器的電源，然後再次開啟。
儀器無法正常運作。LED 狀態指示燈亮起。	機臂的起始位置受損。	請聯絡技術支援。
	樣品探針不能自由移動。	取下探針以清除碎片。請參閱 <a href="#">更換樣品探針 第 119</a> 。
		更換樣品探針。請參閱 <a href="#">更換樣品探針 第 119</a> 。
	機械 Z-drive 驅動裝置受損。	請聯絡技術支援。
機械 Z-drive 驅動裝置安裝不正確。	確認安裝狀況。請參閱 <a href="#">安裝機械 Z-drive 驅動裝置 第 113</a> 。	
機臂無法正確運作。	儀器機體受損。	關閉儀器電源，然後再次開啟。如果問題仍然存在，請聯絡技術支援。
樣品探針無法抽取出樣品。	氣流無法正確流入樣品瓶中。取樣管線鬆脫。	檢查樣品探針。確認針頭位於金屬套筒內。鎖緊取樣管線的連接處。
樣品探針無法穿透樣品瓶的隔膜蓋。	沖提裝置板未正確對準。	調整樣品托盤上的樣品瓶與沖提裝置板平台之間的高度。請參閱 <a href="#">準備儀器以取樣 第 117</a> 。
探針無法輕易進入機械 Z-drive 驅動裝置。		
撤回探針時，樣品瓶會跟著抬起。		

## 更換零件和配件

### ▲ 警告



有使人受傷的危險。使用未經認可的零件可能造成人員受傷、儀器受損或設備故障。本節中的更換零件已經過製造商認可。

**注：** 某些銷售地區可能有不同的產品和文章編號。請聯絡適當的經銷商，或是參閱公司網站上的聯絡資訊。

### 更換零件

說明	項目編號
針頭套筒	9467400
螺帽延伸工具	9454400
探針，隔膜穿刺	SP6790
電源供應器	9467300
樣品托盤	9467200







**HACH COMPANY World Headquarters**

P.O. Box 389, Loveland, CO 80539-0389 U.S.A.  
Tel. (970) 669-3050  
(800) 227-4224 (U.S.A. only)  
Fax (970) 669-2932  
orders@hach.com  
www.hach.com

**HACH LANGE GMBH**

Willstätterstraße 11  
D-40549 Düsseldorf, Germany  
Tel. +49 (0) 2 11 52 88-320  
Fax +49 (0) 2 11 52 88-210  
info-de@hach.com  
www.de.hach.com

**HACH LANGE Sàrl**

6, route de Compois  
1222 Vézenaz  
SWITZERLAND  
Tel. +41 22 594 6400  
Fax +41 22 594 6499