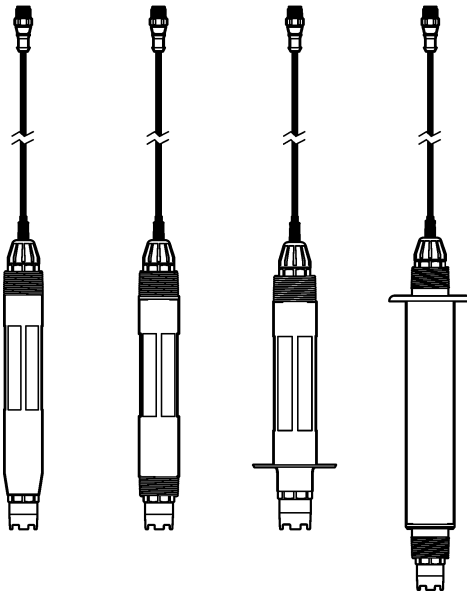




DOC023.98.80683

pHD sc Digital Differential pH/ORP Sensors (non-hazardous location)

07/2022, Edition 1



User Manual
Benutzerhandbuch
Manuale utente
Manuel de l'utilisateur
Manual del usuario
Manual do utilizador
Návod k použití
Gebbruikershandleiding
Brugervejledning
Instrukcja obsługi
Bruksanvisning
Ръководство за потребителя
Felhasználói kézikönyv
Manual de utilizare
Kullanıcı Kılavuzu
Navodila za uporabo
Návod na použitie
Korisnički priručnik
Εγχειρίδιο χρήστη

Table of Contents

English.....	3
Deutsch.....	26
Italiano.....	50
Français.....	74
Español.....	98
Português.....	122
Čeština.....	146
Nederlands.....	170
Dansk.....	194
Polski.....	217
Svenska.....	241
български.....	264
Magyar.....	290
Română.....	314
Türkçe.....	338
Slovenski.....	361
Slovenský jazyk.....	384
Hrvatski.....	408
Ελληνικά.....	433

Table of Contents

- | | |
|---------------------------------|--|
| 1 Specifications on page 3 | 5 Maintenance on page 16 |
| 2 General information on page 4 | 6 Troubleshooting on page 20 |
| 3 Installation on page 6 | 7 Replacement parts and accessories on page 23 |
| 4 Operation on page 12 | |

Section 1 Specifications

Specifications are subject to change without notice.

Specification	pH sensors	Stainless steel pH sensor	ORP sensors
Dimensions (length)	272.5 mm (10.73 in.)	325.3 mm (12.81 in.)	272.5 mm (10.73 in.)
Weight	316 g (11 oz)	870 g (31 oz)	316 g (11 oz)
Wetted materials	PEEK or Ryton (PVDF) body, salt bridge of the same material with Kynar junction, glass process electrode, titanium ground electrode and Viton O-ring seals <i>Note: The pH sensor with optional HF-resistant glass process electrode has 316 stainless steel ground electrode and perfluoroelastomer wetted O-rings.</i>	Immersion mounting only, 316 SS stainless steel body with Ryton (PVDF) ends and salt bridge	PEEK or Ryton (PVDF) body, salt bridge of the same material with Kynar junction, glass and platinum (or glass and gold) process electrode, titanium ground electrode and Viton O-ring seals
Components	Corrosion-resistant materials, fully-submersible		
Sensor cable (integral)	4-conductor (plus 1 shield), 10 m (33 ft), rated to 105 °C (221 °F)		
Operating temperature	-5 to 70 °C (23 to 158 °F)	0 to 50 °C (32 to 122 °F)	-5 to 70 °C (23 to 158 °F)
Storage temperature	4 to 70 °C (40 to 158 °F), 0 to 95% relative humidity, non-condensing		
Measuring range	2.0 to 14.0 pH ¹ (or 2.00 to 14.00)		-1500 to +1500 mV
Repeatability	±0.05 pH		±2mV
Sensitivity	±0.01 pH		±0.5 mV ²
Stability	0.03 pH per 24 hours, non-cumulative		2 mV (ORP) per 24 hours, non-cumulative
Maximum flow rate	3 m/s (10 ft/s)		
Pressure limit	6.9 bar at 70 °C (100 psi at 158 °F)	Not applicable (immersion only)	6.9 bar at 70 °C (100 psi at 158 °F)
Transmission distance	100 m (328 ft) maximum or 1000 m (3280 ft) maximum when used with a termination box		

¹ Most pH applications are in the 2.5 to 12.5 pH range. The pHD Differential pH sensor with the wide-range glass process electrode operates very well in this range. Some industrial applications require accurate measurement and control below 2 or above 12 pH. In these special cases, please contact the manufacturer for further details.

² For the best results in solutions that contain zinc, cyanide, cadmium or nickel, use the pHD ORP sensor that has a gold electrode.

Specification	pH sensors	Stainless steel pH sensor	ORP sensors
Temperature element	NTC 300 Ω thermistor for automatic temperature compensation and analyzer temperature readout		NTC 300 Ω thermistor for analyzer temperature readout only—no automatic temperature compensation necessary for ORP measurement
Temperature accuracy	± 0.5 °C (0.9 °F)		
Temperature compensation	Automatic from -10 to 105 °C (14.0 to 221 °F) with NTC 300 Ω thermistor, Pt 1000 ohm RTD, or Pt 100 Ω RTD temperature element, or manually fixed at a user-entered temperature		Not applicable
Calibration methods	1- or 2-point automatic or manual		1-point manual
Sensor interface	Modbus		
Certifications	CE		
Warranty	1 year; 2 years (EU)		

Section 2 General information

In no event will the manufacturer be liable for direct, indirect, special, incidental or consequential damages resulting from any defect or omission in this manual. The manufacturer reserves the right to make changes in this manual and the products it describes at any time, without notice or obligation. Revised editions are found on the manufacturer's website.

2.1 Safety information

The manufacturer is not responsible for any damages due to misapplication or misuse of this product including, without limitation, direct, incidental and consequential damages, and disclaims such damages to the full extent permitted under applicable law. The user is solely responsible to identify critical application risks and install appropriate mechanisms to protect processes during a possible equipment malfunction.

Please read this entire manual before unpacking, setting up or operating this equipment. Pay attention to all danger and caution statements. Failure to do so could result in serious injury to the operator or damage to the equipment.

Make sure that the protection provided by this equipment is not impaired. Do not use or install this equipment in any manner other than that specified in this manual.

2.2 Use of hazard information

DANGER

Indicates a potentially or imminently hazardous situation which, if not avoided, will result in death or serious injury.

WARNING

Indicates a potentially or imminently hazardous situation which, if not avoided, could result in death or serious injury.

CAUTION





Indicates a potentially hazardous situation that may result in minor or moderate injury.

NOTICE

Indicates a situation which, if not avoided, may cause damage to the instrument. Information that requires special emphasis.

2.3 Precautionary labels

Read all labels and tags attached to the instrument. Personal injury or damage to the instrument could occur if not observed. A symbol on the instrument is referenced in the manual with a precautionary statement.

	This is the safety alert symbol. Obey all safety messages that follow this symbol to avoid potential injury. If on the instrument, refer to the instruction manual for operation or safety information.
	This symbol indicates that a risk of electrical shock and/or electrocution exists.
	This symbol indicates the presence of devices sensitive to Electro-static Discharge (ESD) and indicates that care must be taken to prevent damage with the equipment.
	Electrical equipment marked with this symbol may not be disposed of in European domestic or public disposal systems. Return old or end-of-life equipment to the manufacturer for disposal at no charge to the user.

2.4 Product overview

This sensor is designed to work with a controller for data collection and operation. Multiple controllers can be used with this sensor. This document assumes sensor installation and use with an sc controller. To use the sensor with other controllers, refer to the user manual for the controller that is used.

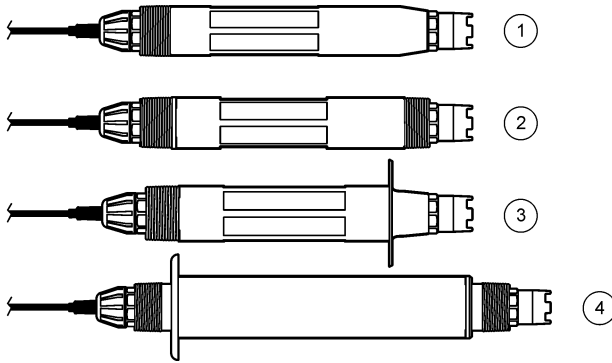
This product is not acceptable for use in a Hazardous Location.

Optional equipment, such as mounting hardware for the probe, is supplied with installation instructions. Several mounting options are available, allowing the probe to be adapted for use in many different applications.

2.5 Sensor styles

The sensor is available in different styles. Refer to [Figure 1](#).

Figure 1 Sensor styles



<p>1 Insertion—for installation in a flow cell or pipe adapter of a ball valve hardware assembly. Allows removal without stopping the process flow.</p>	<p>3 Sanitary—for install in a 2-inch sanitary tee</p>
<p>2 Convertible—for a pipe tee or immersion in an open vessel</p>	<p>4 Stainless steel—for immersion in an open vessel</p>

Insertion sensors—Insertion sensors are similar to convertible sensors, but the 1-inch NPT threads are only on the cable end for mounting into a flow cell or the pipe adapter of a ball valve hardware assembly. Insertion sensors are put into or removed from the process without having to stop the process flow.

Convertible sensors—Convertible sensors have 1-inch NPT threads at both ends of the body for mounting in the configurations that follow:

- into a standard 1-inch NPT pipe tee
- into a pipe adapter for union mounting and a standard 1-½ inch pipe tee
- onto the end of a pipe for immersion into a vessel



Note: Convertible sensors can also be used in existing installations for 1-½ inch LCP, Ryton and epoxy sensors.

Sanitary sensors—Sanitary sensors feature a built-in 2-inch flange for mounting into a 2-inch sanitary tee. A special cap and EDPM compound gasket are included with sanitary sensors for use with the sanitary hardware.

Stainless steel sensors—Stainless steel sensors have 1-inch NPT threads at both ends of the body. Stainless steel sensors are for immersion in an open vessel.

Section 3 Installation

3.1 Mounting

▲ WARNING	
	Explosion hazard. Make sure that the mounting hardware for the sensor has a temperature and pressure rating sufficient for the mounting location.
▲ CAUTION	
	Personal injury hazard. Broken glass can cause cuts. Use tools and personal protective equipment to remove broken glass.

NOTICE

The process electrode at the pH sensor tip has a glass bulb, which can break. Do not hit or push on the glass bulb.

NOTICE

The gold or platinum process electrode at the tip of the ORP sensor has a glass shank (hidden by the salt bridge), which can break. Do not hit or push on the glass shank.

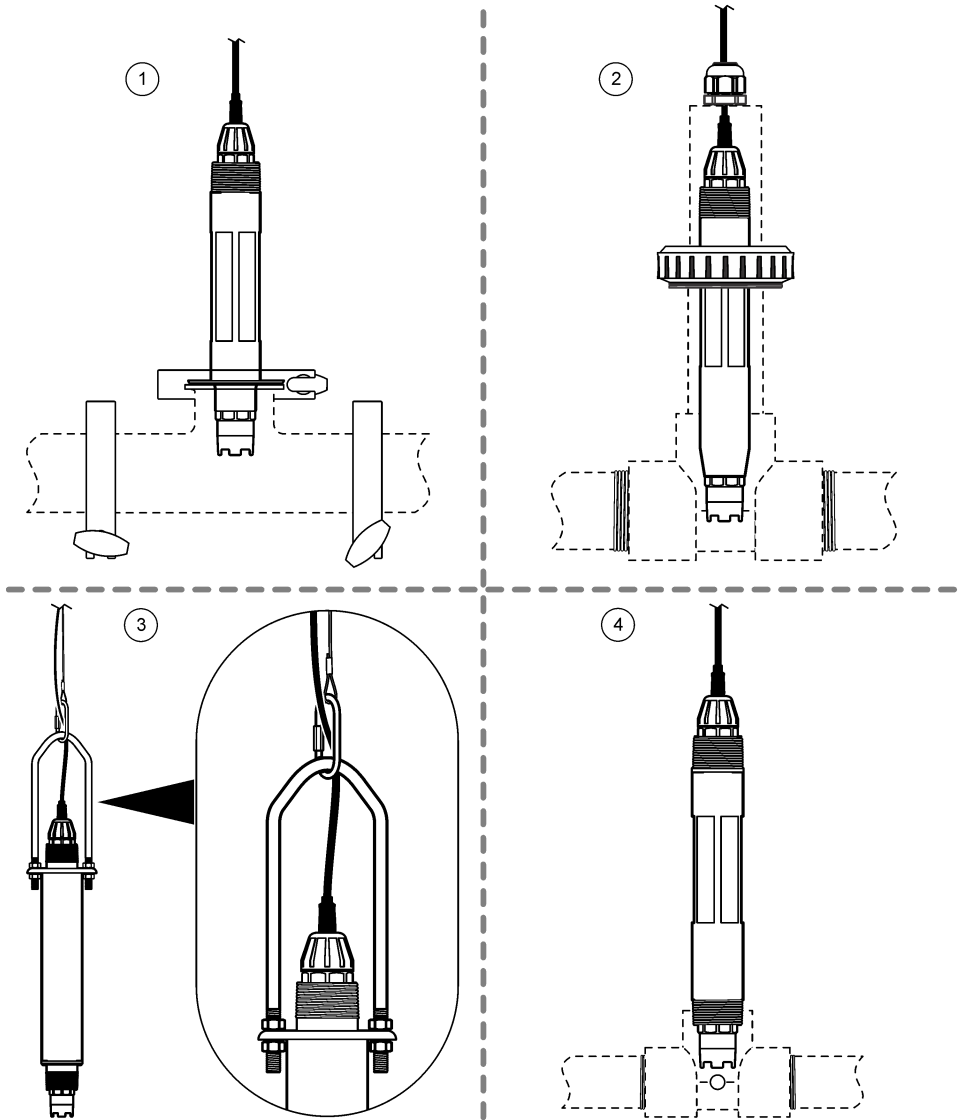
NOTICE

This instrument is rated for an altitude of 2000 m (6562 ft) maximum. Although the use of this equipment above the 2000 m altitude does not show any substantial safety concern, the manufacturer recommends that users with concerns contact technical support.

- Install the sensor where the sample that comes into contact with the sensor is representative of the entire process.
- Refer to [Figure 2](#), [Figure 3](#) and [Figure 4](#) for mounting configuration examples.
- Refer to [Replacement parts and accessories](#) on page 23 for the available mounting hardware.
- Refer to the instructions supplied with the mounting hardware for installation information.
- Install the sensor at least 15° above horizontal. Refer to [Figure 5](#).
- For immersion installations, put the sensor at least 508 mm (20 in.) from the aeration basin wall and immerse the sensor at least 508 mm (20 in) into the process.
- Remove the protective cap before the sensor is put into the process. Save the protective cap for future use.
- (Optional) If the process water is near the boiling temperature, add gel powder³ to the standard cell solution in the sensor. Refer to step 2 of [Replace the salt bridge](#) on page 17. Do not replace the salt bridge.
- Calibrate the sensor before use.

³ The gel powder decreases the evaporation rate of the standard cell solution.

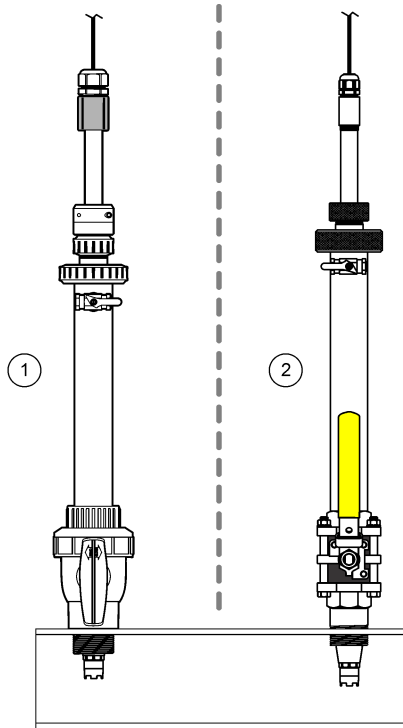
Figure 2 Mounting examples (1)



1 Sanitary mount (2-inch sanitary tee)	3 Immersion mount, chain and bail ⁴
2 Union mount (1½-inch standard tee)	4 Flow-through mount (1-inch standard tee)

⁴ Stainless steel sensors only

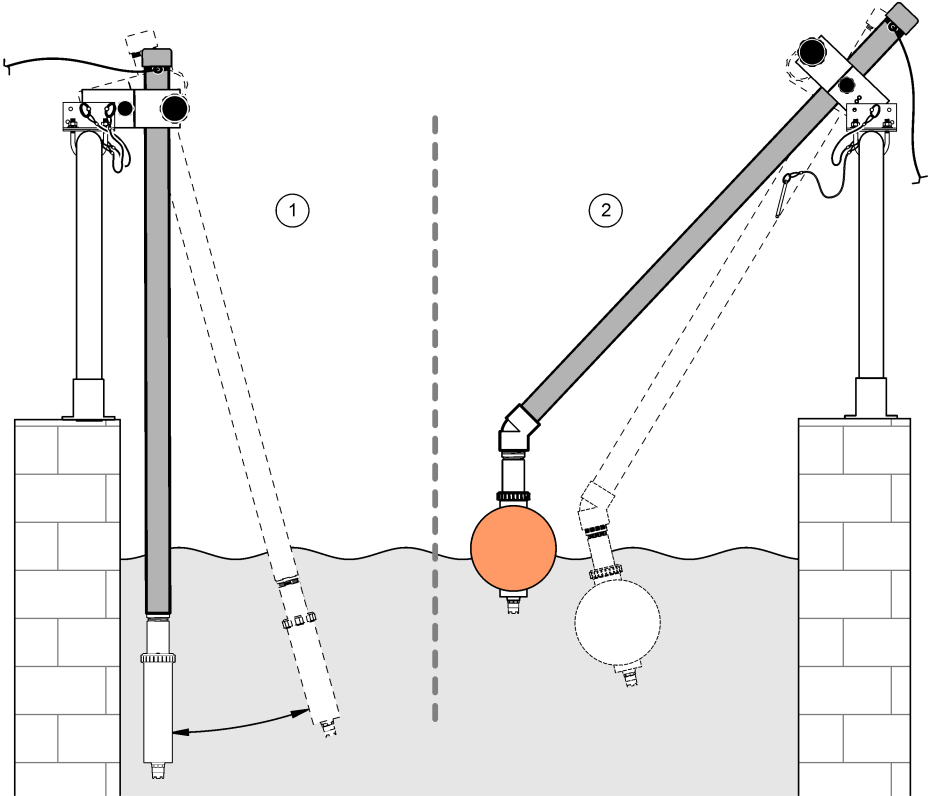
Figure 3 Mounting examples (2)



1 Insertion mount, CPVC hardware

2 Insertion mount, stainless-steel hardware

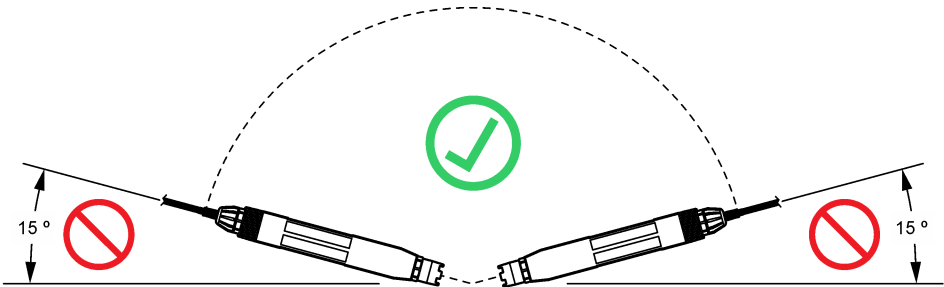
Figure 4 Mounting examples (3)



1 Immersion mount, handrail

2 Immersion mount, ball float

Figure 5 Sensor mounting angle

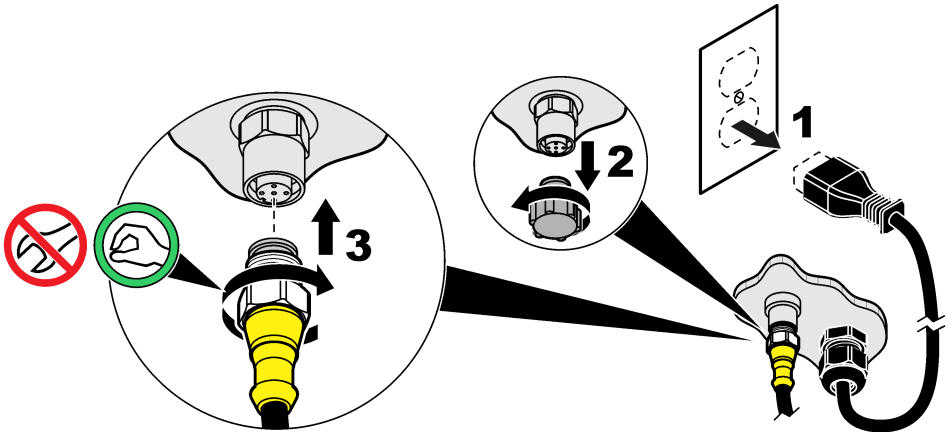


3.2 Electrical installation

3.2.1 Connect the sensor to a quick-connect fitting (non-hazardous location)

1. Connect the sensor cable to the quick-connect fitting of the SC controller. Refer to [Figure 6](#). Retain the connector cap to seal the connector opening in case the sensor must be removed.
2. If power is set to on when the sensor is connected:
 - SC200 controller—Select TEST/MAINT > SCAN SENSORS.
 - SC1000 controller—Select SYSTEM SETUP > DEVICE MANAGEMENT > SCANNING FOR NEW DEVICES.

Figure 6 Connect the sensor to a quick-connect fitting



3.2.2 Extension cables

- Extension cables are available. Refer to [Replacement parts and accessories](#) on page 23.
- The maximum cable length is 15 m (49 ft) for an SC1000 controller.
- The maximum cable length is 1000 m (3280 ft) for an SC200 controller.
- SC200 controller—Use a digital termination box if the cable length is more than 100 m (328 ft). Refer to [Replacement parts and accessories](#) on page 23.

3.2.3 Connect a sensor cable with bare-wires (non-hazardous location)

⚠ DANGER	
	Electrocution hazard. Always remove power to the instrument before making electrical connections.
⚠ DANGER	
	Electrocution hazard. High voltage wiring for the controller is connected behind the high voltage barrier in the controller enclosure. The barrier must remain in place except when installing modules, or when a qualified installation technician is wiring for power, relays or analog and network cards.

If the sensor cable does not have a quick-connect connector⁵, connect the bare wires of the sensor cable to the controller as follows:

⁵ For example, if a digital termination box and bulk 4-wire shield cable is used to increase the sensor cable length.

Note: A sensor cable with bare wires cannot be connected to an SC1000 controller.

1. Find the conduit wiring kit (9222400) in the shipping carton for the SC200 controller.
The kit contains four splice connectors.
2. Follow the instructions supplied in the conduit wiring kit to connect the sensor cable to the controller.

Section 4 Operation

4.1 User navigation

Refer to the controller documentation for keypad description and navigation information.

Push the **RIGHT** arrow key on the controller multiple times to show more information on the home screen and to show a graphical display.

4.2 Configure the sensor




Select a sensor name and the type of sensor. Change options for measurement, calibration, data handling and storage.

1. Push **menu**, then select SENSOR SETUP > [Select Sensor] > CONFIGURE.
2. Select an option.

Option	Description
EDIT NAME	Changes the name that corresponds to the sensor on the top of the measure screen. The name is limited to 12 characters in any combination of letters, numbers, spaces or punctuation.
SELECT SENSOR	Selects the type of sensor (pH or ORP).
DISPLAY FORMAT	For pH sensors only—changes the number of decimal places that are shown on the measure screen to XX.XX (default) or XX.X.
TEMP UNITS	Sets the temperature units to °C (default) or °F.
LOG SETUP	Sets the time interval for data storage in the data log—5, 30 seconds, 1, 2, 5, 10, 15 (default), 30, 60 minutes.
AC FREQUENCY	Selects the frequency of the AC power supplied to the controller (50 or 60 Hz). If the power to the controller is 120 VAC, select 60 Hz. If the power to the controller is 230 VAC, select 50 Hz.
FILTER	Sets a time constant to increase signal stability. The time constant calculates the average value during a specified time—0 (no effect, default) to 60 seconds (average of signal value for 60 seconds). The filter increases the time for the sensor signal to respond to actual changes in the process.
TEMP ELEMENT	pH sensors—sets the temperature element for automatic temperature compensation to PT100, PT1000, NTC300 (default) or MANUAL. If no element is used, the type can be set to MANUAL and a value for temperature compensation can be entered (manual default: 25 °C). ORP sensors—temperature compensation is not used. A temperature element can be connected to measure temperature.
SELECT BUFFER	For pH sensors only—Selects the buffer solutions used for calibration. Options: pH 4, 7, 10 (default) or DIN 19267 (pH 1.09, 4.65, 6.79, 9.23, 12.75) Note: Other buffer solutions can be used for calibration.
PURE H2O COMP	For pH sensors only—adds a temperature-dependent correction to the measured pH value for pure water with additives—NONE (default), AMMONIA, MORPHOLINE or USER DEFINED. For process temperatures above 50 °C, the correction at 50 °C is used. For user-defined applications, a linear slope (default: 0 pH/°C) can be entered.

Option	Description
CAL DAYS	Sets the calibration interval (default: 60 days). Note: A warning shows on the controller display when the number of days since the sensor was calibrated is more than the calibration interval.
SENSOR DAYS	Sets the sensor replacement interval (default: 365 days). Note: A warning shows on the controller display when the number of days the sensor has been in operation is more than the sensor replacement interval.
IMPED LIMITS	Sets the impedance limits for the active and reference electrodes (default: LOW = 0 M Ω , HIGH = 1000 M Ω). Note: When the IMPED STATUS option on the DIAG/TEST menu is set to ENABLED , an error message shows on the controller display when the impedance of the active or reference electrode is not within the impedance limits.
DEFAULT SETUP	Sets the configuration settings back to the default settings.

4.3 Calibrate the sensor

⚠ WARNING	
	Explosion hazard. Removal of a sensor from a pressurized vessel can be dangerous. Reduce the process pressure to below 10 psi before removal. If this is not possible, use extreme caution. Refer to the documentation supplied with the mounting hardware for more information.
⚠ WARNING	
	Chemical exposure hazard. Obey laboratory safety procedures and wear all of the personal protective equipment appropriate to the chemicals that are handled. Refer to the current safety data sheets (MSDS/SDS) for safety protocols.
⚠ CAUTION	
	Chemical exposure hazard. Dispose of chemicals and wastes in accordance with local, regional and national regulations.

4.3.1 About sensor calibration

Calibration adjusts the sensor reading to match the value of one or two reference solutions. The sensor characteristics slowly shift over time and cause the sensor to lose accuracy. The sensor must be calibrated regularly to maintain accuracy. The calibration frequency varies with the application and is best determined by experience.

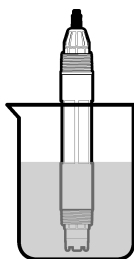
For pH sensors, a temperature element is used to provide pH readings that are automatically adjusted to 25 °C for temperature changes that affect the active and reference electrode. This adjustment can be manually set by the customer if the process temperature is constant. Refer to the **TEMP ELEMENT** option in [Configure the sensor](#) on page 12.

4.3.2 pH calibration procedure

Calibrate the pH sensor with one or two reference solutions (1-point or 2-point calibration).

- Put the sensor in the first reference solution (a buffer or sample of known value). Make sure that the sensor portion of the probe is fully immersed in the liquid. Refer to [Figure 7](#).

Figure 7 Sensor in reference solution



2. Wait for the sensor and solution temperature to equalize. This can take 30 minutes or more if the temperature difference between the process and reference solution is significant.
3. Push **menu**, then select SENSOR SETUP > [Select Sensor] > CALIBRATE.
4. Select the type of calibration:

Option	Description
1 POINT AUTO	Use one buffer for calibration (e.g., pH 7). The sensor automatically identifies the buffer during calibration. Note: Make sure to select the correct buffer set in the sensor configuration settings.
2 POINT AUTO (recommended)	Use two buffers for calibration (e.g., pH 7 and pH 4). The sensor automatically identifies the buffers during calibration. Note: Make sure to select the correct buffer set in the sensor configuration settings.
1 POINT MANUAL	Use a sample of known pH value (or one buffer) for calibration. Enter the pH value during calibration.
2 POINT MANUAL	Use two samples of known pH value (or two buffers) for calibration. Enter the pH values during calibration.

5. If the passcode is enabled in the security menu for the controller, enter the passcode.
6. Select the option for the output signal during calibration:

Option	Description
ACTIVE	The instrument sends the current measured output value during the calibration procedure.
HOLD	The sensor output value is held at the current measured value during the calibration procedure.
TRANSFER	A preset output value is sent during calibration. Refer to the controller user manual to change the preset value.

7. With the sensor in the first reference solution, push confirm. The measured value is shown.
8. If applicable, enter the pH value of the reference solution:
 - a. Wait for the value to stabilize, then push confirm.
 - b. Enter the pH value.
Note: If the reference solution is a buffer, find the pH value on the buffer bottle for the temperature of the buffer. If the reference solution is a sample, determine the pH value of the sample with a different instrument.
9. For a 2-point calibration, measure the second reference solution as follows:
 - a. Remove the sensor from the first solution and rinse with clean water.
 - b. Put the sensor in the next reference solution, then push confirm.
 - c. If applicable, wait for the value to stabilize and push confirm. Enter the pH value.

10. Review the calibration result:

- **PASS**—The sensor is calibrated and ready to measure samples. The slope and/or offset values are shown.
- **FAIL**—The calibration slope or offset is outside of accepted limits. Repeat the calibration with fresh reference solutions. Clean the sensor if necessary. Refer to [Clean the sensor](#) on page 17.

11. If the calibration passed, push confirm.

12. Return the sensor to the process, then push confirm.

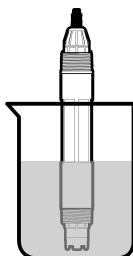
The output signal returns to the active state and the measured sample value is shown on the measure screen.

4.3.3 ORP calibration procedure

Calibrate the ORP sensor with one reference solution or a sample of known value.

1. Put the sensor in the reference solution or sample. Make sure that the sensor portion of the probe is fully immersed in the solution. Refer to [Figure 8](#).

Figure 8 Sensor in reference solution or sample



2. Push **menu**, then select SENSOR SETUP > [Select Sensor] > CALIBRATE.
3. Select 1 POINT MANUAL.
4. If the passcode is enabled in the security menu for the controller, enter the passcode.
5. Select the option for the output signal during calibration:

Option	Description
ACTIVE	The instrument sends the current measured output value during the calibration procedure.
HOLD	The sensor output value is held at the current measured value during the calibration procedure.
TRANSFER	A preset output value is sent during calibration. Refer to the controller user manual to change the preset value.

6. With the sensor in the reference solution or sample, push confirm.
The measured value is shown.

7. Wait for the value to stabilize, then push confirm.

8. Enter the ORP value of the reference solution or sample.

Note: If a reference solution is used for calibration, find the ORP value on the reference solution bottle. If a sample is used for calibration, measure the ORP value with a secondary verification instrument.

9. Review the calibration result:

- **PASS**—The sensor is calibrated and ready to measure samples. The slope and/or offset values are shown.
- **FAIL**—The calibration slope or offset is outside of accepted limits. Repeat the calibration with a fresh reference solution. Clean the sensor if necessary. Refer to [Clean the sensor](#) on page 17.

10. If the calibration passed, push confirm.
11. Return the sensor to the process, then push confirm.
The output signal returns to the active state and the measured sample value is shown on the measure screen.

4.3.4 Temperature calibration

The instrument is calibrated at the factory for accurate temperature measurement. Calibrate the temperature to increase accuracy.

1. Put the sensor in a container of water.
2. Measure the temperature of the water with an accurate thermometer or independent instrument.
3. Push **menu**, then select SENSOR SETUP > [Select Sensor] > CALIBRATE.
4. Select TEMP ADJUST > EDIT TEMP, then push confirm.
5. Enter the exact temperature value, then push confirm.
6. Return the sensor to the process, then push confirm.

4.3.5 Exit calibration procedure

1. To exit a calibration, push **back**.
2. Select an option.

Option	Description
ABORT	Stop the calibration. A new calibration must start from the beginning.
BACK TO CAL	Return to the calibration.
LEAVE	Exit the calibration temporarily. Access to other menus is allowed. A calibration for a second sensor (if present) can be started. To return to the calibration, push menu and select SENSOR SETUP > [Select Sensor].

4.4 Sensor data and event logs



The sc controller provides a data log and an event log for each sensor. The data log stores the measurement data at selected intervals (user configurable). The event log shows the events that have occurred.

The data log and event log can be saved in CSV format. Refer to the controller documentation for instructions.

4.5 Modbus registers

A list of Modbus registers is available for network communication. Refer to the manufacturer's website for more information.

Section 5 Maintenance

⚠ DANGER	
	Multiple hazards. Only qualified personnel must conduct the tasks described in this section of the document.
⚠ WARNING	
	Explosion hazard. Removal of a sensor from a pressurized vessel can be dangerous. Reduce the process pressure to below 10 psi before removal. If this is not possible, use extreme caution. Refer to the documentation supplied with the mounting hardware for more information.

▲ WARNING



Chemical exposure hazard. Obey laboratory safety procedures and wear all of the personal protective equipment appropriate to the chemicals that are handled. Refer to the current safety data sheets (MSDS/SDS) for safety protocols.

▲ CAUTION



Chemical exposure hazard. Dispose of chemicals and wastes in accordance with local, regional and national regulations.

5.1 Maintenance schedule

Table 1 shows the recommended schedule of maintenance tasks. Facility requirements and operating conditions may increase the frequency of some tasks.

Table 1 Maintenance schedule

Task	1 year	As necessary
Clean the sensor on page 17		X ⁶
Replace the salt bridge on page 17	X	
Calibrate the sensor	Set by regulatory agencies or experience	

5.2 Clean the sensor

Pre-requisite: Prepare a mild soap solution with a non-abrasive dishwashing detergent that does not contain lanolin. Lanolin leaves a film on the electrode surface that can degrade the sensor performance.

Examine the sensor periodically for debris and deposits. Clean the sensor when there is a buildup of deposits or when performance has degraded.

1. Use a clean, soft cloth to remove loose debris from the end of the sensor. Rinse the sensor with clean, warm water.
2. Soak the sensor for 2 to 3 minutes in the soap solution.
3. Use a soft bristle brush to scrub the entire measuring end of the sensor.
4. If debris remains, soak the measuring end of the sensor in a dilute acid solution such as < 5% HCl for a maximum of 5 minutes.
5. Rinse the sensor with water and then return to the soap solution for 2 to 3 minutes.
6. Rinse the sensor with clean water.

Note: Sensors with antimony electrodes for HF applications may require additional cleaning. Contact technical support.

Always calibrate the sensor after maintenance procedures are done.

5.3 Replace the salt bridge

Replace the salt bridge and the standard cell solution at 1 year intervals or when calibration fails after the sensor has been cleaned.

Note: A video that shows how to replace the salt bridge is available on www.Hach.com. Go to the salt bridge webpage and click the Video tab.

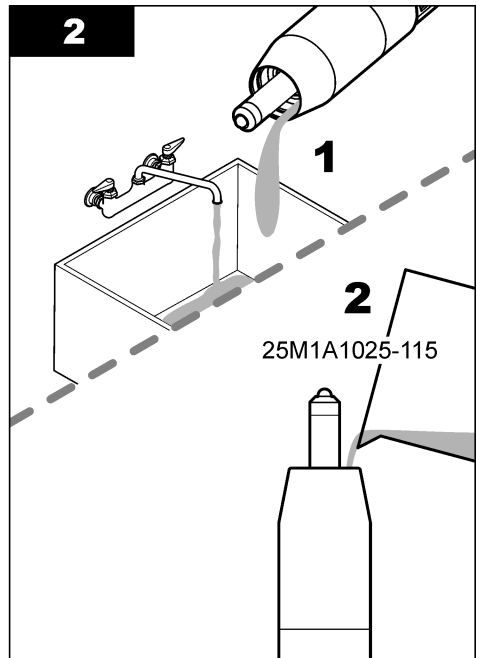
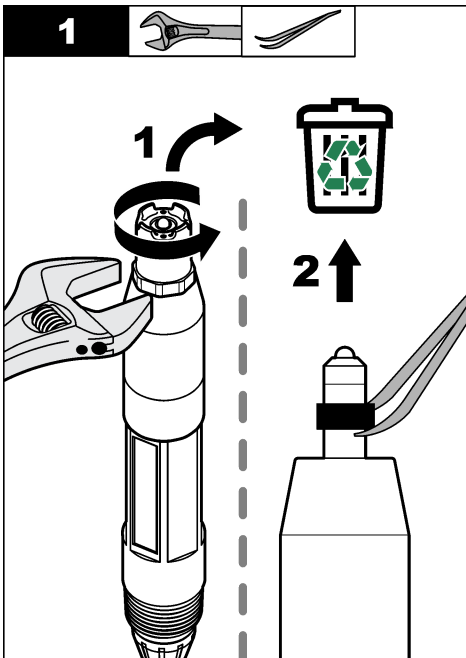
Items to collect:

- Adjustable crescent wrench

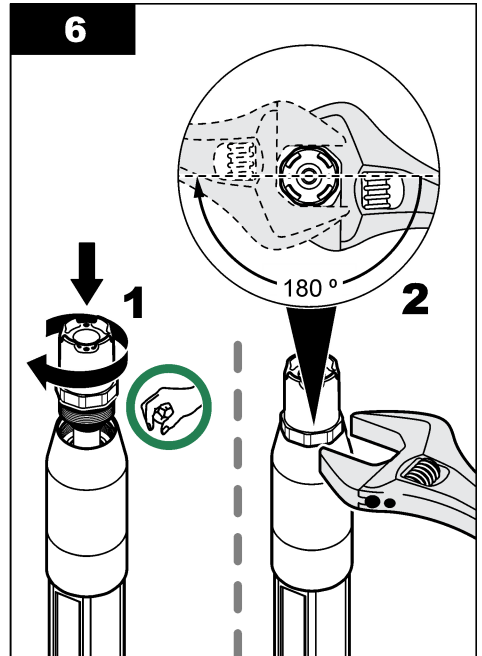
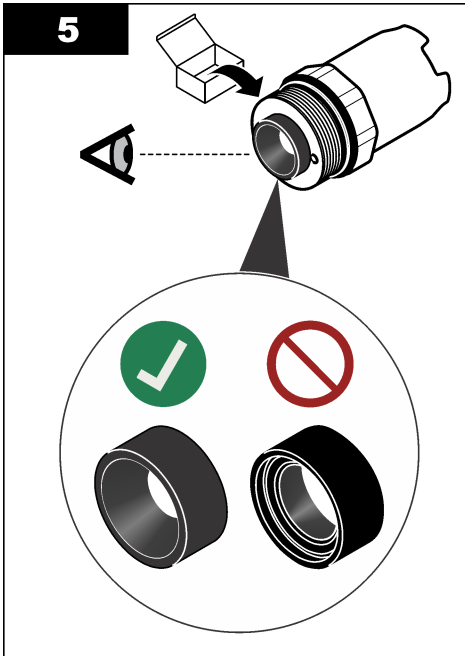
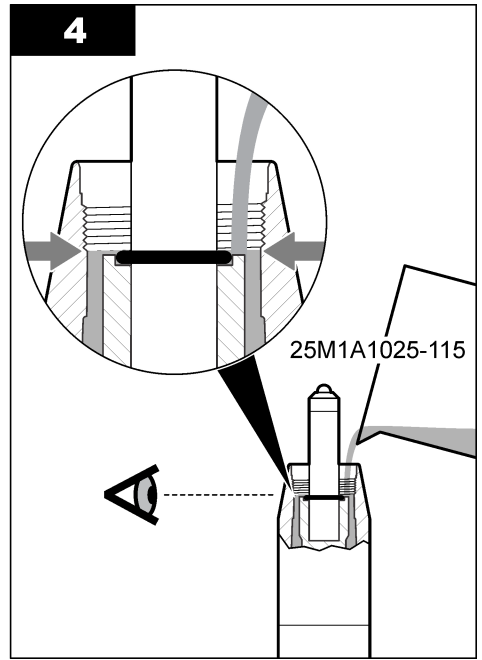
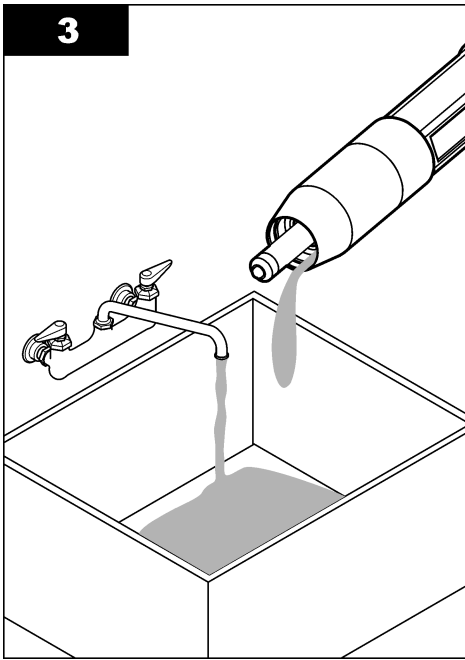
⁶ Frequency is dependent on the operating conditions.

- Large tweezers
- Salt bridge
- Standard cell solution
- Gel powder⁷, 1/8 teaspoon

1. Clean the sensor. Refer to [Clean the sensor](#) on page 17.
2. Replace the salt bridge and the standard cell solution. Refer to the illustrated steps that follow.
If the reservoir for the standard cell solution contains a gel (not usual), use a jet of water from a water pik-type device to remove the old gel at illustrated step 2.
(Optional) If the process water is near the boiling temperature, add gel powder to the new standard cell solution at illustrated step 4 as follows:
 - a. Pour 1 level bottle cap (1/8 teaspoon) of gel powder into the reservoir for the standard cell solution.
 - b. Pour a small amount of fresh standard cell solution into the reservoir.
 - c. Mix with the powder until the solution becomes thick.
 - d. Add small amounts of solution and mix until the gel level is at the bottom of the salt bridge threads.
 - e. Check for proper gel level by installing and removing the new salt bridge. A salt bridge impression should remain on the gel surface.
3. Calibrate the sensor.



⁷ (Optional) Add gel powder to the standard cell solution if the process water is near the boiling temperature. The gel powder decreases the evaporation rate of the standard cell solution.



5.4 Prepare for storage

For short-term storage (when the sensor is out of the process for more than one hour), fill the protective cap with pH 4 buffer or distilled water and put the cap back on the sensor. Keep the process electrode and reference junction salt bridge moist to avoid slow response when the sensor is returned to operation.

For extended storage, repeat the short-term storage procedure every 2 to 4 weeks, depending on the environmental conditions. Refer to [Specifications](#) on page 3 for temperature storage limits.

Section 6 Troubleshooting

6.1 Intermittent data

During calibration, data is not sent to the datalog. Thus, the datalog can have areas where the data is intermittent.

6.2 Sensor diagnostic and test menu

The sensor diagnostic and test menu shows current and historical information about the instrument. Refer to [Table 2](#). To access the sensor diagnostic and test menu, push **menu**, then select SENSOR SETUP > [Select Sensor] > DIAG/TEST.

Table 2 Sensor DIAG/TEST menu

Option	Description
PROBE INFO	Shows the sensor type, name, serial number, software version and driver version.
CAL DATA	Shows the pH slope (mV/pH) and date of the last calibration. The pH slope should be -55 to -61 mV.
SIGNALS	<p>SENSOR SIGNAL—Shows the sensor reading in mV. The mV range is -60 to +60 mV (0 mV = pH 7).</p> <p>SENS ADC CNTS—Shows the digital number that represents the pH reading.</p> <p>TEMP ADC CNTS—Shows the digital number that represents the temperature reading.</p> <p>ELECTRD STATE—Shows the health of the active and reference electrode (GOOD or BAD). When "BAD" shows, clean the sensor and replace the salt bridge. Replace the sensor if necessary.</p> <p>ACTIVE ELECT—Shows the impedance of the active electrode.</p> <p>REF ELECTRODE—Shows the impedance of the reference electrode.</p> <p>IMPED STATUS—When enabled (recommended), the impedance of the active and reference electrode are measured at 1 minute intervals. An error shows on the controller display when the impedance of the active or reference electrode is not between the low and high impedance limits.</p>
COUNTERS	<p>SENSOR DAYS—Shows the number of days the sensor has been in operation.</p> <p>RESET SENSOR—Sets the SENSOR DAYS and the ELECTRODE DAYS value to zero.</p> <p>ELECTRODE DAYS—Shows the number of days since the salt bridge was replaced.</p> <p><i>Note: The ELECTRODE DAYS value is automatically set to zero when the salt bridge is replaced.</i></p>

6.3 Error messages

When an error occurs, the reading on the measurement screen flashes and all outputs are held when specified in the controller menu. To show the sensor errors, push **menu** and select DIAGNOSTICS > [Select Sensor] > ERROR LIST. A list of possible errors is shown in [Table 3](#).

Table 3 Error messages

Error	Description	Resolution
PH TOO HIGH	The measured pH is > 14.	Calibrate the sensor.
ORP TOO HIGH	The measured ORP value is > 2100 mV.	

Table 3 Error messages (continued)

Error	Description	Resolution
PH TOO LOW	The measured pH is < 0.	Calibrate the sensor.
ORP TOO LOW	The measured ORP value is ≤ 2100 mV.	
OFFSET TOO HIGH	The offset is > 9 (pH) or 200 mV (ORP).	Do the steps in Clean the sensor on page 17 and Replace the salt bridge on page 17. Then, do the calibration again.
OFFSET TOO LOW	The offset is < 5 (pH) or – 200 mV (ORP).	
SLOPE TOO HIGH	The slope is > 62 (pH)/1.3 (ORP).	Repeat the calibration with fresh reference solutions.
SLOPE TOO LOW	The slope is < 50 (pH)/0.7 (ORP).	Do the steps in Clean the sensor on page 17. Then, do the calibration again.
TEMP TOO HIGH	The measured temperature is >130 °C.	Make sure that the correct temperature element is selected. Refer to the TEMP ELEMENT option in Configure the sensor on page 12.
TEMP TOO LOW	The measured temperature is ≤ 10 °C.	
ADC FAILURE	The analog to digital conversion failed.	Set the controller to off. Then, set the controller to on.
A ELEC TOO HIGH	The active electrode impedance is > 900 MΩ.	The sensor is in air. Return the sensor to the process.
A ELEC TOO LOW	The active electrode impedance is < 8 MΩ.	The sensor is damaged or dirty. Do the steps in Clean the sensor on page 17.
R ELEC TOO HIGH	The reference electrode impedance is > 900 MΩ.	The standard cell solution leaked or evaporated. Replace the standard cell solution.
R ELEC TOO LOW	The reference electrode impedance is < 8 MΩ.	The reference electrode is damaged. Replace the sensor.
SAME BUFFER	The buffers used for 2 POINT AUTO calibration have the same value.	Use buffers that have different values.
SENSOR MISSING	The sensor is missing or disconnected.	Identify if the sensor cable is disconnected or has damage.
TEMP SENSOR MISSING	The temperature sensor is missing.	Make sure that the correct temperature element is selected. Refer to the TEMP ELEMENT option in Configure the sensor on page 12.
GLASS IMP LOW	The glass bulb is broken or is at end of life.	Replace the sensor.

6.4 Warning messages

A warning does not affect the operation of menus, relays and outputs. A warning icon flashes and a message is shown on the bottom of the measurement screen. To show the sensor warnings, push **menu** and select DIAGNOSTICS > [Select Sensor] > WARNING LIST. A list of possible warnings is shown in [Table 4](#).

Table 4 Warning messages

Warning	Description	Resolution
PH TOO HIGH	The measured pH is > 13.	Calibrate the sensor.
ORP TOO HIGH	The measured ORP value is > 2100 mV.	

Table 4 Warning messages (continued)

Warning	Description	Resolution
PH TOO LOW	The measured pH is < 1.	Calibrate the sensor.
ORP TOO LOW	The measured ORP value is < -2100 mV.	
OFFSET TOO HIGH	The offset is > 8 (pH) or 200 mV (ORP).	Do the steps in Clean the sensor on page 17 and Replace the salt bridge on page 17. Then, do the calibration again.
OFFSET TOO LOW	The offset is < 6 (pH) or -200 mV (ORP).	
SLOPE TOO HIGH	The slope is > 60 (pH)/1.3 (ORP).	Repeat the calibration with fresh reference solutions.
SLOPE TOO LOW	The slope is < 54 (pH)/0.7 (ORP).	Do the steps in Clean the sensor on page 17. Then, do the calibration again.
TEMP TOO HIGH	The measured temperature is >100 °C.	Make sure that the correct temperature element is selected. Refer to the TEMP ELEMENT option in Configure the sensor on page 12.
TEMP TOO LOW	The measured temperature is < 0 °C.	
CAL OVERDUE	The number of days since the sensor was calibrated is more than the calibration interval.	Calibrate the sensor. <i>Note:</i> To change the calibration interval, refer to the CAL DAYS option in Configure the sensor on page 12.
REPLACE SENSOR	The number of days the sensor has been in operation is more than the sensor replacement interval.	Replace the sensor if necessary. <i>Note:</i> To change the sensor replacement interval, refer to the SENSOR DAYS option in Configure the sensor on page 12.
NOT CALIBRATED	The sensor has not been calibrated.	Calibrate the sensor.
FLASH FAILURE	External flash memory failed.	Contact technical support.
A ELEC TOO HIGH	The active electrode impedance is > 800 MΩ.	The sensor is in air. Return the sensor to the process.
A ELEC TOO LOW	The active electrode impedance is < 15 MΩ.	The sensor is damaged or dirty. Do the steps in Clean the sensor on page 17.
R ELEC TOO HIGH	The reference electrode impedance is > 800 MΩ.	The standard cell solution leaked or evaporated. Replace the standard cell solution.
R ELEC TOO LOW	The reference electrode impedance is < 15 MΩ.	The reference electrode is damaged. Replace the sensor.
CAL IN PROGRESS	A calibration was started but not completed.	Return to calibration.

6.5 Event list

The event list shows current activities such as configuration changes, alarms, warning conditions, etc. To show the events, push **menu** and select DIAGNOSTICS > [Select Sensor] > EVENTS. A list of possible events is shown in [Table 5](#). Previous events are recorded in the event log, which can be downloaded from the controller. Refer to the controller documentation for data retrieval options.

Table 5 Event list

Event	Description
CAL READY	The sensor is ready for calibration.
CAL OK	The current calibration is good.
TIME EXPIRED	The stabilization time during calibration expired.
NO BUFFER	No buffer is detected.

Table 5 Event list (continued)

Event	Description
SLOPE HIGH	The calibration slope is above the upper limit.
SLOPE LOW	The calibration slope is below the lower limit.
OFFSET HIGH	The calibration offset value for the sensor is above the upper limit.
OFFSET LOW	The calibration offset value for the sensor is below the lower limit.
POINTS CLOSE	The calibration points are too similar in value for a 2-point calibration.
CAL FAIL	The calibration failed.
CAL HIGH	The calibration value is above the upper limit.
UNSTABLE	The reading during calibration was unstable.
CHANGE IN CONFIG – float	The configuration was changed—floating point type.
CHANGE IN CONFIG – text	The configuration was changed—text type.
CHANGE IN CONFIG – int	The configuration was changed—integer value type.
RESET CONFIG	The configuration settings were set to the default options.
POWER ON EVENT	The power was set to on.
ADC FAILURE	The ADC conversion failed (hardware failure).
FLASH ERASE	The flash memory was erased.
TEMPERATURE	The recorded temperature is too high or too low.
1PT MANUAL START	Start of 1 POINT MANUAL calibration.
1PT AUTO START	Start of 1 POINT AUTO calibration for pH.
2PT MANUAL START	Start of 2 POINT MANUAL calibration for pH.
2PT AUTO START	Start of 2 POINT AUTO for pH.
1PT MANUAL END	End of 1 POINT MANUAL calibration.
1PT AUTO END	End of 1 POINT AUTO calibration for pH.
2PT MANUAL END	End of 2 POINT MANUAL calibration for pH.
2PT AUTO END	End of 2 POINT AUTO calibration for pH.

Section 7 Replacement parts and accessories

⚠ WARNING



Personal injury hazard. Use of non-approved parts may cause personal injury, damage to the instrument or equipment malfunction. The replacement parts in this section are approved by the manufacturer.

Note: Product and Article numbers may vary for some selling regions. Contact the appropriate distributor or refer to the company website for contact information.

Consumables

Description	Quantity	Item no.
Buffer Solution, pH 4.01, red	500 mL	2283449
Buffer Solution, pH 7.00, yellow	500 mL	2283549

Consumables (continued)

Description	Quantity	Item no.
Buffer Solution, pH 10.01, blue	500 mL	2283649
ORP Reference Solution, 200 mV	500 mL	25M2A1001-115
ORP Reference Solution, 600 mV	500 mL	25M2A1002-115

Replacement parts—pH sensors

Description	Quantity	Item no.
Salt Bridge, PEEK, Kynar (PVDF) outer-junction, with Viton O-rings	1	SB-P1SV
Salt Bridge, PEEK, Kynar (PVDF) outer-junction, with perfluoroelastomer O-rings	1	SB-P1SP ⁸
Salt Bridge, PEEK, ceramic outer-junction, with Viton O-rings	1	SB-P2SV
Salt Bridge, Ryton, Kynar (PVDF) outer-junction, with Viton O-rings	1	SB-R1SV
Standard cell solution	500 mL	25M1A1025-115
Gel powder for standard cell solution	2 g	25M8A1002-101

Accessories

Description	Item no.
Digital extension cable, 1 m (3.2 ft)	6122400
Digital extension cable, 7.7 m (25 ft)	5796000
Digital extension cable, 15 m (50 ft) ⁹	5796100
Digital extension cable, SC200 controller, 31 m (100 ft)	5796200
Digital termination box, SC200 controller ¹⁰	5867000
Sanitary mount hardware, 316 stainless steel, includes 2-inch sanitary tee and heavy-duty clamp <i>Note: Cap and EPDM compound gasket are supplied with the sensor.</i>	MH018S8SZ
Union mount hardware, CPVC (chlorinated polyvinyl chloride), includes 1½-inch standard tee, union pipe with adapter, sealing hub, lock ring and Viton O-ring	6131300
Union mount hardware, 316 stainless steel, includes 1½-inch standard tee, union pipe with adapter, sealing hub, lock ring and Viton O-ring	6131400
Flow-through mount hardware, CPVC, includes 1-inch standard tee	MH334N4NZ
Flow-through mount hardware, 316 stainless steel, includes 1-inch standard tee	MH314N4MZ
Insertion mount hardware, CPVC, includes 1½-inch ball valve, 1½-inch NPT close nipple, sensor adapter with two Viton O-rings and wiper, extension pipe, pipe adapter, back tube and lock ring	5646300

⁸ Use SB-P1SP when Viton material is not chemically compatible with the chemicals in the application.

⁹ The maximum cable length is 15 m (49 ft) for an SC1000 controller.

¹⁰ Use a digital termination box if the cable length is more than 100 m (328 ft). A termination box is not used with an SC1000 controller.

Accessories (continued)

Description	Item no.
Insertion mount hardware, 316 stainless steel, includes 1½-inch ball valve, 1½-inch NPT close nipple, sensor adapter with two Viton O-rings and wiper, extension pipe, pipe adapter, back tube and lock ring	5646350
Immersion mount hardware, standard, CPVC, includes 1-inch by 4 ft pipe and 1-inch x 1-inch NPT coupling	6136400
Immersion mount hardware, standard, 316 stainless steel, includes 1-inch by 4 ft pipe and 1-inch x 1-inch NPT coupling	6136500
Immersion mount hardware, handrail, includes 1½ inch by 7.5 ft CPVC pipe and pipe clamp assembly	MH236B00Z
Immersion mount hardware, chain, 316 stainless steel, includes stainless steel bail, nuts and washers <i>Note: For stainless steel sensor use only. Does not include chain.</i>	2881900
Immersion mount hardware, ball float, includes 1½ inch by 7.5 ft CPVC pipe, ball float assembly and pipe clamp assembly	6131000
Sensor guard, convertible style sensor, PEEK	1000F3374-002
Sensor guard, convertible style sensor, Ryton	1000F3374-003

Inhaltsverzeichnis

- | | |
|---|---|
| 1 Technische Daten auf Seite 26 | 5 Instandhaltung auf Seite 40 |
| 2 Allgemeine Informationen auf Seite 27 | 6 Fehlersuche und Behebung auf Seite 44 |
| 3 Installation auf Seite 29 | 7 Ersatzteile und Zubehör auf Seite 48 |
| 4 Betrieb auf Seite 35 | |

Kapitel 1 Technische Daten

Änderungen vorbehalten.

Technische Daten	pH-Sensoren	pH-Sensor aus Edelstahl	REDOX-Sensoren
Abmessungen (Länge)	272,5 mm	325,3 mm	272,5 mm
Gewicht	316 g	870 g	316 g
Benetzte Materialien	Körper aus PEEK oder Ryton (PVDF), Salzbrücke aus demselben Material wie Kynar Verbindung, Prozesselektrode aus Glas, Erdungselektrode aus Titan, O-Ring-Dichtungen aus Viton <i>Hinweis: Der pH-Sensor mit optionaler Prozesselektrode aus HF-beständigem Glas hat eine Erdungselektrode aus Edelstahl 316 und mit Perfluorelastomer benetzte O-Ringe.</i>	Nur für Eintaucharmatur, Körper aus Edelstahl 316, mit Enden aus Ryton (PVDF) und mit Salzbrücke	Körper aus PEEK oder Ryton (PVDF), Salzbrücke aus demselben Material wie Kynar Verbindung, Prozesselektrode aus Glas und Platin (oder Glas und Gold), Erdungselektrode aus Titan, O-Ring-Dichtungen aus Viton
Bauteile	Korrosionsbeständiges Material, vollständig eintauchbar		
Sensorkabel (fest eingebaut)	4 Leiter (plus 1 Abschirmung), 10 m, ausgelegt für bis zu 105 °C		
Betriebstemperatur	-5 bis 70 °C	0 bis 50 °C	-5 bis 70 °C
Lagerungstemperatur	4 bis 70 °C, 0 bis 95 % relative Luftfeuchtigkeit, nicht kondensierend		
Messbereich	pH 2,0 bis 14,0 ¹ (oder 2,00 bis 14,00)		-1.500 bis +1.500 mV
Wiederholgenauigkeit	±0,05 pH		±2 mV
Empfindlichkeit	±0,01 pH		±0,5 mV ²
Stabilität	0,03 pH in 24 Stunden, nicht kumulativ		2 mV (REDOX) pro 24 Stunden, nicht kumulativ
Maximale Fließgeschwindigkeit	3 m/s (10 ft/s)		
Maximaler Druck	6,9 bar bei 70 °C	Nicht zutreffend (nur Eintauchen)	6,9 bar bei 70 °C

¹ Die meisten pH-Anwendungen liegen im Bereich von 2,5 bis 12,5 pH. Der pHD Differential-pH-Sensor mit seiner für einen breiten Messbereich geeigneten Glas-Prozesselektrode weist in diesem Bereich ein sehr gutes Betriebsverhalten auf. Einige industrielle Anwendungen erfordern eine genaue Messung und Kontrolle unter pH 2 oder über pH 12. In diesen Sonderfällen wenden Sie sich bitte an den Hersteller, um weitere Informationen zu erhalten.

² Für Lösungen mit Bestandteilen Zink, Cyanid, Cadmium oder Nickel eignet sich der pHD REDOX-Sensor mit seiner Goldelektrode am besten.

Technische Daten	pH-Sensoren	pH-Sensor aus Edeltahl	REDOX-Sensoren
Übertragungsstrecke	Maximal 100 m, bei Verwendung mit Anschlussdose maximal 1.000 m		
Temperaturelement	NTC-Thermistor 300 Ω für automatische Temperaturkompensation und Temperaturanzeige am Analysator		NTC-Thermistor 300 Ω nur für Temperaturanzeige am Analysator – für REDOX-Messung keine automatische Temperaturkompensation erforderlich
Genauigkeit der Temperaturmessung	±0,5 °C		
Temperatenausgleich	Automatisch von -10 bis 105 °C mit NTC-Thermistor 300 Ω, Pt 1.000 Ohm-RTD- oder Pt 100 Ω-RTD-Temperaturelement, oder manuell fest eingestellt auf eine vom Benutzer eingegebene Temperatur		Nicht anwendbar
Kalibrierverfahren	1-Punkt oder 2-Punkt, automatisch oder manuell		1-Punkt, manuell
Sensorschnittstelle	Modbus		
Zertifizierungen	CE		
Gewährleistung	1 Jahr; 2 Jahre (EU)		

Kapitel 2 Allgemeine Informationen

Der Hersteller ist nicht verantwortlich für direkte, indirekte, versehentliche oder Folgeschäden, die aus Fehlern oder Unterlassungen in diesem Handbuch entstanden. Der Hersteller behält sich jederzeit und ohne vorherige Ankündigung oder Verpflichtung das Recht auf Verbesserungen an diesem Handbuch und den hierin beschriebenen Produkten vor. Überarbeitete Ausgaben der Bedienungsanleitung sind auf der Hersteller-Webseite erhältlich.

2.1 Sicherheitshinweise

Der Hersteller ist nicht für Schäden verantwortlich, die durch Fehlanwendung oder Missbrauch dieses Produkts entstehen, einschließlich, aber ohne Beschränkung auf direkte, zufällige oder Folgeschäden, und lehnt jegliche Haftung im gesetzlich zulässigen Umfang ab. Der Benutzer ist selbst dafür verantwortlich, schwerwiegende Anwendungsrisiken zu erkennen und erforderliche Maßnahmen durchzuführen, um die Prozesse im Fall von möglichen Gerätefehlern zu schützen.

Bitte lesen Sie dieses Handbuch komplett durch, bevor Sie dieses Gerät auspacken, aufstellen oder bedienen. Beachten Sie alle Gefahren- und Warnhinweise. Nichtbeachtung kann zu schweren Verletzungen des Bedienpersonals oder Schäden am Gerät führen.

Stellen Sie sicher, dass die durch dieses Messgerät gebotene Sicherheit nicht beeinträchtigt wird. Verwenden bzw. installieren Sie das Messgerät nur wie in diesem Handbuch beschrieben.

2.2 Bedeutung von Gefahrenhinweisen

GEFAHR

Kennzeichnet eine mögliche oder drohende Gefahrensituation, die, wenn sie nicht vermieden wird, zum Tod oder zu schweren Verletzungen führt.

WARNUNG

Kennzeichnet eine mögliche oder drohende Gefahrensituation, die, wenn sie nicht vermieden wird, zum Tod oder zu schweren Verletzungen führen kann.

VORSICHT





Kennzeichnet eine mögliche Gefahrensituation, die zu leichteren Verletzungen führen kann.

ACHTUNG

Kennzeichnet eine Situation, die, wenn sie nicht vermieden wird, das Gerät beschädigen kann. Informationen, die besonders beachtet werden müssen.

2.3 Warnhinweise

Lesen Sie alle am Gerät angebrachten Aufkleber und Hinweise. Nichtbeachtung kann Verletzungen oder Beschädigungen des Geräts zur Folge haben. Im Handbuch wird in Form von Warnhinweisen auf die am Gerät angebrachten Symbole verwiesen.

	Dies ist das Sicherheits-Warnsymbol. Befolgen Sie alle Sicherheitshinweise im Zusammenhang mit diesem Symbol, um Verletzungen zu vermeiden. Wenn es am Gerät angebracht ist, beachten Sie die Betriebs- oder Sicherheitsinformationen im Handbuch.
	Dieses Symbol weist auf die Gefahr eines elektrischen Schlages hin, der tödlich sein kann.
	Dieses Symbol zeigt das Vorhandensein von Geräten an, die empfindlich auf elektrostatische Entladung reagieren. Es müssen Vorsichtsmaßnahmen getroffen werden, um die Geräte nicht zu beschädigen.
	Elektrogeräte, die mit diesem Symbol gekennzeichnet sind, dürfen nicht im normalen öffentlichen Abfallsystem entsorgt werden. Senden Sie Altgeräte an den Hersteller zurück. Dieser entsorgt die Geräte ohne Kosten für den Benutzer.

2.4 Produktübersicht

Dieser Sensor wird an einen Controller angeschlossen und dient zur Aufnahme von Messdaten. Er ist für verschiedene Controller geeignet. Dieses Dokument geht davon aus, dass der Sensor an einen SC Controller angeschlossen und an diesem verwendet wird. Zum Verwenden des Sensors mit anderen Controllern lesen Sie bitte die Bedienungsanleitung des entsprechenden Geräts.

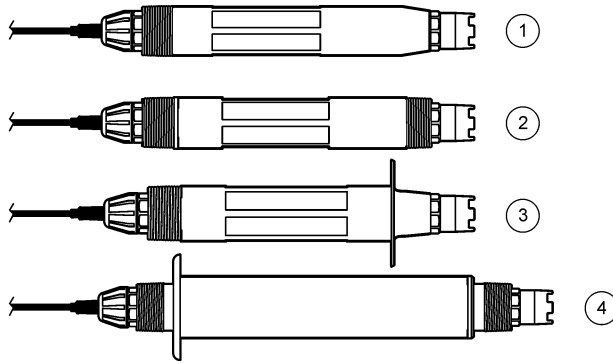
Dieses Produkt ist nicht für die Verwendung in explosionsgefährdeten Bereichen geeignet.

Dem optionalen Zubehör, wie Befestigungsmaterial für die Sonde, liegt eine Installationsanleitung bei. Verschiedene Montageoptionen sind möglich, wodurch die Sonde an die verschiedensten Anwendungen angepasst werden kann.

2.5 Sensorausführungen

Der Sensor ist in verschiedenen Ausführungen verfügbar. Siehe [Abbildung 1](#).

Abbildung 1 Sensorausführungen



<p>1 Einsetzen – Zum Einbauen in eine Durchflusszelle oder in einen Rohradapter einer Kugelventilbaugruppe. Ermöglicht die Entnahme des Sensors ohne Unterbrechung des Prozessflusses.</p>	<p>3 Hygienegerecht – Zum Einbauen in ein hygienegerechtes 2-Zoll-T-Stück</p>
<p>2 Variabel – Zum Einbauen in ein Rohr-T-Stück oder zum Eintauchen in einen offenen Behälter</p>	<p>4 Edelstahl – Zum Eintauchen in einen offenen Behälter</p>

Einsetzsensoren – Sind den variablen Sensoren ähnlich. Der Unterschied besteht darin, dass nur das kableseitige Ende mit einem 1-Zoll-NPT-Gewinde versehen ist. Das Gewinde dient dem Einbau in eine Durchflusszelle oder in den Rohradapter einer Kugelventilbaugruppe. Einsetzsensoren können in den Prozess eingebracht oder aus dem Prozess genommen werden, ohne den Prozessfluss stoppen zu müssen.

Variable Sensoren – Verfügen an beiden Enden des Gehäuses über 1-Zoll-NPT-Gewinde und können daher in die folgenden Konfigurationen eingebaut werden:

- In ein standardmäßiges 1-Zoll-NPT-T-Stück
- In einen Rohradapter für Durchflussarmatur und Standard 1½-Zoll-T-Stück
- An das Ende eines Rohres zum Eintauchen in einen Behälter


Hinweis: Variable Sensoren können zudem in bereits vorhandene Installationen für 1½-Zoll-LCP-, Ryton- und Epoxidharzsensoren eingebaut werden.

Hygienegerechte Sensoren – Verfügen über einen integrierten 2-Zoll-Flansch zum Einbauen in ein hygienegerechtes 2-Zoll-T-Stück. Den Sanitärsensoren liegen eine spezielle Kappe und eine Dichtung aus EDPM-Verbundmaterial für den Einbau in hygienegerechte Armaturen bei.

Sensoren aus Edelstahl – Haben an beiden Enden des Gehäuses 1-Zoll-NPT-Gewinde. Sensoren aus Edelstahl sind für das Eintauchen in einen offenen Behälter vorgesehen.

Kapitel 3 Installation

3.1 Befestigen

⚠ WARNUNG	
	<p>Explosionsgefahr. Stellen Sie sicher, dass das Befestigungsmaterial des Sensors für die Temperaturen und Drücke am Montageort zugelassen sind.</p>

⚠ VORSICHT



Verletzungsgefahr. Glasscherben können Verletzungen verursachen. Verwenden Sie beim Entfernen von Glasscherben Werkzeuge und Schutzbekleidung.

ACHTUNG

Die Prozesselektrode hat an der Spitze des pH-Sensors einen Glaskolben, der brechen kann. Schützen Sie den Glaskolben vor Stößen und sonstigen mechanischen Belastungen.

ACHTUNG

Die Gold- oder Platinum-Prozess-Elektrode an der Spitze des REDOX-Sensors hat eine Glasfassung (verdeckt durch die Salzbrücke), die brechen kann. Schützen Sie die Glasfassung vor Stößen und sonstigen mechanischen Belastungen.

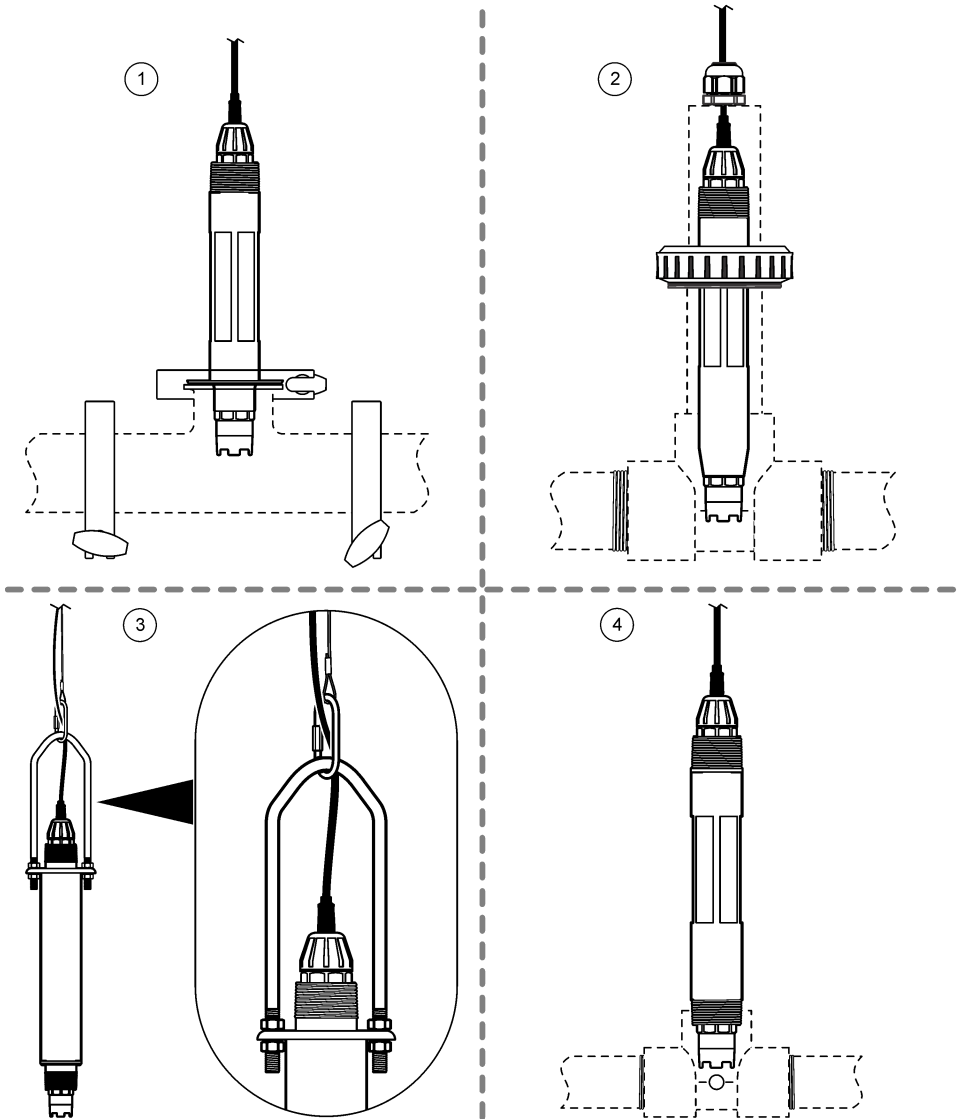
ACHTUNG

Dieses Gerät ist für eine Höhe von maximal 2.000 m ausgelegt. Obwohl bei der Nutzung dieses Geräts in einer Höhe über 2.000 m keine wesentlichen Sicherheitsbedenken aufgetreten sind, empfiehlt der Hersteller Benutzern mit Bedenken, sich an den technischen Support zu wenden.

- Installieren Sie den Sensor an einen Ort, an dem die Präsenz des mit dem Sensor in Kontakt kommenden Probenmaterials für den Gesamtprozess repräsentativ ist.
- Beispiele für Montagemöglichkeiten finden Sie in [Abbildung 2](#), [Abbildung 3](#) und [Abbildung 4](#).
- Informationen zu verfügbarem Befestigungsmaterial finden Sie in [Ersatzteile und Zubehör](#) auf Seite 48.
- Informationen zur Installation finden Sie in den Anleitungen, die mit dem Befestigungsmaterial geliefert werden.
- Montieren Sie den Sensor mindestens 15° zur Horizontalen. Siehe [Abbildung 5](#).
- Bei Tauchinstallationen muss der Sensor mindestens 508 mm von der Wand des Belüftungsbeckens entfernt sein, und der Sensor muss mindestens 508 mm tief in den Prozess eintauchen.
- Entfernen Sie die Schutzkappe, bevor Sie den Sensor in den Prozess bringen. Bewahren Sie die Schutzkappe für künftige Verwendung auf.
- (Optional) Wenn das Prozesswasser nahezu Siedetemperatur erreicht, geben Sie Gel-Pulver³ zur Standardküvettenlösung in den Sensor. Gehen Sie dazu wie im Schritt 2 von [Austauschen der Salzbrücke](#) auf Seite 41 beschrieben vor. Tauschen Sie die Salzbrücke nicht gegen eine andere aus.
- Kalibrieren Sie den Sensor vor der Verwendung.

³ Das Gel-Pulver verringert die Verdampfungsrates der Standardküvettenlösung.

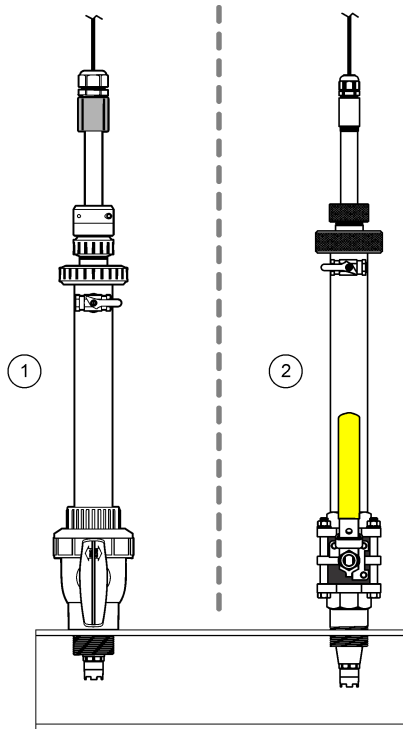
Abbildung 2 Montagebeispiele (1)



1 Hygienegerechte Armatur (2-Zoll-Sanitär-T-Stück)	3 Eintaucharmatur, Kette und Bügel ⁴
2 Durchflussarmatur (1½-Zoll-Standard-T-Stück)	4 Durchflussarmatur (1-Zoll-Standard-T-Stück)

⁴ Nur Edelstahlsensoren

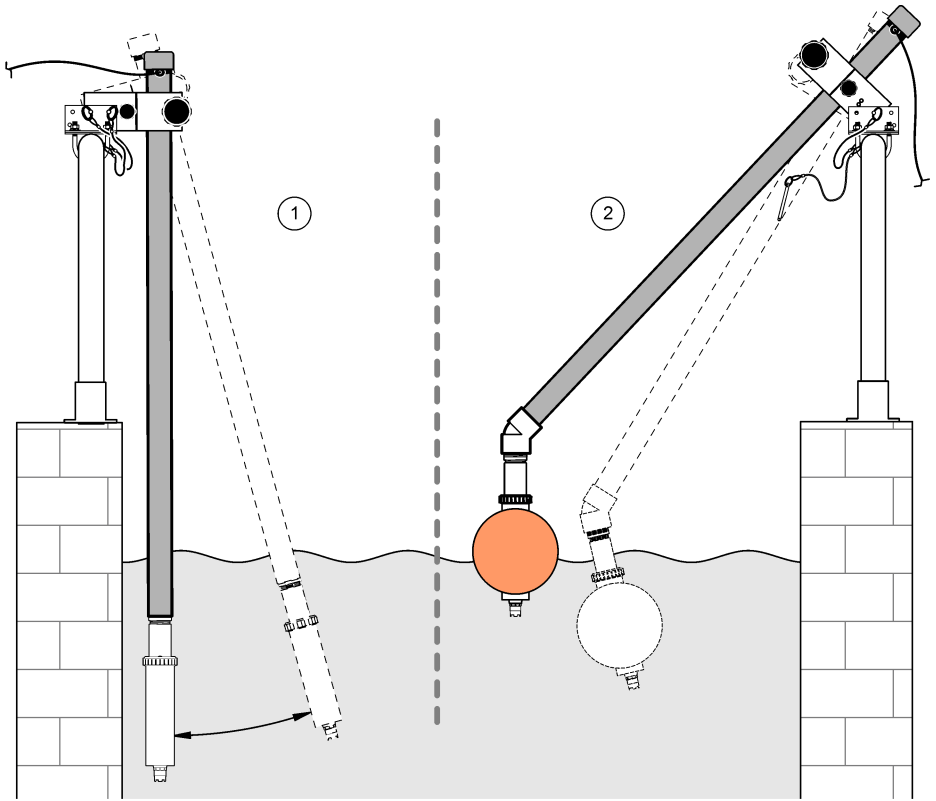
Abbildung 3 Montagebeispiele (2)



1 Wechselarmatur, CPVC-Material

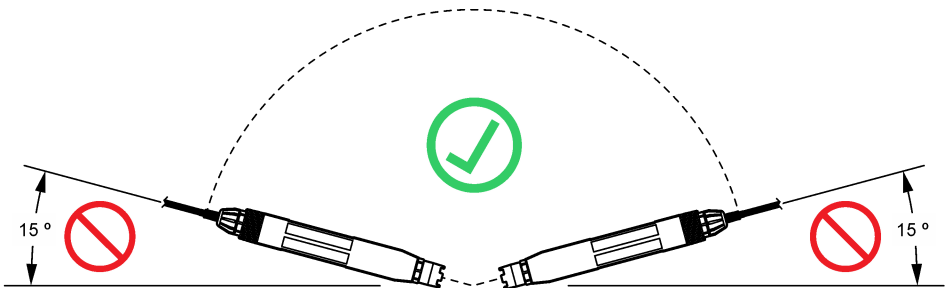
2 Wechselarmatur, Edelstahl

Abbildung 4 Montagebeispiele (3)



1 Eintaucharmatur, Handlauf	2 Eintaucharmatur mit Schwimmer
-----------------------------	---------------------------------

Abbildung 5 Montagewinkel Sensor



3.2 Elektrische Installation

3.2.1 Anschließen des Sensors an einen Schnellanschluss (Ungefährliche Umgebung)

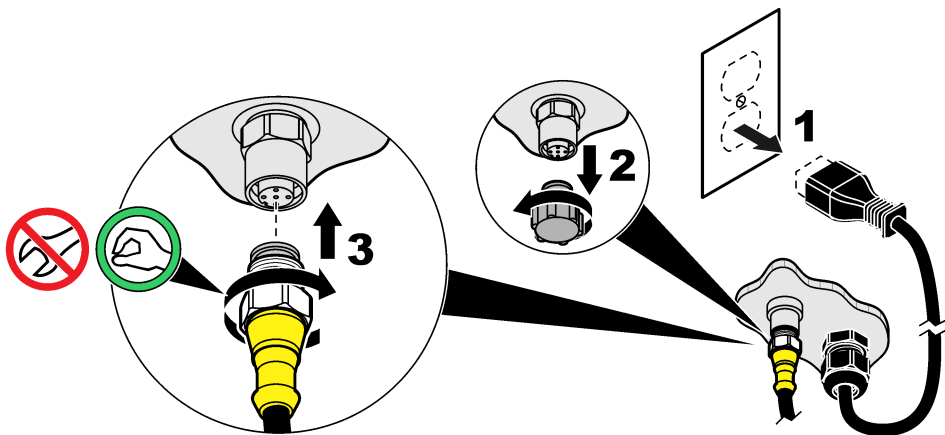
1. Verbinden Sie das Sensorkabel mit der Schnellverschlusskupplung eines SC Controllers.
Siehe [Abbildung 6](#).

Bewahren Sie die Abdeckkappe des Steckers auf, falls die Sonde einmal abgenommen werden muss.

2. Nach dem Einschalten der Stromversorgung bei angeschlossenem Sensor:

- Controller SC200 – Wählen Sie SERVICE > SUCHE SENSOREN.
- Controller SC1000 – Wählen Sie SYSTEM-SETUP > GERÄTE-VERWALTUNG > SUCHE NEUE GERÄTE.

Abbildung 6 Anschließen des Sensors an einen Schnellanschluss



3.2.2 Verlängerungskabel

- Verlängerungskabel sind erhältlich. Siehe [Ersatzteile und Zubehör](#) auf Seite 48.
- Bei einem SC1000 Controller beträgt die maximale Länge 15 m.
- Bei einem SC200 Controller beträgt die maximale Länge 1.000 m.
- SC200 Controller – Verwenden Sie bei Kabellängen über 100 m eine Digital-Anschlussdose.
Siehe [Ersatzteile und Zubehör](#) auf Seite 48.

3.2.3 Anschließen eines Sensorkabels mit Blankdrähten (Ungefährliche Umgebung)

▲ GEFAHR	
	Lebensgefahr durch Stromschlag. Trennen Sie das Gerät immer von der Spannungsversorgung, bevor Sie elektrische Anschlüsse herstellen.
▲ GEFAHR	
	Lebensgefahr durch Stromschlag. Die Hochspannungsleitungen für die Steuerung sind hinter der Hochspannungssperre im Steuerungsgehäuse angeschlossen. Die Schutzabdeckung darf nicht entfernt werden, außer beim Einbau von Modulen oder beim elektrischen Anschluss von Spannungsversorgung, Relais, analogen und Netzwerkkarten durch einen qualifizierten Techniker.

Wenn das Sensorkabel nicht über einen Schnellkupplungs-Steckverbinder verfügt⁵, schließen Sie die blanken Drähte des Sensorkabels wie folgt an den Controller an:

Hinweis: Ein Sensorkabel mit Blankdrähten kann nicht an einen SC1000 Controller angeschlossen werden.

1. Entnehmen Sie der Versandverpackung für den SC200 Controller das Leitungsverkabelungs-Kit (9222400).
Das Kit enthält vier Stoßverbinder.
2. Schließen Sie das Sensorkabel wie in der dem Leitungsverkabelungs-Kit beiliegenden Anleitung vorgegeben an den Controller an.

Kapitel 4 Betrieb

4.1 Benutzernavigation

Eine Beschreibung der Bedienung und Menüführung entnehmen Sie bitte der Controller-Dokumentation.

Drücken Sie auf dem Controller mehrmals auf die Pfeiltaste **RECHTS**, um weitere Informationen auf dem Startbildschirm und eine grafische Anzeige zu erhalten.

4.2 Konfigurieren des Sensors

Wählen Sie einen Sensornamen und den Typ des Sensors. Ändern Sie Optionen für Messung, Kalibrierung, Datenverarbeitung und Datenspeicherung.

1. Drücken Sie auf **Menü**, wählen Sie dann **SENSOR-SETUP > [Sensor auswählen] > KONFIGURIEREN**.
2. Wählen Sie eine Option.


Option	Beschreibung
NAME MESSORT	Ändert den Namen des Messorts für den Sensor oben in der Messungsanzeige. Der Name darf maximal 12 Zeichen lang sein und Buchstaben, Zahlen, Leerzeichen und Satzzeichen enthalten.
WÄHLE SENSOR	Wählt den Typ des Sensors (pH oder REDOX).
ANZEIGEFORMAT	Nur für pH-Sensoren – ändert die Anzahl der Dezimalstellen für die Messungsanzeige auf XX.XX (Standard) oder XX.X.
TEMP EINHEITEN	Legt die Temperatureinheit fest: °C (Standard) oder °F.
LOGGER	Legt das Zeitintervall für die Datenspeicherung im Datenprotokoll fest – 5 oder 30 Sekunden und 1, 2, 5, 10, 15 (Standard), 30 oder 60 Minuten.
NETZ FREQUENZ	Wählt die Frequenz der Netzstromversorgung des Controllers (50 oder 60 Hz). Wenn der Controller mit einer Netzspannung von 120 VAC betrieben wird, wählen Sie „60 Hz“. Wenn der Controller mit einer Netzspannung von 230 VAC betrieben wird, wählen Sie „50 Hz“.
DÄMPFUNG	Festlegung einer Zeitkonstante zur Verbesserung der Signalstabilität. Die Zeitkonstante berechnet den Mittelwert über ein angegebenes Zeitintervall – 0 (Aus, Standard) bis 60 Sekunden (Mittelwert der Signalwerte über 60 Sekunden). Die Filter erhöhen die Ansprechzeit des Sensorsignals auf Prozessänderungen.


⁵ Beispiel: Das Sensorkabel wird mithilfe einer Digital-Anschlussdose und eines als Meterware erworbenen 4-adrigen geschirmten Kabels verlängert.

Option	Beschreibung
TEMP-SENSOR	<p>pH-Sensoren – legt das Temperaturelement für den automatischen Temperatureausgleich fest: PT100, PT1000, NTC300 (Standard) oder MANUELL. Wenn kein Element verwendet wird, kann der Typ auf MANUELL eingestellt werden, um einen festen Wert für die Temperaturkompensation einzugeben (Standard für „Manuell“: 25 °C).</p> <p>REDOX-Sensoren – Temperaturkompensation wird nicht verwendet. Zur Messung der Temperatur kann ein Temperaturfühler angeschlossen werden</p>
PUFFER WÄHLEN	<p>Nur bei pH-Sensoren – wählt die für die Kalibrierung verwendeten Pufferlösungen. Optionen: pH 4, 7, 10 (Standard) oder DIN 19267 (pH 1,09; 4,65; 6,79; 9,23; 12,75).</p> <p>Hinweis: Für die Kalibrierung können auch andere Pufferlösungen verwendet werden.</p>
REINE H2O-KOMP	<p>Nur bei pH-Sensoren – führt eine zusätzliche Temperaturkorrektur des gemessenen pH-Werts für Reinwasser mit Zusätzen aus – KEINER (Standard), AMMONIAK, MORPHOLIN oder BENUTZERDEF. Bei Prozesstemperaturen über 50 °C erfolgt die Korrektur auf 50 °C. Für benutzerdefinierte Anwendungen kann eine lineare Steigung (Standard: 0 pH/°C) eingegeben werden.</p>
KAL.TAGEZÄHLER	<p>Legt das Kalibrierungsintervall fest (Standardwert: 60 Tage).</p> <p>Hinweis: Wenn die Anzahl der Tage seit der Kalibrierung des Sensors größer ist als das Kalibrierungsintervall, wird auf dem Display eine Warnung angezeigt.</p>
SENSORALTER TG	<p>Legt das Intervall für den Austausch des Sensors fest (Standard: 365 Tage).</p> <p>Hinweis: Wenn die Anzahl der Tage, die der Sensor schon genutzt wurde, größer ist als das Intervall für den Austausch des Sensors, wird auf dem Display eine Warnung angezeigt.</p>
IMPED LIMITS	<p>Legt die Grenzwerte für die Impedanzen von aktiver und Referenzelektrode fest (Standard: NIEDRIG = 0 MΩ, HOCH = 1.000 MΩ).</p> <p>Hinweis: Wenn im Menü DIAG/TEST die Option IMPEDANZEN auf AKTIVIERT eingestellt ist und die Impedanz der aktiven Elektrode oder der Referenzelektrode außerhalb der Impedanz-Grenzwerte liegt, wird auf dem Display des Controllers eine Warnung angezeigt.</p>
WERKS-EINST	<p>Setzt die Konfigurationseinstellungen auf die werkseitigen Standardeinstellungen zurück.</p>

4.3 Kalibrieren des Sensors

⚠️ WARNUNG	
	Explosionsgefahr. Das Entfernen eines Sensors von einem unter Druck stehenden Behälter kann gefährlich sein. Verringern Sie vor dem Entfernen den Prozessdruck auf weniger als 10 psi. Arbeiten Sie mit größter Vorsicht, falls dies nicht möglich sein sollte. Weitere Informationen finden Sie in der Dokumentation, die mit den Befestigungsteilen geliefert wird.

⚠️ WARNUNG	
	Gefahr von Kontakt mit Chemikalien. Halten Sie sich an die Sicherheitsmaßnahmen im Labor, und tragen Sie Schutzkleidung entsprechend den Chemikalien, mit denen Sie arbeiten. Beachten Sie die Sicherheitsprotokolle in den aktuellen Material Sicherheitsdatenblättern (MSDS/SDB).

⚠️ VORSICHT	
	Gefahr durch Kontakt mit Chemikalien. Entsorgen Sie Chemikalien und Abfälle gemäß lokalen, regionalen und nationalen Vorschriften.

4.3.1 Sensorkalibrierung

Bei der Kalibrierung wird der Sensormesswert mit dem Werten einer oder zweier Referenzlösungen abgeglichen. Im Laufe der Zeit verändert sich die Sensorkennlinie, wodurch der Sensor an Genauigkeit verliert. Für den Erhalt der gewünschten Genauigkeit muss der Sensor regelmäßig

kalibriert werden. Die Häufigkeit der Kalibrierung hängt von der Anwendung ab und sollte anhand der praktischen Erfahrungen bestimmt werden.

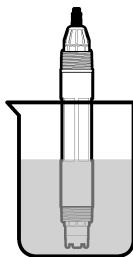
pH-Sensoren ermitteln mithilfe eines Temperaturelements pH-Messwerte. Bei Temperaturänderungen mit Einfluss auf die aktive Elektrode und die Referenzelektrode werden diese Messwerte automatisch auf 25 °C umgerechnet. Wenn die Prozesstemperatur konstant ist, kann ein fester Wert manuell eingegeben werden. Siehe die Option TEMP-SENSOR in [Konfigurieren des Sensors](#) auf Seite 35.

4.3.2 pH-Kalibriervorgang

Kalibrieren Sie den pH-Sensor mittels einer oder zweier Referenzlösungen (1-Punkt- bzw. 2-Punkt Kalibrierung).

1. Setzen Sie den Sensor in die erste Referenzlösung ein (eine Pufferlösung oder eine Probe mit bekanntem Wert). Achten Sie darauf, dass der Sensor-Teil der Sonde vollständig in die Flüssigkeit eingetaucht ist. Siehe [Abbildung 7](#).

Abbildung 7 Sensor in Referenzlösung



2. Warten Sie, bis sich die Sensortemperatur der Lösung angeglichen hat. Bei größeren Unterschieden zwischen Prozessmedium und Referenzlösung kann dies 30 Minuten und mehr in Anspruch nehmen.
3. Drücken Sie auf **Menü**, wählen Sie dann **SENSOR-SETUP > [Sensor auswählen] > KALIBRIEREN**.
4. Wählen Sie die Kalibrierungsart:

Option	Beschreibung
1 PUNKT AUTO	Nehmen Sie die Kalibrierung mithilfe eines Puffers vor (z. B. pH 7). Der Sensor erkennt den Puffer während der Kalibrierung automatisch. <i>Hinweis: Stellen Sie sicher, dass in den Einstellungen für die Sensor-Konfiguration der korrekte Puffersatz ausgewählt wurde.</i>
2 PUNKT AUTO (empfohlen)	Nehmen Sie die Kalibrierung mithilfe zweier Puffer vor (z. B. pH 7 und pH 4). Der Sensor erkennt die Puffer während der Kalibrierung automatisch. <i>Hinweis: Stellen Sie sicher, dass in den Einstellungen für die Sensor-Konfiguration der korrekte Puffersatz ausgewählt wurde.</i>
1PUNKT MANUELL	Nehmen Sie die Kalibrierung mithilfe einer Probe (oder eines Puffers) mit bekanntem pH-Wert vor. Der pH-Wert wird während der Kalibrierung eingegeben.
2PUNKT MANUELL	Nehmen Sie die Kalibrierung mithilfe zweier Proben (oder zweier Puffer) mit bekanntem pH-Wert vor. Die pH-Werte werden während der Kalibrierung eingegeben.

5. Wenn im Sicherheitsmenü des Controllers ein Passwort aktiviert ist, geben Sie das Passwort ein.
6. Wählen Sie eine Option für das Ausgangssignal während der Kalibrierung:

Option	Beschreibung
MITLAUFEN	Das Gerät übermittelt während der Kalibrierung den aktuellen Messwert.

Option	Beschreibung
HALTEN	Das Gerät hält den aktuellen Messwert während der Kalibrierung.
ERSATZWERT	Das Gerät gibt während der Kalibrierung einen vorher eingestellten Ausgangswert aus. Informationen zur Einstellung des Ersatzwertes entnehmen Sie bitte der Bedienungsanleitung des Controllers.

7. Bringen Sie den Sensor in die erste Referenzlösung ein, und drücken Sie auf „Bestätigen“. Der Messwert wird angezeigt.
8. Falls zutreffend, geben Sie den pH-Wert der Referenzlösung ein:
 - a. Warten Sie, bis sich der Wert stabilisiert hat, und drücken Sie dann „Bestätigen“.
 - b. Geben Sie den pH-Wert ein.

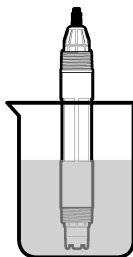
***Hinweis:** Wenn die Referenzlösung ein Puffer ist, finden Sie den für die Temperatur des Puffers gültigen pH-Wert auf der Pufferflasche. Wenn die Referenzlösung eine Probe ist, bestimmen Sie den pH-Wert der Probe mithilfe eines anderen Geräts.*
9. Bei einer 2-Punkt-Kalibrierung: Messen Sie die zweite Referenzlösung wie folgt:
 - a. Entnehmen Sie den Sensor aus der ersten Lösung und spülen Sie ihn mit sauberem Wasser ab.
 - b. Setzen Sie den Sensor in die nächste Referenzlösung ein, und drücken Sie auf „Bestätigen“.
 - c. Falls erforderlich, warten Sie, bis sich der Wert stabilisiert hat, und drücken Sie auf „Bestätigen“. Geben Sie den pH-Wert ein.
10. Kontrollieren Sie das kalibrierte Ergebnis:
 - OK – Der Sensor ist kalibriert und kann nun zum Messen von Proben verwendet werden. Die Steilheits- und/oder Offsetwerte werden angezeigt.
 - FEHLER – Die Kalibrierwerte für Steilheit oder Offset liegen außerhalb der zulässigen Grenzwerte. Wiederholen Sie die Kalibrierung mit frischen Referenzlösungen. Reinigen Sie den Sensor bei Bedarf. Siehe [Reinigen des Sensors](#) auf Seite 41.
11. Wenn die Kalibrierung erfolgreich abgeschlossen wurde, drücken Sie auf „Bestätigen“.
12. Führen Sie den Sensor in den Prozess zurück, und drücken Sie auf „Bestätigen“. Das Ausgangssignal kehrt wieder in den aktiven Zustand zurück und der Messwert der Probe wird in der Messungsanzeige angezeigt.

4.3.3 REDOX-Kalibrationsverfahren

Kalibrieren Sie den REDOX-Sensor mittels 1 Referenzlösung oder einer Probe mit bekanntem Wert.

1. Halten Sie den Sensor in die Referenzlösung bzw. Probe. Stellen Sie sicher, dass der aktive Sensorbereich ganz in die Lösung eingetaucht ist. Siehe [Abbildung 8](#).

Abbildung 8 Sensor in der Referenzlösung oder Probe



2. Drücken Sie auf **Menü**, wählen Sie dann **SENSOR-SETUP > [Sensor auswählen] > KALIBRIEREN**.
3. Wählen Sie **1PUNKT MANUELL**.

4. Wenn im Sicherheitsmenü des Controllers ein Passwort aktiviert ist, geben Sie das Passwort ein.
5. Wählen Sie eine Option für das Ausgangssignal während der Kalibrierung:

Option	Beschreibung
MITLAUFEN	Das Gerät übermittelt während der Kalibrierung den aktuellen Messwert.
HALTEN	Das Gerät hält den aktuellen Messwert während der Kalibrierung.
ERSATZWERT	Das Gerät gibt während der Kalibrierung einen vorher eingestellten Ausgangswert aus. Informationen zur Einstellung des Ersatzwertes entnehmen Sie bitte der Bedienungsanleitung des Controllers.

6. Bringen Sie den Sensor in die Referenzlösung bzw. Probe ein, und drücken Sie „Bestätigen“. Der Messwert wird angezeigt.
7. Warten Sie, bis sich der Wert stabilisiert hat, und drücken Sie dann „Bestätigen“.
8. Geben Sie den REDOX-Wert der Referenzlösung bzw. der Probe ein.

Hinweis: Bei Verwendung einer Referenzlösung für die Kalibrierung finden Sie den REDOX-Wert auf der Referenzlösungsflasche. Bei Verwendung einer Materialprobe für die Kalibrierung messen Sie den REDOX-Wert mit einem zweiten Gerät zur Verifizierung.

9. Kontrollieren Sie das kalibrierte Ergebnis:
 - OK – Der Sensor ist kalibriert und kann nun zum Messen von Proben verwendet werden. Die Steilheits- und/oder Offsetwerte werden angezeigt.
 - FEHLER – Die Kalibrierwerte für Steilheit oder Offset liegen außerhalb der zulässigen Grenzwerte. Wiederholen Sie die Kalibrierung mit einer frischen Referenzlösung. Reinigen Sie den Sensor bei Bedarf. Siehe [Reinigen des Sensors](#) auf Seite 41.
10. Wenn die Kalibrierung erfolgreich abgeschlossen wurde, drücken Sie auf „Bestätigen“.
11. Führen Sie den Sensor in den Prozess zurück, und drücken Sie auf „Bestätigen“. Das Ausgangssignal kehrt wieder in den aktiven Zustand zurück und der Messwert der Probe wird in der Messungsanzeige angezeigt.

4.3.4 Kalibrierung der Temperatur

Das Gerät ist ab Werk kalibriert, um eine genaue Temperaturmessung sicherzustellen. Kalibrieren Sie die Temperatur, um die Genauigkeit zu erhöhen.

1. Führen Sie den Sensor in einen Behälter mit Wasser ein.
2. Messen Sie die Temperatur des Wassers mit einem genauen Thermometer oder einem anderen Gerät.
3. Drücken Sie auf **Menü**, wählen Sie dann SENSOR-SETUP > [Sensor auswählen] > KALIBRIEREN.
4. Wählen Sie TEMP. EINST. > TEMP. ÄNDERN, und drücken Sie dann auf „Bestätigen“.
5. Geben Sie den exakten Temperaturwert ein, und drücken Sie dann auf „Bestätigen“.
6. Führen Sie den Sensor in den Prozess zurück, und drücken Sie auf „Bestätigen“.

4.3.5 Beenden der Kalibrierung

1. Um eine Kalibrierung zu beenden, drücken Sie **zurück**.
2. Wählen Sie eine Option.

Option	Beschreibung
ANNUL	Stoppt die Kalibrierung. Eine neue Kalibrierung muss von Anfang an ausgeführt werden.

Option	Beschreibung
ZURÜCK ZU KAL	Keht zur Kalibrierung zurück.
VERLASSEN	Verlässt die Kalibrierung vorübergehend. Der Zugriff auf andere Menüs ist möglich. Sofern vorhanden, kann die Kalibrierung eines zweiten Sensors gestartet werden. Um zur Kalibrierung zurückzukehren, drücken Sie Menü und wählen Sie SENSOR-SETUP > [Sensor auswählen].

4.4 Sensordaten- und Ereignisprotokolle





Der SC Controller stellt für jeden Sensor ein Datenprotokoll und ein Ereignisprotokoll bereit. Im Datenprotokoll werden die Messdaten in (vom Benutzer wählbaren) Intervallen gespeichert. Im Ereignisprotokoll werden die aufgetretenen Ereignisse aufgeführt.

Datenprotokoll und Ereignisprotokoll können im CSV-Format gespeichert werden. Anweisungen finden Sie im Handbuch des Controllers.

4.5 Modbus-Register

Für die Netzwerkkommunikation ist eine Liste der Modbus-Register verfügbar. Weitere Informationen finden Sie auf der Website des Herstellers.

Kapitel 5 Instandhaltung

▲ GEFAHR	
	Mehrere Gefahren. Nur qualifiziertes Personal sollte die in diesem Kapitel des Dokuments beschriebenen Aufgaben durchführen.
▲ WARNUNG	
	Explosionsgefahr. Das Entfernen eines Sensors von einem unter Druck stehenden Behälter kann gefährlich sein. Verringern Sie vor dem Entfernen den Prozessdruck auf weniger als 10 psi. Arbeiten Sie mit größter Vorsicht, falls dies nicht möglich sein sollte. Weitere Informationen finden Sie in der Dokumentation, die mit den Befestigungsteilen geliefert wird.
▲ WARNUNG	
	Gefahr von Kontakt mit Chemikalien. Halten Sie sich an die Sicherheitsmaßnahmen im Labor, und tragen Sie Schutzkleidung entsprechend den Chemikalien, mit denen Sie arbeiten. Beachten Sie die Sicherheitsprotokolle in den aktuellen Material Sicherheitsdatenblättern (MSDS/SDB).
▲ VORSICHT	
	Gefahr durch Kontakt mit Chemikalien. Entsorgen Sie Chemikalien und Abfälle gemäß lokalen, regionalen und nationalen Vorschriften.

5.1 Wartungsplan

In **Tabelle 1** ist der empfohlene Wartungsplan dargestellt. In Abhängigkeit von den Anforderungen der Anlage und den Betriebsbedingungen kann erforderlich sein, einige Aufgaben häufiger auszuführen.

Tabelle 1 Wartungsplan

Maßnahme	1 Jahr	Wie erforderlich
Reinigen des Sensors auf Seite 41		X ⁶
Austauschen der Salzbrücke auf Seite 41	X	
Kalibrieren des Sensors	Entsprechend Vorschriften oder nach Erfahrung festlegen	

5.2 Reinigen des Sensors

Voraussetzungen Setzen Sie eine milde Seifenlösung mit einem nicht scheuernden, lanolinfreien Geschirrspülmittel an. Lanolin hinterlässt einen Film auf der Elektrodenoberfläche, der das Ansprechverhalten des Sensors verschlechtern kann.

Überprüfen Sie den Sensor regelmäßig auf Verunreinigungen und Ablagerungen. Reinigen Sie den Sensor, wenn sich Ablagerungen abgesetzt haben oder wenn sich das Betriebsverhalten verschlechtert hat.

1. Entfernen Sie Verunreinigungen des Sensors mit einem sauberen, weichen Tuch. Spülen Sie den Sensor mit sauberem, warmem Wasser.
2. Weichen Sie den Sensor für 2 bis 3 Minuten in der Seifenlösung ein.
3. Reinigen Sie die Messspitze des Sensors mit einer weichen Bürste.
4. Wenn weiterhin Verschmutzungen vorhanden sind, tauchen Sie die Messspitze des Sensors für maximal 5 Minuten in eine verdünnte Säure wie < 5% HCl ein.
5. Spülen Sie den Sensor mit Wasser und setzen Sie ihn erneut für 2-3 Minuten in die Seifenlösung ein.
6. Spülen Sie den Sensor mit sauberem Wasser ab.

Hinweis: Bei Sensoren mit Antimon-Elektrode für HF-Anwendungen kann eine zusätzliche Reinigung erforderlich sein. Wenden Sie sich an den technischen Support.

Kalibrieren Sie den Sensor nach Wartungsarbeiten immer neu.

5.3 Austauschen der Salzbrücke

Ersetzen Sie die Salzbrücke und die Standardküvettenlösung in Abständen von 1 Jahr oder wenn die Kalibrierung nach einer Reinigung des Sensors fehlschlägt.

Hinweis: Ein Video, das den Austausch der Salzbrücke zeigt, finden Sie unter www.Hach.com. Besuchen Sie die Webseite zu Salzbrücken, und klicken Sie auf die Registerkarte „Video“.

Erforderliche Artikel:

- Rollgabelschlüssel
- Große Pinzetten
- Salzbrücke
- Standardküvettenlösung
- Gel-Pulver⁷, 1/8 Teelöffel

⁶ Die Häufigkeit ist von den Betriebsbedingungen abhängig.

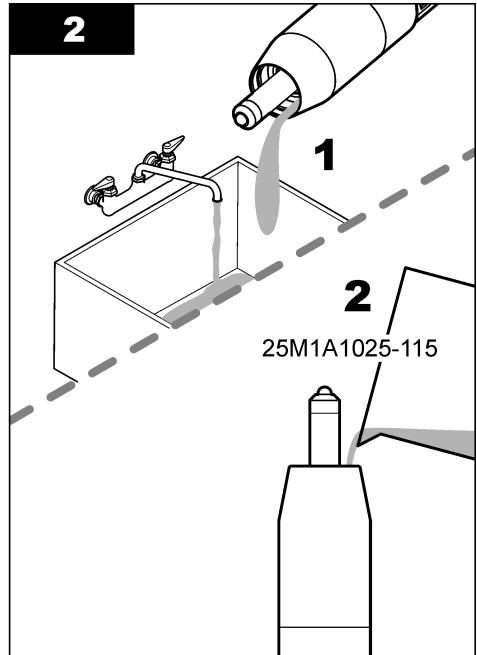
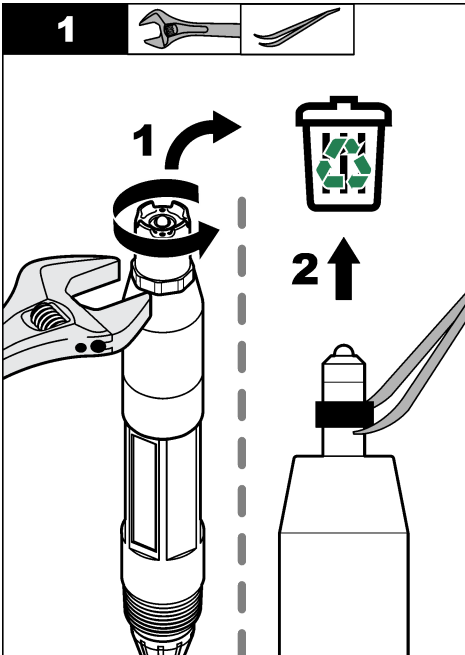
⁷ (Optional) Wenn das Prozesswasser nahezu Siedetemperatur erreicht, geben Sie zur Standardküvettenlösung Gel-Pulver hinzu. Das Gel-Pulver verringert die Verdampfungsrate der Standardküvettenlösung.

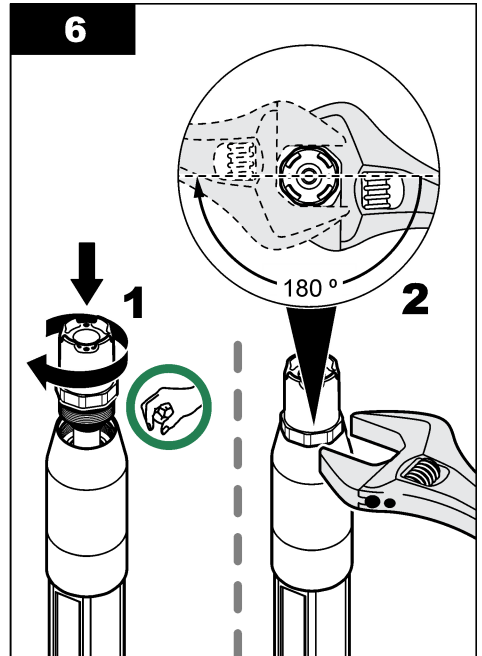
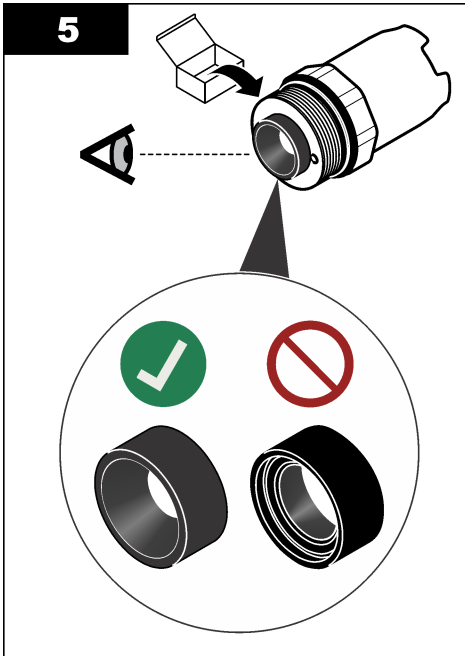
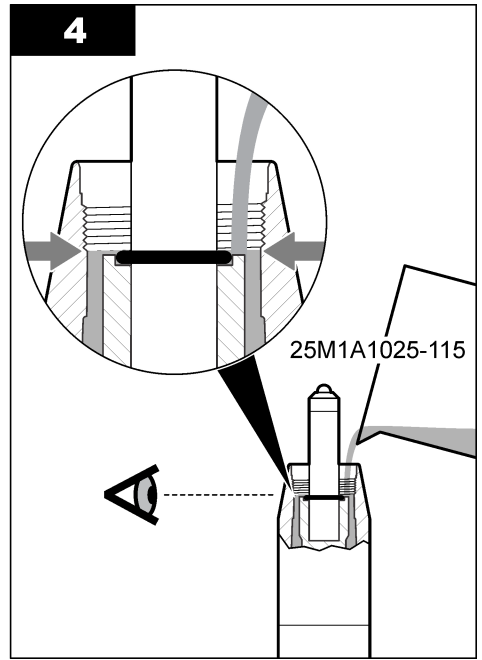
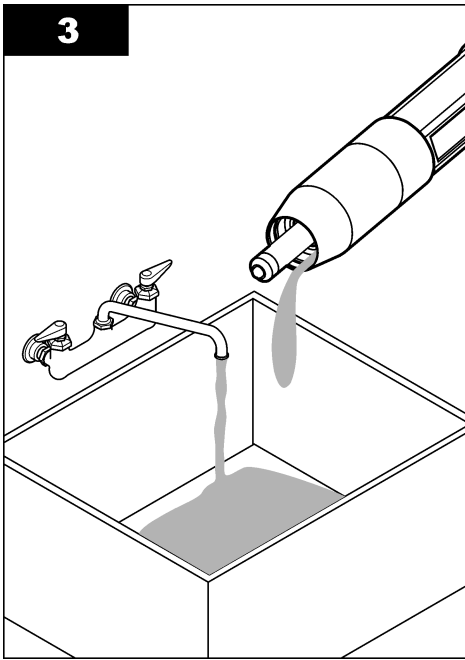
1. Reinigen Sie den Sensor. Siehe [Reinigen des Sensors](#) auf Seite 41.
2. Tauschen Sie die Salzbrücke und die Standardküvettenlösung aus. Führen Sie die hier abgebildeten Schritte aus.

Wenn der Behälter für die Standardküvettenlösung ein Gel enthält (nicht üblich), entfernen Sie das alte Gel mit einem Wasserstrahl aus einem Sprühgerät wie einer Munddusche, wie in der Abbildung „Schritt 2“ dargestellt.

(Optional) Wenn das Prozesswasser nahezu Siedetemperatur erreicht, geben Sie zur neuen Standardküvettenlösung Gel-Pulver hinzu, wie in der Abbildung „Schritt 4“ weiter unten dargestellt:

- a. Geben Sie eine gestrichen gefüllte Flaschenkappe ($\frac{1}{8}$ Teelöffel) des Gelpulvers in den Behälter für die Standardküvettenlösung.
 - b. Geben Sie ein wenig frische Standard-Zellenlösung in das Reservoir.
 - c. Mischen Sie das Pulver, bis Sie eine dickflüssige Lösung erhalten.
 - d. Fügen Sie eine kleine Menge Lösung hinzu, und mischen Sie so lange, bis das Gel an der Unterseite des Salzbrückengewindes steht.
 - e. Prüfen Sie den korrekten Gelfüllstand, indem Sie die neue Salzbrücke ein- und wieder ausbauen. Die Salzbrücke sollte auf der Oberfläche des Gels einen Eindruck hinterlassen.
3. Kalibrieren Sie den Sensor.





5.4 Zur Lagerung vorbereiten

Für kurzzeitige Aufbewahrung (wenn der Sensor für mehr als eine Stunde außer Betrieb ist) füllen Sie die Schutzkappe mit pH 4-Puffer oder destilliertem Wasser, und setzen Sie die Kappe wieder auf den Sensor. Halten Sie die Prozesselektrode und die Vergleichsstellen-Salzbrücke feucht, um lange Reaktionszeiten nach der Wiederinbetriebnahme des Sensors zu vermeiden.

Für eine längere Aufbewahrung wiederholen Sie die Prozedur der kurzzeitigen Aufbewahrung alle 2 bis 4 Wochen, je nach den Umgebungsbedingungen. Informationen zu Temperaturgrenzwerten für die Lagerung finden Sie unter [Technische Daten](#) auf Seite 26.

Kapitel 6 Fehlersuche und Behebung

6.1 Intermittierende Daten

Während der Kalibrierung wird das Datenlogging ausgesetzt. Daher kann das Datenprotokoll Unterbrechungen aufweisen.

6.2 Sensorstatus- und Testmenü

Im Sensorstatus- und Testmenü werden aktuelle und Langzeit-Informationen über das Gerät angezeigt. Siehe [Tabelle 2](#). Zum Aufrufen des Menüs für Sensordiagnose und Sensortest drücken Sie auf **Menü**, wählen Sie dann SENSOR-SETUP >[Sensor auswählen] > DIAG/TEST.

Tabelle 2 Menü DIAG/TEST für Sensoren

Option	Beschreibung
SENSOR INFO	Zeigt Typ, Name, Seriennummer, Softwareversion und Treiberversion zum Sensor an.
KAL.DATEN	Zeigt die pH-Steilheit (mV/pH) und das Datum der letzten Kalibrierung an. Die pH-Steilheit sollte zwischen -55 und -61 mV liegen.
SIGNALE	SENSORIGNAL – Zeigt den Messwert des Sensors in mV an. Der mV-Bereich reicht von -60 bis +60 mV (0 mV = pH 7). SENS ADCZÄHLER – Zeigt die digitale Zahl an, die den gemessenen pH-Wert darstellt. TEMP ADCZÄHLER – Zeigt die digitale Zahl an, die den gemessenen Temperaturwert darstellt. ZUSTAND ELEKTR – Zeigt die Integrität der aktiven und Referenzelektrode an (GUT oder SCHLECHT). Wenn SCHLECHT angezeigt wird, reinigen Sie den Sensor, und ersetzen Sie die Salzbrücke. Tauschen Sie den Sensor gegebenenfalls aus. MESSELEKTRODE – Zeigt die Impedanz der aktiven Elektrode an. REF. ELEKTRODE – Zeigt die Impedanz der Referenzelektrode an. IMPEDANZEN – Wenn aktiviert (empfohlen), wird die Impedanz der aktiven und der Referenzelektrode in Intervallen von einer Minute gemessen. Wenn die Impedanz der aktiven Elektrode oder der Referenzelektrode nicht zwischen dem unteren und dem oberen Grenzwert für die Impedanz liegt, wird auf dem Display des Controllers ein Fehler angezeigt.
ZÄHLER	SENSORALTER TG – Zeigt die Anzahl der Tage an, die der Sensor bereits in Betrieb gewesen ist. RESET SENSOR –Setzt die Werte von SENSORALTER TG und ELEKT.ALTER TG auf null zurück. ELEKT.ALTER TG – Zeigt die Anzahl der Tage seit dem Austausch der Salzbrücke an. <i>Hinweis: Nach einem Austausch der Salzbrücke wird ELEKT.ALTER TG automatisch auf null zurückgesetzt.</i>

6.3 Fehlermeldungen

Wenn ein Fehler auftritt, leuchtet die Anzeige des Messbildschirms, und alle im Controller-Menü angegebenen Ausgänge werden gehalten. Für die Anzeige des Sensorfehlers drücken Sie **Menü**,

und wählen Sie DIAGNOSE > [Sensor auswählen] > FEHLER. [Tabelle 3](#) zeigt eine Liste der möglichen Warmmeldungen.

Tabelle 3 Fehlermeldungen

Fehler	Beschreibung	Lösung
pH ZU HOCH	Der gemessene pH ist > 14.	Kalibrieren Sie den Sensor.
REDOX ZU HOCH	Der gemessene REDOX-Wert ist > 2.100 mV.	
pH ZU TIEF	Der gemessene pH ist < 0.	Kalibrieren Sie den Sensor.
REDOX ZU NIEDRIG	Der gemessene REDOX-Wert ist \leq 2.100 mV.	
OFFSET ZU HOCH	Der Offset ist > 9 (pH) bzw. > 200 mV (REDOX).	Führen Sie die in Reinigen des Sensors auf Seite 41 und Austauschen der Salzbrücke auf Seite 41 angegebenen Schritte aus. Nehmen Sie dann die Kalibrierung erneut vor.
OFFSET ZU NIEDRIG	Der Offset ist < 5 (pH) bzw. < -200 mV (REDOX).	
STEILHEIT ZU HOCH	Die Steilheit ist > 62 (pH) bzw. 1,3 (REDOX).	Wiederholen Sie die Kalibrierung mit frischen Referenzlösungen.
STEILHEIT ZU NIEDRIG	Die Steilheit ist < 50 (pH) bzw. 0,7 (REDOX).	Führen Sie die in Reinigen des Sensors auf Seite 41 angegebenen Schritte aus. Nehmen Sie dann die Kalibrierung erneut vor.
TEMP ZU HOCH	Die gemessene Temperatur ist > 130 °C.	Stellen Sie sicher, dass das korrekte Temperaturelement ausgewählt ist. Siehe die Option TEMP-SENSOR in Konfigurieren des Sensors auf Seite 35.
TEMP ZU TIEF	Die gemessene Temperatur ist \leq 10 °C.	
ADC FEHLER	Bei der A/D-Wandlung sind Fehler aufgetreten.	Schalten Sie den Controller aus. Schalten Sie den Controller wieder ein.
A.ELEK ZU HOCH	Die Impedanz der aktiven Elektrode ist > 900 M Ω .	Der Sensor befindet sich an der Luft. Setzen Sie den Sensor wieder in das Prozessmedium ein.
A.ELEK ZU NIEDRIG	Die Impedanz der aktiven Elektrode ist < 8 M Ω .	Der Sensor ist beschädigt oder verschmutzt. Führen Sie die in Reinigen des Sensors auf Seite 41 angegebenen Schritte aus.
R.ELEK ZU HOCH	Die Impedanz der Referenzelektrode ist > 900 M Ω .	Die Standardküvettenlösung ist ausgelaufen oder verdampft. Ersetzen Sie die Standardküvettenlösung.
R.ELEK ZU NIEDRIG	Die Impedanz der Referenzelektrode ist < 8 M Ω .	Die Referenzelektrode ist beschädigt. Tauschen Sie den Sensor aus.
GLEICHER PUFFER	Die bei der Kalibrierung „2 PUNKT AUTO“ verwendeten Puffer haben denselben Wert.	Verwenden Sie Puffer mit unterschiedlichen Werten.
SENSOR FEHLT	Der Sensor ist nicht vorhanden oder nicht angeschlossen.	Überprüfen Sie, ob das Sensorkabel getrennt oder beschädigt ist.
TEMP.-SENSOR FEHLT	Der Temperatursensor ist nicht vorhanden.	Stellen Sie sicher, dass das korrekte Temperaturelement ausgewählt ist. Siehe die Option TEMP-SENSOR in Konfigurieren des Sensors auf Seite 35.
GLAS IMP.TIEF	Der Glaskolben ist beschädigt oder hat sein Lebensende erreicht.	Tauschen Sie den Sensor aus.

6.4 Warnhinweise

Eine Warnung hat keine Auswirkungen auf Menüs, Relais und Ausgänge. Ein Warnsymbol blinkt, zudem wird unten in der Messanzeige eine Meldung angezeigt. Zur Anzeige der Sensorwarnungen drücken Sie auf **Menü**, und wählen Sie **DIAGNOSE > [Sensor auswählen] > WARNUNGEN**. [Tabelle 4](#) zeigt eine Liste der möglichen Warnmeldungen.

Tabelle 4 Warnhinweise

Warnung	Beschreibung	Lösung
pH ZU HOCH	Der gemessene pH ist > 13.	Kalibrieren Sie den Sensor.
REDOX ZU HOCH	Der gemessene REDOX-Wert ist > 2.100 mV.	
pH ZU TIEF	Der gemessene pH ist < 1.	Kalibrieren Sie den Sensor.
REDOX ZU NIEDRIG	Der gemessene REDOX-Wert ist < -2.100 mV.	
OFFSET ZU HOCH	Der Offset ist > 8 (pH) bzw. > 200 mV (REDOX).	Führen Sie die in Reinigen des Sensors auf Seite 41 und Austauschen der Salzbrücke auf Seite 41 angegebenen Schritte aus. Nehmen Sie dann die Kalibrierung erneut vor.
OFFSET ZU NIEDRIG	Der Offset ist < 6 (pH) oder -200 mV (REDOX).	
STEILHEIT ZU HOCH	Die Steilheit ist > 60 (pH) bzw. 1,3 (REDOX).	Wiederholen Sie die Kalibrierung mit frischen Referenzlösungen.
STEILHEIT ZU NIEDRIG	Die Steilheit ist < 54 (pH) bzw. 0,7 (REDOX).	Führen Sie die in Reinigen des Sensors auf Seite 41 angegebenen Schritte aus. Nehmen Sie dann die Kalibrierung erneut vor.
TEMP ZU HOCH	Die gemessene Temperatur ist > 100 °C.	Stellen Sie sicher, dass das korrekte Temperaturelement ausgewählt ist. Siehe die Option TEMP-SENSOR in Konfigurieren des Sensors auf Seite 35.
TEMP ZU TIEF	Die gemessene Temperatur ist < 0 °C.	
KAL ÜBERF.	Die Anzahl der Tage seit der letzten Kalibrierung des Sensors ist größer als das Kalibrierungsintervall.	Kalibrieren Sie den Sensor. <i>Hinweis:</i> Informationen zum Ändern des Kalibrierungsintervalls finden Sie unter der Option KAL.TAGEZÄHLER in Konfigurieren des Sensors auf Seite 35.
ERSETZE SENSOR	Die Anzahl der Tage, die der Sensor schon genutzt wurde, ist größer als das Intervall für den Austausch des Sensors.	Tauschen Sie den Sensor gegebenenfalls aus. <i>Hinweis:</i> Informationen zum Ändern des Austauschintervalls finden Sie unter der Option SENSORALTER TG in Konfigurieren des Sensors auf Seite 35.
UNKALIBRIERT	Der Sensor wurde nicht kalibriert.	Kalibrieren Sie den Sensor.
FLASH FEHLER	Fehler des externen Flash-Speichers.	Wenden Sie sich an den technischen Support.
A.ELEK ZU HOCH	Die Impedanz der aktiven Elektrode ist > 800 MΩ.	Der Sensor befindet sich an der Luft. Setzen Sie den Sensor wieder in das Prozessmedium ein.
A.ELEK ZU NIEDRIG	Die Impedanz der aktiven Elektrode ist < 15 MΩ.	Der Sensor ist beschädigt oder verschmutzt. Führen Sie die in Reinigen des Sensors auf Seite 41 angegebenen Schritte aus.
R.ELEK ZU HOCH	Die Impedanz der Referenzelektrode ist > 800 MΩ.	Die Standardküvettenlösung ist ausgelaufen oder verdampft. Ersetzen Sie die Standardküvettenlösung.

Tabelle 4 Warnhinweise (fortgesetzt)

Warnung	Beschreibung	Lösung
R.ELEK ZU NIEDRIG	Die Impedanz der Referenzelektrode ist < 15 MΩ.	Die Referenzelektrode ist beschädigt. Tauschen Sie den Sensor aus.
KAL LÄUFT...	Eine Kalibrierung wurde gestartet, jedoch noch nicht abgeschlossen.	Kehren Sie zur Kalibrierung zurück.

6.5 Ereignisliste

In der Ereignisliste werden Aktivitäten wie Konfigurationsänderungen, Überschreitungen von Grenzwerten, Warnungsbedingungen usw. aufgezeichnet. Zum Anzeigen der Ereignisse drücken Sie **Menü**, und wählen Sie **DIAGNOSE > [Sensor auswählen] > EREIGNISSE**. **Tabelle 5** zeigt eine Liste der möglichen Ereignismeldungen. Weiter zurückliegende Ereignisse werden im Ereignisprotokoll gespeichert, das vom Controller heruntergeladen werden kann. Weitere Optionen zum Datenabruf finden Sie in der Dokumentation zum Controller.

Tabelle 5 Ereignisliste

Ereignis	Beschreibung
KAL BEREIT	Der Sensor ist bereit für die Kalibrierung.
KAL OK	Die aktuelle Kalibrierung ist OK.
ZEIT ABGELAU.	Die Stabilisierungszeit während der Kalibrierung ist abgelaufen.
KEIN PUFFER	Ein Puffer wurde nicht erkannt.
STEILH. HOCH	Die Kalibrierungs-Steilheit liegt über dem oberen Grenzwert.
STEILH. TIEF	Die Kalibrierungs-Steilheit liegt unter dem unteren Grenzwert.
OFFSET ZU HOCH	Der Kalibrierungs-Offset-Wert für den Sensor liegt über dem oberen Grenzwert.
OFFSET ZU TIEF	Der Kalibrierungs-Offset-Wert für den Sensor liegt unter dem unteren Grenzwert.
PUNKTE NAHE	Die Kalibrierungspunkte der 2-Punkt-Kalibrierung liegen zu nahe zusammen.
KAL FEHLER	Die Kalibrierung ist fehlgeschlagen.
KALHOCH	Der Kalibrierungs-Wert liegt über dem oberen Grenzwert.
INSTABIL	Der während der Kalibrierung gemessene Wert war instabil.
KONF.-ÄNDERUNG – Fließkomma	Die Konfiguration wurde geändert – Datentyp: Fließkomma.
KONF.-ÄNDERUNG – Text	Die Konfiguration wurde geändert – Datentyp: Text.
KONF.-ÄNDERUNG – Int	Die Konfiguration wurde geändert – Datentyp: Integer.
ZURÜCKSETZEN	Die Konfigurationseinstellungen wurden auf die Standard-Optionen zurückgesetzt.
NETZSPANNUNG EIN	Die Stromversorgung wurde eingeschaltet.
ADC FEHLER	Bei der A/D-Wandlung sind Fehler aufgetreten (Hardware-Fehler).
FLASH LÖSCHEN	Der Flash-Speicher wurde gelöscht.
TEMPERATUR	Die aufgezeichnete Temperatur war zu hoch oder zu niedrig.
1PT MAN. START	Die Kalibrierung 1PUNKT MANUELL wurde gestartet.
1PT AUTOSTART	Die Kalibrierung 1 PUNKT AUTO für pH-Wert wurde gestartet.

Tabelle 5 Ereignisliste (fortgesetzt)

Ereignis	Beschreibung
2PT MAN. START	Die Kalibrierung 2PUNKT MANUELL für pH-Wert wurde gestartet.
2PT AUTOSTART	Die Kalibrierung 2 PUNKT AUTO für pH-Wert wurde gestartet.
1PT MAN. ENDE	Die Kalibrierung 1PUNKT MANUELL wurde beendet.
1PT AUTOENDE	Die Kalibrierung 1 PUNKT AUTO für pH-Wert wurde beendet.
2PT MAN. ENDE	Die Kalibrierung 2PUNKT MANUELL für pH-Wert wurde beendet.
2PT AUTOENDE	Die Kalibrierung 2 PUNKT AUTO für pH-Wert wurde beendet.

Kapitel 7 Ersatzteile und Zubehör

⚠ WARNUNG



Verletzungsgefahr. Die Verwendung nicht zugelassener Teile kann zur Verletzung von Personen, zu Schäden am Messgerät oder zu Fehlfunktionen der Ausrüstung führen. Die Ersatzteile in diesem Abschnitt sind vom Hersteller zugelassen.

Hinweis: Produkt- und Artikelnummern können für einige Verkaufsgebiete abweichen. Wenden Sie sich an die zuständige Vertriebsgesellschaft oder an die auf der Webseite des Unternehmens aufgeführten Kontaktinformationen.

Verbrauchsmaterial

Beschreibung	Menge	Teile-Nr.
Pufferlösung; pH 4,01; rot	500 mL	2283449
Pufferlösung; pH 7,00; gelb	500 mL	2283549
Pufferlösung; pH 10,01; blau	500 mL	2283649
ORP-Referenzlösung, 200 mV	500 mL	25M2A1001-115
ORP-Referenzlösung, 600 mV	500 mL	25M2A1002-115

Ersatzteile – pH-Sensoren

Beschreibung	Menge	Teile-Nr.
Salzbrücke, PEEK, Kynar (PVDF) Außen-Verbindung, mit Viton O-Ringen	1	SB-P1SV
Salzbrücke, PEEK, Kynar (PVDF) Außen-Verbindung, mit O-Ringen aus Perfluorelastomer	1	SB-P1SP ⁸
Salzbrücke, PEEK, Keramik-Außen-Verbindung, mit Viton O-Ringen	1	SB-P2SV
Salzbrücke, Ryton, Kynar (PVDF) Außen-Verbindung, mit Viton O-Ringen	1	SB-R1SV
Standardküvettenlösung	500 mL	25M1A1025-115
Gel-Pulver für Standardküvettenlösung	2 g	25M8A1002-101

⁸ SB-P1SP wird in Fällen verwendet, in denen das Viton-Material chemisch nicht mit den Chemikalien in der Anwendung verträglich ist.

Zubehör

Beschreibung	Artikelnr.
Digital-Verlängerungskabel, 1 m	6122400
Digital-Verlängerungskabel; 7,7 m	5796000
Digital-Verlängerungskabel, 15 m ⁹	5796100
Digital-Verlängerungskabel, SC200 Controller, 31 m	5796200
Digital-Anschlussdose, SC200 Controller ¹⁰	5867000
Hygienegerechte Armatur, Edelstahl 316, bestehend aus 2-Zoll-Sanitär-T-Stück und robuster Klemme <i>Hinweis: Kappe und Dichtung aus EPDM-Verbundmaterial gehören zum Lieferumfang des Sensors.</i>	MH018S8SZ
Durchflussarmatur, CPVC (chloriertes Polyvinylchlorid), bestehend aus 1½-Zoll-Standard-T-Stück, Durchflussrohr mit Adapter, Dichtungsnahe, Sicherungsring und Viton O-Ring	6131300
Durchflussarmatur, Edelstahl 316, bestehend aus 1½-Zoll-Standard-T-Stück, Durchflussrohr mit Adapter, Dichtungsnahe, Sicherungsring und Viton O-Ring	6131400
Durchflussarmatur, CPVC, bestehend aus 1-Zoll-Standard-T-Stück	MH334N4NZ
Durchflussarmatur, Edelstahl 316, bestehend aus 1-Zoll-Standard-T-Stück	MH314N4MZ
Wechselarmatur, CPVC, bestehend aus 1½-Zoll-Kugelventil, 1½-Zoll-NPT-Schließnippel, Sensoradapter mit zwei Viton O-Ringen und Abstreifer, Verlängerungsrohr, Rohradapter, Rücklaufrohr und Sicherungsring	5646300
Wechselarmatur, Edelstahl 316, bestehend aus 1½-Zoll-Kugelventil, 1½-Zoll-NPT-Schließnippel, Sensoradapter mit zwei Viton O-Ringen und Abstreifer, Verlängerungsrohr, Rohradapter, Rücklaufrohr und Sicherungsring	5646350
Eintaucharmatur, Standard, CPVC, bestehend aus 1-Zoll-Rohr mit Länge von ca. 122 cm und 1-Zoll x 1-Zoll-NPT-Kupplung	6136400
Eintaucharmatur, Standard, Edelstahl 316, bestehend aus 1-Zoll-Rohr mit Länge von ca. 122 cm und 1-Zoll x 1-Zoll-NPT-Kupplung	6136500
Eintaucharmatur, Handlauf, bestehend aus 1½-Zoll-CPVC-Rohr mit Länge von ca. 229 cm und Rohrschelle	MH236B00Z
Eintaucharmatur, Kette, Edelstahl 316, bestehend aus Edelstahlbügel, Muttern und Unterlegscheiben <i>Hinweis: Nur für Sensoren aus Edelstahl. Kette nicht enthalten.</i>	2881900
Eintaucharmatur, Handlauf, bestehend aus 1½-Zoll-CPVC-Rohr mit Länge von ca. 229 cm, Schwimmer-Halterung und Rohrschelle	6131000
Sensorschutz, variable Sensoren, PEEK	1000F3374-002
Sensorschutz, variable Sensoren, Rytan	1000F3374-003

⁹ Bei einem SC1000 Controller beträgt die maximale Länge 15 m.

¹⁰ Verwenden Sie bei Kabellängen über 100 m eine Digital-Anschlussdose. Bei einem SC1000 Controller wird keine Anschlussdose verwendet.

Sommario

- | | | | | | |
|---|-----------------------|-------------|---|---|-------------|
| 1 | Specifiche tecniche | a pagina 50 | 5 | Manutenzione | a pagina 64 |
| 2 | Informazioni generali | a pagina 51 | 6 | Individuazione ed eliminazione dei guasti | a pagina 67 |
| 3 | Installazione | a pagina 53 | 7 | Parti di ricambio e accessori | a pagina 71 |
| 4 | Funzionamento | a pagina 59 | | | |

Sezione 1 Specifiche tecniche

Le specifiche tecniche sono soggette a modifica senza preavviso.

Dato tecnico	Sensori pH	Sensore pH in acciaio inox	Sensori ORP
Dimensioni (lunghezza)	272,5 mm (10,73 pollici)	325,3 mm (12,81 pollici)	272,5 mm (10,73 pollici)
Peso	316 g (11 once)	870 g (31 once)	316 g (11 once)
Materiali umidi	Corpo in PEEK o Ryton (PVDF), ponte salino dello stesso materiale con giunzione in Kynar, elettrodo di misura (2) in vetro, elettrodo di massa in titanio e guarnizioni O-ring in Viton <i>Nota: il sensore pH con elettrodo di misura (1) a vetro resistente all'HF opzionale è dotato di un elettrodo di massa in acciaio inox 316 e di O-ring in perfluoroelastomero con parti umide.</i>	Solo per montaggio a immersione, corpo in acciaio inox SS 316 con estremità in Ryton (PVDF) e ponte salino	Corpo in PEEK o Ryton (PVDF), ponte salino dello stesso materiale con giunzione in Kynar, elettrodo di misura (2) a vetro e platino (o vetro e oro), elettrodo di massa in titanio e guarnizioni O-ring in Viton
Componenti	Materiali resistenti alla corrosione, completamente immergibili		
Cavo del sensore (integrale)	4 conduttori (con una schermatura), 10 m (33 piedi), temperatura nominale di 105 °C (221 °F)		
Temperatura di funzionamento	-5 - 70 °C (23 - 158 °F)	0 - 50 °C (32 - 122 °F)	-5 - 70 °C (23 - 158 °F)
Temperatura di stoccaggio	Da 4 a 70 °C (da 40 a 158 °F), da 0 a 95% di umidità relativa, senza condensa		
Range di misura	pH da 2,0 a 14,0 ¹ (o da 2,00 a 14,00)		da -1500 a +1500 mV
Riproducibilità	±pH 0,05		± 2 mV
Sensibilità	±pH 0,01		±0,5 mV ²
Stabilità	0,03 pH per 24 ore, non cumulativa		2 mV (ORP) per 24 ore, non cumulativa
Portata massima	3 m/s (10 piedi/s)		
Limite di pressione	6,9 bar a 70 °C (100 psi a 158 °F)	Non applicabile (solo a immersione)	6,9 bar a 70 °C (100 psi a 158 °F)

¹ La maggior parte delle applicazioni di pH sono comprese nel range da 2,5 a 12,5. Il sensore pH differenziale pHd con l'ampia gamma di elettrodi di processo a vetro funziona in modo ottimale in questo range. Alcune applicazioni industriali richiedono misure e controlli precisi di pH inferiori a 2 e superiori a 12. In questi casi particolari, contattare il produttore per ulteriori dettagli.

² Per ottenere i migliori risultati nelle soluzioni che contengono zinco, cianuro, cadmio o nichel, utilizzare il sensore ORP di PHD con un elettrodo d'oro.

Dato tecnico	Sensori pH	Sensore pH in acciaio inox	Sensori ORP
Distanza di trasmissione	massima di 100 m (328 piedi) o massima di 1000 m (3280 piedi) quando utilizzati con una scatola di terminazione		
Elemento temperatura	Termistore NTC 300 Ω per la compensazione automatica della temperatura e la lettura della temperatura dell'analizzatore		Termistore NTC 300 Ω solo per la lettura della temperatura dell'analizzatore; nessuna compensazione automatica della temperatura necessaria per la misura del valore ORP
Precisione della temperatura	±0,5 °C (0,9 °F)		
Compensazione di temperatura	Automatica da -10 a 105 °C (da 14,0 a 221 °F) con termistore NTC 300 Ω, elemento di temperatura Pt 1000 ohm RTD o Pt 100 Ω RTD o fissata manualmente a una temperatura impostata dall'utente		Non applicabile
Metodi di calibrazione	Automatico o manuale a 1 o 2 punti		Manuale a 1 punto
Interfaccia sensore	Modbus		
Certificazioni	CE		
Garanzia	1 anno; 2 anni (EU)		

Sezione 2 Informazioni generali

In nessun caso, il produttore potrà essere ritenuto responsabile per danni diretti, indiretti o accidentali per qualsiasi difetto o omissione relativa al presente manuale. Il produttore si riserva il diritto di apportare eventuali modifiche al presente manuale e ai prodotti ivi descritti in qualsiasi momento senza alcuna notifica o obbligo preventivi. Le edizioni riviste sono presenti nel sito Web del produttore.

2.1 Informazioni sulla sicurezza

Il produttore non sarà da ritenersi responsabile in caso di danni causati dall'applicazione errata o dall'uso errato di questo prodotto inclusi, a puro titolo esemplificativo e non limitativo, i danni diretti, incidentali e consequenziali; inoltre declina qualsiasi responsabilità per tali danni entro i limiti previsti dalle leggi vigenti. La responsabilità relativa all'identificazione dei rischi critici dell'applicazione e all'installazione di meccanismi appropriati per proteggere le attività in caso di eventuale malfunzionamento dell'apparecchiatura compete unicamente all'utilizzatore.

Prima di disimballare, installare o utilizzare l'apparecchio, si prega di leggere l'intero manuale. Si raccomanda di leggere con attenzione e rispettare le istruzioni riguardanti note di pericolosità. La non osservanza di tali indicazioni potrebbe comportare lesioni gravi all'operatore o danni all'apparecchio.

Assicurarsi che i dispositivi di sicurezza insiti nell'apparecchio siano efficaci all'atto della messa in servizio e durante l'utilizzo dello stesso. Non utilizzare o installare questa apparecchiatura in modo diverso da quanto specificato nel presente manuale.

2.2 Indicazioni e significato dei segnali di pericolo

▲ PERICOLO
Indica una situazione di pericolo potenziale o imminente che, se non evitata, causa lesioni gravi anche mortali.
▲ AVVERTENZA
Indica una situazione di pericolo potenziale o imminente che, se non evitata, potrebbe comportare lesioni gravi, anche mortali.

⚠ ATTENZIONE





Indica una situazione di pericolo potenziale che potrebbe comportare lesioni lievi o moderate.

AVVISO

Indica una situazione che, se non evitata, può danneggiare lo strumento. Informazioni che richiedono particolare attenzione da parte dell'utente.

2.3 Etichette precauzionali

Leggere sempre tutte le indicazioni e le targhette di segnalazione applicate all'apparecchio. La mancata osservanza delle stesse può causare lesioni personali o danni allo strumento. Un simbolo sullo strumento è indicato nel manuale unitamente a una frase di avvertenza.

	Questo è il simbolo di allarme sicurezza. Seguire tutti i messaggi di sicurezza dopo questo simbolo per evitare potenziali lesioni. Se sullo strumento, fare riferimento al manuale delle istruzioni per il funzionamento e/o informazioni sulla sicurezza.
	Questo simbolo indica un rischio di scosse elettriche e/o elettrocuzione.
	Questo simbolo indica la presenza di dispositivi sensibili alle scariche elettrostatiche (ESD, Electrostatic Discharge) ed è pertanto necessario prestare la massima attenzione per non danneggiare l'apparecchiatura.
	Le apparecchiature elettriche contrassegnate con questo simbolo non possono essere smaltite attraverso sistemi domestici o pubblici europei. Restituire le vecchie apparecchiature al produttore il quale si occuperà gratuitamente del loro smaltimento.

2.4 Panoramica del prodotto

Questo sensore è progettato per essere utilizzato con un controller per il funzionamento e la raccolta di dati. Con questo sensore, è possibile utilizzare più controller. In questo documento, si presuppone che il sensore sia già stato installato e utilizzato con un controller SC. Per utilizzare il sensore con altri controller, fare riferimento al manuale utente del controller utilizzato.

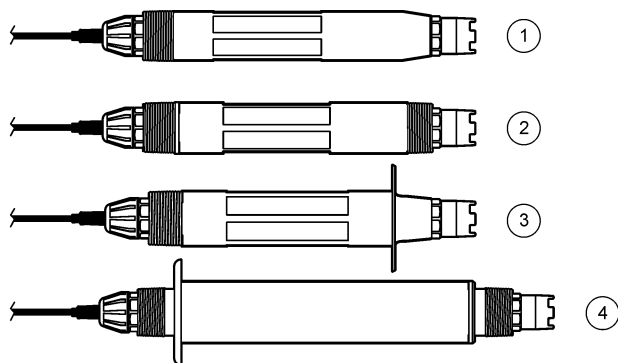
Questo prodotto non è accettabile per l'uso in un'area pericolosa.

L'apparecchiatura opzionale, come il materiale di montaggio per la sonda, viene fornita insieme alle istruzioni di installazione. Sono disponibili diverse opzioni di montaggio, che consentono alla sonda di essere adattata per l'uso in numerose applicazioni differenti.

2.5 Modelli di sensore

Il sensore è disponibile in diversi modelli. Fare riferimento alla sezione [Figura 1](#).

Figura 1 Modelli di sensore



<p>1 Inserzione: per l'installazione in una cella a flusso con flangia di montaggio con valvola a sfera (4). Consente la rimozione senza interrompere il flusso del processo.</p>	<p>3 Sanitario: per l'installazione in un raccordo sanitario da 2"</p>
<p>2 Convertibile: per montaggio a inserzione o a immersione in un contenitore aperto (4)</p>	<p>4 Acciaio inox: per l'immersione in un contenitore aperto</p>

Sensori a inserzione (1): i sensori a inserzione (1) sono simili ai sensori convertibili, ma le filettature da 1" NPT sono presenti solo all'estremità del cavo per il montaggio in una cella a flusso o con flangia dotata di valvola a sfera (4). I sensori a inserzione vengono inseriti o rimossi dal processo senza interrompere il flusso di processo.

Sensori convertibili: i sensori convertibili sono dotati di filettature da 1" NPT su entrambe le estremità del corpo per il montaggio nelle configurazioni indicate di seguito:

- in un raccordo di tubi standard da 1" NPT
- in un adattatore per tubi per il montaggio su raccordo e un raccordo di tubi standard da 1-1/2"
- all'estremità di un tubo per l'immersione in un contenitore


Nota: i sensori convertibili possono essere utilizzati anche nelle installazioni esistenti per sensori in materiale epossidico, Ryton ed LCP da 1-1/2".


Sensori sanitari: i sensori sanitari presentano una flangia da 2" incorporata per il montaggio in raccordi sanitari da 2". Con i sensori sanitari sono inclusi un cappuccio e una guarnizione in composto EDPM speciali per l'uso con materiale di montaggio sanitario.

Sensori in acciaio inox: i sensori in acciaio inox sono dotati di filettature da 1" NPT su entrambe le estremità del corpo. I sensori in acciaio inox sono adatti per l'immersione in un contenitore aperto.

Sezione 3 Installazione

3.1 Montaggio

⚠ AVVERTENZA	
	Pericolo di esplosione. Verificare che il materiale di montaggio del sensore presenti valori nominali di temperatura e pressione sufficienti per la posizione di montaggio.

⚠ ATTENZIONE	
	Pericolo di lesioni personali. Vetri rotti possono provocare tagli. Utilizzare gli strumenti e i dispositivi di protezione individuale per rimuovere i vetri rotti.

AVVISO

L'elettrodo di processo sulla punta del sensore pH è provvisto di un bulbo di vetro che può rompersi. Non colpire o premere sul bulbo di vetro.

AVVISO

L'elettrodo di processo in oro o platino sulla punta del sensore ORP è provvisto di uno stelo di vetro (nascosto dal ponte salino) che può rompersi. Non colpire o premere sullo stelo di vetro.

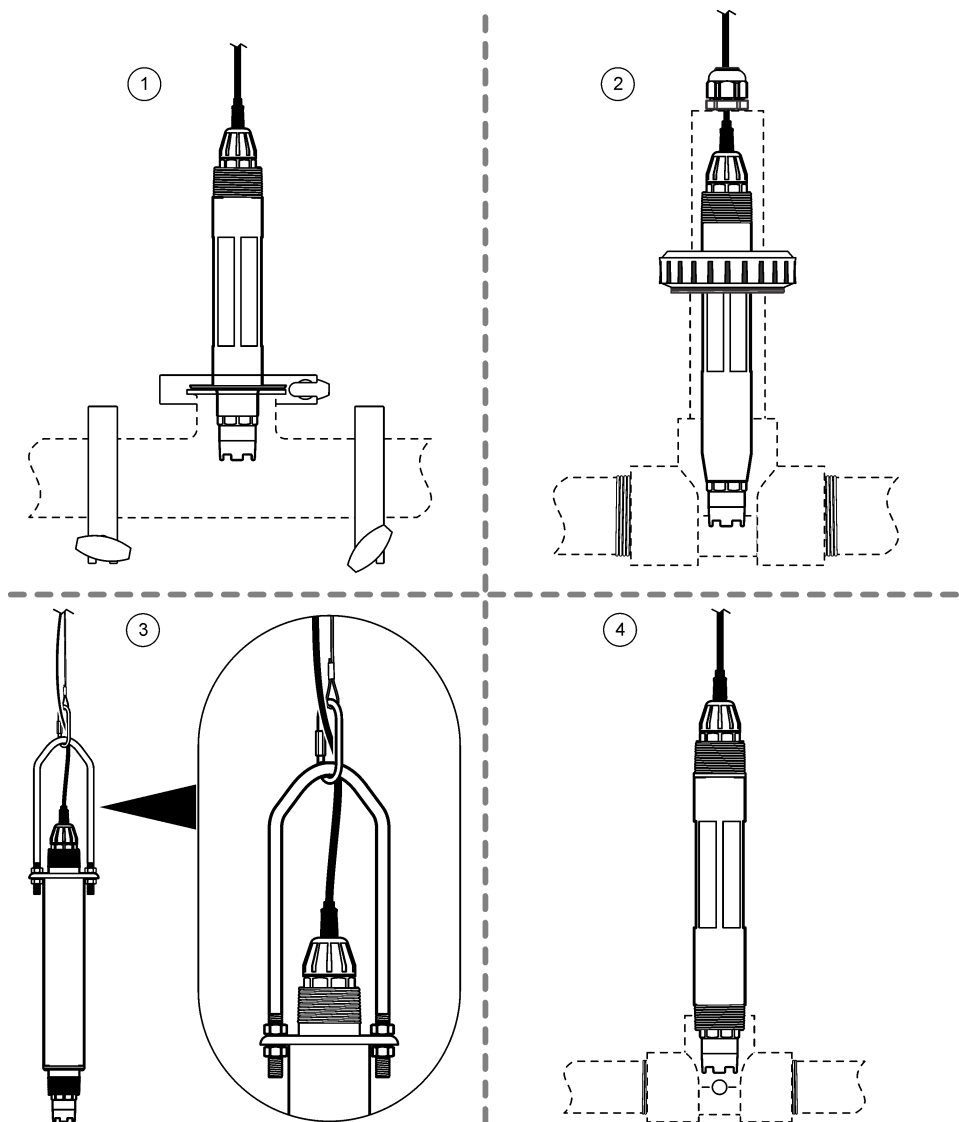
AVVISO

Questo strumento è adatto per l'uso a un'altitudine massima di 2000 m (6562 piedi). Sebbene l'utilizzo di questo dispositivo ad altitudini superiori a 2000 m non abbia presentato problemi significativi per la sicurezza, il produttore consiglia, in caso di problemi, di contattare l'assistenza tecnica.

- Installare il sensore nel punto rappresentativo per il processo completo in cui il campione e la sonda entrano in contatto.
- Fare riferimento alle [Figura 2](#), [Figura 3](#) e [Figura 4](#) per gli esempi di configurazione di montaggio.
- Fare riferimento alla sezione [Parti di ricambio e accessori](#) a pagina 71 per il materiale di montaggio disponibile.
- Fare riferimento alle istruzioni incluse con il materiale di montaggio per le informazioni di installazione.
- Installare il sensore almeno con una inclinazione di 15° rispetto all'orizzontale (4). Fare riferimento alla sezione [Figura 5](#).
- Per le installazioni a immersione, posizionare il sensore ad una profondità minima di 508 mm (20 pollici) dalla parete della vasca di areazione ed immergere il sensore ad una profondità minima di 508 mm (20 pollici).
- Rimuovere il cappuccio protettivo prima che il sensore sia utilizzato nel processo. Conservare il cappuccio protettivo per poterlo riutilizzare all'occorrenza.
- (Opzionale) Se la temperatura dell'acqua di processo è vicina all'ebollizione, aggiungere della polvere gelificante³ alla soluzione cella standard nel sensore. Fare riferimento al passo 2 della sezione [Sostituzione del ponte salino](#) a pagina 65. Non sostituire il ponte salino.
- Calibrare il sensore prima dell'uso.

³ La polvere gelificante riduce il tasso di evaporazione della soluzione cella standard.

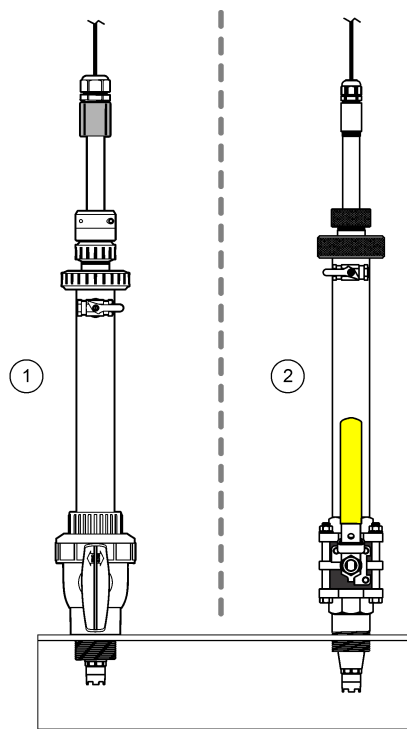
Figura 2 Esempi di montaggio (1)



1 Montaggio sanitario (raccordo sanitario da 2")	3 Montaggio a immersione, catena e traversa ⁴
2 Montaggio su raccordo (raccordo standard da 1½")	4 Montaggio passante (raccordo standard da 1")

⁴ Solo per sensori in acciaio inox

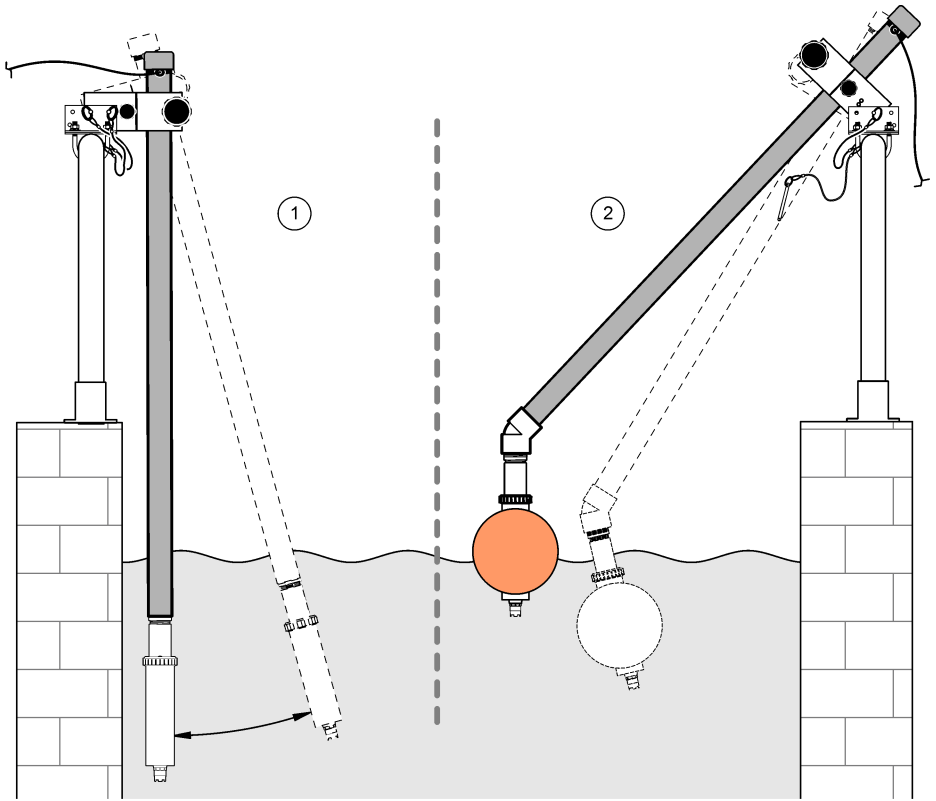
Figura 3 Esempi di montaggio (2)



1 Montaggio a inserimento, materiale CPVC

2 Montaggio inserimento, materiale di montaggio in acciaio inox

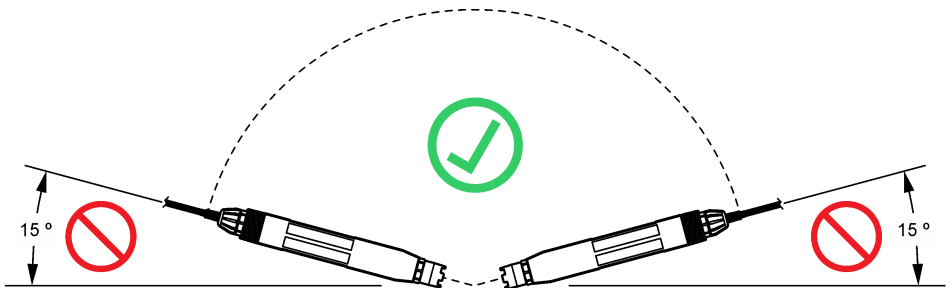
Figura 4 Esempi di montaggio (3)



1 Montaggio a immersione, su palo (1)

2 Montaggio a immersione, sfera galleggiante

Figura 5 Angolo di montaggio sensore



3.2 Installazione elettrica

3.2.1 Collegare il sensore ad un raccordo ad attacco rapido (area non pericolosa)

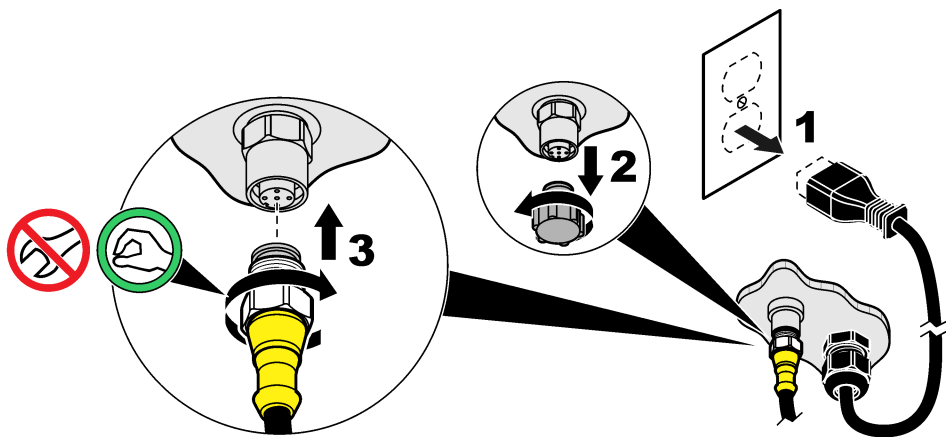
1. Collegare il cavo del sensore al raccordo ad attacco rapido del controller SC. Fare riferimento alla sezione [Figura 6](#).

Conservare il cappuccio del connettore per chiudere l'apertura nel caso in cui si voglia spostare il sensore.

2. Se l'alimentazione è inserita quando il sensore è collegato:

- Controller SC200: selezionare TEST/CONTROLLO > ANALISI SONDE.
- Controller SC1000: selezionare SETUP SISTEMA > GESTIONE UNITÀ (SENSORI/SCHEDA) > CERCA NUOVE UNITÀ.



Figura 6 Collegare il sensore ad un raccordo ad attacco rapido



3.2.2 Cavi di prolunga

- Sono disponibili cavi di prolunga. Fare riferimento alla sezione [Parti di ricambio e accessori](#) a pagina 71.
- La lunghezza massima dei cavi è di 15 m (49 piedi) per un controller SC1000.
- La lunghezza massima dei cavi è di 1000 m (3280 piedi) per un controller SC200.
- Controller SC200: utilizzare una scatola di terminazione digitale se la lunghezza del cavo è superiore a 100 m (328 piedi). Fare riferimento alla sezione [Parti di ricambio e accessori](#) a pagina 71.

3.2.3 Collegare un cavo del sensore con fili scoperti (in un'area non pericolosa)

⚠ PERICOLO	
	Pericolo di folgorazione. Quando si eseguono collegamenti elettrici, scollegare sempre l'alimentazione dello strumento.
⚠ PERICOLO	
	Pericolo di folgorazione. Il cablaggio ad alta tensione del controller è collegato dietro la barriera di alta tensione, nell'alloggiamento del controller. La barriera deve rimanere sempre montata eccetto durante l'installazione dei moduli oppure durante il cablaggio dell'alimentazione, dei relè o delle schede analogiche o di rete da parte di un tecnico qualificato.

Se il cavo del sensore non è dotato di un connettore ad attacco rapido⁵, collegare i fili scoperti del cavo del sensore al controller nel modo seguente:

Nota: un cavo del sensore con fili scoperti non può essere collegato ad un controller SC1000.

1. Trovare il kit di cablaggio della canalina (9222400) nella confezione per il controller SC200. Il kit contiene quattro connettori di giunzione.
2. Seguire le istruzioni fornite nel kit di cablaggio della canalina per collegare il cavo del sensore al controller.

Sezione 4 Funzionamento

4.1 Navigazione dell'utente

Per la descrizione del tastierino e le informazioni sulla navigazione., fare riferimento alla documentazione del controller.

Premere più volte il tasto freccia **DESTRA** sul controller per visualizzare maggiori informazioni sulla schermata Home e per ottenere una visualizzazione grafica.

4.2 Configurazione del sensore

Selezionare un nome e un tipo di sensore. Modificare le opzioni per la misura, calibrazione, gestione e conservazione dei dati.




1. Premere **menu**, quindi selezionare **SETUP SONDA > [Scelta sensore] > CONFIGURAZIONE**.
2. Selezionare un'opzione.

Opzione	Descrizione
INSERIRE NOME	Consente di modificare il nome che corrisponde al sensore sulla parte superiore della schermata di misurazione. Il nome è limitato a 12 caratteri in una combinazione qualsiasi di lettere, numeri, spazi e punteggiatura.
SCELTA SENSORE	Consente di selezionare il tipo di sensore (pH o ORP).
FORMATO DISPL	Solo per sensori pH: modifica il numero di cifre decimali mostrate sulla schermata di misurazione in XX,XX (predefinito) o XX,X.
UNITA TEMPERAT	Imposta le unità di temperatura in °C (predefinito) o °F.
REGIS. SETUP	Imposta l'intervallo di tempo per la memorizzazione dei dati nel registro: 5, 30 secondi, 1, 2, 5, 10, 15 (predefinito), 30, 60 minuti.
FREQUENZA AC	Consente di selezionare la frequenza dell'alimentazione CA inviata al controller (50 o 60 Hz). Se l'alimentazione al controller è di 120 VCA, selezionare 60 Hz. Se l'alimentazione al controller è di 230 VCA, selezionare 50 Hz.
FILTRO	Imposta una costante di tempo per aumentare la stabilità del segnale. La costante di tempo calcola il valore medio durante un tempo specificato: da 0 (nessun effetto, valore predefinito) a 60 secondi (media del valore di segnale per 60 secondi). Il filtro aumenta il tempo di risposta del segnale del sensore alle modifiche del processo.
ELEM.TEMPER.	Sensori pH: imposta l'elemento di temperatura per la compensazione automatica della temperatura in PT100, PT1000, NTC300 (predefinito) o MANUALE. Se non viene utilizzato alcun elemento, è possibile impostare il tipo MANUALE ed inserire un valore per la compensazione della temperatura (valore predefinito manuale: 25 °C). Sensori OPR: la compensazione di temperatura non è utilizzata. Per misurare la temperatura, è possibile collegare un elemento di temperatura.

⁵ Ad esempio, se una scatola di terminazione digitale e un cavo schermato da 4 fili vengono utilizzati per aumentare la lunghezza del cavo del sensore.

Opzione	Descrizione
SCELTA TAMPONE	Solo per sensori pH: consente di selezionare le soluzioni tampone utilizzate per la calibrazione. Opzioni: pH 4, 7, 10 (predefinito) o DIN 19267 (pH 1,09 - 4,65 - 6,79 - 9,23 - 12,75) Nota: per la calibrazione possono essere utilizzate altre soluzioni tampone.
COMP.ACQUA PUR	Solo per sensori pH: consente di aggiungere una correzione dipendente dalla temperatura al valore del pH misurato per acqua pura con additivi: NESSUNA SCELTA (predefinito), AMMONIACA, MORFOLINA o DEF.PROG.UTEN.. Per temperature di processo superiori a 50 °C, è utilizzata la correzione a 50 °C. Per applicazioni definite dall'utente, è possibile inserire una pendenza lineare (valore predefinito: 0 pH/°C).
GIORNI CAL	Imposta l'intervallo di calibrazione (predefinito: 60 giorni). Nota: sul display del controller viene visualizzato un avviso quando il numero di giorni trascorsi dalla calibrazione del sensore supera l'intervallo di calibrazione.
GIORNI SENSORE	Imposta l'intervallo di sostituzione del sensore (predefinito: 365 giorni). Nota: sul display del controller viene visualizzato un avviso quando il numero di giorni di funzionamento del sensore supera l'intervallo di sostituzione.
IMPED LIMITS	Imposta i limiti di impedenza per gli elettrodi attivi e di riferimento (predefiniti: BASSO = 0 MΩ, ALTO = 1000 MΩ). Nota: Quando l'opzione IMPED STATUS sul menu DIAG/TEST è impostata su ABILITATO, se l'impedenza degli elettrodi attivi e di riferimento non rientra nei relativi limiti viene visualizzato un messaggio di errore sul display del controller.
SETUP DEFAULT	Reimposta la configurazione sulle impostazioni predefinite.

4.3 Calibrazione del sensore

▲ AVVERTENZA	
	Pericolo di esplosione. La rimozione di un sensore da un recipiente pressurizzato può essere pericolosa. Ridurre la pressione di processo al di sotto di 10 psi prima della rimozione. Se questo non è possibile, prestare la massima attenzione. Per ulteriori informazioni, fare riferimento alla documentazione fornita con il materiale di montaggio.
▲ AVVERTENZA	
	Pericolo di esposizione ad agenti chimici. Rispettare le procedure di sicurezza del laboratorio e indossare tutte le apparecchiature protettive appropriate per le sostanze chimiche utilizzate. Fare riferimento alle attuali schede di sicurezza (MSDS/SDS) per i protocolli di sicurezza.
▲ ATTENZIONE	
	Pericolo di esposizione ad agenti chimici. Smaltire i prodotti chimici e i rifiuti conformemente alle normative locali, regionali e nazionali.

4.3.1 Informazioni sulla calibrazione del sensore

La calibrazione regola la lettura del sensore affinché corrisponda al valore di una o due soluzioni di riferimento. Nel corso del tempo, le caratteristiche del sensore cambiano e la sua precisione diminuisce. Il sensore deve essere calibrato regolarmente per garantire la massima precisione. La frequenza di calibrazione varia in base all'applicazione ed è determinata dall'esperienza.

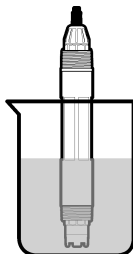
Per i sensori pH, viene utilizzato un elemento di temperatura per generare delle letture di pH regolate automaticamente a 25°C in caso di variazioni termiche che influiscono sull'elettrodo attivo e di riferimento. Questa regolazione può essere eseguita manualmente dal cliente se la temperatura di processo è costante. Fare riferimento all'opzione ELEM.TEMPER. nella sezione [Configurazione del sensore](#) a pagina 59.

4.3.2 Procedura di calibrazione del pH

Calibrare il sensore pH con una o due soluzioni di riferimento (calibrazione a 1 punto o 2 punti).

1. Posizionare il sensore nella prima soluzione di riferimento (un tampone o un campione con un valore noto). Assicurarsi che la porzione della sonda del sensore sia completamente immersa nel liquido. Fare riferimento alla [Figura 7](#).

Figura 7 Sensore in soluzione di riferimento



2. Attendere che il sensore e la temperatura della soluzione si equalizzino. Possono essere necessari 30 minuti o un tempo maggiore se la differenza di temperatura tra il processo e la soluzione di riferimento è significativa.
3. Premere **menu**, quindi selezionare **SETUP SONDA > [Scelta sensore] > CALIBRAZIONE**.
4. Selezionare il tipo di calibrazione:

Opzione	Descrizione
1 PUNTO AUTO	Utilizzare un tampone per la calibrazione (ad es., pH 7). Il sensore identifica automaticamente il tampone durante la calibrazione. Nota: assicurarsi di selezionare il set tamponi corretto indicato nelle impostazioni di configurazione del sensore.
2 PUNTI AUTO (consigliata)	Utilizzare due tamponi per la calibrazione (ad es., pH 7 e pH 4). Il sensore identifica automaticamente i tamponi durante la calibrazione. Nota: assicurarsi di selezionare il set tamponi corretto indicato nelle impostazioni di configurazione del sensore.
UN PUNTO	Per la calibrazione, utilizzare un campione con un valore pH noto (o un tampone). Inserire il valore pH durante la calibrazione.
DUE PUNTI	Per la calibrazione, utilizzare due campioni con un valore pH noto (o due tamponi). Inserire i valori pH durante la calibrazione.

5. Se il codice di accesso è abilitato nel menu sicurezza del controller, inserire il codice di accesso.
6. Selezionare l'opzione per il segnale di output durante la calibrazione:

Opzione	Descrizione
ATTIVO	Lo strumento invia il valore di output misurato corrente durante la procedura di calibrazione.
HOLD	Il valore di output del sensore viene tenuto al valore misurato corrente durante la procedura di calibrazione.
TRASFERIRE	Un valore di output predefinito viene inviato durante la calibrazione. Per modificare il valore predefinito, fare riferimento al manuale dell'utente del controller.

7. Con il sensore nella prima soluzione di riferimento, premere il pulsante per confermare. Viene visualizzato il valore misurato.
8. Se applicabile, inserire il valore pH della soluzione di riferimento:
 - a. Attendere che il valore si stabilizzi, quindi premere il pulsante per confermare.

b. Inserire il valore pH.

Nota: se la soluzione di riferimento è un tampone, individuare il valore pH sul relativo flacone per la temperatura del tampone. Se la soluzione di riferimento è un campione, determinare il valore pH del campione con uno strumento differente.

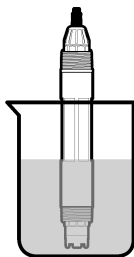
9. Per una calibrazione a 2 punti, misurare la seconda soluzione di riferimento nel modo seguente:
1. Rimuovere il sensore dalla prima soluzione e sciacquare con acqua pulita.
 2. Posizionare il sensore nella soluzione di riferimento successiva, quindi premere il pulsante per confermare.
 3. Se applicabile, attendere che il valore si stabilizzi e premere il pulsante per confermare. Inserire il valore pH.
10. Consultare il risultato della calibrazione:
- **ESEGUITO:** il sensore è calibrato e pronto per misurare i campioni. Sono mostrati i valori di pendenza e/o offset.
 - **NON ESEGUITO:** la pendenza o l'offset di calibrazione non rientra nei limiti accettati. Ripetere la calibrazione con nuove soluzioni di riferimento. Pulire il sensore se necessario. Fare riferimento alla sezione [Pulizia del sensore](#) a pagina 64.
11. Se la calibrazione è riuscita, premere il pulsante per confermare.
12. Riportare il sensore nel processo, quindi premere il pulsante per confermare.
Il segnale di output torna allo stato attivo e il valore del campione misurato viene mostrato sulla schermata di misurazione.

4.3.3 Procedura di calibrazione ORP

Calibrare il sensore ORP con una soluzione di riferimento o un campione con valore noto.

1. Immergere il sensore nella soluzione di riferimento o nel campione. Assicurarsi che la porzione della sonda del sensore sia completamente immersa nella soluzione. Fare riferimento alla sezione [Figura 8](#).

Figura 8 Sensore nella soluzione di riferimento o nel campione



2. Premere **menu**, quindi selezionare **SETUP SONDA** > [Scelta sensore] > **CALIBRAZIONE**.
3. Selezionare **UN PUNTO**.
4. Se il codice di accesso è abilitato nel menu sicurezza del controller, inserire il codice di accesso.
5. Selezionare l'opzione per il segnale di output durante la calibrazione:

Opzione	Descrizione
ATTIVO	Lo strumento invia il valore di output misurato corrente durante la procedura di calibrazione.
HOLD	Il valore di output del sensore viene tenuto al valore misurato corrente durante la procedura di calibrazione.
TRASFERIRE	Un valore di output predefinito viene inviato durante la calibrazione. Per modificare il valore predefinito, fare riferimento al manuale dell'utente del controller.

6. Con il sensore nella soluzione di riferimento o nel campione, premere il pulsante per confermare.

Viene visualizzato il valore misurato.

7. Attendere che il valore si stabilizzi, quindi premere il pulsante per confermare.

8. Inserire il valore ORP della soluzione di riferimento o del campione.

Nota: se per la calibrazione viene utilizzata una soluzione di riferimento, individuare il valore ORP sul relativo flacone. Quando invece si utilizza un campione, misurare il valore ORP con uno strumento di verifica secondario.

9. Consultare il risultato della calibrazione:

- **ESEGUITO:** il sensore è calibrato e pronto per misurare i campioni. Sono mostrati i valori di pendenza e/o offset.
- **NON ESEGUITO:** la pendenza o l'offset di calibrazione non rientra nei limiti accettati. Ripetere la calibrazione con una nuova soluzione di riferimento. Pulire il sensore se necessario. Fare riferimento alla sezione [Pulizia del sensore](#) a pagina 64.

10. Se la calibrazione è riuscita, premere il pulsante per confermare.

11. Riportare il sensore nel processo, quindi premere il pulsante per confermare.

Il segnale di output torna allo stato attivo e il valore del campione misurato viene mostrato sulla schermata di misurazione.

4.3.4 Taratura temperatura

Lo strumento è calibrato in fabbrica per una misurazione della temperatura accurata. Calibrare la temperatura per migliorare la precisione.

1. Inserire il sensore in una tanica di acqua.

2. Misurare la temperatura dell'acqua con un termometro accurato o uno strumento indipendente.

3. Premere **menu**, quindi selezionare SETUP SONDA > [Scelta sensore] > CALIBRAZIONE.

4. Selezionare IMPOSTA TEMP > MODIFICA TEMP, quindi premere il pulsante per confermare.

5. Immettere il valore della temperatura esatto, quindi premere il pulsante per confermare.

6. Riportare il sensore nel processo, quindi premere il pulsante per confermare.

4.3.5 Procedura di uscita dalla calibrazione

1. Per uscire da una calibrazione, spingere **indietro**.

2. Selezionare un'opzione.

Opzione	Descrizione
ANNUL	Interrompe la calibrazione. Una nuova calibrazione deve riprendere dall'inizio.
RITORNO CAL	Torna alla calibrazione.
USCITA	Esce temporaneamente dalla calibrazione. È consentito l'accesso ad altri menu. È possibile avviare la calibrazione per un secondo sensore (ove presente). Per tornare alla calibrazione, premere il tasto MENU e selezionare SETUP SONDA > [Select Sensor] [Seleziona sensore].

4.4 Registri dati ed eventi del sensore

Il Controller SC fornisce un registro dati e un registro eventi per ogni sensore. Nel registro dati vengono memorizzati i dati di misurazione a intervalli stabiliti (configurabili dall'utente). Il registro eventi mostra gli eventi che si sono verificati.

Il registro dati e il registro eventi possono essere salvati in formato CSV. Per le istruzioni, fare riferimento alla documentazione del controller.

4.5 Registri Modbus

È disponibile un elenco dei registri Modbus per la comunicazione in rete. Per ulteriori informazioni, fare riferimento al sito Web del produttore.

Sezione 5 Manutenzione

⚠ PERICOLO



Pericoli multipli. Gli interventi descritti in questa sezione del documento devono essere eseguiti solo da personale qualificato.

⚠ AVVERTENZA



Pericolo di esplosione. La rimozione di un sensore da un recipiente pressurizzato può essere pericolosa. Ridurre la pressione di processo al di sotto di 10 psi prima della rimozione. Se questo non è possibile, prestare la massima attenzione. Per ulteriori informazioni, fare riferimento alla documentazione fornita con il materiale di montaggio.

⚠ AVVERTENZA



Pericolo di esposizione ad agenti chimici. Rispettare le procedure di sicurezza del laboratorio e indossare tutte le apparecchiature protettive appropriate per le sostanze chimiche utilizzate. Fare riferimento alle attuali schede di sicurezza (MSDS/SDS) per i protocolli di sicurezza.

⚠ ATTENZIONE



Pericolo di esposizione ad agenti chimici. Smaltire i prodotti chimici e i rifiuti conformemente alle normative locali, regionali e nazionali.

5.1 Pianificazione degli interventi di manutenzione

Nella [Tabella 1](#) è riportata la pianificazione consigliata degli interventi di manutenzione. Requisiti strutturali e condizioni di esercizio possono aumentare la frequenza di alcuni interventi.

Tabella 1 Pianificazione degli interventi di manutenzione

Intervento	1 anno	Secondo necessità
Pulizia del sensore a pagina 64		X ⁶
Sostituzione del ponte salino a pagina 65	X	
Calibrazione del sensore	Definito dagli enti regolatori o dall'esperienza	

5.2 Pulizia del sensore

Pre-requisito: preparare una soluzione saponata delicata con detergente non abrasivo che non contenga lanolina. La lanolina lascia una pellicola sulla superficie dell'elettrodo che potrebbe influire sulle prestazioni del sensore.

Controllare il sensore periodicamente per escludere la presenza di detriti e depositi di materiale. Pulire il sensore quando è presente un accumulo di materiale o quando le prestazioni risultano compromesse.

1. Utilizzare un panno pulito e soffice per rimuovere il materiale libero dalla punta del sensore. Risciacquare il sensore con acqua pulita e calda.
2. Immergere il sensore per 2-3 minuti nella soluzione detergente.
3. Utilizzare una spazzola a setole morbide per pulire tutta l'estremità di misurazione del sensore.
4. Se sono ancora presenti detriti, immergere l'estremità di misurazione del sensore in una soluzione di acido diluito in percentuali < 5% di HCl per un massimo di 5 minuti.
5. Sciacquare il sensore con acqua e quindi riposizionarlo nella soluzione detergente per 2-3 minuti.

⁶ La frequenza dipende dalle condizioni di funzionamento.

6. Sciacquare il sensore con acqua pulita.

Nota: Per sensori dotati di elettrodi di antimonio per applicazioni HF, potrebbe essere necessaria pulizia aggiuntiva. Contattare il servizio di assistenza tecnica.

Dopo le procedure di manutenzione, calibrare sempre il sensore.

5.3 Sostituzione del ponte salino

Sostituire il ponte salino e la soluzione cella standard a intervalli di un anno oppure quando la calibrazione non riesce dopo la pulizia del sensore.

Nota: all'indirizzo www.Hach.com è disponibile un video che mostra come sostituire il ponte salino. Passare alla pagina Web e fare clic sulla scheda Video.

Articoli necessari:

- Chiave regolabile a grandezza crescente
- Pinze di grandi dimensioni
- Ponte salino
- Soluzione cella standard
- Polvere gelificante⁷, 1/8 di cucchiaino

1. Pulire il sensore. Fare riferimento alla sezione [Pulizia del sensore](#) a pagina 64.

2. Sostituire il ponte salino e la soluzione cella standard. Fare riferimento ai passaggi illustrati di seguito.

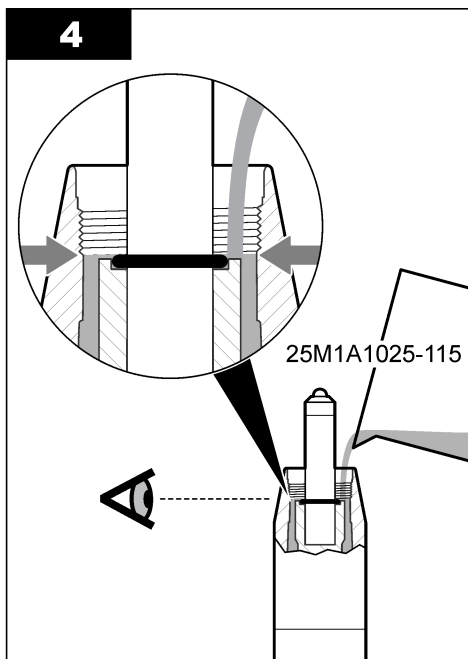
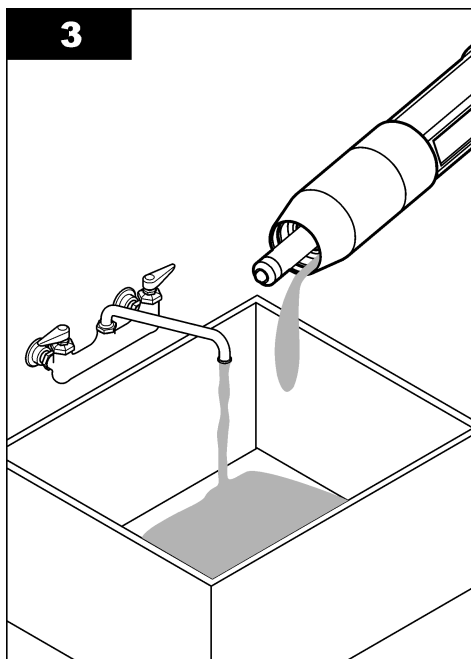
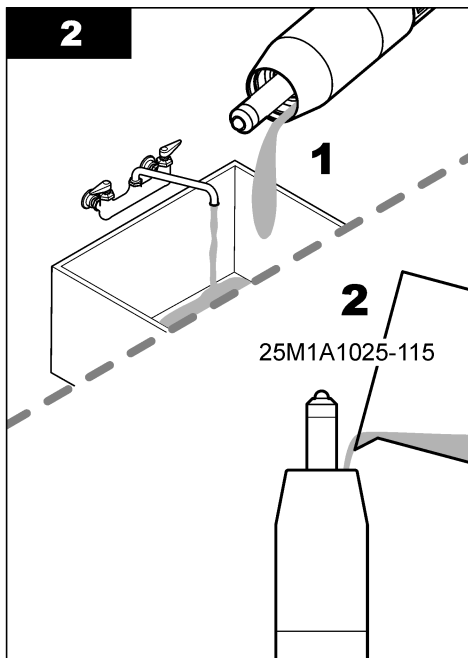
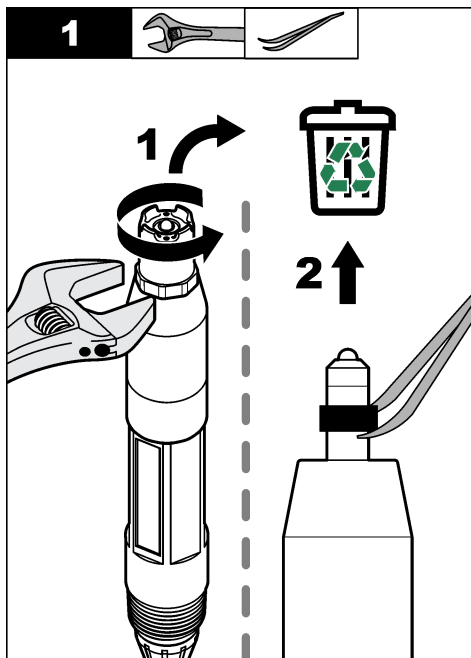
Se nel serbatoio della soluzione cella standard è presente del gel (non usuale), lavare con un getto d'acqua utilizzando un dispositivo tipo Waterpik per rimuovere il gel vecchio, come mostrato al passo 2.

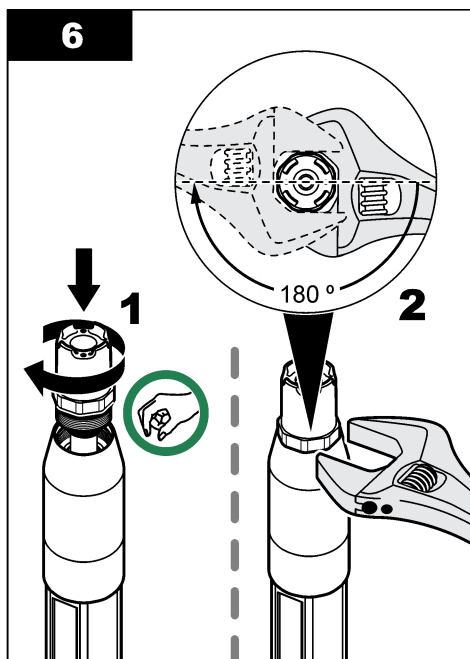
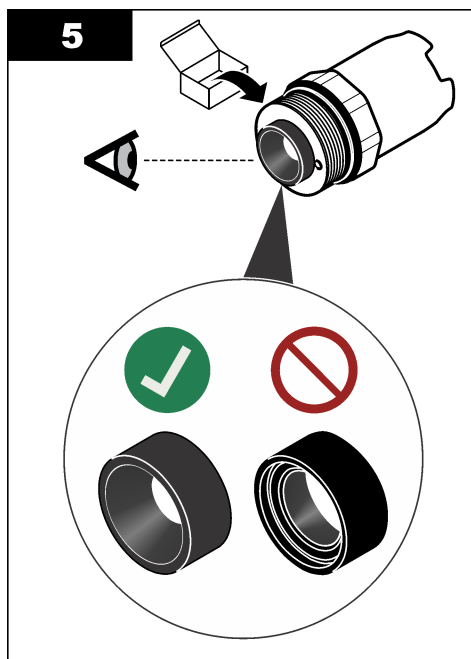
(Opzionale) Se la temperatura dell'acqua di processo è vicina all'ebollizione, aggiungere della polvere gelificante alla nuova soluzione cella standard, come illustrato al passo 4, nel modo seguente:

- a. Versare una quantità pari a un tappo della bottiglia (1/8 di cucchiaino) di polvere gelificante nel serbatoio per la soluzione cella standard.
- b. Versare una piccola quantità di soluzione cella standard nel serbatoio.
- c. Miscelare con polvere fino a quando la soluzione non diviene densa.
- d. Aggiungere piccole quantità di soluzione e miscelare fino a quando il gel non raggiunge il livello sul lato inferiore delle filettature del ponte salino.
- e. Verificare il corretto livello del gel installando e rimuovendo il nuovo ponte salino. Sulla superficie del gel deve rimanere l'impronta del ponte salino.

3. Calibrare il sensore.

⁷ (Opzionale) Aggiungere della polvere gelificante alla soluzione cella standard se la temperatura dell'acqua di processo è vicina all'ebollizione. La polvere gelificante riduce il tasso di evaporazione della soluzione cella standard.





5.4 Preparazione per lo stoccaggio

Per la conservazione a breve termine (quando il sensore non deve essere utilizzato nel processo per più di un'ora), riempire il cappuccio protettivo con soluzione tampone a pH 4 (preferibile) o acqua distillata (2) e reinserire il cappuccio sul sensore. Mantenere bagnati l'elettrodo di processo ed il ponte salino di giunzione di riferimento per evitare una risposta lenta quando si rimette in funzione il sensore.

Per la conservazione prolungata, ripetere la procedura per la conservazione a breve termine ogni 2-4 settimane, in base alle condizioni ambientali. Fare riferimento alla sezione [Specifiche tecniche](#) a pagina 50 per i limiti di temperatura per lo stoccaggio.

Sezione 6 Individuazione ed eliminazione dei guasti

6.1 Dati intermittenti

Durante la taratura, i dati non sono inviati al datalog. Per questo motivo, il datalog potrebbe avere aree con dati intermittenti.

6.2 Menu test e diagnostica sensore

Il menu test e diagnostica sensore mostra le informazioni attuali e cronologiche dello strumento. Fare riferimento alla [Tabella 2](#). Per accedere al menu test e diagnostica sensore, premere **menu**, quindi selezionare **SETUP SONDA > [Scelta sensore] > DIAG/TEST**.

Tabella 2 Menu DIAG/TEST sensore

Opzione	Descrizione
INFO SONDA	Mostra il tipo, il nome, il numero di serie, la versione software e la versione driver del sensore.
DATA CALIB	Mostra la pendenza pH (mV/pH) e la data dell'ultima calibrazione. La pendenza pH deve essere compresa tra -55 e -61 mV.

Tabella 2 Menu DIAG/TEST sensore (continua)

Opzione	Descrizione
SEGNALI	<p>SEGNAL/SENSORE: mostra la lettura del sensore in mV. Il range di mV è compreso tra -60 e +60 mV (0 mV = pH 7).</p> <p>SENS/CNTS/ERRO: mostra il numero digitale che rappresenta la lettura del pH.</p> <p>TEMP ADC CNTS: mostra il numero digitale che rappresenta la lettura della temperatura.</p> <p>STATO ELETTROD: mostra le condizioni dell'elettrodo attivo e di riferimento (VALIDO o NON VALIDO). Quando viene visualizzato "NON VALIDO", pulire il sensore e sostituire il ponte salino. Sostituire il sensore se necessario.</p> <p>ACTIVE ELECT: mostra l'impedenza dell'elettrodo attivo.</p> <p>RIF ELETTRODO: mostra l'impedenza dell'elettrodo di riferimento.</p> <p>IMPED STATUS: quando è abilitato (consigliato), l'impedenza dell'elettrodo attivo e di riferimento vengono misurate a intervalli di 1 minuto. Quando l'impedenza dell'elettrodo attivo e di riferimento non è compresa tra i relativi limiti minimo e massimo, sul display del controller viene visualizzato un errore.</p>
CONTATORI	<p>GIORNI SENSORE: mostra il numero di giorni di utilizzo del sensore.</p> <p>RESET SENSORE: imposta il valore GIORNI SENSORE e GIORNI ELETTRODO a zero.</p> <p>GIORNI ELETTRODO: mostra il numero di giorni trascorsi dalla sostituzione del ponte salino.</p> <p><i>Nota: Il valore GIORNI ELETTRODO viene impostato automaticamente a zero quando viene sostituito il ponte salino.</i></p>

6.3 Messaggi di errore

Quando si verifica un errore, la lettura sulla schermata di misurazione lampeggia e tutte le uscite vengono bloccate quando specificato dal menu del controller. Per visualizzare gli errori del sensore, premere **menu** e selezionare DIAGNOSTICA > [Scelta sensore] > LISTA ERRORI. Un elenco dei possibili errori viene mostrato nella [Tabella 3](#).

Tabella 3 Messaggi di errore

Errore	Descrizione	Risoluzione
pH ALTO	Il pH misurato è > 14.	Calibrare il sensore.
VALORE ORP TRP ALTO	Il valore ORP misurato è > 2100 mV.	
pH BASSO	Il pH misurato è < 0.	Calibrare il sensore.
VALORE ORP TRP BASSO	Il valore ORP misurato è ≤ 2100 mV.	
OFFSET TROPPO ALTO	L'offset è > 9 (pH) o 200 mV (ORP).	Svolgere i passi descritti in Pulizia del sensore a pagina 64 e Sostituzione del ponte salino a pagina 65. Quindi, eseguire di nuovo la calibrazione.
OFFSET TROPPO BASSO	L'offset è < 5 (pH) o -200 mV (ORP).	
PEND. TROPPO ALTA	La pendenza è > 62 (pH)/1,3 (ORP).	Ripetere la calibrazione con nuove soluzioni di riferimento.
PEND. TROPPO BASSA	La pendenza è < 50 (pH)/0,7 (ORP).	Effettuare i passaggi indicati in Pulizia del sensore a pagina 64. Quindi, eseguire di nuovo la calibrazione.
TEMPER ALTA	La temperatura misurata è >130 °C.	Assicurarsi di aver selezionato l'elemento di temperatura corretto. Fare riferimento all'opzione ELEM.TEMPER. nella sezione Configurazione del sensore a pagina 59.
TEMPER BASSA	La temperatura misurata è ≤10 °C.	
ADC FALLITO	Conversione da analogico a digitale non riuscita.	Spegnere il controller. Quindi, accendere il controller.

Tabella 3 Messaggi di errore (continua)

Errore	Descrizione	Risoluzione
IMPED. ELTRD. ALTA	L'impedenza dell'elettrodo attivo è > 900 MΩ.	Il sensore è esposto all'aria. Riportare il sensore nel processo.
IMPED. ELTRD. BASSA	L'impedenza dell'elettrodo attivo è < 8 MΩ.	Il sensore è danneggiato o sporco. Effettuare i passaggi indicati in Pulizia del sensore a pagina 64.
IMPED. ELTRD.RIF. ALTA	L'impedenza dell'elettrodo di riferimento è > 900 MΩ.	Soluzione cella standard persa a causa di perdite o evaporazione. Sostituire la soluzione cella standard.
IMPED. ELTRD.RIF. BASSA	L'impedenza dell'elettrodo di riferimento è < 8 MΩ.	L'elettrodo di riferimento è danneggiato. Sostituire il sensore.
VAL. BUFFER TRP. VICINI	I tamponi utilizzati per la calibrazione a 2 PUNTI AUTO hanno lo stesso valore.	Utilizzare tamponi che hanno valori differenti.
SONDA PERSA	Il sensore è mancante o scollegato.	Identificare se il cavo del sensore è scollegato o danneggiato.
SONDA TEMP PERSA	Il sensore di temperatura è mancante.	Assicurarsi di aver selezionato l'elemento di temperatura corretto. Fare riferimento all'opzione ELEM.TEMPER. nella sezione Configurazione del sensore a pagina 59.
IMP.VETRO BASS	La lampadina di vetro è rotta oppure ha raggiunto la fine della vita utile.	Sostituire il sensore.

6.4 Messaggi di avviso

Un messaggio di avviso non influenza il funzionamento di menu, relè e output. Un'icona di avviso lampeggia e viene mostrato un messaggio in fondo alla schermata di misurazione. Per visualizzare gli avvisi del sensore, premere **menu** e selezionare DIAGNOSTICA > [Scelta sensore] > LISTA AVVISI. Un elenco di possibili avvertimenti è mostrato nella [Tabella 4](#).

Tabella 4 Messaggi di avviso

Avvertenza	Descrizione	Risoluzione
pH ALTO	Il pH misurato è > 13.	Calibrare il sensore.
VALORE ORP TRP ALTO	Il valore ORP misurato è > 2100 mV.	
pH BASSO	Il pH misurato è < 1.	Calibrare il sensore.
VALORE ORP TRP BASSO	Il valore ORP misurato è < -2100 mV.	
OFFSET TROPPO ALTO	L'offset è > 8 (pH) o 200 mV (ORP).	Svolgere i passi descritti in Pulizia del sensore a pagina 64 e Sostituzione del ponte salino a pagina 65. Quindi, eseguire di nuovo la calibrazione.
OFFSET TROPPO BASSO	L'offset è < 6 (pH) o -200 mV (ORP).	
PEND. TROPPO ALTA	La pendenza è > 60 (pH)/1,3 (ORP).	Ripetere la calibrazione con nuove soluzioni di riferimento.
PEND. TROPPO BASSA	La pendenza è < 54 (pH)/0,7 (ORP).	Effettuare i passaggi indicati in Pulizia del sensore a pagina 64. Quindi, eseguire di nuovo la calibrazione.

Tabella 4 Messaggi di avviso (continua)

Avvertenza	Descrizione	Risoluzione
TEMPER ALTA	La temperatura misurata è >100 °C.	Assicurarsi di aver selezionato l'elemento di temperatura corretto. Fare riferimento all'opzione ELEM.TEMPER. nella sezione Configurazione del sensore a pagina 59.
TEMPER BASSA	La temperatura misurata è < 0 °C.	
CAL SCADUTA	Il numero di giorni trascorsi dalla calibrazione del sensore supera l'intervallo di calibrazione.	Calibrare il sensore. <i>Nota: per modificare l'intervallo di calibrazione, fare riferimento all'opzione GIORNI CAL nella sezione Configurazione del sensore a pagina 59.</i>
CAMBIA SONDA	Il numero di giorni di funzionamento del sensore supera l'intervallo di sostituzione.	Sostituire il sensore se necessario. <i>Nota: per modificare l'intervallo di sostituzione del sensore, fare riferimento all'opzione GIORNI SENSORE nella sezione Configurazione del sensore a pagina 59.</i>
NON CALIBRATO	Il sensore non è stato calibrato.	Calibrare il sensore.
FLASH FALLITO	Errore della memoria flash esterna.	Contattare il servizio di assistenza tecnica.
IMPED. ELTRD. ALTA	L'impedenza dell'elettrodo attivo è > 800 MΩ.	Il sensore è esposto all'aria. Riportare il sensore nel processo.
IMPED. ELTRD. BASSA	L'impedenza dell'elettrodo attivo è < 15 MΩ.	Il sensore è danneggiato o sporco. Effettuare i passaggi indicati in Pulizia del sensore a pagina 64.
IMPED. ELTRD.RIF. ALTA	L'impedenza dell'elettrodo di riferimento è > 800 MΩ.	Soluzione cella standard persa a causa di perdite o evaporazione. Sostituire la soluzione cella standard.
IMPED. ELTRD.RIF. BASSA	L'impedenza dell'elettrodo di riferimento è < 15 MΩ.	L'elettrodo di riferimento è danneggiato. Sostituire il sensore.
CAL IN CORSO	Una calibrazione è stata avviata, ma non è stata completata.	Tornare alla calibrazione.

6.5 Elenco degli eventi

L'elenco degli eventi mostra le attività correnti quali le modifiche di configurazione, gli allarmi, le condizioni di avviso ecc. Per visualizzare gli eventi, premere **menu** e selezionare DIAGNOSTICA > [Scelta sensore] > EVENTI. Un elenco di possibili eventi è mostrato nella [Tabella 5](#). Gli eventi precedenti sono registrati nel registro apposito, che può essere scaricato dal controller. Fare riferimento alla documentazione del controller per le opzioni di recupero dei dati.

Tabella 5 Elenco degli eventi

Evento	Descrizione
CAL PRONTA	Il sensore è pronto per la calibrazione.
CAL OK	La calibrazione attuale è buona.
TEMPO SCADUTO	Il tempo di stabilizzazione durante la calibrazione è scaduto.
NESSUN BUFFER	Nessuna soluzione tampone rilevata.
SLOPE ALTO	La pendenza di calibrazione è superiore al limite massimo.
SLOPE BASSO	La pendenza di calibrazione è inferiore al limite minimo.
OFFSET ALTO	Il valore di offset di calibrazione per il sensore è superiore al limite massimo.
OFFSET BASSO	Il valore di offset di calibrazione per il sensore è inferiore al limite minimo.
PUNTI CAL. TROPPO VICINI	I punti di calibrazione hanno valori troppo simili per una calibrazione a 2 punti.

Tabella 5 Elenco degli eventi (continua)

Evento	Descrizione
CAL FALLITA	La calibrazione non è andata a buon fine.
CAL ALTA	Il valore della calibrazione è superiore al limite massimo.
INSTABILE	Letture durante la calibrazione instabile.
CAMBIO CONFIGURAZ. - mobile	La configurazione è cambiata - tipo "a virgola mobile".
CAMBIO CONFIGURAZ. - testo	La configurazione è cambiata - tipo di testo.
CAMBIO CONFIGURAZ. - int	La configurazione è cambiata - tipo di valore intero.
CONF. RESET	Le impostazioni di configurazione sono state impostate alle opzioni predefinite.
EVENT ALIMENTAZ	L'alimentazione è stata inserita.
ADC FALLITO	Conversione ADC non riuscita (guasto hardware).
CANC. MEMORIA	Memoria flash cancellata.
TEMPERATURA	La temperatura registrata è troppo elevata o troppo bassa.
AVVIO CAL MANUALE 1 PT	Avvio della calibrazione UN PUNTO.
AVVIO CAL AUTO 1 PT	Avvio della calibrazione 1 PUNTO AUTO per pH.
AVVIO CAL MANUALE 2 PT	Avvio della calibrazione DUE PUNTI per pH.
AVVIO CAL AUTO 2 PT	Avvio della calibrazione 2 PUNTI AUTO per pH.
FINE MANUALE 1 PT	Fine della calibrazione UN PUNTO.
FINE AUTO 1 PT	Fine della calibrazione 1 PUNTO AUTO per pH.
FINE MANUALE 2 PT	Fine della calibrazione DUE PUNTI per pH.
FINE A UTO 2 PT	Fine della calibrazione 2 PUNTI AUTO per pH.

Sezione 7 Parti di ricambio e accessori

▲ AVVERTENZA



Pericolo di lesioni personali. L'uso di parti non approvate può causare lesioni personali, danni alla strumentazione o malfunzionamenti dell'apparecchiatura. Le parti di ricambio riportate in questa sezione sono approvate dal produttore.

Nota: numeri di prodotti e articoli possono variare per alcune regioni di vendita. Contattare il distributore appropriato o fare riferimento al sito Web dell'azienda per dati di contatto.

Materiali di consumo

Descrizione	Quantità	Prodotto n.
Soluzione tampone, pH 4,01, colore rosso	500 ml	2283449
Soluzione tampone, pH 7,00, colore giallo	500 ml	2283549
Soluzione tampone, pH 10,01, colore blu	500 ml	2283649
Soluzione di riferimento ORP, 200 mV	500 ml	25M2A1001-115
Soluzione di riferimento ORP, 600 mV	500 ml	25M2A1002-115

Pezzi di ricambio—sensori pH

Descrizione	Quantità	Prodotto n.
Ponte salino, PEEK, giunto esterno in Kynar (PVDF), con O-ring in Viton	1	SB-P1SV
Ponte salino, PEEK, giunto esterno in Kynar (PVDF), con O-ring in perfluoroelastomero	1	SB-P1SP ⁸
Ponte salino, PEEK, giunto esterno in ceramica, con O-ring in Viton	1	SB-P2SV
Ponte salino, Ryton, giunto esterno in Kynar (PVDF), con O-ring in Viton	1	SB-R1SV
Soluzione cella standard	500 ml	25M1A1025-115
Polvere gelificante per soluzione cella standard	2 g	25M8A1002-101

Accessori

Descrizione	Articolo n.
Cavo di prolunga digitale, 1 m (3,2 piedi)	6122400
Cavo di prolunga digitale, 7,7 m (25 piedi)	5796000
Cavo di prolunga digitale, 15 m (50 piedi) ⁹	5796100
Cavo di prolunga digitale, controller SC200, 31 m (100 piedi)	5796200
Scatola di terminazione digitale, controller SC200 ¹⁰	5867000
Materiale di montaggio sanitario, acciaio inox 316, include un raccordo sanitario da 2" e un morsetto per applicazioni impegnative <i>Nota: il cappuccio e la guarnizione in composto EPDM vengono forniti insieme al sensore.</i>	MH018S8SZ
Materiale di montaggio su raccordo, CPVC (cloruro di polivinile clorurato), include raccordo standard da 1½", tubo di raccordo con adattatore, raccordo di tenuta, anello di bloccaggio e O-ring in Viton	6131300
Materiale di montaggio su raccordo, acciaio inox 316, include raccordo standard da 1½", tubo di raccordo con adattatore, raccordo di tenuta, anello di bloccaggio e O-ring in Viton	6131400
Materiale di montaggio passante, CPVC, include raccordo standard da 1"	MH334N4NZ
Materiale di montaggio passante, acciaio inox 316, include raccordo standard da 1"	MH314N4MZ
Materiale di montaggio a inserimento, CPVC, include valvola a sfera da 1½", nipplo chiuso da 1½" NPT, adattatore sensore con due O-ring in Viton e tergisensore, tubo di prolunga, adattatore per tubo, tubo di ritorno e anello di bloccaggio	5646300
Materiale di montaggio a inserimento, acciaio inox 316, include valvola a sfera da 1½", nipplo chiuso da 1½" NPT, adattatore sensore con due O-ring in Viton e tergisensore, tubo di prolunga, adattatore per tubo, tubo di ritorno e anello di bloccaggio	5646350
Materiale di montaggio a immersione, standard, CPVC, include tubo da 1" e 4 piedi di lunghezza e giunto da 1" x 1" NPT	6136400
Materiale di montaggio a immersione, standard, acciaio inox 316, include tubo da 1" e 4 piedi di lunghezza e giunto da 1" x 1" NPT	6136500

⁸ Utilizzare SB-P1SP quando il materiale Viton non è chimicamente compatibile con le sostanze chimiche presenti nell'applicazione.

⁹ La lunghezza massima dei cavi è di 15 m (49 piedi) per un controller SC1000.

¹⁰ Utilizzare una scatola di terminazione digitale se la lunghezza del cavo è superiore a 100 m (328 piedi). Una scatola di terminazione non va utilizzata con un controller SC1000.

Accessori (continua)

Descrizione	Articolo n.
Materiale di montaggio a immersione, maniglia, include tubo in CPVC da 1½" di 7,5 piedi di lunghezza e complessivo di serraggio per tubi	MH236B00Z
Materiale di montaggio a immersione, catena, acciaio inox 316, include traversa, dadi e rondelle in acciaio inox <i>Nota: solo per l'uso con sensore in acciaio inox. Catena non inclusa.</i>	2881900
Materiale di montaggio a immersione, sfera galleggiante, include tubo in CPVC da 1½" e 7,5 piedi di lunghezza, complessivo sfera galleggiante e complessivo di serraggio per tubi	6131000
Protezione del sensore, sensore convertibile, PEEK	1000F3374-002
Protezione del sensore, sensore convertibile, Ryton	1000F3374-003

Table des matières

- | | | | |
|---|--|---|--|
| 1 | Caractéristiques techniques à la page 74 | 5 | Maintenance à la page 88 |
| 2 | Généralités à la page 75 | 6 | Dépannage à la page 92 |
| 3 | Installation à la page 77 | 7 | Pièces de rechange et accessoires à la page 96 |
| 4 | Fonctionnement à la page 83 | | |

Section 1 Caractéristiques techniques

Ces caractéristiques sont susceptibles d'être modifiées sans avis préalable.

Caractéristique	Capteurs de pH	Capteurs de pH en acier inoxydable	Capteurs ORP
Dimensions (longueur)	272,5 mm (10,73 pouces)	325,3 mm (12,81 pouces)	272,5 mm (10,73 pouces)
Poids	316 g (11 oz.)	870 g (31 oz.)	316 g (11 oz.)
Matériaux immergés	Corps PEEK ou Ryton (PVDF), pont salin de la même matière avec jonction Kynar, électrode processus en verre, électrode de masse en titane et joints toriques Viton <i>Remarque : Le capteur de pH avec électrode de processus en verre à résistance HF est doté d'une électrode de masse en acier inoxydable 316 et de joints toriques mouillés en perfluoroélastomère.</i>	Montage en immersion uniquement, corps en acier inoxydable SS 316 avec extrémités et pont salin en Ryton (PVDF)	Corps PEEK ou Ryton (PVDF), pont salin de la même matière avec jonction Kynar, électrode processus verre et platine (ou verre et or), électrode de masse titane et joints toriques Viton
Composants	Matériaux résistant à la corrosion, totalement immergeable		
Câble de capteur (intégral)	4 conducteurs (plus 1 blindage), 10 m (33 pi), évaluation à 105 °C (221 °F)		
Température de fonctionnement	-5 à 70 °C (23 à 158 °F)	0 à 50 °C (32 à 122 °F)	-5 à 70 °C (23 à 158 °F)
Température de stockage	4 à 70 °C (40 à 158 °F), 0 à 95 % d'humidité relative sans condensation		
Plage de mesures	2 à 14 pH ¹ (ou 2 à 14)		-1 500 à +1 500 mV
Répétabilité	±0,05 pH		± 2 mV
Sensibilité	±0,01 pH		± 0,5 mV ²
Stabilité	0,03 pH toutes les 24 heures, non cumulatif		2 mV (ORP) toutes les 24 heures, non cumulatif
Débit maximal	3 m/s (10 pi/s)		
Limite de pression	6,9 bars à 70 °C (100 psi à 158 °F)	Non applicable (immersion uniquement)	6,9 bars à 70 °C (100 psi à 158 °F)
Distance de transmission	100 m (328 pi) maximum ou 1 000 m (3 280 pi) maximum lorsque utilisé avec une boîte de terminaison		

¹ La plupart des applications pH sont comprises dans la plage de 2,5 à 12,5 pH. Le capteur de pH différentiel pH_D avec l'électrode de processus en verre fonctionne parfaitement dans cette plage. Certaines applications industrielles requièrent une mesure et un contrôle exacts inférieur à 2 ou supérieur 12 pH. Dans ces cas particuliers, veuillez contacter le fabricant pour plus de détails.

² Pour obtenir les meilleurs résultats dans des solutions contenant du zinc, du cyanure, du cadmium ou du nickel, utilisez le capteur de ORP pH_D à électrode or.

Caractéristique	Capteurs de pH	Capteurs de pH en acier inoxydable	Capteurs ORP
Élément de température	Thermistance CTN 300 Ω pour compensation automatique de la température et affichage du résultat de la température de l'analyseur		Thermistance CTN 300 Ω pour résultat de la température de l'analyseur uniquement (compensation automatique de la température non requise pour la mesure ORP)
Précision de la température	±0,5 °C (0,9 °F)		
Compensation de la température	Automatique de -10 à 105 °C (14 à 221 °F) avec thermistance CTN 300 Ω, élément température RTD Pt 1 000 ohm ou Pt 100 Ω, ou manuellement réglée à une température entrée par l'utilisateur		Non applicable
Méthodes d'étalonnage	1 ou 2 points manuel ou automatique		1 point manuel
Interface capteur	Modbus		
Certifications	CE		
Garantie	1 an ; 2 ans (UE)		

Section 2 Généralités

En aucun cas le constructeur ne saurait être responsable des dommages directs, indirects, spéciaux, accessoires ou consécutifs résultant d'un défaut ou d'une omission dans ce manuel. Le constructeur se réserve le droit d'apporter des modifications à ce manuel et aux produits décrits, à tout moment, sans avertissement ni obligation. Les éditions révisées se trouvent sur le site Internet du fabricant.

2.1 Consignes de sécurité

Le fabricant décline toute responsabilité quant aux dégâts liés à une application ou un usage inappropriés de ce produit, y compris, sans toutefois s'y limiter, des dommages directs ou indirects, ainsi que des dommages consécutifs, et rejette toute responsabilité quant à ces dommages dans la mesure où la loi applicable le permet. L'utilisateur est seul responsable de la vérification des risques d'application critiques et de la mise en place de mécanismes de protection des processus en cas de défaillance de l'équipement.

Veuillez lire l'ensemble du manuel avant le déballage, la configuration ou la mise en fonctionnement de cet appareil. Respectez toutes les déclarations de prudence et d'attention. Le non-respect de cette procédure peut conduire à des blessures graves de l'opérateur ou à des dégâts sur le matériel. Assurez-vous que la protection fournie avec cet appareil n'est pas défaillante. N'utilisez ni n'installez cet appareil d'une façon différente de celle décrite dans ce manuel.

2.2 Informations sur les risques d'utilisation

DANGER

Indique une situation de danger potentiel ou imminent qui, si elle n'est pas évitée, entraîne des blessures graves, voire mortelles.

AVERTISSEMENT

Indique une situation de danger potentiel ou imminent qui, si elle n'est pas évitée, peut entraîner des blessures graves, voire mortelles.





ATTENTION

Indique une situation de danger potentiel qui peut entraîner des blessures mineures ou légères.

Indique une situation qui, si elle n'est pas évitée, peut occasionner l'endommagement du matériel. Informations nécessitant une attention particulière.

2.3 Etiquettes de mise en garde

Lisez toutes les informations et toutes les étiquettes apposées sur l'appareil. Des personnes peuvent se blesser et le matériel peut être endommagé si ces instructions ne sont pas respectées. Tout symbole sur l'appareil renvoie à une instruction de mise en garde dans le manuel.

	<p>Ceci est le symbole d'alerte de sécurité. Respectez tous les messages de sécurité qui suivent ce symbole afin d'éviter tout risque de blessure. S'ils sont apposés sur l'appareil, se référer au manuel d'utilisation pour connaître le fonctionnement ou les informations de sécurité.</p>
	<p>Ce symbole indique qu'il existe un risque de choc électrique et/ou d'électrocution.</p>
	<p>Ce symbole indique la présence d'appareils sensibles aux décharges électrostatiques et indique que des précautions doivent être prises afin d'éviter d'endommager l'équipement.</p>
	<p>Le matériel électrique portant ce symbole ne doit pas être mis au rebut dans les réseaux domestiques ou publics européens. Retournez le matériel usé ou en fin de vie au fabricant pour une mise au rebut sans frais pour l'utilisateur.</p>

2.4 Présentation générale du produit

Ce capteur est conçu pour fonctionner avec un transmetteur assurant la collecte de données et le fonctionnement. Il est possible d'utiliser plusieurs transmetteurs avec ce capteur. Ce document suppose une installation et une utilisation du capteur avec un transmetteur sc. Pour utiliser le capteur avec d'autres transmetteurs, reportez-vous au manuel d'utilisateur du transmetteur utilisé.

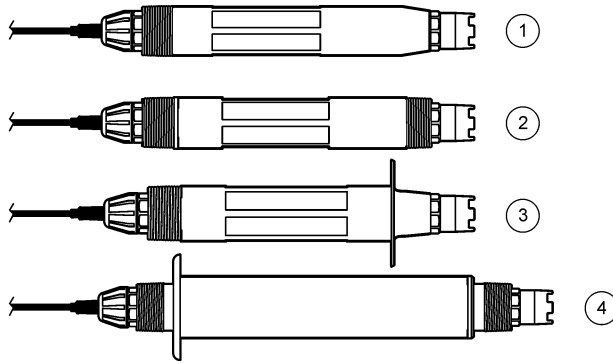
Ce produit n'est pas acceptable pour une utilisation dans un emplacement dangereux.

Des équipements en option, tels que le matériel de fixation de la sonde, sont fournis avec des instructions d'installation. Plusieurs options de montage sont disponibles, permettant d'adapter la sonde à une utilisation dans de nombreuses applications différentes.

2.5 Types de capteur

Le capteur est disponible en différents types. Reportez-vous à la section [Figure 1](#).

Figure 1 Types de capteur



<p>1 Insertion : pour l'installation dans une cellule de débit ou un adaptateur de tuyau d'un assemblage matériel de vanne à bille. Permet la dépose sans arrêter le débit de processus.</p>	<p>3 Sanitaire : pour une installation dans un té sanitaire de 2 pouces</p>
<p>2 Convertible : pour un té de canalisation ou une immersion dans un récipient ouvert</p>	<p>4 Acier inoxydable : pour une immersion dans un récipient ouvert</p>

Capteurs d'insertion : les capteurs d'insertion sont similaires aux capteurs convertibles, mais les filetages NPT de 1 pouce se trouvent uniquement à l'extrémité du câble pour le montage dans une cellule de débit ou l'adaptateur de tuyau d'un assemblage matériel de vanne à bille. Les capteurs d'insertion sont insérés en retirés du processus sans avoir à arrêter le débit de processus.

Capteurs convertibles : les capteurs convertibles sont dotés de filetages NPT de 1 pouce aux deux extrémités du corps pour le montage dans les configurations suivantes :

- dans un té de canalisation NPT étalon de 1 pouce
- dans un adaptateur de tuyau pour le montage avec raccord union et un té de canalisation étalon de 1-½ pouce
- à l'extrémité d'un tuyau pour immersion dans un récipient

Remarque : Les capteurs convertibles peuvent également être utilisés dans des installations existantes pour capteurs LPC, Ryton et époxy de 1-½ pouce.

Capteurs sanitaires : les capteurs sanitaires sont dotés d'une bride intégrée de 2 pouces pour le montage dans un té sanitaire de 2 pouces. Un capuchon spécial et un joint en EDPM composé sont inclus avec les capteurs sanitaires pour l'utilisation avec le matériel sanitaire.

Capteurs en acier inoxydable : les capteurs en acier inoxydable sont dotés de filetages NPT de 1 pouce aux deux extrémités du corps. Les capteurs en acier inoxydable sont conçus pour l'immersion dans un récipient ouvert.

Section 3 Installation

3.1 Montage

▲ AVERTISSEMENT



Risque d'explosion. S'assurer que le matériel de montage du capteur présente une température et une pression nominales suffisantes pour l'emplacement de montage.

⚠ ATTENTION



Risque de blessures corporelles. Le verre brisé peut provoquer de coupures. Utilisez des outils et un équipement de protection personnel pour retirer le verre brisé.

AVIS

L'électrode du processus située au bout du capteur de pH se compose d'une ampoule en verre susceptible de casser. Ne pas frapper ou pousser l'ampoule en verre.

AVIS

L'électrode du processus or ou platine à l'extrémité du capteur ORP est dotée d'une tige en verre (masquée par le pont salin), qui peut se casser. Ne pas frapper ou pousser la tige en verre.

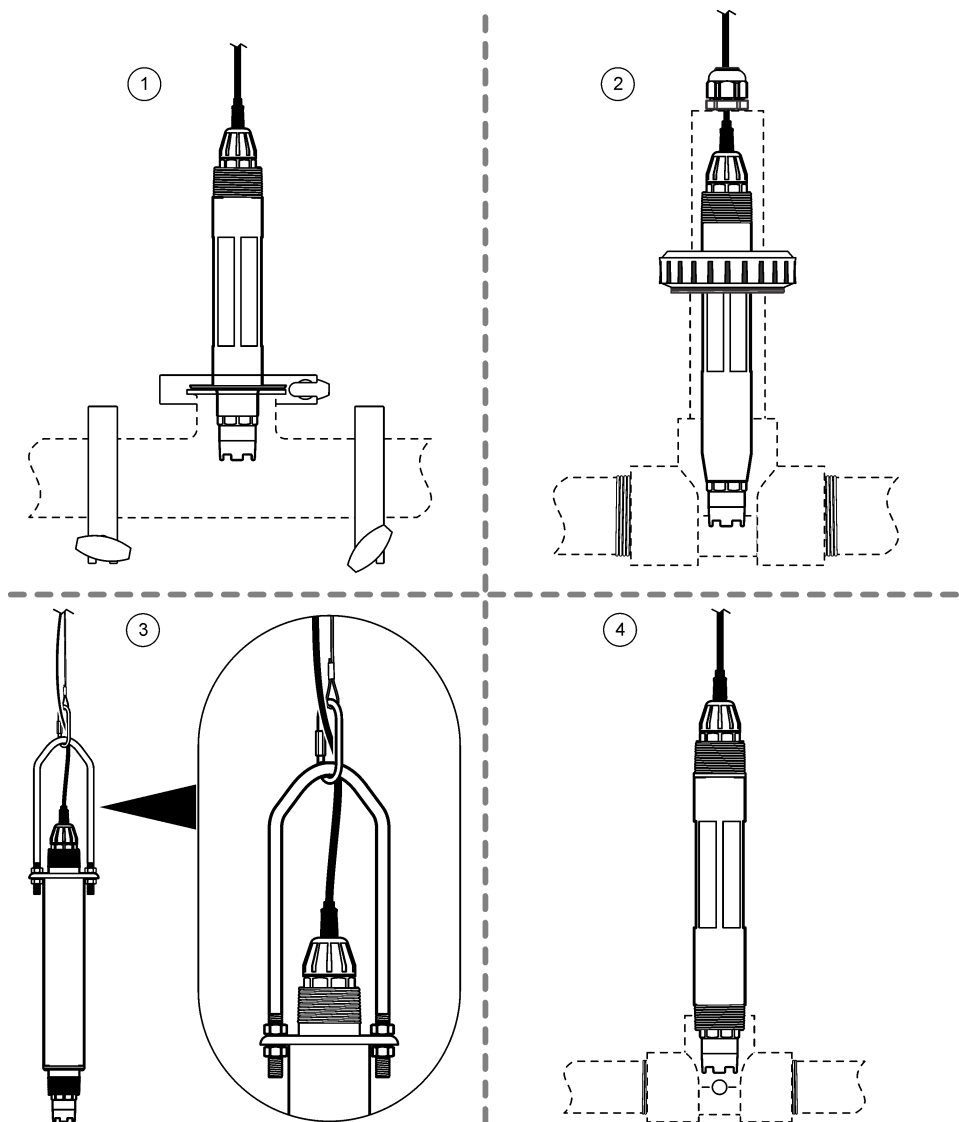
AVIS

Cet instrument peut être utilisé jusqu'à une altitude de 2 000 m (6 562 pieds). L'utilisation de cet équipement au-dessus de 2 000 m ne pose aucun problème substantiel de sécurité, cependant le fabricant recommande aux utilisateurs ayant des doutes de contacter le service d'assistance technique.

- Installer le capteur à un emplacement où l'échantillon qui entre en contact avec le capteur est représentatif de l'intégralité du processus.
- Voir [Figure 2](#), [Figure 3](#) et [Figure 4](#) pour le montage d'exemples de configuration.
- Reportez-vous à la section [Pièces de rechange et accessoires](#) à la page 96 pour connaître le matériel de montage disponible.
- Reportez-vous aux instructions fournies avec le matériel de montage pour savoir comment procéder à l'installation.
- Installez le capteur à 15° minimum par rapport à l'horizontale. Reportez-vous à la section [Figure 5](#).
- Pour les installations d'immersion, placez le capteur à 508 mm (20 pouces) minimum de la paroi du bassin d'aération et immergez le capteur à 508 mm (20 pouces) minimum dans le processus.
- Retirez le capuchon de protection avant de placer le capteur dans le processus. Conservez le capuchon protecteur en vue d'un usage ultérieur.
- (Facultatif) Si l'eau de processus est proche de la température d'ébullition, ajoutez de la poudre de gel³ à la solution tampon interne dans le capteur. Reportez-vous à l'étape 2 de la section [Remplacement du pont salin](#) à la page 89. Ne remplacez pas le pont salin.
- Etalonnez le capteur avant l'utilisation.

³ La poudre de gel diminue le taux d'évaporation de la solution tampon interne.

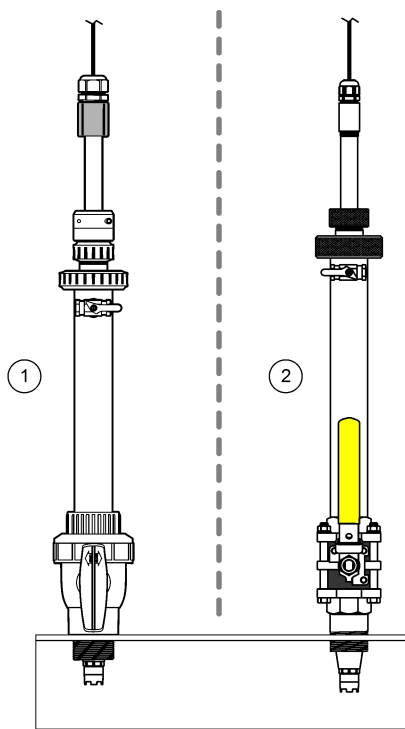
Figure 2 Exemples de montage (1)



<p>1 Montage sanitaire (té sanitaire de 2 pouces)</p>	<p>3 Montage en immersion, chaîne et étrier⁴</p>
<p>2 Montage avec raccord union (té sanitaire de 1½ pouce)</p>	<p>4 Montage en plein débit (té sanitaire de 1 pouce)</p>

⁴ Capteurs en acier inoxydable uniquement

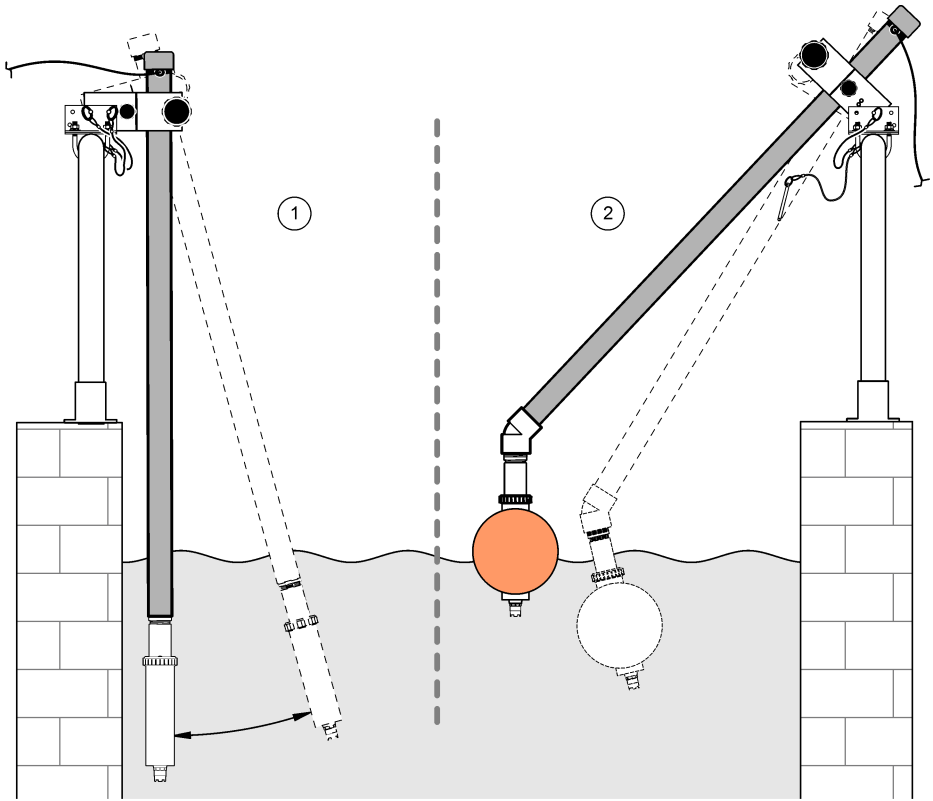
Figure 3 Exemples de montage (2)



1 Montage en insertion, matériel CPVC

2 Montage en insertion, matériel en acier inoxydable

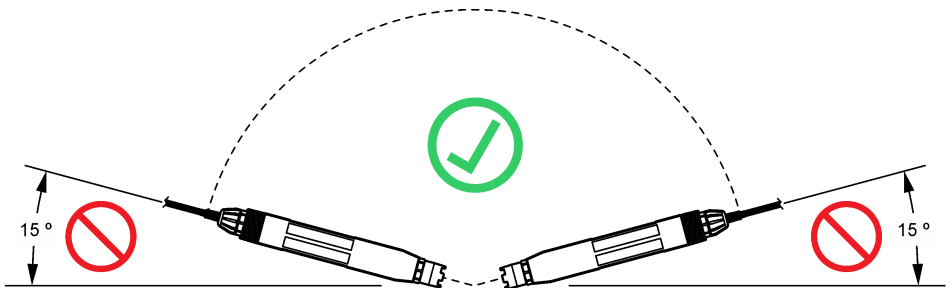
Figure 4 Exemples de montage (3)



1 Montage en immersion, main courante

2 Montage en immersion, flotteur à boule

Figure 5 Angle de montage du capteur



3.2 Installation électrique

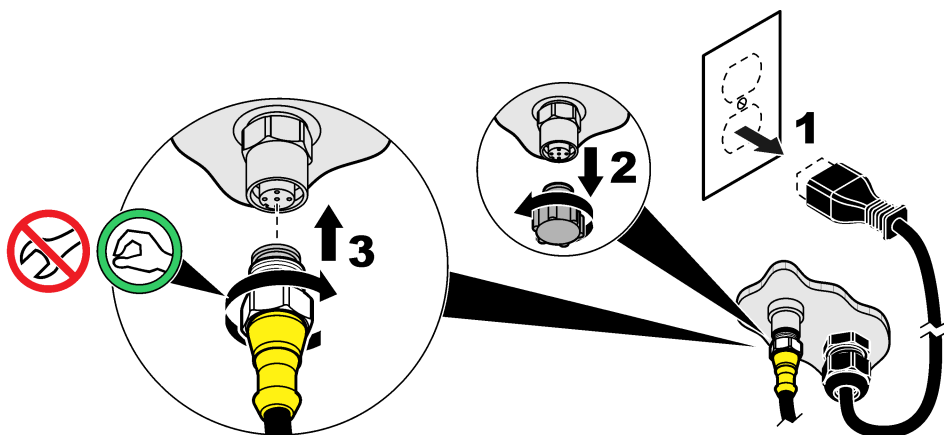
3.2.1 Connexion du capteur à un système de raccordement rapide (environnement non dangereux)

1. Connectez le câble du capteur au raccord rapide du transmetteur sc. Reportez-vous à la section [Figure 6](#).

Conservez le bouchon du connecteur pour en sceller l'ouverture au cas où le capteur devrait être retiré.

2. Si l'alimentation est activée pendant que le capteur est connecté :
 - Transmetteur SC200 : sélectionnez TEST/CONTROLE > SCANNER CAPT..
 - Transmetteur SC1000 : sélectionnez PROGR. SYSTEME > CONTRÔLE APPAREILS > RECHERCHE NOUVEAU APPAREILS.

Figure 6 Connexion du capteur à un système de raccordement rapide



3.2.2 Câbles d'extension

- Des câbles d'extension sont disponibles. Reportez-vous à la section [Pièces de rechange et accessoires](#) à la page 96.
- La longueur de câble maximale est de 15 m (49 pieds) pour un transmetteur SC1000.
- La longueur de câble maximale est de 1 000 m (3 280 pieds) pour un transmetteur SC200.
- Transmetteur SC200 : utilisez une boîte de terminaison numérique si la longueur du câble est supérieure à 100 m (328 pieds). Reportez-vous à la section [Pièces de rechange et accessoires](#) à la page 96.

3.2.3 Connexion d'un câble de capteur avec fils dénudés (environnement non dangereux)

⚠ DANGER



Risque d'électrocution. Débranchez systématiquement l'alimentation de l'appareil avant tout branchement électrique.



Risque d'électrocution. Le câblage à haute tension du transmetteur est connecté derrière la barrière de protection à haute tension du boîtier du transmetteur. L'écran de protection doit rester en place, sauf lors de l'installation de modules ou l'installation par un technicien qualifié du câblage d'alimentation, de relais ou de cartes analogiques et réseau.

Si le câble du capteur n'est pas équipé d'un connecteur à raccordement rapide⁵Dans ce cas, connectez les fils dénudés du câble du capteur au transmetteur comme suit :

Remarque : Un câble de capteur avec fils dénudés ne peut pas être connecté à un transmetteur SC1000.

1. Recherchez le kit de câblage de conduit (9222400) dans le carton d'expédition du transmetteur SC200.

Le kit contient quatre connecteurs d'épissure.

2. Suivez les instructions fournies dans le kit de câblage de conduit pour connecter le câble du capteur au transmetteur.

Section 4 Fonctionnement

4.1 Navigation utilisateur

Consultez la documentation du transmetteur pour une description du clavier et des informations de navigation.

Appuyez plusieurs fois sur la touche flèche vers la **DROITE** du transmetteur pour afficher plus d'informations sur l'écran d'accueil ainsi qu'un graphique.

4.2 Configuration du capteur

Sélectionnez un nom et un type de capteur. Modifiez les options de mesure, d'étalonnage, de traitement et de stockage des données.

1. Appuyez sur **Menu**, puis sélectionnez **PROGR. CAPTEUR > [Sélectionner le capteur] > CONFIGURATION**.
2. Sélectionnez une option.

Option	Description
EDITER NOM	Modifie le nom correspondant au capteur en haut de l'écran de mesure. Le nom est limité à 12 caractères avec n'importe quelle combinaison de lettres, de chiffres, d'espaces ou de signes de ponctuation.
CHOIX CAPTEUR	Sélectionne le type de capteur (pH ou ORP).
FORMAT AFFICH.	Pour les capteurs de pH uniquement : change le nombre de décimales affichées sur l'écran de mesure à XX,XX (par défaut) ou XX,X.
UNIT. TEMPER.	Règle les unités de température en °C (par défaut) ou °F.
PROGR. HISTOR.	Définit l'intervalle de stockage des données dans le journal — 5, 30 secondes, 1, 2, 5, 10, 15 (par défaut), 30, 60 minutes.
FRÉQUENCE ALIM	Sélectionne la fréquence de l'alimentation CA fournie au transmetteur (50 ou 60 Hz). Si l'alimentation du transmetteur est 120 V c.a., sélectionnez 60 Hz. Si l'alimentation du transmetteur est 230 V c.a., sélectionnez 50 Hz.
FILTRE	Définit une constante de temps pour augmenter la stabilité du signal. La constante de temps calcule la valeur moyenne pendant une durée spécifiée — 0 (aucun effet, par défaut) à 60 secondes (moyenne de la valeur du signal sur 60 secondes). Le filtre augmente le temps de réponse du signal du capteur aux variations effectives du processus.

⁵ Par exemple, une boîte de terminaison numérique et un câble blindé à 4 fils en vrac sont utilisés pour augmenter la longueur du câble du capteur.

Option	Description
CAPTEUR TEMP.	<p>Capteurs de pH : définit l'élément de température pour la compensation de température automatique sur PT100, PT1000, NTC300 (par défaut) ou MANUEL. Si aucun élément n'est utilisé, le type peut être défini sur MANUEL, et une valeur pour la compensation de température peut être saisie (manuel par défaut : 25 °C).</p> <p>Capteurs ORP : la compensation en température n'est pas utilisée. Il est possible de connecter un élément de température pour mesurer la température.</p>
CHOIX TAMPON	<p>Pour les capteurs de pH uniquement : sélectionne les solutions tampons utilisées pour l'étalonnage. Options : pH 4, 7, 10 (par défaut) ou DIN 19267 (pH 1,09, 4,65, 6,79, 9,23, 12,75)</p> <p>Remarque : D'autres solutions tampons peuvent être utilisées pour l'étalonnage.</p>
COMP. EAU PURE	<p>Pour les capteurs de pH uniquement : ajoute une correction en fonction de la température à la valeur de pH mesurée pour l'eau pure avec des additifs : PAS DE SELECT. (par défaut), AMMONIAQUE, MORPHOLINE ou TABL. UTILISAT. Pour les températures de processus au-dessus de 50 °C, c'est la correction à 50 °C qui est utilisée. Pour les applications définies par l'utilisateur, il est possible de définir une pente linéaire (par défaut : 0 pH/°C).</p>
JOURS ETAL	<p>Définit l'intervalle d'étalonnage (par défaut : 60 jours).</p> <p>Remarque : Un avertissement s'affiche sur l'écran du transmetteur lorsque le nombre de jours depuis l'étalonnage du capteur est supérieur à l'intervalle d'étalonnage.</p>
JOURS CAPTEUR	<p>Définit l'intervalle de remplacement du capteur (par défaut : 365 jours).</p> <p>Remarque : Un avertissement s'affiche sur l'écran du transmetteur lorsque le nombre de jours de fonctionnement du capteur est supérieur à l'intervalle de remplacement de capteur.</p>
IMPED LIMITS (Limites de l'impédance)	<p>Définit les limites d'impédance des électrodes active et de référence (par défaut : ACTIF A HAUSSE = 0 MΩ, ACTIF A BAISSSE = 1 000 MΩ).</p> <p>Remarque : Lorsque l'option IMPED STATUS dans le menu DIAG/TEST est définie sur ACTIVE, un message d'erreur s'affiche sur l'écran du transmetteur lorsque l'impédance de l'électrode active ou de référence ne se trouve pas dans les limites d'impédance.</p>
VALEURS DEFAULT	<p>Réinitialise les paramètres de configuration sur les paramètres par défaut.</p>

4.3 Calibrer le capteur

▲ AVERTISSEMENT	
	<p>Risque d'explosion. Le retrait d'un capteur d'une enceinte pressurisée peut s'avérer dangereux. Réduisez la pression à moins de 10 psi avant de procéder au retrait. Si cela n'est pas possible, procédez avec d'extrêmes précautions. Pour plus d'informations, reportez-vous à la documentation fournie avec le matériel de montage.</p>
▲ AVERTISSEMENT	
	<p>Risque d'exposition chimique. Respectez les procédures de sécurité du laboratoire et portez tous les équipements de protection personnelle adaptés aux produits chimiques que vous manipulez. Consultez les fiches de données de sécurité (MSDS/SDS) à jour pour connaître les protocoles de sécurité applicables.</p>
▲ ATTENTION	
	<p>Risque d'exposition chimique. Mettez au rebut les substances chimiques et les déchets conformément aux réglementations locales, régionales et nationales.</p>

4.3.1 A propos de l'étalonnage de capteur

L'étalonnage permet d'ajuster le relevé du capteur afin qu'il corresponde à la valeur d'une ou de deux solutions de référence. Les caractéristiques du capteur dérivent lentement au cours du temps et

entraînent l'inexactitude du capteur. Le capteur doit être étalonné régulièrement pour conserver sa précision. La fréquence d'étalonnage dépend de l'application et le mieux est de la déterminer par l'expérience.

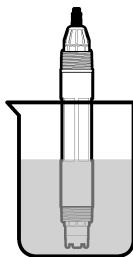
Pour les capteurs de pH, un élément de température est utilisé pour fournir des relevés de pH qui sont automatiquement ajustés à 25 °C pour les changements de température qui affectent l'électrode active et de référence. Ce réglage peut être fait manuellement par le client si la température de processus est constante. Reportez-vous à l'option CAPTEUR TEMP., [Configuration du capteur](#) à la page 83.

4.3.2 Procédure d'étalonnage de pH

Étalonnez le capteur de pH avec une ou deux solutions de référence (étalonnage en 1 point ou 2 points).

1. Placez le capteur dans la première solution de référence (un tampon ou un échantillon de valeur connue). Assurez-vous que la partie capteur de la sonde est totalement immergée dans le liquide. Reportez-vous à la [Figure 7](#).

Figure 7 Capteur dans la solution de référence



2. Attendez l'égalisation des températures du capteur et de la solution. Ceci peut prendre 30 minutes ou plus si la différence de température entre la solution de processus et celle de référence est importante.
3. Appuyez sur **Menu**, puis sélectionnez **PROGR. CAPTEUR > [Sélectionner le capteur] > ETALONNAGE**.
4. Sélectionnez le type d'étalonnage.

Option	Description
1 POINT AUTO	Utilisez un tampon pour l'étalonnage (par exemple, pH 7). Le capteur identifie automatiquement le tampon pendant l'étalonnage. <i>Remarque : Assurez-vous de sélectionner le jeu de tampons correct dans les paramètres de configuration du capteur.</i>
2 POINT AUTO (recommandé)	Utilisez deux tampons pour l'étalonnage (par exemple, pH 7 et pH 4). Le capteur identifie automatiquement les tampons au cours de l'étalonnage. <i>Remarque : Assurez-vous de sélectionner le jeu de tampons correct dans les paramètres de configuration du capteur.</i>
1 POINT MANUEL	Utilisez un échantillon de valeur pH connue (ou un tampon) pour l'étalonnage. Saisissez la valeur du pH au cours de l'étalonnage.
2 POINT MANUEL	Utilisez deux échantillons de valeur pH connue (ou deux tampons) pour l'étalonnage. Saisissez la valeur du pH au cours de l'étalonnage.

5. Si le champ de mot de passe est activé dans le menu de sécurité du transmetteur, saisissez le mot de passe.
6. Sélectionnez l'option de sortie du signal pendant l'étalonnage :

Option	Description
ACTIF	L'instrument envoie la valeur de sortie mesurée pendant la procédure d'étalonnage.

Option	Description
MEMORISATION	La valeur de sortie du capteur est maintenue à la dernière valeur mesurée pendant la procédure d'étalonnage.
TRANSFERT	Une valeur de sortie prédéfinie est envoyée pendant l'étalonnage. Reportez-vous au manuel d'utilisation du transmetteur pour modifier la valeur prédéfinie.

7. Quand le capteur se situe dans la première solution de référence, appuyez pour confirmer. La valeur mesurée apparaît.
8. Le cas échéant, saisissez la valeur du pH de la solution de référence :
 - a. Attendez que la valeur se stabilise, puis appuyez pour confirmer.
 - b. Saisissez la valeur de pH.

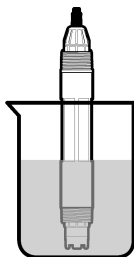
Remarque : Si la solution de référence est un tampon, recherchez la valeur pH sur le flacon du tampon pour vérifier la température du tampon. Si la solution de référence est un échantillon, déterminez la valeur du pH de l'échantillon avec un instrument différent.
9. Pour un étalonnage en 2 points, mesurez la seconde solution de référence comme suit :
 - a. Sortir le capteur de la première solution et le rincer à l'eau propre.
 - b. Placez le capteur dans la solution de référence suivante, puis appuyez pour confirmer.
 - c. Le cas échéant, attendez que la valeur se stabilise, puis appuyez pour confirmer. Saisissez la valeur de pH.
10. Consultez le résultat d'étalonnage :
 - RÉUSSI : le capteur est étalonné et prêt à mesurer des échantillons. Les valeurs de pente et/ou de décalage sont indiquées.
 - ÉCHEC : la pente ou le décalage d'étalonnage est en dehors des limites acceptées. Répétez l'étalonnage avec des solutions de référence neuves. Nettoyez le capteur si nécessaire. Reportez-vous à la section [Nettoyage du capteur](#) à la page 89.
11. Si l'étalonnage réussit, appuyez pour confirmer.
12. Retournez le capteur dans le processus, puis appuyez pour confirmer. Le signal de sortie revient dans l'état actif et la valeur d'échantillon mesurée apparaît sur l'écran de mesure.

4.3.3 Procédure d'étalonnage ORP

Etalonnez le capteur ORP avec une solution de référence ou un échantillon de valeur connue.

1. Placez le capteur dans la solution de référence ou l'échantillon. Assurez-vous que la partie capteur de la sonde est totalement immergée dans la solution. Reportez-vous à la section [Figure 8](#).

Figure 8 Capteur dans la solution ou l'échantillon de référence



2. Appuyez sur **Menu**, puis sélectionnez **PROGR. CAPTEUR > [Sélectionner le capteur] > ETALONNAGE**.
3. Sélectionnez **1 POINT MANUEL**.

- Si le champ de mot de passe est activé dans le menu de sécurité du transmetteur, saisissez le mot de passe.
- Sélectionnez l'option de sortie du signal pendant l'étalonnage :

Option	Description
ACTIF	L'instrument envoie la valeur de sortie mesurée pendant la procédure d'étalonnage.
MEMORISATION	La valeur de sortie du capteur est maintenue à la dernière valeur mesurée pendant la procédure d'étalonnage.
TRANSFERT	Une valeur de sortie prédéfinie est envoyée pendant l'étalonnage. Reportez-vous au manuel d'utilisation du transmetteur pour modifier la valeur prédéfinie.

- Quand le capteur est dans la solution ou l'échantillon de référence, appuyez pour confirmer. La valeur mesurée apparaît.
- Attendez que la valeur se stabilise, puis appuyez pour confirmer.
- Entrez la valeur ORP de la solution ou l'échantillon de référence.
Remarque : Si une solution de référence est utilisée pour l'étalonnage, recherchez la valeur ORP sur le flacon de solution de référence. Si un échantillon est utilisé pour l'étalonnage, mesurez la valeur ORP avec un instrument de vérification secondaire.
- Consultez le résultat d'étalonnage :
 - RÉUSSI** : le capteur est étalonné et prêt à mesurer des échantillons. Les valeurs de pente et/ou de décalage sont indiquées.
 - ÉCHEC** : la pente ou le décalage d'étalonnage est en dehors des limites acceptées. Répétez l'étalonnage avec une solution de référence neuve. Nettoyez le capteur si nécessaire. Reportez-vous à la section [Nettoyage du capteur](#) à la page 89.
- Si l'étalonnage réussit, appuyez pour confirmer.
- Retournez le capteur dans le processus, puis appuyez pour confirmer.
Le signal de sortie revient dans l'état actif et la valeur d'échantillon mesurée apparaît sur l'écran de mesure.

4.3.4 Etalonnage en température

L'instrument est étalonné en usine pour une mesure de température précise. Etalonnez la température pour augmenter la précision.

- Placez le capteur dans un récipient d'eau.
- Mesurez la température de l'eau avec un thermomètre ou un instrument indépendant précis.
- Appuyez sur **Menu**, puis sélectionnez **PROGR. CAPTEUR > [Sélectionner le capteur] > ETALONNAGE**.
- Sélectionnez **REG TEMP > EDITER TEMP**, puis appuyez pour confirmer.
- Entrez la valeur de température exacte, puis appuyez pour confirmer.
- Retournez le capteur dans le processus, puis appuyez pour confirmer.

4.3.5 Sortie de la procédure d'étalonnage

- Pour quitter un étalonnage, appuyez sur **retour**.
- Sélection d'une option.

Option	Description
ANNULER	Arrête l'étalonnage. Un nouvel étalonnage devra repartir du début.

Option	Description
RETOUR ETALON.	Revient à l'étalonnage.
ECHAPPER	Quitte temporairement l'étalonnage. L'accès aux autres menus est autorisé. Il est possible de démarrer un étalonnage pour un deuxième capteur (le cas échéant). Pour revenir à l'étalonnage, appuyez sur MENU , puis sélectionnez PROGR. CAPTEUR > [Sélectionner le capteur].

4.4 Journaux de données de capteur et des événements





Le transmetteur sc fournit un journal de données et un journal des événements pour chaque capteur. Le journal de données stocke les données de mesure à intervalles sélectionnés (configurables par l'utilisateur). Le journal des événements indique les événements qui ont eu lieu.

Le journal de données et le journal des événements peuvent être enregistrés au format CSV. Pour obtenir des instructions, reportez-vous à la documentation du transmetteur.

4.5 Registres Modbus

Une liste de registres Modbus est disponible pour la communication réseau. Consultez le site Internet du fabricant de l'instrument pour plus d'informations.

Section 5 Maintenance

▲ DANGER	
	Dangers multiples. Seul le personnel qualifié doit effectuer les tâches détaillées dans cette section du document.
▲ AVERTISSEMENT	
	Risque d'explosion. Le retrait d'un capteur d'une enceinte pressurisée peut s'avérer dangereux. Réduisez la pression à moins de 10 psi avant de procéder au retrait. Si cela n'est pas possible, procédez avec d'extrêmes précautions. Pour plus d'informations, reportez-vous à la documentation fournie avec le matériel de montage.
▲ AVERTISSEMENT	
	Risque d'exposition chimique. Respectez les procédures de sécurité du laboratoire et portez tous les équipements de protection personnelle adaptés aux produits chimiques que vous manipulez. Consultez les fiches de données de sécurité (MSDS/SDS) à jour pour connaître les protocoles de sécurité applicables.
▲ ATTENTION	
	Risque d'exposition chimique. Mettez au rebut les substances chimiques et les déchets conformément aux réglementations locales, régionales et nationales.

5.1 Calendrier de maintenance

Le [Tableau 1](#) présente le calendrier recommandé pour les tâches de maintenance. Les exigences du site et les conditions d'utilisation peuvent augmenter la fréquence de certaines tâches.

Tableau 1 Calendrier de maintenance

Tâche	1 an	Au besoin
Nettoyage du capteur à la page 89		X ⁶
Remplacement du pont salin à la page 89	X	
Étalonnage du capteur	Défini par les organismes notifiés ou par l'expérience	

5.2 Nettoyage du capteur

Prérequis : Préparer une solution savonneuse douce avec un détergent pour vaisselle non abrasif ne contenant pas de lanoline. La lanoline laisse un film sur la surface de l'électrode qui peut dégrader les performances du capteur.

Contrôlez régulièrement le capteur pour y détecter les débris et dépôts. Nettoyez le capteur en cas d'accumulation de dépôts ou de dégradation des performances.

1. Utiliser un chiffon doux et propre pour éliminer les débris faciles à décoller de l'extrémité du capteur. Rincer le capteur à l'eau propre et tiède.
2. Immergez le capteur dans la solution savonneuse pendant 2 à 3 minutes.
3. Utiliser une brosse à poils doux pour frotter la totalité de l'extrémité de mesure du capteur.
4. S'il reste des débris, laisser tremper l'extrémité du capteur dans une solution d'acide dilué telle que <5% HCl pendant 5 minutes au maximum.
5. Rincer le capteur à l'eau puis le ramener dans la solution de savon pendant 2 à 3 minutes.
6. Rincez le capteur à l'eau propre.

Remarque : Les capteurs avec électrodes d'antimoine pour application HF peuvent imposer un nettoyage supplémentaire. Contactez l'assistance technique.

Procédez toujours à l'étalonnage du capteur une fois les procédures de maintenance effectuées.

5.3 Remplacement du pont salin

Remplacez le pont salin et la solution tampon interne chaque année ou lorsque l'étalonnage échoue après le nettoyage du capteur.

Remarque : Une vidéo indiquant comment remplacer le pont salin est disponible sur www.Hach.com. Accédez à la page Web du pont salin, puis cliquez sur l'onglet Vidéo.

Éléments à réunir :

- Clé à molette réglable
- Grandes pinces
- Pont salin
- Solution tampon interne
- Poudre de gel⁷, ½ cuillère à café

1. Nettoyez le capteur. Reportez-vous à la section [Nettoyage du capteur](#) à la page 89.
2. Remplacez le pont salin et la solution tampon interne. Reportez-vous aux étapes illustrées ci-dessous.

⁶ La fréquence dépend des conditions de fonctionnement.

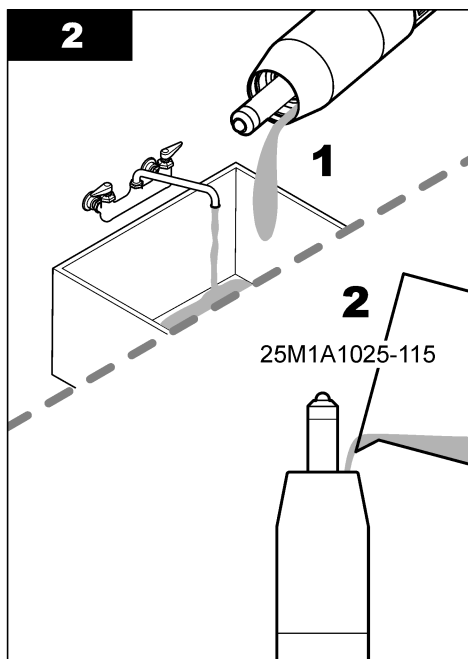
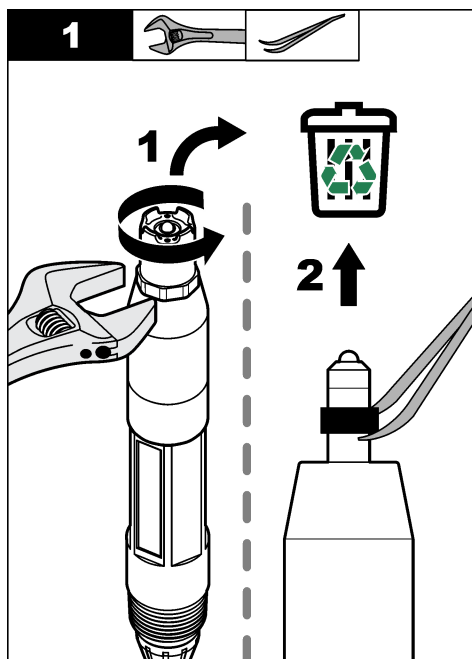
⁷ (Facultatif) Ajoutez la poudre de gel à la solution tampon interne si l'eau de traitement est proche de la température d'ébullition. La poudre de gel diminue le taux d'évaporation de la solution tampon interne.

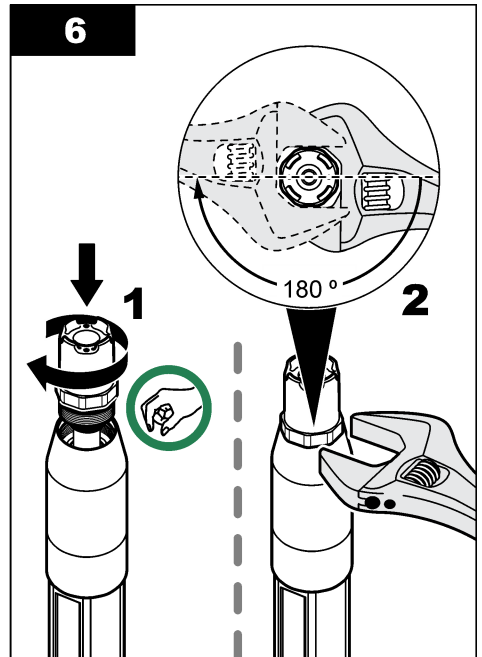
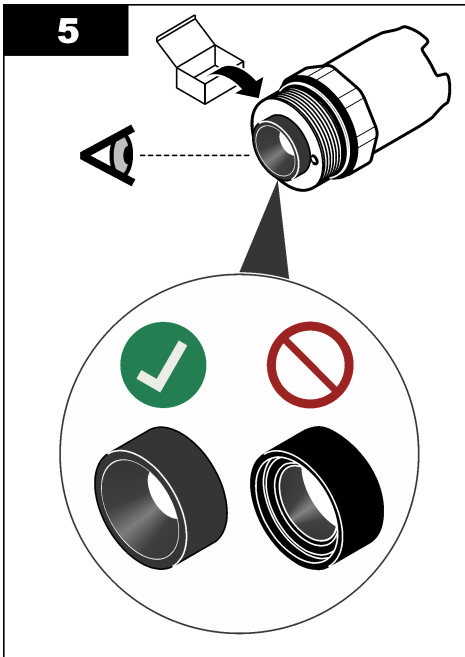
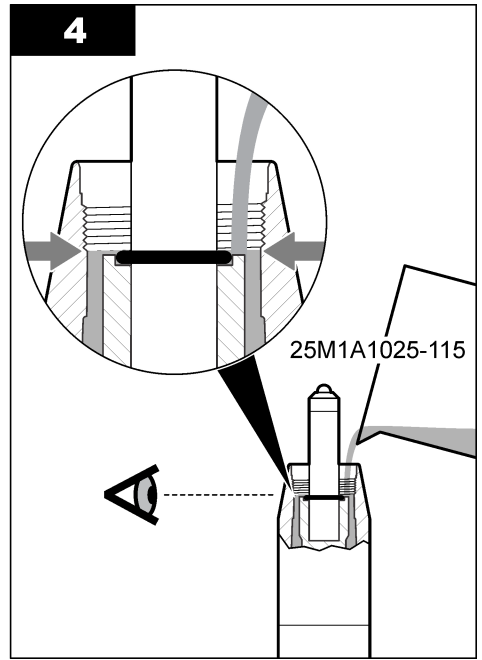
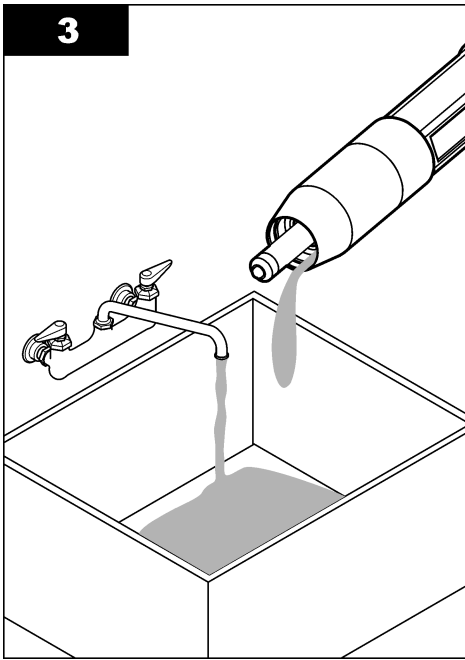
Si le réservoir pour la solution tampon interne contient un gel (non habituel), utilisez un jet d'eau d'un dispositif à eau de type canule pour retirer l'ancien gel comme illustré à l'étape 2.

(Facultatif) Si l'eau de traitement est proche de la température d'ébullition, ajoutez de la poudre de gel à la nouvelle solution tampon interne comme illustré à l'étape 4, comme suit :

- a. Versez 1 bouchon de flacon ($\frac{1}{8}$ cuillère à café) de poudre de gel dans le réservoir pour la solution tampon interne.
- b. Versez un peu de solution tampon interne neuve dans le réservoir.
- c. Mélangez avec la poudre jusqu'à épaississement de la solution.
- d. Ajoutez de petites quantités de solution et mélangez jusqu'à ce que le niveau du gel se trouve au fond des filetages du pont salin.
- e. Vérifiez le niveau correct du gel en installant et déposant le nouveau pont salin. Une empreinte du pont salin doit rester sur la surface du gel.

3. Etalonnez le capteur.





5.4 Préparation du stockage

Pour le stockage à court terme (lorsque le capteur est sorti du processus pendant plus d'une heure), remplissez le capuchon protecteur d'une solution tampon ou d'eau distillée de pH 4, puis replacez le capuchon sur le capteur. Veillez à ce que l'électrode du processus et le pont salin de la jonction de référence restent humides pour éviter un temps de réponse trop long lorsque vous remettez le capteur en fonctionnement.

Pour le stockage à plus long terme, répétez la procédure de stockage à court terme toutes les 2 à 4 semaines, en fonction des conditions environnementales. Reportez-vous à la section [Caractéristiques techniques](#) à la page 74 pour connaître les limites de température de stockage.

Section 6 Dépannage

6.1 Données intermittentes

Pendant l'étalonnage, les données ne sont pas envoyées dans le journal. Le journal de données peut donc comporter des zones où les données sont intermittentes.

6.2 Menu de diagnostic et test du capteur

Le menu de diagnostic et test du capteur affiche des informations actuelles et historiques sur l'instrument. Reportez-vous à la section [Tableau 2](#). Pour accéder au menu de diagnostic et test du capteur, appuyez sur la touche **MENU**, puis sélectionnez **PROGR. CAPTEUR** > [Sélectionner le capteur] > **DIAG/TEST**.

Tableau 2 Menu DIAG/TEST du capteur

Option	Description
INFO SONDE	Indique le type de capteur, le nom, le numéro de série, la version de logiciel et la version de pilote.
DONNÉES ÉTAL	Affiche la pente pH (mV/pH) et la date du dernier étalonnage. La pente pH doit être comprise entre -55 et -61 mV.
SIGNAUX	SIGNAL SONDE : affiche le relevé du capteur en mV. La plage mV est comprise entre -60 et +60 mV (0 mV = pH 7). CAN SONDE : affiche le nombre numérique qui représente le relevé de pH. CAN TEMP : affiche le nombre numérique qui représente le relevé de température. ETAT ELECTRODE : affiche l'état de santé de l'électrode active et de référence (BON ou MAUVAIS). Lorsque MAUVAIS s'affiche, nettoyez le capteur et remplacez le pont salin. Remplacez le capteur si nécessaire. ACTIVE ELECT : affiche l'impédance de l'électrode active. ELECTRODE REF : affiche l'impédance de l'électrode de référence. IMPED STATUS : lorsque cette option est activée (recommandé), l'impédance de l'électrode active et de référence est mesurée à intervalles de 1 minute. Une erreur s'affiche sur l'écran du transmetteur lorsque l'impédance de l'électrode active ou de référence n'est pas comprise entre les limites de basse et haute impédance.
COMPTEURS	JOURS CAPTEUR : affiche le nombre de jours de fonctionnement du capteur. RAZ CAPTEUR : définit la valeur JOURS CAPTEUR et JOURS UTILISAT à zéro. JOURS UTILISAT : affiche le nombre de jours depuis le remplacement du pont salin. <i>Remarque</i> : La valeur JOURS UTILISAT est automatiquement mise à zéro lorsque le pont salin est remplacé.

6.3 Messages d'erreur

Lorsqu'une erreur se produit, le relevé clignote sur l'écran de mesure, et toutes les sorties sont maintenues lorsqu'elles sont spécifiées dans le menu du transmetteur. Pour afficher les erreurs du

capteur, appuyez sur **Menu**, puis sélectionnez **DIAGNOSTIQUE > [Sélectionner le capteur] > LISTE ERREURS**. Une liste des erreurs possibles apparaît dans le [Tableau 3](#).

Tableau 3 Messages d'erreur

Erreur	Description	Résolution
pH TROP HAUT	Le pH mesuré est > 14.	Étalonnez le capteur.
ORP TROP HAUT	La valeur de potentiel ORP mesurée est > 2 100 mV.	
pH TROP BAS	Le pH mesuré est < 0.	Étalonnez le capteur.
ORP TROP BAS	La valeur de potentiel ORP mesurée est ≤ 2 100 mV.	
DÉCALAGE TROP HAUT	Le décalage est > 9 (pH) ou 200 mV (ORP).	Procédez comme indiqué aux sections Nettoyage du capteur à la page 89 et Remplacement du pont salin à la page 89. Ensuite, répétez l'étalonnage.
DÉCALAGE TROP BAS	Le décalage est < 5 (pH) ou 200 mV (ORP).	
PENTE TROP HAUTE	La pente est > 62 (pH)/1,3 (ORP).	Répétez l'étalonnage avec des solutions de référence neuves.
PENTE TROP BASSE	La pente est < 50 (pH)/0,7 (ORP).	Effectuez les étapes indiquées à la section Nettoyage du capteur à la page 89. Ensuite, répétez l'étalonnage.
TEMP tROP HAUT	La température mesurée est > 130 °C.	Assurez-vous que l'élément de température sélectionné est correct. Reportez-vous à l'option CAPTEUR TEMP., Configuration du capteur à la page 83.
TEMP. TROP BAS	La température mesurée est ≤ 10 °C.	
DEFAULT ADC	La conversion analogique-numérique a échoué.	Mettez le transmetteur hors tension. Ensuite, mettez le transmetteur sous tension.
IMP ELECT HAUT	L'impédance de l'électrode active est > 900 MΩ.	Le capteur est dans l'air. Remplacez le capteur dans le système.
IMP ELECT BAS	L'impédance de l'électrode active est < 8 MΩ.	Le capteur est endommagé ou sale. Effectuez les étapes indiquées à la section Nettoyage du capteur à la page 89.
IMP REF HAUT	L'impédance de l'électrode de référence est > 900 MΩ.	La solution tampon interne a fui ou s'est évaporée. Remplacez la solution tampon interne.
IMP REF BAS	L'impédance de l'électrode de référence est < 8 MΩ.	L'électrode de référence est endommagée. Remplacez le capteur.
MÊME TAMPON	Les tampons utilisés pour l'étalonnage 2 POINT AUTO ont la même valeur.	Utilisez des tampons avec des valeurs différentes.
CAPT. MANQUANT	Le capteur est manquant ou débranché.	Déterminez si le câble du capteur est déconnecté ou endommagé.
CAP TEMP MANQUANT	Le capteur de température est manquant.	Assurez-vous que l'élément de température sélectionné est correct. Reportez-vous à l'option CAPTEUR TEMP., Configuration du capteur à la page 83.
IMP VERRE BAS	L'ampoule en verre est cassée ou en fin de vie.	Remplacez le capteur.

6.4 Messages d'avertissement

Un avertissement n'affecte pas le fonctionnement des menus, relais et sorties. Une icône d'avertissement clignote, et un message apparaît en bas de l'écran de mesure. Pour afficher les

avertissements de capteur, appuyez sur **Menu**, puis sélectionnez DIAGNOSTIQUE > [Sélectionner le capteur] > LISTE AVERTIS.. La liste des avertissements possibles est présentée dans le [Tableau 4](#).

Tableau 4 Messages d'avertissement

Avertissement	Description	Résolution
pH TROP HAUT	Le pH mesuré est > 13.	Étalonnez le capteur.
ORP TROP HAUT	La valeur de potentiel ORP mesurée est > 2 100 mV.	
pH TROP BAS	Le pH mesuré est < 1.	Étalonnez le capteur.
ORP TROP BAS	La valeur de potentiel ORP mesurée est < -2 100 mV.	
DÉCALAGE TROP HAUT	Le décalage est > 8 (pH) ou 200 mV (ORP).	Procédez comme indiqué aux sections Nettoyage du capteur à la page 89 et Remplacement du pont salin à la page 89. Ensuite, répétez l'étalonnage.
DÉCALAGE TROP BAS	Le décalage est < 6 (pH) ou -200 mV (ORP).	
PENTE TROP HAUTE	La pente est > 60 (pH)/1,3 (ORP).	Répétez l'étalonnage avec des solutions de référence neuves.
PENTE TROP BASSE	La pente est < 54 (pH)/0,7 (ORP).	Effectuez les étapes indiquées à la section Nettoyage du capteur à la page 89. Ensuite, répétez l'étalonnage.
TEMP tROP HAUT	La température mesurée est > 100 °C.	Assurez-vous que l'élément de température sélectionné est correct. Reportez-vous à l'option CAPTEUR TEMP., Configuration du capteur à la page 83.
TEMP. TROP BAS	La température mesurée est < 0 °C.	
ÉTAL A FAIRE	Le nombre de jours depuis l'étalonnage du capteur est supérieur à l'intervalle d'étalonnage.	Étalonnez le capteur. <i>Remarque</i> : Pour modifier l'intervalle d'étalonnage, reportez-vous à l'option JOURS ETAL à la section Configuration du capteur à la page 83.
REEMPL. CAPTEUR	Le nombre de jours de fonctionnement du capteur est supérieur à l'intervalle de remplacement de capteur.	Remplacez le capteur si nécessaire. <i>Remarque</i> : Pour modifier l'intervalle de remplacement du capteur, reportez-vous à l'option JOURS CAPTEUR à la section Configuration du capteur à la page 83.
NON ÉTALONNÉ	Le capteur n'a pas été étalonné.	Étalonnez le capteur.
DEFAUT FLASH	Panne de la mémoire flash externe.	Contactez l'assistance technique.
IMP ELECT HAUT	L'impédance de l'électrode active est > 800 MΩ.	Le capteur est dans l'air. Remplacez le capteur dans le système.
IMP ELECT BAS	L'impédance de l'électrode active est < 15 MΩ.	Le capteur est endommagé ou sale. Effectuez les étapes indiquées à la section Nettoyage du capteur à la page 89.
IMP REF HAUT	L'impédance de l'électrode de référence est > 800 MΩ.	La solution tampon interne a fui ou s'est évaporée. Remplacez la solution tampon interne.
IMP REF BAS	L'impédance de l'électrode de référence est < 15 MΩ.	L'électrode de référence est endommagée. Remplacez le capteur.
ÉTAL EN COURS	Un étalonnage a été commencé mais n'a pas été achevé.	Revenir à l'étalonnage.

6.5 Liste d'événements

La liste d'événements affiche les activités en cours, telles que les modifications de configuration, les alarmes, les avertissements, etc. Pour afficher les événements, appuyez sur **Menu**, puis sélectionnez DIAGNOSTIQUE > [Sélectionner le capteur] > EVENEMENTS. La liste des événements possibles apparaît dans le [Tableau 5](#). Les événements précédents sont enregistrés dans le journal d'événements, qui peut être téléchargé depuis le transmetteur. Reportez-vous à la documentation du transmetteur pour connaître les options d'extraction de données.

Tableau 5 Liste d'événements

Événement	Description
ÉTAL PRÊT	Le capteur est prêt pour l'étalonnage.
ÉTAL OK	L'étalonnage en cours est correct.
TEMPS ÉCOULÉ	Le temps de stabilisation pendant l'étalonnage est écoulé.
PAS DE TAMPON	Aucun tampon n'est détecté.
PENTE HAUTE	La pente d'étalonnage est au-dessus de la limite supérieure.
PENTE BASSE	La pente d'étalonnage est en dessous de la limite inférieure.
DEV. ZERO HAUT	La valeur de décalage d'étalonnage du capteur est au-dessus de la limite supérieure.
DEV. ZERO BAS	La valeur de décalage d'étalonnage du capteur est en dessous de la limite inférieure.
POINTS PROCHES	Les points d'étalonnage sont trop similaires en valeur pour un étalonnage en 2 points.
ERREUR ETALON.	L'étalonnage a échoué.
ÉTAL HAUT	La valeur d'étalonnage est au-dessus de la limite supérieure.
INSTABLE	Le relevé pendant l'étalonnage était instable.
MODIF CONFIG - flotteur	La configuration a été modifiée - type virgule flottante.
MODIF CONFIG - texte	La configuration a été modifiée - type texte.
MODIF CONFIG - entier	La configuration a été modifiée - valeur de type entier.
VAL. DEFAULT?	Les paramètres de configuration ont été définis sur les options par défaut.
INFO ALIMENTAT	L'alimentation a été réglée sur actif.
DEFAULT ADC	La conversion analogique-numérique a échoué (panne matérielle).
EFFACEMENT MEM	La mémoire a été effacée.
TEMPERATURE	La température enregistrée est trop haute ou trop basse.
CAL 1 PT MANUEL	Début d'étalonnage 1 POINT MANUEL.
CAL 1 PT AUTO	Début d'étalonnage de pH 1 POINT AUTO.
CAL 2 PTS MANUEL	Début d'étalonnage de pH 2 POINT MANUEL.
CAL 2 PTS AUTO	Début d'étalonnage de pH 2 POINT AUTO.
FIN MANUEL 1PT	Fin d'étalonnage 1 POINT MANUEL.
FIN AUTO 1PT	Fin d'étalonnage de pH 1 POINT AUTO.
FIN MANUEL 2PT	Fin d'étalonnage de pH 2 POINT MANUEL.
FIN AUTO 2PT	Fin d'étalonnage de pH 2 POINT AUTO.

Section 7 Pièces de rechange et accessoires

▲ AVERTISSEMENT



Risque de blessures corporelles. L'utilisation de pièces non approuvées comporte un risque de blessure, d'endommagement de l'appareil ou de panne d'équipement. Les pièces de rechange de cette section sont approuvées par le fabricant.

Remarque : Les numéros de référence de produit et d'article peuvent dépendre des régions de commercialisation. Prenez contact avec le distributeur approprié ou consultez le site web de la société pour connaître les personnes à contacter.

Consommables

Description	Quantité	Article n°
Solution tampon, pH 4,01, rouge	500 mL	2283449
Solution tampon, pH 7, jaune	500 mL	2283549
Solution tampon, pH 10,01, bleue	500 mL	2283649
Solution de référence ORP, 200 mV	500 mL	25M2A1001-115
Solution de référence ORP, 600 mV	500 mL	25M2A1002-115

Pièces de remplacement : capteurs de pH

Description	Quantité	Article n°
Pont salin, PEEK, jonction externe Kynar (PVDF), avec joints toriques Viton	1	SB-P1SV
Pont salin, PEEK, jonction externe Kynar (PVDF), avec joints toriques en perfluoroélastomère	1	SB-P1SP ⁸
Pont salin, PEEK, jonction externe céramique, avec joints toriques Viton	1	SB-P2SV
Pont salin, Ryton, jonction externe Kynar (PVDF), avec joints toriques Viton	1	SB-R1SV
Solution tampon interne	500 mL	25M1A1025-115
Poudre de gel pour solution tampon interne	2 g	25M8A1002-101

Accessoires

Description	Article n°
Câble d'extension numérique, 1 m (3,2 pi)	6122400
Câble d'extension numérique, 7,7 m (25 pi)	5796000
Câble d'extension numérique, 15 m (50 pi) ⁹	5796100
Câble d'extension numérique, transmetteur SC200, 31 m (100 pi)	5796200
Boîte de terminaison numérique, transmetteur SC200 ¹⁰	5867000

⁸ Utilisez l'article SB-P1SP lorsque le matériau Viton n'est pas chimiquement compatible avec les produits chimiques dans l'application.

⁹ La longueur de câble maximale est de 15 m (49 pieds) pour un transmetteur SC1000.

¹⁰ Utilisez une boîte de terminaison numérique si la longueur du câble est supérieure à 100 m (328 pieds). Une boîte de terminaison n'est pas utilisée avec un transmetteur SC1000.

Accessoires (suite)

Description	Article n°
Matériel de montage sanitaire, acier inoxydable 316, avec té sanitaire de 2 pouces et collier de serrage à usage industriel <i>Remarque : Le capuchon et le joint en composé d'EPDM sont fournis avec le capteur.</i>	MH018S8SZ
Matériel de montage avec raccord union, CPVC (polychlorure de vinyle chloré), avec té étalon de 1½ pouce, raccord de tuyau, joint d'étanchéité, anneau de verrouillage et joint torique Viton	6131300
Matériel de montage avec raccord union, acier inoxydable 316, avec té étalon de 1½ pouce, raccord de tuyau avec adaptateur, joint d'étanchéité, anneau de serrage et joint torique Viton	6131400
Matériel de montage en plein débit, CPVC, avec té étalon de 1 pouce	MH334N4NZ
Matériel de montage en plein débit, acier inoxydable 316, avec té étalon de 1 pouce	MH314N4MZ
Matériel de montage en insertion, CPVC, avec vanne à bille de 1½ pouce, mamelon de fermeture NPT de 1½ pouce, adaptateur de capteur avec deux joints toriques Viton et balai, tuyau d'extension, adaptateur de tuyau, tube et anneau de verrouillage	5646300
Matériel de montage en insertion, acier inoxydable 316, avec vanne à bille de 1½ pouce, mamelon de fermeture NPT de 1½ pouce, adaptateur de capteur avec deux joints toriques Viton et balai, tuyau d'extension, adaptateur de tuyau, tube et anneau de verrouillage	5646350
Matériel de montage en immersion, étalon, CPVC, avec tuyau de 1 pouce par 4 pieds et couplage NPT de 1 x 1 pouce	6136400
Matériel de montage en immersion, étalon, acier inoxydable 316, avec tuyau de 1 pouce par 4 pieds et couplage NPT de 1 x 1 pouce	6136500
Matériel de montage en immersion, main courante, avec tuyau CPVC de 1½ pouce par 7,5 pieds et ensemble de collier de conduit	MH236B00Z
Matériel de montage en immersion, chaîne, acier inoxydable 316, avec étrier en acier inoxydable, écrous et rondelles <i>Remarque : Pour l'utilisation avec capteur en acier inoxydable uniquement. N'inclut pas de chaîne.</i>	2881900
Matériel de montage en immersion, flotteur à boule, avec tuyau CPVC de 1½ pouce par 7,5 pieds, ensemble de flotteur à boule et ensemble de collier de conduit	6131000
Protection de capteur, capteur de style convertible, PEEK	1000F3374-002
Protection de capteur, capteur de style convertible, Ryton	1000F3374-003

Tabla de contenidos

- | | | | |
|---|---|---|--|
| 1 | Especificaciones en la página 98 | 5 | Mantenimiento en la página 112 |
| 2 | Información general en la página 99 | 6 | Solución de problemas en la página 115 |
| 3 | Instalación en la página 101 | 7 | Piezas de repuesto y accesorios en la página 119 |
| 4 | Funcionamiento en la página 107 | | |

Sección 1 Especificaciones

Las especificaciones están sujetas a cambios sin previo aviso.

Especificación	Sensores de pH	Sensor de pH de acero inoxidable	Sensores de ORP
Dimensiones (longitud)	272,5 mm (10,73 pulg.)	325,3 mm (12,81 pulg.)	272,5 mm (10,73 pulg.)
Peso	316 g (11 oz)	870 g (31 oz)	316 g (11 oz)
Materiales en contacto con el agua	Cuerpo de PEEK o Ryton (PVDF), puente salino del mismo material con unión Kynar, electrodo de proceso de vidrio, electrodo a tierra de titanio y juntas tóricas de Viton <i>Nota: El sensor de pH con un electrodo de proceso de vidrio resistente a HF opcional tiene un electrodo de tierra de acero inoxidable 316 y juntas tóricas húmedas de perfluoroelastómero.</i>	Solo para montaje de inmersión, cuerpo de acero inoxidable 316 con extremos de Ryton (PVDF) y puente salino	Cuerpo de PEEK o Ryton (PVDF), puente salino del mismo material con unión Kynar, electrodo de proceso de vidrio y platino (o vidrio y oro), electrodo a tierra de titanio y juntas tóricas de Viton
Componentes	Materiales resistentes a la corrosión, totalmente sumergibles		
Cable del sensor (integral)	4 conductores (más 1 blindaje), 10 m (33 pies), con valor nominal de 105 °C (221 °F)		
Temperatura de funcionamiento	De -5 a 70 °C (23 a 158 °F)	De 0 a 50 °C (32 a 122 °F)	De -5 a 70 °C (23 a 158 °F)
Temperatura de almacenamiento	De 4 a 70 °C (40 a 158 °F), del 0 al 95% de humedad relativa, sin condensación		
Rango de medición	pH de 2,0 a 14,0 ¹ (o de 2,00 a 14,00)		De -1500 a +1500 mV
Repetibilidad	pH ±0,05		±2 mV
Sensibilidad	pH ±0,01		±0,5 mV ²
Estabilidad	pH de 0,03 cada 24 horas, no acumulativo		2 mV (ORP) cada 24 horas, no acumulativo
Medida máxima del caudal	3 m/s (10 pies/s)		
Límite de presión	6,9 bares a 70 °C (100 psi a 158 °F)	No aplicable (solo inmersión)	6,9 bares a 70 °C (100 psi a 158 °F)

¹ La mayoría de las aplicaciones de pH tienen un rango de 2,5 a 12,5. El sensor de pH diferencial pHd con un electrodo de proceso de vidrio de rango amplio tiene un funcionamiento excepcional en este intervalo. Hay aplicaciones industriales que necesitan una medición y un control precisos de valores de pH por debajo de 2 o por encima de 12. En estos casos, póngase en contacto con el fabricante para obtener más información.

² Para obtener los mejores resultados en soluciones que contienen zinc, cianuro, cadmio o níquel, utilice el sensor de ORP pHd que tiene un electrodo de oro.

Especificación	Sensores de pH	Sensor de pH de acero inoxidable	Sensores de ORP
Distancia de transmisión	Un máximo de 100 m (328 pies) o 1000 m (3280 pies) cuando se utilizan con una caja de terminación		
Elemento de temperatura	Termistor NTC 300 Ω para compensar la temperatura automáticamente y analizar la lectura de la temperatura		Termistor NTC 300 Ω solo para analizar la lectura de la temperatura: sin compensación de temperatura automática que es necesaria para la medición de ORP
Exactitud de la temperatura	$\pm 0,5$ °C (0,9 °F)		
Compensación de la temperatura	De forma automática de -10 a 105 °C ($14,0$ a 221 °F) con el termistor NTC 300 Ω , un elemento de temperatura de RTD de Pt 1000 Ω o de Pt 100 Ω , o se puede fijar manualmente en una temperatura especificada por el usuario		No aplicable
Métodos de calibración	De 1 o 2 puntos, automática o manual		De 1 punto, manual
Interfaz del sensor	Modbus		
Certificaciones	CE		
Garantía	1 año; 2 años (UE)		

Sección 2 Información general

En ningún caso el fabricante será responsable de ningún daño directo, indirecto, especial, accidental o resultante de un defecto u omisión en este manual. El fabricante se reserva el derecho a modificar este manual y los productos que describen en cualquier momento, sin aviso ni obligación. Las ediciones revisadas se encuentran en la página web del fabricante.

2.1 Información de seguridad

El fabricante no es responsable de ningún daño debido a un mal uso de este producto incluyendo, sin limitación, daños directos, fortuitos o circunstanciales y reclamaciones sobre los daños que no estén recogidos en la legislación vigente. El usuario es el único responsable de identificar los riesgos críticos y de instalar los mecanismos adecuados de protección de los procesos en caso de un posible mal funcionamiento del equipo.

Sírvase leer todo el manual antes de desembalar, instalar o trabajar con este equipo. Ponga atención a todas las advertencias y avisos de peligro. El no hacerlo puede provocar heridas graves al usuario o daños al equipo.

Asegúrese de que la protección proporcionada por el equipo no está dañada. No utilice ni instale este equipo de manera distinta a lo especificado en este manual.

2.2 Uso de la información relativa a riesgos

PELIGRO

Indica una situación potencial o de riesgo inminente que, de no evitarse, provocará la muerte o lesiones graves.

ADVERTENCIA

Indica una situación potencial o inminentemente peligrosa que, de no evitarse, podría provocar la muerte o lesiones graves.

PRECAUCIÓN





Indica una situación potencialmente peligrosa que podría provocar una lesión menor o moderada.

AVISO

Indica una situación que, si no se evita, puede provocar daños en el instrumento. Información que requiere especial énfasis.

2.3 Etiquetas de precaución

Lea todas las etiquetas y rótulos adheridos al instrumento. En caso contrario, podrían producirse heridas personales o daños en el instrumento. El símbolo que aparezca en el instrumento se comentará en el manual con una declaración de precaución.

	Este es un símbolo de alerta de seguridad. Obedezca todos los mensajes de seguridad que se muestran junto con este símbolo para evitar posibles lesiones. Si se encuentran sobre el instrumento, consulte el manual de instrucciones para obtener información de funcionamiento o seguridad.
	Este símbolo indica que hay riesgo de descarga eléctrica y/o electrocución.
	Este símbolo indica la presencia de dispositivos susceptibles a descargas electrostáticas. Asimismo, indica que se debe tener cuidado para evitar que el equipo sufra daño.
	En Europa, el equipo eléctrico marcado con este símbolo no se debe desechar mediante el servicio de recogida de basura doméstica o pública. Devuelva los equipos viejos o que hayan alcanzado el término de su vida útil al fabricante para su eliminación sin cargo para el usuario.

2.4 Descripción general del producto

Este sensor está diseñado para trabajar con un controlador para la recolección de datos y operación. Con este sensor se pueden utilizar varios controladores. Este documento da por sentado que el sensor tiene instalado y utiliza un controlador SC. Para utilizar el sensor con otros controladores, consulte el manual del usuario del controlador que está utilizando.

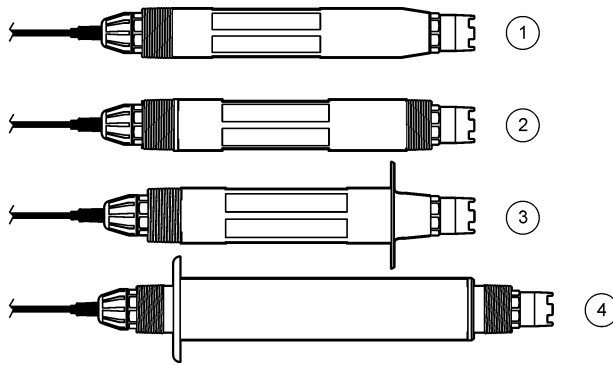
Este producto no es aceptable para su uso en una ubicación peligrosa.

Los equipos opcionales, como el kit de montaje para la sonda, se suministran con las instrucciones de instalación. Existen varias opciones de montaje que permiten adaptar la sonda para su uso en diferentes aplicaciones.

2.5 Tipos de sensores

El sensor se encuentra disponible en diferentes tipos. Consulte [Figura 1](#).

Figura 1 Tipos de sensores



<p>1 Inserción: para la instalación en una celda de flujo o adaptador de un conjunto de componentes con válvula de esfera. Permite la extracción sin detener el flujo del proceso.</p>	<p>3 Sanitario: para la instalación de un sanitario en T de 2 pulgadas</p>
<p>2 Convertible: para un tubo en T o para la inmersión en un recipiente abierto</p>	<p>4 Acero inoxidable: para la inmersión en un recipiente abierto</p>

Sensores de inserción: son similares a los sensores convertibles, pero las roscas de NPT de 1 pulgada solo se encuentran en el extremo del cable para su montaje en una celda de flujo o en el adaptador de un conjunto de componentes con válvula de esfera. Los sensores de inserción se colocan en o se extraen del proceso sin necesidad de parar el flujo del proceso.

Sensores convertibles: tienen roscas de NPT de 1 pulgada en ambos extremos del cuerpo para su montaje en las configuraciones siguientes:

- en una pieza de unión en T con rosca NPT estándar de 1 pulgada
- en un adaptador para unirlo a una pieza en T estándar de 1,5 pulgadas
- en el extremo de un tubo para su inmersión en un recipiente



Nota: Los sensores convertibles también se pueden utilizar en instalaciones existentes para sensores de LCP de 1,5 pulgadas, de Ryton y de Epoxi.

Sensores sanitarios: cuentan con una pestaña incorporada de 2 pulgadas para su montaje en una pieza de unión en T sanitaria. Los sensores sanitarios incluyen un tapón especial y una junta compuesta de EPDM para su uso con el hardware sanitario.

Sensores de acero inoxidable: disponen de roscas de NPT de 1 pulgada en ambos extremos del cuerpo. Los sensores de acero inoxidable sirven para la inmersión en un recipiente abierto.

Sección 3 Instalación

3.1 Montaje

⚠ ADVERTENCIA	
	Peligro de explosión. Asegúrese de que el kit de montaje para el sensor tenga la temperatura y el valor nominal de presión adecuados para el lugar de montaje.
⚠ PRECAUCIÓN	
	Peligro de lesión personal. El cristal roto puede causar cortes. Utilice herramientas y equipo de protección personal para retirar el cristal roto.

AVISO

El electrodo de proceso situado en el extremo del sensor de pH cuenta con un bulbo de vidrio que se puede romper. No golpee ni apriete el bulbo.

AVISO

El electrodo de proceso de oro o platino situado en el cabezal del sensor de ORP cuenta con una pieza de cristal (oculta tras el puente salino) que se puede romper. No golpee ni apriete la pieza de cristal.

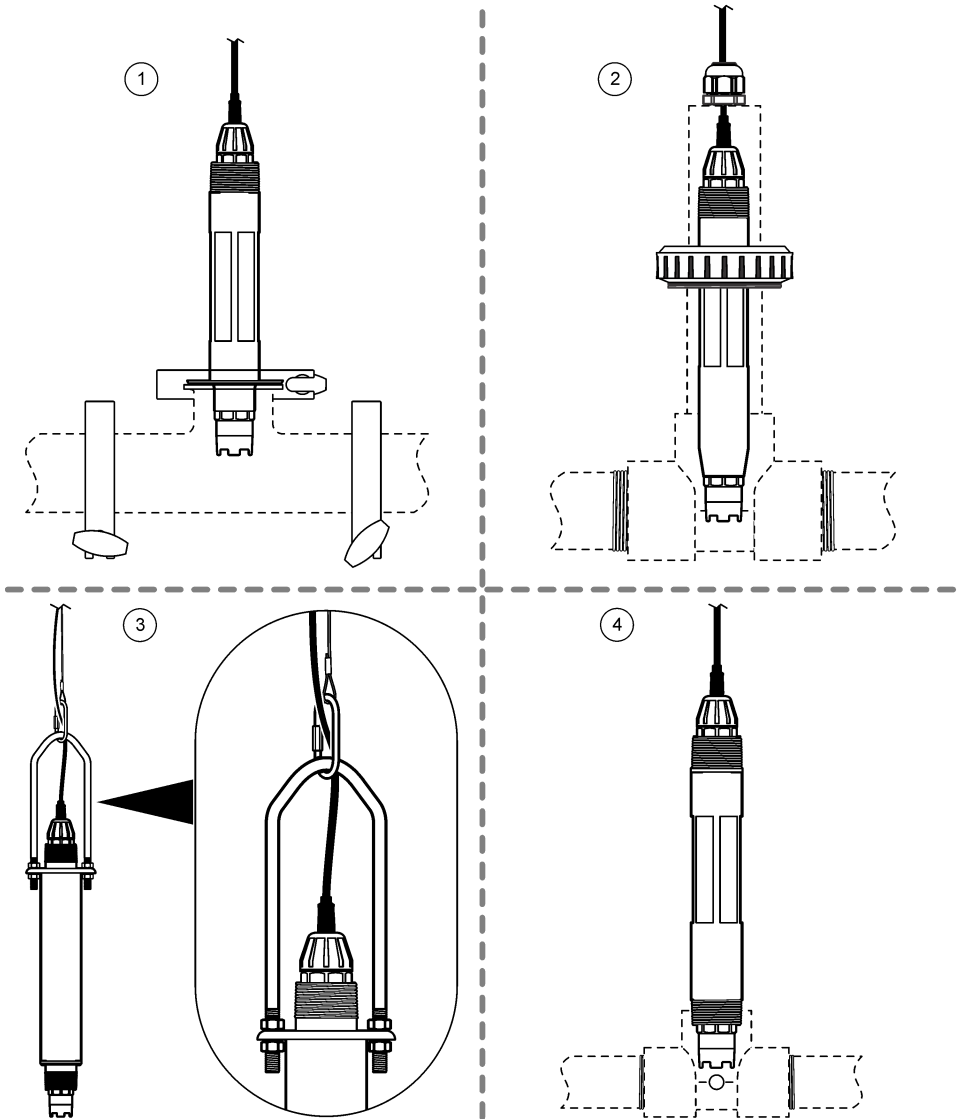
AVISO

Este instrumento está clasificado para una altitud de 2000 m (6562 pies) como máximo. Aunque el uso de este equipo a más de 2000 m de altitud no supone ningún problema de seguridad, el fabricante recomienda que los usuarios que tengan algún tipo de duda al respecto se pongan en contacto con el servicio de asistencia técnica.

- Instale el sensor en un lugar donde la muestra que entre en contacto con el sensor sea representativa de todo el proceso.
- Consulte la [Figura 2](#), la [Figura 3](#) y la [Figura 4](#) para obtener información sobre los ejemplos de configuración del montaje.
- Consulte [Piezas de repuesto y accesorios](#) en la página 119 para obtener información sobre el kit de montaje disponible.
- Consulte las instrucciones suministradas con el kit de montaje para obtener más información sobre la instalación.
- Instale el sensor al menos a 15° sobre la línea horizontal. Consulte [Figura 5](#).
- Para las instalaciones de inmersión, coloque el sensor a un mínimo de 508 mm (20 pulg.) de la pared de la balsa de aireación y sumerja el sensor a un mínimo de 508 mm (20 pulg.) en el proceso.
- Retire la tapa protectora del sensor antes de ponerlo en funcionamiento. Guarde la tapa protectora para usarla en otro momento.
- (Opcional) Si el agua del proceso se acerca a la temperatura de ebullición, añada el gel en polvo³ a la solución buffer interna del sensor. Consulte el paso 2 de [Cambio del puente salino](#) en la página 113. No cambie el puente salino.
- Calibre el sensor antes de usarlo.

³ El gel en polvo disminuye la velocidad de evaporación de la solución buffer interna.

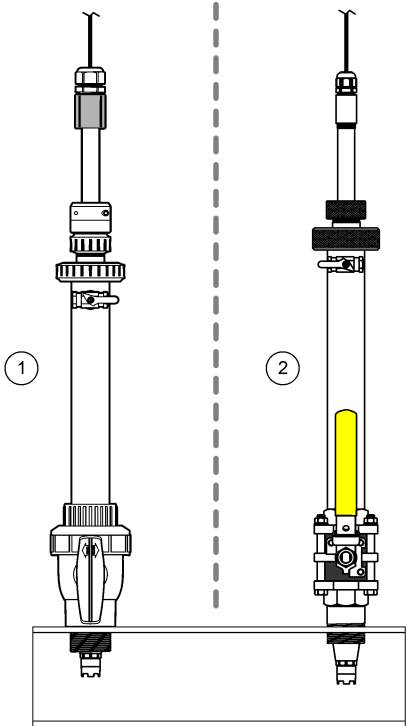
Figura 2 Ejemplos de montaje (1)



1 Montaje sanitario (T sanitario de 2 pulgadas)	3 Montaje de inmersión, cadena y enganche ⁴
2 Montaje de empalme (T estándar de 1,5 pulgadas)	4 Montaje de flujo (T estándar de 1 pulgada)

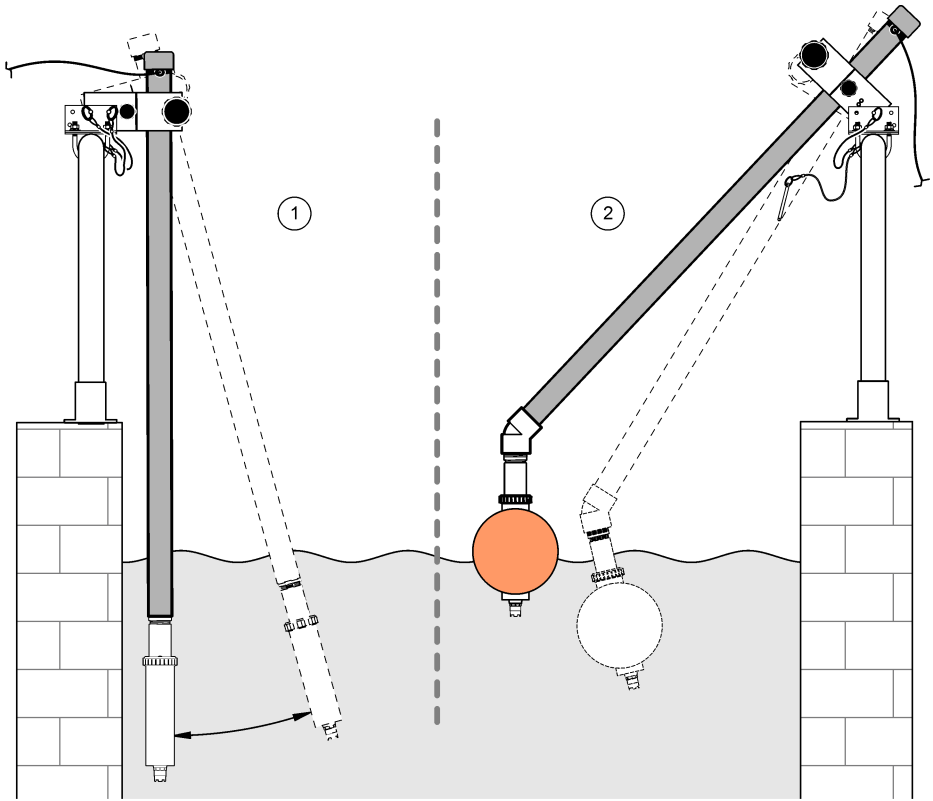
⁴ Solo para sensores de acero inoxidable

Figura 3 Ejemplos de montaje (2)



1 Montaje de inserción, de CPVC	2 Montaje de inserción, de acero inoxidable
---------------------------------	---

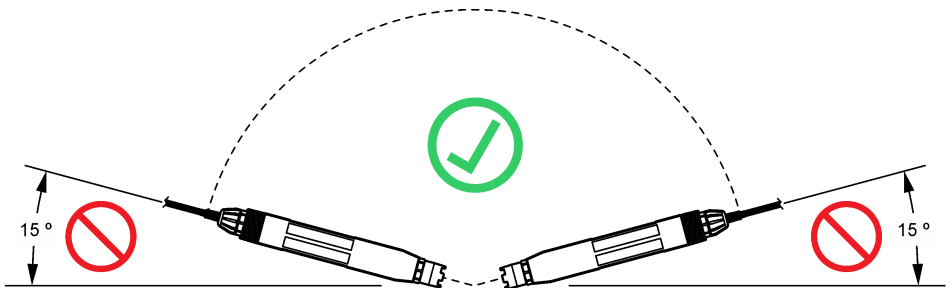
Figura 4 Ejemplos de montaje (3)



1 Montaje de inmersión, barandilla

2 Montaje de inmersión, boya flotante

Figura 5 Ángulo de montaje del sensor

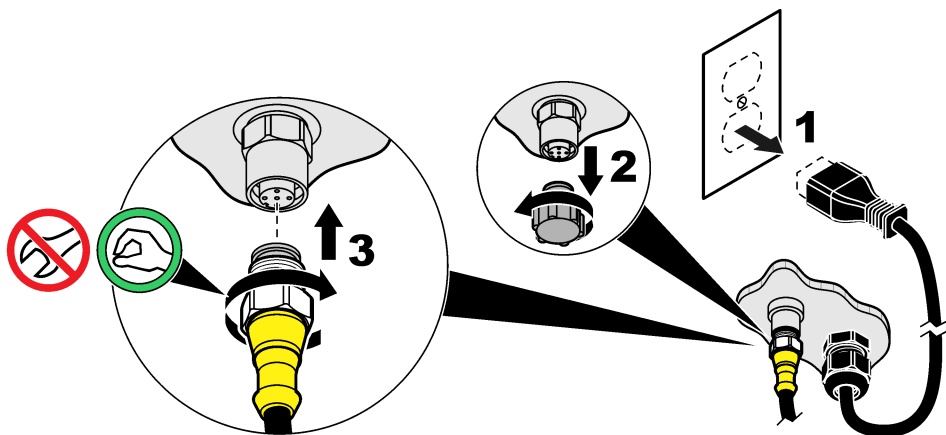


3.2 Instalación eléctrica

3.2.1 Conecte el sensor a un dispositivo de conexión rápida (lugar seguro)

1. Conecte el cable del sensor al dispositivo de conexión rápida del controlador SC. Consulte la [Figura 6](#).
Conserve la tapa del conector para sellar la apertura del sensor, en caso de que este deba ser desmontado.
2. Si la alimentación está activada cuando el sensor está conectado:
 - Controlador SC200: seleccione PRUEBA/MANT. > BUSCAR SENSOR.
 - Controlador SC1000: seleccione MONTAR SISTEMA > GESTION DISPOSITIVOS > BUSCANDO NUEVOS DISPOSITIVOS.



Figura 6 Conecte el sensor a un dispositivo de conexión rápida



3.2.2 Cables alargadores

- Hay disponibles cables alargadores. Consulte [Piezas de repuesto y accesorios](#) en la página 119.
- La longitud máxima del cable es de 15 m (49 pies) para un controlador SC1000.
- La longitud máxima del cable es de 1000 m (3280 pies) para un controlador SC200.
- Controlador SC200: utilice una caja de terminación digital si la longitud del cable es superior a 100 m (328 pies). Consulte [Piezas de repuesto y accesorios](#) en la página 119.

3.2.3 Conecte un cable del sensor con cables pelados (lugar seguro)

⚠ PELIGRO	
	Peligro de electrocución. Desconecte siempre la alimentación eléctrica del instrumento antes de realizar conexiones eléctricas.
⚠ PELIGRO	
	Peligro de electrocución. El cableado de alto voltaje del controlador está conectado detrás de la barrera de alto voltaje del gabinete del controlador. La barrera debe permanecer en su lugar excepto durante la instalación de módulos o cuando un técnico de instalación cualificado esté realizando el cableado de alimentación, de los relés o de las tarjetas analógicas y de red.

Si el cable del sensor no tiene un conector de conexión rápida⁵, conecte los cables pelados del cable del sensor al controlador de la siguiente manera:

Nota: Un cable del sensor con los cables pelados no se puede conectar a un controlador SC1000.

1. Localice el kit de cableado del conducto (9222400) en la caja de transporte del controlador SC200.

El kit contiene cuatro conectores de empalme.

2. Siga las instrucciones del kit de cableado del conducto para conectar el cable del sensor al controlador.

Sección 4 Funcionamiento

4.1 Navegación por los menús

Consulte la documentación del controlador para ver la descripción del teclado e información sobre cómo desplazarse por los menús.

Pulse la tecla de flecha a la **DERECHA** en el controlador varias veces para ver más información en la pantalla de inicio y mostrar una pantalla gráfica.

4.2 Configuración del sensor

Seleccione un nombre y el tipo de sensor. Cambie las opciones de medición, calibración, gestión de datos y almacenamiento.




1. Pulse **Menú** y, a continuación, seleccione MONTAR SENSOR > [Selecc. sensor] > CONFIGURAR.
2. Seleccione una opción.

Opción	Descripción
EDITAR NOMBRE	Cambia el nombre que corresponde al sensor en la parte superior de la pantalla de medición. El nombre puede contener hasta 12 caracteres en cualquier combinación de letras, números, espacios o signos de puntuación.
SELECC. SENSOR	Selecciona el tipo de sensor (pH u ORP).
FORMA PANTALLA	Para los sensores de pH solamente: cambia la cantidad de posiciones decimales que se muestran en la pantalla de medición de XX,XX (predeterminado) o XX,X.
UNIDAD TEMPERA	Configura las unidades de temperatura en °C (configuración predeterminada) o °F.
CONF. REGISTRO	Configura el intervalo de tiempo para el almacenamiento de datos en el registro de datos: 5, 30 segundos, 1, 2, 5, 10, 15 (configuración predeterminada), 30, 60 minutos.
FRECUENCIA AC	Selecciona la frecuencia de la alimentación de CA suministrada al controlador (50 o 60 Hz). Si la corriente del controlador es de 120 V CA, seleccione 60 Hz. Si la corriente del controlador es de 230 V CA, seleccione 50 Hz.
FILTRO	Configura una constante de tiempo para incrementar la estabilidad de la señal. La constante de tiempo calcula el valor promedio durante un tiempo determinado: desde 0 (sin efecto, configuración predeterminada) hasta 60 segundos (promedio de valor de la señal para 60 segundos). El filtro incrementa el tiempo de la señal del sensor para responder a los cambios reales del proceso.

⁵ Por ejemplo, si se utilizan una caja de terminación digital y un cable apantallado de 4 hilos para aumentar la longitud del cable del sensor.

Opción	Descripción
ELEM. DE TEMP	<p>Sensores de pH: configura el elemento de temperatura para la compensación automática de la temperatura en PT100, PT1000, NTC300 (predeterminado) o MANUAL. En caso de no utilizar ningún elemento, el tipo se puede configurar en MANUAL y se puede introducir un valor para la compensación de la temperatura (valor predeterminado manual: 25 °C).</p> <p>Sensores ORP: la compensación de la temperatura no se utiliza. Se puede conectar un elemento de temperatura para medir la temperatura.</p>
SELECC. BUFFER	<p>Para sensores de pH solamente: selecciona las soluciones tampón que se utilizan para la calibración. Opciones: pH 4, 7, 10 (predeterminado) o DIN 19267 (pH 1,09; 4,65; 6,79; 9,23; 12,75)</p> <p>Nota: Se pueden utilizar otras soluciones tampón para la calibración.</p>
COMP.H2O PURA	<p>Para sensores de pH solamente: añade una corrección en función de la temperatura al valor de pH medido para el agua pura con aditivos: NINGUNO (predeterminado), AMONIACO, MORFOLINA o DEFINIR USUARIO. Para temperaturas de proceso por encima de los 50 °C, se utiliza la corrección en 50 °C. Para las aplicaciones definidas por el usuario, se puede introducir una pendiente lineal (configuración predeterminada: 0 pH/°C).</p>
DIAS PROX CAL	<p>Establece el intervalo de calibración (predeterminado: 60 días).</p> <p>Nota: Aparece una advertencia en la pantalla del controlador cuando el número de días desde la calibración del sensor es mayor que el intervalo de calibración.</p>
DIAS DEL SENS	<p>Establece el intervalo de sustitución del sensor (predeterminado: 365 días).</p> <p>Nota: Aparece una advertencia en la pantalla del controlador cuando el número de días en el que el sensor ha estado en funcionamiento es mayor que el intervalo de sustitución del sensor.</p>
IMPED LIMITS	<p>Establece los límites de impedancia para los electrodos activos y de referencia (predeterminados: BAJO = 0 MΩ, ALTO = 1000 MΩ).</p> <p>Nota: Cuando la opción ESTADO IMPEDAN en el menú DIAGNOSTICOS se establece en HABILITAR, aparece un mensaje de error en la pantalla del controlador siempre que la impedancia del electrodo activo o de referencia no esté dentro de los límites de la impedancia.</p>
ESTABL. VAL ORI	<p>Restablece los parámetros de configuración a la configuración de fábrica.</p>

4.3 Calibración del sensor

⚠ ADVERTENCIA	
	<p>Peligro de explosión. Extraer un sensor de un recipiente presurizado puede ser peligroso. Reduzca la presión del proceso a menos de 10 psi antes de la extracción. Si esto no es posible, tome todas las precauciones al hacerlo. Consulte la documentación suministrada con el kit de montaje para obtener más información.</p>
⚠ ADVERTENCIA	
	<p>Peligro por exposición química. Respete los procedimientos de seguridad del laboratorio y utilice el equipo de protección personal adecuado para las sustancias químicas que vaya a manipular. Consulte los protocolos de seguridad en las hojas de datos de seguridad actuales (MSDS/SDS).</p>
⚠ PRECAUCIÓN	
	<p>Peligro por exposición a productos químicos. Deshágase de los productos químicos y los residuos de acuerdo con las normativas locales, regionales y nacionales.</p>

4.3.1 Acerca de la calibración del sensor

La calibración regula la lectura del sensor para coincidir con el valor de una o dos soluciones de referencia. Las características del sensor cambian lentamente con el tiempo y hacen que se pierda

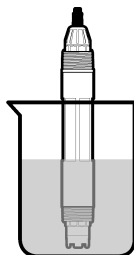
exactitud. El sensor se debe calibrar periódicamente para mantener la exactitud. La frecuencia de calibración varía con la aplicación y la mejor manera de determinarla es mediante la experiencia. Para los sensores de pH, se usa un elemento de temperatura para proporcionar lecturas de pH que se ajustan automáticamente a 25 °C en caso de cambios de temperatura que afecten al electrodo activo y de referencia. Si la temperatura del proceso es constante, este ajuste lo puede hacer el cliente de forma manual. Consulte la opción ELEM. DE TEMP en [Configuración del sensor](#) en la página 107.

4.3.2 Procedimiento de calibración de pH

Calibre el sensor de pH con una o dos soluciones de referencia (calibración de 1 punto o 2 puntos).

1. Coloque el sensor en la primera solución de referencia (un tampón o una muestra de valor conocido). Asegúrese de que la parte de la sonda que tiene el sensor quede completamente inmersa en el líquido. Consulte la [Figura 7](#).

Figura 7 Sensor en solución de referencia



2. Espere a que la temperatura del sensor y de la solución sean uniformes. Esto puede demorar 30 minutos o más si la diferencia de temperatura entre la solución del proceso y la solución de referencia es significativa.
3. Pulse **Menú** y, a continuación, seleccione MONTAR SENSOR > [Selecc. sensor] > CALIBRAR.
4. Seleccione el tipo de calibración:

Opción	Descripción
1 PUNTO AUTO	Utilice un tampón para la calibración (p. ej. pH 7). El sensor identifica el tampón automáticamente durante la calibración. Nota: Asegúrese de seleccionar el ajuste de tampón correcto en los parámetros de configuración del sensor.
2 PUNTOS AUTO (recomendado)	Utilice dos tampones para la calibración (p. ej. pH 7 y pH 4). El sensor identifica los tampones automáticamente durante la calibración. Nota: Asegúrese de seleccionar el ajuste de tampón correcto en los parámetros de configuración del sensor.
1 PUNTO MANUAL	Utilice una muestra de un valor de pH conocido (o un tampón) para la calibración. Introduzca el valor de pH durante la calibración.
2 PUNTO MANUAL	Utilice dos muestras de valores de pH conocidos (o dos tampones) para la calibración. Introduzca los valores de pH durante la calibración.

5. En caso de que la contraseña esté habilitada en el menú de seguridad del controlador, introdúzcala.
6. Seleccione la opción de la señal de salida durante la calibración:

Opción	Descripción
ACTIVO	Durante el proceso de calibración el instrumento envía el valor de medición actual de salida.

Opción	Descripción
SIN CAMBIO	Durante el proceso de calibración el valor de salida del sensor se mantiene en el valor de medición actual.
TRANSFERIR	Durante la calibración se envía un valor de salida predeterminado. Consulte el manual del usuario del controlador para cambiar el valor predeterminado.

7. Cuando el sensor esté en la primera solución de referencia, pulse para confirmar. Aparecerá el valor de la medición.
8. Si procede, introduzca el valor de pH de la solución de referencia:
 - a. Espere hasta que el valor se establezca y pulse para confirmar.
 - b. Introduzca el valor de pH.

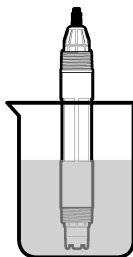
Nota: Si la solución de referencia es un tampón, localice el valor de pH para la temperatura del tampón en la botella del tampón. Si la solución de referencia es una muestra, determine el valor de pH de la muestra con un instrumento diferente.
9. Para una calibración de 2 puntos, mida la segunda solución de referencia de la siguiente manera:
 - a. Saque el sensor de la primera solución y enjuague con agua limpia.
 - b. Coloque el sensor en la siguiente solución de referencia y pulse confirmar.
 - c. Si procede, espere hasta que el valor se establezca y pulse para confirmar. Introduzca el valor de pH.
10. Revise el resultado de la calibración:
 - EXITOSA: el sensor está calibrado y listo para medir muestras. Aparecen los resultados de la pendiente y/o el offset.
 - FALLA: la pendiente o compensación de calibración está fuera de los límites aceptados. Vuelva a realizar la calibración con soluciones de referencia nuevas. Limpie el sensor si es necesario. Consulte [Limpieza del sensor](#) en la página 113.
11. Si la calibración es correcta, pulse para confirmar.
12. Devuelva el sensor al proceso y pulse para confirmar. Se vuelve a activar la señal de salida y en la pantalla de medición aparece el valor de medición de la muestra.

4.3.3 Procedimiento de calibración para ORP

Calibre el sensor de ORP con una solución de referencia o una muestra de valor conocido.

1. Coloque el sensor en la solución de referencia o la muestra. Asegúrese de que la parte de la sonda que tiene el sensor quede completamente inmersa en la solución. Consulte [Figura 8](#).

Figura 8 Sensor en solución de referencia o muestra



2. Pulse **Menú** y, a continuación, seleccione MONTAR SENSOR > [Selecc. sensor] > CALIBRAR.
3. Seleccione 1 PUNTO MANUAL.
4. En caso de que la contraseña esté habilitada en el menú de seguridad del controlador, introdúzcala.

5. Seleccione la opción de la señal de salida durante la calibración:

Opción	Descripción
ACTIVO	Durante el proceso de calibración el instrumento envía el valor de medición actual de salida.
SIN CAMBIO	Durante el proceso de calibración el valor de salida del sensor se mantiene en el valor de medición actual.
TRANSFERIR	Durante la calibración se envía un valor de salida predeterminado. Consulte el manual del usuario del controlador para cambiar el valor predeterminado.

6. Cuando el sensor esté en la solución de referencia o muestra, pulse para confirmar. Aparecerá el valor de la medición.

7. Espere hasta que el valor se establezca y pulse para confirmar.

8. Introduzca el valor de ORP de la solución de referencia o muestra.

Nota: Si se utiliza una solución de referencia para la calibración, localice el valor de ORP en la botella de la solución de referencia. Si se utiliza la muestra para la calibración, mida el valor de ORP con un instrumento de verificación auxiliar.

9. Revise el resultado de la calibración:

- **EXITOSA:** el sensor está calibrado y listo para medir muestras. Aparecen los resultados de la pendiente y/o el offset.
- **FALLA:** la pendiente o compensación de calibración está fuera de los límites aceptados. Vuelva a realizar la calibración con una solución de referencia nueva. Limpie el sensor si es necesario. Consulte [Limpieza del sensor](#) en la página 113.

10. Si la calibración es correcta, pulse para confirmar.

11. Devuelva el sensor al proceso y pulse para confirmar.

Se vuelve a activar la señal de salida y en la pantalla de medición aparece el valor de medición de la muestra.

4.3.4 Calibración de la temperatura

El instrumento viene calibrado de fábrica para medir la temperatura de forma exacta. Calibre la temperatura para aumentar la exactitud.

1. Coloque el sensor en un contenedor de agua.
2. Mida la temperatura del agua con un termómetro de exactitud o un instrumento independiente.
3. Pulse **Menú** y, a continuación, seleccione **MONTAR SENSOR > [Selecc. sensor] > CALIBRAR**.
4. Seleccione **AJUSTAR TEMP > EDITAR TEMP** y, a continuación pulse para confirmar.
5. Introduzca el valor de temperatura exacto y pulse para confirmar.
6. Devuelva el sensor al proceso y pulse para confirmar.

4.3.5 Salida del procedimiento de calibración

1. Para salir de una calibración, pulse **atrás**.
2. Seleccione una opción.

Opción	Descripción
CANCELAR	Detiene el proceso de calibración. Se deberá comenzar con una nueva calibración desde el principio.
REGRESA A CAL	Vuelve al proceso de calibración.
SALIR	Sale del proceso de calibración provisionalmente. Se permite el acceso a otros menús. Se puede iniciar la calibración de un segundo sensor (en caso que lo hubiera). Para volver al proceso de calibración, pulse MENU y seleccione MONTAR SENSOR > [seleccione el sensor] .

4.4 Datos del sensor y registros de eventos




El controlador SC ofrece un registro de datos y de eventos para cada sensor. En el registro de datos se almacenan los datos de medición en intervalos seleccionados (configurables por el usuario). El registro de eventos muestra los eventos que se han producido.

El registro de datos y de eventos se pueden guardar en formato CSV. Consulte la documentación del controlador para obtener instrucciones.

4.5 Registros de Modbus

Está disponible una lista de registros Modbus para comunicación en red. Consulte la página web del fabricante para obtener más información.

Sección 5 Mantenimiento

▲ PELIGRO	
	Peligros diversos. Solo el personal cualificado debe realizar las tareas descritas en esta sección del documento.
▲ ADVERTENCIA	
	Peligro de explosión. Extraer un sensor de un recipiente presurizado puede ser peligroso. Reduzca la presión del proceso a menos de 10 psi antes de la extracción. Si esto no es posible, tome todas las precauciones al hacerlo. Consulte la documentación suministrada con el kit de montaje para obtener más información.
▲ ADVERTENCIA	
	Peligro por exposición química. Respete los procedimientos de seguridad del laboratorio y utilice el equipo de protección personal adecuado para las sustancias químicas que vaya a manipular. Consulte los protocolos de seguridad en las hojas de datos de seguridad actuales (MSDS/SDS).
▲ PRECAUCIÓN	
	Peligro por exposición a productos químicos. Deshágase de los productos químicos y los residuos de acuerdo con las normativas locales, regionales y nacionales.

5.1 Cronograma de mantenimiento

En la [Tabla 1](#) se muestra el cronograma recomendado para las tareas de mantenimiento. Los requisitos de las instalaciones y las condiciones de funcionamiento pueden aumentar la frecuencia de algunas tareas.

Tabla 1 Cronograma de mantenimiento

Tarea	1 año	Según sea necesario
Limpieza del sensor en la página 113		X ⁶
Cambio del puente salino en la página 113	X	
Calibración del sensor	Establecido por los organismos reguladores o por la experiencia	

⁶ La frecuencia depende de las condiciones de funcionamiento.

5.2 Limpieza del sensor

Requisito previo: Prepare una solución jabonosa suave con un detergente no abrasivo que no contenga lanolina. La lanolina deja una película sobre la superficie del electrodo que puede degradar el rendimiento del sensor.

Revise periódicamente el sensor en busca de residuos y sedimentos. Limpie el sensor cuando haya sedimentos acumulados o cuando el rendimiento haya disminuido.

1. Saque los residuos sueltos del extremo del sensor con un paño limpio de tela suave. Enjuague el sensor con agua limpia y tibia.
2. Ponga en remojo el sensor durante 2 o 3 minutos en la solución jabonosa.
3. Cepille todo el extremo de medición del sensor con un cepillo de cerdas suaves.
4. Si los residuos no salen, sumerja el extremo de medición del sensor en una solución ácida diluida como, por ejemplo, < 5% HCl durante 5 minutos como máximo.
5. Enjuague el sensor con agua y luego vuélvalo a colocar en la solución jabonosa durante 2 a 3 minutos.
6. Enjuague el sensor con agua limpia.

Nota: Es posible que los sensores con electrodos de antimonio para aplicaciones HF necesiten una mejor limpieza. Póngase en contacto con el servicio de asistencia técnica.

Calibre siempre el sensor después de realizar los procedimientos de mantenimiento.

5.3 Cambio del puente salino

Sustituya el puente salino y la solución buffer interna en intervalos de 1 año o cuando la calibración falla después de limpiar el sensor.

Nota: Dispone de un video que muestra cómo sustituir el puente salino en www.Hach.com. Visite la página web donde se muestra el puente salino y haga clic en la pestaña video.

Material necesario:

- Llave inglesa ajustable
- Pinzas de gran tamaño
- Puente salino
- Solución buffer interna
- Gel en polvo⁷, ¼ cucharadita

1. Limpie el sensor. Consulte [Limpieza del sensor](#) en la página 113.
2. Sustituya el puente salino y la solución buffer interna. Consulte los pasos que se muestran en las siguientes ilustraciones.

Si el depósito para la solución buffer interna contiene gel (no es habitual), utilice un chorro de agua de un dispositivo tipo Water Pik para retirar el gel antiguo como se ilustra en el paso 2.

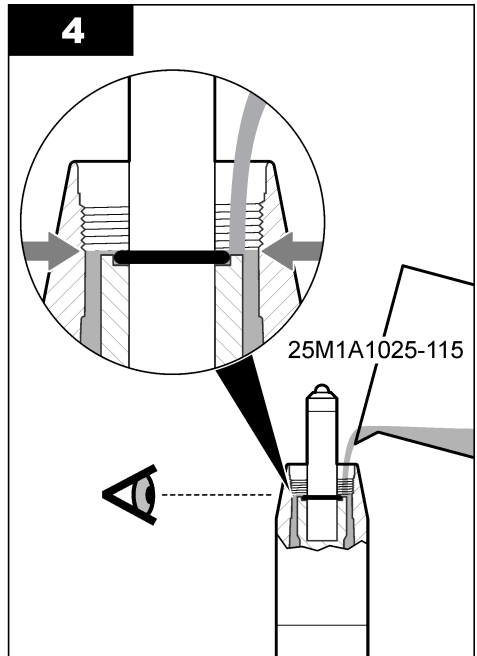
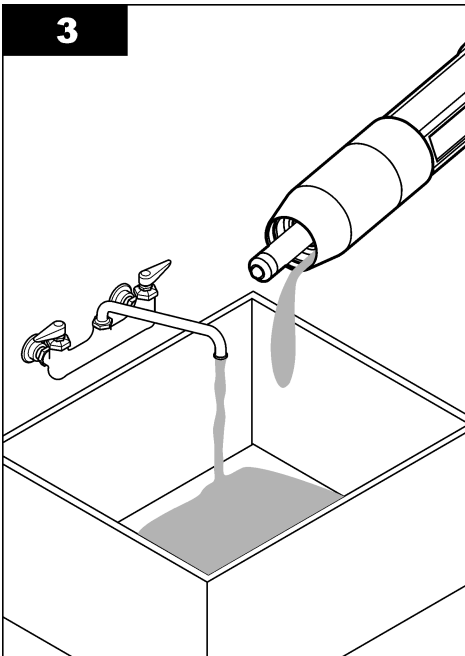
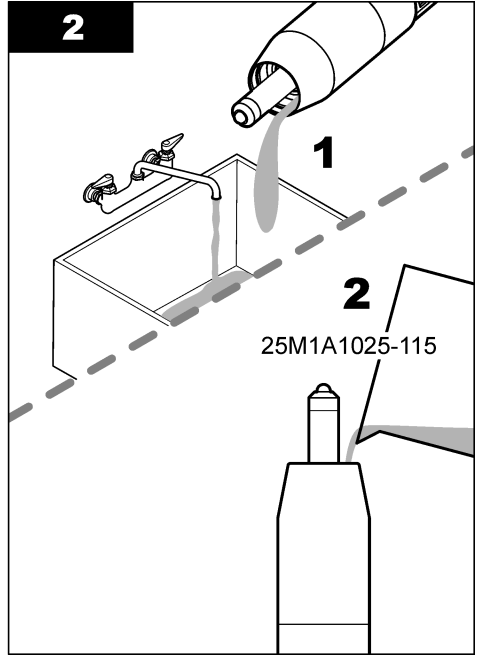
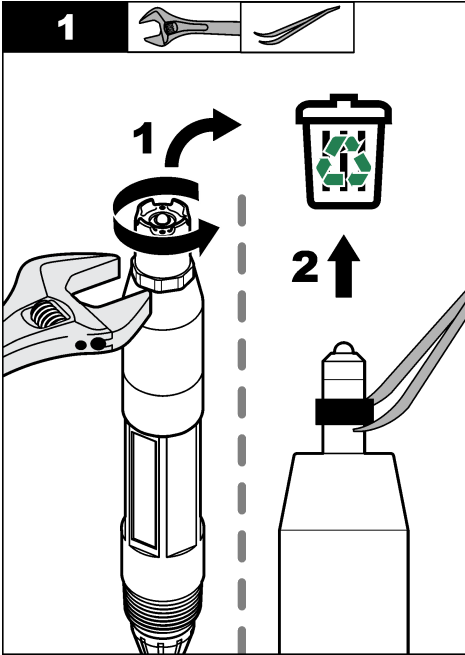
(Opcional) Si el agua del proceso está cerca de la temperatura de ebullición, añada gel en polvo a la nueva solución buffer interna como se ilustra en el paso 4:

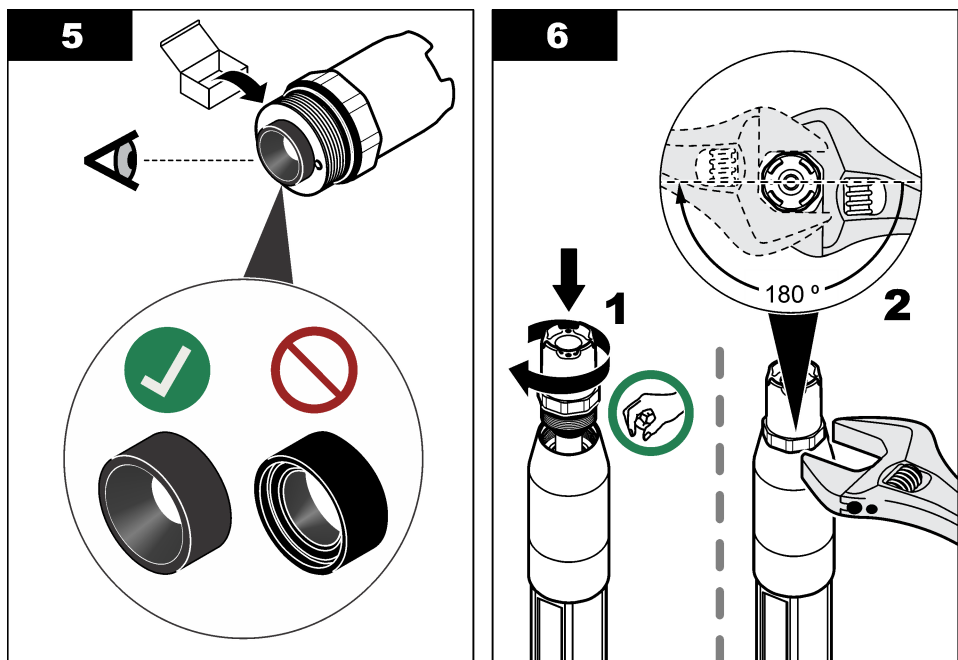
- a. Vierta 1 tapón de botella (¼ cucharadita) de gel en polvo en el depósito para la solución buffer interna.
- b. Vierta una pequeña cantidad de solución buffer interna nueva en el depósito.
- c. Mézclela con el polvo hasta que la solución se espese.
- d. Añada pequeñas cantidades de solución y mézclela hasta que el nivel de gel esté en la parte inferior de las roscas del puente salino.

⁷ (Opcional) Añada gel en polvo a la solución buffer interna si el agua del proceso está cerca de la temperatura de ebullición. El gel en polvo disminuye la velocidad de evaporación de la solución buffer interna.

e. Controle el nivel correcto de gel colocando y sacando el puente salino nuevo. Toda la impresión del puente salino debe estar en la superficie de gel.

3. Calibre el sensor.





5.4 Preparación para el almacenamiento

Para almacenarlo a corto plazo (cuando el sensor se encuentra fuera del proceso más de una hora), llene la tapa protectora con un tampón de pH 4 o agua destilada y vuelva a colocarla en el sensor. Mantenga el electrodo de proceso y el puente salino de unión de referencia húmedos para evitar una respuesta lenta cuando vuelva a funcionar el sensor.

Para un almacenamiento prolongado, repita el procedimiento de almacenamiento a corto plazo cada 2 a 4 semanas, dependiendo de las condiciones medioambientales. Consulte [Especificaciones](#) en la página 98 para obtener información sobre los límites de la temperatura de almacenamiento.

Sección 6 Solución de problemas

6.1 Datos intermitentes

Durante la calibración, los datos no se envían al registro de datos. De este modo, el registro de datos puede tener áreas en las que los datos sean intermitentes.

6.2 Menú de prueba y diagnóstico del sensor

El menú de prueba y diagnóstico del sensor muestra la información actual e histórica del instrumento. Consulte [Tabla 2](#). Para acceder al menú de prueba y diagnóstico del sensor, pulse **Menú** y, a continuación, seleccione MONTAR SENSOR > [Selecc. sensor] > DIAGNOSTICOS.

Tabla 2 Menú DIAGNOSTICOS del sensor

Opción	Descripción
INFO. SENSOR	Muestra el tipo de sensor, el nombre, el número de serie, la versión de software y la versión del controlador.
INFO CALIBRA	Muestra la pendiente de pH (mV/pH) y la fecha de la última calibración. La pendiente de pH debe ser de -55 a -61 mV.

Tabla 2 Menú DIAGNOSTICOS del sensor (continúa)

Opción	Descripción
SEÑALES	<p>SEÑAL SENSOR: muestra la lectura del sensor en mV. El rango de mV es de -60 a +60 mV (0 mV = pH 7).</p> <p>CUENTA CONV AD: muestra el número digital que representa la lectura del pH.</p> <p>CONT A/D TEMP: muestra el número digital que representa la lectura de temperatura.</p> <p>ESTADO ELECTR: muestra el estado del electrodo activo y de referencia (BIEN o MAL). Cuando aparezca "MAL", limpie el sensor y sustituya el puente salino. Sustituya el sensor si es necesario.</p> <p>ELECTR ACTIVO: muestra la impedancia del electrodo activo.</p> <p>ELECTR DE REF: muestra la impedancia del electrodo de referencia.</p> <p>ESTADO IMPEDAN: cuando está activado (recomendado), se mide la impedancia del electrodo activo y de referencia en intervalos de 1 minuto. Se muestra un error en la pantalla del controlador cuando la impedancia del electrodo activo o de referencia no se encuentra entre los límites de impedancia alta y baja.</p>
CONTADORES	<p>DIAS DEL SENS: muestra el número de días de funcionamiento del sensor.</p> <p>RESTAURAR SENS: establece los valores de DIAS DEL SENS y DIAS DE ELECTR a cero.</p> <p>DIAS DE ELECTR: muestra el número de días desde la sustitución del puente salino.</p> <p><i>Nota: El valor DIAS DE ELECTR se establece automáticamente a cero cuando se sustituye el puente salino.</i></p>

6.3 Mensajes de error

Quando se produce un error, la lectura en la pantalla de medición parpadea y se retienen todas las salidas cuando se especifica en el menú del controlador. Para ver los errores del sensor, pulse **Menú** y seleccione **DIAGNOSTICOS > [Selecc. sensor] > LISTA ERRORES**. En la [Tabla 3](#) aparece una lista de posibles errores.

Tabla 3 Mensajes de error

Error	Descripción	Resolución
PH MUY ALTO	La medición del pH es >14.	Calibre el sensor.
ORP MUY ALTO	La medición del ORP es >2100 mV.	
PH MUY BAJO	La medición del pH es <0.	Calibre el sensor.
ORP MUY BAJO	La medición del ORP es ≤2100 mV.	
OFFSET MUY ALTO	El offset es >9 (pH) o 200 mV (ORP).	Realice los pasos descritos en Limpieza del sensor en la página 113 y Cambio del puente salino en la página 113. A continuación, vuelva a realizar la calibración.
OFFSET MUY BAJO	El offset es <5 (pH) o -200 mV (ORP).	
PENDIENTE MUY ALTA	La pendiente es >62 (pH)/1,3 (ORP).	Vuelva a realizar la calibración con soluciones de referencia nuevas.
PENDIENTE MUY BAJA	La pendiente es <50 (pH)/0,7 (ORP).	Realice los pasos descritos en Limpieza del sensor en la página 113. A continuación, vuelva a realizar la calibración.
Temp muy alta	La medición de la temperatura es >130 °C.	Asegúrese de haber seleccionado el elemento de temperatura apropiado. Consulte la opción ELEM. DE TEMP en Configuración del sensor en la página 107.
Temp muy baja	La medición de la temperatura es ≤10 °C.	
FALLO CONV A/D	Fallo del convertidor analógico-digital.	Desconecte el controlador. A continuación, conecte el controlador.
ELECT ACT MUY ALTO	La impedancia del electrodo activo es >900 MΩ.	El sensor está en el aire. Vuelva a colocar el sensor en el proceso.

Tabla 3 Mensajes de error (continúa)

Error	Descripción	Resolución
ELEC ACT MUY BAJO	La impedancia del electrodo activo es <8 MΩ.	El sensor está dañado o sucio. Realice los pasos descritos en Limpieza del sensor en la página 113.
ELECT REF MUY ALTO	La impedancia del electrodo de referencia es >900 MΩ.	La solución buffer interna se ha filtrado o evaporado. Sustituya la solución buffer interna.
ELEC REF MUY BAJO	La impedancia del electrodo de referencia es <8 MΩ.	El electrodo de referencia está dañado. Sustituya el sensor.
MISMO BUFFER	Los tampones que se utilizan para la calibración de 2 PUNTOS AUTO tienen el mismo valor.	Utilice tampones que tengan valores diferentes.
SENSOR PERDIDO	El sensor no está instalado o está desconectado.	Compruebe si el cable del sensor está desconectado o dañado.
FALTA SENS TEMP	No se detecta un sensor de temperatura.	Asegúrese de haber seleccionado el elemento de temperatura apropiado. Consulte la opción ELEM. DE TEMP en Configuración del sensor en la página 107.
VIDRIO BAJA IMP	El bulbo de vidrio se ha roto o fundido.	Sustituya el sensor.

6.4 Mensajes de advertencia

Una advertencia no afecta el funcionamiento de los menús, relés y salidas. En la parte inferior de la pantalla de medición parpadea un icono de advertencia y aparece un mensaje. Para ver las advertencias del sensor, pulse **Menú** y seleccione DIAGNOSTICOS > [Selecc. sensor] > ADVERTENCIAS. En la [Tabla 4](#) aparece una lista de posibles advertencias.

Tabla 4 Mensajes de advertencia

Advertencia	Descripción	Resolución
PH MUY ALTO	La medición del pH es >13.	Calibre el sensor.
ORP MUY ALTO	La medición del ORP es >2100 mV.	
PH MUY BAJO	La medición del pH es <1.	Calibre el sensor.
ORP MUY BAJO	La medición del ORP es <-2100 mV.	
OFFSET MUY ALTO	El offset es >8 (pH) o 200 mV (ORP).	Realice los pasos descritos en Limpieza del sensor en la página 113 y Cambio del puente salino en la página 113. A continuación, vuelva a realizar la calibración.
OFFSET MUY BAJO	El offset es < 6 (pH) o -200 mV (ORP).	
PENDIENTE MUY ALTA	La pendiente es >60 (pH)/1,3 (ORP).	Vuelva a realizar la calibración con soluciones de referencia nuevas.
PENDIENTE MUY BAJA	La pendiente es <54 (pH)/0,7 (ORP).	Realice los pasos descritos en Limpieza del sensor en la página 113. A continuación, vuelva a realizar la calibración.
Temp muy alta	La medición de la temperatura es >100 °C.	Asegúrese de haber seleccionado el elemento de temperatura apropiado. Consulte la opción ELEM. DE TEMP en Configuración del sensor en la página 107.
Temp muy baja	La medición de la temperatura es <0 °C.	
TIEMPO DE CAL EXCEDIDO	El número de días desde la calibración del sensor es mayor que el intervalo de calibración.	Calibre el sensor. <i>Nota:</i> Para cambiar el intervalo de calibración, consulte la opción DIAS PROX CAL en Configuración del sensor en la página 107.

Tabla 4 Mensajes de advertencia (continúa)

Advertencia	Descripción	Resolución
CAMBIAR SENSOR	El número de días de funcionamiento del sensor es mayor que el intervalo de sustitución del sensor.	Sustituya el sensor si es necesario. <i>Nota:</i> Para cambiar el intervalo de sustitución del sensor, consulte la opción DIAS DEL SENS en Configuración del sensor en la página 107.
SIN CALIBRAR	El sensor no está calibrado.	Calibre el sensor.
FALLA FLASH	Fallo de la memoria flash externa.	Póngase en contacto con el servicio de asistencia técnica.
ELECT ACT MUY ALTO	La impedancia del electrodo activo es >800 MΩ.	El sensor está en el aire. Vuelva a colocar el sensor en el proceso.
ELEC ACT MUY BAJO	La impedancia del electrodo activo es <15 MΩ.	El sensor está dañado o sucio. Realice los pasos descritos en Limpieza del sensor en la página 113.
ELECT REF MUY ALTO	La impedancia del electrodo de referencia es >800 MΩ.	La solución buffer interna se ha filtrado o evaporado. Sustituya la solución buffer interna.
ELEC REF MUY BAJO	La impedancia del electrodo de referencia es <15 MΩ.	El electrodo de referencia está dañado. Sustituya el sensor.
CAL EN PROCESO	La calibración ha iniciado pero aún no ha terminado.	Volver a la calibración.

6.5 Lista de eventos

La lista de eventos muestra las actividades que se están realizando en el momento como, por ejemplo, cambios en la configuración, alarmas, estados de las advertencias, etc. Para ver los eventos, pulse **Menú** y seleccione **DIAGNOSTICOS > [Selecc. sensor] > EVENTOS**. En la [Tabla 5](#) aparece una lista de posibles eventos. Los eventos previos se registran en el registro de eventos, el cual se puede descargar del controlador. Consulte la documentación del controlador para obtener información sobre las opciones de recuperación de datos.

Tabla 5 Lista de eventos

Evento	Descripción
CAL LISTA	El sensor está listo para la calibración.
CAL OK	La calibración actual es correcta.
TIEMPO EXP	Se ha rebasado el tiempo de estabilización durante la calibración.
NO BUFFER	No se detecta ningún buffer.
PENDIENTE ALTA	La pendiente de calibración se encuentra por encima del límite superior.
PENDIENTE BAJA	La pendiente de calibración se encuentra por debajo del límite inferior.
OFFSET ALTO	El valor de offset de la calibración del sensor se encuentra por encima del límite superior.
OFFSET BAJO	El valor de offset de la calibración del sensor se encuentra por debajo del límite inferior.
PUNTOS MUY PRÓXIMOS	Los puntos de la calibración tienen un valor muy similar para una calibración de 2 puntos.
FALLO DE CAL	Fallo de calibración.
CAL ALTA	El valor de la calibración se encuentra por encima del límite superior.
INESTABLE	Lectura inestable durante la calibración.
CAMBIO EN CONFIG: flotante	Cambio de configuración: tipo puntos flotantes.

Tabla 5 Lista de eventos (continúa)

Evento	Descripción
CAMBIO EN CONFIG: texto	Cambio de configuración: tipo texto.
CAMBIO EN CONFIG: entero	Cambio de configuración: tipo de valores enteros.
CARGAR CONFIG	Los parámetros de configuración se han establecido en las opciones predeterminadas.
EVENT ALIM ON	La alimentación se ha activado.
FALLO CONV A/D	Fallo del convertidor analógico-digital (fallo del hardware).
BORRAR FLASH	Se ha borrado la memoria flash.
TEMPERATURA	La temperatura registrada es muy alta o muy baja.
INICIO 1 PTO MANUAL	Inicio de una calibración de 1 PUNTO MANUAL.
INICIO 1 PTO AUTO	Inicio de la calibración de 1 PUNTO AUTO para pH.
INICIO 2 PTOS MANUAL	Inicio de la calibración de 2 PUNTO MANUAL para pH.
INICIO 2 PTOS AUTO	Inicio de la calibración de 2 PUNTOS AUTO para pH.
FIN 1 PTO MANUAL	Fin de la calibración de 1 PUNTO MANUAL.
FIN 1 PTO AUTO	Fin de la calibración de 1 PUNTO AUTO para pH.
FIN 2 PTO MANUAL	Fin de la calibración 2 PUNTO MANUAL para pH.
FIN 2 PTO AUTO	Fin de la calibración de 2 PUNTOS AUTO para pH.

Sección 7 Piezas de repuesto y accesorios

⚠ ADVERTENCIA



Peligro de lesión personal. El uso de piezas no aprobadas puede causar lesiones personales, daños al instrumento o un mal funcionamiento del equipo. Las piezas de repuesto que aparecen en esta sección están aprobadas por el fabricante.

Nota: Las referencias de los productos pueden variar para algunas regiones de venta. Póngase en contacto con el distribuidor correspondiente o visite la página web de la empresa para obtener la información de contacto.

Consumibles

Descripción	Cantidad	Referencia
Solución tampón, pH 4,01, rojo	500 ml	2283449
Solución tampón, pH 7,00, amarillo	500 ml	2283549
Solución tampón, pH 10,01, azul	500 ml	2283649
Solución de referencia para ORP, 200 mV	500 ml	25M2A1001-115
Solución de referencia para ORP, 600 mV	500 ml	25M2A1002-115

Piezas de repuesto: sensores de pH

Descripción	Cantidad	Referencia
Puente salino, PEEK, unión externa Kynar (PVDF), con juntas tóricas de Viton	1	SB-P1SV
Puente salino, PEEK, unión externa Kynar (PVDF), con juntas tóricas de perfluoroelastómero	1	SB-P1SP ⁸
Puente salino, PEEK, unión externa de cerámica, con juntas tóricas de Viton	1	SB-P2SV
Puente salino, Ryton, unión externa Kynar (PVDF), con juntas tóricas de Viton	1	SB-R1SV
Solución buffer interna	500 ml	25M1A1025-115
Gel en polvo para solución buffer interna	2 g	25M8A1002-101

Accesorios

Descripción	Referencia
Cable de extensión digital, 1 m (3,2 pies)	6122400
Cable de extensión digital, 7,7 m (25 pies)	5796000
Cable de extensión digital, 15 m (50 pies) ⁹	5796100
Cable de extensión digital, controlador SC200, 31 m (100 pies)	5796200
Caja de terminación digital, controlador SC200 ¹⁰	5867000
Kit de montaje sanitario, acero inoxidable 316, incluye T sanitaria de 2 pulgadas y abrazadera de gran resistencia <i>Nota: El tapón y la junta DE compuesto de EPDM se suministran con el sensor.</i>	MH018S8SZ
Kit de montaje de unión, CPVC (cloruro de polivinilo clorado), incluye T estándar de 1,5 pulgadas, tubo de unión con adaptador, adaptador de sellado, anillo de bloqueo y junta tórica de Viton	6131300
Kit de montaje de unión, acero inoxidable 316, incluye T estándar de 1,5 pulgadas, tubo de unión con adaptador, adaptador de sellado, anillo de bloqueo y junta tórica de Viton	6131400
Kit de montaje de flujo, CPVC, incluye T estándar de 1 pulgada	MH334N4NZ
Kit de montaje de flujo, acero inoxidable 316, incluye T estándar de 1 pulgada	MH314N4MZ
Kit de montaje de inserción, CPVC, incluye válvula de bola de 1,5 pulgadas, boquilla de cierre de NPT de 1,5 pulgadas, adaptador del sensor con dos juntas tóricas de Viton y rasqueta, tubo de extensión, adaptador de tubo, tubo de retorno y anillo de bloqueo	5646300
Kit de montaje de inserción, acero inoxidable 316, incluye válvula de bola de 1,5 pulgadas, boquilla de cierre de NPT de 1,5 pulgadas, adaptador del sensor con dos juntas tóricas de Viton y rasqueta, tubo de extensión, adaptador de tubo, tubo de retorno y anillo de bloqueo	5646350
Kit de montaje de inmersión, estándar, CPVC, incluye un tubo de 1 pulgada por 4 pies y un acoplamiento de NPT de 1 pulgada x 1 pulgada	6136400

⁸ Utilice SB-P1SP cuando el material de Viton no sea químicamente compatible con los productos químicos en la aplicación.

⁹ La longitud máxima del cable es de 15 m (49 pies) para un controlador SC1000.

¹⁰ Utilice una caja de terminación digital si la longitud del cable es de más de 100 m (328 pies). Una caja de terminación no se utiliza con un controlador SC1000.

Accesorios (continúa)

Descripción	Referencia
Kit de montaje de inmersión, estándar, acero inoxidable 316, incluye un tubo de 1 pulgada por 4 pies y un acoplamiento de NPT de 1 pulgada x 1 pulgada	6136500
Kit de montaje de inmersión, barandilla, incluye un tubo de CPVC de 1,5 pulgadas por 7,5 pies y un conjunto de abrazadera de tubo	MH236B00Z
Kit de montaje de inmersión, cadena, acero inoxidable 316, incluye enganche, tuercas y arandelas de acero inoxidable <i>Nota: Solo para el uso con sensores de acero inoxidable. No incluye la cadena.</i>	2881900
Kit de montaje de inmersión, bola flotante, incluye un tubo de CPCV de 1,5 pulgadas por 7,5 pies, un conjunto de bola flotante y de abrazadera de tubo	6131000
Protección del sensor, sensor de tipo convertible, PEEK	1000F3374-002
Protección del sensor, sensor de tipo convertible, Ryton	1000F3374-003

Índice

- 1 Especificações na página 122
- 2 Informação geral na página 123
- 3 Instalação na página 125
- 4 Funcionamento na página 131
- 5 Manutenção na página 136
- 6 Resolução de problemas na página 139
- 7 Acessórios e peças de substituição na página 143

Secção 1 Especificações

As especificações podem ser alteradas sem aviso prévio.

Especificação	Sensores de pH	Sensor de pH de aço inoxidável	Sensores de ORP
Dimensões (comprimento)	272,5 mm (10,73 polegadas)	325,3 mm (12,81 polegadas)	272,5 mm (10,73 polegadas)
Peso	316 g (11 oz)	870 g (31 oz)	316 g (11 oz)
Materiais de imersão	Corpo PEEK ou Ryton (PVDF), ponte salina do material correspondente com ligação Kynar, eléctrodo de vidro do processo, eléctrodo de terra de titânio e vedantes O-ring Viton <i>Nota: O sensor de pH com eléctrodo de processo de vidro do processo resistente a HF tem um eléctrodo de terra de aço inoxidável 316 e O-rings de imersão de perfluoro-elastómetro.</i>	Apenas montagem de imersão, corpo de aço inoxidável 316 com extremidades Ryton (PVDF) e ponte salina	Corpo PEEK ou Ryton (PVDF), ponte salina em material correspondente à união em Kynar, eléctrodo de processo de vidro e platina (ou vidro e ouro), eléctrodo de terra em titânio e vedantes O-ring Viton
Componentes	Materiais resistentes à corrosão, totalmente submersíveis		
Cabo do sensor (integral)	4 condutores (mais 1 blindado), 10 m (33 pés), classificação para 105 °C (221 °F)		
Temperatura de funcionamento	-5 a 70 °C (23 a 158 °F)	0 a 50 °C (32 a 122 °F)	-5 a 70 °C (23 a 158 °F)
Temperatura de armazenamento	4 a 70 °C (40 a 158 °F); 0 a 95% de humidade relativa, sem condensação		
Intervalo de medição	2,0 a 14,0 pH ¹ (ou 2,00 a 14,00)		-1500 a +1500 mV
Repetibilidade	±0.05 pH		±2 mV
Sensibilidade	±0,01 pH		±0,5 mV ²
Estabilidade	0,03 pH por 24 horas, não cumulativo		2 mV (OPR) por 24 horas, não cumulativo
Taxa de fluxo máxima	3 m/s		
Limite da pressão	6,9 bar a 70 °C (100 psi a 158 °F)	Não aplicável (apenas imersão)	6,9 bar a 70 °C (100 psi a 158 °F)

¹ A maioria das aplicações de pH encontram-se no intervalo de 2,5 a 12,5 pH. O sensor diferencial de pH pHd com o eléctrodo de processo de vidro de grande amplitude tem um desempenho excepcional neste intervalo. Algumas aplicações industriais necessitam de uma medição mais precisa e de controlo abaixo de 2 ou acima de 12 pH. Nestes casos especiais, entre em contacto com o fabricante para obter mais informações.

² Para obter os melhores resultados em soluções que contenham zinco, cianeto, cádmio ou níquel, utilize o sensor de ORP pHd com eléctrodo de ouro.

Especificação	Sensores de pH	Sensor de pH de aço inoxidável	Sensores de ORP
Distância de transmissão	100 m (328 pés), no máximo, ou 1000 m (3280 pés), no máximo, quando utilizado com uma caixa de terminação		
Elemento de temperatura	Termistor NTC de 300 Ω para compensação automática da temperatura e leitura da temperatura do analisador	Termistor NTC de 300 Ω apenas para leitura da temperatura do analisador —sem necessidade de compensação da temperatura automática para medição de ORP	
Precisão da temperatura	±0,5 °C (0,9 °F)		
Compensação da temperatura	Automático de -10 a 105 °C (14,0 a 221 °F) com termistor NTC de 300 Ω, elemento de temperatura RTD Pt de 1000 ohm ou RTD Pt de 100 Ω, ou fixado manualmente a uma temperatura introduzida pelo utilizador	Não aplicável	
Métodos de calibração	Automático ou manual de 1 ou 2 pontos		Manual de 1 ponto
Interface do sensor	Modbus		
Certificações	CE		
Garantia	1 ano; 2 anos (UE)		

Secção 2 Informação geral

Em caso algum o fabricante será responsável por quaisquer danos directos, indirectos, especiais, acidentais ou consequenciais resultantes de qualquer incorrecção ou omissão deste manual. O fabricante reserva-se o direito de, a qualquer altura, efectuar alterações neste manual ou no produto nele descrito, sem necessidade de o comunicar ou quaisquer outras obrigações. As edições revistas encontram-se disponíveis no website do fabricante.

2.1 Informações de segurança

O fabricante não é responsável por quaisquer danos resultantes da aplicação incorrecta ou utilização indevida deste produto, incluindo, mas não limitado a, danos directos, incidentais e consequenciais, não se responsabilizando por tais danos ao abrigo da lei aplicável. O utilizador é o único responsável pela identificação de riscos de aplicação críticos e pela instalação de mecanismos adequados para a protecção dos processos na eventualidade de uma avaria do equipamento.

Leia este manual até ao fim antes de desembalar, programar ou utilizar o aparelho. Dê atenção a todos os avisos relativos a perigos e precauções. A não leitura destas instruções pode resultar em lesões graves para o utilizador ou em danos para o equipamento.

Certifique-se de que a protecção oferecida por este equipamento não é comprometida. Não o utilize ou instale senão da forma especificada neste manual.

2.2 Uso da informação de perigo

▲ PERIGO
Indica uma situação de perigo potencial ou eminente que, se não for evitada, resultará em morte ou lesões graves.
▲ ADVERTÊNCIA
Indica uma situação de perigo potencial ou eminente que, se não for evitada, poderá resultar em morte ou lesões graves.

⚠ AVISO





Indica uma situação de perigo potencial, que pode resultar em lesões ligeiras a moderadas.

ATENÇÃO

Indica uma situação que, se não for evitada, pode causar danos no equipamento. Informação que requer ênfase especial.

2.3 Avisos de precaução

Leia todos os avisos e etiquetas do equipamento. A sua não observação pode resultar em lesões para as pessoas ou em danos para o aparelho. Um símbolo no aparelho é referenciado no manual com uma frase de precaução.

	Este é o símbolo de alerta de segurança. Observe todas as mensagens de segurança que seguem este símbolo para evitar potenciais lesões. Caso se encontre no equipamento, consulte o manual de instruções para obter informações de operação ou segurança.
	Este símbolo indica que existe um risco de choque eléctrico e/ou electrocussão.
	Este símbolo indica a presença de dispositivos sensíveis a descargas electrostáticas (DEE) e indica que é necessário ter cuidado para evitar danos no equipamento.
	O equipamento eléctrico marcado com este símbolo não pode ser eliminado nos sistemas europeus de recolha de lixo doméstico e público. Devolva os equipamentos antigos ou próximos do final da sua vida útil ao fabricante para que os mesmos sejam eliminados sem custos para o utilizador.

2.4 Descrição geral do produto

Este sensor foi concebido para funcionar com um controlador para recolha e utilização de dados. É possível utilizar vários controladores com este sensor. Este documento aborda a instalação e utilização do sensor com um controlador sc. Para utilizar o sensor com outros controladores, consulte no manual do utilizador as informações sobre o controlador utilizado.

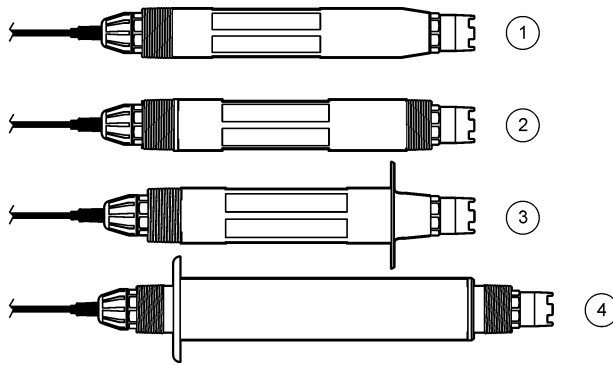
Este produto não é aceitável para uso em locais perigosos.

O equipamento opcional, como equipamento de montagem para a sonda, é fornecido com instruções de instalação. Estão disponíveis muitas opções de montagem, o que permite adaptar a sonda para ser utilizada em muitas aplicações diferentes.

2.5 Estilos de sensor

O sensor está disponível em diferentes estilos. Consulte a [Figura 1](#).

Figura 1 Estilos de sensor



1 Inserção —para instalação numa célula de fluxo ou adaptador de tubo de um conjunto de equipamento de válvula de esfera. Permite a remoção sem interrupção do fluxo do processo.	3 Sanitário —para instalação num tubo em T sanitário de 2 polegadas
2 Convertível —para tubo em T ou imersão num recipiente aberto	4 Aço inoxidável —para imersão num recipiente aberto

Sensores de inserção—os sensores de inserção são semelhantes aos sensores convertíveis, mas as roscas NPT de 1 polegada apenas existem na extremidade do cabo para montagem numa célula de caudal ou no adaptador de tubo de um conjunto de equipamento de válvula de esfera. Os sensores de inserção são colocados ou retirados do processo sem necessidade interromper o fluxo do processo.

Sensores convertíveis— os sensores convertíveis têm roscas NPT de 1 polegada em ambas as extremidades do corpo para montagem nas configurações seguintes:

- numa junta em T padrão NPT de 1 polegada
- num adaptador de tubo para montagem de união e num tubo em T padrão de 1-½ polegadas
- na extremidade de um tubo para imersão num reservatório

Nota: Os sensores convertíveis também podem ser utilizados em instalações existentes para sensores LCP de 1-½ polegadas, Ryton e de epóxi.

Sensores sanitários—os sensores sanitários possuem uma flange de 2 polegadas integrada para montagem num tubo em T sanitário de 2 polegadas. Os sensores sanitários incluem uma tampa especial e junta do composto EPDM para utilização com o equipamento sanitário.

Sensores de aço inoxidável—os sensores de aço inoxidável têm roscas NPT de 1 polegada em ambas as extremidades do corpo. Os sensores de aço inoxidável destinam-se a imersão em recipiente aberto.

Secção 3 Instalação

3.1 Montagem

▲ ADVERTÊNCIA



Perigo de explosão. Certifique-se de que o equipamento de montagem do sensor tem uma classificação de temperatura e de pressão suficientes para a localização de montagem.

▲ AVISO



Perigo de danos pessoais. O vidro partido pode causar cortes. Utilize ferramentas e equipamento de protecção pessoal para remover vidros partidos.

ATENÇÃO

O eléctrodo de processo na extremidade do sensor de pH possui uma lâmpada de vidro que pode partir. Não exerça pressão na lâmpada de vidro.

ATENÇÃO

O eléctrodo de processo dourado ou platinado na extremidade do sensor de ORP possui uma haste de vidro (ocultada pela ponte salina) que pode partir. Não exerça pressão na haste de vidro.

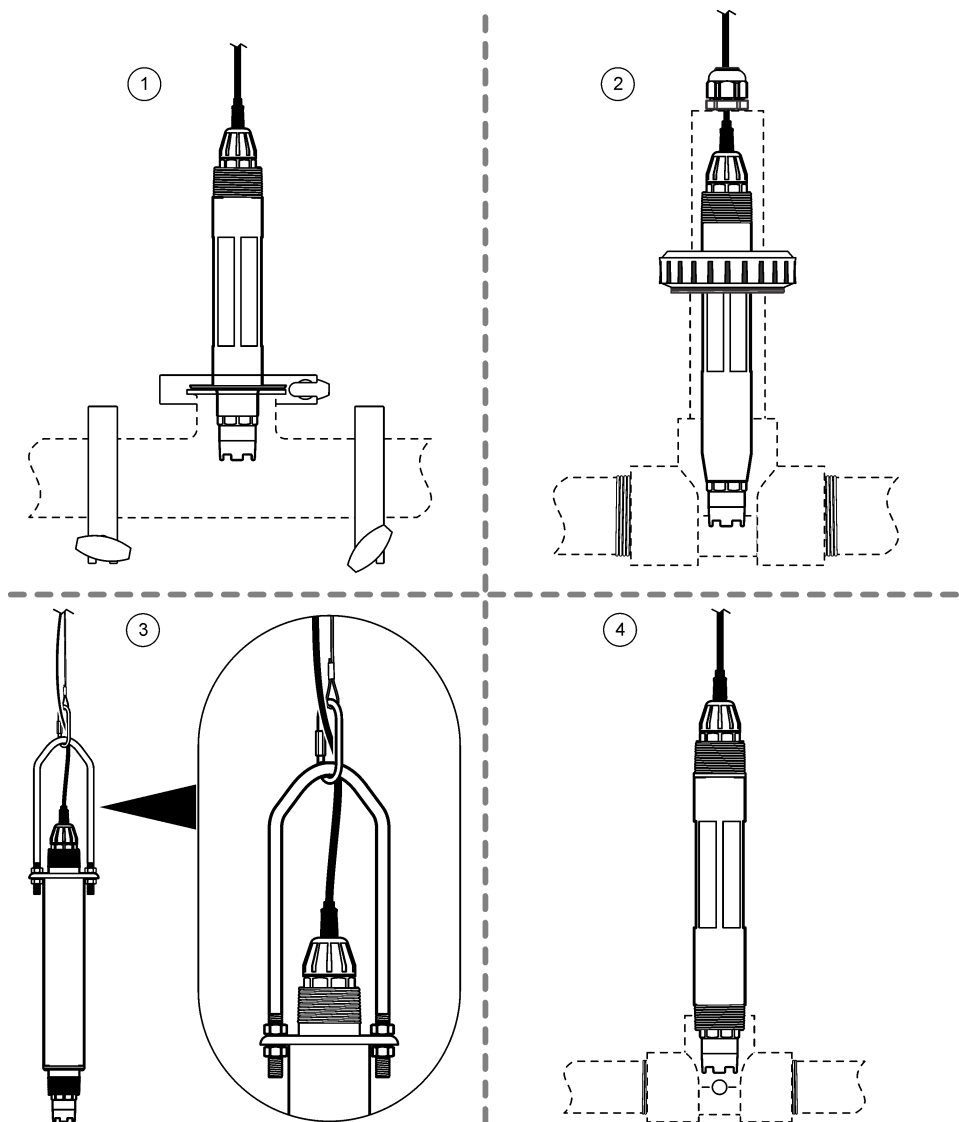
ATENÇÃO

Este equipamento está classificado para uma altitude máxima de 2000 m (6562 pés). Embora a utilização deste equipamento acima dos 2000 m de altitude não apresente riscos de segurança significativos, o fabricante recomenda aos utilizadores que contactem o suporte técnico em caso de dúvida.

- Instale o sensor onde a amostra que está em contacto com o sensor é representativa do processo inteiro.
- Consulte a [Figura 2](#), a [Figura 3](#) e a [Figura 4](#) para obter exemplos de configuração de montagem.
- Consulte a secção [Acessórios e peças de substituição](#) na página 143 para obter mais informações sobre o equipamento de montagem.
- Consulte as instruções fornecidas com o equipamento de montagem para obter mais informações de instalação.
- Instale o sensor, pelo menos, 15° acima da horizontal. Consulte a [Figura 5](#).
- Para instalações de imersão, coloque o sensor a, pelo menos, 508 mm (20 pol.) de distância da parede do tanque de arejamento e mergulhe o sensor, pelo menos, 508 mm (20 pol.) no processo.
- Remova a tampa de protecção antes de o sensor ser inserido na amostra. Guarde a tampa de protecção para utilização futura.
- (Opcional) Se a água de processo estiver próxima da temperatura de ebulição adicione gel em pó³ à solução da célula padrão no sensor. Consulte o passo 2 da secção [Substituir a ponte salina](#) na página 137 Não substitua a ponte salina.
- Calibre o sensor antes da utilização.

³ O gel em pó diminui a taxa de evaporação da solução da célula padrão.

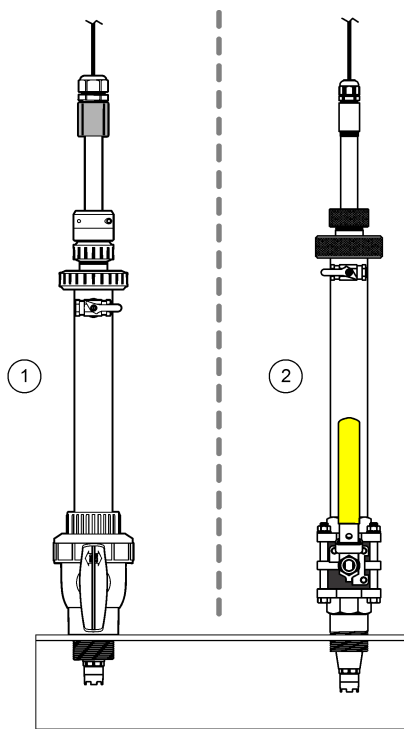
Figura 2 Exemplos de montagem (1)



<p>1 Montagem sanitária (tubo em T sanitário de 2 polegadas)</p>	<p>3 Montagem de imersão, corrente e pega⁴</p>
<p>2 Montagem de união (tubo em T padrão de 1½ polegadas)</p>	<p>4 Montagem de passagem (tubo em T padrão de 1 polegada)</p>

⁴ Apenas sensores de aço inoxidável

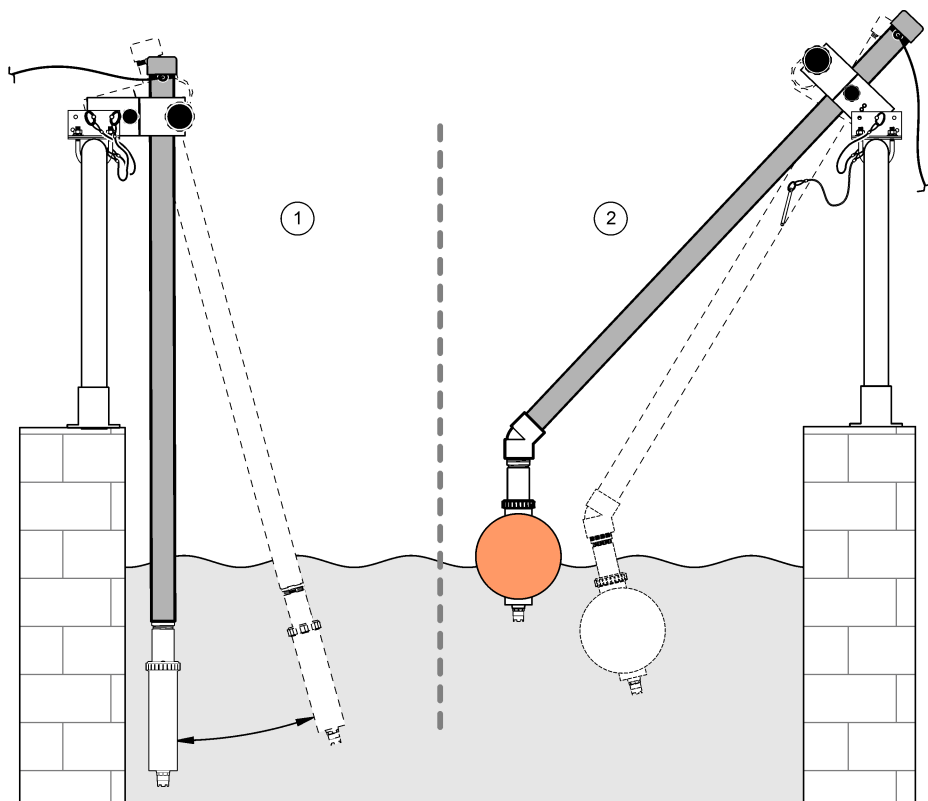
Figura 3 Exemplos de montagem (2)



1 Montagem de inserção, equipamento de CPVC

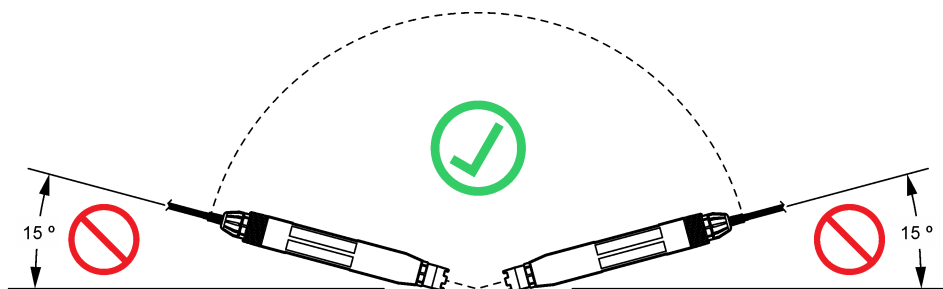
2 Montagem de inserção, equipamento de aço inoxidável

Figura 4 Exemplos de montagem (3)



1 Montagem de imersão, corrimento	2 Montagem de imersão, flutuação de esfera
-----------------------------------	--

Figura 5 Ângulo de montagem do sensor

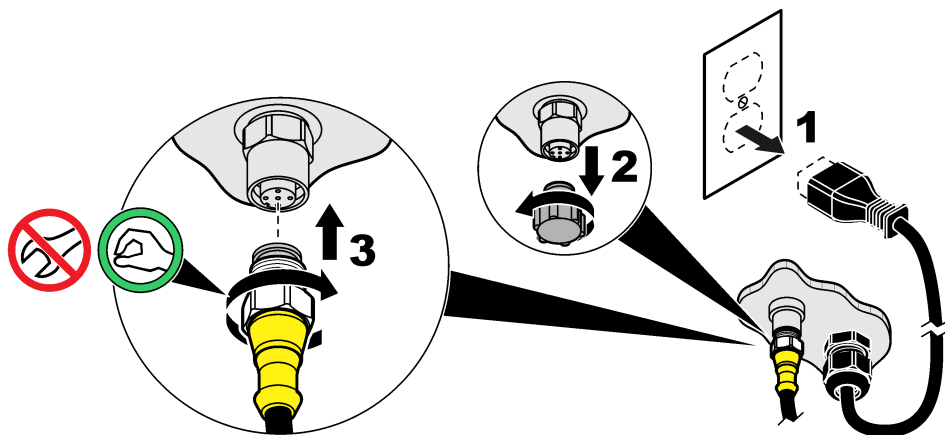


3.2 Instalação eléctrica

3.2.1 Ligue o sensor a um encaixe de ligação rápida (local não perigoso)

1. Ligue o cabo do sensor ao encaixe de ligação rápida do controlador SC. Consulte a [Figura 6](#).
Retenha a tampa do conector para selar a abertura do conector no caso de ter de se remover o sensor.
2. Se a alimentação estiver ligada quando o sensor é ligado:
 - Controlador SC200—Selecione TESTE/MANUT > PROC SENSORES.
 - Controlador SC1000—Selecione CFG SISTEMA > GERENCIADOR DE DISPOSITIVO > A PROCURAR NOVOS DISPOSITIVOS.

Figura 6 Ligue o sensor a um encaixe de ligação rápida



3.2.2 Cabos de extensão

- Estão disponíveis cabos de extensão. Consulte a [Acessórios e peças de substituição](#) na página 143.
- O comprimento máximo do cabo é de 15 m (49 pés) para um controlador SC1000.
- O comprimento máximo do cabo é de 1000 m (3280 pés) para um controlador SC200.
- Controlador SC200—se o comprimento do cabo for superior a 100 m (328 pés), utilize uma caixa de terminação digital. Consulte a [Acessórios e peças de substituição](#) na página 143.

3.2.3 Ligar um cabo de sensor com fios descarnados (local não perigoso)

▲ PERIGO



Perigo de electrocussão. Desligue sempre o equipamento antes de efectuar quaisquer ligações eléctricas.

▲ PERIGO



Perigo de electrocussão. A ligação de fios de alta tensão para o controlador é conectada atrás da barreira de alta tensão na estrutura do controlador. A barreira deve permanecer no local, excepto quando instalar módulos ou quando um técnico de instalação qualificado estiver a ligar a alimentação, relés ou placas analógicas e de rede.

Se o cabo do sensor não tiver um conector de ligação rápida⁵, ligue os fios descarnados do cabo do sensor ao controlador da seguinte forma:

Nota: Não é possível ligar um cabo de sensor com fios descarnados a um controlador SC1000.

1. Localize o kit de cablagem da conduta (9222400) na caixa de envio do controlador SC200.
O kit contém quatro conectores de união.
2. Siga as instruções fornecidas no kit de cablagem da conduta para ligar o cabo do sensor ao controlador.

Secção 4 Funcionamento

4.1 Navegação do utilizador

Consulte a documentação do controlador para obter uma descrição do teclado e informações de navegação.

Prima várias vezes a tecla de seta **PARA A DIREITA** no controlador para apresentar mais informações no ecrã inicial e apresentar um ecrã gráfico.

4.2 Configurar o sensor

Selecione um nome e o tipo de sensor. Altere as opções de medição, calibração, processamento de dados e armazenamento.




1. Prima **menu** e, em seguida, seleccione **CFG SENSOR > [Seleccionar sensor] > CONFIGURAR**.
2. Seleccione uma opção.

Opção	Descrição
EDITAR NOME	Muda o nome que corresponde ao sensor no topo do ecrã de medição. O nome tem um limite máximo de 12 caracteres, sendo possível qualquer combinação de letras, números, espaços ou pontuação.
SEL SENSOR	Selecciona o tipo de sensor (pH ou ORP).
DISPLAY	Apenas para sensores de pH—altera o número de casas decimais que são apresentadas no ecrã de medição para XX,XX (predefinição) ou XX,X.
UNIDADES TEMP	Define as unidades de temperatura como °C (predefinição) ou °F.
CFG LOGGER	Define o intervalo de tempo para armazenamento de dados no registo de dados—5, 30 segundos, 1, 2, 5, 10, 15 (predefinição), 30, 60 minutos.
FREQÜÊNCIA CA	Selecciona a frequência da alimentação de CA fornecida ao controlador (50 ou 60 Hz). Se a alimentação para o controlador for de 120 V CA, seleccione 60 Hz. Se a alimentação para o controlador for de 230 V CA, seleccione 50 Hz.
FILTRO	Define uma constante de tempo para aumentar a estabilidade do sinal. A constante temporal calcula o valor médio durante um período especificado—0 (nenhum efeito, predefinição) a 60 segundos (média do valor do sinal durante 60 segundos). O filtro aumenta o tempo em que o sinal do sensor deve responder às alterações do processo.
SENSOR TEMP	Sensores de pH—define o elemento de temperatura para compensação automática da temperatura como PT100, PT1000, NTC300 (predefinição) ou MANUAL. Se não for utilizado qualquer elemento, o tipo pode ser definido como MANUAL e pode ser introduzido um valor para compensação da temperatura (predefinição manual: 25 °C). Sensores de ORP—a compensação da temperatura não é utilizada. Pode ser ligado um elemento de temperatura para medir a temperatura.

⁵ Por exemplo, se forem utilizados uma caixa de terminação digital e um cabo blindado de quatro fios para aumentar o comprimento do cabo do sensor.

Opção	Descrição
SEL PADRÃO	Apenas para sensores de pH—selecciona as soluções tampão utilizadas para a calibração. Opções: pH 4, 7, 10 (predefinição) ou DIN 19267 (pH 1,09, 4,65, 6,79, 9,23, 12,75) Nota: Podem ser utilizadas outras soluções tampão para a calibração.
COMP H2O PURA	Apenas para sensores de pH—adiciona uma correcção dependente da temperatura ao valor de pH medido para água pura com aditivos—NENHUM (predefinição), AMÔNIO, MORFOLINA ou DO USUÁRIO). Para temperaturas de processo superiores a 50 °C, é utilizada a correcção a 50 °C. Para aplicações definidas pelo utilizador, pode ser introduzido um declive linear (predefinição: 0 pH/°C).
DIAS DE CALIB	Define o intervalo de calibração (predefinição: 60 dias). Nota: É apresentado um aviso no visor do controlador quando o número de dias desde que o sensor foi calibrado é superior ao intervalo de calibração.
DIAS DO SENSOR	Define o intervalo de substituição do sensor (predefinição: 365 dias). Nota: É apresentado um aviso no visor do controlador quando o número de dias de funcionamento do sensor é superior ao intervalo de substituição do sensor.
IMPED LIMITS	Define os limites de impedância para os eléctrodos activos e de referência (predefinição: BAIXO = 0 MΩ, ALTO = 1000 MΩ). Nota: Quando a opção STATUS IMPED no menu de TESTE/DIAG está definida para HABILITADO, é apresentada uma mensagem de erro no visor do controlador quando a impedância do eléctrodo activo ou de referência não se encontra dentro dos limites de impedância.
CFG PADRÃO	Repõe as configurações para os parâmetros predefinidos.

4.3 Calibrar o sensor

⚠ ADVERTÊNCIA	
	Perigo de explosão. A remoção de um sensor de um receptáculo pressurizado pode ser perigosa. Reduza a pressão do processo para um valor inferior a 10 psi antes de proceder à remoção. Se tal não for possível, tenha muito cuidado ao efectuar a remoção. Para obter mais informações, consulte a documentação fornecida com o equipamento de montagem.
⚠ ADVERTÊNCIA	
	Perigo de exposição a produtos químicos. Siga os procedimentos de segurança do laboratório e utilize todo o equipamento de proteção pessoal adequado aos produtos químicos manuseados. Consulte as fichas de dados sobre segurança de materiais (MSDS/SDS) para protocolos de segurança.
⚠ AVISO	
	Perigo de exposição a produtos químicos. Elimine os produtos químicos e os resíduos de acordo com os regulamentos locais, regionais e nacionais.

4.3.1 Sobre o sensor de calibração

A calibração ajusta a leitura do sensor para fazer corresponder o valor de uma ou duas soluções de referência. As características do sensor mudam lentamente ao longo do tempo e permitem que o sensor perca precisão. O sensor tem de ser calibrado regularmente para manter a precisão. A frequência de calibração varia com a aplicação e é melhor determinada pela experiência.

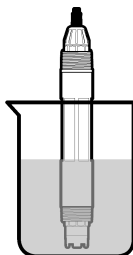
Para sensores de pH é utilizado um elemento de temperatura para fornecer leituras de pH que sejam automaticamente ajustadas para 25 °C para mudanças de temperatura que afectem o eléctrodo activo e de referência. Este ajuste pode ser definido manualmente pelo cliente se a temperatura do processo for constante. Consulte a opção SENSOR TEMP em [Configurar o sensor](#) na página 131.

4.3.2 Procedimento de calibração de pH

Calibre o sensor de pH com uma ou duas soluções de referência (calibração de 1 ponto ou 2 pontos).

1. Coloque o sensor na primeira solução de referência (uma solução tampão ou amostra de valor conhecido). Certifique-se de que a parte de sensor da sonda está completamente imersa no líquido. Consulte a [Figura 7](#).

Figura 7 Sensor na solução de referência



2. Aguarde até que a temperatura da solução e do sensor sejam idênticas. Isto poderá demorar 30 minutos ou mais, se a diferença de temperatura entre o processo e a solução de referência for significativa.
3. Prima **menu** e, em seguida, seleccione **CFG SENSOR > [Seleccionar sensor] > CALIBRAR**.
4. Seleccione o tipo de calibração:

Opção	Descrição
1 PT AUTO	Utilize uma solução tampão para calibração (por ex., pH 7). O sensor identifica automaticamente a solução tampão durante a calibração. Nota: <i>Certifique-se de que selecciona o conjunto de solução tampão correcto nas definições de configuração do sensor.</i>
2 PTS AUTO (recomendada)	Utilizar duas soluções tampão para calibração (por ex., pH 7 e pH 4). O sensor identifica automaticamente as soluções tampão durante a calibração. Nota: <i>Certifique-se de que selecciona o conjunto de solução tampão correcto nas definições de configuração do sensor.</i>
1 PT MANUAL	Utilize uma amostra de valor de pH conhecido (ou uma solução tampão) para calibração. Introduza o valor de pH durante a calibração.
2 PTS MANUAL	Utilize as duas amostras de valor de pH conhecido (ou duas soluções tampão) para calibração. Introduza os valores de pH durante a calibração.

5. Se o código de acesso for activado no menu de segurança do controlador, introduza o código.
6. Seleccione a opção para o sinal de saída durante a calibração:

Opção	Descrição
ATIVO	O instrumento envia o valor de saída actual medido durante o procedimento de calibração.
RETER	O valor de saída do sensor é mantido no valor actual medido durante o procedimento de calibração.
TRANSFERIR	Um valor de saída predefinido é enviado durante a calibração. Consulte o manual do utilizador do controlador para alterar o valor predefinido.

7. Com o sensor na primeira solução de referência, prima o botão de confirmação. É apresentado o valor medido.
8. Se aplicável, introduza o valor de pH da solução de referência:
 - a. Aguarde que o valor estabilize e, em seguida, prima o botão de confirmação.

b. Introduza o valor de pH.

Nota: Se a solução de referência for uma solução tampão, verifique o valor de pH no frasco da solução tampão para obter a temperatura da solução tampão. Se a solução de referência for uma amostra, determine o valor de pH da amostra com um instrumento diferente.

9. Para uma calibração de 2 pontos, meça a segunda solução de referência da seguinte forma:

- Remova o sensor da primeira solução e enxague com água limpa.
- Coloque o sensor na solução de referência seguinte e, em seguida, prima o botão de confirmação.
- Se aplicável, aguarde que o valor estabilize e prima o botão de confirmação. Introduza o valor de pH.

10. Reveja o resultado da calibração:

- APR.—o sensor está calibrado e pronto a medir amostras. São apresentados os valores do declive e/ou desvio.
- FAL.—o declive ou desvio da calibração encontra-se fora dos limites aceitáveis. Repita a calibração com soluções de referência novas. Limpe o sensor, se necessário. Consulte a [Limpar o sensor](#) na página 136.

11. Se a calibração for aprovada, prima o botão de confirmação.

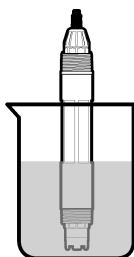
12. Volte a realizar o processo no sensor e, em seguida, prima o botão de confirmação. O sinal de saída regressa ao estado activo e o valor da amostra medida é apresentado do ecrã de medição.

4.3.3 Procedimento de calibração ORP

Calibre o sensor de ORP com uma solução de referência ou uma amostra de valor conhecido.

1. Coloque o sensor na amostra ou solução de referência. Certifique-se de que a parte de sensor da sonda está completamente imersa na solução. Consulte a [Figura 8](#).

Figura 8 Sensor na amostra ou solução de referência



- Prima **menu** e, em seguida, seleccione **CFG SENSOR > [Seleccionar sensor] > CALIBRAR**.
- Seleccione **1 PT MANUAL**.
- Se o código de acesso for activado no menu de segurança do controlador, introduza o código.
- Seleccione a opção para o sinal de saída durante a calibração:

Opção	Descrição
ATIVO	O instrumento envia o valor de saída actual medido durante o procedimento de calibração.
RETER	O valor de saída do sensor é mantido no valor actual medido durante o procedimento de calibração.
TRANSFERIR	Um valor de saída predefinido é enviado durante a calibração. Consulte o manual do utilizador do controlador para alterar o valor predefinido.

6. Com o sensor na amostra ou solução de referência, prima o botão de confirmação. É apresentado o valor medido.

7. Aguarde que o valor estabilize e, em seguida, prima o botão de confirmação.

8. Introduza o valor de ORP da amostra ou solução de referência.

Nota: Se utilizar uma solução de referência para calibração, verifique o valor de ORP no frasco da solução de referência. Se utilizar uma amostra para calibração, meça o valor de ORP com um instrumento de verificação secundária.

9. Reveja o resultado da calibração:

- APR.—o sensor foi calibrado e está pronto para medir amostras. São apresentados os valores do declive e/ou desvio.
- FAL.—o declive ou desvio da calibração encontra-se fora dos limites aceitáveis. Repita a calibração com uma solução de referência nova. Limpe o sensor, se necessário. Consulte a [Limpagem do sensor](#) na página 136.

10. Se a calibração for aprovada, prima o botão de confirmação.

11. Volte a realizar o processo no sensor e, em seguida, prima o botão de confirmação.

O sinal de saída regressa ao estado activo e o valor da amostra medida é apresentado do ecrã de medição.

4.3.4 Calibração de temperatura

O instrumento é calibrado de fábrica para medição precisa da temperatura. Calibre a temperatura para aumentar a precisão.

1. Coloque o sensor dentro de um recipiente com água.
2. Meça a temperatura da água com um termómetro preciso ou um instrumento independente.
3. Prima **menu** e, em seguida, seleccione CFG SENSOR > [Seleccionar sensor] > CALIBRAR.
4. Seleccione AJUSTE TEMP > EDITA TEMP e, em seguida, prima o botão de confirmação.
5. Introduza o valor exacto da temperatura e, em seguida, prima o botão de confirmação.
6. Volte a realizar o processo no sensor e, em seguida, prima o botão de confirmação.

4.3.5 Sair do procedimento de calibração

1. Para sair de uma calibração, prima **back (voltar)**.
2. Seleccione uma opção.

Opção	Descrição
ABORTA	Pára a calibração. É iniciada uma nova calibração.
VOLTAR A CALIB	Voltar à calibração.
SAIR	Sai da calibração temporariamente. É permitido o acesso a outros menus. Pode ser iniciada a calibração de um segundo sensor (se existir). Para voltar à calibração, prima menu e seleccione CFG SENSOR > [Select Sensor] (Seleccionar sensor).

4.4 Dados do sensor e registos de eventos

O controlador sc fornece um registo de dados e um registo de eventos para cada sensor. O registo de dados armazena os dados de medição em intervalos seleccionados (configuráveis pelo utilizador). O registo de eventos apresenta os eventos que ocorreram.

Os registos de dados e de eventos podem ser guardados em formato CSV. Consulte a documentação do controlador para obter instruções.

4.5 Registos do Modbus

Uma lista de registos do Modbus está disponível para a comunicação em rede. Consulte o Web site do fabricante para obter mais informações.

Secção 5 Manutenção

▲ PERIGO



Vários perigos. Apenas pessoal qualificado deverá realizar as tarefas descritas nesta secção do documento.

▲ ADVERTÊNCIA



Perigo de explosão. A remoção de um sensor de um receptáculo pressurizado pode ser perigosa. Reduza a pressão do processo para um valor inferior a 10 psi antes de proceder à remoção. Se tal não for possível, tenha muito cuidado ao efectuar a remoção. Para obter mais informações, consulte a documentação fornecida com o equipamento de montagem.

▲ ADVERTÊNCIA



Perigo de exposição a produtos químicos. Siga os procedimentos de segurança do laboratório e utilize todo o equipamento de proteção pessoal adequado aos produtos químicos manuseados. Consulte as fichas de dados sobre segurança de materiais (MSDS/SDS) para protocolos de segurança.

▲ AVISO



Perigo de exposição a produtos químicos. Elimine os produtos químicos e os resíduos de acordo com os regulamentos locais, regionais e nacionais.

5.1 Calendário de manutenção

A **Tabela 1** apresenta o calendário recomendado das tarefas de manutenção. Os requisitos do local e as condições de funcionamento podem aumentar a frequência de algumas tarefas.

Tabela 1 Calendário de manutenção

Tarefa	1 ano	Conforme necessário
Limpar o sensor na página 136		X ⁶
Substituir a ponte salina na página 137	X	
Calibrar o sensor	Definido pela experiência ou pelas agências regulamentares	

5.2 Limpar o sensor

Pré-requisito: Prepare uma solução de lavagem suave com um detergente de lavar loiça não abrasivo sem lanolina. A lanolina deixa uma película na superfície do eléctrodo que pode comprometer o desempenho do sensor.

Examine regularmente o sensor relativamente a detritos e acumulação de depósitos. Limpe o sensor quando existir acumulação de depósitos ou quando o desempenho for inferior.

1. Use um pano limpo e seco para remover detritos soltos da extremidade do sensor. Lave o sensor com água limpa e quente.
2. Mergulhe o sensor durante 2 ou 3 minutos na solução com sabão.
3. Utilize uma escova de cerdas macias para esfregar toda a extremidade de medição do sensor.
4. Se os detritos permanecerem, mergulhe a extremidade de medição do sensor numa solução de ácido diluída como < 5% HCl durante um período máximo de 5 minutos.
5. Enxague o sensor com água e volte à solução de lavagem durante 2 a 3 minutos.

⁶ A frequência depende das condições de funcionamento.

6. Lave o sensor com água limpa.

Nota: Os sensores com eléctrodos de antimónio para aplicações de HF podem requerer uma limpeza adicional. Contacte a assistência técnica.

Calibre sempre o sensor após serem realizados os procedimentos de manutenção.

5.3 Substituir a ponte salina

Substitua a ponte salina e a solução da célula padrão em intervalos de 1 ano ou quando a calibração falhar após a limpeza do sensor.

Nota: Está disponível um vídeo que mostra como substituir a ponte salina em www.Hach.com. Aceda à página Web da ponte salina e clique no separador Vídeo (Vídeo).

Itens a preparar:

- Chave inglesa ajustável
- Pinças grandes
- Ponte salina
- Solução da célula padrão
- Gel em pó⁷, 1/8 colher pequena

1. Limpe o sensor. Consulte a [Limpar o sensor](#) na página 136.

2. Substitua a ponte salina e a solução de célula padrão. Consulte os passos ilustrados abaixo.

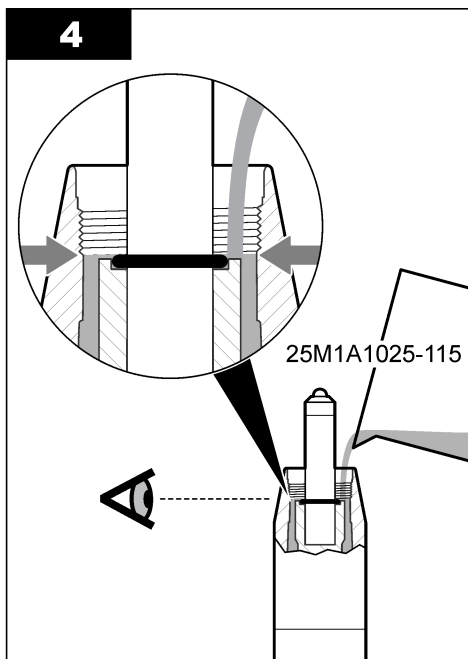
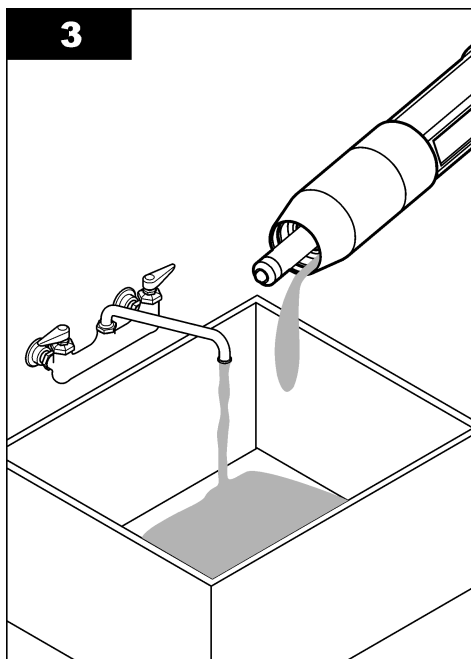
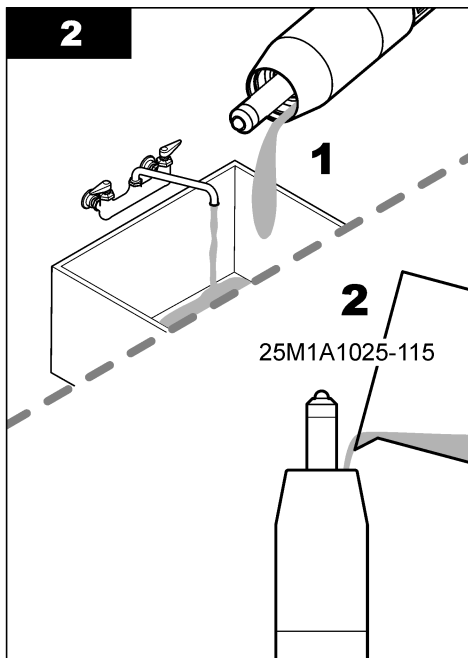
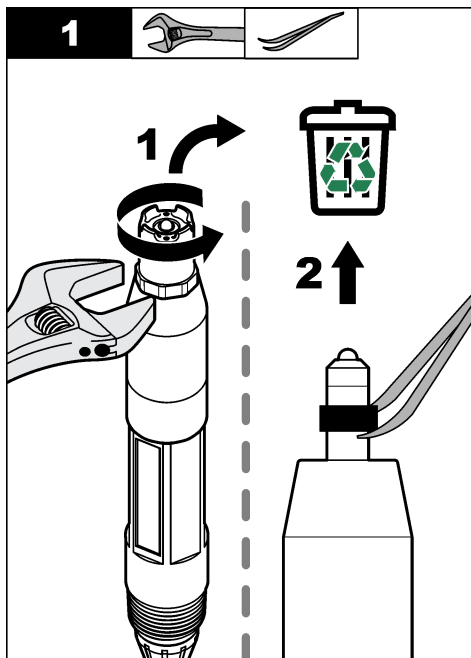
Se o reservatório da solução de célula padrão contiver um gel (não habitual), utilize um jacto de água de um irrigador para remover o gel anterior, conforme ilustrado no passo 2.

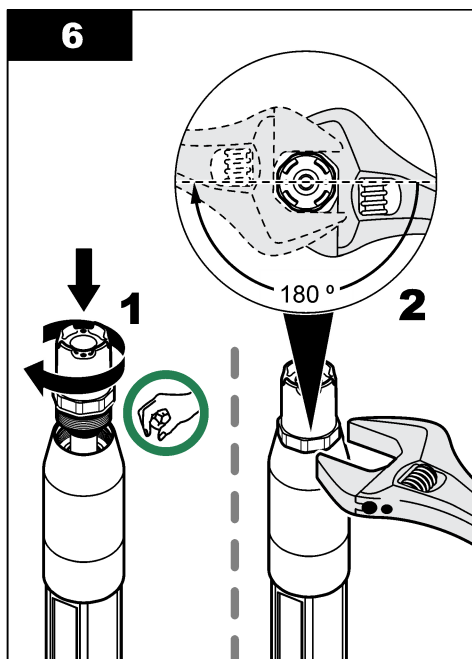
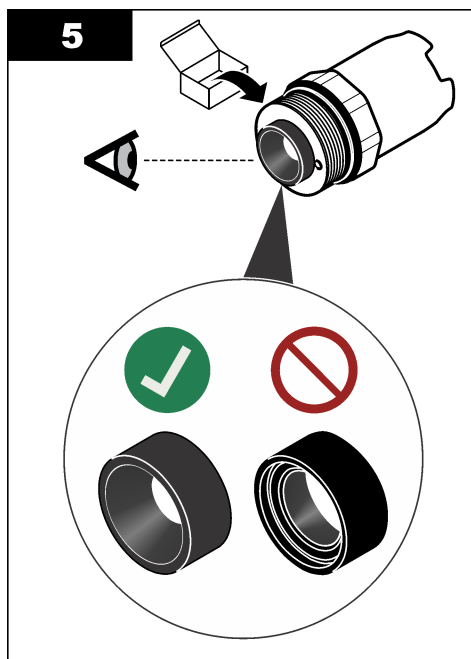
(Opcional) Se a água de processo estiver próxima da temperatura de ebulição, adicione gel em pó à nova solução de célula padrão no passo 4 ilustrado da seguinte forma:

- a. Verta 1 tampa do frasco (1/8 colher pequena) de gel em pó no reservatório para a solução de célula padrão.
- b. Verta uma pequena quantidade de solução de célula padrão nova no reservatório.
- c. Misture com o pó até que a solução fique espessa.
- d. Adicione pequenas quantidades de solução e misture até o nível de gel se encontrar na parte inferior das roscas da ponte salina.
- e. Verifique se o nível de gel é adequado instalando e removendo a nova ponte salina. Deverá ser visível uma impressão da ponte salina na superfície do gel.

3. Calibre o sensor.

⁷ (Opcional) Adicione gel em pó à solução de célula padrão se a água de processo estiver próxima da temperatura de ebulição. O gel em pó diminui a taxa de evaporação da solução da célula padrão.





5.4 Preparar para armazenamento

Para um armazenamento a curto prazo (quando o sensor está fora do processo durante mais de uma hora), encha a tampa de protecção com a solução tampão de pH 4 ou água destilada e coloque novamente a tampa no sensor. Mantenha o eléctrodo de processo e a ponte salina de ligação de referência humedecidos para evitar uma resposta mais lenta quando o sensor voltar a funcionar.

Para um armazenamento mais prolongado, repita o procedimento de armazenamento a curto prazo a cada 2 ou 4 semanas, dependendo das condições ambientais. Consulte a secção [Especificações](#) na página 122 para obter os limites de temperatura de armazenamento.

Secção 6 Resolução de problemas

6.1 Dados intermitentes

Durante a calibração, os dados não são enviados para o registo de dados. Assim, o registo de dados poderá ter áreas com dados intermitentes.

6.2 Menu de diagnóstico e teste do sensor

O menu de diagnóstico e teste do sensor apresenta informações actuais e históricas acerca do aparelho. Consulte a [Tabela 2](#). Para aceder ao diagnóstico do sensor e ao menu de teste, prima **menu** e, em seguida, seleccione CFG SENSOR > [Seleccionar sensor] > TESTE/DIAG.

Tabela 2 Menu TESTE/DIAG do sensor

Opção	Descrição
INF SONDA	Apresenta o tipo de sensor, o nome, o número de série, a versão do software e a versão do controlador.
DADOS CALIB	Apresenta o declive de pH (mV/pH) e a data da última calibração. O declive de pH deve ser de -55 a -61 mV.

Tabela 2 Menu TESTE/DIAG do sensor (continuação)

Opção	Descrição
SINAIS	<p>SINAL SENSOR—Mostra a leitura do sensor em mV. O intervalo de mV é de -60 a +60 mV (0 mV = pH 7).</p> <p>CNT ADC SENSOR—Mostra o número que representa a leitura de pH.</p> <p>CNT ADC TEMP—Mostra o número que representa a leitura da temperatura.</p> <p>ESTADO ELETR—Mostra o estado do eléctrodo activo e de referência (BOM ou RUIM). Quando for apresentado o estado "RUIM, limpe o sensor e substitua a ponte salina. Substitua o sensor, se necessário.</p> <p>ELETRODO ATIVO—Mostra a impedância do eléctrodo activo.</p> <p>ELETRODO REF.—Mostra a impedância do eléctrodo de referência.</p> <p>STATUS IMPED—Quando activada (recomendada), a impedância do eléctrodo activo e de referência é medida em intervalos de 1 minuto. É apresentado um erro no visor do controlador quando a impedância do eléctrodo activo ou de referência não se encontrar entre os limites de impedância alto e baixo.</p>
CONTADORES	<p>DIAS DO SENSOR—Apresenta o número de dias em que o sensor esteve a funcionar.</p> <p>RESET SENSOR—Define os valores de DIAS DO SENSOR e os DIAS ELETRODO para zero.</p> <p>DIAS ELETRODO—Mostra o número de dias desde que a ponte salina foi substituída.</p> <p><i>Nota: O valor de DIAS ELETRODO é automaticamente definido para zero quando a ponte salina é substituída.</i></p>

6.3 Mensagens de erro

Quando ocorre um erro, a leitura no ecrã de medição pisca e todas as saídas são retidas quando especificado no menu do controlador. Para apresentar os erros do sensor, prima **menu** e seleccione **DIAGNÓSTICO > [Seleccionar sensor] > LISTA ERROS**. É apresentada uma lista de erros possíveis na [Tabela 3](#).

Tabela 3 Mensagens de erro

Erro	Descrição	Resolução
PH MUITO ALTO	O pH medido é > 14.	Calibre o sensor.
ORP ELEVADO	O valor do ORP medido é > 2100 mV.	
PH MUITO BAIXO	O pH medido é < 0.	Calibre o sensor.
ORP BAIXO	O valor do ORP medido é ≤ 2100 mV.	
DESVIO MUITO ALTO	O desvio é > 9 (pH) ou 200 mV (ORP).	Realize os passos descritos em Limpar o sensor na página 136 e Substituir a ponte salina na página 137. Em seguida, volte a efectuar a calibração.
DESVIO MUITO BAIXO	O desvio é < 5 (pH) ou -200 mV (ORP).	
INCLINAÇÃO ELEVADA	O declive é > 62 (pH)/1,3 (ORP).	Repita a calibração com soluções de referência novas.
INCLINAÇÃO BAIXA	O declive é < 50 (pH)/0,7 (ORP).	Realize os passos descritos em Limpar o sensor na página 136. Em seguida, volte a efectuar a calibração.
TEMP. ALTA	A temperatura medida é > 130 °C.	Certifique-se de que selecciona o elemento de temperatura correcto. Consulte a opção SENSOR TEMP em Configurar o sensor na página 131.
TEMP. BAIXA	A temperatura medida é ≤ 10 °C.	
FALHA ADC	A conversão de analógico para digital falhou.	Desligue o controlador. Em seguida, ligue o controlador.
IMP.ELET AT. MUITO ALTA	A impedância do eléctrodo activo é > 900 MΩ.	O sensor está no ar. Restabeleça o sensor ao processo.

Tabela 3 Mensagens de erro (continuação)

Erro	Descrição	Resolução
IMP.ELET AT. MUITO BAIXA	A impedância do eléctrodo activo é < 8 MΩ.	O sensor está danificado ou sujo. Realize os passos descritos em Limpar o sensor na página 136.
IMP. ELET REF. MUITO ALTA	A impedância do eléctrodo de referência é > 900 MΩ.	A solução de célula padrão apresenta fugas ou evaporou. Substitua a solução de célula padrão.
IMP ELET REF MUITO BAIXA	A impedância do eléctrodo de referência é < 8 MΩ.	O eléctrodo de referência está danificado. Substitua o sensor.
MESMA SOL. TAMP.	As soluções tampão para a calibração AUTOMÁTICA DE 2 PONTOS têm o mesmo valor.	Utilize soluções tampão que tenham valores diferentes.
SENSOR PERDIDO	O sensor não existe ou está desligado.	Verifique se o cabo do sensor está desligado ou apresenta danos.
SENSOR TEMP. INEXIST.	O sensor de temperatura não existe.	Certifique-se de que selecciona o elemento de temperatura correcto. Consulte a opção SENSOR TEMP em Configurar o sensor na página 131.
IMPED. BAIXA	A lâmpada de vidro está partida ou chegou ao fim da vida útil.	Substitua o sensor.

6.4 Mensagens de aviso

Um aviso não afecta o funcionamento dos menus, relés e saídas. Um ícone de aviso fica intermitente e é apresentada uma mensagem na parte inferior do ecrã de medição. Para apresentar os avisos do sensor, prima **menu** e seleccione DIAGNÓSTICO > [Seleccionar sensor] > LISTA AVISOS. Em seguida, é apresentada uma lista dos possíveis avisos [Tabela 4](#).

Tabela 4 Mensagens de aviso

Aviso	Descrição	Resolução
PH MUITO ALTO	O pH medido é > 13.	Calibre o sensor.
ORP ELEVADO	O valor do ORP medido é > 2100 mV.	
PH MUITO BAIXO	O pH medido é < 1.	Calibre o sensor.
ORP BAIXO	O valor do ORP medido é < -2100 mV.	
DESVIO MUITO ALTO	O desvio é > 8 (pH) ou 200 mV (ORP).	Realize os passos descritos em Limpar o sensor na página 136 e Substituir a ponte salina na página 137. Em seguida, volte a efectuar a calibração.
DESVIO MUITO BAIXO	O desvio é < 6 (pH) ou -200 mV (ORP).	
INCLINAÇÃO ELEVADA	O declive é > 60 (pH)/1,3 (ORP).	Repita a calibração com soluções de referência novas.
INCLINAÇÃO BAIXA	O declive é < 54 (pH)/0,7 (ORP).	Realize os passos descritos em Limpar o sensor na página 136. Em seguida, volte a efectuar a calibração.
TEMP. ALTA	A temperatura medida é > 100 °C.	Certifique-se de que selecciona o elemento de temperatura correcto. Consulte a opção SENSOR TEMP em Configurar o sensor na página 131.
TEMP. BAIXA	A temperatura medida é < 0 °C.	
CAL. EXP.	O número de dias desde a calibração do sensor é superior ao intervalo de calibração.	Calibre o sensor. <i>Nota: Para alterar o intervalo de calibração, consulte a opção DIAS DE CALIB na secção Configurar o sensor na página 131.</i>

Tabela 4 Mensagens de aviso (continuação)

Aviso	Descrição	Resolução
SUBST SENSOR	O número de dias de funcionamento do sensor é superior ao intervalo de substituição do sensor.	Substitua o sensor, se necessário. Nota: Para alterar o intervalo de substituição do sensor, consulte a opção DIAS DO SENSOR na secção Configurar o sensor na página 131.
NÃO CALIBRADO	O sensor não foi calibrado.	Calibre o sensor.
FALHA FLASHROM	Falha da memória flash externa.	Contacte a assistência técnica.
IMP.ELET AT. MUITO ALTA	A impedância do eléctrodo activo é > 800 MΩ.	O sensor está no ar. Restabeleça o sensor ao processo.
IMP.ELET AT. MUITO BAIXA	A impedância do eléctrodo activo é < 15 MΩ.	O sensor está danificado ou sujo. Realize os passos descritos em Limpar o sensor na página 136.
IMP. ELET REF. MUITO ALTA	A impedância do eléctrodo de referência é > 800 MΩ.	A solução de célula padrão apresenta fugas ou evaporou. Substitua a solução de célula padrão.
IMP ELET REF MUITO BAIXA	A impedância do eléctrodo de referência é < 15 MΩ.	O eléctrodo de referência está danificado. Substitua o sensor.
CAL. EM AND.	A calibração foi iniciada mas não concluída.	Voltar à calibração.

6.5 Lista de eventos

A lista de eventos mostra as actividades actuais como as alterações da configuração, alarmes, condições de aviso, etc. Para apresentar os eventos, prima **menu** e seleccione **DIAGNÓSTICO > [Seleccionar sensor] > EVENTOS**. É apresentada uma lista dos possíveis eventos na [Tabela 5](#). Os eventos anteriores são registados no registo de eventos, que pode ser transferido a partir do controlador. Consulte a documentação do controlador para obter informações sobre as opções de recuperação de dados.

Tabela 5 Lista de eventos

Event (Evento)	Descrição
CAL. PREP.	O sensor está pronto para a calibração.
CAL OK	A calibração actual é válida.
TEMPO EXP.	O tempo de estabilização durante a calibração expirou.
S / SOL. TAMP.	Não foi detectada qualquer solução tampão.
SLOPE ALTO	O declive de calibração está acima do limite superior.
SLOPE BAIXO	O declive de calibração está abaixo do limite inferior.
OFFSET ALTO	O valor do desvio de calibração do sensor está acima do limite superior.
OFFSET BAIXO	O valor do desvio de calibração do sensor está abaixo do limite inferior.
PONTOS PRÓX.	Os valores dos pontos de calibração são demasiado semelhantes para uma calibração de 2 pontos.
FALHA CALIB	A calibração falhou.
CAL. EL.	O declive de calibração está acima do limite superior.
INSTÁVEL	Leitura instável durante a calibração.
ALT. NA CONFIG. – flutuação	A configuração foi alterada—tipos de pontos flutuantes.
ALT. NA CONFIG. – texto	A configuração foi alterada—tipo de texto.

Tabela 5 Lista de eventos (continuação)

Event (Evento)	Descrição
ALT. NA CONFIG. – inteiro	A configuração foi alterada—tipo de valor inteiro.
RESET SISTEMA	A configuração foi reposta com as opções predefinidas.
EV. ENERGIZAÇÃO	A alimentação foi ligada.
FALHA ADC	A conversão de ADC falhou (falha de hardware).
APAG. MEM. FLASH	A memória flash foi apagada.
TEMPERATURA	A temperatura registada é demasiado elevada ou demasiado baixa.
IN. CAL. MAN. 1 PT	Inicia uma calibração 1 PT MANUAL.
IN. CAL. AUT. 1 PT	Inicia uma calibração 1 PT AUTO para pH.
IN. CAL. MAN. 2 PT	Início da calibração 2 PTS MANUAL para pH.
IN. CAL. AUT. 2 PT	Inicia uma calibração 2 PTS AUTO para pH.
FIM CAL. MAN. 1 PT	Fim da calibração 1 PT MANUAL.
FIM CAL. AUT. 1 PT	Fim da calibração 1 PT AUTO para pH.
FIM CAL. MAN. 2 PT	Fim da calibração 2 PTS MANUAL para pH.
FIM CAL. AUT. 2 PT	Fim da calibração 2 PTS AUTO para pH.

Secção 7 Acessórios e peças de substituição

▲ ADVERTÊNCIA



Perigo de danos pessoais. A utilização de peças não aprovadas poderá causar ferimentos, danos ou avarias no equipamento. As peças de substituição mencionadas nesta secção foram aprovadas pelo fabricante.

Nota: Os números do Produto e Artigo podem variar consoante as regiões de venda. Para mais informações de contacto, contacte o distribuidor apropriado ou consulte o site web da empresa.

Consumíveis

Descrição	Quantidade	Item n.º
Solução tampão, pH 4,01, vermelho	500 ml	2283449
Solução tampão, pH 7,00, amarelo	500 ml	2283549
Solução tampão, pH 10,01, azul	500 ml	2283649
Solução de referência ORP, 200 mV	500 ml	25M2A1001-115
Solução de referência ORP, 600 mV	500 ml	25M2A1002-115

Peças de substituição—sensores de pH

Descrição	Quantidade	Item n.º
Ponte salina, PEEK, junção exterior Kynar (PVDF), com O-rings Viton	1	SB-P1SV
Ponte salina, PEEK, junção exterior Kynar (PVDF), com O-rings de perfluoro-elastômetro	1	SB-P1SP ⁸
Ponte salina, PEEK, junção exterior de cerâmica, com O-rings Viton	1	SB-P2SV
Ponte salina, Ryton, junção exterior Kynar (PVDF), com O-rings Viton	1	SB-R1SV
Solução da célula padrão	500 ml	25M1A1025-115
Gel em pó para solução de célula padrão	2 g	25M8A1002-101

Acessórios

Descrição	Item n.º
Cabo de extensão digital, 1 m (3,2 pés)	6122400
Cabo de extensão digital, 7,7 m (25 pés)	5796000
Cabo de extensão digital, 15 m (50 pés) ⁹	5796100
Cabo de extensão digital, controlador SC200, 31 m (100 pés)	5796200
Caixa de terminação digital, controlador SC200 ¹⁰	5867000
Equipamento de montagem sanitária, aço inoxidável 316, inclui tubo em T sanitário de 2 polegadas e grampo para aplicações pesadas <i>Nota: A tampa e junta do composto EPDM são fornecidas com o sensor.</i>	MH018S8SZ
Equipamento de montagem de união, CPVC (cloreto de polivinilo clorado), inclui tubo em T padrão de 1½ polegadas, tubo de união com adaptador, invólucro de vedação, anel de bloqueio e O-ring Viton	6131300
Equipamento de montagem de união, aço inoxidável 316, inclui tubo em T padrão de 1½ polegadas, tubo de união com adaptador, invólucro de vedação, anel de bloqueio e O-ring Viton	6131400
Equipamento de montagem de passagem, CPVC, inclui tubo em T padrão de 1 polegada	MH334N4NZ
Equipamento de montagem de passagem, aço inoxidável 316, inclui tubo em T padrão de 1 polegada	MH314N4MZ
Equipamento de montagem de inserção, CPVC, inclui válvula de esfera de 1½ polegadas, casquilho compacto NPT de 1½ polegadas, adaptador para sensor com dois O-rings Viton e dispositivo de limpeza, tubo de extensão, adaptador de tubo, tubo de retorno e anel de bloqueio	5646300
Equipamento de montagem de inserção, aço inoxidável 316, inclui válvula de esfera de 1½ polegadas, casquilho compacto NPT de 1½ polegadas, adaptador para sensor com dois O-rings Viton e dispositivo de limpeza, tubo de extensão, adaptador de tubo, tubo de retorno e anel de bloqueio	5646350

⁸ Utilize SB-P1SP quando o material Viton não for compatível em termos químicos com os produtos químicos na aplicação.

⁹ O comprimento máximo do cabo é de 15 m (49 pés) para um controlador SC1000.

¹⁰ Se o comprimento do cabo for superior a 100 m (328 pés), utilize uma caixa de terminação digital. Não utilize uma caixa de terminação com um controlador SC1000.

Acessórios (continuação)

Descrição	Item n.º
Equipamento de montagem de imersão, padrão, CPVC, inclui tubo de 1 polegada por 4 pés e união NPT de 1 polegada x 1 polegada	6136400
Equipamento de montagem de imersão, padrão, aço inoxidável 316, inclui tubo de 1 polegada por 4 pés e união NPT de 1 polegada x 1 polegada	6136500
Equipamento de montagem de imersão, corrímão, inclui tubo de CPCV de 1½ polegadas por 7,5 pés e conjunto de grampo do tubo	MH236B00Z
Equipamento de montagem de imersão, corrente, aço inoxidável 316, inclui pega, porcas e anilhas de aço inoxidável <i>Nota: Apenas para utilização em sensor de aço inoxidável. Não inclui corrente.</i>	2881900
Equipamento de montagem de imersão, flutuação de esfera, inclui tubo de CPCV de 1½ polegadas por 7,5 pés, conjunto de flutuação de esfera e conjunto de grampo do tubo	6131000
Protector do sensor, sensor de estilo convertível, PEEK	1000F3374-002
Protector do sensor, sensor de estilo convertível, Ryton	1000F3374-003

Obsah

- | | | | |
|---|--------------------------------|---|--|
| 1 | Technické údaje na straně 146 | 5 | Údržba na straně 159 |
| 2 | Obecné informace na straně 147 | 6 | Poruchy, jejich příčiny a odstraňování na straně 163 |
| 3 | Instalace na straně 149 | 7 | Náhradní díly a příslušenství na straně 167 |
| 4 | Provoz na straně 155 | | |

Kapitola 1 Technické údaje

Technické údaje podléhají změnám bez předchozího upozornění.

Technický údaj	snímače pH	Snímač pH z nerezavějící oceli	Snímače ORP
Rozměry (délka)	272,5 mm (10,73 palce)	325,3 mm (12,81 palce)	272,5 mm (10,73 palce)
Hmotnost	316 g (11 oz)	870 g (31 oz)	316 g (11 oz)
Smáčené materiály	Tělo PEEK nebo Ryton (PVDF), solný můstek ze stejného materiálu s rozhraním Kynar, skleněná elektroda, titanová elektroda pro uzemnění a těsnicí O-kroužky Viton <i>Poznámka: Snímač pH s volitelnou HF odolnou skleněnou procesní elektrodou má zemnicí elektrodu z nerezavějící oceli 316 a perfluoroelastomerové smáčené O-kroužky.</i>	Pouze ponorná montáž, tělo z nerezavějící oceli 316 s konci a solným můstkem Ryton (PVDF)	Tělo PEEK nebo Ryton (PVDF), solný můstek ze stejného materiálu s rozhraním Kynar, skleněná a platinová (nebo skleněná a zlatá) procesní elektroda, titanová elektroda pro uzemnění a těsnicí O-kroužky Viton
Součásti	Materiály odolné proti korozi, plně potopitelné		
Kabel snímače (integrovaný)	4vodičový (plus 1 stínění), 10 m (33 ft), jmenovitě až 105 °C (221 °F)		
Provozní teplota	-5 až 70 °C (23 až 158 °F)	0 až 50 °C (32 až 122 °F)	-5 až 70 °C (23 až 158 °F)
Skladovací teplota	4 až 70 °C (40 až 158 °F); relativní vlhkost 0 až 95 %, bez kondenzace		
Měřicí rozsah	pH 2,0 až 14,0 ¹ (nebo 2,00 až 14,00)		-1 500 až 1 500 mV
Opakovatelnost	±0,05 pH		±2 mV
Citlivost	±0,01 pH		±0,5 mV ²
Stabilita	0,03 pH za 24 hod., nekumulativní		2 mV (ORP) za 24 hod., nekumulativní
Maximální průtok	3 m/s (10 stop/s)		
Tlakový limit	6,9 bar při 70 °C (100 psi při 158 °F)	N/A (pouze ponoření)	6,9 bar při 70 °C (100 psi při 158 °F)
Přenosová vzdálenost	Maximálně 100 m (328 ft) nebo maximálně 1 000 m (3 280 ft) při použití svorkovnice		

¹ Většina pH aplikací je v rozsahu 2,5 až 12,5 pH. Diferenční snímač pH se širokorozsahovou skleněnou elektrodou je pro tento rozsah velmi vhodný. Některé průmyslové aplikace vyžadují přesné měření a řízení pod 2 nebo nad 12 pH. V těchto speciálních případech se prosím obraťte na výrobce.

² Nejlepších výsledků u roztoků s obsahem zinku, kyanidu, kadmia nebo niklu dosáhnete při použití PHD ORP snímače se zlatou elektrodou.

Technický údaj	snímače pH	Snímač pH z nerezavějící oceli	Snímače ORP
Teplotní senzor	Termistor NTC 300 Ω pro automatickou kompenzaci teploty a odečet teploty analyzátoru		Termistor NTC 300 Ω pouze pro odečet teploty analyzátoru – bez automatické kompenzace teploty nutné pro měření ORP
Přesnost teploty	±0,5 °C (0,9 °F)		
Teplotní kompenzace	Automaticky od –10 do 105 °C (14,0 až 221 °F) s termistorem NTC 300 Ω, teplotním čidlem Pt 1000 ohm RTD, nebo Pt 100 Ω RTD, nebo manuální korekce pro uživatelem zadanou teplotu		N/A
Metody kalibrace	Jednobodová nebo dvoubodová automatická nebo manuální		Jednobodová manuální
Rozhraní snímače	Modbus		
Certifikáty	CE		
Záruka	1 rok, 2 roky (EU)		

Kapitola 2 Obecné informace

Výrobce není v žádném případě zodpovědný za nepřímé, zvláštní, náhodné či následné škody, které jsou výsledkem jakékoli chyby nebo opomenutí v tomto návodu. Výrobce si vyhrazuje právo provádět v tomto návodu a výrobcích v něm popisovaných změny, a to kdykoliv, bez předchozích oznámení či jakýchkoli následných závazků. Revidovaná vydání jsou dostupná na internetových stránkách výrobce.

2.1 Bezpečnostní informace

Výrobce neodpovídá za škody způsobené nesprávnou aplikací nebo nesprávným použitím tohoto produktu včetně (nikoli pouze) přímých, náhodných a následných škod a zříká se odpovědnosti za takové škody v plném rozsahu, nakolik to umožňuje platná legislativa. Uživatel je výhradně zodpovědný za určení kritických rizik aplikace a za instalaci odpovídajících mechanismů ochrany procesů během potenciální nesprávné funkce zařízení.

Před vybalením, montáží a uvedením přístroje do provozu si prosím pozorně přečtete celý tento návod. Zvláštní pozornost věnujte všem upozorněním na možná nebezpečí a výstražným informacím. V opačném případě může dojít k vážným poraněním obsluhy a poškození přístroje.

Ujistěte se, že nedošlo k poškození obalu tohoto zařízení a přístroj nepoužívejte a neinstalujte jinak, než jak je uvedeno v tomto návodu.

2.2 Informace o možném nebezpečí

▲ NEBEZPEČÍ

Označuje možnou nebo bezprostředně rizikovou situaci, jež může v případě, že jí nezabráníte, vést k usmrcení nebo vážnému zranění.

▲ VAROVÁNÍ

Upozorňuje na možné nebo skryté nebezpečné situace, jež by bez vhodných preventivních opatření mohly vést k úmrtí nebo vážnému poranění.

▲ POZOR





Upozorňuje na možnou nebezpečnou situaci, jež by mohla mít za následek menší nebo mírné poranění.

UPOZORNĚNÍ

Označuje situaci, která může způsobit poškození přístroje, pokud se nezabrání jejímu vzniku. Upozorňuje na informace vyžadující zvláštní pozornost.

2.3 Výstražné symboly

Přečtěte si všechny štítky a etikety na přístroji. V opačném případě může dojít k poranění osob nebo poškození přístroje. Odkazy na symboly na přístroji naleznete v návodu spolu s výstražnou informací.

	Toto je symbol bezpečnostního upozornění. Řiďte se všemi bezpečnostními oznámeními s tímto symbolem, abyste předešli možnému zranění. Pokud je umístěn na přístroji, podívejte se do referenční příručky na informace o funkci a bezpečnosti.
	Symbol upozorňuje na možnost úrazu nebo usmrcení elektrickým proudem.
	Tento symbol označuje přítomnost zařízení citlivého na elektrostatický výboj a znamená, že je třeba dbát opatrnosti, aby nedošlo k poškození zařízení.
	Elektrické zařízení označené tímto symbolem se nesmí likvidovat v evropských systémech domácího nebo veřejného odpadu. Staré nebo vysloužilé zařízení vraťte výrobci k bezplatné likvidaci.

2.4 Popis výrobku

Tato sonda je uzpůsobena tak, aby fungovala s kontrolérem pro shromažďování dat a pro provoz. S tímto snímačem může být používáno více kontrolérů. V tomto dokumentu se předpokládá, že bude prováděna instalace snímače, který bude používán s kontrolérem sc. Pokud budete používat snímač s jinými kontroléry, podívejte se do uživatelské příručky, abyste našli kontrolér, který budete používat.

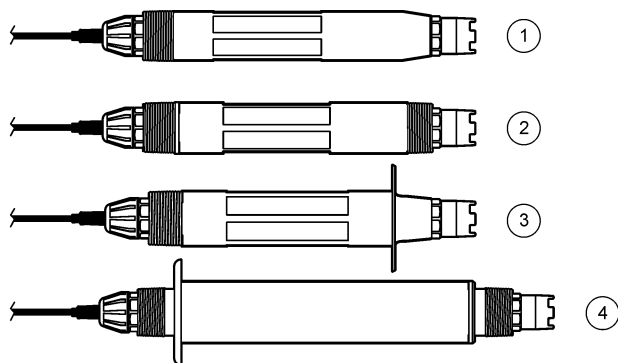
Tento produkt není přijatelný pro použití v nebezpečném prostředí.

Volitelné vybavení, například montážní příslušenství pro sondu, se dodává včetně pokynů k instalaci. Montáž lze provést několika způsoby podle použití sondy.

2.5 Typy snímače

Snímač je k dostání v různých provedeních. Viz [Obr. 1](#).

Obr. 1 Typy snímače



<p>1 Vložení – pro instalaci do průtokové kyvety nebo potrubního adaptéru kulového ventilu. Umožňuje vyjmutí, aniž by bylo potřeba zastavit průběh procesu.</p>	<p>3 Sanitární – pro instalaci do 2palcového sanitárního T-kusu</p>
<p>2 Konvertibilní – pro potrubí ve tvaru T nebo ponoření do otevřené nádoby</p>	<p>4 Nerezavějící ocel – pro ponoření do otevřené nádoby</p>

Vkládací snímače – Vkládací snímače jsou podobné konvertibilním snímačům, avšak 1palcový NPT závit je pouze na konci kabelu pro montáž do průtokové kyvety nebo potrubního adaptéru kulového ventilu. Vkládací snímače lze vkládat nebo vyjmout z procesu aniž by bylo potřeba zastavit průběh procesu.

Konvertibilní snímače – Konvertibilní snímače mají 1palcivé NPT závitů na obou koncích pro montáž v dále uvedených konfiguracích:

- do standardního 1palcového T-kusu
- do potrubního adaptéru pro spojku a standardní 1½palcový T-kus
- na konec potrubí pro ponoření do nádoby


Poznámka: Konvertibilní snímače lze také použít ve stávajících instalacích pro 1-½palcové LCP, Ryton a epoxy snímače.


Sanitární snímače – Sanitární snímače mají integrovanou 2palcovou přírubu pro montáž na 2palcový T-kus. Se snímačem se dodává speciální uzávěr a těsnění EPDM pro použití se sanitárním příslušenstvím.

Snímače z nerezavějící oceli – Snímače z nerezavějící oceli mají 1palcové NPT závitů na obou koncích. Snímače z nerezavějící oceli jsou určeny pro ponoření do otevřené nádoby.

Kapitola 3 Instalace

3.1 Instalace

⚠ VAROVÁNÍ	
	Nebezpečí výbuchu. Zkontrolujte, zda montážní příslušenství pro snímač má dostatečnou teplotní a tlakovou klasifikaci pro místo montáže.

⚠ POZOR	
	Nebezpečí poranění osob. Rozbité sklo hrozí pořízáním. Při odstraňování rozbitého skla použijte nástroje a osobní ochranné pomůcky.

UPOZORNĚNÍ

Procesní elektroda na hrotu snímače pH má skleněnou baňku, která může prasknout. Nevystavujte baňku nárazům a netlačte na ni.

UPOZORNĚNÍ

Zlatá nebo platinová procesní elektroda na hrotu snímače ORP má skleněnou stopku (zakrytou solným můstkem), která může prasknout. Nevystavujte stopku nárazům a netlačte na ni.

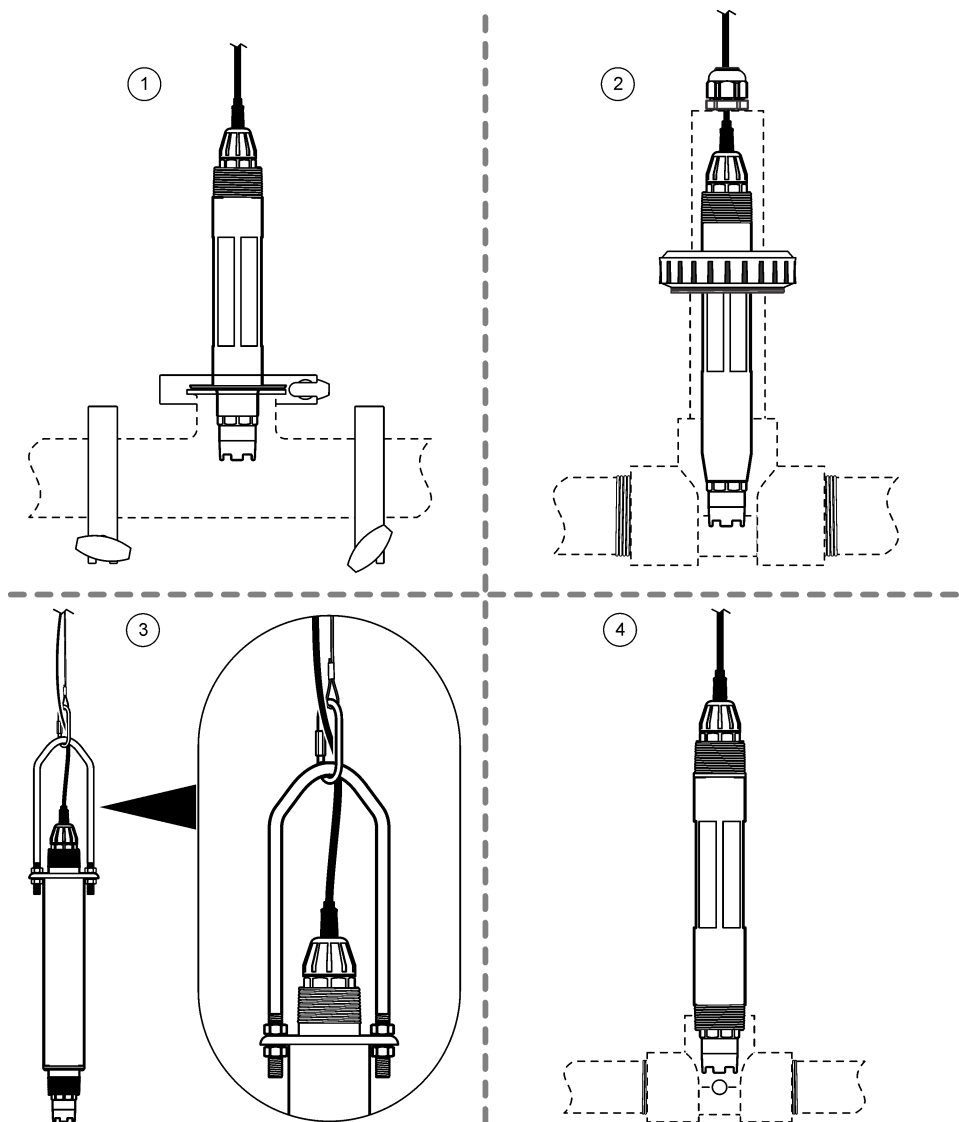
UPOZORNĚNÍ

Tento přístroj je určen pro nadmořské výšky nejvýše 2 000 m. I když použití tohoto zařízení v nadmořské výšce více než 2 000 m nepředstavuje žádné podstatné ohrožení bezpečnosti, výrobce doporučuje, aby se uživatelé se svými obavami obrátili na technickou podporu.

- Senzor instalujte na takovém místě, aby jeho kontakt s měřeným vzorkem byl reprezentativní pro celý proces.
- Příklady konfigurace montáže uvádí [Obr. 2](#), [Obr. 3](#) a [Obr. 4](#).
- Dodávané montážní příslušenství uvádí část [Náhradní díly a příslušenství](#) na straně 167.
- Podrobné informace o montážním materiálu a instalaci naleznete v listu s pokyny dodávaném spolu s montážními soupravami.
- Snímač nainstalujte nejméně 15° nad vodorovnou rovinu. Viz [Obr. 5](#).
- U ponorných aplikací umístěte snímač nejméně 508 mm (20 palců) od stěny aerační nádrže a ponořte jej nejméně 508 mm (20 palců) do procesu.
- Před zahájením měření odstraňte ze snímače ochranný uzávěr. Ochranné víčko si uschovejte pro budoucí použití.
- (Volitelně) Pokud teplota procesní vody dosahuje téměř bodu varu, přidejte gelový prášek³ do standardního roztoku ve snímači. Viz krok 2 v části [Výměna solného můstku](#) na straně 161. Nevyměňujte solný můstek.
- Před použitím snímač zkalibrujte.

³ Gelový prášek snižuje intenzitu vypařování standardního roztoku.

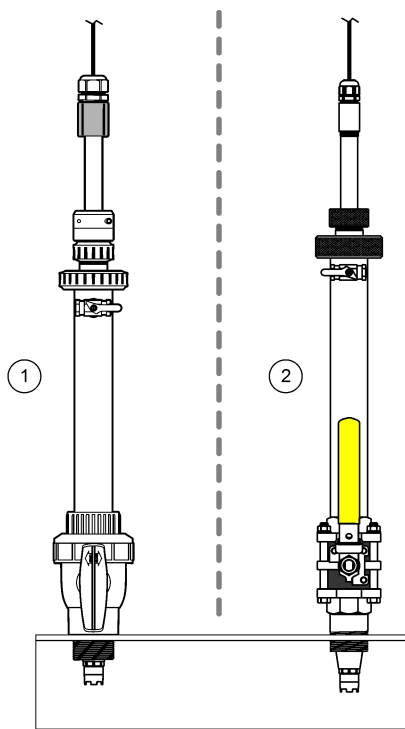
Obr. 2 Příklady montáže (1)



1 Sanitární montáž (2palcový sanitární T-kus)	3 Ponorá montáž, řetízek a třmen ⁴
2 Montáž do přípojky (standardní 1½palcový T-kus)	4 Průtoková montáž (1palcový standardní T-kus)

⁴ Pouze nerezové snímače

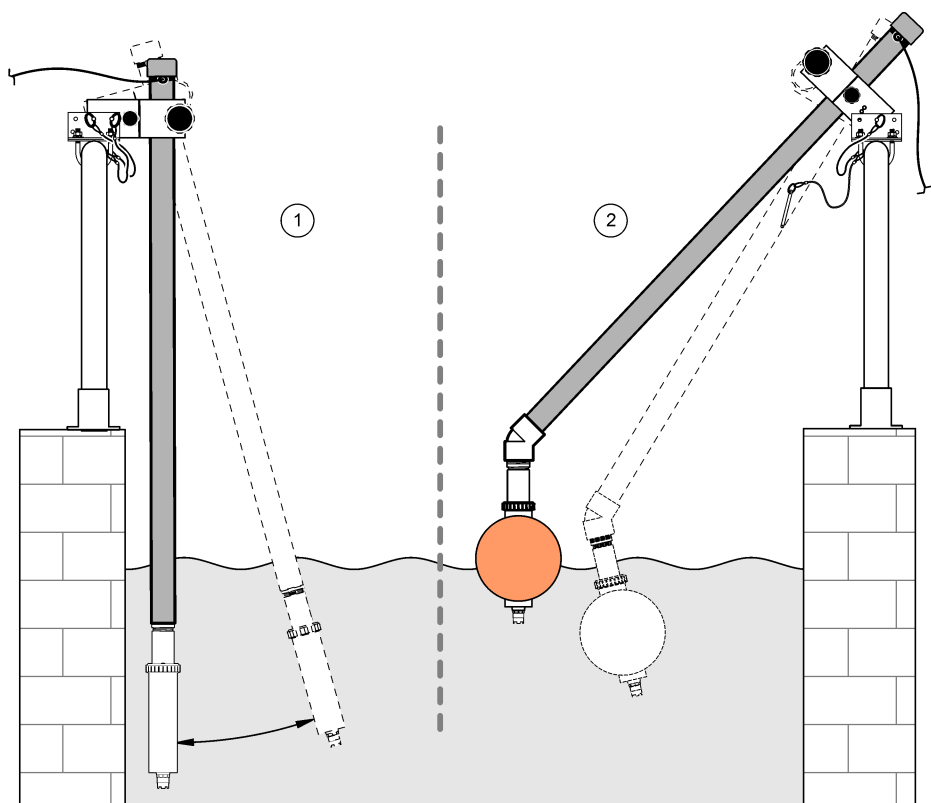
Obr. 3 Příklady montáže (2)



1 Montáž vložení, CPVC příslušenství

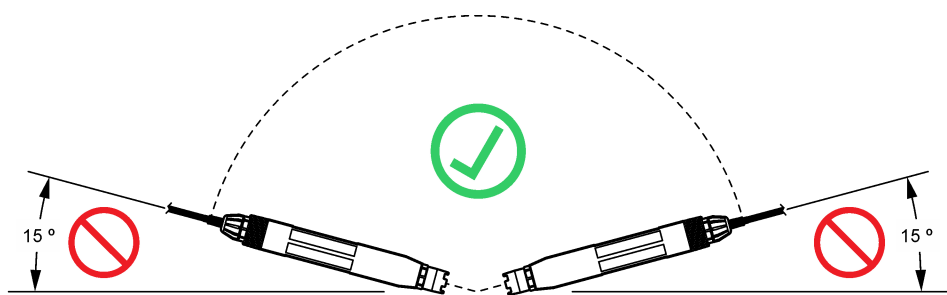
2 Montáž vložení, příslušenství z nerezavějící oceli

Obr. 4 Příklady montáže (3)



1 Ponorná montáž, zábradlí	2 Ponorná montáž s balónovým plovákem
----------------------------	---------------------------------------

Obr. 5 Montážní úhel snímače

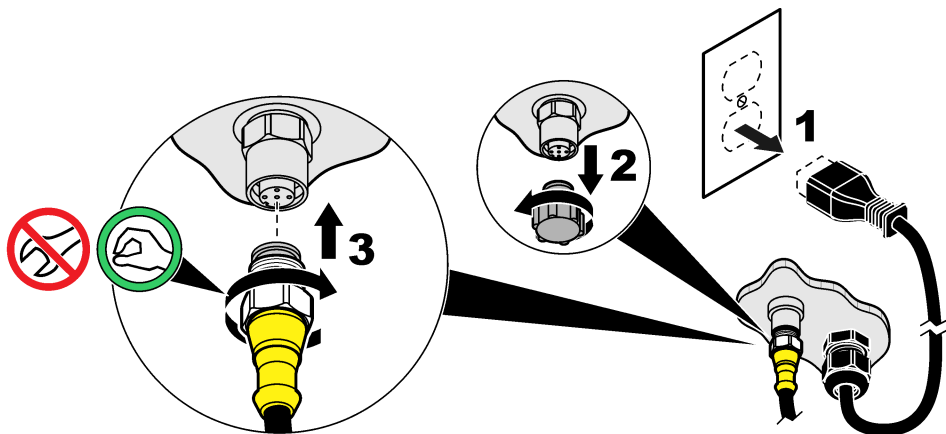


3.2 Elektrická instalace

3.2.1 Připojte snímač k rychlospojce (bezpečná prostředí)

1. Připojte kabel senzoru k rychlospojce kontroléru SC. Viz [Obr. 6](#).
Krytku otvoru zástrčky uschovejte pro případ, že senzor budete později muset vyjmout.
2. Pokud je při připojení snímače zapnuté napájení:
 - Kontrolér SC200 – Vyberte TEST/ÚDRŽBA > HLEDEJ SENZORY.
 - Kontrolér SC1000 – Vyberte NASTAV SYSTEM > ZAŘÍZENÍ > HLEDÁM NOVÉ ZAŘÍZENÍ.



Obr. 6 Připojte snímač k rychlospojce



3.2.2 Prodlužovací kabely

- K dispozici jsou prodlužovací kabely. Viz [Náhradní díly a příslušenství](#) na straně 167.
- Maximální délka kabelu je 15 m (49 ft) pro kontrolér SC1000.
- Maximální délka kabelu je 1 000 m (3 280 ft) pro kontrolér SC200.
- Kontrolér SC200 – pokud je délka kabelu větší než 100 m (328 ft), použijte digitální svorkovnici. Viz [Náhradní díly a příslušenství](#) na straně 167.

3.2.3 Připojte kabel sondy holými vodiči (bezpečné prostředí)

⚠ NEBEZPEČÍ	
	Nebezpečí smrtelného úrazu elektrickým proudem. Před jakýmkoli pracemi na elektrickém zapojení odpojte přístroj od zdroje napájení.
⚠ NEBEZPEČÍ	
	Nebezpečí smrtelného úrazu elektrickým proudem. Vedení vysokého napětí regulátoru je připojeno za vysokonapěťovou bariérou ve skříni regulátoru. Bariéra musí zůstat na místě s výjimkou případů instalace modulů nebo vedení pro napájení, relé či analogových nebo síťových karet kvalifikovaným instalačním technikem.

Nemá-li kabelový snímač konektor s rychlospojkou⁵, připojte holé vodiče kabelového snímače ke kontroléru následujícím způsobem:

Poznámka: Kabelový snímač s holými vodiči nelze připojit ke kontroléru SC1000.

⁵ Například pokud je pro zvětšení délky kabelového snímače použita digitální svorkovnice a čtyřžilový stíněný kabel.

1. Pro kontrolér SC200 je v přepravní krabici přiložena sada kabelů (9222400). Sada obsahuje čtyři konektory.
2. Kabelový snímač připojte ke kontroléru podle návodu přiloženého v sadě kabelů.

Kapitola 4 Provoz

4.1 Uživatelská navigace

Popis klávesnice a informace o navigaci naleznete v dokumentaci ke kontroléru.

Postupným mačkáním tlačítka se šipkou **RIGHT (DOPRAVA)** na kontroléru si zobrazíte další informace na hlavní obrazovce a zobrazíte grafický displej.

4.2 Konfigurace sondy

Zvolte název a typ snímače. Změňte možnosti pro měření, kalibraci, správu a ukládání dat.

1. Stiskněte klávesu **menu** a vyberte NASTAV SENZOR > [Vyber senzor] > KONFIGURACE.
2. Vyberte některou z možností.

Možnost	Popis
EDITACE JMÉNA	Změní název, který odpovídá sondě v horní části obrazovky měření. Název může mít maximálně 12 znaků v jakékoliv kombinaci písmen, čísel, mezer a znamének.
VYBER SENZOR	Vybere typ snímače (pH nebo ORP).
FORMÁT ZOBRAZENÍ	Pouze pro snímače pH – změní počet desetinných míst, která jsou zobrazena na obrazovce měření na XX,XX (výchozí) nebo XX.X.
TEPL JEDNOTKY	Nastaví jednotky teploty na °C (výchozí) nebo °F.
NASTAVENÍ ZÁZNAMU	Nastaví časový interval pro uchování dat v záznamech dat – 5, 30 sekund, 1, 2, 5, 10, 15 (výchozí), 30, 60 minut.
FRAKVENCE SÍTĚ	Vybere frekvenci střídavého proudu do kontroléru (50 nebo 60 Hz). Pokud má napájení kontroléru hodnotu 120 VAC, vyberte 60 Hz. Pokud má napájení kontroléru hodnotu 230 VAC, vyberte 50 Hz.
FILTR	Nastaví časovou konstantu pro zvýšení stability signálu. Časová konstanta vypočítá průměrnou hodnotu během vymezeného času – 0 (žádný efekt, výchozí) až 60 sekund (průměrná hodnota signálu po dobu 60 sekund). Filtr zvyšuje dobu, po kterou může signál snímače reagovat na aktuální změny v procesu.
TEPL ELEMENT	Snímače pH – nastaví teplotní senzor na automatickou kompenzaci teploty PT100, PT1000, NTC300 (výchozí) nebo MANUAL. Pokud není použit žádný senzor, může být typ nastaven na MANUAL a může být zadána hodnota pro kompenzaci teploty (ruční výchozí: 25 °C). Snímače ORP – není použita kompenzace teploty. Teplotní senzor může být připojen k měření teploty.
VYBER PUFŘ	Pouze pro snímače pH – Vybere pufrovací roztoky použité pro kalibraci. Možnosti: pH 4, 7, 10 (výchozí) nebo DIN 19267 (pH 1,09; 4,65; 6,79; 9,23; 12,75) Poznámka: Ostatní pufrovací roztoky lze použít pro kalibraci.
ČISTÁ H2O KOMP	Pouze pro snímače pH – přičte opravu závislou na teplotě k naměřené hodnotě pH čisté vody s přísadami – NIC (výchozí), AMONIAK, MORPHOLINE nebo UŽIVAT DEFINOV. Pro provozní teploty vyšší než 50 °C je použita oprava 50 °C. U aplikací definovaných uživatelem může být zadán lineární gradient (výchozí: 0 pH/°C).
DNY KALIBRACE	Nastaví interval kalibrace (výchozí: 60 dnů). Poznámka: Pokud je počet dnů od poslední kalibrace snímače vyšší než interval kalibrace, zobrazí se na displeji kontroléru upozornění.

Možnost	Popis
DNY SNÍMAČE	Nastaví interval výměny snímače (výchozí: 365 dnů). Poznámka: Pokud je počet dnů provozu snímače vyšší než interval výměny snímače, zobrazí se na displeji kontroléru upozornění.
LIMIT IMPED-E	Nastaví limity impedance pro aktivní a referenční elektrody (výchozí: NÍZKÝ = 0 MΩ, VYSOKÝ = 1000 MΩ). Poznámka: Pokud je možnost <i>IMPEDANCE</i> v menu <i>DIAGNOZA/TESTY</i> nastavena na <i>UMOŽNIT</i> a impedance aktivní nebo referenční elektrody není v nastaveném limitu, zobrazí se na displeji kontroléru upozornění.
TOVÁRNÍ NASTAVENÍ	Vrátí nastavení zpět na výchozí nastavení.

4.3 Kalibrace sondy

⚠ VAROVÁNÍ



Nebezpečí výbuchu. Odpojení senzoru od tlakové nádoby může být nebezpečné. Před odpojením snižte pracovní tlak na hodnotu nižší než 10 psi (cca 70 kPa). Není-li to možné, postupujte s maximální opatrností. Viz dokumentace dodávaná s montážním vybavením, kde naleznete další informace.

⚠ VAROVÁNÍ



Nebezpečí styku s chemikáliemi. Dodržujte laboratorní bezpečnostní postupy a noste veškeré osobní ochranné pomůcky vyžadované pro manipulaci s příslušnými chemikáliemi. Bezpečnostní protokoly naleznete v aktuálních datových bezpečnostních listech (MSDS/SDS).

⚠ POZOR



Nebezpečí styku s chemikáliemi. Likvidujte chemikálie a odpad v souladu s místními, regionálními a národními předpisy.

4.3.1 O kalibraci snímače

Kalibrace upravuje údaje snímače tak, aby odpovídaly hodnotě jednoho nebo dvou referenčních roztoků. Vlastnosti snímače se postupem času pozvolna mění, což způsobuje ztrátu přesnosti. Aby byla zachována přesnost snímače, musí být pravidelně kalibrován. Jak často je nutné snímač kalibrovat se liší podle aplikace a nejlépe to poznáte podle zkušeností.

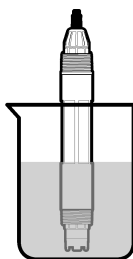
U snímačů pH se využívá teplotní senzor k zajištění odečtů pH, které se automaticky upravují na 25 °C kvůli teplotním změnám, které ovlivňují aktivní a referenční elektrodu. Pokud je provozní teplota konstantní, může být toto přizpůsobení nastaveno manuálně uživatelem. Viz část **TEPL ELEMENT** v **Konfigurace sondy** na straně 155.

4.3.2 Postup kalibrace pH

Snímač pH zkalibruje pomocí jednoho nebo dvou referenčních roztoků (jednobodová nebo dvoubodová kalibrace).

1. Vložte snímač do prvního referenčního roztoku (pufru nebo vzorku o známé hodnotě). Ujistěte se, že je měřicí část snímače zcela ponořena do kapaliny. Viz **Obr. 7**.

Obr. 7 Snímač v referenčním roztoku



2. Počkejte, dokud se teploty snímače a roztoku nevyrovnejí. Pokud je teplotní rozdíl mezi procesem a referenčním roztokem výrazný, může to trvat i více než 30 minut.
3. Stiskněte klávesu **menu** a vyberte NASTAV SENZOR > [Vyber senzor] > KALIBRACE.
4. Zvolte typ kalibrace:

Možnost	Popis
AUTOM.1-BODOVÁ	Pro kalibraci použijte jeden pufr (např. pH 7). Během kalibrace snímač pufr automaticky identifikuje. Poznámka: Je nutné vybrat správný pufr, zvolený v nastavení snímače.
AUTOM.2-BODOVÁ (doporučeno)	Pro kalibraci použijte dva pufrы (např. pH 7 a pH 4). Během kalibrace snímač pufrы automaticky identifikuje. Poznámka: Je nutné vybrat správný pufr, zvolený v nastavení snímače.
RUČNĚ 1-BODOVÁ	Pro kalibraci použijte vzorek o známé hodnotě pH (nebo jeden pufr). Během kalibrace zadejte hodnotu pH.
RUČNĚ 2-BODOVÁ	Pro kalibraci použijte dva vzorky o známé hodnotě pH (nebo dva pufrы). Během kalibrace zadejte hodnoty pH.

5. Pokud je zapnuta ochrana bezpečnostního menu kontroléru heslem, je nutné zadat heslo.
6. Zvolte možnost pro výstupní signál během kalibrace:

Možnost	Popis
AKTIVNÍ	Přístroj odešle během procesu kalibrace aktuální naměřenou výstupní hodnotu.
DRŽET	Výstupní hodnota sondy je držena během kalibrace na aktuální naměřené hodnotě.
PŘENOS	Během kalibrace je odeslána přednastavená výstupní hodnota. Pokud potřebujete změnit přednastavenou hodnotu, podívejte se do návodu k použití kontroléru.

7. Až bude snímač v prvním referenčním roztoku, stisknutím potvrďte. Zobrazí se naměřená hodnota.
8. V příslušných případech zadejte hodnotu pH referenčního roztoku:
 - a. Počkejte, než se hodnota stabilizuje, a stisknutím potvrďte.
 - b. Zadejte hodnotu pH.
Poznámka: Pokud je referenčním roztokem pufr, vyhledejte na láhvi hodnotu pH pro teplotu pufru. Pokud je referenčním roztokem vzorek, určete hodnotu pH vzorku jiným přístrojem.
9. Pro dvoubodovou kalibraci změňte druhý referenční roztok následujícím způsobem:
 - a. Vyjměte snímač z prvního roztoku a opláchněte ho čistou vodou.
 - b. Vložte snímač do dalšího referenčního roztoku a stisknutím potvrďte.
 - c. Počkejte, dokud se hodnota nestabilizuje a stisknutím potvrďte. Zadejte hodnotu pH.

10. Zkontrolujte výsledek kalibrace:

- OK – snímač je zkalibrován a připraven k měření vzorků. Zobrazí se hodnoty směrnice nebo posunu.
- SELH. – posun nebo směrnice kalibrace je mimo přijatelný rozsah. Opakujte kalibraci pomocí nových referenčních roztoků. V případě potřeby snímač očistěte. Viz [Čištění snímače](#) na straně 160.

11. Pokud se kalibrace zdařila, potvrďte ji stisknutím.

12. Vraťte snímač zpět do provozu a stisknutím potvrďte.

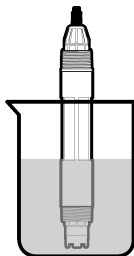
Výchozí signál se vrátí do aktivního stavu a na obrazovce měření se zobrazí naměřená hodnota vzorku.

4.3.3 Postup kalibrace ORP

Kalibraci snímače ORP proveďte pomocí jednoho referenčního roztoku nebo vzorku o známé hodnotě.

1. Vložte snímač do referenčního roztoku nebo vzorku. Ujistěte se, že je měřicí část sondy zcela ponořena do roztoku. Viz [Obr. 8](#).

Obr. 8 Měřicí část sondy v referenčním roztoku nebo vzorku



2. Stiskněte klávesu **menu** a vyberte NASTAV SENZOR > [Vyber senzor] > KALIBRACE.
3. Vyberte RUČNĚ 1-BODOVÁ.
4. Pokud je zapnuta ochrana bezpečnostního menu kontroléru heslem, je nutné zadat heslo.
5. Zvolte možnost pro výstupní signál během kalibrace:

Možnost	Popis
AKTIVNÍ	Přístroj odešle během procesu kalibrace aktuální naměřenou výstupní hodnotu.
DRŽET	Výstupní hodnota sondy je držena během kalibrace na aktuální naměřené hodnotě.
PŘENOS	Během kalibrace je odeslána přednastavená výstupní hodnota. Pokud potřebujete změnit přednastavenou hodnotu, podívejte se do návodu k použití kontroléru.

6. Až bude snímač v referenčním roztoku nebo ve vzorku, stisknutím potvrďte. Zobrazí se naměřená hodnota.

7. Počkejte, než se hodnota stabilizuje, a stisknutím potvrďte.

8. Zadejte hodnotu ORP referenčního roztoku nebo vzorku.

Poznámka: Pokud je pro kalibraci použit referenční roztok, vyhledejte hodnotu ORP referenčního roztoku na láhvi. Pokud je pro kalibraci zvolen vzorek, změřte hodnotu ORP pomocí sekundárního kontrolního přístroje.

9. Zkontrolujte výsledek kalibrace:

- OK – snímač je zkalibrován a připraven k měření vzorků. Zobrazí se hodnoty směrnice nebo posunu.
- SELH. – posun nebo směrnice kalibrace je mimo přijatelný rozsah. Opakujte kalibraci pomocí nových referenčních roztoků. V případě potřeby snímač očistěte. Viz [Čištění snímače](#) na straně 160.

10. Pokud se kalibrace zdařila, potvrďte ji stisknutím.

11. Vraťte snímač zpět do provozu a stisknutím potvrďte.

Výchozí signál se vrátí do aktivního stavu a na obrazovce měření se zobrazí naměřená hodnota vzorku.

4.3.4 Teplotní kalibrace

Přístroj je ve výrobním závodě zkalibrován tak, aby zajišťoval přesné měření. Pro zvýšení přesnosti proveďte kalibraci teploty.

1. Vložte snímač do nádoby s vodou.
2. Teplotu vody změřte pomocí přesného teploměru nebo pomocí nezávislého přístroje.
3. Stiskněte klávesu **menu** a vyberte NASTAV SENZOR > [Vyber senzor] > KALIBRACE.
4. Vyberte NASTAVENÍ TEPL > ZMĚNIT TEPLITU stisknutím potvrďte.
5. Zadejte přesnou hodnotu teploty a stisknutím potvrďte.
6. Vraťte snímač zpět do provozu a stisknutím potvrďte.

4.3.5 Ukončení procesu kalibrace

1. Kalibraci ukončíte stisknutím klávesy **back**.
2. Vyberte některou z možností.

Možnost	Popis
ZRUŠIT	Kalibrace bude zastavena. Nová kalibrace musí začít zase od začátku.
ZPĚT DO KALIBR	Návrat ke kalibraci.
OPUSTIT	Dočasně ukončí kalibraci. Je umožněn přístup k ostatním nabídkám. Nyní může začít kalibrace druhé sondy (pokud existuje). Pokud se chcete vrátit ke kalibraci, stiskněte klávesu menu a zvolte možnost NASTAV SENZOR > [Vyber senzor].

4.4 Záznam dat a událostí snímače

Kontrolér se ukládá a protokoluje data a události každého senzoru. Paměť uchovává naměřené hodnoty ve zvolených intervalech (uživatelsky konfigurovatelné). Protokol zobrazuje události, které se vyskytly.

Protokol dat a událostí lze uložit ve formátu CSV. Pokyny naleznete v dokumentaci kontroléru.

4.5 Registry Modbus

Pro komunikaci po síti je k dispozici seznam registrů Modbus. Další informace naleznete na webu výrobce.

Kapitola 5 Údržba

▲ NEBEZPEČÍ



Různá nebezpečí. Práce uvedené v tomto oddíle dokumentu smí provádět pouze dostatečně kvalifikovaný personál.

⚠ VAROVÁNÍ



Nebezpečí výbuchu. Odpojení senzoru od tlakové nádoby může být nebezpečné. Před odpojením snižte pracovní tlak na hodnotu nižší než 10 psi (cca 70 kPa). Není-li to možné, postupujte s maximální opatrností. Viz dokumentace dodávaná s montážním vybavením, kde naleznete další informace.

⚠ VAROVÁNÍ



Nebezpečí styku s chemikáliemi. Dodržujte laboratorní bezpečnostní postupy a noste veškeré osobní ochranné pomůcky vyžadované pro manipulaci s příslušnými chemikáliemi. Bezpečnostní protokoly naleznete v aktuálních datových bezpečnostních listech (MSDS/SDS).

⚠ POZOR



Nebezpečí styku s chemikáliemi. Likvidujte chemikálie a odpad v souladu s místními, regionálními a národními předpisy.

5.1 Plán údržby

Tabulka 1 zobrazuje doporučený harmonogram údržbových prací. Požadavky pracoviště a provozní podmínky si mohou vynutit častější provádění některých úloh.

Tabulka 1 Plán údržby

Úkony	1 rok	Podle potřeby
Čištění snímače na straně 160		X ⁶
Výměna solného můstku na straně 161	X	
Kalibrace sondy	Nastaveno úřadem pro kontrolu nebo na základě zkušeností	

5.2 Čištění snímače

Základní požadavek: Připravte si jemný mýdlový roztok s neabrazivním prostředkem na umývání nádobí, který neobsahuje lanolin. Lanolin zanechává vrstvu na povrchu elektrody, což může zhoršit výkon snímače.

Kontrolujte snímač pravidelně, abyste odhalili nečistoty a usazeniny. Snímač je nutné vyčistit, pokud odhalíte nahromaděné usazeniny nebo pokud začne výkonnost snímače klesat.

1. Pro odstranění uvolněných nečistot na konci snímače použijte čistý a měkký hadřík. Nakonec senzor opláchněte čistou teplou vodou.
2. Snímač ponořte na dvě až tři minuty do mýdlového roztoku.
3. Pokud chcete očistit celý měřicí konec snímače, použijte kartáč s měkkými štětinami.
4. Pokud nebyly nečistoty zcela odstraněny, ponořte měřicí konec snímače do zředěného roztoku kyseliny, například < 5% HCl, maximálně na 5 minut.
5. Opláchněte snímač vodou a poté jej dejte zpět do mýdlového roztoku na 2 až 3 minuty.
6. Nakonec snímač opláchněte čistou vodou.

Poznámka: U snímačů s antimonovými elektrodami pro aplikace HF může být vyžadováno další čištění. Obratě se na technickou podporu výrobce.

Po údržbě snímač vždy zkalibrujte.

⁶ Frekvence je závislá na provozních podmínkách.

5.3 Výměna solného můstku

Solný můstek a standardní roztok vyměňujte v jednoročních intervalech, nebo když se nezdaří kalibrace po vyčištění snímače.

Poznámka: Video s postupem výměny solného můstku je k dispozici na www.Hach.com. Přejděte na webovou stránku solného můstku a klikněte na záložku Video.

Potřebné vybavení:

- Hasák
- Velká pinzeta
- Solný můstek
- Standardní roztok
- Gelový prášek⁷, 1/8 čajové lžičky

1. Čištění senzoru. Viz [Čištění snímače](#) na straně 160.

2. Vyměňte solný můstek a standardní roztok. Řiďte se následujícími vyobrazenými kroky.

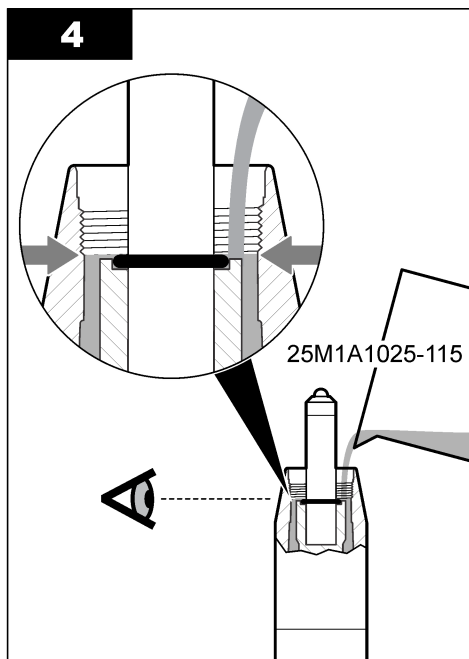
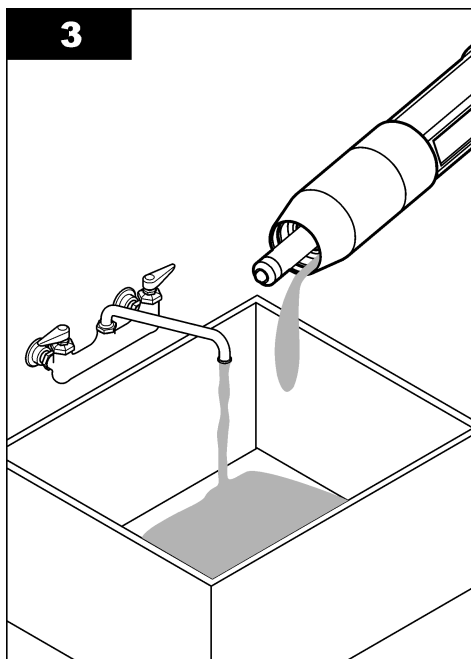
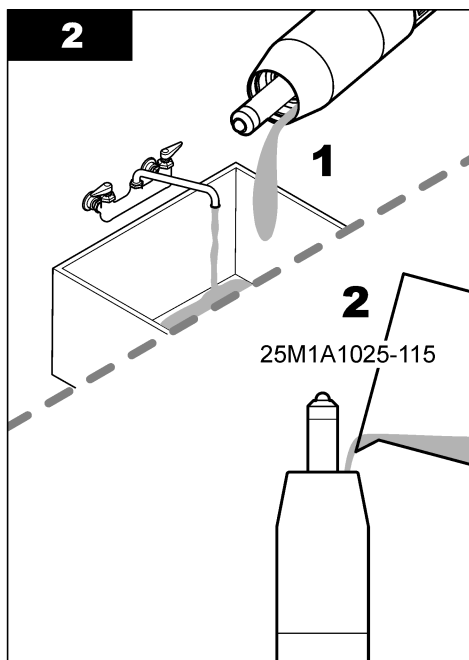
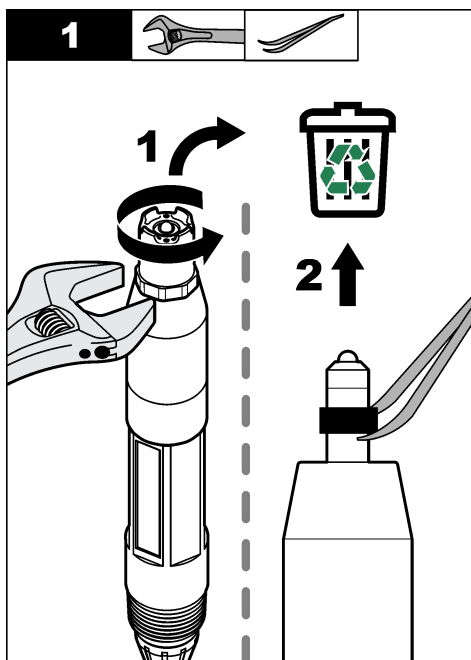
Pokud nádobka na standardní roztok obsahuje gel (není obvyklé), odstraňte starý gel proudem tlakové vody podle obrázku v kroku 2.

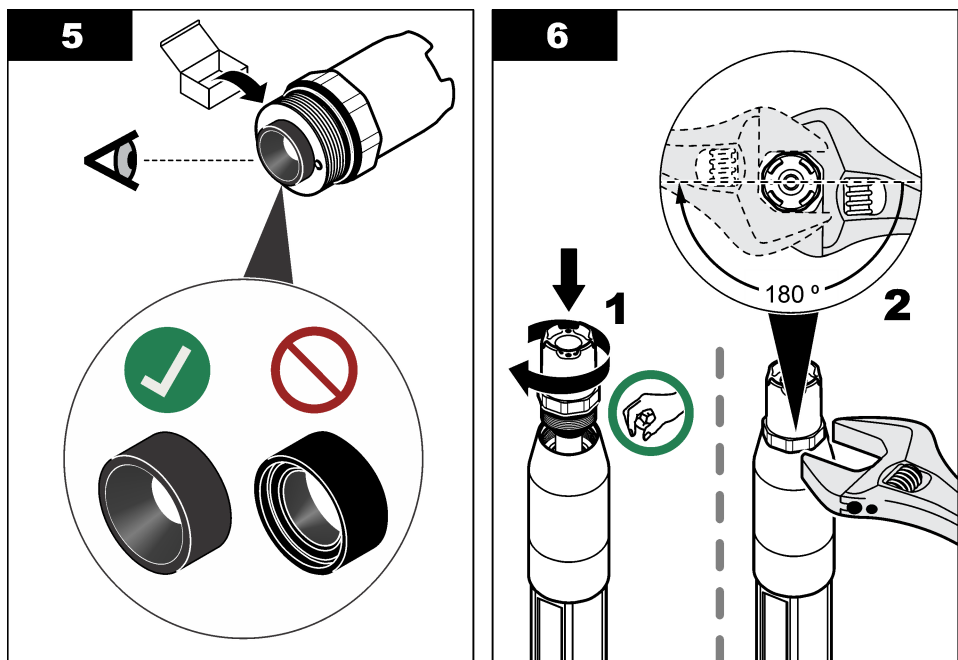
(Volitelně) Pokud teplota procesní vody dosahuje téměř bodu varu, přidejte do nového standardního roztoku gelový prášek podle obrázku v kroku 4:

- Do nádoby na standardní roztok nasypete 1 zarovnaný uzávěr (1/8 čajové lžičky) gelového prášku.
- Dále do nádržky nalijte malé množství nového standardního roztoku.
- Smíchejte jej s práškem tak, aby byl roztok hustý.
- Přidejte malé množství roztoku a přimíchávejte, dokud nebude hladina gelu dosahovat k dolnímu okraji závitu solného můstku.
- Patřičnou hladinu gelu zkontrolujete tím, že nainstalujete a odstraníte nový solný můstek. Na povrchu gelu by měly zůstat stopy solného můstku.

3. Kalibrujte snímač.

⁷ (Volitelně) Pokud teplota procesní vody dosahuje téměř bodu varu, přidejte gelový prášek. Gelový prášek snižuje intenzitu vypařování standardního roztoku.





5.4 Příprava na uskladnění

Při krátkodobém uskladnění (je-li snímač mimo provozní prostředí déle než jednu hodinu) naplňte ochranný kryt puřem o hodnotě 4 pH nebo destilovanou vodou a nasadte jej zpět na snímač. Procesní elektrodu a solný můstek referenčního spoje udržujte navlhčené, aby při opětovném uvedení snímače do provozu nenastala pomalá reakce.

Při dlouhodobém uskladnění zopakujte uvedené opatření každé 2 až 4 týdny, podle okolních podmínek. Limitní skladovací teploty uvádí část [Technické údaje](#) na straně 146.

Kapitola 6 Poruchy, jejich příčiny a odstraňování

6.1 Nesouvislá data

Během kalibrace nejsou odesílána data do datového protokolu. Datový protokol tedy může obsahovat oblasti, ve kterých jsou data nesouvislá.

6.2 Nabídka diagnostiky a testování snímače

Nabídka diagnostiky a testování snímače zobrazí aktuální informace a historii přístroje. Viz [Tabulka 2](#). Chcete-li otevřít nabídku diagnostiky snímače a testování, stiskněte klávesu **menu** a vyberte možnost NASTAV SENZOR > [Vyber senzor] > DIAGNOZA/TESTY.

Tabulka 2 Menu snímače DIAGNOZA/TESTY

Možnost	Popis
SNÍMAČ INFO	Uvádí typ snímače, název, výrobní číslo, verzi softwaru a verzi ovladače.
DATA KALIBRACE	Uvádí sklon křivky pH (mV/pH) a datum poslední kalibrace. Sklon křivky pH by měl být -55 až -61 mV.

Tabulka 2 Menu snímače DIAGNOZA/TESTY (pokračování)

Možnost	Popis
SIGNÁLY	<p>VSTUPNÍ SIGNÁL – Zobrazuje odečet snímače v mV. Rozsah napětí je -60 až +60 mV (0 mV = pH 7).</p> <p>SNÍMAČ A/D PŘE – Zobrazuje digitální číslo, které představuje odečet pH.</p> <p>TEPLOTA A/D PŘ – Zobrazuje digitální číslo, které představuje odečet teploty.</p> <p>STAV ELEKTRODY – Zobrazuje stav aktivní a referenční elektrody (DOBŘÝ nebo ŠPATNÝ). Pokud se zobrazuje „ŠPATNÝ“, očistěte snímač a vyměňte solný můstek. V případě potřeby snímač vyměňte.</p> <p>MĚŘÍCÍ ELEKTRO – Zobrazuje impedanci aktivní elektrody.</p> <p>REF ELEKTRODA – Zobrazuje impedanci referenční elektrody.</p> <p>IMPEDANCE – Pokud je aktivní (doporučeno), probíhá měření impedance aktivní a referenční elektrody v 1minutových intervalech. Pokud impedance aktivní nebo referenční elektrody není v nastavených dolních a horních limitech, zobrazí se na displeji kontroléru upozornění.</p>
ČÍTAČE	<p>DNY SNÍMAČE – Zobrazí počet dní, po které je snímač v provozu.</p> <p>NULUJ SNÍMAČ – Nastavuje hodnotu DNY SNÍMAČE a DNY ELEKTRODY na nulu.</p> <p>DNY ELEKTRODY – Zobrazuje počet dnů od poslední výměny solného můstku.</p> <p><i>Poznámka: Hodnota DNY ELEKTRODY se po výměně solného můstku automaticky nastaví na nulu.</i></p>

6.3 Hlášení o poruchách

Když se vyskytne chyba, hodnota na obrazovce měření bliká a všechny výstupy jsou uchovány, pokud je tak specifikováno v nabídce kontroléru. Chcete-li zobrazit chyby snímače, stiskněte klávesu **menu** a zvolte možnost DIAGNOSTIKA > [Vyber senzor] > VÝPIS CHYB. Seznam možných chyb se zobrazí v [Tabulka 3](#).

Tabulka 3 Hlášení o poruchách

Chyba	Popis	Řešení
pH VYSOKÉ!	Naměřené pH je > 14.	Kalibrujte snímač.
VYSOKÁ HODN. ORP	Naměřená hodnota ORP je > 2 100 mV.	
pH NÍZKÉ!	Naměřené pH je < 0.	Kalibrujte snímač.
NÍZKÁ HODN. ORP	Naměřená hodnota ORP je ≤ 2 100 mV.	
VYSOKÝ OFFSET	Posun je > 9 (pH) nebo 200 mV (ORP).	Proveďte kroky dle Čištění snímače na straně 160 a Výměna solného můstku na straně 161. Poté proveďte kalibraci znovu.
NÍZKÝ OFFSET	Posun je < 5 (pH) nebo 200 mV (ORP).	
SMĚRNICE VYSOKÁ	Gradient je > 62 (pH)/1,3 (ORP).	Opakujte kalibraci pomocí nových referenčních roztoků.
SMĚRNICE NÍZKÁ	Gradient je < 50 (pH)/0,7 (ORP).	Proveďte kroky uvedené v části Čištění snímače na straně 160. Poté proveďte kalibraci znovu.
VYSOKÁ TEPLOTA	Měřená teplota je > 130 °C.	Ujistěte se, že je zvolen správný teplotní senzor. Viz část TEPL ELEMENT v Konfigurace sondy na straně 155.
NÍZKÁ TEPLOTA	Naměřená teplota je ≤ 10 °C.	
CHYBA A/D PŘEV	Převedení analogu na digitál selhalo.	Vypněte kontrolér. Poté kontrolér zapněte.
IMP ELDY VYSOKÁ.	Impedance aktivní elektrody je > 900 MΩ.	Snímač je ve vzduchu. Vraťte senzor do měřeného prostředí.

Tabulka 3 Hlášení o poruchách (pokračování)

Chyba	Popis	Řešení
IMP ELDY NÍZKÁ.	Impedance aktivní elektrody je < 8 MΩ.	Snímač je poškozen nebo znečištěn. Proveďte kroky uvedené v části Čištění snímače na straně 160.
IMP REF VYSOKÁ.	Impedance referenční elektrody je > 900 MΩ.	Standardní roztok unikl nebo se vypařil. Vyměňte standardní roztok.
IMP REF NÍZKÁ.	Impedance referenční elektrody je < 8 MΩ.	Referenční elektroda je poškozena. Vyměňte snímač.
STEJNÝ PUFER	Pufry pro DVOUBODOVOU AUTOMATICKOU KALIBRACI mají stejnou hodnotu.	Použijte pufrы s rozdílnými hodnotami.
SENZOR ZTRACEN	Snímač chybí nebo je odpojen.	Zjistěte, zda je kabelový snímač odpojený nebo poškozený.
CHYBÍ SENZOR TEPLoty	Chybí teplotní snímač.	Ujistěte se, že je zvolen správný teplotní senzor. Viz část TEPL ELEMENT v Konfigurace sondy na straně 155.
IMP. SKL NÍZKÁ	Skleněná baňka je rozbitá nebo na konci životnosti.	Vyměňte snímač.

6.4 Výstražná hlášení

Varování neovlivní provoz nabídek, vysílání a výstupů. Ikona varování zablíká a v dolní části obrazovky měření se zobrazí zpráva. Chcete-li zobrazit upozornění snímače, stiskněte klávesu **menu** a zvolte možnost DIAGNOSTIKA > [Vyber senzor] > VÝPIS VAROVÁNÍ. Seznam možných varování je uveden v [Tabulka 4](#).

Tabulka 4 Výstražná hlášení

Výstraha	Popis	Řešení
pH VYSOKÉ!	Naměřené pH je > 13.	Kalibrujte snímač.
VYSOKÁ HODN. ORP	Naměřená hodnota ORP je > 2 100 mV.	
pH NÍZKÉ!	Naměřené pH je < 1.	Kalibrujte snímač.
NÍZKÁ HODN. ORP	Naměřená hodnota ORP je < -2 100 mV.	
VYSOKÝ OFFSET	Posun je > 8 (pH) nebo 200 mV (ORP).	Proveďte kroky dle Čištění snímače na straně 160 a Výměna solného můstku na straně 161. Poté proveďte kalibraci znovu.
NÍZKÝ OFFSET	Posun je < 6 (pH) nebo -200 mV (ORP).	
SMĚRNICE VYSOKÁ	Gradient je > 60 (pH)/1,3 (ORP).	Opakujte kalibraci pomocí nových referenčních roztoků.
SMĚRNICE NÍZKÁ	Gradient je < 54 (pH)/0,7 (ORP).	Proveďte kroky uvedené v části Čištění snímače na straně 160. Poté proveďte kalibraci znovu.
VYSOKÁ TEPLota	Naměřená teplota je > 100 °C.	Ujistěte se, že je zvolen správný teplotní senzor. Viz část TEPL ELEMENT v Konfigurace sondy na straně 155.
NÍZKÁ TEPLota	Naměřená teplota je < 0 °C.	
KALIB STARÁ	Počet dnů provozu snímače po kalibraci je vyšší než interval kalibrace.	Kalibrujte snímač. Poznámka: Chcete-li změnit interval kalibrace, nahlédněte do DNY KALIBRACE v části Konfigurace sondy na straně 155.

Tabulka 4 Výstražná hlášení (pokračování)

Výstraha	Popis	Řešení
VYMĚŇ SENZOR	Počet dnů provozu snímače je vyšší než interval výměny snímače.	V případě potřeby snímač vyměňte. Poznámka: Chcete-li změnit interval výměny snímače, nahlédněte do DNY SNÍMAČE v části Konfigurace sondy na straně 155.
NEKALIBROVÁNO	Snímač nebyl kalibrován..	Kalibrujte snímač.
CHYBA PAMĚTI	Externí paměť selhala.	Obratě se na technickou podporu výrobce.
IMP ELDY VYSOKÁ.	Impedance aktivní elektrody je > 800 MΩ.	Snímač je ve vzduchu. Vraťte senzor do měřeného prostředí.
IMP ELDY NÍZKÁ.	Impedance aktivní elektrody je < 15 MΩ.	Snímač je poškozen nebo znečištěn. Provedte kroky uvedené v části Čištění snímače na straně 160.
IMP REF VYSOKÁ.	Impedance referenční elektrody je > 800 MΩ.	Standardní roztok unikl nebo se vypařil. Vyměňte standardní roztok.
IMP REF NÍZKÁ.	Impedance referenční elektrody je < 15 MΩ.	Referenční elektroda je poškozena. Vyměňte snímač.
PROBÍHÁ KAL.	Kalibrace byla zahájena, ale ne dokončena.	Vraťte se ke kalibraci.

6.5 Výpis událostí

Výpis událostí zobrazí aktuální aktivity jako například změny konfigurace, alarm, podmínky varování, atd. Chcete-li zobrazit události, stiskněte klávesu **menu** a zvolte možnost DIAGNOSTIKA > [Vyber senzor] > UDÁLOSTI. Seznam možných případů je uveden v [Tabulka 5](#). Předchozí události jsou zaznamenány v záznamech událostí, které mohou být staženy z kontroléru. Možnosti vyhledávání dat naleznete v dokumentaci přístroje kontroléru.

Tabulka 5 Výpis událostí

Událost	Popis
KALIB PŘIPR.	Snímač je připraven na kalibraci.
KALIB OK	Aktuální kalibrace je v pořádku.
ČAS VYPRŠEL	Čas pro stabilizaci vypršel během kalibrace.
NENÍ PUFER	Nebyl zaznamenán žádný pufr.
VYSOKÁ STRMOST	Gradient kalibrace je nad horním limitem.
NÍZKÁ STRMOST	Gradient kalibrace je pod dolním limitem.
OFFSET VYSOKÝ	Hodnota posunu kalibrace snímače je nad horním limitem.
OFFSET NÍZKÝ	Hodnota posunu kalibrace snímače je pod dolním limitem.
BODY PŘÍLIŠ BLÍZKO	Hodnoty bodů kalibrace jsou příliš podobné hodnotám dvoubodové kalibrace.
KALIBR CHYBA	Kalibrace selhala.
VYS. KAL.	Hodnota kalibrace je nad horním limitem.
NESTABILITA	Načítání během kalibrace bylo nestabilní.
ZMĚNA KONF. – nestálý	Konfigurace byla změněna – typ nestálého bodu.
ZMĚNA KONF. – text	Konfigurace byla změněna – typ textu.
ZMĚNA KONF. – celé číslo	Konfigurace byla změněna – typ hodnoty celého čísla.

Tabulka 5 Výpis událostí (pokračování)

Událost	Popis
RESET KONFIG	Nastavení bylo změněno na výchozí hodnoty.
NAPÁJENÍ ZAP.!	Napájení bylo zapnuto.
CHYBA A/D PŘEV	Převod A/D selhal (selhání hardwaru).
MAZÁNÍ PAMĚTI	Paměť byla vymazána.
TEPLOTA	Zaznamenaná teplota je buď příliš vysoká nebo příliš nízká.
START 1BOD MAN KALIB	Začátek RUČNĚ 1-BODOVÁ kalibrace.
START 1BOD AUT KALIB	Začátek AUTOM.1-BODOVÁ kalibrace pro pH.
START 2BOD MAN KALIB	Začátek RUČNĚ 2-BODOVÁ kalibrace pro pH.
START 2BOD AUT KALIB	Začátek AUTOM.2-BODOVÁ kalibrace pro pH.
KONEC 1BOD MAN KALIB	Konec RUČNĚ 1-BODOVÁ kalibrace.
KONEC 1BOD AUT KALIB	Konec AUTOM.1-BODOVÁ kalibrace pro pH.
KONEC 2BOD MAN KALIB	Konec RUČNĚ 2-BODOVÁ kalibrace pro pH.
KONEC 2BOD AUT KALIB	Konec AUTOM.2-BODOVÁ kalibrace pro pH.

Kapitola 7 Náhradní díly a příslušenství

⚠ VAROVÁNÍ



Nebezpečí poranění osob. Použití neschválených součástí může způsobit poranění osob, poškození nebo nesprávné fungování přístroje či vybavení. Náhradní díly v tomto oddíle jsou schváleny výrobcem.

Poznámka: Čísła produktů a položek se mohou v různých regionech prodeje lišit. Obratě se na příslušného distributora, kontaktní informace naleznete na webových stránkách společnosti.

Spotřební materiál

Popis	Množství	Položka č.
Roztok pufru, pH 4,01, červený	500 ml	2283449
Roztok pufru, pH 7,00, žlutý	500 ml	2283549
Roztok pufru, pH 10,01, modrý	500 ml	2283649
Referenční roztok ORP; 200 mV	500 ml	25M2A1001-115
Referenční roztok ORP; 600 mV	500 ml	25M2A1002-115

Náhradní díly – snímače pH

Popis	Množství	Položka č.
Solný můstek, PEEK, vnější rozhraní Kynar (PVDF), s O-kroužky Viton	1	SB-P1SV
Solný můstek, PEEK, vnější rozhraní Kynar (PVDF), s perfluoroelastomerovými O-kroužky	1	SB-P1SP ⁸
Solný můstek, PEEK, keramické vnější rozhraní, s O-kroužky Viton	1	SB-P2SV

⁸ Pokud není materiál Viton chemicky kompatibilní s chemikáliemi v aplikaci, použijte SB-P1SP.

Náhradní díly – snímače pH (pokračování)

Popis	Množství	Položka č.
Solný můstek, Ryton, vnější rozhraní Kynar (PVDF), s O-kroužky Viton	1	SB-R1SV
Standardní roztok	500 ml	25M1A1025-115
Gelový prášek pro standardní roztok	2 g	25M8A1002-101

Příslušenství

Popis	Položka č.
Digitální prodlužovací kabel, 1 m (3,2 ft)	6122400
Digitální prodlužovací kabel, 7,7 m (25 ft)	5796000
Digitální prodlužovací kabel, 15 m (50 ft) ⁹	5796100
Digitální prodlužovací kabel, kontrolér SC200, 31 m (100 ft)	5796200
Digitální svorkovnice, kontrolér SC200 ¹⁰	5867000
Příslušenství pro sanitární montáž, nerezavějící ocel 316, obsahuje 2palcový sanitární T-kus a robustní svorku <i>Poznámka: Uzávěr a těsnění EPDM jsou dodávány se snímačem.</i>	MH018S8SZ
Příslušenství pro montáž do přípojky, CPVC (chlorovaný polyvinylchlorid), obsahuje standardní 1½palcový T-kus, spojovací potrubí s adaptérem, těsnicí hrdlo, pojistný kroužek a O-kroužek Viton	6131300
Příslušenství pro montáž do přípojky, nerezavějící ocel 316, obsahuje standardní 1½palcový T-kus, spojovací potrubí s adaptérem, těsnicí hrdlo, pojistný kroužek a O-kroužek Viton	6131400
Příslušenství pro průtokovou montáž, CPVC, 1palcový standardní T-kus	MH334N4NZ
Příslušenství pro průtokovou montáž, nerezavějící ocel 316, 1palcový standardní T-kus	MH314N4MZ
Příslušenství pro montáž vložením, CPVC, obsahuje 1½palcový kulový ventil, 1½palcovou NPT spojku, adaptér snímače se dvěma O-kroužky Viton a stíracím kroužkem, prodlužovací potrubí, adaptér, vratnou trubku a pojistný kroužek	5646300
Příslušenství pro montáž vložením, nerezavějící ocel 316, obsahuje 1½palcový kulový ventil, 1½palcovou NPT spojku, adaptér snímače se dvěma O-kroužky Viton a stíracím kroužkem, prodlužovací potrubí, adaptér, vratnou trubku a pojistný kroužek	5646350
Příslušenství pro ponornou montáž, standardní, CPVC, obsahuje 1palcovou 4ft trubku a NPT spojku 1"x1"	6136400
Příslušenství pro ponornou montáž, standardní, nerezavějící ocel 316, obsahuje 1palcovou 4ft trubku a NPT spojku 1"x1"	6136500
Příslušenství pro ponornou montáž, zábradlí, obsahuje 7,5palcovou CPVC trubku a sponu potrubí	MH236B00Z
Příslušenství pro ponornou montáž, řetízek, nerezavějící ocel 316, obsahuje nerezový třmen, matice a podložky <i>Poznámka: Pouze pro snímač z nerezavějící oceli. Neobsahuje řetízek.</i>	2881900
Příslušenství pro ponornou montáž, balónový plovák, obsahuje 1½palcovou CPVC trubku 7,5 ft, sestavu balónového plováku a sponu trubky	6131000

⁹ Maximální délka kabelu je 15 m (49 ft) pro kontrolér SC1000.

¹⁰ Pokud je délka kabelu větší než 100 m (328 ft), použijte digitální svorkovnici. Digitální svorkovnice se nepoužívá s kontrolérem SC1000.

Příslušenství (pokračování)

Popis	Položka č.
Chráníč snímače, konvertibilní typ, PEEK	1000F3374-002
Chráníč snímače, konvertibilní typ, Ryton	1000F3374-003

Inhoudsopgave

- | | |
|-------------------------------------|--|
| 1 Specificaties op pagina 170 | 5 Onderhoud op pagina 184 |
| 2 Algemene informatie op pagina 171 | 6 Problemen oplossen op pagina 187 |
| 3 Installatie op pagina 173 | 7 Reserveonderdelen en accessoires op pagina 191 |
| 4 Bediening op pagina 179 | |

Hoofdstuk 1 Specificaties

Specificaties kunnen zonder kennisgeving vooraf worden gewijzigd.

Specificatie	pH-sensoren	Roestvaststalen pH-sensor	ORP-sensoren
Afmetingen (lengte)	272,5 mm (10,73 inch)	325,3 mm (12,81 inch)	272,5 mm (10,73 inch)
Gewicht	316 g (11 oz)	870 g (31 oz)	316 g (11 oz)
Bevochtigde materialen	PEEK of Ryton (PVDF) huis, zoutbrug van bijpassend materiaal met Kynar-verbinding, glazen proceselektrode, titanium aardelektrode en Viton O-ringafdichtingen <i>Opmerking: De pH-sensor met optionele HF-resistente glazen proceselektrode heeft een aardelektrode van 316 roestvaststaal en bevochtigde O-ringen van perfluorelastomeer.</i>	Alleen dompelarmatuur, 316 SS roestvaststalen behuizing met Ryton (PVDF) uiteinden en zoutbrug	PEEK of Ryton (PVDF) huis, zoutbrug van bijpassend materiaal met Kynar-verbinding, glazen en platina (of glazen en gouden) proceselektrode, titanium aardelektrode en Viton O-ringafdichtingen
Componenten	Corrosiebestendige materialen, volledig dompelbaar		
Sensorkabel (integraal)	4-geleider (incl. 1 afscherming), 10 m (33 ft), geclassificeerd voor 105 °C (221 °F)		
Bedrijfstemperatuur	-5 tot 70 °C (23 tot 158 °F)	0 tot 50 °C (32 tot 122 °F)	-5 tot 70 °C (23 tot 158 °F)
Opslagtemperatuur	4 tot 70 °C (40 tot 158 °F), 0 tot 95 % relatieve vochtigheid, niet-condenserend		
Meetbereik	2,0 tot 14,0 pH ¹ (of 2,00 tot 14,00)		-1500 tot +1500 mV
Herhaalbaarheid	±0,05 pH		±2 mV
Gevoeligheid	±0,01 pH		±0,5 mV ²
Stabiliteit	0,03 pH per 24 uur, niet-cumulatief		2 mV (ORP) per 24 uur, niet-cumulatief
Maximale debiet	3 m/s (10 ft/s)		
Drukbestendigheid	6,9 bar bij 70°C (100 psi bij 158°F)	Niet van toepassing (alleen dompeling)	6,9 bar bij 70°C (100 psi bij 158°F)
Transmissieafstand	Maximaal 100 m (328 ft) of maximaal 1000 m (3280 ft) bij gebruik met een einddoos		

¹ De meeste pH-applicaties zijn in het pH-bereik van 2,5 tot 12,5. De pH-differentiaalsensor met de glazen proceselektrode voor groot bereik werkt zeer goed in dit bereik. Voor sommige industriële applicaties zijn nauwkeurige metingen en regeling onder een pH van 2 of boven een pH van 12 vereist. Neem in deze speciale gevallen contact op met de fabrikant voor meer informatie.

² Gebruik de pH-ORP-sensor met een gouden elektrode voor de beste resultaten in oplossingen die zink, cyanide, cadmium of nikkel bevatten.

Specificatie	pH-sensoren	Roestvaststalen pH-sensor	ORP-sensoren
Temperatuurelement	NTC-thermistor van 300 Ω voor automatische temperatuurcompensatie en uitlezing van analyser-temperatuur		NTC-thermistor van 300 Ω, alleen voor uitlezing van temperatuur —geen automatische temperatuuroffset nodig voor ORP-meting
Temperatuurnauwkeurigheid	±0,5 °C (0,9 °F)		
Temperatuurcompensatie	Automatisch van -10 tot 105 °C (14,0 tot 221 °F) NTC-thermistor van 300 Ω, Pt 1000 ohm RTD of Pt 100 Ω RTD-temperatuurelement, of handmatig vastgezet op een door de gebruiker ingevoerde temperatuur		Niet van toepassing
Kalibratiemethoden	1 of 2 punten, automatisch of handmatig		1-punt, handmatig
Sensorinterface	Modbus		
Certificeringen	CE		
Garantie	1 jaar; 2 jaar (EU)		

Hoofdstuk 2 Algemene informatie

De fabrikant kan onder geen enkele omstandigheid aansprakelijk worden gesteld voor directe, indirecte, speciale, incidentele of continue schade die als gevolg van enig defect of onvolledigheid in deze handleiding is ontstaan. De fabrikant behoudt het recht om op elk moment, zonder verdere melding of verplichtingen, in deze handleiding en de producten die daarin worden beschreven, wijzigingen door te voeren. Gewijzigde versies zijn beschikbaar op de website van de fabrikant.

2.1 Veiligheidsinformatie

De fabrikant is niet verantwoordelijk voor enige schade door onjuist toepassen of onjuist gebruik van dit product met inbegrip van, zonder beperking, directe, incidentele en gevolgschade, en vrijwaart zich volledig voor dergelijke schade voor zover dit wettelijk is toegestaan. Uitsluitend de gebruiker is verantwoordelijk voor het identificeren van kritische toepassingsrisico's en het installeren van de juiste mechanismen om processen te beschermen bij een mogelijk onjuist functioneren van apparatuur.

Lees deze handleiding voor het uitpakken, installeren of gebruiken van het instrument. Let op alle waarschuwingen. Wanneer u dit niet doet, kan dit leiden tot ernstig persoonlijk letsel of schade aan het instrument.

Controleer voor gebruik of het instrument niet beschadigd is. Het instrument mag op geen andere wijze gebruikt worden dan als in deze handleiding beschreven.

2.2 Gebruik van gevareninformatie

▲ GEVAAR

Geeft een potentieel gevaarlijke of dreigende situatie aan die, als deze niet kan worden voorkomen, kan resulteren in dodelijk of ernstig letsel.

▲ WAARSCHUWING

Geeft een potentieel of op handen zijnde gevaarlijke situatie aan, die als deze niet wordt vermeden, kan leiden tot de dood of ernstig letsel.





▲ VOORZICHTIG

Geeft een mogelijk gevaarlijke situatie aan die kan resulteren in minder ernstig letsel of lichte verwondingen.

Duidt een situatie aan die (indien niet wordt voorkomen) kan resulteren in beschadiging van het apparaat. Informatie die speciaal moet worden benadrukt.

2.3 Waarschuwingsetiketten

Lees alle labels en etiketten die op het instrument zijn bevestigd. Het niet naleven van deze waarschuwingen kan leiden tot letsel of beschadiging van het instrument. In de handleiding wordt door middel van een veiligheidsvoorschrift uitleg gegeven over een symbool op het instrument.

	Dit is het symbool voor veiligheidswaarschuwingen. Volg alle veiligheidsberichten op die after dit symbool staan, om mogelijk letsel te voorkomen. Als u dit symbool op het apparaat ziet, moet u de instructiehandleiding raadplegen voor informatie over de werking of veiligheid.
	Dit symbool geeft aan dat er een risico op een elektrische schok en/of elektrocutie bestaat.
	Dit symbool wijst op de aanwezigheid van apparaten die gevoelig zijn voor elektrostatische ontlading en geeft aan dat voorzichtigheid betracht dient te worden om schade aan de apparatuur te voorkomen.
	Elektrische apparatuur gemarkeerd met dit symbool mag niet worden afgevoerd via Europese systemen voor afvoer van huishoudelijk of openbaar afval. Oude apparatuur of apparatuur aan het einde van zijn levensduur kan naar de fabrikant worden geretourneerd voor kosteloze verwerking.

2.4 Productoverzicht

Deze sensor is ontwikkeld om samen te werken met een controller voor het verzamelen van gegevens en bediening. Er kunnen meerdere controllers voor deze sensor worden gebruikt. Dit document gaat uit van een sensorinstallatie en gebruik met een sc-controller. Raadpleeg de gebruikershandleiding voor de gebruikte controller om de sensor met andere controllers te gebruiken.

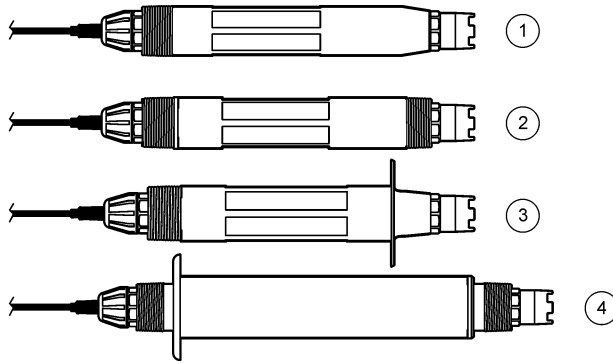
Dit product is niet acceptabel voor gebruik op een gevaarlijke locatie.

Optionele apparatuur, zoals bevestigingsmiddelen voor de sonde, wordt geleverd met installatie-instructies. Er zijn verschillende montageopties beschikbaar, waardoor de sonde kan worden aangepast voor gebruik in veel verschillende applicaties.

2.5 Type sensoren

De sensor is beschikbaar in verschillende stijlen. Raadpleeg [Afbeelding 1](#).

Afbeelding 1 Type sensoren



<p>1 Insertie—Voor installatie in een doorstroomcel of een buisadapter van een kogelventielopstelling. Staat verwijderen toe zonder de processtroom te stoppen.</p>	<p>3 Buis—Voor installatie in een 2-inch buis-T-stuk</p>
<p>2 Omwisselbaar—Voor een T-pijpstuk of onderdamping in een open vat</p>	<p>4 Roestvaststaal—Voor onderdamping in een open vat</p>

Insertiesensoren—Insertiesensoren lijken op converteerbare sensoren, maar de 1-inch NPT-schroefdraden zitten alleen op het kabeluiteinde voor montage in een doorstroomcel of de pijpadapter van een kogelventielopstelling. Insertiesensoren worden in het proces gezet, of eruit verwijderd, zonder dat de processtroom moet worden gestopt.

Converteerbare sensoren—Converteerbare sensoren hebben 1-inch NPT-schroefdraad aan beide uiteinden van de behuizing voor montage in de configuraties die volgen:

- in een standaard 1-inch NPT-pijp-T-stuk
- in een pijpadapter voor koppelmontage en een standaard 1-½ inch pijp-T-stuk
- op het uiteinde van een pijp voor onderdamping in een vat

Opmerking: *Converteerbare sensoren kunnen ook worden gebruikt in bestaande installaties voor 1½-inch LCP, Ryton en epoxy-sensoren.*

Buissensoren—Buissensoren bevatten een ingebouwde 2-inch flens voor montage in een 2-inch buis-T-stuk. Buissensoren komen met een speciale dop en EDPM-pakking voor gebruik met de buismaterialen.

Roestvaststalen sensoren—Roestvaststalen sensoren hebben 1-inch NPT-schroefdraad aan beide uiteinden van de behuizing. Roestvaststalen dienen ter onderdamping in een open vat.

Hoofdstuk 3 Installatie

3.1 Montage

▲ WAARSCHUWING



Explosiegevaar. Zorg ervoor dat de bevestigingsmiddelen voor de sensor een temperatuur- en drukwaarde hebben die voldoende zijn voor de montageplaats.

▲ VOORZICHTIG



Gevaar van persoonlijk letsel. Gebroken glas kan snijwonden veroorzaken. Gebruik gereedschap en draag persoonlijke beschermingsuitrusting als u gebroken glas wilt verwijderen.

LET OP

De proceselektrode aan de tip van de pH-sensor heeft een glazen bol, die breekbaar is. Stoot niet tegen of druk niet op de glazen bol.

LET OP

De gouden of platina proceselektrode aan de tip van de ORP-sensor heeft een glazen schacht (door de zoutbrug aan het zicht onttrokken), die kan breken. Stoot niet tegen of druk niet op de glazen schacht.

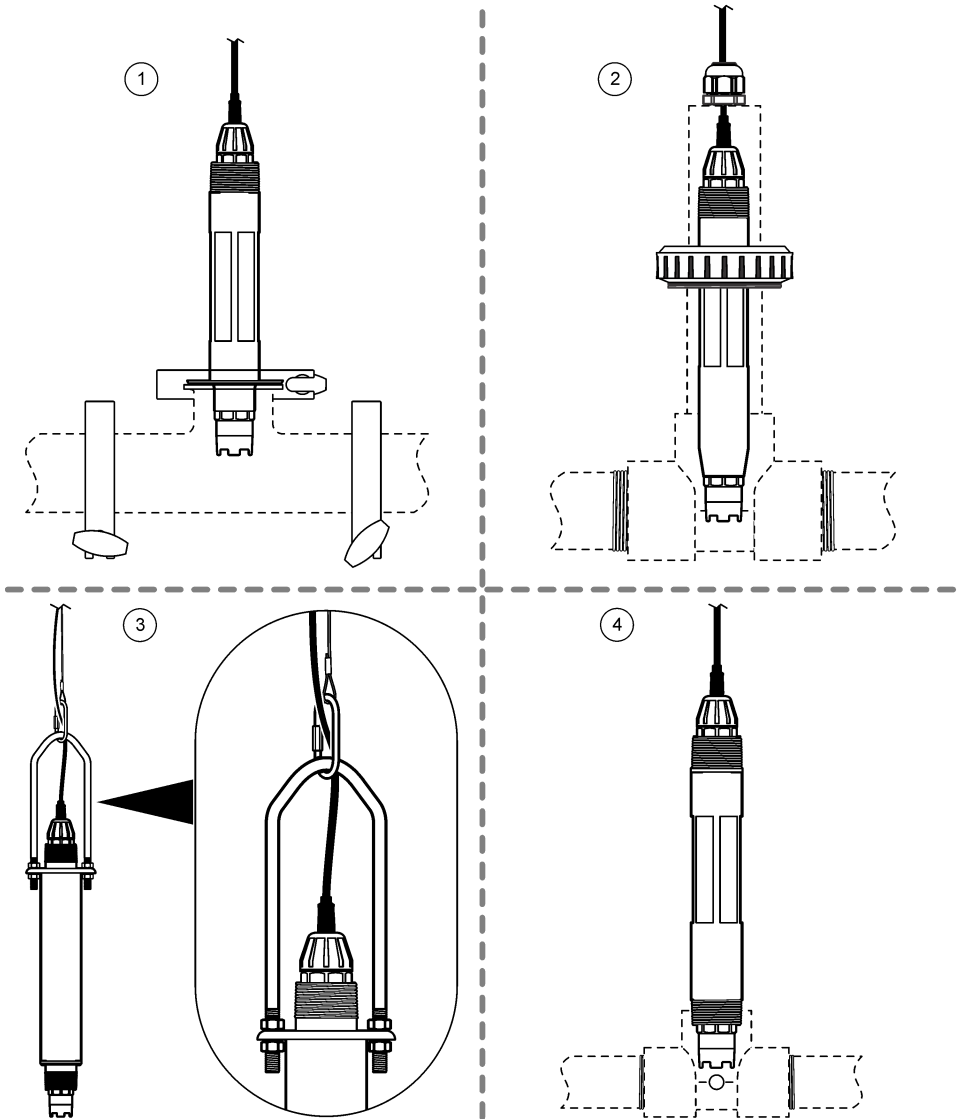
LET OP

Dit instrument is berekend op een maximale hoogte van 2000 m (6562 ft). Hoewel het gebruik van deze apparatuur boven de hoogte van 2000 m geen aanzienlijke veiligheidsrisico's met zich meebrengt, raadt de fabrikant aan dat gebruikers met problemen contact opnemen met de technische ondersteuning.

- Installeer de sensor waar het monster die in contact komt met de sensor, het gehele proces vertegenwoordigt.
- Raadpleeg [Afbeelding 2](#), [Afbeelding 3](#) en [Afbeelding 4](#) voor montage-configuratievoorbelden.
- Raadpleeg [Reserveonderdelen en accessoires](#) op pagina 191 voor de beschikbare bevestigingsmiddelen.
- Raadpleeg de instructies die met de bevestigingsmiddelen worden meegeleverd voor installatie-informatie.
- Installeer de sensor ten minste 15° boven de horizontaal. Raadpleeg [Afbeelding 5](#).
- Zet bij dompelininstallaties de sensor ten minste 508 mm (20 in.) van de rand van het beluchtingsbassin en dompel de sensor ten minste 508 mm (20 in) onder in het proces.
- Verwijder de beschermkap voordat de sensor in het proces wordt geplaatst. Bewaar de beschermkap voor verder gebruik.
- (Optioneel) Voeg gelpoeder toe als het proceswater bijna kookt³ tot de standaardkuvetoplossing in de sensor. Raadpleeg stap 2 van [Vervang de zoutbrug](#) op pagina 185. Vervang de zoutbrug niet.
- Kalibreer de sensor voor gebruik.

³ Het gelpoeder vermindert de verdampingsgraad van de standaardkuvetoplossing.

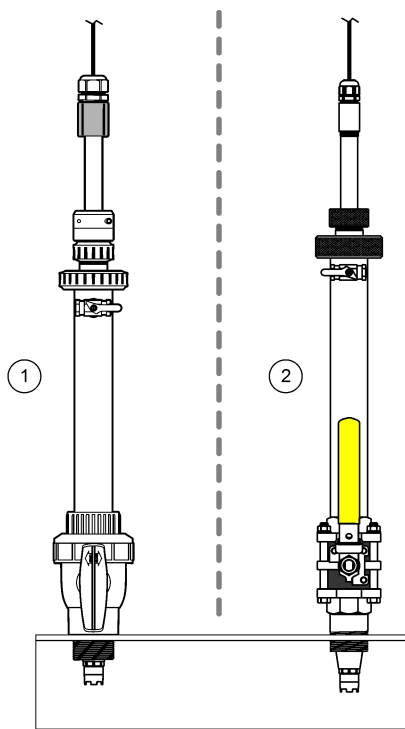
Afbeelding 2 Bevestigingsvoorbeelden (1)



1 Buisarmatuur (2-inch buis-T-stuk)	3 Dompelarmatuur, ketting en vlotter ⁴
2 Koppelarmatuur (1½-inch standaard-T-stuk)	4 Doorstroomarmatuur (1-inch standaard-T-stuk)

⁴ Uitsluitend RVS-sensoren

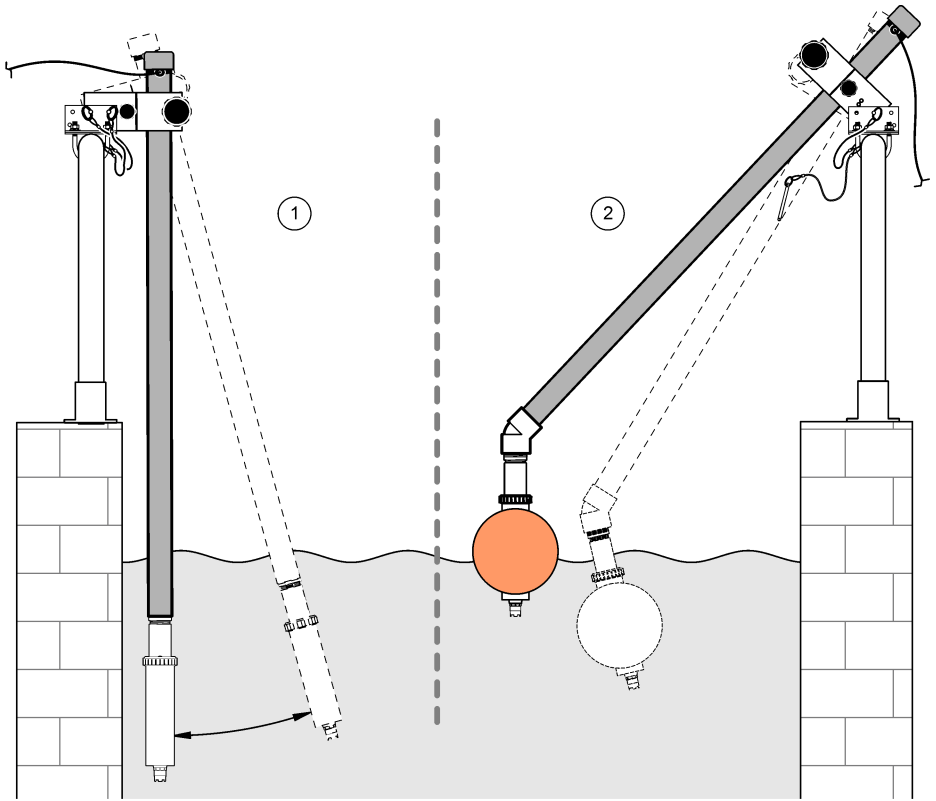
Afbeelding 3 Bevestigingsvoorbeelden (2)



1 Insetiearmatuur, CPVC-apparatuur

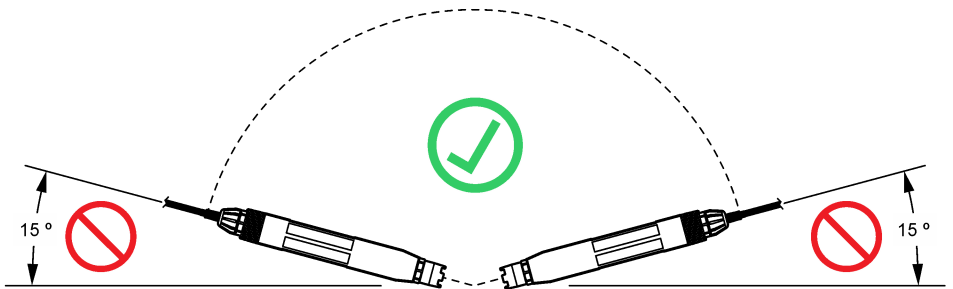
2 insetiearmatuur, RVS-apparatuur

Afbeelding 4 Bevestigingsvoorbeelden (3)



1 Dompelarmatuur, reling	2 Dompelarmatuur, vlotter
--------------------------	---------------------------

Afbeelding 5 Bevestigingshoek sensor

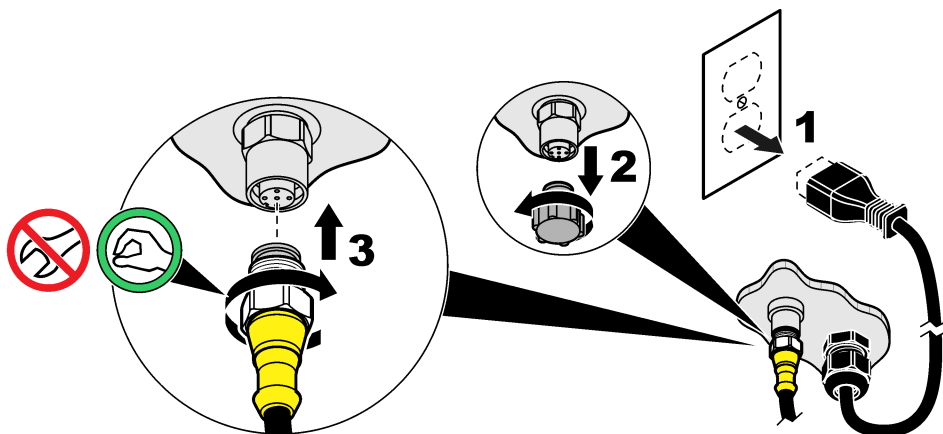


3.2 Elektrische installatie

3.2.1 De sensor op een snelaansluiting aansluiten (ongevaarlijke omgeving)

1. Sluit de sensorkabel aan op de snelaansluiting van de sc-controller. Raadpleeg [Afbeelding 6](#). Bewaar de dop van de connector, om deze af te sluiten indien de sensor verwijderd moet worden.
2. Als de voeding is ingeschakeld wanneer de sensor is aangesloten:
 - SC200 controller—Selecteer TEST/ONDERHOUD > SCAN SONDE.
 - SC1000 controller—Selecteer SYSTEEM SETUP > SENSOR MANAGEMENT > SCANNING VOOR NIEUWE SENSOREN.

Afbeelding 6 De sensor op een snelaansluiting aansluiten



3.2.2 Verlengkabels

- Er zijn verlengkabels verkrijgbaar. Raadpleeg [Reserveonderdelen en accessoires](#) op pagina 191.
- De maximale kabellengte is 15 m (49 ft) voor een SC1000-controller.
- De maximale kabellengte is 1000 m (3280 ft) voor een SC200-controller.
- SC200 controller—Gebruik een digitale aansluitkast als de kabellengte meer dan 100 m (328 ft) bedraagt. Raadpleeg [Reserveonderdelen en accessoires](#) op pagina 191.

3.2.3 Een sensorkabel met blootgelegde draden aansluiten (ongevaarlijke omgeving)

⚠ GEVAAR	
	Elektrocuciegevaar. Koppel altijd het instrument los van de voeding voordat u elektrische aansluitingen tot stand brengt.
⚠ GEVAAR	
	Elektrocuciegevaar. De hoogspanningskabel voor de controller wordt achter de hoogspanningsbarrière in de behuizing van de controller aangesloten. Behalve tijdens het installeren van modules of als een gekwalificeerde installatietechnicus bedrading voor voeding, relais of analoge en netwerkaarten aanbrengt, moet de barrière op zijn plaats blijven.

Als de sensorkabel geen snelsluitkoppeling heeft⁵, sluit de blootgelegde draden van de sensorkabel als volgt op de controller aan:

Opmerking: Een sensorkabel met blootgelegde draden kan niet worden aangesloten op een SC1000-controller.

1. De kabelbundelkit (9222400) zit in de verzenddoos van de SC200-controller.
De kit bevat vier splitsconnectoren.
2. Volg de instructies bij de kabelbundelkit voor het aansluiten van de sensorkabel op de controller.

Hoofdstuk 4 Bediening

4.1 Gebruikersnavigatie

Raadpleeg de documentatie van de controller voor een beschrijving van het toetsenpaneel en voor informatie over het navigeren.

Druk meerdere keren op de pijltoets naar **RECHTS** op de controller om meer informatie weer te geven op het beginscherm en om een grafisch display weer te geven.

4.2 Configureer de sensor

Selecteer een sensornaam en het type sensor. Wijzig opties voor meting, kalibratie, gegevensverwerking en opslag.

1. Druk op **menu** en selecteer **SONDE SETUP > [selecteer sensor] > CONFIGUREREN**.
2. Selecteer een optie.

Optie	Beschrijving
WIJZIG NAAM	Wijzigt de naam die overeenkomt met de sensor bovenaan op het meetscherm. De naam is beperkt tot 12 karakters en mag bestaan uit een willekeurige combinatie van letter, cijfers, spaties en interpunctietekens.
KIES SENSOR	Stelt het type sensor (pH of ORP) in.
SCHERMWEERGAVE	Alleen voor pH-sensoren—Dit wijzigt het aantal decimale plaatsen dat op het meetscherm wordt getoond in XX.XX (standaard) of XX.X.
TEMP EENHEID	Stelt de temperatuureenheid in op °C (standaard) of °F.
LOG SETUP	Dit stelt de tijdsinterval voor gegevensopslag in de gegevenslog in—5, 30 seconden, 1, 2, 5, 10, 15 (standaard), 30, 60 minuten.
AC FREQUENCY	Stelt de frequentie in van de wisselstroom die wordt geleverd aan de controller (50 of 60 Hz). Als de voeding naar de controller 120 VAC is, selecteert u 60 Hz. Als de voeding naar de controller 230 VAC is, selecteert u 50 Hz.
GEMIDDELDE	Stelt een tijdconstante in ter verhoging van de signaalstabiliteit. De tijdconstante berekent de gemiddelde waarde gedurende een opgegeven tijd—0 (geen effect, standaard) tot 60 seconden (gemiddelde van signaalwaarde voor 60 seconden). De filter verlengt de benodigde tijd voor het sensorsignaal om te reageren op de werkelijke procesveranderingen.
TEMP.ELEMENT	pH-sensoren—Stelt het temperaturelement voor automatische temperatuuroffset in op PT100, PT1000, NTC300 (standaard) of HANDMATIG. Als er geen element wordt gebruikt, kan het type op HANDMATIG worden gezet en kan een waarde voor temperatuuroffset worden ingevuld (handmatig standaard: 25 °C). ORP-sensoren—de temperatuuroffset wordt niet gebruikt. Voor het meten van de temperatuur kan een temperaturelement worden aangesloten.

⁵ Bijvoorbeeld, als een digitale aansluitdoos en 4-aderige afgeschermd kabel worden gebruikt om de lengte van de sensorkabel te vergroten.

Optie	Beschrijving
KIES BUFFER	Alleen voor pH-sensoren—Selecteert de bufferoplossingen die worden gebruikt voor kalibratie. Opties: pH 4, 7, 10 (standaard) of DIN 19267 (pH 1,09; 4,65; 6,79; 9,23; 12,75) Opmerking: <i>Andere bufferoplossingen kunnen worden gebruikt voor kalibratie.</i>
PUUR WATERCOMP	Alleen voor pH-sensoren—Dit brengt een temperatuurafhankelijke correctie aan op de gemeten pH-waarde voor puur water met toevoegingen—GEEN (standaard), AMMONIUM, MORPHOLINE of USER DEFINED. Voor procestemperaturen boven de 50 °C, wordt de correctie op 50 °C gebruikt. Voor door de gebruikers gedefinieerde applicaties kan een lineaire steilheid worden ingevuld (standaard: 0 pH/°C).
CAL DAGEN	Stelt het kalibratie-interval in (standaard: 60 dagen). Opmerking: <i>Er verschijnt een waarschuwing op het controllerdisplay wanneer het aantal dagen sinds de kalibratie van de sensor hoger is dan het kalibratie-interval.</i>
SENSOR DAGEN	Stelt het vervangingsinterval voor de sensor in (standaard: 365 dagen). Opmerking: <i>Er verschijnt een waarschuwing op het controllerdisplay wanneer het aantal dagen dat de sensor in bedrijf is geweest hoger is dan het vervangingsinterval van de sensor.</i>
IMPED LIMITS	Stelt de impedantielimiten in voor de actieve en referentie-elektroden (standaard: LAAG = 0 MΩ, HOOG = 1000 MΩ). Opmerking: <i>Als de optie IMPEDANTIE in het menu DIAG/TEST is ingesteld op ACTIEF, verschijnt er een foutmelding op het controllerdisplay wanneer de impedantie van de actieve of referentie-elektrode niet binnen de impedantielimiten ligt.</i>
DEFAULT SETUP	Verandert de sensorconfiguratie terug naar de standaardinstellingen.

4.3 De sensor kalibreren

▲ WAARSCHUWING	
	Explosiegevaar. Het verwijderen van een sensor van een drukvat kan gevaarlijk zijn. Laat de procesdruk tot onder 10 psi dalen voordat u het instrument verwijderd. Mocht dit niet mogelijk zijn, ga dan uitermate voorzichtig te werk. Raadpleeg de documentatie die met de bevestigingsmiddelen wordt meegeleverd voor meer informatie.
▲ WAARSCHUWING	
	Gevaar van blootstelling aan chemicaliën. Volg alle veiligheidsvoorschriften van het laboratorium op en draag alle persoonlijke beschermingsmiddelen die geschikt zijn voor de gehanteerde chemicaliën. Raadpleeg de huidige veiligheidsinformatiebladen (MSDS/SDS) voor veiligheidsprotocollen.
▲ VOORZICHTIG	
	Gevaar van blootstelling aan chemicaliën. Chemicaliën en afval dienen te worden afgevoerd in overeenstemming met de plaatselijke, regionale en nationale voorschriften.

4.3.1 Informatie over sensorkalibratie

Kalibratie past de sensormeetwaarde aan om overeen te komen met een of twee referentie-oplossingen. De sensor karakteristieken worden na verloop van tijd minder, waardoor ook de sensorwerking minder nauwkeurig wordt. Regelmatige kalibratie van de sensor is nodig om de precieze werking ervan zeker te stellen. Hoe vaak de kalibratie moet plaatsvinden hangt af van de toepassing en kan het best op basis van ervaring worden bepaald.

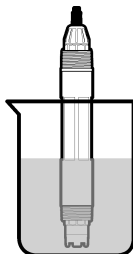
Voor pH-sensoren wordt een temperaturelement gebruikt om pH-meetwaarden te verschaffen die automatisch aangepast worden naar 25 °C voor temperatuurwijzigingen die de actieve en referentie-elektrode beïnvloeden. De klant kan deze aanpassing handmatig instellen als de procestemperatuur constant is. Raadpleeg de optie TEMP.ELEMENT in [Configureer de sensor](#) op pagina 179.

4.3.2 pH-kalibratieprocedure

Kalibreer de pH-sensor met één of twee referentieoplossingen (1-punts of 2-punts kalibratie).

1. Plaats de sensor in de eerste referentieoplossing (een buffer- of monstervloeistof met een bekende waarde). Zorg ervoor dat het sensorgedeelte van de sonde volledig in de vloeistof is ondergedompeld. Raadpleeg [Afbeelding 7](#).

Afbeelding 7 Sensor in referentieoplossing



2. Wacht tot de temperatuur van de sensor en de oplossing aan elkaar gelijk zijn. Dit kan wel 30 minuten duren als het temperatuurverschil tussen het proces en de buffer groot is.
3. Druk op **menu**, selecteer vervolgens **SONDE SETUP** > [sensor selecteren] > **KALIBREREN**.
4. Selecteer het kalibratietype:

Optie	Beschrijving
1-PUNTS AUTO	Gebruik één buffer voor kalibratie (bijvoorbeeld pH 7). De sensor herkent automatisch de buffer tijdens de kalibratie. Opmerking: Zorg ervoor dat u de juiste bufferset selecteert in de configuratie-instellingen van de sensor.
2-PUNTS AUTO (aanbevolen)	Gebruik twee buffers voor kalibratie (bijvoorbeeld pH 7 en pH 4). De sensor herkent automatisch de buffers tijdens de kalibratie. Opmerking: Zorg ervoor dat u de juiste bufferset selecteert in de configuratie-instellingen van de sensor.
1-PUNT MANUEEL	Gebruik een monstervloeistof met een bekende pH-waarde (of één buffer) voor de kalibratie. Voer de pH-waarde in tijdens de kalibratie.
2 PUNT MANUEEL	Gebruik twee monstervloeistoffen met een bekende pH-waarde (of twee buffers) voor de kalibratie. Voer de pH-waarden in tijdens de kalibratie.

5. Wanneer er in het menu Security een wachtwoord voor de controller is geactiveerd, dient u het wachtwoord in te voeren.
6. Selecteer de optie voor het uitgangssignaal tijdens de kalibratie:

Optie	Beschrijving
AAN	Het instrument verzendt de actuele uitgangsmetwaarde tijdens de kalibratieprocedure.
BLOKKEREN	De sensoruitgangswaarde wordt vastgezet op de actuele meetwaarde tijdens de kalibratieprocedure.
VERPLAATSEN	Een vooringestelde uitgangswaarde wordt tijdens de kalibratie verzonden. Raadpleeg de gebruikershandleiding van de controller om de vooraf ingestelde waarde te wijzigen.

7. Druk, met de sensor in de eerste referentieoplossing, op bevestigen. De gemeten waarde wordt weergegeven.
8. Voer, indien van toepassing, de pH-waarde van de referentieoplossing in:
 - a. Wacht totdat de waarde gestabiliseerd is, en druk vervolgens op bevestigen.

- b. Voer de pH-waarde in.

Opmerking: Als de referentieoplossing een buffer is, vindt u de pH-waarde voor de temperatuur van de buffer op de fles van de buffer. Als de referentieoplossing een monstervloeistof is, bepaalt u de pH-waarde van de monstervloeistof met een ander instrument.

9. Meet voor een 2-punts-kalibratie de tweede referentieoplossing als volgt:

- Haal de sensor uit de eerste vloeistof en spoel de sensor af met schoon water.
- Plaats de sensor in de volgende referentieoplossing en druk vervolgens op bevestigen.
- Wacht tot de waarde is gestabiliseerd en druk op bevestigen. Voer de pH-waarde in.

10. Bekijk het kalibratieresultaat:

- **GELUKT**—De sensor is gekalibreerd en klaar om monsters te meten. De helling en/of offsetwaarden worden weergegeven.
- **MISLUKT**—De kalibratiehelling of -offset bevindt zich buiten de toegestane limieten. Herhaal de kalibratie met verse buffer. Reinig de sensor indien nodig. Raadpleeg [De sensor reinigen](#) op pagina 184.

11. Als de kalibratie is geslaagd, drukt u op bevestigen.

12. Zet de sensor terug in het proces, druk vervolgens op bevestigen.

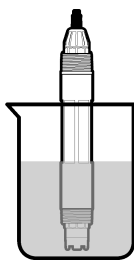
Het uitgangssignaal keert terug naar de actieve toestand en meetwaarde van het monster wordt weergegeven op het meetscherm.

4.3.3 ORP-kalibratieprocedure

Kalibreer de ORP-sensor met één referentieoplossing of een monster met een bekende waarde.

- Plaats de sensor in de referentieoplossing of de monstervloeistof. Zorg ervoor dat het sensorgedeelte van de sensor volledig in de vloeistof is ondergedompeld. Raadpleeg [Afbeelding 8](#).

Afbeelding 8 Sensor in referentieoplossing of monstervloeistof



- Druk op **menu**, selecteer vervolgens **SONDE SETUP** > [sensor selecteren] > **KALIBREREN**.
- Selecteer **1-PUNT MANUEEL**.
- Wanneer er in het menu Security een wachtwoord voor de controller is geactiveerd, dient u het wachtwoord in te voeren.
- Selecteer de optie voor het uitgangssignaal tijdens de kalibratie:

Optie	Beschrijving
AAN	Het instrument verzendt de actuele uitgangsmetwaarde tijdens de kalibratieprocedure.
BLOKKEREN	De sensoruitgangswaarde wordt vastgezet op de actuele meetwaarde tijdens de kalibratieprocedure.
VERPLAATSEN	Een voorinstelde uitgangswaarde wordt tijdens de kalibratie verzonden. Raadpleeg de gebruikershandleiding van de controller om de vooraf ingestelde waarde te wijzigen.

- Druk op bevestigen met de sensor in de referentieoplossing of de monstervloeistof. De gemeten waarde wordt weergegeven.

7. Wacht totdat de waarde gestabiliseerd is, en druk vervolgens op bevestigen.

8. Voer de ORP-waarde van de referentieoplossing of de monstervloeistof in.

Opmerking: Als er een referentieoplossing wordt gebruikt voor de kalibratie, vindt u de ORP-waarde op de fles van de referentieoplossing. Als een monstervloeistof wordt gebruikt voor de kalibratie, dient de ORP-waarde met een tweede verificatie-instrument te worden gemeten.

9. Bekijk het kalibratieresultaat:

- GELUKT—De sensor is gekalibreerd en klaar om monsters te meten. De helling en/of offsetwaarden worden weergegeven.
- MISLUKT—De kalibratiehelling of -offset ligt buiten geaccepteerde limieten. Herhaal de kalibratie met een verse referentieoplossing. Reinig de sensor indien nodig. Raadpleeg [De sensor reinigen](#) op pagina 184.

10. Als de kalibratie is geslaagd, drukt u op bevestigen.

11. Zet de sensor terug in het proces, druk vervolgens op bevestigen.

Het uitgangssignaal keert terug naar de actieve toestand en meetwaarde van het monster wordt weergegeven op het meetscherm.

4.3.4 Temperatuurkalibratie

Het instrument is gekalibreerd in de fabriek voor nauwkeurige temperatuurmeting. Kalibreer de temperatuur om de nauwkeurigheid te verhogen.

1. Plaats de sensor in een houder met water.
2. Meet de temperatuur van het water met een nauwkeurige thermometer of onafhankelijk instrument.
3. Druk op **menu**, selecteer vervolgens SONDE SETUP > [sensor selecteren] > KALIBREREN.
4. Selecteer AANPASSEN TEMP > WIJZIG TEMP, druk vervolgens op bevestigen.
5. Voer de exacte temperatuurwaarde in, druk vervolgens op bevestigen.
6. Zet de sensor terug in het proces, druk vervolgens op bevestigen.

4.3.5 Afsluiten van de kalibratieprocedure

1. Om een kalibratie af te sluiten, drukt u op **terug**.
2. Selecteer een optie.

Optie	Beschrijving
Afbreken	Stop de kalibratie. Een nieuwe kalibratie moet vanaf het begin starten.
TERUG NAAR CAL	Terugkeren naar de kalibratie.
AFBREKEN	Verlaat de kalibratie tijdelijk. De toegang tot andere menu's is toegestaan. Een kalibratie voor een tweede sensor (indien aanwezig) kan worden gestart. Druk op de toets MENU om naar de kalibratie terug te keren en selecteer SONDE SETUP > [Select Sensor].

4.4 Sensorgegevens en gebeurtenislogboeken

De sc-controller heeft voor elke sensor een gegevenslogboek en een gebeurtenissenlogboek. In het gegevenslogboek worden de meetgegevens opgeslagen van geselecteerde intervallen (die door de gebruiker kunnen worden geconfigureerd). Het gebeurtenislogboek toont de gebeurtenissen die hebben plaatsgevonden.

Het gegevenslogboek en het gebeurtenislogboek kunnen worden opgeslagen in CSV-formaat. Raadpleeg de documentatie van de controller voor instructies.

4.5 Modbus-registers

Een lijst van Modbus-registers is beschikbaar voor netwerkcommunicatie. Raadpleeg de website van de fabrikant voor meer informatie.

Hoofdstuk 5 Onderhoud

⚠ GEVAAR	
	Diverse gevaren. Alleen bevoegd personeel mag de in dit deel van het document beschreven taken uitvoeren.
⚠ WAARSCHUWING	
	Explosiegevaar. Het verwijderen van een sensor van een drukvat kan gevaarlijk zijn. Laat de procesdruk tot onder 10 psi dalen voordat u het instrument verwijderd. Mocht dit niet mogelijk zijn, ga dan uitermate voorzichtig te werk. Raadpleeg de documentatie die met de bevestigingsmiddelen wordt meegeleverd voor meer informatie.
⚠ WAARSCHUWING	
	Gevaar van blootstelling aan chemicaliën. Volg alle veiligheidsvoorschriften van het laboratorium op en draag alle persoonlijke beschermingsmiddelen die geschikt zijn voor de gehanteerde chemicaliën. Raadpleeg de huidige veiligheidsinformatiebladen (MSDS/SDS) voor veiligheidsprotocollen.
⚠ VOORZICHTIG	
	Gevaar van blootstelling aan chemicaliën. Chemicaliën en afval dienen te worden afgevoerd in overeenstemming met de plaatselijke, regionale en nationale voorschriften.

5.1 Onderhoudsschema

Tabel 1 toont het aanbevolen schema voor onderhoudstaken. Voorschriften van de installatie en bedrijfscondities kunnen de frequentie van sommige taken verhogen.

Tabel 1 Onderhoudsschema

Taak	1 jaar	Indien nodig
De sensor reinigen op pagina 184		X ⁶
Vervang de zoutbrug op pagina 185	X	
De sensor kalibreren	Ingesteld door voorschrijvende instanties of op basis van ervaring	

5.2 De sensor reinigen

Voorwaarde: Bereid een milde zeepoplossing met een niet schurend vaatwasmiddel zonder lanoline. Lanoline blijft als een dun laagje achter op het elektrode-oppervlak en kan daardoor de sensorfunctie negatief beïnvloeden.

Controleer de sensor regelmatig op vuildeeltjes en aanslag. Reinig de sensor op plaatsen waar aanslag is of wanneer de functie is verslechterd.

1. Gebruik een schone, zachte doek om loszittend vuil van het einde van de sensor te verwijderen. Spoel de sensor na met schoon, warm water.
2. Laat de sensor 2 tot 3 minuten in de zeepoplossing weken.
3. Gebruik een zachte borstel om het volledige meeteinde van de sensor te schrobben.

⁶ De frequentie is afhankelijk van de bedrijfsomstandigheden.

4. Als er vuil achterblijft, laat het meetgedeelte van de sensor dan in een verdunde zuurvloeistof weken, zoals < 5% HCl voor de maximale duur van 5 minuten.
5. Spoel de sensor af met water en stop deze vervolgens gedurende 2 tot 3 minuten terug in de zeepoplossing.
6. De sensor met zuiver water spoelen.

Opmerking: Sensoren met antimoonelektroden voor *Haftoepassingen* kunnen extra gereinigd moeten worden. Neem contact op met de technische ondersteuning.

De sensor moet na onderhoudsprocedures altijd worden gekalibreerd.

5.3 Vervang de zoutbrug

Vervang de zoutbrug en de standaardkuvetoplossing jaarlijks of wanneer de kalibratie mislukt nadat de sensor is schoongemaakt.

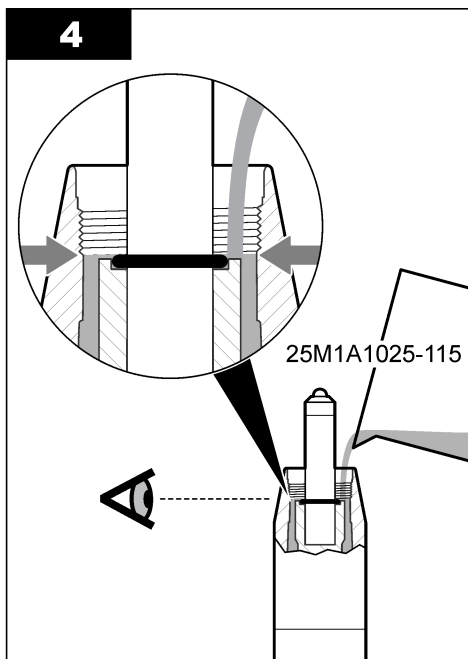
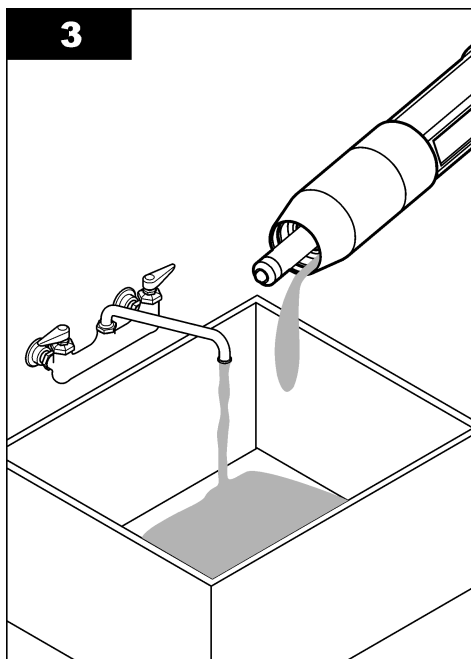
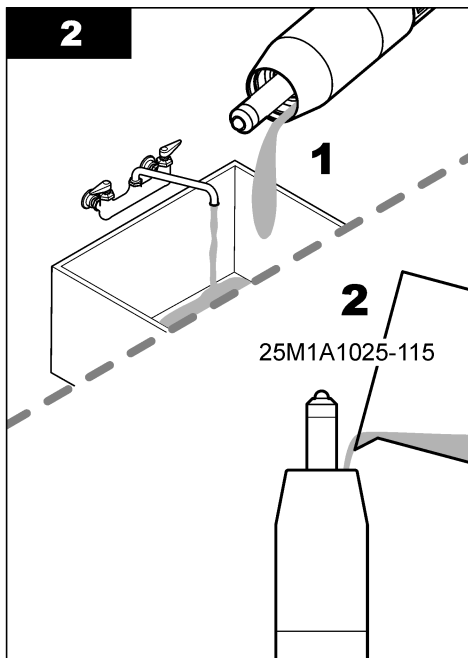
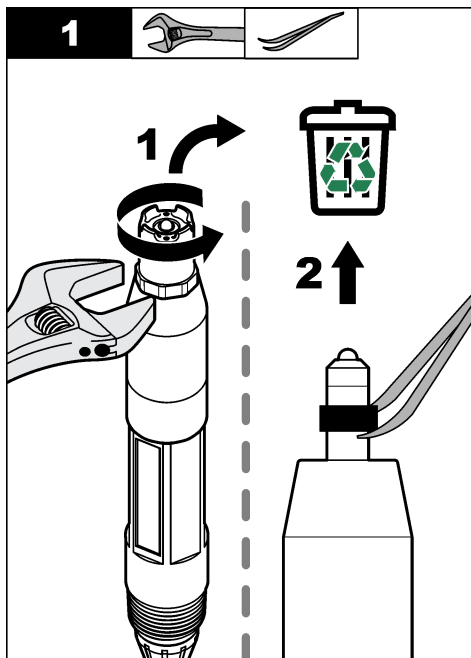
Opmerking: Een video die toont hoe de zoutbrug moet worden vervangen, is beschikbaar op www.Hach.com. Ga naar de zoutbrug-webpagina en klik op het tabblad Video.

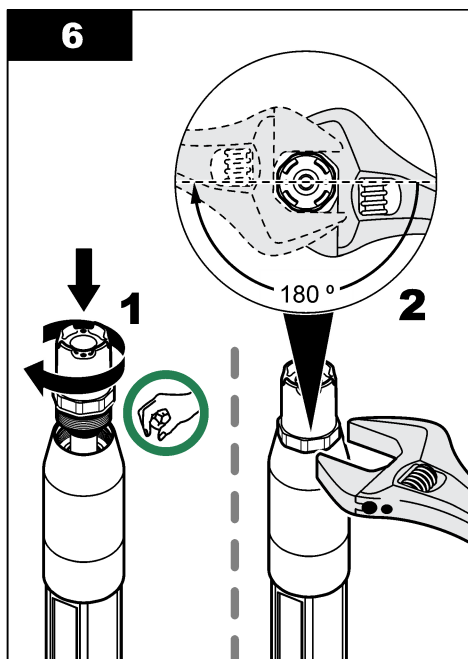
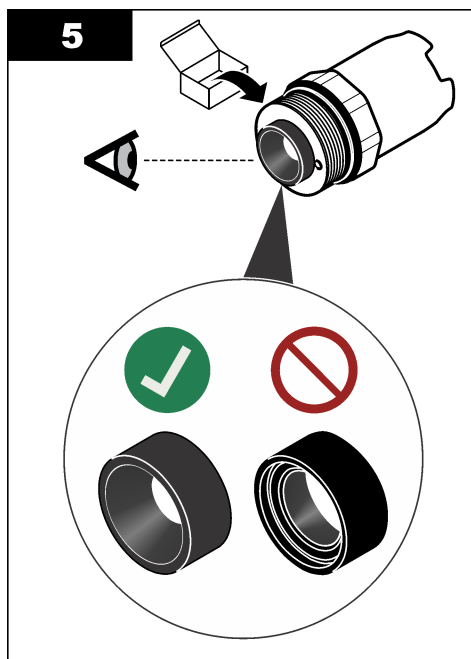
Te verzamelen items:

- Verstelbare moersleutel
- Grote pincet
- Zoutbrug
- Standaardkuvetoplossing
- Gelpoeder⁷, 1/8 theelepel

1. De sensor reinigen. Raadpleeg [De sensor reinigen](#) op pagina 184.
2. Vervang de zoutbrug en de standaardkuvetoplossing. Volg de volgende afgebeelde stappen.
Als het reservoir voor de standaardkuvetoplossing een gel bevat (niet gebruikelijk), gebruik dan een straal water van een spuitfles o.i.d. om de oude gel te verwijderen bij afgebeelde stap 2.
(Optioneel) Als het proceswater bijna kookt, voeg dan als volgt gelpoeder toe aan de nieuwe standaardkuvetoplossing bij afgebeelde stap 4:
 - a. Giet 1 flessendop (1/8 eetlepel) gelpoeder in het reservoir voor de standaardkuvetoplossing.
 - b. Giet een kleine hoeveelheid nieuwe standaardkuvetoplossing in het reservoir.
 - c. Meng de vloeistof met de poeder totdat de vloeistof dik wordt.
 - d. Voeg kleine hoeveelheden oplossing toe en mix tot het gelniveau de onderkant van de zoutbrugdraden bereikt.
 - e. Controleer het juiste gelniveau door het installeren en verwijderen van de nieuwe zoutbrug. Een zoutbrugafdruk dient op het oppervlak van de gel achter te blijven.
3. Kalibreer de sensor.

⁷ (Optioneel) Voeg gelpoeder toe aan de standaardkuvetoplossing als het proceswater bijna kookt. Het gelpoeder vermindert de verdampingsgraad van de standaardkuvetoplossing.





5.4 Voorbereiden voor opslag

Voor kortetermijnopslag (in het geval dat de sensor langer dan een uur buiten bedrijf is) dient de beschermkap te worden gevuld met een pH4-buffer of gedistilleerd water en daarna moet de kap weer terug op de sensor worden geplaatst. Houd de proceselektrode en referentieverbindingzoutbrugvochtig om een langzame respons te voorkomen wanneer de sensor weer in bedrijf gaat.

Bij langer durende opslag moet de procedure voor kortetermijnopslag, afhankelijk van de omgevingscondities, om de 2 tot 4 weken worden herhaald. Raadpleeg [Specificaties](#) op pagina 170 voor temperatuurlijmieten voor opslag.

Hoofdstuk 6 Problemen oplossen

6.1 Intermitterende gegevens

Tijdens de kalibratie worden geen gegevens naar de gegevenslog gestuurd. De gegevenslog kan daarom gedeeltes hebben waarin de gegevens intermitterend zijn.

6.2 Menu voor tests en sensordiagnostiek

Het menu om te testen en voor sensordiagnostiek toont de huidige en historische informatie over het instrument. Raadpleeg [Tabel 2](#). Druk voor toegang tot het sensormenu voor diagnostiek en testen op de toets **menu** en selecteer **SONDE SETUP** > [selecteer sensor] > **DIAG/TEST**.

Tabel 2 DIAG/TEST-menu sensor

Optie	Beschrijving
PROBE INFO	Toont het sensortype, de naam, het serienummer, de softwareversie en de driverversie.
CAL DATA	Toont de pH-helling (mV/pH) en de datum van de laatste kalibratie. De pH-helling moet tussen -55 en -61 mV liggen.

Tabel 2 DIAG/TEST-menu sensor (vervolg)

Optie	Beschrijving
SIGNALS	<p>SENSOR SIGNAAL—Toont de sensorwaarde in mV. Het mV-bereik is -60 tot +60 mV (0 mV = pH 7).</p> <p>SENSOR ADC CNT—Toont het digitale nummer dat de pH-waarde vertegenwoordigt.</p> <p>TEMP ADC CNTS—Toont het digitale nummer dat de temperatuurwaarde vertegenwoordigt.</p> <p>KWAL. ELEKTROD—Toont de gezondheid van de actieve en referentie-elektrode (GOED of SLECHT). Reinig de sensor en vervang de zoutbrug indien SLECHT wordt weergegeven. Vervang de sensor zo nodig.</p> <p>ACTIEVE SENSOR—Toont de impedantie van de actieve elektrode.</p> <p>REF. ELEKTRODE—Toont de impedantie van de referentie-elektrode.</p> <p>IMPEDANTIE—Wanneer ingeschakeld (aanbevolen), wordt de impedantie van de actieve en de referentie-elektrode gemeten met een interval van 1 minuut. Er verschijnt een foutmelding op het controllerdisplay wanneer de impedantie van de actieve of referentie-elektrode niet tussen de bovenste en onderste impedantielimiëten ligt.</p>
COUNTERS	<p>SENSOR DAGEN—Geeft weer hoeveel dagen de sensor in bedrijf is geweest.</p> <p>RESET SENSOR—Stelt de waarden voor SENSOR DAGEN en ELECTR. DAGEN op nul.</p> <p>ELECTR. DAGEN—Toont het aantal dagen sinds de zoutbrug werd vervangen.</p> <p><i>Opmerking: De waarde voor ELECTR. DAGEN wordt automatisch ingesteld op nul wanneer de zoutbrug wordt vervangen.</i></p>

6.3 Foutmeldingen

Wanneer er een fout optreedt, knippert de waarde op het meetscherm en worden alle uitgangen vastgehouden indien dit is opgegeven in het controllermenu. Om de sensorfouten weer te geven drukt u op **menu** en selecteert u **DIAGNOSTIEK > [sensor selecteren] > FOUTMELDINGEN**. Een lijst van mogelijke fouten is afgebeeld in [Tabel 3](#).

Tabel 3 Foutmeldingen

Foutbericht	Beschrijving	Resolutie
PH TE HOOG	De gemeten pH is > 14.	Kalibreer de sensor.
ORP TE HOOG	De gemeten ORP-waarde is > 2100 mV.	
PH TE LAAG	De gemeten pH is < 0.	Kalibreer de sensor.
ORP TE LAAG	De gemeten redox-waarde is ≤ 2100 mV.	
OFFSET TE HOOG	De offset is > 9 (pH) of 200 mV (ORP).	Voer de stappen in De sensor reinigen op pagina 184 en Vervang de zoutbrug op pagina 185 uit. Voer vervolgens de kalibratie opnieuw uit.
OFFSET TE LAAG	De offset is < 5 (pH) of -200 mV (ORP).	
HELL. TE HOOG	De steilheid is > 62 (pH)/1,3 (ORP).	Herhaal de kalibratie met verse buffer.
HELL. TE LAAG	De steilheid is > 50 (pH)/0,7 (ORP).	Voer de stappen in De sensor reinigen op pagina 184 uit. Voer vervolgens de kalibratie opnieuw uit.
TEMP TE HOOG	De gemeten temperatuur is > 130 °C.	Zorg ervoor dat het juiste temperaturelement is geselecteerd. Raadpleeg de optie TEMP.ELEMENT in Configureer de sensor op pagina 179.
TEMP TE LAAG	De gemeten temperatuur is ≤ 10 °C.	
ADC FOUT	De conversie van analoog naar digitaal is mislukt.	Schakel de controller uit. Schakel de controller vervolgens weer in.

Tabel 3 Foutmeldingen (vervolg)

Foutbericht	Beschrijving	Resolutie
A.ELEK TE HOOG	De actieve elektrode impedantie is > 900 MΩ.	De sensor is in de lucht. Plaats de sonde terug in het proces.
A.ELEK TE LAAG	De actieve elektrode impedantie is < 8 MΩ.	De sensor is beschadigd of vervuild. Voer de stappen in De sensor reinigen op pagina 184 uit.
R.ELEK TE HOOG	De impedantie van de referentie-elektrode is > 900 MΩ.	De standaardkuvetoplossing is gelekt of verdamp. Vervang de standaardkuvetoplossing.
R.ELEK TE LAAG	De impedantie van de referentie-elektrode is < 8 MΩ.	De referentie-elektrode is beschadigd. Vervang de sensor.
ZELFDE BUFFER	De buffers gebruikt voor 2-PUNTS AUTO kalibratie hebben dezelfde waarde.	Gebruik buffers die verschillende waarden hebben.
GEEN SONDE	De sensor ontbreekt of is losgekoppeld.	Controleer of de sensorkabel losgekoppeld of beschadigd is.
TEMP SENSOR ONTBKRT	De temperatuursensor ontbreekt.	Zorg ervoor dat het juiste temperaturelement is geselecteerd. Raadpleeg de optie TEMP.ELEMENT in Configureer de sensor op pagina 179.
GLASS IMP. LOW	De glazen bol is kapot of aan het einde van zijn levensduur.	Vervang de sensor.

6.4 Waarschuwingsmeldingen

Een waarschuwing heeft geen effect op de werking van menu's, relais en uitgangen. Er knippert een waarschuwingspictogram en er wordt een bericht weergegeven onder in het meetscherm. Druk op **menu** en selecteer DIAGNOSTIEK > [selecteer sensor] > WAARSCHUWINGEN. Een lijst van mogelijke waarschuwingen wordt weergegeven in [Tabel 4](#).

Tabel 4 Waarschuwingsmeldingen

Waarschuwing	Beschrijving	Resolutie
PH TE HOOG	De gemeten pH is > 13.	Kalibreer de sensor.
ORP TE HOOG	De gemeten ORP-waarde is > 2100 mV.	
PH TE LAAG	De gemeten pH is < 1.	Kalibreer de sensor.
ORP TE LAAG	De gemeten ORP-waarde is < -2100 mV.	
OFFSET TE HOOG	De offset is > 8 (pH) of 200 mV (ORP).	Voer de stappen in De sensor reinigen op pagina 184 en Vervang de zoutbrug op pagina 185 uit. Voer vervolgens de kalibratie opnieuw uit.
OFFSET TE LAAG	De offset is < 6 (pH) of -200 mV (ORP).	
HELL. TE HOOG	De steilheid is > 60 (pH)/1,3 (ORP).	Herhaal de kalibratie met verse buffer.
HELL. TE LAAG	De steilheid is > 54 (pH)/0,7 (ORP).	Voer de stappen in De sensor reinigen op pagina 184 uit. Voer vervolgens de kalibratie opnieuw uit.
TEMP TE HOOG	De gemeten temperatuur is >100 °C.	Zorg ervoor dat het juiste temperaturelement is geselecteerd. Raadpleeg de optie TEMP.ELEMENT in Configureer de sensor op pagina 179.
TEMP TE LAAG	De gemeten temperatuur is < 0 °C.	

Tabel 4 Waarschuwingsmeldingen (vervolg)

Waarschuwing	Beschrijving	Resolutie
KAL VERLPN	Het aantal dagen sinds de kalibratie van de sensor is hoger dan het kalibratieinterval.	Kalibreer de sensor. Opmerking: Raadpleeg de optie CAL DAGEN in Configureer de sensor op pagina 179 als u het kalibratieinterval wilt wijzigen.
VERVANG SONDE	Het aantal dagen dat de sensor in bedrijf is geweest, is hoger dan het vervangingsinterval van de sensor.	Vervang de sensor zo nodig. Opmerking: Raadpleeg de optie SENSOR DAGEN in Configureer de sensor op pagina 179 als u het vervangingsinterval voor de sensor wilt wijzigen.
NIET GEKALIBR.	De sensor is niet gekalibreerd..	Kalibreer de sensor.
FLASH FOUT	Externe flashgeheugen mislukt.	Neem contact op met de technische ondersteuning.
A.ELEK TE HOOG	De impedantie van de actieve elektrode is > 800 MΩ.	De sensor is in de lucht. Plaats de sonde terug in het proces.
A.ELEK TE LAAG	De impedantie van de actieve elektrode is < 15 MΩ.	De sensor is beschadigd of vervuild. Voer de stappen in De sensor reinigen op pagina 184 uit.
R.ELEK TE HOOG	De impedantie van de referentie-elektrode is > 800 MΩ.	De standaardkuvetoplossing is gelekt of verdampt. Vervang de standaardkuvetoplossing.
R.ELEK TE LAAG	De impedantie van de referentie-elektrode is < 15 MΩ.	De referentie-elektrode is beschadigd. Vervang de sensor.
KAL WORDT UITGEV	Een kalibratie was gestart, maar nog niet voltooid.	Keer terug naar kalibratie.

6.5 Eventlijst

De lijst met gebeurtenissen toont huidige activiteiten zoals configuratiewijzigingen, alarmen, waarschuwingsvoorwaarden, enz. Om de gebeurtenissen weer te geven, drukt u op **menu** en selecteert u **DIAGNOSTIEK > [sensor selecteren] > EVENTS**. Een lijst van mogelijke events wordt weergegeven in [Tabel 5](#). Eerdere gebeurtenissen worden in de gebeurtenissenlog vastgelegd, die vanaf de controller gedownload kan worden. Raadpleeg de controllerdocumentatie voor opties om gegevens op te halen.

Tabel 5 Eventlijst

Gebeurtenis	Beschrijving
KAL GEREED	De sensor is gereed voor kalibratie.
KAL OK	De huidige kalibratie is goed.
VERLOPEN	De stabilisatietijd tijdens kalibratie is verstreken.
GEEN BUFFER	Er is geen buffer gedetecteerd.
SLOPE HIGH	De kalibratiehelling bevindt zich boven de bovenlimiet.
SLOPE LOW	De kalibratiehelling bevindt zich onder de onderlimiet.
OFFSET HIGH	De offsetwaarde van de kalibratie bevindt zich voor de sensor boven de bovenlimiet.
OFFSET LOW	De offsetwaarde van de kalibratie bevindt zich voor de sensor onder de onderlimiet.
PTN DICHT	De kalibratiepunten zijn te gelijk in waarde voor een 2-punskalibratie.
CAL MISLUKT	De kalibratie is mislukt.
KAL HOOG	De kalibratiewaarde bevindt zich boven de bovenlimiet.

Tabel 5 Eventlijst (vervolg)

Gebeurtenis	Beschrijving
INSTABIEL	De waarde tijdens kalibratie was onstabiel.
WIJZIGING IN CONFIG – zweven	De configuratie was gewijzigd—zwevendekommagetal.
WIJZIGING IN CONFIG – tekst	De configuratie is gewijzigd—teksttype.
WIJZIGING IN CONFIG – geh. getal	De configuratie was gewijzigd—geheel getal type.
RESET SYSTEEM	De configuratie-instellingen zijn teruggezet naar de standaardopties.
NETSPANNING AAN	De stroom werd ingeschakeld.
ADC FOUT	De ADC-conversie is mislukt (apparatuurfout).
FLASH WISSEN	Het flashgeheugen is gewist.
TEMPERATUUR	De vastgelegde temperatuur is te hoog of te laag.
1PT HANDM. START	Start 1-PUNT MANUEEL kalibratie.
1PT AUTOSTART	Start 1-PUNTS AUTO kalibratie voor pH.
2PT HANDM. START	Start 2 PUNT MANUEEL kalibratie voor pH.
2PT AUTOSTART	Start 2-PUNTS AUTO kalibratie voor pH.
1PT HANDM. EINDE	Einde 1-PUNT MANUEEL kalibratie.
1PT AUTO EINDE	Einde 1-PUNTS AUTO kalibratie voor pH.
2PT HANDM. EINDE	Einde 2 PUNT MANUEEL kalibratie voor pH.
2PT AUTO EINDE	Einde 2-PUNTS AUTO kalibratie voor pH.

Hoofdstuk 7 Reserveonderdelen en accessoires

⚠ WAARSCHUWING



Gevaar voor letsel. Het gebruik van niet-goedgekeurde onderdelen kan leiden tot letsel, beschadiging van het instrument of onjuiste werking van apparatuur. De reserveonderdelen in dit hoofdstuk zijn goedgekeurd door de fabrikant.

Opmerking: Product- en artikelnummers kunnen verschillen per regio. Neem contact op met de desbetreffende distributeur of bezoek de website voor contactgegevens.

Verbruiksartikelen

Beschrijving	Hoeveelheid	Artikelnr.
Bufferoplossing pH 4,01, rood	500 mL	2283449
Bufferoplossing pH 7,00, geel	500 mL	2283549
Bufferoplossing pH 10,01, blauw	500 mL	2283649
ORP referentievloeistof, 200 mV	500 mL	25M2A1001-115
ORP referentievloeistof, 600 mV	500 mL	25M2A1002-115

Vervangingsonderdelen—pH-sensoren

Beschrijving	Hoeveelheid	Artikelnr.
Zoutbrug, PEEK, Kynar (PVDF) buitenverbinding, met Viton O-ringen	1	SB-P1SV
Zoutbrug, PEEK, Kynar (PVDF) buitenverbinding, met perfluorelastomere O-ringen	1	SB-P1SP ⁸
Zoutbrug, PEEK, keramische buitenverbinding, met Viton O-ringen	1	SB-P2SV
Zoutbrug, Ryton, Kynar (PVDF) buitenverbinding, met Viton O-ringen	1	SB-R1SV
Standaard celoplossing	500 mL	25M1A1025-115
Gelpoeder voor standaardkuvetoplossing	2 g	25M8A1002-101

Accessoires

Beschrijving	Artikelnr.
Digitale verlengkabel, 1 m (3,2 ft)	6122400
Digitale verlengkabel, 7,7 m (25 ft)	5796000
Digitale verlengkabel, 15 m (50 ft) ⁹	5796100
Digitale verlengkabel, SC200-controller, 31 m (100 ft)	5796200
Digitale aansluitkast, SC200-controller ¹⁰	5867000
Bevestigingsmateriaal buisarmatuur, 316 roestvaststaal, inclusief 2-inch buis-T-stukken en heavy-duty-klem <i>Opmerking: Dop en EPDM-pakking worden bij de sensor geleverd.</i>	MH018S8SZ
Bevestigingsmateriaal koppelarmatuur, CPVC (gechloreerd polyvinylchloride), inclusief 1½-inch standaard T-stuk, koppelpijp met adapter, afdichtnaaf, borgring en Viton O-ring	6131300
Bevestigingsmateriaal koppelarmatuur, 316 roestvaststaal, inclusief 1½-inch standaard T-stuk, koppelpijp met adapter, afdichtnaaf, borgring en Viton O-ring	6131400
Bevestigingsmateriaal doorstroomarmatuur, CPVC, inclusief 1-inch standaard T-stuk	MH334N4NZ
Bevestigingsmateriaal doorstroomarmatuur, 316 roestvaststaal, inclusief 1-inch standaard T-stuk	MH314N4MZ
Bevestigingsmateriaal insertiearmatuur, CPVC, inclusief 1½-inch kogelventiel, 1½-inch NPT-sluitnippel, sensoradapter met twee Viton O-ringen en wisser, verlengpijp, buisadapter, retourbuis en borgring	5646300
Bevestigingsmateriaal insertiearmatuur, 316 roestvaststaal, inclusief 1½-inch kogelventiel, 1½-inch NPT sluitnippel, sensoradapter met twee Viton O-ringen en wisser, verlengpijp, buisadapter, retourbuis en borgring	5646350
Bevestigingsmateriaal dompelarmatuur, standaard, CPVC, inclusief 1 inch x 4 ft buis en 1 inch x 1 inch NPT-koppeling	6136400
Bevestigingsmateriaal dompelarmatuur, standaard, 316 roestvaststaal, inclusief 1 inch x 4 ft buis en 1 inch x 1 inch NPT-koppeling	6136500

⁸ Gebruik SB-P1SP wanneer Viton-materiaal niet chemisch compatibel is met de chemicaliën in de applicatie.

⁹ De maximale kabellengte is 15 m (49 ft) voor een SC1000-controller.

¹⁰ Gebruik een digitale aansluitkast als de kabellengte meer dan 100 m is (328 ft). Een aansluitkast wordt niet gebruikt bij een SC1000-controller.

Accessoires (vervolg)

Beschrijving	Artikelnr.
Bevestigingsmateriaal dompelarmatuur, reling, inclusief 1½ inch x 7,5 ft CPVC-buis en buisklem	MH236B00Z
Bevestigingsmateriaal dompelarmatuur, ketting, 316 roestvaststaal, inclusief roestvaststalen bouten, moeren en sluitringen <i>Opmerking: Alleen voor gebruik met een roestvaststalen sensor. Bevat geen ketting.</i>	2881900
Bevestigingsmateriaal dompelarmatuur, balvlotter, inclusief 1½ inch x 7,5 ft CPVC-buis, balvlotter- en buisklemmontageonderdelen	6131000
Sensorbeschermer, converteerbare sensor, PEEK	1000F3374-002
Sensorbeschermer, converteerbare sensor, Rytton	1000F3374-003

Indholdsfortegnelse

- | | | | |
|---|-----------------------------------|---|---|
| 1 | Specifikationer på side 194 | 5 | Vedligeholdelse på side 207 |
| 2 | Generelle oplysninger på side 195 | 6 | Fejlsøgning på side 211 |
| 3 | Installation på side 197 | 7 | Reserveudrustning og tilbehør på side 214 |
| 4 | Betjening på side 203 | | |

Sektion 1 Specifikationer

Specifikationerne kan ændres uden varsel.

Specifikation	pH-sensorer	pH-sensor i rustfrit stål	ORP-sensorer
Mål (længde)	272,5 mm (10,73 tommer)	325,3 mm (12,81 tommer)	272,5 mm (10,73 tommer)
Vægt	316 g (11 oz)	870 g (31 oz)	316 g (11 oz)
Fugtede materialer	PEEK eller Ryton (PVDF) kabinet, saltbro af tilsvarende materiale med Kynar-forbindelse, glasproceselektrode, jordelektrode af titanium samt Viton O-ringforseglinger <i>BEMÆRK: pH-sensoren med valgfri HF-beständig glasproceselektrode har 316 jordelektrode af rustfrit stål og perfluorelastomer-fugtede O-ringe.</i>	Kun til nedsænket montering, kabinet i 316 SS rustfrit stål med Ryton (PVDF)-ender og saltbro	PEEK eller Ryton (PVDF)-kabinet, saltbro af matchende materiale med Kynar-tilslutning, glas- og platin- (eller glas og guld) proceselektrode, titanjordelektrode, og Viton O-ring-pakninger
Komponenter	Korrosionsresistente materialer, fuldt undervandstætte		
Sensorkabel (integreret)	4-leder (plus 1 skærm), 10 m (33 fod), normeret til 105 °C (221 °F)		
Driftstemperatur	-5 til 70 °C (23 til 158 °F)	0 til 50°C (32 til 122°F)	-5 til 70 °C (23 til 158 °F)
Opbevaringstemperatur	4 til 70 °C (40 til 158 °F), 0 til 95 % relativ luftfugtighed, ikke-kondenserende		
Måleområde	2.0 til 14.0 pH ¹ (eller 2,00 til 14,00)		-1500 til +1500 mV
Repeterbarhed	±0.05 pH		±2 mV
Sensitivitet	±0,01 pH		±0.5 mV ²
Stabilitet	0,03 pH pr. 24 timer, ikke-kumulativ		2 mV (ORP) pr. 24 timer, ikke-kumulativ
Maksimal flowhastighed	3 m/s (10 fod/s)		
Maks. tryk	6,9 bar ved 70 °C (100 psi ved 158 °F)	Ikke relevant (kun nedsænkning)	6,9 bar ved 70 °C (100 psi ved 158 °F)
Transmissionsafstand	100 m (328 fod) maksimum eller 1000 m (3280 fod) maksimum ved anvendelse med en termineringsboks		

¹ De fleste pH anvendelser er i pH området 2,5 til 12,5. pH differential pH-sensor med glasproceselektrode til bredt område har en utrolig god ydeevne i dette område. Nogle industrielle anvendelser kræver præcis måling og kontrol under 2 eller over 12 pH. I disse tilfælde skal du kontakte producenten for at få yderligere detaljer.

² Opnå det bedste resultat i opløsninger, der indeholder zink, cyanid, cadmium eller nikkel ved at bruge pH ORP-sensor, der har en guldelektrode.

Specifikation	pH-sensorer	pH-sensor i rustfrit stål	ORP-sensorer
Temperaturelement	NTC 300 Ω termistor til automatisk temperaturkompensation og temperaturlæsning på instrument		NTC 300 Ω termistor, kun til aflæsning af temperaturen – ingen automatisk temperaturkompensation er nødvendige for ORP-måling
Temperaturnøjagtighed	± 0.5 °C (0.9 °F)		
Temperaturkompensation	Automatisk fra -10 til 105 °C (14.0 til 221 °F) med NTC 300 Ω termistor, Pt 1000 ohm RTD eller Pt 100 Ω RTD-element, eller manuelt på en fast brugerindtastet temperatur		Ikke anvendeligt
Kalibreringsmetoder	1- eller 2-punkts, automatisk eller manuel		1-Punkts manuel
Sensorgrænseflade	Modbus		
Certificeringer	CE		
Garanti	1 år; 2 år (EU)		

Sektion 2 Generelle oplysninger

Producenten kan under ingen omstændigheder holdes ansvarlig for direkte, indirekte, specielle, hændelige eller følgeskader der opstår på baggrund af en defekt eller udeladelse i denne vejledning. Producenten forbeholder sig ret til når som helst at foretage ændringer i denne manual og de beskrevne produkter uden varsel eller forpligtelser. Reviderede udgaver kan findes på producentens webside.

2.1 Sikkerhedsoplysninger

Producenten er ikke ansvarlig for eventuelle skader på grund af forkert anvendelse eller misbrug af dette produkt, herunder uden begrænsning direkte skader, hændelige skader eller følgeskader, og fraskriver sig ansvaret for sådanne skader i det fulde omfang, som tillades ifølge gældende lov. Kun brugeren er ansvarlig for at identificere alvorlige risici ved anvendelsen og installere relevante mekanismer til beskyttelse af processerne i forbindelse med en eventuel fejl på udstyret.

Læs hele manualen inden udpakning, installation eller betjening af dette udstyr. Overhold alle sikkerhedshenvisninger og advarsler. Undladelse heraf kan medføre, at brugeren kommer alvorligt til skade, eller det kan medføre beskadigelse af analysatoren.

Kontroller, at den beskyttelse, som dette udstyr giver, ikke forringes. Du må ikke bruge eller installere dette udstyr på nogen anden måde end den, der er angivet i denne manual.

2.2 Brug af sikkerhedsoplysninger

FARE

Angiver en eventuel eller overhængende farlig situation, der vil medføre dødsfald eller alvorlige kvæstelser, hvis den ikke undgås.

ADVARSEL

Angiver en potentiel eller umiddelbart farlig situation, som kan resultere i død eller alvorlig tilskadekomst, hvis den ikke undgås.

FORSIGTIG





Indikerer en potentiel farlig situation, der kan resultere i mindre eller moderat tilskadekomst.

BEMÆRKNING

Angiver en situation, der kan medføre skade på instrumentet, hvis ikke den undgås. Oplysninger, der er særligt vigtige.

2.3 Sikkerhedsmærkater

Læs alle skilte og mærkater, som er placeret på apparatet. Der kan opstå person- eller instrumentskade, hvis forholdsreglerne ikke respekteres. I håndbogen refereres der til et symbol på instrumentet med en forholdsregelklæring.

	Dette er sikkerhedsalarmsymbolet. Overhold alle sikkerhedsmeddelelser, der følger dette symbol, for at undgå potentiel kvæstelse. Se brugsanvisningen vedrørende drifts- eller sikkerhedsoplysninger, hvis det vises på instrumentet.
	Dette symbol angiver, at der er risiko for elektrisk stød og/eller dødsfald pga. elektrisk stød.
	Dette symbol angiver tilstedeværelsen af enheder, der er følsomme over for elektrostatisk afladning (ESD) og angiver, at der skal udvises forsigtighed for at forhindre beskadigelse af udstyret.
	Elektrisk udstyr mærket med dette symbol må, i Europa, ikke bortskaffes i sammen med husholdningsaffald eller offentligt affald. Returner gammelt eller udjent udstyr til producenten til bortskaffelse uden gebyr.

2.4 Produktoversigt

Sensoren er designet til at fungere med en kontrolenhed til datasamling og operation. Der kan bruges flere kontrollere med denne sensor. Dette dokument forudsætter sensorinstallation og brug med en sc-controller. Se brugerhåndbogen til den controller, der bruges, for at bruge sensoren med andre kontrollere.

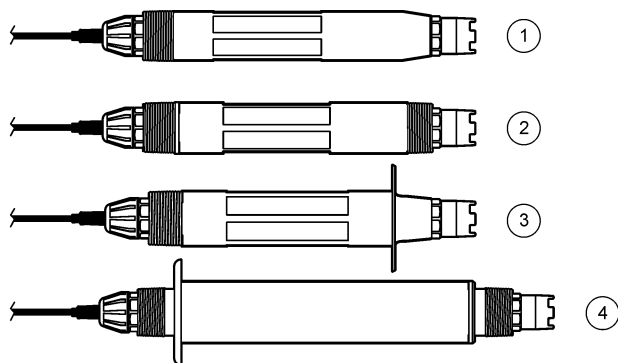
Dette produkt er ikke acceptabelt til brug på et farligt sted.

Ekstraudstyr, såsom monteringsudstyr til proben, leveres med installationsvejledning. Der kan leveres flere forskellige typer monteringsudstyr, så proben kan tilpasses til brug i mange forskellige anvendelser.

2.5 Sensortyper

Sensoren kan fås i forskellige typer. Se [Figur 1](#).

Figur 1 Sensortyper



<p>1 Indføring – til installation i en flowcelle eller røradapteren på en hardwareenhed med kugleventil. Giver mulighed for fjernelse uden at standse procesflowet.</p>	<p>3 Sanitær - til installation i et 2-tommer sanitært T-stykke</p>
<p>2 Konvertibel – til et T-rør eller nedsækning i et åbent kar</p>	<p>4 Rustfrit stål – til nedsækning i et åbent kar</p>

Sensorer til indføring – svarer til konvertible sensorer, men det 1 tommeres NPT-gevind findes kun i kabelenden til montering i en flowcelle eller røradapteren på en hardwareenhed med kugleventil. Sensorer til indsætning kan sættes i eller fjernes fra processen uden at skulle stoppe processen.

Konvertible sensorer – konvertible sensorer har 1 tommeres NPT gevind i begge ender af kabinettet til montering i konfigurationer, som følger:

- i et standard 1 tomme NPT rør T-stykke
- i en røradapter, rørkobling og et standard 1-½ tomme T-rørstykke
- på enden af et rør til nedsækning i en beholder

BEMÆRK: Konvertible sensorer kan også anvendes i eksisterende installationer til 1-½ tommeres LCP, Ryton og epoxy-sensorer.

Sanitære sensorer – sanitære sensorer har en indbygget 2 tommer flange til montering i et 2-tommers sanitært T-stykke. En særlig hætte og EDPM-pakning er inkluderet med sanitære sensorer til brug sammen med sanitært hardware.

Sensorer i rustfrit stål – sensorer i rustfrit stål har 1 tomme NPT-gevind i begge ender af kabinettet. Sensorer i rustfrit stål er beregnet til nedsækning i åbne beholdere.

Sektion 3 Installation

3.1 Montering

⚠ ADVARSEL	
	Eksplodingsfare. Kontroller, at monteringsdelene til sensoren har en temperatur, og at trykområdet er tilstrækkeligt til monteringsstedet.

⚠ FORSIGTIG	
	Fare for personskade. Glasskår kan give snitsår. Brug værktøj og personligt beskyttelsesudstyr til at fjerne glasskår.

BEMÆRKNING

Vær OBS på at pH sensoren har en spids af glas, der kan gå i stykker. Slå eller skub ikke til glasset.

BEMÆRKNING

Guld- eller platinproceselektroden på ORP-sensorens spids har et glasskaft (skjult af saltbroen), der kan gå i stykker. Slå ikke på, eller skub til glasskaftet.

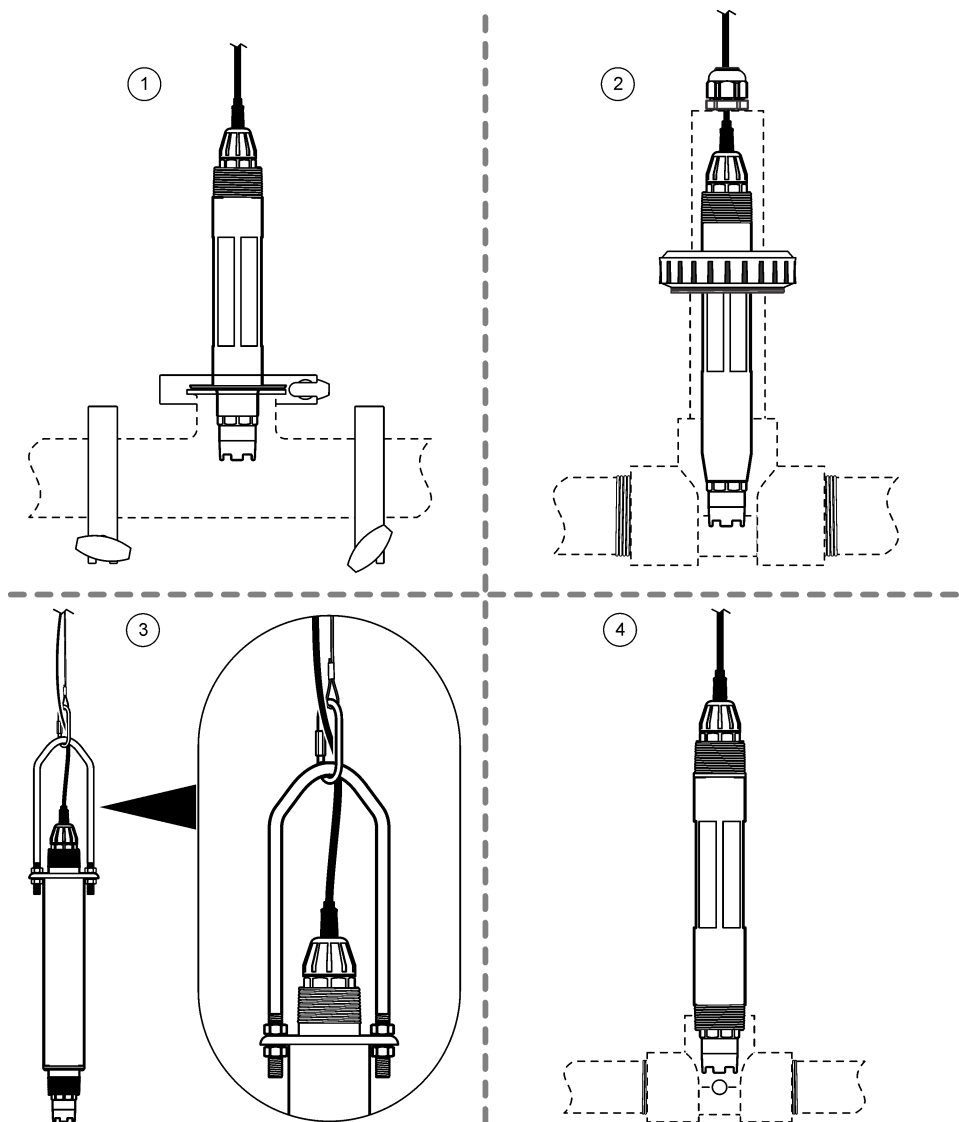
BEMÆRKNING

Dette instrument er klassificeret til en højde på maksimalt 2000 m (6562 fod). Selvom brugen af dette udstyr ved højder over 2000 m ikke udgør nogen betydelig sikkerhedsrisiko, producenten anbefaler, at brugere med spørgsmål kontakter teknisk support.

- Installer sensoren hvor prøven, der kommer i kontakt med sensoren, er repræsentativ for hele processen.
- Se [Figur 2](#), [Figur 3](#) og [Figur 4](#) til montering af konfigurationseksempler.
- Se [Reservedele og tilbehør](#) på side 214 efter tilgængelige monteringsdele.
- Der er flere installationsoplysninger i den vejledning, der fulgte med monteringsdelene.
- Montér sensoren mindst 15° over vandret. Se [Figur 5](#).
- Ved nedsænkning af installationer placeres sensoren mindst 508 mm (20 tommer) fra basinvæggen til luftning, og sensoren nedsænkes mindst 508 mm (20 tommer) inde i processen.
- Fjern beskyttelseshætten, før sensoren bringes ind i processen. Gem beskyttelseshætten til fremtidig brug.
- (Valgfrit) Hvis procesvandet er nær kogepunktet, tilsættes gelpulver³ til standardcelleopløsningen i sensoren. Se trin 2 under [Udskift saltbroen](#) på side 208. Udskift ikke saltbroen.
- Kalibrer sensoren før brug.

³ Gelpulveret reducerer fordampningshastigheden for standardcelleopløsningen.

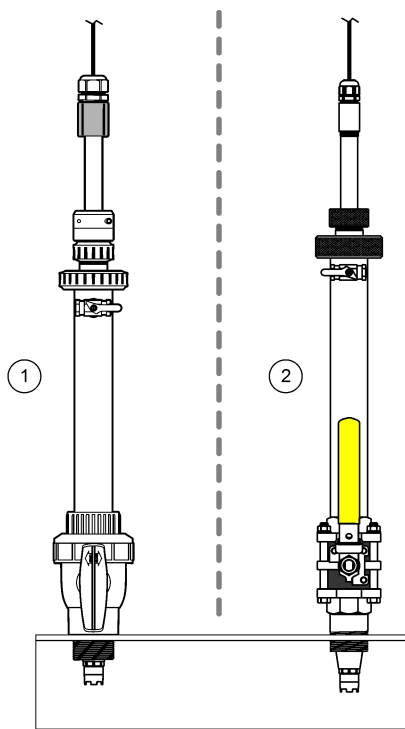
Figur 2 Monteringseksempler (1)



1 Sanitær montering (2-tommers sanitært T-stykke)	3 Nedsækningsmontering, kæde og kugle ⁴
2 Inlinemontering (1½ tommer standard T-stykke)	4 Flow-montering (1 tommer standard T-stykke)

⁴ Kun sensorer i rustfrit stål

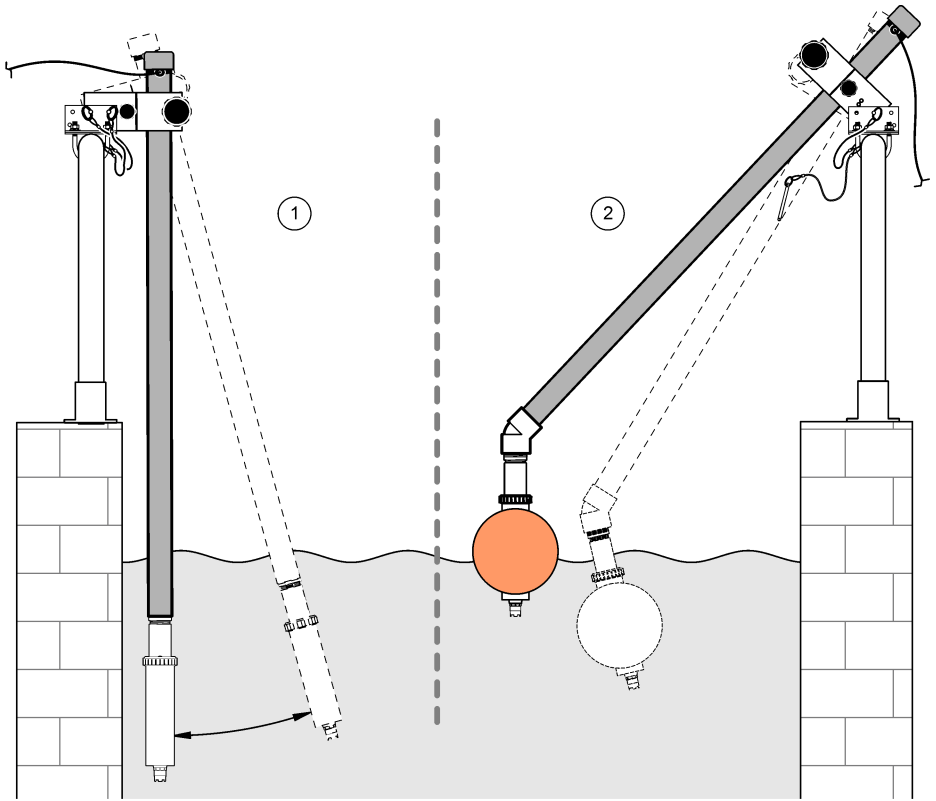
Figur 3 Monteringseksempler (2)



1 Indføringsmontering, CPVC hardware

2 Indføringsmontering, rustfrit stål

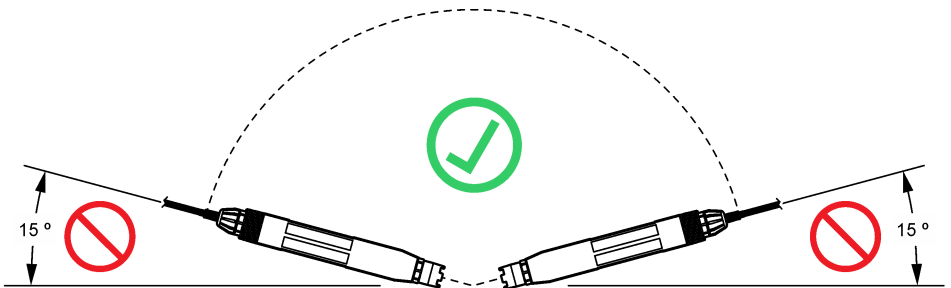
Figur 4 Monteringseksempler (3)



1 Nedsænkingsmontering, gelænder

2 Nedsænkingsmontering, kugleflyder

Figur 5 Sensors monteringsvinkel

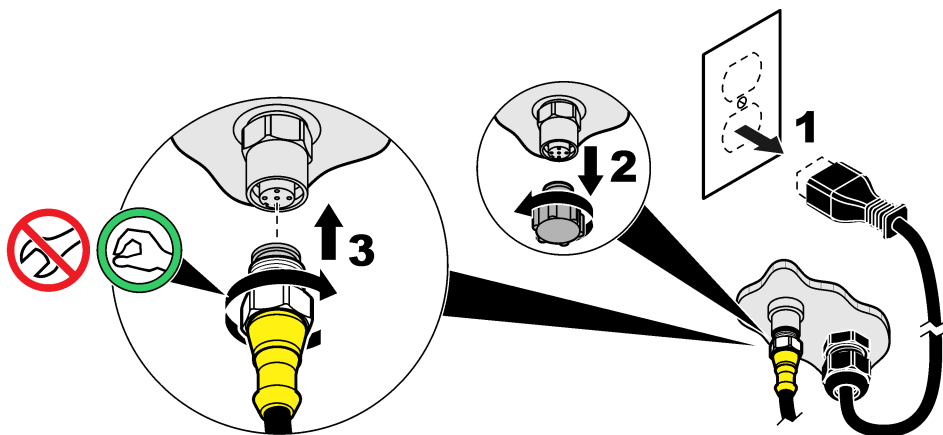


3.2 Elektrisk installation

3.2.1 Tilslut sensoren til et stik til hurtig tilslutning (ufarligt miljø)

1. Tilslut sensorkablet til hurtig koblingen på SC kontrolenheden. Se [Figur 6](#).
Gem beskyttelsehætten til stikindgang af tilslutningsåbningen i tilfælde af, at sensoren skal fjernes.
2. Hvis der er tændt for strømmen, når sensoren er tilsluttet:
 - SC200 controller - Vælg TEST/KONTROL > SCAN SENSORER.
 - SC1000 controller - Vælg SYSTEM SETUP > INSTRUMENTSTYRING > SØGER EFTER NYE ENHEDER.

Figur 6 Tilslut sensoren til et stik til hurtig tilslutning



3.2.2 Forlængerledninger

- Der findes forlængerledninger. Se [Reserve dele og tilbehør](#) på side 214.
- Den maksimale kabellængde er 15 m (49 fod) for en SC1000 controller.
- Den maksimale kabellængde er 1000 m (3280 fod) for en SC200 controller.
- SC200 controller - Brug en digital termineringsboks hvis kabellængden er mere end 100 m (328 fod). Se [Reserve dele og tilbehør](#) på side 214.

3.2.3 Tilslut et sensorkabel med afisolerede ledninger (ufarligt miljø)

⚠ FARE	
	Risiko for livsfarlige elektriske stød. Frakobl altid strømmen fra instrumentet, før der udføres elektriske tilslutninger.
⚠ FARE	
	Risiko for livsfarlige elektriske stød. Højspændingskabling til kontrolenheden forbindes bag højspændingsbarrieren i controllerkabinettet. Barrieren skal forblive på plads, undtagen ved installation af moduler eller når en kvalificeret installationstekniker trækker ledninger til strøm, relæer eller analogt udstyr og netværkskort.

Hvis sensorkablet ikke har et stik til hurtig tilslutning⁵forbindes de uisolerede ledninger fra sensorkablet til controlleren som følger:

BEMÆRK: Et sensorkabel med uisolerede ledninger kan ikke forbindes med en SC1000 controller.

1. Find lederens ledningskittet (9222400) i transportkassen til SC200-controlleren.
Sættet indeholder fire samlemuffer.
2. Følg instruktionerne i kittet for at tilslutte sensorkablet til controlleren.

Sektion 4 Betjening

4.1 Brugernavigering

Se kontrolenhedens manual for beskrivelse af tastatur og navigeringsinformation.

Tryk på **HØJRE** piletast på kontrolenheden flere gange for at få vist flere oplysninger på startskærmen og for at få vist en grafisk visning.

4.2 Konfiguration af sensoren

Vælg sensornavn og sensortype. Skift indstillinger for måling, kalibrering, datahåndtering og opbevaring.

1. Tryk på **menu**, og vælg derefter SENSOR SETUP > [Vælg sensor] > KONFIGURERING.
2. Vælg en funktion.


Indstilling	Beskrivelse
REDIGER NAVN	Ændrer det navn, der korresponderer med sensoren øverst på måleskærbilledet. Navnet er begrænset til 12 tegn i en vilkårlig kombination af bogstaver, tal, mellemrum eller tegnsætning.
VÆLG SENSOR	Vælger sensortype (pH eller ORP).
DISPLAY FORMAT	Kun for pH-sensorer—ændrer antallet af decimalpladser, der vises på måleskærbilledet, til XX,XX (standard) eller XX.X.
TEMP ENHEDER	Indstiller temperaturehederne til °C (standard) eller °F .
LOG SETUP	Indstiller tidsintervallet for datalagring i dataloggen—5, 30 sekunder, 1, 2, 5, 10, 15 (standard), 30, 60 minutter.
AC FREKVENNS	Vælger den frekvens af AC-strøm, der leveres til controlleren (50 eller 60 Hz). Hvis strømmen til controlleren er 120 VAC, vælg 60 Hz. Hvis strømmen til controlleren er 230 VAC, vælg 50 Hz.
FILTER	Indstiller en tidskonstant til at forøge signalstabiliteten. Tidskonstanten beregner gennemsnitsværdien i løbet af en specificeret tid—0 (ingen effekt, standard) til 60 sekunder (gennemsnitlig signalværdi i 60 sekunder). Filtret forøger tiden for sensortegnsignalet reaktion på faktiske ændringer i processen.
TEMP. ELEMENT	pH-sensorer – indstiller temperaturelementet til automatisk temperaturkompensation til PT100, PT1000, NTC300 (standard) eller MANUEL. Hvis der ikke bruges et element, kan typen indstilles til MANUEL, og der kan indtastes en værdi til temperaturkompensation (manuel standard: 25 °C). ORP-sensorer—der anvendes ikke temperaturkompensation. Der kan tilsluttes et temperaturelement til måletemperaturen.
VÆLG BUFFER	Kun til pH-sensorer – Vælger de bufferopløsninger, der anvendes til kalibrering. Indstillinger: pH 4, 7, 10 (standard) eller DIN 19267 (pH 1,09, 4,65, 6,79, 9,23, 12,75) BEMÆRK: Andre bufferopløsninger kan bruges til kalibrering.

⁵ Hvis f.eks. en digital termineringsboks og et 4-leder skærmet kabel bruges til at øge sensorkablets længde,

Indstilling	Beskrivelse
REN H2O KOMP.	Kun til pH-sensorer – tilføj en temperaturafhængig korrigerende af den målte pH-værdi for rent vand med additiver – INGEN (standard), AMONIAK, MORFOLIN eller BRUGER TABEL. Der bruges korrigerende ved 50 °C til procestemperaturer på mere end 50 °C. I brugerdefinerede programmer kan der indtastes en lineær hældning (standard: 0 pH/°C).
KAL DAGE	Indstiller kalibreringsinterval (standard: 60 dage). BEMÆRK: Der vises en advarsel på controllerens display, når antallet af dage, siden sensoren blev kalibreret, er større end kalibreringsintervallet.
SENSOR DAGE	Indstiller sensorens udskiftningsinterval (standard: 365 dage). BEMÆRK: Der vises en advarsel på controllerens display, når antallet af dage, sensoren har været i drift, er mere end sensorens udskiftningsinterval.
IMPED GRÆNSER	Indstiller impedansgrænser for aktiv elektrode og referenceelektrode (standard: AKTIV LAV = 0 MΩ, HØJ = 1000 MΩ). BEMÆRK: Når IMP STATUS på menuen DIAG/TEST er indstillet til TILKOBLET, vises en fejlmeddelelse på controllerens display, når impedansen for aktiv elektrode eller referenceelektrode ikke er inden for impedansgrænser.
STD. SETUP	Gendanner konfigurationsindstillingerne til fabriksindstillingerne.

4.3 Kalibrering af sensoren

▲ ADVARSEL	
	Eksplisionsfare. Afmontering af en sensor fra en beholder under tryk kan være farligt. Sænk behandlingstrykket til under 10 psi før afmontering. Hvis det ikke er muligt, skal der udvises den største forsigtighed. Der er flere oplysninger i den dokumentation, som fulgte med monteringsdelene.

▲ ADVARSEL	
	Fare for eksponering for kemiske stoffer. Overhold laboratoriets sikkerhedsprocedurer, og bær alt det personlige beskyttelsesudstyr, der er nødvendigt for at beskytte dig mod de kemikalier, du bruger. Se de aktuelle sikkerhedsdataark (MSDS/SDS) for sikkerhedsprotokoller.

▲ FORSIGTIG	
	Fare for eksponering for kemiske stoffer. Bortskaf kemikalier og affald i overensstemmelse med lokale, regionale og nationale bestemmelser.

4.3.1 Om sensorkalibrering

Kalibrering tilpasser sensorens måling, så den stemmer overens med værdien af én eller to referenceopløsninger. Sensorkarakteristikaene skifter langsomt med tiden og bevirker, at sensoren mister præcision. Sensoren skal kalibreres jævnligt for at opretholde præcisionen. Kalibreringsfrekvensen afhænger af applikationen, og vurderes bedst ud fra tidligere erfaringer.

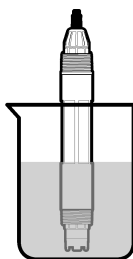
Til pH-sensorer bruges der et temperaturelement til at levere pH-udlæsninger, som automatisk tilpasses til 25 °C for temperaturændringer, der påvirker den aktive elektrode og referenceelektroden. Denne tilpasning kan indstilles manuelt af kunden, hvis procestemperaturen er konstant. Se TEMP. ELEMENT indstillingen i [Konfiguration af sensoren](#) på side 203.

4.3.2 pH-kalibreringsprocedure

Kalibrer pH-sensoren med en eller to referenceopløsninger (1-punkts eller 2-punkts kalibrering).

1. Placér sensoren i den første referenceopløsning (en buffer eller prøve med kendt værdi). Kontrollér, at sensordelen af proben er helt neddykket i væsken. Se [Figur 7](#).

Figur 7 Sensor i referenceopløsning



2. Vent på, at sensorens og opløsningens temperatur udlignes. Dette kan tage 30 minutter eller mere, hvis temperaturforskellen mellem processen og referenceopløsningen er væsentlig.
3. Tryk på **menu**, og vælg derefter SENSOR SETUP > [Vælg sensor] > KALIBRERING.
4. Vælg kalibreringstype

Indstilling	Beskrivelse
1PUNKT AUTO	Brug en buffer til kalibrering (f.eks. pH 7). Sensoren identificerer automatisk bufferen under kalibreringen. BEMÆRK: Sørg for at vælge det korrekte buffersæt i sensorens konfigurationsindstillinger.
2PUNKT AUTO (anbefalet)	Brug to buffere til kalibrering (f.eks. pH 7 og pH 4). Sensoren identificerer automatisk buffere under kalibreringen. BEMÆRK: Sørg for at vælge det korrekte buffersæt i sensorens konfigurationsindstillinger.
1PUNKT MANUEL	Brug en prøve med kendt pH-værdi (eller en buffer) til kalibrering. Indtast pH-værdi under kalibreringen.
2PUNKT MANUEL	Brug to prøver med kendt pH-værdi (eller to buffere) til kalibrering. Indtast pH-værdier under kalibreringen.

5. Indtast adgangskoden, hvis den er aktiveret i controllerens sikkerhedsmenu.
6. Vælg indstillingen for udgangssignal under kalibrering:

Indstilling	Beskrivelse
AKTIV	Instrumentet sender den aktuelt målte udgangsværdi under kalibreringsprocessen.
HOLD	Sensorens udgangsværdi fastholdes på den aktuelt målte værdi i løbet af kalibreringsprocessen.
OVERFØR	Der sendes en forudindstillet værdi under kalibrering. Se brugerhåndbogen til kontrolenheden for at ændre den forudindstillede værdi.

7. Tryk på bekræft med sensoren i den første referenceopløsning. Den målte værdi vises.
8. Indtast om nødvendigt pH-værdien for referenceopløsningen:
 - a. Vent på, at værdien stabiliseres, og tryk på bekræft.
 - b. Indtast pH-værdien.
BEMÆRK: Hvis referenceopløsningen er en buffer, skal du finde pH-værdien på bufferflasken for temperaturen i bufferen. Hvis referenceopløsningen er en prøve, skal du bestemme pH-værdien for prøven med et andet instrument.
9. Til en 2-punktskalibrering skal man måle den anden referenceopløsning på følgende måde:
 - a. Fjern sensoren fra den første opløsning og skyl med rent vand.
 - b. Kom sensoren ned i den næste referenceopløsning, og tryk på bekræft.
 - c. Vent om nødvendigt på, at værdien stabiliseres, og tryk på bekræft. Indtast pH-værdien.

10. Gennemgå kalibreringsresultatet:

- OK – sensoren er kalibreret og klar til måling af prøver. Hældnings- og/eller offset-værdier vises.
- FEJL – kalibreringshældningen eller -offsettet ligger uden for de godkendte grænser. Gentag kalibreringen med friske referenceopløsninger. Rengør om nødvendigt sensoren. Se [Rengøring af sensoren](#) på side 208.

11. Hvis kalibreringen er godkendt, skal du trykke på bekræft.

12. Returnér sensoren til processen, og tryk på bekræft.

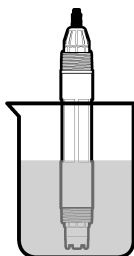
Udgangssignalet vender tilbage til aktiv tilstand, og den målte prøveværdi vises på måleskærm-billedet.

4.3.3 ORP-kalibreringsprocedure

Kalibrer ORP-sensoren med en referenceopløsning eller en prøve med kendt værdi.

1. Kom sensoren ned i referenceopløsningen eller prøven. Kontrollér, at sensordelen af proben er helt neddykket i opløsningen. Se [Figur 8](#).

Figur 8 Sensor i referenceopløsning eller prøve



2. Tryk på **menu**, og vælg derefter SENSOR SETUP > [Vælg sensor] > KALIBRERING.
3. Vælg 1PUNKT MANUEL.
4. Indtast adgangskoden, hvis den er aktiveret i controllerens sikkerhedsmenu.
5. Vælg indstillingen for udgangssignal under kalibrering:

Indstilling	Beskrivelse
AKTIV	Instrumentet sender den aktuelt målte udgangsværdi under kalibreringsprocessen.
HOLD	Sensorens udgangsværdi fastholdes på den aktuelt målte værdi i løbet af kalibreringsprocessen.
OVERFØR	Der sendes en forudindstillet værdi under kalibrering. Se brugerhåndbogen til kontrolenheden for at ændre den forudindstillede værdi.

6. Tryk på bekræft med sensoren i referenceopløsningen eller prøven. Den målte værdi vises.

7. Vent på, at værdien stabiliseres, og tryk på bekræft.

8. Indtast ORP-værdien for referenceopløsningen eller prøven.

BEMÆRK: Find ORP-værdien på referencens opløsningsflaske, hvis en referenceopløsning bruges til kalibrering. Hvis en prøve bruges til kalibrering, skal man måle ORP-værdien med et sekundært verifikationsinstrument.

9. Gennemgå kalibreringsresultatet:

- OK – Sensoren er kalibreret og klar til at måle prøver. Hældnings- og/eller offset-værdier vises.
- FEJL – Kalibreringshældningen eller -offsettet ligger uden for de godkendte grænser. Gentag kalibreringen med friske referenceopløsninger. Rengør om nødvendigt sensoren. Se [Rengøring af sensoren](#) på side 208.

10. Hvis kalibreringen er godkendt, skal du trykke på bekræft.
11. Returnér sensoren til processen, og tryk på bekræft.
Udgangssignalet vender tilbage til aktiv tilstand, og den målte prøvевærdi vises på måleskærm-billedet.

4.3.4 Temperaturkalibrering

Instrumentet kalibreres for nøjagtig temperaturmåling på fabrikken. Kalibrering af temperatur for bedre nøjagtighed.

1. Sæt sensoren i en beholder med vand.
2. Mål vandets temperatur med et nøjagtigt termometer eller uafhængigt instrument.
3. Tryk på **menu**, og vælg derefter SENSOR SETUP > [Vælg sensor] > KALIBRERING.
4. Vælg TEMP JUSTER > INDSTIL TEMP, og tryk derefter på bekræft.
5. Indtast den nøjagtige temperaturværdi, og tryk på bekræft.
6. Returnér sensoren til processen, og tryk på bekræft.

4.3.5 Afslut kalibreringsprocedure

1. Afslut kalibreringen ved at trykke på **tilbage**.
2. Vælg en funktion.

Indstilling	Beskrivelse
ANNULER	Stop kalibreringen. En ny kalibrering skal starte forfra.
RETUR KAL	Vend tilbage til kalibreringen.
FORLAD	Afslut kalibreringen midlertidigt. Der er mulighed for adgang til andre menuer. Der kan startes en kalibrering for en anden sensor (hvis tilkoblet). Tryk på tasten MENU , og vælg SENSOR SETUP > [Vælg sensor] for at vende tilbage til kalibreringen.

4.4 Sensordata og hændelseslog

sc-regulatoren genererer en datalog og en hændelseslog for hver sensor. Dataloggen gemmer måledata med bestemte intervaller (kan konfigureres af bruger). Hændelsesloggen viser de hændelser, der er opstået.

Data- og hændelsesloggen kan eksporteres til CSV-format. Se i dokumentationen til kontrolenheden for instruktioner.

4.5 Modbusregistre

En liste over Modbusregistre er tilgængelig for netværkskommunikation. Se producentens websted for at få flere oplysninger.

Sektion 5 Vedligeholdelse

⚠ FARE



Flere risici. Kun kvalificeret personale må udføre de opgaver, som er beskrevet i dette afsnit i dokumentet.

⚠ ADVARSEL



Eksplussionsfare. Afmontering af en sensor fra en beholder under tryk kan være farligt. Sænk behandlingsstrykket til under 10 psi før afmontering. Hvis det ikke er muligt, skal der udvises den største forsigtighed. Der er flere oplysninger i den dokumentation, som fulgte med monteringsdelene.

⚠ ADVARSEL



Fare for eksponering for kemiske stoffer. Overhold laboratoriets sikkerhedsprocedurer, og bær alt det personlige beskyttelsesudstyr, der er nødvendigt for at beskytte dig mod de kemikalier, du bruger. Se de aktuelle sikkerhedsdataark (MSDS/SDS) for sikkerhedsprotokoller.

⚠ FORSIGTIG



Fare for eksponering for kemiske stoffer. Bortskaf kemikalier og affald i overensstemmelse med lokale, regionale og nationale bestemmelser.

5.1 Vedligeholdelsesplan

Tabel 1 viser den anbefalede plan for vedligeholdelse. Anlæggets krav og driftsforhold kan øge frekvensen for visse vedligeholdelsesopgaver.

Tabel 1 Vedligeholdelsesplan

Opgave	1 år	Efter behov
Rengøring af sensoren på side 208		X ⁶
Udskift saltbroen på side 208	X	
Kalibrering af sensoren	Indstillet af regulerende instanser eller erfaring	

5.2 Rengøring af sensoren

Fordsætning: Tilbered en mild sæbeopløsning med et ikke-skurende opvaskemiddel, der ikke indeholder lanolin. Lanolin efterlader en film på elektrodeoverfladen, der kan mindske målenøjagtigheden.

Undersøg sensoren periodisk for snavs og aflejring. Rengør sensoren, når der er aflejringer, eller hvis ydelsen er forringet.

1. Brug en ren, blød klud til at fjerne løst snavs fra enden af sensoren. Skyl sensoren med rent, varmt vand.
2. Læg sensoren i blød i 2 til 3 minutter i sæbeopløsningen.
3. Brug en blød hårbørste til at skrubbe hele måleenden på sensoren.
4. Hvis der er resterende snavs, skal måleenden på sensoren i en fortyndet eddikeopløsning, som f.eks. < 5 % HCl i maksimalt 5 minutter.
5. Skyl sensoren med vand og vend så tilbage til sæbeopløsningen i 2 til 3 minutter.
6. Skyl sensoren med rent vand.

BEMÆRK: Sensoren med antimone elektroder til HF-programmer kan kræve yderligere rengøring. Kontakt teknisk support.

Kalibrér altid sensoren, når vedligeholdelsesprocedurerne er udført.

5.3 Udskift saltbroen

Udskift saltbroen og standardcelleopløsningen med et interval på 1 år, eller når kalibreringen mislykkes, efter at sensoren er blevet rensat.

BEMÆRK: Der findes en video, der viser, hvordan man udskifter saltbroen, på www.Hach.com. Gå til saltbro-websiden, og klik på fanen Video.

Følgende skal anvendes:

- Justerbar skrueøgle

⁶ Frekvensen afhænger af driftsforholdene.

- Stor pincet
- Saltbro
- Standardcelleopløsning
- Gelpulver⁷, 1/8 tsk

1. Rengøring af sensoren. Se [Rengøring af sensoren](#) på side 208.

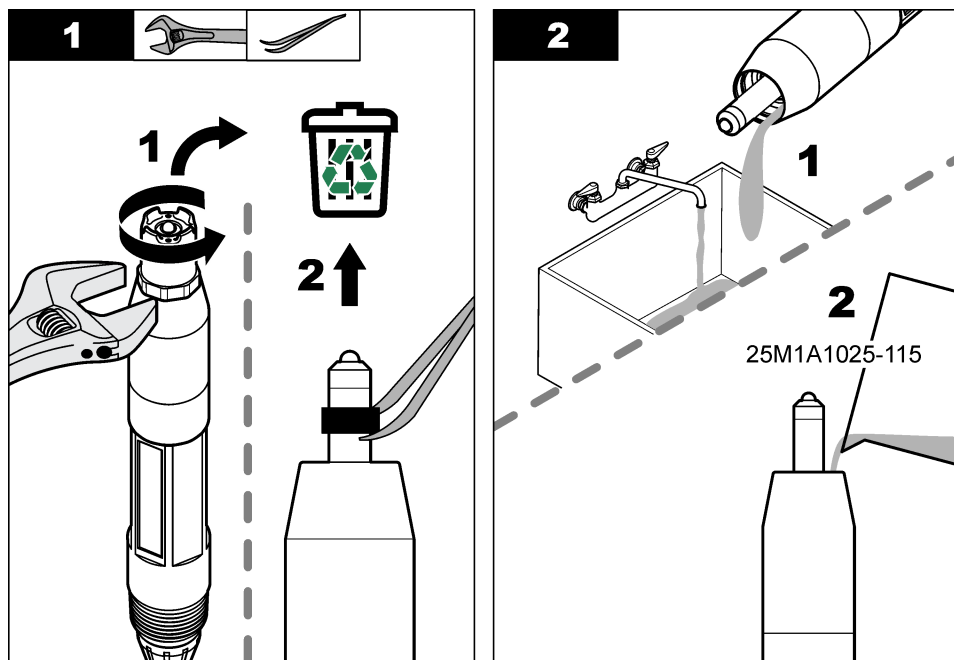
2. Udskift saltbroen og standardcelleopløsningen. Se de efterfølgende illustrerede trin.

Hvis beholderen til standardcelleopløsningen indeholder en gel (ikke normalt), skal du bruge en vandstråle til at fjerne gammelt gel, som illustreret i trin 2.

(Valgfrit) Hvis procesvand er nær kogepunktet, tilsættes gelpulver til den nye standardcelleopløsning, som illustreret i trin 4 herunder:

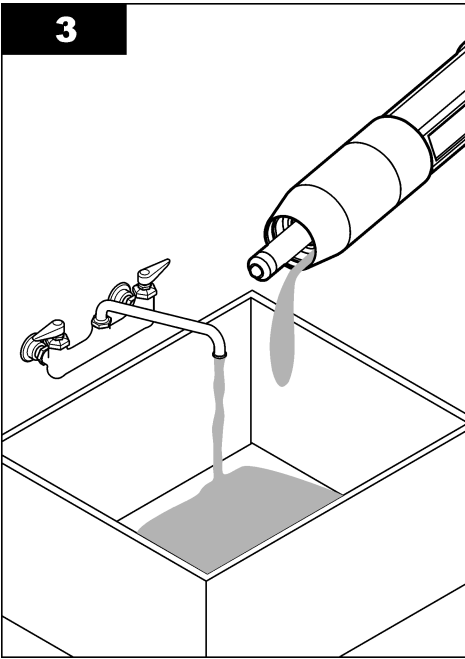
- Hæld 1 hættefuld (1/8 tsk.) gelpulver ned i beholderen til en standardcelleopløsning.
- Hæld en lille smule frisk standardcelleopløsning ned i beholderen.
- Bland den med pulveret, til opløsningen bliver tyk.
- Tilsæt mindre mængder af opløsningen, og bland, indtil gelen ligger nederst på saltbroens gevind.
- Kontrollér, at gelniveauet er korrekt, ved at installere og fjerne den nye saltbro. Der skal være efterladt et saltbrosaftryk på gel-overfladen.

3. Kalibrér sensoren.

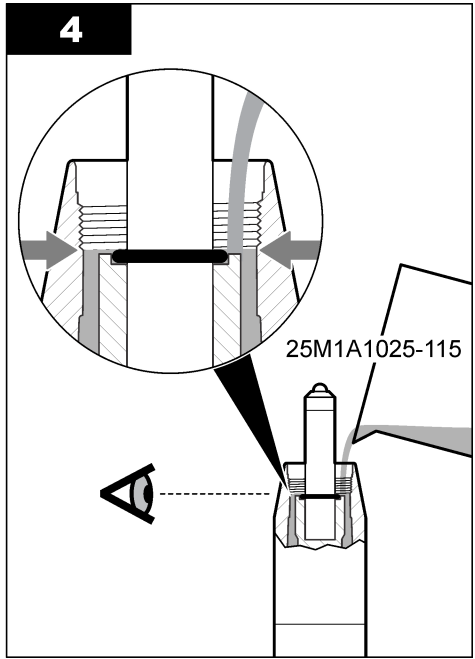


⁷ (Valgfrit) Tilføj gelpulver til standardcelleopløsningen, når procesvandet er nær kogepunktet. Gelpulveret reducerer fordampningshastigheden for standardcelleopløsningen.

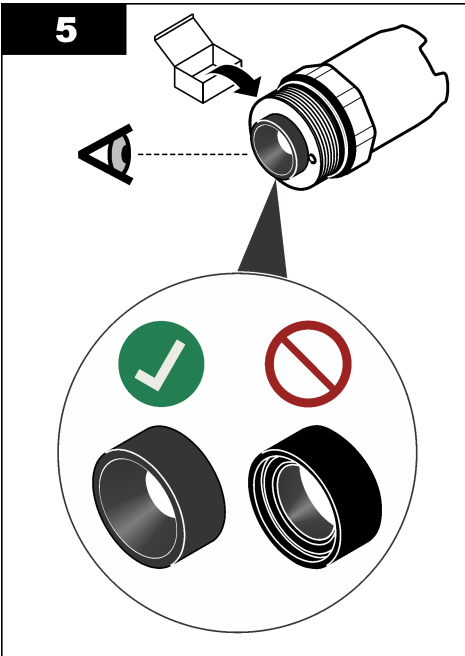
3



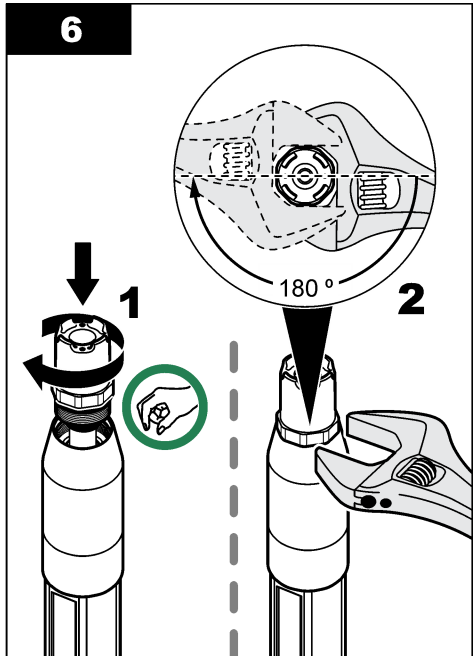
4



5



6



5.4 Klargør til opbevaring

Til kortvarig brug (når sensoren er ude af processen i mere end en time) skal du fylde beskyttelseshætten med pH 4 buffer eller destilleret vand og sætte hætten tilbage på sensoren. Hold proceselektroden og referencesamlingens saltbro fugtig for at undgå langsom respons, når sensoren tages i brug igen.

Til længerevarende oplagring skal du gentage proceduren til kortvarig oplagring hver 2. til 4. uge afhængig af miljøforholdene. Se [Specifikationer](#) på side 194 angående temperaturgrenser for opbevaring.

Sektion 6 Fejlsøgning

6.1 Diskontinuerlige data

Under kalibreringen sendes der ikke data til datalogen. Derfor kan datalogen have områder, hvor dataene er diskontinuerlige.

6.2 Sensordiagnostik- og testmenu

Sensordiagnostik- og testmenuen viser aktuel og historisk information om instrumentet. Se [Tabel 2](#). Tryk på tasten **MENU**, og vælg **SENSOR SETUP** (Opsætning af sensor), > [Vælg sensor] > **DIAG/TEST** for at få adgang til sensordiagnostik- og testmenuen.

Tabel 2 Sensormenuen DIAG/TEST

Indstilling	Beskrivelse
SONDE INFO	Viser sensorens type, navn, serienummer, softwareversion og driverversion.
KAL DATA	Displayet viser pH-hældning (mV/pH) og dato for seneste kalibrering. pH-hældning skal være -55 til -61 mV.
SIGNALER	SENSOR SIGNAL - viser sensorens aflæsning i mV. MV-området er -60 °C til +60 mV (0 mV = pH 7). SENS ADC CNTS (tællinger) - viser det digitale tal, der repræsenterer pH-målingen. TEMP ADC CNTS (tællinger) - viser det digitale tal, der repræsenterer temperaturmålingen. ELEKTR.STATUS (status) - viser sundhedstilstanden for aktive og referenceelektrode (GOD eller DÅRLIG). Når "DÅRLIG" vises, skal sensoren rengøres og saltbroen udskiftes. Udskift om nødvendigt sensoren. AKTIV ELEKTR. - viser impedansen for den aktive elektrode. REF.ELEKTRODE - viser impedans på referenceelektroden. IMP STATUS - når den er aktiveret (anbefales), måles impedans for aktive og referenceelektrode med 1 minuts interval. En fejlmeddelelse vises på controllerens display, når impedansen for aktive eller referenceelektrode ikke er mellem grænsen for lav og høj impedans.
TÆLLERE	SENSOR DAGE - viser det antal dage, sensoren har været i drift. RESET SENSOR - Indstiller SENSOR DAGE og ELEKTR.DAGE værdi til nul. ELEKTR.DAGE - Viser antal dage siden saltbroen blev udskiftet. BEMÆRK: ELEKTR.DAGE værdien indstilles automatisk til nul, når saltbroen udskiftes.

6.3 Fejlmeddelelser

Hvis der opstår en fejl, blinker aflæsningen på skærbilledet for måling, og alle udgange sættes på hold, når det angives i menuen på kontrolenheden. Tryk på tasten **MENU** og vælg **DIAGNOSE**,

[Select Sensor] [Vælg sensor], FEJL LISTE for at vise sensorfejl. Der vises en liste over mulige fejl i Tabel 3.

Tabel 3 Fejlmeddelelser

Error (Fejl)	Beskrivelse	Opløsning
pH FOR HJ	Den målte pH er > 14 .	Kalibrér sensoren.
ORP FOR HØJ	Den målte ORP-værdi er > 2100 mV.	
pH FOR LAV	Den målte pH er < 0 .	Kalibrér sensoren.
ORP FOR LAV	Den målte ORP-værdi er ≤ 2100 mV.	
UDLIGNING FOR HØJ	Offsettet er > 9 (pH) eller 200 mV (ORP) .	Gennemfør trinene i Rengøring af sensoren på side 208 og Udskift saltbroen på side 208. Gennemfør derefter kalibreringen igen.
UDLIGNING FOR LAV	Offsettet er < 5 (pH) eller – 200 mV (ORP).	
HÆLDNING FOR HØJ	Hældningen er > 62 (pH)/1,3 (ORP) .	Gentag kalibreringen med friske referenceopløsninger.
HÆLDNING FOR LAV	Hældningen er < 50 (pH)/0,7 (ORP) .	Gennemfør følgende trin i Rengøring af sensoren på side 208. Gennemfør derefter kalibreringen igen.
TEMP. FOR HJ	Den målte temperatur er > 130 °C .	Kontrollér, at det korrekte temperaturelement vælges. Se TEMP. ELEMENT indstillingen i Konfiguration af sensoren på side 203.
TEMP. FOR LAV	Den målte temperatur er ≤ 10 °C.	
ADC FEJL	Konverteringen fra analog til digital mislykkedes. .	Sluk for controlleren. Tænd derefter for controlleren.
A.ELEK FOR HØJ	Den aktive elektrodeimpedans er > 900 MΩ.	Sensoren er i luften. Returnér sensoren til processen.
A.ELEK FOR HØJ	Den aktive elektrodeimpedans er < 8 MΩ .	Sensoren er beskadiget eller snavset. Gennemfør følgende trin i Rengøring af sensoren på side 208.
R.ELEK FOR HØJH	Referenceelektrodeimpedansen er > 900 MΩ .	Standardcelleopløsning lækkede eller er fordampet. Udskift standardcelleopløsningen.
R.ELEK FOR LAV	Referenceelektrodeimpedansen er < 8 MΩ..	Referenceelektroden er beskadiget. Udskift sensoren.
SAMME BUFFER	Bufferne til 2 POINT AUTO-kalibrering har den samme værdi.	Brug buffere, der har forskellige værdier.
SENSOR MANGLER	Sensoren mangler eller er frakoblet .	Identificer, om sensor-kablet afbrydes eller er beskadiget.
TEMP SENSOR MANGL	Temperatursensoren mangler .	Kontrollér, at det korrekte temperaturelement vælges. Se TEMP. ELEMENT indstillingen i Konfiguration af sensoren på side 203.
GLAS IMP. LAV	Glaskuglen er defekt eller slidt op.	Udskift sensoren.

6.4 Advarselsmeddelelser

En advarsel påvirker ikke driften af menuer, relæ og stikkontakter. Et advarselsikon blinker, og der vises en besked nederst på måleskærm-billedet. Tryk på **MENU** og vælg DIAGNOSE > [Vælg sensor] > ALARM LISTE for at vise sensoradvarsler. Der vises en liste over mulige advarsler i [Tabel 4](#).

Tabel 4 Advarselsmeddelelser

Advarsel	Beskrivelse	Opløsning
pH FOR HJ	Den målte pH er > 13 .	Kalibrér sensoren.
ORP FOR HØJ	Den målte ORP-værdi er > 2100 mV.	
pH FOR LAV	Den målte pH er < 1 .	Kalibrér sensoren.
ORP FOR LAV	Den målte ORP-værdi er < -2100 mV.	
UDLIGNING FOR HØJ	Offsettet er > 8 (pH) eller 200 mV (ORP) .	Gennemfør trinene i Rengøring af sensoren på side 208 og Udskift saltbroen på side 208. Gennemfør derefter kalibreringen igen.
UDLIGNING FOR LAV	Offsettet er < 6 (pH) eller - 200 mV (ORP).	
HÆLDNING FOR HØJ	Hældningen er > 60 (pH)/1,3 (ORP) .	Gentag kalibreringen med friske referenceopløsninger.
HÆLDNING FOR LAV	Hældningen er < 54 (pH)/0,7 (ORP) .	Gennemfør følgende trin i Rengøring af sensoren på side 208. Gennemfør derefter kalibreringen igen.
TEMP. FOR HJ	Den målte temperatur er > 100 °C .	Kontrollér, at det korrekte temperaturelement vælges. Se TEMP. ELEMENT indstillingen i Konfiguration af sensoren på side 203.
TEMP. FOR LAV	Den målte temperatur er < 0 °C.	
KALIB. FORFALDEN	Antallet af dage, der er gået, siden sensoren er blevet kalibreret, er større end kalibreringsintervallet.	Kalibrér sensoren. BEMÆRK: Hvis du vil ændre kalibreringsintervallet henvises til KAL DAGE i Konfiguration af sensoren på side 203.
ERSTAT SENSOR	Antallet af dage, sensoren har været i drift, er mere end sensorens udskiftningsinterval.	Udskift om nødvendigt sensoren. BEMÆRK: Hvis sensorens udskiftningsinterval skal ændres henvises til SENSOR DAGE i Konfiguration af sensoren på side 203.
IKKE KALIBRERET	Sensoren er ikke blevet kalibreret .	Kalibrér sensoren.
FLASH FEJL	Ekstern flashhukommelse mislykkedes .	Kontakt teknisk support.
A.ELEK FOR HØJ	Den aktive elektrodeimpedans er > 800 MΩ.	Sensoren er i luften. Returnér sensoren til processen.
A.ELEK FOR HØJ	Den aktive elektrodeimpedans er < 15 MΩ .	Sensoren er beskadiget eller snavset. Gennemfør følgende trin i Rengøring af sensoren på side 208.
R.ELEK FOR HØJH	Referenceelektrodeimpedansen er > 800 MΩ .	Standardcelleopløsning lækkede eller er fordampet. Udskift standardcelleopløsningen.
R.ELEK FOR LAV	Referenceelektrodeimpedansen er < 15 MΩ .	Referenceelektroden er beskadiget. Udskift sensoren.
KALIB. I GANG	En kalibrering er startet men ikke fuldført. .	Vend tilbage til kalibrering.

6.5 Hændelsesliste

Hændelseslisten viser aktuelle aktiviteter, som f.eks. konfigurationsændringer, alarmer, advarselsbetingelser osv. Tryk på tasten **MENU** og vælg DIAGNOSE, [Select Sensor] [Vælg sensor], EVENTS for at vise hændelser. Der vises en liste over mulige hændelser i [Tabel 5](#). Tidligere

hændelser er registreret i hændelsesloggen, der kan hentes ned fra controlleren. Se i dokumentationen til controlleren vedrørende indstillinger for datahentning.

Tabel 5 Hændelsesliste

Hændelse	Beskrivelse
KALIB. KLAR	Sensoren er klar til kalibrering .
KALIB. OK	Den aktuelle kalibrering er god.
TID UDLØBET	Stabiliseringstiden under kalibreringen er udløbet.
INGEN BUFFER	Ingen buffer detekteret. .
HLD. H J	Kalibreringshældningen er over den øverste grænse .
HLD. LAV	Kalibreringshældningen ligger under den nederste grænse .
OFFSET HØJ	Kalibrerings-offsetværdien for sensoren ligger over den øverste grænse. .
OFFSET LAV	Kalibreringsoffsetværdien for sensoren ligger under den nederste grænse .
PUNKTER FOR TÆT	Kalibreringspunkterne er for ens i værdi til en 2-punktskalibrering. .
KAL FEJL	Kalibreringen mislykkedes .
KALIB HØJ	Kalibreringsværdien ligger over den øverste grænse.
USTABIL	Læsningen under kalibreringen var ustabil.
ÆNDRING I KONFIG – drev	Konfigurationen blev ændret – drevpunktstype.
ÆNDRING I KONFIG – tekst	Konfigurationen blev ændret – teksttype.
ÆNDRING I KONFIG – heltal	Konfigurationen blev ændret—heltalsværditype .
RESET KONFIG	Konfigurationsindstillingerne var indstillet til standardindstillingerne.
POWER EVENT	Strømmen blev slået til.
ADC FEJL	ADC-konverteringen mislykkedes (hardwarefejl) .
FLASH SLET	Flashhukommelsen blev slettet .
TEMPERATUR	Den registrerede temperatur er for høj eller for lav .
1PT MANUEL START	Start af 1PUNKT MANUEL kalibrering.
1PT AUTO START	Start på 1PUNKT AUTO kalibrering til pH.
2PT MANUEL START	Start på 2PUNKT MANUEL kalibrering for pH.
2PT AUTO START	Start af 2PUNKT AUTO til pH.
1PT MANUEL SLUT	Afslutning af 1PUNKT MANUEL kalibrering.
1PT AUTO SLUT	Afslutning af 1PUNKT AUTO kalibrering for pH.
2PT MANUEL SLUT	Afslutning af 2PUNKT MANUEL kalibrering for pH.
2PT AUTO SLUT	Afslutning af 2PUNKT AUTO kalibrering for pH.

Sektion 7 Reservedele og tilbehør

▲ ADVARSEL



Fare for personskade. Anvendelse af ikke-godkendte dele kan medføre personskade, beskadigelse af instrumentet eller fejlfunktion af udstyret. Reservedelene i dette afsnit er godkendt af producenten.

BEMÆRK: Produkt- og varenumre kan variere i visse salgsregioner. Kontakt den relevante distributør, eller se virksomhedens webside for kontaktinformation.

Forbrugsprodukter

Beskrivelse	Mængde	Varenr.
Bufferopløsning, pH 4,01, rød	500 mL	2283449
Bufferopløsning, pH 7,00, gul	500 mL	2283549
Bufferopløsning, pH 10,01, blå	500 mL	2283649
ORP-referenceopløsning, 200 mV	500 mL	25M2A1001-115
ORP-referenceopløsning, 600 mV	500 mL	25M2A1002-115

Reserve dele – pH-sensorer

Beskrivelse	Mængde	Varenr.
Saltbro, PEEK, Kynar (PVDF) udvendig kobling, med Viton O-ringe	1	SB-P1SV
Saltbro, PEEK, Kynar (PVDF) udvendig kobling med perfluorelastomer O-ringe	1	SB-P1SP ⁸
Saltbro, PEEK, keramisk udvendig kobling, med Viton O-ringe	1	SB-P2SV
Saltbro, Ryton Kynar (PVDF) udvendig kobling, med Viton O-ringe	1	SB-R1SV
Standardcelleopløsning	500 mL	25M1A1025-115
Gelpulver til standardcelleopløsning	2 g	25M8A1002-101

Tilbehør

Beskrivelse	Varenr.
Digitalt forlænger kabel, 1 m (3,2 fod)	6122400
Digitalt forlænger kabel, 7,7 m (25 fod)	5796000
Digitalt forlænger kabel, 15 m (50 fod) ⁹	5796100
Digitalt forlænger kabel, SC200-controller, 31 m (100 fod)	5796200
Digital termineringsboks, SC200-controller ¹⁰	5867000
Sanitær monteringsarmatur, 316 rustfrit stål, inklusive 2 tommers sanitær T-stykke og robust tangkæbe BEMÆRK: Hætte og EPDM forbindelsespakning leveres med sensoren.	MH018S8SZ
Bypassarmatur til inlinemontering, CPVC (chlorinated polyvinyl chloride), indeholder 1½ tommers standard T-stykke, for-skruningsrør med adapter, forseglingssamling, låsering og Viton O-ring	6131300
Bypassarmatur til inlinemontering, 316 rustfrit stål, indeholder 1½ tommers standard T-stykke, for-skruningsrør med adapter, forseglingssamling, låsering og Viton O-ring	6131400
Flow-monteringsarmatur, CPVC, indeholder 1 tommers standard T-stykke	MH334N4NZ

⁸ Brug SB-P1SP, når Viton-materialet ikke er kemisk kompatibelt med kemikalierne i applikationen.

⁹ Den maksimale kabellængde er 15 m (49 fod) for en SC1000 controller.

¹⁰ Brug en digital termineringsboks, hvis kabellængden er mere end 100 m (328 fod). En termineringsboks bruges ikke sammen med en SC1000 controller.

Tilbehør (fortsat)

Beskrivelse	Varenr.
Flow-monteringsarmatur, 316 rustfrit stål, indeholder 1 tommer standard T-stykke	MH314N4MZ
Armatur til indføringsmontering, CPVC, indeholder 1½ tommer kugleventil, 1½ tommer NPT lukkenippel, sensoradapter med to Viton O-ringe og visker, forlængerrør, røradapter, rør og låsering	5646300
Armatur til indføringsmontering, 316 rustfrit stål, indeholder 1½ tommer kugleventil, 1½ tommer NPT lukkenippel, sensoradapter med to Viton O-ringe og visker, forlængerrør, røradapter, bagrør og låsering	5646350
Armatur til nedsænkingsmontering, standard, CPVC, indeholder 1 tommer x 4 fod rør og 1 tommer x 1 tommer NPT kobling	6136400
Armatur til nedsænkingsmontering, standard, 316 rustfrit stål, indeholder 1 tommer x 4 fod rør og 1 tommer x 1 tommer NPT kobling	6136500
Armatur til nedsænkingsmontering, gelænder, indeholder 1½ tomme x 7,5 fod CPVC rør og rørbøjlesamling	MH236B00Z
Armatur til nedsænkingsmontering, kæde, 316 rustfrit stål, indeholder kugle i rustfrit stål, møtrikker og skiver BEMÆRK: Kun til sensor af rustfrit stål. Indeholder ikke kæden.	2881900
Armatur til nedsænkingsmontering, kugleflyder, indeholder 1½ tomme x 7,5 fod CPVC rør og rørbøjlesamling	6131000
Sensorafskærmning, konvertible sensortype, PEEK	1000F3374-002
Sensorafskærmning, konvertible sensortype, Ryton	1000F3374-003

Spis treści

- | | |
|------------------------------------|--|
| 1 Dane techniczne na stronie 217 | 5 Konserwacja na stronie 231 |
| 2 Ogólne informacje na stronie 218 | 6 Rozwiązywanie problemów na stronie 234 |
| 3 Instalacja na stronie 220 | 7 Części zamienne i akcesoria na stronie 238 |
| 4 Użytkowanie na stronie 226 | |

Rozdział 1 Dane techniczne

Dane techniczne mogą ulec zmianie bez wcześniejszego powiadomienia.

Dane techniczne	Czujniki pH	Czujnik pH ze stali nierdzewnej	Czujniki ORP
Wymiary (długość)	272,5 mm (10,73 cala)	325,3 mm (12,81 cala)	272,5 mm (10,73 cala)
Masa	316 g (11 uncji)	870 g (31 uncji)	316 g (11 uncji)
Materiały narażone na działanie wilgoci	Obudowa z tworzywa PEEK lub Ryton (PVDF), mostek elektrolityczny z tego samego materiału ze złączem z tworzywa Kynar, szklana elektroda pomiarowa, tytanowa elektroda uziemiająca oraz pierścienie O-ring z materiału Viton <i>Uwaga: Czujnik pH z opcjonalną elektrodą ze szkła odpornego na działanie kwasu fluorowodorowego jest wyposażony w elektrodę uziemiającą ze stali nierdzewnej 316 oraz zwilżane pierścienie O-ring z kauczuku perfluorowego.</i>	Wyłącznie do montażu z zanurzeniem, obudowa ze stali nierdzewnej 316 SS z końcówkami i mostkiem elektrolitycznym z tworzywa Ryton (PVDF)	Obudowa z tworzywa PEEK lub Ryton (PVDF), mostek elektrolityczny z tego samego materiału ze złączem z tworzywa Kynar, elektroda pomiarowa ze szkła i platyny (lub szkła i złota), tytanowa elektroda uziemiająca oraz pierścienie O-ring z materiału Viton
Komponenty	Materiały odporne na korozję, w pełni zanurzalne		
Przewód czujnika (wbudowany)	4-żyłowy (plus 1 ekran), 10 m (33 stopy), do 105°C (221°F)		
Temperatura pracy	Od -5 do 70°C (od 23 do 158°F)	Od 0 do 50°C (od 32 do 122°F)	Od -5 do 70°C (od 23 do 158°F)
Temperatura przechowywania	Od 4 do 70°C (od 40 do 158°F), od 0 do 95% wilgotności względnej, bez kondensacji		
Zakres pomiarowy	Od 2,0 do 14,0 pH ¹ (lub od 2,00 do 14,00)		Od -1500 do +1500 mV
Powtarzalność	± 0,05 pH		± 2 mV
Czułość	± 0,01 pH		± 0,5 mV ²
Stabilność	0,03 pH na 24 godz., niekumulująca		2 mV (ORP) na 24 godz., niekumulująca

¹ Większość zastosowań pH mieści się w zakresie od 2,5 do 12,5 pH. Czujnik pH do pomiaru różnicowego pH_D, z szerokok zakresową szklaną elektrodą pomiarową, bardzo dobrze działa w tym zakresie. Niektóre zastosowania przemysłowe wymagają dokładnych pomiarów i regulacji poniżej 2 lub powyżej 12 pH. W takich szczególnych przypadkach należy skontaktować się z producentem w celu uzyskania bardziej szczegółowych informacji.

² Aby uzyskać najlepsze rezultaty w roztworach zawierających cynk, cyjanek, kadm lub nikiel, należy użyć czujnika ORP pH_D ze złotą elektrodą.

Dane techniczne	Czujniki pH	Czujnik pH ze stali nierdzewnej	Czujniki ORP
Maksymalna szybkość przepływu	3 m/s (10 stóp/s)		
Ciśnienie maksymalne	6,9 bar w temp. 70°C (100 psi w temp. 158°F)	Nie dotyczy (tylko zanurzenie)	6,9 bar w temp. 70°C (100 psi w temp. 158°F)
Zasięg transmisji	Maks. 100 m (328 stóp) lub 1000 m (3280 stóp) w przypadku połączenia z listwą zaciskową		
Element termoczuły	Termistor NTC 300 Ω do automatycznej kompensacji temperatury i odczytu temperatury analizatora		Termistor NTC 300 Ω tylko do odczytu temperatury analizatora, bez automatycznej kompensacji temperatury, niezbędnej do pomiaru ORP
Dokładność temperatury	± 0,5°C (0,9°F)		
Kompensacja temperatury	Automatycznie od -10 do 105°C (od 14,0 do 221°F) w przypadku termistora NTC 300 Ω, elementu termoczułego Pt 1000 Ω RTD lub Pt 100 Ω RTD bądź ręcznie na poziomie temperatury określonym przez użytkownika		Nie dotyczy
Metody kalibracji	Automatyczna lub ręczna 1- lub 2-punktowa		Ręczna 1-punktowa
Interfejs czujnika	Modbus		
Certyfikaty	CE		
Gwarancja	1 rok; 2 lata (UE)		

Rozdział 2 Ogólne informacje

W żadnym przypadku producent nie ponosi odpowiedzialności za bezpośrednie, pośrednie, specjalne, przypadkowe lub wtórne szkody wynikające z błędu lub pominięcia w niniejszej instrukcji obsługi. Producent zastrzega sobie prawo do dokonania zmian w niniejszej instrukcji obsługi i w produkcie, której dotyczy w dowolnym momencie, bez powiadomienia lub zobowiązania. Na stronie internetowej producenta można znaleźć poprawione wydania.

2.1 Informacje dotyczące bezpieczeństwa

Producent nie ponosi odpowiedzialności za ewentualne szkody wynikłe z niewłaściwego stosowania albo użytkowania tego produktu, w tym, bez ograniczeń za szkody bezpośrednie, przypadkowe i wtórne, oraz wyklucza odpowiedzialność za takie szkody w pełnym zakresie dozwolonym przez obowiązujące prawo. Użytkownik jest wyłącznie odpowiedzialny za zidentyfikowanie krytycznych zagrożeń aplikacji i zainstalowanie odpowiednich mechanizmów ochronnych procesów podczas ewentualnej awarii sprzętu.

Prosimy przeczytać całą niniejszą instrukcję obsługi przed rozpakowaniem, włączeniem i rozpoczęciem użytkowania urządzenia. Należy zwrócić uwagę na wszystkie informacje dotyczące niebezpieczeństwa i kroków zapobiegawczych. Niezastosowanie się do tego może spowodować poważne obrażenia obsługującego lub uszkodzenia urządzenia.

Należy upewnić się, czy systemy zabezpieczające wbudowane w urządzenie pracują prawidłowo. Nie używać ani nie instalować tego urządzenia w inny sposób, aniżeli podany w niniejszej instrukcji.

2.2 Korzystanie z informacji o zagrożeniach

▲ NIEBEZPIECZEŃSTWO

Wskazuje potencjalnie lub bezpośrednio niebezpieczną sytuację, która — jeśli się jej nie zapobiegnie — doprowadzi do śmierci lub poważnych obrażeń.

▲ OSTRZEŻENIE

Wskazuje na potencjalną lub bezpośrednio niebezpieczną sytuację, która, jeżeli się jej nie uniknie, może doprowadzić do śmierci lub ciężkich obrażeń.

▲ UWAGA





Wskazuje na potencjalnie niebezpieczną sytuację, która może doprowadzić do mniejszych lub umiarkowanych obrażeń.

POWIADOMIENIE

Wskazuje sytuację, która — jeśli się jej nie zapobiegnie — może doprowadzić do uszkodzenia urządzenia. Informacja, która wymaga specjalnego podkreślenia.

2.3 Etykiety ostrzegawcze

Przeczytaj wszystkie etykiety dołączone do urządzenia. Nieprzestrzeganie zawartych na nich ostrzeżeń może doprowadzić do obrażeń ciała i/lub uszkodzenia urządzenia. Symbol umieszczony na urządzeniu jest zamieszczony w podręczniku i opatrzony informacją o należytych środkach ostrożności.

	Ten symbol ostrzega o niebezpieczeństwie. Aby uniknąć obrażeń ciała, należy przestrzegać wszystkich instrukcji, którym towarzyszy ten symbol. Jeśli ten symbol jest umieszczony na urządzeniu, należy zapoznać się z informacjami bezpieczeństwa użytkowania zamieszczonymi w instrukcji obsługi urządzenia.
	Ten symbol wskazuje niebezpieczeństwo szoku elektrycznego i/lub porażenia prądem elektrycznym.
	Ten symbol informuje o obecności urządzeń wrażliwych na wyładowania elektrostatyczne (ESD) i oznacza, że należy zachować ostrożność, aby nie uszkodzić urządzeń.
	Urządzeń elektrycznych oznaczonych tym symbolem nie wolno wyrzucać do europejskich publicznych systemów utylizacji odpadów. Wyeksploatowane urządzenia należy zwrócić do producenta w celu ich utylizacji. Producent ma obowiązek przyjąć je bez pobierania dodatkowych opłat.

2.4 Charakterystyka produktu

Czujnik jest przeznaczony do pracy ze sterownikiem gromadzącym dane. Z jednym czujnikiem można używać wielu sterowników. W tym dokumencie przyjęto założenie, że czujnik jest zainstalowany i używany ze sterownikiem SC. Jeśli czujnik ma być używany z innymi sterownikami, należy zapoznać się z instrukcją obsługi odpowiedniego sterownika.

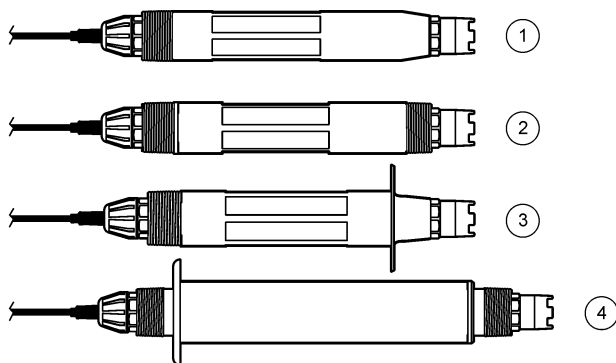
Ten produkt nie może być używany w miejscach niebezpiecznych.

Wyposażenie opcjonalne, takie jak elementy montażowe sondy, jest dostarczane wraz z instrukcją montażu. Dostępne są różne opcje montażu, które umożliwiają dostosowanie sondy do wymagań różnych zastosowań.

2.5 Wersje czujnika

Czujnik jest dostępny w kilku wersjach. Patrz [Rysunek 1](#).

Rysunek 1 Wersje czujnika



<p>1 Wstawiany — do montażu w naczynku przepływowym lub adapterze rurowym zespołu zaworu kulowego. Umożliwia wyjmowanie bez zatrzymywania przepływu cieczy procesowej.</p>	<p>3 Sanitarny — do montażu w trójniku sanitarnym 2-calowym</p>
<p>2 Przekształcalny — do trójnika rurowego lub zanurzenia w otwartym naczyniu</p>	<p>4 Ze stali nierdzewnej — do zanurzenia w otwartym naczyniu</p>

Czujniki wstawiane — czujniki wstawiane są podobne do przekształcalnych, ale 1-calowe gwinty NPT znajdują się tylko po stronie przewodu i służą do przykręcenia do naczynka przepływowego lub adaptera rurowego zespołu zaworu kulowego. Czujniki wstawiane można wkładać do cieczy procesowej lub je z niej wyjmować bez zatrzymywania jej przepływu.

Czujniki przekształcalne — są wyposażone w 1-calowe gwinty NPT na obu końcach obudowy, co umożliwia montaż w następujących konfiguracjach:

- na standardowym 1-calowym trójniku rurowym NPT
- na adapterze rurowym do montażu na złączu i standardowym 1,5-calowym trójniku rurowym
- na końcu rury do zanurzenia w naczyniu

Uwaga: Przekształcalne czujniki mogą być także wykorzystywane w istniejących instalacjach z 1,5-calowymi czujnikami z LCP, tworzywa Ryton i żywicy epoksydowej.

Czujniki sanitarne — mają wbudowany 2-calowy kołnierz, który umożliwia montaż w 2-calowym trójniku sanitarnym. W zestawie z czujnikiem sanitarnym znajduje się specjalna nasadka i uszczelka z kauczuku EDPM, które umożliwiają połączenie z instalacją sanitarną.

Czujniki ze stali nierdzewnej — czujniki ze stali nierdzewnej mają 1-calowe gwinty NPT na obu końcach obudowy. Czujniki ze stali nierdzewnej są przeznaczone do zanurzenia w otwartym naczyniu.

Rozdział 3 Instalacja

3.1 Montaż

▲ OSTRZEŻENIE



Niebezpieczeństwo wybuchu. Należy upewnić się, że odporność elementów montażowych do czujnika na temperaturę i ciśnienie jest wystarczająca dla warunków w miejscu montażu.

▲ UWAGA



Niebezpieczeństwo uszkodzenia ciała. Stłuczone szkło może być przyczyną skaleczeń. Korzystać z odpowiednich narzędzi i sprzętu ochrony osobistej, aby usunąć stłuczone szkło.

POWIADOMIENIE

Na końcu elektrody pomiarowej pH znajduje się podatna na pęknięcie szklana bańka. Nie uderzać w szklaną bańkę ani jej nie naciskać.

POWIADOMIENIE

Złota lub platynowa elektroda pomiarowa na końcu czujnika ORP ma szklany trzon (ukryty za mostkiem elektrolitycznym), który może się złamać. Nie uderzać w szklany trzon ani go nie naciskać.

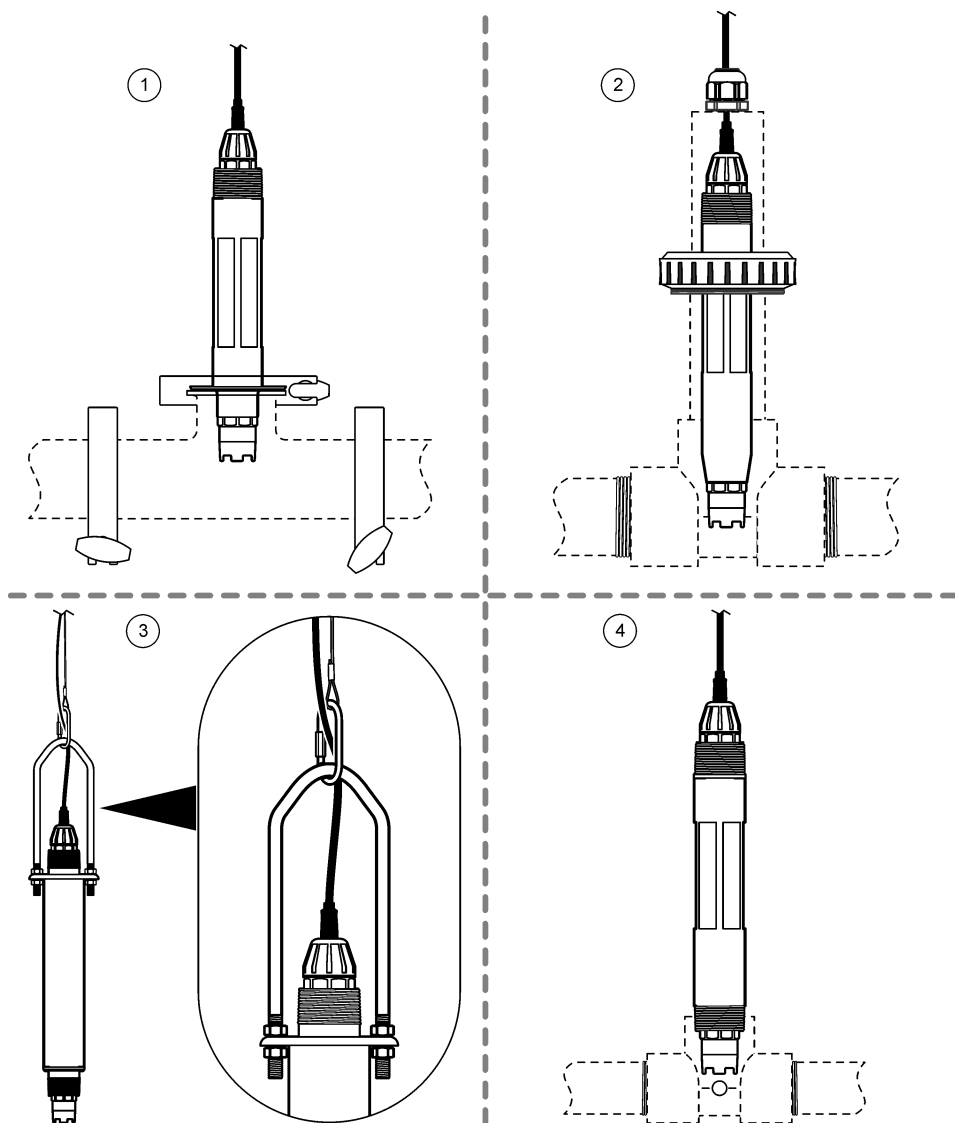
POWIADOMIENIE

Maksymalna wysokość, na której można używać urządzenia, wynosi 2000 m n.p.m. (6562 stóp). Chociaż używanie urządzenia na wysokości powyżej 2000 m nie powoduje wyraźnych problemów, producent zaleca w takiej sytuacji kontakt z działem pomocy technicznej.

- Zainstalować czujnik w miejscu, gdzie próbka wchodząca w kontakt z czujnikiem jest reprezentatywna dla całego procesu.
- Przykładowe konfiguracje montażu — patrz [Rysunek 2](#), [Rysunek 3](#) i [Rysunek 4](#).
- Informacje o dostępnych elementach montażowych — patrz [Części zamienne i akcesoria](#) na stronie 238.
- Więcej informacji dotyczących instalacji można znaleźć w instrukcji dostarczonej wraz z elementami montażowymi.
- Zamontować czujnik pod kątem co najmniej 15° względem osi poziomej. Patrz [Rysunek 5](#).
- W przypadku montażu z zanurzeniem umieścić czujnik w odległości co najmniej 508 mm od ściany komory napowietrzanej i zanurzyć go na głębokość co najmniej 508 mm w cieczy procesowej.
- Przed umieszczeniem czujnika w cieczy procesowej należy zdjąć nasadkę ochronną. Nasadkę ochronną należy zachować w celu jej późniejszego wykorzystania.
- (Opcjonalnie) Jeśli temperatura wody procesowej jest bliska temperatury wrzenia, dosypać proszku żelującego³ do roztworu w ogniwie galwanicznym. Patrz krok 2 w punkcie [Wymiana mostka elektrolitycznego](#) na stronie 232. Nie wymieniać mostka elektrolitycznego.
- Przed użyciem skalibrować czujnik.

³ Proszek żelujący spowalnia parowanie roztworu w ogniwie galwanicznym.

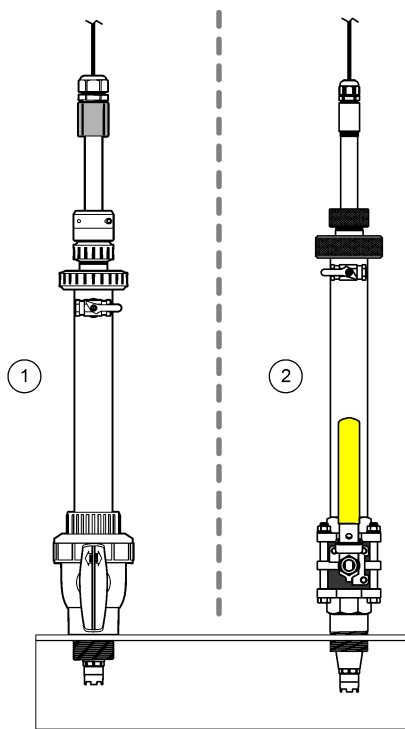
Rysunek 2 Przykłady montażu (1)



<p>1 Montaż w instalacji sanitarnej (trójnik sanitarny 2-calowy)</p>	<p>3 Montaż z zanurzeniem, tańcuszek i uchwyt⁴</p>
<p>2 Montaż ze złączem (standardowy trójnik 1,5-calowy)</p>	<p>4 Montaż przepływowy (standardowy trójnik 1-calowy)</p>

⁴ Tylko czujniki ze stali nierdzewnej

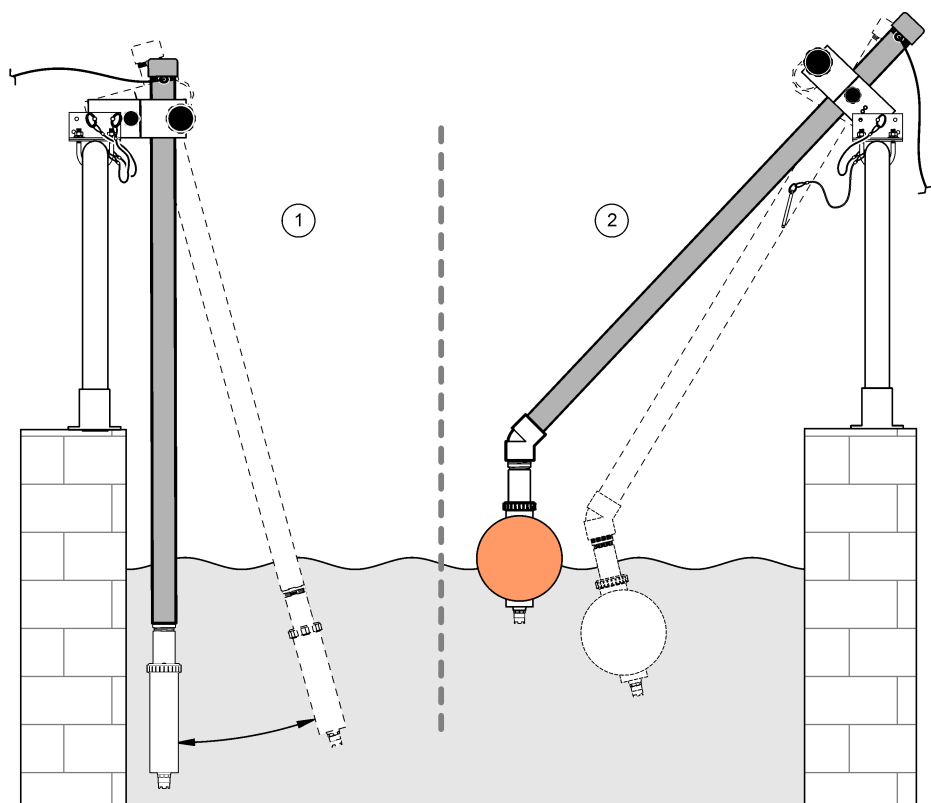
Rysunek 3 Przykłady montażu (2)



1 Montaż z wstawieniem, elementy montażowe z CPVC

2 Montaż z wstawieniem, elementy montażowe ze stali nierdzewnej

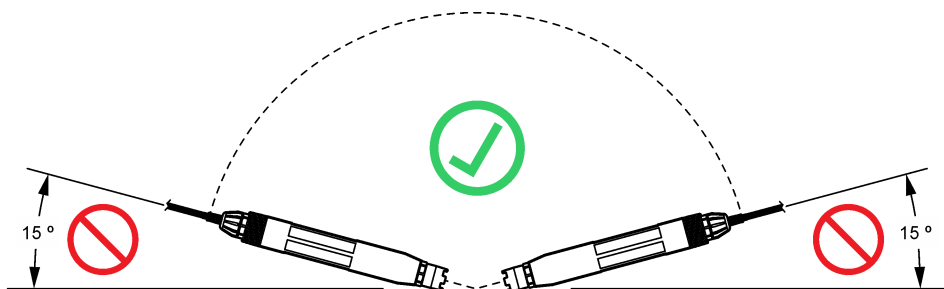
Rysunek 4 Przykłady montażu (3)



1 Montaż z zanurzeniem, poręcz

2 Montaż z zanurzeniem, pływak

Rysunek 5 Kąt montażu czujnika

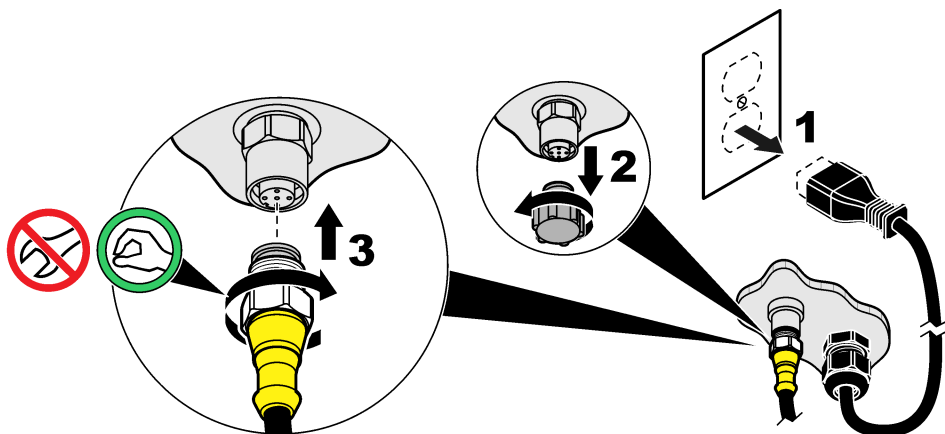


3.2 Instalacja elektryczna

3.2.1 Podłączanie czujnika do szybkozłączki (strefa bez zagrożenia)

1. Podłączyć przewód czujnika do szybkozłączki sterownika SC. Patrz [Rysunek 6](#).
Zachować nasadkę złącza, aby móc zamknąć otwór wtykowy na wypadek, gdyby trzeba było odłączyć czujnik.
2. Po podłączeniu czujnika i włączeniu zasilania:
 - Sterownik SC200 — wybrać TEST/SERWIS > SZUKANIE CZUJN.
 - Sterownik SC1000 — wybrać USTAW.SYSTEM > ZARZADZANIE URZADZENIAMI > SZUKANIE NOWYCH URZADZEN.

Rysunek 6 Podłączenie czujnika do szybkozłączki



3.2.2 Przedłużacze

- Dostępne są przedłużacze. Patrz [Części zamienne i akcesoria](#) na stronie 238.
- Maksymalna długość przewodu do sterownika SC1000 wynosi 15 m.
- Maksymalna długość przewodu do sterownika SC200 wynosi 1000 m.
- Sterownika SC200 — jeśli długość przewodu przekracza 100 m, należy użyć listwy zaciskowej do połączeń cyfrowych. Patrz [Części zamienne i akcesoria](#) na stronie 238.

3.2.3 Podłączenie przewodu czujnika z odsłoniętymi żyłami (strefa bez zagrożenia)

⚠ NIEBEZPIECZEŃSTWO



Niebezpieczeństwo śmiertelnego porażenia prądem elektrycznym. Przed wykonaniem połączeń elektrycznych należy zawsze odłączyć urządzenie od źródła zasilania.

⚠ NIEBEZPIECZEŃSTWO



Niebezpieczeństwo śmiertelnego porażenia prądem elektrycznym. Okablowanie wysokiego napięcia sterownika jest podłączane za osłoną wysokiego napięcia w obudowie sterownika. Osłona musi pozostać na miejscu, chyba że są instalowane moduły lub że wykwalifikowany technik instaluje przewody zasilania, przekaźniki lub karty analogowe i sieciowe.

Jeśli przewód czujnika nie jest wyposażony w szybkozłącze⁵, należy podłączyć odsłonięte żyły przewodu czujnika do sterownika w następujący sposób:

Uwaga: Przewód czujnika z odsłoniętymi żyłami nie może być podłączony do sterownika SC1000.

1. W opakowaniu ze sterownikiem SC200 znajduje się zestaw do połączeń przewodowych (9222400).
Zestaw zawiera cztery złączki zaciskowe.
2. Należy podłączyć przewód czujnika do sterownika, postępując zgodnie z instrukcją dołączoną do zestawu do połączeń przewodowych.

Rozdział 4 Użytkowanie

4.1 Nawigacja

Opis klawiatury i procedur nawigacji znajduje się w dokumentacji kontrolera.

Naciskać przycisk strzałki **W PRAWO**, aż zostaną wyświetlone dalsze informacje na ekranie głównym oraz zostanie wyświetlony ekran graficzny.

4.2 Konfiguracja czujnika

W tym menu można wybrać nazwę i typ czujnika. Istnieje także możliwość zmiany opcji pomiaru, kalibracji oraz przetwarzania i przechowywania danych.




1. Nacisnąć klawisz **menu**, a następnie wybrać **USTAW.CZUJNIK > [Wybrać czujnik] > USTAWIENIA**.
2. Wybrać opcję.

Opcja	Opis
EDYTUJ NAZWE	Zmienia nazwę czujnika, wyświetlaną na górze ekranu pomiarowego. Nazwa nie może być dłuższa niż 12 znaków i może stanowić dowolną kombinację liter, cyfr, odstępów i znaków interpunkcyjnych.
USTAW CZUJNIK	Określa typ czujnika (pH lub ORP).
RODZ.WYSWIETL.	Tylko dla czujników pH — umożliwia wybranie liczby miejsc dziesiętnych wyświetlanych na ekranie pomiarowym: XX,XX (domyślnie) lub XX,X.
JEDN.TEMP.	Służy do wybrania jednostek temperatury °C (domyślnie) lub °F.
REJESTR.	Umożliwia określenie interwału czasu przechowywania danych w rejestrze: 5, 30 sekund, 1, 2, 5, 10, 15 (domyślnie), 30, 60 minut.
AC FREQUENCY (CZĘSTOTLIWOŚĆ AC)	Określa częstotliwość prądu przemiennego dostarczanego do sterownika (50 lub 60 Hz). Jeśli sterownik jest podłączony do zasilania 120 V AC, wybrać 60 Hz. Jeśli sterownik jest podłączony do zasilania 230 V AC, wybrać 50 Hz.
FILTR	Umożliwia ustawienie stałej czasowej w celu zwiększenia stabilności sygnału. Stała czasowa służy do obliczania średniej wartości w określonym czasie — od 0 (domyślnie, brak efektu) do 60 sekund (średnia wartość sygnału dla okresu 60 sekund). Filtrowanie wydłuża czas reakcji sygnału czujnika na rzeczywiste zmiany w procesie.
SONDA TEMP.	Czujniki pH — umożliwia określenie elementu termoczułego w celu automatycznej kompensacji temperatury: PT100, PT1000, NTC300 (domyślnie) lub RECZNY. Jeśli element termoczuły nie jest używany, można wybrać jako typ ustawienie RECZNY i wprowadzić wartość kompensacji temperatury (ustawienie domyślne w przypadku trybu ręcznego to 25°C). Czujniki ORP — kompensacja temperatury nie jest używana. Można podłączyć element termoczuły w celu dokonywania pomiaru temperatury.

⁵ Jeśli np. przedłużono przewód czujnika przy użyciu listwy zaciskowej do połączeń cyfrowych i 4-żyłowego przewodu ekranowanego.

Opcja	Opis
WYBIERZ BUFOR	Tylko czujniki pH — umożliwia określenie roztworów buforowych używanych do kalibracji. Opcje: pH 4, 7, 10 (domyślnie) lub DIN 19267 (pH 1,09, 4,65, 6,79, 9,23, 12,75) Uwaga: Do kalibracji mogą być również użyte inne roztwory buforowe.
CZYSTA H2O KOM	Tylko czujniki pH — umożliwia dodanie wartości korekcji zależnej od temperatury do mierzonej wartości pH dla czystej wody z dodatkami: — BRAK WYBORU (domyślnie), AMONIAK-KOMP, TABELA MORPH lub DEFIN.UZYTEKOW. Dla temperatur procesowych powyżej 50°C używana jest wartość korekcji dla 50°C. Dla zastosowań zdefiniowanych przez użytkownika można wprowadzić zbocze liniowe (domyślnie: 0 pH/°C).
KALIBR.: DNI	Umożliwia określenie częstotliwości kalibracji (domyślnie: 60 dni). Uwaga: Gdy liczba dni od czasu ostatniej kalibracji czujnika przekracza wartość częstotliwości kalibracji, na wyświetlaczu sterownika wyświetla się ostrzeżenie.
CZUJNIK: DNI	Umożliwia określenie częstotliwości wymiany czujnika (domyślnie: 365 dni). Uwaga: Gdy liczba dni eksploatacji czujnika przekracza wartość częstotliwości wymiany czujnika, na wyświetlaczu sterownika wyświetla się ostrzeżenie.
IMPED LIMITS (LIMITY IMPEDANCJI)	Umożliwia określenie wartości granicznych impedancji elektrod aktywnych i referencyjnych (domyślnie: NISKI = 0 MΩ, WYSOKI = 1000 MΩ). Uwaga: Jeśli jako ustawienie opcji IMPED STATUS (STAN IMPEDANCJI) w menu DIAGNOST/TEST wybrano WLACZONE, gdy impedancja elektrody aktywnej lub referencyjnej wykracza poza wartości graniczne impedancji, na wyświetlaczu sterownika wyświetla się komunikat o błędzie.
USTAW.FABRYCZ.	Umożliwia przywrócenie domyślnych ustawień konfiguracji.

4.3 Kalibracja czujnika

⚠ OSTRZEŻENIE	
	Niebezpieczeństwo wybuchu. Wyjmowanie czujnika z pojemnika pod ciśnieniem może być niebezpieczne. Przed wyjęciem ciśnienie należy obniżyć poniżej 10 psi. Jeśli nie jest to możliwe, należy postępować z najwyższą ostrożnością. Więcej informacji można znaleźć w instrukcji dołączonej do sprzętu montażowego.
⚠ OSTRZEŻENIE	
	Narażenie na działanie substancji chemicznych. Stosować się do procedur bezpieczeństwa w laboratoriach i zakładach sprzęt ochrony osobistej, zatwierdzony do używanych substancji chemicznych. Protokoły warunków bezpieczeństwa można znaleźć w aktualnych kartach charakterystyki (MSDS/SDS) materiałów.
⚠ UWAGA	
	Narażenie na działanie substancji chemicznych. Usuwać substancje chemiczne i odpady zgodnie z przepisami lokalnymi, regionalnymi i państwowymi.

4.3.1 Informacje dotyczące kalibracji czujnika

Kalibracja dopasowuje odczyt czujnika do wartości jednego lub dwóch roztworów wzorcowych. Właściwości czujnika ulegają powolnym zmianom, co powoduje spadek dokładności pomiaru. Okresowe wykonywanie kalibracji jest konieczne dla zachowania właściwej dokładności czujnika. Częstotliwość wykonywania kalibracji zależy od zastosowania urządzenia i najlepiej ustalić ją na podstawie własnego doświadczenia.

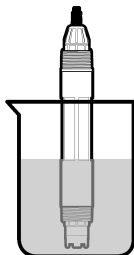
W przypadku czujników pH element termoczuły jest wykorzystywany, aby pomiary pH były automatycznie dostosowywane do temperatury 25°C w sytuacji zmian temperatury, które mają wpływ na elektrody aktywne i referencyjne. Klient może wykonać tę korekcję ręcznie, jeśli temperatura procesu jest stała. Patrz opcja SONDA TEMP. w rozdziale [Konfiguracja czujnika](#) na stronie 226.

4.3.2 Procedura kalibracji pH

Czujnik pH można skalibrować za pomocą jednego lub dwóch roztworów wzorcowych (kalibracja 1- lub 2-punktowa).

1. Umieścić czujnik w pierwszym roztworze wzorcowym (bufor lub próbka o znanej wartości). Upewnić się, że czujnik sondy jest całkowicie zanurzony w cieczy. Patrz [Rysunek 7](#).

Rysunek 7 Czujnik w roztworze wzorcowym



2. Zaczekać, aż temperatura czujnika i roztworu wyrówna się. Może to potrwać 30 minut lub dłużej, jeśli różnica temperatury między czujnikiem a roztworem referencyjnym jest znaczna.
3. Nacisnąć klawisz **menu**, a następnie wybrać **USTAW.CZUJNIK > [Wybrać czujnik] > KALIBRACJA**.
4. Wybrać typ kalibracji:

Opcja	Opis
1-PUNKT. AUTO	Użyć jednego bufora do kalibracji (np. pH 7). Czujnik automatycznie rozpoznaje bufor podczas kalibracji. Uwaga: Sprawdzić, czy wybrano prawidłowy bufor w ustawieniach konfiguracji czujnika.
2-PUNKT. AUTO (zalecane)	Użyć dwóch buforów do kalibracji (np. pH 7 i pH 4). Czujnik automatycznie rozpoznaje bufor podczas kalibracji. Uwaga: Sprawdzić, czy wybrano prawidłowy bufor w ustawieniach konfiguracji czujnika.
1-PUNKT RECZNA	Użyć próbki o znanej wartości pH (lub jednego bufora) do kalibracji. Wprowadzić wartość pH podczas kalibracji.
2-PUNKT RECZNA	Użyć dwóch próbek o znanej wartości pH (lub dwóch buforów) do kalibracji. Wprowadzić wartości pH podczas kalibracji.

5. Jeśli w menu zabezpieczeń zostało włączone hasło sterownika, należy wprowadzić odpowiednie hasło.
6. Wybrać opcję sygnału wyjściowego używanego podczas kalibracji:

Opcja	Opis
AKTYWNY	Podczas procedury kalibracji instrument wysyła aktualną mierzoną wartość wyjściową.
WSTRZYMAJ	Podczas procedury kalibracji wartość wyjściowego sygnału czujnika jest utożsamiana z aktualnie mierzoną wartością.
TRANSFER	Podczas procedury kalibracji jest wysyłana aktualna wartość sygnału wyjściowego. Informacje na temat zmiany aktualnej wartości można znaleźć w instrukcji obsługi sterownika.

7. Zanurzając czujnik w pierwszym roztworze wzorcowym, nacisnąć klawisz, aby potwierdzić. Zostanie wyświetlona zmierzona wartość.
8. W razie potrzeby wprowadzić wartość pH roztworu wzorcowego:
 - a. Poczekać, aż wartość się ustabilizuje, a następnie nacisnąć klawisz, aby potwierdzić.

b. Wprowadzić wartość pH.

Uwaga: Jeśli roztwór wzorcowy jest buforem, znaleźć wartość pH na butelce bufora przy danej temperaturze bufora. Jeśli roztwór wzorcowy jest próbką, określić wartość pH próbki za pomocą innego przyrządu.

9. W przypadku kalibracji 2-punktowej dokonać pomiaru drugiego roztworu wzorcowego w następujący sposób:

a. Wyjąć czujnik z pierwszego roztworu i opłukać go czystą wodą.

b. Umieścić czujnik w drugim roztworze wzorcowym i nacisnąć klawisz, aby potwierdzić.

c. W razie potrzeby zaczekać, aż wartość się ustabilizuje, a następnie nacisnąć klawisz, aby potwierdzić. Wprowadzić wartość pH.

10. Sprawdzić wynik kalibracji:

• POWODZ — czujnik jest skalibrowany i gotowy do pomiaru próbek. Wyświetlana jest wartość nachylenia i/lub przesunięcia.

• NIEPOWODZ — nachylenie lub przesunięcie kalibracji poza dopuszczalnymi limitami. Ponownie przeprowadzić kalibrację, używając świeżych roztworów wzorcowych. W razie potrzeby oczyścić czujnik. Patrz [Czyszczenie czujnika](#) na stronie 232.

11. Jeśli kalibracja się powiodła, nacisnąć klawisz, aby potwierdzić.

12. Umieścić czujnik ponownie w cieczy procesowej i nacisnąć klawisz, aby potwierdzić.

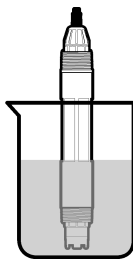
Sygnal wyjściowy powróci do stanu aktywnego, a na ekranie zostanie wyświetlona wartość mierzonej próbki.

4.3.3 Procedura kalibracji ORP

Czujnik ORP można skalibrować za pomocą roztworu wzorcowego lub próbki o znanej wartości.

1. Umieścić czujnik w roztworze wzorcowym lub próbce. Upewnić się, że czujnik na sondzie jest całkowicie zanurzony w roztworze. Patrz [Rysunek 8](#).

Rysunek 8 Czujnik zanurzony w roztworze wzorcowym lub próbce



2. Nacisnąć klawisz **menu**, a następnie wybrać **USTAW.CZUJNIK > [Wybrać czujnik] > KALIBRACJA**.

3. Wybrać opcję **1-PUNKT RECZNA**.

4. Jeśli w menu zabezpieczeń zostało włączone hasło sterownika, należy wprowadzić odpowiednie hasło.

5. Wybrać opcję sygnału wyjściowego używanego podczas kalibracji:

Opcja	Opis
AKTYWNY	Podczas procedury kalibracji instrument wysyła aktualną mierzoną wartość wyjściową.

Opcja	Opis
WSTRZYMAJ	Podczas procedury kalibracji wartość wyjściowego sygnału czujnika jest utożsamiana z aktualnie mierzoną wartością.
TRANSFER	Podczas procedury kalibracji jest wysyłana aktualna wartość sygnału wyjściowego. Informacje na temat zmiany aktualnej wartości można znaleźć w instrukcji obsługi sterownika.

- Zanurzając czujnik w roztworze wzorcowym lub próbce, nacisnąć klawisz, aby potwierdzić. Zostanie wyświetlona zmierzona wartość.
- Poczeekać, aż wartość się ustabilizuje, a następnie nacisnąć klawisz, aby potwierdzić.
- Wprowadzić wartość ORP roztworu wzorcowego lub próbki.

***Uwaga:** Jeśli kalibracja jest wykonywana przy użyciu roztworu wzorcowego, odczytać wartość ORP z butelki roztworu wzorcowego. Jeśli kalibracja jest przeprowadzana przy użyciu próbki, zmierzyć wartość ORP przy użyciu innego instrumentu w celu weryfikacji.*

- Sprawdzić wynik kalibracji:
 - POWODZ** — czujnik jest skalibrowany i gotowy do pomiaru próbek. Wyświetlana jest wartość nachylenia i/lub przesunięcia.
 - NIEPOWODZ** — nachylenie lub przesunięcie krzywej kalibracji poza przyjętymi limitami. Ponownie przeprowadzić kalibrację, używając świeżego roztworu wzorcowego. W razie potrzeby oczyścić czujnik. Patrz [Czyszczenie czujnika](#) na stronie 232.
- Jeśli kalibracja się powiodła, nacisnąć klawisz, aby potwierdzić.
- Umieścić czujnik ponownie w cieczy procesowej i nacisnąć klawisz, aby potwierdzić. Sygnał wyjściowy powróci do stanu aktywnego, a na ekranie zostanie wyświetlona wartość mierzonej próbki.

4.3.4 Kalibracja temperatury

Urządzenie jest skalibrowane fabrycznie w sposób zapewniający precyzyjny pomiar temperatury. Kalibracja temperatury pozwala na zwiększenie dokładności.

- Włożyć czujnik do pojemnika z wodą.
- Zmierzyć temperaturę wody precyzyjnym termometrem lub innym przyrządem.
- Nacisnąć klawisz **menu**, a następnie wybrać **USTAW.CZUJNIK > [Wybrać czujnik] > KALIBRACJA**.
- Wybrać **KALIBR. TEMP. > EDYTUJ TEMP.**, a następnie nacisnąć klawisz, aby potwierdzić.
- Wprowadzić dokładną wartość temperatury i nacisnąć klawisz, aby potwierdzić.
- Umieścić czujnik ponownie w cieczy procesowej i nacisnąć klawisz, aby potwierdzić.

4.3.5 Zakończenie procedury kalibracji

- Aby wyjść z kalibracji, nacisnąć **z powrotem**.
- Wybrać opcję.

Opcja	Opis
PRZERWAC	Kończy kalibrację. Należy rozpocząć procedurę kalibracji od nowa.
POWROT DO KAL.	Powrót do kalibracji.
OPUSC	Tymczasowo przerywa kalibrację. Umożliwia dostęp do innych poleceń menu. Można rozpocząć kalibrację drugiego czujnika (jeśli jest używany). Aby powrócić do kalibracji, należy nacisnąć klawisz Menu i wybrać kolejno USTAW.CZUJNIK > [Ustaw czujnik] .

4.4 Rejestry danych czujnika i zdarzeń

Sterownik SC udostępnia rejestr danych i rejestr zdarzeń dla każdego z czujników. W rejestrze danych zapisywane są dane pomiarowe w wybranych odstępach czasowych (możliwość konfiguracji przez użytkownika). Rejestr zdarzeń zawiera zdarzenia, które miały miejsce.

Rejestry danych i zdarzeń można zapisać w formacie CSV. Instrukcje znajdują się w dokumentacji sterownika.

4.5 Rejestry Modbus

Dostępna jest lista rejestrów Modbus, umożliwiających komunikację sieciową. Skorzystaj z witryny internetowej producenta, aby uzyskać więcej informacji.

Rozdział 5 Konserwacja

▲ NIEBEZPIECZEŃSTWO



Wiele zagrożeń. Tylko wykwalifikowany personel powinien przeprowadzać prace opisane w tym rozdziale niniejszego dokumentu.

▲ OSTRZEŻENIE



Niebezpieczeństwo wybuchu. Wyjmowanie czujnika z pojemnika pod ciśnieniem może być niebezpieczne. Przed wyjęciem ciśnienie należy obniżyć poniżej 10 psi. Jeśli nie jest to możliwe, należy postępować z najwyższą ostrożnością. Więcej informacji można znaleźć w instrukcji dołączonej do sprzętu montażowego.

▲ OSTRZEŻENIE



Narażenie na działanie substancji chemicznych. Stosować się do procedur bezpieczeństwa w laboratoriach i zakładać sprzęt ochrony osobistej, zatwierdzony do używanych substancji chemicznych. Protokoły warunków bezpieczeństwa można znaleźć w aktualnych kartach charakterystyki (MSDS/SDS) materiałów.

▲ UWAGA



Narażenie na działanie substancji chemicznych. Usuwać substancje chemiczne i odpady zgodnie z przepisami lokalnymi, regionalnymi i państwowymi.

5.1 Harmonogram konserwacji

Tabela 1 przedstawia zalecany harmonogram czynności konserwacyjnych. Wymagania obiektu i warunki pracy mogą zwiększyć częstotliwość niektórych zadań.

Tabela 1 Harmonogram konserwacji

Zadanie	Co 1 rok	W razie potrzeby
Czyszczenie czujnika na stronie 232		X ⁶
Wymiana mostka elektrolitycznego na stronie 232	X	
Kalibracja czujnika	Zgodnie z obowiązującymi przepisami lub doświadczeniem	

⁶ Częstotliwość zależy od warunków pracy.

5.2 Czyszczenie czujnika

Przygotowanie: przygotować delikatny roztwór myjący, używając nieabrazyjnego detergentu (środka do mycia naczyń), który nie zawiera lanoliny. Lanolina pozostawia warstewkę na powierzchni elektrody, która może obniżyć sprawność czujnika.

Co pewien czas sprawdzać, czy na czujniku nie gromadzą się zanieczyszczenia. Czujnik należy wyczyścić, jeśli jest zabrudzony lub gdy spada jego sprawność.

1. Usunąć zanieczyszczenia z końcówki czujnika czystą, miękką ściereczką. Przepłukać czujnik czystą, ciepłą wodą.
2. Zanurzyć czujnik na 2 - 3 minuty w roztworze mydlanym.
3. Wyczyścić całą końcówkę pomiarową czujnika szczoteczką o miękkim włosiu.
4. Jeśli pozostaną jakiegokolwiek zanieczyszczenia, zanurzyć końcówkę pomiarową czujnika w rozcieńczonym kwaśnym roztworze, np. < 5% HCl, na czas nie dłuższy niż 5 minut.
5. Przepłukać czujnik wodą i ponownie zanurzyć w roztworze myjącym na 2 - 3 minuty.
6. Przepłukać czujnik czystą wodą.

Uwaga: Czujniki z elektrodami antymonowymi do zastosowań HF mogą wymagać dodatkowego czyszczenia. Skontaktować się z działem pomocy technicznej.

Zawsze po wykonaniu czynności konserwacyjnych należy skalibrować czujnik.

5.3 Wymiana mostka elektrolitycznego

Mostek elektrolityczny i roztwór w ogniwie galwanicznym należy wymieniać raz do roku lub w przypadku negatywnego wyniku kalibracji po oczyszczeniu czujnika.

Uwaga: Film przedstawiający procedurę wymiany mostka elektrolitycznego jest dostępny w witrynie www.Hach.com. Należy przejść na stronę mostka elektrolitycznego i kliknąć kartę *Wideo*.

Co należy przygotować:

- Klucz nastawny
- Duża pęseta
- Mostek elektrolityczny
- Roztwór do ogniwa galwanicznego
- Proszek żelujący⁷, 1/8 łyżeczki

1. Wyczyścić czujnik. Patrz [Czyszczenie czujnika](#) na stronie 232.
2. Wymienić mostek elektrolityczny i roztwór w ogniwie galwanicznym. Wymagane czynności przedstawiono na rysunkach poniżej.

Jeśli zbiornik na roztwór do ogniwa galwanicznego zawiera żel (nietypowe), należy wypłukać stary żel strumieniem wody z trygatora, jak pokazano na ilustracji 2.

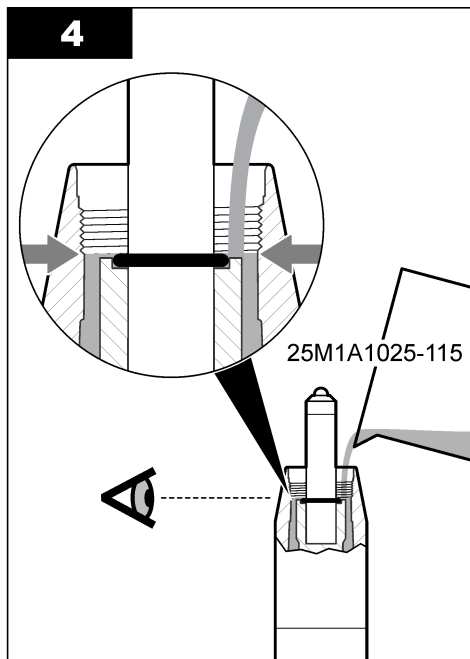
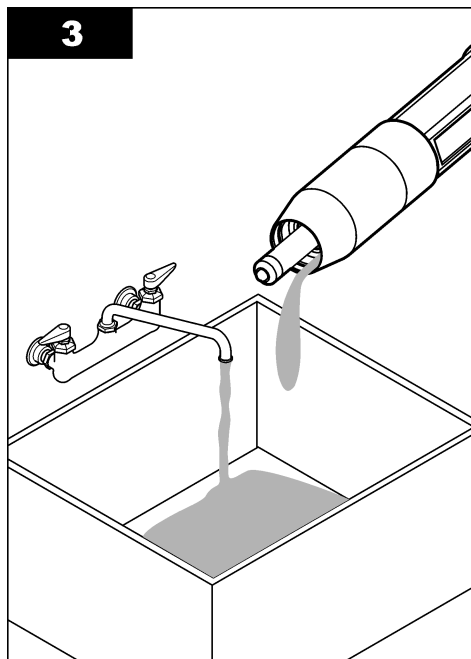
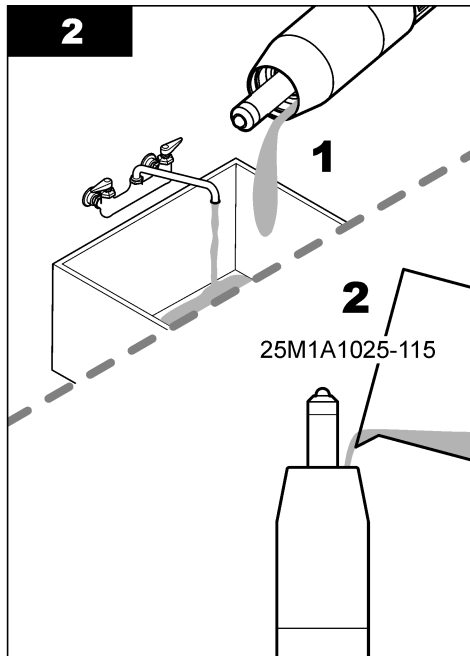
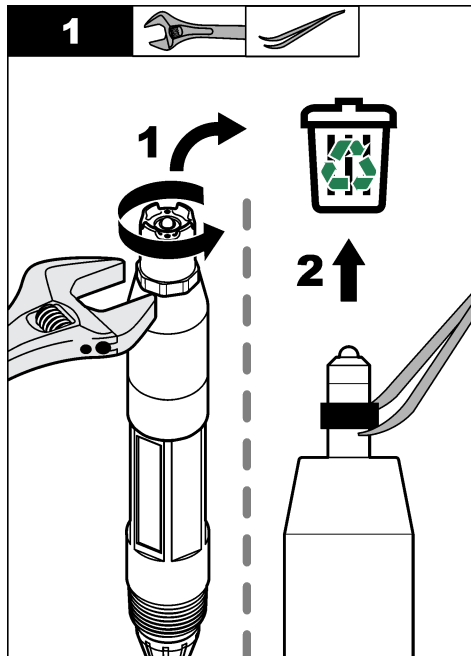
(Opcjonalnie) Jeśli temperatura wody procesowej jest bliska temperatury wrzenia, dosypać proszku żelującego do nowego roztworu do ogniwa galwanicznego, jak pokazano na ilustracji 4:

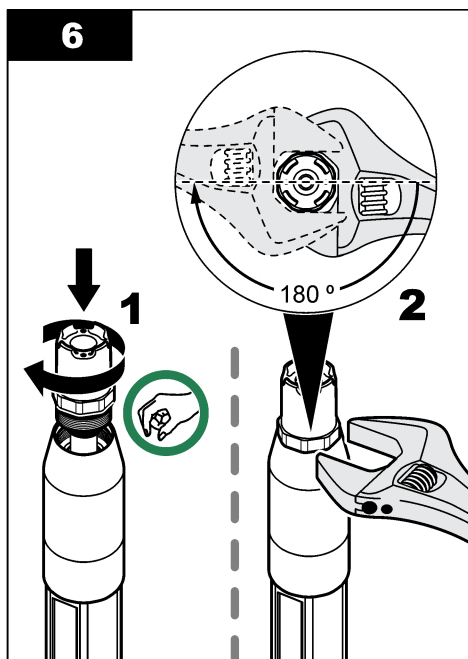
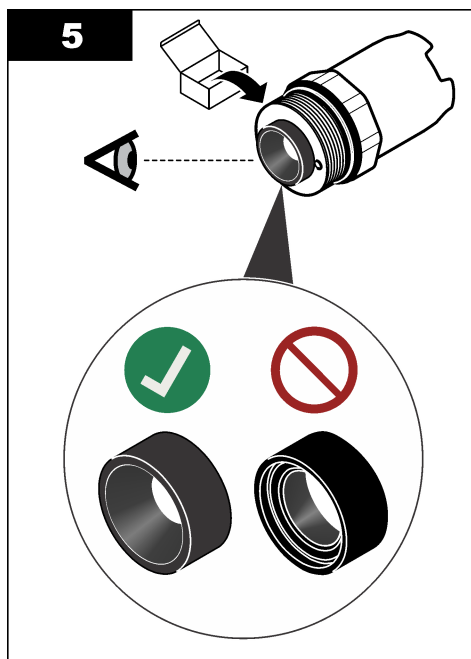
- a. Wsypać 1 płaską nakrętkę od butelki (1/8 łyżeczki) proszku żelującego do zbiornika na roztwór do ogniwa galwanicznego.
- b. Wlać do zbiornika niewielką ilość świeżego roztworu do ogniwa galwanicznego.
- c. Wymieszać proszek, aż roztwór zgęstnieje.
- d. Dodawać niewielkie ilości roztworu i mieszać, aż poziom żelu osiągnie dolną granicę gwintu mostka elektrolitycznego.

⁷ (Opcjonalnie) Jeśli temperatura wody procesowej jest bliska temperatury wrzenia, dosypać proszku żelującego do roztworu do ogniwa galwanicznego. Proszek żelujący spowalnia parowanie roztworu w ogniwie galwanicznym.

e. Sprawdzić poziom żelu, zakładając i zdejmując nowy mostek elektrolityczny. Mostek powinien pozostawić odcisk na powierzchni żelu.

3. Przeprowadzić kalibrację czujnika.





5.4 Przygotowanie do przechowywania

W celu krótkotrwałego przechowywania czujnika (gdy nie będzie on wykorzystywany dłużej niż godzinę) należy wypełnić nasadkę ochronną roztworem buforowym pH 4 lub wodą destylowaną, a następnie nałożyć ją na czujnik. Należy dbać o to, aby elektroda pomiarowa oraz mostek elektrolityczny połączenia referencyjnego pozostawały wilgotne, co pozwoli uniknąć spowolnienia reakcji przy ponownym użyciu czujnika.

W przypadku długotrwałego przechowywania należy co 2 - 4 tygodnie, w zależności od otoczenia, powtarzać procedurę przewidzianą do celów krótkotrwałego przechowywania. Zakres temperatury przechowywania — patrz [Dane techniczne](#) na stronie 217.

Rozdział 6 Rozwiązywanie problemów

6.1 Dane nieciągłe

Podczas kalibracji dane nie są przesyłane do rejestru. Z tego względu dane w rejestrze mogą zawierać nieciągłe obszary.

6.2 Menu diagnostyki i testów czujnika

W menu diagnostyki i testów czujnika dostępne są bieżące i historyczne informacje dotyczące instrumentu. Patrz [Tabela 2](#). Aby otworzyć menu diagnostyki i testów czujnika, należy nacisnąć klawisz **menu**, a następnie wybrać USTAW.CZUJNIK > [Wybrać czujnik] > DIAGNOST/TEST.

Tabela 2 Menu DIAGNOST/TEST czujnika

Opcja	Opis
INFO.SONDZIE	Pokazuje takie informacje jak typ, nazwa, numer seryjny, wersja oprogramowania i wersja sterownika czujnika.
DANE KALIRB.	Pokazuje nachylenie pH (mV/pH) i datę ostatniej kalibracji. Nachylenie pH powinno wynosić od -55 do -61 mV.

Tabela 2 Menu DIAGNOST/TEST czujnika (ciąg dalszy)

Opcja	Opis
SYGNALY	<p>SYGNAL CZUJN. — pokazuje odczyt czujnika w mV. Zakres mV wynosi od -60 do +60 mV (0 mV = pH 7).</p> <p>LICZN.ADC SOND — pokazuje wartość cyfrową odczytu pH.</p> <p>LICZN.ADC TEMP — pokazuje wartość cyfrową odczytu temperatury.</p> <p>STAN ELEKTRODY — pokazuje kondycję elektrody aktywnej i referencyjnej (DOBRA lub ZLA). W przypadku wskazania „ZLA” należy wyczyścić czujnik i wymienić mostek elektrolityczny. W razie potrzeby wymienić czujnik.</p> <p>ACTIVE ELECT (ELEKTR. AKTYWNA) — pokazuje impedancję elektrody aktywnej.</p> <p>ELEKTR. REFER. — pokazuje impedancję elektrody referencyjnej.</p> <p>IMPED STATUS (STAN IMPED.) — jeśli ta opcja jest włączona (zalecane), pomiar impedancji elektrody aktywnej i referencyjnej odbywa się co 1 minutę. Gdy impedancja elektrody aktywnej lub referencyjnej wykracza poza dolny lub górny limit impedancji, na wyświetlaczu sterownika wyświetla się błąd.</p>
LICZNIKI	<p>CZUJNIK: DNI — wyświetla liczbę dni pracy czujnika.</p> <p>KASUJ CZUJNIK — zmienia wartości CZUJNIK: DNI i ELEKTRODA: DNI na zero.</p> <p>ELEKTRODA: DNI — wyświetla liczbę dni od momentu wymiany mostka elektrolitycznego.</p> <p><i>Uwaga: Wartość ELEKTRODA: DNI jest automatycznie zerowana w chwili wymiany mostka elektrolitycznego.</i></p>

6.3 Komunikaty o błędach

Po wystąpieniu błędu odczyt na ekranie pomiarów zaczyna migać, a wszystkie dane wyjściowe są wstrzymywane, o ile wybrano takie ustawienie w menu sterownika. Aby wyświetlić informacje o błędach czujnika, należy nacisnąć klawisz **menu** i wybrać DIAGNOSTYKA > [Wybrać czujnik] > BLEDY. Aby zapoznać się z listą możliwych błędów — patrz [Tabela 3](#).

Tabela 3 Komunikaty o błędach

Błąd	Opis	Rozwiązanie
pH ZA WYSOKIE	Mierzona wartość pH wynosi > 14.	Przeprowadzić kalibrację czujnika.
ORP ZA WYSOKIE	Mierzona wartość ORP wynosi > 2100 mV.	
pH ZA NISKIE	Mierzona wartość pH wynosi < 0.	Przeprowadzić kalibrację czujnika.
ORP ZA NISKIE	Mierzona wartość ORP wynosi ≤ 2100 mV.	
PRZESUN ZA WYSOKIE	Przesunięcie wynosi > 9 (pH) lub 200 mV (ORP).	Przeprowadzić procedury Czyszczenie czujnika na stronie 232 i Wymiana mostka elektrolitycznego na stronie 232. Następnie ponownie przeprowadzić kalibrację.
PRZESUN ZA NISKIE	Przesunięcie wynosi < 5 (pH) lub -200 mV (ORP).	
ZBOCZE ZA WYSOKIE	Zbocze wynosi > 62 (pH)/1,3 (ORP).	Ponownie przeprowadzić kalibrację, używając świeżych roztworów wzorcowych.
ZBOCZE ZA NISKIE	Zbocze wynosi < 50 (pH)/0,7 (ORP).	Wykonać czynności opisane w części Czyszczenie czujnika na stronie 232. Następnie ponownie przeprowadzić kalibrację.
TEMP.ZA WYSOKA	Mierzona temperatura ma wartość > 130°C.	Sprawdzić, czy został wybrany odpowiedni element termoczuły. Patrz opcja SONDA TEMP. w rozdziale Konfiguracja czujnika na stronie 226.
TEMP.ZA NISKA	Mierzona temperatura ma wartość ≤ 10°C.	
BLAD ADC	Błąd konwersji analogowo-cyfrowej.	Wyłączyć zasilanie sterownika. Następnie włączyć zasilanie sterownika.

Tabela 3 Komunikaty o błędach (ciąg dalszy)

Błąd	Opis	Rozwiązanie
AKT ELEKTR ZA WYSOKA	Impedancja aktywnej elektrody wynosi > 900 MΩ.	Czujnik znajduje się na powietrzu. Umieść czujnik w cieczy procesowej.
AKT ELEKTR ZA NISKA	Impedancja aktywnej elektrody wynosi < 8 MΩ.	Czujnik jest zanieczyszczony lub uszkodzony. Wykonać czynności opisane w części Czyszczenie czujnika na stronie 232.
REF ELEKTR ZA WYSOKA	Impedancja elektrody referencyjnej wynosi > 900 MΩ.	Roztwór w ogniwie galwanicznym wyciekł lub wyparował. Wymienić roztwór w ogniwie galwanicznym.
REF ELEKTR ZA NISKA	Impedancja elektrody referencyjnej wynosi < 8 MΩ.	Elektroda referencyjna jest uszkodzona. Wymienić czujnik.
BUFOR PRÓBK	Bufory użyte do kalibracji 2-PUNKT. AUTO mają tę samą wartość.	Użyć buforów o różnych wartościach.
BRAK CZUJNIKA	Brak czujnika lub czujnik jest odłączony.	Sprawdzić, czy przewód czujnika nie jest odłączony lub uszkodzony.
BRAK CZUJNIKA TEMP.	Brak czujnika temperatury.	Sprawdzić, czy został wybrany odpowiedni element termoczuły. Patrz opcja SONDA TEMP. w rozdziale Konfiguracja czujnika na stronie 226.
ZA MAŁA IMPED.	Szklana bańka jest pęknięta lub zużyta.	Wymienić czujnik.

6.4 Komunikaty ostrzegawcze

Ostrzeżenia nie mają wpływu na działanie menu, przekaźników i wyjść. Miga ikona ostrzeżenia, a na dole ekranu pomiarowego wyświetlany jest odpowiedni komunikat. Aby wyświetlić ostrzeżenia dotyczące czujnika, należy nacisnąć klawisz **menu** i wybrać DIAGNOSTYKA > [Wybrać czujnik] > OSTRZEZENIA. Aby zapoznać się z listą możliwych ostrzeżeń — patrz [Tabela 4](#).

Tabela 4 Komunikaty ostrzegawcze

Ostrzeżenie	Opis	Rozwiązanie
pH ZA WYSOKIE	Mierzona wartość pH wynosi > 13.	Przeprowadzić kalibrację czujnika.
ORP ZA WYSOKIE	Mierzona wartość ORP wynosi > 2100 mV.	
pH ZA NISKIE	Mierzona wartość pH wynosi < 1.	Przeprowadzić kalibrację czujnika.
ORP ZA NISKIE	Mierzona wartość ORP wynosi < -2100 mV.	
PRZESUN ZA WYSOKIE	Przesunięcie wynosi > 8 (pH) lub 200 mV (ORP).	Przeprowadzić procedury Czyszczenie czujnika na stronie 232 i Wymiana mostka elektrolitycznego na stronie 232. Następnie ponownie przeprowadzić kalibrację.
PRZESUN ZA NISKIE	Przesunięcie wynosi < 6 (pH) lub -200 mV (ORP).	
ZBOCZE ZA WYSOKIE	Zbocze wynosi > 60 (pH)/1,3 (ORP).	Ponownie przeprowadzić kalibrację, używając świeżych roztworów wzorcowych.
ZBOCZE ZA NISKIE	Zbocze wynosi < 54 (pH)/0,7 (ORP).	Wykonać czynności opisane w części Czyszczenie czujnika na stronie 232. Następnie ponownie przeprowadzić kalibrację.

Tabela 4 Komunikaty ostrzegawcze (ciąg dalszy)

Ostrzeżenie	Opis	Rozwiązanie
TEMP.ZA WYSOKA	Mierzona temperatura ma wartość > 100 °C.	Sprawdzić, czy został wybrany odpowiedni element termoczuły. Patrz opcja SONDA TEMP. w rozdziale Konfiguracja czujnika na stronie 226.
TEMP.ZA NISKA	Mierzona temperatura wynosi < 0°C.	
KAL OPÓYN	Liczba dni od czasu ostatniej kalibracji czujnika przekracza wartość częstotliwości kalibracji.	Przeprowadzić kalibrację czujnika. <i>Uwaga:</i> Do zmiany częstotliwości kalibracji służy opcja KALIBR.: DNI, opisana w rozdziale Konfiguracja czujnika na stronie 226.
WYMIEN CZUJNIK	Liczba dni eksploatacji czujnika przekracza wartość częstotliwości wymiany czujnika.	W razie potrzeby wymienić czujnik. <i>Uwaga:</i> Do zmiany częstotliwości wymiany czujnika służy opcja CZUJNIK: DNI, opisana w rozdziale Konfiguracja czujnika na stronie 226.
NIESKALIBROWANO	Czujnik nie został skalibrowany.	Przeprowadzić kalibrację czujnika.
BLAD LAMPY	Błąd zewnętrznej pamięci flash.	Skontaktować się z działem pomocy technicznej.
AKT ELEKTR ZA WYSOKA	Impedancja aktywnej elektrody wynosi > 800 MΩ.	Czujnik znajduje się na powietrzu. Umieść czujnik w cieczy procesowej.
AKT ELEKTR ZA NISKA	Impedancja aktywnej elektrody wynosi < 15 MΩ.	Czujnik jest zanieczyszczony lub uszkodzony. Wykonać czynności opisane w części Czyszczenie czujnika na stronie 232.
REF ELEKTR ZA WYSOKA	Impedancja elektrody referencyjnej wynosi > 800 MΩ.	Roztwór w ogniwie galwanicznym wyciekł lub wyparował. Wymienić roztwór w ogniwie galwanicznym.
REF ELEKTR ZA NISKA	Impedancja elektrody referencyjnej wynosi < 15 MΩ.	Elektroda referencyjna jest uszkodzona. Wymienić czujnik.
TRWA KAL	Kalibracja została rozpoczęta ale nie ukończona.	Powrócić do procedury kalibracji.

6.5 Lista zdarzeń

Na liście zdarzeń są wyświetlane bieżące działania, takie jak zmiany konfiguracji, alarmy, ostrzeżenia itp. Aby wyświetlić zdarzenia, należy nacisnąć klawisz **menu** i wybrać DIAGNOSTYKA > [Wybrać czujnik] > ZDARZENIA. Aby zapoznać się z listą możliwych zdarzeń — patrz [Tabela 5](#). Wcześniejsze zdarzenia są zapisywane w rejestrze zdarzeń, który można pobrać ze sterownika. Informacje dotyczące odzyskiwania danych zawiera dokumentacja sterownika.

Tabela 5 Lista zdarzeń

Zdarzenie	Opis
KAL GOTOWA	Czujnik jest gotowy do kalibracji.
KAL OK	Bieżąca kalibracja jest prawidłowa.
UPA CZAS	Upłynął czas stabilizacji podczas kalibracji.
BRAK BUFORA	Nie wykryto bufora.
NACHYL ZA DUZE	Wartość zbocza kalibracji powyżej górnego limitu.
NACHYL ZA MALE	Wartość zbocza kalibracji poniżej dolnego limitu.
ODCHYL ZA DUZE	Wartość przesunięcia kalibracji czujnika powyżej górnego limitu.
ODCHYL ZA MALE	Wartość przesunięcia kalibracji czujnika poniżej dolnego limitu.

Tabela 5 Lista zdarzeń (ciąg dalszy)

Zdarzenie	Opis
PUNKTY BLISKO	Wartość punktów kalibracji jest zbyt bliska przy kalibracji 2-punktowej.
BLAD KALIB.	Kalibracja nie powiodła się.
KAL WYSOKA	Wartość kalibracji przekracza górny limit.
NIESTABIL.	Odczyt podczas kalibracji jest niestabilny.
ZMIANA KONFIG – liczba zmiennoprzecinkowa	Konfiguracja została zmieniona — typ zmiennoprzecinkowy.
ZMIANA KONFIG – tekst	Konfiguracja została zmieniona — typ tekstowy.
ZMIANA KONFIG — liczba całkowita	Konfiguracja została zmieniona — typ całkowitoliczbowy.
RESETUJ KONFIG	Ustawienia konfiguracyjne zostały zmienione na domyślne.
ZASILANIE WL.	Zasilanie zostało włączone.
BLAD ADC	Błąd konwersji analogowo-cyfrowej (awaria urządzenia).
KASOW FLASH	Pamięć flash została wykasowana.
TEMPERATURA	Zarejestrowana temperatura jest zbyt niska lub zbyt wysoka.
START RCZNY 1 PKT	Rozpoczęcie procedury kalibracji 1-PUNKT RECZNA.
START AUTOM 1 PKT	Rozpoczęcie procedury kalibracji pH 1-PUNKT. AUTO.
START RCZNY 2 PKT	Rozpoczęcie procedury kalibracji pH 2-PUNKT RECZNA.
START AUTOM 2 PKT	Rozpoczęcie procedury kalibracji 2-PUNKT. AUTO.
KONIEC RCZNY 1 PKT	Zakończenie procedury kalibracji 1-PUNKT RECZNA.
KONIEC AUTOM 1 PKT	Zakończenie procedury kalibracji pH 1-PUNKT. AUTO.
KONIEC RCZNY 2 PKT	Zakończenie procedury kalibracji pH 2-PUNKT RECZNA.
KONIEC AUTOM 2 PKT	Zakończenie procedury kalibracji pH 2-PUNKT. AUTO.

Rozdział 7 Części zamienne i akcesoria

▲ OSTRZEŻENIE



Niebezpieczeństwo uszkodzenia ciała. Stosowanie niezatwierdzonych części grozi obrażeniami ciała, uszkodzeniem urządzenia lub nieprawidłowym działaniem osprzętu. Części zamienne wymienione w tym rozdziale zostały zatwierdzone przez producenta.

Uwaga: Numery produktów i części mogą być różne w różnych regionach. Należy skontaktować się z odpowiednim dystrybutorem albo znaleźć informacje kontaktowe na stronie internetowej firmy.

Materiały eksploatacyjne

Opis	Ilość	Nr poz.
Roztwór buforowy, pH 4,01, czerwony	500 mL	2283449
Roztwór buforowy, pH 7,00, żółty	500 mL	2283549
Roztwór buforowy, pH 10,01, niebieski	500 mL	2283649
Roztwór wzorcowy ORP, 200 mV	500 mL	25M2A1001-115
Roztwór wzorcowy ORP, 600 mV	500 mL	25M2A1002-115

Części zamienne — czujniki pH

Opis	Ilość	Nr poz.
Mostek elektrolityczny, PEEK, zewnętrzne złącze z tworzywa Kynar (PVDF) z pierścieniami O-ring z tworzywa Viton	1	SB-P1SV
Mostek elektrolityczny, PEEK, zewnętrzne złącze z tworzywa Kynar (PVDF) z pierścieniami O-ring z kauczuku perfluorowego	1	SB-P1SP ⁸
Mostek elektrolityczny, PEEK, zewnętrzne złącze ceramiczne z pierścieniami O-ring z tworzywa Viton	1	SB-P2SV
Mostek elektrolityczny, Ryton, zewnętrzne złącze z tworzywa Kynar (PVDF) z pierścieniami O-ring z tworzywa Viton	1	SB-R1SV
Roztwór do ogniwa galwanicznego	500 mL	25M1A1025-115
Proszek żelujący do roztworu do ogniwa galwanicznego	2 g	25M8A1002-101

Akcesoria

Opis	Nr poz.
Przedłużacz przewodu do transmisji cyfrowej, 1 m	6122400
Przedłużacz przewodu do transmisji cyfrowej, 7,7 m	5796000
Przedłużacz przewodu do transmisji cyfrowej, 15 m ⁹	5796100
Przedłużacz przewodu do transmisji cyfrowej, sterownik SC200, 31 m	5796200
Listwa zaciskowa do transmisji cyfrowej, sterownik SC200 ¹⁰	5867000
Elementy montażowe do instalacji sanitarnych, stal nierdzewna 316, w komplecie 2-calowy trójnik sanitarny i wzmocnioną obejmą <i>Uwaga: W komplecie z czujnikiem znajduje się nasadka i uszczelka z kauczuku EPDM.</i>	MH018S8SZ
Elementy montażowe do złącza, CPVC (polichlorek winylu), w tym standardowy trójnik 1,5-calowy, dwuzłączka rurowa z adapterem, wkładką uszczelniającą, pierścieniem mocującym i pierścieniem O-ring z tworzywa Viton	6131300
Elementy montażowe do złącza, stal nierdzewna 316, w tym standardowy trójnik 1,5-calowy, dwuzłączka rurowa z adapterem, wkładką uszczelniającą, pierścieniem mocującym i pierścieniem O-ring z tworzywa Viton	6131400
Elementy montażowe do montażu przepływowego, CPVC, w tym standardowy trójnik 1-calowy	MH334N4NZ
Elementy montażowe do montażu przepływowego, stal nierdzewna 316, w tym standardowy trójnik 1-calowy	MH314N4MZ
Elementy montażowe do montażu z wstawieniem, CPVC, w tym zawór kulowy 1,5-calowy, złączka wkrętna z gwintem ciągłym 1,5-calowa, adapter czujnika z dwoma pierścieniami O-ring z tworzywa Viton i wycieraczką, przedłużka rurowa, adapter rurowy, rura tylna i pierścień blokujący	5646300
Elementy montażowe do montażu ze wstawieniem, stal nierdzewna 316, w tym zawór kulowy 1,5-calowy, złączka wkrętna z gwintem ciągłym 1,5-calowa, adapter czujnika z dwoma pierścieniami O-ring z tworzywa Viton i wycieraczką, przedłużka rurowa, adapter rurowy, rura tylna i pierścień blokujący	5646350

⁸ Mostek SB-P1SP należy stosować w przypadku niezgodności chemicznej tworzywa Viton z chemikaliami używanymi w danym zastosowaniu.

⁹ Maksymalna długość przewodu do sterownika SC1000 wynosi 15 m.

¹⁰ Jeśli długość przewodu przekracza 100 m, należy użyć listwy zaciskowej do transmisji cyfrowej. Przy połączeniu ze sterownikiem SC1000 nie należy stosować listwy zaciskowej.

Aksesoria (ciąg dalszy)

Opis	Nr poz.
Elementy montażowe do montażu z zanurzeniem, standardowe, CPVC, w tym rura 1-calowa o długości 1,2 m oraz złączka prosta NPT 1 cal x 1 cal	6136400
Elementy montażowe do montażu z zanurzeniem, standardowe, stal nierdzewna 316, w tym rura 1-calowa o długości 1,2 m oraz złączka prosta NPT 1 cal x 1 cal	6136500
Elementy montażowe do montażu z zanurzeniem, poręcz, w tym rura CPVC 1,5-calowa o długości 2,3 m i zespół obejmy rurowej	MH236B00Z
Elementy montażowe do montażu z zanurzeniem, łańcuszek, stal nierdzewna 316, w tym uchwyt, nakrętka i podkładki ze stali nierdzewnej <i>Uwaga: Wyłącznie do zastosowania z czujnikiem ze stali nierdzewnej. Zestaw nie zawiera łańcuszka.</i>	2881900
Elementy montażowe do montażu z zanurzeniem, pływak, w tym rura CPVC 1,5-calowa o długości 2,3 m, zespół pływaka i zespół obejmy rurowej	6131000
Ośłona czujnika, czujnik przekształcalny, PEEK	1000F3374-002
Ośłona czujnika, czujnik przekształcalny, Ryton	1000F3374-003

Innehållsförteckning

1 [Specifikationer](#) på sidan 241

2 [Allmän information](#) på sidan 242

3 [Installation](#) på sidan 244

4 [Användning](#) på sidan 250

5 [Underhåll](#) på sidan 254

6 [Felsökning](#) på sidan 258

7 [Reservdelar och tillbehör](#) på sidan 261

Avsnitt 1 Specifikationer

Specifikationerna kan ändras utan föregående meddelande.

Specifikation	pH-givare	pH-givare i rostfritt stål	Redox-givare
Mått (längd)	272,5 mm (10,73 tum)	325,3 mm (12,81 tum)	272,5 mm (10,73 tum)
Vikt	316 g (11 oz)	870 g (31 oz)	316 g (11 oz)
Våta material	PEEK- eller Ryton-hölje (PVDF), referenselektrod i samma material med Kynar-koppling, processelektrod av glas, jordelektrod av titan och O-ringstättningar av Viton <i>Observera: pH-givarna med processelektrod av HF-resistent glas som tillval har en jordelektrod av 316 rostfritt stål och O-ringar som fuktats med perfluorelastomer.</i>	Endast för nedsänkingsmontering, hölje av 316 SS rostfritt stål med ändar och referenselektrod av Ryton (PVDF)	PEEK- eller Ryton-hölje (PVDF), referenselektrod i samma material med Kynar-koppling, processelektrod av glas och platina (eller glas och guld), jordelektrod av titan och O-ringstättningar av Viton
Komponenter	Korrosionsbeständiga material, vattentät		
Givarkabel (inbyggd)	4 ledare (plus 1 avskärmad), 10 m (33 fot), klassad för 105 °C (221 °F)		
Drifttemperatur	-5 till 70 °C (23 till 158 °F)	0 till 50 °C (32 till 122 °F)	-5 till 70 °C (23 till 158 °F)
Förvaringstemperatur	4 till 70 °C (40 till 158 °F), 0 till 95 % relativ luftfuktighet, icke-kondenserande		
Mätområde	2,0 till 14,0 pH ¹ (eller 2,00 till 14,00)		-1 500 till +1 500 mV
Repeterbarhet	±0,05 pH		±2 mV
Känslighet	±0,01 pH		±0.5 mV ²
Stabilitet	0,03 pH per 24 timmar, icke-ackumulativt		2 mV (redox) per 24 timmar, icke-ackumulativt
Maximal flödes hastighet	3 m/s (10 fot/s)		
Max. tryck	6,9 bar vid 70 °C (100 psi vid 158 °F)	Ej tillämpligt (endast nedsänkning)	6,9 bar vid 70 °C (100 psi vid 158 °F)

¹ De flesta pH-tillämpningar ligger i intervallet 2,5 till 12,5 pH. pH-givaren pH Differential med processelektroder av glas fungerar bra i det här intervallet. I en del industriella tillämpningar krävs noggrann mätning och styrning även under 2 och över 12 pH. I dessa specialfall ska du kontakta tillverkaren för mer information.

² För bästa resultat i lösningar som innehåller zink, cyanid, kadmium eller nickel, använd pH Differential redox-givare som har en guldelektrod.

Specifikation	pH-givare	pH-givare i rostfritt stål	Redox-givare
Överföringsavstånd	Maximalt 100 m (328 fot) eller 1 000 m (3 280 ft) vid användning med termineringsdosa		
Temperaturgivare	NTC-termistor, 300 Ω, för automatisk temperaturkompensering och temperaturavläsning på instrument		NTC-termistor, 300 Ω, endast för temperaturavläsning, ingen automatisk temperaturkompensation behövs för redox-mätningar
Temperaturprecision	±0,5 °C (0,9 °F)		
Temperaturkompensation	Automatisk från -10 till 105 °C (14,0 till 221 °F) med NTC-termistor, 300 Ω, Pt 1000 Ohm RTD- eller Pt 100 Ω RTD-element, eller manuellt vid en temperatur som användaren anger		Ej tillämpligt
Kalibreringsmetoder	1 eller 2 punkter, automatisk eller manuell		1-punkts manuell
Givargränssnitt	Modbus		
Certifieringar	CE		
Garanti	1 år, 2 år (EU)		

Avsnitt 2 Allmän information

Tillverkaren är under inga omständigheter ansvarig för direkta, särskilda, indirekta eller följdskador som orsakats av eventuellt fel eller utelämnande i denna bruksanvisning. Tillverkaren förbehåller sig rätten att göra ändringar i denna bruksanvisning och i produkterna som beskrivs i den när som helst och utan föregående meddelande och utan skyldigheter. Reviderade upplagor finns på tillverkarens webbsida.

2.1 Säkerhetsinformation

Tillverkaren tar inget ansvar för skador till följd av att produkten används på fel sätt eller missbrukas. Det omfattar utan begränsning direkta skador, oavsiktliga skador eller följdskador. Tillverkaren avsäger sig allt ansvar i den omfattning gällande lag tillåter. Användaren är ensam ansvarig för att identifiera kritiska användningsrisker och installera lämpliga mekanismer som skyddar processer vid eventuella utrustningsfel.

Läs igenom hela handboken innan instrumentet packas upp, monteras eller startas. Följ alla färo- och varningshänvisningar. Om dessa anvisningar inte följs kan användaren utsättas för fara eller utrustningen skadas.

Kontrollera att skyddet som ges av den här utrustningen inte är skadat. Utrustningen får inte användas eller installeras på något annat sätt än så som specificeras i den här handboken.

2.2 Anmärkning till information om risker

▲ FARA

Indikerar en potentiellt eller överhängande riskfylld situation som kommer att leda till livsfarliga eller allvarliga skador om den inte undviks.

▲ VARNING

Indikerar en potentiellt eller överhängande riskfylld situation som kan leda till livsfarliga eller allvarliga skador om situationen inte undviks.

▲ FÖRSIKTIGHET





Indikerar en potentiellt riskfylld situation som kan resultera i lindrig eller måttlig skada.

ANMÄRKNING:

Indikerar en potentiellt riskfylld situation som kan medföra att instrumentet skadas. Information som användaren måste ta hänsyn till vid hantering av instrumentet.

2.3 Säkerhetsetiketter

Beakta samtliga dekaler och märken på instrumentet. Personskador eller skador på instrumentet kan uppstå om de ej beaktas. En symbol på instrumentet beskrivs med en försiktighetsvarning i bruksanvisningen .

	Detta är symbolen för säkerhetsvarningar. Följ alla säkerhetsanvisningar som följer efter denna symbol för att undvika potentiella skador. Om den sitter på instrumentet - se bruksanvisningen för information om drift eller säkerhet.
	Denna symbol indikerar risk för elektrisk stöt och/eller elchock.
	Denna symbol indikerar utrustning som är känslig för elektrostatisk urladdning (ESD). Särskilda åtgärder måste vidtas för att förhindra att utrustningen skadas.
	Elektrisk utrustning markerad med denna symbol får inte avyttras i europeiska hushållsavfallssystem eller allmänna avfallssystem. Returnera utrustning som är gammal eller har nått slutet på sin livscykel till tillverkaren för avyttring, utan kostnad för användaren.

2.4 Produktöversikt

Denna givare är avsedd att användas tillsammans med ett instrument för datainsamling och -behandling. Denna givare kan användas med flera instrument. I detta dokument antas det att givaren installeras och används med ett SC-instrument. För information om hur givaren används tillsammans med andra instrument, se användarhandboken för det instrument som används.

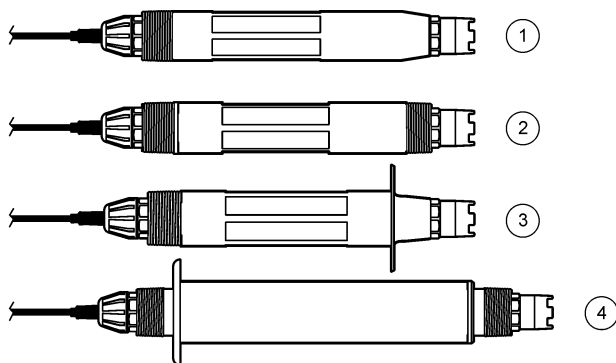
Denna produkt är inte acceptabel för användning på en farlig plats.

Extrautrustning, t.ex. monteringsutrustning för givaren, levereras med installationsinstruktioner. Det finns flera monteringsalternativ så att givaren kan anpassas för olika tillämpningar.

2.5 Givarmodeller

Givaren finns i flera olika modeller. Se [Figur 1](#).

Figur 1 Givarmodeller



<p>1 Införing – för montering i en flödescell eller röradapter i en kulventil. Möjliggör borttagning utan att stanna processflödet.</p>	<p>3 Sanitet – för montering i ett 2-tums sanitärt rör</p>
<p>2 Konvertibel – för rör eller nedsänkning i öppet kärl</p>	<p>4 Rostfritt stål – för nedsänkning i ett öppet kärl</p>

Införingsgivare – införingsgivare liknar konvertibla givare, men har endast 1-tums NPT-gångor på kabeländan för montering i en flödescell eller röradaptern till en kulventil. Införingsgivare kan tillföras eller tas bort från processer utan du behöver stoppa processflödet.

Konvertibla givare – konvertibla givare har 1-tums NPT-gångor i båda ändar av höljet för montering i följande konfigurationer:

- vanligt 1-tums NPT-T-rör
- i röradapter för rörkoppling och vanligt 1½-tums T-rör
- i änden av ett rör för nedsänkning i ett kärl.

Observera: Konvertibla givare kan även användas i befintliga installationer för 1½-tums LCP-, Ryton- och epoxigivare.

Sanitetsgivare – sanitetsgivare har en inbyggd 2-tumsfläns för montering i ett 2-tums sanitärt rör. Ett särskilt lock samt EDPM-packning för användning med sanitär utrustning medföljer sanitetsgivarna.

Givare i rostfritt stål – givare i rostfritt stål har 1-tums NPT-gångor i båda ändar av höljet. Givare i rostfritt stål är avsedda för nedsänkning i ett öppet kärl.

Avsnitt 3 Installation

3.1 Montering

▲ VARNING	
	Explosionsrisk. Se till att givarens monteringsfästen är temperatur- och tryckklassade för monteringsplatsen.
▲ FÖRSIKTIGHET	
	Risk för personskada. Trasigt glas kan orsaka skärsår. Använd verktyg och skyddsutrustning för att avlägsna krossat glas.
ANMÄRKNING:	
Mätelektroden vid pH-givarens spets har en glasbulb som kan gå sönder. Slå eller tryck inte på glaskulan.	

ANMÄRKNING:

Processelektroden i guld eller platina i redox-givarens spets har ett glasskaft (döljs av referenselektroden) som kan gå sönder. Slå eller tryck inte på glasskaftet.

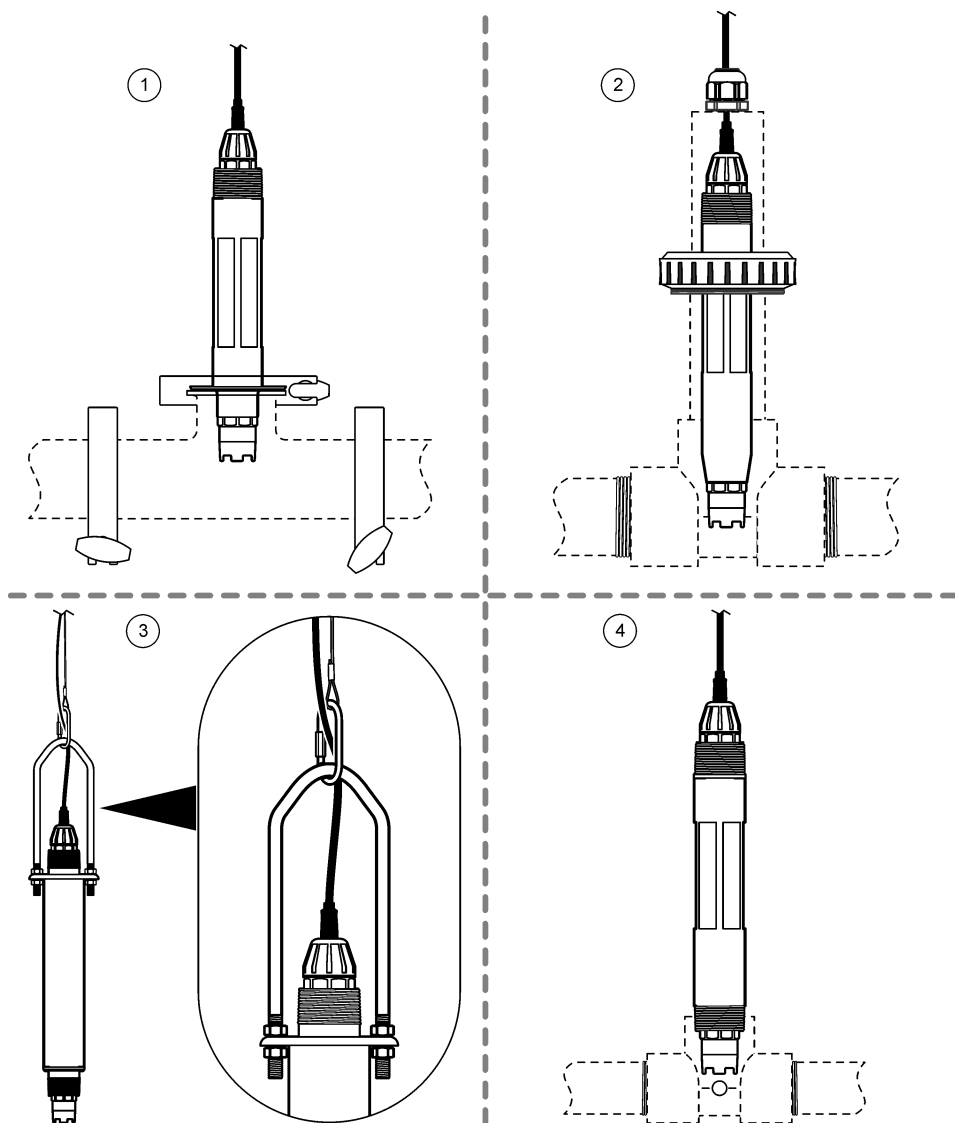
ANMÄRKNING:

Instrumentet har godkänts för en höjd på högst 2 000 m (6 562 fot). Det går att använda utrustningen på över 2 000 m höjd utan betydliga säkerhetsförsämringar, men tillverkaren rekommenderar att oroliga användare kontaktar teknisk support.

- Installera sensorn på en plats där provet som kommer i kontakt med den är representativt för hela processen.
- Se [Figur 2](#), [Figur 3](#) och [Figur 4](#) för monteringsexempel.
- Se [Reservdelar och tillbehör](#) på sidan 261 för tillgängliga monteringsfästen.
- Installationsinformation finns i bruksanvisningen som medföljer monteringsutrustningen.
- Montera givaren minst 15° över horisontallinjen. Se [Figur 5](#).
- För nedsänkt montering ska du placera givaren minst 508 mm (20 tum) från luftningsbassängens vägg och sänka ned givaren minst 508 mm (20 tum) i processen.
- Ta bort skyddshättan innan givaren sätts in i processen. Spara skyddslocket för framtida användning.
- (Valfritt) Om processvattnet är nära kokpunkten kan du tillsätta gelpulver³ i standardcellösningen i givaren. Se steg 2 i [Byt ut referenselektroden](#) på sidan 255. Byt inte ut referenselektroden.
- Kalibrera givaren innan den används.

³ Gelpulvret gör att standardcellösningen avdunstar långsammare.

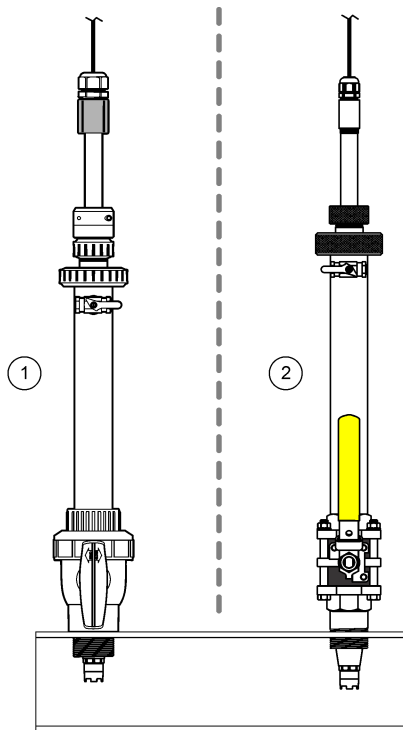
Figur 2 Monteringsexempel (1)



1 Sanitetsfäste (2-tums sanitärt rör)	3 Nedsänkt montering, kedja och bygel ⁴
2 Rörskoppling (1½-tums standardrör)	4 Genomflödesmontering (1-tums standardrör)

⁴ Endast givare av rostfritt stål

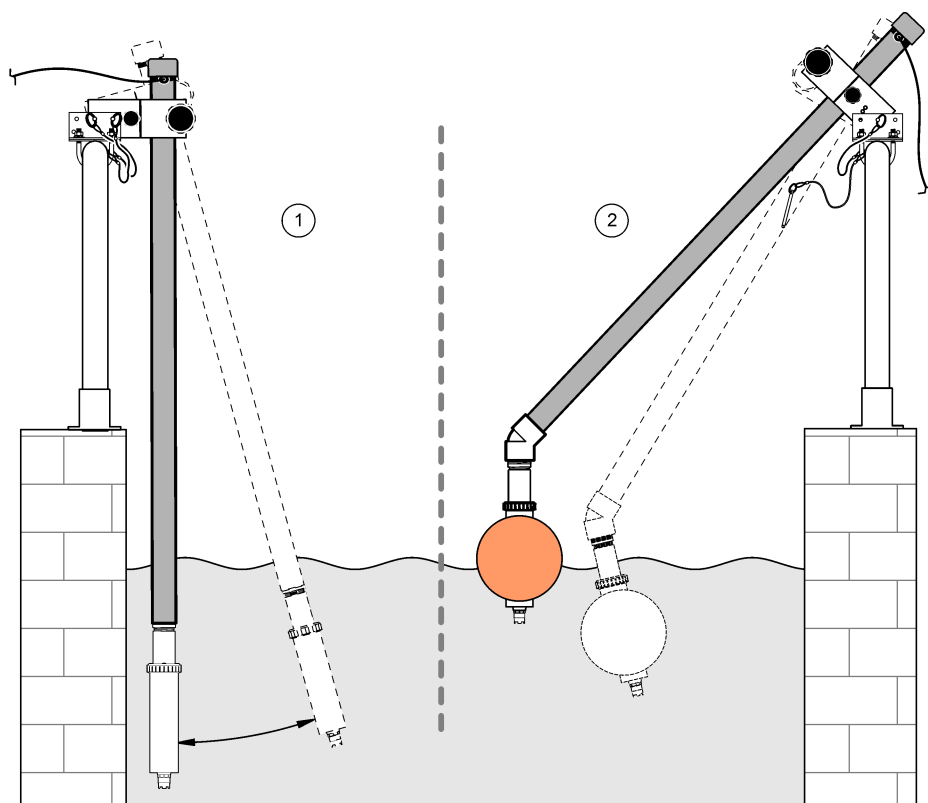
Figur 3 Monteringsexempel (2)



1 Införingsmontering, CPVC-delar

2 Införingsmontering, delar i rostfritt stål.

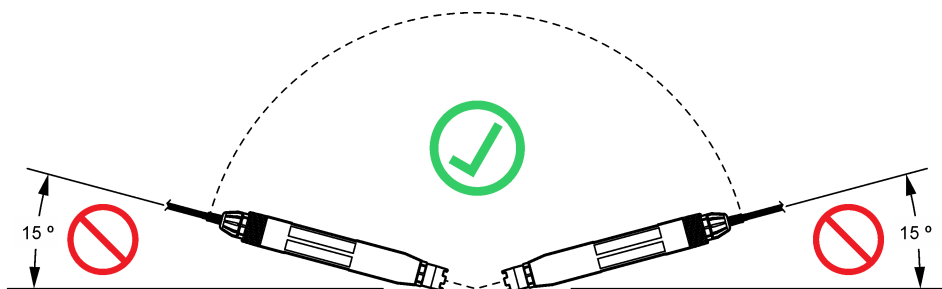
Figur 4 Monteringsexempel (3)



1 Nedsänkt montering, räcke

2 Nedsänkt montering, kulflottör

Figur 5 Givarens monteringsvinkel

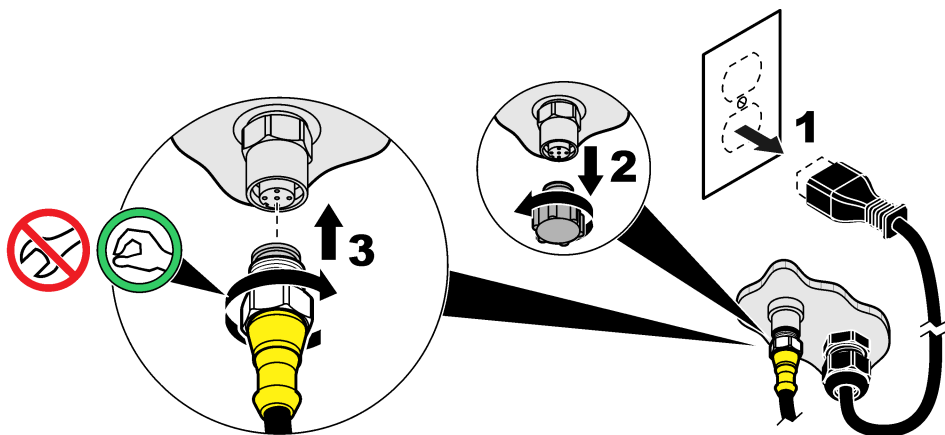


3.2 Elektrisk installation

3.2.1 Anslut givaren till en snabbkoppling (ofarlig miljö)

1. Anslut sensorkabeln till snabbkopplingen på SC-styrenheten. Se [Figur 6](#).
Behåll anslutningens lock för att täcka anslutningens öppning om sensorn måste tas bort.
2. Om strömmen är på när givaren ansluts:
 - SC200-styrenhet – välj TEST/UNDERHÅLL > SKANNAR GIVARE.
 - SC-1000 – VÄLJ SYSTEM SET-UP, HANDHAVANDE, SCANNAR NYA ENHETER .

Figur 6 Anslut givaren till en snabbkoppling



3.2.2 Förlängningskablar

- Förlängningskablar finns att tillgå. Se [Reservdelar och tillbehör](#) på sidan 261.
- Maximal kabellängd är 15 m (49 fot) för SC1000-styrenheter.
- Maximal kabellängd är 1 000 m (3 280 fot) för SC200-styrenheter.
- SC200-styrenhet – använd en digital termineringsdosa om kabeln är längre än 100 m (328 fot). Se [Reservdelar och tillbehör](#) på sidan 261.

3.2.3 Anslut en givarkabel med frilagda trådar (ofarlig miljö)

⚠ FARA	
	Risk för dödande elchock. Koppla alltid bort strömmen till instrumentet innan du gör elektriska kopplingar.
⚠ FARA	
	Risk för dödande elchock. Starkströmskabeldragning till styrenheten görs efter högspänningsspärr i styrenhetens kapsling. Spärren måste alltid vara på plats förutom när moduler installeras eller när en kvalificerad installationstekniker kopplar in ström, reläer eller analoga utgångar och nätverkskort.

Om givarkabeln inte har snabbkoppling⁵ ska du ansluta givarkabelns frilagda ledningar till styrenheten så här:

Observera: Du kan inte ansluta en givarkabel med frilagda ledningar till en SC1000-styrenhet.

⁵ Om du till exempel använder en digital termineringsdosa och 4-trådig, avskärmad kabel till att förlänga givarkabeln.

1. Leta rätt på kablagetsatsen (9222400) i leveranskartongen för SC200-styrenheten.
Satsen innehåller fyra skarvkontakteer.
2. Följ instruktionerna i kablagetsatsen och anslut givarkabeln till styrenheten.

Avsnitt 4 Användning

4.1 Användarnavigering

Beskrivning av knappsetsen och navigeringsinformation finns i dokumentationen till instrumentet.

Tryck flera gånger på **HÖGER** pilknapp på styrenheten för att visa mer information på hemskärmen och för att visa en grafisk display.

4.2 Konfigurera givaren

Välj ett givarnamn och typen av givare. Ändra alternativ för mätning, kalibrering, datahantering och lagring.

1. Tryck på **meny** välj sedan GIVARE SET-UP > [välj givare] > KONFIGURERING.
2. Välj ett alternativ.

Alternativ	Beskrivning
LÄGG IN NAMN	Ändrar namnet som motsvaras av givaren längst upp på displayen för mätning. Namnet får vara högst 12 tecken i en kombination av bokstäver, siffror, mellanslag och skiljetecken.
VÄLJ GIVARE	Välj typen av givare (pH eller redox).
DISPL. VISNING	endast för pH-givare - ändrar antalet decimaler som visas på displayen för mätning till XX.XX (grundinställning) eller XX.X.
TEMP ENHET	Anger temperaturenheterna till °C (grundinställning) eller °F.
LOGG SET-UP	Ställer in tidsintervallet för datalagring i dataloggen - 5, 30 sekunder, 1, 2, 5, 10, 15 (grundinställning), 30 eller 60 minuter.
AC FREQUENCY	Anger frekvensen för växelströmmen som matas till styrenheten (50 eller 60 Hz). Om strömmen till styrenheten är 120 VAC väljer du 60 Hz. Om strömmen till styrenheten är 230 VAC väljer du 50 Hz.
FILTER	Ställer in en tidskonstant för att öka signalstabiliteten. Tidskonstanten beräknar medelvärdet under en angiven tid - 0 (ingen effekt, grundinställning) till 60 sekunder (medelvärdet för signalvärdet i 60 sekunder). Filtret ökar tiden det tar för givarsignalen att svara på verkliga förändringar i processen.
TEMP.GIVARE	pH-givare – anger temperaturgivaren för automatisk temperaturkompensering till PT100, PT1000, NTC300 (standardvärde) eller MANUELL. Om ingen givare används kan typen ställas in som MANUELL och ett värde för temperaturkompensering kan anges (manuell grundinställning: 25 °C). Redox-givare - temperaturkompensering används inte En temperaturgivare kan anslutas för att mäta temperaturen.
VÄLJ BUFFERT	Endast för pH-givare – ställer in buffertlösningar som används för kalibrering. Alternativ: pH 4, 7, 10 (standardvärde) eller DIN 19267 (pH 1,09, 4,65, 6,79, 9,23, 12,75) Observera: Andra buffertlösningar kan användas för kalibrering.
KOMP.RENVATTEN	Endast för pH-givare – lägger till temperaturberoende korrigerig till det uppmätta pH-värdet för rent vatten med additiver – INGEN (standardvärde), AMMONIAK, MORFOLIN eller EGEN TABELL. Vid processtemperaturer över 50 °C används korrigerig vid 50 °C. Vid användardefinierad användning kan en linjär kurva, (grundinställning 0 pH/°C) anges.

Alternativ	Beskrivning
KALIBR DAGAR	Ställer in kalibreringsintervallet (standardvärde: 60 dagar). Observera: En varning visas på styrenhetens display när antalet dagar sedan givaren kalibrerades är större än kalibreringsintervallet.
GIVARE DAGAR	Ställer in givarens bytesintervall (standardvärde: 365 dagar). Observera: En varning visas på styrenhetens display när antalet dagar sedan givaren togs i drift är större än bytesintervallet.
IMPED GRÄNSER	Ställer in impedansgränserna för aktiv elektrod och referenselektrod (standardvärde: LÅG = 0 MΩ, HÖG = 1000 MΩ). Observera: När <i>IMP STATUS</i> på menyn <i>DIAGNOS/TEST</i> har värdet <i>INKOPPLAT</i> visas ett felmeddelande på styrenhetens display när impedansen för den aktiva elektroden eller referenselektroden inte ligger inom impedansgränserna.
FABRIKS INST.	Återställer konfigurationen till standardinställningarna.

4.3 Kalibrera givaren

▲ VARNING	
	Explosionsrisk. Borttagning av en givare från ett trycksatt kärl kan vara farligt. Minska arbetstrycket till under 10 psi innan du tar bort den. Om detta inte är möjligt måste du iaktta största försiktighet. Mer information finns i bruksanvisningen som medföljer monteringsdetaljerna.
▲ VARNING	
	Risk för kemikalieexponering. Följ laboratoriets säkerhetsanvisningar och bär all personlig skyddsutrustning som krävs vid hantering av kemikalier. Läs aktuella datablad (MSDS/SDS) om säkerhetsanvisningar.
▲ FÖRSIKTIGHET	
	Risk för kemikalieexponering. Kassera kemikalier och avfall enligt lokala, regionala och nationella lagar.

4.3.1 Om givarkalibrering

Kalibrering justerar givarens avläsning så att den motsvarar värdet för en eller två referenslösningar. Givarens egenskaper förändras med tiden och gör att givaren blir mindre noggrann. Givaren måste kalibreras regelbundet för att bibehålla noggrannheten. Kalibreringsfrekvensen varierar med användningsområdet och kan bäst bedömas utifrån erfarenhet.

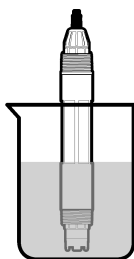
För pH-givare används en temperaturgivare för att få pH-avläsningar som justeras automatiskt till 25 °C vid temperaturförändringar som påverkar den aktiva elektroden och referenselektroden. Denna justering kan ställas in manuellt av kunden om processtemperaturen är konstant. Se alternativet TEMP.GIVARE i [Konfigurera givaren](#) på sidan 250.

4.3.2 pH-kalibreringsprocedur

Kalibrera pH-givaren med en eller två referenslösningar (1-punkts eller 2-punkts kalibrering).

1. Placera givaren i den första referenslösningen (en buffert eller ett prov med känt värde). Kontrollera att mätspetsens givardel är helt nedsänkt i vätskan. Se [Figur 7](#).

Figur 7 Givare i referenslösning



2. Vänta tills givarens och lösningens temperaturer har utjämnats. Det kan ta 30 minuter eller mer om temperaturskillnaden mellan process- och referenslösningen är betydande.
3. Tryck på **meny** välj sedan GIVARE SET-UP > [välj givare] > KALIBRERA.
4. Välj typ av kalibrering:

Alternativ	Beskrivning
1 PUNKT AUTO	Använd en buffert för kalibrering (t.ex. pH 7). Givaren identifierar automatiskt bufferten under kalibreringen. Observera: Se till att välja rätt buffertinställning i givarkonfigurationen.
2 PUNKT AUTO (rekommenderas)	Använd två buffertar för kalibrering (t.ex. pH 7 och pH 4). Givaren identifierar automatiskt buffertarna under kalibreringen. Observera: Se till att välja rätt buffertinställning i givarkonfigurationen.
1 PUNKT MAN.	Använd ett prov med känt pH-värde (eller en buffert) för kalibrering. Ange pH-värdet under kalibreringen.
2 PUNKT MAN	Använd två prover med känt pH-värde (eller två buffertar) för kalibrering. Ange pH-värdena under kalibreringen.

5. Om lösenord är aktiverat i instrumentets säkerhetsmeny ska du ange ett lösenord.
6. Välj alternativ för utsignalen under kalibreringen:

Alternativ	Beskrivning
TILL	Instrumentet sänder den aktuellt uppmätta utsignalen under kalibreringsproceduren.
LÅST	Givarens utsignal läses vid aktuellt uppmätt värde under kalibreringsproceduren.
ÖVERFÖR	En förinställd utsignal skickas under kalibreringen Information om hur du ändrar det förinställda värdet finns i instrumentets användarhandbok.

7. Tryck för att bekräfta med givaren i den första referenslösningen. Det uppmätta värdet visas.
8. Ange i förekommande fall referenslösningens pH-värde:
 - a. Vänta tills värdet stabiliserats och tryck för att bekräfta.
 - b. Ange pH-värdet.
Observera: Om referenslösningen är en buffert läser du pH-värdet för aktuell temperatur på buffertflaskan. Om referenslösningen är ett prov fastställer du provets pH-värde med ett annat instrument.
9. Vid 2-punktskalibrering ska du mäta den andra referenslösningen så här:
 - a. Ta bort givaren från den första lösningen och skölj den med rent vatten.
 - b. Placera givaren i nästa referenslösning och tryck för att bekräfta.
 - c. Vänta tills värdet har stabiliserats om det behövs och tryck för att bekräfta. Ange pH-värdet.

10. Granska kalibreringsresultatet:

- OK – givaren är kalibrerad och kan användas för att mäta prov. Värdena för lutning och/eller offset visas.
- FEL – kalibreringskurvan eller offset är utanför accepterade gränser. Gör om kalibreringen med nya referenslösningar. Rengör givaren om det behövs. Se [Rengöra givaren](#) på sidan 255.

11. Om kalibreringen lyckades trycker du för att bekräfta.

12. Återför givaren till processen och tryck för att bekräfta.

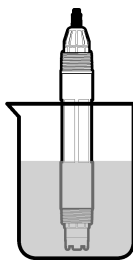
Utsignalen återgår till att vara aktiv och det mätta provets värde visas på displayen för mätning.

4.3.3 Redox kalibreringsprocedur

Kalibrera redox-givaren med en referenslösning eller ett prov med känt värde.

1. Lägg givaren i referenslösningen eller provet. Kontrollera att mätspetsens givardel är helt nedsänkt i lösningen. Se [Figur 8](#).

Figur 8 Givare i referenslösning eller prov



2. Tryck på **meny** välj sedan GIVARE SET-UP > [välj givare] > KALIBRERA.
3. Välj 1 PUNKT MAN.
4. Om lösenord är aktiverat i instrumentets säkerhetsmeny ska du ange ett lösenord.
5. Välj alternativ för utsignalen under kalibreringen:

Alternativ	Beskrivning
TILL	Instrumentet sänder den aktuellt uppmätta utsignalen under kalibreringsproceduren.
LÅST	Givarens utsignal läses vid aktuellt uppmätt värde under kalibreringsproceduren.
ÖVERFÖR	En förinställd utsignal skickas under kalibreringen Information om hur du ändrar det förinställda värdet finns i instrumentets användarhandbok.

6. Tryck för att bekräfta med givaren i referenslösningen eller provet. Det uppmätta värdet visas.
7. Vänta tills värdet stabiliserats och tryck för att bekräfta.
8. Ange referenslösningens eller provets redox-värde.

Observera: Om du använder en referenslösning för kalibrering hittar du redox-värdet på flaskan. Om du använder ett prov för kalibrering ska du mäta redox-värdet med ett andra verifieringsinstrument.

9. Granska kalibreringsresultatet:

- OK – givaren är kalibrerad och kan användas för att mäta prov. Värdena för lutning och/eller offset visas.
- FEL – kalibreringskurvan eller offset är utanför accepterade gränser. Gör om kalibreringen med en ny referenslösning. Rengör givaren om det behövs. Se [Rengöra givaren](#) på sidan 255.

10. Om kalibreringen lyckades trycker du för att bekräfta.

11. Återför givaren till processen och tryck för att bekräfta.

Utsignalen återgår till att vara aktiv och det mätta provets värde visas på displayen för mätning.

4.3.4 Temperaturkalibrering

Instrumentet är fabrikskalibrerat för exakt temperaturmätning. Kalibrera temperaturen för att öka noggrannheten.

1. Placera givaren i en vattenbehållare.
2. Mät vattnets temperatur med en exakt termometer eller oberoende instrument.
3. Tryck på **meny** välj sedan GIVARE SET-UP > [välj givare] > KALIBRERA.
4. Välj TEMP JUSTERING > ANGE TEMP och tryck sedan på bekräfta.
5. Ange exakt temperaturvärde och tryck för att bekräfta.
6. Återför givaren till processen och tryck för att bekräfta.

4.3.5 Lämna kalibreringsproceduren.

1. För att avsluta en kalibrering trycker du på **tillbakaknappen**.
2. Välj ett alternativ.

Alternativ	Beskrivning
ANNULLERA	Stoppa kalibreringen. En ny kalibrering måste starta från början.
ÅTER TIL KALIB.	Återgå till kalibreringen.
GÅ UR	Lämna kalibreringen tillfälligt. Det går att komma åt andra menyer. En kalibrering för en eventuell andra givare kan startas. Återgå till kalibreringen genom att trycka på meny och välja GIVARE SET-UP > [välj givare].

4.4 Givardata och händelseloggar

SC-instrumentet för en datalogg och en händelselogg för varje sensor. I datalogen lagras mätdata vid valda intervall (användaren konfigurerar) I händelseloggen ser du händelser som har inträffat.

Du kan spara datalogen och händelseloggen i CSV-format. Instruktioner finns i dokumentationen för styrenheten.

4.5 Modbus-register

Det finns en lista över alla modbus-register för nätverkskommunikation. Mer information finns på tillverkarens webbplats.

Avsnitt 5 Underhåll

▲ FARA



Flera risker. Endast kvalificerad personal får utföra de moment som beskrivs i den här delen av dokumentet.

▲ VARNING



Explosionsrisk. Borttagning av en givare från ett trycksatt kärl kan vara farligt. Minska arbetstrycket till under 10 psi innan du tar bort den. Om detta inte är möjligt måste du iakta största försiktighet. Mer information finns i bruksanvisningen som medföljer monteringsdetaljerna.

▲ VARNING



Risk för kemikalieexponering. Följ laboratoriets säkerhetsanvisningar och bär all personlig skyddsutrustning som krävs vid hantering av kemikalier. Läs aktuella datablad (MSDS/SDS) om säkerhetsanvisningar.

▲ FÖRSIKTIGHET



Risk för kemikalieexponering. Kassera kemikalier och avfall enligt lokala, regionala och nationella lagar.

5.1 Underhållsschema

Tabell 1 visar rekommenderat schema för underhållsuppgifter. Anläggningskrav och förhållanden kan öka frekvensen för vissa uppgifter.

Tabell 1 Underhållsschema

Uppgift	1 år	Vid behov
Rengöra givaren på sidan 255		X ⁶
Byt ut referenselektroden på sidan 255	X	
Kalibrera givaren	Bestäms av myndigheter eller baserat på erfarenhet	

5.2 Rengöra givaren

Förutsättning: Förbered en mild tvållösning med ett icke slipande diskmedel som inte innehåller lanolin. Lanolin lämnar en hinna på elektrodens yta som kan minska givarens prestanda.

Undersök givaren regelbundet för att upptäcka skräp och avlagringar. Rengör givaren när det finns avlagringar på den eller när prestanda sjunkit.

1. Använd en ren, mjuk trasa för att ta bort lösa partiklar från givarens ände. Skölj givaren med rent varmvatten.
2. Blötlägg givaren under 2 till 3 minuter i tvållösningen.
3. Använd en mjuk tagelborste för att skrubba givarens hela mätände.
4. Om det finns kvar skräp, blöt givarens mätände i en utspädd sur lösning såsom < 5 % HCL i högst 5 minuter.
5. Skölj givaren med vatten och lägg sedan tillbaka den i tvållösningen i 2 till 3 minuter.
6. Skölj givaren med rent vatten.

Observera: Givare med antimonelektroder för HF-användning kan kräva ytterligare rengöring. Kontakta teknisk support.

Kalibrera alltid givaren efter att underhållsåtgärder vidtagits.

5.3 Byt ut referenselektroden

Byt ut referenselektroden och standardcelllösningen varje år eller när kalibreringen misslyckas efter att givaren har rengjorts.

Observera: Det finns en video som visar hur du byter referenselektroden på www.Hach.com. Gå till referenselektrodens webbplats och klicka på fliken Video.

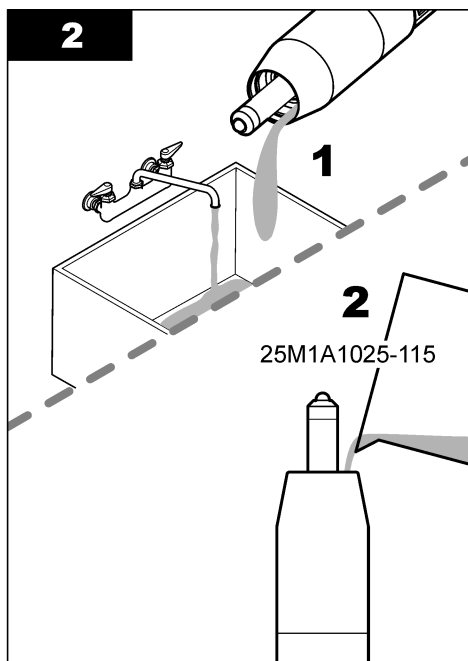
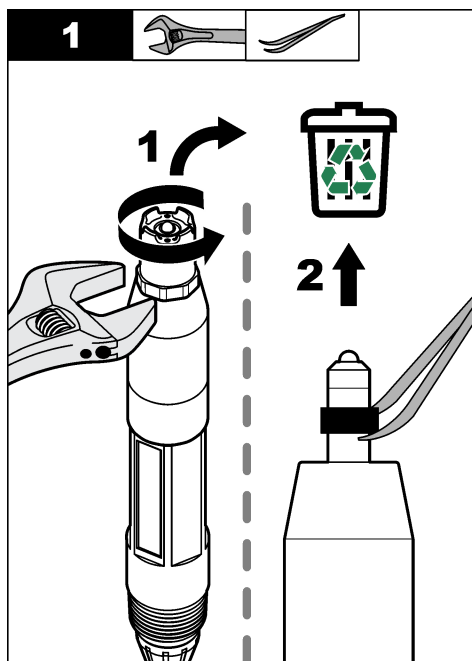
Artiklar som ska finnas tillgängliga:

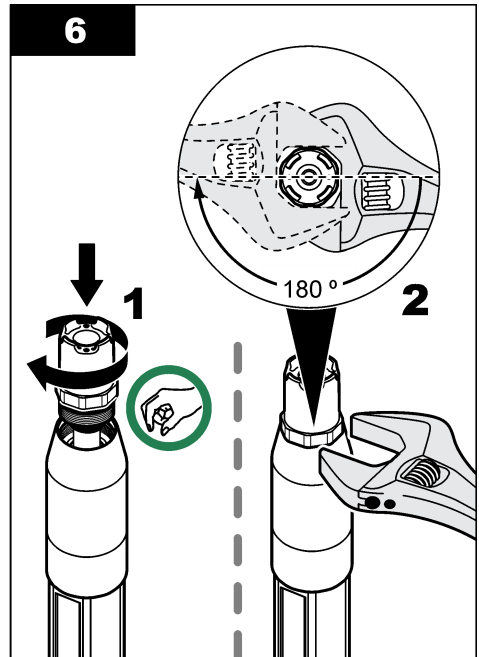
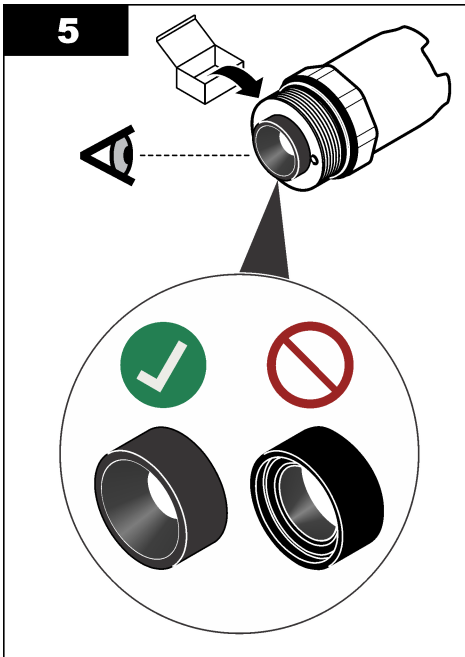
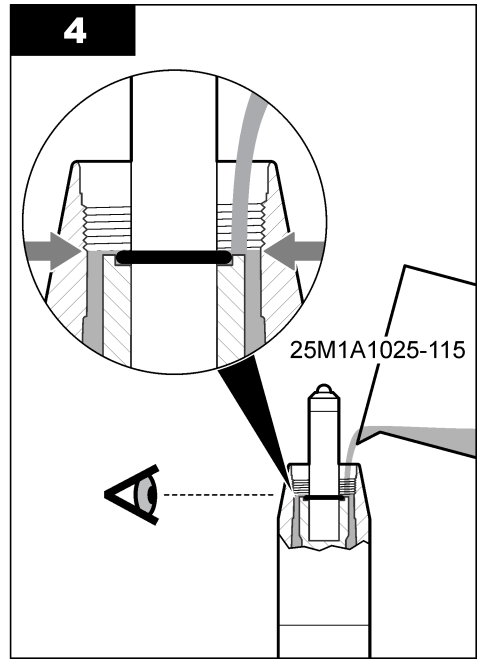
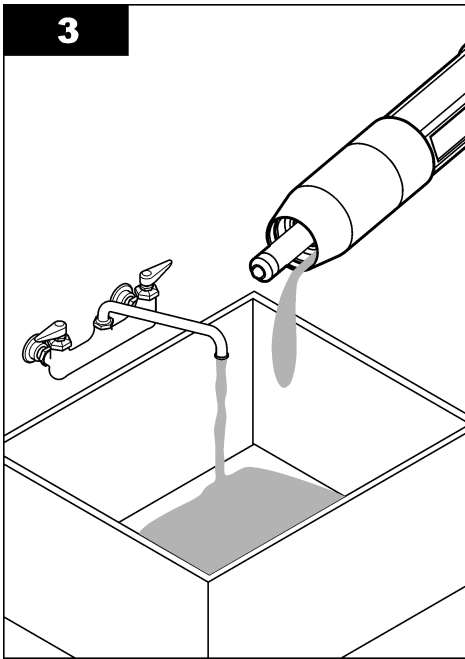
- Justerbar skiftnyckel
- Stor pincett
- Referenselektrod
- Elektrolyt
- Gelpulver⁷, 1/8 tesked

⁶ Frekvensen beror av driftsförhållandena.

⁷ (Valfritt) Tillsätt gelpulver i standardcelllösningen om processvattnet är nära kokpunkten. Gelpulvret gör att standardcelllösningen avdunstar långsammare.

1. Rengöra givaren. Se [Rengöra givaren](#) på sidan 255.
2. Byt ut referenselektroden och standardcelllösningen. Se de illustrerade stegen som följer.
Om behållaren för standardcelllösningen innehåller en gel (inte vanligt) kan du använda en vattenstråle från en waterpik-liknande enhet till att ta bort gammal gel, se steg 2 i illustrationen. (Valfritt) Om processvattnet är nära kokpunkten tillsätter du gelpulver i den nya standardcelllösningen, se steg 4 i illustrationen:
 - a. Häll 1 struken kapsyl (½ tesked) gelpulver i behållaren med standardcelllösning.
 - b. Häll en liten mängd ny standard cellösning i behållaren.
 - c. Blanda med pulvret tills lösningen tjocknar.
 - d. Tillsätt små mängder lösning och blanda tills gelen är längst ned på referenselektrodens gängor.
 - e. Kontrollera gelnivån genom att installera och ta bort den nya saltbryggan. Det ska finnas ett avtryck av saltbryggan på gelens yta.
3. Kalibrera givaren.





5.4 Förbered för förvaring

För kortare förvaring (om givaren inte används under mer än en timme) fylls skyddslocket med pH 4-buffert eller kranvatten och locket sätts sedan tillbaka på givaren. Håll processelektroden och referenselektroden fuktiga för att undvika långsam reaktion när givaren börjar användas igen.

För längre förvaring upprepas proceduren för kortare förvaring varannan eller var 4:e vecka beroende på miljöförhållandena. Läs om gränser för förvaringstemperatur i [Specifikationer](#) på sidan 241.

Avsnitt 6 Felsökning

6.1 Periodisk data

Under kalibrering sänds ingen data till dataloggen. Alltså kan dataloggen innehålla delar med periodisk data.

6.2 Givardiagnos och testmeny

Givardiagnostik och testmeny visar aktuell och tidigare information om instrumentet. Mer information finns i [Tabell 2](#). Du når menyn för givardiagnostik och tester genom att trycka på **meny** och välja GIVARE SET-UP > [välj givare] > DIAGNOS/TEST.

Tabell 2 Givarmenyn DIAGNOS/TEST

Alternativ	Beskrivning
IFO GIVARE	Visar typ av givare, namn, serienummer, programvaruversion och drivrutinsversion.
KALIB DATA	Visar pH-lutning (mV/pH) och datum för den senaste kalibreringen. pH-lutningen ska vara -55 till -61 mV.
SIGNALER	GIVARSIGNAL – visar givaravläsningen i mV. mV-området är -60 till +60 mV (0 mV = pH 7). GIV RÄKNAR ADC – visar det digitala tal som representerar pH-avläsningen. TEMP RÄKN, ADC – visar det digitala tal som representerar temperaturavläsningen. ELEKTRODSTATUS – visar den aktiva elektrodens och referenselektrodens skick (BRA eller DALIG). När DALIG visas ska du rengöra givaren och byta ut referenselektroden. Byt ut givaren vid behov. AKTIV ELEKTROD – visar den aktiva elektrodens impedans. REF ELEKTROD – visar referenselektrodens impedans. IMP STATUS – när det här är aktiverat (rekommenderas) mäts den aktiva elektrodens och referenselektrodens impedans med 1 minuts intervall. Ett fel visas på styrenhetens display när impedansen för den aktiva elektroden eller referenselektroden inte är mellan gränserna för låg och hög impedans.
RÄKNARE	GIVARE DAGAR – visar antalet dagar sedan givaren togs i drift. RESET GIVARE – ställer in värdet för GIVARE DAGAR och ELEKTROD DAGAR till noll. ELEKTROD DAGAR – visar antalet dagar sedan referenselektroden byttes ut. <i>Observera: Värdet för ELEKTROD DAGAR sätts automatiskt till noll när du byter ut referenselektroden.</i>

6.3 Felmeddelanden

När ett fel inträffar blinkar mätvärdet på skärmen för mätning och alla utgångar hålls när det specificeras i styrenhetens meny. Om du vill visa givarfel trycker du på **meny** och väljer DIAGNOSTIK > [välj sensor] > FEL LISTA. En lista med möjliga fel finns i [Tabell 3](#).

Tabell 3 Felmeddelanden

Fel	Beskrivning	Upplösning
pH FÖR HÖG	Uppmätt pH är > 14.	Kalibrera givaren.
REDOX FÖR HÖG	Uppmätt redox-värde är > 2100 mV.	

Tabell 3 Felmeddelanden (fortsättning)

Fel	Beskrivning	Upplösning
pH FÖR LÅG	Uppmätt pH är < 0.	Kalibrera givaren.
REDOX FÖR LÅG	Uppmätt redox-värde är ≤ 100 mV.	
OFFSET FÖR HÖG	Offset är > 9 (pH) eller 200 mV (redox).	Utför stegen i Rengöra givaren på sidan 255 och Byt ut referenselektroden på sidan 255. Utför sedan kalibreringen igen.
OFFSET FÖR LÅG	Offset är < 5 (pH) eller -200 mV (redox).	
LUTNING FÖR HÖG	Lutningen är > 62 (pH)/1,3 (redox).	Gör om kalibreringen med nya referenslösningar.
LUTNING FÖR LÅG	Lutningen är < 50 (pH)/0,7 (redox).	Utför stegen i Rengöra givaren på sidan 255. Utför sedan kalibreringen igen.
TEMP FÖR HÖG	Uppmätt temperatur är >130 °C.	Kontrollera att korrekt mätintervall har valts. Se alternativet TEMP.GIVARE i Konfigurera givaren på sidan 250.
TEMP FÖR LÅG	Uppmätt temperatur är ≤ 10 °C.	
FEL ADC	Konverteringen från analog till digital misslyckades..	Slå av styrenheten. Starta sedan styrenheten.
AKT ELEKTR. IMP. FÖR HÖG	Den aktiva elektrodens impedans är > 900 M Ω .	Givaren är i luften. Ta tillbaka givaren till processen.
AKT ELEKTR. IMP. FÖR LÅG	Den aktiva elektrodens impedans är < 8 M Ω .	Givaren är skadad eller smutsig. Utför stegen i Rengöra givaren på sidan 255.
REF ELEKTR. IMP. FÖR HÖG	Referenselektrodens impedans är > 900 M Ω .	Standardcelllösningen läcker eller dunstar. Byt ut standardcelllösningen.
REF ELEKTR. IMP. FÖR LÅG	Referenselektrodens impedans är < 8 M Ω .	Referenselektroden är skadad Byt ut givaren.
SAMMA BUFFER	De buffertar som används för kalibreringen 2 PUNKT AUTO har samma värde.	Använd buffertar med olika värden.
GIVARE SAKNAS	Givaren saknas eller är fränkopplad.	Identifiera om givarkabeln är fränkopplad eller skadad.
TEMP. GIVARE SAKNAS	Temperaturgivaren saknas.	Kontrollera att korrekt mätintervall har valts. Se alternativet TEMP.GIVARE i Konfigurera givaren på sidan 250.
GLAS IMP. LÅG	Glaskulan är trasig eller förbrukad.	Byt ut givaren.

6.4 Varningsmeddelanden

En varning påverkar inte menyernas, reläernas eller utgångarnas funktion. En varningsikon blinkar och ett meddelande visas längst ner på displayen för mätning. Visa givarvarningar genom att trycka på **meny** och välja DIAGNOSTIK > [välj givare] > LARM LISTA. En lista med möjliga varningar finns i [Tabell 4](#).

Tabell 4 Varningsmeddelanden

Varning	Beskrivning	Upplösning
pH FÖR HÖG	Uppmätt pH är > 13.	Kalibrera givaren.
REDOX FÖR HÖG	Uppmätt redox-värde är > 2100 mV.	
pH FÖR LÅG	Uppmätt pH är < 1.	Kalibrera givaren.
REDOX FÖR LÅG	Uppmätt redox-värde är < -2100 mV.	

Tabell 4 Varningsmeddelanden (fortsättning)

Varning	Beskrivning	Upplösning
OFFSET FÖR HÖG	Offset är > 8 (pH) eller 200 mV (redox).	Utför stegen i Rengöra givaren på sidan 255 och Byt ut referenselektroden på sidan 255. Utför sedan kalibreringen igen.
OFFSET FÖR LÅG	Offset är < 6 (pH) eller -200 mV (redox).	
LUTNING FÖR HÖG	Lutningen är > 60 (pH)/1,3 (redox).	Gör om kalibreringen med nya referenslösningar.
LUTNING FÖR LÅG	Lutningen är < 54 (pH)/0,7 (redox).	Utför stegen i Rengöra givaren på sidan 255. Utför sedan kalibreringen igen.
TEMP FÖR HÖG	Uppmätt temperatur är >100 °C.	Kontrollera att korrekt mätintervall har valts. Se alternativet TEMP.GIVARE i Konfigurera givaren på sidan 250.
TEMP FÖR LÅG	Uppmätt temperatur är < 0 °C.	
KAL FÖRSENAD	Antalet dagar sedan givaren kalibrerades är större än kalibreringsintervallet.	Kalibrera givaren. Observera: Du kan ändra kalibreringsintervallet med alternativet KALIB DAGAR i Konfigurera givaren på sidan 250.
BYT UT GIVARE	Antalet dagar sedan givaren togs i drift är större än bytesintervallet.	Byt ut givaren vid behov. Observera: Du kan ändra bytesintervallet med alternativet GIVARE DAGAR i Konfigurera givaren på sidan 250.
EJ KALIBRERAD	Givaren har inte kalibrerats.	Kalibrera givaren.
FEL BLIXT	Fel på externt flashminne.	Kontakta teknisk support.
AKT ELEKTR. IMP. FÖR HÖG	Den aktiva elektrodens impedans är > 800 MΩ.	Givaren är i luften. Ta tillbaka givaren till processen.
AKT ELEKTR. IMP. FÖR LÅG	Den aktiva elektrodens impedans är < 15 MΩ.	Givaren är skadad eller smutsig. Utför stegen i Rengöra givaren på sidan 255.
REF ELEKTR. IMP. FÖR HÖG	Referenselektrodens impedans är > 800 MΩ.	Standardcelllösningen läcker eller dunstar. Byt ut standardcelllösningen.
REF ELEKTR. IMP. FÖR LÅG	Referenselektrodens impedans är < 15 MΩ.	Referenselektroden är skadad Byt ut givaren.
KALIBR. PÅGÅR	En kalibrering startades men slutfördes inte..	Återgå till kalibreringen.

6.5 Händelselista

I händelselistan visas aktuella åtgärder såsom konfigurationsändringar, larm, varningsförhållanden osv. Om du vill visa händelser trycker du på **MENY** och väljer **DIAGNOSTIK > [välj sensor] > HÄNDELSE**. En lista med möjliga händelser finns i [Tabell 5](#). Föregående händelser registreras i händelselogen som kan hämtas från instrumentet. Fler alternativ för datahämtning finns i styrenhetens dokumentation.

Tabell 5 Händelselista

Event (Händelse)	Beskrivning
KAL. KLAR	Givaren är klar för kalibrering.
KAL. OK	Den aktuella kalibreringen är bra..
TID UTE	Stabiliseringstiden under kalibreringen har gått ut.
INGEN BUFFER	Ingen buffer kunde upptäckas.
SLOPE HÖG	Kalibreringens lutning överskrider den övre gränsen.

Tabell 5 Händelselista (fortsättning)

Event (Händelse)	Beskrivning
SLOPE LÅG	Kalibreringens lutning överskrider den övre gränsen.
OFFSET FÖR HÖG	Värdet för givarens kalibreringsoffset är över övre gränsen.
OFFSET FÖR LÅG	Värdet för givarens kalibreringsoffset är under undre gränsen.
PUNKTER FÖR NÄRA	Kalibreringspunkterna var för lika värde för en 2-punktskalibrering.
KALIB FEL	Kalibrering misslyckades.
KAL. HÖG	Kalibreringsvärdet överskrider den övre gränsen.
INSTABIL	Avläsningen var instabil under kalibreringen.
KONFIG. ÄNDRING – float	Konfigurationen ändrades - flytande decimal.
KONFIG. ÄNDRING – text	Konfigurationen ändrades - text.
KONFIG. ÄNDRING – int	Konfigurationen ändrades - heltal.
RESET	Konfigurationen återställdes till standardvärdena.
SP PÅHÄND	Strömmen slogs på.
FEL ADC	ADC-konverteringen misslyckades (hårdvarufel).
RADERA FLASH	Flashminnet raderades.
TEMPERATUR	Den registrerade temperaturen är för hög eller för låg.
1 PKT MANUELL START	Start för kalibreringen 1 PUNKT MAN.
1 PKT AUTO START	Start för kalibreringen 1 PUNKT AUTO för pH.
2 PKT MANUELL START	Start för kalibreringen 2 PUNKT MAN för pH
2 PKT AUTO START	Start för 2 PUNKT AUTO för pH.
1 PKT MANUELL SLUT	Slut för kalibreringen 1 PUNKT MAN.
1 PKT AUTO SLUT	Slut för kalibreringen 1 PUNKT AUTO för pH.
2 PKT MANUELL SLUT	Slut för kalibreringen 2 PUNKT MAN för pH
2 PKT AUTO SLUT	Slut för kalibreringen 2 PUNKT AUTO för pH

Avsnitt 7 Reservdelar och tillbehör

▲ VARNING



Risk för personskada. Användning av icke godkända delar kan orsaka personskador eller skador på maskinen eller utrustningen. Reservdelar i detta avsnitt är godkända av tillverkaren.

Observera: Produkt- och artikelnummer kan variera i olika försäljningsregioner. Kontakta lämplig återförsäljare eller se företagets webbsida för att få kontaktinformation.

Förbrukningsartiklar

Beskrivning	Antal	Produktnr.
Buffertlösning pH 4,01, röd	500 ml	2283449
Buffertlösning, pH 7,00, gul	500 ml	2283549
Buffertlösning, pH 10,01, blå	500 ml	2283649

Förbrukningsartiklar (fortsättning)

Beskrivning	Antal	Produktnr.
Redox referenslösning, 200 mV	500 ml	25M2A1001-115
Redox referenslösning, 600 mV	500 ml	25M2A1002-115

Reservdelar – pH-givare

Beskrivning	Antal	Produktnr.
Referenselektrod, PEEK, yttre koppling i Kynar (PVDF), med O-ringar i Viton	1	SB-P1SV
Referenselektrod, PEEK, yttre koppling i Kynar (PVDF), med O-ringar i perfluorelastomer	1	SB-P1SP ⁸
Referenselektrod, PEEK, yttre koppling i keramik, med O-ringar i Viton	1	SB-P2SV
Referenselektrod, Ryton, yttre koppling i Kynar (PVDF), med O-ringar i Viton	1	SB-R1SV
Elektrolyt	500 ml	25M1A1025-115
Gelpulver för standardcellösning	2 g	25M8A1002-101

Tillbehör

Beskrivning	Produktnr
Digital förlängningskabel, 1 m (3,2 fot)	6122400
Digital förlängningskabel, 7,7 m (25 fot)	5796000
Digital förlängningskabel, 15 m (50 fot) ⁹	5796100
Digital förlängningskabel, SC200-styrenhet, 31 m (100 fot)	5796200
Digital termineringsdosa, SC200-styrenhet ¹⁰	5867000
Sanitetsmonteringsfästen, 316 rostfritt stål, inklusive 2-tums sanitärt rör och kraftig klämma <i>Observera: Lås och EPDM-packning medföljer givaren.</i>	MH018S8SZ
Rörkoppling, CPVC (klorerat polyvinylklorid), innehåller 1½-tums standardrör, brygga med adapter, tätning, låsring och O-ring i Viton	6131300
Rörkoppling, 316 rostfritt stål, inklusive 1½-tums standardrör, brygga med adapter, tätning, låsring och O-ring i Viton	6131400
Genomföringsmontering, CPVC, inklusive 1-tums standardrör	MH334N4NZ
Genomföringsmontering, 316 rostfritt stål, inklusive 1-tums standardrör	MH314N4MZ
Införingsmontering, CPVC, inklusive 1½-tums kulventil, 1½-tums nippel med NPT-slutning, givaradapter med två O-ringar i Viton samt torkare, förlängningsrör, röradapter, rör och låsring	5646300

⁸ Använd SB-P1SP när Viton-materialet inte är kemiskt kompatibelt med kemikalierna i tillämpningen.

⁹ Maximal kabellängd är 15 m (49 fot) för SC1000-styrenheter.

¹⁰ Använd en digital termineringsdosa om kabeln är längre än 100 m (328 fot). Du behöver ingen termineringsdosa för SC1000-styrenheter.

Tillbehör (fortsättning)

Beskrivning	Produktnr
Införingsmontering, 316 rostfritt stål, inklusive 1½-tums kulventil, 1½-tums nippel med NPT-förslutning, givaradapter med två O-ringar i Viton samt torkare, förlängningsrör, röradapter, rör och låsring	5646350
Nedsänkt montering, standard, CPVC, inklusive 1 tum x 4 fot rör och 1-tum x 1-tums NPT-koppling	6136400
Nedsänkt montering, standard, 316 rostfritt stål, inklusive 1 tum x 4 fot rör och 1-tum x 1-tums NPT-koppling	6136500
Nedsänkt montering, ledstång, inklusive 1½ tum x 7,5 fot CPVC-rör och montering med rörklämma	MH236B00Z
Nedsänkt montering, kedja, 316 rostfritt stål, inklusive bygel, muttrar och brickor i rostfritt stål <i>Observera: Endast för givare i rostfritt stål. Kedja medföljer inte.</i>	2881900
Nedsänkt montering, kulflottör, inklusive 1½ tum x 7,5 fot CPVC-rör, kulflottörsmontering och rörklämma	6131000
Givarskydd, konvertibel givare, PEEK	1000F3374-002
Givarskydd, konvertibel givare, Ryton	1000F3374-003

Съдържание

- | | |
|-----------------------------------|---|
| 1 Спецификации на страница 264 | 5 Поддръжка на страница 278 |
| 2 Обща информация на страница 265 | 6 Отстраняване на повреди на страница 282 |
| 3 Инсталиране на страница 267 | 7 Резервни части и принадлежности на страница 287 |
| 4 Операция на страница 273 | |

Раздел 1 Спецификации

Спецификациите подлежат на промяна без уведомяване.

Спецификация	pH сензори	pH сензор от неръждаема стомана	ORP сензори
Размери (дължина)	272,5 mm (10,73 инча)	325,3 mm (12,81 инча)	272,5 mm (10,73 инча)
Тегло	316 g (11 унции)	870 g (31 унции)	316 g (11 унции)
Материали в контакт в течност	PEEK или Ryton (PVDF) корпус, солеви мост от същия материал със съединение Купаг, стъклен процесен електрод, електрод с титаниево заземяване и уплътнения за O-пръстени Viton <i>Забележка: pH сензорът с опционален стъклен процесен електрод, устойчив на HF, има заземителен електрод от неръждаема стомана 316 и O-пръстени, омокрени с перфлуороеластомер.</i>	Само за монтаж на потопяем сензор, корпус от неръждаема стомана 316 SS с краища Ryton (PVDF) и солеви мост	PEEK или Ryton (PVDF) корпус, солеви мост от същия материал със съединение Купаг, стъклен и платинен (или стъклен и златен) процесен електрод, електрод с титаниево заземяване и уплътнения за O-пръстени Viton
Компоненти	Устойчиви на корозия материали, изцяло потопяеми		
Кабел на сензора (вграден)	4 проводника (плюс 1 екраниращ), 10 m (33 ft), разчетен за 105°C (221°F)		
Работна температура	От -5 до 70°C (от 23 до 158°F)	От 0 до 50 °C (от 32 до 122 °F)	От -5 до 70°C (от 23 до 158°F)
Температура на съхранение	От 4 до 70°C (от 40 до 158°F), от 0 до 95% относителна влажност, без кондензация		
Обхват на измерване	От 2,0 до 14,0 pH ¹ (или от 2,00 до 14,00)		От -1500 до +1500 mV
Възпроизводимост	± 0,05 pH		± 2 mV
Чувствителност	± 0,01 pH		± 0,5 mV ²
Стабилност	0,03 pH за 24 часа, некумулятивна		2 mV (ORP) за 24 часа, некумулятивна
Максимален дебит	3 m/s (10 ft/s)		
Ограничение за налягане	6,9 bar при 70°C (100 psi при 158°F)	Не е приложимо (само за потапяне)	6,9 bar при 70°C (100 psi при 158°F)

¹ Повечето приложения на pH са в обхвата между 2,5 и 12,5 pH. pHD диференциалният pH сензор със стъкления процесен електрод с широк диапазон работи много добре в този диапазон. Някои промишлени приложения изискват точно измерване и контрол под 2 или над 12 pH. В тези специални случаи се свържете с производителя за допълнителни подробности.

² За най-добри резултати в разтвори, които съдържат цинк, цианид, кадмий или никел, използвайте pHD ORP сензора, който има златен електрод.

Спецификация	pH сензори	pH сензор от неръждаема стомана	ORP сензори
Разстояние за прехвърляне	100 m (328 ft) максимум или 1000 m (3280 ft) максимум, когато се използва със съединителна кутия		
Температурен елемент	Термистор NTC 300 Ω за автоматична компенсация на температурата и отчитане на температурата на анализатора		Термистор NTC 300 Ω само за разчитане на температурата на анализатора – не е необходима автоматична компенсация на температурата за измерване на ORP
Точност на измерване на температурата	± 0,5°C (0,9°F)		
Температурна компенсация	Автоматично от –10 до 105°C (от 14,0 до 221°F) с термистор NTC 300 Ω, температурен елемент Pt 1000 ома RTD или Pt 100 Ω RTD, или ръчно фиксирано на въведена от потребителя температура		Не е приложимо
Методи на калибриране	1-точково или 2-точково автоматично или ръчно		1-точково ръчно
Интерфейс на сензора	Modbus		
Сертификати	CE		
Гаранция	1 година; 2 години (EU)		

Раздел 2 Обща информация

При никакви обстоятелства производителят няма да носи отговорност за преки, непреки, специални, инцидентни или последващи щети, които са резултат от дефект или пропуск в това ръководство. Производителят си запазва правото да прави промени в това ръководство и в описаните в него продукти във всеки момент и без предупреждение или поемане на задължения. Коригираните издания можете да намерите на уебсайта на производителя.

2.1 Информация за безопасността

Производителят не носи отговорност за никакви повреди, възникнали в резултат на погрешно приложение или използване на този продукт, включително, без ограничения, преки, случайни или възникнали впоследствие щети, и се отхвърля всяка отговорност към такива щети в пълната позволена степен от действащото законодателство. Потребителят носи пълна отговорност за установяване на критични за приложението рискове и монтаж на подходящите механизми за подсибяване на процесите по време на възможна неизправност на оборудването.

Моля, внимателно прочетете ръководството преди разопаковане, инсталиране и експлоатация на оборудването. Обръщайте внимание на всички твърдения за опасност и предпазливост. Пренебрегването им може да доведе до сериозни наранявания на оператора или повреда на оборудването.

(Уверете се, че защитата, осигурена от това оборудване, не е занижена. Не го използвайте и не го монтирайте по начин, различен от определения в това ръководство.

2.2 Използване на информация за опасностите

▲ ОПАСНОСТ

Указва наличие на потенциална или непосредствена опасна ситуация, която, ако не бъде избегната, ще предизвика смърт или сериозно нараняване.

▲ ПРЕДУПРЕЖДЕНИЕ

Указва потенциално или непосредствено опасна ситуация, която, ако не бъде избегната, може да доведе до смърт или сериозно нараняване.

▲ ВНИМАНИЕ





Указва наличие на потенциално опасна ситуация, която може да предизвика леко или средно нараняване.

Забележка

Показва ситуация, която ако не бъде избегната, може да предизвика повреда на инструмента. Информация, която изисква специално изтъкване.

2.3 Предпазни надписи

Прочетете всички надписи и етикети, поставени на инструмента. Неспазването им може да доведе до физическо нараняване или повреда на инструмента. Към символ върху инструмента е направена препратка в ръководството с предупредително известие.

	Това е символът за предупреждение за безопасност. Спазвайте всички съобщения за безопасност, които следват този символ, за да се избегне потенциално нараняване. Ако е върху инструмента, вижте ръководството за потребителя или информацията за безопасност.
	Този символ показва, че съществува риск от електрически удар и/или късо съединение.
	Този символ обозначава наличието на устройства, които са чувствителни към електростатичен разряд (ESD) и посочва, че трябва да сте внимателни, за да предотвратите повреждането на оборудването.
	Електрическо оборудване, което е обозначено с този символ, не може да бъде изхвърляно в европейските частни или публични системи за изхвърляне на отпадъци. Оборудването, което е остаряло или е в края на жизнения си цикъл, трябва да се връща на производителя, без да се начисляват такси върху потребителя.

2.4 Общ преглед на продукта

Този сензор е проектиран за работа с контролер за събиране и работа с данни. С този сензор могат да се използват няколко контролера. В този документ се приема, че сензорът е инсталиран и се използва с контролер sc. За да използвате сензора с други контролери, направете справка с ръководството за потребителя за използвания контролер.

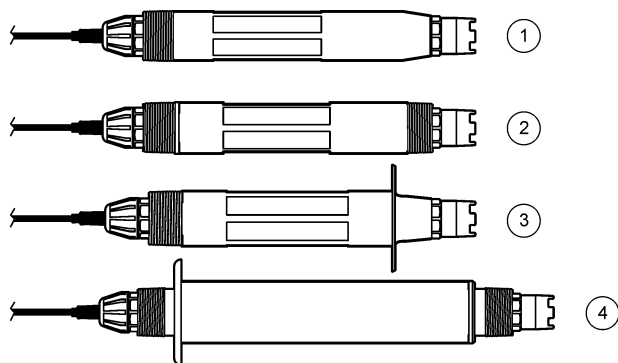
Този продукт не е приемлив за употреба в опасни места.

Опционалното оборудване, като крепежни елементи за сондата, се доставя с инструкциите за инсталиране. Налични са няколко опции за монтаж, което позволява адаптиране на сондата към много различни приложения.

2.5 Варианти на сензора

Сензорът е достъпен в различни варианти. Направете справка с [Фигура 1](#).

Фигура 1 Варианти на сензора



<p>1 За вграждане – за инсталиране в проточна клетка или тръбен адаптер на модул с крепежни елементи на сачмен вентил. Позволява отстраняване без спиране на хода на процеса.</p>	<p>3 Санитарен – за инсталиране в 2-инчова санитарна Т-образна тръба</p>
<p>2 Преобразуваем – за Т-образна тръба или за потапяне в отворен съд</p>	<p>4 Неръждаема стомана – за потапяне в отворен съд</p>

Сензори за вграждане – сензорите за вграждане са подобни на сензорите от преобразуваем стил, но 1-инчовите NPT резби са само на края на кабела за монтиране в проточна клетка или тръбния адаптер на модул с крепежни елементи на сачмен вентил. Сензорите за вграждане се поставят във или изваждат от процеса, без да е необходимо спиране на хода на процеса.

Сензори от преобразуваем стил – сензорите от преобразуваем стил имат 1-инчови NPT резби в двата края на корпуса за монтиране в конфигурациите, които следват:

- в стандартна 1-инчова NPT Т-образна тръба
- в тръбен адаптер за нипелно свързване и стандартна 1-½-инчова Т-образна тръба
- в края на тръба за потапяне в съд

Забележка: Сензорите от преобразуваем стил могат да се използват и в съществуващи инсталации за 1-½ инчови LCP, Ryton и епоксидни сензори.

Санитарни сензори – санитарните сензори се характеризират с вграден 2-инчов фланец за монтиране в 2-инчова санитарна Т-образна тръба. Към санитарните сензори са включени специална капачка и уплътнение от EDPM съединение за използване със санитарните крепежни елементи.

Сензори от неръждаема стомана – сензорите от неръждаема стомана имат 1-инчови NPT резби в двата края на корпуса. Сензорите от неръждаема стомана са предназначени за потапяне в отворен съд.

Раздел 3 Инсталиране

3.1 Монтиране

▲ ПРЕДУПРЕЖДЕНИЕ



Опасност от експлозия. Уверете се, че крепежните елементи за сензора имат степен на защита за температура и налягане, достатъчна за местоположението на монтиране.

▲ ВНИМАНИЕ



Опасност от нараняване. Счупено стъкло може да причини порезни рани. Използвайте инструменти и лични предпазни средства, за да отстраните налично счупено стъкло.

Забележка

Процесният електрод при върха на pH сензора е със стъклена крушка, която може да се счупи. Не удяряйте и не натискайте стъклената крушка.

Забележка

Златният или платиненият процесен електрод при върха на ORP сензора има стъклена опашка (скрита от солевия мост), която може да се счупи. Не удяряйте и не натискайте стъклената опашка.

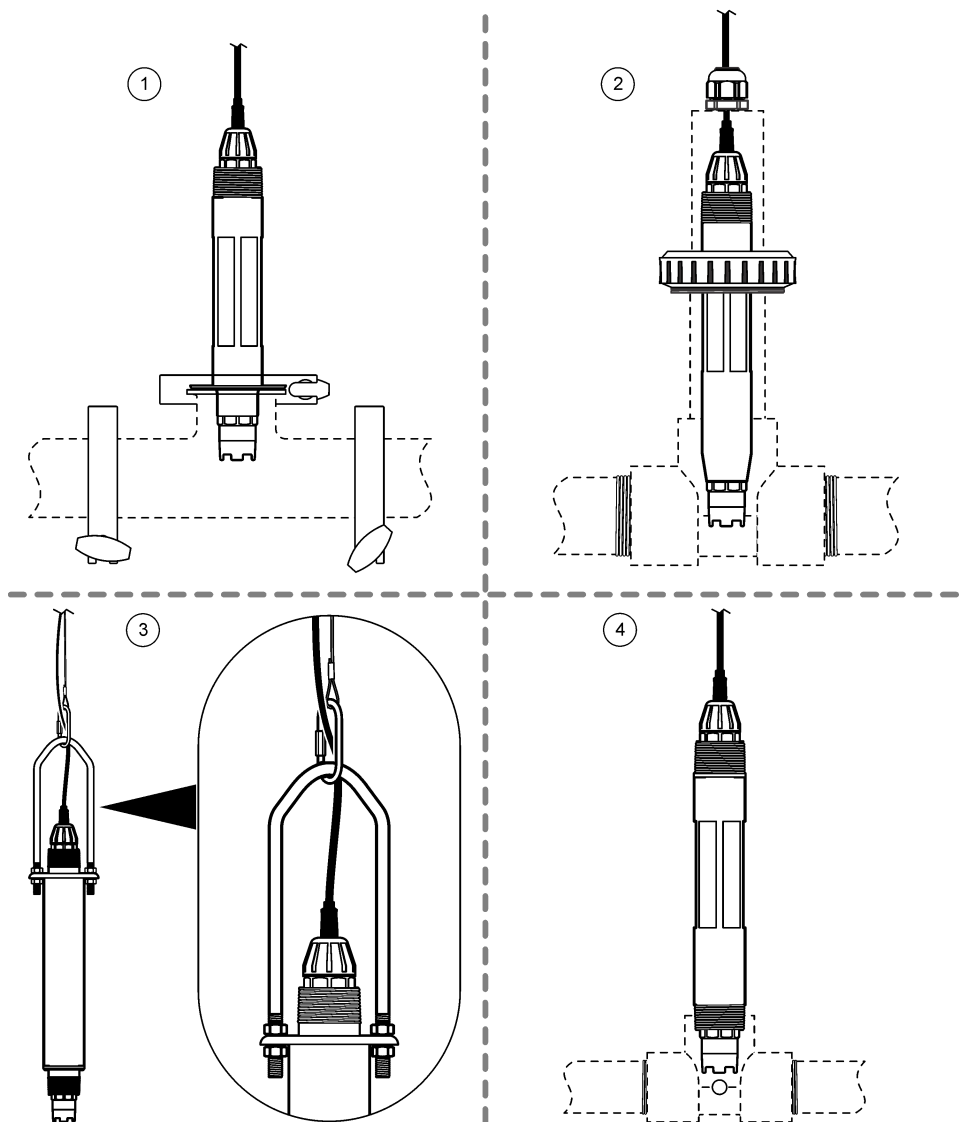
Забележка

Този инструмент е с класификация за надморска височина от максимум 2000 m (6562 ft). Въпреки че използването на тази техника над 2000 m надморска височина не представлява значителна заплаха за безопасността, производителят препоръчва на потребителите, които имат притеснения, да се свържат с отдела за техническа поддръжка.

- Инсталирайте сензора на място, където пробата, която влиза в контакт със сензора, е представителна за целия процес.
- Направете справка с [Фигура 2](#), [Фигура 3](#) и [Фигура 4](#) за примери на монтажна конфигурация.
- Направете справка с [Резервни части и принадлежности](#) на страница 287 за наличните крепежни елементи.
- Направете справка с доставените с крепежните елементи инструкции за информация относно инсталирането.
- Инсталирайте сензора най-малко на 15° над хоризонтала. Направете справка с [Фигура 5](#).
- За инсталации с потапяне поставете сензора на най-малко 508 mm (20 инча) от стената на басейна за аерация и потопете сензора на най-малко 508 mm (20 инча) в процеса.
- Отстранете защитната капачка, преди сензорът да бъде въведен в процеса. Запазете защитната капачка за бъдеща употреба.
- (Опционално) Ако технологичната вода е близо до температурата на кипене, добавете гел на прах³ към разтвора на стандартната клетка в сензора. Направете справка със стъпка 2 в [Смяна на солевия мост](#) на страница 279. Не подменяйте солевия мост.
- Калибрирайте сензора преди употреба.

³ Гелът на прах намалява скоростта на изпаряване на разтвора на стандартната клетка.

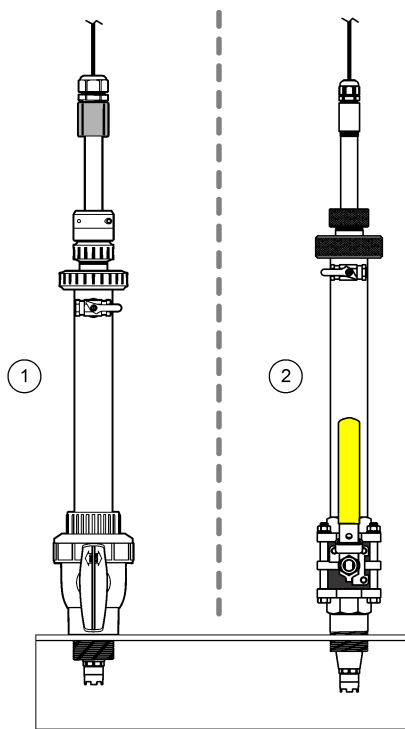
Фигура 2 Примери за монтиране (1)



<p>1 Монтаж в санитарна инсталация (2-инчова санитарна Т-образна тръба)</p>	<p>3 Монтаж на потолъен сензор, верига⁴ и скоба⁴</p>
<p>2 Нипелно свързване (1½-инчова стандартна Т-образна тръба)</p>	<p>4 Монтаж в проточна система (1-инчова стандартна Т-образна тръба)</p>

⁴ Само за сензори от неръждаема стомана

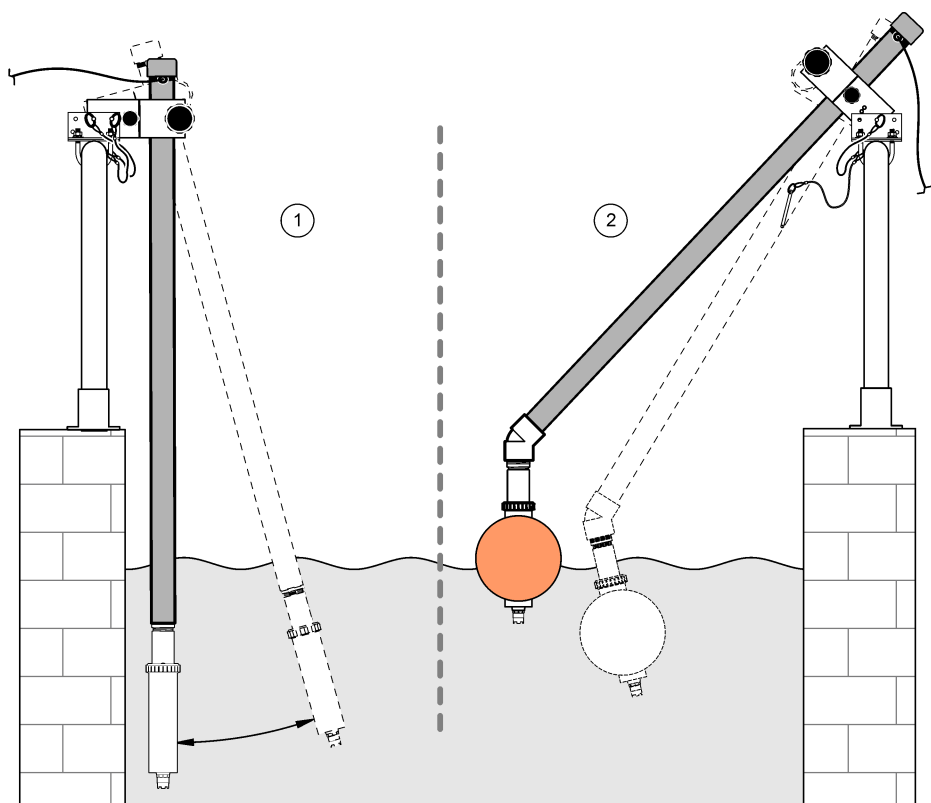
Фигура 3 Примери за монтиране (2)



1 Монтаж на вграден сензор, CPVC крепежни елементи

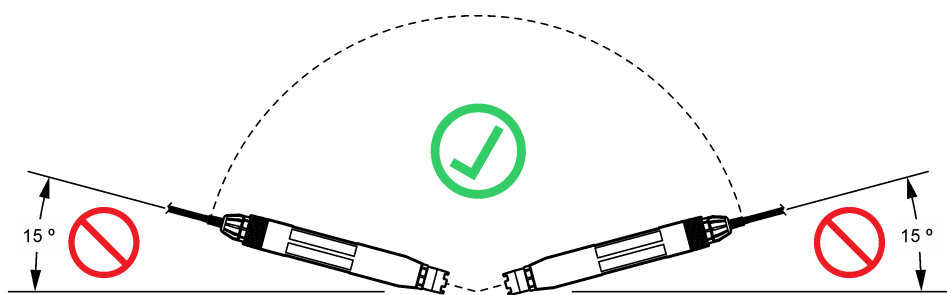
2 Монтаж на вграден сензор от , крепежни елементи от неръждаема стомана

Фигура 4 Примери за монтиране (3)



- | | |
|------------------------------------|---|
| 1 Монтаж на вграден сензор, дръжка | 2 Монтаж на потопяем сензор, сферичен поплаък |
|------------------------------------|---|

Фигура 5 Ъгъл на монтиране на сензора

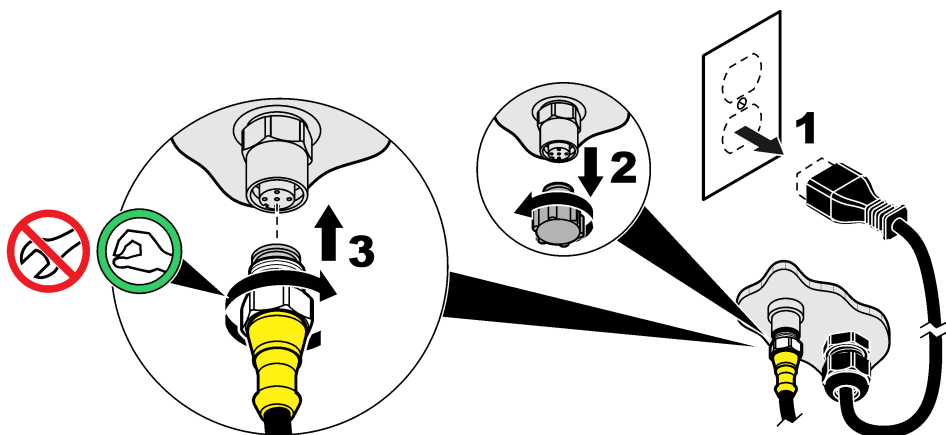


3.2 Електрическа инсталация

3.2.1 Свързване на сензора към фитинг за бързо свързване (неопасно местоположение)

1. Свържете кабела на сензора към фитинга за бързо свързване на SC контролера.
Направете справка с [Фигура 6](#).
Запазете капачето на конектора, за да уплътните с него отвора му, в случай че сензорът трябва да бъде изваден.
2. Ако захранването е зададено на включено, когато е свързан сензорът:
 - Контролер SC200 – изберете TEST/MAINT (ТЕСТ/ПОДДРЪЖКА) > SCAN SENSORS (СКАНИРАНЕ ЗА СЕНЗОРИ).
 - Контролер SC1000 – изберете SYSTEM SETUP (НАСТРОЙКА НА СИСТЕМАТА) > DEVICE MANAGEMENT (УПРАВЛЕНИЕ НА УСТРОЙСТВОТА) > SCANNING FOR NEW DEVICES (СКАНИРАНЕ ЗА НОВИ УСТРОЙСТВА).

Фигура 6 Свържете сензора към фитинг за бързо свързване



3.2.2 Удължителни кабели

- Предлагат се удължителни кабели. Направете справка с [Резервни части и принадлежности](#) на страница 287.
- Максималната дължина на кабела е 15 m (49 ft) за контролер SC1000.
- Максималната дължина на кабела е 1000 m (3280 ft) за контролер SC200.
- Контролер SC200 – използвайте цифрова съединителна кутия, ако дължината на кабела е повече от 100 m (328 ft). Направете справка с [Резервни части и принадлежности](#) на страница 287.

3.2.3 Свързване на кабел на сензор с голи проводници (неопасно местоположение)

▲ ОПАСНОСТ



Опасност от токов удар по потребителя. Винаги изключвайте захранването на инструмента преди изграждане на електрическите връзки.



Опасност от токов удар по потребителя. Високоволтовите кабели за контролера се свързват зад високоволтовата бариера в корпуса му. Бариерата трябва да остане на мястото си, с изключение на случаите, когато се монтират модули или когато квалифициран монтажник поставя захранващи кабели, релета или аналогови и мрежови карти.

Ако кабелът на сензора няма конектор за бързо свързване⁵, свържете голите проводници на кабела за сензора към контролера по следния начин:

Забележка: Кабел на сензор с голи проводници не може да бъде свързан към контролер SC1000.

1. Намерете комплекта за свързване на изолационната тръба (9222400) в транспортната картонена опаковка за контролера SC200.
Комплектът съдържа четири конектора със снаждане.
2. Следвайте инструкциите, доставени в комплекта за свързване на изолационната тръба, за да свържете кабела на сензора към контролера.

Раздел 4 Операция

4.1 Навигация на потребителя

Вижте документацията за контролера за описание на клавиатурата и информацията относно навигацията

Натиснете множество пъти бутона със стрелка **НАДЯСНО** на контролера за показване на повече информация на началния екран и за показване на графичен дисплей.

4.2 Конфигуриране на сензора

Изберете име на сензора и типа на сензора. Променете опциите за измерване, калибриране, обработване на данни и съхранение.

1. Натиснете **menu (меню)**, след което изберете **SENSOR SETUP (НАСТРОЙКА НА СЕНЗОРА) > [Select Sensor] [Избор на сензор] > CONFIGURE (КОНФИГУРИРАНЕ)**.
2. Изберете опция.

Опция	Описание
EDIT NAME (РЕДАКТ. НА ИМЕ)	Променя името, което съответства на сензора в горната част на екрана за измерване. Името е ограничено до 12 знака във всякакви комбинации от букви, цифри, интервали или пунктуационни знаци.
SELECT SENSOR (ИЗБОР НА СЕНЗОР)	Избира типа на сензора (pH или ORP).
DISPLAY FORMAT (ФОРМАТ НА ПОКАЗВАНЕ)	Само за pH сензори – променя броя на цифрите след десетичната запетая, които да се извеждат на екрана за измерване, напр. XX.XX (по подразбиране) или XX.X.
TEMP UNITS (ЕДИНИЦИ ЗА ТЕМПЕРАТУРА)	Задава мерните единици за температура - °C (по подразбиране) или °F.
LOG SETUP (НАСТРОЙКА НА РЕГИСТР.)	Задава времевия интервал за съхранение на данни в регистъра с данни —5, 30 секунди, 1, 2, 5, 10, 15 (по подразбиране), 30, 60 минути.
AC FREQUENCY (ЧЕСТОТА НА ПРОМЕНЛИВИЯ ТОК)	Избира честотата на променливотоковото (AC) захранване, подавано към контролера (50 или 60 Hz). Ако захранването към контролера е 120 VAC, изберете 60 Hz. Ако захранването към контролера е 230 VAC, изберете 50 Hz.

⁵ Например, ако за увеличаване на дължината на кабела на сензора се използва цифрова съединителна кутия и 4-жилен екраниран кабел от насипните консумативи.

Опция	Описание
FILTER (ФИЛТЪР)	Задава времева константа за повишаване на стабилността на сигнала. Времевата константа изчислява средната стойност за зададен период от време—от 0 (без стойност, по подразбиране) до 60 секунди (средна стойност на сигнала за 60 секунди). Филтърът повишава времето, необходимо на сигнала на сензора за отговор спрямо действителните промени в процеса.
TEMP ELEMENT (ТЕМПЕРАТУРЕН ЕЛЕМЕНТ)	<p>pH сензори – задава температурния елемент за автоматична компенсация на температурата: PT100, PT1000, NTC300 (по подразбиране) или MANUAL (РЪЧНО). Ако не се използва елемент, за тип може да бъде зададено MANUAL (РЪЧНО) и да бъде въведена стойност за компенсация на температурата (ръчно, по подразбиране: 25°C).</p> <p>ORP сензори—не се използва корекция на температурата. Може да бъде свързан термоелемент за измерване на температурата.</p>
SELECT BUFFER (ИЗБОР НА БУФЕР)	<p>Само за pH сензори – избира буферните разтвори, използвани за калибрирането. Опции: pH 4, 7, 10 (по подразбиране) или DIN 19267 (pH 1,09, 4,65, 6,79, 9,23, 12,75)</p> <p>Забележка: Други буферни разтвори могат да се използват за калибриране.</p>
PURE H2O COMP (КОМПЕНСАЦИЯ НА ЧИСТА ВОДА)	<p>Само за pH сензори – добавя корекция в зависимост от температурата към измерената pH стойност за чиста вода без добавки – NONE (НЯМА) (по подразбиране), AMMONIA (АМОНИЯК), MORPHOLINE (МОРФОЛИН) или USER DEFINED (ДЕФИНИРАНО ОТ ПОТРЕБИТЕЛЯ). За температура на процеса над 50 °C, използва се корекция при 50 °C. За потребителски приложения може да бъде въведен линеен наклон (по подразбиране: 0 pH/°C).</p>
CAL DAYS (ДНИ СЛЕД ПОСЛ. КАЛИБР.)	<p>Задава интервала за калибриране (по подразбиране: 60 дни).</p> <p>Забележка: Предупреждение показва на дисплея на контролера кога броят на дните след последното калибриране на сензора е повече от интервала за калибриране.</p>
SENSOR DAYS (ДНИ НА РАБОТА НА СЕНЗОРА)	<p>Задава интервала за подмяна на сензора (по подразбиране: 365 дни).</p> <p>Забележка: Предупреждение показва на дисплея на контролера кога броят на дните на работа на сензора е повече от интервала за подмяна на сензора.</p>
IMPED LIMITS (ОГРАНИЧЕНИЯ ЗА ИМПЕДАНСА)	<p>Задава ограниченията за импеданса за активните и референтните електроди (по подразбиране: LOW (НИСКО) = 0 MΩ, HIGH (ВИСОКО) = 1000 MΩ).</p> <p>Забележка: Когато опцията IMPED STATUS (СТАТУС НА ИМПЕДАНСА) на менюто DIAG/TEST (ДИАГНОСТИКА/ТЕСТ) е зададена на ENABLED (АКТИВИРАНО), на дисплея на контролера се показва съобщение за грешка, когато импедансът на активния или референтния електрод не е в ограниченията за импеданса.</p>
DEFAULT SETUP (НАСТРОЙКА ПО ПОДРАЗБИРАНЕ)	Възстановява настройките за конфигуриране до настройките по подразбиране.

4.3 Калибриране на сензора

▲ ПРЕДУПРЕЖДЕНИЕ



Опасност от експлозия. Отстраняването на сензора от съд под налягане може да бъде опасно. Снизете процесното налягане до под 10 psi преди отстраняването. Внимавайте много, ако това не е възможно. Направете справка с доставената с крепежните елементи документация за повече информация.

▲ ПРЕДУПРЕЖДЕНИЕ



Опасност от химическа експозиция. Спазвайте лабораторните процедури за безопасност и носете пълното необходимо лично предпазно оборудване при боравене със съответните химически вещества. За информация относно протоколите по безопасност направете справка с информационните листове за безопасност на материала (MSDS/SDS).

▲ ВНИМАНИЕ



Опасност от химическа експозиция. Изхвърляйте химическите и отпадни вещества в съответствие с местните, регионални и национални разпоредби.

4.3.1 Относно калибрирането на сензора

Калибрирането регулира показанието на сензора така, че да съответства на стойността на един или два референтни разтвора. Характеристиките на сензора бавно се изместват с времето и това понижава точността на сензора. Сензорът трябва да се калибрира редовно, за да се поддържа неговата точност. Честотата на калибриране се различава в зависимост от приложението и се определя най-добре в практиката.

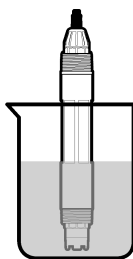
При pH сензорите се използва температурен елемент за предоставяне на pH показания, които се регулират автоматично към 25°C за температурните промени, които влияят на активния и референтния електрод. Това регулиране може да се зададе ръчно от потребителя, ако температурата на процеса е постоянна. Направете справка с опцията TEMP ELEMENT (ТЕМПЕРАТУРЕН ЕЛЕМЕНТ) в [Конфигуриране на сензора](#) на страница 273.

4.3.2 Процедура на pH калибрация

Калибрирайте pH сензора с един или два референтни разтвора (1-точково или 2-точково калибриране).

1. Поставете сензора в първия референтен разтвор (буфер или проба с известна стойност). Уверете се, че частта със сензора на сондата е изцяло потопена в течността. Направете справка с [Фигура 7](#).

Фигура 7 Сензор в референтен разтвор



2. Изчакайте сензорът и разтворът да изравнят температурите си. Това може да отнеме 30 минути или повече, ако температурната разлика между процеса и референтния разтвор е голяма.
3. Натиснете **menu** (**меню**), след което изберете SENSOR SETUP (НАСТРОЙКА НА СЕНЗОРА) > [Select Sensor] [Избор на сензор] > CALIBRATE (КАЛИБРИРАНЕ).
4. Изберете типа калибрация.

Опция	Описание
1 POINT AUTO (1-ТОЧКОВО АВТОМАТИЧНО)	Използвайте един буфер за калибриране (напр. pH 7). Сензорът автоматично идентифицира буфера по време на калибриране. Забележка: Уверете се, че сте избрали правилния буферен набор в настройките за конфигуриране на сензора.

Опция	Описание
2 POINT AUTO (2-ТОЧКОВО АВТОМАТИЧНО) (препоръчително)	Използвайте два буфера за калибриране (напр. pH 7 и pH 4). Сензорът автоматично идентифицира буферите по време на калибриране. Забележка: Уверете се, че сте избрали правилния буферен набор в настройките за конфигуриране на сензора.
1 POINT MANUAL (1-ТОЧКОВО РЪЧНО)	Използвайте проба с известна pH стойност (или един буфер) за калибриране. Въведете pH стойността по време на калибриране.
2 POINT MANUAL (2-ТОЧКОВО РЪЧНО)	Използвайте две проби с известна pH стойност (или два буфера) за калибриране. Въведете pH стойностите по време на калибриране.

- Ако е активиран достъп с парола в менюто за сигурност за контролера, въведете паролата.
- Изберете опция за изходния сигнал по време на калибрация:

Опция	Описание
ACTIVE (АКТИВНО)	Инструментът изпраща текущата измерена изходна стойност по време на процедурата за калибриране.
HOLD (ЗАДЪРЖАНЕ)	Изходящата стойност на сензора се задържа спрямо текущата измерена стойност по време на процедурата за калибриране.
TRANSFER (ПРЕХВЪРЛЯНЕ)	Предварително зададена изходна стойност се изпраща по време на калибрацията. Вижте потребителското ръководство на контролера, за да промените предварително зададената стойност.

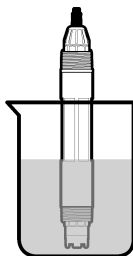
- Със сензор в първия референтен разтвор натиснете за потвърждение. Измерената стойност се извежда.
- Ако е приложимо, въведете pH стойността на референтния разтвор:
 - Изчакайте стойността да се стабилизира и натиснете за потвърждение.
 - Въведете pH стойността.
Забележка: Ако референтният разтвор е буфер, намерете pH стойността върху бутилката на буфера за температурата на буфера. Ако референтният разтвор е проба, определете pH стойността на пробата с различен инструмент.
- За 2-точкова калибриране измерете втория референтен разтвор по следния начин:
 - Отстранете сензора от първия разтвор и промийте с чиста вода.
 - Поставете сензора в следващия референтен разтвор и натиснете за потвърждение.
 - Ако е приложимо, изчакайте стойността да се стабилизира и натиснете за потвърждение. Въведете pH стойността.
- Прегледайте резултата от калибрацията:
 - PASS (УСПЕШНО)** – сензорът е калибриран и готов за измерване на проби. Извеждат се стойностите за наклон и/или отместване.
 - FAIL (НЕУСПЕШНО)** – стойностите за наклон и изместване на калибрирането са извън допустимите граници. Повторете калибрирането с нови референтни разтвори. Почистете сензора, ако е необходимо. Направете справка с [Почистване на сензора](#) на страница 279.
- Ако калибрирането е успешно, натиснете за потвърждение.
- Върнете сензора в процеса и натиснете за потвърждение. Изходният сигнал се връща към активно състояние и измерената стойност на пробата се извежда на екрана за измерване.

4.3.3 Процедура за ORP калибриране

Калибрирайте ORP сензора с един референтен разтвор или проба с известна стойност.

1. Поставете сензора в референтния разтвор или пробата. Уверете се, че частта със сензора на сондата е изцяло потопена в разтвора. Направете справка с [Фигура 8](#).

Фигура 8 Сензор в референтен разтвор или проба



2. Натиснете **меню** (меню), след което изберете **SENSOR SETUP** (НАСТРОЙКА НА СЕНЗОРА) > [Select Sensor] [Избор на сензор] > **CALIBRATE** (КАЛИБРИРАНЕ).
3. Изберете **1 POINT MANUAL** (1-ТОЧКОВО РЪЧНО).
4. Ако е активиран достъп с парола в менюто за сигурност за контролера, въведете паролата.
5. Изберете опция за изходния сигнал по време на калибрация:

Опция	Описание
ACTIVE (АКТИВНО)	Инструментът изпраща текущата измерена изходна стойност по време на процедурата за калибриране.
HOLD (ЗАДЪРЖАНЕ)	Изходящата стойност на сензора се задържа спрямо текущата измерена стойност по време на процедурата за калибриране.
TRANSFER (ПРЕХВЪРЛЯНЕ)	Предварително зададена изходна стойност се изпраща по време на калибрацията. Вижте потребителското ръководство на контролера, за да промените предварително зададената стойност.

6. Със сензор в референтния разтвор или пробата натиснете за потвърждение. Измерената стойност се извежда.
7. Изчакайте стойността да се стабилизира и натиснете за потвърждение.
8. Въведете **ORP** стойността на референтния разтвор или пробата.
Забележка: Ако за калибриране се използва референтен разтвор, намерете **ORP** стойността върху бутилката на референтния разтвор. Ако за калибриране се използва проба, измерете **ORP** стойността с инструмент за вторична проверка.
9. Прегледайте резултата от калибрацията:
 - **PASS (УСПЕШНО)** – сензорът е калибриран и готов за измерване на проби. Извеждат се стойностите за наклон и/или отместване.
 - **FAIL (НЕУСПЕШНО)** – стойностите за наклон и изместване на калибрирането са извън допустимите граници. Повторете калибрирането с нов референтен разтвор. Почистете сензора, ако е необходимо. Направете справка с [Почистване на сензора](#) на страница 279.
10. Ако калибрирането е успешно, натиснете за потвърждение.
11. Върнете сензора в процеса и натиснете за потвърждение. Изходният сигнал се връща към активно състояние и измерената стойност на пробата се извежда на екрана за измерване.

4.3.4 Температурна калибрация

Инструментът се калибрира фабрично за прецизно измерване на температурата. Калибрирайте температурата за повишаване на точността.

1. Поставете сензора в контейнер с вода.
2. Измерете температурата на водата с прецизен термометър или друг отделен инструмент.
3. Натиснете **меню (меню)**, след което изберете SENSOR SETUP (НАСТРОЙКА НА СЕНЗОРА) > [Select Sensor] [Избор на сензор] > CALIBRATE (КАЛИБРИРАНЕ).
4. Изберете TEMP ADJUST (РЕГУЛИРАНЕ НА ТЕМПЕРАТУРАТА) > EDIT TEMP (РЕДАКТ. НА ТЕМП.) и натиснете за потвърждение.
5. Въведете точната стойност за температурата и натиснете за потвърждение.
6. Върнете сензора в процеса и натиснете за потвърждение.

4.3.5 Изход от процедурата за калибриране

1. За изход от калибриране натиснете **back (назад)**.
2. Изберете опция.

Опция	Описание
ABORT (ОТМЯНА)	Спиране на калибрацията. Трябва да бъде стартирана нова калибрация от начало.
BACK TO CAL (ОБРАТНО КЪМ КАЛИБР.)	Връщане към калибрацията.
LEAVE (НАПУСКАНЕ)	Временен изход от процедурата за калибриране. Възможен е достъп до другите менюта. Може да бъде стартирана калибрация за втория сензор (ако е наличен). За да се върнете към калибрирането, натиснете меню (меню) и изберете SENSOR SETUP (НАСТРОЙКА НА СЕНЗОРА) > [Select Sensor] (Избор на сензор).

4.4 Данни за сензор и регистри на събитията

Контролерът се предоставя регистър на данните и регистър на събитията за всеки сензор. Регистърът на данните съхранява данните от измерванията, извършени през избран интервал от време (конфигурира се от потребителя). В регистъра на събитията се извеждат възникналите събития.

Регистърът на данните и регистърът на събитията могат да бъдат запазени във формат CSV. Направете справка с документацията на контролера за инструкции.

4.5 Modbus регистри

Списък с Modbus регистри е достъпен за мрежова комуникация. За повече информация вижте уеб сайта на производителя.

Раздел 5 Поддръжка

▲ ОПАСНОСТ



Множество опасности. Задачите, описани в този раздел на документа, трябва да се извършват само от квалифициран персонал.

▲ ПРЕДУПРЕЖДЕНИЕ



Опасност от експлозия. Отстраняването на сензора от съд под налягане може да бъде опасно. Сnižете процесното налягане до под 10 psi преди отстраняването. Внимавайте много, ако това не е възможно. Направете справка с доставената с крепежните елементи документация за повече информация.

▲ ПРЕДУПРЕЖДЕНИЕ



Опасност от химическа експозиция. Спазвайте лабораторните процедури за безопасност и носете пълното необходимо лично предпазно оборудване при боравене със съответните химически вещества. За информация относно протоколите по безопасност направете справка с информационните листове за безопасност на материала (MSDS/SDS).

▲ ВНИМАНИЕ



Опасност от химическа експозиция. Изхвърляйте химическите и отпадни вещества в съответствие с местните, регионални и национални разпоредби.

5.1 График за поддръжка

Таблица 1 показва препоръчителния график на задачите за поддръжка. Изискванията на съоръжението и работните условия може да увеличат честотата на някои задачи.

Таблица 1 График за поддръжка

Задача	1 година	Според необходимостта
Почистване на сензора на страница 279		X ⁶
Смяна на солевия мост на страница 279	X	
Калибриране на сензора	Зададено от регулаторните агенции или съгласно практиката	

5.2 Почистване на сензора

Подготовка: Пригответе разреден сапунен разтвор с неабразивен детергент за миене на съдове, който не съдържа ланолин. Ланолинът остава тънък слой върху повърхността на електрода, който може да влоши работата на сензора.

Преглеждайте периодично сензора за замърсявания и отлагания. Почиствайте сензора, когато са се натрупали отлагания или когато работата му се е влошила.

1. Използвайте чиста мека кърпа, за да отстраните замърсяванията от края на сензора. Изплакнете сензора с чиста топла вода.
2. Накиснете сензора за 2 до 3 минути в сапунения разтвор.
3. Използвайте четка с мек косъм, за да почистите цялата измервателна част на сензора.
4. Ако остане замърсяване, накиснете измервателната част на сензора в разреден киселинен разтвор, например < 5% HCl за максимум 5 минути.
5. Изплакнете сензора с вода и след това го върнете в сапунения разтвор за 2 до 3 минути.
6. Изплакнете сензора с чиста вода.

Забележка: Сензорите с антимиониеви електроди за HF приложения може да изискват допълнително почистване. Свържете се с екипа по техническа поддръжка.

Винаги калибрирайте сензора след процедури по поддръжка.

5.3 Смяна на солевия мост

Сменяйте солевия мост и разтвора на стандартната клетка на интервали от 1 година или когато калибрирането е неуспешно, след като сензорът е бил почистен.

Забележка: Видеолип, който показва как се сменя солевият мост, е наличен на www.Hach.com. Отидете на уебстраницата за солевия мост и щракнете върху раздела Video (Видеоклип).

⁶ Честотата зависи от работните условия.

Елементи за осигуряване:

- Регулируем гаечен ключ
- Големи пинсети
- Солеви мост
- Разтвор на стандартната клетка
- Гел на прах⁷, $\frac{1}{8}$ чаена лъжичка

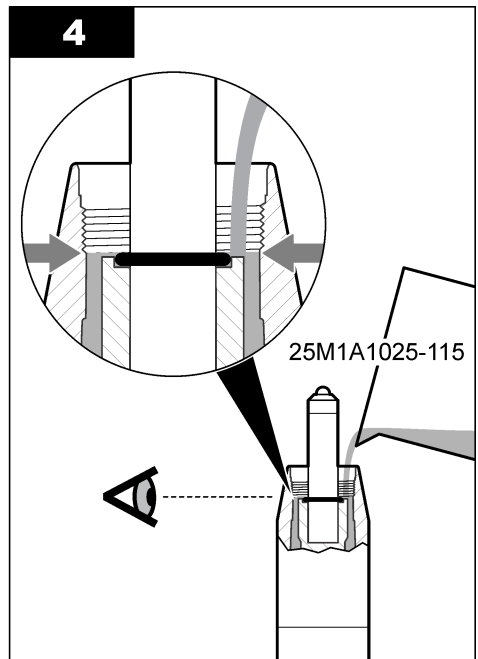
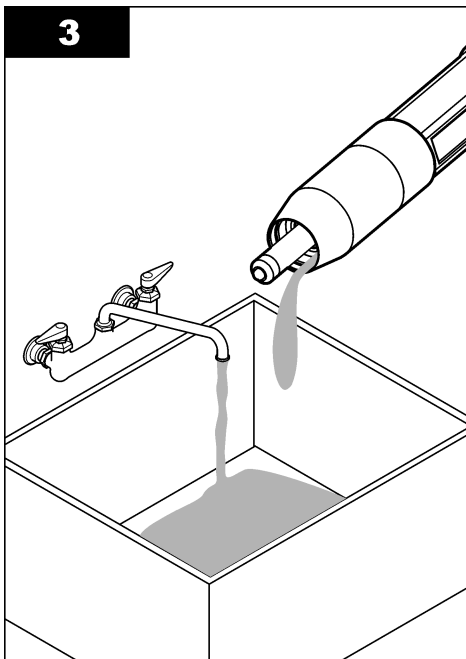
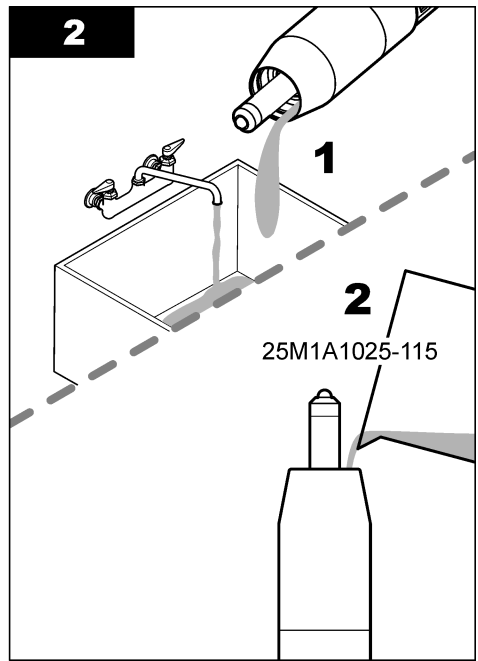
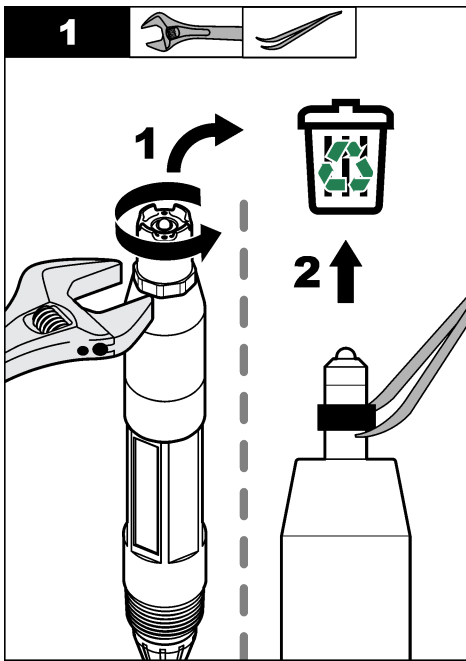
1. Почистете сензора. Направете справка с [Почистване на сензора](#) на страница 279.
2. Подменете солевия мост и разтвора на стандартната клетка. Направете справка с илюстрираните стъпки, които следват.

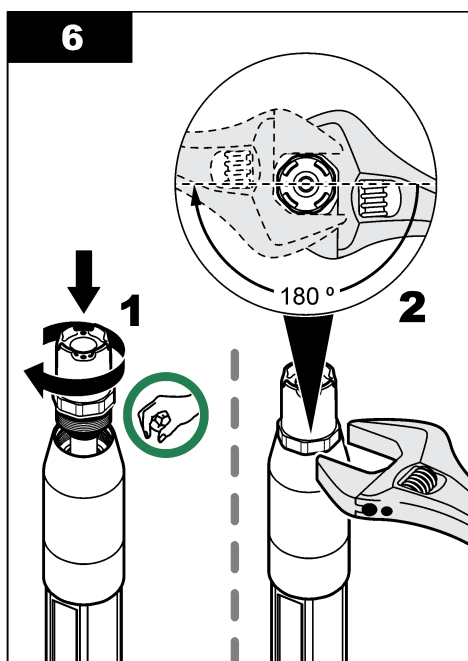
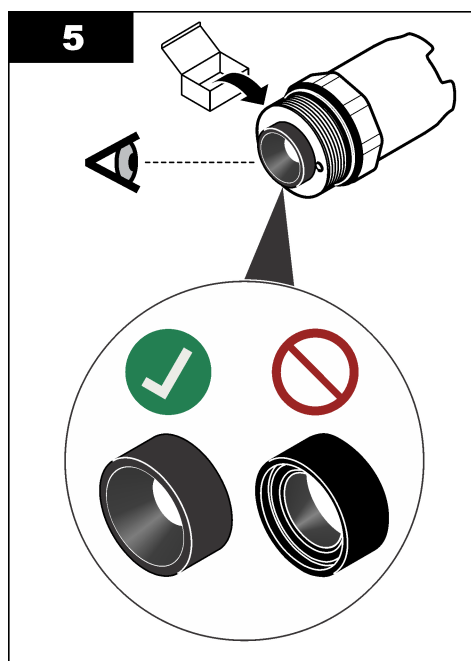
Ако резервоарът за разтвора на стандартната клетка съдържа гел (не е обичайно), използвайте водна струя от устройство за почистване с вода, за да премахнете стария гел в илюстрираната стъпка 2.

(Опционално) Ако технологичната вода е близо до температурата на кипене, добавете гел на прах към новия разтвор на стандартната клетка в илюстрираната стъпка 4, както следва:

- a. Налейте 1 равна капачка от бутилката ($\frac{1}{8}$ чаена лъжичка) гел на прах в резервоара за разтвора на стандартната клетка.
 - b. Налейте малко количество нов разтвор на стандартната клетка в резервоара.
 - c. Смесете с праха, докато разтворът не се сгъсти.
 - d. Добавете малки количества разтвор и смесете, докато нивото на гела не достигне долната част на резбите на солевия мост.
 - e. Проверете за правилното ниво на гела, като поставите и отстраните новия солеви мост. Солевиот мост трябва да остави отпечатък върху повърхността на гела.
3. Калибрирайте сензора.

⁷ (Опционално) Добавете гел на прах към разтвора на стандартната клетка, ако технологичната вода е близо до температурата на кипене. Гелът на прах намалява скоростта на изпаряване на разтвора на стандартната клетка.





5.4 Подготовка за съхранение

При кратковременно съхранение (когато сензорът е извън процеса за повече от един час) напълнете защитната капачка в буфер с pH 4 или дестилирана вода и поставете капачката обратно на сензора. Дръжте процесния електрод и солевия мост на референтното съединение влажни, за да избегнете бавния отговор, когато сензорът се приведе обратно в действие.

При продължително съхранение повтаряйте процедурата за кратковременното съхранение на всеки 2 до 4 седмици – в зависимост от условията на околната среда. Направете справка с [Спецификации](#) на страница 264 за ограничения на температурата за съхранение.

Раздел 6 Отстраняване на повреди

6.1 Данни с прекъсване

По време на калибрация данните не се изпращат към регистъра с данни. Затова в регистъра може да има зони, в които данните прекъсват.

6.2 Диагностика на сензора и меню за тест

Диагностиката на сензора и менюто за тест показват текущата и предишната информация за инструмента. Направете справка с [Таблица 2](#). За да получите достъп до диагностиката на сензора и менюто за тест, натиснете **меню (меню)**, след което изберете **SENSOR SETUP**

(НАСТРОЙКА НА СЕНЗОРА) > [Select Sensor] (Избор на сензор) > DIAG/TEST (ДИАГНОСТИКА/ТЕСТ).

Таблица 2 Меню DIAG/TEST (ДИАГНОСТИКА/ТЕСТ) за сензора

Опция	Описание
PROBE INFO (ИНФОРМАЦИЯ ЗА СОНДАТА)	Показва типа на сензора, името, серийния номер, софтуерната версия и версията на драйвъра.
CAL DATA (КАЛИБР. ДАННИ)	Показва наклона на pH (mV/pH) и датата на последното калибриране. Наклонът на pH трябва да бъде от -55 до -61 mV.
SIGNALS (СИГНАЛИ)	<p>SENSOR SIGNAL (СИГНАЛ НА СЕНЗОРА) – показва показанието на сензора в mV. Диапазонът на mV е от -60 до +60 mV (0 mV = pH 7).</p> <p>SENS ADC CNTS (БРОЙ РЕЗУЛТАТИ ОТ АНАЛ. ЦИФРОВ ПРЕОБР. ЗА ИЗМЕРВ.) – показва числото, което представлява показанието на pH.</p> <p>TEMP ADC CNTS (БРОЙ РЕЗУЛТАТИ ОТ АНАЛ. ЦИФРОВ ПРЕОБР. ЗА ТЕМП.) – показва числото, което представлява показанието на температурата.</p> <p>ELECTRD STATE (СЪСТОЯНИЕ НА ЕЛЕКТРОДА) – показва изправността на активния и референтния електрод (GOOD (ДОБРО) или BAD (НЕИЗПРАВНОСТ)). Когато се показва „BAD (НЕИЗПРАВНОСТ)“, почистете сензора и подменете солевия мост. Подменете сензора, ако е необходимо.</p> <p>ACTIVE ELECT (АКТИВЕН ЕЛЕКТРОД) – показва импеданс на активния електрод.</p> <p>REF ELECTRODE (РЕФЕРЕНТЕН ЕЛЕКТРОД) – показва импеданс на референтния електрод.</p> <p>IMPED STATUS (СТАТУС НА ИМПЕДАНСА) – когато е активирано (препоръчително), импедансът на активния и референтния електрод се измерва на интервали от 1 минута. На дисплея на контролера се показва грешка, когато импедансът на активния или референтния електрод не е между границите за нисък и висок импеданс.</p>
COUNTERS (БРОЯЧИ)	<p>SENSOR DAYS (ДНИ НА РАБОТА НА СЕНЗОРА) – показва броя дни, през които сензорът е работил.</p> <p>RESET SENSOR (НУЛИРАНЕ НА СЕНЗОРА) – задава стойността на SENSOR DAYS (ДНИ НА РАБОТА НА СЕНЗОРА) и ELECTRODE DAYS (ДНИ НА РАБОТА НА ЕЛЕКТРОДА) на нула.</p> <p>ELECTRODE DAYS (ДНИ НА РАБОТА НА ЕЛЕКТРОДА) – показва броя на дните от подмяната на солевия мост.</p> <p><i>Забележка: Стойността за ELECTRODE DAYS (ДНИ НА РАБОТА НА ЕЛЕКТРОДА) автоматично се задава на нула, когато солевият мост е подменен.</i></p>

6.3 Съобщения за грешка

Когато възникне грешка, показанието на екрана за измерване премигва и всички изходящи сигнали се задържат, когато е указано в менюто на контролера. За показване на грешките на сензора натиснете **menu (меню)** и изберете DIAGNOSTICS (ДИАГНОСТИКА) > [Select Sensor] [Избор на сензор] > ERROR LIST (СПИСЪК С ГРЕШКИ). Списък с възможни грешки е показан в Таблица 3.

Таблица 3 Съобщения за грешка

Грешка	Описание	Решение
pH TOO HIGH (ТВЪРДЕ ВИСОКО pH)	Измерената pH стойност е > 14.	Калибрирайте сензора.
ORP TOO HIGH (ТВЪРДЕ ВИСОКА СТОЙНОСТ ЗА ORP)	Измерената ORP стойност е > 2100 mV.	

Таблица 3 Съобщения за грешка (продължава)

Грешка	Описание	Решение
PH TOO LOW (ТВЪРДЕ НИСКО PH)	Измерената pH стойност е < 0.	Калибрирайте сензора.
ORP TOO LOW (ТВЪРДЕ НИСКА СТОЙНОСТ ЗА ORP)	Измерената ORP стойност е ≤ 2100 mV.	
OFFSET TOO HIGH (ТВЪРДЕ ВИСОКА СТОЙНОСТ ЗА ИЗМЕСТВАНЕ)	Изместването е > 9 (pH) или 200 mV (ORP).	Изпълнете стъпките в Почистване на сензора на страница 279 и Смяна на солевия мост на страница 279. След това извършете калибрирането отново.
OFFSET TOO LOW (ТВЪРДЕ НИСКА СТОЙНОСТ ЗА ИЗМЕСТВАНЕ)	Изместването е < 5 (pH) или – 200 mV (ORP).	
SLOPE TOO HIGH (ТВЪРДЕ ВИСОКА СТОЙНОСТ ЗА НАКЛОН)	Наклонът е > 62 (pH)/1,3 (ORP).	Повторете калибрирането с нови референтни разтвори.
SLOPE TOO LOW (ТВЪРДЕ НИСКА СТОЙНОСТ ЗА НАКЛОН)	Наклонът е < 50 (pH)/0,7 (ORP).	Извършете стъпките в Почистване на сензора на страница 279. След това извършете калибрирането отново.
TEMP TOO HIGH (ТЕМПЕРАТУРАТА Е ПРЕКАЛЕНО ВИСОКА)	Измерената температура е > 130°C.	Уверете се, че е избран правилният температурен елемент. Направете справка с опцията TEMP ELEMENT (ТЕМПЕРАТУРЕН ЕЛЕМЕНТ) в Конфигуриране на сензора на страница 273.
TEMP TOO LOW (ТЕМПЕРАТУРАТА Е ПРЕКАЛЕНО НИСКА)	Измерената температура е ≤ 10°C.	
ADC FAILURE (НЕИЗПРАВНОСТ В АНАЛОГОВО-ЦИФРОВИЯ ПРЕОБРАЗОВАТЕЛ)	Аналогово-цифровото преобразуване е неуспешно.	Изключете контролера. След това включете контролера.
A ELEC TOO HIGH (ТВЪРДЕ ВИСОК ИМПЕДАНС НА АКТ. ЕЛЕКТРОД)	Импедансът на активния електрод е > 900 MΩ.	Сензорът е във въздуха. Върнете сензора в процеса.
A ELEC TOO LOW (ТВЪРДЕ НИСЪК ИМПЕДАНС НА АКТ. ЕЛЕКТРОД)	Импедансът на активния електрод е < 8 MΩ.	Сензорът е повреден или замърсен. Извършете стъпките в Почистване на сензора на страница 279.
R ELEC TOO HIGH (ТВЪРДЕ ВИСОК ИМПЕДАНС НА РЕФ. ЕЛЕКТРОД)	Импедансът на референтния електрод е > 900 MΩ.	Разтворът на стандартната клетка е изтекъл или се е изпарил. Подменете разтвора на стандартната клетка.
R ELEC TOO LOW (ТВЪРДЕ НИСЪК ИМПЕДАНС НА РЕФ. ЕЛЕКТРОД)	Импедансът на референтния електрод е < 8 MΩ.	Референтният електрод е повреден. Сменете сензора.
SAME BUFFER (ЕДНАКЪВ БУФЕР)	Буферите, използвани за калибриране 2 POINT AUTO (2-ТОЧКОВО АВТОМАТИЧНО) имат еднаква стойност.	Използвайте буфери, които имат различни стойности.
SENSOR MISSING (ЛИПСВАЩ СЕНЗОР)	Сензорът липсва или е повреден.	Определете дали кабелът на сензора е разкачен, или има повреда.

Таблица 3 Съобщения за грешка (продължава)

Грешка	Описание	Решение
TEMP SENSOR MISSING (ЛИПСВАЩ СЕНЗОР ЗА ТЕМП.)	Сензорът за температура липсва.	Уверете се, че е избран правилният температурен елемент. Направете справка с опцията TEMP ELEMENT (ТЕМПЕРАТУРЕН ЕЛЕМЕНТ) в Конфигуриране на сензора на страница 273.
GLASS IMP LOW (НИСЪК ИМПЕД. НА СЪТЪКЛЕН ЕЛЕКТР.)	Състъклената крушка е счупена или е в края на своя експлоатационен живот.	Сменете сензора.

6.4 Предупредителни съобщения

Предупрежденията не влияят на функционирането на менютата, релетата и изходите. Икона за предупреждение мига и се показва съобщение в долната част на екрана за измерване. За показване на предупрежденията на сензора натиснете **меню (меню)** и изберете DIAGNOSTICS (ДИАГНОСТИКА) > [Select Sensor] [Избор на сензор] > WARNING LIST (СПИСЪК С ПРЕДУПРЕЖДЕНИЯ). Списък с възможни предупреждения е показан в [Таблица 4](#).

Таблица 4 Предупредителни съобщения

Предупреждение	Описание	Решение
pH TOO HIGH (ТВЪРДЕ ВИСОКО pH)	Измерената pH стойност е > 13.	Калибрирайте сензора.
ORP TOO HIGH (ТВЪРДЕ ВИСОКА СТОЙНОСТ ЗА ORP)	Измерената ORP стойност е > 2100 mV.	
pH TOO LOW (ТВЪРДЕ НИСКО pH)	Измерената pH стойност е < 1.	Калибрирайте сензора.
ORP TOO LOW (ТВЪРДЕ НИСКА СТОЙНОСТ ЗА ORP)	Измерената ORP стойност е < -2100 mV.	
OFFSET TOO HIGH (ТВЪРДЕ ВИСОКА СТОЙНОСТ ЗА ИЗМЕСТВАНЕ)	Изместването е > 8 (pH) или 200 mV (ORP).	Изпълнете стъпките в Почистване на сензора на страница 279 и Смяна на солевия мост на страница 279. След това извършете калибрирането отново.
OFFSET TOO LOW (ТВЪРДЕ НИСКА СТОЙНОСТ ЗА ИЗМЕСТВАНЕ)	Отместването е < 6 (pH) или -200 mV (ORP).	
SLOPE TOO HIGH (ТВЪРДЕ ВИСОКА СТОЙНОСТ ЗА НАКЛОН)	Наклонът е > 60 (pH)/1,3 (ORP).	Повторете калибрирането с нови референтни разтвори.
SLOPE TOO LOW (ТВЪРДЕ НИСКА СТОЙНОСТ ЗА НАКЛОН)	Наклонът е < 54 (pH)/0,7 (ORP).	Извършете стъпките в Почистване на сензора на страница 279. След това извършете калибрирането отново.
TEMP TOO HIGH (ТЕМПЕРАТУРАТА Е ПРЕКАЛЕНА ВИСОКА)	Измерената температура е > 100 °C.	Уверете се, че е избран правилният температурен елемент. Направете справка с опцията TEMP ELEMENT (ТЕМПЕРАТУРЕН ЕЛЕМЕНТ) в Конфигуриране на сензора на страница 273.
TEMP TOO LOW (ТЕМПЕРАТУРАТА Е ПРЕКАЛЕНА НИСКА)	Измерената температура е < 0 °C.	
CAL OVERDUE (ПРОСРОЧЕНО КАЛИБР.)	Броят на дните от последното калибриране на сензора е по-голям от интервала за калибриране.	Калибрирайте сензора. Забележка: За промяна на интервала за калибриране направете справка с опцията CAL DAYS (ДНИ СЛЕД ПОСЛ. КАЛИБР.) в Конфигуриране на сензора на страница 273.

Таблица 4 Предупредителни съобщения (продължава)

Предупреждение	Описание	Решение
REPLACE SENSOR (СМЯНА НА СЕНЗОРА)	Броят на дните на работа на сензора е повече от интервала за подмяна на сензора.	Подменете сензора, ако е необходимо. Забележка: За промяна на интервала за подмяна на сензора направете справка с опцията SENSOR DAYS (ДНИ НА РАБОТА НА СЕНЗОРА) в Конфигуриране на сензора на страница 273.
NOT CALIBRATED (НЕ Е КАЛИБРИРАНО)	Сензорът не е бил калибриран.	Калибрирайте сензора.
FLASH FAILURE (НЕИЗПРАВНОСТ ВЪВ ФЛАШ ПАМЕТА)	Проблем с външната флаш памет.	Свържете се с екипа по техническа поддръжка.
A ELEC TOO HIGH (ТВЪРДЕ ВИСОК ИМПЕДАНС НА АКТ. ЕЛЕКТРОД)	Импедансът на активния електрод е > 800 MΩ.	Сензорът е във въздуха. Върнете сензора в процеса.
A ELEC TOO LOW (ТВЪРДЕ НИСЪК ИМПЕДАНС НА АКТ. ЕЛЕКТРОД)	Импедансът на активния електрод е < 15 MΩ.	Сензорът е повреден или замърсен. Извършете стъпките в Почистване на сензора на страница 279.
R ELEC TOO HIGH (ТВЪРДЕ ВИСОК ИМПЕДАНС НА РЕФ. ЕЛЕКТРОД)	Импедансът на референтния електрод е > 800 MΩ.	Разтворът на стандартната клетка е изтекъл или се е изпарил. Подменете разтвора на стандартната клетка.
R ELEC TOO LOW (ТВЪРДЕ НИСЪК ИМПЕДАНС НА РЕФ. ЕЛЕКТРОД)	Импедансът на референтния електрод е < 15 MΩ.	Референтният електрод е повреден. Сменете сензора.
CAL IN PROGRESS (ИЗВЪРШВА СЕ КАЛИБР.)	Стартирано е калибриране, но не е завършено.	Връщане към калибрирането.

6.5 Списък със събитията

Списъкът със събития показва текущите дейности, например промени в конфигурацията, аларми, условия за предупреждения и др. За показване на събитията натиснете **menu (меню)** и изберете **DIAGNOSTICS (ДИАГНОСТИКА)** > [Select Sensor] [Избор на сензор] > **EVENTS (СЪБИТИЯ)**. Списък с възможните събития е показан в **Таблица 5**. Предходните събития са записани в регистъра на събитията, който може да бъде изтеглен от контролера. За опции за извличане на данни направете справка с документацията на контролера.

Таблица 5 Списък със събитията

Събитие	Описание
CAL READY (КАЛИБР. Е ГОТОВО)	Сензорът е готов за калибриране.
CAL OK (КАЛИБР. Е УСПЕШНО)	Текущото калибриране е успешно.
TIME EXPIRED (ИЗТЕКЛО ВРЕМЕ)	Времето за стабилизиране По време на калибриране е изтекло.
NO BUFFER (НЯМА БУФЕР)	Не е открит буфер.
SLOPE HIGH (ВИСОКА СТОЙНОСТ ЗА НАКЛОН)	Наклонът на калибрирането е над горната граница.
SLOPE LOW (НИСКА СТОЙНОСТ ЗА НАКЛОН)	Наклонът на калибрирането е под долната граница.
OFFSET HIGH (ВИСОКА СТОЙНОСТ ЗА ИЗМЕСТВАНЕ)	Стойността за изместване на калибрирането за сензора е над горната граница.
OFFSET LOW (НИСКА СТОЙНОСТ ЗА ИЗМЕСТВАНЕ)	Стойността за изместване на калибрирането на сензора е под долната граница.

Таблица 5 Списък със събитията (продължава)

Събитие	Описание
POINTS CLOSE (ТВЪРДЕ БЛИЗКИ ТОЧКИ)	Точките на калибрирането са твърде близки по стойност за 2-точково калибриране.
CAL FAIL (НЕУСПЕШНО КАЛИБР.)	Калибрирането е неуспешно.
CAL HIGH (ВИСОКА СТОЙНОСТ НА КАЛИБР.)	Стойността на калибрирането е над горната граница.
UNSTABLE (НЕСТАБИЛНО)	Показанието по време на калибриране е било нестабилно.
CHANGE IN CONFIG (ПРОМЯНА В КОНФИГ.) – плаваща запетая	Конфигурацията е била променена – тип плаваща запетая.
CHANGE IN CONFIG (ПРОМЯНА В КОНФИГ.) – текст	Конфигурацията е била променена – тип текст.
CHANGE IN CONFIG (ПРОМЯНА В КОНФИГ.) – цяло число	Конфигурацията е била променена – тип стойност цяло число.
RESET CONFIG (НУЛИРАНЕ НА КОНФИГУРАЦИЯТА)	Настройките за конфигуриране са били зададени към опциите по подразбиране.
POWER ON EVENT (СЪБИТИЕ НА ВКЛЮЧВАНЕ)	Захранването е включено.
ADC FAILURE (НЕИЗПРАВНОСТ В АНАЛОГОВО-ЦИФРОВИЯ ПРЕОБРАЗОВАТЕЛ)	Аналогово-цифровото преобразуване е неуспешно (повреда в хардуера).
FLASH ERASE (ИЗТРИВАНЕ НА ФЛАШ ПАМЕТ)	Флаш паметта е била изтрита.
TEMPERATURE (ТЕМПЕРАТУРА)	Записаната температура е твърде висока или твърде ниска.
1PT MANUAL START (СТАРТ НА 1-ТОЧКОВО РЪЧНО)	Стартиране на 1 POINT MANUAL (1-ТОЧКОВО РЪЧНО) калибриране.
1PT AUTO START (СТАРТ НА 1-ТОЧКОВО АВТОМАТИЧНО)	Стартиране на 1 POINT AUTO (1-ТОЧКОВО АВТОМАТИЧНО) калибриране за pH.
2PT MANUAL START (СТАРТ НА 2-ТОЧКОВО РЪЧНО)	Стартиране на 2 POINT MANUAL (2-ТОЧКОВО РЪЧНО) калибриране за pH.
2PT AUTO START (СТАРТ НА 2-ТОЧКОВО АВТОМАТИЧНО)	Стартиране на 2 POINT AUTO (2-ТОЧКОВО АВТОМАТИЧНО) калибриране за pH.
1PT MANUAL END (КРАЙ НА 1-ТОЧКОВО РЪЧНО)	Край на 1 POINT MANUAL (1-ТОЧКОВО РЪЧНО) калибриране.
1PT AUTO END (КРАЙ НА 1-ТОЧКОВО АВТОМАТИЧНО)	Край на 1 POINT AUTO (1-ТОЧКОВО АВТОМАТИЧНО) калибриране за pH.
2PT MANUAL END (КРАЙ НА 2-ТОЧКОВО РЪЧНО)	Край на 2 POINT MANUAL (2-ТОЧКОВО РЪЧНО) калибриране за pH.
2PT AUTO END (КРАЙ НА 2-ТОЧКОВО АВТОМАТИЧНО)	Край на 2 POINT AUTO (2-ТОЧКОВО АВТОМАТИЧНО) калибриране за pH.

Раздел 7 Резервни части и принадлежности

▲ ПРЕДУПРЕЖДЕНИЕ



Опасност от нараняване. Използването на части, които не са одобрени за употреба, може да причини нараняване, повреда на инструмента или неизправност на оборудването. Резервните части, упоменати в този раздел, са одобрени от производителя.

Забележка: Продуктовите и каталожните номера може да се различават в някои региони на продажба. Свържете се със съответния дистрибутор или посетете уебсайта на компанията за информация за контакт.

Консумативи

Описание	Количество	Каталожен номер
Буферен разтвор, рН 4,01, червен	500 mL	2283449
Буферен разтвор, рН 7,00, жълт	500 mL	2283549
Буферен разтвор, рН 10,01, син	500 mL	2283649
ORP референтен разтвор, 200 mV	500 mL	25M2A1001-115
ORP референтен разтвор, 600 mV	500 mL	25M2A1002-115

Резервни части – рН сензори

Описание	Количество	Каталожен номер
Солеви мост, PEEK, Кунар (PVDF) външно съединение, с О-пръстени Viton	1	SB-P1SV
Солеви мост, PEEK, Кунар (PVDF) външно съединение, с О-пръстени от перфлуороеластомер	1	SB-P1SP ⁸
Солеви мост, PEEK, керамично външно съединение, с О-пръстени Viton	1	SB-P2SV
Солеви мост, Ryton, Кунар (PVDF) външно съединение, с О-пръстени Viton	1	SB-R1SV
Разтвор на стандартната клетка	500 mL	25M1A1025-115
Гел на прах за разтвор на стандартната клетка	2 g	25M8A1002-101

Принадлежности

Описание	Каталожен номер
Цифров удължителен кабел, 1 m (3,2 ft)	6122400
Цифров удължителен кабел, 7,7 m (25 ft)	5796000
Цифров удължителен кабел, 15 m (50 ft) ⁹	5796100
Цифров удължителен кабел, контролер SC200, 31 m (100 ft)	5796200
Цифрова съединителна кутия, контролер SC200 ¹⁰	5867000
Крепежни елементи за монтаж в санитарна инсталация, неръждаема стомана 316, включва 2-инчова санитарна Т-образна тръба и скоба за тежко натоварване <i>Забележка: Капачка и уплътнение от EPDM съединение се доставят със сензора.</i>	MH018S8SZ
Крепежни елементи за нипелно свързване, CPVC (хлориран поливинилхлорид), включва 1½-инчова стандартна Т-образна тръба, съединителна тръба с адаптера, уплътнителна втулка, блокиращ пръстен и О-пръстен Viton	6131300

⁸ Използвайте SB-P1SP, когато материалът Viton не е химически съвместим с химикалите в приложението.

⁹ Максималната дължина на кабела е 15 m (49 ft) за контролер SC1000.

¹⁰ Използвайте цифрова съединителна кутия, ако дължината на кабела е повече от 100 m (328 ft). При контролер SC1000 не се използва съединителна кутия.

Принадлежности (продължава)

Описание	Каталожен номер
Крепежни елементи за нипелно свързване, неръждаема стомана 316, включва 1½-инчова стандартна Т-образна тръба, съединителна тръба с адаптера, уплътнителна втулка, блокиращ пръстен и О-пръстен Viton	6131400
Крепежни елементи за монтаж в проточна система, CPVC, включва 1-инчова стандартна Т-образна тръба	MН334N4NZ
Крепежни елементи за монтаж в проточна система, неръждаема стомана 316, включва 1-инчова стандартна Т-образна тръба	MН314N4MZ
Крепежни елементи за монтаж на вграден сензор, CPVC, включва 1½-инчов сачмен вентил, 1½-инчов NPT закрит нипел, адаптер на сензор с два О-пръстена Viton и чистачка, удължителна тръба, тръбен адаптер, задна тръба и блокиращ пръстен	5646300
Крепежни елементи за монтаж на вграден сензор, неръждаема стомана 316, включва 1½-инчов сачмен вентил, 1½-инчов NPT закрит нипел, адаптер на сензор с два О-пръстена Viton и чистачка, удължителна тръба, тръбен адаптер, задна тръба и блокиращ пръстен	5646350
Крепежни елементи за монтаж на потопаем сензор, стандартни, CPVC, включва тръба с размери 1 инч на 4 ft и NPT куплунг с размери 1 инч x 1 инч	6136400
Крепежни елементи за монтаж на потопаем сензор, стандартни, неръждаема стомана 316, включва тръба с размери 1 инч на 4 ft и NPT куплунг с размери 1 инч x 1 инч	6136500
Крепежни елементи за монтаж на потопаем сензор, дръжка, включва CPVC тръба с размери 1½ инча на 7,5 ft и модул със скоба за тръба	MН236В00Z
Крепежни елементи за монтаж на потопаем сензор, верига, неръждаема стомана 316, включва скоба от неръждаема стомана, гайки и шайби <i>Забележка: За използване само със сензор от неръждаема стомана. Не включва верига.</i>	2881900
Крепежни елементи за монтаж на потопаем сензор, сферичен поплавък, включва CPVC тръба с размери 1½ инча на 7,5 ft, модул на сферичен поплавък и модул със скоба за тръба	6131000
Предпазител на сензора, сензор от преобразуваем вариант, PEEK	1000F3374-002
Предпазител на сензора, сензор от преобразуваем вариант, Ryton	1000F3374-003

Tartalomjegyzék

- 1 Műszaki adatok oldalon 290
2 Általános tudnivaló oldalon 291
3 Beszerelés oldalon 293
4 Működtetés oldalon 299
5 Karbantartás oldalon 304
6 Hibaelhárítás oldalon 307
7 Cserealkatrészek és tartozékok oldalon 311

Szakasz 1 Műszaki adatok

A műszaki adatok előzetes bejelentés nélkül változhatnak.

Műszaki adatok	pH-érzékelők	Rozsdamentes acél pH-érzékelő	ORP-érzékelők
Méreték (hosszúság)	272,5 mm (10,73 hüvelyk)	325,3 mm (12,81 hüvelyk)	272,5 mm (10,73 hüvelyk)
Tömeg	316 g	870 g	316 g
Mintával érintkező anyagok	PEEK vagy Ryton (PVDF) test, azonos anyagú sóhíd Kynar kapcsolással, üveg feldolgozó elektróda, titán földelő elektróda és Viton O-gyűrű tömítések <i>Megjegyzés: Az opcionális HF-álló üveg feldolgozó elektródával kapható pH-érzékelőkhöz 316-os rozsdamentes acél földelő elektróda és nedvességgel érintkező perfluor-elasztomer O-gyűrűk tartoznak.</i>	Csak bemerülő felszerelés; 316-os rozsdamentes acél test Ryton (PVDF) végekkel és sóhíddal	PEEK vagy Ryton (PVDF) test, azonos anyagú sóhíd Kynar kapcsolással, üveg és platina (vagy üveg és arany) feldolgozó elektróda, titán földelő elektróda és Viton O-gyűrű tömítések
Rendszerelemek	Korrózióálló anyagok, teljesen bemeríthető		
Érzékelőkábel (integrál)	4 vezetős (és 1 szigetelő), 10 m (33 láb), 105 °C-ig (221 °F) hitelesítve		
Üzemi hőmérséklet	-5–70 °C (23–158 °F)	0 - 50 °C (32–122 °F)	-5–70 °C (23–158 °F)
Tárolási hőmérséklet	4–70 °C (40–158 °F), 0–95% relatív páratartalom, nem lecsapódó		
Mérési tartomány	2,0–14,0 pH ¹ (vagy 2,00–14,00)		-1500 - +1500 mV
Megismételhetőség	±0,05 pH		±2 mV
Érzékenység	±0,01 pH		±0.5 mV ²
Stabilitás	0,03 pH 24 óra alatt, nem halmozódó		2 mV (ORP) 24 óra alatt, nem halmozódó
Maximális áramlási sebesség	3 m/s		
Nyomás határértéke	6,9 bar 70 °C-on (100 psi 158 °F-on)	Nem vonatkozik (csak merítéskor)	6,9 bar 70 °C-on (100 psi 158 °F-on)
Átviteli távolság	Legfeljebb 100 m (328 láb), és csatlakozódobozzal legfeljebb 1000 m (3280 láb)		

¹ A legtöbb pH-alkalmazás a 2,5 és 12,5 közötti pH-sávba esik. A széles tartományú üveg feldolgozó elektródával rendelkező pH differenciál pH-érzékelő kiválóan használható ebben a tartományban. Bizonyos ipari alkalmazások pontos méréseket és kezelhetőséget igényelnek 2 pH alatt vagy 12 pH felett. Az ilyen speciális esetekben a gyártótól kaphat további részleteket.

² A cinket, ciánt, kadmiumot vagy nikkelt tartalmazó oldatok esetében az arany elektródával rendelkező pH ORP-érzékelővel érhető el a legjobb eredmények.

Műszaki adatok	pH-érzékelők	Rozsdamentes acél pH-érzékelő	ORP-érzékelők
Hőmérsékletmérő	NTC 300 Ω termisztor automatikus hőmérséklet-kompenzációhoz és az elemző hőmérséklet-megjelenítéséhez.		NTC 300 Ω kizárólag az elemző hőmérséklet-megjelenítéséhez – az ORP-méréshez nem szükséges automatikus hőmérséklet-kompenzáció.
Hőmérséklet-pontosság	±0,5°C (0,9°F)		
Hőmérséklet-kompenzáció	Automatikus: -10 és 105 °C között (14,0 és 221 °F között) NTC 300 Ω termisztorral, Pt 1000 ohm RTD vagy Pt 100 Ω RTD hőmérsékletmérő, vagy manuálisan rögzített felhasználói hőmérséklet		Nem vonatkozik
Kalibrálási módszerek	Egy- vagy kétpontos, automatikus vagy kézi		Egyponos kézi
Érzékelőinterfész	Modbus		
Tanúsítványok	CE		
Jótállás	1 év, 2 év (EU).		

Szakasz 2 Általános tudnivaló

A gyártó semmilyen körülmények között sem felelős a jelen kézikönyv hibájából, vagy hiányosságaiból eredő közvetlen, közvetett, véletlenszerű, vagy következményként bekövetkezett kárért. A gyártó fenntartja a kézikönyv és az abban leírt termékek megváltoztatásának jogát minden értesítés vagy kötelezettség nélkül. Az átdolgozott kiadások a gyártó webhelyén található.

2.1 Biztonsági tudnivalók

A gyártó nem vállal felelősséget a termék nem rendeltetésszerű alkalmazásából vagy használatából eredő semmilyen kárért, beleértve de nem kizárólag a közvetlen, véletlen vagy közvetett károkat, és az érvényes jogszabályok alapján teljes mértékben elhárítja az ilyen kárigényeket. Kizárólag a felhasználó felelőssége, hogy felismerje a komoly alkalmazási kockázatokat, és megfelelő mechanizmusokkal védje a folyamatokat a berendezés lehetséges meghibásodása esetén.

Kérjük, olvassa végig ezt a kézikönyvet a készülék kicsomagolása, beállítása vagy működtetése előtt. Szenteljen figyelmet az összes veszélyjelző és óvatosságra intő mondatra. Ennek elmulasztása a kezelő súlyos sérüléséhez vagy a berendezés megrongálódásához vezethet.

A berendezés nyújtotta védelmi funkciók működését nem szabad befolyásolni. Csak az útmutatóban előírt módon használja és telepítse a berendezést.

2.2 A veszélyekkel kapcsolatos tudnivalók alkalmazása

▲ VESZÉLY

Lehetséges vagy közvetlenül veszélyes helyzetet jelez, amely halálhoz vagy súlyos sérüléshez vezet.

▲ FIGYELMEZTETÉS

Lehetséges vagy közvetlenül veszélyes helyzetet jelez, amely halálhoz vagy súlyos sérüléshez vezethet.

▲ VIGYÁZAT





Lehetséges veszélyes helyzetet jelez, amely enyhe vagy kevésbé súlyos sérüléshez vezethet.

MEGJEGYZÉS

A készülék esetleges károsodását okozó helyzet lehetőségét jelzi. Különleges figyelmet igénylő tudnivaló.

2.3 Figyelmeztető címkék

Olvassa el a műszerhez csatolt valamennyi címkét és függő címkét. Ha nem tartja be, ami rajtuk olvasható, személyi sérülés vagy műszer rongálódás következhet be. A műszeren látható szimbólum jelentését a kézikönyv egy óvintézkedési mondattal adja meg.

	Ez a biztonsági figyelmeztetés szimbóluma. A személyi sérülések elkerülése érdekében tartson be minden biztonsági utasítást, amely ezt a szimbólumot követi. Ha ezt a jelzést a műszeren látja, az üzemeltetésre és biztonságra vonatkozó információkért olvassa el a használati utasítást.
	Ez a szimbólum áramütés, illetőleg halálos áramütés kockázatára figyelmeztet.
	Ez a szimbólum elektrosztatikus kisülésre (ESD) érzékeny eszközök jelenlétére figyelmeztet, és hogy intézkedni kell az ilyen eszközök megvédése érdekében.
	Az ezzel a szimbólummal jelölt elektromos készülékek Európában nem helyezhetők háztartási vagy lakossági hulladékfeldolgozó rendszerekbe. A gyártó köteles ingyenesen átvenni a felhasználóktól a régi vagy elhasznált elektromos készülékeket.

2.4 A termék áttekintése

Ezt az érzékelőt arra tervezték, hogy egy vezérlővel működjön és adatokat gyűjtsön. Ezzel az érzékelővel több vezérlő is használható. Ez a dokumentum feltételezi, hogy az érzékelő telepítve van, és egy sc vezérlővel használják. Más vezérlőkkel történő használat esetén olvassa el az adott vezérlő felhasználói kézikönyvét.

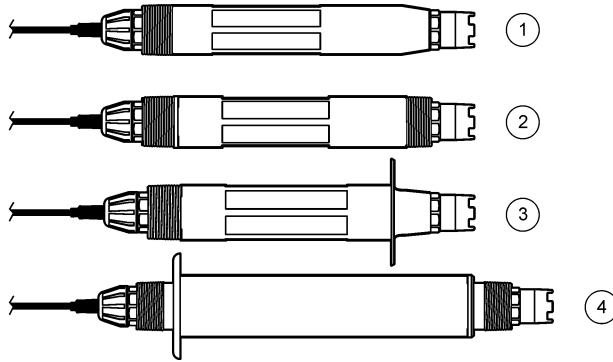
Ez a termék veszélynek kitett helyszínen nem használható.

A telepítési útmutatóban megtalálhatók az esetleg szükséges alkatrészek (például a szonda rögzítéséhez). Számos felszerelési lehetőség van, amelyekkel a szonda különféle módon alkalmazható számos felhasználásra.

2.5 Érzékelőtípusok

Az érzékelő különféle típusokban áll rendelkezésre. Lásd: [1. ábra](#).

1. ábra Érzékelőtípusok



<p>1 Beillesztéses: átfolyócellákhoz vagy golyósszelepű szerelvény csőadapteréhez. A folyamatáramlás leállítása nélkül eltávolítható.</p>	<p>3 Lefolyó: kéthüvelykes T-ágidomba való beszereléshez</p>
<p>2 Átalakítható: cső T-idomhoz vagy nyílt tartályba való mérítéshez</p>	<p>4 Rozsdamentes acél: nyílt tartályba való mérítéshez</p>

Beillesztéses érzékelők: A beillesztéses érzékelők hasonlítanak az átalakítható változatokra, de csak a kábelvégen találhatók 1 hüvelykes NPT menetek, amelyekkel az érzékelők átfolyócellában vagy golyósszelepű szerelvény csőadapterében rögzíthetők. A beillesztéses érzékelők a folyamatáramlás leállítása nélkül behelyezhetők és kivehetők.

Átalakítható érzékelők: Az átalakítható érzékelőkön 1 hüvelykes NPT menet található a test mindkét végén, így a következő módokon rögzíthető:

- szabványos 1 hüvelykes, NPT-menetes T-idomban
- csőadapterbe összekötő rögzítéshez, szabványos másfél hüvelykes T-idommal
- csővégre, mérítéshez.

Megjegyzés: Az átalakítható érzékelők a másfél hüvelykes LCP, Ryton és epoxi érzékelőkhöz készült meglévő elrendezésekben is használhatók.

Lefolyóérezékelők: A lefolyóérezékelőkön kéthüvelykes perem található, mellyel az érzékelő kéthüvelykes T-ágidomba rögzíthető. A lefolyóérezékelőkhöz felhasználást segítő speciális sapka és EDPM tömítés tartozik.

Rozsdamentes acél érzékelők: A rozsdamentes acél érzékelők testének mindkét oldalán 1 hüvelykes NPT menet található. A rozsdamentes acél érzékelők nyílt tartályba való mérítéshez használhatók.

Szakasz 3 Beszerelés

3.1 Felerősítés

▲ FIGYELMEZTETÉS



Robbanásveszély. Ügyeljen, hogy az érzékelő rögzítőeleme a rögzítés helyszínének megfelelő hőmérsékleti és nyomásbesorolással rendelkezzen.

▲ VIGYÁZAT



Személyi sérülés veszélye. A törött üveg sérülést okozhat. A törött üveg eltávolításához használjon megfelelő eszközöket és védőfelszerelést.

MEGJEGYZÉS

A pH-érzékelő csúcán elhelyezkedő folyamatelektrodán üvegbura van, ami eltörhet. Óvja az üvegburát az ütésektől és a nyomásoktól.

MEGJEGYZÉS

Az ORP-érzékelő hegyén található arany vagy platina feldolgozó elektrodán üvegszár található (a sóhíd eltakarja), amely eltörhet. Óvja az üvegszárát az ütésektől és a nyomásoktól.

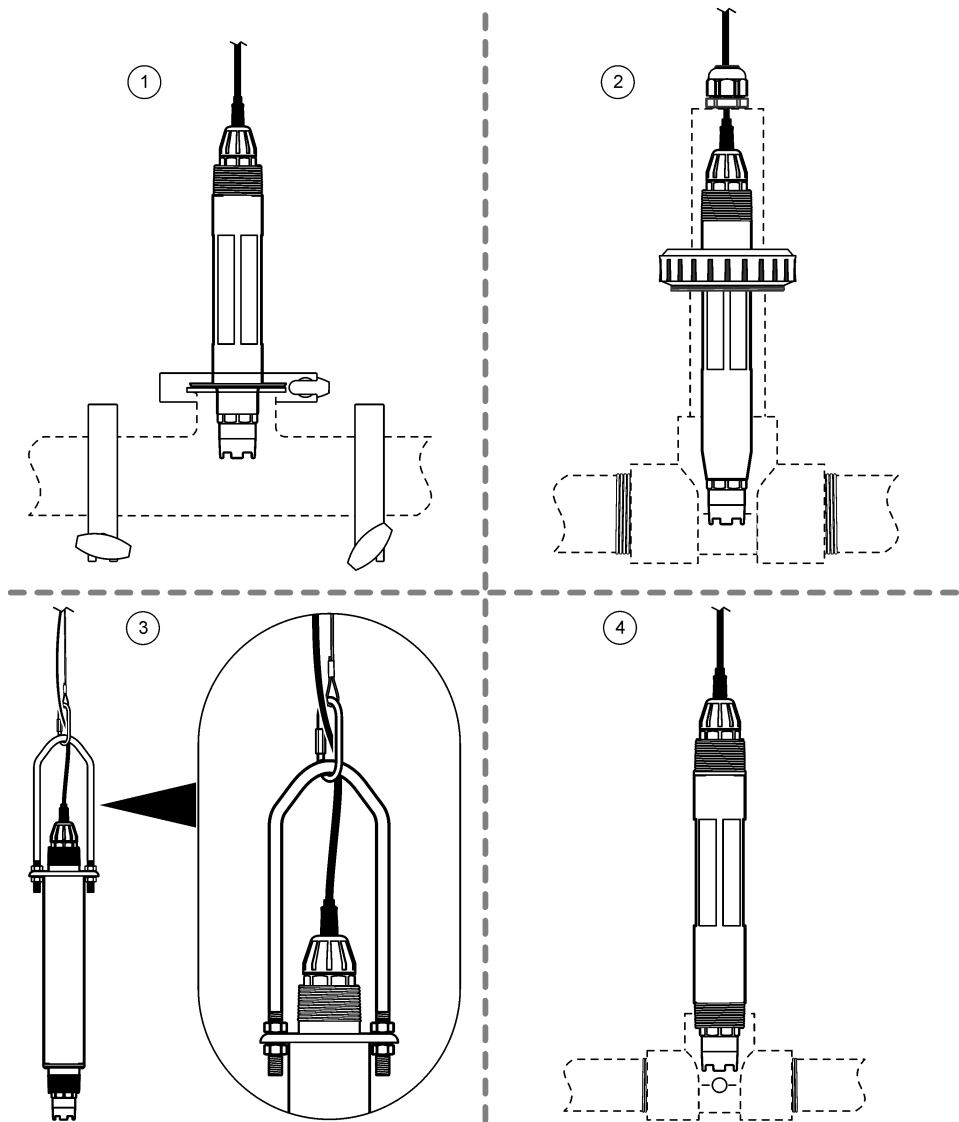
MEGJEGYZÉS

Ez a műszer legfeljebb 2000 m (6562 láb) tengerszint feletti magasságon való használatra készült. Bár ennél nagyobb magasságban sincs lényeges biztonsági veszély, a gyártó azt javasolja, hogy a felhasználók ezzel kapcsolatban forduljanak a műszaki támogató részleghez.

- Olyan helyre szerelje be az érzékelőt, ahol az érzékelővel érintkezésbe kerülő minta jól jellemzi az egész folyamatot.
- Példák a rögzítési konfigurációkra: [2. ábra](#), [3. ábra](#) és [4. ábra](#).
- Az elérhető rögzítőelemek: [Cserealkatrészek és tartozékok](#) oldalon 311.
- A felszereléshez a megfelelő szerelvényhez mellékelt útmutatóban talál információt.
- Az érzékelőt úgy szerelje be, hogy legalább 15°-ot zárjon be a vízszintes síkkal. Lásd: [5. ábra](#).
- Elmerülő beszerelés esetén az érzékelőt legalább 508 mm-re (20 hüvelyk) helyezze a levegőztetőmedence falától, és legalább 508 mm-es (20 hüvelyk) mélységig merítse a folyamatba.
- Használatba vétel előtt a távolítsa el az érzékelő védő kupakját. Őrizze meg a védősapkát későbbi felhasználás céljára.
- (Nem kötelező) Ha a folyamatvíz forrásponthoz közeli, adjon zselépor³ az érzékelő standard cellaoldalához. Részletek: [A sóhíd cseréje](#) oldalon 305, 2. lépés. Ne cserélje a sóhidat.
- Használat előtt kalibrálja az érzékelőt.

³ A zselépor lassítja a standard cellaoldal párolgását.

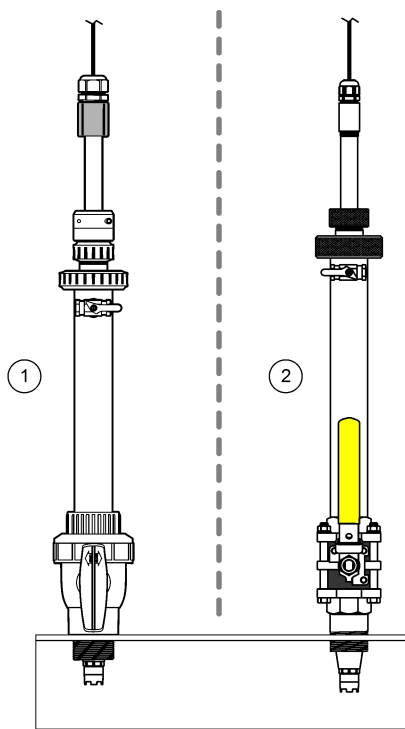
2. ábra Szerelési példák (1)



1 Lefolyórögzés (2 hüvelykes T-ágidom)	3 Merülő rögzítés, lánc és fül ⁴
2 Összekötő rögzítés (1½ hüvelykes szabványos T-idom)	4 Átfolyó rögzítés (1 hüvelykes szabványos T-idom)

⁴ Csak rozsdamentes acél érzékelő esetében

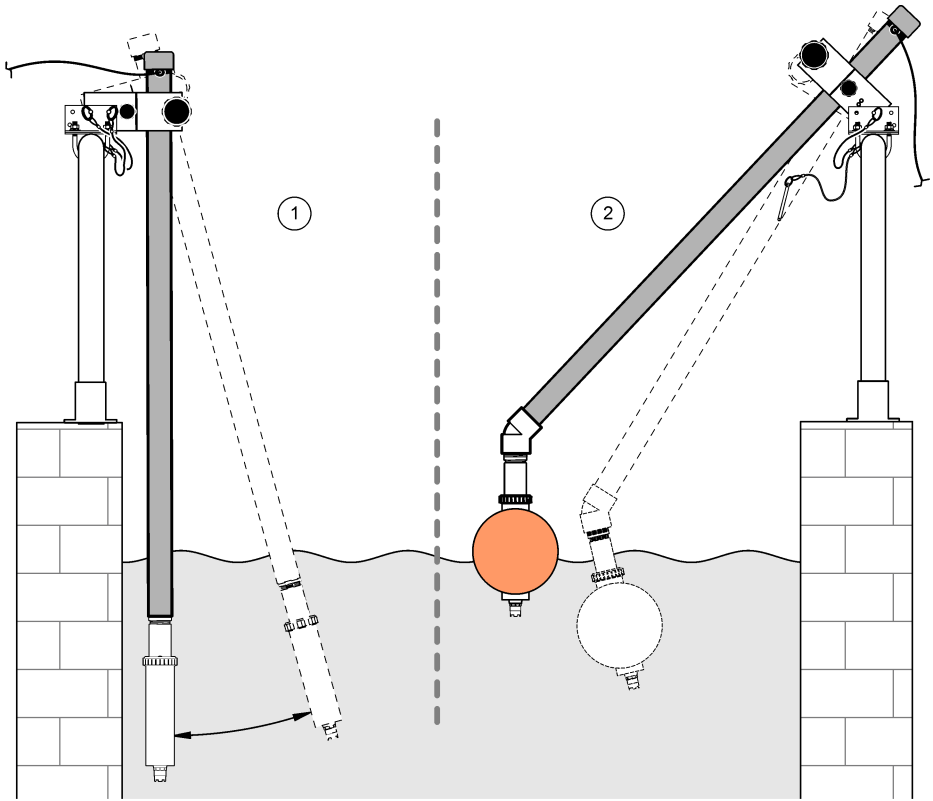
3. ábra Szerelési példák (2)



1 Beillesztéses rögzítés, CPVC

2 Beillesztő szerelvény, rozsdamentes acél

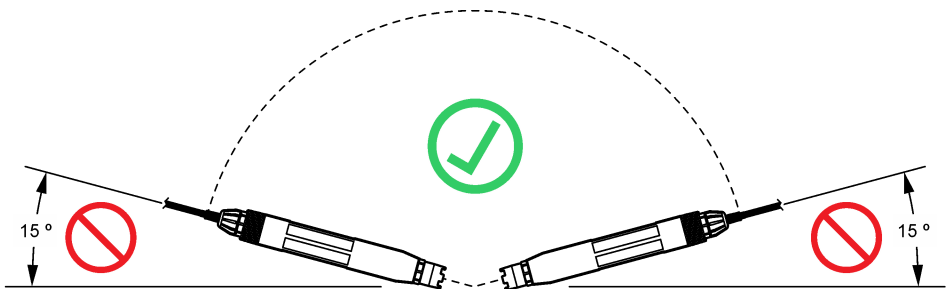
4. ábra Szerelési példák (3)



1 Merülőrögző, forgócsapos

2 Merülőrögző, gömbűző

5. ábra Érzékelőrgítési szög

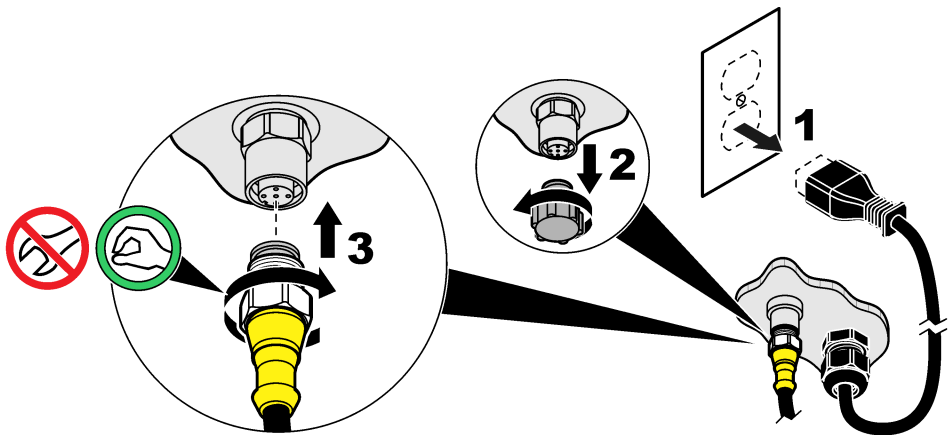


3.2 Elektromos üzembe helyezés

3.2.1 Érzékelő csatlakoztatása gyorscsatlakozóval (veszélymentes helyen)

1. Csatlakoztassa az érzékelőkábelt az SC vezérlő gyorscsatlakozó szerelvényéhez. Lásd: [6. ábra](#).
Őrizzze meg a csatlakozó sapkáját, amellyel lezárhatja a nyílást, amennyiben el kell távolítania az érzékelőt.
2. Ha az érzékelő csatlakoztatásakor a vezérlő be van kapcsolva:
 - SC200 vezérlő: Válassza a ELLENŐRZ/KARB. > SZENZ. KERESÉS lehetőséget.
 - SC1000 vezérlő: Válassza a RENDSZ.BEÁLLÍT > Eszköz irányítás > Új eszköz keresés lehetőséget.

6. ábra Érzékelő csatlakoztatása gyorscsatlakozóval



3.2.2 Hosszabbító kábelek

- Hosszabbító kábelek igénybe vehetők. Lásd: [Cserealkatrészek és tartozékok](#) oldalon 311.
- Az SC1000 vezérlők maximális kábelhossza 15 m (49 láb).
- Az SC200 vezérlők maximális kábelhossza 1000 m (3280 láb).
- SC200 vezérlő: Használjon digitális csatlakozódobozt, ha a kábel 100 m-nél (328 láb) hosszabb. Lásd: [Cserealkatrészek és tartozékok](#) oldalon 311.

3.2.3 Érzékelő csatlakoztatása csupasz vezetékekkel (veszélymentes helyen)

⚠ VESZÉLY	
	Halálos áramütés veszélye. Mindig áramtalanítsa a műszert, mielőtt elektromosan csatlakoztatja.
⚠ VESZÉLY	
	Halálos áramütés veszélye. A vezérlő nagyfeszültségű vezetékai a nagyfeszültségű védőelem mögött csatlakoznak a vezérlő házában. A védőelem csak a modulok telepítésekor, illetve a relék, vagy analóg és hálózati kártyák vezetékeinek képzett szakember által történő kiépítése esetén távolítható el.

Ha az érzékelőkábelben nincs gyorscsatlakozó⁵, csatlakoztassa az érzékelőkábel csupasz vezetékét a vezérlőhöz a következők szerint:

Megjegyzés: Az SC1000 vezérlőhöz nem csatlakoztatható csupasz vezetékes érzékelőkábel.

1. Keresse meg az SC200 vezérlő dobozában található védőcsöves vezetékészletet (9222400).
A készlethez négy illesztőcsatlakozó tartozik.
2. A védőcsöves vezetékészlet útmutatóját követve csatlakoztassa az érzékelőkábelt a vezérlőhöz.

Szakasz 4 Működtetés

4.1 Felhasználói navigáció

A billentyűzet leírását és a navigációs tudnivalókat lásd a vezérlő dokumentációjában.

Több információ megjelenítéséhez a kezdőképernyőn és a grafikus kijelzők megtekintéséhez nyomja meg többször a **JOBB** nyíl gombot a vezérlőn.

4.2 Az érzékelő konfigurálása

Adja meg az érzékelő nevét és típusát. Adja meg a mérésre, kalibrálásra, adatkezelésre és tárolásra vonatkozó beállításokat.




1. Nyomja meg a **menü** gombot, majd válassza a **SENZORBEÁLLÍT > [érzékelő] > BEÁLLÍTÁSOK** lehetőséget.
2. Válasszon beállítást.

Opció	Leírás
NÉV BEVITEL	Az érzékelőhöz tartozó név - amely a képernyő tetején látható - megváltoztatása. A név legfeljebb 12 karakterből állhat, és betűk, számok, szóközök, illetve írásjelek tetszőleges kombinációját tartalmazhatja.
SENZOR KIVÁL.	Kiválasztja az érzékelő típusát (pH vagy ORP).
KIJELZ. FORMA	Csak pH érzékelők esetén - a mérő képernyőn megjelenő tizedes helyek számának megváltoztatása XX,XX (alapértelmezett) formátumról XX,X formátumra..
HÖM.MÉRTEGYSÉG	A hőmérséklet mértékegységének beállítása °C (alapértelmezés) vagy °F értékre.
NAPLÓ BEÁLLÍT.	Beállítja az adatnapló frissítésének időintervallumát — 5, 30 másodperc, 1, 2, 5, 10, 15 (alapértelmezett), 30, 60 perc.
AC FREKVENCIA	Kiválasztja a vezérlő hálózati áramforrásának frekvenciáját (50 vagy 60 Hz). Ha a vezérlő teljesítménye 120 VAC, a 60 Hz lehetőséget kell választania. Ha a vezérlő teljesítménye 230 VAC, az 50 Hz lehetőséget kell választania.
SZÜRŐ	A jelstabilitás növeléséhez szükséges időálló beállítása. Az időálló kiszámítja az átlag értéket egy meghatározott idő alatt - 0 (nincs hatás, alapértelmezett) és 60 másodperc között (a jelérték átlaga 60 másodperchez). A szűrő megnöveli a folyamat jelenlegi változására reagáló érzékelő jelidőt.
HŐELEM MENÜ	pH-érzékelők: a hőmérsékletmérő automatikus hőmérséklet-kompenzációját PT100, PT1000, NTC300 (alapértelmezett) vagy KÉZI BEÁLL beállításra állítja. Ha nincs hőmérsékletmérő, a típus KÉZI BEÁLL beállításra állítható, és megadható a hőmérséklet-kompenzáció értéke (alapértelmezett kézi érték: 25 °C). ORP-érzékelők: nincs hőmérséklet-kompenzáció. Hőmérséklet jeladó csatlakoztatható hőmérséklet méréséhez.
PUFFER KIVÁL.	Csak pH-érzékelők esetében: Kiválasztja a kalibrációhoz használt pufferoldatokat. Lehetőségek: pH 4, 7, 10 (alapértelmezett) vagy DIN 19267 (pH 1,09, 4,65, 6,79, 9,23, 12,75) Megjegyzés: A kalibráláshoz más pufferoldatok is használhatók.

⁵ Például: digitális csatlakozódoboz, és 4 eres szigetelt vezetékkel töltött érzékelőkábel.

Opció	Leírás
TISZT.VÍZ KOMP	Csak pH-érzékelők esetében: Az adalékokat tartalmazó tiszta víz méréséhez hőmérsékletfüggő korrekciós értéket ad a mért pH-értékekhez – NINCS (alapértelmezett), AMMÓNIA, MORPHOLINE vagy SAJÁT BEÁLLÍT.. Az 50 °C hőmérséklet fölött az 50 °C-os korrekció van használatban. A felhasználó által meghatározott alkalmazások esetén beírható lineáris meredekség (alapértelmezett: 0 pH/°C).
KAL NAPOK	Beállítja a kalibrációs gyakoriságot (alapértelmezés: 60 nap). Megjegyzés: Figyelmeztetés jelenik meg a vezérlő kijelzőjén, amikor a kalibrációs gyakoriságnál több idő telt el a legutóbbi kalibráció óta.
SENZOR NAPOK	Beállítja az érzékelőcsere gyakoriságát (alapértelmezés: 365 nap). Megjegyzés: Figyelmeztetés jelenik meg a vezérlő kijelzőjén, amikor az érzékelőcsere gyakoriságnál több ideje van használatban az érzékelő.
IMP HATÁR	Beállítja az aktív és a referenciaelektrodák impedanciahatárát (alapértelmezés: ALACSONY = 0 MΩ, MAGAS = 1000 MΩ). Megjegyzés: Ha a DIAGN./TESZT menü IMP ÁLLAPOT beállítása ENGEDÉLYEZ, hibaüzenet jelenik meg a vezérlő kijelzőjén, amikor az aktív vagy a referenciaelektroda impedanciája nincs a beállított határon belül.
ALAPBEÁLLÍTÁS	Visszaállítja a konfigurációs beállításokat az alapértékekre.

4.3 Az érzékelő kalibrálása

▲ FIGYELMEZTETÉS	
	Robbanásveszély. Érzékelő eltávolítása nyomás alatt álló tartályból veszélyes lehet. Az eltávolítás előtt csökkentse a folyamat nyomását 10 psi alá. Ha ez nem lehetséges, legyen nagyon körültekintő. További tudnivalók a felerősítő szerelvényekhez mellékelt dokumentációban található.
▲ FIGYELMEZTETÉS	
	Kémiai expozíció veszélye. Kövesse a laboratóriumi biztonsági eljárásokat, és viselje a kezelt vegyszereknek megfelelő összes személyes védőfelszerelést. A biztonsági protokollokkal kapcsolatban lásd az aktuális biztonsági adatlapokat (MSDS/SDS).
▲ VIGYÁZAT	
	Kémiai expozíció veszélye. Semmisítse meg a vegyszereket és a hulladékokat a helyi, területi és nemzeti előírásoknak megfelelően.

4.3.1 Az érzékelő kalibrálásáról

A kalibrálással úgy módosíthatók az érzékelővel beolvasott adatok, hogy megfeleljenek egy vagy két referenciaértéknek. Az érzékelő jellemzői idővel lassan megváltoznak, és az érzékelő elveszíti a pontosságát. A pontosság fenntartása érdekében az érzékelőt rendszeresen kalibrálni kell. A kalibrálás gyakorisága függ az alkalmazástól, és tapasztalat során határozható meg.

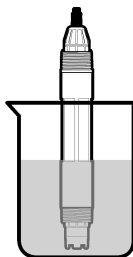
A pH-érzékelők esetében hőmérsékletmérő segítségével történik a pH-értékek beolvasása, melyek automatikusan 25 °C-hoz igazodnak, ha az aktív és a referenciaelektroda hőmérséklete változik. A beállítást a felhasználó manuálisan elvégezheti, ha a folyamat hőmérséklete állandó. Részletek: [Az érzékelő konfigurálása](#) oldalon 299 – HŐELEM MENÜ.

4.3.2 pH kalibrálási eljárás

Kalibrálja a pH-érzékelőt egy vagy két referenciaoldattal (egyponyos vagy kétpontos kalibráció).

1. Helyezze az érzékelőt az első referenciaoldatba (ismert értékű pufferbe vagy mintába). Győződjön meg arról, hogy az érzékelő teljesen elmerül-e a folyadékban. Lásd: [7. ábra](#).

7. ábra Érzékelő a referencia oldatban



2. Várja meg, amíg az érzékelő és az oldat hőmérséklete kiegyenlítődik. Ez akár 30 percet is igénybe vehet, ha az érzékelő és a referencia oldat hőmérséklete közötti különbség jelentős.
3. Nyomja meg a **menü** gombot, majd válassza a SZENZORBEÁLLÍT > [érzékelő] > KALIBRÁLÁS lehetőséget.
4. Válassza ki a kalibrálás típusát.

Opció	Leírás
1 PONTOS AUTO	Kalibrálás egy pufferrel (pl. pH 7). A kalibrálás során az érzékelő automatikusan azonosítja a puffert. Megjegyzés: Ügyeljen, hogy a megfelelő pufferkészletet válassza ki az érzékelő konfigurációs beállításai között.
2 PONTOS AUTO (ajánlott)	Kalibrálás két pufferrel (pl. pH 7 és pH 4). A kalibrálás során az érzékelő automatikusan azonosítja a puffereket. Megjegyzés: Ügyeljen, hogy a megfelelő pufferkészletet válassza ki az érzékelő konfigurációs beállításai között.
1 PONTOS KÉZI	Kalibrálás ismert pH-értékkel rendelkező mintával (vagy egy pufferrel). Meg kell adnia a pH-értéket a kalibrálás során.
2 PONTOS KÉZI	Kalibrálás két ismert pH-értékkel rendelkező mintával (vagy két pufferrel). Meg kell adnia a pH-értékeket a kalibrálás során.

5. Ha a vezérlő biztonsági menüjében jelszó van beállítva, írja be a jelszót.
6. A kalibrálás során válassza ki az opciót a kimeneti jelhez:

Opció	Leírás
AKTÍV	A készülék a kalibrálás során elküldi a jelenleg mért kimeneti értéket.
TARTVA	A kalibrálás során a készülék az érzékelő kimeneti értékét megtartja a jelenleg mért értéken.
ÁTVITEL	A kalibrálás során a készülék egy előre beállított kimeneti értéket küld. Az előre beállított érték megváltoztatásához olvassa el a vezérlő felhasználói kézikönyvét.

7. Ha az érzékelő az első referenciaoldatban van, nyomja meg a megerősítés gombot. Megjelenik a mért érték.
8. Ha szükséges, adja meg a referenciaoldat pH-értékét:
 - a. Várja meg, hogy az érték stabilizálódjon, majd nyomja meg a megerősítés gombot.
 - b. Adja meg a pH-értéket.
Megjegyzés: Ha a referenciaoldat puffer, keresse meg a hőmérsékletének megfelelő pH-értéket a puffer palackján. Ha a referenciaoldat egy minta, határozza meg a pH-értékét egy másik berendezéssel.
9. Kétpontos kalibrálás esetén végezzen mérést a második referenciaoldaton is az alábbiak szerint:
 - a. Távolítsa el az érzékelőt első oldatból, és öblítse le tiszta vízzel.
 - b. Helyezze az érzékelőt a következő referenciaoldatba, majd nyomja meg a megerősítés gombot.

- c. Ha szükséges, várja meg, hogy az érték stabilizálódjon, majd nyomja meg a megerősítés gombot. Adja meg a pH-értéket.

10. Ellenőrizze a kalibráció eredményét:

- SIKERES: A kalibrálás befejeződött, az érzékelő készen áll a mintamérésre. Megjelennek a meredekségi és/vagy eltolási értékek.
- SIKERTELEN: A kalibrációs meredekség vagy az eltolás az elfogadható tartományon kívül esik. Ismételje meg a kalibrálást friss referencia oldattal. Ha szükséges, tisztítsa meg az érzékelőt. Lásd: [Tisztítsa meg az érzékelőt](#) oldalon 304.

11. Ha a kalibráció sikeres volt, nyomja meg a megerősítés gombot.

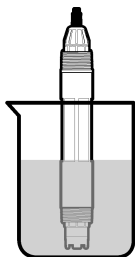
12. Helyezze vissza az érzékelőt a folyamatba ,majd nyomja meg a megerősítés gombot. A kimeneti jel visszatér aktív állapotba, és a mért minta érték megjelenik a képernyőn.

4.3.3 Az ORP-kalibrálás menete

Kalibrálja az ORP-érzékelőt egy referenciaoldattal vagy ismert értékű mintával.

1. Helyezze az érzékelőt a referenciaoldatba vagy mintába. Gondoskodjon arról, hogy a mérőszonda érzékelő része teljesen elmerüljön az oldatban. Lásd: [8. ábra](#).

8. ábra Érzékelő a referenciaoldatban vagy mintában



2. Nyomja meg a **menü** gombot, majd válassza a SZENZORBEÁLLÍT > [érzékelő] > KALIBRÁLÁS lehetőséget.
3. Válassza az 1 PONTOS KÉZI lehetőséget.
4. Ha a vezérlő biztonsági menüjében jelszó van beállítva, írja be a jelszót.
5. A kalibrálás során válassza ki az opciót a kimeneti jelhez:

Opció	Leírás
AKTÍV	A készülék a kalibrálás során elküldi a jelenleg mért kimeneti értéket.
TARTVA	A kalibrálás során a készülék az érzékelő kimeneti értékét megtartja a jelenleg mért értéken.
ÁTVITEL	A kalibrálás során a készülék egy előre beállított kimeneti értéket küld. Az előre beállított érték megváltoztatásához olvassa el a vezérlő felhasználói kézikönyvét.

6. Ha az érzékelő a referenciaoldatban vagy a mintában van, nyomja meg a megerősítés gombot. Megjelenik a mért érték.
7. Várja meg, hogy az érték stabilizálódjon, majd nyomja meg a megerősítés gombot.
8. Adja meg a referenciaoldat vagy a minta ORP-értékét.

Megjegyzés: Ha referenciaoldatot használ a kalibráláshoz, keresse meg az ORP-értéket az oldat palackján. Ha mintát használ a kalibráláshoz, mérje meg az ORP-értéket egy másik ellenőrző eszközön.

9. Ellenőrizze a kalibráció eredményét:

- **SIKERES:** A kalibrálás befejeződött, az érzékelő készen áll a mintamérésre. Megjelennek a meredekségi és/vagy eltolási értékek.
- **SIKERTELEN:** A kalibrációs meredekség vagy az eltolás az elfogadható tartományon kívül esik. Ismételje meg a kalibrálást friss referenciaoldattal. Ha szükséges, tisztítsa meg az érzékelőt. Lásd: [Tisztítsa meg az érzékelőt](#) oldalon 304.

10. Ha a kalibráció sikeres volt, nyomja meg a megerősítés gombot.

11. Helyezze vissza az érzékelőt a folyamatba ,majd nyomja meg a megerősítés gombot.
A kimeneti jel visszatér aktív állapotba, és a mért minta érték megjelenik a képernyőn.

4.3.4 Hőmérséklet kalibrálás

A készüléket a gyárban pontos hőmérsékletmérésre kalibrálták. Mindazonáltal a hőmérséklet újrakalibrálással pontosabb eredményeket érhet el.

1. Helyezze az érzékelőt egy víztartályba.
2. Mérje meg a víz hőmérsékletét egy pontos hőmérővel vagy egy független készülékkel.
3. Nyomja meg a **menü** gombot, majd válassza a SZENZORBEÁLLÍT > [érzékelő] > KALIBRÁLÁS lehetőséget.
4. Válassza a H?M BEÁLL > H?M SZERKESZT lehetőséget, majd nyomja meg a megerősítés gombot.
5. Adja meg a pontos hőmérsékletet, majd nyomja meg a megerősítés gombot.
6. Helyezze vissza az érzékelőt a folyamatba ,majd nyomja meg a megerősítés gombot.

4.3.5 Kilépés a kalibrációs műveletből

1. A kalibrálás befejezéséhez nyomja meg a **gombot** .
2. Válasszon beállítást.

Opció	Leírás
STOP	A kalibrálás leállítása. Az új kalibrálást az elejétől kell kezdeni.
VISSZA A KAL.	Visszatérés a kalibráláshoz.
KILÉPÉS	A kalibrálás ideiglenes elhagyása. Lehetőség van más menük elérésére. Egy második érzékelő (ha van) kalibrálása is elindítható. Ha visszatérne a kalibráláshoz, nyomja meg a menü gombot, majd válassza a SZENZORBEÁLLÍT > [érzékelő] menüpontot.

4.4 Érzékelőadatok és eseménynaplók

Az SC vezérlő minden érzékelőről adatnaplót és eseménynaplót vezet. Az adatnapló adott (felhasználó által beállítható) időközönként tárolja a mérési adatokat. Az eseménynapló az előfordult eseményeket tárolja.

Az adatnapló és az eseménynapló is exportálható CSV formátumban. Az utasításokért olvassa el a vezérlő dokumentációját.

4.5 Modbus regiszterek

A Modbus regiszterek listája a hálózati adatátvitelhez rendelkezésre áll. A további tudnivalókat lásd a gyártó weboldalán.

Szakasz 5 Karbantartás

▲ VESZÉLY



Többszörös veszély. A dokumentumnak ebben a fejezetében ismertetett feladatokat csak képzett szakemberek végezhetik el.

▲ FIGYELMEZTETÉS



Robbanásveszély. Érzékelő eltávolítása nyomás alatt álló tartályból veszélyes lehet. Az eltávolítás előtt csökkentse a folyamat nyomását 10 psi alá. Ha ez nem lehetséges, legyen nagyon körültekintő. További tudnivalók a felerősítő szerelvényekhez mellékelt dokumentációban található.

▲ FIGYELMEZTETÉS



Kémiai expozíció veszélye. Kövesse a laboratóriumi biztonsági eljárásokat, és viselje a kezelt vegyszereknek megfelelő összes személyes védőfelszerelést. A biztonsági protokollokkal kapcsolatban lásd az aktuális biztonsági adatlapokat (MSDS/SDS).

▲ VIGYÁZAT



Kémiai expozíció veszélye. Semmisítse meg a vegyszereket és a hulladékokat a helyi, területi és nemzeti előírásoknak megfelelően.

5.1 Karbantartási ütemterv

A táblázatban (1. táblázat) a karbantartási feladatok ajánlott ütemterve látható. A berendezések igényei és az üzemeltetési feltételek növelhetik bizonyos feladatok elvégzésének gyakoriságát.

1. táblázat Karbantartási ütemterv

Feladat	Évente	Szükség szerint
Tisztítsa meg az érzékelőt oldalon 304		X ⁶
A sóhíd cseréje oldalon 305	X	
Az érzékelő kalibrálása	A vonatkozó szabályok vagy tapasztalat szerint	

5.2 Tisztítsa meg az érzékelőt

Előfeltétel: Készítsen enyhe, szappanos oldatot nem súroló mosogatószerből, amely nem tartalmaz lanolint. A lanolin egy vékony réteget hagy az elektróda felületén, amely csökkenti az érzékelő teljesítményét.

Az elektródát rendszeresen ellenőrizze szennyeződés vagy lerakódás szempontjából. Az elektródát mindig tisztítsa meg, ha lerakódást észlel rajta, vagy csökkent a teljesítménye.

1. Az érzékelő végéről a szennyeződést tiszta, puha ruhával távolítsa el. Tiszta, langyos vízzel öblítse le az érzékelőt.
2. Áztassa az érzékelőt 2 - 3 percre a szappanoldatban.
3. Az érzékelő teljes mérőfejének tisztításához használjon puha sörtéjű keféket.
4. Ha marad szennyeződés, akkor az érzékelő mérőfejét merítse hígított savas oldatba - pl. <5% HCl - maximum 5 percre.
5. Az érzékelőt öblítse le vízzel, majd helyezze vissza a szappanos oldatba 2-3 percre.

⁶ A szükséges gyakoriság a használat körülményeitől függ.

6. Öblítse le az érzékelőt tiszta vízzel.

Megjegyzés: A HF alkalmazáshoz használt antimon elektródával rendelkező érzékelők további tisztítást igényelhetnek. Vegye fel a kapcsolatot a műszaki ügyfélszolgálattal.

Az érzékelőt a karbantartási műveletek után mindig kalibrálja újra.

5.3 A sóhíd cseréje

A sóhidat és a standard cellaoldatot cserélje évente, vagy akkor, ha az érzékelő tisztítása után a kalibráció sikertelen.

Megjegyzés: A www.Hach.com címen videót találhat a sóhíd cseréjének menetéről. Lépjen a sóhíd aloldalára, majd kattintson a Video lapra.

Szükséges kellékek:

- Állítható villáskulcs
- Nagyobb csipesz
- Sóhíd
- Normál cellaoldat
- Zselépor⁷, 1/8 teáskanál

1. Tisztítsa meg az érzékelőt. Lásd: [Tisztítsa meg az érzékelőt](#) oldalon 304.

2. Cserélje a sóhidat és a standard cellaoldatot. Lásd az alábbi képeken bemutatott lépéseket.

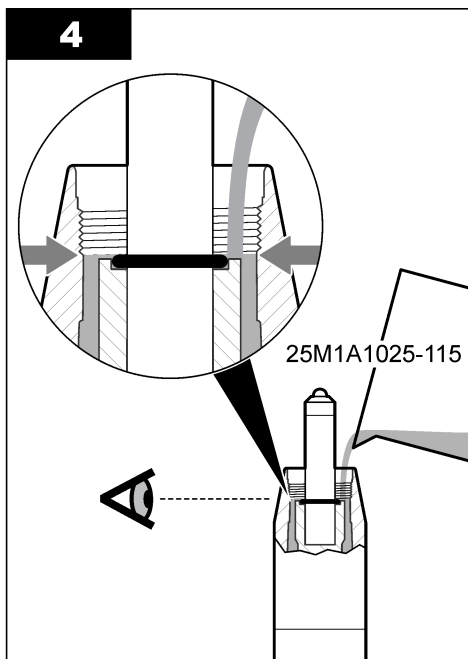
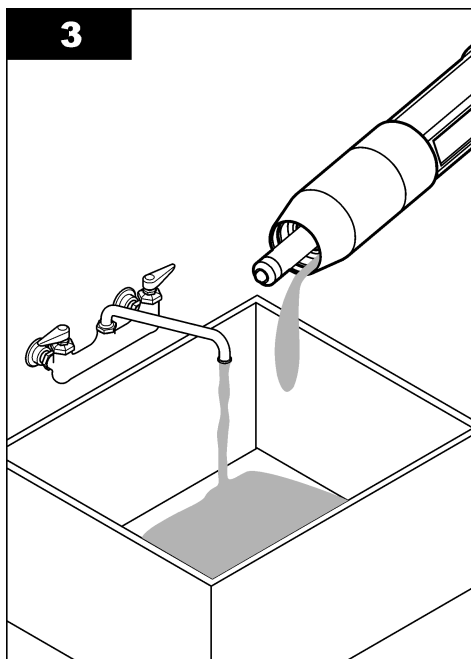
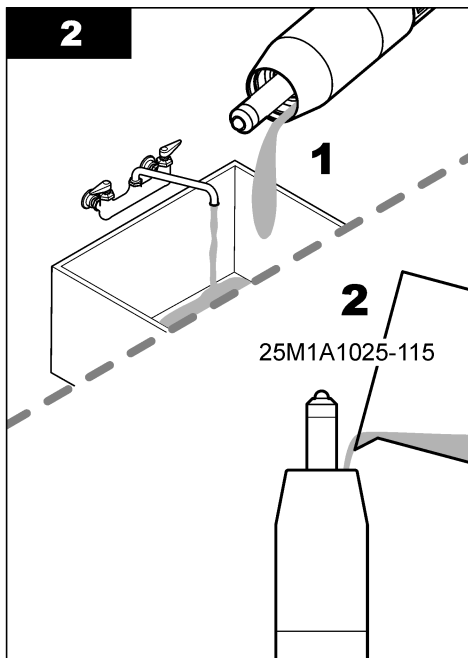
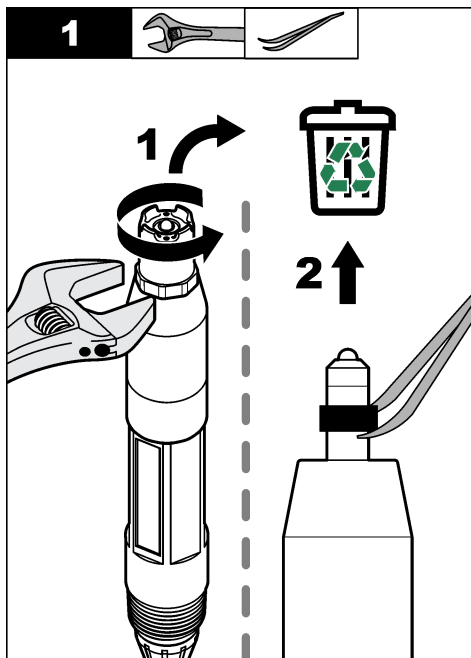
Ha a standard cellaoldat tartálya zselét tartalmaz (nem gyakori), Waterpikhez hasonló vékony vízszugárral távolítsa el a régi zselét, ahogyan ez a 2. lépésben is látható.

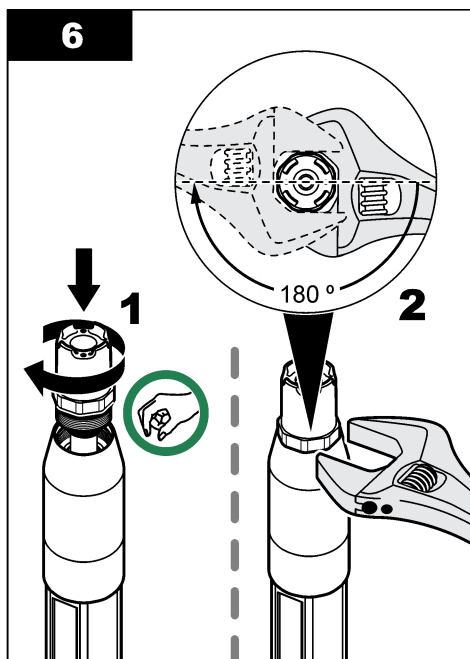
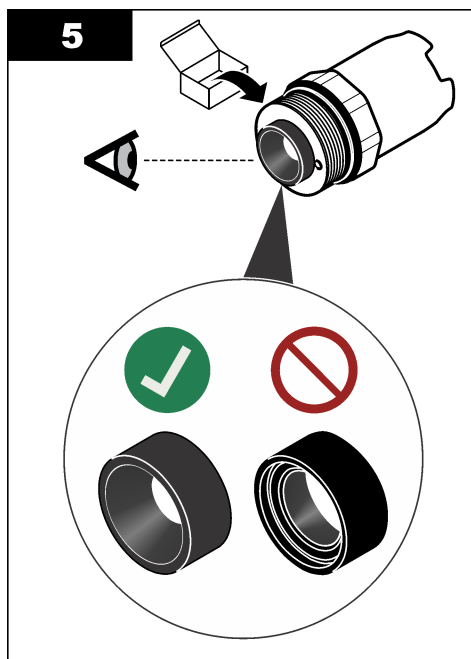
(Nem kötelező) Adjon zseléport az új standard cellaoldathoz, ha a folyamatvíz forrásponthoz közeli, a 4. lépésben ábrázoltak szerint:

- Öntsön 1 teli kupak (1/8 teáskanál) zseléport a standard cellaoldat tartályába.
- Öntsön kis mennyiségű friss standard cellaoldatot a tartályba.
- Keverje össze a porral úgy, hogy az oldat sűrűvé váljon.
- Adagoljon kis mennyiségű oldatot, majd kevergesse addig, amíg a zselé szintje a sóhíd menetének aljáig nem ér.
- A megfelelő gél szint ellenőrzéséhez helyezze be, majd vegye ki az új sóhidat. A sóhíd lenyomatának meg kell maradnia a gél felszínén.

3. Kalibrálja az érzékelőt.

⁷ (Nem kötelező) Adjon zseléport a standard cellaoldathoz, ha a folyamatvíz forrásponthoz közeli. A zselépor lassítja a standard cellaoldat párolgását.





5.4 Előkészítés a tárolásra

Rövid idejű tárolásnál (amikor az érzékelő egy óránál hosszabb időre a folyamaton kívül van), töltsd meg a védősapkát pH 4 értékű pufferrel vagy desztillált vízzel, és tegye vissza a sapkát az érzékelőre. Tartsa a folyamatelektrodát és a referenciakapcsoló sóhidat nedvesen, hogy elkerülhesse a lassú válaszdőt az érzékelő ismételt használatba vételekor.

Hosszabb idejű tárolásnál, a környezeti feltételektől függően, 2-4 hetenként ismételje meg a rövid idejű tárolási eljárást. A tárolás hőmérsékletre vonatkozó tudnivalói: [Műszaki adatok](#) oldalon 290.

Szakasz 6 Hibaelhárítás

6.1 Időszakos adatok

A kalibráció ideje alatt a készülék nem küld adatokat az adatnaplóhoz. Így az adatnapló területekkel rendelkezhet ott, ahol az adatok időszakosak.

6.2 Érzékelő diagnosztikai és teszt menü

Az érzékelő diagnosztikai és teszt menüje jeleníti meg a készülék jelenlegi és előzmény adatait. Lásd: [2. táblázat](#). Az érzékelő diagnosztikai és tesztelő menüjének megnyitásához nyomja meg a **menü** gombot, majd válassza a SZENZORBEÁLLÍT > [érzékelő] > DIAGN./TESZT lehetőséget.

2. táblázat Az érzékelő DIAGN./TESZT menüje

Opció	Leírás
SZENZOR INFO	Megjeleníti az érzékelő típusát, nevét, sorozatszámát, szoftververzióját és illesztőprogram-verzióját.
KALIBR ADAT	Megjeleníti a pH-mereedséget (mV/pH) és a legutóbbi kalibrálás dátumát. A pH-mereedségnek -55 és -61 mV között kell lennie.

2. táblázat Az érzékelő DIAGN./TESZT menüje (folytatás)

Opció	Leírás
JELEK	<p>SENZOR JEL: Az érzékelő által leolvasott adatot jeleníti meg mV-ban. A mV-tartomány: -60 és +60 mV (0 mV = pH 7).</p> <p>A/D MÉRÉSSZÁM: A leolvasott pH-t reprezentáló számjegyet jeleníti meg.</p> <p>A/D H?MÉRÉS: A leolvasott hőmérsékletet reprezentáló számjegyet jeleníti meg.</p> <p>ELEKTR ÁLLAPOT: Az aktív és a referenciaelektroda állapotát jeleníti meg (JÓ vagy ROSSZ). Ha ROSSZ látható, tisztítsa meg az érzékelőt és cserélje a sóhidat. Ha szükséges, cserélje az érzékelőt.</p> <p>AKTÍV ELEKTR: Az aktív elektroda impedanciáját jeleníti meg.</p> <p>REF ELEKTR.: A referenciaelektroda impedanciáját jeleníti meg.</p> <p>IMP ÁLLAPOT: Ha be van kapcsolva (ajánlott), a rendszer 1 perces időközönként ellenőrzi az aktív és a referenciaelektroda impedanciáját. Hiba jelenik meg a vezérlő kijelzőjén, ha az aktív vagy a referenciaelektroda impedanciája az impedancia alacsony vagy magas határértékén kívül esik.</p>
SZÁMLÁLÓK	<p>SENZOR NAPOK: Megjeleníti, hogy hány napja van üzemben az érzékelő.</p> <p>SENZ NULLÁZ: Nullára állítja a SENZOR NAPOK és az ELEKTR NAPOK értékét.</p> <p>ELEKTR NAPOK: Megjeleníti, hogy hány nappal ezelőtt történt a sóhid cseréje.</p> <p><i>Megjegyzés: Az ELEKTR NAPOK értéke automatikusan nullára áll a sóhid cseréjekor.</i></p>

6.3 Hibaüzenetek

Ha hiba történik, a mérési képernyőn olvasható adatok villogni kezdenek, és minden kimenet várakoztatva lesz, ha ez be van állítva a vezérlő menüjében. Az érzékelő hibajelzéseinek megjelenítéséhez nyomja meg a **menü** gombot, majd válassza a Diagnosztika > [érzékelő] > HIBALISTA lehetőséget. A lehetséges hibák listája itt látható: [3. táblázat](#).

3. táblázat Hibaüzenetek

Hibaüzenet	Leírás	Felbontás
PH MAGAS	A mért pH >14.	Kalibrálja az érzékelőt.
ORP TÚL MAGAS	A mért ORP-érték > 2100 mV.	
PH ALACSONY	A mért pH < 0.	Kalibrálja az érzékelőt.
ORP TÚL KICSI	A mért ORP-érték ≤ 2100 mV.	
ELTÉRÉS TÚL NAGY	Az eltolás > 9 (pH) vagy 200 mV (ORP).	Hajtsa végre a következő lépéseket: Tisztítsa meg az érzékelőt oldalon 304 és A sóhid cseréje oldalon 305. Ezt követően kalibráljon ismét.
ELTÉRÉS TÚL KICSI	Az eltolás < 5 (pH) vagy -200 mV (ORP).	
LEJTÉS TÚL MAGAS	A meredekség > 62 (pH)/1,3 (ORP).	Ismételje meg a kalibrálást friss referencia oldattal.
LEJTÉS TÚL ALACSONY	A meredekség < 50 (pH)/0,7 (ORP).	Hajtsa végre a következő lépéseket: Tisztítsa meg az érzékelőt oldalon 304. Ezt követően kalibráljon ismét.
H?M MAGAS	A mért hőmérséklet > 130 °C.	Ellenőrizze, hogy a megfelelő hőmérsékletmérő van-e kiválasztva. Részletek: Az érzékelő konfigurálása oldalon 299 – HŐELEM MENÜ.
H?M ALACSONY	A mért hőmérséklet ≤ 10 °C.	
A/D HIBA	Az analóg-digitális átalakítás sikertelen volt.	Kapcsolja ki a vezérlőt. Ezután kapcsolja be a vezérlőt.
A.ELEK TÚL NAGY	Az aktív elektroda impedanciája > 900 MΩ..	Az érzékelő levegőben van. Helyezze vissza az érzékelőt a mintába.

3. táblázat Hibaüzenetek (folytatás)

Hibaüzenet	Leírás	Felbontás
A.ELEK TÚL KICSI	Az aktív elektróda impedanciája < 8 MΩ..	Az érzékelő sérült vagy szennyezett. Hajtsa végre a következő lépéseket: Tisztítsa meg az érzékelőt oldalon 304.
R.ELEK TÚL NAGY	A referencia elektróda impedanciája > 900 MΩ..	A standard cellaoldat szivárgott vagy elpárolgott. Cserélje a standard cellaoldatot.
R.ELEK TÚL KICSI	A referencia elektróda impedanciája < 8 MΩ..	A referencia elektróda sérült. Cserélje ki az érzékelőt.
UOLYAN PUFFER	A KÉTPONTOS AUTO. kalibrációhoz használt két puffer értéke megegyezik.	Eltérő értékű puffereket használjon.
SZENZ.HIÁNYZIK	Az érzékelő hiányzik vagy nincs csatlakoztatva..	Ellenőrizze, hogy az érzékelőkábel levált-e vagy sérült-e.
NINCS HŐM. SENZOR	A hőmérséklet érzékelő hiányzik..	Ellenőrizze, hogy a megfelelő hőmérsékletmérő van-e kiválasztva. Részletek: Az érzékelő konfigurálása oldalon 299 – HŐELEM MENÜ.
ÜV IMP ALACS.	Az üvegbúra eltört vagy élettartamának végén jár.	Cserélje ki az érzékelőt.

6.4 Figyelmeztető üzenetek

A figyelmeztetések nem befolyásolják a menük, relék, illetve a kimenetek működését. A mérési képernyő alján egy figyelmeztető ikon villog, és egy üzenet jelenik meg. Az érzékelő figyelmeztetéseinek megjelenítéséhez nyomja meg a **menü** gombot, majd válassza a Diagnosztika > [érzékelő] > FIGYELM.LISTA lehetőséget. A lehetséges figyelmeztetések listája itt található: [4. táblázat](#).

4. táblázat Figyelmeztető üzenetek

Figyelmeztetés	Leírás	Felbontás
PH MAGAS	A mért pH > 13.	Kalibrálja az érzékelőt.
ORP TÚL MAGAS	A mért ORP-érték > 2100 mV.	
PH ALACSONY	A mért pH < 1.	Kalibrálja az érzékelőt.
ORP TÚL KICSI	A mért ORP-érték < -2100 mV.	
ELTÉRÉS TÚL NAGY	Az eltolás > 8 (pH) vagy 200 mV (ORP).	Hajtsa végre a következő lépéseket: Tisztítsa meg az érzékelőt oldalon 304 és A sóhid cserélje oldalon 305. Ezt követően kalibráljon ismét.
ELTÉRÉS TÚL KICSI	Az eltolás < 6 (pH) vagy -200 mV (ORP).	
LEJTÉS TÚL MAGAS	A meredekség > 60 (pH)/1,3 (ORP).	Ismételje meg a kalibrálást friss referencia oldattal.
LEJTÉS TÚL ALACSONY	A meredekség < 54 (pH)/0,7 (ORP).	Hajtsa végre a következő lépéseket: Tisztítsa meg az érzékelőt oldalon 304. Ezt követően kalibráljon ismét.
H?M MAGAS	A mért hőmérséklet > 100 °C.	Ellenőrizze, hogy a megfelelő hőmérsékletmérő van-e kiválasztva. Részletek: Az érzékelő konfigurálása oldalon 299 – HŐELEM MENÜ.
H?M ALACSONY	A mért hőmérséklet < 0 °C.	

4. táblázat Figyelmeztető üzenetek (folytatás)

Figyelmeztetés	Leírás	Felbontás
KALIB ESEDÉKES	A kalibrációs gyakoriságnál több idő telt el az érzékelő legutóbbi kalibrációja óta.	Kalibrálja az érzékelőt. Megjegyzés: A kalibrációs gyakoriság módosítása: KAL. NAPOK beállítás , Az érzékelő konfigurálása oldalon 299.
SZENZ. CSERE	Az érzékelőcsere gyakoriságnál több ideje van használatban az érzékelő.	Ha szükséges, cserélje az érzékelőt. Megjegyzés: Az érzékelőcsere gyakoriságának módosítása: SZENZOR NAPOK beállítás , Az érzékelő konfigurálása oldalon 299.
NEM KALIBRÁLT	Az érzékelő nincs kalibrálva.	Kalibrálja az érzékelőt.
FLASH HIBA	A külső flash memória meghibásodott..	Vegye fel a kapcsolatot a műszaki ügyfélszolgálattal.
A.ELEK TÚL NAGY	Az aktív elektróda impedanciája > 800 MΩ..	Az érzékelő levegőben van. Helyezze vissza az érzékelőt a mintába.
A.ELEK TÚL KICSI	Az aktív elektróda impedanciája < 15 MΩ..	Az érzékelő sérült vagy szennyezett. Hajtsa végre a következő lépéseket: Tisztítsa meg az érzékelőt oldalon 304.
R.ELEK TÚL NAGY	A referencia elektróda impedanciája > 800 MΩ..	A standard cellaoldat szivárgott vagy elpárolgott. Cserélje a standard cellaoldatot.
R.ELEK TÚL KICSI	A referencia elektróda impedanciája < 15 MΩ..	A referencia elektróda sérült. Cserélje ki az érzékelőt.
KAL MEGY	A kalibráció elindult, de nem fejeződött be.	Folytassa a kalibrálást.

6.5 Eseménylista

Az eseménylista az olyan műveleteket tartalmazza, mint a konfigurációs változtatások, riasztások, figyelmeztető feltételek, stb. Az események megjelenítéséhez nyomja meg a **menü** gombot, majd válassza a **Diagnosztika > [érzékelő] > Események** lehetőséget. A lehetséges események listája itt látható: [5. táblázat](#). A korábbi eseményeket az eseménynapló rögzíti, amelyek letölthetők a vezérlőről. Az adatkinyerési lehetőségekért tekintse meg a vezérlő dokumentációját.

5. táblázat Eseménylista

Esemény	Leírás
KALIB KÉSZ	Az érzékelő készen áll a kalibrálásra..
KALIB OK	A jelenlegi kalibrálás megfelelő.
IDŐ LEJÁRT	A kalibráció stabilizációs ideje lejárt.
NINCS PUFFER	Nem érzékelhető puffer..
MEREDEKS MAGAS	A kalibrációs meredekség a felső határérték fölött van.
MEREDEKS ALACS	A kalibrációs meredekség az alsó határérték alatt van.
OFFSET MAGAS	Az érzékelő kalibrációs eltolása a felső határérték fölött van.
OFFSETALACSONY	Az érzékelő kalibrációs eltolása az alsó határérték alatt van.
PONTOK KÖZEL	A kalibrációs pontok értékei túlságosan hasonlóak a 2-pontos kalibráláséhoz..
KALIBR. HIBA	A kalibráció sikertelen volt.
KALIB MAGAS	A kalibrációs érték a felső határérték fölött van.
BIZONYTALAN	A kalibrálás során a mért érték instabil volt.

5. táblázat Eseménylista (folytatás)

Esemény	Leírás
KONFIG VÁLTOZÁS – lebegőpontos.	A konfiguráció megváltozott (lebegőpontos számérték).
KONFIG VÁLTOZÁS – szöveg.	A konfiguráció megváltozott (szöveg).
KONFIG VÁLTOZÁS – egész	A konfiguráció megváltozott (egész számérték).
ALAPBEÁLLÍTÁS	A konfigurációs beállítások alapértékekre álltak.
TÁPFESZ ESET	A rendszer bekapcsolt.
A/D HIBA	Az analóg-digitális átalakítás sikertelen volt (hardver hiba).
FLASH TÖRLÉS	A flash memória tartalma törlődött.
HŐMÉRSÉKLET	A rögzített hőmérséklet túl magas vagy túl alacsony..
1PT KÉZI INDUL	Az 1 PONTOS KÉZI kalibráció indulása.
1PT AUTO INDUL	Az 1 PONTOS AUTO pH-kalibráció indulása.
2PT KÉZI INDUL	A 2 PONTOS KÉZI pH-kalibráció indulása.
2PT AUTO INDUL	A 2 PONTOS AUTO pH-kalibráció indulása.
1PT KÉZI VÉGE	Az 1 PONTOS KÉZI kalibráció befejeződése.
1PT AUTO VÉGE	Az 1 PONTOS AUTO pH-kalibráció befejeződése.
2PT KÉZI VÉGE	A 2 PONTOS KÉZI pH-kalibráció befejeződése.
2PT AUTO VÉGE	A 2 PONTOS AUTO pH-kalibráció befejeződése.

Szakasz 7 Cserealkatrészek és tartozékok

▲ FIGYELMEZTETÉS



Személyi sérülés veszélye. A nem jóváhagyott alkatrészek használata személyi sérüléshez, a műszer károsodásához vagy a berendezés meghibásodásához vezethet. Az ebben a fejezetben található cserealkatrészek a gyártó által jóváhagyott alkatrészek.

Megjegyzés: A termék- és cikkszámok értékesítési régióként eltérhetnek. Lépjen kapcsolatba a megfelelő viszonteladóval, vagy látogasson el a cég honlapjára a kapcsolattartási tudnivalókért.

Fogyóeszközök

Leírás	Mennyiség	Cikkszám
Pufferoldat, 4,01-es pH, piros	500 ml	2283449
Pufferoldat, 7,00-es pH, sárga	500 ml	2283549
Pufferoldat, 10,01-es pH, kék	500 ml	2283649
ORP referenciaoldat, 200 mV	500 ml	25M2A1001-115
ORP referenciaoldat, 600 mV	500 ml	25M2A1002-115

Cserealkatrészek – pH-érzékelők

Leírás	Mennyiség	Cikkszám
Sóhid, PEEK, Kynar (PVDF) külső kapcsolás, Viton O-gyűrűkkel	1	SB-P1SV
Sóhid, PEEK, Kynar (PVDF) külső kapcsolás, perfluor-elasztomer O-gyűrűkkel	1	SB-P1SP ⁸
Sóhid, PEEK, kerámia külső kapcsolás, Viton O-gyűrűkkel	1	SB-P2SV
Sóhid, Ryton, Kynar (PVDF) külső kapcsolás, Viton O-gyűrűkkel	1	SB-R1SV
Normál cellaoldat	500 ml	25M1A1025-115
Zselépor standard cellaoldathoz	2 g	25M8A1002-101

Tartozékok

Leírás	Cikkszám
Digitális hosszabbító kábel, 1 m (3,2 láb)	6122400
Digitális hosszabbító kábel, 7,7 m (25 láb)	5796000
Digitális hosszabbító kábel, 15 m (50 láb) ⁹	5796100
Digitális hosszabbító kábel, SC200 vezérlő, 31 m (100 láb)	5796200
Digital csatlakozódoboz, SC200 vezérlő ¹⁰	5867000
Lefolyórögztítő, 316-os rozsdamentes acél, 2 hüvelykes T-ágidommal és nagy teherbírású bilincsel <i>Megjegyzés: Az érzékelőhöz sapka és EPDM tömítés tartozik.</i>	MH018S8SZ
Összekötő rögzítőelem, CPVC (klórozott polivinil-klorid), 1/2 hüvelykes szabványos T-idommal, csőcsatlakozó átalakítóval, szigetelőfelület, zárógyűrű és Viton O-gyűrű	6131300
Összekötő rögzítőelem, 316-os rozsdamentes acél, 1/2 hüvelykes szabványos T-idommal, csőcsatlakozó átalakítóval, szigetelőfelület, zárógyűrű és Viton O-gyűrű	6131400
Átfolyó rögzítőelem, CPVC, 1 hüvelykes szabványos T-idommal	MH334N4NZ
Átfolyó rögzítőelem, 316-os rozsdamentes acél, 1 hüvelykes szabványos T-idommal	MH314N4MZ
Beillesztéses rögzítőelem, CPVC, 1/2 hüvelykes golyósszeleppel, 1/2 hüvelykes NPT záróelemmel, érzékelőadapter Viton O-gyűrűkkel és törlővel, toldócső, csőadapter, hátsó cső és zárógyűrű	5646300
Beillesztéses elem, 316-os rozsdamentes acél, 1/2 hüvelykes golyósszeleppel, 1/2 hüvelykes NPT záróelemmel, érzékelőadapter Viton O-gyűrűkkel és törlővel, toldócső, csőadapter, hátsó cső és zárógyűrű	5646350
Merülőrögztítő elem, szabványos, CPVC, 1×4 hüvelykes csővel és 1×1 hüvelykes NPT illesztéssel	6136400
Merülőrögztítő elem, szabványos, 316-os rozsdamentes acél, 1×4 hüvelykes csővel és 1×1 hüvelykes NPT illesztéssel	6136500
Merülőrögztítő elem, fogantyú, 1/2×7,5 hüvelykes CPVC csővel és csőbilincsszerelvényel	MH236B00Z

⁸ SB-P1SP-t használjon, ha a Viton anyag kémiaiailag inkompatibilis az alkalmazás során használt vegyi anyagokkal.

⁹ Az SC1000 vezérlők maximális kábelhossza 15 m (49 láb).

¹⁰ Használjon digitális csatlakozódobozt, ha a kábel 100 m-nél (328 láb) hosszabb. Az SC1000 vezérlőhöz nem használható csatlakozódoboz.

Tartozékok (folytatás)

Leírás	Cikkszám
Merülőrögztítő elem, lánc, 316-os rozsdamentes acél, rozsdamentes acél fül, anyacsavarok és alátétek <i>Megjegyzés: Kizárólag rozsdamentes acélból készült érzékelőkhöz. Láncot nem tartalmaz.</i>	2881900
Merülőrögztítő elem, golyós úszó, 1½×7,5 hüvelykes CPVC csővel, golyósúszó-szerelvénnyel és csőbilincs-szerelvénnyel	6131000
Érzékelővédő, átalakítható érzékelő, PEEK	1000F3374-002
Érzékelővédő, átalakítható érzékelő, Ryton	1000F3374-003

Cuprins

- | | | | |
|---|--------------------------------------|---|---|
| 1 | Specificații de la pagina 314 | 5 | Întreținerea de la pagina 328 |
| 2 | Informații generale de la pagina 315 | 6 | Depanarea de la pagina 331 |
| 3 | Instalarea de la pagina 317 | 7 | Piese de schimb și accesorii de la pagina 335 |
| 4 | Funcționarea de la pagina 323 | | |

Secțiunea 1 Specificații

Specificațiile pot fi modificate fără notificare prealabilă.

Specificație	Senzori de pH	Senzor de pH din oțel inoxidabil	Senzori ORP
Dimensiuni (lungime)	272,5 mm (10,73 in.)	325,3 mm (12,81 in.)	272,5 mm (10,73 in.)
Greutate	316 g (11 oz)	870 g (31 oz)	316 g (11 oz)
Materiale udate	Carcasă PEEK sau Ryton (PVDF), punte de sare din material corespunzător cu joncțiune Kynar, electrod de procesare din sticlă, electrod de împământare din titan și garnituri inelare Viton <i>Notă: Senzorul de pH cu electrod de procesare din sticlă opțional, rezistent la HF (acid fluorhidric), are electrod de împământare din oțel inoxidabil 316 și garnituri inelare umectabile din perfluoroelastomer.</i>	Doar montare cu imersiune, carcasă din oțel inoxidabil SS 316 cu capete Ryton (PVDF) și punte de sare	Carcasă PEEK sau Ryton (PVDF), punte de sare din material corespunzător cu joncțiune Kynar, electrod de procesare din sticlă și platină (sau sticlă și aur), electrod de împământare din titan și garnituri inelare Viton
Componentele	Materiale rezistente la coroziune, complet submersibile		
Cablul de conexiune al senzorului (numere întregi)	4 conductori (plus 1 ecran de protecție), 10 m (33 ft), clasificat la 105 °C (221 °F)		
Temperatură de funcționare	de la -5 la 70 °C (de la 23 la 158 °F)	de la 0 la 50 °C (de la 32 la 122 °F)	de la -5 la 70 °C (de la 23 la 158 °F)
Temperatură de depozitare	De la 4 la 70 °C (de la 40 la 158 °F), umiditate relativă de la 0 la 95%, fără condens		
Interval de măsurare	2,0 - 14,0 pH ¹ (sau 2,00 - 14,00)		-1500 până la +1500 mV
Repetabilitate	±0,05 pH		±2mV
Sensibilitate	±0,01 pH		±0,5 mV ²
Stabilitate	0,03 pH în 24 de ore, necumulat		2 mV (ORP) în 24 de ore, necumulat
Viteză de curgere maximă	3 m/s (10 ft/s)		

¹ Majoritatea aplicațiilor pentru pH se încadrează în intervalul 2,5 - 12,5. Senzorul de pH diferențial pHD cu electrod de procesare din sticlă de gamă largă operează foarte bine în acest interval. Anumite aplicații industriale necesită măsurători exacte și control pentru pH sub 2 sau peste 12. În aceste cazuri speciale, contactați producătorul pentru detalii suplimentare.

² Pentru cele mai bune rezultate în soluții care conțin zinc, cianură, cadmiu sau nichel, utilizați senzorul PHD ORP cu electrod din aur.

Specificație	Senzori de pH	Senzor de pH din oțel inoxidabil	Senzori ORP
Limită de presiune	6,9 bari la 70 °C (100 psi la 158 °F)	Nu se aplică (doar imersiune)	6,9 bari la 70 °C (100 psi la 158 °F)
Distanța de transmisie	100 m (328 ft) maximum sau 1000 m (3280 ft) maximum, dacă se utilizează cu o cutie terminală		
Element de temperatură	Termistor NTC de 300 Ω pentru compensarea automată a temperaturii și afișarea temperaturii analizorului		Termistor NTC de 300 Ω doar pentru afișarea temperaturii analizorului – nu este necesară compensarea automată a temperaturii pentru măsurătoarea ORP
Precizia temperaturii	±0,5 °C (0,9 °F)		
Compensarea temperaturii	Automat de la –10 la 105 °C (14,0 la 221 °F) cu termistor NTC de 300 Ω, element de temperatură RTD 1000 ohm Pt sau RTD 100 Ω Pt, sau fixat manual la o temperatură introdusă de utilizator		Nu se aplică
Metodele de calibrare	Automată sau manuală, cu 1 sau 2 puncte		Manuală, cu 1 punct
Interfața senzorului	Modbus		
Certificări	CE		
Garanție	1 an; 2 ani (UE)		

Secțiunea 2 Informații generale

Producătorul nu se face responsabil în nicio situație de deteriorări directe, indirecte, speciale, accidentale sau pe cale de consecință ce ar rezulta din orice defect sau omisiune din acest manual. Producătorul își rezervă dreptul de a efectua modificări în acest manual și produselor pe care le descrie, în orice moment, fără notificare sau obligații. Edițiile revizuite pot fi găsite pe site-ul web al producătorului.

2.1 Informații referitoare la siguranță

Producătorul nu este responsabil pentru daunele cauzate de utilizarea incorectă a acestui produs, inclusiv și fără a se limita la daunele directe, accidentale sau pe cale de consecință și neagă responsabilitatea pentru astfel de daune în măsura maximă permisă de lege. Utilizatorul este unicul responsabil pentru identificarea riscurilor critice și pentru instalarea de mecanisme corespunzătoare pentru protejarea proceselor în cazul unei posibile defectări a echipamentului.

Citiți în întregime manualul înainte de a despacheta, configura și utiliza aparatura. Respectați toate atenționările de pericol și avertismentele. Nerespectarea acestor recomandări poate duce la vătămări serioase ale operatorului sau la deteriorarea echipamentului.

Verificați dacă protecția cu care este prevăzută aparatura nu este defectă. Nu utilizați sau nu instalați aparatura în niciun alt mod decât cel specificat în prezentul manual.

2.2 Informații despre utilizarea produselor periculoase

▲ PERICOL

Indică o situație periculoasă în mod potențial sau iminent care, dacă nu este evitată, va avea ca rezultat decesul sau vătămarea corporală gravă.

▲ AVERTISMENT

Indică o situație periculoasă în mod potențial sau iminent care, dacă nu este evitată, poate conduce la deces sau la o vătămare corporală gravă.

▲ ATENȚIE





Indică o situație periculoasă în mod potențial care poate conduce la o vătămare corporală minoră sau moderată.

NOTĂ

Indică o situație care, dacă nu este evitată, poate provoca defectarea aparatului. Informații care necesită o accentuare deosebită.

2.3 Etichete de avertizare

Citiți toate etichetele și avertismentele cu care este prevăzut instrumentul. În caz de nerespectare se pot produce vătămări personale sau avarieri ale instrumentului. Toate simbolurile de pe instrument sunt menționate în manual cu câte o afirmație de avertizare.

	Acesta este simbolul de alertă privind siguranța. Respectați toate mesajele privind siguranța, care urmează după acest simbol, pentru a evita potențiale vătămări. În cazul prezenței pe instrument, consultați manualul de instrucțiuni pentru informații referitoare la operare sau siguranță.
	Acest simbol indică existența unui risc de electrocutare.
	Acest simbol indică prezența dispozitivelor sensibile la descărcări electrostatice (ESD) și faptul că trebuie să acționați cu grijă pentru a preveni deteriorarea echipamentului.
	Echipamentele electrice inscripționate cu acest simbol nu pot fi eliminate în sistemele publice europene de deșeuri. Returnați producătorului echipamentele vechi sau la sfârșitul duratei de viață în vederea eliminării, fără niciun cost pentru utilizator.

2.4 Prezentarea generală a produsului

Acest senzor este conceput pentru utilizare cu un controller în scopul funcționării și colectării de date. Cu acest senzor se pot utiliza mai multe controllere. Acest document presupune instalarea și utilizarea senzorului cu un controller sc Pentru a utiliza senzorul cu alte controllere, consultați manualul de utilizare pentru a găsi controllerul utilizat.

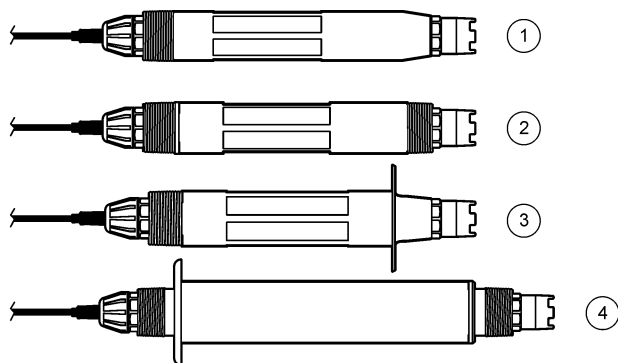
Acest produs nu este acceptabil pentru utilizare într-o locație periculoasă.

Echipamentul opțional, cum ar fi hardware-ul de montare pentru sondă, este furnizat cu instrucțiuni de instalare. Sunt disponibile câteva opțiuni de montare, permițând adaptarea sondei pentru utilizare în multe aplicații diferite.

2.5 Variante de senzor

Senzorul este disponibil în mai multe variante. Consultați [Figura 1](#).

Figura 1 Variante de senzor



<p>1 Inserție – pentru instalarea într-o celulă de curgere sau un adaptor de conductă al unui ansamblu hardware cu supape cu bilă. Permite demontarea fără a întrerupe fluxul procesului.</p>	<p>3 Sanitar – pentru instalarea într-un racord în T sanitar de 2 inch</p>
<p>2 Convertibil – pentru un racord în T sau pentru introducerea într-un vas deschis</p>	<p>4 Oțel inoxidabil – pentru introducerea într-un vas deschis</p>

Senzori de inserție – senzorii de inserție sunt similari cu senzorii convertibili, dar filetele NPT de 1 inch se află pe capătul cablului doar pentru montarea într-o celulă de curgere sau în adaptorul conductei unui ansamblu hardware cu supape cu bilă. Senzorii de inserție sunt introduși sau eliminați din proces fără a fi necesară întreruperea fluxului procesului.

Senzori convertibili – senzorii convertibili au filet NPT de 1 inch la ambele capete ale corpului, pentru montarea în următoarele configurații:

- într-o conductă standard cu racord în T cu NPT de 1 inch
- într-un adaptor de conductă pentru montarea în cuplaj și un racord în T standard de 1-½ inch
- la capătul unei conducte pentru imersia într-un vas

Notă: Senzorii convertibili pot fi utilizați și în instalațiile existente pentru senzori LCP de 1-½ inch, senzori Ryton și senzori din rășină epoxidică.

Senzori sanitari – senzorii sanitari sunt dotați cu o flanșă încorporată de 2 inch pentru montarea într-un racord în T sanitar de 2 inch. Un capac special și garnitură din compus EDPM sunt incluse cu senzorii sanitari pentru utilizarea cu hardware sanitar.

Senzori din oțel inoxidabil – senzorii din oțel inoxidabil au filet NPT de 1 inch la ambele capete ale corpului. Senzorii din oțel inoxidabil sunt concepuți pentru introducerea într-un vas deschis.

Secțiunea 3 Instalarea

3.1 Montarea

⚠ AVERTISMENT	
	Pericol de explozie. Asigurați-vă că hardware-ul de montare pentru senzor are o clasificare de temperatură și presiune suficientă pentru locația de montare.
⚠ ATENȚIE	
	Pericol de vătămare corporală. Sticla spartă poate cauza tăieturi. Utilizați instrumentele și echipamentul personal de protecție pentru a îndepărta sticla spartă.

NOTĂ

Electrodul de procesare din vârful senzorului de pH prezintă un balon de sticlă, care se poate sparge. Nu loviți și nu împingeți balonul de sticlă.

NOTĂ

Electrodul de proces din aur sau platină de la capătul senzorului ORP are o tijă din sticlă (ascunsă de puntea de sare), care se poate sparge. Nu loviți și nu împingeți tija din sticlă.

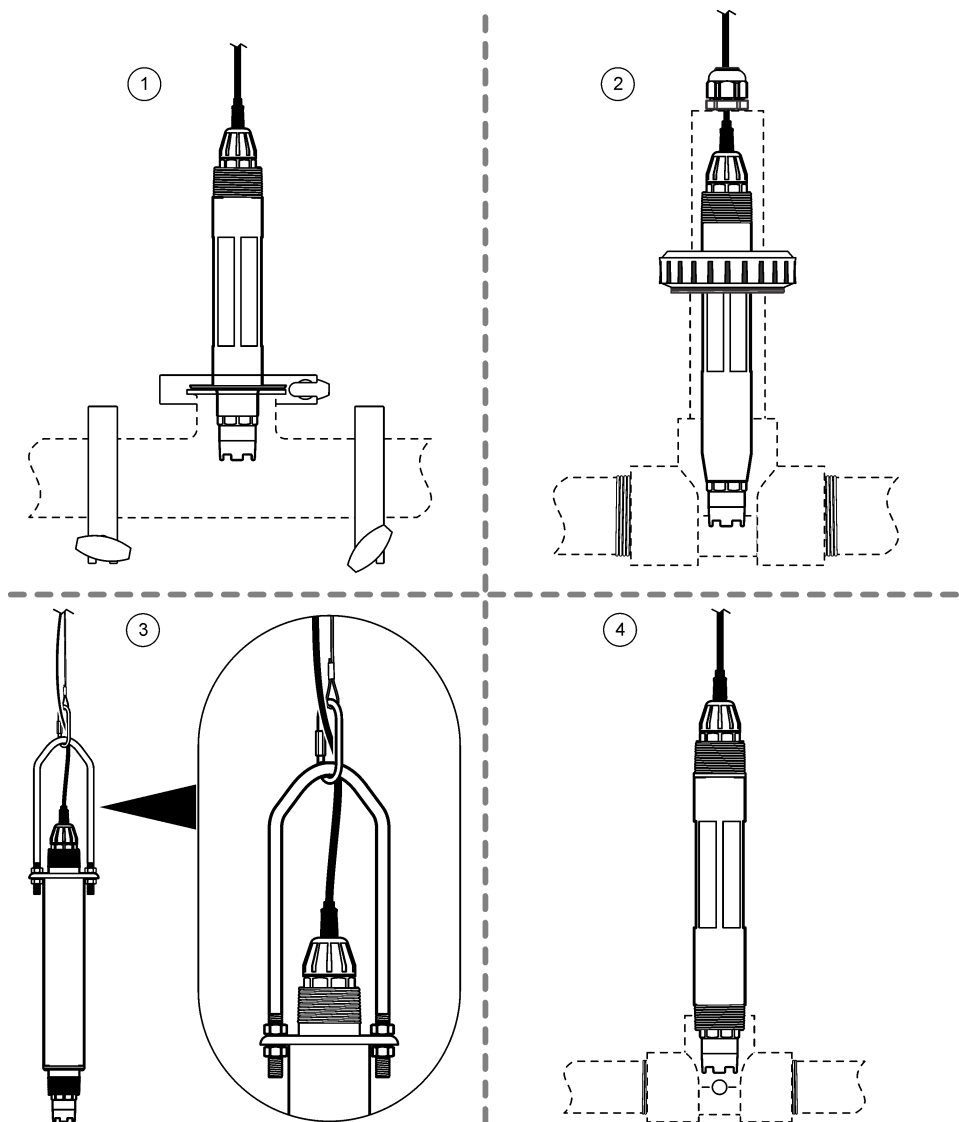
NOTĂ

Acest instrument este garantat la o altitudine maximă de 2000 m (6562 ft). Deși utilizarea instrumentului la altitudini peste 2000 m nu prezintă riscuri majore de siguranță, producătorul le recomandă utilizatorilor care au nelămuriri să contacteze departamentul de asistență tehnică.

- Instalarea senzorului trebuie să se facă întotdeauna acolo unde proba, care ajunge în contact cu senzorul, este reprezentativă pentru întregul proces.
- Consultați [Figura 2](#), [Figura 3](#) și [Figura 4](#) pentru exemple de configurații de montare.
- Consultați [Pieșe de schimb și accesorii](#) de la pagina 335 pentru hardware-ul de montare disponibil.
- Pentru informații despre instalare, consultați instrucțiunile furnizate împreună cu organele de asamblare pentru montare.
- Instalați senzorul la cel puțin 15° deasupra suprafeței orizontale. Consultați [Figura 5](#).
- Pentru instalațiile cu imersiune, puneți senzorul la cel puțin 508 mm (20 in.) față de peretele bazinului de aerare și scufundați senzorul cel puțin 508 mm (20 in.) în fluxul de proces.
- Îndepărtați capacul de protecție înainte de a introduce senzorul în cadrul procesului. Păstrați capacul de protecție pentru utilizări viitoare.
- (Opțional) Dacă apa de proces se apropie de temperatura de fierbere, adăugați praf de gel³ la soluția pentru celula standard, în senzor. Consultați pasul 2 din [Înlocuirea punții de sare](#) de la pagina 329. Nu înlocuiți puntea de sare.
- Calibrați senzorul înainte de utilizare.

³ Praful de gel reduce rata de evaporare a soluției pentru celula standard.

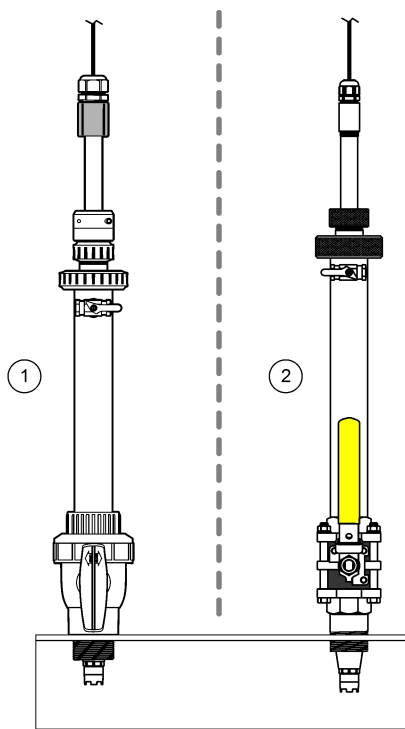
Figura 2 Exemple de montare (1)



1 Montare sanitară (racord în T sanitar de 2 inch)	3 Montare cu imersiune, lanț și colier ⁴
2 Montare în cuplaj (racord în T standard de 1½ inch)	4 Montare cu flux continuu (racord în T standard de 1 inch)

⁴ Doar senzori din oțel inoxidabil

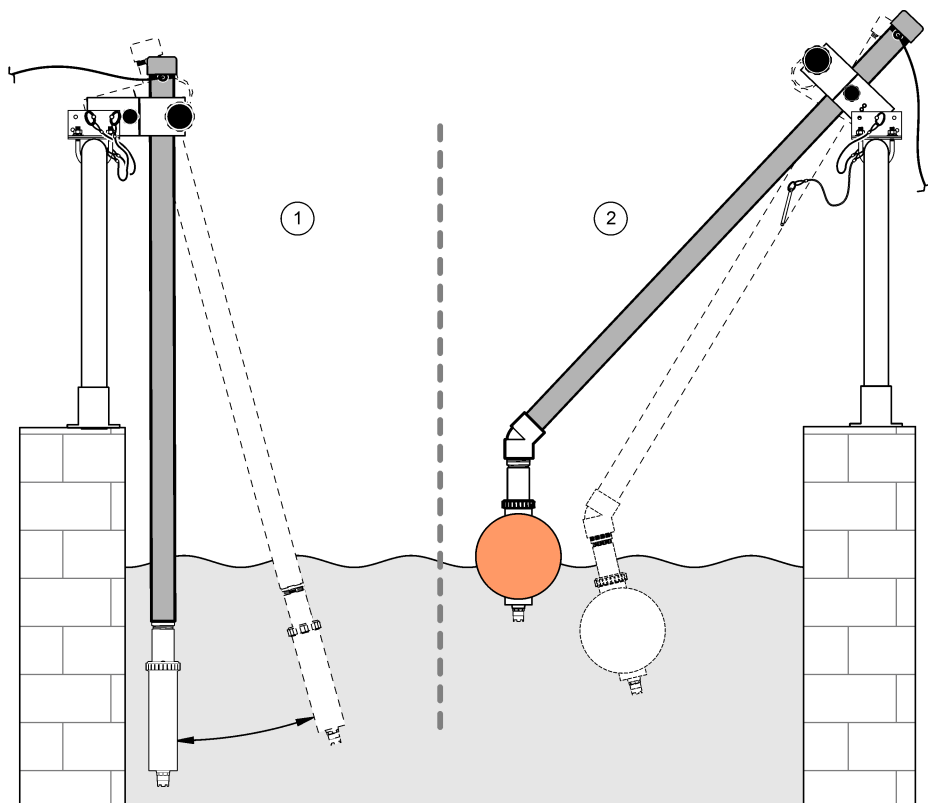
Figura 3 Exemple de montare (2)



1 Montare cu inserție, hardware din CPVC

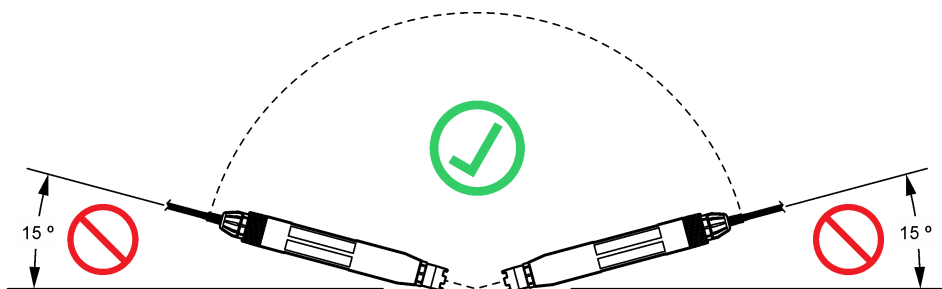
2 Montare cu inserție, hardware din oțel inoxidabil

Figura 4 Exemple de montare (3)



1 Montare cu imersiune, balustradă	2 Montare cu imersiune, balon plutitor
------------------------------------	--

Figura 5 Unghi de montare a senzorului

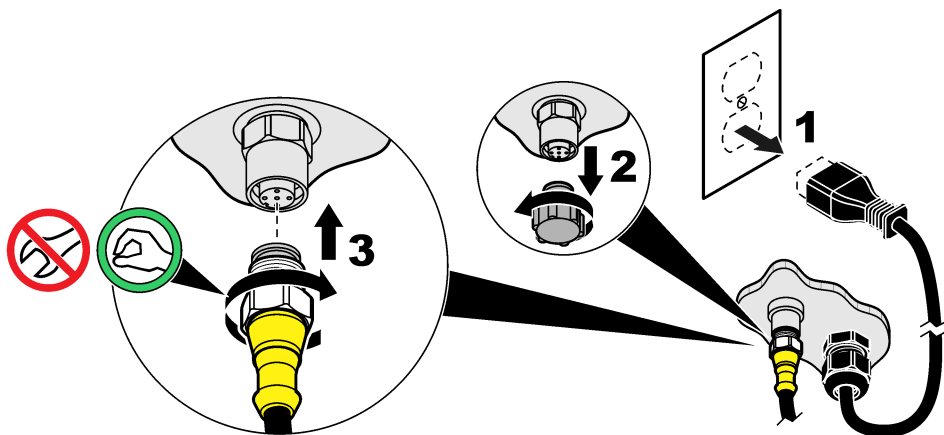


3.2 Instalarea componentelor electrice

3.2.1 Conectarea senzorului la un fitting cu racordare rapidă (locație nepericuloasă)

1. Conectați cablul senzorului la fittingul cu racordare rapidă a controllerului SC. Consultați [Figura 6](#). Păstrați capacul conectorului, pentru a putea etanșa orificiul acestuia în cazurile în care, ulterior, senzorul trebuie să fie demontat.
2. Dacă alimentarea este pornită atunci când senzorul este conectat:
 - Controller SC200 – Selectați TEST/MENTENANT > SCAN. SENZORI.
 - Controller SC1000 – Selectați SETARE SISTEM > MANAGEMENT DISPOZITIV > SCANARE PENTRU NOI COMPONENTE.



Figura 6 Conectați senzorul la un fitting cu racordare rapidă



3.2.2 Cablurile de prelungire

- Sunt disponibile cabluri de prelungire. Consultați [Pieșe de schimb și accesorii](#) de la pagina 335.
- Lungimea maximă a cablului este de 15 m (49 ft) pentru un controller SC-1000.
- Lungimea maximă a cablului este de 1000 m (3280 ft) pentru un controller SC200.
- Controller SC200 – Utilizați o cutie terminală digitală dacă lungimea cablului depășește 100 m (328 ft). Consultați [Pieșe de schimb și accesorii](#) de la pagina 335.

3.2.3 Conectarea unui cablu pentru senzor cu fire neînvelite (locații nepericuloase)

⚠ PERICOL	
	Pericol de electrocutare. Întrerupeți întotdeauna alimentarea instrumentului înainte de a realiza conexiuni electrice.
⚠ PERICOL	
	Pericol de electrocutare. Cablurile de înaltă tensiune pentru controller sunt conectate prin spatele ecranului de protecție de înaltă tensiune din carcasa controllerului. Ecranul de protecție trebuie să rămână montat, cu excepția cazului în care se montează module sau când un tehnician calificat de montare cablează o alimentare electrică, releu sau plăci analogice și de rețea.

În cazul în care cablul senzorului nu are un conector cu racordare rapidă⁵, conectați firele neînvelite ale cablului pentru senzor la controller astfel:

Notă: Cablurile pentru senzor cu fire neînvelite nu pot fi conectate la controllele SC1000.

1. Identificați kitul de instalație în tuburi izolante (9222400) în ambalajul de livrare pentru controllerul SC200.
Kitul conține patru conectori de îmbinare.
2. Urmați instrucțiunile furnizate cu acest kit de instalație în tuburi izolante, pentru conectarea cablului senzorului la controller.

Secțiunea 4 Funcționarea

4.1 Navigarea utilizatorului

Consultați documentația controlerului pentru descrierea tastaturii și informații despre navigație.

Apăsăți tasta cu săgeată **DREAPTA** de pe controller, de mai multe ori, pentru a afișa mai multe informații pe ecranul principal și pentru a deschide un afișaj grafic.

4.2 Configurați senzorul

Selectați numele unui senzor și tipul acestuia. Modificați opțiunile pentru măsurare, calibrare, manipularea datelor și stocare.

1. Apăsăți **menu**, apoi selectați **SETARE SENZOR > [Select senzor] > CONFIGURARE**.
2. Selectați o opțiune.


Opțiune	Descriere
EDITARE NUME	Modifică numele corespunzător senzorului din partea de sus a ecranului de măsurare. Numele este limitat la 12 caractere în orice combinație de litere, numere, spații sau semne de punctuație.
SELECT SENZOR	Selectează tipul de senzor (pH sau ORP).
FORMAT AFIS	Numai pentru senzorii pH – modifică numărul zecimalelor afișate în ecranul de măsurare la XX,XX (implicit) sau XX,X.
UNITATI TEMP	Setează unitățile de temperatură la °C (implicit) sau °F.
LOG.INSTALARE	Setează intervalul de timp pentru stocarea datelor în jurnalul de date – 5, 30 secunde, 1, 2, 5, 10, 15 (implicit), 30, 60 minute.
FRECVENTA AC	Selectează frecvența energiei de alimentare c.a. furnizată controllerului (50 sau 60 Hz). Dacă energia de alimentare furnizată controllerului este de 120 V c.a., selectați 60 Hz. Dacă energia de alimentare furnizată controllerului este de 230 V c.a., selectați 50 Hz.
FILTRU	Setează o constantă de timp pentru a mări stabilitatea semnalului. Constanta de timp calculează valoarea medie într-un interval de timp specificat – de la 0 (niciun efect, implicit) la 60 de secunde (media valorii semnalului timp de 60 de secunde). Filtrul mărește timpul în care semnalul senzorului răspunde la modificările efective ale procesului.
TEMP ELEMENT	Senzori de pH – setează elementul de temperatură pentru compensarea automată a temperaturii la PT100, PT1000, NTC300 (implicit) sau MANUAL. Dacă nu se utilizează niciun element, tipul se poate seta la MANUAL și se poate introduce o valoare pentru compensarea temperaturii (implicit MANUAL: 25 °C). Senzori ORP – nu se utilizează compensarea temperaturii. Se poate conecta un element de temperatură la aparat.

⁵ De exemplu, dacă sunt utilizate o cutie terminală digitală și cablu ecranat cu 4 fire pentru a crește lungimea cablului pentru senzor.

Opțiune	Descriere
SELECT TAMPON	Doar pentru senzorii de pH – selectează soluțiile tampon utilizate pentru calibrare. Opțiuni: pH 4, 7, 10 (implicit) sau DIN 19267 (pH 1,09, 4,65, 6,79, 9,23, 12,75) <i>Notă: Alte soluții tampon pot fi utilizate pentru calibrare.</i>
COMP H2O PURA	Numai pentru senzorii de pH – adaugă o corecție în funcție de temperatură la valoarea măsurată a pH-ului pentru apa pură cu aditivi – NIMIC (implicit), AMONIAC, MORFOLINA sau DEFINIT UTILIZ. Pentru o temperatură a procesului peste 50 °C se utilizează corecția la 50 °C. Pentru aplicațiile definite de utilizator se poate introduce o pantă liniară (implicit: 0 pH/°C).
ZILE CALIB	Setează intervalul de calibrare (implicit: 60 de zile). <i>Notă: Pe afișajul controllerului apare o atenționare atunci când numărul de zile de la calibrarea senzorului depășește intervalul de calibrare.</i>
ZILE SENZOR	Setează intervalul de înlocuire a senzorului (implicit: 365 de zile). <i>Notă: Pe afișajul controllerului apare o atenționare atunci când numărul de zile de funcționare a senzorului depășește intervalul de înlocuire a senzorului.</i>
LIMITE IMPED	Setează limitele impedanței pentru electrodul activ și cel de referință (implicit: FAZA JOASA = 0 MΩ, FAZA INALTA = 1000 MΩ). <i>Notă: Atunci când opțiunea STARE IMPED din meniul DIAG/TEST este setată la ACTIVARE, pe afișajul controllerului apare un mesaj de eroare atunci când impedanța electrodului activ sau a celui de referință nu se încadrează în limitele pentru impedanță.</i>
SETARE PRINCIP	Restabilește setările de configurare la valorile implicite din fabrică.

4.3 Calibrarea senzorului

⚠ AVERTISMENT	
	Pericol de explozie. Eliminarea unui senzor dintr-un vas presurizat poate prezenta riscuri. Reduceți presiunea procesului sub 10 psi înainte de eliminare. Dacă acest lucru nu este posibil, acordați o atenție deosebită. Pentru mai multe informații, consultați documentația ce însoțește echipamentul de montare.

⚠ AVERTISMENT	
	Pericol de expunere chimică. Respectați procedurile de siguranță în laborator și purtați toate echipamentele de protecție personală adecvate pentru substanțele chimice care sunt manipulate. Consultați fișele tehnice de siguranță (MSDS/SDS) pentru protocoalele de siguranță.

⚠ ATENȚIE	
	Pericol de expunere chimică. Substanțele chimice și deșeurile trebuie eliminate în conformitate cu reglementările locale, regionale și naționale.

4.3.1 Despre calibrarea senzorului

Calibrarea reglează citirea senzorului pentru a se potrivi cu valoarea uneia sau a două soluții de referință. Caracteristicile senzorului se modifică puțin în timp, ducând la pierderea preciziei senzorului. Senzorul trebuie calibrat în mod regulat pentru a menține precizia acestuia. Frecvența calibrării depinde de aplicație și cel mai bine se determină prin teste.

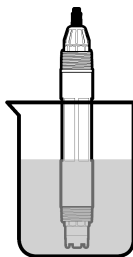
Pentru senzorii de pH, se utilizează un element de temperatură pentru a furniza citirile pH care se reglează automat la 25 °C, pentru modificările de temperatură care afectează electrodul activ și electrodul de referință. Această reglare se poate seta manual de către client, dacă temperatura procesului este constantă. Consultați opțiunea TEMP ELEMENT din [Configurați senzorul](#) de la pagina 323.

4.3.2 Procedura de calibrare a pH-ului

Calibrați senzorul de pH cu una sau două soluții de referință (calibrare cu 1 sau 2 puncte).

1. Puneți senzorul în prima soluție de referință (o soluție tampon sau o probă cu valoare cunoscută). Asigurați-vă că porțiunea cu senzor a sondei este scufundată complet în lichid. Consultați [Figura 7](#).

Figura 7 Senzor în soluția de referință



2. Așteptați să se egalizeze temperatura senzorului și a soluției. Acest lucru poate dura 30 de minute sau mai mult dacă diferența de temperatură între proces și soluția de referință este semnificativă.
3. Apăsăți **meniul**, apoi selectați **SETARE SENZOR > [Select senzor] > CALIBRARE**.
4. Selectați tipul de calibrare:

Opțiune	Descriere
PUNCT 1 AUTOM	Utilizați o soluție tampon pentru calibrare (de ex., pH 7). Senzorul identifică automat soluția tampon în timpul calibrării. <i>Notă: Asigurați-vă că selectați soluția tampon corectă, stabilită în setările de configurare a senzorului.</i>
PUNCT 2 AUTOM (recomandat)	Utilizați două soluții tampon pentru calibrare (de ex., pH 7 și pH 4). Senzorul identifică automat soluțiile tampon în timpul calibrării. <i>Notă: Asigurați-vă că selectați soluția tampon corectă, stabilită în setările de configurare a senzorului.</i>
PUNCT 1 MANUAL	Utilizați o probă cu valoarea pH-ului cunoscută (sau o soluție tampon) pentru calibrare. Introduceți valoarea pH-ului în timpul calibrării.
PUNCT 2 MANUAL	Utilizați două probe cu valoarea pH-ului cunoscută (sau două soluții tampon) pentru calibrare. Introduceți valorile pH-ului în timpul calibrării.

5. Dacă în meniul de securitate al controllerului s-a activat un cod de acces, introduceți codul de acces.
6. Selectați opțiunea pentru semnalul de ieșire în timpul calibrării:

Opțiune	Descriere
ACTIV	Instrumentul trimite valoarea de ieșire curentă măsurată în timpul procedurii de calibrare.
MENTINE	Valoarea de ieșire a senzorului este menținută la valoarea curentă măsurată în timpul procedurii de calibrare.
TRANSFER	În timpul calibrării se trimite o valoare de ieșire presetată. Consultați manualul de utilizare a controllerului pentru a modifica valoarea presetată.

7. Cu senzorul în prima soluție de referință, confirmați. Se afișează valoarea măsurată.
8. Dacă se aplică, introduceți valoarea pH-ului soluției de referință:
 - a. Așteptați stabilizarea valorii, după care confirmați.

b. Introduceți valoarea pH-ului.

Notă: Dacă soluția de referință este o soluție tampon, identificați valoarea pH-ului pe flaconul acesteia, pentru a stabili temperatura soluției tampon. Dacă soluția de referință este o probă, determinați valoarea pH-ului probei cu un instrument diferit.

9. Pentru calibrarea cu 2 puncte, măsurați a doua soluție de referință astfel:

- Scoateți senzorul din prima soluție și clătiți-l cu apă curată.
- Introduceți senzorul în următoarea soluție de referință, după care confirmați.
- Dacă se aplică, așteptați stabilizarea valorii și confirmați. Introduceți valoarea pH-ului.

10. Analizați rezultatul calibrării:

- SUCCES** – senzorul este calibrat și pregătit pentru a măsura probe. Se afișează valorile pantei și/sau ale abaterii.
- EȘEC** – panta sau abaterea calibrării nu se încadrează în limitele acceptate. Repetați calibrarea cu soluții de referință noi. Curățați senzorul, dacă este necesar. Consultați [Curățarea senzorului](#) de la pagina 328.

11. În cazul în care calibrarea are succes, confirmați.

12. Readuceți senzorul în proces, apoi confirmați.

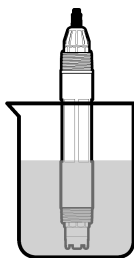
Semnalul de ieșire revine la starea activă și pe ecranul de măsurare se afișează valoarea probei măsurate.

4.3.3 Procedura de calibrare ORP

Calibrați senzorul ORP cu o soluție de referință sau o probă cu valoarea cunoscută.

1. Introduceți senzorul în soluția de referință sau în probă. Asigurați-vă că porțiunea de sondă a senzorului este scufundată complet în soluție. Consultați [Figura 8](#).

Figura 8 Senzor în soluție de referință sau în probă



- Apăsăți **meniul**, apoi selectați SETARE SENZOR > [Select senzor] > CALIBRARE.
- Selectați PUNCT 1 MANUAL.
- Dacă în meniul de securitate al controllerului s-a activat un cod de acces, introduceți codul de acces.
- Selectați opțiunea pentru semnalul de ieșire în timpul calibrării:

Opțiune	Descriere
ACTIV	Instrumentul trimite valoarea de ieșire curentă măsurată în timpul procedurii de calibrare.
MENTINE	Valoarea de ieșire a senzorului este menținută la valoarea curentă măsurată în timpul procedurii de calibrare.
TRANSFER	În timpul calibrării se trimite o valoare de ieșire presetată. Consultați manualul de utilizare a controllerului pentru a modifica valoarea presetată.

- Cu senzorul în soluția de referință sau în probă, confirmați.
Se afișează valoarea măsurată.

7. Așteptați stabilizarea valorii, după care confirmați.
8. Introduceți valoarea ORP a soluției de referință sau a probei.
Notă: Dacă pentru calibrare se utilizează o soluție de referință, identificați valoarea ORP pe flaconul acesteia. Dacă pentru calibrare se utilizează o probă, măsurați valoarea ORP cu un al doilea instrument de verificare.
9. Analizați rezultatul calibrării:
 - SUCCEȘ – senzorul este calibrat și pregătit pentru a măsura probe. Se afișează valorile pantei și/sau ale abaterii.
 - EȘEC – panta sau abaterea calibrării nu se încadrează în limitele acceptate. Repetați calibrarea cu o soluție de referință nouă. Curățați senzorul, dacă este necesar. Consultați [Curățarea senzorului](#) de la pagina 328.
10. În cazul în care calibrarea are succes, confirmați.
11. Readuceți senzorul în proces, apoi confirmați.
Semnalul de ieșire revine la starea activă și pe ecranul de măsurare se afișează valoarea probei măsurate.

4.3.4 Calibrarea temperaturii

Instrumentul este calibrat din fabrică pentru măsurarea cu precizie a temperaturii. Calibrați temperatura pentru a crește precizia.

1. Puneți senzorul într-un recipient cu apă.
2. Măsurați temperatura apei cu un termometru de precizie sau cu un instrument independent.
3. Apăsăți **meniul**, apoi selectați SETARE SENZOR > [Select senzor] > CALIBRARE.
4. Selectați AJUSTARE TEMP > EDITARE TEMP, apoi confirmați.
5. Introduceți valoarea exactă a temperaturii, apoi confirmați.
6. Readuceți senzorul în proces, apoi confirmați.

4.3.5 Ieșirea din procedura de calibrare.

1. Pentru a ieși dintr-o calibrare, apăsați **inapoi**.
2. Selectați o opțiune.

Opțiune	Descriere
ANULARE	Oprțiți calibrarea. O calibrare nouă trebuie pornită de la început.
INAPOI LA CAL	Reveniți la calibrare
IESIRE	Ieșiți temporar din calibrare. Se permite accesarea altor meniuri. Se poate porni calibrarea unui al doilea senzor (dacă este prezent). Pentru a reveni la calibrare, apăsați meniul și selectați SETARE SENZOR > [Select senzor].

4.4 Date despre senzori și jurnale de evenimente

Controllerul sc asigură, pentru fiecare dintre senzorii conectați, un jurnal de date și un jurnal de evenimente. Jurnalul de date stochează datele de măsurare la intervale selectate (configurabile de către utilizator). Jurnalul de evenimente arată evenimentele care au avut loc.

Jurnalul de date și jurnalul de evenimente pot fi salvate în format CSV. Pentru instrucțiuni, consultați documentația controllerului.

4.5 Cataloage Modbus

O listă de cataloage Modbus este disponibilă pentru comunicarea în rețea. Pentru informații suplimentare, consultați site-ul web al producătorului.

Secțiunea 5 Întreținerea

▲ PERICOL



Pericole multiple. Numai personalul calificat trebuie să efectueze activitățile descrise în această secțiune a documentului.

▲ AVERTISMENT



Pericol de explozie. Eliminarea unui senzor dintr-un vas presurizat poate prezenta riscuri. Reduceți presiunea procesului sub 10 psi înainte de eliminare. Dacă acest lucru nu este posibil, acordați o atenție deosebită. Pentru mai multe informații, consultați documentația ce însoțește echipamentul de montare.

▲ AVERTISMENT



Pericol de expunere chimică. Respectați procedurile de siguranță în laborator și purtați toate echipamentele de protecție personală adecvate pentru substanțele chimice care sunt manipulate. Consultați fișele tehnice de siguranță (MSDS/SDS) pentru protocoalele de siguranță.

▲ ATENȚIE



Pericol de expunere chimică. Substanțele chimice și deșeurile trebuie eliminate în conformitate cu reglementările locale, regionale și naționale.

5.1 Schema lucrărilor de întreținere

Tabelul 1 indică programul recomandat pentru lucrările de întreținere. Este posibil ca anumite lucrări să fie necesare mai frecvent, în funcție de cerințele unității și de condițiile de funcționare.

Tabelul 1 Schema lucrărilor de întreținere

Lucrare	1 an	După cum este necesar
Curățarea senzorului de la pagina 328		X ⁶
Înlocuirea punții de sare de la pagina 329	X	
Calibrarea senzorului	Stabilit de agențiile de reglementare sau din experiență	

5.2 Curățarea senzorului

Cerințe: pregătiți o soluție neutră cu un detergent de vase neabraziv care nu conține lanolină. Lanolina lasă o peliculă pe suprafața electrodului, ce poate afecta funcționarea senzorului.

Examinați periodic senzorul pentru a depista reziduuri și depuneri. Curățați senzorul dacă există depuneri sau dacă funcționarea acestuia este afectată.

1. Utilizați o lavetă curată și moale pentru a elimina reziduurile de pe capătul senzorului. Clătiți senzorul cu apă caldă și curată.
2. Introduceți senzorul în soluția de detergent timp de 2-3 minute.
3. Utilizați o perie cu fibre moi pentru a curăța în totalitate capătul de măsurare al senzorului.
4. Dacă rămân reziduuri, introduceți capătul de măsurare al senzorului într-o soluție acidă diluată, cum ar fi < 5% HCl, timp de cel mult 5 minute.
5. Clătiți senzorul cu apă și reintroduceți-l în soluția de detergent timp de 2-3 minute.

⁶ Frecvența depinde de condițiile de funcționare.

6. Clătiți senzorul cu apă curată.

Notă: Senzorii cu electrozi de antimoniu pentru aplicațiile HF pot necesita curățare suplimentară. Contactați asistența tehnică.

Calibrați întotdeauna senzorul după terminarea procedurilor de întreținere.

5.3 Înlocuirea punții de sare

Înlocuiți puntea de sare și soluția pentru celula standard la intervale de 1 an sau atunci când calibrarea eșuează după curățarea senzorului.

Notă: Un videoclip care arată cum se înlocuiește puntea de sare este disponibil la adresa www.Hach.com. Accesați pagina web a punții de sare și faceți clic pe fila Video.

Articole de colectat:

- Cheie franceză reglabilă
- Pensete de dimensiuni mari
- Punte de sare
- Soluție pentru celulă standard
- Praf de gel⁷, ¼ de linguriță

1. Curățați senzorul. Consultați [Curățarea senzorului](#) de la pagina 328.

2. Înlocuiți puntea de sare și soluția pentru celula standard. Consultați următorii pași ilustrați.

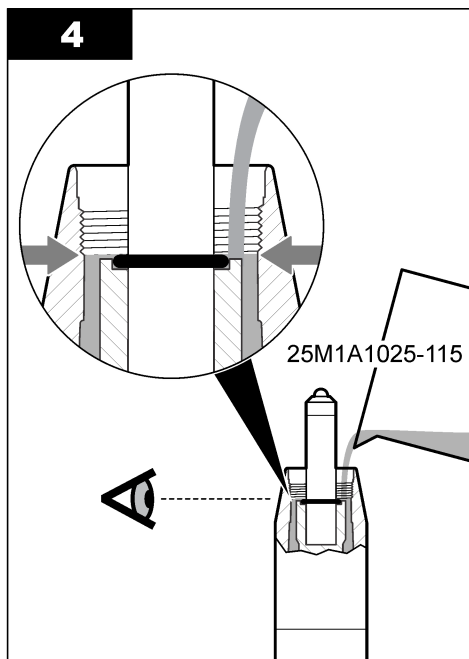
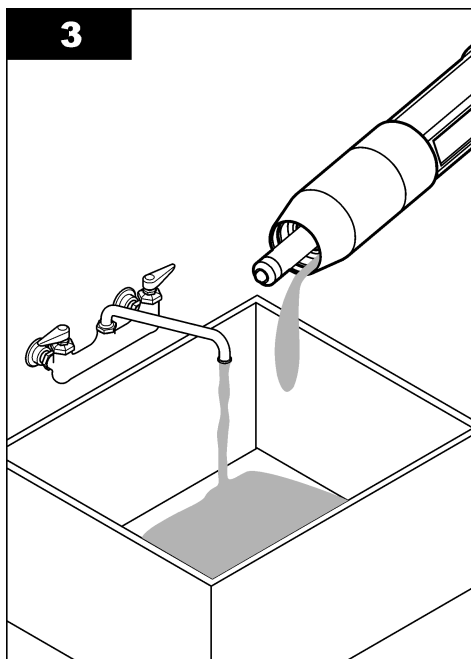
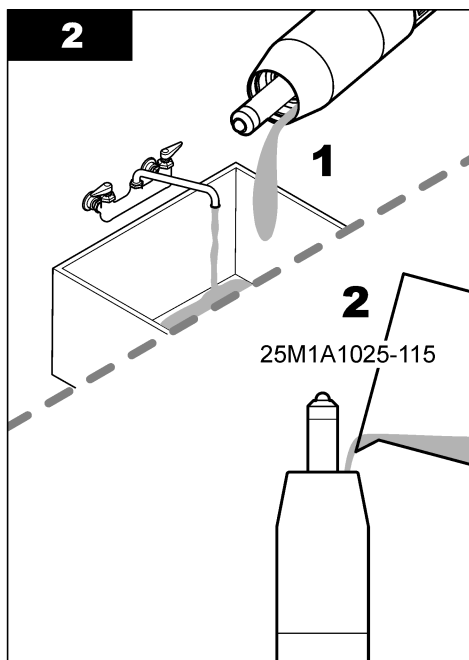
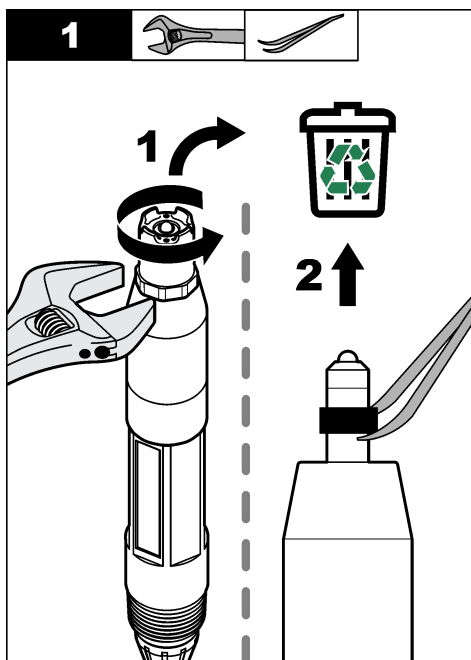
Dacă rezervorul soluției pentru celula standard conține un gel (nu se întâmplă frecvent), utilizați jet de apă de la un dispozitiv de tipul Waterpik, pentru a elimina gelul vechi, după ilustrația pasului 2.

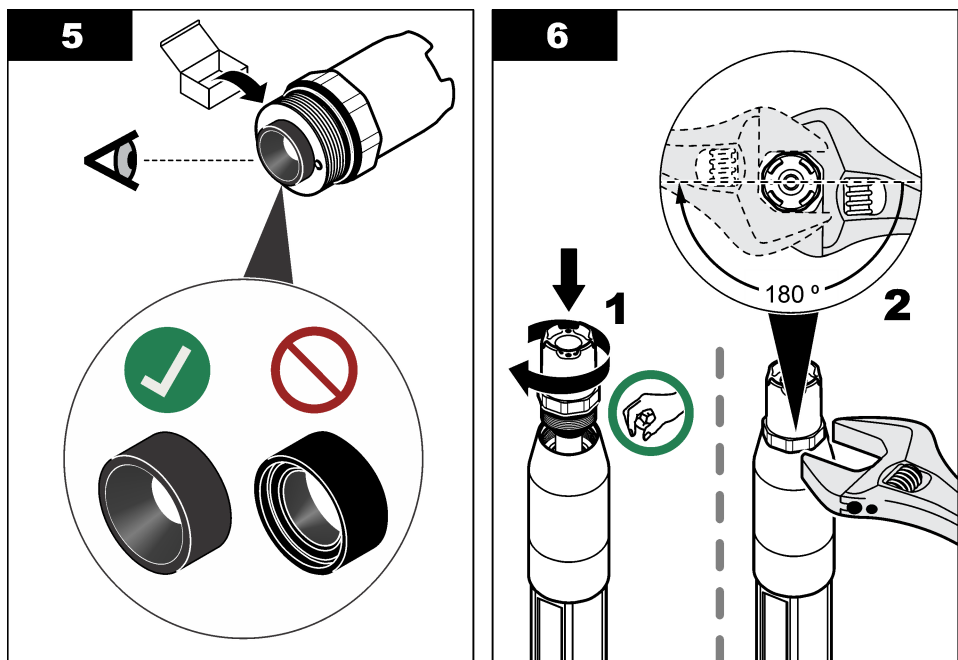
(Opțional) Dacă apa de proces se apropie de temperatura de fierbere, adăugați praf de gel la noua soluție pentru celula standard, după ilustrația pasului 4, astfel:

- a. Turnați 1 capac plin (¼ de linguriță) de praf de gel în rezervorul soluției pentru celula standard.
- b. Turnați în rezervor o cantitate mică de soluție nouă pentru celula standard.
- c. Amestecați soluția până când devine densă.
- d. Adăugați cantități mici de soluție și amestecați până când nivelul de gel atinge baza filetelor punții de sare.
- e. Verificați nivelul corect al gelului, montând și demontând puntea de sare nouă. Pe suprafața gelului trebuie să rămână urma punții de sare.

3. Calibrați senzorul.

⁷ (Opțional) Adăugați praf de gel la soluția pentru celula standard, dacă apa de proces se apropie de temperatura de fierbere. Praful de gel reduce rata de evaporare a soluției pentru celula standard.





5.4 Pregătirea pentru depozitare

În vederea depozitării pe termen scurt (când senzorul este scos din funcțiune mai mult de o oră), umpleți capacul de protecție cu soluție tampon de pH 4 sau cu apă distilată și puneți capacul la loc pe senzor. Păstrați electrodul de procesare și puntea de sare a joncțiunii de referință umezite pentru a evita răspunsul lent atunci când senzorul este repus în funcțiune.

Pentru perioade de depozitare prelungite, repetați procedura de depozitare pe termen scurt la fiecare 2-4 săptămâni, în funcție de condițiile de mediu. Consultați [Specificații](#) de la pagina 314 pentru limitele temperaturii de depozitare.

Secțiunea 6 Depanarea

6.1 Date intermitente

În timpul calibrării, nu se trimit date în jurnalul de date. Prin urmare, jurnalul de date poate avea porțiuni în care datele sunt intermitente.

6.2 Diagnosticarea senzorului și meniul de testare

Diagnosticarea senzorului și meniul de testare afișează informațiile curente și din istoric despre instrument. Consultați [Tabelul 2](#). Pentru a accesa diagnosticarea senzorului și meniul de testare, apăsați **meniu**, apoi selectați SETARE SENZOR > [Select senzor] > DIAG/TEST.

Tabelul 2 Meniul DIAG/TEST al senzorului

Opțiune	Descriere
INFO PROBA	Afișează tipul de senzor, numele, numărul de serie, versiunea software și versiunea driverului.
DATA DE CALIB	Afișează panta pH-ului (mV/pH) și data ultimei calibrări. Panta pH-ului trebuie să fie între -55 și -61 mV.

Tabelul 2 Meniul DIAG/TEST al senzorului (continuare)

Opțiune	Descriere
SEMNALE	<p>SEMNAL SENZOR – afișează valoarea senzorului în mV. Intervalul mV este de la –60 la +60 mV (0 mV = pH 7).</p> <p>NUM SENZOR ADC – afișează numărul digital care reprezintă valoarea pH.</p> <p>NUM TEMP ADC – afișează numărul digital care reprezintă temperatura.</p> <p>STARE ELECTROD – afișează starea de funcționare a electrodului activ și a celui de referință (BUN sau NESATISFACATOR). Dacă se afișează „NESATISFACATOR”, curățați senzorul și înlocuiți puntea de sare. Înlocuiți senzorul, dacă este necesar.</p> <p>ELECT ACTIV – afișează impedanța electrodului activ.</p> <p>ELECTROD REFER – afișează impedanța electrodului de referință.</p> <p>STARE IMPED – atunci când este activată (recomandat), impedanțele electrodului activ și a celui de referință sunt măsurate la intervale de 1 minut. Pe afișajul controllerului apare o eroare atunci când impedanța electrodului activ sau a celui de referință nu se încadrează între limitele inferioară și superioară de impedanță.</p>
NUMARATORI	<p>ZILE SENZOR – afișează numărul de zile de funcționare a senzorului.</p> <p>RESET SENZOR – setează valorile pentru ZILE SENZOR și ZILE ELECTROD la zero.</p> <p>ZILE ELECTROD – afișează numărul de zile de la înlocuirea punții de sare.</p> <p><i>Notă: Valoarea pentru ZILE ELECTROD este setată automat la zero la înlocuirea punții de sare.</i></p>

6.3 Mesaje de eroare

Atunci când intervine o eroare, valoarea de pe ecranul de măsurare se aprinde intermitent și toate ieșirile sunt menținute atunci când se specifică în meniul controllerului. Pentru a afișa erorile senzorului, apăsați **menu** și selectați DIAGNOSTIC > [Select senzor] > LISTA ERORI. Se afișează o listă cu erori posibile în [Tabelul 3](#).

Tabelul 3 Mesaje de eroare

Eroare	Descriere	Rezoluție
pH PREA RIDIC.	pH-ul măsurat este > 14.	Calibrați senzorul.
ORP PREA MARE	Valoarea ORP măsurată este > 2.100 mV.	
pH PREA SCAZUT	pH-ul măsurat este > 0.	Calibrați senzorul.
ORP PREA MIC	Valoarea ORP măsurată este ≤ 2100 mV.	
ABATERE PREA MARE	Abaterea este > 9 (pH) sau 200 mV (ORP).	Efectuați pașii din Curățarea senzorului de la pagina 328 și Înlocuirea punții de sare de la pagina 329. După care repetați calibrarea.
ABATERE PREA MICĂ	Abaterea este > 5 (pH) sau –200 mV (ORP).	
PANTĂ PREA MARE	Panta este > 62 (pH)/1,3 (ORP).	Repetati calibrarea cu soluții de referință noi.
PANTĂ PREA MICĂ	Panta este > 50 (pH)/0,7 (ORP).	Efectuați pașii din Curățarea senzorului de la pagina 328. După care repetați calibrarea.
TEMP PREA MARE	Temperatura măsurată este > 130 °C.	Asigurați-vă că este selectat elementul de temperatură corect. Consultați opțiunea TEMP ELEMENT din Configurați senzorul de la pagina 323.
TEMP PREA JOAS	Temperatura măsurată este ≤ 10 °C.	
EROARE ADC	Transformarea din format analog în format digital nu a reușit.	Setați controllerul pe poziția de oprire. Apoi, setați controllerul pe poziția de pornire.
IMPED ACT PREA MARE	Impedanța electrodului activ este > 900 MΩ.	Senzorul este în aer. Reduceți senzorul în cadrul procesului.

Tabelul 3 Mesaje de eroare (continuare)

Eroare	Descriere	Rezoluție
IMPED ACT PREA MICĂ	Impedanța electrodului activ este < 8 MΩ.	Senzorul este deteriorat sau murdar. Efectuați pașii din Curățarea senzorului de la pagina 328.
IMPED REACT PREA MARE	Impedanța electrodului de referință este > 900 MΩ.	Soluția pentru celulă standard s-a scurs sau evaporat. Înlocuiți soluția pentru celulă standard.
IMPED REACT PREA MICĂ	Impedanța electrodului de referință este < 8 MΩ.	Electrodul de referință este deteriorat. Înlocuiți senzorul.
ACELAȘI TAMPON	Substanțele tampon utilizate pentru calibrarea PUNCT 2 AUTOM au aceeași valoare.	Utilizați soluții tampon cu valori diferite.
LIPSA SENZOR	Senzorul lipsește sau este deconectat.	Identificați dacă ați deconectat cablul senzorului sau dacă este deteriorat.
SENZOR TEMP ABSENT	Lipsește senzorul de temperatură.	Asigurați-vă că este selectat elementul de temperatură corect. Consultați opțiunea TEMP ELEMENT din Configurați senzorul de la pagina 323.
IMP STICL MICA	Balonul de sticlă este spart sau a ajuns la sfârșitul duratei de viață.	Înlocuiți senzorul.

6.4 Mesajele de atenționare

O atenționare nu afectează funcționarea meniurilor, a releelor sau a semnalelor de ieșire. În partea de jos a ecranului de măsurare clipește o pictogramă de atenționare și se afișează un mesaj. Pentru a afișa atenționările pentru senzor, apăsați **menu** și selectați DIAGNOSTIC > [Select senzor] > LISTA ATENTION. Se afișează o listă cu atenționările posibile în [Tabelul 4](#).

Tabelul 4 Mesajele de atenționare

Atenționare	Descriere	Rezoluție
pH PREA RIDIC.	pH-ul măsurat este > 13.	Calibrați senzorul.
ORP PREA MARE	Valoarea ORP măsurată este > 2.100 mV.	
pH PREA SCAZUT	pH-ul măsurat este < 1.	Calibrați senzorul.
ORP PREA MIC	Valoarea ORP măsurată este < -2.100 mV.	
ABATERE PREA MARE	Abateră este > 8 (pH) sau 200 mV (ORP).	Efectuați pașii din Curățarea senzorului de la pagina 328 și Înlocuirea punții de sare de la pagina 329. După care repetați calibrarea.
ABATERE PREA MICĂ	Abateră este < 6 (pH) sau -200 mV (ORP).	
PANTĂ PREA MARE	Panta este > 60 (pH)/1,3 (ORP).	Repetăți calibrarea cu soluții de referință noi.
PANTĂ PREA MICĂ	Panta este < 54 (pH)/0,7 (ORP).	Efectuați pașii din Curățarea senzorului de la pagina 328. După care repetați calibrarea.
TEMP PREA MARE	Temperatura măsurată este > 100 °C.	Asigurați-vă că este selectat elementul de temperatură corect. Consultați opțiunea TEMP ELEMENT din Configurați senzorul de la pagina 323.
TEMP PREA JOAS	Temperatura măsurată este < 0 °C.	

Tabelul 4 Mesajele de atenționare (continuare)

Atenționare	Descriere	Rezoluție
CAL ÎNTÂRZIATĂ	Numărul de zile de la calibrarea senzorului depășește intervalul de calibrare.	Calibrați senzorul. <i>Notă:</i> Pentru modificarea intervalului de calibrare, consultați opțiunea ZILE CALIB din Configurați senzorul de la pagina 323.
INLOC. SENZOR	Numărul de zile de funcționare a senzorului depășește intervalul de înlocuire a senzorului.	Înlocuiți senzorul, dacă este necesar. <i>Notă:</i> Pentru modificarea intervalului de înlocuire a senzorului, consultați opțiunea ZILE SENZOR din Configurați senzorul de la pagina 323.
NECALIBRAT	Nu s-a calibrat senzorul.	Calibrați senzorul.
EROARE NEPREV	Memoria flash externă nu funcționează.	Contactați asistența tehnică.
IMPED ACT PREA MARE	Impedanța electrodului activ este > 800 MΩ.	Senzorul este în aer. Readuceți senzorul în cadrul procesului.
IMPED ACT PREA MICĂ	Impedanța electrodului activ este < 15 MΩ.	Senzorul este deteriorat sau murdar. Efectuați pașii din Curățarea senzorului de la pagina 328.
IMPED REACT PREA MARE	Impedanța electrodului de referință este > 800 MΩ.	Soluția pentru celulă standard s-a scurs sau evaporat. Înlocuiți soluția pentru celulă standard.
IMPED REACT PREA MICĂ	Impedanța electrodului de referință este < 15 MΩ.	Electrodul de referință este deteriorat. Înlocuiți senzorul.
CAL ÎN CURS	S-a început o calibrare, dar nu s-a terminat.	Reveniți la calibrare.

6.5 Lista de evenimente

Lista de evenimente afișează activitățile curente, cum ar fi modificările de configurare, alarmele, stările de atenționare etc. Pentru a afișa evenimentele, apăsați **meni** și selectați DIAGNOSTIC > [Select senzor] > EVENIMENTE. Se afișează o listă cu evenimente posibile în Tabelul 5. Evenimentele anterioare se înregistrează în jurnalul de evenimente, care poate fi descărcat din controller. Pentru opțiuni de colectare a datelor, consultați documentația controllerului.

Tabelul 5 Lista de evenimente

Eveniment	Descriere
CAL GATA	Senzorul este pregătit pentru calibrare.
CAL OK	Calibrarea curentă este bună.
TIMP EXPIRAT	A expirat durata de stabilizare în timpul calibrării.
NICIUN TAMPON	Nu s-a detectat nicio soluție tampon.
PANTA MARE	Panta de calibrare este peste limita superioară.
PANTA MICA	Panta de calibrare este sub limita inferioară.
ABATERE MARE	Valoarea abaterii la calibrare pentru senzor este peste limita superioară.
ABATERE MICĂ	Valoarea abaterii la calibrare pentru senzor este sub limita inferioară.
PUNCTE APROPIATE	Punctele de calibrare au valori prea apropiate pentru o calibrare în două puncte.
EROARE CALIBR	Calibrarea nu a reușit.
CAL MARE	Valoarea de calibrare este deasupra limitei superioare.

Tabelul 5 Lista de evenimente (continuare)

Eveniment	Descriere
INSTABILA	Citirea a fost instabilă în timpul calibrării.
MODIFICARE ÎN CONFIG – virgulă mobilă	S-a modificat configurarea – tip cu virgulă mobilă.
MODIFICARE ÎN CONFIG – text	S-a modificat configurarea – tip text.
MODIFICARE ÎN CONFIG – int	S-a modificat configurarea – tip valoare număr întreg.
RESET CONFIG	Setările de configurare au fost restabilite la opțiunile implicite.
PORNIRE EVENIM	Alimentarea a fost pornită.
EROARE ADC	Transformarea ADC nu a reușit (defecțiune hardware).
ȘTERGERE FLASH	S-a șters memoria flash.
TEMPERATURA	Temperatura înregistrată este prea ridicată sau prea scăzută.
ÎNCEPERE MANUALĂ 1 PCT	Pornirea calibrării PUNCT 1 MANUAL.
ÎNCEPERE AUT 1 PCT	Pornirea calibrării PUNCT 1 AUTOM pentru pH.
ÎNCEPERE MANUALĂ 2 PCT	Pornirea calibrării PUNCT 2 MANUAL pentru pH.
ÎNCEPERE AUT 2 PCT	Pornirea calibrării PUNCT 2 AUTOM pentru pH.
TERM MANUALĂ 1 PCT	Terminarea calibrării PUNCT 1 MANUAL.
TERM AUT 1 PCT	Terminarea calibrării PUNCT 1 AUTOM pentru pH.
TERM MANUALĂ 2 PCT	Terminarea calibrării PUNCT 2 MANUAL pentru pH.
TERMINARE AUT 2 PCT	Terminarea calibrării PUNCT 2 AUTOM pentru pH.

Secțiunea 7 Piese de schimb și accesorii

⚠ AVERTISMENT



Pericol de vătămare corporală. Utilizarea pieselor neaprobate poate cauza vătămare corporală, deteriorarea instrumentului sau defectarea echipamentului. Piesele de schimb din această secțiune sunt aprobate de producător.

Notă: Numerele pentru produs și articol pot varia în anumite regiuni de comercializare. Contactați distribuitorul respectiv sau consultați site-ul Web al companiei pentru informațiile de contact.

Materiale consumabile

Descriere	Cantitate	Nr. articol
Soluție tampon, pH 4,01, roșu	500 ml	2283449
Soluție tampon, pH 7,00, galben	500 ml	2283549
Soluție tampon, pH 10,01, albastru	500 ml	2283649
Soluție de referință ORP, 200 mV	500 ml	25M2A1001-115
Soluție de referință ORP, 600 mV	500 ml	25M2A1002-115

Piese de schimb – senzori de pH

Descriere	Cantitate	Nr. articol
Punte de sare, PEEK, joncțiune exterioară Kynar (PVDF), cu garnituri inelare Viton	1	SB-P1SV
Punte de sare, PEEK, joncțiune exterioară Kynar (PVDF), cu garnituri inelare din perfluoroelastomer	1	SB-P1SP ⁸
Punte de sare, PEEK, joncțiune exterioară ceramică, cu garnituri inelare Viton	1	SB-P2SV
Punte de sare, Ryton, joncțiune exterioară Kynar (PVDF), cu garnituri inelare Viton	1	SB-R1SV
Soluție pentru celulă standard	500 ml	25M1A1025-115
Praf de gel pentru soluția pentru celulă standard	2 g	25M8A1002-101

Accesorii

Descriere	Nr. articol
Cablu de extensie digitală, 1 m (3,2 ft)	6122400
Cablu de extensie digitală, 7,7 m (25 ft)	5796000
Cablu de extensie digitală, 15 m (50 ft) ⁹	5796100
Cablu de extensie digitală, controller SC200, 31 m (100 ft)	5796200
Cutie terminală digitală, controller SC200 ¹⁰	5867000
Hardware de montare sanitară, oțel inoxidabil 316, include racord în T sanitar de 2 inch și clemă de rezistență mare. <i>Notă: Capacul și garnitura din compus EPDM sunt furnizate împreună cu senzorul.</i>	MH018S8SZ
Hardware de montare în cuplaj, CPVC (clorură de polivinil clorat), include un racord în T standard de 1½ inch, tub de legătură cu adaptor, bușă de etanșare, inel de blocare și garnitură inelară Viton	6131300
Hardware de montare în cuplaj, oțel inoxidabil 316, include un racord în T standard de 1½ inch, tub de legătură cu adaptor, bușă de etanșare, inel de blocare și garnitură inelară Viton	6131400
Hardware de montare cu flux continuu, CPVC, include racord în T standard de 1 inch	MH334N4NZ
Hardware de montare cu flux continuu, oțel inoxidabil 316, include racord în T standard de 1 inch	MH314N4MZ
Hardware de montare cu inserție, CPVC, include supapă cu bilă de 1½ inch, niplu cu filet NPT de 1½ inch, adaptor de senzor cu două garnituri inelare Viton și ștergător, tub de extensie, adaptor pentru tub, tub posterior și inel de blocare	5646300
Hardware de montare cu inserție, oțel inoxidabil 316, include supapă cu bilă de 1½ inch, niplu cu filet NPT de 1½ inch, adaptor de senzor cu două garnituri inelare Viton și ștergător, tub de extensie, adaptor pentru tub, tub posterior și inel de blocare	5646350
Hardware de montare cu imersie, standard, CPVC, include o conductă de 1 inch pe 4 ft și cuplaj NPT de 1 inch x 1 inch	6136400

⁸ Utilizați SB-P1SP dacă materialul Viton nu este compatibil chimic cu substanțele chimice din aplicație.

⁹ Lungimea maximă a cablului este de 15 m (49 ft) pentru un controller SC1000.

¹⁰ Utilizați o cutie terminală digitală dacă lungimea cablului depășește 100 m (328 ft). Cutiile terminale nu sunt utilizate pentru controlerlele SC1000.

Accesorii (continuare)

Descriere	Nr. articol
Hardware de montare cu imersie, standard, oțel inoxidabil 316, include o conductă de 1 inch pe 4 ft și cuplaj NPT de 1 inch x 1 inch	6136500
Hardware de montare cu imersie, bară de mână, include conductă CPVC de 1½ inch pe 7,5 ft și ansamblu de clemă pentru tub	MH236B00Z
Hardware de montare cu imersie, lanț, oțel inoxidabil 316, include colier, piulițe și șaibe din oțel inoxidabil <i>Notă: Doar pentru utilizarea cu senzori din oțel inoxidabil. Nu include lanț.</i>	2881900
Hardware de montare cu imersie, balon plutitor, include conductă CPVC de 1½ inch pe 7,5 ft, ansamblu de balon plutitor și ansamblu de clemă pentru conductă	6131000
Protecție pentru senzor, senzor de stil convertibil, PEEK	1000F3374-002
Protecție pentru senzor, senzor de stil convertibil, Ryton	1000F3374-003

İçindekiler

- 1 Teknik özellikler sayfa 338
- 2 Genel bilgiler sayfa 339
- 3 Kurulum sayfa 341
- 4 Çalıřtırma sayfa 347

- 5 Bakım sayfa 351
- 6 Sorun giderme sayfa 355
- 7 Yedek parçalar ve aksesuarlar sayfa 359

Bölüm 1 Teknik özellikler

Teknik özellikler önceden bildirilmeksizin deęiřtirilebilir.

Teknik Özellik	pH sensörleri	Paslanmaz çelik pH sensör	ORP sensörleri
Boyutlar (uzunluk)	272,5 mm (10,73 inç)	325,3 mm (12,81 inç)	272,5 mm (10,73 inç)
Aęırlık	316 g (11 oz)	870 g (31 oz)	316 g (11 oz)
Islak malzemeler	PEEK veya Ryton (PVDF) gövde, aynı malzemeden tuz köprüsü ve Kynar baęlantı, cam proses elektrotu, titanyum topraklama elektrotu ve Viton O-halkalı contalar <i>Not: Opsiyonel HF'e karřı dirençli cam proses elektrotlu pH sensörü, 316 paslanmaz çelik topraklama elektrotu ve perfloroelastomer ile yüzey iřlemi görmüş O-halkalar.</i>	Yalnızca daldırılmalı montaj, 316 SS paslanmaz çelik gövde ile Ryton (PVDF) uçlar ve tuz köprüsü	PEEK veya Ryton (PVDF) gövde, aynı malzemeden tuz köprüsü ve Kynar baęlantı, cam ve platin (veya cam ve altın) proses elektrotu, titanyum topraklama elektrotu ve Viton O-halkalı contalar
Bileşenler	Ařınmaya dayanıklı malzemeler, tamamen sıvılara daldırılabilir		
Sensör kablosu (dahili)	4 iletkenli (ve 1 koruma), 10 m (33 ft), 105°C (221°F) için sınıflandırılmış		
Çalıřma sıcaklıęı	-5 ila 70°C (23 ila 158°F)	0 ila 50°C (32 ila 122°F)	-5 ila 70°C (23 ila 158°F)
Depolama sıcaklıęı	4 ila 70°C (40 ila 158°F), %0 ila 95 baęlı nem, yoęuřması		
Ölçüm aralıęı	2,0 ila 14,0 pH ¹ (veya 2,00 ila 14,00)		-1500 ila +1500 mV
Tekrarlanabilirlik	±0,05 pH		±2 mV
Duyarlılık	±0,01 pH		±0,5 mV ²
Stabilite	24 saatte 0,03 pH, kümülatif deęil		24 saatte 2 mV (ORP), kümülatif deęil
Azami akıř hızı	3 m/s (10 ft/s)		
Basınç limiti	6,9 bar, 70°C (100 psi, 158°F)	Uygulanamaz (yalnızca daldırılmalı)	6,9 bar, 70°C (100 psi, 158°F)
İletim mesafesi	Maksimum 100 m (328 ft) veya sonlandırma kutusuyla birlikte kullanıldığında maksimum 1000 m (3280 ft)		

¹ Çoęu pH uygulaması 2,5 ila 12,5 pH aralıęındadır. Geniř aralık cam proses elektrotu olan pHD Diferansiyel pH sensörü bu aralıktaki çok iyi çalıřır. Bazı endüstriyel uygulamalar pH 2 altında veya pH 12 üzerinde doęru ölçümler ve kontrol gerektirir. Bu gibi özel durumlarda daha fazla bilgi almak için lütfen üreticileri iletiřime geçin.

² Çinko, siyanür, kadmiyum veya nikel içeren çözeltilerde en iyi sonuçları almak için altın elektrota sahip pHD ORP sensörü kullanın.

Teknik Özellik	pH sensörleri	Paslanmaz çelik pH sensör	ORP sensörleri
Sıcaklık ögesi	Otomatik sıcaklık kompanzasyonu ve analizör sıcaklık okuması için NTC 300 Ω termistör		Yalnızca analizör sıcaklık okuması için NTC 300 Ω termistör—ORP ölçümü için otomatik sıcaklık kompanzasyonu gerekli değildir
Sıcaklık hassasiyeti	$\pm 0,5^{\circ}\text{C}$ ($0,9^{\circ}\text{F}$)		
Sıcaklık kompanzasyonu	NTC 300 Ω termistör, Pt 1000 ohm RTD veya Pt 100 Ω RTD sıcaklık elemanı ile -10°C 'den 105°C 'ye kadar ($14,0^{\circ}\text{F}$ 'ten 221°F 'ye kadar) otomatik ya da kullanıcı tarafından girilen bir sıcaklıkta manuel olarak sabitlenmiş		Uygunlamaz
Kalibrasyon yöntemleri	1 veya 2 noktalı otomatik veya manuel		1 noktalı manuel
Sensör arabirimi	Modbus		
Sertifikalar	CE		
Garanti	1 yıl; 2 yıl (AB)		

Bölüm 2 Genel bilgiler

Hiçbir durumda üretici, bu kılavuzdaki herhangi bir hata ya da eksiklikten kaynaklanan doğrudan, dolaylı, özel, tesadüfi ya da sonuçta meydana gelen hasarlardan sorumlu olmayacaktır. Üretici, bu kılavuzda ve açıkladığı ürünlerde, önceden haber vermeden ya da herhangi bir zorunluluğa sahip olmadan değişiklik yapma hakkını saklı tutmaktadır. Güncellenmiş basımlara, üreticinin web sitesinden ulaşılabilir.

2.1 Güvenlik bilgileri

Üretici, doğrudan, arızı ve sonuç olarak ortaya çıkan zararlar dahil olacak ancak bunlarla sınırlı olmayacak şekilde bu ürünün hatalı uygulanması veya kullanılmasından kaynaklanan hiçbir zarardan sorumlu değildir ve yürürlükteki yasaların izin verdiği ölçüde bu tür zararları reddeder. Kritik uygulama risklerini tanımlamak ve olası bir cihaz arızasında prosesleri koruyabilmek için uygun mekanizmaların bulunmasını sağlamak yalnızca kullanıcının sorumluluğundadır.

Bu cihazı paketinden çıkarmadan, kurmadan veya çalıştırmadan önce lütfen bu kılavuzun tümünü okuyun. Tehlikeler ve uyarılarla ilgili tüm ifadeleri dikkate alın. Aksi halde, kullanıcının ciddi şekilde yaralanması ya da ekipmanın hasar görmesi söz konusu olabilir.

Bu cihazın korumasının bozulmadığından emin olun. Cihazı bu kılavuzda belirtilenden başka bir şekilde kullanmayın veya kurmayın.





2.2 Tehlikeyle ilgili bilgilerin kullanılması

▲ TEHLİKE
Kaçınılmadığı takdirde ölüm veya ciddi yaralanmaya yol açan potansiyel veya tehdit oluşturacak tehlikeli bir durumu belirtir.
▲ UYARI
Kaçınılmadığı takdirde ölüm veya ciddi yaralanmaya yol açabilecek potansiyel veya tehdit oluşturabilecek tehlikeli bir durumu belirtir.
▲ DİKKAT
Küçük veya orta derecede yaralanmalarla sonuçlanabilecek potansiyel bir tehlikeli durumu gösterir.

Engellenmediği takdirde cihazda hasara neden olabilecek bir durumu belirtir. Özel olarak vurgulanması gereken bilgiler.

2.3 Önlem etiketleri

Cihazın üzerindeki tüm etiketleri okuyun. Talimatlara uyulmadığı takdirde yaralanma ya da cihazda hasar meydana gelebilir. Cihaz üzerindeki bir sembol, kılavuzda bir önlem ibaresiyle belirtilir.

	Bu, güvenlik uyarı sembolüdür. Olası yaralanmaları önlemek için bu sembolü izleyen tüm güvenlik mesajlarına uyun. Cihaz üzerinde mevcutsa çalıştırma veya güvenlik bilgileri için kullanım kılavuzuna başvurun.
	Bu sembol elektrik çarpması ve/veya elektrik çarpması sonucu ölüm riskinin bulunduğunu gösterir.
	Bu sembol Elektrostatik Boşalmaya (ESD-Electro-static Discharge) duyarlı cihaz bulunduğunu ve ekipmana zarar gelmemesi için dikkatli olunması gerektiğini belirtir.
	Bu sembolü taşıyan elektrikli cihazlar, Avrupa evsel ya da kamu atık toplama sistemlerine atılamaz. Eski veya kullanım ömrünü doldurmuş cihazları, kullanıcı tarafından ücret ödenmesine gerek olmadan atılması için üreticiye iade edin.

2.4 Ürüne genel bakış

Bu sensör, verilerin toplanması ve işlenmesi için bir kontrolörle birlikte çalışacak şekilde tasarlanmıştır. Bu sensörle birlikte birden fazla kontrolör kullanılabilir. Bu belgede, sensörün kurulduğu ve sc kontrolörü ile birlikte kullanıldığı varsayılmaktadır. Sensörü diğer kontrolörlerle birlikte kullanmak için kullanılan kontrolöre ait kullanım kılavuzuna başvurun.

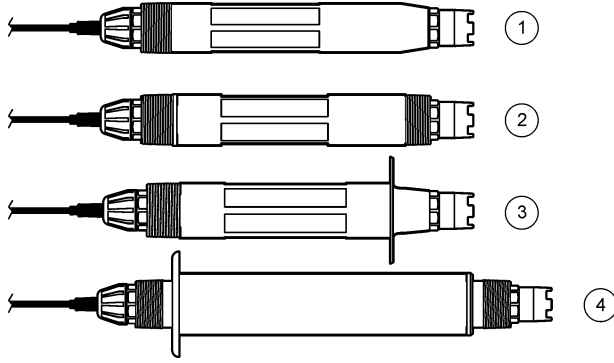
Bu ürün, Tehlikeli Bir Yerde kullanım için kabul edilemez.

Porb için kurulum talimatlarıyla birlikte montaj donanımı gibi opsiyonel ekipmanlar sunulur. Proben birçok farklı uygulama için uyarlanmasına imkan tanıyan birkaç montaj seçeneği mevcuttur.

2.5 Sensör stilleri

Sensör, farklı stillerde gelir. Bkz. [Şekil 1](#).

Şekil 1 Sensör stilleri



1 Saplama —Akış hücresi veya bilye valf donanımının boru adaptörüne kurulum için. Proses akışını durdurmaksızın çıkarma imkanı sağlar.	3 Sıhhi —2 inçlik sıhhi bağlantılı kurulumu için
2 Dönüştürülebilir —T bağlantı borusu veya açık kanala daldırmak için	4 Paslanmaz çelik —Açık kanala daldırmak için

Saplama sensörleri—Saplama sensörleri dönüştürülebilir sensörlere benzerdir ancak 1 inç NPT dişlileri, akış hücresine monte etmeye ya da bilye valf donanımı düzeneğinin boru adaptörüne monte etmeye yönelik olarak yalnızca kablo ucunda bulunur. Saplama sensörleri, proses akışını durdurmaya gerek kalmadan proses ortamına yerleştirilip ortamdaki çıkarılabilir.

Dönüştürülebilir sensörler—Dönüştürülebilir sensörlerde, aşağıdaki konfigürasyonlarda montaja yönelik olarak gövdenin her iki ucunda da 1 inç NPT dişlileri bulunur:

- standart 1 inç NPT t bağlantı borusu
- birleşik montaj için boru adaptörüne ve standart 1-½ inç t bağlantı borusuna
- kanala daldırma için borunun ucuna

Not: Dönüştürülebilir sensörler ayrıca mevcut kurulumlarda 1-½ inç LCP, Ryton ve epoksi sensörler için de kullanılabilir.

Sıhhi sensörler—Sıhhi sensörlerde, 2 inç sıhhi bağlantı için yerleşik 2 inç flanş bulunur. Özel kapak ve EDPM bileşik sızdırmazlık elemanı, sıhhi donanımla kullanım için sıhhi sensörlerle birlikte verilir.

Paslanmaz çelik sensörler—Paslanmaz çelik sensörlerde gövdenin her iki ucunda 1 inç NPT dişlileri bulunur. Paslanmaz çelik sensörler açık kanala daldırma içindir.

Bölüm 3 Kurulum

3.1 Montaj

⚠ UYARI



Patlama tehlikesi. Sensör için montaj donanımının, montaj konumu için yeterli sıcaklık ve basınç sınıfında olduğundan emin olun.

⚠ DİKKAT



Fiziksel yaralanma tehlikesi. Kırılmış camlar kesiklere neden olabilir. Kırık camları temizlemek için araçlar ve kişisel koruma ekipmanları kullanın.

BİLGİ

pH sensörünün ucundaki proses elektrotunda kırılabilir bir ampul vardır. Cam ampule vurmayın veya üzerine bastırmayın.

BİLGİ

ORP sensörünün ucundaki altın veya platin proses elektrotun kırılabilir bir cam sapı vardır (tuz köprüsü tarafından gizlenir). Cam sapa vurmayın veya üzerine bastırmayın.

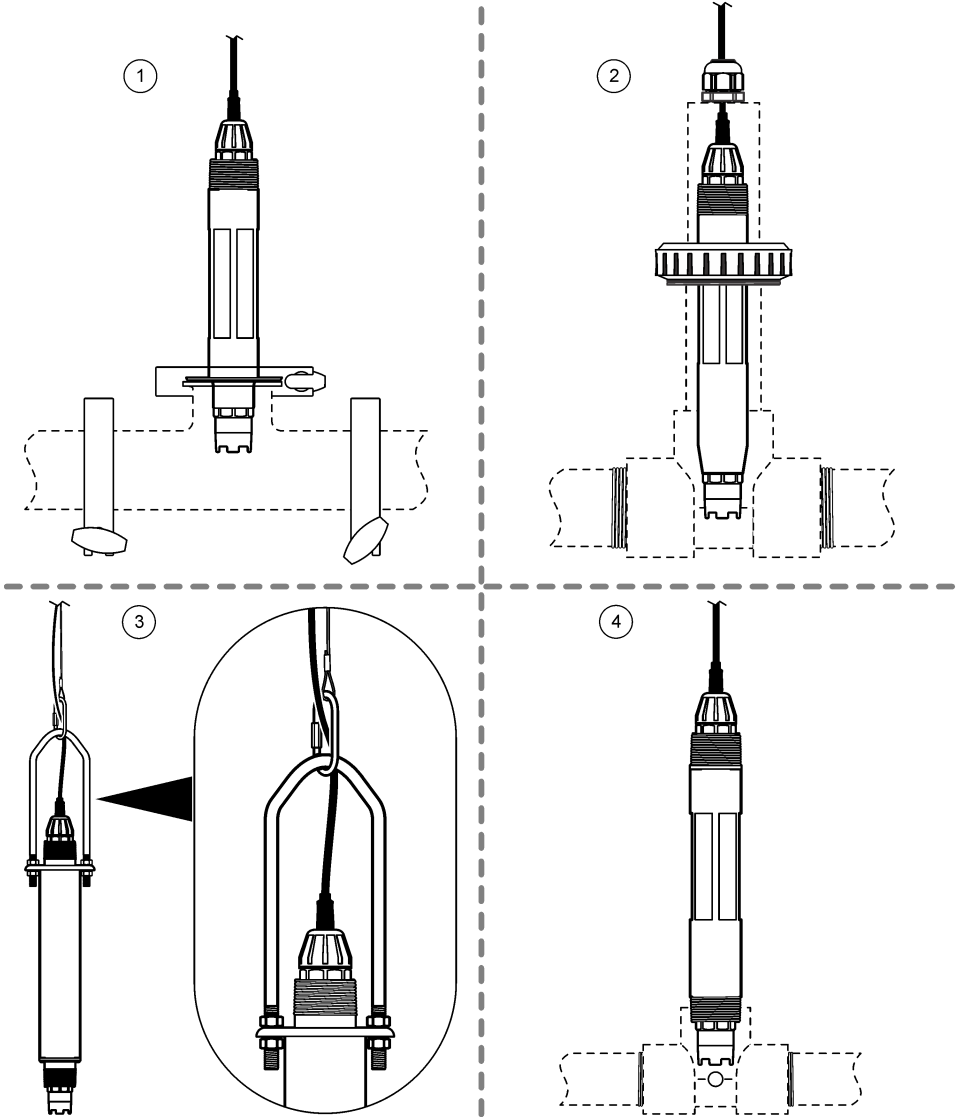
BİLGİ

Bu cihaz, maksimum 2000 m (6562 ft) rakım için derecelendirilmiştir. Bu ekipmanın 2000 metreden yüksek rakımda kullanılması önemli bir güvenlik sorunu oluşturmasa da üretici kullanıcıların soruları için teknik destek almalarını önermektedir.

- Sensörü, sensörle temas edecek olan numunenin tüm prosesi temsil edebileceği şekilde monte edin.
- Montaj konfigürasyonu örnekleri için bkz. [Şekil 2](#), [Şekil 3](#) ve [Şekil 4](#).
- Mevcut montaj donanımı için bkz. [Yedek parçalar ve aksesuarlar](#) sayfa 359.
- Kurulum bilgisi için montaj donanımı ile birlikte sağlanan talimatlara başvurun.
- Sensörü yatay düzlem üzerinde en az 15° açılı eğimle takın. Bkz. [Şekil 5](#).
- Daldırma kurulumları için sensörü havalandırma havuzu duvarına en az 508 mm (20 inç) mesafe ile yerleştirin ve proses ortamına en az 508 mm (20 inç) daldırın.
- Sensör prosese konmadan önce koruyucu kapağını çıkarın. Koruyucu kapağı ilerideki kullanımlar için saklayın.
- (Opsiyonel) Proses suyu kaynama sıcaklığına yakınsa sensördeki standart³ hücre çözeltisine jel toz ilave edin. [Tuz köprüsünün değiştirilmesi](#) sayfa 352 bölümünde verilen 2. adıma başvurun. Tuz köprüsünün değiştirmeyin.
- Kullanmadan önce sensörü kalibre edin.

³ Jel toz, standart hücre çözeltisinin buharlaşma hızını düşürür.

Şekil 2 Montaj örnekleri (1)



1 Sıhhi montaj (2 inç sıhhi bağlantı)

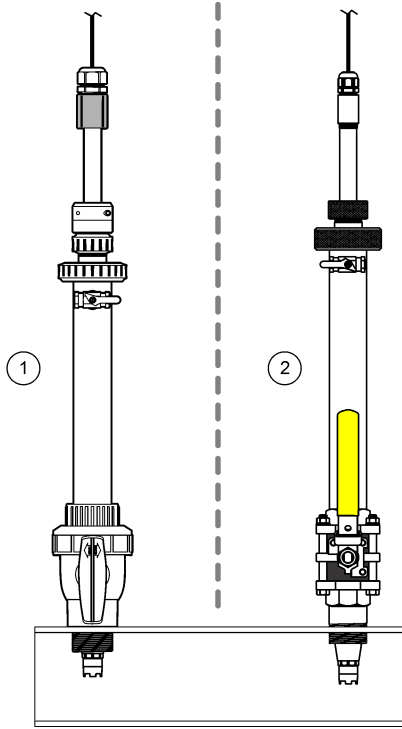
2 Bileşik montaj (1½ inç standart bağlantı)

3 Daldırmalı montaj, zincir ve kanca⁴

4 İçten akışlı montaj (1 inç standart bağlantı)

⁴ Yalnızca paslanmaz çelik sensörler

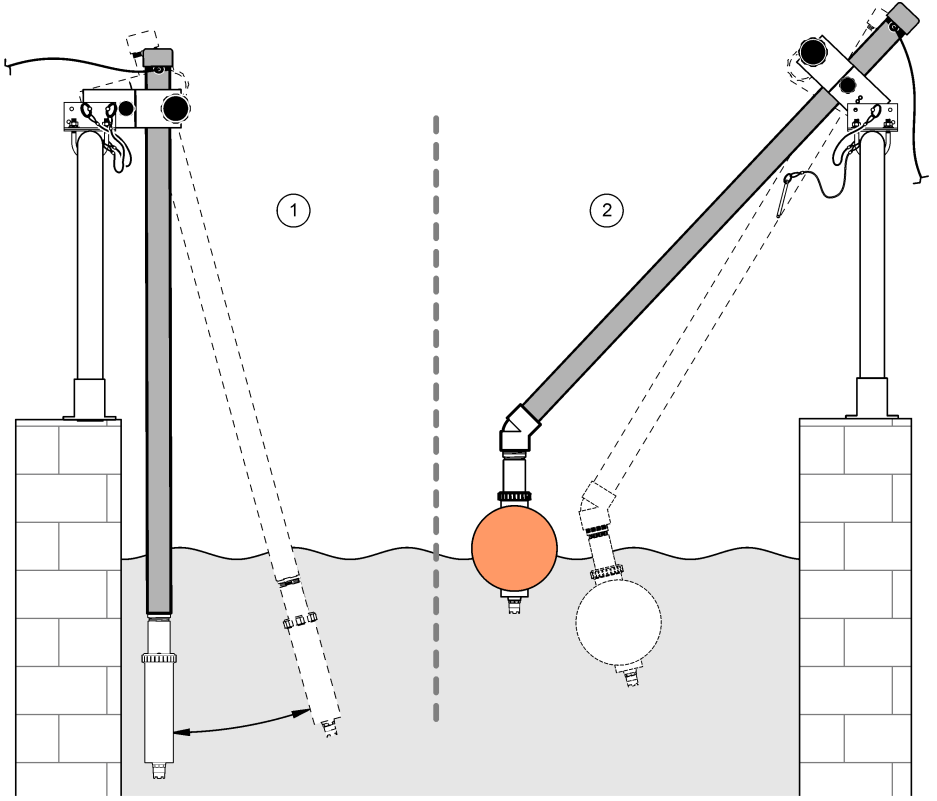
Şekil 3 Montaj örnekleri (2)



1 Saplama montaj, CPVC donanım

2 Saplama montaj, paslanmaz çelik donanım

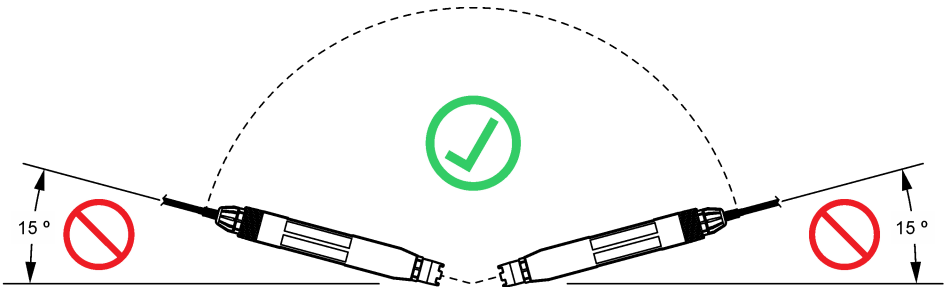
Şekil 4 Montaj örnekleri (3)



1 Daldırmalı montaj, el tipi raylı

2 Daldırmalı montaj, şamandıralı

Şekil 5 Sensör montaj açısı

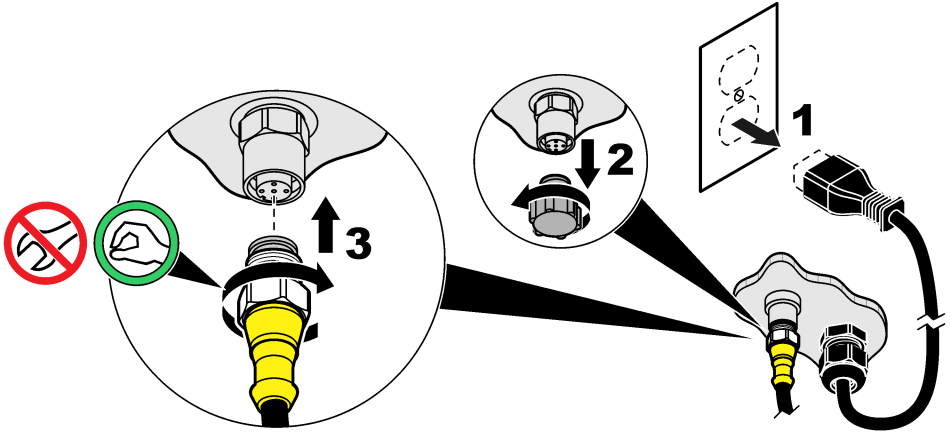


3.2 Elektrik tesisatı

3.2.1 Sensörün bir hızlı bağlantı parçasına takılması (tehlikeli olmayan konumda)

1. Sensör kablosunu SC kontrolörünün hızlı bağlantı parçasına takın. Bkz. [Şekil 6](#).
Sensörün çıkartılması gerekiyorsa konektör açıklığını kapatmak için konektör kapakçığını geri çekin.
2. Sensör bağlıyken güç açılırsa:
 - SC200 kontrolörü—TEST/MAINT > SENSÖR ARAŞTIR ögesini seçin.
 - SC1000 kontrolörü—SYSTEM SETUP (Sistem Kurulumu) > DEVICE MANAGEMENT (CIHAZ YÖNETİMİ) > SCANNING FOR NEW DEVICES (Yeni Cihaz Aranıyor) ögesini seçin.

Şekil 6 Sensörün bir hızlı bağlantı parçasına takılması



3.2.2 Uzatma kabloları

- Uzatma kabloları mevcuttur. Bkz. [Yedek parçalar ve aksesuarlar](#) sayfa 359.
- SC1000 kontrolörü için maksimum kablo uzunluğu 15 m'dir (49 ft).
- SC200 kontrolörü için maksimum kablo uzunluğu 1000 m'dir (3280 ft).
- SC200 kontrolörü—Kablo uzunluğu 100 m'den fazlaysa (328 ft) dijital sonlandırma kutusu kullanın. Bkz. [Yedek parçalar ve aksesuarlar](#) sayfa 359.

3.2.3 Çıplak telli bir sensör kablosunun bağlanması (tehlikeli olmayan bir konum)

⚠ TEHLİKE



Elektrik çarpması nedeniyle ölüm tehlikesi. Elektrik bağlantısı yapmadan önce cihaza giden elektriği mutlaka kesin.

⚠ TEHLİKE



Elektrik çarpması nedeniyle ölüm tehlikesi. Kontrol cihazı için yüksek voltaj kablo bağlantısı, kontrol cihazı muhafazasındaki yüksek voltaj engelini arkasından yapılıdır. Modüllerin takılması ya da kalifiye bir montaj teknisyeninin elektrik, röle ya da analog ve ağ kart kablolarını döşemesi durumları haricinde bariyer her zaman yerinde bulunmalıdır.

Sensör kablosu, hızlı bağlantı konektörüne sahip değilse⁵sensör kablosunun çıplak tellerini kontrolöre aşağıdaki gibi bağlayın:

Not: Çıplak telli bir sensör kablosu SC1000 kontrolörüne bağlanamaz.

1. Nakliye kutusunda SC200 kontrolörü için sağlanan kanal kablo bağlantısı kitini (9222400) bulun. Kitte, dört adet ek konektör bulunur.
2. Sensör kablosunu kontrolöre bağlamak için kanal kablo bağlantısı kitinde sunulan talimatları uygulayın.

Bölüm 4 Çalıştırma

4.1 Kullanıcı navigasyonu

Tuş takımı açıklaması ve navigasyon bilgileri için kontrol ünitesi belgelerine bakın.

Ana ekranda daha fazla bilgi ve grafik ekranını görüntülemek için kontrol ünitesindeki **RIGHT (SAĞ)** ok tuşuna birkaç kez basın.

4.2 Sensörün yapılandırılması

Sensör adı ve türünü seçin. Ölçüm, kalibrasyon, veri işleme ve saklama için seçenekleri değiştirin.




1. **MENÜ** düğmesine basın, ardından **SENSOR SETUP (Sensör Ayarı) > [SENSÖR SEÇ] > CONFIGURE (Yapılandır)** öğesini seçin.
2. Bir seçenek belirleyin.

Seçenek	Açıklama
İSİM DÜZENLE	Ölçüm ekranının üzerindeki sensöre karşılık gelen adı değiştirir. Ad; harflerin, sayıların, boşlukların veya noktalama işaretlerinin herhangi bir kombinasyonundan oluşur ve maksimum 12 karakterle sınırlıdır.
SENSÖR SEÇ	Sensör türünü seçer (pH veya ORP).
EKRAN FORMATI	Yalnız pH sensörleri için—ölçüm ekranında görüntülenen ondalık basamak sayısını XX.XX (varsayılan) veya XX.X olarak değiştirir.
SIC BİRİMLERİ	Sıcaklık birimlerini °C (varsayılan) veya °F olarak belirler.
KAYIT AYARI	Veri günlüğündeki veri depolama zaman aralığını belirler—5, 30 saniye, 1, 2, 5, 10, 15 (varsayılan), 30, 60 dakika.
AC FREKANS	Kontrolöre sağlanan AC gücünün frekansını seçer (50 veya 60 Hz). Kontrolöre sağlanan güç 120 VAC ise 60 Hz seçin. Kontrolöre sağlanan güç 230 VAC ise 50 Hz seçin.
FİLTRE	Sinyal sabitlemesini arttırmak için bir zaman sabiti belirler. Zaman sabiti, belirli bir süre içinde ortalama değeri hesaplar—0 (etkisiz, varsayılan) ile 60 saniye (60 saniye boyunca sinyal değeri ortalaması). Filtre, sensör sinyali süresini prosesteki asıl değişikliklere yanıt verecek şekilde artırır.
SIC ELEMANI	pH sensörleri—Otomatik sıcaklık kompanzasyonu için sıcaklık elemanını PT100, PT1000, NTC300 (varsayılan) veya MANUAL (MANUEL) olarak belirler. Hiçbir eleman kullanılmamışsa tür MANUAL (MANUEL) olarak ayarlanabilir ve sıcaklık kompanzasyonu için bir değer girilebilir (manuel varsayılan değer: 25°C). ORP sensörleri—sıcaklık kompanzasyonu kullanılmaz. Sıcaklığı ölçmek için bir sıcaklık öğesi bağlanabilir.
TAMPON SEÇ	Yalnızca pH sensörleri için —Kalibrasyon için kullanılan tampon çözeltilerini seçer. Seçenekler: pH 4, 7, 10 (varsayılan) veya DIN 19267 (pH 1,09, 4,65, 6,79, 9,23, 12,75) Not: Kalibrasyon için başka tampon çözeltiler kullanılabilir.

⁵ Örneğin, sensör kablo uzunluğunu artırmak için dijital sonlandırma kutusu ve 4 telli koruyucu kablo kullanılmışsa.

Seenek	Aıklama
SAF H2O KOMP	Yalnızca pH sensörleri için—Katkı maddeleri içeren saf su için ölçülen pH değerine, sıcaklığa bağlı bir düzeltme değeri ekler—NONE (HIÇBİRİ) (varsayılan), AMONYAK, MORPHOLINE veya USER DEFINED (KULLANICI TANIMLI). 50°C'nin üzerindeki proses sıcaklıkları için, 50°C düzeltme kullanılır. Kullanıcı tanımlı uygulamalarda, lineer bir eğim (varsayılan: 0 pH/°C) girilebilir.
KAL GÜNLERİ	Kalibrasyon aralığını ayarlar (varsayılan: 60 gün). Not: Sensörün kalibre edilmesinden beri geçen günlerin sayısı kalibrasyon aralığından fazla olduğunda kontrolör ekranında bir uyarı görüntülenir.
SENSÖR ÇAL. G.	Sensör değişimi aralığını ayarlar (varsayılan: 365 gün). Not: Sensörün çalıştığı günlerin sayısı sensör değişimi aralığından fazla olduğunda kontrolör ekranında bir uyarı görüntülenir.
EMPEDANS LİMİT	Aktif elektrot ve referans elektrotu için empedans limitlerini ayarlar (varsayılan: LOW (DÜŞÜK) = 0 MΩ, HIGH (YÜKSEK) = 1000 MΩ). Not: DIAG/TEST (TANI/TEST) menüsündeki IMPED STATUS (EMPEDANS DURUMU) seçeneği ENABLED (ETKİN) olarak ayarlandığında, aktif veya referans elektrotun empedansı empedans limitlerinde olmadığından kontrolör ekranında bir hata mesajı görüntülenir.
FABRİKA AYARI	Yapılandırma ayarlarını, varsayılan ayarlarına geri döndürür.

4.3 Sensör kalibrasyonu

⚠ UYARI	
	Patlama tehlikesi. Basıncılı bir burudan bir sensörün çıkartılması tehlikeli olabilir. Sökme işleminden önce işlem basıncını 10 psi değerinin altına düşürün. Bunu yapmanızı mümkün değilse çok dikkatli olun. Daha fazla bilgi için montaj donanımı ile birlikte tedarik edilen belgelere başvurun.
⚠ UYARI	
	Kimyasal maddelere maruz kalma tehlikesi. Laboratuvar güvenlik talimatlarına uyun ve kullanılan kimyasallara uygun tüm kişisel koruma ekipmanlarını kullanın. Güvenlik protokolleri için mevcut güvenlik veri sayfalarına (MSDS/SDS) başvurun.
⚠ DİKKAT	
	Kimyasal maddelere maruz kalma tehlikesi. Kimyasal maddeleri ve atıkları, yerel, bölgesel ve ulusal yönetmeliklere uygun şekilde atın.

4.3.1 Sensör kalibrasyonu hakkında

Kalibrasyon, sensör okumasını bir veya iki referans çözeltisinin değeriyle eşleştirecek şekilde ayarlar. Sensör özellikleri zaman içinde yavaşça değişir ve sensörün doğruluğunu kaybetmesine yol açar. Doğruluğu sağlamak için sensör düzenli olarak kalibre edilmelidir. Kalibrasyon sıklığı uygulamaya göre değişir ve en iyi deneyimle belirlenir.

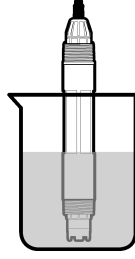
pH sensörlerinde, aktif elektrot ve referans elektrotunu olumsuz etkileyen sıcaklık değişiklikleri için otomatik olarak 25°C'ye ayarlanan pH okumaları sağlayacak bir sıcaklık elemanı kullanılır. Proses sıcaklığı sabitse bu ayarlama müşteri tarafından manuel olarak yapılabilir. SIC ELEMANI seçeneği için bkz. [Sensörün yapılandırılması](#) sayfa 347.

4.3.2 pH kalibrasyon prosedürü

pH sensörünü bir veya iki referans çözeltisiyle kalibre edin (1 noktalı veya 2 noktalı kalibrasyon).

1. Sensörü ilk referans çözeltisinin (tampon çözeltisi veya bilinen değeri olan bir numune) içine yerleştirin. Proben sensör kısmının sıvıya tamamen daldırıldığından emin olun. Bkz. [Şekil 7](#).

Şekil 7 Sensör referans çözeltisinde



2. Sensör ve çözelti sıcaklığının dengelenmesini bekleyin. Proses ve referans çözeltisi arasındaki sıcaklık farkı fazla ise bu 30 dakika veya daha fazla sürebilir.
3. **MENÜ** düğmesine basın, ardından **SENSOR SETUP** (Sensör Ayarı) > **[SENSÖR SEÇ]** > **CALIBRATE** (KALİBRE ET) öğesini seçin.
4. Kalibrasyon türünü seçin:

Seçenek	Açıklama
1 NOKTALI OTOM	Kalibrasyon için tek tampon kullanma (ör. pH 7). Sensör, kalibrasyon sırasında tamponu otomatik olarak tespit eder. Not: Sensör yapılandırma ayarlarında doğru tampon setini seçtiğinizden emin olun.
2 NOKTALI OTOM (önerilir)	Kalibrasyon için iki tampon kullanma (ör. pH 7 ve pH 4). Sensör kalibrasyon sırasında tamponları otomatik olarak tespit eder. Not: Sensör yapılandırma ayarlarında doğru tampon setini seçtiğinizden emin olun.
1 NOKTALI MANU	Kalibrasyon için bilinen bir pH değeri olan numune (veya bir tampon) kullanma. Kalibrasyon sırasında pH değeri girilir.
2 NOKTALI MANU	Kalibrasyon için bilinen pH değeri olan iki numune (veya bir tampon) kullanma. Kalibrasyon sırasında pH değerleri girilir.

5. Şifre, kontrolörün güvenlik menüsünde etkinleştirilmişse şifreyi girin.
6. Kalibrasyon sırasında çıkış sinyali seçeneğini belirleyin:

Seçenek	Açıklama
AKTİF	Cihaz, ölçülen mevcut çıkış değerini kalibrasyon işlemi sırasında gönderir.
DURDUR	Sensör çıkış değeri kalibrasyon prosedürü sırasında ölçülen mevcut değerde bekletilir.
TRANSFER	Kalibrasyon sırasında ön ayarlı bir çıkış değeri gönderilir. Ön ayar değerini değiştirmek için kontrolör kullanım kılavuzuna başvurun.

7. Sensör ilk referans çözeltisinin içindeyken **Confirm** (Onayla) tuşuna basın. Ölçülen değer gösterilir.
8. Varsa referans çözeltisinin pH değerini girin:

- a. Değerin sabitlenmesini bekleyin ve ardından **Confirm** (Onayla) tuşuna basın.
- b. pH değerini girin.

Not: Referans çözeltisi bir tampon ise tamponun sıcaklığı için tampon şişesinin üzerinde verilen pH değerini bulun. Referans çözeltisi bir numune ise farklı bir cihazla numunenin pH değerini belirleyin.

9. 2 noktalı kalibrasyon için ikinci referans çözeltisini şu şekilde ölçün:

- a. Sensörü ilk çözeltiden çıkarıp temiz suyla durulayın.
- b. Sensörü sonraki referans çözeltisine yerleştirip **Confirm** (Onayla) tuşuna basın.
- c. Uygunsa değerler kararlı hale gelmesini bekleyin ve **Confirm** (Onayla) tuşuna basın. pH değerini girin.

10. Kalibrasyon sonucunu gözden geçirin:

- PASS (BAŞARILI)—Sensör kalibre edilmiştir ve numuneleri ölçmeye hazırdır. Eğim ve/veya ofset değerleri gösterilir.
- FAIL (BAŞARISIZ)—Kalibrasyon eğimi ya da ofset değeri kabul edilebilir limitlerin dışındadır. Kalibrasyonu taze referans çözeltileriyle tekrarlayın. Gerekirse sensörü temizleyin. Bkz. [Sensörün temizlenmesi](#) sayfa 352.

11. Kalibrasyon geçtiyse Confirm (Onayla) tuşuna basın.

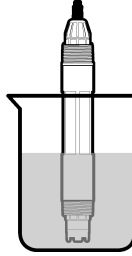
12. Sensörü prosese tekrar dahil edin ve ardından Confirm (Onayla) tuşuna basın. Çıkış sinyali etkin duruma döner ve ölçülen numune değeri ölçüm ekranında gösterilir.

4.3.3 ORP kalibrasyon prosedürü

ORP sensörünü bir referans çözeltilisi veya bilinen değerde bir numuneyle kalibre edin.

1. Sensörü referans çözeltilisinin veya numunesinin içine yerleştirin. Proben sensör kısmının çözeltiliye tamamen daldırıldığından emin olun. Bkz. [Şekil 8](#).

Şekil 8 Referans çözeltilisi ya da numunesindeki sensör



2. **MENÜ** düğmesine basın, ardından SENSOR SETUP (Sensör Ayarı) > [SENSÖR SEÇ] > CALIBRATE (KALİBRE ET) öğesini seçin.
3. 1 NOKTALI MANU öğesini seçin.
4. Şifre, kontrolörün güvenlik menüsünde etkinleştirilmişse şifreyi girin.
5. Kalibrasyon sırasında çıkış sinyali seçeneğini belirleyin:

Seçenek	Açıklama
AKTİF	Cihaz, ölçülen mevcut çıkış değerini kalibrasyon işlemi sırasında gönderir.
DURDUR	Sensör çıkış değeri kalibrasyon prosedürü sırasında ölçülen mevcut değerde bekletilir.
TRANSFER	Kalibrasyon sırasında ön ayarlı bir çıkış değeri gönderilir. Ön ayar değerini değiştirmek için kontrolör kullanım kılavuzuna başvurun.

6. Sensör referans çözeltilisinin veya numunenin içindeyken Confirm (Onayla) tuşuna basın. Ölçülen değer gösterilir.
7. Değerin sabitlenmesini bekleyin ve ardından Confirm (Onayla) tuşuna basın.
8. Referans çözeltilisinin veya numunesinin ORP değerini girin.

Not: Kalibrasyon için referans çözeltilisi kullanılıyorsa referans çözeltilisi şişesinin üzerindeki ORP değerini bulun. Kalibrasyon için numune kullanılıyorsa ORP değerini ikinci bir doğrulama cihazıyla ölçün.

9. Kalibrasyon sonucunu gözden geçirin:

- PASS (BAŞARILI)—Sensör kalibre edilmiştir ve numuneleri ölçmeye hazırdır. Eğim ve/veya ofset değerleri gösterilir.
- FAIL (BAŞARISIZ)—Kalibrasyon eğimi ya da ofset değeri kabul edilebilir limitlerin dışındadır. Kalibrasyonu taze referans çözeltilisiyle tekrarlayın. Gerekirse sensörü temizleyin. Bkz. [Sensörün temizlenmesi](#) sayfa 352.

10. Kalibrasyon geçiyse Confirm (Onayla) tuşuna basın.
11. Sensörü prosese tekrar dahil edin ve ardından Confirm (Onayla) tuşuna basın.
Çıkış sinyali etkin duruma döner ve ölçülen numune değeri ölçüm ekranında gösterilir.

4.3.4 Sıcaklık kalibrasyonu

Cihaz, doğru sıcaklık ölçümü için fabrikada kalibre edilir. Doğruluğu artırmak için sıcaklık kalibrasyonu yapın.

1. Sensörü bir su kabının içine koyun.
2. Su sıcaklığını doğru bir termometre veya bağımsız bir cihazla ölçün.
3. **MENÜ** düğmesine basın, ardından SENSOR SETUP (Sensör Ayarı) > [SENSÖR SEÇ] > CALIBRATE (KALİBRE ET) öğesini seçin.
4. SIC AYARLAMASI > SIC DÜZENLE öğesini seçin, ardından Confirm (Onayla) tuşuna basın.
5. Aynı sıcaklık değerini girin ve ardından Confirm (Onayla) tuşuna basın.
6. Sensörü prosese tekrar dahil edin ve ardından Confirm (Onayla) tuşuna basın.

4.3.5 Kalibrasyon prosedüründen çıkış

1. Kalibrasyondan çıkmak için **GERİ** tuşuna basın.
2. Bir seçenek belirleyin.

Seçenek	Açıklama
ABORT (İptal Et)	Kalibrasyonu durdurun. En baştan yeni bir kalibrasyon başlatılmalıdır.
KAL DÖN	Kalibrasyona döner.
LEAVE (Ayrıl)	Kalibrasyondan geçici olarak çıkar. Başka menülere erişime izin verilir. İkinci bir sensör için (varsa) kalibrasyon başlatılabilir. Kalibrasyona dönmek için MENÜ tuşuna basıp SENSOR SETUP (Sensör Ayarı) > [SENSÖR SEÇ] öğelerini seçin.

4.4 Sensör verileri ve olay günlükleri

sc-kontrol ünitesi her sensör için bir veri günlüğü ve bir olay günlüğü sağlamaktadır. Veri günlüğü belirlenen zaman aralıklarında ölçüm verilerini depolar (kullanıcı ayarlı). Olay günlüğü meydana gelen olayları gösterir.

Veri günlüğü ve olay günlüğü CSV formatında kaydedilebilir. Talimatlar için kontrolör belgelerine bakın.

4.5 Modbus kayıtları

Modbus kayıtlarının bir listesi ağ iletişimde kullanılmak üzere hazırdır. Daha fazla bilgi için üreticinin web sitesine bakın.

Bölüm 5 Bakım

⚠ TEHLİKE



Birden fazla tehlike. Belgenin bu bölümünde açıklanan görevleri yalnızca yetkili personel gerçekleştirmelidir.

⚠ UYARI



Patlama tehlikesi. Basıncılı bir borudan bir sensörün çıkartılması tehlikeli olabilir. Sökme işleminden önce işlem basıncını 10 psi değerinin altına düşürün. Bunu yapmanız mümkün değilse çok dikkatli olun. Daha fazla bilgi için montaj donanımı ile birlikte tedarik edilen belgelere başvurun.

▲ UYARI



Kimyasal maddelere maruz kalma tehlikesi. Laboratuvar güvenlik talimatlarına uyun ve kullanılan kimyasallara uygun tüm kişisel koruma ekipmanlarını kullanın. Güvenlik protokolleri için mevcut güvenlik veri sayfalarına (MSDS/SDS) başvurun.

▲ DİKKAT



Kimyasal maddelere maruz kalma tehlikesi. Kimyasal maddeleri ve atıkları, yerel, bölgesel ve ulusal yönetmeliklere uygun şekilde atın.

5.1 Bakım çizelgesi

Tablo 1 ile bakım işlemleri için önerilen plan gösterilmektedir. Tesis gereksinimleri ve çalışma koşulları bazı işlemlerin daha sık yapılmasını gerektirebilir.

Tablo 1 Bakım çizelgesi

İşlem	1 yıl	Gerektiğinde
Sensörün temizlenmesi sayfa 352		X ⁶
Tuz köprüsünün değiştirilmesi sayfa 352	X	
Sensör kalibrasyonu	Düzenleyici kuruluşlar veya deneyimle belirlenir	

5.2 Sensörün temizlenmesi

Ön gereklilik: Lanolin içermeyen, aşındırıcı olmayan bir bulaşık yıkama deterjanı kullanarak yumuşak bir sabun çözeltisi hazırlayın. Lanolin, elektrot yüzeyinde sensörün performansını düşürebilecek bir film oluşturur.

Sensörde tortu ve birikme olup olmadığını periyodik olarak inceleyin. Tortu birikimi olduğunda veya performans düştüğünde sensörü temizleyin.

1. Gevşek tortuları sensörün ucundan gidermek için temiz, yumuşak bir bez kullanın. Sensörü temiz, ılık suyla durulayın.
2. Sensörü, 2 veya 3 dakika süreyle sabun çözeltisine daldırınız.
3. Yumuşak kıllı bir fırçayla sensörün ölçüm ucunun tamamını fırçalayın.
4. Tortu kalırsa, sensörün ölçüm ucunu en fazla 5 dakika süreyle < %5 HCl gibi seyreltik bir asit çözeltisine batırın.
5. Sensörü suyla durulayın ve 2 ila 3 dakika boyunca tekrar sabun çözeltisine batırın.
6. Sensörü temiz suyla durulayın.

Not: HF uygulamaları için antimon elektrotu olan sensörlerin ayrıca temizlenmesi gerekebilir. Teknik destek ile iletişime geçin.

Bakım işlemleri yapıldıktan sonra daima sensörü kalibre edin.

5.3 Tuz köprüsünün değiştirilmesi

Tuz köprüsünü ve standart hücre çözeltisini 1 yıllık aralıklarla veya sensör temizlendikten sonra kalibrasyonun başarısız olması durumunda değiştirin.

Not: Tuz köprüsünün nasıl değiştirileceğini gösteren bir videoya www.Hach.com web sitesinden ulaşılabilir. Tuz köprüsü web sayfasına gidin ve Video sekmesine tıklayın.

Gereken araç ve gereçler:

- Ayarlı anahtar

⁶ Frekans çalışma koşullarına bağlıdır.

- Büyük pens
- Tuz köprüsü
- Standart hücre çözeltisi
- Jel toz⁷ çay kaşığı

1. Sensörü temizleyin. Bkz. [Sensörün temizlenmesi](#) sayfa 352.

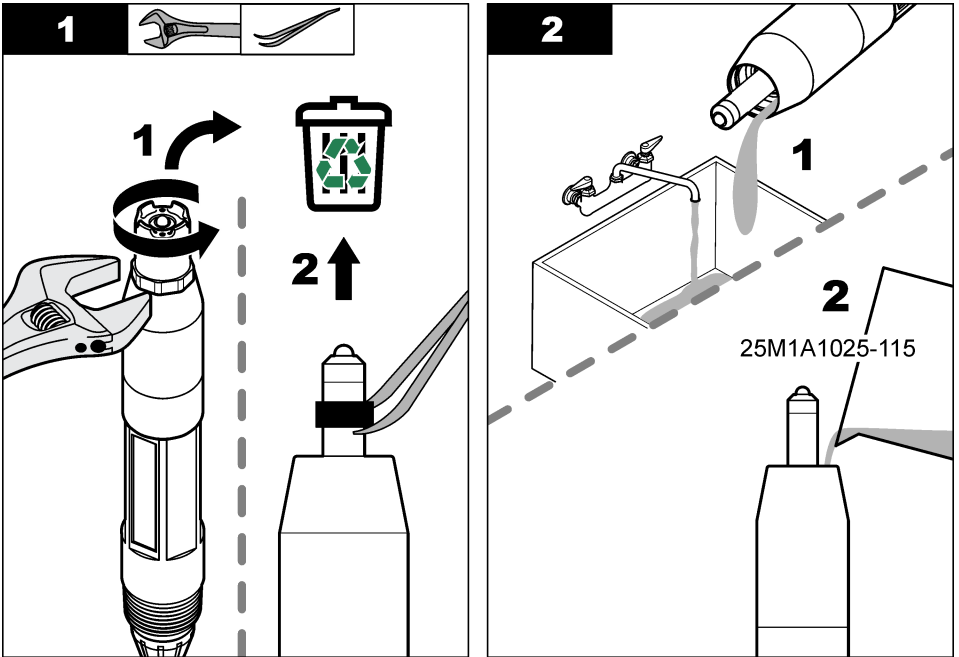
2. Tuz köprüsünü ve standart hücre çözeltisini değiştirin. Aşağıda gösterilen resimli adımlara bakın.

Standart hücre çözeltisi rezervuarı jel içeriyorsa (olağan değildir) eski jeli uzaklaştırmak için resimli 2. adımda gösterildiği gibi su püskürtmeli bir aparatla su püskürtün.

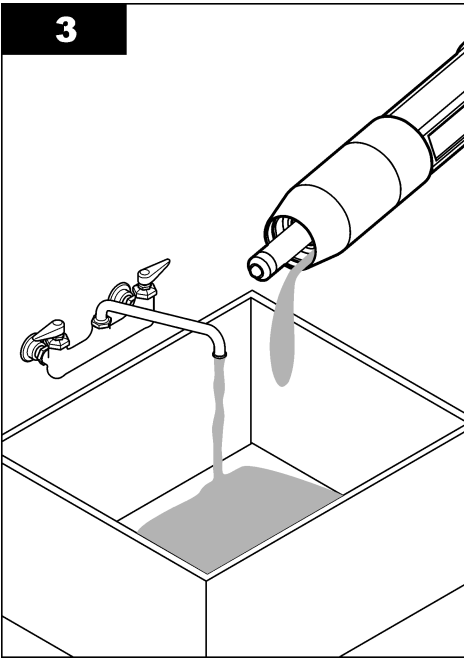
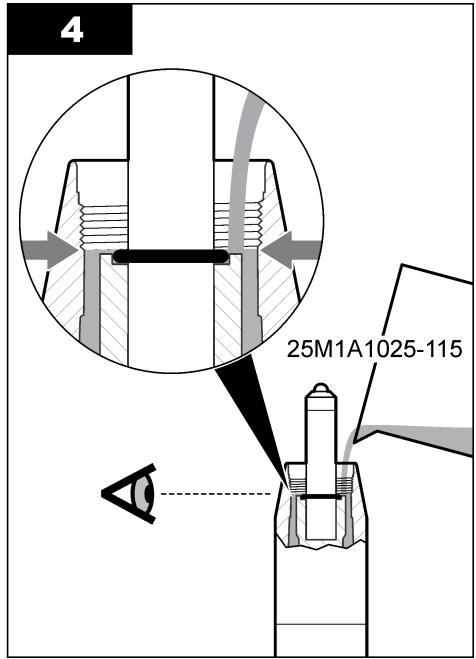
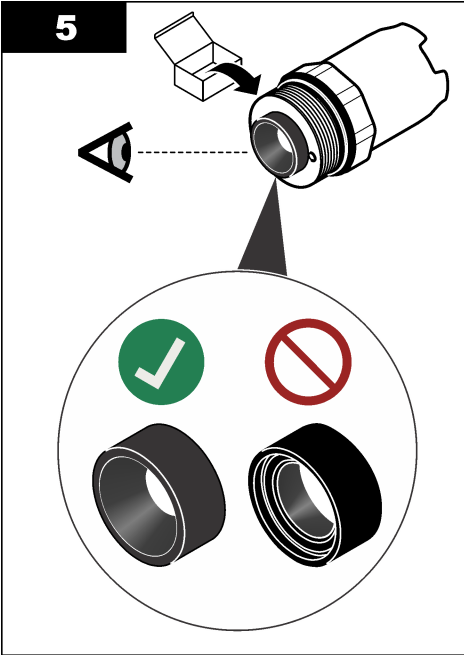
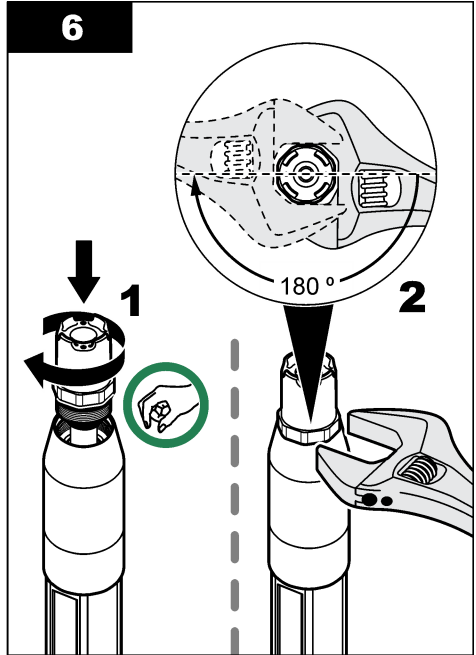
(Opsiyonel) Proses suyu kaynama sıcaklığına yakınsa resimli 4. adımda gösterildiği gibi yeni standart hücre çözeltisine jel toz ilave edin:

- Standart hücre çözeltisinin rezervuarına 1 şişe kapağı seviyesinde ($\frac{1}{8}$ çay kaşığı) jel toz dökün.
- Hazneye az miktarda taze standart hücre çözeltisi dökün.
- Çözelti kalınlaşana kadar tozla karıştırın.
- Jel seviyesi tuz köprüsü dişlilerinin alt kısmına gelene kadar az miktarlarda çözelti ekleyerek karıştırın.
- Yeni tuz köprüsünü takıp çıkararak doğru jel seviyesini kontrol edin. Jel yüzeyde tuz köprüsü izi kalmalıdır.

3. Sensörü kalibre edin.



⁷ (Opsiyonel) Proses suyu kaynama sıcaklığına yakınsa jel tozu standart hücre çözeltisine ekleyin. Jel toz, standart hücre çözeltisinin buharlaşma hızını düşürür.

3**4****5****6**

5.4 Depolama için hazırlık

Kısa süreli depolamalarda (sensör bir saatten daha fazla proses dışında kalacaksa) koruyucu kapağı pH 4 tamponu ya da saf su ile doldurun ve kapağı tekrar sensöre takın. Sensör tekrar çalışmaya başladığında yavaş tepkileri önlemek için proses elektrotunu ve referans bağlantılı tuz köprüsünü nemli tutun.

Uzun süreli depolamalarda, çevresel koşullara bağlı olarak, her 2 ila 4 haftada bir kısa süreli depolama prosedürünü tekrarlayın. Depolama sıcaklık limitleri için bkz. [Teknik özellikler](#) sayfa 338.

Bölüm 6 Sorun giderme

6.1 Aralıklı veriler

Kalibrasyon sırasında veri günlüğüne veri gönderilmez. Bu nedenle veri günlüğünde verilerin aralıklı olduğu bölgeler bulunabilir.

6.2 Sensör tanılama ve test menüsü

Sensör tanılama ve test menüsü, cihazla ilgili mevcut ve geçmişe dönük bilgileri gösterir. Bkz. [Tablo 2](#). Sensör tanılama ve test menüsüne erişmek için **menü** tuşuna basın, ardından SENSOR SETUP (Sensör Ayarı) > [Sensör Seç] > DIAG/TEST (TANI/TEST) ögesini seçin.

Tablo 2 Sensör DIAG/TEST (TANI/TEST) menüsü

Seçenek	Açıklama
PROB BİLGİSİ	Sensör türünü, adını, seri numarasını, yazılım versiyonunu ve sürücü versiyonunu gösterir.
KAL VERİSİ	pH eğimini (mV/pH) ve son kalibrasyonun tarihini gösterir. pH eğimi -55 ila -61 mV olmalıdır.
SİNYALLER	SENSÖR SİNYALİ —Sensör değerini mV olarak gösterir. mV aralığı -60 ila +60 mV'dir (0 mV = pH 7). SENS ADC SAYI —pH değerini belirten dijital sayıyı gösterir. SIC ADC SAYISI —Sıcaklık değerini belirten dijital sayıyı gösterir. ELEKTROT DURUM —Aktif elektrot ve referans elektrotunun sağlığını gösterir (İYİ veya KÖTÜ). "KÖTÜ" görüntülediğinde sensörü temizleyin ve tuz köprüsünü değiştirin. Gerekirse sensörü değiştirin. AKTİF ELEKTROT —Aktif elektrotun empedansını gösterir. REF. ELEKTROT —Referans elektrotun empedansını gösterir. IMPED STATUS (EMPEDANS DURUMU) —Etkinleştirildiğinde (önerilir), aktif elektrotun ve referans elektrotunun empedansı 1 dakikalık aralıklarla ölçülür. Aktif elektrotun veya referans elektrotunun empedansı düşük ve yüksek empedans limit aralığında olmadığından kontrolör ekranında bir hata görüntülenir.
SAYAÇLAR	SENSÖR ÇAL. G. —Sensörün çalıştığı gün sayısını gösterir. RESET SENSOR (SENSÖRÜ SIFIRLA) —SENSÖR ÇAL. G. ve ELEKTR ÇAL. G. değerlerini sıfıra ayarlar. ELEKTR ÇAL. G. —Tuz köprüsünün değiştirilmesinden bu yana geçen günlerin sayısını gösterir. Not: Tuz köprüsü değiştirildiğinde ELEKTR ÇAL. G. değeri otomatik olarak sıfıra ayarlanır.

6.3 Hata mesajları

Bir hata oluştuğunda ölçüm ekranındaki okuma değeri yanıp söner ve kontrolör menüsünde belirtildiğinde tüm çıkışlar sabitlenir. Sensör hatalarını göstermek için **menü** düğmesine basın ve

DIAGNOSTICS (TANILAMALAR) > [SENSÖR SEÇ] > ERROR LIST (Hata Listesi) ögesini seçin. Olası hataların bir listesi **Tablo 3** bölümünde gösterilmektedir.

Tablo 3 Hata mesajları

Hata	Açıklama	Çözüm
ÇOK YÜKSEK PH	Ölçülen pH > 14.	Sensörü kalibre edin.
ORP TOO HIGH (ORP ÇOK YÜKSEK)	Ölçülen ORP değeri > 2100 mV.	
ÇOK DÜŞÜK PH	Ölçülen pH < 0.	Sensörü kalibre edin.
ORP TOO LOW (ORP ÇOK DÜŞÜK)	Ölçülen ORP değeri ≤ 2100 mV.	
OFFSET TOO HIGH (OFSET ÇOK YÜKSEK)	Ofset > 9 (pH) veya 200 mV (ORP).	Sensörün temizlenmesi sayfa 352 ve Tuz köprüsünün değiştirilmesi sayfa 352 bölümlerindeki adımları uygulayın. Ardından kalibrasyonu yeniden yapın.
OFFSET TOO LOW (OFSET ÇOK DÜŞÜK)	Ofset < 5 (pH) veya -200 mV (ORP).	
SLOPE TOO HIGH (EĞİM ÇOK YÜKSEK)	Eğim > 62 (pH)/1,3 (ORP).	Kalibrasyonu taze referans çözeltileriyle tekrarlayın.
SLOPE TOO LOW (EĞİM ÇOK DÜŞÜK)	Eğim < 50 (pH)/0,7 (ORP).	Sensörün temizlenmesi sayfa 352 bölümündeki adımları gerçekleştirin. Ardından kalibrasyonu yeniden yapın.
SIC ÇOK YÜKS	Ölçülen sıcaklık > 130°C'dir.	Doğru sıcaklık ögesinin seçtiğinden emin olun. SIC ELEMANI seçeneği için bkz. Sensörün yapılandırılması sayfa 347.
SIC ÇOK DÜŞÜK	Ölçülen sıcaklık ≤ 10°C'dir.	
ADC HATASI	Analogdan dijitale dönüştürme başarısız.	Kontrol ünitesini kapatın. Ardından kontrol ünitesini açın.
A ELEC TOO HIGH (ETKİN ELEKTROT ÇOK YÜKSEK)	Etkin elektrot empedansı > 900 MΩ.	Sensör havada. Sensörü prosese tekrar dahil edin.
A ELEC TOO LOW (ETKİN ELEKTROT ÇOK DÜŞÜK)	Etkin elektrot empedansı < 8 MΩ.	Sensör hasarlı veya kirlidir. Sensörün temizlenmesi sayfa 352 bölümündeki adımları gerçekleştirin.
R ELEC TOO HIGH (REFERANS ELEKTROT ÇOK YÜKSEK)	Referans elektrotu empedansı > 900 MΩ.	Standart hücre çözeltisi sızıntısı ya da buharlaşması. Standart hücre çözeltisini değiştirin.
R ELEC TOO LOW (REFERANS ELEKTROT ÇOK DÜŞÜK)	Referans elektrotu empedansı < 8 MΩ.	Referans elektrotu hasarlı. Sensörü değiştirin.
SAME BUFFER (AYNI TAMPON)	2 NOKTALI OTOM kalibrasyon tamponlarının değeri aynı.	Farklı değerleri olan tamponlar kullanın.
SENSÖR KAYIP	Sensör yok veya takılı değil.	Sensör kablosunun bağlantısının kesilmiş olup olmadığını veya hasar görüp görmediğini belirleyin.
TEMP SENSOR MISSING (SIC SENSÖRÜ YOK)	Sıcaklık sensörü yok.	Doğru sıcaklık ögesinin seçtiğinden emin olun. SIC ELEMANI seçeneği için bkz. Sensörün yapılandırılması sayfa 347.
CAM EMP. DÜŞÜK	Cam ampul kırılmış veya kullanım ömrünü tamamlamış.	Sensörü değiştirin.

6.4 Uyarı mesajları

Uyarı, menülerin, rölelerin ve çıkışların çalışmasını etkilemez. Bir uyarı simgesi yanıp söner ve ölçüm ekranının altında bir mesaj görüntülenir. Sensör uyarılarını göstermek için **MENU** düğmesine basın

ve DIAGNOSTICS (TANILAMALAR) > [SENSÖR SEÇ] > WARNING LIST (UYARI LİSTESİ) ögesini seçin. Olası uyarıların bir listesi [Tablo 4](#) içinde gösterilir.

Tablo 4 Uyarı mesajları

Uyarı	Açıklama	Çözüm
ÇOK YÜKSEK PH	Ölçülen pH > 13.	Sensörü kalibre edin.
ORP TOO HIGH (ORP ÇOK YÜKSEK)	Ölçülen ORP değeri > 2100 mV.	
ÇOK DÜŞÜK PH	Ölçülen pH < 1.	Sensörü kalibre edin.
ORP TOO LOW (ORP ÇOK DÜŞÜK)	Ölçülen ORP değeri < -2100 mV.	
OFFSET TOO HIGH (OFSET ÇOK YÜKSEK)	Ofset > 8 (pH) veya 200 mV (ORP).	Sensörün temizlenmesi sayfa 352 ve Tuz köprüsünün değiştirilmesi sayfa 352 bölümlerindeki adımları uygulayın. Ardından kalibrasyonu yeniden yapın.
OFFSET TOO LOW (OFSET ÇOK DÜŞÜK)	Ofset < 6 (pH) veya -200 mV (ORP).	
SLOPE TOO HIGH (EĞİM ÇOK YÜKSEK)	Eğim > 60 (pH)/1,3 (ORP).	Kalibrasyonu taze referans çözeltileriyle tekrarlayın.
SLOPE TOO LOW (EĞİM ÇOK DÜŞÜK)	Eğim < 54 (pH)/0,7 (ORP).	Sensörün temizlenmesi sayfa 352 bölümündeki adımları gerçekleştirin. Ardından kalibrasyonu yeniden yapın.
SIC ÇOK YÜKS	Ölçülen sıcaklık > 100°C'dir.	Doğru sıcaklık ögesinin seçildiğinden emin olun. SIC ELEMANI seçeneği için bkz. Sensörün yapılandırılması sayfa 347.
SIC ÇOK DÜŞÜK	Ölçülen sıcaklık < 0°C'dir.	
CAL OVERDUE (KALİBRASYON SÜRESİ GEÇTİ)	Sensörün kalibre edilmesinden beri geçen günlerin sayısı kalibrasyon aralığından fazladır.	Sensörü kalibre edin. Not: Kalibrasyon aralığını değiştirmek için Sensörün yapılandırılması sayfa 347 bölümündeki KAL GÜNLERİ seçeneğine bakın.
SENSÖR DEĞİŞTR	Sensörün çalıştığı günlerin sayısı sensör değişimi aralığından fazladır.	Gerekirse sensörü değiştirin. Not: Sensör değişimi aralığını değiştirmek için Sensörün yapılandırılması sayfa 347 bölümündeki SENSÖR ÇAL. G. seçeneğine bakın.
NOT CALIBRATED (KALİBRE EDİLMEDİ)	Sensör kalibre edilmedi.	Sensörü kalibre edin.
FLASH HATASI	Harici flash bellek hata verdi.	Teknik destek ile iletişime geçin.
A ELEC TOO HIGH (ETKİN ELEKTROT ÇOK YÜKSEK)	Etkin elektrot empedansı > 800 MΩ.	Sensör havada. Sensörü prosese tekrar dahil edin.
A ELEC TOO LOW (ETKİN ELEKTROT ÇOK DÜŞÜK)	Etkin elektrot empedansı < 15 MΩ.	Sensör hasarlı veya kirlidir. Sensörün temizlenmesi sayfa 352 bölümündeki adımları gerçekleştirin.
R ELEC TOO HIGH (REFERANS ELEKTROT ÇOK YÜKSEK)	Referans elektrotu empedansı > 800 MΩ.	Standart hücre çözeltisi sızıntısı ya da buharlaşması. Standart hücre çözeltisini değiştirin.
R ELEC TOO LOW (REFERANS ELEKTROT ÇOK DÜŞÜK)	Referans elektrotu empedansı < 15 MΩ.	Referans elektrotu hasarlı. Sensörü değiştirin.
CAL IN PROGRESS (KALİBRASYON SÜRÜYOR)	Bir kalibrasyon başlatıldı ancak tamamlanmadı.	Kalibrasyona geri dönün.

6.5 Olay listesi

Olay listesi yapılandırma değişikliği, alarm, uyarı durumu vb. gibi geçerli faaliyetleri görüntüler. Olayları göstermek için **menü** düğmesine basın ve DIAGNOSTICS (TANILAMALAR) > [SENSÖR SEÇ] > DURUMLAR öğesini seçin. Olası olayların bir listesi **Tablo 5** içinde gösterilir. Önceki olaylar, kontrolörden indirilebilecek olan olay günlüğüne kaydedilir. Veri alma seçenekleri için kontrolör belgelerine bakın.

Tablo 5 Olay listesi

Olay	Açıklama
CAL READY (KALİBRASYONA HAZIR)	Sensör, kalibrasyon için hazırdır.
CAL OK (KALİBRASYON SORUNSUZ)	Geçerli kalibrasyon iyi.
TIME EXPIRED (SÜRE DOLDU)	Kalibrasyon sırasında stabilizasyon süresi doldu.
NO BUFFER (TAMPON YOK)	Tampon algılanmadı.
YÜKSEK EĞİM	Kalibrasyon eğimi üst limitin üzerinde.
DÜŞÜK EĞİM	Kalibrasyon eğimi alt limitin altında.
YÜKSEK OFSET	Sensör kalibrasyon ofset değeri üst limitin üzerinde.
DÜŞÜK OFSET	Sensör kalibrasyon ofset değeri alt limitin altında.
POINTS CLOSE (NOKTALAR YAKIN)	Kalibrasyon noktalarının değeri 2 noktalı kalibrasyona çok benzer.
KAL BAŞARISIZ	Kalibrasyon başarısız.
CAL HIGH (KALİBRASYON YÜKSEK)	Kalibrasyon değeri üst limitin üzerinde.
DEĞİŞKEN	Kalibrasyon sırasındaki ölçüm değişken.
CHANGE IN CONFIG (KONFIGÜRASYON DEĞİŞİMİ) – kayan nokta	Konfigürasyon değiştirildi—kayan nokta türü.
CHANGE IN CONFIG (KONFIGÜRASYON DEĞİŞİMİ) – metin	Konfigürasyon değiştirildi—metin türü.
CHANGE IN CONFIG (KONFIGÜRASYON DEĞİŞİMİ) – tam sayı	Konfigürasyon değiştirildi—tam sayı değeri türü.
RESET KONFİG	Konfigürasyon ayarları, varsayılan seçeneklere ayarlandı.
AÇIK ENER. DUR.	Güç açıldı.
ADC HATASI	ADC dönüştürme başarısız (donanım hatası).
FLASH ERASE (FLASH SİLME)	Flash belleği silindi.
SICAKLIK	Kaydedilen sıcaklık çok yüksek veya çok düşük.
1PT MANUAL START (1 NOKTALI MANUEL BAŞLATMA)	1 NOKTALI MANU kalibrasyonun başlangıcı.
1PT AUTO START (1 NOKTALI OTOMATİK BAŞLATMA)	pH için 1 NOKTALI OTOM kalibrasyonun başlangıcı.
2PT MANUAL START (2 NOKTALI MANUEL BAŞLATMA)	pH için 2 NOKTALI MANU kalibrasyonun başlangıcı.
2PT AUTO START (2 NOKTALI OTOMATİK BAŞLATMA)	pH için 2 NOKTALI OTOM kalibrasyonun başlangıcı.
1PT MANUAL END (1 NOKTALI MANUEL SONLANDIRMA)	1 NOKTALI MANU kalibrasyonun sonu.

Tablo 5 Olay listesi (devamı)

Olay	Açıklama
1PT AUTO END (1 NOKTALI OTOMATİK SONLANDIRMA)	pH için 1 NOKTALI OTOM kalibrasyonun sonu.
2PT MANUAL END (2 NOKTALI MANUEL SONLANDIRMA)	pH için 2 NOKTALI MANU kalibrasyonun sonu.
2PT AUTO END (2 NOKTALI OTOMATİK SONLANDIRMA)	pH için 2 NOKTALI OTOM kalibrasyonun sonu.

Bölüm 7 Yedek parçalar ve aksesuarlar

⚠ UYARI



Fiziksel yaralanma tehlikesi. Onaylanmayan parçaların kullanımı kişisel yaralanmalara, cihazın zarar görmesine ya da donanım arızalarına neden olabilir. Bu bölümdeki yedek parçalar üretici tarafından onaylanmıştır.

Not: Bazı satış bölgelerinde Ürün ve Madde numaraları değişebilir. İrtibat bilgileri için ilgili distribütörle iletişime geçin veya şirketin web sitesine başvurun.

Sarf malzemeleri

Açıklama	Adet	Öge no.
Tampon Çözeltisi, pH 4,01, kırmızı	500 mL	2283449
Tampon Çözeltisi, pH 7,00, sarı	500 mL	2283549
Tampon Çözeltisi, pH 10,01, mavi	500 mL	2283649
ORP Referans Çözeltisi, 200 mV	500 mL	25M2A1001-115
ORP Referans Çözeltisi, 600 mV	500 mL	25M2A1002-115

Yedek parçalar—pH sensörleri

Açıklama	Adet	Öge no.
Tuz Köprüsü, PEEK, Kynar (PVDF) dış bağlantı ile Viton O halkaları	1	SB-P1SV
Tuz Köprüsü, PEEK, Kynar (PVDF) dış bağlantı ile perfloroelastomer O halkaları	1	SB-P1SP ⁸
Tuz Köprüsü, PEEK, seramik dış bağlantı ile Viton O halkaları	1	SB-P2SV
Tuz Köprüsü, Ryton, Kynar (PVDF) dış bağlantı ile Viton O halkaları	1	SB-R1SV
Standart hücre çözeltisi	500 mL	25M1A1025-115
Standart hücre çözeltisi için jel toz	2 g	25M8A1002-101

Aksesuarlar

Açıklama	Öge no.
Dijital uzatma kablosu, 1 m (3,2 ft)	6122400
Dijital uzatma kablosu, 7,7 m (25 ft)	5796000

⁸ Viton malzeme, uygulamadaki kimyasallarla kimyasal olarak uyumlu olmadığına SB-P1SP kullanın.

Aksesuarlar (devamı)

Açıklama	Öge no.
Dijital uzatma kablosu, 15 m (50 ft) ⁹	5796100
Dijital uzatma kablosu, SC200 kontrolörü, 31 m (100 ft)	5796200
Dijital sonlandırma kutusu, SC200 kontrolörü ¹⁰	5867000
Sihhi montaj donanımı, 316 paslanmaz çelik, 2 inç sihhi bağlantı ve dayanıklı pens dahildir <i>Not: Kapak ve EPDM bileşik sızdırmazlık elemanı sensör ile birlikte verilir.</i>	MH018S8SZ
Birleşik montaj donanımı, CPVC (klorlu polivinil klorür); 1½ inç standart bağlantı, adaptörlü boru rakoru, sızdırmazlık göbeği, kilitleme halkası ve Viton O halkası dahildir	6131300
Birleşik montaj donanımı, 316 paslanmaz çelik; 1½ inç standart bağlantı, adaptörlü boru rakoru, sızdırmazlık göbeği, kilitleme halkası ve Viton O halkası dahildir	6131400
İçten akışlı montaj donanımı, CPVC, 1 inç standart bağlantı dahildir	MH334N4NZ
İçten akışlı montaj donanımı, 316 paslanmaz çelik, 1 inç standart bağlantı dahildir	MH314N4MZ
Saplama montaj donanımı, CPVC; 1½ inç bilye valf, 1½ inç NPT kapalı nipel, iki Viton halkası ve sıyırma elemanı, uzatma borusu, boru adaptörü, arka boru ve kilitleme halkası	5646300
Saplama montaj donanımı, 316 paslanmaz çelik; 1½ inç bilye valf, 1½ inç NPT kapalı nipel, iki Viton halkası ve sıyırma elemanı, uzatma borusu, boru adaptörü, arka boru ve kilitleme halkası	5646350
Daldırmalı montaj donanımı, standart, CPVC; 1 inç 4 ft boru ve 1 inç x 1 inç NPT kuplajı	6136400
Daldırmalı montaj donanımı, standart, 316 paslanmaz çelik; 1 inç 4 ft boru ve 1 inç x 1 inç NPT kuplajı	6136500
Daldırmalı montaj donanımı, el tipi raylı; 1½ inç 7,5 ft CPVC boru ve boru kelepçesi düzeneği	MH236B00Z
Daldırmalı montaj donanımı, zincir, 316 paslanmaz çelik; paslanmaz çelik kanca, somunları ve pullar dahildir <i>Not: Yalnızca paslanmaz çelik sensörle kullanıma uygundur. Zincir dahil değildir.</i>	2881900
Daldırmalı montaj donanımı, şamandıralı; 1½ inç 7,5 ft CPVC boru, şamandıra düzeneği ve boru kelepçesi düzeneği dahildir	6131000
Sensör koruyucu, dönüştürülebilir stil sensör, PEEK	1000F3374-002
Sensör koruyucu, dönüştürülebilir stil sensör, Ryton	1000F3374-003

⁹ SC1000 kontrolörü için maksimum kablo uzunluğu 15 m'dir (49 ft).

¹⁰ Kablo uzunluğu 100 m'den fazlaysa (328 ft) dijital sonlandırma kutusu kullanın. SC1000 kontrolörüyle sonlandırma kutusu kullanılmaz.

Vsebina

- 1 **Specifikacije** na strani 361
- 2 **Splošni podatki** na strani 362
- 3 **Namestitvev** na strani 364
- 4 **Delovanje** na strani 370
- 5 **Vzdrževanje** na strani 374
- 6 **Odpravljanje težav** na strani 378
- 7 **Nadomestni deli in dodatna oprema** na strani 381

Razdelek 1 Specifikacije

Pridržana pravica do spremembe tehničnih podatkov brez predhodnega obvestila.

Tehnični podatki	Senzorji za pH	Senzorji za pH iz nerjavnega jekla	Senzorji ORP
Mere (dolžine)	272,5 mm (10,73 in)	325,3 mm (12,81 in)	272,5 mm (10,73 in)
Teža	316 g (11 oz)	870 g (31 oz)	316 g (11 oz)
Omočeni materiali	Ohišje iz materiala PEEK ali Ryton (PVDF), solni mostiček iz enakega materiala s spojem iz materiala Kynar, steklena procesna elektroda, ozemljitvena elektroda iz titana in tesnilni obroči iz materiala Viton <i>Napotek: Senzor za pH z izbirno stekleno procesno elektrodo, odporno na fluorovodikovo kislino, ima ozemljitveno elektrodo iz nerjavnega jekla 316 in tesnilne obroče iz perfluoroelastomerov.</i>	Samo za namestitvev s potopom, ohišje iz nerjavnega jekla 316 s končnimi deli in solnim mostičkom iz materiala Ryton (PVDF).	Ohišje iz materiala PEEK ali Ryton (PVDF), solni mostiček iz enakega materiala s spojem iz materiala Kynar, procesna elektroda iz stekla in platine (ali stekla in zlata), ozemljitvena elektroda iz titana in tesnilni obroči iz materiala Viton.
Sklopi	Korozijsko odporni materiali, popolnoma potopljiv		
Kabel sensorja (vgrajen)	4-žični (in 1 oklopljen), 10 m (33 ft), nazivna temperatura 105 °C (221 °F)		
Delovna temperatura	Od -5 do 70 °C (od 23 do 158 °F)	0 do 50 °C (32 do 122 °F)	Od -5 do 70 °C (od 23 do 158 °F)
Temperatura skladiščenja	Od 4 do 70 °C (40 do 158 °F), od 0 do 95-odstotna relativna vlažnost brez kondenzacije		
Merilno območje	2,0 do 14,0 ¹ (ali od 2,00 do 14,00)		-1500 do +1500 mV
Ponovljivost	±0,05 pH		±2 mV
Občutljivost	±0,01 pH		±0,5 mV ²
Stabilnost	0,03 pH na 24 ur, nekumulativno		2 mV (ORP) na 24 ur, nekumulativno
Največja hitrost toka	3 m/s (10 ft/s)		
Omejitev tlaka	6,9 bara pri 70 °C (100 psi pri 158 °F)	Se ne uporablja (samo za potopitev)	6,9 bara pri 70 °C (100 psi pri 158 °F)
Doseg prenosa	Največ 100 m (328 ft) ali največ 1000 m (3280 ft) pri uporabi z zaključno dozo		

¹ Večina pH-aplikacij je v merilnem območju od 2,5 do 12,5 pH. Diferencialni senzor pH za pH s stekleno procesno elektrodo za široko merilno območje zelo dobro deluje v tem območju. Za določene vrste uporabe v industriji so potrebne točne meritve in nadzor pod vrednostjo pH 2 ali nad vrednostjo pH 12. V teh posebnih primerih se za več podrobnosti obrnite na proizvajalca.

² Za najboljše rezultate v raztopinah, ki vsebujejo cink, cianid, kadmij ali nikelj, uporabite senzor pH ORP z zlato elektrodo.

Tehnični podatki	Senzorji za pH	Senzorji za pH iz nerjavnega jekla	Senzorji ORP
Temperaturni člen	Termistor NTC 300 Ω za samodejno izravnavo temperature in rezultate temperature analizatorja		Termistor NTC 300 Ω samo za rezultate temperature analizatorja – za meritev ORP samodejna izravnava temperature ni potrebna
Temperaturna natančnost	±0,5 °C (0,9 °F)		
Temperaturna izravnava	Samodejno od –10 do 105 °C (14,0 do 221 °F) s termistorjem NTC 300 Ω, temperaturnim elementom Pt 1000 Ω RTD ali Pt 100 Ω RTD ali pa ročno določeno z vnosom temperature s strani uporabnika		Se ne uporablja
Metode umerjanja	Samodejno ali ročno 1- ali 2-točkovno		1-točkovno ročno
Vmesnik sensorja	Modbus		
Certifikati	CE		
Garancija	1 leto, 2 leti (EU)		

Razdelek 2 Splošni podatki

V nobenem primeru proizvajalec ne prevzema odgovornosti za neposredno, posredno, posebno, nezgodno ali posledično škodo, nastalo zaradi kakršnekoli napake ali izpusta v teh navodilih. Proizvajalec si pridržuje pravico do sprememb v navodilih in izdelku, ki ga opisuje, brez vnaprejšnjega obvestila. Prenovljene različice najdete na proizvajalčevi spletni strani.

2.1 Varnostni napotki

Proizvajalec ne odgovarja za škodo, ki bi nastala kot posledica napačne aplikacije ali uporabe tega izdelka, kar med drugim zajema neposredno, naključno in posledično škodo, in zavrača odgovornost za vso škodo v največji meri, dovoljeni z zadevno zakonodajo. Uporabnik je v celoti odgovoren za prepoznavo tveganj, ki jih predstavljajo kritične aplikacije, in namestitvev ustreznih mehanizmov za zaščito procesov med potencialno okvaro opreme.

Še pred razpakiranjem, zagonom ali delovanjem te naprave v celoti preberite priložena navodila. Še posebej upoštevajte vse napotke o nevarnostih in varnostne napotke. V nasprotnem primeru obstaja nevarnost hudih poškodb uporabnika oz. škode na opremi.





Zaščita te opreme mora biti brezhibna. Uporabljajte in nameščajte jo izključno tako, kot je navedeno v tem priročniku.

2.2 Uporaba varnostnih informacij

▲ NEVARNOST
Označuje možno ali neposredno nevarno situacijo, ki lahko povzroči smrt ali hude poškodbe.
▲ OPOZORILO
Označuje možno ali neposredno nevarno situacijo, ki lahko privede do hude poškodbe ali povzroči smrt, če se ji ne izognete.
▲ PREVIDNO
Označuje možno nevarno situacijo, ki lahko povzroči manjše ali srednje težke poškodbe.
OPOMBA
Označuje situacijo, ki lahko, če se ji ne izognete, povzroči poškodbe instrumenta. Informacija, ki zahteva posebno pozornost.

2.3 Opozorilne oznake

Upoštevajte vse oznake in tablice, ki so nahajajo na napravi. Neupoštevanje tega lahko privede do telesnih poškodb ali poškodb naprave. Simbol na merilni napravi se nanaša na navodila s

	To je varnostni opozorilni simbol. Upoštevajte vsa varnostna sporočila, ki sledijo temu simbolu, da se izognete poškodbam. Če se nahajajo na napravi, za informacije o delovanju ali varnosti glejte navodila za uporabo.
	Ta simbol opozarja, da obstaja tveganje električnega udara in/ali smrti zaradi elektrike.
	Ta simbol kaže na prisotnost naprav, ki so občutljive na elektrostatično razelektritev (ESD), in opozarja na to, da morate z ustreznimi ukrepi preprečiti nastanek škode in poškodb opreme.
	Električne opreme, označene s tem simbolom, v EU ni dovoljeno odlagati v domačih ali javnih sistemih za odstranjevanje odpadkov. Staro ali izrabljeno opremo vrnite proizvajalcu, ki jo mora odstraniti brez stroškov za uporabnika.

2.4 Pregled izdelka

Senzor je zasnovan za delovanje s kontrolno enoto za zbiranje in upravljanje podatkov. S tem senzorjem se lahko uporablja več kontrolnikov. Ta dokument predpostavlja namestitev in uporabo senzorja s kontrolno enoto SC. Če želite senzor uporabljati z drugo kontrolno enoto, glejte navodila za uporabo te kontrolne enote.

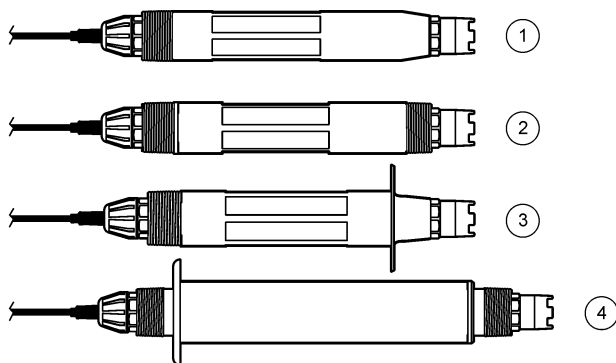
Ta izdelek ni sprejemljiv za uporabo na nevarnih mestih.

Izbirna oprema, kot so pripomočki za namestitev za sondo, je dobavljena z navodili za namestitev. Na voljo so številni načini namestitve, kar omogoča prilagoditev sonde uporabi v veliko različnih aplikacijah.

2.5 Tipi senzorja

Na voljo je več tipov senzorjev. Glejte [Slika 1](#).

Slika 1 Tipi senzorja



<p>1 Vstavni – za namestitev v pretočno celico ali adapter za cev sestava krogelnih ventilov. Omogoča odstranitev brez prekinitve pretoka procesa.</p>	<p>3 Sanitarni – za namestitev v 2-palčni sanitarni priključek T</p>
<p>2 Obrnljivi – za cevni priključek T ali potopitev v odprti posodi</p>	<p>4 Nerjavno jeklo – za potopitev v odprti posodi</p>

Vstavni senzorji – vstavni senzorji so podobni obrnljivim, vendar so 1-palčni navoji NPT samo na strani kabla za namestitev v pretočno celico ali na adapterju za cev sestava krogelnih ventilov. Vstavne senzorje lahko dodate ali odstranite iz procesa brez potrebe po zaustavitvi pretoka procesa.

Obrnljivi senzorji – obrnljivi senzorji imajo 1-palčni navoj NPT na obeh straneh ohišja za namestitev v konfiguracije, ki se nadaljujejo:

- v standardni 1-palčni cevni priključek T NPT,
- v adapter za cev za namestitev s spojnimi pripomočki in standardni 1,5-palčni cevni priključek T,
- na konec cevi za potopitev v posodo.



Napotek: Obrnljivi senzorji se lahko uporabljajo tudi v obstoječih namestitvah za 1,5-palčne senzorje LCP, Ryton in epoksidne senzorje.

Sanitarni senzorji – sanitarni senzorji vključujejo vgrajeno 2-palčno prirobnico za namestitev na 2-palčni sanitarni priključek T. Sanitarnim senzorjem sta priložena poseben pokrovček in tesnilo iz EDPM za uporabo s sanitarnimi pripomočki.

Senzorji iz nerjavnega jekla – senzorji iz nerjavnega jekla imajo 1-palčni navoj NPT na obeh straneh ohišja. Senzorji iz nerjavnega jekla se uporabljajo za potopitev v odprti posodi.

Razdelek 3 Namestitvev

3.1 Nameščanje

⚠ OPOZORILO	
	Nevarnost eksplozije. Nazivna temperatura in tlak pripomočkov za namestitev senzorja morata biti primerna za mesto namestitve.
⚠ PREVIDNO	
	Nevarnost telesnih poškodb. Zaradi zlomljenega stekla lahko pride do ureznin. Uporabljajte orodja in osebno zaščitno opremo za odstranjevanje zlomljenega stekla.

OPOMBA

Procesna elektroda pri konici pH-senzorja ima stekleno bučko, ki se lahko razbije. Steklene bučke ne udarjajte ali potiskajte.

OPOMBA

Procesna elektroda iz zlata ali platine na konici senzorja ORP ima stekleni element (skrit za solnim mostičkom), ki se lahko zlomi. Steklenega elementa ne udarjajte ali potiskajte.

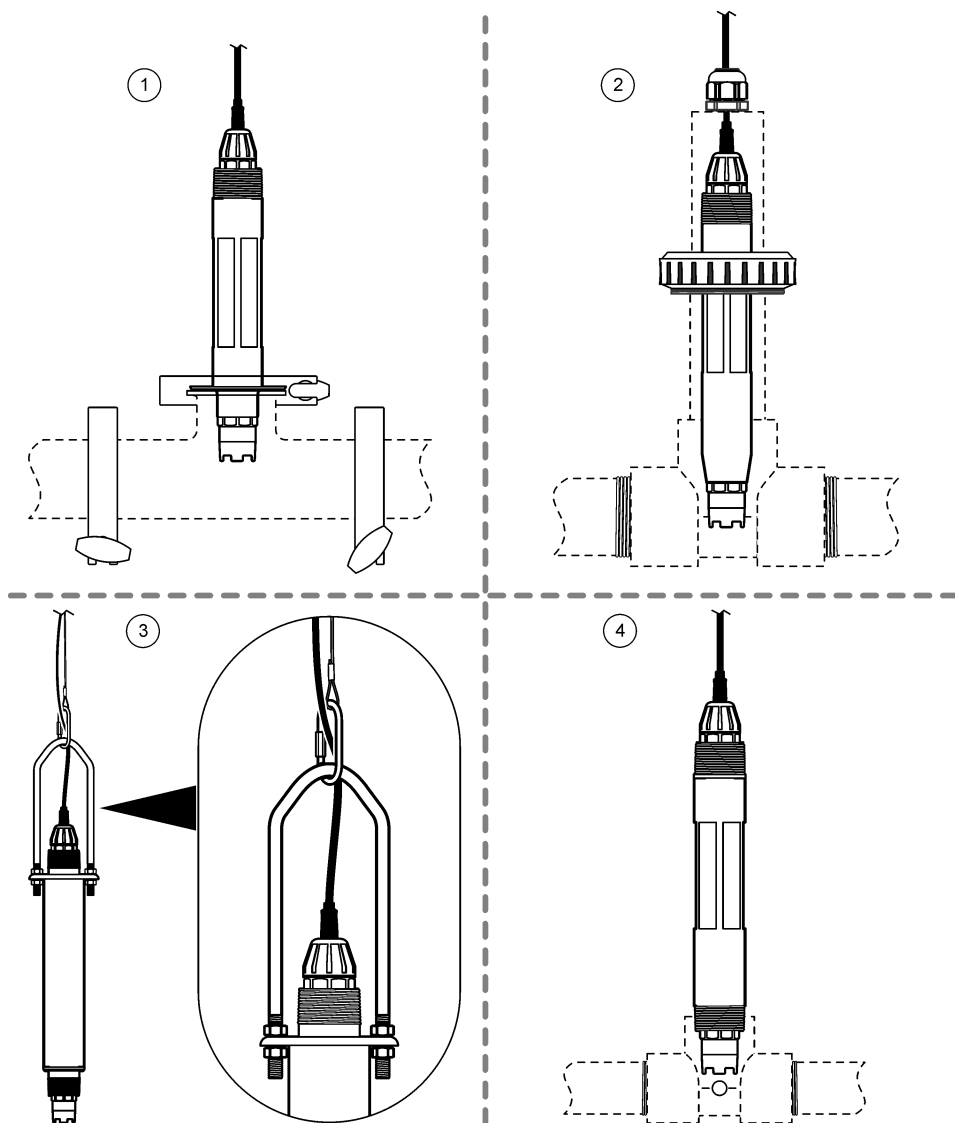
OPOMBA

Instrument je primeren za delovanje na nadmorskih višinah do največ 2000 m (6562 ft). Čeprav uporaba te opreme pri nadmorskih višinah nad 2000 m ne predstavlja resnih varnostnih tveganj, proizvajalec priporoča, da se v primeru dvomov nemudoma obrnete na oddelek za tehnično pomoč.

- Senzor namestite tam, kjer je vzorec, ki pride v stik s senzorjem, značilen za celotni proces.
- Za primere namestitvenih konfiguracij si oglejte [Slika 2](#), [Slika 3](#) in [Slika 4](#).
- Več podatkov o razpoložljivih pripomočkih za namestitev si oglejte [Nadomestni deli in dodatna oprema](#) na strani 381.
- Navodila za namestitev najdete v priročniku, priloženem opremi za pritrditev.
- Senzor namestite vsaj 15° nad vodoravno linijo. Glejte [Slika 5](#).
- Pri namestitvah za potopitev senzor namestite vsaj 508 mm (20 in) od stene prezračevalnega bazena in senzor potopite vsaj 508 mm (20 in) v proces.
- Pred namestitvijo senzorja v proces odstranite zaščitni pokrovček. Zaščitni pokrovček shranite za nadaljnjo uporabo.
- (Izbirno) če je temperatura procesne vode blizu vrelišča, dodajte gel v prahu³ v standardno raztopino za kivete v senzorju. Oglejte si korak 2 dokumenta [Zamenjava solnega mostička](#) na strani 375. Ne zamenjajte solnega mostička.
- Senzor pred uporabo umerite.

³ Gel v prahu zmanjša stopnjo izparevanja standardne raztopine za kivete.

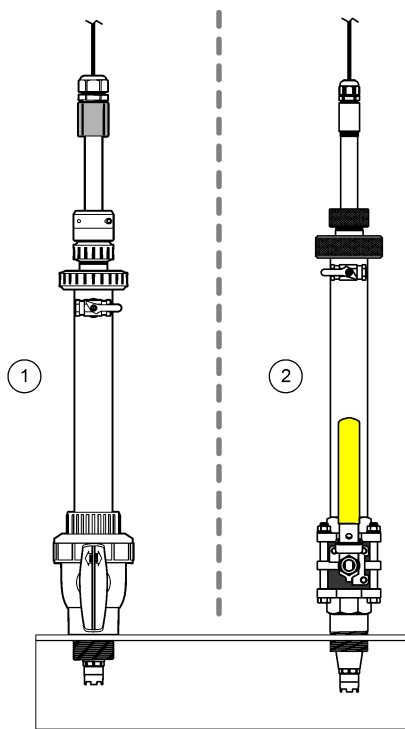
Slika 2 Primeri nameščanja (1)



<p>1 Namestitev sanitarnega sestava (2-palčni sanitarni priključek T)</p>	<p>3 Potopna namestitev z verigo in objemko⁴</p>
<p>2 Namestitev s spojnimi pripomočki (1,5-palčni standardni priključek T)</p>	<p>4 Pretočna namestitev (1-palčni standardni priključek T)</p>

⁴ Samo senzorji iz nerjavnega jekla

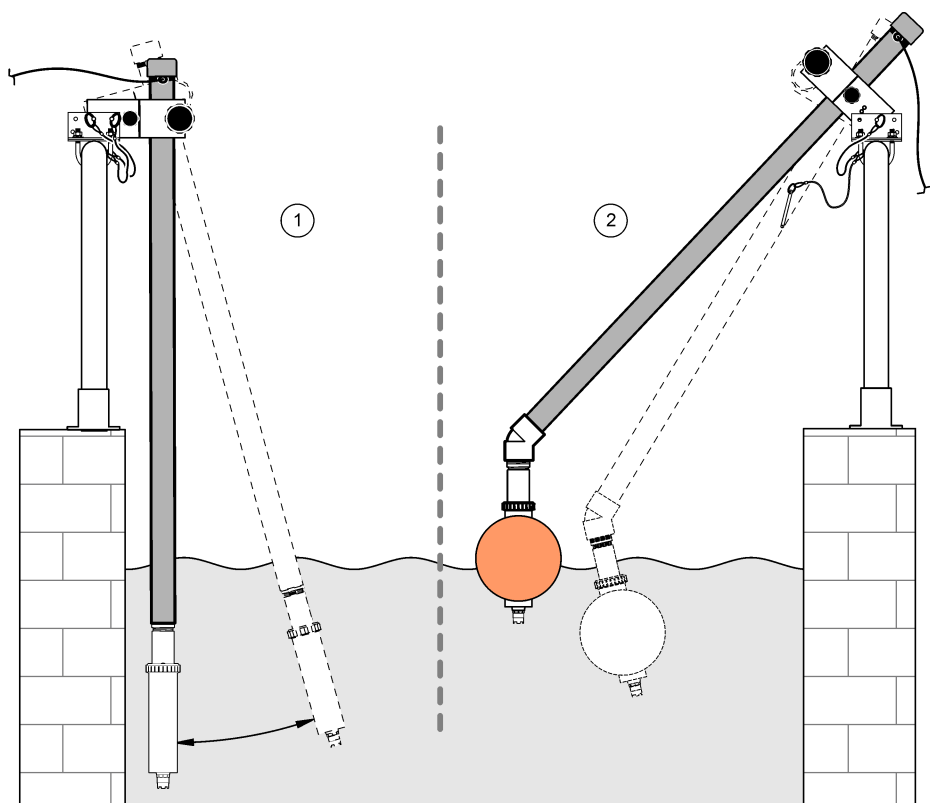
Slika 3 Primeri nameščanja (2)



1 Namestitev z vstavitvijo, pripomočki iz CPVC

2 Namestitev z vstavitvijo, pripomočki iz nerjavnega jekla

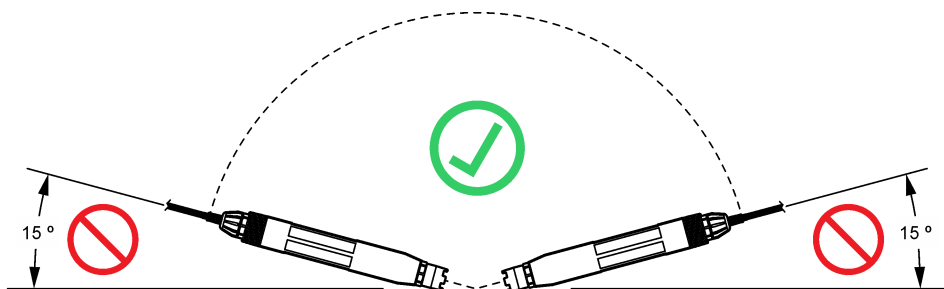
Slika 4 Primeri nameščanja (3)



1 Potopna namestitev z oprijemalom

2 Potopna namestitev s plovcem

Slika 5 Kot namestitve senzorja

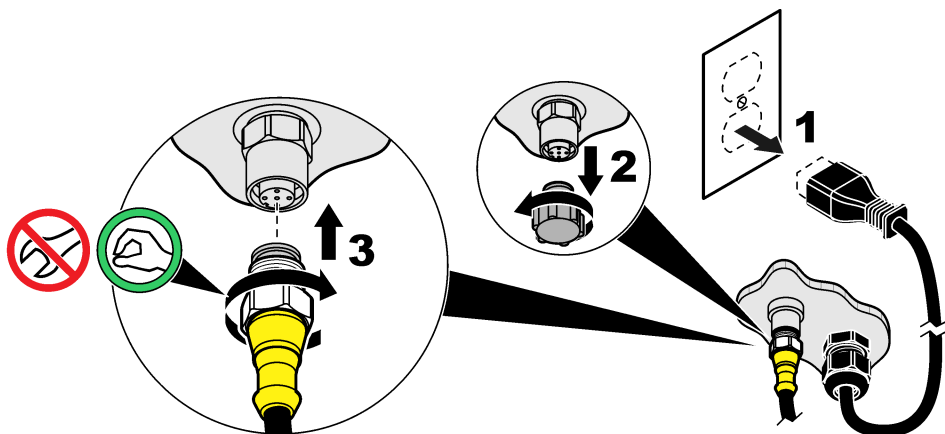


3.2 Električna priključitev

3.2.1 Priključitev senzorja s hitro spojko (na nenevarnih mestih)

1. Kabel senzorja priklopite na nastavek s hitro spojko kontrolne enote SC. Glejte [Slika 6](#). Pokrovček konektorja shranite za kasnejšo zatesnitev odprtine konektorja v primeru, da bo potrebno odstraniti senzor.
2. Če je možnost vklopa/izklopa nastavljena na vklop, ko je senzor priključen:
 - Kontrolna enota SC200 – izberite TEST/SERVIS > IŠČI SENZOR.
 - Kontrolna enota SC1000 – izberite NASTAV SISTEM > UPRAVLJANJE ENOTE > ODKRIVANJE NOVIH NAPRAV.



Slika 6 Priključitev senzorja s hitro spojko



3.2.2 Kabelski podaljški

- Na voljo so kabelski podaljški. Glejte [Nadomestni deli in dodatna oprema](#) na strani 381.
- Največja dolžina kabla za kontrolno enoto SC1000 je 15 m (49 ft).
- Največja dolžina kabla za kontrolno enoto SC200 je 1000 m (3280 ft).
- Kontrolna enota SC200 – če dolžina kabla presega 100 m (328 ft), uporabite digitalno zaključno dozo. Glejte [Nadomestni deli in dodatna oprema](#) na strani 381.

3.2.3 Priključitev kabla senzorja z izpostavljenimi žicami (na nenevarnem mestu)

⚠ NEVARNOST	
	Smrtna nevarnost zaradi električnega udara. Pred vsemi posegi v električne povezave vedno izključite napajanje.
⚠ NEVARNOST	
	Smrtna nevarnost zaradi električnega udara. Visokonapetostno ožičenje za kontrolno enoto je priključeno za visokonapetostno bariero v ohišju kontrolne enote. Bariera mora ostati na mestu, razen pri nameščanju modulov ali kadar kvalificiran monter namešča napeljavo za napajanje, releje ali analogne in omrežne kartice.

Če kabel senzorja nima konektorja s hitro spojko,⁵izpostavljene žice kabla senzorja povežite s kontrolno enoto na naslednji način:

Napotek: Kabla senzorja z izpostavljenimi žicami ni mogoče povezati s kontrolno enoto SC1000.

1. V embalaži kontrolne enote SC200 poiščite komplet za ožičenje (9222400).
Komplet vsebuje štiri kabske konektorje.
2. Za povezovanje kabla senzorja in kontrolne enote upoštevajte navodila, ki so priložena kompletu za ožičenje.

Razdelek 4 Delovanje

4.1 Uporabniška navigacija

Za opis tipkovnice in informacije o navigaciji preberite dokumentacijo krmilnika.

Za prikaz dodatnih informacij in grafični prikaz pritisčajte **DESNO** puščično tipko na kontrolni enoti.

4.2 Konfiguracija senzorja

Izberite ime senzorja in vrsto senzorja. Spremenite možnosti za meritve, umerjanje ter upravljanje in shranjevanje podatkov.




1. Pritisnite **Meni** in izberite **NASTAV SENZOR > [Izberite senzor] > NASTAVI**.
2. Izberite možnost.

Možnost	Opis
VSTAVI IME	Sprememba imena, ki ustreza senzorju na vrhu zaslona meritev. Ime je omejeno na 12 znakov kakršne koli kombinacije črk, števil, presledkov in ločil.
IZBERI SENZ	Izbira vrste senzorja (pH ali ORP).
FORMAT ZASLON	Samo za senzorje za pH – sprememba števila decimalnih mest na zaslonu meritev na XX,XX (privzeto) ali XX,X.
TEMP ENOTE	Nastavitev enote temperature na °C (privzeto) ali °F.
POMNILNIK	Nastavi časovni interval za shranjevanje podatkov v dnevniku podatkov — 5, 30 sekund, 1, 2, 5, 10, 15 (privzeto), 30, 60 minut.
AC FREKVENCA	Izbira frekvence za izmenično napajanje kontrolne enote (50 ali 60 Hz). Pri napajanju kontrolne enote 120 V AC, izberite 60 Hz. Pri napajanju kontrolne enote 230 V AC, izberite 50 Hz.
FILTER	Nastavi časovno konstanto za povečanje stabilnosti signala. Časovna konstanta izračuna povprečno vrednost v določenem času — 0 (brez učinka, privzeto) na 60 sekund (povprečje signalne vrednosti za 60 sekund). Filter poveča čas odziva signala senzorja na dejanske spremembe v procesu.
TEMP SENZ	Senzorji za pH – nastavitev temperaturnega elementa za samodejno izravnavo temperature na PT100, PT1000 ali NTC300 (privzeto) ali ROČNO. Če ni uporabljen noben element, lahko za vrsto nastavite ROČNO in vnesete vrednost za izravnavo temperature (ročna privzeta nastavitev: 25 °C). Senzorji ORP — izravnavo temperature ni uporabljena. Temperaturni element lahko povežemo za meritve temperature.
IZBERI STD	Samo za senzorje za pH – izbira raztopin pufra, uporabljenih za umerjanje. Možnosti: pH 4, 7, 10 (privzeto) ali DIN 19267 (pH 1,09, 4,65, 6,79, 9,23, 12,75) Napotek: Za umerjanje lahko uporabite druge raztopine pufra.

⁵ Na primer, če za podaljšanje kabla senzorja uporabite digitalno zaključno dozo in oklopljeni 4-žični kabel.

Možnost	Opis
KOMP Z Č VODO	Samo za senzorje za pH – k izmerjeni vrednosti pH se doda popravek v odvisnosti od temperature za čisto vodo z aditivi – NIČ (privzeto), AMONIJ, MORPHOLIN ali UPORAB IZB. Za temperature procesov nad 50 °C, uporabljena je izravnava pri 50 °C. Za uporabniško določene aplikacije, vnese se lahko linearen naklon (privzeto: 0 pH/°C).
KALIB DNEVI	Nastavitev intervala za umerjanje (privzeto: 60 dni). Napotek: Na zaslonu kontrolne enote se prikaže opozorilo, ko je število dni, ki je preteklo od umerjanja senzorja, višje od intervala umerjanja.
DNEVI SENZ	Nastavitev intervala za zamenjavo senzorja (privzeto: 365 dni) Napotek: Na zaslonu kontrolne enote se prikaže opozorilo, ko je število dni uporabe senzorja višje od intervala za zamenjavo senzorja.
IMPED LIMITE	Nastavitev mejnih vrednosti impedance za aktivno in referenčno elektrodo (privzeto: NIZEK = 0 MΩ, VISOK = 1000 MΩ). Napotek: Ko je možnost IMPED v meniju DIAG/TEST nastavljena na AKTIVIRAJ, se na zaslonu kontrolne enote prikaže napaka, ko impedanca aktivne ali referenčne elektrode ni v mejah za impedanco.
OSNOVNE NAST	Ponastavitev nastavitve konfiguracije na privzete nastavitve.

4.3 Umerjanje senzorja

▲ OPOZORILO	
	Nevarnost eksplozije. Odstranitev senzorja iz posode pod tlakom je lahko zelo nevarna. Pred odstranitvijo znižajte delovni tlak pod 10 psi. Če to ni mogoče, bodite pri odstranitvi zelo previdni. Več informacij si oglejte v priloženi dokumentaciji o pripomočkih za namestitvev.
▲ OPOZORILO	
	Nevarnost izpostavljenosti kemikalijam. Upoštevajte varnostne predpise v laboratoriju in nosite vs osebno zaščitno opremo, primerno za delo s kemikalijami, ki jih trenutno uporabljate. Za varnostne protokole glejte veljaven varnostni list (MSDS/SDS).
▲ PREVIDNO	
	Nevarnost izpostavljenosti kemikalijam. Kemikalije in odpadke zavrzite v skladu z lokalnimi, regionalnimi in nacionalnimi predpisi.

4.3.1 O umerjanju senzorja

Umerjanje nastavi branje senzorja, tako da ustreza vrednosti ene ali dveh referenčnih raztopin. Karakteristike senzorja se sčasoma premaknejo, zaradi česar senzor postane manj točen. Senzor je treba redno umerjati, da ostane točen. Pogostost umerjanja je odvisna od uporabe in jo najbolje določimo z izkušnjami.

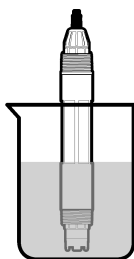
Za senzorje za pH se za odčitke pH, ki so samodejno prilagojeni na 25 °C za temperaturne spremembe, ki vplivajo na aktivno in referenčno elektrodo, uporablja temperaturni element. To prilagoditev lahko ročno nastavi stranka, če je temperatura procesa stalna. Glejte možnost TEMP SENZ v razdelku [Konfiguracija senzorja](#) na strani 370.

4.3.2 Proces kalibracije pH

Senzor pH umerite z eno ali dvema referenčnima raztopinama (1-točkovno ali 2-točkovno umerjanje).

1. Senzor vstavite v prvo referenčno raztopino (pufer ali vzorec z znano vrednostjo). Prepričajte se, da je meritveni del senzorja popolnoma potopljen v tekočini. Glejte [Slika 7](#).

Slika 7 Senzor v referenčni raztopini



- Počakajte, da se temperaturi senzorja in raztopine izravnata. To lahko traja 30 minut ali več, če je temperaturna razlika med procesom in referenčno raztopino večja.
- Pritisnite **Meni** in izberite NASTAV SENZOR > [izberite senzor] > KALIBRIRAJ.
- Izberite vrsto umerjanja:

Možnost	Opis
1 TOČK AUTO	Za umerjanje uporabite pufer (npr. pH 7). Senzor med umerjanjem samodejno prepozna pufer. Napotek: V nastavitvah konfiguracije senzorja morate uporabiti pravilno skupino pufov.
2 TOČK AUTO (priporočeno)	Za umerjanje uporabite dva pufera (npr. pH 7 in pH 4). Senzor med umerjanjem samodejno prepozna pufera. Napotek: V nastavitvah konfiguracije senzorja morate uporabiti pravilno skupino pufov.
1 TOČK ROČNO	Za umerjanje uporabite vzorec z znano pH-vrednostjo (ali en pufer). Med umerjanjem vnesite pH-vrednost.
2 TOČK ROČNO	Za umerjanje uporabite dva vzorca z znano pH-vrednostjo (ali dva pufera). Med umerjanjem vnesite pH-vrednosti.

- Če je geslo omogočeno v varnostnem meniju kontrolne enote, vnesite geslo.
- Med umerjanjem izberite možnost za izhodni signal:

Možnost	Opis
AKTIVEN	Instrument pošlje vrednost trenutnega izmerjenega izhodnega signala med postopkom umerjanja.
ZADRŽI	Vrednost izhodnega signala senzorja se med postopkom umerjanja ustavi na trenutni izmerjeni vrednosti.
PRENOS	Med umerjanjem je poslana predhodno nastavljena vrednost izhodnega signala. Za spremembo predhodno nastavljenih vrednosti glejte navodila za uporabo kontrolne enote.

- Ko je senzor v prvi referenčni raztopini, potrdite. Prikazana je izmerjena vrednost.
- Po potrebi vnesite pH-vrednost referenčne raztopine:
 - Počakajte, da se vrednost umiri, in potrdite.
 - Vnesite pH-vrednost.
Napotek: Če je referenčna raztopina pufer, na posodici s pufrom poiščite pH-vrednost za temperaturo pufera. Če je referenčna raztopina vzorec, pH-vrednost vzorca določite z drugim instrumentom.
- Za 2-točkovno umerjanje izmerite drugo referenčno raztopino, kot je navedeno v nadaljevanju:
 - Odstranite senzor iz prve raztopine in ga operite s čisto vodo.
 - Senzor vstavite v naslednjo referenčno raztopino in potrdite.
 - Po potrebi počakajte, da se vrednost umiri, in potrdite. Vnesite pH-vrednost.

10. Preglejte rezultat umerjanja:

- USPELA – senzor je umerjen in pripravljen na merjenje vzorcev. Prikazani sta vrednosti naklona in/ali odmika.
- NI USPELA – naklon ali odmik umerjanja je zunaj sprejemljivih omejitev. Ponovite kalibracijo s svežimi referenčnimi raztopinami. Po potrebi očistite senzor. Glejte [Čiščenje senzora](#) na strani 375.

11. Če je umerjanje uspelo, potrdite.

12. Ponovno namestite senzor v proces in potrdite.

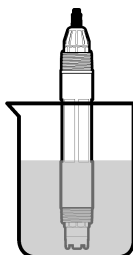
Izhodni signal se povrne v aktivno stanje, na merilnem zaslonu pa je prikazana izmerjena vrednost vzorca.

4.3.3 Proces kalibracije ORP

Senzor ORP umerite z eno referenčno raztopino ali vzorcem z znano vrednostjo.

1. Senzor vstavite v referenčno raztopino ali vzorec. Prepričajte se, da je meritveni del senzora popolnoma potopljen v raztopini. Glejte [Slika 8](#).

Slika 8 Senzor v referenčni raztopini ali vzorcu



2. Pritisnite **Meni** in izberite NASTAV SENZOR > [izberite senzor] > KALIBRIRAJ.
3. Izberite 1 TOČK ROČNO.
4. Če je geslo omogočeno v varnostnem meniju kontrolne enote, vnesite geslo.
5. Med umerjanjem izberite možnost za izhodni signal:

Možnost	Opis
AKTIVEN	Instrument pošlje vrednost trenutnega izmerjenega izhodnega signala med postopkom umerjanja.
ZADRŽI	Vrednost izhodnega signala senzora se med postopkom umerjanja ustavi na trenutni izmerjeni vrednosti.
PRENOS	Med umerjanjem je poslana predhodno nastavljena vrednost izhodnega signala. Za spremembo predhodno nastavljenih vrednosti glejte navodila za uporabo kontrolne enote.

6. Ko je senzor v referenčni raztopini ali vzorcu, potrdite. Prikazana je izmerjena vrednost.
7. Počakajte, da se vrednost umiri, in potrdite.
8. Vnesite vrednost ORP za referenčno raztopino ali vzorec.

Napotek: Če za umerjanje uporabite referenčno raztopino, na posodici z referenčno raztopino poiščite vrednost ORP. Če za umerjanje uporabite vzorec, izmerite vrednost ORP s sekundarnim instrumentom za preverjanje.

9. Preglejte rezultat umerjanja:

- USPELA – senzor je umerjen in pripravljen na merjenje vzorcev. Prikazani sta vrednosti naklona in/ali odmika.
- NI USPELA – naklon ali odmik umerjanja je zunaj sprejemljivih omejitev. Umerjanje ponovite s svežo referenčno raztopino. Po potrebi očistite senzor. Glejte [Čiščenje senzora](#) na strani 375.

10. Če je umerjanje uspelo, potrdite.

11. Ponovno namestite senzor v proces in potrdite.

Izhodni signal se povrne v aktivno stanje, na merilnem zaslonu pa je prikazana izmerjena vrednost vzorca.

4.3.4 Kalibracija temperature

Instrument je tovarniško umerjen za točno merjenje temperature. Za večjo točnost umerite temperaturo.

1. Senzor vstavite v posodo z vodo.
2. Izmerite temperaturo vode z natančnim termometrom ali s samostojnim inštrumentom.
3. Pritisnite **Meni** in izberite NASTAV SENZOR > [izberite senzor] > KALIBRIRAJ.
4. Izberite NASTAVI T > SPREM TEMP in nato potrdite.
5. Vnesite točno vrednost temperature in potrdite.
6. Ponovno namestite senzor v proces in potrdite.

4.3.5 Izhod iz postopka kalibracije

1. Za izhod iz umerjanja pritisnite **Nazaj**.
2. Izberite možnost.

Možnost	Opis
PREKINI	Ustavitev kalibracije. Novo kalibracijo je treba začeti od začetka.
NAZAJ H KALIB	Vrnitev v kalibracijo.
ZAPUSTI	Začasno zapusti kalibracijo. Dovoljen je dostop do drugih menijev. Kalibracija za drugi senzor (če je prisoten) se lahko začne. Če se želite vrniti v meni umerjanja, pritisnite Meni in izberite NASTAV SENZOR > [izberite senzor].

4.4 Podatki senzorja in dnevnik dogodkov

Kontrolna enota se ima za vsak senzor predviden podatkovni dnevnik in dnevnik dogodkov. Podatkovni dnevnik shranjuje izmerjene podatke v izbranih intervalih (glede na uporabnikovo konfiguracijo). V dnevniku dogodkov so prikazani pretekli dogodki.

Podatkovni dnevnik in dnevnik dogodkov je mogoče shraniti v obliki zapisa CSV. Navodila najdete v dokumentaciji kontrolne enote.

4.5 Register Modbus

Seznam registrov Modbus je na voljo za omrežno komunikacijo. Več informacij si oglejte na spletni strani proizvajalca.

Razdelek 5 Vzdrževanje

⚠ NEVARNOST



Različne nevarnosti Opravila, opisana v tem delu dokumenta, lahko izvaja samo usposobljeno osebje.

⚠ OPOZORILO



Nevarnost eksplozije. Odstranitev senzorja iz posode pod tlakom je lahko zelo nevarna. Pred odstranitvijo znižajte delovni tlak pod 10 psi. Če to ni mogoče, bodite pri odstranitvi zelo previdni. Več informacij si oglejte v priloženi dokumentaciji o pripomočkih za namestitve.

⚠ OPOZORILO



Nevarnost izpostavljenosti kemikalijam. Upoštevajte varnostne predpise v laboratoriju in nosite vso osebno zaščitno opremo, primerno za delo s kemikalijami, ki jih trenutno uporabljate. Za varnostne protokole glejte veljaven varnostni list (MSDS/SDS).

⚠ PREVIDNO



Nevarnost izpostavljenosti kemikalijam. Kemikalije in odpadke zavrzite v skladu z lokalnimi, regionalnimi in nacionalnimi predpisi.

5.1 Urnik vzdrževanja

Tabela 1 prikazuje priporočeni urnik vzdrževalnih del. Zahteve glede zgradb in pogoji delovanja lahko povečajo pogostost nekaterih del.

Tabela 1 Urnik vzdrževanja

Opravilo	1 leto	Po potrebi
Čiščenje senzorja na strani 375		X ⁶
Zamenjava solnega mostička na strani 375	X	
Umerjanje senzorja	Določajo pristojni organi ali glede na izkušnje	

5.2 Čiščenje senzorja

Predpogoj: Pripravite blago milno raztopino z neagresivnim sredstvom za pomivanje posode, ki ne vsebuje lanolina. Lanolin na površini elektrode pušči oblogo, ki lahko oslabi delovanje senzorja.

Občasno pregledajte senzor in bodite pozorni, ali so na njem ostanki in obloge. Senzor očistite, ko opazite, da so se nabrale obloge, ali ko je njegovo delovanje oslabiljeno.

1. S čisto, mehko krpo s senzorja odstranite rahle ostanke. Senzor sperite s čisto, toplo vodo.
2. Senzor namočite v milno raztopino za 2–3 minute.
3. Z mehko ščetko očistite celotno merilno konico senzorja.
4. Če so po tem ostanki še vedno prisotni, merilno konico namočite v razredčeni raztopini kisline, npr. < 5% HCl, za največ 5 minut.
5. Senzor sperite z vodo in ga nato ponovno vstavite v milno raztopino za 2 do 3 minute.
6. Senzor sperite s čisto vodo.

Napotek: Senzorje z antimonovimi elektrodami za HF aplikacije je morda treba dodatno očistiti. Stopite v stik s tehnično podporo.

Po koncu vzdrževalnih postopkov senzor vedno umerite.

5.3 Zamenjava solnega mostička

Solni mostiček in standardno raztopino celice zamenjajte v enoletnih intervalih ali vsakič, ko po čiščenju senzorja umerjanje ni uspešno.

Napotek: Videoposnetek s prikazom postopka zamenjave solnega mostička je na ogled na www.Hach.com. Obiščite spletno stran s prikazom solnega mostička in kliknite zavihek z videoposnetkov.

Potrebujete:

- Prilagodljiv ključ z ragljo
- Veliko pinceto

⁶ Pogostost je odvisna od pogojev delovanja.

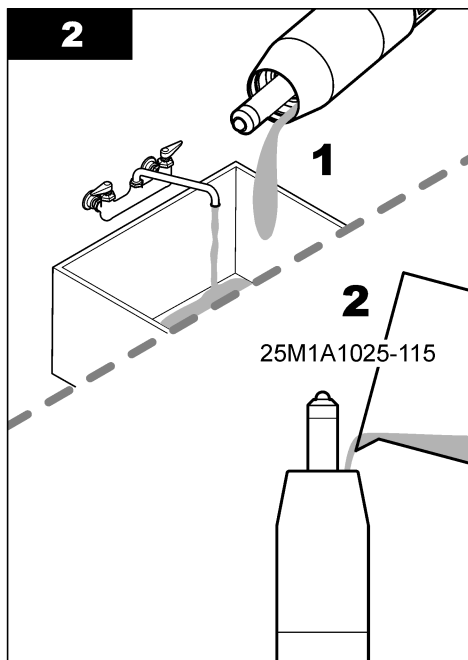
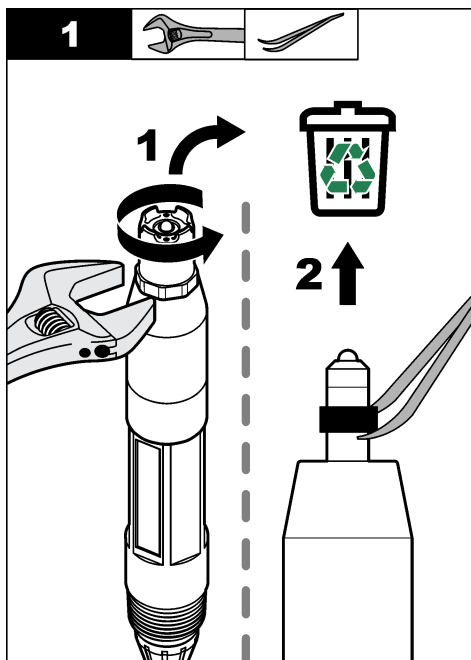
- Solni mostiček
- Standardno raztopino za kivete
- Gel v prahu⁷ (1/8 žličke)

1. Očistite senzor. Glejte [Čiščenje senzorja](#) na strani 375.
2. Zamenjajte solni mostiček in standardno raztopino za kivete. Glejte ilustrirana navodila v nadaljevanju.

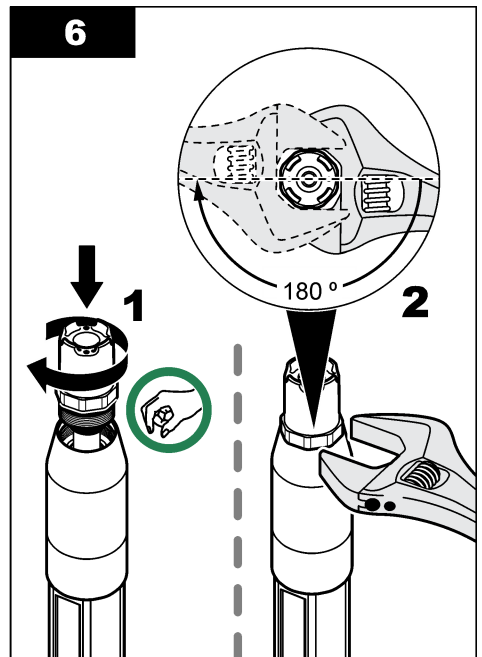
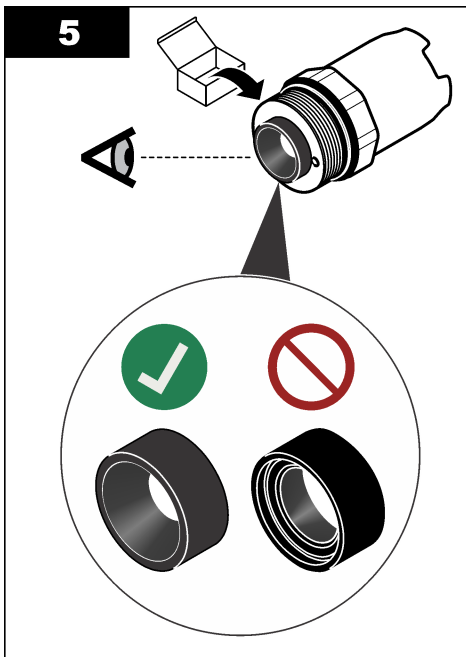
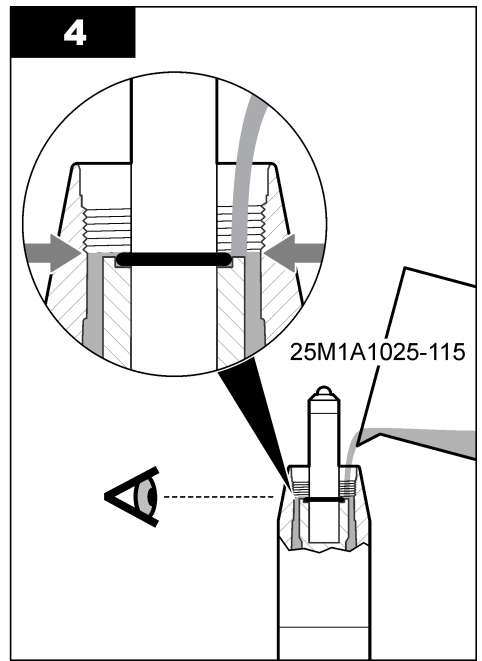
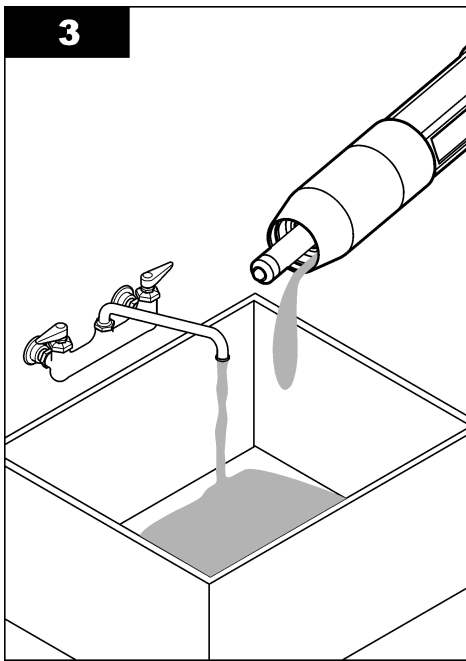
Če posoda s standardno raztopino za kivete vsebuje gel (to ni običajno), uporabite brizgalni nastavek naprave tipa pik in s curkom vode odstranite stari gel, kot je prikazano v koraku 2. (Izbirno) če je temperatura procesne vode blizu vrelišča, novi standardni raztopini za kivete dodajte gel v prahu, kot je prikazano v koraku 4 in navedeno v nadaljevanju:

- a. Pokrovček posodice do vrha napolnite z gelom v prahu (1/8 žličke) in ga natresite v posodo za standardno raztopino za kivete.
- b. V posodico vlijte manjšo količino sveže standardne raztopine za kivete.
- c. Prah mešajte, dokler se raztopina ne zgosti.
- d. Dodajajte manjše količine raztopine in mešajte, dokler raven gela ne doseže dna navojev solnega mostička.
- e. Preverite pravilen nivo gela, tako da namestite in odstranite novi solni mostiček. Na površini gela se mora poznati odtis solnega mostička.

3. Umerite senzor.



⁷ (Izbirno) standardni raztopini za kivete dodajte gel v prahu, če je temperatura procesne vode blizu vrelišča. Gel v prahu zmanjša stopnjo izparevanja standardne raztopine za kivete.



5.4 Priprava za shranjevanje

Pri kratkotrajnem shranjevanju (ko senzorja ne uporabljate več kot eno uro) zaščitni pokrovček napolnite s puferno raztopino pH 4 ali destilirano vodo in ga namestite na senzor. Procesna elektroda in solni mostiček referenčnega spoja naj ostaneta vlažna, da se senzor ob ponovni uporabi ne bi prepočasi odzival.

Pri dolgotrajnejšem shranjevanju vsake 2 do 4 tedne, odvisno od pogojev okolice, ponovite postopek kot pri kratkotrajnem shranjevanju. Glede omejitev temperature skladiščenja si oglejte [Specifikacije](#) na strani 361.

Razdelek 6 Odpravljanje težav

6.1 Manjkajoči podatki

Med kalibracijo se podatki ne pošiljajo v dnevnik podatkov. Zato so v dnevniku dogodkov lahko področja s prekinitvami.

6.2 Meni diagnostike senzorja in testni meni

Meni diagnostike senzorja in testni meni prikazuje trenutne in pretekle informacije o instrumentu. Glejte [Tabela 2](#). Za dostop do menija diagnostike senzorja in testni meni pritisnite tipko **Meni**, nato izberite NASTAV SENZOR > [izberite senzor] > DIAG/TEST.

Tabela 2 Meni DIAG/TEST senzorja

Možnost	Opis
SENZ INFO	Za senzor prikazuje vrsto, ime, serijsko številko, različico programske opreme in različico gonilnika.
KAL PODATKI	Prikazuje naklon pH (mV/pH) in datum zadnjega umerjanja. Naklon pH mora biti od -55 do -61 mV.
SIGNAL	SENZ SIGNAL – prikazuje odčitek senzorja v mV. Merilno območje mV je od -60 do +60 mV (0 mV = pH 7). SENZ ADC ŠTEV – prikazuje digitalno številko, ki predstavlja odčitek pH. TEMP ADC ŠTEV – prikazuje digitalno številko, ki predstavlja odčitek temperature. STATUS ELEKTR – prikazuje stanje aktivne in referenčne elektrode (OK ali SLABO). Kadar je prikazano stanje "SLABO", očistite senzor in zamenjajte solni mostiček. Po potrebi zamenjajte senzor. AKTIV ELEKTR – prikazuje impedanco aktivne elektrode. REF ELEKTRODA – prikazuje impedanco referenčne elektrode. IMPED – ko je ta možnost omogočena (priporočeno), se impedanca aktivne in referenčne elektrode meri v 1-minutnih intervalih. Na zaslonu kontrolne enote se prikaže napaka, ko impedanca aktivne ali referenčne elektrode ni v mejah nizke in visoke impedance.
ŠTEVEČ	DNEVI SENZ – prikazuje število dni delovanja senzorja. PONAST SENZ – vrednosti DNEVI SENZ in STAROST ELEKTR ponastavi na nič. STAROST ELEKTR – prikazuje število dni, odkar je bil zamenjan solni mostiček. <i>Napotek: Vrednost STAROST ELEKTR se ob zamenjavi solnega mostička samodejno ponastavi na nič.</i>

6.3 Sporočila o napakah

Če se pojavi napaka, odčitek na zaslonu meritve utripa in vsi izhodi so zadržani, če je to določeno v meniju kontrolne enote. Za prikaz napak senzorja pritisnite **Meni** in izberite DIAGNOSTIKA > [Izberite senzor] > NAPAKE. Seznam možnih napak je prikazan v [Tabela 3](#).

Tabela 3 Sporočila o napakah

Napaka	Opis	Ločljivost
pH PREVISOK	Izmerjeni pH je > 14.	Umerite senzor.
ORP PREVISOKA	Izmerjena vrednost ORP je > 2100 mV.	
pH PRENIZEK	Izmerjeni pH je < 0.	Umerite senzor.
ORP PRENIZKA	Izmerjena vrednost ORP je ≤ 2100 mV.	
ODMIK PREVISOK	Odmik je > 9 (pH) ali 200 mV (ORP).	Upoštevajte korake v razdelku Čiščenje senzorja na strani 375 in Zamenjava solnega mostička na strani 375. Nato ponovite umerjanje.
ODMIK PRENIZEK	Odmik je < 5 (pH) ali -200 mV (ORP).	
NAKLON PREVISOK	Naklon je > 62 (pH)/1,3 (ORP).	Ponovite kalibracijo s svežimi referenčnimi raztopinami.
NAKLON PRENIZEK	Naklon je < 50 (pH)/0,7 (ORP).	Izvedite korake, opisane v razdelku Čiščenje senzorja na strani 375. Nato ponovite umerjanje.
TEMP PREVISOKA	Izmerjena temperatura je > 130 °C..	Prepričajte se, da je izbran pravilen temperaturni element. Oglejte si možnost TEMP SENZ v razdelku Konfiguracija senzorja na strani 370.
TEMP PRENIZKA	Izmerjena temperatura je ≤ 10 °C.	
NAPAKA ADC	Pretvorba iz analognega v digitalno ni uspeša.	Izklopite kontrolno enoto. Nato vklopite kontrolno enoto.
A ELEK PREVISOKA	Upor aktivne elektrode je > 900 MΩ.	Senzor je v zraku. Senzor povrnite v proces.
A ELEK PRENIZKA	Upor aktivne elektrode je < 8 MΩ.	Senzor je poškodovan ali umazan. Izvedite korake, opisane v razdelku Čiščenje senzorja na strani 375.
R.ELEK PREVISOKA	Upor referenčne elektrode je > 900 MΩ.	Standardna raztopina za kivete je puščala ali izparela. Zamenjajte standardno raztopino za kivete.
R.ELEK PRENIZKA	Upor referenčne elektrode je < 8 MΩ.	Referenčna elektroda je poškodovana. Zamenjajte senzor.
ISTI MEDPOMNILNIK	Pufri za umerjanje 2 TOČK AUTO imajo enako vrednost.	Uporabite pufr z različnimi vrednostmi.
MANJKA SENZ	Senzor manjka ali ni priključen.	Preverite, ali je kabel senzorja odklopljen ali poškodovan.
MANJKA SENZ. TEMPER.	Ni senzorja temperature.	Prepričajte se, da je izbran pravilen temperaturni element. Oglejte si možnost TEMP SENZ v razdelku Konfiguracija senzorja na strani 370.
STEKL IMP NIZK	Steklena bučka je počena ali pa je dosegla konec uporabne dobe.	Zamenjajte senzor.

6.4 Opozorilna sporočila

Opozorilo ne vpliva na delovanje menijev, relejev in izhodnih signalov. Opozorilna ikona utripa, pojavi pa se tudi sporočilo na dnu merilnega zaslona. Za prikaz opozoril sensorja pritisnite **Meni** in izberite DIAGNOSTIKA > [Izberite senzor] > OPOZORILA. Seznam možnih opozoril je prikazan v [Tabela 4](#).

Tabela 4 Opozorilna sporočila

Opozorilo	Opis	Ločljivost
pH PREVISOK	Izmerjeni pH je > 13.	Umerite senzor.
ORP PREVISOKA	Izmerjena vrednost ORP je > 2100 mV.	
pH PRENIZEK	Izmerjeni pH je < 1.	Umerite senzor.
ORP PRENIZKA	Izmerjena vrednost ORP je < -2100 mV.	
ODMIK PREVISOK	Odmik je > 8 (pH) ali 200 mV (ORP).	Upoštevajte korake v razdelku Čiščenje senzorja na strani 375 in Zamenjava solnega mostička na strani 375. Nato ponovite umerjanje.
ODMIK PRENIZEK	Odmik je < 6 (pH) ali -200 mV (ORP).	
NAKLON PREVISOK	Naklon je > 60 (pH)/1,3 (ORP).	Ponovite kalibracijo s svežimi referenčnimi raztopinami.
NAKLON PRENIZEK	Naklon je < 54 (pH)/0,7 (ORP).	Izvedite korake, opisane v razdelku Čiščenje senzorja na strani 375. Nato ponovite umerjanje.
TEMP PREVISOKA	Izmerjena temperatura je > 100 °C..	Prepričajte se, da je izbran pravilen temperaturni element. Oglejte si možnost TEMP SENZ v razdelku Konfiguracija senzorja na strani 370.
TEMP PRENIZKA	Izmerjena temperatura je < 0 °C.	
ZAPADLA KALIB	Število dni, ki je preteklo od umerjanja senzorja, je višje od intervala umerjanja.	Umerite senzor. Napotek: Za spremembo intervala umerjanja si oglejte možnost KALIB DNEVI v razdelku Konfiguracija senzorja na strani 370.
ZAMENJ SENZ	Število dni uporabe senzorja je višje od intervala za zamenjavo senzorja.	Po potrebi zamenjajte senzor. Napotek: Za spremembo intervala za zamenjavo senzorja, si oglejte možnost DNEVI SENZ v razdelku Konfiguracija senzorja na strani 370.
NI KALIBRIRAN	Senzor še ni kalibriran.	Umerite senzor.
NAPAK SPOMIN	Napaka na zunanjem pomnilniku.	Stopite v stik s tehnično podporo.
A ELEK PREVISOKA	Upor aktivne elektrode je > 800 MΩ.	Senzor je v zraku. Senzor povrnite v proces.
A ELEK PRENIZKA	Upor aktivne elektrode je < 15 MΩ.	Senzor je poškodovan ali umazan. Izvedite korake, opisane v razdelku Čiščenje senzorja na strani 375.
R.ELEK PREVISOKA	Upor referenčne elektrode je > 800 MΩ.	Standardna raztopina za kivete je puščala ali izparela. Zamenjajte standardno raztopino za kivete.
R.ELEK PRENIZKA	Upor referenčne elektrode je < 15 MΩ.	Referenčna elektroda je poškodovana. Zamenjajte senzor.
KAL V POSTOPKU	Umerjanje se je začelo, vendar ni bilo dokončano..	Vrnite se na umerjanje.

6.5 Seznam dogodkov

Seznam dogodkov prikazuje trenutne aktivnosti, kot so spremembe konfiguracije, opozorila, opozorilna stanja itd. Za prikaz dogodkov pritisnite **Meni** in izberite DIAGNOSTIKA > [izberite senzor]

> DOGODEK. Seznam možnih dogodkov je prikazan v [Tabela 5](#). Prejšnji dogodki so posneti v dnevniku dogodkov, ki ga lahko naložite iz kontrolne enote. Možnosti pridobivanja podatkov preverite v dokumentaciji kontrolne enote.

Tabela 5 Seznam dogodkov

Dogodek	Opis
KAL PRIPRAVLJENA	Senzor je pripravljen za kalibracijo..
KAL OK	Trenutno umerjanje je ustrezno.
ČAS IZTEKEL	Stabilizacijski čas med umerjanjem je potekel.
BREZ MEDPOMNILNIKA	Zazan ni noben pufer.
NAKLON VISOK	Umeritveni naklon je nad zgornjo omejitvijo.
NAKLON NIZEK	Umeritveni naklon je pod spodnjo omejitvijo.
ODMIK VISOK	Vrednost umeritvenega naklona za senzor je nad zgornjo omejitvijo.
ODMIK NIZEK	Vrednost umeritvenega naklona za senzor je pod spodnjo omejitvijo.
TOČKE PREBLIZU	Vrednosti umeritvenih točk sta preveč podobni za 2-točkovno umerjanje.
NAP KALIB	Umerjanje ni uspelo.
KAL VISOKO	Vrednost umerjanja je nad zgornjo omejitvijo.
NESTABILNO	Odčitek med umerjanjem je nestabilen.
SPREMEMB V KONFIG – plavajoče	Konfiguracija je spremenjena — vrsta lebdeče točke.
SPREMEMB V KONFIG – besedilo	Konfiguracija je spremenjena — vrsta besedila.
SPREMEMB V KONFIG – celo število	Konfiguracija je spremenjena — vrsta vrednosti celega števila.
PONAST KONFIG	Nastavitve umerjanja so bile nastavljene na privzete možnosti.
NAP DOGODKI	Možnost vklopa/izklopa je bila nastavljena na vklop.
NAPAKA ADC	Pretvorba ADC ni uspela (napaka strojne opreme).
IZBRISI FLASH	Pomnilniška kartica (flash) je bila izbrisana.
TEMPERATURA	Zabeležena temperatura je previsoka ali prenizka.
1TK ROČNI START	Začetek umerjanja 1 TOČK ROČNO.
1TK ROČNI START	Začetek umerjanja 1 TOČK AUTO za pH.
2TK ROČNI START	Začetek umerjanja 2 TOČK ROČNO za pH.
2TK SAMODEJNI START	Začetek 2 TOČK AUTO za pH.
1TK ROČNI KONEC	Konec umerjanja 1 TOČK ROČNO.
1TK SAMODEJNI KONEC	Konec umerjanja 1 TOČK AUTO za pH.
2TK ROČNI KONEC	Konec umerjanja 2 TOČK ROČNO za pH.
2TK SAMODEJNI KONEC	Konec umerjanja 2 TOČK AUTO za pH.

Razdelek 7 Nadomestni deli in dodatna oprema

▲ OPOZORILO



Nevarnost telesnih poškodb. Z uporabo neodobrenih delov tvegate telesne poškodbe, materialno škodo na instrumentih ali okvaro opreme. Nadomestne dele v tem razdelku je odobril proizvajalec.

Napotek: Za nekatere prodajne regije se lahko številka izdelka in artikla razlikuje. Za kontaktne informacije stopite v stik z ustreznim prodajalcem ali pa jih poiščite na spletni strani podjetja.

Potrošni material

Opis	Količina	Št. dela
Raztopina pufra, pH 4,01, rdeča	500 mL	2283449
Raztopina pufra, pH 7,00, rumena	500 mL	2283549
Raztopina pufra, pH 10,01, modra	500 mL	2283649
Referenčna raztopina ORP, 200 mV	500 mL	25M2A1001-115
Referenčna raztopina ORP, 600 mV	500 mL	25M2A1002-115

Nadomestni deli – senzorji za pH

Opis	Količina	Št. dela
Solni mostiček, PEEK, zunanji spoj iz materiala Kynar (PVDF), s tesnilnimi obroči iz materiala Viton	1	SB-P1SV
Solni mostiček, PEEK, zunanji spoj iz materiala Kynar (PVDF), s tesnilnimi obroči iz perfluoroelastomero	1	SB-P1SP ⁸
Solni mostiček, PEEK, zunanji spoj iz keramike, s tesnilnimi obroči iz materiala Viton	1	SB-P2SV
Solni mostiček, Ryton, zunanji spoj iz materiala Kynar (PVDF), s tesnilnimi obroči iz materiala Viton	1	SB-R1SV
Standardna raztopina za kivet	500 mL	25M1A1025-115
Gel v prahu za standardno raztopino za kivet	2 g	25M8A1002-101

Dodatna oprema

Opis	Št. dela
Digitalni kabelski podaljšek, 1 m (3,2 ft)	6122400
Digitalni kabelski podaljšek, 7,7 m (25 ft)	5796000
Digitalni kabelski podaljšek, 15 m (50 ft) ⁹	5796100
Digitalni kabelski podaljšek, kontrolna enota SC200, 31 m (100 ft)	5796200
Digitalna zaključna doza, kontrolna enota SC200 ¹⁰	5867000
Sanitarni pripomočki za namestitev, nerjavno jeklo 316, vključuje 2-palčni sanitarni priključek T in močno spojko Napotek: Senzorju sta priložena pokrovček in tesnilo iz EDPM.	MH018S8SZ
Spojni pripomočki za namestitev, CPVC (kloriran polivinil klorid), vključuje 1,5-palčni standardni priključek T, spojno cev z adapterjem, tesnilni obroč za pretočno celico, zaklepni obroček in tesnilni obroč iz materiala Viton	6131300

⁸ Kadar material Viton ni kemično združljiv z uporabljenimi kemikalijami, uporabite izdelek SB-P1SP.

⁹ Največja dolžina kabla za kontrolno enoto SC1000 je 15 m (49 ft).

¹⁰ Digitalno zaključno dozo uporabite, če dolžina kabla presega 100 m (328 ft). Zaključna doza se ne uporablja s kontrolno enoto SC1000.

Dotatna oprema (nadaljevanje)

Opis	Št. dela
Spojni pripomočki za namestitvev, nerjavno jeklo 316, vključuje 1,5-palčni standardni priključek T, spojno cev z adapterjem, tesnilni obroč za pretočno celico, zaklepni obroček in tesnilni obroč iz materiala Viton	6131400
Pripomočki za pretočno namestitvev, CPVC, vključuje 1-palčni standardni priključek T	MH334N4NZ
Pripomočki za pretočno namestitvev, nerjavno jeklo 316, vključuje 1-palčni standardni priključek T	MH314N4MZ
Pripomočki za namestitvev z vstavitvijo, CPVC, vključuje 1,5-palčni krogelni ventil, 1,5-palčno kratko šobo z navojem NPT, adapter senzorja z dvema tesnilnima obročema iz materiala Viton in brisalec, podaljšek cevi, adapter za cev, zadnjo cev in zaklepni obroček	5646300
Pripomočki za namestitvev z vstavitvijo, nerjavno jeklo 316, vključuje 1,5-palčni krogelni ventil, 1,5-palčno kratko šobo z navojem NPT, adapter senzorja z dvema tesnilnima obročema iz materiala Viton in brisalec, podaljšek cevi, adapter za cev, zadnjo cev in zaklepni obroček	5646350
Pripomočki za namestitvev z vstavitvijo, standard, CPVC, vključuje cev z merami 1 palec × 4 ft in spojko z navojem NTP z merami 1 × 1 palec	6136400
Pripomočki za namestitvev z vstavitvijo, standard, nerjavno jeklo 316, vključuje cev z merami 1 palec × 4 ft in spojko z navojem NTP z merami 1 × 1 palec	6136500
Pripomočki za namestitvev z vstavitvijo, oprijemalo, vključuje cev iz CPVC z merami 1,5 palca × 7,5 ft in sestav čeljusti za cev	MH236B00Z
Pripomočki za namestitvev z vstavitvijo, veriga, nerjavno jeklo 316, vključuje objemko iz nerjavnega jekla ter podložke in matice <i>Napotek: Samo za uporabo s senzorji iz nerjavnega jekla. Veriga ni priložena.</i>	2881900
Pripomočki za namestitvev z vstavitvijo, krogelni plovec, vključuje cev iz CPVC z merami 1,5 palca × 7,5 ft in sestav čeljusti za cev	6131000
Varovalo senzorja, obrnljiva vrsta senzorja, PEEK	1000F3374-002
Varovalo senzorja, obrnljiva vrsta senzorja, Ryton	1000F3374-003

Obsah

- | | | | |
|---|------------------------------------|---|--|
| 1 | Technické údaje na strane 384 | 5 | Údržba na strane 398 |
| 2 | Všeobecné informácie na strane 385 | 6 | Riešenie problémov na strane 401 |
| 3 | Montáž na strane 387 | 7 | Náhradné diely a príslušenstvo na strane 405 |
| 4 | Prevádzka na strane 393 | | |

Odsek 1 Technické údaje

Technické údaje podliehajú zmenám bez upozornenia.

Technické údaje	Senzory pH	Senzor pH z nehrdzavejúcej ocele	Senzory ORP
Rozmery (dĺžka)	272,5 mm (10,73 palca)	325,3 mm (12,81 palca)	272,5 mm (10,73 palca)
Hmotnosť	316 g (11 unci)	870 g (31 unci)	316 g (11 unci)
Materiály v kontakte s vlhkosťou	Telo PEEK alebo Ryton (PVDF), soľný mostík zo zhodného materiálu so spojmom Kynar, sklenená pracovná elektróda, titánová uzemňovacia elektróda a poistné O-krúžky Viton <i>Poznámka: Senzor pH s voliteľnou sklenenou pracovnou elektródou odolnou voči HF má uzemňovaciu elektródu z nehrdzavejúcej ocele 316 a O-krúžky navlhčené perfluórelastómom.</i>	Určené len na ponornú montáž, telo elektródy 316 SS z nehrdzavejúcej ocele so zakončeniami z materiálu Ryton (PVDF) a soľným mostíkom	Telo z materiálu PEEK alebo Ryton (PVDF), soľný mostík zo zhodného materiálu so spojmom z materiálu Kynar, sklenená a platinová (alebo sklenená a zlatá) pracovná elektróda, titánová uzemňovacia elektróda a tesniace O-krúžky Viton
Komponenty	Materiály odolné voči korózii, úplne ponorné		
Kábel senzora (integrovany)	4 vodiče (plus 1 kryt), 10 m (33 stôp), nominálna teplota 105 °C (221 °F)		
Prevádzková teplota	-5 až 70 °C (23 až 158 °F)	0 až 50 °C (32 až 122 °F)	-5 až 70 °C (23 až 158 °F)
Teplota skladovania	4 až 70 °C (40 až 158 °F), relatívna vlhkosť 0 až 95 %, nekondenzujúca		
Rozsah merania	2,0 až 14,0 pH ¹ (alebo 2,00 až 14,00)		-1 500 až +1 500 mV
Reprodukovateľnosť	±0,05 pH		±2 mV
Citlivosť	±0,01 pH		±0,5 mV ²
Stabilita	0,03 pH za 24 hodín, nekumulatívna		2 mV (ORP) za 24 hodín, nekumulatívna
Maximálna rýchlosť prietoku	3 m/s (10 stôp/s)		
Obmedzenie tlaku	6,9 bar pri 70 °C (100 psi pri 158 °F)	Nevzťahuje sa (platí iba pre ponor)	6,9 bar pri 70 °C (100 psi pri 158 °F)

¹ Väčšina aplikácií zahŕňa meranie pH v rozsahu 2,5 až 12,5. Diferenčný senzor pH na meranie pH so širokorozsahovou sklenenou pracovnou elektródou v tomto rozsahu veľmi dobre funguje. Niektoré priemyselné aplikácie vyžadujú presné meranie a riadenie pH pri hodnotách nižších ako 2 alebo vyšších ako 12. V týchto špeciálnych prípadoch sa obráťte na výrobcu, aby vám poskytol ďalšie podrobnosti.

² Na dosiahnutie najlepších výsledkov v roztokoch, ktoré obsahujú zinok, kyanid, kadmium alebo nikel, používajte senzor pH ORP so zlatou elektródou.

Technické údaje	Senzory pH	Senzor pH z nehrdzavejúcej ocele	Senzory ORP
Vzdialenosť prenosu	Maximálne 100 m (328 stôp) alebo maximálne 1 000 m (3280 stôp) pri použití s ukončovacím boxom		
Teplotný element	300 Ω termistor NTC na automatickú kompenzáciu teploty a na odčítavanie teploty pre analyzátor		300 Ω termistor iba na odčítavanie teploty pre analyzátor – na meranie ORP nie je potrebná automatická kompenzácia teploty
Presnosť teploty	±0,5 °C (0,9 °F)		
Kompenzácia teploty	Automatická od -10 po 105 °C (14,0 až 221 °F) s 300 Ω termistorom NTC, teplotným prvkom Pt 1 000 Ω RTD alebo Pt 100 Ω RTD, alebo manuálne fixovaná na teplotu zadanú používateľom		Nevzťahuje sa
Spôsoby kalibrácie	1- alebo 2-bodová automatická alebo manuálna		1-bodová manuálna
Rozhranie senzora	Modbus		
Certifikáty	CE		
Záruka	1 rok; 2 roky (EÚ)		

Odsek 2 Všeobecné informácie

Výrobca v žiadnom prípade nenesie zodpovednosť za priame, nepriame, mimoriadne, náhodné alebo následné škody spôsobené chybou alebo opomenutím v tomto návode na použitie. Výrobca si vyhradzuje právo na vykonávanie zmien v tomto návode alebo na predmetnom zariadení kedykoľvek, bez oznámenia alebo záväzku. Revidované vydania sú k dispozícii na webových stránkach výrobcu.

2.1 Bezpečnostné informácie

Výrobca nie je zodpovedný za škody spôsobené nesprávnym alebo chybným používaním tohto zariadenia vrátane, okrem iného, priamych, náhodných a následných škôd, a odmieta zodpovednosť za takéto škody v plnom rozsahu povolenom príslušným zákonom. Používateľ je výhradne zodpovedný za určenie kritického rizika pri používaní a zavedenie náležitých opatrení na ochranu procesov počas prípadnej poruchy prístroja.

Pred vybalením, nastavením alebo prevádzkou tohto zariadenia si prečítajte celý návod. Venujte pozornosť všetkým výstrahám a upozorneniam na nebezpečenstvo. Zanedbanie môže mať za následok vznik vážnych zranení obsluhy alebo poškodenie zariadenia.

Ak si chcete byť istí, že ochrana tohto zariadenia nebude porušená, toto zariadenie nepoužívajte ani nemontujte iným spôsobom, ako je uvedený v tomto návode.

2.2 Informácie o možnom nebezpečenstve

▲ NEBEZPEČIE

Označuje potenciálne alebo bezprostredne nebezpečnú situáciu, ktorá, ak sa jej nezabráni, spôsobí smrť alebo vážne zranenie.

▲ VAROVANIE

Označuje potenciálne alebo bezprostredne nebezpečnú situáciu, ktorá, ak sa jej nezabráni, by mohla spôsobiť smrť alebo vážne zranenie.

▲ UPOZORNENIE





Označuje potenciálne ohrozenie s možným ľahkým alebo stredne ťažkým poranením.

POZNÁMKA

Označuje situáciu, ktorá, ak sa jej nezabráni, môže spôsobiť poškodenie prístroja. Informácie, ktoré vyžadujú zvýšenú pozornosť.

2.3 Výstražné štítky

Preštudujte si všetky štítky a značky, ktoré sa nachádzajú na zariadení. Pri nedodržaní pokynov na nich hrozí poranenie osôb alebo poškodenie prístroja. Symbol na prístroji je vysvetlený v príručke s bezpečnostnými pokynmi.

	Toto je výstražný symbol týkajúci sa bezpečnosti. Aby ste sa vyhli prípadnému zraneniu, dodržte všetky bezpečnostné pokyny, ktoré nasledujú za týmto symbolom. Tento symbol vyznačený na prístroji, odkazuje na návod na použitie, kde nájdete informácie o prevádzke alebo bezpečnostné informácie.
	Tento symbol indikuje, že hrozí riziko zásahu elektrickým prúdom a/alebo možnosť usmrtienia elektrickým prúdom.
	Tento symbol indikuje prítomnosť zariadení citlivých na elektrostatické výboje (ESD) a upozorňuje na to, že je potrebné postupovať opatrne, aby sa vybavenie nepoškodilo.
	Elektrické zariadenie označené týmto symbolom sa v rámci Európy nesmie likvidovať v systémoch likvidácie domového alebo verejného odpadu. Staré zariadenie alebo zariadenie na konci životnosti vráťte výrobcovi na bezplatnú likvidáciu.

2.4 Informácie o produkte

Tento senzor je navrhnutý na prácu s kontrolérom na zber a spracovanie údajov. Senzor je možné použiť s viacerými kontrolérmi. Tento dokument predpokladá, že senzor je nainštalovaný a používaný spolu s kontrolérom SC. Ak chcete použiť senzor s inými kontrolérmi, prečítajte si návod na použitie príslušného kontroléra.

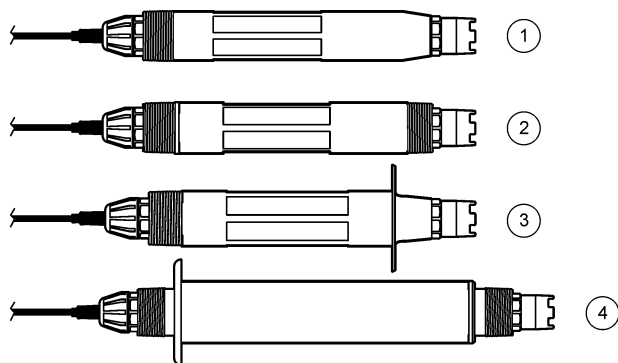
Tento produkt nie je prijateľný na použitie na nebezpečných miestach.

Voliteľné príslušenstvo, ako je montážne príslušenstvo pre sondu, sa dodáva s návodom na montáž. K dispozícii je niekoľko možností montáže, ktoré umožňujú prispôbenie sondy na používanie v rôznych aplikáciách.

2.5 Modely senzorov

Dostupné sú rôzne modely senzorov. Pozrite si časť [Obrázok 1](#).

Obrázok 1 Modely senzorov



<p>1 Zásuvný – na inštaláciu v prietokovej kyvete alebo potrubnom adaptéri zostavy príslušenstva guľového ventilu. Umožňuje odstránenie bez prerušenia procesného toku.</p>	<p>3 Sanitárny – na inštaláciu do 2-palcovej sanitárnej T-armatúry</p>
<p>2 Konvertibilný – pre potrubný spoj tvaru T alebo na ponorenie do otvorenej nádoby</p>	<p>4 Z nehrdzavejúcej ocele – na ponorenie do otvorenej nádoby</p>

Zásuvné senzory – zásuvné senzory sú podobné konvertibilným senzorum, ale 1-palcové NPT závitky sú len na káblovom konci na montáž do prietokovej komory alebo potrubného adaptéra zostavy guľového ventilu. Zásuvné senzory sa vkladajú alebo vyberajú bez nutnosti zastavenia procesného toku.

Konvertibilné senzory – konvertibilné senzory majú 1-palcové NPT závitky na oboch koncoch tela na montáž v nasledujúcich konfiguráciách:

- v štandardnom potrubnom spoji tvaru T s 1-palcovým NPT závitom,
- v potrubnom adaptéri na montáž v štandardnom potrubnom spoji tvaru T s 1½-palcovým závitom,
- na konci potrubia na ponorenie do nádrže.

***Poznámka:** Konvertibilné senzory sa môžu používať aj v existujúcich montážach pre 1½-palcové LCP, Ryton a epoxidové senzory.*

Sanitárne senzory – sanitárne senzory majú zabudovanú 2-palcovú obrubu na montáž do 2-palcovej sanitárnej T-armatúry. Špeciálny uzáver a tesnenie zo zlučieniny EDPM sa dodávajú so sanitárnymi senzormi na použitie so sanitárnym príslušenstvom.

Senzory z nehrdzavejúcej ocele – senzory z nehrdzavejúcej ocele majú 1-palcové NPT závitky na oboch koncoch tela. Senzory z nehrdzavejúcej ocele sú určené na ponorenie do otvorenej nádoby.

Odsek 3 Montáž

3.1 Upevnenie

▲ VAROVANIE



Nebezpečenstvo výbuchu. Skontrolujte, či má montážne príslušenstvo pre senzor menovité hodnoty teploty a tlaku dostatočné pre miesto montáže.

▲ UPOZORNENIE



Nebezpečenstvo poranenia osôb. Rozbité sklo môže spôsobiť porezanie. Na odstránenie rozbitého skla použite náradie a osobné ochranné pomôcky.

POZNÁMKA

Pracovná elektróda má na špičke pH senzora sklenú banku, ktorá sa môže rozbiť. Neudierajte ani netlačte na sklenenú banku.

POZNÁMKA

Zlatá alebo platínová pracovná elektróda na konci senzora ORP má sklenené telo (prekrytý soľným mostíkom), ktorý sa môže rozbiť. Neudierajte ani netlačte na sklenené telo.

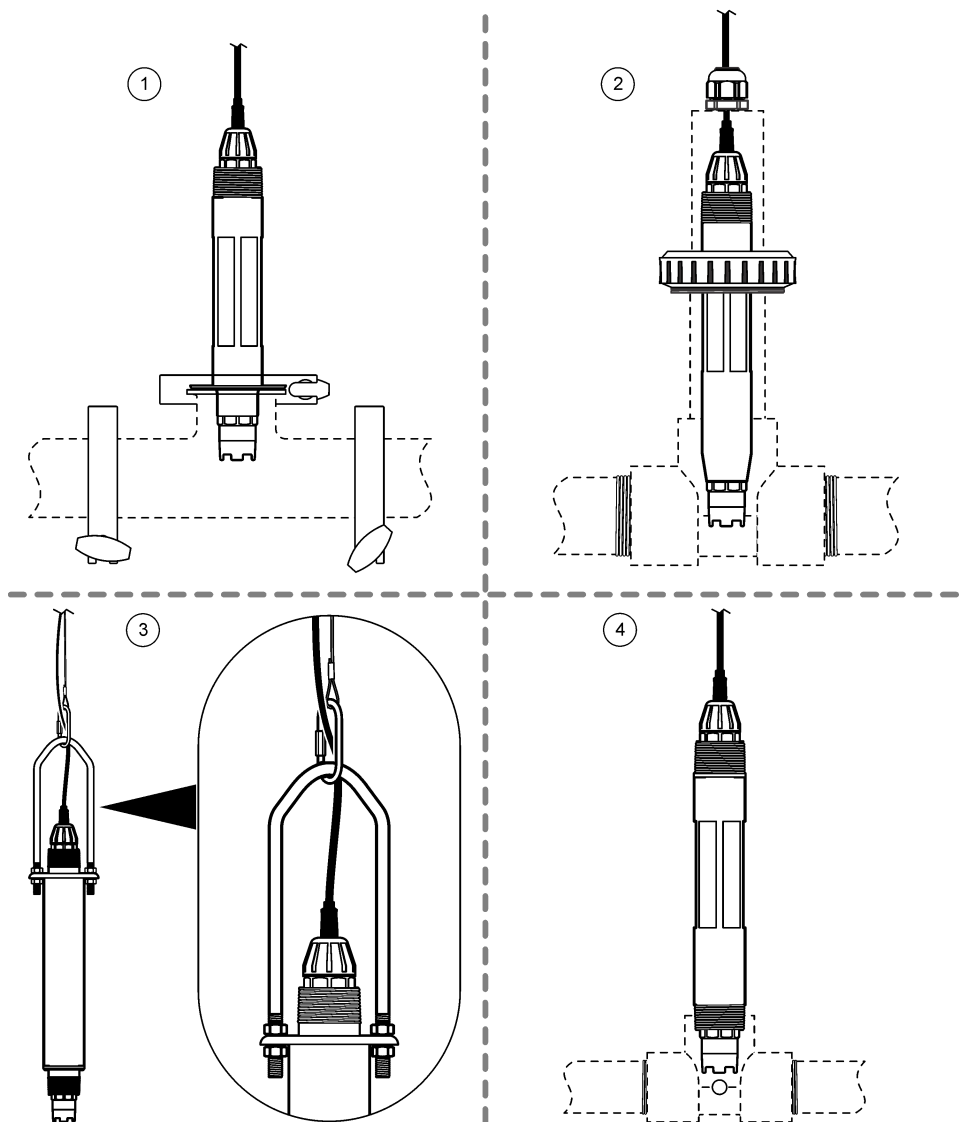
POZNÁMKA

Použitie tohto prístroja je preskúšané maximálne do výšky 2000 m (6562 ft). Hoci používanie tohto zariadenia vo výške nad 2000 m nepredstavuje nijaké podstatné bezpečnostné riziko, výrobca odporúča jeho používaním, ktorí majú isté pochybnosti, aby sa obrátili na technickú podporu.

- Sondy nainštalujte tam, kde je vzorka prichádzajúca do styku so senzorom reprezentatívna pre celý proces.
- Prečítajte si časti **Obrázok 2**, **Obrázok 3** a **Obrázok 4** s príkladmi montážnej konfigurácie.
- Prečítajte si časť **Náhradné diely a príslušenstvo** na strane 405, ktorá uvádza dostupné montážne príslušenstvo.
- Pokyny na montáž nájdete v dokumentácii k montážnemu príslušenstvu.
- Namontujte senzor najmenej v uhle 15 ° nad horizontálnou polohou. Pozrite si časť **Obrázok 5**.
- Pre ponorné inštalácie umiestnite senzor do vzdialenosti najmenej 508 mm (20 palcov) od steny prevzdušňovacej nádrže a ponorte senzor najmenej 508 mm (20 palcov) do procesného toku.
- Pred vložením senzora do procesného toku odstráňte ochranný kryt senzora. Ochranný uzáver uchovajte na ďalšie použitie.
- (Voliteľné) Ak je procesná voda blízko teploty varu, pridajte gélový prášok³ k štandardnému elektrolytu v senzore. Pozri krok 2 v časti **Výmena soľného mostíka** na strane 399. Nevymieňajte soľný mostík.
- Pred použitím senzor kalibrujte.

³ Gélový prášok znižuje rýchlosť odparovania štandardného elektrolytu.

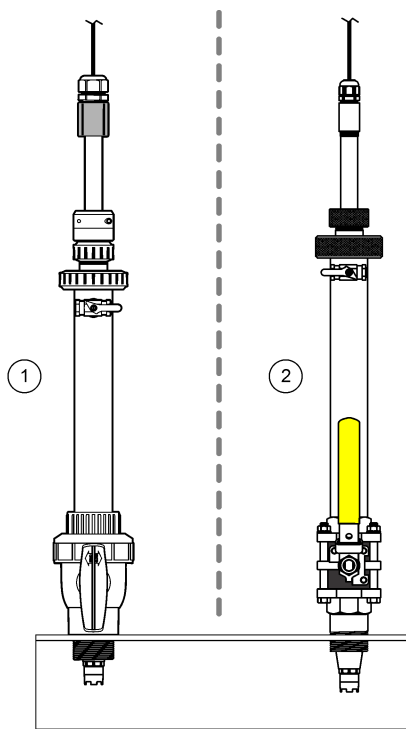
Obrázok 2 Príklady montáže (1)



1 Sanitárna montáž (2-palcová sanitárna T armatúra)	3 Ponomá montáž, reťaz s karabínou ⁴
2 Montáž s objímkou (1½-palcová štandardná armatúra)	4 Prietoková montáž (1-palcová štandardná armatúra)

⁴ Iba senzory z nehrdzavejúcej ocele

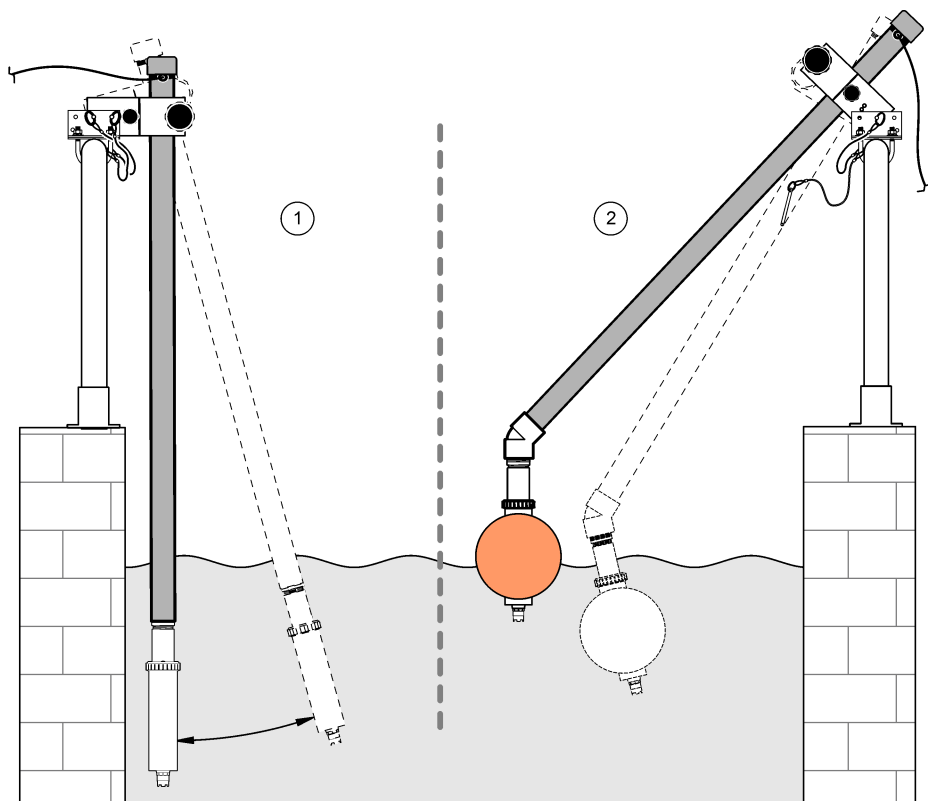
Obrázok 3 Príklady montáže (2)



1 Montáž vložím, príslušenstvo CPVC

2 Montáž vložím, príslušenstvo z nehrdzavejúcej ocele

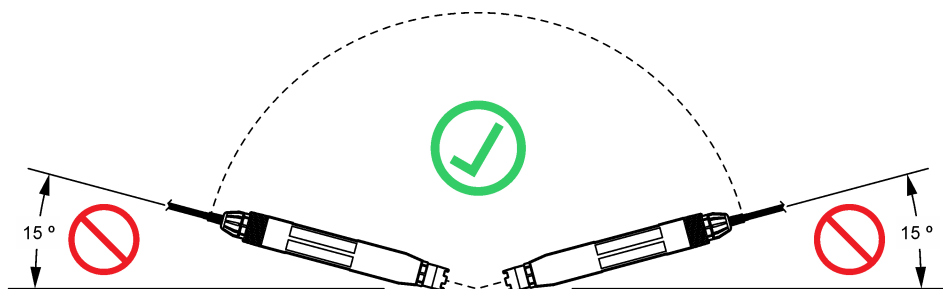
Obrázok 4 Príklady montáže (3)



1 Ponorná montáž, držiak

2 Ponorná montáž s plavákom

Obrázok 5 Uhol montáže senzora

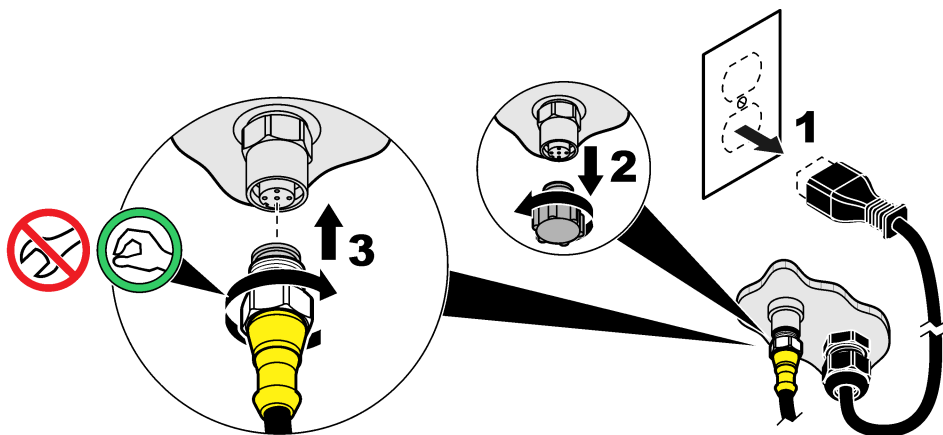


3.2 Elektrická inštalácia

3.2.1 Pripojenie senzora k rýchlospojke (nerizikové miesto)

1. Pripojte kábel senzora k rýchlospojke kontroléra SC. Pozrite si časť [Obrázok 6](#). Uzáver konektora odložte na neskoršie utesnenie otvoru konektora v prípade, že sa sonda musí odmontovať.
2. Ak je napájanie nastavené na zapnuté, keď je pripojený senzor:
 - Kontrolér SC200 – vyberte možnosť TEST/MAINT (Test/údržba) > SCAN SENSORS (Prehľadat' senzory).
 - Kontrolér SC1000 – vyberte možnosť SYSTEM SETUP (Nastavenie systému) > DEVICE MANAGEMENT (Správa zariadení) > SCANNING FOR NEW DEVICES (Vyhľadávanie nových zariadení).

Obrázok 6 Pripojenie senzora k rýchlospojke



3.2.2 Predĺžovacie káble

- K dispozícii sú predĺžovacie káble. Pozrite si časť [Náhradné diely a príslušenstvo](#) na strane 405.
- Maximálna dĺžka kábla je 15 m (49 stôp) pre kontrolér SC1000.
- Maximálna dĺžka kábla je 1 000 m (3 280 stôp) pre kontrolér SC200.
- Kontrolér SC200 – používajte digitálny ukončovací box, ak je dĺžka kábla väčšia ako 100 m (328 stôp). Pozrite si časť [Náhradné diely a príslušenstvo](#) na strane 405.

3.2.3 Pripojenie senzora vodičmi (nerizikové miesto)

⚠ NEBEZPEČIE



Nebezpečenstvo smrteľného úrazu elektrickým prúdom. Pred vykonaním elektrických pripojení vždy odpojte zariadenie od napájania.

⚠ NEBEZPEČIE



Nebezpečenstvo smrteľného úrazu elektrickým prúdom. Vysokonapäťové vodiče riadiacej jednotky sú zapojené za oddeľujúcou priečkou vysokého napätia v puzdre riadiacej jednotky. Táto priečka musí zostať na svojom mieste, s výnimkou montáže modulov, prípadne v prípade, že kvalifikovaný technik zapája napájacie vodiče, relé alebo analógové a sieťové karty.

Ak kábel senzora nemá konektor s rýchlospojku⁵, pripojte vodiče kábla senzora ku kontroléru nasledujúcim spôsobom:

Poznámka: Kábel senzora s vodičmi sa nesmie pripájať ku kontroléru SC1000.

1. Prepravná škatuľa pre kontrolér (9222400) obsahuje súpravu prírodných drôtov. Súprava obsahuje štyri spájacie konektory.
2. Kábel senzora pripojte ku kontroléru podľa pokynov dodaných v súprave prírodných drôtov.

Odsek 4 Prevádzka

4.1 Navigácia používateľa

Pozrite si dokumentáciu kontroléra, kde nájdete popis klávesnice a informácie o navigácii.

Niekoľkokrát stlačte na kontroléri tlačidlo so šípkou **VPRAVO** na zobrazenie ďalších informácií na domovskej obrazovke a na zobrazenie grafického displeja.

4.2 Konfigurácia senzora

Vyberte názov senzora a typ senzora. Zmeňte možnosti merania, kalibrácie, manipulácie s údajmi a skladovania.

1. Stlačte tlačidlo **menu** a vyberte položku SENSOR SETUP (Nastavenie senzora) > [Select Sensor] (Vybrať senzor) > CONFIGURE (Konfigurovať).
2. Vyberte niektorú z možností.

Voľba	Popis
EDIT NAME (Upraviť názov)	Zmena názvu snímača v hornej časti obrazovky merania. Dĺžka názvu je obmedzená na 12 znakov a môže to byť akákoľvek kombinácia písmen, čísiel, medzier alebo známiok.
SELECT SENSOR (Vybrať senzor)	Výber typu senzora (pH alebo ORP).
DISPLAY FORMAT (Formát zobrazenia)	Len pre senzory pH – zmení počet desatinných miest zobrazených na obrazovke meraní na XX.XX (predvolené) alebo XX.X.
TEMP UNITS (Jednotky teploty)	Nastavuje jednotky teploty na °C (predvolené) alebo °F.
LOG SETUP (Nastavenie záznamu)	Nastaví časový interval pre ukladanie údajov – 5, 30 sekúnd, 1, 2, 5, 10, 15 (predvolené), 30, 60 minút.
AC FREQUENCY (Frekvencia striedavého prúdu)	Výber frekvencie napájania kontroléra striedavým prúdom (50 alebo 60 Hz). Ak je výkon na kontroléri 120 V AC, vyberte 60 Hz. Ak je výkon na kontroléri 230 V AC, vyberte 50 Hz.
FILTER	Nastavenie časovej konštanty na zvýšenie stability signálu. Časová konštanta počíta priemernú hodnotu počas určenej doby – 0 (bez vplyvu, predvolené) až 60 sekúnd (priemerná hodnota signálu za 60 sekúnd). Filter zvyšuje čas odozvy signálu snímača na aktuálne zmeny v procese.
TEMP ELEMENT (TEPL PRVOK)	Senzory pH – nastaví teplotný prvok na automatickú kompenzáciu teploty na PT100, PT1000 (predvolené) alebo NTC300 (predvolené alebo MANUAL (Manuálny). Ak sa nepoužije žiadny prvok, model je možné nastaviť na MANUAL (Manuálny) a môžete zadať hodnotu kompenzácie teploty (predvolené manuálne nastavenie: 25 °C). Senzory ORP – kompenzácia teploty sa nepoužíva. Je možné pripojiť teplotný prvok na meranie teploty.

⁵ Napríklad ak sa digitálny ukončovací box a hromadný 4-drôtový ochranný kábel používa na zvýšenie dĺžky senzora kábla.

Voľba	Popis
SELECT BUFFER (VYBRAŤ PUFER)	Iba pre senzory pH – vyberie roztoky pufrů používaných na kalibráciu. Možnosti: pH 4, 7, 10 (predvolené) alebo DIN 19267 (pH 1,09, 4,65, 6,79, 9,23, 12,75) Poznámka: Na kalibráciu sa môžu používať iné roztoky pufrů.
PURE H2O COMP (ČIST H2O KOMP)	Len pre senzory pH – pridá korekciu závislú od teploty k nameranej hodnote pH pre čistú vodu s prísadami – NONE (ŽIADNA)(predvolené), AMMONIA (Amoniak), MORPHOLINE (Morfolin) alebo USER DEFINED (Definované používateľom). Pri teplotách nad 50 °C sa používa korekcia pri 50 °C. Pre používateľom definované aplikácie je možné zadať lineárny sklon (predvolené: 0 pH/°C).
CAL DAYS (Počet dní od kalibrácie)	Nastavenie intervalu kalibrácie (predvolené nastavenie: 60 dní). Poznámka: Keď počet dní od kalibrácie senzora prekročí interval kalibrácie, na displeji kontroléra sa zobrazí upozornenie (Kalibrácia po termíne).
SENSOR DAYS (Počet dní senzora)	Nastavenie intervalu výmeny senzora (predvolené nastavenie: 365 dní). Poznámka: Keď počet dní používania senzora prekročí obdobie od výmeny senzora, na displeji kontroléra sa zobrazí upozornenie.
IMPED LIMITS (Limity impedancie)	Nastavenie limitov impedancie pre aktívne a referenčné elektródy (predvolené: LOW (Dolná) = 0 MΩ, HIGH (Horná) = 1 000 MΩ). Poznámka: Keď je možnosť IMPED STATUS (STAV IMPED) v ponuke DIAG/TEST (Diagnostika/test) nastavená na ENABLED (Aktivovaný), na displeji kontroléra sa zobrazí chybové hlásenie, keď je impedancia aktívna alebo referenčná elektróda nie je v rozsahu limitov impedancie.
DEFAULT SETUP (Predvolené nastavenie)	Obnova predvolených nastavení konfigurácie senzora.

4.3 Kalibrácia sondy

▲ VAROVANIE



Nebezpečenstvo výbuchu. Demontáž senzora z nádoby pod tlakom môže byť nebezpečná. Pred demontážou znížte pracovný tlak pod 10 psi. Ak to nie je možné, postupujte mimoriadne opatrne. Podrobnejšie informácie nájdete v dokumentácii k montážnemu vybaveniu.

▲ VAROVANIE



Nebezpečenstvo expozície chemikáliám. Dodržiavajte laboratórne bezpečnostné postupy a používajte všetky osobné ochranné pomôcky zodpovedajúce chemikáliám, s ktorými pracujete. Bezpečnostné protokoly nájdete v aktuálnych kartách bezpečnostných údajov (KBÚ).

▲ UPOZORNENIE



Nebezpečenstvo expozície chemikáliám. Chemikálie a odpad likvidujte podľa miestnej, regionálnej a národnej legislatívy.

4.3.1 O kalibrácii senzora

Kalibráciou sa nastaví hodnota nameraná senzorom tak, aby sa zhodovali s jedným alebo dvoma referenčnými roztokmi. Charakteristiky senzora sa časom mierne posúvajú, čím sa stráca presnosť senzora. Senzor je potrebné pravidelne kalibrovať, aby sa zachovala jeho presnosť. Frekvencia kalibrácie sa mení podľa druhu použitia a najlepšie sa určuje na základe skúseností.

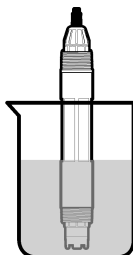
V prípade pH senzorov sa teplotný prvok sa používa na meranie hodnoty pH, ktorá sa automaticky upravuje na 25 °C z dôvodu zmeny teploty, ktorá ovplyvňuje aktívnu a referenčnú elektródu. Toto nastavenie si môže zákazník nastaviť manuálne, ak je teplota procesu konštantná. Pozrite si možnosť TEMP ELEMENT (TEPL PRVOK) v časti [Konfigurácia senzora](#) na strane 393.

4.3.2 Postup pH kalibrácie

Kalibrujte senzor pH pomocou jedného alebo dvoch referenčných roztokov (1-bodová alebo 2-bodová kalibrácia).

1. Ponorte senzor do prvého referenčného roztoku (pufer alebo vzorka so známou hodnotou). Uistite sa, že snímacia časť sondy je úplne ponorená do kvapaliny. Pozri [Obrázok 7](#).

Obrázok 7 Senzor v referenčnom roztoku



2. Počkajte, kým sa vyrovná teplota senzora a roztoku. Môže to trvať až 30 minút alebo viac, ak je veľký rozdiel medzi teplotami v procese a v referenčnom roztoku.
3. Stlačte tlačidlo **menu** a vyberte položku **SENSOR SETUP** (Nastavenie senzora) > [Select Sensor] (Vybrať senzor) > **CALIBRATE** (Kalibrácia).
4. Vyberte typ kalibrácie:

Voľba	Popis
1 POINT AUTO (1-bodová automatická)	Na kalibráciu použite jeden pufer (napr. s pH 7). Senzor automaticky identifikuje pufer počas kalibrácie. Poznámka: Vyberte správne nastavenie pufru v nastaveniach konfigurácie senzora.
2 POINT AUTO (Dvojbodová automatická)(odporúčaná)	Na kalibráciu použite dva pufré (napr. s pH 7 a pH 4). Senzor automaticky identifikuje pufré počas kalibrácie. Poznámka: Vyberte správne nastavenie pufru v nastaveniach konfigurácie senzora.
1 POINT MANUAL (1-bodová manuálna)	Na kalibráciu použite vzorku so známou hodnotou pH (alebo jeden pufer). Počas kalibrácie zadajte hodnotu pH.
2 POINT MANUAL (2-bodová manuálna)	Na kalibráciu použite dve vzorky so známou hodnotou pH (alebo dva pufré). Počas kalibrácie zadajte hodnoty pH.

5. Ak je v bezpečnostnej ponuke aktívna možnosť zadania hesla pre kontrolér, zadajte ho.
6. Vyberte možnosť pre výstupný signál počas kalibrácie:

Voľba	Popis
ACTIVE (AKTÍVNE)	Počas kalibrácie prístroj posiela aktuálne nameranú výstupnú hodnotu.
HOLD (Podržanie)	Počas kalibrácie sa na výstupe senzora podrží hodnota aktuálne meraného výstupu.
TRANSFER (Prenos)	Počas kalibrácie sa posiela prednastavená výstupná hodnota. Ak chcete zmeniť prednastavenú hodnotu, pozrite si návod na použitie kontroléra.

7. So senzorom ponoreným v prvom referenčnom roztoku stlačte tlačidlo potvrdenia. Zobrazí sa nameraná hodnota.
8. Ak je to relevantné, zadajte hodnotu pH referenčného roztoku:
 - a. Počkajte, kým sa hodnota stabilizuje, a stlačte tlačidlo potvrdenia.
 - b. Zadajte hodnotu pH.

Poznámka: Ak je referenčným roztokom pufer, nájdite hodnotu pH na fľaši s pufrom pre danú teplotu pufru. Ak je referenčným roztokom vzorka, stanovte hodnotu pH vzorky iným prístrojom.

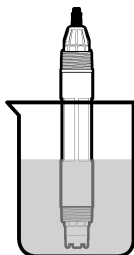
9. Na 2-bodovú kalibráciu odmerajte druhý referenčný roztok nasledujúcim spôsobom:
 - a. Vyberte senzor z prvého roztoku a opláchnite ho čistou vodou.
 - b. Ponorte senzor do ďalšieho referenčného roztoku a stlačte tlačidlo potvrdenia.
 - c. Ak je to relevantné, počkajte, kým sa hodnota stabilizuje a stlačte tlačidlo potvrdenia. Zadajte hodnotu pH.
10. Skontrolujte výsledok kalibrácie:
 - PASS (Pripravené) – senzor je nakalibrovaný a pripravený na meranie vzoriek. Zobrazia sa hodnoty smernice a/alebo posunu.
 - FAIL (Zlyhanie) – smernica alebo posun kalibrácie je mimo prijateľných limitov. Zopakujte kalibráciu s čerstvými referenčnými roztokmi. V prípade potreby vyčistite senzor. Pozrite si časť [Čistenie senzora](#) na strane 398.
11. Ak bola kalibrácia úspešná, stlačte tlačidlo potvrdenia.
12. Vráťte senzor do prevádzky a stlačte tlačidlo potvrdenia. Výstupný signál sa vráti do aktívneho stavu a na obrazovke merania sa zobrazí meraná hodnota.

4.3.3 Postup kalibrácie ORP

Kalibrujte senzor ORP pomocou jedného referenčného roztoku alebo vzorky so známou hodnotou.

1. Vložte senzor do referenčného roztoku alebo vzorky. Uistite sa, že snímacia časť senzora je plne ponorená do roztoku. Pozrite si časť [Obrázok 8](#).

Obrázok 8 Senzor v referenčnom roztoku alebo vzorke



2. Stlačte tlačidlo **menu** a vyberte položku SENSOR SETUP (Nastavenie senzora) > [Select Sensor] (Vybrať senzor) > CALIBRATE (Kalibrácia).
3. Vyberte možnosť 1 POINT MANUAL (1-bodová manuálna).
4. Ak je v bezpečnostnej ponuke aktívna možnosť zadania hesla pre kontrolér, zadajte ho.
5. Vyberte možnosť pre výstupný signál počas kalibrácie:

Voľba	Popis
ACTIVE (AKTÍVNE)	Počas kalibrácie prístroj posiela aktuálne nameranú výstupnú hodnotu.
HOLD (Podržanie)	Počas kalibrácie sa na výstupe senzora podrží hodnota aktuálne meraného výstupu.
TRANSFER (Prenos)	Počas kalibrácie sa posiela prednastavená výstupná hodnota. Ak chcete zmeniť prednastavenú hodnotu, pozrite si návod na použitie kontroléra.

6. So senzorom v referenčnom roztoku alebo vo vzorke stlačte tlačidlo potvrdenia. Zobrazí sa nameraná hodnota.
7. Počkajte, kým sa hodnota stabilizuje, a stlačte tlačidlo potvrdenia.
8. Zadajte hodnotu ORP referenčného roztoku alebo vzorky.

Poznámka: Ak sa na kalibráciu používa referenčný roztok, nájdite hodnotu ORP na fľaši s referenčným roztokom. Ak sa na kalibráciu použije vzorka, hodnotu ORP odmerajte druhým kontrolným prístrojom.

9. Skontrolujte výsledok kalibrácie:

- PASS (Pripravené) – senzor je nakalibrovaný a pripravený na meranie vzoriek. Zobrazia sa hodnoty smernice a/alebo posunu.
- FAIL (Zlyhanie) – smernica alebo posun kalibrácie je mimo prijateľných limitov. Zopakujte kalibráciu s čerstvým referenčným roztokom. V prípade potreby vyčistite senzor. Pozrite si časť [Čistenie senzora](#) na strane 398.

10. Ak bola kalibrácia úspešná, stlačte tlačidlo potvrdenia.

11. Vráťte senzor do prevádzky a stlačte tlačidlo potvrdenia.

Výstupný signál sa vráti do aktívneho stavu a na obrazovke merania sa zobrazí meraná hodnota.

4.3.4 Kalibrácia teploty

Prístroj je nakalibrovaný vo výrobe na presné meranie teploty. Na zvýšenie presnosti nakalibrujte teplotu.

1. Vložte senzor do nádoby s vodou.
2. Odmerajte teplotu vody presným teplomerom alebo nezávislým prístrojom.
3. Stlačte tlačidlo **menu** a vyberte položku SENSOR SETUP (Nastavenie senzora) > [Select Sensor] (Vybrať senzor) > CALIBRATE (Kalibrácia).
4. Vyberte možnosť TEMP ADJUST (Nastavenie teploty) > EDIT TEMP (Upraviť teplotu) a potom stlačte tlačidlo potvrdenia.
5. Zadajte presnú hodnotu teploty a stlačte tlačidlo potvrdenia.
6. Vráťte senzor do prevádzky a stlačte tlačidlo potvrdenia.

4.3.5 Ukončenie procesu kalibrácie

1. Ak chcete kalibráciu ukončiť, stlačte tlačidlo **back** (Späť).
2. Vyberte niektorú z možností.

Voľba	Popis
ABORT (PRERUŠIŤ)	Zastaví kalibráciu. Nová kalibrácia sa musí začať odznova.
BACK TO CAL (Späť na kalibráciu)	Návrat do kalibrácie.
LEAVE (OPUSTIŤ)	Dočasne opustí kalibráciu. Naďalej je možný prístup do iných ponúk. Ak je prítomný iný senzor, môžete spustiť jeho kalibráciu. Ak sa chcete vrátiť do kalibrácie, stlačte tlačidlo menu a vyberte položku SENSOR SETUP (Nastavenie senzora) > [Select Sensor] (Vybrať senzor).

4.4 Údaje senzora a záznamy udalostí

Kontrolér sa poskytuje jeden protokol dát a jeden protokol udalostí pre každý senzor. Protokol dát obsahuje údaje namerané vo vybratých intervaloch (nastaviteľných používateľom). Záznam udalostí uvádza udalosti, ku ktorým došlo.

Protokol údajov a protokol udalostí je možné uložiť vo formáte CSV. Pokyny nájdete v dokumentácii ku kontroléru.

4.5 Registre Modbus

Pre sieťovú komunikáciu je k dispozícii zoznam registrov Modbus. Viac informácií nájdete na webovej stránke výrobcu.

Odsek 5 Údržba

⚠ NEBEZPEČIE



Viacnásobné nebezpečenstvo. Úkony popísané v tejto časti návodu smú vykonávať iba kvalifikovaní pracovníci.

⚠ VAROVANIE



Nebezpečenstvo výbuchu. Demontáž senzora z nádoby pod tlakom môže byť nebezpečná. Pred demontážou znížte pracovný tlak pod 10 psi. Ak to nie je možné, postupujte mimoriadne opatrne. Podrobnejšie informácie nájdete v dokumentácii k montážnemu vybaveniu.

⚠ VAROVANIE



Nebezpečenstvo expozície chemikáliám. Dodržiavajte laboratórne bezpečnostné postupy a používajte všetky osobné ochranné pomôcky zodpovedajúce chemikáliám, s ktorými pracujete. Bezpečnostné protokoly nájdete v aktuálnych kartách bezpečnostných údajov (KBÚ).

⚠ UPOZORNENIE



Nebezpečenstvo expozície chemikáliám. Chemikálie a odpad likvidujte podľa miestnej, regionálnej a národnej legislatívy.

5.1 Harmonogram údržby

Tabuľka 1 uvádza odporúčaný harmonogram úloh údržby. Požiadavky a prevádzkové podmienky laboratória môžu zvýšiť frekvenciu niektorých úloh.

Tabuľka 1 Harmonogram údržby

Úloha	1 rok	Podľa potreby
Čistenie senzora na strane 398		X ⁶
Výmena soľného mostíka na strane 399	X	
Kalibrácia sondy	Nastavené riadiacimi orgánmi alebo na základe skúsenosti.	

5.2 Čistenie senzora

Predpríprava: Pripravte si slabší mydlový roztok s použitím neabrazívneho saponátového prostriedku na riad, ktorý neobsahuje lanolín. Lanolín zanecháva film na povrchu elektródy, ktorý znižuje funkčnosť senzora.

Senzor pravidelne kontrolujte, či na ňom nie sú nečistoty alebo usadeniny. Vyčistite senzor, keď sa na ňom objavia usadeniny alebo sa zhorší činnosť.

1. Použite mäkkú čistú utierku, aby ste z konca senzora odstránili usadené nečistoty. Senzor opláchnite čistou teplou vodou.
2. Namočte senzor do saponátového roztoku na 2 až 3 minúty.
3. Na očistenie meracieho konca senzora použite mäkkú kefku.
4. Ak sa znečistenie nedá odstrániť, namočte meraciu časť senzora do nariedeného roztoku kyseliny (napríklad < 5% HCl) na maximálne 5 minút.
5. Senzor opláchnite vodou a potom ho vráťte do saponátového roztoku na 2 - 3 minúty.

⁶ Frekvencia závisí od prevádzkových podmienok.

6. Senzor opláchnite čistou vodou.

Poznámka: Sensory s antimónovými elektródami pre aplikácie v HF si môžu vyžadovať ďalšie čistenie. Obráťte sa na technickú podporu.

Po vykonaní údržby senzor zakaždým nakalibrujte.

5.3 Výmena soľného mostíka

Soľný mostík a štandardný elektrolyt vymieňajte raz za rok, alebo keď po je kalibrácia po vyčistení senzora neúspešná.

Poznámka: Video, ktoré ukazuje, ako vymeniť soľný mostík, je dostupné na adrese www.Hach.com. Prejdite na webovú stránku pre soľný mostík a kliknite na kartu Video.

Potrebné príslušenstvo:

- Nastaviteľný polkruhový kľúč
- Veľké pinzety
- Soľný mostík
- Štandardný elektródový roztok
- Gélový prášok⁷, ¼ čajovej lyžičky

1. Očistite senzor. Pozrite si časť [Čistenie senzora](#) na strane 398.

2. Vymeňte soľný mostík a štandardný elektrolyt. Pozrite si nasledujúci ilustrovaný postup.

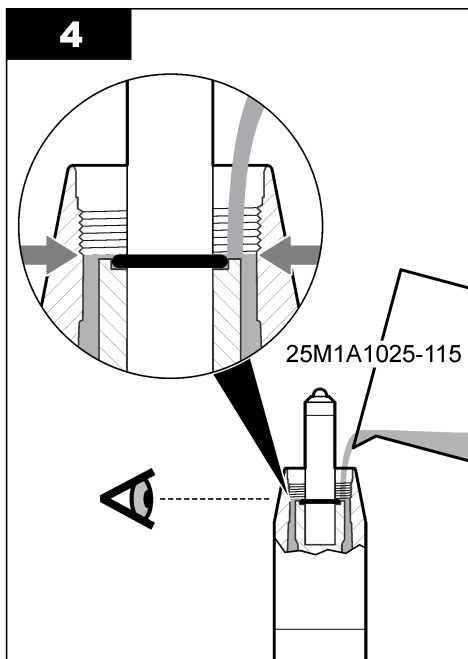
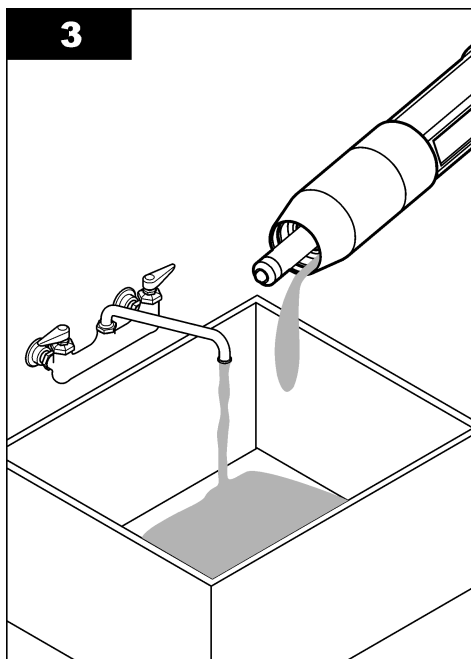
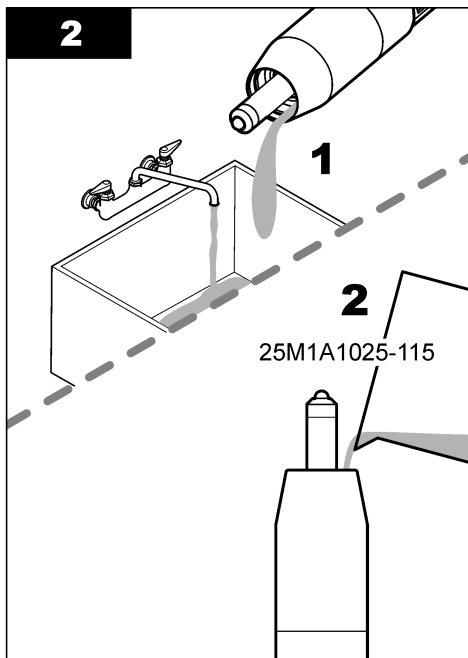
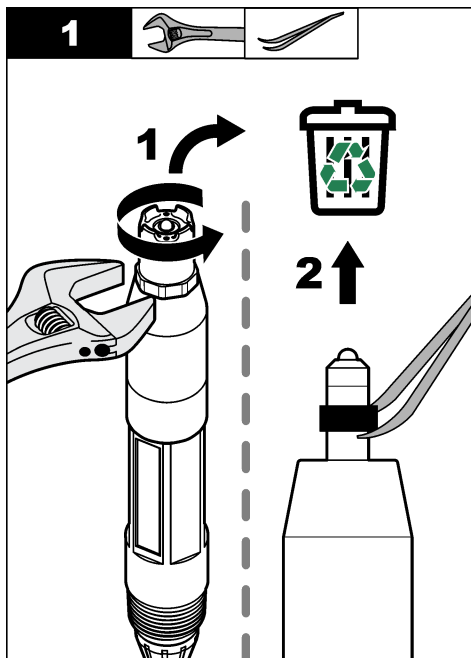
Ak zásobník pre štandardný elektrolyt obsahuje starý gél (nie je bežné), odstráňte ho prúdom vody z vodotryskového zariadenia, ako je uvedené v kroku 2.

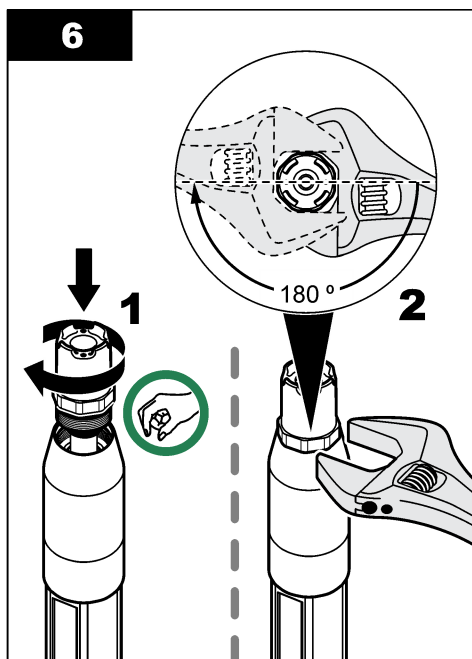
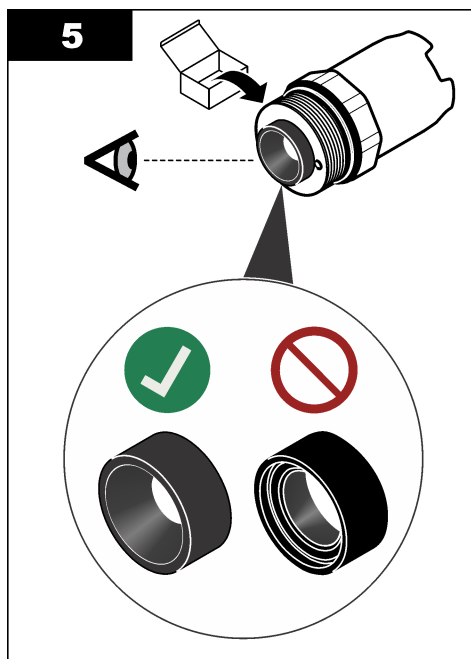
(Voliteľné) Ak je procesná voda blízko teploty varu, pridajte do nového štandardného elektrolytu gélový prášok, ako je uvedené v kroku 4, nasledujúcim spôsobom:

- Nasypte 1 zarovnaný uzáver fľaše (¼ čajovej lyžičky) gélového prášku do zásobníka na štandardný elektrolyt.
- Nalejte do zásobníka malé množstvo čerstvého štandardného elektrolytu.
- Premiešajte ho s práškom, kým roztok nezhusne.
- Pridajte malé množstvá roztoku a miešajte, kým hladina gélu neklesne naspodok závitov soľného mostíka.
- Skontrolujte správnosť hladiny gélu nainštalovaním a odmontovaním nového soľného mostíka. Odtlačok soľného mostíka by mal zostať viditeľný na povrchu gélu.

3. Nakalibrujte senzor.

⁷ (Voliteľné) Ak sa procesná voda blíži k bodu varu, do štandardného elektrolytu pridajte gélový prášok. Gélový prášok znižuje rýchlosť odparovania štandardného elektrolytu.





5.4 Príprava na uskladnenie

Na krátkodobé uskladnenie (keď je senzor mimo prevádzky viac ako jednu hodinu) naplňte ochranný uzáver tmivým roztokom s pH 4 alebo destilovanou vodou, a umiestnite uzáver späť na senzor. Pracovnú elektródu a referenčný otvor soľného mostíka udržiavajte vlhké, aby ste sa vyhli pomalej reakcii pri opätovnom uvedení senzora do prevádzky.

Na dlhodobé uskladnenie zopakujte postup krátkodobého uskladnenia každé 2 až 4 týždne, v závislosti od okolitých podmienok. Limity skladovacej teploty nájdete v časti [Technické údaje](#) na strane 384.

Odsek 6 Riešenie problémov

6.1 Neúplné údaje

Počas kalibrácie sa údaje neposielajú do datalogu. Datalog preto môže mať oblasti, kde sú údaje nesúvislé.

6.2 Ponuka diagnostiky a testu senzora

Ponuka diagnostiky a testu senzora zobrazuje aktuálne a predchádzajúce informácie o prístroji. Pozrite si časť [Tabuľka 2](#). Do ponuky diagnostiky a testu senzora sa dostanete tak, že stlačíte tlačidlo **menu** a potom vyberiete možnosť **SENSOR SETUP** (Nastavenie senzora) > [Select Sensor] (Vybrať senzor) > **DIAG/TEST** (Diagnostika/test).

Tabuľka 2 Ponuka senzora DIAG/TEST (Diagnostika/test) (Diagnostika/test)

Voľba	Popis
PROBE INFO (Informácie o sonde)	Zobrazuje typ senzora, názov, sériové číslo, verziu softvéru a verziu ovládača.
CAL DATA (Údaje kalibrácie)	Zobrazuje smernicu pH (mV/pH) a dátum poslednej kalibrácie. Sklon pH by mal byť -55 až -61 mV.

Tabuľka 2 Ponuka senzora DIAG/TEST (Diagnostika/test) (Diagnostika/test) (pokračovanie)

Voľba	Popis
SIGNALS (SIGNÁLY)	<p>SENSOR SIGNAL (Signál senzora) – zobrazuje merania senzora v mV. Rozsah mV je -60 až +60 mV (0 mV = pH 7).</p> <p>SENS ADC CNTS (Údaj senzora ADC) – zobrazuje digitálne číslo predstavujúce meranie pH.</p> <p>TEMP ADC CNTS (Údaj teploty ADC) – zobrazuje digitálne číslo predstavujúce meranie teploty.</p> <p>ELECTRD STATE (Stav elektródy) – zobrazuje stav aktívnej a referenčnej elektródy (GOOD (Dobry) alebo BAD (Zlý)). Keď sa zobrazuje hodnota „BAD (Zlý)“, vyčistite senzor a vymeňte soľný mostík. V prípade potreby vymeňte senzor.</p> <p>ACTIVE ELECT (Aktívna elektróda) – zobrazuje impedanciu aktívnej elektródy.</p> <p>REF ELECTRODE (Ref. elektróda) – zobrazuje impedanciu referenčnej elektródy.</p> <p>IMPED STATUS (STAV IMPED) – keď je táto možnosť aktivovaná (odporúča sa), impedancia aktívnej a referenčnej elektródy sa meria v 1-minútových intervaloch. Keď impedancia aktívnej alebo referenčnej elektródy nie je medzi dolným a horným limitom impedancie, na displeji kontroléra sa zobrazí chyba.</p>
COUNTERS (Počítadlá)	<p>SENSOR DAYS (Počet dní senzora) – zobrazuje počet dní, počas ktorých bol senzor v prevádzke.</p> <p>RESET SENSOR (Obnovenie senzora) – nastavenie hodnoty SENSOR DAYS (Počet dní senzora) a ELECTRODE DAYS (Dni elektródy) na nulu.</p> <p>ELECTRODE DAYS (Dni elektródy) – zobrazuje počet dní od výmeny soľného mostíka.</p> <p><i>Poznámka: Hodnota ELECTRODE DAYS (Dni elektródy) sa po výmene soľného mostíka automaticky nastaví na nulu.</i></p>

6.3 Chybové hlásenia

Pri výskyte chyby nameraná hodnota na obrazovke bliká a všetky výstupy sa zadržia, ak je to zadané v ponuke kontroléra. Ak chcete zobraziť chyby senzora, stlačte tlačidlo **menu** a vyberte DIAGNOSTICS (Diagnostika) > [Select Sensor] (Vybrať senzor) > ERROR LIST (Zoznam chýb). Zoznam možných chýb je zobrazený na [Tabuľka 3](#).

Tabuľka 3 Chybové hlásenia

Chyba	Popis	Rozlíšenie
PH TOO HIGH (VYSOKÉ PH)	Nameraná hodnota pH > 14.	Nakalibrujte senzor.
ORP TOO HIGH (VYSOKÉ ORP)	Nameraná hodnota ORP > 2100 mV.	
PH TOO LOW (PH NÍZKE)	Nameraná hodnota pH < 0.	Nakalibrujte senzor.
ORP TOO LOW (ORP NÍZKE)	Nameraná hodnota ORP je ≤ 2 100 mV.	
OFFSET TOO HIGH (VYSOKÁ ODCHÝLKA)	Odchýlka > 9 (pH) alebo 200 mV (ORP).	Vykonať postup v časti Čistenie senzora na strane 398 a Výmena soľného mostíka na strane 399. Potom zopakujte kalibráciu.
OFFSET TOO LOW (NÍZKA ODCHÝLKA)	Odchýlka < 5 (pH) alebo -200 mV (ORP).	
SLOPE TOO HIGH (VYSOKÁ SMERNICA)	Smernica > 62 (pH)/1,3 (ORP).	Zopakujte kalibráciu s čerstvými referenčnými roztokmi.
SLOPE TOO LOW (NÍZKA SMERNICA)	Smernica < 50 (pH)/0,7 (ORP).	Vykonať kroky v časti Čistenie senzora na strane 398. Potom zopakujte kalibráciu.

Tabuľka 3 Chybové hlásenia (pokračovanie)

Chyba	Popis	Rozlíšenie
TEMP TOO HIGH (PRÍLIŠ VYSOKÁ TEPLÔT)	Nameraná teplota > 130 °C.	Uistite sa, že je vybraný správny teplotný prvok. Pozrite si možnosť TEMP ELEMENT (TEPL PRVOK) v časti Konfigurácia senzora na strane 393.
TEMP TOO LOW (PRÍLIŠ NÍZKA TEPLÔT)	Nameraná teplota je ≤ 10 °C.	
ADC FAILURE (Chyba ADC)	Chyba analógovo-digitálnej konverzie.	Vypnite kontrolér. Potom ho znova zapnite.
A ELEC TOO HIGH (VYSOKÁ A ELEK)	Impedancia aktívnej elektródy > 900 MΩ.	Senzor je vo vzduchu. Vráťte senzor do procesu.
A ELEC TOO LOW (NÍZKA A ELEK)	Impedancia aktívnej elektródy < 8 MΩ.	Senzor je poškodený alebo znečistený. Vykonať kroky v časti Čistenie senzora na strane 398.
R ELEC TOO HIGH (VYSOKÁ R ELEK)	Impedancia referenčnej elektródy > 900 MΩ.	Štandardný elektrolyt pretiekol alebo sa vyparil. Vymeňte štandardný elektrolyt.
R ELEC TOO LOW (NÍZKA R ELEK)	Impedancia referenčnej elektródy < 8 MΩ.	Referenčná elektróda je poškodená. Vymeňte senzor.
SAME BUFFER (ROVNAKÝ PUFOR)	Pufer pre 2-bodovú kalibráciu (2 POINT AUTO) má rovnakú hodnotu.	Používajte pufré, ktoré majú rozdielne hodnoty.
SENSOR MISSING (Senzor chýba)	Senzor chýba alebo je odpojený.	Identifikujte, či kábel senzora nie je odpojený alebo poškodený.
TEMP SENSOR MISSING (Chýba senzor teploty)	Teplotný senzor chýba.	Uistite sa, že je vybraný správny teplotný prvok. Pozrite si možnosť TEMP ELEMENT (TEPL PRVOK) v časti Konfigurácia senzora na strane 393.
GLASS IMP LOW (SKL IMP NÍZKA)	Sklenená banka je rozbitá alebo sa skončila doba jej životnosti.	Vymeňte senzor.

6.4 Výstražné hlásenia

Varovanie nemá vplyv na fungovanie ponúk, relé a výstupov. Blikajúca ikona varovania a správa sa zobrazujú v dolnej časti obrazovky merania. Ak chcete zobrazit' varovania senzora, stlačte tlačidlo **menu** a vyberte DIAGNOSTICS (Diagnostika) > [Select Sensor] (Vybrať senzor) > WARNING LIST (Zoznam výstrah). [Tabuľka 4](#) obsahuje zoznam možných varovaní.

Tabuľka 4 Výstražné hlásenia

Výstraha	Popis	Rozlíšenie
PH TOO HIGH (VYSOKÉ PH)	Nameraná hodnota pH > 13.	Nakalibrujte senzor.
ORP TOO HIGH (VYSOKÉ ORP)	Nameraná hodnota ORP > 2100 mV.	
PH TOO LOW (PH NÍZKE)	Nameraná hodnota pH < 1.	Nakalibrujte senzor.
ORP TOO LOW (ORP NÍZKE)	Nameraná hodnota ORP < -2100 mV.	
OFFSET TOO HIGH (VYSOKÁ ODCHÝLKA)	Odchýlka > 8 (pH) alebo 200 mV (ORP).	Vykonať postup v časti Čistenie senzora na strane 398 a Výmena solného mostíka na strane 399. Potom zopakujte kalibráciu.
OFFSET TOO LOW (NÍZKA ODCHÝLKA)	Odchýlka < 6 (pH) alebo -200 mV (ORP).	
SLOPE TOO HIGH (VYSOKÁ SMERNICA)	Smernica > 60 (pH)/1,3 (ORP).	Zopakujte kalibráciu s čerstvými referenčnými roztokmi.

Tabuľka 4 Výstražné hlásenia (pokračovanie)

Výstraha	Popis	Rozlíšenie
SLOPE TOO LOW (NÍZKA SMERNICA)	Smernica < 54 (pH)/0,7 (ORP).	Vykonajte kroky v časti Čistenie senzora na strane 398. Potom zopakujte kalibráciu.
TEMP TOO HIGH (PRÍLIŠ VYSOKÁ TEPLOTA)	Nameraná teplota > 100 °C.	Uistite sa, že je vybratý správny teplotný prvok. Pozrite si možnosť TEMP ELEMENT (TEPL PRVOK) v časti Konfigurácia senzora na strane 393.
TEMP TOO LOW (PRÍLIŠ NÍZKA TEPLOTA)	Nameraná teplota < 0 °C.	
CAL OVERDUE (Kalibrácia po termíne)	Počet dní od kalibrácie senzora je vyšší ako kalibračný interval.	Nakalibrujte senzor. Poznámka: Informácie o zmene intervalu čistenia nájdete v opise položky CAL DAYS (Počet dní od kalibrácie) v časti Konfigurácia senzora na strane 393.
REPLACE SENSOR (Vymeniť senzor)	Počet dní od výmeny senzora prekročil interval výmeny senzora.	V prípade potreby vymeňte senzor. Poznámka: Informácie o zmene intervalu čistenia nájdete v opise položky SENSOR DAYS (Počet dní senzora) v časti Konfigurácia senzora na strane 393.
NOT CALIBRATED (NEKALIBROVANÉ)	Senzor nebol kalibrovaný.	Nakalibrujte senzor.
FLASH FAILURE (Zlyhanie flash)	Chyba externej pamäte.	Obráťte sa na technickú podporu.
A ELEC TOO HIGH (VYSOKÁ A ELEK)	Impedancia aktívnej elektródy > 800 MΩ.	Senzor je vo vzduchu. Vráťte senzor do procesu.
A ELEC TOO LOW (NÍZKA A ELEK)	Impedancia aktívnej elektródy < 15 MΩ.	Senzor je poškodený alebo znečistený. Vykonajte kroky v časti Čistenie senzora na strane 398.
R ELEC TOO HIGH (VYSOKÁ R ELEK)	Impedancia referenčnej elektródy > 800 MΩ.	Štandardný elektrolyt pretiekol alebo sa vyparil. Vymeňte štandardný elektrolyt.
R ELEC TOO LOW (NÍZKA R ELEK)	Impedancia referenčnej elektródy < 15 MΩ.	Referenčná elektróda je poškodená. Vymeňte senzor.
CAL IN PROGRESS (PREBIEHA KALIBRÁCIA)	Kalibrácia bola spustená, ale nebola dokončená.	Vráťte sa do kalibrácie.

6.5 Zoznam udalostí

Zoznam udalostí zobrazí posledné aktivity ako zmeny v konfigurácii, upozorneniach, podmienkach upozornení atď. Ak chcete zobrazíť udalosť, stlačte tlačidlo **menu** a vyberte **DIAGNOSTICS (Diagnostika)** > **[Select Sensor] (Vybrať senzor)** > **EVENTS (Udalosti)**. Zoznam možných udalostí obsahuje **Tabuľka 5**. Predchádzajúce udalosti sa zaznamenajú do protokolu, ktorý je možné stiahnuť z kontroléra. Ďalšie možnosti vyhľadania údajov nájdete v dokumentácii ku kontroléru.

Tabuľka 5 Zoznam udalostí

Udalosť	Popis
CAL READY (KAL PRIPRAVENÁ)	Senzor je pripravený na kalibráciu.
CAL OK (KAL OK)	Aktuálna kalibrácia je dobrá.
TIME EXPIRED (ČAS VYPRŠAL)	Čas na ustálenie počas kalibrácie vypršal.
NO BUFFER (CHÝBA PUFOR)	Pufor nezistený.
SLOPE HIGH (VYSOKÁ SMERNICA)	Smernica kalibrácie je nad hornou hranicou.
SLOPE LOW (NÍZKA SMERNICA)	Smernica kalibrácie je pod dolnou hranicou.

Tabuľka 5 Zoznam udalostí (pokračovanie)

Udalosť	Popis
OFFSET HIGH (VYSOKÁ ODCHÝLKA)	Hodnota posunu kalibrácie pre senzor je nad hornou hranicou.
OFFSET LOW (NÍZKA ODCHÝLKA)	Hodnota posunu kalibrácie pre senzor je pod dolnou hranicou.
POINTS CLOSE (Body blízko)	Kalibračné body majú príliš podobné hodnoty pre 2-bodovú kalibráciu.
CAL FAIL (Neúspešná kalibrácia)	Chyba kalibrácie.
CAL HIGH (KAL VYSOKÁ))	Kalibrovaná hodnota je nad hornou hranicou.
UNSTABLE (NESTABILNÝ)	Hodnota bola nestabilná počas kalibrácie.
CHANGE IN CONFIG (ZMENA V KALIBRÁCIÍ) – plávajúca hodnota	Konfigurácia sa zmenila – typ s pohyblivou rádovou čiarkou.
CHANGE IN CONFIG (ZMENA V KALIBRÁCIÍ) – text	Konfigurácia sa zmenila – textový typ.
CHANGE IN CONFIG (ZMENA V KALIBRÁCIÍ) – celé číslo	Konfigurácia sa zmenila – celočíselný typ.
RESET CONFIG (RESET KONFIGUR)	Nastavenia konfigurácie boli obnovené na pôvodné nastavenia.
UDALOSŤ PRI ZAPNUTÍ	Napájanie bolo zapnuté.
ADC FAILURE (Chyba ADC)	Chyba konverzie ADC (hardvérová chyba).
FLASH ERASE (MAZANIE FLASH)	Pamäť flash bola vymazaná.
TEMPERATURE (Teplota)	Zaznamenaná teplota je príliš vysoká alebo príliš nízka.
1PT MANUAL START (ŠTART 1-BOD MANUÁL)	Začiatok 1 POINT MANUAL (1-bodová manuálna) kalibrácie.
1PT AUTO START (ŠTART 1-BOD AUTO)	Začiatok 1 POINT AUTO (1-bodová automatická) kalibrácie pre pH.
2PT MANUAL START (ŠTART 2-BOD MANUÁL)	Začiatok 2 POINT MANUAL (2-bodová manuálna) kalibrácie pre pH.
2PT AUTO START (ŠTART 2-BOD AUTO)	Začiatok 2 POINT AUTO (Dvojbodová automatická) kalibrácie pre pH.
1PT AUTO START (KONIEC 1-BOD MANUÁL)	Koniec 1 POINT MANUAL (1-bodová manuálna) kalibrácie.
1PT AUTO END (KONIEC 1-BOD AUTO)	Koniec 1 POINT AUTO (1-bodová automatická) kalibrácie pre pH.
2PT MANUAL END (KONIEC 2-BOD MANUÁL)	Koniec 2 POINT MANUAL (2-bodová manuálna) kalibrácie pre pH.
2PT AUTO END (KONIEC 2-BOD AUTO)	Koniec 2 POINT AUTO (Dvojbodová automatická) kalibrácie pre pH.

Odsek 7 Náhradné diely a príslušenstvo

▲ V A R O V A N I E



Nebezpečenstvo poranenia osôb. Používanie neschválených častí môže spôsobiť poranenie osôb, poškodenie prístroja alebo poruchy zariadenia. Náhradné diely uvedené v tejto časti sú schválené výrobcom.

Poznámka: Čísla produktov a položiek sa môžu odlišovať v niektorých predajných oblastiach. Pre kontaktné informácie sa obráťte na príslušného distribútora alebo si pozrite webovú stránku spoločnosti.

Materiál

Popis	Množstvo	Katalógové čísla
Pufrový roztok, pH 4,01, červený	500 ml	2283449
Pufrový roztok, pH 7,00, žltý	500 ml	2283549
Pufrový roztok, pH 10,01, modrý	500 ml	2283649
Referenčný roztok ORP, 200 mV	500 ml	25M2A1001-115
Referenčný roztok ORP, 600 mV	500 ml	25M2A1002-115

Náhradné diely – senzory pH

Popis	Množstvo	Katalógové čísla
Solný mostík, PEEK, Kynar (PVDF), vonkajší spoj, s O-krúžkami Viton	1	SB-P1SV
Solný mostík, PEEK, Kynar (PVDF), vonkajší spoj, s perfluorelastomérovými O-krúžkami Viton	1	SB-P1SP ⁸
Solný mostík, PEEK, keramický vonkajší spoj, s O-krúžkami Viton	1	SB-P2SV
Solný mostík, Ryton, Kynar (PVDF), vonkajší spoj, s O-krúžkami Viton	1	SB-R1SV
Štandardný elektródový roztok	500 ml	25M1A1025-115
Gélový prášok pre štandardný elektródový roztok	2 g	25M8A1002-101

Príslušenstvo

Popis	Katalógové čísla
Digitálny predlžovací kábel, 1 m (3,2 stopy)	6122400
Digitálny predlžovací kábel, 7,7 m (25 stôp)	5796000
Digitálny predlžovací kábel, 15 m (50 stôp) ⁹	5796100
Digitálny predlžovací kábel, kontrolér SC200, 31 m (100 stôp)	5796200
Digitálny ukončovaci box, kontrolér SC200 ¹⁰	5867000
Príslušenstvo na sanitárnu montáž, nehrdzavejúca oceľ 316, zahŕňa 2-palcovú sanitárnu T armatúru a svorku pre ťažkú prevádzku Poznámka: Uzáver a tesnenie zo zličeniny EPDM sa dodávajú so senzorom.	MH018S8SZ
Príslušenstvo na montáž s objímkou, CPVC (chlórovaný polyvinylchlorid), obsahuje 1½-palcovú štandardnú T armatúru, trubicu s adaptérom na montáž s objímkou, tesniacu spojku, poistný krúžok a O-krúžok Viton	6131300
Príslušenstvo na montáž s objímkou, nehrdzavejúca oceľ 316, obsahuje 1½-palcovú štandardnú T armatúru, trubicu s adaptérom na montáž s objímkou, tesniacu spojku, poistný krúžok a O-krúžok Viton	6131400

⁸ SB-P1SP používajte, keď materiál Viton nie je chemicky kompatibilný s chemikáliami v aplikácii.

⁹ Maximálna dĺžka kábla je 15 m (49 stôp) pre kontrolér SC1000.

¹⁰ Digitálny ukončovaci box používajte, ak je dĺžka kábla väčšia ako 100 m (328 stôp). Ukončovaci box sa nepoužíva s kontrolérom SC1000.

Príslušenstvo (pokračovanie)

Popis	Katalógové číslo
Príslušenstvo na prietokovú montáž, CPVC, obsahuje 1-palcovú štandardnú T armatúru	MH334N4NZ
Príslušenstvo na prietokovú montáž, nehrdzavejúca oceľ 316, obsahuje 1-palcovú štandardnú T armatúru	MH314N4MZ
Príslušenstvo na montáž vložení, CPVC, obsahuje 1½-palcový guľový ventil, 1½-palcovú uzatváraciu NPT spojku, adaptér senzora s dvoma O-kružkami Viton a stieračom, predlžovacie potrubie, potrubný adaptér, zadné potrubie a poistný krúžok	5646300
Príslušenstvo na montáž vložení, nehrdzavejúca oceľ 316, obsahuje 1½-palcový guľový ventil, 1½-palcovú uzatváraciu NPT spojku, adaptér senzora s dvoma O-kružkami Viton a stieračom, predlžovacie potrubie, potrubný adaptér, zadné potrubie a poistný krúžok	5646350
Príslušenstvo na ponornú montáž, štandardné, CPVC, obsahuje potrubie s rozmermi 1 palec x 4 stopy a NPT spoj s rozmermi 1 x 1 palec	6136400
Príslušenstvo na ponornú montáž, štandardné, nehrdzavejúca oceľ 316, obsahuje 1-palcové potrubie po 4 stopách a NPT spoj s rozmermi 1 x 1 palec	6136500
Príslušenstvo na ponornú montáž, držiak, obsahuje CPVC potrubie s rozmermi 1½ palca x 7,5 stôp a zostavu potrubných svoriek	MH236B00Z
Príslušenstvo na ponornú montáž, reťaz, nehrdzavejúca oceľ 316, obsahuje karabínu, matice a veká na čistenie z nehrdzavejúcej ocele Poznámka: Iba na použitie pre senzory z nehrdzavejúcej ocele. Nedodáva sa s reťazou.	2881900
Príslušenstvo na ponornú montáž, guľový plavák, obsahuje CPVC potrubie s rozmermi 1½ palca x 7,5 stôp, zostavu guľového plaváka a zostavu potrubných svoriek	6131000
Ochrana senzora, senzor v konvertibilnom štýle, PEEK	1000F3374-002
Ochrana senzora, senzor v konvertibilnom štýle, Ryton	1000F3374-003

Sadržaj

- 1 [Specifikacije](#) na stranici 408
- 2 [Opći podaci](#) na stranici 409
- 3 [Instalacija](#) na stranici 411
- 4 [Funkcioniranje](#) na stranici 417
- 5 [Održavanje](#) na stranici 422
- 6 [Rješavanje problema](#) na stranici 426
- 7 [Zamjenski dijelovi i dodatna oprema](#) na stranici 430

Odjeljak 1 Specifikacije

Specifikacije se mogu promijeniti bez prethodne najave.

Specifikacije	pH senzori	pH senzor od nehrđajućeg čelika	ORP senzori
Dimenzije (dužina)	272.5 mm (10.73 inča)	325.3 mm (12.81 inča)	272.5 mm (10.73 inča)
Težina	316 g (11 oz)	870 g (31 oz)	316 g (11 oz)
Vlažni materijali	Kućište od materijala PEEK ili Ryton (PVDF), solni most od istog materijala sa spojem Kynar, staklena procesna elektroda, elektroda s uzemljenjem od titana i prstenaste brtve od Vitona <i>Napomena: pH senzor s dodatnom staklenom procesnom elektrodom otpornom na fluorovodičnu kiselinu ima elektrodu s uzemljenjem od nehrđajućeg čelika 316 i hidrofilne brtvene prstene od perfluoroelastomera.</i>	Samo montaža uranjanjem, kućište od nehrđajućeg čelika 316 SS s Ryton (PVDF) krajevima i slanim mostom	Kućište od materijala PEEK ili Ryton (PVDF) slani most od istog materijala sa spojem Kynar, staklena i platinasta (ili staklena i zlatna) procesna elektroda, elektroda s uzemljenjem od titana i prstenaste brtve od Vitona
Komponente	Materijali otporni na koroziju, potopivi		
Kabel senzora (integralni)	Četiri vodiča (uz jednu zaštitu), 10 m (33 ft); označen za 105 °C (221 °F)		
Radna temperatura	od – 5 do 70 °C (23 do 158 °F)	0 do 50 °C (32 do 122 °F)	od – 5 do 70 °C (23 do 158 °F)
Temperatura za pohranu	od 4 do 70 °C (od 40 do 158 °F), od 0 do 95 % relativne vlažnosti, bez kondenzacije		
Raspon mjerenja	od 2.0 do 14.0 pH ¹ (ili 2,00 do 14,00)		–1500 do +1500 mV
Ponovljivost	± 0.05 pH		±2 mV
Osjetljivost	± 0,01 pH		± 0,5 mV ²
Stabilnost	0,03 pH u 24 sata, nekumulativno		2 mV (ORP) u 24 sata, nekumulativno
Maksimalna brzina protoka	3 m/s (10 ft/s)		
Ograničenje tlaka	6.9 bara pri 70 °C (100 psi pri 158 °F)	Nije primjenjivo (samo uranjanje)	6.9 bara pri 70 °C (100 psi pri 158 °F)

¹ Većina primjena vrši se u rasponu pH vrijednosti od pH 2,5 do pH 12,5. Diferencijalni pH senzor pHD sa širokim rasponom staklenih procesnih elektroda funkcionira vrlo dobro u tom rasponu. Neke industrijske primjene zahtijevaju točno mjerenje i kontrolu pH vrijednosti ispod 2 ili iznad 12. U takvim posebnim slučajevima obratite se proizvođaču za daljnje pojedinosti.

² Za najbolje rezultate u otopinama koje sadrže cink, cijanid, kadmij ili nikal upotrijebite pHDP ORP senzor koji ima zlatnu elektrodu.

Specifikacije	pH senzori	pH senzor od nehrđajućeg čelika	ORP senzori
Udaljenost prijenosa	Najviše 100 m (328 ft) ili najviše 1000 m (3280 ft) s pomoću kutije s priključcima		
Temperaturni element	NTC termistor od 300 Ω za automatsku kompenzaciju temperature i očitavanje temperature analizatora		NTC termistor od 300 Ω samo za očitavanje temperature analizatora–nije potrebna automatska kompenzacija temperature za mjerenje ORP-a
Točnost temperature	± 0,5 °C (0,9 °F)		
Temperaturna kompenzacija	Automatsko od –10 do 105 °C (14,0 do 221 °F) s NTC termistorom od 300 Ω, temperaturnim elementom Pt RTD od 1000 ohma ili Pt RTD od 100 Ω ili ručno fiksirano na temperaturu koju unese korisnik		Nije primjenjivo
Metode kalibracije	Automatski ili ručno u 1 ili 2 točke		Ručno u 1 točki
Sučelje senzora	Modbus		
Certifikati	CE		
Jamstvo	1 godina; 2 godine (EU)		

Odjeljak 2 Opći podaci

Ni u kojem slučaju proizvođač neće biti odgovoran za direktne, indirektne, specijalne, slučajne ili posljedične štete uzrokovane nedostacima ili propustima u ovom priručniku. Proizvođač zadržava pravo na izmjene u ovom priručniku te na opise proizvoda u bilo kojem trenutku, bez prethodne najave ili obaveze. Izmijenjena izdanja se nalaze na proizvođačevoj web stranici.

2.1 Sigurnosne informacije

Proizvođač nije odgovoran za štetu nastalu nepravilnom primjenom ili nepravilnom upotrebom ovog proizvoda, uključujući, bez ograničenja, izravnu, slučajnu i posljedičnu štetu, te se odriče odgovornosti za takvu štetu u punom opsegu, dopuštenom prema primjenjivim zakonima. Korisnik ima isključivu odgovornost za utvrđivanje kritičnih rizika primjene i za postavljanje odgovarajućih mehanizama za zaštitu postupaka tijekom mogućeg kvara opreme.

Prije raspakiranja, postavljanja ili korištenja opreme pročitajte cijeli ovaj korisnički priručnik. Poštujte sva upozorenja na opasnost i oprez. Nepoštivanje ove upute može dovesti do tjelesnih ozljeda operatera ili oštećenja na opremi.

Uvjerite se da zaštita koja se nalazi uz ovu opremu nije oštećena. Ne koristite i ne instalirajte ovu opremu na bilo koji način koji nije naveden u ovom priručniku.

2.2 Korištenje informacija opasnosti

▲ OPASNOST

Označava potencijalno ili neposredno opasnu situaciju koja će, ako se ne izbjegne, dovesti do smrti ili ozbiljnih ozljeda.

▲ UPOZORENJE

Označava potencijalno ili neposredno opasnu situaciju koja će, ako se ne izbjegne, dovesti do smrti ili ozbiljnih ozljeda.





▲ OPREZ

Označava potencijalno opasnu situaciju koja će dovesti do manjih ili umjerenih ozljeda.

Označava situaciju koja, ako se ne izbjegne će dovesti do oštećenja instrumenta. Informacije koje je potrebno posebno istaknuti.

2.3 Oznake mjera predostrožnosti

Pročitajte sve naljepnice i oznake na instrumentu. Ako se ne poštuju, može doći do tjelesnih ozljeda ili oštećenja instrumenta. Simbol na instrumentu odgovara simbolu u priručniku uz navod o mjerama predostrožnosti.

	Ovo je sigurnosni simbol upozorenja. Kako biste izbjegli potencijalne ozljede poštujujte sve sigurnosne poruke koje slijede ovaj simbol. Ako se nalazi na uređaju, pogledajte korisnički priručnik za rad ili sigurnosne informacije.
	Ovaj simbol naznačuje da postoji opasnost od električnog i/ili strujnog udara.
	Ovaj simbol naznačuje prisutnost uređaja osjetljivih na električne izboje (ESD) te je potrebno poduzeti sve mjere kako bi se spriječilo oštećivanje opreme.
	Električna oprema označena ovim simbolom ne smije se odlagati u europskim domaćim ili javnim odlagalištima. Staru ili isteklu opremu vratite proizvođaču koji će je odložiti bez naknade.

2.4 Pregled proizvoda

Ovaj senzor namijenjen je za rad s kontrolerom radi prikupljanja podataka i rada. Uz ovaj senzor može se koristiti više kontrolera. Ovaj dokument podrazumijeva instalaciju senzora i korištenje sa sc kontrolerom. Za korištenje s drugim kontrolerima, pogledajte korisnički priručnik za kontroler koji se koristi.

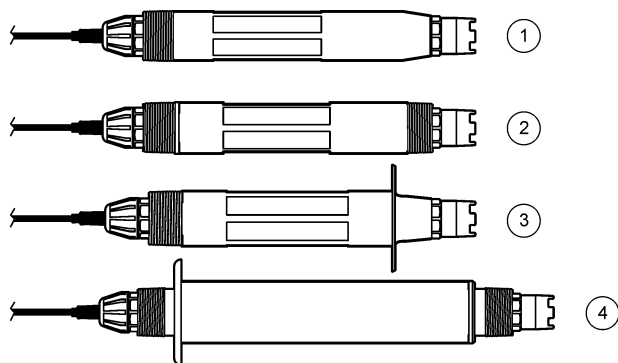
Ovaj proizvod nije prihvatljiv za upotrebu na opasnim mjestima.

Dodatna oprema, kao što je oprema za montiranje sonde, isporučuje se s uputama za montiranje. Dostupno je nekoliko mogućnosti montaže, stoga se sonda može koristiti za mnoge različite primjene.

2.5 Izvedbe senzora

Senzor je dostupan u različitim izvedbama. Pogledajte [Slika 1](#).

Slika 1 Izvedbe senzora



<p>1 Umetanje—za montiranje u protočnu kivetu ili adapter cijevi sklopa opreme za kuglasti ventil. Omogućuje uklanjanje bez zaustavljanja toka procesa.</p>	<p>3 Sanitarno—za montiranje u sanitarni T-nastavak od 2 inča</p>
<p>2 Prilagodljivo—za cijev t-oblika ili uranjanje u otvorenu posudu</p>	<p>4 Nehrđajući čelik—za uranjanje u otvorenu posudu</p>

Senzori za umetanje—senzori za umetanje slični su prilagodljivim sensorima, no navoji od NPT-a veličine 1 inč nalaze se samo na kraju kabela za montiranje u protočnu kivetu ili adapter cijevi sklopa opreme za kuglasti ventil. Senzori za umetanje dodaju se u proces ili uklanjanju iz njega bez zaustavljanja toka procesa.

Prilagodljivi senzori—prilagodljivi senzori imaju navoje od NPT-a veličine 1 inč na oba kraja kućišta za montiranje u sljedeće konfiguracije:

- standardna cijev s NPT-om od jednog inča
- adapter cijevi za zajedničko montiranje sa standardnom cijevi od 1-½ inča
- na kraju cijevi za uranjanje u posudu

***Napomena:** Prilagodljivi senzori mogu se upotrijebiti i u postojećim sklopovima za senzore veličine 1-½ inča od LCP-a, Rytona i epoksi-smole.*


Sanitarni senzori—sanitarni senzori imaju ugrađenu prirubnicu od 2 inča za montiranje u sanitarni T-nastavak od 2 inča. Poseban čep i brtva od spoja EDPM priloženi su uz sanitarne senzore za upotrebu sa sanitarnom opremom.

Senzori od nehrđajućeg čelika—senzori od nehrđajućeg čelika imaju navoje od NPT-a veličine 1 inč na oba kraja kućišta. Senzori od nehrđajućeg čelika namijenjeni su uranjanju u otvorenu posudu.

Odjeljak 3 Instalacija

3.1 Montaža

⚠ UPOZORENJE	
	Opasnost od eksplozije. Pobrinite se da su nazivna temperatura i tlak opreme za montiranje senzora dovoljni za lokaciju montiranja.

⚠ OPREZ	
	Opasnost od ozljede. Slomljeno staklo može uzrokovati rezove. Za uklanjanje slomljenog stakla koristite profesionalnu zaštitnu opremu.

OBAVIJEST

Na vrhu senzora procesna elektroda ima stakleni dio koji se može slomiti. Nemojte udarati niti pritiskati staklenu kuglicu.

OBAVIJEST

Zlatna ili platinasta procesna elektroda na vrhu ORP senzora sadrži stakleni cilindar (skriven iza slanog mosta) koji se može slomiti. Nemojte udarati niti pritiskati stakleni cilindar.

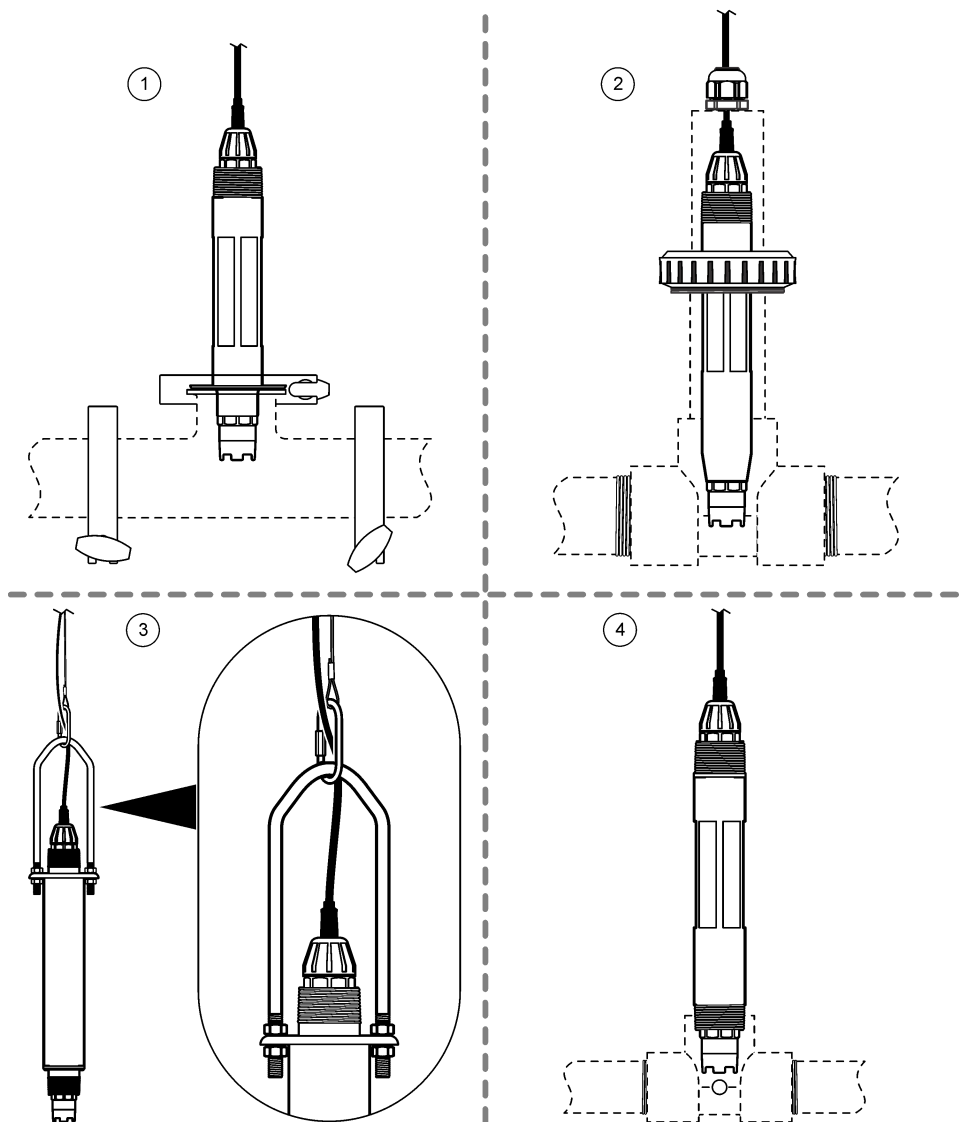
OBAVIJEST

Ovaj je uređaj namijenjen za nadmorsku visinu od maksimalno 2000 m (6562 ft) lako upotreba ove opreme na nadmorskoj visini iznad 2000 m ne predstavlja značajan sigurnosni rizik, proizvođač preporučuje da se korisnici koji imaju nedoumica obrate tehničkoj podršci.

- Senzor postavite na mjesto na kojemu će uzorak koji će doći u kontakt sa senzorom biti reprezentativan za čitav proces.
- Primjere konfiguracija za montiranje prikazuju [Slika 2](#), [Slika 3](#) i [Slika 4](#).
- Dostupnu opremu za montiranje potražite u dijelu [Zamjenski dijelovi i dodatna oprema](#) na stranici 430.
- Informacije o montiranju potražite u uputama isporučenima uz opremu za montiranje.
- Montirajte senzore najmanje 15° iznad vodoravnog položaja. Pogledajte [Slika 5](#).
- Za montažu uranjanjem postavite senzor najmanje 508 mm (20 inča) od stijenke spremnika za aeraciju i uronite senzor najmanje 508 mm (20 inča) u sustav.
- Uklonite zaštitnu kapicu prije nego što senzor stavite u proces. Zaštitni čep sačuvajte za narednu upotrebu.
- (Dodatno) Ako je procesna voda blizu temperature ključanja, dodajte gel puder³ standardnoj otopini u kivetu u senzoru. Pogledajte korak 2 u poglavlju [Zamjena slanog mosta](#) na stranici 423. Nemojte mijenjati slani most.
- Kalibrirajte senzor prije upotrebe.

³ Gel puder smanjuje brzinu isparavanja standardne otopine u kivetu.

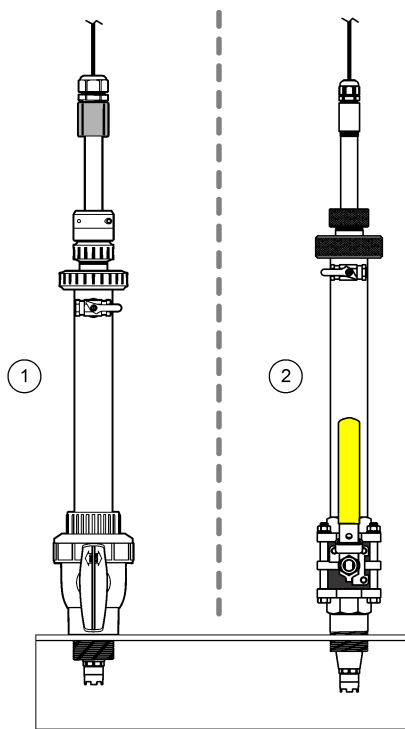
Slika 2 Primjeri montaže (1)



1 sanitarna montaža (sanitarni T-nastavak od 2 inča)	3 montaža uranjanjem, lanac i karika ⁴
2 zajednička montaža (standardni T-nastavak od 1½ inča)	4 protočna montaža (standardni T-nastavak od 1 inča)

⁴ Samo senzori od nehrđajućeg čelika

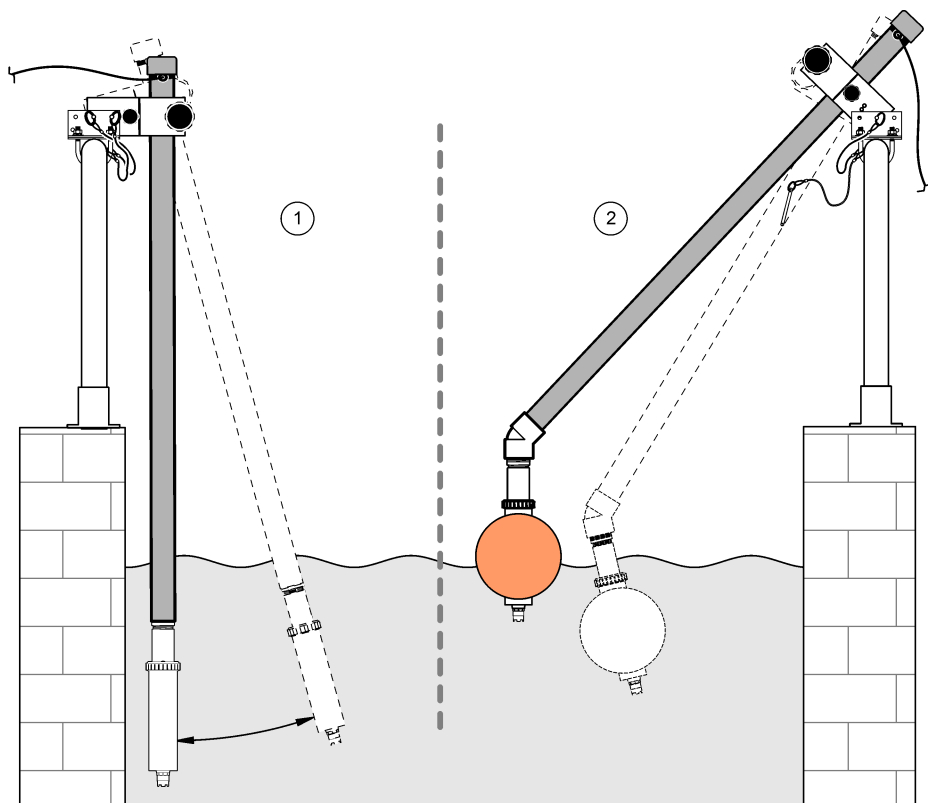
Slika 3 Primjeri montaže (2)



1 montaža za umetanje, oprema od CPVC-a

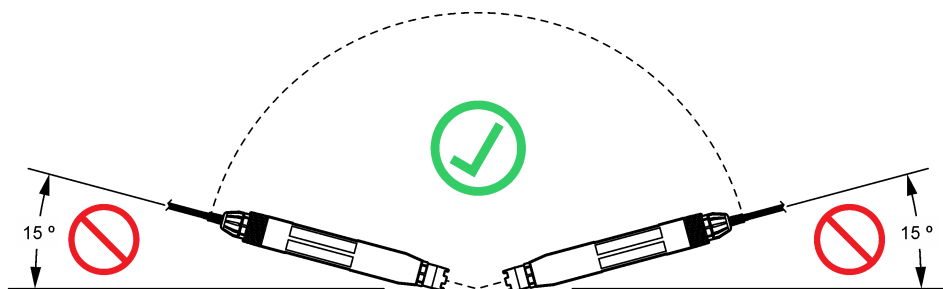
2 montaža za umetanje, oprema od nehrđajućeg čelika

Slika 4 Primjeri montaže (3)



- | | |
|--------------------------------|---|
| 1 montaža uranjanjem, rukohvat | 2 Montaža s uranjanjem, kuglasti plovak |
|--------------------------------|---|

Slika 5 Kut montaže senzora

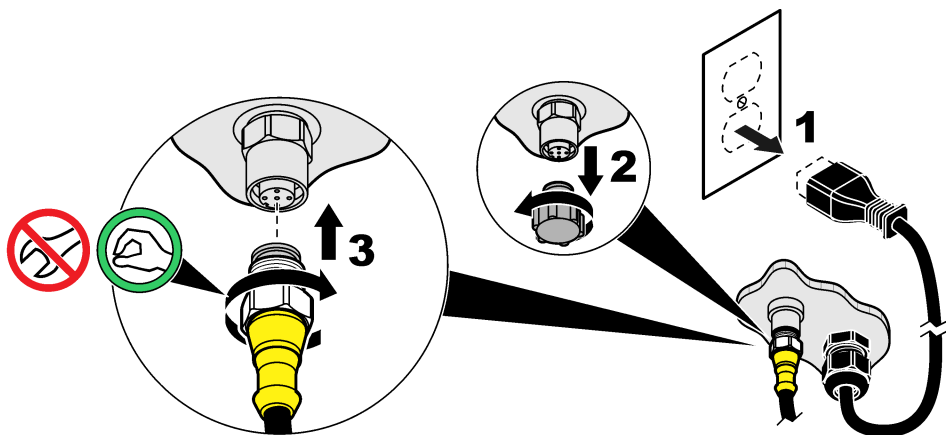


3.2 Električna instalacija

3.2.1 Spajanje senzora na priključak za brzo spajanje (lokacija koja nije opasna)

1. Kabel senzora spojite na priključak za brzo spajanje na SC kontroleru. Pogledajte [Slika 6](#). Spremite kapicu priključka kako biste zatvorili otvor na njemu u slučaju da morate skinuti senzor.
2. Ako je napajanje uključeno kad se senzor priključi:
 - Kontroler SC200—odaberite TEST/MAINT (TEST/ODRŽAVANJE) > SCAN SENSORS (SKENIRAJ SENZORE).
 - Kontroler SC1000—odaberite SYSTEM SETUP (POSTAVLJANJE SUSTAVA) > DEVICE MANAGEMENT (UPRAVLJANJE UREĐAJEM) > SCANNING FOR NEW DEVICES (TRAŽENJE NOVIH UREĐAJA).

Slika 6 Spojite senzor na priključak za brzo spajanje



3.2.2 Produžni kabeli

- Dostupni su produžni kabeli. Pogledajte [Zamjenski dijelovi i dodatna oprema](#) na stranici 430.
- Maksimalna duljina kabela je 15 m (49 ft) za kontroler SC1000.
- Maksimalna duljina kabela je 1000 m (3280 ft) za kontroler SC200.
- Kontroler SC200—upotrijebite digitalnu kutiju s priključcima ako je duljina kabela veća od 100 m (328 ft). Pogledajte [Zamjenski dijelovi i dodatna oprema](#) na stranici 430.

3.2.3 Priključite kabel senzora s golim žicama (lokacija koja nije opasna)

⚠ OPASNOST



Opasnost od strujnog udara. Prije priključivanja strujnih kabela uvijek isključite napajanje uređaja.

⚠ OPASNOST



Opasnost od strujnog udara. Visokonaponsko ožičenje kontrolera nalazi se iza visokonaponske pregrade u kućištu kontrolera. Pregrada mora ostati na mjestu osim u slučajevima kad priključujete module ili kad kvalificirani tehničar uvodi napajanje, releje ili analogne i mrežne kartice.

Ako kabel senzora nema priključak za brzo spajanje⁵, spojite gole žice kabela senzora na kontroler na sljedeći način:

Napomena: Kabel senzora s golim žicama ne može se priključiti na kontroler SC1000.

1. Pronađite komplet ožičenja za vod (9222400) u kutiji u kojoj se isporučuje kontroler SC200. Komplet sadrži četiri spojna priključka.
2. Slijedite upute isporučene u kompletu ožičenja za vod za priključivanje kabela senzora na kontroler.

Odjeljak 4 Funkcioniranje

4.1 Navigacija korisnika

Pogledajte dokumentaciju o kontroleru radi opisa tipki i informacija o navigaciji.

Više puta pritisnite tipku s **DESNOM** strelicom na kontroleru da biste prikazali više informacija na početnom zaslonu i prikazali grafički prikaz.

4.2 Konfiguracija senzora

Odaberite naziv senzora i vrstu senzora. Promijenite opcije za mjerenje, kalibraciju, rukovanje podacima i pohranu.




1. Pritisnite **menu (izbornik)**, a zatim odaberite **SENSOR SETUP (POSTAVLJANJE SENZORA) > [Odabir senzora] > CONFIGURE (KONFIGURIRAJ)**.
2. Odaberite opciju.

Opcija	Opis
EDIT NAME (UREDİ NAZIV)	Mijenja naziv da odgovara senzoru na vrhu mjernog zaslona. Naziv je ograničen na 12 znamenki u bilo kojoj kombinaciji slova, brojeva, praznih mjesta ili interpunkcijskih znakova.
SELECT SENSOR (ODABIR SENZORA)	Odabire vrstu senzora (pH ili ORP).
DISPLAY FORMAT (FORMAT ZA PRIKAZ)	Samo za pH senzore—mijenja broj decimalnih mjesta koji su prikazani na mjernom zaslonu u XX.XX (zadano) ili XX.X.
TEMP UNITS (MJERNE JEDINICE TEMPERATURE)	Postavlja jedinice temperature na °C (zadano) ili °F.
LOG SETUP (POSTAVLJANJE ZAPISA)	Postavlja vrijeme intervala za pohranu podataka u dnevniku podataka—5,30 sekundi, 1, 2, 5, 10 15 (zadano), 30, 60 minuta.
AC FREQUENCY (FREKV. IZMJ. STRUJE)	Odabire se frekvencija izmjeničnog napajanja koje se isporučuje na kontroleru (50 ili 60 Hz). Ako je napajanje kontrolera 120 VAC, odaberite 60 Hz. Ako je napajanje kontrolera 230 VAC, odaberite 50 Hz.
FILTER (FILTAR)	Postavlja konstantu vremena za povećanje stabilnosti signala. Konstanta vremena izračunava prosječnu vrijednost tijekom određenog vremena—0 (nema učinka, zadano) do 60 sekundi (prosječna vrijednost signala za 60 sekundi). Filtrar povećava vrijeme za odgovor signala senzora na trenutačne promjene u procesu.

⁵ Na primjer, ako se za produljenje kabela senzora primjenjuju digitalna kutija s priključcima i veliki 4-žilni oklopljeni kabel.

Opcija	Opis
TEMP ELEMENT (TEMPERATURNI ELEMENT)	<p>pH senzori–postavlja temperaturni element za automatsku kompenzaciju temperature na PT100, PT1000, NTC300 (zadano) ili MANUAL (RUČNO). Ako se ne koristi element, vrsta može biti postavljena na MANUAL (RUČNO) i vrijednost za kompenzaciju temperature može se unijeti (ručno zadano: 25 °C).</p> <p>ORP senzori–kompenzacija temperature nije korištena. Temperaturni element može biti priključen da mjeri temperaturu.</p>
SELECT BUFFER (ODABIR PUFERSKE OTOPINE)	<p>Samo za pH senzore–odabire otopine pufera za kalibraciju. Opcije: pH 4, 7, 10 (zadano) ili DIN 19267 (pH 1,09; 4,65; 6,79; 9,23; 12,75)</p> <p>Napomena: Za kalibraciju se mogu upotrijebiti druge otopine pufera.</p>
PURE H2O COMP (KOMPONENTA U ČISTO H2O)	<p>Samo za pH senzore–dodaje ispravak ovisan o temperaturi na izmjerenu pH vrijednost za prirodnu vodu s dodacima–NONE (NIJEDAN) (zadano), AMONIJAK, MORPHOLINE (MORFOLIN) ili DEFINIRANO OD STRANE KORISNIKA. Za temperature procesa iznad 50°C, korišten je ispravak 50°C. Za primjene definirane od strane korisnika, linearni nagib (zadano:0 pH/°C) može se unesti.</p>
CAL DAYS (DANI KALIBRACIJE)	<p>Postavlja kalibracijski interval (zadano: 60 dana).</p> <p>Napomena: Upozorenje (PREKORAČENA KALIBRACIJA) prikazuje se na zaslonu kontrolera kada je broj dana od kalibracije senzora veći od intervala kalibracije.</p>
SENSOR DAYS (DANI RADA SENZORA)	<p>Postavlja interval zamjene senzora (zadano: 365 dana).</p> <p>Napomena: Upozorenje se prikazuje na zaslonu kontrolera kada je broj dana rada senzora veći od intervala zamjene senzora.</p>
IMPED LIMITS (GRANICE OTPORA)	<p>Postavlja granice otpora za aktivnu i referentnu elektrodu (zadano: LOW (NIZAK) = 0 MΩ, HIGH (VISOK) = 1000 MΩ).</p> <p>Napomena: Kada je opcija IMPED STATUS (STATUS IMPEDANCIJE) u izborniku DIAG/TEST (DIJAGNOSTIKA/TEST) postavljena na ENABLED (OMOGUĆENO), poruka o pogrešci prikazuje se na zaslonu kontrolera ako impedancija aktivne ili referentne elektrode nije unutar granica impedancije.</p>
DEFAULT SETUP (ZADANE POSTAVKE)	<p>Postavke konfiguracije vraćaju se na zadane postavke.</p>

4.3 Kalibracija senzora

▲ UPOZORENJE	
	Opasnost od eksplozije. Uklanjanje senzora iz posude pod tlakom može biti opasno. Prije uklanjanja smanjite tlak procesa ispod 10 psi. Ako to nije moguće, budite iznimno oprezni. Dodatne informacije potražite u dokumentaciji isporučenoj uz opremu za montiranje.
▲ UPOZORENJE	
	Opasnost od izlaganja kemikalijama. Poštujte laboratorijske sigurnosne propise i opremite se svom odgovarajućom osobnom zaštitnom opremom s obzirom na kemikalije kojima ćete rukovati. Sigurnosne protokole potražite na trenutno važećim sigurnosno tehničkim listovima materijala (MSDS/SDS).
▲ OPREZ	
	Opasnost od izlaganja kemikalijama. Kemikalije i otpad odlažite sukladno lokalnim, regionalnim i državnim propisima.

4.3.1 O kalibraciji senzora

Kalibracija podešava očitavanja senzora da odgovaraju vrijednosti jedne ili dvije referentne otopine. Karakteristike senzora lagano se mijenjaju i s vremenom dovode do gubitka točnosti senzora. Senzor

se mora redovito kalibrirati kako bi održao točnost. Učestalost kalibracije varira uz primjenu i najbolje se određuje po iskustvu.

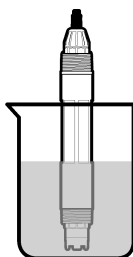
Kod pH senzora temperaturni element se koristi kako bi omogućio pH očitavanja koja su automatski podešena na 25°C radi promjena temperatura koje utječu na aktivnu i referentnu elektrodu. Ovo podešenje može se ručno podesiti od strane korisnika ako je proces temperature konstantan. Pogledajte opciju TEMP ELEMENT (TEMPERATURNI ELEMENT) u dijelu [Konfiguracija senzora](#) na stranici 417.

4.3.2 Postupak pH kalibracije

Kalibrirajte pH senzor jednom ili dvjema referentnim otopinama (kalibracija u jednoj ili dvije točke).

1. Stavite senzor u prvu referentnu otopinu (pufer ili uzorak poznate vrijednosti). Osigurajte da je dio senzora za testiranje potpuno uronjen u tekućinu. Pogledajte [Slika 7](#).

Slika 7 Senzor u referentnoj otopini



2. Pričekajte da se temperature senzora i otopine izjednače. Ovo može trajati 30 minuta ili više ako je značajna temperaturna razlika između procesne i referentne otopine.
3. Pritisnite **menu (izbornik)**, a zatim odaberite SENSOR SETUP (POSTAVLJANJE SENZORA) > [Odabir senzora] > CALIBRATE (KALIBRIRAJ).
4. Odabir vrste kalibracije:

Opcija	Opis
1 POINT AUTO (AUTOMATSKI, 1 TOČKA)	Upotrijebite jedan pufer za kalibraciju (npr. pH 7). Senzor automatski prepoznaje pufer tijekom kalibracije. Napomena: Odaberite odgovarajući komplet pufera postavljen u postavkama konfiguracije senzora.
2 POINT AUTO (AUTOMATSKI, 2 TOČKE) (preporučeno)	Upotrijebite dva pufera za kalibraciju (npr. pH 7 i pH 4). Senzor automatski prepoznaje puferne tijekom kalibracije. Napomena: Odaberite odgovarajući komplet pufera postavljen u postavkama konfiguracije senzora.
1 POINT MANUAL (RUČNO U 1 TOČKI)	Upotrijebite uzorak poznate pH vrijednosti (ili jedan pufer) za kalibraciju. Unesite pH vrijednost tijekom kalibracije.
2 POINT MANUAL (RUČNO U 2 TOČKE)	Upotrijebite dva uzorka poznate pH vrijednosti (ili dva pufera) za kalibraciju. Unesite pH vrijednosti tijekom kalibracije.

5. Ako je u sigurnosnom izborniku omogućena lozinka za kontroler, unesite lozinku.
6. Odaberite opciju za izlazni signal tijekom kalibracije:

Opcija	Opis
ACTIVE (AKTIVNO)	Instrument šalje trenutačno izmjerenu izlaznu vrijednost tijekom kalibracijskog postupka.

Opcija	Opis
HOLD (ZADRŽAVANJE)	Izlazna vrijednost senzora je zadržana na trenutačno izmjerenoj vrijednosti tijekom kalibracijskog postupka.
TRANSFER (PRIJENOS)	Prethodno postavljena vrijednost izlaza poslana je tijekom kalibracije. Za promjenu prethodno postavljene vrijednosti pogledajte korisnički priručnik za kontroler.

7. Sa senzorom u prvoj referentnoj otopini pritisnite potvrdu. Prikazuje se izmjerena vrijednost.
8. Ako je primjenjivo, unesite pH vrijednost referentne otopine:
 - a. Pričekajte da se vrijednost stabilizira i pritisnite potvrdu.
 - b. Unesite pH vrijednost.

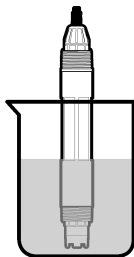
Napomena: Ako je referentna otopina pufer, pH vrijednost pronađite na bočici s puferom radi određivanja temperature pufera. Ako je referentna otopina uzorak, odredite pH vrijednost uzorka drugim instrumentom.
9. Za kalibraciju u 2 točke mjerite sekundarnu referentnu otopinu na sljedeći način:
 - a. Uklonite senzor iz prve otopine i isperite s čistom vodom.
 - b. Stavite senzor u sljedeću referentnu otopinu i pritisnite potvrdu.
 - c. Ako je primjenjivo, pričekajte da se vrijednost stabilizira i pritisnite potvrdu. Unesite pH vrijednost.
10. Pregled rezultata kalibracije:
 - PASS (PROLAZ)—senzor je kalibriran i spreman za mjerenje uzoraka. Prikazane su vrijednosti nagiba i/ili odmaka.
 - FAIL (NIJE USPJELO)—kalibracijski nagib ili pomak izvan su prihvaćenih ograničenja. Ponovite kalibraciju sa svježom referentnom otopinom. Po potrebi očistite senzor. Pogledajte [Čišćenje senzora](#) na stranici 423.
11. Ako je kalibracija uspješna, pritisnite potvrdu.
12. Vratite senzor u sustav i pritisnite potvrdu. Izlazni signal vraća se u aktivno stanje i vrijednost uzorka se prikazuje na mjernom zaslonu.

4.3.3 Postupak kalibracije ORP

Kalibrirajte ORP senzor jednom referentnom otopinom ili uzorkom poznate vrijednosti.

1. Stavite senzor u referentnu otopinu ili uzorak. Osigurajte da je dio senzora sonde potpuno uronjen u otopinu. Pogledajte [Slika 8](#).

Slika 8 Senzor u referentnoj otopini ili uzorku



2. Pritisnite **menu (izbornik)**, a zatim odaberite SENSOR SETUP (POSTAVLJANJE SENZORA) > [Odabir senzora] > CALIBRATE (KALIBRIRAJ).
3. Odaberite 1 POINT MANUAL (RUČNO U 1 TOČKI).
4. Ako je u sigurnosnom izborniku omogućena lozinka za kontroler, unesite lozinku.

5. Odaberite opciju za izlazni signal tijekom kalibracije:

Opcija	Opis
ACTIVE (AKTIVNO)	Instrument šalje trenutačno izmjerenu izlaznu vrijednost tijekom kalibracijskog postupka.
HOLD (ZADRŽAVANJE)	Izlazna vrijednost senzora je zadržana na trenutačno izmjerenoj vrijednosti tijekom kalibracijskog postupka.
TRANSFER (PRIJENOS)	Prethodno postavljena vrijednost izlaza poslana je tijekom kalibracije. Za promjenu prethodno postavljene vrijednosti pogledajte korisnički priručnik za kontroler.

6. Sa senzorom u referentnoj otopini ili uzorku pritisnite potvrdu.

Prikazuje se izmjerena vrijednost.

7. Pričekajte da se vrijednost stabilizira i pritisnite potvrdu.

8. Unesite vrijednost ORP referentne otopine ili uzorka.

Napomena: Ako se za kalibraciju upotrebljava referentna otopina, vrijednost ORP pronađite na bočici s referentnom otopinom. Ako se za kalibraciju upotrebljava uzorak, izmjerite vrijednost ORP sekundarnim instrumentom za provjeru.

9. Pregled rezultata kalibracije:

- PASS (PROLAZ)—senzor je kalibriran i spreman za mjerenje uzoraka. Prikazane su vrijednosti nagiba i/ili odmaka.
- FAIL (NIJE USPJELO)—kalibracijski nagib ili pomak izvan su prihvaćenih ograničenja. Ponovite kalibraciju sa svježom referentnom otopinom. Po potrebi očistite senzor. Pogledajte [Čišćenje senzora](#) na stranici 423.

10. Ako je kalibracija uspješna, pritisnite potvrdu.

11. Vratite senzor u sustav i pritisnite potvrdu.

Izlazni signal vraća se u aktivno stanje i vrijednost uzorka se prikazuje na mjernom zaslonu.

4.3.4 Kalibracija temperature

Radi točnog mjerenja temperature instrument je kalibriran tvornički. Kalibrirajte temperaturu da biste povećali točnost.

1. Stavite senzor u spremnik s vodom.
2. Mjerite temperaturu vode s točnim termometrom ili nezavisnim instrumentom.
3. Pritisnite **menu (izbornik)**, a zatim odaberite **SENSOR SETUP (POSTAVLJANJE SENZORA) > [Odabir senzora] > CALIBRATE (KALIBRIRAJ)**.
4. Odaberite **TEMP ADJUST (PODEŠAVANJE TEMPERATURE) > EDIT TEMP (UREDIT TEMPERATURU)** pa pritisnite potvrdu.
5. Unesite točnu vrijednost temperature pa pritisnite potvrdu.
6. Vratite senzor u sustav i pritisnite potvrdu.

4.3.5 Izlaz iz kalibracijskog postupka

1. Za izlaz iz kalibracije pritisnite **back (natrag)**.
2. Odaberite opciju.

Opcija	Opis
ABORT (PREKINI)	Zaustavljanje kalibracije. Nova kalibracija mora započeti od početka.

Opcija	Opis
BACK TO CAL (NATRAG U KALIBRACIJU)	Povratak u kalibraciju.
LEAVE (IZLAZ IZ KALIBRACIJE)	Privremeni izlazak iz kalibracije. Dopušten je pristup drugim izbornicima. Kalibracija drugog senzora može početi (ako postoji). Za povratak u kalibraciju pritisnite menu (izbornik) i odaberite SENSOR SETUP (POSTAVLJANJE SENZORA) > [Select Sensor] (Odabir senzora).

4.4 Podaci senzora i dnevnici događaja

Sc kontroler stvara dnevnik zapisa i dnevnik događaja za svaki senzor. Dnevnik podataka sadrži podatke mjerenja u odabranim intervalima (mogu se konfigurirati). Dnevnik događaja prikazuje događaje koji su se pojavili.

Dnevnik podataka i dnevnik događaja mogu se spremiti u formatu CSV. Upute potražite u dokumentaciji kontrolera.

4.5 Registri modbusa

Za mrežnu komunikaciju dostupan je popis modbus registara. Dodatne informacije potražite na web-stranici proizvođača.

Odjeljak 5 Održavanje

▲ OPASNOST



Višestruka opasnost. Zadatke opisane u ovom odjeljku priručnika treba obavljati isključivo kvalificirano osoblje.

▲ UPOZORENJE



Opasnost od eksplozije. Uklanjanje senzora iz posude pod tlakom može biti opasno. Prije uklanjanja smanjite tlak procesa ispod 10 psi. Ako to nije moguće, budite iznimno oprezni. Dodatne informacije potražite u dokumentaciji isporučenoj uz opremu za montiranje.

▲ UPOZORENJE



Opasnost od izlaganja kemikalijama. Poštujte laboratorijske sigurnosne propise i opremite se svom odgovarajućom osobnom zaštitnom opremom s obzirom na kemikalije kojima ćete rukovati. Sigurnosne protokole potražite na trenutno važećim sigurnosno tehničkim listovima materijala (MSDS/SDS).

▲ OPREZ



Opasnost od izlaganja kemikalijama. Kemikalije i otpad odložite sukladno lokalnim, regionalnim i državnim propisima.

5.1 Raspored održavanja

Tablica 1 prikazuje preporučeni raspored zadataka održavanja. Zahtjevi ustanove i radni uvjeti mogu povećati učestalost nekih zadataka.

Tablica 1 Raspored održavanja

Zadatak	Jednom godišnje	Po potrebi
Čišćenje senzora na stranici 423		X ⁶
Zamjena slanog mosta na stranici 423	X	
Kalibracija senzora	Postavljeno od regulatornog predstavništva ili po iskustvu	

5.2 Čišćenje senzora

Potrebno je: pripremite otopinu blage sapunice s neabrazivnim sredstvom za pranje posuđa koje ne sadrži lanolin. Lanolin ostavlja sloj na površini elektrode koji može smanjiti učinkovitost senzora.

Povremeno pregledajte senzor radi ostataka i nakupina. Očistite senzor kada se nakupe ostaci ili kada je smanjena učinkovitost.

1. Koristite čistu, meku krpu za uklanjanje ostataka s kraja senzora. Isperite senzor čistom, toplom vodom.
2. Namačite senzor 2 do 3 minute u otopini blage sapunice.
3. Koristite meku četkicu kako biste istrjali cijeli mjerni završetak senzora.
4. Ako ostanu krhotine, umočite mjerni kraj senzora u razrijeđenu kiselinu kao što je <5% HCl na maksimalno 5 minuta.
5. Isperite senzor s vodom i potom vratite u otopinu sapunice na 2 do 3 minute.
6. Isperite senzor s čistom vodom.

Napomena: Senzore s elektrodama od antimona za HF primjene možda bude trebalo dodatno čistiti. Obratite se tehničkoj podršci.

Uvijek kalibrirajte senzor nakon obavljanja postupaka za održavanje.

5.3 Zamjena slanog mosta

Mijenjajte slani most i standardnu otopinu u kiveti u jednogodišnjim intervalima ili ako kalibracija ne uspije nakon čišćenja senzora.

Napomena: Videozapis u kojem je prikazana zamjena slanog mosta dostupan je na stranici www.Hach.com. Posjetite web-stranicu o slanom mostu i kliknite na karticu Video.

Potrebne stavke:

- Podesivi francuski ključ
- Velika pinceta
- Slani most
- Standardna otopina u kiveti
- Gel puder⁷, 1/8 čajne žličice

1. Očistite senzor. Pogledajte [Čišćenje senzora](#) na stranici 423.
2. Zamijenite slani most i standardnu otopinu u kiveti. Pogledajte ilustrirane korake u nastavku.
Ako spremnik za standardnu otopinu u kiveti sadrži gel (nije uobičajeno), upotrijebite mlaz vode iz uređaja nalik oralnom tušu za uklanjanje starog gela, kao na ilustriranom koraku 2.

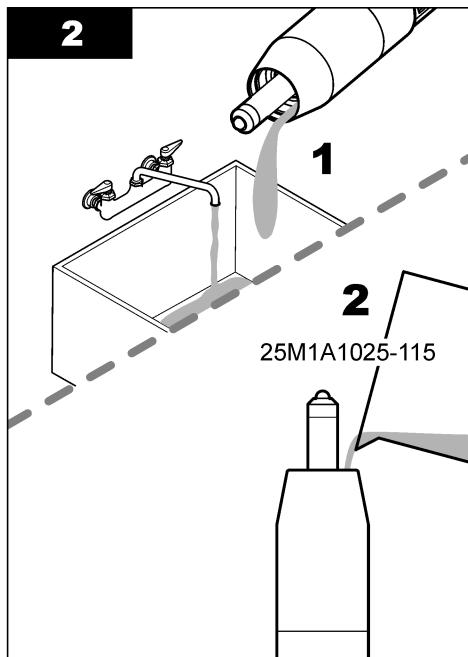
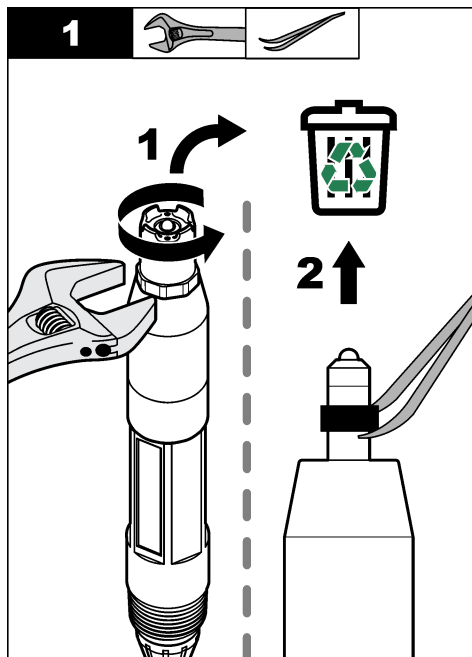
⁶ Učestalost ovisi o radnim uvjetima.

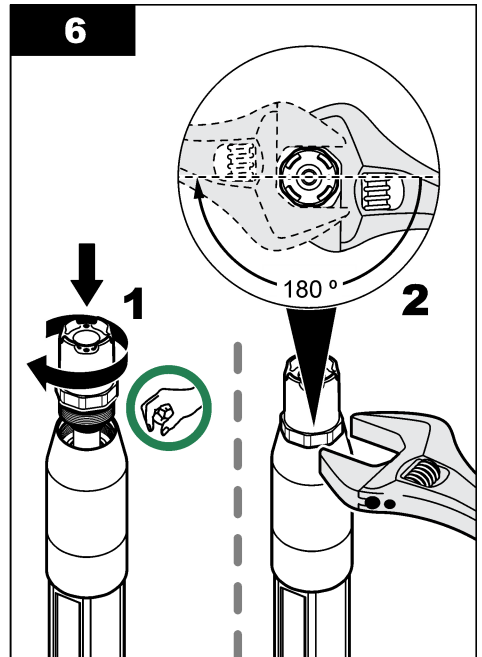
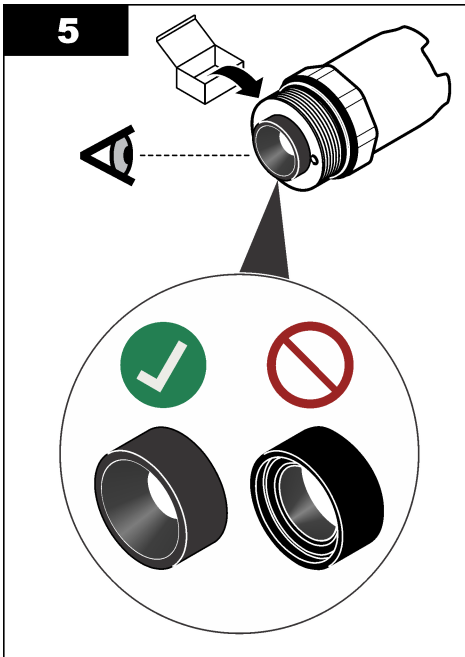
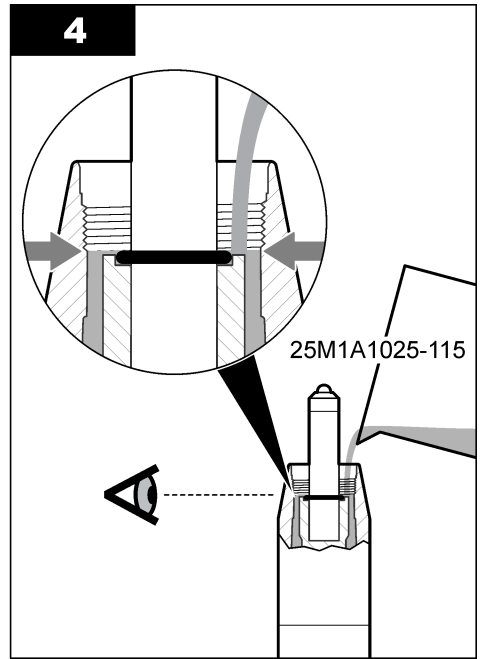
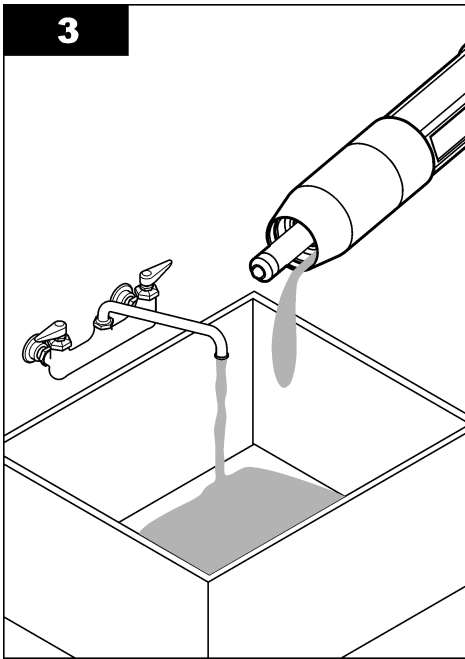
⁷ (Dodatno) Dodajte gel puder u standardnu otopinu u kiveti ako je procesna voda blizu temperature ključanja. Gel puder smanjuje brzinu isparavanja standardne otopine u kiveti.

(Dodatno) Ako je procesna voda blizu temperature ključanja, dodajte gel puder novoj standardnoj otopini u kiveti kao na ilustriranom koraku 4 na sljedeći način:

- a. Uspite 1 čep bočice napunjen do vrha gel puderom ($\frac{1}{8}$ čajne žličice) u spremnik za standardnu otopinu u kiveti.
- b. Uspite malo svježe standardne otopine čelije u spremnik.
- c. Miješajte s praškom dok otopina ne postane gusta.
- d. Dodajte male količine otopine i miješajte dok razina gela ne bude pri dnu navoja slanog mosta.
- e. Provjerite točnu razinu gela tako da instalirate i uklonite novi slani most. Otisak slanog mosta mora ostati na površini gela.

3. Kalibrirajte senzor.





5.4 Priprema za skladištenje

Za kratkotrajnu pohranu (kad je senzor van upotrebe dulje od jednog sata) napunite zaštitni čep puferom pH 4 ili destiliranom vodom i ponovo natakните čep na senzor. Održavajte procesnu elektrodu i referentni spoj solnog mosta vlažnima kako biste izbjegli spori odziv prilikom ponovnog korištenja senzora.

Za dugotrajnu pohranu ponovite postupak kratkotrajne pohrane svaka 2 do 4 tjedna, ovisno o uvjetima okoline. Granice temperature skladištenja potražite u dijelu [Specifikacije](#) na stranici 408.

Odjeljak 6 Rješavanje problema

6.1 Isprekidani podaci

Tijekom kalibracije, podaci se ne šalju u zapisnik. Stoga, zapisnik može imati prostor gdje su podaci isprekidani.

6.2 Izbornik dijagnostike i testa senzora

Izbornik dijagnostike i testa senzora prikazuje trenutačne i podatke povijesti o instrumentu. Pogledajte [Tablica 2](#). Za pristup izborniku dijagnostike i testa senzora pritisnite **menu (izbornik)** i odaberite SENSOR SETUP (POSTAVLJANJE SENZORA) > [Odabir senzora], DIAG/TEST (DIJAGNOSTIKA/TEST).

Tablica 2 Izbornik DIAG/TEST (DIJAGNOSTIKA/TEST) senzora

Opcija	Opis
PROBE INFO (PODACI O SENZORU)	Prikazuje vrstu senzora, naziv, serijski broj, verziju softvera i verziju upravljačkog programa.
CAL DATA (PODACI O KALIBRACIJI)	Prikazuje pH nagib (mV/pH) i datum posljednje kalibracije. pH nagib treba biti između -55 i -61 mV.
SIGNALI	<p>SENSOR SIGNAL (SIGNAL SENZORA)—prikazuje očitavanje senzora u mV. Raspon vrijednosti mV je između -60 i +60 mV (0 mV = pH 7).</p> <p>SENS ADC CNTS (VRIJEDNOST ADC SENZ.)—prikazuje se digitalni broj koji predstavlja očitavanje vrijednosti pH.</p> <p>TEMP ADC CNTS (VRIJEDNOST ADC TEMPERATURE)—prikazuje se digitalni broj koji predstavlja očitavanje vrijednosti temperatura.</p> <p>ELECTRD STATE (STANJE ELEKTRODE)—prikazuje stanje aktivne i referentne elektrode (GOOD (DOBRO) ili BAD (LOŠE)). Ako se prikazuje „BAD (LOŠE)”, očistite senzor i zamijenite slani most. Po potrebi zamijenite senzor.</p> <p>ACTIVE ELECT (AKTIVNA ELEKTRODA)—prikazuje impedanciju aktivne elektrode.</p> <p>REF ELECTRODE (REFERENTNA ELEKTRODA)—prikazuje impedanciju referentne elektrode.</p> <p>IMPED STATUS (STATUS IMPEDANCIJE)—kada je omogućeno (preporučeno), impedancija aktivne i referentne elektrode mjeri se u intervalima od jedne minute. Na zaslonu kontrolera prikazuje se pogreška kada impedancija aktivne ili referentne elektrode nije između donje i gornje granice impedancije.</p>
COUNTERS (BROJAČI)	<p>SENSOR DAYS (DANI RADA SENZORA)—prikazuje koliko je dana senzor radio.</p> <p>RESET SENSOR (PONOVO POSTAVLJANJE SENZORA)—postavlja vrijednost SENSOR DAYS (DANI RADA SENZORA) i ELECTRODE DAYS (DANI ELEKTRODE) na nulu.</p> <p>ELECTRODE DAYS (DANI ELEKTRODE)—prikazuje broj dana od zamjene slanog mosta.</p> <p><i>Napomena: Vrijednost ELECTRODE DAYS (DANI ELEKTRODE) automatski se postavlja na nulu kad se zamijeni slani most.</i></p>

6.3 Poruke o pogreškama

Kad dođe do pogreške, očitavanje na zaslonu mjerenja bljeska i sve se izlazne informacije zadržavaju kad je to navedeno u izborniku kontrolera. Za prikaz pogrešaka senzora pritisnite **menu (izbornik)** i odaberite **DIAGNOSTICS (DIJAGNOSTIKA) > [Odabir senzora] > ERROR LIST (POPIS POGREŠAKA)**. Popis mogućih pogrešaka prikazan je u [Tablica 3](#).

Tablica 3 Poruke o pogreškama

Pogreška	Opis	Resolution (Rezolucija)
PH TOO HIGH (pH previsok)	Izmjereni pH je > 14.	Kalibrirajte senzor.
ORP TOO HIGH (ORP PREVISOKO)	Izmjerena vrijednost ORP je > 2100 mV.	
PH TOO LOW (PH PRENIZAK)	Izmjereni pH je < 0.	Kalibrirajte senzor.
ORP TOO LOW (ORP PRENIZAK)	Izmjerena vrijednost ORP je ≤ 2100 mV.	
OFFSET TOO HIGH (ODMAK PREVISOKO)	Odmak je > 9 (pH) ili 200 mV (ORP).	Izvršite korake navedene pod Čišćenje senzora na stranici 423 i Zamjena slanog mosta na stranici 423. Zatim ponovite kalibraciju.
OFFSET TOO LOW (ODMAK PRENISKI)	Odmak je < 5 (pH) ili -200 mV (ORP).	
SLOPE TOO HIGH (NAGIB PREVISOKO)	Nagib je > 62 (pH)/1,3 (ORP).	Ponovite kalibraciju sa svježom referentnom otopinom.
SLOPE TOO LOW (NAGIB PRENISKI)	Nagib je < 50 (pH)/0,7 (ORP).	Izvršite korake iz odjeljka Čišćenje senzora na stranici 423. Zatim ponovite kalibraciju.
TEMP TOO HIGH (Temperatura previsoka)	Izmjerena temperatura je > 130°C.	Provjerite da li je odabran točan temperaturni element. Pogledajte opciju TEMP ELEMENT (TEMPERATURNI ELEMENT) u dijelu Konfiguracija senzora na stranici 417.
TEMP TOO LOW (Temperatura preniska)	Izmjerena temperatura je ≤ 10 °C.	
ADC FAILURE (KVAR ADC-A)	Nije uspjela pretvorba iz analognog u digitalno.	Isključite kontroler. Zatim uključite kontroler.
A ELEC TOO HIGH (A ELEKTRODA PREVISOKO)	Impedancija aktivne elektrode je > 900 MΩ.	Senzor je u zraku. Vratite senzor u proces.
A ELEC TOO LOW (A ELEKTRODA PRENISKI)	Impedancija aktivne elektrode je < 8 MΩ.	Senzor je oštećen ili prljav. Izvršite korake iz odjeljka Čišćenje senzora na stranici 423.
R ELEC TOO LOW (R ELEKTRODA PREVISOKA)	Impedancija referentne elektrode je > 900 MΩ.	Standardna otopina u kveti iscurila je ili isparila. Nadomjestite standardnu otopinu u kveti.
R ELEC TOO LOW (R ELEKTRODA PRENISKA)	Impedancija referentne elektrode je > 8 MΩ.	Referentna elektroda je oštećena. Zamijenite senzor.
SAME BUFFER (ISTA PUFERSKA OTOPINA)	Puferi za AUTOMATSKU kalibraciju u 2 TOČKE imaju istu vrijednost.	Upotrijebite puferne različitih vrijednosti.
SENSOR MISSING (NEDOSTAJE SENZOR)	Nedostaje senzor ili nije priključen.	Utvrđite je li kabel senzora odspojen ili oštećen.

Tablica 3 Poruke o pogreškama (nastavak)

Pogreška	Opis	Resolution (Rezolucija)
TEMP SENSOR MISSING (NEDOSTAJE TEMPERATURNI SENZOR)	Nedostaje temperaturni senzor.	Provjerite da li je odabran točan temperaturni element. Pogledajte opciju TEMP ELEMENT (TEMPERATURNI ELEMENT) u dijelu Konfiguracija senzora na stranici 417.
Staklo, niska impedancija	Staklena kuglica je razbijena ili se bliži isteku vijeka trajanja.	Zamijenite senzor.

6.4 Poruke upozorenja

Upozorenja ne utječu na rad izbornika, releja i izlaza. Ikone upozorenja trepere i prikazuje se poruka na dnu zaslona mjerenja. Za prikaz upozorenja senzora pritisnite **menu (izbornik)** i odaberite **DIAGNOSTICS (DIJAGNOSTIKA)** > [Odabir senzora] > **WARNING LIST (POPIS UPOZORENJA)**. Popis mogućih upozorenja prikazan je u [Tablica 4](#).

Tablica 4 Poruke upozorenja

Upozorenje	Opis	Resolution (Rezolucija)
PH TOO HIGH (pH previsok)	Izmjereni pH je > 13.	Kalibrirajte senzor.
ORP TOO HIGH (ORP PREVISOKO)	Izmjerena vrijednost ORP je > 2100 mV.	
PH TOO LOW (PH PRENIZAK)	Izmjereni pH je < 1.	Kalibrirajte senzor.
ORP TOO LOW (ORP PRENIZAK)	Izmjerena vrijednost ORP je < -2100 mV.	
OFFSET TOO HIGH (ODMAK PREVISOKO)	Odmak je > 8 (pH) ili 200 mV (ORP).	Izvršite korake navedene pod Čišćenje senzora na stranici 423 i Zamjena slanog mosta na stranici 423. Zatim ponovite kalibraciju.
OFFSET TOO LOW (ODMAK PRENISKO)	Odmak je < 6 (pH) ili -200 mV (ORP).	
SLOPE TOO HIGH (NAGIB PREVISOKO)	Nagib je > 60 (pH)/1,3 (ORP).	Ponovite kalibraciju sa svježom referentnom otopinom.
SLOPE TOO LOW (NAGIB PRENISKO)	Nagib je < 54 (pH)/0,7 (ORP).	Izvršite korake iz odjeljka Čišćenje senzora na stranici 423. Zatim ponovite kalibraciju.
TEMP TOO HIGH (Temperatura previsoka)	Izmjerena temperatura je > 100°C.	Provjerite da li je odabran točan temperaturni element. Pogledajte opciju TEMP ELEMENT (TEMPERATURNI ELEMENT) u dijelu Konfiguracija senzora na stranici 417.
TEMP TOO LOW (Temperatura preniska)	Izmjerena temperatura je < 0°C.	
CAL OVERDUE (PREKORAČENA KALIBRACIJA)	Broj dana od kalibracije senzora veći je od kalibracijskog intervala.	Kalibrirajte senzor. Napomena: Za promjenu intervala kalibracije pogledajte opciju CAL DAYS (DANI KALIBRACIJE) koju prikazuje Konfiguracija senzora na stranici 417.
REPLACE SENSOR (ZAMJENA SENZORA)	Broj dana rada senzora veći je od intervala zamjene senzora.	Po potrebi zamijenite senzor. Napomena: Za promjenu intervala zamjene senzora pogledajte opciju SENSOR DAYS (DANI RADA SENZORA) koju prikazuje Konfiguracija senzora na stranici 417.
NOT CALIBRATED (Nije kalibrirano)	Senzor nije kalibriran.	Kalibrirajte senzor.
FLASH FAILURE (KVAR FLASH MEMORIJE)	Kvar vanjske flash memorije.	Obratite se tehničkoj podršci.

Tablica 4 Poruke upozorenja (nastavak)

Upozorenje	Opis	Resolution (Rezolucija)
A ELEC TOO HIGH (A ELEKTRODA PREVISOKO)	Impedancija aktivne elektrode je > 800 MΩ.	Senzor je u zraku. Vratite senzor u proces.
A ELEC TOO LOW (A ELEKTRONA PRENISKO)	Impedancija aktivne elektrode je < 15 MΩ.	Senzor je oštećen ili prijav. Izvršite korake iz odjeljka Čišćenje senzora na stranici 423.
R ELEC TOO LOW (R ELEKTRODA PREVISOKA)	Impedancija referentne elektrode je > 800 MΩ.	Standardna otopina u kiveti iscurila je ili isparila. Nadomjestite standardnu otopinu u kiveti.
R ELEC TOO LOW (R ELEKTRODA PRENISKA)	Impedancija referentne elektrode je > 15 MΩ.	Referentna elektroda je oštećena. Zamijenite senzor.
CAL IN PROGRESS (Kalibracija u postupku)	Kalibracija je započela no nije dovršena.	Vratite se u kalibraciju.

6.5 Popis događaja

Popis događaja prikazuje trenutne aktivnosti kao što su promjene konfiguracije, alarmi, uvjeti upozorenja itd. Za prikaz događaja pritisnite **menu (izbornik)** i odaberite DIAGNOSTICS (DIJAGNOSTIKA) > [Odabir senzora] > EVENTS (DOGAĐAJI). [Tablica 5](#) sadrži popis svih mogućih događaja. Prethodni događaji zabilježeni su u dnevniku događanja, koji se može preuzeti iz kontrolera. Opcije vraćanja podataka potražite u dokumentaciji za kontroler.

Tablica 5 Popis događaja

Događaj	Opis
CAL READY (KALIBRACIJA SPREMNA)	Senzor je spreman za kalibraciju.
CAL OK (KALIBRACIJA U REDU)	Trenutačna kalibracija je dobra.
TIME EXPIRED (ISTEKLO VRIJEME)	Tijekom kalibracije isteklo je vrijeme stabilizacije.
NO BUFFER (NEMA PUFERSKE OTOPINE)	Nije pronađen pufer.
SLOPE HIGH (PREVELIKI NAGIB)	Kalibracijski nagib je iznad gornjeg ograničenja.
SLOPE LOW (NEDOVOLJAN NAGIB)	Kalibracijski nagib je ispod donjeg ograničenja.
OFFSET HIGH (PREVELIK ODMAK)	Kalibracijska vrijednost odmaka je iznad gornjeg ograničenja.
OFFSET LOW (NEDOVOLJAN ODMAK)	Kalibracijska vrijednost odmaka je ispod donjeg ograničenja.
POINTS CLOSE (TOČKE BLIZU)	Kalibracijske točke su presličnih vrijednosti za kalibraciju u 2 točke.
CAL FAIL (KALIBRACIJA NIJE USPJELA)	Kalibracija nije uspjela.
CAL HIGH (KALIBRACIJA VISOKA)	Kalibracijska vrijednost je iznad gornjeg ograničenja.
UNSTABLE (NESTABILNO)	Očitavanje tijekom kalibracije je nestabilno.
CHANGE IN CONFIG (PROMJENA U KONFIGURACIJI) – plutajući	Konfiguracija je promijenjena–plutajući zarez.
CHANGE IN CONFIG (PROMJENA U KONFIGURACIJI) – tekst	Konfiguracija je promijenjena–vrsta teksta.
CHANGE IN CONFIG (PROMJENA U KONFIGURACIJI) – cijeli broj	Konfiguracija je promijenjena–vrsta vrijednosti cijelog broja.
RESET CONFIG (PONOVNO POSTAVI KONFIGURACIJU)	Postavke konfiguracije postavljene su na zadane opcije.

Tablica 5 Popis događaja (nastavak)

Događaj	Opis
POWER ON EVENT (Događaj uključivanja)	Napajanje je postavljeno na uključeno.
ADC FAILURE (KVAR ADC-A)	Nije uspjela ADC pretvorba (kvar opreme).
FLASH ERASE (IZBRISANA FLASH MEMORIJA)	Obrisana je flash memorija.
TEMPERATURE (TEMPERATURA)	Zabilježena temperatura je previsoka ili preniska.
1PT MANUAL START (RUČNO POKRETANJE 1 TOČKA)	Pokretanje kalibracije 1 POINT MANUAL (RUČNO U 1 TOČKI).
1PT AUTO START (AUTOMATSKO POKRETANJE 1 TOČKA)	Pokretanje kalibracije 1 POINT AUTO (AUTOMATSKI, 1 TOČKA) za pH vrijednost.
2PT MANUAL START (RUČNO POKRETANJE 2 TOČKE)	Pokretanje kalibracije 2 POINT MANUAL (RUČNO U 2 TOČKE) za pH vrijednost.
2PT AUTO START (AUTOMATSKO POKRETANJE 2 TOČKE)	Pokretanje kalibracije 2 POINT AUTO (AUTOMATSKI, 2 TOČKE) za pH vrijednost.
1PT MANUAL END (RUČNI ZAVRŠETAK 1 TOČKA)	Završetak kalibracije 1 POINT MANUAL (RUČNO U 1 TOČKI).
1PT AUTO END (AUTOMATSKI ZAVRŠETAK 2 TOČKE)	Završetak kalibracije 1 POINT AUTO (AUTOMATSKI, 1 TOČKA) za pH vrijednost.
2PT MANUAL END (RUČNI ZAVRŠETAK 2 TOČKE)	Završetak kalibracije 2 POINT MANUAL (RUČNO U 2 TOČKE) za pH vrijednost.
2PT AUTO END (AUTOMATSKI ZAVRŠETAK 2 TOČKE)	Završetak kalibracije 2 POINT AUTO (AUTOMATSKI, 2 TOČKE) za pH vrijednost.

Odjeljak 7 Zamjenski dijelovi i dodatna oprema

▲ UPOZORENJE



Opasnost od ozljede. Korištenje neodobrenih dijelova može uzrokovati osobne ozljede, oštećenje instrumenta ili neispravno funkcioniranje opreme. Proizvođač je odobrio upotrebu rezervnih dijelova navedenih u ovom odjeljku.

Napomena: Brojevi proizvoda i artikla mogu varirati za neke regije prodaje. Obratite se odgovarajućem distributeru ili pogledajte web stranicu tvrtke za kontaktne podatke.

Potrošni materijal

Opis	Količina	Broj proizvoda
Otopina pufera, pH 4,01, crvena	500 ml	2283449
Otopina pufera, pH 7,00, žuta	500 ml	2283549
Otopina pufera, pH 10,01, plava	500 ml	2283649
ORP referentna otopina, 200 mV	500 ml	25M2A1001-115
ORP referentna otopina, 600 mV	500 ml	25M2A1002-115

Zamjenski dijelovi–pH senzori

Opis	Količina	Broj proizvoda
Slani most, PEEK, vanjski spoj Kynar (PVDF), s brtvenim prstenima od Vitona	1	SB-P1SV
Slani most, PEEK, vanjski spoj Kynar (PVDF), s brtvenim prstenima od perfluoroelastomera	1	SB-P1SP ⁸
Slani most, PEEK, keramički vanjski spoj, s brtvenim prstenima od Vitona	1	SB-P2SV
Slani most, Ryton, vanjski spoj Kynar (PVDF), s brtvenim prstenima od Vitona	1	SB-R1SV
Standardna otopina u kivetu	500 ml	25M1A1025-115
Gel puder za standardnu otopinu u kivetu	2 g	25M8A1002-101

Dodaci

Opis	Broj proizvoda
Digitalni produžni kabel, 1 m (3,2 ft)	6122400
Digitalni produžni kabel, 7,7 m (25 ft)	5796000
Digitalni produžni kabel, 15 m (50 ft) ⁹	5796100
Digitalni produžni kabel, kontroler SC200, 31 m (100 ft)	5796200
Digitalna kutija s priključcima, kontroler SC200 ¹⁰	5867000
Oprema za sanitarno montiranje, nehrđajući čelik 316, uključuje sanitarni T-nastavak od 2 inča i izdržljivu stezaljku <i>Napomena: Sa senzorom se isporučuju čep i brtva od spoja EPDM.</i>	MH018S8SZ
Oprema za zajedničko montiranje, CPVC (klorirani polivinil klorid), uključuje standardni T-nastavak od 1½ inča, cijev sa spojkom i adapterom, brtveno čvorište, prsten za zaključavanje i brtveni prsten od Vitona	6131300
Oprema za zajedničko montiranje, nehrđajući čelik 316, uključuje standardni T-nastavak od 1½ inča, cijev sa spojkom i adapterom, brtveno čvorište, prsten za zaključavanje i brtveni prsten od Vitona	6131400
Oprema za protočno montiranje, CPVC, uključuje standardni T-nastavak od 1 inča	MH334N4NZ
Oprema za protočno montiranje, nehrđajući čelik 316, uključuje standardni T-nastavak od 1 inča	MH314N4MZ
Oprema za montiranje za umetanje, CPVC, uključuje kuglasti ventil od 1½ inča, nazuvicu za zatvaranje od NPT-a od 1½ inča, adapter senzora s dva brtvena prstena od Vitona i brisačem, produžnu cijev, adapter cijevi, povratnu cijev i prsten za zaključavanje	5646300
Oprema za montiranje za umetanje, nehrđajući čelik 316, uključuje kuglasti ventil od 1½ inča, nazuvicu za zatvaranje od NPT-a od 1½ inča, adapter senzora s dva brtvena prstena od Vitona i brisačem, produžnu cijev, adapter cijevi, povratnu cijev i prsten za zaključavanje	5646350

⁸ Upotrijebite SB-P1SP ako materijal Viton nije kemijski kompatibilan s kemikalijama koje se primjenjuju.

⁹ Maksimalna duljina kabela je 15 m (49 ft) za kontroler SC1000.

¹⁰ Upotrijebite digitalnu kutiju s priključcima ako je duljina kabela veća od 100 m (328 ft). Kutija s priključcima ne upotrebljava se za kontroler SC1000.

Dodaci (nastavak)

Opis	Broj proizvoda
Oprema za montiranje uranjanjem, standardna, CPVC, uključuje cijev dimenzija 1 inč x 4 ft te spojnicu od NPT-a dimenzija 1 inč x 1 inč	6136400
Oprema za montiranje uranjanjem, standardna, nehrđajući čelik 316, uključuje cijev dimenzija 1 inč x 4 ft te spojnicu od NPT-a dimenzija 1 inč x 1 inč	6136500
Oprema za montiranje uranjanjem, rukohvat, uključuje cijev od CPVC-a dimenzija 1½ inča x 7,5 ft i sklop stezaljki cijevi	MH236B00Z
Oprema za montiranje uranjanjem, lanac, nehrđajući čelik 316, uključuje kariku, matice i podloške od nehrđajućeg čelika <i>Napomena: Samo za upotrebu sa senzorom od nehrđajućeg čelika. Ne uključuje lanac.</i>	2881900
Oprema za montiranje uranjanjem, kuglasti plovak, uključuje cijev od CPVC-a dimenzija 1½ inča x 7,5 ft, sklop kuglastog plovka i sklop stezaljki cijevi	6131000
Zaštita senzora, prilagodljivi tip senzora, PEEK	1000F3374-002
Zaštita senzora, prilagodljivi tip senzora, Ryton	1000F3374-003

Πίνακας περιεχομένων

- | | |
|--------------------------------------|--|
| 1 Προδιαγραφές στη σελίδα 433 | 5 Συντήρηση στη σελίδα 447 |
| 2 Γενικές πληροφορίες στη σελίδα 434 | 6 Αντιμετώπιση προβλημάτων στη σελίδα 451 |
| 3 Εγκατάσταση στη σελίδα 436 | 7 Ανταλλακτικά και εξαρτήματα στη σελίδα 455 |
| 4 Λειτουργία στη σελίδα 442 | |

Ενότητα 1 Προδιαγραφές

Οι προδιαγραφές ενδέχεται να αλλάξουν χωρίς προειδοποίηση.

Προδιαγραφή	Αισθητήρες pH	Αισθητήρας pH ανοξειδωτου χάλυβα	Αισθητήρες ORP
Διαστάσεις (μήκος)	272,5 mm (10.73 in.)	325,3 mm (12.81 in.)	272,5 mm (10.73 in.)
Βάρος	316 g (11 oz)	870 g (31 oz)	316 g (11 oz)
Υλικά περιβλήματος	<p>Σώμα PEEK ή Ryton (PVDF), γέφυρα άλατος του ίδιου υλικού με τον σύνδεσμο Kynar, γυάλινο ηλεκτρόδιο διεργασίας, ηλεκτρόδιο γείωσης από πτάνιο και δακτύλιοι στεγανοποίησης Viton</p> <p><i>Σημείωση: Ο αισθητήρας pH με προαιρετικό γυάλινο ηλεκτρόδιο διεργασίας με ανοχή σε HF (υδροφθορικό οξύ) διαθέτει ηλεκτρόδιο γείωσης 316 ανοξειδωτου χάλυβα και διαβρεχόμενους δακτυλίους στεγανοποίησης υπερφθοριωμένου ελαστομερούς.</i></p>	Μόνο στερέωση βύθισης, σώμα ανοξειδωτου χάλυβα SS 316 με άκρα Ryton (PVDF) και γέφυρα άλατος	Σώμα PEEK ή Ryton (PVDF), γέφυρα άλατος του ίδιου υλικού με τον σύνδεσμο Kynar, ηλεκτρόδιο διεργασίας από γυαλί και λευκόχρυσο (ή γυαλί και χρυσό), ηλεκτρόδιο γείωσης από πτάνιο και δακτύλιοι στεγανοποίησης Viton
Εξαρτήματα	Υλικά ανθεκτικά στη διάβρωση, πλήρως υποβρύχια		
Καλώδιο αισθητήρα (ενσωματωμένο)	4 αγωγών (συν 1 θωράκιση), 10 m (33 ft), με ονομαστική τιμή 105°C (221°F)		
Θερμοκρασία λειτουργίας	-5 έως 70 °C (23 έως 158 °F)	0 έως 50 °C (32 έως 122 °F)	-5 έως 70 °C (23 έως 158 °F)
Θερμοκρασία αποθήκευσης	4 έως 70°C (40 έως 158°F), 0 έως 95% σχετική υγρασία, χωρίς συμπύκνωση υδρατμών		
Εύρος μέτρησης	2,0 έως 14,0 pH ¹ (ή 2,00 έως 14,00)		-1500 έως +1500 mV
Επαναληψιμότητα	±0,05 pH		±2 mV
Ευαισθησία	±0,01 pH		±0,5 mV ²
Σταθερότητα	0,03 pH ανά 24 ώρες, μη αθροιστική		2 mV (ORP) ανά 24 ώρες, μη αθροιστική
Μέγιστος ρυθμός ροής	3 m/s (10 ft/s)		

¹ Οι περισσότερες εφαρμογές pH βρίσκονται μεταξύ του εύρους τιμών pH 2,5 έως 12,5. Ο διαφορικός αισθητήρας pH, pH με μεγάλο εύρος, με γυάλινο ηλεκτρόδιο συνεχούς μέτρησης λειτουργεί ιδιαίτερα ικανοποιητικά σε αυτό το εύρος μέτρησης. Ορισμένες βιομηχανικές εφαρμογές απαιτούν ακριβή μέτρηση και έλεγχο κάτω από 2 ή πάνω από 12 pH. Σε αυτές τις ειδικές περιπτώσεις, επικοινωνήστε με τον κατασκευαστή για περισσότερες λεπτομέρειες.

² Για βέλτιστα αποτελέσματα σε διαλύματα που περιέχουν ψευδάργυρο, κυανιούχα, κάδμιο ή νικέλιο, χρησιμοποιήστε τον αισθητήρα ORP pH που διαθέτει χρυσό ηλεκτρόδιο.

Προδιαγραφή	Αισθητήρες pH	Αισθητήρας pH ανοξειδωτου χάλυβα	Αισθητήρες ORP
Όριο πίεσης	6,9 bar στους 70 °C (100 psi στους 158 °F)	Δεν ισχύει (μόνο βύθιση)	6,9 bar στους 70 °C (100 psi στους 158 °F)
Απόσταση μετάδοσης	Έως και 100 m (328 ft) ή έως και 1.000 m (3.280 ft) κατά τη χρήση με κουτί τερματισμού		
Αισθητήρας θερμοκρασίας	Θερμίστορ NTC 300 Ω για αυτόματη αντιστάθμιση θερμοκρασίας και ένδειξη θερμοκρασίας αναλυτή		Θερμίστορ NTC 300 Ω μόνο για ένδειξη θερμοκρασίας αναλυτή—χωρίς αυτόματη αντιστάθμιση θερμοκρασίας για μέτρηση ORP
Ακρίβεια θερμοκρασίας	±0,5°C (0,9°F)		
Αντιστάθμιση θερμοκρασίας	Αυτόματη από -10 έως 105°C (14,0 έως 221°F) με το θερμίστορ NTC 300 Ω, στοιχείο θερμοκρασίας Pt 1000 ohm RTD ή Pt 100 Ω RTD ή με χειροκίνητη ρύθμιση σε θερμοκρασία που εισάγεται από τον χρήστη	Δεν ισχύει	
Μέθοδοι βαθμονόμησης	1 ή 2 σημεία αυτόματα ή χειροκίνητα		1 σημείο χειροκίνητα
Διεπαφή αισθητήρα	Modbus		
Πιστοποιήσεις	CE		
Εγγύηση	1 έτος, 2 έτη (EE)		

Ενότητα 2 Γενικές πληροφορίες

Σε καμία περίπτωση ο κατασκευαστής δεν είναι υπεύθυνος για άμεσες, έμμεσες, ειδικές, τυχαίες ή παρεπόμενες ζημιές που προκύπτουν από οποιοδήποτε ελάττωμα ή παράλειψη του παρόντος εγχειριδίου. Ο κατασκευαστής διατηρεί το δικαίωμα να πραγματοποιήσει αλλαγές στο παρόν εγχειρίδιο και στα προϊόντα που περιγράφει ανά στιγμή, χωρίς ειδοποίηση ή υποχρέωση. Αναθεωρημένες εκδόσεις διατίθενται από τον ιστοχώρο του κατασκευαστή.

2.1 Πληροφορίες σχετικά με την ασφάλεια

Ο κατασκευαστής δεν φέρει ευθύνη για τυχόν ζημιές που οφείλονται σε λανθασμένη εφαρμογή ή κακή χρήση αυτού του προϊόντος, συμπεριλαμβανομένων, χωρίς περιορισμό, των άμεσων, συμπτωματικών και παρεπόμενων ζημιών, και αποποιείται την ευθύνη για τέτοιες ζημιές στο μέγιστο βαθμό που επιτρέπει το εφαρμοστέο δίκαιο. Ο χρήστης είναι αποκλειστικά υπεύθυνος για την αναγνώριση των σημαντικών κινδύνων εφαρμογής και την εγκατάσταση των κατάλληλων μηχανισμών για την προστασία των διεργασιών κατά τη διάρκεια μιας πιθανής δυσλειτουργίας του εξοπλισμού.

Παρακαλούμε διαβάστε ολόκληρο αυτό το εγχειρίδιο προτού αποσυσκευάσετε, ρυθμίσετε ή λειτουργήσετε αυτόν τον εξοπλισμό. Προσέξτε όλες τις υποδείξεις κινδύνου και προσοχής. Η παράλειψη μπορεί να οδηγήσει σε σοβαρούς τραυματισμούς του χειριστή ή σε ζημιές της συσκευής.

Διασφαλίστε ότι δεν θα προκληθεί καμία βλάβη στις διατάξεις προστασίας αυτού του εξοπλισμού. Μην χρησιμοποιείτε και μην εγκαθιστάτε τον συγκεκριμένο εξοπλισμό με κανέναν άλλον τρόπο, εκτός από αυτούς που προσδιορίζονται στο παρόν εγχειρίδιο.

2.2 Χρήση των πληροφοριών προειδοποίησης κινδύνου

▲ ΚΙΝΔΥΝΟΣ

Υποδεικνύει κάποια ενδεχόμενη ή επικείμενη επικίνδυνη κατάσταση, η οποία, εάν δεν αποτραπεί, θα οδηγήσει σε θάνατο ή σοβαρό τραυματισμό.

▲ ΠΡΟΕΙΔΟΠΟΙΗΣΗ

Υποδεικνύει μια ενδεχόμενη ή επικείμενη επικίνδυνη κατάσταση, η οποία, αν δεν αποτραπεί, μπορεί να προκαλέσει θάνατο ή σοβαρό τραυματισμό.

▲ ΠΡΟΣΟΧΗ





Υποδεικνύει κάποια ενδεχόμενη επικίνδυνη κατάσταση, η οποία μπορεί να καταλήξει σε ελαφρό ή μέτριο τραυματισμό.

ΕΙΔΟΠΟΙΗΣΗ

Υποδεικνύει κατάσταση που, εάν δεν αποτραπεί, μπορεί να προκληθεί βλάβη στο όργανο. Πληροφορίες που απαιτούν ειδική έμφαση.

2.3 Ετικέτες προειδοποίησης

Διαβάστε όλες τις ετικέτες και τις πινακίδες που είναι επικολλημένες στο όργανο. Εάν δεν τηρήσετε τις οδηγίες, ενδέχεται να προκληθεί τραυματισμός ή ζημιά στο όργανο. Η ύπαρξη κάποιου συμβόλου επάνω στο όργανο παραπέμπει στο εγχειρίδιο με κάποια δήλωση προειδοποίησης.

	Αυτό είναι το σύμβολο προειδοποίησης ασφάλειας. Για την αποφυγή ενδεχόμενου τραυματισμού, τηρείτε όλα τα μηνύματα για την ασφάλεια που εμφανίζονται μετά από αυτό το σύμβολο. Εάν βρίσκεται επάνω στο όργανο, ανατρέξτε στο εγχειρίδιο λειτουργίας ή πληροφοριών ασφαλείας του οργάνου.
	Το σύμβολο αυτό υποδεικνύει ότι υπάρχει κίνδυνος ηλεκτροπληξίας.
	Το σύμβολο αυτό υποδεικνύει την παρουσία συσκευών ευαίσθητων σε ηλεκτροστατική εκκένωση και επισημαίνει ότι πρέπει να δοθεί ιδιαίτερη προσοχή, ώστε να αποφευχθεί η πρόκληση βλάβης στον εξοπλισμό.
	Αν ο ηλεκτρικός εξοπλισμός φέρει το σύμβολο αυτό, δεν επιτρέπεται η απόρριψή του σε ευρωπαϊκά οικιακά και δημόσια συστήματα συλλογής απορριμμάτων. Μπορείτε να επιστρέψετε παλιό εξοπλισμό ή εξοπλισμό του οποίου η ωφέλιμη διάρκεια ζωής έχει παρέλθει στον κατασκευαστή για απόρριψη, χωρίς χρέωση για το χρήστη.

2.4 Επισκόπηση προϊόντος

Ο αισθητήρας αυτός έχει σχεδιαστεί για να λειτουργεί με έναν ελεγκτή για συλλογή δεδομένων και χειρισμό. Με τον αισθητήρα αυτόν μπορούν να χρησιμοποιηθούν πολλοί ελεγκτές. Το παρόν έγγραφο θεωρεί ως δεδομένη την εγκατάσταση και χρήση με ελεγκτή sc Για να χρησιμοποιήσετε τον αισθητήρα με άλλους ελεγκτές, ανατρέξτε στο εγχειρίδιο λειτουργίας για τον ελεγκτή που χρησιμοποιείται.

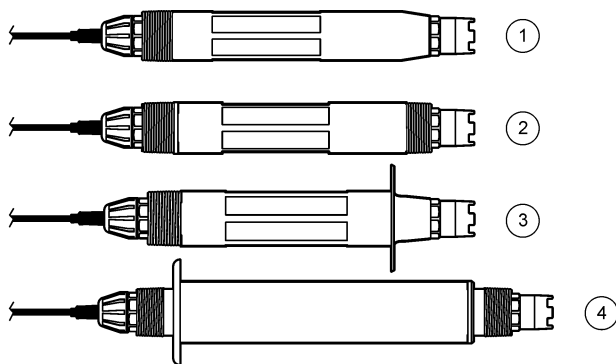
Απαγορεύεται η χρήση αυτού του προϊόντος σε επικίνδυνους χώρους.

Προαιρετικός εξοπλισμός, όπως είναι το υλικό στερέωσης για τον αισθητήρα, παρέχεται με οδηγίες εγκατάστασης. Υπάρχουν διαθέσιμες διάφορες επιλογές στερέωσης, οι οποίες επιτρέπουν την προσαρμογή του αισθητήρα για χρήση σε πολλές διαφορετικές εφαρμογές.

2.5 Τύποι αισθητήρων

Ο αισθητήρας είναι διαθέσιμος σε διάφορους τύπους. Ανατρέξτε στην ενότητα [Εικόνα 1](#).

Εικόνα 1 Τύποι αισθητήρων



1 Εισαγωγή —για εγκατάσταση σε κυψελίδα ροής ή προσαρμογέα σωλήνα μιας διάταξης υλικού ένσφαιρης βαλβίδας. Επιτρέπει την αφαίρεση χωρίς διακοπή της ροής διεργασίας.	3 Υγειονομικού τύπου —για εγκατάσταση σε υγειονομικού τύπου του 2 ίντσας
2 Μετατρεπόμενος —για σωλήνα σε σχήμα του ή βύθιση σε ανοιχτό δοχείο	4 Ανοξειδωτου χάλυβα —για βύθιση σε ανοιχτό δοχείο

Αισθητήρες εισαγωγής—Οι αισθητήρες εισαγωγής είναι παρόμοιοι με τους μετατρεπόμενους αισθητήρες, αλλά τα σπειρώματα NPT 1 ίντσας βρίσκονται μόνο στο άκρο του καλωδίου για στερέωση σε μια κυψελίδα ροής ή στον προσαρμογέα σωλήνα μιας διάταξης υλικού ένσφαιρης βαλβίδας. Οι αισθητήρες εισαγωγής τοποθετούνται ή αφαιρούνται από τη διεργασία χωρίς να χρειαστεί να διακοπεί η ροή διεργασίας.

Μετατρεπόμενοι αισθητήρες—Οι μετατρεπόμενοι αισθητήρες έχουν σπειρώματα NPT 1 ίντσας και στα δύο άκρα του σώματος για στερέωση στις εξής διαμορφώσεις:

- σε τυπική σταυρωτή ένωση σωλήνα 1 ίντσας
- σε προσαρμογέα σωλήνα για στερέωση ένωσης και τυπικό σωλήνα σε σχήμα του 1-½ ίντσας
- στο άκρο ενός σωλήνα για εμβύθιση σε κάποιο δοχείο

Σημείωση: Οι μετατρεπόμενοι αισθητήρες μπορούν επίσης να χρησιμοποιηθούν σε υπάρχουσες εγκαταστάσεις για αισθητήρες 1-½ ίντσας LCP, Ryton και εποξικού υλικού.

Αισθητήρες υγειονομικού τύπου—Οι αισθητήρες υγειονομικού τύπου διαθέτουν μια ενσωματωμένη φλάντζα 2 ίντσών για στερέωση σε υγειονομικού τύπου του 2 ίντσών. Ένα ειδικό καπάκι και ένα παρέμβυσμα από συνθετικό υλικό περιλαμβάνονται με τους αισθητήρες υγειονομικού τύπου για χρήση με το υλικό υγειονομικού τύπου.

Αισθητήρες ανοξειδωτου χάλυβα—Οι αισθητήρες ανοξειδωτου χάλυβα έχουν σπειρώματα NPT 1 ίντσας και στα δύο άκρα του σώματος. Οι αισθητήρες ανοξειδωτου χάλυβα προορίζονται για βύθιση σε ανοιχτό δοχείο.

Ενότητα 3 Εγκατάσταση

3.1 Τοποθέτηση

▲ ΠΡΟΕΙΔΟΠΟΙΗΣΗ



Κίνδυνος έκρηξης. Βεβαιωθείτε ότι το υλικό στερέωσης για τον αισθητήρα έχει ονομαστικές τιμές θερμοκρασίας και πίεσης που επαρκούν για την τοποθεσία στερέωσης.

⚠ ΠΡΟΣΟΧΗ



Κίνδυνος τραυματισμού. Τα θραύσματα γυαλιού μπορούν να προκαλέσουν κοψίματα. Για την απομάκρυνση θραυσμάτων γυαλιού, χρησιμοποιείτε εργαλεία και μέσα ατομικής προστασίας.

ΕΙΔΟΠΟΙΗΣΗ

Το ηλεκτρόδιο συνεχούς μέτρησης στο άκρο του αισθητήρα pH έχει γυάλινη επιφάνεια, η οποία μπορεί να σπάσει. Μην χτυπάτε και μην πιέζετε τον γυάλινο λαμπτήρα.

ΕΙΔΟΠΟΙΗΣΗ

Το ηλεκτρόδιο διεργασίας από χρυσό ή λευκόχρυσο στο άκρο του αισθητήρα ORP διαθέτει έναν γυάλινο κορμό (που αποκρύπτεται από τη γέφυρα άλατος), ο οποίος μπορεί να σπάσει. Μην χτυπάτε και μην πιέζετε τον γυάλινο κορμό.

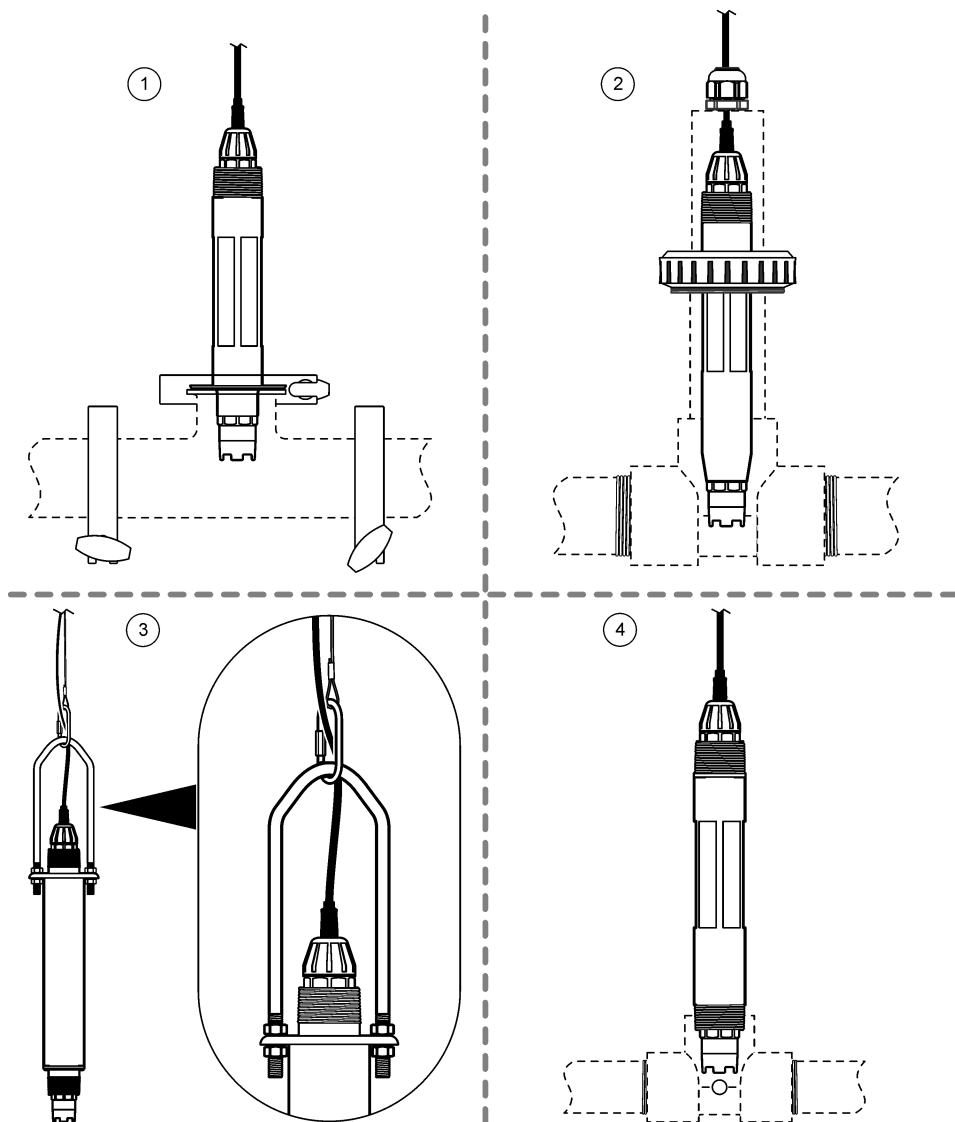
ΕΙΔΟΠΟΙΗΣΗ

Το όργανο αυτό είναι κατάλληλο για χρήση σε υψόμετρο έως και 2000 m (6562 ft). Μολονότι η χρήση αυτού του εξοπλισμού σε υψόμετρο πάνω από τα 2000 m δεν δημιουργεί κάποιο σημαντικό ζήτημα για την ασφάλεια, ο κατασκευαστής συνιστά στους χρήστες να επικοινωνούν με την τεχνική υποστήριξη σε περίπτωση που έχουν κάποια ανησυχία.

- Εγκαταστήστε τον αισθητήρα εκεί που το δείγμα, που έρχεται σε επαφή με τον αισθητήρα, είναι αντιπροσωπευτικό της συνολικής διεργασίας.
- Ανατρέξτε στην [Εικόνα 2](#), στην [Εικόνα 3](#) και στην [Εικόνα 4](#) για παραδείγματα διαμόρφωσης στερέωσης.
- Ανατρέξτε στην ενότητα [Ανταλλακτικά και εξαρτήματα](#) στη σελίδα 455 για το διαθέσιμο υλικό στερέωσης.
- Για πληροφορίες εγκατάστασης, ανατρέξτε στις οδηγίες που παρέχονται με το υλικό στερέωσης.
- Εγκαταστήστε τον αισθητήρα σε γωνία τουλάχιστον 15° πάνω από το οριζόντιο επίπεδο. Ανατρέξτε στην ενότητα [Εικόνα 5](#).
- Για εγκαταστάσεις βύθισης, τοποθετήστε τον αισθητήρα σε βάθος τουλάχιστον 508 mm (20 in.) από το τοίχωμα της δεξαμενής αερισμού και βυθίστε τον αισθητήρα σε βάθος τουλάχιστον 508 mm (20 in.) στη διεργασία.
- Αφαιρέστε το προστατευτικό καπάκι προτού χρησιμοποιήσετε τον αισθητήρα στη διεργασία. Φυλάξτε το προστατευτικό καπάκι για μελλοντική χρήση.
- (Προαιρετικά) Εάν το νερό διεργασίας δεν πλησιάζει τη θερμοκρασία βρασμού, προσθέστε σκόνη σε γέλη³ στο πρότυπο διάλυμα κυπελίδας στον αισθητήρα. Ανατρέξτε στο βήμα 2 της παραγράφου [Αντικατάσταση της γέφυρας άλατος](#) στη σελίδα 448. Μην αντικαταστήσετε τη γέφυρα άλατος.
- Βαθμονομήστε τον αισθητήρα πριν από τη χρήση.

³ Η σκόνη σε γέλη μειώνει τον ρυθμό εξάτμισης του πρότυπου διαλύματος κυπελίδας.

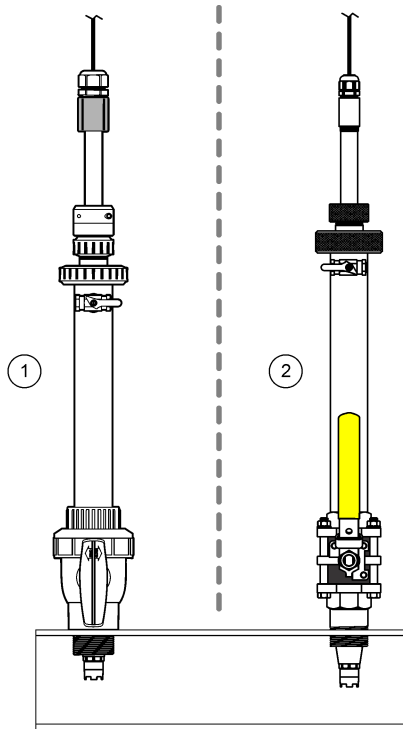
Εικόνα 2 Παραδείγματα τοποθέτησης (1)



<p>1 Τοποθέτηση υγειονομικού τύπου (υγειονομικού τύπου ται 2 ίντσών)</p>	<p>3 Τοποθέτηση βύθισης, αλυσίδα και ασφάλεια⁴</p>
<p>2 Τοποθέτηση ένωσης (στάνταρ ται 1½ ίντσας)</p>	<p>4 Τοποθέτηση διέλευσης ροής (στάνταρ ται 1 ίντσας)</p>

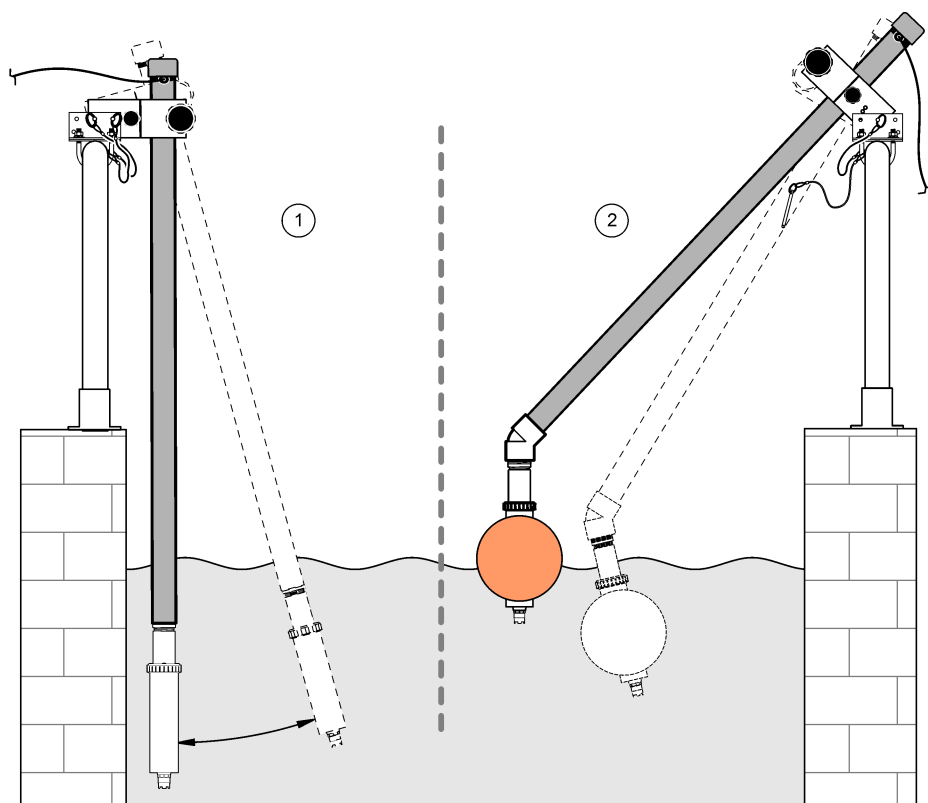
⁴ Μόνο αισθητήρες ανοξείδωτου χάλυβα

Εικόνα 3 Παραδείγματα τοποθέτησης (2)



1 Τοποθέτηση εισαγωγής, υλικό CPVC	2 Τοποθέτηση εισαγωγής , υλικό ανοξείδωτου χάλυβα
------------------------------------	---

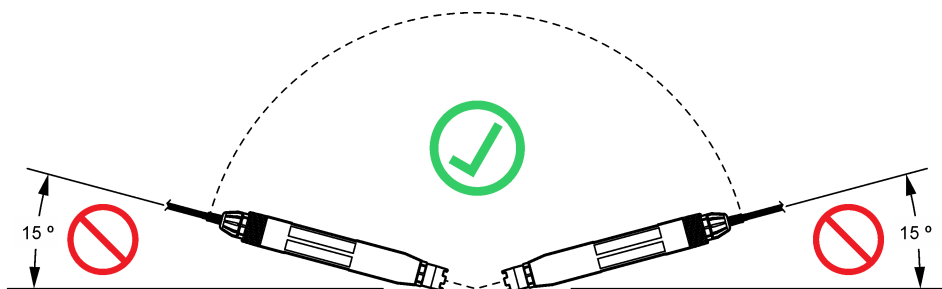
Εικόνα 4 Παραδείγματα τοποθέτησης (3)



1 Τοποθέτηση βύθισης, στροφέας

2 Τοποθέτηση βύθισης, σφαίρα πλεύσης

Εικόνα 5 Γωνία τοποθέτησης αισθητήρα



3.2 Ηλεκτρολογική εγκατάσταση

3.2.1 Σύνδεση του αισθητήρα σε εξάρτημα ταχείας σύνδεσης (μη επικίνδυνη τοποθεσία)

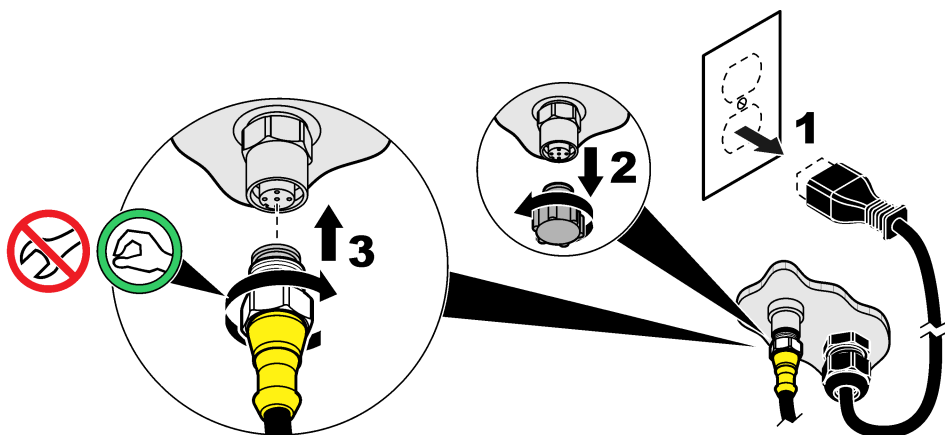
1. Συνδέστε το καλώδιο αισθητήρα στο εξάρτημα ταχείας σύνδεσης του ελεγκτή SC. Ανατρέξτε στην ενότητα [Εικόνα 6](#).

Φυλάξτε το καπάκι του συνδέσμου, έτσι ώστε να μπορείτε να στεγανοποιήσετε το άνοιγμα του συνδέσμου σε περίπτωση που ο αισθητήρας πρέπει να αφαιρεθεί.

2. Εάν η τροφοδοσία είναι ενεργοποιημένη κατά τη σύνδεση του αισθητήρα:

- Ελεγκτής SC200—Επιλέξτε ΔΟΚΙΜΗ/ΣΥΝΤΗΡ. > ΑΝΑΖΗΤ.ΑΙΣΘ..
- Ελεγκτής SC1000—Επιλέξτε ΡΥΘΜ.ΣΥΣΤΗΜ. > ΔΙΑΧΕΙΡΙΣΗ ΣΥΣΚΕΥΩΝ > ΑΝΑΖΗΤΗΣΗ ΝΕΩΝ ΣΥΣΚΕΥΩΝ.

Εικόνα 6 Σύνδεση του αισθητήρα σε εξάρτημα ταχείας σύνδεσης



3.2.2 Καλώδια προέκτασης

- Διατίθενται καλώδια προέκτασης. Ανατρέξτε στην ενότητα [Ανταλλακτικά και εξαρτήματα](#) στη σελίδα 455.
- Το μέγιστο μήκος καλωδίου είναι 15 m (49 ft) για ελεγκτή SC1000.
- Το μέγιστο μήκος καλωδίου είναι 1000 m (3280 ft) για ελεγκτή SC200.
- Ελεγκτής SC200—Χρησιμοποιήστε ψηφιακό κουτί θερματισμού, εάν το μήκος καλωδίου υπερβαίνει τα 100 m (328 ft). Ανατρέξτε στην ενότητα [Ανταλλακτικά και εξαρτήματα](#) στη σελίδα 455.

3.2.3 Σύνδεση καλωδίου αισθητήρα με γυμνά καλώδια (μη επικίνδυνη τοποθεσία)

⚠ ΚΙΝΔΥΝΟΣ



Κίνδυνος ηλεκτροπληξίας. Πριν πραγματοποιήσετε οποιοσδήποτε ηλεκτρικές συνδέσεις, να αποσυνδέετε πάντοτε το όργανο από την τροφοδοσία ρεύματος.

⚠ ΚΙΝΔΥΝΟΣ



Κίνδυνος ηλεκτροπληξίας. Η καλωδίωση υψηλής τάσης για τον ελεγκτή συνδέεται πίσω από το φραγμό υψηλής τάσης στο περίβλημα του ελεγκτή. Ο φραγμός πρέπει να παραμείνει στη θέση του εκτός από τις περιπτώσεις εγκατάστασης μονάδων ή όταν ένας εξειδικευμένος τεχνικός καλωδιώνει για ισχύ, για ρελέ ή για αναλογικές και δικτυακές κάρτες.

Εάν το καλώδιο αισθητήρα δεν διαθέτει σύνδεσμο ταχείας σύνδεσης⁵, συνδέστε τα γυμνά καλώδια του καλωδίου αισθητήρα στον ελεγκτή ως εξής:

Σημείωση: Ένα καλώδιο αισθητήρα με γυμνά καλώδια δεν μπορεί να συνδεθεί σε ελεγκτή SC1000.

1. Βρείτε το κιτ καλωδίωσης αγωγού (9222400) στο κιβώτιο μεταφοράς για τον ελεγκτή SC200. Το κιτ περιέχει τέσσερις συνδέσμους ένωσης.
2. Ακολουθήστε τις οδηγίες που παρέχονται στο κιτ καλωδίωσης αγωγού, για να συνδέσετε το καλώδιο αισθητήρα στον ελεγκτή.

Ενότητα 4 Λειτουργία

4.1 Περιήγηση χρήστη

Για την περιγραφή του ηλεκτρολογίου και πληροφορίες σχετικά με την περιήγηση, ανατρέξτε στην τεκμηρίωση του ελεγκτή.

Πατήστε το **ΔΕΞΙΟ** βέλος στον ελεγκτή πολλές φορές για να εμφανίσετε περισσότερες πληροφορίες στην αρχική οθόνη και να εμφανίσετε μια οθόνη γραφικών.

4.2 Διαμόρφωση του αισθητήρα

Επιλέξτε όνομα και τύπο αισθητήρα. Αλλάξτε επιλογές για μέτρηση, βαθμονόμηση, χειρισμό δεδομένων και αποθήκευση.




1. Πατήστε το πλήκτρο **menu**, στη συνέχεια επιλέξτε ΡΥΘΜ.ΑΙΣΘΗΤ. > [Επιλ.αισθητ.] > ΔΙΑΜΟΡΦΩΣΗ.
2. Επιλέξτε ένα στοιχείο.

Επιλογή	Περιγραφή
ΠΡΟΣΘ.ΟΝΟΜ.	Αλλάζει το όνομα που αντιστοιχεί στον αισθητήρα στο επάνω μέρος της οθόνης μετρήσεων. Το όνομα περιορίζεται σε 12 χαρακτήρες, σε οποιοδήποτε συνδυασμό γραμμάτων, αριθμών, κενών ή σημείων στίξης.
ΕΠΙΛ. ΑΙΣΘΗΤ.	Επιλέγει τον τύπο αισθητήρα (pH ή ORP).
ΔΙΑΜΟΡ.ΕΝΔΕΙΞ.	Μόνο για αισθητήρες pH — Αλλάζει το πλήθος των δεκαδικών ψηφίων που εμφανίζονται στην οθόνη μετρήσεων σε XX.XX (προεπιλογή) ή XX.X.
ΜΟΝΑΔΕΣ ΘΕΡΜ.	Ορίζει τις μονάδες θερμοκρασίας σε °C (προεπιλογή) ή °F.
ΡΥΘΜ. ΚΑΤΑΓΡ.	Ορίζει το χρονικό διάστημα για την αποθήκευση των δεδομένων στο αρχείο καταγραφής δεδομένων — 5, 30 ΔΕΥΤ, 1, 2, 5, 10, 15 (προεπιλογή), 30, 60 ΛΕΠΤΑ.
ΣΥΧΝΟΤ.ΡΕΥΜ.	Επιλέγει τη συχνότητα του εναλλασσόμενου (AC) ρεύματος που παρέχεται στον ελεγκτή (50 ή 60 Hz). Εάν η τροφοδοσία στον ελεγκτή είναι 120 VAC, επιλέξτε 60 Hz. Εάν η τροφοδοσία στον ελεγκτή είναι 230 VAC, επιλέξτε 50 Hz.
ΦΙΛΤΡΟ	Ορίζει μια σταθερά χρόνου για την αύξηση της σταθερότητας του σήματος. Η σταθερά χρόνου χρησιμοποιείται για τον υπολογισμό της μέσης τιμής κατά τη διάρκεια συγκεκριμένου χρονικού διαστήματος — 0 (καμία επίδραση, προεπιλογή) έως 60 δευτερόλεπτα (μέση τιμή σήματος για 60 δευτερόλεπτα). Το φίλτρο αυξάνει το χρόνο απόκρισης του σήματος του αισθητήρα στις πραγματικές μεταβολές της διεργασίας.
ΑΙΣΘ.ΘΕΡΜ.	Αισθητήρες pH—Ρυθμίζει το στοιχείο θερμοκρασίας για αυτόματη αντιστάθμιση θερμοκρασίας σε PT100, PT1000, NTC300 (προεπιλογή) ή ΧΕΙΡΟΚΙΝ. Εάν δεν χρησιμοποιείται στοιχείο, ο τύπος μπορεί να ρυθμιστεί σε ΧΕΙΡΟΚΙΝ. και μπορεί να καταχωρηθεί μια τιμή για την αντιστάθμιση θερμοκρασίας (προεπιλογή για τη χειροκίνητη ρύθμιση: 25°C). Αισθητήρια ORP — Δεν χρησιμοποιείται αντιστάθμιση θερμοκρασίας. Είναι δυνατό να συνδεθεί ένα στοιχείο θερμοκρασίας για τη μέτρηση θερμοκρασίας.

⁵ Για παράδειγμα, εάν χρησιμοποιούνται ένα ψηφιακό κουτί τερματισμού και ένα τετράκλωνο θωρακισμένο καλώδιο για την αύξηση του μήκους του καλωδίου αισθητήρα.

Επιλογή	Περιγραφή
ΕΠΙΛ.ΡΥΘΜΙΣΤ.	Για αισθητήρες pH μόνο—Επιλέγει τα ρυθμιστικά διαλύματα που χρησιμοποιούνται για βαθμονόμηση. Επιλογές: pH 4, 7, 10 (προεπιλογή) ή DIN 19267 (pH 1,09, 4,65, 6,79, 9,23, 12,75) Σημείωση: Μπορούν να χρησιμοποιηθούν άλλα ρυθμιστικά διαλύματα για βαθμονόμηση.
ΑΝΤΙΣΤ.ΥΠΕΡΚΑΘ	Μόνο για αισθητήρες pH—Προσθέτει μια διόρθωση συναρτήσεως της θερμοκρασίας στην τιμή pH που μετράται, για καθαρό νερό με πρόσθετα—KANENA (προεπιλογή), ΑΜΜΩΝΙΑΣ, ΜΟΡΦΟΠΟΙΗΣΗ ή ΚΑΘΟΡΙΣ. ΧΕΙΡ.. Για θερμοκρασίες διεργασίας άνω των 50°C, χρησιμοποιείται η διόρθωση στους 50°C. Για εφαρμογές που καθορίζονται από το χειριστή, μπορεί να καταχωριστεί μια γραμμική κλίση (προεπιλογή 0 pH/°C).
ΗΜΕΡ.ΒΑΘΜΟΝ.	Ρυθμίζει το διάστημα βαθμονόμησης (προεπιλογή: 60 ημέρες). Σημείωση: Εμφανίζεται μια προειδοποίηση στην οθόνη του ελεγκτή όταν ο αριθμός των ημερών από τη βαθμονόμηση του αισθητήρα είναι μεγαλύτερος από το διάστημα βαθμονόμησης.
ΗΜ.ΛΕΙΤ.ΑΙΣΘ	Ρυθμίζει το διάστημα αντικατάστασης αισθητήρα (προεπιλογή: 365 ημέρες). Σημείωση: Εμφανίζεται μια προειδοποίηση στην οθόνη του ελεγκτή όταν ο αριθμός των ημερών λειτουργίας του αισθητήρα είναι μεγαλύτερος από το διάστημα αντικατάστασης αισθητήρα.
ΟΡΙΑ ΑΝΤΙΣΤΑΣ.	Ρυθμίζει τα όρια αντίστασης για τα ενεργά ηλεκτρόδια και τα ηλεκτρόδια αναφοράς (προεπιλογή: ΧΑΜΗΛΟ = 0 ΜΩ, ΥΨΗΛΟ = 1000 ΜΩ). Σημείωση: Όταν η επιλογή ΚΑΤΑΣΤ.ΗΛΕΚΤΡ. στο μενού ΔΙΑΓΝ/ΤΕΣΤ είναι ρυθμισμένη σε ΕΝΕΡΓΟ, εμφανίζεται ένα μήνυμα σφάλματος στην οθόνη του ελεγκτή όταν η αντίσταση του ενεργού ηλεκτροδίου ή του ηλεκτροδίου αναφοράς δεν εμπίπτει στα όρια αντίστασης.
ΒΑΣΙΚΗ ΡΥΘΜ.	Επαναφέρει τις ρυθμίσεις διαμόρφωσης στις προεπιλεγμένες ρυθμίσεις.

4.3 Βαθμονόμηση του αισθητήρα

▲ ΠΡΟΕΙΔΟΠΟΙΗΣΗ	
	Κίνδυνος έκρηξης. Η απομάκρυνση ενός αισθητήρα από δοχείο που υφίσταται πίεση μπορεί να ενέχει κινδύνους. Πριν το απομακρύνετε, μειώστε την πίεση σε λιγότερα από 10 psi. Εάν αυτό δεν είναι δυνατό, να είστε ιδιαίτερα προσεκτικοί. Για περισσότερες πληροφορίες, ανατρέξτε στην τεκμηρίωση που συνοδεύει το υλικό στερέωσης.
▲ ΠΡΟΕΙΔΟΠΟΙΗΣΗ	
	Κίνδυνος έκθεσης σε χημικά. Τηρείτε τις εργαστηριακές διαδικασίες ασφάλειας και φοράτε όλα τα μέσα ατομικής προστασίας που είναι κατάλληλα για τα χημικά που χειρίζεστε. Ανατρέξτε στα υπάρχοντα φύλλα δεδομένων ασφάλειας υλικού (MSDS/SDS) για τα πρωτόκολλα ασφάλειας.
▲ ΠΡΟΣΟΧΗ	
	Κίνδυνος έκθεσης σε χημικά. Απορρίπτετε τα χημικά και τα απόβλητα σύμφωνα με τους τοπικούς, περιφερειακούς και εθνικούς κανονισμούς.

4.3.1 Πληροφορίες για τη βαθμονόμηση του αισθητήρα

Η βαθμονόμηση ρυθμίζει την ένδειξη αισθητήρα, έτσι ώστε να συμφωνεί με την τιμή ενός ή δύο διαλυμάτων αναφοράς. Τα χαρακτηριστικά του αισθητήρα μεταβάλλονται ελαφρώς με το πέρασμα του χρόνου και υποβαθμίζουν την ακριβεία του. Ο αισθητήρας πρέπει να βαθμονομείται για να διατηρείται η ακριβεία. Η συχνότητα βαθμονόμησης εξαρτάται από την εφαρμογή και καθορίζεται καλύτερα με βάση την εμπειρία.

Για τους αισθητήρες pH, χρησιμοποιείται ένα στοιχείο θερμοκρασίας για την παροχή ενδείξεων pH που προσαρμόζονται αυτόματα στους 25°C για μεταβολές της θερμοκρασίας που επηρεάζουν το ενεργό ηλεκτρόδιο και το ηλεκτρόδιο αναφοράς. Η ρύθμιση αυτή μπορεί να οριστεί με μη αυτόματο

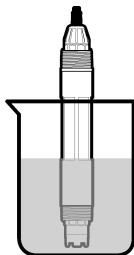
τρόπο από τον πελάτη στην περίπτωση που η θερμοκρασία της διεργασίας είναι σταθερή. Ανατρέξτε στην επιλογή ΑΙΣΘ.ΘΕΡΜ. στην ενότητα [Διαμόρφωση του αισθητήρα](#) στη σελίδα 442.

4.3.2 Διαδικασία βαθμονόμησης pH

Βαθμονομήστε τον αισθητήρα pH με ένα ή δύο διαλύματα αναφοράς (βαθμονόμηση 1 ή 2 σημείων).

1. Τοποθετήστε τον αισθητήρα στο πρώτο διάλυμα αναφοράς (ρυθμιστικό διάλυμα ή δείγμα γνωστής τιμής). Βεβαιωθείτε ότι το τμήμα αισθητήρα είναι εντελώς βυθισμένο στο υγρό. Ανατρέξτε στην [Εικόνα 7](#).

Εικόνα 7 Αισθητήρας σε διάλυμα αναφοράς



2. Περιμένετε έως ότου οι θερμοκρασίες του αισθητήρα και του διαλύματος ισοσταθμιστούν. Η διαδικασία αυτή μπορεί να απαιτήσει 30 λεπτά ή και περισσότερο, στην περίπτωση που η διαφορά θερμοκρασίας ανάμεσα στο διάλυμα διεργασίας και το διάλυμα αναφοράς είναι σημαντική.
3. Πατήστε το πλήκτρο **menu** (μενού), κατόπιν επιλέξτε PYΘΜ.ΑΙΣΘΗΤ. > [Επιλ. αισθητ.] > ΒΑΘΜΟΝΟΜΗΣΗ.
4. Επιλέξτε τον τύπο της βαθμονόμησης:

Επιλογή	Περιγραφή
1 ΣΗΜ.ΑΥΤΟΜ.	Χρησιμοποιήστε ένα ρυθμιστικό διάλυμα για βαθμονόμηση (π.χ., pH 7). Ο αισθητήρας εντοπίζει αυτόματα το ρυθμιστικό διάλυμα κατά τη βαθμονόμηση. Σημείωση: Φροντίστε να επιλέξετε το σωστό ρυθμιστικό διάλυμα που έχει οριστεί στις ρυθμίσεις διαμόρφωσης αισθητήρα.
2 ΣΗΜ.ΑΥΤΟΜ. (συνιστάται)	Χρησιμοποιήστε δύο ρυθμιστικά διαλύματα για βαθμονόμηση (π.χ., pH 7 και pH 4). Ο αισθητήρας εντοπίζει αυτόματα τα ρυθμιστικά διαλύματα κατά τη βαθμονόμηση. Σημείωση: Φροντίστε να επιλέξετε το σωστό ρυθμιστικό διάλυμα που έχει οριστεί στις ρυθμίσεις διαμόρφωσης αισθητήρα.
1 ΣΗΜ.ΧΕΙΡΟΚ.	Χρησιμοποιήστε ένα δείγμα γνωστής τιμής pH (ή ένα ρυθμιστικό διάλυμα) για βαθμονόμηση. Εισαγάγετε την τιμή pH κατά τη βαθμονόμηση.
2 ΣΗΜ.ΧΕΙΡΟΚ.	Χρησιμοποιήστε δύο δείγματα γνωστής τιμής pH (ή δύο ρυθμιστικά διαλύματα) για βαθμονόμηση. Εισαγάγετε τις τιμές pH κατά τη διάρκεια της βαθμονόμησης.

5. Εάν ο κωδικός πρόσβασης είναι ενεργοποιημένος στο μενού ασφάλειας του ελεγκτή, πληκτρολογήστε τον κωδικό πρόσβασης.
6. Επιλέξτε μια ρύθμιση για το σήμα εξόδου κατά τη διάρκεια της βαθμονόμησης:

Επιλογή	Περιγραφή
ΕΝΕΡΓΟ	Το όργανο αποστέλλει την τρέχουσα τιμή εξόδου που μετρείται κατά τη διάρκεια της διαδικασίας βαθμονόμησης.
ΚΡΑΤΗΣΗ	Η τιμή της εξόδου του αισθητήρα διατηρείται στην τρέχουσα τιμή που μετρείται κατά τη διάρκεια της διαδικασίας βαθμονόμησης.
ΜΕΤΑΦΟΡΑ	Κατά τη διάρκεια της βαθμονόμησης, αποστέλλεται μια προκαθορισμένη τιμή εξόδου. Ανατρέξτε στο εγχειρίδιο λειτουργίας του ελεγκτή για να αλλάξετε την προκαθορισμένη τιμή.

7. Με τον αισθητήρα στο πρώτο διάλυμα αναφοράς, πατήστε το πλήκτρο confirm (επιβεβαίωση).

Εμφανίζεται η τιμή μέτρησης.

8. Εάν ισχύει, εισαγάγετε την τιμή pH του διαλύματος αναφοράς:

a. Περιμένετε έως ότου σταθεροποιηθεί η τιμή και κατόπιν πατήστε το πλήκτρο confirm (επιβεβαίωση).

b. Εισαγάγετε την τιμή pH.

Σημείωση: Εάν το διάλυμα αναφοράς είναι ρυθμιστικό διάλυμα, βρείτε την τιμή pH στη φιάλη ρυθμιστικού διαλύματος για τη θερμοκρασία του ρυθμιστικού διαλύματος. Εάν το διάλυμα αναφοράς είναι δείγμα, προσδιορίστε την τιμή pH του δείγματος με διαφορετικό όργανο.

9. Για βαθμονόμηση 2 σημείων, μετρήστε το δεύτερο διάλυμα αναφοράς ως εξής:

a. Αφαιρέστε τον αισθητήρα από το πρώτο διάλυμα και ξυπλύνετε με καθαρό νερό.

b. Τοποθετήστε τον αισθητήρα στο επόμενο διάλυμα αναφοράς και κατόπιν πατήστε το πλήκτρο confirm (επιβεβαίωση).

c. Εάν ισχύει, περιμένετε έως ότου σταθεροποιηθεί η τιμή και πατήστε το πλήκτρο confirm (επιβεβαίωση). Εισαγάγετε την τιμή pH.

10. Ελέγξτε το αποτέλεσμα της βαθμονόμησης:

• ΕΠΙΤΥΧΗΣ—Ο αισθητήρας είναι βαθμονομημένος και έτοιμος για τη μέτρηση δειγμάτων. Εμφανίζονται οι τιμές κλίσης ή/και μετατόπισης.

• ΑΠΟΤΥΧΗΜΕΝΗ—Η κλίση ή η μετατόπιση βαθμονόμησης είναι εκτός των αποδεκτών ορίων. Επαναλάβετε τη βαθμονόμηση με φρέσκα διαλύματα αναφοράς. Καθαρίστε τον αισθητήρα, εάν χρειάζεται. Ανατρέξτε στην ενότητα **Καθαρισμός του αισθητήρα** στη σελίδα 448.

11. Εάν η βαθμονόμηση είναι επιτυχής, πατήστε το πλήκτρο confirm (επιβεβαίωση).

12. Επαναφέρετε τον αισθητήρα στη διεργασία και κατόπιν πατήστε το πλήκτρο confirm (επιβεβαίωση).

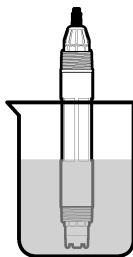
Το σήμα εξόδου επανέρχεται στην ενεργή κατάσταση και στην οθόνη εμφανίζεται η τιμή του δείγματος που μετριέται.

4.3.3 Διαδικασία βαθμονόμησης ORP

Βαθμονομήστε τον αισθητήρα ORP με ένα διάλυμα αναφοράς ή ένα δείγμα γνωστής τιμής.

1. Τοποθετήστε τον αισθητήρα στο διάλυμα αναφοράς ή στο δείγμα. Βεβαιωθείτε ότι το τμήμα αισθητήρα είναι εντελώς βυθισμένο στο διάλυμα. Ανατρέξτε στην ενότητα **Εικόνα 8**.

Εικόνα 8 Αισθητήρας σε διάλυμα αναφοράς ή δείγμα



2. Πατήστε το πλήκτρο **menu** (μενού), κατόπιν επιλέξτε PYOM.ΑΙΣΘΗΤ. > [Επιλ. αισθητ.] > ΒΑΘΜΟΝΟΜΗΣΗ.

3. Επιλέξτε 1 ΣΗΜ.ΧΕΙΡΟΚ..

4. Εάν ο κωδικός πρόσβασης είναι ενεργοποιημένος στο μενού ασφάλειας του ελεγκτή, πληκτρολογήστε τον κωδικό πρόσβασης.

5. Επιλέξτε μια ρύθμιση για το σήμα εξόδου κατά τη διάρκεια της βαθμονόμησης:

Επιλογή	Περιγραφή
ENERGO	Το όργανο αποστέλλει την τρέχουσα τιμή εξόδου που μετρείται κατά τη διάρκεια της διαδικασίας βαθμονόμησης.
KPATHΣH	Η τιμή της εξόδου του αισθητήρα διατηρείται στην τρέχουσα τιμή που μετρείται κατά τη διάρκεια της διαδικασίας βαθμονόμησης.
ΜΕΤΑΦΟΡΑ	Κατά τη διάρκεια της βαθμονόμησης, αποστέλλεται μια προκαθορισμένη τιμή εξόδου. Ανατρέξτε στο εγχειρίδιο λειτουργίας του ελεγκτή για να αλλάξετε την προκαθορισμένη τιμή.

6. Με τον αισθητήρα στο διάλυμα αναφοράς ή στο δείγμα, πατήστε το πλήκτρο confirm (επιβεβαίωση).

Εμφανίζεται η μετρούμενη τιμή.

7. Περιμένετε έως ότου σταθεροποιηθεί η τιμή και κατόπιν πατήστε το πλήκτρο confirm (επιβεβαίωση).

8. Εισαγάγετε την τιμή ORP του διαλύματος αναφοράς ή του δείγματος.

Σημείωση: Εάν χρησιμοποιείται διάλυμα αναφοράς για τη βαθμονόμηση, βρείτε την τιμή ORP στη φιάλη του διαλύματος αναφοράς. Εάν για τη βαθμονόμηση χρησιμοποιείται δείγμα, μετρήστε την τιμή ORP με ένα βοηθητικό όργανο επαλήθευσης.

9. Ελέγξτε το αποτέλεσμα της βαθμονόμησης:

- ΕΠΙΤΥΧΗΣ—Ο αισθητήρας είναι βαθμονομημένος και έτοιμος για τη μέτρηση δειγμάτων. Εμφανίζονται οι τιμές κλίσης ή/και μετατόπισης.
- ΑΠΟΤΥΧΗΜΕΝΗ—Η κλίση ή η μετατόπιση βαθμονόμησης είναι εκτός των αποδεκτών ορίων. Επαναλάβετε τη βαθμονόμηση με φρέσκο διάλυμα αναφοράς. Καθαρίστε τον αισθητήρα, εάν χρειάζεται. Ανατρέξτε στην ενότητα **Καθαρισμός του αισθητήρα** στη σελίδα 448.

10. Εάν η βαθμονόμηση είναι επιτυχής, πατήστε το πλήκτρο confirm (επιβεβαίωση).

11. Επαναφέρετε τον αισθητήρα στη διεργασία και κατόπιν πατήστε το πλήκτρο confirm (επιβεβαίωση).

Το σήμα εξόδου επανέρχεται στην ενεργή κατάσταση και στην οθόνη εμφανίζεται η τιμή του δείγματος που μετρείται.

4.3.4 Βαθμονόμηση θερμοκρασίας

Το όργανο έχει βαθμονομηθεί στο εργοστάσιο για ακριβείς μετρήσεις θερμοκρασίας. Βαθμονομήστε τη θερμοκρασία για να αυξήσετε την ακρίβεια.

1. Τοποθετήστε τον αισθητήρα σε περιέκτη νερού.
2. Μετρήστε τη θερμοκρασία του νερού με ένα θερμόμετρο ακριβείας ή με ένα ανεξάρτητο όργανο.
3. Πατήστε το πλήκτρο **menu** (μενού), κατόπιν επιλέξτε ΡΥΘΜ.ΑΙΣΘΗΤ. > [Επιλ. αισθητ.] > ΒΑΘΜΟΝΟΜΗΣΗ.
4. Επιλέξτε ΡΥΘΜ.ΘΕΡΜΟΚΡ. > ΠΡΟΣΘ.ΘΕΡΜΟΚΡ. και κατόπιν πατήστε το πλήκτρο confirm (επιβεβαίωση).
5. Εισαγάγετε την ακριβή τιμή θερμοκρασίας και κατόπιν πατήστε το πλήκτρο confirm (επιβεβαίωση).
6. Επαναφέρετε τον αισθητήρα στη διεργασία και κατόπιν πατήστε το πλήκτρο confirm (επιβεβαίωση).

4.3.5 Διαδικασία εξόδου από βαθμονόμηση

1. Για έξοδο από τη βαθμονόμηση, πιέστε **πίσω**.
2. Επιλέξτε ένα στοιχείο.

Επιλογή	Περιγραφή
ΑΚΥΡΩΣΗ	Διακοπή της βαθμονόμησης. Μια νέα βαθμονόμηση πρέπει να ξεκινήσει από την αρχή.

Επιλογή	Περιγραφή
ΕΠΙΣ.ΣΤΗ ΒΑΘΜ.	Επιστροφή στη βαθμονόμηση.
ΕΞΟΔΟΣ	Προσωρινή έξοδος από τη βαθμονόμηση. Επιτρέπεται η πρόσβαση σε άλλα μενού. Είναι δυνατό να ξεκινήσει μια βαθμονόμηση για έναν δεύτερο αισθητήρα (εφόσον υπάρχει). Για να επιστρέψετε στη βαθμονόμηση, πιέστε το πλήκτρο MENU και επιλέξτε ΡΥΘΜ.ΑΙΣΘΗΤ. > [ΕΠΙΛ.ΑΙΣΘΗΤ.].

4.4 Αρχεία καταγραφής συμβάντων και δεδομένων αισθητήρα

Ο ελεγκτής sc παρέχει ένα βιβλίο δεδομένων και ένα βιβλίο συμβάντων για κάθε αισθητήρα. Το μητρώο καταγραφής δεδομένων αποθηκεύει τα δεδομένα μέτρησης στα επιλεγμένα χρονικά διαστήματα (διαμορφώσιμα από τον χειριστή). Στο αρχείο καταγραφής συμβάντων εμφανίζονται τα συμβάντα που έχουν σημειωθεί.

Το αρχείο καταγραφής δεδομένων και το αρχείο καταγραφής καταγραφής συμβάντων μπορούν να αποθηκευτούν σε μορφή CSV. Για οδηγίες, ανατρέξτε στο υλικό τεκμηρίωσης του ελεγκτή.

4.5 Μητρώα Modbus

Μια λίστα με τα μητρώα Modbus είναι διαθέσιμη για επικοινωνία μέσω δικτύου. Ανατρέξτε στην τοποθεσία Web του κατασκευαστή για περισσότερες πληροφορίες.

Ενότητα 5 Συντήρηση

▲ ΚΙΝΔΥΝΟΣ



Πολλαπλοί κίνδυνοι. Μόνο ειδικευμένο προσωπικό πρέπει να εκτελεί τις εργασίες που περιγράφονται σε αυτήν την ενότητα του χειριδίου.

▲ ΠΡΟΕΙΔΟΠΟΙΗΣΗ



Κίνδυνος έκρηξης. Η απομάκρυνση ενός αισθητήρα από δοχείο που υφίσταται πίεση μπορεί να ενέχει κινδύνους. Πριν το απομακρύνετε, μειώστε την πίεση σε λιγότερα από 10 psi. Εάν αυτό δεν είναι δυνατό, να είστε ιδιαίτερα προσεκτικοί. Για περισσότερες πληροφορίες, ανατρέξτε στην τεκμηρίωση που συνοδεύει το υλικό στερέωσης.

▲ ΠΡΟΕΙΔΟΠΟΙΗΣΗ



Κίνδυνος έκθεσης σε χημικά. Τηρείτε τις εργαστηριακές διαδικασίες ασφάλειας και φοράτε όλα τα μέσα ατομικής προστασίας που είναι κατάλληλα για τα χημικά που χειρίζεστε. Ανατρέξτε στα υπάρχοντα φύλλα δεδομένων ασφάλειας υλικού (MSDS/SDS) για τα πρωτόκολλα ασφάλειας.

▲ ΠΡΟΣΟΧΗ



Κίνδυνος έκθεσης σε χημικά. Απορρίψτε τα χημικά και τα απόβλητα σύμφωνα με τους τοπικούς, περιφερειακούς και εθνικούς κανονισμούς.

5.1 Χρονοδιάγραμμα συντήρησης

Ο Πίνακας 1 παρουσιάζει το συνιστώμενο χρονοδιάγραμμα εργασιών συντήρησης. Οι απαιτήσεις του χώρου εγκατάστασης και οι συνθήκες λειτουργίας ενδέχεται να αυξήσουν τη συχνότητα εκτέλεσης ορισμένων εργασιών.

Πίνακας 1 Χρονοδιάγραμμα συντήρησης

Εργασία	1 έτος	Όπως απαιτείται
Καθαρισμός του αισθητήρα στη σελίδα 448		X ⁶
Αντικατάσταση της γέφυρας άλατος στη σελίδα 448	X	
Βαθμονόμηση του αισθητήρα	Ρύθμιση με βάση τις ρυθμιστικές αρχές ή την εμπειρία	

5.2 Καθαρισμός του αισθητήρα

Προϋπόθεση: Προετοιμάστε ένα διάλυμα ήπιου σαπουνιού με μη λειαντικό απορρυπαντικό πλυντηρίου πιάτων που δεν περιέχει λαυολίνη. Η λαυολίνη αφήνει μια λεπτή μεμβράνη επάνω στην επιφάνεια του ηλεκτροδίου, η οποία μπορεί να υποβαθμίσει την απόδοση του αισθητήρα.

Εξετάζετε περιοδικά τον αισθητήρα για υπολείμματα και επικαθίσεις. Καθαρίζετε τον αισθητήρα όταν υπάρχει συσσώρευση επικαθίσεων ή όταν διαπιστώνετε ότι η απόδοση έχει υποβαθμιστεί.

1. Χρησιμοποιήστε ένα καθαρό, μαλακό πανί για να αφαιρέσετε τα υπολείμματα από το άκρο του αισθητήρα. Ξεπλύνετε τον αισθητήρα με καθαρό, χλιαρό νερό.
2. Τοποθετήστε τον αισθητήρα από 2 έως 3 λεπτά στο διάλυμα σαπουνιού.
3. Χρησιμοποιήστε μια μαλακιά βούρτσα με τρίχες για να τρίψετε ολόκληρο το άκρο μέτρησης του αισθητήρα.
4. Εάν παραμένουν υπολείμματα, τοποθετήστε το άκρο μέτρησης του αισθητήρα σε αραιωμένο διάλυμα οξέος, π.χ. < 5% HCl, επί 5 λεπτά το μέγιστο.
5. Ξεπλύνετε τον αισθητήρα με νερό και, στη συνέχεια, επιστρέψτε στο διάλυμα σαπουνιού για 2-3 λεπτά.
6. Ξεπλύνετε τον αισθητήρα με καθαρό νερό.

Σημείωση: Τα αισθητήρα με ηλεκτρόδια αντιμονίου για εφαρμογές με HF μπορεί να χρειαστούν επιπρόσθετο καθαρισμό. Επικοινωνήστε με το τμήμα τεχνικής υποστήριξης.

Βαθμονομείτε πάντοτε τον αισθητήρα μετά από εργασίες συντήρησης.

5.3 Αντικατάσταση της γέφυρας άλατος

Αντικαθιστάτε τη γέφυρα άλατος και το πρότυπο διάλυμα κυπελίδας σε διαστήματα 1 έτους ή σε περίπτωση αποτυχίας της βαθμονόμησης μετά τον καθαρισμό του αισθητήρα.

Σημείωση: Ένα βίντεο που δείχνει τον τρόπο αντικατάστασης της γέφυρας άλατος είναι διαθέσιμο στη διεύθυνση www.Hach.com. Μεταβείτε στην ιστοσελίδα της γέφυρας άλατος και κάντε κλικ στην καρτέλα Video (Βίντεο).

Απαιτούμενα εξαρτήματα:

- Ρυθμιζόμενο κλειδί γενικής χρήσης
- Μεγάλο τσιμπιδάκι
- Γέφυρα άλατος
- Πρότυπο διάλυμα κυπελίδας
- Σκόνη σε γέλη⁷, ¼ κουταλάκι του γλυκού

⁶ Η συχνότητα εξαρτάται από τις συνθήκες λειτουργίας.

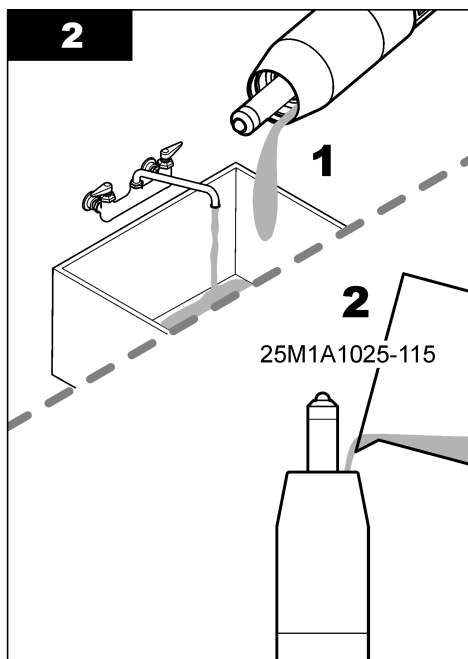
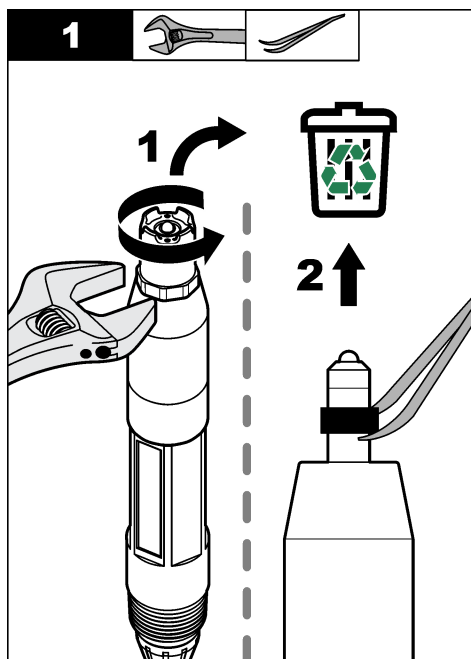
⁷ (Προαιρετικά) Προσθέστε σκόνη σε γέλη στο πρότυπο διάλυμα κυπελίδας, εάν το νερό διεργασίας πλησιάζει τη θερμοκρασία βρασμού. Η σκόνη σε γέλη μειώνει τον ρυθμό εξάτμισης του πρότυπου διαλύματος κυπελίδας.

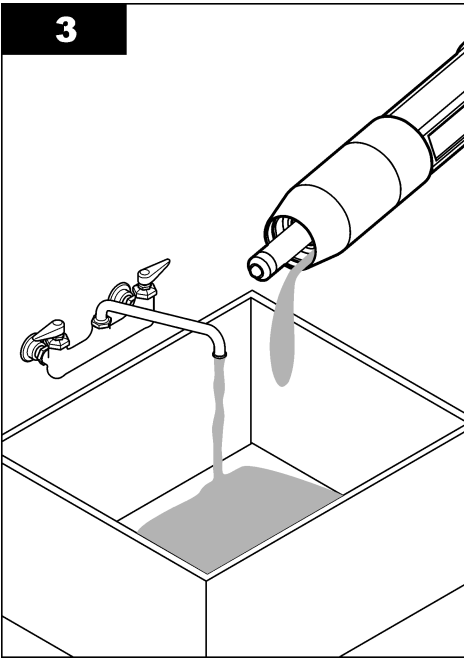
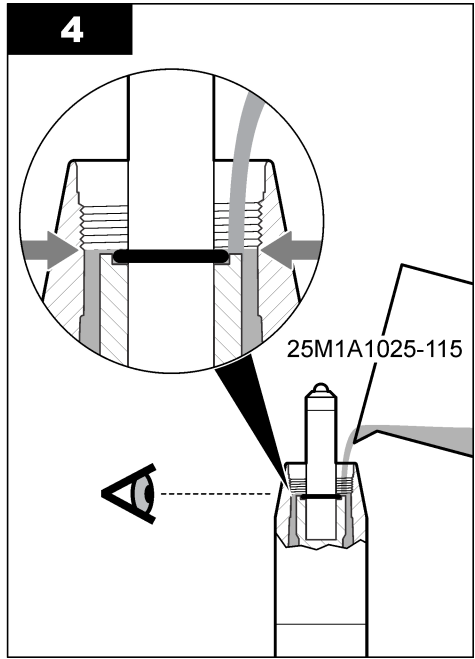
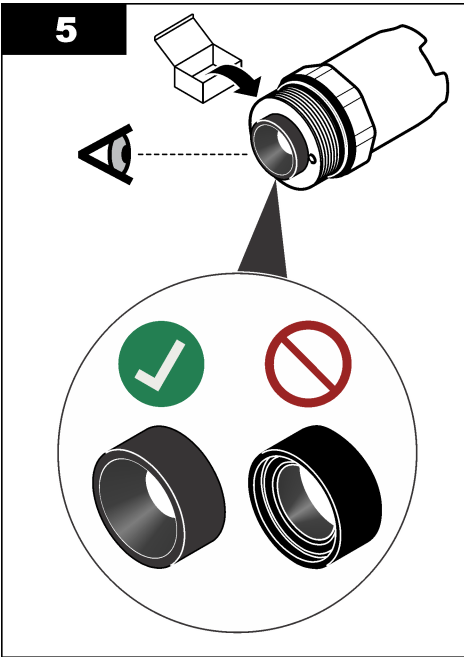
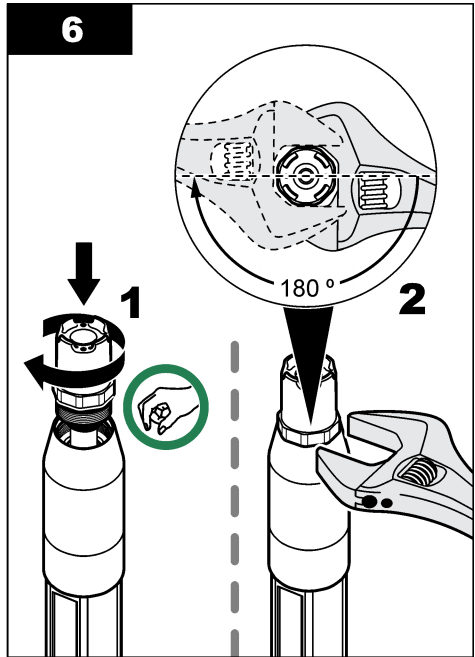
1. Καθαρισμός του αισθητήρα. Ανατρέξτε στην ενότητα [Καθαρισμός του αισθητήρα](#) στη σελίδα 448.
2. Αντικαταστήστε τη γέφυρα άλατος και το πρότυπο διάλυμα κυψελίδας. Ανατρέξτε στις εικόνες βημάτων που ακολουθούν.

Εάν η δεξαμενή για το πρότυπο διάλυμα κυψελίδας περιέχει γέλη (δεν είναι σύνηθες), χρησιμοποιήστε πίδακα νερού από μια συσκευή νερού τύπου ρίκ για να αφαιρέσετε την παλαιά γέλη όπως απεικονίζεται στο βήμα 2.

(Προαιρετικά) Εάν το νερό διεργασίας πλησιάζει τη θερμοκρασία βρασμού, προσθέστε σκόνη σε γέλη στο νέο πρότυπο διάλυμα κυψελίδας όπως απεικονίζεται στο βήμα 4 ως εξής:

- a. Προσθέστε 1 επίπεδο καπάκι φιάλης ($\frac{1}{8}$ κουταλάκι του γλυκού) σκόνης σε γέλη στη δεξαμενή για το πρότυπο διάλυμα κυψελίδας.
 - b. Ρίξτε μικρή ποσότητα από φρέσκο πρότυπο διάλυμα κυψελίδας στη δεξαμενή.
 - c. Αναμείξτε τη σκόνη έως ότου πυκνώσει το διάλυμα.
 - d. Προσθέστε μικρές ποσότητες διαλύματος και αναμείξτε μέχρι η στάθμη της γέλης να βρίσκεται στο κάτω μέρος των σπειρωμάτων της γέφυρας άλατος.
 - e. Βεβαιωθείτε ότι η στάθμη του τζελ είναι η κατάλληλη, τοποθετώντας και αφαιρώντας τη νέα γέφυρα άλατος. Στην επιφάνεια του τζελ πρέπει να παραμείνει το αποτύπωμα της γέφυρας άλατος.
3. Βαθμονομήστε τον αισθητήρα.



3**4****5****6**

5.4 Προετοιμασία για φύλαξη

Για σύντομη αποθήκευση (όταν ο αισθητήρας βρίσκεται εκτός διεργασίας για περισσότερο από μία ώρα), γεμίστε το προστατευτικό καπάκι με ρυθμιστικό διάλυμα pH 4 ή απεσταγμένο νερό και τοποθετήστε ξανά το καπάκι στον αισθητήρα. Διατηρείτε το ηλεκτρόδιο συνεχούς μέτρησης και την ένωση αναφοράς τη γέφυρα άλατος υγρά για να αποφύγετε την αργή αντίδραση μόλις ο αισθητήρας επανέλθει σε λειτουργία.

Για παρατεταμένη αποθήκευση, επαναλάβετε τη διαδικασία της σύντομης αποθήκευσης κάθε 2 - 4 εβδομάδες, ανάλογα με τις συνθήκες περιβάλλοντος. Ανατρέξτε στην ενότητα [Προδιαγραφές](#) στη σελίδα 433 για τα όρια θερμοκρασίας αποθήκευσης.

Ενότητα 6 Αντιμετώπιση προβλημάτων

6.1 Διακοπτόμενα δεδομένα

Κατά τη διάρκεια της βαθμονόμησης, τα δεδομένα δεν αποστέλλονται στην καταγραφή δεδομένων. Έτσι, η καταγραφή δεδομένων μπορεί να έχει περιοχές με διακοπή δεδομένων.

6.2 Μενού διαγνωστικών ελέγχων και ελέγχου αισθητήρα

Το μενού διαγνωστικών ελέγχων και ελέγχου αισθητήρα εμφανίζει τρέχοντα και ιστορικά στοιχεία σχετικά με το όργανο. Ανατρέξτε στην ενότητα [Πίνακας 2](#). Για να αποκτήσετε πρόσβαση στο μενού διαγνωστικών ελέγχων και ελέγχου αισθητήρα, πατήστε το πλήκτρο **menu** (μενού) και κατόπιν επιλέξτε PYOM.AISΘHT. > [Επιλ. αισθητ.] > ΔΙΑΓΝ/ΤΕΣΤ.

Πίνακας 2 Μενού ΔΙΑΓΝ/ΤΕΣΤ αισθητήρα

Επιλογή	Περιγραφή
ΠΛΗΡ.ΑΙΣΘΗΤ.	Εμφανίζει τον τύπο, το όνομα, τον σειριακό αριθμό, την έκδοση λογισμικού και την έκδοση προγράμματος οδήγησης του αισθητήρα.
ΔΕΔ.ΒΑΘΜΟΝ.	Εμφανίζει την κλίση pH (mV/pH) και την ημερομηνία τελευταίας βαθμονόμησης. Η κλίση pH θα πρέπει να κυμαίνεται μεταξύ -55 και -61 mV.
ΣΗΜΑ	<p>ΣΗΜΑ ΑΙΣΘΗΤ.—Εμφανίζει την ένδειξη αισθητήρα σε mV. Το εύρος μέτρησης mV κυμαίνεται μεταξύ -60 και +60 mV (0 mV = pH 7).</p> <p>SENS ADC CNTS—Εμφανίζει τον ψηφιακό αριθμό που αντιπροσωπεύει την ένδειξη pH.</p> <p>TEMP ADC CNTS—Εμφανίζει τον ψηφιακό αριθμό που αντιπροσωπεύει την ένδειξη θερμοκρασίας.</p> <p>ΚΑΤΑΣΤ.ΑΙΣΘΗΤ.—Εμφανίζει την εύρυθμη λειτουργία του ενεργού ηλεκτροδίου και του ηλεκτροδίου αναφοράς (ΚΑΛΟ ή ΑΣΧΗΜΟ). Όταν εμφανίζεται η ένδειξη "ΑΣΧΗΜΟ", καθαρίστε τον αισθητήρα και αντικαταστήστε τη γέφυρα άλατος. Αντικαταστήστε τον αισθητήρα, εάν χρειάζεται.</p> <p>ΕΝΕΡ.ΗΛΕΚΤΡ.—Εμφανίζει τη σύνθετη αντίσταση του ενεργού ηλεκτροδίου.</p> <p>ΗΛΕΚ.ΑΝΑΦΟΡΑΣ—Εμφανίζει τη σύνθετη αντίσταση του ηλεκτροδίου αναφοράς.</p> <p>ΚΑΤΑΣΤ.ΗΛΕΚΤΡ.—Όταν έχει ενεργοποιηθεί (συνιστάται), η σύνθετη αντίσταση του ενεργού ηλεκτροδίου και του ηλεκτροδίου αναφοράς μετράται σε διαστήματα 1 λεπτού. Εμφανίζεται σφάλμα στην οθόνη του ελεγκτή, όταν η σύνθετη αντίσταση του ενεργού ηλεκτροδίου ή του ηλεκτροδίου αναφοράς δεν είναι μεταξύ του χαμηλού και του υψηλού ορίου σύνθετης αντίστασης.</p>
ΜΕΤΡΗΤΗΣ	<p>ΗΜ.ΛΕΙΤ.ΑΙΣΘ—Εμφανίζει τον αριθμό των ημερών που ο αισθητήρας βρίσκεται σε λειτουργία.</p> <p>ΕΠΙΑΝ. ΑΙΣΘΗΤ.—Μηδενίζει την τιμή ΗΜ.ΛΕΙΤ.ΑΙΣΘ και ΜΕΡ.ΛΕΙΤ.ΑΙΣΘ.</p> <p>ΜΕΡ.ΛΕΙΤ.ΑΙΣΘ—Εμφανίζει τον αριθμό ημερών από την αντικατάσταση της γέφυρας άλατος.</p> <p>Σημείωση: Η τιμή ΜΕΡ.ΛΕΙΤ.ΑΙΣΘ μηδενίζεται αυτόματα με την αντικατάσταση της γέφυρας άλατος.</p>

6.3 Μηνύματα σφάλματος

Όταν προκύπτει σφάλμα, η ένδειξη στην οθόνη μέτρησης αναβοσβήνει και όλες οι έξοδοι τίθενται σε αναμονή μόλις καθοριστεί στο μενού ελεγκτή. Για να εμφανίσετε τα σφάλματα αισθητήρα, πατήστε το

πλήκτρο **menu** (μενού) και επιλέξτε ΔΙΑΓΝΩΣΤΙΚΑ > [Επιλ. αισθητ.] > ΛΙΣΤΑ ΣΦΑΛΜΑΤ.. Μια λίστα με πιθανά σφάλματα εμφανίζεται στον **Πίνακας 3**.

Πίνακας 3 Μηνύματα σφάλματος

Σφάλμα	Περιγραφή	Λύση
pH ΠΟΛΥ ΥΨΗΛΟ	Η τιμή pH που μετρήθηκε είναι > 14.	Βαθμονομήστε τον αισθητήρα.
ΠΟΛΥ ΥΨΗΛΗ ΤΙΜΗ ORP	Η τιμή ORP που μετρήθηκε είναι > 2100 mV.	
pH ΠΟΛΥ ΧΑΜΗΛΟ	Η τιμή pH που μετρήθηκε είναι < 0.	Βαθμονομήστε τον αισθητήρα.
ΠΟΛΥ ΧΑΜΗΛΗ ΤΙΜΗ ORP	Η τιμή ORP που μετρήθηκε είναι ≤ 2.100 mV.	
ΠΟΛΥ ΥΨΗΛΗ ΜΕΤΑΤ.	Η μετατόπιση είναι > 9 (pH) ή 200 mV (ORP).	Εκτελέστε τα βήματα στις ενότητες Καθαρισμός του αισθητήρα στη σελίδα 448 και Αντικατάσταση της γέφυρας άλατος στη σελίδα 448. Στη συνέχεια, επαναλάβετε τη βαθμονόμηση.
ΠΟΛΥ ΧΑΜΗΛΗ ΜΕΤΑΤ.	Η μετατόπιση είναι < 5 (pH) ή -200 mV (ORP).	
ΠΟΛΥ ΥΨΗΛΗ ΚΛΙΣΗ	Η κλίση είναι > 62 (pH)/1.3 (ORP).	Επαναλάβετε τη βαθμονόμηση με φρέσκα διαλύματα αναφοράς.
ΠΟΛΥ ΧΑΜΗΛΗ ΚΛΙΣΗ	Η κλίση είναι < 50 (pH)/0.7 (ORP).	Εκτελέστε τα βήματα στην ενότητα Καθαρισμός του αισθητήρα στη σελίδα 448. Στη συνέχεια, επαναλάβετε τη βαθμονόμηση.
ΘΕΡΜ.ΥΨΗΛΗ	Η θερμοκρασία που μετρήθηκε είναι > 130 °C.	Βεβαιωθείτε ότι έχει επιλεγεί το σωστό στοιχείο θερμοκρασίας. Ανατρέξτε στην επιλογή ΑΙΣΘ.ΘΕΡΜ. στην ενότητα Διαμόρφωση του αισθητήρα στη σελίδα 442.
ΘΕΡΜ.ΧΑΜΗΛΗ	Η θερμοκρασία που μετρήθηκε είναι ≤ 10°C.	
ΣΦΑΛΜΑ ADC	Η μετατροπή από αναλογικό σε ψηφιακό απέτυχε.	Απενεργοποιήστε τον ελεγκτή. Στη συνέχεια, ενεργοποιήστε τον ελεγκτή.
ΠΟΛΥ ΥΨ. ΕΝΕΡΓΟ ΗΛΕΚΤ.	Η εμπέδηση του ενεργού ηλεκτροδίου είναι > 900 ΜΩ.	Ο αισθητήρας βρίσκεται στον αέρα. Επαναφέρετε τον αισθητήρα στη διεργασία.
ΠΟΛΥ ΧΑΜ. ΕΝΕΡΓΟ ΗΛΕΚ.	Η εμπέδηση του ενεργού ηλεκτροδίου είναι < 8 ΜΩ.	Ο αισθητήρας έχει καταστραφεί ή έχει επικαθίσεις. Εκτελέστε τα βήματα στην ενότητα Καθαρισμός του αισθητήρα στη σελίδα 448.
ΠΟΛΥ ΥΨ. ΗΛΕΚΤ. ΑΝΑΦ.	Η εμπέδηση του ηλεκτροδίου αναφοράς είναι > 900 ΜΩ.	Διαρροή ή εξάτμιση πρότυπου διαλύματος κυψελίδας. Αντικαταστήστε το πρότυπο διάλυμα κυψελίδας.
ΠΟΛΥ ΧΑΜ. ΗΛΕΚΤ. ΑΝΑΦ.	Η εμπέδηση του ηλεκτροδίου αναφοράς είναι < 8 ΜΩ.	Το ηλεκτρόδιο αναφοράς έχει καταστραφεί. Αντικαταστήστε τον αισθητήρα.
ΙΔΙΟ ΡΥΘΜΙΣΤΙΚΟ ΔΙΑΛΥΜΑ	Τα ρυθμιστικά διαλύματα που χρησιμοποιούνται για τη βαθμονόμηση 2 ΣΗΜ.ΑΥΤΟΜ. έχουν την ίδια τιμή.	Χρησιμοποιήστε ρυθμιστικά διαλύματα που έχουν διαφορετικές τιμές.
ΑΙΣΘΗΤ. ΛΕΙΠΕΙ	Ο αισθητήρας δεν υπάρχει ή έχει αποσυνδεθεί.	Εντοπίστε εάν το καλώδιο αισθητήρα είναι αποσυνδεδεμένο ή κατεστραμμένο.
ΑΙΣΘΗΤ. ΘΕΡΜ. ΛΕΙΠΕΙ	Ο αισθητήρας θερμοκρασίας λείπει.	Βεβαιωθείτε ότι έχει επιλεγεί το σωστό στοιχείο θερμοκρασίας. Ανατρέξτε στην επιλογή ΑΙΣΘ.ΘΕΡΜ. στην ενότητα Διαμόρφωση του αισθητήρα στη σελίδα 442.
ΕΙΔ.ΑΝΤ.ΧΑΜ	Ο γυάλινος λαμπτήρας έσπασε ή είναι στο τέλος της ζωής του.	Αντικαταστήστε τον αισθητήρα.

6.4 Μηνύματα προειδοποίησης

Μια προειδοποίηση δεν επηρεάζει τη λειτουργία των μενού, των ρελέ και των εξόδων. Αναβοσβήνει ένα εικονίδιο προειδοποίησης και στο κάτω μέρος της οθόνης μετρήσεων εμφανίζεται ένα μήνυμα. Για να εμφανίσετε τις προειδοποιήσεις αισθητήρα, πατήστε το πλήκτρο **menu** (μενού) και επιλέξτε ΔΙΑΓΝΩΣΤΙΚΑ > [Επιλ. αισθητ.] > ΛΙΣΤΑ ΠΡΟΕΙΔ.. Μια λίστα με πιθανές προειδοποιήσεις εμφανίζεται στον [Πίνακα 4](#).

Πίνακας 4 Μηνύματα προειδοποίησης

Προειδοποίηση	Περιγραφή	Λύση
ρΗ ΠΟΛΥ ΥΨΗΛΟ	Η τιμή ρΗ που μετρήθηκε είναι > 13.	Βαθμονομήστε τον αισθητήρα.
ΠΟΛΥ ΥΨΗΛΗ ΤΙΜΗ ORP	Η τιμή ORP που μετρήθηκε είναι > 2100 mV.	
ρΗ ΠΟΛΥ ΧΑΜΗΛΟ	Η τιμή ρΗ που μετρήθηκε είναι < 1.	Βαθμονομήστε τον αισθητήρα.
ΠΟΛΥ ΧΑΜΗΛΗ ΤΙΜΗ ORP	Η τιμή ORP που μετρήθηκε είναι < -2100 mV.	
ΠΟΛΥ ΥΨΗΛΗ ΜΕΤΑΤ.	Η μετατόπιση είναι > 8 (ρΗ) ή 200 mV (ORP).	Εκτελέστε τα βήματα στις ενότητες Καθαρισμός του αισθητήρα στη σελίδα 448 και Αντικατάσταση της γέφυρας άλατος στη σελίδα 448. Στη συνέχεια, επαναλάβετε τη βαθμονόμηση.
ΠΟΛΥ ΧΑΜΗΛΗ ΜΕΤΑΤ.	Η μετατόπιση είναι < 6 (ρΗ) ή -200 mV (ORP).	
ΠΟΛΥ ΥΨΗΛΗ ΚΛΙΣΗ	Η κλίση είναι > 60 (ρΗ)/1.3 (ORP).	Επαναλάβετε τη βαθμονόμηση με φρέσκα διαλύματα αναφοράς.
ΠΟΛΥ ΧΑΜΗΛΗ ΚΛΙΣΗ	Η κλίση είναι < 54 (ρΗ)/0.7 (ORP).	Εκτελέστε τα βήματα στην ενότητα Καθαρισμός του αισθητήρα στη σελίδα 448. Στη συνέχεια, επαναλάβετε τη βαθμονόμηση.
ΘΕΡΜ.ΥΨΗΛΗ	Η θερμοκρασία που μετρήθηκε είναι > 100°C.	Βεβαιωθείτε ότι έχει επιλεγεί το σωστό στοιχείο θερμοκρασίας. Ανατρέξτε στην επιλογή ΑΙΣΘ.ΘΕΡΜ. στην ενότητα Διαμόρφωση του αισθητήρα στη σελίδα 442.
ΘΕΡΜ.ΧΑΜΗΛΗ	Η θερμοκρασία που μετρήθηκε είναι < 0°C.	
ΠΑΡΕΛ. ΠΡΟΘ. ΓΙΑ ΒΑΘΜ.	Ο αριθμός ημερών από τη βαθμονόμηση του αισθητήρα είναι μεγαλύτερος από το διάστημα βαθμονόμησης.	Βαθμονομήστε τον αισθητήρα. Σημείωση: Για να αλλάξετε το διάστημα βαθμονόμησης, ανατρέξτε στην επιλογή ΗΜΕΡ.ΒΑΘΜΟΝ. στην ενότητα Διαμόρφωση του αισθητήρα στη σελίδα 442.
ΑΝΤΙΚΑΤ.ΑΙΣΘ.	Ο αριθμός ημερών λειτουργίας του αισθητήρα είναι μεγαλύτερος από το διάστημα αντικατάστασης αισθητήρα.	Αντικαταστήστε τον αισθητήρα, εάν χρειάζεται. Σημείωση: Για να αλλάξετε το διάστημα αντικατάστασης αισθητήρα, ανατρέξτε στην επιλογή ΗΜ.ΛΕΙΤ.ΑΙΣΘ στην ενότητα Διαμόρφωση του αισθητήρα στη σελίδα 442.
ΔΕΝ ΕΓΙΝΕ ΒΑΘΜ.	Ο αισθητήρας δεν έχει βαθμονομηθεί.	Βαθμονομήστε τον αισθητήρα.
ΣΦΑΛΜ.ΜΝΗΜΗΣ	Σφάλμα εξωτερικής μνήμης Flash.	Επικοινωνήστε με το τμήμα τεχνικής υποστήριξης.
ΠΟΛΥ ΥΨ. ΕΝΕΡΓΟ ΗΛΕΚΤ.	Η εμπέδηση του ενεργού ηλεκτροδίου είναι > 800 ΜΩ.	Ο αισθητήρας βρίσκεται στον αέρα. Επαναφέρετε τον αισθητήρα στη διεργασία.
ΠΟΛΥ ΧΑΜ. ΕΝΕΡΓΟ ΗΛΕΚ.	Η εμπέδηση του ενεργού ηλεκτροδίου είναι < 15 ΜΩ.	Ο αισθητήρας έχει καταστραφεί ή έχει επικαθίσεις. Εκτελέστε τα βήματα στην ενότητα Καθαρισμός του αισθητήρα στη σελίδα 448.

Πίνακας 4 Μηνύματα προειδοποίησης (συνέχεια)

Προειδοποίηση	Περιγραφή	Λύση
ΠΟΛΥ ΥΨ. ΗΛΕΚΤ. ΑΝΑΦ.	Η εμπέδηση του ηλεκτροδίου αναφοράς είναι > 800 ΜΩ.	Διαρροή ή εξάτμιση πρότυπου διαλύματος κυψελίδας. Αντικαταστήστε το πρότυπο διάλυμα κυψελίδας.
ΠΟΛΥ ΧΑΜ. ΗΛΕΚΤ. ΑΝΑΦ.	Η εμπέδηση του ηλεκτροδίου αναφοράς είναι < 15 ΜΩ.	Το ηλεκτρόδιο αναφοράς έχει καταστραφεί. Αντικαταστήστε τον αισθητήρα.
ΒΑΘΜ. ΣΕ ΕΞΕΛΙΞΗ	Έγινε εκκίνηση μιας βαθμονόμησης, αλλά η βαθμονόμηση δεν ολοκληρώθηκε.	Επιστροφή στη βαθμονόμηση.

6.5 Λίστα συμβάντων

Η λίστα συμβάντων εμφανίζει τρέχουσες δραστηριότητες, όπως αλλαγές διαμόρφωσης, ειδοποιήσεις, συνθήκες προειδοποίησης κ.λπ. Για να εμφανίσετε τα συμβάντα, πατήστε το πλήκτρο **menu** (μενού) και επιλέξτε ΔΙΑΓΝΩΣΤΙΚΑ > [Επιλ. αισθητ.] > ΓΕΓΟΝΟΣ (ΣΥΜΒΑΝΤΑ). Μια λίστα με πιθανά συμβάντα εμφανίζεται στον [Πίνακα 5](#). Τα προηγούμενα συμβάντα καταγράφονται στο αρχείο καταγραφής ημερολογίου, το οποίο μπορεί να ληφθεί από τον ελεγκτή. Για επιλογές ανάκτησης δεδομένων, ανατρέξτε στην τεκμηρίωση του ελεγκτή.

Πίνακας 5 Λίστα συμβάντων

Συμβάν	Περιγραφή
ΒΑΘΜΟΝΟΜΗΣΗ ΕΤΟΙΜΗ	Ο αισθητήρας είναι έτοιμος για βαθμονόμηση.
ΒΑΘΜΟΝΟΜΗΣΗ OK	Η τρέχουσα βαθμονόμηση είναι καλή.
ΛΗΞΗ ΧΡΟΝΟΥ	Λήξη χρόνου σταθεροποίησης κατά τη βαθμονόμηση.
ΔΕΝ ΥΠΑΡ. ΡΥΘΜ. ΔΙΑΛ.	Δεν εντοπίστηκε ρυθμιστικό διάλυμα.
ΚΛΙΣΗ ΥΨΗΛΗ	Η κλίση βαθμονόμησης βρίσκεται επάνω από το ανώτερο όριο.
ΚΛΙΣΗ ΧΑΜΗΛΗ	Η κλίση βαθμονόμησης βρίσκεται κάτω από το κατώτερο όριο.
OFFSET ΥΨΗΛΟ	Η τιμή μετατόπισης βαθμονόμησης βρίσκεται επάνω από το ανώτερο όριο.
OFFSET ΧΑΜ.	Η τιμή μετατόπισης βαθμονόμησης βρίσκεται κάτω από το κατώτερο όριο.
ΣΗΜΕΙΑ ΚΟΝΤΑ	Οι τιμές των σημείων βαθμονόμησης είναι πολύ κοντινές για βαθμονόμηση 2 σημείων.
ΣΦΑΛΜΑ ΒΑΘΜ.	Η βαθμονόμηση απέτυχε.
ΒΑΘΜ. ΥΨΗΛΗ	Η τιμή βαθμονόμησης βρίσκεται επάνω από το ανώτερο όριο.
ΑΣΤΑΘΕΣ	Η ένδειξη ήταν ασταθής κατά τη διάρκεια της βαθμονόμησης.
ΑΛΛΑΓΗ ΔΙΑΜΟΡΦΩΣΗΣ – κινητή υποδιαστολή	Η διαμόρφωση τροποποιήθηκε — τύπος κινητής υποδιαστολής.
ΑΛΛΑΓΗ ΔΙΑΜΟΡΦΩΣΗΣ – κείμενο	Η διαμόρφωση τροποποιήθηκε — τύπος κειμένου.
ΑΛΛΑΓΗ ΔΙΑΜΟΡΦΩΣΗΣ – ακέραιος	Η διαμόρφωση τροποποιήθηκε—τύπος ακέραιας τιμής.
ΕΠΑΝ. ΔΙΑΜ.	Οι ρυθμίσεις διαμόρφωσης ορίστηκαν στις προεπιλογές.
ΕΝΕΡΓΟΠ.ΡΕΥΜΑ	Η τροφοδοσία ενεργοποιήθηκε.
ΣΦΑΛΜΑ ADC	Η μετατροπή ADC απέτυχε (σφάλμα υλικού).
ΣΒΗΣΙΜΟ FLASH	Η μνήμη Flash σβήστηκε.

Πίνακας 5 Λίστα συμβάντων (συνέχεια)

Συμβάν	Περιγραφή
ΘΕΡΜΟΚΡΑΣΙΑ	Η θερμοκρασία που καταγράφηκε ήταν υπερβολικά υψηλή ή υπερβολικά χαμηλή.
ΧΕΙΡ. ΕΝΑΡΞΗ ΣΗΜΕΙΟ 1	Έναρξη βαθμονόμησης 1 ΣΗΜ.ΧΕΙΡΟΚ..
ΑΥΤΟΜ. ΕΝΑΡΞΗ ΣΗΜΕΙΟ 1	Έναρξη βαθμονόμησης 1 ΣΗΜ.ΑΥΤΟΜ. για pH.
ΧΕΙΡ. ΕΝΑΡΞΗ ΣΗΜΕΙΟ 2	Έναρξη βαθμονόμησης 2 ΣΗΜ.ΧΕΙΡΟΚ. για pH.
ΑΥΤΟΜ. ΕΝΑΡΞΗ ΣΗΜΕΙΟ 2	Έναρξη βαθμονόμησης 2 ΣΗΜ.ΑΥΤΟΜ. για pH.
ΧΕΙΡ. ΤΕΛΟΣ ΣΗΜΕΙΟ 1	Τέλος βαθμονόμησης 1 ΣΗΜ.ΧΕΙΡΟΚ..
ΑΥΤΟΜ. ΤΕΛΟΣ ΣΗΜΕΙΟ 1	Τέλος βαθμονόμησης 1 ΣΗΜ.ΑΥΤΟΜ. για pH.
ΧΕΙΡ. ΤΕΛΟΣ ΣΗΜΕΙΟ 2	Τέλος βαθμονόμησης 2 ΣΗΜ.ΧΕΙΡΟΚ. για pH.
ΑΥΤΟΜ. ΤΕΛΟΣ ΣΗΜΕΙΟ 2	Τέλος βαθμονόμησης 2 ΣΗΜ.ΑΥΤΟΜ. για pH.

Ενότητα 7 Ανταλλακτικά και εξαρτήματα

▲ ΠΡΟΕΙΔΟΠΟΙΗΣΗ



Κίνδυνος τραυματισμού. Η χρήση μη εγκεκριμένων εξαρτημάτων ενδέχεται να προκαλέσει τραυματισμό, ζημιά στο όργανο ή δυσλειτουργία του εξοπλισμού. Τα ανταλλακτικά εξαρτήματα της παρούσας ενότητας είναι εγκεκριμένα από τον κατασκευαστή.

Σημείωση: Οι κωδικοί προϊόντος και οι αριθμοί καταλόγου μπορεί να διαφέρουν σε ορισμένες περιοχές πώλησης. Επικοινωνήστε με τον κατάλληλο διανομέα ή ανατρέξτε στη δικτυακή τοποθεσία της εταιρείας για τα στοιχεία επικοινωνίας.

Αναλώσιμα

Περιγραφή	Ποσότητα	Αρ. προϊόντος
Ρυθμιστικό διάλυμα pH 4,01, κόκκινο	500 mL	2283449
Ρυθμιστικό διάλυμα pH 7,00, κίτρινο	500 mL	2283549
Ρυθμιστικό διάλυμα pH 10,01, μπλε	500 mL	2283649
Διάλυμα αναφοράς ORP, 200 mV	500 mL	25M2A1001-115
Διάλυμα αναφοράς ORP, 600 mV	500 mL	25M2A1002-115

Ανταλλακτικά μέρη—αισθητήρες pH

Περιγραφή	Ποσότητα	Αρ. προϊόντος
Γέφυρα άλατος, PEEK, εξωτερικός σύνδεσμος Kynar (PVDF), με στεγανοποιητικούς δακτυλίους Viton	1	SB-P1SV
Γέφυρα άλατος, PEEK, εξωτερικός σύνδεσμος Kynar (PVDF), με στεγανοποιητικούς δακτυλίους υπερφθοριωμένου ελαστομερούς	1	SB-P1SP ⁸
Γέφυρα άλατος, PEEK, κεραμικός εξωτερικός σύνδεσμος, με στεγανοποιητικούς δακτυλίους Viton	1	SB-P2SV
Γέφυρα άλατος, Ryton, εξωτερικός σύνδεσμος Kynar (PVDF), με στεγανοποιητικούς δακτυλίους Viton	1	SB-R1SV

⁸ Χρησιμοποιείτε το SB-P1SP όταν το υλικό Viton δεν είναι χημικά συμβατό με τα χημικά που περιέχει η εφαρμογή.

Ανταλλακτικά μέρη—αισθητήρες pH (συνέχεια)

Περιγραφή	Ποσότητα	Αρ. προϊόντος
Πρότυπο διάλυμα κυπελίδας	500 mL	25M1A1025-115
Σκόνη σε γέλη για πρότυπο διάλυμα κυπελίδας	2 g	25M8A1002-101

Παρελκόμενα

Περιγραφή	Αρ. προϊόντος
Ψηφιακό καλώδιο επέκτασης, 1 m (3,2 ft)	6122400
Ψηφιακό καλώδιο επέκτασης, 7,7 m (25 ft)	5796000
Ψηφιακό καλώδιο επέκτασης, 15 m (50 ft) ⁹	5796100
Ψηφιακό καλώδιο επέκτασης, ελεγκτής SC200, 31 m (100 ft)	5796200
Ψηφιακό κουτί τερματισμού, ελεγκτής SC200 ¹⁰	5867000
Υλικό τοποθέτησης υγειονομικού τύπου, 316 ανοξείδωτος χάλυβας, περιλαμβάνει ται υγειονομικού τύπου 2 ιντσών και σφικτήρα βαρέος τύπου Σημείωση: Το καπάκι και το στεγανωτικό από συνθετικό υλικό EPDM παρέχονται με τον αισθητήρα.	MH018S8SZ
Υλικό για τοποθέτηση ρακόρ, CPVC (χλωριωμένο πολυβινυλοχλωρίδιο), περιλαμβάνει στάνταρ ται 1½ ιντσας, σωλήνα ρακόρ με προσαρμογέα, πλήμνη στεγανότητας, δακτύλιο ασφάλισης και στεγανοποιητικό δακτύλιο Viton	6131300
Υλικό για τοποθέτηση ρακόρ, 316 ανοξείδωτος χάλυβας, περιλαμβάνει στάνταρ ται 1½ ιντσας, σωλήνα ρακόρ με προσαρμογέα, πλήμνη στεγανότητας, δακτύλιο ασφάλισης και στεγανοποιητικό δακτύλιο Viton	6131400
Υλικό τοποθέτησης διέλευσης ροής, CPVC, περιλαμβάνει στάνταρ ται 1 ιντσας	MH334N4NZ
Υλικό τοποθέτησης διέλευσης ροής, 316 ανοξείδωτος χάλυβας, περιλαμβάνει στάνταρ ται 1 ιντσας	MH314N4MZ
Υλικό τοποθέτησης εισαγωγής, CPVC, περιλαμβάνει ένσφαιρη βαλβίδα 1½ ιντσας, κλειστό μαστό NPT 1½ ιντσας, προσαρμογέα αισθητήρα με δύο δακτυλίους στεγανοποίησης Viton και μάκτρο, σωλήνα επέκτασης, προσαρμογέα σωλήνα, σωλήνα αντίστροφης ροής και δακτύλιο ασφάλισης	5646300
Υλικό τοποθέτησης εισαγωγής, 316 ανοξείδωτος χάλυβας, περιλαμβάνει ένσφαιρη βαλβίδα 1½ ιντσας, κλειστό μαστό NPT 1½ ιντσας, προσαρμογέα αισθητήρα με δύο δακτυλίους στεγανοποίησης Viton και μάκτρο, σωλήνα επέκτασης, προσαρμογέα σωλήνα, σωλήνα αντίστροφης ροής και δακτύλιο ασφάλισης	5646350
Υλικό τοποθέτησης εμβύθισης, στάνταρ, CPVC, περιλαμβάνει σωλήνα 1 ιντσας επί 4 πόδια και σύζευξη NPT 1 ιντσας επί 1 ίντσα	6136400
Υλικό τοποθέτησης εμβύθισης, στάνταρ, 316 ανοξείδωτος χάλυβας, περιλαμβάνει σωλήνα 1 ιντσας επί 4 πόδια και σύζευξη NPT 1 ιντσας επί 1 ίντσα	6136500
Υλικό τοποθέτησης εμβύθισης, στροφέας, περιλαμβάνει σωλήνα CPVC 1½ ιντσας επί 7,5 πόδια και διάταξη σφικτήρα σωλήνα	MH236B00Z
Υλικό τοποθέτησης βύθισης, αλουσίδα, 316 ανοξείδωτος χάλυβας, περιλαμβάνει ζυγό, παξιμάδια και ροδέλες ανοξείδωτου χάλυβα Σημείωση: Για χρήση μόνο με τον αισθητήρα ανοξείδωτου χάλυβα. Δεν περιλαμβάνει αλουσίδα.	2881900
Υλικό τοποθέτησης εμβύθισης, σφαίρα πλεύσης, περιλαμβάνει σωλήνα CPVC 1½ ιντσας επί 7,5 πόδια, διάταξη σφαιρας πλεύσης και διάταξη σφικτήρα σωλήνα	6131000

⁹ Το μέγιστο μήκος καλωδίου είναι 15 m (49 ft) για ελεγκτή SC1000.

¹⁰ Χρησιμοποιήστε ψηφιακό κουτί τερματισμού εάν το μήκος καλωδίου υπερβαίνει τα 100 m (328 ft). Δεν χρησιμοποιείται κουτί τερματισμού με ελεγκτή SC1000.

Παρελκόμενα (συνέχεια)

Περιγραφή	Αρ. προϊόντος
Προστατευτικό αισθητήρα, αισθητήρας μετατρεπόμενου τύπου, ΡΕΕΚ	1000F3374-002
Προστατευτικό αισθητήρα, αισθητήρας μετατρεπόμενου τύπου, Ryton	1000F3374-003



HACH COMPANY World Headquarters

P.O. Box 389, Loveland, CO 80539-0389 U.S.A.
Tel. (970) 669-3050
(800) 227-4224 (U.S.A. only)
Fax (970) 669-2932
orders@hach.com
www.hach.com

HACH LANGE GMBH

Willstätterstraße 11
D-40549 Düsseldorf, Germany
Tel. +49 (0) 2 11 52 88-320
Fax +49 (0) 2 11 52 88-210
info-de@hach.com
www.de.hach.com

HACH LANGE Sàrl

6, route de Compois
1222 Vézenaz
SWITZERLAND
Tel. +41 22 594 6400
Fax +41 22 594 6499