

EZ Racks



Installation made easy

The EZ9500 rack (complete unit) allows for an easy installation of an EZ analyser, filtration panel, moduplex and reagent containers. The reagent containers are stored behind a locked cover. Pre-drilled holes make it easy to install filtration panels and moduplex. The complete unit has a drain collector to connect all drain- and vent-tubings from the analyser in one spot.

The EZ9501 rack (base unit) can be used for the installation of reagent containers.

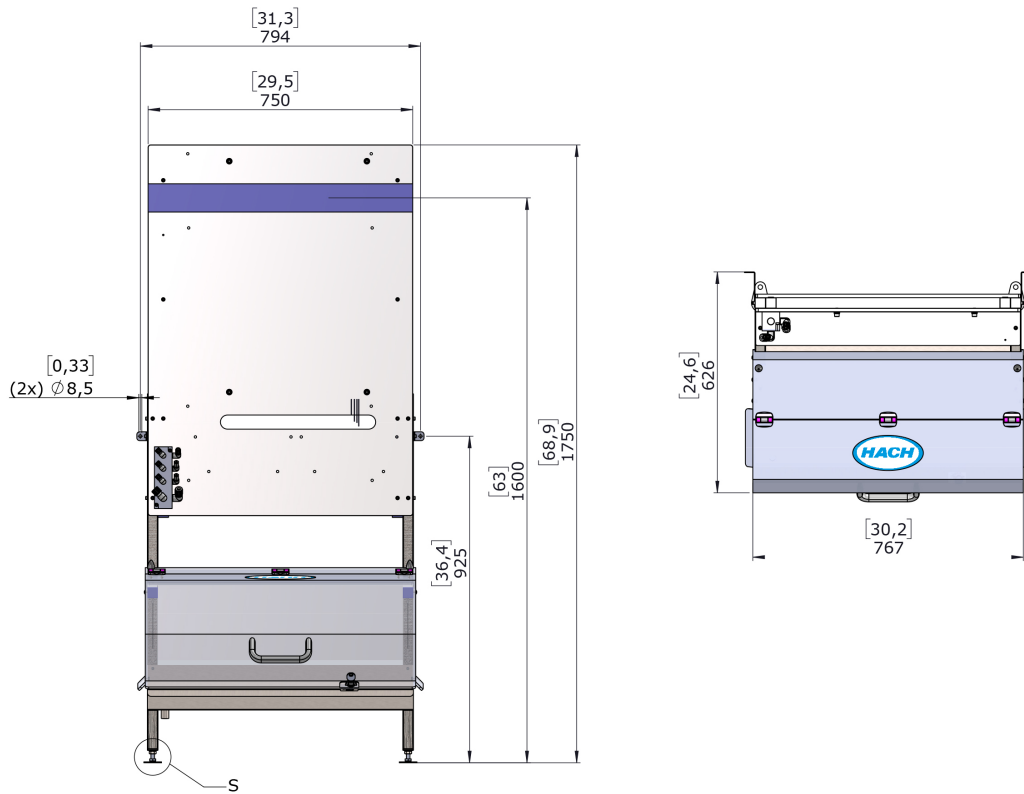
Technical Data*

Part number	EZ9500.99000001	EZ9501.99000001
Product description	EZ Rack, Complete Unit, for Analyzer, Filtration and Reagents	EZ Rack, Base Unit, for Reagents Only
Dimensions (H x W x D)	1750 mm x 800 mm x 650 mm	1100 mm x 800 mm x 650 mm
Weight	35 kg	29 kg
Mounting	Wall or Floor	
Material	Frame: SS304 Backplane: HPL Drain collector: PVC Cover: PC	
Fitting	Drain: G ½" Vent: G ½"	

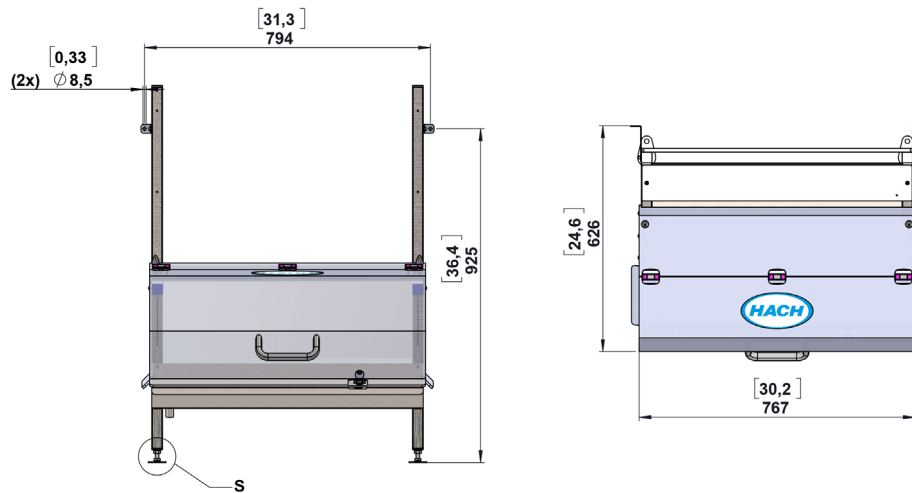
*Subject to change without notice.

Dimensions

EZ9500



EZ9501



Order Information

EZ Racks

EZ9500.99000001 EZ Rack, Complete Unit, for Analyzer, Filtration and Reagents

EZ9501.99000001 EZ Rack, Base Unit, for Reagents Only

Both racks, complete unit and base unit, are compatible with any EZ Series analyser and EZ Series reagent containers.

