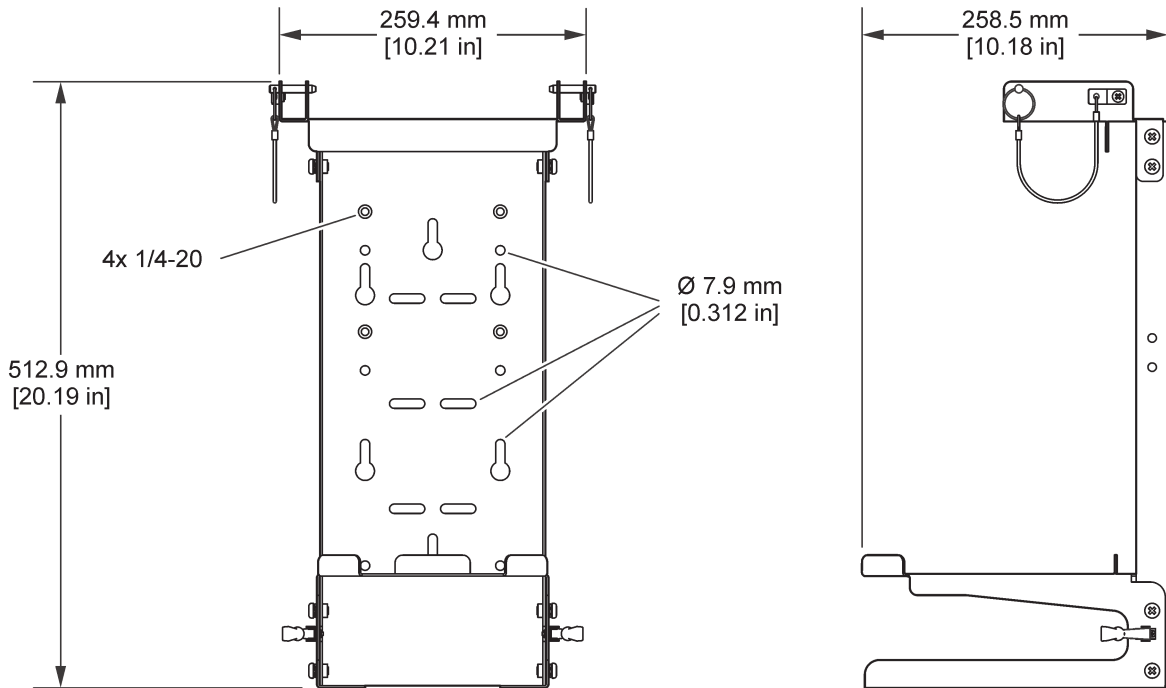
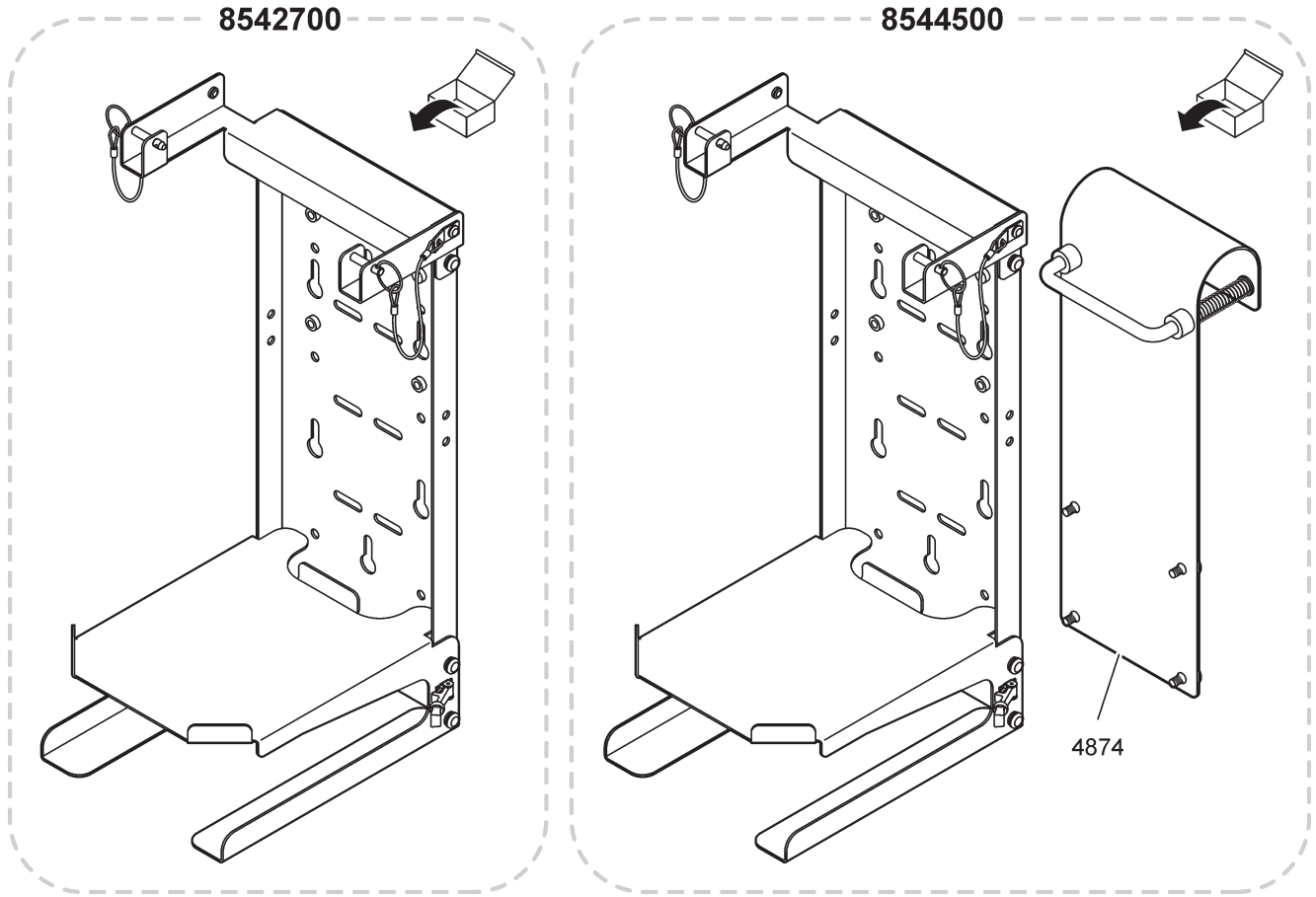
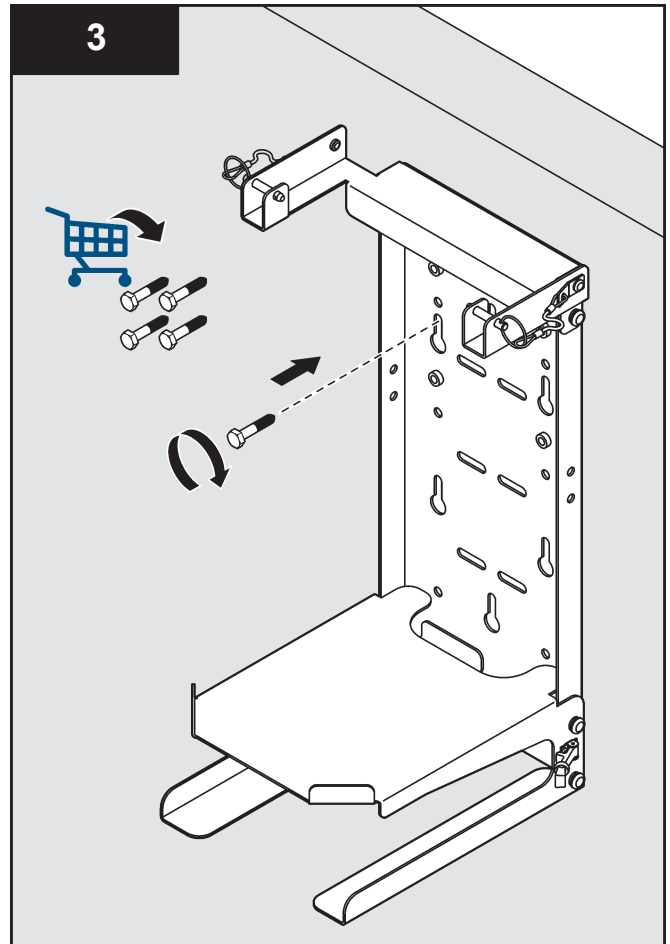
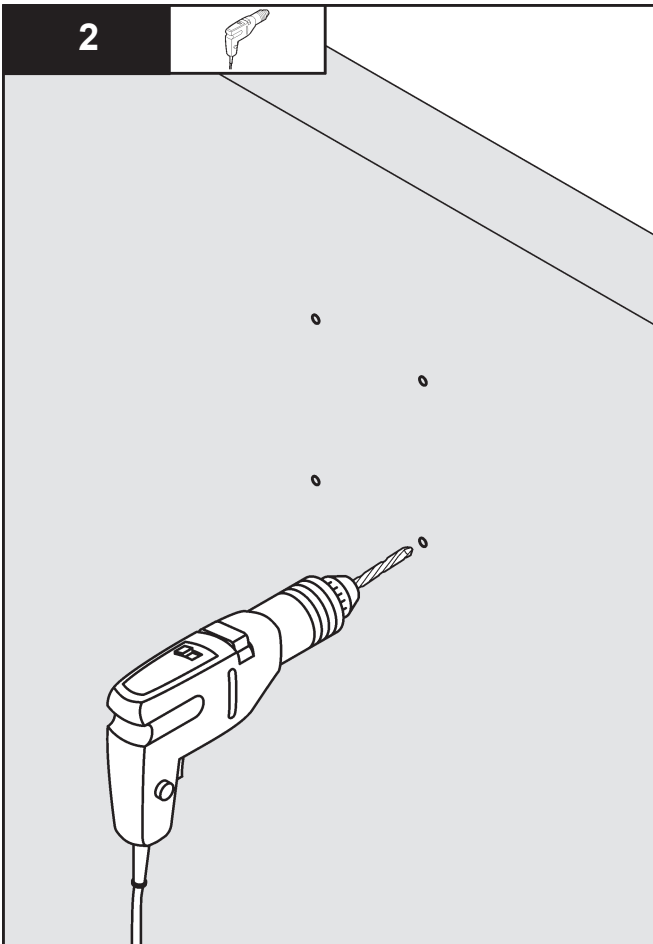
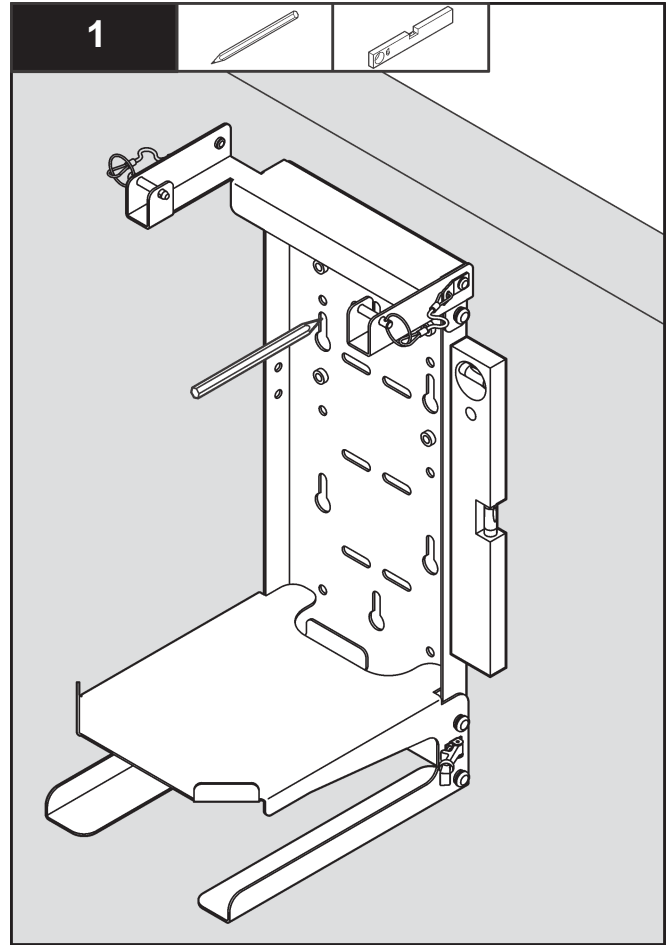
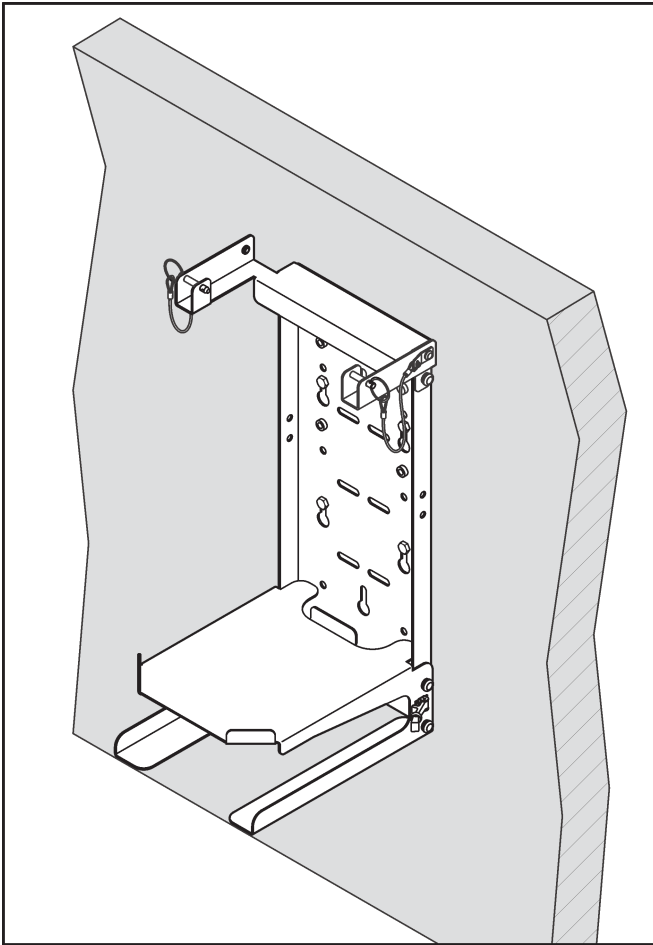
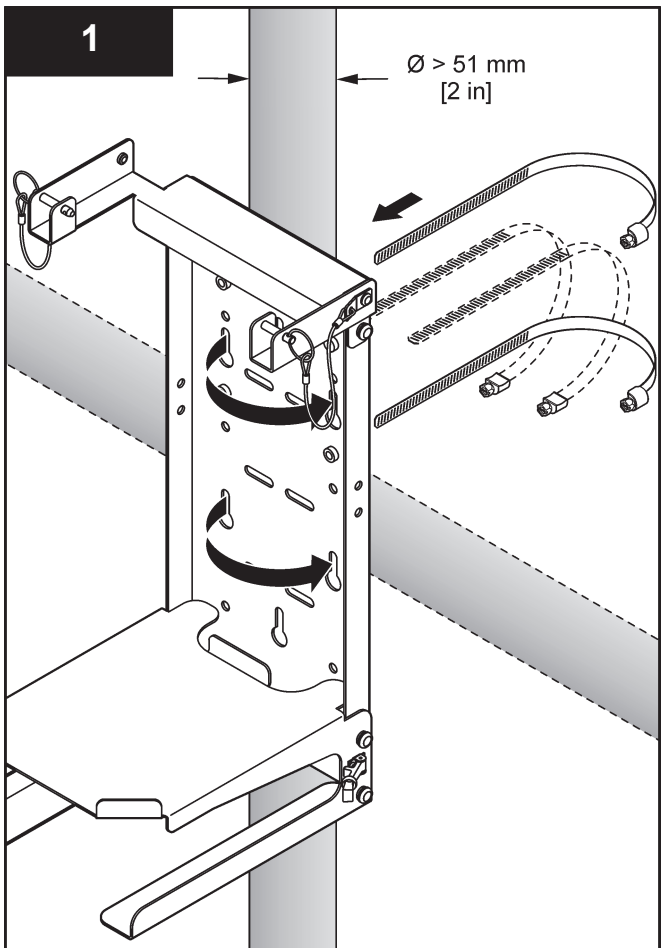
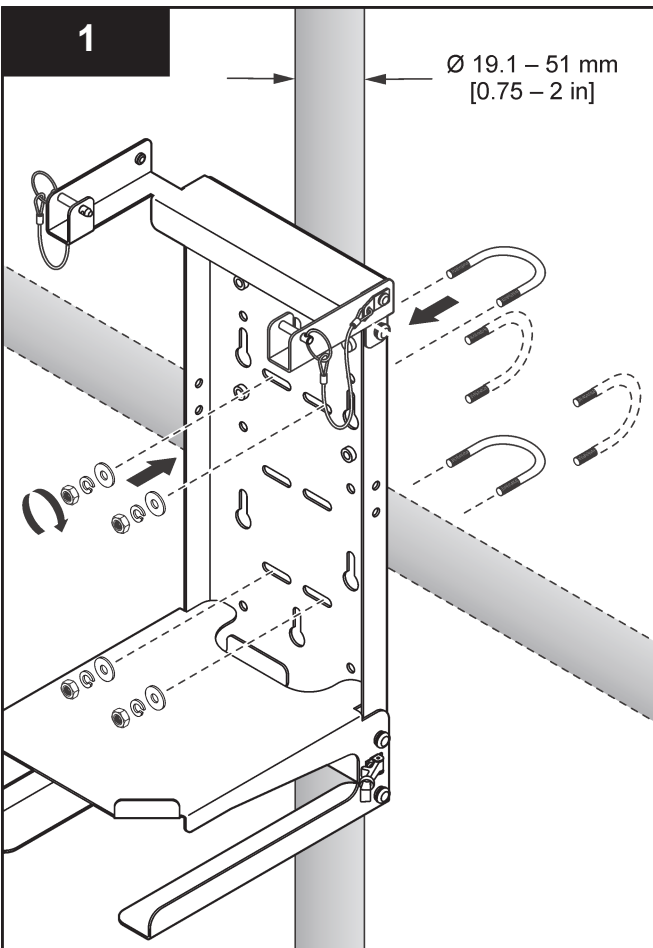
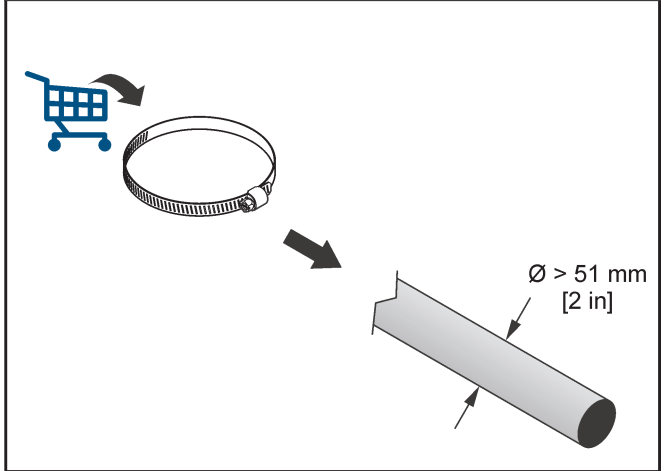
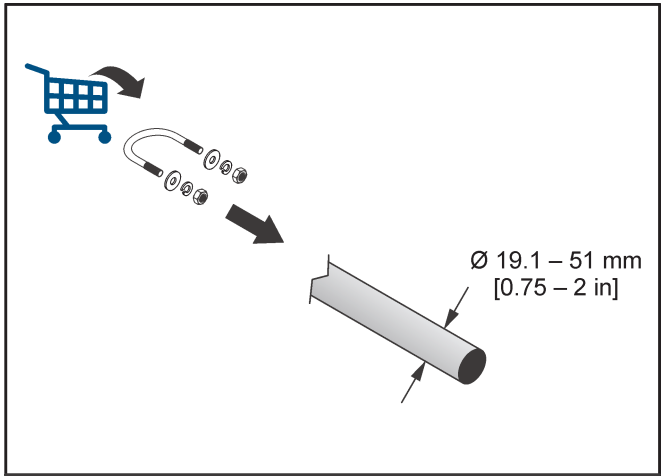
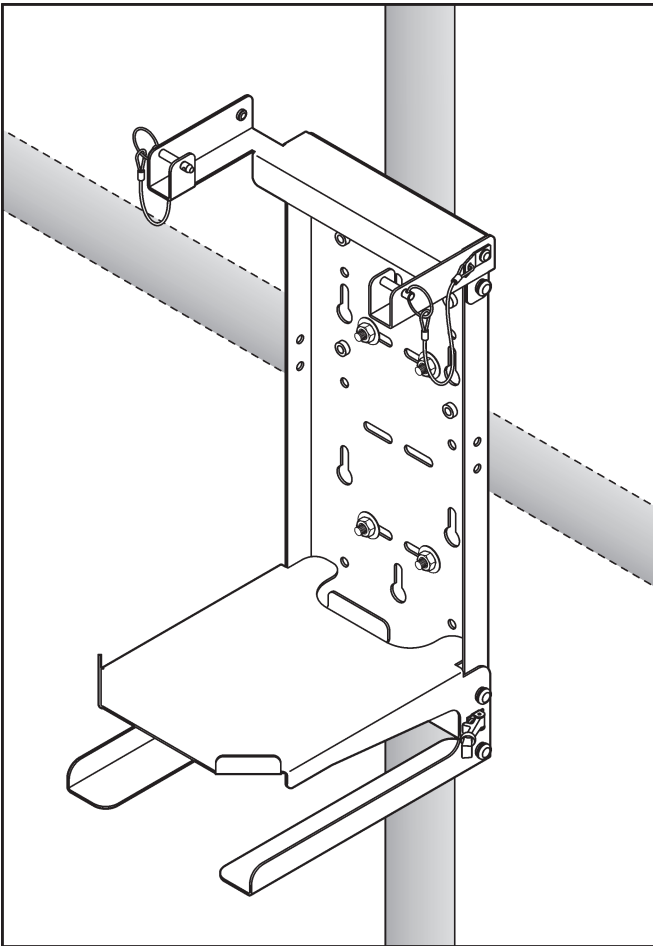


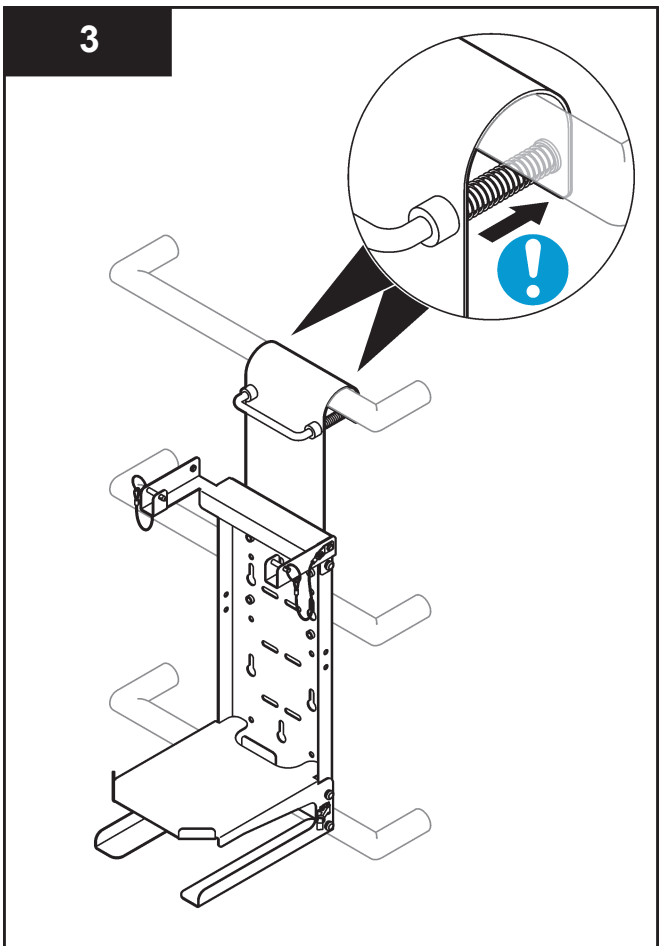
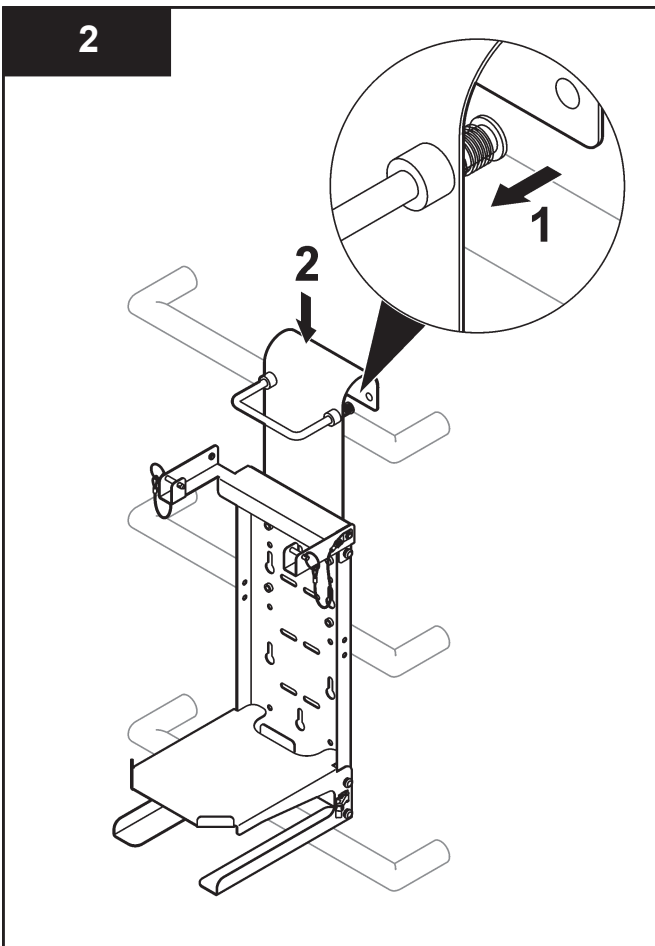
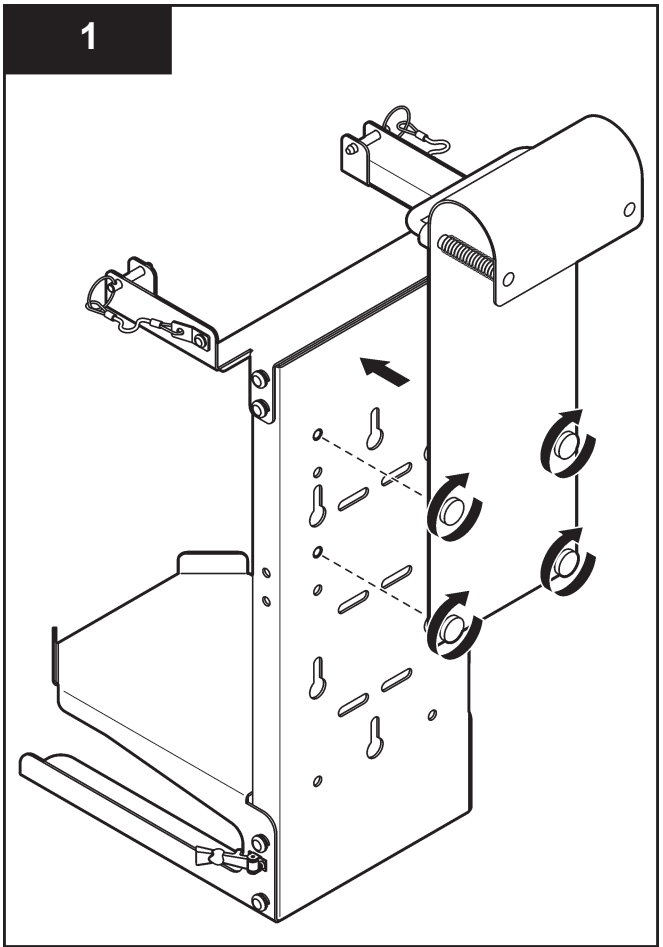
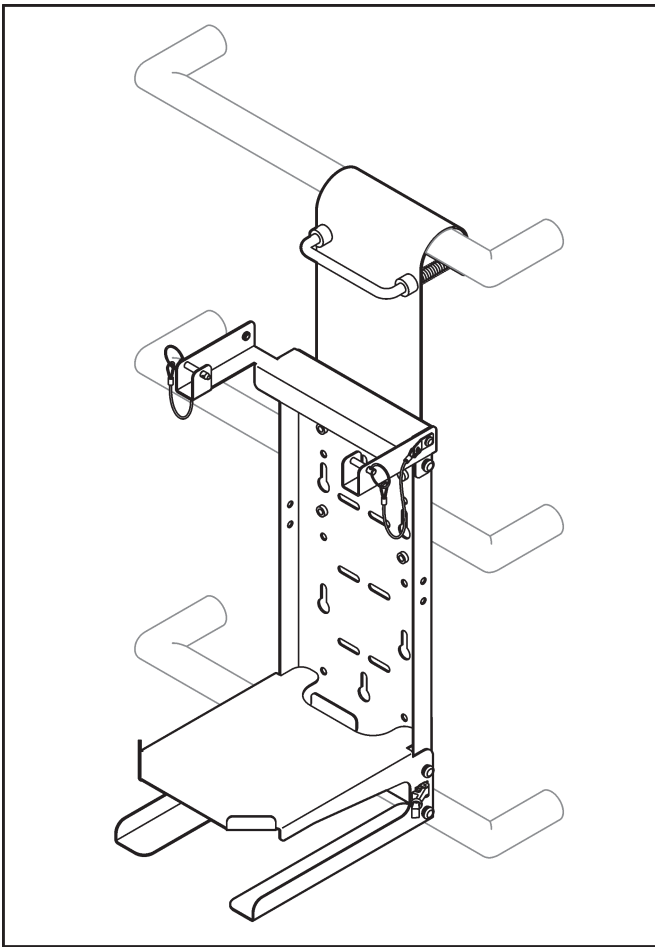
# 8542700, 8544500

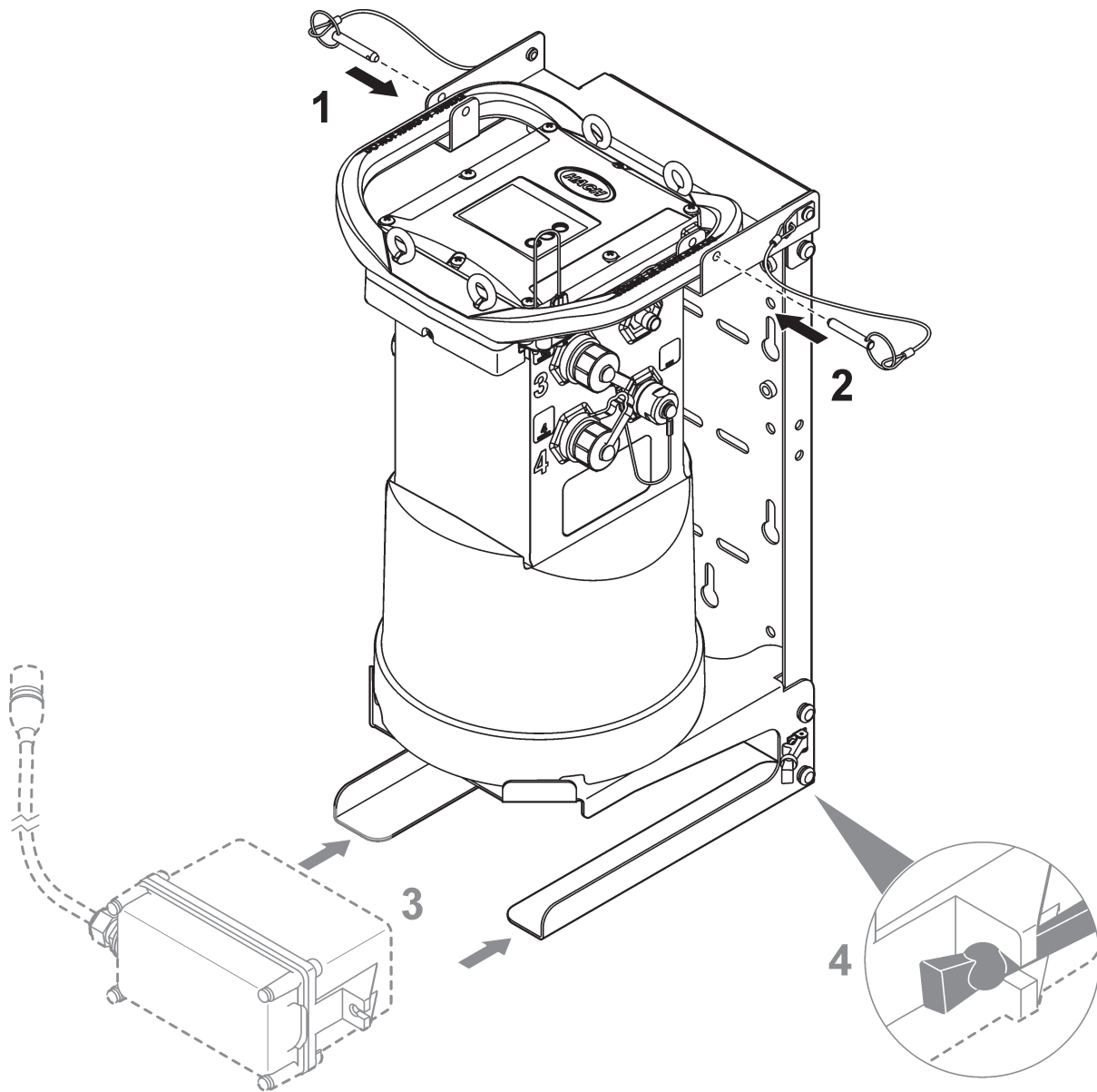
DOC276.99.80018











---

**McCrometer, Inc.**

3255 West Stetson Avenue

Hemet, CA 92545 USA

Tel: 951-652-6811

800-220-2279

Fax: 951-652-3078

[hachflowtechsupport@mccrometer.com](mailto:hachflowtechsupport@mccrometer.com)

[www.hach.com/flow](http://www.hach.com/flow)



USA Copyright © McCrometer, Inc. All printed material should not be changed or altered without permission of McCrometer. Any published pricing, technical data, and instructions are subject to change without notice. Contact your McCrometer representative for current pricing, technical data, and instructions.