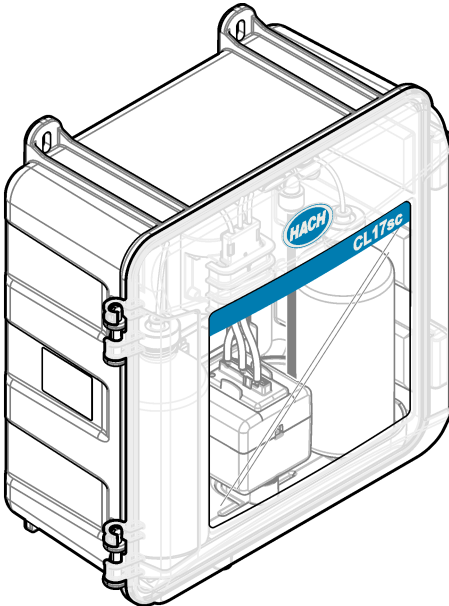




DOC023.98.80614

# CL17sc

08/2024, Edition 8



**User Manual**  
**Benutzerhandbuch**  
**Manuale utente**  
**Manuel d'utilisation**  
**Manual del usuario**  
**Manual do utilizador**  
**Návod k použití**  
**Gebruikershandleiding**  
**Brugervejledning**  
**Instrukcja obsługi**  
**Bruksanvisning**  
**Käyttöohje**  
**Ръководство за потребителя**  
**Felhasználói kézikönyv**  
**Manualul utilizatorului**  
**Naudotojo vadovas**  
**Руководство пользователя**  
**Kullanıcı Kılavuzu**  
**Korisnički priručnik**  
**Návod na použitie**  
**Navodila za uporabo**  
**Εγχειρίδιο χρήστη**  
**دليل المستخدم**

## Table of Contents

---

English.....	3
Deutsch.....	28
Italiano.....	55
Français.....	82
Español.....	109
Português.....	136
Čeština.....	163
Nederlands.....	188
Dansk.....	213
Polski.....	238
Svenska.....	265
Suomi.....	290
български.....	316
Magyar.....	343
Română.....	370
lietuvių kalba.....	397
Русский.....	424
Türkçe.....	451
Hrvatski.....	476
Slovenský jazyk.....	502
Slovenski.....	529
Ελληνικά.....	554
العربية.....	581

# Table of Contents

- 1 Specifications on page 3
- 2 General information on page 4
- 3 Installation on page 7
- 4 Configuration on page 18
- 5 Operation on page 19
- 6 Calibration and adjustment on page 19
- 7 Maintenance on page 19
- 8 Troubleshooting on page 25
- 9 Replacement parts and accessories on page 26

## Section 1 Specifications

Specifications are subject to change without notice.

**Table 1 General specifications**

Specification	Details
Dimensions (W x H x D)	32.9 x 34.2 x 17.7 cm (12.9 x 13.5 x 7.0 in.)
Enclosure	IP66 per IEC 60529 with the door closed and latched <sup>1</sup>
Shipping weight	4.1 kg (9 lb) without bottles; 5.1 kg (11.2 lb) with full bottles
Mounting	Wall mount
Protection class	III
Pollution degree	3
Electrical installation category	I (indoors)
Power requirements	12 VDC, 400 mA maximum (supplied by the controller)
Operating temperature	5 to 40 °C (41 to 104 °F)
Operating humidity	0 to 90% non-condensing relative humidity
Storage temperature	-40 to 60 °C (-40 to 140 °F)
Fittings	Sample line: ¼-in. OD quick-connect fitting for plastic tubing Drain lines: slip-on fitting for ½-in. ID soft plastic tubing
Indicator lights	Analyzer status and measurement cycle
Certifications	EU DoC, UKCA DoC, FCC/ISED SDoC, ACMA DoC, KC, Morocco DoC
Warranty	1 year (EU: 2 years)

**Table 2 Sample requirements**

Specification	Details
Pressure	0.31 to 5.17 bar (4.5 to 75 psig) supplied to Y-strainer; 0.1 to 0.34 bar (1.5 to 5 psig) supplied to analyzer
Flow rate	60 to 200 mL/min through the instrument (measured at analyzer drain)
Temperature	5 to 40 °C (41 to 104 °F)
Filtration	Y-strainer with 40 mesh screen or higher

<sup>1</sup> Drain holes closed with plugs for testing requirements.

**Table 3 Measurement specifications**

Specification	Details
Light source	LED, measurement at 510 nm; 1 cm light pathlength
Measurement range	0.03–10 mg/L free or total residual chlorine as Cl <sub>2</sub>
Measurement interval	150 seconds
Accuracy	±5% or ±0.04 mg/L from 0 to 5 mg/L (the larger value) as Cl <sub>2</sub> ±10% from 5 to 10 mg/L as Cl <sub>2</sub>
Precision	±5% or ±0.01 mg/L (the larger value) as Cl <sub>2</sub>
Limit of detection	0.03 mg/L as Cl <sub>2</sub>
Limit of quantitation	0.07 mg/L
Calibration	Factory calibration Optional: 2-point user calibration with calibration standards in Calibration Verification Kit
Reagent usage	0.5 L of buffer solution and 0.5 L of indicator solution in 31 days

## Section 2 General information

In no event will the manufacturer be liable for damages resulting from any improper use of product or failure to comply with the instructions in the manual. The manufacturer reserves the right to make changes in this manual and the products it describes at any time, without notice or obligation. Revised editions are found on the manufacturer's website.

### 2.1 Safety information

The manufacturer is not responsible for any damages due to misapplication or misuse of this product including, without limitation, direct, incidental and consequential damages, and disclaims such damages to the full extent permitted under applicable law. The user is solely responsible to identify critical application risks and install appropriate mechanisms to protect processes during a possible equipment malfunction.

Please read this entire manual before unpacking, setting up or operating this equipment. Pay attention to all danger and caution statements. Failure to do so could result in serious injury to the operator or damage to the equipment.

Make sure that the protection provided by this equipment is not impaired. Do not use or install this equipment in any manner other than that specified in this manual.

#### 2.1.1 Use of hazard information

##### **DANGER**

Indicates a potentially or imminently hazardous situation which, if not avoided, will result in death or serious injury.

##### **WARNING**

Indicates a potentially or imminently hazardous situation which, if not avoided, could result in death or serious injury.

##### **CAUTION**

Indicates a potentially hazardous situation that may result in minor or moderate injury.

##### **NOTICE**

Indicates a situation which, if not avoided, may cause damage to the instrument. Information that requires special emphasis.

## 2.1.2 Precautionary labels

Read all labels and tags attached to the instrument. Personal injury or damage to the instrument could occur if not observed. A symbol on the instrument is referenced in the manual with a precautionary statement.



Electrical equipment marked with this symbol may not be disposed of in European domestic or public disposal systems. Return old or end-of-life equipment to the manufacturer for disposal at no charge to the user.

## 2.1.3 EMC compliance

### ⚠ CAUTION

This equipment is not intended for use in residential environments and may not provide adequate protection to radio reception in such environments.

#### CE (EU)

The equipment meets the essential requirements of EMC Directive 2014/30/EU.

#### UKCA (UK)

The equipment meets the requirements of the Electromagnetic Compatibility Regulations 2016 (S.I. 2016/1091).

#### Canadian Radio Interference-Causing Equipment Regulation, ICES-003, Class A:

Supporting test records reside with the manufacturer.

This Class A digital apparatus meets all requirements of the Canadian Interference-Causing Equipment Regulations.

Cet appareil numérique de classe A répond à toutes les exigences de la réglementation canadienne sur les équipements provoquant des interférences.

#### FCC Part 15, Class "A" Limits

Supporting test records reside with the manufacturer. The device complies with Part 15 of the FCC Rules. Operation is subject to the following conditions:

1. The equipment may not cause harmful interference.
2. The equipment must accept any interference received, including interference that may cause undesired operation.

Changes or modifications to this equipment not expressly approved by the party responsible for compliance could void the user's authority to operate the equipment. This equipment has been tested and found to comply with the limits for a Class A digital device, pursuant to Part 15 of the FCC rules. These limits are designed to provide reasonable protection against harmful interference when the equipment is operated in a commercial environment. This equipment generates, uses and can radiate radio frequency energy and, if not installed and used in accordance with the instruction manual, may cause harmful interference to radio communications. Operation of this equipment in a residential area is likely to cause harmful interference, in which case the user will be required to correct the interference at their expense. The following techniques can be used to reduce interference problems:

1. Disconnect the equipment from its power source to verify that it is or is not the source of the interference.
2. If the equipment is connected to the same outlet as the device experiencing interference, connect the equipment to a different outlet.
3. Move the equipment away from the device receiving the interference.
4. Reposition the receiving antenna for the device receiving the interference.
5. Try combinations of the above.

## 2.2 Product overview

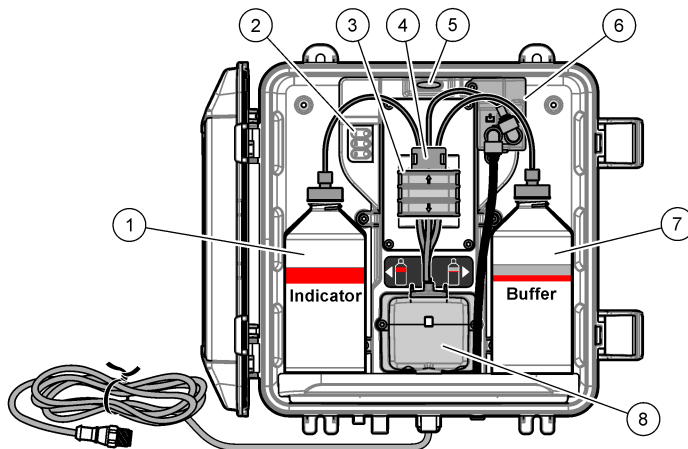
<b>⚠ DANGER</b>	
	<p>Chemical or biological hazards. If this instrument is used to monitor a treatment process and/or dialysis feed water for which there are regulatory limits and monitoring requirements related to public health, public safety, food or beverage manufacture or processing, it is the responsibility of the user of this instrument to know and abide by any applicable regulation and to have sufficient and appropriate mechanisms in place for compliance with applicable regulations in the event of malfunction of the instrument.</p>

The CL17sc analyzer measures the total chlorine concentration in water in the range of 0.03 to 10 mg/L at 150 second intervals. In addition, the [Figure 1](#) gives an overview of the analyzer.

Connect the analyzer to an SC Controller for power, operation, data collection, data transmission and diagnostics. Refer to the SC Controller manual for an overview of the controller.

**Note:** *More than one analyzer can be connected to an SC Controller if the controller has more than one quick-connect fitting.*

**Figure 1** CL17sc



1 Indicator bottle	5 Analyzer status light ( <a href="#">Table 5</a> on page 7)
2 Measurement cycle lights ( <a href="#">Table 4</a> on page 7)	6 Flow meter
3 Pump clamp	7 Buffer bottle
4 Tubing clip	8 Colorimetric cell

### 2.2.1 Flow meter

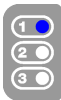
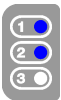
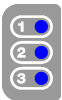
The analyzer has a flow meter that measures the sample flow through the analyzer. Refer to [Figure 1](#) on page 6.

Sample flows through the analyzer only when the analyzer flushes the cell. At other times, there is no sample flow and the flow rate shown is zero. Push the **RIGHT** arrow on the controller to show the flow rate.

## 2.2.2 Measurement cycle lights

The measurement cycle lights show the step of the measurement cycle being done. Refer to [Table 4](#).

**Table 4 Measurement cycle lights**

<b>Lights on</b>			
<b>Description</b>	The cell is flushed with water.	The buffer solution and the indicator solution are added to the cell.	The sample is measured.

## 2.2.3 Analyzer status light

The analyzer status light changes from green to yellow when there is a warning or to red when there is an error. Refer to [Table 5](#).

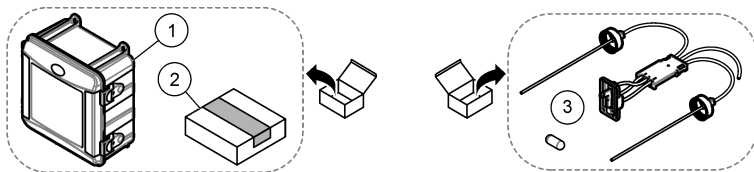
**Table 5 Analyzer status light**

Color	Description
Green	Normal operation
Yellow	The system needs attention to prevent a failure in the future. Measurements continue. To show the warnings, push <b>menu</b> and select DIAGNOSTICS > [select analyzer] > WARNING LIST. Refer to <a href="#">Warnings—Yellow light</a> on page 25.
Red	The system needs immediate attention. Measurements have stopped. To show the errors, push <b>menu</b> and select DIAGNOSTICS > [select analyzer] > ERROR LIST. Refer to <a href="#">Errors—Red light</a> on page 25.

## 2.3 Product components

Make sure that all components have been received. Refer to [Figure 2](#). If any items are missing or damaged, contact the manufacturer or a sales representative immediately.

**Figure 2 Product components**



1 CL17sc analyzer	3 Tubing Kit (tubing harness and stir bar)
2 Installation kit	

## Section 3 Installation

### ⚠ CAUTION



Multiple hazards. Only qualified personnel must conduct the tasks described in this section of the document.

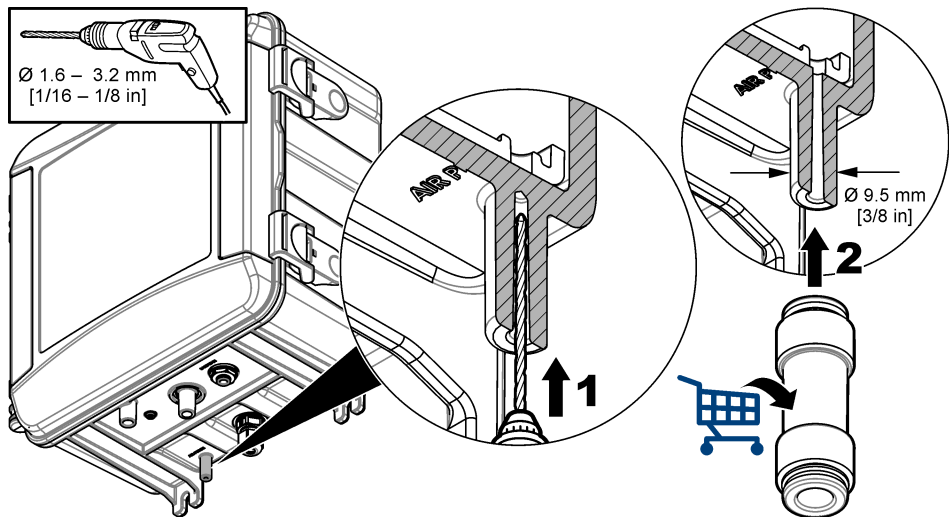
### 3.1 Installation guidelines

- The analyzer is supplied with a standpipe installation kit or a pressure regulator installation kit to control the water pressure to the analyzer. The user selects the installation kit at the time of purchase.
- Install the analyzer indoors in an environment with minimum vibration. Refer to the operating temperature and humidity specifications in [Specifications](#) on page 3.
- Do not install the analyzer in direct sunlight or near a heat source.
- For standpipe installations, install the analyzer in a location with sufficient free space above the analyzer for the standpipe mounting.
- Install the analyzer near an open drain. Refer to local regulatory agency instructions for disposal.

### 3.2 Step 1: Air purge (optional)

Air purge may be necessary if the analyzer is installed in a location with high humidity and/or fumes that cause corrosion. The air purge keeps positive pressure in the instrument with dry and clean air. Supply clean, dry instrument-quality air at 0.003 m<sup>3</sup>/minute (0.1 ft<sup>3</sup>/minute) at 20 psig maximum.

Refer to the illustrated steps that follow. The 3/8-inch quick-connect fitting and tubing is supplied by the user.



### 3.3 Step 2: Mount and plumb the analyzer

#### ▲ CAUTION



Only the tubing specified by Hach Company may be used with the instrument. Other tubing may absorb chlorine that is in the sample water and have a negative effect on chlorine readings (decrease the chlorine readings).

#### NOTICE

Incorrect plumbing of the analyzer can cause damage because of excess sample pressure. Always obey the instructions that follow to mount and plumb the analyzer.

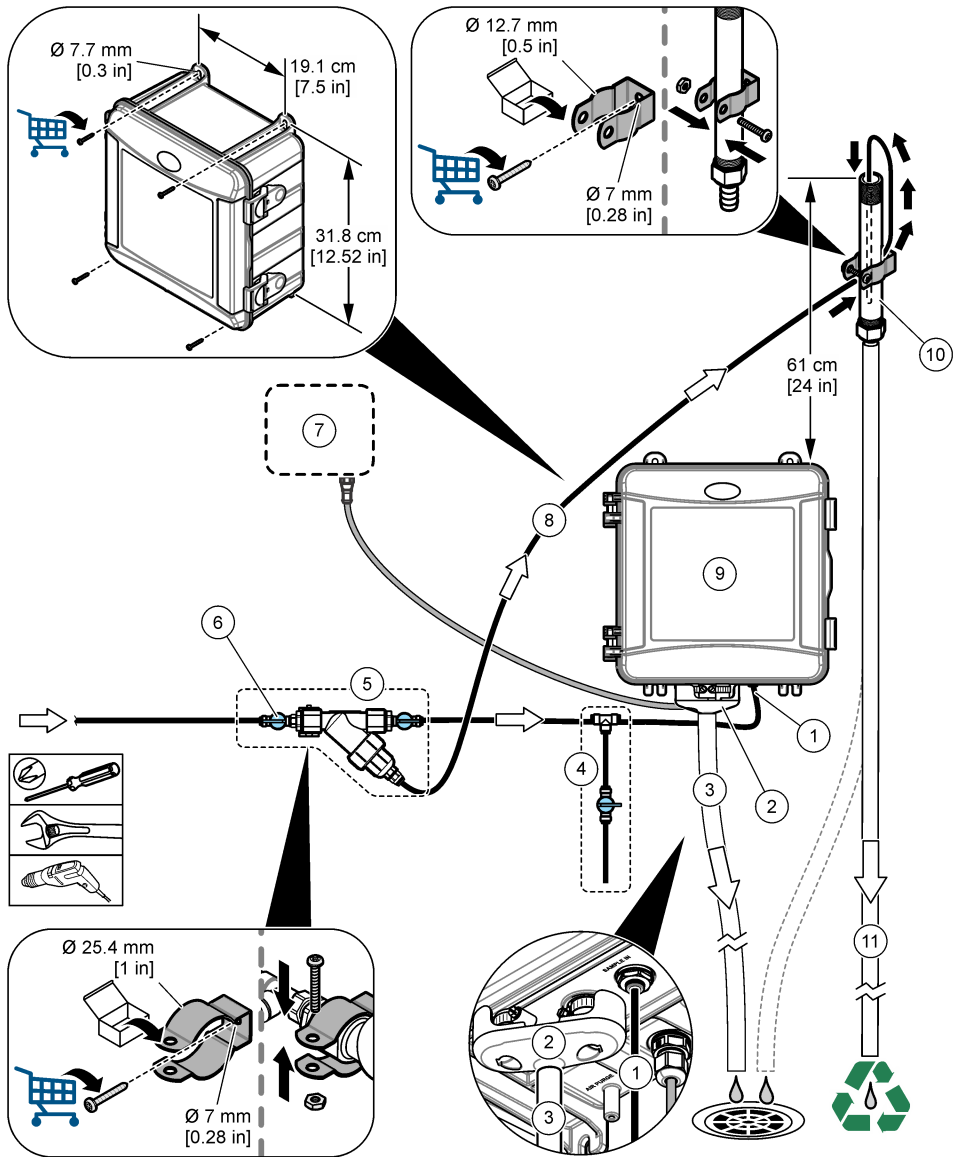
1. Attach the analyzer (item 9) to a wall with four screws. Make sure that the analyzer is level.  
**Note:** The user supplies the mounting hardware.
2. Attach the SC Controller (item 7) to a wall, panel or pipe. Refer to the SC Controller documentation for instructions.



3. Assemble the Y-strainer. Refer to the instructions on the packing list.
4. Use the 1-inch conduit clamp to mount the Y-strainer assembly (item 5 in [Figure 3](#), [Figure 4](#) or [Figure 5](#)).
5. Install the external air break on the analyzer (item 2 in [Figure 3](#), [Figure 4](#) or [Figure 5](#)). Refer to the instructions on the packing list.
6. Do step 7 or 8.

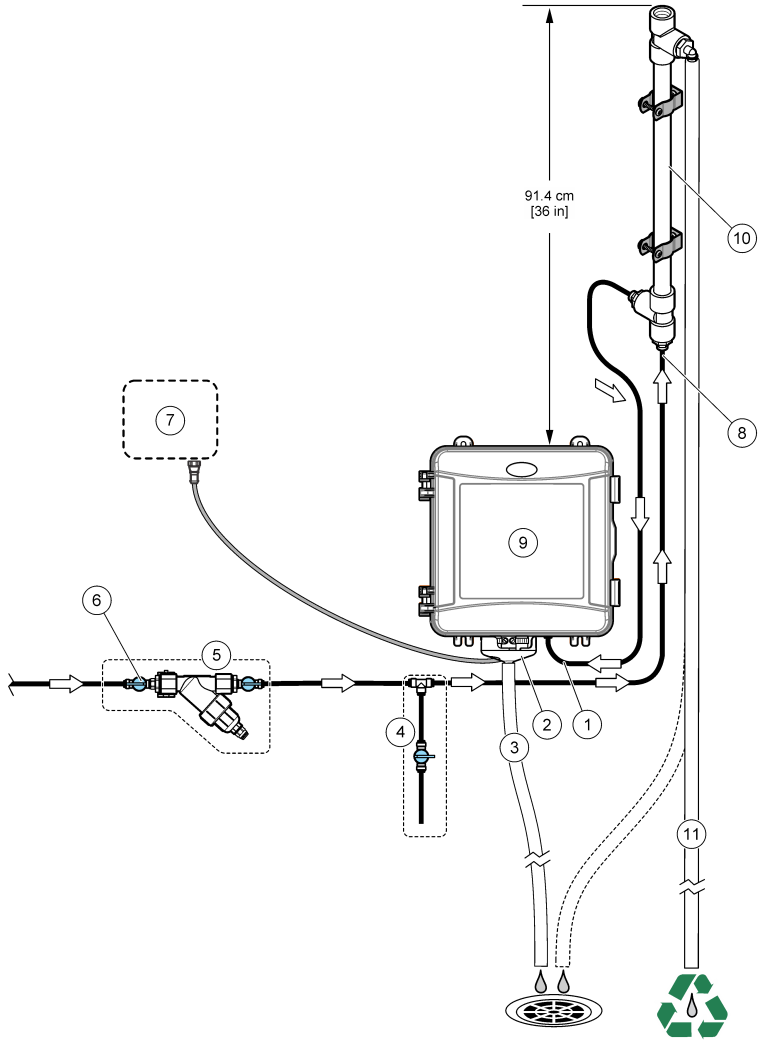
The analyzer is supplied with a standpipe installation kit or a pressure regulator installation kit to control the inlet water pressure. The user selects the installation kit at the time of purchase. One standpipe kit is for 10 psi or less and one standpipe kit is for more than 10 psi inlet water pressure. Measure the inlet water pressure just before the Y-strainer assembly.
7. If a standpipe installation kit was selected at the time of purchase, install the standpipe as follows:
  - a. Assemble the standpipe. Refer to the instructions on the packing list.
  - b. Use the smaller conduit clamp to mount the standpipe assembly above the top of the analyzer:
    - 10 psi or less—Mount the standpipe assembly a minimum of 61 cm (24 in.) above the top of the analyzer.
    - More than 10 psi—Mount the standpipe assembly a minimum of 91.4 cm (36 in.) above the top of the analyzer.
  - c. 10 psi or less—With the black tubing, install the sample bypass tubing (item 8 in [Figure 3](#)). Push the tubing behind and then into the standpipe. Put the tubing 10–13 cm (4–5 in.) in the top of the standpipe.
  - d. More than 10 psi—With the black tubing, connect the Y-strainer outlet to the inlet of the standpipe (item 8 in [Figure 4](#)).
  - e. Cut a length of tubing from the sample drain tubing (item 3). Use the tubing to plumb the standpipe to an open drain (item 11). Refer to [Drain line guidelines](#) on page 13.
8. If a pressure regulator installation kit was selected at the time of purchase, install the pressure regulator (item 10 in [Figure 5](#)).
9. With the black tubing, connect the Y-strainer inlet (item 5) to the sample source. Refer to [Sample line guidelines](#) on page 13 and [Sample requirements](#) on page 13.
10. With the black tubing, connect the sample to the sample inlet fitting (item 1) as follows: Make the tubing as short as possible and a maximum of 2.5 m (8 ft).
  - 10 psi or less—Connect the Y-strainer outlet to the sample inlet fitting (item 1) on the bottom of the analyzer. Refer to [Figure 3](#).
  - More than 10 psi—Connect the outlet of the standpipe to the sample inlet fitting (item 1) on the bottom of the analyzer. Refer to [Figure 4](#).
  - Pressure regulator—Connect the outlet of the pressure regulator to the sample inlet fitting (item 1) on the bottom of the analyzer. Refer to [Figure 5](#).
11. If a pressure regulator was installed, install the sample bypass tubing (item 8 in [Figure 5](#)).
12. Assemble and the grab sample assembly (item 4).
13. Plumb the tee fitting of the grab sample assembly. Refer to [Figure 3](#), [Figure 4](#) or [Figure 5](#) as applicable.
14. Plumb the sample drain tubing (item 3) to an open drain. Refer to [Drain line guidelines](#) on page 13.

**Figure 3 Installation with a standpipe (10 psi or less)**



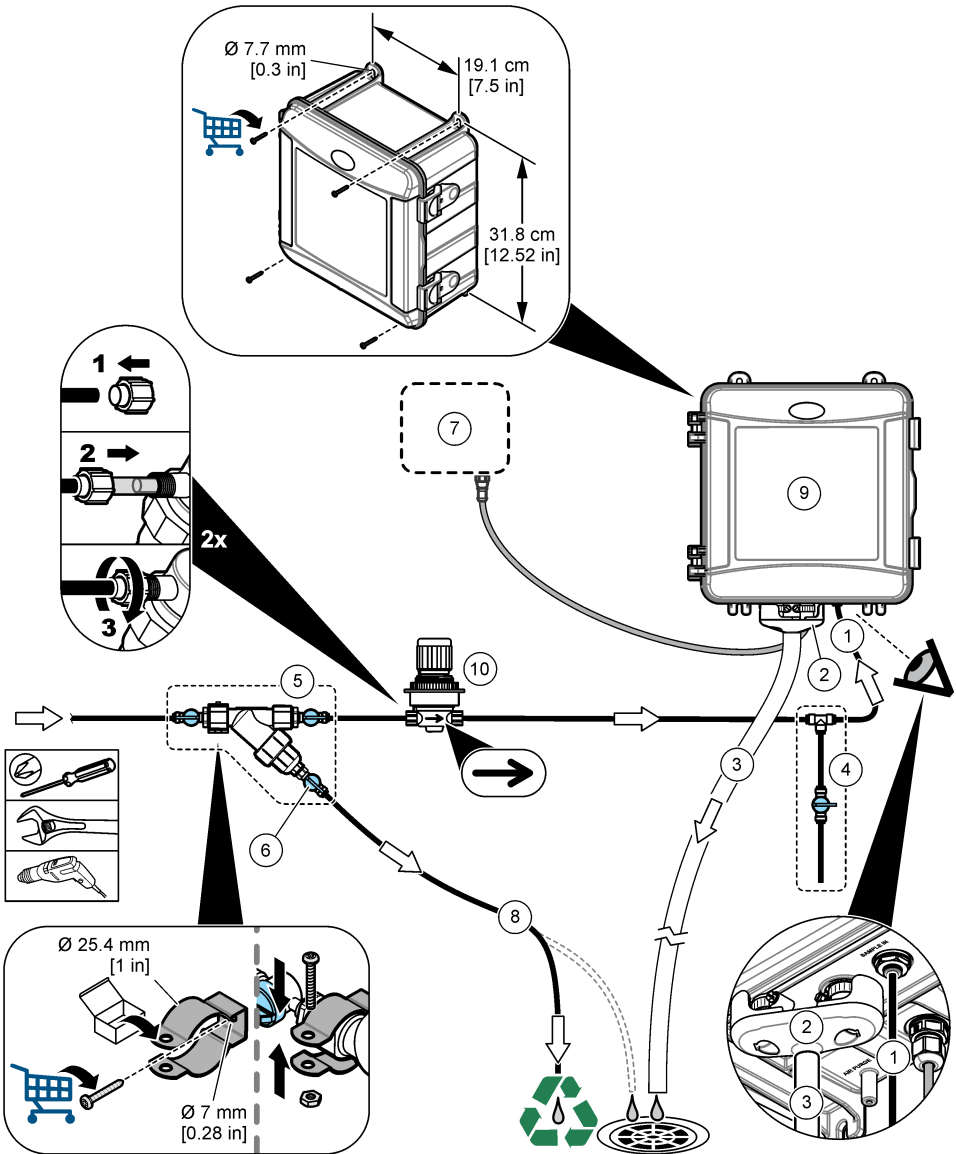
1 Sample inlet fitting	7 SC Controller
2 External air break	8 Sample bypass tubing
3 Sample drain tubing	9 Analyzer
4 Grab sample assembly	10 Standpipe
5 Y-strainer assembly	11 Standpipe drain tubing
6 Shut-off valve at Y-strainer inlet	

**Figure 4 Installation with a standpipe (more than 10 psi)**



1 Sample inlet fitting	7 SC Controller
2 External air break	8 Inlet of the standpipe
3 Sample drain tubing	9 Analyzer
4 Grab sample assembly	10 Standpipe
5 Y-strainer assembly	11 Standpipe drain tubing
6 Shut-off valve at Y-strainer inlet	

**Figure 5 Installation with a pressure regulator**



1 Sample inlet fitting	6 Shut-off valve at the Y-strainer bypass
2 External air break	7 SC Controller
3 Sample drain tubing	8 Sample bypass tubing
4 Grab sample assembly	9 Analyzer
5 Y-strainer assembly	10 Pressure regulator

### 3.3.1 Sample line guidelines

Select a good, representative sampling point for the best instrument performance. The sample must be representative of the entire system.

To prevent erratic readings:

- Collect samples from locations that are sufficiently distant from points of chemical additions to the process stream.
- Make sure that the samples are sufficiently mixed.
- Make sure that all chemical reactions are complete.
- Install the analyzer as near the sample source as possible (4.6 m (15 ft) maximum).

### 3.3.2 Sample requirements

The water from the sample source(s) must agree with the specifications in [Specifications](#) on page 3. Keep the sample flow rate and operating temperature as constant as possible for best performance.

### 3.3.3 Drain line guidelines

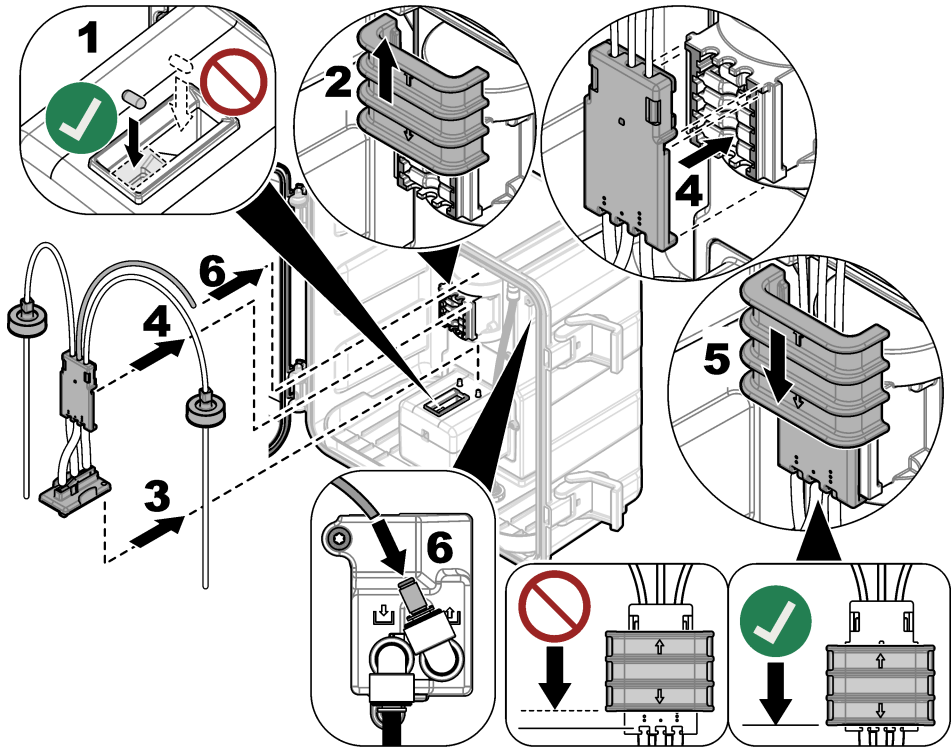
#### **NOTICE**

Incorrect installation of the drain lines can cause liquid to go back into the instrument and cause damage.

- Make sure to install the external air break. Refer to item 2 in [Figure 3](#) on page 10, [Figure 4](#) on page 11 or [Figure 5](#) on page 12.
- Make the drain lines as short as possible.
- Make sure that the drain lines have a constant slope down.
- Make sure that the drain lines do not have sharp bends and are not pinched.

### 3.4 Step 3: Install the stir bar and tubing harness

Do the illustrated steps that follow.



### 3.5 Step 4: Install the reagent bottles

#### ⚠ CAUTION



Chemical exposure hazard. Obey laboratory safety procedures and wear all of the personal protective equipment appropriate to the chemicals that are handled. Refer to the current safety data sheets (MSDS/SDS) for safety protocols.

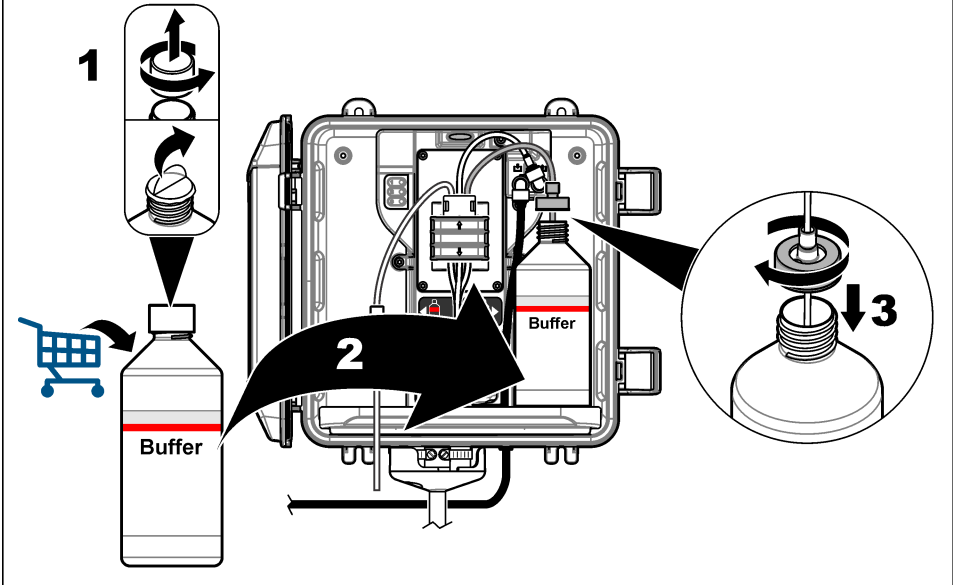
#### Items to collect:

- Personal protective equipment (refer to MSDS/SDS)
- Indicator bottle
- Buffer bottle
- DPD compound bottle

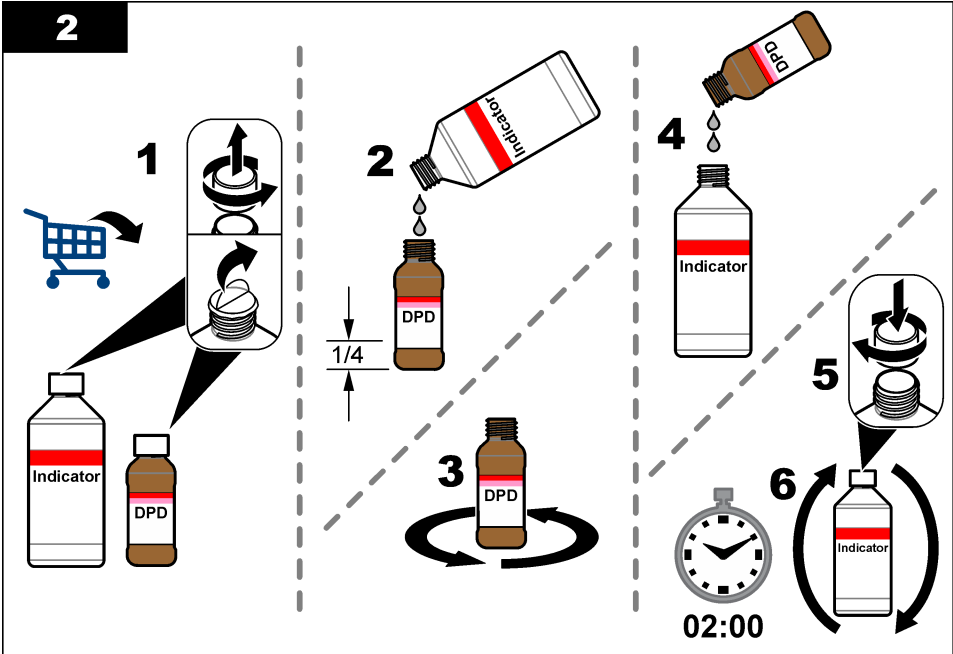
1. Put on the personal protective equipment identified in the safety data sheets (MSDS/SDS).
2. Install the buffer bottle on the right side and the indicator bottle on the left side. Refer to the illustrated steps that follow.

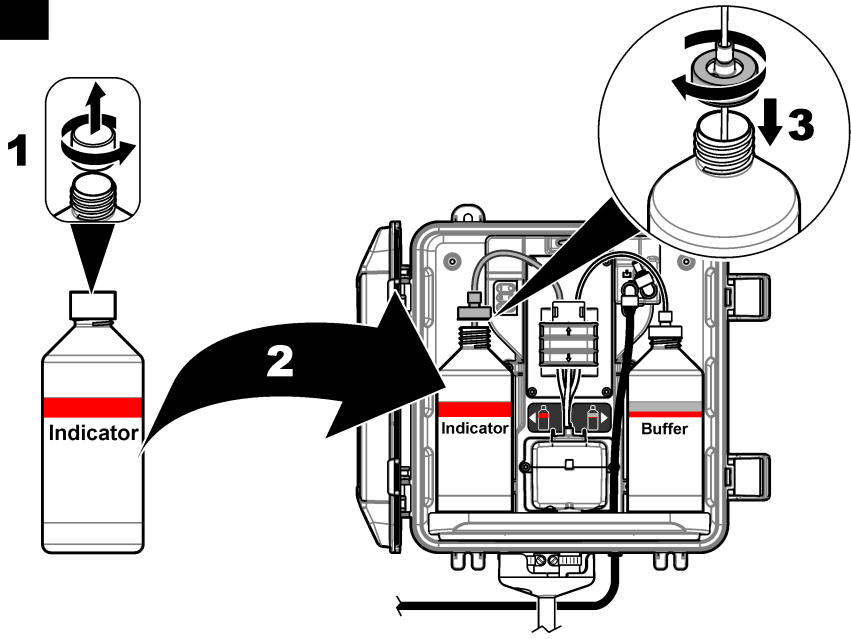
**Note:** (Optional) Use the top of the analyzer as a shelf.

1



2



**3**

### 3.6 Step 5: Set the sample flow to on

1. Slowly turn the shut-off valve(s) to the open position  $\frac{1}{4}$  turn.
2. Make sure that there are no leaks at the plumbing connections. If there is a leak, push the tube farther into the fitting or tighten the connection with a wrench.
3. For standpipe installations, do the steps that follow:
  - a. Fully open the shut-off valve at the Y-strainer outlet.
  - b. Turn the shut-off valve at the Y-strainer inlet (item 6 in [Figure 3](#) on page 10 or [Figure 4](#) on page 11) until a small stream of water comes out of the standpipe drain tubing.
4. For pressure regulator installations, do the steps that follow:
  - a. Fully open the shut-off valves at the Y-strainer inlet and outlet.
  - b. Turn the shut-off valve at the Y-strainer bypass (item 6 in [Figure 5](#) on page 12) until a small stream of water comes out of the Y-strainer bypass tubing.

### 3.7 Step 6: Electrical installation

#### 3.7.1 Connect the analyzer to the controller

#### ⚠ WARNING



Electrical shock hazard. Externally connected equipment must have an applicable country safety standard assessment.

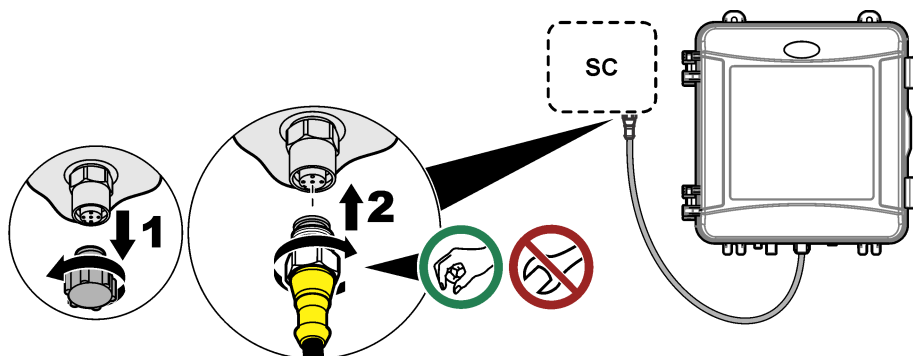
Connect the analyzer cable to the quick-connect fitting of the SC controller. Refer to [Figure 6](#).

Keep the connector cap to seal the connector opening in case the cable must be removed.

**Note:** Extension cables are available. Refer to [Replacement parts and accessories](#) on page 26. The maximum cable length is 15 m (49 ft).



**Figure 6 Connect the cable to a quick-connect fitting**



### 3.7.2 Connect the controller to power

Connect the controller to line power by hard-wiring in conduit or wiring to a power cord. Refer to the controller documentation for instructions.

### 3.7.3 Connect external devices to the controller

Connect the controller relays, analog outputs and digital inputs to external devices as necessary. Refer to the controller documentation for instructions.

## 3.8 Step 7: Set up and prime the analyzer

1. Push **menu**, then select SENSOR SETUP > [select analyzer] > PRIME.
2. If the controller does not recognize the analyzer is connected, do the steps that follow:
  - a. Push **menu**, then select TEST/MAINT > SCAN SENSORS.
  - b. When the sensor is found and installed, do step 1 again.

## 3.9 Step 8: Set the flow rate

The analyzer has a flow meter that measures the sample flow through the analyzer. Refer to [Figure 1](#) on page 6.

1. Push the **RIGHT** arrow on the controller to show the flow rate on the display.

Sample flows through the analyzer only when the analyzer flushes the cell. At other times, there is no sample flow and the flow rate shown is zero. Refer to [Table 4](#) on page 7 for descriptions of the measurement cycle steps.

**Note:** To manually measure the flow rate through the analyzer, measure the flow rate at the analyzer drain when the analyzer flushes the cell with water.
2. For standpipe installations, turn the shut-off valve at the Y-strainer outlet to set the flow rate between 60 and 200 mL/min when the analyzer flushes the cell with water.
3. For pressure regulator installations, adjust the pressure regulator to set the flow rate between 60 and 200 mL/min when the analyzer flushes the cell with water.

## 3.10 Step 9: Install the latest software

Make sure that the SC Controller has the latest software installed. Use an SD card to install the latest software on the SC Controller.

1. Go to the product page for the applicable SC Controller on <http://hach.com>.
2. Click the "Resources" tab.
3. Scroll down to "Software/Firmware".

4. Click the link for the SC Controller software.
5. Save the files to an SD card.
6. Install the files on the SC Controller. Refer to the software installation instructions supplied with the software files.

## Section 4 Configuration

### 4.1 Step 10: Configure the analyzer

Set the analyzer name, signal average, type of chlorine measured, bubble reject and chlorine alarm setpoints.

1. Push **menu**, then select SENSOR SETUP > [select analyzer] > CONFIGURE.
2. Select and configure each option.

Option	Description
<b>EDIT NAME</b>	Sets the name of the analyzer. The name of the analyzer shows on the controller display and in the log files.
<b>SIGNAL AVERAGE</b>	<p>Sets the number of measurements used to calculate the average measurement shown on the display. Options: 1 (default), 2, 3 or IRREGULAR VALUE.</p> <p>When SIGNAL AVERAGE is set to 1, signal averaging is disabled.</p> <p>When SIGNAL AVERAGE is set to 2 or 3, an average reading shows on the display. For example, the measurement on the display is equal to the last and previous measurement divided by two when SIGNAL AVERAGE is set to 2.</p> <p>When SIGNAL AVERAGE is set to IRREGULAR VALUE, the analyzer rejects a reading that is unusually higher or lower than the latest readings. When a reading is rejected, the last good reading shows on the display and is saved to the data log. No more than three consecutive readings are rejected.</p> <p>Signal averaging corrects for incorrect reading fluctuations that are caused by bubbles and/or larger particles in the sample.</p>
<b>MEASUREMENT</b>	<p>Sets the type of chlorine measured. If the buffer and indicator bottles have "Free Chlorine" on their labels, select FREE CHLORINE (default).</p> <p>If the buffer and indicator bottles have "Total Chlorine" on their labels, select TOTAL CHLORINE.</p>
<b>BUBBLE REJECT</b>	Sets the bubble reject to on or off (default). Set BUBBLE REJECT to ON to decrease noise caused by bubbles in the sample. Air bubbles in the sample can cause the readings to not be stable.
<b>HIGH CL ALARMS</b>	Sets the chlorine concentration setpoint for the HIGH CHLORINE alarm—0.00 to 10.00 mg/L (default: 4.00 mg/L).
<b>LOW CL ALARMS</b>	Sets the chlorine concentration setpoint for the LOW CHLORINE alarm—0.00 to 10.00 mg/L (default: 0.20 mg/L).
<b>SENSOR INFO</b>	Shows the analyzer serial number, software version, boot version and driver version.
<b>DEFAULT SETTINGS</b>	Select YES to change the configuration settings back to the factory default values.
<b>SERVICE</b>	For service use only

### 4.2 System configuration

Refer to the controller documentation for system configuration, general controller settings and setup for outputs and communications.

### 4.3 User navigation

Refer to the controller documentation for keypad description and navigation information.

Push the **RIGHT** arrow key on the controller multiple times to show more information on the home screen and to show a graphical display.

## Section 5 Operation

### 5.1 Data, event and service logs

The controller provides access to a data log, event log and service log for each connected instrument. The analyzer measurements are saved automatically to the data log at 150 second intervals. The event log shows the events that have occurred. The event and data logs keep approximately 2 weeks of data when the analyzer operates continuously. The service log keeps approximately 24 hours of data when the analyzer operates continuously.

Refer to the controller documentation to download the data log, event log and/or service log. The data log is an XML file that can be saved in CSV or Excel format. The event log and service log are files in CSV format.

### 5.2 Measure a GRAB SAMPLE IN

When necessary, use the GRAB SAMPLE IN menu to add a water sample of known chlorine concentration to the cell for measurement. Measure a grab sample for verification or to measure a water sample collected from another location.

1. Push **menu**, then select SENSOR SETUP > [select analyzer] > GRAB SAMPLE IN.
2. Complete the steps that show on the display. When prompted, remove the cell lid and add 100 mL of the grab sample to the cell. Some of the sample will flow to the sample drain.

### 5.3 Modbus registers

A list of Modbus registers is available for network communication. Refer to the manufacturer's website for more information.

## Section 6 Calibration and adjustment

The calibration curve of the analyzer is set at the factory for performance to specifications. Calibration can be done for performance verification.

No user adjustments to the factory calibration curve are recommended unless required by a regulatory agency for compliance reporting purposes, or a large repair of the analyzer is done.

For more information, refer to the instructions in the Calibration Verification Kit or contact technical support.

## Section 7 Maintenance

### ▲ CAUTION



Multiple hazards. Only qualified personnel must conduct the tasks described in this section of the document.

### NOTICE

Do not disassemble the instrument for maintenance. If the internal components must be cleaned or repaired, contact the manufacturer.


## 7.1 Maintenance schedule

Table 6 shows the recommended schedule of maintenance tasks. Facility requirements and operating conditions may increase the frequency of some tasks.

**Table 6 Maintenance schedule**

Task	1 month	6 months	As necessary
Clean the cell on page 20	X <sup>2</sup>		
Replace the reagent bottles on page 21	X		
Replace the stir bar and tubing harness <sup>3</sup>		X	
Clean the screen in the Y-strainer on page 22			X

## 7.2 Clean the cell

<b>▲ CAUTION</b>	
	Chemical exposure hazard. Obey laboratory safety procedures and wear all of the personal protective equipment appropriate to the chemicals that are handled. Refer to the current safety data sheets (MSDS/SDS) for safety protocols.

Clean the cell at 1-month intervals or more frequently if necessary.

### Items to collect:



Cotton swabs<sup>4</sup>



5.25 N Sulfuric Acid Solution<sup>5</sup>

1. Put on the personal protective equipment identified in the safety data sheets (MSDS/SDS).
2. Push **menu**, then select SENSOR SETUP > [select analyzer] > TASKS > CLEAN CELL.  
*Note: To stop a selected task, push **home**.*
3. Push **enter** to stop measurements.
4. Select an option.

Option	Description
<b>HOLD</b>	The controller outputs are held at the last measured value.
<b>TRANSFER</b>	The controller outputs change to the transfer value.

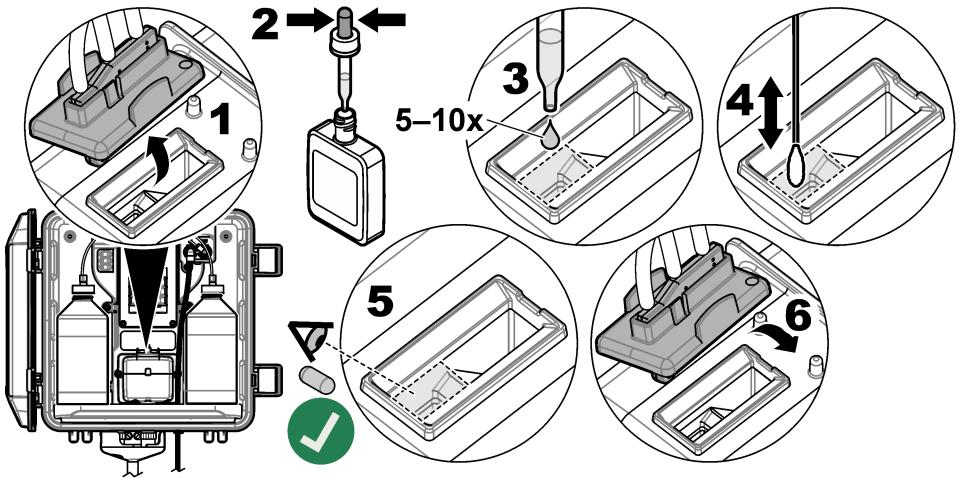
5. When the status light flashes, do the illustrated steps that follow. When done, push **enter**.  
At illustrated step 5, make sure that there is no unwanted material in the cell. Use a flashlight to look for unwanted material as necessary.

<sup>2</sup> Clean the cell more or less frequently as necessary.

<sup>3</sup> Refer to the instructions supplied with the Tubing Kit.

<sup>4</sup> Refer to [Replacement parts and accessories](#) on page 26.

<sup>5</sup> Do not use other cleaning solutions. Refer to [Replacement parts and accessories](#) on page 26.



6. When "TASK COMPLETE" shows on the display, push **enter**.  
The analyzer starts a measurement cycle in approximately 30 seconds.

### 7.3 Replace the reagent bottles

<b>⚠ CAUTION</b>	
	Chemical exposure hazard. Obey laboratory safety procedures and wear all of the personal protective equipment appropriate to the chemicals that are handled. Refer to the current safety data sheets (MSDS/SDS) for safety protocols.
<b>⚠ CAUTION</b>	
	Chemical exposure hazard. Dispose of chemicals and wastes in accordance with local, regional and national regulations.

Replace the reagents bottles at 1-month intervals.

- Put on the personal protective equipment identified in the safety data sheets (MSDS/SDS).
- Push **menu**, then select **SENSOR SETUP > [select analyzer] > TASKS > CHANGE REAGENTS**.  
*Note: To stop a selected task, push **home**.*
- Push **enter** to stop measurements.
- Select an option.

Option	Description
<b>HOLD</b>	The controller outputs are held at the last measured value.
<b>TRANSFER</b>	The controller outputs change to the transfer value.

- Wait for the status light to flash.
- Replace the buffer bottle as follows:  
*Note: (Optional) Use the top of the analyzer as a shelf.*
  - Remove the cap and seal from the new buffer bottle.
  - Remove the used buffer bottle from the analyzer.
  - Put the buffer tubing in the new buffer bottle on the right side of the analyzer. Tighten the cap.

7. Replace the indicator bottle as follows:

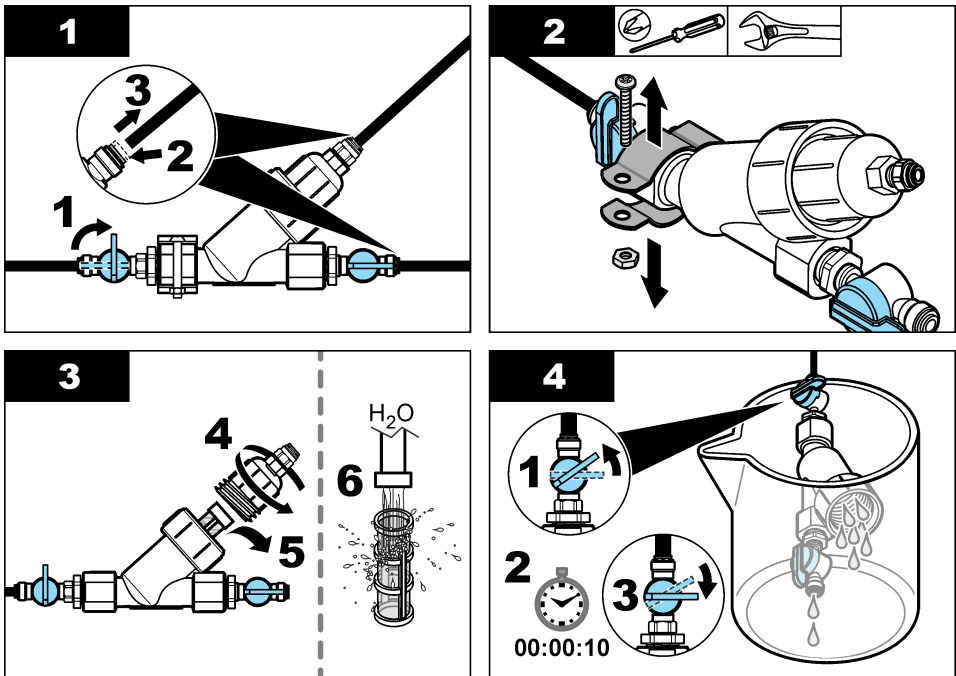
- a. Remove the cap and seal from the indicator bottle and the brown DPD bottle.
- b. Fill the brown DPD bottle approximately  $\frac{1}{4}$  full with indicator solution.
- c. Swirl the DPD bottle to mix.
- d. Put the contents of the DPD bottle into the indicator bottle.
- e. Invert the indicator bottle until all of the powder is dissolved (2 minutes).
- f. Remove the used indicator bottle from the analyzer.
- g. Put the indicator tubing in the new indicator bottle on the left side of the analyzer. Tighten the cap.

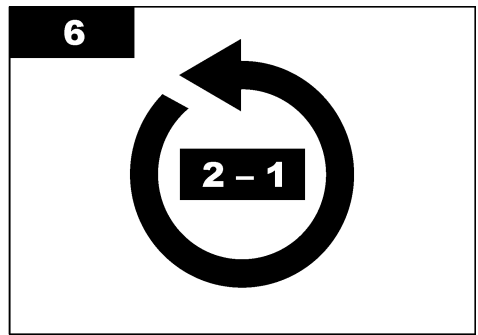
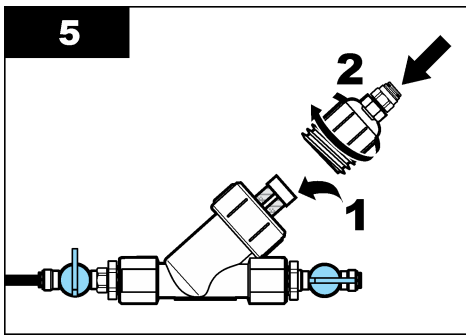
8. Push **enter**.

9. When "TASK COMPLETE" shows on the display, push **enter**. The analyzer starts a measurement cycle in approximately 30 seconds.

#### 7.4 Clean the screen in the Y-strainer

Clean the screen in the Y-strainer when there is a blockage, which is identified with a LOW SAMPLE FLOW warning. Complete the illustrated steps that follow.





## 7.5 Prepare for storage

### ▲ CAUTION



Chemical exposure hazard. Obey laboratory safety procedures and wear all of the personal protective equipment appropriate to the chemicals that are handled. Refer to the current safety data sheets (MSDS/SDS) for safety protocols.

If power to the analyzer will be removed for more than 3 days or the analyzer will not be used for more than 3 days, prepare the analyzer for storage.

#### Items to collect:



Beaker with deionized water (2x)

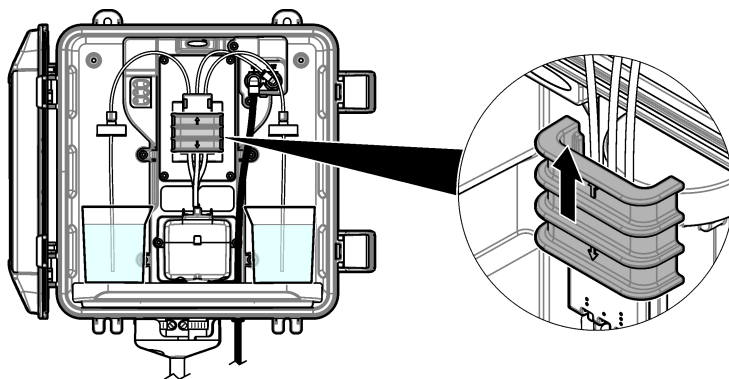


Disposable dropper or no-lint cloth

1. Remove the reagents from the reagent lines as follows:
  - a. Remove the indicator bottle and buffer bottle from the analyzer.
  - b. Put two beakers (or containers) that contain deionized water in the analyzer.
  - c. Put the indicator bottle tubing and the buffer bottle tubing in the beakers.
  - d. Push **menu**, then select **SENSOR SETUP** > [select analyzer] > **PRIME**.  
The analyzer removes the reagents from the reagent lines.
2. Remove the deionized water from the reagent lines as follows:
  - a. Remove the indicator bottle tubing and the buffer bottle tubing from the beakers.
  - b. Remove the two beakers from the analyzer.
  - c. Push **menu**, then select **SENSOR SETUP** > [select analyzer] > **PRIME**.  
The analyzer removes all of the liquid from the reagent lines.
3. Disconnect the analyzer cable from the controller (or remove power to the controller).
4. Turn the shut-off valve to the closed position to stop sample flow to the Y-strainer.
5. Remove the pump clamp. Refer to [Figure 7](#). Keep the pump clamp for later use.
6. Remove the water from the cell as follows:
  - a. Remove the lid from the cell.
  - b. Remove the water from the cell with a disposable dropper or a no-lint cloth.
  - c. Install the lid on the cell.
7. To start the analyzer after storage, do the steps that follow:
  - a. Install the pump clamp. Refer to [Figure 7](#).
  - b. Install reagent bottles. Refer to [Step 4: Install the reagent bottles](#) on page 14.

- c. Set the shut-off valve to open to start sample flow to the Y-strainer.
- d. Connect the analyzer cable to the controller, if the cable was disconnected.
- e. Supply power to the controller, if power was removed.
- f. Push **menu**, then select SENSOR SETUP > [select analyzer] > PRIME.

**Figure 7 Remove the pump clamp**



## 7.6 Prepare for shipping

### ⚠ CAUTION



Chemical exposure hazard. Obey laboratory safety procedures and wear all of the personal protective equipment appropriate to the chemicals that are handled. Refer to the current safety data sheets (MSDS/SDS) for safety protocols.

To prepare the analyzer for shipping, do the steps that follow.

#### Items to collect:



Beaker with deionized water (2x)



Original packaging

1. Remove the reagents from the reagent lines as follows:
  - a. Remove the indicator bottle and buffer bottle from the analyzer.
  - b. Put two beakers (or containers) that contain deionized water in the analyzer.
  - c. Put the indicator bottle tubing and the buffer bottle tubing in the beakers.
  - d. Push **menu**, then select SENSOR SETUP > [select analyzer] > PRIME.  
The analyzer removes the reagents from the reagent lines.
2. Remove the deionized water from the reagent lines as follows:
  - a. Remove the indicator bottle tubing and the buffer bottle tubing from the beakers.
  - b. Remove the two beakers from the analyzer.
  - c. Push **menu**, then select SENSOR SETUP > [select analyzer] > PRIME.  
The analyzer removes all of the liquid from the reagent lines.
3. Disconnect the analyzer cable from the controller.
4. Turn the shut-off valve to the closed position to stop sample flow to the Y-strainer.
5. Disconnect the sample inlet (black) tubing and drain (clear) tubing from the analyzer.
6. Remove the external air break from the analyzer.



7. Remove the pump clamp. Refer to [Figure 7](#) on page 24.
8. Remove the tubing harness and stir bar from the analyzer. Keep the tubing harness for shipment with the analyzer. Refer to [Step 3: Install the stir bar and tubing harness](#) on page 14.
9. Install the pump clamp without the tubing harness. Put tape on the tubing clamp to hold the tubing clamp tightly.
10. Remove the water from the cell with a disposable dropper or a no-lint cloth.
11. Remove the analyzer from the wall.
12. Put the analyzer back in the original packaging.

## 7.7 Clean the instrument

### NOTICE

Never use cleaning agents such as turpentine, acetone or similar products to clean the instrument including the display and accessories.

Clean the exterior of the instrument with a moist cloth and a mild soap solution.

## 7.8 Clean spills

### CAUTION



Chemical exposure hazard. Dispose of chemicals and wastes in accordance with local, regional and national regulations.

1. Obey all facility safety protocols for spill control.
2. Discard the waste according to applicable regulations.

## Section 8 Troubleshooting

### 8.1 Errors—Red light

To show the errors, push **menu** and select **DIAGNOSTICS > [select analyzer] > ERROR LIST**. A list of possible errors is shown in [Table 7](#).

When an error occurs, the analyzer status light changes to red. Measurements stop, the measurement screen flashes and all outputs are held as specified in the controller menu.

**Table 7 Error messages**

Error	Description	Solution
DETECTOR ERROR	A detector does not operate correctly.	Contact technical support.
DIRTY CELL	The cell is stained or dirty. Biofilm can grow in the cell when the chlorine concentration is very low.	Clean the cell. Refer to <a href="#">Clean the cell</a> on page 20.
CODE ERROR	A firmware error occurred.	Contact technical support.
LED ERROR	The light in the cell does not operate correctly.	Contact technical support.
PUMP ERROR	The pump does not operate correctly.	Contact technical support.
SAMPLE LEAK	There is a sample leak in the analyzer.	Contact technical support.

### 8.2 Warnings—Yellow light

To show the warnings, push **menu** and select **DIAGNOSTICS > [select analyzer] > WARNING LIST**. A list of possible warnings is shown in [Table 8](#).

When a warning occurs, the status indicator light changes to yellow. A warning icon flashes and a message is shown on the bottom of the controller display. If sufficient sample flow is available, a

warning does not affect the operation of menus. A warning does not affect the operation of the relays and outputs.

**Table 8 Warning messages**

Warning	Description	Solution
BUBBLES DETECTED	There are bubbles in the cell.	Clean the cell. Refer to <a href="#">Clean the cell</a> on page 20. (Optional) Set the BUBBLE REJECT setting to on. Refer to <a href="#">Step 10: Configure the analyzer</a> on page 18.
CLEAN CELL SOON	The cell is getting stained or dirty and should be cleaned soon to prevent an error.	Clean the cell. Refer to <a href="#">Clean the cell</a> on page 20.
HIGH CHLORINE	The chlorine concentration is at or more than the HIGH CL ALARMS setpoint.	Increase the HIGH CL ALARMS setting. Refer to <a href="#">Step 10: Configure the analyzer</a> on page 18. Or Decrease the chlorine concentration of the sample supplied to the analyzer.
LOW CHLORINE	The chlorine concentration is at or less than the LOW CL ALARMS setpoint.	Decrease the LOW CL ALARMS setting. Refer to <a href="#">Step 10: Configure the analyzer</a> on page 18. Or Increase the chlorine concentration of the sample supplied to the analyzer.
LOW SAMPLE FLOW	The sample flow measured is less than the minimum sample flow rate. Refer to <a href="#">Specifications</a> on page 3.	Set the sample flow rate. Refer to <a href="#">Step 8: Set the flow rate</a> on page 17. Clean the filter in the Y-strainer if necessary to remove a blockage. Refer to <a href="#">Clean the screen in the Y-strainer</a> on page 22.
HIGH SAMPLE FLOW	The sample flow measured is more than the maximum sample flow rate. Refer to <a href="#">Specifications</a> on page 3.	Set the sample flow rate. Refer to <a href="#">Step 8: Set the flow rate</a> on page 17.

## Section 9 Replacement parts and accessories

### ▲ WARNING



Personal injury hazard. Use of non-approved parts may cause personal injury, damage to the instrument or equipment malfunction. The replacement parts in this section are approved by the manufacturer.

**Note:** Product and Article numbers may vary for some selling regions. Contact the appropriate distributor or refer to the company website for contact information.

### Consumables

Description	Quantity	Item no.
Reagent Set, Free Chlorine, includes: Buffer bottle, indicator bottle and DPD bottle	1	2556900
Reagent Set, Total Chlorine, includes: Buffer bottle, indicator bottle and DPD bottle	1	2557000
Cell cleaning kit, includes: Sulfuric Acid, 5.25 N, 100 mL, dropper bottle and cotton swabs (10x)	1	8573100

## Consumables (continued)

Description	Quantity	Item no.
Calibration Verification Kit, includes: Syringe, tubing, tube fittings, ampule breaker, deionized water and chlorine standard ampule	1	8568200
Calibration Verification Refill Kit, includes: Deionized water and chlorine standard ampule	1	8573200

## Replacement parts

Description	Item no.
Tubing Kit, includes: Tubing harness and stir bar	US: 8560400 EU: 8575000
Installation kit with standpipe (10 psi or less)	US: 8560500 EU: 8575100
Installation kit with standpipe (>10 psi)	8576001
Installation kit with pressure regulator	US: 8565700 EU: 8575200

## Accessories

Description	Item no.
Extension cable for analyzer, 1 m (3.2 ft)	6122400
Extension cable for analyzer, 7.7 m (25 ft)	5796000
Extension cable for analyzer, 15 m (50 ft)	5796100
Tubing adapter, 6 mm OD to 1/4-inch OD	09184=A=4020

# Inhaltsverzeichnis

- 1 Technische Daten auf Seite 28
- 2 Allgemeine Informationen auf Seite 29
- 3 Installation auf Seite 32
- 4 Konfiguration auf Seite 44
- 5 Betrieb auf Seite 45
- 6 Kalibrierung und Einstellung auf Seite 45
- 7 Wartung auf Seite 46
- 8 Fehlersuche und Behebung auf Seite 52
- 9 Ersatzteile und Zubehör auf Seite 53

## Kapitel 1 Technische Daten

Änderungen vorbehalten.

**Tabelle 1 Allgemeine Technische Daten**

Technische Daten	Details
Abmessungen (B x H x T)	32,9 x 34,2 x 17,7 cm
Gehäuse	IP66 gemäß IEC 60529 mit geschlossener und verriegelter Tür <sup>1</sup>
Versandgewicht	4,1 kg ohne Flaschen; 5,1 kg mit vollen Flaschen
Montage	Wandmontage
Schutzklasse	III
Verschmutzungsgrad	3
Elektrische Installationskategorie	I (Innenbereich)
Spannungsversorgung	12 V DC, max. 400 mA (wird vom Controller bereitgestellt)
Betriebstemperatur	5 bis 40 °C
Luftfeuchtigkeit bei Betrieb	0 bis 90 % relative Feuchtigkeit (nicht kondensierend)
Lagerungstemperatur	-40 bis 60 °C
Anschlussstücke	Einlassleitung für Proben: ¼-Zoll AD für Kunststoffschläuche mit Schnellverschlusskupplung Abflussleitungen: Aufsteckanschluss für ½-Zoll ID für weiche Kunststoffschläuche
Statusleuchten	Analysatorstatus und Messzyklus
Zertifizierungen	EU DoC, UKCA DoC, FCC/ISED SDoC, ACMA DoC, KC, Morocco DoC
Garantie	1 Jahr (EU: 2 Jahre)

**Tabelle 2 Probenanforderungen**

Technische Daten	Details
Druck	0,31 bis 5,17 bar (4,5 bis 75 psig) am Y-Sieb; 0,1 bis 0,34 bar (1,5 bis 5 psig) am Analysator
Durchflussrate	60 bis 200 mL/min durch das Gerät (gemessen am Abfluss des Analysators)
Temperatur	5 bis 40 °C
Filterierung	Y-Sieb mit einem 40-Maschensieb oder höher

<sup>1</sup> Abflusslöcher mit Abflusstöpfen für Testanforderungen geschlossen.

**Tabelle 3 Messspezifikationen**

Technische Daten	Details
Lichtquelle	LED, Messung bei 510 nm; 1 cm Licht-Schichtdicke
Messbereich	0.03 bis 10 mg/L freies Chlor oder Gesamt-Restchlor als Cl <sub>2</sub>
Messintervall	150 Sekunden
Genauigkeit	±5 % oder ±0,04 mg/L von 0 bis 5 mg/L (der größere Wert) als Cl <sub>2</sub> ±10 % von 5 bis 10 mg/L als Cl <sub>2</sub>
Präzision	±5 % oder ±0,01 mg/L (der größere Wert) als Cl <sub>2</sub>
Nachweisgrenze	0.03 mg/L als Cl <sub>2</sub>
Quantifizierungsgrenze	0.07 mg/L
Kalibrierung	Werkseitige Kalibrierung Optional: 2-Punkt-Benutzerkalibrierung mit Kalibrierstandardsim Kalibrierungsprüfsatz
Reagenzverbrauch	0,5 L Pufferlösung und 0,5 L Indikatorlösung in 31 Tagen

## Kapitel 2 Allgemeine Informationen

Der Hersteller haftet in keinem Fall für Schäden, die aus einer unsachgemäßen Verwendung des Produkts oder der Nichteinhaltung der Anweisungen in der Bedienungsanleitung resultieren. Der Hersteller behält sich jederzeit und ohne vorherige Ankündigung oder Verpflichtung das Recht auf Verbesserungen an diesem Handbuch und den hierin beschriebenen Produkten vor. Überarbeitete Ausgaben der Bedienungsanleitung sind auf der Hersteller-Webseite erhältlich.

### 2.1 Sicherheitshinweise

Der Hersteller ist nicht für Schäden verantwortlich, die durch Fehlanwendung oder Missbrauch dieses Produkts entstehen, einschließlich, aber ohne Beschränkung auf direkte, zufällige oder Folgeschäden, und lehnt jegliche Haftung im gesetzlich zulässigen Umfang ab. Der Benutzer ist selbst dafür verantwortlich, schwerwiegende Anwendungsrisiken zu erkennen und erforderliche Maßnahmen durchzuführen, um die Prozesse im Fall von möglichen Gerätefehlern zu schützen.

Bitte lesen Sie dieses Handbuch komplett durch, bevor Sie dieses Gerät auspacken, aufstellen oder bedienen. Beachten Sie alle Gefahren- und Warnhinweise. Nichtbeachtung kann zu schweren Verletzungen des Bedieners oder Schäden am Gerät führen.

Vergewissern Sie sich, dass der Schutz, den dieses Gerät bietet, nicht beeinträchtigt wird. Bauen Sie das Gerät nicht anders ein, als in der Bedienungsanleitung angegeben.

#### 2.1.1 Bedeutung von Gefahrenhinweisen

##### **▲ GEF AHR**

Kennzeichnet eine mögliche oder drohende Gefahrensituation, die, wenn sie nicht vermieden wird, zum Tod oder zu schweren Verletzungen führt.

##### **▲ WARNUNG**

Kennzeichnet eine mögliche oder drohende Gefahrensituation, die, wenn sie nicht vermieden wird, zum Tod oder zu schweren Verletzungen führen kann.

##### **▲ VORSICHT**

Kennzeichnet eine mögliche Gefahrensituation, die zu leichteren Verletzungen führen kann.

##### **ACHTUNG**

Kennzeichnet eine Situation, die, wenn sie nicht vermieden wird, das Gerät beschädigen kann. Informationen, die besonders beachtet werden müssen.

## 2.1.2 Warnhinweise

Lesen Sie alle am Gerät angebrachten Aufkleber und Hinweise. Nichtbeachtung kann Verletzungen oder Beschädigungen des Geräts zur Folge haben. Im Handbuch wird in Form von Warnhinweisen auf die am Gerät angebrachten Symbole verwiesen.



Elektronengeräte, die mit diesem Symbol gekennzeichnet sind, dürfen nicht im normalen öffentlichen Abfallsystem entsorgt werden. Senden Sie Altgeräte an den Hersteller zurück. Dieser entsorgt die Geräte ohne Kosten für den Benutzer.

## 2.1.3 Einhaltung der elektromagnetischen Verträglichkeit (EMC)

### ⚠ VORSICHT

Dieses Gerät ist nicht für den Einsatz in Wohnumgebungen bestimmt und kann in solchen Umgebungen keinen angemessenen Schutz vor Funkwellen bieten.

#### CE (EU)

Das Gerät erfüllt die wesentlichen Anforderungen der EMV-Richtlinie 2014/30/EU.

#### UKCA (UK)

Das Gerät erfüllt die Anforderungen der Verordnung über elektromagnetische Verträglichkeit 2016 (S.I. 2016/1091).

#### Kanadische Vorschriften zu Störungen verursachenden Einrichtungen, ICES-003, Klasse A:

Entsprechende Prüfnachweise hält der Hersteller bereit.

Dieses digitale Gerät der Klasse A erfüllt alle Vorgaben der kanadischen Normen für Interferenz verursachende Geräte.

Cet appareil numérique de classe A répond à toutes les exigences de la réglementation canadienne sur les équipements provoquant des interférences.

#### FCC Teil 15, Beschränkungen der Klasse "A"

Entsprechende Prüfnachweise hält der Hersteller bereit. Das Gerät entspricht Teil 15 der FCC-Vorschriften. Der Betrieb unterliegt den folgenden Bedingungen:

1. Das Gerät darf keine Störungen verursachen.
2. Das Gerät muss jegliche Störung, die es erhält, einschließlich jener Störungen, die zu unerwünschtem Betrieb führen, annehmen.

Änderungen oder Modifizierungen an diesem Gerät, die nicht ausdrücklich durch die für die Einhaltung der Standards verantwortliche Stelle bestätigt wurden, können zur Aufhebung der Nutzungsberechtigung für dieses Gerät führen. Dieses Gerät wurde geprüft, und es wurde festgestellt, dass es die Grenzwerte für digitale Geräte der Klasse A entsprechend Teil 15 der FCC-Vorschriften einhält. Diese Grenzwerte sollen einen angemessenen Schutz gegen gesundheitsschädliche Störungen gewährleisten, wenn dieses Gerät in einer gewerblichen Umgebung betrieben wird. Dieses Gerät erzeugt und nutzt hochfrequente Energie und kann diese auch abstrahlen, und es kann, wenn es nicht in Übereinstimmung mit der Bedienungsanleitung installiert und eingesetzt wird, schädliche Störungen der Funkkommunikation verursachen. Der Betrieb dieses Geräts in Wohngebieten kann schädliche Störungen verursachen. In diesem Fall muss der Benutzer die Störungen auf eigene Kosten beseitigen. Probleme mit Interferenzen lassen sich durch folgende Methoden mindern:

1. Trennen Sie das Gerät von der Stromversorgung, um sicherzugehen, dass dieser die Störungen nicht selbst verursacht.
2. Wenn das Gerät an die gleiche Steckdose angeschlossen ist wie das gestörte Gerät, schließen Sie das störende Gerät an eine andere Steckdose an.
3. Vergrößern Sie den Abstand zwischen diesem Gerät und dem gestörten Gerät.
4. Ändern Sie die Position der Empfangsantenne des gestörten Geräts.
5. Versuchen Sie auch, die beschriebenen Maßnahmen miteinander zu kombinieren.

## 2.2 Produktübersicht

### ▲ GEFÄHR



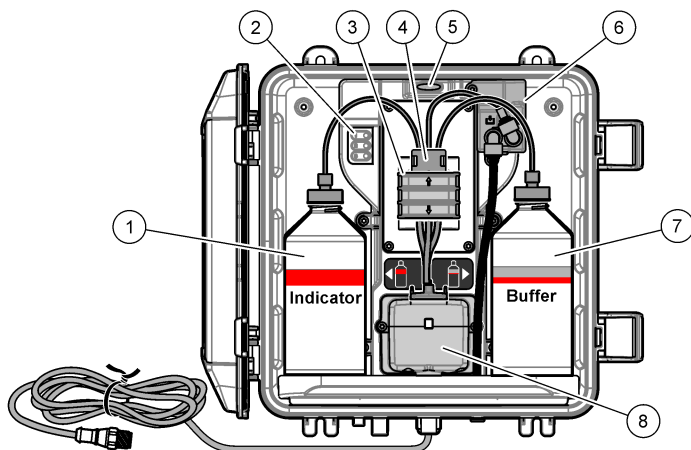
Chemische und biologische Risiken. Wird das Gerät dazu verwendet, ein Verfahren und/oder das Dialysespeisewasser zu überwachen, für das vorgeschriebene Grenzwerte und Überwachungsvorschriften im Bereich der öffentlichen Sicherheit, der Gesundheit oder im Bereich der Lebensmittel- oder Getränkeherstellung bestimmt wurden, so unterliegt es der Verantwortung des Benutzers des Geräts, alle solche Bestimmungen zu kennen und diese einzuhalten und für ausreichende und entsprechende Vorsorgemaßnahmen zur Einhaltung der für den Fall einer Fehlfunktion des Geräts bestehenden Bestimmung zu sorgen.

Der CL17sc Analysator misst die Konzentration an Gesamt-Chlor im Wasser innerhalb des Bereichs von 0,03 bis 10 mg/L in Intervallen von 150 Sekunden. Darüber hinaus liefert die [Abbildung 1](#) einen Überblick über den Analysator.

Schließen Sie den Analysator zur Stromversorgung, für den Betrieb, zur Datensammlung, Datenübertragung und Diagnose an einen SC Controller an. Einen Überblick über den Controller finden Sie im Handbuch des SC Controllers.

**Hinweis:** Es kann mehr als ein Analysator an einen SC Controller angeschlossen werden, wenn der Controller über mehr als eine Schnellverschlusskupplung verfügt.

**Abbildung 1** CL17sc



1 Indikatorflasche	5 Analysatorstatusleuchte ( <a href="#">Tabelle 5</a> auf Seite 32)
2 Messzyklusleuchten ( <a href="#">Tabelle 4</a> auf Seite 32)	6 Durchflussmesser
3 Pumpenklemme	7 Pufferflasche
4 Schlauchklemme	8 Colorimetrische Zelle

### 2.2.1 Durchflussmesser

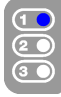

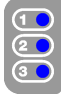
Der Analysator verfügt über einen Durchflussmesser, der den Probendurchfluss durch den Analysator misst. Siehe [Abbildung 1](#) auf Seite 31.

Die Probe fließt nur durch den Analysator, wenn der Analysator die Zelle spült. Ansonsten ist kein Probendurchfluss vorhanden, und die angezeigte Durchflussrate ist Null. Drücken Sie den **RECHTS**-Pfeil auf dem Controller, um die Durchflussmenge anzuzeigen.

## 2.2.2 Messzyklusleuchten

Die Messzyklusleuchten zeigen den Schritt des Messzyklus an, der durchgeführt wird. Siehe [Tabelle 4](#).

**Tabelle 4 Messzyklusleuchten**

Leuchten ein			
Beschreibung	Die Zelle wird mit Wasser gespült.	Die Pufferlösung und die Indikatorlösung werden zu der Zelle hinzugefügt.	Die Probe wird gemessen.

## 2.2.3 Analysatorstatusleuchte

Die Statusanzeige des Analysators wechselt von grün zu gelb, wenn eine Warnung angezeigt wird, oder zu rot, wenn ein Fehler vorliegt. Siehe [Tabelle 5](#).

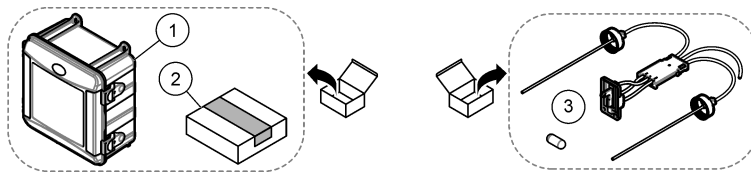
**Tabelle 5 Analysatorstatusleuchte**

Farbe	Beschreibung
Grün	Normalbetrieb
Gelb	Es muss eingegriffen werden, um einen zukünftigen Ausfall zu verhindern. Die Messungen werden fortgesetzt. Zur Anzeige der Sensorwarnungen drücken Sie auf <b>menu</b> , und wählen Sie DIAGNOSE > [wählen Sie den Analysator] > WARNUNGEN. Siehe <a href="#">Warnungen – Gelbe Anzeige</a> auf Seite 52.
Rot	Es muss sofort eingegriffen werden. Messungen wurden gestoppt. Für die Anzeige des Sensorfehlers drücken Sie auf <b>menu</b> , und wählen Sie DIAGNOSE > [wählen Sie den Analysator] > FEHLER. Siehe <a href="#">Fehler – Rote Anzeige</a> auf Seite 52.

## 2.3 Produktkomponenten

Stellen Sie sicher, dass Sie alle Teile erhalten haben. Siehe [Abbildung 2](#). Wenn Komponenten fehlen oder beschädigt sind, kontaktieren Sie bitte umgehend den Hersteller oder Verkäufer.

**Abbildung 2 Produktkomponenten**



1 CL17sc-Analysator	3 Schlauchset (Schlauchhalterung und Rührstab)
2 Installationssatz	

## Kapitel 3 Installation

### ⚠ VORSICHT



Mehrere Gefahren. Nur qualifiziertes Personal sollte die in diesem Kapitel des Dokuments beschriebenen Aufgaben durchführen.



### 3.1 Installationsanleitungen

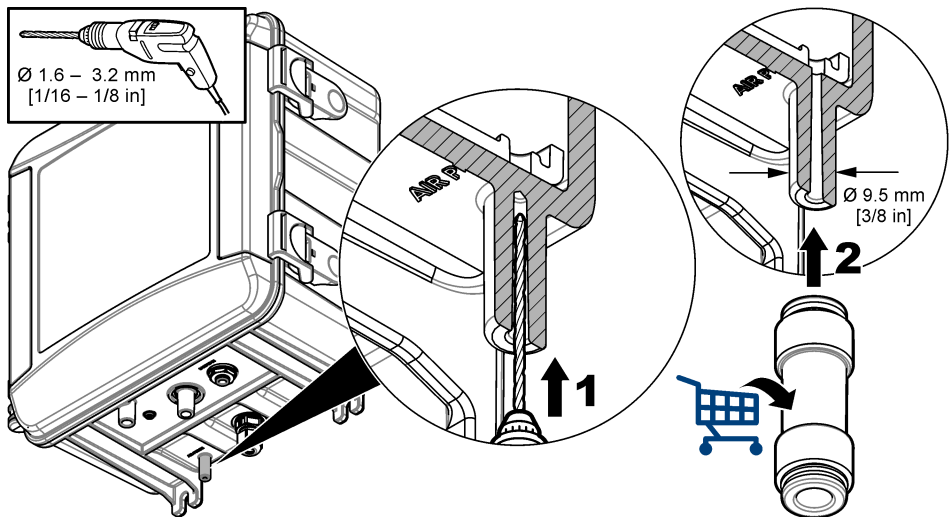
- Der Analysator wird mit einem Ablaufrohr-Einbausatz oder einem Druckregler-Einbausatz geliefert, um den Wasserdruck zum Analysator zu steuern. Der Benutzer wählt den Einbausatz zum Zeitpunkt der Bestellung aus.
- Installieren Sie den Analysator in einer erschütterungsarmen und geschützten Umgebung. Weitere Informationen zur Betriebstemperatur und den Feuchtigkeitsspezifikationen finden Sie unter [Technische Daten](#) auf Seite 28.
- Installieren Sie den Analysator nicht in direktem Sonnenlicht oder in der Nähe einer Wärmequelle.
- Installieren Sie das Analysegerät bei Standrohrinstallationen an einem Ort, der über dem Analysegerät genügend Freiraum für die Standrohrmontage bietet.
- Installieren Sie den Analysator in der Nähe eines offenen Abflusses. Informationen zum Entsorgen erhalten Sie vom lokalen Ordnungsamt.

### 3.2 Schritt 1: Luftpülung (optional)

Eine Luftpülung ist möglicherweise erforderlich, wenn der Analysator an einem Ort mit hoher Luftfeuchtigkeit oder Dämpfen, die Korrosion verursachen, installiert ist. Die Luftpülung hält den Überdruck im Gerät mit trockener und sauberer Luft aufrecht.

Stellen Sie saubere, trockene Instrumentenluft mit 0,003 m<sup>3</sup>/Minute (0,1 ft<sup>3</sup>/Minute) bei maximal 20 psig bereit.

Berücksichtigen Sie dabei die folgenden bebilderten Schritte. Die 3/8-Zoll-Schnellverschlusskupplung und die Schläuche werden vom Benutzer bereitgestellt.



### 3.3 Schritt 2: Montieren und Anschließen des Analysators

#### ▲ VORSICHT



Verwenden Sie für das Gerät nur die von Hach Company spezifizierten Schläuche. Andere Schläuche absorbieren möglicherweise Chlor, das sich im Probenwasser befindet, und führen zu Minderbefunden der Chlormesswerte (reduziert die Chlormesswerte).

#### ACHTUNG

Ein falscher Anschluss des Analysators kann Schäden aufgrund von übermäßigem Probedruck verursachen. Befolgen Sie stets die folgenden Anweisungen zum Montieren und Anschließen des Analysators.

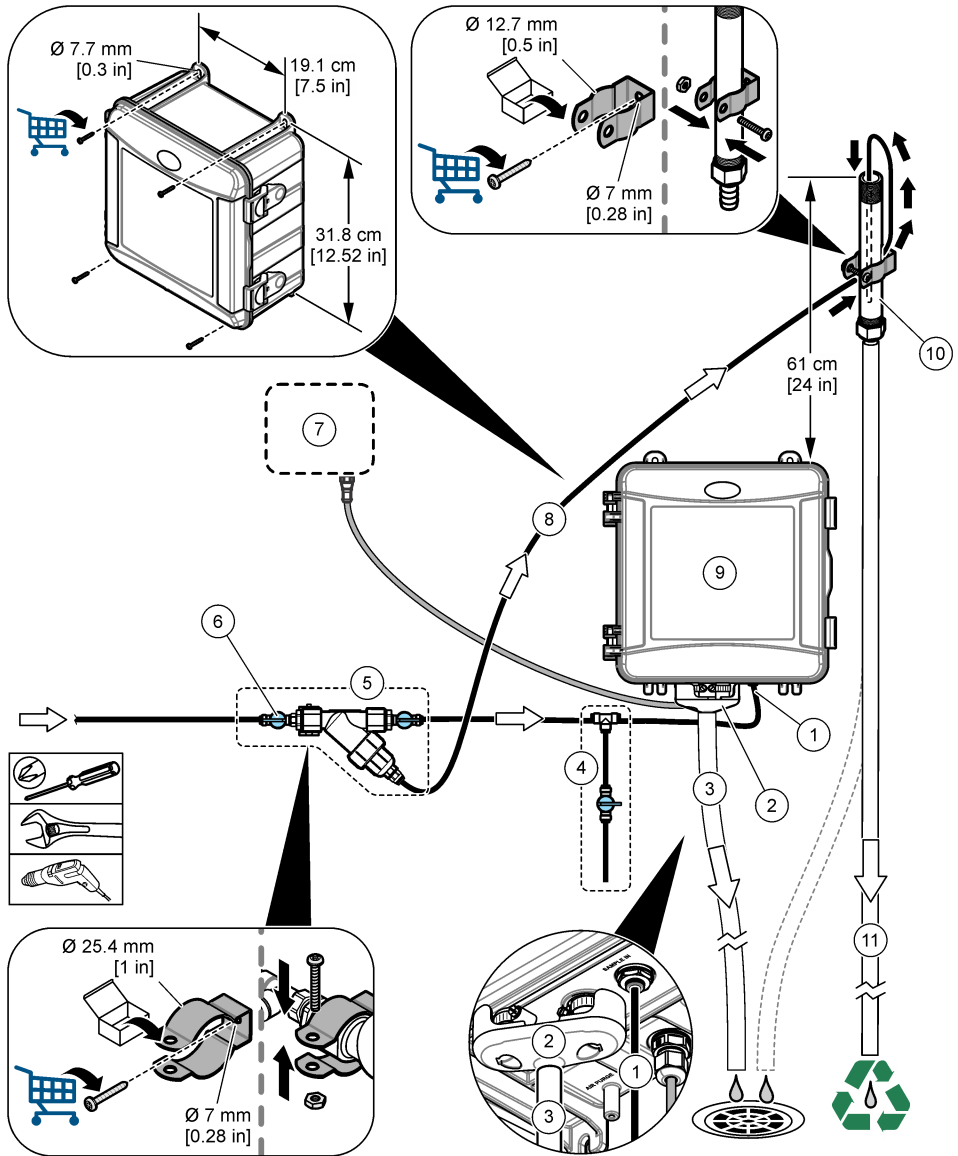
1. Befestigen Sie den Analysator (Element 9) mit vier Schrauben an einer Wand. Stellen Sie sicher, dass der Analysator waagrecht hängt.

*Hinweis: Der Benutzer stellt das Befestigungsmaterial bereit.*

2. Befestigen Sie den SC Controller (Element 7) an einer Wand, einem Panel oder einem Rohr. Anleitungen finden Sie in der Dokumentation zum SC Controller.
3. Bauen Sie das Y-Sieb zusammen. Beachten Sie die Anweisungen auf der Packliste.
4. Verwenden Sie die 1-Zoll-Rohrschelle, um das Y-Sieb zu montieren (Element 5 in [Abbildung 3](#), [Abbildung 4](#) oder [Abbildung 5](#)).
5. Installieren Sie die externe Luftunterbrechung am Analysegerät (Punkt 2 unter [Abbildung 3](#), [Abbildung 4](#) oder [Abbildung 5](#)). Beachten Sie die Anweisungen auf der Packliste.
6. Führen Sie Schritt 7 oder 8 durch.  
Das Analysegerät wird mit einem Standrohr-Installationssatz oder einem Druckregler-Installationssatz zur Steuerung des Wassereingangsdrucks geliefert. Der Benutzer wählt den Einbausatz zum Zeitpunkt der Bestellung aus. Ein Standrohrsatz ist für einen Wasserdruck von 10 psi oder weniger und ein Standrohrsatz ist für einen Wasserdruck von mehr als 10 psi geeignet. Messen Sie den Wassereingangsdruck kurz vor der Y-Sieb-Baugruppe.
7. Wenn zum Zeitpunkt der Bestellung ein Ablaufrohr-Einbausatz ausgewählt wurde, installieren Sie das Ablaufrohr wie folgt:
  - a. Montieren des Ablaufrohrs. Beachten Sie die Anweisungen auf der Packliste.
  - b. Verwenden Sie die kleinere Rohrschelle, um die Standrohrbaugruppe oberhalb des Analysegerätes zu montieren:
    - 10 psi oder weniger - Montieren Sie die Standrohrbaugruppe mindestens 61 cm (24 Zoll) über der Oberseite des Analysegerätes.
    - Mehr als 10 psi - Montieren Sie die Standrohrbaugruppe mindestens 91,4 cm über der Oberseite des Analysegerätes.
  - c. 10 psi oder weniger: Installieren Sie mit dem schwarzen Schlauch den Proben-Bypass-Schlauch (Element 8 unter [Abbildung 3](#)). Schieben Sie den Schlauch nach hinten und dann in das Ablaufrohr. Stecken Sie den Schlauch 10-13 cm (4-5 Zoll) in das obere Ende des Standrohrs.
  - d. Mehr als 10 psi - Verbinden Sie den Ausgang des Y-Filters mit dem schwarzen Schlauch mit dem Eingang des Standrohrs (Element 8 auf [Abbildung 4](#)).
  - e. Schneiden Sie ein Stück Schlauch vom Probenablaufschlauch (Element 3) ab. Verwenden Sie den Schlauch, um das Standrohr an einen offenen Abfluss anzuschließen (Element 11). Siehe [Richtlinien zur Abflussleitung](#) auf Seite 39.
8. Wenn zum Zeitpunkt der Bestellung ein Druckregler-Einbausatz ausgewählt wurde, den Druckregler (Elemente 10 in [Abbildung 5](#)) einbauen.
9. Schließen Sie den Y-Siebeinlass (Element 5) mit dem schwarzen Schlauch an die Probenquelle an.  
Siehe [Richtlinien für die Probenahme](#) auf Seite 39 und [Probenanforderungen](#) auf Seite 39.
10. Schließen Sie die Probe mit dem schwarzen Schlauch wie folgt an das Probeneinlassfitting (Element 1) an:  
Halten Sie den Schlauch so kurz wie möglich (maximal 2,5 m).
  - 10 psi oder weniger - Verbinden Sie den Y-Sieb-Ausgang mit dem Probeneinlassfitting (Element 1) an der Unterseite des Analysegerätes. Siehe [Abbildung 3](#).
  - Mehr als 10 psi: Verbinden Sie den Auslass des Standrohrs mit dem Probeneinlassanschluss (Element 1) an der Unterseite des Analysegerätes. Siehe [Abbildung 4](#).
  - Druckregler - Verbinden Sie den Ausgang des Druckreglers mit dem Probeneinlassanschluss (Element 1) an der Unterseite des Analysegerätes. Siehe [Abbildung 5](#).
11. Wenn ein Druckregler installiert wurde, installieren Sie den Probenableitungsschlauch (Element 8 in [Abbildung 5](#)).
12. Montieren Sie die Greifereinheit (Punkt 4).

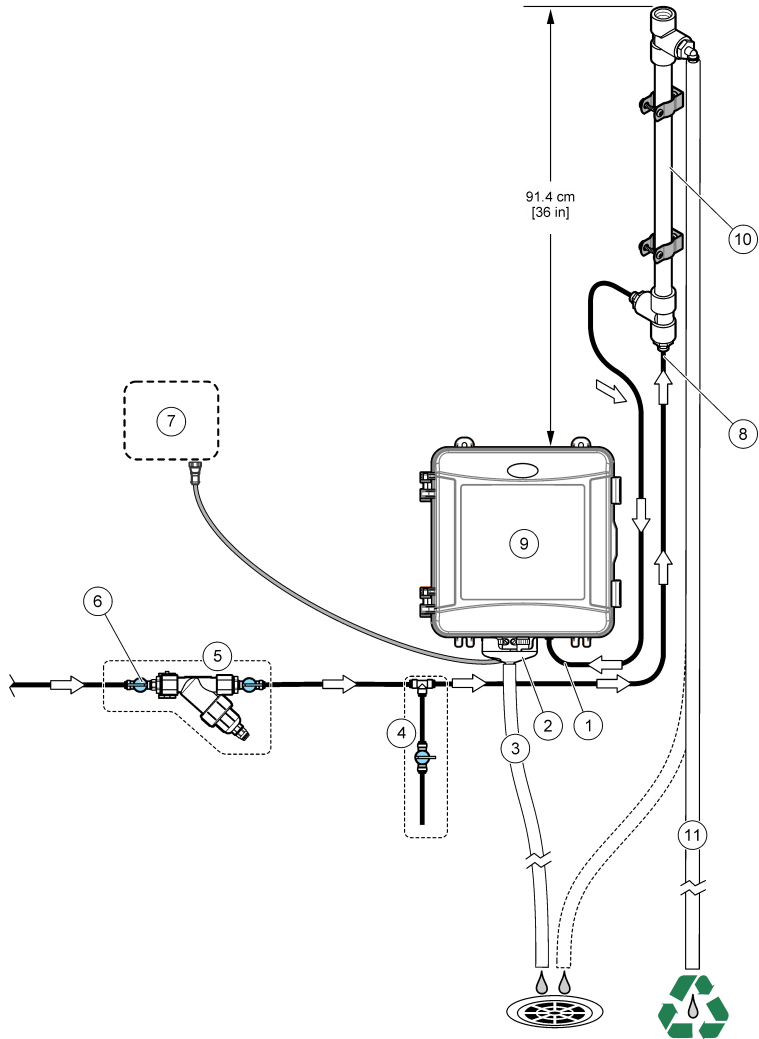
13. Loten Sie das T-Stück der Greifprobenanordnung aus. Siehe [Abbildung 3](#), [Abbildung 4](#) oder [Abbildung 5](#).
14. Schließen Sie den Probenablaufschlauch (Element 3) an einen offenen Ablauf an.  
Siehe [Richtlinien zur Abflussleitung](#) auf Seite 39.

Abbildung 3 Installation mit einem Standrohr (10 psi oder weniger)



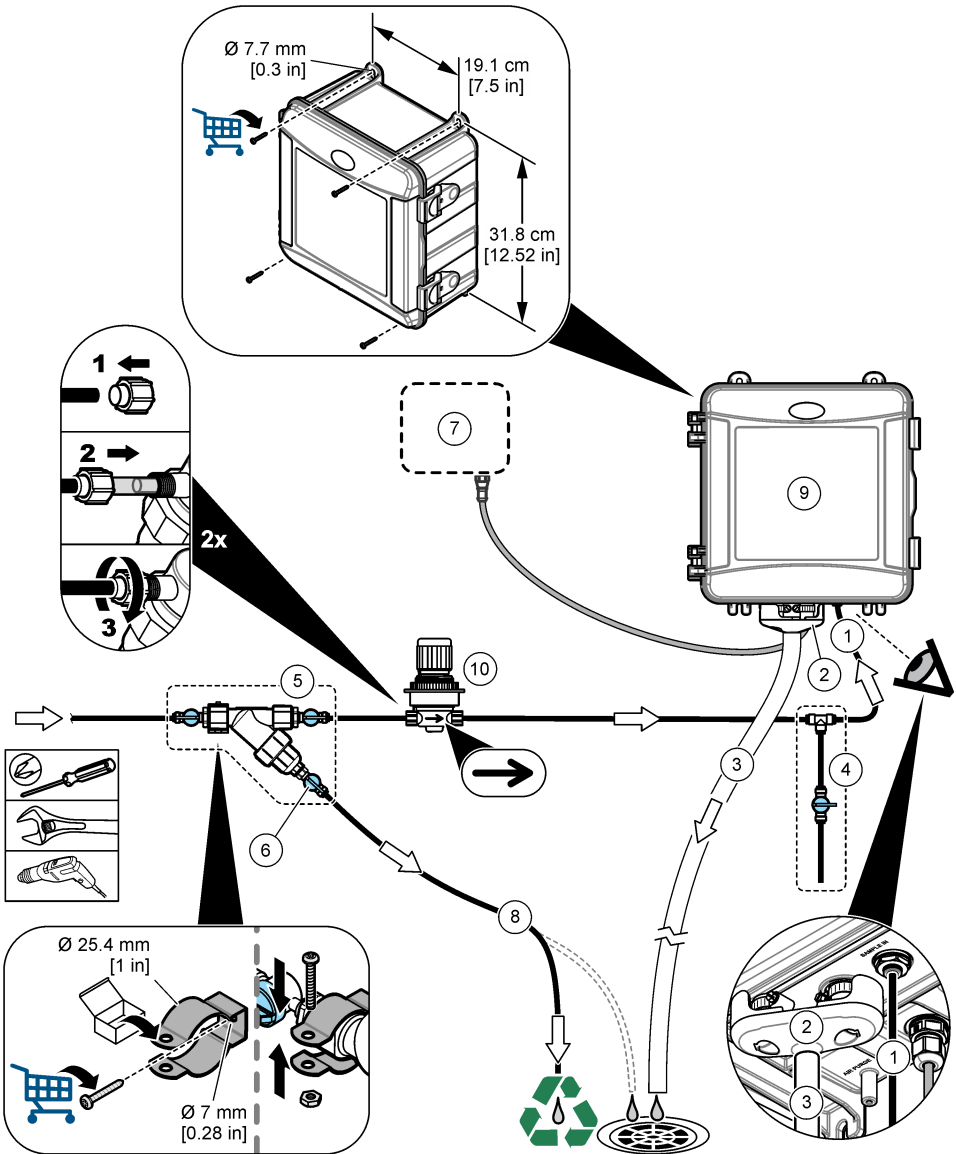
1 Probeneinlassanschluss	7 SC Controller
2 Externer freier Ablauf	8 Probenableitungsschlauch
3 Probenabflussschlauch	9 Analysator
4 Stichproben-Baugruppe	10 Ablaufrohr
5 Y-Sieb-Baugruppe	11 Abflussschlauch des Ablaufrohrs
6 Absperrenteil am Y-Siebeinlass	

**Abbildung 4 Installation mit einem Standrohr (mehr als 10 psi)**



1	Probenzulaufverschraubung	7	SC Controller
2	Externer freier Ablauf	8	Einlass des Standrohrs
3	Probenabflussschlauch	9	Analysator
4	Stichproben-Baugruppe	10	Ablaufrohr
5	Y-Sieb-Baugruppe	11	Abflussschlauch des Ablaufrohrs
6	Absperrventil am Y-Siebeinlass		

Abbildung 5 Installation mit einem Druckregler



1 Probenzulaufverschraubung	6 Absperrventil am Bypass des Y-Schmutzfängers
2 Externer freier Ablauf	7 SC Controller
3 Probenabflussschlauch	8 Probenableitungsschlauch
4 Stichproben-Baugruppe	9 Analysator
5 Y-Sieb-Baugruppe	10 Druckregler

### 3.3.1 Richtlinien für die Probenahme

Für das bestmögliche Betriebsverhalten des Geräts wählen Sie einen geeigneten, repräsentativen Probenahmepunkt. Die Probe muss für das gesamte System repräsentativ sein.

So vermeiden Sie fehlerhafte Messungen:

- Entnehmen Sie Proben nur an Stellen, die sich in ausreichender Entfernung zu Punkten befinden, an denen dem System chemische Zusätze hinzugefügt werden.
- Vergewissern Sie sich, dass die Proben ausreichend durchmischt sind.
- Vergewissern Sie sich, dass alle chemischen Reaktionen abgeschlossen sind.
- Installieren Sie den Analysator so nahe wie möglich an der Probenquelle (max. 4,6 m).

### 3.3.2 Probenanforderungen

Das Wasser aus der oder den Probenquelle(n) muss den Spezifikationen in [Technische Daten](#) auf Seite 28 entsprechen.

Um optimale Ergebnisse zu gewährleisten, sollten die Probendurchflussrate und die Betriebstemperatur so konstant wie möglich gehalten werden.

### 3.3.3 Richtlinien zur Abflussleitung

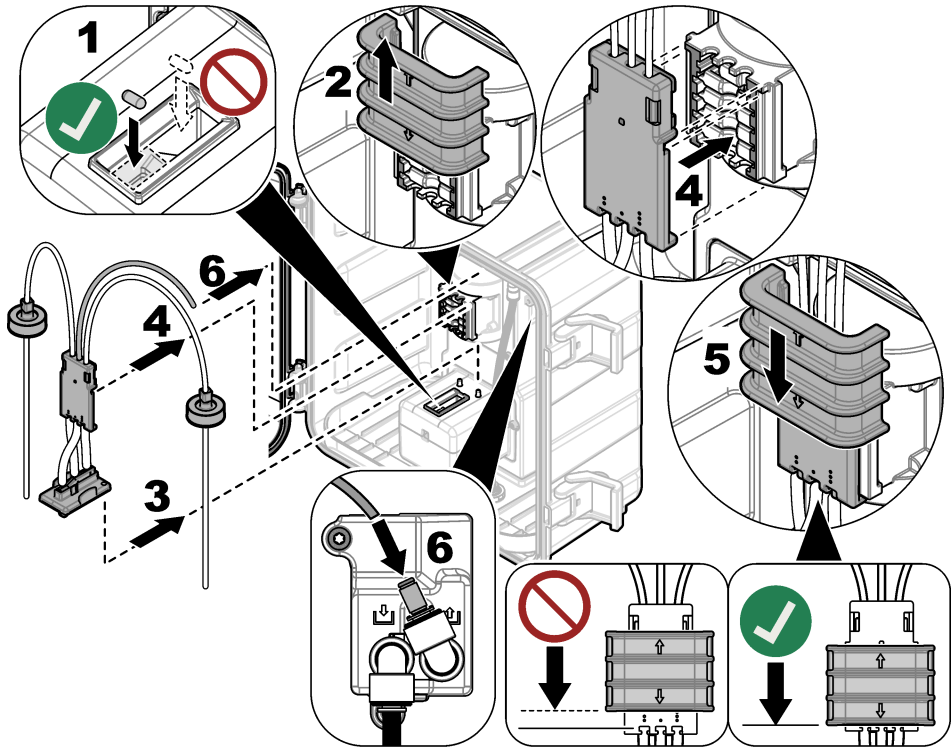
#### **ACHTUNG**

Bei unsachgemäßer Installation der Abflussleitungen können Flüssigkeiten zurück in das Gerät gelangen und Schäden verursachen.

- Stellen Sie sicher, dass der externe freie Ablauf installiert wird. Siehe Punkt 2 in [Abbildung 3](#) auf Seite 36, [Abbildung 4](#) auf Seite 37 oder [Abbildung 5](#) auf Seite 38.
- Halten Sie die Abflussleitungen so kurz wie möglich.
- Stellen Sie sicher, dass Abflussleitungen ein konstantes Gefälle aufweisen.
- Stellen Sie sicher, dass Abflussleitungen keine scharfen Biegungen vollziehen und nicht abgeklemt werden.

### 3.4 Schritt 3: Installieren des Rührstabs und der Schlauchhalterung

Führen Sie die folgenden bebilderten Schritte aus.



### 3.5 Schritt 4: Installieren der Reagenzflaschen

#### ▲ VORSICHT



Gefahr von Kontakt mit Chemikalien. Halten Sie sich an die Sicherheitsmaßnahmen im Labor, und tragen Sie Schutzkleidung entsprechend den Chemikalien, mit denen Sie arbeiten. Beachten Sie die Sicherheitsprotokolle in den aktuellen Material Sicherheitsdatenblättern (MSDS/SDB).

#### Erforderliche Artikel:

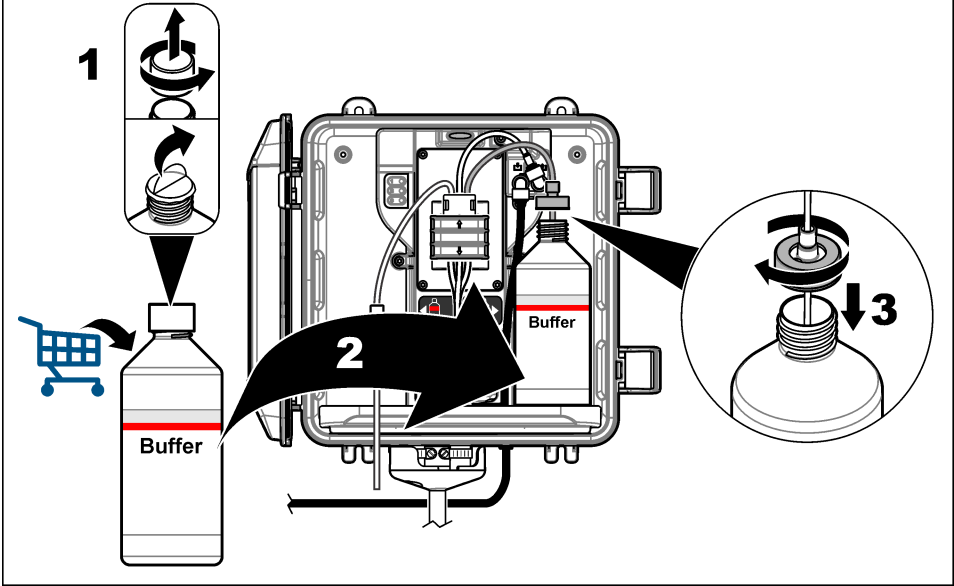
- Persönliche Schutzausrüstung (siehe MSDS/SDS)
- Indikatorflasche
- Pufferflasche
- DPD-Reaktionsflasche

1. Legen Sie die in den Sicherheitsdatenblättern (MSDS/SDS) benannte persönliche Schutzausrüstung an.
2. Bringen Sie die Pufferflasche auf der rechten Seite und die Indikatorflasche auf der linken Seite an. Berücksichtigen Sie dabei die folgenden bebilderten Schritte.

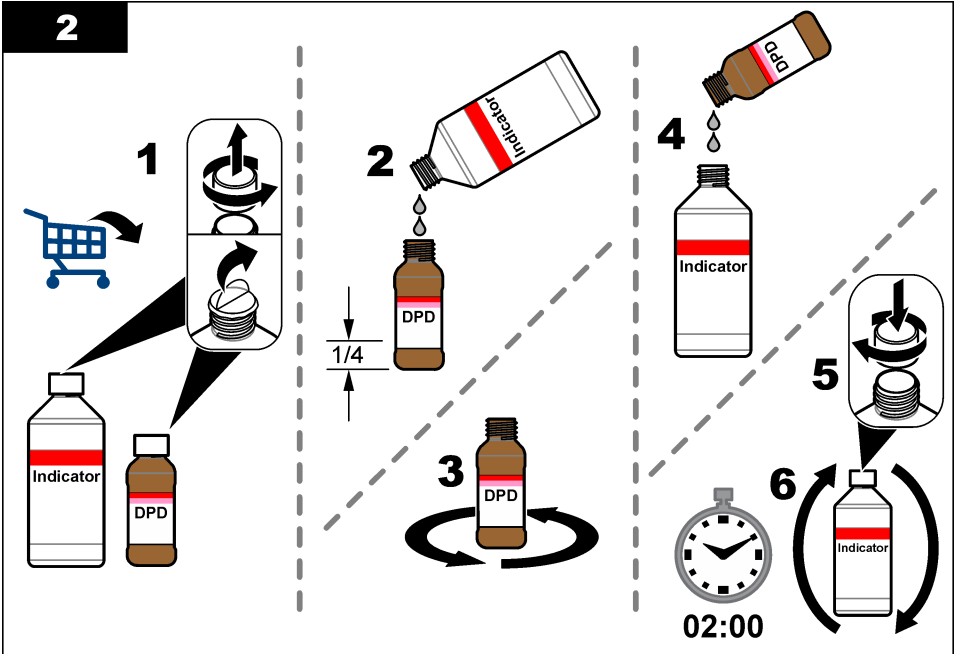
**Hinweis:** (Optional) Verwenden Sie die Oberseite des Analysators als Ablage.

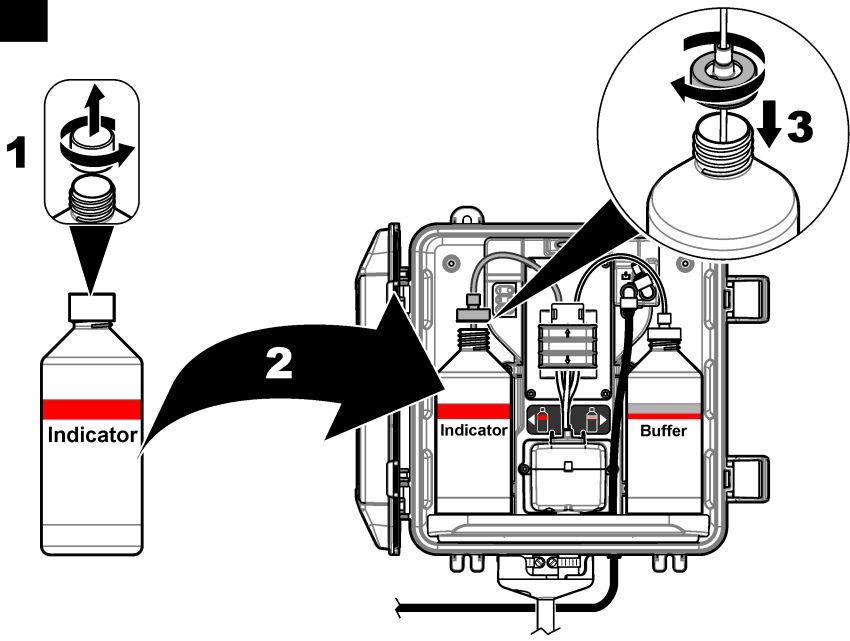


1



2



**3**

### 3.6 Schritt 5: Einstellen des Probendurchflusses

1. Drehen Sie das Absperrventil/die Absperrventile um eine  $\frac{1}{4}$  Drehung in die geöffnete Position.
2. Stellen Sie sicher, dass an den Schlauchverbindungen keine Lecks vorhanden sind. Falls ein Leck vorhanden ist, drücken Sie den Schlauch weiter in das Anschlussstück hinein oder ziehen Sie die Verbindung mit einem Schraubenschlüssel fest.
3. Führen Sie für die Installation mit Ablaufrohr die folgenden Schritte aus:
  - a. Öffnen Sie das Absperrventil am Y-Siebuslass vollständig.
  - b. Drehen Sie das Absperrventil am Y-Sieb-Einlass (Element 6 unter [Abbildung 3](#) auf Seite 36 oder [Abbildung 4](#) auf Seite 37), bis ein kleiner Wasserstrahl aus dem Standrohr-Ablaufschlauch austritt.
4. Führen Sie für die Installation mit Druckluftregler, die folgenden Schritte aus:
  - a. Öffnen Sie die Absperrventile am Y-Siebeinlass und -auslass vollständig.
  - b. Drehen Sie das Absperrventil am Y-Siebuslass (Element 6 in [Abbildung 5](#) auf Seite 38), bis ein kleiner Wasserstrom aus dem Y-Sieableitungsschlauch fließt.

### 3.7 Schritt 6: Elektroinstallation

#### 3.7.1 Anschließen des Analysators an den Controller

#### ⚠ WARNUNG



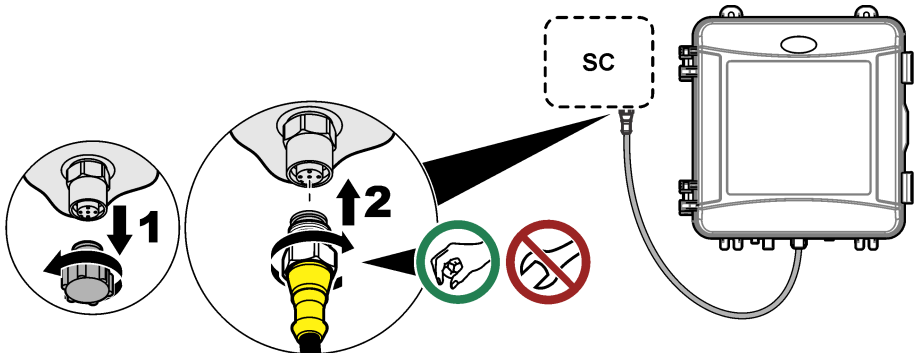
Stromschlaggefahr. Extern angeschlossene Geräte müssen über eine entsprechende Sicherheitsnormenbeurteilung des jeweiligen Landes verfügen.

Schließen Sie das Analysatorkabel an die Schnellverschlusskupplung des SC Controllers an. Siehe [Abbildung 6](#).

Bewahren Sie die Abdeckkappe des Steckers auf, falls das Kabel einmal abgenommen werden muss.

**Hinweis:** Verlängerungskabel sind erhältlich. Siehe [Ersatzteile und Zubehör](#) auf Seite 53. Die maximale Kabellänge beträgt 15 m.

**Abbildung 6** Anschließen des Kabels an eine Schnellverschlusskupplung



### 3.7.2 Anschließen des Controllers an eine Stromquelle

Schließen Sie den Controller entweder über ein Netzkabel an die Stromquelle an, oder verdrahten Sie ihn fest mit einer Leitung. Anweisungen finden Sie im Handbuch des Controllers.

### 3.7.3 Anschließen von externen Geräte an den Controller

Schließen Sie die Controller-Relais, analogen Ausgänge und digitalen Eingänge nach Bedarf an externe Geräte an. Anweisungen finden Sie im Handbuch des Controllers.

## 3.8 Schritt 7: Analysator einrichten und vorbereiten

1. Drücken Sie auf **menu**, wählen Sie dann **SENSOR-SETUP > [wählen Sie den Analysator] > EINBR..**
2. Wenn der Controller den angeschlossenen Analysator nicht erkennt, führen Sie die folgenden Schritte aus:
  - a. Drücken Sie auf **menu**, wählen Sie dann **SERVICE > SUCHE SENSOREN**.
  - b. Wenn der Sensor gefunden und installiert wurde, wiederholen Sie Schritt 1.

## 3.9 Schritt 8: Einstellen der Durchflussrate

Der Analysator verfügt über einen Durchflussmesser, der den Probendurchfluss durch den Analysator misst. Siehe [Abbildung 1](#) auf Seite 31.

1. Drücken Sie den **RECHTS**-Pfeil auf dem Controller, um die Durchflussmenge auf dem Display anzuzeigen.

Die Probe fließt nur durch den Analysator, wenn der Analysator die Zelle spült. Ansonsten ist kein Probendurchfluss vorhanden, und die angezeigte Durchflussrate ist Null. Eine Beschreibung der Messzyklusschritte finden Sie unter [Tabelle 4](#) auf Seite 32.

**Hinweis:** Um die Durchflussrate am Analysator manuell zu messen, messen Sie die Durchflussrate am Abfluss des Analysators, wenn der Analysator die Zelle mit Wasser spült.
2. Stellen Sie bei Installationen mit Ablaufrohr die Durchflussrate mit dem Absperrventil am Y-Siebauslass auf einen Wert zwischen 60 und 200 mL/min ein, wenn der Analysator die Zelle mit Wasser spült.
3. Stellen Sie bei Installationen mit Druckregler die Durchflussrate mit dem Druckregler auf einen Wert zwischen 60 und 200 mL/min ein, wenn der Analysator die Zelle mit Wasser spült.

### 3.10 Schritt 9: Installieren der aktuellen Software

Stellen Sie sicher, dass der SC Controller die aktuelle Software besitzt. Verwenden Sie eine SD-Karte, um die aktuelle Software auf dem SC Controller zu installieren.

1. Um zum entsprechenden SC Controller zu gelangen, navigieren Sie zur Produktseite auf <http://hach.com>.
2. Klicken Sie auf die Registerkarte "Ressourcen".
3. Scrollen Sie zu „Software/Firmware“.
4. Klicken Sie auf den Link für die SC Controller-Software.
5. Speichern Sie die Dateien auf einer SD-Karte.
6. Installieren Sie die Dateien auf dem SC Controller. Die Software-Installationsanleitung finden Sie in den mitgelieferten Software-Dateien.

## Kapitel 4 Konfiguration

### 4.1 Schritt 10: Konfigurieren des Analysators

Geben Sie den Analysatornamen, den Signal Mittelwert, die Art des gemessenen Chlors, die Blasenunterdrückung und die Alarmsollwerte für Chlor ein.

1. Drücken Sie auf **menu**, wählen Sie dann **SENSOR-SETUP > [wählen Sie den Analysator] > KONFIGURIEREN**.
2. Wählen und konfigurieren Sie jede Option.

Option	Beschreibung
<b>NAME MESSORT</b>	Legt den Analysatornamen fest. Der Analysatorname wird auf dem Display des Controllers und in den Protokolldateien angezeigt.
<b>SIGNAL MITTELW</b>	Legt die Anzahl der Messungen fest, die zur Berechnung eines Mittelwerts verwendet werden, der auf dem Display angezeigt wird. Optionen: 1 (Standard), 2, 3 oder UNREGELM WERT.  Wenn SIGNAL MITTELW auf 1 eingestellt ist, wird die Signalmittelung deaktiviert.  Wenn SIGNAL MITTELW auf 2 oder 3 eingestellt ist, wird ein Durchschnittswert auf dem Display angezeigt. Beispiel: Die Messung auf dem Display ist gleich der Summe der letzten und der vorletzten Messung geteilt durch zwei, wenn SIGNAL MITTELW auf 2 eingestellt ist.  Wenn SIGNAL MITTELW auf UNREGELM WERT eingestellt ist, lehnt der Analysator ein Ergebnis ab, das ungewöhnlich höher oder niedriger als das letzte Ergebnis ist. Wenn ein Ergebnis abgelehnt wird, wird das letzte gültige Ergebnis auf dem Display angezeigt und im Datenprotokoll gespeichert. Es werden nicht mehr als drei aufeinanderfolgende Ergebnisse abgelehnt.  Die Signalmittelung korrigiert falsche Ergebnisfluktuationen, die durch Blasen und/oder größere Partikel in der Probe verursacht werden.
<b>MESSUNG</b>	Legt die Art des gemessenen Chlors fest. Wenn auf den Etiketten der Puffer- und Indikatorflaschen „Free Chlorine“ (Freies Chlor) steht, wählen Sie FREIES CHLOR (Standard).  Wenn auf den Etiketten der Puffer- und Indikatorflaschen „Gesamt-Chlor“ steht, wählen Sie CHLOR GESAMT.
<b>LUFTBL UNTERDR</b>	Aktiviert oder deaktiviert die Blasenunterdrückung (standardmäßig deaktiviert). Stellen Sie LUFTBL UNTERDR auf EIN, um die Geräusche der Blasen in der Probe zu reduzieren. Luftblasen in der Probe können dazu führen, dass die Messwerte nicht stabil sind.
<b>ALARM HOHES CL</b>	Legt den Sollwert der Chlorkonzentration für den Alarm für HOHES CHLOR fest – 0,00 bis 10,00 mg/L (Standard: 4,00 mg/L).
<b>ALARM NIEDR. CL</b>	Legt den Sollwert der Chlorkonzentration für den Alarm für NIEDRIGES CHLOR fest – 0,00 bis 10,00 mg/L (Standard: 0,20 mg/L).

Option	Beschreibung
<b>SENSORINFOS</b>	Zeigt die Analysatorseriennummer, die Softwareversion, die Bootversion und die Treiberversion an.
<b>STANDARDEINST.</b>	Wählen Sie JA, um die Konfigurationseinstellungen auf die standardmäßigen Werkseinstellungen zurückzusetzen.
<b>SERVICE</b>	Nur für Service

## 4.2 Systemkonfiguration

Informationen zur Systemkonfiguration, zu allgemeinen Controllereinstellungen und zur Konfiguration von Ausgängen und Kommunikation entnehmen Sie der Controller-Dokumentation.

## 4.3 Benutzernavigation

Eine Beschreibung der Bedienung und Menüführung entnehmen Sie bitte der Controller-Dokumentation.

Drücken Sie auf dem Controller mehrmals auf die Pfeiltaste **RECHTS**, um weitere Informationen auf dem Startbildschirm und eine grafische Anzeige zu erhalten.

# Kapitel 5 Betrieb

## 5.1 Daten-, Ereignis- und Serviceprotokolle

Der Controller bietet für jedes angeschlossene Gerät Zugriff auf ein Daten-, Ereignis- und Serviceprotokoll. Die Analysator-Messungen werden automatisch in Intervallen von 150 Sekunden im Datenprotokoll gespeichert. Im Ereignisprotokoll werden die aufgetretenen Ereignisse aufgeführt. Die Ereignis- und Datenprotokolle speichern Daten von ca. 2 Wochen, wenn der Analysator kontinuierlich arbeitet. Das Serviceprotokoll speichert Daten von ca. 24 Stunden, wenn der Analysator kontinuierlich arbeitet.

Informationen zum Herunterladen des Daten-, Ereignis- und/oder Serviceprotokolls finden Sie in der Controller-Dokumentation. Das Datenprotokoll ist eine XML-Datei, die im CSV- oder Excel-Format gespeichert werden kann. Das Ereignisprotokoll und das Serviceprotokoll sind Dateien im CSV-Format.

## 5.2 Messung von STICHPROBE EING

Verwenden Sie bei Bedarf das Menü STICHPROBE EING, um der Zelle zur Messung eine Wasserprobe bekannter Chlorkonzentration hinzuzufügen. Nehmen Sie eine Stichprobe zur Überprüfung vor oder zur Messung einer Wasserprobe, die an einem anderen Ort entnommen wurde.

1. Drücken Sie auf **menu**, wählen Sie dann **SENSOR-SETUP > [wählen Sie den Analysator] > STICHPROBE EING**.
2. Führen Sie die auf dem Display angezeigten Schritte aus. Entfernen Sie bei Aufforderung den Deckel der Zelle, und fügen Sie 100 mL der Stichprobe zur Zelle hinzu. Ein Teil der Probe fließt in den Probenabfluss.

## 5.3 Modbus-Register

Für die Netzwerkkommunikation ist eine Liste der Modbus-Register verfügbar. Weitere Informationen finden Sie auf der Website des Herstellers.

# Kapitel 6 Kalibrierung und Einstellung

Die Kalibrierkurve des Analysators ist werkseitig auf die Leistung gemäß den Spezifikationen eingestellt. Die Kalibrierung kann zur Leistungsüberprüfung durchgeführt werden.

Es werden keine Benutzeranpassungen der werkseitigen Kalibrierkurve empfohlen, es sei denn, dies wird zu Zwecken der Konformitätsberichterstattung von der Aufsichtsbehörde verlangt oder es wird eine umfangreiche Reparatur des Analysators durchgeführt.

Weitere Informationen finden Sie in den Anweisungen im Kalibrierungsprüffiltersatz oder Sie wenden sich an den technischen Support.

## Kapitel 7 Wartung

### ▲ VORSICHT



Mehrere Gefahren. Nur qualifiziertes Personal sollte die in diesem Kapitel des Dokuments beschriebenen Aufgaben durchführen.

### ACHTUNG

Nehmen Sie das Gerät nicht zur Wartung auseinander. Falls eine Reinigung oder Instandsetzung von internen Bauteilen erforderlich ist, wenden Sie sich an den Hersteller.

## 7.1 Wartungsplan

In [Tabelle 6](#) ist der empfohlene Wartungsplan dargestellt. In Abhängigkeit von den Anforderungen der Anlage und den Betriebsbedingungen kann es erforderlich sein, einige Aufgaben häufiger auszuführen.

**Tabelle 6 Wartungsplan**

Aufgabe	1 Monat	6 Monate	Wie erforderlich
<a href="#">Reinigen der Zelle</a> auf Seite 46	X <sup>2</sup>		
<a href="#">Austauschen der Reagenzflaschen</a> auf Seite 47	X		
Austausch des Rührstabs und der Schlauchhalterung <sup>3</sup>		X	
<a href="#">Reinigen des Siebs im Y-Sieb</a> auf Seite 48			X

## 7.2 Reinigen der Zelle

### ▲ VORSICHT



Gefahr von Kontakt mit Chemikalien. Halten Sie sich an die Sicherheitsmaßnahmen im Labor, und tragen Sie Schutzkleidung entsprechend den Chemikalien, mit denen Sie arbeiten. Beachten Sie die Sicherheitsprotokolle in den aktuellen Materialsicherheitsdatenblättern (MSDS/SDB).

Reinigen Sie die Zelle einmal im Monat oder bei Bedarf häufiger.

#### Erforderliche Artikel:



Wattestäbchen<sup>4</sup>



5,25 N Schwefelsäurelösung<sup>5</sup>

<sup>2</sup> Reinigen Sie die Zelle bei Bedarf häufiger oder seltener.

<sup>3</sup> Informationen hierzu finden Sie in den Anweisungen, die im Lieferumfang des Schlauchsets enthalten sind.

<sup>4</sup> Siehe [Ersatzteile und Zubehör](#) auf Seite 53.

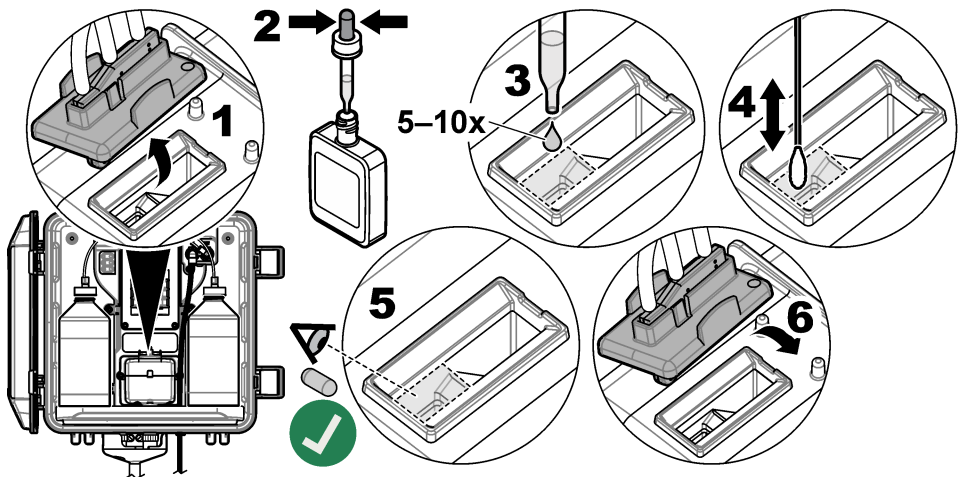
<sup>5</sup> Verwenden Sie keine anderen Reinigungslösungen. Siehe [Ersatzteile und Zubehör](#) auf Seite 53.

1. Legen Sie die in den Sicherheitsdatenblättern (MSDS/SDS) benannte persönliche Schutzausrüstung an.
2. Drücken Sie auf **menu**, wählen Sie dann **SENSOR-SETUP > [wählen Sie den Analysator] > AUFGABEN > ZELLE REINIGEN**.  
*Hinweis: Um eine ausgewählte Aufgabe zu stoppen, drücken Sie auf **home**.*
3. Drücken Sie auf **enter**, um die Messungen zu stoppen.
4. Wählen Sie eine Option.

Option	Beschreibung
<b>HALTEN</b>	Die Controllerausgänge werden bei der letzten Messung gestoppt.
<b>ERSATZWERT</b>	Die Controllerausgänge wechseln zum Ersatzwert.

5. Wenn die Statusleuchte blinkt, führen Sie die folgenden bebilderten Schritte aus. Drücken Sie auf **enter**, wenn Sie fertig sind.

Stellen Sie wie in Schritt 5 gezeigt sicher, dass sich kein unerwünschtes Material in der Zelle befindet. Suchen Sie mit einer Taschenlampe nach unerwünschtem Material.



6. Wenn „AUFG ABGESCHL.“ auf dem Display angezeigt wird, drücken Sie auf **enter**. Der Analysator startet in ungefähr 30 Sekunden einen Messzyklus.

### 7.3 Austauschen der Reagenzflaschen

<b>▲ VORSICHT</b>	
	Gefahr von Kontakt mit Chemikalien. Halten Sie sich an die Sicherheitsmaßnahmen im Labor, und tragen Sie Schutzkleidung entsprechend den Chemikalien, mit denen Sie arbeiten. Beachten Sie die Sicherheitsprotokolle in den aktuellen Material Sicherheitsdatenblättern (MSDS/SDB).
<b>▲ VORSICHT</b>	
	Gefahr durch Kontakt mit Chemikalien. Entsorgen Sie Chemikalien und Abfälle gemäß lokalen, regionalen und nationalen Vorschriften.

Tauschen Sie die Reagenzflaschen einmal im Monat aus.

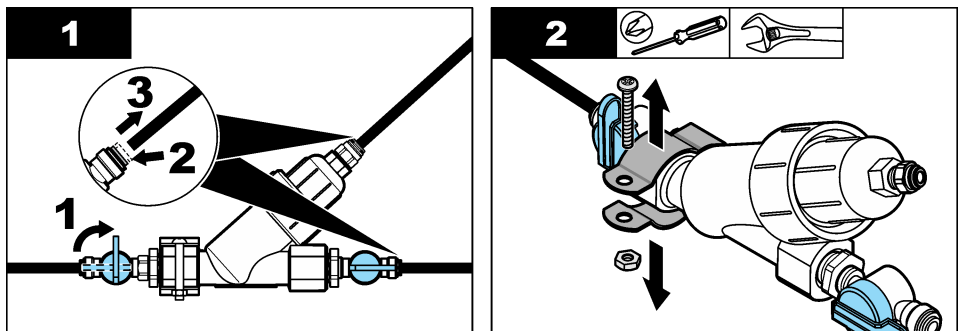
1. Legen Sie die in den Sicherheitsdatenblättern (MSDS/SDS) benannte persönliche Schutzausrüstung an.
2. Drücken Sie auf **menu**, wählen Sie dann **SENSOR-SETUP** > [wählen Sie den Analysator] > **AUFGABEN** > **REAGENZZEN ÄND.**  
*Hinweis: Um eine ausgewählte Aufgabe zu stoppen, drücken Sie auf **home**.*
3. Drücken Sie auf **enter**, um die Messungen zu stoppen.
4. Wählen Sie eine Option.

Option	Beschreibung
<b>HALTEN</b>	Die Controllerausgänge werden bei der letzten Messung gestoppt.
<b>ERSATZWERT</b>	Die Controllerausgänge wechseln zum Ersatzwert.

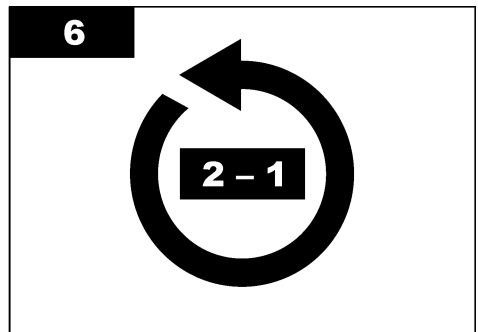
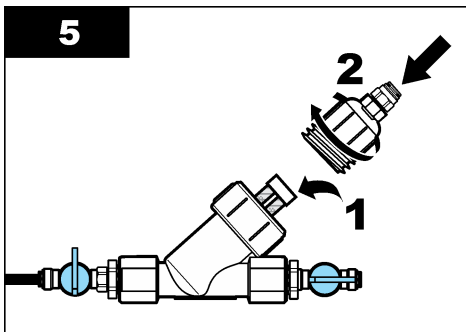
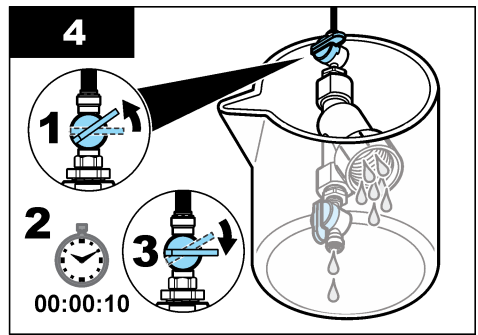
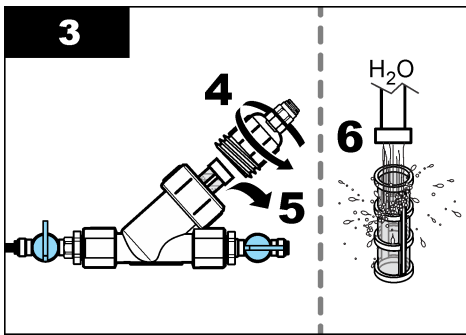
5. Warten Sie, bis die Statusleuchte blinkt.
6. Tauschen Sie die Pufferflasche wie folgt aus:  
*Hinweis: (Optional) Verwenden Sie die Oberseite des Analysators als Ablage.*
  - a. Entfernen Sie die Kappe und die Dichtung von der neuen Pufferflasche.
  - b. Entfernen Sie die alte Pufferflasche aus dem Analysator.
  - c. Stecken Sie den Pufferschlauch in die neue Pufferflasche auf der rechten Seite des Analysators. Schrauben Sie die Kappe fest.
7. Tauschen Sie die Indikatorflaschen wie folgt aus:
  - a. Entfernen Sie die Kappe und die Dichtung der Indikatorflasche und der braunen DPD-Flasche.
  - b. Füllen Sie die braune DPD-Flasche zu ca.  $\frac{1}{4}$  mit Indikatorlösung.
  - c. Schwenken Sie die DPD-Flasche, um den Inhalt zu mischen.
  - d. Füllen Sie den Inhalt der DPD-Flasche in die Indikatorflasche.
  - e. Drehen Sie die Indikatorflasche, bis das Pulver vollständig aufgelöst ist (2 Minuten).
  - f. Entfernen Sie die alte Indikatorflasche aus dem Analysator.
  - g. Stecken Sie den Indikatorschlauch in die neue Indikatorflasche auf der linken Seite des Analysators. Schrauben Sie die Kappe fest.
8. Drücken Sie auf **enter**.
9. Wenn „AUFG ABGESCHL.“ auf dem Display angezeigt wird, drücken Sie auf **enter**. Der Analysator startet in ungefähr 30 Sekunden einen Messzyklus.

## 7.4 Reinigen des Siebs im Y-Sieb

Reinigen Sie das Sieb im Y-Sieb, wenn eine Verstopfung vorliegt, die durch Warnung **NIEDR. PROBENFL.** angezeigt wird. Führen Sie die folgenden bebilderten Schritte aus.







## 7.5 Vorbereiten zur Lagerung

### ▲ VORSICHT



Gefahr von Kontakt mit Chemikalien. Halten Sie sich an die Sicherheitsmaßnahmen im Labor, und tragen Sie Schutzkleidung entsprechend den Chemikalien, mit denen Sie arbeiten. Beachten Sie die Sicherheitsprotokolle in den aktuellen Material Sicherheitsdatenblättern (MSDS/SDB).

Wenn der Analysator länger als 3 Tage von der Stromversorgung getrennt wird oder der Analysator länger als 3 Tage nicht benutzt wird, bereiten Sie den Analysator zu Lagerung vor.

#### Erforderliche Artikel:



Becher mit entionisiertem Wasser (2x)

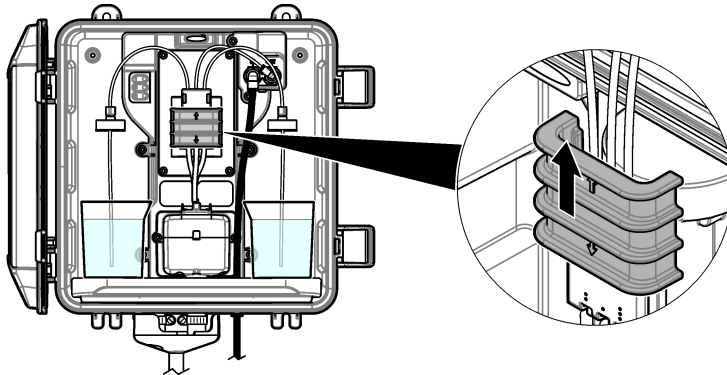


Einweg-Pipette oder fusselfreies Tuch

1. Entfernen Sie die Reagenzien von den Reagenzleitungen wie folgt:
  - a. Entfernen Sie die Indikatorflasche und die Pufferflasche aus dem Analysator.
  - b. Stellen Sie zwei Becher (oder Behälter) mit entionisiertem Wasser in den Analysator.
  - c. Stecken Sie den Indikatorflaschenschlauch und den Pufferflaschenschlauch in die Becher.
  - d. Drücken Sie auf **menu**, wählen Sie dann **SENSOR-SETUP** > [wählen Sie den Analysator] > **EINBR.**  
Der Analysator entfernt die Reagenzien aus den Reagenzleitungen.
2. Entfernen Sie das entionisierte Wasser aus den Reagenzleitungen wie folgt:
  - a. Entnehmen Sie den Indikatorflaschenschlauch und den Pufferflaschenschlauch aus den Bechern.
  - b. Entfernen Sie die zwei Becher aus dem Analysator.

- c. Drücken Sie auf **menu**, wählen Sie dann SENSOR-SETUP > [wählen Sie den Analysator] > EINBR..  
Der Analysator entfernt die gesamte Flüssigkeit aus den Reagenzleitungen.
3. Trennen Sie das Analysatorkabel vom Controller (oder trennen Sie die Stromversorgung des Controllers).
4. Drehen Sie das Absperrventil zu, damit keine Probe in das Y-Sieb läuft.
5. Entfernen Sie die Pumpenklemme. Siehe [Abbildung 7](#). Bewahren Sie die Pumpenklemme für den späteren Gebrauch auf.
6. Entfernen Sie das Wasser aus der Zelle wie folgt:
  - a. Entfernen Sie den Deckel von der Zelle.
  - b. Entfernen Sie mit einer Einweg-Pipette oder einem fusselfreien Tuch das Wasser aus der Zelle.
  - c. Setzen Sie den Deckel auf die Zelle.
7. Führen Sie die folgenden Schritte durch, um den Analysator nach der Lagerung zu starten:
  - a. Montieren Sie die Pumpenklemme. Siehe [Abbildung 7](#).
  - b. Setzen Sie die Reagenzflaschen ein. Siehe [Schritt 4: Installieren der Reagenzflaschen](#) auf Seite 40.
  - c. Öffnen Sie das Absperrventil, um den Probendurchfluss in das Y-Sieb zu beginnen.
  - d. Schließen Sie das Analysatorkabel an den Controller an, falls das Kabel getrennt war.
  - e. Schließen Sie den Controller an die Stromversorgung an, falls er von der Stromversorgung getrennt war.
  - f. Drücken Sie auf **menu**, wählen Sie dann SENSOR-SETUP > [wählen Sie den Analysator] > EINBR..

**Abbildung 7 Entfernen Sie die Pumpenklemme**



## 7.6 Vorbereitung für den Versand

### ⚠ VORSICHT



Gefahr von Kontakt mit Chemikalien. Halten Sie sich an die Sicherheitsmaßnahmen im Labor, und tragen Sie Schutzkleidung entsprechend den Chemikalien, mit denen Sie arbeiten. Beachten Sie die Sicherheitsprotokolle in den aktuellen Material Sicherheitsdatenblättern (MSDS/SDB).

Führen Sie die folgenden Schritte durch, um den Analysator für den Versand vorzubereiten.

**Erforderliche Artikel:**



Becher mit entionisiertem Wasser (2x)



Originalverpackung

1. Entfernen Sie die Reagenzien von den Reagenzleitungen wie folgt:
  - a. Entfernen Sie die Indikatorflasche und die Pufferflasche aus dem Analysator.
  - b. Stellen Sie zwei Becher (oder Behälter) mit entionisiertem Wasser in den Analysator.
  - c. Stecken Sie den Indikatorflaschenschlauch und den Pufferflaschenschlauch in die Becher.
  - d. Drücken Sie auf **menu**, wählen Sie dann **SENSOR-SETUP > [wählen Sie den Analysator] > EINBR..**  
Der Analysator entfernt die Reagenzien aus den Reagenzleitungen.
2. Entfernen Sie das entionisierte Wasser aus den Reagenzleitungen wie folgt:
  - a. Entnehmen Sie den Indikatorflaschenschlauch und den Pufferflaschenschlauch aus den Bechern.
  - b. Entfernen Sie die zwei Becher aus dem Analysator.
  - c. Drücken Sie auf **menu**, wählen Sie dann **SENSOR-SETUP > [wählen Sie den Analysator] > EINBR..**  
Der Analysator entfernt die gesamte Flüssigkeit aus den Reagenzleitungen.
3. Trennen Sie das Analysatorkabel vom Controller.
4. Drehen Sie das Absperrventil zu, damit keine Probe in das Y-Sieb läuft.
5. Trennen Sie den Probenzulaufschlauch (schwarz) und den Abflussschlauch (durchsichtig) vom Analysator.
6. Entfernen Sie den externen freien Ablauf vom Analysator.
7. Entfernen Sie die Pumpenklemme. Siehe [Abbildung 7](#) auf Seite 50.
8. Entfernen Sie die Schlauchhalterung und den Rührstab aus dem Analysator. Heben Sie die Schlauchhalterung für den Versand mit dem Analysator auf. Siehe [Schritt 3: Installieren des Rührstabs und der Schlauchhalterung](#) auf Seite 40.
9. Montieren Sie die Pumpenklemme ohne die Schlauchhalterung. Bringen Sie Klebeband an der Schlauchklemme an, um die Schlauchklemme zu befestigen.
10. Entfernen Sie mit einer Einweg-Pipette oder einem fusselfreien Tuch das Wasser aus der Zelle.
11. Entfernen Sie den Analysator von der Wand.
12. Legen Sie den Analysator zurück in die Originalverpackung.

## 7.7 Reinigen des Geräts

### ACHTUNG

Verwenden Sie zum Reinigen des Geräts, einschließlich von Display und Zubehör, keine Reinigungsmittel wie Terpentin, Azeton oder ähnliche Produkte.

Reinigen Sie das Gerät mit einer milden Seifenlösung und einem feuchten Tuch.

## 7.8 Reinigen von Spritzern

### ⚠ VORSICHT



Gefahr durch Kontakt mit Chemikalien. Entsorgen Sie Chemikalien und Abfälle gemäß lokalen, regionalen und nationalen Vorschriften.

1. Befolgen Sie alle örtlichen Sicherheitsprotokolle zur Verschüttungskontrolle
2. Entsorgen Sie die Abfälle gemäß den zutreffenden Vorschriften.

# Kapitel 8 Fehlersuche und Behebung

## 8.1 Fehler – Rote Anzeige

Für die Anzeige des Sensorfehlers drücken Sie auf **menu**, und wählen Sie DIAGNOSE > [wählen Sie den Analysator] > FEHLER. [Tabelle 7](#) zeigt eine Liste der möglichen Warnmeldungen. Wenn ein Fehler auftritt, wechselt die Statusanzeige des Analysators zu rot. Die Messungen werden angehalten, der Messbildschirm blinkt, und alle im Controllermenü angegebenen Ausgänge werden gehalten.

**Tabelle 7 Fehlermeldungen**

Fehler	Beschreibung	Lösung
DETEKTORFEHLER	Ein Detektor funktioniert nicht ordnungsgemäß.	Wenden Sie sich an den technischen Support.
ZELLE VERSCHM.	Die Zelle ist verunreinigt. Wenn die Chlorkonzentration sehr niedrig ist, kann Biofilm in der Zelle wachsen.	Reinigen Sie die Zelle. Siehe <a href="#">Reinigen der Zelle</a> auf Seite 46.
CODE-FEHLER.	Ein Firmwarefehler ist aufgetreten.	Wenden Sie sich an den technischen Support.
LED-FEHLER	Die Leuchte in der Zelle funktioniert nicht ordnungsgemäß.	Wenden Sie sich an den technischen Support.
PUMPENFEHLER	Die Pumpe funktioniert nicht ordnungsgemäß.	Wenden Sie sich an den technischen Support.
AUSLAUF PROBEN	Im Analysator laufen Proben aus.	Wenden Sie sich an den technischen Support.

## 8.2 Warnungen – Gelbe Anzeige

Zur Anzeige der Sensorwarnungen drücken Sie auf **menu**, und wählen Sie DIAGNOSE > [wählen Sie den Analysator] > WARNUNGEN. [Tabelle 8](#) zeigt eine Liste der möglichen Warnmeldungen. Wenn eine Warnung auftritt, leuchtet die Statusanzeige gelb. Ein Warnsymbol blinkt, zudem wird unten in der Controlleranzeige eine Meldung angezeigt. Wenn der Probendurchfluss ausreichend ist, hat eine Warnung keine Auswirkungen auf die Funktion der Menüs. Eine Warnung hat keine Auswirkungen auf die Relais und Ausgänge.

**Tabelle 8 Warnhinweise**

Warnung	Beschreibung	Lösung
BLASEN ERKANNT	Es befinden sich Blasen in der Zelle.	Reinigen Sie die Zelle. Siehe <a href="#">Reinigen der Zelle</a> auf Seite 46. (Optional) Aktivieren Sie die Einstellung LUFTBL UNTERDR. Siehe <a href="#">Schritt 10: Konfigurieren des Analysators</a> auf Seite 44.
REIN EMPFOHLEN	Die Zelle ist verunreinigt und sollte bald gereinigt werden, um eine Störung zu verhindern.	Reinigen Sie die Zelle. Siehe <a href="#">Reinigen der Zelle</a> auf Seite 46.
HOHES CHLOR	Die Chlorkonzentration liegt bei oder über dem Sollwert der ALARM HOHES CL.	Erhöhen Sie die Einstellung der ALARM HOHES CL. Siehe <a href="#">Schritt 10: Konfigurieren des Analysators</a> auf Seite 44. Oder Verringern Sie die Chlorkonzentration der Proben, die dem Analysator hinzugefügt werden.

**Tabelle 8 Warnhinweise (fortgesetzt)**

Warnung	Beschreibung	Lösung
NIEDRIGES CHLOR	Die Chlorkonzentration liegt bei oder unter dem Sollwert der ALARM NIEDR. CL.	Verringern Sie die Einstellung der ALARM NIEDR. CL. Siehe <a href="#">Schritt 10: Konfigurieren des Analysators</a> auf Seite 44.  Oder Erhöhen Sie die Chlorkonzentration der Proben, die dem Analysator hinzugefügt werden.
NIEDR. PROBENFL.	Der gemessene Probendurchfluss ist niedriger als die minimale Probendurchflussrate. Siehe <a href="#">Technische Daten</a> auf Seite 28.	Einstellen der Probendurchflussrate. Siehe <a href="#">Schritt 8: Einstellen der Durchflussrate</a> auf Seite 43.  Reinigen Sie bei Bedarf den Filter im Y-Sieb, wenn er verstopft ist. Siehe <a href="#">Reinigen des Siebs im Y-Sieb</a> auf Seite 48.
PROBENDURCHFLOCH	Der gemessene Probendurchfluss ist höher als die maximale Probendurchflussrate. Siehe <a href="#">Technische Daten</a> auf Seite 28.	Einstellen der Probendurchflussrate. Siehe <a href="#">Schritt 8: Einstellen der Durchflussrate</a> auf Seite 43.

## Kapitel 9 Ersatzteile und Zubehör

### ⚠ WARNUNG



Verletzungsgefahr. Die Verwendung nicht zugelassener Teile kann zur Verletzung von Personen, zu Schäden am Messgerät oder zu Fehlfunktionen der Ausrüstung führen. Die Ersatzteile in diesem Abschnitt sind vom Hersteller zugelassen.

**Hinweis:** Produkt- und Artikelnummern können für einige Verkaufsgebiete abweichen. Wenden Sie sich an die zuständige Vertriebsgesellschaft oder an die auf der Webseite des Unternehmens aufgeführten Kontaktinformationen.

### Verbrauchsmaterial

Beschreibung	Menge	Teile-Nr.
Reagenziensatz, Freies Chlor, enthält: Pufferflasche, Indikatorflasche und DPD-Flasche	1	2556900
Reagenziensatz, Gesamt-Chlor, enthält: Pufferflasche, Indikatorflasche und DPD-Flasche	1	2557000
Zellenreinigungssatz, enthält: Schwefelsäure, 5,25 N, 100 mL, Pipettenflasche und Wattestäbchen (10x)	1	8573100
Kalibrierungsprüfungs-Kit, enthält: Spritze, Schläuche, Schlauchanschlüsse, Ampullenbrecher, entionisiertes Wasser und Chlor-Standardampulle	1	8568200
Nachfüllsatz für die Kalibrierungsprüfung, enthält: Entionisiertes Wasser und Chlor-Standardampulle	1	8573200

## Ersatzteile

Beschreibung	Teile-Nr.
Schlauchset, enthält: Schlauchhalterung und Rührstab	US: 8560400 EU: 8575000
Einbausatz mit Standrohr (10 psi oder weniger)	US: 8560500 EU: 8575100
Einbausatz mit Standrohr (>10 psi)	8576001
Installationssatz mit Druckregler	US: 8565700 EU: 8575200

## Zubehör

Beschreibung	Teile-Nr.
Verlängerungskabel für den Analysator, 1 m	6122400
Verlängerungskabel für den Analysator, 7,7 m	5796000
Verlängerungskabel für den Analysator, 15 m	5796100
Schlauchadapter, 6 mm AD bis 1/4 Zoll AD	09184=A=4020

## Sommario

- |   |                       |             |   |   |             |
|---|-----------------------|-------------|---|---|-------------|
| 1 | Specifiche tecniche   | a pagina 55 | 6 | Calibrazione e regolazione                | a pagina 72 |
| 2 | Informazioni generali | a pagina 56 | 7 | Manutenzione                              | a pagina 73 |
| 3 | Installazione         | a pagina 59 | 8 | Individuazione ed eliminazione dei guasti | a pagina 79 |
| 4 | Configurazione        | a pagina 71 | 9 | Parti di ricambio e accessori             | a pagina 80 |
| 5 | Funzionamento         | a pagina 72 |   |   |             |

## Sezione 1 Specifiche tecniche

Le specifiche tecniche sono soggette a modifica senza preavviso.

**Tabella 1 Specifiche generali**

Specifiche	Dettagli
Dimensioni (L x A x P)	32,9 x 34,2 x 17,7 cm (12,9 x 13,5 x 7,0 poll.)
Alloggiamento	IP66 per IEC 60529 con lo sportello chiuso e bloccato <sup>1</sup>
Peso di spedizione	4,1 kg (9 libbre) senza flaconi; 5,1 kg (11,2 libbre) con flaconi pieni
Montaggio	Montaggio a parete
Classe di protezione	III
Grado di inquinamento	3
Categoria di installazione elettrica	I (al chiuso)
Requisiti di alimentazione	12 V CC, 400 mA max (fornita dal controller)
Temperatura di funzionamento	Da 5 a 40 °C (da 41 a 104 °F)
Umidità di esercizio	Da 0 a 90% di umidità relativa, senza formazione di condensa
Temperatura di stoccaggio	Da -40 a 60 °C (da -40 a 140 °F)
Raccordi	Linea campione: raccordo ad attacco rapido per tubo in plastica dal DE di ¼ poll. Linee di scarico: raccordo scorrevole per tubo morbido in plastica dal DI di ½ poll.
Spie	Stato analizzatore e ciclo di misurazione
Certificazioni	EU DoC, UKCA DoC, FCC/ISED SDoC, ACMA DoC, KC, Morocco DoC
Garanzia	1 anno (UE: 2 anni)

**Tabella 2 Requisiti dei campioni**

Dato tecnico	Dettagli
Pressione	Da 0,31 a 5,17 bar (da 4,5 a 75 psig) fornita al filtro a Y; da 0,1 a 0,34 bar (da 1,5 a 5 psig) fornita all'analizzatore
Portata	Da 60 a 200 mL/min attraverso lo strumento (misurata allo scarico dell'analizzatore)
Temperatura	Da 5 a 40 °C (da 41 a 104 °F)
Filtrazione	Filtro a Y con rete filtrante da 40 o più maglie

<sup>1</sup> Fori di scarico chiusi con tappi per requisiti di test.

**Tabella 3 Specifiche di misurazione**

Specifiche	Dettagli
Sorgente luminosa	LED, misurazione a 510 nm; cammino ottico di 1 cm
Intervallo di misura	0.03–10 mg/L di cloro libero o totale residuo come Cl <sub>2</sub>
Intervallo di misurazione	150 secondi
Accuratezza	±5% o ±0,04 mg/L da 0 a 5 mg/L (il valore maggiore) come Cl <sub>2</sub> ±10% da 5 a 10 mg/L come Cl <sub>2</sub>
Precisione	±5% o ±0,01 mg/L (il valore maggiore) come Cl <sub>2</sub>
Limite di rilevamento	0,03 mg/L come Cl <sub>2</sub>
Limite di quantificazione	0,07 mg/L
Calibrazione	Calibrazione di fabbrica Opzionale: calibrazione dell'utente a 2 punti con standard di calibrazione nel kit di verifica calibrazione
Uso di reagenti	0,5 L di soluzione tampone e 0,5 L di soluzione indicatore in 31 giorni

## Sezione 2 Informazioni generali

In nessun caso il produttore sarà responsabile per danni derivanti da un uso improprio del prodotto o dalla mancata osservanza delle istruzioni contenute nel manuale. Il produttore si riserva il diritto di apportare eventuali modifiche al presente manuale e ai prodotti ivi descritti in qualsiasi momento senza alcuna notifica o obbligo preventivi. Le edizioni riviste sono presenti nel sito Web del produttore.

### 2.1 Informazioni sulla sicurezza

Il produttore non sarà da ritenersi responsabile in caso di danni causati dall'applicazione errata o dall'uso errato di questo prodotto inclusi, a puro titolo esemplificativo e non limitativo, i danni diretti, incidentali e consequenziali; inoltre declina qualsiasi responsabilità per tali danni entro i limiti previsti dalle leggi vigenti. La responsabilità relativa all'identificazione dei rischi critici dell'applicazione e all'installazione di meccanismi appropriati per proteggere le attività in caso di eventuale malfunzionamento dell'apparecchiatura compete unicamente all'utilizzatore.

Prima di disimballare, installare o utilizzare l'apparecchio, si prega di leggere l'intero manuale. Si raccomanda di leggere con attenzione e rispettare le istruzioni riguardanti note di pericolosità. La non osservanza di tali indicazioni potrebbe comportare lesioni gravi all'operatore o danni all'apparecchio.

Assicurarsi che la protezione fornita da questa apparecchiatura non sia compromessa. Non utilizzare o installare l'apparecchiatura con modalità differenti da quelle specificate nel presente manuale.

#### 2.1.1 Indicazioni e significato dei segnali di pericolo

##### **PERICOLO**

Indica una situazione di pericolo potenziale o imminente che, se non evitata, causa lesioni gravi anche mortali.

##### **AVVERTENZA**

Indica una situazione di pericolo potenziale o imminente che, se non evitata, potrebbe comportare lesioni gravi, anche mortali.

##### **ATTENZIONE**

Indica una situazione di pericolo potenziale che potrebbe comportare lesioni lievi o moderate.

##### **AVVISO**

Indica una situazione che, se non evitata, può danneggiare lo strumento. Informazioni che richiedono particolare attenzione da parte dell'utente.



## 2.1.2 Etichette precauzionali

Leggere sempre tutte le indicazioni e le targhette di segnalazione applicate all'apparecchio. La mancata osservanza delle stesse può causare lesioni personali o danni allo strumento. Un simbolo sullo strumento è indicato nel manuale unitamente a una frase di avvertenza.



Le apparecchiature elettriche contrassegnate con questo simbolo non possono essere smaltite attraverso sistemi domestici o pubblici europei. Restituire le vecchie apparecchiature al produttore il quale si occuperà gratuitamente del loro smaltimento.

## 2.1.3 Compatibilità elettromagnetica (EMC)

### ▲ ATTENZIONE

Questa apparecchiatura non è destinata all'uso in ambienti residenziali e potrebbe non fornire un'adeguata protezione alla ricezione radio in tali ambienti.

#### CE (EU)

L'apparecchiatura soddisfa i requisiti essenziali della direttiva EMC 2014/30/UE.

#### UKCA (UK)

L'apparecchiatura soddisfa i requisiti delle Electromagnetic Compatibility Regulations 2016 (S.I. 2016/1091).

#### Normativa canadese sulle apparecchiature che causano interferenze radio ICES-003, Classe A:

Le registrazioni dei test di supporto sono disponibili presso il produttore.

Questo apparecchio digitale di Classe A soddisfa tutti i requisiti di cui agli Ordinamenti canadesi sulle apparecchiature causanti interferenze.

Cet appareil numérique de classe A répond à toutes les exigences de la réglementation canadienne sur les équipements provoquant des interférences.

#### FCC Parte 15, Limiti Classe "A"

Le registrazioni dei test di supporto sono disponibili presso il produttore. Il presente dispositivo è conforme alla Parte 15 della normativa FCC. Il funzionamento è soggetto alle seguenti condizioni:

1. L'apparecchiatura potrebbe non causare interferenze dannose.
2. L'apparecchiatura deve tollerare tutte le interferenze subite, comprese quelle causate da funzionamenti inopportuni.

Modifiche o cambiamenti eseguiti su questa unità senza previa approvazione da parte dell'ente responsabile della conformità potrebbero annullare il diritto di utilizzare l'apparecchiatura. Questo apparecchio è stato testato ed è conforme con i limiti per un dispositivo digitale di Classe A, secondo la Parte 15 delle normative FCC. Questi limiti garantiscono un'adeguata protezione contro qualsiasi interferenza che potrebbe derivare dall'utilizzo dell'apparecchio in ambiente commerciale.

L'apparecchiatura produce, utilizza e può irradiare energia a radiofrequenza e, se non installata e utilizzata in accordo a quanto riportato nel manuale delle istruzioni, potrebbe causare interferenze dannose per le radiocomunicazioni. L'utilizzo di questa apparecchiatura in una zona residenziale potrebbe causare interferenze dannose. In questo caso, l'utente sarà tenuto a risolvere il problema a proprie spese. Per ridurre i problemi di interferenza, è possibile utilizzare le seguenti tecniche:

1. Scollegare l'apparecchiatura dalla sua fonte di alimentazione per verificare che sia la fonte dell'interferenza o meno.
2. Se l'apparecchiatura è collegata alla stessa uscita del dispositivo in cui si verifica l'interferenza, collegarla ad un'uscita differente.
3. Allontanare l'apparecchiatura dal dispositivo che riceve l'interferenza.
4. Riposizionare l'antenna ricevente del dispositivo che riceve l'interferenza.
5. Provare una combinazione dei suggerimenti sopra riportati.

## 2.2 Panoramica del prodotto

### ⚠ PERICOLO



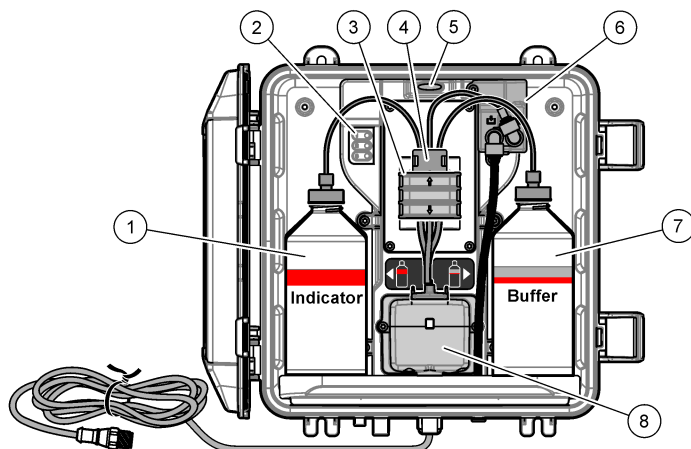
Rischi chimici o biologici. Se questo strumento viene utilizzato per monitorare un processo di trattamento e/o l'acqua utilizzata per la dialisi per cui esistono limiti normativi e requisiti di controllo legati a sanità pubblica, sicurezza pubblica, attività di produzione o trasformazione di alimenti e bevande, l'utente dello strumento ha la responsabilità di conoscere e rispettare tutte le eventuali normative applicabili e di predisporre meccanismi adeguati e sufficienti ai fini del rispetto delle normative vigenti in caso di malfunzionamento dello strumento stesso.

L'analizzatore CL17sc misura la concentrazione totale di cloro nell'acqua nella gamma compresa tra 0,03 e 10 mg/L a intervalli di 150 secondi. Inoltre, [Figura 1](#) fornisce una panoramica dell'analizzatore.

Collegare l'analizzatore a un controller SC per l'alimentazione, il funzionamento, la raccolta e la trasmissione dei dati e la diagnostica. Per una panoramica del controller SC, fare riferimento al relativo manuale.

*Nota: se il controller SC è dotato di più raccordi ad attacco rapido, è possibile collegare più di un analizzatore.*

**Figura 1 CL17sc**



1 Flacone indicatore	5 Spia di stato analizzatore ( <a href="#">Tabella 5</a> a pagina 59)
2 Spie del ciclo di misurazione ( <a href="#">Tabella 4</a> a pagina 59)	6 Flussometro
3 Morsetto della pompa	7 Flacone tampone
4 Clip per tubi	8 Cella del colorimetro

### 2.2.1 Flussometro

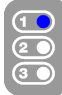
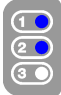

L'analizzatore è dotato di un flussometro che misura il flusso del campione attraverso l'analizzatore. Fare riferimento a [Figura 1](#) a pagina 58.

Il campione scorre attraverso l'analizzatore solo quando l'analizzatore lava la cella. In altri casi, il flusso del campione non è presente e la portata visualizzata è pari a zero. Premere la freccia **destra** sul controller per visualizzare la portata.

## 2.2.2 Spie del ciclo di misurazione

Le spie del ciclo di misurazione mostrano i passaggi del ciclo di misurazione in corso. Fare riferimento alla [Tabella 4](#).

**Tabella 4 Spie del ciclo di misurazione**

<b>Spie accese</b>			
<b>Descrizione</b>	La cella viene lavata con acqua.	La soluzione tampone e la soluzione indicatore vengono aggiunte alla cella.	Il campione viene misurato.

## 2.2.3 Spia di stato analizzatore

La spia di stato dell'analizzatore passa da verde a gialla quando è presente un avviso o diventa rossa quando si verifica un errore. Fare riferimento a [Tabella 5](#).

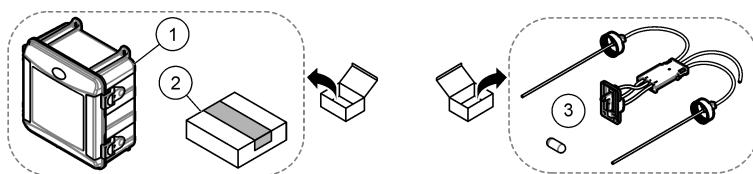
**Tabella 5 Spia di stato analizzatore**

Colore	Descrizione
Verde	Funzionamento normale
Giallo	Il sistema richiede attenzione per impedire un guasto futuro. Le misurazioni proseguono. Per visualizzare gli avvisi, premere <b>menu</b> e selezionare DIAGNOSTICA (DIAGNOSTICA) > [scelta analizzatore] > LISTA AVVISI (LISTA AVVISI). Fare riferimento alla sezione <a href="#">Avvisi - Spia gialla</a> a pagina 79.
Rosso	Il sistema richiede attenzione immediata. Le misurazioni si sono arrestate. Per visualizzare gli errori, premere <b>menu</b> e selezionare DIAGNOSTICA (DIAGNOSTICA) > [scelta analizzatore] > LISTA ERRORI (LISTA ERRORI). Fare riferimento alla sezione <a href="#">Errori — Spia rossa</a> a pagina 79.

## 2.3 Componenti del prodotto

Accertarsi che tutte le parti oggetto della fornitura siano state ricevute. Fare riferimento alla sezione [Figura 2](#). In caso di componenti mancanti o danneggiati, contattare immediatamente il produttore o il rappresentante.

**Figura 2 Componenti del prodotto**



1 CL17sc anal	3 Kit tubi (cablaggio tubi e ancoretta di agitazione)
2 Kit di installazione	

## Sezione 3 Installazione

### ⚠ ATTENZIONE



Pericoli multipli. Gli interventi descritti in questa sezione del documento devono essere eseguiti solo da personale qualificato.

### 3.1 Linee guida per l'installazione

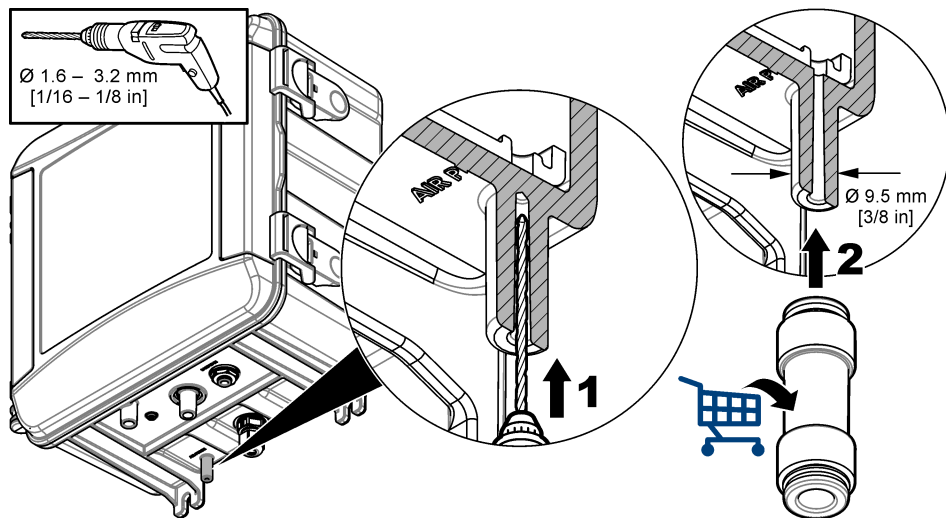
- L'analizzatore viene fornito con un kit di installazione del tubo di livello o del regolatore di pressione per controllare la pressione dell'acqua nell'analizzatore. L'utente seleziona il kit di installazione al momento dell'acquisto.
- Installare l'analizzatore al chiuso, in un ambiente con vibrazioni minime. Fare riferimento alle specifiche di umidità e temperatura di funzionamento nella sezione [Specifiche tecniche](#) a pagina 55
- Non installare l'analizzatore in punti soggetti ad illuminazione solare diretta o vicino a fonti di calore.
- Per le installazioni con tubo di livello, installare l'analizzatore in una posizione con spazio libero sufficiente sopra l'analizzatore per il montaggio del tubo di livello.
- Installare l'analizzatore accanto ad uno scarico aperto. Per lo smaltimento, fare riferimento alle istruzioni dell'agenzia di regolamentazione locale.

### 3.2 Passaggio 1 - Sfiato dell'aria (opzionale)

Può essere necessario installare uno sfiato dell'aria se l'analizzatore si trova in un ambiente con elevata presenza di umidità e/o vapori corrosivi. Lo sfiato dell'aria mantiene una pressione positiva nello strumento con aria secca e pulita.

Soffiare un getto d'aria secca e pulita per strumenti a 0,003 m<sup>3</sup>/minuto (0,1 piedi <sup>3</sup>/minuto) a una pressione massima di 20 psig.

Fare riferimento ai passaggi illustrati di seguito. Il tubo e il raccordo ad attacco rapido da 3/8" sono a carico dell'utente.



### 3.3 Passaggio 2 - Montaggio e collegamento idraulico dell'analizzatore

#### ⚠ ATTENZIONE



Con lo strumento è possibile utilizzare solo i tubi specificati da Hach Company. Altri tubi possono assorbire il cloro presente nell'acqua campione ed avere un effetto negativo sui valori del cloro (riducendo i valori).

#### AVVISO

Il collegamento non corretto dell'analizzatore può causare danni dovuti alla pressione eccessiva del campione. Rispettare sempre le istruzioni seguenti per il montaggio e il collegamento dell'analizzatore.

1. Fissare l'analizzatore (elemento 9) a una parete con quattro viti. Accertarsi che l'analizzatore sia in piano.

*Nota: la bulloneria di montaggio è a carico dell'utente.*

2. Fissare il controller SC (elemento 7) su una parete, un pannello o un tubo. Per le istruzioni, fare riferimento alla documentazione del controller SC
3. Assemblare il filtro a Y. Fare riferimento alle istruzioni riportate sulla distinta di imballaggio.
4. Utilizzare il morsetto per guaina da 1 pollice per montare il gruppo del filtro a Y (voce 5 in [Figura 3](#), [Figura 4](#) o [Figura 5](#)).
5. Installare il separatore d'aria esterno sull'analizzatore (punto 2 in [Figura 3](#), [Figura 4](#) o [Figura 5](#)). Fare riferimento alle istruzioni riportate sulla distinta di imballaggio.
6. Eseguire il passo [7](#) o [8](#).

L'analizzatore viene fornito con un kit di installazione di un tubo di livello o di un regolatore di pressione per controllare la pressione dell'acqua in ingresso. L'utente seleziona il kit di installazione al momento dell'acquisto. Un kit di tubi di livello è per 10 psi o meno e un kit di tubi di livello è per una pressione dell'acqua in ingresso superiore a 10 psi. Misurare la pressione dell'acqua in ingresso appena prima del filtro a Y.

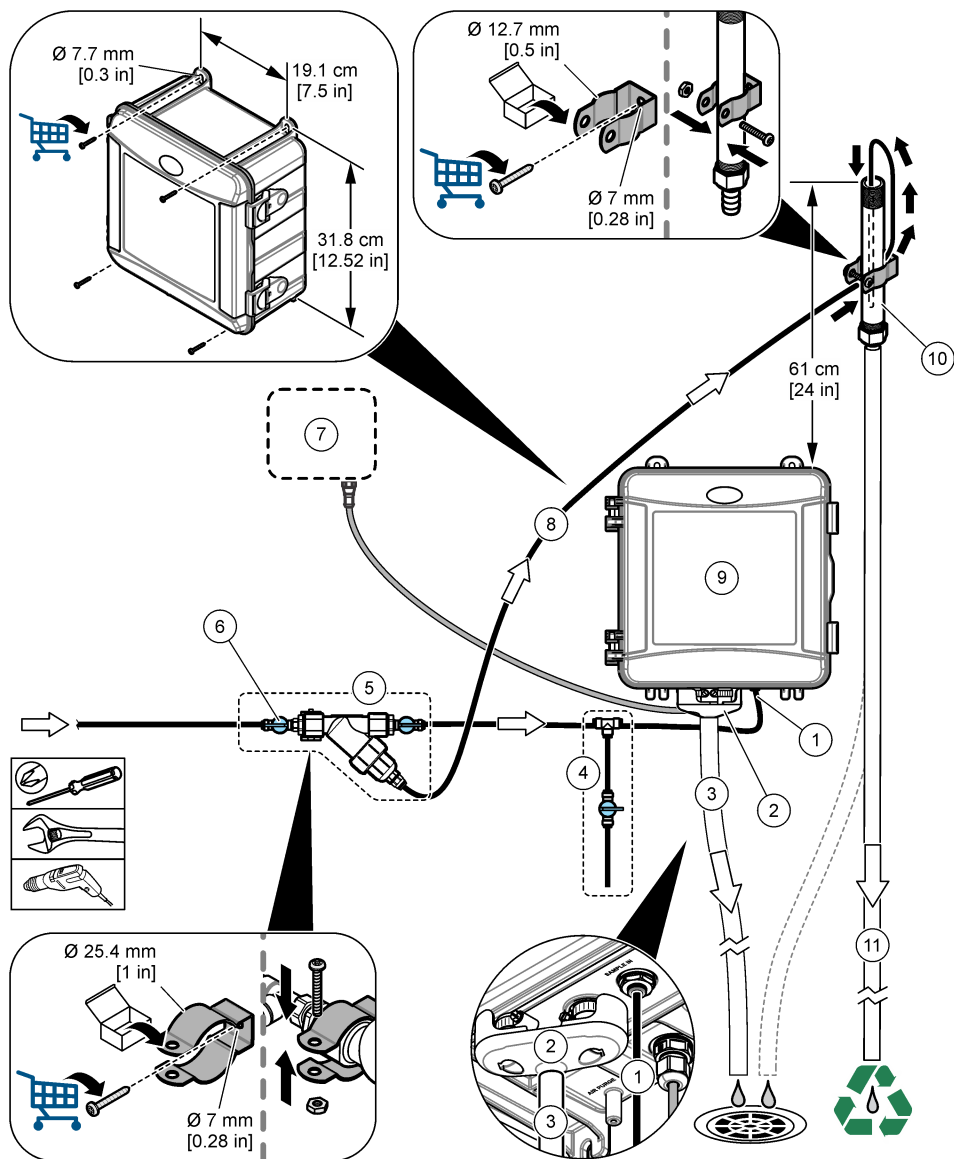
7. Se al momento dell'acquisto è stato selezionato un kit di installazione del tubo di livello, installare il tubo di livello come indicato di seguito:
  - a. Assemblare il tubo di livello. Fare riferimento alle istruzioni riportate sulla distinta di imballaggio.
  - b. Utilizzare il morsetto per guaina più piccolo per montare il gruppo tubo di livello sopra la parte superiore dell'analizzatore:
    - 10 psi o meno - Montare il gruppo tubo di livello ad almeno 61 cm (24") dalla parte superiore dell'analizzatore.
    - Oltre 10 psi: montare il gruppo tubo di livello ad almeno 91,4 cm (36 pollici) sopra la parte superiore dell'analizzatore.
  - c. 10 psi o meno - Con il tubo nero, installare il tubo di bypass del campione (voce 8 in [Figura 3](#)). Spingere il tubo indietro e quindi nel tubo di livello. Inserire il tubo per 10-13 cm (4-5 in.) nella parte superiore del tubo di livello.
  - d. Oltre 10 psi: con il tubo nero, collegare l'uscita del filtro a Y all'ingresso del tubo di livello (punto 8 in [Figura 4](#)).
  - e. Tagliare una porzione del tubo di scarico campione (elemento 3). Utilizzare il tubo per collegare il tubo di livello a uno scarico aperto (voce 11). Fare riferimento alla sezione [Linee guida per le tubazioni di scarico](#) a pagina 66.
8. Se al momento dell'acquisto è stato selezionato un kit di installazione del regolatore di pressione, installare il regolatore di pressione (elemento 10 in [Figura 5](#)).
9. Con il tubo nero, collegare l'ingresso del filtro a Y (elemento 5) alla fonte di campionamento. Fare riferimento alla [Linee guida sulla linea dei campioni](#) a pagina 66 e alla [Requisiti dei campioni](#) a pagina 66.
10. Con il tubo nero, collegare il campione al raccordo di ingresso del campione (voce 1) come segue:

Accorciare il tubo il più possibile in modo che la lunghezza massima sia di 2,5 m (8 piedi).

  - 10 psi o meno - Collegare l'uscita del filtro a Y al raccordo di ingresso del campione (voce 1) sul fondo dell'analizzatore. Fare riferimento a [Figura 3](#).
  - Più di 10 psi: collegare l'uscita del tubo di livello al raccordo di ingresso del campione (voce 1) sul fondo dell'analizzatore. Fare riferimento a [Figura 4](#).
  - Regolatore di pressione: collegare l'uscita del regolatore di pressione al raccordo di ingresso del campione (voce 1) sul fondo dell'analizzatore. Fare riferimento a [Figura 5](#).
11. Se è stato installato un regolatore di pressione, installare il tubo di bypass del campione (elemento 8 in [Figura 5](#)).
12. Montare e assemblare il campione di presa (voce 4).

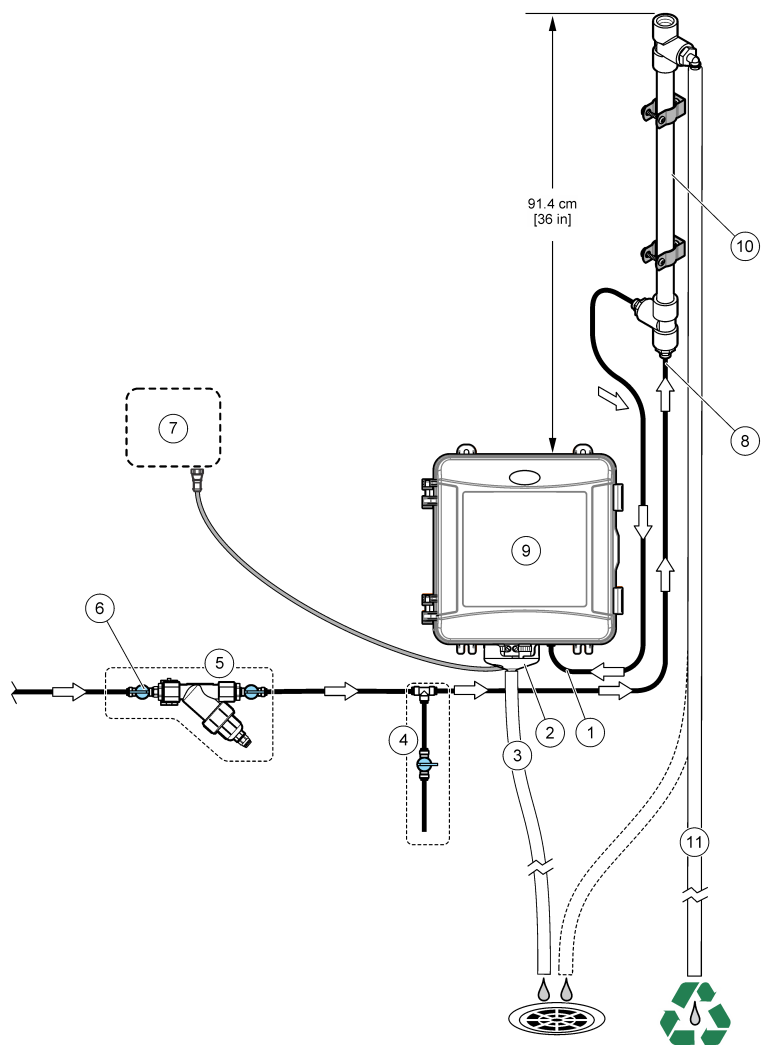
13. Mettere a piombo il raccordo a T del gruppo di prelievo. Fare riferimento a [Figura 3](#), [Figura 4](#) o [Figura 5](#) a seconda dei casi.
14. Collegare idraulicamente il tubo di scarico campione (elemento 3) a uno scarico aperto. Fare riferimento a [Linee guida per le tubazioni di scarico](#) a pagina 66.

**Figura 3** Installazione con tubo di livello (10 psi o meno)



1	Raccordo di ingresso campione	7	Controller SC
2	Trappola aria esterna	8	Tubo di bypass campione
3	Tubo di scarico campione	9	Analizzatore
4	Presca manuale	10	Tubo di livello
5	Completivo filtro a Y	11	Tubo di scarico tubo di livello
6	Valvola di intercettazione sull'ingresso del filtro a Y		

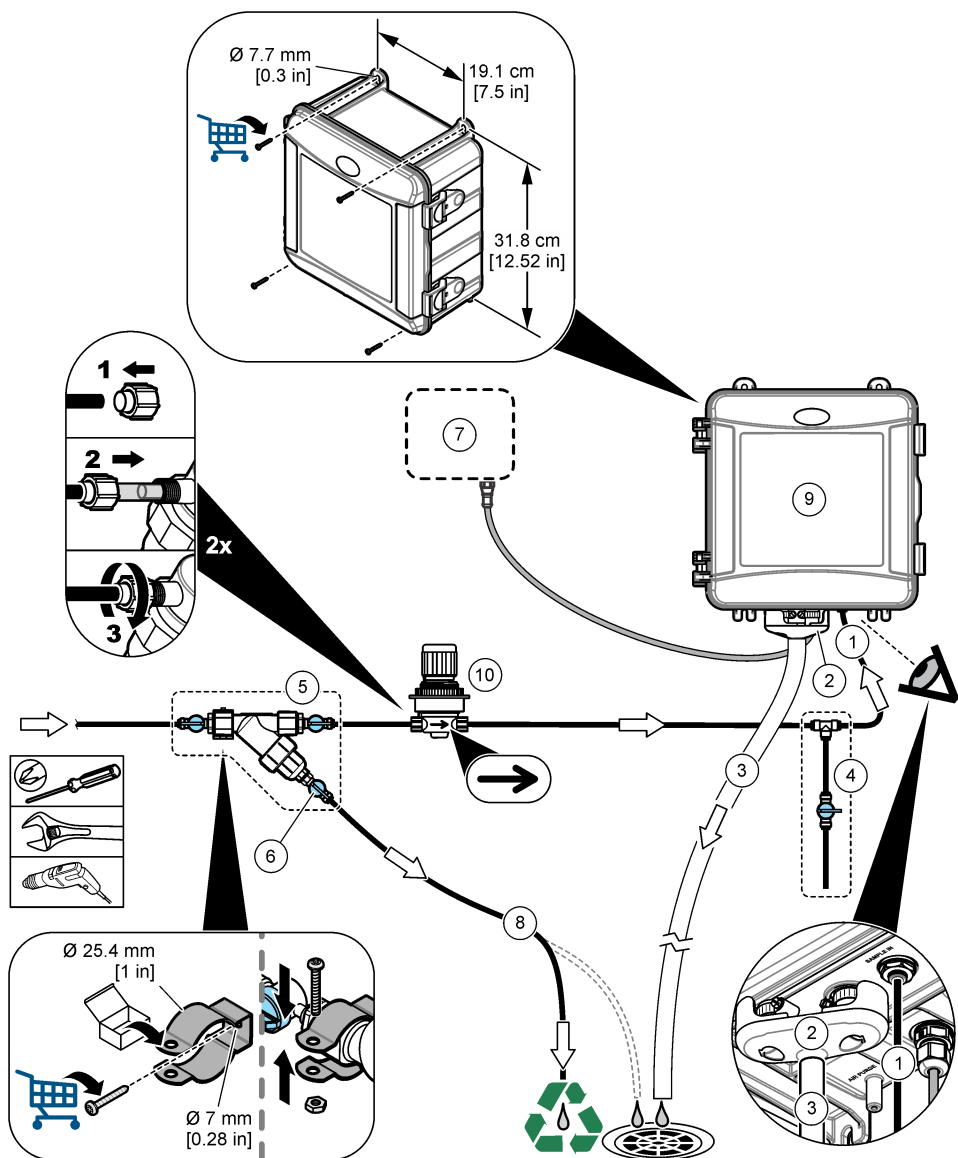
**Figura 4** Installazione con tubo di livello (più di 10 psi)



1	Raccordo di ingresso campione	7	Controller SC
2	Trappola aria esterna	8	Ingresso del tubo di livello
3	Tubo di scarico campione	9	Analizzatore
4	Presca manuale	10	Tubo di livello
5	Compressivo filtro a Y	11	Tubo di scarico tubo di livello
6	Valvola di intercettazione sull'ingresso del filtro a Y		



**Figura 5** Installazione con un regolatore di pressione



1	Raccordo di ingresso campione	6	Valvola di intercettazione sul bypass del filtro a Y
2	Trappola aria esterna	7	Controller SC
3	Tubo di scarico campione	8	Tubo di bypass campione
4	Presca manuale	9	Analizzatore
5	Completivo filtro a Y	10	Regolatore di pressione

### 3.3.1 Linee guida sulla linea dei campioni

Affinché lo strumento possa dare risultati ottimali, scegliere un punto di campionamento appropriato e rappresentativo. Il campione deve essere rappresentativo di tutto l'impianto.

Per evitare letture irregolari:

- Prelevare i campioni da zone sufficientemente distanti dai punti in cui le sostanze chimiche vengono aggiunte al flusso di processo.
- Verificare che i campioni siano sufficientemente omogeneizzati.
- Verificare che tutte le reazioni chimiche vengano completate.
- Installare l'analizzatore il più vicino possibile alla fonte di campionamento (massimo 4,6 m (15 piedi)).

### 3.3.2 Requisiti dei campioni

L'acqua dalle fonti di campionamento deve soddisfare le specifiche illustrate in [Specifiche tecniche](#) a pagina 55.

Per ottenere le migliori prestazioni, mantenere la portata del campione e la temperatura di funzionamento più costanti possibile.

### 3.3.3 Linee guida per le tubazioni di scarico

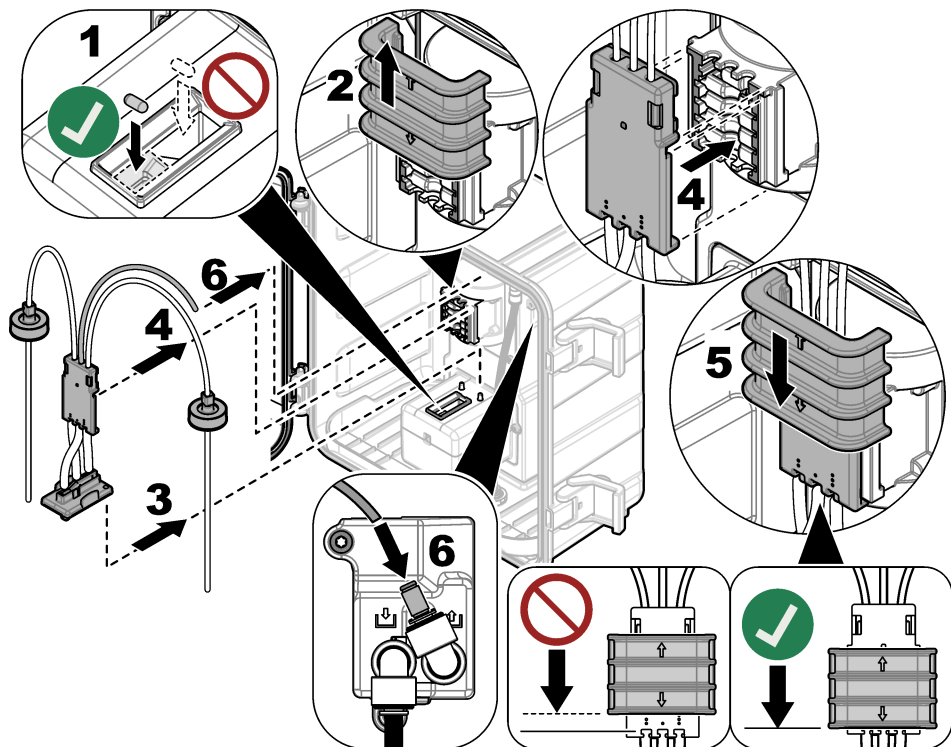
#### AVVISO

Un montaggio non corretto delle tubazioni di scarico può causare il ritorno del liquido nello strumento e provocare danni.

- Assicurarsi di installare la trappola aria esterna. Fare riferimento al punto 2 di [Figura 3](#) a pagina 63, [Figura 4](#) a pagina 64 o [Figura 5](#) a pagina 65.
- Accertarsi che le tubazioni di scarico siano quanto più corte possibile.
- Accertarsi che le tubazioni di scarico abbiano una pendenza costante.
- Accertarsi che le tubazioni di scarico non siano disposte con curve strette o schiacciate.

### 3.4 Passaggio 3 - Installazione del cablaggio tubi e dell'ancoretta di agitazione

Effettuare i passaggi illustrati di seguito.



### 3.5 Passaggio 4 - Installazione dei flaconi dei reagenti

#### ⚠ ATTENZIONE



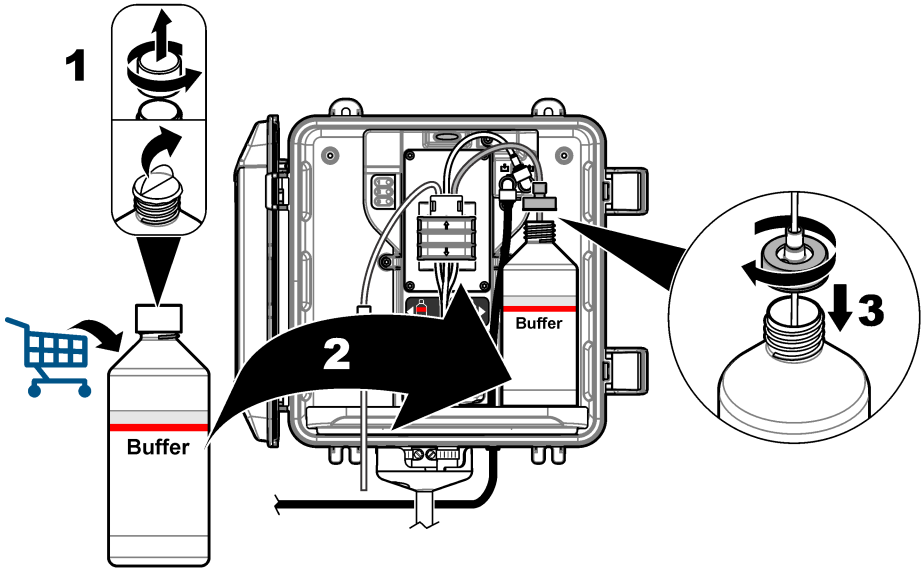
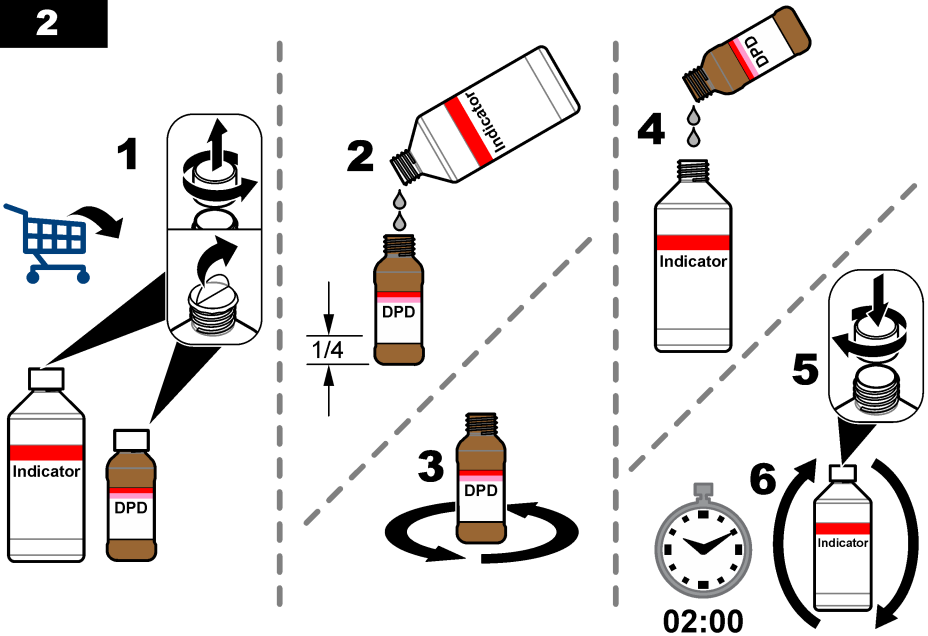
Pericolo di esposizione ad agenti chimici. Rispettare le procedure di sicurezza del laboratorio e indossare tutte le apparecchiature protettive appropriate per le sostanze chimiche utilizzate. Fare riferimento alle attuali schede di sicurezza (MSDS/SDS) per i protocolli di sicurezza.

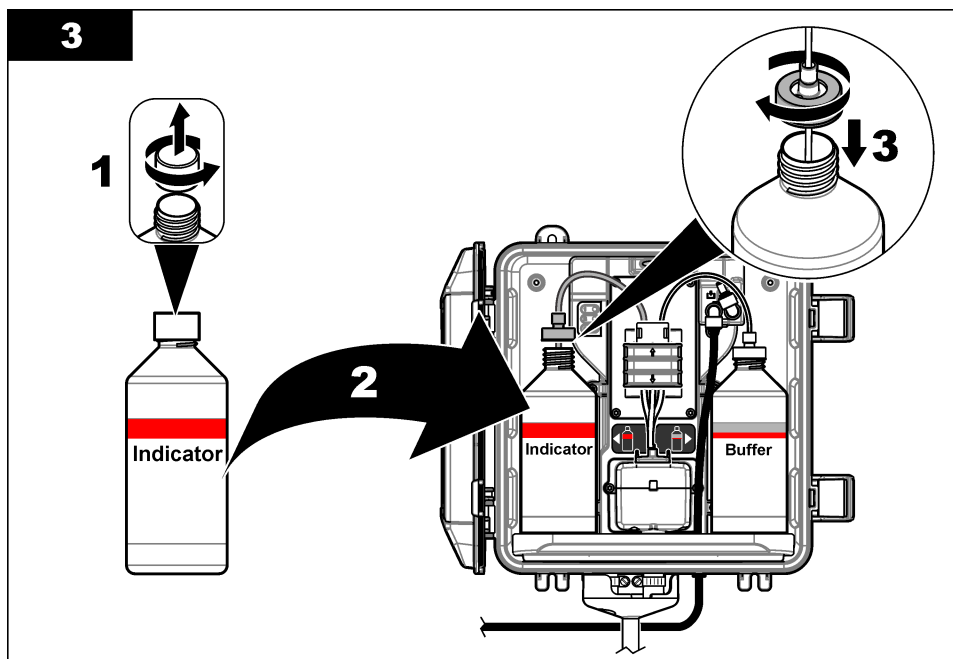
#### Articoli necessari:

- Dispositivi di protezione individuale (DPI) (fare riferimento a MSDS/SDS)
- Flacone indicatore
- Flacone tampone
- Flacone composto DPD

1. Indossare i dispositivi di protezione individuale indicati nella schede tecniche sulla sicurezza (MSDS/SDS).
2. Installare il flacone del tampone sul lato destro e il flacone dell'indicatore sul lato sinistro. Fare riferimento ai passaggi illustrati di seguito.

*Nota: (opzionale) utilizzare la parte superiore dell'analizzatore come ripiano.*

**1****2**




### 3.6 Passaggio 5 - Attivazione del flusso di campione

1. Ruotare lentamente di  $\frac{1}{4}$  di giro le valvole di intercettazione in posizione di apertura.
2. Accertarsi che non siano presenti perdite dai collegamenti idraulici. In presenza di una perdita, spingere il tubo più in profondità nel raccordo o serrare il collegamento idraulico con una chiave.
3. Per le installazioni con tubo di livello, eseguire i passi descritti di seguito:
  - a. Aprire completamente la valvola di intercettazione all'uscita del filtro a Y.
  - b. Ruotare la valvola di intercettazione all'ingresso del filtro a Y (voce 6 in [Figura 3](#) a pagina 63 o [Figura 4](#) a pagina 64) fino a quando un piccolo flusso d'acqua fuoriesce dal tubo di scarico del supporto.
4. Per le installazioni con regolatore di pressione, eseguire i passi descritti di seguito:
  - a. Aprire completamente le valvole di intercettazione all'ingresso e all'uscita del filtro a Y.
  - b. Ruotare la valvola di intercettazione in corrispondenza del punto di bypass del filtro a Y (articolo 6 in [Figura 5](#) a pagina 65) fino a far fuoriuscire un piccolo rivolo di acqua dal tubo di bypass del filtro a Y.

### 3.7 Passaggio 6 - Installazione elettrica

#### 3.7.1 Collegamento dell'analizzatore al controller

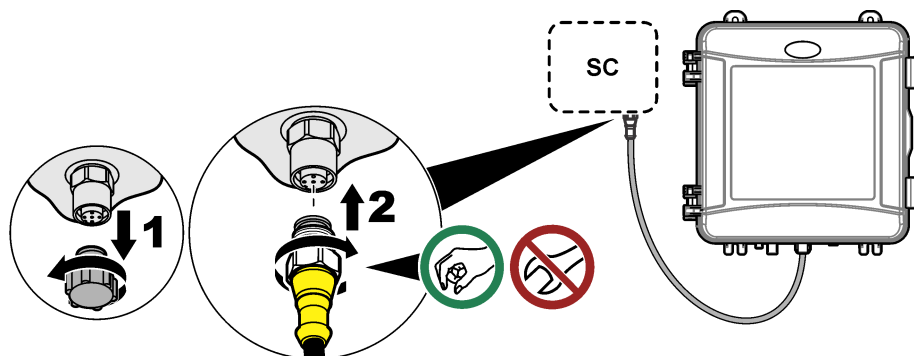
<b>⚠ AVVERTENZA</b>	
	<p>Pericolo di folgorazione. Gli apparecchi con collegamento esterno devono essere sottoposti a valutazione in base alle norme di sicurezza locali.</p>

Collegare il cavo dell'analizzatore al raccordo ad attacco rapido del controller SC. Fare riferimento a [Figura 6](#).

Conservare il cappuccio del connettore per chiudere l'apertura nel caso in cui si voglia rimuovere il cavo.

**Nota:** sono disponibili cavi di prolunga. Fare riferimento alla sezione [Parti di ricambio e accessori](#) a pagina 80. La lunghezza massima dei cavi è di 15 m (49 piedi).

**Figura 6** Collegare il cavo ad un raccordo ad attacco rapido



### 3.7.2 Collegamento del controller all'alimentazione

Collegare il controller all'alimentazione di linea tramite il cablaggio in canalina oppure tramite il cablaggio con un cavo di alimentazione. Per le istruzioni, fare riferimento alla documentazione del controller.

### 3.7.3 Collegamento dei dispositivi esterni al controller

Collegare i relè, le uscite analogiche e gli ingressi digitali del controller ai dispositivi esterni, secondo necessità. Per le istruzioni, fare riferimento alla documentazione del controller.

## 3.8 Passaggio 7 - Configurazione e adescamento dell'analizzatore

1. Premere **menu**, quindi selezionare SETUP SONDA (SETUP SONDA) > [scelta analizzatore] > ADESCAMENTO (ADESCAMENTO).
2. Se il controller non rileva che l'analizzatore è collegato, effettuare i passaggi seguenti:
  - a. Premere **menu**, quindi selezionare TEST/CONTROLLO > ANALISI SONDE.
  - b. Quando viene rilevata l'installazione del sensore, ripetere nuovamente la fase **1**.

## 3.9 Passaggio 8 - Impostazione della portata

L'analizzatore è dotato di un flussometro che misura il flusso del campione attraverso l'analizzatore. Fare riferimento a [Figura 1](#) a pagina 58.

1. Premere la freccia **DESTRA** sul controller per visualizzare la portata sul display.

Il campione scorre attraverso l'analizzatore solo quando l'analizzatore lava la cella. In altri casi, il flusso del campione non è presente e la portata visualizzata è pari a zero. Per le descrizioni dei passaggi del ciclo di misurazione, fare riferimento alla [Tabella 4](#) a pagina 59.

**Nota:** Per misurare manualmente la portata attraverso l'analizzatore, misurare la portata allo scarico dell'analizzatore quando questo lava la cella con acqua.

2. Per le installazioni con tubo di livello, ruotare la valvola di intercettazione sull'uscita del filtro a Y per impostare la portata tra 60 e 200 mL/min quando l'analizzatore lava la cella con acqua.
3. Per le installazioni con regolatore di pressione, impostare il regolatore di pressione per ottenere una portata tra 60 e 200 mL/min quando l'analizzatore lava la cella con acqua.

## 3.10 Passaggio 9 - Installazione del software più recente

Accertarsi che sul controller SC sia installato il software più recente. Utilizzare una scheda SD per installare il software più recente sul controller SC.

1. Passare alla pagina del prodotto per il controller SC applicabile su <http://hach.com>
2. Fare clic sulla scheda "Risorse".
3. Scorrere verso il basso fino a "Software/Firmware".
4. Fare clic sul link del software del controller SC.
5. Salvare i file su una scheda SD.
6. Installare i file sul controller SC. Fare riferimento alle istruzioni di installazione del software fornite con i relativi file.

## Sezione 4 Configurazione

### 4.1 Passaggio 10 - Configurazione dell'analizzatore

Impostare il nome dell'analizzatore, la media del segnale, il tipo di cloro misurato, l'espulsione delle bolle e i setpoint di allarme del cloro.

1. Premere **menu**, quindi selezionare SETUP SONDA > [scelta analizzatore] > CONFIGURAZIONE.
2. Selezionare e configurare ciascuna opzione.

Opzione	Descrizione
<b>INSERIRE NOME</b>	Consente di impostare il nome dell'analizzatore. Il nome dell'analizzatore viene visualizzato sul display del controller e nei file di registro.
<b>MEDIA SEGNALE</b>	Consente di impostare il numero delle misurazioni utilizzate per calcolare la media visualizzata sul display. Opzioni: 1 (impostazione predefinita), 2, 3 o VALORE IRREGOLARE. Quando MEDIA SEGNALE è impostata su 1, il calcolo della media del segnale viene disattivato. Quando MEDIA SEGNALE è impostata su 2 o 3, sul display viene visualizzato un valore di media. Ad esempio, la misurazione sul display è uguale all'ultima e alla precedente misurazione divisa per due quando MEDIA SEGNALE è impostata su 2. Quando MEDIA SEGNALE è impostata su VALORE IRREGOLARE, l'analizzatore scarta un valore che è stranamente superiore o inferiore agli ultimi valori. Quando un valore viene scartato, l'ultimo valore corretto viene visualizzato sul display e salvato nel registro dati. Vengono scartati al massimo tre valori consecutivi. La media del segnale corregge le fluttuazioni di valore non corrette causate da bolle e/o da particelle di dimensioni maggiori nel campione.
<b>MISURA</b>	Consente di impostare il tipo di cloro misurato. Se i flaconi di tampone e soluzione indicatore presentano la dicitura "Cloro libero" sull'etichetta, selezionare CLORO LIBERO (impostazione predefinita). Se i flaconi di tampone e soluzione indicatore presentano la dicitura "Cloro totale" sull'etichetta, selezionare CLORO TOTALE.
<b>COMPENS BOLLE</b>	Consente di attivare o disattivare la compensazione delle bolle (impostazione predefinita). Impostare COMPENS BOLLE su ACCESO per ridurre il rumore causato dalle bolle nel campione. La presenza di bolle d'aria nel campione può compromettere la stabilità dei valori.
<b>ALLARMI CLORO ALTO</b>	Consente di impostare il setpoint della concentrazione di cloro per l'allarme CLORO ALTO — da 0,00 a 10,00 mg/L (impostazione predefinita: 4,00 mg/L).
<b>ALLARMI CLORO BASSO</b>	Consente di impostare il setpoint della concentrazione di cloro per l'allarme CLORO BASSO — da 0,00 a 10,00 mg/L (impostazione predefinita: 0,20 mg/L).

Opzione	Descrizione
<b>INFO SENSORI</b>	Mostra il numero di serie, la versione software, la versione del programma di avvio e del driver dell'analizzatore.
<b>IMP. PREDEFINITE</b>	Selezionare SI per modificare la configurazione ripristinando i valori predefiniti di fabbrica
<b>SERVICE</b>	Solo per manutenzione

## 4.2 Configurazione del sistema

Fare riferimento alla documentazione del controller per la configurazione del sistema, le impostazioni generali del controller e per l'impostazione delle uscite e delle comunicazioni.

## 4.3 Navigazione dell'utente

Per la descrizione del tastierino e le informazioni sulla navigazione., fare riferimento alla documentazione del controller.

Premere più volte il tasto freccia **DESTRA** sul controller per visualizzare maggiori informazioni sulla schermata Home e per ottenere una visualizzazione grafica.

# Sezione 5 Funzionamento

## 5.1 Registri dati, eventi e servizi

Il controller fornisce l'accesso a un registro dati, un registro eventi e un registro servizi per ogni strumento collegato. Le misurazioni dell'analizzatore vengono salvate automaticamente nel registro dati a intervalli di 150 secondi. Il registro eventi mostra gli eventi che si sono verificati. I registri eventi e dati mantengono circa 2 settimane di dati quando l'analizzatore viene utilizzato in modo continuativo. Il registro servizi mantiene circa 24 ore di dati quando l'analizzatore viene utilizzato in modo continuativo.

Fare riferimento alla documentazione del controller per scaricare il registro dati, il registro eventi e/o registro servizi. Il registro dati è un file XML che può essere salvato in formato CSV o Excel. Il registro eventi e il registro servizi sono file in formato CSV.

## 5.2 Misurazione CAMPIONE ISTANT.

Se necessario, utilizzare il menu **CAMPIONE ISTANT.** per aggiungere un campione d'acqua con concentrazione di cloro nota alla cella per la misurazione. Misurare un campione istantaneo per la verifica o per misurare un campione di acqua prelevato da un'altra posizione.

1. Premere **menu**, quindi selezionare **SETUP SONDA > [scelta analizzatore] > CAMPIONE ISTANT..**
2. Completare i passaggi indicati sul display. Quando viene richiesto, rimuovere il coperchio della cella e aggiungere 100 mL di campione istantaneo nella cella. Parte del campione fluisce nel relativo scarico.

## 5.3 Registri Modbus

È disponibile un elenco dei registri Modbus per la comunicazione in rete. Per ulteriori informazioni, fare riferimento al sito Web del produttore.

# Sezione 6 Calibrazione e regolazione

La curva di calibrazione dell'analizzatore viene impostata in fabbrica per garantire prestazioni conformi alle specifiche. È possibile eseguire la calibrazione a scopo di verifica delle prestazioni.

Si sconsiglia la regolazione della curva di calibrazione di fabbrica da parte dell'utente, a meno che non sia richiesto da un ente di regolamentazione per scopi di reporting sulle conformità o non venga eseguita una riparazione di considerevole entità dell'analizzatore.



Per ulteriori informazioni, fare riferimento alle istruzioni contenute nel kit di verifica della calibrazione o contattare l'assistenza tecnica.

## Sezione 7 Manutenzione

### ⚠ ATTENZIONE



Pericoli multipli. Gli interventi descritti in questa sezione del documento devono essere eseguiti solo da personale qualificato.

### AVVISO

Non smontare lo strumento per operazioni di manutenzione. Se è necessario pulire o riparare i componenti interni, contattare il produttore.

## 7.1 Pianificazione degli interventi di manutenzione

Nella [Tabella 6](#) è riportata la pianificazione consigliata degli interventi di manutenzione. Requisiti strutturali e condizioni di esercizio possono aumentare la frequenza di alcuni interventi.

**Tabella 6 Pianificazione degli interventi di manutenzione**

Intervento	Ogni mese	6 mesi	Secondo necessità
<a href="#">Pulizia della cella</a> a pagina 73	X <sup>2</sup>		
<a href="#">Sostituzione dei flaconi dei reagenti</a> a pagina 74	X		
Sostituzione del cablaggio tubi e dell'ancoretta di agitazione <sup>3</sup>		X	
<a href="#">Pulizia della rete filtrante all'interno del filtro a Y</a> a pagina 75			X

## 7.2 Pulizia della cella

### ⚠ ATTENZIONE



Pericolo di esposizione ad agenti chimici. Rispettare le procedure di sicurezza del laboratorio e indossare tutte le apparecchiature protettive appropriate per le sostanze chimiche utilizzate. Fare riferimento alle attuali schede di sicurezza (MSDS/SDS) per i protocolli di sicurezza.

Pulire la cella a intervalli di un mese o più frequentemente, se necessario.

#### Articoli necessari:



Tamponi di cotone<sup>4</sup>



Soluzione di acido solforico 5.25 N<sup>5</sup>

1. Indossare i dispositivi di protezione individuale indicati nelle schede tecniche sulla sicurezza (MSDS/SDS).
2. Premere **menu**, quindi selezionare SETUP SONDA > [scelta analizzatore] > ATTIVITÀ > PULIZIA CELLA.  
*Nota: Per interrompere un'attività selezionata, premere **Home**.*
3. Premere **enter** (invio) per arrestare le misurazioni.

<sup>2</sup> Pulire la cella più o meno frequentemente, secondo necessità.

<sup>3</sup> Fare riferimento alle istruzioni fornite nel kit tubi.

<sup>4</sup> Fare riferimento alla sezione [Parti di ricambio e accessori](#) a pagina 80.

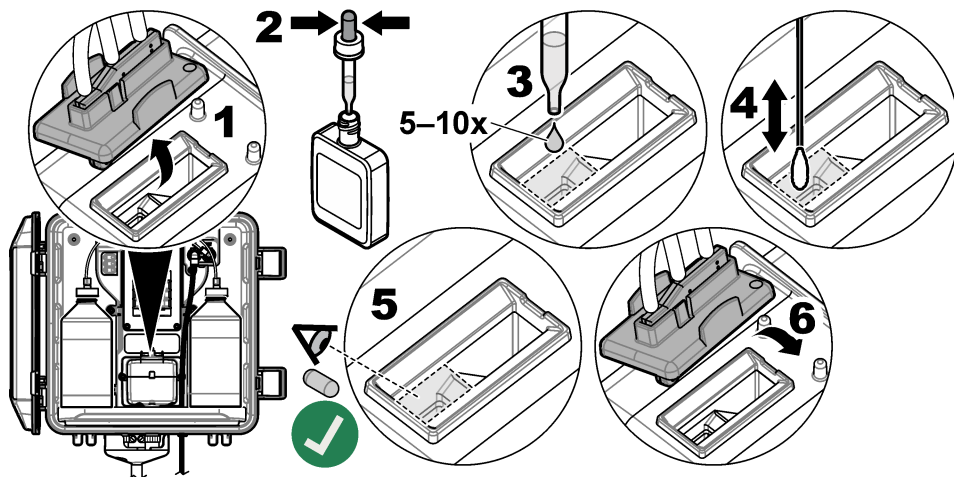
<sup>5</sup> Non utilizzare altre soluzioni detergenti. Fare riferimento alla sezione [Parti di ricambio e accessori](#) a pagina 80.

4. Selezionare un'opzione.

Opzione	Descrizione
<b>HOLD (MANTIENI)</b>	Le uscite del controller mantengono l'ultimo valore misurato.
<b>TRASFERIRE</b>	Le uscite del controller passano al valore di trasferimento.

5. Quando la spia di stato lampeggia, effettuare le operazioni illustrate di seguito. Una volta terminato, premere **enter** (invio).

Nel punto 5 illustrato, assicurarsi che non vi sia materiale indesiderato nella cella. Se necessario, utilizzare una torcia per cercare eventuale materiale indesiderato.



6. Quando sul display viene visualizzato "ATTIVITÀ COMPLETATA.", premere **enter** (invio).  
L'analizzatore avvia un ciclo di misurazione in circa 30 secondi.

### 7.3 Sostituzione dei flaconi dei reagenti

#### ⚠ ATTENZIONE



Pericolo di esposizione ad agenti chimici. Rispettare le procedure di sicurezza del laboratorio e indossare tutte le apparecchiature protettive appropriate per le sostanze chimiche utilizzate. Fare riferimento alle attuali schede di sicurezza (MSDS/SDS) per i protocolli di sicurezza.

#### ⚠ ATTENZIONE



Pericolo di esposizione ad agenti chimici. Smaltire i prodotti chimici e i rifiuti conformemente alle normative locali, regionali e nazionali.

Sostituire i flaconi dei reagenti a intervalli di un mese.

1. Indossare i dispositivi di protezione individuale indicati nella schede tecniche sulla sicurezza (MSDS/SDS).
2. Premere **menu**, quindi selezionare **SETUP SONDA > [scelta analizzatore] > ATTIVITÀ > CAMBIO REAGENTI**.

**Nota:** Per interrompere un'attività selezionata, premere **Home**.

3. Premere **enter** (invio) per arrestare le misurazioni.

4. Selezionare un'opzione.

Opzione	Descrizione
<b>HOLD (MANTIENI)</b>	Le uscite del controller mantengono l'ultimo valore misurato.
<b>TRASFERIRE</b>	Le uscite del controller passano al valore di trasferimento.

5. Attendere che la spia di stato lampeggi.

6. Sostituire il flacone del tampone come indicato di seguito:

**Nota:** (opzionale) utilizzare la parte superiore dell'analizzatore come ripiano.

- Rimuovere il tappo e la guarnizione dal nuovo flacone del tampone.
- Rimuovere il flacone del tampone usato dall'analizzatore.
- Inserire il tubo del tampone nel nuovo flacone del tampone sul lato destro dell'analizzatore. Serrare il tappo.

7. Sostituire il flacone dell'indicatore come indicato di seguito:

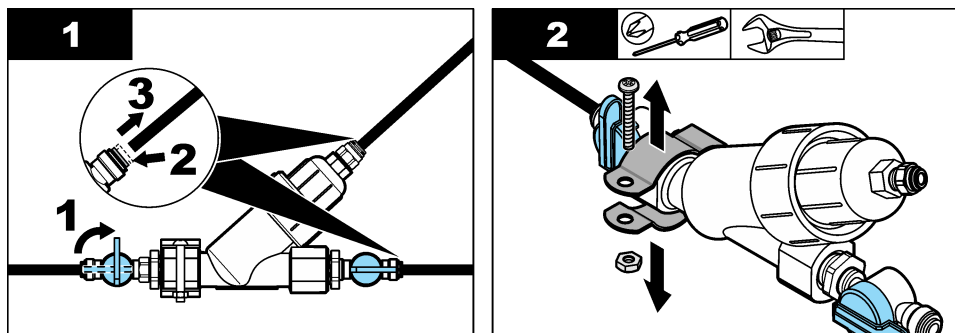
- Rimuovere il tappo e la guarnizione dal flacone dell'indicatore e dal flacone marrone del DPD.
- Riempire il flacone marrone del DPD fino a circa  $\frac{1}{4}$  con la soluzione dell'indicatore.
- Agitare in senso rotatorio il flacone del DPD per miscelare.
- Trasferire il contenuto del flacone del DPD nel flacone dell'indicatore.
- Capovolgere il flacone dell'indicatore fino a dissolvere tutta la polvere (2 minuti).
- Rimuovere il flacone dell'indicatore usato dall'analizzatore.
- Inserire il tubo dell'indicatore nel nuovo flacone dell'indicatore sul lato sinistro dell'analizzatore. Serrare il tappo.

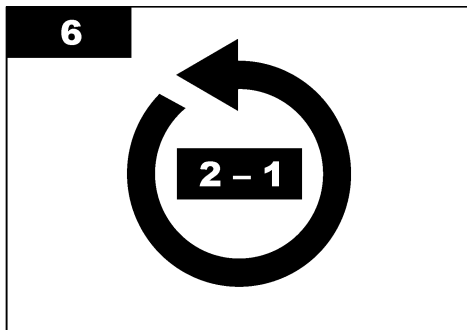
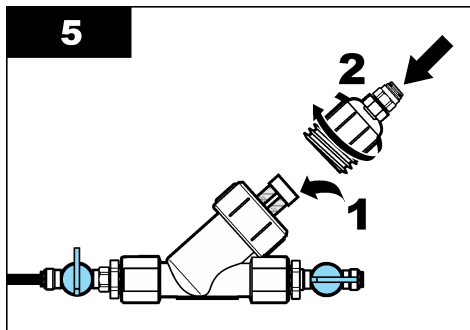
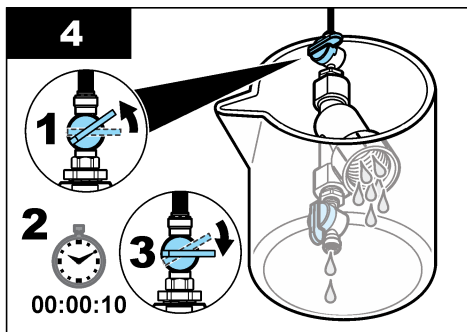
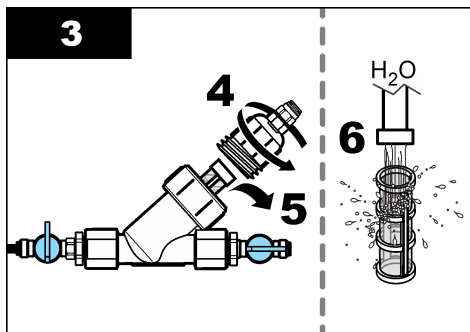
8. Premere **enter** (invio).

9. Quando sul display viene visualizzato "ATTIVITÀ COMPLETATA.", premere **enter** (invio).  
L'analizzatore avvia un ciclo di misurazione in circa 30 secondi.

## 7.4 Pulizia della rete filtrante all'interno del filtro a Y

Pulire la rete filtrante all'interno del filtro a Y quando è presente un'ostruzione, identificabile tramite l'avviso FLUSSO CAMP. BASSO (FLUSSO CAMPIONE BASSO). Completare i passaggi illustrati di seguito.





## 7.5 Preparazione per lo stoccaggio

### ⚠ ATTENZIONE



Pericolo di esposizione ad agenti chimici. Rispettare le procedure di sicurezza del laboratorio e indossare tutte le apparecchiature protettive appropriate per le sostanze chimiche utilizzate. Fare riferimento alle attuali schede di sicurezza (MSDS/SDS) per i protocolli di sicurezza.

Se lo strumento viene tenuto spento per più di 3 giorni o se l'analizzatore non viene utilizzato per più di 3 giorni, preparare l'analizzatore per un periodo di inattività.

#### Articoli necessari:



Becher con acqua deionizzata (2x)

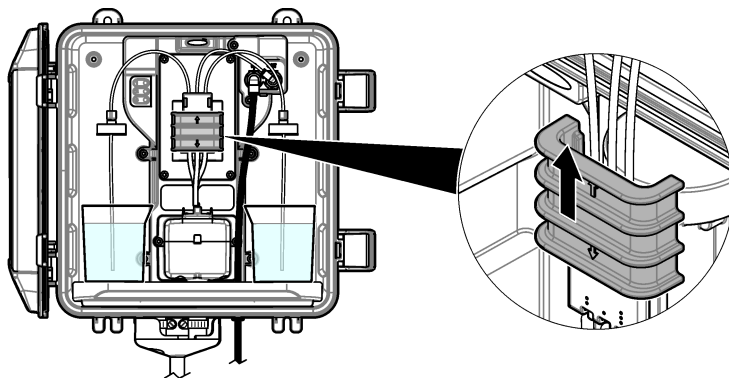


Contagocce monouso o panno che non lasci peli

1. Rimuovere i reagenti dalle relative linee come indicato di seguito:
  - a. Rimuovere il flacone dell'indicatore e il flacone del tampone dall'analizzatore.
  - b. Collocare due becher (o contenitori) che contengono acqua deionizzata nell'analizzatore.
  - c. Collocare il tubo del flacone dell'indicatore e il tubo del flacone del tampone nei becher.
  - d. Premere **menu**, quindi selezionare **SETUP SONDA > [scelta analizzatore] > ADESCAMENTO**.  
L'analizzatore rimuove i reagenti dalle relative linee.
2. Rimuovere l'acqua deionizzata dalle linee dei reagenti come indicato di seguito:
  - a. Rimuovere il tubo del flacone dell'indicatore e il tubo del flacone del tampone dai becher.
  - b. Rimuovere i due becher dall'analizzatore.

- c. Premere **menu**, quindi selezionare SETUP SONDA > [scelta analizzatore] > ADESCAMENTO.  
L'analizzatore rimuove tutto il liquido dalle linee dei reagenti.
3. Scollegare il cavo dell'analizzatore dal controller (o rimuovere l'alimentazione dal controller).
4. Ruotare la valvola di intercettazione in posizione di chiusura per arrestare il flusso del campione diretto al filtro a Y.
5. Rimuovere il morsetto della pompa. Fare riferimento alla [Figura 7](#). Conservare il morsetto della pompa per poterlo riutilizzare.
6. Rimuovere l'acqua dalla cella come indicato di seguito:
  - a. Rimuovere il coperchio dalla cella.
  - b. Rimuovere l'acqua dalla cella con un contagocce monouso o un panno che non lasci peli.
  - c. Installare il coperchio sulla cella.
7. Per avviare l'analizzatore dopo un periodo di inattività, eseguire i passi descritti di seguito.
  - a. Installare il morsetto della pompa. Fare riferimento alla sezione [Figura 7](#).
  - b. Installare i flaconi dei reagenti. Fare riferimento alla sezione [Passaggio 4 - Installazione dei flaconi dei reagenti](#) a pagina 67.
  - c. Impostare la valvola di intercettazione in posizione di apertura per avviare il flusso del campione verso il filtro a Y.
  - d. Collegare il cavo dell'analizzatore al controller, se era stato scollegato.
  - e. Se l'alimentazione era stata rimossa, alimentare il controller.
  - f. Premere **menu**, quindi selezionare SETUP SONDA (SETUP SONDA) > [scelta analizzatore] > ADESCAMENTO (ADESCAMENTO).

**Figura 7 Rimozione del morsetto della pompa**



## 7.6 Preparazione per la spedizione

### ⚠ ATTENZIONE



Pericolo di esposizione ad agenti chimici. Rispettare le procedure di sicurezza del laboratorio e indossare tutte le apparecchiature protettive appropriate per le sostanze chimiche utilizzate. Fare riferimento alle attuali schede di sicurezza (MSDS/SDS) per i protocolli di sicurezza.

Per preparare l'analizzatore per la spedizione, eseguire i passi descritti di seguito.

**Articoli necessari:**



Becher con acqua deionizzata (2x)



Confezione originale

1. Rimuovere i reagenti dalle relative linee come indicato di seguito:
  - a. Rimuovere il flacone dell'indicatore e il flacone del tampone dall'analizzatore.
  - b. Collocare due becher (o contenitori) che contengono acqua deionizzata nell'analizzatore.
  - c. Collocare il tubo del flacone dell'indicatore e il tubo del flacone del tampone nei becher.
  - d. Premere **menu**, quindi selezionare **SETUP SONDA > [scelta analizzatore] > ADESCAMENTO**.  
L'analizzatore rimuove i reagenti dalle relative linee.
2. Rimuovere l'acqua deionizzata dalle linee dei reagenti come indicato di seguito:
  - a. Rimuovere il tubo del flacone dell'indicatore e il tubo del flacone del tampone dai becher.
  - b. Rimuovere i due becher dall'analizzatore.
  - c. Premere **menu**, quindi selezionare **SETUP SONDA > [scelta analizzatore] > ADESCAMENTO**.  
L'analizzatore rimuove tutto il liquido dalle linee dei reagenti.
3. Scollegare il cavo dell'analizzatore dal controller.
4. Ruotare la valvola di intercettazione in posizione di chiusura per arrestare il flusso del campione diretto al filtro a Y.
5. Scollegare il tubo di ingresso (nero) del campione e scaricare il tubo (trasparente) dall'analizzatore.
6. Rimuovere la trappola aria esterna dall'analizzatore.
7. Rimuovere il morsetto della pompa. Fare riferimento a [Figura 7](#) a pagina 77.
8. Rimuovere il cablaggio tubi e l'ancoretta di agitazione dall'analizzatore. Conservare il cablaggio tubi per la spedizione con l'analizzatore. Fare riferimento alla sezione [Passaggio 3 - Installazione del cablaggio tubi e dell'ancoretta di agitazione](#) a pagina 67.
9. Installare il morsetto della pompa senza il cablaggio tubi. Applicare del nastro sul morsetto per tubi per fissare saldamente il morsetto.
10. Rimuovere l'acqua dalla cella con un contagocce monouso o un panno che non lasci peli.
11. Rimuovere l'analizzatore dalla parete.
12. Ricollocare l'analizzatore nella confezione originale.

## 7.7 Pulizia dello strumento

### AVVISO

Non utilizzare mai prodotti detergenti quali trementina, acetone o prodotti simili per pulire lo strumento, inclusi display e accessori.

Pulire la parte esterna dello strumento con un panno umido e una soluzione detergente delicata.

## 7.8 Pulizia di fuoriuscite

### ATTENZIONE



Pericolo di esposizione ad agenti chimici. Smaltire i prodotti chimici e i rifiuti conformemente alle normative locali, regionali e nazionali.

1. Rispettare tutti i protocolli di sicurezza degli impianti per il controllo delle fuoriuscite.
2. Smaltire i rifiuti secondo le norme vigenti.

## Sezione 8 Individuazione ed eliminazione dei guasti

### 8.1 Errori — Spia rossa

Per visualizzare gli errori, premere **menu** e selezionare DIAGNOSTICA > [scelta analizzatore] > LISTA ERRORI. Un elenco dei possibili errori viene mostrato nella [Tabella 7](#).

Quando si verifica un errore, la spia di stato dell'analizzatore diventa rossa. Le misurazioni si arrestano, la schermata di misurazione lampeggia e tutte le uscite vengono bloccate come specificato nel menu del controller.

**Tabella 7 Messaggi di errore**

Errore	Descrizione	Soluzione
ERRORE RILEVATORE	Un rilevatore non funziona correttamente.	Contattare il servizio di assistenza tecnica.
CELLA SPORCA.	La cella è macchiata o sporca. Quando la concentrazione di cloro è molto bassa, nella cella può formarsi una biopellicola.	Pulire la cella. Fare riferimento alla sezione <a href="#">Pulizia della cella</a> a pagina 73.
CODICE ERRORE.	Si è verificato un errore del firmware.	Contattare il servizio di assistenza tecnica.
ERRORE LED	La spia nella cella non funziona correttamente.	Contattare il servizio di assistenza tecnica.
ERRORE POMPA	La pompa non funziona correttamente.	Contattare il servizio di assistenza tecnica.
PERDITA CAMPIONE	È presente una perdita di campione nell'analizzatore.	Contattare il servizio di assistenza tecnica.

### 8.2 Avvisi - Spia gialla

Per visualizzare gli avvisi, premere **menu** e selezionare DIAGNOSTICA (DIAGNOSTICA) > [scelta analizzatore] > LISTA AVVISI (LISTA AVVISI). [Tabella 8](#) mostra un elenco dei possibili avvisi.

Quando viene generato un avviso, la spia di stato diventa gialla. Un'icona di avviso lampeggia e viene mostrato un messaggio in fondo al display del controller. Se è disponibile un flusso di campione sufficiente, un messaggio di avviso non influisce sul funzionamento dei menu. Un messaggio di avviso non influisce sul funzionamento di relè e uscite.

**Tabella 8 Messaggi di avviso**

Avviso	Descrizione	Soluzione
RILEVATE BOLLE	Presenza di bolle nella cella.	Pulire la cella. Fare riferimento alla sezione <a href="#">Pulizia della cella</a> a pagina 73. (Opzionale) Impostare COMPENS BOLLE su ON. Fare riferimento a <a href="#">Passaggio 10 - Configurazione dell'analizzatore</a> a pagina 71.
PULIZIA SUGGERITA	La cella si è macchiata o sporcata e deve essere pulita al più presto per prevenire un errore.	Pulire la cella. Fare riferimento alla sezione <a href="#">Pulizia della cella</a> a pagina 73.
COLORO ALTO	La concentrazione di cloro è pari o superiore al setpoint degli ALLARMI CLORO ALTO.	Aumentare l'impostazione ALLARMI CLORO ALTO. Fare riferimento a <a href="#">Passaggio 10 - Configurazione dell'analizzatore</a> a pagina 71. O Ridurre la concentrazione di cloro del campione erogato all'analizzatore.

**Tabella 8 Messaggi di avviso (continua)**

Avviso	Descrizione	Soluzione
CLORO BASSO	La concentrazione di cloro è pari o inferiore al setpoint degli ALARMI CLORO BASSO.	Ridurre l'impostazione ALARMI CLORO BASSO. Fare riferimento a <a href="#">Passaggio 10 - Configurazione dell'analizzatore</a> a pagina 71. O Aumentare la concentrazione di cloro del campione erogato all'analizzatore.
FLUSSO CAMP. BASSO	Il flusso del campione misurato è inferiore alla portata minima del campione. Fare riferimento alla sezione <a href="#">Specifiche tecniche</a> a pagina 55.	Impostare la portata del campione. Fare riferimento a <a href="#">Passaggio 8 - Impostazione della portata</a> a pagina 70. Pulire il filtro all'interno del filtro a Y, se necessario, per rimuovere un'ostruzione. Fare riferimento alla sezione <a href="#">Pulizia della rete filtrante all'interno del filtro a Y</a> a pagina 75.
FLUSSO CAMPIONE ALTO (FLUSSO CAMPIONE ALTO)	Il flusso del campione misurato è superiore alla portata massima del campione. Fare riferimento a <a href="#">Specifiche tecniche</a> a pagina 55.	Impostare la portata del campione. Fare riferimento a <a href="#">Passaggio 8 - Impostazione della portata</a> a pagina 70.

## Sezione 9 Parti di ricambio e accessori

### ▲ AVVERTENZA



Pericolo di lesioni personali. L'uso di parti non approvate può causare lesioni personali, danni alla strumentazione o malfunzionamenti dell'apparecchiatura. La parti di ricambio riportate in questa sezione sono approvate dal produttore.

**Nota:** numeri di prodotti e articoli possono variare per alcune regioni di vendita. Contattare il distributore appropriato o fare riferimento al sito Web dell'azienda per dati di contatto.

### Materiali di consumo

Descrizione	Quantità	N. articolo
Set di reagenti, per cloro libero, include: Fiacone del tampone, fiacone dell'indicatore e fiacone del DPD	1	2556900
Set di reagenti, per cloro totale, include: Fiacone del tampone, fiacone dell'indicatore e fiacone del DPD	1	2557000
Kit di pulizia celle, include: Acido solforico, 5,25 N, 100 mL, fiacone con contagocce e tamponi di cotone (10x)	1	8573100
Kit di verifica della calibrazione, comprende: Siringa, tubo, raccordi per tubi, apri ampolle, ampolla standard per acqua deionizzata e cloro	1	8568200
Kit di ricarica per la verifica della calibrazione, include: Ampolla standard per acqua deionizzata e cloro	1	8573200



## Parti di ricambio

Descrizione	N. articolo
Kit tubi, include: Cablaggio tubi e ancorotta di agitazione	USA: 8560400 UE: 8575000
Kit di installazione con tubo di livello (10 psi o meno)	USA: 8560500 UE: 8575100
Kit di installazione con tubo di livello (>10 psi)	8576001
Kit di installazione con regolatore di pressione	USA: 8565700 UE: 8575200

## Accessori

Descrizione	N. articolo
Cavo di prolunga per analizzatore, 1 m (3,2 piedi)	6122400
Cavo di prolunga per analizzatore, 7,7 m (25 piedi)	5796000
Cavo di prolunga per analizzatore, 15 m (50 piedi)	5796100
Adattatore per tubo, da D.E. di 6 mm a D.E. di 1/4"	09184=A=4020

# Table des matières

- 1 [Caractéristiques techniques](#) à la page 82
- 2 [Généralités](#) à la page 83
- 3 [Installation](#) à la page 86
- 4 [Configuration](#) à la page 98
- 5 [Fonctionnement](#) à la page 99
- 6 [Etalonnage et réglage](#) à la page 99
- 7 [Maintenance](#) à la page 100
- 8 [Dépannage](#) à la page 106
- 9 [Pièces de rechange et accessoires](#) à la page 107

## Section 1 Caractéristiques techniques

Ces caractéristiques sont susceptibles d'être modifiées sans avis préalable.

**Tableau 1 Caractéristiques générales**

Caractéristique	Détails
Dimensions (L x H x P)	32,9 x 34,2 x 17,7 cm (12,9 x 13,5 x 7,0 po)
Boîtier	IP66 conformément à la norme CEI 60529 avec porte fermée et verrouillée <sup>1</sup>
Poids d'expédition	4,1 kg (9 lb) sans les flacons ; 5,1 kg (11,2 lb) avec tous les flacons
Montage	Montage mural
Classe de protection	III
Niveau de pollution	3
Catégorie d'installation électrique	I (en intérieur)
Alimentation électrique	12 V CC, 400 mA maximum (fournie par le transmetteur)
Température de fonctionnement	5 à 40 °C (41 à 104 °F)
Humidité de fonctionnement	0 à 90 % humidité relative sans condensation
Température de stockage	-40 à 60 °C (-40 à 140 °F)
Raccords	Conduite d'échantillon : raccord à connexion rapide de diamètre externe ¼ po pour tuyaux en plastique Conduites d'évacuation : raccord coulissant de diamètre interne 0,5 po pour tuyaux en plastique souple
Voyants indicateurs	Etat de l'analyseur et cycle de mesure
Certifications	EU DoC, UKCA DoC, FCC/ISED SDoC, ACMA DoC, KC, Morocco DoC
Garantie	1 an (UE : 2 ans)

**Tableau 2 Exigences relatives à l'échantillon**

Caractéristique	Détails
Pression	0,31 à 5,17 bar (4,5 à 75 psig) fournis au filtre en Y ; 0,1 à 0,34 bar (1,5 à 5 psig) fournis à l'analyseur
Débit	60 à 200 mL/min dans l'appareil (mesuré lors de la vidange de l'analyseur)
Température	5 à 40 °C (41 à 104 °F)
Filtration	Filtre en Y avec crépine avec mailles de 40 ou plus

<sup>1</sup> Trous d'évacuation fermés avec fiches pour les exigences de test.

**Tableau 3 Caractéristiques relatives aux mesures**

Caractéristique	Détails
Source de lumière	LED, mesure à 510 nm ; 1 cm de trajectoire lumineuse
Plage de mesure	0.03 à 10 mg/L de chlore résiduel libre ou total pour Cl <sub>2</sub>
Intervalle de mesure	150 secondes
Exactitude	±5 % ou ±0,04 mg/L de 0 à 5 mg/L (la plus grande valeur) pour Cl <sub>2</sub> ±10 % de 5 à 10 mg/L pour Cl <sub>2</sub>
Précision	±5 % ou ±0,01 mg/L (valeur la plus élevée) pour Cl <sub>2</sub>
Limite de détection	0.03 mg/l pour Cl <sub>2</sub>
Limite de quantification	0.07 mg/L
Étalonnage	Étalonnage en usine Facultatif : étalonnage de l'utilisateur en deux points avec des solutions étalons dans le kit de vérification de l'étalonnage
Utilisation de réactif	0,5 L de solution tampon et 0,5 L de solution témoin en 31 jours

## Section 2 Généralités

En aucun cas le fabricant ne pourra être tenu responsable des dommages résultant d'une utilisation incorrecte du produit ou du non-respect des instructions du manuel. Le constructeur se réserve le droit d'apporter des modifications à ce manuel et aux produits décrits, à tout moment, sans avertissement ni obligation. Les éditions révisées se trouvent sur le site Internet du fabricant.

### 2.1 Consignes de sécurité

Le fabricant décline toute responsabilité quant aux dégâts liés à une application ou un usage inappropriés de ce produit, y compris, sans toutefois s'y limiter, des dommages directs ou indirects, ainsi que des dommages consécutifs, et rejette toute responsabilité quant à ces dommages dans la mesure où la loi applicable le permet. L'utilisateur est seul responsable de la vérification des risques d'application critiques et de la mise en place de mécanismes de protection des processus en cas de défaillance de l'équipement.

Veuillez lire l'ensemble du manuel avant le déballage, la configuration ou la mise en fonctionnement de cet appareil. Respectez toutes les déclarations de prudence et d'attention. Le non-respect de cette procédure peut conduire à des blessures graves de l'opérateur ou à des dégâts sur le matériel.

Assurez-vous que la protection fournie par cet équipement n'est pas compromise. Ne pas utiliser ou installer cet équipement autrement qu'indiqué dans le présent manuel.

#### 2.1.1 Informations sur les risques d'utilisation

##### **▲ DANGER**

Indique une situation de danger potentiel ou imminent qui, si elle n'est pas évitée, entraîne des blessures graves, voire mortelles.

##### **▲ AVERTISSEMENT**

Indique une situation de danger potentiel ou imminent qui, si elle n'est pas évitée, peut entraîner des blessures graves, voire mortelles.

##### **▲ ATTENTION**

Indique une situation de danger potentiel qui peut entraîner des blessures mineures ou légères.

##### **AVIS**

Indique une situation qui, si elle n'est pas évitée, peut occasionner l'endommagement du matériel. Informations nécessitant une attention particulière.

## 2.1.2 Etiquettes de mise en garde

Lisez toutes les informations et toutes les étiquettes apposées sur l'appareil. Des personnes peuvent se blesser et le matériel peut être endommagé si ces instructions ne sont pas respectées. Tout symbole sur l'appareil renvoie à une instruction de mise en garde dans le manuel.



Le matériel électrique portant ce symbole ne doit pas être mis au rebut dans les réseaux domestiques ou publics européens. Retournez le matériel usé ou en fin de vie au fabricant pour une mise au rebut sans frais pour l'utilisateur.

## 2.1.3 Compatibilité électromagnétique (CEM)

### ▲ ATTENTION

Cet équipement n'est pas conçu pour être utilisé dans des environnements résidentiels et peut ne pas offrir une protection adéquate à la réception radio dans de tels environnements.

#### CE (EU)

Cet équipement respecte les exigences essentielles de la Directive CEM 2014/30/UE.

#### UKCA (UK)

L'équipement est conforme aux exigences des règlements de 2016 sur la compatibilité électromagnétique (S.I. 2016/1091).

#### Règlement canadien sur les équipements causant des interférences radio, ICES-003, Classe A :

Les données d'essai correspondantes sont conservées chez le constructeur.

Cet appareil numérique de classe A respecte toutes les exigences du Règlement sur le matériel brouilleur du Canada.

Cet appareil numérique de classe A répond à toutes les exigences de la réglementation canadienne sur les équipements provoquant des interférences.

#### FCC part 15, limites de classe A :

Les données d'essai correspondantes sont conservées chez le constructeur. L'appareil est conforme à la partie 15 de la réglementation FCC. Le fonctionnement est soumis aux conditions suivantes :

1. Cet équipement ne peut pas causer d'interférence nuisible.
2. Cet équipement doit accepter toutes les interférences reçues, y compris celles qui pourraient entraîner un fonctionnement inattendu.

Les modifications de cet équipement qui n'ont pas été expressément approuvées par le responsable de la conformité aux limites pourraient annuler l'autorité dont l'utilisateur dispose pour utiliser cet équipement. Cet équipement a été testé et déclaré conforme aux limites définies pour les appareils numériques de classe A, conformément à la section 15 de la réglementation FCC. Ces limites ont pour but de fournir une protection raisonnable contre les interférences néfastes lorsque l'équipement fonctionne dans un environnement commercial. Cet équipement génère, utilise et peut irradier l'énergie des fréquences radio et, s'il n'est pas installé ou utilisé conformément au mode d'emploi, il peut entraîner des interférences dangereuses pour les communications radio. Le fonctionnement de cet équipement dans une zone résidentielle risque de causer des interférences nuisibles, dans ce cas l'utilisateur doit corriger les interférences à ses frais. Les techniques ci-dessous peuvent permettre de réduire les problèmes d'interférences :

1. Débrancher l'équipement de la prise de courant pour vérifier s'il est ou non la source des perturbations
2. Si l'équipement est branché sur le même circuit de prises que l'appareil qui subit des interférences, branchez l'équipement sur un circuit différent.
3. Eloigner l'équipement du dispositif qui reçoit l'interférence.
4. Repositionner l'antenne de réception du périphérique qui reçoit les interférences.
5. Essayer plusieurs des techniques ci-dessus à la fois.

## 2.2 Présentation générale du produit

### ⚠ DANGER



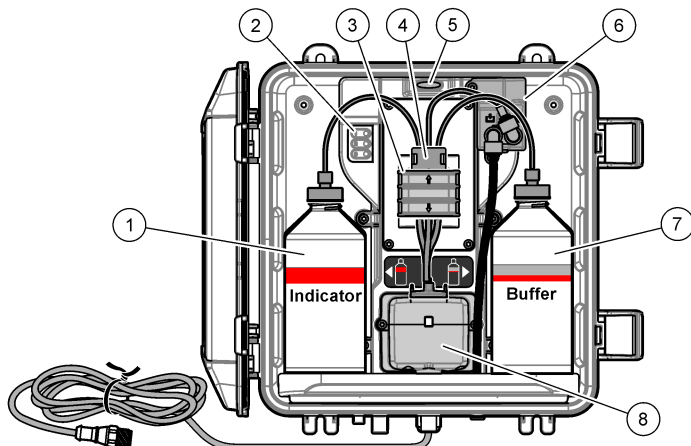
Dangers chimiques ou biologiques. Si cet instrument est utilisé pour la surveillance d'un procédé de traitement et/ou des eaux d'alimentation de dialyse auxquels s'appliquent des limites réglementaires et des normes de surveillance motivées par des préoccupations de santé et de sécurité publiques ou de fabrication et de transformation d'aliments ou de boissons, il est de la responsabilité de l'utilisateur de cet instrument de connaître et d'appliquer les normes en vigueur et d'avoir à sa disposition suffisamment de mécanismes pour s'assurer du bon respect de ces normes dans l'éventualité d'un dysfonctionnement de l'appareil.

L'analyseur CL17sc mesure la concentration en chlore total dans l'eau entre 0,03 et 10 mg/L et ce, toutes les 150 secondes. De plus, la [Figure 1](#) donne une vue d'ensemble de l'analyseur.

Connectez l'analyseur à un transmetteur SC pour assurer son alimentation électrique, son fonctionnement, la collecte de données, la transmission de données et les diagnostics. Reportez-vous au manuel du transmetteur SC pour bénéficier d'une vue d'ensemble du transmetteur.

**Remarque :** Plusieurs analyseurs peuvent être connectés à un transmetteur SC si celui-ci dispose de plus d'un raccord à connexion rapide.

**Figure 1 CL17sc**



1 Flacon de solution témoin	5 Voyant d'état de l'analyseur ( <a href="#">Tableau 5</a> à la page 86)
2 Voyants du cycle de mesure ( <a href="#">Tableau 4</a> à la page 86)	6 Débitmètre
3 Collier de la pompe	7 Flacon de solution tampon
4 Clip	8 Cellule colorimétrique

### 2.2.1 Débitmètre

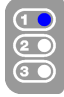
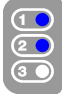
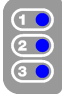
L'analyseur est équipé d'un débitmètre mesurant le débit d'échantillon dans l'analyseur. Reportez-vous à la section [Figure 1](#) à la page 85.

L'échantillon circule uniquement dans l'analyseur lorsque l'analyseur rince la cellule. Dans les autres cas, il n'y a pas de débit d'échantillon et le débit affiché est zéro. Appuyez sur la flèche **RIGHT (DROITE)** du transmetteur pour afficher le débit.

## 2.2.2 Voyants du cycle de mesure

Les voyants du cycle de mesure indiquent l'étape du cycle de mesure en cours. Reportez-vous au [Tableau 4](#).

**Tableau 4 Voyants du cycle de mesure**

<b>Voyants allumés</b>			
<b>Description</b>	La cellule est en phase de rinçage.	La solution tampon et la solution témoin sont ajoutées à la cellule.	L'échantillon est mesuré.

## 2.2.3 Voyant d'état de l'analyseur

Le voyant d'état de l'analyseur passe du vert au jaune lorsqu'un avertissement survient ou au rouge en cas d'erreur. Reportez-vous à la section [Tableau 5](#).

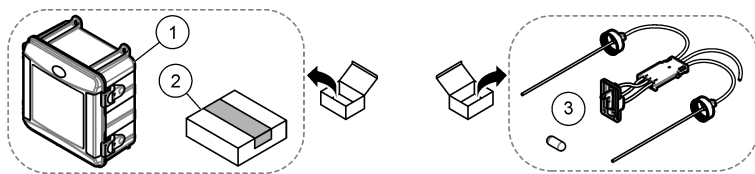
**Tableau 5 Voyant d'état de l'analyseur**

Couleur	Description
Vert	Fonctionnement normal
Jaune	Le système doit être surveillé pour prévenir une défaillance future. Les mesures se poursuivent. Pour afficher les avertissements, appuyez sur <b>menu</b> , puis sélectionnez DIAGNOSTIQUE > [sélectionner l'analyseur] > LISTE AVERTIS.. Reportez-vous à la section <a href="#">Avertissements - Voyant jaune</a> à la page 106.
Rouge	Le système a besoin d'une attention immédiate. Les mesures ont cessé. Pour afficher les erreurs, appuyez sur <b>menu</b> , puis sélectionnez DIAGNOSTIQUE > [sélectionner l'analyseur] > LISTE ERREURS. Reportez-vous à la section <a href="#">Erreurs - Voyant rouge</a> à la page 106.

## 2.3 Composants du produit

Assurez-vous d'avoir bien reçu tous les composants. Reportez-vous à la [Figure 2](#). Si un élément est absent ou endommagé, contactez immédiatement le fabricant ou un représentant.

**Figure 2 Composants du produit**



1 Analyseur CL17sc	3 Kit de tuyaux (harnais de tuyau et agitateur)
2 Kit d'installation	

## Section 3 Installation

### ▲ ATTENTION



Dangers multiples. Seul le personnel qualifié doit effectuer les tâches détaillées dans cette section du document.

### 3.1 Conseils d'installation

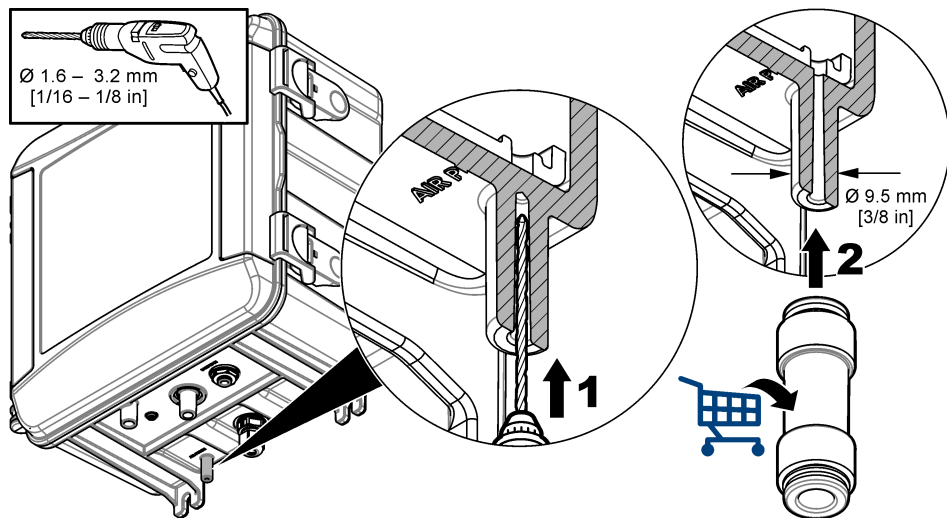
- L'analyseur est fourni avec un kit d'installation à tube vertical ou un kit d'installation à régulateur de pression pour contrôler la pression de l'eau vers l'analyseur. L'utilisateur sélectionne le kit d'installation au moment de l'achat.
- Installez l'analyseur à l'intérieur dans un environnement soumis à un minimum de vibrations. Reportez-vous aux spécifications relatives à la température de fonctionnement et à l'humidité de la section [Caractéristiques techniques](#) à la page 82.
- N'exposez pas l'analyseur aux rayons directs du soleil et ne l'installez pas à proximité d'une source de chaleur.
- Pour les installations à tube vertical, installez l'analyseur en laissant suffisamment d'espace au-dessus pour le montage du tube vertical.
- Installez l'analyseur près d'un égout à ciel ouvert. Reportez-vous aux instructions des organismes de réglementation locaux concernant la mise au rebut.

### 3.2 Etape 1 : Purge d'air (en option)

Une purge d'air peut se révéler nécessaire si l'analyseur est installé dans un endroit exposé à une humidité élevée et/ou des vapeurs provoquant de la corrosion. La purge d'air maintient une pression positive dans l'appareil avec de l'air sec et propre.

Envoyez de l'air propre, sec et de qualité pour l'instrument à 0,003 m<sup>3</sup>/minute (0,1 pi<sup>3</sup>/min) à 20 psig maximum.

Reportez-vous aux étapes illustrées ci-dessous. Le raccord et les tuyaux à connexion rapide de  $\frac{3}{8}$  de pouce sont fournis par l'utilisateur.



### 3.3 Etape 2 : Montage et raccordement de l'analyseur

#### ▲ ATTENTION



Seuls les tuyaux spécifiés par Hach Company peuvent être utilisés avec l'instrument. D'autres peuvent absorber le chlore présent dans l'eau d'échantillonnage et ont un effet négatif sur les mesures de chlore (diminution des mesures de chlore).

#### AVIS

Une installation défectueuse de la plomberie de l'analyseur peut entraîner une détérioration due à une pression d'échantillonnage excessive. Respectez toujours les instructions suivantes pour monter et raccorder l'analyseur.

1. Fixez l'analyseur (élément 9) à un mur à l'aide de quatre vis. Assurez-vous que l'analyseur est à niveau.

**Remarque :** L'utilisateur fournit le matériel de montage.

2. Fixez le transmetteur SC (élément 7) à un mur, à un panneau ou à un tuyau. Pour obtenir des instructions, reportez-vous à la documentation du transmetteur SC.
3. Assemblage du filtre en Y. Reportez-vous aux instructions figurant sur la liste d'emballage.
4. Utilisez le collier de serrage de 1 pouce pour monter l'assemblage de la crépine en Y (point 5 dans [Figure 3](#), [Figure 4](#) ou [Figure 5](#)).
5. Installer la coupure d'air externe sur l'analyseur (point 2 dans [Figure 3](#), [Figure 4](#) ou [Figure 5](#)). Reportez-vous aux instructions figurant sur la liste d'emballage.
6. Suivez l'étape 7 ou 8.

L'analyseur est fourni avec un kit d'installation d'un tuyau d'alimentation ou un kit d'installation d'un régulateur de pression pour contrôler la pression d'entrée de l'eau. L'utilisateur sélectionne le kit d'installation au moment de l'achat. Il existe un kit de tube vertical destiné à une pression d'entrée d'eau de 10 psi et un kit de tube vertical destiné à une pression d'entrée d'eau de plus de 10 psi. Mesurer la pression d'entrée de l'eau juste avant la crépine en Y.

7. Si vous avez sélectionné un kit d'installation à tube vertical au moment de l'achat, installez le tube vertical comme suit :

- a. Assemblez le tube vertical. Reportez-vous aux instructions figurant sur la liste d'emballage.
- b. Utilisez le petit collier de conduite pour installer l'ensemble de tube vertical au-dessus de la partie supérieure de l'analyseur :

- 10 psi ou moins - Montez l'ensemble de tube vertical à au moins 61 cm (24 po.) au-dessus de la partie supérieure de l'analyseur.
- Plus de 10 psi - Montez l'ensemble de tube vertical à au moins 91,4 cm (36 po.) au-dessus de la partie supérieure de l'analyseur.

- c. 10 psi ou moins - Avec le tuyau noir, installer le tuyau de dérivation de l'échantillon (article 8 dans [Figure 3](#)). Poussez le tube par derrière, puis dans le tube vertical. Placez le tuyau 10-13 cm (4-5 po.) au-dessus du tube vertical.

- d. Plus de 10 psi - A l'aide du tuyau noir, raccorder la sortie du filtre en Y à l'entrée du tuyau vertical (élément 8 dans [Figure 4](#)).

- e. Coupez une longueur de tube du tuyau d'évacuation de l'échantillon (élément 3). Utilisez le tuyau pour raccorder le tube vertical à un drain ouvert (point 11). Voir la section [Instructions des conduites d'évacuation](#) à la page 93.

8. Si vous avez sélectionné un kit d'installation à régulateur de pression au moment de l'achat, installez le régulateur de pression (élément 10 dans la [Figure 5](#)).

9. A l'aide du tuyau noir, connectez l'entrée du filtre à tamis en Y (élément 5) à la source d'échantillon.

Voir [Directives de conduite d'échantillonnage](#) à la page 93 et [Exigences relatives à l'échantillon](#) à la page 93.

10. A l'aide du tuyau noir, connecter l'échantillon au raccord d'entrée de l'échantillon (item 1) comme suit :

Faites en sorte que le tuyau soit le plus court possible et mesure au maximum 2,5 m (8 pi).

- 10 psi ou moins - Raccorder la sortie de la crépine en Y au raccord d'entrée de l'échantillon (élément 1) situé au bas de l'analyseur. Voir la section [Figure 3](#).
- Plus de 10 psi - Raccorder la sortie du tube vertical au raccord d'entrée de l'échantillon (article 1) situé au bas de l'analyseur. Voir la section [Figure 4](#).
- Régulateur de pression : raccordez la sortie du régulateur de pression au raccord d'entrée de l'échantillon (repère 1) situé sous l'analyseur. Voir la section [Figure 5](#).

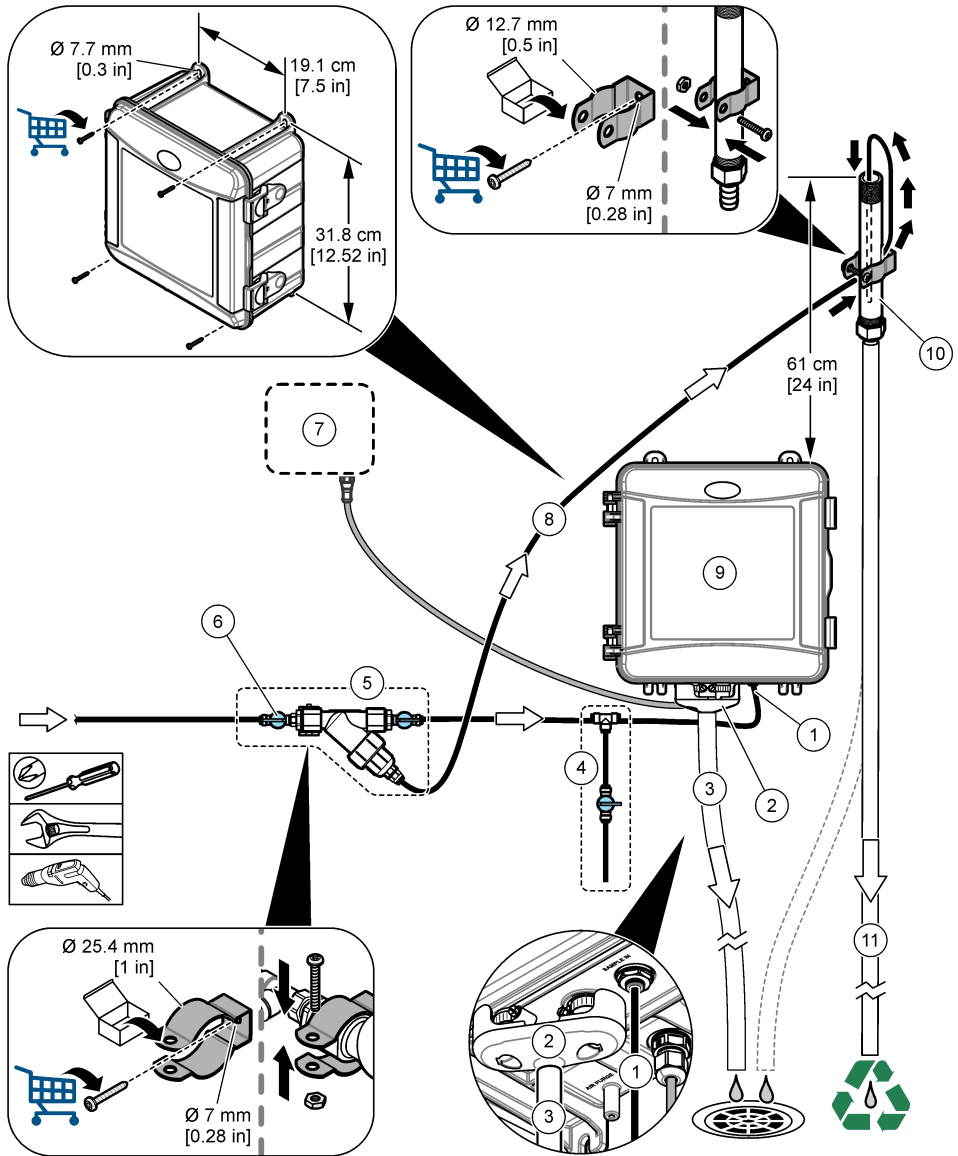
11. Si un régulateur de pression a été installé, installez le tuyau de dérivation de l'échantillon (élément 8 de la [Figure 5](#)).

12. Assembler et l'ensemble de l'échantillon de la benne (point 4).



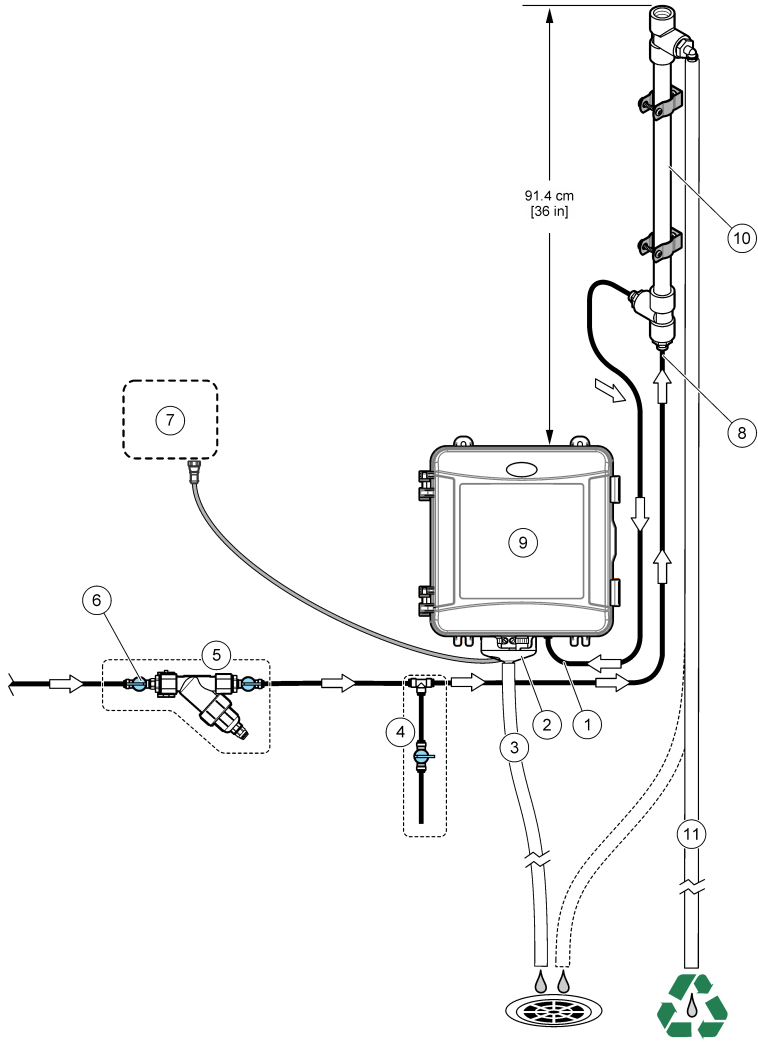
13. Plomber le raccord en T de l'ensemble d'échantillonnage de la benne. Se référer à [Figure 3](#), [Figure 4](#) ou [Figure 5](#) selon le cas.
14. Raccordez le tuyau d'évacuation de l'échantillon (élément 3) à une évacuation ouverte. Voir la section [Instructions des conduites d'évacuation](#) à la page 93.

**Figure 3 Installation à tube vertical (10 psi ou moins)**



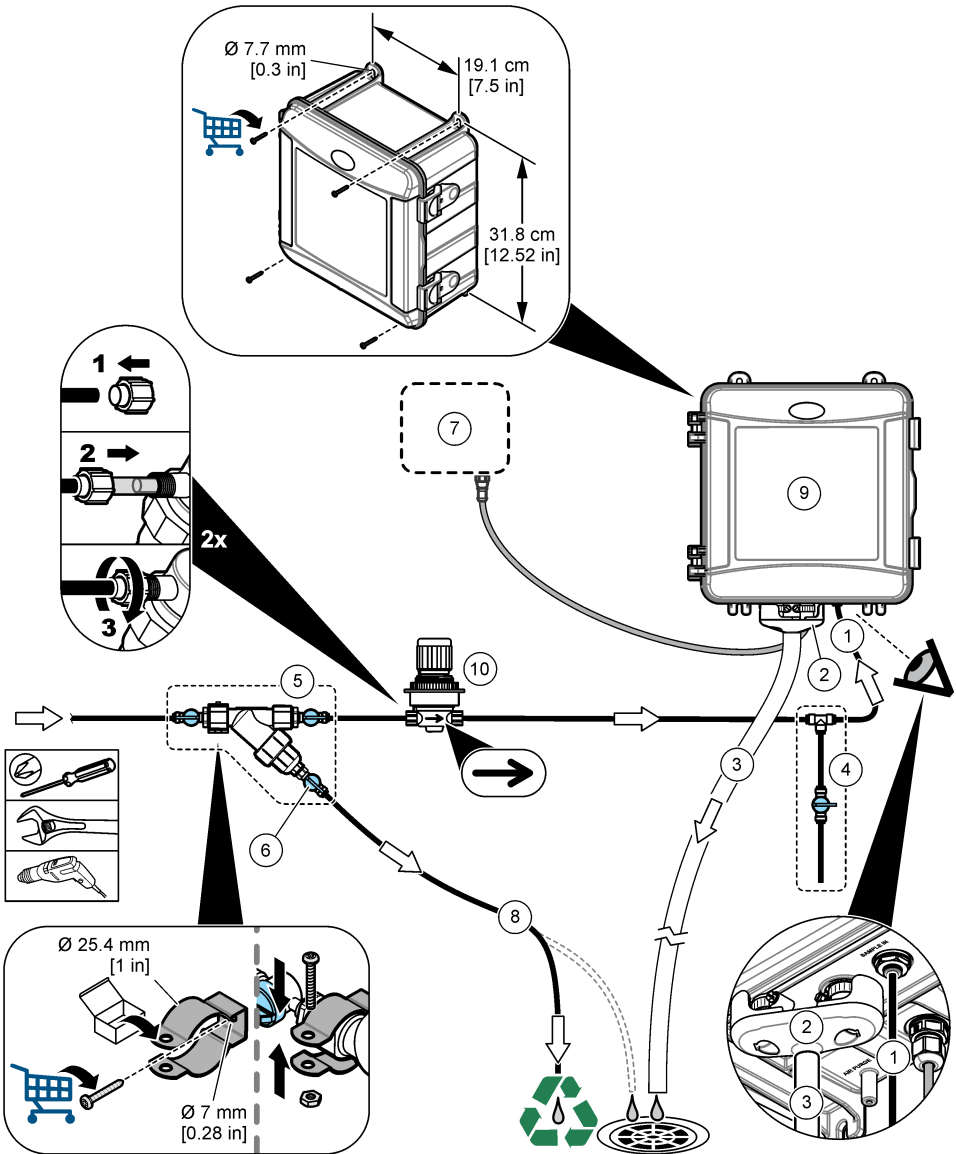
1 Raccord d'entrée de l'échantillon	7 Transmetteur SC
2 Coupure anti-retour externe	8 Tuyau de dérivation de l'échantillon
3 Tuyau d'évacuation de l'échantillon	9 Analyseur
4 Ensemble pour échantillonnage ponctuel	10 Tube vertical
5 Ensemble du filtre à tamis en Y	11 Tuyau d'évacuation du tube vertical
6 Vanne d'arrêt au niveau de l'entrée du filtre à tamis en Y	

**Figure 4 Installation à tube vertical (plus de 10 psi)**



1 Raccord d'entrée de l'échantillon	7 Transmetteur SC
2 Coupure anti-retour externe	8 Entrée de la colonne vertébrale
3 Tuyau d'évacuation de l'échantillon	9 Analyseur
4 Ensemble pour échantillonnage ponctuel	10 Tube vertical
5 Ensemble du filtre à tamis en Y	11 Tuyau d'évacuation du tube vertical
6 Vanne d'arrêt à l'entrée du filtre à tamis en Y	

**Figure 5 Installation avec un régulateur de pression**



1 Raccord d'entrée de l'échantillon	6 Vanne d'arrêt au niveau du by-pass du filtre en Y
2 Coupure anti-retour externe	7 Transmetteur SC
3 Tuyau d'évacuation de l'échantillon	8 Tuyau de dérivation de l'échantillon
4 Ensemble pour échantillonnage ponctuel	9 Analyseur
5 Ensemble du filtre à tamis en Y	10 Régulateur de pression

### 3.3.1 Directives de conduite d'échantillonnage

Choisissez un point d'échantillonnage adapté et représentatif pour garantir le fonctionnement optimal de l'instrument. L'échantillon doit être représentatif de l'ensemble du système.

Pour éviter les relevés irréguliers :

- prélevez les échantillons à des endroits suffisamment éloignés des points d'ajout de produits chimiques du flux à traiter ;
- assurez-vous que les échantillons sont suffisamment mélangés ;
- assurez-vous que toutes les réactions chimiques sont bien terminées.
- Installez l'analyseur le plus près possible de la source de l'échantillon (4,6 m (15 pieds) maximum).

### 3.3.2 Exigences relatives à l'échantillon

La composition des échantillons doit être conforme aux spécifications (voir [Caractéristiques techniques](#) à la page 82).

Maintenez un débit et une température de fonctionnement aussi constants que possible pour obtenir des performances optimales.

### 3.3.3 Instructions des conduites d'évacuation

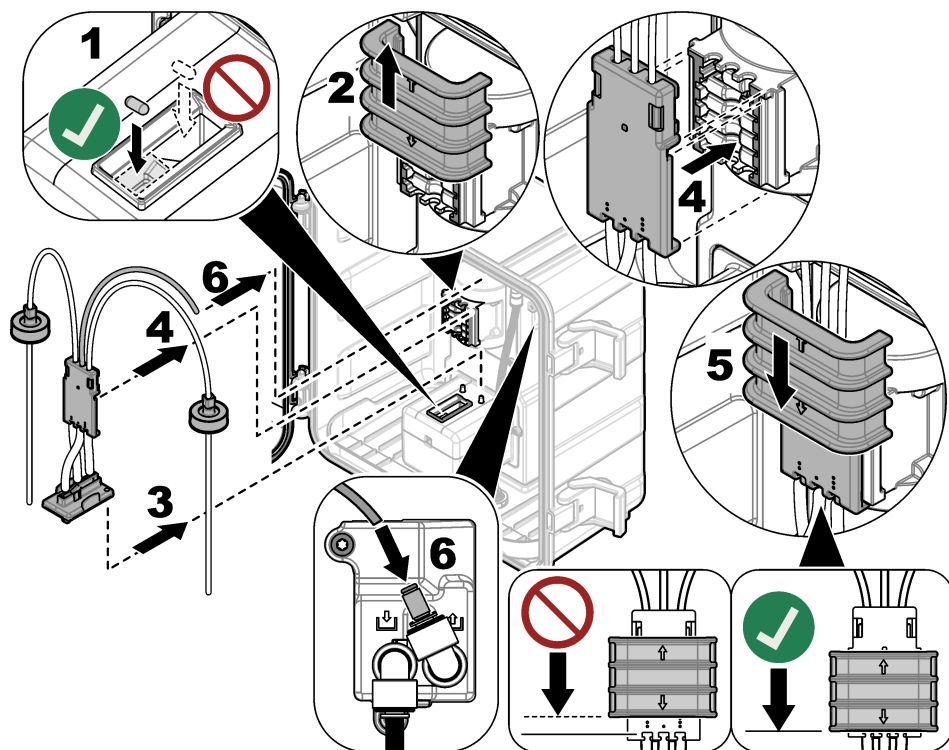
#### **A V I S**

Une installation incorrecte des conduites d'évacuation peut entraîner le retour du liquide dans l'instrument et causer des dommages.

- Veillez à installer la coupure anti-retour externe. Voir le point 2 dans [Figure 3](#) à la page 90, [Figure 4](#) à la page 91 ou [Figure 5](#) à la page 92.
- Faites les conduites d'évacuation aussi courtes que possible.
- Assurez-vous que les conduites d'évacuation ont une pente constante vers le bas.
- Assurez-vous que les conduites d'évacuation ne sont ni pliées ni pincées.

### 3.4 Etape 3 : Installation de l'agitateur et du harnais de tuyau

Procédez aux étapes illustrées suivantes.



### 3.5 Etape 4 : Installation des flacons de réactif

#### ▲ ATTENTION



Risque d'exposition chimique. Respectez les procédures de sécurité du laboratoire et portez tous les équipements de protection personnelle adaptés aux produits chimiques que vous manipulez. Consultez les fiches de données de sécurité (MSDS/SDS) à jour pour connaître les protocoles de sécurité applicables.

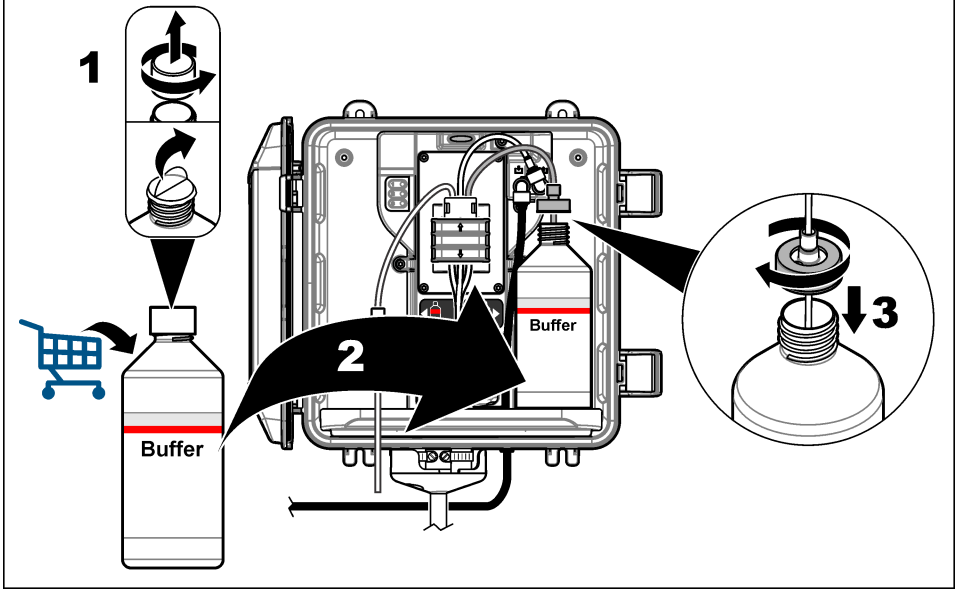
#### Éléments à réunir :

- Equipement de protection individuelle (reportez-vous aux fiches de données de sécurité [MSDS/SDS])
- Flacon de solution témoin
- Flacon de solution tampon
- Flacon de composé DPD

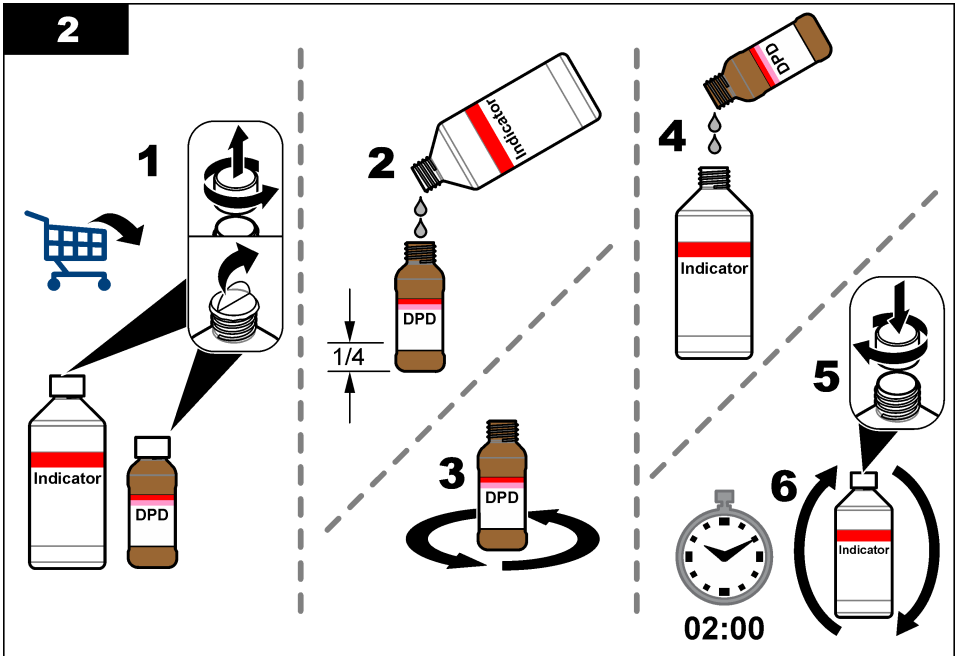
1. Portez l'équipement de protection individuelle identifié dans les fiches de données de sécurité (MSDS/SDS).
2. Installez le flacon de solution tampon sur le côté droit et le flacon de solution témoin sur le côté gauche. Reportez-vous aux étapes illustrées ci-dessous.

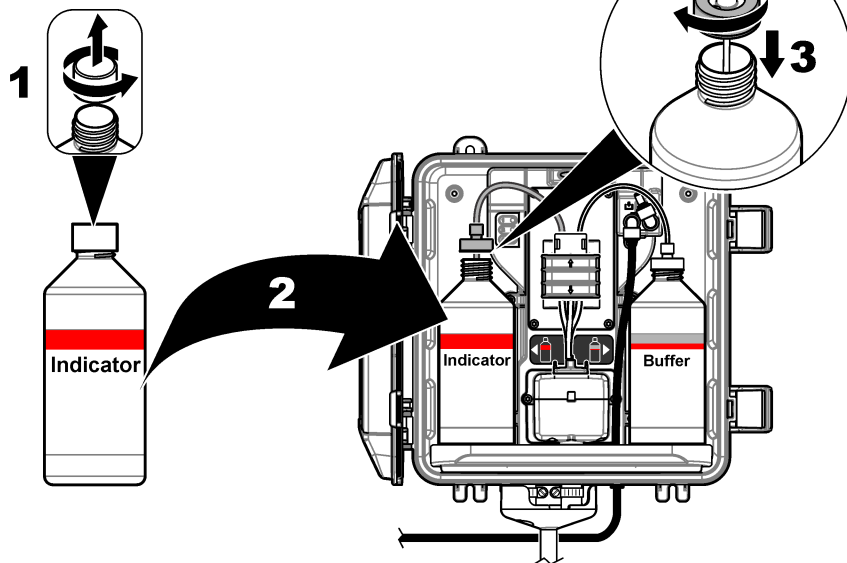
**Remarque :** (facultatif) Utilisez le haut de l'analyseur comme une étagère.

1



2



**3**

### 3.6 Etape 5 : Activation du débit d'échantillon

1. Ouvrez progressivement les vannes d'arrêt ( $\frac{1}{4}$  de tour).
2. Assurez-vous qu'il n'y a aucune fuite au niveau des connexions des raccords. En cas de fuite, poussez plus loin le tube dans le raccord ou serrez la connexion à l'aide d'une clé.
3. Pour les installations à tube vertical, procédez comme suit :
  - a. Ouvrez complètement la vanne d'arrêt à la sortie du filtre en Y.
  - b. Tournez la vanne d'arrêt à l'entrée du filtre en Y (élément 6 sur [Figure 3](#) à la page 90 ou [Figure 4](#) à la page 91) jusqu'à ce qu'un petit filet d'eau sorte du tuyau de vidange du tube vertical.
4. Pour les installations à régulateur de pression, procédez comme suit :
  - a. Ouvrez complètement les vannes d'arrêt à l'entrée et la sortie du filtre en Y.
  - b. Tournez la vanne d'arrêt au niveau de la dérivation du filtre en Y (élément 6 de la [Figure 5](#) à la page 92) jusqu'à ce qu'une petite voie d'eau s'écoule du tube de dérivation du filtre en Y.

### 3.7 Etape 6 : Installation électrique

#### 3.7.1 Connexion de l'analyseur au transmetteur

#### ▲ AVERTISSEMENT



Risque d'électrocution. Tout équipement externe relié doit avoir fait l'objet d'un contrôle de sécurité conformément aux normes nationales applicables.

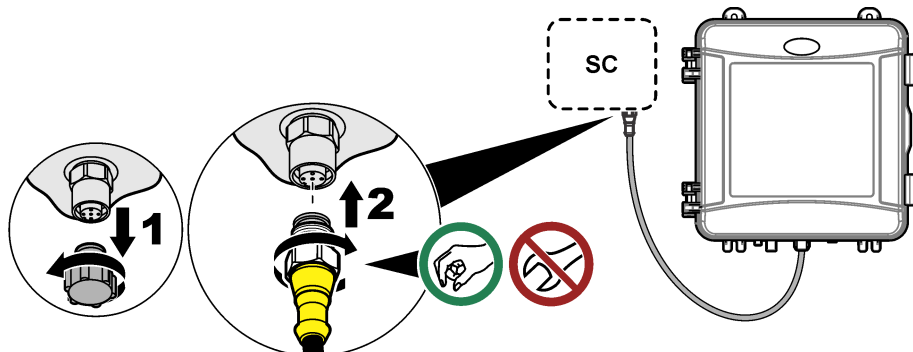
Connectez le câble de l'analyseur au raccord rapide du transmetteur SC. Reportez-vous à la [Figure 6](#).

Conservez le bouchon du connecteur pour en sceller l'ouverture au cas où le câble devrait être retiré.



**Remarque :** Des câbles d'extension sont disponibles. Reportez-vous à la section [Pièces de rechange et accessoires](#) à la page 107. La longueur de câble maximale est de 15 m (49 pi).

**Figure 6 Connexion du câble à un système de raccordement rapide**



### 3.7.2 Connexion du transmetteur à l'alimentation

Connectez le transmetteur à l'alimentation électrique par passage des câbles dans un conduit ou par connexion à un câble d'alimentation. Pour obtenir des instructions, reportez-vous à la documentation du transmetteur.

### 3.7.3 Connexion des appareils externes au transmetteur

Connectez les relais, les sorties analogiques et les entrées numériques du transmetteur aux appareils externes selon les besoins. Pour obtenir des instructions, reportez-vous à la documentation du transmetteur.

## 3.8 Etape 7 : Configuration et amorçage de l'analyseur

1. Appuyez sur **menu**, puis sélectionnez **PROGR. CAPTEUR > [sélectionner l'analyseur] > AMORÇ.**
2. Si le transmetteur ne détecte pas que l'analyseur est connecté, procédez comme suit :
  - a. Appuyez sur **menu**, puis sélectionnez **TEST/CONTROLE > SCANNER CAPT..**
  - b. Une fois le capteur détecté et installé, répétez l'étape 1.

## 3.9 Etape 8 : Réglage du débit

L'analyseur est équipé d'un débitmètre mesurant le débit d'échantillon dans l'analyseur. Reportez-vous à la section [Figure 1](#) à la page 85.

1. Appuyez sur la flèche **DROITE** du transmetteur pour afficher le débit à l'écran.

L'échantillon circule uniquement dans l'analyseur lorsque l'analyseur rince la cellule. Dans les autres cas, il n'y a pas de débit d'échantillon et le débit affiché est zéro. Reportez-vous à la [Tableau 4](#) à la page 86 pour les descriptions des étapes du cycle de mesure.

**Remarque :** Pour mesurer manuellement le débit dans l'analyseur, mesurez le débit lors de la vidange de l'analyseur, lorsqu'il rince la cellule.
2. Pour les installations à tube vertical, tournez la vanne d'arrêt à la sortie du filtre en Y pour régler le débit entre 60 et 200 mL/min lorsque l'analyseur rince la cellule.
3. Pour les installations à régulateur de pression, ajustez le régulateur de pression pour régler le débit entre 60 et 200 mL/min lorsque l'analyseur rince la cellule.

## 3.10 Etape 9 : Installation de la dernière version du logiciel

Vérifiez que le transmetteur SC dispose de la dernière version du logiciel. Utilisez une carte SD pour installer la dernière version du logiciel sur le transmetteur SC.

1. Rendez-vous à la page produit du site <http://hach.com> pour connaître le contrôleur SC applicable.
2. Cliquez sur l'onglet "Resources" (Ressources).
3. Faites défiler jusqu'à « Logiciel/Micrologiciel ».
4. Cliquez sur le lien pour télécharger le logiciel du transmetteur SC.
5. Enregistrez les fichiers sur une carte SD.
6. Installez les fichiers sur le transmetteur SC. Reportez-vous aux instructions d'installation du logiciel fournies avec les fichiers du logiciel.

## Section 4 Configuration

### 4.1 Etape 10 : Configuration de l'analyseur

Définissez le nom de l'analyseur ainsi que les points de consigne de moyenne du signal, de type de chlore mesuré, de rejet des bulles et d'alerte de chlore.

1. Appuyez sur **menu**, puis sélectionnez **PROGR. CAPTEUR > [sélectionner l'analyseur] > CONFIGURATION**.
2. Sélectionnez et configurez chaque option.

Option	Description
<b>EDITER NOM</b>	Permet de définir le nom de l'analyseur. Le nom de l'analyseur s'affiche sur l'écran du transmetteur ainsi que dans les fichiers journaux.
<b>MOYENNE SIGNAL</b>	<p>Permet de définir le nombre de mesures utilisées pour calculer la mesure moyenne qui s'affiche à l'écran. Options : 1 (par défaut), 2, 3 ou VAL IRREGULIERE.</p> <p>Lorsque le paramètre MOYENNE SIGNAL est défini sur 1, le calcul de la moyenne du signal est désactivé.</p> <p>Lorsque le paramètre MOYENNE SIGNAL est défini sur 2 ou 3, une valeur moyenne s'affiche à l'écran. Par exemple, la mesure à l'écran est égale à celle de la dernière et précédente mesure divisée par deux lorsque le paramètre MOYENNE SIGNAL est défini sur 2.</p> <p>Lorsque le paramètre MOYENNE SIGNAL est défini sur VAL IRREGULIERE, l'analyseur écarte une valeur qui est anormalement plus élevée ou plus basse que les dernières mesures. Lorsqu'une mesure est écartée, la dernière mesure correcte s'affiche à l'écran et est enregistrée dans le journal de données. Trois mesures consécutives au maximum peuvent être écartées.</p> <p>Le calcul de la moyenne du signal corrige les fluctuations incorrectes des mesures engendrées par les bulles et/ou les particules plus grandes présentes dans l'échantillon.</p>
<b>MESURE</b>	<p>Permet de définir le type de chlore mesuré. Si les flacons de solution tampon et de solution témoin mentionnent « Chlore libre » sur leurs étiquettes, sélectionnez CHLORE LIBRE (option par défaut).</p> <p>Si les flacons de solution tampon et de solution témoin mentionnent « Chlore total » sur leurs étiquettes, sélectionnez CHLORE TOTAL.</p>
<b>ELIMIN. BULLES</b>	Permet d'activer ou de désactiver (par défaut) l'option Elimin. bulles. Définissez ELIMIN. BULLES sur MARCHÉ pour réduire le bruit causé par la présence de bulles dans l'échantillon. La formation de bulles d'air dans l'échantillon peut nuire à la stabilité des relevés.
<b>ALAR CHL ELEVE</b>	Permet de définir le point de consigne de concentration en chlore pour l'alarme CHLORE ELEVE entre 0,00 et 10,00 mg/L (valeur par défaut : 4,00 mg/L).
<b>ALAR CHL BAS</b>	Permet de définir le point de consigne de concentration en chlore pour l'alarme CHLORE BAS entre 0,00 et 10,00 mg/L (valeur par défaut : 0,20 mg/L).

Option	Description
<b>INFOS CAPT</b>	Permet d'afficher le numéro de série de l'analyseur, la version du logiciel, la version du programme de démarrage et la version du pilote.
<b>PARAM PAR DEF</b>	Sélectionnez OUI pour rétablir les valeurs d'usine par défaut des paramètres de configuration.
<b>SERVICE</b>	Réservé au SAV.

## 4.2 Configuration du système

Reportez-vous à la documentation relative au contrôleur pour obtenir la configuration système, les paramètres généraux du contrôleur et les instructions de configuration pour les sorties et les communications.

## 4.3 Navigation utilisateur

Consultez la documentation du transmetteur pour une description du clavier et des informations de navigation.

Appuyez plusieurs fois sur la touche flèche vers la **DROITE** du transmetteur pour afficher plus d'informations sur l'écran d'accueil ainsi qu'un graphique.

## Section 5 Fonctionnement

### 5.1 Journaux de données, des événements et de service

Le transmetteur donne accès à un journal de données, un journal des événements et un journal de service pour chaque instrument connecté. Les mesures de l'analyseur sont enregistrées automatiquement dans le journal de données et ce, toutes les 150 secondes. Le journal des événements indique les événements qui ont eu lieu. Les journaux d'événements et de données contiennent environ 2 semaines de données lorsque l'analyseur fonctionne en continu. Le journal de service conserve environ 24 heures de données lorsque l'analyseur fonctionne en continu.

Reportez-vous à la documentation du transmetteur pour télécharger le journal de données, le journal des événements et/ou le journal de service. Le journal de données est un fichier XML qui peut être enregistré au format CSV ou Excel. Le journal des événements et le journal de service sont des fichiers au format CSV.

### 5.2 Mesure de PRENDRE ECH DS

Si besoin, utilisez le menu PRENDRE ECH DS afin d'ajouter à la cellule un échantillon d'eau présentant une concentration en chlore connue à des fins de mesure. Mesurez un échantillon ponctuel à des fins de vérification ou pour mesurer un échantillon d'eau prélevé à partir d'un autre emplacement.

1. Appuyez sur **menu**, puis sélectionnez **PROGR. CAPTEUR > [sélectionner l'analyseur] > PRENDRE ECH DS**.
2. Effectuez les étapes qui s'affichent à l'écran. Lorsque vous y êtes invité, retirez le couvercle de la cellule, puis ajoutez 100 mL de l'échantillon prélevé à la cellule. Une partie de l'échantillon s'écoulera vers le drain d'échantillon.

### 5.3 Registres Modbus

Une liste de registres Modbus est disponible pour la communication réseau. Consultez le site Internet du fabricant de l'instrument pour plus d'informations.

## Section 6 Etalonnage et réglage

La courbe d'étalonnage de l'analyseur est réglée en usine pour garantir des performances conformes aux spécifications. L'étalonnage peut être effectué pour la vérification des performances.

Il est déconseillé à l'utilisateur d'ajuster la courbe d'étalonnage d'usine, sauf si ces modifications sont requises par un organisme de réglementation afin de répondre aux exigences de conformité et de production de rapports, ou si l'analyseur fait l'objet d'une réparation importante.

Pour plus d'informations, reportez-vous aux instructions fournies avec le kit de vérification de l'étalonnage ou contactez l'assistance technique.

## Section 7 Maintenance

### ▲ ATTENTION



Dangers multiples. Seul le personnel qualifié doit effectuer les tâches détaillées dans cette section du document.

### AVIS

Ne pas démonter l'appareil pour entretien. Si les composants internes doivent être nettoyés ou réparés, contacter le fabricant.

## 7.1 Calendrier de maintenance

Le [Tableau 6](#) présente le calendrier recommandé pour les tâches de maintenance. Les exigences du site et les conditions d'utilisation peuvent augmenter la fréquence de certaines tâches.

**Tableau 6** Calendrier de maintenance

Tâche	1 mois	6 mois	Au besoin
<a href="#">Nettoyage de la cellule</a> à la page 100	X <sup>2</sup>		
<a href="#">Remplacement des flacons de réactif</a> à la page 101	X		
Remplacez l'agitateur et le harnais de tuyau <sup>3</sup>		X	
<a href="#">Nettoyage de la crépine du filtre en Y</a> à la page 102			X

## 7.2 Nettoyage de la cellule

### ▲ ATTENTION



Risque d'exposition chimique. Respectez les procédures de sécurité du laboratoire et portez tous les équipements de protection personnelle adaptés aux produits chimiques que vous manipulez. Consultez les fiches de données de sécurité (MSDS/SDS) à jour pour connaître les protocoles de sécurité applicables.

Nettoyez la cellule tous les mois ou plus fréquemment si nécessaire.

**Éléments à réunir :**



Cotons-tiges<sup>4</sup>



Solution d'acide sulfurique 5,25 N<sup>5</sup>

<sup>2</sup> Nettoyez la cellule aussi souvent que nécessaire.

<sup>3</sup> Reportez-vous aux instructions fournies avec le kit des tuyaux.

<sup>4</sup> Reportez-vous à la section [Pièces de rechange et accessoires](#) à la page 107.

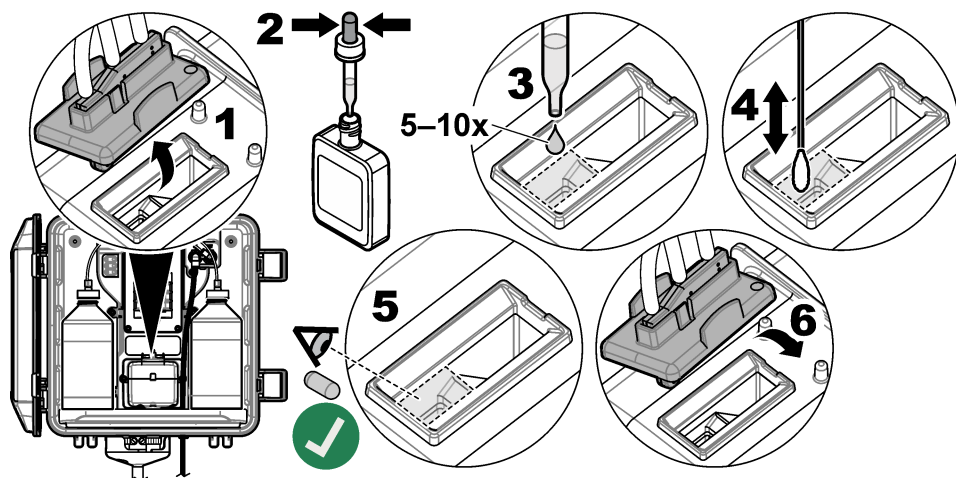
<sup>5</sup> N'utilisez pas d'autres solutions de nettoyage. Reportez-vous à la section [Pièces de rechange et accessoires](#) à la page 107.

1. Portez l'équipement de protection individuelle identifié dans les fiches de données de sécurité (MSDS/SDS).
2. Appuyez sur **menu**, puis sélectionnez **PROGR. CAPTEUR > [sélectionner l'analyseur] > TACHES > NETT CELL.**  
*Remarque : Pour arrêter une tâche sélectionnée, appuyez sur le bouton **home**.*
3. Appuyez sur **entrée** pour arrêter les mesures.
4. Sélectionnez une option.

Option	Description
<b>MEMORISATION</b>	Les sorties du transmetteur sont maintenues à la dernière valeur mesurée.
<b>TRANSFERT</b>	Les sorties du transmetteur sont modifiées à la valeur de transfert.

5. Lorsque le voyant d'état clignote, suivez les étapes illustrées ci-dessous. Lorsque vous avez terminé, appuyez sur **entrée**.

A l'étape 5 illustrée, vérifiez qu'aucune substance indésirable n'est présente dans la cellule. Utilisez une lampe de poche pour rechercher les substances indésirables, si nécessaire.



6. Lorsque « TACHE TERMIN. » s'affiche à l'écran, appuyez sur **entrée**.  
L'analyseur commence un cycle de mesure environ 30 secondes plus tard.

### 7.3 Remplacement des flacons de réactif

<b>⚠ ATTENTION</b>	
	Risque d'exposition chimique. Respectez les procédures de sécurité du laboratoire et portez tous les équipements de protection personnelle adaptés aux produits chimiques que vous manipulez. Consultez les fiches de données de sécurité (MSDS/SDS) à jour pour connaître les protocoles de sécurité applicables.
<b>⚠ ATTENTION</b>	
	Risque d'exposition chimique. Mettez au rebut les substances chimiques et les déchets conformément aux réglementations locales, régionales et nationales.

Remplacez les flacons de réactif tous les mois.

1. Portez l'équipement de protection individuelle identifié dans les fiches de données de sécurité (MSDS/SDS).
2. Appuyez sur **menu**, puis sélectionnez **PROGR. CAPTEUR > [sélectionner l'analyseur] > TACHES > MOD REACTIFS**.

**Remarque :** Pour arrêter une tâche sélectionnée, appuyez sur le bouton **home**.

3. Appuyez sur **entrée** pour arrêter les mesures.
4. Sélectionnez une option.

Option	Description
<b>MEMORISATION</b>	Les sorties du transmetteur sont maintenues à la dernière valeur mesurée.
<b>TRANSFERT</b>	Les sorties du transmetteur sont modifiées à la valeur de transfert.

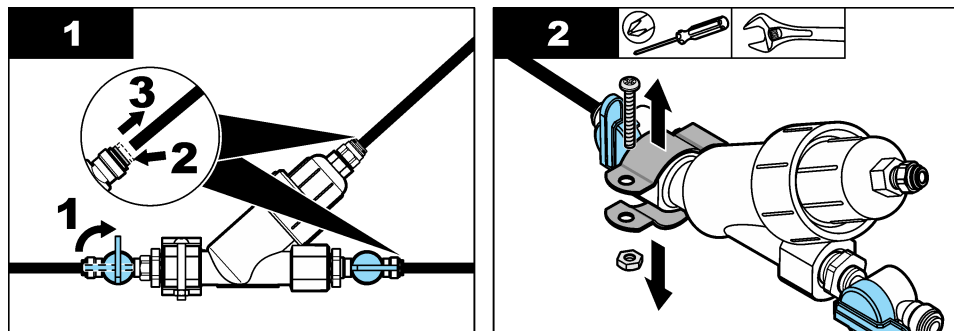
5. Attendez que le voyant d'état clignote.
6. Remplacez le flacon de solution tampon comme suit :

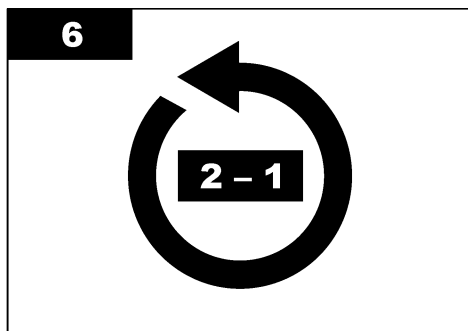
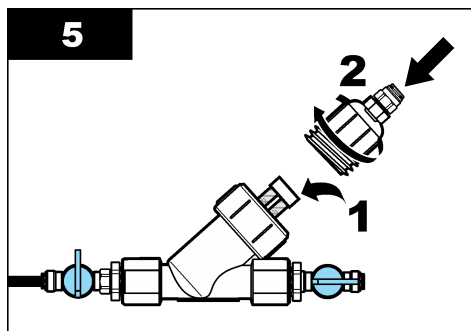
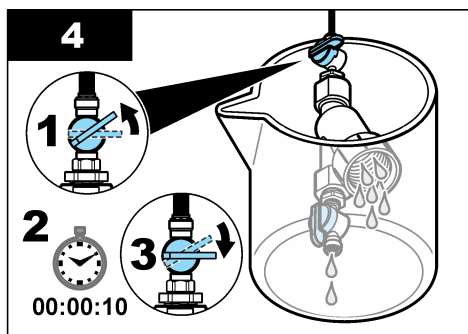
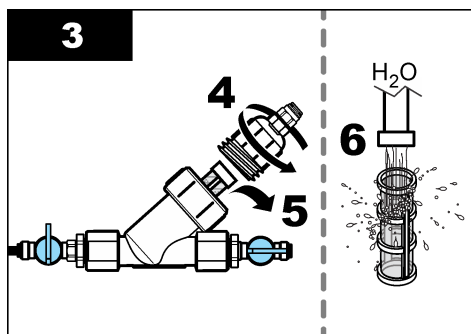
**Remarque :** (facultatif) Utilisez le haut de l'analyseur comme une étagère.

- a. Retirez le bouchon et l'opercule du nouveau flacon de solution tampon.
  - b. Retirez le flacon de solution tampon usagé de l'analyseur.
  - c. Placez le tuyau de solution tampon dans le nouveau flacon de solution tampon sur le côté droit de l'analyseur. Resserrez le bouchon.
7. Remplacez le flacon de solution témoin comme suit :
    - a. Retirez le bouchon et l'opercule du flacon de solution témoin et du flacon DPD marron.
    - b. Remplissez le flacon DPD marron au ¼ environ avec la solution témoin.
    - c. Agitez le flacon DPD pour mélanger son contenu.
    - d. Versez le contenu du flacon DPD dans le flacon de solution témoin.
    - e. Retournez le flacon de solution témoin jusqu'à ce que toute la poudre soit dissoute (2 minutes).
    - f. Retirez le flacon de solution témoin usagé de l'analyseur.
    - g. Placez le tuyau de solution témoin dans le nouveau flacon de solution témoin sur le côté gauche de l'analyseur. Resserrez le bouchon.
  8. Appuyez sur **enter**.
  9. Lorsque « TACHE TERMIN. » s'affiche à l'écran, appuyez sur **entrée**. L'analyseur commence un cycle de mesure environ 30 secondes plus tard.

## 7.4 Nettoyage de la crépine du filtre en Y

Nettoyez la crépine du filtre en Y lorsque celui-ci est obstrué, ce qui est identifié par un avertissement DEBIT PREL BAS. Réalisez les étapes illustrées suivantes.





## 7.5 Préparation du stockage

### ⚠ ATTENTION



Risque d'exposition chimique. Respectez les procédures de sécurité du laboratoire et portez tous les équipements de protection personnelle adaptés aux produits chimiques que vous manipulez. Consultez les fiches de données de sécurité (MSDS/SDS) à jour pour connaître les protocoles de sécurité applicables.

S'il est prévu que l'alimentation de l'analyseur soit retirée pendant plus de 3 jours ou que l'analyseur ne soit pas utilisé pendant plus de 3 jours, préparez l'analyseur pour le stockage.

#### Éléments à réunir :



Bécher contenant de l'eau désionisée  
(2x)

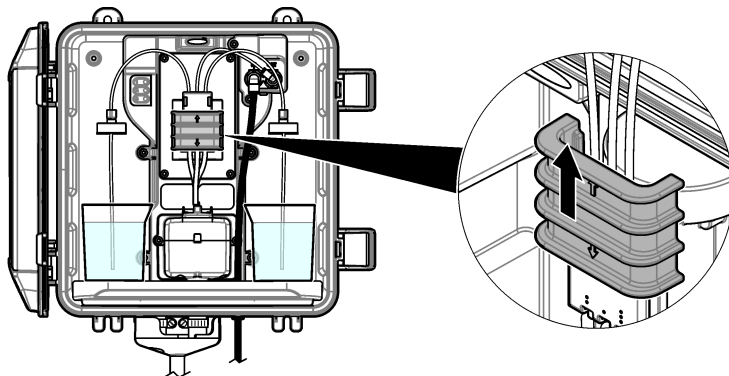


Pipette à usage unique ou chiffon non pelucheux

1. Retirez les réactifs des conduites de réactif comme suit :
  - a. Retirez le flacon de solution témoin et le flacon de solution tampon de l'analyseur.
  - b. Placez deux béchers (ou récipients) contenant de l'eau désionisée dans l'analyseur.
  - c. Placez le tuyau du flacon de solution témoin et celui du flacon de solution tampon dans les béchers.
  - d. Appuyez sur **menu**, puis sélectionnez **PROGR. CAPTEUR > [sélectionner l'analyseur] > AMORÇ.**  
L'analyseur retire les réactifs des conduites de réactif.
2. Retirez l'eau désionisée des conduites de réactif comme suit :
  - a. Retirez le tuyau du flacon de solution témoin et le tuyau du flacon de solution tampon des béchers.

- b. Retirez les deux béciers de l'analyseur.
- c. Appuyez sur **menu**, puis sélectionnez **PROGR. CAPTEUR** > [sélectionner l'analyseur] > **AMORÇ**.  
L'analyseur retire tous les liquides des conduites de réactif.
3. Débranchez le câble de l'analyseur du transmetteur (ou mettez le transmetteur hors tension).
4. Fermez la vanne d'arrêt pour arrêter l'écoulement de l'échantillon dans le filtre en Y.
5. Retirez le collier de la pompe. Reportez-vous à la section [Figure 7](#). Conservez le collier de la pompe pour une utilisation ultérieure.
6. Retirez l'eau de la cellule comme suit :
  - a. Retirez le couvercle de la cellule.
  - b. Retirez l'eau de la cellule à l'aide d'une pipette à usage unique ou d'un chiffon non pelucheux.
  - c. Installez le couvercle sur la cellule.
7. Pour démarrer l'analyseur après stockage, procédez comme suit :
  - a. Installez le collier de la pompe. Reportez-vous à la [Figure 7](#).
  - b. Installez les flacons de réactifs. Reportez-vous à la section [Etape 4 : Installation des flacons de réactif](#) à la page 94.
  - c. Ouvrez la vanne d'arrêt pour lancer l'écoulement de l'échantillon dans le filtre en Y.
  - d. Connectez le câble de l'analyseur au transmetteur, si le câble est déconnecté.
  - e. Branchez le transmetteur, si l'alimentation a été retirée.
  - f. Appuyez sur **menu**, puis sélectionnez **PROGR. CAPTEUR** > [sélectionner l'analyseur] > **AMORÇ**.

**Figure 7 Retrait du collier de la pompe**



## 7.6 Préparation à l'expédition

### ▲ ATTENTION



Risque d'exposition chimique. Respectez les procédures de sécurité du laboratoire et portez tous les équipements de protection personnelle adaptés aux produits chimiques que vous manipulez. Consultez les fiches de données de sécurité (MSDS/SDS) à jour pour connaître les protocoles de sécurité applicables.

Pour préparer l'analyseur à être expédié, procédez comme suit.

**Éléments à réunir :**





Bécher contenant de l'eau désionisée (2x)



Emballage d'origine

1. Retirez les réactifs des conduites de réactif comme suit :
  - a. Retirez le flacon de solution témoin et le flacon de solution tampon de l'analyseur.
  - b. Placez deux béchers (ou récipients) contenant de l'eau désionisée dans l'analyseur.
  - c. Placez le tuyau du flacon de solution témoin et celui du flacon de solution tampon dans les béchers.
  - d. Appuyez sur **menu**, puis sélectionnez **PROGR. CAPTEUR > [sélectionner l'analyseur] > AMORÇ**.  
L'analyseur retire les réactifs des conduites de réactif.
2. Retirez l'eau désionisée des conduites de réactif comme suit :
  - a. Retirez le tuyau du flacon de solution témoin et le tuyau du flacon de solution tampon des béchers.
  - b. Retirez les deux béchers de l'analyseur.
  - c. Appuyez sur **menu**, puis sélectionnez **PROGR. CAPTEUR > [sélectionner l'analyseur] > AMORÇ**.  
L'analyseur retire tous les liquides des conduites de réactif.
3. Débranchez le câble de l'analyseur du transmetteur.
4. Fermez la vanne d'arrêt pour arrêter l'écoulement de l'échantillon dans le filtre en Y.
5. Débranchez le tuyau d'entrée d'échantillon (noir) et le tuyau d'évacuation (transparent) de l'analyseur.
6. Retirez la coupure anti-retour de l'analyseur.
7. Retirez le collier de la pompe. Reportez-vous à la section [Figure 7](#) à la page 104.
8. Retirez le harnais de tuyau et l'agitateur de l'analyseur. Conservez le harnais de tuyau avec l'analyseur en cas d'expédition. Reportez-vous à la section [Etape 3 : Installation de l'agitateur et du harnais de tuyau](#) à la page 94.
9. Installez le collier de la pompe sans le harnais de tuyau. Placez du ruban adhésif sur le tube de pompe pour le maintenir fermement en place.
10. Retirez l'eau de la cellule à l'aide d'une pipette à usage unique ou d'un chiffon non pelucheux.
11. Retirez l'analyseur du mur.
12. Placez l'analyseur dans son emballage d'origine.

## 7.7 Nettoyage de l'appareil

### AVIS

N'utilisez jamais d'agents de nettoyage tels que térébenthine, acétone ou autres produits similaires pour nettoyer l'appareil, ni son écran et ses accessoires.

Nettoyez l'extérieur de l'appareil avec un chiffon humide et une solution de détergent doux.

## 7.8 Nettoyage des débordements

### ⚠ ATTENTION



Risque d'exposition chimique. Mettez au rebut les substances chimiques et les déchets conformément aux réglementations locales, régionales et nationales.

1. Respectez toutes les règles de sécurité du site concernant le contrôle des débordements.
2. Jetez les déchets en suivant les règles applicables.

## Section 8 Dépannage

### 8.1 Erreurs - Voyant rouge

Pour afficher les erreurs, appuyez sur **menu**, puis sélectionnez DIAGNOSTIQUE > [sélectionner l'analyseur] > LISTE ERREURS. Une liste des erreurs possibles apparaît dans le [Tableau 7](#). Lorsqu'une erreur se produit, le voyant d'état de l'analyseur devient rouge. Les mesures s'arrêtent, l'écran des mesures clignote et toutes les sorties sont maintenues, telles que spécifiées dans le menu du transmetteur.

**Tableau 7 Messages d'erreur**

Erreur	Description	Solution
ERR DETECTEUR	Un détecteur ne fonctionne pas correctement.	Contactez l'assistance technique.
CELL SALE	La cellule est tachée ou sale. Lorsque la concentration en chlore est très faible, un biofilm peut se développer dans la cellule.	Nettoyez la cellule. Reportez-vous à la section <a href="#">Nettoyage de la cellule</a> à la page 100.
CODE ERR.	Une erreur de micrologiciel s'est produite.	Contactez l'assistance technique.
ERR LED	Le voyant de la cellule ne fonctionne pas correctement.	Contactez l'assistance technique.
ERR POMPE	La pompe ne fonctionne pas correctement.	Contactez l'assistance technique.
FUITE ECH	Il y a une fuite d'échantillon dans l'analyseur.	Contactez l'assistance technique.

### 8.2 Avertissements - Voyant jaune

Pour afficher les avertissements, appuyez sur **menu**, puis sélectionnez DIAGNOSTIQUE > [sélectionner l'analyseur] > LISTE AVERTIS.. Une liste d'avertissements possibles est disponible dans le [Tableau 8](#).

Lorsqu'un avertissement apparaît, le voyant d'état devient jaune. Une icône d'avertissement clignote et un message s'affiche en bas de l'écran du transmetteur. Si un débit d'échantillon suffisant est disponible, un avertissement n'affecte pas le fonctionnement des menus. Un avertissement n'affecte pas le fonctionnement des relais et des sorties.

**Tableau 8 Messages d'avertissement**

Avertissement	Description	Solution
BULLES DETECT	Il y a des bulles dans la cellule.	Nettoyez la cellule. Reportez-vous à la section <a href="#">Nettoyage de la cellule</a> à la page 100. (Optionnel) Activez le paramètre ELIMIN. BULLES. Voir la section <a href="#">Etape 10 : Configuration de l'analyseur</a> à la page 98.
NETT RECO	La cellule est sale ou tachée et doit être nettoyée rapidement afin d'éviter toute erreur de mesure.	Nettoyez la cellule. Reportez-vous à la section <a href="#">Nettoyage de la cellule</a> à la page 100.
CHLORE ELEVE	La concentration en chlore est égale ou supérieure au point de consigne ALAR CHL ELEVE.	Augmentez la valeur du paramètre ALAR CHL ELEVE. Voir la section <a href="#">Etape 10 : Configuration de l'analyseur</a> à la page 98. Ou Diminuez la concentration en chlore de l'échantillon fourni vers l'analyseur.
CHLORE BAS	La concentration en chlore est égale ou inférieure au point de consigne ALAR CHL BAS.	Diminuez la valeur du paramètre ALAR CHL BAS. Voir la section <a href="#">Etape 10 : Configuration de l'analyseur</a> à la page 98. Ou Augmentez la concentration en chlore de l'échantillon fourni vers l'analyseur.

**Tableau 8 Messages d'avertissement (suite)**

Avertissement	Description	Solution
DEBIT PREL BAS	Le débit d'échantillon mesuré est inférieur au débit d'échantillon minimum. Reportez-vous au <a href="#">Caractéristiques techniques</a> à la page 82.	Réglage du débit d'échantillon. Reportez-vous au <a href="#">Etape 8 : Réglage du débit</a> à la page 97. Nettoyez le filtre du filtre en Y si nécessaire afin d'éliminer toute obstruction. Voir la section <a href="#">Nettoyage de la crépine du filtre en Y</a> à la page 102.
FLUX D'ECH ELEV	Le débit d'échantillon mesuré est supérieur au débit d'échantillon maximum. Reportez-vous à la section <a href="#">Caractéristiques techniques</a> à la page 82.	Réglage du débit d'échantillon. Reportez-vous à la section <a href="#">Etape 8 : Réglage du débit</a> à la page 97.

## Section 9 Pièces de rechange et accessoires

### ▲ AVERTISSEMENT



Risque de blessures corporelles. L'utilisation de pièces non approuvées comporte un risque de blessure, d'endommagement de l'appareil ou de panne d'équipement. Les pièces de rechange de cette section sont approuvées par le fabricant.

**Remarque :** Les numéros de référence de produit et d'article peuvent dépendre des régions de commercialisation. Prenez contact avec le distributeur approprié ou consultez le site web de la société pour connaître les personnes à contacter.

### Consommables

Description	Quantité	Référence
Kit de réactifs, chlore libre, comprend : flacon de solution tampon, flacon de solution témoin et flacon DPD	1	2556900
Kit de réactifs, chlore total, comprend : flacon de solution tampon, flacon de solution témoin et flacon DPD	1	2557000
Kit de nettoyage de cellule, comprenant : acide sulfurique, 5,25 N, 100 mL, flacon compte-gouttes et cotons-tiges (x10)	1	8573100
Kit de vérification d'étalonnage ; comprend : seringue, tuyau, raccords de tuyau, briseur d'ampoule, eau déminéralisée et ampoule de chlore étalon	1	8568200
Kit de vérification d'étalonnage ; comprend : eau déminéralisée et ampoule de chlore étalon	1	8573200

### Pièces de rechange

Description	Référence
Kit de tuyaux, comprend : Harnais de tuyau et agitateur	US : 8560400 UE : 8575000
Kit d'installation à tube vertical (10 psi ou moins)	US : 8560500 UE : 8575100
Kit d'installation à tube vertical (plus de 10 psi)	8576001
Kit d'installation avec régulateur de pression	US : 8565700 UE : 8575200

## Accessoires

Description	Référence
Câble d'extension pour analyseur, 1 m (3,2 pi)	6122400
Câble d'extension pour analyseur, 7,7 m (25 pi)	5796000
Câble d'extension pour analyseur, 15 m (50 pi)	5796100
Adaptateur de tube, 6 mm de diamètre extérieur à 1/4 pouce de diamètre extérieur	09184=A=4020

## Tabla de contenidos

- |   |                                      |   |  |
|---|--------------------------------------|---|--|
| 1 | Especificaciones en la página 109    | 6 | Calibración y ajustes en la página 126           |
| 2 | Información general en la página 110 | 7 | Mantenimiento en la página 127                   |
| 3 | Instalación en la página 113         | 8 | Solución de problemas en la página 133           |
| 4 | Configuración en la página 125       | 9 | Piezas de repuesto y accesorios en la página 134 |
| 5 | Funcionamiento en la página 126      |   |  |

## Sección 1 Especificaciones

Las especificaciones están sujetas a cambios sin previo aviso.

**Tabla 1 Especificaciones generales**

Especificación	Datos
Dimensiones (An. x Al. x Pr.)	32,9 x 34,2 x 17,7 cm (12,9 x 13,5 x 7,0 pulg.)
Carcasa	IP66 según IEC 60529 con la puerta cerrada y bloqueada <sup>1</sup>
Peso del equipo	4,1 kg (9 lb) sin botellas; 5,1 kg (11,2 lb) con botellas llenas
Montaje	Montaje en pared
Clase de protección	III
Grado de contaminación	3
Categoría de la instalación eléctrica	I (en interiores)
Requisitos de alimentación	12 V CC, 400 mA máximo (suministrados por el controlador)
Temperatura de funcionamiento	De 5 a 40 °C (de 41 a 104 °F)
Humedad de funcionamiento	0 a 90% de humedad relativa, sin condensación
Temperatura de almacenamiento	De -40 a 60 °C (de -40 a 140 °F)
Conexiones	Línea de muestra: racor de conexión rápida de ¼" de diámetro exterior para tubos de plástico Líneas de drenaje: racor insertable para tubos de plástico blando de ½" de diámetro interior
Luces indicadoras	Estado del analizador y ciclo de medición
Certificaciones	EU DoC, UKCA DoC, FCC/ISED SDoC, ACMA DoC, KC, DoC (Marruecos)
Garantía	1 año (UE: 2 años)

**Tabla 2 Requisitos de la muestra**

Especificación	Datos
Presión	0,31 a 5,17 bares (4,5 a 75 psig) suministrados al filtro en Y; 0,1 a 0,34 bares (1,5 a 5 psig) suministrados al analizador
Caudal	60 a 200 ml/min a través del instrumento (medición efectuada en el drenaje del analizador)
Temperatura	De 5 a 40 °C (de 41 a 104 °F)
Filtración	Filtro en Y con malla de 40 o superior

<sup>1</sup> Orificios de drenaje cerrados con tapones para la realización de pruebas.

**Tabla 3 Especificaciones de medición**

Especificación	Datos
Fuente de luz	LED, medición a 510 nm; trayectoria de la luz de 1 cm
Rango de medición	De 0,03 a 10 mg/L de cloro residual libre o total como Cl <sub>2</sub>
Intervalo de medición	150 segundos
Exactitud	±5 % o ±0,04 mg/L de 0 a 5 mg/L (el valor más alto) como Cl <sub>2</sub> ±10 % de 5 a 10 mg/L como Cl <sub>2</sub>
Precisión	±5 % o ±0,01 mg/L (el valor más alto) como Cl <sub>2</sub>
Límite de detección	0,03 mg/L como Cl <sub>2</sub>
Límite de cuantificación	0,07 mg/L
Calibración	Calibración de fábrica Opcional: calibración del usuario de 2 puntos con patrones de calibración del Kit de verificación de la calibración
Uso de reactivo	0,5 L de solución tampón y 0,5 L de solución indicadora en 31 días

## Sección 2 Información general

El fabricante no será responsable en ningún caso de los daños resultantes de un uso inadecuado del producto o del incumplimiento de las instrucciones del manual. El fabricante se reserva el derecho a modificar este manual y los productos que describen en cualquier momento, sin aviso ni obligación. Las ediciones revisadas se encuentran en la página web del fabricante.

### 2.1 Información de seguridad

El fabricante no es responsable de ningún daño debido a un mal uso de este producto incluyendo, sin limitación, daños directos, fortuitos o circunstanciales y reclamaciones sobre los daños que no estén recogidos en la legislación vigente. El usuario es el responsable de la identificación de los riesgos críticos y de tener los mecanismos adecuados de protección de los procesos en caso de un posible mal funcionamiento del equipo.

Sírvase leer todo el manual antes de desembalar, instalar o trabajar con este equipo. Ponga atención a todas las advertencias y avisos de peligro. El no hacerlo puede provocar heridas graves al usuario o daños al equipo.

Asegúrese de que la protección proporcionada por este equipo no se vea afectada. No use o instale este equipo de una manera diferente a la explicada en este manual.

#### 2.1.1 Uso de la información relativa a riesgos

#### **▲ PELIGRO**

Indica una situación potencial o de riesgo inminente que, de no evitarse, provocará la muerte o lesiones graves.

#### **▲ ADVERTENCIA**

Indica una situación potencial o inminentemente peligrosa que, de no evitarse, podría provocar la muerte o lesiones graves.

#### **▲ PRECAUCIÓN**

Indica una situación potencialmente peligrosa que podría provocar una lesión menor o moderada.

#### **AVISO**

Indica una situación que, si no se evita, puede provocar daños en el instrumento. Información que requiere especial énfasis.

## 2.1.2 Etiquetas de precaución

Lea todas las etiquetas y rótulos adheridos al instrumento. En caso contrario, podrían producirse heridas personales o daños en el instrumento. El símbolo que aparezca en el instrumento se comentará en el manual con una declaración de precaución.



En Europa, el equipo eléctrico marcado con este símbolo no se debe desechar mediante el servicio de recogida de basura doméstica o pública. Devuelva los equipos viejos o que hayan alcanzado el término de su vida útil al fabricante para su eliminación sin cargo para el usuario.

## 2.1.3 Compatibilidad electromagnética (CEM)

### ⚠ PRECAUCIÓN

Este equipo no está diseñado para su uso en entornos residenciales y puede que no brinde la protección adecuada para la recepción de radio en dichos entornos.

#### CE (EU)

El equipo cumple los requisitos esenciales de la Directiva CEM 2014/30/UE.

#### UKCA (UK)

El equipo cumple los requisitos del Reglamento de Compatibilidad Electromagnética de 2016 (S.I. 2016/1091).

#### Reglamentación canadiense sobre equipos que provocan interferencia, ICES-003, Clase A

Registros de pruebas de control del fabricante.

Este aparato digital de clase A cumple con todos los requerimientos de las reglamentaciones canadienses para equipos que producen interferencias.

Cet appareil numérique de classe A répond à toutes les exigences de la réglementation canadienne sur les équipements provoquant des interférences.

#### FCC Parte 15, Límites Clase "A"

Registros de pruebas de control del fabricante. Este dispositivo cumple con la Parte 15 de las normas de la FCC estadounidense. Su operación está sujeta a las siguientes dos condiciones:

1. El equipo no puede causar interferencias perjudiciales.
2. Este equipo debe aceptar cualquier interferencia recibida, incluyendo las interferencias que pueden causar un funcionamiento no deseado.

Los cambios o modificaciones a este equipo que no hayan sido aprobados por la parte responsable podrían anular el permiso del usuario para operar el equipo. Este equipo ha sido probado y encontrado que cumple con los límites para un dispositivo digital Clase A, de acuerdo con la Parte 15 de las Reglas FCC. Estos límites están diseñados para proporcionar una protección razonable contra las interferencias perjudiciales cuando el equipo está operando en un entorno comercial. Este equipo genera, utiliza y puede irradiar energía de radio frecuencia, y si no es instalado y utilizado de acuerdo con el manual de instrucciones, puede causar una interferencia dañina a las radio comunicaciones. La operación de este equipo en un área residencial es probable que produzca interferencias dañinas, en cuyo caso el usuario será requerido para corregir la interferencia bajo su propio cargo. Pueden utilizarse las siguientes técnicas para reducir los problemas de interferencia:

1. Desconecte el equipo de su fuente de alimentación para verificar si éste es o no la fuente de la interferencia.
2. Si el equipo está conectado a la misma toma eléctrica que el dispositivo que experimenta la interferencia, conecte el equipo a otra toma eléctrica.
3. Aleje el equipo del dispositivo que está recibiendo la interferencia.
4. Cambie la posición de la antena del dispositivo que recibe la interferencia.
5. Pruebe combinaciones de las opciones descritas.

## 2.2 Descripción general del producto

### ⚠ PELIGRO



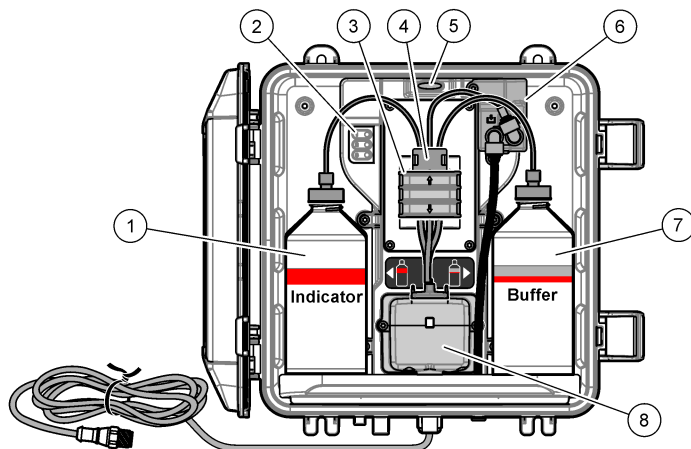
Peligro químico o biológico. Si este instrumento se va a utilizar para controlar un proceso de tratamiento o como agua de alimentación para diálisis, procesos para los que existen límites normativos y requisitos de control relacionados con la salud pública, la seguridad pública, la fabricación o el procesamiento de alimentos o bebidas, será responsabilidad del usuario del instrumento conocer y cumplir toda la normativa aplicable y disponer de mecanismos adecuados y suficientes que satisfagan las normativas vigentes en caso de avería del equipo.

El analizador CL17sc mide la concentración de cloro total en el agua, en el rango de 0,03 a 10 mg/l a intervalos de 150 segundos. Además, en [Figura 1](#) se ofrece una descripción general del analizador.

Conecte el analizador a un controlador SC para el encendido, el funcionamiento, la recopilación de datos, la transmisión de datos y el diagnóstico. Consulte la descripción general del controlador en el manual del controlador SC.

**Nota:** Si el controlador SC dispone de más de un racor de conexión rápida, podrá conectarse más de un analizador al controlador.

**Figura 1 CL17sc**



1 Botella de solución indicadora	5 Luz de estado del analizador ( <a href="#">Tabla 5</a> en la página 113)
2 Luces del ciclo de medición ( <a href="#">Tabla 4</a> en la página 113)	6 Caudalímetro
3 Abrazadera de la bomba	7 Botella de tampón
4 Abrazadera para tubos	8 Celda colorimétrica

### 2.2.1 Caudalímetro

El analizador dispone de un caudalímetro para medir el caudal de muestra que pasa por el analizador. Consulte la [Figura 1](#) en la página 112.

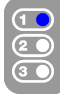
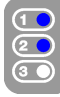

La muestra únicamente pasa por el analizador cuando el analizador lava la celda. El resto del tiempo no hay flujo de muestra y el caudal indicado es cero. Pulse la flecha **HACIA LA DERECHA** del controlador para ver el caudal.



## 2.2.2 Luces del ciclo de medición

Las luces del ciclo de medición indican el paso del ciclo de medición que se está realizando. Consulte la [Tabla 4](#).

**Tabla 4 Luces del ciclo de medición**

<b>Luces encendidas</b>			
<b>Descripción</b>	La celda se está enjuagando con agua.	La solución tampón y la solución indicadora se añaden a la celda.	La muestra se está midiendo.

## 2.2.3 Luz de estado del analizador

La luz de estado del analizador cambia de verde a amarillo cuando se genera una advertencia o a rojo cuando se produce un error. Consulte la [Tabla 5](#).

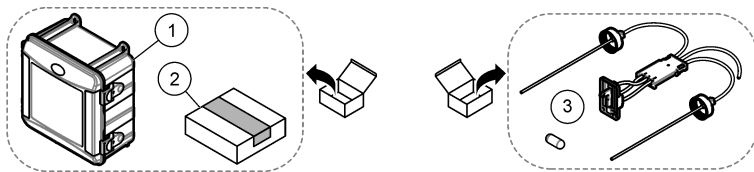
**Tabla 5 Luz de estado del analizador**

Color	Descripción
Verde	Funcionamiento normal
Amarillo	Se debe prestar atención al sistema para evitar que se produzca un fallo en el futuro. Las mediciones continúan. Para ver las advertencias, pulse <b>menú</b> y seleccione DIAGNOSTICOS > [seleccione el analizador] > ADVERTENCIAS. Consulte <a href="#">Advertencias: luz amarilla</a> en la página 133.
Rojo	El sistema requiere atención inmediata. Las mediciones se han detenido. Para ver los errores, pulse <b>menú</b> y seleccione DIAGNOSTICOS > [seleccione el analizador] > LISTA ERRORES. Consulte <a href="#">Errores: luz roja</a> en la página 133.

## 2.3 Componentes del producto

Asegúrese de haber recibido todos los componentes. Consulte el [Figura 2](#). Si faltan artículos o están dañados, contacte con el fabricante o el representante de ventas inmediatamente.

**Figura 2 Componentes del producto**



1 Analizador CL17sc	3 Kit de tubos (set de tubos con tapa y barra agitadora)
2 Kit de instalación	

## Sección 3 Instalación

### ⚠ PRECAUCIÓN



Peligros diversos. Solo el personal cualificado debe realizar las tareas descritas en esta sección del documento.

### 3.1 Instrucciones de instalación

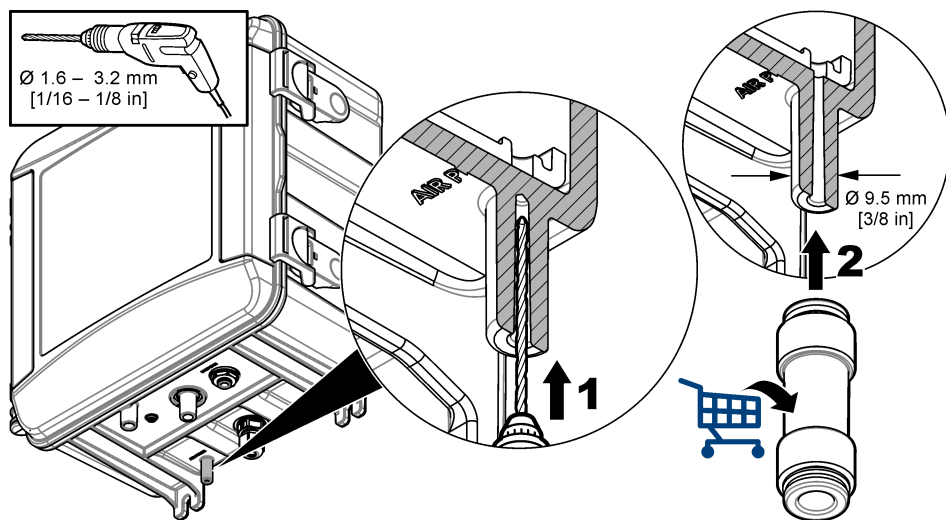
- El analizador se entrega con un kit de instalación con rotura de carga o con un kit de instalación con regulador de presión para controlar la presión del agua del analizador. El usuario elige el kit de instalación en el momento de la compra.
- Instale el analizador en interiores, en un lugar en el que las vibraciones sean mínimas. Consulte las especificaciones de temperatura y humedad de funcionamiento en [Especificaciones](#) en la página 109.
- No instale el analizador en un lugar expuesto a la luz solar directa o cerca de una fuente de calor.
- En instalaciones con rotura de carga, instale el analizador en una ubicación que disponga de espacio libre suficiente por encima del analizador para poder montar la rotura de carga.
- Instale el analizador cerca de un drenaje abierto. Consulte las instrucciones de los organismos reguladores locales respecto a los residuos.

### 3.2 Paso 1: Purga de aire (opcional)

Puede ser necesario realizar una purga de aire si el analizador está instalado en una ubicación con un alto nivel de humedad o en el que haya vapores que generen corrosión. La purga de aire mantiene una presión positiva en el instrumento con aire seco y limpio.

Suministre aire limpio y seco de calidad apta para instrumentos a 0,003 m<sup>3</sup>/minuto (0,1 pies<sup>3</sup>/minuto) a un máximo de 20 psig.

Consulte los pasos que se muestran en las siguientes ilustraciones. El usuario debe suministrar el racor de conexión rápida de 3/8" y los tubos.



### 3.3 Paso 2: Montaje y conexión de los tubos del analizador

#### ⚠ PRECAUCIÓN



En el instrumento solo se pueden utilizar los tubos especificados por Hach Company. El uso de otros tubos podría provocar la absorción del cloro presente en la muestra de agua y tener un efecto negativo sobre las lecturas de cloro (reducir las lecturas de cloro).

#### AVISO

La conexión incorrecta de los tubos del analizador puede causar daños debido al exceso de presión de la muestra. Siga siempre las instrucciones que se indican a continuación para el montaje y la conexión de los tubos del analizador.

1. Instale el analizador (elemento 9) en la pared utilizando cuatro tornillos. Compruebe que el analizador está nivelado.

**Nota:** La tornillería de montaje la debe proporcionar el usuario.

2. Instale el controlador SC (elemento 7) en una pared, panel o rotura de carga. Consulte las instrucciones en la documentación del controlador SC.
3. Monte el filtro en Y. Consulte las instrucciones suministradas en el embalaje.
4. Utilice la abrazadera de conducto de 1 pulgada para montar el conjunto del filtro en Y (elemento 5 en [Figura 3](#), [Figura 4](#) o [Figura 5](#)).
5. Instale el interruptor de aire externo en el analizador (punto 2 en [Figura 3](#), [Figura 4](#) o [Figura 5](#)). Consulte las instrucciones suministradas en el embalaje.
6. Lleve a cabo el paso [7](#) o [8](#).

El analizador se suministra con un kit de instalación de tubo vertical o un kit de instalación de regulador de presión para controlar la presión del agua de entrada. El usuario elige el kit de instalación en el momento de la compra. Un kit con rotura de carga es para 10 psi o menos y otro kit con rotura de carga es para una presión de agua de entrada de más de 10 psi. Mida la presión del agua de entrada justo antes del conjunto del filtro en Y.

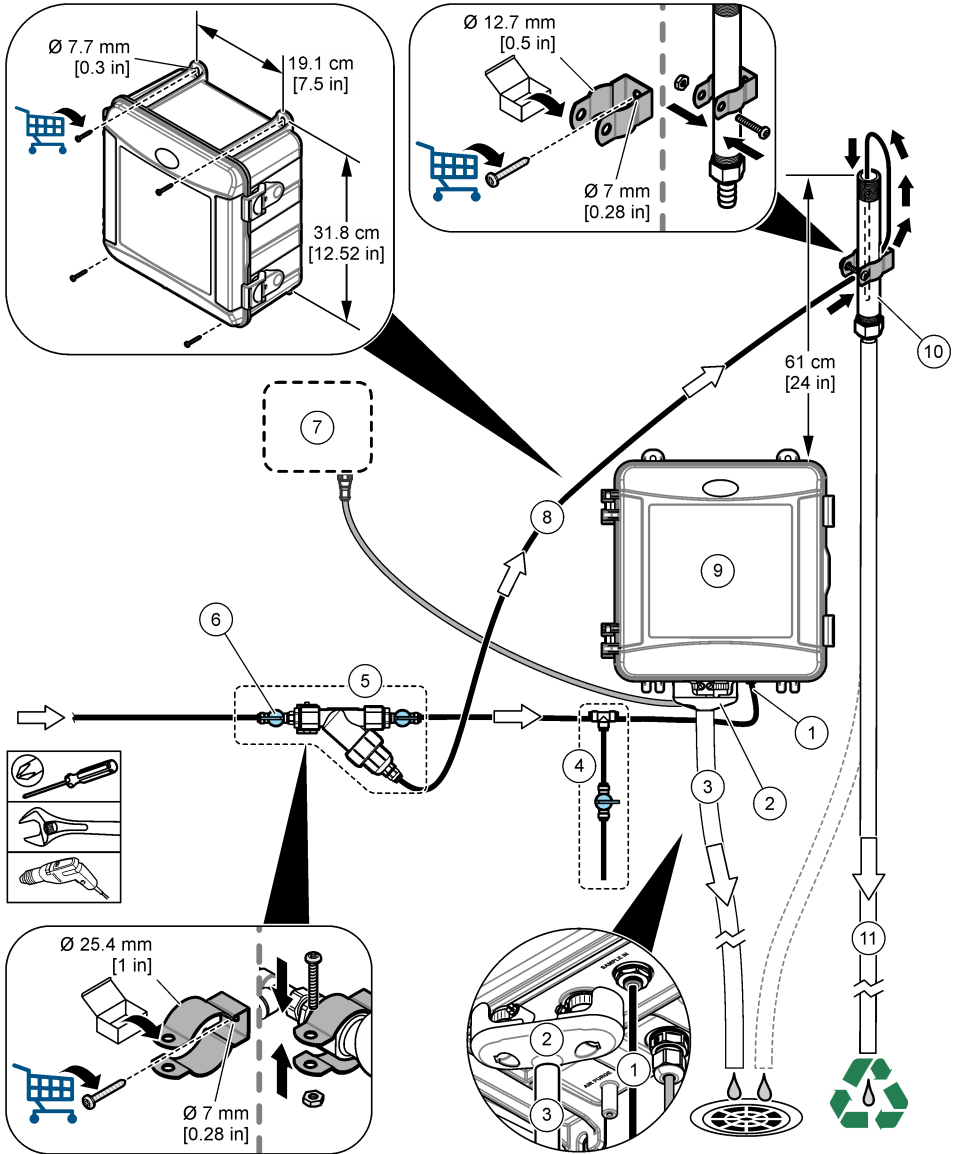
7. Si eligió el kit de instalación con rotura de carga en el momento de la compra, instale la rotura de carga como se indica a continuación:
  - a. Monte la rotura de carga. Consulte las instrucciones suministradas en el embalaje.
  - b. Utilice la abrazadera de conductos más pequeña para instalar la rotura de carga por encima del analizador:
    - 10 psi o menos: instale la rotura de carga a un mínimo de 61 cm (24 in) por encima del analizador.
    - Más de 10 psi: instale la rotura de carga a un mínimo de 91,4 cm (36 in) por encima del analizador.
  - c. 10 psi o menos-Con el tubo negro, instale el tubo de derivación de muestra (elemento 8 en [Figura 3](#)). Pase el tubo por detrás y después insértelo en la rotura de carga. Coloque el tubo a entre 10-13 cm (4-5 in) en la parte superior de la rotura de carga.
  - d. Más de 10 psi: con el tubo negro, conecte la salida del filtro en Y a la entrada del tubo vertical (elemento 8 en [Figura 4](#)).
  - e. Corte una parte del tubo de drenaje de muestra (elemento 3). Utilice la tubería para conectar el tubo vertical a un desagüe abierto (elemento 11). Consulte el [Instrucciones sobre la línea de drenaje](#) en la página 120.
8. Si eligió el kit de instalación con regulador de presión en el momento de la compra, instale el regulador de presión (elemento 10 de la [Figura 5](#)).
9. Con el tubo negro, conecte la entrada del filtro en Y (elemento 5) a la toma de la muestra. Consulte [Directrices sobre la línea de muestra](#) en la página 120 y [Requisitos de la muestra](#) en la página 120.
10. Con el tubo negro, conecte la muestra al accesorio de entrada de muestra (elemento 1) de la siguiente manera:

Procure que el tubo sea lo más corto posible, con una longitud máxima de 2,5 m (8 pies).

  - 10 psi o menos-Conecte la salida del filtro en Y al accesorio de entrada de muestra (elemento 1) en la parte inferior del analizador. Consulte [Figura 3](#).
  - Más de 10 psi-Conecte la salida del tubo vertical al accesorio de entrada de muestra (elemento 1) en la parte inferior del analizador. Consulte [Figura 4](#).
  - Regulador de presión-Conecte la salida del regulador de presión al accesorio de entrada de muestra (elemento 1) en la parte inferior del analizador. Consulte [Figura 5](#).
11. Si se ha instalado un regulador de presión, instale el tubo de derivación de muestra (elemento 8 en la [Figura 5](#)).
12. Montar y el conjunto de la muestra de agarre (elemento 4).

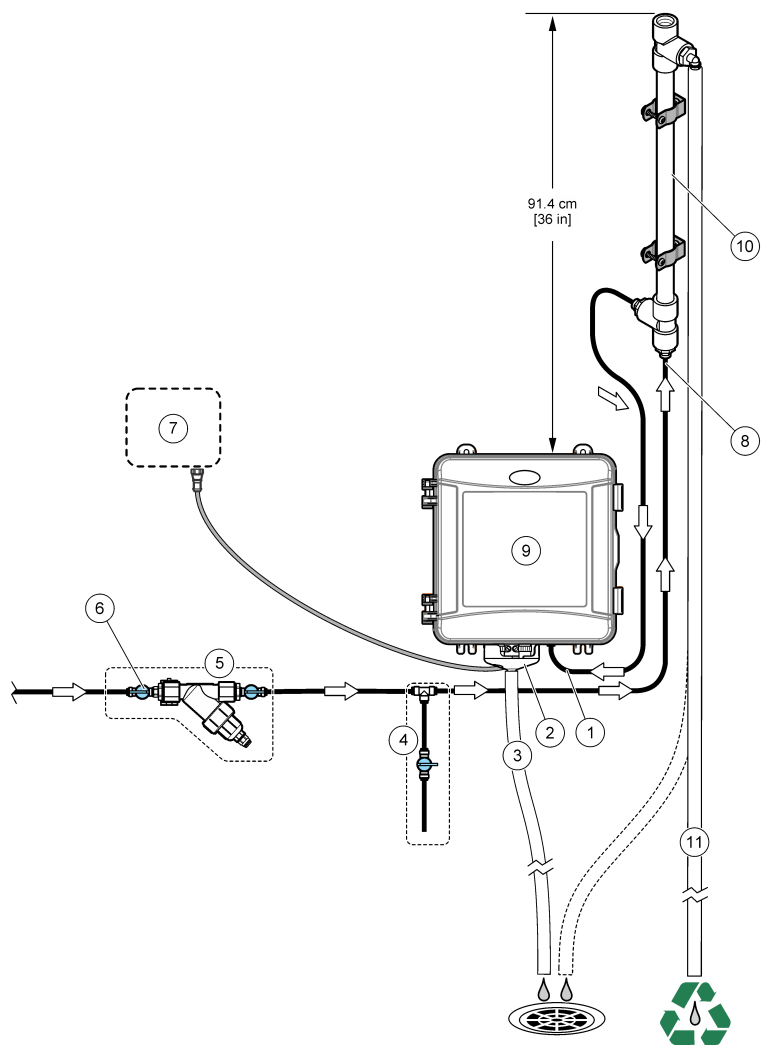
13. Plomee el racor en T del conjunto de la muestra de la cuchara. Consulte [Figura 3](#), [Figura 4](#) o [Figura 5](#) según proceda.
14. Conecte el tubo de drenaje de muestra (elemento 3) a un drenaje abierto. Consulte el [Instrucciones sobre la línea de drenaje](#) en la página 120.

**Figura 3 Instalación con rotura de carga (10 psi o menos)**



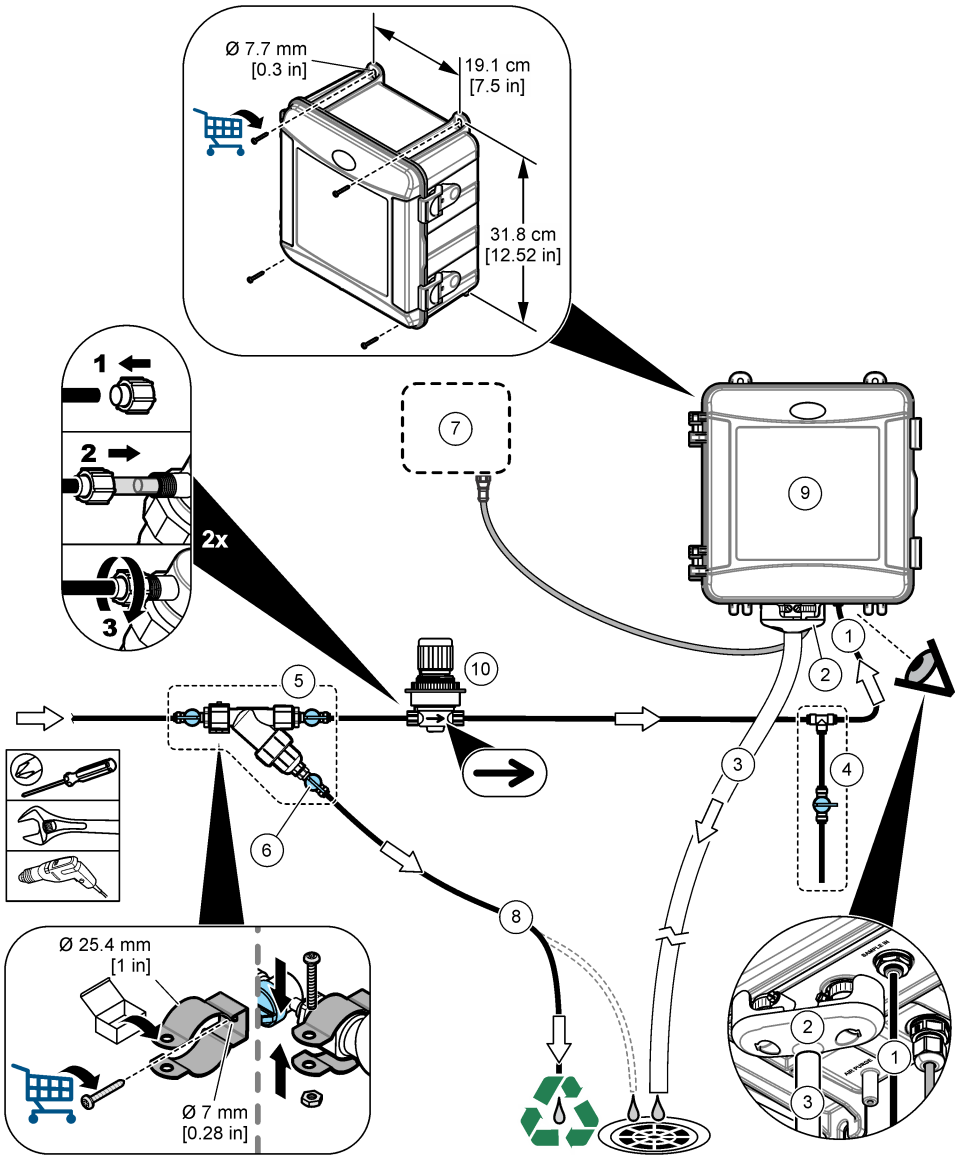
1 Racor de entrada de muestras	7 Controlador SC
2 Abertura de aire externa	8 Tubo de derivación de muestra
3 Tubo de drenaje de muestra	9 Analizador
4 Conjunto de muestra manual	10 Rotura de carga
5 Conjunto del filtro en Y	11 Tubo de drenaje de la rotura de carga
6 Válvula de corte en la entrada del filtro en Y	

**Figura 4 Instalación con rotura de carga (más de 10 psi)**



1 Conexión de entrada de muestra	7 Controlador SC
2 Abertura de aire externa	8 Entrada del tubo vertical
3 Tubo de drenaje de muestra	9 Analizador
4 Conjunto de muestra manual	10 Rotura de carga
5 Conjunto del filtro en Y	11 Tubo de drenaje de la rotura de carga
6 Válvula de corte en la entrada del filtro en Y	

**Figura 5 Instalación con regulador de presión**



1 Conexión de entrada de muestra	6 Válvula de cierre en la derivación del filtro en Y
2 Abertura de aire externa	7 Controlador SC
3 Tubo de drenaje de muestra	8 Tubo de derivación de muestra
4 Conjunto de muestra manual	9 Analizador
5 Conjunto del filtro en Y	10 Regulador de presión

### 3.3.1 Directrices sobre la línea de muestra

Seleccione un punto de muestreo adecuado que sea representativo para conseguir un rendimiento óptimo del instrumento. La muestra debe ser representativa de todo el sistema.

Para evitar las lecturas erróneas:

- Haga la toma de muestra en puntos suficientemente alejados de los puntos en los que se añaden productos químicos a la corriente del proceso.
- Asegúrese de que las muestras están lo suficientemente mezcladas.
- Asegúrese de que todas las reacciones químicas se han completado.
- Instale el analizador lo más cerca posible de la fuente de la muestra (4,6 m [15 pies] como máximo).

### 3.3.2 Requisitos de la muestra

El agua de la que proceda la muestra debe cumplir con las especificaciones indicadas en el apartado de [Especificaciones](#) en la página 109.

Para obtener los mejores resultados, mantenga el caudal y la temperatura de funcionamiento de la muestra lo más constantes posible.

### 3.3.3 Instrucciones sobre la línea de drenaje

#### **AVISO**

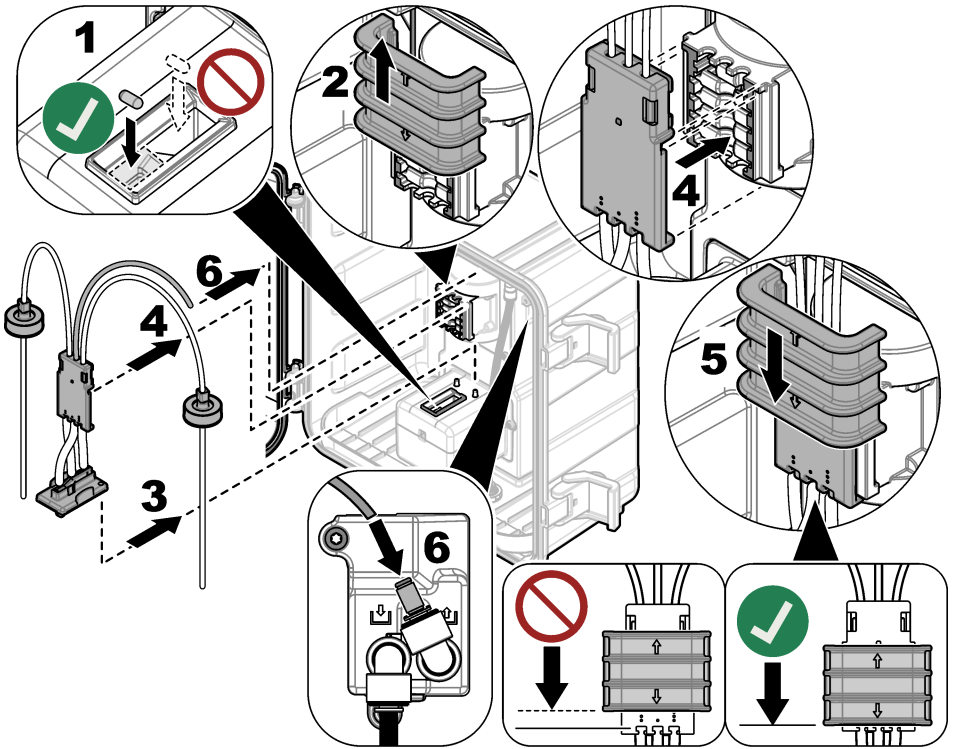
Una instalación incorrecta de las líneas de drenaje puede provocar que el líquido regrese al instrumento y lo dañe.

- Asegúrese de instalar la abertura de aire externa. Consulte el punto 2 en [Figura 3](#) en la página 117, [Figura 4](#) en la página 118 o [Figura 5](#) en la página 119.
- Asegúrese de que las líneas de drenaje sean lo más cortas posible.
- Asegúrese de que las líneas de drenaje tengan un descenso constante.
- Asegúrese de que las líneas de drenaje no se doblen en exceso y de que no se retuerzan.



### 3.4 Paso 3: Instalación de la barra agitadora y el set de tubos con tapa

Lleve a cabo los pasos que se ilustran a continuación.



### 3.5 Paso 4: Instalación de las botellas de reactivo

#### ⚠ PRECAUCIÓN



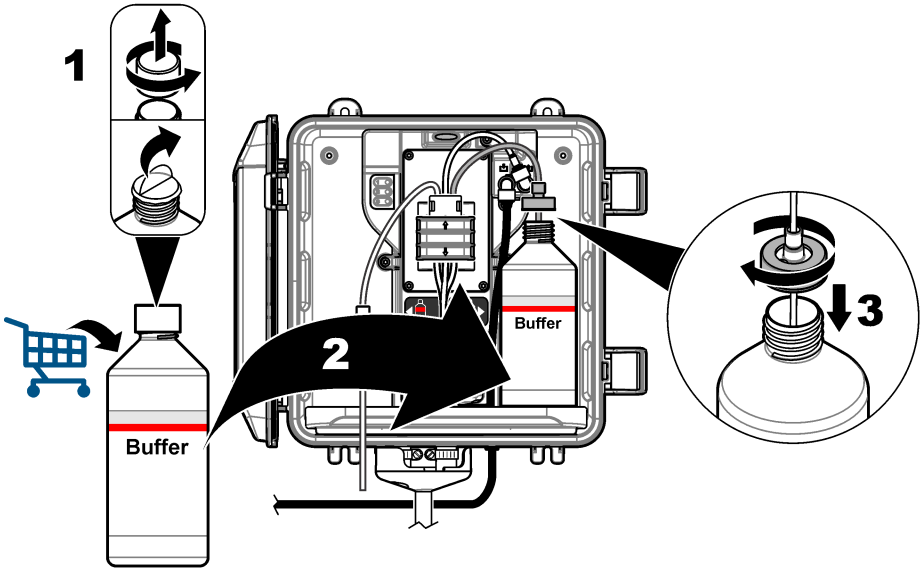
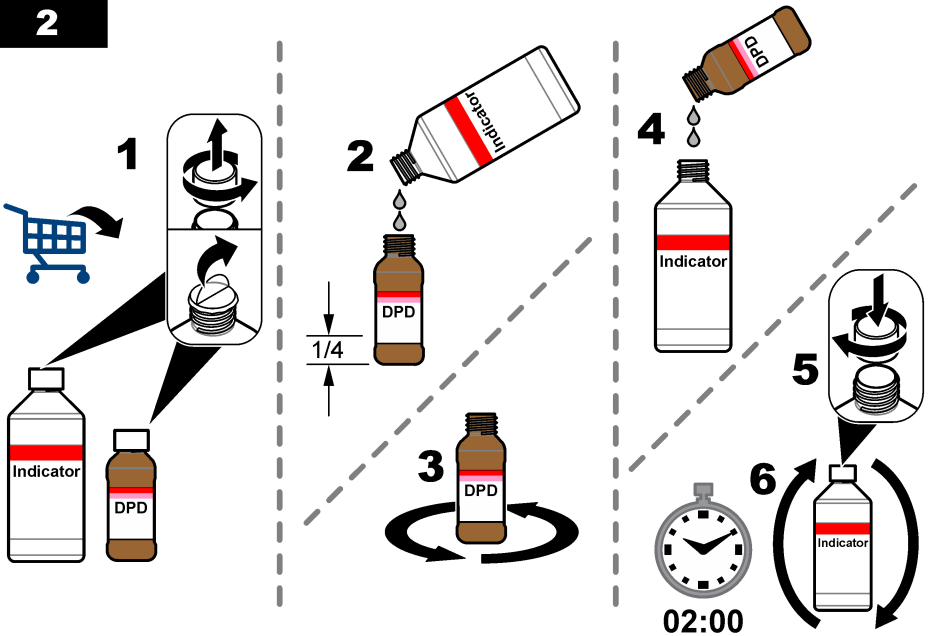
Peligro por exposición química. Respete los procedimientos de seguridad del laboratorio y utilice el equipo de protección personal adecuado para las sustancias químicas que vaya a manipular. Consulte los protocolos de seguridad en las hojas de datos de seguridad actuales (MSDS/SDS).

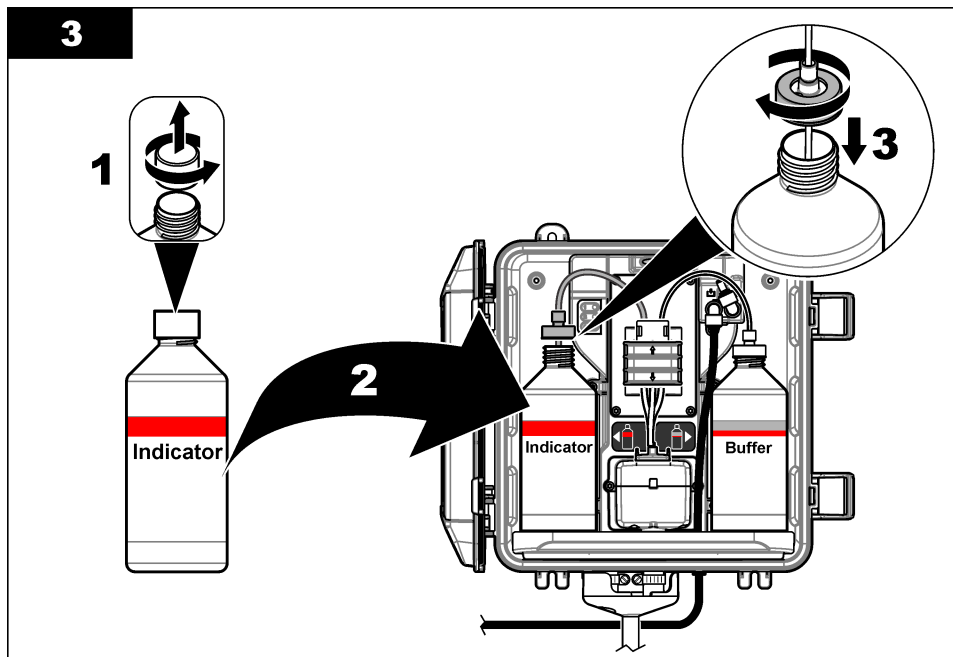
#### Material necesario:

- Equipo de protección personal (consulte la MSDS o la SDS)
- Botella de solución indicadora
- Botella de tampón
- Botella de compuesto DPD

1. Póngase el equipo de protección personal indicado en las hojas de datos de seguridad (MSDS/SDS).
2. Instale la botella de tampón en el lado derecho y la botella de solución indicadora en el lado izquierdo. Consulte los pasos que se muestran en las siguientes ilustraciones.

**Nota:** (Opcional) Utilice la parte superior del analizador a modo de estante.

**1****2**



### 3.6 Paso 5: Activación del caudal de muestra

1. Gire lentamente las válvulas de corte un cuarto de vuelta hacia la posición de apertura.
2. Asegúrese de que no haya fugas en las conexiones de bombeo. Si detecta una fuga, inserte más el tubo en el racor o apriete la conexión con una llave.
3. En instalaciones con cilindro de rotura de carga, siga los pasos que se detallan a continuación:
  - a. Abra completamente la válvula de corte en la salida del filtro en Y.
  - b. Gire la válvula de cierre en la entrada del filtro en Y (elemento 6 en [Figura 3](#) en la página 117 o [Figura 4](#) en la página 118) hasta que salga un pequeño chorro de agua por la tubería de desagüe del tubo vertical.
4. En instalaciones con regulador de presión, siga los pasos que se indican a continuación:
  - a. Abra completamente las válvulas de corte de la entrada y la salida del filtro en Y.
  - b. Gire la válvula de corte de la derivación del filtro en Y (elemento 6 de la [Figura 5](#) en la página 119) hasta que salga un pequeño chorro de agua por el tubo de derivación del filtro en Y.

### 3.7 Paso 6: Instalación eléctrica

#### 3.7.1 Conexión del analizador al controlador

#### ⚠ ADVERTENCIA

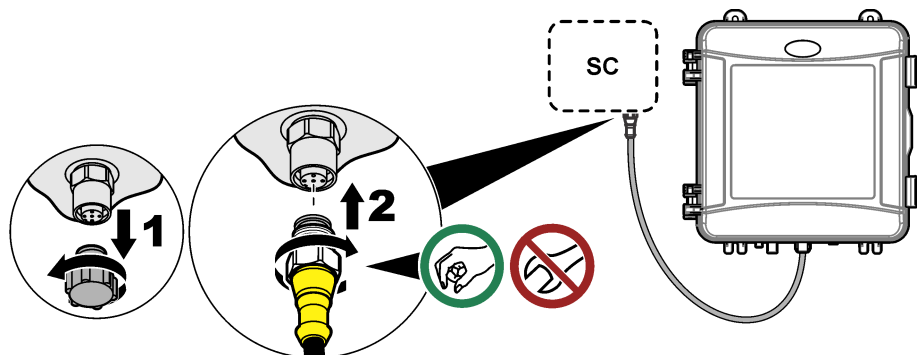


Peligro de descarga eléctrica. El equipo conectado de forma externa debe someterse a una evaluación estándar de seguridad aplicable.

Conecte el cable del analizador al racor de conexión rápida del controlador SC. Consulte la [Figura 6](#).  
 Conserve la tapa del conector para cerrar la abertura del conector en caso de que deba desmontar el cable.

**Nota:** Hay disponibles cables alargadores. Consulte las [Piezas de repuesto y accesorios](#) en la página 134. La longitud máxima del cable es de 15 m (49 pies).

**Figura 6** Conexión del cable a un racor de conexión rápida



### 3.7.2 Conexión del controlador a la alimentación

Conecte el controlador a una línea de alimentación a través de un conducto de conexión física o de un cable de alimentación. Consulte las instrucciones en la documentación del controlador.

### 3.7.3 Conexión de dispositivos externos al controlador

Conecte los relés del controlador, las salidas analógicas y las entradas digitales de dispositivos externos como sea necesario. Consulte las instrucciones en la documentación del controlador.

## 3.8 Paso 7: Configurar y cebar el analizador

1. Pulse **menú** y seleccione MONTAR SENSOR > [seleccione el analizador] > CEBAR.
2. Si el controlador no reconoce que el analizador está conectado, siga estos pasos:
  - a. Pulse **menu** y, a continuación, seleccione PRUEBA/MANT. > BUSCAR SENSOR.
  - b. Cuando encuentre e instale el sensor, vuelva a realizar el paso 1.

## 3.9 Paso 8: Ajuste del caudal

El analizador dispone de un caudalímetro para medir el caudal de muestra que atraviesa el analizador. Consulte el [Figura 1](#) en la página 112.

1. Pulse la flecha **HACIA LA DERECHA** del controlador para ver el caudal en la pantalla.

La muestra únicamente pasa por el analizador cuando el analizador lava la celda. El resto del tiempo no hay flujo de muestra y el caudal indicado es cero. Consulte en la [Tabla 4](#) en la página 113 las descripciones de los pasos del ciclo de medición.

**Nota:** Para medir manualmente el caudal a través del analizador, mida el caudal en el drenaje del analizador cuando este enjuague la celda con agua.

2. En instalaciones con pértiga, gire la válvula de corte de la salida del filtro en Y para ajustar el caudal entre 60 y 200 mL/min cuando el analizador enjuague la celda con agua.
3. En instalaciones con regulador de presión, ajuste el regulador de presión para configurar el caudal entre 60 y 200 mL/min cuando el analizador enjuague la celda con agua.

### 3.10 Paso 9: Instalación de la última versión de software

Compruebe que el controlador SC tiene instalada la última versión de software. Utilice una tarjeta SD para instalar el software más reciente en el controlador SC.

1. Vaya a la página de producto del controlador SC correspondiente en <http://hach.com>.
2. Haga clic en la pestaña "Recursos".
3. Desplácese hacia abajo hasta la sección "Software/Firmware".
4. Haga clic en el vínculo del software del controlador SC.
5. Guarde los archivos en una tarjeta SD.
6. Instale los archivos en el controlador SC. Consulte las instrucciones de instalación del software incluidas con los archivos de software.

## Sección 4 Configuración

### 4.1 Paso 10: Configuración del analizador

Defina el nombre del analizador, la media de la señal, el tipo de cloro medido, la eliminación de burbujas y los valores de consigna de las alarmas de cloro.

1. Pulse **menu** y seleccione MONTAR SENSOR > [seleccione el analizador] > CONFIGURAR.
2. Seleccione y configure las opciones.

Opción	Descripción
<b>EDITAR NOMBRE</b>	Establece el nombre del analizador. El nombre del analizador se muestra en la pantalla del controlador y en los archivos de registro.
<b>MEDIA SEÑAL</b>	<p>Establece el número de mediciones utilizadas para calcular la medición media que se muestra en la pantalla. Opciones: 1 (predeterminada), 2, 3 o VALOR IRREGULAR.</p> <p>Cuando MEDIA SEÑAL se establece en 1, el cálculo de la media de la señal se desactiva.</p> <p>Cuando MEDIA SEÑAL se establece en 2 o 3, se muestra una lectura de la media en la pantalla. Por ejemplo, la medición de la pantalla equivale a la última y anterior medición dividida entre dos cuando el valor de MEDIA SEÑAL es 2.</p> <p>Si MEDIA SEÑAL se establece en VALOR IRREGULAR, el analizador rechaza las lecturas que sean inusualmente superiores o inferiores a las más recientes. Cuando se rechaza una lectura, la última lectura correcta se muestra en pantalla y se guarda en el registro de datos. No se pueden rechazar más de tres lecturas consecutivas.</p> <p>El promediado de la señal corrige las fluctuaciones de lectura incorrectas causadas por la presencia de burbujas o partículas de gran tamaño en la muestra.</p>
<b>MEDICIÓN</b>	<p>Establece el tipo de cloro medido. Si las botellas de solución tampón y solución indicadora llevan una etiqueta que indica "Cloro libre", seleccione CLORO LIBRE (valor predeterminado).</p> <p>Si las botellas de solución tampón y solución indicadora llevan una etiqueta que indica "Cloro total", seleccione CLORO TOTAL.</p>
<b>ELIM BURBUJAS</b>	Activa o desactiva (valor predeterminado) la eliminación de burbujas. Configure la opción ELIM BURBUJAS en ENCENDIDO para reducir el ruido causado por las burbujas presentes en la muestra. La presencia de burbujas de aire en la muestra puede generar lecturas inestables.
<b>ALARMA CL ALTO</b>	Establece el valor de consigna de la concentración de cloro para la alarma de CLORO ALTO: de 0,00 a 10,00 mg/L (valor predeterminado: 4,00 mg/L).
<b>ALARMA CL BAJO</b>	Establece el valor de consigna de la concentración de cloro para la alarma de CLORO BAJO: de 0,00 a 10,00 mg/L (valor predeterminado: 0,20 mg/L).

Opción	Descripción
<b>INFO SENSOR</b>	Muestra el número de serie del analizador, la versión de software, la versión de arranque y la versión del controlador.
<b>AJUSTES PREDETERMINAD</b>	Selecione SI para cambiar la configuración de nuevo a los valores predeterminados de fábrica.
<b>SERVICIO</b>	Solo para uso de Service

## 4.2 Configuración del sistema

Consulte la documentación del controlador para obtener información sobre la configuración del sistema, los ajustes generales del controlador y la configuración para las salidas y las comunicaciones.

## 4.3 Navegación por los menús

Consulte la documentación del controlador para ver la descripción del teclado e información sobre cómo desplazarse por los menús.

Pulse la tecla de flecha a la **DERECHA** en el controlador varias veces para ver más información en la pantalla de inicio y mostrar una pantalla gráfica.

# Sección 5 Funcionamiento

## 5.1 Registros de datos, eventos y servicio

El controlador permite el acceso a un registro de datos, un registro de eventos y un registro de servicio para cada instrumento conectado. Las mediciones del analizador se guardan automáticamente en el registro de datos en intervalos de 150 segundos. El registro de eventos muestra los eventos que se han producido. Los registros de eventos y de datos conservan datos de 2 semanas aproximadamente cuando el analizador funciona de forma continua. El registro de servicio conserva datos de 24 horas aproximadamente cuando el analizador funciona de forma continua.

Consulte la documentación del controlador para descargar el registro de datos, el de eventos o el de servicio. El registro de datos es un archivo XML que se puede guardar en formato CSV o Excel. Los registros de eventos y de servicio son archivos en formato CSV.

## 5.2 Medición con INTRO. MUESTRA

Si fuera necesario, utilice el menú INTRO. MUESTRA para añadir a la celda una muestra de agua con una concentración de cloro conocida para la medición. Mida una muestra discreta a modo de verificación o para medir una muestra de agua obtenida de otra ubicación.

1. Pulse **menu** y seleccione **MONTAR SENSOR > [selecione el analizador] > INTRO. MUESTRA**.
2. Lleve a cabo los pasos que se indican en la pantalla. Cuando se le solicite, quite la tapa de la celda y añada 100 ml de muestra discreta a la celda. Una parte de la muestra pasará al drenaje de muestras.

## 5.3 Registros de Modbus

Está disponible una lista de registros Modbus para comunicación en red. Consulte la página web del fabricante para obtener más información.

# Sección 6 Calibración y ajustes

La curva de calibración del analizador se establece en fábrica para ajustar su rendimiento a las especificaciones. La calibración puede realizarse para verificar el rendimiento.

No se recomienda que el usuario realice ningún ajuste en la curva de calibración de fábrica, salvo que lo exija un organismo regulador para la elaboración de informes de cumplimiento o cuando se realice una reparación importante en el analizador.

Para obtener más información, consulte las instrucciones del Kit de verificación de la calibración o póngase en contacto con el servicio de asistencia técnica.

## Sección 7 Mantenimiento

### ⚠ PRECAUCIÓN



Peligros diversos. Solo el personal cualificado debe realizar las tareas descritas en esta sección del documento.

### AVISO

No desmonte el instrumento para el mantenimiento. Si es necesario limpiar o reparar los componentes internos, póngase en contacto con el fabricante.

## 7.1 Cronograma de mantenimiento

En la [Tabla 6](#) se muestra el cronograma recomendado para las tareas de mantenimiento. Los requisitos de las instalaciones y las condiciones de funcionamiento pueden aumentar la frecuencia de algunas tareas.

**Tabla 6 Cronograma de mantenimiento**

Tarea	1 mes	6 meses	Según sea necesario
<a href="#">Limpieza de la celda</a> en la página 127	X <sup>2</sup>		
<a href="#">Cambio de las botellas de reactivo</a> en la página 128	X		
Sustituya la barra agitadora y el set de tubos con tapa <sup>3</sup>		X	
<a href="#">Limpieza del tamiz del filtro en Y</a> en la página 129			X

## 7.2 Limpieza de la celda

### ⚠ PRECAUCIÓN



Peligro por exposición química. Respete los procedimientos de seguridad del laboratorio y utilice el equipo de protección personal adecuado para las sustancias químicas que vaya a manipular. Consulte los protocolos de seguridad en las hojas de datos de seguridad actuales (MSDS/SDS).

Limpie la celda a intervalos de 1 mes o con más frecuencia si es necesario.

#### Material necesario:



Bastoncillos de algodón<sup>4</sup>



Solución de ácido sulfúrico 5,25 N<sup>5</sup>

<sup>2</sup> Limpie la celda con más o menos frecuencia si es necesario.

<sup>3</sup> Consulte las instrucciones incluidas con el kit de tubos.

<sup>4</sup> Consulte el [Piezas de repuesto y accesorios](#) en la página 134.

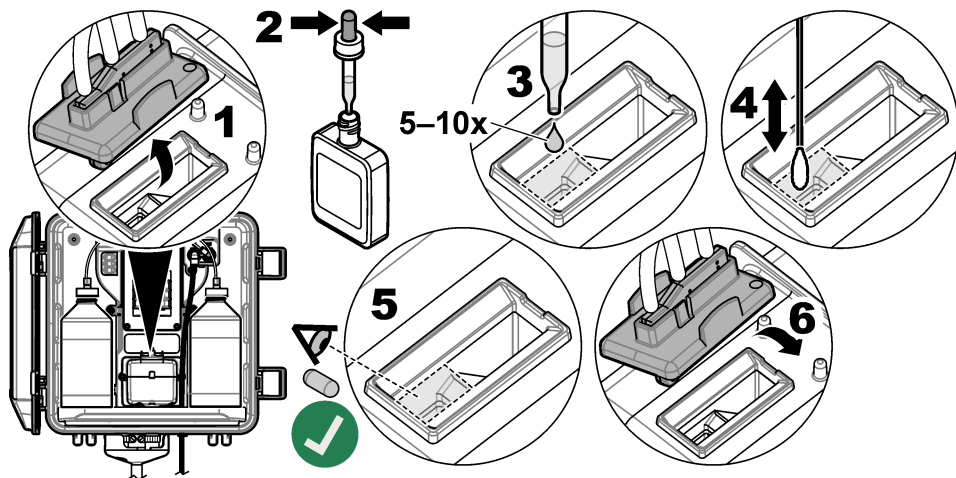
<sup>5</sup> No use otras soluciones de limpieza. Consulte el [Piezas de repuesto y accesorios](#) en la página 134.

1. Póngase el equipo de protección personal indicado en las hojas de datos de seguridad (MSDS/SDS).
  2. Pulse **menu** y seleccione MONTAR SENSOR > [seleccione el analizador] > TAREAS > LIMP CELDA.
- Nota:** Para detener una tarea seleccionada, pulse **Inicio**.
3. Pulse **Enter** para detener las mediciones.
  4. Seleccione una opción.

Opción	Descripción
SIN CAMBIO	Las salidas del controlador se mantienen en el último valor medido.
TRANSFERIR	Las salidas del controlador cambian al valor de transferencia.

5. Cuando la luz de estado parpadee, siga los pasos que se muestran a continuación. Cuando termine, pulse **Enter**.

Como se indica en el paso 5, asegúrese de que no haya materiales no deseados en la celda. Utilice una linterna para buscar materiales no deseados si fuera necesario.



6. Cuando se muestre el mensaje "TAREA COMPLETA" en la pantalla, pulse **Enter**. El analizador iniciará un ciclo de medición en aproximadamente 30 segundos.

### 7.3 Cambio de las botellas de reactivo

#### ▲ PRECAUCIÓN



Peligro por exposición química. Respete los procedimientos de seguridad del laboratorio y utilice el equipo de protección personal adecuado para las sustancias químicas que vaya a manipular. Consulte los protocolos de seguridad en las hojas de datos de seguridad actuales (MSDS/SDS).

#### ▲ PRECAUCIÓN



Peligro por exposición a productos químicos. Desehágase de los productos químicos y los residuos de acuerdo con las normativas locales, regionales y nacionales.

Sustituya las botellas de reactivo a intervalos de 1 mes.



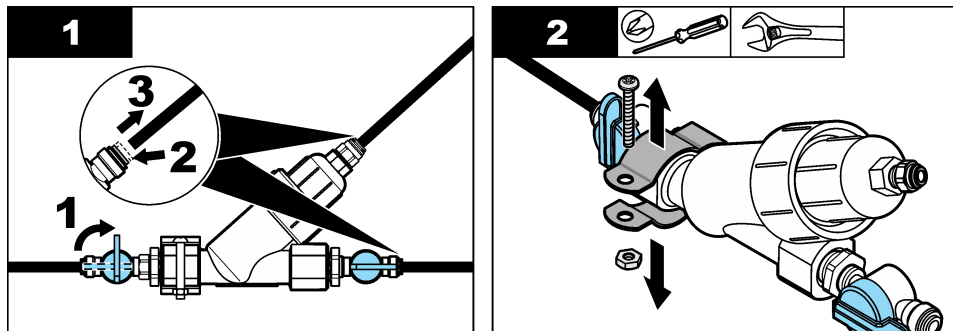
1. Póngase el equipo de protección personal indicado en las hojas de datos de seguridad (MSDS/SDS).
2. Pulse **menu** y seleccione MONTAR SENSOR > [seleccione el analizador] > TAREAS > CAMBIA REACTIVO.  
*Nota: Para detener una tarea seleccionada, pulse Inicio.*
3. Pulse **Enter** para detener las mediciones.
4. Seleccione una opción.

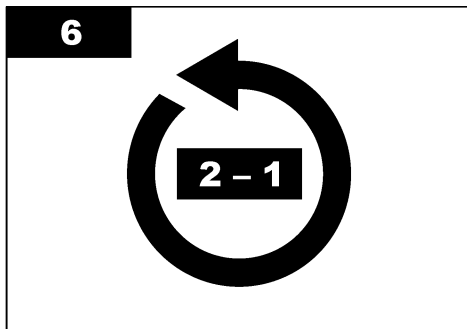
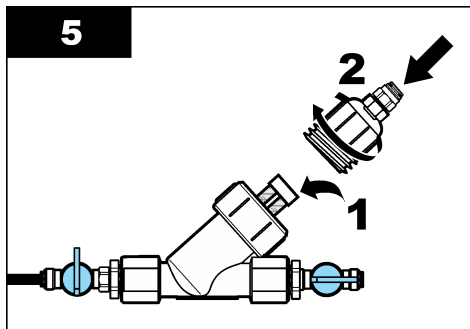
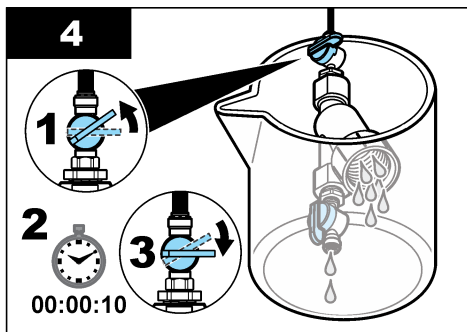
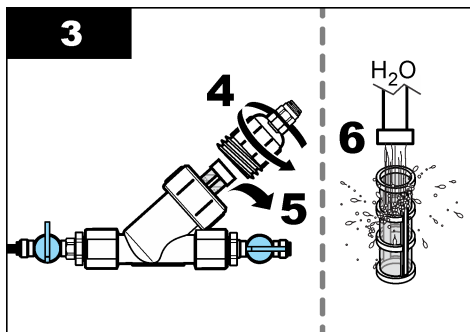
Opción	Descripción
<b>SIN CAMBIO</b>	Las salidas del controlador se mantienen en el último valor medido.
<b>TRANSFERIR</b>	Las salidas del controlador cambian al valor de transferencia.

5. Espere a que la luz de estado parpadee.
6. Cambie la botella de tampón como se indica a continuación:  
*Nota: (Opcional) Utilice la parte superior del analizador a modo de estante.*
  - a. Quite el tapón y el sello de la botella nueva de tampón.
  - b. Retire la botella de tampón usada del analizador.
  - c. Coloque los tubos de solución tampón en la nueva botella de tampón del lado derecho del analizador. Cierre la tapa.
7. Cambie la botella de solución indicadora como se indica a continuación:
  - a. Quite la tapa y el sello de la botella de solución indicadora y de la botella de DPD marrón.
  - b. Llene aproximadamente un cuarto de la botella de DPD marrón con solución indicadora.
  - c. Agite la botella de DPD para mezclar el contenido.
  - d. Vierta el contenido de la botella de DPD en la botella de solución indicadora.
  - e. Invierta la botella de solución indicadora hasta que se disuelva todo el polvo (2 minutos).
  - f. Retire la botella de solución indicadora usada del analizador.
  - g. Coloque los tubos de solución indicadora en la nueva botella de solución indicadora del lado izquierdo del analizador. Cierre la tapa.
8. Pulse **Enter**.
9. Cuando se muestre el mensaje "TAREA COMPLETA" en la pantalla, pulse **Enter**. El analizador iniciará un ciclo de medición en aproximadamente 30 segundos.

## 7.4 Limpieza del tamiz del filtro en Y

Limpie el tamiz del filtro en Y cuando haya una obstrucción, lo cual se identifica mediante la advertencia CAUDAL MUESTR BAJO. Lleve a cabo los pasos que se ilustran a continuación.





## 7.5 Preparación para el almacenamiento

### ⚠ PRECAUCIÓN



Peligro por exposición química. Respete los procedimientos de seguridad del laboratorio y utilice el equipo de protección personal adecuado para las sustancias químicas que vaya a manipular. Consulte los protocolos de seguridad en las hojas de datos de seguridad actuales (MSDS/SDS).

Si la alimentación del analizador se va a desconectar durante más de 3 días o si el analizador no se va a utilizar durante más de 3 días, prepárelo para el almacenamiento.

#### Material necesario:



Vaso de precipitados con agua desionizada (2x)

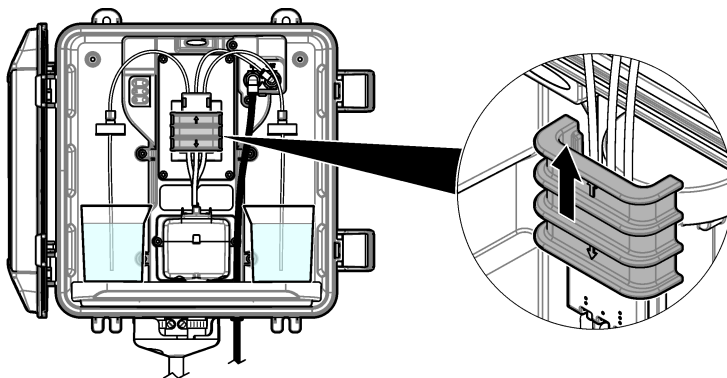


Cuentagotas desechable o paño que no suelte pelusas

1. Vacíe los reactivos de las líneas de reactivo como se indica a continuación:
  - a. Retire la botella de solución indicadora y la botella de tampón del analizador.
  - b. Coloque dos vasos de precipitados (o recipientes) que contengan agua desionizada en el analizador.
  - c. Inserte los tubos de la botella de solución indicadora y los de la botella de tampón en los vasos.
  - d. Pulse **menú** y seleccione MONTAR SENSOR > [seleccione el analizador] > CEBAR. El analizador vaciará los reactivos de las líneas de reactivo.
2. Extraiga el agua desionizada de las líneas de reactivo de la siguiente manera:
  - a. Saque los tubos de la botella de solución indicadora y los de la botella de tampón de los vasos.

- b. Retire los dos vasos del analizador.
  - c. Pulse **menú** y seleccione MONTAR SENSOR > [seleccione el analizador] > CEBAR. El analizador vaciará todo el líquido de las líneas de reactivo.
3. Desconecte el cable del analizador del controlador (o corte la alimentación del controlador).
  4. Gire la válvula de corte hasta la posición de cierre para detener el caudal de muestra hacia el filtro en Y.
  5. Quite la abrazadera de la bomba. Consulte la [Figura 7](#). Guarde la abrazadera de la bomba para utilizarla posteriormente.
  6. Vacíe el agua de la celda como se indica a continuación:
    - a. Quite la tapa de la celda.
    - b. Vacíe el agua de la celda con un cuentagotas desechable o un trapo que no suelte pelusa.
    - c. Instale la tapa de la celda.
  7. Para poner en marcha el analizador después del almacenamiento, lleve a cabo los siguientes pasos:
    - a. Instale la abrazadera de la bomba. Consulte la [Figura 7](#).
    - b. Instale las botellas de reactivo. Consulte el [Paso 4: Instalación de las botellas de reactivo](#) en la página 121.
    - c. Coloque la válvula de corte en posición abierta para iniciar el caudal de muestra hacia el filtro en Y.
    - d. Conecte el cable del analizador al controlador si lo había desconectado previamente.
    - e. Conecte la alimentación del controlador si la había desconectado previamente.
    - f. Pulse **menú** y seleccione MONTAR SENSOR > [seleccione el analizador] > CEBAR.

**Figura 7 Desmontaje de la abrazadera de la bomba**



## 7.6 Preparación para el envío

### ⚠ PRECAUCIÓN



Peligro por exposición química. Respete los procedimientos de seguridad del laboratorio y utilice el equipo de protección personal adecuado para las sustancias químicas que vaya a manipular. Consulte los protocolos de seguridad en las hojas de datos de seguridad actuales (MSDS/SDS).

Para preparar el analizador para su envío, lleve a cabo los siguientes pasos.

#### Material necesario:



Vaso de precipitados con agua desionizada (2x)



Embalaje original

1. Vacíe los reactivos de las líneas de reactivo como se indica a continuación:
  - a. Retire la botella de solución indicadora y la botella de tampón del analizador.
  - b. Coloque dos vasos de precipitados (o recipientes) que contengan agua desionizada en el analizador.
  - c. Inserte los tubos de la botella de solución indicadora y los de la botella de tampón en los vasos.
  - d. Pulse **menú** y seleccione MONTAR SENSOR > [seleccione el analizador] > CEBAR. El analizador vaciará los reactivos de las líneas de reactivo.
2. Extraiga el agua desionizada de las líneas de reactivo de la siguiente manera:
  - a. Saque los tubos de la botella de solución indicadora y los de la botella de tampón de los vasos.
  - b. Retire los dos vasos del analizador.
  - c. Pulse **menú** y seleccione MONTAR SENSOR > [seleccione el analizador] > CEBAR. El analizador vaciará todo el líquido de las líneas de reactivo.
3. Desconecte el cable del analizador del controlador.
4. Gire la válvula de corte hasta la posición de cierre para detener el caudal de muestra hacia el filtro en Y.
5. Desconecte el tubo de la entrada de muestras (negro) y el tubo de drenaje (transparente) del analizador.
6. Retire la abertura de aire externa del analizador.
7. Quite la abrazadera de la bomba. Consulte la [Figura 7](#) en la página 131.
8. Retire el set de tubos con tapa y la barra agitadora del analizador. Guarde el set de tubos con tapa para enviarlo con el analizador. Consulte el [Paso 3: Instalación de la barra agitadora y el set de tubos con tapa](#) en la página 121.
9. Instale la abrazadera de la bomba sin el set de tubos. Coloque cinta adhesiva en la abrazadera de los tubos para sujetarla firmemente.
10. Vacíe el agua de la celda con un cuentagotas desechable o un trapo que no suelte pelusa.
11. Desmonte el analizador de la pared.
12. Coloque el analizador en su embalaje original.

## 7.7 Limpieza del instrumento

### AVISO

Nunca utilice productos de limpieza como aguarrás, acetona o productos similares para limpiar el instrumento, incluidos la pantalla y los accesorios.

Limpie el exterior del instrumento con un paño húmedo y una solución jabonosa suave.

## 7.8 Limpieza de los derrames

### ▲ PRECAUCIÓN



Peligro por exposición a productos químicos. Deshágase de los productos químicos y los residuos de acuerdo con las normativas locales, regionales y nacionales.

1. Cumpla todos los protocolos de seguridad del centro relativos al control de derrames.
2. Deseche los residuos conforme a las normativas vigentes.

## Sección 8 Solución de problemas

### 8.1 Errores: luz roja

Para ver los errores, pulse **menú** y seleccione DIAGNOSTICOS > [seleccione el analizador] > LISTA ERRORES. En la [Tabla 7](#) aparece una lista de posibles errores.

Si se produce un error, la luz de estado del analizador cambia a rojo. Las mediciones se detienen, la pantalla de medición parpadea y todas las salidas se mantienen del modo especificado en el menú del controlador.

**Tabla 7 Mensajes de error**

Error	Descripción	Solución
ERROR DETECTOR	Un detector no funciona correctamente.	Póngase en contacto con el servicio de asistencia técnica.
CELDA SUCIA	La celda está sucia o manchada. Puede crecer una biopelícula en la celda si la concentración de cloro es muy baja.	Limpie la celda. Consulte el <a href="#">Limpieza de la celda</a> en la página 127.
ERROR CÓDIGO	Se ha producido un error en el firmware.	Póngase en contacto con el servicio de asistencia técnica.
ERROR LED	La luz de la celda no funciona correctamente.	Póngase en contacto con el servicio de asistencia técnica.
ERROR BOMBA	La bomba no funciona correctamente.	Póngase en contacto con el servicio de asistencia técnica.
FUGA MUESTRA	Hay una fuga de muestra en el analizador.	Póngase en contacto con el servicio de asistencia técnica.

### 8.2 Advertencias: luz amarilla

Para ver las advertencias, pulse **menú** y seleccione DIAGNOSTICOS > [seleccione el analizador] > ADVERTENCIAS. En [Tabla 8](#) aparece una lista de advertencias posibles.

Si aparece una advertencia, la luz indicadora de estado cambia a color amarillo. El icono de advertencia parpadea y se muestra un mensaje en la parte inferior de la pantalla del controlador. Si hay suficiente caudal de muestra, la advertencia no afecta el funcionamiento de los menús. Las advertencias no afectan al funcionamiento de los relés y las salidas.

**Tabla 8 Mensajes de advertencia**

Advertencia	Descripción	Solución
BURBUJA DETECT	Hay burbujas en la celda.	Limpie la celda. Consulte <a href="#">Limpieza de la celda</a> en la página 127. (Opcional) Habilite la opción ELIM BURBUJAS. Consulte <a href="#">Paso 10: Configuración del analizador</a> en la página 125.
LIMP CELDA PRONTO	La celda se está ensuciando y debe limpiarse pronto para evitar errores.	Limpie la celda. Consulte el <a href="#">Limpieza de la celda</a> en la página 127.
CLORO ALTO	La concentración de cloro es igual o mayor que el valor de consigna de ALARMA CL ALTO.	Aumente el ajuste de ALARMA CL ALTO. Consulte <a href="#">Paso 10: Configuración del analizador</a> en la página 125.  O bien  Reduzca la concentración de cloro de la muestra suministrada al analizador.

**Tabla 8 Mensajes de advertencia (continúa)**

Advertencia	Descripción	Solución
CLORO BAJO	La concentración de cloro es igual o menor que el valor de consigna de ALARMA CL BAJO.	Reduzca el ajuste de ALARMA CL BAJO. Consulte <a href="#">Paso 10: Configuración del analizador</a> en la página 125. O bien Aumente la concentración de cloro de la muestra suministrada al analizador.
CAUDAL MUESTR BAJO	El caudal de muestra medido es inferior al caudal de muestra mínimo. Consulte <a href="#">Especificaciones</a> en la página 109.	Configure el caudal de la muestra. Consulte <a href="#">Paso 8: Ajuste del caudal</a> en la página 124. Si es necesario, limpie el tamiz del filtro en Y para eliminar una posible obstrucción. Consulte <a href="#">Limpieza del tamiz del filtro en Y</a> en la página 129.
CAUDAL MUESTRA ALTO	El caudal de muestra medido es superior al caudal de muestra máximo. Consulte <a href="#">Especificaciones</a> en la página 109.	Configure el caudal de la muestra. Consulte <a href="#">Paso 8: Ajuste del caudal</a> en la página 124.

## Sección 9 Piezas de repuesto y accesorios

### ⚠ ADVERTENCIA



Peligro de lesión personal. El uso de piezas no aprobadas puede causar lesiones personales, daños al instrumento o un mal funcionamiento del equipo. Las piezas de repuesto que aparecen en esta sección están aprobadas por el fabricante.

**Nota:** Las referencias de los productos pueden variar para algunas regiones de venta. Póngase en contacto con el distribuidor correspondiente o visite la página web de la empresa para obtener la información de contacto.

### Consumibles

Descripción	Cantidad	Referencia
El set de reactivos para cloro libre, incluye: Botella de tampón, botella de solución indicadora y botella de DPD	1	2556900
El set de reactivos para cloro total, incluye: Botella de tampón, botella de solución indicadora y botella de DPD	1	2557000
El kit de limpieza de la celda incluye: Ácido sulfúrico, 5,25 N, 100 mL, frasco cuentagotas y bastoncillos de algodón (10 unidades)	1	8573100
Kit para verificación de la calibración, que incluye: jeringa, tubos, racores de tubos, cortador de ampollas, agua desionizada y ampolla de patrón de cloro	1	8568200
Kit de relleno para verificación de la calibración, que incluye: agua desionizada y ampolla de patrón de cloro	1	8573200

### Piezas de repuesto

Descripción	Referencia
El kit de tubos incluye: Set de tubos con tapa y barra agitadora	EE. UU.: 8560400 EU: 8575000
Kit de instalación con rotura de carga (10 psi o menos)	EE. UU.: 8560500 EU: 8575100

## Piezas de repuesto (continúa)

Descripción	Referencia
Kit de instalación con rotura de carga (>10 psi)	8576001
Kit de instalación con regulador de presión	EE. UU.: 8565700 EU: 8575200

## Accesorios

Descripción	Referencia
Cable de extensión para el analizador, 1 m (3,2 pies)	6122400
Cable de extensión para el analizador, 7,7 m (25 pies)	5796000
Cable de extensión para el analizador, 15 m (50 pies)	5796100
Adaptador de tubos, DE de 6 mm a ¼ pulg.	09184=A=4020

# Índice

- 1 Especificações na página 136
- 2 Informação geral na página 137
- 3 Instalação na página 140
- 4 Configuração na página 152
- 5 Funcionamento na página 153
- 6 Calibração e ajuste na página 153
- 7 Manutenção na página 154
- 8 Resolução de problemas na página 160
- 9 Acessórios e peças de substituição na página 161

## Secção 1 Especificações

As especificações podem ser alteradas sem aviso prévio.

**Tabela 1 Especificações gerais**

Especificação	Detalhes
Dimensões (L x A x P)	32,9 x 34,2 x 17,7 cm (12.9 x 13.5 x 7.0 pol.)
Estrutura	IP66 em conformidade com a norma IEC 60529, com a porta fechada e trancada <sup>1</sup>
Peso de envio	4,1 kg (9 lb) sem garrafas; 5,1 kg (11,2 lb) com garrafas cheias
Montagem	Montagem na parede
Classe de proteção	III
Nível de poluição	3
Categoria da instalação elétrica	I (no interior)
Requisitos de energia	12 V CC, 400 mA, no máximo (fornecido pelo controlador)
Temperatura de funcionamento	5 a 40 °C (41 a 104 °F)
Humidade de funcionamento	0 a 90% de humidade relativa sem condensação
Temperatura de armazenamento	-40 a 60 °C (-40 a 140 °F)
Encaixes	Linha de amostra: encaixe de ligação rápida com DE de ¼ pol. para tubos de plástico Linhas de drenagem: encaixe amovível para tubos de plástico flexíveis com DI de ½ pol.
Luzes indicadoras	Estado do analisador e ciclo de medição
Certificações	Decl. conformidade da UE, Decl. conformidade da UKCA, Decl. conformidade de fornecedor da FCC/ISED, Decl. conformidade da ACMA, KC, Decl. conformidade de Marrocos
Garantia	1 ano (UE: 2 anos)

**Tabela 2 Requisitos da amostra**

Especificação	Detalhes
Pressão	0,31 a 5,17 bar (4,5 a 75 psig) fornecida ao filtro em Y; 0,1 a 0,34 bar (1,5 a 5 psig) fornecida ao analisador
Taxa de fluxo	60 a 200 mL/min através do equipamento (medida no dreno do analisador)
Temperatura	5 a 40 °C (41 a 104 °F)
Filtração	Filtro em Y com ecrã de 40 mesh ou superior

<sup>1</sup> Orifícios de drenagem fechados com bujões conforme os requisitos de teste.



**Tabela 3 Especificações de medição**

<b>Especificação</b>	<b>Detalhes</b>
Fonte de luz	LED, medição a 510 nm; comprimento da trajetória da luz de 1 cm
Intervalo de medição	0.03-10 mg/L de cloro residual livre ou total como Cl <sub>2</sub>
Intervalo de medição	150 segundos
Precisão	±5% ou ±0,04 mg/L de 0 a 5 mg/L (o valor mais elevado) como Cl <sub>2</sub> ±10% de 5 a 10 mg/L como Cl <sub>2</sub>
Precisão	±5% ou ±0,01 mg/L (o valor mais elevado) como Cl <sub>2</sub>
Limite de deteção	0,03 mg/L como Cl <sub>2</sub>
Limite de quantificação	0,07 mg/L
Calibração	Calibração de origem Opcional: calibração do utilizador de 2 pontos com padrões de calibração no kit de verificação da calibração
Utilização dos reagentes	0,5 L de solução tampão e 0,5 L de solução de indicador em 31 dias

## Secção 2 Informação geral

Em caso algum o fabricante será responsável por danos resultantes de qualquer utilização inadequada do produto ou do incumprimento das instruções deste manual. O fabricante reserva-se o direito de, a qualquer altura, efetuar alterações neste manual ou no produto nele descrito, sem necessidade, ou obrigação, de o comunicar. As edições revistas encontram-se disponíveis no website do fabricante.

### 2.1 Informações de segurança

O fabricante não é responsável por quaisquer danos resultantes da aplicação incorrecta ou utilização indevida deste produto, incluindo, mas não limitado a, danos directos, incidentais e consequenciais, não se responsabilizando por tais danos ao abrigo da lei aplicável. O utilizador é o único responsável pela identificação de riscos de aplicação críticos e pela instalação de mecanismos adequados para a protecção dos processos na eventualidade de uma avaria do equipamento.

Leia este manual até ao fim antes de desembalar, programar ou utilizar o aparelho. Dê atenção a todos os avisos relativos a perigos e precauções. A não leitura destas instruções pode resultar em lesões graves para o utilizador ou em danos para o equipamento.

Certificar-se de que a protecção fornecida por este equipamento não é prejudicada. Não utilize ou instale este equipamento de qualquer outra forma que não a especificada neste manual.

#### 2.1.1 Uso da informação de perigo

#### **▲ PERIGO**

Indica uma situação de perigo potencial ou eminente que, se não for evitada, resultará em morte ou lesões graves.

#### **▲ ADVERTÊNCIA**

Indica uma situação de perigo potencial ou eminente que, se não for evitada, poderá resultar em morte ou lesões graves.

#### **▲ AVISO**

Indica uma situação de perigo potencial, que pode resultar em lesões ligeiras a moderadas.

#### **ATENÇÃO**

Indica uma situação que, se não for evitada, pode causar danos no equipamento. Informação que requer ênfase especial.

## 2.1.2 Etiquetas de precaução

Leia todos os avisos e etiquetas do equipamento. A sua não observação pode resultar em lesões para as pessoas ou em danos para o aparelho. Um símbolo no aparelho é referenciado no manual com uma frase de precaução.



O equipamento eléctrico marcado com este símbolo não pode ser eliminado nos sistemas europeus de recolha de lixo doméstico e público. Devolva os equipamentos antigos ou próximos do final da sua vida útil ao fabricante para que os mesmos sejam eliminados sem custos para o utilizador.

## 2.1.3 Conformidade com a compatibilidade electromagnética (CEM)

### ▲ AVISO

Este equipamento não se destina a ser utilizado em ambientes residenciais e pode não oferecer uma protecção adequada para recepção de rádio nesses ambientes.

#### CE (EU)

O equipamento cumpre os requisitos essenciais da Diretiva EMC 2014/30/UE.

#### UKCA (UK)

O equipamento cumpre os requisitos dos Regulamentos de Compatibilidade Electromagnética de 2016 (S.I. 2016/1091).

#### Regulamento Canadano de Equipamentos Causadores de Interferências, ICES-003, Classe A:

Os registos de suporte dos testes estão na posse do fabricante.

Este aparelho de Classe A obedece a todos os requisitos dos Regulamentos Canadianos de Equipamentos Causadores de Interferências.

Cet appareil numérique de classe A répond à toutes les exigences de la réglementation canadienne sur les équipements provoquant des interférences.

#### Parte 15 das Normas FCC, Limites da Classe "A"

Os registos de suporte dos testes estão na posse do fabricante. Este aparelho está conforme com a Parte 15 das Normas FCC. O funcionamento está sujeito às duas condições seguintes:

1. O equipamento não provoca interferências nocivas.
2. O equipamento deve aceitar qualquer interferência recebida, incluindo interferências suscetíveis de determinar um funcionamento indesejado.

Alterações ou modificações efetuadas nesta unidade que não sejam expressamente aprovadas pela entidade responsável pela conformidade podem retirar ao utilizador a legitimidade de usar o aparelho. Este equipamento foi testado e considerado em conformidade relativamente aos limites para os dispositivos digitais de Classe A, de acordo com a Parte 15 das Normas FCC. Estes limites estão desenhados para fornecer protecção razoável contra interferências prejudiciais quando o equipamento for operado num ambiente comercial. Este equipamento gera, utiliza e pode irradiar energia de radiofrequência e, se não for instalado e utilizado em conformidade com o manual de instruções, poderá provocar interferências nocivas com comunicações por rádio. É provável que a utilização deste equipamento numa zona residencial provoque interferências nocivas. Neste caso, o utilizador deverá corrigi-las pelos seus próprios meios. As técnicas a seguir podem ser utilizadas para diminuir os problemas de interferência:

1. Desligue o aparelho da corrente e verifique se esta é ou não a fonte de interferência.
2. Se o aparelho estiver ligado à mesma tomada que o dispositivo que apresenta interferências, ligue-o a uma tomada diferente.
3. Afaste o equipamento do dispositivo que está a receber a interferência.
4. Reposicione a antena de recepção do dispositivo que está a receber a interferência.
5. Experimente combinações das sugestões anteriores.

## 2.2 Descrição geral do produto

### ⚠ PERIGO



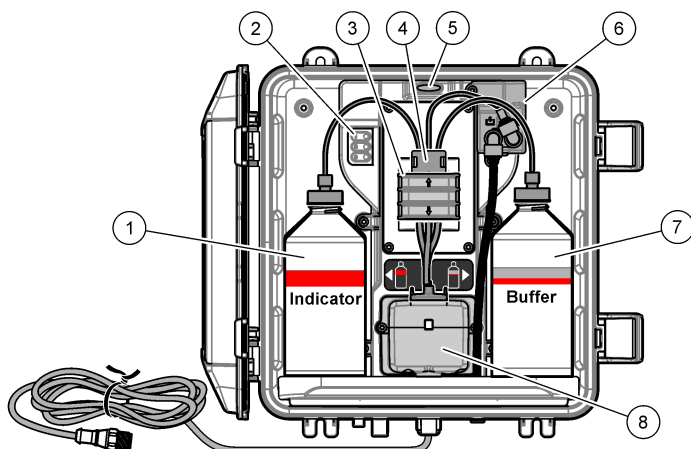
Perigo químico ou biológico. Se utilizar o equipamento para monitorizar um processo de tratamento e/ou água de alimentação de diálise para os quais existem limites regulamentares e requisitos de monitorização relacionados com a saúde pública, segurança pública, fabrico ou processamento de alimentos ou bebidas, é da responsabilidade do utilizador deste equipamento conhecer e cumprir a regulamentação aplicável e dispor de mecanismos suficientes e adequados para estar em conformidade com os regulamentos aplicáveis na eventualidade de avaria do mesmo.

O analisador CL17sc mede a concentração de cloro total na água, num intervalo de 0,03 a 10 mg/L a cada 150 segundos. Além disso, a [Figura 1](#) apresenta uma descrição geral do analisador.

Ligue o analisador a um controlador SC para alimentação, funcionamento, recolha de dados, transmissão de dados e diagnóstico. Consulte o manual do controlador SC para obter uma descrição geral do controlador.

**Nota:** Se o controlador SC tiver mais de um encaixe de ligação rápida, é possível ligar mais de um analisador ao controlador SC.

**Figura 1 CL17sc**



1 Garrafa de indicador	5 Luz de estado do analisador ( <a href="#">Tabela 5</a> na página 140)
2 Luzes do ciclo de medição ( <a href="#">Tabela 4</a> na página 140)	6 Fluxómetro
3 Grampo da bomba	7 Garrafa de solução tampão
4 Abraçadeira para tubos	8 Célula colorimétrica

### 2.2.1 Fluxómetro

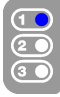
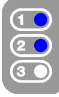
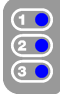
O analisador inclui um fluxómetro que mede o fluxo da amostra através do analisador. Consulte a secção [Figura 1](#) na página 139.

A amostra flui através do analisador apenas quando o analisador enxaguar a célula. Em outras alturas, não existe nenhum fluxo da amostra e a taxa de fluxo apresentada é zero. Prima a seta **PARA A DIREITA** no controlador para apresentar a taxa de fluxo.

## 2.2.2 Luzes do ciclo de medição

As luzes do ciclo de medição indicam o passo do ciclo de medição em curso. Consulte a secção [Tabela 4](#).

**Tabela 4 Luzes do ciclo de medição**

Luzes ligadas			
Descrição	A célula é enxaguada com água.	A solução tampão e a solução de indicador são adicionadas à célula.	A amostra é medida.

## 2.2.3 Luz de estado do analisador

A luz de estado do analisador muda de verde para amarelo quando há um aviso ou para vermelho quando ocorre um erro. Consulte a secção [Tabela 5](#).

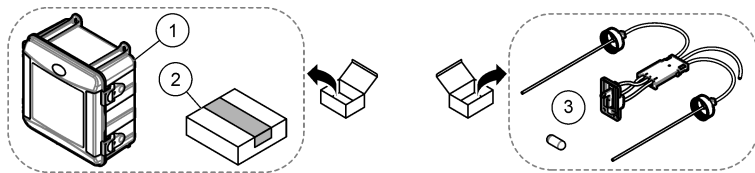
**Tabela 5 Luz de estado do analisador**

Cor	Descrição
Verde	Funcionamento normal
Amarelo	O sistema requer atenção para evitar possíveis falhas no futuro. As medições continuam. Para apresentar os avisos, prima <b>menu</b> e seleccione <b>DIAGNÓSTICO</b> > [seleccionar analisador] > <b>LISTA AVISOS</b> . Consulte a secção <a href="#">Avisos — Luz amarela</a> na página 160.
Vermelho	O sistema requer atenção imediata. As medições foram interrompidas. Para apresentar os erros, prima <b>menu</b> e seleccione <b>DIAGNÓSTICO</b> > [seleccionar analisador] > <b>LISTA ERROS</b> . Consulte a secção <a href="#">Erros — Luz vermelha</a> na página 160.

## 2.3 Componentes do produto

Certifique-se de que recebeu todos os componentes. Consulte [Figura 2](#). Se algum dos itens estiver em falta ou apresentar danos, contacte imediatamente o fabricante ou um representante de vendas.

**Figura 2 Componentes do produto**



1 Analisador CL17sc	3 Kit de tubos (correia para tubos e barra de agitação)
2 Kit de instalação	

## Secção 3 Instalação

### ▲ AVISO



Vários perigos. Apenas pessoal qualificado deverá realizar as tarefas descritas nesta secção do documento.

### 3.1 Diretrizes de instalação

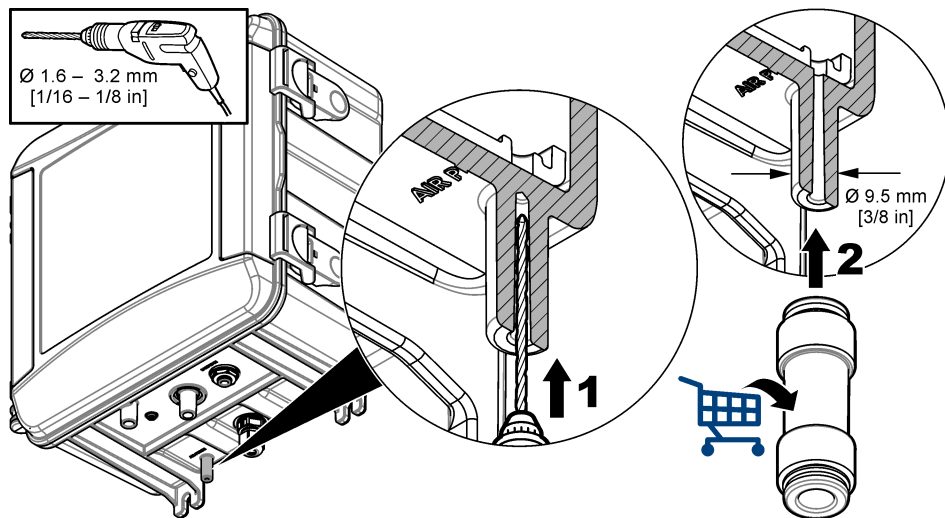
- O analisador é fornecido com um kit de instalação para tubo vertical ou com um kit de instalação para regulador de pressão para controlar a pressão da água até ao analisador. O utilizador escolhe o kit de instalação no momento da compra.
- Instale o analisador num ambiente fechado e com o mínimo de vibrações. Consulte as especificações da temperatura e humidade de funcionamento na [Especificações](#) na página 136.
- Não instale o analisador sob luz solar direta nem próximo de uma fonte de calor.
- Para instalações de tubo vertical, instale o analisador num local com espaço livre suficiente acima do analisador para a montagem do tubo vertical.
- Instale o analisador perto de um dreno aberto. Consulte as instruções da entidade reguladora local para a eliminação.

### 3.2 Passo 1: Purga de ar (opcional)

A purga de ar poderá ser necessária se o analisador for instalado num local com uma quantidade elevada de humidade e/ou vapores causadores de corrosão. A purga de ar mantém uma pressão positiva no equipamento com ar seco e limpo.

Forneça ar seco, limpo e com qualidade para o equipamento, a 0,003 m<sup>3</sup>/minuto (0,1 pés<sup>3</sup>/minuto) a um máximo de 20 psig.

Consulte os passos ilustrados abaixo. O encaixe de ligação rápida de 3/8 polegadas e os tubos são fornecidos pelo utilizador.



### 3.3 Passo 2: Montar e ligar o analisador

#### ▲ AVISO



Apenas os tubos especificados pela Hach Company podem ser utilizados com o equipamento. Outros tubos podem absorver o cloro que se encontra na água da amostra e ter um efeito negativo nas leituras de cloro (diminuir as leituras de cloro).

#### ATENÇÃO

Uma tubagem incorreta do analisador pode causar danos devido a uma pressão excessiva da amostra. Respeite sempre as instruções que se seguem para montar e ligar o analisador.

1. Fixe o analisador (item 9) a uma parede com quatro parafusos. Certifique-se de que o analisador está nivelado.

**Nota:** O utilizador fornece o material de montagem.

2. Fixe o controlador SC (item 7) a uma parede, painel ou tubo. Consulte a documentação do controlador SC para obter instruções.
3. Monte o filtro em Y. Consulte as instruções na lista da embalagem.
4. Utilize a braçadeira de conduta de 1 polegada para montar o conjunto do filtro em Y (item 5 em [Figura 3](#), [Figura 4](#) ou [Figura 5](#)).
5. Instalar o disjuntor de ar externo no analisador (item 2 em [Figura 3](#), [Figura 4](#) ou [Figura 5](#)). Consulte as instruções na lista da embalagem.
6. Efetue o passo [7](#) ou [8](#).

O analisador é fornecido com um kit de instalação de tubo vertical ou um kit de instalação de regulador de pressão para controlar a pressão da água de entrada. O utilizador escolhe o kit de instalação no momento da compra. Um kit de tubo vertical é para 10 psi ou menos e um kit de tubo vertical é para mais de 10 psi de pressão de entrada de água. Meça a pressão da água de entrada imediatamente antes do conjunto do filtro em Y.
7. Se, no momento da compra, tiver sido selecionado um kit de instalação para tubo vertical, instale o tubo vertical da seguinte forma:
  - a. Monte o tubo vertical. Consulte as instruções na lista da embalagem.
  - b. Utilize a braçadeira de conduta mais pequena para montar o conjunto do tubo vertical acima da parte superior do analisador:
    - 10 psi ou menos - Monte o conjunto do tubo vertical a um mínimo de 61 cm (24 pol.) acima da parte superior do analisador.
    - Mais de 10 psi - Monte o conjunto do tubo vertical a um mínimo de 91,4 cm (36 pol.) acima da parte superior do analisador.
  - c. 10 psi ou menos - Com a tubagem preta, instale a tubagem de derivação de amostras (item 8 em [Figura 3](#)). Empurre o tubo para trás e, em seguida, para o tubo vertical. Coloque a tubagem 10-13 cm (4-5 pol.) na parte superior do tubo vertical.
  - d. Mais de 10 psi- Com a tubagem preta, ligue a saída do filtro em Y à entrada do tubo vertical (item 8 em [Figura 4](#)).
  - e. Corte um comprimento de tubo na tubagem de drenagem da amostra (item 3). Utilize a tubagem para canalizar o tubo vertical para um dreno aberto (item 11). Consulte a secção [Diretrizes da linha de drenagem](#) na página 147.
8. Se, no momento da compra, tiver sido selecionado um kit de instalação para regulador de pressão, instale o regulador de pressão (item 10 na [Figura 5](#)).
9. Com o tubo preto, ligue a entrada do filtro em Y (item 5) à fonte da amostra.

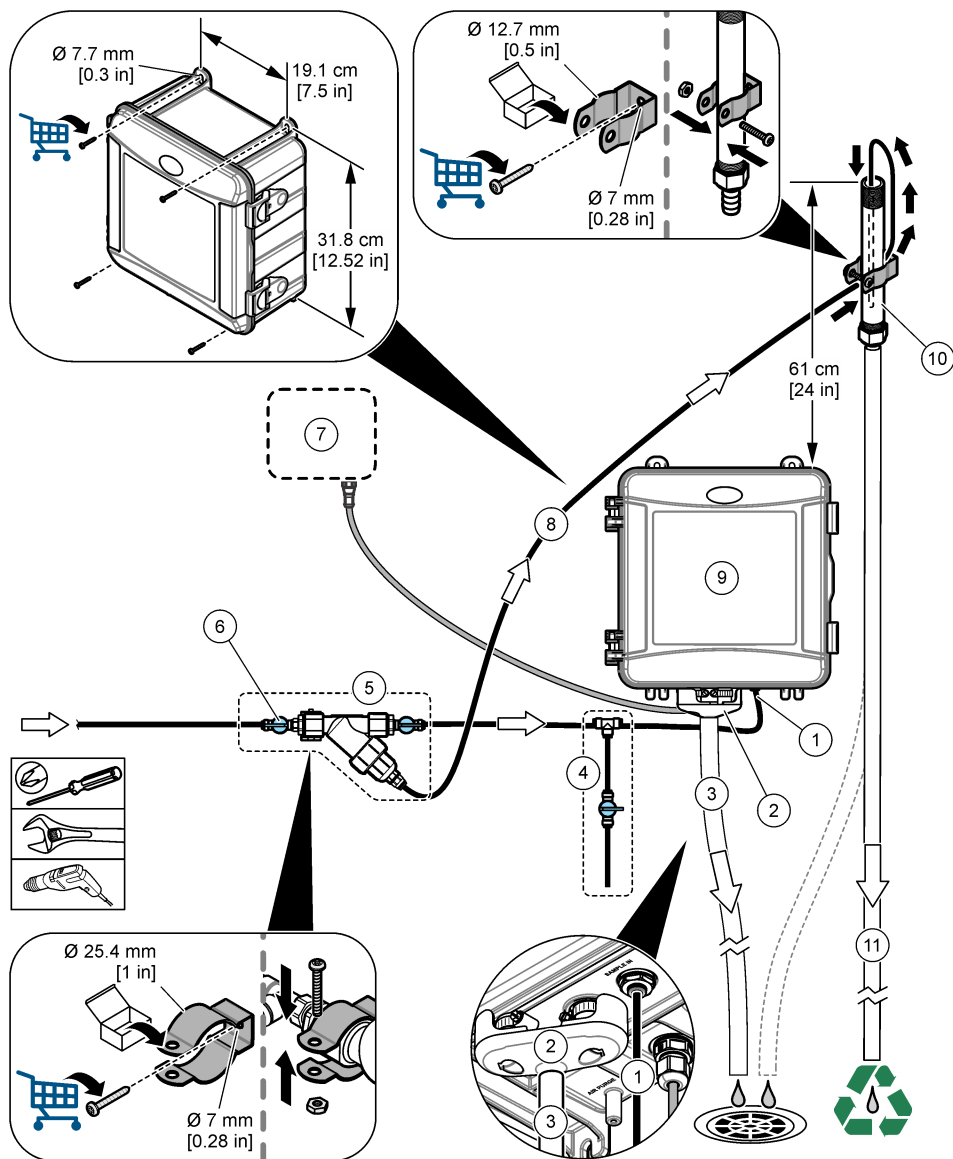
Consulte a [Diretrizes da linha de amostra](#) na página 147 e a [Requisitos da amostra](#) na página 147.
10. Com a tubagem preta, ligar a amostra ao encaixe de entrada da amostra (item 1) da seguinte forma:

Encurte os tubos tanto quanto possível, até um máximo de 2,5 m (8 pés).

  - 10 psi ou menos - Ligue a saída do filtro em Y ao encaixe de entrada da amostra (item 1) na parte inferior do analisador. Consulte a [Figura 3](#).
  - Mais de 10 psi-Ligue a saída do tubo vertical ao encaixe de entrada da amostra (item 1) na parte inferior do analisador. Consulte a [Figura 4](#).
  - Regulador de pressão - Ligue a saída do regulador de pressão ao encaixe de entrada da amostra (item 1) na parte inferior do analisador. Consulte a [Figura 5](#).
11. Se tiver sido instalado um regulador de pressão, instale o tubo de desvio da amostra (item 8 na [Figura 5](#)).
12. Montar o conjunto de recolha de amostras (ponto 4).

13. Canalizar o encaixe em T do conjunto da amostra de recolha. Consultar [Figura 3](#), [Figura 4](#) ou [Figura 5](#), consoante o caso.
14. Ligue o tubo de drenagem da amostra (item 3) a um dreno aberto. Consulte a secção [Diretrizes da linha de drenagem](#) na página 147.

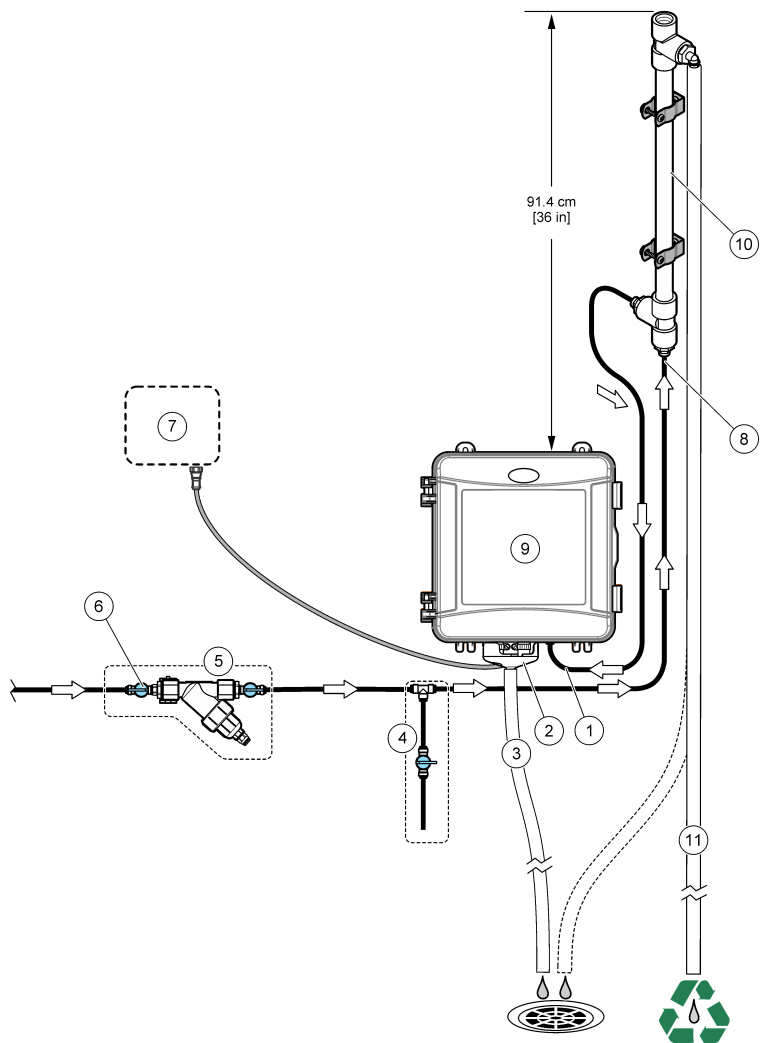
**Figura 3 Instalação com um tubo vertical (10 psi ou menos)**



1 Encaixe de entrada da amostra	7 Controlador SC
2 Escape de ar exterior	8 Tubo de desvio da amostra
3 Tubo de drenagem da amostra	9 Analisador
4 Conjunto de amostras pontuais	10 Tubo vertical
5 Conjunto de filtros em Y	11 Tubo de drenagem do tubo vertical
6 Válvula de corte na entrada do filtro em Y	

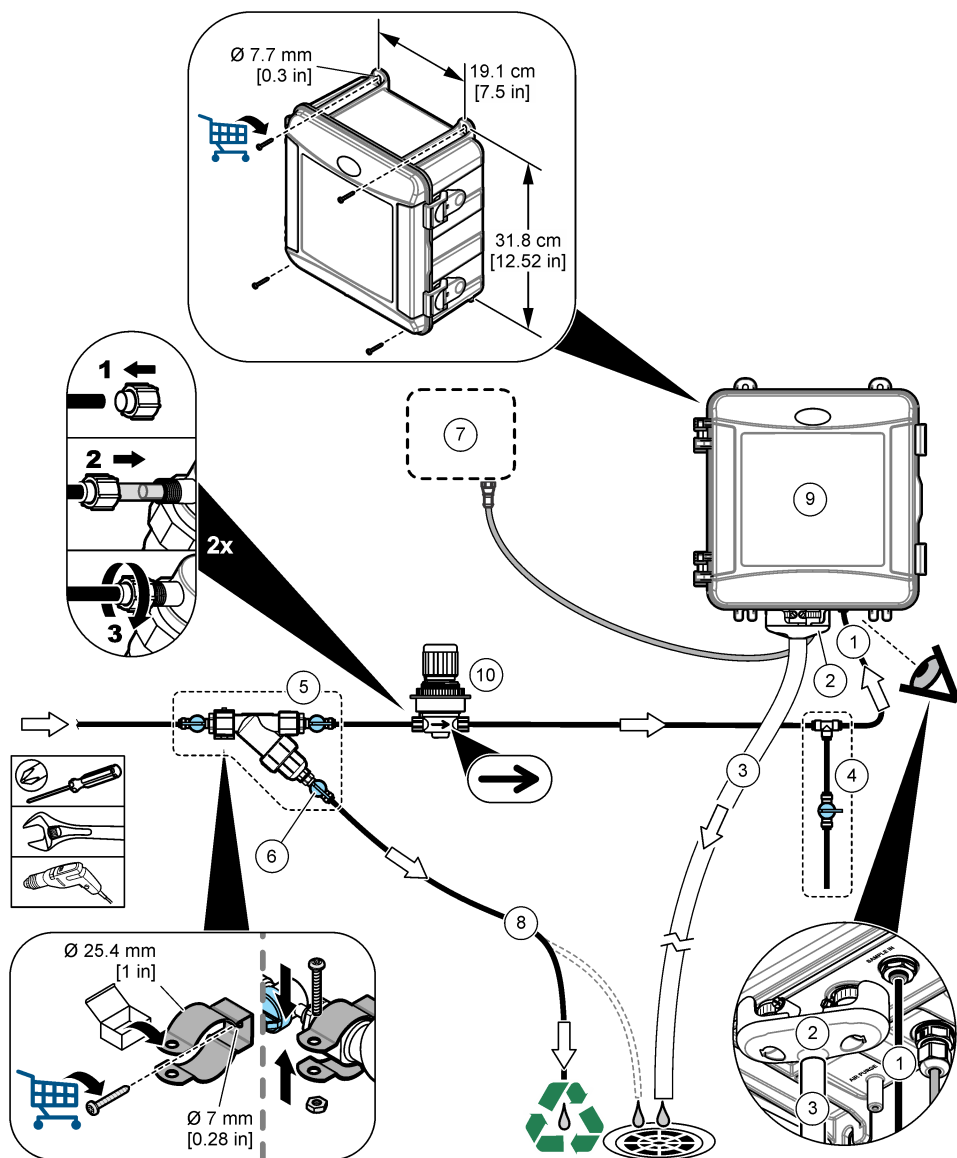


**Figura 4 Instalação com um tubo vertical (mais de 10 psi)**



1 Encaixe de entrada da amostra	7 Controlador SC
2 Escape de ar exterior	8 Entrada do tubo vertical
3 Tubo de drenagem da amostra	9 Analisador
4 Conjunto de amostras pontuais	10 Tubo vertical
5 Conjunto de filtros em Y	11 Tubo de drenagem do tubo vertical
6 Válvula de corte na entrada do filtro em Y	

**Figura 5** Instalação com um regulador de pressão



1 Encaixe de entrada da amostra	6 Válvula de fecho na derivação do filtro em Y
2 Escape de ar exterior	7 Controlador SC
3 Tubo de drenagem da amostra	8 Tubo de desvio da amostra
4 Conjunto de amostras pontuais	9 Analisador
5 Conjunto de filtros em Y	10 Regulador de pressão

### 3.3.1 Diretrizes da linha de amostra

Selecione um bom ponto de amostra representativo do melhor desempenho do equipamento. A amostra deve ser representativa de todo o sistema.

Para prevenir as leituras erradas:

- Recolha amostras de localizações que estejam suficientemente distantes de pontos de adições químicas para o caudal do processo.
- Certifique-se de que as amostras estão suficientemente misturadas.
- Certifique-se de que todas as reações químicas foram concluídas.
- Instale o analisador o mais próximo possível da fonte da amostra (no máximo, 4,6 m [15 pés]).

### 3.3.2 Requisitos da amostra

A água da(s) fonte(s) de amostras têm de estar em conformidade com as especificações indicadas na [Especificações](#) na página 136.

Mantenha a taxa de fluxo da amostra e a temperatura de funcionamento tão constante quanto possível para obter o melhor desempenho.

### 3.3.3 Diretrizes da linha de drenagem

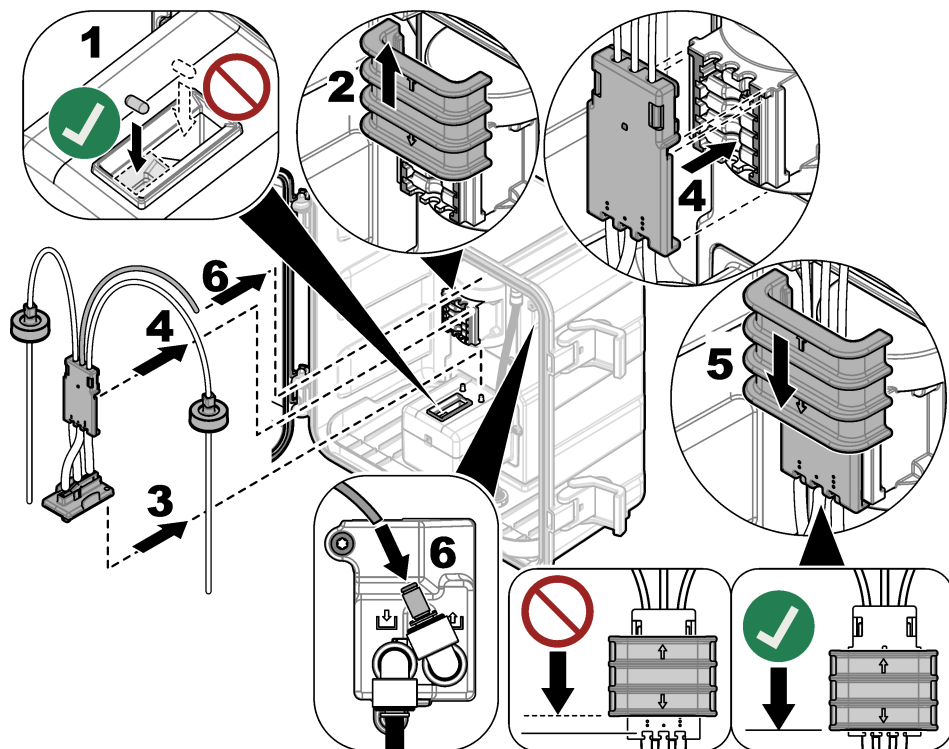
#### ATENÇÃO

A instalação incorreta das linhas de drenagem pode fazer com que o líquido volte para o equipamento e causar danos.

- Certifique-se de que instala o escape de ar exterior. Consultar o ponto 2 em [Figura 3](#) na página 144, [Figura 4](#) na página 145 ou [Figura 5](#) na página 146.
- Faça as linhas de drenagem o mais curtas possível.
- Certifique-se de que as linhas de drenagem têm uma inclinação constante para baixo.
- Certifique-se de que as linhas de drenagem não têm curvas pronunciadas e não ficam esmagadas.

### 3.4 Passo 3: Instalar a barra de agitação e a correia para tubos

Siga os passos abaixo ilustrados.



### 3.5 Passo 4: Instalar as garrafas de reagente

#### ⚠ AVISO



Perigo de exposição a produtos químicos. Siga os procedimentos de segurança do laboratório e utilize todo o equipamento de proteção pessoal adequado aos produtos químicos manuseados. Consulte as fichas de dados sobre segurança de materiais (MSDS/SDS) atuais para protocolos de segurança.

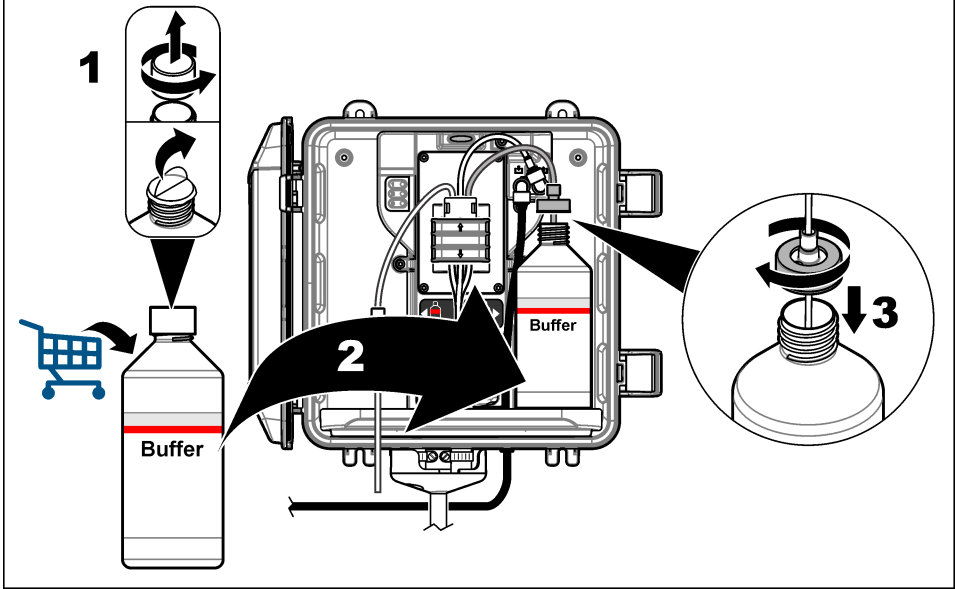
#### Itens a preparar:

- Equipamento de proteção pessoal (consulte a MSDS/SDS)
- Garrafa de indicador
- Garrafa de solução tampão
- Frasco do composto DPD

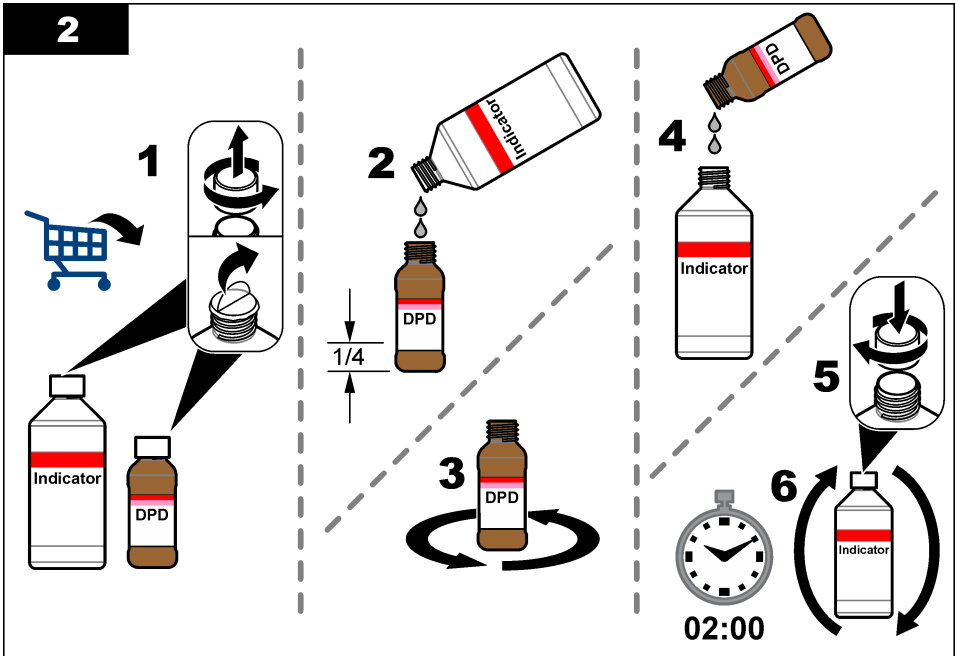
1. Vista o equipamento de proteção pessoal identificado nas fichas de dados de segurança (MSDS/SDS).
2. Instale a garrafa de solução tampão no lado direito e a garrafa de indicador no lado esquerdo. Consulte os passos ilustrados abaixo.

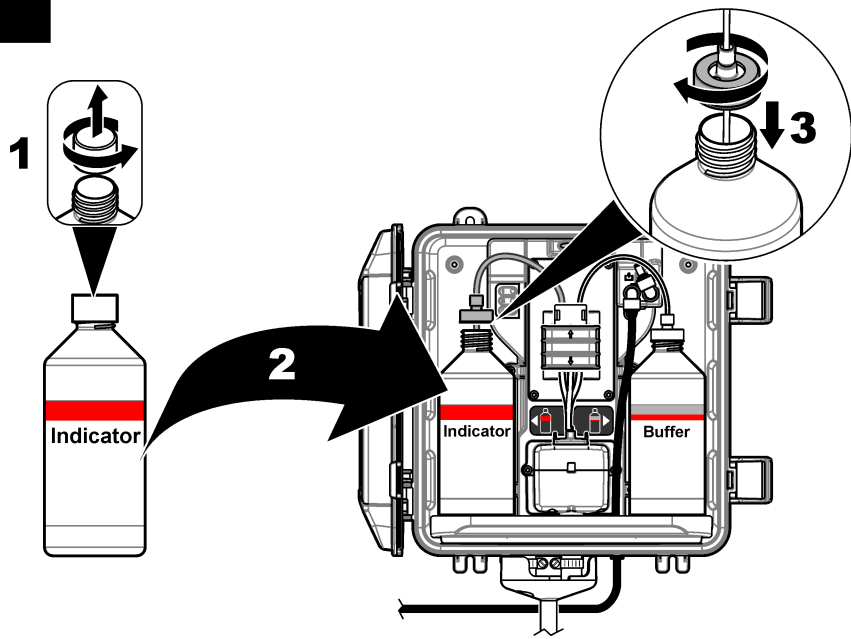
**Nota:** (opcional) utilize a parte superior do analisador como prateleira.

1



2



**3**

### 3.6 Passo 5: Ligar o fluxo da amostra

1. Rode lentamente  $\frac{1}{4}$  de volta a(s) válvula(s) de corte para a posição aberta.
2. Certifique-se de que não existem fugas nas ligações da canalização. Se existir uma fuga, empurre o tubo mais para dentro do encaixe ou aperte a ligação com uma chave inglesa.
3. Para instalações com tubos verticais, efetue os seguintes passos:
  - a. Abra completamente a válvula de corte na saída do filtro em Y.
  - b. Rode a válvula de fecho na entrada do filtro em Y (item 6 em [Figura 3](#) na página 144 ou [Figura 4](#) na página 145) até sair um pequeno fluxo de água da tubagem de drenagem do tubo vertical.
4. Para instalações com regulador de pressão, efetue os seguintes passos:
  - a. Abra completamente as válvulas de corte na entrada e saída do filtro em Y.
  - b. Rode a válvula de corte no desvio do filtro em Y (item 6 em [Figura 5](#) na página 146) até sair um pequeno fluxo de água do tubo do desvio do filtro em Y.

### 3.7 Passo 6: Instalação elétrica

#### 3.7.1 Ligar o analisador ao controlador

#### ⚠ ADVERTÊNCIA



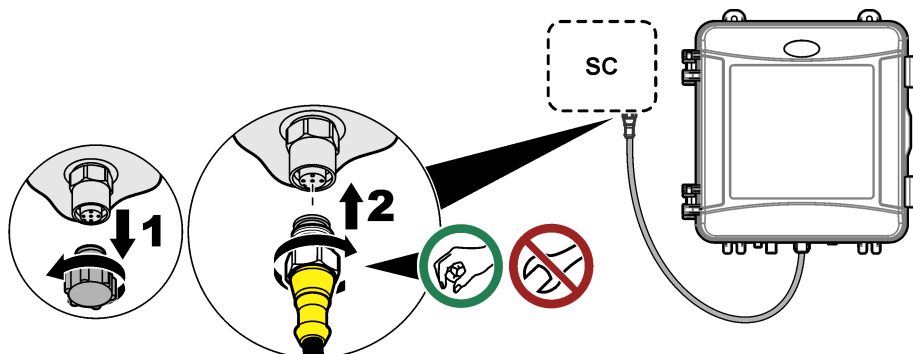
Perigo de choque eléctrico. O equipamento ligado externamente deve ser avaliado segundo as normas nacionais aplicáveis.

Ligue o cabo do analisador ao encaixe de ligação rápida do controlador SC. Consulte a secção [Figura 6](#).

Mantenha a tampa do conector para selar a abertura do conector caso seja necessário remover o cabo.

**Nota:** Estão disponíveis cabos de extensão. Consulte a [Acessórios e peças de substituição](#) na página 161. O comprimento máximo do cabo é de 15 m (49 pés).

**Figura 6** Ligue o cabo a um encaixe de ligação rápida



### 3.7.2 Ligar o controlador à alimentação

Ligue o controlador à corrente elétrica através de acessórios de ligação ou de um cabo de alimentação. Consulte a documentação do controlador para obter instruções.

### 3.7.3 Ligar os dispositivos externos ao controlador

Ligue os relés do controlador, as saídas analógicas e as entradas digitais aos dispositivos externos, conforme necessário. Consulte a documentação do controlador para obter instruções.

## 3.8 Passo 7: Configurar e preparar o analisador

1. Prima **menu** e, em seguida, selecione CFG SENSOR > [selecionar analisador] > PREPARAR.
2. Se o controlador não reconhecer que o analisador está ligado, efetue os seguintes passos:
  - a. Prima **menu** e, em seguida, selecione TESTE/MANUT > PROC SENSORES.
  - b. Quando o sensor for encontrado e instalado, repita o passo 1.

## 3.9 Passo 8: Definir a taxa de fluxo

O analisador inclui um fluxómetro que mede o fluxo da amostra através do analisador. Consulte [Figura 1](#) na página 139.

1. Prima a seta para a **DIREITA** no controlador para apresentar a taxa de fluxo no display.

A amostra flui através do analisador apenas quando o analisador enxaguar a célula. Em outras alturas, não existe nenhum fluxo da amostra e a taxa de fluxo apresentada é zero. Consulte a [Tabela 4](#) na página 140 para obter as descrições dos passos do ciclo de medição.

**Nota:** Para medir manualmente a taxa de fluxo através do analisador, meça-a no dreno do analisador, quando este enxaguar a célula com água.
2. Para instalações de tubos verticais, rode a válvula de corte na saída do filtro em Y para definir a taxa de fluxo entre 60 e 200 mL/min quando o analisador enxaguar a célula com água.
3. Para efetuar instalações com o regulador de pressão, ajuste-o para definir a taxa de fluxo entre 60 e 200 mL/min quando o analisador enxaguar a célula com água.

### 3.10 Passo 9: Instalar o software mais recente

Certifique-se de que o controlador SC tem o software mais recente instalado. Utilize um cartão SD para instalar o software mais recente no controlador SC.

1. Acesse à página do produto para o controlador SC aplicável em <http://hach.com>.
2. Clique no separador "Recursos".
3. Percorra o ecrã para baixo até "Software/Firmware".
4. Clique na ligação para o software do controlador SC.
5. Guarde os ficheiros num cartão SD.
6. Instale os ficheiros no controlador SC. Consulte as instruções de instalação do software fornecidas com os ficheiros de software.

## Secção 4 Configuração

### 4.1 Passo 10: Configurar o analisador

Defina o nome do analisador, a média do sinal, o tipo de cloro medido, a rejeição bolha e os valores-alvo de alarme do cloro.

1. Prima **menu** e, em seguida, selecione CFG SENSOR > [selecionar sensor] > CONFIGURAR.
2. Selecione e configure todas as opções.

Opção	Descrição
<b>EDITAR NOME</b>	Define o nome do analisador. O nome do analisador é apresentado no ecrã do controlador e nos ficheiros de registo.
<b>MÉDIA SINAL</b>	Define o número de medições utilizadas para calcular a medição média apresentada no ecrã. Opções: 1 (predefinição), 2, 3 ou VALOR IRREGULAR. Quando a MÉDIA SINAL está definida para 1, esta função está desativada. Quando a MÉDIA SINAL está definida para 2 ou 3, é apresentada uma leitura média no ecrã. Por exemplo, a medição no ecrã é igual à última medição e à medição anterior divididas por dois quando a MÉDIA SINAL está definida para 2. Quando a MÉDIA SINAL está definida para VALOR IRREGULAR, o analisador rejeita uma leitura que seja anormalmente superior ou inferior às leituras mais recentes. Quando uma leitura é rejeitada, a última boa leitura é apresentada no ecrã e guardada no registo de dados. Não são rejeitadas mais de três leituras consecutivas. A média do sinal corrige as flutuações de leitura incorretas causadas por bolhas e/ou partículas de grande dimensão na amostra.
<b>MEDIÇÃO</b>	Define o tipo de cloro medido. Se as garrafas de indicador e de solução tampão contiverem a informação "Cloro livre" nos respetivos rótulos, selecione CLORO LIVRE (predefinição). Se as garrafas de indicador e de solução tampão contiverem a informação "Cloro total" nos respetivos rótulos, selecione CLORO TOTAL.
<b>REJ. BOLHAS</b>	Liga e desliga a rejeição bolha (predefinição). Defina a REJ. BOLHAS para a posição LIGADO de modo a reduzir o ruído provocado por bolhas na amostra. A presença de bolhas de ar na amostra pode provocar leituras instáveis.
<b>ALARMES DE CL ELEV.</b>	Define o valor-alvo da concentração de cloro para o alarme CLORO ELEVADO — 0,00 a 10,00 mg/L (predefinição: 4,00 mg/L).
<b>ALARMES DE CL BAIXO</b>	Define o valor-alvo da concentração de cloro para o alarme CLORO BAIXO — 0,00 a 10,00 mg/L (predefinição: 0,20 mg/L).
<b>INF. DO SENSOR</b>	Apresenta o número de série do analisador, a versão do software, a versão de arranque e a versão do controlador.



Opção	Descrição
<b>PREDEFINIÇÕES</b>	Selecione SIM para repor as definições de configuração para os valores predefinidos de fábrica.
<b>SERVIÇO</b>	Apenas para uso em serviço

## 4.2 Configuração do sistema

Consulte a documentação do controlador relativamente à configuração do sistema, às definições gerais do controlador e à configuração para as saídas e comunicações.

## 4.3 Navegação do utilizador

Consulte a documentação do controlador para obter uma descrição do teclado e informações de navegação.

Prima várias vezes a tecla de seta **PARA A DIREITA** no controlador para apresentar mais informações no ecrã inicial e apresentar um ecrã gráfico.

## Secção 5 Funcionamento

### 5.1 Registos de dados, eventos e serviços

O controlador fornece acesso a um registo de dados, um registo de eventos e um registo de serviços para cada equipamento ligado. As medições do analisador são guardadas automaticamente no registo de dados, em intervalos de 150 segundos. O registo de eventos apresenta os eventos que ocorreram. Quando o analisador funciona de forma contínua, os registos de eventos e de dados guardam cerca de 2 semanas de dados. Quando o analisador funciona de forma contínua, o registo de serviços guarda cerca de 24 horas de dados.

Consulte a documentação do controlador para transferir o registo de dados, o registo de eventos e/ou o registo de serviços. O registo de dados é um ficheiro XML que pode ser guardado nos formatos CSV ou Excel. O registo de eventos e o registo de serviços são ficheiros em formato CSV.

### 5.2 Medir uma AMOSTRA PONTUAL IN

Quando necessário, utilize o menu AMOSTRA PONTUAL IN para adicionar uma amostra de água de concentração de cloro conhecida à célula para medição. Utilize uma amostra pontual para verificação ou para medir uma amostra de água colhida a partir de outra localização.

1. Prima **menu** e, em seguida, selecione **CFG SENSOR > [selecionar analisador] > AMOSTRA PONTUAL IN**.
2. Efetue os passos apresentados no visor. Quando solicitado, retire a tampa da célula e adicione 100 mL da amostra pontual à célula. Parte da amostra irá fluir para a drenagem da amostra.

### 5.3 Registos do Modbus

Uma lista de registos do Modbus está disponível para a comunicação em rede. Consulte o Web site do fabricante para obter mais informações.

## Secção 6 Calibração e ajuste

A curva de calibração do analisador é definida de fábrica para o desempenho de acordo com as especificações. A calibração pode ser efetuada para a verificação do desempenho.

Não são recomendados quaisquer ajustes à curva de calibração de fábrica, a menos que tal seja exigido por uma autoridade reguladora para fins informativos de conformidade ou caso seja realizada uma reparação de grandes dimensões ao analisador.

Para obter mais informações, consulte as instruções do kit de verificação da calibração ou contacte a assistência técnica.

## Secção 7 Manutenção

### ▲ AVISO



Vários perigos. Apenas pessoal qualificado deverá realizar as tarefas descritas nesta secção do documento.

### ATENÇÃO

Não desmonte o equipamento para proceder à manutenção. Se for necessário limpar ou reparar os componentes internos, contacte o fabricante.

## 7.1 Calendário de manutenção

A [Tabela 6](#) apresenta o calendário recomendado das tarefas de manutenção. Os requisitos do local e as condições de funcionamento podem aumentar a frequência de algumas tarefas.

**Tabela 6** Calendário de manutenção

Tarefa	1 mês	6 meses	Conforme necessário
Limpar a célula na página 154	X <sup>2</sup>		
Substituir as garrafas de reagente na página 155	X		
Substitua a barra de agitação e a correia para tubos <sup>3</sup>		X	
Limpar o ecrã do filtro em Y na página 156			X

## 7.2 Limpar a célula

### ▲ AVISO



Perigo de exposição a produtos químicos. Siga os procedimentos de segurança do laboratório e utilize todo o equipamento de proteção pessoal adequado aos produtos químicos manuseados. Consulte as fichas de dados sobre segurança de materiais (MSDS/SDS) atuais para protocolos de segurança.

Limpe a célula em intervalos de 1 mês ou, se necessário, mais frequentemente.

### Itens a preparar:



Zaragatoas<sup>4</sup>



Solução de ácido sulfúrico, 5,25 N<sup>5</sup>

1. Vista o equipamento de proteção pessoal identificado nas fichas de dados de segurança (MSDS/SDS).
2. Prima **menu** e, em seguida, seleccione CFG SENSOR > [seleccionar analisador] > TAREFAS > LIMPAR CÉLULA.

**Nota:** Para interromper uma tarefa seleccionada, prima **home** (*inicio*).

3. Prima **enter** para interromper as medições.

<sup>2</sup> Limpe a célula com maior ou menor frequência, conforme necessário.

<sup>3</sup> Consulte as instruções fornecidas com o kit de tubos.

<sup>4</sup> Consulte a [Acessórios e peças de substituição](#) na página 161.

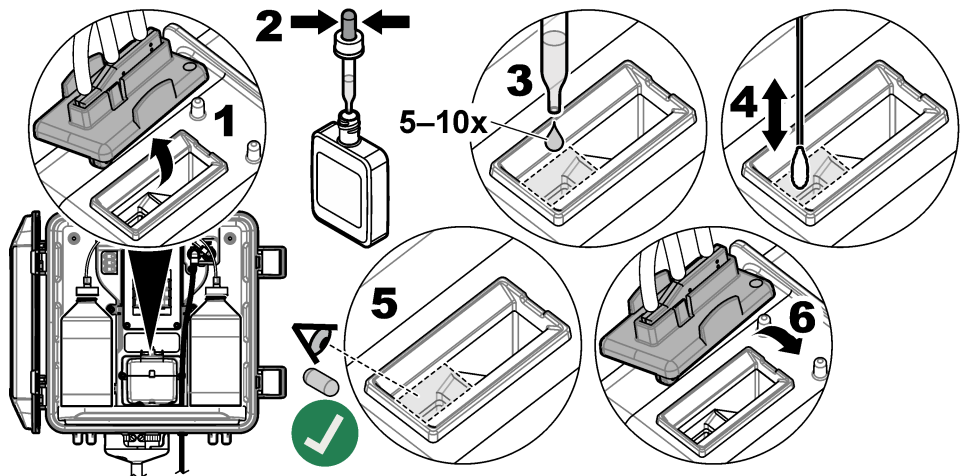
<sup>5</sup> Não utilize outras soluções de limpeza. Consulte a [Acessórios e peças de substituição](#) na página 161.

4. Selecione uma opção.

Opção	Descrição
RETER	As saídas do controlador são mantidas no último valor medido.
TRANSFERIR	As saídas do controlador são alteradas para o valor de transferência.

5. Quando a luz de estado ficar intermitente, efetue os passos ilustrados que se seguem. Quando terminar, prima **enter**.

No passo ilustrado 5, certifique-se de que não existe nenhum material indesejado na célula. Utilize uma lanterna para procurar material indesejado se necessário.



6. Quando a mensagem "TAREFA CONCLUÍDA." for apresentada no ecrã, prima **enter**.  
O analisador inicia um ciclo de medição em, aproximadamente, 30 segundos.

### 7.3 Substituir as garrafas de reagente

▲ AVISO	
	Perigo de exposição a produtos químicos. Siga os procedimentos de segurança do laboratório e utilize todo o equipamento de proteção pessoal adequado aos produtos químicos manuseados. Consulte as fichas de dados sobre segurança de materiais (MSDS/SDS) atuais para protocolos de segurança.

▲ AVISO	
	Perigo de exposição a produtos químicos. Elimine os produtos químicos e os resíduos de acordo com os regulamentos locais, regionais e nacionais.

Substitua as garrafas de reagente em intervalos de 1 mês.

1. Vista o equipamento de proteção pessoal identificado nas fichas de dados de segurança (MSDS/SDS).
2. Prima **menu** e, em seguida, selecione CFG SENSOR > [selecionar analisador] > TAREFAS > ALTERAR REAG..

*Nota: Para interromper uma tarefa selecionada, prima **home** (início).*

3. Prima **enter** para interromper as medições.

4. Selecione uma opção.

Opção	Descrição
RETER	As saídas do controlador são mantidas no último valor medido.
TRANSFERIR	As saídas do controlador são alteradas para o valor de transferência.

5. Aguarde até a luz de estado ficar intermitente.

6. Substitua a garrafa de solução tampão da seguinte forma:

**Nota:** (opcional) utilize a parte superior do analisador como prateleira.

- Retire a tampa e o lacre da nova garrafa de solução tampão.
- Retire a garrafa de solução tampão usada do analisador.
- Coloque os tubos da solução tampão na nova garrafa de solução tampão no lado direito do analisador. Aperte a tampa.

7. Substitua a garrafa de indicador da seguinte forma:

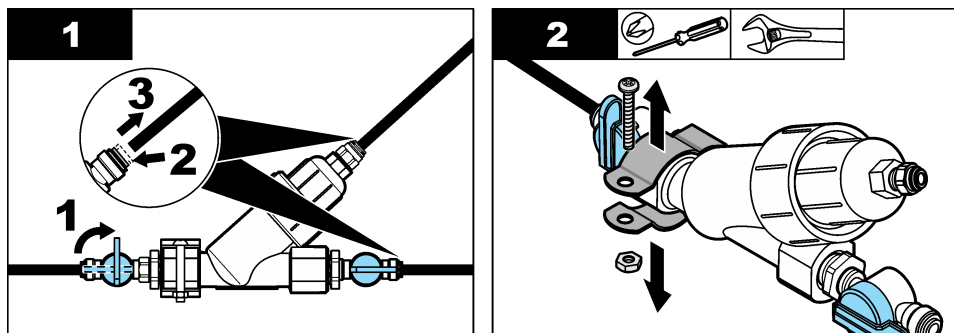
- Retire a tampa e o lacre da garrafa de indicador e do frasco de DPD castanho.
- Encha o frasco de DPD castanho até, aproximadamente,  $\frac{1}{4}$  com a solução de indicador.
- Agite o frasco de DPD para misturar.
- Coloque o conteúdo do frasco de DPD na garrafa de indicador.
- Inverta a garrafa de indicador até o pó estar totalmente dissolvido (2 minutos).
- Retire a garrafa de indicador usada do analisador.
- Coloque os tubos do indicador na nova garrafa de indicador no lado esquerdo do analisador. Aperte a tampa.

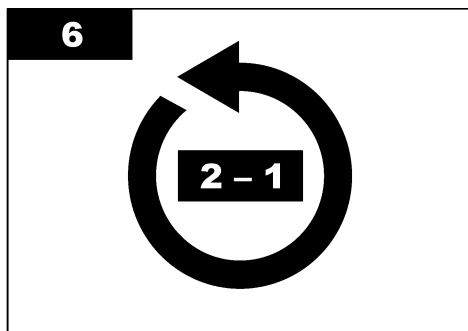
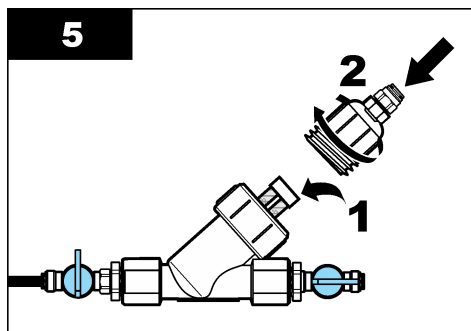
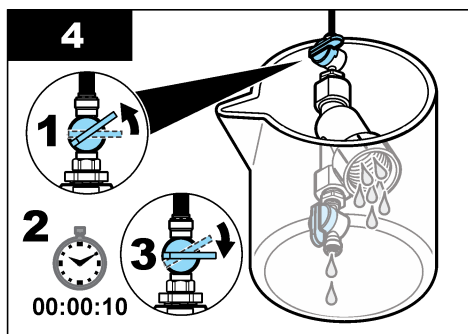
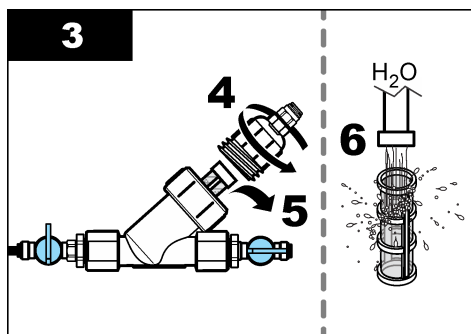
8. Prima **enter**.

9. Quando a mensagem "TAREFA CONCLUÍDA." for apresentada no ecrã, prima **enter**. O analisador inicia um ciclo de medição em, aproximadamente, 30 segundos.

## 7.4 Limpar o ecrã do filtro em Y

Limpe o ecrã do filtro em Y quando existir um bloqueio, identificado por um aviso FLUXO AMOS BAIXO. Efetue os passos ilustrados abaixo.





## 7.5 Preparar para armazenamento

### ⚠ AVISO



Perigo de exposição a produtos químicos. Siga os procedimentos de segurança do laboratório e utilize todo o equipamento de proteção pessoal adequado aos produtos químicos manuseados. Consulte as fichas de dados sobre segurança de materiais (MSDS/SDS) atuais para protocolos de segurança.

Se a alimentação do analisador for removida durante mais de 3 dias ou se o analisador não for utilizado durante mais de 3 dias, prepare o armazenamento do analisador.

#### Itens a preparar:



Proveta com água desionizada  
(2x)

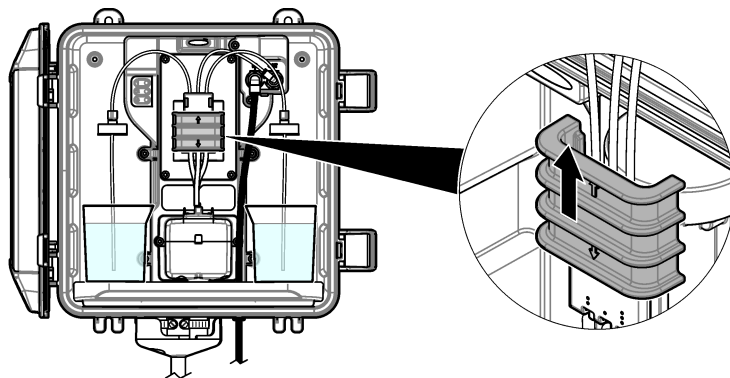


Conta-gotas descartável ou pano que não liberte pelos

1. Remova os reagentes das linhas de reagente da seguinte forma:
  - a. Retire a garrafa de indicador e a garrafa de solução tampão do analisador.
  - b. Coloque duas provetas (ou recipientes) com água desionizada no analisador.
  - c. Coloque o tubo da garrafa de indicador e o tubo da garrafa de solução tampão nas provetas.
  - d. Prima **menu** e, em seguida, selecione CFG SENSOR > [selecionar analisador] > PREPARAR.  
O analisador remove os reagentes das linhas de reagente.
2. Remova a água desionizada das linhas de reagente da seguinte forma:
  - a. Retire o tubo da garrafa de indicador e o tubo da garrafa de solução tampão das provetas.
  - b. Retire as duas provetas do analisador.

- c. Prima **menu** e, em seguida, selecione CFG SENSOR > [selecionar analisador] > PREPARAR.  
O analisador remove a totalidade do líquido das linhas de reagente.
3. Desligue o cabo do analisador do controlador (ou remova a alimentação do controlador).
4. Rode a válvula de corte para a posição fechada para interromper o fluxo da amostra até ao filtro em Y.
5. Retire o grampo da bomba. Consulte a [Figura 7](#). Conserve o grampo da bomba para uma utilização posterior.
6. Remova a água da célula da seguinte forma:
  - a. Retire a tampa da célula.
  - b. Remova a água da célula com um conta-gotas descartável ou um pano que não liberte pelos.
  - c. Coloque a tampa na célula.
7. Para iniciar o analisador após o armazenamento, efetue os seguintes passos:
  - a. Instale o grampo da bomba. Consulte a secção [Figura 7](#).
  - b. Instale as garrafas de reagente. Consulte a secção [Passo 4: Instalar as garrafas de reagente](#) na página 148.
  - c. Defina a válvula de corte a abrir para iniciar o fluxo da amostra até ao filtro em Y.
  - d. Ligue o cabo do analisador ao controlador, se o cabo tiver sido desligado.
  - e. Ligue o controlador à corrente, se a alimentação tiver sido removida.
  - f. Prima **menu** e, em seguida, selecione CFG SENSOR > [selecionar analisador] > PREPARAR.

**Figura 7 Retirar o grampo da bomba**



## 7.6 Preparar para envio

### ⚠ AVISO



Perigo de exposição a produtos químicos. Siga os procedimentos de segurança do laboratório e utilize todo o equipamento de proteção pessoal adequado aos produtos químicos manuseados. Consulte as fichas de dados sobre segurança de materiais (MSDS/SDS) atuais para protocolos de segurança.

Para preparar o analisador para o envio, efetue os seguintes passos.

**Itens a preparar:**



Proveta com água desionizada (2x)



Embalagem original

1. Remova os reagentes das linhas de reagente da seguinte forma:
  - a. Retire a garrafa de indicador e a garrafa de solução tampão do analisador.
  - b. Coloque duas provetas (ou recipientes) com água desionizada no analisador.
  - c. Coloque o tubo da garrafa de indicador e o tubo da garrafa de solução tampão nas provetas.
  - d. Prima **menu** e, em seguida, selecione CFG SENSOR > [selecionar analisador] > PREPARAR.  
O analisador remove os reagentes das linhas de reagente.
2. Remova a água desionizada das linhas de reagente da seguinte forma:
  - a. Retire o tubo da garrafa de indicador e o tubo da garrafa de solução tampão das provetas.
  - b. Retire as duas provetas do analisador.
  - c. Prima **menu** e, em seguida, selecione CFG SENSOR > [selecionar analisador] > PREPARAR.  
O analisador remove a totalidade do líquido das linhas de reagente.
3. Desligue o cabo do analisador do controlador.
4. Rode a válvula de corte para a posição fechada para interromper o fluxo da amostra até ao filtro em Y.
5. Desligue o tubo de entrada de amostra (preto) e o tubo de drenagem (transparente) do analisador.
6. Retire o escape de ar exterior do analisador.
7. Retire o grampo da bomba. Consulte a secção [Figura 7](#) na página 158.
8. Retire a correia para tubos e a barra de agitação do analisador. Mantenha a correia para tubos para enviar com o analisador. Consulte a secção [Passo 3: Instalar a barra de agitação e a correia para tubos](#) na página 148.
9. Instale o grampo da bomba sem a correia para tubos. Coloque fita adesiva no grampo dos tubos para o fixar bem.
10. Remova a água da célula com um conta-gotas descartável ou um pano que não liberte pelos.
11. Retire o analisador da parede.
12. Volte a colocar o analisador na embalagem original.

## 7.7 Limpeza do produto

### ATENÇÃO

Nunca utilize produtos de limpeza como terebintina, acetona ou semelhantes para limpar o instrumento, incluindo o visor e os acessórios.

Limpe o exterior do instrumento com um pano humedecido e uma solução de sabão suave.

## 7.8 Limpar derrames

### ▲ AVISO



Perigo de exposição a produtos químicos. Elimine os produtos químicos e os resíduos de acordo com os regulamentos locais, regionais e nacionais.

1. Cumpra todos os protocolos de segurança das instalações para controlo de líquidos derramados.
2. Deite o lixo fora de acordo com as regulamentações aplicáveis.

## Secção 8 Resolução de problemas

### 8.1 Erros — Luz vermelha

Para apresentar os erros, prima **menu** e selecione DIAGNÓSTICO > [selecionar analisador] > LISTA ERROS. É apresentada uma lista de erros possíveis na [Tabela 7](#).

Quando ocorre um erro, a luz de estado do analisador muda para vermelha. As medições são interrompidas, o ecrã de medição fica intermitente e todas as saídas são retidas, conforme especificado no menu do controlador.

**Tabela 7 Mensagens de erro**

Erro	Descrição	Solução
ERRO DO DETECTOR.	O detetor não funciona corretamente.	Contactar a assistência técnica.
CÉLULA SUJA	A célula está manchada ou suja. É possível o crescimento de biofilme na célula quando a concentração de cloro é muito baixa.	Limpar a célula. Consultar a secção <a href="#">Limpar a célula</a> na página 154.
ERRO DO CÓD.	Ocorreu um erro de firmware.	Contactar a assistência técnica.
ERRO DO LED	A luz da célula não funciona corretamente.	Contactar a assistência técnica.
ERRO DA BOMBA	A bomba não funciona corretamente.	Contactar a assistência técnica.
FUGA DA AMOSTRA	Existe uma fuga de amostras no analisador.	Contactar a assistência técnica.

### 8.2 Avisos — Luz amarela

Para apresentar os avisos, prima **menu** e selecione DIAGNÓSTICO > [selecionar analisador] > LISTA AVISOS. É apresentada uma lista dos possíveis avisos na [Tabela 8](#).

Quando ocorre um aviso, a luz indicadora de estado muda para amarelo. Um ícone de aviso fica intermitente e é apresentada uma mensagem na parte inferior do ecrã do controlador. Se estiver disponível um fluxo de amostra suficiente, um aviso não afeta o funcionamento dos menus. Um aviso não afeta o funcionamento dos relés e saídas.

**Tabela 8 Mensagens de aviso**

Aviso	Descrição	Solução
BOLHAS DETECT.	Existem bolhas na célula.	Limpar a célula. Consultar a secção <a href="#">Limpar a célula</a> na página 154. (Opcional) Defina REJ. BOLHAS para a posição ligada. Consulte <a href="#">Passo 10: Configurar o analisador</a> na página 152.
LIMP CÉL EM BREVE	A célula está a ficar manchada ou suja e deve ser limpa em breve para evitar um erro.	Limpar a célula. Consultar a secção <a href="#">Limpar a célula</a> na página 154.
CLORO ELEVADO	A concentração de cloro é igual ou superior ao valor-alvo dos ALARMES DE CL ELEV..	Aumentar a definição de ALARMES DE CL ELEV.. Consulte <a href="#">Passo 10: Configurar o analisador</a> na página 152.  Ou  Diminuir a concentração de cloro da amostra fornecida ao analisador.
CLORO BAIXO	A concentração de cloro é igual ou inferior ao valor-alvo dos ALARMES DE CL BAIXO.	Diminuir a definição de ALARMES DE CL BAIXO. Consulte <a href="#">Passo 10: Configurar o analisador</a> na página 152.  Ou  Aumentar a concentração de cloro da amostra fornecida ao analisador.



**Tabela 8 Mensagens de aviso (continuação)**

Aviso	Descrição	Solução
FLUXO AMOS BAIXO	O fluxo da amostra medido é inferior à taxa mínima de fluxo da amostra. Consultar a secção <a href="#">Especificações</a> na página 136.	Definir a taxa de fluxo das amostras. Consulte <a href="#">Passo 8: Definir a taxa de fluxo</a> na página 151. Se necessário, limpar o filtro no filtro em Y para eliminar um bloqueio. Consulte <a href="#">Limpar o ecrã do filtro em Y</a> na página 156.
FLUXO AMOSTRA ELEV	O fluxo da amostra medido é superior à taxa máxima de fluxo da amostra. Consultar a secção <a href="#">Especificações</a> na página 136.	Definir a taxa de fluxo das amostras. Consultar a secção <a href="#">Passo 8: Definir a taxa de fluxo</a> na página 151.

## Secção 9 Acessórios e peças de substituição

### ⚠ ADVERTÊNCIA



Perigo de danos pessoais. A utilização de peças não aprovadas poderá causar ferimentos, danos ou avarias no equipamento. As peças de substituição mencionadas nesta secção foram aprovadas pelo fabricante.

**Nota:** Os números do Produto e Artigo podem variar consoante as regiões de venda. Para mais informações de contacto, contacte o distribuidor apropriado ou consulte o site web da empresa.

### Consumíveis

Descrição	Quantidade	Item n.º
Conjunto de reagentes, cloro livre, inclui: Garrafa de solução tampão, garrafa de indicador e frasco de DPD	1	2556900
Conjunto de reagentes, cloro total, inclui: Garrafa de solução tampão, garrafa de indicador e frasco de DPD	1	2557000
Kit de limpeza de células, inclui: Ácido sulfúrico, 5,25 N, 100 mL, frasco conta-gotas e zaragoas de algodão (10x)	1	8573100
Kit de verificação de calibração, inclui: Seringa, tubos, encaixes de tubos, corta ampolas, água desionizada e ampola padrão de cloro	1	8568200
Kit de recarga de verificação de calibração, inclui: Água desionizada e ampola padrão de cloro	1	8573200

### Peças de substituição

Descrição	N.º do item
Kit de tubos, inclui: Correia para tubos e barra de agitação	EUA: 8560400 UE 8575000
Kit de instalação com tubo vertical (10 psi ou menos)	EUA: 8560500 UE 8575100
Kit de instalação com tubo vertical (>10 psi)	8576001
Kit de instalação com regulador de pressão	EUA: 8565700 UE 8575200

## Acessórios

Descrição	N.º do item
Cabo de extensão para analisador, 1 m (3,2 pés)	6122400
Cabo de extensão para analisador, 7,7 m (25 pés)	5796000
Cabo de extensão para analisador, 15 m (50 pés)	5796100
Adaptador para tubos, DE de 6 mm para DE de ¼ polegadas	09184=A=4020

## Obsah

- |   |                                |   |  |
|---|--------------------------------|---|--|
| 1 | Specifikace na straně 163      | 6 | Kalibrace a úprava na straně 179                     |
| 2 | Obecné informace na straně 164 | 7 | Údržba na straně 179                                 |
| 3 | Instalace na straně 167        | 8 | Poruchy, jejich příčiny a odstraňování na straně 185 |
| 4 | Konfigurace na straně 178      | 9 | Náhradní díly a příslušenství na straně 186          |
| 5 | Ovládání na straně 179         |   |  |

## Kapitola 1 Specifikace

Specifikace podléhají změnám bez předchozího upozornění.

**Tabulka 1 Obecné specifikace**

Specifikace	Podrobnosti
Rozměry (Š × V × H)	32,9 × 34,2 × 17,7 cm
Kryt	Krytí IP66 dle normy IEC 60529 se zavřenými dvířky a zajištěnou západkou <sup>1</sup>
Přepravní hmotnost	4,1 kg bez lahví; 5,1 kg s plnými lahvemi
Montáž	Montáž na stěnu
Třída ochrany	III
Stupeň znečištění	3
Kategorie elektrické instalace	I (vnitřní prostory)
Požadavky na napájení	12 V stř., max. 400 mA (dodává řídicí jednotka)
Provozní teplota	5 až 40 °C
Provozní vlhkost	Nekondenzující relativní vlhkost 0 až 90 %
Skladovací teplota	−40 až 60 °C
Spojky	Hadička pro přívod vzorku: rychlospojka pro plastové hadičky s vnějším průměrem ¼" Odtoková hadička: nasouvací spojka pro měkké plastové hadičky s vnitřním průměrem ½"
Kontrolky	Stav analyzátoru a měřicí cyklus
Certifikáty	EU DoC, UKCA DoC, FCC/ISED SDoC, ACMA DoC, KC, Morocco DoC
Záruka	1 rok (EU: 2 roky)

**Tabulka 2 Požadavky na vzorek**

Specifikace	Podrobnosti
Tlak	0,31 až 5,17 baru na přívodu do lapače nečistot tvaru Y, přívodní tlak 0,1 až 0,34 baru na přívodu do analyzátoru
Průtoková rychlost	60 až 200 mL/min přístrojem (měřeno na odtoku analyzátoru)
Teplota	5 až 40 °C
Filtrace	Lapač nečistot tvaru Y se sítkou jemnosti 40 nebo vyšší

<sup>1</sup> Vypouštěcí otvory jsou uzavřené zátkami pro potřeby měření.

**Tabulka 3 Specifikace měření**

Specifikace	Podrobnosti
Zdroj světla	LED, měření při 510 nm, optická dráha 1 cm
Rozsah měření	0.03 – 10 mg/L bez celkového nebo zbytkového chlóru jako Cl <sub>2</sub>
Interval měření	150 sekund
Správnost	±5 % nebo ±0,04 mg/L od 0 do 5 mg/L (větší hodnota) jako Cl <sub>2</sub> ±10 % od 5 do 10 mg/L jako Cl <sub>2</sub>
Přesnost	±5 % nebo ±0,01 mg/L (větší hodnota) jako Cl <sub>2</sub>
Mez detekce	0.03 mg/L jako Cl <sub>2</sub>
Mez stanovitelnosti	0.07 mg/L
Kalibrace	Tovární kalibrace Volitelná: 2bodová uživatelská kalibrace s kalibračními standardy v Sadě na ověření kalibrace
Spotřeba reagentů	0,5 L roztoku pufru a 0,5 L roztoku indikátoru do 31 dní

## Kapitola 2 Obecné informace

Výrobce v žádném případě neodpovídá za poškození vzniklá v důsledku nesprávného používání produktu nebo nedodržení pokynů v návodu k obsluze. Výrobce si vyhrazuje právo provádět v tomto návodu a výrobcích v něm popisovaných změny, a to kdykoliv, bez předchozích oznámení či jakýchkoli následných závazků. Revidovaná vydání jsou dostupná na internetových stránkách výrobce.

### 2.1 Bezpečnostní informace

Výrobce neodpovídá za škody způsobené nesprávnou aplikací nebo nesprávným použitím tohoto produktu včetně (nikoli pouze) přímých, náhodných a následných škod a zřídka se odpovědnosti za takové škody v plném rozsahu, nakořik to umožňuje platná legislativa. Uživatel je výhradně zodpovědný za určení kritických rizik aplikace a za instalaci odpovídajících mechanismů ochrany procesů během potenciální nesprávné funkce zařízení.

Před vybalením, montáží a uvedením přístroje do provozu si prosím pozorně přečtete celý tento návod. Zvláštní pozornost věnujte všem upozorněním na možná nebezpečí a výstražným informacím. V opačném případě může dojít k vážným poraněním obsluhy a poškození přístroje.

Ujistěte se, že ochrana poskytovaná tímto zařízením není narušena. Nepoužívejte toto zařízení ani jej nepoužívejte žádným jiným způsobem, než je uvedeno v tomto návodu.

#### 2.1.1 Informace o možném nebezpečí

##### **▲ NEBEZPEČÍ**

Označuje možnou nebo bezprostředně rizikovou situaci, jež může v případě, že jí nezabráníte, vést k usmrcení nebo vážnému zranění.

##### **▲ VAROVÁNÍ**

Upozorňuje na možné nebo skryté nebezpečné situace, jež by bez vhodných preventivních opatření mohly vést k úmrtí nebo vážnému poranění.

##### **▲ POZOR**

Upozorňuje na možnou nebezpečnou situaci, jež by mohla mít za následek menší nebo mírné poranění.

##### **UPOZORNĚNÍ**

Označuje situaci, která může způsobit poškození přístroje, pokud se nezabrání jejímu vzniku. Upozorňuje na informace vyžadující zvláštní pozornost.

## 2.1.2 Výstražné symboly

Přečtěte si všechny štítky a etikety na přístroji. V opačném případě může dojít k poranění osob nebo poškození přístroje. Odkazy na symboly na přístroji naleznete v návodu spolu s výstražnou informací.



Elektrické zařízení označené tímto symbolem se nesmí likvidovat v evropských systémech domácího nebo veřejného odpadu. Staré nebo vysloužilé zařízení vraťte výrobci k bezplatné likvidaci.

## 2.1.3 Shoda s elektromagnetickou kompatibilitou (EMC)

### ▲ POZOR

Toto zařízení není určeno pro použití v obytných prostředích a nemusí poskytovat přiměřenou ochranu pro příjem rádiového signálu v takovém prostředí.

### CE (EU)

Zařízení splňuje základní požadavky směrnice 2014/30/EU o elektromagnetické kompatibilitě.

### UKCA (UK)

Zařízení splňuje požadavky nařízení o elektromagnetické kompatibilitě 2016 (S.I. 2016/1091).

### Kanadské předpisy o zařízeních způsobujících rádiové rušení, IECES-003, třída A:

Záznamy o testech jsou uloženy u výrobce.

Tento digitální přístroj třídy A splňuje všechny požadavky kanadských předpisů o zařízeních způsobujících rušení.

Cet appareil numérique de classe A répond à toutes les exigences de la réglementation canadienne sur les équipements provoquant des interférences.

### FCC Část 15, meze třídy "A"

Záznamy o testech jsou uloženy u výrobce. Zařízení splňuje požadavky uvedené v části 15 pravidel FCC. Jeho provoz je dovolen jen při splnění následujících podmínek:

1. Zařízení nemůže způsobit škodlivé rušení.
2. Zařízení musí akceptovat veškeré přijaté rušení, včetně rušení, které může působit nežádoucí provoz.

Změny nebo úpravy tohoto zařízení, které nebyly výslovně schváleny stranou odpovědnou za vyhovění normám, mohou způsobit neplatnost oprávnění uživatele provozovat toto zařízení. Toto zařízení bylo testováno a bylo zjištěno, že vyhovuje limitům digitálního zařízení Třídy A na základě části 15 pravidel FCC. Uvedené meze byly stanoveny za účelem poskytnutí dostatečné ochrany před škodlivými interferencemi, je-li zařízení v provozu v komerčním prostředí. Toto zařízení vytváří, používá a může vyzařovat vysokofrekvenční energii a jestliže není instalováno a používáno v souladu s návodem k použití, může působit rušení radiových komunikací. Provoz tohoto zařízení v obytných oblastech může pravděpodobně působit škodlivé rušení. V tomto případě uživatel bude muset odstranit rušení na své vlastní náklady. Ke snížení problémů způsobených rušením lze použít následující postupy:

1. Odpojením zařízení od elektrické sítě se přesvědčte, zda zařízení je či není zdrojem rušení.
2. Pokud je zařízení připojeno do stejné zásuvky jako zařízení trpící rušením, zapojte jej do jiné zásuvky.
3. Zařízení posuňte dále od rušeného přístroje.
4. Změňte polohu přijímací antény zařízení, jež rušení přijímá.
5. Vyzkoušejte případně kombinaci několika uvedených opatření.

## 2.2 Popis výrobku

### ⚠ NEBEZPEČÍ



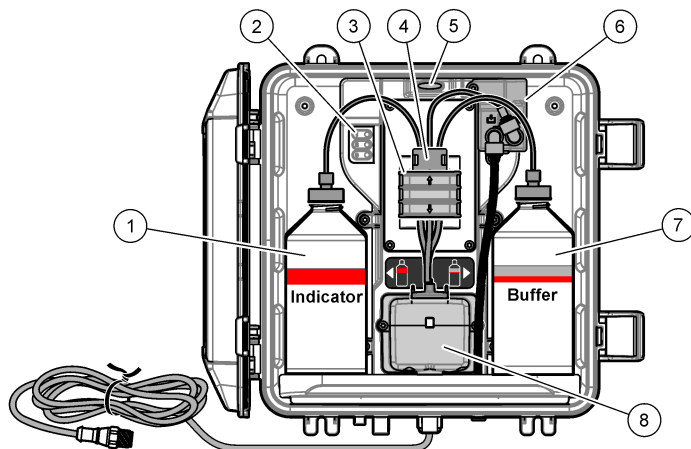
Chemické nebo biologické riziko. Je-li tento přístroj používán ke sledování procesu čištění vody nebo přívodní vody pro dialýzu, pro něž existují legislativní limity a požadavky na sledování související s veřejným zdravím, výrobou potravin nebo jejich zpracováním, pak je na odpovědnosti uživatele tohoto přístroje, aby se seznámil a dodržoval všechny platné zákony a předpisy a zavedl dostatečné a vhodné mechanismy zaručující dodržování platných zákonů a předpisů v případě poruchy přístroje.

Analyzátor CL17sc měří koncentraci celkového chlóru ve vodě v rozsahu 0,03 až 10 mg/L ve 150sekundových intervalech. Přehled o analyzátoru uvádí [Obr. 1](#).

Připojte analyzátor k SC kontroléru za účelem napájení, provozu, sběru dat, přenosu dat a diagnostiky. Viz příručka k SC kontroléru pro popis kontroléru.

**Poznámka:** Pokud je SC kontrolér vybaven více rychlospojkami, lze k němu připojit více analyzátorů.

**Obr. 1** CL17sc



1 Láhev s indikátorem	5 Stavová kontrolka analyzátoru ( <a href="#">Tabulka 5</a> na straně 167)
2 Kontrolky měřicího cyklu ( <a href="#">Tabulka 4</a> na straně 167)	6 Průtokoměr
3 Svorka čerpadla	7 Láhev s pufrům
4 Svorka hadičky	8 Kolorimetrická kyveta

### 2.2.1 Průtokoměr

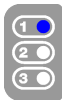
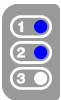

Analyzátor je vybavený průtokoměrem, který měří průtok vzorku analyzátozem. Viz [Obr. 1](#) na straně 166.

Vzorek protéká analyzátozem pouze když analyzátor proplachuje kyvetu. Jinak žádný vzorek neprotéká a zobrazená průtoková rychlost je nula. Stiskem šipky **RIGHT (DOPRAVA)** na kontroléru zobrazíte průtokovou rychlost.

## 2.2.2 Kontrolky měřicího cyklu

Kontrolky měřicího cyklu ukazují prováděný krok měřicího cyklu. Viz [Tabulka 4](#).

**Tabulka 4 Kontrolky měřicího cyklu**

<b>Kontrolky svítí</b>			
<b>Popis</b>	Kyveta je vyplachována vodou.	Do kyvety je přidáván roztok pufru a roztok indikátoru.	Probíhá měření vzorku.

## 2.2.3 Stavová kontrolka analyzátoru

Stavová kontrolka analyzátoru se změní ze zelené na žlutou, když dojde k výstraze, nebo na červenou, když dojde k chybě. Viz [Tabulka 5](#).

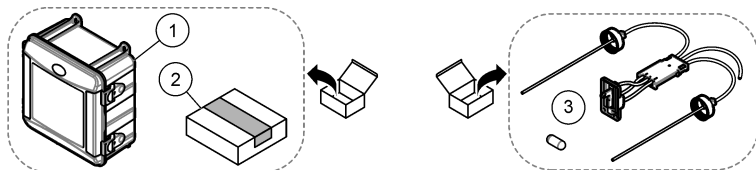
**Tabulka 5 Stavová kontrolka analyzátoru**

Barva	Popis
Zelená	Normální činnost
Žlutá	Systém vyžaduje pozornost, aby se zabránilo budoucímu selhání. Měření pokračují. Chcete-li zobrazit výstrahy, stiskněte <b>menu</b> a zvolte možnost DIAGNOSTIKA > [vyberte analyzátor] > VÝPIS VAROVÁNÍ. Viz <a href="#">Výstrahy – žlutá kontrolka</a> na straně 186.
Červená	Systém vyžaduje okamžitou pozornost. Měření jsou zastavena. Chcete-li zobrazit chyby, stiskněte <b>menu</b> a zvolte možnost DIAGNOSTIKA > [vyberte analyzátor] > VÝPIS CHYB. Viz <a href="#">Chyby – červená kontrolka</a> na straně 185.

## 2.3 Součásti výrobku

Ujistěte se, že byly dodány všechny součásti. Viz [Obr. 2](#). Pokud některé položky chybí nebo jsou poškozené, ihned se obraťte na výrobce nebo příslušného obchodního zástupce.

**Obr. 2 Součásti výrobku**



1 Analyzátor CL17sc	3 Sada hadiček (svazek hadiček a míchací tyčinka)
2 Instalační sada	

## Kapitola 3 Instalace

### ▲ POZOR



Různá nebezpečí. Práce uvedené v tomto oddíle dokumentu smí provádět pouze dostatečně kvalifikovaný personál.

### 3.1 Pokyny k instalaci

- Analyzátor se dodává s instalační sadou svíslé trubky nebo instalační sadou regulátoru tlaku k řízení tlaku vody přiváděné do analyzátoru. Instalační sadu si uživatel může zvolit při nákupu.

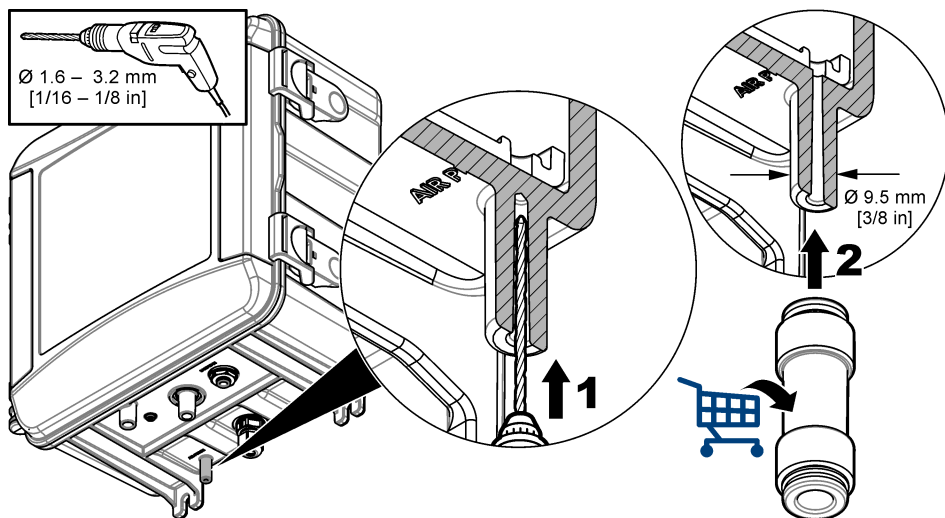
- Analyzátor je určen k instalaci ve vnitřních prostorách s minimem vibrací. Viz specifikace provozní teploty a vlhkosti v části [Specifikace](#) na straně 163.
- Neinstalujte analyzátor na přímé sluneční světlo ani poblíž zdroje tepla.
- Při instalaci na stoupačí potrubí instalujte analyzátor na místo s dostatečným volným prostorem nad analyzátozem pro montáž na stoupačí potrubí.
- Nainstalujte analyzátor poblíž otevřeného kanálku. Viz pokyny k likvidaci odpadu od místního orgánu.

### 3.2 Krok 1: Vzduchové čištění (volitelné)

Vzduchové čištění může být nutné, pokud je analyzátor nainstalován na místě s vysokou vlhkostí nebo výpary, které způsobují korozi. Vzduchové čištění prostřednictvím suchého a čistého vzduchu v přístroji udržuje přetlak.

Zajistěte přívod čistého suchého vzduchu přístrojové kvality rychlostí 0,003 m<sup>3</sup>/min (0,1 palců<sup>3</sup>/min) při max. 20 psig.

Řiďte se následujícími vyobrazenými kroky. 3/8" rychlospojku a hadičku dodá uživatel.



### 3.3 Krok 2: Montáž analyzátoru a připojení hadiček

#### ▲ POZOR



S přístrojem smí být používány pouze hadičky specifikované společností Hach. Jiné hadičky mohou absorbovat chlór obsažený ve vzorcích vody a mají nepříznivý vliv na naměřené hodnoty chlóru (snížení naměřených hodnot chlóru).

#### UPOZORNĚNÍ

Nesprávné připojení analyzátoru může způsobit poškození, protože dojde k nadměrnému tlaku vzorku. Vždy postupujte podle instrukcí k montáži a připojení analyzátoru.

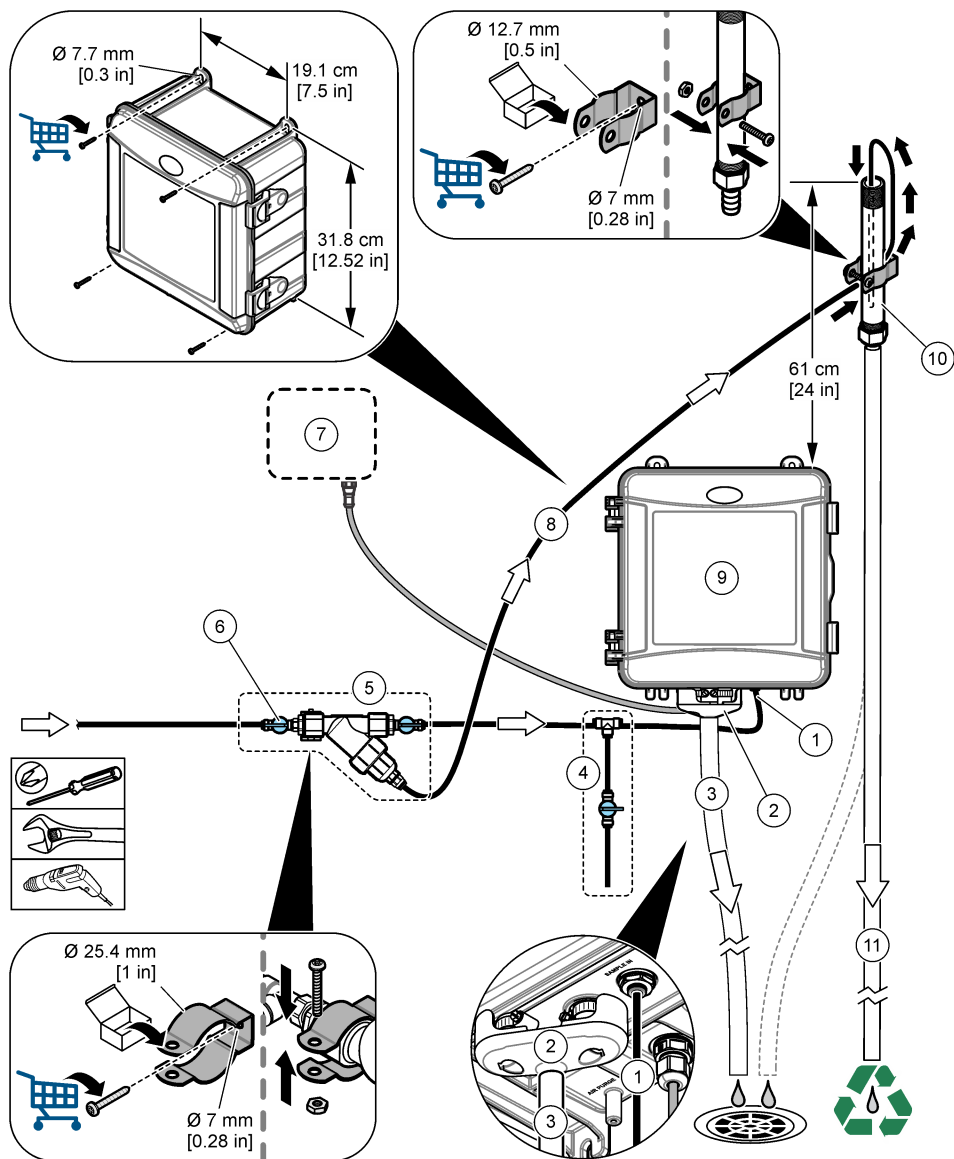
1. Připevněte analyzátor (položka 9) čtyřmi šrouby ke stěně. Analyzátor musí být umístěn vodorovně.  
*Poznámka: Montážní materiál dodá uživatel.*
2. Připevněte SC kontrolér (položka 7) ke stěně, panelu nebo potrubí. Pokyny naleznete v dokumentaci k SC kontroléru.
3. Sestavte lapač nečistot tvaru Y. Viz pokyny na balicím listu.



4. K montáži sestavy Y-oddělovače použijte 1palcovou kabelovou svorku (položka 5 na [Obr. 3](#), [Obr. 4](#) nebo [Obr. 5](#)).
5. Nainstalujte externí přerušovač vzduchu na analyzátor (položka 2 na [Obr. 3](#), [Obr. 4](#) nebo [Obr. 5](#)). Viz pokyny na balicím listu.
6. Proveďte krok [7](#) nebo [8](#).

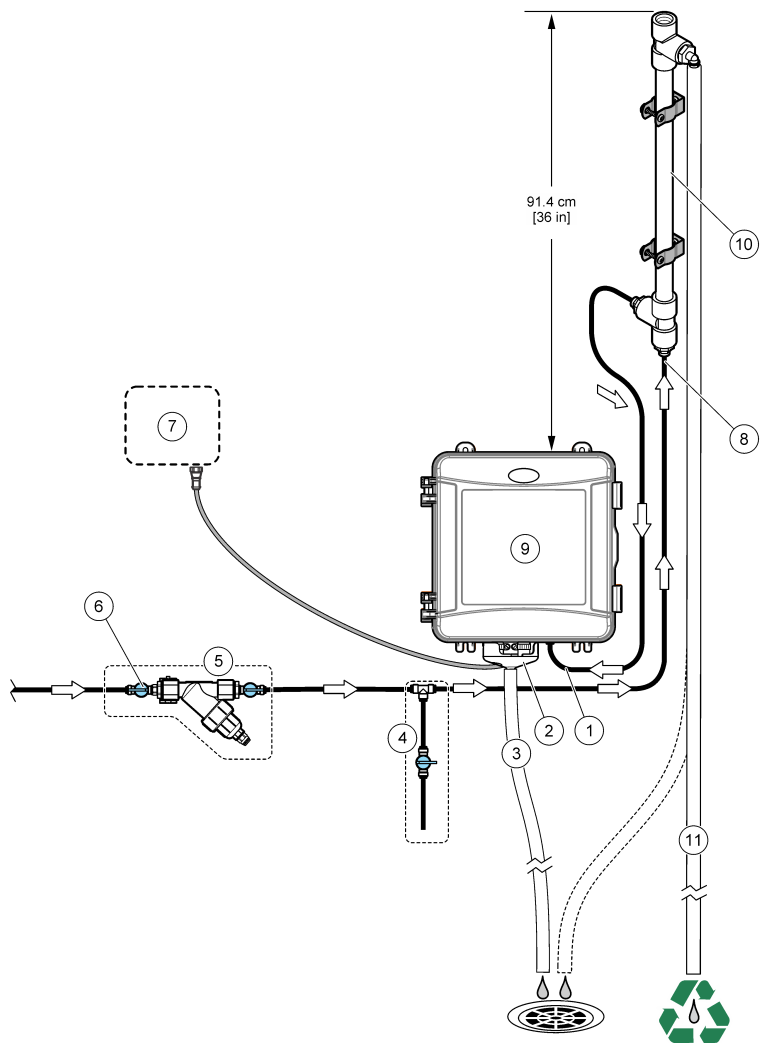
Analyzátor se dodává se sadou pro instalaci stojanového potrubí nebo sadou pro instalaci regulátoru tlaku pro regulaci vstupního tlaku vody. Instalační sadu si uživatel může zvolit při nákupu. Jedna sada pro stoupací potrubí je určena pro tlak vody 10 psi nebo nižší a jedna sada pro stoupací potrubí je určena pro tlak vody na vstupu vyšší než 10 psi. Změřte vstupní tlak vody těsně před sestavou Y-sítka.
7. Pokud byla při nákupu vybrána instalační sada svislé trubky, nainstalujte svislou trubku následovně:
  - a. Sestavte svislou trubku. Viz pokyny na balicím listu.
  - b. K upevnění sestavy stojanového potrubí nad horní část analyzátoru použijte menší svorku na potrubí:
    - 10 psi nebo méně - Sestavu stojanu namontujte minimálně 61 cm nad horní část analyzátoru.
    - Více než 10 psi - namontujte sestavu stojanu minimálně 91,4 cm (36 palců) nad horní část analyzátoru.
  - c. 10 psi nebo méně - pomocí černé hadičky nainstalujte obtokovou hadičku vzorku (položka 8 na [Obr. 3](#)). Protáhněte hadičku zadem a zasuňte ji do svislé trubky. Trubku umístěte do horní části stojanu do hloubky 10-13 cm (4-5 palců).
  - d. Více než 10 psi - pomocí černé trubky připojte výstup Y filtru ke vstupu do stojanové trubky (položka 8 na [Obr. 4](#)).
  - e. Odřízněte část hadičky odtoku vzorku (položka 3). Pomocí trubky připojte stojanovou trubku k otevřenému odtoku (položka 11). Viz [Pokyny pro použití odtokových hadiček](#) na straně 173.
8. Pokud byla při nákupu vybrána instalační sada regulátoru tlaku, nainstalujte regulátor tlaku (položka 10 na [Obr. 5](#)).
9. Pomocí černé hadičky připojte přívod lapače nečistot tvaru Y (položka 5) ke zdroji vzorku. Viz [Pokyny pro přívodní hadičku vzorku](#) na straně 173 a [Požadavky na vzorek](#) na straně 173.
10. Pomocí černé hadičky připojte vzorek k přívodu vzorku (položka 1) následujícím způsobem: Hadička musí být co možná nejkratší s maximální délkou 2,5 m.
  - 10 psi nebo méně - Připojte výstup Y filtru k přívodu vzorku (položka 1) na spodní straně analyzátoru. Viz [Obr. 3](#).
  - Více než 10 psi - Připojte výstup stojanové trubky k přívodu vzorku (položka 1) na spodní straně analyzátoru. Viz [Obr. 4](#).
  - Regulátor tlaku - připojte výstup regulátoru tlaku ke šroubení vstupu vzorku (položka 1) na spodní straně analyzátoru. Viz [Obr. 5](#).
11. Pokud byl nainstalován regulátor tlaku, nainstalujte obtokovou hadičku vzorku (položka 8 na [Obr. 5](#)).
12. Sestavte a sestavu pro odběr vzorků (položka 4).
13. Zaveďte koncovku odbočky sestavy pro odběr vzorků. Viz [Obr. 3](#), [Obr. 4](#) nebo [Obr. 5](#) podle potřeby.
14. Vytvořte odtok hadičky odtoku vzorku (položka 3) do otevřeného kanálku. Viz [Pokyny pro použití odtokových hadiček](#) na straně 173.

Obr. 3 Instalace se stojatým potrubím (10 psi nebo méně)



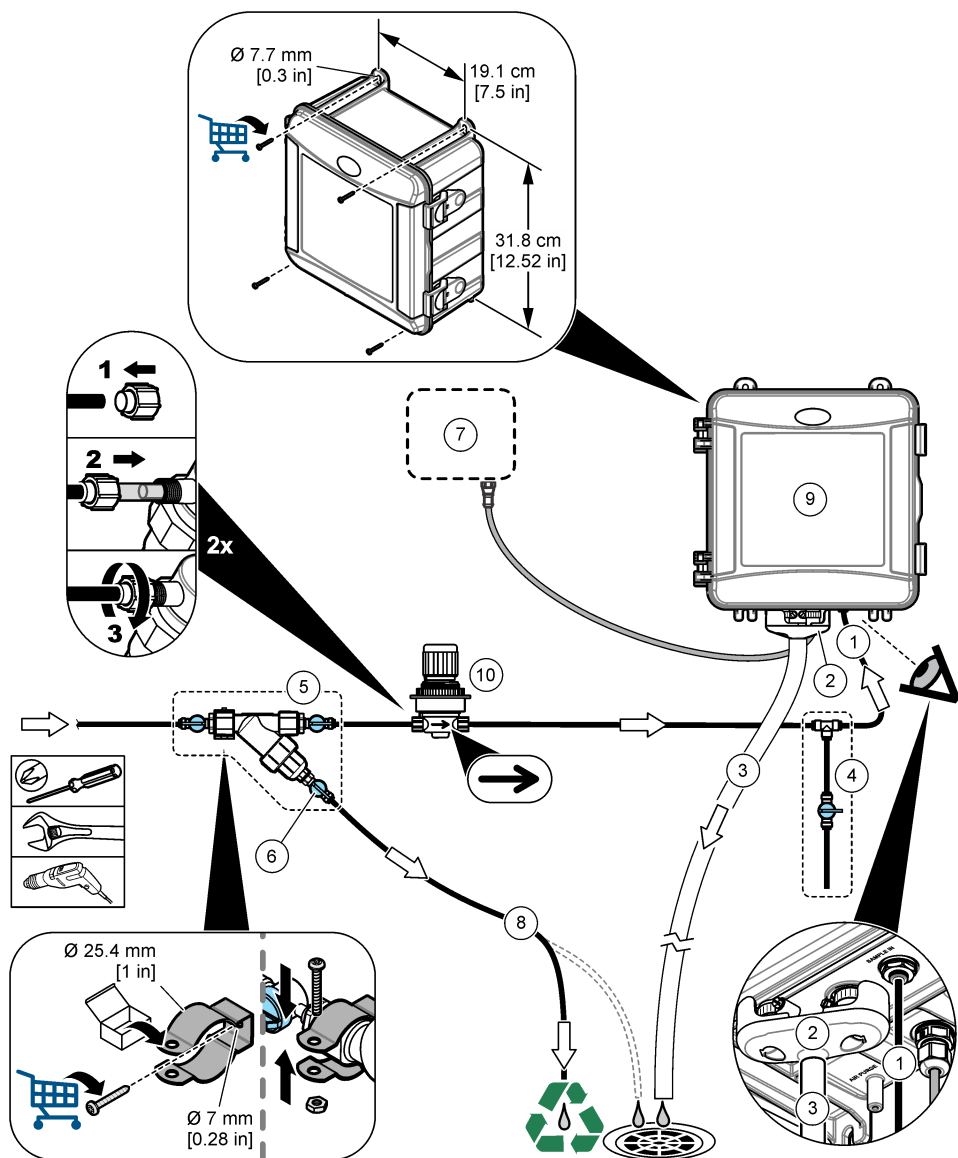
1 Vstupní objímka vzorku	7 SC kontrolér
2 Externí vzduchový vypínač	8 Obtoková hadička vzorku
3 Hadička odtoku vzorku	9 Analyzátor
4 Sestava pro ruční odběr vzorku	10 Svislá trubka
5 Sestava lapače nečistot tvaru Y	11 Vypouštěcí hadička svislé trubky
6 Uzavírací ventil na přívodu lapače nečistot tvaru Y	

Obr. 4 Instalace se stojatým potrubím (více než 10 psi)



1 Vstupní objímka vzorku	7 SC kontrolér
2 Externí vzduchový vypínač	8 Vstup do stojanového potrubí
3 Hadička odtoku vzorku	9 Analyzátor
4 Sestava pro ruční odběr vzorku	10 Svislá trubka
5 Sestava lapače nečistot tvaru Y	11 Vypouštěcí hadička svislé trubky
6 Uzavírací ventil na přívodu lapače nečistot tvaru Y	

Obr. 5 Instalace s regulátorem tlaku



1 Vstupní objímka vzorku	6 Uzavírací ventil na obtoku Y-sítka
2 Externí vzduchový vypínač	7 SC kontrolér
3 Hadička odtoku vzorku	8 Obtoková hadička vzorku
4 Sestava pro ruční odběr vzorku	9 Analyzátor
5 Sestava lapače nečistot tvaru Y	10 Regulátor tlaku

### 3.3.1 Pokyny pro přívodní hadičku vzorku

Pro co nejlepší funkci přístroje zvolte bod odběru vzorku, který bude dostatečně kvalitní a reprezentativní. Vzorek musí být reprezentativní v celém systému.

Prevence chybných měření:

- Odebírejte vzorky v bodech, které jsou dostatečně vzdálené od bodů, kde se do procesního proudu přidávají chemické látky.
- Zajistěte, aby vzorky byly dostatečně promíchány.
- Dbejte, aby proběhlo úplné dokončení chemických reakcí.
- Nainstalujte analyzátor co nejbliže ke zdroji vzorku je možné (max. 4,6 m).

### 3.3.2 Požadavky na vzorek

Voda ze zdroje/zdrojů vzorku musí odpovídat následujícím specifikacím v části [Specifikace](#) na straně 163.

V zájmu zajištění co nejlepších výsledků udržujte průtokovou rychlost vzorku a provozní teplotu co nejvíce konstantní.

### 3.3.3 Pokyny pro použití odtokových hadiček

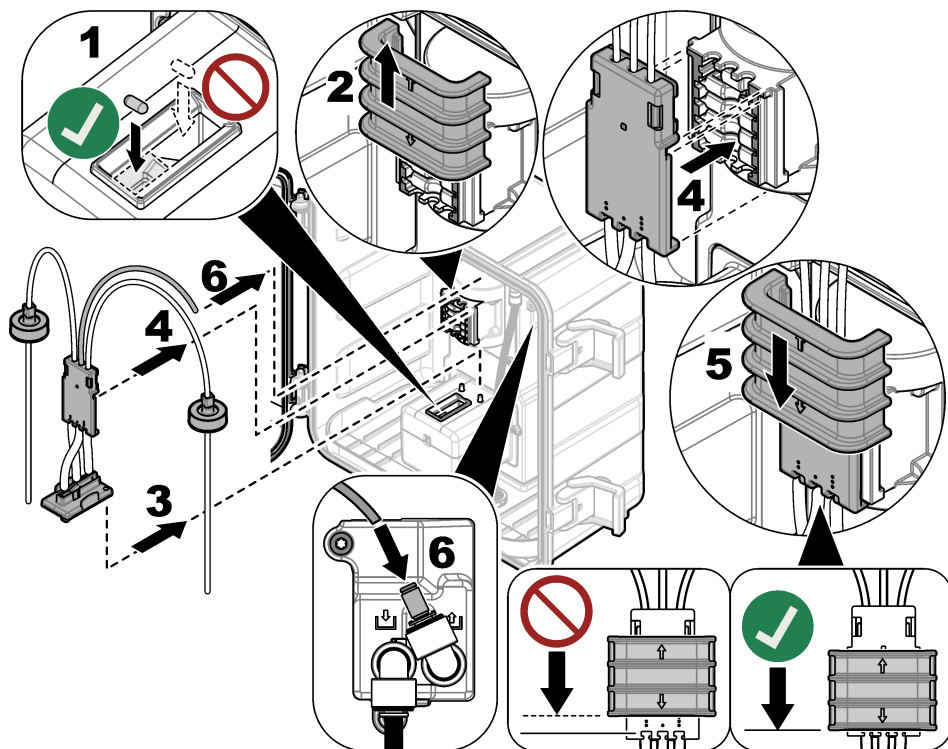
#### **UPOZORNĚNÍ**

Nesprávná instalace odtokových hadiček může způsobit návrat kapaliny zpět do přístroje a jeho poškození.

- Dbejte na instalaci externího vzduchového vypínače. Viz bod 2 na [Obr. 3](#) na straně 170, [Obr. 4](#) na straně 171 nebo [Obr. 5](#) na straně 172.
- Odtokové hadičky by měly být co nejkratší.
- Dbejte na to, aby měly odtokové hadičky konstantní sklon.
- Odtokové hadičky nesmí mít ostré ohyby, ani nesmí být přiskřípnuté.

### 3.4 Krok 3: Instalace míchací tyčinky a svazku hadiček

Proveďte následující vyobrazené kroky.



### 3.5 Krok 4: Instalace lahve s reagenty

#### ▲ POZOR



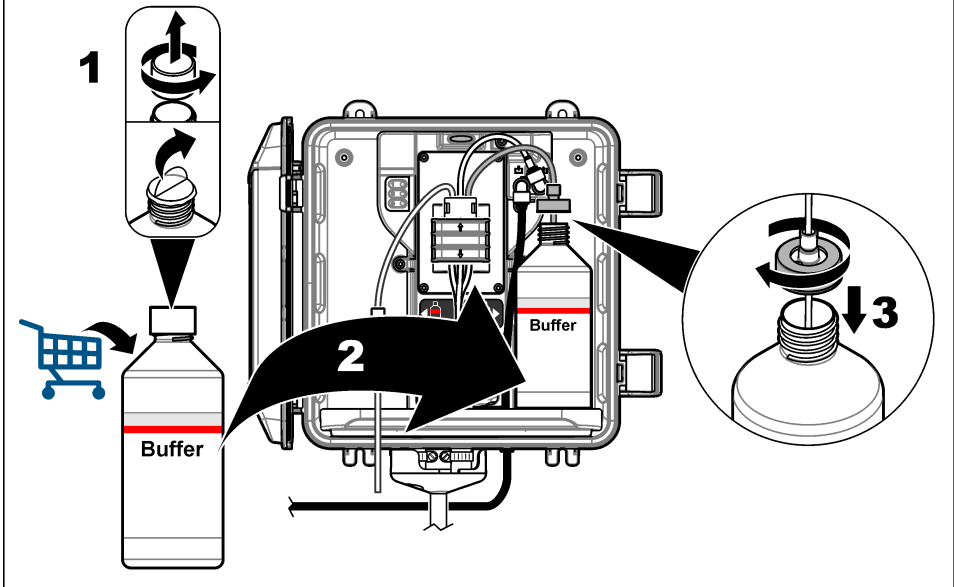
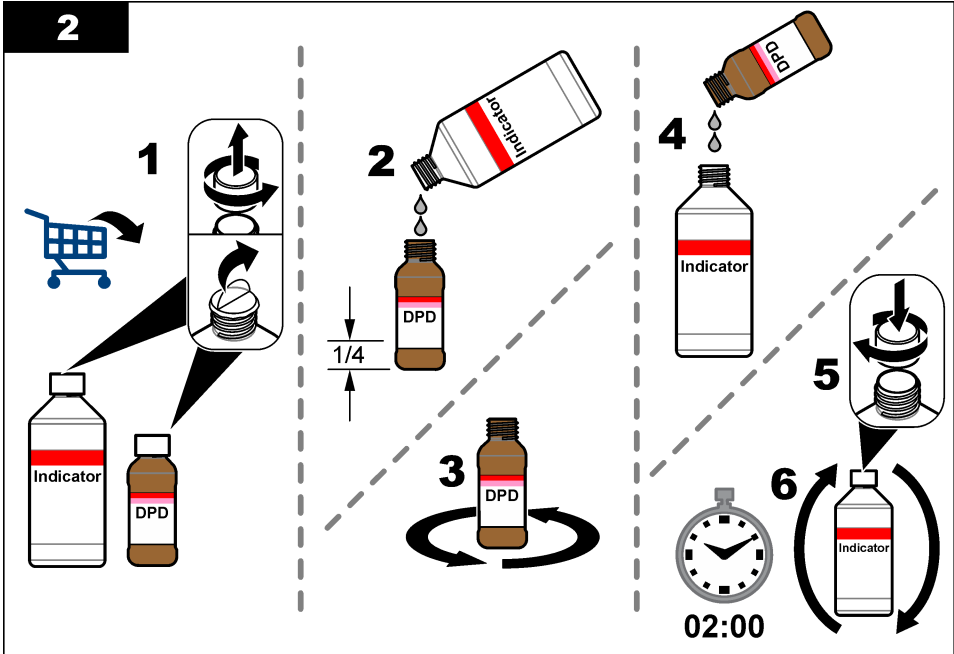
Nebezpečí styku s chemikáliemi. Dodržujte laboratorní bezpečnostní postupy a noste veškeré osobní ochranné pomůcky vyžadované pro manipulaci s příslušnými chemikáliemi. Bezpečnostní protokoly naleznete v aktuálních bezpečnostních listech.

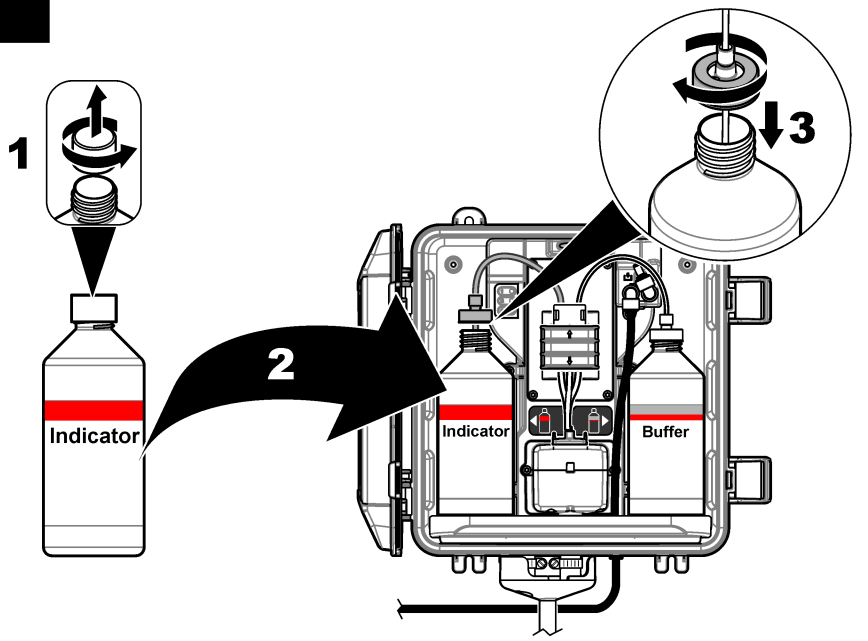
#### Potřebné vybavení:

- Osobní ochranné pomůcky (viz bezpečnostní listy)
- Láhev s indikátorem
- Láhev s pufrem
- Láhev se sloučeninou DPD

1. Používejte osobní ochranné pomůcky určené v bezpečnostních listech.
2. Na pravou stranu nainstalujte láhev s pufrem a na levou stranu láhev s indikátorem. Řiďte se následujícími vyobrazenými kroky.

**Poznámka:** (Volitelné) Použijte horní část analyzátoru jako odkládací plochu.

**1****2**

**3**

### 3.6 Krok 5: Zapnutí průtoku vzorku

1. Pomalu otáčejte uzavírací ventil(y) do otevřené polohy o  $\frac{1}{4}$  otáčky.
2. Přesvědčte se, že u připojení hadiček nedochází k únikům. Pokud dochází k úniku, zasuňte hadičku dále do spojky nebo spojení utáhněte klíčem.
3. V případě instalací se svislou trubicí použijte níže uvedený postup:
  - a. Plně otevřete uzavírací ventil na vývodu lapače nečistot tvaru Y.
  - b. Otáčejte uzavíracím ventilem na vstupu Y-sítka (položka 6 na [Obr. 3](#) na straně 170 nebo [Obr. 4](#) na straně 171), dokud z vypouštěcí trubky stojanu nevytéká malý proud vody.
4. V případě instalací s regulátorem tlaku použijte níže uvedený postup:
  - a. Plně otevřete plně uzavírací ventily na přívodu a vývodu lapače nečistot tvaru Y.
  - b. Poté otáčejte uzavíracím ventilem na obtoku lapače nečistot tvaru Y (položka 6 na [Obr. 5](#) na straně 172) dokud z obtokové hadičky nezačne vytékat slabý proud vody.

### 3.7 Krok 6: Elektrická instalace

#### 3.7.1 Připojení analyzátoru k řídicí jednotce

#### ⚠ VAROVÁNÍ



Nebezpečí úrazu elektrickým proudem. Externě připojená zařízení musí odpovídat platným hodnocením bezpečnostních norem dané země.

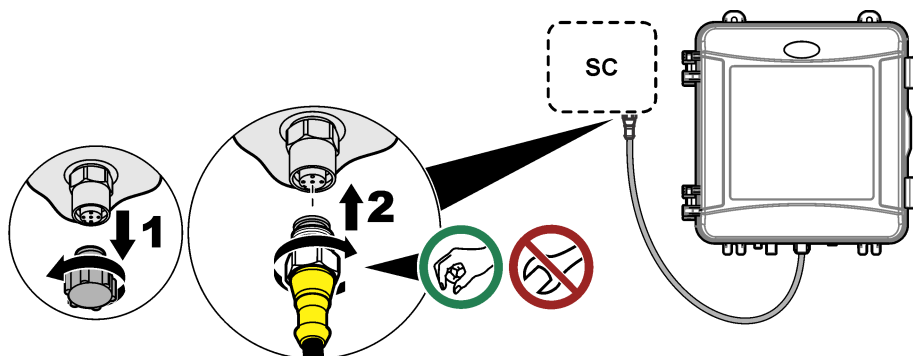
Připojte kabel analyzátoru k rychlospojce SC kontroléru. Viz [Obr. 6](#).

Ušchovejte si krytku konektoru, abyste mohli zaslepit otvor konektoru, pokud bude nutné kabel odpojit.

**Poznámka:** K dispozici jsou prodlužovací kabely. Viz [Náhradní díly a příslušenství](#) na straně 186. Maximální délka kabelu je 15 m.



Obr. 6 Připojení kabelu k rychlospojce



### 3.7.2 Připojení řídicí jednotky k napájení

Řídicí jednotku lze připojit k napájení prostřednictvím pevné instalace v elektroinstalační trubce nebo pomocí napájecího kabelu. Pokyny naleznete v dokumentaci ke kontroléru.

### 3.7.3 Připojení externích zařízení k řídicí jednotce

Relé, analogové výstupy a digitální vstupy kontroléru můžete podle potřeby připojovat k externím zařízením. Pokyny naleznete v dokumentaci ke kontroléru.

## 3.8 Krok 7: Nastavení a první naplnění analyzátoru

1. Stiskněte **menu** a vyberte NASTAV SENZOR > [vyberte analyzátor] > NAPLNIT.
2. Pokud kontrolér nerozpozná, že je analyzátor připojen, proveďte následující kroky:
  - a. Stiskněte **menu**, poté vyberte možnost TEST/ÚDRŽBA > HLEDEJ SENZORY.
  - b. Když je senzor nalezen a nainstalován, proveďte znovu krok 1.

## 3.9 Krok 8: Nastavení průtokové rychlosti

Analyzátor je vybavený průtokoměrem, který měří průtok vzorku analyzátozem. Viz [Obr. 1](#) na straně 166.

1. Stiskem šipky **DOPRAVA** na kontroléru zobrazte průtokovou rychlost.

Vzorek protéká analyzátozem pouze když analyzátor proplachuje kyvetu. Jinak žádný vzorek neprotéká a zobrazená průtoková rychlost je nula. Viz [Tabulka 4](#) na straně 167 s popisy kroků měřicího cyklu.

**Poznámka:** Chcete-li ručně změřit rychlost průtoku analyzátozem, změřte průtokovou rychlost u výstupu analyzátoru, když analyzátor proplachuje kyvetu vodou.
2. Při instalaci se svislým potrubím otočte uzavírací ventil na výstupu lapače nečistot tvaru Y a nastavte průtokovou rychlost mezi 60 a 200 mL/min, když analyzátor proplachuje kyvetu vodou.
3. U instalací regulátoru tlaku nastavte regulátor tlaku tak, aby při proplachování kyvetu vodou byla průtoková rychlost mezi 60 a 200 mL/min.

## 3.10 Krok 9: Instalace nejnovějšího softwaru

Ujistěte se, že je v SC kontroléru nainstalovaný nejnovější software. K instalaci nejnovějšího softwaru do SC kontroléru použijte SD kartu.

1. Přejděte na stránku produktu pro příslušný SC kontrolér na webu <http://hach.com>.
2. Klikněte na kartu "Zdroje".

3. Přejděte dolů na Software/firmware.
4. Klikněte na odkaz na software požadovaného SC kontroléru.
5. Uložte soubory na SD kartu.
6. Nainstalujte soubory do SC kontroléru. Viz pokyny k instalaci softwaru dodané se soubory.

## Kapitola 4 Konfigurace

### 4.1 Krok 10: Konfigurace analyzátoru

Nastavte název analyzátoru, průměrování signálu, typ měřeného chlóru a nastavené hodnoty eliminace bublin a alarmů chlóru.

1. Stiskněte **menu** a vyberte **NASTAV SENZOR > [vyberte analyzátor] > KONFIGURACE**.
2. Vyberte a nakonfigurujte jednotlivé možnosti.

Možnost	Popis
<b>EDITACE JMÉNA</b>	Nastaví název analyzátoru. Název analyzátoru se zobrazuje na displeji kontroléru a v souborech protokolů.
<b>PRŮMĚR</b>	Nastaví počet měření sloužících k výpočtu průměrného měření zobrazeného na displeji. Možnosti: 1 (výchozí), 2, 3 nebo NEPRAVID. HODN.. Když je PRŮMĚR nastaven na 1, průměrování signálu je vypnuté. Když je PRŮMĚR nastaven na 2 nebo 3, zobrazují se na displeji průměrné hodnoty. Pokud je například PRŮMĚR nastaven na 2, naměřené hodnoty na displeji se rovnají poslednímu a předchozímu měření vydělenému dvěma. Když je PRŮMĚR nastaven na NEPRAVID. HODN., analyzátor zamítá naměřené hodnoty, které jsou nezvykle vyšší nebo nižší než poslední hodnoty. Když je naměřená hodnota zamítnuta, na displeji se zobrazí poslední dobrá hodnota, která se zároveň uloží do protokolu dat. Nezamítají se více než tři po sobě jdoucí naměřené hodnoty. Průměrování signálu koriguje fluktuace nesprávně naměřených hodnot, které jsou způsobené bublinami a většími částicemi ve vzorku.
<b>MĚŘENÍ</b>	Nastavuje typ měřeného chlóru. Pokud mají láhve s puřem a indikátorem na štítku napsáno „Free Chlorine“ (Volný chlór), vyberte možnost VOLNÝ CHLÓR (výchozí). Pokud mají láhve s puřem a indikátorem na štítku napsáno „Total Chlorine“ (Celkový chlór), vyberte možnost CELKOVÝ CHLOR.
<b>ELIMINACE BUBL</b>	Zapne nebo vypne eliminaci bublin (výchozí). Nastavením možnosti ELIMINACE BUBL na ON snížíte šum způsobený bublinami ve vzorku. Vzduchové bubliny ve vzorku můžou způsobovat nestabilní naměřené hodnoty.
<b>ALARMY VYS. CHLOR</b>	Nastaví hodnotu koncentrace chlóru pro alarm VYSOKÝ CHLOR – 0,00 až 10,00 mg/L (výchozí: 4,00 mg/L).
<b>ALARMY NÍZK CHLOR</b>	Nastaví hodnotu koncentrace chlóru pro alarm NÍZKÝ CHLOR – 0,00 až 10,00 mg/L (výchozí: 0,20 mg/L).
<b>INFO SENSORU</b>	Zobrazí sériové číslo analyzátoru, verzi softwaru, verzi spouštěče a verzi ovladače.
<b>VÝCHOZÍ NASTAVENÍ</b>	Výběrem možnosti ANO změníte nastavení konfigurace zpět na výchozí hodnoty z výroby.
<b>SERVIS</b>	Pouze pro servisní účely

### 4.2 Konfigurace systému

Pokyny ke konfiguraci systému, k obecným nastavením kontroléru a k nastavení výstupů a komunikace naleznete v dokumentaci ke kontroléru.

### 4.3 Uživatelská navigace

Popis klávesnice a informace o navigaci naleznete v dokumentaci ke kontroléru.

Postupným mačkáním tlačítka se šipkou **RIGHT (DOPRAVA)** na kontroléru si zobrazíte další informace na hlavní obrazovce a zobrazíte grafický displej.

## Kapitola 5 Ovládání

### 5.1 Protokoly dat, událostí a servisu

Kontrolér poskytuje pro každý připojený přístroj přístup k protokolu dat, protokolu událostí a protokolu servisu. Měření analyzátoru se automaticky ukládají do protokolu dat ve 150sekundových intervalech. Protokol událostí zobrazuje vzniklé události. Pokud analyzátor pracuje nepřetržitě, protokoly událostí a dat obsahují data za zhruba 2 týdny. Pokud analyzátor pracuje nepřetržitě, protokol servisu obsahuje data za zhruba 24 hodin.

Postup stažení protokolu dat, protokolu událostí a protokolu servisu naleznete v dokumentaci ke kontroléru. Protokol dat je soubor XML, který lze uložit ve formátu CSV nebo Excel. Protokol událostí a protokol servisu jsou soubory ve formátu CSV.

### 5.2 Měření BODOVÉHO VZORKU

Podle potřeby v nabídce BODOVÉHO VZORKU můžete do kyvety přidat vzorek vody se známou koncentrací chlóru ke změření. Můžete měřit ruční vzorek za účelem ověření nebo vzorek vody odebraný v jiné lokalitě.

1. Stiskněte **menu** a vyberte **NASTAV SENZOR > [vyberte analyzátor] > BODOVÉHO VZORKU**.
2. Proveďte kroky zobrazené na displeji. Až se zobrazí výzva, odstraňte víčko kyvety a přidejte do ní 100 mL ručně odebraného vzorku. Část vzorku oteče do odtoku vzorku.

### 5.3 Registry Modbus

Pro komunikaci po síti je k dispozici seznam registrů Modbus. Další informace naleznete na webu výrobce.

## Kapitola 6 Kalibrace a úprava

Kalibrační křivka analyzátoru je nastavena z výroby tak, aby byl zajištěn výkon dle specifikací. Za účelem ověření výkonu lze provést kalibraci.

Není doporučeno křivku tovární kalibrace užívatelsky měnit, pokud to není vyžadováno legislativními požadavky pro účely podávání hlášení nebo pokud na analyzátoru neproběhla velká oprava.

Další informace naleznete v pokynech v Sadě na ověření kalibrace nebo kontaktujte technickou podporu.

## Kapitola 7 Údržba

### ▲ POZOR



Různá nebezpečí. Práce uvedené v tomto oddíle dokumentu smí provádět pouze dostatečně kvalifikovaný personál.

### UPOZORNĚNÍ

Při údržbě nerozebírejte přístroj. Pokud je nutné vyčistit nebo opravit vnitřní součásti, obraťte se na výrobce.


## 7.1 Plán údržby

Tabulka 6 zobrazuje doporučený harmonogram údržbových prací. Požadavky pracoviště a provozní podmínky si mohou vynutit častější provádění některých úkonů.

Tabulka 6 Plán údržby

Úkony	1 měsíc	6 měsíců	Podle potřeby
Vyčištění kyvety na straně 180	X <sup>2</sup>		
Výměna lahví s reagensy na straně 181	X		
Výměna míchací tyčinky a svazku hadiček <sup>3</sup>		X	
Vyčištění sítka v lapači nečistot tvaru Y na straně 182			X

## 7.2 Vyčištění kyvety

▲ POZOR	
	Nebezpečí styku s chemikáliemi. Dodržujte laboratorní bezpečnostní postupy a noste veškeré osobní ochranné pomůcky vyžadované pro manipulaci s příslušnými chemikáliemi. Bezpečnostní protokoly naleznete v aktuálních bezpečnostních listech.

Čistěte kyvetu v měsíčních intervalech nebo častěji podle potřeby.

### Potřebné vybavení:



Vatové tyčinky<sup>4</sup>



5,25 N, roztok kyseliny sírové<sup>5</sup>

1. Použijte osobní ochranné pomůcky určené v bezpečnostních listech.
2. Stiskněte **menu** a vyberte NASTAV SENZOR > [vyberte analyzátor] > ÚLOHY > VYČISTIT CELU.

*Poznámka: Chcete-li vybranou úlohu zastavit, stiskněte tlačítko **domů**.*

3. Stiskem tlačítka **Enter** zastavte měření.
4. Vyberte požadovanou možnost.

Možnost	Popis
---------	-------

<b>DRŽET</b>	Výstupy kontroléru jsou udržovány na poslední naměřené hodnotě.
--------------	---

<b>PŘENOS</b>	Výstupy kontroléru se změní na hodnotu přenosu.
---------------	---

5. Když bliká stavová kontrolka, proveďte následující vyobrazené kroky. Až budete hotovi, stiskněte **Enter**.

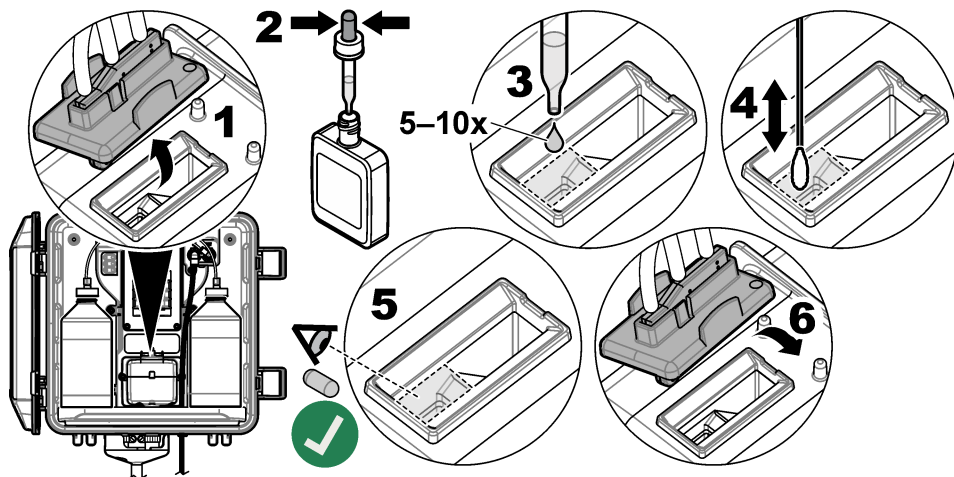
Podle vyobrazeného kroku 5 se ujistěte, že se v kyvetě nenachází žádný nežádoucí materiál. Podle potřeby pomoci baterky zkontrolujte přítomnost nežádoucího materiálu.

<sup>2</sup> Čistěte kyvetu s frekvencí podle potřeby.

<sup>3</sup> Viz pokyny dodávané se sadou hadiček.

<sup>4</sup> Viz [Náhradní díly a příslušenství](#) na straně 186.

<sup>5</sup> Nepoužívejte jiné čisticí roztoky. Viz [Náhradní díly a příslušenství](#) na straně 186.



6. Jakmile se na displeji zobrazí „ÚLOHA DOKONČENA.“, stiskněte **Enter**.  
 Analyzátor přibližně za 30 sekund zahájí cyklus měření.

### 7.3 Výměna lahví s reagensy

<b>▲ POZOR</b>	
	Nebezpečí styku s chemikáliemi. Dodržujte laboratorní bezpečnostní postupy a noste veškeré osobní ochranné pomůcky vyžadované pro manipulaci s příslušnými chemikáliemi. Bezpečnostní protokoly naleznete v aktuálních bezpečnostních listech.
<b>▲ POZOR</b>	
	Nebezpečí styku s chemikáliemi. Likvidujte chemikálie a odpad v souladu s místními, regionálními a národními předpisy.

Lahve s reagensy vyměňujte v měsíčních intervalech.

1. Používejte osobní ochranné pomůcky určené v bezpečnostních listech.
2. Stiskněte **menu** a vyberte **NASTAV SENZOR > [vyberte analyzátor] > ÚLOHY > VYMĚNIT REAGEN.**
- Poznámka: Chcete-li vybranou úlohu zastavit, stiskněte tlačítko **domů**.*
3. Stiskem tlačítka **Enter** zastavte měření.
4. Vyberte požadovanou možnost.

Možnost	Popis
<b>DRŽET</b>	Výstupy kontroléru jsou udržovány na poslední naměřené hodnotě.
<b>PŘENOS</b>	Výstupy kontroléru se změni na hodnotu přenosu.

5. Počkejte, než začne blikat stavová kontrolka.
6. Následujícím postupem vyměňte láhev s pufrem:
 

*Poznámka: (Volitelné) Použijte horní část analyzátoru jako odkládací plochu.*

  - a. Odstraňte z nové láhve s pufrem uzávěr a těsnění.
  - b. Odstraňte z analyzátoru použitou láhev s pufrem.

c. Zasuňte hadičky pufru do nové láhve s pufrem na pravé straně analyzátoru. Dotáhněte uzávěr.

7. Následujícím postupem vyměňte láhev s indikátorem:

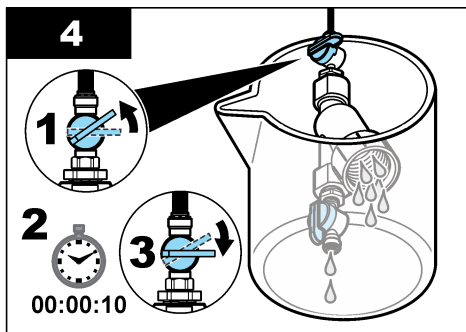
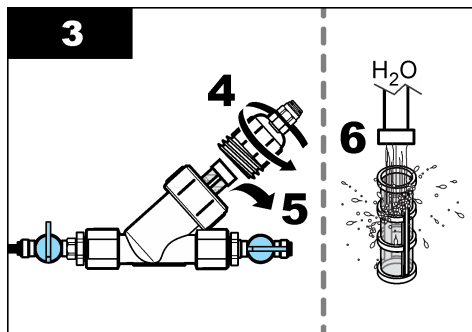
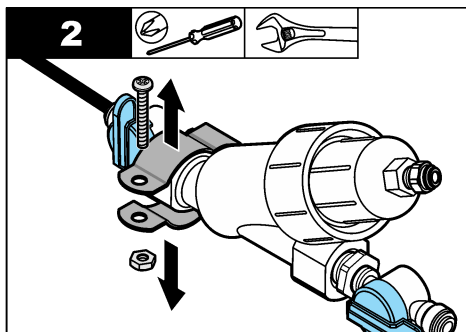
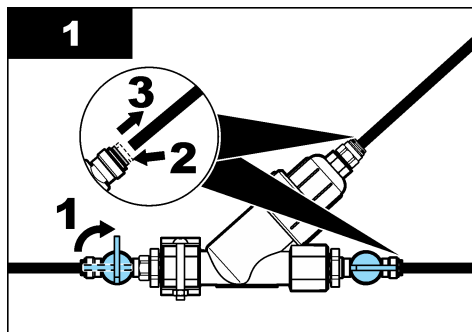
- Odstraňte z láhve s indikátorem a hnědé láhve s DPD uzávěr a těsnění.
- Naplňte hnědou láhev s DPD přibližně z jedné čtvrtiny roztokem indikátoru.
- Kroužením obsah láhve s DPD promíchejte.
- Nalijte obsah láhve s DPD do láhve s indikátorem.
- Obraťte láhev s indikátorem vzhůru nohama a vyčkejte, dokud se veškerý prášek nerozpustí (2 minuty).
- Odstraňte z analyzátoru použitou láhev s indikátorem.
- Zasuňte hadičky indikátoru do nové láhve s pufrem na levé straně analyzátoru. Dotáhněte uzávěr.

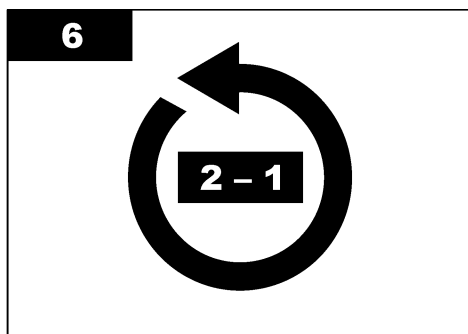
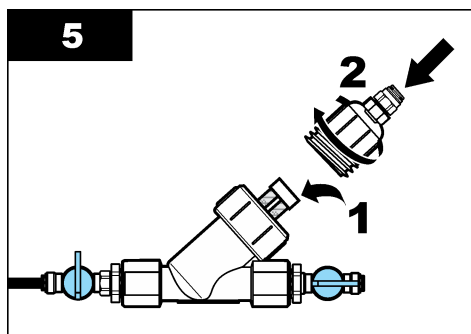
8. Stiskněte **Enter**.

9. Jakmile se na displeji zobrazí „ÚLOHA DOKONČENA.“, stiskněte **Enter**. Analyzátor přibližně za 30 sekund zahájí cyklus měření.

## 7.4 Vyučištění sítka v lapači nečistot tvaru Y

Když dojde k zanesení, které je udáváno výstrahou NÍZ PRŮT VZORKU, vyčistěte sítko v lapači nečistot tvaru Y. Provedte následující vyobrazené kroky.





## 7.5 Příprava na uskladnění

### ▲ POZOR



Nebezpečí styku s chemikáliemi. Dodržujte laboratorní bezpečnostní postupy a noste veškeré osobní ochranné pomůcky vyžadované pro manipulaci s příslušnými chemikáliemi. Bezpečnostní protokoly naleznete v aktuálních bezpečnostních listech.

Pokud bude analyzátor na více než 3 dny odpojen od napájení nebo nebude více než 3 dny používán, připravte ho na uskladnění.

#### Potřebné vybavení:



Kádinka s deionizovanou vodou (2×)

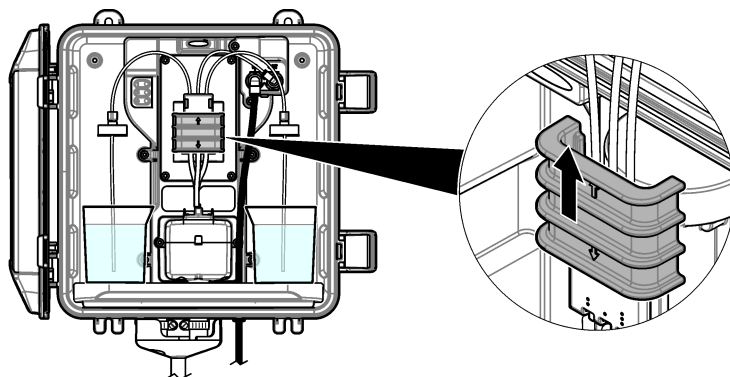


Jednorázové kapátko nebo hadřík nepouštějící vlákna

1. Následujícím postupem z hadiček vypusťte reagentie:
  - a. Vyjměte z analyzátoru láhev s indikátorem a láhev s puřem.
  - b. Vložte do analyzátoru dvě kádinky (nebo jiné nádoby) s deionizovanou vodou.
  - c. Zasuňte do kádinek hadičku láhve s indikátorem a hadičku láhve s puřem.
  - d. Stiskněte **menu** a vyberte NASTAV SENZOR > [vyberte analyzátor] > NAPLNIT. Analyzátor z hadiček vypustí reagentie.
2. Následujícím postupem z hadiček vypusťte deionizovanou vodu:
  - a. Vyjměte z kádinek hadičku láhve s indikátorem a hadičku láhve s puřem.
  - b. Vyjměte obě kádinky z analyzátoru.
  - c. Stiskněte **menu** a vyberte NASTAV SENZOR > [vyberte analyzátor] > NAPLNIT. Analyzátor z hadiček vypustí veřkerou kapalinu.
3. Odpojte od kontroléru kabel analyzátoru (nebo odpojte napájení kontroléru).
4. Přepněte uzavírací ventil do zavřené polohy, aby se zavřel průtok vzorku do lapače nečistot tvaru Y.
5. Odstraňte svorku čerpadla. Viz [Obr. 7](#). Uschovejte svorku čerpadla pro pozdější použití.
6. Následujícím způsobem odstraňte vodu z kyvety:
  - a. Sundejte z kyvety víčko.
  - b. Jednorázovým kapátkem nebo hadříkem nepouštějícím vlákna odstraňte z kyvety vodu.
  - c. Nasadte na kyvetu víčko.
7. Pokud chcete analyzátor po uskladnění spustit, použijte níže uvedený postup:
  - a. Nainstalujte svorku čerpadla. Viz [Obr. 7](#).
  - b. Nainstalujte láhve s reagentiemi. Viz [Krok 4: Instalace lahv s reagentiemi](#) na straně 174.

- c. Přepněte uzavírací ventil do otevřené polohy, aby se spustil průtok vzorku do lapače nečistot tvaru Y.
- d. Pokud byl odpojený kabel analyzátoru, připojte ho ke kontroléru.
- e. Pokud bylo odpojeno napájení kontroléru, zapněte napájení kontroléru.
- f. Stiskněte **menu** a vyberte NASTAV SENZOR > [vyberte analyzátor] > NAPLNIT.

Obr. 7 Odstranění svorky čerpadla



## 7.6 Příprava k odeslání

### ▲ POZOR



Nebezpečí styku s chemikáliemi. Dodržujte laboratorní bezpečnostní postupy a noste veškeré osobní ochranné pomůcky vyžadované pro manipulaci s příslušnými chemikáliemi. Bezpečnostní protokoly naleznete v aktuálních bezpečnostních listech.

Chcete-li připravit analyzátor k odeslání, použijte níže uvedený postup.

#### Potřebné vybavení:



Kádinka s deionizovanou vodou (2×)



Původní obal

1. Následujícím postupem z hadiček vypustíte reagentie:
  - a. Vyjměte z analyzátoru láhev s indikátorem a láhev s pufrem.
  - b. Vložte do analyzátoru dvě kádinky (nebo jiné nádoby) s deionizovanou vodou.
  - c. Zasuňte do kádinek hadičku láhve s indikátorem a hadičku láhve s pufrem.
  - d. Stiskněte **menu** a vyberte NASTAV SENZOR > [vyberte analyzátor] > NAPLNIT. Analyzátor z hadiček vypustí reagentie.
2. Následujícím postupem z hadiček vypustíte deionizovanou vodu:
  - a. Vyjměte z kádinek hadičku láhve s indikátorem a hadičku láhve s pufrem.
  - b. Vyjměte obě kádinky z analyzátoru.
  - c. Stiskněte **menu** a vyberte NASTAV SENZOR > [vyberte analyzátor] > NAPLNIT. Analyzátor z hadiček vypustí veškerou kapalinu.
3. Odpojte od řídicí jednotky kabel analyzátoru.
4. Přepněte uzavírací ventil do zavěšené polohy, aby se zavěsil průtok vzorku do lapače nečistot tvaru Y.
5. Odpojte od analyzátoru hadičku přívodu vzorku (černá) a vypouštěcí hadičku (čirá).



6. Odstraňte externí vzduchový vypínač od analyzátoru.
7. Odstraňte svorku čerpadla. Viz **Obr. 7** na straně 184.
8. Odstraňte z analyzátoru svazek hadiček a míchací tyčinku. Svazek hadiček odešlete spolu s analyzátozem. Viz **Krok 3: Instalace míchací tyčinky a svazku hadiček** na straně 174.
9. Nainstalujte svorku čerpadla bez svazku hadiček. Omotejte svorku hadičky lepicí páskou, aby svorka pevně držela na místě.
10. Jednorázovým kapátkem nebo hadříkem nepouštějícím vlákna odstraňte z kyvety vodu.
11. Sundejte analyzátor ze stěny.
12. Vraťte analyzátor do původního obalu.

## 7.7 Vyčistěte přístroj

### UPOZORNĚNÍ

K čištění měřicího přístroje včetně displeje a příslušenství nikdy nepoužívejte čisticí prostředky, jako je např. terpentýn, aceton a podobné látky.

Navlhčenou utěrkou a jemným mýdlovým roztokem očistěte vnější části přístroje.

## 7.8 Odstraňování rozlitých kapalin

### ▲ POZOR



Nebezpečí styku s chemikáliemi. Likvidujte chemikálie a odpad v souladu s místními, regionálními a národními předpisy.

1. Dodržujte veškeré bezpečnostní protokoly pro odstraňování rozlitých kapalin, které jsou platné ve vaší organizaci.
2. Likvidujte odpad podle příslušných ustanovení.

## Kapitola 8 Poruchy, jejich příčiny a odstraňování

### 8.1 Chyby – červená kontrolka

Chcete-li zobrazit chyby, stiskněte **menu** a zvolte možnost **DIAGNOSTIKA > [vyberte analyzátor] > VÝPIS CHYB**. Seznam možných chyb je uveden v **Tabulka 7**.

Pokud dojde k chybě, stavová kontrolka analyzátoru změní barvu na červenou. Měření se zastaví, blíká obrazovka měření a všechny výstupy jsou udržovány dle specifikace v nabídce kontroléru.

**Tabulka 7 Chybové zprávy**

Chyba	Popis	Řešení
CHYBA DETEKTORU.	Detektor nefunguje správně.	Obraťte se na technickou podporu.
ŠPINAVÁ CELA	Kyveta je znečištěná. Je-li koncentrace chlóru velmi nízká, může se v kyvetě tvořit biofilm.	Vyčistěte kyvetu. Viz <b>Vyčištění kyvety</b> na straně 180.
CHYBA KÓDU.	Došlo k chybě firmwaru.	Obraťte se na technickou podporu.
CHYBA LED	Kontrolka v kyvetě nefunguje správně.	Obraťte se na technickou podporu.
CHYBA ČERPAD.	Čerpadlo nefunguje správně.	Obraťte se na technickou podporu.
ÚNIK VZORKU	V analyzátoru došlo k úniku vzorku.	Obraťte se na technickou podporu.

## 8.2 Výstrahy – žlutá kontrolka

Chcete-li zobrazit výstrahy, stiskněte **menu** a zvolte možnost DIAGNOSTIKA > [vyberte analyzátor] > VÝPIS VAROVÁNÍ. Seznam možných varování je uveden v [Tabulka 8](#).

Jakmile se vyskytne varování, kontrolka stavu změní barvu na žlutou. Bliká výstražná ikona a v dolní části displeje kontroléru se zobrazí zpráva. Pokud je k dispozici dostatečný průtok vzorku, nemá výstraha vliv na funkčnost nabídek. Výstraha nemá vliv na funkčnost relé a výstupů.

**Tabulka 8 Výstražné zprávy**

Výstraha	Popis	Řešení
DETEK. BUBLINY	V kyvetě jsou bubliny.	Vyčistěte kyvetu. Viz <a href="#">Vyčištění kyvety</a> na straně 180. (Volitelné) Nastavte možnost ELIMINACE BUBL na zapnuto. Viz část <a href="#">Krok 10: Konfigurace analyzátoru</a> na straně 178.
BRZY ČISTIT CELU	Kyveta je znečištěná a co nejdříve by měla být vyčištěna, aby nedošlo k chybě.	Vyčistěte kyvetu. Viz <a href="#">Vyčištění kyvety</a> na straně 180.
VYSOKÝ CHLOR	Koncentrace chlóru je vyšší nebo rovná nastavené hodnotě ALARMY VYS. CHLOR.	Zvyšte nastavení ALARMY VYS. CHLOR. Viz část <a href="#">Krok 10: Konfigurace analyzátoru</a> na straně 178. Nebo Snižte koncentraci chlóru ve vzorku dodaném do analyzátoru.
NÍZKÝ CHLOR	Koncentrace chlóru je nižší nebo rovná nastavené hodnotě ALARMY NÍZK CHLOR.	Snižte nastavení ALARMY NÍZK CHLOR. Viz část <a href="#">Krok 10: Konfigurace analyzátoru</a> na straně 178. Nebo Zvyšte koncentraci chlóru ve vzorku dodaném do analyzátoru.
NÍZ PRŮT VZORKU	Naměřený průtok vzorku je nižší než minimální průtoková rychlost vzorku. Viz <a href="#">Specifikace</a> na straně 163.	Nastavte průtokovou rychlost vzorku. Viz část <a href="#">Krok 8: Nastavení průtokové rychlosti</a> na straně 177. Podle potřeby vyčistěte filtr v lapači nečistot tvaru Y a odstraňte zanesení. Viz část <a href="#">Vyčištění sítka v lapači nečistot tvaru Y</a> na straně 182.
VYSOKÝ PRŮT. VZORKU	Naměřený průtok vzorku je vyšší než maximální průtoková rychlost vzorku. Viz <a href="#">Specifikace</a> na straně 163.	Nastavte průtokovou rychlost vzorku. Viz <a href="#">Krok 8: Nastavení průtokové rychlosti</a> na straně 177.

## Kapitola 9 Náhradní díly a příslušenství

### ▲ VAROVÁNÍ



Nebezpečí poranění osob. Použití neschválených součástí může způsobit poranění osob, poškození nebo nesprávné fungování přístroje či vybavení. Náhradní díly v tomto oddíle jsou schváleny výrobcem.

**Poznámka:** Čísla produktů a položek se mohou v různých regionech prodeje lišit. Obratě se na příslušného distributora, kontaktní informace naleznete na webových stránkách společnosti.

### Spotřební materiál

Popis	Množství	Kat. č.
Sada reagentů, volný chlór, obsahuje: Láhev s pufrem, láhev s indikátorem a láhev s DPD	1	2556900
Sada reagentů, celkový chlór, obsahuje: Láhev s pufrem, láhev s indikátorem a láhev s DPD	1	2557000

## Spotřební materiál (pokračování)

Popis	Množství	Kat. č.
Sada na čištění kyvety, obsahuje: Kyselina sírová, 5,25 N, 100 mL, kapací láhev a vatové tyčinky (10x)	1	8573100
Sada pro ověření kalibrace, obsahuje: Injekční stříkačka, spojky hadiček, otvírač ampulí, ampule s deionizovanou vodou a standardem chlóru	1	8568200
Sada pro ověření kalibrace, obsahuje: Ampule s deionizovanou vodou a standardem chlóru	1	8573200

## Náhradní díly

Popis	Kat. č.
Sada hadiček, obsahuje: Svazek hadiček a míchací tělísko	US: 8560400 EU: 8575000
Instalační sada se stojanovou trubicí (10 psi nebo méně)	US: 8560500 EU: 8575100
Instalační sada se stojanovou trubicí (>10 psi)	8576001
Instalační sada s regulátorem tlaku	US: 8565700 EU: 8575200

## Příslušenství

Popis	Kat. č.
Prodlužovací kabel pro analyzátor, 1 m	6122400
Prodlužovací kabel pro analyzátor, 7,7 m	5796000
Prodlužovací kabel pro analyzátor, 15 m	5796100
Adaptér hadiček, vnější průměr 6 mm na vnější průměr 1/4"	09184=A=4020

# Inhoudsopgave

- 1 Specificaties op pagina 188
- 2 Algemene informatie op pagina 189
- 3 Installatie op pagina 192
- 4 Configuratie op pagina 203
- 5 Bediening op pagina 204
- 6 Kalibratie en afstelling op pagina 204
- 7 Onderhoud op pagina 204
- 8 Problemen oplossen op pagina 210
- 9 Reserveonderdelen en accessoires op pagina 212

## Hoofdstuk 1 Specificaties

Specificaties kunnen zonder kennisgeving vooraf worden gewijzigd.

**Tabel 1 Algemene specificaties**

Specificatie	Details
Afmetingen (B x H x D)	32,9 x 34,2 x 17,7 cm (12,9 x 13,5 x 7,0 inch)
Behuizing	IP66 conform IEC 60529 met gesloten en vergrendelde deur <sup>1</sup>
Transportgewicht	4,1 kg (9 lb) zonder flessen; 5,1 kg (11,2 lb) met volle flessen
Montage	Wandmontage
Beschermingsklasse	III
Vervuilinggraad	3
Categorie elektrische installatie	I (binnen)
Stroomvereisten	12 VDC, 400 mA maximaal (geleverd door controller)
Bedrijfstemperatuur	5 tot 40 °C (41 tot 104 °F)
Bedrijfsvochtigheid	0 tot 90 % relatieve vochtigheid niet-condenserend
Opslagtemperatuur	-40 tot 60 °C (-40 tot 140 °F)
Fittingen	Monsterleiding: snelkoppeling met ¼ inch binnendiameter voor kunststof slangen Afvoerleidingen: slip-onfitting voor slangen van zacht kunststof met binnendiameter ½ inch
Indicatielampjes	Analysersstatus en meetcyclus
Certificeringen	EU DoC, UKCA DoC, FCC/ISED SDoC, ACMA DoC, KC, Morocco DoC
Garantie	1 jaar (EU: 2 jaar)

**Tabel 2 Monstervereisten**

Specificatie	Details
Druk	0,31 tot 5,17 bar (4,5 tot 75 psig) geleverd aan Y-filter; 0,1 tot 0,34 bar (1,5 tot 5 psig) geleverd aan analyser
Debiet	60 tot 200 mLmin door het instrument (gemeten bij analyserafvoer)
Temperatuur	5 tot 40 °C (41 tot 104 °F)
Filtratie	Y-filter met gaas 40 of hoger

<sup>1</sup> Aftapopeningen gesloten met pluggen voor testvereisten.

**Tabel 3 Meetspecificaties**

Specificatie	Details
Lichtbron	LED, meting bij 510 nm; lichtweglengte 1 cm
Meetbereik	0.03–10 mg/L vrij of totaal restchlor als Cl <sub>2</sub>
Meetinterval	150 seconden
Nauwkeurigheid	±5 % of ±0,04 mg/L van 0 tot 5 mg/L (wat groter is) als Cl <sub>2</sub> ±10 % van 5 tot 10 mg/L als Cl <sub>2</sub>
Precisie	±5 % of ±0,01 mg/L (wat groter is) als Cl <sub>2</sub>
Detectielimiet	0.03 mg/L als Cl <sub>2</sub>
Kwantitatielimiet	0.07 mg/L
Kalibratie	Fabriekskalibratie Optioneel: 2-punts gebruikerskalibratie met kalibratiestandaarden in kalibratieverificatiekit
Verbruik van reagens	0,5 L bufferoplossing en 0,5 L indicatoroplossing in 31 dagen

## Hoofdstuk 2 Algemene informatie

In geen geval is de fabrikant aansprakelijk voor schade die het gevolg is van onjuist gebruik van het product of het niet opvolgen van de instructies in de handleiding. De fabrikant behoudt het recht om op elk moment, zonder verdere melding of verplichtingen, in deze handleiding en de producten die daarin worden beschreven, wijzigingen door te voeren. Gewijzigde versies zijn beschikbaar op de website van de fabrikant.

### 2.1 Veiligheidsinformatie

De fabrikant is niet verantwoordelijk voor enige schade door onjuist toepassen of onjuist gebruik van dit product met inbegrip van, zonder beperking, directe, incidentele en gevolgschade, en vrijwaart zich volledig voor dergelijke schade voor zover dit wettelijk is toegestaan. Uitsluitend de gebruiker is verantwoordelijk voor het identificeren van kritische toepassingsrisico's en het installeren van de juiste mechanismen om processen te beschermen bij een mogelijk onjuist functioneren van apparatuur.

Lees deze handleiding voor het uitpakken, installeren of gebruiken van het instrument. Let op alle waarschuwingen. Wanneer u dit niet doet, kan dit leiden tot ernstig persoonlijk letsel of schade aan het instrument.

Zorg ervoor dat de door deze apparatuur geboden bescherming niet wordt aangetast. Gebruik en installeer dit apparaat niet op een andere manier dan die in de handleiding wordt aangegeven.

#### 2.1.1 Gebruik van gevareninformatie

##### **▲ GEVAAR**

Geeft een potentieel gevaarlijke of dreigende situatie aan die, als deze niet kan worden voorkomen, kan resulteren in dodelijk of ernstig letsel.

##### **▲ WAARSCHUWING**

Geeft een potentieel of op handen zijnde gevaarlijke situatie aan, die als deze niet wordt vermeden, kan leiden tot de dood of ernstig letsel.

##### **▲ VOORZICHTIG**

Geeft een mogelijk gevaarlijke situatie aan die kan resulteren in minder ernstig letsel of lichte verwondingen.

##### **LET OP**

Duidt een situatie aan die (indien niet wordt voorkomen) kan resulteren in beschadiging van het apparaat. Informatie die speciaal moet worden benadrukt.

## 2.1.2 Waarschuwingslabels

Lees alle labels en etiketten die op het instrument zijn bevestigd. Het niet naleven van deze waarschuwingen kan leiden tot letsel of beschadiging van het instrument. In de handleiding wordt door middel van een veiligheidsvoorschrift uitleg gegeven over een symbool op het instrument.



Elektrische apparatuur gemarkeerd met dit symbool mag niet worden afgevoerd via Europese systemen voor afvoer van huishoudelijk of openbaar afval. Oude apparatuur of apparatuur aan het einde van zijn levensduur kan naar de fabrikant worden geretourneerd voor kosteloze verwerking.

## 2.1.3 Conformiteit met elektromagnetische compatibiliteit (EMC)

### ⚠ VOORZICHTIG

Deze apparatuur is niet bedoeld voor gebruik in woonomgevingen en biedt in dergelijke omgevingen mogelijk onvoldoende bescherming voor radio-ontvangst.

#### CE (EU)

De apparatuur voldoet aan de essentiële vereisten van EMC-richtlijn 2014/30/EU.

#### UKCA (UK)

De apparatuur voldoet aan de vereisten van de Electromagnetic Compatibility Regulations 2016 (S.I. 2016/1091).

#### Canadese norm inzake apparatuur die radio-interferentie veroorzaakt, ICES-003, Klasse A:

Aanvullende informatie en testresultaten zijn via de fabrikant verkrijgbaar.

Dit Klasse A instrument voldoet aan alle eisen van de Canadese norm inzake apparatuur die radio-interferentie veroorzaakt.

Cet appareil numérique de classe A répond à toutes les exigences de la réglementation canadienne sur les équipements provoquant des interférences.

#### FCC deel 15, Klasse "A" bepalingen

Aanvullende informatie en testresultaten zijn via de fabrikant verkrijgbaar. Dit instrument voldoet aan Deel 15 van de FCC-voorschriften. Het gebruik van dit instrument is aan de volgende voorwaarden onderworpen:

1. Het instrument mag geen schadelijke storingen veroorzaken.
2. Het instrument moet elke willekeurige ontvangen storing accepteren, inclusief storingen die mogelijk een ongewenste invloed kunnen hebben.

Door veranderingen of aanpassingen aan dit toestel die niet uitdrukkelijk zijn goedgekeurd door de partij verantwoordelijk voor certificering, kan de certificering van dit instrument komen te vervallen. Dit apparaat is getest en voldoet aan de normen voor een elektrisch instrument van Klasse A, volgens Deel 15 van de FCC-voorschriften. Deze bepalingen zijn vastgesteld om een redelijke bescherming te bieden tegen hinderlijke storingen wanneer het instrument in een commerciële omgeving wordt gebruikt. Dit instrument produceert en gebruikt radiogolven, en kan deze uitstralen. Als het niet wordt geïnstalleerd en gebruikt volgens de handleiding, kan het hinderlijke storing voor radiocommunicatie veroorzaken. Gebruik van het instrument in een woonomgeving zal waarschijnlijk zorgen voor hinderlijke storing. De gebruiker dient deze storing dan op eigen kosten te verhelpen. Om storingen op te lossen kan het volgende worden geprobeerd:

1. Ontkoppel het instrument van zijn stroombron om te controleren of deze stroombron al dan niet de storing veroorzaakt.
2. Als het instrument op hetzelfde stopcontact is aangesloten als het apparaat dat storing ondervindt, dient u het apparaat op een ander stopcontact aan te sluiten.
3. Plaats het apparaat weg van het apparaat waarop de storing van toepassing is.
4. Verplaats de ontvangstantenne voor het apparaat dat de storing ontvangt.
5. Probeer verschillende combinaties van de hierboven genoemde suggesties.

## 2.2 Productoverzicht

### ⚠ GEVAAR



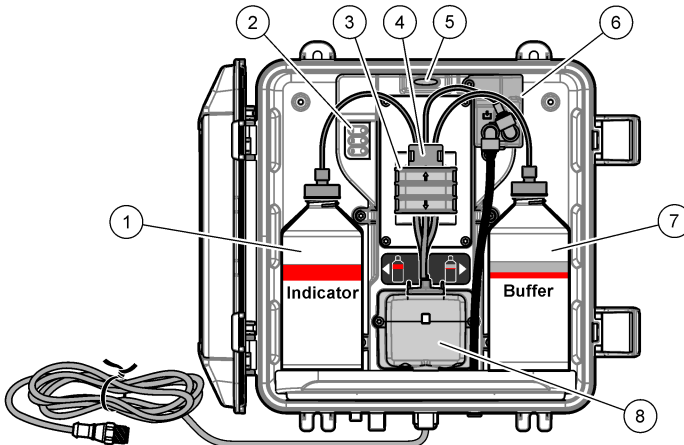
Chemische of biologische gevaren. Als dit instrument wordt gebruikt voor het sturen van een proces en/of als dialysetoevoerwater waarvoor wettelijke voorschriften en/of eisen gelden ten aanzien van de volksgezondheid, de veiligheid, de productie of het verwerken van voedingsmiddelen of dranken, dient de gebruiker er zorg voor te dragen dat hij/zij bekend is met deze voorschriften en/of eisen en deze na te leven. Tevens dient de gebruiker er zorg voor te dragen dat er voldoende maatregelen getroffen zijn en eventueel vereist materiaal aanwezig is om aan de geldende wetten en eisen in geval van een defect te voldoen.

De CL17sc-analyser meet de concentratie totaal chloor in water in het bereik van 0,03 tot 10 mg/L met intervallen van 150 seconden. Daarnaast geeft de [Afbeelding 1](#) een overzicht van de analyser.

Sluit de analyser aan op een SC-controller voor voeding, bediening, gegevensverzameling, gegevensoverdracht en diagnose. Zie de handleiding van de SC-controller voor een overzicht van de controller.

**Opmerking:** Er kunnen meerdere analysers worden aangesloten op een SC-controller als de controller meer dan één snelkoppeling heeft.

**Afbeelding 1** CL17sc



1 Indicatorflus	5 Statuslampje analyser ( <a href="#">Tabel 5</a> op pagina 192)
2 Meetcycluslampjes ( <a href="#">Tabel 4</a> op pagina 192)	6 Flowmeter
3 Pompklem	7 Bufferflus
4 Slangklem	8 Colorimetrische kuwet

### 2.2.1 Flowmeter

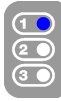
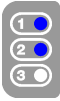
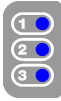
De analyser heeft een flowmeter die de monsterflow door de analyser meet. Raadpleeg [Afbeelding 1](#) op pagina 191.

Het monster stroomt alleen door de analyser wanneer de analyser de kuwet spoelt. Op andere momenten is er geen monsterflow en is het getoonde debiet nul. Druk op de pijl naar **RECHTS** op de controller om het debiet weer te geven.

## 2.2.2 Meetcycluslampjes

De meetcycluslampjes geven de stap van de meetcyclus aan die wordt uitgevoerd. Raadpleeg [Tabel 4](#).

**Tabel 4 Meetcycluslampjes**

<b>Lampjes aan</b>			
<b>Omschrijving</b>	De kuvet wordt gespoeld met water.	De bufferoplossing en de indicatoroplossing worden aan de kuvet toegevoegd.	Het monster wordt gemeten.

## 2.2.3 Statuslampje analyser

Het statuslampje van de analyser verandert van groen naar geel wanneer er een waarschuwing is of naar rood wanneer er een fout is. Raadpleeg [Tabel 5](#).

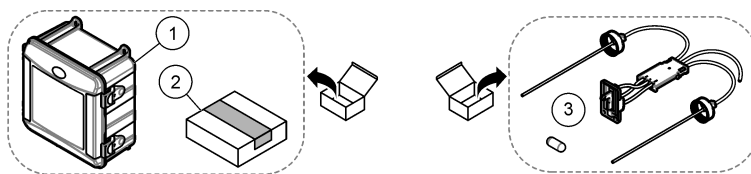
**Tabel 5 Statuslampje analyser**

Kleur	Beschrijving
Groen	Normale werking
Geel	Er moet aandacht aan het systeem worden besteed om een toekomstige storing te voorkomen. Metingen worden voortgezet. Druk op <b>menu</b> en selecteer DIAGNOSTIEK > [selecteer analyser] > WAARSCHUWINGEN. Raadpleeg <a href="#">Waarschuwingen—Geel lampje</a> op pagina 211.
Rood	Er moet onmiddellijk aandacht aan het systeem worden besteed. Metingen zijn gestopt. Om de sensorfouten weer te geven drukt u op <b>menu</b> en selecteert u DIAGNOSTIEK > [selecteer analyser] > FOUTMELDINGEN. Raadpleeg <a href="#">Fouten—Rood lampje</a> op pagina 210.

## 2.3 Productcomponenten

Controleer of alle componenten zijn ontvangen. Raadpleeg [Afbeelding 2](#). Neem onmiddellijk contact op met de fabrikant of een verkoopvertegenwoordiger in geval van ontbrekende of beschadigde onderdelen.

**Afbeelding 2 Productcomponenten**



1 CL17sc-analyser	3 Slangenset (slanggeleider en roermagneetje)
2 Installatiekit	

## Hoofdstuk 3 Installatie

### ⚠ VOORZICHTIG



Diverse gevaren. Alleen bevoegd personeel mag de in dit deel van het document beschreven taken uitvoeren.



### 3.1 Installatierichtlijnen

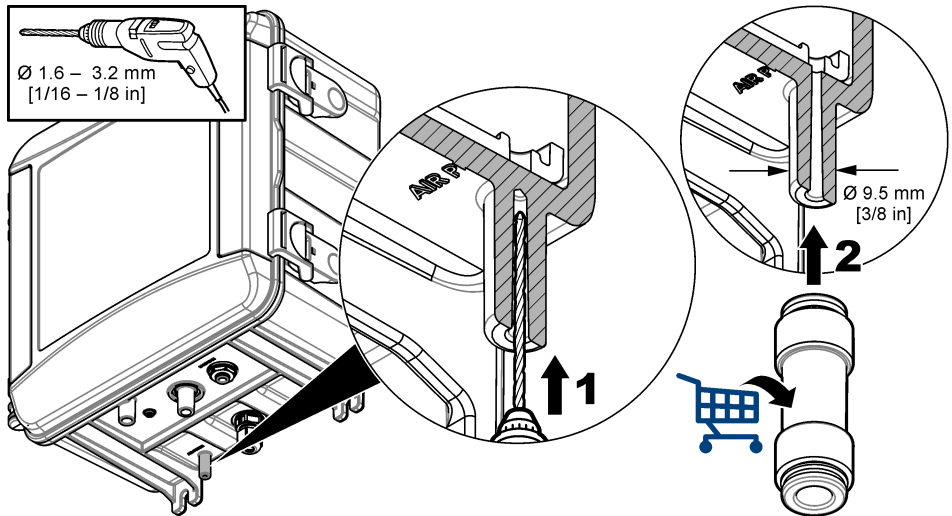
- De analyser wordt geleverd met een installatieset voor de afvoerbuis of een installatiekit voor de drukregelaar om de waterdruk naar de analyser te regelen. De gebruiker selecteert de installatieset op het moment van aankoop.
- Installeer de analyser binnen in een omgeving met minimale trillingen. Raadpleeg de specificaties voor bedrijfstemperatuur en vochtigheid in [Specificaties](#) op pagina 188.
- Monteer de analyser niet in direct zonlicht of in de buurt van een warmtebron.
- Installeer de analyser voor standpijpinstallaties op een plaats met voldoende vrije ruimte boven de analyser voor de bevestiging van de standpijp.
- Installeer de analyser in de buurt van een open afvoer. Raadpleeg de instructies van de plaatselijke regelgevende instantie voor verwijdering.

### 3.2 Stap 1: Ontluchting (optioneel)

Ontluchting kan mogelijk nodig zijn als de analyser is geplaatst in een omgeving met een hoge vochtigheid en/of dampen die corrosie kunnen veroorzaken. De ontluchting houdt een positieve druk in het instrument met droge en schone lucht.

Lever schone, droge lucht van instrumentkwaliteit met maximaal 0,003 m<sup>3</sup>/minuut (0,1 ft<sup>3</sup>/minuut) bij 20 psig.

Volg de volgende afgebeelde stappen. De <sup>3</sup>/<sub>8</sub>-inch snelkoppeling en slang worden door de gebruiker voorzien.



### 3.3 Stap 2: De analyser monteren en leidingen aanbrengen

#### ⚠ VOORZICHTIG



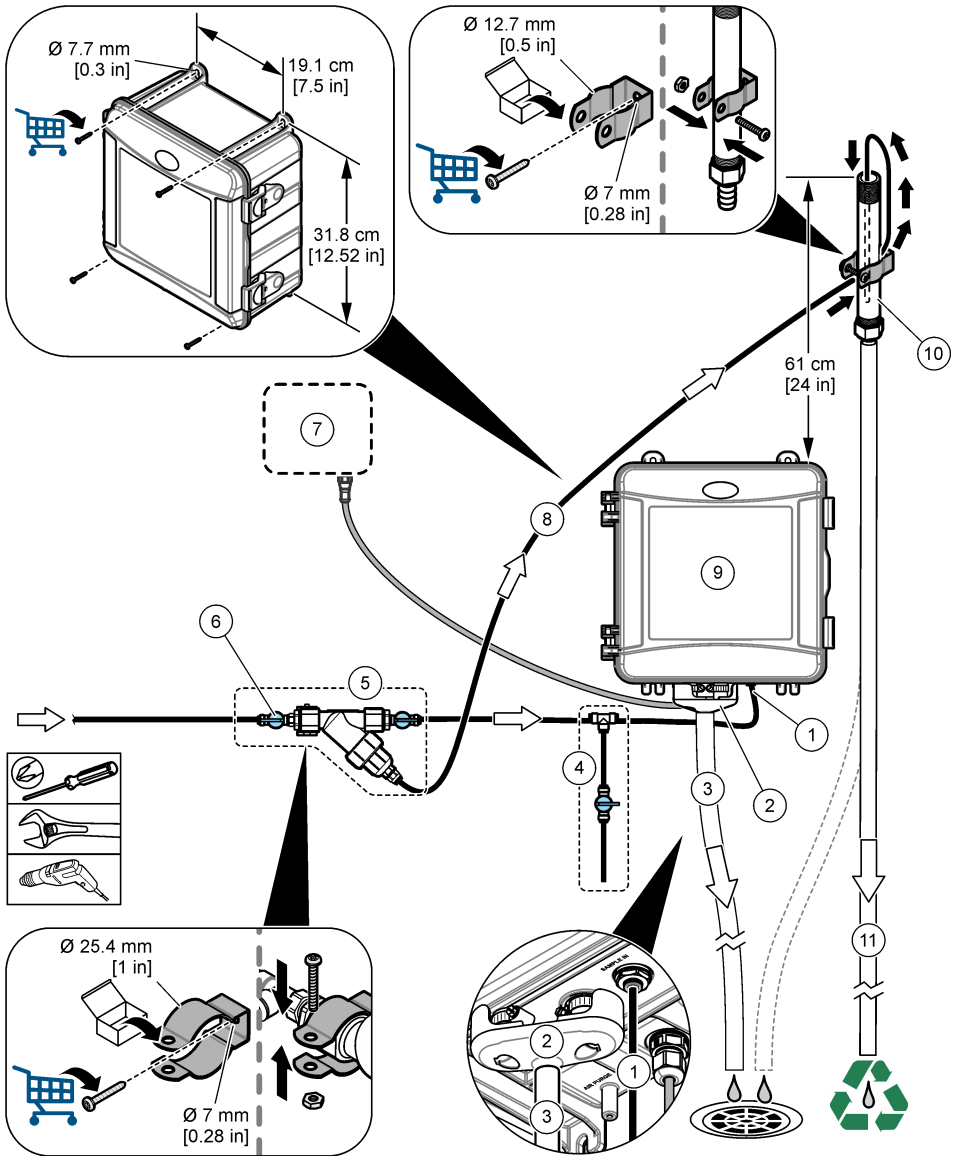
Alleen de slangen die door Hach Company zijn gespecificeerd, mogen met het instrument worden gebruikt. Andere leidingen kunnen chloor uit het monsterwater absorberen en de chloorwaarden negatief beïnvloeden (verlagen).

#### LET OP

Onjuist gebruik van slangen bij de analyser kan schade veroorzaken als gevolg van overmatige monsterdruk. Volg altijd de volgende instructies bij het monteren en aansluiten van slangen op de analyser.

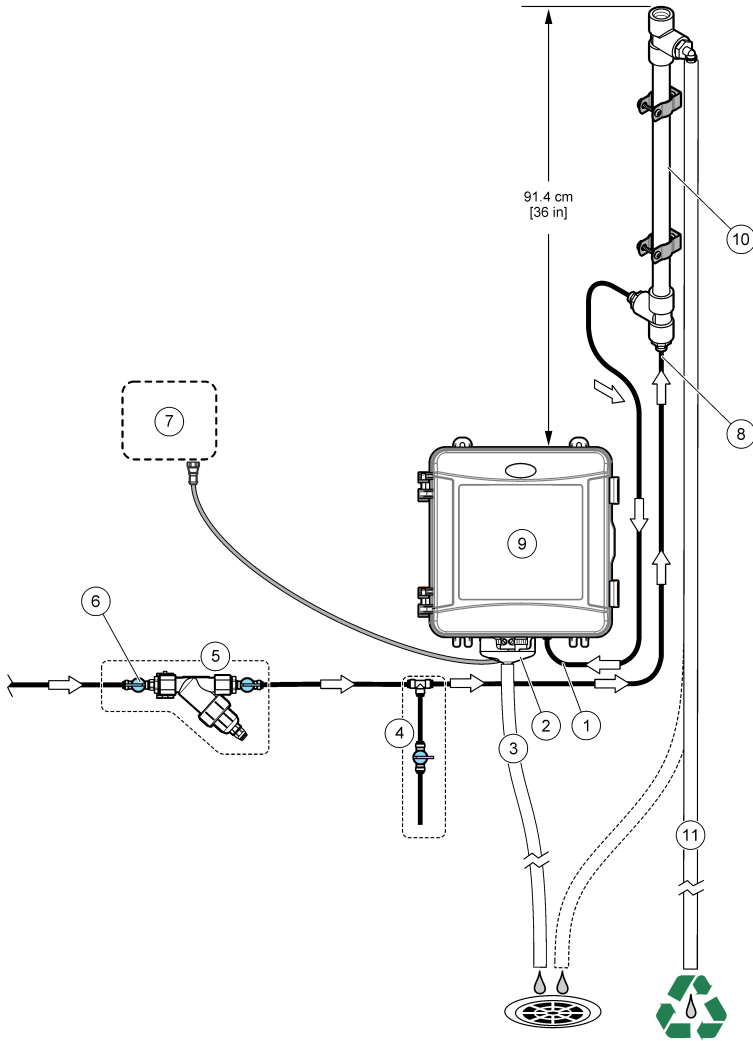
1. Bevestig de analyser (item 9) met vier schroeven aan de muur. Zorg dat de analyser waterpas is geplaatst.  
*Opmerking: De gebruiker levert de bevestigingsmaterialen.*
2. Bevestig de SC-controller (item 7) aan een wand, paneel of pijp. Raadpleeg de documentatie van de SC-controller voor instructies.
3. Monteer het Y-filter. Raadpleeg de instructies op de paklijst.
4. Gebruik de 1-inch leidingklem om de Y-zeef te monteren (item 5 in [Afbeelding 3](#), [Afbeelding 4](#) of [Afbeelding 5](#)).
5. Installeer de externe luchtonderbreker op de analysator (item 2 in [Afbeelding 3](#), [Afbeelding 4](#) of [Afbeelding 5](#)). Raadpleeg de instructies op de paklijst.
6. Voer stap 7 of 8 uit.  
De analysator wordt geleverd met een installatiekit voor standpijpen of een installatiekit voor drukregelaars om de inlaatwaterdruk te regelen. De gebruiker selecteert de installatieset op het moment van aankoop. Eén standpijpkits is voor 10 psi of minder en één standpijpkits is voor meer dan 10 psi inlaatwaterdruk. Meet de inlaatwaterdruk vlak voor de Y-zeef.
7. Als er tijdens de aankoop een installatieset voor de afvoerbuis is geselecteerd, installeert u de afvoerbuis als volgt:
  - a. Monteer de afvoerbuis. Raadpleeg de instructies op de paklijst.
  - b. Gebruik de kleinere buisklem om de standpijp boven de bovenkant van de analyser te bevestigen:
    - 10 psi of minder-Monteer de standpijp minimaal 61 cm (24 in.) boven de bovenkant van de analyser.
    - Meer dan 10 psi-Monteer de standpijp minimaal 91,4 cm (36 in.) boven de bovenkant van de analyser.
  - c. 10 psi of minder - Installeer met de zwarte slang de omloopslang voor het monster (item 8 op [Afbeelding 3](#)). Druk de slang achter en vervolgens in de afvoerbuis. Steek de slang 10-13 cm (4-5 in.) in de bovenkant van de standpijp.
  - d. Meer dan 10 psi-Met de zwarte slang sluit u de uitlaat van de Y-strainer aan op de inlaat van de standpijp (item 8 op [Afbeelding 4](#)).
  - e. Snij een stuk slang van de monsterafvoerslang (item 3). Gebruik de slang om de standpijp naar een open afvoer (item 11) te leiden. Raadpleeg [Richtlijnen afvoerleidingen](#) op pagina 198.
8. Als er op het moment van aankoop een installatieset voor de drukregelaar werd geselecteerd, monteert u de drukregelaar (item 10 in [Afbeelding 5](#)).
9. Gebruik de zwarte slang om de inlaat van het Y-filter (item 5) aan te sluiten op de monsterbron. Zie [Richtlijnen voor monsterleidingen](#) op pagina 198 en [Monstervereisten](#) op pagina 198.
10. Sluit het monster met de zwarte slang als volgt aan op de monsterinlaatfitting (item 1):  
Maak de slang zo kort mogelijk en maximaal 2,5 m (8 ft).
  - 10 psi of minder - Sluit de uitlaat van de Y-zeef aan op de monsterinlaatfitting (item 1) aan de onderkant van de analysator. Zie [Afbeelding 3](#).
  - Meer dan 10 psi-Sluit de uitlaat van de standpijp aan op de monsterinlaatfitting (item 1) aan de onderkant van de analysator. Zie [Afbeelding 4](#).
  - Drukregelaar - Sluit de uitlaat van de drukregelaar aan op de monsterinlaatfitting (item 1) aan de onderkant van de analysator. Zie [Afbeelding 5](#).
11. Als er een drukregelaar is geïnstalleerd, installeert u de monsteromleidingslang (item 8 in [Afbeelding 5](#)).
12. Zet de grijpermonsterconstructie (item 4) in elkaar.
13. Loodrecht op de T-stukaansluiting van de monstergrijper. Raadpleeg [Afbeelding 3](#), [Afbeelding 4](#) of [Afbeelding 5](#), indien van toepassing.
14. Sluit de monsterafvoerslang (item 3) aan op een open afvoer. Raadpleeg [Richtlijnen afvoerleidingen](#) op pagina 198.

**Afbeelding 3 Installatie met een standpijp (10 psi of minder)**



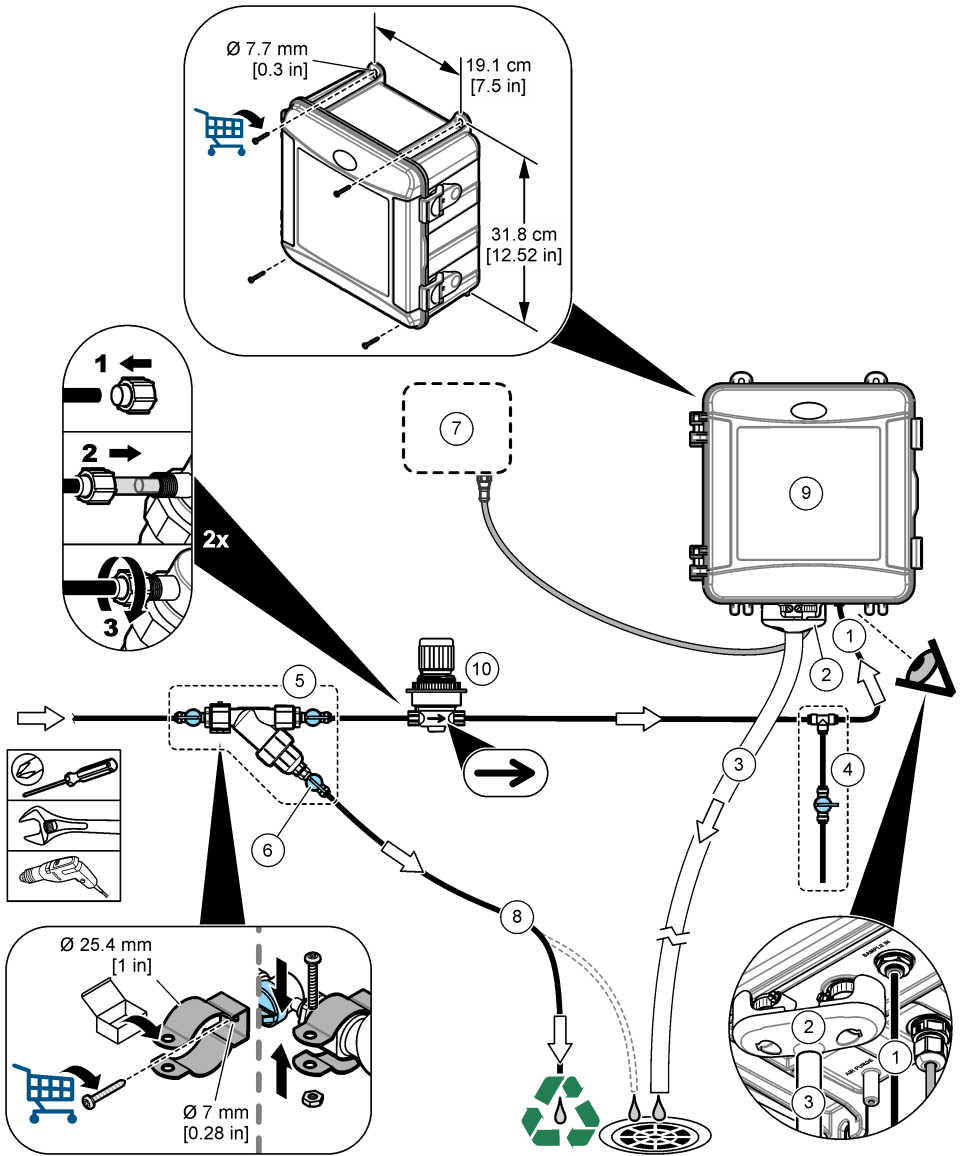
1 Aansluiting voor monsteraanvoer	7 SC-controller
2 Externe luchtonderbreking	8 Monsteromleidingslang
3 Monsterafvoerslang	9 Analyser
4 Steekmonstereenheid	10 Afvoerbus
5 Y-filter	11 Afvoerslang afvoerbus
6 Afsluiter bij inlaat van Y-filter	

**Afbeelding 4** Installatie met een standpijp (meer dan 10 psi)



1 Aansluiting voor monsteraanvoer	7 SC-controller
2 Externe luchtonderbreking	8 Inlaat van de standpijp
3 Monsterafvoerslang	9 Analyser
4 Steekmonstereenheid	10 Afvoerbuïs
5 Y-filter	11 Afvoerslang afvoerbuïs
6 Afsluiter bij inlaat van Y-filter	

**Afbeelding 5** Installatie met een drukregelaar



1 Aansluiting voor monsteraanvoer	6 Afsluiter bij de Y-zeef bypass
2 Externe luchtonderbreking	7 SC-controller
3 Monsterafvoerslang	8 Monsteromleidingsslang
4 Steekmonstereenheid	9 Analyser
5 Y-filter	10 Drukregelaar

### 3.3.1 Richtlijnen voor monsterleidingen

Selecteer een goed, representatief monsternamepunt voor de beste prestaties van het instrument. Het monster moet representatief zijn voor het hele systeem.

Om onregelmatige metingen te voorkomen:

- Neem monsters van locaties die zich op voldoende afstand bevinden van punten waar chemische stoffen aan de processtroom worden toegevoegd.
- Zorg ervoor dat de monsters voldoende worden gemengd.
- Zorg ervoor dat alle chemische reacties uitgewerkt zijn.
- Installeer de analyser zo dicht mogelijk bij de monsterbron (maximaal 4,6 m (15 ft)).

### 3.3.2 Monstervereisten

Het water van de monsterbron(nen) moet overeenkomen met de specificaties in [Specificaties](#) op pagina 188.

Houd het monsterdebiet en de bedrijfstemperatuur zo constant mogelijk voor de beste prestaties.

### 3.3.3 Richtlijnen afvoerleidingen

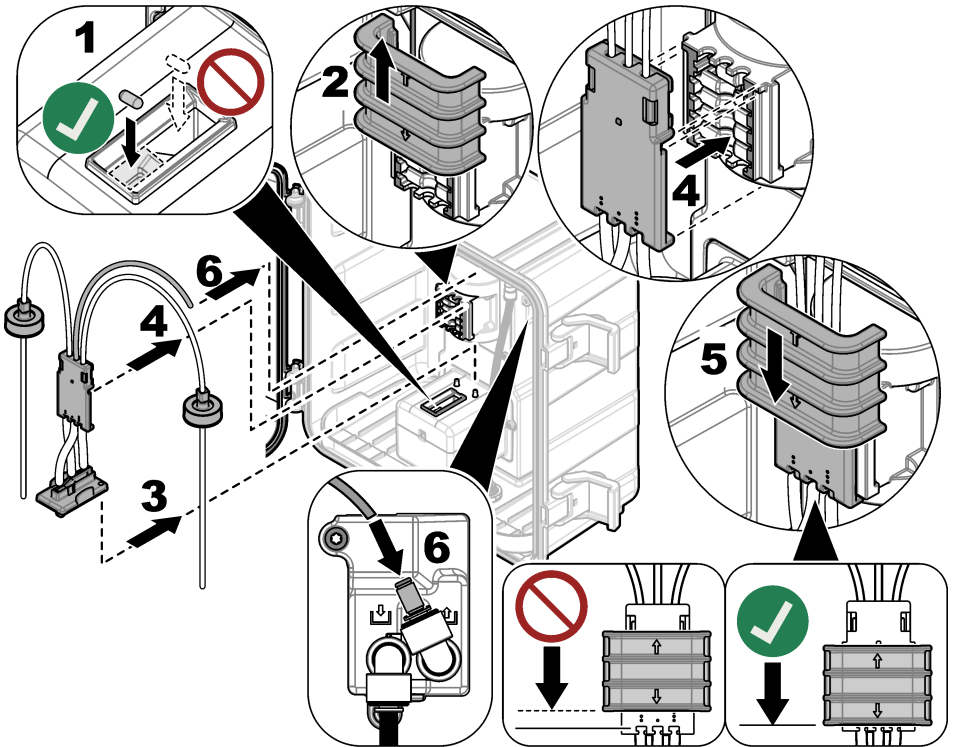
#### LET OP

Onjuiste installatie van de afvoerslangen kan ertoe leiden dat vloeistof terugstroomt in het instrument en schade veroorzaakt.

- Monteer de externe luchtonderbreking. Zie item 2 in [Afbeelding 3](#) op pagina 195, [Afbeelding 4](#) op pagina 196 of [Afbeelding 5](#) op pagina 197.
- Zorg ervoor dat de afvoerslangen zo kort mogelijk zijn.
- Zorg ervoor dat de afvoerslangen overal omlaag lopen.
- Zorg ervoor dat de afvoerslangen niet in scherpe bochten lopen en niet wordt afgekneld.

### 3.4 Stap 3: De roerstaaf en slanggeleider aanbrengen

Voer de volgende afgebeelde stappen uit.



### 3.5 Stap 4: De reagensflessen plaatsen

#### ⚠ VOORZICHTIG



Gevaar van blootstelling aan chemicaliën. Volg alle veiligheidsvoorschriften van het laboratorium op en draag alle persoonlijke beschermingsmiddelen die geschikt zijn voor de gehanteerde chemicaliën. Raadpleeg de huidige veiligheidsinformatiebladen (MSDS/SDS) voor veiligheidsprotocollen.

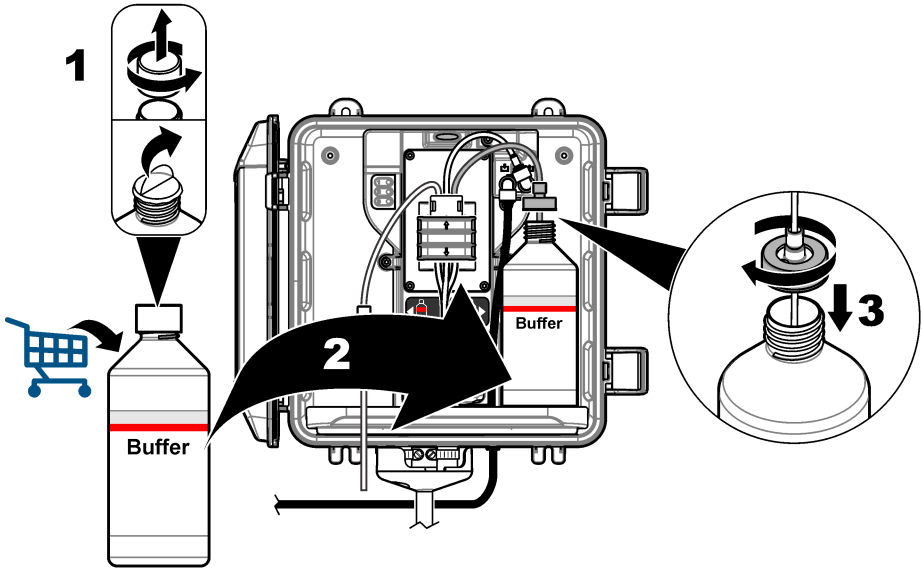
#### Te verzamelen items:

- Persoonlijke beschermingsmiddelen (zie MSDS/SDS)
- Indicatorfles
- Bufferfles
- Fles met DPD-verbinding

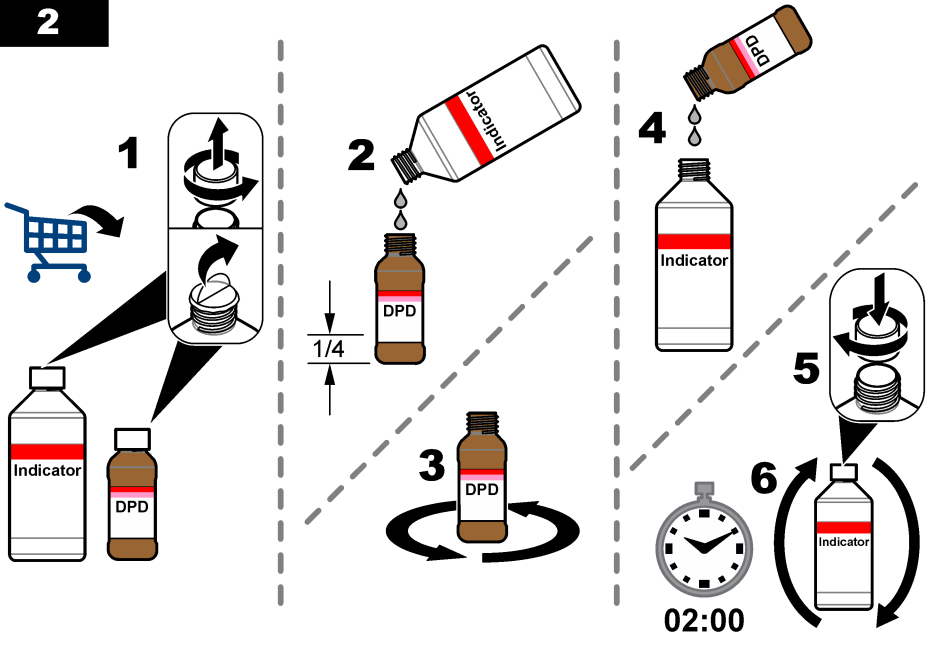
1. Draag de persoonlijke beschermingsmiddelen die zijn vermeld in de veiligheidsinformatiebladen (MSDS/SDS).
2. Plaats de bufferfles aan de rechterkant en de indicatorfles aan de linkerkant. Volg de volgende afgebeelde stappen.

**Opmerking:** (Optioneel) Gebruik de bovenkant van de analyser als schap.

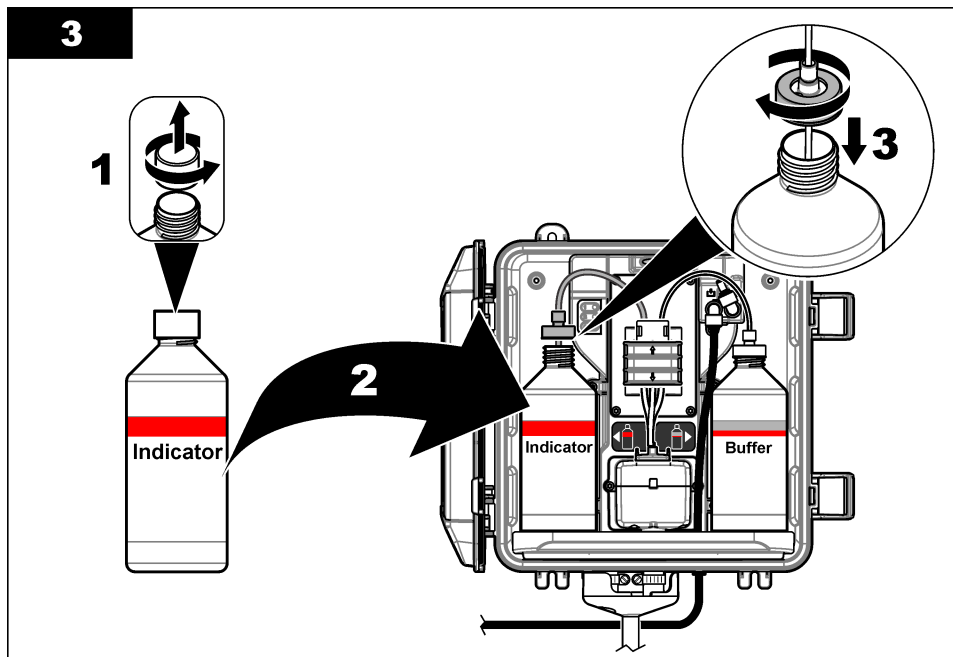
**1**



**2**







### 3.6 Stap 5: De monsterflow inschakelen

1. Draai de afsluiter(s) langzaam een kwartslag open.
2. Controleer of er geen lekkage is bij de slangverbindingen. Als er een lek is, duwt u de leiding verder in de fitting of zet u de aansluiting vast met een sleutel.
3. Voer de volgende stappen uit voor afvoerbuisinstallaties:
  - a. Draai de afsluiter bij de uitlaat van het Y-filter volledig open.
  - b. Draai de afsluitklep bij de Y-zeef inlaat (item 6 op [Afbeelding 3](#) op pagina 195 of [Afbeelding 4](#) op pagina 196) tot er een kleine stroom water uit de afvoerbuis van de standpijp komt.
4. Voer de volgende stappen uit voor installaties met een drukregelaar:
  - a. Open de afsluiters bij de inlaat en uitlaat van het Y-filter volledig.
  - b. Draai de afsluiter bij de omleiding van het Y-filter (item 6 in [Afbeelding 5](#) op pagina 197) tot er een kleine stroom water uit de omleidingsslang van het Y-filter komt.

### 3.7 Stap 6: Elektrische installatie

#### 3.7.1 De analyser aansluiten op de controller

#### ⚠ WAARSCHUWING



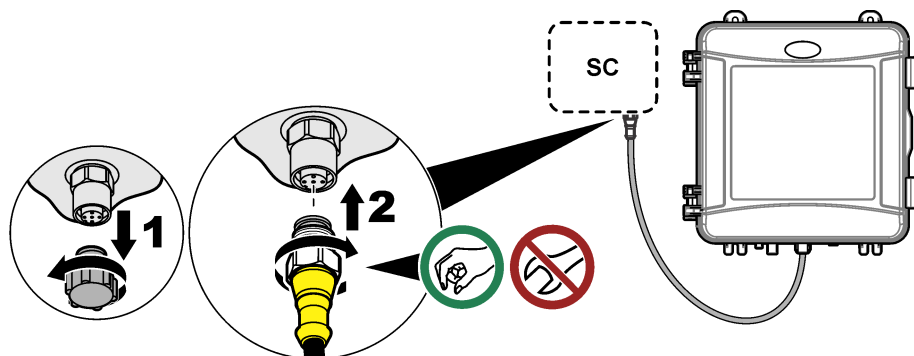
Gevaar van elektrische schokken. Extern aangesloten apparatuur moet in het betreffende land beoordeeld worden op veiligheid.

Sluit de analyserkabel aan op de snelkoppeling van de SC-controller. Raadpleeg [Afbeelding 6](#).

Bewaar de dop van de connector, om deze af te sluiten indien de kabel verwijderd moet worden.

**Opmerking:** Er zijn verlengkabels verkrijgbaar. Raadpleeg [Reserveonderdelen en accessoires](#) op pagina 212. De maximale kabellengte is 15 m.

## Afbeelding 6 De sensor aansluiten op een snelkoppeling



### 3.7.2 De controller aansluiten op netvoeding

Sluit de controller aan op netvoeding door middel van een vaste bedrading in een kabelbuis of door middel van een netsnoer. Raadpleeg de documentatie van de controller voor instructies.

### 3.7.3 Externe apparaten aansluiten op de controller

Sluit de controllerrelais, analoge uitgangen en digitale ingangen indien nodig aan op externe apparaten. Raadpleeg de documentatie van de controller voor instructies.

## 3.8 Stap 7: De analyser instellen en voorvullen

1. Druk op **menu** en selecteer **SONDE SETUP > [selecteer analyser] > VOORVULLEN**.
2. Voer de volgende stappen uit als de controller niet reageert maar de analyser is aangesloten:
  - a. Druk op **menu** en selecteer **TEST/ONDERHOUD > SCAN SONDE**.
  - b. Voer stap 1 opnieuw uit wanneer de sensor is gevonden en geïnstalleerd.

## 3.9 Stap 8: Het debiet instellen

De analyser heeft een flowmeter die de monsterflow door de analyser meet. Zie [Afbeelding 1](#) op pagina 191.

1. Druk op de pijl naar **RECHTS** op de controller om het debiet op het display weer te geven. Het monster stroomt alleen door de analyser wanneer de analyser de kuvet spoelt. Op andere momenten is er geen monsterflow en is het getoonde debiet nul. Zie [Tabel 4](#) op pagina 192 voor beschrijvingen van de stappen van de meetcyclus.

**Opmerking:** Meet het debiet bij de analiserafvoer wanneer de analyser de kuvet met water spoelt om het debiet door de analyser handmatig te meten.
2. Draai voor buisinstallaties de afsluiter bij de Y-filteruitlaat om een debiet tussen 60 en 200 mL/min in te stellen wanneer de analyser de kuvet spoelt met water.
3. Stel voor drukregelaarinstallatie de drukregelaar af om het debiet tussen 60 en 200 mL/min in te stellen wanneer de analyser de kuvet spoelt met water.

## 3.10 Stap 9: De meest recente software installeren

Controleer of de meest recente software is geïnstalleerd op de controller. Gebruik een SD-kaart om de meest recente software op de SC-controller te installeren.

1. Ga naar de productpagina voor de betreffende SC-controller op <http://hach.com>.
2. Klik op het tabblad "Downloads".
3. Scrol naar beneden naar "Software/Firmware".

4. Klik op de link voor de SC Controller-software.
5. Sla de bestanden op een SD-kaart op.
6. Installeer de bestanden op de SC-controller. Raadpleeg de installatie-instructies voor de software die bij de softwarebestanden zijn meegeleverd.

## Hoofdstuk 4 Configuratie

### 4.1 Stap 10: De analyser configureren

Stel de analyseernaam, het signaalgemiddelde, het type gemeten chloor, de bubbelfwijzing en de instelpunten voor het chlooralarm in.

1. Druk op **menu** en selecteer **SONDE SETUP > [selecteer analyser] > CONFIGUREREN**.
2. Selecteer en configureer elke optie.

Optie	Beschrijving
<b>WIJZIG NAAM</b>	Hiermee stelt u de naam van de analyser in. De naam van de analyser wordt weergegeven op het display van de controller en in de logbestanden.
<b>GEM. SIGNAAL</b>	<p>Hiermee stelt u het aantal metingen in dat wordt gebruikt voor het berekenen van de gemiddelde meetwaarde die op het display wordt weergegeven. Opties: 1 (standaard), 2, 3 of ONREG WAARDE.</p> <p>Wanneer GEM. SIGNAAL is ingesteld op 1, wordt signaalmiddeling uitgeschakeld.</p> <p>Wanneer GEM. SIGNAAL is ingesteld op 2 of 3, wordt een gemiddelde waarde weergegeven op het display. De meting op het display is bijvoorbeeld gelijk aan de laatste plus de vorige meting gedeeld door twee wanneer GEM. SIGNAAL is ingesteld op 2.</p> <p>Wanneer GEM. SIGNAAL is ingesteld op ONREG WAARDE, weigert de analyser een waarde die ongewoon hoger of lager is dan de laatste waarden. Wanneer een meetwaarde wordt afgewezen, wordt de laatste goede meetwaarde op het display weergegeven en opgeslagen in het gegevenslogboek. Er worden niet meer dan drie opeenvolgende metingen afgewezen.</p> <p>Het signaalgemiddelde corrigeert voor onjuiste meetschommelingen die worden veroorzaakt door luchtbelletjes en/of grotere deeltjes in het monster.</p>
<b>METING</b>	<p>Hiermee stelt u het type gemeten chloor in. Als de buffer- en indicatorflessen "Free Chlorine" (vrij chloor) op het label hebben, selecteert u <b>VRIJ CHLOOR</b> (standaard).</p> <p>Als de buffer- en indicatorflessen "Total Chlorine" (totaal chloor) op het label hebben, selecteert u <b>TOTAAL CHLOOR</b>.</p>
<b>BELLEN</b>	Hiermee schakelt u de bubbelfwijzing in of uit (standaard). Stel <b>BELLEN</b> in op <b>AAN</b> (aan) om ruis als gevolg van luchtbelletjes in het monster te verminderen. Luchtbelletjes in het monster kunnen ertoe leiden dat de waarden niet stabiel zijn.
<b>HOGE CL-ALARMEN</b>	Stelt de instelwaarde voor de chloorconcentratie in voor het alarm <b>HOGE CHLOOR</b> in—0,00 tot 10,00 mg/L (standaard 4,00 mg/L).
<b>LAGE CL-ALARMEN (alarm laag Cl)</b>	Stelt de instelwaarde voor de chloorconcentratie in voor het alarm <b>LAGE CHLOOR</b> —0,00 tot 10,00 mg/L (standaard 0,20 mg/L).
<b>SENSORINFO</b>	Toont het serienummer van de analyser, de softwareversie, de bootversie en de driverversie.
<b>STD-INSTELLINGEN</b>	Selecteer <b>JA</b> om de configuratie-instellingen terug te zetten naar de fabrieksinstellingen.
<b>SERVICE</b>	Alleen voor servicedoeleinden

### 4.2 Systeemconfiguratie

Raadpleeg de documentatie van de controller voor de systeemconfiguratie, de algemene instellingen voor de controller en de instellingen voor uitgangen en communicatie.

### 4.3 Gebruikersnavigatie

Raadpleeg de documentatie van de controller voor een beschrijving van het toetsenpaneel en voor informatie over het navigeren.

Druk meerdere keren op de pijltoets naar **RECHTS** op de controller om meer informatie weer te geven op het beginscherm en om een grafisch display weer te geven.

## Hoofdstuk 5 Bediening

### 5.1 Gegevens-, gebeurtenis- en servicelogboeken

De controller biedt toegang tot een gegevenslog, gebeurtenislogboek en servicelogboek voor elk aangesloten instrument. De analysermetingen worden automatisch opgeslagen in het gegevenslogboek met een interval van 150 seconden. Het gebeurtenislogboek toont de gebeurtenissen die hebben plaatsgevonden. De gebeurtenis- en gegevenslogboeken bewaren ongeveer 2 weken aan gegevens wanneer de analyser continu werkt. Het servicelogboek bewaart ongeveer 24 uur aan gegevens wanneer de analyser continu werkt.

Raadpleeg de documentatie bij de controller om het datalogboek, het gebeurtenislogboek en/of het servicelogboek te downloaden. Het gegevenslogboek is een XML-bestand dat kan worden opgeslagen in CSV- of Excel-indeling. Het gebeurtenislogboek en het servicelogboek zijn bestanden in CSV-indeling.

### 5.2 Meten van een STEEKMONSTER IN

Gebruik indien nodig het menu STEEKMONSTER IN om een watermonster met een bekende chloorconcentratie aan de te meten kuvet toe te voegen. Meet een steekmonster ter verificatie of om een watermonster te meten dat is genomen op een andere locatie.

1. Druk op **menu** en selecteer **SONDE SETUP > [selecteer analyser] > STEEKMONSTER IN**.
2. Voltooi de stappen die worden weergegeven op het display. Verwijder het kuvetdeksel wanneer daarom wordt gevraagd en voeg 100 mL van het steekmonster toe aan de kuvet. Een deel van het monsterzal naar de monsterafvoer stromen.

### 5.3 Modbus-registers

Een lijst van Modbus-registers is beschikbaar voor netwerkcommunicatie. Raadpleeg de website van de fabrikant voor meer informatie.

## Hoofdstuk 6 Kalibratie en afstelling

De kalibratiecurve van de analyser wordt in de fabriek ingesteld op prestaties volgens de specificaties. Kalibratie kan worden uitgevoerd voor prestatiecontrole.

Aanpassingen door de gebruiker aan de fabriekskalibratiecurve worden niet aanbevolen, tenzij dit door een regelgevende instantie is vereist voor nalevingsrapportagedoeleinden, of als er een grote reparatie van de analyser wordt uitgevoerd.

Raadpleeg voor meer informatie de instructies in de kalibratieverificatiekit of neem contact op met de technische ondersteuning.

## Hoofdstuk 7 Onderhoud

### **⚠ VOORZICHTIG**



Diverse gevaren. Alleen bevoegd personeel mag de in dit deel van het document beschreven taken uitvoeren.

## LET OP

Haal het instrument niet voor onderhoud uit elkaar. Als er inwendige componenten moeten worden gecontroleerd of gerepareerd, neem dan contact op met de fabrikant.

### 7.1 Onderhoudsschema

Tabel 6 toont het aanbevolen schema voor onderhoudstaken. Voorschriften van de installatie en bedrijfscondities kunnen de frequentie van sommige taken verhogen.

Tabel 6 Onderhoudsschema

Taak	1 maand	6 maanden	Indien nodig
Reinig de kuvet op pagina 205	X <sup>2</sup>		
Vervang de reagensflessen op pagina 206	X		
Vervang de roerstaaf en slanggeleider <sup>3</sup>		X	
De zeef in het Y-filter reinigen op pagina 207			X

### 7.2 Reinig de kuvet

#### ⚠ VOORZICHTIG



Gevaar van blootstelling aan chemicaliën. Volg alle veiligheidsvoorschriften van het laboratorium op en draag alle persoonlijke beschermingsmiddelen die geschikt zijn voor de gehanteerde chemicaliën. Raadpleeg de huidige veiligheidsinformatiebladen (MSDS/SDS) voor veiligheidsprotocollen.

Reinig de kuvet eens per maand of vaker, indien nodig.

#### Te verzamelen items:



Wattenstaafjes<sup>4</sup>



5.25 N-zwavelzuuroplossing<sup>5</sup>

1. Draag de persoonlijke beschermingsmiddelen die zijn vermeld in de veiligheidsinformatiebladen (MSDS/SDS).
2. Druk op **menu** en selecteer vervolgens **SONDE SETUP > [selecteer analyser] > TAKEN > REINIG SCHACHT**.  
*Opmerking: Druk op **home** om een geselecteerde taak te stoppen.*
3. Druk op **enter** om de metingen te stoppen.
4. Selecteer een optie.

Optie	Beschrijving
<b>BLOKKEREN</b>	De controlleruitgangen worden op de laatst gemeten waarde gehouden.
<b>VERPLAATSEN</b>	De uitgangen van de controller veranderen in de overdrachtswaarde.

5. Voer de volgende afgebeelde stappen uit wanneer het statuslampje knippert. Als u klaar bent, drukt u op **enter**.

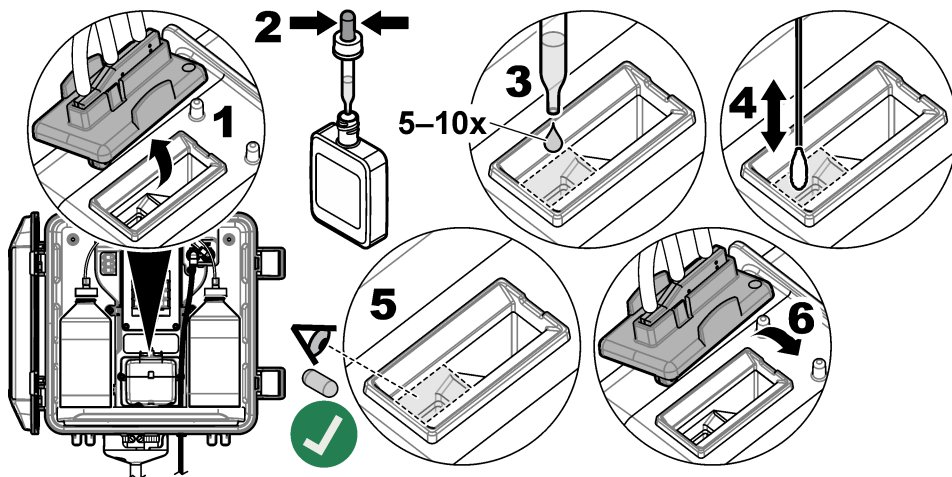
Zorg er bij geïllustreerde stap 5 voor dat er geen ongewenst materiaal in de kuvet zit. Gebruik een zaklamp om waar nodig te zoeken naar ongewenst materiaal.

<sup>2</sup> Reinig de kuvet zo nodig vaker of minder vaak.

<sup>3</sup> Raadpleeg de instructies die met de slangenset zijn meegeleverd.

<sup>4</sup> Raadpleeg [Reserveonderdelen en accessoires](#) op pagina 212.

<sup>5</sup> Gebruik geen andere reinigingsmiddelen. Raadpleeg [Reserveonderdelen en accessoires](#) op pagina 212.



- Druk op **enter** wanneer "TAAK VOLTOOID." wordt weergegeven op het display.  
De analyser start een meetcyclus na ongeveer 30 seconden.

### 7.3 Vervang de reagensflessen

#### ▲ VOORZICHTIG



Gevaar van blootstelling aan chemicaliën. Volg alle veiligheidsvoorschriften van het laboratorium op en draag alle persoonlijke beschermingsmiddelen die geschikt zijn voor de gehanteerde chemicaliën. Raadpleeg de huidige veiligheidsinformatiebladen (MSDS/SDS) voor veiligheidsprotocollen.

#### ▲ VOORZICHTIG



Gevaar van blootstelling aan chemicaliën. Chemicaliën en afval dienen te worden afgevoerd in overeenstemming met de plaatselijke, regionale en nationale voorschriften.

Vervang de reagensflessen elke maand.

- Draag de persoonlijke beschermingsmiddelen die zijn vermeld in de veiligheidsinformatiebladen (MSDS/SDS).
- Druk op **menu** en selecteer vervolgens **SONDE SETUP > [selecteer analyser] > TAKEN > WIJZIG REAGENS**.  
*Opmerking: Druk op home om een geselecteerde taak te stoppen.*
- Druk op **enter** om de metingen te stoppen.
- Selecteer een optie.

Optie	Beschrijving
<b>BLOKKEREN</b>	De controlleruitgangen worden op de laatst gemeten waarde gehouden.
<b>VERPLAATSEN</b>	De uitgangen van de controller veranderen in de overdrachtswaarde.

- Wacht tot het statuslampje knippert.
- Vervang de bufferfles als volgt:  
*Opmerking: (Optioneel) Gebruik de bovenkant van de analyser als schap.*
  - Verwijder de dop en afdichting van de nieuwe bufferfles.
  - Verwijder de gebruikte bufferfles uit de analyser.

c. Plaats de bufferslang in de nieuwe bufferfles aan de rechterkant van de analyser. Draai de dop vast.

7. Vervang de indicatorfles als volgt:

a. Verwijder de dop en afdichting van de indicatorfles en de bruine DPD-fles.

b. Vul de bruine DPD-fles voor ongeveer een kwart met indicatoroplossing.

c. Schud de DPD-fles voorzichtig om te mengen.

d. Plaats de inhoud van de DPD-fles in de indicatorfles.

e. Keer de indicatorfles om totdat al het poeder is opgelost (2 minuten).

f. Verwijder de gebruikte indicatorfles uit de analyser.

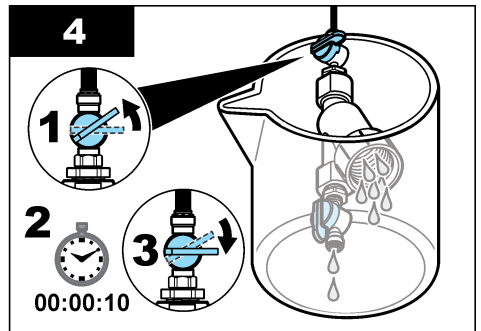
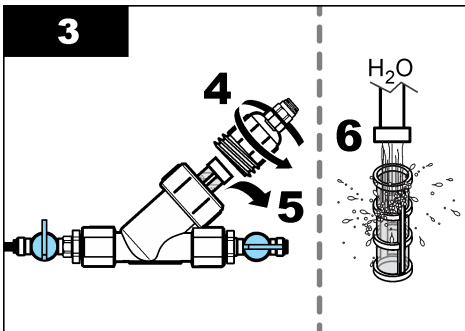
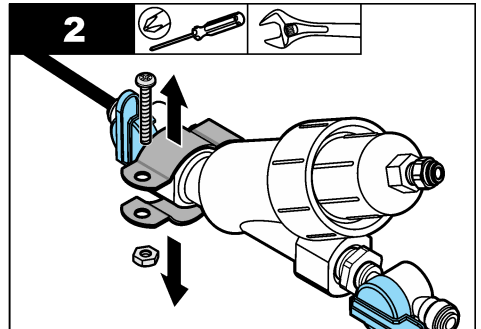
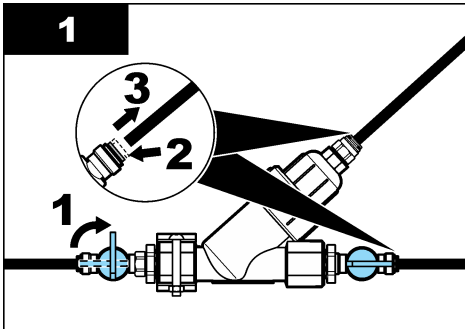
g. Plaats de indicatorslang in de nieuwe indicatorfles aan de linkerkant van de analyser. Draai de dop vast.

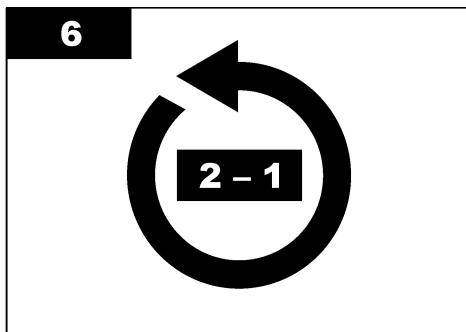
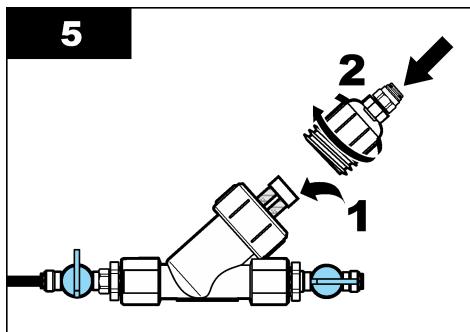
8. Druk op **enter**.

9. Druk op **enter** wanneer "TAAK VOLTOOID." wordt weergegeven op het display. De analyser start een meetcyclus na ongeveer 30 seconden.

## 7.4 De zeef in het Y-filter reinigen

Reinig de zeef in het Y-filter wanneer er een verstopping is, wat wordt aangegeven met een waarschuwing LAGE MONSTERFLOW. Voer de volgende afgebeelde stappen uit.





## 7.5 Voorbereiden voor opslag

### ⚠ VOORZICHTIG



Gevaar van blootstelling aan chemicaliën. Volg alle veiligheidsvoorschriften van het laboratorium op en draag alle persoonlijke beschermingsmiddelen die geschikt zijn voor de gehanteerde chemicaliën. Raadpleeg de huidige veiligheidsinformatiebladen (MSDS/SDS) voor veiligheidsprotocollen.

Als de voeding naar de analyser langer dan 3 dagen wordt verwijderd of als de analyser langer dan 3 dagen niet wordt gebruikt, bereid de analyser dan voor op opslag.

#### Te verzamelen items:



Beker met gedeïoniseerd water (2x)



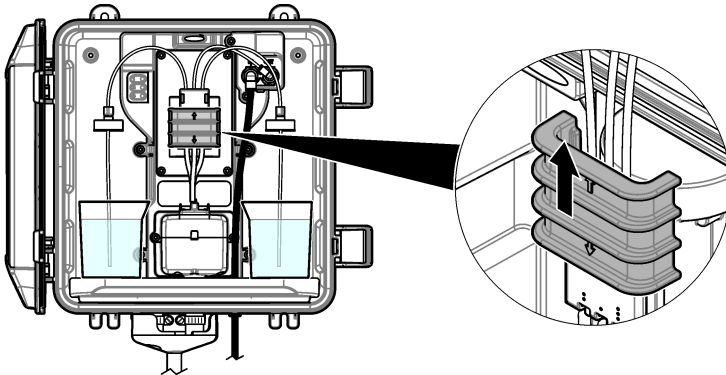
Wegwerpdruppelpipet of niet-pluizende doek

1. Verwijder de reagentia als volgt uit de reagensleidingen:
  - a. Verwijder de indicatorfles en bufferfles uit de analyser.
  - b. Plaats twee bekers (of containers) met gedeïoniseerd water bevatten in de analyser.
  - c. Plaats de slang van de indicatorfles en de slang van de bufferfles in de bekers.
  - d. Druk op **menu** en selecteer **SONDE SETUP** > [selecteer analyser] > **VOORVULLEN**. De analyser verwijdert de reagentia uit de reagensleidingen.
2. Verwijder het gedeïoniseerde water als volgt uit de reagensleidingen:
  - a. Verwijder de slang van de indicatorfles en de slang van de bufferfles uit de bekers.
  - b. Verwijder de twee bekers uit de analyser.
  - c. Druk op **menu** en selecteer **SONDE SETUP** > [selecteer analyser] > **VOORVULLEN**. De analyser verwijdert alle vloeistof uit de reagensleidingen.
3. Koppel de analyserkabel los van de controller (of schakel de voeding naar de controller uit).
4. Draai de afsluiter in de gesloten stand om de monsterflow naar het Y-filter te stoppen.
5. Verwijder de pompklem. Raadpleeg [Afbeelding 7](#). Bewaar de pompklem voor later gebruik.
6. Verwijder het water als volgt uit de kuvet:
  - a. Verwijder het deksel van de kuvet.
  - b. Verwijder het water uit de kuvet met een wegwerpdruppelpipet of een niet-pluizende doek.
  - c. Breng het deksel aan op de kuvet.
7. Voer de volgende stappen uit om de analyser na opslag te starten:
  - a. Breng de pompklem aan. Raadpleeg [Afbeelding 7](#).
  - b. Plaats de reagensflessen. Raadpleeg [Stap 4: De reagensflessen plaatsen](#) op pagina 199.



- c. Draai de afsluiter in de geopende stand om de monsterflow naar het Y-filter op gang te brengen.
- d. Sluit de analyserkabel aan op de controller als de kabel was losgekoppeld.
- e. Voorzie de controller van voeding als de voeding was uitgeschakeld.
- f. Druk op **menu** en selecteer **SONDE SETUP** > [selecteer analyser] > **VOORVULLEN**.

### Afbeelding 7 Verwijder de pompklem



## 7.6 Gereedmaken voor verzending

### ⚠ VOORZICHTIG



Gevaar van blootstelling aan chemicaliën. Volg alle veiligheidsvoorschriften van het laboratorium op en draag alle persoonlijke beschermingsmiddelen die geschikt zijn voor de gehanteerde chemicaliën. Raadpleeg de huidige veiligheidsinformatiebladen (MSDS/SDS) voor veiligheidsprotocollen.

Voer de volgende stappen uit om de analyser voor te bereiden op transport.

#### Te verzamelen items:



Beker met gedeïoniseerd water (2x)



Originele verpakking

1. Verwijder de reagentia als volgt uit de reagensleidingen:
  - a. Verwijder de indicatorfles en bufferfles uit de analyser.
  - b. Plaats twee bekers (of containers) met gedeïoniseerd water bevatten in de analyser.
  - c. Plaats de slang van de indicatorfles en de slang van de bufferfles in de bekers.
  - d. Druk op **menu** en selecteer **SONDE SETUP** > [selecteer analyser] > **VOORVULLEN**. De analyser verwijdert de reagentia uit de reagensleidingen.
2. Verwijder het gedeïoniseerde water als volgt uit de reagensleidingen:
  - a. Verwijder de slang van de indicatorfles en de slang van de bufferfles uit de bekers.
  - b. Verwijder de twee bekers uit de analyser.
  - c. Druk op **menu** en selecteer **SONDE SETUP** > [selecteer analyser] > **VOORVULLEN**. De analyser verwijdert alle vloeistof uit de reagensleidingen.
3. Ontkoppel de analyserkabel van de controller.
4. Draai de afsluiter in de gesloten stand om de monsterflow naar het Y-filter te stoppen.
5. Koppel de slang van de monsterinlaat (zwart) en de (doorzichtige) slang los van de analyser.

6. Verwijder de externe luchtonderbreking van de analyser.
7. Verwijder de pompklem. Raadpleeg [Afbeelding 7](#) op pagina 209.
8. Verwijder de slanggeleider en roerstaaf uit de analyser. Bewaar de slanggeleider om met de analyser mee te verzenden. Raadpleeg [Stap 3: De roerstaaf en slanggeleider aanbrengen](#) op pagina 199.
9. Breng de pompklem aan zonder de slanggeleider. Plaats tape op de slangklem om de slangklem stevig vast te zetten.
10. Verwijder het water uit de kuvet met een wegwerpdruppelpipet of een niet-pluizende doek.
11. Haal de analyser van de muur.
12. Plaats de analyser terug in de originele verpakking.

## 7.7 Reinig het apparaat

### LET OP

Gebruik nooit reinigingsmiddelen zoals terpentine, aceton of soortgelijke producten om het instrument, het display of de accessoires te reinigen.

Reinig het uitwendige van het instrument met een vochtige doek en een milde zeepoplossing.

## 7.8 Gemorste stoffen opruimen

### ⚠ VOORZICHTIG



Gevaar van blootstelling aan chemicaliën. Chemicaliën en afval dienen te worden afgevoerd in overeenstemming met de plaatselijke, regionale en nationale voorschriften.

1. Volg alle veiligheidsprotocollen van de installatie op.
2. Voer het afval af volgens de geldende voorschriften.

## Hoofdstuk 8 Problemen oplossen

### 8.1 Fouten—Rood lampje

Om de sensorfouten weer te geven drukt u op **menu** en selecteert u **DIAGNOSTIEK > [selecteer analyser] > FOUTMELDINGEN**. Een lijst van mogelijke fouten is afgebeeld in [Tabel 7](#).

Wanneer er een fout optreedt, wordt het statuslampje van de analysator rood. Metingen stoppen, het meetscherm knippt en alle uitgangen worden vastgehouden indien dit is opgegeven in het controllermenu.

Tabel 7 Foutmeldingen

Foutbericht	Beschrijving	Oplossing
DETECTORFOUT.	Een detector werkt niet naar behoren.	Neem contact op met de technische ondersteuning.
VUILE KUVET	De sensor is vlekkelig of vervuild. Er kan biofilm groeien in de kuvet wanneer de chloorconcentratie zeer laag is.	Reinig de kuvet. Raadpleeg <a href="#">Reinig de kuvet</a> op pagina 205.
CODEFOUT.	Er is een firmwarefout opgetreden.	Neem contact op met de technische ondersteuning.
LEDSTORING	Het lampje in de kuvet werkt niet goed.	Neem contact op met de technische ondersteuning.

**Tabel 7 Foutmeldingen (vervolg)**

Foutbericht	Beschrijving	Oplossing
POMPFOUT	De pomp werkt niet naar behoren.	Neem contact op met de technische ondersteuning.
MONSTERLEK	Er is een monsterlek in de analyser.	Neem contact op met de technische ondersteuning.

## 8.2 Waarschuwingen—Geel lampje

Druk op **menu** en selecteer **DIAGNOSTIEK** > [selecteer analyser] > **WAARSCHUWINGEN**. Een lijst van mogelijke waarschuwingen is afgebeeld in [Tabel 8](#).

Als er een waarschuwing optreedt, wordt het statusindicatielampje geel. Er knippert een waarschuwingspictogram en er wordt een bericht weergegeven onder in het controllerdisplay. Als er voldoende monsterflow beschikbaar is, heeft een waarschuwing geen invloed op de werking van de menu's. Een waarschuwing heeft geen effect op de werking van de relais en uitgangen.

**Tabel 8 Waarschuwingmeldingen**

Waarschuwing	Beschrijving	Oplossing
BUBBELS GEDETECT.	Er bevinden zich luchtbelllen in de kuvet.	Reinig de kuvet. Raadpleeg <a href="#">Reinig de kuvet</a> op pagina 205. (Optioneel) Schakel de instelling voor BELLEN in. Zie <a href="#">Stap 10: De analyser configureren</a> op pagina 203.
REINIG KUVET ZSM	De kuvet raakt bevestigd of vuil en moet snel worden gereinigd om een fout te voorkomen.	Reinig de kuvet. Raadpleeg <a href="#">Reinig de kuvet</a> op pagina 205.
HOGЕ CHLOOR	De chloorconcentratie bevindt zich op of boven de ingestelde waarde voor HOGЕ CL-ALARMEN.	Verhoog de instelling voor HOGЕ CL-ALARMEN. Zie <a href="#">Stap 10: De analyser configureren</a> op pagina 203. Of Verlaag de chloorconcentratie van het monster dat aan de analyser wordt geleverd.
LAGE CHLOOR	De chloorconcentratie bevindt zich op of beneden de ingestelde waarde voor LAGE CL-ALARMEN.	Verlaag de instelling voor LAGE CL-ALARMEN. Zie <a href="#">Stap 10: De analyser configureren</a> op pagina 203. Of Verhoog de chloorconcentratie van het monster dat aan de analyser wordt geleverd.
LAGE MONSTERFLOW	De gemeten monsterflow is lager dan de minimale monsterflow. Raadpleeg <a href="#">Specificaties</a> op pagina 188.	De monsterflow instellen. Zie <a href="#">Stap 8: Het debiet instellen</a> op pagina 202. Reinig het filter in het Y-filter indien nodig om een verstopping te verwijderen. Zie <a href="#">De zeef in het Y-filter reinigen</a> op pagina 207.
HOGЕ MONSTERFLOW	De gemeten monsterflow is hoger dan de maximale monsterflow. Raadpleeg <a href="#">Specificaties</a> op pagina 188.	De monsterflow instellen. Raadpleeg <a href="#">Stap 8: Het debiet instellen</a> op pagina 202.

## Hoofdstuk 9 Reserveonderdelen en accessoires

### ▲ WAARSCHUWING



Gevaar voor letsel. Het gebruik van niet-goedgekeurde onderdelen kan leiden tot letsel, beschadiging van het instrument of onjuiste werking van apparatuur. De reserveonderdelen in dit hoofdstuk zijn goedgekeurd door de fabrikant.

**Opmerking:** Product- en artikelnummers kunnen verschillen per regio. Neem contact op met de desbetreffende distributeur of bezoek de website voor contactgegevens.

#### Verbruiksartikelen

Beschrijving	Aantal	Artikelnr.
Reagentiaset, vrij chloor, omvat: Bufferfles, indicatorfles en DPD-fles	1	2556900
Reagentiaset, totaal chloor, omvat: Bufferfles, indicatorfles en DPD-fles	1	2557000
Kuvetreinigingsset, inclusief: Zwavelzuur, 5,25 N, 100 mL, druppelfles en wattenstaafjes (10x)	1	8573100
Kalibratieverificatieset, bevat: Spuut, slangen, slangfittingen, ampulbreker, gedeïoniseerd water en ampul met chloorstandaard	1	8568200
Navulset voor kalibratieverificatie, bevat: Gedeïoniseerd water en ampul met chloorstandaard	1	8573200

#### Reservedelen

Beschrijving	Itemnr.
Slangenset, inclusief: Slanggeleider en roermagneetje	VS: 8560400 EU: 8575000
Installatiekit met standpijp (10 psi of minder)	VS: 8560500 EU: 8575100
Installatiekit met standpijp (>10 psi)	8576001
Installatieset met drukregelaar	VS: 8565700 EU: 8575200

#### Accessoires

Beschrijving	Itemnr.
Verlengkabel voor analyser, 1 m (3,2 ft)	6122400
Verlengkabel voor analyser, 7,7 m (25 ft)	5796000
Verlengkabel voor analyser, 15 m (50 ft)	5796100
Slangadapter, buitendiameter 6 mm tot buitendiameter 1/4 inch	09184=A=4020

# Indholdsfortegnelse

- 1 [Specifikationer](#) på side 213
- 2 [Generelle oplysninger](#) på side 214
- 3 [Installation](#) på side 217
- 4 [Konfiguration](#) på side 228
- 5 [Betjening](#) på side 229
- 6 [Kalibrering og justering](#) på side 229
- 7 [Vedligeholdelse](#) på side 229
- 8 [Fejlsøgning](#) på side 235
- 9 [Reserve dele og tilbehør](#) på side 236

## Sektion 1 Specifikationer

Specifikationerne kan ændres uden varsel.

**Tabel 1 Generelle specifikationer**

Specifikation	Detaljer
Mål (B x H x D)	32.9 x 34.2 x 17.7 cm (12.9 x 13.5 x 7.0")
Kabinet	IP66 iht. IEC 60529 med døren lukket og låst <sup>1</sup>
Transportvægt	4,1 kg (9 lb) uden flasker; 5,1 kg (11,2 lb) med fyldte flasker
Montering	Vægmontering
Beskyttelsesklasse	III
Forureningsgrad	3
Elektrisk installationskategori	I (indendørs)
Strømkrav	12 V DC, 400 mA maks. (leveret af kontrolenhed)
Driftstemperatur	5 til 40 °C (41 til 104 °F)
Luftfugtighed, drift	0 til 90 % relativ fugtighed, ikke-kondenserende
Opbevaringstemperatur	-40 til 60 °C (-40 til 140 °F)
Fitting	Prøveslange: ¼" Lynkoblingsstik med udvendigt gevind til plastslange Drænslinger: Lynkobling til ½" ID, bløde plastslanger
Indikatorlys	Analysatorstatus og målecyklus
Certificeringer	EU DoC, UKCA DoC, FCC/ISED SDoC, ACMA DoC, KC, Morocco DoC
Garanti	1 år (EU: 2 år)

**Tabel 2 Prøvekrav**

Specifikation	Detaljer
Tryk	0,31 til 5,17 bar (4,5 to 75 psig) leveret til Y-filter; 0,1 to 0,34 bar (1,5 to 5 psig) leveret til analysator
Flow-hastighed	60 til 200 ml/min. gennem instrumentet (målt ved analysatorens dræn)
Temperatur	5 til 40 °C (41 til 104 °F)
Filtrering	Y-filter med 40 meshfilter eller højere

<sup>1</sup> Drænhuller lukket med propper af hensyn til testkrav.

**Table 3 Målespecifikationer**

Specifikation	Detaljer
Lyskilde	Lysdiode, måling ved 510 nm; 1 cm lysvej
Måleområde	0.03–10 mg/L frit eller total restklor som Cl <sub>2</sub>
Interval mellem målinger	150 sekunder
Nøjagtighed	±5 % eller ±0,04 mg/L fra 0 til 5 mg/l (den højeste værdi) som Cl <sub>2</sub> ±10 % fra 5 til 10 mg/L Cl <sub>2</sub>
Præcision	±5 % eller ±0,01 mg/L (den højeste værdi) som Cl <sub>2</sub>
Detektionsgrænse	0.03 mg/L som Cl <sub>2</sub>
Kvantificeringsgrænse	0.07 mg/L
Kalibrering	Fabrikskalibrering Ekstraudstyr: 2-punkts brugerkalibrering med kalibreringsstandarder i kalibreringsverificerings sæt
Reagensforbrug	0,5 l bufferopløsning og 0,5 l indikatoropløsning i 31 dage

## Sektion 2 Generelle oplysninger

Producenten kan under ingen omstændigheder gøres ansvarlig for skade som følge af forkert brug af produkter eller manglende overholdelse af foreskrifterne i brugsvejledningen. Producenten forbeholder sig ret til når som helst at foretage ændringer i denne manual og de beskrevne produkter uden varsel eller forpligtelser. Reviderede udgaver kan findes på producentens webside.

### 2.1 Sikkerhedsoplysninger

Producenten er ikke ansvarlig for eventuelle skader på grund af forkert anvendelse eller misbrug af dette produkt, herunder uden begrænsning direkte skader, hændelige skader eller følgeskader, og fraskriver sig ansvaret for sådanne skader i det fulde omfang, som tillades ifølge gældende lov. Kun brugeren er ansvarlig for at identificere alvorlige risici ved anvendelsen og installere relevante mekanismer til beskyttelse af processerne i forbindelse med en eventuel fejl på udstyret.

Læs hele manualen inden udpakning, installation eller betjening af dette udstyr. Overhold alle sikkerhedshenvisninger og advarsler. Undladelse heraf kan medføre, at brugeren kommer alvorligt til skade, eller det kan medføre beskadigelse af analysatoren.

Sørg for, at den beskyttelse, der ydes af dette udstyr, ikke forringes. Dette udstyr må ikke anvendes eller installeres på nogen anden måde end hvad der er anført i denne manual.

#### 2.1.1 Brug af sikkerhedsoplysninger

#### ▲ FARE

Angiver en eventuel eller overhængende farlig situation, der vil medføre dødsfald eller alvorlige kvæstelser, hvis den ikke undgås.

#### ▲ ADVARSEL

Angiver en potentiel eller umiddelbart farlig situation, som kan resultere i død eller alvorlig tilskadekomst, hvis den ikke undgås.

#### ▲ FORSIGTIG

Indikerer en potentiel farlig situation, der kan resultere i mindre eller moderat tilskadekomst.

#### BEMÆRKNING

Angiver en situation, der kan medføre skade på instrumentet, hvis ikke den undgås. Oplysninger, der er særligt vigtige.

## 2.1.2 Sikkerhedsmærkater

Læs alle skilte og mærkater, som er placeret på apparatet. Der kan opstå person- eller instrumentskade, hvis forholdsreglerne ikke respekteres. I håndbogen refereres der til et symbol på instrumentet med en forholdsregelklæring.



Elektrisk udstyr mærket med dette symbol må, i Europa, ikke bortskaffes i sammen med husholdningsaffald eller offentligt affald. Returner gammelt eller udjendt udstyr til producenten til bortskaffelse uden gebyr.

## 2.1.3 Overholdelse af elektromagnetisk kompatibilitet (EMC)

### ▲ FORSIGTIG

Dette udstyr er ikke beregnet til brug i boligmiljøer og muligvis ikke tilstrækkelig beskyttelse mod radiomodtagelse i sådanne omgivelser.

#### CE (EU)

Udstyret opfylder de væsentlige krav i EMC-direktivet 2014/30/EU.

#### UKCA (UK)

Udstyret lever op til kravene i Electromagnetic Compatibility Regulations 2016 (S.I. 2016/1091).

#### Canadian Radio Interference-Causing Equipment Regulation, IECS-003, Klasse A:

Producenten opbevarer understøttende testfortegnelser.

Dette Klasse A digitale apparat opfylder alle krav i the Canadian Interference-Causing Equipment Regulations.

Cet appareil numérique de classe A répond à toutes les exigences de la réglementation canadienne sur les équipements provoquant des interférences.

#### FCC del 15, klasse "A" grænser

Producenten opbevarer understøttende testfortegnelser. Enheden overholder Afs. 15 i FCC's regelsæt. Anvendelsen er underlagt følgende betingelser:

1. Udstyret må ikke forårsage skadelig interferens.
2. Udstyret skal acceptere modtaget interferens, hvilket omfatter interferens, der kan forårsage uønsket drift.

Ændringer og modifikationer af dette udstyr, som ikke er udtrykkeligt godkendt af den part, som er ansvarlig for overholdelsen, kan ophæve brugerens ret til at betjene udstyret. Dette udstyr er blevet testet og overholder grænserne for Klasse A digitalt udstyr i overensstemmelse med Afs. 15 af FCC's regelsæt. Disse grænser er udformet til at yde rimelig beskyttelse mod skadelig interferens, når udstyret betjenes i et kommercielt miljø. Dette udstyr genererer, bruger og kan udsende radiofrekvensenergi og kan, hvis det ikke installeres og anvendes i overensstemmelse med brugervejledningen, forårsage skadelige interferens for radiokommunikationer. Anvendelse af dette udstyr i et beboelsesområde vil sandsynligvis forårsage skadelig interferens, i hvilket tilfælde brugeren skal udbedre interferensen for egen regning. Følgende teknikker kan anvendes til at reducere problemer med interferens:

1. Afbryd udstyret fra strømkilden for at kontrollere, om det er kilden til interferensen.
2. Hvis udstyret er forbundet til den samme stikkontakt som den enhed der oplever interferensen, skal udstyret forbindes til en anden stikkontakt.
3. Flyt udstyret væk fra den enhed, som modtager interferensen.
4. Indstil modtageantennen på den enhed, der modtager interferens, igen.
5. Prøv kombinationer af ovennævnte.

## 2.2 Produktoversigt

### ▲ FARE



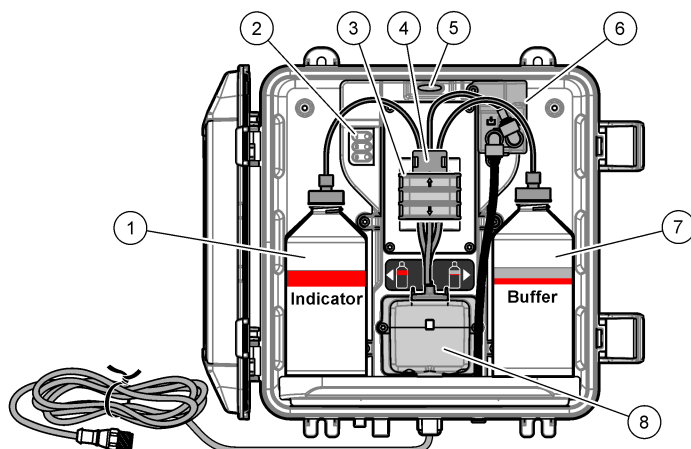
Kemiske eller biologiske farer. Hvis dette instrument anvendes til at overvåge en behandlingsproces og/eller dialysetilførselsvand, hvor der gælder lovbestemte begrænsninger og overvågningskrav i forbindelse med folkesundhed, offentlig sikkerhed, føde- og drikkevareproduktion eller -forarbejdning, ligger ansvaret hos brugeren af instrumentet med hensyn til at kende og overholde enhver gældende bestemmelse og at sikre tilstrækkelige og egnede tiltag for at overholde gældende bestemmelser, såfremt instrumentet ikke fungerer.

CL17sc-analysatoren måler den totale klorkoncentration i vand i området 0.03 til 10 mg/L i intervaller a 150 sekunder. Herudover viser [Figur 1](#) en oversigt over analysatoren.

Tilslut analysatoren til en SC-kontrolenhed for at få oplysninger om strøm, drift, dataindsamling, datatransmission og diagnosticering. Se dokumentationen til SC-kontrolenheden for at få vist en oversigt over kontrolenheden.

**BEMÆRK:** Mere end én analysator kan sluttes til et SC-kontrolenhed, hvis kontrolenheden har mere end ét lynkoblingsstik.

**Figur 1** CL17sc



1 Indikatorflaske	5 Apparatstatuslampe ( <a href="#">Tabel 5</a> på side 217)
2 Målecykluslamper ( <a href="#">Tabel 4</a> på side 217)	6 Flowmåler
3 Pumpeklemme	7 Bufferflaske
4 Slangeklemme	8 Kolorimetrisk celle

### 2.2.1 Flowmåler

Analysatoren har et flowmeter, der måler prøvens flow i analysatoren. Se [Figur 1](#) på side 216.

Prøven strømmer kun gennem analysatoren, når analysatoren gennemskyller cellen. På andre tidspunkter er der ingen prøvegennemstrømning, og den viste gennemstrømningshastighed er nul. Tryk på **HØJRE** pile tast på kontrolenheden for at få vist flowhastigheden.



## 2.2.2 Målecykluslamper

Målecykluslamperne viser de trin i målecyklussen, der udføres. Se [Tabel 4](#).

**Tabel 4 Målecykluslamper**

<b>Lys tændt</b>			
<b>Beskrivelse</b>	Cellen skylles med vand.	Bufferopløsning og indikatoropløsning tilsættes cellen.	Prøven måles.

## 2.2.3 Analysatorstatuslampe

Analysatorstatuslampen skifter fra grønt til gult, når der er en advarsel, eller til rødt, når der er opstået en fejl. Se [Tabel 5](#).

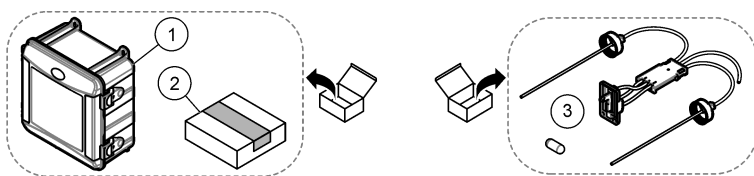
**Tabel 5 Analysatorstatuslampe**

Farve	Beskrivelse
Grøn	Normal drift
Gul	Systemet skal efterses med henblik på at forebygge fejlfunktion i fremtiden. Målinger fortsætter. Tryk på <b>menu</b> , og vælg DIAGNOSE > [vælg analysator] > ALARM LISTE for at vise advarsler. Se <a href="#">Advarsler—Gult lys</a> på side 235.
Rød	Systemet skal efterses øjeblikkeligt. Målinger er stoppet. Tryk på tasten <b>MENU</b> og vælg DIAGNOSE, [vælg analysator], FEJL LISTE for at vise fejlene. Se <a href="#">Fejl—rødt lys</a> på side 235.

## 2.3 Produktkomponenter

Sørg for, at alle komponenter er modtaget. Se [Figur 2](#). Kontakt producenten eller forhandleren med det samme, hvis der er mangler eller defekte dele i sendingen.

**Figur 2 Produktkomponenter**



1 CL17sc-analysator	3 Slangesæt (slangeholder og omrører)
2 Installationssæt	

## Sektion 3 Installation

### ▲ FORSIGTIG



Flere risici. Kun kvalificeret personale må udføre de opgaver, som er beskrevet i dette afsnit i dokumentet.

### 3.1 Installationsvejledning

- Analysatoren er forsynet med et installationssæt til stigrør eller et installationssæt til trykregulatorer for at kunne styre vandtrykket til analysatoren. Brugeren vælger installationssættet på købstidspunktet.

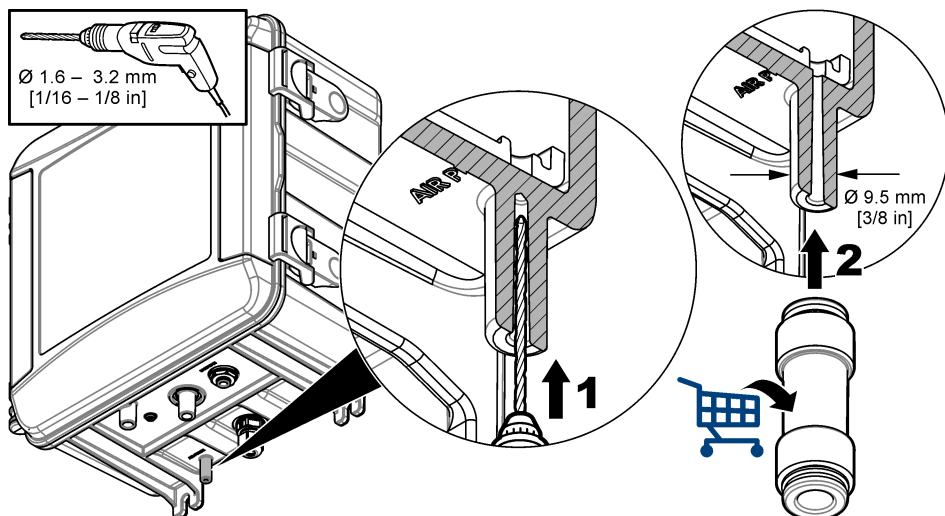
- Monter analysatoren indendørs i et miljø med minimal vibration. Se specifikationerne for driftstemperatur og luftfugtighed i [Specifikationer](#) på side 213.
- Installer ikke analysatoren, hvor den udsættes for direkte sollys, eller i nærheden af varmekilder.
- Ved standrørinstallationer skal analysatoren installeres på et sted med tilstrækkelig fri plads over analysatoren til standrørmonteringen.
- Monter analysatoren i nærheden af et åbent dræn. Se de lokale myndigheders anvisninger for bortskaffelse.

### 3.2 Trin 1: Luftrensning (ekstraudstyr)

Luftrensning kan være nødvendigt, hvis analysatoren installeres på et sted med høj luftfugtighed og/eller dampe, der forårsager korrosion. Luftrensningen sørger for et positivt tryk i instrumentet med tør og ren luft.

Tilfør ren, tør luft af instrumentkvalitet ved 0,003 m<sup>3</sup>/minut (0,1 fod<sup>3</sup>/minut) ved 20 psig maks.

Se de efterfølgende illustrerede trin. <sup>3</sup>/<sub>8</sub>" lynkobling og slange leveres af brugeren.



### 3.3 Trin 2: Monter og tilslut analysatoren

#### ▲ FORSIGTIG



Kun den slange, som er specificeret af Hach Company, må bruges sammen med instrumentet. Andre slanger kan absorbere den klor, som findes i prøvens vand og således have en negativ virkning på klorafælsningerne (mindsker klorafælsningerne).

#### BEMÆRKNING

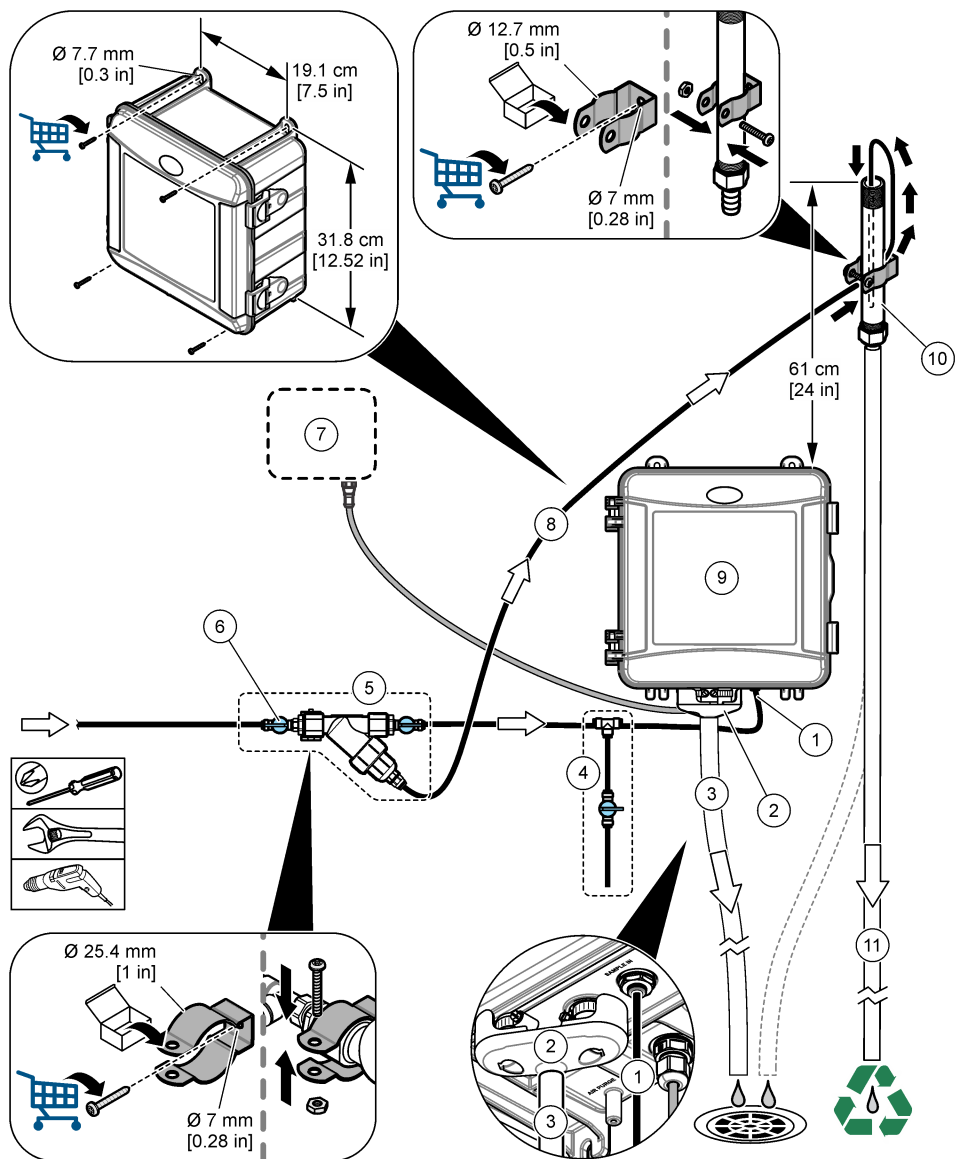
Forkert rørføring af analysatoren kan forårsage skader på grund af overskydende prøvetryk. Overhold altid de medfølgende instruktioner til montering og rørføring af analysatoren.

1. Monter analysatoren (punkt 9) på væggen med fire skruer. Kontrollér, at analysatoren sidder i vater.  
**BEMÆRK:** Brugeren leverer monteringsdelene.
2. Monter SC-kontrolenheden (punkt 7) på en væg, et panel eller et rør. Se dokumentationen til SC controller for at få yderligere oplysninger.
3. Saml Y-filteret. Se vejledningen på pakkelisten.
4. Brug 1-tommers rørklemmen til at montere Y-filteret (punkt 5 i [Figur 3](#), [Figur 4](#) eller [Figur 5](#)).

5. Installer den eksterne luftbremse på analyseapparatet (punkt 2 i [Figur 3](#), [Figur 4](#) eller [Figur 5](#)). Se vejledningen på pakkelisten.
6. Udfør trin 7 eller 8.

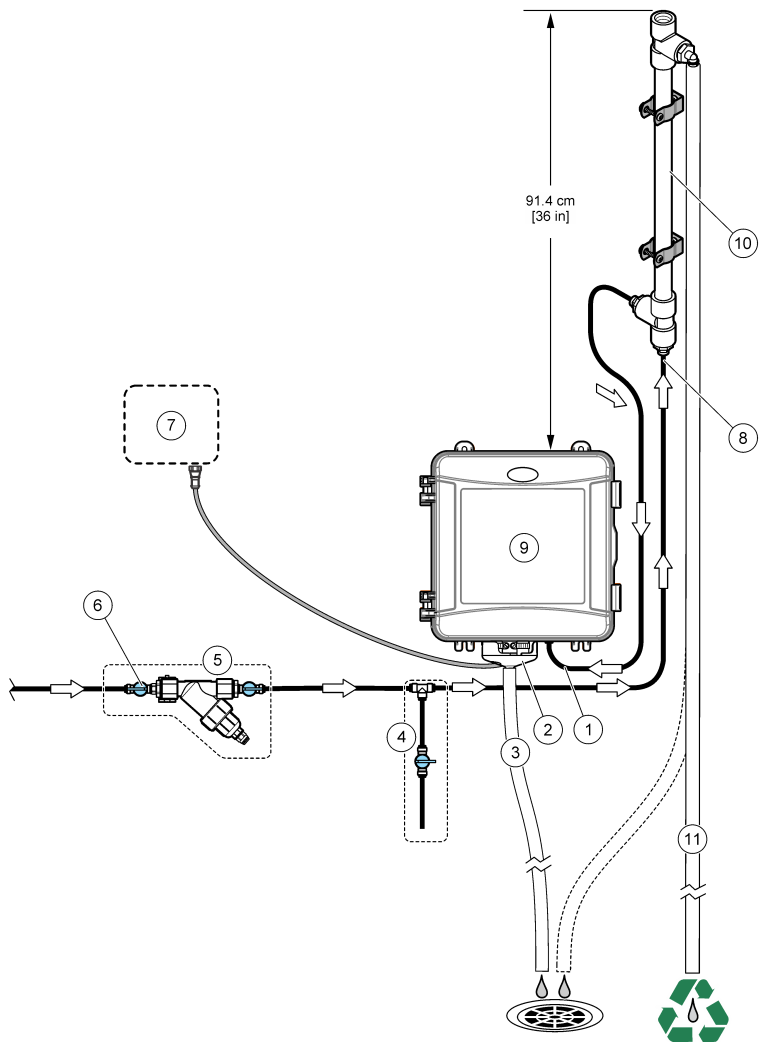
Analysatoren leveres med et standrørsinstallationssæt eller et trykregulatorinstallationsset til styring af indgangsvandtrykket. Brugeren vælger installationssættet på købstidspunktet. Et standpipe-sæt er til 10 psi eller mindre, og et standpipe-sæt er til mere end 10 psi indløbsvandtryk. Mål vandtrykket i indløbet lige før Y-filteret.
7. Hvis der på købstidspunktet vælges et installationssæt til stigrør, installeres stigrøret på følgende måde:
  - a. Saml stigrøret. Se vejledningen på pakkelisten.
  - b. Brug den mindre ledningsklemme til at montere standrørsamlingen over toppen af analysatoren:
    - 10 psi eller mindre—Monter standrørsamlingen mindst 61 cm (24 in.) over toppen af analysatoren.
    - Mere end 10 psi—Monter standrørsamlingen mindst 91,4 cm (36 in.) over toppen af analysatoren.
  - c. 10 psi eller mindre - Installer prøveomløbsslangen med den sorte slange (punkt 8 i [Figur 3](#)). Skub slangen bagud og derefter ind i stigrøret. Sæt slangen 10–13 cm (4–5 in.) i toppen af standrøret.
  - d. Mere end 10 psi - Forbind Y-filterets udløb med standrørets indløb med den sorte slange (punkt 8 i [Figur 4](#)).
  - e. Skær en længde af slangen af prøvetagningsdrænslangen (punkt 3). Brug slangen til at forbinde standrøret med et åbent afløb (punkt 11). Se [Retningslinjer for drænslange](#) på side 223.
8. Hvis der på købstidspunktet vælges et installationssæt til en trykregulator, monteres trykregulatoren (punkt 10 i [Figur 5](#)).
9. Forbind Y-filterindløbet (punkt 5) med prøvekilden ved hjælp af den sorte slange. Se [Retningslinjer for prøveslange](#) på side 223 og [Prøvekrav](#) på side 223.
10. Tilslut prøven med den sorte slange til prøveindgangsfittingen (punkt 1) på følgende måde: Gør slangen så kort som mulig og højst 2,5 m (8 fod).
  - 10 psi eller mindre - Tilslut Y-filterets udløb til prøveindgangsfittingen (punkt 1) i bunden af analyseapparatet. Se [Figur 3](#).
  - Mere end 10 psi - Tilslut standrørets udgang til prøveindgangsfittingen (punkt 1) i bunden af analyseapparatet. Se [Figur 4](#).
  - Trykregulator - Tilslut udløbet fra trykregulatoren til prøveindgangsfittingen (punkt 1) i bunden af analyseapparatet. Se [Figur 5](#).
11. Hvis der monteres en trykregulator, monteres prøvens bypassledning (punkt 8 i [Figur 5](#)).
12. Saml prøveenheden (punkt 4).
13. Gør tee-fittingen på gribeprøvesamlingen lodret. Se [Figur 3](#), [Figur 4](#) eller [Figur 5](#), alt efter hvad der er relevant.
14. Lod prøveåftapningsslangen (punkt 3) til et åbent afløb. Se [Retningslinjer for drænslange](#) på side 223.

**Figur 3 Installation med et standrør (10 psi eller mindre)**



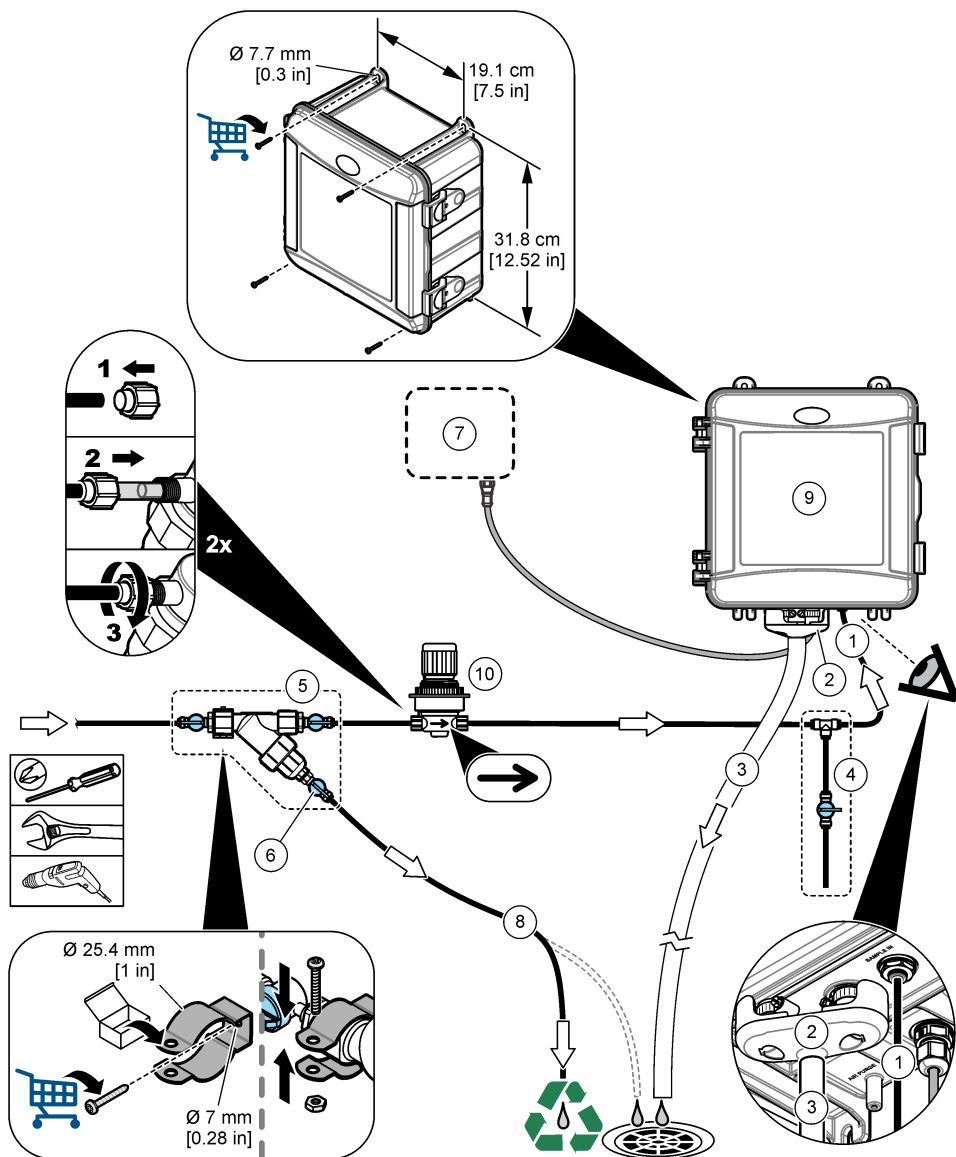
1 Prøveindløbsfitting	7 SC-kontrolenhed
2 Udvendig luftafbryder	8 Prøvebypassslange
3 Prøvedrænslange	9 Analysator
4 Prøveudtagingsenhed	10 Stigrør
5 Y-filterenhed	11 Stigrørets drænslange
6 Spærreventil ved Y-filterindløb	

**Figur 4** Installation med et standrør (mere end 10 psi)



1 Prøveindløbsfitting	7 SC-kontrolenhed
2 Udvendig luftafbryder	8 Indløb til standrøret
3 Prøvedrænslange	9 Analysator
4 Prøveudtagningsenhed	10 Stigrør
5 Y-filterenhed	11 Stigrørets drænslange
6 Spærreventil ved Y-filterindløb	

Figur 5 Installation med en trykregulator



1 Prøveindløbsfitting	6 Afspærringsventil ved Y-filterets bypass
2 Udvendig luftafbryder	7 SC-kontrolenhed
3 Prøvedrænslange	8 Prøvebypassslange
4 Prøveudtagingsenhed	9 Analysator
5 Y-filterenhed	10 Trykregulator

### 3.3.1 Retningslinjer for prøveslange

Vælg et godt, repræsentativt prøvested for den bedste instrumentydelse. Prøven skal være repræsentativ for hele systemet.

For at undgå uregelmæssige aflæsninger:

- Udtag prøver fra steder, der er tilstrækkeligt langt væk fra steder, hvor kemiske stoffer tilsættes processtrømmen.
- Sørg for, at prøverne er blandet tilstrækkeligt.
- Sørg for, at alle kemiske reaktioner er fuldførte.
- Monter analysatoren så tæt på prøvekilden som muligt (4,6 m (15 fod) maks.).

### 3.3.2 Prøvekrav

Vandet fra prøvens kilde(r) skal overholde følgende specifikationer i [Specifikationer](#) på side 213. Hold gennemstrømningshastigheden og driftstemperaturen så konstante som muligt for at opnå de bedste resultater.

### 3.3.3 Retningslinjer for drænslange

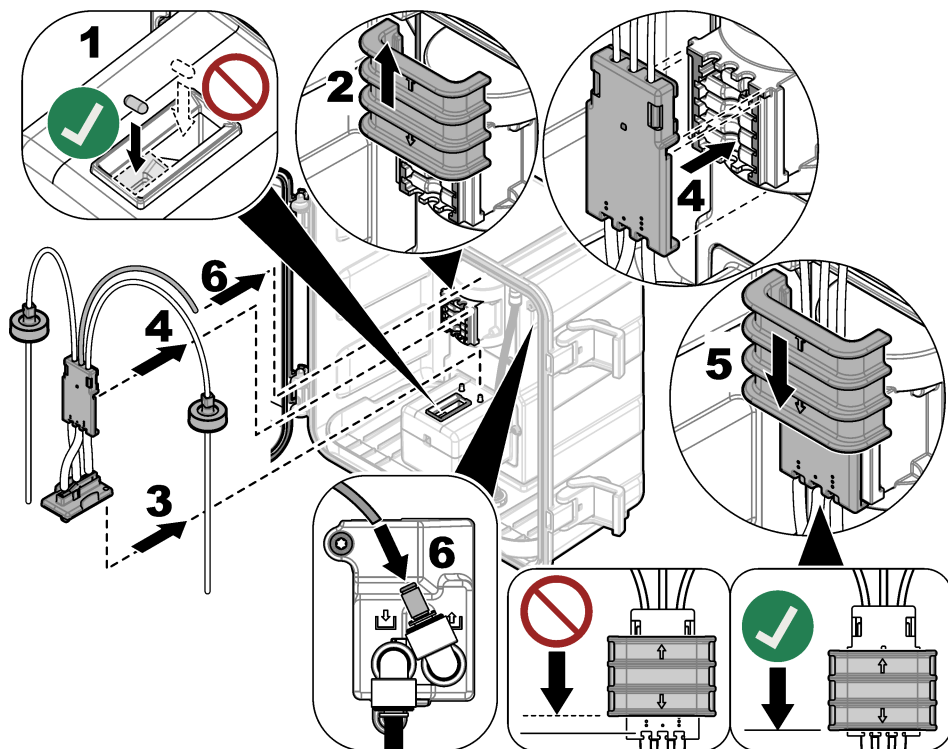
#### **BEMÆRKNING**

Forkert montering af drænslange kan få væske til at løbe tilbage til instrumentet og forårsage skade.

- Sørg for at installere den udvendige luftafbryder. Se punkt 2 i [Figur 3](#) på side 220, [Figur 4](#) på side 221 eller [Figur 5](#) på side 222.
- Sørg for, at drænslangerne er så korte som muligt.
- Sørg for, at drænslangerne har et konstant fald.
- Sørg for, at drænslangerne ikke har skarpe bøjninger og ikke er klemte.

### 3.4 Trin 3: Monter omrører og slangeholder

Udfør de efterfølgende illustrerede trin.



### 3.5 Trin 4: Monter reagensflaskerne

#### ▲ FORSIGTIG



Fare for eksponering for kemiske stoffer. Overhold laboratoriets sikkerhedsprocedurer, og bær alt det personlige beskyttelsesudstyr, der er nødvendigt for at beskytte dig mod de kemikalier, du bruger. Se de aktuelle sikkerhedsdataark (MSDS/SDS) for sikkerhedsprotokoller.

Følgende skal anvendes:

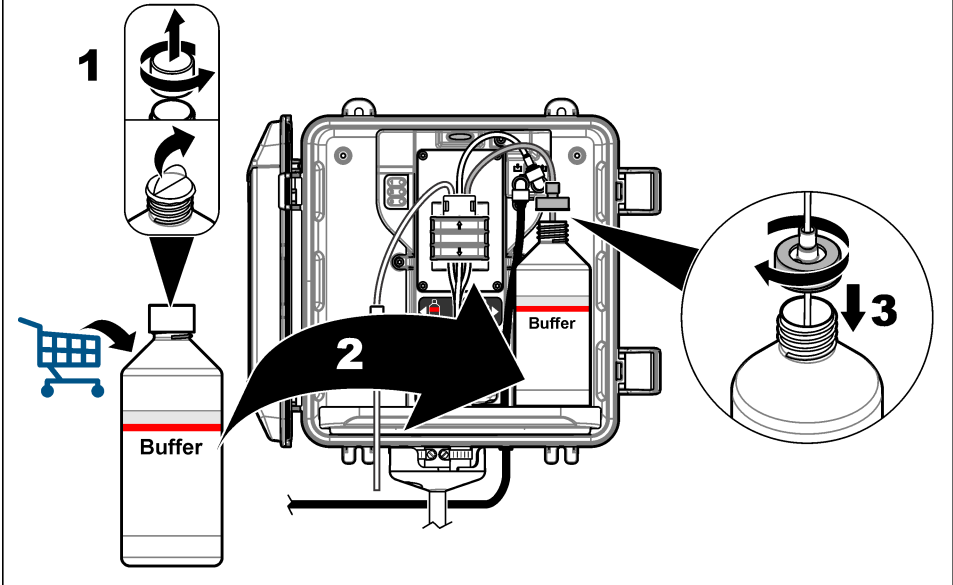
- Personlige værnemidler (se MSDS/SDS)
- Indikatorflaske
- Bufferflaske
- DPD-opløsningsflaske

1. Tag de personlige værnemidler på, der er angivet i sikkerhedsdatabladene (MSDS/SDS).
2. Monter bufferflasken på højre side og indikatorflasken på venstre side. Se de efterfølgende illustrerede trin.

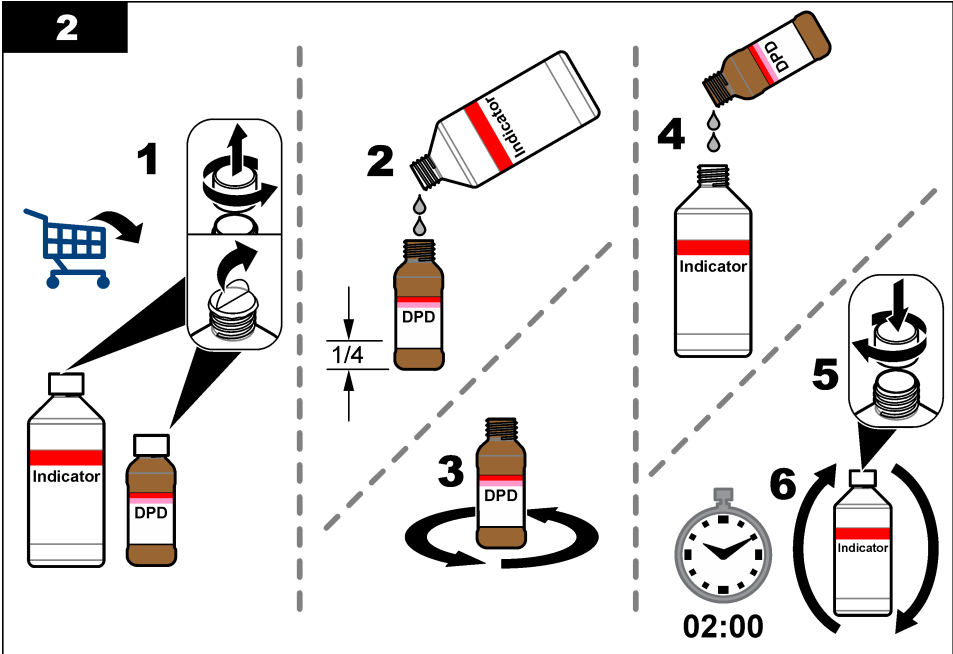
**BEMÆRK:** (Ekstraudstyr) Brug toppen af analysatoren som en hylde.

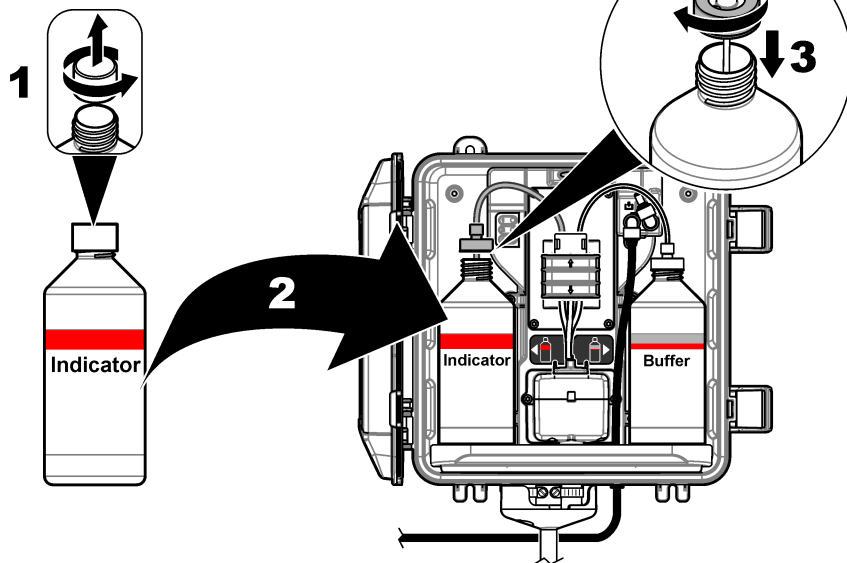


1



2



**3**

### 3.6 Trin 5: Sæt prøveflowet til

1. Drej langsomt spærreventilen(-erne) ¼ omgang til åben position.
2. Sørg for, at der ikke er lækager ved tilslutningsforbindelserne. Hvis der er en lækage, skal du skubbe slangen længere ind i samlingen eller spænde tilslutningen med en skruenøgle.
3. Udfør nedenstående trin i forbindelse med stigrørsinstallationer:
  - a. Åbn spærreventilen helt ved Y-filterudløbet.
  - b. Drej afspærringsventilen ved Y-filterets indløb (punkt 6 i [Figur 3](#) på side 220 eller [Figur 4](#) på side 221), indtil der kommer en lille vandstråle ud af standrørets afløbsslange.
4. Udfør nedenstående trin i forbindelse med trykregulatorinstallationer:
  - a. Åbn spærreventilerne helt ved Y-filterindløb og -udløb.
  - b. Drej spærreventilen ved Y-filterbypassslangen (punkt 6 i [Figur 5](#) på side 222), indtil en lille strøm af vand løber ud af Y-filterets bypassslange.

### 3.7 Trin 6: Elektrisk installation

#### 3.7.1 Slut analysatoren til kontrolenheden

#### ▲ ADVARSEL



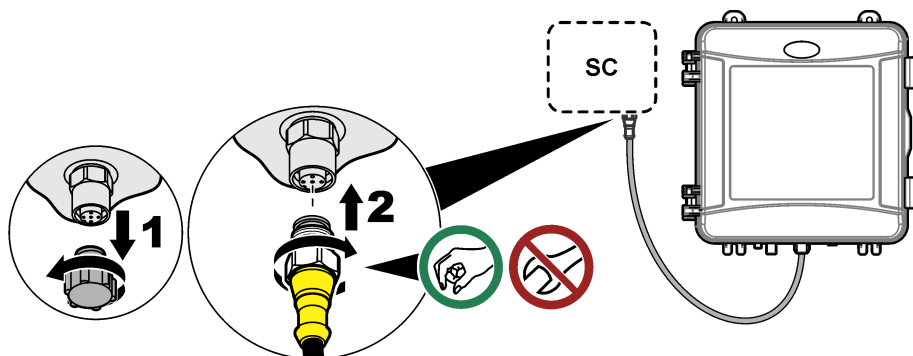
Fare for elektrisk stød. Eksternt forbundet udstyr skal have en gældende godkendelse i henhold til den pågældende lands sikkerhedsstandard.

Slut analysatorkablet til lynkoblingsstikket på SC-kontrolenheden. Se [Figur 6](#).

Opbevar beskyttelsehætten til stikindgang af tilslutningsåbningen i tilfælde af, at kablet skal fjernes.

**BEMÆRK:** Der findes forlængerledninger. Se [Reserveudede og tilbehør](#) på side 236. Den maksimale kabellængde er 15 m (49 fod).

**Figur 6 Slut kablet til et lynkoblingsstik**



### 3.7.2 Slut kontrolenheden til strøm

Slut kontrolenheden til lysnettet med fast fortrådning i ledningskanal eller en netledning. Se i dokumentationen til kontrolenheden for instruktioner.

### 3.7.3 Slut eksterne enheder til kontrolenheden

Slut kontrolenhedens relæer, analoge udgange og digitale indgange til eksterne enheder efter behov. Se i dokumentationen til kontrolenheden for instruktioner.

## 3.8 Trin 7: Opsætning og klargøring af analysatoren

1. Tryk på **menu**, vælg derefter SENSOR SETUP > [vælg analysator] > PRIME.
2. Hvis kontrolenheden ikke genkender, at analysatoren er tilsluttet, skal du følge trinene nedenfor:
  - a. Tryk på **menu**, og vælg derefter TEST/KONTROL > SCAN SENSORER.
  - b. Når sensoren er fundet og installeret, skal du udføre trin 1 igen.

## 3.9 Trin 8: Indstil flowhastigheden

Analysatoren har et flowmeter, der måler prøvens flow i analysatoren. Se [Figur 1](#) på side 216.

1. Tryk på **HØJRE** piletast på kontrolenheden for at få vist flowhastigheden på displayet. Prøven løber kun gennem analysatoren, når analysatoren gennemskyller cellen. På andre tidspunkter er der intet prøveflow, og den viste flowhastighed er nul. Se [Tabel 4](#) på side 217 for at få beskrivelser af målecyklussens trin.

**BEMÆRK:** For manuelt at måle flowhastigheden gennem analysatoren måles flowhastigheden ved afløbet på analysatoren, når analysatoren skyller cellen med vand.

2. Ved installationer med stigrør drejes spærreventilen ved Y-filterets udløb for at indstille flowhastigheden til mellem 60 og 200 mL/min, når analysatoren skyller cellen med vand.
3. Ved installationer med trykregulator justeres trykregulatoren til at indstille flowhastigheden til mellem 60 og 200 mL/min, når analysatoren skyller cellen med vand.

## 3.10 Trin 9: Installer den nyeste software

Sørg for, at SC-kontrolenheden har den nyeste software installeret. Brug et SD-kort til at installere den nyeste software på SC-kontrolenheden.

1. Gå til produktsiden for at finde den pågældende SC-kontrolenhed på <http://hach.com>.
2. Klik på fanen "Ressourcer".
3. Rul ned til "Software/firmware".
4. Klik på linket til SC-kontrolenhedens software.

5. Gem filerne på et SD-kort.
6. Installer filerne på SC-kontrolenheden. Se anvisningerne til installation af softwaren, der følger med softwarefilerne.

## Sektion 4 Konfiguration

### 4.1 Trin 10: Konfigurer analysatoren

Indtast analysatorens navn, målingsgennemsnit, den målte klortype, bobleafvisning og indstillingsværdier for kloralarm.

1. Tryk på **menu**, vælg derefter **SENSOR SETUP** > [Vælg analysator] > **KONFIGURERING**.
2. Vælg og konfigurer hver indstilling.

Indstilling	Beskrivelse
<b>REDIGER NAVN</b>	Angiver navnet på analysatoren. Navnet på analysatoren vises på kontrolenhedens display og i logfilerne.
<b>SIGNAL GNMSNIT</b>	<p>Angiver antallet af målinger, der bruges til at beregne gennemsnitsmålingen, som vises på displayet. Muligheder: 1 (standard), 2, 3 eller IRREGULÆR VÆRDI.</p> <p>Når SIGNAL GNMSNIT indstilles til 1, deaktiveres målingsgennemsnittet.</p> <p>Når SIGNAL GNMSNIT indstilles til 2 eller 3, vises en gennemsnitsmåling på displayet. Målingen på displayet svarer f.eks. til den sidste og forrige måling divideret med to, når SIGNAL GNMSNIT indstilles til 2.</p> <p>Når SIGNAL GNMSNIT indstilles til IRREGULÆR VÆRDI, afviser analysatoren en måling, der er usædvanligt meget højere eller lavere end de seneste målinger. Når en måling afvises, vises den senest acceptable måling på displayet, og den gemmes i dataloggen. Ikke mere end tre på hinanden følgende målinger afvises.</p> <p>Signaludligning korrigerer for ukorrekte målingsudsving, som forårsages af bobler og/eller større partikler i prøven.</p>
<b>MÅLING</b>	<p>Angiver den målte klortype. Hvis buffer- og indikatorflaskerne har "Frit klor" på deres etiketter, vælges FRI KLOR (standard).</p> <p>Hvis buffer- og indikatorflaskerne har "Total klor" på deres etiketter, vælges TOTAL KLOR.</p>
<b>LUFTBOBL KOMP</b>	Angiver, at bobleafvisning er slået til eller fra (standard). Indstil LUFTBOBL KOMP til ÅBEN for at reducere støj forårsaget af bobler i prøven. Luftbobler i prøven kan medføre, at målingerne ikke er stabile.
<b>HØJE CL-ALARMER</b>	Angiver klorkoncentrationens indstillingsværdi for HØJT KLOR-alarmer—0,00 til 10,00 mg/L (standard: 4,00 mg/L).
<b>LAVE CL-ALARMER</b>	Angiver klorkoncentrationens indstillingsværdi for LAVT KLOR-alarmer—0,00 til 10,00 mg/L (standard: 0,20 mg/L).
<b>SENSORINFO</b>	Viser analysatorens serienummer, softwareversion, opstartsversion og driverversion.
<b>STANDARSINDSTILLINGER</b>	Vælg JA for at ændre konfigurationsindstillingerne til fabriksindstillingsværdierne.
<b>SERVICE</b>	Kun til brug i forbindelse med service

### 4.2 Systemkonfiguration

Se dokumentationen til controlleren for at få oplysninger om systemkonfiguration, generelle indstillinger for controlleren og opsætning af udgange og kommunikation.

## 4.3 Brugernavigering

Se kontrolhedens manual for beskrivelse af tastatur og navigeringsinformation.

Tryk på **HØJRE** piletast på kontrolheden flere gange for at få vist flere oplysninger på startskærmen og for at få vist en grafisk visning.

## Sektion 5 Betjening

### 5.1 Data-, hændelses- og servicelogfiler

Kontrolheden giver adgang til en datalog, hændelseslog og servicelog for hvert tilsluttet instrument. Analysatorens målinger gemmes automatisk i dataloggen i intervaller a 150 sekunder. Hændelsesloggen viser de hændelser, der er opstået. Hændelseslogs og datalogs gemmer ca. 2 ugers data, når analysatoren kører konstant. Serviceloggen gemmer ca. 24 timers data, når analysatoren kører konstant.

Se kontrolhedens dokumentation for at downloade datalog, hændelseslog og/eller servicelog. Dataloggen er en XML-fil, der kan gemmes i CSV- eller Excel-format. Hændelsesloggen og serviceloggen er filer i CSV-format.

### 5.2 Mål en UDTAG PRØVE I

Brug om nødvendigt menuen UDTAG PRØVE I til at tilsætte en vandprøve med kendt klorkoncentration i cellen til måling. Mål en stikprøve til verifikation eller måling af en vandprøve, der er indsamlet fra et andet sted.

1. Tryk på **Menu**, vælg derefter **SENSOR SETUP** > [vælg analysator] > **UDTAG PRØVE I**.
2. Fuldfør de trin, der vises på displayet. Når du bliver bedt om det, skal du tage cellens låg af og tilsætte 100 mL af prøveudtagningen i cellen. Noget af prøven vil strømme til prøvedrænet.

### 5.3 Modbusregistre

En liste over Modbusregistre er tilgængelig for netværkskommunikation. Se producentens websted for at få flere oplysninger.

## Sektion 6 Kalibrering og justering

Analysatorens kalibreringskurve er fra fabrikken indstillet til ydeevne i overensstemmelse med specifikationerne. Kalibrering kan udføres for verificering af ydeevnen.

Det anbefales ikke at foretage brugerjusteringer i forhold til fabrikkens kalibreringskurve, medmindre det sker af hensyn til overholdelsesrapporteringsformål fra en kontrollerende myndighed, eller hvis der udføres en omfattende reparation på analysatoren.

For yderligere oplysninger henvises til vejledningen i Kalibreringsverificeringssættet, ellers kontaktes teknisk support.

## Sektion 7 Vedligeholdelse

### ▲ FORSIGTIG



Flere risici. Kun kvalificeret personale må udføre de opgaver, som er beskrevet i dette afsnit i dokumentet.

### BEMÆRKNING

Du må ikke skille instrumentet ad ved vedligeholdelse. Kontakt producenten, hvis de interne komponenter skal rengøres eller reparerer.

## 7.1 Vedligeholdelsesplan

Tabel 6 viser den anbefalede plan for vedligeholdelse. Anlæggets krav og driftsforhold kan øge frekvensen for visse vedligeholdelsesopgaver.

Tabel 6 Vedligeholdelsesplan

Opgave	hver 1. måned	hver 6. måned	Efter behov
Rengør cellen på side 230	X <sup>2</sup>		
Udskift reagensflaskerne på side 231	X		
Udskift omrøreren og slangeholder <sup>3</sup>		X	
Rens sigten i Y-filteret på side 232			X

## 7.2 Rengør cellen

▲ FORSIGTIG	
	Fare for eksponering for kemiske stoffer. Overhold laboratoriets sikkerhedsprocedurer, og bær alt det personlige beskyttelsesudstyr, der er nødvendigt for at beskytte dig mod de kemikalier, du bruger. Se de aktuelle sikkerhedsdataark (MSDS/SDS) for sikkerhedsprotokoller.

Rengør cellen med 1 måneds intervaller eller oftere, om nødvendigt.

Følgende skal anvendes:



Vatpinde<sup>4</sup>



5,25 N svovlsyreopløsning<sup>5</sup>

1. Tag de personlige værnemidler på, der er angivet i sikkerhedsdatabladene (MSDS/SDS).
2. Tryk på **menu**, vælg derefter SENSOR SETUP > [vælg analysator] > OPGAVER > RENGØR CELLE.

**BEMÆRK:** Tryk på **home** for at stoppe en valgt opgave.

3. Tryk på **enter** for at stoppe målingerne.
4. Vælg en funktion.

Indstilling	Beskrivelse
<b>HOLD</b>	Kontrolhedens output holdes på den senest målte værdi.
<b>OVERFØR</b>	Kontrolhedens output skifter til overførselsværdien.

5. Når statuslampen blinker, skal du udføre nedenstående illustrerede trin. Når du er færdig, skal du trykke på **enter**.

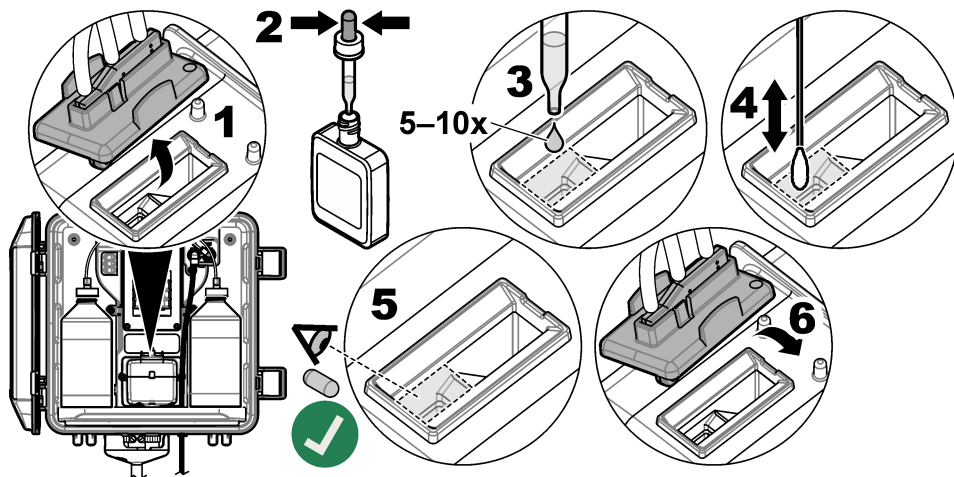
Som vist i trin 5 skal du sørge for, at der ikke er uønsket materiale i cellen. Brug en lommelygte til at søge efter uønsket materiale efter behov.

<sup>2</sup> Rengør cellen mere eller mindre regelmæssigt efter behov.

<sup>3</sup> Se den medfølgende vejledning til slangesættet.

<sup>4</sup> Se [Reserve dele og tilbehør](#) på side 236.

<sup>5</sup> Brug ikke andre rengøringsmidler. Se [Reserve dele og tilbehør](#) på side 236.



6. Når "OPGAVE UDFØRT." vises på displayet, skal du trykke på **enter**.  
 Analysatoren begynder en målecyklus om ca. 30 sekunder.

### 7.3 Udskift reagensflaskerne

<b>▲ FORSIGTIG</b>	
	Fare for eksponering for kemiske stoffer. Overhold laboratoriets sikkerhedsprocedurer, og bær alt det personlige beskyttelsesudstyr, der er nødvendigt for at beskytte dig mod de kemikalier, du bruger. Se de aktuelle sikkerhedsdataark (MSDS/SDS) for sikkerhedsprotokoller.
<b>▲ FORSIGTIG</b>	
	Fare for eksponering for kemiske stoffer. Bortskaf kemikalier og spildevand i overensstemmelse med lokale, regionale og nationale bestemmelser.

Udskift reagensflaskerne med 1 måneds mellemrum.

1. Tag de personlige værnemidler på, der er angivet i sikkerhedsdatabladene (MSDS/SDS).
2. Tryk på **menu**, vælg derefter **SENSOR SETUP** > [vælg analysator] > **OPGAVER** > **SKIFT REAGENSER**.  
**BEMÆRK:** Tryk på **hjem** for at stoppe en valgt opgave.
3. Tryk på **enter** for at stoppe målingerne.
4. Vælg en funktion.

Indstilling	Beskrivelse
<b>HOLD</b>	Kontrolenhedens output holdes på den senest målte værdi.
<b>OVERFØR</b>	Kontrolenhedens output skifter til overførselsværdien.

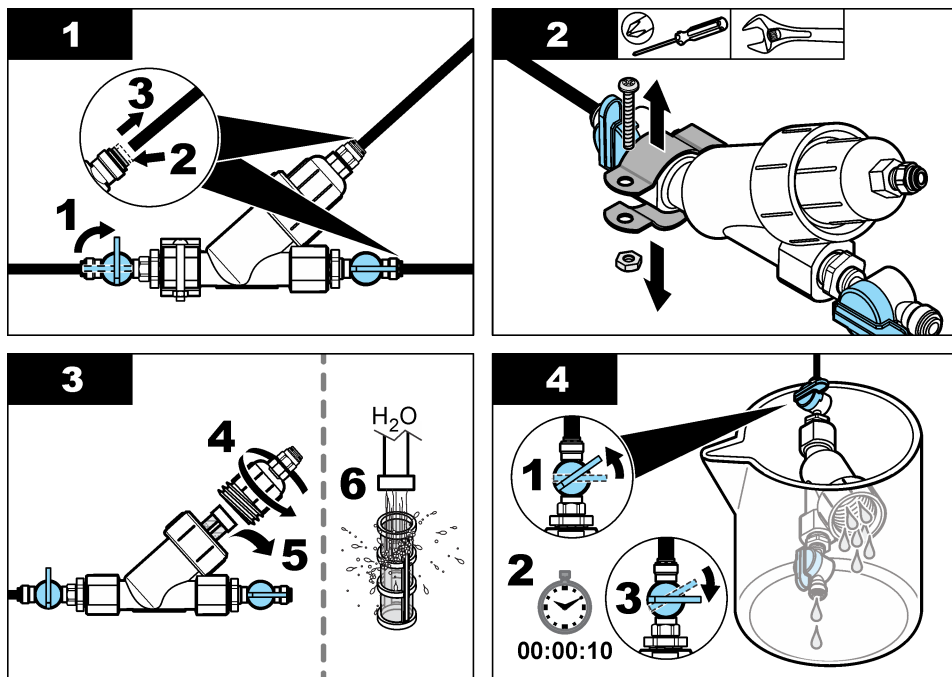
5. Vent, indtil statuslampen begynder at blinke.
6. Udskift bufferflasken på følgende måde:  
**BEMÆRK:** (Ekstraudstyr) Brug toppen af analysatoren som en hylde.
  - a. Tag hættens af, og åbn forseglingen på den nye bufferflaske.
  - b. Fjern den brugte bufferflaske fra analysatoren.
  - c. Sæt bufferslangerne ind i den nye bufferflaske på højre side af analysatoren. Skru hættens på.

7. Udskift indikatorflasken på følgende måde:

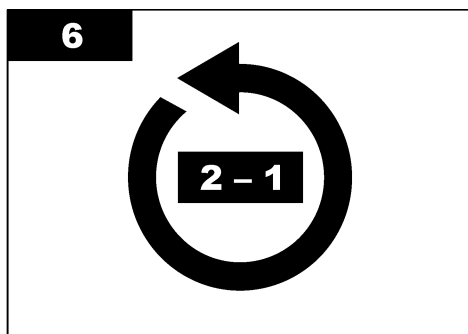
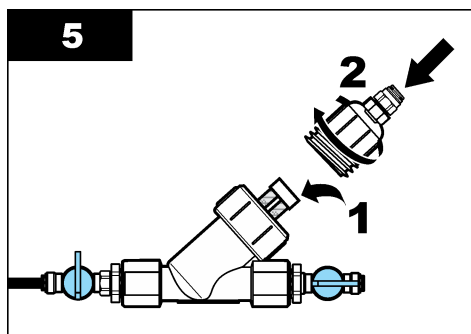
- Tag hættten og forseglingen af indikatorflasken og den brune DPD-flaske.
  - Fyld den brune DPD-flaske ca.  $\frac{1}{4}$  fuld med indikatoropløsning.
  - Ryst DPD-flasken for at blande indholdet.
  - Hæld DPD-flaskens indhold i indikatorflasken.
  - Vend indikatorflasken flere gange, indtil alt pulveret er opløst (2 minutter).
  - Fjern den brugte indikatorflaske fra analysatoren.
  - Sæt indikatorslangerne ind i den nye indikatorflaske på venstre side af analysatoren. Skru hættten på.
8. Tryk på **enter**.
9. Når "OPGAVE UDFØRT." vises på displayet, skal du trykke på **enter**. Analysatoren begynder en målecyklus om ca. 30 sekunder.

## 7.4 Rens sigten i Y-filteret

Rengør sigten i Y-filteret, hvis der er en blokering, hvilket angives advarslen LAVT PRØVEFLOW. Udfør nedenstående illustrerede trin.







## 7.5 Klargør til opbevaring

### ▲ FORSIGTIG



Fare for eksponering for kemiske stoffer. Overhold laboratoriets sikkerhedsprocedurer, og bær alt det personlige beskyttelsesudstyr, der er nødvendigt for at beskytte dig mod de kemikalier, du bruger. Se de aktuelle sikkerhedsdataark (MSDS/SDS) for sikkerhedsprotokoller.

Hvis strømmen til analysatoren afbrydes i mere end 3 dage, eller analysatoren ikke skal bruges i mere end 3 dage, klargøres analysatoren til opbevaring.

#### Følgende skal anvendes:



Bægerglas med demineraliseret vand (2x)

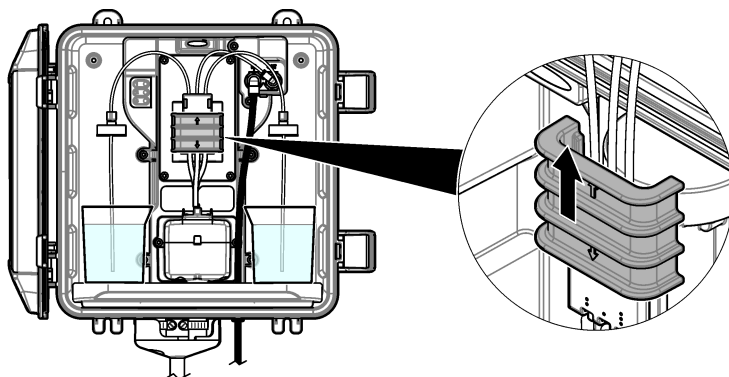


Engangspipette eller fnugfri klud

1. Fjern reagenserne fra reagensslangerne på følgende måde:
  - a. Fjern indikatorflasken og bufferflasken fra analysatoren.
  - b. Stil to bægerglas (eller beholdere), som indeholder deioniseret vand, ind i analysatoren.
  - c. Sæt indikatorflaskens slange og bufferflaskens slange på bægerglassene.
  - d. Tryk på **menu**, vælg derefter SENSOR SETUP > [vælg analysator] > PRIME. Analysatoren fjerner reagenserne fra reagensslangerne.
2. Fjern det demineraliserede vand fra reagensslangerne på følgende måde:
  - a. Fjern indikatorflaskens slange og bufferflaskens slange fra bægerglassene.
  - b. Fjern de to bægerglas fra analysatoren.
  - c. Tryk på **menu**, vælg derefter SENSOR SETUP > [vælg analysator] > PRIME. Analysatoren fjerner al væske fra reagensslangerne.
3. Kobl analysatorkablet fra kontrolenheden (eller afbryd strømmen til kontrolenheden).
4. Drej spærreventilen til lukket position for at stoppe prøvegennemstrømningen til Y-filteret.
5. Afmonter pumpeklemmen. Se [Figur 7](#). Opbevar pumpeklemmen til senere brug.
6. Fjern vandet fra cellen på følgende måde:
  - a. Fjern låget fra cellen.
  - b. Fjern vandet fra cellen med en engangspipette eller en fnugfri klud.
  - c. Monter låget på cellen.
7. Gør følgende for at starte analysatoren op efter opbevaring:
  - a. Monter pumpeklemmen. Se [Figur 7](#).
  - b. Monter reagensflaskerne. Se [Trin 4: Monter reagensflaskerne](#) på side 224.

- c. Indstil spærreventilen til åben position for at starte prøvegennemstrømningen til Y-filteret.
- d. Slut analysatorkablet til kontrolenheden, hvis kablet har været frakoblet.
- e. Sæt strøm til kontrolenheden, hvis strømmen har været afbrudt.
- f. Tryk på **menu**, vælg derefter SENSOR SETUP > [vælg analysator] > PRIME.

**Figur 7 Afmonter pumpeklammen**



## 7.6 Klargøring til forsendelse

### ▲ FORSIGTIG



Fare for eksponering for kemiske stoffer. Overhold laboratoriets sikkerhedsprocedurer, og bær alt det personlige beskyttelsesudstyr, der er nødvendigt for at beskytte dig mod de kemikalier, du bruger. Se de aktuelle sikkerhedsdataark (MSDS/SDS) for sikkerhedsprotokoller.

Gør følgende for at klarlægge analysatoren til afsendelse:

**Følgende skal anvendes:**



Bægerglas med demineraliseret vand (2x)



Originalemballage

1. Fjern reagenserne fra reagensslangerne på følgende måde:
  - a. Fjern indikatorflasken og bufferflasken fra analysatoren.
  - b. Stil to bægerglas (eller beholdere), som indeholder deioniseret vand, ind i analysatoren.
  - c. Sæt indikatorflaskens slange og bufferflaskens slange på bægerglassene.
  - d. Tryk på **menu**, vælg derefter SENSOR SETUP > [vælg analysator] > PRIME. Analysatoren fjerner reagenserne fra reagensslangerne.
2. Fjern det demineraliserede vand fra reagensslangerne på følgende måde:
  - a. Fjern indikatorflaskens slange og bufferflaskens slange fra bægerglassene.
  - b. Fjern de to bægerglas fra analysatoren.
  - c. Tryk på **menu**, vælg derefter SENSOR SETUP > [vælg analysator] > PRIME. Analysatoren fjerner al væske fra reagensslangerne.
3. Kobl analysatorkablet fra kontrolenheden.
4. Drej spærreventilen til lukket position for at stoppe prøvegennemstrømningen til Y-filteret.
5. Kobl prøveindløbslangen (sort) og drænslangen (klar) fra analysatoren.
6. Fjern den udvendige luftafbryder fra analysatoren.

7. Afmonter pumpeklemmen. Se [Figur 7](#) på side 234.
8. Fjern slangeholderen og omrøreren fra analysatoren. Opbevar slangeholderen til forsendelse sammen med analysatoren. Se [Trin 3: Monter omrører og slangeholder](#) på side 224.
9. Monter pumpeklemmen uden slangeholderen. Sæt tape på slangeklemmen for at holde slangeklemmen fast.
10. Fjern vandet fra cellen med en engangspipette eller en fnugfri klud.
11. Tag analysatoren ned fra væggen.
12. Anbring analysatoren i originalemballagen.

## 7.7 Rengør instrumentet

### BEMÆRKNING

Brug aldrig rengøringsmidler som f.eks. terpentiner, acetone eller lignende produkter til at rengøre instrumentet, herunder displayet og tilbehøret.

Rengør instrumentets ydre med en fugtig klud og en mild sæbeopløsning.

## 7.8 Rengøring af spild

### ▲ FORSIGTIG



Fare for eksponering for kemiske stoffer. Bortskaf kemikalier og spildevand i overensstemmelse med lokale, regionale og nationale bestemmelser.

1. Følg alle facilitetens sikkerhedsprotokoller for spildkontrol.
2. Bortskaf spildet i overensstemmelse med gældende bestemmelser.

## Sektion 8 Fejlsøgning

### 8.1 Fejl—rødt lys

Tryk på tasten **MENU** og vælg **DIAGNOSE**, [vælg analysator], **FEJL LISTE** for at vise fejlene. Der vises en liste over mulige fejl i [Tabel 7](#).

Når der opstår en fejl, skifter analysatorens statusindikator til rød. Målingerne stopper, skærmbilledet for måling blinker, og alle udgange sættes på hold, når det angives i menuen på kontrolenheden.

**Tabel 7 Fejlmeddelelser**

Fejl	Beskrivelse	Løsning
DETEKTORFEJL	Detektoren fungerer ikke korrekt.	Kontakt teknisk support.
BESKIDT CELLE	Cellen er plettet eller snavset. Der kan dannes biofilm i cellen, når klorkoncentrationen er meget lav.	Rengør cellen. Se <a href="#">Rengør cellen</a> på side 230.
KODEFEJL	Der opstod en firmwarefejl.	Kontakt teknisk support.
LED-FEJL	Lyset i cellen fungerer ikke korrekt.	Kontakt teknisk support.
PUMPEFEJL	Pumpen fungerer ikke korrekt.	Kontakt teknisk support.
PRØVELÆK	Der er en prøvelækage i analysatoren.	Kontakt teknisk support.

### 8.2 Advarsler—Gult lys

Tryk på **menu**, og vælg **DIAGNOSE > [vælg analysator] > ALARM LISTE** for at vise advarsler. Der vises en liste over mulige advarsler i [Tabel 8](#).

Når der opstår en advarsel, skifter statusindikatoren til gul. Et advarselsikon blinker, og der vises en meddelelse nederst på kontrolhedens display. Hvis prøveflowet er tilstrækkeligt, påvirker en advarsel ikke menuernes funktion. En advarsel påvirker ikke relæernes og udtagens funktioner.

**Tabel 8 Advarselsmeddelelser**

Advarsel	Beskrivelse	Løsning
BOBLER DETEKTERET	Der er bobler i cellen.	Rengør cellen. Se <a href="#">Rengør cellen</a> på side 230. (Valgfrit) Indstil indstillingen LUFTBOBL KOMP til til. Se <a href="#">Trin 10: Konfigurer analysatoren</a> på side 228.
RENGØR SNART CELLE	Cellen bliver plettet eller beskidt og skal renses snarest for at undgå en fejl.	Rengør cellen. Se <a href="#">Rengør cellen</a> på side 230.
HØJT KLOR	Klorkoncentrationen er på eller over indstillingsværdien HØJE CL-ALARMER.	Øg indstillingen for HØJE CL-ALARMER. Se <a href="#">Trin 10: Konfigurer analysatoren</a> på side 228. Eller Reducer klorkoncentrationen for den prøve, der tilstrømmer til analysatoren.
LAVT KLOR	Klorkoncentrationen er på eller under indstillingsværdien LAVE CL-ALARMER.	Reducer indstillingen for LAVE CL-ALARMER. Se <a href="#">Trin 10: Konfigurer analysatoren</a> på side 228. Eller Forøg klorkoncentrationen for den prøve, der tilstrømmer til analysatoren.
LAVT PRØVEFLOW	Den målte prøvegennemstrømning er mindre end min. prøvegennemstrømningshastigheden. Se <a href="#">Specifikationer</a> på side 213.	Indstil flowhastigheden. Se <a href="#">Trin 8: Indstil flowhastigheden</a> på side 227. Rengør sigten i Y-filteret, hvis det er nødvendigt at fjerne en blokering. Se <a href="#">Rens sigten i Y-filteret</a> på side 232.
HØJT PRØVEFLOW	Den målte prøvegennemstrømning er højere end maks. prøvegennemstrømningshastigheden. Se <a href="#">Specifikationer</a> på side 213.	Indstil flowhastigheden. Se <a href="#">Trin 8: Indstil flowhastigheden</a> på side 227.

## Sektion 9 Reservedele og tilbehør

### ▲ ADVARSEL



Fare for personskade. Anvendelse af ikke-godkendte dele kan medføre personskade, beskadigelse af instrumentet eller fejlfunktion af udstyret. Reservedelene i dette afsnit er godkendt af producenten.

**BEMÆRK:** Produkt- og varenumre kan variere i visse salgsregioner. Kontakt den relevante distributør, eller se virksomhedens webside for kontaktinformation.

### Forbrugsprodukter

Beskrivelse	Antal	Varenr.
Reagenssæt, frit klor, indeholder: Bufferflaske, indikatorflaske og DPD-flaske	1	2556900
Reagenssæt, total klor, indeholder: Bufferflaske, indikatorflaske og DPD-flaske	1	2557000
Cellerensesæt, indeholder: Svovlsyre, 5,25 N, 100 mL pipetteflaske og vatpinde (10x)	1	8573100

## Forbrugsprodukter (fortsat)

Beskrivelse	Antal	Varenr.
Kalibreringsverificeringssæt, inkluderer: Sprøjte, slanger, rørfittings, ampulbryder, deioniseret vand og standardampul med klor	1	8568200
Kalibreringsverificeringssæt til genopfyldning, inkluderer: Deioniseret vand og standardampul med klor	1	8573200

## Reserve dele

Beskrivelse	Varenr.
Slangesæt, indeholder: Slangeholder og omrører	USA: 8560400 EU: 8575000
Installationssæt med standrør (10 psi eller mindre)	USA: 8560500 EU: 8575100
Installationssæt med standrør (>10 psi)	8576001
Installationssæt med trykregulator	USA: 8565700 EU: 8575200

## Tilbehør

Beskrivelse	Varenr.
Forlænger kabel til analysator, 1 m (3,2 fod)	6122400
Forlænger kabel til analysator, 7,7 m (25 fod)	5796000
Forlænger kabel til analysator, 15 m (50 fod)	5796100
Slangeadapter, 6 mm udvendig diameter til 1/4" udvendig diameter	09184=A=4020

# Spis treści

- |   |  |
|---|--|
| 1 Dane techniczne na stronie 238              | 6 Kalibracja i regulacja na stronie 255      |
| 2 Ogólne informacje na stronie 239            | 7 Konserwacja na stronie 256                 |
| 3 Instalacja na stronie 243                   | 8 Rozwiązywanie problemów na stronie 262     |
| 4 Configuration (Konfiguracja) na stronie 254 | 9 Części zamienne i akcesoria na stronie 263 |
| 5 Użytkowanie na stronie 255                  |  |

## Rozdział 1 Dane techniczne

Dane techniczne mogą ulec zmianie bez wcześniejszego powiadomienia.

**Tabela 1 Ogólne parametry techniczne**

Dane techniczne	Informacje szczegółowe
Wymiary (szer. × wys. × dł.)	32,9 × 34,2 × 17,7 cm (12,9 × 13,5 × 7,0 cala)
Obudowa	IP66 zgodnie z normą IEC 60529, przy zamkniętych i zatrzaśniętych drzwiach <sup>1</sup>
Waga przesyłki	4,1 kg (9 lb) bez butelek; 5,1 kg (11,2 lb) z pełnymi butelkami
Montaż	Montaż naścienny
Klasa ochrony	III
Stopień zanieczyszczenia	3
Kategoria instalacji elektrycznej	I (w pomieszczeniach)
Wymagania dotyczące zasilania	12 V DC, maks. 400 mA (zasilanie z przetwornika)
Temperatura pracy	Od 5°C do 40°C (od 41°F do 104°F)
Wilgotność podczas pracy	0 do 90% wilgotności względnej bez kondensacji
Temperatura przechowywania	Od -40 do 60°C (od -40 do 140°F)
Przylązca	Linia próbek: szybkozłącza o średnicy zewnętrznej ¼ cala do przewodów z tworzywa sztucznego Przewody spustowe: złącza nasuwana do przewodów z miękkiego tworzywa sztucznego o średnicy wewnętrznej ½ cala
Kontrolki	Stan analizatora i cykl pomiaru
Certyfikaty	UE DoC, UKCA DoC, FCC/ISED SDoC, ACMA DoC, KC, Maroko DoC
Gwarancja	1 rok (UE: 2 lata)

**Tabela 2 Wymagania dotyczące próbki**

Dane techniczne	Informacje szczegółowe
Ciśnienie	Od 0,31 do 5,17 bar (od 4,5 do 5 psig) doprowadzane do filtra skośnego siatkowego; od 0,1 do 0,34 bar (od 1,5 do 5 psig) doprowadzane do analizatora
Natężenie przepływu	Od 60 do 200 mL/min przez urządzenie (pomiar na spuście analizatora)
Temperatura	Od 5°C do 40°C (od 41°F do 104°F)
Filtrowanie	Filtr skośny siatkowy o oczkach w rozmiarze co najmniej 40

<sup>1</sup> Otwory spustowe zamknięte korkami do celów testowych.

**Tabela 3 Specyfikacje pomiaru**

Dane techniczne	Informacje szczegółowe
Źródło światła	LED, pomiar przy 510 nm; długość promienia światła 1 cm
Zakres pomiarowy	0,03 - 10 mg/L wolnego lub całkowitego chloru resztkowego jako Cl <sub>2</sub>
Częstotliwość pomiarów	150 sekund
Dokładność	±5% lub ±0,04 mg/L od 0 do 5 mg/L (większa wartość) jako Cl <sub>2</sub> ±10% od 5 do 10 mg/L jako Cl <sub>2</sub>
Dokładność	±5% lub ±0,01 mg/L (większa wartość) jako Cl <sub>2</sub>
Limit wykrywania	0,03 mg/L jako Cl <sub>2</sub>
Limit oznaczalności	0,07 mg/L
Kalibracja	Kalibracja fabryczna Opcjonalnie: 2-punktowa kalibracja użytkownika za pomocą wzorców kalibracji z zestawu do weryfikacji kalibracji
Zużycie odczynników	0,5 L roztworu buforowego i 0,5 L roztworu wskaźnikowego na 31 dni

## Rozdział 2 Ogólne informacje

W żadnej sytuacji producent nie ponosi odpowiedzialności za szkody wynikłe na skutek nieprawidłowego używania produktu lub nieprzestrzegania instrukcji podanych w podręczniku. Producent zastrzega sobie prawo do dokonania zmian w niniejszej instrukcji obsługi i w produkcie, której dotyczy w dowolnym momencie, bez powiadomienia lub zobowiązania. Na stronie internetowej producenta można znaleźć poprawione wydania.

### 2.1 Informacje dotyczące bezpieczeństwa

Producent nie ponosi odpowiedzialności za ewentualne szkody wynikłe z niewłaściwego stosowania albo użytkowania tego produktu, w tym, bez ograniczeń za szkody bezpośrednio, przypadkowe i wtórne, oraz wyklucza odpowiedzialność za takie szkody w pełnym zakresie dozwolonym przez obowiązujące prawo. Użytkownik jest wyłącznie odpowiedzialny za zidentyfikowanie krytycznych zagrożeń aplikacji i zainstalowanie odpowiednich mechanizmów ochronnych procesów podczas ewentualnej awarii sprzętu.

Prosimy przeczytać całą niniejszą instrukcję obsługi przed rozpakowaniem, włączeniem i rozpoczęciem użytkowania urządzenia. Należy zwrócić uwagę na wszystkie informacje dotyczące niebezpieczeństwa i kroków zapobiegawczych. Niezastosowanie się do tego może spowodować poważne obrażenia obsługującego lub uszkodzenia urządzenia.

Upewnij się, że ochrona zapewniana przez to urządzenie nie jest osłabiona. Nie używać, ani nie instalować tego sprzętu w sposób inny niż określony w tej instrukcji.

#### 2.1.1 Korzystanie z informacji o zagrożeniach

#### **▲ NIEBEZPIECZEŃSTWO**

Wskazuje potencjalnie lub bezpośrednio niebezpieczną sytuację, która — jeśli się jej nie zapobiegnie — doprowadzi do śmierci lub poważnych obrażeń.

#### **▲ OSTRZEŻENIE**

Wskazuje na potencjalną lub bezpośrednio niebezpieczną sytuację, która, jeżeli się jej nie uniknie, może doprowadzić do śmierci lub ciężkich obrażeń.

#### **▲ UWAGA**

Wskazuje na potencjalnie niebezpieczną sytuację, która może doprowadzić do mniejszych lub umiarkowanych obrażeń.

## POWIADOMIENIE

Wskazuje sytuację, która — jeśli się jej nie zapobiegnie — może doprowadzić do uszkodzenia urządzenia. Informacja, która wymaga specjalnego podkreślenia.

### 2.1.2 Etykiety ostrzegawcze

Przeczytaj wszystkie etykiety dołączone do urządzenia. Nieprzestrzeganie zawartych na nich ostrzeżeń może doprowadzić do obrażeń ciała i/lub uszkodzenia urządzenia. Symbol umieszczony na urządzeniu jest zamieszczony w podręczniku i opatrzony informacją o należytych środkach ostrożności.



Urządzeń elektrycznych oznaczonych tym symbolem nie wolno wyrzucać do europejskich publicznych systemów utylizacji odpadów. Wyeksploatowane urządzenia należy zwrócić do producenta w celu ich utylizacji. Producent ma obowiązek przyjąć je bez pobierania dodatkowych opłat.

### 2.1.3 Zgodność z kompatybilnością elektromagnetyczną (EMC)

#### ▲ UWAGA

To urządzenie nie jest przeznaczone do użytku w środowisku mieszkalnym i może nie zapewniać odpowiedniej ochrony dla odbioru radiowego w takich środowiskach.

#### CE (EU)

Urządzenie spełnia zasadnicze wymagania dyrektywy EMC 2014/30/UE.

#### UKCA (UK)

Urządzenie spełnia wymagania przepisów dotyczących kompatybilności elektromagnetycznej z 2016 r. (S.I. 2016/1091).

#### Kanadyjska regulacja prawna dotycząca sprzętu powodującego zakłócenia radiowe, ICES-003, klasa A:

Stosowne wyniki testów dostępne są u producenta.

Ten cyfrowy aparat klasy A spełnia wszystkie wymogi kanadyjskich regulacji prawnych dotyczących sprzętu powodującego zakłócenia.

Cet appareil numérique de classe A répond à toutes les exigences de la réglementation canadienne sur les équipements provoquant des interférences.

#### FCC Część 15, Ograniczenia Klasy "A"

Stosowne wyniki testów dostępne są u producenta. Niniejsze urządzenie spełnia warunki Części 15 Zasad FCC. Przy pracy obowiązują poniższe warunki:


1. Sprzęt nie może powodować szkodliwego zakłócenia.
2. Sprzęt musi akceptować wszelkie odbierane zakłócenia, w tym zakłócenia, które mogą powodować niepożądane działanie.

Zmiany oraz modyfikacje tego urządzenia, które nie zostały wyraźnie zaakceptowane przez stronę odpowiedzialną za zgodność, mogą spowodować pozbawienie użytkownika upoważnienia do korzystania z niniejszego urządzenia. To urządzenie zostało przetestowane i odpowiada ograniczeniom dla urządzenia cyfrowego klasy A, stosownie do części 15 zasad FCC. Ograniczenia te zostały wprowadzone w celu zapewnienia należytej ochrony przed szkodliwymi zakłóceniami, gdy urządzenie jest użytkowane w środowisku komercyjnym. Niniejsze urządzenie wytwarza, używa i może wydzielać energię o częstotliwości radiowej oraz, jeśli nie jest zainstalowane i używane zgodnie z instrukcją obsługi, może powodować szkodliwe zakłócenia w łączności radiowej. Istnieje prawdopodobieństwo, że wykorzystywanie tego urządzenia w terenie mieszkalnym może spowodować szkodliwe zakłócenia. W takim przypadku użytkownik jest zobowiązany do usunięcia zakłóceń na własny koszt. W celu zmniejszenia problemów z zakłóceniami można wykorzystać poniższe metody:



1. Odłączyć urządzenie od źródła zasilania, aby zweryfikować, czy jest ono źródłem zakłóceń, czy też nie.
2. Jeśli sprzęt jest podłączony do tego samego gniazdka co urządzenie wykazujące zakłócenie, podłączyć sprzęt do innego gniazdka.
3. Odsunąć sprzęt od zakłócanego urządzenia.
4. Zmienić pozycję anteny odbiorczej urządzenia zakłócanego.
5. Spróbować kombinacji powyższych metod.

## 2.2 Charakterystyka produktu

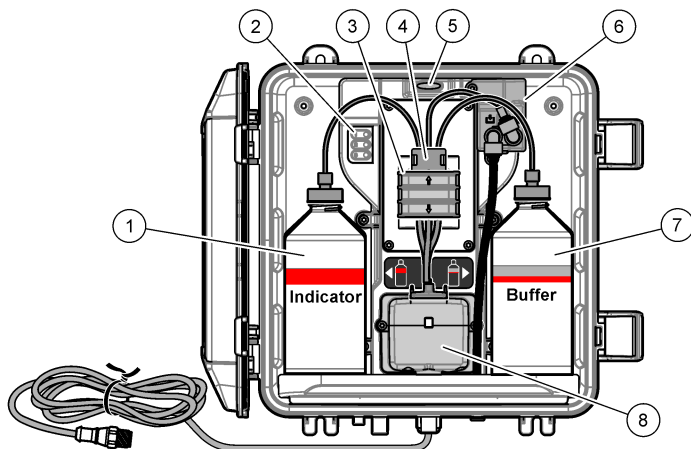
⚠ NIEBEZPIECZEŃSTWO	
	<p>Zagrożenia chemiczne lub biologiczne. Jeżeli to urządzenie jest wykorzystywane do monitorowania systemów uzdatniania lub zasilania wodą do celów dializacyjnych, których działanie definiują przepisy prawa oraz wymagania dotyczące zdrowia i bezpieczeństwa publicznego czy też normy dotyczące wytwarzania lub przetwarzania żywności lub napojów, to na użytkownika spoczywa odpowiedzialność za znajomość i przestrzeganie tychże przepisów, regulacji i norm oraz stosowanie właściwych urządzeń pozwalających działać zgodnie z przepisami w razie nieprawidłowego działania niniejszego urządzenia.</p>

Analizator CL17sc mierzy stężenie chloru ogólnego w wodzie w zakresie od 0,03 do 10 mg/L w odstępach co 150 s. Dodatkowo [Rysunek 1](#) przedstawia budowę analizatora.

Do zasilania analizatora, sterowania nim, zbierania z niego danych i przesyłania ich oraz jego diagnostyki służy przetwornik SC. Opis ogólny przetwornika znajduje się w instrukcji przetwornika SC.

**Uwaga:** Do przetwornika SC można podłączyć więcej niż jeden analizator, jeśli jest on wyposażony w więcej niż jedną szybkozłączkę.

**Rysunek 1** CL17sc



1 Butelka ze wskaźnikiem	5 Kontrolka stanu analizatora ( <a href="#">Tabela 5</a> na stronie 242)
2 Kontrolki cyklu pomiaru ( <a href="#">Tabela 4</a> na stronie 242)	6 Przepływomierz
3 Zacisk pompy	7 Butelka z buforem
4 Zacisk przewodu	8 Kuweta kolorymetryczna

### 2.2.1 Przepływomierz

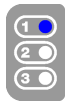
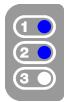
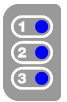
Analizator jest wyposażony w przepływomierz mierzący przepływ próbki przez analizator. Patrz [Rysunek 1](#) na stronie 241.

Próbka przepływa przez analizator tylko wtedy, gdy analizator przepłukuje kuetę. W innych przypadkach próbka nie przepływa, a prędkość przepływu wynosi zero. Nacisnąć strzałkę **W PRAWO** na przetworniku, aby wyświetlić natężenie przepływu.

## 2.2.2 Kontrolki cyklu pomiaru

Kontrolki cyklu pomiaru wskazują wykonywany etap cyklu pomiaru. Patrz [Tabela 4](#).

**Tabela 4 Kontrolki cyklu pomiaru**

<b>Kontrolki włączone</b>			
<b>Opis</b>	Kuweta jest przepłukiwany wodą.	Roztwór buforowy i roztwór wskaźnikowy są dodawane do kuwety.	Próbka jest mierzona.

## 2.2.3 Kontrolka stanu analizatora

Kontrolka stanu analizatora zmienia kolor z zielonego na żółty w przypadku wystąpienia ostrzeżenia lub na czerwony w przypadku wystąpienia błędu. Patrz [Tabela 5](#).

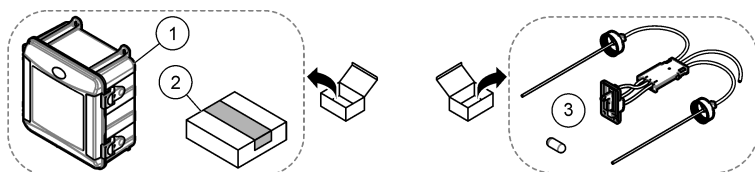
**Tabela 5 Kontrolka stanu analizatora**

Kolor	Opis
Zielony	Normalna praca
Żółty	System wymaga interwencji, aby nie dopuścić do przyszłych awarii. Pomiary są kontynuowane. Aby wyświetlić ostrzeżenia, należy nacisnąć klawisz <b>menu</b> i wybrać DIAGNOSTYKA > [wybrać analizator] > OSTRZEZENIA. Patrz <a href="#">Ostrzeżenia — żółta kontrolka</a> na stronie 262.
Czerwony	System wymaga natychmiastowej interwencji. Pomiary zostały zatrzymane. Aby wyświetlić informacje o błędach, należy nacisnąć klawisz <b>menu</b> i wybrać DIAGNOSTYKA > [wybrać analizator] > BLEDY. Patrz <a href="#">Błędy — czerwona kontrolka</a> na stronie 262.

## 2.3 Komponenty urządzenia

Upewnić się, że zostały dostarczone wszystkie komponenty. Patrz [Rysunek 2](#). W przypadku braku lub uszkodzenia jakiegokolwiek elementu należy niezwłocznie skontaktować się z producentem lub z jego przedstawicielem handlowym.

**Rysunek 2 Komponenty urządzenia**



1 Analizator CL17sc	3 Zestaw przewodów (wiązka przewodów i pręt mieszający)
2 Zestaw instalacyjny	

### ▲ UWAGA



Wiele zagrożeń. Tylko wykwalifikowany personel powinien przeprowadzać prace opisane w tym rozdziale niniejszego dokumentu.

### 3.1 Wskazówki dotyczące montażu

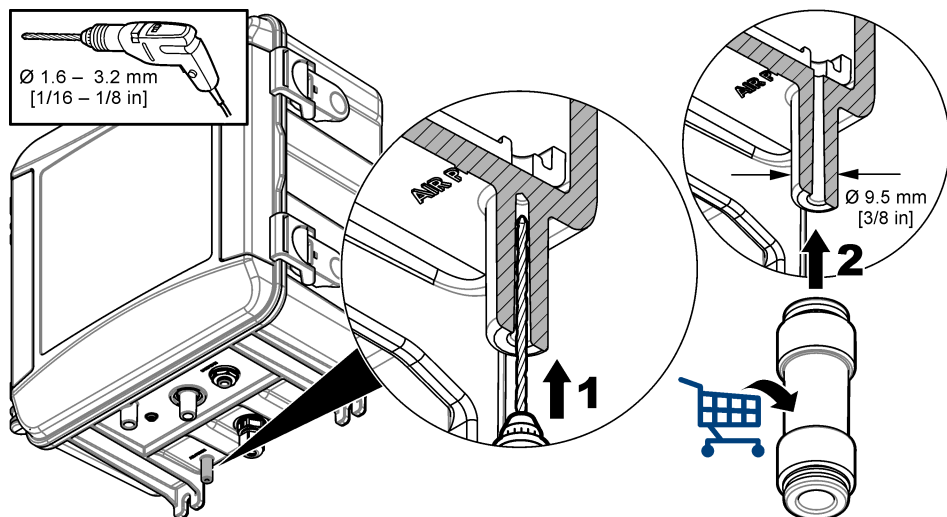
- Analizator jest dostarczany z zestawem montażowym do rury pionowej lub zestawem montażowym do regulatora ciśnienia, który umożliwia sterowanie ciśnieniem dopływu wody do analizatora. Użytkownik wybiera zestaw montażowy w momencie zakupu.
- Analizator należy zamontować w pomieszczeniu, w którym występują jak najmniejsze drgania. Wymagania dotyczące temperatury i wilgotności powietrza zawiera [Dane techniczne](#) na stronie 238.
- Nie instalować analizatora w miejscu bezpośrednio nasłonecznionym ani w pobliżu źródeł ciepła.
- W przypadku instalacji na rurze stojącej należy zainstalować analizator w miejscu z wystarczającą ilością wolnej przestrzeni nad analizatorem do montażu na rurze stojącej.
- Analizator należy zamontować w pobliżu otwartego spustu. Informacje na temat utylizacji można znaleźć w instrukcjach lokalnego organu nadzoru.

### 3.2 Krok 1: oczyszczanie powietrza (wyposażenie dodatkowe)

Jeżeli analizator jest zamontowany w miejscu, w którym występuje wysoka wilgotność i/lub dymy powodujące korozję, konieczne może być oczyszczenie powietrza. Układ oczyszczania powietrza utrzymuje dopływ suchego i czystego powietrza pod nadciśnieniem do urządzenia.

Do urządzenia musi być dostarczane czyste i suche powietrze odpowiedniej jakości z natężeniem 0,003 m<sup>3</sup>/min (0,1 ft<sup>3</sup>/min) pod ciśnieniem maksymalnie 20 psig.

Sprawdź listę kolejnych czynności na rysunku. Użytkownik musi się zaopatrzyć w szybkozłączkę i przewód 3/8 cala.



### 3.3 Krok 2: mocowanie i wykonywanie połączeń hydraulicznych analizatora

#### ▲ UWAGA



Do urządzeń mogą być podłączane tylko przewody wymagane przez firmę Hach Company. Inne przewody mogą wchłaniać chlor znajdujący się w wodzie próbki i mieć negatywny wpływ na odczyty chloru (zmniejszyć odczyty chloru).

#### POWIADOMIENIE

Nieprawidłowe podłączenie analizatora może spowodować jego uszkodzenie z powodu nadmiernego ciśnienia próbki. Należy zawsze przestrzegać instrukcji montażu i podłączania analizatora.

1. Przymocować analizator (poz. 9) do ściany za pomocą czterech śrub. Sprawdzić, czy analizator jest wy poziomowany.

*Uwaga: Elementy montażowe są dostarczane przez użytkownika.*

2. Podłączyć przetwornik SC (poz. 7) do ściany, panelu lub rury. Instrukcje znajdują się w dokumentacji przetwornika SC.
3. Zmontować filtr skośny siatkowy. Instrukcje znajdują się w liście przewozowym.
4. Użyj 1-calowego zacisku kablowego do zamontowania zespołu filtra Y (element 5 w [Rysunek 3](#), [Rysunek 4](#) lub [Rysunek 5](#)).
5. Zainstalować zewnętrzną przerwę powietrzną na analizatorze (pozycja 2 w [Rysunek 3](#), [Rysunek 4](#) lub [Rysunek 5](#)). Instrukcje znajdują się w liście przewozowym.
6. Wykonać krok 7 lub 8.

Analizator jest dostarczany z zestawem instalacyjnym rury stojącej lub zestawem instalacyjnym regulatora ciśnienia do kontroli ciśnienia wody na wlocie. Użytkownik wybiera zestaw montażowy w momencie zakupu. Jeden zestaw rury stojącej jest przeznaczony dla ciśnienia wlotowego 10 psi lub niższego, a drugi dla ciśnienia wlotowego powyżej 10 psi. Zmierzyć ciśnienie wody na wlocie tuż przed zespołem filtra Y.

7. Jeśli w momencie zakupu został wybrany zestaw montażowy do rury pionowej, należy zamontować rurę pionową w następujący sposób:
  - a. Zmontować rurę pionową. Instrukcje znajdują się w liście przewozowym.
  - b. Użyj mniejszego zacisku przewodu, aby zamontować zespół rury stojącej nad górną częścią analizatora:
    - 10 psi lub mniej - Zamontuj zespół rurki stojącej co najmniej 61 cm (24 cale) nad górną częścią analizatora.
    - Więcej niż 10 psi- Zamontuj zespół rurki stojącej co najmniej 91,4 cm (36 cali) powyżej górnej części analizatora.
  - c. 10 psi lub mniej - za pomocą czarnego przewodu zainstaluj przewód obejściowy próbki (element 8 na stronie [Rysunek 3](#)). Wsunąć przewód z tyłu, a następnie w rurę pionową. Umieścić rurkę na wysokości 10-13 cm (4-5 cali) w górnej części rury pionowej.
  - d. Więcej niż 10 psi- Za pomocą czarnej rurki podłączyć wylot filtra Y do wlotu rury stojącej (element 8 na stronie [Rysunek 4](#)).
  - e. Odciać odpowiednią długość przewodu odpływowego próbki (poz. 3). Użyć rurki, aby podłączyć rurę pionową do otwartego odpływu (element 11). Patrz [Wytyczne dotyczące przewodów odpływowych](#) na stronie 249.
8. Jeśli w momencie zakupu został wybrany zestaw montażowy do regulatora ciśnienia, należy zamontować regulator ciśnienia (poz. 10 w [Rysunek 5](#)).
9. Za pomocą czarnego przewodu połączyć wlot filtra skośnego siatkowego (poz. 5) ze źródłem próbki.

Patrz [Wytyczne dotyczące linii próbek](#) na stronie 249 i [Wymagania dotyczące próbki](#) na stronie 249.

**10.** Za pomocą czarnej rurki podłącz próbkę do złącza wlotu próbki (element 1) w następujący sposób:

Przewody powinny być jak najkrótsze i nie przekraczać długości 2,5 m (8 ft).

- 10 psi lub mniej - Podłącz wylot filtra Y do złącza wlotu próbki (element 1) na spodzie analizatora. Patrz [Rysunek 3](#).
- Więcej niż 10 psi - Podłącz wylot rury stojącej do złącza wlotu próbki (element 1) na spodzie analizatora. Patrz [Rysunek 4](#).
- Regulator ciśnienia - Podłącz wylot regulatora ciśnienia do złącza wlotu próbki (element 1) na spodzie analizatora. Patrz [Rysunek 5](#).

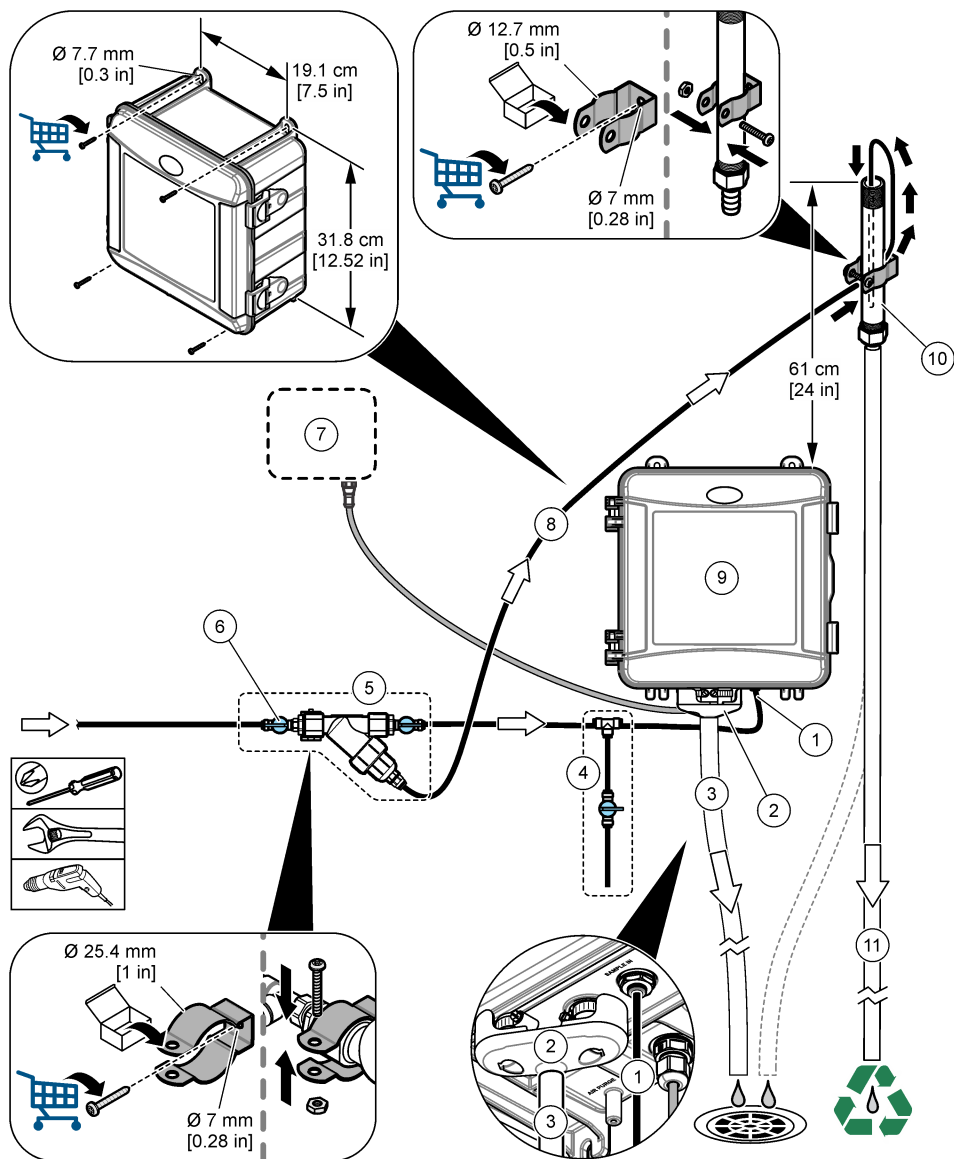
**11.** Jeśli został zamontowany regulator ciśnienia, zamontować przewód obejściowy próbek (poz. 8 w [Rysunek 5](#)).

**12.** Zmontować zespół próbki chwytej (element 4).

**13.** Podłączyć trójnik do zespołu próbki. Patrz [Rysunek 3](#), [Rysunek 4](#) lub [Rysunek 5](#) w zależności od przypadku.

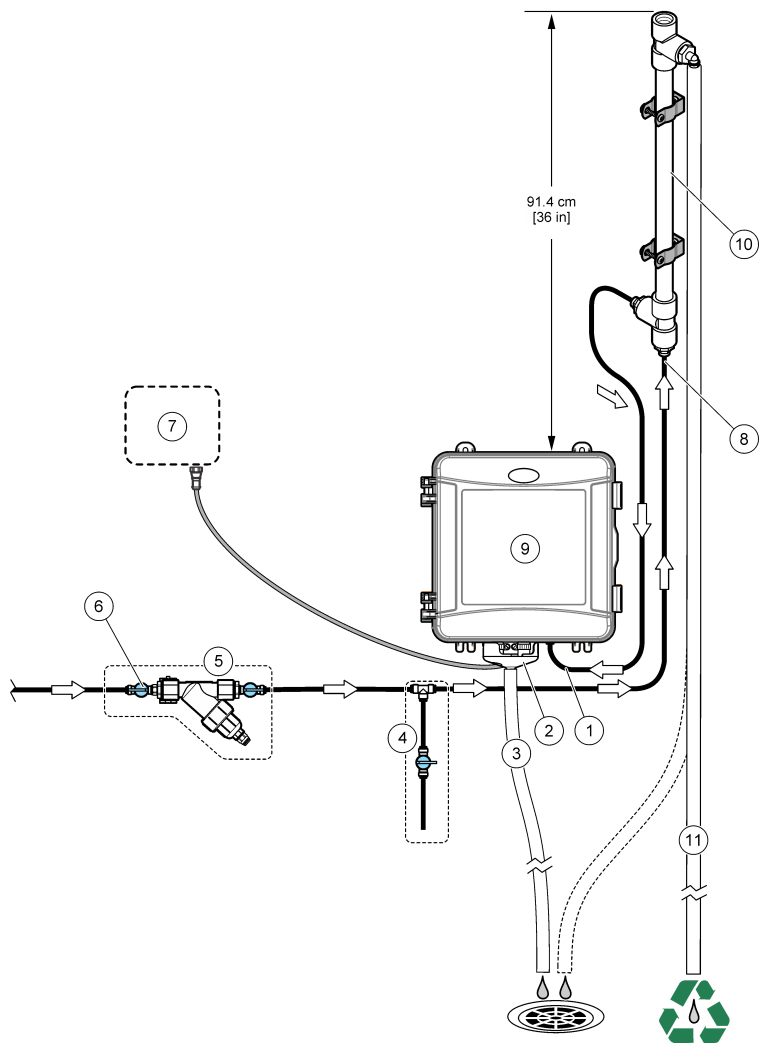
**14.** Podłączyć przewód odpływowy próbki (poz. 3) z otwartym spustem. Patrz [Wytyczne dotyczące przewodów odpływowych](#) na stronie 249.

**Rysunek 3 Instalacja z rurą stojącą (10 psi lub mniej)**



1 Złączka wlotu próbek	7 Przetwornik SC
2 Zewnętrzny odprowadzenie powietrza	8 Przewód obejściowy próbek
3 Przewód spustowy próbek	9 Analizator
4 Zespół przynoszenia próbek	10 Rura pionowa
5 Zespół filtra skośnego siatkowego	11 Przewód spustowy rury pionowej
6 Zawór odcinający na wlocie filtra skośnego siatkowego	

Rysunek 4 Instalacja z rurą stojącą (ponad 10 psi)



1 Złączka wlotu próbki	7 Przetwornik SC
2 Zewnętrzny odprowadzenie powietrza	8 Wlot rury stojącej
3 Przewód spustowy próbek	9 Analizator
4 Zespół przynoszenia próbki	10 Rura pionowa
5 Zespół filtra skośnego siatkowego	11 Przewód spustowy rury pionowej
6 Zawór odcinający na wlocie filtra skośnego siatkowego	





### 3.3.1 Wytyczne dotyczące linii próbek

Należy wybrać w pełni reprezentatywny punkt poboru próbki, aby otrzymać jak najlepsze wyniki. Analizowana próbka musi być reprezentatywna dla całego systemu.

Aby wyeliminować błędne odczyty:

- Próbki należy pobrać z lokalizacji wystarczająco odległych od punktów, w których dodaje się substancje chemiczne w procesie uzdatniania.
- Pamiętaj o odpowiednim wymieszaniu próbek.
- Upewnij się, że wszystkie reakcje chemiczne zostały zakończone.
- Analizator należy zamontować jak najbliżej źródła próbki (maksymalnie 4,6 m, 15 ft).

### 3.3.2 Wymagania dotyczące próbek

Woda ze źródeł próbki musi spełniać wymagania podane w [Dane techniczne](#) na stronie 238.

W celu uzyskania najlepszych wyników należy utrzymywać prędkość przepływu próbki i temperaturę roboczą na możliwie stałym poziomie.

### 3.3.3 Wytyczne dotyczące przewodów odpływowych

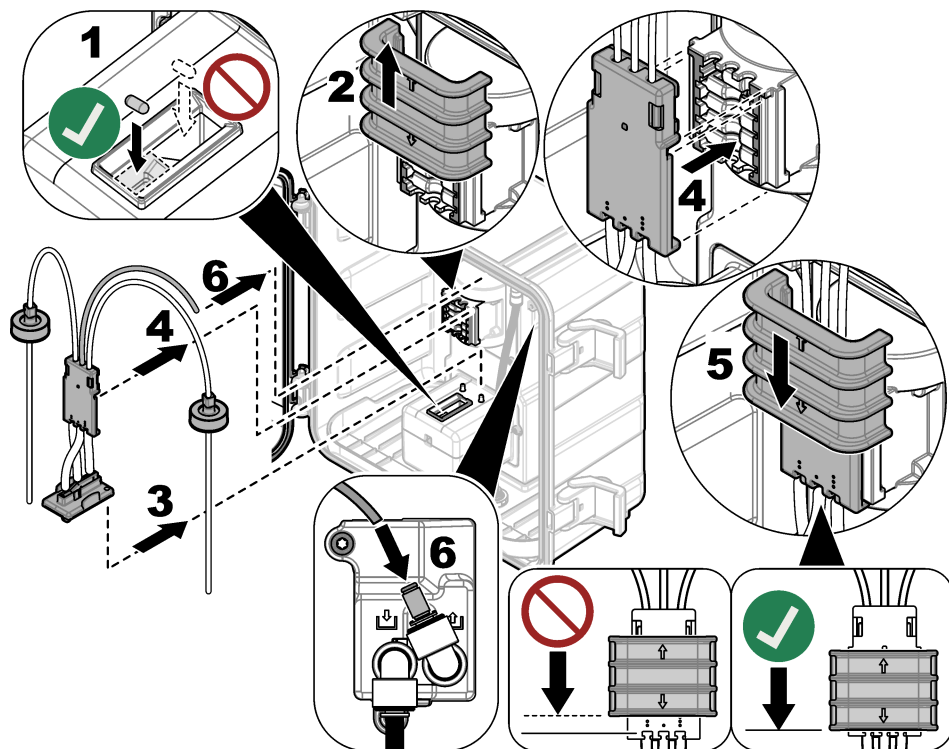
#### **POWIADOMIENIE**

Nieprawidłowe podłączenie linii spustowych może spowodować cofnięcie się cieczy do wnętrza urządzenia i jego uszkodzenie.

- Pamiętaj o zamontowaniu zewnętrznego odprowadzenia powietrza. Patrz punkt 2 w [Rysunek 3](#) na stronie 246, [Rysunek 4](#) na stronie 247 lub [Rysunek 5](#) na stronie 248.
- Przewody odpływowe muszą być jak najkrótsze.
- Przewody odpływowe muszą mieć stałe nachylenie w dół.
- Przewody odpływowe nie mogą mieć ostrych zagięć ani być ściśnięte.

### 3.4 Krok 3: montaż pręta mieszającego i wiązki przewodów

Wykonać następujące kroki na podstawie ilustracji.



### 3.5 Krok 4: instalowanie butelek z odczynnikami

#### ▲ UWAGA



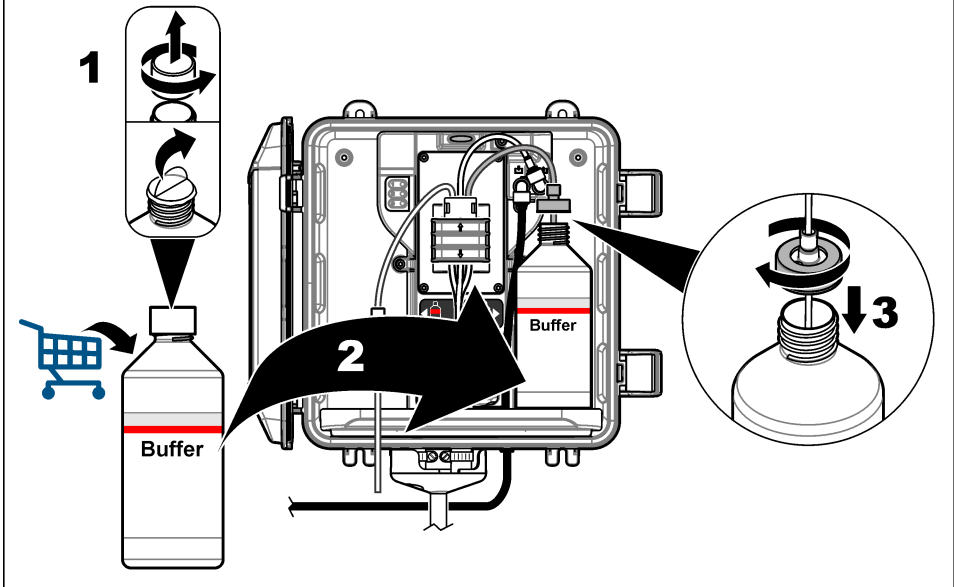
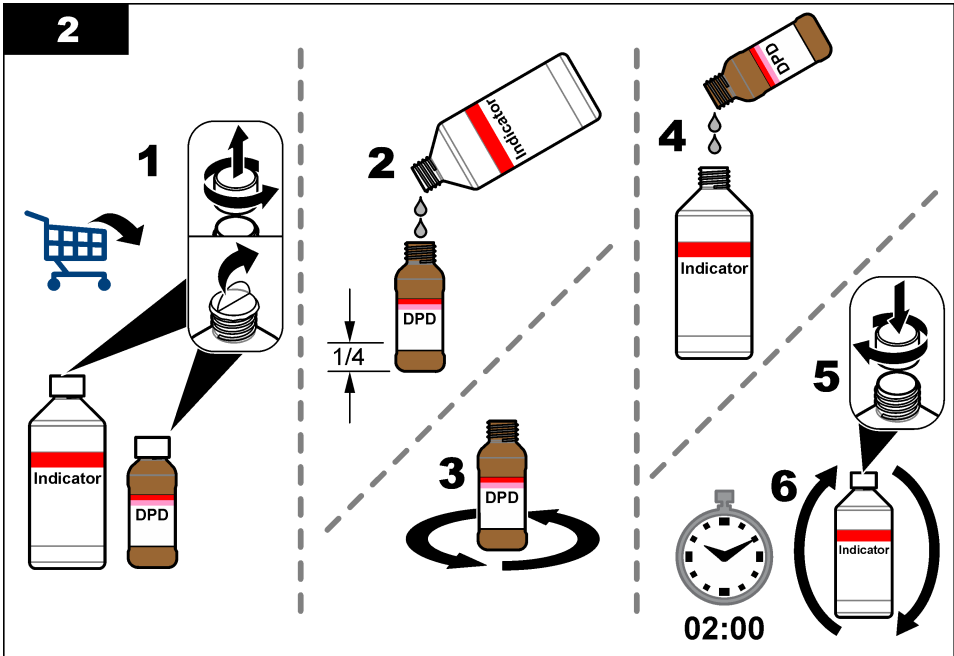
Narażenie na działanie substancji chemicznych. Stosować się do procedur bezpieczeństwa w laboratoriach i zakładać sprzęt ochrony osobistej, odpowiedni do używanych substancji chemicznych. Protokoły warunków bezpieczeństwa można znaleźć w aktualnych kartach charakterystyki (MSDS/SDS) materiałów.

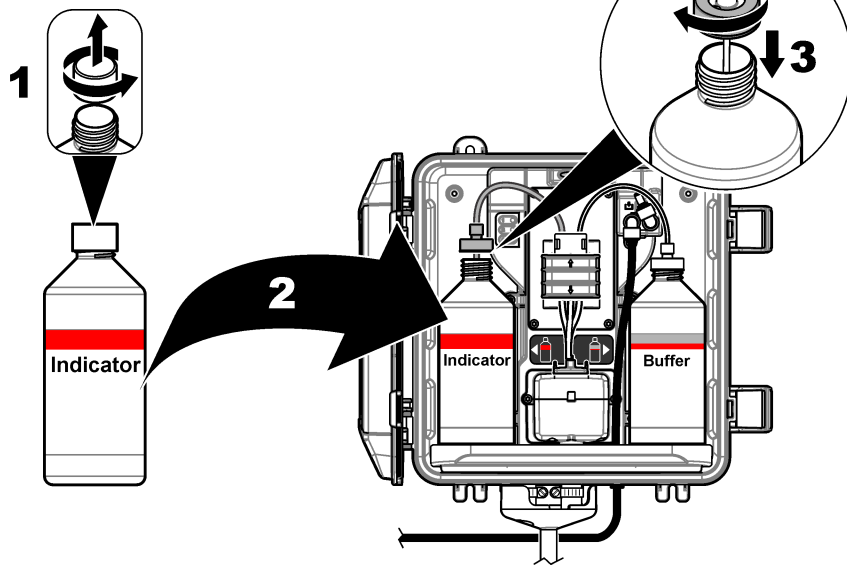
#### Co należy przygotować:

- Środki ochrony osobistej (patrz MSDS/SDS)
- Butelka ze wskaźnikiem
- Butelka z buforem
- Butelka z proszkiem do DPD

1. Należy stosować środki ochrony osobistej wymienione w karcie charakterystyki (MSDS/SDS).
2. Zamontować butelkę z buforem po prawej stronie i butelkę ze wskaźnikiem po lewej stronie. Sprawdzić listę kolejnych czynności na rysunku.

**Uwaga:** (Opcjonalnie) Posłużyć się wierzchem analizatora jako półką.

**1****2**

**3**

### 3.6 Krok 5: włączanie przepływu próbek

1. Wolno przekręcić zawory odcinające do pozycji otwartej.
2. Sprawdzić, czy połączenia hydrauliczne są szczelne. W przypadku nieszczelności wepchnąć przewód dalej do złączki lub dokręcić złącze za pomocą klucza.
3. W przypadku montażu na rurze pionowej należy wykonać następujące czynności:
  - a. Całkowicie otworzyć zawór odcinający na wylocie filtra skośnego siatkowego.
  - b. Przekręć zawór odcinający na wlocie filtra Y (element 6 na stronie [Rysunek 3](#) na stronie 246 lub [Rysunek 4](#) na stronie 247), aż z rurki spustowej rury pionowej zacznie wypływać niewielki strumień wody.
4. W przypadku montażu z regulatorem ciśnienia należy wykonać następujące czynności:
  - a. Całkowicie otworzyć zawory odcinające na wylocie filtra skośnego siatkowego.
  - b. Przekręcić zawór odcinający na obejściu filtra skośnego siatkowego (poz. 6 w [Rysunek 5](#) na stronie 248) na tyle, aby z przewodu obejściowego filtra skośnego siatkowego wypływał słaby strumień wody.

### 3.7 Krok 6: instalacja elektryczna

#### 3.7.1 Podłączanie analizatora do przetwornika

#### ⚠ OSTRZEŻENIE



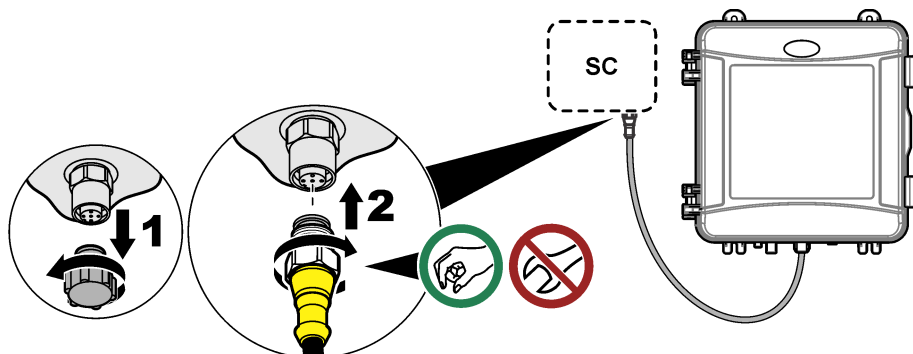
Niebezpieczeństwo porażenia prądem. Podłączone urządzenia zewnętrzne muszą spełniać normy bezpieczeństwa danego kraju.

Podłączyć kabel analizatora do szybkozłączki przetwornika SC. Patrz [Rysunek 6](#).

Zachować nasadkę złącza, aby móc zamknąć otwór wtykowy na wypadek, gdyby trzeba było odłączyć kabel.

**Uwaga:** Dostępne są przedłużacze. Patrz [Części zamienne i akcesoria](#) na stronie 263. Maksymalna długość kabla wynosi 15 m (49 ft).

## Rysunek 6 Podłączanie kabla do szybkozłączki



### 3.7.2 Podłączanie przetwornika do zasilania

Podłączyć przetwornik do zasilania sieciowego za pomocą połączenia przewodów na stałe w kanale lub kabla zasilającego. Instrukcje znajdują się w dokumentacji przetwornika.

### 3.7.3 Podłączanie urządzeń zewnętrznych do przetwornika

W razie potrzeby należy podłączyć przekaźniki, wyjścia analogowe i wejścia cyfrowe przetwornika do urządzeń zewnętrznych. Instrukcje znajdują się w dokumentacji przetwornika.

## 3.8 Krok 7: konfigurowanie i napełnienie analizatora

1. Nacisnąć klawisz **menu**, a następnie wybrać USTAW.CZUJNIK > [wybrać analizator] > NAPEŁNIJ.
2. Jeśli przetwornik nie rozpoznaje podłączonego analizatora, należy wykonać następujące czynności:
  - a. Nacisnąć przycisk **menu**, a następnie wybrać TEST/SERWIS > [wybrać analizator] > SZUKANIE CZUJN.
  - b. Po znalezieniu i zainstalowaniu czujnika ponownie wykonać krok 1.

## 3.9 Krok 8: ustawianie natężenia przepływu

Analizator jest wyposażony w przepływomierz mierzący przepływ próbki przez analizator. Patrz [Rysunek 1](#) na stronie 241.

1. Nacisnąć strzałkę **W PRAWO** na przetworniku, aby wyświetlić natężenie przepływu. Próbka przepływa przez analizator tylko wtedy, gdy analizator przepłukuje kuwetę. W innych przypadkach próbka nie przepływa, a prędkość przepływu wynosi zero. Opis etapów cyklu pomiaru zawiera [Tabela 4](#) na stronie 242.

**Uwaga:** Aby ręcznie zmierzyć natężenie przepływu przez analizator, należy zmierzyć natężenie przepływu przez odpływ analizatora, gdy analizator przepłukuje kuwetę wodą.
2. W przypadku instalacji z rurą pionową należy obrócić zawór odcinający na wylocie filtra siatkowego Y, aby ustawić prędkość przepływu podczas przepłukiwania kuwety wodą przez analizator między 60 a 200 mL/min.
3. W przypadku instalacji z regulatorem ciśnienia należy ustawić regulator ciśnienia tak, aby prędkość przepływu podczas przepłukiwania kuwety wodą przez analizator wynosiła od 60 do 200 mL/min.

## 3.10 Krok 9: instalowanie najnowsze oprogramowania

W przetworniku SC musi być zainstalowane najnowsze oprogramowanie. Do zainstalowania najnowsze oprogramowania w przetworniku SC należy użyć karty SD.

1. Otworzyć stronę produktu danego przetwornika SC w serwisie <http://hach.com>.
2. Kliknij zakładkę "Zasoby".
3. Przewinąć w dół do pozycji „Oprogramowanie”.
4. Kliknąć łącze do oprogramowania przetwornika SC.
5. Zapisać pliki na karcie SD.
6. Zainstalować pliki w przetworniku SC. Instrukcje instalacji oprogramowania są dołączone do plików.

## Rozdział 4 Configuration (Konfiguracja)

### 4.1 Krok 10: Konfigurowanie analizatora

W tym kroku należy ustawić nazwę analizatora, średnią sygnału, typ mierzonego chloru, kompensację pęcherzyków powietrza i nastawy alarmów chloru.

1. Nacisnąć przycisk **menu**, a następnie wybrać **USTAW.CZUJNIK > [wybrać analizator] > USTAWIENIA**.
2. Wybrać i skonfigurować każdą opcję.

Opcja	Opis
<b>EDYTUJ NAZWE</b>	Ustawia nazwę analizatora. Nazwa analizatora jest wyświetlana na wyświetlaczu przetwornika oraz w plikach dziennika.
<b>SYGNAL SREDNI</b>	Ustawia liczbę pomiarów używanych do obliczenia średniego pomiaru wyświetlanego na ekranie. Opcje: 1 (wartość domyślna), 2, 3 lub WART. NIEPRAWIDŁ.. Gdy parametr SYGNAL SREDNI wynosi 1, sygnał nie jest uśredniany. Gdy parametr SYGNAL SREDNI wynosi 2 lub 3, na wyświetlaczu jest wyświetlany średni odczyt. Gdy na przykład parametr SYGNAL SREDNI wynosi 2, pomiar na wyświetlaczu jest równy sumie ostatniego i poprzedniego pomiaru podzielonej przez dwa. Gdy jako ustawienia parametru SYGNAL SREDNI wybrano WART. NIEPRAWIDŁ., analizator odrzuca odczyt, który jest nietypowo wyższy lub niższy od ostatnich odczytów. Po odrzuceniu odczytu na wyświetlaczu pojawia się ostatni poprawny odczyt i jest zapisywany w rejestrze danych. Odrzucone mogą zostać maksymalnie trzy odczyty z rzędu. Uśrednianie sygnału ma na celu korygowanie wahań odczytu, które są spowodowane przez pęcherzyki powietrza i/lub większe cząsteczki w próbce.
<b>POMIAR</b>	Ustawia typ mierzonego chloru. Jeśli na etykietach butelek z buforem i wskaźnikiem jest napisane „Free Chlorine” (Wolny chlor), należy wybrać opcję WOLNY CHLOR (ustawienie domyślne). Jeśli na etykietach butelek z buforem i wskaźnikiem jest napisane „Total Chlorine” (Chlor całkowity), należy wybrać opcję CHLOR OGÓLNY.
<b>WYPUSC PECHERZ</b>	Ustawia, czy pęcherzyki powietrza mają być odrzucane czy nie (ustawienie domyślne). Aby zmniejszyć szum powodowany pęcherzykami powietrza w próbce, należy zmienić ustawienie parametru WYPUSC PECHERZ na WLACZ.. Pęcherzyki powietrza w próbce mogą destabilizować odczyty.
<b>ALARMY WYS. CL</b>	Ustawia nastawę stężenia chloru wywołującą alarm wysokiego poziomu chloru WYS. ZAW. CL — od 0,00 do 10,00 mg/L (domyślnie: 4,00 mg/L).
<b>ALARMY NISKIEGO CL</b>	Ustawia nastawę stężenia chloru wywołującą alarm NISKA ZAW. CL — od 0,00 do 10,00 mg/L (domyślnie: 0,20 mg/L).

Opcja	Opis
<b>DANE CZUJNIKA</b>	Wyświetla numer seryjny analizatora, wersję oprogramowania, wersję rozruchu i wersję przetwornika.
<b>USTAWIENIA DOMYŚLNE</b>	Wybór wartości TAK powoduje przywrócenie fabrycznych wartości domyślnych ustawień konfiguracyjnych.
<b>SERWIS</b>	Tylko do użytku serwisowego

## 4.2 Konfiguracja systemu

Informacje na temat konfiguracji systemu, ogólnych ustawień, systemu łączności i opcji gniazd wyjściowych można znaleźć w dokumentacji dotyczącej przetwornika.

## 4.3 Nawigacja

Opis klawiatury i procedur nawigacji znajduje się w dokumentacji kontrolera.

Naciskać przycisk strzałki **W PRAWO**, aż zostaną wyświetlone dalsze informacje na ekranie głównym oraz zostanie wyświetlony ekran graficzny.

# Rozdział 5 Użytkowanie

## 5.1 Dzienniki danych, zdarzeń i serwisowy

Przetwornik udostępnia dziennik danych, dziennik zdarzeń i dziennik serwisowy dla każdego podłączonego urządzenia. Pomiar analizatora są zapisywane automatycznie w dzienniku danych w odstępach 150-sekundowych. Dziennik zdarzeń zawiera zdarzenia, które miały miejsce. Dane w dziennikach zdarzeń i danych są przechowywane przez około 2 tygodnie, gdy analizator pracuje w trybie ciągłym. Dane w dzienniku serwisowym są przechowywane przez około 24 godziny, gdy analizator pracuje w trybie ciągłym.

Informacje na temat pobierania dziennika danych, dziennika zdarzeń i/lub dziennika serwisowego można znaleźć w dokumentacji przetwornika. Dziennik danych jest plikiem XML, który można zapisać w formacie CSV lub Excel. Dziennik zdarzeń i dziennik serwisowy to pliki w formacie CSV.

## 5.2 Pomiar POBIERZ PRÓBKĘ

W razie konieczności należy użyć menu **POBIERZ PRÓBKĘ**, która umożliwi dodanie próbki wody o znanym stężeniu chloru do kuwety w celu pomiaru. Zmierzyć przyniesioną próbkę w celu weryfikacji lub próbkę wody pobraną w innej lokalizacji.

1. Nacisnąć klawisz **menu**, a następnie wybrać **USTAW.CZUJNIK > [wybrać analizator] > POBIERZ PRÓBKĘ**.
2. Wykonaj etapy widoczne na wyświetlaczu. Gdy zostanie wyświetlony monit, zdjęć pokrywę kuwety i wlać 100 mL przyniesionej próbki do kuwety. Część próbki będzie spływać do spustu próbki.

## 5.3 Rejestry Modbus

Dostępna jest lista rejestrów Modbus, umożliwiających komunikację siecią. Skorzystaj z witryny internetowej producenta, aby uzyskać więcej informacji.

# Rozdział 6 Kalibracja i regulacja

Krzywa kalibracji analizatora jest ustawiana fabrycznie w celu zapewnienia wydajności zgodnej ze specyfikacją. Kalibrację można przeprowadzić w celu weryfikacji wydajności.

Nie zaleca się samodzielnego wprowadzania zmian w fabrycznej krzywej kalibracji, chyba że wymaga tego organ nadzoru w celach raportowania zgodności lub jest przeprowadzana duża naprawa analizatora.

Aby uzyskać więcej informacji, należy zapoznać się z instrukcjami zawartymi w zestawie do weryfikacji kalibracji lub skontaktować się z pomocą techniczną.

## Rozdział 7 Konserwacja

### ▲ UWAGA



Wiele zagrożeń. Tylko wykwalifikowany personel powinien przeprowadzać prace opisane w tym rozdziale niniejszego dokumentu.

### POWIADOMIENIE

Nie demontować urządzenia w celu konserwacji. Skontaktuj się z producentem, gdy komponent wewnętrzny wymaga czyszczenia lub naprawy.

## 7.1 Harmonogram konserwacji

Tabela 6 przedstawia zalecany harmonogram czynności konserwacyjnych. Wymagania obiektu i warunki pracy mogą zwiększyć częstotliwość niektórych zadań.

Tabela 6 Harmonogram konserwacji

Zadanie	1 miesiąc	6 miesięcy	W razie potrzeby
Czyszczenie kuwety na stronie 256	X <sup>2</sup>		
Wymiana butelki na nową na stronie 257	X		
Wymienić pręt mieszający i wiązkę przewodów <sup>3</sup>		X	
Czyszczenie filtra skośnego siatkowego na stronie 258			X

## 7.2 Czyszczenie kuwety

### ▲ UWAGA



Narażenie na działanie substancji chemicznych. Stosować się do procedur bezpieczeństwa w laboratoriach i zakładać sprzęt ochrony osobistej, odpowiedni do używanych substancji chemicznych. Protokoły warunków bezpieczeństwa można znaleźć w aktualnych kartach charakterystyki (MSDS/SDS) materiałów.

Kuwetę należy czyścić co 1 miesiąc lub częściej, jeśli jest to konieczne.

Co należy przygotować:



Waciki bawełniane<sup>4</sup>



5.25 N Roztwór kwasu siarkowego<sup>5</sup>

1. Należy stosować środki ochrony osobistej wymienione w karcie charakterystyki (MSDS/SDS).
2. Nacisnąć klawisz **menu**, a następnie wybrać USTAW.CZUJNIK > [wybrać analizator] > ZADANIA > WYCZYŚĆ KUW..  
*Uwaga:* Aby zatrzymać wybrane zadanie, nacisnąć przycisk **home**.
3. Nacisnąć klawisz **enter**, aby zatrzymać pomiary.

<sup>2</sup> Zależnie od potrzeb częstotliwość czyszczenia kuwety może być mniejsza lub większa.

<sup>3</sup> Dalsze informacje można znaleźć w instrukcjach dołączonych do zestawu przewodów.

<sup>4</sup> Patrz [Części zamienne i akcesoria](#) na stronie 263.

<sup>5</sup> Nie należy używać innych środków czyszczących. Patrz [Części zamienne i akcesoria](#) na stronie 263.

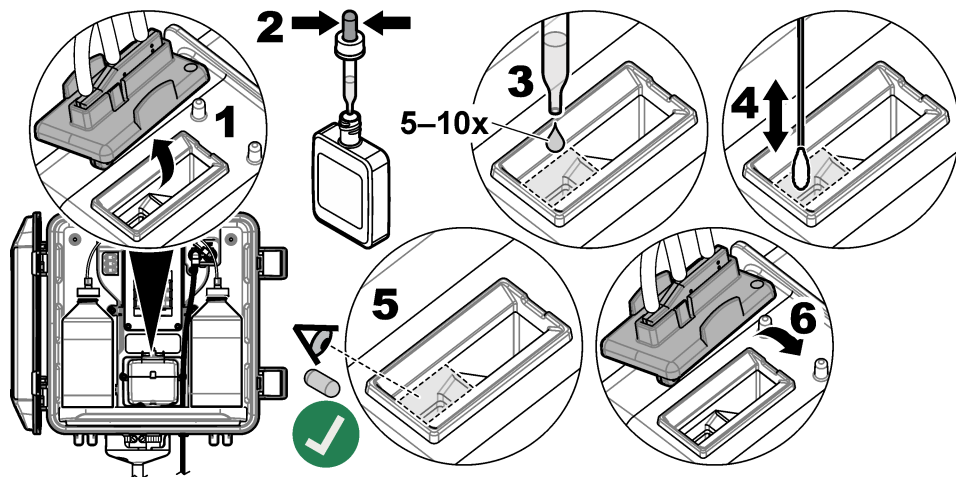


#### 4. Wybrać opcję.

Opcja	Opis
<b>WSTRZYMAJ</b>	Wyjścia przetwornika są utrzymywane na ostatnio zmierzonej wartości.
<b>TRANSFER</b>	Wyjścia przetwornika przybierają wartość transferową.

#### 5. Gdy miga kontrolka stanu, wykonać następujące czynności na podstawie ilustracji. Gdy to będzie gotowe, nacisnąć klawisz **enter**.

Jak pokazano w kroku 5, sprawdzić, czy kuweta nie zawiera niepożądanego materiału. W razie potrzeby użyć latarki, aby znaleźć niepożądaną materię.



#### 6. Gdy na wyświetlaczu zostanie wyświetlony komunikat „ZADANIE UKOŃCZONE.”, nacisnąć klawisz **enter**.

W ciągu około 30 sekund analizator rozpocznie cykl pomiaru.

### 7.3 Wymiana butelki na nową

▲ UWAGA	
	Narażenie na działanie substancji chemicznych. Stosować się do procedur bezpieczeństwa w laboratoriach i zakładach sprzęt ochrony osobistej, odpowiedni do używanych substancji chemicznych. Protokoły warunków bezpieczeństwa można znaleźć w aktualnych kartach charakterystyki (MSDS/SDS) materiałów.
▲ UWAGA	
	Narażenie na działanie substancji chemicznych. Usuwać substancje chemiczne i odpady zgodnie z przepisami lokalnymi, regionalnymi i państwowymi.

Butelkę z odczynnikami należy wymieniać co 1 miesiąc.

- Należy stosować środki ochrony osobistej wymienione w karcie charakterystyki (MSDS/SDS).
- Nacisnąć klawisz **menu**, a następnie wybrać USTAW.CZUJNIK > [wybrać analizator] > ZADANIA > ZMIEN REAGENTY.

**Uwaga:** Aby zatrzymać wybrane zadanie, nacisnąć przycisk **home**.

- Nacisnąć klawisz **enter**, aby zatrzymać pomiary.

#### 4. Wybrać opcję.

Opcja	Opis
WSTRZYMAJ	Wyjścia przetwornika są utrzymywane na ostatnio zmierzonej wartości.
TRANSFER	Wyjścia przetwornika przybierają wartość transferową.

#### 5. Poczeekać, aż kontrolka stanu zacznie pulsować.

#### 6. Procedura wymiany butelki z buforem jest następująca:

**Uwaga:** (Opcjonalnie) Posłuż się wierzchem analizatora jako półką.

- Zdjąć nasadkę i uszczelkę z nowej butelki z buforem.
- Wyjąć zużytą butelkę z buforem z analizatora.
- Włożyć przewód bufora do nowej butelki z buforem po prawej stronie analizatora. Dokręcić nasadkę.

#### 7. Procedura wymiany butelki ze wskaźnikiem jest następująca:

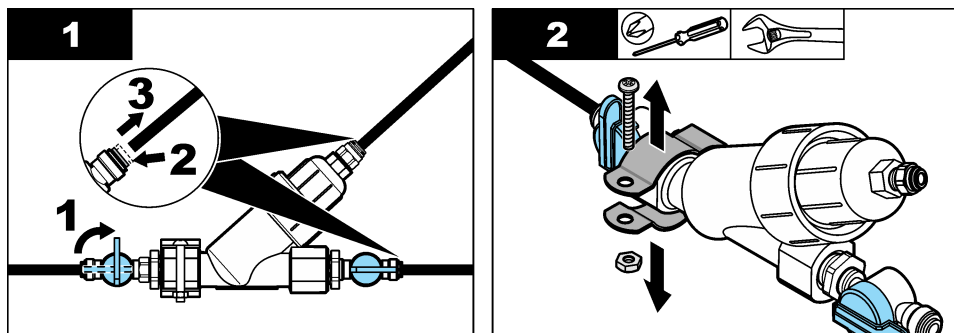
- Zdjąć nasadkę i uszczelkę z butelki ze wskaźnikiem i brązowej butelki DPD.
- Wlać do brązowej butelki DPD roztwór wskaźnika, wypełniając ją w około  $\frac{1}{4}$ .
- Potrząsnąć butelką DPD, aby wymieszać jej zawartość.
- Przełożyć zawartość butelki DPD do butelki ze wskaźnikiem.
- Odwrócić butelkę ze wskaźnikiem, aby proszek uległ rozpuszczeniu (2 minuty).
- Wyjąć zużytą butelkę ze wskaźnikiem z analizatora.
- Włożyć przewód wskaźnika do nowej butelki ze wskaźnikiem po lewej stronie analizatora. Dokręcić nasadkę.

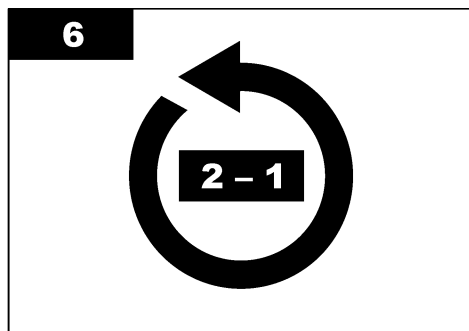
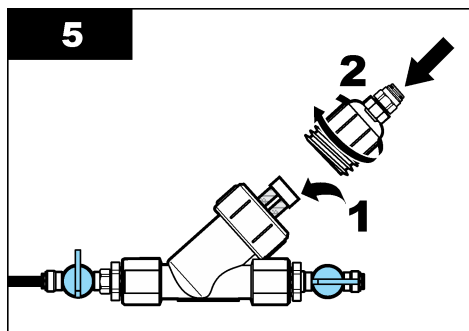
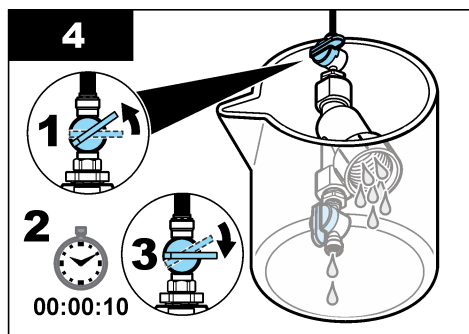
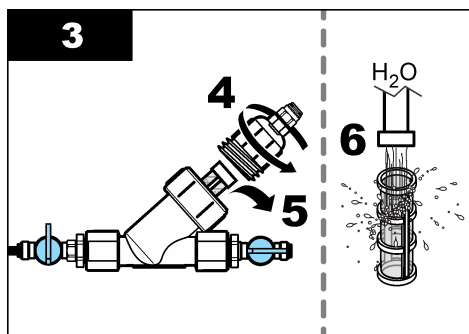
#### 8. Nacisnąć przycisk **enter**.

#### 9. Gdy na wyświetlaczu zostanie wyświetlony komunikat „ZADANIE UKOŃCZONE.”, nacisnąć klawisz **enter**. W ciągu około 30 sekund analizator rozpocznie cykl pomiaru.

### 7.4 Czyszczenie filtra skośnego siatkowego

W przypadku wystąpienia zatoru sygnalizowanego ostrzeżeniem NISKI PRZEPŁYW PRÓB, należy wyczyścić filtr skośny siatkowy. Wykonać następujące kroki na podstawie ilustracji.





## 7.5 Przygotowanie do przechowywania

### ▲ UWAGA



Narażenie na działanie substancji chemicznych. Stosować się do procedur bezpieczeństwa w laboratoriach i zakładać sprzęt ochrony osobistej, odpowiedni do używanych substancji chemicznych. Protokoły warunków bezpieczeństwa można znaleźć w aktualnych kartach charakterystyki (MSDS/SDS) materiałów.

Jeśli analizator ma być odłączony od zasilania dłużej niż przez 3 dni lub ma nie być używany dłużej niż przez 3 dni, należy przygotować go do przechowywania.

**Co należy przygotować:**



Zlewka z wodą dejonizowaną (2 x)

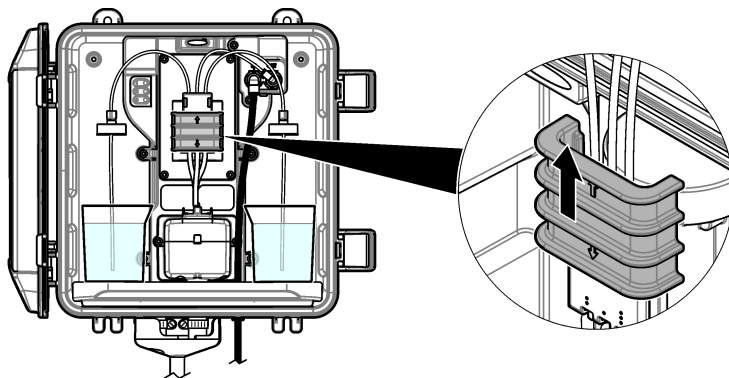


Jednorazowy kroplomierz lub niepozostawiająca włókien ściereczka

1. Usunąć odczynniki z linii odczynników w następujący sposób:
  - a. Wyjąć butelkę ze wskaźnikiem i butelkę z buforem z analizatora.
  - b. Włożyć do analizatora dwie zlewki (lub pojemniki) zawierające wodę dejonizowaną.
  - c. Umieścić przewód butelki ze wskaźnikiem i przewód butelki z buforem w zlewkach.
  - d. Nacisnąć klawisz **menu**, a następnie wybrać **USTAW.CZUJNIK > [wybrać analizator] > NAPEŁNIJ**.  
Analizator usunie odczynniki z linii odczynników.
2. Usunąć wodę dejonizowaną z przewodów odczynników w następujący sposób:
  - a. Wyjąć przewód butelki ze wskaźnikiem i przewód butelki z buforem ze zlewek.
  - b. Wyjąć dwie zlewki z analizatora.

- c. Nacisnąć klawisz **menu**, a następnie wybrać USTAW.CZUJNIK > [wybrać analizator] > NAPEŁNIJ.  
 Analizator opróżni całkowicie linie odczynników z cieczy.
3. Odłączyć kabel analizatora od przetwornika (lub odłączyć zasilanie przetwornika).
4. Ustawić zawór odcinający w pozycji zamkniętej, aby zatrzymać przepływ próbki do filtra skośnego siatkowego.
5. Wymontować zacisk pompy. Patrz [Rysunek 7](#). Zachować zacisk pompy do późniejszego użycia.
6. Opróżnić kuwetę z wody w następujący sposób:
  - a. Zdjąć pokrywę z kuwety.
  - b. Usunąć wodę z kuwety za pomocą jednorazowego kroplomierza lub niepozostawiającej włókien szmatki.
  - c. Założyć pokrywę na kuwecie.
7. Aby uruchomić analizator po okresie przechowywania, należy wykonać następujące czynności:
  - a. Zamontować zacisk pompy. Patrz [Rysunek 7](#).
  - b. Zamontować butelki z odczynnikami. Patrz [Krok 4: instalowanie butelek z odczynnikami](#) na stronie 250.
  - c. Ustawić zawór odcinający w pozycji otwartej, aby umożliwić przepływ próbki do filtra skośnego siatkowego.
  - d. Jeśli kabel analizatora został odłączony, podłączyć go do przetwornika.
  - e. Jeśli zasilanie przetwornika zostało odłączone, podłączyć je.
  - f. Nacisnąć klawisz **menu**, a następnie wybrać USTAW.CZUJNIK > [wybrać analizator] > NAPEŁNIJ.

**Rysunek 7 Wymontowywanie zacisku pompy**



## 7.6 Przygotowanie do wysyłki

### ⚠ UWAGA



Narażenie na działanie substancji chemicznych. Stosować się do procedur bezpieczeństwa w laboratoriach i zakładać sprzęt ochrony osobistej, odpowiedni do używanych substancji chemicznych. Protokoły warunków bezpieczeństwa można znaleźć w aktualnych kartach charakterystyki (MSDS/SDS) materiałów.

Procedura przygotowywania analizatora do wysyłki jest następująca:

**Co należy przygotować:**



Zlewka z wodą dejonizowaną (2 x)



Oryginalne opakowanie

1. Usunąć odczynniki z linii odczynników w następujący sposób:
  - a. Wyjąć butelkę ze wskaźnikiem i butelkę z buforem z analizatora.
  - b. Włożyć do analizatora dwie zlewki (lub pojemniki) zawierające wodę dejonizowaną.
  - c. Umieścić przewód butelki ze wskaźnikiem i przewód butelki z buforem w zlewkach.
  - d. Nacisnąć klawisz **menu**, a następnie wybrać USTAW.CZUJNIK > [wybrać analizator] > NAPEŁNIJ.  
Analizator usunie odczynniki z linii odczynników.
2. Usunąć wodę dejonizowaną z przewodów odczynników w następujący sposób:
  - a. Wyjąć przewód butelki ze wskaźnikiem i przewód butelki z buforem ze zlewek.
  - b. Wyjąć dwie zlewki z analizatora.
  - c. Nacisnąć klawisz **menu**, a następnie wybrać USTAW.CZUJNIK > [wybrać analizator] > NAPEŁNIJ.  
Analizator opróżni całkowicie linie odczynników z cieczy.
3. Odłączyć kabel analizatora od przetwornika.
4. Ustawić zawór odcinający w pozycji zamkniętej, aby zatrzymać przepływ próbki do filtra skośnego siatkowego.
5. Odłączyć przewód wlotu próbki (czarny) i przewód spustowy (przezroczysty) od analizatora.
6. Wymontować zewnętrzne odprowadzenie powietrza.
7. Wymontować zacisk pompy. Patrz [Rysunek 7](#) na stronie 260.
8. Wyjąć wiązkę przewodów i pręt mieszający z analizatora. Zachować wiązkę przewodów do wysyłki wraz z analizatorem. Patrz [Krok 3: montaż pręta mieszającego i wiązki przewodów](#) na stronie 250.
9. Zamontować zacisk pompy bez wiązki przewodów. Założyć taśmę na zacisk przewodu, aby dobrze go unieruchomić.
10. Usunąć wodę z kuwety za pomocą jednorazowego kroplomierza lub niepozostawiającej włókien szmatki.
11. Zdjąć analizator ze ściany.
12. Włożyć analizator z powrotem do oryginalnego opakowania.

## 7.7 Czyszczenie urządzenia

### POWIADOMIENIE

Do czyszczenia urządzenia, w tym wyświetlacza oraz wyposażenia pomocniczego, nigdy nie należy stosować takich środków czyszczących, jak terpentyna, aceton lub podobne produkty.

Zewnętrzne powierzchnie urządzenia czyścić wilgotną szmatką i łagodnym roztworem mydła.

## 7.8 Czyszczenie rozłą

### ▲ UWAGA



Narażenie na działanie substancji chemicznych. Usuwać substancje chemiczne i odpady zgodnie z przepisami lokalnymi, regionalnymi i państwowymi.

1. Należy stosować się do wszystkich zakładowych przepisów bezpieczeństwa w zakresie kontroli rozłą.
2. Odpady należy wyrzucać zgodnie z obowiązującymi przepisami.

## Rozdział 8 Rozwiązywanie problemów

### 8.1 Błędy — czerwona kontrolka

Aby wyświetlić informacje o błędach, należy nacisnąć klawisz **menu** i wybrać DIAGNOSTYKA > [wybrać analizator] > BLEDY. Aby zapoznać się z listą możliwych błędów — patrz [Tabela 7](#). W przypadku wystąpienia błędu kontrolka stanu analizatora zmieni kolor na czerwony. Pomiar są zatrzymywane, ekran pomiarów zaczyna migać, a wszystkie dane wyjściowe są wstrzymywane, o ile wybrano takie ustawienie w menu przetwornika.

**Tabela 7 Komunikaty o błędach**

Błąd	Opis	Rozwiązanie
BŁĄD DETEKTORA.	Detektor nie działa poprawnie.	Skontaktować się z działem pomocy technicznej.
BRUDNA KUW.	Kuweta jest poplamiona lub brudna. Warstwa biologiczna może rosnąć w kuwecie, gdy stężenie chloru jest bardzo niskie.	Wyczyścić kuwetę. Patrz <a href="#">Czyszczenie kuwety</a> na stronie 256.
BŁĄD KODU.	Wystąpił błąd oprogramowania wbudowanego.	Skontaktować się z działem pomocy technicznej.
BŁĄD LED	Kontrolka w kuwecie nie działa poprawnie.	Skontaktować się z działem pomocy technicznej.
BŁĄD POMPY	Pompa nie działa poprawnie.	Skontaktować się z działem pomocy technicznej.
WYCIEK PRÓBK	W analizatorze występuje wyciek próbki.	Skontaktować się z działem pomocy technicznej.

### 8.2 Ostrzeżenia — żółta kontrolka

Aby wyświetlić ostrzeżenia, należy nacisnąć klawisz **menu** i wybrać DIAGNOSTYKA > [wybrać analizator] > OSTRZEZENIA. Aby zapoznać się z listą możliwych ostrzeżeń, zobacz [Tabela 8](#). Gdy pojawi się ostrzeżenie, kontrolka stanu zmieni kolor na żółty. Pulsuje ikona ostrzeżenia, a na dole wyświetlacza przetwornika wyświetlany jest odpowiedni komunikat. Jeśli dostępny jest wystarczający przepływ próbki, ostrzeżenie nie ma wpływu na działanie menu. Ostrzeżenia nie mają wpływu na działanie przekazników i wyjść.

**Tabela 8 Komunikaty ostrzegawcze**

Ostrzeżenie	Opis	Rozwiązanie
WYKR. PĘCH. POW.	W kuwecie obecne są pęcherzyki powietrza.	Wyczyścić kuwetę. Patrz <a href="#">Czyszczenie kuwety</a> na stronie 256. (Opcjonalnie) Ustaw ustawienie WYPUSC PECHERZ na włączone. Patrz <a href="#">Krok 10: Konfigurowanie analizatora</a> na stronie 254.
WYCZ. WKRÓT. KUW.	Kuweta jest poplamiona lub brudna i należy ją wkrótce wyczyścić, aby zapobiec występowaniu błędów.	Wyczyścić kuwetę. Patrz <a href="#">Czyszczenie kuwety</a> na stronie 256.
WYS. ZAW. CL	Stężenie chloru jest równe nastawie ALARMY WYS. CL lub od niej wyższe.	Zwiększyć ustawienie ALARMY WYS. CL. Patrz <a href="#">Krok 10: Konfigurowanie analizatora</a> na stronie 254. lub Zmniejszyć stężenie chloru w próbce doprowadzanej do analizatora.

**Tabela 8 Komunikaty ostrzegawcze (ciąg dalszy)**

Ostrzeżenie	Opis	Rozwiązanie
NISKA ZAW. CL	Stężenie chloru jest równe nastawie ALARMY NISKIEGO CL lub od niej niższe.	Zmniejszyć ustawienie ALARMY NISKIEGO CL. Patrz <a href="#">Krok 10: Konfigurowanie analizatora</a> na stronie 254. lub Zwiększyć stężenie chloru w próbce doprowadzanej do analizatora.
NISKI PRZEPIY W PRÓB.	Zmierzony przepływ próbki jest mniejszy niż minimalne natężenie przepływu próbki. Patrz <a href="#">Dane techniczne</a> na stronie 238.	Ustawić natężenie przepływu próbki. Patrz <a href="#">Krok 8: ustawianie natężenia przepływu</a> na stronie 253. W razie potrzeby oczyścić filtr skośny siatkowy w celu usunięcia zatoru. Patrz <a href="#">Czyszczenie filtra skośnego siatkowego</a> na stronie 258.
WYS. PRZEPIY W PRÓBK	Zmierzony przepływ próbki jest większy niż maksymalne natężenie przepływu próbki. Patrz <a href="#">Dane techniczne</a> na stronie 238.	Ustawić natężenie przepływu próbki. Patrz <a href="#">Krok 8: ustawianie natężenia przepływu</a> na stronie 253.

## Rozdział 9 Części zamienne i akcesoria

### ▲ OSTRZEŻENIE



Niebezpieczeństwo uszkodzenia ciała. Stosowanie niezatwierdzonych części grozi obrażeniami ciała, uszkodzeniem urządzenia lub nieprawidłowym działaniem osprzętu. Części zamienne wymienione w tym rozdziale zostały zatwierdzone przez producenta.

**Uwaga:** Numery produktów i części mogą być różne w różnych regionach. Należy skontaktować się z odpowiednim dystrybutorem albo znaleźć informacje kontaktowe na stronie internetowej firmy.

### Materiały eksploatacyjne

Opis	Ilość	Nr poz.
Elementy zestawu odczynników do pomiarów wolnego chloru są następujące: Butelka z buforem, butelka ze wskaźnikiem i butelka DPD	1	2556900
Elementy zestawu odczynników do pomiarów całkowitego chloru są następujące: Butelka z buforem, butelka ze wskaźnikiem i butelka DPD	1	2557000
Elementy zestawu do czyszczenia kuwety są następujące: Kwas siarkowy, 5,25 N, 100 mL, zakraplacz i waciki bawełniane (10 x)	1	8573100
Zestaw do weryfikacji kalibracji, zawiera: Strzykawka, przewody, łączniki przewodów, otwieracz do ampułek, ampułka z wodą dejonizowaną i wzorcem chloru	1	8568200
Zestaw uzupełniający do weryfikacji kalibracji, zawiera: Ampułka z wodą dejonizowaną i wzorcem chloru	1	8573200

## Części zamienne

Opis	Nr poz.
Elementy zestawu przewodów są następujące: Wiązka przewodów i pręt mieszający	USA: 8560400 UE: 8575000
Zestaw instalacyjny z rurą stojącą (10 psi lub mniej)	USA: 8560500 UE: 8575100
Zestaw instalacyjny z rurą stojącą (>10 psi)	8576001
Zestaw montażowy z regulatorem ciśnienia	USA: 8565700 UE: 8575200

## Akcesoria

Opis	Nr poz.
Przedłużacz do analizatora, 1 m (3,2 ft)	6122400
Przedłużacz do analizatora, 7,7 m (25 ft)	5796000
Przedłużacz do analizatora, 15 m (50 ft)	5796100
Adapter przewodu, przewód o średnicy zewnętrznej 6 mm na przewód o średnicy zewnętrznej ¼ cala	09184=A=4020



# Innehållsförteckning

- 1 [Specifikationer](#) på sidan 265
- 2 [Allmän information](#) på sidan 266
- 3 [Installation](#) på sidan 269
- 4 [Konfigurerings](#) på sidan 280
- 5 [Användning](#) på sidan 281
- 6 [Kalibrering och justering](#) på sidan 281
- 7 [Underhåll](#) på sidan 281
- 8 [Felsökning](#) på sidan 287
- 9 [Reservdelar och tillbehör](#) på sidan 288

## Avsnitt 1 Specifikationer

Specifikationerna kan ändras utan föregående meddelande.

**Tabell 1 Allmänna specifikationer**

Specifikation	Information
Mått (B x H x D)	32,9 x 34,2 x 17,7 cm (12,9 x 13,5 x 7,0 tum)
Hölje	IP66 enligt IEC 60529 med dörren stängd och låst <sup>1</sup>
Leveransvikt	4,1 kg (9 lb) utan flaskor; 5,1 kg (11,2 lb) med fulla flaskor
Montering	Väggmontering
Skyddsklass	III
Föroreningsgrad	3
Kategori för elektrisk installation	I (inomhus)
Effektkrav	12 VDC, högst 400 mA (tillhandahålls av styrenheten)
Drifttemperatur	5 till 40 °C (41 till 104 °F)
Driftsfuktighet	0 till 90 % icke kondenserande relativ fuktighet
Förvaringstemperatur	-40 till 60 °C (-40 till 140 °F)
Kopplingar	Provledning: ¼ tums ytterdiameter snabbkontakt för plastslang Dräneringsledning: slip-on-koppling för ½ tums innerdiameter mjuk plastslang
Indikatorlampor	Analysatorstatus och mätningscykel
Certifieringar	EU DoC, UKCA DoC, FCC/ISED SDoC, ACMA DoC, KC, Morocco DoC
Garanti	1 år (EU: 2 år)

**Tabell 2 Provkrav**

Specifikation	Information
Tryck	0,31 till 5,17 bar (4,5 till 75 psig) förses till Y-silen; 0,1 till 0,34 bar (1,5 till 5 psig) förses till analysatorn
Flödes hastighet	60 till 200 mL/min genom instrumentet (mäts vid analysatorns utlopp)
Temperatur	5 till 40 °C (41 till 104 °F)
Filtering	Y-sil med 40 mesh eller högre

<sup>1</sup> Dräneringshåll stängda med pluggar enligt testkrav.

**Tabell 3 Mätspecifikationer**

Specifikation	Information
Ljuskälla	Lysdiod, mätning vid 510 nm; 1 cm strålgångslängd
Mätområde	0,03 - 10 mg/L fritt eller totalt restklor som Cl <sub>2</sub>
Mätningintervall	150 sekunder
Noggrannhet	±5 % eller ±0,04 mg/L från 0 till 5 mg/L (det högre värdet) som Cl <sub>2</sub> ±10 % från 5 till 10 mg/L som Cl <sub>2</sub>
Noggrannhet	±5 % eller ±0,01 mg/L (det högre värdet) som Cl <sub>2</sub>
Detektionsgräns	0,03 mg/L som Cl <sub>2</sub>
Kvantifieringsgräns	0,07 mg/L
Kalibrering	Fabrikskalibrering Tillval: tvåpunktsanvändarkalibrering med kalibreringsstandarder i satsen för kalibreringsverifiering
Reagensförbrukning	0,5 L buffertlösning och 0,5 L indikatorlösning på 31 dagar

## Avsnitt 2 Allmän information

Tillverkaren kommer under inga omständigheter att hållas ansvarig för skador som uppstår på grund av felaktig användning av produkten eller underlåtenhet att följa instruktionerna i manualen. Tillverkaren förbehåller sig rätten att göra ändringar i denna bruksanvisning och i produkterna som beskrivs i den när som helst och utan föregående meddelande och utan skyldigheter. Reviderade upplagor finns på tillverkarens webbsida.

### 2.1 Säkerhetsinformation

Tillverkaren tar inget ansvar för skador till följd av att produkten används på fel sätt eller missbrukas. Det omfattar utan begränsning direkta skador, oavsiktliga skador eller följdskador. Tillverkaren avsäger sig allt ansvar i den omfattning gällande lag tillåter. Användaren är ensam ansvarig för att identifiera kritiska användningsrisker och installera lämpliga mekanismer som skyddar processer vid eventuella utrustningsfel.

Läs igenom hela handboken innan instrumentet packas upp, monteras eller startas. Följ alla färd- och försiktighetshänvisningar. Om inte hänsyn tas till dessa kan operatören råka i fara eller utrustningen ta skada.

Se till att det skydd som utrustningen ger inte försämras. Använd eller installera inte utrustningen på något annat sätt än vad som anges i denna bruksanvisning.

#### 2.1.1 Anmärkning till information om risker

##### **▲ FARA**

Indikerar en potentiellt eller överhängande riskfylld situation som kommer att leda till livsfarliga eller allvarliga skador om den inte undviks.

##### **▲ VARNING**

Indikerar en potentiellt eller överhängande riskfylld situation som kan leda till livsfarliga eller allvarliga skador om situationen inte undviks.

##### **▲ FÖRSIKTIGHET**

Indikerar en potentiellt riskfylld situation som kan resultera i lindrig eller måttlig skada.

##### **ANMÄRKNING:**

Indikerar en potentiellt riskfylld situation som kan medföra att instrumentet skadas. Information som användaren måste ta hänsyn till vid hantering av instrumentet.

## 2.1.2 Säkerhetsetiketter

Beakta samtliga dekaler och märken på instrumentet. Personskador eller skador på instrumentet kan uppstå om de ej beaktas. En symbol på instrumentet beskrivs med en försiktighetsvarning i bruksanvisningen.



Elektrisk utrustning markerad med denna symbol får inte avyttras i europeiska hushållsavfallssystem eller allmänna avfallssystem. Returnera utrustning som är gammal eller har nått slutet på sin livscykel till tillverkaren för avyttring, utan kostnad för användaren.

## 2.1.3 Elektromagnetisk kompatibilitet (EMC)

### ▲ FÖRSIKTIGHET

Denna utrustning är inte avsedd att användas i bostadsmiljöer och kan inte ge tillräckligt med skydd mot radiomottagning i sådana miljöer.

#### CE (EU)

Utrustningen uppfyller de grundläggande kraven i EMC-direktivet 2014/30/EU.

#### UKCA (UK)

Utrustningen uppfyller kraven i Electromagnetic Compatibility Regulations 2016 (S.I. 2016/1091).

#### Canadian Radio Interference-causing Equipment Regulation, ICES-003, Klass A:

Referenstestresultat finns hos tillverkaren.

Den digitala apparaten motsvarar klass A och uppfyller alla krav enligt kanadensiska föreskrifter för utrustning som orsakar störning.

Cet appareil numérique de classe A répond à toutes les exigences de la réglementation canadienne sur les équipements provoquant des interférences.

#### FCC del 15, klass "A" gränser

Referenstestresultat finns hos tillverkaren. Denna utrustning uppfyller FCC-reglerna, del 15. Användning sker under förutsättning att följande villkor uppfylls:

1. Utrustningen bör inte orsaka skadlig störning.
2. Utrustningen måste tåla all störning den utsätts för, inklusive störning som kan orsaka driftsstörning.

Ändringar eller modifieringar av utrustningen, som inte uttryckligen har godkänts av den part som ansvarar för överensstämelsen, kan ogiltigförklara användarens rätt att använda utrustningen. Den här utrustningen har testats och faller inom gränserna för en digital enhet av klass A i enlighet med FCC-reglerna, del 15. Dessa gränser har tagits fram för att ge rimligt skydd mot skadlig störning när utrustningen används i en kommersiell omgivning. Utrustningen genererar, använder och kan utstråla radiofrekvensenergi och kan, om den inte installeras och används enligt handboken, leda till skadlig störning på radiokommunikation. Användning av utrustningen i bostadsmiljö kan orsaka skadlig störning. Användaren ansvarar då för att på egen bekostnad korrigera störningen. Följande tekniker kan användas för att minska problemen med störningar:

1. Koppla ifrån utrustningen från strömkällan för att kontrollera om detta utgör orsaken till störningen eller inte.
2. Om utrustningen är kopplad till samma uttag som enheten som störs ska den kopplas till ett annat uttag.
3. Flytta utrustningen bort från den utrustning som tar emot störningen.
4. Positionera om mottagningsantennen för den utrustning som tar emot störningen.
5. Prova med kombinationer av ovanstående.

## 2.2 Produktöversikt

### ⚠ FARA



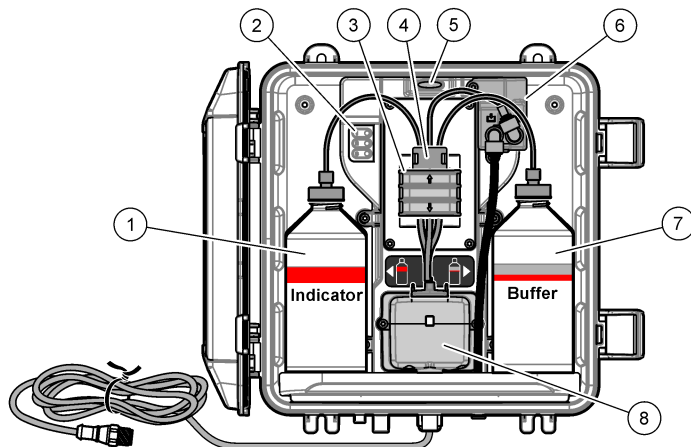
Kemisk eller biologisk fara. Om detta instrument används för att övervaka en behandlingsprocess och/eller matarvatten för dialys som det finns regelverk och övervakningskrav för vad gäller folkhälsa, allmän säkerhet, mat- eller dryckestillverkning eller bearbetning, är det användarens ansvar att känna till och följa gällande lagstiftning och att använda tillräckliga och lämpliga säkerhetsmekanismer enligt gällande bestämmelser i händelse av fel på instrumentet.

CL17sc analysatorn mäter koncentrationen av totalt klor i vatten i intervallet 0,03 till 10 mg/L med 150 sekunders intervall. [Figur 1](#) inkluderar även en översikt över analysatorn.

Anslut analysatorn till en SC-styrenhet för ström, drift, datainsamling, dataöverföring och diagnostik. Se handboken till SC-styrenheten för en översikt av styrenheten.

**Observera:** Det går att ansluta fler än en analysator till en SC-styrenhet om styrenheten har flera snabbkontakter.

**Figur 1** CL17sc



1 Indikatorflaska	5 Analysatorns statuslampa ( <a href="#">Tabell 5</a> på sidan 269)
2 Lampor för mätningscykel ( <a href="#">Tabell 4</a> på sidan 268)	6 Flödesmätare
3 Pumpklämma	7 Buffertflaska
4 Slangklämma	8 Kolorimetrisk cell

### 2.2.1 Flödesmätare

Analysatorn har en flödesmätare som mäter provflödet genom analysatorn. Se [Figur 1](#) på sidan 268.

Provet flödar endast genom analysatorn när analysatorn spolar cellen. Annars finns det inget provflöde och flödeshastigheten som visas är noll. Tryck på pilen **RIGHT (HÖGER)** på styrenheten för att visa flödeshastigheten.

### 2.2.2 Lampor för mätningscykel

Lamporna för mätningscykelns visar det steg av mätningscykelns som utförs. Se [Tabell 4](#).

**Tabell 4** Lampor för mätningscykel

Lampor på			
Beskrivning	Cellen spolas med vatten.	Buffert- och indikatorlösningen tillsätts till cellen.	Provet mäts.

## 2.2.3 Analysatorns statuslampa

Analysatorns statuslampa ändras från grön till gul när det finns en varning eller till röd när det finns ett fel. Se [Tabell 5](#).

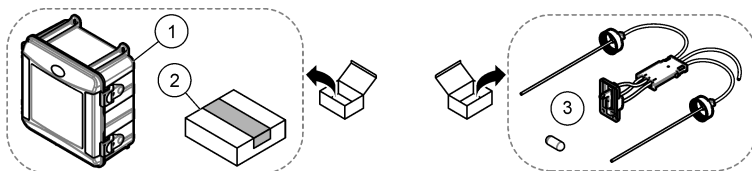
Tabell 5 Analysatorns statuslampa

Färg	Beskrivning
Grön	Normal användning
Gul	Systemet måste ses över för att förhindra framtida fel. Mätningar fortsätter. Om du vill visa varningar trycker du på <b>menu (meny)</b> och väljer DIAGNOSTIK > [välj analysator] > LARM LISTA. Se <a href="#">Varningar – Gult sken</a> på sidan 287.
Röd	Systemet behöver ses över omedelbart. Mätningar har stoppats. Om du vill visa fel trycker du på <b>menu (meny)</b> och väljer DIAGNOSTIK > [välj analysator] > FEL LISTA. Se <a href="#">Fel – Rött sken</a> på sidan 287.

## 2.3 Produktens komponenter

Se till att alla delar har tagits emot. Mer information finns i [Figur 2](#). Om några komponenter saknas eller är skadade ska du genast kontakta tillverkaren eller en återförsäljare.

Figur 2 Produktens komponenter



1 CL17sc analysator	3 Slangsats (slanghållare och omrörare)
2 Installationssats	

## Avsnitt 3 Installation

### ▲ FÖRSIKTIGHET



Flera risker. Endast kvalificerad personal får utföra de moment som beskrivs i den här delen av dokumentet.

### 3.1 Riktlinjer för installation

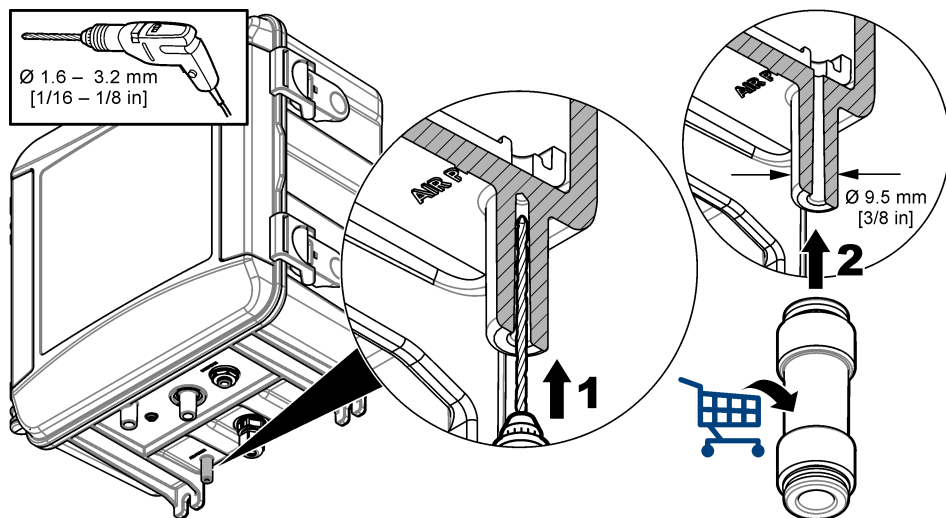
- Analysatorn levereras med en installationssats för stigrör eller en installationssats för tryckregulator för att kontrollera vattentrycket till analysatorn. Användaren väljer installationssats vid inköpstillfället.
- Installera analysatorn inomhus i en miljö med minimala vibrationer. Se specifikationerna för driftstemperatur och luftfuktighet i [Specifikationer](#) på sidan 265.
- Installera inte analysatorn i direkt solljus eller i närheten av en värmekälla.
- För installationer med stativrör ska analysatorn installeras på en plats med tillräckligt fritt utrymme ovanför analysatorn för stativrörsmonteringen.
- Montera analysatorn nära ett öppet avlopp. Se lokala föreskrifter gällande kassering.

### 3.2 Steg 1: Spolluft (tillval)

Spolluft kan behövas om analysatorn är monterad på en plats med hög luftfuktighet eller gaser som orsakar korrosion. Spolluften håller ett övertryck i instrumentet med torr och ren luft.

Tillför ren, torr luft av instrumentkvalitet i 0,003 m<sup>3</sup>/minut (0,1 fot<sup>3</sup>/minut) vid max 20 psig.

Proceduren illustreras i figurerna nedan. 3/8-tums snabbanslutning och slangar tillhandahålls av användaren.



### 3.3 Steg 2: Montera och koppla analysatorn

#### ▲ FÖRSIKTIGHET



Endast slangar godkända av Hach Company får användas med instrumentet. Andra slangar kan absorbera klor som finns i provvattnet och ha en negativ effekt på kloravläsningar (minskade klormätvärdena).

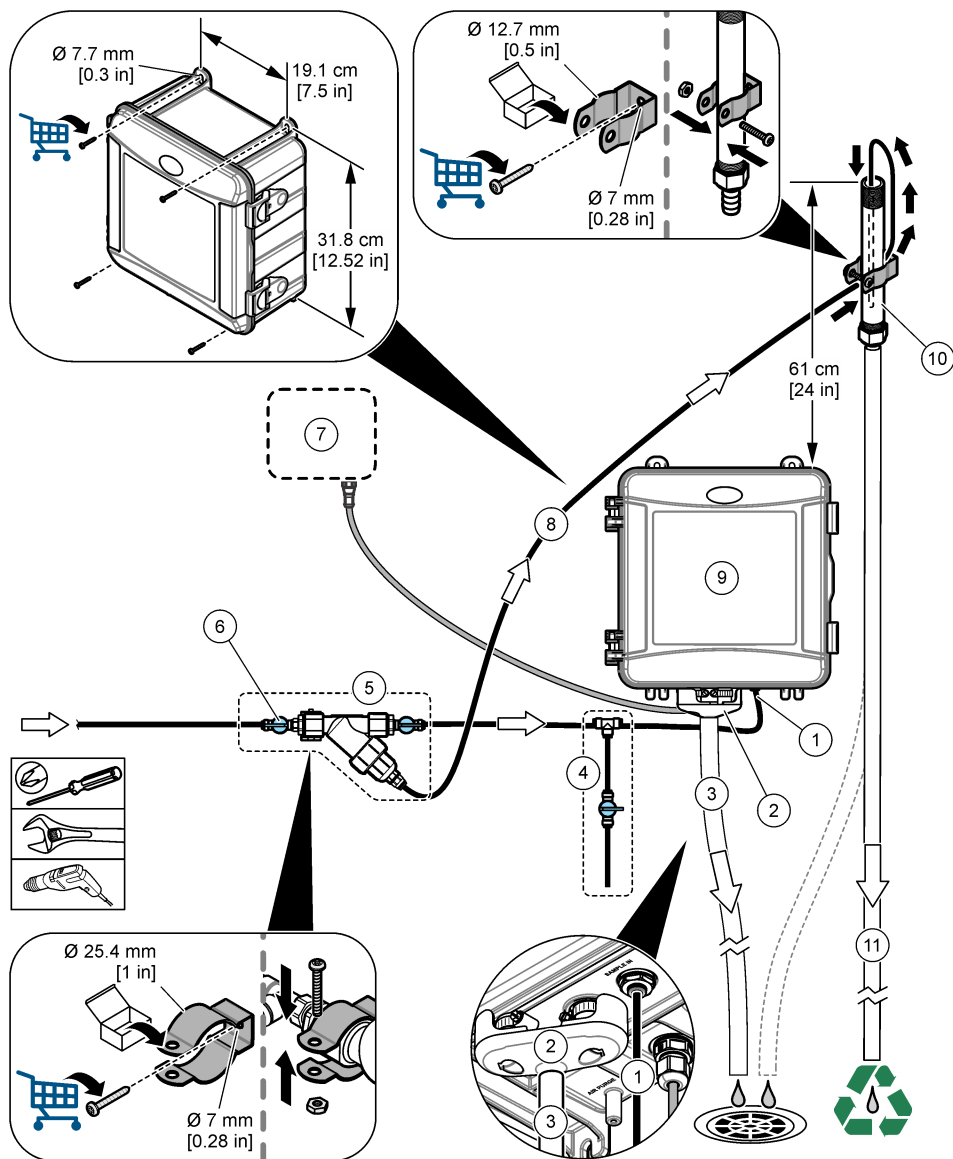
#### ANMÄRKNING:

Om rördragningen för analysatorn är felaktig kan det orsaka skador på grund av för högt provtryck. Följ alltid instruktionerna nedan när du monterar och utför rördragningen för analysatorn.

1. Fäst analysatorn (punkt 9) på en vägg med fyra skruvar. Kontrollera att analysatorn är monterad rakt.  
*Observera: Användaren tillhandahåller materialet för montering.*
2. Fäst SC-styrenheten (punkt 7) till en vägg, panel eller ett rör. Instruktioner finns i dokumentationen för SC-styrenheten.
3. Montera ihop Y-silen. Se anvisningarna på packlistan.
4. Använd 1-tums rörklämman för att montera Y-silaggregatet (punkt 5 i [Figur 3](#), [Figur 4](#) eller [Figur 5](#)).
5. Installera den externa luftspärren på analysatorn (punkt 2 i [Figur 3](#), [Figur 4](#) eller [Figur 5](#)). Se anvisningarna på packlistan.
6. Utför [steg 7](#) eller [8](#).  
Analysatorn levereras med en installationsats för stånrör eller en installationsats för tryckregulator för att reglera inloppsvattentrycket. Användaren väljer installationsats vid inköpstillfället. En standpipe-sats är för 10 psi eller mindre och en standpipe-sats är för mer än 10 psi inloppsvattentryck. Mät inloppsvattnets tryck strax före Y-silaggregatet.
7. Om en installationsats för stigrör valdes vid köptillfället installeras stigröret på följande sätt:
  - a. Montera stigröret. Se anvisningarna på packlistan.
  - b. Använd den mindre rörklämman för att montera stativröret ovanför analysatorns ovansida:

- 10 psi eller mindre - Montera standrörsenheten minst 61 cm (24 tum) ovanför analysatorns ovansida.
  - Mer än 10 psi - Montera standrörsenheten minst 91,4 cm (36 tum) ovanför analysatorns ovansida.
- c. 10 psi eller mindre - installera förbikopplingsslangen för provet med den svarta slangen (artikel 8 i [Figur 3](#)). För slangen bakom och in i stigröret. Lägg röret 10-13 cm (4-5 in.) i toppen av standröret.
  - d. Mer än 10 psi - Anslut Y-silens utlopp med den svarta slangen till inloppet på standröret (artikel 8 i [Figur 4](#)).
  - e. Skär av en bit av slangen från provutloppsslangen (punkt 3). Använd slangen för att koppla ihop standröret med ett öppet avlopp (artikel 11). Se [Riktlinjer för dräneringsledning](#) på sidan 275.
8. Om en installationssats för tryckregulator valdes vid inköpstillfället ska tryckregulatorn monteras (punkt 10 i [Figur 5](#)).
  9. Med den svarta slangen ansluter du Y-silens inlopp (punkt 5) till provkällan.  
Se [Riktlinjer för provledning](#) på sidan 275 och [Provkrav](#) på sidan 275.
  10. Anslut provet med den svarta slangen till provtagskopplingen (pos. 1) på följande sätt:  
Gör slangen är så kort som möjligt och max. 2,5 m (8 fot).
    - 10 psi eller mindre - Anslut Y-silens utlopp till provtagskopplingen (objekt 1) på analysatorns undersida. Se [Figur 3](#).
    - Mer än 10 psi - Anslut utloppet från standröret till provtagskopplingen (objekt 1) på analysatorns undersida. Se [Figur 4](#).
    - Tryckregulator - Anslut utloppet från tryckregulatorn till provtagskopplingen (pos. 1) på analysatorns undersida. Se [Figur 5](#).
  11. Om en tryckregulator installerats installerar du provbypassslangen (punkt 8 i [Figur 5](#)).
  12. Montera gripklon och provtagningsanordningen (pos. 4).
  13. Plombera tee-anslutningen på provtagningsenheten. Se [Figur 3](#), [Figur 4](#) eller [Figur 5](#) beroende på vad som gäller.
  14. Anslut provutloppsslangen (punkt 3) till ett öppet avlopp. Se [Riktlinjer för dräneringsledning](#) på sidan 275.

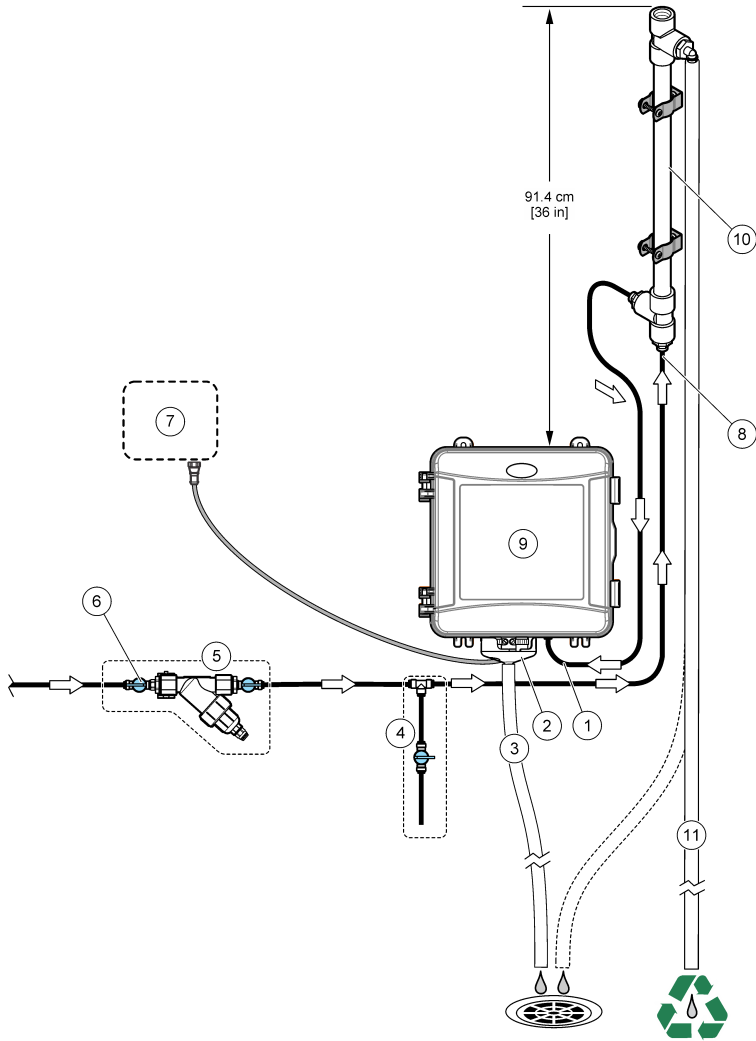
**Figur 3 Installation med ett stånrör (10 psi eller mindre)**



1 Provinloppsanslutning	7 SC-styrenhet
2 Externt luftskydd	8 Provbypasslang
3 Provutloppssläng	9 Analysator
4 Enhet för manuellt prov	10 Stigrör
5 Y-silenhet	11 Utloppssläng för stigrör
6 Avstängningsventil vid Y-silens inlopp	

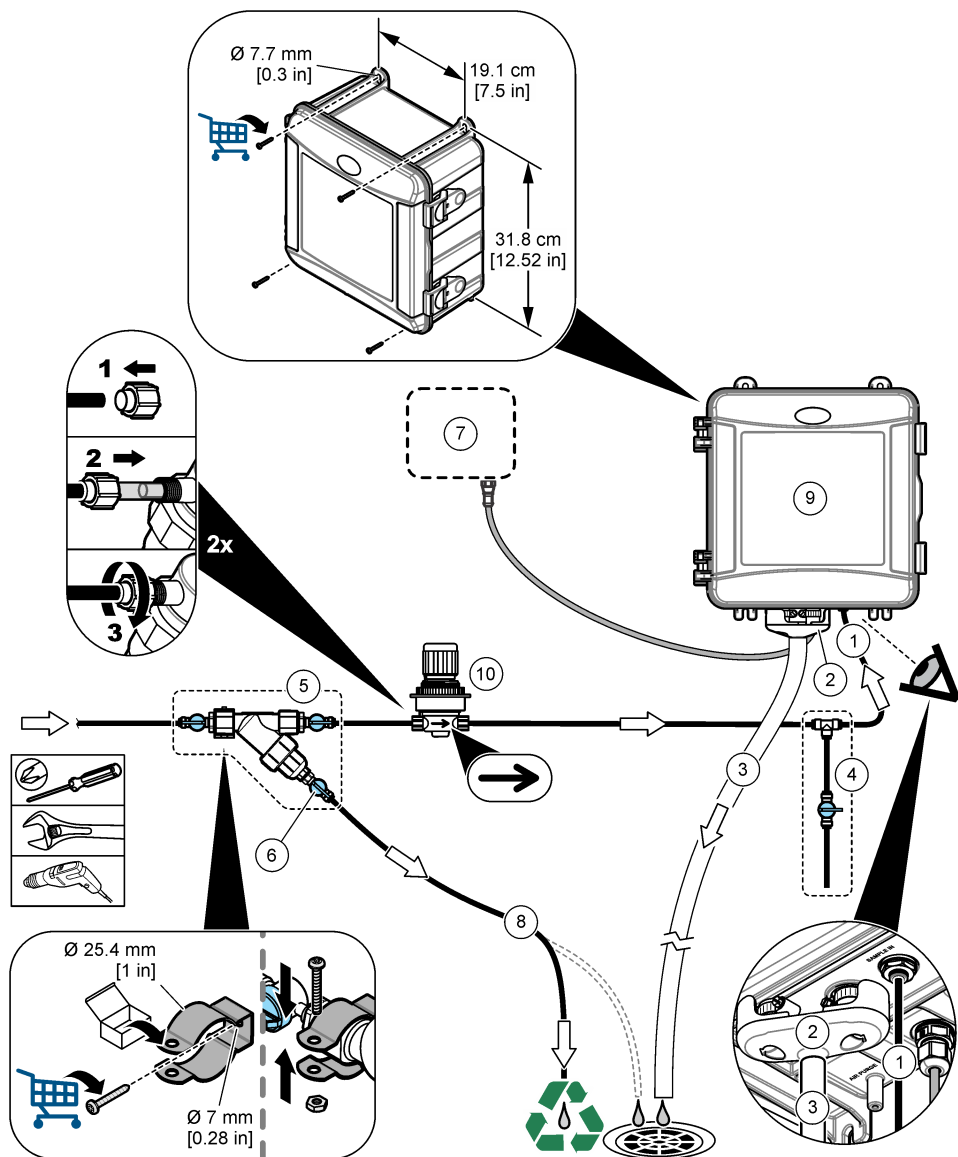


**Figur 4** Installation med ståldrör (mer än 10 psi)



1 Provinloppsanslutning	7 SC-styrenhet
2 Externt luftskydd	8 Inlopp till ståldröret
3 Provtutloppsslang	9 Analysator
4 Enhet för manuellt prov	10 Stigrör
5 Y-silenhet	11 Utloppsslang för stigrör
6 Avstängningsventil vid Y-silens inlopp	

Figur 5 Montering med en tryckregulator



1 Provinloppsanslutning	6 Avstängningsventil vid förbikopplingen av Y-silen
2 Externt luftskydd	7 SC-styrenhet
3 Provtutloppssläng	8 Provbypasssläng
4 Enhet för manuellt prov	9 Analysator
5 Y-silenhet	10 Tryckregulator

### 3.3.1 Riktlinjer för provledning

Välj en bra, representativ provtagningspunkt för optimala instrumentprestanda. Provet måste vara representativt för hela systemet.

Förhindra felaktiga mätvärden:

- Ta prover från platser som är på tillräckligt avstånd från punkter där kemiska tillsatser tillförs till processflödet.
- Se till att proverna blandas ordentligt.
- Se till att alla kemiska reaktioner har avslutats.
- Montera analysatorn så nära provkällan som möjligt (max. 4,6 m (15 fot)).

### 3.3.2 Provkrav

Vattnet från provkällan(or) måste överensstämma med specifikationerna i [Specifikationer](#) på sidan 265.

Håll flödes hastigheten för proven så konstant som möjligt för bästa prestanda.

### 3.3.3 Riktlinjer för dräneringsledning

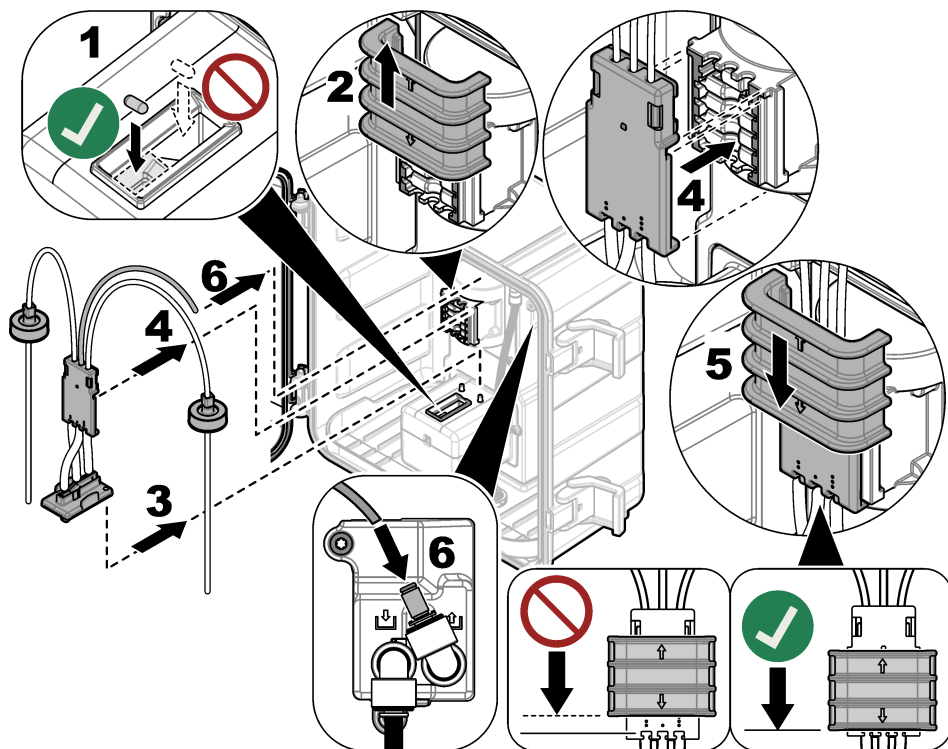
#### **ANMÄRKNING:**

Felaktig installation av dräneringsledningarna kan orsaka att vätska återvänder in i instrumentet och orsakar skador.

- Se till att installera det externa luftskyddet. Se punkt 2 i [Figur 3](#) på sidan 272, [Figur 4](#) på sidan 273 eller [Figur 5](#) på sidan 274.
- Gör dräneringsledningarna så korta som möjligt.
- Kontrollera att dräneringsledningarna har en konstant lutning nedåt.
- Se till att dräneringsledningarna inte har skarpa böjar och inte kläms.

### 3.4 Steg 3: Montera omröraren och slanghållaren

Följ stegen som illustreras nedan.



### 3.5 Steg 4: Montera reagensflaskorna

#### ▲ FÖRSIKTIGHET



Risk för kemikalieexponering. Följ laboratoriets säkerhetsanvisningar och bär all personlig skyddsutrustning som krävs vid hantering av kemikalier. Läs aktuella datablad (MSDS/SDS) om säkerhetsanvisningar.

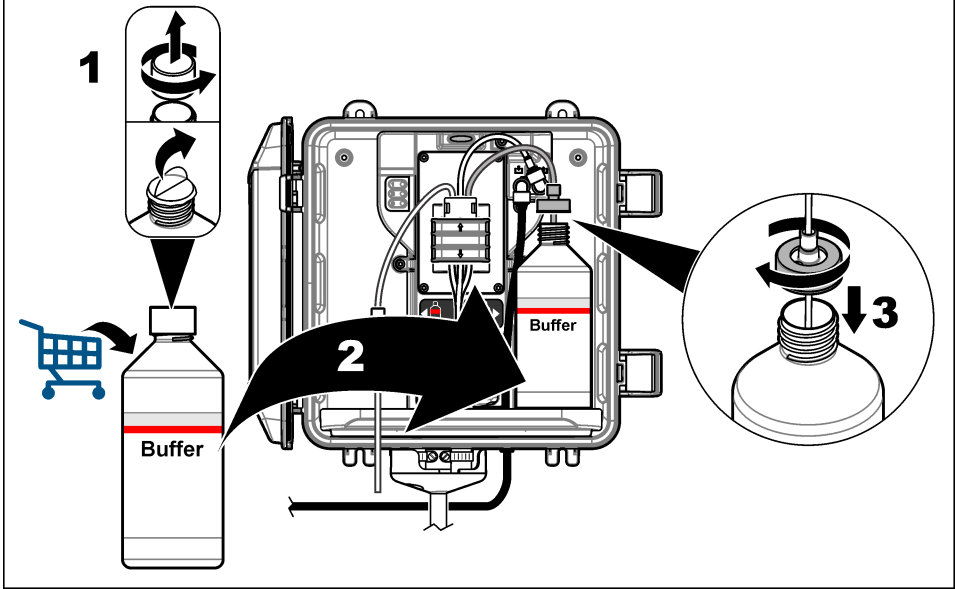
Artiklar som ska finnas tillgängliga:

- Personlig skyddsutrustning (se MSDS/SDS)
- Indikatorflaska
- Buffertflaska
- Flaska för DPD-förening

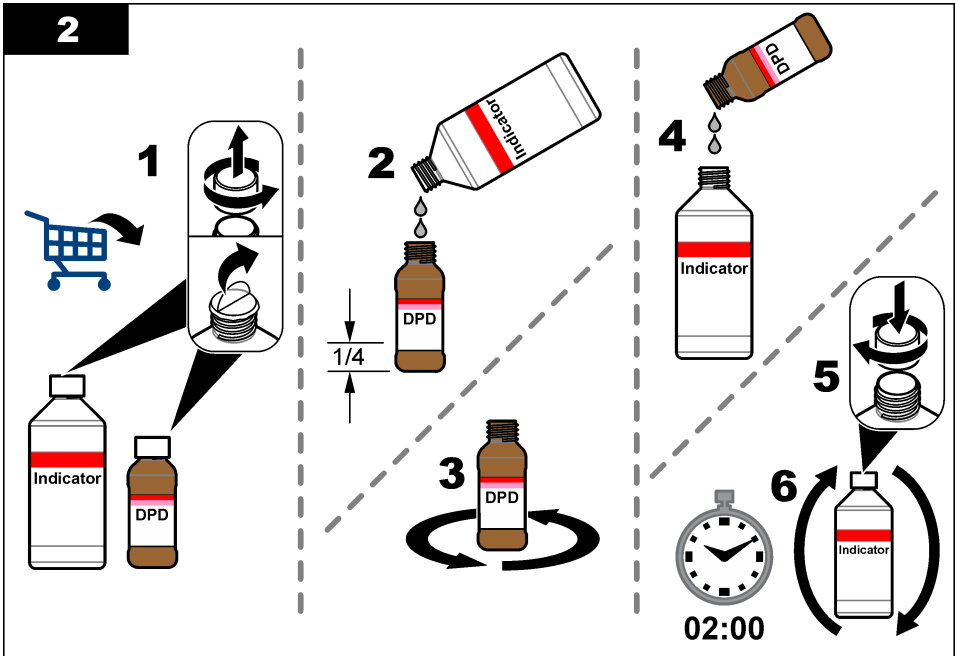
1. Ta på den personliga skyddsutrustning som anges i databladet om materialsäkerhet (MSDS/SDS).
2. Montera buffertflaskan på höger sida och indikatorflaskan på vänster sida. Se de illustrerade stegen som följer.

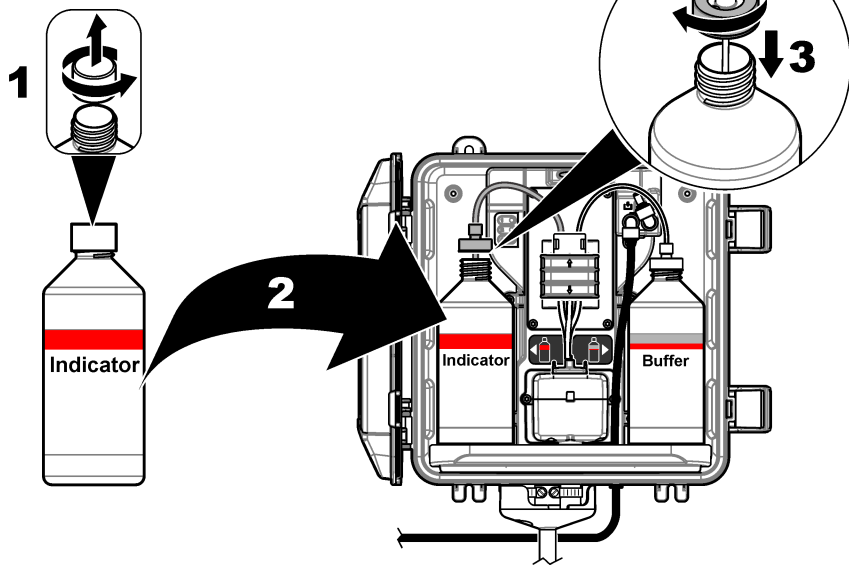
**Observera:** Använd analysatorns övre del som en hylla (valfritt).

1



2



**3**

### 3.6 Steg 5: Ställ in provflödet till På

1. Vrid långsamt avstängningsventilen(erna) till öppet läge  $\frac{1}{4}$  varv.
2. Kontrollera att det inte finns några läckage i slanganslutningarna. Om det finns en läcka trycker du röret längre in i kopplingen eller drar åt anslutningen med en skiftnyckel.
3. För monteringar med stigrör utför du följande steg:
  - a. Öppna avstängningsventilen helt vid Y-silens utlopp.
  - b. Vrid avstängningsventilen vid Y-silens inlopp (artikel 6 i [Figur 3](#) på sidan 272 eller [Figur 4](#) på sidan 273) tills en liten vattenstråle kommer ut ur standrörets dräneringsslang.
4. För monteringar med tryckregulator utför du följande steg:
  - a. Öppna avstängningsventilerna helt vid Y-silens in- och utlopp.
  - b. Vrid avstängningsventilen vid Y-silens bypass (punkt 6 i [Figur 5](#) på sidan 274) tills en liten ström vatten kommer ut ur Y-silens bypassslang.

### 3.7 Steg 6: Elektrisk installation

#### 3.7.1 Anslut analysatorn till styrenheten

#### ▲ VARNING



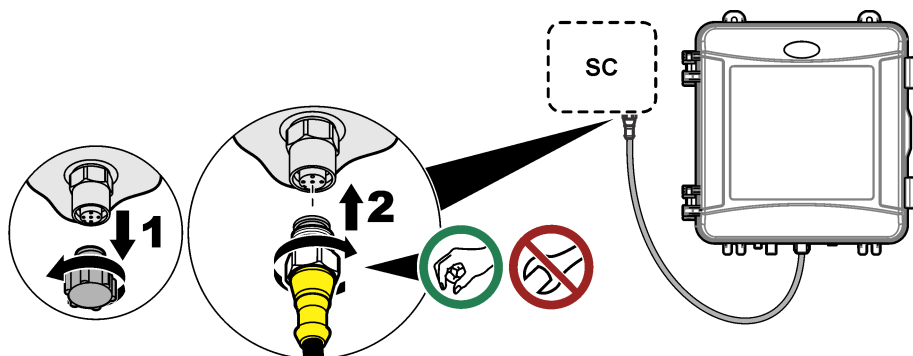
Risk för elektriska stötar. Externt ansluten utrustning måste ha en gällande säkerhetsstandardbedömning.

Anslut analysatorkabeln till snabbkontakten på sc-styrenheten. Se [Figur 6](#).

Behåll anslutningens lock för att täcka anslutningens öppning om kabeln måste tas bort.

**Observera:** Förlängningskablar finns att tillgå. Mer information finns i [Reservdelar och tillbehör](#) på sidan 288. Maximal kabellängd är 15 m (49 fot).

Figur 6 Anslut kabeln till en snabbkoppling



### 3.7.2 Anslut styrenheten till ström

Anslut styrenheten till nätström genom fast anslutning i ledaren eller anslutning till en strömkabel. Instruktioner finns i dokumentationen för styrenheten.

### 3.7.3 Anslut externa enheter till styrenheten

Anslut styrenhetens reläer, analoga utgångar och digitala ingångar till externa enheter vid behov. Instruktioner finns i dokumentationen för styrenheten.

## 3.8 Steg 7: Montera och förpumpa analysatorn

1. Tryck på **menu (meny)** och välj sedan GIVARE SET-UP > [välj analysator] > FÖRPUMPA.
2. Så här gör du om styrenheten inte känner igen att analysatorn är ansluten:
  - a. Tryck på **menu** och välj sedan TEST/UNDERHÅLL > SKANNAR GIVARE.
  - b. När givaren har hittats och installerats utför du steg 1 igen.

## 3.9 Steg 8: Ställ in flödes hastigheten

Analysatorn har en flödesmätare som mäter provflödet genom analysatorn. Se [Figur 1](#) på sidan 268.

1. Tryck på pilen **RIGHT (HÖGER)** på styrenheten för att visa flödes hastigheten på displayen. Provet flödar endast genom analysatorn när analysatorn spolrar cellen. Annars finns det inget provflöde och flödes hastigheten som visas är noll. Se [Tabell 4](#) på sidan 268 för beskrivningar av mätningscykelns steg.

**Observera:** Om du vill mäta flödet manuellt genom analysatorn mäter du flödes hastigheten i analysatorns avrinning när analysatorn spolrar cellen med vatten.
2. För installation av stigrör vrider du avstängningsventilen vid Y-silens utlopp för att ställa in flödes hastigheten mellan 60 och 200 mL/min när analysatorn spolrar cellen med vatten.
3. För installation av tryckregulator justerar du tryckregulatorn för att ställa in flödes hastigheten mellan 60 och 200 mL/min när analysatorn spolrar cellen med vatten.

## 3.10 Steg 9: Installera den senaste programvaran

Kontrollera att SC-styrenheten har den senaste programvaran installerad. Använd ett SD-kort för att installera den senaste programvaran på SC-styrenheten.

1. Gå till produktsidan för den aktuella SC-styrenheten på <http://hach.com>.
2. Klicka på fliken "Resurser".
3. Bläddra ned till "Software/Firmware".
4. Klicka på länken för SC-styrenhetens programvara.

5. Spara filerna på ett SD-kort.
6. Installera filerna på SC-styrenheten. Läs installationsinstruktionerna för programvara som medföljde programvarufilerna.

## Avsnitt 4 Konfigurering

### 4.1 Steg 10: Konfigurera analysator

Ställ in namn på analysatorn, medelvärdessignal, uppmätt klortyp, bubbelavvisning och larmbörvärde för klor.

1. Tryck på **menu (meny)** välj sedan GIVARE SET-UP > [välj analysator] > KONFIGURERING.
2. Välj och konfigurera varje alternativ.

Alternativ	Beskrivning
<b>LÄGG IN NAMN</b>	Ställ in namnet på analysatorn. Analysatorns namn visas på styrenhetens display och i loggfilerna.
<b>MEDELV SIGNAL</b>	<p>Ställer in antalet mätningar som används för att beräkna medelmätvärdet som visas på displayen. Alternativ: 1 (standard), 2, 3 eller OREGELBUND. VÄRDE.</p> <p>När MEDELV SIGNAL är inställt på 1 är signalmedelvärdet avaktiverat.</p> <p>När MEDELV SIGNAL är inställt på 2 eller 3 visas ett medelvärde på displayen. Mätningen på displayen är till exempel lika med den sista och föregående mätningen delat med två när MEDELV SIGNAL är inställt på 2.</p> <p>När MEDELV SIGNAL är inställt på OREGELBUND. VÄRDE avvisar analysatorn ett mätvärde som är ovanligt mycket högre eller lägre än de senaste mätvärdena. När ett mätvärde avvisas visas det senast korrekta mätvärdet på displayen och sparas i dataloggen. Högst tre mätvärden i följd avvisas.</p> <p>Signalmedelvärdet korrigerar för felaktiga avläsningsfluktuationer som orsakas av bubblor eller större partiklar i prov.</p>
<b>MÄTNING</b>	<p>Ställer in den uppmätta klortypen. Om det står "Free Chlorine (Fritt klor)" på märkningen på buffert- och indikatorflaskorna väljer du FRITT KLOR (standard).</p> <p>Om det står "Total Chlorine (Totalt klor)" på märkningen på buffert- och indikatorflaskorna väljer du TOTALT KLOR.</p>
<b>BUBBEL KOMP.</b>	Ställer in bubbelavvisning till Till eller Från (standard). Ställ in BUBBEL KOMP. till TILL för att minska störningar som orsakas av bubblor i provet. Luftbubblor i provet kan leda till att mätvärdena inte blir stabila.
<b>HÖGA CL-LARM</b>	Ställer in börvärdet för klorkoncentration till larmet HÖGT KLOR – 0,00 till 10,00 mg/L (standard: 4,00 mg/L).
<b>LÅGA CL-LARM</b>	Ställer in börvärdet för klorkoncentration till larmet LÅGT KLOR – 0,00 till 10,00 mg/L (standard: 0,20 mg/L).
<b>GIVARINFO</b>	Visar analysatorns serienummer, programversion, startversion och drivrutinsversion.
<b>STANDARINSTÄLLNINGAR</b>	Välj JA om du vill återställa konfigurationsinställningarna till fabriksinställningarna.
<b>SERVICE</b>	Endast för serviceändamål

### 4.2 Systemkonfigurering

Se dokumentationen till styrenheten för information om systemets konfigurering, allmänna styrenhetsinställningar och inställningar för utgångar och kommunikationer.



### 4.3 Användarnavigering

Beskrivning av knappsatsen och navigeringsinformation finns i dokumentationen till instrumentet.

Tryck flera gånger på **HÖGER** pilknapp på styrenheten för att visa mer information på hemskärmen och för att visa en grafisk display.

## Avsnitt 5 Användning

### 5.1 Datalogg, händelselogg och servicelogg

Du kan använda styrenheten till att få tillgång till data-, händelse- och serviceloggar för alla anslutna instrument. Analysatormätningarna sparas automatiskt i dataloggen med intervallet 150 sekunder. I händelseloggen ser du händelser som har inträffat. Händelse- och dataloggarna innehåller cirka 2 veckor med data när analysatorn används kontinuerligt. Serviceloggen behåller cirka 24 timmar med data när analysatorn används kontinuerligt.

Se dokumentationen för styrenheten för att hämta data-, händelse- och serviceloggen. Dataloggen är en XML-fil som du kan spara med CSV- eller Excel-format. Händelse- och serviceloggen är filer i CSV-format.

### 5.2 Mät ett MANUELLT PROV I

Använd menyn MANUELLT PROV I för att lägga till ett vattenprov med känd klorkoncentration till cellen för mätning vid behov. Ta ett manuellt mättningsprov för verifiering eller för att mäta ett vattenprov som samlats in från en annan plats.

1. Tryck på **menu (meny)** och välj sedan GIVARE SET-UP > [välj analysator] > MANUELLT PROV I.
2. Gå igenom de steg som visas på displayen. När du uppmanas ska du ta bort cellocket och tillsätta 100 mL av det manuella provet till cellen. En del av provet flödar till provutloppet.

### 5.3 Modbus-register

Det finns en lista över alla modbus-register för nätverkskommunikation. Mer information finns på tillverkarens webbplats.

## Avsnitt 6 Kalibrering och justering

Analysatorns kalibreringskurva ställs in på fabriken för prestanda enligt specifikationerna. Du kan utföra en kalibrering för prestandaverifiering.

Användarjusteringar av den fabriksinställda kalibreringskurvan rekommenderas inte om det inte krävs av en tillsynsmyndighet för efterlevande av regler, eller om en stor reparation av analysatorn utförs.

Se anvisningarna i satsen för kalibreringsverifiering för mer information eller kontakta teknisk support.

## Avsnitt 7 Underhåll

### ▲ FÖRSIKTIGHET



Flera risker. Endast kvalificerad personal får utföra de moment som beskrivs i den här delen av dokumentet.

### ANMÄRKNING:

Ta inte isär instrumentet för att utföra underhåll. Kontakta tillverkaren om de inre delarna behöver rengöras eller repareras.

## 7.1 Underhållsschema

Tabell 6 visar rekommenderat schema för underhållsuppgifter. Anläggningskrav och förhållanden kan öka frekvensen för vissa uppgifter.

Tabell 6 Underhållsschema

Uppgift	1 månad	Efter 6 månader	Vid behov
Rengör cellen på sidan 282	X <sup>2</sup>		
Byta reagensflaskorna på sidan 283	X		
Byt ut omröraren och slanghållaren <sup>3</sup>		X	
Rengör silen i Y-silen på sidan 284			X

## 7.2 Rengör cellen

▲ FÖRSIKTIGHET	
	Risk för kemikalieexponering. Följ laboratoriets säkerhetsanvisningar och bär all personlig skyddsutrustning som krävs vid hantering av kemikalier. Läs aktuella datablad (MSDS/SDS) om säkerhetsanvisningar.

Rengör cellen en gång i månaden eller oftare om det behövs.

Artiklar som ska finnas tillgängliga:



Bomullstopp<sup>4</sup>



5,25 N-svavelsyralösning<sup>5</sup>

1. Ta på den personliga skyddsutrustning som anges i databladerna om materialsäkerhet (MSDS/SDS).
2. Tryck på **menu (meny)** och välj sedan GIVARE SET-UP > [välj analysator] > UPPGIFT > RENGÖR CELL.  
*Observera:* Om du vill stoppa en vald uppgift trycker du på **home (hem)**.
3. Tryck på **enter** för att stoppa mätningar.
4. Välj ett alternativ.

Alternativ	Beskrivning
LÅST	Styrenhetens utdata hålls på det senast uppmätta värdet.
ÖVERFÖR	Styrenhetens utdata ändras till överföringsvärdet.

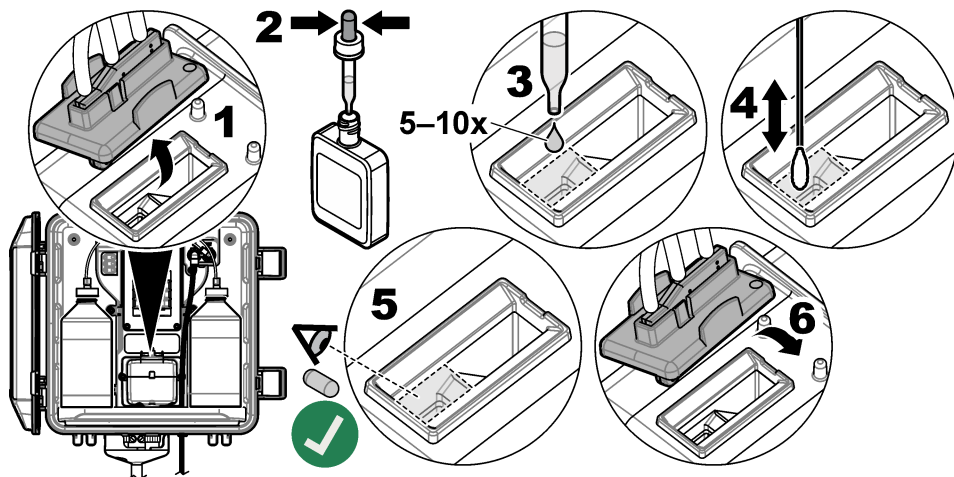
5. När statuslampan blinkar utför du följande illustrerade steg. När du är klar trycker du på **enter**. Se till att inget oönskat ämne finns i cellen. Se steg 5. Använd en ficklampa för att leta efter oönskat material om nödvändigt.

<sup>2</sup> Rengör cellen mer eller mindre ofta efter behov.

<sup>3</sup> Läs instruktionerna som medföljer slangsetsen.

<sup>4</sup> Se [Reservdelar och tillbehör](#) på sidan 288.

<sup>5</sup> Använd inte andra rengöringsmedel. Se [Reservdelar och tillbehör](#) på sidan 288.



6. När "UPPGIFT SLUTFÖRD." visas på displayen trycker du på **enter**.  
Analysatorn startar en mätningscykel om cirka 30 sekunder.

### 7.3 Byta reagensflaskorna

<b>⚠ FÖRSIKTIGHET</b>	
	Risk för kemikalieexponering. Följ laboratoriets säkerhetsanvisningar och bär all personlig skyddsutrustning som krävs vid hantering av kemikalier. Läs aktuella datablad (MSDS/SDS) om säkerhetsanvisningar.
<b>⚠ FÖRSIKTIGHET</b>	
	Risk för kemikalieexponering. Kassera kemikalier och avfall enligt lokala, regionala och nationella lagar.

Byt ut reagensflaskorna en gång i månaden.

1. Ta på den personliga skyddsutrustning som anges i databladet om materialsäkerhet (MSDS/SDS).
2. Tryck på **menu (meny)** och välj sedan GIVARE SET-UP > [välj analysator] > UPPGIFT > BYT REAGENT.  
*Observera:* Om du vill stoppa en vald uppgift trycker du på **home (hem)**.
3. Tryck på **enter** för att stoppa mätningar.
4. Välj ett alternativ.

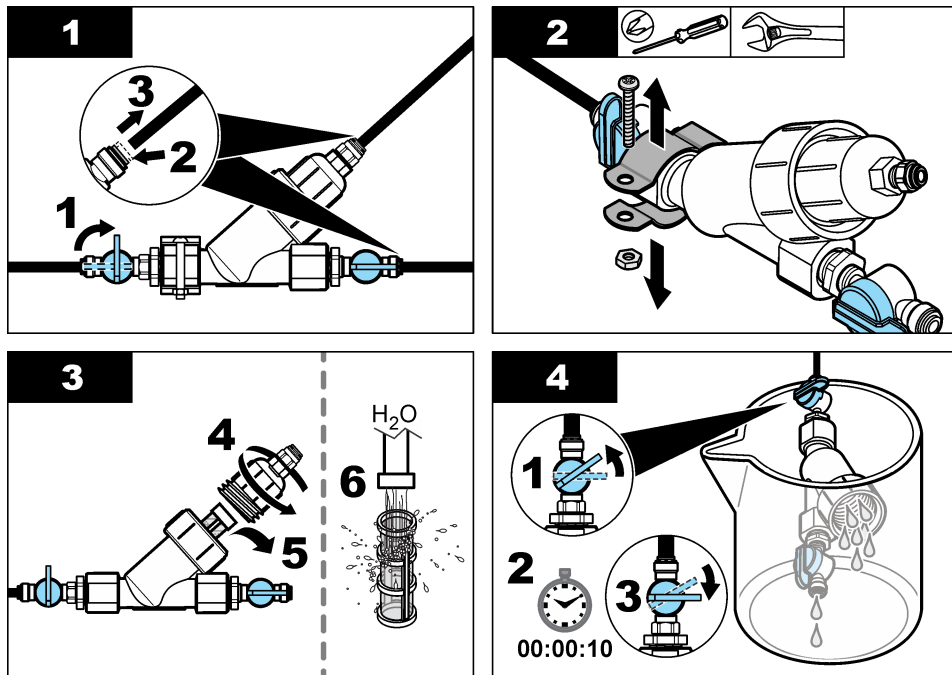
Alternativ	Beskrivning
<b>LAST</b>	Styrenhetens utdata hålls på det senast uppmätta värdet.
<b>ÖVERFÖR</b>	Styrenhetens utdata ändras till överföringsvärdet.

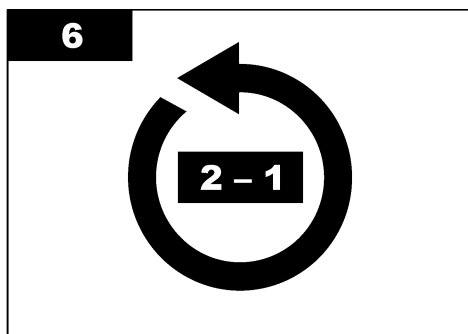
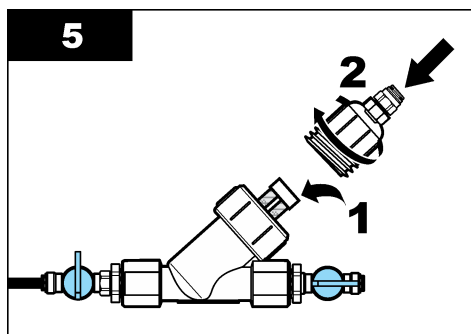
5. Vänta tills statuslampan blinkar.
6. Byt ut buffertflaskan enligt följande:  
*Observera:* Använd analysatorns övre del som en hylla (valfritt).
  - a. Ta bort locket och tätningen från den nya buffertflaskan.
  - b. Ta bort den använda buffertflaskan från analysatorn.

- c. Placera buffertslangen i den nya buffertflaskan på analysatorns högra sida. Dra åt locket.
7. Byt ut indikatorflaskan enligt följande:
- a. Ta bort locket och tätningen från indikatorflaskan och den bruna DPD-flaskan.
  - b. Fyll den bruna DPD-flaskan till cirka en fjärdedel med indikatorlösning.
  - c. Blanda genom att svirvla runt innehållet i DPD-flaskan.
  - d. Placera DPD-flaskans innehåll i indikatorflaskan.
  - e. Vänd på indikatorflaskan tills allt pulver har lösts upp (2 minuter).
  - f. Ta bort den använda indikatorflaskan från analysatorn.
  - g. Placera indikatorslangen i den nya indikatorflaskan på analysatorns vänstra sida. Dra åt locket.
8. Tryck på **enter**.
9. När "UPPGIFT SLUTFÖRD." visas på displayen trycker du på **enter**. Analysatorn startar en mätningscykel om cirka 30 sekunder.

## 7.4 Rengör silen i Y-silen

Rengör silen i Y-silen om det finns en blockering, vilket identifieras med varningen LÅGT PROVFLÖDE. Utför stegen som illustreras nedan.





## 7.5 Förbered för förvaring

### ⚠ FÖRSIKTIGHET



Risk för kemikalieexponering. Följ laboratoriets säkerhetsanvisningar och bär all personlig skyddsutrustning som krävs vid hantering av kemikalier. Läs aktuella datablad (MSDS/SDS) om säkerhetsanvisningar.

Förbered analysatorn för förvaring om strömmen till analysatorn ska kopplas från i mer än 3 dagar eller om analysatorn inte ska användas på mer än 3 dagar.

#### Artiklar som ska finnas tillgängliga:



Bägare med avjoniserat vatten (2 st.)

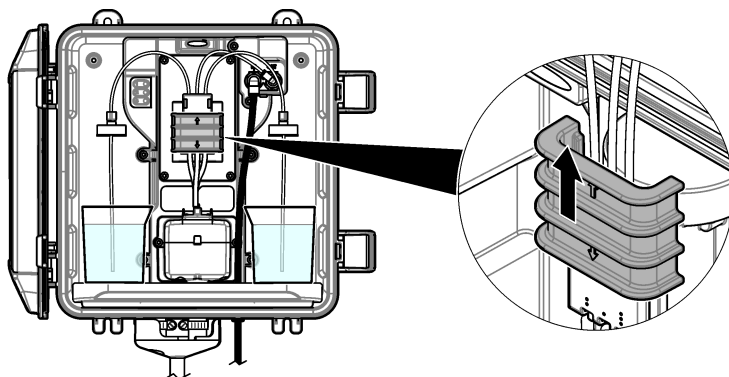


Engångspipett eller luddfri trasa

1. Ta bort reagensen från reagensledningarna på följande sätt:
  - a. Ta bort indikatorflaskan och buffertflaskan från analysatorn.
  - b. Placera två bägare (eller behållare) med avjoniserat vatten i analysatorn.
  - c. Placera indikatorflaskans slang och buffertflaskans slang i bägarna.
  - d. Tryck på **menu (meny)** och välj sedan GIVARE SET-UP > [välj analysator] > FÖRPUMPA. Analysatorn tar bort reagensen från reagensledningarna.
2. Ta bort det avjoniserade vattnet från reagensledningarna på följande sätt:
  - a. Ta bort indikatorflaskans slang och buffertflaskans slang från bägarna.
  - b. Ta bort båda bägarna från analysatorn.
  - c. Tryck på **menu (meny)** och välj sedan GIVARE SET-UP > [välj analysator] > FÖRPUMPA. Analysatorn tar bort all vätska från reagensledningarna.
3. Koppla bort analysatorkabeln från styrenheten (eller koppla bort strömmen till styrenheten).
4. Vrid avstängningsventilen till stängt läge för att stoppa provflödet till Y-silen.
5. Ta bort pumpklämman. Mer information finns i [Figur 7](#). Behåll pumpklämman för senare användning.
6. Ta bort vattnet från cellen på följande sätt:
  - a. Ta bort locket från cellen.
  - b. Ta bort vattnet från cellen med en engångspipett eller en luddfri trasa.
  - c. Sätt tillbaka locket på cellen.
7. Starta analysatorn efter förvaring genom att utföra följande steg:
  - a. Montera kabelklämman. Se [Figur 7](#).
  - b. Montera reagensflaskor. Se [Steg 4: Montera reagensflaskorna](#) på sidan 276.

- c. Vrid avstängningsventilen till öppet läge för att starta provflödet till Y-silen.
- d. Anslut analysatorns kabel till styrenheten om kabeln var frånkopplad.
- e. Anslut ström till styrenheten om strömmen var frånkopplad.
- f. Tryck på **menu (meny)** och välj sedan GIVARE SET-UP > [välj analysator] > FÖRPUMPA.

Figur 7 Ta bort pumpklämman



## 7.6 Förbered för transport

### ▲ FÖRSIKTIGHET



Risk för kemikalieexponering. Följ laboratoriets säkerhetsanvisningar och bär all personlig skyddsutrustning som krävs vid hantering av kemikalier. Läs aktuella datablad (MSDS/SDS) om säkerhetsanvisningar.

Förbered analysatorn för transport genom att utföra följande steg.

#### Artiklar som ska finnas tillgängliga:



Bägare med avjoniserat vatten (2 st.)



Originalförpackning

1. Ta bort reagensen från reagensledningarna på följande sätt:
  - a. Ta bort indikatorflaskan och buffertflaskan från analysatorn.
  - b. Placera två bägare (eller behållare) med avjoniserat vatten i analysatorn.
  - c. Placera indikatorflaskans slang och buffertflaskans slang i bägarna.
  - d. Tryck på **menu (meny)** och välj sedan GIVARE SET-UP > [välj analysator] > FÖRPUMPA. Analysatorn tar bort reagensen från reagensledningarna.
2. Ta bort det avjoniserade vattnet från reagensledningarna på följande sätt:
  - a. Ta bort indikatorflaskans slang och buffertflaskans slang från bägarna.
  - b. Ta bort båda bägarna från analysatorn.
  - c. Tryck på **menu (meny)** och välj sedan GIVARE SET-UP > [välj analysator] > FÖRPUMPA. Analysatorn tar bort all vätska från reagensledningarna.
3. Koppla bort analysatorkabeln från styrenheten.
4. Vrid avstängningsventilen till stängt läge för att stoppa provflödet till Y-silen.
5. Koppla bort provinloppsslangen (svart) och provutloppsslangen (genomskinlig) från analysatorn.
6. Ta bort det yttre luftskyddet från analysatorn.

7. Ta bort pumpklämman. Se [Figur 7](#) på sidan 286.
8. Ta bort slanghållaren och omröraren från analysatorn. Behåll slanghållaren för transport med analysatorn. Se [Steg 3: Montera omröraren och slanghållaren](#) på sidan 276.
9. Montera pumpklämman utan slanghållaren. Tejpa slangklämman för att hålla slangklämman ordentligt på plats.
10. Ta bort vattnet från cellen med en engångspipett eller en luddfri trasa.
11. Ta bort analysatorn från väggen.
12. Lägg tillbaka analysatorn i originalförpackningen.

## 7.7 Rengör instrumentet

### ANMÄRKNING:

Använd aldrig rengöringsmedel som terpentin, aceton eller liknande produkter för att rengöra instrumentet, displayen eller tillbehören.

Rengör instrumentets utsida med en fuktig torkduk och en mild tvällösning.

## 7.8 Rengöra spill

### ▲ FÖRSIKTIGHET



Risk för kemikalieexponering. Kassera kemikalier och avfall enligt lokala, regionala och nationella lagar.

1. Följ alla rutiner i anläggningen för hantering av spill.
2. Kassera avfall enligt gällande lagar och regler.

## Avsnitt 8 Felsökning

### 8.1 Fel – Rött sken

Om du vill visa fel trycker du på **menu (meny)** och väljer DIAGNOSTIK > [välj analysator] > FEL LISTA. En lista med möjliga fel finns i [Tabell 7](#).

Analysatorstatuslampan lyser rätt om ett fel inträffar. Mätningen avbryts, skärmen för mätning blinkar och alla utgångar hålls enligt specifikation i styrenhetens meny.

Tabell 7 Felmeddelanden

Fel	Beskrivning	Lösning
DETEKTORFEL.	En detektor fungerar inte korrekt.	Kontakta teknisk support.
SMUTSIG CELL	Cellen är fläckad eller smutsig. En biofilm kan växa i cellen vid mycket låg klorconcentration.	Rengör cellen. Se <a href="#">Rengör cellen</a> på sidan 282.
KODFEL.	Ett fel på fast programvara inträffade.	Kontakta teknisk support.
LED-FEL	Ljuset i cellen fungerar inte korrekt.	Kontakta teknisk support.
PUMPFEL	Pumpen fungerar inte korrekt.	Kontakta teknisk support.
PROVLÄCKAGE	Det finns en provläcka i analysatorn.	Kontakta teknisk support.

### 8.2 Varningar – Gult sken


Om du vill visa varningar trycker du på **menu (meny)** och väljer DIAGNOSTIK > [välj analysator] > LARM LISTA. En lista över möjliga varningar finns i [Tabell 8](#).

Statusindikatorlampan lyser gult vid varningar. En varningsikon blinkar och ett meddelande visas längst ner på styrenhetens display. Om det finns tillräckligt provflöde påverkas inte menyernas funktion av en varning. En varning påverkar inte reläernas eller utgångarnas funktion.

**Tabell 8 Varningsmeddelanden**

Varning	Beskrivning	Lösning
BUBBLOR IDENT.	Det finns bubblor i cellen.	Rengör cellen. Se <a href="#">Rengör cellen</a> på sidan 282. (Valfritt) Aktivera inställningen BUBBEL KOMP.. Se <a href="#">Steg 10: Konfigurera analysator</a> på sidan 280.
RENGÖR CELL SNART	Cellen blir fläckad eller smutsig och bör rengöras snart för att förhindra att ett fel inträffar.	Rengör cellen. Se <a href="#">Rengör cellen</a> på sidan 282.
HÖGT KLOR	Klorkoncentrationen ligger på eller över börvärdet för HÖGA CL-LARM.	Öka inställningen för HÖGA CL-LARM. Se <a href="#">Steg 10: Konfigurera analysator</a> på sidan 280. Eller Minska klorkoncentrationen i det prov som tillhandahålls till analysatorn.
LÅGT KLOR	Klorkoncentrationen ligger på eller under börvärdet för LÅGA CL-LARM.	Öka inställningen för LÅGA CL-LARM. Se <a href="#">Steg 10: Konfigurera analysator</a> på sidan 280. Eller Öka klorkoncentrationen i det prov som tillhandahålls till analysatorn.
LÅGT PROVFLÖDE	Det uppmätta provflödet är lägre än minimiprovlödestakten. Se <a href="#">Specifikationer</a> på sidan 265.	Ange provets flödes hastighet. Se <a href="#">Steg 8: Ställ in flödes hastigheten</a> på sidan 279. Rengör filtret i Y-silen vid behov för att ta avlägsna en blockering. Se <a href="#">Rengör silen i Y-silen</a> på sidan 284.
PROVFLÖDE HÖGT	Det uppmätta provflödet är högre än maximiprovlödestakten. Se <a href="#">Specifikationer</a> på sidan 265.	Ange provets flödes hastighet. Se <a href="#">Steg 8: Ställ in flödes hastigheten</a> på sidan 279.

## Avsnitt 9 Reservdelar och tillbehör

<b>⚠ VARNING</b>	
	Risk för personskada. Användning av icke godkända delar kan orsaka personskador eller skador på maskinen eller utrustningen. Reservdelar i detta avsnitt är godkända av tillverkaren.

**Observera:** Produkt- och artikelnummer kan variera i olika försäljningsregioner. Kontakta lämplig återförsäljare eller se företagets webbsida för att få kontaktinformation.

### Förbrukningsartiklar

Beskrivning	Antal	Produktnr
Reagenssats, fritt klor, innehåller: Buffertflaska, indikatorflaska och DPD-flaska	1	2556900
Reagenssats, totalt klor, innehåller: Buffertflaska, indikatorflaska och DPD-flaska	1	2557000
Cellrengöringssats, innehåller: Svavelsyra, 5,25 N, 100 mL, pipettflaska och bomullstopp (10 st.)	1	8573100



## Förbrukningsartiklar (fortsättning)

Beskrivning	Antal	Produktnr
Verifieringssats för kalibrering, innehåller: spruta, slang, rörskopplingar, ampullbrytare, avjoniserat vatten och standarddampull med klor	1	8568200
Refillkit för kalibreringsverifiering, innehåller: Standarddampull för avjoniserat vatten och klor	1	8573200

## Reservdelar

Beskrivning	Produktnr.
Slangsats, innehåller: Slanghållare och omrörare	USA: 8560400 EU: 8575000
Installationssats med ståndrör (10 psi eller mindre)	USA: 8560500 EU: 8575100
Installationssats med ståndrör (>10 psi)	8576001
Installationssats med tryckregulator	USA: 8565700 EU: 8575200

## Tillbehör

Beskrivning	Produktnr.
Förlängningskabel för analysator, 1 m (3,2 fot)	6122400
Förlängningskabel för analysator, 7,7 m (25 fot)	5796000
Förlängningskabel för analysator, 15 m (50 fot)	5796100
Slangadapter, 6 mm OD till 1/4 tums OD	09184=A=4020

# Sisällysluettelo

- 1 Tekniset tiedot sivulla 290
- 2 Yleistietoa sivulla 291
- 3 Asentaminen sivulla 294
- 4 Asetukset sivulla 305
- 5 Käyttö sivulla 306
- 6 Kalibrointi ja säätö sivulla 306
- 7 Huolto sivulla 307
- 8 Vianmääritys sivulla 312
- 9 Varaosat ja lisävarusteet sivulla 314

## Osa 1 Tekniset tiedot

Tekniset tiedot voivat muuttua ilman ennakoilmoitusta.

**Taulukko 1 Yleiset ominaisuudet**

Ominaisuus	Tiedot
Mitat (L x K x S)	32,9 x 34,2 x 17,7 cm (12,9 x 13,5 x 7,0 in.)
Kotelo	IP66 / IEC 60529 luokka suljettuna ja lukittuna <sup>1</sup>
Lähetyspaino	4,1 kg (9 lb) ilman pulloja, 5,1 kg (11,2 lb) täysien pullojen kanssa
Kiinnitys	Seinäkiinnitys
Suojausluokka	III
Ympäristöhaittaluokka	3
Sähköasennusluokka	I (sisällä)
Tehovaatimukset	Enintään 12 VDC, 400 mA (ohjaimen syöttämä)
Käyttölämpötila	5...40 °C (41...104 °F)
Käyttöympäristön kosteus	0–90 %:n kondensoimaton suhteellinen kosteus
Säilytyslämpötila	–40...60 °C (–40...140 °F)
Prosessiyhteet	Näytteenottoletku: ulkohalkaisijaltaan ¼ tuuman pikaliitin muoviletkulle Poistoletkut: päälle vedettävä liitoskappale sisähalkaisijaltaan ½ tuuman pehmeälle muoviletkulle
Merkkivalot	Analysaattorin tila ja mittausjakso
Sertifiointit	EU DoC, UKCA DoC, FCC/ISED SDoC, ACMA DoC, KC, Morocco DoC
Takuu	1 vuosi (EU: 2 vuotta)

**Taulukko 2 Näytevaatimukset**

Ominaisuus	Tiedot
Paine	0,31–5,17 bar (4,5–75 psig) Y-putkeen, 0,1–0,34 bar (1,5–5 psig) analysaattoriin
Virtausnopeus	60–200 mL/min laitteen läpi (mitattu analysaattorin poistoaukon kohdalla)
Lämpötila	5...40 °C (41...104 °F)
Suodatus	Y-putki, jossa vähintään 40 meshin suodatin

<sup>1</sup> Poistoaukot suljettu tulpilla testivaatimuksia varten.

**Taulukko 3 Mittausten tekniset tiedot**

Ominaisuus	Tiedot
Valonlähde	LED, mittaus 510 nm:ssä, valon reitti 1 cm
Mittausalue	0,03–10 mg/L, vapaa tai kokonaisjäännöskloori, Cl <sub>2</sub>
Mittausväli	150 sekuntia
Tarkkuus	±5 % tai ±0,04 mg/L, 0–5 mg/L (suurempi arvo), Cl <sub>2</sub> ±10 %, 5–10 mg/L, Cl <sub>2</sub>
Tarkkuus	±5 % tai ±0,01 mg/L (suurempi arvo), Cl <sub>2</sub>
Tunnistusraja	0,03 mg/L, Cl <sub>2</sub>
Pitoisuusraja	0,07 mg/L
Kalibrointi	Tehdaskalibrointi Valinnainen: 2-pisteinen käyttäjän suorittama kalibrointi kalibroinnin varmennussarjan kalibroitistandardien mukaisesti
Reagenssien kulutus	0,5 L puskuriliuosta ja 0,5 L indikaattoriliuosta 31 päivässä

## Osa 2 Yleistietoa

Valmistaja ei ole missään tilanteessa vastuussa vahingoista, jotka aiheutuvat tuotteen epäasianmukaisesta käytöstä tai käyttöoppaan ohjeiden noudattamatta jättämisestä. Valmistaja varaa oikeuden tehdä tähän käyttöohjeeseen ja kuvaamaan tuotteeseen muutoksia koska tahansa ilman eri ilmoitusta tai velvoitteita. Päivitetty käyttöohjeet ovat saatavilla valmistajan verkkosivuilta.

### 2.1 Turvallisuustiedot

Valmistaja ei ole vastuussa mistään virheellisestä käytöstä aiheuvista vahingoista mukaan lukien rajoituksetta suorista, satunnaisista ja välillisistä vahingoista. Valmistaja sanoutuu irti tällaisista vahingoista soveltuvien lakien sallimissa rajoissa. Käyttäjä on yksin vastuussa sovellukseen liittyvien kriittisten riskien arvioinnista ja sellaisten asianmukaisten mekanismien asentamisesta, jotka suojaavat prosesseja laitteen toimintahäiriön aikana.

Lue nämä käyttöohjeet kokonaan ennen tämän laitteen pakkauksesta purkamista, asennusta tai käyttöä. Kiinnitä huomiota kaikkiin vaara- ja varotoimilausekkeisiin. Niiden laiminlyönti voi johtaa käyttäjän vakavaan vammaan tai laitteistovaurioon.

Varmista, että tämän laitteen tarjoama suojaus ei heikkene. Laitetta ei saa asentaa tai käyttää muulla tavoin kuin näiden ohjeiden mukaisesti.

#### 2.1.1 Vaaratilanteiden merkintä

#### ▲ VAARA

Ilmoittaa mahdollisesti vaarallisesta tai välittömän vaaran aiheuttavasta tilanteesta, joka aiheuttaa kuoleman tai vakavan vamman.

#### ▲ VAROITUS

Ilmoittaa potentiaalisesti tai uhkaavasti vaarallisen tilanteen, joka, jos sitä ei vältetä, voi johtaa kuolemaan tai vakavaan vammaan.

#### ▲ VAROTOIMI

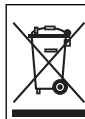
Ilmoittaa mahdollisesti vaarallisesta tilanteesta, joka voi aiheuttaa lievän tai kohtalaisen vamman.

#### HUOMAUTUS

Ilmoittaa tilanteesta, joka saattaa aiheuttaa vahinkoa laitteelle. Tieto, joka vaatii erityistä huomiota.

## 2.1.2 Varoitustarrat

Lue kaikki laitteen tarrat ja merkinnät. Ohjeiden laiminlyönnistä voi seurata henkilövamma tai laitevaurio. Laitteen symboliin viitataan käyttöohjeessa, ja siihen on liitetty varoitus.



Sähkölaitteita, joissa on tämä symboli, ei saa hävittää yleisille tai kotitalousjätteille tarkoitetuissa eurooppalaisissa jätteiden hävitysjärjestelmissä. Vanhat tai käytöstä poistetut laitteet voi palauttaa maksutta valmistajalle hävittämistä varten.

## 2.1.3 Sähkömagneettisen yhteensopivuuden (EMC) vaatimustenmukaisuus

### ▲ VAROTOIMI

Tätä laitetta ei ole tarkoitettu käytettäväksi asuinympäristöissä eikä se välttämättä tarjoa riittävää suojaa radiovastaanottimelle tällaisissa ympäristöissä.

#### CE (EU)

Laitte täyttää EMC-direktiivin 2014/30/EU olennaiset vaatimukset.

#### UKCA (UK)

Laitte täyttää vuoden 2016 sähkömagneettista yhteensopivuutta koskevien säännösten (S.I. 2016/1091) vaatimukset.

#### Canadian Radio Interference-Causing Equipment Regulation, ICES-003, luokka A:

Tarkemmat testitulokset ovat valmistajalla.

Tämä luokan A digitaalinen laite vastaa kaikkia Kanadan häiriöitä tuottavista laitteista annettujen säädösten vaatimuksia.

Cet appareil numérique de classe A répond à toutes les exigences de la réglementation canadienne sur les équipements provoquant des interférences.

#### FCC Osa 15, luokan "A" rajoitukset

Tarkemmat testitulokset ovat valmistajalla. Laitte vastaa FCC-säädösten osaa 15. Laitteen toimintaa koskevat seuraavat ehdot:

1. Laitte ei saa aiheuttaa haitallisia häiriöitä.
2. Laitteen on voitava vastaanottaa häiriöitä, mukaan lukien häiriöt, jotka voivat olla syynä epätoivottuun toimintaan.

Tähän laitteeseen tehdyt, muut kuin yhteensopivuudesta vastaavan osapuolen hyväksymät muutokset tai muokkaukset saattavat johtaa käyttäjän menettämään oikeutensa käyttää tätä laitetta. Tämä laite on testattu ja sen on todettu olevan luokan A digitaalinen laite, joka vastaa FCC-säädösten osaa 15. Nämä rajoitukset on laadittu antamaan kohtuullinen suoja haitallisilta häiriöiltä, kun laitetta käytetään kaupallisessa ympäristössä. Tämä laite kehittää, käyttää ja saattaa säteillä radiotaajuusenergiaa, ja näiden ohjeiden vastaisesti asennettuna tai käytettynä se saattaa aiheuttaa haitallisia häiriöitä radioliikenteeseen. Tämän laitteen käyttö asuinalueella aiheuttaa todennäköisesti haitallisia häiriöitä, missä tapauksessa käyttäjän on korjattava tilanne omalla kustannuksellaan. Häiriöitä voidaan vähentää seuraavilla tavoilla:

1. Irrota laite sähköverkosta varmistaaksesi, onko laite häiriöiden syy.
2. Jos laite on kytketty samaan pistorasiaan kuin häiriöitä vastaanottava laite, kytke tämä laite toiseen pistorasiaan.
3. Siirrä laite kauemmas häiriötä vastaanottavasta laitteesta.
4. Sijoita häiriötä vastaanottavan laitteen antenni toiseen paikkaan.
5. Kokeile edellä annettujen ohjeiden yhdistelmiä.

## 2.2 Tuotteen yleiskuvaus

### VAARA



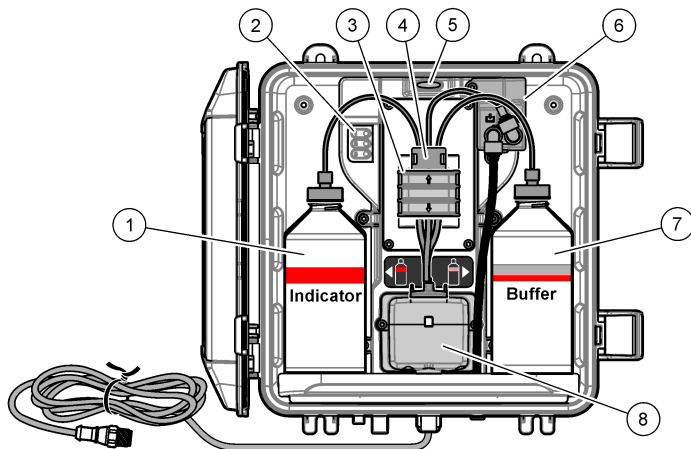
Kemialliset tai biologiset vaarat. Jos laitteella valvotaan käsittelyprosessia ja/tai dialyysivettä, jota koskevat viranomaissäädökset ja yleiseen terveyteen, yleiseen turvallisuuteen tai elintarvikkeiden/juomien valmistamiseen tai käsittelyyn liittyvät valvontavaatimukset, soveltuvien säädösten noudattaminen on käyttäjän vastuulla. Käyttäjän on myös varmistettava, että laitteen toimintahäiriön aikana on käytettävissä säädösten mukaiset riittävät ja asianmukaiset varamekanismit.

CL17sc-analysaattori mittaa kokonaisklooripitoisuutta vedessä alueella 0,03–10 mg/L 150 sekunnin välein. Lisäksi [Kuva 1](#) näyttää yleiskatsauksen analysaattorista.

Kun analysaattori kytketään SC-ohjaimiin, se saa virtaa ja sen käyttö, tietojen keruu, tietojen siirto ja vianmääritys on mahdollista. Katso yleisiä tietoja SC-ohjaimesta sen käyttöoppaasta.

**Huomautus:** SC-ohjaimiin voi kytkeä useamman analysaattorin, jos ohjaimessa on useampi pikaliitäntä.

**Kuva 1 CL17sc**



1 Indikaattoriliuospullo	5 Analysaattorin tilan merkkivalo ( <a href="#">Taulukko 5</a> sivulla 294)
2 Mittausjakson merkkivalot ( <a href="#">Taulukko 4</a> sivulla 294)	6 Virtausmittari
3 Pumpun kiinnitin	7 Puskuriliuospullo
4 Letkukiinnike	8 Kolorimetrinen näytekuppi

### 2.2.1 Virtausmittari

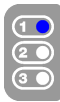
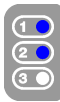

Analysaattorissa on virtausmittari, joka mittaa näytteen virtausta analysaattorin läpi. Katso [Kuva 1](#) sivulla 293.

Näyte virtaa analysaattorin läpi vain, kun analysaattori huuhtelee näytekupin. Muissa tapauksissa näytteen virtausta ei ole ja näytetty virtausnopeus on nolla. Näytät virtausnopeus painamalla ohjaimen **oikeaa** nuolipainiketta.

## 2.2.2 Mittausjakson merkkivalot

Mittausjakson merkkivalot näyttävät suoritettavan mittausjakson vaiheen. Katso [Taulukko 4](#).

**Taulukko 4 Mittausjakson merkkivalot**

<b>Valot palavat</b>			
<b>Kuvaus</b>	Kuppi huuhdellaan vedellä.	Puskuri- ja indikaattoriuos lisätään kuppiin.	Näyte mitataan.

## 2.2.3 Analysaattorin tilan merkkivalo

Analysaattorin tilan merkkivalo muuttuu vihreästä keltaiseksi varoituksen yhteydessä ja punaiseksi virheen yhteydessä. Katso [Taulukko 5](#).

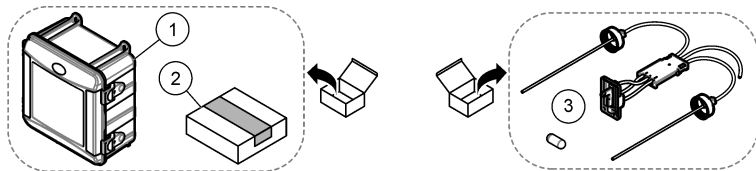
**Taulukko 5 Analysaattorin tilan merkkivalo**

Väri	Kuvaus
Vihreä	Normaali käyttö
Keltainen	Järjestelmää on hoidettava mahdollisen tulevan voittumisen estämiseksi. Mittaukset jatkuvat. Kun haluat nähdä varoitukset, paina <b>menu</b> -painiketta ja valitse <b>DIAGNOSTICS (DIAGNOSTIIKKA) &gt; [valitse analysaattori] &gt; WARNING LIST (HÄLYTYSLISTA)</b> . Katso <a href="#">Varoitukset – keltainen valo</a> sivulla 313.
Punainen	Järjestelmän kunto on tarkistettava välittömästi. Mittaukset on pysäytetty. Kun haluat nähdä virheet, paina <b>menu</b> -painiketta ja valitse <b>DIAGNOSTICS (DIAGNOSTIIKKA) &gt; [valitse analysaattori] &gt; ERROR LIST (VIKALISTA)</b> . Katso <a href="#">Virheet – punainen merkkivalo</a> sivulla 312.

## 2.3 Tuotteen osat

Varmista, että laitteen mukana on toimitettu kaikki tarvittavat osat. Katso [Kuva 2](#). Jos jokin tarvikkeista puuttuu tai on viallinen, ota välittömästi yhteys valmistajaan tai toimittajaan.

**Kuva 2 Tuotteen osat**



1 CL17sc-analysointilaitteisto	3 Letkusarja (letkunippu ja sekoitussiipi)
2 Asennussarja	

## Osa 3 Asentaminen

### ▲ VAROTOIMI



Useita vaaroja. Vain ammattitaitoinen henkilö saa suorittaa käyttöohjeen tässä osassa kuvatut tehtävät.

### 3.1 Asennusohjeet

- Analysaattorin mukana toimitetaan pystyputken asennussarja tai paineensäätimen asennussarja, jolla ohjataan vedenpainetta analysointilaitteeseen. Käyttäjä valitsee asennussarjan ostohetkellä.

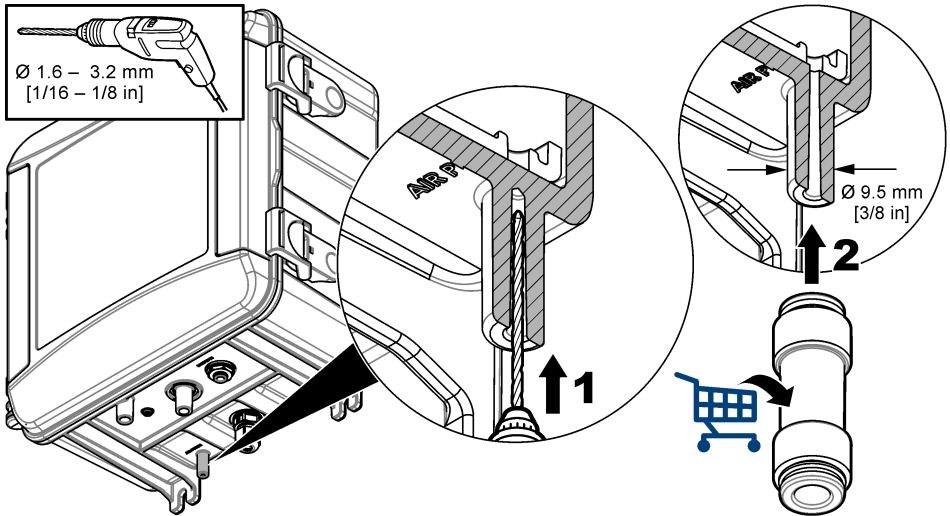
- Asenna analysaattori sisätiloihin, joissa on mahdollisimman vähän tärinää. Katso käyttölämpötila- ja kosteustiedot kohdasta [Tekniset tiedot](#) sivulla 290.
- Analysaattoria ei saa asentaa suoraan auringonpaisteeseen eikä lähelle lämmönlähdettä.
- Asenna analysaattori seisontaputkiasennuksia varten paikkaan, jossa analysaattorin yläpuolella on riittävästi vapaata tilaa seisontaputkiasennusta varten.
- Asenna analysaattori lähelle viemäriä. Tarkista hävittämistä koskevat ohjeet paikalliselta viranomaiselta.

### 3.2 Vaihe 1: Ilmanpoisto (valinnainen)

Ilmanpoisto voi olla tarpeellista, jos analysaattori on asennettu paikkaan, jossa on runsaasti kosteutta ja/tai höyryjä, jotka voivat aiheuttaa korroosiota. Ilmanpoisto säilyttää positiivisen paineen laitteessa kuivalla ja puhtaalla ilmalla.

Syötä puhdasta, kuivaa, mittaustilalaatuista ilmaa 0,003 m<sup>3</sup> minuutissa (0,1 ft<sup>3</sup>/minuutti) enintään 20 psig:n paineella.

Lue seuraavat kuvaohjeet. Käyttäjä hankkii 3/8 tuuman pikaliittimen ja letkut.



### 3.3 Vaihe 2: Analysaattorin kiinnitys ja letkuliitokset

#### ▲ VAROTOIMI



Laitteen kanssa saa käyttää vain Hach Companyn hyväksymiä letkuja. Muut letkut voivat imeä näytevedessä olevaa klooria ja vaikuttaa kielteisesti kloorilukemiin (pienentää niitä).

#### HUOMAUTUS

Analysaattorin virheelliset letkuliitokset voivat aiheuttaa vaurioita liian suuren näytteen paineen vuoksi. Noudata aina analysaattorin kiinnitystä ja letkuliitoksia koskevia ohjeita.

1. Kiinnitä analysaattori (kohde 9) seinään neljällä ruuvilla. Varmista, että analysaattori on suorassa.  
**Huomautus:** Käyttäjä hankkii asennuslaitteiston.
2. Kiinnitä SC-ohjain (kohde 7) seinään, paneeliin tai putkeen. Katso ohjeet SC-ohjaimen dokumentaatiosta.
3. Kokoa Y-putki. Katso ohjeet pakkausluettelosta.

4. Käytä 1 tuuman putkipuristinta Y-siiviläkokoospanon kiinnittämiseen (kohta 5 kohdissa [Kuva 3](#), [Kuva 4](#) tai [Kuva 5](#)).
5. Asenna ulkoinen ilmansulku analysaattoriin (kohta 2 kohdissa [Kuva 3](#), [Kuva 4](#) tai [Kuva 5](#)). Katso ohjeet pakkausluettelosta.
6. Tee vaihe [7](#) tai [8](#).

Analysaattorin mukana toimitetaan paineputken asennussarja tai paineensäätimen asennussarja tuloveden paineen säätöä varten. Käyttäjä valitsee asennussarjan ostohetkellä. Yksi standpipe-sarja on tarkoitettu enintään 10 psi:n paineelle ja yksi standpipe-sarja yli 10 psi:n tulovedenpaineelle. Mittaa tuloveden paine juuri ennen Y-siiviläkokoospanoa.
7. Jos pystyputken asennussarja valittiin ostohetkellä, asenna pystyputki seuraavasti:
  - a. Kokoa pystyputki. Katso ohjeet pakkausluettelosta.
  - b. Käytä pienempää putkikiinnikettä jalustaputkikokoospanon kiinnittämiseen analysaattorin yläosan yläpuolelle:
    - 10 psi tai vähemmän - Asenna jalustaputkisto vähintään 61 cm (24 tuumaa) analysaattorin yläreunan yläpuolelle.
    - Yli 10 psi - Asenna jalustaputkisto vähintään 91,4 cm (36 tuumaa) analysaattorin yläreunan yläpuolelle.
  - c. 10 psi tai vähemmän - Asenna näytteen ohitusletku mustalla letkulla (kohta 8 osoitteessa [Kuva 3](#)). Työnnä letku pystyputken taakse ja sitten putkeen. Aseta putki 10-13 cm (4-5 tuumaa) korkeudelle seisontaputken yläosaan.
  - d. Yli 10 psi - Liitä mustalla letkulla Y-siivilän ulostulo seisontaputken sisääntuloon (kohta 8 osoitteessa [Kuva 4](#)).
  - e. Katkaise näytteen poistoletkusta (kohde 3) pätkä. Käytä letkua putkiston liittämiseen avoimeen viemäriin (kohta 11). Katso [Poistoletkuja koskevat ohjeet](#) sivulla 300.
8. Jos paineensäätimen asennussarja valittiin ostohetkellä, asenna paineensäädin (kohde 10, [Kuva 5](#)).
9. Liitä mustalla letkulla Y-putken tulo (kohde 5) näytelähteeseen.

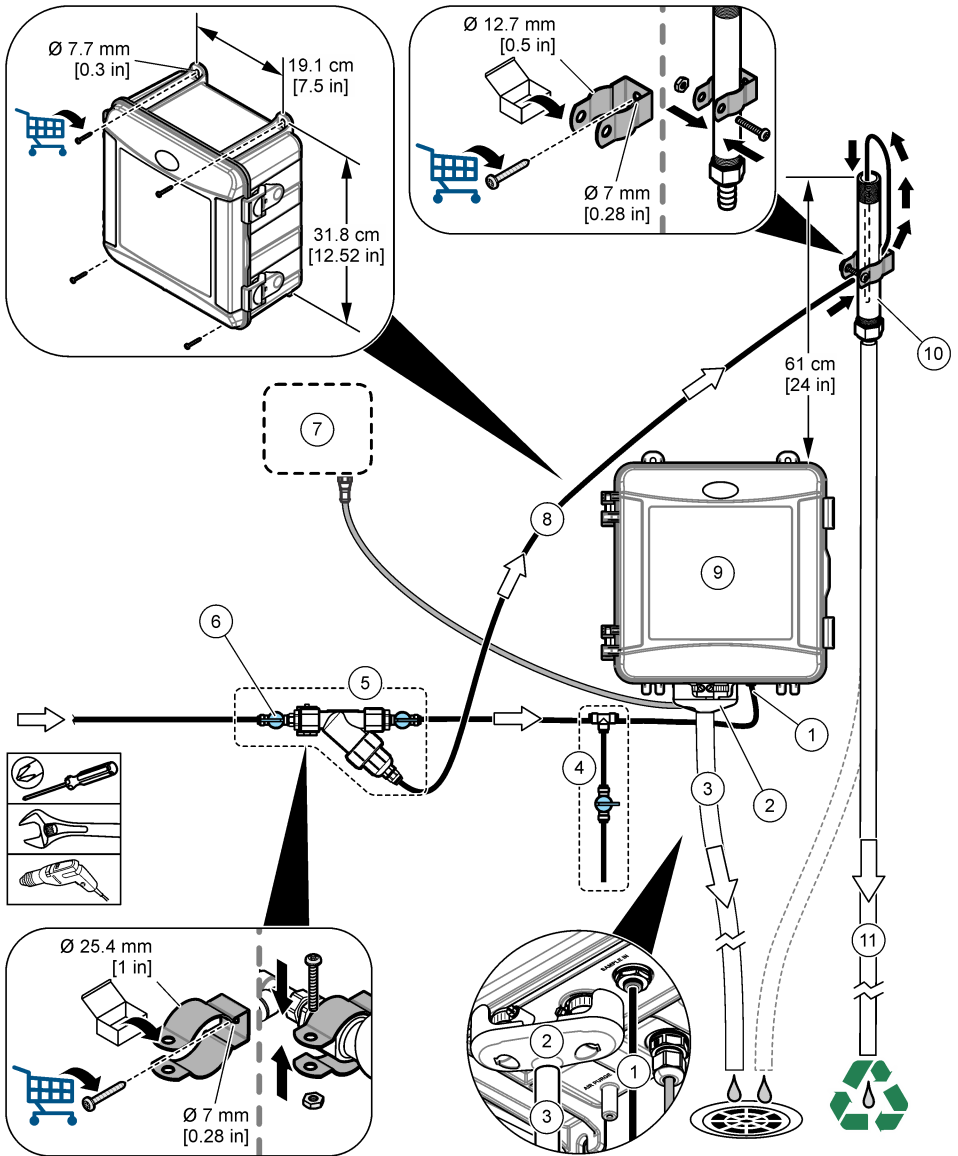
Katso kohtia [Näytteenottoletkuja koskevat ohjeet](#) sivulla 300 ja [Näytevaatimukset](#) sivulla 300.
10. Liitä näyte mustalla letkulla näytteenotto-liitäntään (kohta 1) seuraavasti:

Tee letkusta mahdollisimman lyhyt ja enintään 2,5 m (8 ft) pitkä.

  - 10 psi tai vähemmän - Kytke Y-siivilän ulostulo analysaattorin pohjassa olevaan näytteen sisääntuloliitäntään (kohta 1). Katso [Kuva 3](#).
  - Yli 10 psi-Kytke seisontaputken ulostuloaukko analysaattorin pohjassa olevaan näytteen tuloliitäntään (kohta 1). Katso [Kuva 4](#).
  - Paineensäädin-Kytke paineensäätimen ulostuloaukko analysaattorin pohjassa olevaan näytteen sisääntuloliitäntään (kohta 1). Katso [Kuva 5](#).
11. Jos paineensäädin on asennettu, asenna näytteen ohivirtausletku (kohde 8, [Kuva 5](#)).
12. Kokoa ja kiinnitä näytekokoospano (kohta 4).
13. Kytke näytteenottokokoospanon ti-liitäntä putkistoon. Katso soveltuvin osin [Kuva 3](#), [Kuva 4](#) tai [Kuva 5](#).
14. Liitä näytteen poistoletku (kohde 3) viemäriin. Katso [Poistoletkuja koskevat ohjeet](#) sivulla 300.

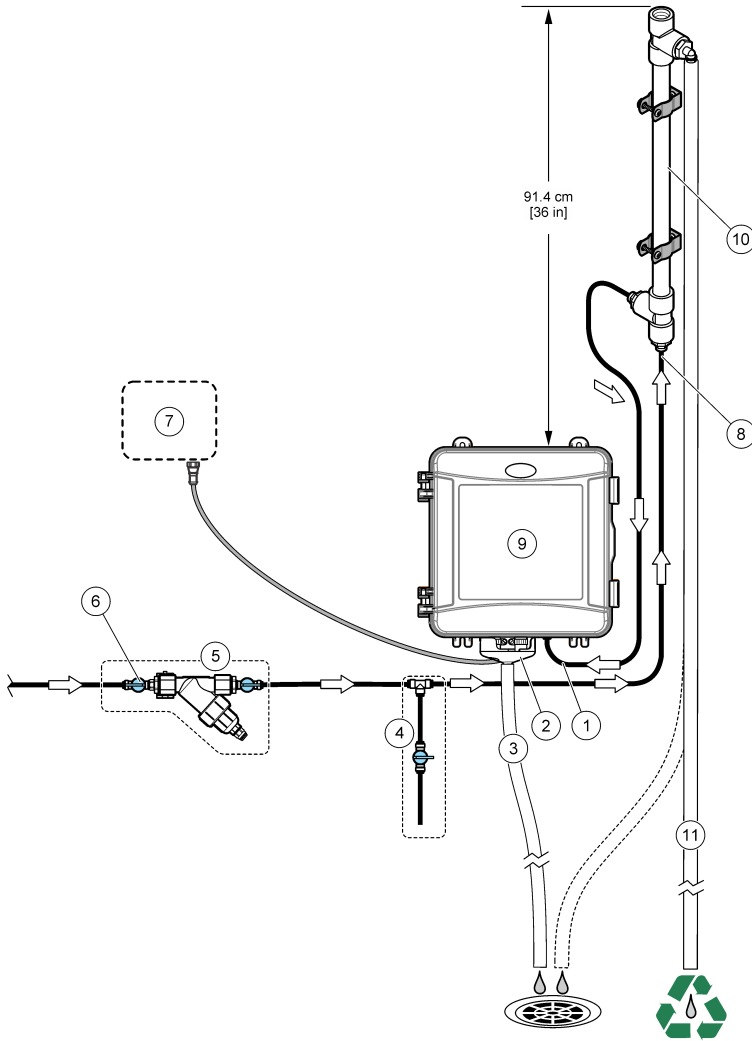


Kuva 3 Asennus seisontaputken kanssa (10 psi tai vähemmän)



1 Näytteen syöttöliitäntä	7 SC-ohjain
2 Ulkoinen ilman katkaisu	8 Näytteen ohivirtausletku
3 Näytteen poistoletku	9 Analysaattori
4 Kertanäyteasennus	10 Pystyputki
5 Y-putkikokoonpano	11 Pystyputken poistoletku
6 Sulkuventtiili Y-putken tulossa	

**Kuva 4 Asennus seisontaputken kanssa (yli 10 psi)**



1 Näytteen syöttöliitäntä	7 SC-ohjain
2 Ulkoinen ilman katkaisu	8 Seisontaputken tuloaukko
3 Näytteen poistoletku	9 Analysaattori
4 Kertanäyteasennus	10 Pystyputki
5 Y-putkikokoonpano	11 Pystyputken poistoletku
6 Sulkuventtiili Y-putken tulossa	



### 3.3.1 Näytteenottoletkuja koskevat ohjeet

Mittauslaite toimii parhaiten, kun näytteenottoaika on hyvin valittu. Näytteen on oltava koko järjestelmää edustava.

Virheellisten lukemien ehkäiseminen:

- Näytteenottoaikojen on oltava riittävän kaukana kohdista, joissa prosessivirtaukseen lisätään kemikaaleja.
- Varmista, että näytteet ovat sekoittuneet tarpeeksi.
- Varmista, että kaikki kemialliset reaktiot ovat päättyneet.
- Asenna analysaattori mahdollisimman lähelle näytelähdettä, enintään 4,6 m:n (15 ft) päähän.

### 3.3.2 Näytevaatimukset

Näytelähteen (-lähteiden) veden on oltava kohdan [Tekniset tiedot](#) sivulla 290 ominaisuuksien mukaista.

Jotta laite toimisi parhaalla mahdollisella tavalla, pidä näytteen virtausnopeus ja käyttölämpötila mahdollisimman vakioina.

### 3.3.3 Poistoletkuja koskevat ohjeet

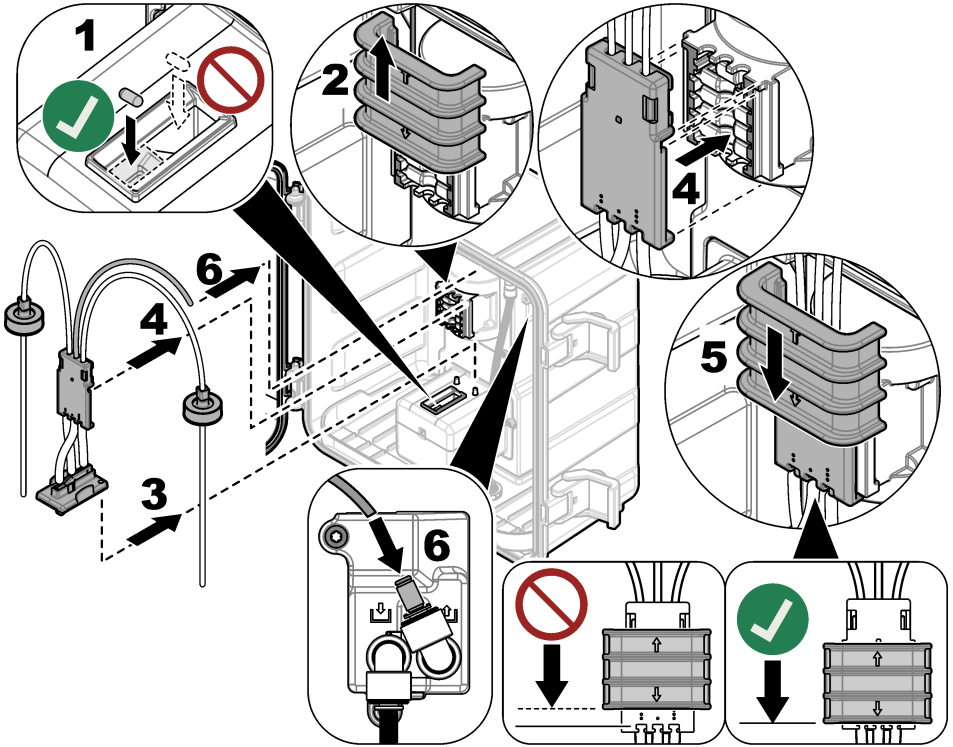
#### **HUOMAUTUS**

Poistoletkujen väärän asennustavan seurauksena laitteeseen saattaa päästä sisään nestettä, mikä voi aiheuttaa vaurioita.

- Asenna ulkoinen ilman katkaisu. Katso kohta 2 kohdasta [Kuva 3](#) sivulla 297, [Kuva 4](#) sivulla 298 tai [Kuva 5](#) sivulla 299.
- Pidä poistoletkut mahdollisimman lyhyinä.
- Varmista, että poistoletkut viettävät koko matkaltaan alaspäin.
- Varmista, että poistoletkuissa ei ole teräviä mutkia eivätkä ne ole puristuksissa.

### 3.4 Vaihe 3: Sekoitussiiven ja letkunipun asennus

Tee kuvaohjeiden mukaiset toimenpiteet.



### 3.5 Vaihe 4: Reagenssipurlojen asennus

#### ⚠ VAROTOIMI



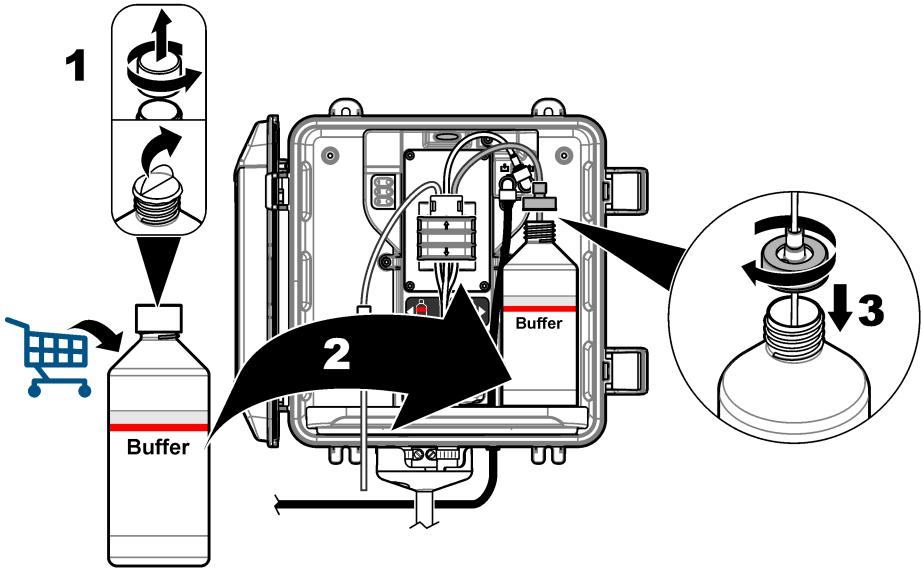
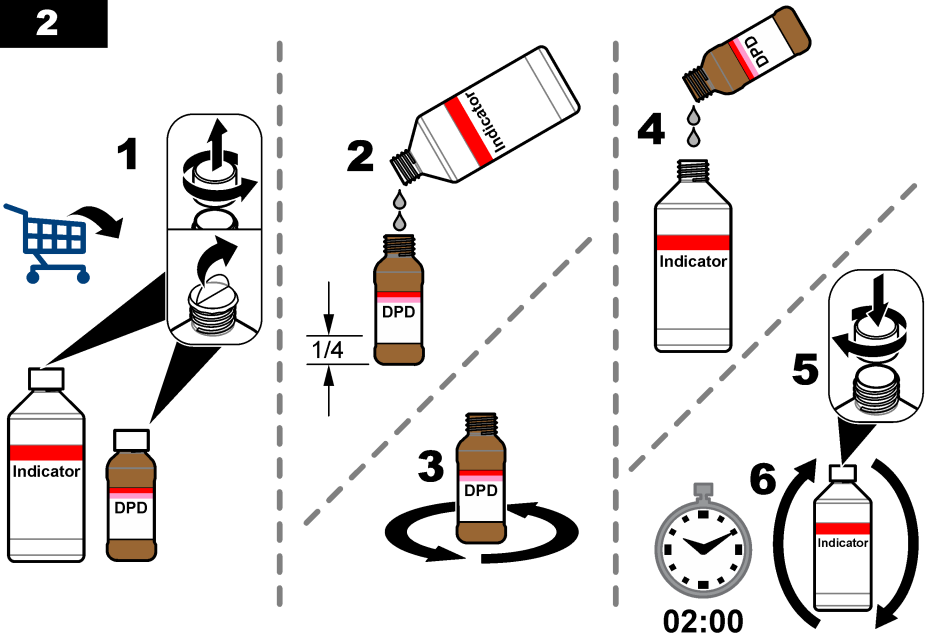
Kemikaalille altistumisen vaara. Noudata laboratorion turvallisuusohjeita ja käytä käsiteltäville kemikaaleille soveltuvia suojavarusteita. Lue turvallisuusprotokollat ajan tasalla olevista käyttöturvatieotteista (MSDS/SDS).

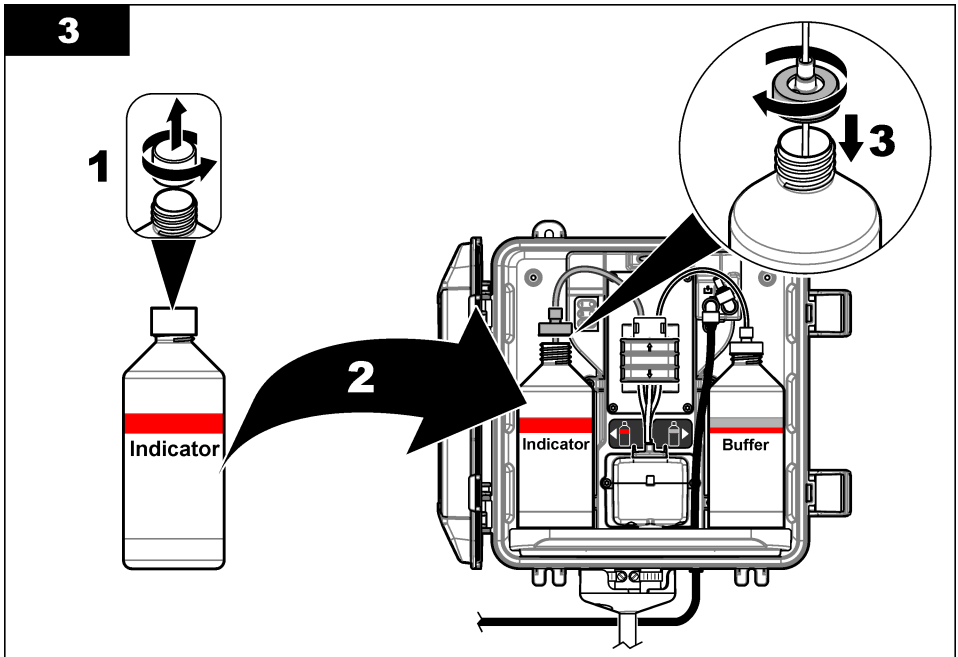
#### Tarvittavat tarvikkeet:

- Henkilönsuojaimet (katso käyttöturvakuuustiedotteet [MSDS/SDS])
- Indikaattoriliuospullo
- Puskuriliuospullo
- DPD-yhdistepullo

1. Pue käyttöturvakuuustiedotteissa (MSDS/SDS) ilmoitetut suojavarusteet.
2. Asenna puskuriliuospullo oikealle puolelle ja indikaattoriliuospullo vasemmalle puolelle. Lue seuraavat kuvaohjeet.

**Huomautus:** (Valinnainen) Käytä analysaattorin yläosaa hyllynä.

**1****2**

**3**

### 3.6 Vaihe 5: Näytteen virtauksen käynnistäminen

1. Käännä sulkuventtiilejä hitaasti avattuun asentoon ¼ kierrosta.
2. Varmista, että letkuliitännöissä ei ole vuotoja. Jos vuoto löytyy, työnnä letkua pidemmälle liittimeen tai kiristä liittintä jakoavaimella.
3. Toimi pystyputkiasennuksissa seuraavasti:
  - a. Avaa Y-putken lähdössä oleva sulkuventtiili kokonaan.
  - b. Käännä sulkuventtiiliä Y-siivilän sisään tulossa (kohta 6 osoitteessa [Kuva 3](#) sivulla 297 tai [Kuva 4](#) sivulla 298), kunnes pieni vesivirta tulee ulos seisontaputken tyhjennysletkusta.
4. Toimi paineensäädinasennuksissa seuraavasti:
  - a. Avaa Y-putken tulossa ja lähdössä olevat sulkuventtiilit kokonaan.
  - b. Käännä Y-putken ohituksessa olevaa sulkuventtiiliä (kohde 6, [Kuva 5](#) sivulla 299), kunnes Y-putken ohivirtausletkusta tulee vähän vettä.

### 3.7 Vaihe 6: Sähköasennus

#### 3.7.1 Analysaattorin liittäminen ohjaimen

#### ▲ VAROITUS



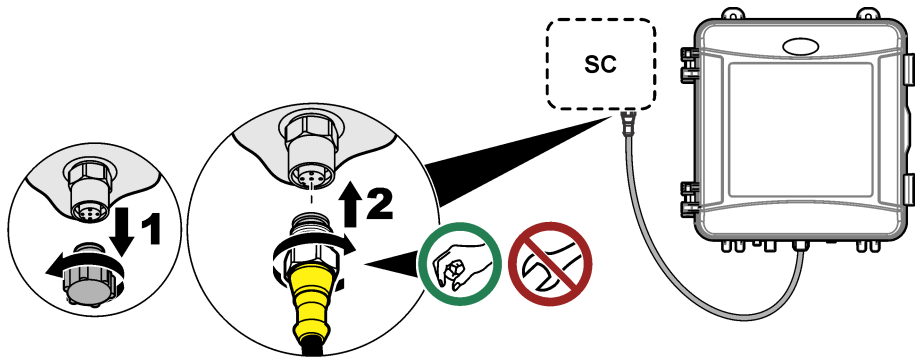
Sähköiskun vaara. Ulkoisesti kytketyillä laitteilla on oltava kyseisen maan turvallisuusstandardiarvio.

Liitä analysaattorin kaapeli SC-ohjaimen pikaliitintään. Katso [Kuva 6](#).

Säilytä liittimen suojus, jotta voit tiivistää liittimen aukon siinä tapauksessa, että kaapeli täytyy irrottaa.

**Huomautus:** Saatavana on jatkokaapeleita. Katso [Varaosat ja lisävarusteet](#) sivulla 314. Kaapelin enimmäispituus on 15 m (49 ft).

**Kuva 6 Kaapelin liittäminen pikaliitintään**



### 3.7.2 Ohjaimen kytkeminen verkkovirtaan

Kytke ohjain verkkovirtaan johdottamalla se kiinteän putkijohdon tai virtajohdon avulla. Lue ohjeet ohjaimen asiakirjoista.

### 3.7.3 Ulkoisten laitteiden liittäminen ohjaimen

Liitä ohjaimen releet, analogialähdöt ja digitaalitulot ulkoisiin laitteisiin tarvittaessa. Lue ohjeet ohjaimen asiakirjoista.

## 3.8 Vaihe 7: Analysaattorin määrittys ja täyttö

1. Paina **menu**-painiketta ja valitse SENSOR SETUP (ANTURIVALIKKO) > [valitse analysaattori] > PRIME (TÄYTTÖ).
2. Jos ohjain ei tunnista kytkettyä analysaattoria, toimi seuraavasti:
  - a. Paina **menu**-painiketta ja valitse TEST/MAINT (TESTI/HUOLTO) > SCAN SENSORS (ETSI ANTURIT).
  - b. Kun anturi on löydetty ja asennettu, tee vaihe 1 uudelleen.

## 3.9 Vaihe 8: Virtausnopeuden asettaminen

Analysaattorissa on virtausmittari, joka mittaa näytteen virtausta analysaattorin läpi. Katso [Kuva 1](#) sivulla 293.

1. Näytä virtausnopeus painamalla ohjaimen **OIKEAA** nuolipainiketta.

Näyte virtaa analysaattorin läpi vain, kun analysaattori huuhtelee näytekupin. Muissa tapauksissa näytteen virtausta ei ole ja näytetty virtausnopeus on nolla. Katso [Taulukko 4](#) sivulla 294, jos haluat nähdä mittausjaksojen vaiheiden kuvauksia.

**Huomautus:** Voit mitata analysaattorin läpi kulkevan näytteen virtausnopeuden manuaalisesti mittaamalla virtausnopeuden analysaattorin poistoaukon kohdalla, kun analysaattori huuhtelee näytekupin vedellä.
2. Jos kokoonpanoon on asennettu pystyputki, käännä Y-putken lähdössä oleva sulkuventtiiliä, jotta saat määritettyä virtausnopeuden välille 60–200 mL/min, kun analysaattori huuhtelee näytekupin vedellä.
3. Jos kokoonpanoon on asennettu paineensäädin, säädä paineensäätimellä virtausnopeudeksi 60–200 mL/min, kun analysaattori huuhtelee kupin vedellä.



## 3.10 Vaihe 9: Uusimman ohjelmiston asennus

Varmista, että SC-ohjaimen on asennettu uusiin ohjelmisto. Asenna uusi ohjelmisto SC-ohjaimen SD-korttia käyttämällä.

1. Siirry kyseisen SC-ohjaimen tuotesivulle osoitteessa <http://hach.com>.
2. Napsauta "Resurssit"-välilehteä.
3. Siirry alas kohtaan Software/Firmware (Ohjelmisto/laiteohjelmisto).
4. Napsauta SC-ohjaimen ohjelmiston linkkiä.
5. Tallenna tiedostot SD-kortille.
6. Asenna tiedostot SC-ohjaimen. Katso ohjelmistotiedostojen mukana toimitetut asennusohjeet.

## Osa 4 Asetukset

### 4.1 Vaihe 10: Analysaattorin määrittäminen

Määritä analysaattorin nimi, signaalin keskiarvo, mitattavan kloorin tyyppi, kuplien torjunta ja kloorin häilytyksen asetuspiisteet.

1. Paina **menu**-painiketta ja valitse **SENSOR SETUP (ANTURIVALIKKO) > [valitse analysaattori] > CONFIGURE (KONFIGUROI)**.
2. Valitse ja määritä asetukset.

Vaihtoehto	Kuvaus
<b>EDIT NAME (MUUTA NIMI)</b>	Määrittää analysaattorin nimen. Analysaattorin nimi näkyy ohjaimen näytössä ja lokitiedostoissa.
<b>SIGNAL AVERAGE (KESKIM SIGNAL)</b>	Määrittää mittausten lukumäärän, jolla lasketaan näytössä näkyvä mittausten keskiarvo. Vaihtoehdot: 1 (oletus), 2, 3 tai IRREGULAR VALUE (EPÄSÄÄNN. ARVO). Kun SIGNAL AVERAGE (KESKIM SIGNAL) -asetus on 1, signaalin keskiarvon laskenta on poissa käytöstä. Kun SIGNAL AVERAGE (KESKIM SIGNAL) -asetus on 2 tai 3, keskiarvo näytetään näytössä. Esimerkki: näytössä näkyvä mittausta on yhtä suuri kuin viimeisin mittausta jaettuna kahdella, kun SIGNAL AVERAGE (KESKIM SIGNAL) -asetus on 2. Kun SIGNAL AVERAGE (KESKIM SIGNAL) -asetus on IRREGULAR VALUE (EPÄSÄÄNN. ARVO), analysaattori hylkää lukeman, joka on huomattavasti suurempi tai pienempi kuin viimeisimmät lukemat. Kun lukema hylätään, viimeisin hyväksytty lukema näytetään näytössä ja tallennetaan datalokiin. Korkeintaan kolme peräkkäistä lukemaa voidaan hylätä. Signaalin keskiarvon laskenta korjaa virheellistä lukemien vaihtelua, joka johtuu näytteessä olevista kuplista ja/tai suurista hiukkasista.
<b>MEASUREMENT (MITTAUS)</b>	Määrittää mitattavan kloorin tyyppi. Jos puskuri- ja indikaattoriliuospullojen etiketeissä on teksti Free Chlorine (Vapaa kloori), valitse FREE CHLORINE (VAPAA KLOORI) (oletus). Jos puskuri- ja indikaattoriliuospullojen etiketeissä on teksti Total Chlorine (Kokonaiskloori), valitse TOTAL CHLORINE (KLOORIN KOK.MÄÄRÄ).
<b>KUPLAN ESTO</b>	Ottaa kuplien poiston käyttöön ja pois käytöstä (oletus). Vähennä kuplien aiheuttamaa kohinaa näytteessä valitsemalla KUPLAN ESTO -asetukseksi ON (PÄÄLLE). Näytteessä olevat ilmakuplat voivat aiheuttaa epävakaita lukemia.
<b>HIGH CL ALARMS (KORKEA CL -HÄLYTYS)</b>	Määrittää klooripitoisuuden asetuspiisteeseen HIGH CHLORINE (KORKEA KLOORI) -häilytykselle – 0,00–10,00 mg/L (oletus: 4,00 mg/L).
<b>LOW CL ALARMS (MATALA CL -HÄLYTYS)</b>	Määrittää klooripitoisuuden asetuspiisteeseen LOW CHLORINE (MAT. KLOORI) -häilytykselle – 0,00–10,00 mg/L (oletus: 0,20 mg/L).

Vaihtoehto	Kuvaus
<b>SENSOR INFO (ANTURIN TIEDOT)</b>	Näyttää analysaattorin sarjanumeron, ohjelmistoversion, käynnistystiedoston version ja laiteohjainversion.
<b>DEFAULT SETTINGS (OLETUSASETUKSET)</b>	Valitse YES (OK), jos haluat palauttaa määritysasetusten oletusarvot.
<b>SERVICE (HUOLTO)</b>	Vain huoltokäyttöön

## 4.2 Järjestelmän konfigurointi

Lisätietoja järjestelmän määrittämisestä, vahvistimen yleisistä asetuksista sekä lähtöjen ja tiedonsiirron määrittämisestä on vahvistimen käyttöohjeissa.

## 4.3 Navigoiminen

Näppäimistö ja navigointi kuvataan ohjaimen käyttöohjeissa.

Saat aloitusnäyttöön näkyviin lisätietoja ja graafisen näytön painamalla vahvistimen **OIKEAA** nuolipainiketta useita kertoja.

## Osa 5 Käyttö

### 5.1 Data-, tapahtuma- ja huoltolokit

Ohjaimella voidaan käyttää kunkin liitetyn laitteen datalokia, tapahtumalokia ja huoltolokia. Analysaattorin mittaukset tallennetaan automaattisesti datalokiin 150 sekunnin välein. Tapahtumaloki näyttää tapahtumat. Tapahtuma- ja datalokit säilyttävät noin kahden viikon verran tietoja, kun analysaattori on jatkuvasti toiminnassa. Huoltoloki säilyttää noin 24 tunnin verran tietoja, kun analysaattori on jatkuvasti toiminnassa.

Katso datalokin, tapahtumalokin ja/tai huoltolokin latausohjeet ohjaimen käyttöoppaasta. Dataloki on XML-tiedosto, joka voidaan tallentaa CSV- tai Excel-muodossa. Tapahtumaloki ja huoltoloki ovat CSV-tiedostoja.

### 5.2 GRAB SAMPLE IN (KERTANÄYTE SISÄÄN) – mittaaminen

Lisää tarvittaessa GRAB SAMPLE IN (KERTANÄYTE SISÄÄN) -valikkoa käyttämällä tunnetun klooripitoisuuden sisältävä vesinäyte näytekuppiin mittaamista varten. Mittaa kertanäyte varmennusta varten tai toisesta paikasta kerätyn vesinäytteen mittaamista varten.

1. Paina **menu**-painiketta ja valitse **SENSOR SETUP (ANTURIVALIKKO) > [valitse analysaattori] > GRAB SAMPLE IN (KERTANÄYTE SISÄÄN)**.
2. Suorita näytössä näkyvät vaiheet. Irrota pyydettyä kupin kansi ja lisää 100 mL kertanäytettä kuppiin. Osa näytteestä virtaa näytteen poistoaukkoon.

### 5.3 Modbus-rekisterit

Verkkoliikenteen Modbus-rekisteriluettelo on saatavilla. Lisätietoja on valmistajan verkkosivuilla.

## Osa 6 Kalibrointi ja säätö

Analysaattorin kalibrointikäyrä on asetettu tehtaalla siten, että laitteen suorituskyky on teknisten ominaisuuksien mukainen. Kalibrointi voidaan suorittaa suorituskyvyn varmentamiseksi.

Käyttäjän ei tule säätää tehtaalla asetettua kalibrointikäyriä, ellei paikallinen viranomainen edellytä sitä vaatimustenmukaisuuden raportointiin tai analysaattori ole läpikäynyt mittavia korjauksia.

Katso lisätietoja kalibroinnin varmennussarjan ohjeista tai ota yhteys tekniseen tukeen.

## Osa 7 Huolto

### ▲ VAROTOIMI



Useita vaaroja. Vain ammattitaitoinen henkilö saa suorittaa käyttöohjeen tässä osassa kuvatut tehtävät.

### HUOMAUTUS

Älä pura laitetta huoltamista varten. Jos laitteen sisällä olevia osia on puhdistettava tai korjattava, ota yhteys valmistajaan.

## 7.1 Kunnossapitoaikataulu

Taulukko 6 sisältää huoltotoimenpiteiden suositusaikataulun. Laitoksen käytännöt ja laitteen käyttöolosuhteet voivat vaatia joidenkin toimenpiteiden suorittamista tässä ilmoitettua useammin.

Taulukko 6 Kunnossapitoaikataulu

Toimenpide	1 kuukausi	6 kuukautta	Tarvittaessa
Näyttekupin puhdistus sivulla 307	X <sup>2</sup>		
Reagenssipullojen vaihtaminen sivulla 308	X		
Sekoitussiiven ja letkunipun vaihtaminen <sup>3</sup>		X	
Y-putken suodattimen puhdistaminen sivulla 309			X

## 7.2 Näyttekupin puhdistus

### ▲ VAROTOIMI



Kemikaalille altistumisen vaara. Noudata laboratorion turvallisuusohjeita ja käytä käsiteltäville kemikaaleille soveltuvia suojavarusteita. Lue turvallisuusprotokollat ajan tasalla olevista käyttöturvatiiedoista (MSDS/SDS).

Puhdista kuppi kuukauden välein tai tarvittaessa useammin.

#### Tarvittavat tarvikkeet:



Pumpulipuikot<sup>4</sup>



5,25 N:n rikkihappoliuos<sup>5</sup>

1. Pue käyttöturvallisuustiedoissa (MSDS/SDS) ilmoitetut suojavarusteet.
2. Paina **menu**-painiketta ja valitse SITTEN SENSOR SETUP (ANTURIVALIKKO) > [valitse analysaattori] > TASKS (TEHTÄVÄT) > CLEAN CELL (PUHD. KUPPI).

**Huomautus:** Lopeta valittu tehtävä painamalla **home**-painiketta.

3. Lopeta mittaus painamalla **enter**-painiketta.

<sup>2</sup> Puhdista kuppi säännöllisesti tarpeen mukaan.

<sup>3</sup> Lisätietoja on letkusarjan mukana toimitettavassa ohjeessa.

<sup>4</sup> Katso [Varaosat ja lisävarusteet](#) sivulla 314.

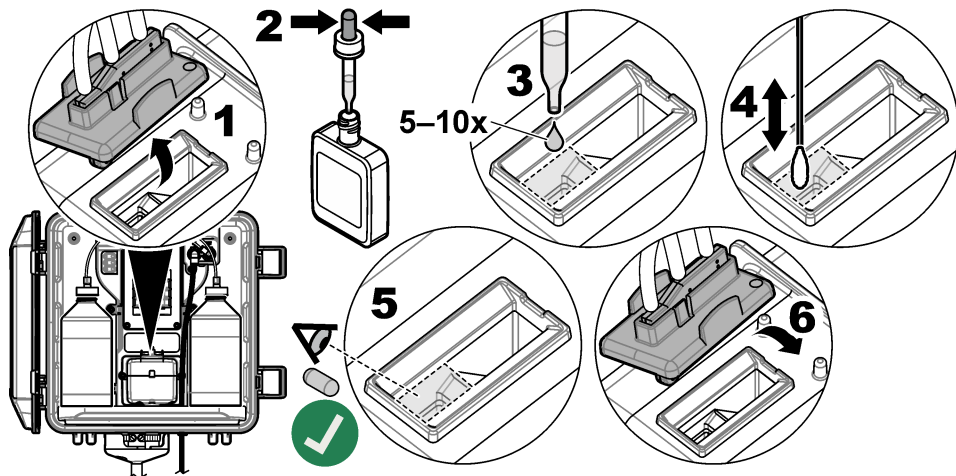
<sup>5</sup> Älä käytä muita puhdistusliuoksia. Katso [Varaosat ja lisävarusteet](#) sivulla 314.

#### 4. Valitse vaihtoehto.

Vaihtoehto	Kuvaus
<b>HOLD (PITO)</b>	Ohjaimen lähdöt pidetään viimeksi mitatussa arvossa.
<b>TRANSFER (KORVAA)</b>	Ohjaimen lähdöt muuttuvat siirtoarvoksi.

#### 5. Kun tilan merkivalo vilkkuu, suorita kuvaohjeiden mukaiset toimenpiteet. Kun olet valmis, paina **enter**-painiketta.

Varmista vaiheessa 5 esitetyllä tavalla, että kupissa ei ole sinne kuulumatonta materiaalia. Paikanna kuppiin kuulumaton materiaali tarvittaessa taskulampulla.



#### 6. Kun TASK COMPLETE (TEHTÄVÄ VALMIS.) näkyy näytössä, paina **enter**-painiketta. Analysaattori käynnistää mittausjakson noin 30 sekunnin kuluttua.

### 7.3 Reagenssipullojen vaihtaminen

▲ VAROTOIMI	
	Kemikaalille altistumisen vaara. Noudata laboratorion turvallisuusohjeita ja käytä käsiteltäville kemikaaleille soveltuvia suojavarusteita. Lue turvallisuusprotokollat ajan tasalla olevista käyttöturvatiedoista (MSDS/SDS).
▲ VAROTOIMI	
	Kemikaalille altistumisen vaara. Hävitä kemikaalit ja muut jätteet paikallisten ja kansallisten säästöjen mukaisesti.

Vaihda reagenssipullot 1 kuukauden välein.

- Pue käyttöturvallisuustiedotteissa (MSDS/SDS) ilmoitetut suojavarusteet.
- Paina **menu**-painiketta ja valitse **SENSOR SETUP (ANTURIVALIKKO) > [valitse analysaattori] > TASKS (TEHTÄVÄT) > CHANGE REAGENTS (VAIHDA REAGENSSEIT)**.  
**Huomautus:** Lopeta valittu tehtävä painamalla **home**-painiketta.
- Lopeta mittaus painamalla **enter**-painiketta.

#### 4. Valitse vaihtoehto.

Vaihtoehto	Kuvaus
<b>HOLD (PITO)</b>	Ohjaimen lähdöt pidetään viimeksi mitatussa arvossa.
<b>TRANSFER (KORVAA)</b>	Ohjaimen lähdöt muuttuvat siirtoarvoksi.

#### 5. Odota, että tilan merkkivalo vilkkuu.

#### 6. Vaihda puskuriliuospullo seuraavasti:

**Huomautus:** (Valinnainen) Käytä analysaattorin yläosaa hyllynä.

- Irrota korkki ja tiiviste uudesta puskuriliuospullost.
- Poista käytetty puskuriliuospullo analysaattorista.
- Laita puskuriletku uuteen puskuriliuospulloon analysaattorin oikealle puolelle. Kiristä korkki.

#### 7. Vaihda indikaattoriliuospullo seuraavasti:

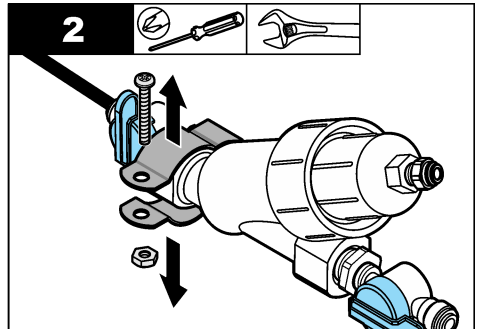
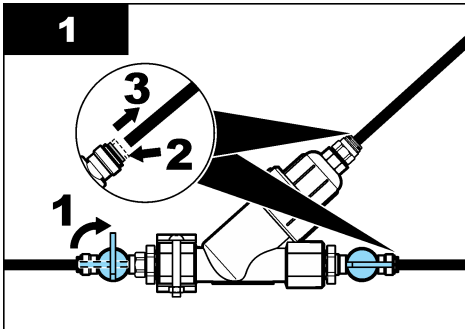
- Irrota korkki ja tiiviste indikaattoriliuospullost ja ruskeasta DPD-pullost.
- Lisää ruskeaan DPD-pulloon noin ¼ indikaattoriliuosta.
- Kääntelee DPD-pulloa, jotta liuos sekoittuu.
- Laita DPD-pullon sisältö indikaattoriliuospulloon.
- Kääntelee indikaattoriliuospulloa, kunnes kaikki jauhe on liuennut (2 minuuttia).
- Poista käytetty indikaattoriliuospullo analysaattorista.
- Laita indikaattoriletku uuteen indikaattoriliuospulloon analysaattorin vasemmalle puolelle. Kiristä korkki.

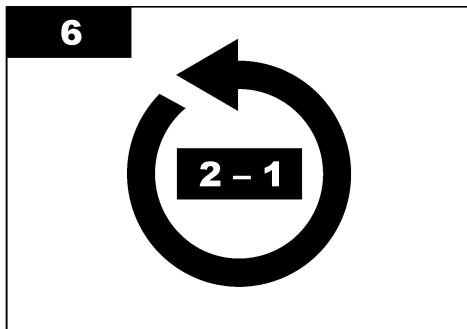
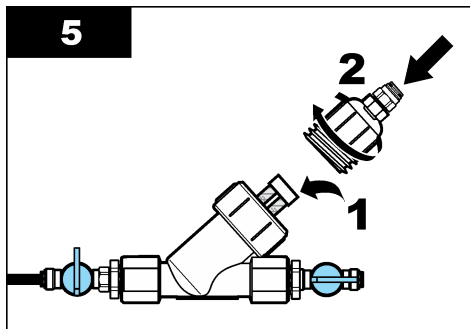
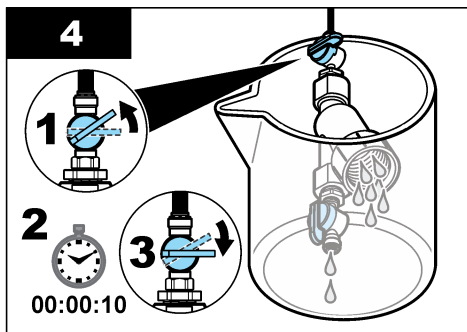
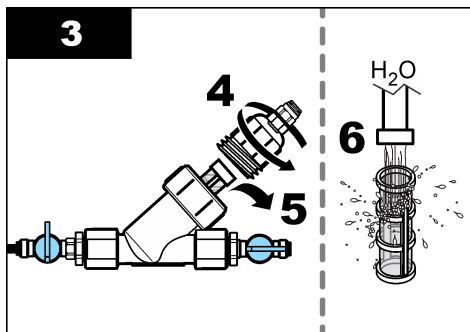
#### 8. Paina **enter**-painiketta.

#### 9. Kun TASK COMPLETE (TEHTÄVÄ VALMIS.) näkyy näytössä, paina **enter**-painiketta. Analysaattori käynnistää mittausjakson noin 30 sekunnin kuluttua.

### 7.4 Y-putken suodattimen puhdistaminen

Puhdista Y-putken suodatin tukkeumista. Tukoksesta ilmoitetaan LOW SAMPLE FLOW (ALH. NÄYTEVIRTA) -varoituksella. Suorita kuvaohjeiden mukaiset toimenpiteet.





## 7.5 Valmistelu säilytystä varten

### ▲ VAROTOIMI



Kemikaalille altistumisen vaara. Noudata laboratorion turvallisuusohjeita ja käytä käsiteltäville kemikaaleille soveltuvia suojavarusteita. Lue turvallisuusprotokollat ajan tasalla olevista käyttöturviedotteista (MSDS/SDS).

Jos analysaattorista katkaistaan virta yli 3 päivän ajaksi tai analysaattoria ei käytetä yli 3 päivään, valmistelee analysaattori säilytystä varten.

#### Tarvittavat tarvikkeet:



Dekanteri, jossa ionivaihdettua vettä (2x)



Kertakäyttöpipetti tai nukkaamaton liina

#### 1. Poista reagenssit reagenssiletkuista seuraavasti:

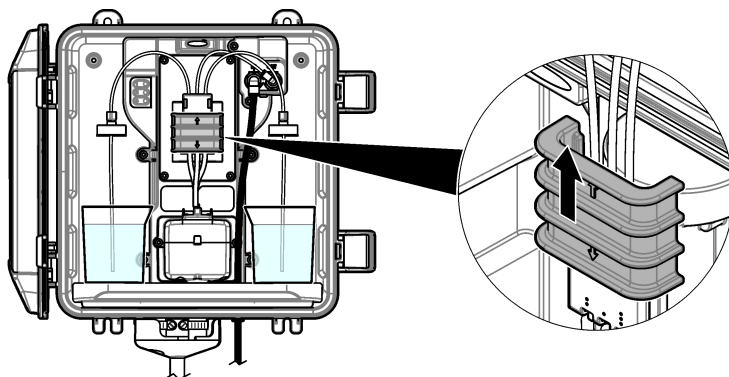
- Irrota indikaattoriliuospullo ja puskuriliuospullo analysaattorista.
- Laita kaksi dekanteria (tai astiaa), joissa on ionivaihdettua vettä, analysaattoriin.
- Laita indikaattoriliuospullon letku ja puskuriliuospullon letku dekantereihin.
- Paina **menu**-painiketta ja valitse **SENSOR SETUP (ANTURIVALIKKO) > [valitse analysaattori] > PRIME (TÄYTTÖ)**.  
Analysaattori poistaa reagenssit reagenssiletkuista.

#### 2. Poista ionivaihdettu vesi reagenssiletkuista seuraavasti:

- Irrota indikaattoriliuospullon letku ja puskuriliuospullon letku dekantereista.
- Poista kaksi dekanteria analysaattorista.

- c. Paina **menu**-painiketta ja valitse SENSOR SETUP (ANTURIVALIKKO) > [valitse analysaattori] > PRIME (TÄYTTÖ).  
Analysaattori poistaa kaiken nesteen reagenssiletkuista.
3. Irrota analysaattorin kaapeli ohjaimesta (tai katkaise ohjaimen virta).
4. Pysäytä näytteen virtaus Y-putkeen kääntämällä sulkuventtiili suljettuun asentoon.
5. Irrota pumpun kiinnitin. Katso **Kuva 7**. Säilytä pumpun kiinnitin myöhempää käyttöä varten.
6. Poista vesi kupista seuraavasti:
  - a. Poista kupin kansi.
  - b. Poista vesi kupista kertakäyttöpipetillä tai nukkaamattomalla liinalla.
  - c. Asenna kansi kuppiin.
7. Käynnistä analysaattori säilytyksen jälkeen seuraavasti:
  - a. Asenna pumpun kiinnitin. Katso **Kuva 7**.
  - b. Asenna reagenssipulлот. Katso **Vaihe 4: Reagenssipullojen asennus** sivulla 301.
  - c. Käynnistä näytteen virtaus Y-putkeen avaamalla sulkuventtiili.
  - d. Liitä analysaattorin kaapeli ohjaimen, jos kaapeli oli irrotettu.
  - e. Kytke ohjaimen virta, jos virta oli katkaistu.
  - f. Paina **menu**-painiketta ja valitse SENSOR SETUP (ANTURIVALIKKO) > [valitse analysaattori] > PRIME (TÄYTTÖ).

**Kuva 7 Pumpun kiinnittimen irrottaminen**



## 7.6 Lähetyksen valmistelu

### ▲ VAROTOIMI



Kemikaalille altistumisen vaara. Noudata laboratorion turvallisuusohjeita ja käytä käsiteltäville kemikaaleille soveltuvia suojavarusteita. Lue turvallisuusprotokollat ajan tasalla olevista käyttöturvatiedoista (MSDS/SDS).

Valmistele analysaattori lähetystä varten seuraavasti.

**Tarvittavat tarvikkeet:**



Dekantteri, jossa ionivaihdettua vettä (2x)



Alkuperäinen pakkaus

1. Poista reagenssit reagenssiletkuista seuraavasti:
  - a. Irrota indikaattoriliuospullo ja puskuriliuospullo analysaattorista.
  - b. Laita kaksi dekanteria (tai astiaa), joissa on ionivaihdettua vettä, analysaattoriin.
  - c. Laita indikaattoriliuospullon letku ja puskuriliuospullon letku dekantereihin.
  - d. Paina **menu**-painiketta ja valitse SENSOR SETUP (ANTURIVALIKKO) > [valitse analysaattori] > PRIME (TÄYTTÖ).  
Analysaattori poistaa reagenssit reagenssiletkuista.
2. Poista ionivaihdettu vesi reagenssiletkuista seuraavasti:
  - a. Irrota indikaattoriliuospullon letku ja puskuriliuospullon letku dekantereista.
  - b. Poista kaksi dekanteria analysaattorista.
  - c. Paina **menu**-painiketta ja valitse SENSOR SETUP (ANTURIVALIKKO) > [valitse analysaattori] > PRIME (TÄYTTÖ).  
Analysaattori poistaa kaiken nesteen reagenssiletkuista.
3. Irrota analysaattorin kaapeli ohjaimesta.
4. Pysäytä näytteen virtaus Y-putkeen kääntämällä sulkuventtiili suljettuun asentoon.
5. Irrota näytteen syöttöletku (musta) ja poistoletku (läpinäkyvä) analysaattorista.
6. Irrota ulkoinen ilman katkaisu analysaattorista.
7. Irrota pumpun kiinnitin. Katso [Kuva 7](#) sivulla 311.
8. Irrota letkunippu ja sekoitussiipi analysaattorista. Säilytä letkunippu lähetystä varten analysaattorin kanssa. Katso [Vaihe 3: Sekoitussiiven ja letkunipun asennus](#) sivulla 301.
9. Asenna pumpun kiinnitin ilman letkunippua. Laita letkun kiinnittimeen teippiä, jotta se pysyy tiukasti paikoillaan.
10. Poista vesi kupista kertakäyttöpipetillä tai nukkaamattomalla liinalla.
11. Irrota analysaattori seinästä.
12. Laita analysaattori alkuperäiseen pakkaukseen.

## 7.7 Laitteen puhdistaminen

### HUOMAUTUS

Älä koskaan käytä laitteen tai sen näytön ja lisävarusteiden puhdistamisessa tärpättiä, asetonia tai vastaavia tuotteita.

Puhdista laitteen ulkopinta kostealla liinalla ja miedolla saippualliuoksella.

## 7.8 Roiskeiden puhdistaminen

### VAROTOIMI



Kemikaalille altistumisen vaara. Hävitä kemikaalit ja muut jätteet paikallisten ja kansallisten säädösten mukaisesti.

1. Noudata kaikkia laitoksen roiskeita koskevia turvallisuusohjeita.
2. Hävitä jätteet sovellettavien säädösten mukaisesti.

## Osa 8 Vianmääritys

### 8.1 Virheet – punainen merkkivalo

Kun haluat nähdä virheet, paina **menu**-painiketta ja valitse DIAGNOSTICS (DIAGNOSTIIKKA) > [valitse analysaattori] > ERROR LIST (VIKALISTA). Mahdollisten virheiden luettelo näytetään kohdassa [Taulukko 7](#).



Virheen sattuessa analysaattorin tilan merkkivalo muuttuu punaiseksi. Mittaukset pysäytetään, mittausnäyttö vilkkuu ja kaikki arvot pidetään ohjaimen valikossa määritetyn mukaisina.

**Taulukko 7 Virheilmoitukset**

Virhe	Kuvaus	Ratkaisu
DETECTOR ERROR (DETEKTORIN VIRHE)	Tunnistin ei toimi oikein.	Ota yhteys tekniseen tukeen.
DIRTY CELL (KUPPI LIKAINEN)	Kuppi on likainen. Kupissa voi kasvaa biokalvoa, jos klooripitoisuus on erittäin alhainen.	Puhdista kuppi. Katso <a href="#">Näytekupin puhdistus</a> sivulla 307.
CODE ERROR (KODIVIRHE)	Tapahtui laiteohjelmistovirhe.	Ota yhteys tekniseen tukeen.
LED ERROR (LED-VIRHE)	Kupin valo ei toimi oikein.	Ota yhteys tekniseen tukeen.
PUMP ERROR (PUMPUN VIRHE)	Pumppu ei toimi oikein.	Ota yhteys tekniseen tukeen.
SAMPLE LEAK (NÄYTEVUOTO)	Analysaattorissa on näytevuoto.	Ota yhteys tekniseen tukeen.

## 8.2 Varoitukset – keltainen valo

Kun haluat nähdä varoitukset, paina **menu**-painiketta ja valitse DIAGNOSTICS (DIAGNOSTIIKKA) > [valitse analysaattori] > WARNING LIST (HÄLYTYSLISTA). Mahdolliset varoitukset luetellaan kohdassa [Taulukko 8](#).

Varoituksen ilmetessä tilan merkkivalo muuttuu keltaiseksi. Varoituskuvake vilkkuu ja ilmoitus näytetään ohjaimen näytön alareunassa. Jos näytteen virtaus on riittävä, varoitus ei vaikuta valikkojen toimintaan. Varoitus ei vaikuta releiden eikä lähtöjen toimintaan.

**Taulukko 8 Varoitusilmoitukset**

Varoitus	Kuvaus	Ratkaisu
BUBBLES DETECTED (KUPLIA HAVAITTU)	Kupissa on kuplia.	Puhdista kuppi. Katso <a href="#">Näytekupin puhdistus</a> sivulla 307. (Valinnainen) Ota KUPLAN ESTO -asetus käyttöön. Katso <a href="#">Vaihe 10: Analysaattorin määrittely</a> sivulla 305.
CLEAN CELL SOON (PUHD. KUPPI)	Kuppi likaantuu, ja se täytyy puhdistaa pian, jotta vältetään virheitä.	Puhdista kuppi. Katso <a href="#">Näytekupin puhdistus</a> sivulla 307.
HIGH CHLORINE (KORKEA KLOORI)	Klooripitoisuus on HIGH CL ALARMS (KORKEA CL -HÄLYT) -asetuspisteessä tai sen yläpuolella.	Suurena HIGH CL ALARMS (KORKEA CL -HÄLYT) -asetusta. Katso <a href="#">Vaihe 10: Analysaattorin määrittely</a> sivulla 305. tai Pienennä analysaattoriin toimitettavan näytteen klooripitoisuutta.
LOW CHLORINE (MAT. KLOORI)	Klooripitoisuus on LOW CL ALARMS (MATALA CL -HÄLYT) -asetuspisteessä tai sen alapuolella.	Pienennä LOW CL ALARMS (MATALA CL -HÄLYT) -asetusta. Katso <a href="#">Vaihe 10: Analysaattorin määrittely</a> sivulla 305. tai Lisää analysaattoriin toimitettavan näytteen klooripitoisuutta.

Taulukko 8 Varoitusilmoitukset (jatk.)

Varoitus	Kuvaus	Ratkaisu
LOW SAMPLE FLOW (ALH. NÄYTEVIRTA)	Mitattu näytteen virtaus on pienempi kuin näytteen vähimmäisvirtausnopeus. Katso <a href="#">Tekniset tiedot</a> sivulla 290.	Säädä näytteen virtausnopeutta. Katso <a href="#">Vaihe 8: Virtausnopeuden asettaminen</a> sivulla 304.  Poista tukos puhdistamalla Y-putken suodatintarvike tarvittaessa. Katso <a href="#">Y-putken suodattimen puhdistaminen</a> sivulla 309.
HIGH SAMPLE FLOW (KORK. NÄYTEVIRTA)	Mitattu näytteen virtaus on suurempi kuin näytteen enimmäisvirtausnopeus. Katso <a href="#">Tekniset tiedot</a> sivulla 290.	Säädä näytteen virtausnopeutta. Katso <a href="#">Vaihe 8: Virtausnopeuden asettaminen</a> sivulla 304.

## Osa 9 Varaosat ja lisävarusteet

### ⚠ VAROITUS



Henkilövahinkojen vaara. Hyväksymättömien osien käyttö voi aiheuttaa henkilövahingon tai laitteen toimintahäiriön tai vaurioittaa laitetta. Tässä osassa esitellyt varaosat ovat valmistajan hyväksymiä.

**Huomautus:** Tuote- ja artikkelinumeroit voidaan vaihdella joillain markkina-alueilla. Ota yhteys asianmukaiseen jälleenmyyjään tai hae yhteystiedot yhtiön Internet-sivustolta.

### Kulutustavarat

Kuvaus	Määrä	Tuotenumero
Reagenssarja, vapaa kloori, sisältö: Puskuriliuospullo, indikaattoriuospullo ja DPD-pullo	1	2556900
Reagenssarja, kokonaiskloori, sisältö: Puskuriliuospullo, indikaattoriuospullo ja DPD-pullo	1	2557000
Kupin puhdistussarja, sisältö: Rikkihappo, 5,25 N, 100 mL, pipettipullo ja pumpulipuikkoja (10x)	1	8573100
Kalibroinnin tarkistussarja, sisältää: Ruisku, letkut, letkuliittimet, ampullin rikkoja, deionisoitu vesi ja klooristandardiampulli	1	8568200
Kalibroinnin tarkistuksen täydennyspakkaus, sisältää: Deionisoitu vesi ja klooristandardiampulli	1	8573200

### Varaosat

Kuvaus	Osanumero
Letkusarja, sisältö: Letkunippu ja sekoitusiipi	US: 8560400 EU: 8575000
Asennussarja seisontaputkella (enintään 10 psi)	US: 8560500 EU: 8575100
Asennussarja seisontaputkella (>10 psi)	8576001
Asennussarja paineensäätimen kanssa	US: 8565700 EU: 8575200

## Lisävarusteet

Kuvaus	Osanumero
Analysaattorin jatkokaapecti, 1 m (3,2 ft)	6122400
Analysaattorin jatkokaapecti, 7,7 m (25 ft)	5796000
Analysaattorin jatkokaapecti, 15 m (50 ft)	5796100
Letkusovitin, ulkohalkaisija 6 mm – 1/4 tuumaa	09184=A=4020

# Съдържание

- |                                   |   |
|-----------------------------------|---|
| 1 Спецификации на страница 316    | 6 Калибриране и регулиране на страница 334        |
| 2 Обща информация на страница 317 | 7 Поддръжка на страница 334                       |
| 3 Поставяне на страница 321       | 8 Отстраняване на повреди на страница 340         |
| 4 Конфигурация на страница 332    | 9 Резервни части и принадлежности на страница 341 |
| 5 Работа на страница 333          |   |

## Раздел 1 Спецификации

Спецификациите подлежат на промяна без уведомяване.

**Таблица 1 Общи спецификации**

Спецификация	Подробности
Размери (Ш x В x Д)	32,9 x 34,2 x 17,7 cm (12,9 x 13,5 x 7,0 in)
Корпус	IP66 в съответствие с IEC 60529 със затворена и заключена врата <sup>1</sup>
Тегло на комплекта	4,1 kg (9 lb) без бутилки; 5,1 kg (11,2 lb) с пълни бутилки
Монтиране	Стенен монтаж
Клас на защита	III
Степен на замърсяване	3
Категория на електрическа инсталация	I (на закрито)
Изисквания към захранването	12 VDC, 400 mA максимум (осигурено от контролера)
Работна температура	5 до 40°C (41 до 104°F)
Работна влажност	0 до 90% некондензираща относителна влажност
Температура на съхранение	-40 до 60°C (-40 до 140°F)
Фитинги	Тръба за проби: ¼-in OD фитинг за бързо свързване за пластмасови тръби Линии за източване: фитинг с приплъзване за ½-in ID меки пластмасови тръби
Индикаторни светлини	Състояние на анализатор и цикъл на измерване
Сертификати	Декларация за съответствие на ЕС, декларация за съответствие на UKCA, декларация за съответствие от доставчика на FCC/ISED, декларация за съответствие на ACMA, KC, декларация за съответствие на Мароко
Гаранция	1 година (ЕС: 2 години)

**Таблица 2 Изисквания за пробата**

Спецификация	Подробности
Налягане	0,31 до 5,17 bar (4,5 до 75 psig), доставено до Y цедка; 0,1 до 0,34 bar (1,5 до 5 psig), доставено до анализатора
Дебит	60 до 200 mL/min през инструмента (измерено при елемента за източване на анализатора)
Температура	5 до 40°C (41 до 104°F)
Филтрация	Y цедка с размер на ситото 40 или повече

<sup>1</sup> Затворени отвори за източване с тапи за изисквания за изпитване.

**Таблица 3 Спецификации на измерване**

Спецификация	Подробности
Светлинен източник	LED, измерване при 510 nm; 1 cm дължина на път на светлината
Измервателен диапазон	0.03 - 10 mg/L без или общо остатъчен хлор като Cl <sub>2</sub>
Интервал на измерване	150 секунди
Точност	±5% или ±0,04 mg/L от 0 до 5 mg/L (по-голямата стойност) като Cl <sub>2</sub> ±10% от 5 до 10 mg/L като Cl <sub>2</sub>
Прецизност	±5% или ±0,01 mg/L (по-голямата стойност) като Cl <sub>2</sub>
Граници на откриване	0.03 mg/L като Cl <sub>2</sub>
Граница на количествено определяне	0.07 mg/L
Калибриране	Фабрично калибриране Опция: 2-точково потребителско калибриране със стандарти за калибриране в комплекта за проверка на калибриране
Употреба на реагент	0,5 L буферен разтвор и 0,5 L разтвор за индикатор за 31 дни

## Раздел 2 Обща информация

В никакъв случай производителят няма да бъде отговорен за щети, произлизащи от каквато и да било неправилна употреба на продукта или неспазване на инструкциите в ръководството. Производителят си запазва правото да прави промени в това ръководство и в описаните в него продукти във всеки момент и без предупреждение или поемане на задължения. Коригираните издания можете да намерите на уебсайта на производителя.

### 2.1 Информация за безопасността

Производителят не носи отговорност за никакви повреди, възникнали в резултат на погрешно приложение или използване на този продукт, включително, без ограничения, преки, случайни или възникнали впоследствие щети, и се отхвърля всяка отговорност към такива щети в пълната позволена степен от действащото законодателство. Потребителят носи пълна отговорност за установяване на критични за приложението рискове и монтаж на подходящите механизми за подsigуряване на процесите по време на възможна неизправност на оборудването.

Моля, внимателно прочетете ръководството преди разопаковане, инсталиране и експлоатация на оборудването. Обръщайте внимание на всички твърдения за опасност и предпазливост. Пренебрегването им може да доведе до сериозни наранявания на оператора или повреда на оборудването.

Уверете се, че не е повредена защитата, предоставена от това оборудване. Не използвайте и не инсталирайте това оборудване по начин, различен от определения в това ръководство.

#### 2.1.1 Използване на информация за опасностите

##### **▲ ОПАСНОСТ**

Указва наличие на потенциална или непосредствена опасна ситуация, която, ако не бъде избегната, ще предизвика смърт или сериозно нараняване.

##### **▲ ПРЕДУПРЕЖДЕНИЕ**

Указва потенциално или непосредствено опасна ситуация, която, ако не бъде избегната, може да доведе до смърт или сериозно нараняване.

##### **▲ ВНИМАНИЕ**

Указва наличие на потенциално опасна ситуация, която може да предизвика леко или средно нараняване.

## Забележка

Показва ситуация, която ако не бъде избегната, може да предизвика повреда на инструмента. Информация, която изисква специално изтъкване.

### 2.1.2 Предупредителни етикети

Прочетете всички надписи и етикети, поставени на инструмента. Неспазването им може да доведе до физическо нараняване или повреда на инструмента. Към символ върху инструмента е направена препратка в ръководството с предупредително известие.



Електрическо оборудване, което е обозначено с този символ, не може да бъде изхвърляно в европейските частни или публични системи за изхвърляне на отпадъци. Оборудването, което е остаряло или е в края на жизнения си цикъл, трябва да се връща на производителя, без да се начисляват такси върху потребителя.

### 2.1.3 Съответствие с изискванията за електромагнитна съвместимост (ЕМС)

#### ▲ ВНИМАНИЕ

Това оборудване не е предназначено за използване в жилищни помещения и може да не осигурява адекватна защита на радиоприемането в такива среди.

#### СЕ (EU)

Оборудването отговаря на основните изисквания на Директива 2014/30/ЕС относно електромагнитната съвместимост.

#### УКСА (UK)

Оборудването отговаря на изискванията на Наредбата за електромагнитна съвместимост от 2016 г. (S.I. 2016/1091).

#### Канадски регламент за оборудване, предизвикващо радиосмущения, ICES-003, клас А:

Поддържането на тестовите записи е задължение на производителя.

Тази цифрова апаратура от клас "А" съответства на всички изисквания на канадските разпоредби за съоръжения, предизвикващи смущения.

Cet appareil numérique de classe A répond à toutes les exigences de la réglementation canadienne sur les équipements provoquant des interférences.

#### ФКК (Федерална комисия по комуникациите) част 15, ограничения относно клас "А"


Поддържането на тестовите записи е задължение на производителя. Това устройство съответства на част 15 от наредбите на ФКК. Работата с него представлява предмет на следните условия:

1. Оборудването не може да причинява вредни смущения.
2. Оборудването трябва да приема всички получени смущения, включително такива, които могат да причинят нежелан начин на работа.

Промени или модификации на това оборудване, които не са изрично одобрени от страните, отговорни за неговата съвместимост, могат да доведат до анулиране на правото за експлоатация на оборудването. Оборудването е тествано, като е установена неговата съвместимост с ограниченията за цифрово устройство от клас "А", което е в съответствие с част 15 от наредбите на ФКК. Тези ограничения са предназначени да осигурят разумна защита срещу вредни смущения при работа на оборудването, когато това става в търговска среда. Оборудването генерира, използва и може да излъчва радиочестотна енергия, като в случай че не бъде инсталирано и експлоатирано в съответствие с ръководството за употреба, може да предизвика вредни смущения на радио комуникациите. Възможно е работата на това оборудване в жилищни зони да доведе до вредни смущения, при който случай потребителят ще трябва да коригира смущенията за своя сметка. За намаляване на проблемите със смущенията могат да се използват следните техники:

1. Изключете оборудването от захранването, за да проверите дали то причинява смущенията.
2. Ако оборудването е свързано към един и същ контакт с устройството, при което се проявяват смущенията, свържете оборудването към друг контакт.
3. Отдалечете оборудването от устройството, което приема смущенията.
4. Променете положението на приемателната антена на устройството, което приема смущенията.
5. Опитайте да приложите комбинация от горните мерки.

## 2.2 Общ преглед на продукта

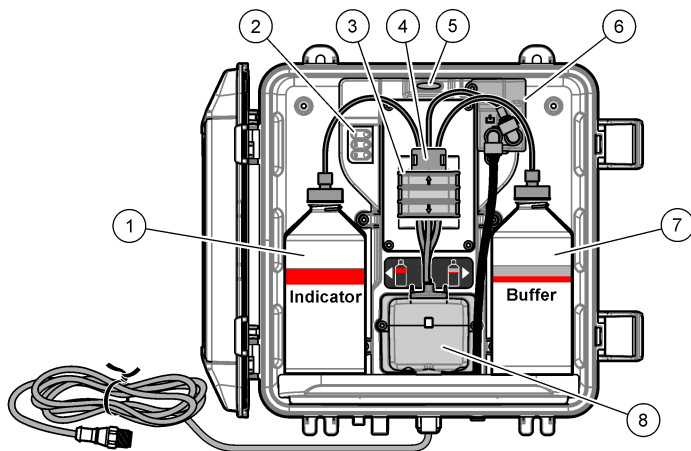
⚠ ОПАСНОСТ	
	<p>Химически или биологични рискове. Ако този инструмент се използва за мониториране на процес на обработка и/или вода за захранване на диализа, за която има регулаторни ограничения и изисквания за мониторинг, свързани с общественото здраве, обществената безопасност, производство на храни или напитки или преработка, отговорност на потребителя на този инструмент е да познава и спазва приложимата разпоредба и да разполага с достатъчно и подходящи механизми за съответствие с приложимите разпоредби в случай на неизправност на инструмента.</p>

Анализаторът CL17sc измерва концентрацията на общия хлор във водата в диапазона от 0,03 до 10 mg/L при интервали от 150 секунди. Освен това **Фигура 1** осигурява общ преглед на анализатора.

Свържете анализатора към SC контролер за захранване, експлоатация, събиране на данни, предаване на данни и диагностика. Направете справка с ръководството на SC контролера за общ преглед на контролера.

**Забележка:** Можете да свързвате повече от един анализатор към SC контролер, ако контролерът има повече от един фитинг за бързо свързване.

**Фигура 1 CL17sc**



1 Бутилка за индикатор	5 Светлина за състояние на анализатор (Таблица 5 на страница 320)
2 Светлини на цикъл на измерване (Таблица 4 на страница 320)	6 Дебитомер
3 Скоба на помпа	7 Буферна бутилка
4 Тръбна щипка	8 Колориметрична клетка

### 2.2.1 Дебитомер

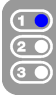
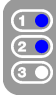
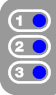
Анализаторът разполага с дебитомер, който измерва дебита на пробата чрез анализатора. Направете справка с [Фигура 1](#) на страница 319.

Пробата преминава през анализатора само когато анализаторът промие клетката. Друг път няма дебит на проба и показаният дебит е нула. Натиснете стрелката **НАДЯСНО** на контролера за показване на дебита.

### 2.2.2 Светлини на цикъл на измерване

Светлините на цикъла на измерване показват стъпката на цикъла на измерване, който се извършва. Направете справка с [Таблица 4](#).

**Таблица 4 Светлини на цикъл на измерване**

Светлините светят			
Описание	Клетката се промива с вода.	Буферният разтвор и разтворът за индикатор са добавени към клетката.	Пробата е измерена.

### 2.2.3 Светлина за състояние на анализатор

Светлината за състояние на анализатора се променя от зелена на жълта, когато има предупреждение, или на червена, когато има грешка. Направете справка с [Таблица 5](#).

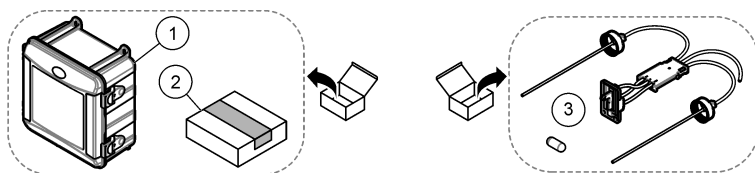
**Таблица 5 Светлина за състояние на анализатор**

Цвят	Описание
Зелен	Нормална работа
Жълт	Системата се нуждае от внимание, за да се предотвратят повреди в бъдеще. Измерванията продължават. За показване на предупрежденията натиснете <b>меню</b> и изберете DIAGNOSTICS (ДИАГНОСТИКА) > [избор на анализатор] > WARNING LIST (СПИСЪК ПРЕДУП.). Направете справка с <a href="#">Предупреждения – жълта светлина</a> на страница 340.
Червен	Системата се нуждае от незабавно внимание. Измерванията са спрени. За показване на грешките натиснете <b>меню</b> и изберете DIAGNOSTICS (ДИАГНОСТИКА) > [избор на анализатор] > ERROR LIST (СПИСЪК ГРЕШКИ). Направете справка с <a href="#">Грешки – червена светлина</a> на страница 340.

## 2.3 Компоненти на продукта

Проверете дали всички компоненти са получени. Направете справка с [Фигура 2](#). Ако някои от тях липсват или са повредени, се свържете незабавно с производителя или с търговския представител.

**Фигура 2 Компоненти на продукта**



1 Анализатор CL17sc	3 Комплект тръби (тръби и бъркалка)
2 Инсталационен комплект	



## Раздел 3 Поставяне

### ▲ ВНИМАНИЕ



Множество опасности. Задачите, описани в този раздел на документа, трябва да се извършват само от квалифициран персонал.

### 3.1 Указания за инсталация

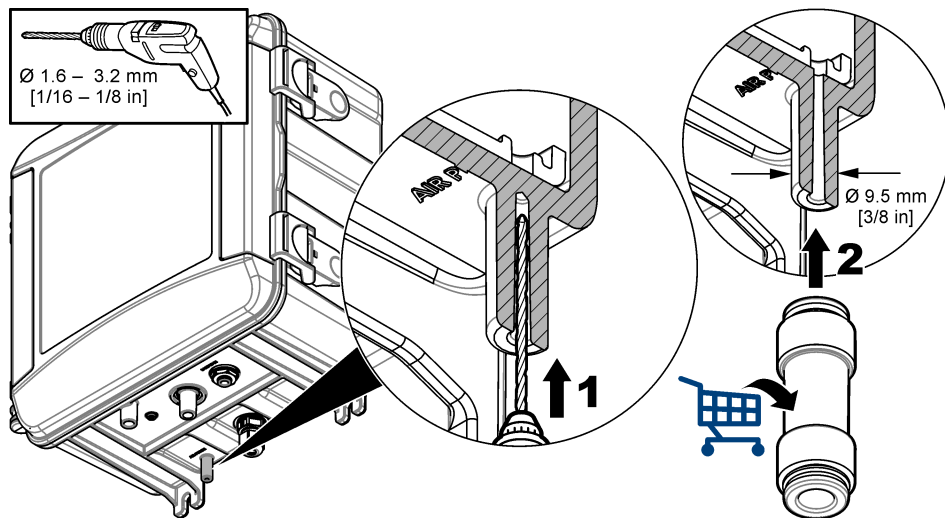
- Анализаторът е снабден с инсталационен комплект с вертикална тръба или инсталационен комплект с регулатор на налягането за управление на налягането на водата към анализатора. Потребителят избира инсталационния комплект в момента на закупуване.
- Монтирайте анализатора на закрито в среда с минимални нива на вибрация. Направете справка със спецификациите за работна температура и влажност в [Спецификации](#) на страница 316.
- Не инсталирайте анализатора на пряка слънчева светлина или близо до източник на топлина.
- При инсталации със стойка на тръбата, инсталирайте анализатора на място с достатъчно свободно пространство над анализатора за монтиране на стойката на тръбата.
- Монтирайте анализатора близо до отводнителен канал. Направете справка с инструкциите на местните регулаторни агенции за изхвърляне.

### 3.2 Стъпка 1: прочистване на въздух (опция)

Възможно е да се наложи прочистване на въздуха, ако анализаторът е инсталиран на място с висока влажност и/или изпарения, които причиняват корозия. Прочистването на въздуха запазва положително налягане в инструмента със сух и чист въздух.

Предоставете чист сух въздух с качество за инструмента при 0,003 m<sup>3</sup>/минута (0,1 ft<sup>3</sup>/минута) при максимум 20 psig.

Направете справка със следните илюстрирани стъпки. Фитингът за бързо свързване  $\frac{3}{8}$  инча и тръбите се предоставят от потребителя.



### 3.3 Стъпка 2: монтиране и пломбиране на анализатора

#### ▲ ВНИМАНИЕ



С инструмента можете да използвате само тръбите, посочени от Nachi Company. Други тръби могат да абсорбират хлора, който е във водната проба, и имат отрицателен ефект върху показанията на хлора (намалете показанията на хлора).

#### Забележка

Неправилното свързване на тръбите на анализатора може да доведе до повреда поради прекомерно налягане на пробата. Винаги спазвайте инструкциите, които следват, за да монтирате и свържете тръбите на анализатора.

1. Закрепете анализатора (елемент 9) към стена с четири винта. Уверете се, че анализаторът е нивелиран.

*Забележка: Потребителят предоставя монтажните крепежни елементи.*

2. Закрепете SC контролера (елемент 7) към стена, панел или тръба. Направете справка с документацията на SC контролера за инструкции.
3. Сглобете Y цедката. Направете справка с инструкциите на опаковъчния списък.
4. Използвайте 1-инчовата скоба за тръбопроводи, за да монтирате сглобката на Y-образния филтър (позиция 5 в [Фигура 3](#), [Фигура 4](#) или [Фигура 5](#)).
5. Монтирайте прекъсвача за външен въздух на анализатора (точка 2 в [Фигура 3](#), [Фигура 4](#) или [Фигура 5](#)). Направете справка с инструкциите на опаковъчния списък.
6. Извършете стъпка [7](#) или [8](#).

Анализаторът се доставя с комплект за монтаж на тръбопровод или комплект за монтаж на регулатор на налягането, за да се контролира налягането на входящата вода.

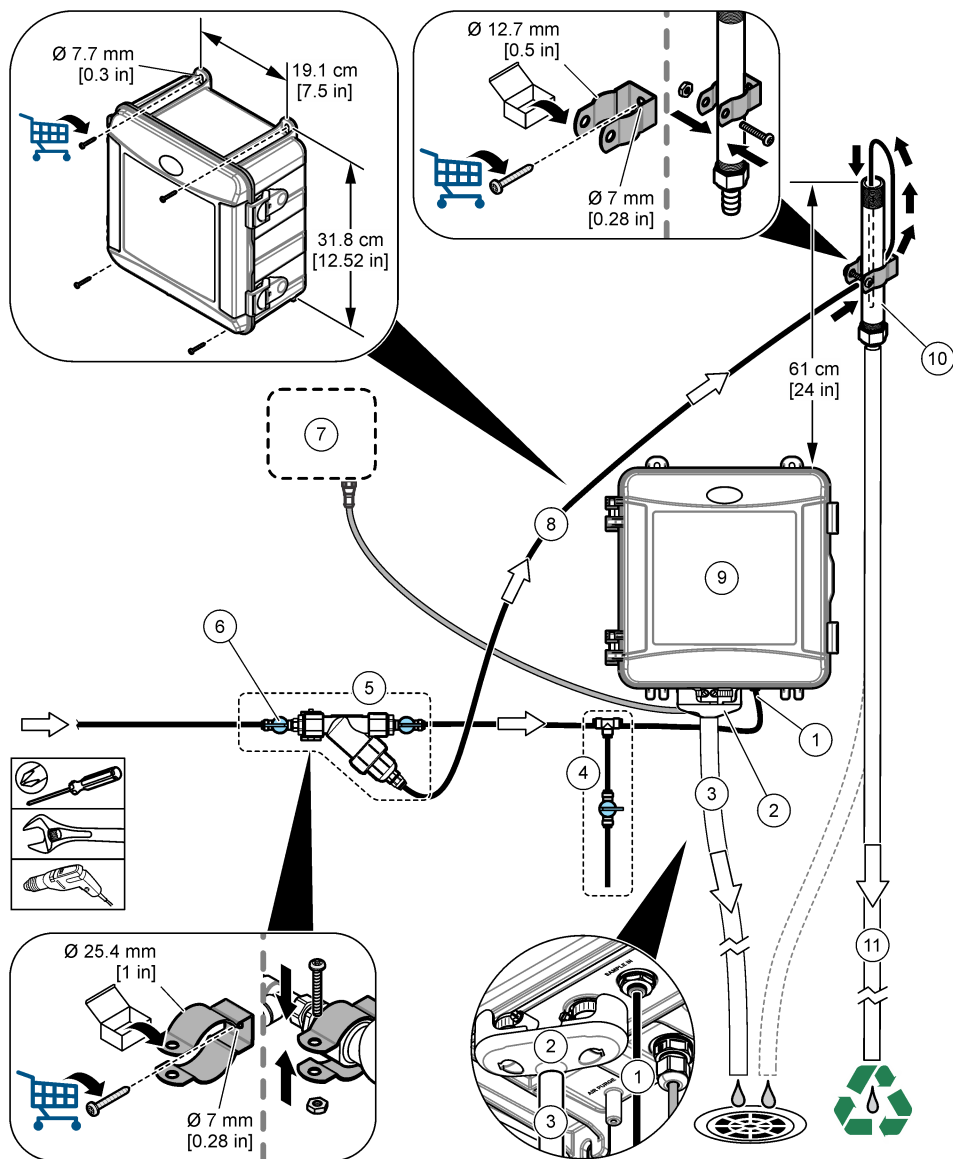
Потребителят избира инсталационния комплект в момента на закупуване. Единият комплект стойки е за 10 psi или по-малко, а другият комплект стойки е за повече от 10 psi налягане на водата на входа. Измерете налягането на входящата вода непосредствено преди сглобката на Y-образния филтър.

7. Ако към момента на закупуване изберете инсталационен комплект с вертикална тръба, монтирайте вертикалната тръба по следния начин:
  - a. Сглобете вертикалната тръба. Направете справка с инструкциите на опаковъчния списък.
  - b. Използвайте по-малката скоба за тръбопровод, за да монтирате сглобката на стойката над горната част на анализатора:
    - 10 psi или по-малко - Монтирайте сглобката на стойката на минимум 61 cm (24 инча) над горната част на анализатора.
    - Повече от 10 psi - Монтирайте сглобката на стойката на минимум 91,4 cm (36 инча) над горната част на анализатора.
  - c. 10 psi или по-малко - с черната тръба монтирайте тръбата за байпас на пробата (позиция 8 в [Фигура 3](#)). Натиснете тръбите отзад, след което във вертикалната тръба. Поставете тръбата на 10-13 cm в горната част на водопровода.
  - d. Повече от 10 psi - С помощта на черната тръба свържете изхода на Y-филтъра към входа на тръбата на стенда (позиция 8 в [Фигура 4](#)).
  - e. Отрежете част от тръбите за източване на пробата (елемент 3). Използвайте тръбата, за да свържете стойката към отворен дренаж (позиция 11). Направете справка с [Указания за линиите за източване](#) на страница 327.
8. Ако към момента на закупуване сте избрали инсталационен комплект с регулатор на налягането, монтирайте регулатора на налягането (елемент 10 на [Фигура 5](#)).
9. С помощта на черните тръби свържете входа на Y цедката (елемент 5) към източника на проба.

Направете справка с [Указания за линия на пробата](#) на страница 327 и [Изисквания за пробата](#) на страница 327.

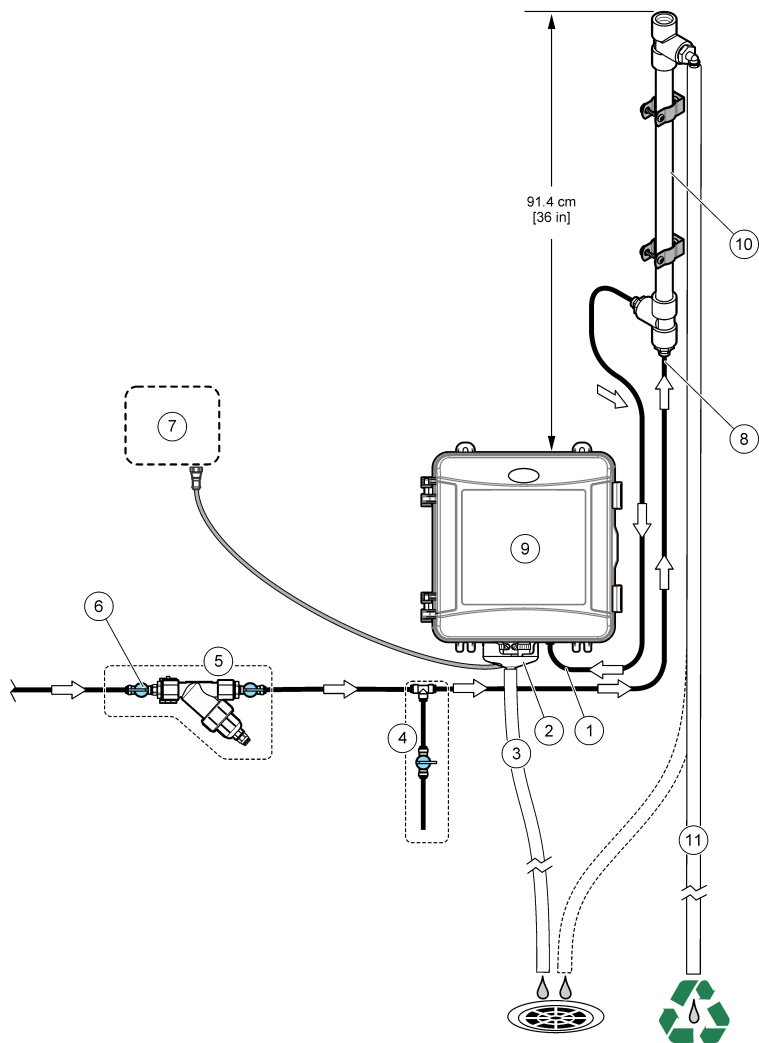
- 10.** С помощта на черната тръба свържете пробата към фитинга за вход на пробата (позиция 1), както следва:  
Направете тръбите възможно най-къси и максимум 2,5 m (8 ft).
- 10 psi или по-малко - Свържете изхода на Y-филтъра към фитинга за вход на пробата (позиция 1) в долната част на анализатора. Направете справка с [Фигура 3](#).
  - Повече от 10 psi - Свържете изхода на тръбата на стенда към фитинга за вход на пробата (позиция 1) на дъното на анализатора. Направете справка с [Фигура 4](#).
  - Регулатор на налягането - Свържете изхода на регулатора на налягането към фитинга за вход на пробата (позиция 1) в долната част на анализатора. Направете справка с [Фигура 5](#).
- 11.** Ако има инсталиран регулатор на налягането, монтирайте тръбата за заобикаляне на пробата (елемент 8 на [Фигура 5](#)).
- 12.** Сглобете и сглобката на пробата за хващане (позиция 4).
- 13.** Включете тройника на сглобката за вземане на проби. Направете справка с [Фигура 3](#), [Фигура 4](#) или [Фигура 5](#), както е приложимо.
- 14.** Свържете тръбите за източване на пробата (елемент 3) към отворен канал за източване. Направете справка с [Указания за линиите за източване](#) на страница 327.

**Фигура 3** Инсталация със стояща тръба (10 psi или по-малко)



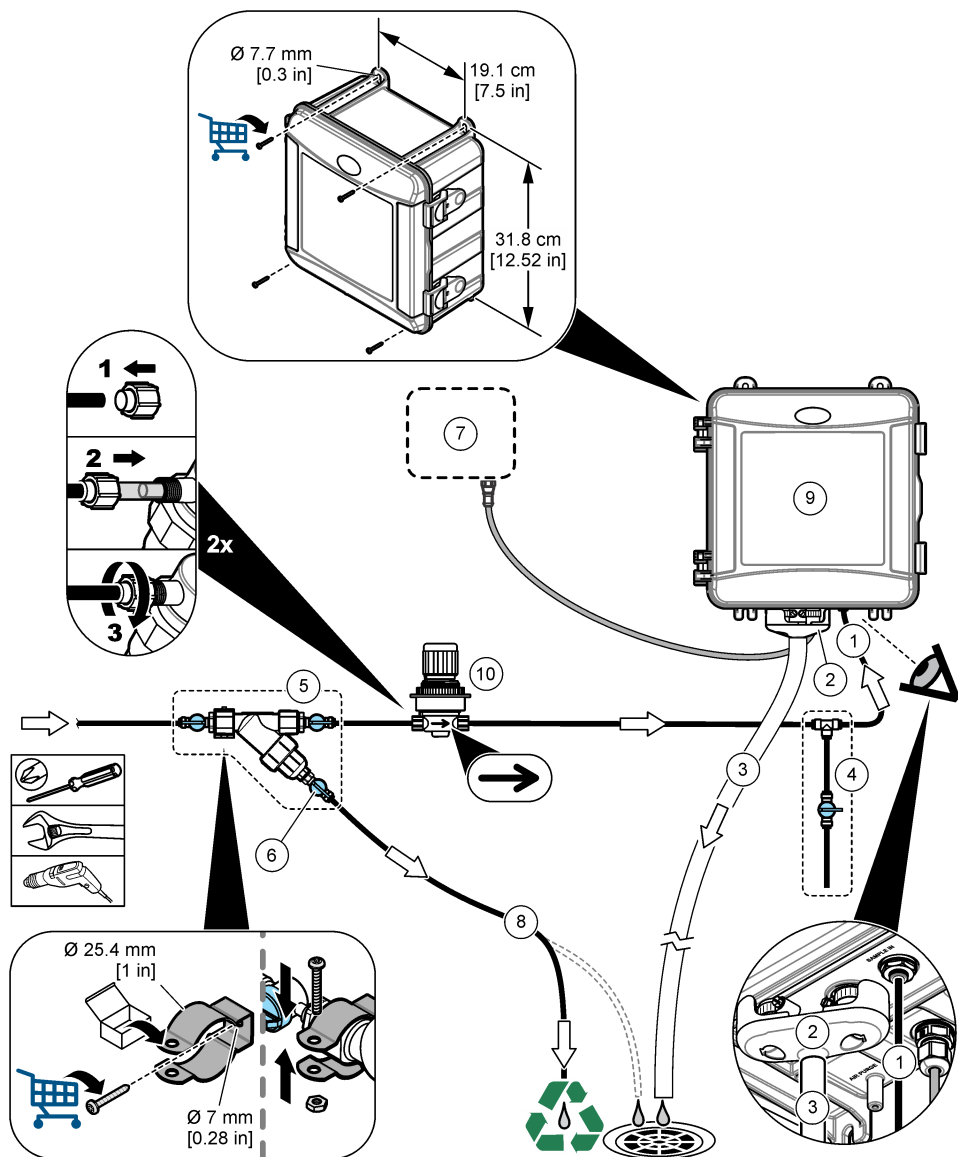
1 Фитинг за тръба за проби	7 SC контролер
2 Външен въздушен спиращ елемент	8 Тръби за заобикаляне на пробата
3 Тръби за източване на пробата	9 Анализатор
4 Модул за произволна проба	10 Вертикална тръба
5 Модул на Y цедка	11 Тръби за източване на вертикална тръба
6 Спирателен клапан във входа на Y цедка	

**Фигура 4** Инсталация със стояща тръба (повече от 10 psi)



1 Фитинг за тръба за проби	7 SC контролер
2 Външен въздушен спиращ елемент	8 Входящ отвор на тръбата
3 Тръби за източване на пробата	9 Анализатор
4 Модул за произволна проба	10 Вертикална тръба
5 Модул на Y цедка	11 Тръби за източване на вертикална тръба
6 Спирателен клапан във входа на Y цедка	

Фигура 5 Инсталация с регулатор на налягането



1 Фитинг за тръба за проби	6 Затварящ вентил на байпаса на Y-филтъра
2 Външен въздушен спиращ елемент	7 SC контролер
3 Тръби за източване на пробата	8 Тръби за заобикаляне на пробата
4 Модул за произволна проба	9 Анализатор
5 Модул на Y цедка	10 Регулатор на налягането

### 3.3.1 Указания за линия на пробата

За оптимални характеристики на инструмента избирайте добра надеждна точка за вземане на проби. Пробата трябва да е представителна за цялата система.

За да предотвратите погрешните измервания:

- Вземайте пробите от места, които се намират на достатъчно разстояние от точки, в които се добавят химически вещества към обработваното течение.
- Проверете дали пробите са добре смесени.
- Проверявайте дали всички химически реакции са изпълнени.
- Монтирайте анализатора възможно най-близо до източника на пробата (4,6 m (15 ft) максимум).

### 3.3.2 Изисквания за пробата

Водата от източника(ците) на проба трябва да отговаря на спецификациите в [Спецификации](#) на страница 316.

Поддържайте дебита на пробата и работната температура максимално постоянни за най-добра производителност.

### 3.3.3 Указания за линиите за източване

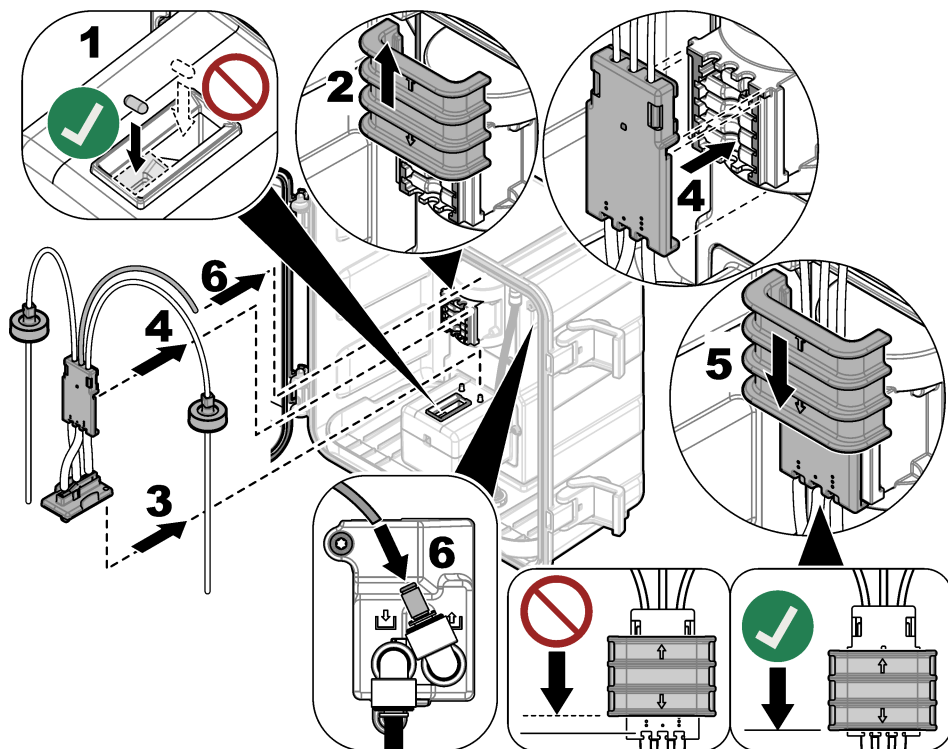
#### **Забележка**

Неправилната инсталация на линиите за източване може да причини връщане на течност в инструмента, което да доведе до повреда.

- Уверете се, че външният въздушен спиращ елемент е монтиран. Вижте точка 2 в [Фигура 3](#) на страница 324, [Фигура 4](#) на страница 325 или [Фигура 5](#) на страница 326.
- Направете линиите за източване възможно най-къси.
- Уверете се, че линиите за източване имат постоянен наклон надолу.
- Уверете се, че линиите за източване нямат извивания под много остър ъгъл и не са прищипани.

### 3.4 Стъпка 3: монтиране на бъркалката и тръбите

Извършете следните илюстрирани стъпки.



### 3.5 Стъпка 4: монтиране на бутилките с реактиви

#### ▲ ВНИМАНИЕ



Опасност от химическа експозиция. Спазвайте лабораторните процедури за безопасност и носете пълното необходимо лично предпазно оборудване при боравене със съответните химически вещества. За информация относно протоколите по безопасност разгледайте информационните листове за безопасност на материала (MSDS/SDS).

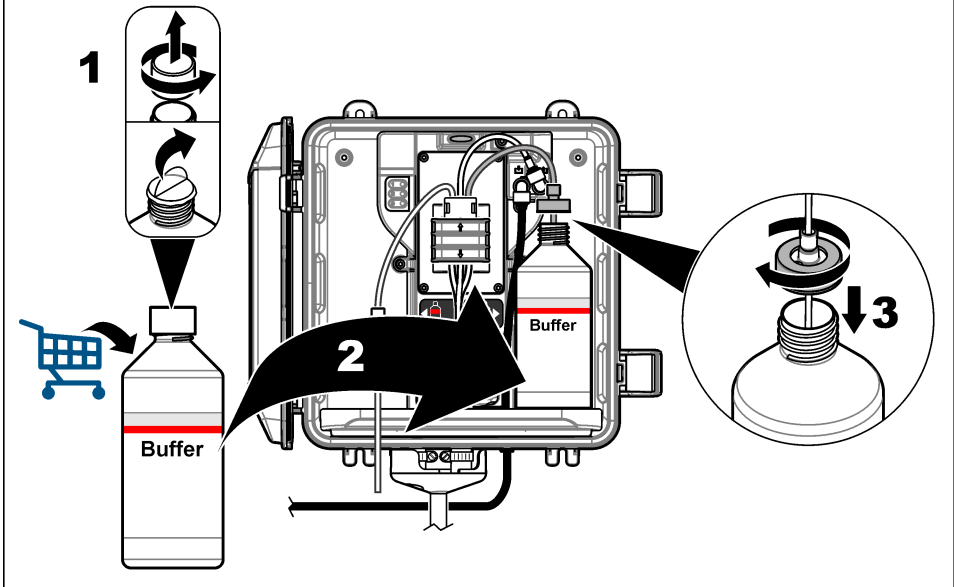
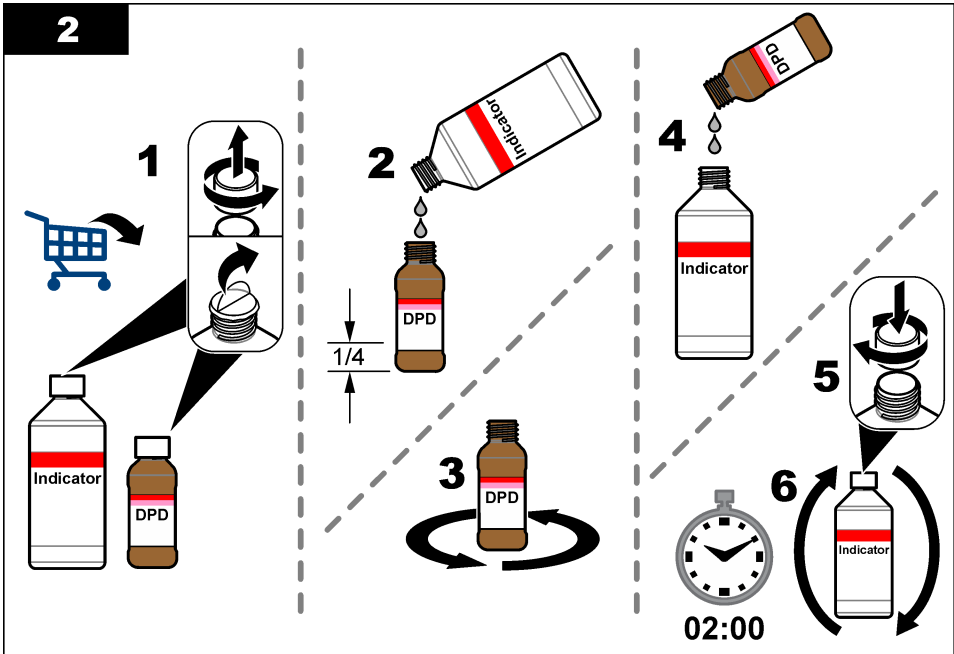
#### Елементи за осигуряване:

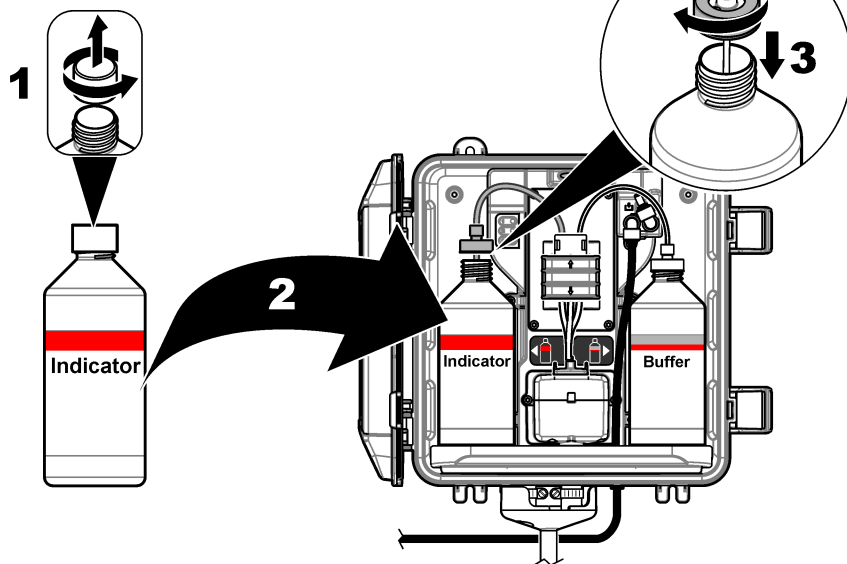
- Лично предпазно оборудване (направете справка с MSDS/SDS)
- Бутилка за индикатор
- Буферна бутилка
- Бутилка за DPD съединение

1. Поставете личното предпазно оборудване, което е указано в информационните листове за безопасност (MSDS/SDS).
2. Монтирайте буферната бутилка от дясната страна и бутилката за индикатор от лявата страна. Направете справка със следните илюстрирани стъпки.

**Забележка:** (Опция) Използвайте горната част на анализатора като рафт.



**1****2**

**3**

### 3.6 Стъпка 5: задаване на дебита на пробата на включено положение

1. Бавно завъртете спирателния(ите) клапан(и) в отворено положение на  $\frac{1}{4}$  оборот.
2. Уверете се, че няма теч във водопроводните връзки. Ако има теч, натиснете тръбата по-навътре във фитинга или затегнете връзката с гаечен ключ.
3. За инсталации на вертикална тръба извършете следните стъпки:
  - a. Отворете напълно спирателния клапан в изхода на Y цедката.
  - b. Завъртете спирателния кран на входа на Y-филтъра (позиция 6 в [Фигура 3](#) на страница 324 или [Фигура 4](#) на страница 325), докато от дренажната тръба на стенда излезе малка струя вода.
4. За инсталации на регулатор на налягането извършете следните стъпки:
  - a. Отворете напълно спирателните клапани във входа и изхода на Y цедката.
  - b. Завъртете спирателния клапан във входа на заобикалянето на Y цедката (елемент 6 на [Фигура 5](#) на страница 326), докато от тръбата за заобикаляне на Y цедката не започне да изтича малко количество вода.

### 3.7 Стъпка 6: електрическа инсталация

#### 3.7.1 Свързване на анализатора към контролера

#### ▲ ПРЕДУПРЕЖДЕНИЕ



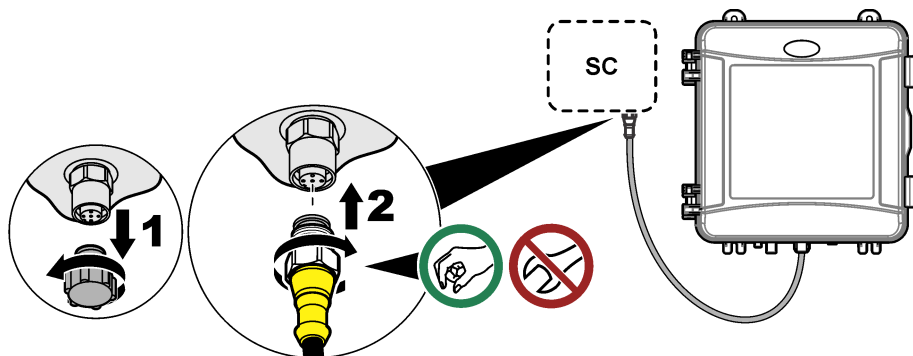
Опасност от токов удар. Външно свързаното оборудване трябва да имат оценка по приложимите за страната стандарти за безопасност.

Свържете кабела на анализатор към фитинга за бързо свързване на SC контролера. Направете справка с [Фигура 6](#).

Запазете капачката на конектора, за да затворите отвора за конектора, в случай че кабелът трябва да бъде демонтиран.

**Забележка:** Предлагат се удължителни кабели. Направете справка с Резервни части и принадлежности на страница 341. Максималната дължина на кабела е 15 m (49 ft).

**Фигура 6** Свържете кабела към фитинг за бързо свързване



### 3.7.2 Свързване на контролера към захранване

Свържете контролера към захранваща линия чрез фиксирано окабеляване в тръбопровод или свързване към захранващ кабел. Направете справка с документацията на контролера за инструкции.

### 3.7.3 Свързване на външни устройства към контролера

Свързвайте релетата на контролера, аналоговите изходи и цифровите входове към външни устройства според необходимостта. Направете справка с документацията на контролера за инструкции.

## 3.8 Стъпка 7: конфигуриране и подготовка на анализатора

1. Натиснете **меню**, след което изберете SENSOR SETUP (НАСТР. СЕНЗОР) > [избор на анализатор] > PRIME (ПРОМИВАНЕ).
2. Ако контролерът не разпознава, че анализаторът е свързан, извършете стъпките, които следват:
  - a. Натиснете **меню**, след което изберете TEST/MAINT (ТЕСТ/ПОДДР.) > SCAN SENSORS (СКАН СЕНЗОРИ).
  - b. Когато сензорът бъде открит и инсталиран, изпълнете стъпка 1 отново.

## 3.9 Стъпка 8: задаване на дебита

Анализаторът разполага с дебитомер, който измерва дебита на пробата чрез анализатора. Направете справка с [Фигура 1](#) на страница 319.

1. Натиснете стрелката **НАДЯСНО** на контролера за показване на дебита на дисплея. Пробата преминава през анализатора само когато анализаторът промие клетката. Друг път няма дебит на проба и показаният дебит е нула. Направете справка с [Таблица 4](#) на страница 320 за описание на стъпките на цикъла за измерване.

**Забележка:** За да измерите ръчно дебита през анализатора, измерете дебита при елемента за източване на анализатора, когато анализаторът промива клетката с вода.
2. При инсталации с вертикална тръба – завъртете спирателния клапан при изхода на Y-образната цедка, за да зададете дебита между 60 и 200 mL/min, когато анализаторът промива клетката с вода.
3. При инсталации с регулатор на налягането – регулирайте регулатора на налягането, за да зададете дебита между 60 и 200 mL/min, когато анализаторът промива клетката с вода.

## 3.10 Стъпка 9: инсталиране на най-новия софтуер

Уверете се, че в SC контролера е инсталиран най-новият софтуер. Използвайте SD карта, за да инсталирате най-новия софтуер на SC контролера.

1. Отидете на продуктова страница за приложимия SC контролер на <http://hach.com>.
2. Щракнете върху раздела "Ресурси".
3. Превъртете надолу до „Software/Firmware (Софтуер/фърмуер).
4. Щракнете върху връзката за софтуера на SC контролера.
5. Запазете файловете в SD карта.
6. Инсталирайте файловете на SC контролера. Направете справка с инструкциите за инсталиране на софтуера, предоставени със софтуерните файлове.

## Раздел 4 Конфигурация

### 4.1 Стъпка 10: конфигуриране на анализатора

Задайте името на анализатора, средния сигнал, тип измерен хлор, зададени точки за премахване на мехурчета и за аларма за хлор.

1. Натиснете **menu**, след което изберете SENSOR SETUP (НАСТР. СЕНЗОР) > [избор на анализатор] > CONFIGURE (НАСТРОЙКА).
2. Изберете и конфигурирайте всяка опция.

Опция	Описание
<b>EDIT NAME (РЕДАК. ИМЕ)</b>	Задава името на анализатора. Името на анализатора се показва на дисплея на контролера и в регистрационните файлове.
<b>SIGNAL AVERAGE (УСРЕД. СИГНАЛА)</b>	<p>Задава броя измервания, използвани за изчисляване на средното измерване, показано на дисплея. Опции: 1 (по подразбиране), 2, 3 или IRREGULAR VALUE (ГРЕШНА СТ-СТ).</p> <p>Когато опцията SIGNAL AVERAGE (УСРЕД. СИГНАЛА) е зададена на 1, усредняването на сигнала се деактивира.</p> <p>Когато опцията SIGNAL AVERAGE (УСРЕД. СИГНАЛА) е зададена на 2 или 3, на дисплея се извежда средно показание. Например, измерването на дисплея е равно на последното и предишното измерване, разделено на две, когато опцията SIGNAL AVERAGE (УСРЕД. СИГНАЛА) е зададена на 2.</p> <p>Когато опцията SIGNAL AVERAGE (УСРЕД. СИГНАЛА) е зададена на IRREGULAR VALUE (ГРЕШНА СТ-СТ), анализаторът отхвърля показание, което е необичайно високо или ниско в сравнение с последните показания. При отхвърляне на дадено показание на дисплея се извежда последното добро показание и се запазва в регистъра с данни. Отхвърлят се не повече от три последователни показания.</p> <p>Усредняването на сигнала коригира колебанията в неправилните показания, които са причинени от мехурчета и/или по-големи частици в пробата.</p>
<b>MEASUREMENT (ИЗМЕРВАНЕ)</b>	<p>Задава типа на измерения хлор. Ако буферните бутилки и бутилките за индикатор имат на етикетите си „Free Chlorine“ (Свободен CL<sub>2</sub>), изберете FREE CHLORINE (СВОБОДЕН CL<sub>2</sub>) (по подразбиране).</p> <p>Ако буферните бутилки и бутилките за индикатор имат на етикетите си „Total Chlorine“ (Общ хлор), изберете TOTAL CHLORINE (ОБЩ ХЛОР).</p>
<b>BUBBLE REJECT (МАХНИ МЕХУРЧ.)</b>	Задава премахване на мехурчета на включено или изключено положение (по подразбиране). Задайте BUBBLE REJECT (МАХНИ МЕХУРЧ.) на ON (ВКЛ.), за да намалите шума, причинен от мехурчета в пробата. Въздушните мехурчета в пробата могат да причинят нестабилност на показанията.
<b>HIGH CL ALARMS (АЛАРМИ ВИСОК CL)</b>	Задава зададената точка на концентрация на хлор за алармата HIGH CHLORINE (ВИСОК ХЛОР) – от 0,00 до 10,00 mg/L (по подразбиране: 4,00 mg/L).

Опция	Описание
<b>LOW CL ALARMS (АЛАРМИ НИСЪК CL)</b>	Задава зададената точка на концентрация на хлор за алармата LOW CHLORINE (НИСЪК ХЛОР) – от 0,00 до 10,00 mg/L (по подразбиране: 0,20 mg/L).
<b>SENSOR INFO (ИНФО СЕНЗОР)</b>	Показва серийния номер на анализатора, версията на софтуера, версията на зареждане и версията на драйвера.
<b>DEFAULT SETTINGS (НАСТР. ПОДРАЗБИР.)</b>	Изберете YES (ДА), за да промените настройките на конфигурацията обратно на фабрични стойности по подразбиране.
<b>SERVICE (СЕРВИЗ)</b>	Само за обслужване

## 4.2 Конфигуриране на системата

Направете справка с документацията на контролера за конфигуриране на системата, общи настройки на контролера и настройка за изходящи елементи и съобщения.

## 4.3 Навигация на потребителя

Вижте документацията за контролера за описание на клавиатурата и информация относно навигацията

Натиснете множество пъти бутон със стрелка **НАДЯСНО** на контролера за показване на повече информация на началния екран и за показване на графичен дисплей.

## Раздел 5 Работа

### 5.1 Регистри с данни, събития и сервизен регистър

Контролерът предоставя достъп до регистър с данни, регистър със събития и сервизен регистър за всеки свързан инструмент. Измерванията на анализатора се запазват автоматично в регистъра с данни на интервали от 150 секунди. В регистъра със събития се извеждат възникналите събития. Регистрите със събития и данни запазват данни за период от приблизително 2 седмици, когато анализаторът работи непрекъснато. Сервизният регистър запазва данни за период от приблизително 24 часа, когато анализаторът работи непрекъснато.

Направете справка с документацията на контролера за изтегляне на регистъра с данни, регистъра със събития и/или сервизния регистър. Регистърът с данни е XML файл, който може да бъде запазен в CSV или Excel формат. Регистърът със събития и сервизният регистър са файлове в CSV формат.

### 5.2 Измерване на GRAB SAMPLE IN (РЪЧНА ПРОБА)

Когато е необходимо, използвайте менюто GRAB SAMPLE IN (РЪЧНА ПРОБА), за да добавите водна проба от известна концентрация на хлор към клетката за измерване. Измерете ръчна проба за проверка или за измерване на водна проба, взета от друго място.

1. Натиснете **menu**, след което изберете SENSOR SETUP (НАСТР. СЕНЗОР) > [избор на анализатор] > GRAB SAMPLE IN (РЪЧНА ПРОБА).
2. Изпълнете стъпките, които се показват на дисплея. При извеждане на подкана отстранете капака на клетката и добавете 100 mL от ръчната проба към клетката. Част от пробата ще потече към дренажа на пробата.

### 5.3 Modbus регистри

Списък с Modbus регистри е достъпен за мрежова комуникация. За повече информация вижте уеб сайта на производителя.

## Раздел 6 Калибриране и регулиране

Кривата на калибриране на анализатора е зададена фабрично за производителност спрямо спецификации. Калибрирането може да се извърши за проверка на производителността.

Не се препоръчват потребителски настройки на фабричната крива на калибриране, освен ако не се изисква от регулаторна агенция за целите на отчитане на съответствие или при извършване на голям ремонт на анализатора.

За повече информация направете справка с инструкциите на комплекта за проверка на калибрирането или се свържете с екипа за техническо обслужване.

## Раздел 7 Поддръжка

### ▲ ВНИМАНИЕ



Множество опасности. Задачите, описани в този раздел на документа, трябва да се извършват само от квалифициран персонал.

### Забележка

Не разглобявайте инструмента с цел извършване на поддръжка. Ако трябва да почистите или ремонтирате вътрешни компоненти се свържете с производителя.

### 7.1 График за поддръжка

Таблица 6 показва препоръчителния график на задачите за поддръжка. Изискванията на съоръжението и условията за работа може да увеличат честотата на някои задачи.

Таблица 6 График за поддръжка

Задача	1 месец	6 месеца	Според необходимостта
Почистване на клетката на страница 334	X <sup>2</sup>		
Смяна на бутилките с реактиви на страница 335	X		
Сменете бъркалката и тръбите <sup>3</sup>		X	
Почистване на екрана в Y цедката на страница 336			X

### 7.2 Почистване на клетката

### ▲ ВНИМАНИЕ



Опасност от химическа експозиция. Спазвайте лабораторните процедури за безопасност и носете пълното необходимо лично предпазно оборудване при боравене със съответните химически вещества. За информация относно протоколите по безопасност разгледайте информационните листове за безопасност на материала (MSDS/SDS).

Почиствайте клетката на интервали от 1 месец или по-често, ако е необходимо.

Елементи за осигуряване:



Памучни тампони<sup>4</sup>



Разтвор на сярна киселина 5,25 N<sup>5</sup>

<sup>2</sup> Почиствайте клетката по-често или по-рядко според необходимостта.

<sup>3</sup> Вижте инструкциите, които се доставят с комплекта тръби.

<sup>4</sup> Направете справка с [Резервни части и принадлежности](#) на страница 341.

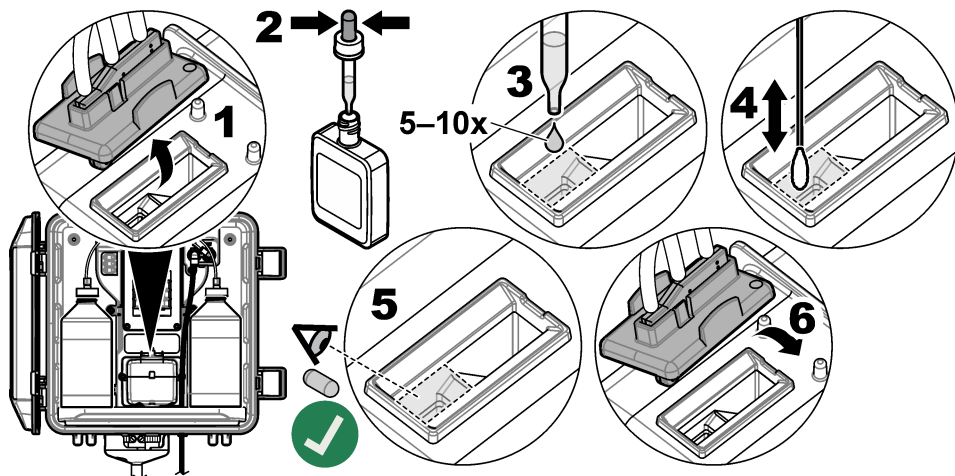
<sup>5</sup> Не използвайте други почистващи разтвори. Направете справка с [Резервни части и принадлежности](#) на страница 341.

1. Поставете личното предпазно оборудване, което е указано в информационните листове за безопасност (MSDS/SDS).
2. Натиснете **menu**, след което изберете SENSOR SETUP (НАСТР. СЕНЗОР) > [избор на анализатор] > TASKS (ЗАДАЧИ) > CLEAN CELL (ЧИСТИ КЛЕТКА).  
*Забележка: За да спрете избрана задача, натиснете home.*
3. Натиснете **enter** за спиране на измервания.
4. Изберете опция.

Опция	Описание
<b>HOLD (ФИКСИРАНЕ)</b>	Изходите на контролера се задържат на последната измерена стойност.
<b>TRANSFER (ПРЕНОС)</b>	Изходите на контролера се променят на стойността на прехвърляне.

5. Когато светлината за състояние започне да мига, извършете следните илюстрирани стъпки. Когато завършите, натиснете **enter**.

В илюстрираната стъпка 5 се уверете, че няма нежелан материал в клетката. Използвайте фенерче, за да потърсите нежелан материал, ако е необходимо.



6. При извеждане на дисплея на „TASK COMPLETE (ЗАДАЧАТА Е ЗАВЪРШ.)“ натиснете **enter**. Анализаторът стартира цикъл на измерване след приблизително 30 секунди.

### 7.3 Смяна на бутилките с реактиви

#### ▲ ВНИМАНИЕ



Опасност от химическа експозиция. Спазвайте лабораторните процедури за безопасност и носете пълното необходимо лично предпазно оборудване при боравене със съответните химически вещества. За информация относно протоколите по безопасност разгледайте информационните листове за безопасност на материала (MSDS/SDS).

#### ▲ ВНИМАНИЕ



Опасност от химическа експозиция. Изхвърляйте химическите и отпадъчни вещества в съответствие с местните, регионални и национални разпоредби.

Сменяйте бутилките с реактиви при интервали от 1 месец.

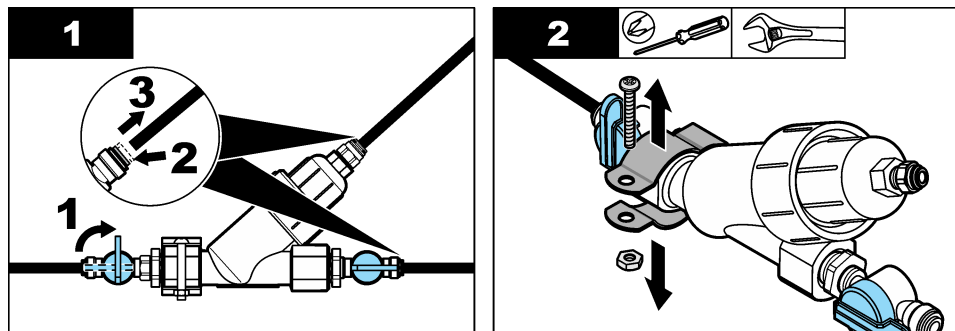
1. Поставете личното предпазно оборудване, което е указано в информационните листове за безопасност (MSDS/SDS).
2. Натиснете **меню**, след което изберете SENSOR SETUP (НАСТР. СЕНЗОР) > [избор на анализатор] > TASKS (ЗАДАЧИ) > CHANGE REAGENTS (СМЕНИ РЕАГЕНТ).  
*Забележка:* За да спрете избрана задача, натиснете **home**.
3. Натиснете **enter** за спиране на измервания.
4. Изберете опция.

Опция	Описание
<b>HOLD (ФИКСИРАНЕ)</b>	Изходите на контролера се задържат на последната измерена стойност.
<b>TRANSFER (ПРЕНОС)</b>	Изходите на контролера се променят на стойността на прехвърляне.

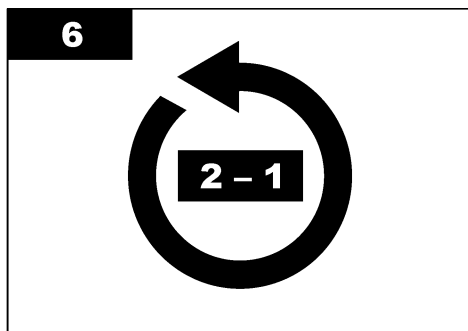
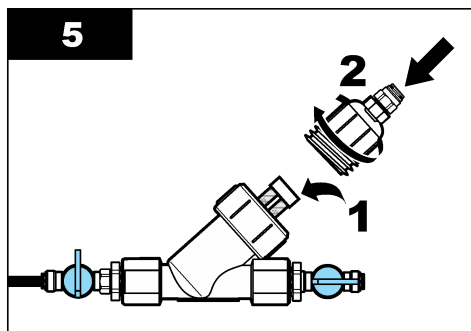
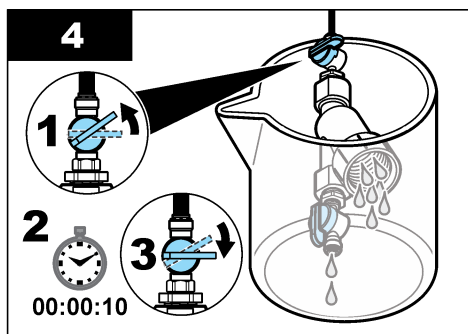
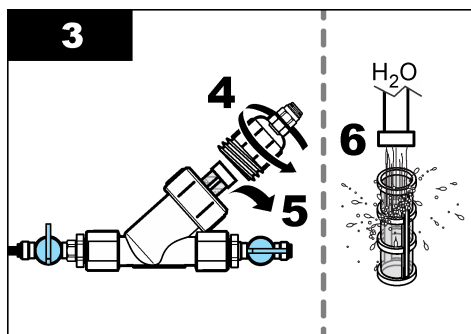
5. Изчакайте светлината за състояние да започне да мига.
6. Сменете буферната бутилка по следния начин:  
*Забележка:* (Опция) Използвайте горната част на анализатора като рафт.
  - a. Премахнете капачката и уплътнението от новата буферна бутилка.
  - b. Отстранете използваната буферна бутилка от анализатора.
  - c. Поставете тръбите на буфера в новата буферна бутилка от дясната страна на анализатора. Затегнете капачката.
7. Сменете бутилката за индикатор по следния начин:
  - a. Отстранете капачката и уплътнението от бутилката за индикатор и от кафявата DPD бутилка.
  - b. Напълнете DPD бутилката приблизително с  $\frac{1}{4}$  разтвор за индикатор.
  - c. Завъртете бутилката, за да я разбъркате.
  - d. Поставете съдържанието на DPD бутилката в бутилката за индикатор.
  - e. Обърнете бутилката за индикатор, докато се разтвори целият прах (2 минути).
  - f. Отстранете използваната бутилка за индикатор от анализатора.
  - g. Поставете тръбите за индикатор в новата бутилка за индикатор от лявата страна на анализатора. Затегнете капачката.
8. Натиснете **enter**.
9. При извеждане на дисплея на „TASK COMPLETE (ЗАДАЧАТА Е ЗАВЪРШ.) натиснете **enter**. Анализаторът стартира цикъл на измерване след приблизително 30 секунди.

## 7.4 Почистване на екрана в Y цедката

Почистете екрана в Y цедката, когато има запушване, което се идентифицира с предупреждение LOW SAMPLE FLOW (СЛАБ ДЕБИТ ПРОБА). Изпълнете следните илюстрирани стъпки.







## 7.5 Подготовка за съхранение

### ▲ ВНИМАНИЕ



Опасност от химическа експозиция. Спазвайте лабораторните процедури за безопасност и носете пълното необходимо лично предпазно оборудване при боравене със съответните химически вещества. За информация относно протоколите по безопасност разгледайте информационните листове за безопасност на материала (MSDS/SDS).

При отстраняване на захранването на анализатора за повече от 3 дни или ако анализаторът няма да се използва за повече от 3 дни, подгответе анализатора за съхранение.

#### Елементи за осигуряване:



Мензура с деионизирана вода (2x)

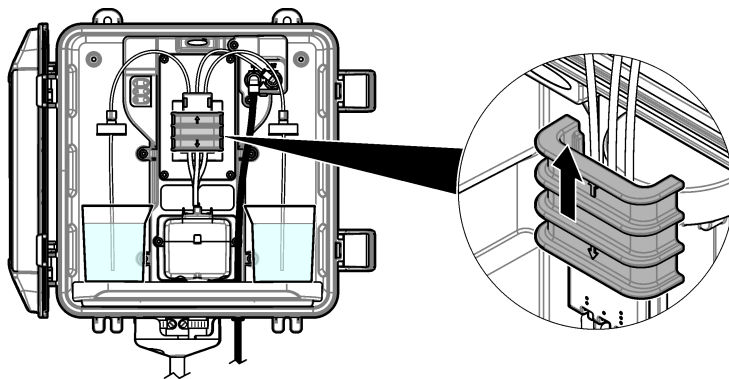


Пипета за еднократна употреба или кърпа без влакна

1. Отстранете реактивите от линиите за реактиви по следния начин:
  - a. Отстранете бутилката за индикатор и буферната бутилка от анализатора.
  - b. Поставете две мензури (или съдове), съдържащи деионизирана вода в анализатора.
  - c. Поставете тръбите на бутилката за индикатор и тръбите на буферната бутилка в мензурите.
  - d. Натиснете **меню**, след което изберете **SENSOR SETUP (НАСТР. СЕНЗОР) > [избор на анализатор] > PRIME (ПРОМИВАНЕ)**.  
Анализаторът премахва реактивите от линиите на реактиви.
2. Отстранете деионизираната вода от линиите за реактиви по следния начин:
  - a. Отстранете тръбите на бутилката за индикатор и тръбите на буферната бутилка от мензурите.

- b. Отстранете двете мензури от анализатора.
  - c. Натиснете **меню**, след което изберете SENSOR SETUP (НАСТР. СЕНЗОР) > [избор на анализатор] > PRIME (ПРОМИВАНЕ).  
Анализаторът премахва цялата течност от линиите на реактиви.
3. Разкачете кабела на анализатора от контролера (или отстранете захранването към контролера).
  4. Завъртете спирателния клапан до затворено положение, за да спрете дебита на пробата към Y цедката.
  5. Отстранете скобата на помпата. Направете справка с [Фигура 7](#). Запазете скобата на помпата за бъдеща употреба.
  6. Отстранете водата от клетката по следния начин:
    - a. Махнете капака от клетката.
    - b. Отстранете водата от клетката с пипета за еднократна употреба или с кърпа без влакна.
    - c. Монтирайте капака върху клетката.
  7. За да стартирате анализатора след съхранение, извършете следните стъпки:
    - a. Монтирайте скобата на помпата. Направете справка с [Фигура 7](#).
    - b. Монтирайте бутилките с реактиви. Направете справка с [Стъпка 4: монтиране на бутилките с реактиви](#) на страница 328.
    - c. Задайте спирателния клапан на отворено положение, за да стартирате дебита на пробата към Y цедката.
    - d. Свържете кабела на анализатора към контролера, ако кабелът е разкачен.
    - e. Осигурете захранване към контролера, ако захранването е отстранено.
    - f. Натиснете **меню**, след което изберете SENSOR SETUP (НАСТР. СЕНЗОР) > [избор на анализатор] > PRIME (ПРОМИВАНЕ).

**Фигура 7 Отстранете скобата на помпата**



## 7.6 Подготовка за транспортиране

### ▲ ВНИМАНИЕ



Опасност от химическа експозиция. Спазвайте лабораторните процедури за безопасност и носете пълното необходимо лично предпазно оборудване при боравене със съответните химически вещества. За информация относно протоколите по безопасност разгледайте информационните листове за безопасност на материала (MSDS/SDS).

За да подготвите анализатора за доставка, извършете следните стъпки.

**Елементи за осигуряване:**



Мензура с дейонизирана вода (2x)



Оригинална опаковка

1. Отстранете реактивите от линиите за реактиви по следния начин:
  - a. Отстранете бутилката за индикатор и буферната бутилка от анализатора.
  - b. Поставете две мензури (или съдове), съдържащи дейонизирана вода в анализатора.
  - c. Поставете тръбите на бутилката за индикатор и тръбите на буферната бутилка в мензуриите.
  - d. Натиснете **меню**, след което изберете SENSOR SETUP (НАСТР. СЕНЗОР) > [избор на анализатор] > PRIME (ПРОМИВАНЕ).  
Анализаторът премахва реактивите от линиите на реактиви.
2. Отстранете дейонизираната вода от линиите за реактиви по следния начин:
  - a. Отстранете тръбите на бутилката за индикатор и тръбите на буферната бутилка от мензуриите.
  - b. Отстранете двете мензури от анализатора.
  - c. Натиснете **меню**, след което изберете SENSOR SETUP (НАСТР. СЕНЗОР) > [избор на анализатор] > PRIME (ПРОМИВАНЕ).  
Анализаторът премахва цялата течност от линиите на реактиви.
3. Разкачете кабела на анализатора от контролера.
4. Завъртете спирателния клапан до затворено положение, за да спрете дебита на пробата към Y цедката.
5. Разкачете тръбите на входа на пробата (черни) и тръбите за източване (прозрачни) от анализатора.
6. Отстранете външния въздушен спиращ елемент от анализатора.
7. Отстранете скобата на помпата. Направете справка с [Фигура 7](#) на страница 338.
8. Отстранете тръбите и бъркалката от анализатора. Запазете тръбите за доставка с анализатора. Направете справка с [Стъпка 3: монтиране на бъркалката и тръбите](#) на страница 328.
9. Монтирайте скобата на помпата без тръбите. Поставете лента върху скобата на тръбите за сигурно задържане на скобата на тръбите.
10. Отстранете водата от клетката с пипета за еднократна употреба или с кърпа без влакна.
11. Отстранете анализатора от стената.
12. Поставете анализатора обратно в оригиналната опаковка.

## 7.7 Почистете инструмента

### Забележка

Никога не използвайте почистващи вещества от типа на турпентин, ацетон или подобни на тях за почистване на инструмента, включително дисплея и принадлежностите му.

Почиствайте външната повърхността на инструмента с влажна кърпа и мек сапунен разтвор.

## 7.8 Почистване на разливи

### ▲ ВНИМАНИЕ



Опасност от химическа експозиция. Изхвърляйте химическите и отпадъчни вещества в съответствие с местните, регионални и национални разпоредби.

1. Трябва да се спазват всички протоколи за безопасност на обекта за контрол на разливи.
2. Отпадъците трябва да се изхвърлят в съответствие с приложимите разпоредби.

## Раздел 8 Отстраняване на повреди

### 8.1 Грешки – червена светлина

За показване на грешките натиснете **menu** и изберете DIAGNOSTICS (ДИАГНОСТИКА) > [избор на анализатор] > ERROR LIST (СПИСЪК ГРЕШКИ). Списък с възможни грешки е показан в Таблица 7.

Когато възникне грешка, светлината за състояние на анализатора става червена. Измерванията спират, екранът за измерване мига и всички изходящи сигнали се задържат, както е указано в менюто на контролера.

Таблица 7 Съобщения за грешка

Грешка	Описание	Решение
DETECTOR ERROR (ГРЕШКА ДЕТЕКТОР)	Има детектор, който не функционира правилно.	Свържете се с екипа за техническа поддръжка.
DIRTY CELL (ЗАМЪРСЕНА КЛЕТКА)	Клетката е с петно или замърсена. Биофилмът може да се появи в клетката, когато концентрацията на хлор е много ниска.	Почистете клетката. Направете справка с <a href="#">Почистване на клетката</a> на страница 334.
CODE ERROR (КОД ГРЕШКА.)	Възникнала е грешка във фърмуера.	Свържете се с екипа за техническа поддръжка.
LED ERROR (ГРЕШКА В LED)	Светлината в клетката не работи правилно.	Свържете се с екипа за техническа поддръжка.
PUMP ERROR (ГРЕШКА В ПОМПАТА)	Помпата не функционира правилно.	Свържете се с екипа за техническа поддръжка.
SAMPLE LEAK (ТЕЧ НА ПРОБА)	Има изтичане от проба в анализатора.	Свържете се с екипа за техническа поддръжка.

### 8.2 Предупреждения – жълта светлина

За показване на предупрежденията натиснете **menu** и изберете DIAGNOSTICS (ДИАГНОСТИКА) > [избор на анализатор] > WARNING LIST (СПИСЪК ПРЕДУП.). Списък с възможни предупреждения е показан в Таблица 8.

Когато се появи предупреждение, светлинният индикатор за състоянието променя цвета си на жълт. Икона за предупреждение мига и се показва съобщение в долната част на дисплея на контролера. Ако има наличен достатъчен дебит на проба, предупреждението не влияе на

функционирането на менютата. Предупреждението не влияе на функционирането на релетата и изходите.

**Таблица 8 Предупредителни съобщения**

Предупреждение	Описание	Решение
BUBBLES DETECTED (ИМА МЕХУРЧЕТА)	В клетката има мехурчета.	Почистете клетката. Направете справка с <a href="#">Почистване на клетката</a> на страница 334. (опционално) Задайте настройката BUBBLE REJECT (МАХНИ МЕХУРЧ.) на включено положение. Направете справка с <a href="#">Стъпка 10: конфигуриране на анализатора</a> на страница 332.
CLEAN CELL SOON (ПОЧ.КЛЕТК.СКОРО)	По клетката има петна или е замърсена и трябва да бъде почистена възможно най-скоро, за да предотвратите грешка.	Почистете клетката. Направете справка с <a href="#">Почистване на клетката</a> на страница 334.
HIGH CHLORINE (ВИСОК ХЛОР)	Концентрацията на хлор е на или повече от зададената точка HIGH CL ALARMS (АЛАРМИ ВИСОК CL).	Увеличете настройката на HIGH CL ALARMS (АЛАРМИ ВИСОК CL). Направете справка с <a href="#">Стъпка 10: конфигуриране на анализатора</a> на страница 332. Или Намалете концентрацията на хлор на пробата, доставена от анализатора.
LOW CHLORINE (НИСЪК ХЛОР)	Концентрацията на хлор е на или повече от зададената точка LOW CL ALARMS (АЛАРМИ НИСЪК CL).	Намалете настройката на LOW CL ALARMS (АЛАРМИ НИСЪК CL). Направете справка с <a href="#">Стъпка 10: конфигуриране на анализатора</a> на страница 332. Или Увеличете концентрацията на хлор на пробата, доставена от анализатора.
LOW SAMPLE FLOW (СЛАБ ДЕБИТ ПРОБА)	Измереният дебит на пробата е по-малко от минималния дебит на пробата. Направете справка с <a href="#">Спецификации</a> на страница 316.	Задайте дебита на пробата. Направете справка с <a href="#">Стъпка 8: задаване на дебита</a> на страница 331. Почистете филтъра в Y цедката, ако е необходимо, за да отстраните запушването. Направете справка с <a href="#">Почистване на екрана в Y цедката</a> на страница 336.
HIGH SAMPLE FLOW (ВИСОК ДЕБИТ ПРОБА)	Измереният дебит на пробата е повече от максималния дебит на пробата. Направете справка с <a href="#">Спецификации</a> на страница 316.	Задайте дебита на пробата. Направете справка с <a href="#">Стъпка 8: задаване на дебита</a> на страница 331.

## Раздел 9 Резервни части и принадлежности

### ▲ ПРЕДУПРЕЖДЕНИЕ



Опасност от нараняване. Използването на части, които не са одобрени за употреба, може да причини нараняване, повреда на инструмента или неизправност на оборудването. Резервните части, упоменати в този раздел, са одобрени от производителя.

**Забележка:** Продуктовите и каталожните номера може да се различават в някои региони на продажба. Свържете се със съответния дистрибутор или посетете уебсайта на компанията за информация за контакт.

## Консумативи

Описание	Количество	Каталожен номер
Комплект реактиви, свободен хлор, включва: Буферна бутилка, бутилка за индикатор и DPD бутилка	1	2556900
Комплект реактиви, общ хлор, включва: Буферна бутилка, бутилка за индикатор и DPD бутилка	1	2557000
Комплект за почистване на клетки включва: Сярна киселина, 5,25 N, 100 mL, бутилка за пипета и памучни тампони (10x)	1	8573100
Комплект за проверка на калибрирането, включва: Спринцовка, тръби, тръбни фитинги, ножче за ампули, стандартна ампула с дейонизирана вода и хлор	1	8568200
Комплект за проверка на калибрирането, включва: Стандартна ампула с Дейонизирана вода и хлор	1	8573200

## Резервни части

Описание	Каталожен номер
Комплект тръби включва: Тръби и бъркалка	САЩ: 8560400 ЕС: 8575000
Монтажен комплект със стойка (10 psi или по-малко)	САЩ: 8560500 ЕС: 8575100
Монтажен комплект със стойка (>10 psi)	8576001
Инсталационен комплект с регулатор на налягането	САЩ: 8565700 ЕС: 8575200

## Акcesoари

Описание	Каталожен номер
Удължителен кабел за анализатор, 1 m (3,2 ft)	6122400
Удължителен кабел за анализатор, 7,7 m (25 ft)	5796000
Удължителен кабел за анализатор, 15 m (50 ft)	5796100
Адаптер за тръби, 6 mm OD към 1/4 инча OD	09184=A=4020

# Tartalomjegyzék

- |   |                     |             |   |                                |             |
|---|---------------------|-------------|---|--------------------------------|-------------|
| 1 | Műszaki adatok      | oldalon 343 | 6 | Kalibrálás és beállítás        | oldalon 360 |
| 2 | Általános tudnivaló | oldalon 344 | 7 | Karbantartás                   | oldalon 361 |
| 3 | Telepítés           | oldalon 347 | 8 | Hibaelhárítás                  | oldalon 366 |
| 4 | Konfiguráció        | oldalon 359 | 9 | Cserealkatrészek és tartozékok | oldalon 368 |
| 5 | Működés             | oldalon 360 |   |                                |             |

## Szakasz 1 Műszaki adatok

A műszaki adatok előzetes bejelentés nélkül változhatnak.

1. táblázat Általános specifikációk

Műszaki adatok	Részletes adatok
Méret (Sz x Ma x Mé)	32,9 x 34,2 x 17,7 cm (12,9 x 13,5 x 7,0 hüvelyk)
Ház	IP66 az IEC 60529 szerint, zárt és reteszelt ajtó esetén <sup>1</sup>
Szállítási súly	4,1 kg (9 font) palackok nélkül; 5,1 kg (11,2 font) teli palackokkal
Felerősítés	Falra szerelés
Védelmi osztály	III
Szennyezési fok	3
Elektromos üzembe helyezési kategória	I (belső)
Teljesítményigény	12 V DC, legfeljebb 400 mA (a vezérlő biztosítja)
Üzemi hőmérséklet	5 - 40 °C (41 - 104 °F)
Üzemi páratartalom	0-90% nem kondenzáló relatív páratartalom
Tárolási hőmérséklet	-40 - 60 °C (-40 - 140 °F)
Szerelvények	Mintavezeték: ¼ hüvelyk külső átmérőjű gyorscsatlakozós szerelvény a műanyag csövekhez Lefolyócsövek: rácsúsztható szerelvény az ½ hüvelyk belső átmérőjű lágy műanyag csövekhez
Jelzőfények	Analizátor állapota és mérési ciklus
Tanúsítványok	EU DoC, UKCA DoC, FCC/ISED SDoC, ACMA DoC, KC, Morocco DoC
Jótállás	1 év (EU: 2 év)

2. táblázat A mintára vonatkozó követelmények

Műszaki adatok	Részletes adatok
Nyomás	0,31 - 5,17 bar (4,5 - 75 psig) az Y-szűrőnél; 0,1 - 0,34 bar (1,5 - 5 psig) az analizátornál
Áramlási sebesség	60–200 mL/perc a műszeren keresztül (az analizátor leeresztésénél mérve)
Hőmérséklet	5 - 40 °C (41 - 104 °F)
Szűrés	Y-szűrő legalább 40 szemből álló szitával

<sup>1</sup> Dugókkal lezárt lefolyónyílások a vizsgálat követelményeinek teljesítéséhez.

### 3. táblázat Mérési feltételek

Műszaki adatok	Részletes adatok
Fényforrás	LED, mérés 510 nm-en; 1 cm fényúthossz
Mérési tartomány	0,03 - 10 mg/L szabad vagy összes maradék klór, Cl <sub>2</sub> formájában
Mérési intervallum	150 másodperc
Pontosság	±5% vagy ±0,04 mg/L, 0 és 5 mg/L között (a nagyobb érték) Cl <sub>2</sub> formájában ±10%, 5 és 10 mg/L között, Cl <sub>2</sub> formájában
Precizitás	±5% vagy ±0,01 mg/L (a nagyobb érték), Cl <sub>2</sub> formájában
Kimutatási határérték	0,03 mg/L, Cl <sub>2</sub> formájában
Minősítési észlelési határérték	0,07 mg/L
Kalibrálás	Gyári kalibrálás Opcionális: felhasználó által végzett kétpontos kalibrálás a kalibrációs ellenőrzőkészletben található kalibrációs standardokkal
Reagenshasználat	0,5 liter pufferoldat és 0,5 liter indikátoroldat 31 nap alatt

## Szakasz 2 Általános tudnivaló

A gyártó semmilyen esetben sem vállal felelősséget a termék nem megfelelő használatából vagy a kézikönyv utasításainak be nem tartásából eredő károkért. A gyártó fenntartja a kézikönyv és az abban leírt termékek megváltoztatásának jogát minden értesítés vagy kötelezettség nélkül. Az átdolgozott kiadások a gyártó webhelyén találhatóak.

### 2.1 Biztonsági tudnivalók

A gyártó nem vállal felelősséget a termék nem rendeltetésszerű alkalmazásából vagy használatából eredő semmilyen kárért, beleértve de nem kizárólag a közvetlen, véletlen vagy közvetett károkat, és az érvényes jogszabályok alapján teljes mértékben elhárítja az ilyen kárigényeket. Kizárólag a felhasználó felelőssége, hogy felismerje a komoly alkalmazási kockázatokat, és megfelelő mechanizmusokat szereljen fel a folyamatok védelme érdekében a berendezés lehetséges meghibásodása esetén.

Kérjük, olvassa végig ezt a kézikönyvet a készülék kicsomagolása, beállítása vagy működtetése előtt. Szenteljen figyelmet az összes veszélyjelző és óvatosságra intó mondatra. Ennek elmulasztása a kezelő súlyos sérüléséhez vagy a berendezés megrongálódásához vezethet.

Győződjön meg arról, hogy a berendezés által nyújtott védelem nem sérül. Ne használja, vagy állítsa üzembe ezt az eszközt az ebben a kézikönyvben leírtaktól eltérő módon.

#### 2.1.1 A veszélyekkel kapcsolatos tudnivalók alkalmazása

##### ▲ VESZÉLY

Lehetséges vagy közvetlenül veszélyes helyzetet jelez, amely halálhoz vagy súlyos sérüléshez vezet.

##### ▲ FIGYELMEZTETÉS

Lehetséges vagy közvetlenül veszélyes helyzetet jelez, amely halálhoz vagy súlyos sérüléshez vezethet.

##### ▲ VIGYÁZAT

Lehetséges veszélyes helyzetet jelez, amely enyhe vagy kevésbé súlyos sérüléshez vezethet.

##### MEGJEGYZÉS

A készülék esetleges károsodását okozó helyzet lehetőségét jelzi. Különleges figyelmet igénylő tudnivaló.



## 2.1.2 Figyelmeztető címkék

Olvassa el a műszerhez csatolt valamennyi címkét és függő címkét. Ha nem tartja be, ami rajtuk olvasható, személyi sérülés vagy műszer rongálódás következhet be. A műszeren látható szimbólum jelentését a kézikönyv egy óvintézkedési mondatával adja meg.



Az ezzel a szimbólummal jelölt elektromos készülékek Európában nem helyezhetők háztartási vagy lakossági hulladékfeldolgozó rendszerekbe. A gyártó köteles ingyenesen átvenni a felhasználóktól a régi vagy elhasznált elektromos készülékeket.

## 2.1.3 Elektromágneses kompatibilitás (EMC) megfeleléség

### ▲ VIGYÁZAT

Ez a berendezés nem lakott környezetben való használatra készült, és lehet, hogy nem biztosít megfelelő védelmet a rádióvétel zavarása ellen ilyen környezetben.

### CE (EU)

A berendezés megfelel a 2014/30/EU EMC-irányelv alapvető követelményeinek.

### UKCA (UK)

A berendezés megfelel az Elektromágneses kompatibilitásról szóló 2016. évi rendelet (S.I. 2016/1091) követelményeinek.

### A rádió interferenciát okozó eszközök kanadai szabályozása, ICES-003 A osztály:

A vizsgálati eredmények bizonyítása a gyártónál található.

Ez az A osztályú berendezés megfelel A rádió interferenciát okozó eszközök kanadai szabályozásának.

Cet appareil numérique de classe A répond à toutes les exigences de la réglementation canadienne sur les équipements provoquant des interférences.

### FCC 15 szakasz, az "A" osztályra vonatkozó határokkal

A vizsgálati eredmények bizonyítása a gyártónál található. Az eszköz megfelel az FCC szabályok 15. szakaszában foglaltaknak. A működés a következő feltételek függvénye:

1. A berendezés nem okozhat káros interferenciát.
2. A berendezésnek minden felvett interferenciát el kell fogadnia, beleértve azokat az interferenciákat is, amelyek nem kívánatos működéshez vezethetnek.

A berendezésben véghezvitt, és a megfelelésbiztosításra kijelölt fél által kifejezetten el nem fogadott változtatások vagy módosítások a berendezés működtetési jogának megvonását vonhatják maguk után. Ezt a berendezést bevizsgálták, és azt az FCC szabályok 15. szakaszának megfelelően, az A osztályú készülékekre érvényes határértékek szerintinek minősítették. E határértékek kialakításának célja a tervezés során a megfelelő védelem biztosítása a káros interferenciák ellen a berendezés kereskedelmi környezetben történő használata esetén. A berendezés rádió frekvencia energiát gerjeszt, használ és sugároz, és amennyiben nem a használati kézikönyvnek megfelelően telepítik vagy használják, káros interferenciát okozhat a rádiós kommunikációban. A berendezésnek lakott területen való működtetése valószínűleg káros interferenciát okoz, amely következtében a felhasználót saját költségére az interferencia korrekciójára kötelezik. A következő megoldások használhatók az interferencia problémák csökkentésére:

1. Kapcsolja le a berendezést az áramforrásról annak megállapításához, hogy az eszköz az interferencia forrása.
2. Amennyiben a berendezés ugyanarra a csatlakozó aljzatra van téve, mint az interferenciát észlelő készülék, csatlakoztassa a készüléket egy másik csatlakozó aljzatba.
3. Vigye távolabb a készüléket az interferenciát észlelő készüléktől.
4. Állítsa más helyzetbe annak a készüléknek az antennáját, amelyet zavar.
5. Próbálja ki a fenti intézkedések több kombinációját.

## 2.2 A termék áttekintése

### ▲ VESZÉLY



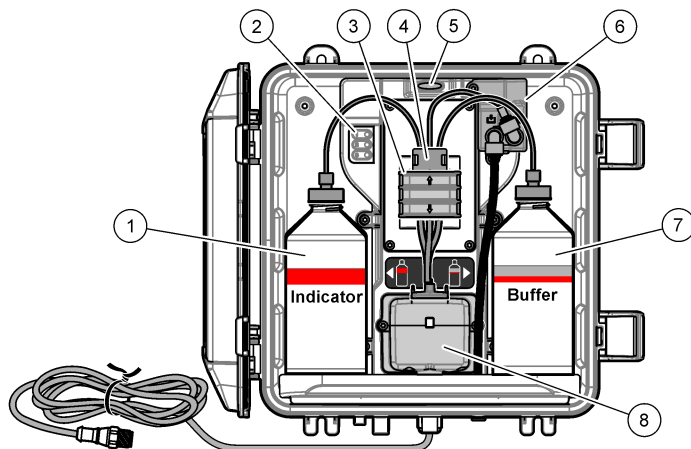
Kémiai vagy biológiai veszélyek. Ha ez a műszer olyan kezelési folyamat és/vagy dialízisvíz-adagoló rendszer megfigyelésére szolgál, amelyre a közegészségüggyel, közbiztonsággal, élelmiszer- és italgégyártással vagy -feldolgozással kapcsolatos jogszabályi korlátozások vonatkoznak, a műszer felhasználójának a felelőssége, hogy ismerjen és betartson minden vonatkozó rendszabályt, és hogy a vonatkozó jogszabályoknak megfelelően elégséges és megfelelő mechanizmust biztosítson arra az esetre, ha a műszer meghibásodna.

A CL17sc analízátor 150 másodperces időközönként méri a vízben az összes klór koncentrációját, 0,03 - 10 mg/L tartományban. Az [1. ábra](#) további áttekintést nyújt az analízátorról.

A tápellátás, a működés, az adatgyűjtés, az adatátvitel és a diagnosztika biztosítása érdekében csatlakoztassa az analízátort egy SC vezérlőhöz. A vezérlő áttekintése az SC vezérlő kézikönyvében található.

**Megjegyzés:** Ha az SC vezérlő egynél több gyorscsatlakozós szerelvényvel rendelkezik, egynél több analízátort is csatlakoztatható hozzá.

1. ábra CL17sc



1 Indikátorpalack	5 Analízátor állapotjelző fénye ( <a href="#">5. táblázat</a> oldalon 347)
2 Mérési ciklus lámpái ( <a href="#">4. táblázat</a> oldalon 347)	6 Áramlásmérő
3 Szivattyúbilincs	7 Pufferpalack
4 Csőbilincs	8 Kolorimetriás cella

### 2.2.1 Áramlásmérő

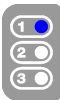
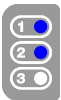
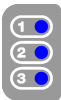
Az analízátor áramlásmérővel rendelkezik, amely a minta áramlási sebességét méri az analízátoron keresztül. Lásd: [1. ábra](#) oldalon 346.

A minta csak akkor áramlik át az analízátoron, ha az analízátor átöblíti a cellát. Más esetben nincs mintaáramlás, így a kijelzett áramlási sebesség nulla. Az áramlási sebesség megjelenítéséhez nyomja meg a vezérlőn található **JOBB** nyíl gombot.

## 2.2.2 Mérési ciklus lámpái

A mérési ciklus lámpái a mérési ciklus folyamatban lévő lépését jelzik. Lásd: [4. táblázat](#).

4. táblázat Mérési ciklus lámpái

Világító lámpa			
Leírás	A rendszer átöblíti vízzel a cellát.	A rendszer hozzáadja a pufferoldatot és az indikátoroldatot a cellához.	Mintamérés folyamatban.

## 2.2.3 Az analizátor állapotjelzője

Az analizátor zöld állapotjelzője figyelmeztetés esetén sárgára, hiba esetén pirosra vált. Lásd: [5. táblázat](#).

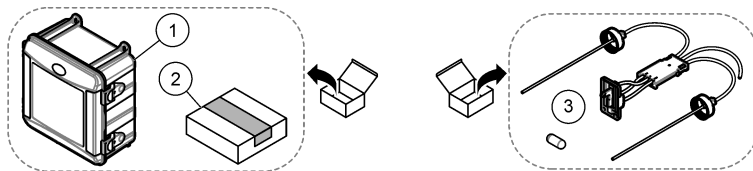
5. táblázat Az analizátor állapotjelzője

Szín	Leírás
Zöld	Normál működés
Sárga	A jövőbeni hibák elkerülése érdekében a rendszert figyelemmel kell kísérni. A mérések folytatódnak. A figyelmeztetések megjelenítéséhez nyomja meg a <b>menü</b> gombot, majd válassza a Diagnosztika > [elemző kiválasztása] > FIGYELM.LISTA lehetőséget. Lásd: <a href="#">Figyelmeztetések – sárga lámpa</a> oldalon 367.
Piros	A rendszer azonnali beavatkozást igényel. A mérések leálltak. A hibajelzések megjelenítéséhez nyomja meg a <b>menü</b> gombot, majd válassza a Diagnosztika > [elemző kiválasztása] > HIBALISTA lehetőséget. Lásd: <a href="#">Hibák – piros fény</a> oldalon 366.

## 2.3 A termék részegységei

Győződjön meg arról, hogy minden részegységet megkapott. Lásd: [2. ábra](#). Ha valamelyik tétel hiányzik vagy sérült, forduljon azonnal a gyártóhoz vagy a forgalmazóhoz.

2. ábra A termék részegységei



1 CL17sc analizátor	3 Csőkészlet (tömlőtekercs és keverőrúd)
2 Telepítési készlet	

## Szakasz 3 Telepítés

### ⚠ VIGYÁZAT



Többszörös veszély. A dokumentumnak ebben a fejezetében ismertetett feladatokat csak képzett szakemberek végezhetik el.

### 3.1 Telepítési irányelvek

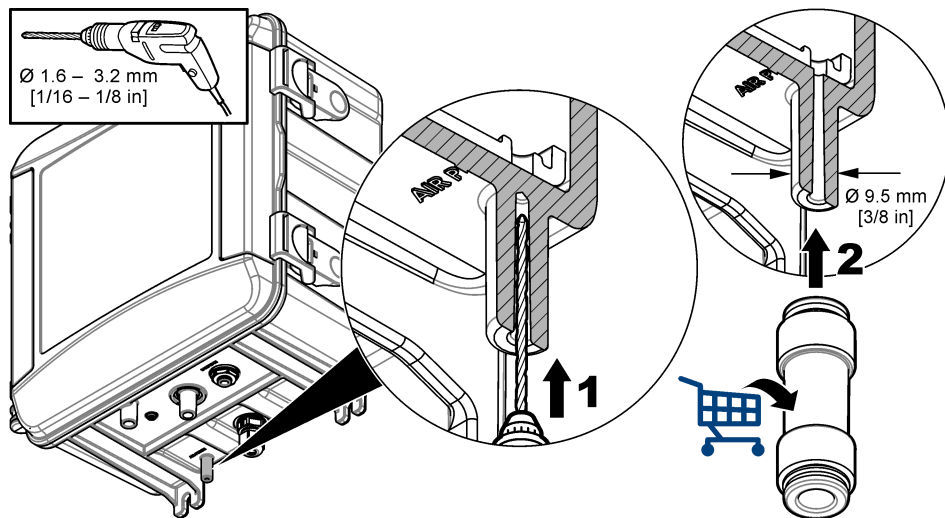
- Az analízatorhoz egy nyomócső-szerelőkészletet vagy egy nyomásszabályozó szerelőkészletet is mellékelünk, amely az analízator víznyomásának szabályozásáért felel. A szerelőkészletet a felhasználónak kell kiválasztania a vásárláskor.
- Az analízator beltéren, minimális rezgéssel rendelkező környezetben telepítse. Lásd az üzemi hőmérsékletre és páratartalomra vonatkozó előírásokat, [Műszaki adatok](#) oldalon 343.
- Az analízator ne helyezze közvetlen napsütésnek kitett helyre vagy hőforrások közelébe.
- Állócsöves telepítés esetén az analízator olyan helyre kell telepíteni, ahol az analízator felett elegendő szabad hely áll rendelkezésre az állócső rögzítéséhez.
- Az analízatort nyitott lefolyó közelébe telepítse. Az ártalmatlanítással kapcsolatban tekintse meg a helyi szabályozó hivatal utasításait.

### 3.2 1. lépés: Levegős átfúvatás (opcionális)

Levegős átfúvatásra akkor lehet szükség, ha az analízator olyan helyen van, ahol magas a páratartalom és/vagy sok a füst, ami korróziót okoz. A levegős átfúvatás száraz és tiszta levegő segítségével pozitív nyomást tart fenn a készülékben.

Fújjon be percenként 0,003 m<sup>3</sup> (0,1 láb<sup>3</sup>/perc) tiszta, száraz, műszer minőségű sűrített levegőt maximum 20 psig nyomáson.

Lásd az alábbi képeken bemutatott lépéseket. A 3/8 hüvelykes gyorscsatlakozós szerelvényről és a csövekről a felhasználónak kell gondoskodnia.



### 3.3 2. lépés: Az analízator felszerelése és a csövek bekötése

#### ▲ VIGYÁZAT



A műszerhez csak a Hach vállalat által meghatározott csövek használhatók. Más csövek abszorbeálhatják a mintavízben lévő klórt, ami negatív hatással lehet a klórmérés eredményeire (csökkentik a klórértékeket).

#### MEGJEGYZÉS

Ha az analízator csöveit nem megfelelően kötik be, a túl nagy mintanyomás károsíthatja a berendezést. Az analízator felszerelése és a csövek bekötése során mindig tartsa be az alábbi utasításokat.

1. Rögzítse az analizátort (9. elem) a falhoz négy csavar segítségével. Ellenőrizze, hogy az analizátor vízszintes-e.

*Megjegyzés: A rögzítőelemekről a felhasználónak kell gondoskodnia.*

2. Szerelje fel az SC vezérlőt (7. elem) falra, panelre vagy csőre. Tekintse meg az SC vezérlő dokumentációját az utasításokért.
3. Szerelje össze az Y-szűrőt. Lásd a csomagjegyzékben szereplő utasításokat.
4. Használja az 1 hüvelykes csőbilincset az Y-szűrő szerelvény felszereléséhez (5. tétel a [3. ábra](#), [4. ábra](#) vagy [5. ábra](#) oldalon).
5. Szerelje fel a külső légszűnetet az analizátorra (2. pont a [3. ábra](#), [4. ábra](#) vagy [5. ábra](#) oldalon). Lásd a csomagjegyzékben szereplő utasításokat.
6. Végezze el a [7.](#) vagy [8.](#) lépést.

Az analizátorhoz mellékelnek egy szerelőcső- vagy nyomásszabályozó szerelőkészletet a bemeneti víznyomás szabályozásához. A szerelőkészletet a felhasználónak kell kiválasztania a vásárláskor. Az egyik csővezeték-készlet 10 psi vagy annál kisebb, a másik pedig 10 psi-nél nagyobb bemeneti víznyomáshoz szükséges. Mérje meg a bemeneti víznyomást közvetlenül az Y-szűrőegység előtt.

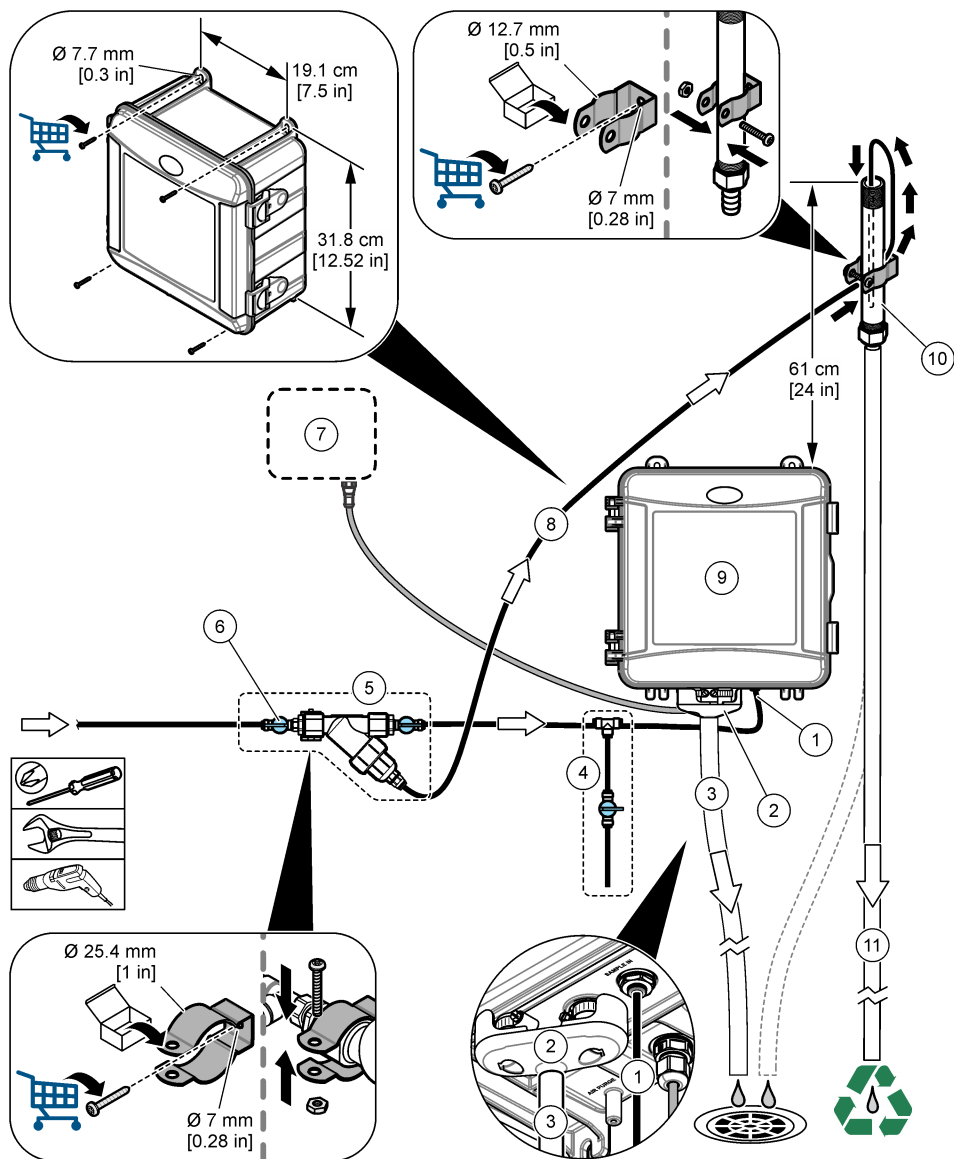
7. Ha a vásárláskor nyomócső-szerelőkészletet választott, szerelje fel a nyomócsövet az alábbiak szerint:
  - a. Szerelje össze a nyomócsövet. Lásd a csomagjegyzékben szereplő utasításokat.
  - b. Használja a kisebb vezetékbilincset az állványcső szerelvénynek az analizátor teteje fölé történő felszereléséhez:
    - 10 psi vagy annál kisebb - Szerelje fel az állványcső-szerelvényt legalább 61 cm-rel az analizátor teteje fölé.
    - Több mint 10 psi - Szerelje fel az állványcső-szerelvényt legalább 91,4 cm-rel az analizátor teteje fölé.
  - c. 10 psi vagy annál kisebb - A fekete csővel szerelje fel a minta megkerülő csövet (8. tétel a [3. ábra](#) oldalon). Nyomja a csövet a nyomócső mögé, majd nyomja a nyomócsőbe. Tegye a csövet 10-13 cm-re a cső tetejébe.
  - d. Több mint 10 psi - A fekete csővel csatlakoztassa az Y-szűrő kimeneti nyílását az állócső bemenetéhez (8. tétel a [4. ábra](#) oldalon).
  - e. Vágjon le egy darabot a mintaűritő csőről (3. elem). Használja a csöveket, hogy az állócsövet egy nyitott lefolyóhoz csatlakoztassa (11. tétel). Lásd: [A leeresztővezetékre vonatkozó előírások](#) oldalon 354.
8. Ha a vásárláskor a nyomásszabályozó szerelőkészletet választott, szerelje fel a nyomásszabályozót (10. elem, [5. ábra](#)).
9. A fekete cső felhasználásával csatlakoztassa az Y-szűrő bemenetét (5. elem) a mintaforráshoz. Lásd: [Mintavezetékre vonatkozó útmutató](#) oldalon 354 és [A mintára vonatkozó követelmények](#) oldalon 354.
10. A fekete csővel csatlakoztassa a mintát a minta bemeneti csatlakozójához (1. tétel) az alábbiak szerint:

A csövet a lehető legrövidebbre alakítsa ki, maximális hossza 2,5 m (8 láb) lehet.

  - 10 psi vagy annál kisebb - Csatlakoztassa az Y-szűrő kimeneti nyílását az analizátor alján lévő mintabemeneti csatlakozóhoz (1. elem). Lásd: [3. ábra](#).
  - Több mint 10 psi - Csatlakoztassa az állócső kimenetét az analizátor alján lévő mintabemeneti csatlakozóhoz (1. elem). Lásd: [4. ábra](#).
  - Nyomásszabályozó - Csatlakoztassa a nyomásszabályozó kimenetét az analizátor alján lévő mintabemeneti csatlakozóhoz (1. elem). Lásd: [5. ábra](#).
11. A nyomásszabályozó rögzítését követően szerelje fel a mintamegkerülő csövet (8. elem, [5. ábra](#)).
12. Szerelje össze és szerelje össze a markológép-mintaszerelvényt (4. tétel).

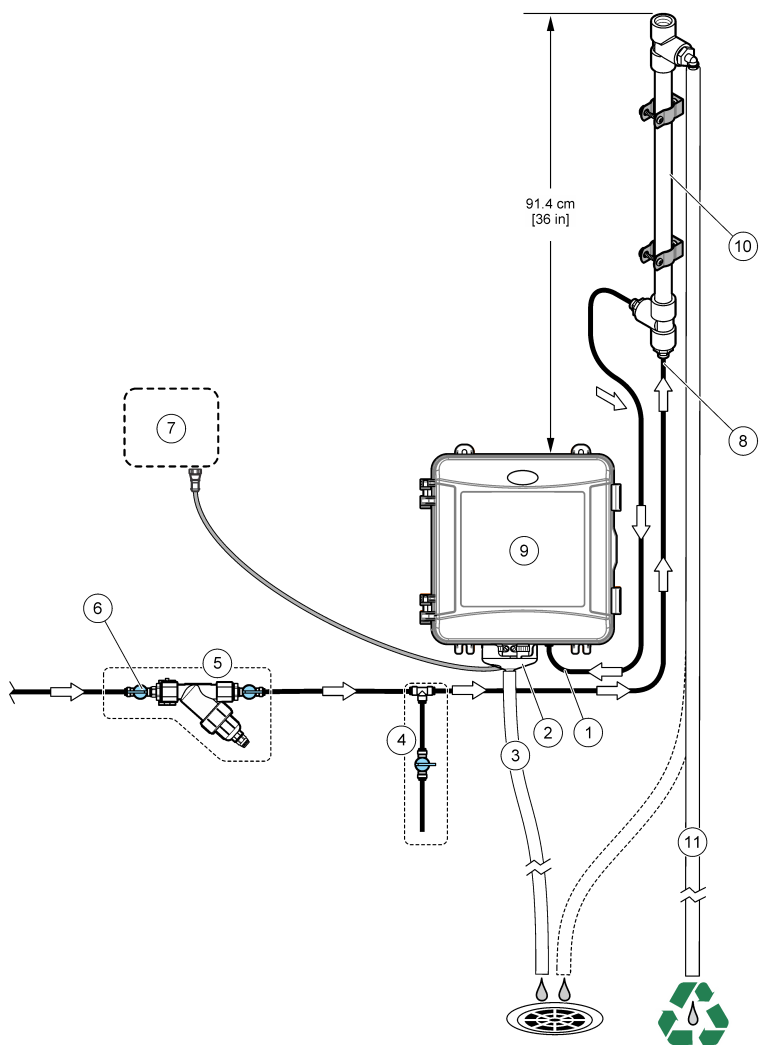
13. Vessük be a markológép-mintaszerelvény t-csatlakozóját. Lásd a [3. ábra](#), [4. ábra](#) vagy [5. ábra](#) honlapot.
14. Kösse a mintaürítő csövet (3. elem) egy nyitott lefolyóhoz. Lásd: [A leeresztővezetékre vonatkozó előírások](#) oldalon 354.

### 3. ábra Telepítés állócsővel (10 psi vagy kevesebb)



1 Mintabemenet szerelvénye	7 SC vezérlő
2 Külső légmegszakító	8 Mintamegkerülő cső
3 Mintaürítő cső	9 Analizátor
4 Mintavételi egység	10 Nyomócső
5 Y-szűrő egység	11 Nyomócső leeresztő csöve
6 Elzárószlep az Y-szűrő bemeneténél	

#### 4. ábra Telepítés állócsővel (több mint 10 psi)



1 Mintabemenet szerelvénye	7 SC vezérlő
2 Külső légmegszakító	8 Az állócső bemenete
3 Mintaürítő cső	9 Analizátor
4 Mintavételi egység	10 Nyomócső
5 Y-szűrő egység	11 Nyomócső leeresztő csöve
6 Elzárószelep az Y-szűrő bemeneténél	





### 3.3.1 Mintavezetékre vonatkozó útmutató

A készülék optimális teljesítménye érdekében válasszon reprezentatív mintavételi pontot. A mintának az egész rendszerre jellemzőnek kell lennie.

A hibásan mért értékek elkerülésére:

- Olyan helyekről vegye a mintákat, amelyek elegendő távolságra vannak a folyamatáramlat vegyi adalékainak pontjaitól.
- Győződjön meg róla, hogy a minták megfelelően össze vannak keverve.
- Ügyeljen arra, hogy az összes kémiai reakció végbemenjen.
- Helyezze az analizátort a lehető legközelebb a mintaforráshoz (maximum 4,6 m (15 láb)).

### 3.3.2 A mintára vonatkozó követelmények

A mintaforrás(ok) vizének meg kell felelnie a [Műszaki adatok](#) oldalon 343 specifikációjának.

A lehető legjobb teljesítmény érdekében tartsa a minta áramlási sebességét és az üzemi hőmérsékletet a lehető legállandóbb szinten.

### 3.3.3 A leeresztővezetékre vonatkozó előírások

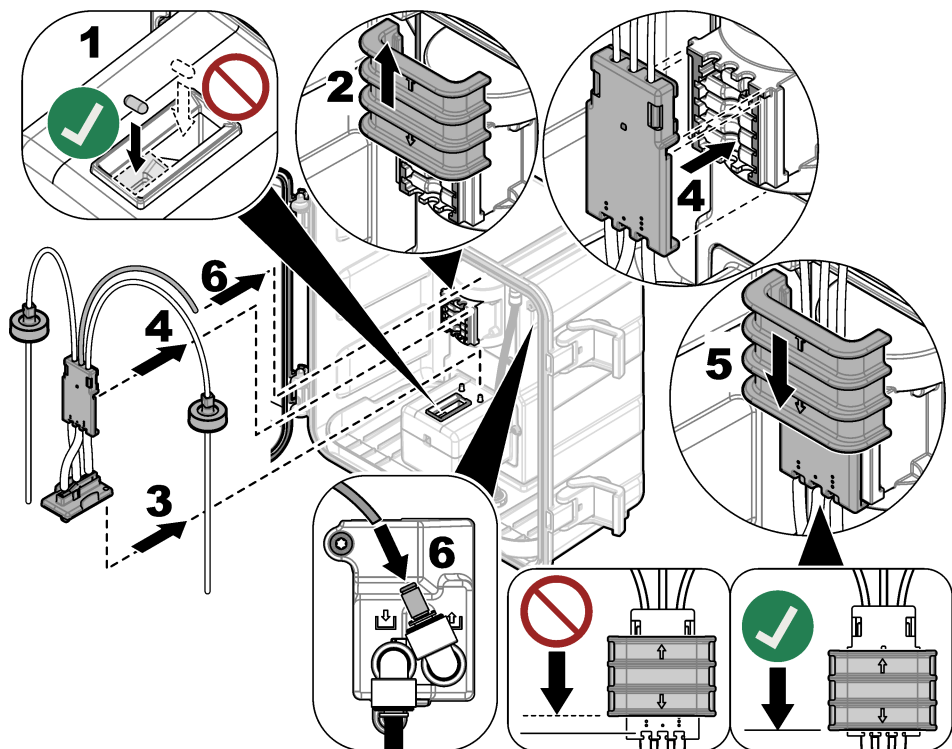
#### MEGJEGYZÉS

A leeresztővezetékek nem megfelelő felszerelése miatt a folyadék visszaáramolhat a műszerbe, és ez sérülést okozhat.

- Ellenőrizze, hogy a külső légmegszakító be van-e szerelve! Lásd a 2. pontot a [3. ábra](#) oldalon 351, [4. ábra](#) oldalon 352 vagy [5. ábra](#) oldalon 353 oldalon.
- A leeresztővezetékeknek a lehető legrövidebbnek kell lenniük.
- A leeresztővezetékek mindig lejtsek.
- Biztosítsa, hogy a leeresztővezetékek nem hajoljanak meg élesen, illetve ne nyomódjanak össze.

### 3.4 3. lépés: A keverőrúd és a tömlőtekercs beszerelése

Végezze el az alábbiakban bemutatott lépéseket.



### 3.5 4. lépés: A reagenspalackok behelyezése

#### ▲ VIGYÁZAT



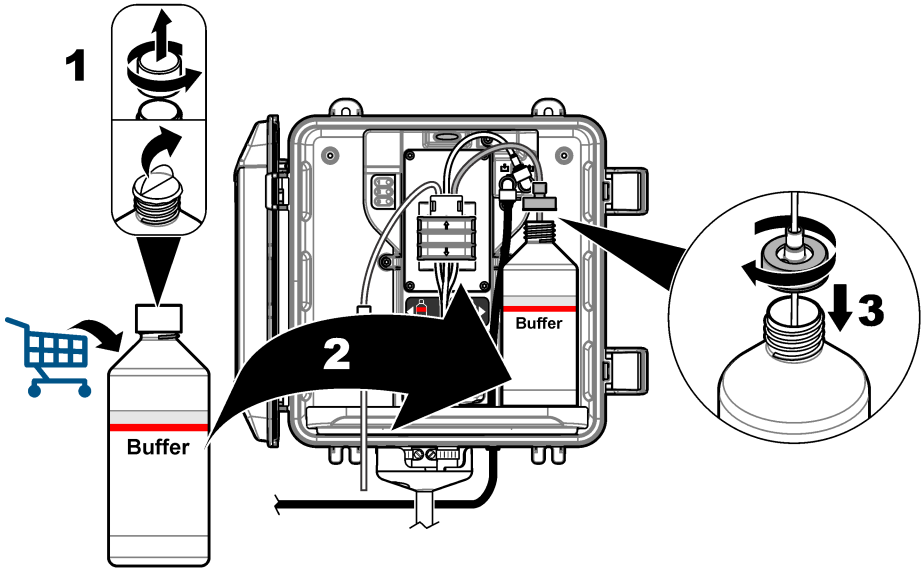
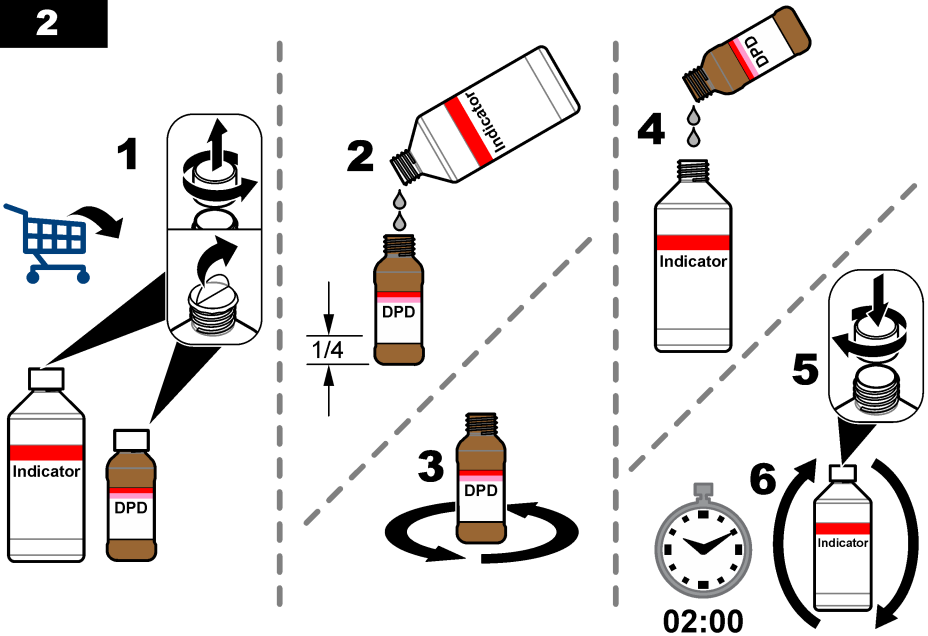
Kémiai expozíció veszélye. Kövesse a laboratóriumi biztonsági eljárásokat, és viselje a kezelt vegyszereknek megfelelő összes személyes védőfelszerelést. A biztonsági protokollokkal kapcsolatban lásd az aktuális biztonsági adatlapokat (MSDS/SDS).

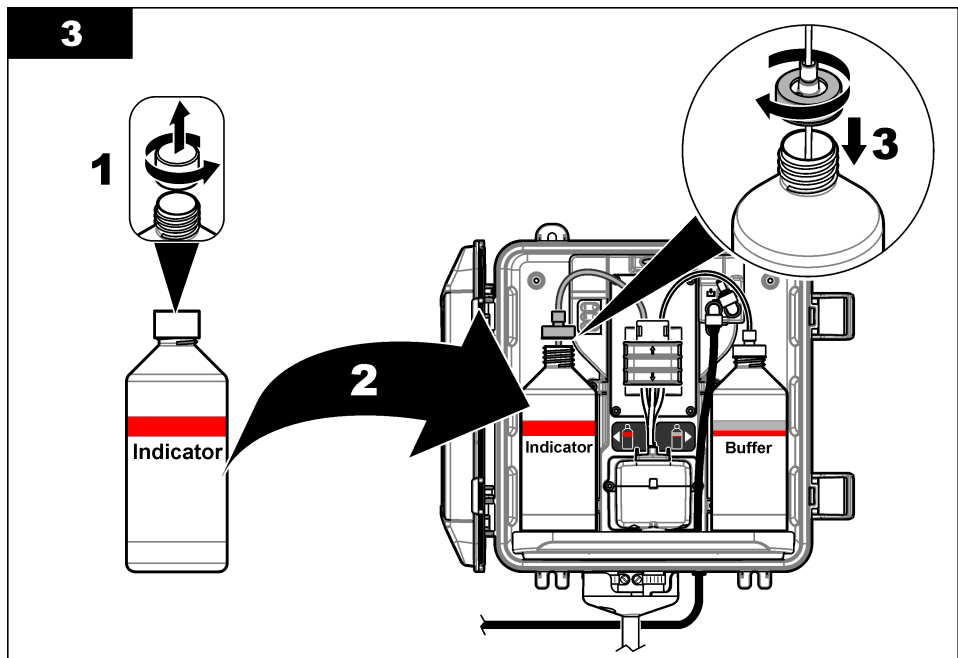
#### Szükséges kellékek:

- Személyi védőeszközök (lásd: anyagbiztonsági és biztonsági adatlap)
- Indikátorpalack
- Pufferpalack
- DPD vegyületpalack

1. Vegye fel a biztonsági adatlapokon (MSDS/SDS) ismertetett személyi védőfelszerelést.
2. Helyezze a pufferpalackot a jobb oldalra, a jelzőpalackot pedig a bal oldalra. Lásd az alábbi képeken bemutatott lépéseket.

**Megjegyzés:** (Opcionális) Használja az analizátor tetejét polcként.

**1****2**




### 3.6 5. lépés: A mintaáramlás bekapcsolása

1. Lassan nyissa ki az elzárószelepe(ke)t  $\frac{1}{4}$  fordulattal.
2. Győződjön meg arról, hogy a vezetékek csatlakozásánál nincs szivárgás. Szivárgás esetén tolja be a csövet a szerelvénybe, vagy húzza meg a csatlakozót egy csavarkulccsal.
3. Nyomócsöves telepítés esetén végezze el az alábbi lépéseket:
  - a. Teljesen nyissa ki az Y-szűrő kimeneténél lévő elzárószelepet.
  - b. Fordítsa el az elzárószelepet az Y-szűrő bemeneténél (6. tétel a 3. ábra oldalon 351 vagy a 4. ábra oldalon 352 oldalon), amíg egy kis vízszög nem jön ki az állócső lefolyócsövéből.
4. Nyomásszabályozós telepítés esetén végezze el az alábbi lépéseket:
  - a. Nyissa ki teljesen az Y-szűrő bemeneténél és kimeneténél lévő elzárószelepeket.
  - b. Fordítsa el az Y-szűrő megkerülőcsövénél lévő elzárószelepet (6. elem, 5. ábra oldalon 353), amíg egy kis mennyiségű víz el nem kezd folyni az Y-szűrő megkerülőcsövéből.

### 3.7 6. lépés: Elektromos üzembe helyezés

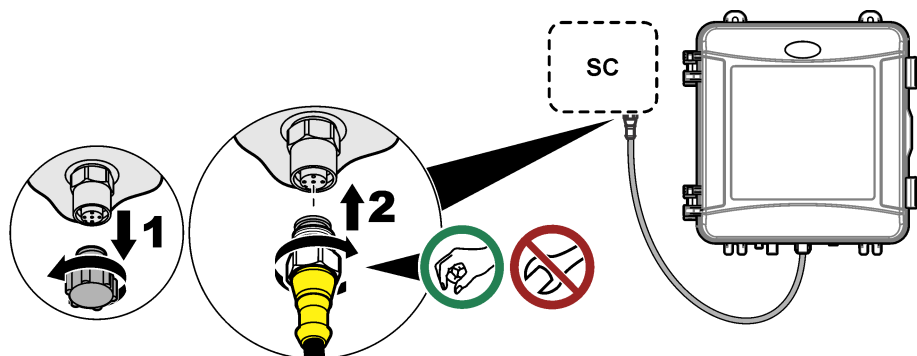
#### 3.7.1 Az analizátor vezérlőhöz történő csatlakoztatása

▲ FIGYELMEZTETÉS	
	<p>Áramütés veszélye. A külsőleg csatlakoztatott berendezésekhez a megfelelő országra jellemző szabványos biztonsági értékelést kell mellékelni.</p>

Csatlakoztassa az analizátor kábeljét az SC vezérlő gyorscsatlakozó szerelvényéhez. Lásd: 6. ábra. Őrizze meg a csatlakozó sapkáját, amellyel lezárhatja a nyílást, amennyiben el kell távolítania a kábelt.

**Megjegyzés:** Hosszabbító kábelek igénybe vehetők. Lásd: Cserealkatrészek és tartozékok oldalon 368. A maximális kábelhossz 15 m (49 láb).

## 6. ábra A kábel és a gyorscsatlakozós szerelvény csatlakoztatása



### 3.7.2 A vezérlő tápellátáshoz történő csatlakoztatása

Csatlakoztassa a vezérlőt a hálózathoz állandó, vezetékcsatornás vezetékvezetéssel vagy tápkábel csatlakoztatásával. Az utasításokért olvassa el a vezérlő dokumentációját.

### 3.7.3 Külső eszközök csatlakoztatása a vezérlőhöz

A vezérlőreléket, analóg kimeneteket és digitális bemeneteket szükség szerint csatlakoztassa külső eszközökhöz. Az utasításokért olvassa el a vezérlő dokumentációját.

## 3.8 7. lépés: Az analízátor beállítása és feltöltése

1. Nyomja meg a **menü** gombot, majd válassza a SZENZORBEÁLLÍT > [elemző kiválasztása] > FELTÖLTÉS lehetőséget.
2. Ha a vezérlő nem ismeri fel, hogy az analízátor csatlakoztatva van, végezze el az alábbi lépéseket:
  - a. Nyomja meg a **menü** gombot, majd válassza a ELLENŐRZ/KARB. > SENZ. KERESÉS lehetőséget.
  - b. Ha megtalálta és beszerelte az érzékelőt, ismételje meg az 1. lépést.

## 3.9 8. lépés: Az áramlási sebesség beállítása

Az analízátor áramlásmérővel rendelkezik, amely a minta áramlási sebességét méri az analízátoron keresztül. Lásd: 1. ábra oldalon 346.

1. Az áramlási sebesség kijelzőn való megjelenítéséhez nyomja meg a vezérlőn található **JOBBRA** nyíl gombot.

A minta csak akkor áramlik át az analízátoron, ha az analízátor átöblíti a cellát. Más esetben nincs mintaáramlás, így a kijelzett áramlási sebesség nulla. A mérési ciklus lépéseinek leírásáért lásd: 4. táblázat oldalon 347.

**Megjegyzés:** Az analízátoron keresztüli áramlási sebesség méréséhez az analízátor leeresztésénél mérje meg a sebességet, amikor az analízátor vízzel átöblíti a cellát.
2. Nyomócsöves telepítés esetén fordítsa el az Y-szűrő kimeneténél lévő elzárószelepet, hogy beállítsa az áramlási sebességet 60 és 200 mL/perc érték közé, amikor az analízátor vízzel átöblíti a cellát.
3. Nyomásszabályozós telepítés esetén állítsa be a nyomásszabályozót, hogy az áramlási sebesség 60 és 200 mL/perc érték közé essen, amikor az analízátor vízzel átöblíti a cellát.

## 3.10 9. lépés: A legfrissebb szoftver telepítése

Győződjön meg róla, hogy az SC vezérlőre a legfrissebb szoftver van telepítve. SD-kártya segítségével telepítse a legfrissebb szoftvert az SC vezérlőre.

1. Látogasson el az adott SC-vezérlő termékoldalára a <http://hach.com> oldalon.
2. Kattintson az "Erőforrások" fülre.
3. Görgessen a „Szoftver/firmware ” (Szoftver/Firmware) pontra.
4. Kattintson az SC vezérlő szoftverének hivatkozására.
5. Mentse a fájlokat SD-kártyára.
6. Telepítse a fájlokat az SC vezérlőre. Lásd a szoftverfájlokkal szállított szoftvertelepítési útmutatót.

## Szakasz 4 Konfiguráció

### 4.1 10. lépés: Az analízátor konfigurálása

Állítsa be az analízátor nevét, a jelátlagot, a mért klór típusát, a buborécsapdát és a klórriasztási alapértékeket.

1. Nyomja meg a **menu** gombot, majd válassza a **SZENZORBEÁLLÍT > [analízátor kiválasztása] > BEÁLLÍTÁSOK** lehetőséget.
2. Válassza ki és konfigurálja az egyes beállításokat.

Opció	Leírás
<b>NÉV BEVITEL</b>	Az analízátor nevének módosítására szolgál. A vezérlő kijelzőjén és a naplófájlokban látható analízátornév.
<b>JELÁTLAG</b>	<p>A kijelzőn megjelenő átlagos mérés kiszámításához használt mérések számának beállítására szolgál. Opciók: 1 (alapértelmezett), 2, 3 vagy SZABÁLYT. ÉRTÉK.</p> <p>Ha a JELÁTLAG az 1-es értékre van állítva, a jelátlagolás le van tiltva.</p> <p>Ha a JELÁTLAG a 2-es vagy 3-as értékre van állítva, egy átlagérték jelenik meg a kijelzőn. Például ha a JELÁTLAG a 2-es értékre van állítva, a kijelzőn látható mérés a következő: (utolsó + előző mérés) /2.</p> <p>Ha a JELÁTLAG a SZABÁLYT. ÉRTÉK beállításra van állítva, az analízátor elutasítja a legutóbbi eredményeknél szokatlanul magasabb vagy alacsonyabb értékeket. Ha a rendszer elutasít egy eredményt, a kijelzőn az utolsó jó érték jelenik meg, és ez kerül mentésre az adatnaplóban. A rendszer legfeljebb három egymást követő mérést utasít el.</p> <p>A jelátlagolás korrigálja a hibás leolvasási ingadozásokat, amelyeket a mintában lévő buborékok és/vagy nagyobb részecskék okoznak.</p>
<b>MÉRÉS</b>	<p>Beállítja a mért klór típusát. Ha a puffer- és indikátorpalack címkéjén a „Szabad klór” felirat szerepel, válassza a SZABAD KLÓR lehetőséget (alapértelmezett).</p> <p>Ha a puffer- és indikátorpalack címkéjén az „Összes klór” felirat szerepel, válassza az ÖSSZES KLÓR lehetőséget.</p>
<b>BUB. ÁLLAPOT</b>	A buborécsapda be- vagy kikapcsolására (alapértelmezett) szolgál. A mintában lévő buborékok által okozott zavar csökkentéséhez állítsa a BUB. ÁLLAPOT lehetőséget BE értékre. A mintában lévő légbuborékok miatt a mért értékek nem stabilak.
<b>MAGAS CL</b>	A klórkoncentráció alapértékének beállítására szolgál a MAGAS KLÓR riasztáshoz – 0,00 - 10,00 mg/L (alapértelmezett érték: 4,00 mg/L).
<b>ALACSONY CL</b>	A klórkoncentráció alapértékének beállítására szolgál az ALACSONY KLÓR riasztáshoz – 0,00 - 10,00 mg/L (alapértelmezett érték: 0,20 mg/L).
<b>ÉRZÉKELŐ INF.</b>	Az analízátor sorozatszámának, szoftververziójának, rendszerindítási verziójának és illesztőprogram-verziójának megjelenítésére szolgál.

Opció	Leírás
<b>ALAPÉRT. BEÁLLÍTÁSOK</b>	A konfigurációs beállítások gyári alapértékekre történő visszaállításához válassza az IGEN lehetőséget.
<b>SZERVIZ</b>	Csak szervizeléshez

## 4.2 A rendszer konfigurálása

A vezérlő dokumentációjában olvassa el a rendszer konfigurációját, a vezérlő általános beállításait, a kimenetek beállításait és a kommunikációkat.

## 4.3 Felhasználói navigáció

A billentyűzet leírását és a navigációs tudnivalókat lásd a vezérlő dokumentációjában.

Több információ megjelenítéséhez a kezdőképernyőn és a grafikus kijelzők megtekintéséhez nyomja meg többször a **JOBB** nyíl gombot a vezérlőn.

## Szakasz 5 Működés

### 5.1 Adat-, esemény- és szerviznaplók

A vezérlő minden csatlakoztatott készülék adatnaplójához, eseménynaplójához és szerviznaplójához hozzáférést biztosít. Az analízátor által végzett mérések eredményeit a rendszer 150 másodperces időközönként automatikusan menti az adatnaplóba. Az eseménynapló az előfordult eseményeket tárolja. Az esemény- és adatnapló az analízátor folyamatosan működése esetén körülbelül 2 hétig őrzi meg az adatokat. A szerviznapló az analízátor folyamatosan működése esetén körülbelül 24 órányi adatot tárol.

Az adatnapló, az eseménynapló és/vagy a szerviznapló letöltéséhez tekintse meg a vezérlő dokumentációját. Az adatnapló egy XML fájl, amely CSV vagy Excel formátumban menthető. Az eseménynapló és a szerviznapló CSV formátumú fájlok.

### 5.2 MINTAVÉTELEZÉS mérése

Szükség esetén a MINTAVÉTELEZÉS menüpont segítségével ismert klórkoncentrációjú vízmintát adhat hozzá a cellához a mérés érdekében. Az ellenőrzéshez vagy egy másik helyről vett vízminta méréséhez mérje meg a mintavételezést.

1. Nyomja meg a **menu** gombot, majd válassza a **SZENZORBEÁLLÍT > [analízátor kiválasztása] > MINTAVÉTELEZÉS** lehetőséget.
2. Hajtsa végre a kijelzőn megjelenő lépéseket. Amikor a rendszer arra kéri, vegye le a cellafedelet, és adjon hozzá 100 mL kézi mintavételezést a cellához. A minta egy része a mintafolyóba áramlik.

### 5.3 Modbus regiszterek

A Modbus regiszterek listája a hálózati adatátvitelhez rendelkezésre áll. A további tudnivalókat lásd a gyártó weboldalán.

## Szakasz 6 Kalibrálás és beállítás

Az analízátor kalibrációs görbét a gyárban állítják be a műszaki adatok szerinti teljesítménynek megfelelően. A teljesítmény ellenőrzése érdekében kalibrálás végezhető.

A gyári kalibrálási görbe felhasználó általi módosítása nem javasolt, kivéve, ha a szabályozó hatóság ezt a megfeleléségi jelentés céljából előírja, vagy ha az analízátoron nagyobb javítást végeztek.

További információkért tekintse meg a kalibrációs ellenőrzőkészlethez mellékelt utasításokat, vagy forduljon a műszaki ügyfélszolgálatához.



## Szakasz 7 Karbantartás

### ⚠ VIGYÁZAT



Többszörös veszély. A dokumentumnak ebben a fejezetében ismertetett feladatokat csak képzett szakemberek végezhetik el.

### MEGJEGYZÉS

Ne szerelje szét a műszert karbantartás céljából. Ha a belső alkatrészek tisztítása vagy javítása válik szükségessé, forduljon a gyártóhoz.

## 7.1 Karbantartási ütemterv

A táblázatban (6. táblázat) a karbantartási feladatok ajánlott ütemterve látható. A berendezések igényei és az üzemeltetési feltételek növelhetik bizonyos feladatok elvégzésének gyakoriságát.

6. táblázat Karbantartási ütemterv

Feladat	Havonta	6 havonta	Szükség szerint
A cella tisztítása oldalon 361	X <sup>2</sup>		
A reagenspalackok cseréje oldalon 362	X		
Keverőrúd és tömlőtekercs cseréje <sup>3</sup>		X	
Az Y-szűrő szitájának tisztítása oldalon 363			X

## 7.2 A cella tisztítása

### ⚠ VIGYÁZAT



Kémiai expozíció veszélye. Kövesse a laboratóriumi biztonsági eljárásokat, és viselje a kezelt vegyszereknek megfelelő összes személyes védőfelszerelést. A biztonsági protokollokkal kapcsolatban lásd az aktuális biztonsági adatlapokat (MSDS/SDS).

Tisztítsa meg a cellát havonta, vagy szükség esetén gyakrabban.

### Szükséges kellékek:



Fültisztító pálcikák<sup>4</sup>



5,25 N kénsav oldat<sup>5</sup>

1. Vegye fel a biztonsági adatlapokon (MSDS/SDS) ismertetett személyi védőfelszerelést.
2. Nyomja meg a **menu** gombot, majd válassza a **SENZORBEÁLLÍT** > [analizátor kiválasztása] > **FELADATOK** > **CELLA TISZTÍTÁS** lehetőséget.

**Megjegyzés:** A kijelölt feladat leállításához nyomja meg a **home** gombot.

3. A mérések leállításához nyomja meg az **Enter** gombot.

<sup>2</sup> Szükség esetén tisztítsa meg a cellát.

<sup>3</sup> Lásd a csőkészlethez mellékelt utasításokat.

<sup>4</sup> Lásd: **Cserealkatrészek és tartozékok** oldalon 368.

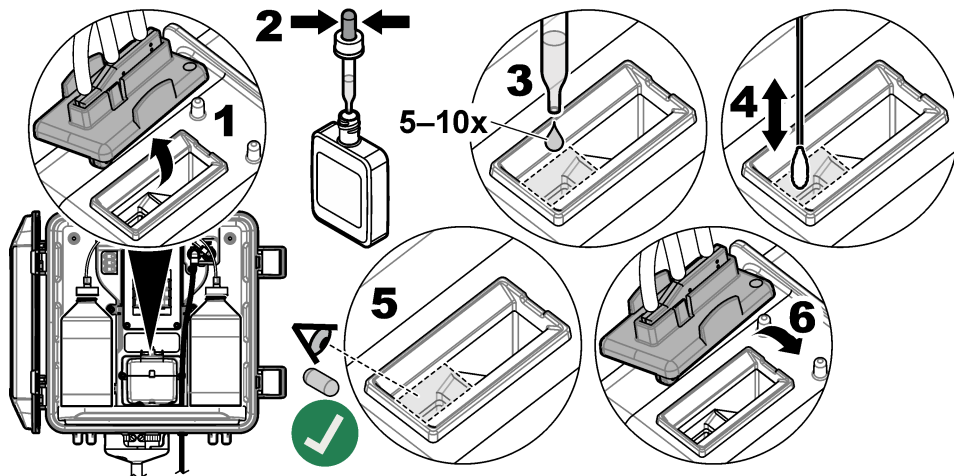
<sup>5</sup> Ne használjon más tisztítószeret. Lásd: **Cserealkatrészek és tartozékok** oldalon 368.

#### 4. Válasszon beállítást.

Opció	Leírás
TARTVA	A vezérlő kimeneteit a rendszer az utolsó mért értéken tartja.
ÁTVITEL	A vezérlő kimeneteit az átviteli értékre változnak.

#### 5. Ha az állapotjelző fény villog, hajtsa végre az alábbi lépéseket. Ha elkészült, nyomja meg az **Enter** gombot.

Az 5. lépésben ismertetett módon ellenőrizze, hogy a cellában nincs-e idegen anyag. Szükség esetén használjon zseblámpát az idegen anyag kereséséhez.



#### 6. Ha a kijelzőn megjelenik a „FELADAT KÉSZ.” üzenet, nyomja meg az **Enter** gombot.

Az analízator körülbelül 30 másodpercen belül elindítja a mérési ciklust.

### 7.3 A reagenspalackok cseréje

#### ⚠ VIGYÁZAT



Kémiai expozíció veszélye. Kövesse a laboratóriumi biztonsági eljárásokat, és viselje a kezelt vegyszereknek megfelelő összes személyes védőfelszerelést. A biztonsági protokollokkal kapcsolatban lásd az aktuális biztonsági adatlapokat (MSDS/SDS).

#### ⚠ VIGYÁZAT



Kémiai expozíció veszélye. Semmisítse meg a vegyszereket és a hulladékokat a helyi, területi és nemzeti előírásoknak megfelelően.

Cserélje ki a reagenspalackokat havonta.

1. Vegye fel a biztonsági adatlapokon (MSDS/SDS) ismertetett személyi védőfelszerelést.
2. Nyomja meg a **menü** gombot, majd válassza a **SENZORBEÁLLÍT > [elemző kiválasztása] > FELADATOK > REAGENS CSERE** lehetőséget.

**Megjegyzés:** A kijelölt feladat leállításához nyomja meg a **home/kezdőképernyő** gombot.

3. A mérések leállításához nyomja meg az **Enter** gombot.

#### 4. Válasszon beállítást.

Opció	Leírás
TARTVA	A vezérlő kimeneteit a rendszer az utolsó mért értéken tartja.
ÁTVITEL	A vezérlő kimenetei az átviteli értékre változnak.

#### 5. Várjon, amíg az állapotjelző fény villogni nem kezd.

#### 6. Cserélje ki a pufferpalackot az alábbiak szerint:

**Megjegyzés:** (Opcionális) Használja az analizátor tetejét polcként.

- Távolítsa el az új pufferpalack kupakját és tömítését.
- Vegye ki a használt pufferpalackot az analizátorból.
- Helyezze a puffercsövet az analizátor jobb oldalán lévő új pufferpalackba. Húzza meg a kupakot.

#### 7. Cserélje ki az indikátorpalackot az alábbiak szerint:

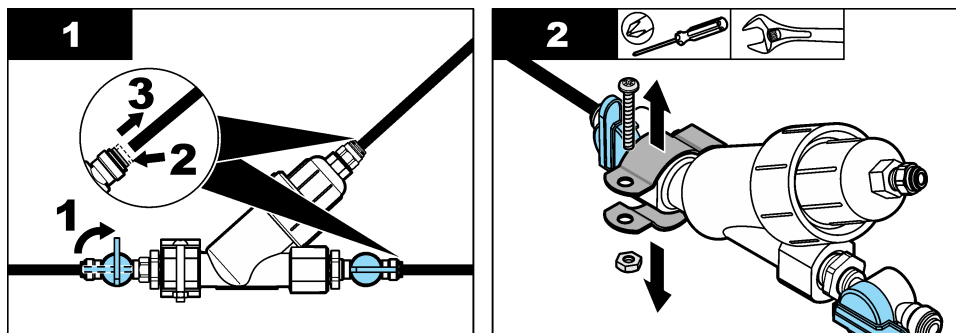
- Távolítsa el az indikátorpalack és a barna DPD palack kupakját és tömítését.
- Töltse fel a barna DPD palackot kb. ¼-ig indikátoroldattal.
- Rázza össze a DPD palack tartalmát.
- Öntse a DPD palack tartalmát az indikátorpalackba.
- Fordítsa meg az indikátorpalackot, amíg az összes por fel nem oldódik (2 perc).
- Vegye ki a használt indikátorpalackot az analizátorból.
- Helyezze az indikátorcsövet az analizátor bal oldalán lévő új indikátorpalackba. Húzza meg a kupakot.

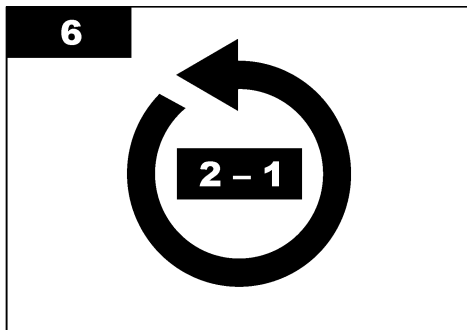
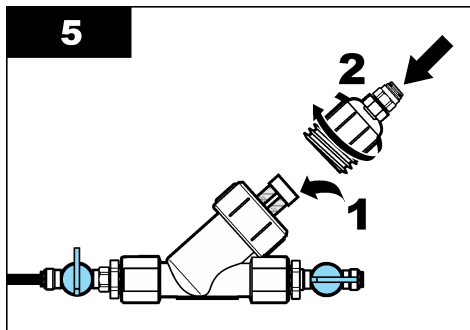
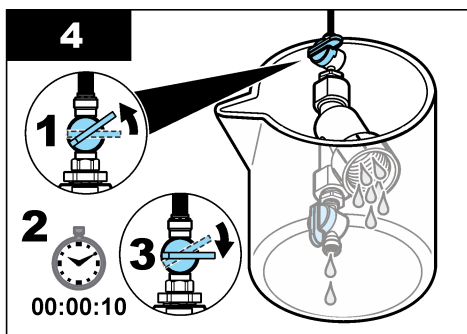
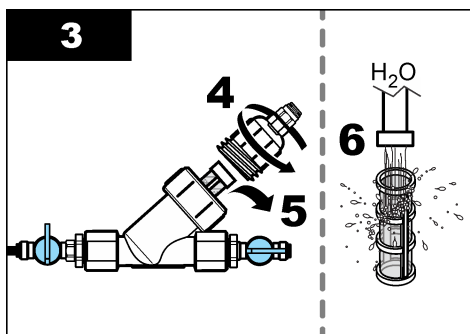
#### 8. Nyomja meg az **enter** gombot.

#### 9. Ha a kijelzőn megjelenik a „FELADAT KÉSZ.” üzenet, nyomja meg az **Enter** gombot. Az analizátor körülbelül 30 másodpercen belül elindítja a mérési ciklust.

### 7.4 Az Y-szűrő szitájának tisztítása

Tisztítsa meg az Y-szűrő szitáját, ha eltömődött. Ezt az ALACS. MINTAÁRAM. figyelmeztetés jelzi. Végezze el az alábbi képeken bemutatott lépéseket.





## 7.5 Előkészítés a tárolásra

### ⚠ VIGYÁZAT



Kémiai expozíció veszélye. Kövesse a laboratóriumi biztonsági eljárásokat, és viselje a kezelt vegyszereknek megfelelő összes személyes védőfelszerelést. A biztonsági protokollokkal kapcsolatban lásd az aktuális biztonsági adatlapokat (MSDS/SDS).

Ha az analízátor áramellátását 3 napnál hosszabb időre megszüntetik, vagy az analízátor 3 napnál hosszabb ideig nem lesz használatban, készítse elő az analízátort a tárolásra.

#### Szükséges kellékek:



Főzőpohár, ionmentes vízzel (2x)

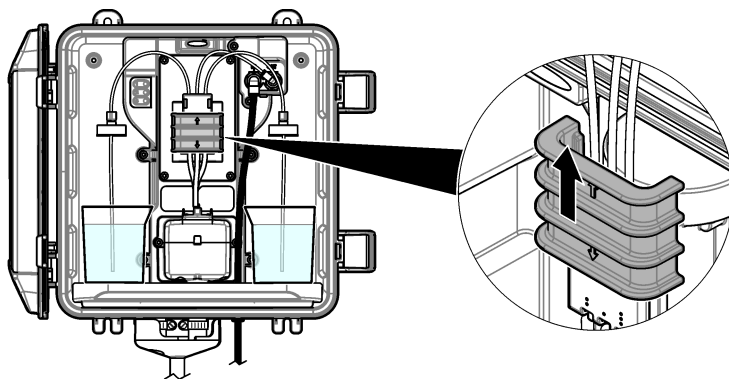


Eldobható csepegtető vagy szöszmentes rongy

- Távolítsa el a reagenseket a reagensvezetékekből az alábbiak szerint:
  - Vegye ki az indikátorpalackot és a pufferpalackot az analízátorból.
  - Tegyen két ionmentes vizet tartalmazó főzőpoharat (vagy edényt) az analízátorba.
  - Helyezze az indikátorpalack és a pufferpalack csövét a főzőpoharakba.
  - Nyomja meg a **menü** gombot, majd válassza a **SENZORBEÁLLÍT > [elemző kiválasztása] > FELTÖLTÉS** lehetőséget.  
Az analízátor eltávolítja a reagenseket a reagensvezetékekből.
- Távolítsa el az ionmentes vizet a reagensvezetékekből az alábbiak szerint:
  - Távolítsa el az indikátorpalack és a pufferpalack csövét a főzőpoharakból.
  - Vegye ki a két főzőpoharat az analízátorból.

- c. Nyomja meg a **menü** gombot, majd válassza a SZENZORBEÁLLÍT > [elemző kiválasztása] > FELTÖLTÉS lehetőséget.  
Az analízátor eltávolítja az összes folyadékot a reagensvezetékekből.
3. Húzza ki az analízátor kábeljét a vezérlőből (vagy szüntesse meg a vezérlő tápellátását).
4. Az Y-szűrőbe irányuló mintaáramlás leállításához fordítsa az elzárószelepet zárt állásba.
5. Távolítsa el a szivattyúbilincset. Lásd: 7. ábra. Őrizze meg a szivattyúbilincset későbbi használatra.
6. Távolítsa el a vizet a cellából az alábbiak szerint:
- Vegye le a cella fedelét.
  - Eldobható csepegtetővel vagy szöszmentes ronggyal távolítsa el a vizet a cellából.
  - Helyezze vissza a cella fedelét.
7. Az analízátor tárolás utáni használatához végezze el az alábbi lépéseket:
- Szerelje fel a szivattyúbilincset. Lásd: 7. ábra.
  - Helyezze be a reagenspalackokat. Lásd: 4. lépés: A reagenspalackok behelyezése oldalon 355.
  - Az Y-szűrőbe irányuló mintaáramlás beindításához fordítsa az elzárószelepet nyitott állásba.
  - Csatlakoztassa az analízátor kábelét a vezérlőhöz, ha a kábel le volt választva.
  - Kapcsolja vissza a vezérlő tápellátását, ha le volt kapcsolva.
  - Nyomja meg a **menü** gombot, majd válassza a SZENZORBEÁLLÍT > [elemző kiválasztása] > FELTÖLTÉS lehetőséget.

7. ábra Távolítsa el a szivattyúbilincset



## 7.6 Előkészítés szállításra

### ⚠ VIGYÁZAT



Kémiai expozíció veszélye. Kövesse a laboratóriumi biztonsági eljárásokat, és viselje a kezelt vegyszereknek megfelelő összes személyes védőfelszerelést. A biztonsági protokollokkal kapcsolatban lásd az aktuális biztonsági adatlapokat (MSDS/SDS).

Az analízator szállításra való előkészítéséhez végezze el az alábbi lépéseket.

#### Szükséges kellékek:



Főzőpohár, ionmentes vízzel (2x)



Eredeti csomagolás

1. Távolítsa el a reagenseket a reagensvezetékekből az alábbiak szerint:
  - a. Vegye ki az indikátorpalackot és a pufferpalackot az analizátorból.
  - b. Tegyen két ionmentes vizet tartalmazó főzőpoharat (vagy edényt) az analizátorba.
  - c. Helyezze az indikátorpalack és a pufferpalack csövét a főzőpoharakba.
  - d. Nyomja meg a **menü** gombot, majd válassza a SZENZORBEÁLLÍT > [elemző kiválasztása] > FELTÖLTÉS lehetőséget.  
Az analizátor eltávolítja a reagenseket a reagensvezetékekből.
2. Távolítsa el az ionmentes vizet a reagensvezetékekből az alábbiak szerint:
  - a. Távolítsa el az indikátorpalack és a pufferpalack csövét a főzőpoharokból.
  - b. Vegye ki a két főzőpoharat az analizátorból.
  - c. Nyomja meg a **menü** gombot, majd válassza a SZENZORBEÁLLÍT > [elemző kiválasztása] > FELTÖLTÉS lehetőséget.  
Az analizátor eltávolítja az összes folyadékot a reagensvezetékekből.
3. Húzza ki az analizátor kábeljét a vezérlőből.
4. Az Y-szűrőbe irányuló mintaáramlás leállításához fordítsa az elzárószelepet zárt állásba.
5. Válassza le a mintabemeneti (fekete) csövet, majd eressze le az analizátor (áttetsző) csöveit.
6. Távolítsa el a külső légmegszakítót az analizátorról!
7. Távolítsa el a szivattyúbilincset. Lásd: [7. ábra](#) oldalon 365.
8. Távolítsa el a tömlőtekeracet és a keverőrudat az analizátorból. Őrizzze meg a tömlőtekeracet az analizátorral való szállításhoz. Lásd: [3. lépés: A keverőrud és a tömlőtekeracs beszerelése](#) oldalon 355.
9. Szerelje fel a szivattyúbilincset a tömlőtekeracs nélkül. Ragasztószalag segítségével rögzítse szorosan a csőbilincset.
10. Eldobható csepegtetővel vagy szőszmentes ronggyal távolítsa el a vizet a cellából.
11. Szerelje le az analizátort a falról.
12. Helyezze vissza az analizátort az eredeti csomagolásába.

## 7.7 A készülék tisztítása

### MEGJEGYZÉS

A készülék, beleértve a kijelző és a tartozékok tisztításához soha ne használjon tisztítószeret, például terpentint, acetont vagy hasonló termékeket.

Tisztítsa meg a készülék külsejét enyhe szappanos oldatba mártott ruhával.

## 7.8 Kiömlések tisztítása

### ▲ VIGYÁZAT



Kémiai expozíció veszélye. Semmisítse meg a vegyszereket és a hulladékokat a helyi, területi és nemzeti előírásoknak megfelelően.

1. A túlfolyás szabályozása érdekében tartsa be a berendezések biztonságára vonatkozó összes előírást.
2. A hulladék megsemmisítését a vonatkozó szabályoknak megfelelően végezze.

## Szakasz 8 Hibaelhárítás

### 8.1 Hibák – piros fény

A hibajelzések megjelenítéséhez nyomja meg a **menu** gombot, majd válassza a Diagnosztika > [analizátor kiválasztása] > HIBALISTA lehetőséget. A lehetséges hibák listája itt látható: [7. táblázat](#).

Hiba esetén az analízátor állapotjelző lámpája pirosra vált. A mérések leállnak, a mérési képernyő villog, és a rendszer minden kimenetet a vezérlő beállításában meghatározott módon várakoztat.

**7. táblázat Hibáüzenetek**

Hibáüzenet	Leírás	Megoldás
ÉRZÉKELŐ HIBA.	Az érzékelő nem működik megfelelően.	Vegye fel a kapcsolatot a műszaki ügyfélszolgálattal.
KOSZOS CELLA	A cella foltos vagy szennyezett. Biofilm alakulhat ki a cellában, ha a klór koncentrációja nagyon alacsony.	Tisztítsa meg a cellát. Lásd: <a href="#">A cella tisztítása</a> oldalon 361.
KÓDHIBA	Firmware hiba történt.	Vegye fel a kapcsolatot a műszaki ügyfélszolgálattal.
LED HIBA	A cella világítása nem működik megfelelően.	Vegye fel a kapcsolatot a műszaki ügyfélszolgálattal.
SZIVATTYÚ HIBA	A szivattyú nem működik megfelelően.	Vegye fel a kapcsolatot a műszaki ügyfélszolgálattal.
A MINTA SZIVÁROG	Mintaszivárgás észlelhető az analízátorban.	Vegye fel a kapcsolatot a műszaki ügyfélszolgálattal.

## 8.2 Figyelmeztetések – sárga lámpa

A figyelmeztetések megjelenítéséhez nyomja meg a **menu** gombot, majd válassza a Diagnosztika > [analízátor kiválasztása] > FIGYELM.LISTA lehetőséget. A lehetséges figyelmeztetések listája itt található: [8. táblázat](#).

Ha figyelmeztetés jelenik meg, az állapotjelző lámpa sárgára vált. A vezérlő képernyőjének alján egy figyelmeztető ikon villog, és egy üzenet jelenik meg. Ha elegendő mintaáram áll rendelkezésre, a figyelmeztetés nem befolyásolja a menüpontok működését. A figyelmeztetések nem befolyásolják a relék és a kimenetek működését.

**8. táblázat Figyelmeztető üzenetek**

Figyelmeztetés	Leírás	Megoldás
BUBORÉKOK !	Buborékok vannak a cellában.	Tisztítsa meg a cellát. Lásd: <a href="#">A cella tisztítása</a> oldalon 361. (Opcionális) Állítsa a BUB. ÁLLAPOT beállítást BE értékre. Lásd: <a href="#">10. lépés: Az analízátor konfigurálása</a> oldalon 359.
TISZTÍTSA A CELLÁT!	A cella egyre foltosabb vagy szennyezettebb. A hibák elkerülése érdekében hamarosan meg kell tisztítani.	Tisztítsa meg a cellát. Lásd: <a href="#">A cella tisztítása</a> oldalon 361.
MAGAS KLÓR	A klórkoncentráció elérte a MAGAS CL alapértéket vagy annál nagyobb.	Növelje a MAGAS CL beállítás alapértékét. Lásd: <a href="#">10. lépés: Az analízátor konfigurálása</a> oldalon 359. Vagy Csökkentse az analízátorba kerülő minta klórkoncentrációját.
ALACSONY KLÓR	A klórkoncentráció elérte az ALACSONY CL alapértéket vagy annál alacsonyabb.	Csökkentse az ALACSONY CL beállítás alapértékét. Lásd: <a href="#">10. lépés: Az analízátor konfigurálása</a> oldalon 359. Vagy Növelje az analízátorba kerülő minta klórkoncentrációját.

## 8. táblázat Figyelmeztető üzenetek (folytatás)

Figyelmeztetés	Leírás	Megoldás
ALACS. MINTAÁRAM.	A mért mintaáram kisebb, mint a minimális érték. Lásd: <a href="#">Műszaki adatok</a> oldalon 343.	Állítsa be a minta áramlási sebességét. Lásd: <a href="#">8. lépés: Az áramlási sebesség beállítása</a> oldalon 358. Az eltömődés megszüntetéséhez szükség esetén tisztítsa meg az Y-szűrő szitáját. Lásd: <a href="#">Az Y-szűrő szitájának tisztítása</a> oldalon 363.
MAGAS MINTAÁRAMLÁS	A mért mintaáram nagyobb, mint a maximális érték. Lásd: <a href="#">Műszaki adatok</a> oldalon 343.	Állítsa be a minta áramlási sebességét. Lásd: <a href="#">8. lépés: Az áramlási sebesség beállítása</a> oldalon 358.

## Szakasz 9 Cserealkatrészek és tartozékok

### ▲ FIGYELMEZTETÉS



Személyi sérülés veszélye. A nem jóváhagyott alkatrészek használata személyi sérüléshez, a műszer károsodásához vagy a berendezés meghibásodásához vezethet. Az ebben a fejezetben található cserealkatrészek a gyártó által jóváhagyott alkatrészek.

**Megjegyzés:** A termék- és cikkszámok értékesítési régióként eltérhetnek. Lépjen kapcsolatba a megfelelő viszonteladóval, vagy látogasson el a cég honlapjára a kapcsolattartási tudnivalóért.

### Fogyőeszközök

Leírás	Mennyiség	Cikkszám
Reagenskészlet, Szabad klór, tartalma: Pufferpalack, indikátorpalack és DPD palack	1	2556900
Reagenskészlet, összes klór, tartalma: Pufferpalack, indikátorpalack és DPD palack	1	2557000
Cellatisztító készlet, tartalma: Kénsav, 5,25 N, 100 mL, cseppentőpalack és fültisztító pálcikák (10x)	1	8573100
Kalibrációs ellenőrző készlet, tartalmazza: Fecskendő, cső, csőszerelevények, ampullanyitó, ionmentes víz és klór standard ampulla	1	8568200
Kalibrációs ellenőrző utántöltő készlet, tartalmazza: Ionmentes víz és klór standard ampulla	1	8573200

### Cserealkatrészek

Leírás	Cikksz.
Csőkészlet, tartalma: Tömlőtekerics és keverőrúd	US 8560400 EU 8575000
Szerelőkészlet állócsővel (10 psi vagy annál kisebb)	US 8560500 EU 8575100
Szerelési készlet állócsővel (>10 psi)	8576001
Szerelőkészlet nyomásszabályozóval	US 8565700 EU 8575200



## Tartozékok

Leírás	Cikksz.
Hosszabbítókábel analizátorhoz, 1 m (3,2 láb)	6122400
Hosszabbítókábel analizátorhoz, 7,7 m (25 láb)	5796000
Hosszabbítókábel analizátorhoz, 15 m (50 láb)	5796100
Csőadapter, 6 mm külső átmérő – ¼ hüvelyk külső átmérő	09184=A=4020

# Cuprins

- |   |                                      |   |   |
|---|--------------------------------------|---|---|
| 1 | Specificații de la pagina 370        | 6 | Calibrare și reglare de la pagina 387         |
| 2 | Informații generale de la pagina 371 | 7 | Întreținerea de la pagina 388                 |
| 3 | Instalarea de la pagina 374          | 8 | Depanarea de la pagina 393                    |
| 4 | Configurarea de la pagina 386        | 9 | Piese de schimb și accesorii de la pagina 395 |
| 5 | Funcționarea de la pagina 387        |   |   |

## Secțiunea 1 Specificații

Specificațiile pot fi modificate fără notificare prealabilă.

**Tabelul 1 Specificații generale**

Specificație	Detalii
Dimensiuni (l x l x D)	32,9 x 34,2 x 17,7 cm (12,9 x 13,5 x 7,0 in.)
Incintă	IP66 conform IEC 60529, cu ușa închisă și încuiată <sup>1</sup>
Greutate de expediere	4,1 kg (9 lb) fără recipiente; 5,1 kg (11,2 lb) cu recipientele pline
Montarea	Montare pe perete
Clasă de protecție	III
Gradul de poluare	3
Categoria instalației electrice	I (în interior)
Cerințe de alimentare	12 V c.c., 400 mA maxim (alimentată de controler)
Temperatură de funcționare	5 - 40 °C (41 - 104 °F)
Umiditatea de lucru	De la 0 la 90% umiditate relativă fără condensare
Temperatură de depozitare	-40 - 60 °C (-40 - 140 °F)
Racorduri	Tubul pentru probă: ¼-in. D.E. racord cu conectare rapidă pentru tubulatura din plastic Tuburi de scurgere: racord cu mufă pentru ½-in. D.I. tubulatură din plastic moale
Indicatoare luminoase	Starea analizorului și ciclul de măsurare
Certificări	Declarație de conformitate UE, Declarație de conformitate UKCA, Declarația de conformitate a furnizorului FCC/ISED, Declarație de conformitate ACMA, KC, Declarație de conformitate Morocco
Garanție	1 an (UE: 2 ani)

**Tabelul 2 Cerințe pentru probă**

Specificație	Detalii
Presiune	0,31 - 5,17 bar (4,5 - 75 psig) furnizată la filtrul de tip Y; 0,1 - 0,34 bar (1,5 - 5 psig) furnizată la analizor
Debit	60 - 200 mL/min prin instrument (măsurat la scurgerea analizorului)
Temperatură	5 - 40 °C (41 - 104 °F)
Filtrare	Filtru tip Y cu sită cu 40 de ochiuri sau mai mult

<sup>1</sup> Orificii de scurgere închise cu dopuri pentru cerințele de testare.

**Tabelul 3 Specificații de măsurare**

Specificație	Detalii
Sursă de lumină	Led, măsurătoare la 510 nm, lungime a traiectoriei luminii 1 cm
Intervalul de măsurare	0,03 - 10 mg/L clor rezidual liber sau total ca Cl <sub>2</sub>
Interval de măsurare	150 secunde
Precizie	± 5% sau ± 0,04 mg/L de la 0 la 5 mg/L (valoarea mai mare) ca Cl <sub>2</sub> ±10% de la 5 la 10 mg/L ca Cl <sub>2</sub>
Precizia de măsurare	± 5% sau ± 0,01 mg/L (valoarea mai mare) ca Cl <sub>2</sub>
Limita de detecție	0,03 mg/L ca Cl <sub>2</sub>
Limita cuantificării	0,07 mg/L
Calibrarea	Calibrare la valorile din fabrică Opțional: calibrare în 2 puncte a utilizatorului cu etaloane de calibrare din Kitul de verificare a calibrării
Utilizarea reactivului	0,5 L de soluție tampon și 0,5 L de soluție indicatoare în 31 de zile

## Secțiunea 2 Informații generale

În niciun caz producătorul nu este responsabil pentru daunele provocate de utilizarea incorectă a produsului sau de nerespectarea instrucțiunilor din manual. Producătorul își rezervă dreptul de a efectua modificări în acest manual și produselor pe care le descrie, în orice moment, fără notificare sau obligații. Edițiile revizuite pot fi găsite pe site-ul web al producătorului.

### 2.1 Informații referitoare la siguranță

Producătorul nu este responsabil pentru daunele cauzate de utilizarea incorectă a acestui produs, inclusiv și fără a se limita la daunele directe, accidentale sau pe cale de consecință și neagă responsabilitatea pentru astfel de daune în măsura maximă permisă de lege. Utilizatorul este unicul responsabil pentru identificarea riscurilor critice și pentru instalarea de mecanisme corespunzătoare pentru protejarea proceselor în cazul unei posibile defectări a echipamentului.

Citiți în întregime manualul înainte de a despacheta, configura și utiliza aparatura. Respectați toate atenționările de pericol și avertismentele. Nerespectarea acestei recomandări poate duce la vătămări serioase ale operatorului sau la deteriorarea echipamentului.

Asigurați-vă că protecția oferită de acest echipament nu este afectată. Nu folosiți și nu instalați acest echipament altfel decât este specificat în acest manual.

#### 2.1.1 Informații despre utilizarea produselor periculoase

##### **▲ PERICOL**

Indică o situație periculoasă în mod potențial sau iminent care, dacă nu este evitată, va avea ca rezultat decesul sau vătămarea corporală gravă.

##### **▲ AVERTISMENT**

Indică o situație periculoasă în mod potențial sau iminent care, dacă nu este evitată, poate conduce la deces sau la o vătămare corporală gravă.

##### **▲ ATENȚIE**

Indică o situație periculoasă în mod potențial care poate conduce la o vătămare corporală minoră sau moderată.

##### **NOTĂ**

Indică o situație care, dacă nu este evitată, poate provoca defectarea aparatului. Informații care necesită o accentuare deosebită.

## 2.1.2 Etichete de avertizare

Citiți toate etichetele și avertismentele cu care este prevăzut instrumentul. În caz de nerespectare se pot produce vătămări personale sau avarieri ale instrumentului. Toate simbolurile de pe instrument sunt menționate în manual cu câte o afirmație de avertizare.



Echipamentele electrice inscripționate cu acest simbol nu pot fi eliminate în sistemele publice europene de deșeuri. Returnați producătorului echipamentele vechi sau la sfârșitul duratei de viață în vederea eliminării, fără niciun cost pentru utilizator.

## 2.1.3 Compatibilitate electromagnetă (EMC)

### ⚠ ATENȚIE

Acest echipament nu este conceput pentru utilizarea în medii rezidențiale și este posibil să nu furnizeze protecție adecvată pentru recepția radio în astfel de medii.

### CE (EU)

Echipamentul îndeplinește cerințele esențiale ale Directivei 2014/30/UE privind compatibilitatea electromagnetă.

### UKCA (UK)

Echipamentul îndeplinește cerințele din Regulamentul privind compatibilitatea electromagnetă 2016 (S.I. 2016/1091).

### Reglementările canadiene privind echipamentele care produc interferențe radio, ICES-003, clasa A:

Înregistrările testelor relevante se află la producător.

Acest aparat digital de clasă A întrunește toate cerințele reglementărilor canadiene privind echipamentele care produc interferențe.

Cet appareil numérique de classe A répond à toutes les exigences de la réglementation canadienne sur les équipements provoquant des interférences.

### FCC Partea 15, limite pentru clasa „A”

Înregistrările testelor relevante se află la producător. Acest dispozitiv este conform cu Partea 15 din Regulile FCC. Funcționarea se supune următoarelor condiții:


1. Este posibil ca echipamentul să nu genereze interferențe dăunătoare.
2. Echipamentul trebuie să accepte orice interferențe recepționate, inclusiv interferențe care pot provoca funcționare nedorită.

Schimbările sau modificările aduse acestui echipament care nu sunt în mod expres aprobate de partea responsabilă pentru respectarea standardelor, pot conduce la anularea autorității utilizatorului de a folosi acest aparat. Acest aparat a fost testat și s-a constatat că respectă limitele pentru aparate digitale de clasă A, conform Părții 15 a Regulilor FCC. Aceste limite sunt stabilite pentru a asigura o protecție rezonabilă împotriva interferențelor dăunătoare atunci când aparatura este exploatată în condiții comerciale. Acest echipament generează, folosește și poate radia energie cu frecvență radio și, dacă nu este instalat și folosit în conformitate cu manualul de instrucțiuni, poate cauza interferențe dăunătoare asupra comunicațiilor radio. Este probabil ca exploatarea acestui echipament într-o zonă rezidențială să producă interferențe dăunătoare, caz în care utilizatorului i se va solicita să remedieze interferența pe propria cheltuială. Pentru a reduce problemele de interferențe, pot fi utilizate următoarele tehnici:

1. Deconectați echipamentul de la sursa de curent pentru a verifica dacă reprezintă sau nu sursa interferențelor.
2. Dacă echipamentul este conectat la aceeași priză ca dispozitivul care prezintă interferențe, conectați echipamentul la o altă priză.
3. Depărtați echipamentul de dispozitivul care recepționează interferențe.

4. Repoziționați antena de recepție a dispozitivului afectat de interferență.
5. Încercați combinații ale soluțiilor de mai sus.

## 2.2 Prezentarea generală a produsului

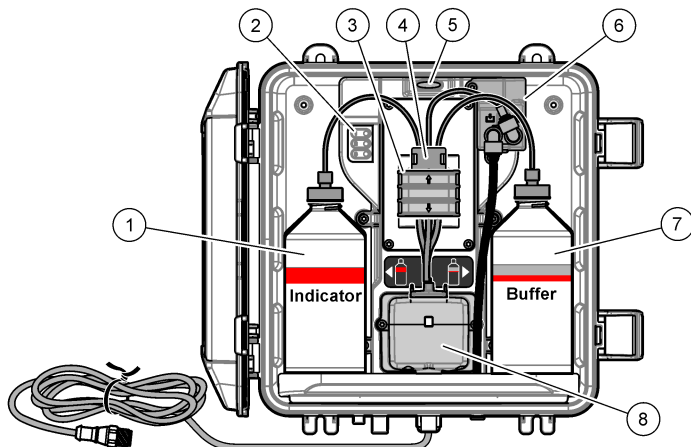
<b>▲ PERICOL</b>	
	<p>Riscuri de natură chimică sau biologică. Dacă instrumentul este utilizat pentru a monitoriza un proces de tratare și/sau apa de alimentare pentru dializă pentru care există limite reglementate și condiții de monitorizare corelate sănătății publice, siguranței publice, fabricării sau procesării de alimente sau băuturi, este responsabilitatea utilizatorului acestui instrument de a cunoaște și respecta orice reglementare aplicabilă și de a avea mecanisme suficiente și adecvate pentru a se conforma cu reglementările aplicabile în cazul defectării instrumentului.</p>

Analizorul CL17sc măsoară concentrația clorului total în apă, în intervalul de la 0,03 la 10 mg/L, la intervale de 150 de secunde. În plus, [Figura 1](#) furnizează o prezentare generală a analizorului.

Conectați analizorul la un controler SC pentru alimentare, funcționare, colectare de date, transmitere de date și diagnosticare. Consultați manualul controlerului SC pentru o prezentare generală a controlerului.

**Notă:** La un controler SC pot fi conectate mai multe analizoare în cazul în care controlerul are mai multe racorduri cu conectare rapidă.

**Figura 1 CL17sc**



1 Recipient cu soluție indicatoare	5 Lumina aferentă stării analizorului ( <a href="#">Tabelul 5</a> de la pagina 374)
2 Luminile ciclului de măsurare ( <a href="#">Tabelul 4</a> de la pagina 374)	6 Debitmetru
3 Clema pentru pompă	7 Recipient cu soluție tampon
4 Clema pentru tubulatură	8 Celulă colorimetrică

### 2.2.1 Debitmetru

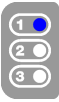
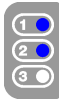
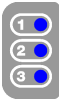
Analizorul are un debitmetru care măsoară debitul probei prin analizor. Consultați [Figura 1](#) de la pagina 373.

Prin analizor există debit al probei numai atunci când analizorul clătește celula. În alte momente, nu există debit al probei și debitul arătat este zero. Apăsăți săgeata **DREAPTA** pe controler pentru a afișa debitul.

## 2.2.2 Luminile ciclului de măsurare

Luminile ciclului de măsurare arată pasul ciclului de măsurare în curs de executare. Consultați [Tabelul 4](#).

**Tabelul 4 Luminile ciclului de măsurare**

<b>Lumini aprinse</b>			
<b>Descriere</b>	Celula este clătită cu apă.	Soluția tampon și soluția indicatoare sunt adăugate în celulă.	Proba este măsurată.

## 2.2.3 Lumina aferentă stării analizorului

Lumina aferentă stării analizorului se transformă din culoarea verde în culoarea galbenă atunci când există o atenționare sau în culoarea roșie atunci când există o eroare. Consultați [Tabelul 5](#).

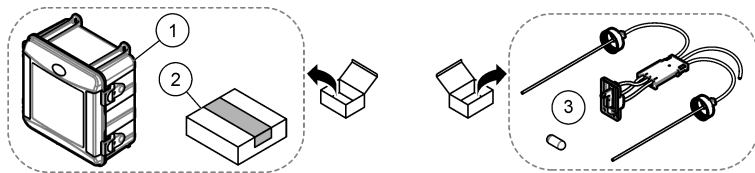
**Tabelul 5 Lumina aferentă stării analizorului**

Culoare	Descriere
Verde	Operare normală
Galben	Sistemul necesită atenție pentru prevenirea defecțiunilor pe viitor. Măsurătorile continuă. Pentru a afișa atenționările, apăsați <b>menu</b> și selectați DIAGNOSTIC > [selectați analizorul] > LISTA ATENȚIONĂRI. Consultați <a href="#">Atenționări – lumina galbenă</a> de la pagina 394.
Roșu	Sistemul necesită atenție imediată. Măsurătorile s-au oprit. Pentru a afișa erorile, apăsați <b>menu</b> și selectați DIAGNOSTIC > [selectați analizorul] > LISTA ERORI. Consultați <a href="#">Erori – lumina roșie</a> de la pagina 393.

## 2.3 Componentele produsului

Asigurați-vă că ați primit toate componentele. Consultați [Figura 2](#). Dacă oricare dintre elemente lipsește sau este deteriorat, contactați imediat fie producătorul, fie un reprezentant de vânzări.

**Figura 2 Componentele produsului**



1 Analizor CL17sc	3 Kit pentru tubulatură (ansamblul de tuburi și bara de amestecare)
2 Kit de instalare	

## Secțiunea 3 Instalarea

### ⚠ ATENȚIE



Pericole multiple. Numai personalul calificat trebuie să efectueze activitățile descrise în această secțiune a documentului.

### 3.1 Îndrumări privind instalarea

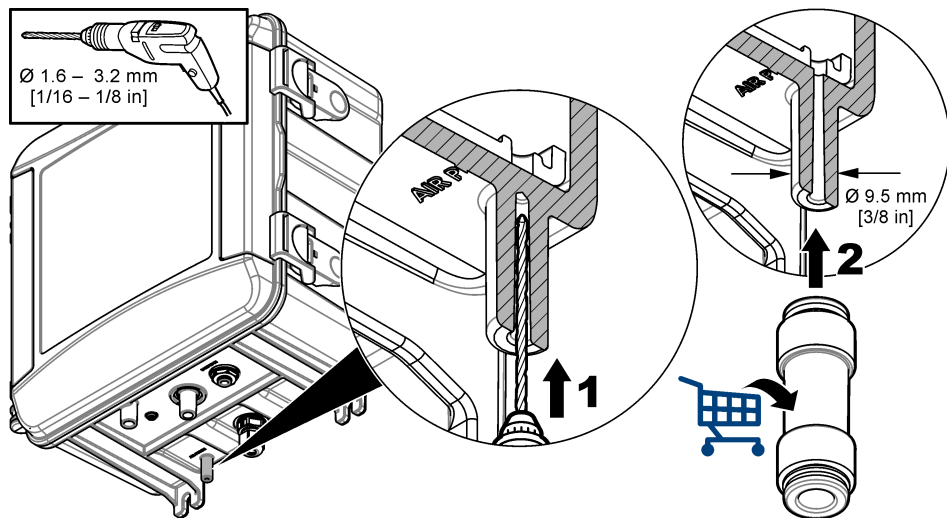
- Analizorul este furnizat cu un kit de instalare a tubului piezometric sau cu un kit de instalare a regulatorului de presiune pentru a controla presiunea apei către analizor. Utilizatorul selectează kitul de instalare în momentul achiziției.
- Instalați analizorul într-un spațiu interior, într-un mediu în care există un nivel minim de vibrații. Consultați specificațiile referitoare la temperatura și umiditatea de funcționare din [Specificații](#) de la pagina 370.
- Nu instalați analizorul în lumina directă a soarelui sau în apropierea unei surse de căldură.
- În cazul instalațiilor cu țevă verticală, instalați analizorul într-o locație cu suficient spațiu liber deasupra analizorului pentru montarea pe țevă verticală.
- Instalați analizorul lângă un orificiu de scurgere deschis. Consultați instrucțiunile agenției locale de reglementare referitoare la eliminarea la deșeur.

### 3.2 Pasul 1: Evacuarea aerului (opțional)

Evacuarea aerului poate fi necesară în cazul în care analizorul este instalat într-o locație în care există umiditate ridicată și/sau vapori care provoacă coroziune. Evacuarea aerului menține presiunea din instrument la un nivel pozitiv, cu aer uscat și curat.

Furnați aer curat, uscat și de calitate compatibilă pentru instrument la 0,003 m<sup>3</sup>/minute (0,1 ft<sup>3</sup>/minute) la 20 psig maxim.

Consultați următorii pași ilustrați. Racordurile cu conectare rapidă și tubulatura de 3/8 inch sunt asigurate de utilizator.



### 3.3 Pasul 2: Montați și racordați analizorul

#### ⚠ ATENȚIE



Cu acest instrument poate fi utilizată numai tubulatura specificată de Hach Company. Alte tubulaturi pot absorbi clorul existent în proba de apă și pot avea un efect negativ asupra valorilor măsurate ale clorului (scăderea valorilor măsurate ale clorului).

#### NOTĂ

Racordarea incorectă a analizorului poate provoca pagube din cauza presiunii excesive a probei. Respectați întotdeauna următoarele instrucțiuni atunci când montați și racordați analizorul.

1. Atașați analizorul (articolul 9) de un perete, cu ajutorul a patru șuruburi. Asigurați-vă că analizorul este drept.

**Notă:** Utilizatorul este cel care asigură piesele de fixare.

2. Atașați controlerul SC (articolul 7) de un perete, de un panou sau de o conductă. Pentru instrucțiuni, consultați documentația controlerului SC
3. Asamblați filtrul tip Y. Consultați instrucțiunile din lista de articole incluse.
4. Folosiți clema pentru conducte de 1 inch pentru a monta ansamblul de filtrare Y (punctul 5 din [Figura 3](#), [Figura 4](#) sau [Figura 5](#)).
5. Instalați întrerupătorul de aer extern pe analizor (punctul 2 din [Figura 3](#), [Figura 4](#) sau [Figura 5](#)). Consultați instrucțiunile din lista de articole incluse.
6. Efectuați pasul 7 sau 8.

Analizorul este livrat cu un kit de instalare a țevii sau cu un kit de instalare a regulatorului de presiune pentru a controla presiunea apei de intrare. Utilizatorul selectează kitul de instalare în momentul achiziției. Un kit de țevi verticale este pentru o presiune de intrare a apei de 10 psi sau mai mică, iar un kit de țevi verticale este pentru o presiune de intrare a apei mai mare de 10 psi. Măsurați presiunea de intrare a apei chiar înainte de ansamblul filtru Y.

7. Dacă a fost selectat un kit de instalare a tubului piezometric în momentul achiziției, instalați tubul piezometric astfel:
  - a. Asamblați tubul piezometric. Consultați instrucțiunile din lista de articole incluse.
  - b. Folosiți clema pentru conducte mai mică pentru a monta ansamblul de țevi de susținere deasupra părții superioare a analizorului:
    - 10 psi sau mai puțin - Montați ansamblul de țevi de susținere la cel puțin 61 cm (24 in.) deasupra părții superioare a analizorului.
    - Mai mult de 10 psi - Montați ansamblul de țevi de susținere la cel puțin 91,4 cm (36 in.) deasupra părții superioare a analizorului.
  - c. 10 psi sau mai puțin - Cu tubul negru, instalați tubul de ocolire a probei (elementul 8 în [Figura 3](#)). Împingeți tubulatura în spate și apoi în tubul piezometric. Introduceți tubulatura la 10-13 cm (4-5 in.) în partea superioară a țevii verticale.
  - d. Mai mult de 10 psi - Cu ajutorul tubului negru, conectați ieșirea colectorului Y la intrarea tubului vertical (elementul 8 în [Figura 4](#)).
  - e. Tăiați o bucată din tubulatura pentru scurgerea probei (articolul 3). Folosiți tubulatura pentru a racorda tubul vertical la o scurgere deschisă (punctul 11). Consultați [Linii directoare pentru conductele de scurgere](#) de la pagina 381.
8. Dacă a fost selectat un kit de instalare a regulatorului de presiune la momentul achiziției, instalați regulatorul de presiune (articolul 10 din [Figura 5](#)).
9. Cu tubulatura de culoare neagră, conectați admisia filtrului tip Y (articolul 5) la sursa probei. Consultați [Directive pentru tuburile pentru probe](#) de la pagina 381 și [Cerințe pentru probă](#) de la pagina 381.
10. Cu ajutorul tubului negru, conectați proba la racordul de admisie a probei (punctul 1) după cum urmează:

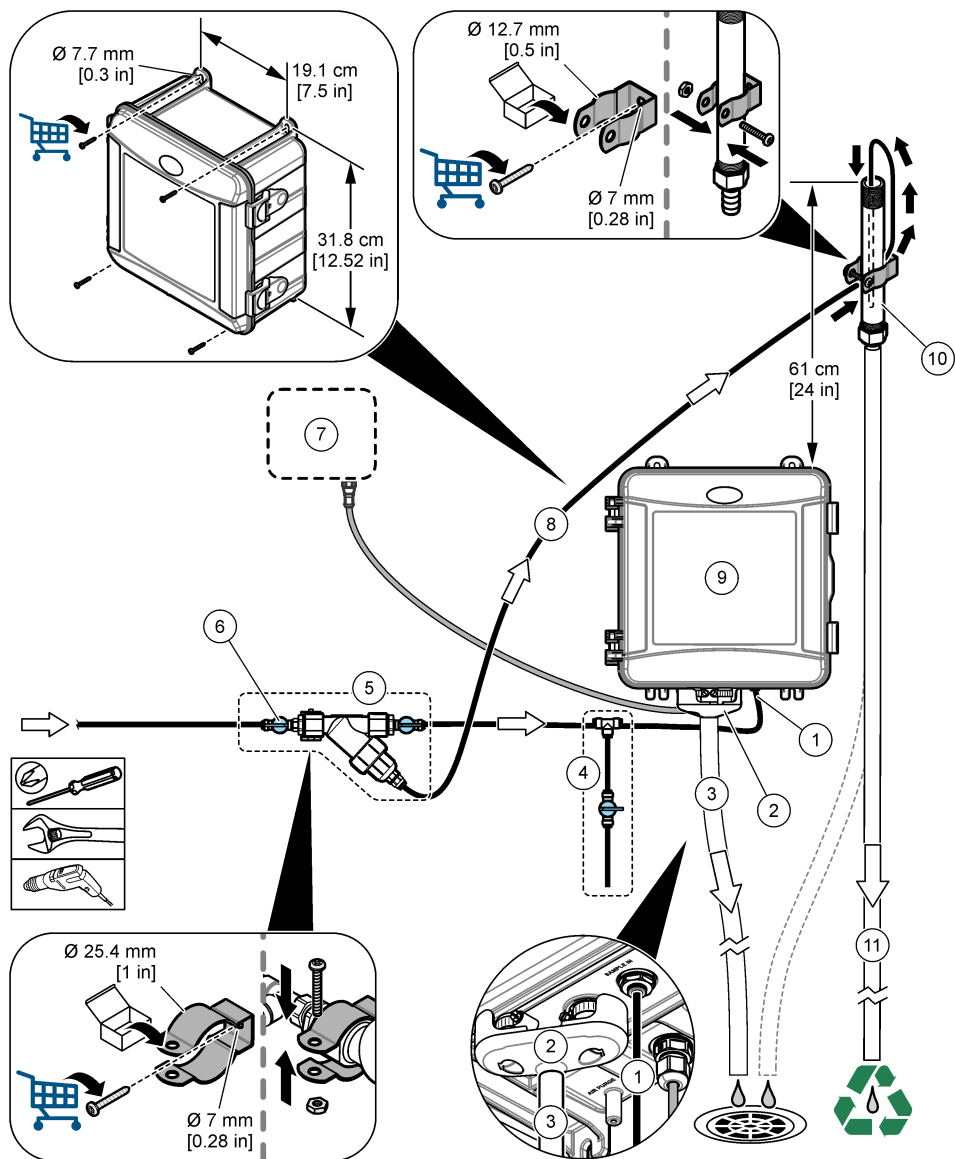
Scurtați tubulatura cât mai mult posibil și cu un maxim de 2,5 m (8 ft).

  - 10 psi sau mai puțin - Conectați ieșirea filtrului Y la racordul de admisie a probei (elementul 1) de pe partea inferioară a analizorului. Consultați [Figura 3](#).
  - Mai mult de 10 psi - Conectați ieșirea țevii verticale la racordul de admisie a probei (elementul 1) de pe partea inferioară a analizorului. Consultați [Figura 4](#).
  - Regulator de presiune - Conectați ieșirea regulatorului de presiune la racordul de admisie a probei (punctul 1) de pe partea inferioară a analizorului. Consultați [Figura 5](#).
11. Dacă a fost instalat un regulator de presiune, instalați tubulatura de ocolire a probei (articolul 8 din [Figura 5](#)).
12. Asamblați și ansamblul de prelevare (punctul 4).



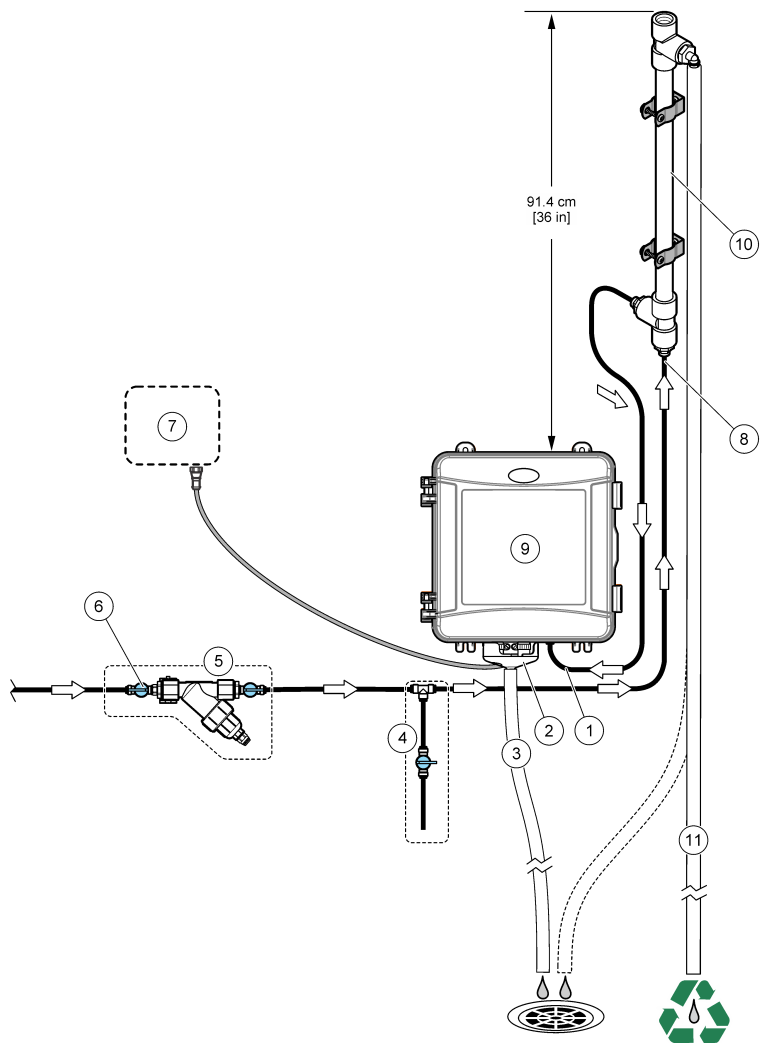
13. Plombați racordul în T al ansamblului de prelevare a probei. Consultați [Figura 3](#), [Figura 4](#) sau [Figura 5](#), după caz.
14. Racordați tubulatura pentru scurgerea probei (articolul 3) la un orificiu de scurgere deschis. Consultați [Linii directoare pentru conductele de scurgere](#) de la pagina 381.

**Figura 3 Instalare cu o țeavă verticală (10 psi sau mai puțin)**



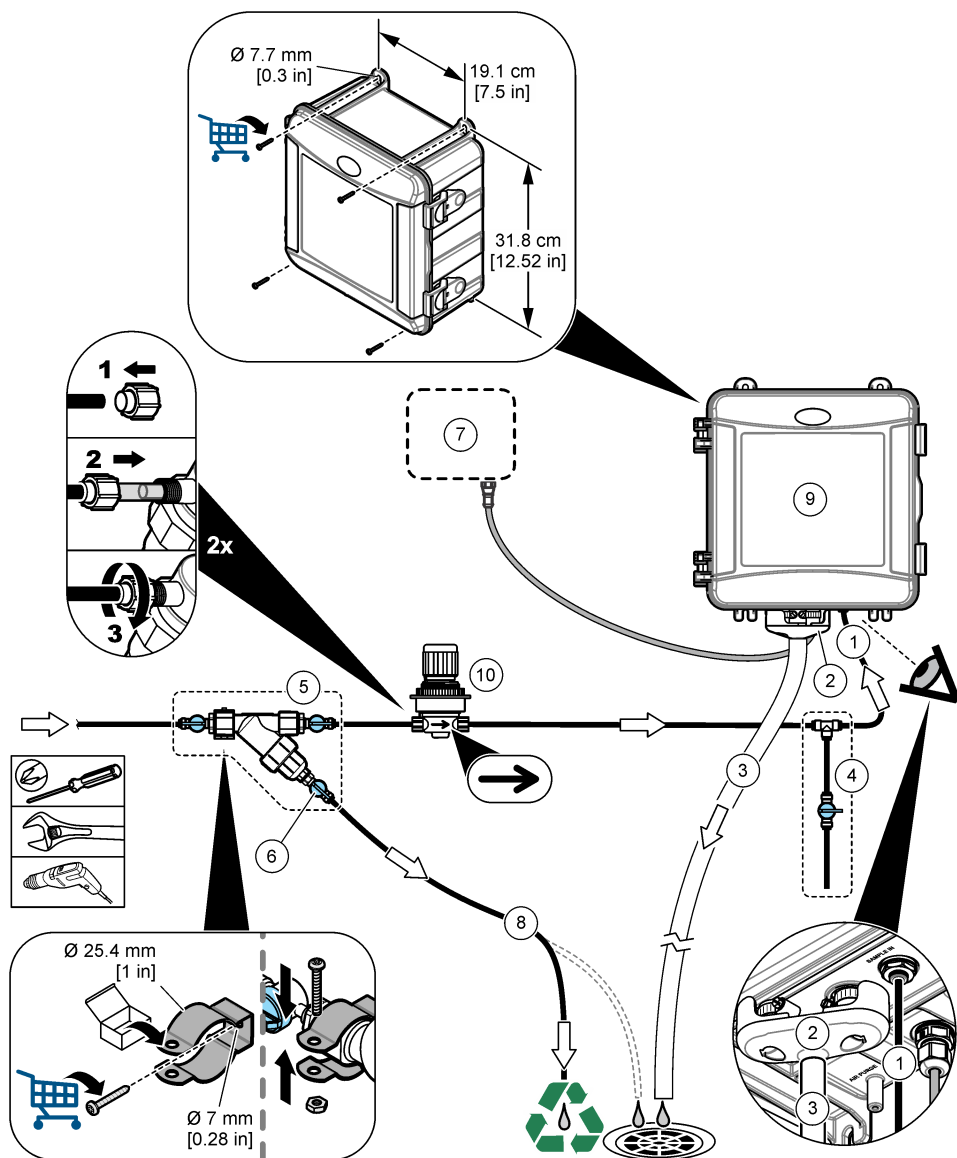
1 Racord admisie probă	7 Controler SC
2 Întrerupător de aer extern	8 Tubulatura de ocolire a probei
3 Tubulatura pentru scurgerea probei	9 Analizor
4 Ansamblul probei punctuale	10 Tub piezometric
5 Ansamblul filtrului tip Y	11 Tubulatură de scurgere tub piezometric
6 Robinet de închidere la admisia în filtrul tip Y	

**Figura 4 Instalare cu o țevă verticală (mai mult de 10 psi)**



1	Racord admisie probă	7	Controler SC
2	Înterupător de aer extern	8	Intrarea țevii standpipe
3	Tubulatura pentru scurgerea probei	9	Analizor
4	Ansamblul probei punctuale	10	Tube piezometric
5	Ansamblul filtrului tip Y	11	Tubulatură de scurgere tube piezometric
6	Robinet de închidere la admisia în filtrul tip Y		

**Figura 5 Instalare cu un regulator de presiune**



1 Racord admisie probă	6 Supapă de închidere la derivația filtrului Y
2 Întrerupător de aer extern	7 Controler SC
3 Tubulatura pentru scurgerea probei	8 Tubulatura de ocolire a probei
4 Ansamblul probei punctuale	9 Analizor
5 Ansamblul filtrului tip Y	10 Regulator de presiune

### 3.3.1 Directive pentru tuburile pentru probe

Selectați un punct de prelevare a probei corect și reprezentativ pentru a obține o performanță optimă a instrumentului. Proba trebuie să fie reprezentativă pentru întregul sistem.

Pentru prevenirea citirilor neregulate:

- Colectați probe din locații aflate la o distanță suficientă față de punctele de adaos a unor substanțe chimice în fluxul de proces.
- Asigurați-vă că probele sunt amestecate suficient.
- Asigurați-vă că toate reacțiile chimice sunt finalizate.
- Instalați analizorul cât mai aproape posibil de sursa de probă (maxim 4,6 m (15 ft)).

### 3.3.2 Cerințe pentru probă

Apa din sursa (sursele) de probă trebuie să corespundă specificațiilor din [Specificații](#) de la pagina 370.

Păstrați debitul probei și temperatura de funcționare cât mai constante posibil, pentru o performanță optimă.

### 3.3.3 Linii directe pentru conductele de scurgere

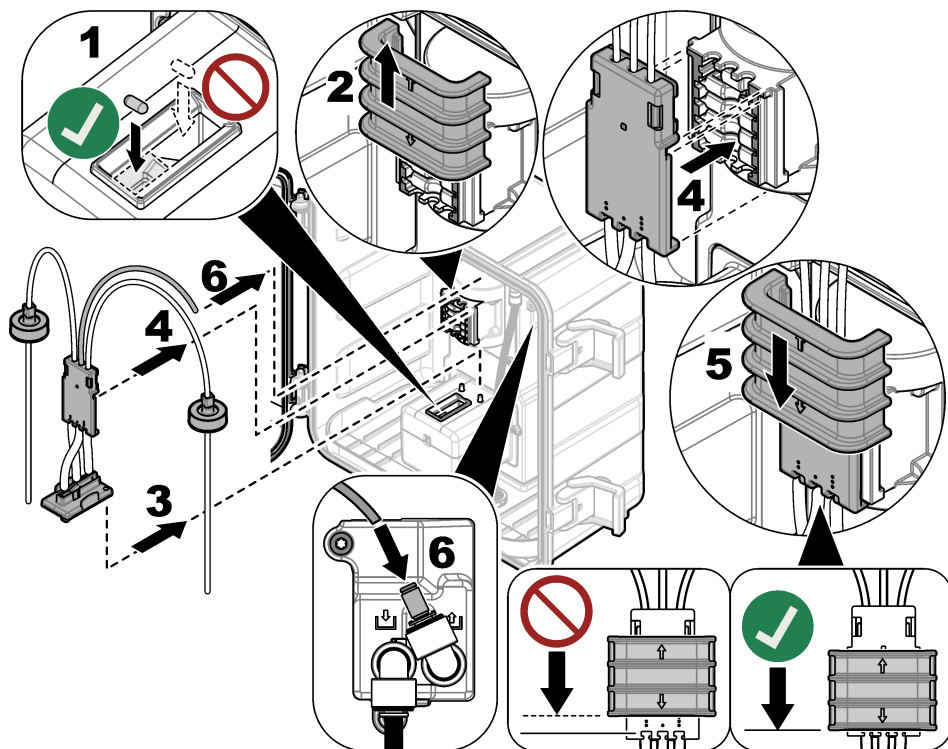
#### **NOTĂ**

Instalarea incorectă a liniilor de scurgere poate duce la întoarcerea lichidului la instrument și poate provoca pagube.

- Asigurați-vă că instalați întrerupătorul de aer extern. Consultați punctul 2 din [Figura 3](#) de la pagina 378, [Figura 4](#) de la pagina 379 sau [Figura 5](#) de la pagina 380.
- Faceți conductele de scurgere cât mai scurte posibil.
- Asigurați-vă că panta conductelor de scurgere este constant descendentă.
- Asigurați-vă că nu există curbe bruște ale conductelor de scurgere și că acestea nu sunt înțepate.

### 3.4 Pasul 3: Instalați bara de amestecare și ansamblul de tuburi

Efectuați următorii pași ilustrați.



### 3.5 Pasul 4: Instalați recipientele cu reactiv

#### ⚠ ATENȚIE



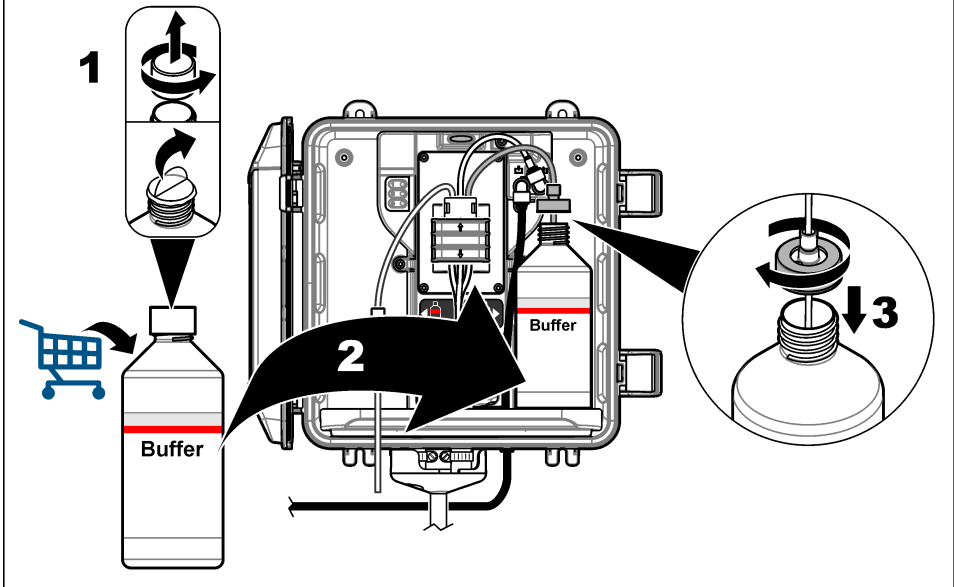
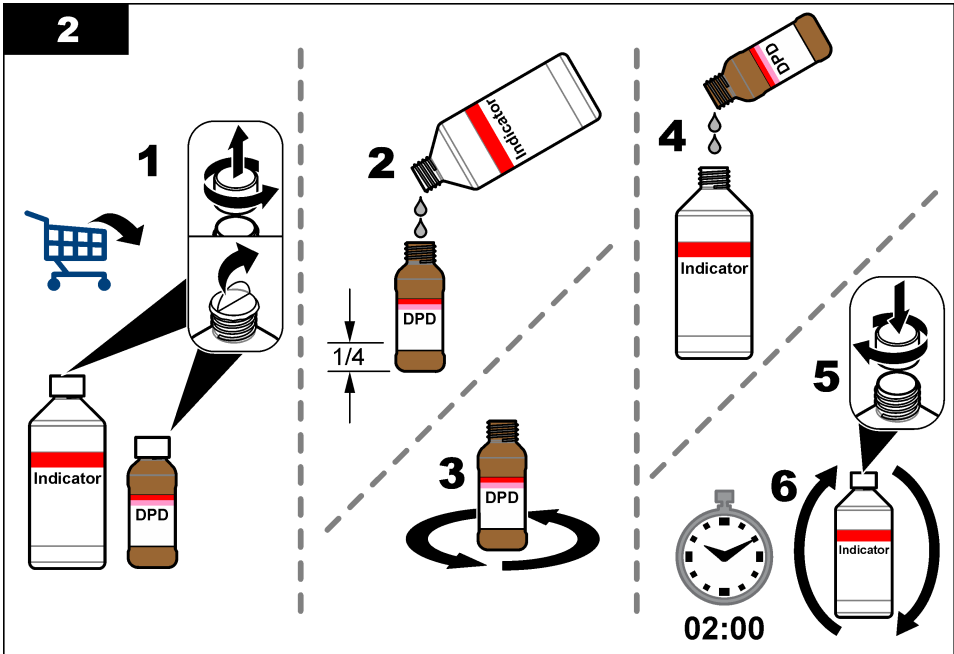
Pericol de expunere chimică. Respectați procedurile de siguranță în laborator și purtați toate echipamentele de protecție personală adecvate pentru substanțele chimice care sunt manipulate. Consultați fișele tehnice de securitate (MSDS/SDS) pentru protocoalele de siguranță.

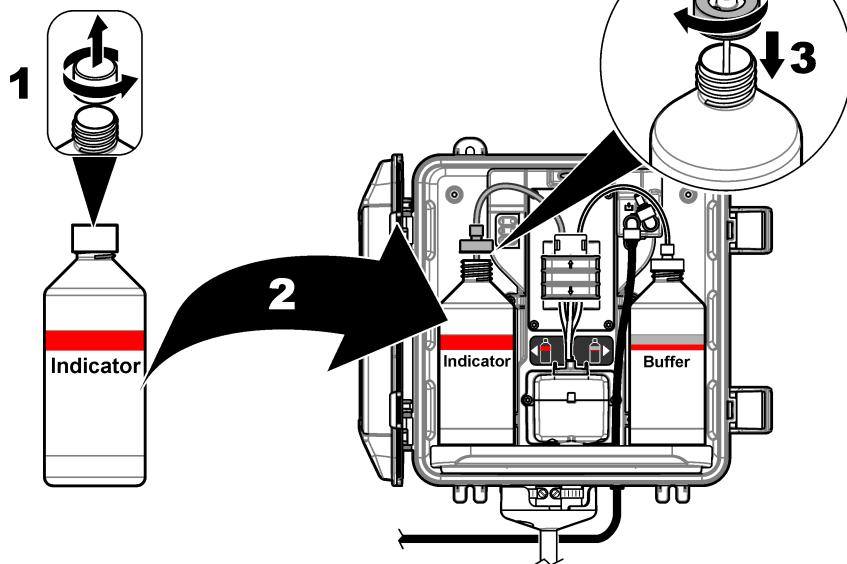
#### Articole de colectat:

- Echipament individual de protecție (consultați FDSM/FDS)
- Recipient cu soluție indicatoare
- Recipient cu soluție tampon
- Recipient cu compus DPD

1. Îmbrăcați echipamentul individual de protecție identificat în fișele cu date de siguranță (MSDS/SDS).
2. Instalați recipientul cu soluție tampon pe partea dreaptă și recipientul cu soluție tampon pe partea stângă. Consultați următorii pași ilustrați.

**Notă:** (Opțional) Utilizați partea superioară a analizorului pe post de raft.

**1****2**

**3**

### 3.6 Pasul 5: Setăți debitul probei la activat

1. Rotiți ușor robinetul (robinetele) de închidere în poziția deschisă cu  $\frac{1}{4}$  de rotire.
2. Asigurați-vă că nu există scurgeri la racordurile tubaturii. Dacă există o scurgere, împingeți tubul mai departe în racord sau strângeți conexiunea cu o cheie fixă.
3. Pentru instalațiile cu tub piezometric, efectuați pașii următori:
  - a. Deschideți complet robinetul de închidere la evacuarea filtrului tip Y.
  - b. Rotiți supapa de închidere de la intrarea filtrului în Y (punctul 6 din [Figura 3](#) de la pagina 378 sau [Figura 4](#) de la pagina 379) până când un jet mic de apă iese din tubulatura de scurgere a țevii verticale.
4. Pentru instalațiile cu regulator de presiune, efectuați pașii următori:
  - a. Deschideți complet robinetele de închidere la admisia și evacuarea filtrului tip Y.
  - b. Rotiți supapa de închidere la tubulatura de ocolire a filtrului tip Y (articolul 6 din [Figura 5](#) de la pagina 380) până când din tubulatura de ocolire a filtrului tip Y iese un flux slab de apă.

### 3.7 Pasul 6: Instalarea componentelor electrice

#### 3.7.1 Conectați analizorul la controler

#### ⚠ AVERTISMENT



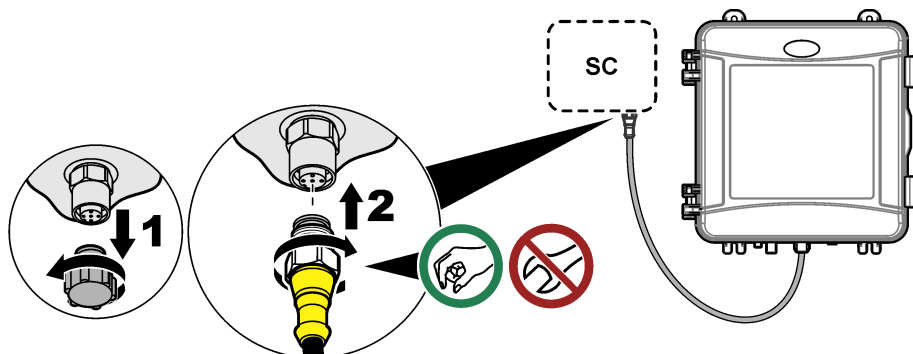
Pericol de electrocutare. Echipamentul conectat în mod extern trebuie să dispună de o evaluare a standardului de siguranță din țara aplicabilă.

Conectați cablul analizorului la racordul cu conectare rapidă a controlerului SC. Consultați [Figura 6](#). Păstrați capacul conectorului, pentru a putea etanșa orificiul acestuia în cazurile în care, ulterior, cablul ar trebui să fie îndepărtat.



**Notă:** Sunt disponibile cabluri de prelungire. Consultați [Pieșe de schimb și accesorii](#) de la pagina 395. Lungimea maximă a cablului este de 15 m (49 ft).

**Figura 6** Conectați cablul la un racord cu conectare rapidă



### 3.7.2 Conectați controlerul la sursa de alimentare electrică

Conectați controlerul la alimentarea de la rețea prin cablare în conducte sau cuplare la un cablu de alimentare. Pentru instrucțiuni, consultați documentația controlerului.

### 3.7.3 Conectați senzorii externi la controler

Conectați relele controlerului, ieșirile analogice și intrările digitale la dispozitivele externe, după cum este necesar. Pentru instrucțiuni, consultați documentația controlerului.

## 3.8 Pasul 7: Configurați și amorsați analizorul

1. Apăsăți **menu**, apoi selectați SETARE SENZOR > [selectați analizorul] > AMORSARE.
2. În cazul în care controlerul nu recunoaște că analizorul este conectat, efectuați pașii următori:
  - a. Apăsăți **menu**, apoi selectați TEST/MENTENANT > SCAN. SENZORI.
  - b. Când senzorul este găsit și instalat, efectuați din nou pasul 1.

## 3.9 Pasul 8: Setări debitul

Analizorul are un debitmetru care măsoară debitul probei prin analizor. Consultați [Figura 1](#) de la pagina 373.

1. Apăsăți săgeata **DREAPTA** pe controler pentru a afișa debitul pe afișaj.  
Prin analizor există debit al probei numai atunci când analizorul clătește celula. În alte momente, nu există debit al probei și debitul arătat este zero. Consultați [Tabelul 4](#) de la pagina 374 pentru descrierile etapelor ciclului de măsurare.  
**Notă:** Pentru a măsura manual debitul prin analizor, măsurați debitul la scurgerea analizatorului atunci când analizorul spală celula cu apă.
2. Pentru instalațiile cu tub piezometric, rotiți robinetul de închidere la ieșirea filtrului tip Y pentru a seta debitul între 60 și 200 ml/min când analizorul spală celula cu apă.
3. Pentru instalațiile cu regulator de presiune, reglați regulatorul de presiune pentru a seta debitul între 60 și 200 ml/min atunci când analizorul spală celula cu apă.

## 3.10 Pasul 9: Instalați cel mai recent software

Verificați controlerul SC pentru a vă asigura că pe acesta este instalat cel mai recent software. Utilizați un card SD pentru a instala cel mai recent software pe controlerul SC.

1. Accesați pagina de produs pentru controlerul SC aplicabil pe <http://hach.com>.
2. Faceți clic pe fila "Resources" (Resurse).
3. Derulați în jos până la „Software/Firmware”.
4. Faceți clic pe linkul corespunzător software-ului controlerului SC.
5. Salvați fișierele pe un card SD.
6. Instalați fișierele pe controlerul SC. Consultați instrucțiunile de instalare a software-ului furnizate împreună cu fișierele corespunzătoare software-ului.

## Secțiunea 4 Configurarea

### 4.1 Pasul 10: Configurați analizorul

Setați numele analizorului, media semnalului, tipul de clor măsurat, respingerea bulelor și valorile de referință ale alarmelor legate de nivelul de clor.

1. Apăsăți **menu**, apoi selectați SETARE SENZOR > [selectați analizorul] > CONFIGURARE.
2. Selectați și configurați fiecare opțiune.

Opțiune	Descriere
<b>EDITARE NUME</b>	Setează numele analizorului. Numele analizorului apare pe afișajul controlerului și în fișierele-jurnal.
<b>MEDIE SEMNAL</b>	Setează numărul de măsurători utilizate pentru calcularea mediei măsurătorilor care apar pe afișaj. Opțiuni: 1 (implicit), 2, 3 sau VAL. NEREG. Când MEDIE SEMNAL este setată la 1, medierea semnalului este dezactivată. Când MEDIE SEMNAL este setată la 2 sau 3, pe afișaj apare o valoare măsurată medie. De exemplu, măsurătoarea de pe afișaj este egală cu ultima măsurătoare și cu cea anterioară împărțită la doi când MEDIE SEMNAL este setată la 2. Când MEDIE SEMNAL este setat la VAL. NEREG., analizorul respinge o valoare măsurată neobișnuit mai mare sau mai mică decât cele mai recente valori măsurate. Când o valoare măsurată este respinsă, ultima valoare măsurată corectă apare pe afișaj și este salvată în jurnalul de date. Sunt respinse nu mai mult de trei valori măsurate consecutive. Utilizarea medierii semnalului corectează fluctuațiile de valori măsurate incorecte provocate de bule și/sau de particulele mai mari în probă.
<b>MĂSURĂTOARE</b>	Setează tipul de clor măsurat. Dacă pe etichetele recipientelor cu soluție tampon și cu soluție indicatoare scrie „Clor liber”, selectați CLOR LIBER (implicit). Dacă pe etichetele recipientelor cu soluție tampon și cu soluție indicatoare scrie „Clor total”, selectați CLOR TOTAL.
<b>RESPINGER BULE</b>	Setează activarea sau dezactivarea respingerii bulelor (implicit). Setati RESPINGER BULE la DESCHIDE pentru a reduce zgomotul provocat de bule în probă. Bulele de aer din probă pot determina instabilitatea valorilor măsurate.
<b>ALARME CL RID</b>	Setează punctul de referință al concentrației de clor pentru alarma NIVEL MARE CL – de la 0,00 la 10,00 mg/L (implicit: 4,00 mg/L).
<b>ALARME CL SC</b>	Setează punctul de referință al concentrației de clor pentru alarma NIVEL MIC CL – de la 0,00 la 10,00 mg/L (implicit: 0,20 mg/L).
<b>INFO SENZ.</b>	Arată numărul de serie al analizorului, versiunea software, versiunea sistemului de încărcare și versiunea driverului.

Opțiune	Descriere
<b>SET. IMPLICITE</b>	Selectați DA pentru a modifica din nou setările de configurare la valorile implicite din fabrică.
<b>SERVICE</b>	Doar pentru utilizare în timpul reparațiilor

## 4.2 Configurarea sistemului

Consultați documentația controllerului pentru configurarea sistemului, setările generale ale controllerului și configurarea ieșirilor și comunicațiilor.

## 4.3 Navigarea utilizatorului

Consultați documentația controlerului pentru descrierea tastaturii și informații despre navigație.

Apăsati tasta cu săgeată **DREAPTA** de pe controller, de mai multe ori, pentru a afișa mai multe informații pe ecranul principal și pentru a deschide un afișaj grafic.

## Secțiunea 5 Funcționarea

### 5.1 Jurnalele de date, evenimente și service

Controlerul oferă acces la un jurnal de date, un jurnal de evenimente și un jurnal de service pentru fiecare instrument conectat. Măsurătorile analizorului sunt salvate automat în jurnalul de date la intervale de 150 de secunde. Jurnalul de evenimente arată evenimentele care au avut loc. Jurnalele de evenimente și de date păstrează datele înregistrate pe parcursul a aproximativ 2 săptămâni atunci când analizorul funcționează continuu. Jurnalul de service păstrează datele înregistrate pe parcursul a aproximativ 24 de ore atunci când analizorul funcționează continuu.

Consultați documentația controlerului pentru a descărca jurnalul de date, jurnalul de evenimente și/sau jurnalul de service. Jurnalul de date este un fișier XML, care poate fi salvat în format CSV sau Excel. Jurnalul de evenimente și jurnalul de service sunt fișiere în format CSV.

### 5.2 Măsurati o INTRARE PROBĂ

Dacă este necesar, utilizați meniul INTRARE PROBĂ pentru a adăuga o probă de apă cu concentrație de clor cunoscută în celulă, pentru măsurare. Măsurati o probă punctuală pentru verificare sau măsurati o probă de apă colectată dintr-o altă locație.

1. Apăsati **menu**, apoi selectați SETARE SENZOR > [selectați analizorul] > INTRARE PROBĂ.
2. Urmați pașii care apar pe afișaj. Când vi se solicită, scoateți capacul celulei și adăugați 100 mL de probă punctuală în celulă. O parte din probă va curge în canalul de scurgere a probei.

### 5.3 Cataloage Modbus

O listă de cataloage Modbus este disponibilă pentru comunicarea în rețea. Pentru informații suplimentare, consultați site-ul web al producătorului.

## Secțiunea 6 Calibrare și reglare

Curba de calibrare a analizorului este setată din fabrică pentru ca performanța acestuia să fie conformă specificațiilor. Calibrarea poate fi realizată pentru verificarea performanței.

Nu se recomandă să se efectueze nicio ajustare de către utilizator la curba de calibrare din fabrică, cu excepția cazului în care aceasta este impusă de o agenție de reglementare în scopul raportării privind conformitatea sau dacă analizorul este supus unor lucrări mari de reparație.

Pentru mai multe informații, consultați instrucțiunile din kitul de verificare a calibrării sau contactați departamentul de asistență tehnică.

## Secțiunea 7 Întreținerea

### ⚠ ATENȚIE



Pericole multiple. Numai personalul calificat trebuie să efectueze activitățile descrise în această secțiune a documentului.

### NOTA

Nu demontați instrumentul pentru întreținere. În cazul în care componentele interne trebuie curățate sau reparate, contactați producătorul.

## 7.1 Schema lucrărilor de întreținere

Tabелul 6 indică programul recomandat pentru lucrările de întreținere. Este posibil ca anumite lucrări să fie necesare mai frecvent, în funcție de cerințele unității și de condițiile de funcționare.

Tabелul 6 Schema lucrărilor de întreținere

Lucrare	1 lună	6 luni	După cum este necesar
Curățați celula de la pagina 388	X <sup>2</sup>		
Înlocuiți recipientele cu reactiv de la pagina 389	X		
Înlocuiți bara de amestecare și ansamblul de tuburi <sup>3</sup>		X	
Curățați sita din filtrul tip Y de la pagina 390			X

## 7.2 Curățați celula

### ⚠ ATENȚIE



Pericol de expunere chimică. Respectați procedurile de siguranță în laborator și purtați toate echipamentele de protecție personală adecvate pentru substanțele chimice care sunt manipulate. Consultați fișele tehnice de securitate (MSDS/SDS) pentru protocoalele de siguranță.

Curățați celula la intervale de 1 lună sau mai frecvent dacă este necesar.

### Articole de colectat:



Betișoare de igienizare cu vârf de bumbac<sup>4</sup>



Soluție de acid sulfuric 5,25 N<sup>5</sup>

1. Îmbrăcați echipamentul individual de protecție identificat în fișele cu date de siguranță (MSDS/SDS).
2. Apăsați **menu**, apoi selectați SETARE SENZOR > [selectați analizorul] > SARCINI > CURĂȚARE CUA.

**Notă:** Pentru a opri o sarcină selectată, apăsați **pagina de pornire**.

3. Apăsați **enter** pentru a opri măsurătorile.

<sup>2</sup> Curățați celula mai mult sau mai puțin frecvent, după cum este necesar.

<sup>3</sup> Consultați instrucțiunile furnizate împreună cu kitul pentru tubulatură.

<sup>4</sup> Consultați **Piese de schimb și accesorii** de la pagina 395.

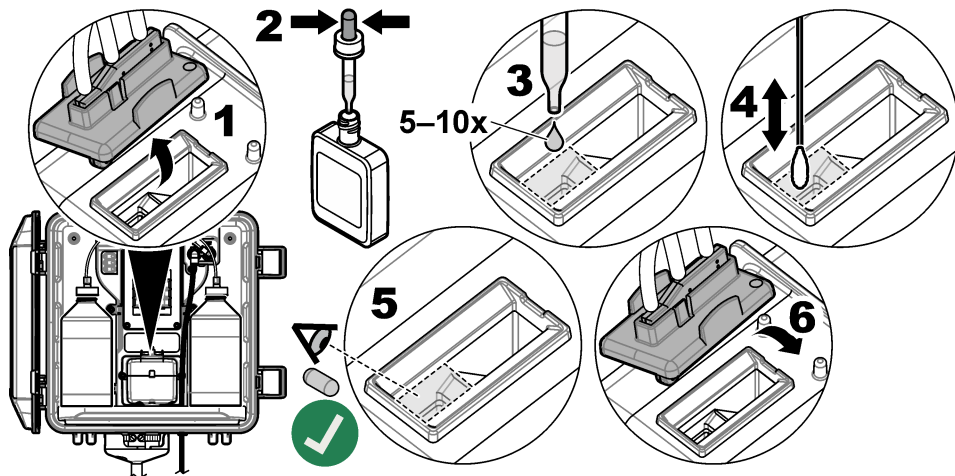
<sup>5</sup> Nu utilizați alte soluții de curățare. Consultați **Piese de schimb și accesorii** de la pagina 395.

4. Selectați o opțiune.

Opțiune	Descriere
<b>MENTINE</b>	leșirile controlerului sunt menținute la ultima valoare măsurată.
<b>TRANSFER</b>	leșirile controlerului se modifică la valoarea de transfer.

5. Atunci când lumina de stare se aprinde intermitent, efectuați următorii pași ilustrați. Când ați terminat, apăsați **enter**.

Conform ilustrației din pasul 5, asigurați-vă că nu există materiale nedorite în celulă. Folosiți o lanternă pentru a căuta materialul nedorit, după cum este necesar.



6. Când pe afișaj apare „SARCINĂ FINALIZATĂ.”, apăsați **enter**.

Analizorul începe un ciclu de măsurare în aproximativ 30 de secunde.

### 7.3 Înlocuiți recipientele cu reactiv

#### ⚠ ATENȚIE



Pericol de expunere chimică. Respectați procedurile de siguranță în laborator și purtați toate echipamentele de protecție personală adecvate pentru substanțele chimice care sunt manipulate. Consultați fișele tehnice de securitate (MSDS/SDS) pentru protocoalele de siguranță.

#### ⚠ ATENȚIE



Pericol de expunere chimică. Substanțele chimice și deșeurile trebuie eliminate în conformitate cu reglementările locale, regionale și naționale.

Înlocuiți recipientele cu reactiv la intervale de 1 lună.

1. Îmbrăcați echipamentul individual de protecție identificat în fișele cu date de siguranță (MSDS/SDS).
2. Apăsați **menu**, apoi selectați **SETARE SENZOR** > [selectați analizorul] > **SARCINI** > **SCHIMB REACTIVI**.

**Notă:** Pentru a opri o sarcină selectată, apăsați **pagina de pornire**.

3. Apăsați **enter** pentru a opri măsurătorile.

4. Selectați o opțiune.

Opțiune	Descriere
MENTINE	leșirile controlerului sunt menținute la ultima valoare măsurată.
TRANSFER	leșirile controlerului se modifică la valoarea de transfer.

5. Așteptați ca lumina aferentă stării să se aprindă intermitent.

6. Înlocuiți recipientul cu soluție tampon după cum urmează:

**Notă:** (Opțional) Utilizați partea superioară a analizorului pe post de raft.

- Scoateți capacul și ansamblul de etanșare de pe noul recipient cu soluție tampon.
- Scoateți recipientul utilizat cu soluție tampon din analizor.
- Puneți tubulatura pentru soluția tampon în noul recipient cu soluție tampon din partea dreaptă a analizorului. Strângeți capacul.

7. Înlocuiți recipientul cu soluție indicatoare în modul următor:

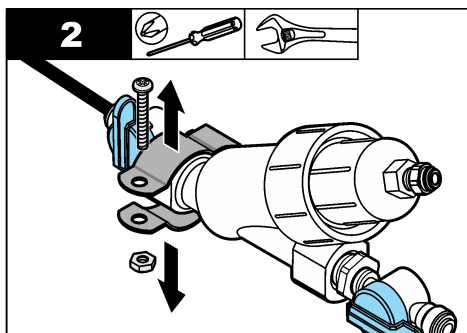
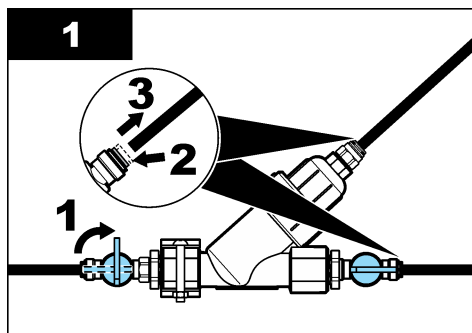
- Scoateți capacul și ansamblul de etanșare din recipientul cu soluție indicatoare și din recipientul cu DPD de culoare maro.
- Umpleți aproximativ  $\frac{1}{4}$  din recipientul cu DPD de culoare maro cu soluție indicatoare.
- Agitați recipientul cu DPD pentru a-l amesteca.
- Introduceți conținutul recipientului cu DPD în recipientul cu soluție indicatoare.
- Inversați recipientul cu soluție indicatoare până când toată pudra este dizolvată (2 minute).
- Scoateți recipientul utilizat cu soluție indicatoare din analizor.
- Puneți tubulatura pentru soluția indicatoare în noul recipient cu soluție indicatoare din partea stângă a analizorului. Strângeți capacul.

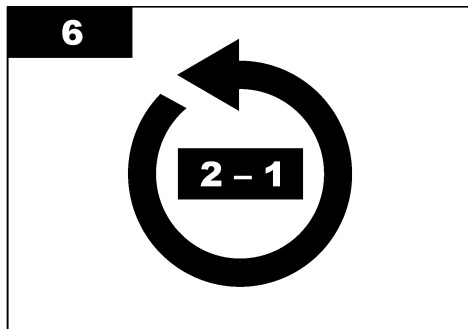
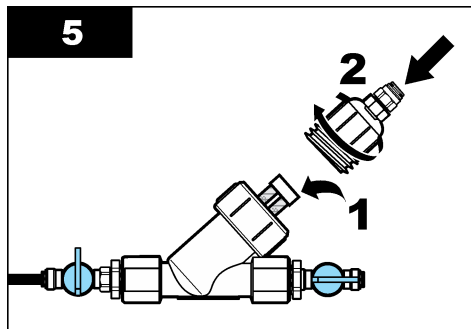
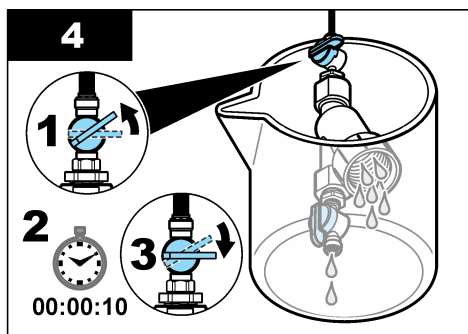
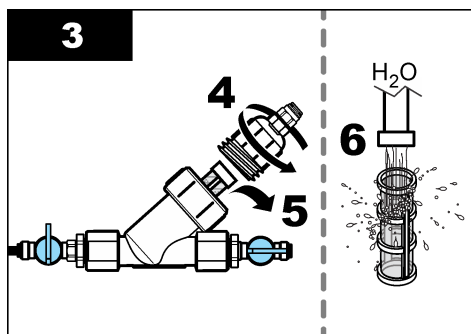
8. Apăsăți **enter**.

9. Când pe afișaj apare „SARCINĂ FINALIZATĂ.”, apăsați **enter**. Analizorul începe un ciclu de măsurare în aproximativ 30 de secunde.

## 7.4 Curățați sita din filtrul tip Y

Curățați sita din filtrul tip Y atunci când există o blocare, care este identificată printr-o atenționare DEBIT PROBĂ SC.. Completați următorii pași ilustrați.





## 7.5 Pregătirea pentru depozitare

### ⚠ ATENȚIE



Pericol de expunere chimică. Respectați procedurile de siguranță în laborator și purtați toate echipamentele de protecție personală adecvate pentru substanțele chimice care sunt manipulate. Consultați fișele tehnice de securitate (MSDS/SDS) pentru protocoalele de siguranță.

Dacă analizorul nu va fi alimentat cu energie electrică timp de mai mult de 3 zile sau dacă analizorul nu va fi utilizat mai mult de 3 zile, pregătiți analizorul pentru depozitare.

#### Articole de colectat:



Pahar cu apă deionizată (2x)



Picurator de unică folosință sau lavetă care nu lase scame

#### 1. Scoateți reactivii din conductele cu reactivi, după cum urmează:

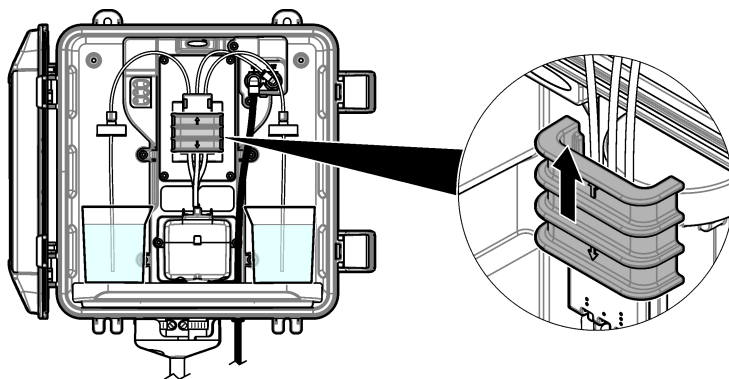
- Scoateți recipientul cu soluție indicatoare și recipientul cu soluție tampon din analizor.
- Puneți două pahare (sau containere) care conțin apă deionizată în analizor.
- Puneți tubulatura recipientului cu soluție indicatoare și tubulatura recipientului cu soluție tampon în pahare.
- Apăsăți **menu**, apoi selectați **SETARE SENZOR > [selectați analizorul] > AMORSARE**. Analizorul elimină reactivii din conductele cu reactivi.

#### 2. Scoateți apa deionizată din conductele cu reactivi, după cum urmează:

- Scoateți tubulatura recipientului cu soluție indicatoare și tubulatura recipientului cu soluție tampon din pahare.
- Scoateți cele două pahare din analizor.

- c. Apăsați **menu**, apoi selectați SETARE SENZOR > [selectați analizorul] > AMORSARE. Analizorul elimină tot lichidul din conductele cu reactivi.
3. Deconectați cablul analizorului de la controler (sau întrerupeți alimentarea cu energie electrică a controlerului).
4. Rotiți robinetul de închidere în poziția închisă pentru a opri debitul probei către filtrul tip Y.
5. Scoateți clema pompei. Consultați **Figura 7**. Păstrați clema pompei pentru utilizare ulterioară.
6. Scoateți apa din celulă în modul următor:
  - a. Scoateți capacul de pe celulă.
  - b. Îndepărtați apa din celulă cu un picurător de unică folosință sau cu o lavetă care nu lase scame.
  - c. Montați capacul pe celulă.
7. Pentru a porni analizorul după depozitare, efectuați pașii următori:
  - a. Montați clema pompei. Consultați **Figura 7**.
  - b. Instalați recipientele cu reactiv. Consultați **Pasul 4: Instalați recipientele cu reactiv** de la pagina 382.
  - c. Setează robinetul de închidere la poziția deschisă pentru a porni debitul probei către filtrul tip Y.
  - d. Conectați cablul analizorului la controler, în cazul în care cablul a fost deconectat.
  - e. Alimentați controlerul cu energie electrică, în cazul în care alimentarea cu energie electrică a fost întreruptă.
  - f. Apăsați **menu**, apoi selectați SETARE SENZOR > [selectați analizorul] > AMORSARE.

**Figura 7** Scoateți clema pompei



## 7.6 Pregătirea pentru expediere

### ⚠ ATENȚIE



Pericol de expunere chimică. Respectați procedurile de siguranță în laborator și purtați toate echipamentele de protecție personală adecvate pentru substanțele chimice care sunt manipulate. Consultați fișele tehnice de securitate (MSDS/SDS) pentru protocoalele de siguranță.

Pentru a pregăti analizorul în vederea expedierii, efectuați pașii următori.

#### Articole de colectat:



Pahar cu apă deionizată (2x)



Ambalaj original



1. Scoateți reactivii din conductele cu reactivi, după cum urmează:
  - a. Scoateți recipientul cu soluție indicatoare și recipientul cu soluție tampon din analizor.
  - b. Puneți două pahare (sau containere) care conțin apă deionizată în analizor.
  - c. Puneți tubulatura recipientului cu soluție indicatoare și tubulatura recipientului cu soluție tampon în pahare.
  - d. Apăsăți **menu**, apoi selectați SETARE SENZOR > [selectați analizorul] > AMORSARE. Analizorul elimină reactivii din conductele cu reactivi.
2. Scoateți apa deionizată din conductele cu reactivi, după cum urmează:
  - a. Scoateți tubulatura recipientului cu soluție indicatoare și tubulatura recipientului cu soluție tampon din pahare.
  - b. Scoateți cele două pahare din analizor.
  - c. Apăsăți **menu**, apoi selectați SETARE SENZOR > [selectați analizorul] > AMORSARE. Analizorul elimină tot lichidul din conductele cu reactivi.
3. Deconectați cablul analizorului de la controler.
4. Rotiți robinetul de închidere în poziția închisă pentru a opri debitul probei către filtrul tip Y.
5. Deconectați tubulatura de admisie a probei (de culoare neagră) și tubulatura (transparentă) de scurgere din analizor.
6. Scoateți întrerupătorul de aer extern de pe analizor.
7. Scoateți clema pompei. Consultați [Figura 7](#) de la pagina 392.
8. Scoateți ansamblul de tuburi și bara de amestecare din analizor. Păstrați ansamblul de tuburi în vederea expedierii împreună cu analizorul. Consultați [Pasul 3: Instalați bara de amestecare și ansamblul de tuburi](#) de la pagina 382.
9. Montați clema pompei fără ansamblul de tuburi. Puneți banda pe clema pentru tubulatură pentru a ține strâns clema.
10. Îndepărtați apa din celulă cu un picurător de unică folosință sau cu o lavetă care nu lase scame.
11. Scoateți analizorul din perete.
12. Introduceți analizorul în ambalajul original.

## 7.7 Curățarea instrumentului

### NOTĂ

Nu utilizați niciodată agenți de curățare precum terebentina, acetona sau produse similare pentru a curăța instrumentul, inclusiv afișajul și accesoriile.

Curățați exteriorul instrumentului cu o cârpă moale și o soluție slabă de apă și săpun.

## 7.8 Curățarea lichidelor vărsate

### ⚠ ATENȚIE



Pericol de expunere chimică. Substanțele chimice și deșeurile trebuie eliminate în conformitate cu reglementările locale, regionale și naționale.

1. Respectați toate protocoalele de siguranță ale unității care privesc controlul lichidelor vărsate.
2. Eliminați deșeurile respectând reglementările aplicabile.

## Secțiunea 8 Depanarea

### 8.1 Erori – lumina roșie

Pentru a afișa erorile, apăsați **menu** și selectați DIAGNOSTIC > [selectați analizorul] > LISTA ERORI. Se afișează o listă cu erori posibile în [Tabelul 7](#).

Când apare o eroare, indicatorul luminos de stare al analizorului se schimbă în roșu. Măsurătorile se opresc, ecranul de măsurare se aprinde intermitent și toate ieșirile sunt menținute, conform specificațiilor din meniul controlerului.

**Tabelul 7 Mesaje de eroare**

Eroare	Descriere	Soluție
EROARE DETECTOR.	Un detector nu funcționează corect.	Contactați asistența tehnică.
CUVA MURDARĂ	Celula este pătată sau murdară. Biofilmul poate crește în celulă atunci când concentrația de clor este foarte scăzută.	Curățați celula. Consultați <a href="#">Curățați celula</a> de la pagina 388.
EROARE COD.	A intervenit o eroare de firmware.	Contactați asistența tehnică.
EROARE LED	Lumina din celulă nu funcționează corect.	Contactați asistența tehnică.
EROARE POMPĂ	Pompa nu funcționează corect.	Contactați asistența tehnică.
SCURGERE PROBĂ	Există o scurgere de probă în analizor.	Contactați asistența tehnică.

## 8.2 Atenționări – lumina galbenă

Pentru a afișa atenționările, apăsați **menu** și selectați DIAGNOSTIC > [selectați analizorul] > LISTA ATENTION. Se afișează o listă cu avertismentele posibile în [Tabelul 8](#).

Când apare un avertisment, indicatorul luminos de stare se schimbă în galben. În partea inferioară a afișajului controlerului se aprinde intermitent o pictogramă de atenționare și se afișează un mesaj. Dacă este disponibil un debit suficient de probă, o atenționare nu afectează funcționarea meniurilor. O atenționare nu afectează funcționarea releelor și ieșirile.

**Tabelul 8 Mesajele de atenționare**

Atenționare	Descriere	Soluție
S-AU DET. BULE	Există bule în celulă.	Curățați celula. Consultați <a href="#">Curățați celula</a> de la pagina 388. (Opțional) Activați setarea RESPINGER BULE. Consultați <a href="#">Pasul 10: Configurați analizorul</a> de la pagina 386.
CURĂȚ. CEL. SUG.	Celula se pătează sau se murdărește și trebuie curățată în curând pentru a preveni apariția unei erori.	Curățați celula. Consultați <a href="#">Curățați celula</a> de la pagina 388.
NIVEL MARE CL	Concentrația de clor este la sau depășește punctul de referință pentru ALARME CL RID.	Creșteți setarea aferentă ALARME CL RID. Consultați <a href="#">Pasul 10: Configurați analizorul</a> de la pagina 386.  Sau Reduceți concentrația de clor din proba furnizată în analizor.
NIVEL MIC CL	Concentrația de clor este la sau sub punctul de referință pentru ALARME CL SC.	Reduceți setarea aferentă ALARME CL SC. Consultați <a href="#">Pasul 10: Configurați analizorul</a> de la pagina 386.  Sau Măriți concentrația de clor a probei furnizate în analizor.

**Tabelul 8 Mesajele de atenționare (continuare)**

Atenționare	Descriere	Soluție
DEBIT PROBĂ SC.	Debitul măsurat al probei este mai mic decât debitul minim al probei. Consultați <a href="#">Specificații</a> de la pagina 370.	Setați debitul probei. Consultați <a href="#">Pasul 8: Setați debitul</a> de la pagina 385. Curățați filtrul din filtrul tip Y dacă este necesar pentru a elimina o blocare. Consultați <a href="#">Curățați sita din filtrul tip Y</a> de la pagina 390.
DEB. PROBĂ RID.	Debitul măsurat al probei este mai mare decât debitul maxim al probei. Consultați <a href="#">Specificații</a> de la pagina 370.	Setați debitul probei. Consultați <a href="#">Pasul 8: Setați debitul</a> de la pagina 385.

## Secțiunea 9 Piese de schimb și accesorii

### ▲ AVERTISMENT



Pericol de vătămare corporală. Utilizarea pieselor neaprobate poate cauza vătămare corporală, deteriorarea instrumentului sau defectarea echipamentului. Piese de schimb din această secțiune sunt aprobate de producător.

**Notă:** Numerele pentru produs și articol pot varia în anumite regiuni de comercializare. Contactați distribuitorul respectiv sau consultați site-ul Web al companiei pentru informațiile de contact.

### Materiale consumabile

Descriere	Cantitate	Nr. articol
Set de reactivi, clor liber, include: Recipient cu soluție tampon, recipient cu soluție indicatoare și recipient cu DPD	1	2556900
Set de reactivi, clor total, include: Recipient cu soluție tampon, recipient cu soluție indicatoare și recipient cu DPD	1	2557000
Kit de curățare a celulelor, include: Acid sulfuric, 5,25 N, 100 mL, flacon picurător și bețișoare de igienizare cu vârf de bumbac (10x)	1	8573100
Kit de verificare a calibrării, include: Seringă, tuburi, fittinguri pentru tuburi, instrument de deschidere pentru fiole, fiolă standard de apă deionizată și clor	1	8568200
Kit de reumplere pentru verificarea calibrării, include: Fiolă standard de apă deionizată și clor	1	8573200

### Piese de schimb

Descriere	Nr. articol
Kit pentru tubulatură, include: Ansamblul de tuburi și bara de amestecare	S.U.A.: 8560400 UE: 8575000
Kit de instalare cu țevă verticală (10 psi sau mai puțin)	S.U.A.: 8560500 UE: 8575100
Kit de instalare cu țevă verticală (>10 psi)	8576001
Kit de instalare cu regulator de presiune	S.U.A.: 8565700 UE: 8575200

## Accesorii

Descriere	Nr. articol
Cablu de prelungire pentru analizor, 1 m (3,2 ft)	6122400
Cablu de prelungire pentru analizor, 7,7 m (25 ft)	5796000
Cablu de prelungire pentru analizor, 15 m (50 ft)	5796100
Adaptor pentru tubulatură, 6 mm D.E. la 1/4 inch D.E.	09184=A=4020

# Turinys

- |   |  |
|---|--|
| 1 Techniniai duomenys Puslapyje 397           | 6 Kalibravimas ir reguliavimas Puslapyje 414 |
| 2 Bendrojo pobūdžio informacija Puslapyje 398 | 7 Techninė priežiūra Puslapyje 415           |
| 3 Montavimas Puslapyje 401                    | 8 Triukščių šalinimas Puslapyje 421          |
| 4 Konfigūravimas Puslapyje 413                | 9 Atsarginės dalys ir priedai Puslapyje 422  |
| 5 Naudojimas Puslapyje 414                    |  |

## Skyrius 1 Techniniai duomenys

Techniniai duomenys gali būti keičiami neperspėjus.

**Lentelė 1 Bendrieji techniniai duomenys**

Techniniai duomenys	Išsami informacija
Matmenys (P x A x G)	32,9 x 34,2 x 17,7 cm (12,9 x 13,5 x 7,0 col.)
Gaubtas	IP66 pagal IEC 60529, kai durelės uždarytos ir užkabintos <sup>1</sup>
Siuntos svoris	4,1 kg (9 sv.) be butelių; 5,1 kg (11,2 sv.) su pilnais buteliais
Įrengimas	Montavimas prie sienos
Apsaugos klasė	III
Taršos laipsnis	3
Elektros instaliacijos kategorija	I (patalpoje)
Maitinimo reikalavimai	12 V NS, 400 mA maks. (iš valdiklio)
Darbinė temperatūra	5–40 °C (41–104 °F)
Darbinis drėgnis	0–90 % santykinis drėgnis be kondensato
Laikymo temperatūra	nuo –40 iki 60 °C (nuo –40 iki 140 °F)
Jungiamosios detalės	Mėginio linija: ¼ col. IS greitojo prijungimo jungtis plastikiniam vamzdeliams Nuotako linijos: užmaunama jungtis ½ col. IS minkšties plastikiniams vamzdeliams
Indikatorių lemputės	Analizatoriaus būseną ir matavimo ciklas
Sertifikatai	ES atitikties deklaracija, UKCA atitikties deklaracija, FCC / ISED tiekėjo atitikties deklaracija, ACMA atitikties deklaracija, Korėjos sertifikatas, Maroko atitikties deklaracija
Garantija	1 metai (ES: 2 metai)

**Lentelė 2 Mėginio reikalavimai**

Techniniai duomenys	Išsami informacija
Slėgis	0,31–5,17 baro (4,5–75 psig) į Y formos filtrą; 0,1–0,34 baro (1,5–5 psig) į analizatorių
Srautas	60–200 ml/min per prietaisą (matuojama ties analizatoriaus išleidimo vamzdžiu)
Temperatūra	5–40 °C (41–104 °F)
Filtravimas	Y formos filtras su 40 arba tankesniu tinkleliu

<sup>1</sup> Nuotako angos užkimštos kamščiais dėl bandymo reikalavimų.

**Lentelė 3 Matavimo techniniai duomenys**

Techniniai duomenys	Išsami informacija
Šviesos šaltinis	LED, matavimas esant 510 nm; 1 cm šviesos kelio ilgis
Matavimų diapazonas	0,03–10 mg/l laisvo chloro ir bendro chloro kaip Cl <sub>2</sub>
Matavimų intervalas	150 sekundės
Tikslumas	±5 % arba ±0,04 mg/l nuo 0 iki 5 mg/l (didesnė vertė) kaip Cl <sub>2</sub> ±10 % nuo 5 iki 10 mg/l kaip Cl <sub>2</sub>
Tikslumas	±5 % arba ±0,01 mg/l (didesnė vertė) kaip Cl <sub>2</sub>
Radimo riba	0,03 mg/l kaip Cl <sub>2</sub>
Apskaičiavimo riba	0,07 mg/l
Kalibravimas	Gamyklinis kalibravimas Pasirinktinai: 2 taškų naudotojo kalibravimas naudojant kalibravimo standartus iš Kalibravimo patikrinimo rinkinio
Reagentų naudojimas	0,5 l buferinio tirpalo ir 0,5 l indikatorius tirpalo per 31 dieną

## Skyrius 2 Bendrojo pobūdžio informacija

Gamintojas jokiū būdu nebus atsakingas už žalą, atsiradusią dėl netinkamo gaminio naudojimo arba vadove pateiktų instrukcijų nesilaikymo. Gamintojas pasilieka teisę bet kada iš dalies pakeisti šį vadovą ir jame aprašytus produktus nepranešdamas apie keitimą ir neprisiimdamas įsipareigojimų. Pataisytuosius leidimus rasite gamintojo žiniatinklio svetainėje.

### 2.1 Saugos duomenys

Gamintojas nėra atsakingas už jokiū nuostolius dėl netinkamo šio gaminio taikymo ar naudojimo, įskaitant tiesioginius, atsitiktinius ir šalutinius nuostolius, bet tuo neapsiribojant, ir nepripažįsta jokios atsakomybės už tokiū nuostolius, kiek tai leidžia galiojantys įstatymai. Tik naudotojas yra atsakingas už taikymo lemiamo pavojaus nustatymą ir tinkamų mechanizmų procesams apsaugoti per galimą įrangos triktį įrengimą.

Perskaitykite visą šį dokumentą prieš išpakuodami, surinkdami ir pradėdami naudoti šį įrenginį. Atkreipkite dėmesį į visus įspėjimus apie pavojų ir atsargumo priemones. Priešingu atveju įrenginio naudotojas gali smarkiai susižeisti arba sugadinti įrenginį.

Įsitinkinkite, kad šios įrangos teikiama apsauga nesumažėjo. Nenaudokite ir nemontuokite šios įrangos kitaip, nei nurodyta šiame vadove.

#### 2.1.1 Informacijos apie pavojų naudojimas

##### ▲ PAVOJUS

Žymi galimą arba neišvengiamą pavojingą situaciją, į kurią pakliuvus galima mirtinai ar stipriai susižeisti.

##### ▲ ĮSPĖJIMAS

Žymi galimą arba neišvengiamą pavojingą situaciją, kurios nevengiant gali grėsti mirtis ar stiprus sužeidimas.

##### ▲ ATSARGIAI

Žymi galimą pavojingą situaciją, dėl kurios galima lengvai ar vidutiniškai susižeisti.

##### PASTABA

Žymi situaciją, kurios neišvengus gali būti sugadintas prietaisas. Informacija, kuriai reikia skirti ypatingą dėmesį.

## 2.1.2 Apie pavojų perspėjančios etiketės

Perskaitykite visas prie prietaiso pritvirtintas etiketes ir žymas. Nesilaikant nurodytų įspėjimų galima susižaloti arba sugadinti prietaisą. Simbolis, kuriuo pažymėtas prietaisas, vadove yra nurodytas su įspėjamuoju pareiškimu.



Šiuo simboliu pažymėto elektros įrenginio negalima išmesti namų arba viešosiose atliekų išmetimo vietose Europoje. Nemokamai grąžinkite nebe naudojamą įrangą gamintojui, kad ji būtų utilizuota.

## 2.1.3 Elektromagnetinio suderinamumo (EMC) atitiktis

### ▲ ATSAUGIAI

Ši įranga nėra skirta naudoti gyvenamojoje patalpoje ir gali neužtikrinti tokiai aplinkai reikiamos radijo ryšio apsaugos.

#### CE (EU)

Įranga atitinka esminius EMC direktyvos 2014/30/ES reikalavimus.

#### UKCA (UK)

Įranga atitinka 2016 m. Elektromagnetinio suderinamumo taisyklių (S.I. 2016/1091) reikalavimus.

#### Kanados taisyklės dėl radijo trukdžius keliančios įrangos, ICES-003, A klasė:

Tai patvirtinančių patikrinimų dokumentų teirautis gamintojo.

A klasės skaitmeninis įtaisas atitinka visus Kanados taisyklių dėl radijo trukdžius keliančios įrangos reikalavimus.

Cet appareil numérique de classe A répond à toutes les exigences de la réglementation canadienne sur les équipements provoquant des interférences.

#### FCC 15 dalis, A klasės apribojimai

Tai patvirtinančių patikrinimų dokumentų teirautis gamintojo. Šis prietaisas atitinka FCC taisyklių 15 dalies reikalavimus. Naudojimui taikomos šios sąlygos:

1. Įranga negali kelti kenksmingų trukdžių.
2. Ši įranga turi priimti visus gaunamus trukdžius, įskaitant tuos, dėl kurių prietaisas veiks netinkamai.

Šios įrangos pakeitimai arba modifikacijos, kurios nėra tiesiogiai patvirtintos už atitiktį atsakingos šalies, gali panaikinti naudotojo teisę naudotis šia įranga. Ši įranga yra patikrinta ir nustatyta, kad ji atitinka A klasės skaitmeninių prietaisų apribojimuose keliamus reikalavimus pagal FCC taisyklių 15 dalį. Šie apribojimai taikomi siekiant suteikti tinkamą apsaugą nuo žalingųjų trukdžių poveikio, kai įranga yra naudojama komercinėse patalpose. Ši įranga sukuria, naudoja ir skleidžia radijo bangų energiją ir, jei naudojama nesilaikant naudotojo instrukcijoje pateiktų nurodymų, gali kelti radijo ryšio žalinguosius trukdžius. Šią įrangą naudojant gyvenamosiose patalpose gali būti keliami žalingieji trukdžiai ir tokiu atveju naudotojas juos turės pašalinti savo lėšomis. Norėdami sumažinti trukdžius, galite pasinaudoti šiais būdais:

1. Atjunkite įrangą nuo maitinimo šaltinio ir patikrinkite, ar jis yra trukdžių šaltinis.
2. Jei įranga prijungta prie to paties maitinimo lizdo kaip ir trukdžius patiriantis prietaisas, prijunkite įrangą prie kito maitinimo lizdo.
3. Perkelkite įrangą toliau nuo trukdžius patiriančio prietaiso.
4. Trukdžius patiriančio prietaiso anteną pastatykite kitoje vietoje.
5. Pabandykite derinti anksčiau pateiktus būdus.

## 2.2 Gaminio apžvalga

### ▲ PAVOJUS



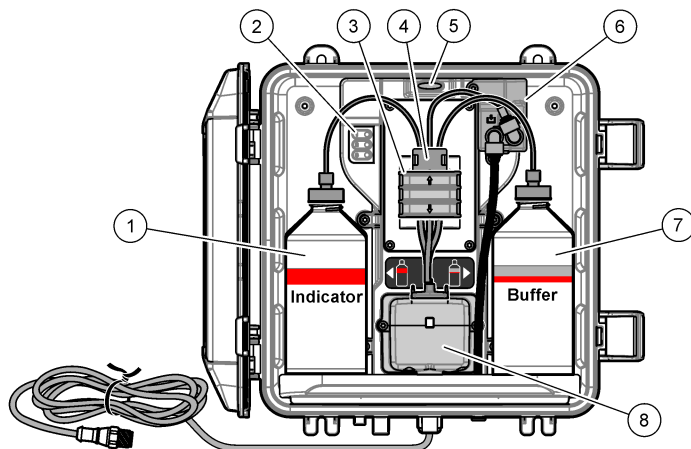
Cheminis arba biologinis pavojus. Jei šis prietaisas naudojamas apdoravimo procesui ir (arba) dializės tiekimo vandeniui stebėti, ir šiam procesui ar sistemai taikomos reguliuojamosios ribos ir stebėjimo reikalavimai, susiję su visuomenės sveikata, viešoju saugumu, maisto arba gėrimų gamyba ar apdoravimu, šio prietaiso naudotojo atsakomybė – žinoti ir laikytis visų taikomų taisyklių ir užtikrinti, kad vietoje būtų pakankamai ir tinkamų mechanizmų, kad būtų laikomasi taikomų taisyklių prietaiso trikties atveju.

Analizatorius „CL17sc“ kas 150 sekundžių matuoja bendrą chloro koncentraciją vandenyje nuo 0,03 iki 10 mg/l intervale. Be to, [Paveikslėlis 1](#) pateikiama analizatoriaus apžvalga.

Prijunkite analizatorių prie SC valdiklio, kad jis gautų maitinimą, jį būtų galima valdyti, rinkti duomenis, perduoti duomenis ir vykdyti diagnostiką. Valdiklio apžvalgą rasite SC valdiklio naudotojo vadove.

**Pastaba:** Prie SC valdiklio galima prijungti daugiau nei vieną analizatorių, jei valdiklis turi daugiau nei vieną greitojo prijungimo jungtį.

#### Paveikslėlis 1 „CL17sc“



1 Indikatoriaus butelis	5 Analizatoriaus būsenos lemputė ( <a href="#">Lentelė 5</a> Puslapyje 401)
2 Matavimo ciklo lemputės ( <a href="#">Lentelė 4</a> Puslapyje 401)	6 Srauto matuoklis
3 Siurblio spaustuvas	7 Buferinio tirpalo butelis
4 Vamzdelių spaustukas	8 Kolorimetrinė kiuvetė

#### 2.2.1 Srauto matuoklis

Analizatorius turi srauto matuoklį, kuriuo matuojama mėginio tėkmė per analizatorių. Žr. [Paveikslėlis 1](#) Puslapyje 400.

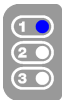
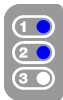

Mėginys teka per analizatorių tik tada, kai analizatorius skalauja kiuvetę. Kitais atvejais mėginio srauto nėra ir rodoma nulinė srauto vertė. Norėdami pamatyti srauto vertę, paspauskite ant valdiklio esančią **RIGHT (Dešinė)** rodyklę.



## 2.2.2 Matavimo ciklo lemputės

Matavimo ciklo lemputės parodo vykdomą matavimo ciklo veiksmą. Žr. [Lentelė 4](#).

**Lentelė 4 Matavimo ciklo lemputės**

Lemputės įjungtos			
Aprašas	Kiuvetės skalaujamos vandeniu.	! kiuvetę pilamas buferinio tirpalo ir indikatoriaus tirpalo.	Matuojamas mėginys.

## 2.2.3 Analizatoriaus būsenos lemputė

Analizatoriaus būsenos lemputė iš žalios tampa geltona, kai yra įspėjimas, arba raudona, kai yra klaida. Žr. [Lentelė 5](#).

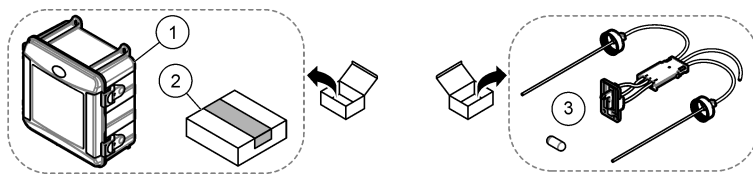
**Lentelė 5 Analizatoriaus būsenos lemputė**

Spalva	Aprašas
Žalia	Įprastas veikimas
Geltona	Sistemą reikia apžiūrėti, kad būtų išvengta gedimų ateityje. Matavimai tęsiasi. Norėdami pamatyti įspėjimus, spustelėkite <b>menu</b> ir pasirinkite DIAGNOSTICS (Diagnostika) > [pasirinkite analizatorių] > WARNING LIST (Įspėjimų sąrašas). Žr. <a href="#">Įspėjimai – geltona lemputė</a> Puslapyje 421.
Raudona	Sistemą reikia nedelsiant apžiūrėti. Matavimai sustabdomi. Norėdami pamatyti klaidas, spustelėkite <b>menu</b> ir pasirinkite DIAGNOSTICS (Diagnostika) > [pasirinkite analizatorių] > ERROR LIST (Klaidų sąrašas). Žr. <a href="#">Klaidos – raudona lemputė</a> Puslapyje 421.

## 2.3 Gaminio sudedamosios dalys

Įsitinkinkite, kad gavote visas sudedamąsias dalis. Žr. [Paveikslėlis 2](#). Aptikę, kad dalių trūksta ar jos yra apgadintos, nedelsdami susisiekite su gamintoju ar prekybos atstovu.

**Paveikslėlis 2 Gaminio sudedamosios dalys**



1 Analizatorius „CL17sc“	3 Vamzdelių rinkinys (vamzdelių laikiklis ir maišymo strypas)
2 Montavimo rinkinys	

## Skyrius 3 Montavimas

### ▲ ATSAUGIAI



Įvairūs pavojai. Šiame dokumento skyriuje aprašytas užduotis turi vykdyti tik kvalifikuoti darbuotojai.

### 3.1 Įrengimo instrukcijos

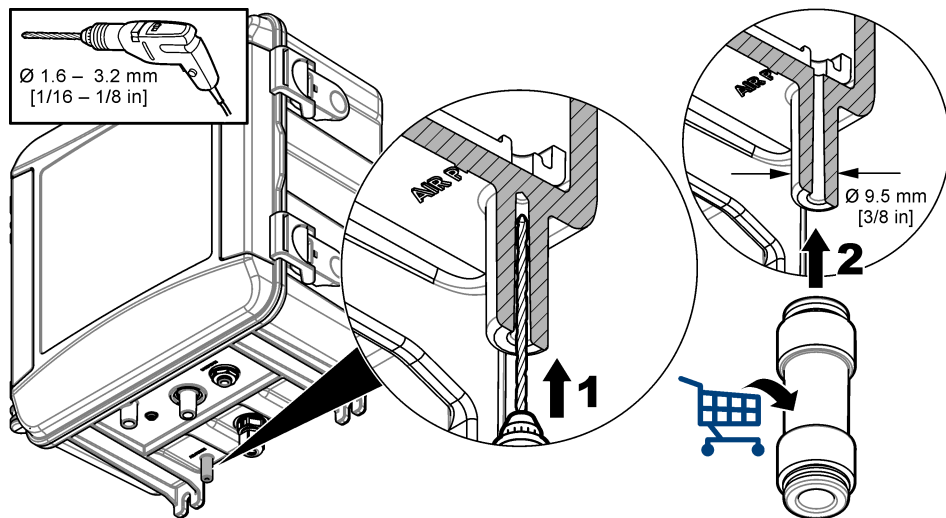
- Analizatorius turi slėginio vamzdžio įrengimo rinkinį arba slėgio regulatoriaus įrengimo rinkinį, kad būtų galima kontroliuoti vandens slėgį analizatoriuje. Naudotojas pasirenka atitinkamą įrengimo rinkinį įsigijimo metu.
- Analizatorių montuokite patalpoje, vietoje, kurioje yra kuo mažiau vibracijų. Darbinės temperatūros ir drėgmės specifikacijas žr. [Techniniai duomenys](#) Puslapyje 397.
- Nemontuokite analizatoriaus tiesioginėje saulėkaitoje arba šalia šilumos šaltinio.
- Montuodami stovą, analizatorių montuokite tokioje vietoje, kur virš analizatoriaus yra pakankamai laisvos vietos, kad būtų galima pritvirtinti stovą.
- Analizatorių įrenkite šalia atviro nuotako. Vadovaukitės vietos reguliavimo institucijos nurodymais dėl atliekų šalinimo.

### 3.2 1 veiksmas. Oro prapūtimas (pasirinktinai)

Oro prapūtimas gali būti reikalingas, jeigu analizatorius yra įrengtas vietoje, kurioje yra daug drėgmės ir (arba) yra koroziją sukeliančių garų. Oro prapūtimas palaiko prietaise teigiamą slėgį ir sausą bei švarų orą.

Tiekite švarų ir sausą prietaisui tinkamos kokybės orą 0,003 m<sup>3</sup>/minutę (0,1 pėdų<sup>3</sup>/minutę) srautu ne didesniu kaip 20 psig slėgiu.

Žr. toliau pateiktas iliustracijas. 3/8 col. greitojo prijungimo jungtį ir vamzdelį turi įsigyti pats naudotojas.



### 3.3 2 veiksmas. Analizatoriaus montavimas ir vamzdelių prijungimas

#### ⚠ ATSAUGIAI



Su prietaisu galima naudoti tik „Hach Company“ nurodytus vamzdelius. Kiti vamzdeliai gali sugerti mėginio vandenyje esantį chlorą ir neigiamai paveikti chloro rodmenis (sumažinti chloro rodmenis).

#### PASTABA

Netinkamai prijungus analizatoriaus vamzdelius, dėl perteklinio mėginio slėgio gali įvykti pažeidimai. Visada laikykitės toliau pateiktų instrukcijų, kad tinkamai sumontuotumėte analizatorių ir prijungtumėte vamzdelius.

1. Pritvirtinkite analizatorių (9 elementas) prie sienos keturiais varžtais. Įsitinkinkite, kad analizatorius stovi lygiai.

**Pastaba:** *Tvirtinimo įrangą pasirūpina naudotojas.*

2. Pritvirtinkite SC valdiklį (7 elementas) prie sienos, skydo ar vamzdžio. Instrukcijas žr. SC valdiklio dokumentuose.
3. Surinkite Y formos filtrą. Instrukcijas žr. pakuotės sąrašė.
4. Naudokite 1 colio vamzdžio spaustuką, kad pritvirtintumėte Y formos filtrą (5 punktas [Paveikslėlis 3](#), [Paveikslėlis 4](#) arba [Paveikslėlis 5](#)).
5. Ant analizatoriaus sumontuokite išorinį oro pertraukiklį (2 punktas [Paveikslėlis 3](#), [Paveikslėlis 4](#) arba [Paveikslėlis 5](#)). Instrukcijas žr. pakuotės sąrašė.
6. Atlikite 7 arba 8 veiksmą.

Analizatoriaus tiekiamas su stovo vamzdžio montavimo rinkiniu arba slėgio regulatoriaus montavimo rinkiniu, kad būtų galima reguliuoti įleidžiamojo vandens slėgį. Naudotojas pasirenka atitinkamą įrengimo rinkinį įsigijimo metu. Vienas stovų rinkinys skirtas 10 psi arba mažesniai slėgiui, o kitas - didesniai nei 10 psi įleidimo vandens slėgiui. Išmatuokite įleidžiamojo vandens slėgį prieš pat Y filtrą.

7. Jei įsigijimo metu buvo pasirinktas slėginio vamzdžio įrengimo rinkinys, slėginį vamzdį montuokite taip:

- a. Surinkite slėginį vamzdį. Instrukcijas žr. pakuotės sąrašė.

- b. Naudokite mažesnę kanalo gnybtą, kad pritvirtintumėte stovo vamzdžio mazgą virš analizatoriaus viršaus:

- 10 psi arba mažiau - montuokite stovo vamzdelio mazgą ne mažiau kaip 61 cm (24 col.) virš analizatoriaus viršaus.
- Daugiau kaip 10 psi - montuokite stovo vamzdelio mazgą ne mažiau kaip 91,4 cm (36 col.) virš analizatoriaus viršaus.

- c. 10 psi arba mažiau - su juodu vamzdeliu sumontuokite mėginio apvedimo vamzdelį (8 elementas [Paveikslėlis 3](#)). Pastumkite vamzdelį už slėginio vamzdžio ir tada įstumkite į jį. Vamzdį įkiškite 10-13 cm (4-5 col.) į stovo viršų.

- d. Daugiau kaip 10 psi - juodu vamzdeliu prijunkite Y filtrą prie stovo vamzdžio įleidimo angos (8 punktas [Paveikslėlis 4](#)).

- e. Atkirpkite reikiamo ilgio vamzdelį nuo mėginio nuotako vamzdelio (3 elementas). Naudokite vamzdelį stovo vamzdžiui prijungti prie atviro drenažo (11 punktas). Žr. [Rekomendacijos dėl išleidimo linijų](#) Puslapyje 408.

8. Jei įsigijimo metu buvo pasirinktas slėgio regulatoriaus įrengimo rinkinys, sumontuokite slėgio regulatorių (10 elementas [Paveikslėlis 5](#)).

9. Juodu vamzdeliu sujunkite Y formos filtro įleidimo angą (5 elementas) su mėginio šaltiniu.

Žr. [Mėginio linijos parengimo gairės](#) Puslapyje 408 ir [Mėginio reikalavimai](#) Puslapyje 408.

10. Juodu vamzdeliu prijunkite mėginį prie mėginio įleidimo jungties (1 elementas) taip:

Pasistenkite, kad vamzdelis būtų kuo trumpesnis ir ne ilgesnis nei 2,5 m (8 pėdos).

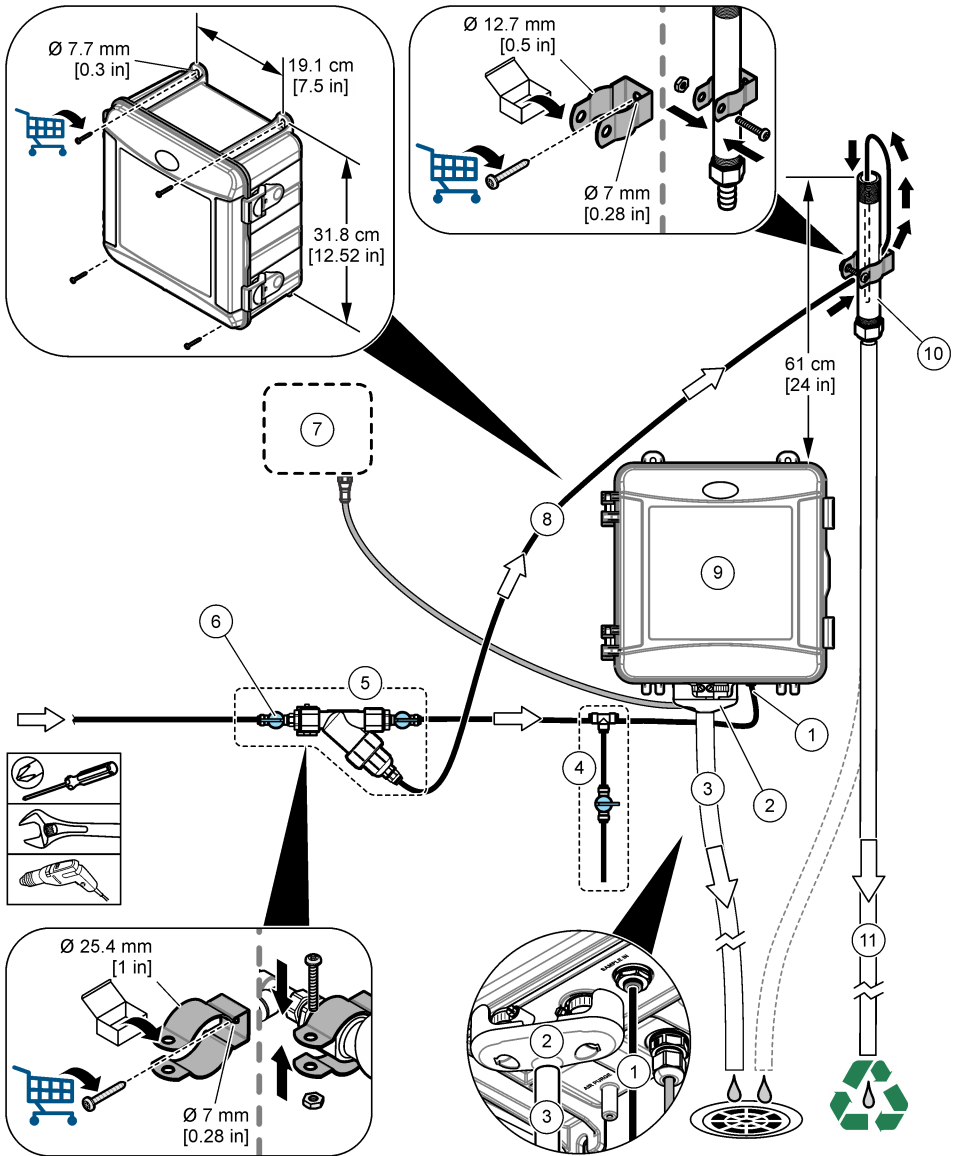
- 10 psi arba mažiau - Y filtrą prijunkite prie mėginio įleidimo jungties (1 elementas), esančios analizatoriaus apačioje. Žr. [Paveikslėlis 3](#).
- Daugiau kaip 10 psi - prijunkite stovo vamzdžio išėjimą prie mėginio įleidimo jungties (1 elementas), esančios analizatoriaus apačioje. Žr. [Paveikslėlis 4](#).
- Slėgio regulatorius - prijunkite slėgio regulatoriaus išėjimą prie mėginio įleidimo jungties (1 elementas), esančios analizatoriaus apačioje. Žr. [Paveikslėlis 5](#).

11. Jei įrengtas slėgio regulatorius, sumontuokite mėginio gretšakės vamzdelį (8 elementas [Paveikslėlis 5](#)).

12. Sumontuokite ir griebtuvo mėginio mazgą (4 elementas).

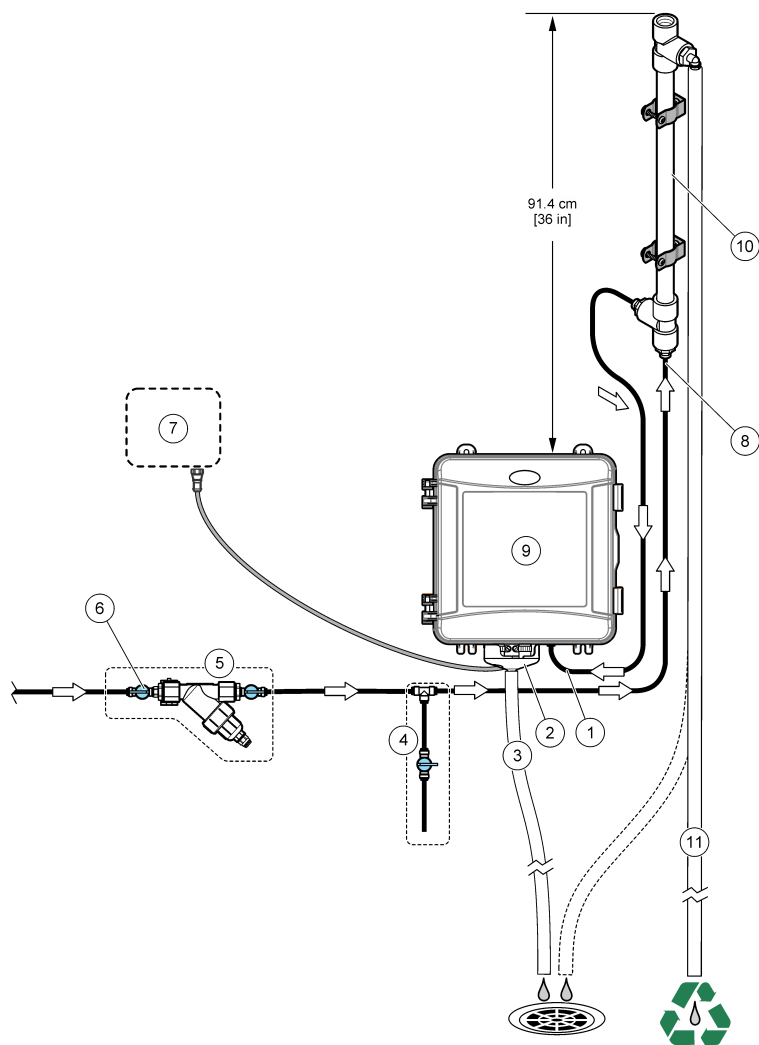
13. Užsukite griebtuvo mėginio sąrankos trišakį. Atitinkamai žr. [Paveikslėlis 3](#), [Paveikslėlis 4](#) arba [Paveikslėlis 5](#).
14. Sujunkite mėginio nuotako vamzdelį (3 elementas) su atviru nuotaku. Žr. [Rekomendacijos dėl išleidimo linijų](#) Puslapyje 408.

**Paveikslėlis 3 Įrengimas su stoviniu vamzdiu (10 psi arba mažiau)**



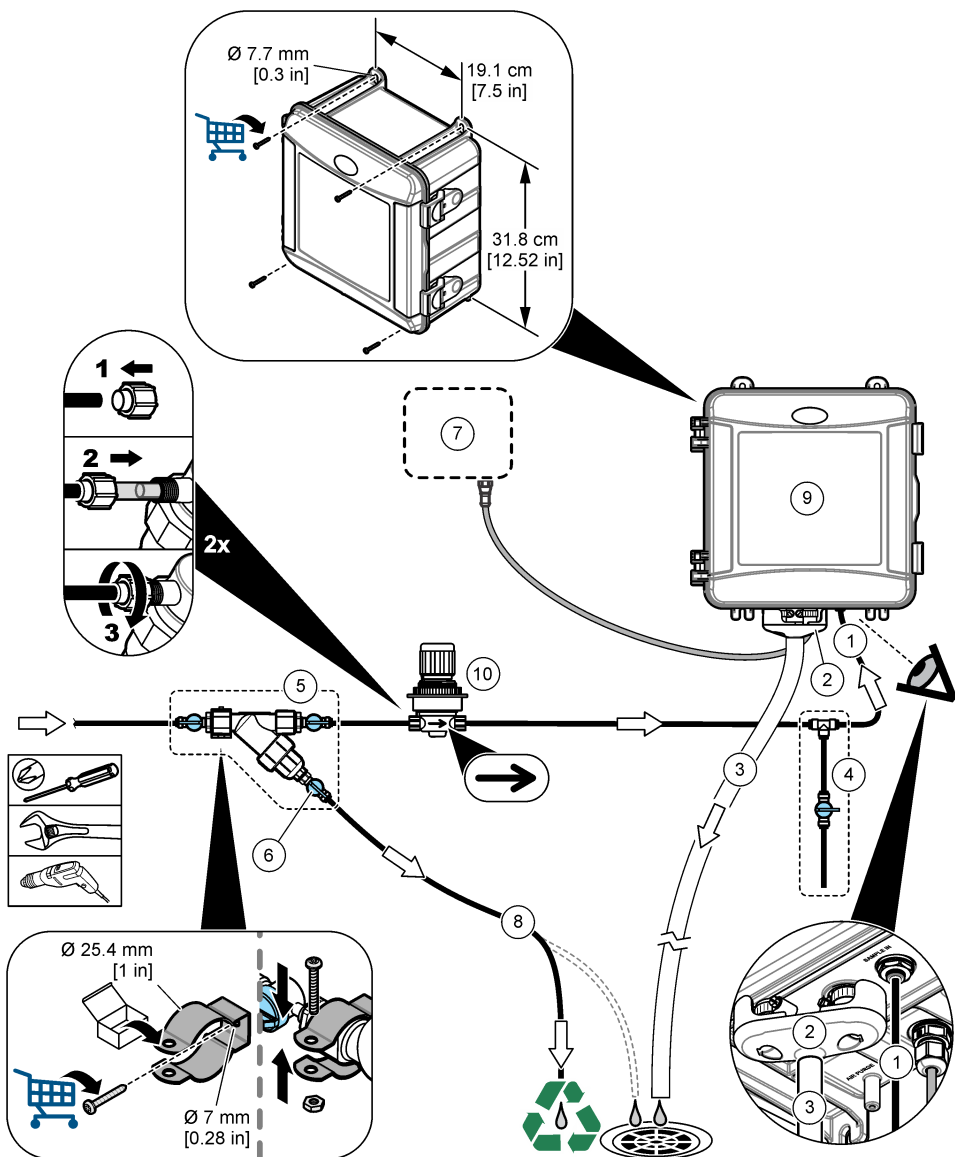
1 Mėginio įleidimo jungtis	7 SC valdiklis
2 Išorinis pneumatinis stabdys	8 Mėginio gretšakės vamzdelis
3 Mėginio nuotako vamzdelis	9 Analizatorius
4 Taškinio ėminio detalė	10 Slėginis vamzdis
5 Y formos filtro detalė	11 Slėginio vamzdžio nuotako vamzdelis
6 Y formos filtro įleidimo angos uždarymo vožtuvas	

## Paveikslėlis 4 Įrengimas su stoviniu vamzdžiu (daugiau kaip 10 psi)



1 Mėginio įleidimo jungtis	7 SC valdiklis
2 Išorinis pneumatinis stabdys	8 Stovėjimo vamzdžio įvadas
3 Mėginio nuotako vamzdelis	9 Analizatorius
4 Taškinio ėminio detalė	10 Slėginis vamzdis
5 Y formos filtro detalė	11 Slėginio vamzdžio nuotako vamzdelis
6 Y formos filtro įleidimo angos uždarymo vožtuvas	

## Paveikslėlis 5 Įrengimas su slėgio regulatoriumi



1 Mėginio įleidimo jungtis	6 Uždaromasis vožtuvas prie Y filtro aplinkkelio
2 Išorinis pneumatinis stabdys	7 SC valdiklis
3 Mėginio nuotako vamzdelis	8 Mėginio gretšakės vamzdelis
4 Taškinio ėminio detalė	9 Analizatorius
5 Y formos filtro detalė	10 Slėgio reguliatorius

### 3.3.1 Mėginio linijos parengimo gairės

Kad prietaisas veiktų geriausiai, pasirinkite tinkamą, tipišką mėginio ėmimo tašką. Mėginys turi atspindėti visą sistemą.

Kad išvengtumėte permainingų parodymų, laikykitės šių rekomendacijų:

- mėginius imkite vietose, pakankamai nutolusiose nuo taškų, kuriuose į apdorojimo srautą pridama cheminių medžiagų;
- įsitikinkite, kad mėginiai yra pakankamai mišrūs;
- įsitikinkite, kad visos cheminės reakcijos yra pasibaigę.
- Įrenkite analizatorių kuo arčiau mėginio šaltinio (ne daugiau kaip 4,6 m (15 pėdų) atstumu).

### 3.3.2 Mėginio reikalavimai

Vanduo iš mėginio šaltinio (-ių) turi atitikti specifikacijas ([Techniniai duomenys](#) Puslapyje 397).

Siekdami didžiausio našumo, pasistenkite, kad mėginio srauto vertė ir darbinė temperatūra būtų kuo pastovesni.

### 3.3.3 Rekomendacijos dėl išleidimo linijų

#### **PASTABA**

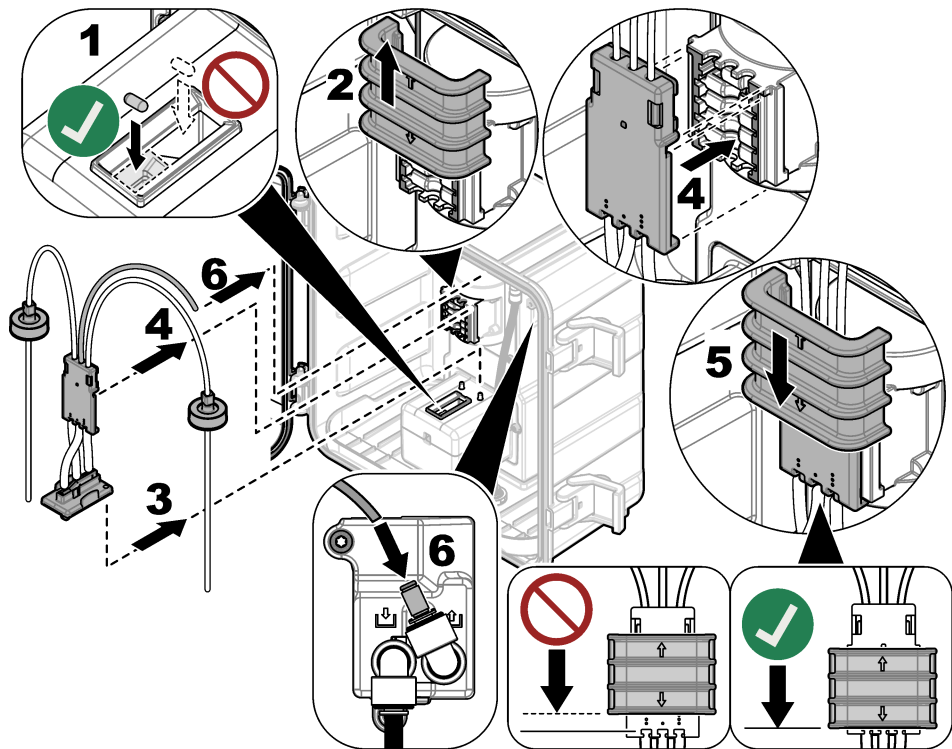
Netinkamai įrengus nutekėjimo linijas, skystis gali sugrižti į prietaisą ir jį sugadinti.

- Būtinai įrenkite išorinį pneumatinį stabdį. Žr. 2 punktą [Paveikslėlis 3](#) Puslapyje 405, [Paveikslėlis 4](#) Puslapyje 406 arba [Paveikslėlis 5](#) Puslapyje 407.
- Pasistenkite, kad išleidimo linijos būtų kuo trumpesnės.
- Pasirūpinkite, kad išleidimo linijos nuolat žemėtų.
- Pasirūpinkite, kad išleidimo linijos neturėtų aštrių posūkių ir nebūtų suspaustos.



### 3.4 3 veiksmas. Maišymo strypo ir vamzdelių laikiklio įrengimas

Atlikite toliau pavaizduotus veiksmus.



### 3.5 4 veiksmas. Reagento butelių įdėjimas

#### ⚠ ATSAUGIAI



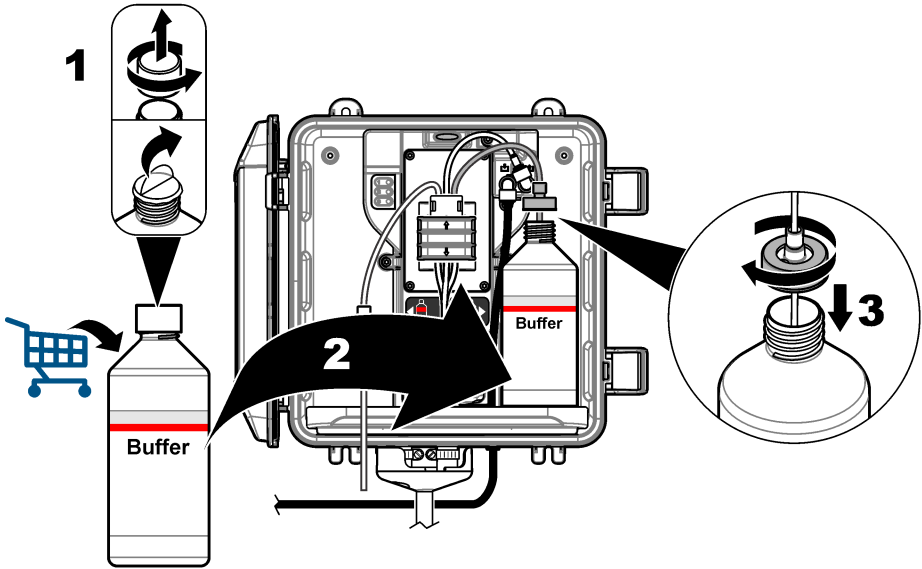
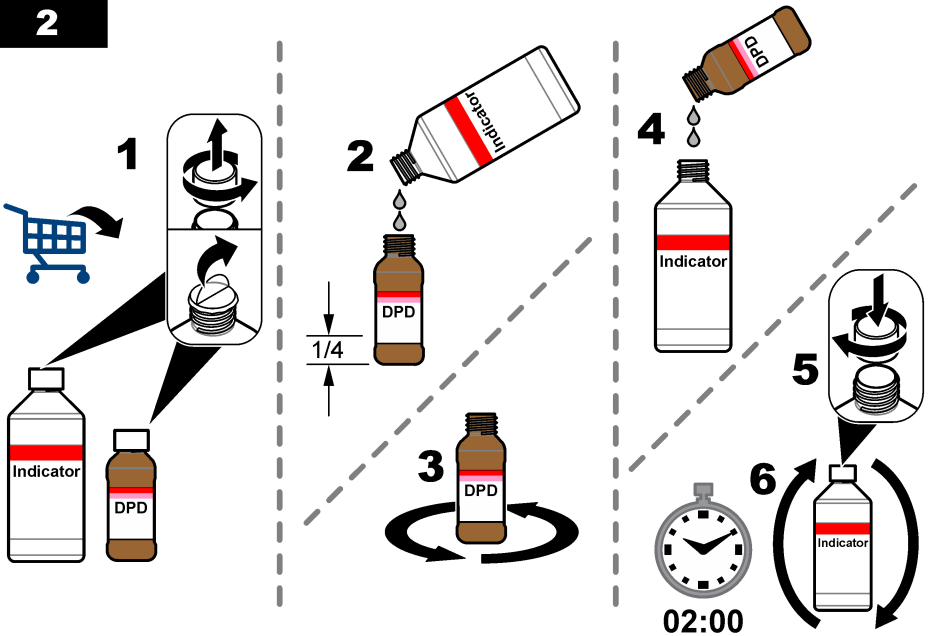
Sąlyčio su cheminėmis medžiagomis pavojus. Vykdykite laboratorijos saugos procedūras ir dėvėkite visas asmeninės saugos priemones, tinkančias naudojamiems chemikalams. Saugos protokoliai nurodyti galiojančiuose saugos duomenų lapuose (MSDS / SDS).

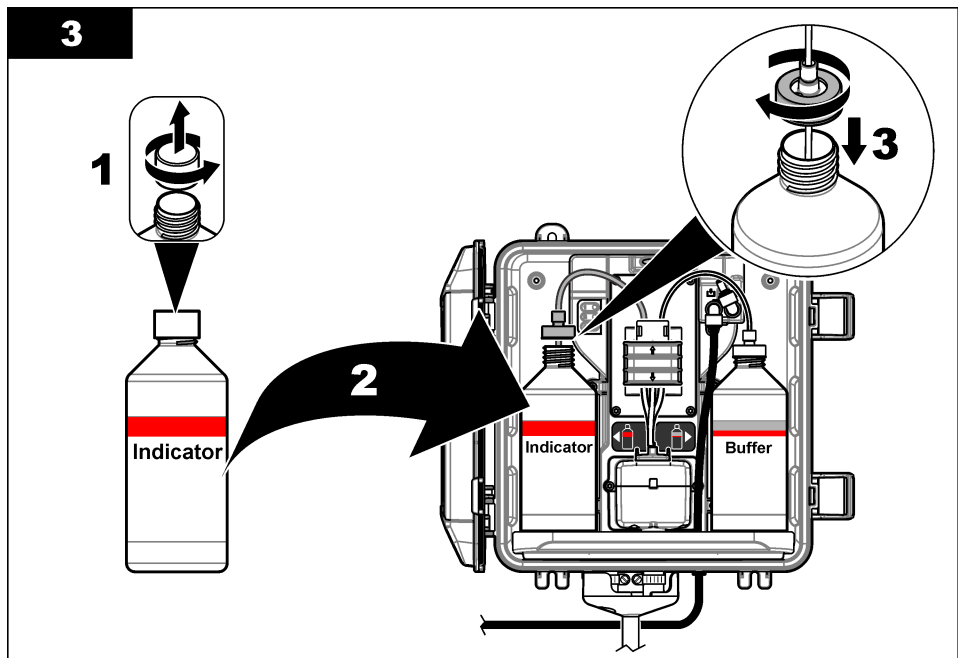
**Elementai, kurių prireiks:**

- Asmeninės apsaugos priemonės (žr. MSDS/SDS)
- Indikatoriaus butelis
- Buferinio tirpalo butelis
- DPD junginio butelis

1. Apsirenkite asmeninėmis apsauginėmis priemonėmis, kaip nurodyta saugos duomenų lape (MSDS/SDS).
2. Buferinio tirpalo butelį įstatykite dešinėje, o indikatoriaus butelį – kairėje pusėje. Žr. toliau pateiktas iliustracijas.

**Pastaba:** (Pasirinktinai) Analizatoriaus viršų naudokite kaip lentyną.

**1****2**



### 3.6 5 veiksmas. Mėginio srauto įjungimas

1. Lėtai pasukite uždarymo vožtuvą (-us) į atvirą padėtį  $\frac{1}{4}$  pasukimo.
2. Įsitikinkite, kad ties vamzdžių jungtimis nėra nuotėkio. Jei yra nuotėkis, įstumkite vamzdelį giliau į jungtį arba priveržkite jungtį veržliarakčiu.
3. Slėginio vamzdžio įrengimams atlikite toliau nurodytus veiksmus.
  - a. Visiškai atidarykite uždarymo vožtuvą ties Y formos filtro išleidimo anga.
  - b. Pasukite uždaramąjį vožtuvą ties Y filtrato įvadu (6 elementas [Paveikslėlis 3](#) Puslapyje 405 arba [Paveikslėlis 4](#) Puslapyje 406), kol iš stovo drenažo vamzdžio ištekės nedidelė vandens srovė.
4. Slėgio reguliatoriaus įrengimams atlikite toliau nurodytus veiksmus.
  - a. Visiškai atidarykite uždarymo vožtuvus ties Y formos filtro įleidimo ir išleidimo anga.
  - b. Sukite uždarymo vožtuvą ties Y formos filtro gretšake (6 elementas [Paveikslėlis 5](#) Puslapyje 407), kol iš Y filtro gretšakės vamzdelio pasirodys maža vandens srovėlė.

### 3.7 6 veiksmas. Elektros instaliacija

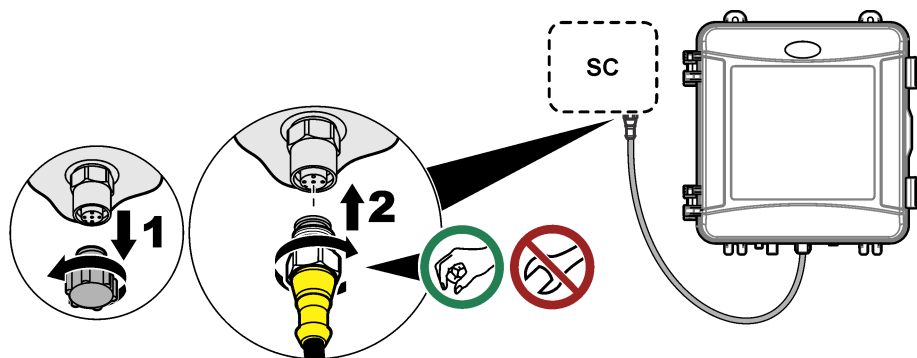
#### 3.7.1 Analizatoriaus prijungimas prie valdiklio

<b>⚠ ĮSPĖJIMAS</b>	
	<p>Elektros smūgio pavojus. Iš išorės prijungta įranga privalo turėti tinkamą šalies atitikties saugos standartams įvertinimą.</p>

Prijunkite analizatoriaus laidą prie SC valdiklio greitojo prijungimo jungties. Žr. [Paveikslėlis 6](#). Išsaugokite jungties dangtelį, kad galėtumėte užkimšti jungties angą, jei prireiks laidą išimti.

**Pastaba:** Galima įsigyti ilginamuosius laidus. Žr. [Atsarginės dalys ir priedai](#) Puslapyje 422. Laidas turi būti ne ilgesnis kaip 15 m (49 pėdos).

## Paveikslėlis 6 Prijunkite laidą prie greitojo prijungimo jungties.



### 3.7.2 Valdiklio prijungimas prie maitinimo šaltinio

Prijunkite valdiklį prie maitinimo linijos tiesiogiai sujungdami laidus arba prijungdami laidus prie maitinimo laido. Instrukcijas žr. valdiklio dokumentuose.

### 3.7.3 Išorinių įrenginių prijungimas prie valdiklio

Sujunkite valdiklio reles, analogines išvestis ir skaitmenines įvestis su reikiamais išoriniais įrenginiais. Instrukcijas žr. valdiklio dokumentuose.

## 3.8 7 veiksmas. Analizatoriaus sąranka ir užpildymas

1. Paspauskite **menu**, tada pasirinkite SENSOR SETUP (Jutiklių sąranka) > [pasirinkite analizatorių] > PRIME (Pripilti).
2. Jei valdiklis neatpažįsta, kad prijungtas analizatorius, atlikite toliau nurodytus veiksmus.
  - a. Paspauskite **menu** ir pasirinkite TEST/MAINT (Bandymai / techninė priežiūra) > SCAN SENSORS (Nuskaitymo jutikliai).
  - b. Kai jutiklis bus rastas ir įdiegtas, pakartokite 1 veiksmą.

## 3.9 8 veiksmas. Srauto vertės nustatymas

Analizatorius turi srauto matuoklį, kuriuo matuojama mėginio tėkmė per analizatorių. Žr. [Paveikslėlis 1](#) Puslapyje 400.

1. Norėdami pamatyti srauto vertę ekrane, paspauskite ant valdiklio esančią **RIGHT (Dešinė)** rodyklę.

Mėginys teka per analizatorių tik tada, kai analizatorius skalauja kiuvetę. Kitais atvejais mėginio srauto nėra ir rodoma nulinė srauto vertė. Matavimo ciklo veiksmų aprašymą žr. [Lentelė 4](#) Puslapyje 401.

**Pastaba:** Norėdami rankiniu būdu išmatuoti srauto greitį analizatoriumi, išmatuokite srauto greitį analizatoriaus nutekėjimo vamzdyje, kai analizatorius skalauja kiuvetę vandeniu.
2. Jei montuojami slėginiai vamzdžiai, pasukite uždarymo vožtuvą ties Y formos filtro išleidimo anga ir nustatykite 60–200 ml/min. srauto vertę, kai analizatorius skalauja kiuvetę vandeniu.
3. Jei montuojamas slėgio reguliatorius, reguliuokite slėgio reguliatorių, kad nustatytumėte 60–200 ml/min. srauto vertę, kai analizatorius skalauja kiuvetę vandeniu.

### 3.10 9 veiksmai. Naujausios programinės įrangos versijos įdiegimas

Pasirūpinkite, kad SC valdiklyje būtų įdiegta naujausia programinė įranga. Naujausią programinės įrangos versiją SC valdiklyje įdiegsite naudodamiesi SD kortele.

1. Eikite į atitinkamo SC valdiklio produkto puslapį <http://hach.com>.
2. Spustelėkite skirtuką "Ištekliai".
3. Slinkite iki „Software/Firmware (Programinė įranga / Programinė aparatinė įranga)“.
4. Spustelėkite SC valdiklio programinės įrangos nuorodą.
5. Įrašykite failus SD kortelėje.
6. Įdiekite failus SD valdiklyje. Žr. su programinės įrangos failais pridėtas programinės įrangos įdiegimo instrukcijas.

## Skyrius 4 Konfigūravimas

### 4.1 10 veiksmai. Analizatoriaus konfigūravimas

Nustatykite analizatoriaus pavadinimo, signalo vidurkinimo, matuojamo chloro tipo, burbuliukų atmetimo ir chloro įspėjimų nuostatus.

1. Paspauskite **menu**, tada pasirinkite SENSOR SETUP (Jutiklių sąranka) > [pasirinkite analizatorių] > CONFIGURE (Konfigūruoti).
2. Pasirinkite ir sukonfigūruokite kiekvieną parinktį.

Parinktis	Aprašas
<b>EDIT NAME (Redaguoti pavadinimą)</b>	Nustatomas analizatoriaus pavadinimas. Analizatoriaus pavadinimas rodomas valdiklio ekrane ir žurnalo failuose.
<b>SIGNAL AVERAGE (Signalų vidurkis)</b>	<p>Nustatomas matavimų skaičius, naudojamas ekrane rodomai vidutinei matavimo reikšmei apskaičiuoti. Parinkty: 1 (numatytasis), 2, 3 arba IRREGULAR VALUE (Nenormali reikšmė).</p> <p>Kai SIGNAL AVERAGE (Signalų vidurkis) yra nustatytas į 1, signalų vidurkinimas yra išjungtas.</p> <p>Kai SIGNAL AVERAGE (Signalų vidurkis) yra nustatytas į 2 arba 3, ekrane rodomas vidutinis rodmuo. Pavyzdžiui, kai SIGNAL AVERAGE (Signalų vidurkis) yra nustatytas į 2, ekrane rodomas matavimas yra lygus paskutinio ir ankstesnio matavimo vertei, padalytai iš dviejų.</p> <p>Kai SIGNAL AVERAGE (Signalų vidurkis) yra nustatytas į IRREGULAR VALUE (Nenormali reikšmė), analizatorius atmeta rodmenis, kurie yra neįprastai didesni arba mažesni už paskutinius rodmenis. Kai rodmuo atmetamas, ekrane parodomas ir į duomenų žurnalą įrašomas paskutinis tinkamas rodmuo. Atmetami ne daugiau nei trys rodmenys iš eilės.</p> <p>Signalų vidurkinimas ištaiso netinkamų rodmenų svyravimus, kuriuos lemia burbuliukai ir (arba) didesnės dalelės mėginyje.</p>
<b>MEASUREMENT (Matavimas)</b>	<p>Nustatomas matuojamo chloro tipas. Jei buferinio tirpalo ir indikatorius butelių etiketėse parašyta „Free Chlorine“ (Laisvas chloras), pasirinkite FREE CHLORINE (Laisvas chloras) (numatytoji reikšmė).</p> <p>Jei buferinio tirpalo ir indikatorius butelių etiketėse parašyta „Total Chlorine“ (Bendras chloro kiekis), pasirinkite TOTAL CHLORINE (Bendras chloro kiekis).</p>
<b>BUBBLE REJECT (Burbuliukų atmetimas)</b>	<p>Įjungiamas arba išjungiamas (numatytoji parinktis) burbuliukų atmetimas. Nustatykite BUBBLE REJECT (Burbuliukų atmetimas) į padėtį ON (Įjungta), kad sumažintumėte trukdžius, kuriuos lemia mėginyje esantys burbuliukai. Dėl mėginyje esančių oro burbuliukų rodmenys gali būti nestabilūs.</p>
<b>HIGH CL ALARMS (Aukšto CL lygio įspėjimai)</b>	<p>Nustatomas chloro koncentracijos nuostatis įspėjimui dėl HIGH CHLORINE (Aukštas chloro lygis): 0,00–10,00 mg/l (numatytasis: 4,00 mg/l).</p>

Parinktis	Aprašas
<b>LOW CL ALARMS (Žemo CL lygio įspėjimai)</b>	Nustatomas chloro koncentracijos nuostatis įspėjimui dėl LOW CHLORINE (Žemas chloro lygis): 0,00–10,00 mg/l (numatytasis: 0,20 mg/l).
<b>SENSOR INFO (Jutiklio inf.)</b>	Rodomas analizatoriaus serijos numeris, programinės įrangos versija, sistemos paleisties versija ir tvarkyklės versija.
<b>DEFAULT SETTINGS (Numatytieji nustatymai)</b>	Pasirinkite YES (Taip), kad grąžintumėte konfigūracijos nustatymus į gamyklines vertes.
<b>SERVICE (Priežiūra)</b>	Naudoti tik techninei priežiūrai

## 4.2 Sistemos konfigūracija

Norėdami sužinoti sistemos konfigūraciją, bendruosius valdiklio parametrus ir išvesties bei ryšių sąranką, skaitykite valdiklio dokumentacijoje.

## 4.3 Naudotojo naršymas

Informacijos apie naršymą ir klaviatūros aprašymą žiūrėkite valdiklio dokumentacijoje.

Kelias kartus paspauskite valdiklio **DEŠINJĮ** rodyklės mygtuką, kad pradžios ekrane pamatytumėte daugiau informacijos ir grafinį rodinį.

## Skyrius 5 Naudojimas

### 5.1 Duomenų, įvykių ir techninės priežiūros žurnalai

Per valdiklį galima pasiekti kiekvieno prijungto įrenginio duomenų žurnalą, įvykių žurnalą ir techninės priežiūros žurnalą. Analizatoriaus matavimai automatiškai įrašomi į duomenų žurnalą 150 sekundžių intervalais. Įvykių žurnale rodomi įvykiai. Kai analizatorius veikia nepertraukiamai, įvykių ir duomenų žurnaluose saugomi apytiksliai 2 savaičių duomenys. Kai analizatorius veikia nepertraukiamai, techninės priežiūros žurnale saugomi apytiksliai 24 valandų duomenys.

Norėdami atsisiųsti duomenų žurnalą, įvykių žurnalą ir (arba) techninės priežiūros žurnalą, vadovaukitės valdiklio dokumentacija. Duomenų žurnalas – tai XML failas, kurį galima įrašyti CSV arba „Excel“ formatu. Įvykių žurnalas ir techninės priežiūros žurnalas yra CSV formato failai.

### 5.2 Matavimas GRAB SAMPLE IN (Paimti mėginį)

Jei reikia, naudokite meniu GRAB SAMPLE IN (Paimti mėginį), kad pridėtumėte išmatuoti žinomos chloro koncentracijos vandens mėginį į kiuvetę. Išmatuokite taškinį ėminį, kad patikrintumėte arba išmatuotumėte iš kitos vietos paimtą mėginį.

1. Paspauskite **menu**, tada pasirinkite SENSOR SETUP (Jutiklių sąranka) > [pasirinkite analizatorių] > GRAB SAMPLE IN (Paimti mėginį).
2. Atlikite ekrane rodomus veiksmus. Kai būsite paraginti, nuimkite kiuvetės dangtelį ir pripilkite į kiuvetę 100 ml taškinio ėminio. Dalis mėginio nutekės į mėginio nuotaką.

### 5.3 „Modbus“ registrai

Pateikiamas „Modbus“ registrai, kurie naudojami ryšių tinklui, sąrašas. Daugiau informacijos rasite gamintojo interneto svetainėje.

## Skyrius 6 Kalibravimas ir reguliavimas

Analizatoriaus kalibravimo kreivė yra nustatyta gamykloje, kad jo veikimas atitiktų specifikacijas. Kalibravimą galima atlikti siekiant patikrinti veikimą.

Naudotojui nerekomenduojama keisti gamykloje nustatytos kalibravimo kreivės, nebent to reikalauja reguliavimo institucija atitiktis ataskaitų sumetimais arba būtų atliekami dideli analizatoriaus taisymo darbai.

Daugiau informacijos rasite Kalibravimo patikrinimo rinkinyje arba susisiekę su techninio palaikymo tarnyba.

## Skyrius 7 Techninė priežiūra

### ▲ ATSARGIAI



Įvairūs pavojai. Šiame dokumento skyriuje aprašytas užduotis turi vykdyti tik kvalifikuoti darbuotojai.

### PASTABA

Neardykite prietaiso atlikdami techninę priežiūrą. Jeigu vidinius komponentus reikia valyti arba remontuoti, kreipkitės į gamintoją.

## 7.1 Techninės priežiūros grafikas

Lentelė 6 pateikiamas rekomenduojamas techninės priežiūros užduočių grafikas. Dėl įstaigos reikalavimų ir naudojimo sąlygų kai kurias užduotis gali reikėti vykdyti dažniau.

Lentelė 6 Techninės priežiūros grafikas

Užduotis	1 mėnuo	6 mėnesiai	Pagal poreikį
Kiuvetės valymas Puslapyje 415	X <sup>2</sup>		
Reagentų butelių pakeitimas Puslapyje 416	X		
Pakeiskite maišymo strypą ir vamzdelių laikiklį <sup>3</sup>		X	
Y formos filtro tinkelio valymas Puslapyje 417			X

## 7.2 Kiuvetės valymas

### ▲ ATSARGIAI



Sąlyčio su cheminėmis medžiagomis pavojus. Vykdykite laboratorijos saugos procedūras ir dėvėkite visas asmeninės saugos priemones, tinkančias naudojamiems chemikalams. Saugos protokolai nurodyti galiojančiuose saugos duomenų lapuose (MSDS / SDS).

Kiuvetę valykite kas 1 mėnesį arba dažniau, jei reikia.

**Elementai, kurių prireiks:**



Vatos pagaliukai<sup>4</sup>



5,25 N sieros rūgšties tirpalas<sup>5</sup>

1. Apsirenkite asmeninėmis apsauginėmis priemonėmis, kaip nurodyta saugos duomenų lape (MSDS/SDS).
2. Paspauskite **menu**, tada pasirinkite SENSOR SETUP (Jutiklių sąranka) > [pasirinkite analizatorių] > TASKS (Užduotys) > CLEAN CELL (Valyti kiuvetę).  
**Pastaba:** Norėdami sustabdyti pasirinktą užduotį, paspauskite **home**.
3. Paspauskite **enter**, kad sustabdytumėte matavimus.

<sup>2</sup> Valykite kiuvetę dažniau ar rečiau, pagal poreikį.

<sup>3</sup> Žr. instrukcijas, pridėdamas su vamzdelių rinkiniu.

<sup>4</sup> Žr. **Atsarginės dalys ir priedai** Puslapyje 422.

<sup>5</sup> Nenaudokite kitų valomųjų tirpalų. Žr. **Atsarginės dalys ir priedai** Puslapyje 422.

#### 4. Pasirinkite parinktį.

##### Parinktis

##### Aprašas

##### HOLD (Sulaikyti)

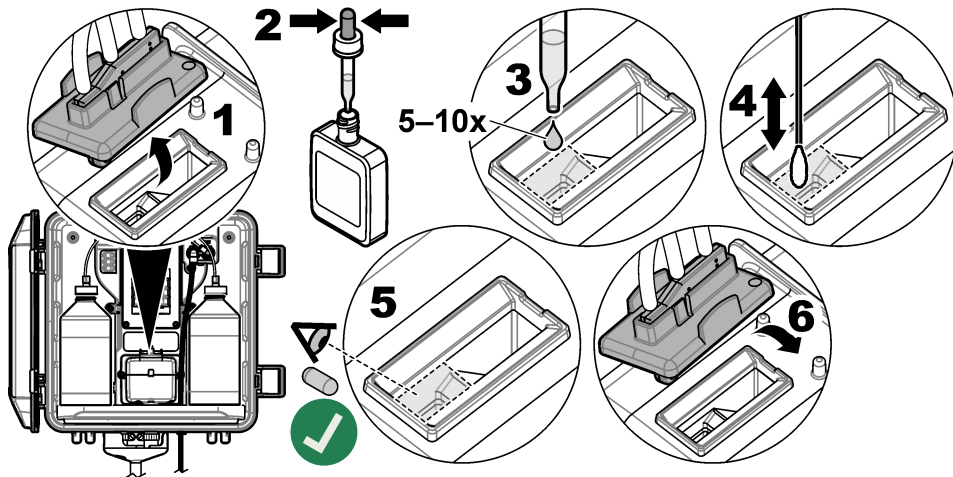
Valdiklio išvestys sustabdomos ties paskutine išmatuota verte.

##### TRANSFER (Perduoti)

Valdiklio išvestys pakeičiamos į perdavimo vertę.

#### 5. Kai mirksi būsenos lemputė, atlikite toliau nurodytus veiksmus. Baigę spustelėkite **enter**.

Kaip parodyta 5 veiksmė, pasirūpinkite, kad kiuvetėje nebūtų nepageidaujamo medžiagos. Jei reikia, išskokite nepageidajamos medžiagos naudodami žibintuvėlį.



#### 6. Kai ekrane parodoma „TASK COMPLETE (Užduotis atlikta)“, spustelėkite **enter**.

Analizatorius per maždaug 30 sekundžių pradeda matavimo ciklą.

### 7.3 Reagentų butelių pakeitimas

#### ⚠ ATSAUGIAI



Sąlyčio su cheminėmis medžiagomis pavojus. Vykdykite laboratorijos saugos procedūras ir dėvėkite visas asmeninės saugos priemones, tinkančias naudojamiems chemikalams. Saugos protokolai nurodyti galiojančiuose saugos duomenų lapuose (MSDS / SDS).

#### ⚠ ATSAUGIAI



Sąlyčio su cheminėmis medžiagomis pavojus. Chemikalus ir atliekas išmeskite pagal vietos, regiono ir nacionalines taisykles.

Reagentų butelius keiskite kas 1 mėnesį.

1. Apsirenkite asmeninėmis apsauginėmis priemonėmis, kaip nurodyta saugos duomenų lape (MSDS/SDS).
2. Paspauskite **menu**, tada pasirinkite SENSOR SETUP (Jutiklių sąranka) > [pasirinkite analizatorių] > TASKS (Užduotys) > CHANGE REAGENTS (Keisti reagentus).  
*Pastaba: Norėdami sustabdyti pasirinktą užduotį, paspauskite **home**.*
3. Paspauskite **enter**, kad sustabdytumėte matavimus.



4. Pasirinkite parinktį.

Parinktis	Aprašas
<b>HOLD (Sulaikyti)</b>	Valdiklio išvestys sustabdomos ties paskutine išmatuota verte.
<b>TRANSFER (Perduoti)</b>	Valdiklio išvestys pakeičiamos į perdavimo vertę.

5. Palaukite, kol būsenos lemputė pradės mirksėti.

6. Buferinio tirpalo butelį pakeiskite toliau aprašytu būdu.

**Pastaba:** (Pasirinktinai) Analizatoriaus viršų naudokite kaip lentyną.

- Nuimkite dangtelį ir sandariklį nuo buferinio tirpalo butelio.
- Išimkite panaudoto buferinio tirpalo butelį iš analizatoriaus.
- Įstatykite buferinio tirpalo vamzdelį į naują buferinio tirpalo butelį dešinėje analizatoriaus pusėje. Priveržkite dangtelį.

7. Indikatoriaus butelį pakeiskite toliau aprašytu būdu.

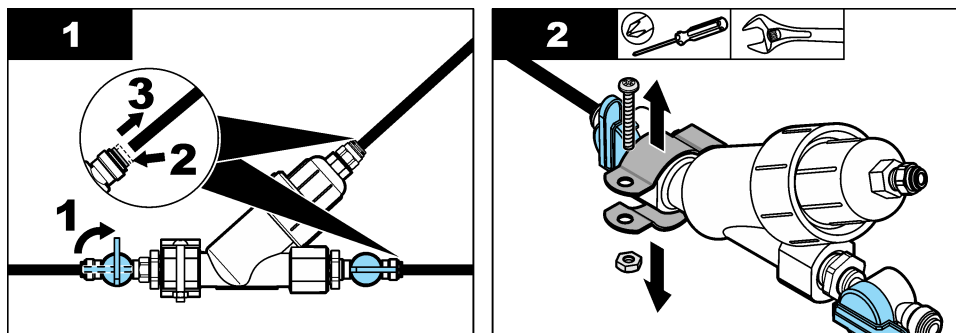
- Nuimkite dangtelį ir sandariklį nuo indikatoriaus butelio ir rudo DPD butelio.
- Pripilkite į DPD butelį maždaug  $\frac{1}{4}$  viso tūrio indikatoriaus tirpalo.
- Pasukite DPD butelį, kad sumaišytumėte.
- DPD butelio turinį supilkite į indikatoriaus butelį.
- Vartykite indikatoriaus butelį, kol ištirps visi milteliai (2 minutes).
- Išimkite panaudoto indikatoriaus butelį iš analizatoriaus.
- Įstatykite indikatoriaus vamzdelį į naują indikatoriaus butelį kairėje analizatoriaus pusėje. Priveržkite dangtelį.

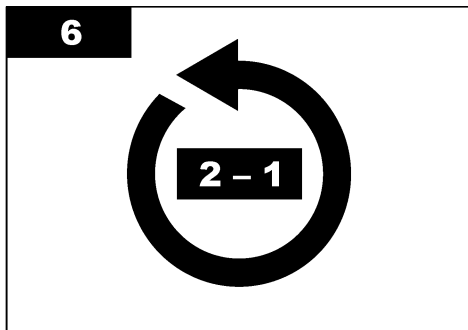
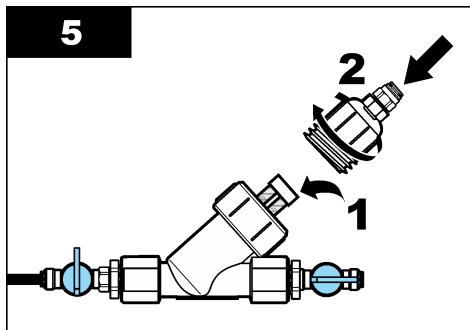
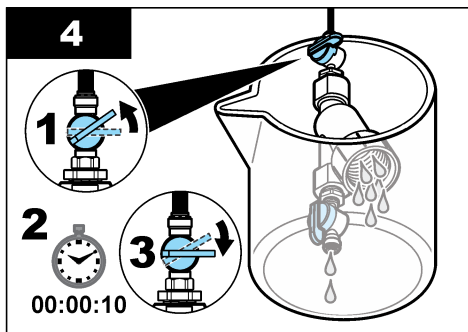
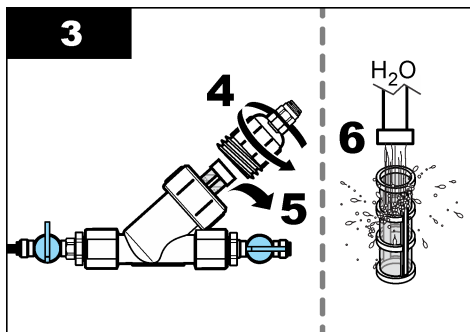
8. Spauskite **enter**.

9. Kai ekrane parodoma „TASK COMPLETE (Užduotis atlikta)“, spustelėkite **enter**. Analizatorius per maždaug 30 sekundžių pradeda matavimo ciklą.

## 7.4 Y formos filtro tinklelio valymas

Išvalykite Y formos filtro tinklelį, jei sistema užsikimšo ir apie tai informavo įspėjimas LOW SAMPLE FLOW (Mažas mėginio srautas). Atlikite toliau pavaizduotus veiksmus.





## 7.5 Paruošimas sandėliuoti

### ⚠️ ATSARGIAI



Sąlyčio su cheminėmis medžiagomis pavojus. Vykdykite laboratorijos saugos procedūras ir dėvėkite visas asmeninės saugos priemones, tinkančias naudojamiems chemikalams. Saugos protokolai nurodyti galiojančiuose saugos duomenų lapuose (MSDS / SDS).

Jei analizatoriaus maitinimas bus atjungtas daugiau kaip 3 dienas arba analizatorius bus nenaudojamas daugiau kaip 3 dienas, paruoškite analizatorių sandėliuoti.

**Elementai, kurių prireiks:**



Menzūra su dejonizuotu vandeniu (2x)

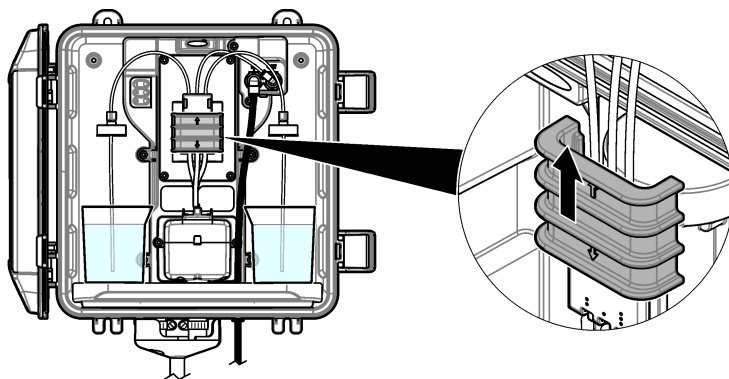


Vienkartinė pipetė arba pūkelį nepaliekanti šluostė

1. Pašalinkite reagentus iš reagentų linijų toliau aprašytu būdu.
  - a. Išimkite indikatorius butelį ir buferinio tirpalo butelį iš analizatoriaus.
  - b. Pastatykite į analizatorių dvi menzūras (ar talpas), kuriose būtų dejonizuoto vandens.
  - c. Įstatykite indikatorius butelio vamzdelį ir buferinio tirpalo butelio vamzdelį į menzūras.
  - d. Paspauskite **menu**, tada pasirinkite **SENSOR SETUP (Jutiklių sąranka) > [pasirinkite analizatorių] > PRIME (Pripilti)**.  
Analizatorius pašalina reagentus iš reagentų linijų.
2. Pašalinkite dejonizuotą vandenį iš reagentų linijų toliau aprašytu būdu.
  - a. Išimkite indikatorius butelio vamzdelį ir buferinio tirpalo butelio vamzdelį iš menzūrų.
  - b. Išimkite abi menzūras iš analizatoriaus.

- c. Paspauskite **menu**, tada pasirinkite SENSOR SETUP (Jutiklių sąranka) > [pasirinkite analizatorių] > PRIME (Pripilti).  
Analizatorius pašalina visą skystį iš reagentų linijų.
3. Atjunkite analizatoriaus laidą nuo valdiklio (arba atjunkite valdiklio maitinimą).
4. Pasukite uždarymo vožtuvą į uždarą poziciją, kad sustabdytumėte mėginio srautą į Y formos filtrą.
5. Nuimkite siurblio spaustuvą. Žr. [Paveikslėlis 7](#). Pasilikite siurblio spaustuvą vėlesniam naudojimui.
6. Pašalinkite vandenį iš kiuvetės taip, kaip aprašyta toliau.
  - a. Nuimkite kiuvetės dangtelį.
  - b. Pašalinkite vandenį iš kiuvetės vienkartinę pipete arba pūkelių nepaliekančia šluoste.
  - c. Uždėkite kiuvetės dangtelį.
7. Norėdami paleisti analizatorių po sandėliavimo, atlikite toliau aprašytus veiksmus.
  - a. Uždėkite siurblio spaustuvą. Žr. [Paveikslėlis 7](#).
  - b. Įstatykite reagento butelius. Žr. [4 veiksmas. Reagento butelių įdėjimas](#) Puslapyje 409.
  - c. Pasukite uždarymo vožtuvą į atvirą poziciją, kad paleistumėte mėginio srautą į Y formos filtrą.
  - d. Prijunkite analizatoriaus laidą prie valdiklio, jei laidas buvo atjungtas.
  - e. Prijunkite valdiklio maitinimą, jei maitinimas buvo atjungtas.
  - f. Paspauskite **menu**, tada pasirinkite SENSOR SETUP (Jutiklių sąranka) > [pasirinkite analizatorių] > PRIME (Pripilti).

#### Paveikslėlis 7 Nuimkite siurblio spaustuvą



## 7.6 Paruošimas siuntimui

### ⚠️ ATSARGIAI



Sąlyčio su cheminėmis medžiagomis pavojus. Vykdykite laboratorijos saugos procedūras ir dėvėkite visas asmeninės saugos priemones, tinkančias naudojamiems chemikalams. Saugos protokoliai nurodyti galiojančiuose saugos duomenų lapuose (MSDS / SDS).

Norėdami paruošti analizatorių siuntimui, atlikite toliau aprašytus veiksmus.

#### Elementai, kurių prireiks:



Menzūra su dejonizuotu vandeniu (2x)



Originali pakuotė

1. Pašalinkite reagentus iš reagentų linijų toliau aprašytu būdu.
  - a. Išimkite indikatorius butelį ir buferinio tirpalo butelį iš analizatoriaus.
  - b. Pastatykite į analizatorių dvi menzūras (ar talpas), kuriose būtų dejonizuoto vandens.
  - c. Įstatykite indikatorius butelio vamzdelį ir buferinio tirpalo butelio vamzdelį į menzūras.
  - d. Paspauskite **menu**, tada pasirinkite SENSOR SETUP (Jutiklių sąranka) > [pasirinkite analizatorių] > PRIME (Pripilti).  
Analizatorius pašalina reagentus iš reagentų linijų.
2. Pašalinkite dejonizuotą vandenį iš reagentų linijų toliau aprašytu būdu.
  - a. Išimkite indikatorius butelio vamzdelį ir buferinio tirpalo butelio vamzdelį iš menzūrų.
  - b. Išimkite abi menzūras iš analizatoriaus.
  - c. Paspauskite **menu**, tada pasirinkite SENSOR SETUP (Jutiklių sąranka) > [pasirinkite analizatorių] > PRIME (Pripilti).  
Analizatorius pašalina visą skystį iš reagentų linijų.
3. Atjunkite analizatoriaus laidą nuo valdiklio.
4. Pasukite uždarymo vožtuvą į uždarą poziciją, kad sustabdytumėte mėginio srautą į Y formos filtrą.
5. Atjunkite nuo analizatoriaus mėginio įleidimo (juodą) vamzdelį ir nuotako (skaidrų) vamzdelį.
6. Nuimkite nuo analizatoriaus išorinį pneumatinį stabdį.
7. Nuimkite siurblio spaustuvą. Žr. [Paveikslėlis 7](#) Puslapyje 419.
8. Nuimkite vamzdelių laikiklį ir išimkite maišymo strypą iš analizatoriaus. Palikite vamzdelių laikiklį išsiųsti kartu su analizatoriumi. Žr. [3 veiksmas. Maišymo strypo ir vamzdelių laikiklio įrengimas](#) Puslapyje 409.
9. Sumontuokite siurblio spaustuvą be vamzdelių laikiklio. Užklijuokite lipnią juostą ant vamzdelių spaustuvo, kad vamzdelių spaustuvas būtų tvirtai laikomas.
10. Pašalinkite vandenį iš kiuvetės vienkartinę pipete arba pūkelių nepaliekančia šluoste.
11. Nuimkite analizatorių nuo sienos.
12. Įdėkite analizatorių į originalią pakuotę.

## 7.7 Prietaiso valymas

### PASTABA

Niekada naudokite tokių valymo medžiagų kaip terpentinas, acetonas arba panašių produktų prietaisui valyti, įskaitant ekraną ir priedus.

Valykite prietaiso paviršių drėgna medžiagos skiaute ir silpnu muilo tirpalu.

## 7.8 Nuvalykite išsiliejusias medžiagas

### ⚠ ATSAUGIAI



Sąlyčio su cheminėmis medžiagomis pavojus. Chemikalus ir atliekas išmeskite pagal vietos, regiono ir nacionalines taisykles.

1. Laikykitės visų įstaigos saugos protokolų dėl išsiliejusių medžiagų tvarkymo.
2. Išmeskite atliekas pagal taikomas taisykles.

## Skyrius 8 Trikčių šalinimas

### 8.1 Klaidos – raudona lemputė

Norėdami pamatyti klaidas, spustelėkite **menu** ir pasirinkite DIAGNOSTICS (Diagnostika) > [pasirinkite analizatorių] > ERROR LIST (Klaidų sąrašas). Galimų klaidų sąrašas pateikiamas [Lentelė 7](#).

Kai įvyksta klaida, analizatoriaus būsenos lemputė pasikeičia į raudoną. Matavimai sustabdomi, matavimo ekrane mirksi rodmuo ir visos valdiklio meniu nurodytos išvestys sulaikomos.

Lentelė 7 Klaidų pranešimai

Klaida	Aprašas	Sprendimas
DETECTOR ERROR (Detektoriaus klaida)	Detektorius netinkamai veikia.	Kreipkitės į techninio palaikymo tarnybą.
DIRTY CELL (Nešvari kiuvetė)	Kiuvetė yra dėmėta arba nešvari. Bioplėvelė ląstelėje gali augti, kai chloro koncentracija yra labai maža.	Išvalykite kiuvetę. Žr. <a href="#">Kiuvetės valymas</a> Puslapyje 415.
CODE ERROR (Kodo klaida)	Įvyko programinės aparatinės įrangos klaida.	Kreipkitės į techninio palaikymo tarnybą.
LED ERROR (LED klaida)	Lemputė kiuvetėje netinkamai veikia.	Kreipkitės į techninio palaikymo tarnybą.
PUMP ERROR (Siurblio klaida)	Siurblys netinkamai veikia.	Kreipkitės į techninio palaikymo tarnybą.
SAMPLE LEAK (Mėginio nuotėkis)	Analizatoriuje yra mėginio nuotėkis.	Kreipkitės į techninio palaikymo tarnybą.

### 8.2 Įspėjimai – geltona lemputė

Norėdami pamatyti įspėjimus, spustelėkite **menu** ir pasirinkite DIAGNOSTICS (Diagnostika) > [pasirinkite analizatorių] > WARNING LIST (Įspėjimų sąrašas). Galimų įspėjimų sąrašas pateiktas [Lentelė 8](#).

Atsiradus įspėjimui, būsenos indikatorius lemputė pasikeičia į geltoną. Pradeda blykčioti įspėjimo piktograma ir valdiklio ekrano apačioje parodomas pranešimas. Jei yra pakankamai mėginio srauto, įspėjimas neturi įtakos meniu veikimui. Įspėjimas neturi įtakos relių arba išvesčių veikimui.


Lentelė 8 Įspėjamieji pranešimai

Įspėjimas	Aprašas	Sprendimas
BUBBLES DETECTED (Aptikti burbuliukai)	Yra burbuliukų kiuvetėje.	Išvalykite kiuvetę. Žr. <a href="#">Kiuvetės valymas</a> Puslapyje 415. (Pasirinktinai) Įjunkite parinktį BUBBLE REJECT (Burbuliukų atmetimas). Žr. <a href="#">10 veiksmas</a> . <a href="#">Analizatoriaus konfigūravimas</a> Puslapyje 413.
CLEAN CELL SOON (Greitai reikės valyti kiuvetę)	Kiuvetėje atsirado dėmių arba ji išsipurvino ir ją reikėtų greitai išvalyti, kad būtų išvengta klaidų.	Išvalykite kiuvetę. Žr. <a href="#">Kiuvetės valymas</a> Puslapyje 415.
HIGH CHLORINE (Aukštas chloro lygis)	Chloro koncentracija siekia arba viršija HIGH CL ALARMS (Aukšto CL lygio įspėjimai) nuostatį.	Padidinkite HIGH CL ALARMS (Aukšto CL lygio įspėjimai) nuostatį. Žr. <a href="#">10 veiksmas</a> . <a href="#">Analizatoriaus konfigūravimas</a> Puslapyje 413. Arba Sumažinkite chloro koncentraciją į analizatorių tiekiamame mėginyje.

Lentelė 8 Įspėjamieji pranešimai (tęsinys)

Įspėjimas	Aprašas	Sprendimas
LOW CHLORINE (Žemas chloro lygis)	Chloro koncentracija atitinka arba yra mažesnė už LOW CL ALARMS (Žemo CL lygio įspėjimai) nuostatį.	Sumažinkite LOW CL ALARMS (Žemo CL lygio įspėjimai) nuostatį. Žr. 10 veiksmas. <a href="#">Analizatoriaus konfigūravimas</a> Puslapyje 413. Arba Padidinkite chloro koncentraciją į analizatorių tiekiamame mėginyje.
LOW SAMPLE FLOW (Mažas mėginio srautas)	Išmatuotas mėginio srautas yra mažesnis už minimalią srauto reikšmę. Žr. <a href="#">Techniniai duomenys</a> Puslapyje 397.	Nustatykite mėginio srauto reikšmę. Žr. 8 veiksmas. <a href="#">Srauto vertės nustatymas</a> Puslapyje 412. Išvalykite Y formos filtro tinklę, jei reikia pašalinti užsikimšimą. Žr. <a href="#">Y formos filtro tinklės valymas</a> Puslapyje 417.
HIGH SAMPLE FLOW (Didelis mėginio srautas)	Išmatuotas mėginio srautas yra didesnis už maksimalią srauto reikšmę. Žr. <a href="#">Techniniai duomenys</a> Puslapyje 397.	Nustatykite mėginio srauto reikšmę. Žr. 8 veiksmas. <a href="#">Srauto vertės nustatymas</a> Puslapyje 412.

## Skyrius 9 Atsarginės dalys ir priedai

▲ ĮSPĖJIMAS	
	Pavojus susižeisti. Naudojant nepatvirtintas dalis galima sužaloti žmones, sugadinti prietaisą arba įrangą gali netinkamai veikti. Šiame skyriuje nurodytos atsarginės dalys yra patvirtintos gamintojo.

**Pastaba:** Kai kuriuose pardavimo regionuose gaminių ir prekių numeriai gali skirtis. Kreipkitės į atitinkamą pardavimo agentą arba apsilankykite bendrovės tinklalapyje, kur rasite informaciją apie asmenis, į kuriuos galite kreiptis.

### Vartojimo reikmenys

Aprašas	Kiekis	Prekės Nr.
Reagentų rinkinys, laisvas chloras, sudėtyje yra: buferinio tirpalo butelis, indikatorius butelis ir DPD butelis	1	2556900
Reagentų rinkinys, bendras chloro kiekis, sudėtyje yra: buferinio tirpalo butelis, indikatorius butelis ir DPD butelis	1	2557000
Kiuvetės valymo rinkinys, sudėtyje yra: Sieros rūgštis, 5,25 N, 100 ml, buteliukas su pipete ir vatos pagaliukai (10 vnt.)	1	8573100
Kalibravimo patikros rinkinį sudaro: švirkštas, vamzdeliai, vamzdelių jungiamosios detalės, ampulių atidarymo įrenginys, dejonizuoto vandens ir chloro standartinė ampulė	1	8568200
Kalibravimo patikros papildymo rinkinį sudaro: dejonizuoto vandens ir chloro standartinė ampulė	1	8573200

## Atsarginės dalys

Aprašas	Prekės Nr.
Vamzdelių rinkinys, kurio sudėtyje yra: vamzdelių laikiklis ir maišymo strypas	JAV: 8560400 ES: 8575000
Įrengimo rinkinys su stoviniu vamzdžiu (10 psi arba mažiau)	JAV: 8560500 ES: 8575100
Įrengimo rinkinys su stoviniu vamzdžiu (>10 psi)	8576001
Įrengimo rinkinys su slėgio reguliatoriumi	JAV: 8565700 ES: 8575200

## Priedai

Aprašas	Prekės Nr.
Analizatoriaus ilginamasis laidas, 1 m (3,2 pėdos)	6122400
Analizatoriaus ilginamasis laidas, 7,7 m (25 pėdos)	5796000
Analizatoriaus ilginamasis laidas, 15 m (50 pėdų)	5796100
Vamzdelio adapteris, 6 mm IS į 1/4 col. IS	09184=A=4020

# Оглавление

- |   |                  |             |   |                                   |             |
|---|------------------|-------------|---|-----------------------------------|-------------|
| 1 | Характеристики   | на стр. 424 | 6 | Калибровка и регулировка          | на стр. 441 |
| 2 | Общая информация | на стр. 425 | 7 | Обслуживание                      | на стр. 442 |
| 3 | Монтаж           | на стр. 429 | 8 | Поиск и устранение неисправностей | на стр. 448 |
| 4 | Настройка        | на стр. 440 | 9 | Запасные части и аксессуары       | на стр. 449 |
| 5 | Эксплуатация     | на стр. 441 |   |                                   |             |

## Раздел 1 Характеристики

Характеристики могут быть изменены без предварительного уведомления.

**Таблица 1 Общие характеристики**

Характеристика	Подробная информация
Размеры (Ш x В x Г)	32,9 x 34,2 x 17,7 см
Корпус	IP66 в соответствии с IEC 60529 при закрытой на защелку дверце <sup>1</sup>
Масса при поставке	4,1 кг без бутылок; 5,1 кг с полными бутылками
Установка	Установка на стене
Класс защиты	III
Класс загрязнения	3
Категория электроустановок	I (в помещении)
Требования к электропитанию	12 В пост. тока, 400 мА макс. (питание от контроллера)
Рабочая температура	От 5 до 40 °С
Рабочая влажность	относительная влажность от 0 до 90%, без конденсации
Температура хранения	От -40 до 60 °С
Фитинги	Линия подачи пробы: быстроразъемный фитинг НД ¼ дюйма для пластиковых трубок Дренажные трубопроводы: надевающийся фитинг для гибких пластиковых трубок ВД ½ дюйма
Индикаторные лампы	Состояние анализатора и цикл измерения
Сертификаты	EU DoC, UKCA DoC, FCC/ISED SDoC, ACMA DoC, KC, Марокко DoC
Гарантия	1 год (ЕС: 2 года)

**Таблица 2 Требования к пробе**

Характеристика	Подробная информация
Давление	0,31 - 5,17 бар, подаваемое на прямоточный фильтр; 0,1 - 0,34 бар, подаваемое на анализатор
Расход	60 - 200 мл/мин через прибор (измеряется на сливе анализатора)
Температура	От 5 до 40 °С
Фильтрация	Прямоточный фильтр 40 меш или выше

<sup>1</sup> Сливные отверстия закрыты заглушками для проведения испытаний.



**Таблица 3 Характеристики измерения**

<b>Характеристика</b>	<b>Подробная информация</b>
Источник света	Светодиод, измерение при 510 нм; длина светового пути 1 см
Диапазон измерений	0.03 - 10 мг/л свободного или общего остаточного хлора в виде Cl <sub>2</sub>
Интервал измерения	150 секунд
Погрешность	±5% или ±0,04 мг/л в диапазоне от 0 до 5 мг/л (большее значение) в виде Cl <sub>2</sub> ±10% от 5 до 10 мг/л в виде Cl <sub>2</sub>
Точность	±5% или ±0,01 мг/л (большее значение) в виде Cl <sub>2</sub>
Предел обнаружения	0.03 мг/л в виде Cl <sub>2</sub>
Предел количественного анализа	0.07 мг / л
Калибровка	Заводская калибровка Дополнительно: 2-точечная пользовательская калибровка со стандартами калибровки в комплекте для проверки калибровки
Расход реагента	0,5 л буферного раствора и 0,5 л индикаторного раствора за 31 день

## **Раздел 2 Общая информация**

Ни при каких обстоятельствах производитель не несет ответственности за ущерб, причиненный в результате ненадлежащего использования прибора или несоблюдения инструкций, приведенных в руководстве. Производитель оставляет за собой право вносить изменения в руководство или описанную в нем продукцию без извещений и обязательств. Обновленные версии руководства можно найти на веб-сайте производителя.

### **2.1 Информация по безопасности**

Изготовитель не несет ответственности за любые повреждения, вызванные неправильным применением или использованием изделия, включая, без ограничения, прямой, неумышленный или косвенный ущерб, и снимает с себя ответственность за подобные повреждения в максимальной степени, допускаемой действующим законодательством. Пользователь несет исключительную ответственность за выявление критических рисков в работе и установку соответствующих механизмов для защиты обследуемой среды в ходе возможных неполадок оборудования.

Внимательно прочтите все руководство пользователя, прежде чем распаковывать, устанавливать или вводить в эксплуатацию оборудование. Соблюдайте все указания и предупреждения относительно безопасности. Их несоблюдение может привести к серьезной травме обслуживающего персонала или выходу из строя оборудования.

Убедитесь, что защита, обеспечиваемая данным оборудованием, не нарушена. Используйте и устанавливайте данное оборудование строго в соответствии с требованиями данного руководства.

#### **2.1.1 Информация о потенциальных опасностях**

<b>▲ ОПАСНОСТЬ</b>
Указывает на потенциально или непосредственно опасные ситуации, которые, если их не избежать, приведут к смерти или серьезным травмам.

<b>▲ ПРЕДУПРЕЖДЕНИЕ</b>
Указывает на потенциально или непосредственно опасные ситуации, которые, если их не избежать, могут привести к смерти или серьезным травмам.

## ▲ ОСТОРОЖНО

Указывает на потенциально опасную ситуацию, которая может привести к травмам малой и средней тяжести.

## УВЕДОМЛЕНИЕ

Указывает на ситуацию, которая, если ее не избежать, может привести к повреждению оборудования. Информация, на которую следует обратить особое внимание.

### 2.1.2 Этикетки с предупреждающими надписями

Прочитайте все наклейки и ярлыки на корпусе прибора. При несоблюдении указанных на них требований существует опасность получения травм и повреждений прибора. Нанесенный на корпус прибора предупредительный символ вместе с предостережением об опасности или осторожности содержится в руководстве пользователя.



Возможен запрет на утилизацию электрооборудования, отмеченного этим символом, в европейских домашних и общественных системах утилизации. Пользователь может бесплатно вернуть старое или неработающее оборудование производителю для утилизации.

### 2.1.3 Соответствие требованиям электромагнитной совместимости (ЭМС)

## ▲ ОСТОРОЖНО

Данное оборудование не предназначено для использования в жилых помещениях и может не обеспечивать достаточную защиту радиоприема в таких условиях.

#### СЕ (EU)

Оборудование соответствует основным требованиям Директивы по электромагнитной совместимости 2014/30/EU.

#### УКСА (UK)

Оборудование соответствует требованиям Положения об электромагнитной совместимости 2016 года (S.I. 2016/1091).

#### Канадские нормативные требования к оборудованию, вызывающему помехи, ICES-003, класс А:

Прилагающиеся протоколы испытаний находятся у производителя.

Данное цифровое устройство класса А отвечает всем требованиям канадских норм относительно вызывающего помехи оборудования.

Cet appareil numérique de classe A répond à toutes les exigences de la réglementation canadienne sur les équipements provoquant des interférences.

#### Правила FCC, часть 15, ограничения класса "А"

Прилагающиеся протоколы испытаний находятся у производителя. Данное устройство соответствует требованиям части 15 правил FCC. Эксплуатация может производиться при выполнении двух следующих условий:


1. Устройство не должно создавать опасные помехи.
2. Устройство должно допускать любое внешнее вмешательство, в том числе способное привести к выполнению нежелательной операции.

Изменения и модификации данного устройства без явного на то согласия стороны, ответственной за соответствие стандартам, могут привести к лишению пользователя прав на эксплуатацию данного устройства. Результаты испытаний данного устройства свидетельствуют о соответствии ограничениям для цифровых устройств класса "А", изложенным в части 15 правил FCC. Данные ограничения предназначены для обеспечения разумной защиты от вредных помех при работе оборудования в коммерческой среде. Данное устройство генерирует, использует и может излучать радиочастотную энергию, и в случае установки и использования вопреки требованиям руководства по эксплуатации может стать

источником помех, опасных для устройств радиосвязи. Эксплуатация данного устройства в жилых районах может привести к возникновению опасных помех – в этом случае пользователь будет обязан устранить их за свой счет. Для сокращения помех можно использовать следующие методы:

1. Отсоедините устройство от источника питания, чтобы убедиться, что именно оно является источником помех.
2. Если устройство подключено к той же розетке, что и прибор, при работе которого наблюдаются помехи, подключите устройство к другой розетке.
3. Переместите устройство подальше от прибора, для работы которого он создает помехи.
4. Поменяйте положение антенны другого устройства, принимающего помехи.
5. Попробуйте разные сочетания указанных выше мер.

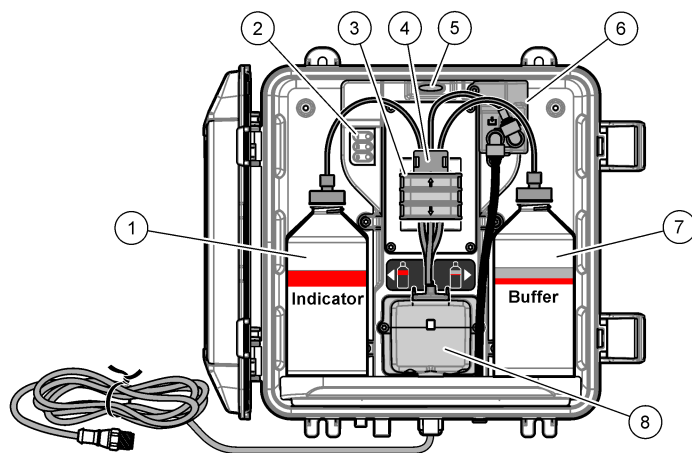
## 2.2 Основная информация о приборе

<b>▲ ОПАСНОСТЬ</b>	
	Химическая или биологическая опасность. Если этот прибор используется для мониторинга процесса обработки и/или мониторинга питающей воды для диализа, когда необходимо соблюдать нормативные ограничения и требования по мониторингу, связанные со здоровьем населения, общественной безопасностью, производством пищевых продуктов и напитков, то на пользователя прибора возлагается ответственность за ознакомление с этими требованиями и их выполнение, а также за обеспечение наличия и установки необходимых и достаточных механизмов для соответствия применимым правилам в случае сбоя в работе прибора.

Анализатор CL17sc измеряет концентрацию общего хлора в воде в диапазоне 0,03 - 10 мг/л с интервалом 150 секунд. На [Рисунок 1](#) предоставлен общий вид анализатора.

Подключите анализатор к контроллеру SC для питания, работы, сбора данных, передачи данных и диагностики. Обзор контроллера см. в руководстве контроллера SC.

**Примечание:** К контроллеру SC можно подключить несколько анализаторов, если контроллер имеет несколько быстросъемных фитингов.



1 Бутылка с индикаторным раствором	5 Индикатор состояния анализатора (Таблица 5 на стр. 429)
2 Индикаторы цикла измерения (Таблица 4 на стр. 428)	6 Расходомер
3 Зажим насоса	7 Бутылка с буферным раствором
4 Зажим для трубок	8 Колориметрическая кювета

### 2.2.1 Расходомер

Анализатор оснащен расходомером, который измеряет поток пробы через анализатор. См. Рисунок 1 на стр. 428.

Проба проходит через анализатор только в том случае, если анализатор промывает кювету. В других случаях поток пробы отсутствует, а расход равен нулю. Нажмите стрелку **RIGHT (ВПРАВО)** на контроллере, чтобы отобразить расход.

### 2.2.2 Индикаторы цикла измерения

Индикаторы цикла измерения показывают этап выполняемого цикла измерения. См. Таблица 4.

Таблица 4 Индикаторы цикла измерения

<b>Включенные индикаторы</b>			
<b>Описание</b>	Кювета промывается водой.	Буферный раствор и индикаторный раствор добавляются в кювету.	Выполняется измерение пробы.

### 2.2.3 Индикатор состояния анализатора

Индикатор состояния анализатора меняет цвет с зеленого на желтый при появлении предупреждения или на красный при возникновении ошибки. См. Таблица 5.

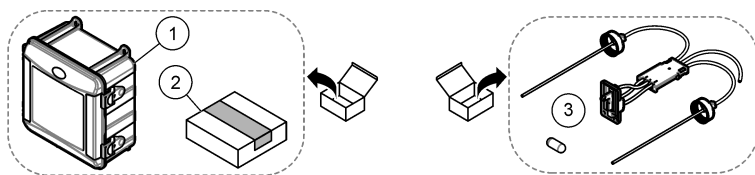
Таблица 5 Индикатор состояния анализатора

Цвет	Описание
Зеленый	Обычный режим работы
Желтый	Система требует вмешательства, чтобы в будущем не допустить возникновения неисправностей. Измерения продолжают. Для отображения предупреждений нажмите <b>меню (меню)</b> и выберите Диагностика > [выбрать анализатор] > Список предуп.. См. <a href="#">Предупреждения — желтый индикатор</a> на стр. 448.
Красный	Система требует немедленного вмешательства. Измерения остановлены. Чтобы отобразить ошибки, нажмите <b>меню (меню)</b> и выберите Диагностика > [выбрать анализатор] > Список ошибок. См. <a href="#">Ошибки — красный индикатор</a> на стр. 448.

## 2.3 Компоненты прибора

Убедитесь в том, что все компоненты в наличии. См. [Рисунок 2](#). Если какой-либо элемент отсутствует или поврежден, немедленно свяжитесь с производителем или торговым представителем.

Рисунок 2 Компоненты прибора



1 Анализатор CL17sc	3 Комплект трубок (обойма трубок и магнитная мешалка)
2 Установочный комплект	

## Раздел 3 Монтаж

### ▲ ОСТОРОЖНО



Различные опасности. Работы, описываемые в данном разделе, должны выполняться только квалифицированным персоналом.

### 3.1 Инструкции по установке

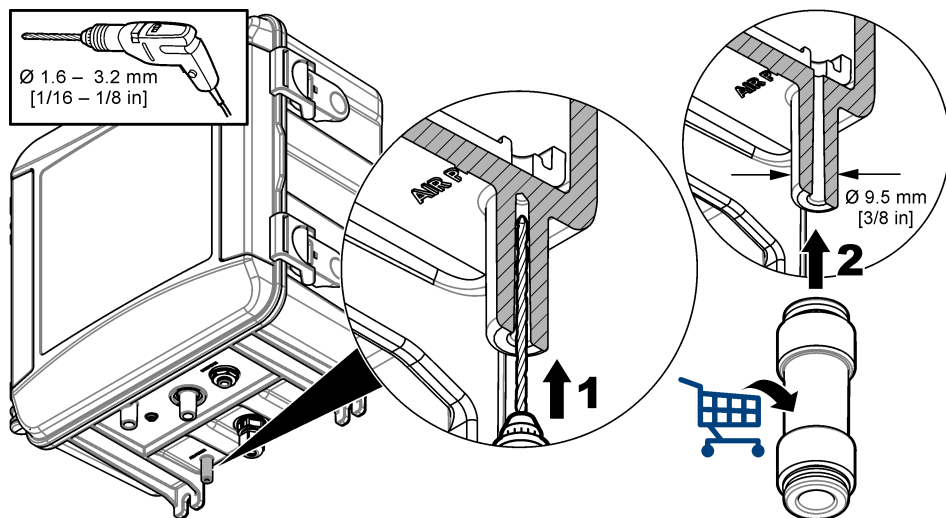
- Анализатор поставляется с комплектом для установки стояка или комплектом для установки регулятора давления, который позволяет контролировать давление воды, подаваемой на анализатор. Пользователь выбирает комплект для установки при покупке.
- Устанавливайте анализатор в помещении с минимальной вибрацией. См. технические характеристики рабочей температуры и влажности в [Характеристики](#) на стр. 424.
- Не устанавливайте анализатор под прямыми солнечными лучами или вблизи источников тепла.
- При установке на трубопроводах установите анализатор в месте с достаточным свободным пространством над анализатором для крепления на трубопроводах.
- Установите анализатор рядом с открытым сливом. Следуйте инструкциям местных регулирующих органов по утилизации.

### 3.2 Этап 1: Продувка воздухом (опция)

Если анализатор установлен в месте с высокой влажностью и/или содержанием паров, которые вызывают коррозию, может потребоваться продувка воздухом. Продувка воздухом поддерживает положительное давление в приборе сухим и чистым воздухом.

Обеспечьте подачу чистого сухого инструментального воздуха с расходом 0,003 м<sup>3</sup>/мин при максимальном давлении 20 фунтов/кв. дюйм изб..

Следуйте инструкциям на представленных ниже рисунках. Быстроразъемное соединение <sup>3</sup>/<sub>8</sub> дюйма и трубка поставляются пользователем.



### 3.3 Этап 2: Установка и подключение трубок к анализатору

#### ⚠ ОСТОРОЖНО



С прибором можно использовать только трубки, указанные компанией Nach. Другие трубки могут поглощать хлор, содержащийся в воде пробы, и оказывать негативное влияние на показания содержания хлора (уменьшать показания содержания хлора).

#### УВЕДОМЛЕНИЕ

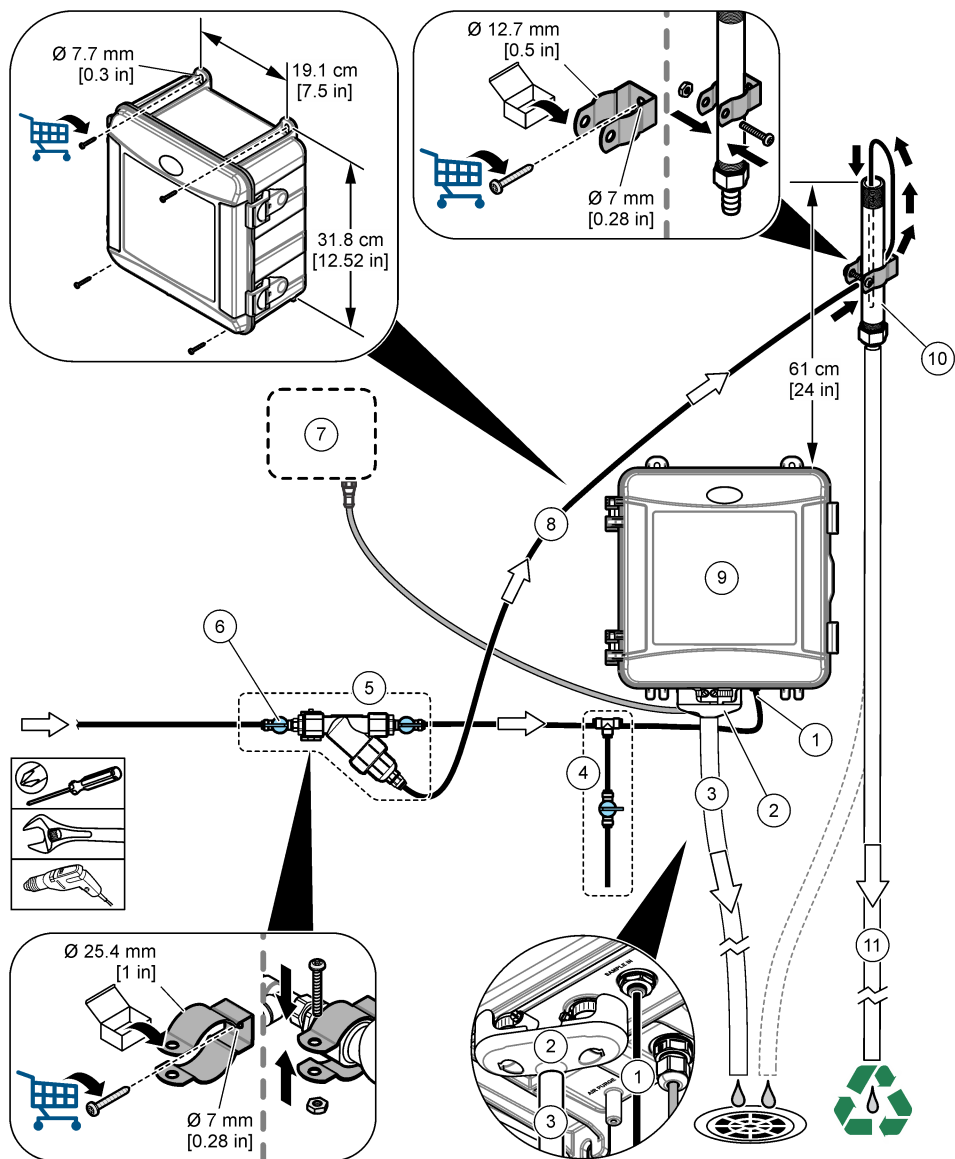
Неправильное подключение анализатора может привести к повреждению из-за избыточного давления пробы. Всегда следуйте инструкциям по установке и подключению анализатора.

1. Закрепите анализатор (поз. 9) на стене с помощью четырех винтов. Убедитесь, что анализатор выровнен.  
*Примечание:* Монтажные приспособления предоставляет пользователь.
2. Прикрепите контроллер SC (поз. 7) к стене, панели или трубе. Инструкции см. в документации на контроллер SC.
3. Установите прямоточный фильтр. См. инструкции в упаковочном листе.
4. С помощью 1-дюймового хомута для кабелей установите Y-образный фильтр в сборе (пункт 5 на [Рисунок 3](#), [Рисунок 4](#) или [Рисунок 5](#)).
5. Установите на анализатор внешнее воздушное устройство (пункт 2 на сайтах [Рисунок 3](#), [Рисунок 4](#) или [Рисунок 5](#)). См. инструкции в упаковочном листе.
6. Выполните этап 7 или 8.

Анализатор поставляется с комплектом для установки трубопровода или регулятора давления для контроля давления воды на входе. Пользователь выбирает комплект для установки при покупке. Один комплект стояка рассчитан на давление воды на входе 10 фунтов на квадратный дюйм или меньше, а другой - на давление более 10 фунтов на квадратный дюйм. Измерьте давление воды на входе непосредственно перед Y-образным фильтром в сборе.

7. Если при покупке был выбран комплект для установки стояка, установите стояк следующим образом:
- a. Соберите стояк. См. инструкции в упаковочном листе.
  - b. Используйте хомут меньшего размера для крепления трубы-стойки над верхней частью анализатора:
    - 10 фунтов на квадратный дюйм или менее - Установите узел трубопровода-стойки на высоте не менее 61 см (24 дюйма) над верхней частью анализатора.
    - Более 10 фунтов на кв. дюйм - установите узел трубопровода-стойки на высоте не менее 91,4 см (36 дюймов) над верхней частью анализатора.
  - c. 10 фунтов на квадратный дюйм или меньше - с помощью черной трубки установите перепускную трубку для проб (поз. 8 на сайте [Рисунок 3](#)). Пропустите трубку сзади, а затем внутрь стояка. Поместите трубу на 10-13 см (4-5 дюймов) в верхнюю часть стояка.
  - d. Более 10 psi- С помощью черной трубки подсоедините выход Y-образного фильтра к входу стояка (поз. 8 на [Рисунок 4](#)).
  - e. Отрежьте отрезок трубки от трубки для слива образца (поз. 3). С помощью трубки подсоедините стояк к открытому сливу (поз. 11). См. [Инструкции по установке дренажных линий](#) на стр. 435.
8. Если на момент приобретения был выбран установочный комплект с регулятором давления, установите регулятор давления (поз. 10 на [Рисунок 5](#)).
9. С помощью черной трубки подсоедините вход прямоочного фильтра (поз. 5) к источнику пробы.  
См. [Инструкции по использованию линии подачи пробы](#) на стр. 435 и [Требования к пробе](#) на стр. 435.
10. С помощью черной трубки подсоедините образец к впускному штуцеру (поз. 1) следующим образом:  
Длина трубки должна быть как можно меньше, максимум 2,5 м.
- 10 фунтов на квадратный дюйм или менее - Подсоедините выход Y-образного фильтра к фитингу для впуска образца (поз. 1) на нижней части анализатора. См. [Рисунок 3](#).
  - Более 10 фунтов/кв. дюйм Подключите выходной патрубков стойки к фитингу входа образца (поз. 1) в нижней части анализатора. См. [Рисунок 4](#).
  - Регулятор давления - подсоедините выход регулятора давления к фитингу входа образца (поз. 1) в нижней части анализатора. См. [Рисунок 5](#).
11. Если установлен регулятор давления, установите перепускную линию проб (поз. 8 на [Рисунок 5](#)).
12. Соберите узел образца захвата (поз. 4).
13. Подключите тройник к блоку грейферного образца. См. [Рисунок 3](#), [Рисунок 4](#) или [Рисунок 5](#) в зависимости от ситуации.
14. Подключите трубку для слива пробы (поз. 3) к открытому сливу. См. [Инструкции по установке дренажных линий](#) на стр. 435.

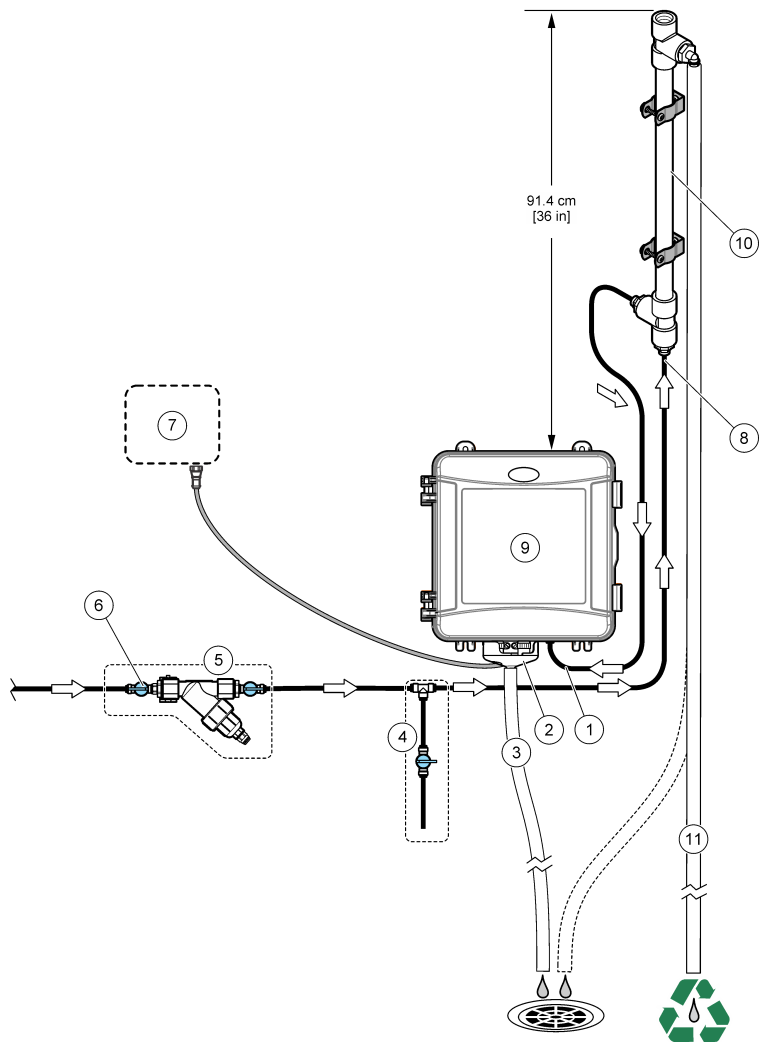
Рисунок 3 Установка со стояком (10 фунтов на кв. дюйм или менее)



1 Фитинг входа пробы	7 Контроллер SC
2 Внешняя воздушная прослойка	8 Перепускная линия проб
3 Трубка слива пробы	9 Анализатор
4 Узел разовых проб	10 Стояк
5 Прямоточный фильтр в сборе	11 Дренажная трубка стояка
6 Запорный клапан на входе прямоточного фильтра	

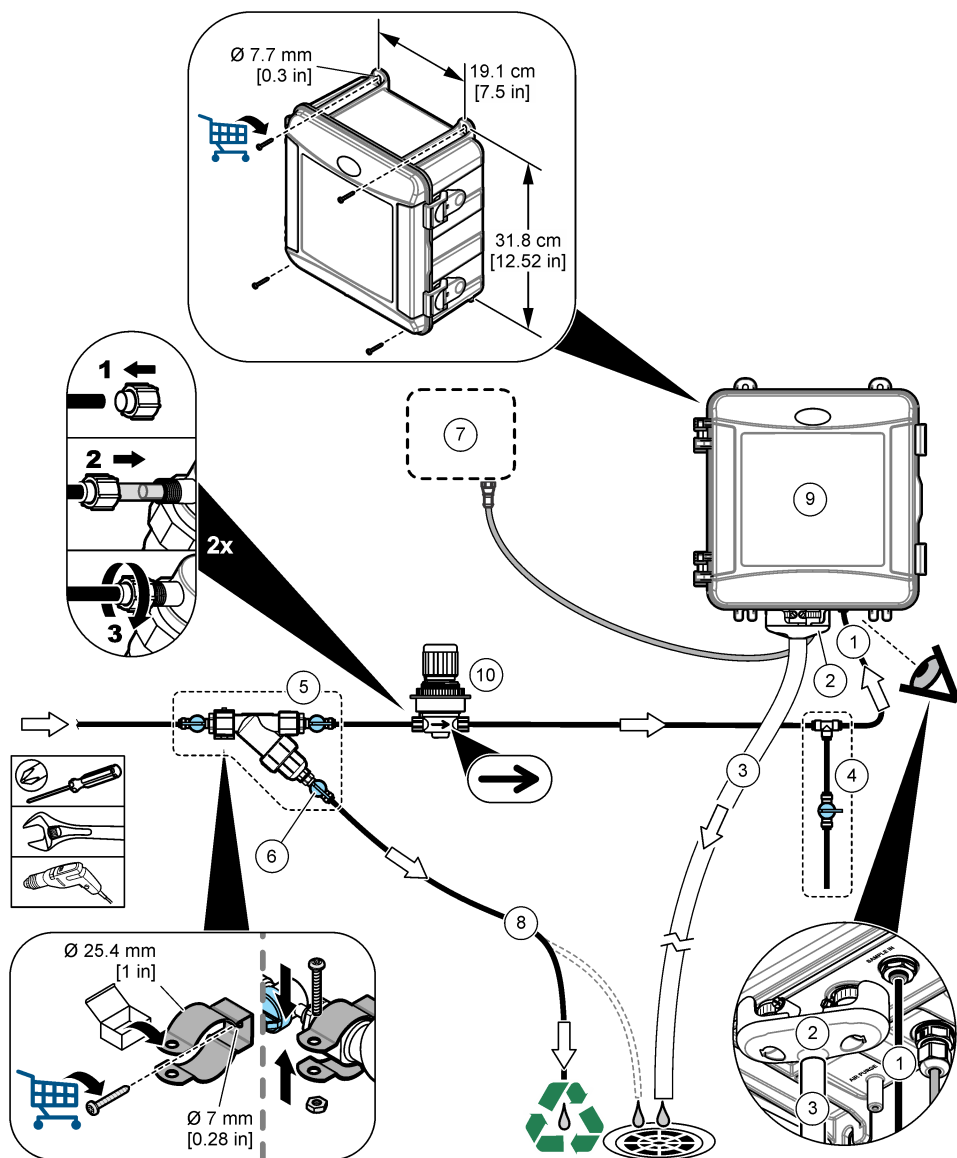


Рисунок 4 Установка со стояком (более 10 фунтов на кв. дюйм)



1 Фитинг входа пробы	7 Контроллер SC
2 Внешняя воздушная прослойка	8 Входной патрубок стояка
3 Трубка слива пробы	9 Анализатор
4 Узел разовых проб	10 Стояк
5 Прямоточный фильтр в сборе	11 Дренажная трубка стояка
6 Запорный клапан на входе прямоточного фильтра	

Рисунок 5 Установка с регулятором давления



1 Фитинг входа пробы	6 Запорный клапан на байпасе Y-образного фильтра
2 Внешняя воздушная прослойка	7 Контроллер SC
3 Трубка слива пробы	8 Перепускная линия проб
4 Узел разовых проб	9 Анализатор
5 Прямоточный фильтр в сборе	10 Регулятор давления

### 3.3.1 Инструкции по использованию линии подачи пробы

Для оптимальной работы прибора необходимо выбрать правильное, репрезентативное место отбора пробы. Проба должна быть репрезентативной для всей системы.

Для предотвращения ошибок необходимо:

- Отбирать пробы в местах, достаточно удаленных от мест введения химических добавок в изучаемый поток.
- Убедиться, что пробы хорошо перемешаны.
- Убедиться, что все химические реакции завершены.
- Установите анализатор как можно ближе к источнику проб (максимум 4,6 м).

### 3.3.2 Требования к пробе

Вода из источника (ов) пробы должна соответствовать техническим требованиям, указанным в [Характеристики](#) на стр. 424.

Для обеспечения максимально высоких рабочих характеристик расход пробы и рабочая температура должны быть максимально стабильными.

### 3.3.3 Инструкции по установке дренажных линий

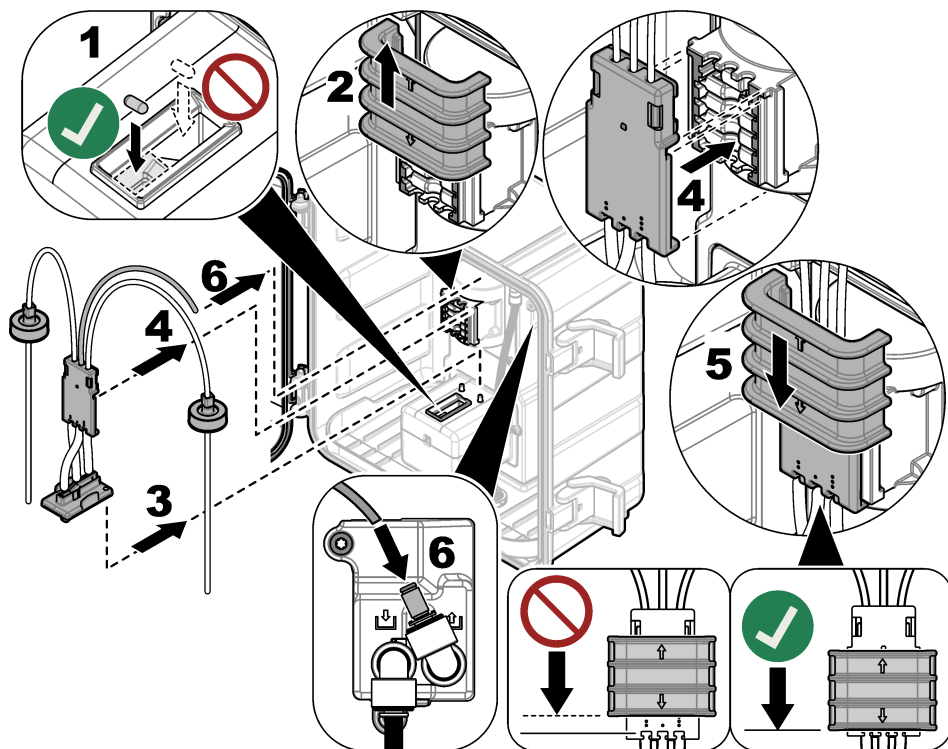
#### **УВЕДОМЛЕНИЕ**

Неправильная установка дренажных линий может привести к тому, что жидкость попадет обратно в прибор и повредит его.

- Обязательно установите внешний воздушный фильтр. См. пункт 2 на сайтах [Рисунок 3](#) на стр. 432, [Рисунок 4](#) на стр. 433 или [Рисунок 5](#) на стр. 434.
- Дренажные линии должны быть как можно короче.
- Убедитесь, что на всем своем протяжении дренажные линии находятся под наклоном.
- Убедитесь, что на дренажных линиях отсутствуют резкие изгибы и защемления.

### 3.4 Этап 3: Установка магнитной мешалки и обоймы трубок

Выполните действия, обозначенные на приведенных ниже иллюстрированных инструкциях.



### 3.5 Этап 4: Установка бутылок с реагентом

#### ▲ ОСТОРОЖНО



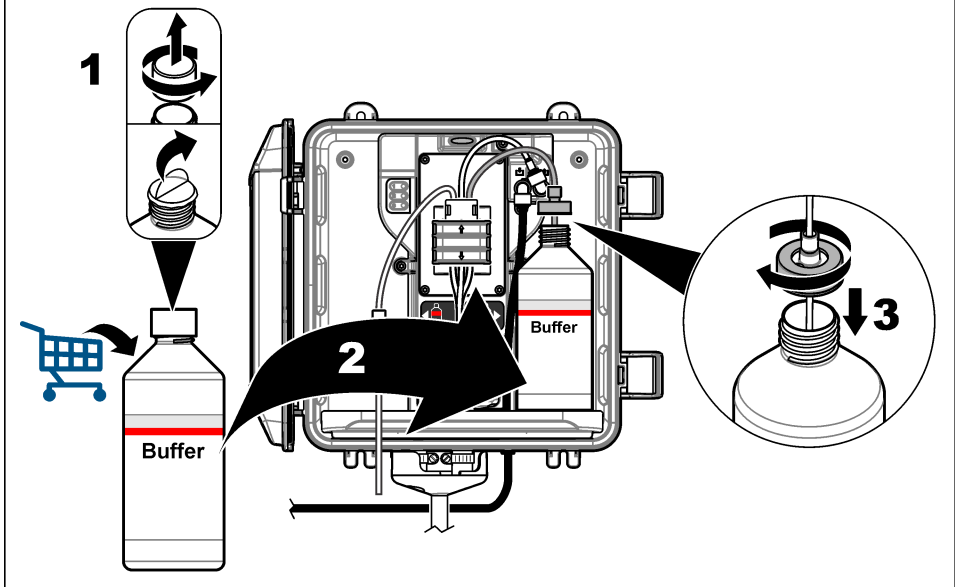
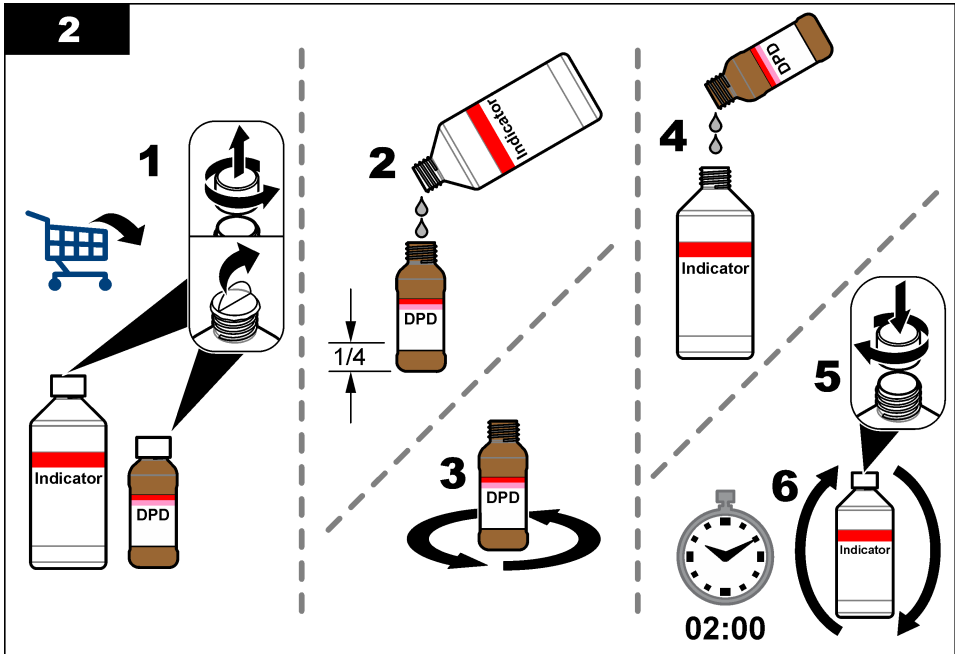
Опасность вредного химического воздействия. Необходимо соблюдать правила техники безопасности и использовать индивидуальные средства защиты, соответствующие используемым химикатам. При составлении протоколов по технике безопасности воспользуйтесь действующими паспортами безопасности / паспортами безопасности материалов (MSDS/SDS).

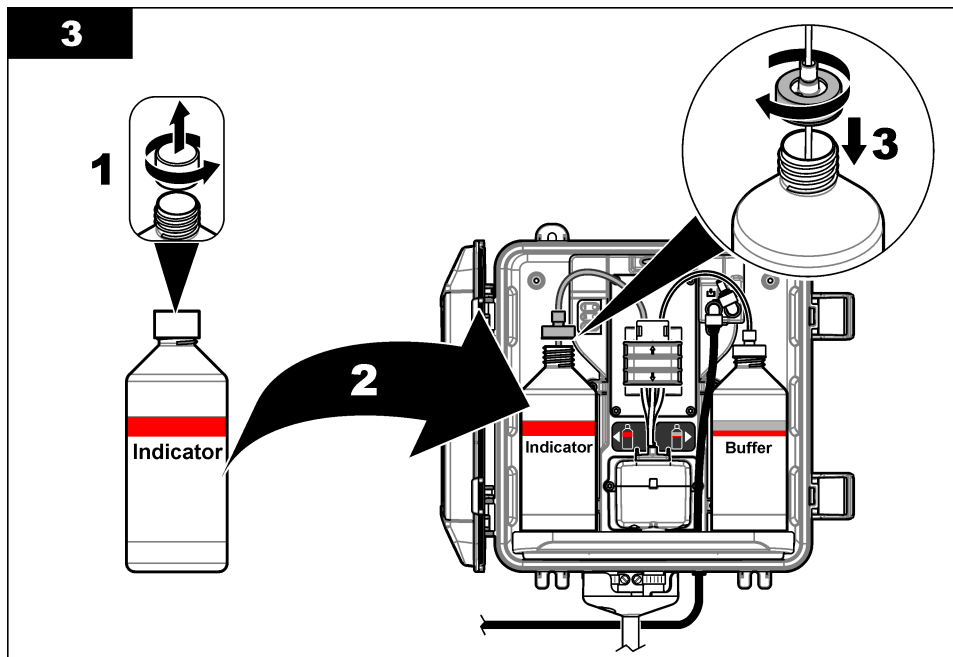
#### Что требуется:

- Средства индивидуальной защиты (см. MSDS/SDS)
- Бутылка с индикаторным раствором
- Бутылка с буферным раствором
- Бутылка с составом DPD

1. Наденьте средства индивидуальной защиты, указанные в паспорте безопасности (MSDS/SDS).
2. Установите бутылку с буферным раствором справа, а бутылку с индикаторным раствором — слева. Следуйте инструкциям на представленных ниже рисунках.

*Примечание:* (Опция) Используйте верхнюю поверхность анализатора в качестве полки.

**1****2**

**3**

### 3.6 Этап 5: Включение подачи проб

1. Медленно поверните запорный(е) клапан(ы) в открытое положение на  $\frac{1}{4}$  оборота.
2. Убедитесь в отсутствии утечек в трубных соединениях. При наличии утечки протолкните трубку глубже в фитинг или затяните соединение ключом.
3. При установке со стояком выполните следующие действия:
  - a. Полностью откройте запорный клапан на выходе прямооточного фильтра.
  - b. Поворачивайте запорный клапан на входе Y-образного фильтра (поз. 6 на [Рисунок 3](#) на стр. 432 или [Рисунок 4](#) на стр. 433) до тех пор, пока из дренажной трубки стояка не пойдет небольшая струя воды.
4. При установке регулятора давления выполните следующие действия:
  - a. Полностью откройте запорные клапаны на входе и выходе прямооточного фильтра.
  - b. Поверните запорный клапан на перепускной линии прямооточного фильтра (поз. 6 на [Рисунок 5](#) на стр. 434), пока из перепускного трубопровода прямооточного фильтра не начнет выходить небольшой поток воды.

### 3.7 Этап 6: Электрическая установка

#### 3.7.1 Подключение анализатора к контроллеру

#### ▲ ПРЕДУПРЕЖДЕНИЕ



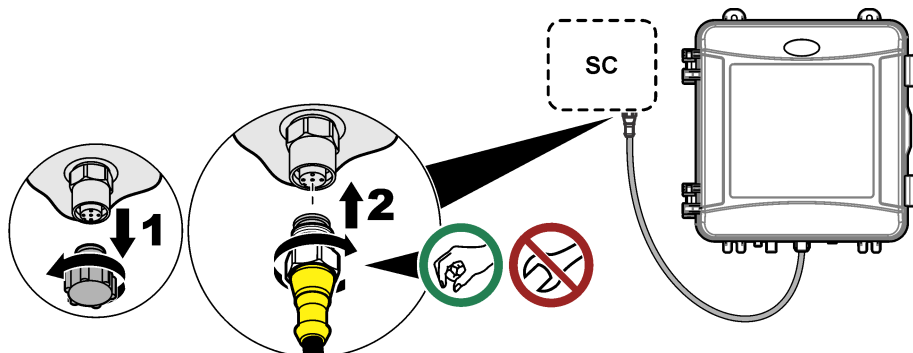
Опасность поражения электрическим током. Внешнее подключаемое оборудование должно соответствовать применимым национальным стандартам безопасности.

Подключите кабель анализатора к быстроразъемному фитингу контроллера SC. См. [Рисунок 6](#).

Сохраните крышку разъема, чтобы герметично закрывать отверстие разъема в случае, если кабель необходимо снять.

**Примечание:** Доступны удлинительные кабели. См. [Запасные части и аксессуары](#) на стр. 449. Максимальная длина кабеля составляет 15 м.

**Рисунок 6** Подключение кабеля к быстроразъемному фитингу



### 3.7.2 Подключение контроллера к источнику питания

Подключите контроллер к электросети с помощью жесткого монтажа или кабеля питания. Инструкции см. в документации на контроллер.

### 3.7.3 Подключение внешних устройств к контроллеру

При необходимости подключайте реле контроллера, аналоговые выходы и цифровые входы к внешним устройствам. Инструкции см. в документации на контроллер.

## 3.8 Этап 7: Настройка и заправка анализатора

1. Нажмите **menu** (**меню**), затем выберите ДАТЧИКИ > [select analyzer] (выбрать анализатор) > ЗАПРАВКА.
2. Если контроллер не распознает подключенный анализатор, выполните следующие действия:
  - a. Нажмите **menu**, затем выберите СЕРВИС > Поиск датчика.
  - b. После обнаружения и установки датчика повторите шаг 1.

## 3.9 Этап 8: Настройка расхода

Анализатор оснащен расходомером, который измеряет поток пробы через анализатор. См. [Рисунок 1](#) на стр. 428.

1. Нажмите стрелку **ВПРАВО** на контроллере, чтобы отобразить расход на дисплее.

Проба проходит через анализатор только в том случае, если анализатор промывает ковету. В других случаях поток пробы отсутствует, а расход равен нулю. Описание этапов цикла измерения см. в [Таблица 4](#) на стр. 428.

**Примечание:** Чтобы вручную измерить расход с помощью анализатора, измерьте расход на сливе анализатора, когда анализатор промывает ковету водой.
2. При установке со стояком поверните запорный клапан на выходе прямоочного фильтра, чтобы установить расход в диапазоне от 60 до 200 мл/мин, когда анализатор промывает ковету водой.
3. При установке регулятора давления отрегулируйте регулятор давления таким образом, чтобы установить расход в диапазоне от 60 до 200 мл/мин, когда анализатор промывает ковету водой.

## 3.10 Этап 9: Установка последней версии программного обеспечения

Убедитесь, что на контроллере SC установлена последняя версия программного обеспечения. Используйте SD-карту для установки последней версии программного обеспечения на контроллере SC.

1. Перейдите на страницу соответствующего контроллера SC на <http://hach.com>.
2. Перейдите на вкладку "Ресурсы".
3. Прокрутите вниз до пункта "Программное обеспечение".
4. Щелкните по ссылке на программное обеспечение контроллера SC.
5. Сохраните файлы на SD-карту.
6. Установите файлы на контроллер SC. См. инструкции по установке программного обеспечения, поставляемые с файлами программного обеспечения.

## Раздел 4 Настройка

### 4.1 Этап 10: Настройка анализатора

Задайте имя анализатора, усреднение сигнала, тип измеряемого хлора, значения подавления пузырьков и срабатывания сигналов тревоги по хлору.

1. Нажмите **меню (меню)**, затем выберите **ДАТЧИКИ > [select analyzer]** (выбрать анализатор) > Настройка.
2. Выберите и настройте каждую опцию.

Опция	Описание
<b>Редак. имени</b>	Позволяет задать имя анализатора. Имя анализатора отображается на дисплее контроллера и в файлах журнала.
<b>Усред. сигнала</b>	<p>Позволяет задать количество измерений, используемых для расчета среднего значения, отображаемого на дисплее. Опции: 1 (по умолчанию), 2, 3 или НЕПРАВ ЗНАЧЕНИЕ.</p> <p>Если для параметра Усред. сигнала установлено значение 1, усреднение сигнала отключено.</p> <p>Если для параметра Усред. сигнала установлено значение 2 или 3, на дисплее отображается среднее значение. Например, если для параметра Усред. сигнала установлено значение 2, то показание на дисплее равно сумме последнего и предыдущего измерений, разделенной на два.</p> <p>Если для параметра Усред. сигнала установлено НЕПРАВ ЗНАЧЕНИЕ, анализатор отклоняет показание, которое необычно выше или ниже последних показаний. Если показание отклоняется, на дисплее отображается и сохраняется в журнале данных последнее достоверное показание. Отклоняются не более трех последовательных показаний.</p> <p>Усреднение сигнала корректирует неправильные колебания показаний, вызванные пузырьками и/или крупными частицами в пробе.</p>
<b>ИЗМЕРЕНИЕ</b>	<p>Задаёт тип измеряемого хлора. Если на этикетках бутылок с буферным и индикаторным раствором указано "Free Chlorine (Свободный хлор)", выберите СВОБ ХЛОП (по умолчанию).</p> <p>Если на этикетках бутылок с буферным и индикаторным раствором указано "Total Chlorine (Общий хлор)", выберите ОБЩИЙ ХЛОП.</p>
<b>Удал. пузырей</b>	Включение или выключение (по умолчанию) функции подавления пузырьков. Установите для параметра Удал. пузырей значение Вкл., чтобы уменьшить помехи от пузырьков в пробе. Пузырьки воздуха в пробе могут приводить к нестабильности показаний.
<b>СИГН ТРЕВОГ ВЫС CL</b>	Задаёт значение концентрации хлора для сигнала тревоги по ВЫСОК ХЛОП — от 0,00 до 10,00 мг/л (по умолчанию 4,00 мг/л).



Опция	Описание
<b>СИГН ТРЕВОГ НИЗ СЛ</b>	Задаёт значение концентрации хлора для сигнала тревоги по НИЗКИЙ ХЛОР — от 0,00 до 10,00 мг/л (по умолчанию 0,20 мг/л).
<b>ИНФО ДАТЧ</b>	Показывает серийный номер анализатора, версию программного обеспечения, версию загрузчика и версию драйвера.
<b>НАСТР ПО УМОЛЧ</b>	Выберите ДА, чтобы восстановить заводские настройки по умолчанию.
<b>Сервис</b>	Только для использования при обслуживании

## 4.2 Конфигурация системы

Настройка системы, общие настройки контроллера, настройка выводов и коммуникации описываются в документации по контроллеру.

## 4.3 Кнопки и меню перехода пользователя

Описание клавишной панели и сведений о переходах см. в документации на контроллер.

Нажмите клавишу со стрелкой **ВПРАВО** на контроллере несколько раз, чтобы отобразить дополнительную информацию на главном экране и графический дисплей.

## Раздел 5 Эксплуатация

### 5.1 Журналы данных, событий и обслуживания

Контроллер предоставляет доступ к журналу данных, журналу событий и журналу обслуживания по каждому подключенному прибору. Результаты измерений анализатора сохраняются автоматически в журнале данных с интервалом 150 секунд. В журнале событий отображаются произошедшие события. Журналы событий и данных хранят данные за период сроком приблизительно 2 недели, если анализатор работает непрерывно. Журнал обслуживания хранит данные приблизительно за 24 часа, если анализатор работает непрерывно.

Для загрузки журнала данных, журнала событий и/или журнала обслуживания см. документацию на контроллер. Журнал данных — это файл в формате XML, который можно сохранить в формате CSV или Excel. Журнал событий и журнал обслуживания — это файлы в формате CSV.

### 5.2 Измерение с использованием функции ПОДАЧА РАЗ ПРОБЫ

При необходимости используйте меню ПОДАЧА РАЗ ПРОБЫ, чтобы добавить в кювету пробу воды с известной концентрацией хлора для измерения. Произведите измерение разовой пробы для верификации или для измерения отобранной из другого места.

1. Нажмите **меню (меню)**, затем выберите ДАТЧИКИ > [select analyzer] (выбрать анализатор) > ПОДАЧА РАЗ ПРОБЫ.
2. Выполните действия, указанные на дисплее. При появлении соответствующего запроса снимите крышку кюветы и добавьте в кювету 100 мл разовой пробы. Часть пробы попадет в слив пробы.

### 5.3 Регистры Modbus

Для передачи данных по сети имеется список регистров Modbus. Подробную информацию см. на веб-сайте производителя.

## Раздел 6 Калибровка и регулировка

Калибровочная кривая анализатора устанавливается на заводе-изготовителе для обеспечения работы прибора в соответствии со спецификациями. Калибровку можно выполнять для проверки рабочих характеристик.

Пользователю не рекомендуется вносить изменения в заводскую калибровочную кривую, если этого не требует контролирующий орган для составления отчетов о соответствии нормативам или если не производится большой ремонт анализатора.

Дополнительные сведения см. в инструкциях к комплекту для проверки калибровки или обратитесь в службу технической поддержки.

## Раздел 7 Обслуживание

### ▲ ОСТОРОЖНО



Различные опасности. Работы, описываемые в данном разделе, должны выполняться только квалифицированным персоналом.

### УВЕДОМЛЕНИЕ

Не разбирайте прибор для обслуживания. При необходимости очистки или ремонта внутренних компонентов обратитесь к производителю.

## 7.1 График технического обслуживания

В [Таблица 6](#) указан рекомендуемый график выполнения задач по техническому обслуживанию. В зависимости от требований объекта и условий работы может потребоваться более частое выполнение некоторых задач.

**Таблица 6 График технического обслуживания**

Задача	1 месяц	6 месяцев	При необходимости
<a href="#">Очистка кюветы</a> на стр. 442	X <sup>2</sup>		
<a href="#">Замена бутылок с реагентом</a> на стр. 443	X		
Замена магнитной мешалки и обоймы трубок <sup>3</sup>		X	
<a href="#">Очистка экрана прямоточного фильтра</a> на стр. 444			X

## 7.2 Очистка кюветы

### ▲ ОСТОРОЖНО



Опасность вредного химического воздействия. Необходимо соблюдать правила техники безопасности и использовать индивидуальные средства защиты, соответствующие используемым химикатам. При составлении протоколов по технике безопасности воспользуйтесь действующими паспортами безопасности / паспортами безопасности материалов (MSDS/SDS).

Очищайте кювету с интервалом в 1 месяц или чаще, если это необходимо.

**Что требуется:**



Ватные палочки<sup>4</sup>



5,25 N Раствор серной кислоты<sup>5</sup>

<sup>2</sup> Очищайте кювету чаще или реже по мере необходимости.

<sup>3</sup> См. инструкции, поставляемые с комплектом трубок.

<sup>4</sup> См. [Запасные части и аксессуары](#) на стр. 449.

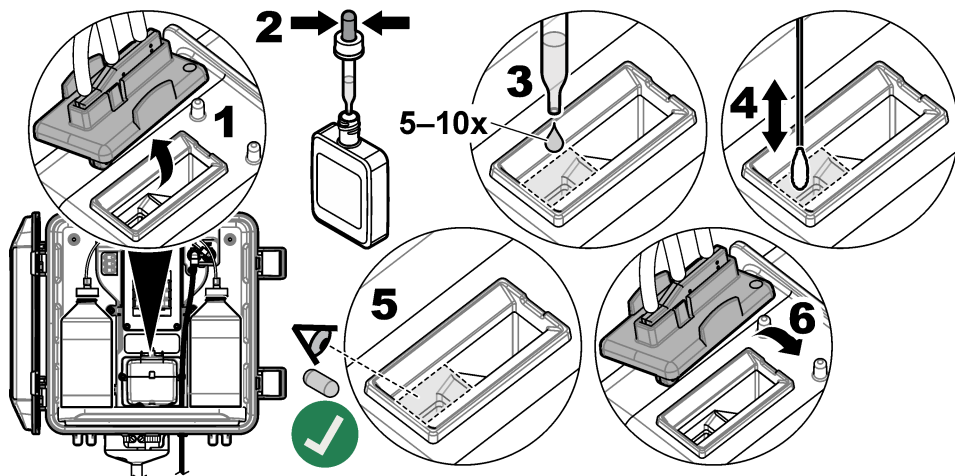
<sup>5</sup> Не используйте другие чистящие растворы. См. [Запасные части и аксессуары](#) на стр. 449.

1. Наденьте средства индивидуальной защиты, указанные в паспорте безопасности (MSDS/SDS).
  2. Нажмите **меню (меню)**, затем выберите ДАТЧИКИ > [select analyzer] (выбрать анализатор) > ЗАДАЧИ > ОЧИСТ КЮВЕТУ.
- Примечание: Чтобы остановить выбранную задачу, нажмите home (главный экран).*
3. Нажмите клавишу **enter (ввод)**, чтобы остановить измерения.
  4. Выберите опцию.

Опция	Описание
<b>Фикс.</b>	Выходы контроллера удерживаются на последнем измеренном значении.
<b>Перенос</b>	Выходные сигналы контроллера изменяются на значение передачи.

5. Когда индикатор состояния начнет мигать, выполните действия, указанные на приведенных ниже иллюстрированных инструкциях. По завершении нажмите клавишу **enter (ввод)**.

При выполнении шага 5 (см. рисунок) убедитесь, что в кювете нет нежелательных материалов. При необходимости используйте фонарик для поиска нежелательных материалов.



6. Когда на дисплее появится сообщение ЗАДАЧА ВЫПОЛНЕНА., нажмите **enter**. Анализатор начинает цикл измерений приблизительно через 30 секунд.

### 7.3 Замена бутылок с реагентом

<b>▲ ОСТОРОЖНО</b>	
	Опасность вредного химического воздействия. Необходимо соблюдать правила техники безопасности и использовать индивидуальные средства защиты, соответствующие используемым химикатам. При составлении протоколов по технике безопасности воспользуйтесь действующими паспортами безопасности / паспортами безопасности материалов (MSDS/SDS).
<b>▲ ОСТОРОЖНО</b>	
	Опасность вредного химического воздействия. Утилизируйте химические вещества и отходы в соответствии с местными, региональными и общегосударственными правилами и законами.

Заменяйте бутылки с реагентами с интервалом в 1 месяц.

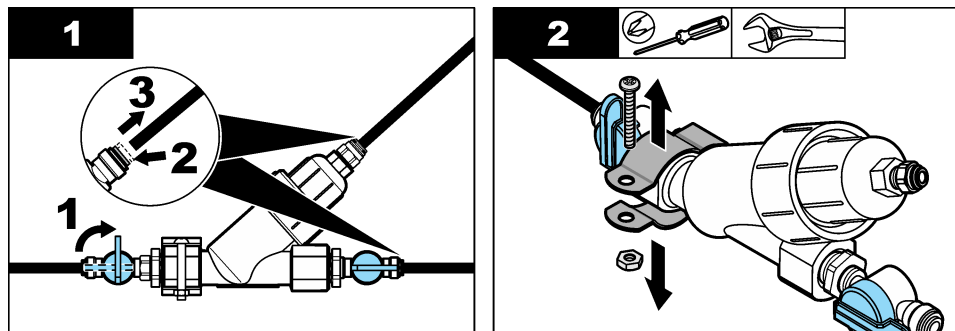
1. Наденьте средства индивидуальной защиты, указанные в паспорте безопасности (MSDS/SDS).
2. Нажмите **меню (меню)**, затем выберите ДАТЧИКИ > [select analyzer] (выбрать анализатор) > ЗАДАЧИ > ЗАМЕН РЕАГ-Ы.  
*Примечание: Чтобы остановить выбранную задачу, нажмите home (главный экран).*
3. Нажмите клавишу **enter (ввод)**, чтобы остановить измерения.
4. Выберите опцию.

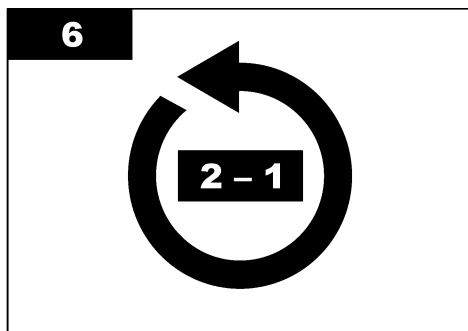
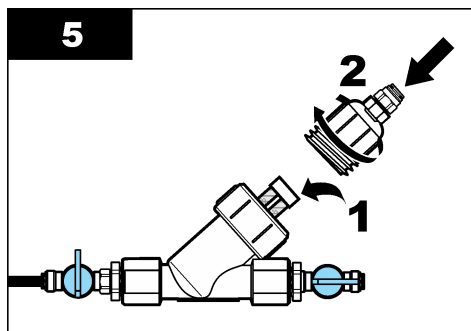
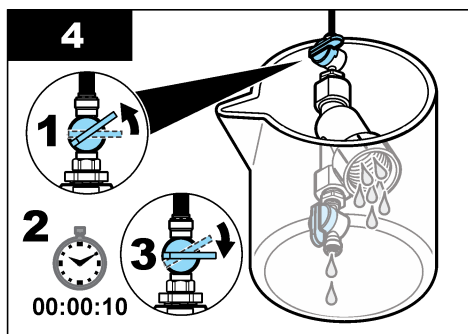
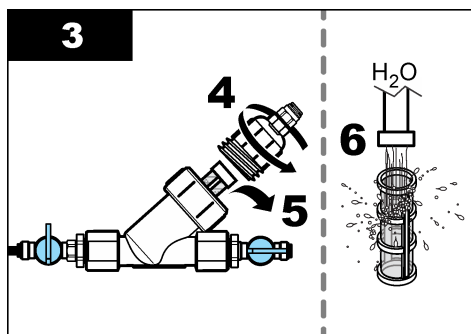
Опция	Описание
<b>Фикс.</b>	Выходы контроллера удерживаются на последнем измеренном значении.
<b>Перенос</b>	Выходные сигналы контроллера изменяются на значение передачи.

5. Подождите, пока индикатор состояния не начнет мигать.
6. Замените бутылку с буферным раствором следующим образом:  
*Примечание: (Опция) Используйте верхнюю поверхность анализатора в качестве полки.*
  - a. Снимите крышку и уплотнение с новой бутылки с буферным раствором.
  - b. Извлеките использованную бутылку с буферным раствором из анализатора.
  - c. Поместите буферную трубку в новую бутылку с буферным раствором с правой стороны анализатора. Затяните крышку.
7. Замените индикаторную бутылку следующим образом:
  - a. Снимите крышку и уплотнение с индикаторной бутылки и коричневой бутылки DPD.
  - b. Наполните коричневую бутылку DPD приблизительно на  $\frac{1}{4}$  индикаторным раствором.
  - c. Взболтайте бутылку DPD, чтобы перемешать содержимое.
  - d. Поместите содержимое бутылки DPD в индикаторную бутылку.
  - e. Переворачивайте индикаторную бутылку до полного растворения порошка (2 минуты).
  - f. Извлеките использованную бутылку с индикаторным раствором из анализатора.
  - g. Поместите индикаторную трубку в новую индикаторную бутылку с левой стороны анализатора. Затяните крышку.
8. Нажмите **enter (ввод)**.
9. Когда на дисплее появится сообщение "ЗАДАЧА ВЫПОЛНЕНА.", нажмите клавишу **enter (ввод)**. Анализатор начинает цикл измерений приблизительно через 30 секунд.

## 7.4 Очистка экрана проточного фильтра

Очищайте экран проточного фильтра при засорении, о котором извещает предупреждение НИЗК РАСХ ПРОБЫ. Выполните действия, обозначенные на приведенных ниже иллюстрированных инструкциях.





## 7.5 Подготовка к хранению

### ⚠ ОСТОРОЖНО



Опасность вредного химического воздействия. Необходимо соблюдать правила техники безопасности и использовать индивидуальные средства защиты, соответствующие используемым химикатам. При составлении протоколов по технике безопасности воспользуйтесь действующими паспортами безопасности / паспортами безопасности материалов (MSDS/SDS).

Если питание анализатора будет отключено более чем на 3 дня или анализатор не будет использоваться более 3 дней, подготовьте анализатор к хранению.

#### Что требуется:



Стакан с деионизированной водой (2 шт.)



Одноразовая пипетка или безворсовая ткань

#### 1. Удалите реагенты из линий реагентов следующим образом:

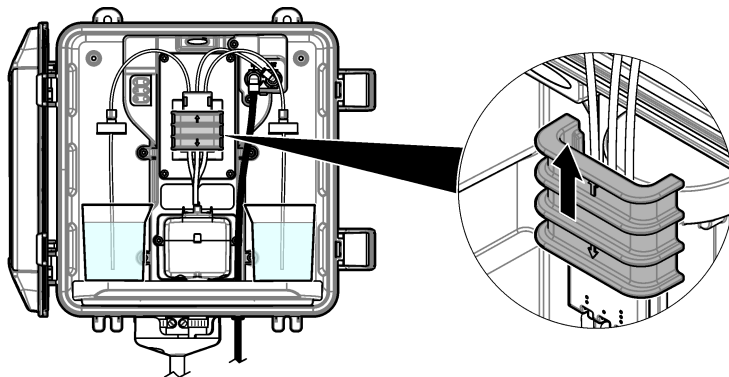
- Извлеките бутылку с индикаторным раствором и бутылку с буферным раствором из анализатора.
- Поместите в анализатор два стакана (или контейнера) с деионизированной водой.
- Поместите трубку индикаторной бутылки и трубку буферной бутылки в стаканы.
- Нажмите **меню (меню)**, затем выберите ДАТЧИКИ > [select analyzer] (выбрать анализатор) > ЗАПРАВКА.  
Анализатор удаляет реагенты из линий реагентов.

#### 2. Удалите деионизированную воду из линий реагентов следующим образом:

- Извлеките трубку индикаторной бутылки и трубку буферной бутылки из стаканов.

- b. Извлеките два стакана из анализатора.
  - c. Нажмите **меню (меню)**, затем выберите ДАТЧИКИ > [select analyzer] (выбрать анализатор) > ЗАПРАВКА.  
Анализатор удаляет всю жидкость из линий реагентов.
3. Отсоедините кабель анализатора от контроллера (или отключите питание контроллера).
  4. Поверните запорный клапан в закрытое положение, чтобы остановить подачу пробы в прямоточный фильтр.
  5. Снимите зажим насоса. См. [Рисунок 7](#). Сохраните зажим насоса для дальнейшего использования.
  6. Удалите воду из кюветы следующим образом:
    - a. Снимите крышку с кюветы.
    - b. Удалите воду из кюветы с помощью одноразовой пипетки или безворсовой ткани.
    - c. Установите крышку на кювету.
  7. Чтобы запустить анализатор после хранения, выполните следующие действия:
    - a. Установите зажим насоса. См. [Рисунок 7](#).
    - b. Установите бутылки с реагентами. См. [Этап 4: Установка бутылок с реагентом](#) на стр. 436.
    - c. Установите запорный клапан в открытое положение, чтобы начать подачу пробы в прямоточный фильтр.
    - d. Подключите кабель анализатора к контроллеру, если кабель был отсоединен.
    - e. Если питание было отключено, подайте питание на контроллер.
    - f. Нажмите **меню (меню)**, затем выберите ДАТЧИКИ > [select analyzer] (выбрать анализатор) > ЗАПРАВКА.

**Рисунок 7 Снимите зажим насоса**



## 7.6 Подготовка к транспортировке

### ▲ ОСТОРОЖНО



Опасность вредного химического воздействия. Необходимо соблюдать правила техники безопасности и использовать индивидуальные средства защиты, соответствующие используемым химикатам. При составлении протоколов по технике безопасности воспользуйтесь действующими паспортами безопасности / паспортами безопасности материалов (MSDS/SDS).

Для подготовки анализатора к транспортировке выполните следующие действия.

**Что требуется:**



Стакан с деионизированной водой (2 шт.)



Оригинальная упаковка

1. Удалите реагенты из линий реагентов следующим образом:
  - a. Извлеките бутылку с индикаторным раствором и бутылку с буферным раствором из анализатора.
  - b. Поместите в анализатор два стакана (или контейнера) с деионизированной водой.
  - c. Поместите трубку индикаторной бутылки и трубку буферной бутылки в стаканы.
  - d. Нажмите **меню (меню)**, затем выберите ДАТЧИКИ > [select analyzer] (выбрать анализатор) > ЗАПРАВКА.  
Анализатор удаляет реагенты из линий реагентов.
2. Удалите деионизированную воду из линий реагентов следующим образом:
  - a. Извлеките трубку индикаторной бутылки и трубку буферной бутылки из стаканов.
  - b. Извлеките два стакана из анализатора.
  - c. Нажмите **меню (меню)**, затем выберите ДАТЧИКИ > [select analyzer] (выбрать анализатор) > ЗАПРАВКА.  
Анализатор удаляет всю жидкость из линий реагентов.
3. Отсоедините кабель анализатора от контроллера.
4. Поверните запорный клапан в закрытое положение, чтобы остановить подачу пробы в прямоточный фильтр.
5. Отсоедините трубку входа пробы (черную) и сливную (прозрачную) трубку от анализатора.
6. Извлеките внешний воздушный тормоз из анализатора.
7. Снимите зажим насоса. См. [Рисунок 7](#) на стр. 446.
8. Снимите обойму трубок и магнитную мешалку с анализатора. Храните обойму трубок для транспортировки вместе с анализатором. См. [Этап 3: Установка магнитной мешалки и обоймы трубок](#) на стр. 436.
9. Установите зажим насоса без обоймы трубок. Наклейте ленту на зажим для трубок, чтобы надежно закрепить зажим.
10. Удалите воду из кюветы с помощью одноразовой пипетки или безворсовой ткани.
11. Снимите анализатор со стены.
12. Поместите анализатор обратно в оригинальную упаковку.

## 7.7 Очистка прибора

### УВЕДОМЛЕНИЕ

Для очистки прибора, в том числе дисплея и принадлежностей, не допускается использование таких чистящих средств, как скипидар, ацетон и им подобных.

Внешние поверхности прибора можно очищать влажной тканью, смоченной слабым мыльным раствором.

## 7.8 Очистка пролитой жидкости

### ▲ ОСТОРОЖНО



Опасность вредного химического воздействия. Утилизируйте химические вещества и отходы в соответствии с местными, региональными и общегосударственными правилами и законами.

1. Следуйте заводским инструкциям по безопасному сбору разлитой жидкости.
2. Утилизируйте отходы согласно применимым нормативным требованиям.

## Раздел 8 Поиск и устранение неисправностей

### 8.1 Ошибки — красный индикатор

Чтобы отобразить ошибки, нажмите **меню (меню)** и выберите Диагностика > [выбрать анализатор] > Список ошибок. Список возможных ошибок показан в [Таблица 7](#). При возникновении ошибки индикатор состояния анализатора становится красным. Измерения прекращаются, экран измерений мигает, и все выходы удерживаются в соответствии с настройками в меню контроллера.

Таблица 7 Сообщения об ошибках

Ошибка	Описание	Решение
ОШИБК ДЕТЕКТОР	Детектор работает неправильно.	Свяжитесь со службой технической поддержки.
ГРЯЗН КЮВЕТА	Кювета испачкана или загрязнена. При очень низкой концентрации хлора в кювете может нарастать биопленка.	Очистите кювету. См. <a href="#">Очистка кюветы</a> на стр. 442.
ОШИБ КОДА	Произошла ошибка прошивки.	Свяжитесь со службой технической поддержки.
ОШИБКА LED	Подсветка в кювете работает неправильно.	Свяжитесь со службой технической поддержки.
ОШИБК НАСОС	Насос работает неправильно.	Свяжитесь со службой технической поддержки.
УТЕЧКА ПРОБЫ	В анализаторе обнаружена утечка пробы.	Свяжитесь со службой технической поддержки.

### 8.2 Предупреждения — желтый индикатор

Для отображения предупреждений нажмите **меню (меню)** и выберите Диагностика > [выбрать анализатор] > Список предуп.. Список возможных предупреждений показан в [Таблица 8](#). При появлении предупреждения индикатор состояния становится желтым. В нижней части дисплея контроллера мигает значок предупреждения и отображается сообщение. При наличии достаточного потока пробы предупреждение не влияет на работу меню. Предупреждение не влияет на работу реле и выходов.

Таблица 8 Предупреждающие сообщения

Предупреждение	Описание	Решение
ОБНАР ПУЗЫР	В кювете присутствуют пузырьки.	Очистите кювету. См. <a href="#">Очистка кюветы</a> на стр. 442. (Дополнительно) Включите функцию Удал. пузырей. См. <a href="#">Этап 10: Настройка анализатора</a> на стр. 440.
ОЧИСТ КЮВ СКОРО	Кювета загрязняется, поэтому ее необходимо очистить в ближайшее время во избежание ошибки.	Очистите кювету. См. <a href="#">Очистка кюветы</a> на стр. 442.
ВЫСОК ХЛОП	Концентрация хлора равна или превышает заданное значение СИГН ТРЕВОГ ВЫС СЛ.	Увеличьте значение параметра СИГН ТРЕВОГ ВЫС СЛ. См. <a href="#">Этап 10: Настройка анализатора</a> на стр. 440. Или Уменьшите концентрацию хлора в пробе, подаваемой на анализатор.



Таблица 8 Предупреждающие сообщения (продолжение)

Предупреждение	Описание	Решение
НИЗКИЙ ХЛОР	Концентрация хлора равна или ниже заданного значения для СИГН ТРЕВОГ НИЗ CL.	Уменьшите значение параметра СИГН ТРЕВОГ НИЗ CL. См. <a href="#">Этап 10: Настройка анализатора</a> на стр. 440.  Или Увеличьте концентрацию хлора в пробе, подаваемой на анализатор.
НИЗК РАСХ ПРОБЫ	Измеряемый поток пробы меньше минимального расхода пробы. См. <a href="#">Характеристики</a> на стр. 424.	Настройте расход пробы. См. <a href="#">Этап 8: Настройка расхода</a> на стр. 439.  При необходимости очистите прямооточный фильтр, чтобы устранить засор. См. <a href="#">Очистка экрана прямооточного фильтра</a> на стр. 444.
ВЫС РАСХ ПРОБЫ	Измеряемый поток пробы выше максимального расхода пробы. См. <a href="#">Характеристики</a> на стр. 424.	Настройте расход пробы. См. <a href="#">Этап 8: Настройка расхода</a> на стр. 439.

## Раздел 9 Запасные части и аксессуары

### ▲ ПРЕДУПРЕЖДЕНИЕ



Риск получения травмы. Использование несогласованных деталей может стать причиной травм, повреждения прибора или нарушения в работе оборудования. Запасные детали, описанные в данном разделе, одобрены производителем.

*Примечание: Номера изделия и товара могут меняться для некоторых регионов продаж. Свяжитесь с соответствующим дистрибьютором или см. контактную информацию на веб-сайте компании.*

### Расходные материалы

Описание	Количество	№ для заказа
Набор реагентов, свободный хлор, в состав набора входит: Бутылка с буферным раствором, индикаторная бутылка и бутылка DPD	1	2556900
Набор реагентов, общий хлор, в состав набора входит: Бутылка с буферным раствором, индикаторная бутылка и бутылка DPD	1	2557000
Комплект для очистки кювет, в состав набора входит: Серная кислота, 5,25 N, 100 мл, бутылка-капельница и ватные палочки (10 шт.)	1	8573100
Набор для проверки калибровки, включает в себя: шприц, трубки, фитинги трубок, устройство для вскрытия ампул, деионизированная вода и ампула со стандартным раствором хлора	1	8568200
Набор для пополнения калибровочной верификации, включает в себя: деионизированная вода и ампула со стандартным раствором хлора	1	8573200

## Запасные части

Описание	№ для заказа
Комплект трубок, в состав комплекта входит: Обойма трубок и магнитная мешалка	США: 8560400 ЕС: 8575000
Установочный комплект со стояком (10 фунтов на кв. дюйм или менее)	США: 8560500 ЕС: 8575100
Монтажный комплект со стояком (>10 фунтов на кв. дюйм)	8576001
Установочный комплект с регулятором давления	США: 8565700 ЕС: 8575200

## Принадлежности

Описание	№ для заказа
Удлинительный кабель для анализатора, 1 м	6122400
Удлинительный кабель для анализатора, 7,7 м	5796000
Удлинительный кабель для анализатора, 15 м	5796100
Адаптер для трубопроводов, с НД 6 мм на НД 1/4 дюйма	09184=A=4020

# İçindekiler

- |                               |   |
|-------------------------------|---|
| 1 Teknik özellikler sayfa 451 | 6 Kalibrasyon ve ayarlama sayfa 467       |
| 2 Genel bilgiler sayfa 452    | 7 Bakım sayfa 467                         |
| 3 Kurulum sayfa 455           | 8 Sorun giderme sayfa 473                 |
| 4 Yapılandırma sayfa 466      | 9 Yedek parçalar ve aksesuarlar sayfa 474 |
| 5 Çalıştırma sayfa 467        |   |

## Bölüm 1 Teknik özellikler

Teknik özellikler önceden bildirilmeksizin değiştirilebilir.

**Tablo 1 Genel özellikler**

Teknik Özellikler	Ayrıntılar
Boyutlar (G x Y x D)	32,9 x 34,2 x 17,7 cm (12,9 x 13,5 x 7,0 inç)
Muhafaza	Kapısı kapalı ve mandallı, IEC 60529'a göre IP66 <sup>1</sup>
Sevkiyat ağırlığı	Şişesiz 4,1 kg (9 lb); dolu şişelerle 5,1 kg (11,2 lb)
Montaj	Duvara montaj
Koruma sınıfı	III
Kirlilik derecesi	3
Elektriksel kurulum kategorisi	I (iç mekanda)
Güç gereksinimleri	12 VDC, 400 mA maksimum (Kontrol ünitesi tarafından sağlanır)
Çalışma sıcaklığı	5 ila 40°C (41 ila 104°F)
Çalışma nemi	%0 - %90 yoğuşmasız bağlı nem
Depolama sıcaklığı	-40 ila 60°C (-40 ila 140°F)
Bağlantı parçaları	Numune hattı: ¼ inç. Plastik hortum için OD hızlı bağlantı parçası Tahliye hatları: ½ inç için kaydırarak takılan bağlantı parçası. ID yumuşak plastik hortum
Gösterge ışıkları	Analizör durumu ve ölçüm döngüsü
Sertifikalar	EU DoC, UKCA DoC, FCC/ISED SDoC, ACMA DoC, KC, Morocco DoC
Garanti	1 yıl (AB: 2 yıl)

**Tablo 2 Numune gereklilikleri**

Teknik Özellikler	Ayrıntılar
Basınç	Y süzgecine 0,31 ila 5,17 bar (4,5 ila 75 psig) arasında sağlanır; analizöre 0,1 ila 0,34 bar (1,5 ila 5 psig) arasında sağlanır
Akış hızı	Cihaz içinden geçen 60 ila 200 mL/dk (analizör drenajında ölçülmüştür)
Sıcaklık	5 ila 40°C (41 ila 104°F)
Filtrasyon	40 veya daha fazla örgülü Y süzgeci

<sup>1</sup> Test gereksinimleri için tapalarla kapatılmış tahliye delikleri.

**Tablo 3 Ölçüm teknik özellikleri**

<b>Teknik Özellikler</b>	<b>Ayrıntılar</b>
Işık kaynağı	LED, 510 nm'de ölçüm; 1 cm ışık yolu uzunluğu
Ölçüm aralığı	Cl <sub>2</sub> olarak 0.03 - 10 mg/L serbest veya toplam klor
Ölçüm aralığı	150 saniye
Doğruluk	Cl <sub>2</sub> olarak 0 ila 5 mg/L arasında $\pm$ %5 veya $\pm$ 0,04 mg/L (daha büyük olan değer) Cl <sub>2</sub> olarak 5 ila 10 mg/L arasında $\pm$ %10
Hassasiyet	Cl <sub>2</sub> olarak $\pm$ %5 veya $\pm$ 0,01 mg/L (daha büyük olan değer)
Algılama sınırı	Cl <sub>2</sub> olarak 0.03 mg/L
Miktar tayini limiti	0.07 mg/l
Kalibrasyon	Fabrika kalibrasyonu İsteğe bağlı: Kalibrasyon Doğrulama Kiti'nde kalibrasyon standartları ile 2 noktalı kullanıcı kalibrasyonu
Reaktif kullanımı	31 günde 0,5 L tampon çözeltisi ve 0,5 L indikatör çözeltisi

## Bölüm 2 Genel bilgiler

Üretici, hiçbir koşulda ürünün yanlış kullanımından veya kılavuzdaki talimatlara uyulmamasından kaynaklanan hasarlardan sorumlu tutulamaz. Üretici, bu kılavuzda ve açıkladığı ürünlerde, önceden haber vermeden ya da herhangi bir zorunluluğa sahip olmadan değişiklik yapma hakkını saklı tutmaktadır. Güncellenmiş basımlara, üreticinin web sitesinden ulaşılabilir.

### 2.1 Güvenlik bilgileri

Üretici, doğrudan, arızı ve sonuç olarak ortaya çıkan zararlar dahil olacak ancak bunlarla sınırlı olmayacak şekilde bu ürünün hatalı uygulanması veya kullanılmasından kaynaklanan hiçbir zarardan sorumlu değildir ve yürürlükteki yasaların izin verdiği ölçüde bu tür zararları reddeder. Kritik uygulama risklerini tanımlamak ve olası bir cihaz arızasında prosesleri koruyabilmek için uygun mekanizmaların bulunmasını sağlamak yalnızca kullanıcının sorumluluğundadır.

Bu cihazı paketinden çıkarmadan, kurmadan veya çalıştırmadan önce lütfen bu kılavuzun tümünü okuyun. Tehlikeler ve uyarılarla ilgili tüm ifadeleri dikkate alın. Aksi halde, kullanıcının ciddi şekilde yaralanması ya da ekipmanın hasar görmesi söz konusu olabilir.

Bu ekipman tarafından sağlanan korumanın bozulmadığından emin olun. Bu donanımı, bu kılavuzda belirtilenden başka bir şekilde kullanmayın ya da takmayın.

#### 2.1.1 Tehlikeyle ilgili bilgilerin kullanılması

#### **▲ TEHLİKE**

Kaçınılmadığı takdirde ölüm veya ciddi yaralanmaya yol açan potansiyel veya tehdit oluşturacak tehlikeli bir durumu belirtir.

#### **▲ UYARI**

Kaçınılmadığı takdirde ölüm veya ciddi yaralanmaya yol açabilecek potansiyel veya tehdit oluşturabilecek tehlikeli bir durumu belirtir.

#### **▲ DİKKAT**

Küçük veya orta derecede yaralanmalarla sonuçlanabilecek potansiyel bir tehlikeli durumu gösterir.

#### **BİLGİ**

Engellenmediği takdirde cihazda hasara neden olabilecek bir durumu belirtir. Özel olarak vurgulanması gereken bilgiler.

## 2.1.2 Önlem etiketleri

Cihazın üzerindeki tüm etiketleri okuyun. Talimatlara uyulmadığı takdirde yaralanma ya da cihazda hasar meydana gelebilir. Cihaz üzerindeki bir sembol, kılavuzda bir önlem ibaresiyle belirtilir.



Bu sembolü taşıyan elektrikli cihazlar, Avrupa evsel ya da kamu atık toplama sistemlerine atılamaz. Eski veya kullanım ömrünü doldurmuş cihazları, kullanıcı tarafından ücret ödenmesine gerek olmadan atılması için üreticiye iade edin.

## 2.1.3 Elektromanyetik uyumluluk (EMC) uyumluluğu

### ▲ DİKKAT

Bu ekipman, mesken ortamlarda kullanım için tasarlanmamıştır ve bu tür ortamlarda radyo sinyaline karşı yeterli koruma sağlamayabilir.

### CE (EU)

Ekipman, 2014/30/EU sayılı EMC Direktifinin temel gerekliliklerini karşılamaktadır.

### UKCA (UK)

Ekipman, Elektromanyetik Uyumluluk Yönetmelikleri 2016 (S.I. 2016/1091) gerekliliklerini karşılamaktadır.

### Kanada Radyo Girişimine Neden Olan Cihaz Yönetmeliği, ICES-003, A Sınıfı:

Destekleyen test kayıtları, üreticide bulunmaktadır.

Bu A Sınıfı dijital cihaz, Kanada Parazite Neden Olan Cihaz Yönetmeliğinin tüm şartlarını karşılamaktadır.

Cet appareil numérique de classe A répond à toutes les exigences de la réglementation canadienne sur les équipements provoquant des interférences.

### FCC PART 15, "A" Sınıfı Limitleri

Destekleyen test kayıtları, üreticide bulunmaktadır. Bu cihaz, FCC Kurallarının 15. bölümüne uygundur. Çalıştırma için aşağıdaki koşullar geçerlidir:

1. Cihaz, zararlı girişime neden olmaz.
2. Bu cihaz, istenmeyen işleyişe yol açabilecek parazit de dahil olmak üzere, alınan her türlü paraziti kabul edecektir.

Bu cihaz üzerinde, uyumluluktan sorumlu tarafın açıkça onaylamadığı her türlü değişiklik, kullanıcının cihazı çalıştırma yetkisini geçersiz kılacaktır. Bu cihaz, test edilmiş ve FCC kuralları, Bölüm 15 uyarınca A Sınıfı bir dijital cihaz limitlerini karşıladığı tespit edilmiştir. Bu limitler, ekipmanın bir işyeri ortamında çalıştırılması durumunda zararlı parazitlere karşı uygun koruma sağlayacak şekilde tasarlanmıştır. Bu cihaz, telsiz frekansı enerjisi üretir, kullanır ve yayabilir ve kullanım kılavuzuna uygun olarak kurulmazsa ve kullanılmazsa telsiz iletişimlerine zararlı parazitlere neden olabilir. Bu cihazın bir konut alanında kullanılması zararlı parazitlere neden olabilir. Böyle bir durumda kullanıcının masrafları kendisine ait olmak üzere bu parazitleri düzeltmesi gerekecektir. Parazit sorunlarını azaltmak için aşağıdaki teknikler kullanılabilir:

1. Parazitin kaynağı olup olmadığını öğrenmek için bu ekipmanın güç kaynağı bağlantısını kesin.
2. Eğer cihaz, parazit sorunu yaşayan cihazla aynı prize bağlıysa, cihazı farklı bir prize takın.
3. Cihazı parazit alan cihazdan uzaklaştırın.
4. Cihazın parazite neden olduğu cihazın alıcı antenini başka bir yere taşıyın.
5. Yukarıda sıralanan önlemleri birlikte uygulamayı deneyin.

## 2.2 Ürüne genel bakış

### ⚠ TEHLİKE



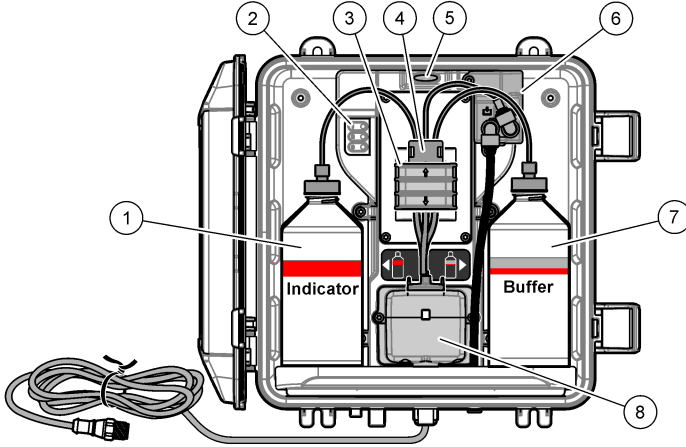
Kimyasal veya biyolojik tehlikeler. Bu cihaz, kamu sağlığı, kamu güvenliği, yiyecek ve içecek üretimi veya işlemesi ile ilgili yasal sınırlamaların ve takip gereksinimlerinin söz konusu olduğu bir arıtma işlemi ve/veya diyaliz besleme suyunu izlemek için kullanılıyorsa yürürlükteki tüm yönetmelikler hakkında bilgi sahibi olmak ve bunlara uymak ve cihazın arızalanması durumunda yürürlükteki yönetmeliklere uyum için ilgili alanda yeterli ve uygun mekanizmaların bulunmasını sağlamak bu cihazın kullanıcısının sorumluluğundadır.

CL17sc analizörü, 150 saniyelik aralıklarla 0,03 ile 10 mg/l aralığında sudaki toplam klor konsantrasyonunu ölçer. Buna ek olarak **Şekil 1**, analizöre genel bir bakış sağlar.

Güç, çalışma, veri toplama, veri aktarımı ve arıza tespiti için analizörü SC Kontrol Ünitesine bağlayın. Kontrol ünitesine genel bakış için SC Kontrol Ünitesi kılavuzuna başvurun.

**Not:** Kontrol ünitesinde birden fazla hızlı bağlantı parçası varsa SC Kontrol Ünitesine birden fazla analizör bağlanabilir.

**Şekil 1 CL17sc**



1 İndikatör şişesi	5 Analizör durum ışığı (Tablo 5 sayfa 455)
2 Ölçüm döngüsü ışıkları (Tablo 4 sayfa 455)	6 Akış ölçer
3 Pompa penci	7 Tampon şişesi
4 Hortum klipsi	8 Kolorimetrik hücre

### 2.2.1 Akış ölçer

Analizörde, analizörden geçen numune akışını ölçen bir akış ölçer bulunur. Bkz. **Şekil 1** sayfa 454.

Numune analizörden yalnızca analizör hücreyi yıkadığında geçer. Diğer zamanlarda, numune akışı olmaz ve gösterilen akış hızı sıfırdır. Akış hızını görüntülemek için kontrol ünitesindeki **RIGHT (SAĞ)** ok tuşuna basın.

## 2.2.2 Ölçüm döngüsü ışıkları

Ölçüm döngüsü ışıkları, gerçekleştirilen ölçüm döngüsü adımını gösterir. Bkz. [Tablo 4](#).

**Tablo 4 Ölçüm döngüsü ışıkları**

İşıklar açık			
Açıklama	Hücre suyla yıkanır.	Tampon çözeltisi ve indikatör çözeltisi hücreye eklenir.	Numune ölçülür.

## 2.2.3 Analizör durum ışığı

Bir uyarı durumunda analizör durum ışığı yeşilden sarıya, hata durumunda ise yeşilden kırmızıya döner. Bkz. [Tablo 5](#).

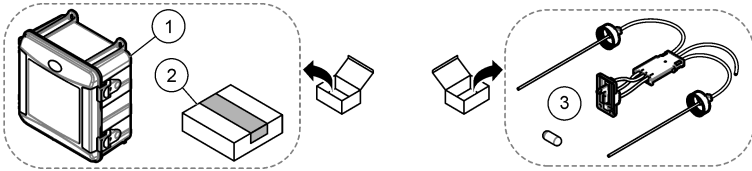
**Tablo 5 Analizör durum ışığı**

Renk	Açıklama
Yeşil	Normal çalışma
Sarı	İleride hata oluşmasını engellemek için sistemin incelenmesi gerekir. Ölçümler devam eder. Uyarıları göstermek için <b>menu (menü)</b> düğmesine basın ve DİYAGNOZLAR > [sensörü seçin] > UYARI LİSTESİ öğesini seçin. Bkz. <a href="#">Uyarılar - Sarı ışık</a> sayfa 474.
Kırmızı	Sistemin hemen incelenmesi gerekir. Ölçümler devam etmez. Hataları göstermek için <b>menu (menü)</b> düğmesine basın ve DİYAGNOZLAR > [sensörü seçin] > HATA LİSTESİ öğesini seçin. Bkz. <a href="#">Hatalar - Kırmızı ışık</a> sayfa 473.

## 2.3 Ürün bileşenleri

Bütün bileşenlerin teslim alındığından emin olun. Bkz. [Şekil 2](#). Eksik veya hasarlı bir öğe varsa derhal üretici ya da satış temsilcisiyle iletişime geçin.

**Şekil 2 Ürün bileşenleri**



1 CL17sc analizörü	3 Hortum Kiti (hortum tertibatı ve karıştırma çubuğu)
2 Montaj seti	

## Bölüm 3 Kurulum

### ⚠ DİKKAT



Birden fazla tehlike. Belgenin bu bölümünde açıklanan görevleri yalnızca yetkili personel gerçekleştirmelidir.

### 3.1 Kurulum yönergeleri

- Analizör, analizöre giden su basıncını kontrol etmek için bir denge borusu kurulum kiti veya bir basınç regülatörü kurulum kiti ile birlikte verilir. Kullanıcı, satın alma sırasında kurulum kitini seçer.

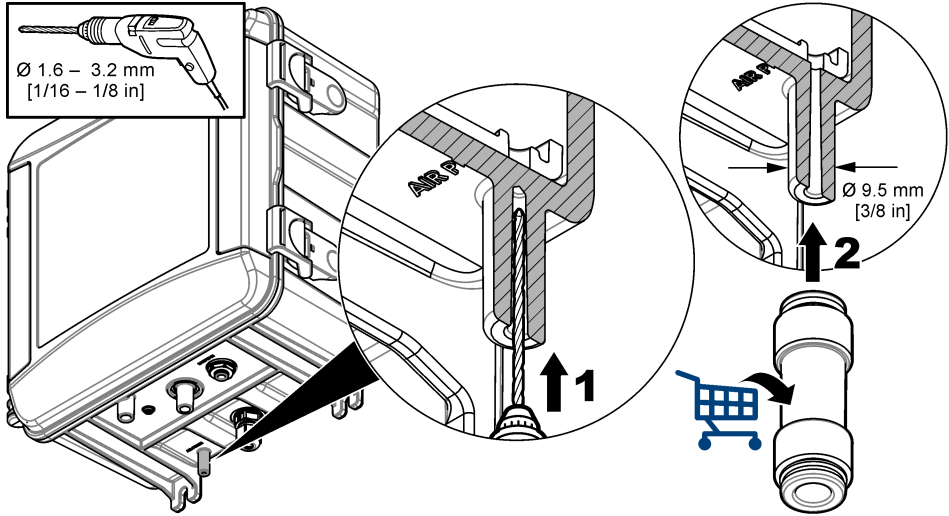
- Analizörü minimum titreşim olan bir iç mekanda kurun. [Teknik özellikler](#) sayfa 451 bölümündeki çalışma sıcaklığı ve nem spesifikasyonlarına bakın.
- Analizörü doğrudan güneş ışığı alan bir yerde ya da bir ısı kaynağının yakınında kurmayın.
- Standpipe kurulumları için, analizörü standpipe montajı için analizörün üzerinde yeterli boş alan olan bir yere kurun.
- Analizörü açık tahliyeye yakın bir yere kurun. İmha etme için yerel düzenleyici kuruluş talimatlarına başvurun.

### 3.2 Adım 1: Hava ile temizleme (isteğe bağlı)

Analizör yüksek nem ve/veya duman içeren ve korozyona neden olan bir yere kuruluysa hava temizleme işlemi gerekebilir. Hava temizleme işlemi, kuru ve temiz havayla cihazdaki pozitif basıncı tutar.

Maksimum 20 psig basınçta 0,003 m<sup>3</sup>/dakika (0,1 ft<sup>3</sup>/dakika) oranında temiz, ve kuru ve hava sağlayın.

Aşağıda gösterilen resimli adımlara bakın. 3/8 inçlik hızlı bağlantı elemanı ve hortum kullanıcı tarafından sağlanır.



### 3.3 Adım 2: Analizörü monte edin ve bağlayın

#### ⚠ DİKKAT



Yalnızca Hach Company tarafından belirtilen hortumlar cihazla kullanılabilir. Diğer hortumlar numune suyundaki kloru emebilir ve klor değerleri üzerinde olumsuz bir etkisi olabilir (Klor değerlerini azaltabilir).

#### BİLGİ

Analizörün yanlış tesisatı, aşırı numune basıncı nedeniyle hasara neden olabilir. Analizörü monte etmek ve tesisata bağlamak için her zaman aşağıdaki talimatlara uyun.

1. Analizörü (öge 9) dört vidayla duvara monte edin. Analizörün hizalı olduğundan emin olun.  
**Not:** Montaj donanımını kullanıcı temin eder.
2. SC Kontrol Ünitesini (öge 7) bir duvara, panele veya boruya monte edin. Talimatlar için SC Kontrol Ünitesi belgelerine bakın.
3. Y süzgecini monte edin. Ambalaj listesindeki talimatlara başvurun.



4. Y süzgeci tertibatını monte etmek için 1 inçlik kanal kelepçesini kullanın ( [Şekil 3](#), [Şekil 4](#) veya [Şekil 5](#) adreslerindeki 5. madde).
5. Harici hava kesiciyi analizöre takın ( [Şekil 3](#), [Şekil 4](#) veya [Şekil 5](#) adresindeki 2. madde). Ambalaj listesindeki talimatlara başvurun.
6. 7 veya 8 numaralı adımı uygulayın.

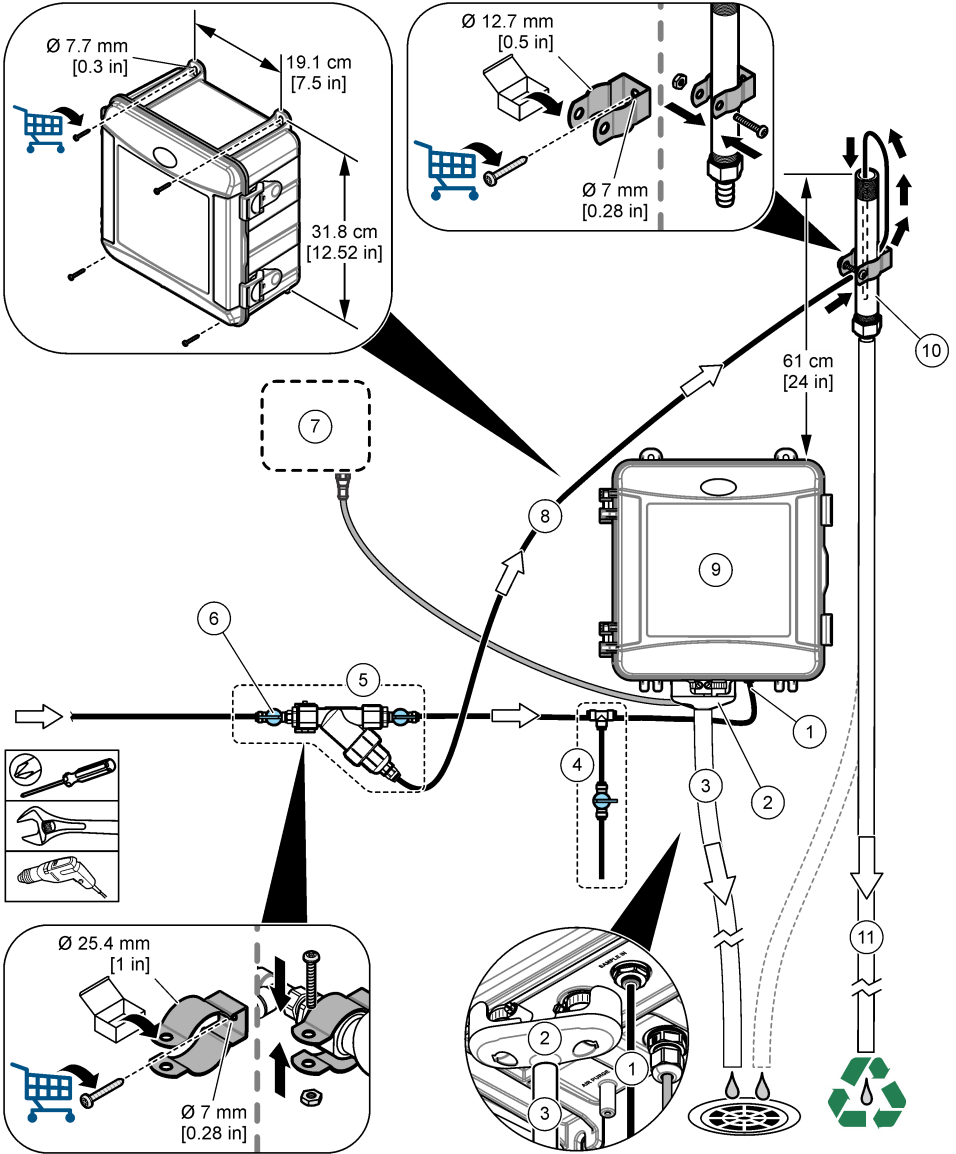
Analizör, giriş suyu basıncını kontrol etmek için bir standpipe kurulum kiti veya bir basınç regülatörü kurulum kiti ile birlikte verilir. Kullanıcı, satın alma sırasında kurulum kitini seçer. Bir standpipe kiti 10 psi veya daha az, veya 10 psi'den fazla giriş suyu basıncı ile kullanılabilir. Giriş suyu basıncını Y-süzgeç tertibatından hemen önce ölçün.
7. Denge borusu kurulum kiti satın alma sırasında seçilmişse denge borusunu şu şekilde takın:
  - a. Denge borusunu monte edin. Ambalaj listesindeki talimatlara başvurun.
  - b. Standpipe tertibatını analizörün üst kısmına monte etmek için daha küçük kanal kelepçesini kullanın:
    - 10 psi veya daha az - Standpipe tertibatını analizörün üst kısmından en az 61 cm (24 inç) yukarıya monte edin.
    - 10 psi'den fazla - Standpipe tertibatını analizörün üst kısmından en az 91,4 cm (36 inç) yukarıya monte edin.
  - c. 10 psi veya daha az-Siyah hortumla, numune baypas hortumunu takın ( [Şekil 3](#) adresindeki 8. öge). Hortumları denge borusunun arkasına ve daha sonra içine itin. Hortumu, denge borusunun 10 - 13 cm (4 - 5 inç) üstüne yerleştirin.
  - d. 10 ps'den fazla - Siyah boru ile Y-süzgeci çıkışını standpipe girişine bağlayın ( [Şekil 4](#) adresinde 8. madde).
  - e. Numune tahliye hortumundan (öge 3) bir parça hortum kesin. Boruyu açık bir gidere bağlamak için hortumu kullanın (madde 11). Bkz. [Tahliye hattı yönergeleri](#) sayfa 461.
8. Satın alma sırasında basınç regülatörü kurulum kiti seçilmişse basınç regülatörünü ( [Şekil 5](#) bölümündeki öge 10) takın.
9. Siyah hortumla Y süzgeci girişini (öge 5) numune kaynağına bağlayın.

Bkz. [Numune hattı yönergeleri](#) sayfa 461 ve [Numune gereklilikleri](#) sayfa 461.
10. Siyah hortumla numuneyi numune giriş bağlantısına (öge 1) aşağıdaki gibi bağlayın:

Hortumu maksimum 2,5 m (8 ft) uzunlukta olmak üzere mümkün olduğunca kısa tutun.

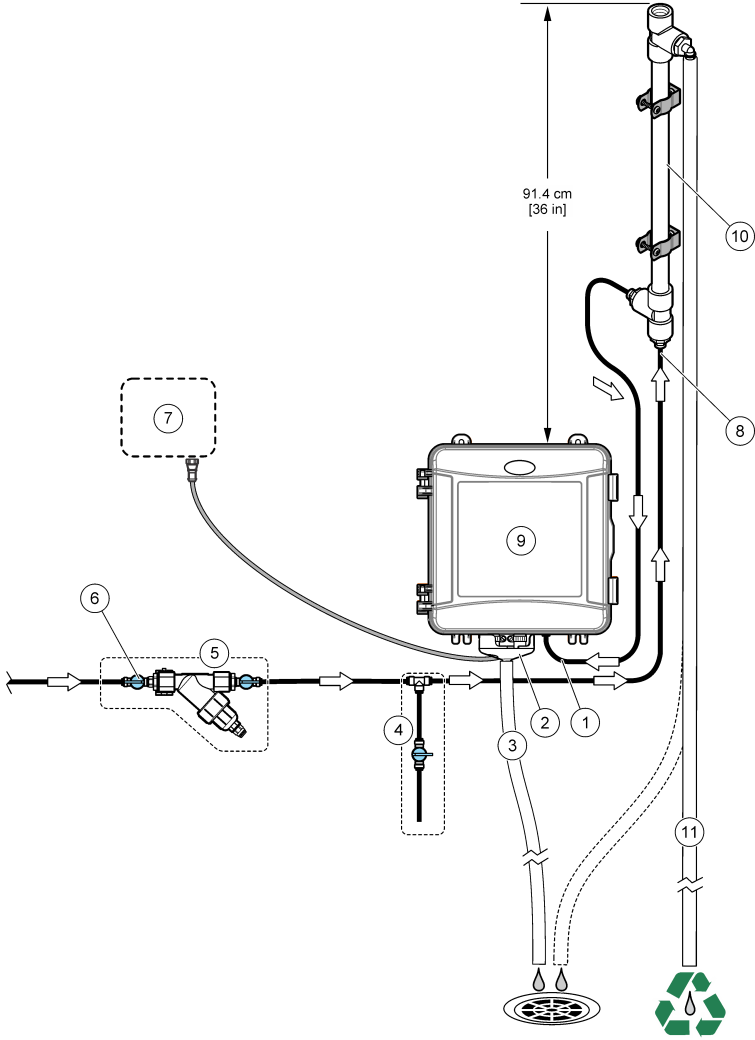
  - 10 psi veya daha az - Y-süzgeci çıkışını analizörün altındaki numune giriş bağlantısına (öge 1) bağlayın. Bkz. [Şekil 3](#).
  - 10 ps'den fazla - Standpipe'in çıkışını analizörün altındaki numune giriş bağlantısına (öge 1) bağlayın. Bkz. [Şekil 4](#).
  - Basınç regülatörü-Basınç regülatörünün çıkışını analiz cihazının altındaki numune giriş bağlantısına (öge 1) bağlayın. Bkz. [Şekil 5](#).
11. Basınç regülatörü takılıysa numune baypas hortumunu ( [Şekil 5](#) bölümündeki öge 8) takın.
12. Birleştirin ve kepçe numunesi tertibatını (öge 4).
13. Kapma numunesi tertibatının tee bağlantı parçasını şakülleyin. Uygun olduğu şekilde [Şekil 3](#), [Şekil 4](#) veya [Şekil 5](#) adreslerine bakın.
14. Numune tahliye hortumunu (öge 3) açık bir tahliyeye bağlayın. Bkz. [Tahliye hattı yönergeleri](#) sayfa 461.

Şekil 3 Standpipe ile kurulum (10 psi veya daha az)



1 Numune girişi bağlantı parçası	7 SC Kontrol Ünitesi
2 Harici hava freni	8 Numune baypas hortumu
3 Numune tahliye borusu	9 Analizör
4 Numune alma tertibatı	10 Denge borusu
5 Y süzgeci tertibatı	11 Denge borusu tahliye hortumu
6 Y süzgeci girişinde kapatma valfi	

Şekil 4 Standpipe ile kurulum (10 psi'den fazla)



1 Numune girişi bağlantı parçası	7 SC Kontrol Ünitesi
2 Harici hava freni	8 Standpipe girişi
3 Numune tahliye borusu	9 Analizörü
4 Numune alma tertibatı	10 Denge borusu
5 Y süzgeci tertibatı	11 Denge borusu tahliye hortumu
6 Y süzgeci girişinde kapatma valfi	



### 3.3.1 Numune hattı yönergeleri

En iyi cihaz performansı için temsil etme özelliğine sahip iyi bir numuneleme noktası seçin. Numune, tüm sistemi temsil etme özelliğine sahip olmalıdır.

Değişken değerleri önlemek için:

- Proses akışına kimyasal ekleme noktalarından yeterince uzak yerlerden numune alın.
- Numunenin yeteri kadar karışmış olduğundan emin olun.
- Kimyasal tepkimelerin tümünün tamamlandığından emin olun.
- Analizörü, numune kaynağına mümkün olduğu kadar yakın bir konumda [maksimum 4,6 m (15 ft)] kurun.

### 3.3.2 Numune gereklilikleri

Numune kaynaklarından alınan su, [Teknik özellikler](#) sayfa 451 belgesinde belirtilen teknik özelliklere uygun olmalıdır.

En iyi performansı elde etmek için akış hızını ve çalışma sıcaklığını mümkün olduğunca sabit tutun.

### 3.3.3 Tahliye hattı yönergeleri

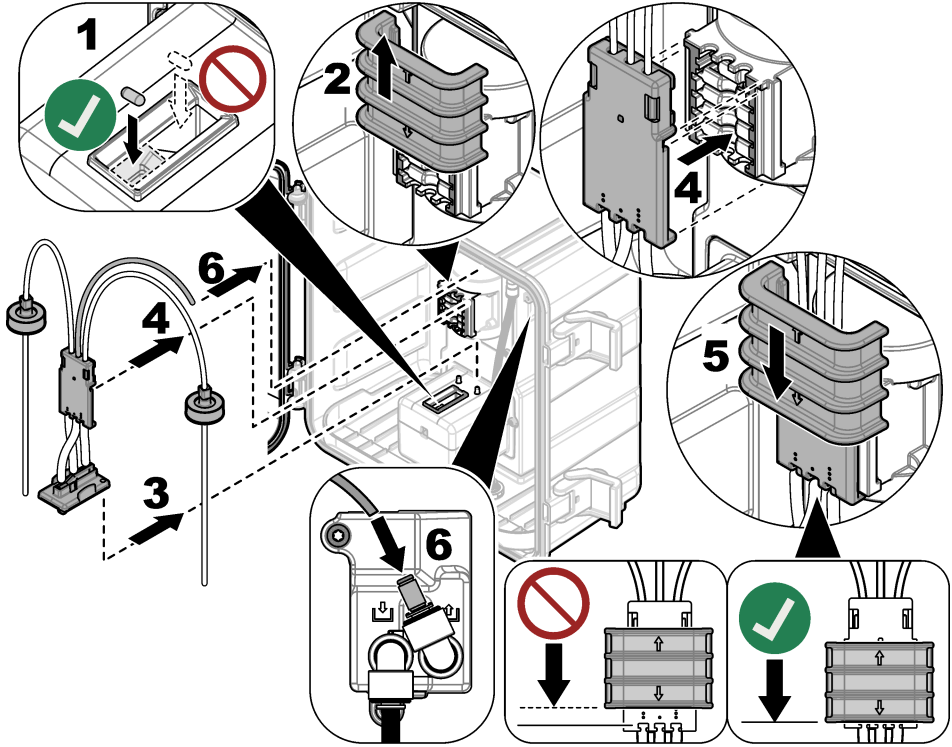
## B İ L G İ

Tahliye hatlarının yanlış kurulması, sıvının cihaza geri dönüp hasar vermesine neden olabilir.

- Harici hava frenini taktığınızdan emin olun. [Şekil 3](#) sayfa 458, [Şekil 4](#) sayfa 459 veya [Şekil 5](#) sayfa 460 adreslerindeki 2. maddeye bakınız.
- Tahliye hatlarını olabildiğince kısa tutun.
- Tahliye hatlarının sürekli olarak aşağı eğimli olmasını sağlayın.
- Tahliye hatlarında keskin bükümler ve sıkışma olmadığından emin olun.

### 3.4 Adım 3: Karıştırma çubuğunu ve hortum tertibatını takın

Aşağıda gösterilen resimli adımları uygulayın.



### 3.5 Adım 4: Reaktif şişelerini takın

#### ⚠ DİKKAT



Kimyasal maddelere maruz kalma tehlikesi. Laboratuvar güvenlik talimatlarına uyun ve kullanılan kimyasallara uygun tüm kişisel koruma ekipmanlarını kullanın. Güvenlik protokolleri için mevcut güvenlik veri sayfalarına (MSDS/SDS) başvurun.

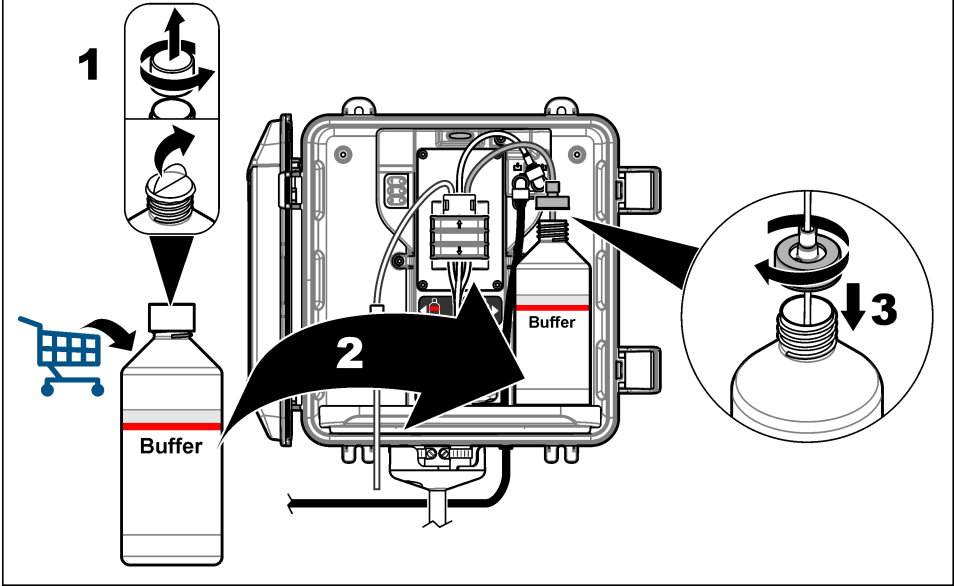
#### Gereken araç ve gereçler:

- Kişisel koruyucu ekipman (bkz. MSDS/SDS)
- İndikatör şişesi
- Tampon şişesi
- DPD bileşen şişesi

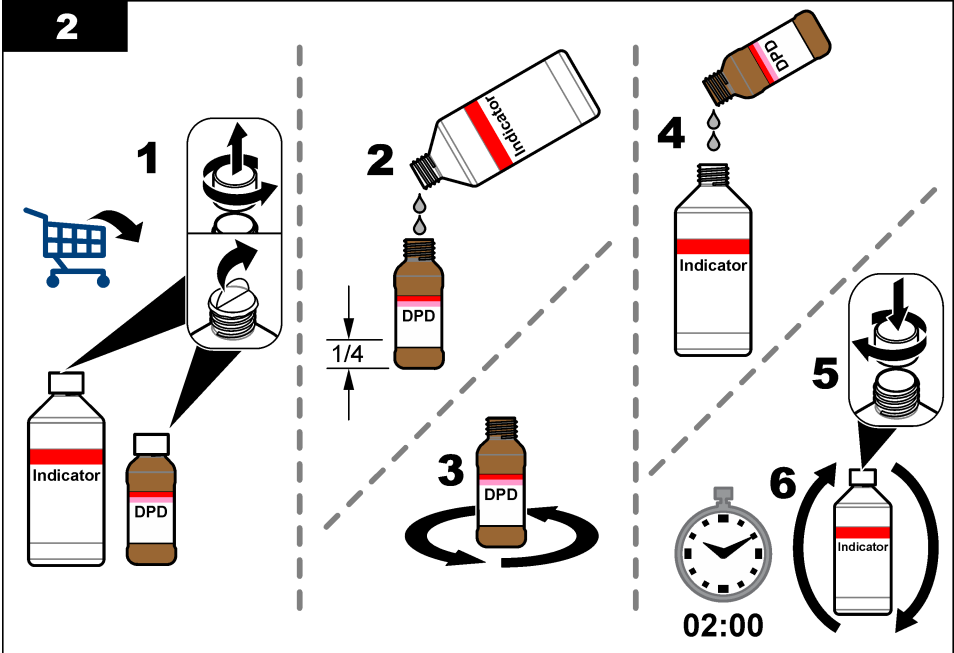
1. Güvenlik veri sayfalarında (MSDS/SDS) belirtilen kişisel koruyucu ekipmanı giyin.
2. Tampon şişesini sağ tarafa, indikatör şişesini de sol tarafa takın. Aşağıda gösterilen resimli adımlara bakın.

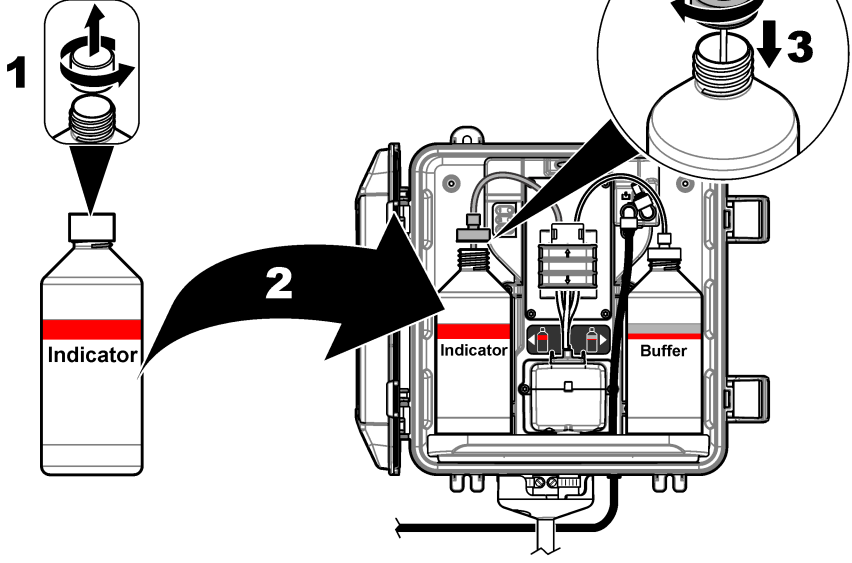
**Not:** (İsteğe bağlı) Analizörün üst kısmını raf olarak kullanın.

1



2



**3**

### 3.6 Adım 5: Numune akışını açık olarak ayarlayın

1. Kapatma valflerini yavaşça  $\frac{1}{4}$  tur döndürerek açık konumuna getirin.
2. Tesizat bağlantılarında sızıntı olmadığından emin olun. Sızıntı varsa hortumu bağlantı parçasının içine doğru itin veya bağlantıyı bir anahtarla sıkılaştırın.
3. Denge borusu kurulumları için aşağıdaki adımları uygulayın:
  - a. Y süzgeci çıkışındaki kapatma valfini tamamen açın.
  - b. Y-süzgeci girişindeki kapatma vanasını (Şekil 3 sayfa 458 veya Şekil 4 sayfa 459 adresindeki 6. öge) standpipe tahliye borusundan küçük bir su akışı gelene kadar çevirin.
4. Basınç regülatörü kurulumları için aşağıdaki adımları uygulayın:
  - a. Y süzgeci girişindeki ve çıkışındaki kapatma valflerini tamamen açın.
  - b. Y süzgeci baypas hortumundan az miktarda su çıkana kadar Y süzgeci baypasındaki (Şekil 5 sayfa 460 bölümündeki öge 6) kapatma valfini döndürün.

### 3.7 Adım 6: Elektriksel kurulum

#### 3.7.1 Analizörün kontrol ünitesine bağlanması

#### ⚠ UYARI



Elektrik çarpması tehlikesi. Harici olarak takılı aygıtların uygun ülke güvenliği standart değerlendirmesi bulunmalıdır.

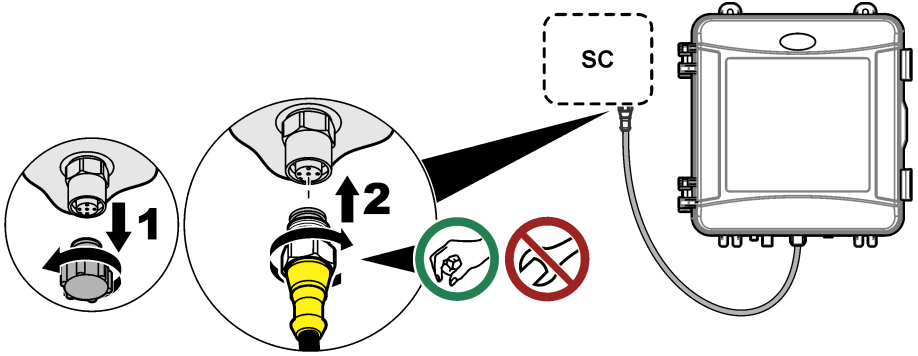
Analizör kablosunu SC kontrol ünitesinin hızlı bağlantı parçasına takın. Bkz. Şekil 6.

Kablonun sökülmesi gereken durumlar için konektör açıklığını kapatmak amacıyla kullanılmak üzere konektör kapağını saklayın.

**Not:** Uzatma kabloları mevcuttur. Bkz. **Yedek parçalar ve aksesuarlar** sayfa 474. Maksimum kablo uzunluğu: 15 m (49 ft).



## Şekil 6 Kablonun bir hızlı bağlantı parçasına takılması



### 3.7.2 Kontrol ünitesinin güce bağlanması

Kontrol ünitesini, kanal içerisinde sert kablolama ile ya da bir elektrik kablosuna kablo çekerek hat güç beslemesine bağlayın. Talimatlar için kontrol ünitesi belgelerine bakın.

### 3.7.3 Harici cihazların kontrol ünitesine bağlanması

Kontrol ünitesi rölelerini, analog çıkışları ve dijital girişleri gereken şekilde harici cihazlara bağlayın. Talimatlar için kontrol ünitesi belgelerine bakın.

## 3.8 Adım 7: Analizörü ayarlayın ve hazırlayın

1. **Menu (menü)** düğmesine basın, ardından SENSÖR KUR > [sensörü seçin] > HAZIRLAYIN ögesini seçin.
2. Kontrol ünitesi, analizörün bağlı olduğunu algılamazsa aşağıdaki adımları uygulayın:
  - a. **Menu (menü)** düğmesine basın, ardından TEST/BAKIM > SENSÖR ARAŞTIR ögesini seçin.
  - b. Sensör bulunup kurulduğunda 1 numaralı adımı tekrarlayın.

## 3.9 Adım 8: Akış hızını ayarlayın

Analizörde, analizörden geçen numune akışını ölçen bir akış ölçer bulunur. Bkz. [Şekil 1](#) sayfa 454.

1. Ekranda akış hızını görüntülemek için kontrol ünitesindeki **SAĞ** ok tuşuna basın. Numune analizörden yalnızca analizör hücreyi yıkadığında geçer. Diğer zamanlarda, numune akışı olmaz ve gösterilen akış hızı sıfırdır. Ölçüm döngüsü adımlarının açıklamaları için bkz. [Tablo 4](#) sayfa 455.  
**Not:** Akış hızını manuel olarak analizör yardımıyla ölçmek için analizör hücreyi suyla doldurduğunda analizör drenajındaki akış hızını ölçün.
2. Denge borusu kurulumlarında analizör hücreyi suyla doldurduğunda Y süzgeci çıkışındaki kapatma valfini çevirerek akış hızını 60 ve 200 mL/dk olarak ayarlayın.
3. Basınç regülatörü kurulumlarında analizör hücreyi suyla doldurduğunda basınç regülatörünü çevirerek akış hızını 60 ve 200 mL/dk olarak ayarlayın.

## 3.10 Adım 9: En son yazılımı yükleyin

SC Kontrol Ünitesinde en son yazılımın yüklü olduğundan emin olun. SC Kontrol Ünitesine en son yazılımı yüklemek için bir SD kart kullanın.

1. Uygun SC Kontrol Ünitesi için ürün sayfasına gidin: <http://hach.com>.
2. "Kaynaklar" sekmesine tıklayın.
3. Ekranı kaydırarak "Yazılım/Bellenim bölümünü bulun.

4. SC Kontrol Ünitesi yazılımını indirmek için bağlantıya tıklayın.
5. Dosyaları bir SD karta kaydedin.
6. Dosyaları SC Kontrol Ünitesine yükleyin. Yazılım dosyalarıyla birlikte verilen yazılım yükleme talimatlarına başvurun.

## Bölüm 4 Yapılandırma

### 4.1 Adım 10: Analizörü konfigüre edin

Analizörün adını, sinyal ortalamasını, ölçülen klor türünü, kabarcık reddi ve klor alarmı ayar noktalarını ayarlayın.

1. **Menu (menü)** düğmesine basın, ardından **SENSÖR KUR > [sensörü seçin] > KONFIGÜRE ET** öğesini seçin.
2. Her seçeneği belirleyerek yapılandırın.

Seçenek	Açıklama
<b>İSİM DÜZENLE</b>	Analizörün adını ayarlar. Kontrol ünitesi ekranında ve günlük dosyalarında görülecek analizör adını seçin.
<b>SİNYAL ORT.</b>	Ekranada gösterilen ortalama ölçümü hesaplamak için kullanılan ölçüm sayısını ayarlar. Seçenekler: 1 (varsayılan), 2, 3 veya DÜZENSİZ DEĞER. SİNYAL ORT. 1 olarak ayarlandığında sinyal ortalaması devre dışı bırakılır. SİNYAL ORT. 2 veya 3 olarak ayarlandığında, ekranada ortalama bir değer görüntülenir. Örneğin SİNYAL ORT. 2 olarak ayarlandığında ekrandaki ölçüm, en son ve bir önceki ölçümün ikiye bölünmesiyle elde edilir. SİNYAL ORT., DÜZENSİZ DEĞER, analizör son okumalardan çok daha yüksek veya daha düşük bir değeri reddeder. Bir değer reddedildiğinde, en son iyi okuma değeri ekranada gösterilir ve veri günlüğüne kaydedilir. Art arda üçten fazla okuma değeri reddedilmez. Sinyal ortalaması, numunedeki kabarcıklardan ve/veya daha büyük partiküllerden kaynaklanan yanlış okuma dalgalanmalarını düzeltir.
<b>ÖLÇÜM</b>	Ölçülen klor tipini ayarlar. Tampon ve indikatör şişelerinin etiketlerinde "Free Chlorine (Serbest Klor)" ifadesi varsa SERBEST KLOR (varsayılan) öğesini seçin. Tampon ve indikatör şişelerinin etiketlerinde "Total Chlorine (Toplam Klor)" ifadesi varsa TOPLAM KLOR öğesini seçin.
<b>KABARCIK RED</b>	Kabarcık reddi ayarını açık veya kapalı (varsayılan) konuma getirir. Numunedeki kabarcıklardan kaynaklanan paraziti azaltmak için KABARCIK RED seçeneğini AÇIK olarak ayarlayın. Numunedeki hava kabarcıkları, okumaların sabit olmamasına neden olabilir.
<b>YÜKS. CL ALARMLARI</b>	YÜKSEK KLOR alarmı için klor konsantrasyonu ayar noktasını 0,00 ile 10,00 mg/l aralığında (varsayılan: 4,00 mg/l) ayarlar.
<b>DÜŞÜK CL ALARMLARI</b>	DÜŞÜK KLOR alarmı için klor konsantrasyonu ayar noktasını 0,00 ile 10,00 mg/l aralığında (varsayılan: 0,20 mg/l) ayarlar.
<b>SENSÖR BİLGİLERİ</b>	Analizörün seri numarasını, yazılım sürümünü, önyükleme sürümünü ve sürücü sürümünü gösterir.
<b>VARSAYILAN AYARLAR</b>	Yapılandırma ayarlarını fabrika varsayılan değerlerine geri döndürmek için EVET öğesini seçin.
<b>SERVİS</b>	Yalnızca servis kullanımı içindir

### 4.2 Sistem yapılandırması

Sistem yapılandırması, genel kontrol ünitesi ayarları, çıkış ve iletişim ayarları için kontrolör belgesine bakın.

## 4.3 Kullanıcı navigasyonu

Tuş takımı açıklaması ve navigasyon bilgileri için kontrol ünitesi belgelerine bakın.

Ana ekranda daha fazla bilgi ve grafik ekranını görüntülemek için kontrol ünitesindeki **RIGHT (SAĞ)** ok tuşuna birkaç kez basın.

## Bölüm 5 Çalıştırma

### 5.1 Veri, olay ve servis günlükleri

Kontrol ünitesi her bağlı cihaz için bir veri günlüğü, olay günlüğü ve servis günlüğüne erişim sunar. Analizör ölçümleri, 150 saniyelik aralıklarla otomatik olarak veri günlüğüne kaydedilir. Olay günlüğü meydana gelen olayları gösterir. Analizör sürekli olarak çalıştığında olay ve veri günlükleri yaklaşık 2 haftalık veri tutar. Analizör sürekli olarak çalıştığında servis günlüğü yaklaşık 24 saatlik veri tutar.

Veri günlüğünü, olay günlüğünü ve/veya servis günlüğünü indirmek için kontrol ünitesi belgelerine bakın. Veri günlüğü, CSV veya Excel formatında kaydedilebilen bir XML dosyasıdır. Olay günlüğü ve servis günlüğü, CSV formatında dosyalardır.

### 5.2 NUMUNEYİ ALIN ölçümü yapın

Gerektiğinde ölçüm için hücreye bilinen klor konsantrasyonuna sahip bir su numunesi eklemek üzere NUMUNEYİ ALIN menüsünü kullanın. Doğrulama veya başka bir konumdan alınan su numunesini ölçme işlemi için bir anlık numune ölçün.

1. **Menu (menü)** düğmesine basın, ardından SENSÖR KUR > [analizör seç] > NUMUNEYİ ALIN öğesini seçin.
2. Ekranda gösterilen adımları tamamlayın. İstendiğinde hücre kapağını çıkarın ve hücreye 100 mL anlık numune ekleyin. Numunenin bir kısmı, numune tahliyesine akacaktır.

### 5.3 Modbus kayıtları

Modbus kayıtlarının bir listesi ağ iletişiminde kullanılmak üzere hazırdır. Daha fazla bilgi için üreticinin web sitesine bakın.

## Bölüm 6 Kalibrasyon ve ayarlama

Analizörün kalibrasyon eğrisi, performans için fabrikada teknik özelliklere ayarlanmıştır. Performans doğrulaması için kalibrasyon yapılabilir.

Uyumluluk raporlama amacıyla bir düzenleyici kuruluş tarafından istenmedikçe veya geniş çapta bir analizör onarımı yapılmadığı sürece fabrika kalibrasyon eğrisinde kullanıcı ayarlaması yapılmaması önerilir.

Daha fazla bilgi için Kalibrasyon Doğrulama Kiti'ndeki talimatlara başvurun veya teknik destek ile iletişime geçin.

## Bölüm 7 Bakım

### ⚠ DİKKAT



Birden fazla tehlike. Belgenin bu bölümünde açıklanan görevleri yalnızca yetkili personel gerçekleştirmelidir.

### BİLGİ

Cihazı bakım için demonte etmeyin. Dahili bileşenlerin temizlenmesi ya da onarılması gerektiğinde üreticinize başvurun.


## 7.1 Bakım programı

Tablo 6 ile bakım işlemleri için önerilen program gösterilmektedir. Tesis gereksinimleri ve çalışma koşulları bazı işlemlerin daha sık yapılmasını gerektirebilir.

Tablo 6 Bakım programı

İşlem	1 ay	6 ay	Gerektiğinde
Hücreyi temizleyin sayfa 468	X <sup>2</sup>		
Reaktif şişelerinin değiştirilmesi sayfa 469	X		
Karıştırma çubuğunu ve hortum tertibatını değiştirin <sup>3</sup>		X	
Y süzgecindeki eleği temizleyin sayfa 470			X

## 7.2 Hücreyi temizleyin

⚠ DİKKAT	
	Kimyasal maddelere maruz kalma tehlikesi. Laboratuvar güvenlik talimatlarına uyun ve kullanılan kimyasallara uygun tüm kişisel koruma ekipmanlarını kullanın. Güvenlik protokolleri için mevcut güvenlik veri sayfalarına (MSDS/SDS) başvurun.

Hücreyi ayda bir kere veya gerekirse daha sık temizleyin.

**Gereken araç ve gereçler:**



Pamuklu çubuklar<sup>4</sup>



5,25 N Sülfürik Asit Solüsyonu<sup>5</sup>

1. Güvenlik veri sayfalarında (MSDS/SDS) belirtilen kişisel koruyucu ekipmanı giyin.
2. **Menu (menü)** düğmesine basın, ardından SENSÖR KUR > [analizörü seçin] > GÖREVLER > HÜCREYİ TEMİZLE öğesini seçin.  
*Not: Seçili bir görevi durdurmak için **home (ana sayfa)** tuşuna basın.*
3. Ölçümleri durdurmak için **enter (giriş)** tuşuna basın.
4. Bir seçenek belirleyin.

Seçenek	Açıklama
---------	----------

<b>DURDUR</b>	Kontrol ünitesi çıkışları en son ölçülen değerde tutulur.
---------------	---

<b>TRANSFER</b>	Kontrol ünitesi çıkışları aktarım değerine döndürür.
-----------------	--

5. Durum ışığı yanıp söndüğünde aşağıda resimlerle gösterilen adımları uygulayın. İşiniz bittiğinde, **enter (giriş)** tuşuna basın.

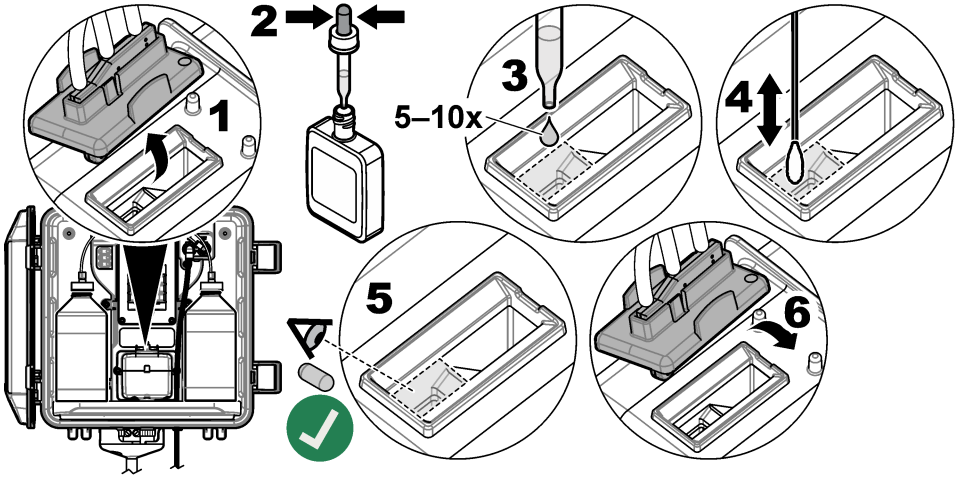
5. adımda gösterildiği gibi hücrede istenmeyen maddeler olmadığından emin olun. Gerekirse istenmeyen maddeler olup olmadığı görmek için bir el feneri kullanın.

<sup>2</sup> Hücreyi gereken sıklıkta temizleyin.

<sup>3</sup> Hortum Kitiyle beraber verilen talimatlara başvurun.

<sup>4</sup> Bkz. [Yedek parçalar ve aksesuarlar](#) sayfa 474.

<sup>5</sup> Başka temizlik solüsyonları kullanmayın. Bkz. [Yedek parçalar ve aksesuarlar](#) sayfa 474.



6. Ekranda "GÖREV TAMAMLANDI." iletisi görüntülediğinde **enter (giriş)** tuşuna basın. Analizör yaklaşık 30 saniye içinde bir ölçüm döngüsü başlatır.

### 7.3 Reaktif şişelerinin değiştirilmesi

<b>▲ DİKKAT</b>	
	Kimyasal maddelere maruz kalma tehlikesi. Laboratuvar güvenlik talimatlarına uyun ve kullanılan kimyasallara uygun tüm kişisel koruma ekipmanlarını kullanın. Güvenlik protokolleri için mevcut güvenlik veri sayfalarına (MSDS/SDS) başvurun.
<b>▲ DİKKAT</b>	
	Kimyasal maddelere maruz kalma tehlikesi. Kimyasal maddeleri ve atıkları yerel, bölgesel ve ulusal yönetmeliklere uygun şekilde atın.

Reaktif şişelerini 1 aylık aralıklarla değiştirin.

- Güvenlik veri sayfalarında (MSDS/SDS) belirtilen kişisel koruyucu ekipmanı giyin.
- Menu (menü)** düğmesine basın, ardından **SENSÖR KUR > [analizörü seçin] > GÖREVLER > REAKTİF DEĞİŞTİR** öğesini seçin.  
*Not: Seçili bir görevi durdurmak için **home (ana sayfa)** tuşuna basın.*
- Ölçümleri durdurmak için **enter (giriş)** tuşuna basın.
- Bir seçenek belirleyin.

Seçenek	Açıklama
<b>DURDUR</b>	Kontrol ünitesi çıkışları en son ölçülen değerde tutulur.
<b>TRANSFER</b>	Kontrol ünitesi çıkışları aktarım değerine dönüşür.

- Durum ışığının yanıp sönmelerini bekleyin.
- Tampon şişesini aşağıda belirtilen şekilde değiştirin:  
*Not: (İsteğe bağlı) Analizörün üst kısmını raf olarak kullanın.*
  - Yeni tampon şişesindeki kapağı ve contayı çıkarın.
  - Kullanılmış tampon şişesini analizörden çıkarın.
  - Tampon hortumlarını analizörün sağ tarafındaki yeni tampon şişesine yerleştirin. Kapağı sıkın.

7. İndikatör şişesini aşağıda belirtilen şekilde değiştirin:

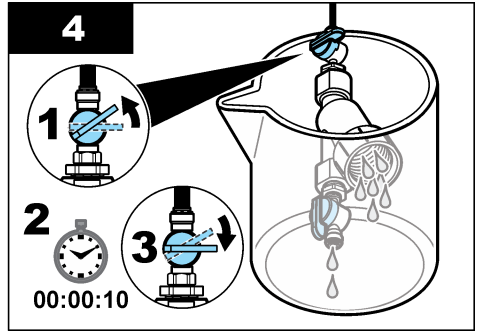
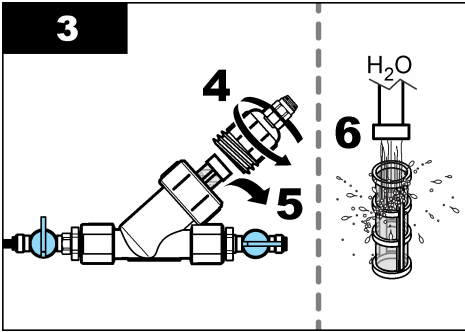
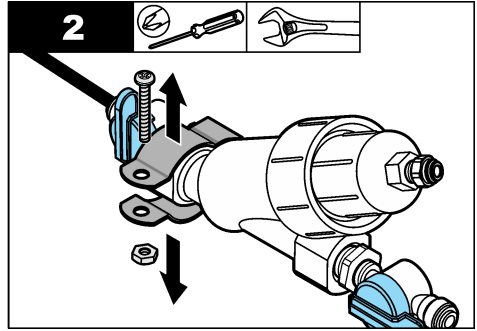
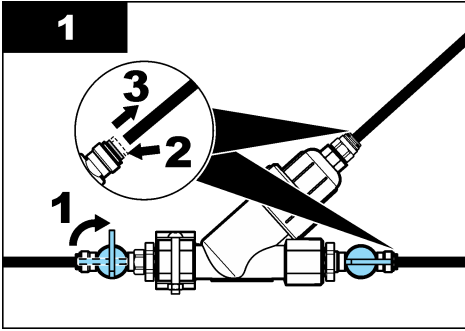
- Kapağı ve contayı indikatör şişesinden ve kahverengi DPD şişesinden çıkarın.
- Kahverengi DPD şişesinin yaklaşık ¼'ünü indikatör çözeltisiyle doldurun.
- DPD şişesini döndürerek karıştırın.
- DPD şişesinin içeriğini indikatör şişesine koyun.
- Tüm toz çözünene kadar (2 dakika) indikatör şişesini ters çevirin.
- Kullanılmış indikatör şişesini analizörden çıkarın.
- İndikatör hortumunu analizörün sol tarafındaki yeni indikatör şişesine yerleştirin. Kapağı sıkın.

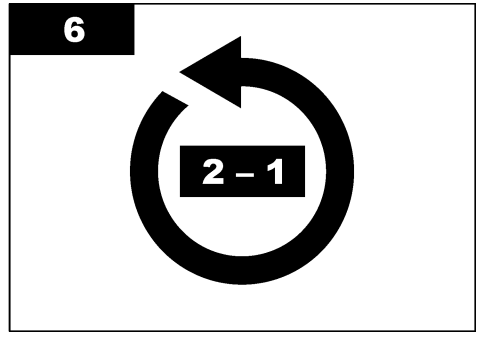
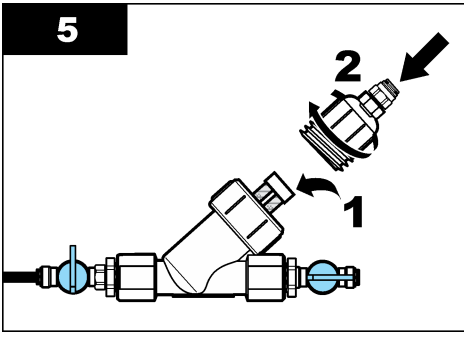
8. Enter (Giriş) tuşuna basın.

9. Ekranda "GÖREV TAMAMLANDI." iletisi görüntülediğinde enter (giriş) tuşuna basın. Analizör yaklaşık 30 saniye içinde bir ölçüm döngüsü başlatır.

## 7.4 Y süzgecindeki eleği temizleyin

DÜŞÜK NUMUNE AKIŞI uyarısı ile belirtilen bir tıkanıklık olduğunda Y süzgecindeki eleği temizleyin. Aşağıda gösterilen resimli adımları tamamlayın.





## 7.5 Depolama için hazırlık

### ⚠ DİKKAT



Kimyasal maddelere maruz kalma tehlikesi. Laboratuvar güvenlik talimatlarına uyun ve kullanılan kimyasallara uygun tüm kişisel koruma ekipmanlarını kullanın. Güvenlik protokolleri için mevcut güvenlik veri sayfalarına (MSDS/SDS) başvurun.

Analizöre giden güç 3 günden uzun süreyle kesilecekse veya analizör 3 günden uzun süre kullanılmıyacaksa analizörü depolamaya hazırlayın.

#### Gereken araç ve gereçler:



Deiyonize su içeren beher (2 adet)

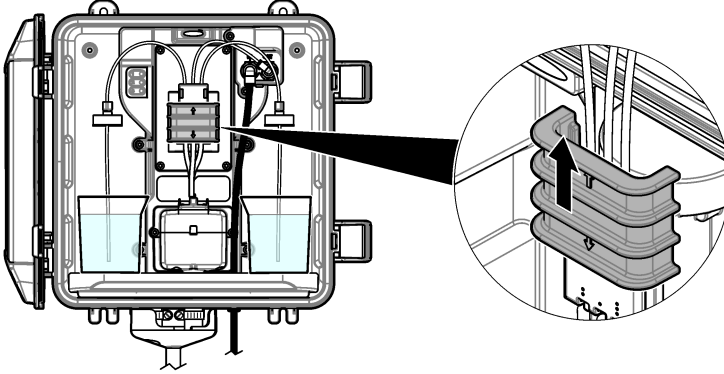


Tek kullanımlık damlalık veya tiftiksiz bez

- Reaktifleri reaktif hatlarından aşağıdaki şekilde çıkarın:
  - İndikatör şişesini ve tampon şişesini analizörden çıkarın.
  - Analizöre deiyonize su içeren iki beher (veya kap) koyun.
  - İndikatör şişesi hortumunu ve tampon şişesi hortumunu beherlere yerleştirin.
  - Menu (menü)** düğmesine basın, ardından SENSÖR KUR > [sensörü seçin] > HAZIRLAYIN öğesini seçin.  
Analizör, reaktif hatlarındaki reaktifleri kaldırır.
- Reaktif hatlarındaki deiyonize suyu aşağıdaki şekilde çıkarın:
  - İndikatör şişesi hortumunu ve tampon şişesi hortumunu beherlerden çıkarın.
  - İki beheri analizörden çıkarın.
  - Menu (menü)** düğmesine basın, ardından SENSÖR KUR > [sensörü seçin] > HAZIRLAYIN öğesini seçin.  
Analizör, reaktif hatlarındaki tüm sıvıyı çıkarır.
- Analizör kablosunu kontrol ünitesinden çıkarın (veya kontrol ünitesine giden gücü kesin).
- Y süzgecine numune akışını durdurmak için kapatma valfini kapalı konuma getirin.
- Pompa pensini çıkarın. Bkz. [Şekil 7](#). Pompa pensini daha sonra kullanmak üzere saklayın.
- Hücredeki suyu aşağıdaki şekilde boşaltın:
  - Hücredeki kapağı çıkarın.
  - Tek kullanımlık damlalık veya tiftiksiz bir bezle suyu hücreden temizleyin.
  - Kapağı hücreye takın.
- Saklama sonrasında analizörü başlatmak için aşağıdaki adımları uygulayın:
  - Pompa pensini takın. Bkz. [Şekil 7](#).

- b. Reaktif şişelerini takın. Bkz. [Adım 4: Reaktif şişelerini takın](#) sayfa 462.
- c. Y süzgecine numune akışını başlatmak için kapatma valfını açık konuma getirin.
- d. Kablolu bağlantısı kesilmişse analizör kablosunu kontrol ünitesine bağlayın.
- e. Güç kesilmişse kontrol ünitesine güç verin.
- f. **Menu (menü)** düğmesine basın, ardından SENSÖR KUR > [sensörü seçin] > HAZIRLAYIN öğesini seçin.

**Şekil 7 Pompa pensininin çıkarılması**



## 7.6 Nakliye hazırlığı

### ⚠ DİKKAT



Kimyasal maddelere maruz kalma tehlikesi. Laboratuvar güvenlik talimatlarına uyun ve kullanılan kimyasallara uygun tüm kişisel koruma ekipmanlarını kullanın. Güvenlik protokolleri için mevcut güvenlik veri sayfalarına (MSDS/SDS) başvurun.

Analizörü nakliyeye hazırlamak için aşağıdaki adımları uygulayın.

#### Gereken araç ve gereçler:



Deiyonize su içeren beher (2 adet)



Orijinal ambalaj

1. Reaktifleri reaktif hatlarından aşağıdaki şekilde çıkarın:
  - a. indikatör şişesini ve tampon şişesini analizörden çıkarın.
  - b. Analizöre deiyonize su içeren iki beher (veya kap) koyun.
  - c. İndikatör şişesi hortumunu ve tampon şişesi hortumunu beherlere yerleştirin.
  - d. **Menu (menü)** düğmesine basın, ardından SENSÖR KUR > [sensörü seçin] > HAZIRLAYIN öğesini seçin.  
Analizör, reaktif hatlarındaki reaktifleri kaldırır.
2. Reaktif hatlarındaki deiyonize suyu aşağıdaki şekilde çıkarın:
  - a. İndikatör şişesi hortumunu ve tampon şişesi hortumunu beherlerden çıkarın.
  - b. İki beheri analizörden çıkarın.
  - c. **Menu (menü)** düğmesine basın, ardından SENSÖR KUR > [sensörü seçin] > HAZIRLAYIN öğesini seçin.  
Analizör, reaktif hatlarındaki tüm sıvıyı çıkarır.
3. Analizör kablosunu kontrol ünitesinden sökün.



4. Y süzgecine numune akışını durdurmak için kapatma valfını kapalı konuma getirin.
5. Numune giriş (siyah) hortumunun ve tahliye (şeffaf) hortumunun analizör ile bağlantısını kesin.
6. Harici hava frenini analizörden çıkarın.
7. Pompa pensini çıkarın. Bkz. [Şekil 7](#) sayfa 472.
8. Hortum tertibatını ve karıştırma çubuğunu analizörden çıkarın. Nakliye için hortum tertibatını analizörle birlikte saklayın. Bkz. [Adım 3: Karıştırma çubuğunu ve hortum tertibatını takın](#) sayfa 462.
9. Pompa pensini hortum tertibatı olmadan takın. Hortum pensini sıkıca tutmak için hortum pensine bant yapıştırın.
10. Tek kullanımlık damlalık veya tiftiksiz bir bezle suyu hücreden temizleyin.
11. Analizörü duvardan çıkarın.
12. Analizörü tekrar orijinal ambalajına yerleştirin.

## 7.7 Cihazın temizlenmesi

### BİLGİ

Cihazı, ekranını ve aksesuarlarını temizlemek için kesinlikle terebentin, aseton veya benzeri temizlik malzemelerini kullanmayın.

Cihazın dışını nemli bezle ve hafif sabunlu bir çözeltiyle temizleyin.

## 7.8 Dökülmeleri temizleme

### ⚠ DİKKAT



Kimyasal maddelere maruz kalma tehlikesi. Kimyasal maddeleri ve atıkları yerel, bölgesel ve ulusal yönetmeliklere uygun şekilde atın.

1. Dökülme kontrolü için tesisin tüm güvenlik protokollerine uyun.
2. Atıkları uygun düzenlemelere göre atın.

## Bölüm 8 Sorun giderme

### 8.1 Hatalar - Kırmızı ışık

Hataları göstermek için **menu (menü)** düğmesine basın ve **DİYAGNOZLAR > [sensörü seçin] > HATA LİSTESİ** ögesini seçin. Olası hataların bir listesi [Tablo 7](#) bölümünde gösterilmektedir. Bir hata oluştuğunda analizör durum ışığı kırmızıya döner. Ölçümler durur, ölçüm ekranı yanıp söner ve tüm çıkışlar kontrol ünitesi menüsünde belirtilen şekilde sabitlenir.

**Tablo 7 Hata mesajları**

Hata	Açıklama	Çözüm
DETEKTÖR HATASI.	Detektör düzgün çalışmıyordu.	Teknik destek ile iletişime geçin.
KİRLİ HÜCRE	Hücre lekeli veya kirlidir. Klor konsantrasyonu çok düşük olduğunda hücrede biyofilm oluşabilir.	Hücreyi temizleyin. Bkz. <a href="#">Hücreyi temizleyin</a> sayfa 468.
KOD HATASI.	Bir belleme hatası oluşmuştur.	Teknik destek ile iletişime geçin.
LED HATASI	Hücredeki ışık düzgün çalışmıyordu.	Teknik destek ile iletişime geçin.
POMPA HATASI	Pompa düzgün çalışmıyordu.	Teknik destek ile iletişime geçin.
NUMUNE SIZINTISI	Analizörde numune sızıntısı vardır.	Teknik destek ile iletişime geçin.

## 8.2 Uyarılar - Sarı ışık

Uyarıları göstermek için **menu (menü)** düğmesine basın ve DİYAGNOZLAR > [sensörü seçin] > UYARI LİSTESİ öğesini seçin. Olası uyarıların bir listesi **Tablo 8** içinde gösterilmektedir. Bir uyarı oluştuğunda durum göstergesi ışığı sarıya döner. Bir uyarı simgesi yanıp söner ve kontrol ünitesi ekranının altında bir mesaj görüntülenir. Yeterli numune akışı varsa uyarı, menülerin çalışmasını etkilemez. Uyarı, rölelerin ve çıkışların çalışmasını etkilemez.

**Tablo 8 Uyarı mesajları**

Uyarı	Açıklama	Çözüm
BALONCUK SAPTNDI	Hücrede kabarcıklar var.	Hücreyi temizleyin. Bkz. <a href="#">Hücreyi temizleyin</a> sayfa 468. (İsteğe bağlı) KABARCIK RED ayarını açık olarak ayarlayın. Bkz. <a href="#">Adım 10: Analizörü konfigüre edin</a> sayfa 466.
YAK. HCRYİ TMZLYN	Hücre lekeleniyor veya kirleniyor. Hata oluşmasını önlemek için hücre kısa süre içinde temizlenmelidir.	Hücreyi temizleyin. Bkz. <a href="#">Hücreyi temizleyin</a> sayfa 468.
YÜKSEK KLOR	Klor konsantrasyonu, YÜKS. CL ALARMLARI ayar noktasında veya bu noktanın üzerinde.	YÜKS. CL ALARMLARI ayarını artırın. Bkz. <a href="#">Adım 10: Analizörü konfigüre edin</a> sayfa 466. Veya Analizöre sağlanan numunenin klor konsantrasyonunu düşürün.
DÜŞÜK KLOR	Klor konsantrasyonu, DÜŞÜK CL ALARMLARI ayar noktasında veya bu noktanın altında.	DÜŞÜK CL ALARMLARI ayarını düşürün. Bkz. <a href="#">Adım 10: Analizörü konfigüre edin</a> sayfa 466. Veya Analizöre sağlanan numunenin klor konsantrasyonunu artırın.
DÜŞÜK NUMUNE AKIŞI	Ölçülen numune akışı, minimum numune akış hızından düşük. Bkz. <a href="#">Teknik özellikler</a> sayfa 451.	Numune akış hızını ayarlayın. Bkz. <a href="#">Adım 8: Akış hızını ayarlayın</a> sayfa 465. Tıkanıklığı gidermek için gerekirse Y süzgecindeki filtreyi temizleyin. Bkz. <a href="#">Y süzgecindeki eleği temizleyin</a> sayfa 470.
YÜKSEK NUMUNE AKIŞI	Ölçülen numune akışı, maksimum numune akış hızından fazla. Bkz. <a href="#">Teknik özellikler</a> sayfa 451.	Numune akış hızını ayarlayın. Bkz. <a href="#">Adım 8: Akış hızını ayarlayın</a> sayfa 465.

## Bölüm 9 Yedek parçalar ve aksesuarlar

### ⚠ UYARI



Fiziksel yaralanma tehlikesi. Onaylanmayan parçaların kullanımı kişisel yaralanmalara, cihazın zarar görmesine ya da donanım arızalarına neden olabilir. Bu bölümdeki yedek parçalar üretici tarafından onaylanmıştır.

**Not:** Bazı satış bölgelerinde Ürün ve Madde numaraları değişebilir. İrtibat bilgileri için ilgili distribütörle iletişime geçin veya şirketin web sitesine başvurun.

### Sarf malzemeleri

Açıklama	Adet	Öge no.
Reaktif Seti, Serbest Klor şunları içerir: Tampon şişesi, indikatör şişesi ve DPD şişesi	1	2556900
Reaktif Seti, Toplam Klor şunları içerir: Tampon şişesi, indikatör şişesi ve DPD şişesi	1	2557000

## Sarf malzemeleri (devamı)

Açıklama	Adet	Öge no.
Hücre temizleme kiti şunları içerir: Sülfürik Asit 5,25 N, 100 mL, damlalık şişesi ve pamuklu çubuklar (10 adet)	1	8573100
Kalibrasyon Doğrulama Kiti, şunları içerir: Şırınga, hortum, tüp bağlantı parçaları, ampul kırma aparatı, deiyonize su ve klor içeren standart ampul	1	8568200
Kalibrasyon Doğrulama Yedek Kiti, şunları içerir: Deiyonize su ve klor içeren standart ampul	1	8573200

## Yedek parçalar

Açıklama	Öge no.
Hortum Kiti şunları içerir: Hortum tertibatı ve karıştırma çubuğu	ABD: 8560400 EU: 8575000
Standpipe ile montaj kiti (10 psi veya daha az)	ABD: 8560500 EU: 8575100
Standpipe ile montaj kiti (>10 psi)	8576001
Basınç regülatörlü kurulum kiti	ABD: 8565700 EU: 8575200

## Aksesuarlar

Açıklama	Öge no.
Analizör için uzatma kablosu, 1 m (3,2 ft)	6122400
Analizör için uzatma kablosu, 7,7 m (25 ft)	5796000
Analizör için uzatma kablosu, 15 m (50 ft)	5796100
Hortum adaptörü, 6 mm dış çap - 1/4 inç dış çap	09184=A=4020

# Sadržaj

- 1 [Specifikacije](#) na stranici 476
- 2 [Opći podaci](#) na stranici 477
- 3 [Ugradnja](#) na stranici 480
- 4 [Konfiguracija](#) na stranici 491
- 5 [Funkcioniranje](#) na stranici 492
- 6 [Kalibracija i podešavanje](#) na stranici 492
- 7 [Održavanje](#) na stranici 493
- 8 [Rješavanje problema](#) na stranici 498
- 9 [Zamjenski dijelovi i dodatna oprema](#) na stranici 500

## Odjeljak 1 Specifikacije

Specifikacije se mogu promijeniti bez prethodne najave.

**Tablica 1 Opće specifikacije**

Specifikacije	Pojedinosti
Dimenzije (Š x V x D)	32,9 x 34,2 x 17,7 cm (12,9 x 13,5 x 7,0 inča)
Kućište	IP66 prema IEC 60529 sa zatvorenim i blokiranim vratima <sup>1</sup>
Transportna težina	4,1 kg (9 lb) bez bočica; 5,1 kg (11,2 lb) s punim bočicama
Montaža	Zidna montaža
Klasa zaštite	III
Razina zagađenja	3
Kategorija elektroinstalacije	I (u zatvorenom)
Potrošnja struje	12 VDC, 400 mA maksimalno (na kontroleru)
Radna temperatura	5 do 40 °C (41 do 104 °F)
Vlaga pri radu	0 do 90 % relativne vlažnosti bez kondenzacije
Temperatura za pohranu	-40 do 60 °C (-40 do 140 °F)
Spojnice	Vod za uzorak: ¼ inča Promjer otvora priključka za brzo spajanje za plastičnu cijev Vodovi za isušivanje: klizni priključak za ½-inčni unutarnji promjer mekane plastične cijevi
Svjetla indikatora	Status analizatora i ciklus mjerenja
Certifikati	EU DoC, UKCA DoC, FCC/ISED SDoC, ACMA DoC, KC, Morocco DoC
Jamstvo	1 godina (EU: 2 godine)

**Tablica 2 Uvjeti za rad s uzorkom**

Specifikacije	Pojedinosti
Tlak	od 0,31 do 5,17 bara (od 4,5 do 75 psig) prema cjedilu Y; od 0,1 do 0,34 bara (od 1,5 do 5 psig) prema analizatoru
Brzina protoka	od 60 do 200 ml/min kroz instrument (mjereno na odvodu analizatora)
Temperature (Temperatura)	5 do 40 °C (41 do 104 °F)
Filtracija	cjedilo Y sa zaslonom mrežice veličine 40 ili veće

<sup>1</sup> Drenažni otvori zatvoreni čepovima radi ispitivanja.

**Tablica 3 Specifikacije mjera**

Specifikacije	Pojedinosti
Izvor svjetlosti	LED, mjerenje na 510 nm; duljina svjetlosnog puta 1 cm
Raspon mjerenja	0,03 – 10 mg/l slobodni ili ukupni rezidualni klor kao Cl <sub>2</sub>
Interval mjerenja	150 sekundi
Preciznost	±5 % ili ±0,04 mg/l od 0 do 5 mg/l (veća vrijednost) kao Cl <sub>2</sub> ±10 % od 5 do 10 mg/l kao Cl <sub>2</sub>
Preciznost	±5 % ili ±0,01 mg/l (veća vrijednost) kao Cl <sub>2</sub>
Granica otkrivanja	0,03 mg/l kao Cl <sub>2</sub>
Ograničenje za kvantifikaciju	0,07 mg/l
Kalibracija	Tvornička kalibracija Izborno: korisnička kalibracija s 2 točke s kalibracijskim standardima u kompletu za provjeru kalibracije
Uporaba reagensa	0,5 l otopine pufera i 0,5 l otopine indikatora za 31 dan

## Odjeljak 2 Opći podaci

Proizvođač ni u kojem slučaju neće biti odgovoran za štetu koja proizlazi iz neispravne uporabe proizvoda ili nepridržavanja uputa u priručniku. Proizvođač zadržava pravo na izmjene u ovom priručniku te na opise proizvoda u bilo kojem trenutku, bez prethodne najave ili obaveze. Revizije priručnika mogu se pronaći na web-stranici proizvođača.

### 2.1 Sigurnosne informacije

Proizvođač nije odgovoran za štetu nastalu nepravilnom primjenom ili nepravilnom upotrebom ovog proizvoda, uključujući, bez ograničenja, izravnu, slučajnu i posljedičnu štetu, te se odriče odgovornosti za takvu štetu u punom opsegu, dopuštenom prema primjenjivim zakonima. Korisnik ima isključivu odgovornost za utvrđivanje kritičnih rizika primjene i za postavljanje odgovarajućih mehanizama za zaštitu postupaka tijekom mogućeg kvara opreme.

Prije raspakiranja, postavljanja ili korištenja opreme pročitajte cijeli ovaj korisnički priručnik. Poštujte sva upozorenja na opasnost i oprez. Nepoštivanje ove upute može dovesti do tjelesnih ozljeda operatera ili oštećenja na opremi.

Uvjerite se da zaštita koju pruža ova oprema nije narušena. Nemojte koristiti ili instalirati ovu opremu na način koji nije naveden u ovom priručniku.

#### 2.1.1 Korištenje informacija opasnosti

##### **▲ OPASNOST**

Označava potencijalno ili neposredno opasnu situaciju koja će, ako se ne izbjegne, dovesti do smrti ili ozbiljnih ozljeda.

##### **▲ UPOZORENJE**

Označava potencijalno ili neposredno opasnu situaciju koja će, ako se ne izbjegne, dovesti do smrti ili ozbiljnih ozljeda.

##### **▲ OPREZ**

Označava potencijalno opasnu situaciju koja će dovesti do manjih ili umjerenih ozljeda.

##### **OBAVIJEST**

Označava situaciju koja, ako se ne izbjegne će dovesti do oštećenja instrumenta. Informacije koje je potrebno posebno istaknuti.

## 2.1.2 Oznake mjera predostrožnosti

Pročitajte sve naljepnice i oznake na instrumentu. Ako se ne poštuju, može doći do tjelesnih ozljeda ili oštećenja instrumenta. Simbol na instrumentu odgovara simbolu u priručniku uz navod o mjerama predostrožnosti.



Električna oprema označena ovim simbolom ne smije se odlagati u europskim domaćim ili javnim odlagalištima. Staru ili isteklu opremu vratite proizvođaču koji će je odložiti bez naknade.

## 2.1.3 Sukladnost s elektromagnetskom kompatibilnošću (EMC)

### ⚠ OPREZ

Ova oprema nije namijenjena za upotrebu u stambenim područjima i možda neće pružiti odgovarajuću zaštitu za radijski prijam u takvim okruženjima.

### CE (EU)

Oprema ispunjava bitne zahtjeve EMC Direktive 2014/30/EU.

### UKCA (UK)

Oprema zadovoljava zahtjeve propisa o elektromagnetskoj kompatibilnosti 2016 (S.I. 2016/1091).

### Kanadska odredba o opremi koja uzrokuje smetnje, ICES-003, klasa A:

Izvjешća s testiranja nalaze se kod proizvođača.

Ovo digitalno pomagalo klase A udovoljava svim zahtjevima Kanadskog zakona o opremi koja uzrokuje smetnje.

Cet appareil numérique de classe A répond à toutes les exigences de la réglementation canadienne sur les équipements provoquant des interférences.

### FCC dio 15, ograničenja klase "A"

Izvjешća s testiranja nalaze se kod proizvođača. Uređaj je sukladan s dijelom 15 FCC pravila. Rad uređaja mora ispunjavati sljedeće uvjete:

1. Oprema ne smije uzrokovati štetne smetnje.
2. Oprema mora prihvatiti svaku primljenu smetnju, uključujući smetnju koja može uzrokovati neželjen rad.

Zbog promjena ili prilagodbi ovog uređaja koje nije odobrila stranka nadležna za sukladnost korisnik bi mogao izgubiti pravo korištenja opreme. Ova je oprema testirana i u sukladnosti je s ograničenjima za digitalne uređaje klase A, koja su u skladu s dijelom 15 FCC pravila. Ta ograničenja su osmišljena da bi se zajamčila razmjerna zaštita od štetnih smetnji kada se oprema koristi u poslovnom okruženju. Ova oprema proizvodi, koristi i odašilje energiju radio frekvencije, te može prouzročiti smetnje u radio komunikaciji ako se ne instalira i koristi prema korisničkom priručniku. Koristite li ovu opremu u naseljenim područjima ona može prouzročiti smetnje, a korisnik će sam snositi odgovornost uklanjanja smetnji o vlastitom trošku. Sljedeće tehnike mogu se koristiti kao bi se smanjili problemi uzrokovani smetnjama:

1. Isključite opremu iz izvora napajanja kako biste provjerili je li ili nije uzrok smetnji.
2. Ako je oprema uključena u istu utičnicu kao i uređaj kod kojeg se javljaju smetnje, uključite opremu u drugu utičnicu.
3. Odmaknite opremu od uređaja kod kojeg se javljaju smetnje.
4. Promijenite položaj antene uređaja kod kojeg se javljaju smetnje.
5. Isprobajte kombinacije gore navedenih rješenja.

## 2.2 Pregled proizvoda

### ▲ OPASNOST



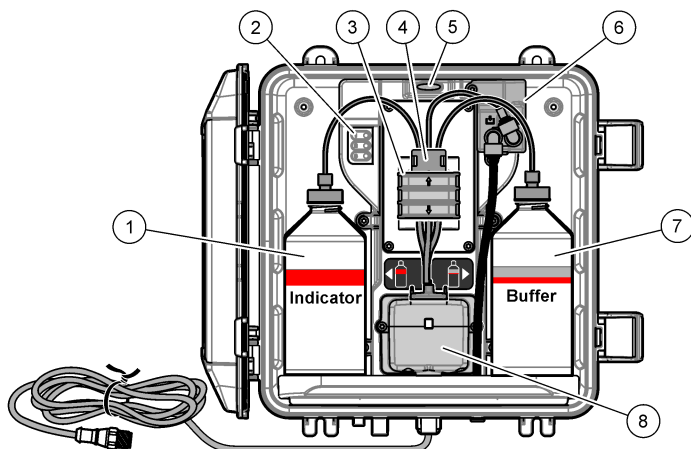
Kemijska ili biološka opasnost. Ako se ovaj instrument upotrebljava za praćenje postupka liječenja i/ili vode za napajanje za dijalizu za što postoje zakonska ograničenja i zahtjevi nadzora povezani s javnim zdravstvom, javnom sigurnosti, proizvodnjom ili obradom hrane ili pića, odgovornost je korisnika ovog instrumenta da poznaje i pridržava se primjenjivih propisa i ima dovoljno odgovarajućih mehanizama za sukladnost s primjenjivim propisima u slučaju kvara instrumenta.

Analizator CL17sc mjeri koncentraciju ukupnog klora u vodi u rasponu od 0,03 do 10 mg/l u intervalima od 150 sekundi. Osim toga, [Slika 1](#) daje pregled analizatora.

Priključite analizator na kontroler SC za napajanje, rad, prikupljanje podataka, prienos podataka i dijagnostiku. Pregled kontrolera pogledajte u priručniku za kontroler SC.

**Napomena:** Na kontroler SC može se priključiti više od jednog analizatora ako kontroler ima više od jednog priključka za brzo spajanje.

Slika 1 CL17sc



1 Bočica s indikatorom	5 Svjetlo statusa analizatora ( <a href="#">Tablica 5</a> na stranici 480)
2 Svjetla ciklusa mjerenja ( <a href="#">Tablica 4</a> na stranici 480)	6 Mjerač protoka
3 Stezaljka pumpe	7 Bočica s puferom
4 Kopča za cijev	8 Kolorimetrijska kiveta

### 2.2.1 Mjerač protoka

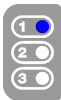


Analizator ima mjerač protoka koji mjeri protok uzorka kroz analizator. Pogledajte [Slika 1](#) na stranici 479.

Uzorak protječe kroz analizator samo kada analizator ispire kivetu. U drugim slučajevima nema protoka uzorka i prikazana brzina protoka je nula. Pritisnite **DESNU** strelicu na kontroleru za prikaz brzine protoka.

## 2.2.2 Svjetla ciklusa mjerenja

Svjetla ciklusa mjerenja prikazuju korak ciklusa mjerenja koji se izvršava. Pogledajte [Tablica 4](#).

**Tablica 4 Svjetla ciklusa mjerenja**

<b>Uključena svjetla</b>			
<b>Opis</b>	Kiveta se ispire vodom.	Otopina pufera i otopina indikatora dodaju se u kivetu.	Uzorak se mjeri.

## 2.2.3 Svjetlo statusa analizatora

Svjetlo statusa analizatora mijenja se iz zelene u žutu boju kada postoji upozorenje ili crvenu kada dođe do pogreške. Pogledajte [Tablica 5](#).

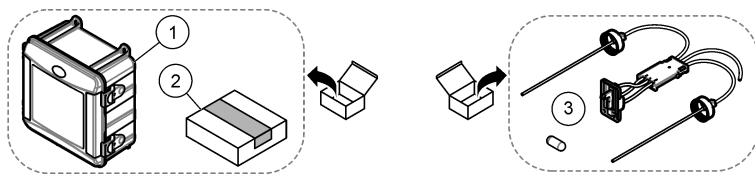
**Tablica 5 Svjetlo statusa analizatora**

Boja	Opis
Zelena	Normalan rad
Žuta	Sustav treba nadzirati kako bi se spriječio kvar u budućnosti. Mjerenja se nastavljaju. Za prikaz upozorenja pritisnite <b>menu (izbornik)</b> i odaberite DIAGNOSTICS (DIJAGNOSTIKA) > [odaberite analizator] > WARNING LIST (POPIS UPOZORENJA). Pogledajte <a href="#">Upozorenja – žuto svjetlo</a> na stranici 499.
Crvena	Sustav treba neposrednu pažnju. Mjerenja su se zaustavila. Za prikaz pogrešaka pritisnite <b>menu (izbornik)</b> i odaberite DIAGNOSTICS (DIJAGNOSTIKA) > [odaberite analizator] > ERROR LIST (POPIS POGREŠAKA). Pogledajte <a href="#">Pogreške – crveno svjetlo</a> na stranici 498.

## 2.3 Komponente proizvoda

Provjerite jeste li dobili sve komponente. Pogledajte [Slika 2](#). Ako neki od ovih elemenata nedostaje ili je oštećen, odmah se obratite proizvođaču ili prodajnom predstavniku.

**Slika 2 Komponente proizvoda**



1 Analizator CL17sc	3 Komplet za cijevi (zaštitno crijevo za cijevi i šipka za miješanje)
2 Komplet za postavljanje	

## Odjeljak 3 Ugradnja

### ▲ OPREZ



Višestruka opasnost. Zadatke opisane u ovom odjeljku priručnika treba obavljati isključivo kvalificirano osoblje.



### 3.1 Smjernice za postavljanje

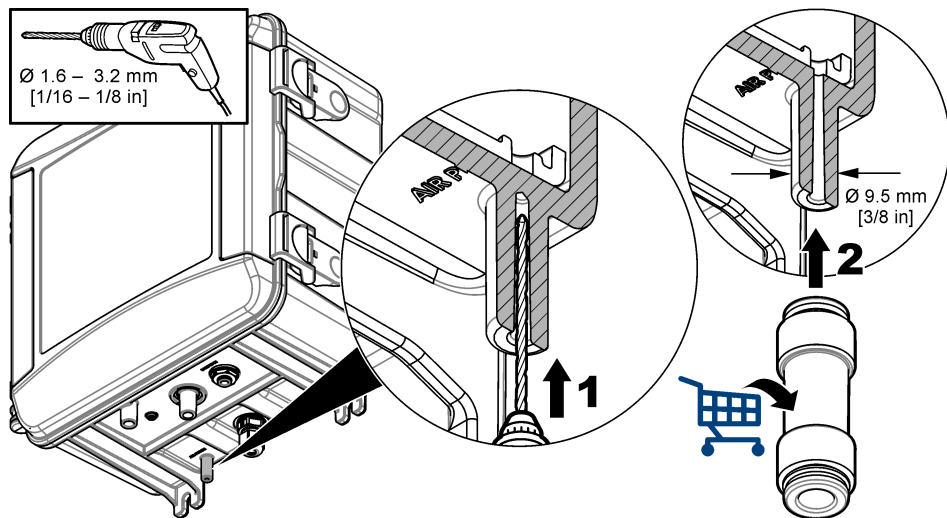
- Analizator se isporučuje s kompletom za postavljanje cijevnog nastavka ili kompletom za postavljanje regulatora tlaka za kontrolu tlaka vode koja dolazi u analizator. Korisnik odabire komplet za postavljanje u trenutku kupnje.
- Analizator postavite u zatvorenom prostoru u okolini s minimalnim vibracijama. Specifikacije radne temperature i vlažnosti pogledajte u odjeljku [Specifikacije](#) na stranici 476.
- Nemojte postaviti analizator na mjesto gdje je na izravnoj sunčevoj svjetlosti ili u blizini izvora topline.
- Za ugradnju na vertikalnu cijev, postavite analizator na mjesto s dovoljno slobodnog prostora iznad analizatora za montažu na vertikalnu cijev.
- Analizator postavite u blizini otvorenog odvoda. Upute za odlaganje potražite u uputama lokalne regulatorne agencije.

### 3.2 1. korak: Pročišćavanje zraka (izborno)

Možda će biti potrebno pročišćavanje zraka ako je analizator postavljen na mjestu s visokom razinom vlažnosti i/ili dima koji uzrokuju koroziju. Pročišćavanje zraka održava pozitivan tlak u instrumentu sa suhim i čistim zrakom.

Omogućite dovod čistog suhog zraka kvalitete instrumenta pri 0,003 m<sup>3</sup>/min. (0,1 ft<sup>3</sup>/min) pri maksimalno 20 psig.

Pogledajte ilustrirane korake koji slijede. 3/8-inčni priključak za brzo spajanje i cijevi nabavlja korisnik.



### 3.3 2. korak: Montaža analizatora i postavljanje cijevi

#### ⚠ OPREZ



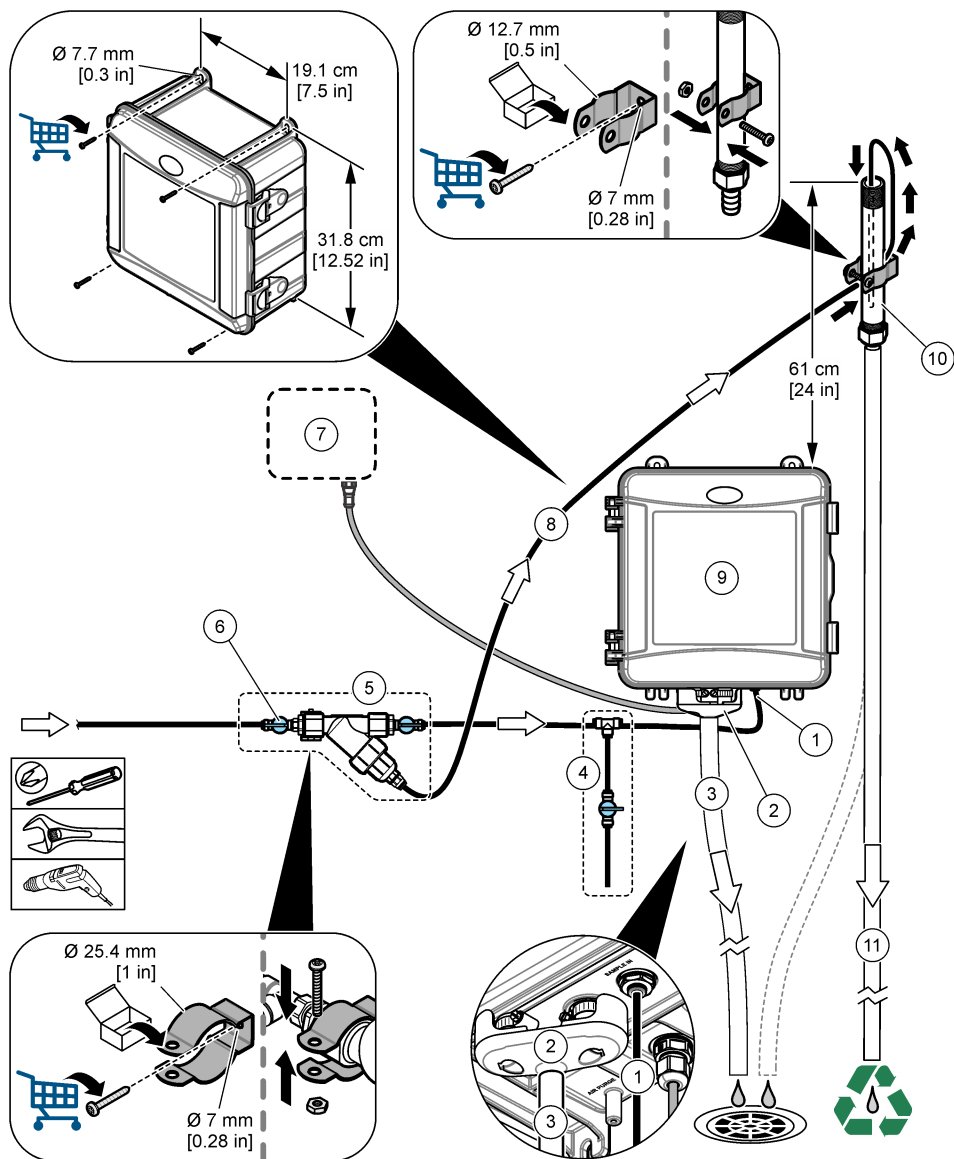
S instrumentom se mogu upotrebljavati samo cijevi koje je odredila tvrtka Hach. Druge cijevi mogu apsorbirati klor koji je u vodi uzorka i imati negativan učinak na očitavanja klora (mogu smanjiti očitavanja klora).

#### OBAVIJEST

Neispravne cijevi analizatora mogu prouzročiti oštećenja zbog viška tlaka uzorka. Uvijek se pridržavajte uputa za montiranje i postavljanje cijevi analizatora.

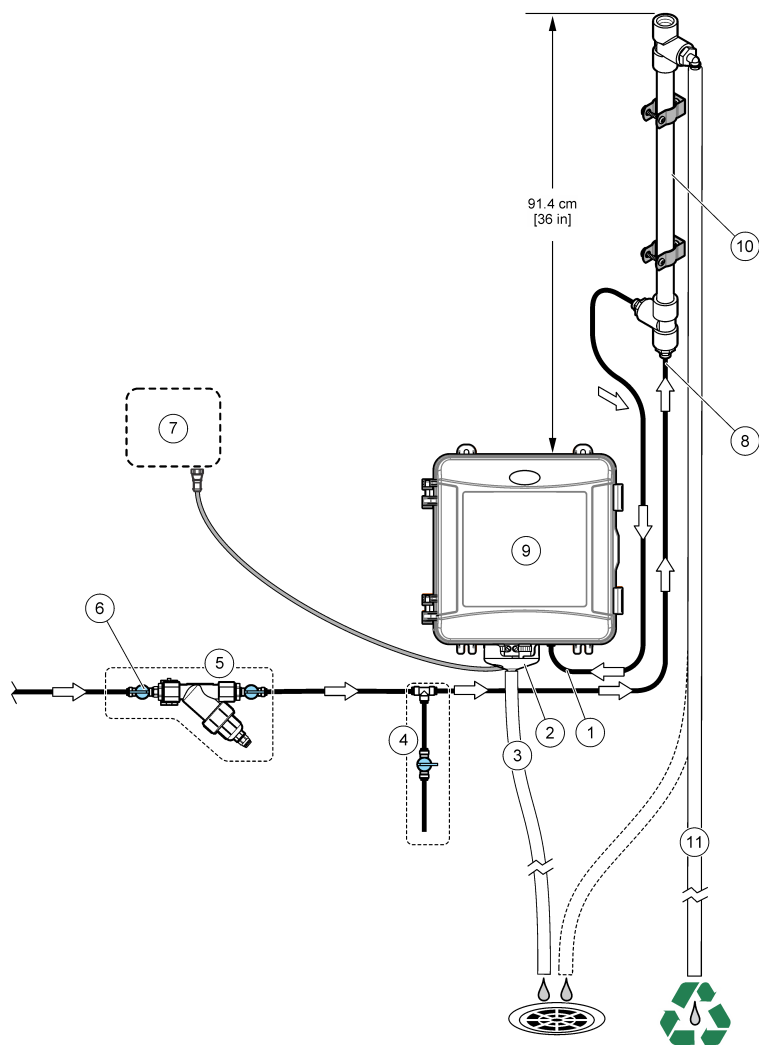
1. Pričvrstite analizator (stavka 9) na zid s pomoću četiri vijka. Pazite da analizator bude u ravnini.  
**Napomena:** *Korisnik nabavlja opremu za montiranje.*
2. Pričvrstite kontroler SC (stavka 7) na zid, ploču ili cijev. Upute potražite u dokumentaciji kontrolera SC.
3. Sastavite cjedilo Y. Pogledajte upute na popisu pakiranja.
4. Upotrijebite stezaljku cijevi od 1 inča za montiranje sklopa Y-cijedila (stavka 5 u [Slika 3](#), [Slika 4](#) ili [Slika 5](#)).
5. Ugradite vanjski zračni otvor na analizator (stavka 2 u [Slika 3](#), [Slika 4](#) ili [Slika 5](#)). Pogledajte upute na popisu pakiranja.
6. Izvršite korak [7](#) ili [8](#).  
Analizator se isporučuje s kompletom za ugradnju vertikalne cijevi ili kompletom za ugradnju regulatora tlaka za kontrolu ulaznog tlaka vode. Korisnik odabire komplet za postavljanje u trenutku kupnje. Jedan komplet uspravne cijevi je za 10 psi ili manje, a jedan komplet uspravne cijevi je za veći od 10 psi ulaznog tlaka vode. Izmjerite ulazni tlak vode neposredno prije sklopa Y-cijedila.
7. Ako je u trenutku kupnje odabran komplet za postavljanje cijevnog nastavka, cijevni nastavak postavite na sljedeći način:
  - a. Sastavite cijevni nastavak. Pogledajte upute na popisu pakiranja.
  - b. Upotrijebite manju stezaljku za cijev za montiranje sklopa cijevi iznad vrha analizatora:
    - 10 psi ili manje—montirajte sklop cijevi minimalno 61 cm (24 in.) iznad vrha analizatora.
    - Više od 10 psi—montirajte sklop cijevi minimalno 91,4 cm (36 in.) iznad vrha analizatora.
  - c. 9 10 psi ili manje—s crnom cijevi, ugradite premosnu cijev uzorka (stavka 8 u [Slika 3](#)). Cijev gurnite iza, a zatim u cijevni nastavak. Stavite cijev 10–13 cm (4–5 in.) u vrh potporne cijevi.
  - d. Više od 10 psi—S crnim cijevima, spojite izlaz Y-cijedila na ulaz cijevi (stavka 8 u [Slika 4](#)).
  - e. Odrežite cijev prema duljini cijevi za odvod uzorka (stavka 3). Upotrijebite cijev da usmjerite cijev do otvorenog odvoda (stavka 11). Pogledajte [Smjernice za vodove za isušivanje](#) na stranici 486.
8. Ako je u trenutku kupnje odabran komplet za postavljanje regulatora tlaka, postavite regulator tlaka (stavka 10 na prikazu [Slika 5](#)).
9. S pomoću crne cijevi priključite dovod cjedila Y (stavka 5) na izvor uzorka.  
Pogledajte [Smjernice za korištenje cijevi za izuzimanje uzorka](#) na stranici 486 i [Uvjeti za rad s uzorkom](#) na stranici 486.
10. Pomoću crne cijevi spojite uzorak na ulazni priključak uzorka (stavka 1) na sljedeći način:  
Cijev treba biti što je moguće kraća do maksimalno 2,5 m (8 ft).
  - 10 psi ili manje—spojite izlaz Y-cijedila na ulazni priključak uzorka (stavka 1) na dnu analizatora. Pogledajte [Slika 3](#).
  - Više od 10 psi—Spojite izlaz uspravne cijevi s priključkom za ulaz uzorka (stavka 1) na dnu analizatora. Pogledajte [Slika 4](#).
  - Regulator tlaka—Spojite izlaz regulatora tlaka s priključkom za ulaz uzorka (stavka 1) na dnu analizatora. Pogledajte [Slika 5](#).
11. Ako je ugrađen regulator tlaka, postavite cijev za premoščivanje uzorka (stavka 8 na prikazu [Slika 5](#)).
12. Sastavite i izmite sklop uzorka (stavka 4).
13. Pričvrstite T-priključak sklopa uzorka za hvatanje. Pogledajte [Slika 4](#) ili [Slika 5](#) prema [Slika 3](#) potrebi.
14. Zatvorite cijev za odvod uzorka (stavka 3) za otvoreni odvod. Pogledajte [Smjernice za vodove za isušivanje](#) na stranici 486.

**Slika 3 Instalacija sa uspravnom cijevi (10 psi ili manje)**



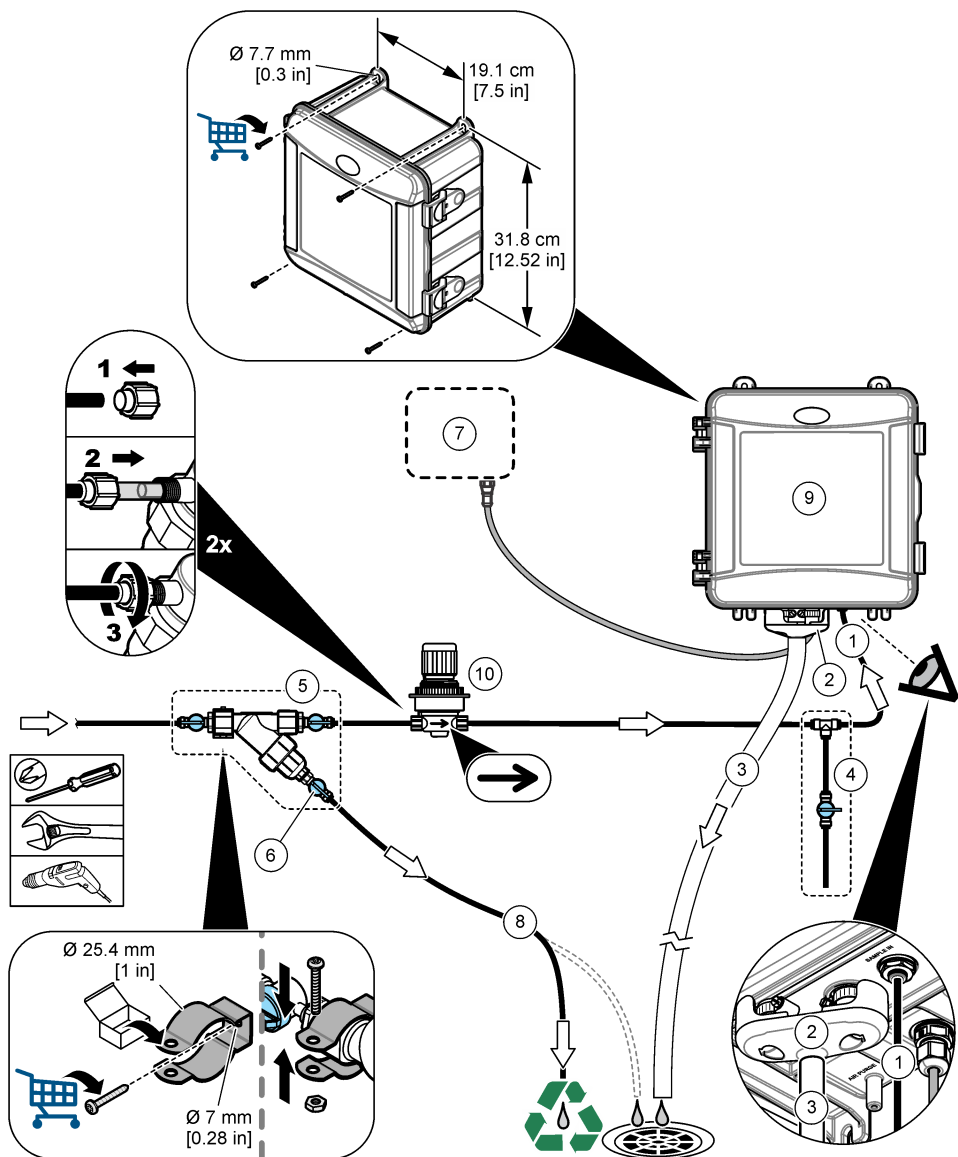
1 Priključak za dovod uzorka	7 Kontroler SC
2 Odvod vanjskog zraka	8 Cijev za premošćivanje uzorka
3 Cijev za odvod uzorka	9 Analizator
4 Sklop za uzimanje uzorka	10 Cijevni nastavak
5 Sklop cjedila Y	11 Cijev odvoda cijevnog nastavka
6 Zaporni ventil na ulazu cjedila Y	

**Slika 4 Instalacija sa uspravnom cijevi (više od 10 psi)**



1 Priključak za dovod uzorka	7 Kontroler SC
2 Odvod vanjskog zraka	8 Ulaz vertikalne cijevi
3 Cijev za odvod uzorka	9 Analizator
4 Sklop za uzimanje uzorka	10 Cijevni nastavak
5 Sklop cjedila Y	11 Cijev odvoda cijevnog nastavka
6 Zaporni ventil na ulazu cjedila Y	

Slika 5 Ugradnja s regulatorom tlaka



1 Priključak za dovod uzorka	6 Zaporni ventil na prenosnici Y-sita
2 Odvod vanjskog zraka	7 Kontroler SC
3 Cijev za odvod uzorka	8 Cijev za premošćivanje uzorka
4 Sklop za uzimanje uzorka	9 Analizator
5 Sklop cjedila Y	10 Regulator tlaka

### 3.3.1 Smjernice za korištenje cijevi za izuzimanje uzorka

Za najbolju izvedbu instrumenta odaberite prikladnu, reprezentativnu točku uzorkovanja. Uzorak mora biti reprezentativan za cijeli sustav.

Kako biste spriječili neujednačena očitavanja:

- Uzorke izuzmite s lokacija koje su dostatno udaljene od točaka kemijskih dodataka u struji koja se obrađuje.
- Pobrinite se da su uzorci ravnomjerno promiješani.
- Provjerite jesu li sve kemijske reakcije dovršene.
- Analizator ugradite što je bliže moguće izvoru uzorka (maksimalno 4,6 m (15 ft)).

### 3.3.2 Uvjeti za rad s uzorkom

Voda s izvora uzorka mora biti u skladu sa specifikacijama u odjeljku [Specifikacije](#) na stranici 476.

Za najbolje radne značajke držite brzinu protoka uzorka i radnu temperaturu što je moguće konstantnijom.

### 3.3.3 Smjernice za vodove za isušivanje

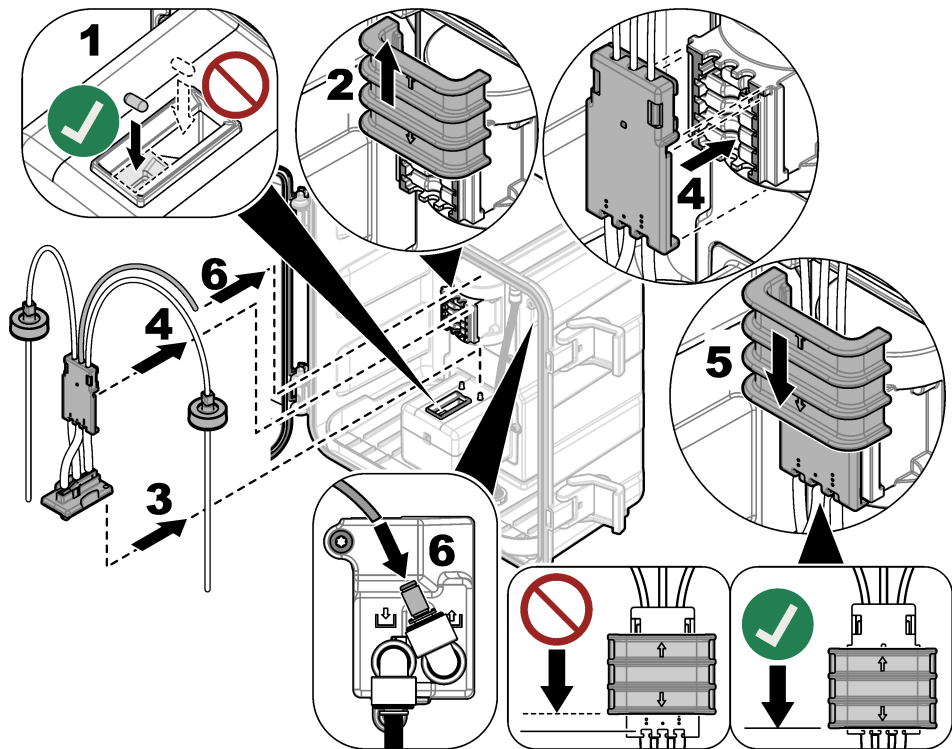
## OBAVIJEST

Zbog neispravnog postavljanja vodova za isušivanje tekućina se može vratiti u instrument i prouzročiti štetu.

- Obavezno ugradite otvor za vanjski zrak. Pogledajte stavku 2 u [Slika 3](#) na stranici 483, [Slika 4](#) na stranici 484 ili [Slika 5](#) na stranici 485
- Vodovi za isušivanje moraju biti što kraći.
- Vodovi za isušivanje moraju imati konstantan nagib prema dolje.
- Vodovi za isušivanje ne smiju biti oštro presavijeni niti stegnuti.

### 3.4 3. korak: Postavljanje šipke za miješanje i zaštitnog crijeva za cijevi

Izvršite ilustrirane korake u nastavku.



### 3.5 4. korak: Postavljanje bočice s reagensom

#### ⚠ OPREZ



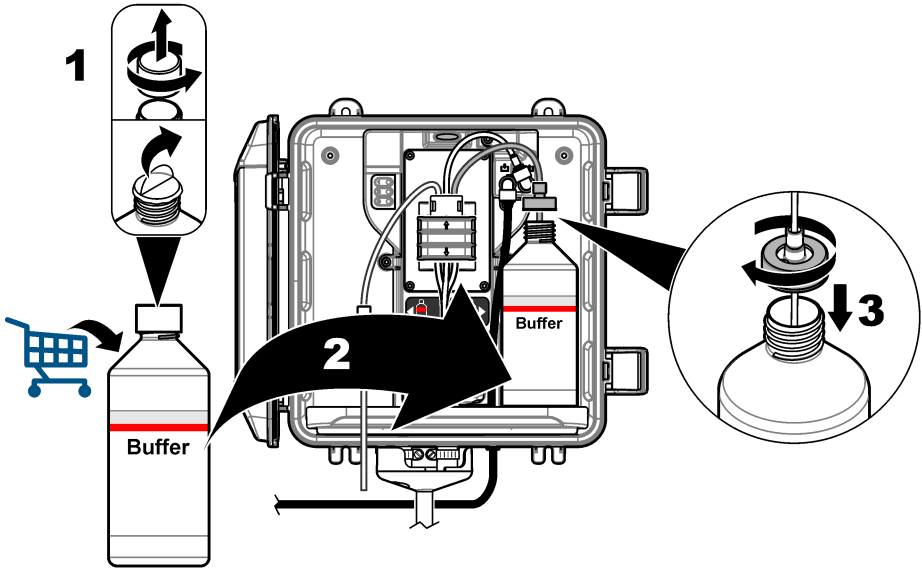
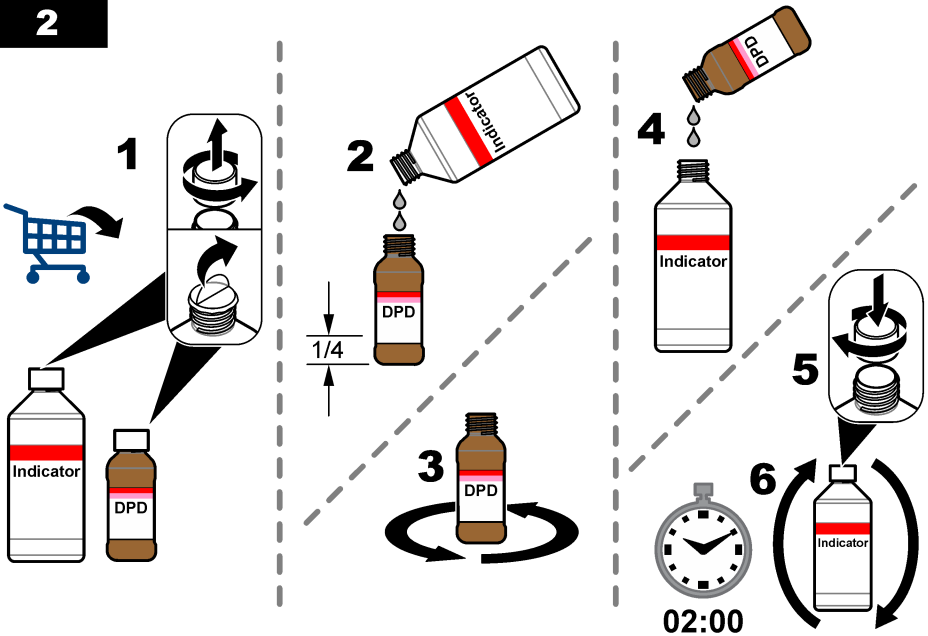
Opasnost od izlaganja kemikalijama. Poštujte laboratorijske sigurnosne propise i opremite se svom odgovarajućom osobnom zaštitnom opremom s obzirom na kemikalije kojima ćete rukovati. Sigurnosne protokole potražite na trenutno važećim sigurnosno tehničkim listovima materijala (MSDS/SDS).

#### Potrebne stavke:

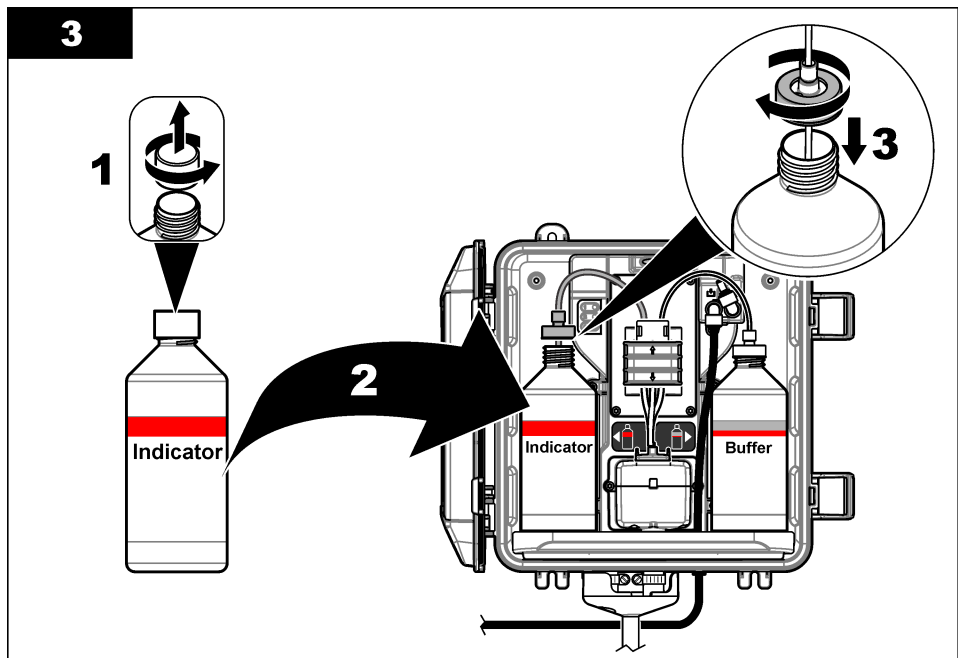
- Osobna zaštitna oprema (pogledajte STL)
- Bočica s indikatorom
- Bočica s puferom
- Bočica s DPD spojem

1. Zaštitite se osobnom zaštitnom opremom navedenom u sigurnosno-tehničkim listovima (STL).
2. Bočicu s puferom postavite na desnu stranu, a bočicu s indikatorom na lijevu stranu. Pogledajte ilustrirane korake koji slijede.

**Napomena:** (Izborno) Vrh analizatora upotrijebite kao policu.

**1****2**





### 3.6 5. korak: Omogućavanje protoka uzorka

1. Polako zakrenite zaporni ventil u otvoreni položaj od  $\frac{1}{4}$  okreta.
2. Uvjerite se da nema curenja na vodovodnim priključcima. Ako postoji curenje, gurnite cijev dublje u priključak ili zategnite spoj ključem.
3. Kod ugradnje sa cijevnim nastavkom učinite sljedeće korake:
  - a. Potpuno otvorite zaporni ventil na izlazu cjedila Y.
  - b. Okrećite zaporni ventil na ulazu Y-cijedila (stavka 6 u [Slika 3](#) na stranici 483 ili [Slika 4](#) na stranici 484) dok mali mlaz vode ne poteče iz odvodne cijevi uspravne cijevi.
4. Kod ugradnje s regulatorom tlaka učinite sljedeće korake:
  - a. Potpuno otvorite zaporne ventile na ulazu i izlazu cjedila Y.
  - b. Okrenite zaporni ventil na prijemnici cjedila Y (stavka 6 na prikazu [Slika 5](#) na stranici 485) dok mali mlaz vode ne izađe iz cijevi prijemnice cjedila Y.

### 3.7 6. korak: Električna instalacija

#### 3.7.1 Povezivanje analizatora s kontrolerom

#### ⚠ UPOZORENJE



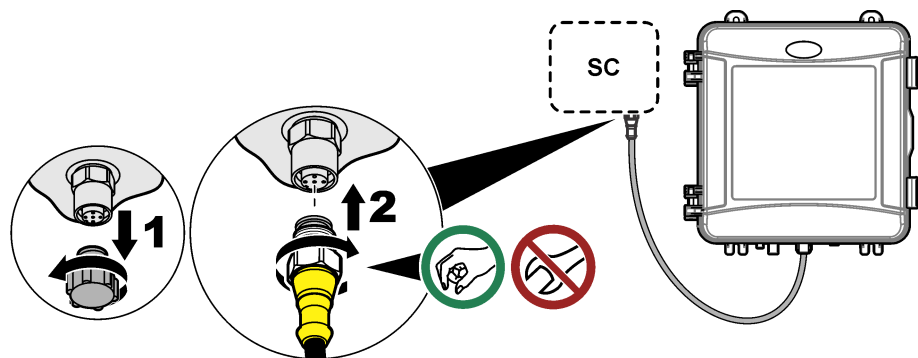
Opasnost od strujnog udara. Vanjska priključena oprema mora imati primjenjive standardne ocjene za sigurnost.

Kabel analizatora spojite na priključak za brzo spajanje na SC kontroleru. Pogledajte [Slika 6](#).

Sačuvajte pokrivnu kapicu priključka kako biste njome mogli zatvoriti otvor priključka ako se kabel bude morao ukloniti.

**Napomena:** Dostupni su produžni kabeli. Pogledajte [Zamjenski dijelovi i dodatna oprema](#) na stranici 500. Maksimalna duljina kabela je 15 m (49 ft).

## Slika 6 Spojite kabel na priključak za brzo spajanje



### 3.7.2 Priključivanje kontrolera na napajanje

Spojite kontroler na napajanje izravnim spajanjem žica u vodovima ili spajanjem žica na kabel za napajanje. Upute potražite u dokumentaciji kontrolera.

### 3.7.3 Povezivanje vanjskih uređaja s kontrolerom

Spojite releje kontrolera, analogne izlaze i digitalne ulaze na vanjske uređaje prema potrebi. Upute potražite u dokumentaciji kontrolera.

## 3.8 7. korak: Postavljanje i priprema analizatora

1. Pritisnite **menu (Izbornik)**, a zatim odaberite SENSOR SETUP (POSTAVLJANJE SENZORA) > [odaberite analizator] > PRIME (PRIPREMI).
2. Ako kontroler ne prepoznaje je li analizator priključen, izvršite sljedeće korake:
  - a. Pritisnite **izbornik**, a zatim odaberite TEST/MAINT (TEST/ODRŽAVANJE) > SCAN SENSORS (SKENIRAJ SENZORE).
  - b. Kada pronađete i montirate senzor, ponovite korak 1.

## 3.9 8. korak: Postavljanje brzine protoka

Analizator ima mjerač protoka koji mjeri protok uzorka kroz analizator. Pogledajte [Slika 1](#) na stranici 479.

1. Pritisnite **DESNU** strelicu na kontroleru za prikaz brzine protoka na zaslonu.

Uzorak protječe kroz analizator samo kada analizator ispire kivetu. U drugim slučajevima nema protoka uzorka i prikazana brzina protoka je nula. Opise koraka ciklusa mjerenja prikazuje [Tablica 4](#) na stranici 480.

**Napomena:** Da biste ručno izmjerili brzinu protoka kroz analizator, izmjerite brzinu protoka na odvodu analizatora kada analizator ispire kivetu vodom.
2. Ako je ugrađen cijevni nastavak, okrenite zaporni ventil na izlazu cjedila Y da biste postavili brzinu protoka između 60 i 200 ml/min kada analizator ispire kivetu vodom.
3. Ako je ugrađen regulator tlaka, podesite regulator tlaka da biste postavili brzinu protoka između 60 i 200 ml/min kada analizator ispire kivetu vodom.

## 3.10 9. korak: Instaliranje najnovijeg softvera

Pobrinite se da na kontroleru SC bude instaliran najnoviji softver. S pomoću SD kartice na kontroleru SC instalirajte najnoviji softver.

1. Na stranici <http://hach.com> otvorite stranicu proizvoda gdje ćete pronaći odgovarajući kontroler SC.
2. Pritisnite karticu "Resursi".
3. Spustite se do opcije „Software/Firmware (Softver / Programske datoteke)“.
4. Pritisnite poveznicu za softver kontrolera SC.
5. Spremite datoteke na SD karticu.
6. Instalirajte datoteke na kontroler SC. Pogledajte upute za instalaciju softvera priložene uz softverske datoteke.

## Odjeljak 4 Konfiguracija

### 4.1 10. korak: Konfiguriranje analizatora

Postavite naziv analizatora, prosjek signala, vrstu klora koja se mjeri, odbacivanje mjehurića i zadane vrijednosti za aktivaciju alarma za klor.

1. Pritisnite **Menu**, a zatim odaberite **SENSOR SETUP (POSTAVLJANJE SENZORA) > [odaberite analizator] > CONFIGURE (KONFIGURIRAJ)**.
2. Odaberite i konfigurirajte svaku opciju.

Opcija	Opis
<b>EDIT NAME (UREDNI NAZIV)</b>	Postavlja se naziv analizatora. Naziv analizatora prikazuje se na zaslonu kontrolera i u datotekama dnevnika.
<b>SIGNAL AVERAGE (PROSJEK SIGNALA)</b>	<p>Postavlja se broj mjerenja koji se upotrebljava za izračun prosječnog mjerenja koje se prikazuje na zaslonu. Opcije: 1 (zadano), 2, 3 ili IRREGULAR VALUE (NEPRAVILNA VRIJEDNOST).</p> <p>Kad se SIGNAL AVERAGE (PROSJEK SIGNALA) postavi na 1, usrednjavanje signala se onemogućuje.</p> <p>Kad se SIGNAL AVERAGE (PROSJEK SIGNALA) postavi na 2 ili 3, prosječno očitavanje prikazuje se na zaslonu. Na primjer, mjerenje na zaslonu jednako je posljednjem i prethodnom mjerenju podijeljeno s dva kada je SIGNAL AVERAGE (PROSJEK SIGNALA) postavljen na 2.</p> <p>Kad je SIGNAL AVERAGE (PROSJEK SIGNALA) postavljen na IRREGULAR VALUE (NEPRAVILNA VRIJEDNOST), analizator odbacuje očitavanje koje je neuobičajeno više ili niže od posljednjih očitavanja. Kada je očitavanje odbijeno, na zaslonu se prikazuje posljednje dobro očitavanje i sprema se u dnevnik podataka. Ne odbacuje se više od tri uzastopna očitavanja.</p> <p>Usrednjavanje signala ispravlja neispravne fluktuacije očitavanja koje uzrokuju mjehurići i/ili veće čestice u uzorku.</p>
<b>MEASUREMENT (MJERENJE)</b>	<p>Postavlja se vrsta klora koja se mjeri. Ako se na oznakama bočica s puferom i indikatorom nalazi „Free Chlorine“ (Slobodni klor), odaberite FREE CHLORINE (SLOBODNI KLOR) (zadano).</p> <p>Ako se na oznakama bočica s puferom i indikatorom nalazi „Total Chlorine“ (Ukupni klor), odaberite TOTAL CHLORINE (UKUPNI KLOR).</p>
<b>BUBBLE REJECT (ODBACIVANJE MJEHURIĆA)</b>	Odbacivanje mjehurića postavlja se na on (uključeno) ili off (isključeno) (zadano). BUBBLE REJECT (ODBACIVANJE MJEHURIĆA) postavite na ON (UKLJUČENO) za smanjenje šuma koji uzrokuju mjehurići u uzorku. Mjehurići zraka u uzorku mogu prouzročiti nestabilna očitavanja.
<b>HIGH CL ALARMS (ALARMI ZA VISOK CL)</b>	Postavlja se zadana vrijednost koncentracije klora za aktivaciju alarma za HIGH CHLORINE (VISOK KLOR) – 0,00 do 10,00 mg/l (zadano: 4,00 mg/l).

Opcija	Opis
<b>LOW CL ALARMS (ALARMI ZA NIZAK CL)</b>	Postavlja se zadana vrijednost koncentracije klora za aktivaciju alarma za LOW CHLORINE (NIZAK KLOR) – 0,00 do 10,00 mg/l (zadano: 0,20 mg/l).
<b>SENSOR INFO (INFO. SENZORA)</b>	Prikazuje se serijski broj analizatora, verzija softvera, verzija pokretanja i verzija upravljačkog programa.
<b>DEFAULT SETTINGS (ZADANE POSTAVKE)</b>	Odaberite YES (DA) za promjenu postavki konfiguracije na tvornički zadane vrijednosti.
<b>SERVICE (SERVIS)</b>	Samo za potrebe servisa

## 4.2 Konfiguracija sustava

Pogledajte dokumentaciju kontrolera za konfiguraciju sustava, opće postavke kontrolera i postavljanje izlaza i komunikacije.

## 4.3 Navigacija korisnika

Pogledajte dokumentaciju o kontroleru radi opisa tipki i informacija o navigaciji.

Više puta pritisnite tipku s **DESNOM** strelicom na kontroleru da biste prikazali više informacija na početnom zaslonu i prikazali grafički prikaz.

# Odjeljak 5 Funkcioniranje

## 5.1 Dnevnici podataka, događaja i servisa

Kontroler nudi pristup dnevniku podataka, dnevniku događaja i dnevniku servisa za svaki spojeni instrument. Mjerenja analizatora automatski se spremaju u dnevnik podataka u intervalima od 150 sekundi. Dnevnik događaja prikazuje događaje koji su se pojavili. Zapisnici događaja i podataka zadržavaju podatke približno 2 tjedna kada analizator neprekidno radi. Zapisnik servisa bilježi podatke približno 24 sata kada analizator neprekidno radi.

U dokumentaciji kontrolera pogledajte kako preuzeti dnevnik podataka, dnevnik događaja i/ili dnevnik servisa. Dnevnik podataka je XML datoteka koja se može spremirati u CSV ili Excel formatu. Dnevnik događaja i dnevnik servisa su datoteke u CSV formatu.

## 5.2 Mjerenje za opciju GRAB SAMPLE IN (UZMI UZORAK U)

Kada je to potrebno, upotrijebite izbornik GRAB SAMPLE IN (UZMI UZORAK U) za dodavanje uzorka vode poznate koncentracije klora u kivetu za mjerenje. Izmjerite uzeti uzorak za provjeru ili za mjerenje uzorka vode prikupljenog s drugog mjesta.

1. Pritisnite **Menu**, zatim odaberite SENSOR SETUP (POSTAVLJANJE SENZORA) > [odaberite analizator] > GRAB SAMPLE IN (UZMI UZORAK U).
2. Završite korake koji se prikazuju na zaslonu. Kada se to zatraži, uklonite poklopac kivete i dodajte 100 ml uzetog uzorka u kivetu. Dio uzorka isteći će u odvod uzorka.

## 5.3 Registri modbusa

Za mrežnu komunikaciju dostupan je popis modbus registara. Dodatne informacije potražite na web-stranici proizvođača.

# Odjeljak 6 Kalibracija i podešavanje

Kalibracijska krivulja analizatora postavljena je u tvornici za radne značajke prema specifikacijama. Kalibracija se može provesti za provjeru učinkovitosti.

Ne preporučuju se nikakva korisnička podešavanja tvorničke kalibracijske krivulje, osim ako to zahtijeva regulatorna agencija za potrebe izvješćivanja o sukladnosti ili ako je izvršen veliki popravak analizatora.

Više informacija potražite u uputama u kompletu za provjeru kalibracije ili se obratite tehničkoj podršci.

## Odjeljak 7 Održavanje

### ⚠ OPREZ



Višestruka opasnost. Zadatke opisane u ovom odjeljku priručnika treba obavljati isključivo kvalificirano osoblje.

### OBAVIJEST

Ne rastavljajte instrument radi održavanja. U slučaju potrebe za čišćenjem ili popravkom internih dijelova, obratite se proizvođaču.

## 7.1 Raspored održavanja

Tablica 6 prikazuje preporučeni raspored zadataka održavanja. Zahtjevi uređaja i radni uvjeti mogu povećati učestalost nekih zadataka.

Tablica 6 Raspored održavanja

Zadatak	Jednom mjesečno	Svakih 6 mjeseci	Po potrebi
Čišćenje kivete na stranici 493	X <sup>2</sup>		
Zamjena bočica s reagansom na stranici 494	X		
Zamijenite šipku za miješanje i zaštitno crijevo za cijevi <sup>3</sup>		X	
Čišćenje zaslona u cjedilu Y na stranici 495			X

## 7.2 Čišćenje kivete

### ⚠ OPREZ



Opasnost od izlaganja kemikalijama. Poštujte laboratorijske sigurnosne propise i opremite se svom odgovarajućom osobnom zaštitnom opremom s obzirom na kemikalije kojima ćete rukovati. Sigurnosne protokole potražite na trenutno važećim sigurnosno tehničkim listovima materijala (MSDS/SDS).

Čistite kivetu u intervalima od 1 mjeseca ili češće ako je potrebno.

#### Potrebne stavke:



Štipci s vatom<sup>4</sup>



Otopina sumporne kiseline 5,25 N<sup>5</sup>

1. Zaštitite se osobnom zaštitnom opremom navedenom u sigurnosno-tehničkim listovima (STL).
2. Pritisnite **Menu**, zatim odaberite SENSOR SETUP (POSTAVLJANJE SENZORA) > [odaberite analizator] > TASKS (ZADACI) > CLEAN CELL (OČISTI KIVETU).  
**Napomena:** Da biste zaustavili odabrani zadatak, pritisnite **Home**.
3. Pritisnite **Enter** za zaustavljanje mjerenja.

<sup>2</sup> Po potrebi kivetu čistite češće ili manje često.

<sup>3</sup> Pogledajte upute isporučene s kompletom za cijevi.

<sup>4</sup> Pogledajte [Zamjenski dijelovi i dodatna oprema](#) na stranici 500.

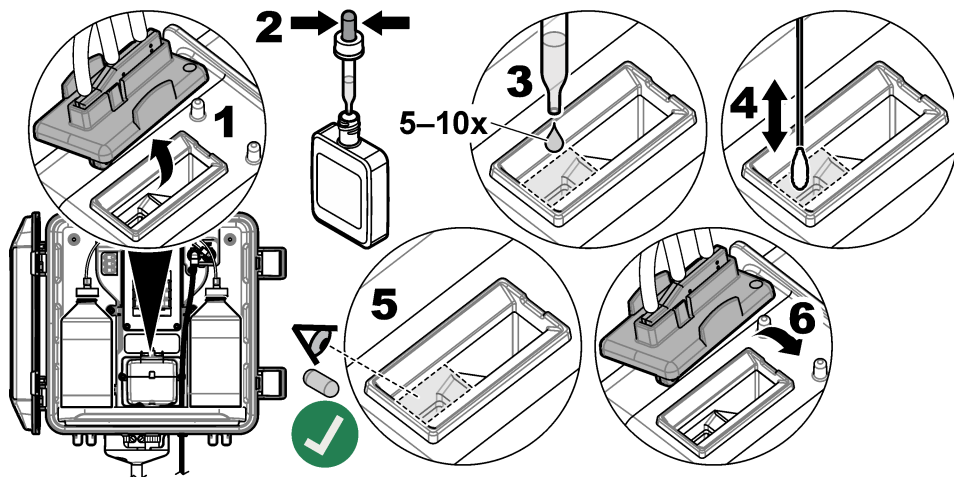
<sup>5</sup> Nemojte koristiti druga sredstva za čišćenje. Pogledajte [Zamjenski dijelovi i dodatna oprema](#) na stranici 500.

#### 4. Odaberite opciju.

Opcija	Opis
<b>HOLD (ZADRŽAVANJE)</b>	Izlazne vrijednosti kontrolera zadržavaju se na posljednjoj izmjerenoj vrijednosti.
<b>TRANSFER (PRIJENOS)</b>	Izlazne vrijednosti kontrolera mijenjaju se u vrijednost prijenosa.

#### 5. Kada zatreperi svjetlo statusa, izvršite ilustrirane korake u nastavku. Po dovršetku pritisnite **Enter**.

Prema ilustriranom koraku 5, uvjerite se da u kiveti nema neželjenog materijala. Po potrebi upotrijebite svjetiljku kako biste se uvjerali da nema neželjenog materijala.



#### 6. Kad se na zaslonu prikaže „TASK COMPLETE (ZADATAK DOVRŠEN)“, pritisnite **Enter**. Analizator započinje ciklus mjerenja za otprilike 30 sekundi.

### 7.3 Zamjena bočica s reagensom

#### ▲ OPREZ



Opasnost od izlaganja kemikalijama. Poštujte laboratorijske sigurnosne propise i opremite se svom odgovarajućom osobnom zaštitnom opremom s obzirom na kemikalije kojima ćete rukovati. Sigurnosne protokole potražite na trenutno važećim sigurnosno tehničkim listovima materijala (MSDS/SDS).

#### ▲ OPREZ



Opasnost od izlaganja kemikalijama. Kemikalije i otpad odlažite sukladno lokalnim, regionalnim i državnim propisima.

Bočice s reagensom zamijenite jednom mjesečno.

1. Zaštitite se osobnom zaštitnom opremom navedenom u sigurnosno-tehničkim listovima (STL).
2. Pritisnite **menu (Izbornik)**, zatim odaberite **SENSOR SETUP (POSTAVLJANJE SENZORA) > [odaberite analizator] > TASKS (ZADACI) > CHANGE REAGENTS (ZAMIJENI REAGENSE)**.  
**Napomena:** Da biste zaustavili odabrani zadatak, pritisnite **home (Početno)**.
3. Pritisnite **Enter** za zaustavljanje mjerenja.

4. Odaberite opciju.

Opcija	Opis
<b>HOLD (ZADRŽAVANJE)</b>	Izlazne vrijednosti kontrolera zadržavaju se na posljednjoj izmjerenoj vrijednosti.
<b>TRANSFER (PRIJENOS)</b>	Izlazne vrijednosti kontrolera mijenjaju se u vrijednost prijenosa.

5. Pričekajte da zatreperi svjetlo statusa.

6. Bočicu s puferom zamijenite na sljedeći način:

**Napomena:** (Izborno) Vrh analizatora upotrijebite kao policu.

- Uklonite čep i brtvu s nove bočice s puferom.
- Bočicu iskorištenog pufera uklonite iz analizatora.
- Cijev za pufer stavite u novu bočicu s puferom na desnoj strani analizatora. Zategnite poklopac.

7. Bočicu s indikatorom zamijenite na sljedeći način:

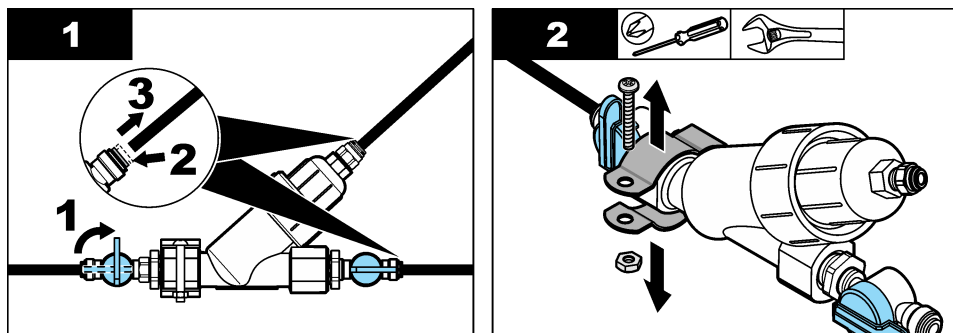
- Uklonite čep i brtvu s bočice s indikatorom i smeđe bočice s DPD spojem.
- Smeđu bočicu s DPD spojem napunite do  $\frac{1}{4}$  otopinom indikatora.
- Bočicu s DPD spojem zavrtite da se promiješa.
- Sadržaj bočice s DPD spojem ulijte u bočicu s indikatorom.
- Izokrenite bočicu s indikatorom dok se prah ne rastopi (2 minute).
- Bočicu iskorištenog indikatora uklonite iz analizatora.
- Cijev za indikator stavite u novu bočicu s indikatorom na lijevoj strani analizatora. Zategnite poklopac.

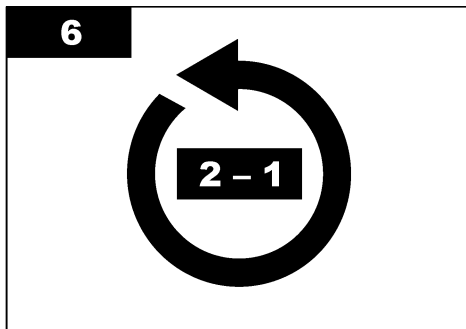
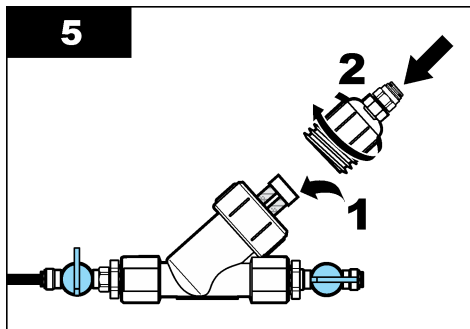
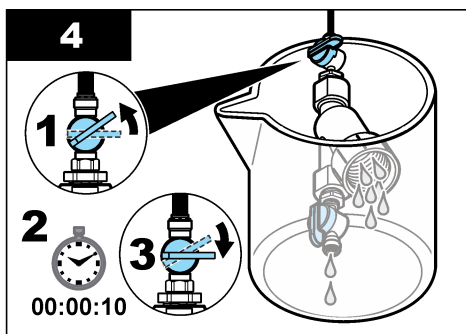
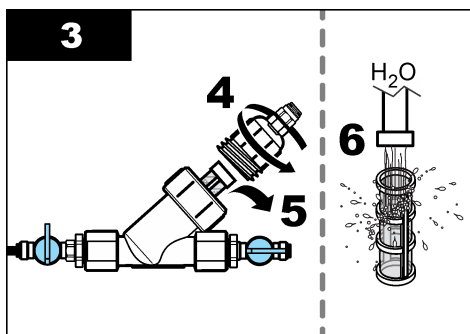
8. Pritisnite **Enter**.

9. Kad se na zaslonu prikaže „TASK COMPLETE (ZADATAK DOVRŠEN)“, pritisnite **Enter**.  
Analizator započinje ciklus mjerenja za otprilike 30 sekundi.

## 7.4 Čišćenje zaslona u cjedilu Y

Očistite zaslon u cjedilu Y kad postoji blokada koja se utvrđuje upozorenjem LOW SAMPLE FLOW (NIZAK PROTOK UZORKA). Izvršite ilustrirane korake u nastavku.





## 7.5 Priprema za skladištenje

### ▲ OPREZ



Opasnost od izlaganja kemikalijama. Poštujte laboratorijske sigurnosne propise i opremite se svom odgovarajućom osobnom zaštitnom opremom s obzirom na kemikalije kojima ćete rukovati. Sigurnosne protokole potražite na trenutno važećim sigurnosno tehničkim listovima materijala (MSDS/SDS).

Ako će se napajanje analizatora iskopčati na duže od 3 dana ili se analizator neće upotrebljavati duže od 3 dana, pripremite analizator za skladištenje.

#### Potrebne stavke:



Čaša s deioniziranom vodom (2x)



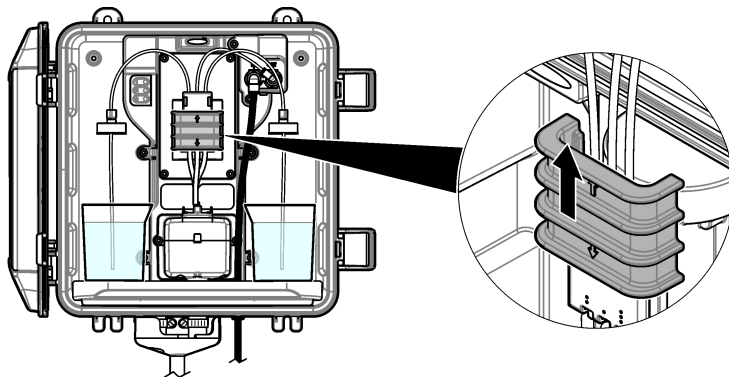
Kapaljka za jednokratnu uporabu ili tkanina koja ne ostavlja vlakna

1. Reagense uklonite iz vodova za reagens na sljedeći način:
  - a. Bočicu s indikatorom i bočicu s puferom uklonite iz analizatora.
  - b. U analizator stavite dvije čaše (ili posude) koje sadrže deioniziranu vodu.
  - c. Cijev bočice s indikatorom i cijev bočice s puferom umetnite u čaše.
  - d. Pritisnite **menu (Izbornik)**, a zatim odaberite **SENSOR SETUP (POSTAVLJANJE SENZORA)** > [odaberite analizator] > **PRIME (PRIPREMI)**.  
Analizator uklanja reagense iz vodova za reagens.
2. Reagense uklonite iz vodova za reagens na sljedeći način:
  - a. Cijev bočice s indikatorom i cijev bočice s puferom izvadite iz čaša.
  - b. Izvadite dvije čaše iz analizatora.



- c. Pritisnite **menu (Izbornik)**, a zatim odaberite SENSOR SETUP (POSTAVLJANJE SENZORA) > [odaberite analizator] > PRIME (PRIPREMI).  
Analizator uklanja svu tekućinu iz vodova za reagens.
3. Iskopčajte kabel analizatora iz kontrolera (ili isključite napajanje kontrolera).
4. Zaporni ventil okrenite u zatvoreni položaj da biste zaustavili protok uzorka do cjedila Y.
5. Uklonite stezaljku pumpe. Pogledajte [Slika 7](#). Sačuvajte stezaljku pumpe za kasniju uporabu.
6. Vodu iz kivete uklonite na sljedeći način:
  - a. Skinite poklopac s kivete.
  - b. Izvadite vodu iz kivete kapaljkom za jednokratnu uporabu ili tkaninom koja ne ostavlja vlakna.
  - c. Stavite poklopac na kivetu.
7. Da biste pokrenuli analizator nakon skladištenja, učinite sljedeće korake:
  - a. Postavite stezaljku pumpe. Pogledajte [Slika 7](#).
  - b. Postavite bočice s reagensom. Pogledajte [4. korak: Postavljanje bočice s reagensom](#) na stranici 487.
  - c. Zaporni ventil postavite u otvoreni položaj da biste pokrenuli protok uzorka do cjedila Y.
  - d. Ukopčajte kabel analizatora u kontroler ako je kabel bio iskopčan.
  - e. Priključite napajanje na kontroler ako je bilo isključeno.
  - f. Pritisnite **menu (Izbornik)**, a zatim odaberite SENSOR SETUP (POSTAVLJANJE SENZORA) > [odaberite analizator] > PRIME (PRIPREMI).

**Slika 7 Uklonite stezaljku pumpe**



## 7.6 Priprema za otpremu

### ⚠ OPREZ



Opasnost od izlaganja kemikalijama. Poštujte laboratorijske sigurnosne propise i opremite se svom odgovarajućom osobnom zaštitnom opremom s obzirom na kemikalije kojima ćete rukovati. Sigurnosne protokole potražite na trenutno važećim sigurnosno tehničkim listovima materijala (MSDS/SDS).

Da biste pripremili analizator za prijevoz, učinite sljedeće korake.

#### Potrebne stavke:



Čaša s deioniziranom vodom (2x)



Izvorno pakiranje

1. Reagense uklonite iz vodova za reagens na sljedeći način:
  - a. Bočicu s indikatorom i bočicu s puferom uklonite iz analizatora.
  - b. U analizator stavite dvije čaše (ili posude) koje sadrže deioniziranu vodu.
  - c. Cijev bočice s indikatorom i cijev bočice s puferom umetnite u čaše.
  - d. Pritisnite **menu (Izbornik)**, a zatim odaberite SENSOR SETUP (POSTAVLJANJE SENZORA) > [odaberite analizator] > PRIME (PRIPREMI).  
Analizator uklanja reagense iz vodova za reagens.
2. Reagense uklonite iz vodova za reagens na sljedeći način:
  - a. Cijev bočice s indikatorom i cijev bočice s puferom izvadite iz čaša.
  - b. Izvadite dvije čaše iz analizatora.
  - c. Pritisnite **menu (Izbornik)**, a zatim odaberite SENSOR SETUP (POSTAVLJANJE SENZORA) > [odaberite analizator] > PRIME (PRIPREMI).  
Analizator uklanja svu tekućinu iz vodova za reagens.
3. Iskopčajte kabel analizatora iz kontrolera.
4. Zaporni ventil okrenite u zatvoreni položaj da biste zaustavili protok uzorka do cjedila Y.
5. Odvojite cijev za dovod uzorka (crnu) i cijev za odvod (prozirnu) iz analizatora.
6. Uklonite otvor za vanjski zrak s analizatora.
7. Uklonite stezaljku pumpe. Pogledajte [Slika 7](#) na stranici 497.
8. Uklonite zaštitno crijevo za cijevi i šipku za miješanje iz analizatora. Sačuvajte zaštitno crijevo za cijevi za prijevoz a analizatorom. Pogledajte [3. korak: Postavljanje šipke za miješanje i zaštitnog crijeva za cijevi](#) na stranici 487.
9. Postavite stezaljku pumpe bez zaštitnog crijeva za cijevi. Stavite traku na stezaljku cijevi kako bi se stezaljka cijevi čvrsto držala.
10. Izvadite vodu iz kivete kapaljkom za jednokratnu uporabu ili tkaninom koja ne ostavlja vlakna.
11. Skinite analizator sa zida.
12. Vratite analizator u izvorno pakiranje.

## 7.7 Čišćenje instrumenta

### OBAVIJEST

Za čišćenje instrumenta, što uključuje i zaslon te dodatnu opremu, nikad nemojte koristiti sredstva za čišćenje poput terpentina, acetona i sličnih proizvoda.

Vanjsku površinu instrumenta očistite pomoću vlažne krpe i blage otopine sapuna.

## 7.8 Čišćenje prolivenih tekućina

### ▲ OPREZ



Opasnost od izlaganja kemikalijama. Kemikalije i otpad odložite sukladno lokalnim, regionalnim i državnim propisima.

1. Pridržavajte se svih sigurnosnih protokola ustanove za kontroliranje prolijevanja.
2. Otpad odložite prema primjenjivim propisima.

## Odjeljak 8 Rješavanje problema

### 8.1 Pogreške – crveno svjetlo

Za prikaz pogrešaka pritisnite **Menu** i odaberite DIAGNOSTICS (DIJAGNOSTIKA) > [odaberite analizator] > ERROR LIST (POPIS POGREŠAKA). Popis mogućih pogrešaka prikazan je u [Tablica 7](#).

Kad dođe do pogreške, svjetlo statusa analizatora mijenja se u crvenu boju. Mjerenja se zaustavljaju, zaslon mjerenja bljeska i sve se izlazne informacije zadržavaju kako je to navedeno u izborniku kontrolera.

**Tablica 7 Poruke o pogreškama**

Pogreška	Opis	Rješenje
DETECTOR ERROR (POGREŠKA DETEKTORA)	Detektor ne radi ispravno.	Obratite se tehničkoj podršci.
DIRTY CELL (PRLJAVA KIVETA)	Kiveta je umrljana ili prijava. Biofilm može rasti u kivetu kada je koncentracija klora vrlo niska.	Očistite kivetu. Pogledajte <a href="#">Čišćenje kivete</a> na stranici 493.
CODE ERROR (POGREŠKA ŠIFRE)	Došlo je do pogreške u programskoj datoteci.	Obratite se tehničkoj podršci.
LED ERROR (POGREŠKA LED-A)	Svjetlo u kivetu ne radi ispravno.	Obratite se tehničkoj podršci.
PUMP ERROR (POGREŠKA PUMPE)	Pumpa ne radi ispravno.	Obratite se tehničkoj podršci.
SAMPLE LEAK (CURENJE UZORKA)	Uzorak curi u analizatoru.	Obratite se tehničkoj podršci.

## 8.2 Upozorenja – žuto svjetlo

Za prikaz upozorenja pritisnite **Menu** i odaberite DIAGNOSTICS (DIJAGNOSTIKA) > [odaberite analizator] > WARNING LIST (POPIS UPOZORENJA). [Tablica 8](#) prikazuje popis mogućih upozorenja.

Kad se pojavi upozorenje, svjetlo indikatora statusa mijenja se u žutu boju. Ikona upozorenja treperi i prikazuje se poruka na dnu zaslona kontrolera. Ako je dostupan dovoljan protok uzorka, upozorenje ne utječe na rad izbornika. Upozorenje ne utječe na rad releja i izlaza.

**Tablica 8 Poruke upozorenja**

Upozorenje	Opis	Rješenje
BUBBLES DETECTED (OTKRIVENI MJEHURIĆI)	U kivetu ima mjehurića.	Očistite kivetu. Pogledajte <a href="#">Čišćenje kivete</a> na stranici 493. (Dodatno) Postavku BUBBLE REJECT (ODBACIVANJE MJEHURIĆA) postavite na uključeno. Pogledajte <a href="#">10. korak: Konfiguriranje analizatora</a> na stranici 491.
CLEAN CELL SOON (USKORO OČISTI KIVETU)	Kiveta postaje zamrljana ili prijava i treba je uskoro očistiti kako bi se spriječila pogreška.	Očistite kivetu. Pogledajte <a href="#">Čišćenje kivete</a> na stranici 493.
HIGH CHLORINE (VISOK KLOR)	Koncentracija klora nalazi se na zadanoj vrijednosti za funkciju HIGH CL ALARMS (ALARMI ZA VISOK CL) ili je iznad zadane vrijednosti.	Povećajte postavku funkcije HIGH CL ALARMS (ALARMI ZA VISOK CL). Pogledajte <a href="#">10. korak: Konfiguriranje analizatora</a> na stranici 491. Ili Smanjite koncentraciju klora u uzorku koji dolazi u analizator.
LOW CHLORINE (NIZAK KLOR)	Koncentracija klora nalazi se na zadanoj vrijednosti za funkciju LOW CL ALARMS (ALARMI ZA NIZAK CL) ili je ispod zadane vrijednosti.	Smanjite postavku funkcije LOW CL ALARMS (ALARMI ZA NIZAK CL). Pogledajte <a href="#">10. korak: Konfiguriranje analizatora</a> na stranici 491. Ili Povećajte koncentraciju klora u uzorku koji dolazi u analizator.

**Tablica 8 Poruke upozorenja (nastavak)**

Upozorenje	Opis	Rješenje
LOW SAMPLE FLOW (NIZAK PROTOK UZORKA)	Izmjereni protok uzorka manji je od minimalne brzine protoka uzorka. Pogledajte <a href="#">Specifikacije</a> na stranici 476.	Postavite brzinu protoka uzorka. Pogledajte <a href="#">8. korak: Postavljanje brzine protoka</a> na stranici 490.  Po potrebi očistite filtar u cjedilu Y kako biste uklonili blokadu. Pogledajte <a href="#">Čišćenje zaslona u cjedilu Y</a> na stranici 495.
HIGH SAMPLE FLOW (VISOK PROTOK UZORKA)	Izmjereni protok uzorka veći je od maksimalne brzine protoka uzorka. Pogledajte <a href="#">Specifikacije</a> na stranici 476.	Postavite brzinu protoka uzorka. Pogledajte <a href="#">8. korak: Postavljanje brzine protoka</a> na stranici 490.

## Odjeljak 9 Zamjenski dijelovi i dodatna oprema

### ▲ UPOZORENJE



Opasnost od ozljede. Korištenje neodobrenih dijelova može uzrokovati osobne ozljede, oštećenje instrumenta ili neispravno funkcioniranje opreme. Proizvođač je odobrio upotrebu rezervnih dijelova navedenih u ovom odjeljku.

**Napomena:** Brojevi proizvoda i artikla mogu varirati za neke regije prodaje. Obratite se odgovarajućem distributeru ili pogledajte web stranicu tvrtke za kontaktne podatke.

### Potrošni materijal

Opis	Količina	Broj proizvoda
Komplet reagensa, slobodni klor, uključuje: Bočicu s puferom, bočicu s indikatorom i bočicu s DPD spojem	1	2556900
Komplet reagensa, ukupni klor, uključuje: Bočicu s puferom, bočicu s indikatorom i bočicu s DPD spojem	1	2557000
Komplet za čišćenje kivete uključuje: Sumpornu kiselinu, 5,25 N, 100 ml, bočicu s kapaljkom i štapiće s vatom (10x)	1	8573100
Komplet za provjeru kalibracije, uključuje: Štrcaljku, cijevi, priključke, lomitelj ampule, deioniziranu vodu i ampulu standarda klora	1	8568200
Komplet za provjeru kalibracije, ponovno punjenje, uključuje: Deioniziranu vodu i ampulu standarda klora	1	8573200

### Zamjenski dijelovi

Opis	Broj proizvoda
Komplet za cijevi uključuje: Zaštitno crijevo za cijevi i šipku za miješanje	SAD: 8560400 EU: 8575000
Komplet za ugradnju s cijevi (10 psi ili manje)	SAD: 8560500 EU: 8575100
Komplet za ugradnju sa uspravnom cijevi (>10 psi)	8576001
Komplet za postavljanje s regulatorom tlaka	SAD: 8565700 EU: 8575200

## Dodatna oprema

Opis	Broj proizvoda
Produžni kabel za analizator, 1 m (3,2 ft)	6122400
Produžni kabel za analizator, 7,7 m (25 ft)	5796000
Produžni kabel za analizator, 15 m (50 ft)	5796100
Adapter za cijevi, promjer otvora od 6 mm do 1/4 inča	09184=A=4020

# Obsah

- |   |                                    |   |  |
|---|------------------------------------|---|--|
| 1 | Technické údaje na strane 502      | 6 | Kalibrácia a úprava na strane 519            |
| 2 | Všeobecné informácie na strane 503 | 7 | Údržba na strane 520                         |
| 3 | Inštalácia na strane 506           | 8 | Riešenie problémov na strane 525             |
| 4 | Konfigurácia na strane 518         | 9 | Náhradné diely a príslušenstvo na strane 527 |
| 5 | Prevádzka na strane 519            |   |  |

## Odsek 1 Technické údaje

Technické údaje podliehajú zmenám bez upozornenia.

**Tabuľka 1 Všeobecné technické údaje**

Technické údaje	Podrobnosti
Rozmery (Š x V x H)	32,9 x 34,2 x 17,7 cm (12,9 x 13,5 x 7,0 palca)
Kryt	IP66 podľa normy IEC 60529 so zatvorenými a zaistenými dvermi <sup>1</sup>
Prepravná hmotnosť	4,1 kg (9 lb) bez fliaš, 5,1 kg (11,2 lb) s plnými fľašami
Uchytenie	Montáž na stenu
Trieda ochrany	III
Stupeň znečisťovania	3
Kategória elektrickej inštalácie	I (vnútri)
Požiadavky na napájanie	12 V jednosmerné, maximálne 400 mA (dodávané z kontroléra)
Prevádzková teplota	5 až 40 °C (41 až 104 °F)
Prevádzková vlhkosť	0 až 90 % relatívna vlhkosť bez kondenzácie
Teplota skladovania	-40 až 60 °C (-40 až 140 °F)
Spojky	Hadička na vzorky: rýchl spojka s vonk. priemerom ¼ palca na plastové hadičky Odtokové hadičky: nasúvacia prípojka na mäkké plastové hadičky s vnútorným priemerom ½ palca
Indikačné svetlá	Stav analyzátora a cyklus merania
Certifikáty	EU DoC, UKCA DoC, FCC/ISED SDoC, ACMA DoC, KC, Morocco DoC
Záruka	1 rok (EÚ: 2 roky)

**Tabuľka 2 Požiadavky na vzorku**

Technické údaje	Podrobnosti
Tlak	0,31 až 5,17 baru (4,5 až 75 psig) privádzaných do sitka v tvare Y, 0,1 až 0,34 baru (1,5 až 5 psig) privádzaných do analyzátora
Prietoková rýchlosť	60 až 200 ml/min cez prístroj (merané v mieste odtoku analyzátora)
Teplota	5 až 40 °C (41 až 104 °F)
Filtrácia	Sitko v tvare Y so sieťovinovým filtrom triedy 40 alebo vyššej

<sup>1</sup> Odtokové otvory so zátkami na požiadavky testovania.

**Tabuľka 3 Technické údaje merania**

Technické údaje	Podrobnosti
Zdroj svetla	LED, meranie pri 510 nm; optická dráha 1 cm
Rozsah merania	0,03 – 10 mg/l voľného alebo celkového zvyškového chlóru ako Cl <sub>2</sub>
Interval merania	150 sekúnd
Správnosť	±5 % alebo ±0,04 mg/l od 0 dpo 5 mg/l (vyššia hodnota) ako Cl <sub>2</sub> ±10 % od 5 dpo 10 mg/l ako Cl <sub>2</sub>
Presnosť	±5 % alebo ±0,01 mg/l (vyššia hodnota) ako Cl <sub>2</sub>
Medza detekcie	0,03 mg/l ako Cl <sub>2</sub>
Medza stanoviteľnosti	0,07 mg/l
Kalibrácia	Továrenská kalibrácia Voliteľné: 2-bodová používateľská kalibrácia s kalibračnými štandardmi v súprave na overenie kalibrácie
Spotreba reagentov	0,5 l roztoku pufru a 0,5 l roztoku indikátora za 31 dní

## Odsek 2 Všeobecné informácie

Za žiadnych okolností výrobca nebude niesť zodpovednosť za škody spôsobené nesprávnym používaním produktu alebo nedodržaním pokynov v príručke. Výrobca si vyhradzuje právo na vykonávanie zmien v tomto návode alebo na predmetnom zariadení kedykoľvek, bez oznámenia alebo záväzku. Revidované vydania sú k dispozícii na webových stránkach výrobcu.

### 2.1 Bezpečnostné informácie

Výrobca nie je zodpovedný za škody spôsobené nesprávnym alebo chybným používaním tohto zariadenia vrátane, okrem iného, priamych, náhodných a následných škôd, a odmieta zodpovednosť za takéto škody v plnom rozsahu povolenom príslušným zákonom. Používateľ je výhradne zodpovedný za určenie kritického rizika pri používaní a zavedenie náležitých opatrení na ochranu procesov počas prípadnej poruchy prístroja.

Pred vybalením, nastavením alebo prevádzkou tohto zariadenia si prečítajte celý návod. Venujte pozornosť všetkým výstrahám a upozorneniam na nebezpečenstvo. Zanedbanie môže mať za následok vznik vážnych zranení obsluhy alebo poškodenie zariadenia.

Uistite sa, že ochrana poskytovaná týmto zariadením nie je narušená. Nepoužívajte ani neinštalujte toto zariadenie spôsobom iným, než sa uvádza v tomto návode.

#### 2.1.1 Informácie o možnom nebezpečenstve

#### **▲ NEBEZPEČIE**

Označuje potenciálne alebo bezprostredne nebezpečnú situáciu, ktorá, ak sa jej nezabráni, spôsobí smrť alebo vážne zranenie.

#### **▲ VAROVANIE**

Označuje potenciálne alebo bezprostredne nebezpečnú situáciu, ktorá, ak sa jej nezabráni, by mohla spôsobiť smrť alebo vážne zranenie.

#### **▲ UPOZORNENIE**

Označuje potenciálne ohrozenie s možným ľahkým alebo stredne ťažkým poranením.

#### **POZNÁMKA**

Označuje situáciu, ktorá, ak sa jej nezabráni, môže spôsobiť poškodenie prístroja. Informácie, ktoré vyžadujú zvýšenú pozornosť.

## 2.1.2 Výstražné štítky

Preštudujte si všetky štítky a značky, ktoré sa nachádzajú na zariadení. Pri nedodržaní pokynov na nich hrozí poranenie osôb alebo poškodenie prístroja. Symbol na prístroji je vysvetlený v príručke s bezpečnostnými pokynmi.



Elektrické zariadenie označené týmto symbolom sa v rámci Európy nesmie likvidovať v systémoch likvidácie domového alebo verejného odpadu. Staré zariadenie alebo zariadenie na konci životnosti vráťte výrobcovi na bezplatnú likvidáciu.

## 2.1.3 Elektromagnetická kompatibilita (EMC)

### ▲ UPOZORNENIE

Toto zariadenie nie je určené na používanie v obytnom prostredí a nemusí poskytovať dostatočnú ochranu rádiového príjmu v takýchto prostrediach.

#### CE (EU)

Zariadenie spĺňa základné požiadavky smernice 2014/30/EÚ o elektromagnetickej kompatibilite.

#### UKCA (UK)

Zariadenie spĺňa požiadavky Nariadenia o elektromagnetickej kompatibilite 2016 (S.I. 2016/1091).

**Kanadská smernica týkajúca sa zariadení a spôsobujúceho rádiové rušenie (Canadian Radio Interference-Causing Equipment Regulation), ICES-003, trieda A:**

Príslušné protokoly zo skúšok sú uchovávané u výrobcu zariadenia.

Tento digitálny prístroj tTriedy A vyhovuje všetkým požiadavkám Kanadskej smernice týkajúcej sa o zariadeniach spôsobujúcich elektromagnetické rušenie o zariadeniach spôsobujúcich elektromagnetické rušenie zariadení spôsobujúcich rádiové rušenie.

Cet appareil numérique de classe A répond à toutes les exigences de la réglementation canadienne sur les équipements provoquant des interférences.

#### **Obmedzenia podľa smernice FCC, časť 15, trieda „A“**

Príslušné protokoly zo skúšok sú uchovávané u výrobcu zariadenia. Toto zariadenie vyhovuje požiadavkám časti 15 smernice FCC. Používanie zariadenia podlieha nasledujúcim podmienkam:

1. Zariadenie nesmie spôsobovať elektromagnetické rušenie.
2. Toto zariadenie musí byť schopné prijať akékoľvek rušenie, vrátane takého, ktoré môže spôsobiť neželanú prevádzku.

V dôsledku zmien alebo úprav na tomto zariadení vykonaných bez výslovného schválenia organizáciou zodpovednou za posúdenie zhody môže používateľ stratiť oprávnenie prevádzkovať toto zariadenie. Skúškou bolo potvrdené, že toto zariadenie vyhovuje obmedzeniam pre digitálne zariadenia tTriedy A, podľa časti 15 smernice FCC. Tieto obmedzenia sú určené na zabezpečenie primeranej miery ochrany proti elektromagnetickému rušeniu pri prevádzke zariadenia v priemyselnom prostredí. Toto zariadenie vytvára, využíva a môže vyžarovať energiu v pásme rádiových frekvencií a v prípade, ak nie je nainštalované a používané v súlade s návodom na obsluhu, môže spôsobovať rušenie rádiovkej komunikácie. Pri používaní tohto zariadenia v obytnej zóne je vysoká pravdepodobnosť, že dôjde k takémuto rušeniu. V takom prípade je používateľ zariadenia povinný obmedziť elektromagnetické rušenie na vlastné náklady. Pri odstraňovaní problémov s elektromagnetickým rušením možno použiť nasledujúce postupy:

1. Odpojte zariadenie od zdroja napájania a overte, či je skutočne zdrojom elektromagnetického rušenia.
2. Ak je zariadenie pripojené k tej istej zásuvke ako zariadenie zasiahnuté rušením, pripojte ho k inej zásuvke.
3. Presuňte zariadenie ďalej od zariadenia zasiahnutého rušením.
4. Zmeňte polohu prijímacej antény na zariadení zasiahnutom rušením.
5. Skúste kombináciu vyššie uvedených postupov.



## 2.2 Informácie o produkte

### ⚠ NEBEZPEČIE



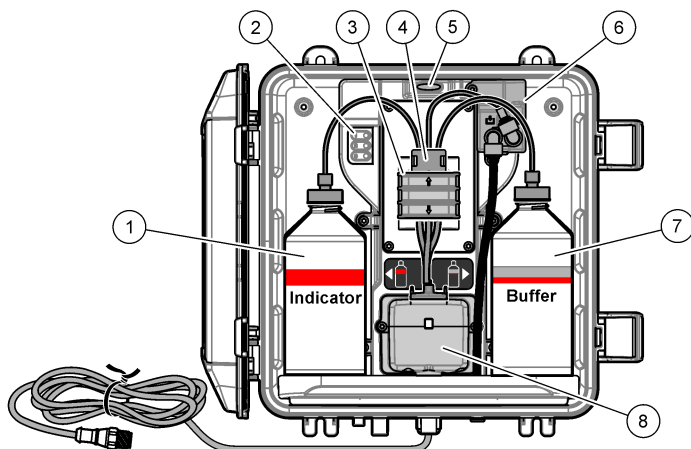
Chemické alebo biologické nebezpečenstvá. Ak sa tento prístroj používa na monitorovanie procesu úpravy a/alebo napájacej vody na dialýzu, pre ktoré existujú regulačné limity a požiadavky na monitorovanie spojené s verejným zdravím, bezpečnosťou, výrobou jedla alebo nápojov alebo ich spracovaním, je zodpovednosťou používateľa tohto prístroja poznať príslušné predpisy, riadiť sa nimi a mať dostatočné a osvedčené mechanizmy v súlade s príslušnými predpismi v prípade poruchy prístroja.

Analyzátor CL17sc meria celkovú koncentráciu chlóru vo vode v rozsahu 0,03 až 10 mg/l v 150-sekundových intervaloch. Okrem toho [Obrázok 1](#) poskytuje aj celkový prehľad o analyzátoze.

Na účely napájania, prevádzky, zberu údajov, prenosu údajov a diagnostiky pripojte analyzátor ku kontroléru SC. Pozrite si prehľad kontroléra SC v návode na použitie kontroléra.

**Poznámka:** Ak má kontrolér SC viac ako jednu rýchlospojku, možno k nemu pripojiť viac ako jeden analyzátor.

**Obrázok 1** CL17sc



1 Fľaša na indikátor	5 Stavové svetlo analyzátoru ( <a href="#">Tabuľka 5</a> na strane 506)
2 Svetlá cyklu merania ( <a href="#">Tabuľka 4</a> na strane 506)	6 Prietokomer
3 Svorka čerpadla	7 Fľaša na pufer
4 Svorka pre hadičku	8 Kolorimetrická kveta

### 2.2.1 Prietokomer

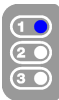


Analyzátor má prietokomer, ktorý meria prietok vzorky analyzátorom. Pozri časť [Obrázok 1](#) na strane 505.

Vzorka preteká cez analyzátor iba vtedy, keď analyzátor premýva kvetu. Inak analyzátorom nepreteká žiadna vzorka a zobrazená prietoková rýchlosť je nula. Prietokovú rýchlosť zobrazíte stlačením šípky **RIGHT (Vpravo)** na kontroléri.

## 2.2.2 Svetlá cyklu merania

Svetlá cyklu merania zobrazujú vykonaný krok cyklu merania. Pozri časť [Tabuľka 4](#).

**Tabuľka 4 Svetlá cyklu merania**

<b>Zapnuté svetlá</b>			
<b>Opis</b>	Kyveta sa premýva vodou.	Do kyvety sa pridal roztok pufra a roztok indikátora.	Meria sa vzorka.

## 2.2.3 Stavové svetlo analyzátora

Stavové svetlo analyzátora zmení farbu zo zelenej na žltú pri varovaní alebo na červenú pri chybe. Pozri časť [Tabuľka 5](#).

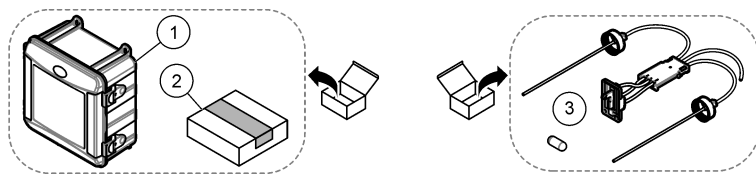
**Tabuľka 5 Stavové svetlo analyzátora**

Farba	Popis
Zelená	Normálna prevádzka
Žltá	Systém je potrebné sledovať, aby sa v budúcnosti predišlo zlyhaniu. Merania pokračujú. Ak chcete zobraziť varovania, stlačte tlačidlo <b>menu</b> a vyberte DIAGNOSTICS (Diagnostika) > [select analyzer] (vybrať analyzátor) > WARNING LIST (Zoznam výstrah). Pozri časť <a href="#">Varovania – žlté svetlo</a> na strane 526.
Červená	Systém si vyžaduje okamžitú pozornosť. Merania sa zastavili. Ak chcete zobraziť chyby, stlačte tlačidlo <b>menu</b> a vyberte DIAGNOSTICS (Diagnostika) > [select analyzer] (vybrať analyzátor) > ERROR LIST (Zoznam chýb). Pozri časť <a href="#">Chyby – červené svetlo</a> na strane 525.

## 2.3 Súčasti produktu

Uistite sa, že vám boli doručené všetky súčasti. Pozri časť [Obrázok 2](#). Ak nejaká položka chýba alebo je poškodená, okamžite kontaktujte výrobcu alebo obchodného zástupcu.

**Obrázok 2 Súčasti produktu**



1 Analyzátor CL17sc	3 Súprava hadičiek (zväzok hadičiek a miešacia tyčinka)
2 Súprava na inštaláciu	

## Odsek 3 Inštalácia

### ▲ UPOZORNENIE



Viacnásobné nebezpečenstvo. Úkony popísané v tejto časti návodu smú vykonávať iba kvalifikovaní pracovníci.

### 3.1 Pokyny na inštaláciu

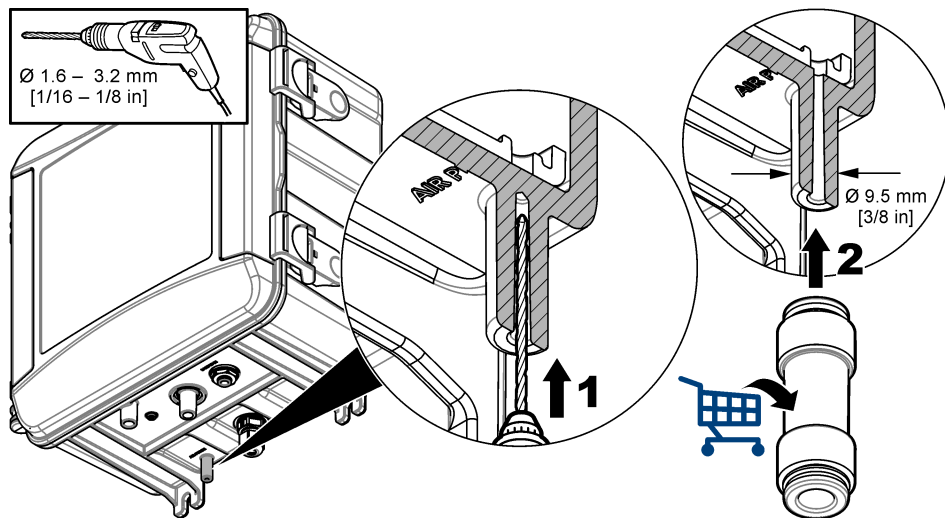
- Analyzátor je vybavený súpravou na inštaláciu na tyč alebo súpravou na inštaláciu regulátora tlaku na ovládanie tlaku vody v analyzátore. Používateľ vyberá súpravu na inštaláciu v čase objednávky.
- Analyzátor inštalujte vnútri, v prostredí s minimálnymi vibráciami. Preštudujte si technické údaje o prevádzkovej teplote a vlhkosti v časti [Technické údaje](#) na strane 502.
- Analyzátor nemontujte na mieste s priamym slnečným svetlom ani v blízkosti zdroja tepla.
- Pri inštalácii na stúpacie potrubie nainštalujte analyzátor na miesto s dostatočným voľným priestorom nad analyzátorom na montáž na stúpacie potrubie.
- Nainštalujte analyzátor do blízkosti otvoreného odtoku. Pri likvidácii sa riadte pokynmi miestneho regulačného orgánu.

### 3.2 Krok 1: Preplachovanie vzduchom (voliteľné)

Preplachovanie vzduchom môže byť potrebné, ak je analyzátor nainštalovaný na mieste s vysokou vlhkosťou alebo výparmi, ktoré spôsobujú koróziu. Preplachovanie vzduchom udržiava kladný tlak v prístroji so suchým a čistým vzduchom.

Prívod čistého a suchého vzduchu v kvalite potrebnej pre prístroj pri 0,003 m<sup>3</sup>/minútu (0,1 stopy<sup>3</sup>/minútu) pri maximálnom tlaku 20 psig.

Pozri nasledujúci ilustrovaný postup. <sup>3</sup>/<sub>8</sub>-palcové príslušenstvo a hadičky na rýchle pripojenie zabezpečí používateľ.



### 3.3 Krok 2: Montáž a inštalácia analyzátoru

#### ▲ UPOZORNENIE



S týmto prístrojom sa môžu používať iba hadičky špecifikované spoločnosťou Hach. Iné hadičky môžu absorbovať chlór, ktorý sa nachádza vo vzorke vody, a môžu mať negatívny vplyv na hodnotu chlóru (znížiť namerané hodnoty chlóru).

#### POZNÁMKA

Nesprávna inštalácia analyzátoru môže spôsobiť poškodenie kvôli nadmernému tlaku vzorky. Pri montáži a inštalácii analyzátoru vždy dodržiavajte nasledujúce pokyny.

1. Pripevnite analyzátor (položka 9) na stenu štyrmi skrutkami. Skontrolujte, či je analyzátor zarovnaný vo vodorovnej polohe.

*Poznámka: Montážne príslušenstvo zabezpečuje používateľ.*

2. Pripevnite kontrolér SC (položka 7) na stenu, panel alebo potrubie. Pokyny nájdete v dokumentácii ku kontroléru SC.
3. Zostavte sitko v tvare Y. Preštudujte si príbalený návod.
4. Na montáž zostavy Y-odvodu použite 1-palcovú káblovú svorku (položka 5 na [Obrázok 3](#), [Obrázok 4](#) alebo [Obrázok 5](#)).
5. Na analyzátor nainštalujte externú prerušovačku vzduchu (položka 2 na [Obrázok 3](#), [Obrázok 4](#) alebo [Obrázok 5](#)). Preštudujte si príbalený návod.
6. Vykonajte krok [7](#) alebo [8](#).

Analyzátor sa dodáva so súpravou na inštaláciu stojanového potrubia alebo súpravou na inštaláciu regulátora tlaku na reguláciu tlaku vstupnej vody. Používateľ vyberá súpravu na inštaláciu v čase objednávky. Jedna súprava na stúpacie potrubie je určená pre tlak vody 10 psi alebo menej a jedna súprava na stúpacie potrubie je určená pre vstupný tlak vody vyšší ako 10 psi. Zmerajte tlak vstupnej vody tesne pred súpravou Y-sitra.

7. Ak ste v čase objednávky vybrali súpravu na inštaláciu na tyč, nainštalujte tyč nasledujúcim spôsobom:

- a. Zostavte tyč. Preštudujte si príbalený návod.
- b. Na montáž zostavy stojanového potrubia nad hornú časť analyzátoru použite menšiu svorku na potrubie:

- 10 psi alebo menej - montáž zostavy stojanového potrubia minimálne 61 cm (24 palcov) nad hornou časťou analyzátoru.
- Viac ako 10 psi - montáž zostavy stojanového potrubia minimálne 91,4 cm (36 palcov) nad hornou časťou analyzátoru.

- c. 10 psi alebo menej - pomocou čiernej hadičky nainštalujte obtokovú hadičku vzorky (položka 8 na stránke [Obrázok 3](#)). Zatláčte hadičku vzad a potom do tyče. Trubku umiestnite do hornej časti stojana vo vzdialenosti 10-13 cm (4-5 palcov).

- d. Viac ako 10 psi - čiernou hadičkou pripojte výstup Y-odlučovača k vstupu do stojanovej rúrky (položka 8 na [Obrázok 4](#)).

- e. Z hadičky na odtok vzoriek odrežte dĺžku hadičky (položka 3). Pomocou rúrky pripojte stojanovú rúru k otvorenému odtoku (položka 11). Pozri časť [Pokyny na použitie odtokovej hadičky](#) na strane 513.

8. Ak ste v čase objednávky vybrali súpravu na inštaláciu regulátora tlaku, nainštalujte regulátor tlaku (položka 10, v časti [Obrázok 5](#)).

9. Pomocou čiernej hadičky pripojte prívod sitka v tvare Y (položka 5) do zdroja vzorky.

Pozrite si [Pokyny k odberu vzorky](#) na strane 513 a [Požiadavky na vzorku](#) na strane 513.

10. Pomocou čiernej hadičky pripojte vzorku k prívodnej armatúre vzorky (položka 1) takto: Hadičku skráťte čo najviac a maximálne o najviac o 2,5 m (8 stôp).

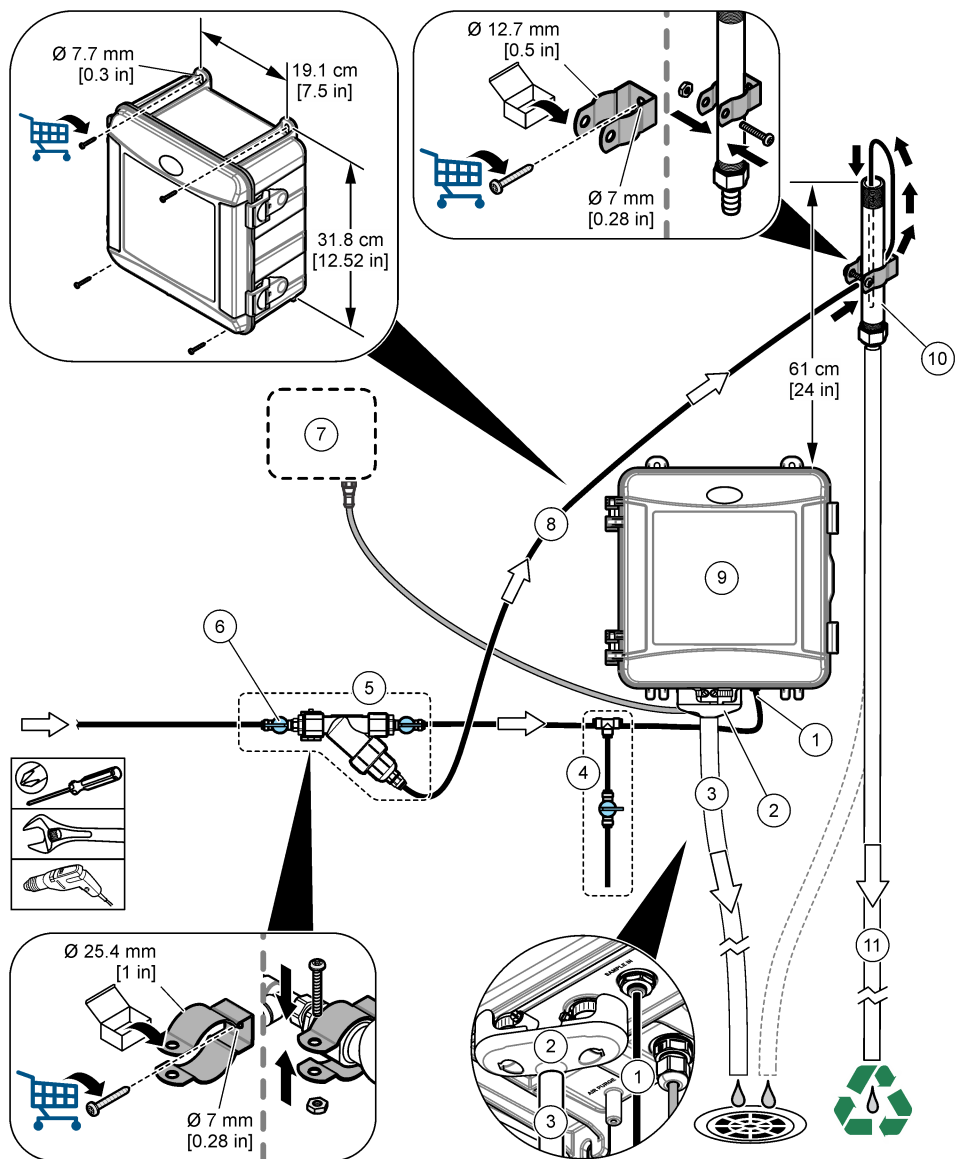
- 10 psi alebo menej - Pripojte výstup Y-sitera k prípojke vstupu vzorky (položka 1) na spodnej strane analyzátoru. Pozri [Obrázok 3](#).
- Viac ako 10 psi - pripojte výstup stojanovej rúrky k prípojke vstupu vzorky (položka 1) na spodnej strane analyzátoru. Pozri [Obrázok 4](#).
- Regulátor tlaku - pripojte výstup regulátora tlaku k prípojke vstupu vzorky (položka 1) na spodnej strane analyzátoru. Pozri [Obrázok 5](#).

11. Ak ste nainštalovali regulátor tlaku, nainštalujte hadičku obtoku vzorky (položka 8. v časti [Obrázok 5](#)).

12. Zostavte a uchopte zostavu vzorky (položka 4).

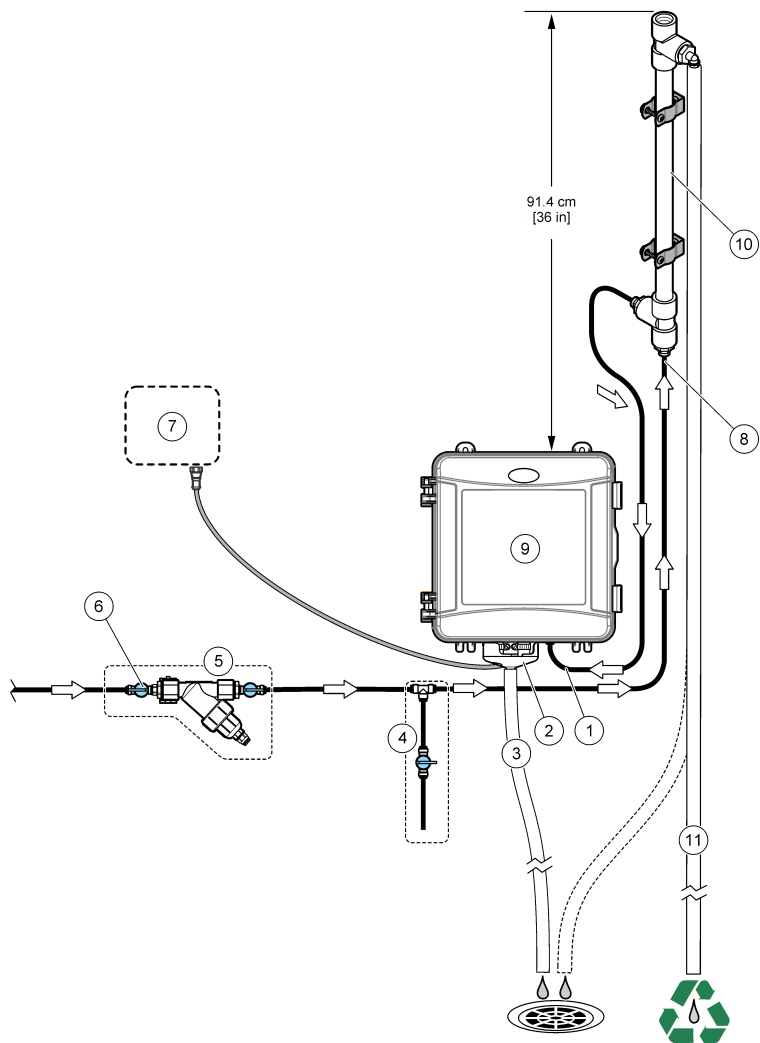
13. Zostavu odberovej vzorky pripojte na odbočnú armatúru. Podľa potreby si pozrite [Obrázok 3](#), [Obrázok 4](#) alebo [Obrázok 5](#).
14. Pripojte hadičku na odtok vzoriek (položka 3) k otvorenému odtoku. Pozri časť [Pokyny na použitie odtokovej hadičky](#) na strane 513.

**Obrázok 3 Inštalácia so stojatým potrubím (10 psi alebo menej)**



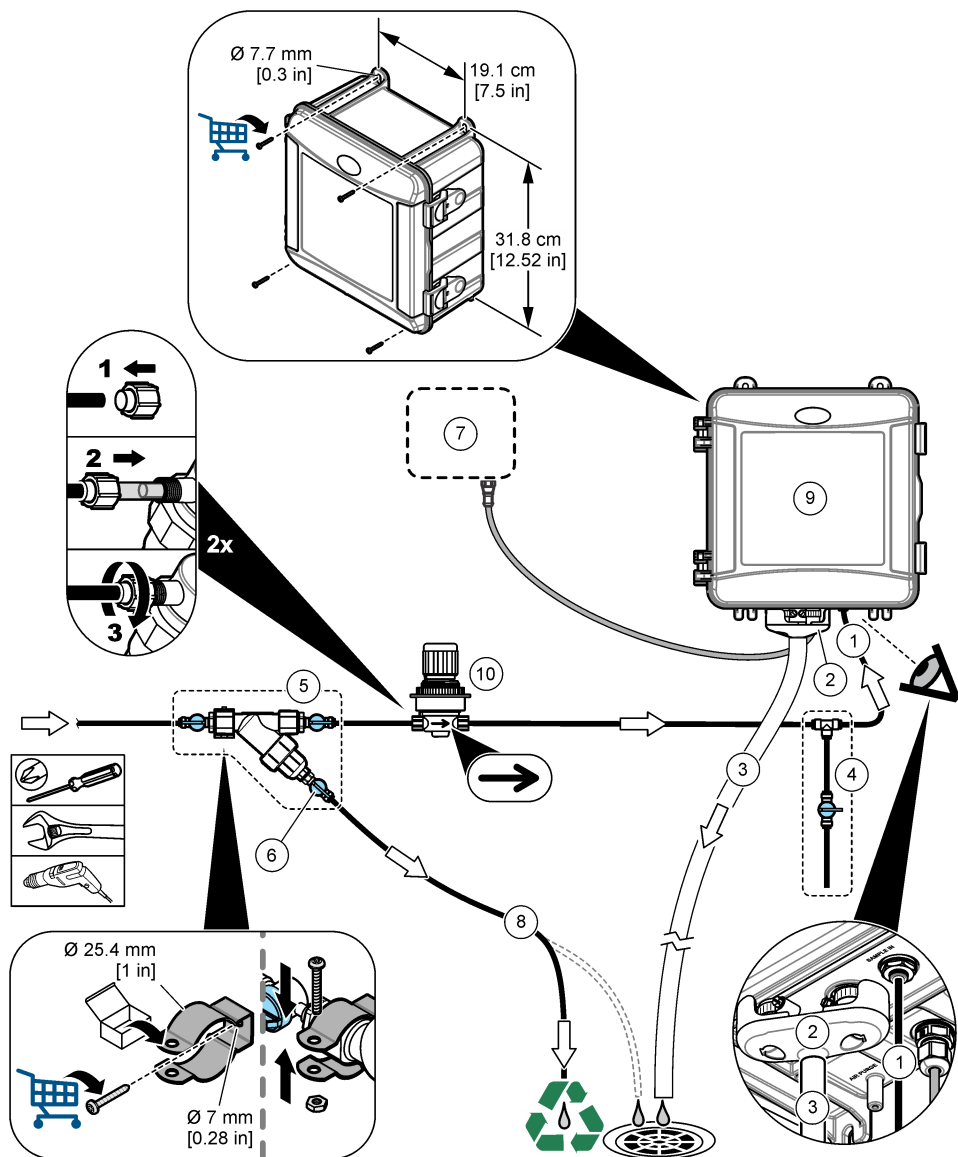
1 Spojky vstupu vzorky	7 Kontrolér SC
2 Externý ventil proti spätnému toku	8 Hadička obtoku vzorky
3 Hadička na odtok vzoriek	9 Analyzátor
4 Zostava na odber vzoriek	10 Tyč
5 Zostava sitka v tvare Y	11 Hadička oOdtok vzorky na tyči
6 Uzatvárací ventil v prívode sitka v tvare Y	

**Obrázok 4** Inštalácia so stojatým potrubím (viac ako 10 psi)



1	Spojky vstupu vzorky	7	Ovládač SC
2	Externý ventil proti spätnému toku	8	Vstupné potrubie stojana
3	Hadička na odtok vzoriek	9	Analýzátor
4	Zostava na odber vzoriek	10	Tyč
5	Zostava sitka v tvare Y	11	Hadička oOdtok vzorkyna tyči
6	Uzatvárací ventil v prívođe sitka v tvare Y		

## Obrázok 5 Inštalácia s regulátorom tlaku



1 Spojky vstupu vzorky	6 Uzatvárací ventil na obtoku Y-sitra
2 Externý ventil proti spätnému toku	7 Ovládač SC
3 Hadička na odtok vzoriek	8 Hadička obtoku vzorky
4 Zostava na odber vzoriek	9 Analyzátor
5 Zostava sitka v tvare Y	10 Regulátor tlaku



### 3.3.1 Pokyny k odberu vzorky

Výberom vhodného a reprezentatívneho miesta odberu vzoriek zabezpečte maximálny výkon prístroja. Vzorka musí reprezentovať celý systém.

Ak chcete predísť chybným meraniam:

- Vzorky odoberajte z miest, ktoré sú dostatočne vzdialené od oblastí, v ktorých sa do procesu pridávajú chemikálie.
- Zabezpečte, aby boli vzorky dostatočne premiešané.
- Všetky chemické reakcie musia byť ukončené.
- Analyzátor podľa možnosti nainštalujte blízko zdroja vzorky (maximálne 4,6 m (15 stôp)).

### 3.3.2 Požiadavky na vzorku

Voda zo zdrojov vzorky musí byť v súlade s technickými špecifikáciami v časti [Technické údaje](#) na strane 502.

Na dosiahnutie optimálneho výkonu udržiavajte prietokovú rýchlosť a prevádzkovú teplotu čo najviac konštantnú.

### 3.3.3 Pokyny na použitie odtokovej hadičky

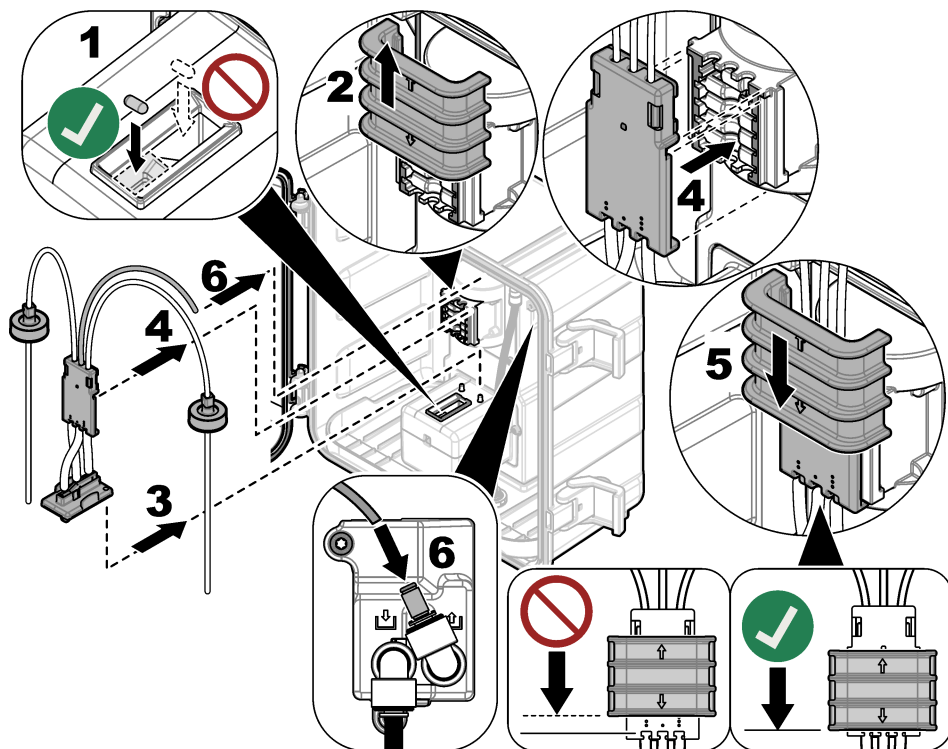
#### **POZNÁMKA**

Nesprávna montáž odtokových hadičiek môže spôsobiť, že sa kvapalina vráti späť do prístroja a poškodí sa.

- Nainštalujte externý ventil proti spätnému toku. Pozri položku 2 v časti [Obrázok 3](#) na strane 510, [Obrázok 4](#) na strane 511 alebo [Obrázok 5](#) na strane 512.
- Odtoková hadička má byť čo možno najkratšia.
- Zabezpečte, aby mala odtoková hadička konštantný sklon nadol.
- Uistite sa, že sa na odtokovej hadičke nenachádzajú prudké ohyby a že nie je nijak stlačená.

### 3.4 Krok 3: Nainštalujte miešaciu tyčinku a zväzok hadičiek

Postupujte podľa nasledujúceho obrázkového návodu.



### 3.5 Krok 4: Inštalácia fliaš s reageniou

#### ⚠ UPOZORNENIE



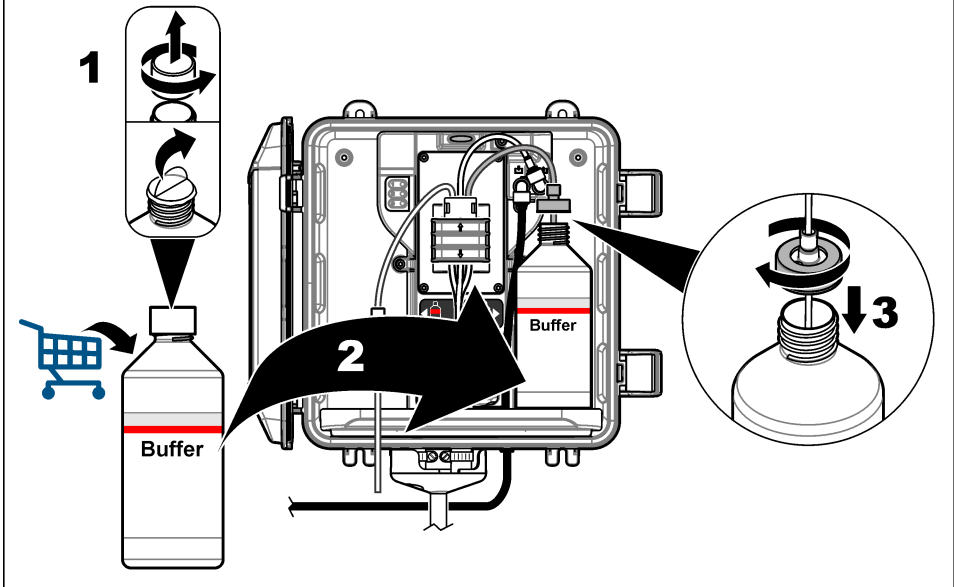
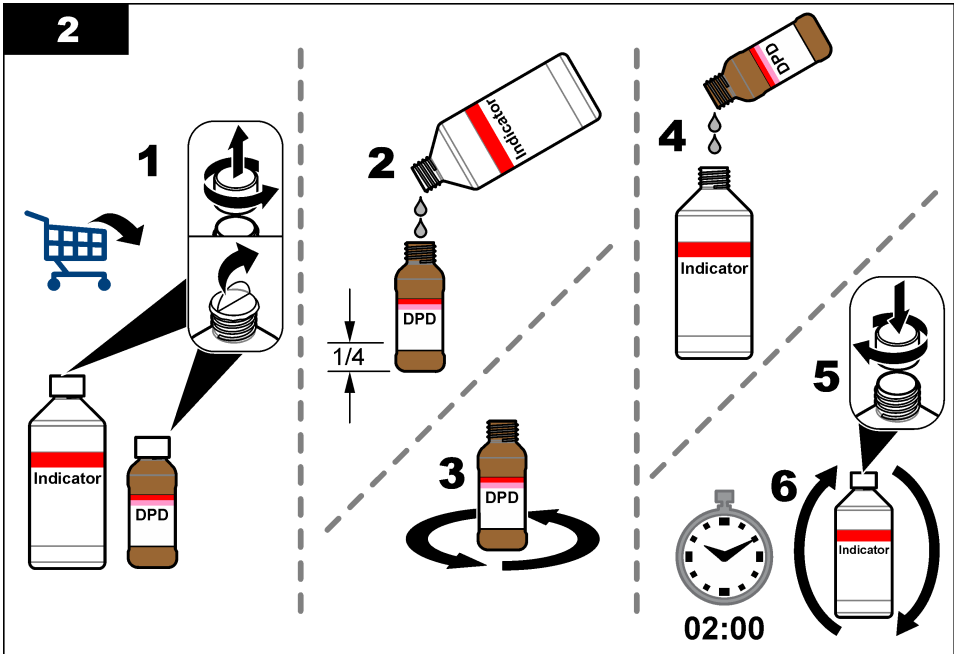
Nebezpečenstvo expozície chemikáliám. Dodržiavajte laboratórne bezpečnostné postupy a používajte všetky osobné ochranné pomôcky zodpovedajúce chemikáliám, s ktorými pracujete. Bezpečnostné protokoly nájdete v aktuálnych kartách bezpečnostných údajov (KBÚ).

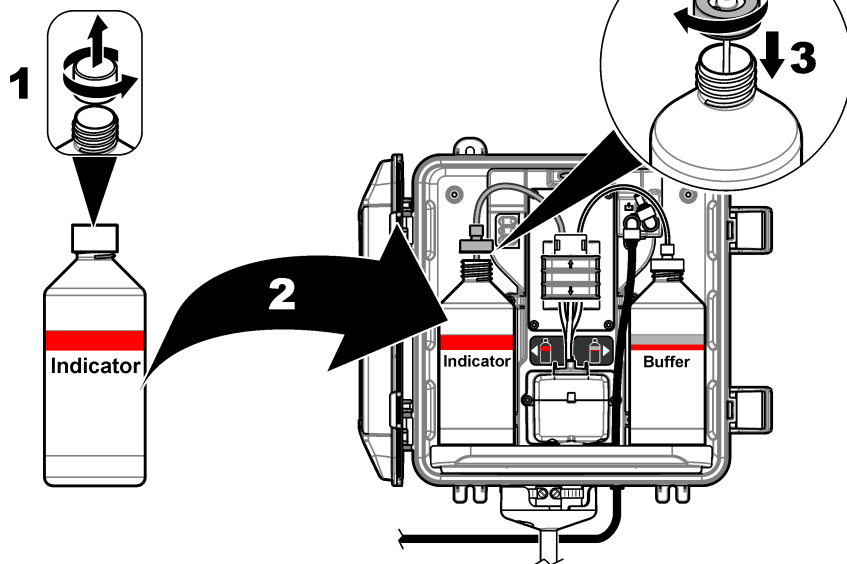
#### Potrebné príslušenstvo:

- Osobné ochranné prostriedky (pozri KBÚ)
- Fľaša na indikátor
- Fľaša na pufer
- Fľaša so zlučeninou DPD

1. Nasadte si osobné ochranné prostriedky uvedené v kartách bezpečnostných údajov (KBÚ).
2. Fľašu na pufer nainštalujte na pravej strane a fľašu na indikátor na ľavej strane. Pozri nasledujúci ilustrovaný postup.

**Poznámka:** (Voliteľné) Ako policu použite vrchnú časť analyzátoru.

**1****2**

**3**

### 3.6 Krok 5: Zapnite prietok vzorky

1. Pomaly otočte uzatváracie ventily o  $\frac{1}{4}$  do otvorenej polohy.
2. Uistite sa, že spoje sú utesnené. Ak nájdete netesnosť, zatlačte hadičku ďalej do prípojky alebo utiahnite spoj kľúčom.
3. V prípade inštalácií na tyč postupujte nasledovne:
  - a. Naplno otvorte uzatvárací ventil v odvode sitka v tvare Y.
  - b. Otáčajte uzatváracím ventilom na vstupe do Y-sitra (položka 6 na stránke [Obrázok 3](#) na strane 510 alebo [Obrázok 4](#) na strane 511), kým z odtokovej rúrky stojana nebude vychádzať malý prúd vody.
4. V prípade inštalácií regulátora tlaku postupujte nasledovne:
  - a. Naplno otvorte uzatváracie ventily v prívode a odvode sitka v tvare Y.
  - b. Otáčajte uzatváracím ventilom v obtoku sitka v tvare Y (položka 6 v časti [Obrázok 5](#) na strane 512), kým z hadičky obtoku sitka v tvare Y nevytečie malý prúd vody.

### 3.7 Krok 6: Elektrická inštalácia

#### 3.7.1 Pripojenie analyzátora ku kontroléru

#### ▲ VAROVANIE



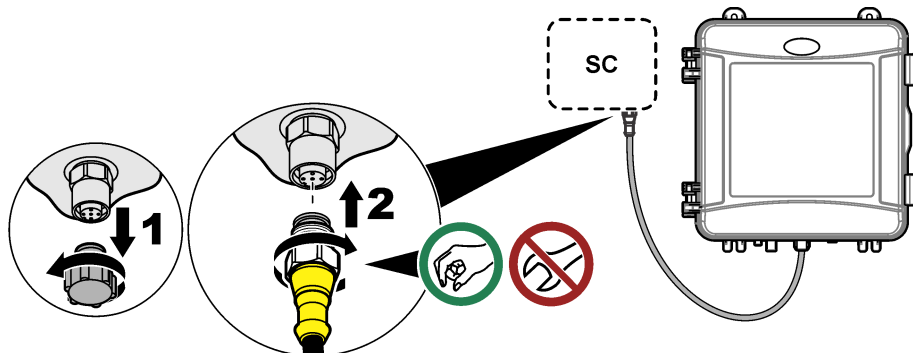
Nebezpečenstvo zásahu elektrickým prúdom. Externe pripojené príslušenstvo musí spĺňať požiadavky platných vnútroštátnych bezpečnostných predpisov.

Pripojte kábel analyzátora k rýchlospojke kontroléra SC. Pozri časť [Obrázok 6](#).

Uzáver konektora uchovajte na neskoršie utesnenie otvoru konektora v prípade, že sa kábel musí odmontovať.

**Poznámka:** K dispozícii sú predĺžovacie káble. Pozri časť **Náhradné diely a príslušenstvo** na strane 527. Maximálna dĺžka kábla je 15 m (49 stôp).

### Obrázok 6 Pripojenie kábla k rýchlospojke



#### 3.7.2 Zapojenie kontroléra do siete

Zapojte kontrolér do siete hlavného napájania pomocou káblov potrebného vedenia alebo napájacieho kábla. Pokyny nájdete v dokumentácii ku kontroléru.

#### 3.7.3 Pripojenie externých zariadení ku kontroléru

Slúži na pripojenie relé kontroléra, analógových výstupov a digitálnych vstupov k externým zariadeniam podľa potreby. Pokyny nájdete v dokumentácii ku kontroléru.

### 3.8 Krok 7: Nastavenie a naplnenie analyzátora

1. Stlačte tlačidlo **menu** a vyberte položku **SENSOR SETUP** (Nastavenie senzora) > [select analyzer] (vybrať analyzátor) > **PRIME** (Naplniť).
2. Ak kontrolér nerozoznáva, že je pripojený analyzátor, postupujte nasledujúcim spôsobom:
  - a. Stlačte **menu** a vyberte položky **TEST/MAINT** (Test/údržba) > **SCAN SENSORS** (Prehľadat senzory).
  - b. Keď sa nájde a nainštaluje senzor, zopakujte krok 1.

### 3.9 Krok 8: Nastavenie prietokovej rýchlosti

Analyzátor má prietokomer, ktorý meria prietok vzorky analyzátorom. Pozri časť **Obrázok 1** na strane 505.

1. Stlačte **PRAVÚ** šípku na kontroléri a zobrazte rýchlosť prietoku na displeji.

Vzorka preteká cez analyzátor iba vtedy, keď analyzátor premýva kyvetu. Inak analyzátorom nepreteká žiadna vzorka a zobrazená prietoková rýchlosť je nula. Preštudujte si časť **Tabuľka 4** na strane 506 s opisom postupu cyklu merania.

**Poznámka:** Na manuálne meranie prietokovej rýchlosti cez analyzátor zmerajte prietokovú rýchlosť v mieste odtoku z analyzátora, keď analyzátor preplachuje bunku kyvetu vodou.
2. Pre inštalácie na tyč otočte uzatvárací ventil obtoku sitka v tvare Y na nastavenie prietokovej rýchlosti medzi 60 a 200 ml/min, keď analyzátor preplachuje bunku kyvetu vodou.
3. Pre inštalácie regulátora tlaku upravte regulátor tlaku na nastavenie prietokovej rýchlosti medzi 60 a 200 ml/min, keď analyzátor preplachuje bunku kyvetu vodou.

## 3.10 Krok 9: Inštalácia aktuálneho softvéru

Zaistite, aby bol v kontroléri SC nainštalovaný aktuálny softvér. Na inštaláciu aktuálneho softvéru do kontroléra SC použite kartu SD.

1. Prejdite na stránku produktu pre príslušný ovládač SC na stránke <http://hach.com>.
2. Kliknite na kartu "Zdroje".
3. Posuňte sa nadol na položku „Software/Firmware (Softvér/firmvér).
4. Kliknite na link pre softvér kontroléra SC.
5. Súbory uložte na kartu SD.
6. Nainštalujte súbory do kontroléra SC. Informácie nájdete v pokynoch k inštalácii softvéru dodaných so súbormi softvéru.

## Odsek 4 Konfigurácia

### 4.1 Krok 10: Konfigurácia analyzátora

Nastavte názov analyzátora, priemer signálu, typ meraného chlóru, elimináciu bubliny a požadované hodnoty alarmu pre chlór.

1. Stlačte tlačidlo **menu** a vyberte položku SENSOR SETUP (Nastavenie senzora) > [select analyzer] (vybrať analyzátor) > CONFIGURE (Konfigurovať).
2. Vyberte a nakonfigurujte každú voľbu.

Voľba	Popis
<b>EDIT NAME (Edituj meno)</b>	Nastavenie názvu analyzátora. Názov analyzátora sa zobrazuje na displeji kontroléra a v súboroch záznamu.
<b>SIGNAL AVERAGE (Priemer. signál)</b>	<p>Nastavenie počtu meraní použitých na výpočet priemerného merania, ktoré sa zobrazuje na displeji. Možnosti: 1 (predvolená), 2, 3 alebo IRREGULAR VALUE (Nepravidel. hodn.).</p> <p>Keď je možnosť SIGNAL AVERAGE (Priemer. signál) nastavená na 1, určovanie priemeru signálu je vypnuté.</p> <p>Keď je možnosť SIGNAL AVERAGE (Priemer. signál) nastavená na 2 alebo 3, priemerné meranie sa zobrazuje na displeji. Keď je možnosť SIGNAL AVERAGE (Priemer. signál) nastavená napr. na 2, meranie na displeji sa rovná poslednému a predchádzajúcemu meraniu delenému dvomi.</p> <p>Keď je možnosť SIGNAL AVERAGE (Priemer. signál) nastavená na IRREGULAR VALUE (Nepravidel. hodn.), analyzátor odmietne hodnotu, ktorá je nezvyčajne vysoká alebo nízka v porovnaní s poslednými meraniami. Po odmietnutí hodnoty sa na displeji zobrazí posledná dobrá hodnota a uloží sa do záznamu dát. Odmietnuť možno najviac tri po sebe idúce hodnoty.</p> <p>Určovanie priemeru signálu vyrovnáva výkyvy merania s nesprávnymi hodnotami spôsobené bublinami a/alebo väčšími časticami vo vzorke.</p>
<b>MEASUREMENT (Meranie)</b>	<p>Nastaví typ meraného chlóru. Ak pufer a fľaše na indikátor majú na štítkoch nápis „Free Chlorine“ (Voľný chlór), vyberte položku FREE CHLORINE (Voľný chlór) (predvolené).</p> <p>Ak pufer a fľaše na indikátor majú na štítkoch nápis „Total Chlorine“ (Celkový chlór), vyberte položku TOTAL CHLORINE (Celkový chlór).</p>
<b>BUBBLE REJECT (Elimin. bublín)</b>	Nastaví elimináciu bublín na zapnuté alebo vypnuté (predvolené). Nastaví hodnotu BUBBLE REJECT (Elimin. bublín) na ON (Zapnutý) na zníženie šumu spôsobeného bublinami vo vzorke. Vzduchové bubliny vo vzorke spôsobujú nestabilitu nameraných hodnôt.
<b>HIGH CL ALARMS (Alarmy vysok. Cl)</b>	Nastaví požadovanú hodnotu koncentrácie chlóru pre alarm HIGH CHLORINE (Vys. obs. chlóru) – 0,00 až 10,00 mg/l (predvolené: 4,00 mg/l).
<b>LOW CL ALARMS (Alarmy níz. Cl)</b>	Nastaví požadovanú hodnotu koncentrácie chlóru pre alarm LOW CHLORINE (Níz. obs. chlóru) – 0,00 až 10,00 mg/l (predvolené: 0,20 mg/l).

Voľba	Popis
<b>SENSOR INFO (Info o senzore)</b>	Zobrazí sériové číslo analyzátoru, verziu softvéru, spúšťaciu verziu a verziu ovládača.
<b>DEFAULT SETTINGS (Predvolené nastavenia)</b>	Vyberte položku YES (Áno) na zmenu konfiguračných nastavení na pôvodné výrobné hodnoty.
<b>SERVICE (Servis)</b>	Určené len na servisné použitie

## 4.2 Konfigurácia systému

Informácie o konfigurácii systému, všeobecných nastaveniach kontroléra a nastaveniach výstupov a komunikácie nájdete v dokumentácii ku kontroléru.

## 4.3 Navigácia používateľa

Pozrite si dokumentáciu kontroléra, kde nájdete popis klávesnice a informácie o navigácii.

Niekoľkokrát stlačte na kontroléri tlačidlo so šípkou **VPRAVO** na zobrazenie ďalších informácií na domovskej obrazovke a na zobrazenie grafického displeja.

## Odsek 5 Prevádzka

### 5.1 Záznamy dát, udalostí a servisu

Kontrolér poskytuje prístup k záznamu dát, záznamu udalostí a záznamu servisu pre každý pripojený prístroj. Merania analyzátoru sa automaticky ukladajú do protokolu údajov v 150-sekundových intervaloch. Záznam udalostí uvádza udalosti, ku ktorým došlo. Záznamy udalostí a dát sa uložia približne na 2 týždne pri nepretržitej prevádzke analyzátoru. Záznam servisu sa uloží približne na 24 hodín pri nepretržitej prevádzke analyzátoru.

Informácie o stiahnutí záznamu dát, údajov, udalostí alebo servisu nájdete v dokumentácii ku kontroléru. Záznam dát je súbor XML, ktorý možno uložiť vo formáte CSV alebo Excel. Záznam udalostí a servisu sú súbory vo formáte CSV.

### 5.2 Meranie GRAB SAMPLE IN (Odobrat' vzorku)

V prípade potreby použite ponuku GRAB SAMPLE IN (Odobrat' vzorku) a vzorku vody so známou koncentráciou chlóru pridajte do kyvety na meranie. V prípade potreby zmerajte bodovú vzorku na overenie alebo na zmeranie vzorky vody odobranej z iného miesta.

1. Stlačte tlačidlo **menu** a potom vyberte položku SENSOR SETUP (Nastavenie senzora) > [select analyzer] (vybrať analyzátor) > GRAB SAMPLE IN (Odobrat' vzorku).
2. Vykonajte postup zobrazený na displeji. Po výzve odstráňte uzáver kyvety a pridajte do kyvety 100 ml náhodnej vzorky. Časť vzorky vytečie do odtoku vzoriek.

### 5.3 Registre Modbus

Pre sieťovú komunikáciu je k dispozícii zoznam registrov Modbus. Viac informácií nájdete na webovej stránke výrobcu.

## Odsek 6 Kalibrácia a úprava

Kalibračná krivka analyzátoru sa nastavuje počas výroby na výkon podľa špecifikácií. Kalibráciu možno vykonať na overenie funkčnosti.

Neodporúča sa, aby používatelia robili úpravy kalibračnej krivky, ak to nevyžaduje regulačný orgán z dôvodu záznamov o zhode s normami, alebo kvôli veľkej oprave analyzátoru.

Viac informácií nájdete v návode v súprave na overenie kalibrácie, prípadne sa obráťte na technickú podporu.

## Odsek 7 Údržba

### ▲ UPOZORNENIE



Viacnásobné nebezpečenstvo. Úkony popísané v tejto časti návodu smú vykonávať iba kvalifikovaní pracovníci.

### POZNAMKA

Nerozoberajte merací prístroj na účely údržby. Ak je potrebné opraviť alebo vyčistiť vnútorné komponenty, obráťte sa na výrobcu.

## 7.1 Harmonogram údržby

Tabuľka 6 uvádza odporúčaný harmonogram úloh údržby. Požiadavky a prevádzkové podmienky závodu môžu zvýšiť frekvenciu niektorých úloh.

Tabuľka 6 Harmonogram údržby

Úloha	1 mesiac	6 mesiacov	Podľa potreby
Čistenie kyvety na strane 520	X <sup>2</sup>		
Výmena fliaš na reagencie na strane 521	X		
Výmena miešacej tyčinky a zväzku hadičiek <sup>3</sup>		X	
Čistenie filtra v sitku v tvare Y na strane 522			X

## 7.2 Čistenie kyvety

### ▲ UPOZORNENIE



Nebezpečenstvo expozície chemikáliám. Dodržiavajte laboratórne bezpečnostné postupy a používajte všetky osobné ochranné pomôcky zodpovedajúce chemikáliám, s ktorými pracujete. Bezpečnostné protokoly nájdete v aktuálnych kartách bezpečnostných údajov (KBÚ).

Kyvetu vyčistíte raz za mesiac alebo častejšie v prípade potreby.

#### Potrebné príslušenstvo:



Vatové tampóny<sup>4</sup>



Roztok 5,25 N kyseliny sírovej<sup>5</sup>

1. Nasadíte si osobné ochranné prostriedky uvedené v kartách bezpečnostných údajov (KBÚ).
2. Stlačte tlačidlo **menu** a potom vyberte položku SENSOR SETUP (Nastavenie senzora) > [select analyzer] (vybrať analyzátor) > TASKS (Úlohy) > CLEAN CELL (Vyčistiť celu).

**Poznámka:** Ak chcete zastaviť vybranú úlohu, stlačte **home** (domov).

3. Na zastavenie meraní stlačte **enter**.

<sup>2</sup> Kyvetu čistíte podľa potreby častejšie alebo menej často.

<sup>3</sup> Prečítajte si návod dodaný so súpravou hadičiek.

<sup>4</sup> Pozri časť **Náhradné diely a príslušenstvo** na strane 527.

<sup>5</sup> Nepoužívajte iné čistiace roztoky. Pozri časť **Náhradné diely a príslušenstvo** na strane 527.

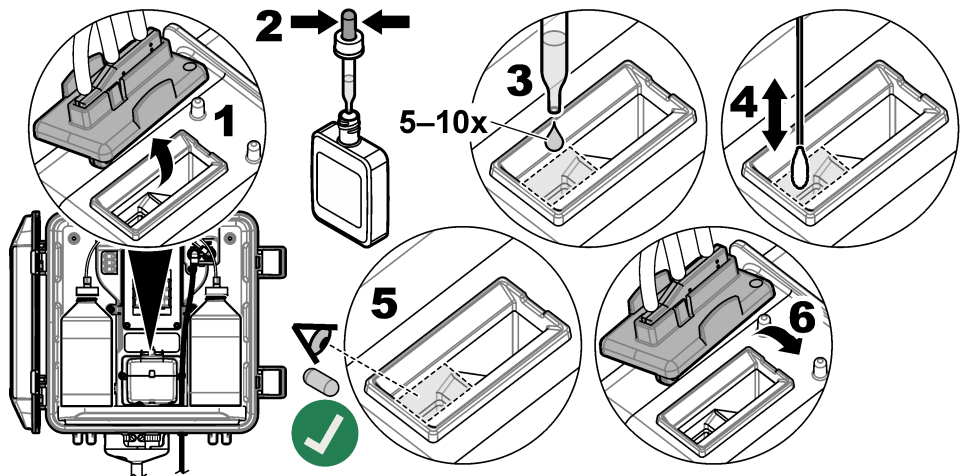


4. Vyberte niektorú z možností.

Voľba	Popis
<b>HOLD (Podržanie)</b>	Výstupy kontroléra zostanú na poslednej nameranej hodnote.
<b>TRANSFER (Prenos)</b>	Výstupy kontroléra sa zmenia na hodnotu prenosu.

5. Keď zablíká stavové svetlostavová kontrolka, vykonajte nasledujúce ilustrované kroky. Po skončení stlačte **enter**.

V znázornenom kroku 5 skontrolujte, či sa v kyvete nenachádzajú žiadne nežiaduce materiály. V prípade potreby pomocou baterky skontrolujte, či sa tam nenachádzajú žiadne nežiaduce materiály.



6. Keď sa na displeji zobrazí hlásenie „TASK COMPLETE (Úloha dokončená)“, stlačte **enter**. Analyzátor začne cyklus merania približne za 30 sekúnd. Analyzátor začne cyklus merania približne o 30 sekúnd.

### 7.3 Výmena fliaš na reagentie

#### ▲ UPOZORNENIE



Nebezpečenstvo expozície chemikáliám. Dodržiavajte laboratórne bezpečnostné postupy a používajte všetky osobné ochranné pomôcky zodpovedajúce chemikáliám, s ktorými pracujete. Bezpečnostné protokoly nájdete v aktuálnych kartách bezpečnostných údajov (KBÚ).

#### ▲ UPOZORNENIE



Nebezpečenstvo expozície chemikáliám. Chemikálie a odpad likvidujte podľa miestnej, regionálnej a štátnej legislatívy.

Fľaše na reagentie vymieňajte raz za mesiac.

1. Nasadte si osobné ochranné prostriedky uvedené v kartách bezpečnostných údajov (KBÚ).
2. Stlačte tlačidlo **menu** a potom vyberte položku **SENSOR SETUP (Nastavenie senzora) > [select analyzer] (vybrať analyzátor) > TASKS (Úlohy) > CHANGE REAGENTS (Vymeniť reagen.)**.

**Poznámka:** Ak chcete zastaviť vybranú úlohu, stlačte **home (domov)**.

3. Na zastavenie meraní stlačte **enter**.

4. Vyberte niektorú z možností.

Voľba/Možnosť	Popis
<b>HOLD (Podržanie)</b>	Výstupy kontroléra zostanú na poslednej nameranej hodnote.
<b>TRANSFER (Prenos)</b>	Výstupy kontroléra sa zmenia na hodnotu prenosu.

5. Počkajte, kým zabliká stavová kontrolka svetlo.

6. Vymeňte fľašu na pufer nasledujúcim spôsobom:

**Poznámka:** (Voliteľné) Ako policu použite vrchnú časť analyzátoru.

- Odstráňte uzáver a tesnenie z novej fľaše na pufer.
- Vyberte použitú fľašu na pufer z analyzátoru.
- Vložte hadičku na pufer do novej fľaše na pufer na pravej strane analyzátoru. Utihnite uzáver.

7. Vymeňte fľašu na indikátor nasledujúcim spôsobom:

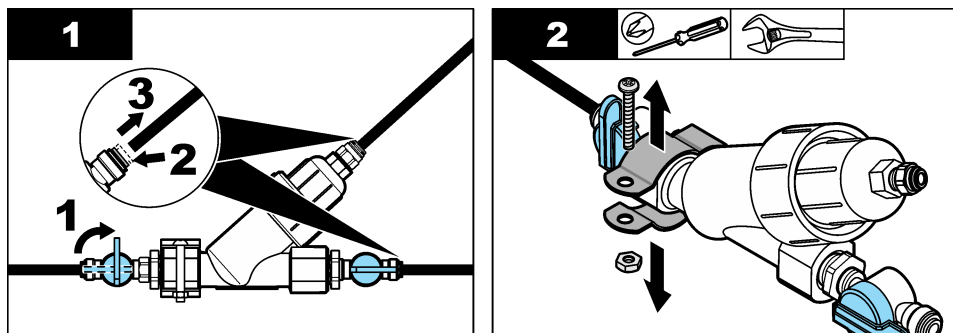
- Odstráňte uzáver a tesnenie z fľaše na indikátor a hneď fľaše na DPD.
- Naplňte hnedú fľašu na DPD približne do  $\frac{1}{4}$  roztokom indikátora.
- Kruživým pohybom premiešajte obsah fľaše na DPD.
- Prelejte obsah fľaše na DPD do fľaše na indikátor.
- Prevracajte fľašu na indikátor, kým sa nerozpustí prášok (2 minúty).
- Vyberte použitú fľašu na indikátor z analyzátoru.
- Vložte hadičku na indikátor do novej fľaše na indikátor na pravej ľavej strane analyzátoru. Utihnite uzáver.

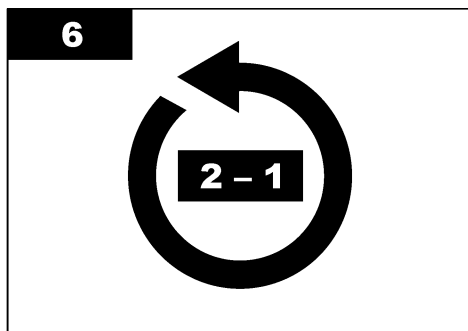
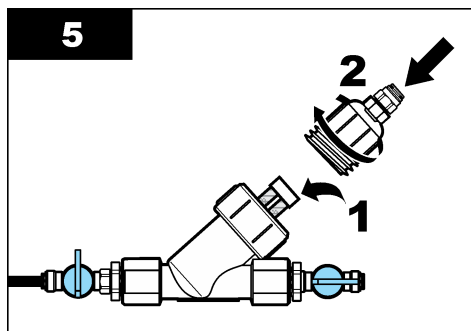
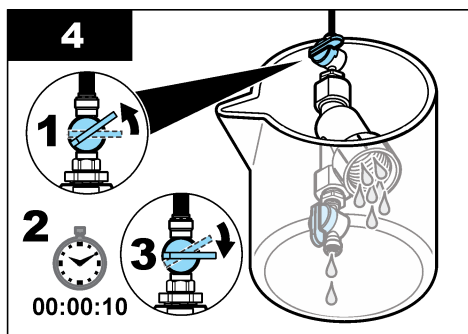
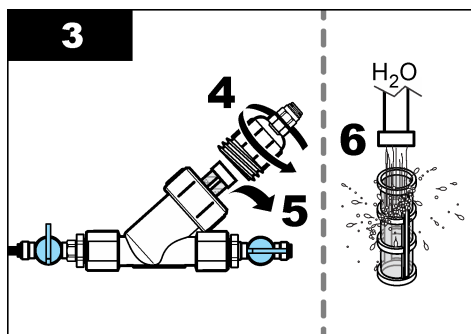
8. Stlačte **enter**.

9. Keď sa na displeji zobrazí hlásenie „TASK COMPLETE (Úloha dokončená)“, stlačte **enter**. Analyzátor začne cyklus merania približne za o 30 sekúnd.

## 7.4 Čistenie filtra v sítke v tvare Y

Vyčistíte filter v sítke v tvare Y tam, kde je upchatý, čo udáva varovanie LOW SAMPLE FLOW (Nízky prietok vz.). Postupujte podľa nasledujúceho obrázkového návodu.





## 7.5 Príprava na uskladnenie

### ▲ UPOZORNENIE



Nebezpečenstvo expozície chemikáliám. Dodržiavajte laboratórne bezpečnostné postupy a používajte všetky osobné ochranné pomôcky zodpovedajúce chemikáliám, s ktorými pracujete. Bezpečnostné protokoly nájdete v aktuálnych kartách bezpečnostných údajov (KBÚ).

Ak vyberiete analyzátor z napájania na viac ako 3 dni alebo ho nebudete používať počas viac ako 3 dní, pripravte ho na uskladnenie.

**Potrebné príslušenstvo:**



Kadička s deionizovanou vodou (2x)



Jednorazové kvapkadlo alebo utierka, ktorá nezanecháva vlákna

1. Vyberte reagentie z dráh pre reagentie nasledujúcim spôsobom:

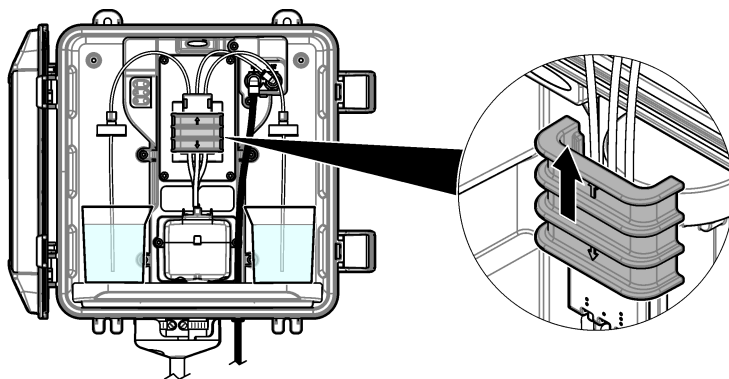
- Vyberte fľašu na indikátor a fľašu na pufer z analyzátoru.
- Do analyzátoru vložte dve kadičky (alebo nádoby), ktoré obsahujú deionizovanú vodu.
- Vložte hadičku na indikátor a hadičku na pufer do kadičiek.
- Stlačte tlačidlo **menu** a vyberte položku **SENSOR SETUP** (Nastavenie senzora) > [select analyzer] (vybrať analyzátor) > **PRIME** (Naplniť). Analyzátor odstráni reagentie z reagenčných hadičiek.

2. Vyberte deionizovanú vodu z reagenčných hadičiek nasledujúcim spôsobom:

- Odstráňte hadičku na indikátor a hadičku na pufer z kadičiek.
- Z analyzátoru vyberte obe kadičky.

- c. Stlačte tlačidlo **menu** a vyberte položku SENSOR SETUP (Nastavenie senzora) > [select analyzer] (vybrať analyzátor) > PRIME (Naplniť).  
Analyzátor odstráni z reagenčných hadičiek všetku tekutinu.
3. Odpojte kábel analyzátora od kontroléra (alebo odpojte kontrolér od napájania).
4. Otočte uzatvárací ventil do uzavretej polohy, čím zastavíte prítok vzorky do sitka v tvare Y.
5. Odstráňte svorku čerpadla. Pozri časť **Obrázok 7**. Uschovajte si svorku čerpadla na neskoršie použitie.
6. Odstráňte vodu z kyvety nasledujúcim spôsobom:
  - a. Odstráňte kryt z kyvety.
  - b. Odstráňte vodu z kyvety jednorazovým kvapkadlom alebo tkaninou, ktorá nezanecháva vlákna.
  - c. Nainštalujte kryt na kyvetu.
7. Po skladovaní spustíte analyzátor nasledujúcim spôsobom:
  - a. Nainštalujte svorku čerpadla. Pozri časť **Obrázok 7**.
  - b. Nainštalujte fľaše na reagentie. Pozri časť **Krok 4: Inštalácia fliaš s reagentiou** na strane 514.
  - c. Otočte uzatvárací ventil do otvorenej polohy, čím spustíte prítok vzorky do sitka v tvare Y.
  - d. Ak je odpojený kábel analyzátora, pripojte ho ku kontroléru.
  - e. Ak je odpojený kontrolér od zdroja napájania, zapojte ho do napájania.
  - f. Stlačte tlačidlo **menu** a vyberte položku SENSOR SETUP (Nastavenie senzora) > [select analyzer] (vybrať analyzátor) > PRIME (Naplniť).

**Obrázok 7 Odstráňte svorku čerpadla**



## 7.6 Príprava na prepravu

### ⚠ UPOZORNENIE



Nebezpečenstvo expozície chemikáliám. Dodržiavajte laboratórne bezpečnostné postupy a používajte všetky osobné ochranné pomôcky zodpovedajúce chemikáliám, s ktorými pracujete. Bezpečnostné protokoly nájdete v aktuálnych kartách bezpečnostných údajov (KBÚ).

Na prípravu analyzátora na prepravu postupujte nasledujúcim spôsobom.

#### Potrebné príslušenstvo:



Kadička s deionizovanou vodou (2x)



Pôvodné balenie

1. Vyberte reagentie z dráh pre reagentie nasledujúcim spôsobom:
  - a. Vyberte fľašu na indikátor a fľašu na pufer z analyzátora.
  - b. Do analyzátora vložte dve kadičky (alebo nádoby), ktoré obsahujú deionizovanú vodu.
  - c. Vložte hadičku na indikátor a hadičku na pufer do kadičiek.
  - d. Stlačte tlačidlo **menu** a vyberte položku SENSOR SETUP (Nastavenie senzora) > [select analyzer] (vybrať analyzátor) > PRIME (Naplniť). Analyzátor odstráni reagentie z reagenčných hadičiek.
2. Vyberte deionizovanú vodu z reagenčných hadičiek nasledujúcim spôsobom:
  - a. Odstráňte hadičku na indikátor a hadičku na pufer z kadičiek.
  - b. Z analyzátora vyberte obe kadičky.
  - c. Stlačte tlačidlo **menu** a vyberte položku SENSOR SETUP (Nastavenie senzora) > [select analyzer] (vybrať analyzátor) > PRIME (Naplniť). Analyzátor odstráni z reagenčných hadičiek všetku tekutinu.
3. Odpojte kábel analyzátora od kontroléra.
4. Otočte uzatvárací ventil do uzavretej polohy, čím zastavíte prítok vzorky do sitka v tvare Y.
5. Odpojte hadičku na prívod vzorky (čierna) a odvod (priehľadná) od analyzátora.
6. Z analyzéra odstráňte externý ventil proti spätnému toku.
7. Odstráňte svorku čerpadla. Pozri časť **Obrázok 7** na strane 524.
8. Odstráňte zväzok hadičiek a miešaciu tyčinku z analyzátora. Uchovajte zväzok hadičiek na prepravu s analyzátorom. Pozri časť **Krok 3: Nainštalujte miešaciu tyčinku a zväzok hadičiek** na strane 514.
9. Nainštalujte svorku čerpadla bez zväzku hadičiek. Priložte pásku na svorku hadičiek, aby svorka pevne držala.
10. Odstráňte vodu z kyvety jednorazovým kvapkadlom alebo tkaninou, ktorá nezanecháva vlákna.
11. Odstráňte analyzátor zo steny.
12. Vložte analyzátor naspäť do pôvodného balenia.

## 7.7 Čistenie prístroja

### POZNÁMKA

Na čistenie prístroja, vrátane displeja a príslušenstva, nikdy nepoužívajte terpentín, acetón ani podobné čistiace prostriedky.

Na čistenie vonkajších povrchov prístroja používajte vlhkú handru a slabý mydlový roztok.

## 7.8 Čistenie rozliatych vzoriek

### ▲ UPOZORNENIE



Nebezpečenstvo expozície chemikáliám. Chemikálie a odpad likvidujte podľa miestnej, regionálnej a štátnej legislatívy.

1. Riadte sa všetkými laboratórnymi bezpečnostnými protokolmi na kontrolu rozliatych vzoriek.
2. Odpad likvidujte v súlade s príslušnými nariadeniami.

## Odsek 8 Riešenie problémov

### 8.1 Chyby – červené svetlo

Ak chcete zobrazíť chyby, stlačte tlačidlo **menu** a vyberte DIAGNOSTICS (Diagnostika) > [select analyzer] (vybrať analyzátor) > ERROR LIST (Zoznam chýb). Zoznam možných chýb je zobrazuje [Tabuľka 7](#).

Ak dôjde k chybe, svetlo indikátora stavu analyzátoru sa rozsvieti na červeno. Merania sa zastavia, obrazovka merania bliká a všetky výstupy sa podržia podľa toho, ak je to zadané v ponuke kontroléra.

**Tabuľka 7 Chybové hlásenia**

Chyba	Popis	Riešenie
DETECTOR ERROR (Chyba detektora)	Detektor nefunguje správne.	Obráťte sa na technickú podporu.
DIRTY CELL (Špinavá cela)	Kyveta je znečistená alebo sú na nej škvrny. V kyvete sa môže vytvoriť biofilm, keď je koncentrácia chlórú veľmi nízka.	Vyčistite kyvetu. Pozri časť <a href="#">Čistenie kyvety</a> na strane 520.
CODE ERROR (Chybový kód)	Došlo ku chybe firmvéru.	Obráťte sa na technickú podporu.
LED ERROR (Chyba LED)	Svetlo v kyvete nefunguje správne.	Obráťte sa na technickú podporu.
PUMP ERROR (Chyba pumpy)	Čerpadlo nefunguje správne.	Obráťte sa na technickú podporu.
SAMPLE LEAK (Únik vzorky)	Z analyzátoru uniká vzorka.	Obráťte sa na technickú podporu.

## 8.2 Varovania – žlté svetlo

Ak chcete zobrazíť varovania, stlačte tlačidlo **menu** a vyberte DIAGNOSTICS (Diagnostika) > [select analyzer] (vybrať analyzátor) > WARNING LIST (Zoznam výstrah). [Tabuľka 8](#) obsahuje zoznam možných varovaní.

Keď sa vyskytne varovania, svetlo indikátora stavu sa zmení na žlté. V dolnej časti displeja kontroléra sa zobrazí blikajúca ikona varovania a hlásenie. Ak je dostupný dostatočný prietok vzorky, varovanie neovplyvní prácu s ponukami. Varovanie nemá vplyv na prácu s relé a výstupmi.

**Tabuľka 8 Výstražné hlásenia**

Výstraha	Opis	Riešenie
BUBBLES DETECTED (Zistené bublinky)	V kyvete sú bubliny.	Vyčistite kyvetu. Pozri časť <a href="#">Čistenie kyvety</a> na strane 520. (Voliteľné) Zapnite nastavenie BUBBLE REJECT (Elimin. bublín). Pozri <a href="#">Krok 10: Konfigurácia analyzátoru</a> na strane 518.
CLEAN CELL SOON (Vyčist. celu čoskoro)	Kyveta začína byť znečistená alebo flakadá a mala by sa čoskoro vyčistiť, aby nedošlo ku chybe.	Vyčistite kyvetu. Pozri časť <a href="#">Čistenie kyvety</a> na strane 520.
HIGH CHLORINE (Vys. obs. chlórú)	Koncentrácia chlórú je na požadovanej hodnote HIGH CL ALARMS (Alarmy vysok. Cl) alebo vyššej.	Zvýšte nastavenie HIGH CL ALARMS (Alarmy vysok. Cl). Pozri <a href="#">Krok 10: Konfigurácia analyzátoru</a> na strane 518. Alebo Znížte koncentráciu chlórú vo vzorke vlozenej do analyzátoru.
LOW CHLORINE (Níz. obs. chlórú)	Koncentrácia chlórú je na požadovanej hodnote LOW CL ALARMS (Alarmy níz. Cl) alebo nižšej.	Znížte nastavenie LOW CL ALARMS (Alarmy níz. Cl). Pozri <a href="#">Krok 10: Konfigurácia analyzátoru</a> na strane 518. Alebo Zvýšte koncentráciu chlórú vo vzorke vlozenej do analyzátoru.

**Tabuľka 8 Výstražné hlásenia (pokračovanie)**

Výstraha	Opis	Riešenie
LOW SAMPLE FLOW (Nízky prietok vz.)	Nameraný prietok vzorky je nižší ako minimálny prietok vzorky. Pozri časť <a href="#">Technické údaje</a> na strane 502.	Nastavte rýchlosť prietoku vzorky. Pozri <a href="#">Krok 8: Nastavenie prietokovej rýchlosti</a> na strane 517. V prípade potreby vyčistíte filter v sitku v tvare Y, aby ste ho uvoľnili. Pozri <a href="#">Čistenie filtra v sitku v tvare Y</a> na strane 522.
HIGH SAMPLE FLOW (Vysoký prietok vzor.)	Nameraný prietok vzorky je vyšší ako maximálny prietok vzorky. Pozri časť <a href="#">Technické údaje</a> na strane 502.	Nastavte rýchlosť prietoku vzorky. Pozri časť <a href="#">Krok 8: Nastavenie prietokovej rýchlosti</a> na strane 517.

## Odsek 9 Náhradné diely a príslušenstvo

### ▲ V ARO V A N I E



Nebezpečenstvo poranenia osôb. Používanie neschválených častí môže spôsobiť poranenie osôb, poškodenie prístroja alebo poruchy zariadenia. Náhradné diely uvedené v tejto časti sú schválené výrobcom.

**Poznámka:** Čísla produktov a položiek sa môžu odlišovať v niektorých predajných oblastiach. Pre kontaktné informácie sa obráťte na príslušného distribútora alebo si pozrite webovú stránku spoločnosti.

### Materiál

Opis	Množstvo	Kód položky
Súprava reagensí, voľný chlór, obsahuje: Fľašu na pufer, fľašu na indikátor a fľašu na DPD	1	2556900
Súprava reagensí, celkový chlór, obsahuje: Fľašu na pufer, fľašu na indikátor a fľašu na DPD	1	2557000
Súprava na čistenie kyvety obsahuje: Kyselinu sírovú, 5,25 N, 100 ml, fľašu s kvapkadlom a vatové tampóny (10x)	1	8573100
Súprava na overenie kalibrácie, obsahuje: Striekačka, hadičky, prípojky hadičiek, nástroj na otvorenie ampulky, ampulky so štandardom chlóru a deionizovanou vodou	1	8568200
Súprava na overenie kalibrácie, obsahuje: Ampulky so štandardom chlóru a deionizovanou vodou	1	8573200

### Náhradné diely

Opis	Katalógové čísla
Súprava hadičiek, ktorá obsahuje: Zväzok hadičiek a miešaciu tyčinku	USA: 8560400 EÚ: 8575000
Inštalácia súprava so stojanom (10 psi alebo menej)	USA: 8560500 EÚ: 8575100
Inštalácia súprava so stojanom (>10 psi)	8576001
Súprava na inštaláciu s regulátorom tlaku	USA: 8565700 EÚ: 8575200

## Príslušenstvo

Opis	Katalógové čísla
Predlžovací kábel pre analyzátor, 1 m (3,2 stôp)	6122400
Predlžovací kábel pre analyzátor, 7,7 m (25 stôp)	5796000
Predlžovací kábel pre analyzátor, 15 m (50 stôp)	5796100
Adaptér hadičiek, vonk. priemer 6 mm až 1/4 palca	09184=A=4020



# Vsebina

- |                                  |   |
|----------------------------------|---|
| 1 Tehnični podatki na strani 529 | 6 Umerjanje in nastavitve na strani 545           |
| 2 Splošni podatki na strani 530  | 7 Vzdrževanje na strani 545                       |
| 3 Namestitvev na strani 533      | 8 Odpravljanje težav na strani 551                |
| 4 Konfiguracija na strani 544    | 9 Nadomestni deli in dodatna oprema na strani 552 |
| 5 Delovanje na strani 545        |   |

## Razdelek 1 Tehnični podatki

Pridržana pravica do spremembe tehničnih podatkov brez predhodnega obvestila.

**Tabela 1 Splošni tehnični podatki**

Tehnični podatki	Podrobnosti
Mere (Š × D × G)	32,9 × 34,2 × 17,7 cm (12,9 × 13,5 × 7,0 in)
Ohišje	IP66 v skladu s standardom IEC 60529 z zaprtimi in zapahnjenimi vratci <sup>1</sup>
Teža pošiljke	4,1 kg (9 lb) brez posod; 5,1 kg (11,2 lb) s polnimi posodami
Nameščanje	Montaža na steno
Razred zaščite	III
Stopnja onesnaževanja	3
Kategorija električne inštalacije	I (v zaprtih prostorih)
Napajanje	12 V DC, največ 400 mA (dovaja kontrolna enota)
Delovna temperatura	Od 5 do 40 °C (od 41 do 104 °F)
Delovna vlažnost	Od 0 do 90 % relativne vlažnosti brez kondenzacije
Temperatura skladiščenja	Od -40 do 60 °C (od -40 do 140 °F)
Spojke	Vod za vzorčenje: hitra spojka z zunanjim premerom ¼ palca za priključitev plastičnih cevi Odtočni vodi: natična spojka za priključitev mehkih plastičnih cevi z notranjim premerom ½ palca
Indikatorske lučke	Stanje analizatorja in merilni cikel
Certifikati	Izjava o skladnosti EU, izjava o skladnosti UKCA, dobaviteljeva izjava o skladnosti FCC/ISED, izjava o skladnosti ACMA, KC, izjava o skladnosti za Maroko
Garancija	1 leto (EU: 2 leti)

**Tabela 2 Zahteve za vzorec**

Tehnični podatki	Podrobnosti
Tlak	Od 0,31 do 5,17 bara (od 4,5 do 75 psig) v dovodu Y-lovilniku; od 0,1 do 0,34 bara (od 1,5 do 5 psig) v dovodu analizatorju
Hitrost pretoka	Od 60 do 200 mL/min skozi instrument (merjeno na odtoku analizatorja)
Temperatura	Od 5 do 40 °C (od 41 do 104 °F)
Filtriranje	Y-lovilnik z mrežno odprtino 40 mesh ali višjo

<sup>1</sup> Odtočne odprtine zaprte s čepi za preizkušanje.

**Tabela 3 Specifikacije meritev**

Tehnični podatki	Podrobnosti
Vir svetlobe	Dioda LED, meritev pri 510 nm; dolžina poti svetlobe 1 cm
Območje meritev	Od 0,03 do 10 mg/L prostega ali skupnega preostalega klora kot Cl <sub>2</sub>
Interval meritev	150 sekund
Točnost	± 5 % ali ± 0,04 mg/L od 0 do 5 mg/L (večja vrednost) kot Cl <sub>2</sub> ± 10 % od 5 do 10 mg/L kot Cl <sub>2</sub>
Natančnost	± 5 % ali ± 0,01 mg/L (večja vrednost) kot Cl <sub>2</sub>
Meja zaznavanja	0,03 mg/L kot Cl <sub>2</sub>
Meja kvantifikacije	0,07 mg/L
Umerjanje	Tovarniško umerjanje Izbirno: 2-točkovno uporabniško umerjanje z umeritvenimi standardi v kompletu za preverjanje umerjanja
Poraba reagentov	0,5 L pufrske raztopine in 0,5 L raztopine z indikatorjem v 31 dneh

## Razdelek 2 Splošni podatki

Proizvajalec v nobenem primeru ni odgovorjen za škodo, ki bi bila posledica nepravilne uporabe izdelka ali neupoštevanja navodil v priročniku. Proizvajalec si pridržuje pravico do sprememb v navodilih in izdelku, ki ga opisuje, brez vnaprejšnjega obvestila. Prenovljene različice najdete na proizvajalčevi spletni strani.

### 2.1 Varnostni napotki

Proizvajalec ne odgovarja za škodo, ki bi nastala kot posledica napačne aplikacije ali uporabe tega izdelka, kar med drugim zajema neposredno, naključno in posledično škodo, in zavrača odgovornost za vso škodo v največji meri, dovoljeni z zadevno zakonodajo. Uporabnik je v celoti odgovoren za prepoznavo tveganj, ki jih predstavljajo kritične aplikacije, in namestitvev ustreznih mehanizmov za zaščito procesov med potencialno okvaro opreme.

Še pred razpakiranjem, zagonom ali delovanjem te naprave v celoti preberite priložena navodila. Še posebej upoštevajte vse napotke o nevarnostih in varnostne napotke. V nasprotnem primeru obstaja nevarnost hudih poškodb uporabnika oz. škode na opremi.

Prepričajte se, da zaščita, ki jo zagotavlja ta oprema, ni oslABLJENA. Te naprave ne uporabljajte ali nameščajte na kakršenkoli drugačen način, kot je določeno v tem priročniku.

#### 2.1.1 Uporaba varnostnih informacij

##### **▲ NEVARNOST**

Označuje možno ali neposredno nevarno situacijo, ki lahko povzroči smrt ali hude poškodbe.

##### **▲ OPOZORILO**

Označuje možno ali neposredno nevarno situacijo, ki lahko privede do hude poškodbe ali povzroči smrt, če se ji ne izognete.

##### **▲ PREVIDNO**

Označuje možno nevarno situacijo, ki lahko povzroči manjše ali srednje težke poškodbe.

##### **OPOMBA**

Označuje situacijo, ki lahko, če se ji ne izognete, povzroči poškodbe instrumenta. Informacija, ki zahteva posebno pozornost.

## 2.1.2 Opozorilne oznake

Upošteвайте vse oznake in tablice, ki so nahajajo na napravi. Neupoštevanje tega lahko privede do telesnih poškodb ali poškodb naprave. Simbol na merilni napravi se nanaša na navodila s



Električne opreme, označene s tem simbolom, v EU ni dovoljeno odlagati v domačih ali javnih sistemih za odstranjevanje odpadkov. Staro ali izrabljeno opremo vrnite proizvajalcu, ki jo mora odstraniti brez stroškov za uporabnika.

## 2.1.3 Skladnost z elektromagnetno združljivostjo (EMC)

### ▲ PREVIDNO

Oprema ni namenjena za uporabo v stanovanjskem okolju in v takem okolju morda ne bo dovolj zaščitena pred radijskim sprejemom.

#### CE (EU)

Oprema izpolnjuje bistvene zahteve Direktive 2014/30/EU o elektromagnetni združljivosti.

#### UKCA (UK)

Oprema izpolnjuje zahteve predpisov o elektromagnetni združljivosti iz leta 2016 (S.I. 2016/1091).

#### Pravilnik za opremo, ki povzroča motnje (Kanada), ICES-003, razred A:

Zapiske o opravljenih preizkusih hrani proizvajalec.

Digitalna naprava razreda A izpolnjuje vse zahteve kanadskega pravilnika glede opreme, ki povzroča motnje.

Cet appareil numérique de classe A répond à toutes les exigences de la réglementation canadienne sur les équipements provoquant des interférences.

#### FCC del 15, omejitve razreda "A"

Zapiske o opravljenih preizkusih hrani proizvajalec. Ta naprava je skladna s 15. delom pravil FCC. Delovanje mora ustrezati naslednjima pogojema:

1. Oprema lahko ne sme povzročati škodljivih motenj.
2. Oprema mora sprejeti katerokoli sprejeto motnjo, vključno z motnjo, ki jo lahko povzroči neželeno delovanje.

Spremembe ali prilagoditve opreme, ki jih izrecno ne odobri oseba, odgovorna za zagotavljanje skladnosti, lahko razveljavijo uporabnikovo pravico do uporabe te naprave. Oprema je bila preizkušena in je preverjeno skladna z omejitvami za digitalne naprave razreda A glede na 15. del pravil FCC. Te omejitve omogočajo zaščito pred škodljivim sevanjem, ko se naprava uporablja v komercialnem okolju. Ta oprema ustvarja, uporablja in lahko oddaja radiofrekvenčno energijo. Če ni nameščena ali uporabljena v skladu s priročnikom z navodili, lahko povzroča škodljive motnje pri radijski komunikaciji. Uporaba te opreme v bivalnem okolju verjetno povzroča škodljive motnje, zato mora uporabnik motnje na lastne stroške odpraviti. Za zmanjšanje težav z motnjami lahko uporabite naslednje tehnike:

1. Odklopite opremo iz vira napajanja, da preverite, ali je to vzrok motnje.
2. Če je oprema priključena na enako vtičnico kot naprava z motnjami, jo priključite na drugo vtičnico.
3. Opremo umaknite stran od opreme, ki dobiva motnje.
4. Prestavite anteno naprave, ki prejema motnje.
5. Poskusite kombinacijo zgornjih možnosti.

## 2.2 Pregled izdelka

### ⚠ NEVARNOST



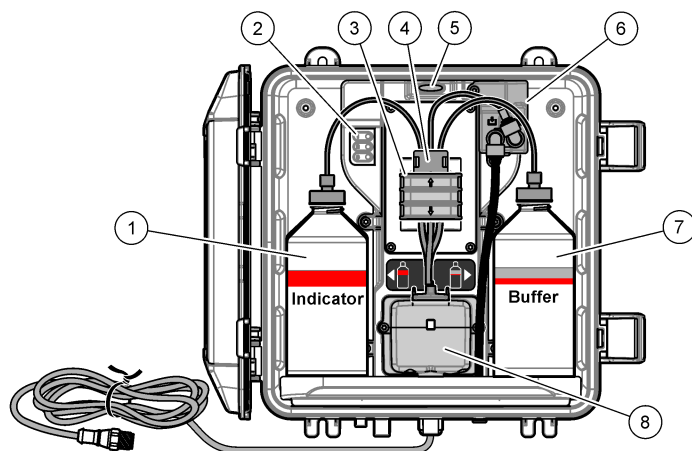
Kemične ali biološke nevarnosti. Če instrument uporabljate za spremljanje postopka obdelave in/ali dovajanja dializne vode, ki je določen z zakonskimi omejitvami in zahtevami za spremljanje, povezanimi z javnim zdravjem, javno varnostjo, proizvodnjo hrane in pijač, je uporabnik tega instrumenta dolžan poznati in spoštovati vse zadevne predpise, poskrbeti pa mora tudi za zadostne in primerne mehanizme, ki zagotavljajo skladnost z zadevno zakonodajo v primeru okvare instrumenta.

Analizator CL17sc meri koncentracijo skupnega klora v vodi v območju od 0,03 do 10 mg/L v 150-sekundnih intervalih. [Slika 1](#) prikazuje pregled analizatorja.

Analizator priključite na kontrolno enoto SC za napajanje, delovanje, zbiranje podatkov, prenos podatkov in diagnostiko. Pregled kontrolne enote si oglejte v priročniku za kontrolno enoto SC.

**Napotek:** Na kontrolno enoto SC je mogoče priključiti več kot en analizator, če ima kontrolna enota več kot eno hitro spojko.

Slika 1 CL17sc



1 Posoda z indikatorjem	5 Lučka stanja analizatorja ( <a href="#">Tabela 5</a> na strani 533)
2 Lučke merilnega cikla ( <a href="#">Tabela 4</a> na strani 533)	6 Merilnik pretoka
3 Objemka črpalke	7 Posoda s pufom
4 Cevna objemka	8 Kolorimetrična kiveta

### 2.2.1 Merilnik pretoka

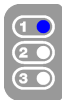


Analizator ima merilnik pretoka, ki meri pretok vzorca skozi analizator. Glejte [Slika 1](#) na strani 532.

Vzorec teče skozi analizator samo, kadar analizator izpira kiveto. V drugih primerih ni pretoka vzorca in je prikazana hitrost pretoka nič. Pritisnite **DESNO** puščico na kontrolni enoti, da prikažete hitrost pretoka.

## 2.2.2 Lučke merilnega cikla

Lučke merilnega cikla prikazujejo korak v merilnem ciklu, ki se izvaja. Glejte [Tabela 4](#).

**Tabela 4 Lučke merilnega cikla**

Lučke svetijo			
Opis	Kiveta se izpira z vodo.	Kiveti se dodajata pufrska raztopina in raztopina z indikatorjem.	Poteka meritev vzorca.

## 2.2.3 Lučka stanja analizatorja

Lučka stanja analizatorja se ob opozorilu iz zelene spremeni v rumeno. Če pride do napake, se lučka stanja analizatorja iz zelene spremeni v rdečo. Glejte [Tabela 5](#).

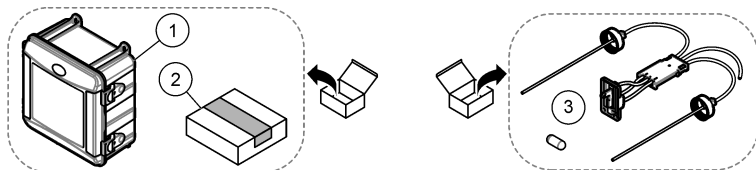
**Tabela 5 Lučka stanja analizatorja**

Barva	Opis
Zelena	Normalno delovanje
Rumena	Sistem je treba oskrbeti, da se čez čas ne bi pojavile napake. Meritve se nadaljujejo. Če želite prikazati opozorila, pritisnite <b>meni</b> in izberite DIAGNOSTIKA > [izberite analizator] > OPOZORILA. Glejte <a href="#">Opozorila – rumena lučka</a> na strani 552.
Rdeča	Sistem je treba takoj oskrbeti. Meritve so se ustavile. Če želite prikazati napake, pritisnite <b>meni</b> in izberite DIAGNOSTIKA > [izberite analizator] > NAPAKE. Glejte <a href="#">Napake – rdeča lučka</a> na strani 551.

## 2.3 Sestavni deli izdelka

Preverite, ali ste prejeli vse sestavne dele. Glejte [Slika 2](#). Če kateri koli del manjka ali je poškodovan, se nemudoma obrnite na proizvajalca ali prodajnega zastopnika.

**Slika 2 Sestavni deli izdelka**



1 Analizator CL17sc	3 Komplet cevi (nosilno ogrodje cevi in mešalna palčka)
2 Komplet za namestitvev	

## Razdelek 3 Namestitvev

### ⚠ PREVIDNO



Različne nevarnosti Opravila, opisana v tem delu dokumenta, lahko izvaja samo usposobljeno osebje.

### 3.1 Navodila za namestitvev

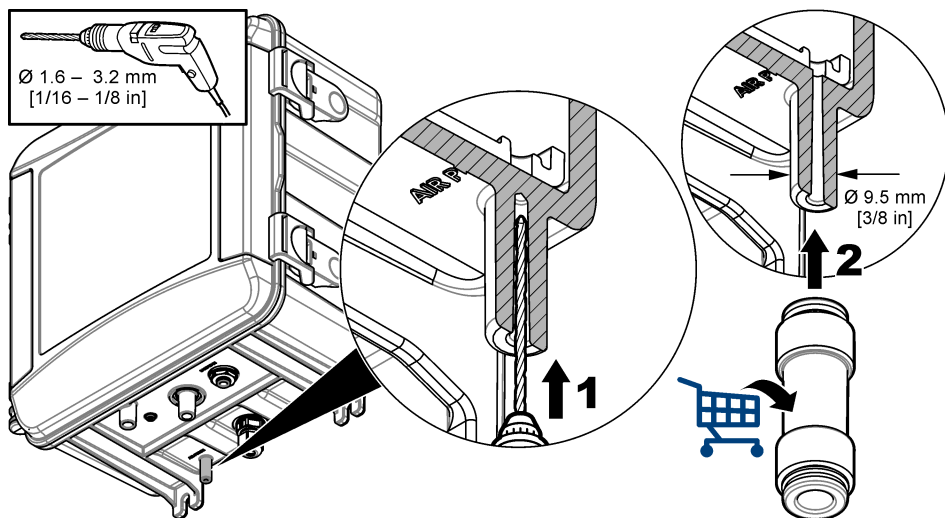
- Analizatorju je priložen komplet za namestitvev stoječe cevi ali komplet za namestitvev regulatorja tlaka za nadzor tlaka vode k analizatorju. Uporabnik izbere namestitveni komplet ob nakupu.

- Analizator namestite v zaprtem prostoru, in sicer na mesto, kjer bo čim manj izpostavljen tresljajem. Oglejte si specifikacije za delovno temperaturo in vlažnost v [Tehnični podatki](#) na strani 529.
- Analizatorja ne namestite tako, da bo izpostavljen neposredni sončni svetlobi ali viru toplote.
- Pri namestitvi na stojno cev analizator namestite na mesto, kjer je nad analizatorjem dovolj prostega prostora za namestitev na stojno cev.
- Analizator namestite v bližini odprtega odtoka. Za odstranjevanje upoštevajte navodila lokalnega uradnega organa.

### 3.2 Korak 1: Čiščenje z zrakom (izbirno)

Čiščenje z zrakom je lahko potrebno, če je analizator nameščen na mestu z visoko vlažnostjo in/ali hlapi, ki povzročajo korozijo. Čiščenje s suhim in čistim zrakom ohranja pozitivni tlak v instrumentu. V instrument dovajajte čist in suh zrak laboratorijske kakovosti pri hitrosti 0,003 m<sup>3</sup>/min (0,1 ft<sup>3</sup>/min) ter maksimalnem tlaku 20 psig.

Glejte ilustrirana navodila v nadaljevanju. <sup>3</sup>/<sub>8</sub>-palčno hitro spojko in cev mora priskrbeti uporabnik.



### 3.3 Korak 2: Namestitev analizatorja in priključitev na vodovodno napeljavo

#### ⚠ PREVIDNO



Z instrumentom lahko uporabljate samo cevi, ki jih je določila družba Hach Company. Druge cevi lahko absorbirajo klor, ki je v vzorčni vodi, in negativno vplivajo na odčitke klora (zmanjšajo odčitke klora).

#### OPOMBA

Nepravilna priključitev analizatorja na vodovodno napeljavo lahko povzroči poškodbe zaradi nadtlaka vzorca. Pri namestitvi analizatorja in njegovi priključitvi na vodovodno napeljavo vedno upoštevajte naslednja navodila.

1. Analizator (element 9) s štirimi vijaki pritrdite na steno. Prepričajte se, da je analizator poravnan.  
**Napotek:** Pripomočke za namestitev priskrbi uporabnik sam.
2. Kontrolno enoto SC (element 7) namestite na steno, ploščo ali cev. Navodila najdete v dokumentaciji kontrolne enote SC.
3. Sestavite Y-lovilnik. Glejte navodila na seznamu zapakiranega blaga.

4. Za montažo sklopa Y-odcednika uporabite 1-palčno cevno objemko (točka 5 v [Slika 3](#), [Slika 4](#) ali [Slika 5](#)).
5. Na analizator namestite zunanjo zračno prekinitiv (točka 2 v [Slika 3](#), [Slika 4](#) ali [Slika 5](#)). Glejte navodila na seznamu zapakiranega blaga.
6. Izvedite korak [7](#) ali [8](#).

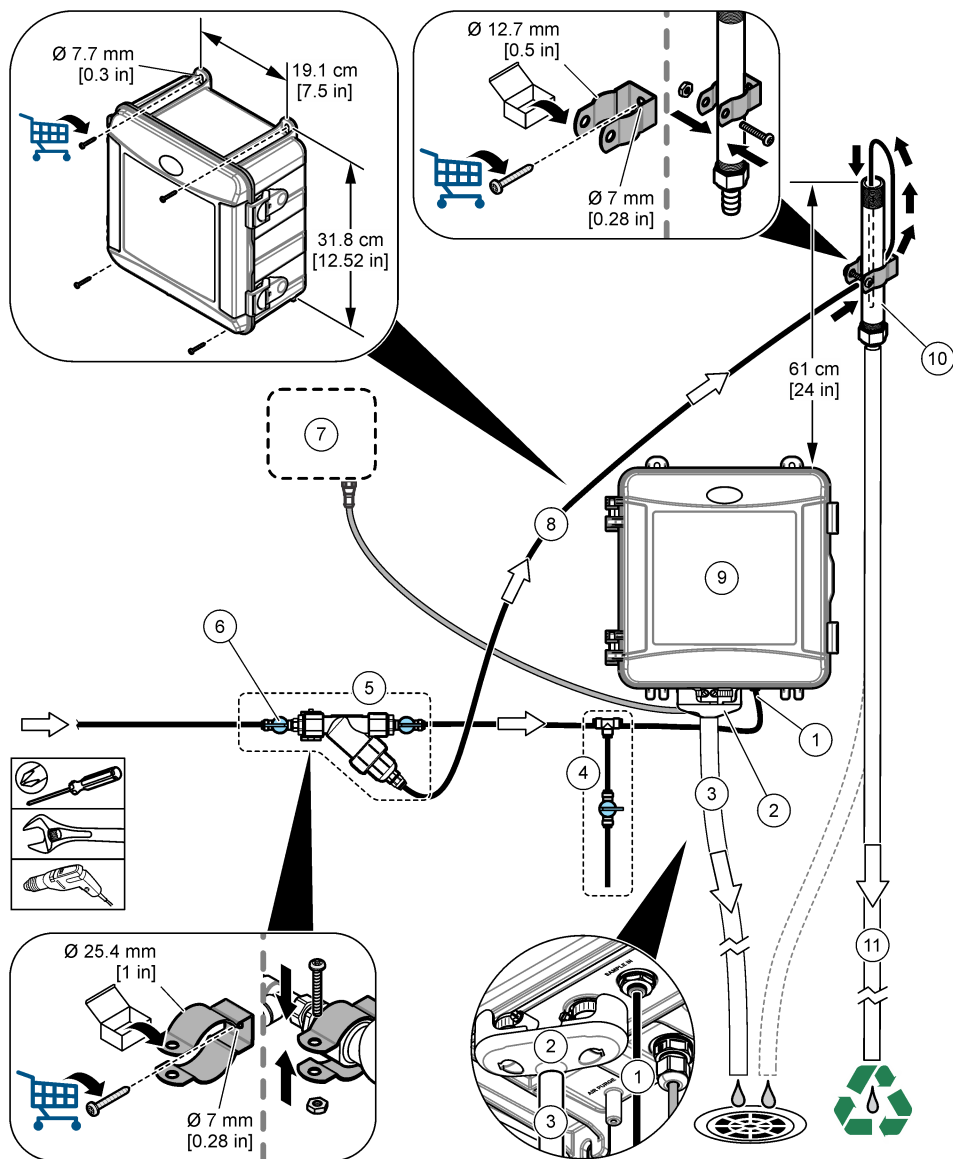
Analizatorju je priložen komplet za vgradnjo stojne cevi ali komplet za vgradnjo regulatorja tlaka za nadzor tlaka vstopne vode. Uporabnik izbere namestitveni komplet ob nakupu. En komplet stojnih cevi je namenjen za 10 psi ali manj, en komplet stojnih cevi pa za več kot 10 psi vstopnega vodnega tlaka. Izmerite tlak vode na vstopu v sistem tik pred sklopom filtrov Y.
7. Če ste ob nakupu izbrali komplet za namestitev stoječe cevi, namestite slednjo, kot je opisano v nadaljevanju:
  - a. Sestavite stoječo cev. Glejte navodila na seznamu zapakiranega blaga.
  - b. Z manjšo cevno objemko pritrdite sklop stojne cevi nad vrhom analizatorja:
    - 10 psi ali manj - Namestite sklop stojne cevi najmanj 61 cm (24 palcev) nad vrhom analizatorja.
    - Več kot 10 psi - namestite sklop stojne cevi najmanj 91,4 cm (36 palcev) nad vrhom analizatorja.
  - c. 10 psi ali manj - s črno cevjo namestite obtočno cev za vzorec (element 8 na spletni strani [Slika 3](#)). Cev najprej potisnite za stoječo cev, nato pa v njo. Cev mora v stoječo cev z zgornje strani segati 10–13 cm (4–5 in).
  - d. Več kot 10 psi - s črno cevjo povežite izhodni del Y-sejalnika z vhomom v stoječo cev (točka 8 na spletni strani [Slika 4](#)).
  - e. Odrežite del cevi za odtok vzorca (element 3). S cevjo napeljite stojno cev do odprtega odtoka (element 11). Glejte [Smernice glede odtočnih linij](#) na strani 539.
8. Če ste ob nakupu izbrali komplet za namestitev regulatorja tlaka, namestite regulator tlaka (element 10 v [Slika 5](#)).
9. S črno cevjo povežite vhod Y-lovilnika (element 5) z virom vzorca.

Glejte [Priporočila glede voda za vzorčenje](#) na strani 539 in [Zahteve za vzorec](#) na strani 539.
10. S črno cevjo priključite vzorec na priključek za dovod vzorca (element 1), kot sledi:

Cevi naj bodo čim krajše ter nikakor daljše od 2,5 m (8 ft).

  - 10 psi ali manj - priključite izhodni del Y-sejalnika na priključek za dovod vzorca (element 1) na dnu analizatorja. Glejte [Slika 3](#).
  - Več kot 10 psi - priključite izhodno cev stojala na priključek za dovod vzorca (element 1) na dnu analizatorja. Glejte [Slika 4](#).
  - Regulator tlaka - priključite izhod regulatorja tlaka na priključek za dovod vzorca (element 1) na dnu analizatorja. Glejte [Slika 5](#).
11. Če je nameščen regulator tlaka, namestite cev za obvod vzorca (element 8 v [Slika 5](#)).
12. Sestavite sklop za zajem vzorca (element 4).
13. Napeljite priključek na spojko sklopa za odvzem vzorca. Glej [Slika 3](#), [Slika 4](#) ali [Slika 5](#), če je primerno.
14. Cev za odtok vzorca (element 3) povežite z odprtim odtokom. Glejte [Smernice glede odtočnih linij](#) na strani 539.

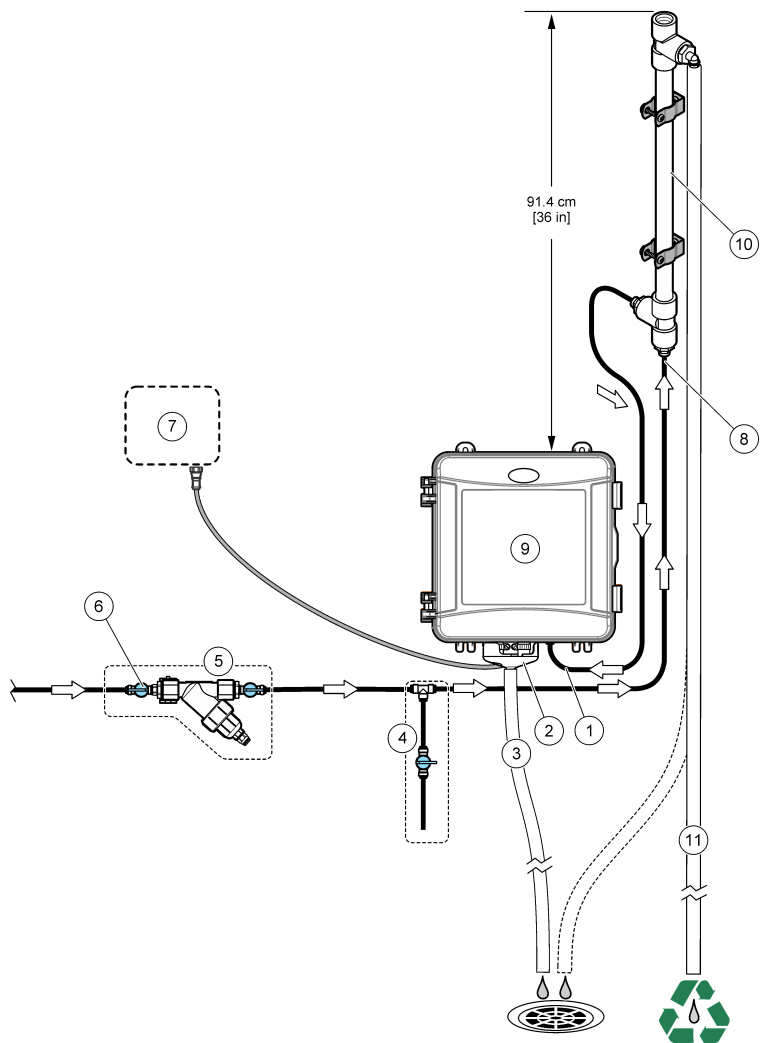
Slika 3 Vgradnja s stoječo cevjo (10 psi ali manj)



1 Priključek za dovod vzorca	7 Kontrolna enota SC
2 Zunanji zračni odklop	8 Cev za obvod vzorca
3 Cev za odtok vzorca	9 Analizator
4 Sklop za zajemanje vzorca	10 Stojčea cev
5 Sklop Y-lovilnika	11 Cev za odtok stojčee cevi
6 Zaporni ventil na vnhodu Y-lovilnika	

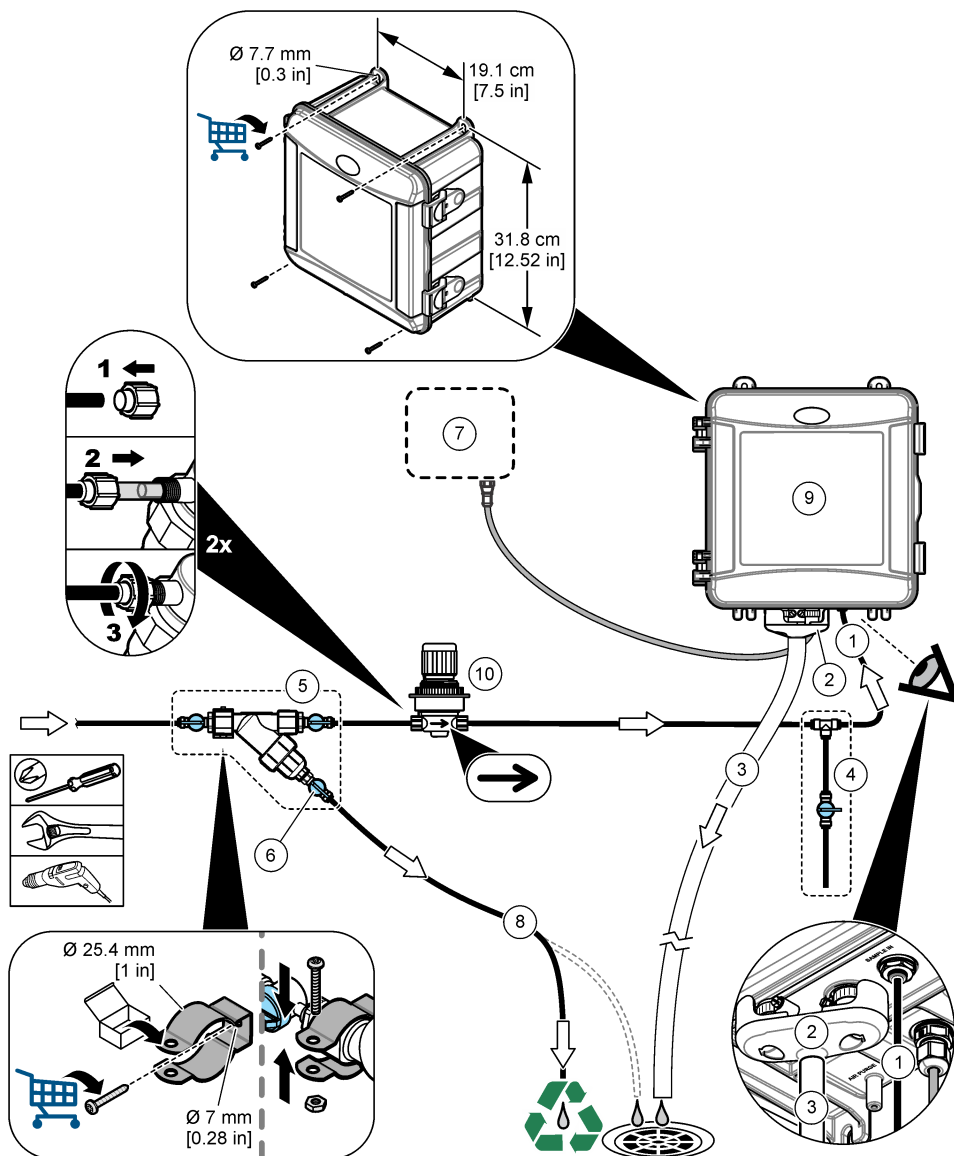


**Slika 4 Vgradnja s stoječo cevjo (več kot 10 psi)**



1	Priključek za dovod vzorca	7	Kontrolna enota SC
2	Zunanji zračni odklop	8	Vhod v stoječo cev
3	Cev za odtok vzorca	9	Analizator
4	Sklop za zajemanje vzorca	10	Stoječa cev
5	Sklop Y-lovilnika	11	Cev za odtok stoječe cevi
6	Zaporni ventil na vhodu Y-lovilnika		

Slika 5 Namestitev z regulatorjem tlaka



1 Prikluček za dovod vzorca	6 Zapirni ventil na obtoku Y-cevi
2 Zunanji zračni odklop	7 Kontrolna enota SC
3 Cev za odtok vzorca	8 Cev za obvod vzorca
4 Sklop za zajemanje vzorca	9 Analizator
5 Sklop Y-lovilnika	10 Regulator tlaka

### 3.3.1 Priporočila glede voda za vzorčenje

Za najboljše delovanje instrumenta izberite dobro, reprezentativno mesto za vzorčenje. Vzorec mora biti reprezentativen za celoten sistem.

Preprečevanje nepovezanih meritev:

- Vzorce zbirajte na mestih, ki so dovolj oddaljena od točk, kjer se procesnemu toku dodajajo kemikalije.
- Pazite, da bodo vzorci dovolj premešani.
- Počakajte, da se zaključijo vse kemične reakcije.
- Analizator namestite čim bližje viru vzorca (največ 4,6 m (15 ft)).

### 3.3.2 Zahteve za vzorec

Voda iz vira vzorca mora ustrezati specifikacijam v [Tehnični podatki](#) na strani 529.

Za optimalno delovanje zagotovite, da bosta hitrost pretoka vzorca in delovna temperatura čim bolj konstantna.

### 3.3.3 Smernice glede odtočnih linij

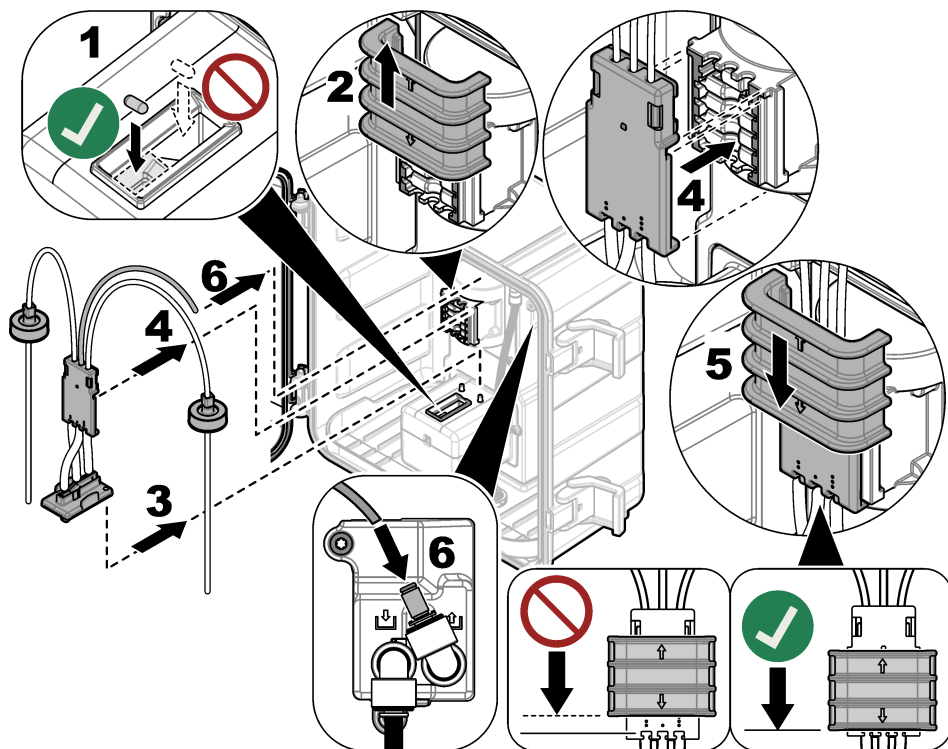
#### OPOMBA

Neppravilna namestitvev odtočnih cevi lahko povzroči vrnitev tekočine v instrument in škodo.

- Ne pozabite namestiti zunanjšega zračnega odklopa. Glej točko 2 na spletnih straneh [Slika 3](#) na strani 536, [Slika 4](#) na strani 537 ali [Slika 5](#) na strani 538.
- Odtočni vodi naj bodo čim krajši.
- Odtočni vodi morajo imeti stalen padec.
- Odtočni vodi ne smejo imeti ostrih zavojev in ne smejo biti preščiipnjeni.

### 3.4 Korak 3: Namestitev mešalne palčke in nosilnega ogrodja cevi

Upoštevajte ilustrirana navodila v nadaljevanju.



### 3.5 Korak 4: Namestitev posod z reagenti

#### ▲ PREVIDNO



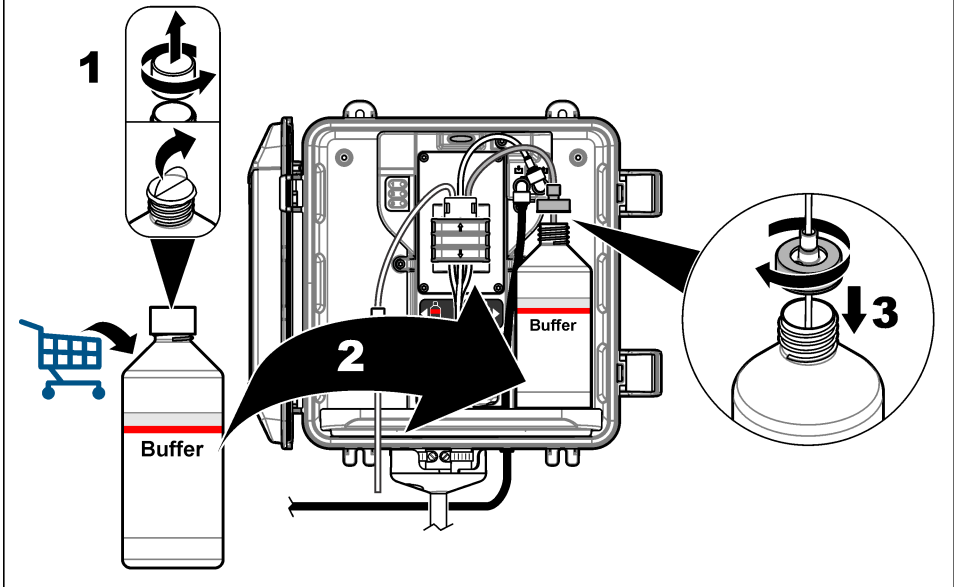
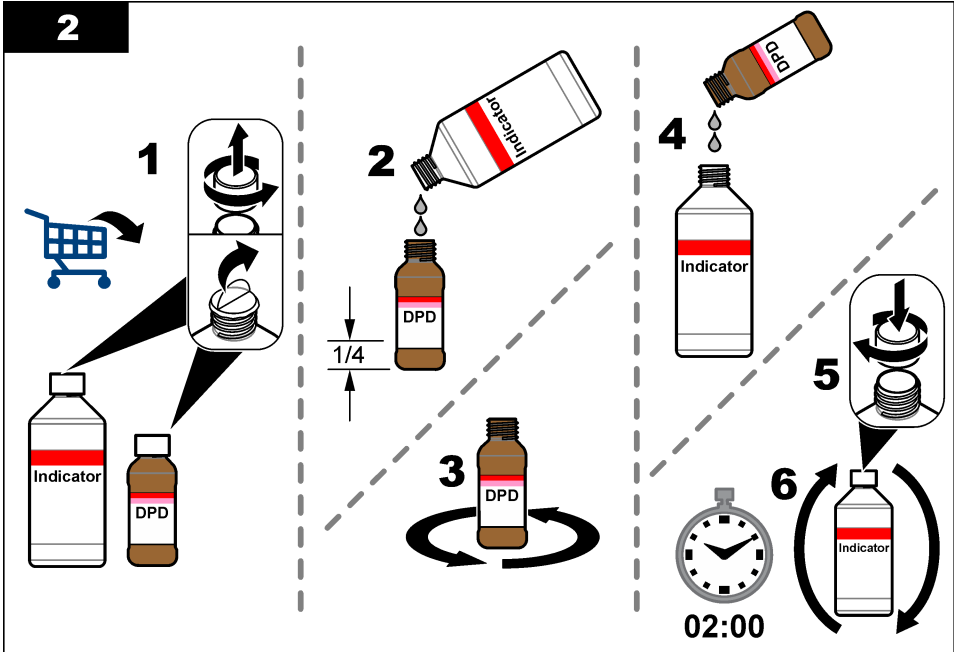
Nevarnost izpostavljenosti kemikalijam. Upoštevajte varnostne predpise v laboratoriju in nosite vso osebno zaščitno opremo, primerno za delo s kemikalijami, ki jih trenutno uporabljate. Za varnostne protokole glejte veljaven varnostni list (MSDS/SDS).

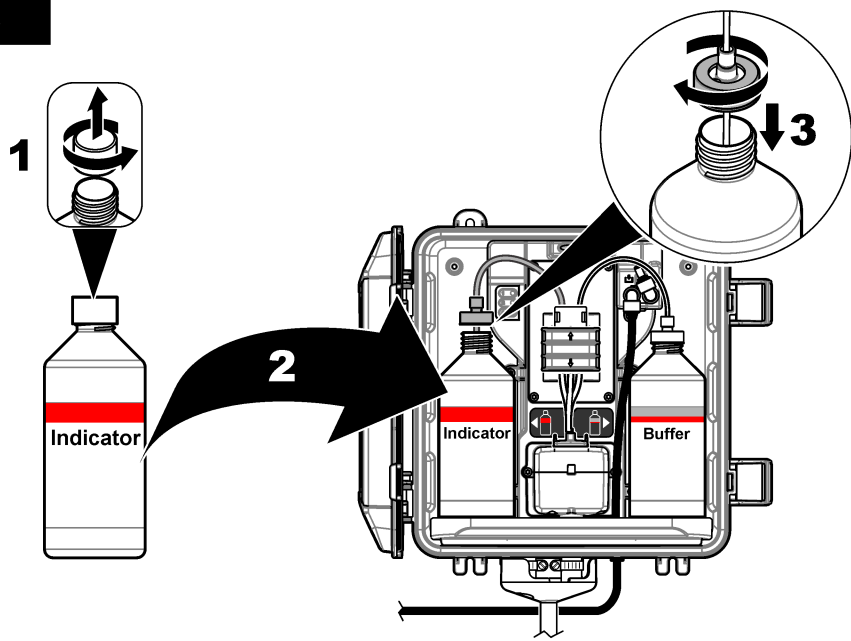
#### Potrebujete:

- osebno zaščitno opremo (glejte MSDS/SDS)
- posodo z indikatorjem
- posodo s pufrom
- posodo s spojino DPD

1. Nadenite primerno osebno zaščitno opremo, kot je navedena v varnostnih listih (MSDS/SDS).
2. Namestite posodo s pufrom na desno stran in posodo z indikatorjem na levo stran. Glejte ilustrirana navodila v nadaljevanju.

**Napotek:** (Izbirno) Zgornji del analizatorja uporabite kot polico.

**1****2**

**3**

### 3.6 Korak 5: Vklon pretoka vzorca

1. Zaporne ventile za  $\frac{1}{4}$  obrata počasi obrnite v odprt položaj.
2. Prepričajte se, da pri dovodnih povezavah ni puščanja. Če pride do puščanja, cev potisnite še dlje v spojko ali pa priključek privijte s ključem.
3. Pri namestitvi stoječe cevi sledite naslednjim korakom:
  - a. Popolnoma odprite zaporni ventil na izhodu Y-lovilnika.
  - b. Zavrtite zaporni ventil na vходу v Y-sejalnik (element 6 v [Slika 3](#) na strani 536 ali [Slika 4](#) na strani 537), dokler iz odtočne cevi stojala ne priteče majhen curek vode.
4. Pri namestitvi regulatorja tlaka sledite naslednjim korakom:
  - a. Popolnoma odprite zaporne ventile na vходу in izhodu Y-lovilnika.
  - b. Zaporni ventil na obvodu Y-lovilnika (element 6 v [Slika 5](#) na strani 538) obračajte, dokler iz obvodne cevi Y-lovilnika ne priteče majhen curek vode.

### 3.7 Korak 6: Električna priključitev

#### 3.7.1 Priključitev analizatorja v kontrolno enoto

#### ⚠ OPOZORILO



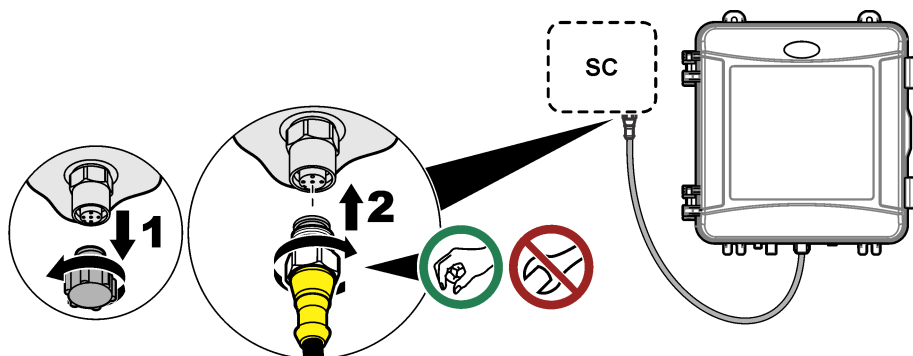
Nevarnost električnega udara. Zunanje priključena oprema mora imeti ustrezno državno oceno varnostnega standarda.

Kabel analizatorja priključite v hitro spojko kontrolne enote SC. Glejte [Slika 6](#).

Pokrovček konektorja shranite, če boste morali kabel pozneje odstraniti in vtičnico znova pokriti.

**Napotek:** Na voljo so kabelski podaljški. Glejte [Nadomestni deli in dodatna oprema](#) na strani 552. Največja dolžina kabla je 15 m (49 ft).

**Slika 6 Priključite kabel v hitro spojko**



### 3.7.2 Priključitev kontrolne enote na napajanje

Kontrolno enoto preko instalacijske cevi ali napajalnega kabla priključite na napajanje. Navodila najdete v dokumentaciji kontrolne enote.

### 3.7.3 Priključitev zunanjih naprav v kontrolno enoto

Releje kontrolne enote, analogne izhode in digitalne vhode po potrebi priključite na zunanje naprave. Navodila najdete v dokumentaciji kontrolne enote.

## 3.8 Korak 7: Nastavitev in priprava analizatorja

1. Pritisnite tipko **meni**, nato izberite NASTAV SENZOR > [izberite analizator] > VBRIZGAVANJE.
2. Če kontrolna enota ne prepozna, da je analizator priključen, izvedite naslednje korake:
  - a. Pritisnite tipko **meni** in izberite TEST/SERVIS > IŠČI SENZOR.
  - b. Ko je senzor najden in nameščen, ponovite korak 1.

## 3.9 Korak 8: Nastavitev hitrosti pretoka

Analizator ima merilnik pretoka, ki meri pretok vzorca skozi analizator. Glejte [Slika 1](#) na strani 532.

1. Pritisnite **DESNO** puščico na kontrolni enoti, da na zaslonu prikazete hitrost pretoka. Vzorec teče skozi analizator samo, kadar analizator izpira kiveto. V drugih primerih ni pretoka vzorca in je prikazana hitrost pretoka nič. Za opise korakov merilnega cikla glejte [Tabela 4](#) na strani 533.

**Napotek:** Če želite ročno izmeriti hitrost pretoka skozi analizator, izmerite hitrost pretoka na odtoku analizatorja, ko se kiveta izpira z vodo.
2. Pri namestitvah s stoječimi cevmi obrnite zaporni ventil na izhodu Y-lovilnika tako, da bo hitrosti pretoka med 60 in 200 mL/min, ko analizator izpira kiveto z vodo.
3. Pri namestitvah z regulatorjem tlaka nastavite regulator tlaka tako, da bo pri izpiranju kivete z vodo hitrost pretoka med 60 in 200 mL/min.

## 3.10 Korak 9: Namestitev najnovejše programske opreme

Prepričajte se, da je v kontrolni enoti SC nameščena najnovejša programska oprema. S kartico SD namestite najnovejšo programsko opremo v kontrolno enoto SC.

1. Pojdite na stran izdelka za ustrezen krmilnik SC na spletni strani <http://hach.com>.
2. Kliknite zavihek "Viri".
3. Pomaknite se navzdol do razdelka "Softvér a firmvér".
4. Kliknite povezavo za programsko opremo kontrolne enote SC.

5. Shranite datoteke na kartico SD.
6. Namestite datoteke v kontrolno enoto SC. Upoštevajte navodila za namestitev programske opreme, ki so priložena datotekam s programsko opremo.

## Razdelek 4 Konfiguracija

### 4.1 Korak 10: Konfigurirajte analizator

Nastavite ime analizatorja, povprečje signala, vrsto izmerjenega klora, zavrnitev mehurčkov in nastavitvene točke za alarm v primeru visoke ali nizke vsebnosti klora.

1. Pritisnite tipko **meni**, nato izberite NASTAV SENZOR > [izberite analizator] > NASTAVI.
2. Izberite in konfigurirajte vsako možnost.

Možnost	Opis
<b>VSTAVI IME</b>	Nastavi ime analizatorja. Ime analizatorja je prikazano na zaslonu kontrolne enote in v dnevniških datotekah.
<b>POVPR SIGNAL</b>	Nastavi število meritev, uporabljenih za izračun povprečne meritve, prikazane na zaslonu. Možnosti: 1 (privzeto), 2, 3 ali NEOBIČAJNO VRED.. Ko je POVPR SIGNAL nastavljeno na 1, je povprečenje signala onemogočeno. Ko je POVPR SIGNAL nastavljeno na 2 ali 3, se na zaslonu prikaže povprečni odčitek. Na primer, meritev na zaslonu je enaka zadnji in predhodni meritvi, deljeni z dva, ko je POVPR SIGNAL nastavljeno na 2. Če je POVPR SIGNAL nastavljeno na NEOBIČAJNO VRED., analizator zavrne odčitek, ki je neobičajno višji ali nižji od zadnjih odčitkov. Če je odčitek zavrnjen, se na zaslonu prikaže zadnji dober odčitek in se shrani v podatkovni dnevnik. Zavrnjeni so lahko največ trije zaporedni odčitki. Povprečenje signala popravi nepravilna nihanja odčitkov, ki jih povzročajo mehurčki in/ali večji delci v vzorcu.
<b>MERITEV</b>	Nastavi vrsto izmerjenega klora. Če imajo posode s pufrom in posode z indikatorjem na svojih nalepkah napisano "Prosti klor", izberite PROSTI KLOR (privzeto). Če imajo posode s pufrom in posode z indikatorjem na svojih nalepkah napisano "Skupni klor", izberite SKUPNI KLOR.
<b>ZRAČ MEHUR NAP</b>	Nastavi zavrnitev mehurčkov na VKLOPLJENO ali IZKLOPLJENO (privzeto). Funkcijo ZRAČ MEHUR NAP nastavite na VKLOPI (vklopljeno), da zmanjšate šum, ki ga povzročajo mehurčki v vzorcu. Zračni mehurčki v vzorcu lahko povzročajo nestabilnost odčitkov.
<b>ZG. ALARMI ZA CL</b>	Nastavi koncentracijo klora, pri kateri se sproži alarm VIS.NIVO KLORA v primeru visoke vsebnosti klora – od 0,00 do 10,00 mg/L (privzeto: 4,00 mg/L).
<b>SP. ALARMI ZA CL</b>	Nastavi koncentracijo klora, pri kateri se sproži alarm NIZ.RAVEN KLORA v primeru nizke vsebnosti klora – od 0,00 do 10,00 mg/L (privzeto: 0,20 mg/L).
<b>INFO. O SENZ.</b>	Prikaže serijsko številko analizatorja, različico programske opreme, zagonsko različico in različico gonilnika.
<b>PRIVZETE NASTAVITVE</b>	Izberite DA, da spremenite nastavitve konfiguracije nazaj na tovarniško privzete vrednosti.
<b>SERVIS</b>	Samo za servisno uporabo

### 4.2 Konfiguracija sistema

Konfiguracijo sistema, splošne nastavitve kontrolne enote in nastavitve izhodov ter komunikacije preverite v dokumentaciji kontrolne enote.

### 4.3 Uporabniška navigacija

Za opis tipkovnice in informacije o navigaciji preberite dokumentacijo krmilnika.



Za prikaz dodatnih informacij in grafični prikaz pritisčajte **DESNO** pušično tipko na kontrolni enoti.

## Razdelek 5 Delovanje

### 5.1 Podatkovni dnevniki, dnevniki dogodkov in servisni dnevniki

Kontrolna enota omogoča dostop do podatkovnega dnevnika, dnevnika dogodkov in servisnega dnevnika za vsak priključen instrument. Meritve analizatorja se samodejno shranjujejo v podatkovni dnevnik v 150-sekundnih intervalih. V dnevniku dogodkov so prikazani pretekli dogodki. Dnevnik dogodkov in podatkovni dnevnik hranijo približno 2 tedna podatkov, ko analizator neprekinjeno deluje. Servisni dnevnik hrani približno 24 ur podatkov, kadar analizator neprekinjeno deluje.

Za prenos podatkovnega dnevnika, dnevnika dogodkov in/ali servisnega dnevnika si oglejte dokumentacijo kontrolne enote. Podatkovni dnevnik je datoteka XML, ki jo lahko shranite v obliki CSV ali Excel. Dnevnik dogodkov in servisni dnevnik sta datoteki v obliki CSV.

### 5.2 Merjenje VNOS ZAJEM. VZORCA

Kadar je treba, uporabite funkcijo VNOS ZAJEM. VZORCA, da kiveti za merjenje dodate vzorec vode z znano koncentracijo klora. Izmerite zajemni vzorec za preverjanje ali za merjenje vzorca vode, odvzetega z druge lokacije.

1. Pritisnite tipko **meni**, nato izberite NASTAV SENZOR > [izberite analizator] > VNOS ZAJEM. VZORCA.
2. Sledite korakom, prikazanim na zaslonu. Ob pozivu odstranite pokrov kivete in v kiveto dodajte 100 mL zajemnega vzorca. Del vzorca bo odtekel v odtok vzorca.

### 5.3 Register Modbus

Seznam registrov Modbus je na voljo za omrežno komunikacijo. Več informacij si oglejte na spletni strani proizvajalca.

## Razdelek 6 Umerjanje in nastavitve

Umeritvena krivulja analizatorja je tovarniško nastavljena za delovanje v skladu s specifikacijami. Umerjanje lahko izvedete za preverjanje delovanja.

Uporabniška prilagoditev tovarniške umeritvene krivulje je priporočljiva samo v primeru, če to za namene poročanja o skladnosti zahteva uradni organ, ali po opravljenem velikem popravilu analizatorja.

Za več informacij si oglejte navodila v kompletu za preverjanje umerjanja ali se obrnite na tehnično podporo.

## Razdelek 7 Vzdrževanje

### ▲ PREVIDNO



Različne nevarnosti Opravila, opisana v tem delu dokumenta, lahko izvaja samo usposobljeno osebje.

### OPOMBA

Ne razstavljajte inštrumenta zaradi vzdrževanja. V kolikor je potrebno čiščenja ali zamenjava notranjih delov kontaktirajte proizvajalca.


## 7.1 Urnik vzdrževanja

Tabela 6 prikazuje priporočeni urnik vzdrževalnih del. Zahteve glede zgradb in pogoji delovanja lahko povečajo pogostost nekaterih del.

Tabela 6 Urnik vzdrževanja

Opravo	1 mesec	6 mesecev	Po potrebi
Čiščenje kivete na strani 546	X <sup>2</sup>		
Zamenjava posod z reagenti na strani 547	X		
Zamenjajte mešalno palčko in nosilno ogrodje cevi. <sup>3</sup>		X	
Čiščenje grabelj v Y-lovilniku na strani 548			X

## 7.2 Čiščenje kivete

▲ PREVIDNO	
	Nevarnost izpostavljenosti kemikalijam. Upoštevajte varnostne predpise v laboratoriju in nosite vso osebno zaščitno opremo, primerno za delo s kemikalijami, ki jih trenutno uporabljate. Za varnostne protokole glejte veljaven varnostni list (MSDS/SDS).

Kiveto čistite v 1-mesečnih intervalih ali pogosteje, če je potrebno.

### Potrebujete:



vatirane palčke<sup>4</sup>



5,25 N raztopino žveplove kisline<sup>5</sup>

1. Nadenite primerno osebno zaščitno opremo, kot je navedena v varnostnih listih (MSDS/SDS).
2. Pritisnite tipko **meni**, nato izberite NASTAV SENZOR > [izberite analizator] > OPRAVILA > OČISTI KIVETO.  
**Napotek:** Če želite prekiniti izbrano opravilo, pritisnite tipko **domov**.
3. Pritisnite **ENTER**, da ustavite merjenje.
4. Izberite možnost.

Možnost	Opis
<b>ZADRŽI</b>	Izhodi kontrolne enote so zadržani pri zadnji izmerjeni vrednosti.
<b>PRENOS</b>	Izhodi kontrolne enote se spremenijo v vrednost prenosa.

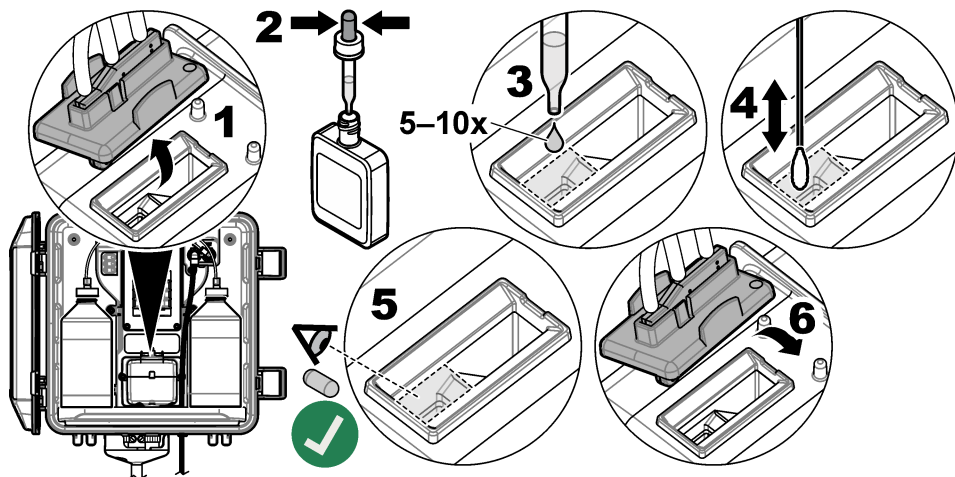
5. Ko začne utripati lučka stanja, sledite korakom na sliki. Ko končate, pritisnite **ENTER**.  
Pri 5. točki se prepričajte, da v kiveti ni neželenih snovi. Po potrebi si pri iskanju neželenega materiala pomagajte s svetilko.

<sup>2</sup> Kiveto po potrebi očistite pogosteje ali redkeje.

<sup>3</sup> Glejte navodila, priložena kompletu cevi.

<sup>4</sup> Glejte [Nadomestni deli in dodatna oprema](#) na strani 552.

<sup>5</sup> Ne uporabljajte drugih čistilnih raztopin. Glejte [Nadomestni deli in dodatna oprema](#) na strani 552.



6. Ko se na zaslonu prikaže sporočilo "OPRAVILO JE KONČANO.", pritisnite **ENTER**.  
Analizator zažene merilni cikel v približno 30 sekundah.

### 7.3 Zamenjava posod z reagenti

<b>⚠ PREVIDNO</b>	
	Nevarnost izpostavljenosti kemikalijam. Upoštevajte varnostne predpise v laboratoriju in nosite vsi osebno zaščitno opremo, primerno za delo s kemikalijami, ki jih trenutno uporabljate. Za varnostne protokole glejte veljaven varnostni list (MSDS/SDS).
<b>⚠ PREVIDNO</b>	
	Nevarnost izpostavljenosti kemikalijam. Kemikalije in odpadke zavrzite v skladu z lokalnimi, regionalnimi in nacionalnimi predpisi.

Posode z reagenti menjajte v 1-mesečnih intervalih.

- Nadenite primerno osebno zaščitno opremo, kot je navedena v varnostnih listih (MSDS/SDS).
- Pritisnite tipko **meni**, nato izberite **NASTAV SENZOR > [izberite analizator] > OPRAVILA > ZAMENJAJ REAG..**
- Napotek:** Če želite prekiniti izbrano opravilo, pritisnite tipko **domov**.
- Pritisnite **ENTER**, da ustavite merjenje.
- Izberite možnost.

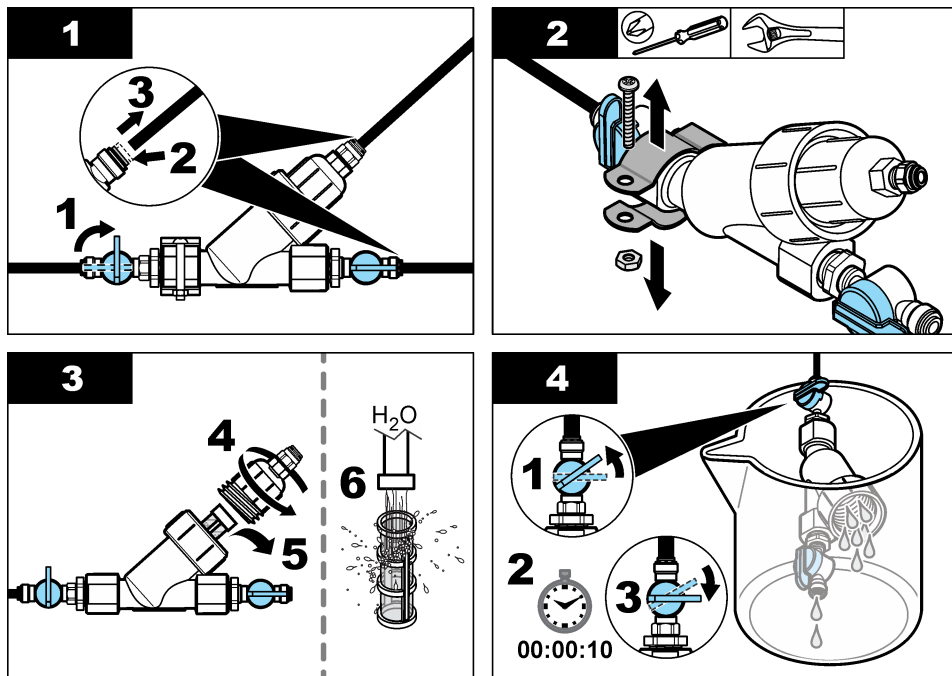
Možnost	Opis
<b>ZADRŽI</b>	Izhodi kontrolne enote so zadržani pri zadnji izmerjeni vrednosti.
<b>PRENOS</b>	Izhodi kontrolne enote se spremenijo v vrednost prenosa.

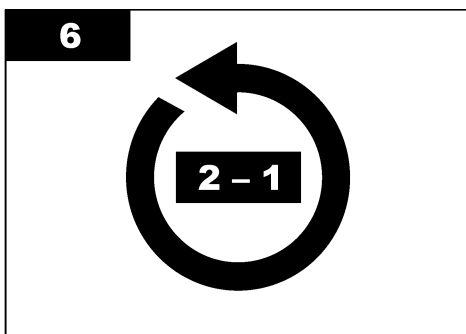
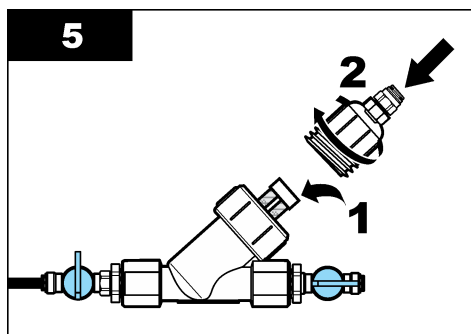
- Počakajte, da lučka stanja začne utripati.
- Posodo s pufrom zamenjajte po naslednjem postopku:  
**Napotek:** (Izbirno) Zgornji del analizatorja uporabite kot polico.
  - Odstranite pokrovček in tesnilo z nove posode s pufrom.
  - Iz analizatorja odstranite rabljeno posodo s pufrom.

- c. Na desni strani analizatorja vstavite cev, namenjeno posodi s pufrom, v novo posodo s pufrom. Privijte pokrovček.
7. Posodo z indikatorjem zamenjajte po naslednjem postopku:
- a. Odstranite pokrovček in tesnilo s posode z indikatorjem in rjave posode DPD.
  - b. V rjavo posodo DPD nalijte raztopino z indikatorjem, in sicer toliko, da bo posoda DPD napolnjena do pribl.  $\frac{1}{4}$ .
  - c. Posodo DPD pretresite, da se vsebina v njej premeša.
  - d. Vsebino posode DPD prelijte v posodo z indikatorjem.
  - e. Posodo z indikatorjem obračajte, dokler se ves prašek ne raztopi (2 minuti).
  - f. Iz analizatorja odstranite rabljeno posodo z indikatorjem.
  - g. Na levi strani analizatorja vstavite cev, namenjeno posodi z indikatorjem, v novo posodo z indikatorjem. Privijte pokrovček.
8. Pritisnite **ENTER**.
9. Ko se na zaslonu prikaže sporočilo "OPRAVILO JE KONČANO.", pritisnite **ENTER**. Analizator zažene merilni cikel v približno 30 sekundah.

## 7.4 Čiščenje grabelj v Y-lovilniku

Če pride do mašenja, na kar opozarja sporočilo NIZEK PRETOK VZORCA, je treba očistiti grablje. Upoštevajte ilustrirana navodila v nadaljevanju.





## 7.5 Priprava za shranjevanje

### ▲ PREVIDNO



Nevarnost izpostavljenosti kemikalijam. Upoštevajte varnostne predpise v laboratoriju in nosite vso osebno zaščitno opremo, primerno za delo s kemikalijami, ki jih trenutno uporabljate. Za varnostne protokole glejte veljavni varnostni list (MSDS/SDS).

Če bo napajanje analizatorja prekinjeno za več kot 3 dni ali če analizatorja ne boste uporabljali več kot 3 dni, ga pripravite za shranjevanje.

#### Potrebujete:



čašo z deionizirano vodo (× 2)

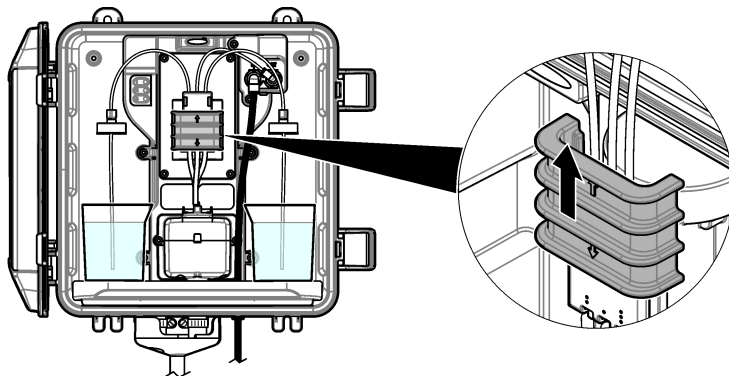


kapalko za enkratno uporabo ali krpo, ki ne pušča vlaken

1. Odstranite reagente iz vodov za reagente, kot je opisano v nadaljevanju:
  - a. Iz analizatorja odstranite posodo z indikatorjem in posodo s pufrom.
  - b. V analizator vstavite dve čaši (ali posodi) z deionizirano vodo.
  - c. V čaši vstavite cevi, namenjeni posodi z indikatorjem in posodi s pufrom.
  - d. Pritisnite tipko **meni**, nato izberite NASTAV SENZOR > [izberite analizator] > VBRIZGAVANJE. Analizator odstrani reagente iz vodov za reagente.
2. Odstranite deionizirano vodo iz vodov za reagente, kot sledi:
  - a. Iz čaš odstranite cevi, namenjeni posodi z indikatorjem in posodi s pufrom.
  - b. Obe čaši odstranite iz analizatorja.
  - c. Pritisnite tipko **meni**, nato izberite NASTAV SENZOR > [izberite analizator] > VBRIZGAVANJE. Analizator odstrani vso tekočino iz vodov za reagente.
3. Izključite kabel analizatorja iz kontrolne enote (ali prekinite napajanje kontrolne enote).
4. Obrnite zaporni ventil v zaprt položaj, da zaustavite pretok vzorca do Y-lovilnika.
5. Odstranite objemko črpalke. Glejte [Slika 7](#). Objemko črpalke shranite za poznejšo uporabo.
6. Odstranite vodo iz kivete, kot sledi:
  - a. Odstranite pokrov s kivete.
  - b. S kapalko za enkratno uporabo ali krpo, ki ne pušča vlaken, odstranite vodo iz kivete.
  - c. Namestite pokrov na kiveto.
7. Za zagon analizatorja po shranjevanju sledite naslednjim korakom:
  - a. Namestite objemko črpalke. Glejte [Slika 7](#).

- b. Namestite posode z reagenti. Glejte **Korak 4: Namestitev posod z reagenti** na strani 540.
- c. Nastavite zaporni ventil v odprt položaj, da zaženete pretok vzorca do Y-lovilnika.
- d. Priključite kabel analizatorja na kontrolno enoto, če je bil kabel izključen.
- e. Kontrolno enoto povežite z napajanjem, če je bilo slednje prekinjeno.
- f. Pritisnite tipko **meni**, nato izberite **NASTAV SENZOR > [izberite analizator] > VBRIZGAVANJE**.

**Slika 7 Odstranite objemko črpalke.**



## 7.6 Priprava za pošiljanje

### ⚠ PREVIDNO



Nevarnost izpostavljenosti kemikalijam. Upoštevajte varnostne predpise v laboratoriju in nosite vso osebno zaščitno opremo, primerno za delo s kemikalijami, ki jih trenutno uporabljate. Za varnostne protokole glejte veljaven varnostni list (MSDS/SDS).

Za pripravo analizatorja za pošiljanje sledite naslednjim korakom.

#### Potrebujete:



čašo z deionizirano vodo (× 2)



originalno embalažo

1. Odstranite reagente iz vodov za reagente, kot je opisano v nadaljevanju:
  - a. Iz analizatorja odstranite posodo z indikatorjem in posodo s pufrom.
  - b. V analizator vstavite dve čaši (ali posodi) z deionizirano vodo.
  - c. V čaši vstavite cevi, namenjeni posodi z indikatorjem in posodi s pufrom.
  - d. Pritisnite tipko **meni**, nato izberite **NASTAV SENZOR > [izberite analizator] > VBRIZGAVANJE**.  
Analizator odstrani reagente iz vodov za reagente.
2. Odstranite deionizirano vodo iz vodov za reagente, kot sledi:
  - a. Iz čaš odstranite cevi, namenjeni posodi z indikatorjem in posodi s pufrom.
  - b. Obe čaši odstranite iz analizatorja.
  - c. Pritisnite tipko **meni**, nato izberite **NASTAV SENZOR > [izberite analizator] > VBRIZGAVANJE**.  
Analizator odstrani vso tekočino iz vodov za reagente.
3. Izključite kabel analizatorja iz kontrolne enote.

4. Obrnite zaporni ventil v zaprt položaj, da zaustavite pretok vzorca do Y-lovilnika.
5. Odklopite (črno) cev za dovod vzorca in (prozorno) odtočno cev iz analizatorja.
6. Z analizatorja odstranite zunanji zračni odklop.
7. Odstranite objemko črpalke. Glejte [Slika 7](#) na strani 550.
8. Odstranite nosilno ogrodje cevi in mešalno palčko iz analizatorja. Shranite nosilno ogrodje cevi za pošiljanje z analizatorjem. Glejte [Korak 3: Namestitve mešalne palčke in nosilnega ogrodja cevi](#) na strani 540.
9. Namestite objemko črpalke brez nosilnega ogrodja cevi. Na cevno objemko namestite trak, ki bo objemko držal v tesnem položaju.
10. S kapalko za enkratno uporabo ali krpo, ki ne pušča vlaken, odstranite vodo iz kivete.
11. Analizator snemite s stene.
12. Analizator položite v originalno embalažo.

## 7.7 Čiščenje instrumenta

### OPOMBA

Instrumenta, zaslona in dodatne opreme nikoli ne čistite s sredstvi, kot so terpentini, aceton ali podobni izdelki.

Zunanost instrumenta očistite z vlažno krpo in blago milno raztopino.

## 7.8 Čiščenje razliti

### ⚠ PREVIDNO



Nevarnost izpostavljenosti kemikalijam. Kemikalije in odpadke zavrzite v skladu z lokalnimi, regionalnimi in nacionalnimi predpisi.

1. Upošteвайте vse varnostne protokole obrata za nadzor razliti.
2. Odpadke zavrzite v skladu z veljavnimi predpisi.

## Razdelek 8 Odpravljanje težav

### 8.1 Napake – rdeča lučka

Če želite prikazati napake, pritisnite **meni** in izberite **DIAGNOSTIKA** > [izberite analizator] > **NAPAKE**. Seznam možnih napak je prikazan v [Tabela 7](#).

Ko se pojavi napaka, indikatorska lučka stanja analizatorja preide v rdečo. Merjenje se prekine, zaslon meritev utripa in vsi izhodi so zadržani, kot je to določeno v meniju kontrolne enote.

**Tabela 7 Sporočila o napakah**

Napaka	Opis	Rešitev
NAPAKA DETEKTORJA.	Detektor ne deluje pravilno.	Stopite v stik s tehnično podporo.
UMAZANA KIVET	Kiveta je umazana ali pa so na njej madeži. Pri zelo nizki koncentraciji klora se lahko začne v kivetah razraščati biofilm.	Očistite kiveto. Glejte <a href="#">Čiščenje kivete</a> na strani 546.
NAPAKA KODE.	Prišlo je do napake pri programski opremi.	Stopite v stik s tehnično podporo.
LED NAPAKA	Svetloba v kiveti ne deluje pravilno.	Stopite v stik s tehnično podporo.
NAPAK.ČRPALKE	Črpalka ne deluje pravilno.	Stopite v stik s tehnično podporo.
PUŠČANJE VZORCA	V analizatorju prihaja do iztekanja vzorca.	Stopite v stik s tehnično podporo.

## 8.2 Opozorila – rumena lučka

Če želite prikazati opozorila, pritisnite **meni** in izberite **DIAGNOSTIKA > [izberite analizator] > OPOZORILA**. Seznam možnih opozoril je prikazan v **Tabela 8**.

Ko se pojavi opozorilo, indikatorna lučka stanja preide v rumeno. Opozorilna ikona utripa, prikaže pa se tudi sporočilo na dnu zasлона kontrolne enote. Če je na voljo zadosten pretok vzorca, opozorilo ne vpliva na delovanje menijev. Opozorilo ne vpliva na delovanje relejev in izhodov.

**Tabela 8 Opozorilna sporočila**

Opozorilo	Opis	Rešitev
ZAZNANI MEHUR.	V kivetu so mehurčki.	Očistite kiveto. Glejte <a href="#">Čiščenje kivete</a> na strani 546. (Izbirno) Funkcijo ZRAČ MEHUR NAP nastavite na ON (vklopljeno). Glejte <a href="#">Korak 10: Konfigurirajte analizator</a> na strani 544.
KMALU OČISTI KIVET	Kiveta postaja umazana ali se na njej nabirajo madeži in jo bo treba kmalu očistiti, da se prepreči napaka.	Očistite kiveto. Glejte <a href="#">Čiščenje kivete</a> na strani 546.
VIS.NIVO KLORA	Koncentracija klora je enaka ali višja od nastavljenih vrednosti za ZG. ALARMI ZA CL.	Povečajte nastavev ZG. ALARMI ZA CL. Glejte <a href="#">Korak 10: Konfigurirajte analizator</a> na strani 544. Ali Znižajte koncentracijo klora v vzorcu, ki se dovaja v analizator.
NIZ.RAVEN KLORA	Koncentracija klora je enaka ali nižja od nastavljenih vrednosti za SP. ALARMI ZA CL.	Zmanjšajte nastavev SP. ALARMI ZA CL. Glejte <a href="#">Korak 10: Konfigurirajte analizator</a> na strani 544. Ali Povišajte koncentracijo klora v vzorcu, ki se dovaja v analizator.
NIZEK PRETOK VZORCA	Izmerjeni pretok vzorca je manjši od najmanjše hitrosti pretoka vzorca. Glejte <a href="#">Tehnični podatki</a> na strani 529.	Nastavite hitrost pretoka vzorca. Glejte <a href="#">Korak 8: Nastavev hitrosti pretoka</a> na strani 543. Po potrebi očistite filter v Y-lovilniku, da odstranite blokado. Glejte <a href="#">Čiščenje grabej v Y-lovilniku</a> na strani 548.
VISOK PRETOK VZORCA	Izmerjeni pretok vzorca je večji od največje hitrosti pretoka vzorca. Glejte <a href="#">Tehnični podatki</a> na strani 529.	Nastavite hitrost pretoka vzorca. Glejte <a href="#">Korak 8: Nastavev hitrosti pretoka</a> na strani 543.

## Razdelek 9 Nadomestni deli in dodatna oprema

### ▲ OPOZORILO



Nevarnost telesnih poškodb. Z uporabo neodobrenih delov tvegate telesne poškodbe, materialno škodo na instrumentih ali okvaro opreme. Nadomestne dele v tem razdelku je odobril proizvajalec.

**Napotek:** Za nekatere prodajne regije se lahko številka izdelka in artikla razlikuje. Za kontaktne informacije stopite v stik z ustreznim prodajalcem ali pa jih poiščite na spletni strani podjetja.

### Potrošni material

Opis	Količina	Št. dela
Komplet reagentov, prosti klor – vključuje: posodo s pufrom, posodo z indikatorjem in posodo s spojino DPD	1	2556900
Komplet reagentov, celotni klor – vključuje: posodo s pufrom, posodo z indikatorjem in posodo s spojino DPD	1	2557000



## Potrošni material (nadaljevanje)

Opis	Količina	Št. dela
Komplet za čiščenje kivet – vključuje: žveplovo kislino, 5,25 N, 100 mL, kapalno posodico in vatrane palčke (× 10)	1	8573100
Komplet za preverjanje kalibracije, ki vključuje: Brizga, cevi, spojke cevi, komplet za odpiranje ampul, ampula z deionizirano vodo in standardom klora	1	8568200
Komplet za ponovno polnjenje za preverjanje kalibracije, ki vključuje: Ampula z deionizirano vodo in standardom klora	1	8573200

## Nadomestni deli

Opis	Št. dela
Komplet cevi – vključuje: nosilno ogrodje cevi in mešalno palčko	ZDA: 8560400 EU: 8575000
Komplet za namestitev s stojno cevjo (10 psi ali manj)	ZDA: 8560500 EU: 8575100
Komplet za namestitev s stojno cevjo (>10 psi)	8576001
Komplet za namestitev z regulatorjem tlaka	ZDA: 8565700 EU: 8575200

## Dodatna oprema

Opis	Št. dela
Kabelski podaljšek za analizator, 1 m (3,2 ft)	6122400
Kabelski podaljšek za analizator, 7,7 m (25 ft)	5796000
Kabelski podaljšek za analizator, 15 m (50 ft)	5796100
Adapter za cevi, zunanji premer od 6 mm do 1/4 palca	09184=A=4020

## Πίνακας περιεχομένων

- |                                      |  |
|--------------------------------------|--|
| 1 Προδιαγραφές στη σελίδα 554        | 6 Βαθμονόμηση και ρύθμιση στη σελίδα 572     |
| 2 Γενικές πληροφορίες στη σελίδα 555 | 7 Συντήρηση στη σελίδα 572                   |
| 3 Εγκατάσταση στη σελίδα 559         | 8 Αντιμετώπιση προβλημάτων στη σελίδα 578    |
| 4 Διαμόρφωση στη σελίδα 570          | 9 Ανταλλακτικά και εξαρτήματα στη σελίδα 580 |
| 5 Λειτουργία στη σελίδα 571          |  |

## Ενότητα 1 Προδιαγραφές

Οι προδιαγραφές ενδέχεται να αλλάξουν χωρίς προειδοποίηση.

**Πίνακας 1 Γενικές προδιαγραφές**

Προδιαγραφή	Λεπτομέρειες
Διαστάσεις (Π x Υ x Β)	32,9 x 34,2 x 17,7 cm (12.9 x 13.5 x 7.0 in.)
Περιβλήμα	IP66 κατά το πρότυπο IEC 60529 με τη θύρα κλειστή και ασφαλισμένη <sup>1</sup>
Βάρος συσκευασίας αποστολής	4,1 kg (9 lb) χωρίς τις φιάλες, 5,1 kg (11.2 lb) με τις φιάλες γεμάτες
Τοποθέτηση	Τοποθέτηση σε τοίχο
Κατηγορία προστασίας	III
Βαθμός ρύπανσης	3
Κατηγορία ηλεκτρολογικής εγκατάστασης	I (σε εσωτερικό χώρο)
Απαιτήσεις ισχύος	12 VDC, έως 400 mA (παρέχεται από τον ελεγκτή)
Θερμοκρασία λειτουργίας	5 έως 40 °C (41 έως 104 °F)
Υγρασία λειτουργίας	Σχετική υγρασία 0 έως 90% χωρίς συμπύκνωση υδρατμών
Θερμοκρασία αποθήκευσης	-40 έως 60 °C (-40 έως 140 °F)
Εξαρτήματα σύνδεσης	Γραμμή δείγματος: Εξάρτημα ταχείας σύνδεσης εξωτερικής διαμέτρου ¼ in. για πλαστικούς σωλήνες Σωλήνες αποστράγγισης: Ρακόρ σύνδεσης με ολίσθηση για μαλακούς πλαστικούς σωλήνες τύπου ID ½ in.
Ενδεικτικές λυχνίες	Κατάσταση αναλυτή και κύκλος μέτρησης
Πιστοποιήσεις	EU DoC, UKCA DoC, FCC/ISED SDoC, ACMA DoC, KC, Morocco DoC
Εγγύηση	1 έτος (EE: 2 έτη)

**Πίνακας 2 Απαιτήσεις δείγματος**

Προδιαγραφή	Λεπτομέρειες
Πίεση	0,31 έως 5,17 bar (4,5 έως 75 psig) παρεχόμενη στο διάφραγμα διήθησης σχήματος Y, 0,1 έως 0,34 bar (1,5 έως 5 psig) παρεχόμενη στον αναλυτή
Ρυθμός ροής	60 έως 200 mL/min δια μέσου του οργάνου (μέτρηση στην αποστράγγιση αναλυτή)
Θερμοκρασία	5 έως 40 °C (41 έως 104 °F)
Φιλτράρισμα	Διάφραγμα διήθησης σχήματος Y με πλέγμα 40 mesh ή μεγαλύτερο

<sup>1</sup> Όπες αποστράγγισης κλεισμένες με βύσματα για τις απαιτήσεις ελέγχου.

**Πίνακας 3 Προδιαγραφές μετρήσεων**

Προδιαγραφή	Λεπτομέρειες
Πηγή φωτός	Λυχνία LED, μέτρηση στα 510 nm, 1 cm μήκος διαδρομής του φωτός
Εύρος τιμών μέτρησης	0.03–10 mg/L ελεύθερου ή ολικού υπολειμματικού χλωρίου ως Cl <sub>2</sub>
Διάστημα μέτρησης	150 δευτερόλεπτα
Ακρίβεια	±5% ή ±0,04 mg/L από 0 έως 5 mg/L (η μεγαλύτερη τιμή) ως Cl <sub>2</sub> ±10% από 5 έως 10 mg/L ως Cl <sub>2</sub>
Ακρίβεια	±5% ή ±0,01 mg/L (η μεγαλύτερη τιμή) ως Cl <sub>2</sub>
Όριο ανίχνευσης	0.03 mg/L ως Cl <sub>2</sub>
Όριο ποσοτικοποίησης	0.07 mg/L
Βαθμονόμηση	Εργοστασιακή βαθμονόμηση Προαιρετικό: βαθμονόμηση 2 σημείων από τον χρήστη, με τα πρότυπα βαθμονόμησης που παρέχονται στο Kit επαλήθευσης βαθμονόμησης
Χρήση αντιδραστηρίων	0,5 L ρυθμιστικού διαλύματος και 0,5 L διαλύματος δείκτη σε 31 ημέρες

## Ενότητα 2 Γενικές πληροφορίες

Σε καμία περίπτωση δεν θα είναι ο κατασκευαστής υπεύθυνος για ζημιές που προκύπτουν από οποιαδήποτε μη κατάλληλη χρήση του προϊόντος ή από αστοχία συμμόρφωσης με τις οδηγίες στο εγχειρίδιο. Ο κατασκευαστής διατηρεί το δικαίωμα να πραγματοποιήσει αλλαγές στο παρόν εγχειρίδιο και στα προϊόντα που περιγράφει ανά στιγμή, χωρίς ειδοποίηση ή υποχρέωση. Αναθεωρημένες εκδόσεις διατίθενται από τον ιστοχώρο του κατασκευαστή.

### 2.1 Πληροφορίες σχετικά με την ασφάλεια

Ο κατασκευαστής δεν φέρει ευθύνη για τυχόν ζημιές που οφείλονται σε λανθασμένη εφαρμογή ή κακή χρήση αυτού του προϊόντος, συμπεριλαμβανομένων, χωρίς περιορισμό, των άμεσων, συμπτωματικών και παρεπόμενων ζημιών, και αποποιείται την ευθύνη για τέτοιες ζημιές στο μέγιστο βαθμό που επιτρέπει το εφαρμοστέο δίκαιο. Ο χρήστης είναι αποκλειστικά υπεύθυνος για την αναγνώριση των σημαντικών κινδύνων εφαρμογής και την εγκατάσταση των κατάλληλων μηχανισμών με στόχο την προστασία των διεργασιών κατά τη διάρκεια μιας πιθανής δυσλειτουργίας του εξοπλισμού.

Παρακαλούμε διαβάστε ολόκληρο αυτό το εγχειρίδιο προτού αποσυσκευάσετε, ρυθμίσετε ή λειτουργήσετε αυτόν τον εξοπλισμό. Προσέξτε όλες τις υποδείξεις κινδύνου και προσοχής. Η παράλειψη μπορεί να οδηγήσει σε σοβαρούς τραυματισμούς του χειριστή ή σε ζημιές της συσκευής.

Βεβαιωθείτε ότι η προστασία που παρέχει αυτός ο εξοπλισμός δεν επηρεάζεται. Μη χρησιμοποιείτε και να μην εγκαθιστάτε τον εξοπλισμό με κανέναν άλλον τρόπο, εκτός από αυτούς που προσδιορίζονται σε αυτό το εγχειρίδιο.

#### 2.1.1 Χρήση των πληροφοριών προειδοποίησης κινδύνου

##### ▲ ΚΙΝΔΥΝΟΣ

Υποδεικνύει κάποια ενδεχόμενη ή επικείμενη επικίνδυνη κατάσταση, η οποία, εάν δεν αποτραπεί, θα οδηγήσει σε θάνατο ή σοβαρό τραυματισμό.

##### ▲ ΠΡΟΕΙΔΟΠΟΙΗΣΗ

Υποδεικνύει μια ενδεχόμενη ή επικείμενη επικίνδυνη κατάσταση, η οποία, αν δεν αποτραπεί, μπορεί να προκαλέσει θάνατο ή σοβαρό τραυματισμό.

##### ▲ ΠΡΟΣΟΧΗ

Υποδεικνύει κάποια ενδεχόμενη επικίνδυνη κατάσταση, η οποία μπορεί να καταλήξει σε ελαφρό ή μέτριο τραυματισμό.

## ΕΙΔΟΠΟΙΗΣΗ

Υποδεικνύει κατάσταση που, εάν δεν αποτραπεί, μπορεί να προκληθεί βλάβη στο όργανο. Πληροφορίες που απαιτούν ειδική έμφαση.

### 2.1.2 Ετικέτες προφύλαξης

Διαβάστε όλες τις ετικέτες και τις πινακίδες που είναι επικολλημένες στο όργανο. Εάν δεν τηρήσετε τις οδηγίες, ενδέχεται να προκληθεί τραυματισμός ή ζημιά στο όργανο. Η ύπαρξη κάποιου συμβόλου επάνω στο όργανο παραπέμπει στο εγχειρίδιο με κάποια δήλωση προειδοποίησης.



Αν ο ηλεκτρικός εξοπλισμός φέρει το σύμβολο αυτό, δεν επιτρέπεται η απόρριψή του σε ευρωπαϊκά οικιακά και δημόσια συστήματα συλλογής απορριμμάτων. Μπορείτε να επιστρέψετε παλιό εξοπλισμό ή εξοπλισμό του οποίου η ωφέλιμη διάρκεια ζωής έχει παρέλθει στον κατασκευαστή για απόρριψη, χωρίς χρέωση για το χρήστη.

### 2.1.3 Συμμόρφωση ηλεκτρομαγνητικής συμβατότητας (EMC)

#### ▲ ΠΡΟΣΟΧΗ

Αυτός ο εξοπλισμός δεν προορίζεται για χρήση σε οικιακά περιβάλλοντα και ενδέχεται να μην παρέχει επαρκή προστασία στη ραδιοφωνική λήψη σε τέτοια περιβάλλοντα.

#### CE (EU)

Ο εξοπλισμός πληροί τις βασικές απαιτήσεις της οδηγίας 2014/30/ΕΕ για την ηλεκτρομαγνητική συμβατότητα.

#### UKCA (UK)

Ο εξοπλισμός πληροί τις απαιτήσεις των κανονισμών ηλεκτρομαγνητικής συμβατότητας του 2016 (S.I. 2016/1091).

#### Καναδικός Κανονισμός Εξοπλισμού Πρόκλησης Παρεμβολών, ICES-003, Κατηγορία A:

Ο κατασκευαστής διατηρεί τα αρχεία των ελέγχων υποστήριξης.

Η παρούσα ψηφιακή συσκευή Κατηγορίας A ανταποκρίνεται σε όλες τις προδιαγραφές του Καναδικού Κανονισμού Εξοπλισμού Πρόκλησης Παρεμβολών (ICES).

Cet appareil numérique de classe A répond à toutes les exigences de la réglementation canadienne sur les équipements provoquant des interférences.

#### FCC Κεφάλαιο 15, Κατηγορία "A" Όρια

Ο κατασκευαστής διατηρεί τα αρχεία των ελέγχων υποστήριξης. Η συσκευή συμμορφώνεται με το Κεφ. 15 των Κανόνων της FCC. Η λειτουργία υπόκειται στις ακόλουθες προϋποθέσεις:


1. Ο εξοπλισμός μπορεί να μην προκαλέσει επιβλαβείς παρεμβολές.
2. Ο εξοπλισμός πρέπει να δέχεται οποιοσδήποτε παρεμβολές λαμβάνονται, καθώς και παρεμβολές που μπορεί να προκαλέσουν ανεπιθύμητη λειτουργία.

Αλλαγές ή τροποποιήσεις αυτού του εξοπλισμού που δεν έχουν ρητά εγκριθεί από τον υπεύθυνο συμμόρφωσης, μπορεί να ακυρώσουν την αρμοδιότητα του χρήστη να λειτουργήσει τον εξοπλισμό.

Ο εξοπλισμός αυτός έχει δοκιμαστεί και κρίθηκε ότι συμμορφώνεται με τους περιορισμούς περιφερειακών συσκευών Κατηγορίας A, σύμφωνα με το Κεφάλαιο 15 των κανόνων της FCC. Αυτά τα όρια έχουν σχεδιαστεί για να παρέχουν εύλογη προστασία από τις επιβλαβείς παρεμβολές όταν ο εξοπλισμός λειτουργεί σε εμπορικό περιβάλλον. Αυτό ο εξοπλισμός λειτουργεί, χρησιμοποιεί και μπορεί να εκπέμπει ενέργεια ραδιοσυχνότητας και, εάν δεν εγκατασταθεί και δεν χρησιμοποιηθεί σύμφωνα με το εγχειρίδιο οδηγιών, ενδέχεται να προκαλέσει επιβλαβείς παρεμβολές στις ραδιοεπικοινωνίες. Η λειτουργία του εξοπλισμού σε οικιστική περιοχή ενδεχομένως να προκαλέσει επιβλαβείς παρεμβολές, στην οποία περίπτωση ο χρήστης θα χρειαστεί να καλύψει με δικά του έξοδα την αποκατάσταση των παρεμβολών. Για τη μείωση των προβλημάτων παρεμβολών, μπορούν να χρησιμοποιηθούν οι ακόλουθες τεχνικές:

1. Αποσυνδέστε τον εξοπλισμό από την πηγή ισχύος της, προκειμένου να διαπιστωθεί εάν είναι ή δεν είναι η πηγή της παρεμβολής.
2. Αν ο εξοπλισμός είναι συνδεδεμένος με την ίδια έξοδο όπως και η συσκευή που παρουσιάζει παρεμβολές, συνδέστε τον εξοπλισμό σε μια διαφορετική έξοδο.
3. Μετακινήστε τον εξοπλισμό μακριά από τη συσκευή που λαμβάνει την παρεμβολή.
4. Επανατοποθετήστε την κεραία λήψης της συσκευής που λαμβάνει την παρεμβολή.
5. Δοκιμάστε συνδυασμούς των παραπάνω.

## 2.2 Επισκόπηση προϊόντος

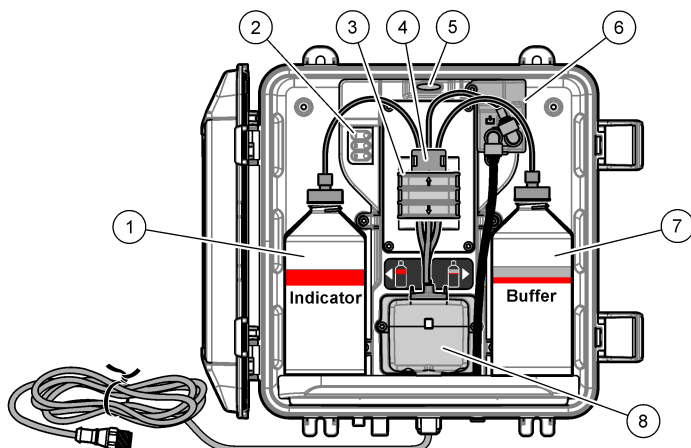
<b>⚠ ΚΙΝΔΥΝΟΣ</b>	
	<p>Χημικοί ή βιολογικοί κίνδυνοι. Εάν το παρόν όργανο χρησιμοποιείται για την παρακολούθηση μιας διαδικασίας επεξεργασίας ή/και νερού τροφοδοσίας αραίωσης, για τα οποία υπάρχουν ρυθμιστικά όρια και απαιτήσεις παρακολούθησης που αφορούν τη δημόσια υγεία και ασφάλεια, την παραγωγή ή επεξεργασία τροφίμων ή ποτών, αποτελεί ευθύνη του χρήστη του οργάνου να γνωρίζει τους ισχύοντες κανονισμούς και να συμμορφώνεται με αυτούς καθώς και να διαθέτει επαρκείς και κατάλληλους μηχανισμούς προκειμένου να συμμορφώνεται με τους ισχύοντες κανονισμούς σε περίπτωση δυσλειτουργίας του οργάνου.</p>

Ο αναλυτής CL17sc μετρά τη συγκέντρωση ολικού χλωρίου στο νερό, σε ένα εύρος από 0,03 έως 10 mg/L, ανά διαστήματα των 150 δευτερολέπτων. Επιπλέον, στην **Εικόνα 1** παρέχεται μια επισκόπηση του αναλυτή.

Συνδέστε τον αναλυτή σε έναν ελεγκτή SC για τροφοδοσία, λειτουργία, συλλογή δεδομένων, μετάδοση δεδομένων και διαγνωστικά. Ανατρέξτε στο εγχειρίδιο του ελεγκτή SC για μια επισκόπηση του ελεγκτή.

**Σημείωση:** Μπορείτε να συνδέσετε περισσότερους από έναν αναλυτή στον ελεγκτή SC εάν ο ελεγκτής διαθέτει περισσότερα από ένα εξαρτήματα ταχείας σύνδεσης.

**Εικόνα 1 CL17sc**



1 Φιάλη δείκτη	5 Ενδεικτική λυχνία κατάστασης αναλυτή ( <b>Πίνακας 5</b> στη σελίδα 558)
2 Ενδεικτικές λυχνίες κύκλου μέτρησης ( <b>Πίνακας 4</b> στη σελίδα 558)	6 Μετρητής ροής
3 Σφινγκτήρας αντλίας	7 Φιάλη ρυθμιστικού διαλύματος
4 Κλιπ σωλήνα	8 Χρωματομετρική κυψελίδα

## 2.2.1 Μετρητής ροής

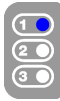
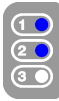

Ο αναλυτής έχει έναν μετρητή ροής, ο οποίος μετρά τη ροή δείγματος δια μέσου του αναλυτή. Βλ. [Εικόνα 1](#) στη σελίδα 557.

Δείγμα ρέει δια μέσου του αναλυτή μόνο όταν ο αναλυτής πραγματοποιεί έκπλυση στην κυψελίδα. Τον υπόλοιπο χρόνο, δεν υπάρχει ροή δείγματος και ο ρυθμός ροής εμφανίζεται μηδενικός. Πατήστε το **ΔΕΞΙΟ** βέλος στον ελεγκτή για να εμφανίσετε τον ρυθμό ροής.

## 2.2.2 Ενδεικτικές λυχνίες κύκλου μέτρησης

Οι ενδεικτικές λυχνίες κύκλου μέτρησης δείχνουν το βήμα κύκλου μέτρησης που βρίσκεται σε εξέλιξη. Βλ. [Πίνακας 4](#).

**Πίνακας 4 Ενδεικτικές λυχνίες κύκλου μέτρησης**

<b>Αναμμένες ενδεικτικές λυχνίες</b>			
<b>Περιγραφή</b>	Πραγματοποιείται έκπλυση της κυψελίδας με νερό.	Πραγματοποιείται προσθήκη του ρυθμιστικού διαλύματος και του διαλύματος δείκτη στην κυψελίδα.	Πραγματοποιείται μέτρηση του δείγματος.

## 2.2.3 Ενδεικτική λυχνία κατάστασης αναλυτή

Η ενδεικτική λυχνία κατάστασης αναλυτή αλλάζει από πράσινο χρώμα σε κίτρινο όταν υπάρχει προειδοποίηση ή σε κόκκινο όταν υπάρχει σφάλμα. Βλ. [Πίνακας 5](#).

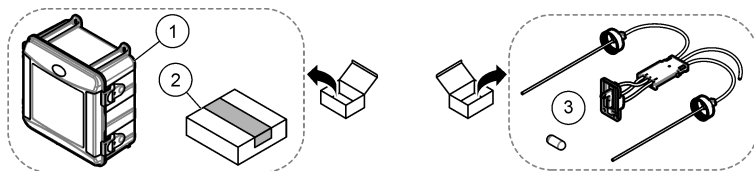
**Πίνακας 5 Ενδεικτική λυχνία κατάστασης αναλυτή**

<b>Χρώμα</b>	<b>Περιγραφή</b>
Πράσινο	Κανονική λειτουργία
Κίτρινο	Το σύστημα χρειάζεται προσοχή ώστε να αποφευχθεί βλάβη στο μέλλον. Οι μετρήσεις συνεχίζονται. Για να εμφανίσετε τις προειδοποιήσεις, πατήστε το πλήκτρο <b>menu (μενού)</b> και επιλέξτε <b>ΔΙΑΓΝΩΣΤΙΚΑ &gt; [επιλογή αναλυτή] &gt; ΛΙΣΤΑ ΠΡΟΕΙΔ.</b> Βλ. <a href="#">Προειδοποιήσεις—Κίτρινη λυχνία</a> στη σελίδα 579.
Κόκκινο	Το σύστημα χρειάζεται άμεσα προσοχή. Οι μετρήσεις έχουν σταματήσει. Για να εμφανίσετε τα σφάλματα, πατήστε το πλήκτρο <b>menu (μενού)</b> και επιλέξτε <b>ΔΙΑΓΝΩΣΤΙΚΑ &gt; [επιλογή αναλυτή] &gt; ΛΙΣΤΑ ΣΦΑΛΜΑΤ.</b> Βλ. <a href="#">Σφάλματα—Κόκκινη λυχνία</a> στη σελίδα 578.

## 2.3 Εξαρτήματα προϊόντος

Βεβαιωθείτε ότι έχετε λάβει όλα τα εξαρτήματα. Ανατρέξτε στην [Εικόνα 2](#). Εάν κάποιο αντικείμενο λείπει ή έχει υποστεί ζημιά, επικοινωνήστε αμέσως με τον κατασκευαστή ή με έναν αντιπρόσωπο πωλήσεων.

**Εικόνα 2 Εξαρτήματα προϊόντος**



<b>1</b> Αναλυτής CL17sc	<b>3</b> Κιτ σωληνώσεων (ιμάντες περισφιξης και ράβδος ανάδευσης)
<b>2</b> Κιτ εγκατάστασης	

## Ενότητα 3 Εγκατάσταση

### ▲ ΠΡΟΣΟΧΗ



Πολλαπλοί κίνδυνοι. Μόνο ειδικευμένο προσωπικό πρέπει να εκτελεί τις εργασίες που περιγράφονται σε αυτήν την ενότητα του εγχειριδίου.

### 3.1 Οδηγίες εγκατάστασης

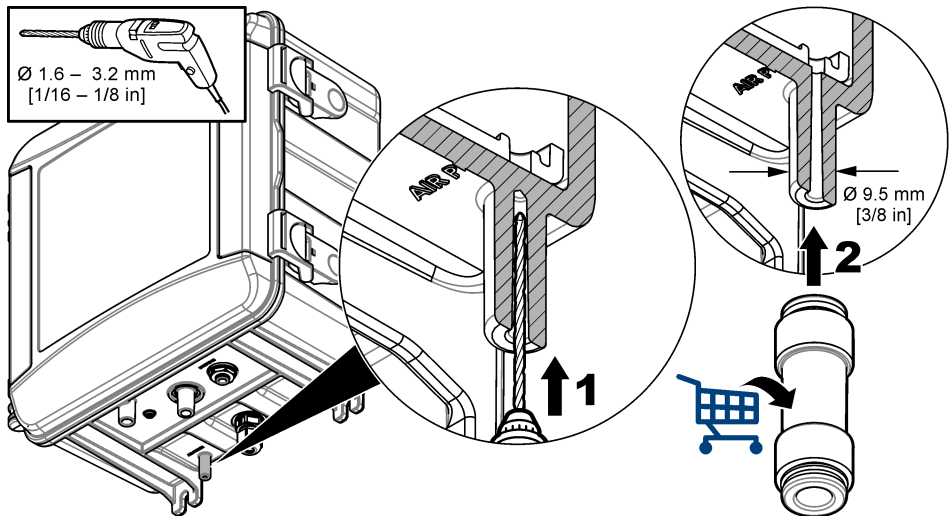
- Ο αναλυτής διατίθεται με ένα κιτ εγκατάστασης κατακόρυφου αγωγού ή ένα κιτ εγκατάστασης ρυθμιστή πίεσης για τον έλεγχο της πίεσης του νερού στον αναλυτή. Ο χρήστης επιλέγει το κιτ εγκατάστασης κατά την αγορά του προϊόντος.
- Εγκαταστήστε τον αναλυτή σε εσωτερικό χώρο, σε μια θέση με τους λιγότερους δυνατούς κραδασμούς. Ανατρέξτε στις προδιαγραφές θερμοκρασίας και υγρασίας λειτουργίας στην ενότητα [Προδιαγραφές](#) στη σελίδα 554.
- Μην εγκαταστήσετε τον αναλυτή σε άμεσο ηλιακό φως ή κοντά σε πηγή θερμότητας.
- Για εγκαταστάσεις με σωλήνα στάσης, εγκαταστήστε τον αναλυτή σε θέση με επαρκή ελεύθερο χώρο πάνω από τον αναλυτή για την τοποθέτηση του σωλήνα στάσης.
- Εγκαταστήστε τον αναλυτή κοντά σε ανοιχτή αποστράγγιση. Συμβουλευθείτε τις οδηγίες του τοπικού ρυθμιστικού φορέα σχετικά με την απόρριψη.

### 3.2 Βήμα 1: Σύστημα καθαρισμού αέρα (προαιρετικό)

Ενδέχεται να χρειαστεί η τοποθέτηση ενός συστήματος καθαρισμού με αέρα, εάν ο αναλυτής έχει εγκατασταθεί σε τοποθεσία με υψηλή υγρασία ή/και αναθυμιάσεις που προκαλούν διάβρωση. Το σύστημα καθαρισμού αέρα διατηρεί θετική πίεση στο όργανο, με ξηρό και καθαρό αέρα.

Διοχετεύστε καθαρό, ξηρό αέρα κατάλληλο για όργανο, με 0,003 m<sup>3</sup>/λεπτό (0,1 ft<sup>3</sup>/λεπτό) σε 20 psig το μέγιστο.

Ανατρέξτε στα εικονογραφημένα βήματα που ακολουθούν. Το εξάρτημα ταχείας σύνδεσης <sup>3</sup>/<sub>8</sub> ιντσών και ο σωλήνας παρέχονται από τον χρήστη.



### 3.3 Βήμα 2: Στερεώστε τον αναλυτή και τοποθετήστε τις υδραυλικές συνδέσεις του

#### ▲ ΠΡΟΣΟΧΗ



Μόνο ο σωλήνας που καθορίζεται από τη Hach Company μπορεί να χρησιμοποιηθεί με το όργανο. Κάποιος άλλος σωλήνας ενδέχεται να απορροφήσει το χλώριο που υπάρχει στο νερό του δείγματος, με αρνητικές επιπτώσεις στις μετρήσεις χλωρίου (μειωμένες ενδείξεις χλωρίου).

#### ΕΙΔΟΠΟΙΗΣΗ

Η λανθασμένη υδραυλική σύνδεση του αναλυτή μπορεί να προκαλέσει ζημιά εξαιτίας υπερβολικής πίεσης δείγματος. Ακολουθείτε πάντα τις οδηγίες που ακολουθούν για τη στερέωση του αναλυτή και την τοποθέτηση των υδραυλικών συνδέσεών του.

1. Στερεώστε τον αναλυτή (στοιχείο 9) σε έναν τοίχο, με τέσσερις βίδες. Βεβαιωθείτε ότι ο αναλυτής είναι οριζόντιος.

**Σημείωση:** Τα υλικά στερέωσης παρέχονται από τον χρήστη.

2. Στερεώστε τον ελεγκτή SC (στοιχείο 7) σε έναν τοίχο, έναν πίνακα ή έναν σωλήνα. Για οδηγίες, ανατρέξτε στο υλικό τεκμηρίωσης του ελεγκτή SC.
3. Συναρμολογήστε το διάφραγμα διήθησης σχήματος Y. Ανατρέξτε στις οδηγίες στη λίστα της συσκευασίας.
4. Χρησιμοποιήστε το σφικτήρα αγωγού 1 ίντσας για να τοποθετήσετε το συγκρότημα φίλτρου Y (στοιχείο 5 στο [Εικόνα 3](#), [Εικόνα 4](#) ή [Εικόνα 5](#)).
5. Εγκαταστήστε τον εξωτερικό διακόπτη αέρα στον αναλυτή (στοιχείο 2 στο [Εικόνα 3](#), [Εικόνα 4](#) ή [Εικόνα 5](#)). Ανατρέξτε στις οδηγίες στη λίστα της συσκευασίας.
6. Εκτελέστε το βήμα [7](#) ή [8](#).

Ο αναλυτής παρέχεται με κιτ εγκατάστασης σωλήνα στάσης ή κιτ εγκατάστασης ρυθμιστή πίεσης για τον έλεγχο της πίεσης του νερού εισόδου. Ο χρήστης επιλέγει το κιτ εγκατάστασης κατά την αγορά του προϊόντος. Το ένα κιτ σωλήνων είναι για πίεση εισόδου 10 psi ή λιγότερο και το άλλο κιτ σωλήνων είναι για πίεση εισόδου άνω των 10 psi. Μετρήστε την πίεση του νερού εισόδου ακριβώς πριν από το συγκρότημα φίλτρου Y.

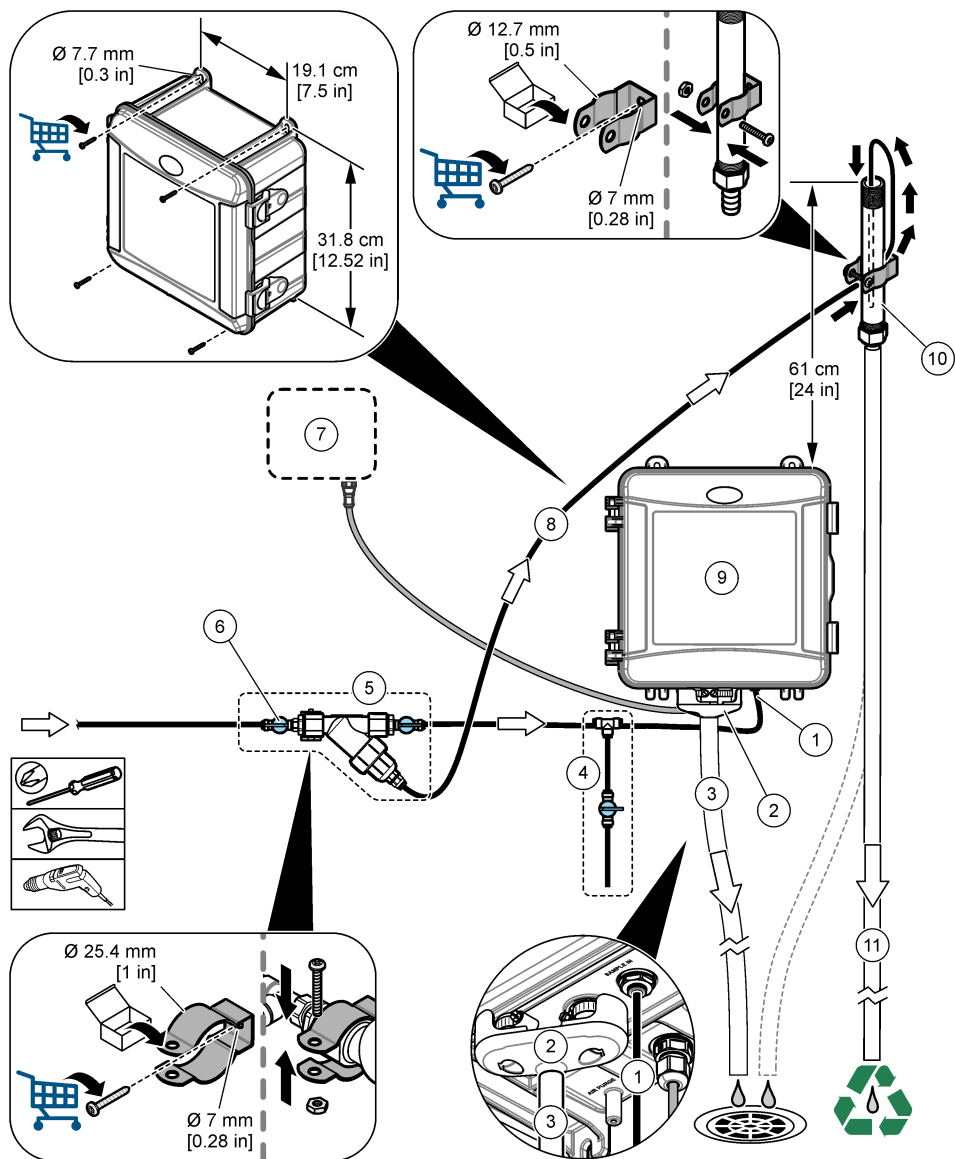
7. Εάν κατά την αγορά του προϊόντος επιλέχθηκε κιτ εγκατάστασης κατακόρυφου αγωγού, τοποθετήστε τον κατακόρυφο αγωγό ως εξής:
  - a. Συναρμολογήστε τον κατακόρυφο αγωγό. Ανατρέξτε στις οδηγίες στη λίστα της συσκευασίας.
  - b. Χρησιμοποιήστε τον μικρότερο σφικτήρα αγωγού για να τοποθετήσετε το συγκρότημα σωλήνων βάσης πάνω από το επάνω μέρος του αναλυτή:
    - 10 psi ή λιγότερο - Τοποθετήστε το συγκρότημα σωλήνων στάσης τουλάχιστον 61 cm (24 in.) πάνω από το επάνω μέρος του αναλυτή.
    - Πάνω από 10 psi - Τοποθετήστε το συγκρότημα σωλήνων στάσης τουλάχιστον 91,4 cm (36 in.) πάνω από το επάνω μέρος του αναλυτή.
  - c. 10 psi ή λιγότερο - Με τον μαύρο σωλήνα, εγκαταστήστε τον σωλήνα παράκαμψης δείγματος (στοιχείο 8 στη διεύθυνση [Εικόνα 3](#)). Σπρώξτε τον σωλήνα προς τα πίσω και στη συνέχεια μέσα στον κατακόρυφο αγωγό. Τοποθετήστε τον σωλήνα 10-13 cm (4-5 in.) στο πάνω μέρος του σωλήνα στάσης.
  - d. Πάνω από 10 psi - Με τον μαύρο σωλήνα, συνδέστε την έξοδο του φίλτρου Y με την είσοδο του σωλήνα στάσης (στοιχείο 8 στο [Εικόνα 4](#)).
  - e. Κόψτε ένα κομμάτι σωλήνα από τον σωλήνα αποστράγγισης δείγματος (στοιχείο 3). Χρησιμοποιήστε τον σωλήνα για να συνδέσετε τον σωλήνα στάσης σε μια ανοικτή αποχέτευση (στοιχείο 11). Βλ. [Οδηγίες σωλήνα αποστράγγισης](#) στη σελίδα 565.
8. Εάν κατά την αγορά του προϊόντος επιλέχθηκε κιτ εγκατάστασης ρυθμιστή πίεσης, τοποθετήστε τον ρυθμιστή πίεσης (στοιχείο 10 στην [Εικόνα 5](#)).
9. Με τον μαύρο σωλήνα, συνδέστε την είσοδο του διαφράγματος διήθησης σχήματος Y (στοιχείο 5) στην πηγή δείγματος.



Ανατρέξτε στις Ενότητες [Οδηγίες γραμμής δείγματος](#) στη σελίδα 565 και [Απαιτήσεις δείγματος](#) στη σελίδα 565.

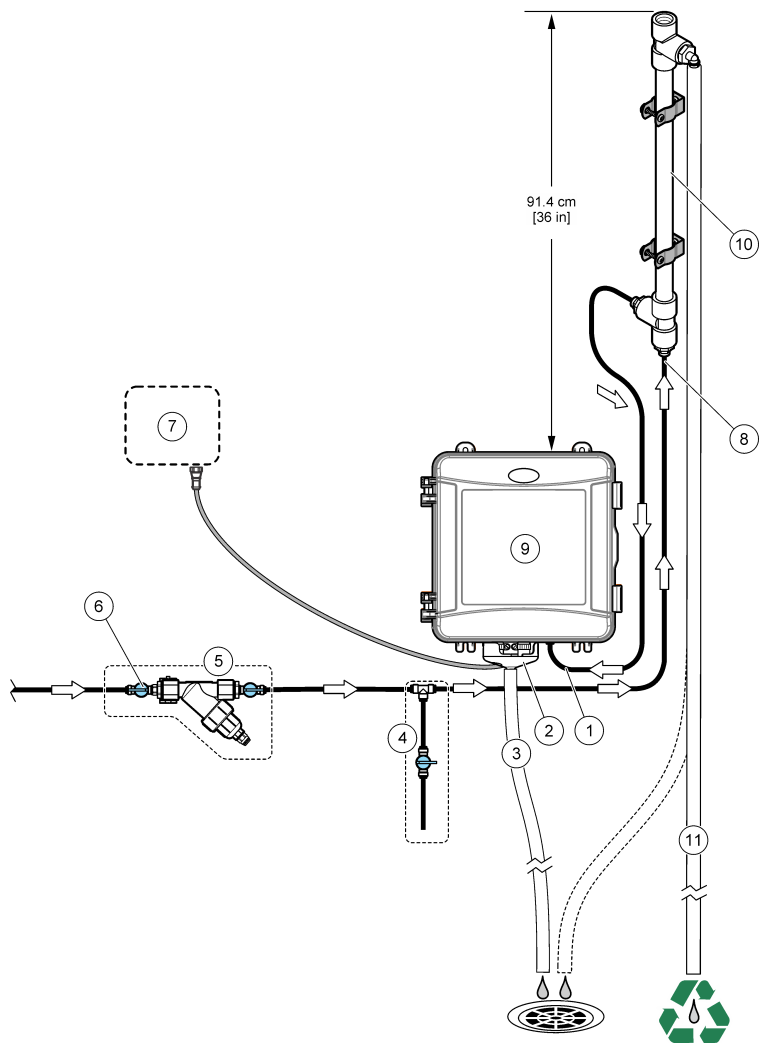
10. Με τον μαύρο σωλήνα, συνδέστε το δείγμα στο εξάρτημα εισόδου δείγματος (στοιχείο 1) ως εξής:  
Κάντε τον σωλήνα όσο το δυνατόν πιο κοντό, το πολύ 2,5 m (8 ft).
  - 10 psi ή λιγότερο - Συνδέστε την έξοδο του φίλτρου Υ στο εξάρτημα εισόδου δείγματος (στοιχείο 1) στο κάτω μέρος του αναλυτή. Ανατρέξτε στην ενότητα [Εικόνα 3](#).
  - Πάνω από 10 psi-Συνδέστε την έξοδο του σωλήνα στάσης στο εξάρτημα εισόδου δείγματος (στοιχείο 1) στο κάτω μέρος του αναλυτή. Ανατρέξτε στην ενότητα [Εικόνα 4](#).
  - Ρυθμιστής πίεσης - Συνδέστε την έξοδο του ρυθμιστή πίεσης στο εξάρτημα εισόδου δείγματος (στοιχείο 1) στο κάτω μέρος του αναλυτή. Ανατρέξτε στην ενότητα [Εικόνα 5](#).
11. Εάν έχει εγκατασταθεί ρυθμιστής πίεσης, τοποθετήστε τον σωλήνα παράκαμψης δείγματος (στοιχείο 8 στην [Εικόνα 5](#)).
12. Συναρμολογήστε και το συγκρότημα δείγματος λαβής (στοιχείο 4).
13. Τοποθετήστε το βύσμα του συγκροτήματος δειγματοληψίας. Ανατρέξτε στις διευθύνσεις [Εικόνα 3](#), [Εικόνα 4](#) ή [Εικόνα 5](#) ανάλογα με την περίπτωση.
14. Συνδέστε υδραυλικά τον σωλήνα αποστράγγισης δείγματος (στοιχείο 3) σε ανοιχτή αποστράγγιση. Βλ. [Οδηγίες σωλήνα αποστράγγισης](#) στη σελίδα 565.

**Εικόνα 3 Εγκατάσταση με ανασταλτικό σωλήνα (10 psi ή λιγότερο)**



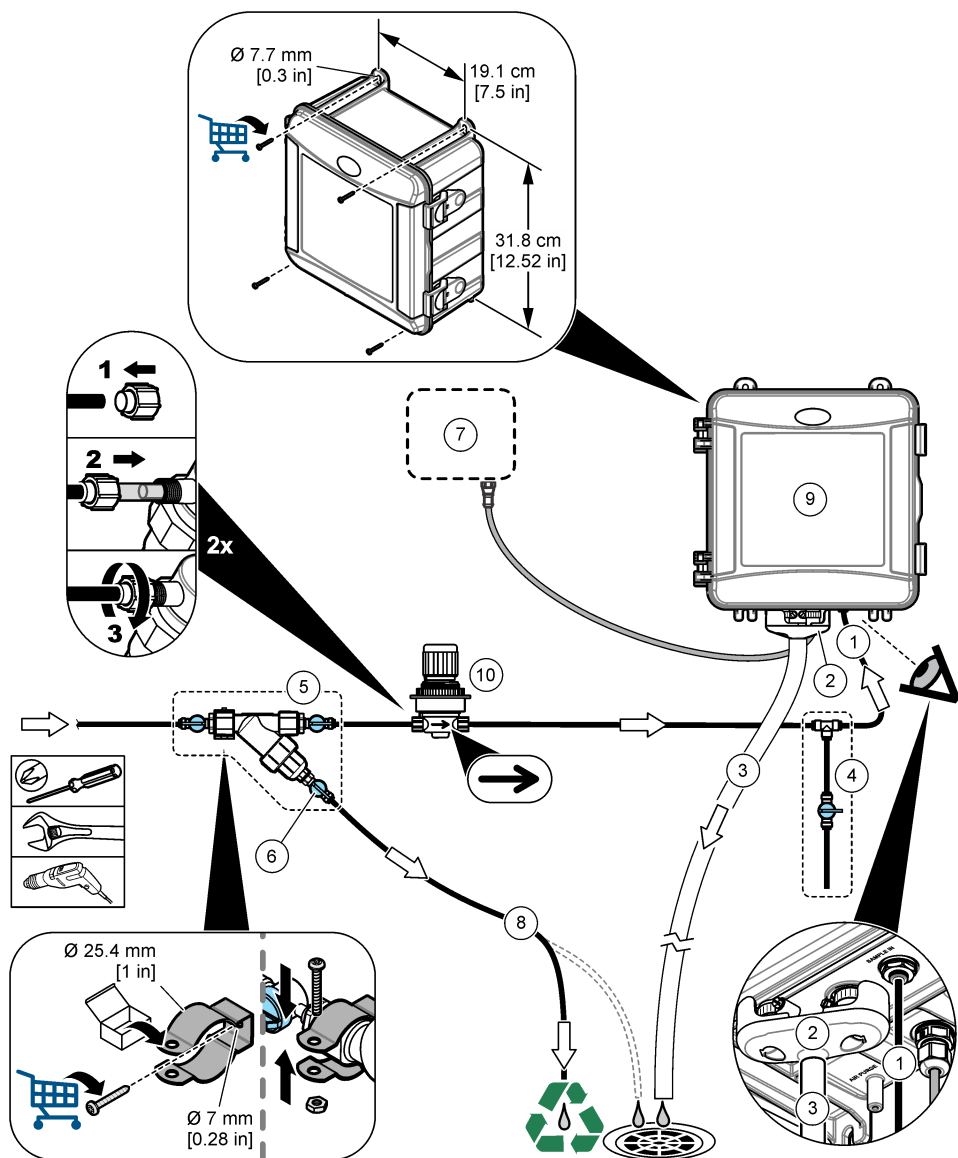
1 Εξάρτημα εισόδου δείγματος	7 Ελεγκτής SC
2 Εξωτερικός διακόπτης αέρα	8 Σωλήνας παράκαμψης δείγματος
3 Σωλήνας αποστράγγισης δείγματος	9 Αναλυτής
4 Διάταξη στιγμιαίου δείγματος	10 Κατακόρυφος αγωγός
5 Διάταξη διαφράγματος διήθησης σχήματος Y	11 Σωλήνας αποστράγγισης κατακόρυφου αγωγού
6 Βαλβίδα διακοπής ροής στην είσοδο του διαφράγματος διήθησης σχήματος Y	

**Εικόνα 4 Εγκατάσταση με ανασταλτικό σωλήνα (πάνω από 10 psi)**



1 Εξάρτημα εισόδου δείγματος	7 Ελεγκτής SC
2 Εξωτερικός διακόπτης αέρα	8 Είσοδος του ανασταλτικού σωλήνα
3 Σωλήνας αποστράγγισης δείγματος	9 Αναλυτής
4 Διάταξη στιγμιαίου δείγματος	10 Κατακόρυφος αγωγός
5 Διάταξη διαφράγματος διήθησης σχήματος Y	11 Σωλήνας αποστράγγισης κατακόρυφου αγωγού
6 Βαλβίδα διακοπής ροής στην είσοδο του διαφράγματος διήθησης σχήματος Y	

Εικόνα 5 Εγκατάσταση με ρυθμιστή πίεσης



1 Εξάρτημα εισόδου δείγματος	6 Βαλβίδα διακοπής στην παράκαμψη του φίλτρου Y
2 Εξωτερικός διακόπτης αέρα	7 Ελεγκτής SC
3 Σωλήνας αποστράγγισης δείγματος	8 Σωλήνας παράκαμψης δείγματος
4 Διάταξη στιγμιαίου δείγματος	9 Αναλυτής
5 Διάταξη διαφράγματος διήθησης σχήματος Y	10 Ρυθμιστής πίεσης

### 3.3.1 Οδηγίες γραμμής δείγματος

Επιλέξτε ένα καλό, αντιπροσωπευτικό σημείο δειγματοληψίας για βέλτιστη απόδοση οργάνου. Το δείγμα πρέπει να είναι αντιπροσωπευτικό ολόκληρου του συστήματος.

Για να αποφύγετε εσφαλμένες μετρήσεις:

- Συλλέξτε δείγματα από τοποθεσίες, που απέχουν επαρκώς από τα σημεία των χημικών προσθηκών στη ροή διεργασίας.
- Βεβαιωθείτε ότι τα δείγματα είναι επαρκώς αναμεμιγμένα.
- Βεβαιωθείτε ότι όλες οι χημικές αντιδράσεις είναι ολοκληρωμένες.
- Εγκαταστήστε τον αναλυτή όσο το δυνατόν πιο κοντά στην πηγή δείγματος (4,6 m (15 ft) το μέγιστο).

### 3.3.2 Απαιτήσεις δείγματος

Το νερό από τις πηγές δείγματος πρέπει να συμφωνεί με τις προδιαγραφές στην ενότητα [Προδιαγραφές](#) στη σελίδα 554.

Διατηρείτε τη θερμοκρασία λειτουργίας και τον ρυθμό ροής του δείγματος όσο το δυνατόν πιο σταθερά για βέλτιστη απόδοση.

### 3.3.3 Οδηγίες σωλήνα αποστράγγισης

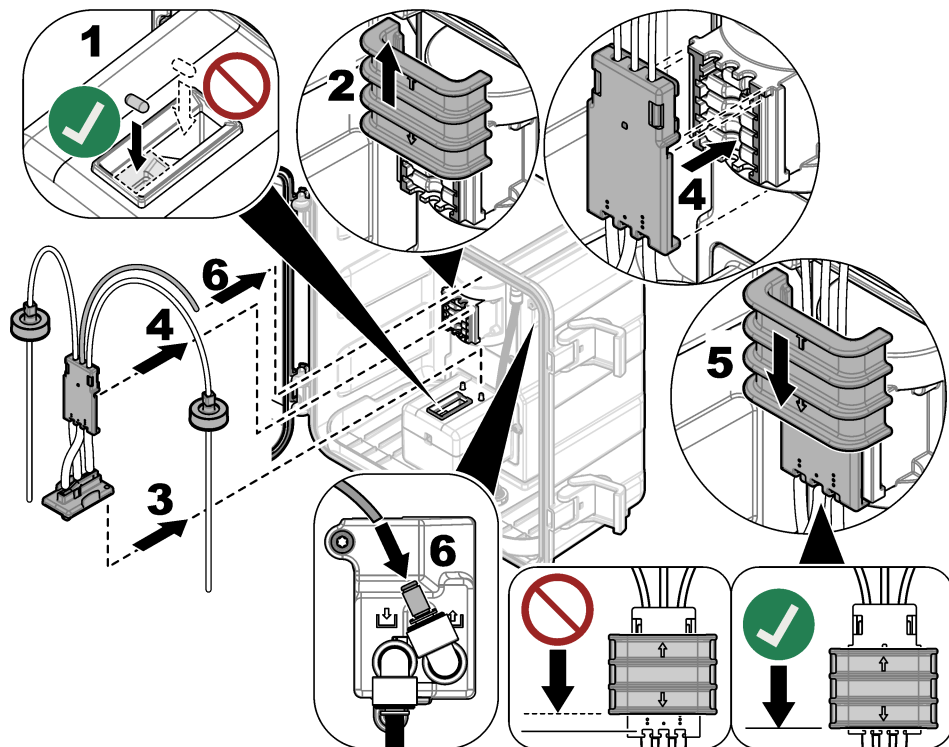
#### ΕΙΔΟΠΟΙΗΣΗ

Η εσφαλμένη τοποθέτηση των σωλήνων αποστράγγισης μπορεί να προκαλέσει την επιστροφή του υγρού στο όργανο και να προκληθεί ζημιά.

- Φροντίστε να εγκαταστήσετε τον εξωτερικό διακόπτη αέρα. Ανατρέξτε στο σημείο 2 στο [Εικόνα 3](#) στη σελίδα 562, [Εικόνα 4](#) στη σελίδα 563 ή [Εικόνα 5](#) στη σελίδα 564.
- Το μήκος των σωλήνων αποστράγγισης πρέπει να είναι όσο το δυνατόν μικρότερο.
- Βεβαιωθείτε ότι οι σωλήνες αποστράγγισης έχουν σταθερή κλίση προς τα κάτω.
- Βεβαιωθείτε ότι οι σωλήνες αποστράγγισης δεν έχουν απότομες γωνίες και ότι δεν είναι τσακισμένοι.

### 3.4 Βήμα 3: Εγκατάσταση της ράβδου ανάδευσης και των ιμάντων περι-σφιξης

Ακολουθήστε τα βήματα που απεικονίζονται παρακάτω.



### 3.5 Βήμα 4: Εγκατάσταση των φιαλών αντιδραστηρίων

#### ⚠ ΠΡΟΣΟΧΗ

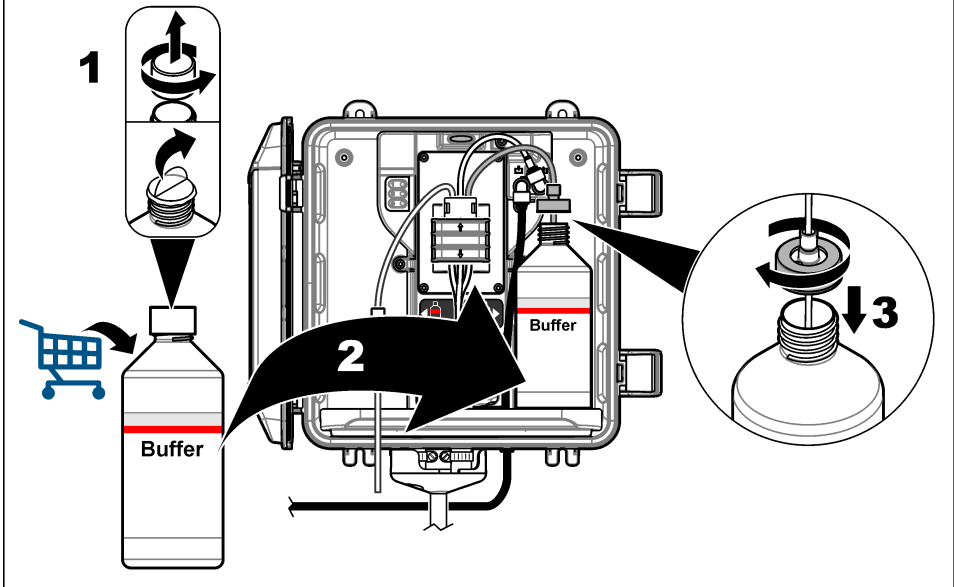
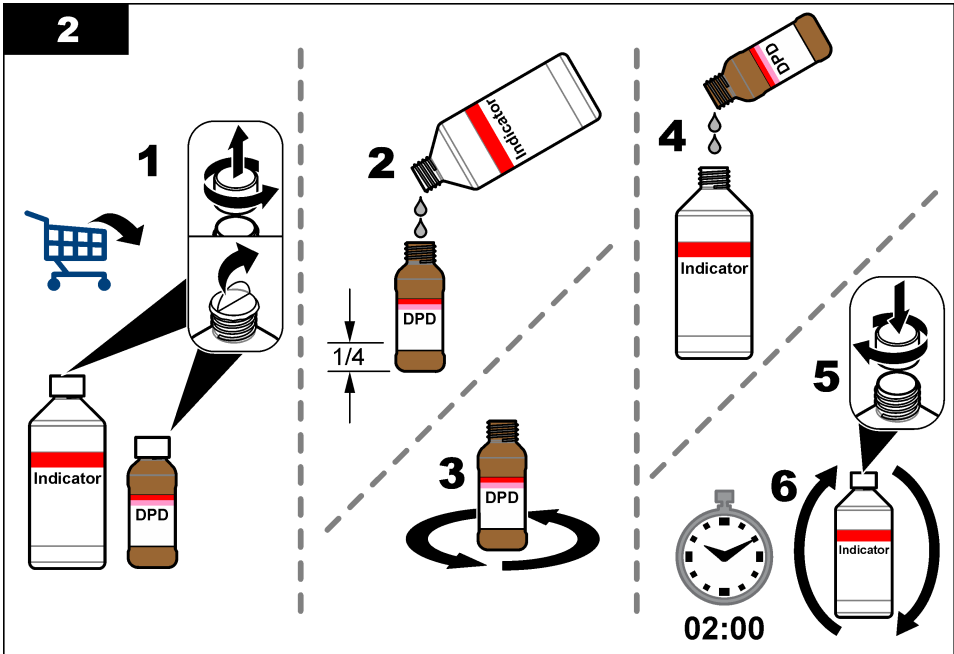


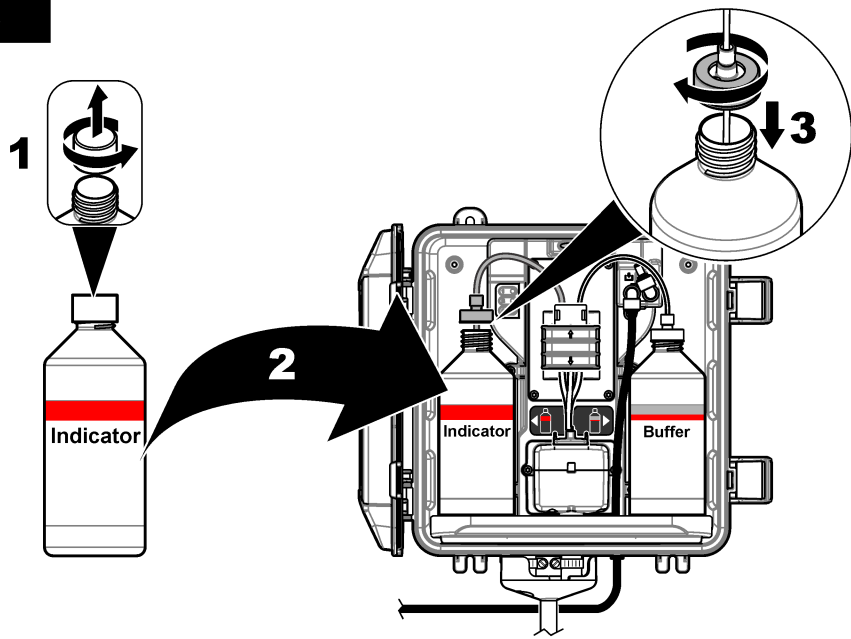
Κίνδυνος έκθεσης σε χημικά. Τηρείτε τις εργαστηριακές διαδικασίες ασφάλειας και φοράτε όλα τα μέσα ατομικής προστασίας που είναι κατάλληλα για τα χημικά που χειρίζεστε. Ανατρέξτε στα υπάρχοντα φύλλα δεδομένων ασφάλειας υλικού (MSDS/SDS) για τα πρωτόκολλα ασφάλειας.

#### Απαιτούμενα στοιχεία:

- Μέσα ατομικής προστασίας (ανατρέξτε στα MSDS/SDS)
  - Φιάλη δείκτη
  - Φιάλη ρυθμιστικού διαλύματος
  - Φιάλη ουσίας DPD
1. Φορέστε τα μέσα ατομικής προστασίας που ορίζονται στα φύλλα δεδομένων ασφάλειας (MSDS/SDS).
  2. Εγκαταστήστε τη φιάλη ρυθμιστικού διαλύματος στη δεξιά πλευρά και τη φιάλη δείκτη στην αριστερή πλευρά. Ανατρέξτε στα εικονογραφημένα βήματα που ακολουθούν.

**Σημείωση:** (Προαιρετικό) Χρησιμοποιήστε το επάνω μέρος του αναλυτή ως ράφι.

**1****2**

**3**

### 3.6 Βήμα 5: Ενεργοποίηση της ροής δείγματος

1. Στρέψτε αργά τις βαλβίδες διακοπής ροής στην ανοικτή θέση κατά  $\frac{1}{4}$  της στροφής.
2. Βεβαιωθείτε ότι δεν υπάρχουν διαρροές στις υδραυλικές συνδέσεις του σωλήνα. Εάν υπάρχει διαρροή, πιέστε τον σωλήνα περισσότερο στο εξάρτημα σύνδεσης ή αφίξτε τη σύνδεση με ένα κλειδί.
3. Για εγκαταστάσεις με κατακόρυφο αγωγό, ακολουθήστε τα παρακάτω βήματα:
  - a. Ανοίξτε πλήρως τη βαλβίδα διακοπής ροής στην έξοδο του διαφράγματος διήθησης σχήματος Y.
  - b. Γυρίστε τη βαλβίδα διακοπής ροής στην είσοδο του φίλτρου Y (στοιχείο 6 στην ιστοσελίδα [Εικόνα 3](#) στη σελίδα 562 ή [Εικόνα 4](#) στη σελίδα 563) μέχρι να βγει ένα μικρό ρεύμα νερού από τον σωλήνα αποστράγγισης του στάσιμου σωλήνα.
4. Για εγκαταστάσεις με ρυθμιστή πίεσης, ακολουθήστε τα παρακάτω βήματα:
  - a. Ανοίξτε πλήρως τις βαλβίδες διακοπής ροής στην είσοδο και στην έξοδο του διαφράγματος διήθησης σχήματος Y.
  - b. Στρέψτε τη βαλβίδα διακοπής ροής στην παράκαμψη του διαφράγματος διήθησης σχήματος Y (στοιχείο 6 στην [Εικόνα 5](#) στη σελίδα 564) ως ότου εξέλθει ένα μικρό ρεύμα νερού από τον σωλήνα παράκαμψης του διαφράγματος διήθησης σχήματος Y.

### 3.7 Βήμα 6: Ηλεκτρολογική εγκατάσταση

#### 3.7.1 Σύνδεση του αναλυτή στον ελεγκτή

#### ▲ ΠΡΟΕΙΔΟΠΟΙΗΣΗ



Κίνδυνος ηλεκτροπληξίας. Ο εξοπλισμός που συνδέεται εξωτερικά πρέπει να έχει περάσει από ισχύουσα αξιολόγηση με βάση τα πρότυπα ασφαλείας της χώρας.

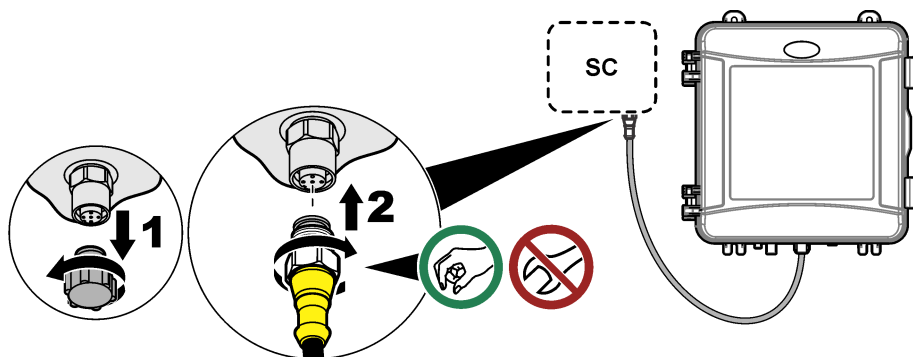


Συνδέστε το καλώδιο του αναλυτή στο εξάρτημα ταχείας σύνδεσης του ελεγκτή SC. Βλ. [Εικόνα 6](#).

Φυλάξτε το καπάκι του συνδέσμου, έτσι ώστε να μπορείτε να στεγανοποιήσετε το άνοιγμα του συνδέσμου σε περίπτωση που το καλώδιο πρέπει να αφαιρεθεί.

**Σημείωση:** Διατίθενται καλώδια προέκτασης. Βλ. [Ανταλλακτικά και εξαρτήματα](#) στη σελίδα 580. Το μέγιστο μήκος του καλωδίου είναι 15 m (49 ft).

**Εικόνα 6** Σύνδεση του καλωδίου σε εξάρτημα ταχείας σύνδεσης



### 3.7.2 Σύνδεση του ελεγκτή με την τροφοδοσία ρεύματος

Συνδέστε τον ελεγκτή με το ρεύμα γραμμής μέσω μόνιμης καλωδίωσης σε αγωγό ή μέσω σύνδεσης με καλώδιο τροφοδοσίας. Για οδηγίες, ανατρέξτε στο υλικό τεκμηρίωσης του ελεγκτή.

### 3.7.3 Σύνδεση εξωτερικών συσκευών στον ελεγκτή

Συνδέστε τα ρελέ ελεγκτή, τις αναλογικές εξόδους και τις ψηφιακές εισόδους σε εξωτερικές συσκευές, όπως απαιτείται. Για οδηγίες, ανατρέξτε στο υλικό τεκμηρίωσης του ελεγκτή.

## 3.8 Βήμα 7: Ρύθμιση και πλήρωση του αναλυτή

1. Πατήστε το πλήκτρο **menu (μενού)** και στη συνέχεια επιλέξτε **PYΘM.AISΘHT.** > [επιλογή αναλυτή] > **ΠΡΟΕΤΟΙΜΑΣΙΑ**.
2. Εάν ο ελεγκτής δεν αναγνωρίζει ότι ο αναλυτής είναι συνδεδεμένος, εκτελέστε τα βήματα που ακολουθούν:
  - a. Πατήστε **menu**, στη συνέχεια επιλέξτε **ΔΟΚΙΜΗ/ΣΥΝΤΗΡ.** > **ΑΝΑΖΗΤ.ΑΙΣΘ..**
  - b. Όταν εντοπιστεί και εγκατασταθεί ο αισθητήρας, εκτελέστε ξανά το βήμα **1**.

## 3.9 Βήμα 8: Ρύθμιση του ρυθμού ροής

Ο αναλυτής έχει ένα μετρητή ροής, ο οποίος μετρά τη ροή δείγματος μέσω του αναλυτή. Βλ. [Εικόνα 1](#) στη σελίδα 557.

1. Πατήστε το **ΔΕΞΙΟ** βέλος στον ελεγκτή για να εμφανίσετε το ρυθμό ροής στην οθόνη. Δείγμα ρέει δια μέσου του αναλυτή μόνο όταν ο αναλυτής πραγματοποιεί έκπλυση στην κυμελίδα. Τον υπόλοιπο χρόνο, δεν υπάρχει ροή δείγματος και ο ρυθμός ροής εμφανίζεται

μηδενικός. Ανατρέξτε στον **Πίνακα 4** στη σελίδα 558 για περιγραφή των βημάτων του κύκλου μέτρησης.

**Σημείωση:** Για μη αυτόματη μέτρηση του ρυθμού ροής μέσω του αναλυτή, μετρήστε τον ρυθμό ροής στην αποστράγγιση αναλυτή όταν ο αναλυτής πραγματοποιεί έκπλυση της κυψελίδας με νερό.

2. Για εγκαταστάσεις κατακόρυφου αγωγού, στρέψτε τη βαλβίδα διακοπής ροής στην έξοδο του διαφράγματος διήθησης σχήματος Y για να ρυθμίσετε τον ρυθμό ροής σε μια τιμή μεταξύ 60 και 200 mL/λεπτό όταν ο αναλυτής πραγματοποιεί έκπλυση της κυψελίδας με νερό.
3. Για εγκαταστάσεις ρυθμιστή πίεσης, προσαρμόστε τον ρυθμιστή πίεσης για να ρυθμίσετε τον ρυθμό ροής σε μια τιμή μεταξύ 60 και 200 mL/λεπτό όταν ο αναλυτής πραγματοποιεί έκπλυση της κυψελίδας με νερό.

### 3.10 Βήμα 9: Εγκατάσταση του πιο πρόσφατου λογισμικού

Βεβαιωθείτε ότι στον ελεγκτή SC έχει εγκατασταθεί το πιο πρόσφατο λογισμικό. Χρησιμοποιήστε μια κάρτα SD για να εγκαταστήσετε το πιο πρόσφατο λογισμικό στον ελεγκτή SC.

1. Μεταβείτε στη σελίδα προϊόντος για τον ελεγκτή SC που διαθέτετε, στον ιστότοπο <http://hach.com>.
2. Κάντε κλικ στην καρτέλα "Πόροι".
3. Μετακινηθείτε με κύλιση προς τα κάτω στο στοιχείο "Λογισμικό".
4. Κάντε κλικ στον σύνδεσμο για το λογισμικό του ελεγκτή SC.
5. Αποθηκεύστε τα αρχεία σε μια κάρτα SD.
6. Εγκαταστήστε τα αρχεία στον ελεγκτή SC. Ανατρέξτε στις οδηγίες εγκατάστασης λογισμικού που παρέχονται με τα αρχεία λογισμικού.

## Ενότητα 4 Διαμόρφωση

### 4.1 Βήμα 10: Διαμόρφωση του αναλυτή

Ορίστε το όνομα του αναλυτή, τον μέσο όρο σημάτων, τον τύπο χλωριόντων που μετρώνται, την απόρριψη φυσαλίδων και τις τιμές ενεργοποίησης του συναγερμού χλωρίου.

1. Πατήστε το πλήκτρο **menu (μενού)** και στη συνέχεια επιλέξτε PYΘM.ΑΙΣΘΗΤ. > [επιλογή αναλυτή] > ΔΙΑΜΟΡΦΩΣΗ.
2. Ορίστε και διαμορφώστε κάθε επιλογή.

Επιλογή	Περιγραφή
<b>ΠΡΟΣΘ.ΟΝΟΜ.</b>	Ορίζει το όνομα του αναλυτή. Το όνομα του αναλυτή εμφανίζεται στην οθόνη του ελεγκτή και στα αρχεία καταγραφής.
<b>ΜΕΣ.ΟΡΟΣ ΣΗΜ.</b>	<p>Ορίζει τον αριθμό των μετρήσεων που χρησιμοποιούνται για να υπολογιστεί ο μέσος όρος μετρήσεων που εμφανίζεται στην οθόνη. Επιλογές: 1 (προεπιλογή), 2, 3 ή ΜΗ ΦΥΣΙΟΛ. ΤΙΜΗ.</p> <p>Όταν το πεδίο ΜΕΣ.ΟΡΟΣ ΣΗΜ. έχει οριστεί σε 1, ο υπολογισμός του μέσου όρου σημάτων είναι απενεργοποιημένος.</p> <p>Όταν το πεδίο ΜΕΣ.ΟΡΟΣ ΣΗΜ. έχει οριστεί σε 2 ή 3, στην οθόνη εμφανίζεται μια μέτρηση μέσου όρου. Για παράδειγμα, η μέτρηση στην οθόνη ισούται με το άθροισμα της τελευταίας και της προηγούμενης μέτρησης διαιρεμένο δια του δύο όταν το πεδίο ΜΕΣ.ΟΡΟΣ ΣΗΜ. έχει οριστεί σε 2.</p> <p>Όταν το πεδίο ΜΕΣ.ΟΡΟΣ ΣΗΜ. έχει οριστεί σε ΜΗ ΦΥΣΙΟΛ. ΤΙΜΗ, ο αναλυτής απορρίπτει μια μέτρηση που είναι ασυνήθιστα υψηλότερη ή χαμηλότερη από τις τελευταίες μετρήσεις. Όταν μια μέτρηση απορριφθεί, στην οθόνη εμφανίζεται η τελευταία ορθή μέτρηση, η οποία και αποθηκεύεται στο αρχείο καταγραφής δεδομένων. Δεν είναι δυνατό να απορριφθούν περισσότερες από τρεις διαδοχικές μετρήσεις.</p> <p>Ο υπολογισμός του μέσου όρου σημάτων ανισταθμίζει τις λανθασμένες διακυμάνσεις των μετρήσεων που προκαλούνται από φυσαλίδες ή/και μεγαλύτερα σωματίδια στο δείγμα.</p>

Επιλογή	Περιγραφή
<b>ΜΕΤΡΗΣΗ</b>	Ορίζει τον τύπο των χλωριόντων που μετρώνται. Εάν οι φιάλες ρυθμιστικού διαλύματος και δείκτη φέρουν την ένδειξη "Free Chlorine" (Ελεύθερο χλώριο) στην ετικέτα τους, επιλέξτε ΕΛΕΥΘ. ΧΛΩΡΙΟ (προεπιλογή). Εάν οι φιάλες ρυθμιστικού διαλύματος και δείκτη φέρουν την ένδειξη "Total Chlorine" (Ολικό χλώριο) στην ετικέτα τους, επιλέξτε ΟΛΙΚΟ ΧΛΩΡΙΟ.
<b>ΚΑΤ.ΑΠΟΡΡ.ΦΥΣ.</b>	Ρυθμίζει την απόρριψη φυσαλίδων σε κατάσταση ενεργοποίησης ή απενεργοποίησης (προεπιλογή). Ρυθμίστε την επιλογή ΚΑΤ.ΑΠΟΡΡ.ΦΥΣ. σε ΕΝΤΟΣ για να μειώσετε τον θόρυβο που προκαλείται από φυσαλίδες στο δείγμα. Οι φυσαλίδες αέρα στο δείγμα μπορούν να προκαλέσουν αστάθεια στις ενδείξεις μέτρησης.
<b>ΣΥΝΑΓΕΡ. ΥΨΗΛΟ CL</b>	Ορίζει την τιμή αναφοράς συγκέντρωσης χλωρίου για το συναγερό ΥΨΗΛΟ ΧΛΩΡΙΟ—0,00 έως 10,00 mg/L (προεπιλογή: 4,00 mg/L).
<b>ΣΥΝΑΓΕΡ. ΧΑΜΗΛΟ CL</b>	Ορίζει την τιμή αναφοράς συγκέντρωσης χλωρίου για το συναγερό ΧΑΜΗΛΟ ΧΛΩΡΙΟ—0,00 έως 10,00 mg/L (προεπιλογή: 0,20 mg/L).
<b>ΠΛΗΡΟΦ. ΑΙΣΘ.</b>	Εμφανίζει τον αριθμό σειράς, την έκδοση λογισμικού, την έκδοση προγράμματος εκκίνησης και την έκδοση οδηγού του αναλυτή.
<b>ΠΡΟΕΠ. ΡΥΘΜΙΣΕΩΝ</b>	Επιλέξτε ΝΑΙ για να επαναφέρετε τις ρυθμίσεις διαμόρφωσης στις εργοστασιακά προεπιλεγμένες τιμές.
<b>SERVICE</b>	Για χρήση μόνο κατά το service

## 4.2 Διαμόρφωση συστήματος

Ανατρέξτε στο υλικό τεκμηρίωσης του ελεγκτή για τη διαμόρφωση του συστήματος, τις γενικές ρυθμίσεις του ελεγκτή και τη ρύθμιση για τις εξόδους και τις επικοινωνίες.

## 4.3 Περιήγηση χρήστη

Για την περιγραφή του πληκτρολογίου και πληροφορίες σχετικά με την περιήγηση, ανατρέξτε στην τεκμηρίωση του ελεγκτή.

Πατήστε το **ΔΕΞΙΟ** βέλος στον ελεγκτή πολλές φορές για να εμφανίσετε περισσότερες πληροφορίες στην αρχική οθόνη και να εμφανίσετε μια οθόνη γραφικών.

# Ενότητα 5 Λειτουργία

## 5.1 Αρχεία καταγραφής δεδομένων, συμβάντων και service

Ο ελεγκτής παρέχει πρόσβαση σε ένα αρχείο καταγραφής δεδομένων, ένα αρχείο καταγραφής συμβάντων και ένα αρχείο καταγραφής service για κάθε συνδεδεμένο όργανο. Οι μετρήσεις από τον αναλυτή αποθηκεύονται αυτόματα στο αρχείο καταγραφής δεδομένων ανά διαστήματα των 150 δευτερολέπτων. Στο αρχείο καταγραφής συμβάντων εμφανίζονται τα συμβάντα που έχουν σημειωθεί. Στα αρχεία καταγραφής συμβάντων και καταγραφής δεδομένων διατηρούνται δεδομένα περίπου 2 εβδομάδων όταν ο αναλυτής λειτουργεί συνεχώς. Στο αρχείο καταγραφής service διατηρούνται δεδομένα περίπου 24 ωρών όταν ο αναλυτής λειτουργεί συνεχώς.

Ανατρέξτε στο υλικό τεκμηρίωσης του ελεγκτή για να λάβετε το αρχείο καταγραφής δεδομένων, το αρχείο καταγραφής συμβάντων ή/και το αρχείο καταγραφής service. Το αρχείο καταγραφής δεδομένων είναι ένα αρχείο XML, το οποίο μπορεί να αποθηκευτεί σε μορφή CSV ή Excel. Το αρχείο καταγραφής συμβάντων και το αρχείο καταγραφής service είναι αρχεία σε μορφή CSV.

## 5.2 Μέτρηση ΣΤΙΓΜΙΑΙΟ ΔΕΙΓΜΑ

Όποτε είναι απαραίτητο, χρησιμοποιήστε το μενού ΣΤΙΓΜΙΑΙΟ ΔΕΙΓΜΑ για να προσθέσετε δείγμα νερού με γνωστή συγκέντρωση χλωρίου στην κυψελίδα για μέτρηση. Μετρήστε ένα στιγμιαίο δείγμα για επαλήθευση ή για τη μέτρηση ενός δείγματος νερού που συλλέχθηκε από άλλη τοποθεσία.

1. Πατήστε το πλήκτρο **menu (μενού)** και κατόπιν επιλέξτε ΡΥΘΜ.ΑΙΣΘΗΤ. > [επιλογή αναλυτή] > ΣΤΙΓΜΙΑΙΟ ΔΕΙΓΜΑ.
2. Ολοκληρώστε τα βήματα που εμφανίζονται στην οθόνη. Όταν σας ζητηθεί, αφαιρέστε το καπάκι της κυψελίδας και προσθέστε 100 mL του στιγμιαίου δείγματος στην κυψελίδα. Μέρος του δείγματος θα κυλήσει στην αποστράγγιση δείγματος.

## 5.3 Μητρώα Modbus

Μια λίστα με τα μητρώα Modbus είναι διαθέσιμη για επικοινωνία μέσω δικτύου. Ανατρέξτε στην τοποθεσία Web του κατασκευαστή για περισσότερες πληροφορίες.

## Ενότητα 6 Βαθμονόμηση και ρύθμιση

Η καμπύλη βαθμονόμησης του αναλυτή ρυθμίζεται στο εργοστάσιο, για απόδοση σύμφωνα με τις προδιαγραφές. Μπορεί να πραγματοποιηθεί βαθμονόμηση για επαλήθευση της απόδοσης.

Δεν συνιστάται να πραγματοποιούνται ρυθμίσεις από τον χρήστη στην εργοστασιακή καμπύλη βαθμονόμησης, εκτός και αν κάτι τέτοιο απαιτείται από ρυθμιστικό φορέα για λόγους συμμόρφωσης με τους κανονισμούς ή εκτός αν εκτελείται εκτεταμένη επισκευή στον αναλυτή.

Για περισσότερες πληροφορίες, ανατρέξτε στις οδηγίες που παρέχονται στο Kit επαλήθευσης βαθμονόμησης ή επικοινωνήστε με το το τμήμα τεχνικής υποστήριξης.

## Ενότητα 7 Συντήρηση

### ⚠ ΠΡΟΣΟΧΗ



Πολλαπλοί κίνδυνοι. Μόνο ειδικευμένο προσωπικό πρέπει να εκτελεί τις εργασίες που περιγράφονται σε αυτήν την ενότητα του εγχειριδίου.

### ΕΙΔΟΠΟΙΗΣΗ

Μην αποσυναρμολογείτε τη συσκευή για συντήρηση. Εάν πρέπει να καθαριστούν ή να επισκευαστούν τα εσωτερικά εξαρτήματα, επικοινωνήστε με τον κατασκευαστή.

## 7.1 Χρονοδιάγραμμα συντήρησης

Ο Πίνακας 6 παρουσιάζει το συνιστώμενο χρονοδιάγραμμα εργασιών συντήρησης. Οι απαιτήσεις του χώρου εγκατάστασης και οι συνθήκες λειτουργίας ενδέχεται να αυξήσουν τη συχνότητα εκτέλεσης ορισμένων εργασιών.

Πίνακας 6 Χρονοδιάγραμμα συντήρησης

Εργασία	1 μήνας	6 μήνες	Όπως απαιτείται
Καθαρισμός της κυψελίδας στη σελίδα 573	X <sup>2</sup>		
Αντικαταστήστε τις φιάλες αντιδραστηρίων στη σελίδα 574	X		
Αντικατάσταση της ράβδου ανάδευσης και των ιμάντων περίσφιξης <sup>3</sup>		X	
Καθαρισμός του πλέγματος στο διάφραγμα διήθησης σχήματος Y στη σελίδα 575			X

<sup>2</sup> Καθαρίζετε την κυψελίδα περισσότερο ή λιγότερο συχνά, όπως απαιτείται.

<sup>3</sup> Ανατρέξτε στις οδηγίες που συνοδεύουν το kit σωλήνα.

## 7.2 Καθαρισμός της κυψελίδας

### ▲ ΠΡΟΣΟΧΗ



Κίνδυνος έκθεσης σε χημικά. Τηρείτε τις εργαστηριακές διαδικασίες ασφάλειας και φοράτε όλα τα μέσα ατομικής προστασίας που είναι κατάλληλα για τα χημικά που χειρίζεστε. Ανατρέξτε στα υπάρχοντα φύλλα δεδομένων ασφάλειας υλικού (MSDS/SDS) για τα πρωτόκολλα ασφάλειας.

Καθαρίστε την κυψελίδα ανά διαστήματα του 1 μηνός ή πιο συχνά, εάν χρειάζεται.

#### Απαιτούμενα στοιχεία:



Βαμβακερές μπατονέτες<sup>4</sup>



Διάλυμα θειικού οξέος 5,25 N<sup>5</sup>

1. Φορέστε τα μέσα ατομικής προστασίας που ορίζονται στα φύλλα δεδομένων ασφάλειας (MSDS/SDS).
2. Πατήστε το πλήκτρο **menu (μενού)** και κατόπιν επιλέξτε ΠΥΘΜ.ΑΙΣΘΗΤ. > [επιλογή αναλυτή] > ΕΡΓΑΣΙΕΣ > ΚΑΘΑΡ.ΚΥΨΕΛ..

*Σημείωση:* Για να σταματήσετε μια επιλεγμένη εργασία, πατήστε **home**.

3. Πατήστε **enter (εισαγωγή)** για να σταματήσουν οι μετρήσεις.
4. Ορίστε μια επιλογή.

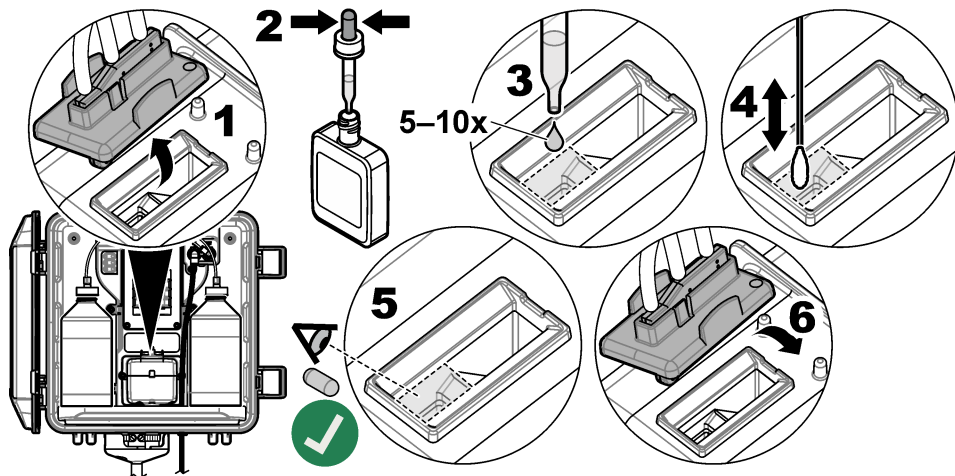
Επιλογή	Περιγραφή
---------	-----------

<b>ΚΡΑΤΗΣΗ</b>	Τα σήματα εξόδου του ελεγκτή παραμένουν στην τελευταία τιμή που μετρήθηκε.
----------------	--

<b>ΜΕΤΑΦΟΡΑ</b>	Τα σήματα εξόδου του ελεγκτή αλλάζουν στην τιμή μεταφοράς.
-----------------	--

5. Όταν ανάψει η λυχνία κατάστασης, πραγματοποιήστε τα εικονογραφημένα βήματα που ακολουθούν. Όταν τελειώσετε, πατήστε **enter (εισαγωγή)**.

Στο εικονογραφημένο βήμα 5, βεβαιωθείτε ότι δεν υπάρχουν ανεπιθύμητα υλικά στην κυψελίδα. Χρησιμοποιήστε ένα φακό για να αναζητήσετε ανεπιθύμητα υλικά, όπως απαιτείται.



6. Όταν στην οθόνη εμφανιστεί η ένδειξη "ΟΛΟΚΛΗΡΩΣΗ ΕΡΓΑΣΙΑΣ", πατήστε **enter (εισαγωγή)**.

<sup>4</sup> Βλ. [Ανταλλακτικά και εξαρτήματα](#) στη σελίδα 580.

<sup>5</sup> Μην χρησιμοποιείτε άλλα διαλύματα καθαρισμού. Βλ. [Ανταλλακτικά και εξαρτήματα](#) στη σελίδα 580.

Ο αναλυτής ξεκινά έναν κύκλο μέτρησης σε περίπου 30 δευτερόλεπτα.

### 7.3 Αντικαταστήστε τις φιάλες αντιδραστηρίων

#### ▲ ΠΡΟΣΟΧΗ



Κίνδυνος έκθεσης σε χημικά. Τηρείτε τις εργαστηριακές διαδικασίες ασφάλειας και φοράτε όλα τα μέσα ατομικής προστασίας που είναι κατάλληλα για τα χημικά που χειρίζεστε. Ανατρέξτε στα υπάρχοντα φύλλα δεδομένων ασφάλειας υλικού (MSDS/SDS) για τα πρωτόκολλα ασφάλειας.

#### ▲ ΠΡΟΣΟΧΗ



Κίνδυνος έκθεσης σε χημικά. Απορρίπτετε τα χημικά και τα απόβλητα σύμφωνα με τους τοπικούς, περιφερειακούς και εθνικούς κανονισμούς.

Αντικαθιστάτε τις φιάλες αντιδραστηρίων ανά διαστήματα του 1 μηνός.

1. Φορέστε τα μέσα ατομικής προστασίας που ορίζονται στα φύλλα δεδομένων ασφάλειας (MSDS/SDS).
2. Πατήστε το πλήκτρο **menu (μενού)** και κατόπιν επιλέξτε **PYΘM.AΙΣΘHT. > [επιλογή αναλυτή] > ΕΡΓΑΣΙΕΣ > ΑΛΛΑΓΗ ΑΝΤΙΔΡ..**

**Σημείωση:** Για να σταματήσετε μια επιλεγμένη εργασία, πατήστε **home**.

3. Πατήστε **enter (εισαγωγή)** για να σταματήσουν οι μετρήσεις.
4. Ορίστε μια επιλογή.

#### Επιλογή

#### Περιγραφή

#### ΚΡΑΤΗΣΗ

Τα σήματα εξόδου του ελεγκτή παραμένουν στην τελευταία τιμή που μετρήθηκε.

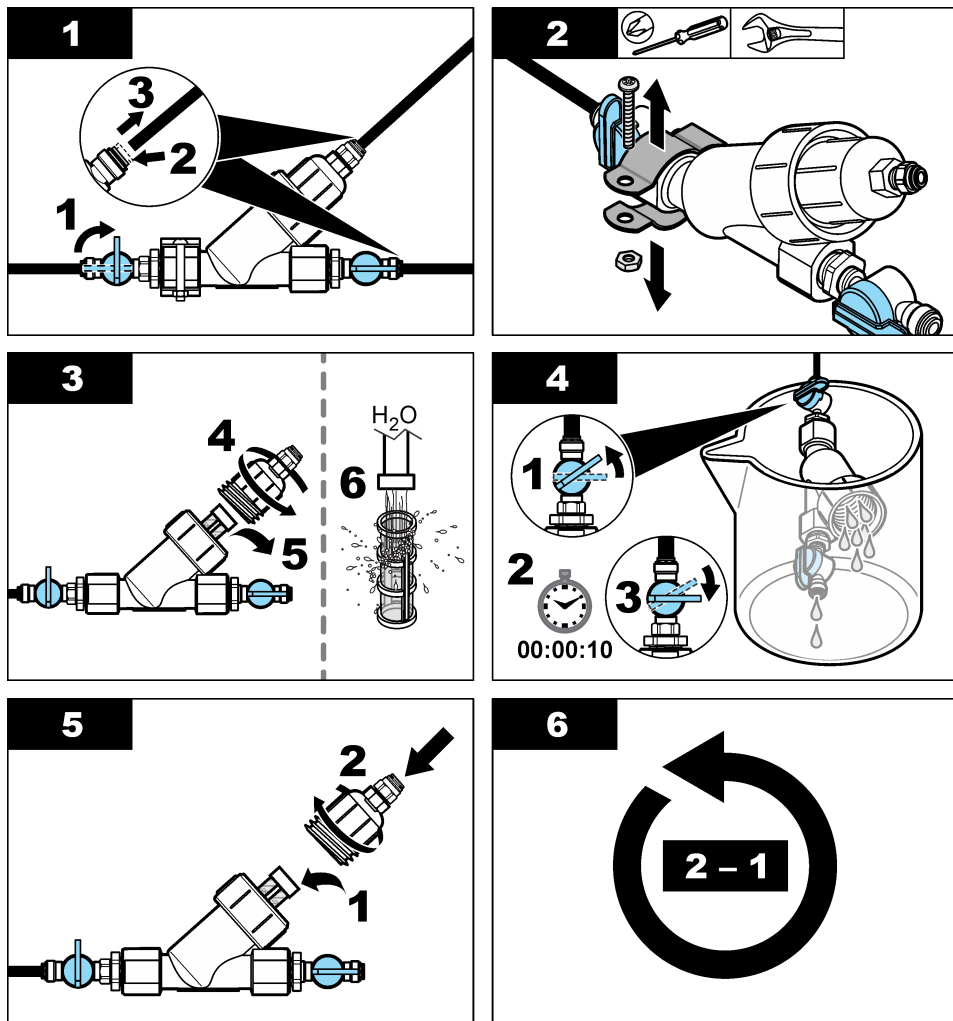
#### ΜΕΤΑΦΟΡΑ

Τα σήματα εξόδου του ελεγκτή αλλάζουν στην τιμή μεταφοράς.

5. Περιμένετε να αναβοσβήσει η ενδεικτική λυχνία κατάσταση.
6. Αντικαταστήστε τη φιάλη ρυθμιστικού διαλύματος, ως εξής:  
**Σημείωση:** (Προαιρετικό) Χρησιμοποιήστε το επάνω μέρος του αναλυτή ως ράφι.
  - a. Αφαιρέστε το καπάκι και το στεγανοποιητικό λάστιχο από τη νέα φιάλη ρυθμιστικού διαλύματος.
  - b. Αφαιρέστε τη χρησιμοποιημένη φιάλη ρυθμιστικού διαλύματος από τον αναλυτή.
  - c. Τοποθετήστε τον σωλήνα ρυθμιστικού διαλύματος στη νέα φιάλη ρυθμιστικού διαλύματος στη δεξιά πλευρά του αναλυτή. Σφίξτε το καπάκι.
7. Αντικαταστήστε τη φιάλη δείκτη, ως εξής:
  - a. Αφαιρέστε το καπάκι και το στεγανοποιητικό λάστιχο από τη φιάλη δείκτη και την καφέ φιάλη DPD.
  - b. Γεμίστε την καφέ φιάλη DPD περίπου κατά το ¼ με διάλυμα δείκτη.
  - c. Περιστρέψτε τη φιάλη DPD για να αναμίξετε.
  - d. Τοποθετήστε τα περιεχόμενα της φιάλης DPD στη φιάλη δείκτη.
  - e. Αναστρέψτε τη φιάλη δείκτη έως ότου διαλυθεί όλη η σκόνη (2 λεπτά).
  - f. Αφαιρέστε τη χρησιμοποιημένη φιάλη δείκτη από τον αναλυτή.
  - g. Τοποθετήστε τον σωλήνα δείκτη στη νέα φιάλη δείκτη στην αριστερή πλευρά του αναλυτή. Σφίξτε το καπάκι.
8. Πατήστε **enter (εισαγωγή)**.
9. Όταν στην οθόνη εμφανιστεί η ένδειξη "ΟΛΟΚΛΗΡΩΣΗ ΕΡΓΑΣΙΑΣ", πατήστε **enter (εισαγωγή)**. Ο αναλυτής ξεκινά έναν κύκλο μέτρησης σε περίπου 30 δευτερόλεπτα.

## 7.4 Καθαρισμός του πλέγματος στο διάφραγμα διήθησης σχήματος Y

Καθαρίστε το πλέγμα στο διάφραγμα διήθησης σχήματος Y όταν υπάρχει έμφραξη, η οποία αναγνωρίζεται με μια προειδοποίηση ΧΑΜ. ΡΟΗ ΔΕΙΓΜΑΤΟΣ. Ολοκληρώστε τα βήματα που απεικονίζονται παρακάτω.



## 7.5 Προετοιμασία για φύλαξη

### ⚠ ΠΡΟΣΟΧΗ



Κίνδυνος έκθεσης σε χημικά. Τηρείτε τις εργαστηριακές διαδικασίες ασφάλειας και φοράτε όλα τα μέσα ατομικής προστασίας που είναι κατάλληλα για τα χημικά που χειρίζεστε. Ανατρέξτε στα υπάρχοντα φύλλα δεδομένων ασφάλειας υλικού (MSDS/SDS) για τα πρωτόκολλα ασφάλειας.

Εάν πρόκειται να διακοπεί η τροφοδοσία ρεύματος στον αναλυτή για περισσότερες από 3 ημέρες ή εάν ο αναλυτής πρόκειται να μη χρησιμοποιηθεί για περισσότερες από 3 ημέρες, προετοιμάστε τον αναλυτή για φύλαξη.

## Απαιτούμενα στοιχεία:



Ποτήρι ζέσεως με αποιονισμένο νερό  
(2x)

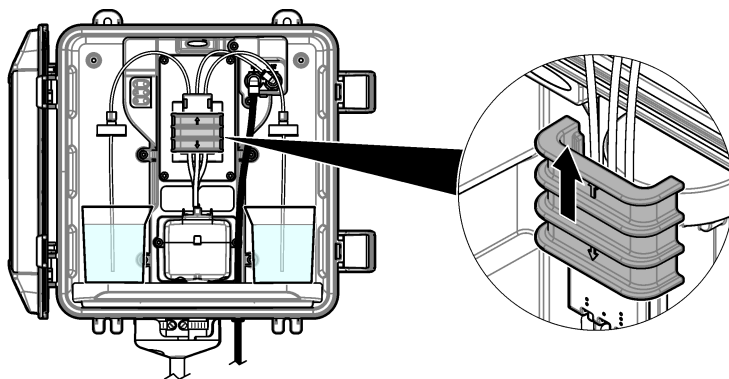


Σταγονόμετρο μίας χρήσης ή πανί που δεν αφήνει χνούδι

1. Αφαιρέστε τα αντιδραστήρια από τις γραμμές αντιδραστηρίων ως εξής:
  - a. Αφαιρέστε τη φιάλη δείκτη και τη φιάλη ρυθμιστικού διαλύματος από τον αναλυτή.
  - b. Τοποθετήστε στον αναλυτή δύο ποτήρια ζέσεως (ή δοχεία) που περιέχουν αποιονισμένο νερό.
  - c. Τοποθετήστε τον σωλήνα της φιάλης δείκτη και τον σωλήνα της φιάλης ρυθμιστικού διαλύματος στα ποτήρια ζέσεως.
  - d. Πατήστε το πλήκτρο **menu (μενού)** και στη συνέχεια επιλέξτε ΡΥΘΜ.ΑΙΣΘΗΤ. > [επιλογή αναλυτή] > ΠΡΟΕΤΟΙΜΑΣΙΑ.  
Ο αναλυτής αφαιρεί τα αντιδραστήρια από τις γραμμές αντιδραστηρίων.
2. Αφαιρέστε το αποιονισμένο νερό από τις γραμμές αντιδραστηρίων ως εξής:
  - a. Αφαιρέστε τον σωλήνα της φιάλης δείκτη και τον σωλήνα της φιάλης ρυθμιστικού διαλύματος από τα ποτήρια ζέσεως.
  - b. Αφαιρέστε τα δύο ποτήρια ζέσεως από τον αναλυτή.
  - c. Πατήστε το πλήκτρο **menu (μενού)** και στη συνέχεια επιλέξτε ΡΥΘΜ.ΑΙΣΘΗΤ. > [επιλογή αναλυτή] > ΠΡΟΕΤΟΙΜΑΣΙΑ.  
Ο αναλυτής αφαιρεί όλο το υγρό από τις γραμμές αντιδραστηρίων.
3. Αποσυνδέστε το καλώδιο του αναλυτή από τον ελεγκτή (ή αφαιρέστε την τροφοδοσία ρεύματος από τον ελεγκτή).
4. Γυρίστε τη βαλβίδα διακοπής ροής στην κλειστή θέση, για να σταματήσετε τη ροή δείγματος στο διάφραγμα διήθησης σχήματος Υ.
5. Αφαιρέστε τον σφιγκτήρα της αντλίας. Βλ. [Εικόνα 7](#). Φυλάξτε τον σφιγκτήρα της αντλίας για επόμενη χρήση.
6. Αφαιρέστε το νερό από την κυψελίδα, ως εξής:
  - a. Αφαιρέστε το καπάκι από την κυψελίδα.
  - b. Αφαιρέστε το νερό από την κυψελίδα με ένα σταγονόμετρο μίας χρήσης ή με ένα πανί που δεν αφήνει χνούδι.
  - c. Τοποθετήστε το καπάκι στην κυψελίδα.
7. Για να εκκινήσετε και πάλι τον αναλυτή μετά από μια περίοδο φύλαξης, ακολουθήστε τα παρακάτω βήματα:
  - a. Τοποθετήστε τον σφιγκτήρα της αντλίας. Βλ. [Εικόνα 7](#).
  - b. Τοποθετήστε τις φιάλες αντιδραστηρίων. Βλ. [Βήμα 4: Εγκατάσταση των φιαλών αντιδραστηρίων](#) στη σελίδα 566.
  - c. Ρυθμίστε τη βαλβίδα διακοπής ροής στην ανοιχτή θέση, για να ξεκινήσει η ροή δείγματος στο διάφραγμα διήθησης σχήματος Υ.
  - d. Συνδέστε το καλώδιο του αναλυτή στον ελεγκτή, εάν το καλώδιο είχε αποσυνδεθεί.
  - e. Τροφοδοτήστε τον ελεγκτή με ρεύμα, εάν η τροφοδοσία ρεύματος είχε αποσυνδεθεί.
  - f. Πατήστε το πλήκτρο **menu (μενού)** και στη συνέχεια επιλέξτε ΡΥΘΜ.ΑΙΣΘΗΤ. > [επιλογή αναλυτή] > ΠΡΟΕΤΟΙΜΑΣΙΑ.



## Εικόνα 7 Αφαιρέστε τον σφιγκτήρα της αντλίας



### 7.6 Προετοιμασία για αποστολή

#### ▲ ΠΡΟΣΟΧΗ



Κίνδυνος έκθεσης σε χημικά. Τηρείτε τις εργαστηριακές διαδικασίες ασφάλειας και φοράτε όλα τα μέσα ατομικής προστασίας που είναι κατάλληλα για τα χημικά που χειρίζεστε. Ανατρέξτε στα υπάρχοντα φύλλα δεδομένων ασφάλειας υλικού (MSDS/SDS) για τα πρωτόκολλα ασφάλειας.

Για να προετοιμάσετε τον αναλυτή για αποστολή, ακολουθήστε τα παρακάτω βήματα.

#### Απαιτούμενα στοιχεία:



Ποτήρι ζέσεως με απιονισμένο νερό (2x)



Αρχική συσκευασία

1. Αφαιρέστε τα αντιδραστήρια από τις γραμμές αντιδραστηρίων ως εξής:
  - a. Αφαιρέστε τη φιάλη δείκτη και τη φιάλη ρυθμιστικού διαλύματος από τον αναλυτή.
  - b. Τοποθετήστε στον αναλυτή δύο ποτήρια ζέσεως (ή δοχεία) που περιέχουν απιονισμένο νερό.
  - c. Τοποθετήστε τον σωλήνα της φιάλης δείκτη και τον σωλήνα της φιάλης ρυθμιστικού διαλύματος στα ποτήρια ζέσεως.
  - d. Πατήστε το πλήκτρο **menu (μενού)** και στη συνέχεια επιλέξτε ΡΥΘΜ.ΑΙΣΘΗΤ. > [επιλογή αναλυτή] > ΠΡΟΕΤΟΙΜΑΣΙΑ.  
Ο αναλυτής αφαιρεί τα αντιδραστήρια από τις γραμμές αντιδραστηρίων.
2. Αφαιρέστε το απιονισμένο νερό από τις γραμμές αντιδραστηρίων ως εξής:
  - a. Αφαιρέστε τον σωλήνα της φιάλης δείκτη και τον σωλήνα της φιάλης ρυθμιστικού διαλύματος από τα ποτήρια ζέσεως.
  - b. Αφαιρέστε τα δύο ποτήρια ζέσεως από τον αναλυτή.
  - c. Πατήστε το πλήκτρο **menu (μενού)** και στη συνέχεια επιλέξτε ΡΥΘΜ.ΑΙΣΘΗΤ. > [επιλογή αναλυτή] > ΠΡΟΕΤΟΙΜΑΣΙΑ.  
Ο αναλυτής αφαιρεί όλο το υγρό από τις γραμμές αντιδραστηρίων.
3. Αποσυνδέστε το καλώδιο του αναλυτή από τον ελεγκτή.
4. Γυρίστε τη βαλβίδα διακοπής ροής στην κλειστή θέση, για να σταματήσετε τη ροή δείγματος στο διάφραγμα διήθησης σχήματος Y.
5. Αποσυνδέστε από τον αναλυτή τον (μαύρο) σωλήνα εισόδου δείγματος και τον (διαφανή) σωλήνα αποστράγγισης.
6. Αφαιρέστε τον εξωτερικό διακόπτη αέρα από τον αναλυτή.

7. Αφαιρέστε τον σφιγκτήρα της αντλίας. Βλ. [Εικόνα 7](#) στη σελίδα 577.
8. Αφαιρέστε τους μάντες περίσφιξης και τη ράβδο ανάδευσης από τον αναλυτή. Φυλάξτε τους μάντες περίσφιξης για να αποσταλούν μαζί με τον αναλυτή. Βλ. [Βήμα 3: Εγκατάσταση της ράβδου ανάδευσης και των μάντων περίσφιξης](#) στη σελίδα 566.
9. Τοποθετήστε τον σφιγκτήρα της αντλίας χωρίς τους μάντες περίσφιξης. Τοποθετήστε ταϊνία στον σφιγκτήρα του σωλήνα, ώστε να είναι σταθερός ο σφιγκτήρας του σωλήνα.
10. Αφαιρέστε το νερό από την κυψελίδα με ένα σταγονόμετρο μίας χρήσης ή με ένα πανί που δεν αφήνει χνούδι.
11. Αφαιρέστε τον αναλυτή από τον τοίχο.
12. Τοποθετήστε τον αναλυτή στην αρχική του συσκευασία.

## 7.7 Καθαρισμός του οργάνου

### ΕΙΔΟΠΟΙΗΣΗ

Ποτέ μην χρησιμοποιείτε καθαριστικά, όπως νέφτι, ακετόνη ή παρόμοια προϊόντα, για τον καθαρισμό του οργάνου, συμπεριλαμβανομένης της οθόνης και των εξαρτημάτων.

Καθαρίζετε το εξωτερικό μέρος του οργάνου με ένα υγρό πανί και ήπιο διάλυμα σαπουνιού.

## 7.8 Καθαρισμός εκχύσεων

### ⚠ ΠΡΟΣΟΧΗ



Κίνδυνος έκθεσης σε χημικά. Απορρίπτετε τα χημικά και τα απόβλητα σύμφωνα με τους τοπικούς, περιφερειακούς και εθνικούς κανονισμούς.

1. Ακολουθείτε πιστά όλα τα πρωτόκολλα ασφαλείας των εγκαταστάσεων για τον έλεγχο της έκχυσης υλικών.
2. Απορρίπτετε τα απόβλητα σύμφωνα με τους ισχύοντες κανονισμούς.

## Ενότητα 8 Αντιμετώπιση προβλημάτων

### 8.1 Σφάλματα—Κόκκινη λυχνία

Για να εμφανίσετε τα σφάλματα, πατήστε το πλήκτρο **menu (μενού)** και επιλέξτε **ΔΙΑΓΝΩΣΤΙΚΑ > [επιλογή αναλυτή > ΛΙΣΤΑ ΣΦΑΛΜΑΤ..** Μια λίστα με πιθανά σφάλματα εμφανίζεται στον [Πίνακα 7](#). Όταν προκύπτει ένα σφάλμα, η λυχνία κατάστασης του αναλυτή αλλάζει σε κόκκινο χρώμα. Ο μετρήσεις σταματούν, η ένδειξη στην οθόνη μέτρησης αναβοσβήνει και όλες οι έξοδοι τίθενται σε αναμονή όπως καθορίζεται στο μενού ελεγκτή.

Πίνακας 7 Μηνύματα σφάλματος

Σφάλμα	Περιγραφή	Λύση
ΣΦΑΛΜΑ ANIXNEYTH.	Ένας ανιχνευτής δεν λειτουργεί σωστά.	Επικοινωνήστε με το τμήμα τεχνικής υποστήριξης.
ΡΥΠΑΡΗ ΚΥΨΕΛ.	Η κυψελίδα έχει κηλίδες ή ακαθαρσίες. Μια βιολογική μεμβράνη μπορεί να αναπτυχθεί στην κυψελίδα, όταν η συγκέντρωση χλωρίου είναι πολύ χαμηλή.	Καθαρίστε την κυψελίδα. Βλ. <a href="#">Καθαρισμός της κυψελίδας</a> στη σελίδα 573.
ΚΩΔΙΚΟ-ΣΦΑΛΜΑ	Προέκυψε σφάλμα υλικολογισμικού.	Επικοινωνήστε με το τμήμα τεχνικής υποστήριξης.
ΣΦΑΛΜΑ LED	Η ενδεικτική λυχνία στην κυψελίδα δεν λειτουργεί σωστά.	Επικοινωνήστε με το τμήμα τεχνικής υποστήριξης.

## Πίνακας 7 Μηνύματα σφάλματος (συνέχεια)

Σφάλμα	Περιγραφή	Λύση
ΣΦΑΛΜΑ ΑΝΤΛ.	Η αντλία δεν λειτουργεί σωστά.	Επικοινωνήστε με το τμήμα τεχνικής υποστήριξης.
ΔΙΑΡΡΟΗ ΔΕΙΓΜ.	Υπάρχει διαρροή δείγματος στον αναλυτή.	Επικοινωνήστε με το τμήμα τεχνικής υποστήριξης.

## 8.2 Προειδοποιήσεις—Κίτρινη λυχνία

Για να εμφανίσετε τις προειδοποιήσεις, πατήστε το πλήκτρο **menu (μενού)** και επιλέξτε **ΔΙΑΓΝΩΣΤΙΚΑ > [επιλογή αναλυτή] > ΛΙΣΤΑ ΠΡΟΕΙΔ.** Μια λίστα με πιθανές προειδοποιήσεις εμφανίζεται στον **Πίνακα 8**.

Σε περίπτωση προειδοποίησης, η ενδεικτική λυχνία κατάστασης αλλάζει σε κίτρινο χρώμα. Αναβοσβήνει ένα εικονίδιο προειδοποίησης και στο κάτω μέρος της οθόνης του ελεγκτή εμφανίζεται ένα μήνυμα. Εάν διατίθεται επαρκής ροή δείγματος, η εμφάνιση προειδοποίησης δεν επηρεάζει τη λειτουργία των μενού. Η εμφάνιση προειδοποίησης δεν επηρεάζει τη λειτουργία των μελέ και των εξόδων.

## Πίνακας 8 Μηνύματα προειδοποίησης

Προειδοποίηση	Περιγραφή	Λύση
ΕΝΤΟΠ.ΦΥΣΑΛΙΔΕΣ	Υπάρχουν φυσαλίδες στην κυψελίδα.	Καθαρίστε την κυψελίδα. Βλ. <b>Καθαρισμός της κυψελίδας</b> στη σελίδα 573. (Προαιρετικό) Ορίστε τη ρύθμιση <b>ΚΑΤ.ΑΠΟΡΡ.ΦΥΣ.</b> σε ενεργοποίηση. Ανατρέξτε στην ενότητα <b>Βήμα 10: Διαμόρφωση του αναλυτή</b> στη σελίδα 570.
ΣΥΝΙΣΤΑΤΑΙ ΚΑΘΑΡΙΣ.	Η κυψελίδα αποκτά κηλίδες ή ακαθαρσίες και θα πρέπει να καθαριστεί σύντομα προκειμένου να αποφευχθεί τυχόν σφάλμα.	Καθαρίστε την κυψελίδα. Βλ. <b>Καθαρισμός της κυψελίδας</b> στη σελίδα 573.
ΥΨΗΛΟ ΧΛΩΡΙΟ	Η συγκέντρωση χλωρίου είναι ίση ή μεγαλύτερη από την τιμή ενεργοποίησης των ΣΥΝΑΓΕΡ. ΥΨΗΛΟ CL.	Αυξήστε την τιμή που έχει ρυθμιστεί στο πεδίο ΣΥΝΑΓΕΡ. ΥΨΗΛΟ CL. Ανατρέξτε στην ενότητα <b>Βήμα 10: Διαμόρφωση του αναλυτή</b> στη σελίδα 570. Ή Μειώστε τη συγκέντρωση χλωρίου στο δείγμα που παρέχεται στον αναλυτή.
ΧΑΜΗΛΟ ΧΛΩΡΙΟ	Η συγκέντρωση χλωρίου είναι ίση ή μικρότερη από την τιμή ενεργοποίησης των ΣΥΝΑΓΕΡ. ΧΑΜΗΛΟ CL.	Αυξήστε την τιμή που έχει ρυθμιστεί στο πεδίο ΣΥΝΑΓΕΡ. ΧΑΜΗΛΟ CL. Ανατρέξτε στην ενότητα <b>Βήμα 10: Διαμόρφωση του αναλυτή</b> στη σελίδα 570. Ή Αυξήστε τη συγκέντρωση χλωρίου στο δείγμα που παρέχεται στον αναλυτή.
ΧΑΜ. ΡΟΗ ΔΕΙΓΜΑΤΟΣ	Η ροή δείγματος που μετράται είναι μικρότερη από τον ελάχιστο ρυθμό ροής δείγματος. Βλ. <b>Προδιαγραφές</b> στη σελίδα 554.	Ρυθμίστε τον ρυθμό ροής δείγματος. Ανατρέξτε στην ενότητα <b>Βήμα 8: Ρύθμιση του ρυθμού ροής</b> στη σελίδα 569. Καθαρίστε το φίλτρο στο διάφραγμα διήθησης σχήματος Υ εάν αυτό απαιτείται για την αφαίρεση έμφραξης. Ανατρέξτε στην ενότητα <b>Καθαρισμός του πλέγματος στο διάφραγμα διήθησης σχήματος Υ</b> στη σελίδα 575.
ΥΨΗΛΗ ΡΟΗ ΔΕΙΓΜΑΤΟΣ	Η ροή δείγματος που μετράται είναι μεγαλύτερη από τον μέγιστο ρυθμό ροής δείγματος. Βλ. <b>Προδιαγραφές</b> στη σελίδα 554.	Ρυθμίστε τον ρυθμό ροής δείγματος. Βλ. <b>Βήμα 8: Ρύθμιση του ρυθμού ροής</b> στη σελίδα 569.

## Ενότητα 9 Ανταλλακτικά και εξαρτήματα

### ▲ ΠΡΟΕΙΔΟΠΟΙΗΣΗ



Κίνδυνος τραυματισμού. Η χρήση μη εγκεκριμένων εξαρτημάτων ενδέχεται να προκαλέσει τραυματισμό, ζημιά στο όργανο ή δυσλειτουργία του εξοπλισμού. Τα ανταλλακτικά εξαρτήματα της παρούσας ενότητας είναι εγκεκριμένα από τον κατασκευαστή.

**Σημείωση:** Οι κωδικοί προϊόντος και οι αριθμοί καταλόγου μπορεί να διαφέρουν σε ορισμένες περιοχές πώλησης. Επικοινωνήστε με τον κατάλληλο διανομέα ή ανατρέξτε στη δικτυακή τοποθεσία της εταιρείας για τα στοιχεία επικοινωνίας.

#### Αναλώσιμα

Περιγραφή	Ποσότητα	Αρ. προϊόντος
Σετ αντιδραστηρίων, ελεύθερο χλώριο, περιλαμβάνει: Φιάλη ρυθμιστικού διαλύματος, φιάλη δείκτη και φιάλη DPD	1	2556900
Σετ αντιδραστηρίων, ολικό χλώριο, περιλαμβάνει: Φιάλη ρυθμιστικού διαλύματος, φιάλη δείκτη και φιάλη DPD	1	2557000
Κιτ καθαρισμού κυψελίδας, περιλαμβάνει: Θειικό οξύ, 5,25 N, 100 mL, φιάλη με σταγονόμετρο και βαμβακερές μπατονέτες (10x)	1	8573100
Κιτ επαλήθευσης βαθμονόμησης, περιλαμβάνει: Σύριγγα, σωλήνας, σύνδεσμοι σωλήνα, μηχανισμός θραύσης αμπουλών, αμπούλα αποιονισμένου νερού και τυπική αμπούλα χλωρίου	1	8568200
Κιτ αναπλήρωσης επαλήθευσης βαθμονόμησης, περιλαμβάνει: Αμπούλα αποιονισμένου νερού και τυπική αμπούλα χλωρίου	1	8573200

#### Ανταλλακτικά

Περιγραφή	Αρ. προϊόντος
Κιτ σωλήνα, περιλαμβάνει: Ιμάντες περίσφιξης και ράβδο ανάδευσης	Η.Π.Α.: 8560400 Ε.Ε.: 8575000
Κιτ εγκατάστασης με σωλήνα στάσης (10 psi ή λιγότερο)	Η.Π.Α.: 8560500 Ε.Ε.: 8575100
Κιτ εγκατάστασης με σωλήνα στάσης (>10 psi)	8576001
Κιτ εγκατάστασης με ρυθμιστή πίεσης	Η.Π.Α.: 8565700 Ε.Ε.: 8575200

#### Παρελκόμενα

Περιγραφή	Αρ. προϊόντος
Καλώδιο επέκτασης για αναλυτή, 1 m (3,2 ft)	6122400
Καλώδιο επέκτασης για αναλυτή, 7,7 m (25 ft)	5796000
Καλώδιο επέκτασης για αναλυτή, 15 m (50 ft)	5796100
Προσαρμογέας σωλήνα, εξωτερική διάμετρος 6 mm έως εξωτερική διάμετρος 1/4 in.	09184=A=4020

## جدول المحتويات

6	المعايرة والضبط في صفحة 597	1	المواصفات في صفحة 581
7	الصيانة في صفحة 597	2	معلومات عامة في صفحة 582
8	استكشاف الأخطاء وإصلاحها في صفحة 603	3	التركيب في صفحة 585
9	قطع الغيار والملحقات في صفحة 604	4	التكوين في صفحة 595
		5	التشغيل في صفحة 596

## القسم 1 المواصفات

تخضع المواصفات للتغيير من دون إشعار.

الجدول 1 المواصفات العامة

المواصفات	التفاصيل
الأبعاد (العرض × الارتفاع × القطر)	17,7 × 34,2 × 32,9 سم (7,0 × 13,5 × 12,9 بوصات)
الحاوية	حاوية IP66 وفقاً لمعيار IEC 60529 لها باب مغلق ومثبتة بمزلاج <sup>1</sup>
وزن الشحن	4,1 كجم (9 أرطال) من دون زجاجات، و5,1 كجم (11,2 رطلاً) مع زجاجات ممثلة
التركيب	التركيب على الحائط
فئة الحماية	III
درجة التلوث	3
فئة التركيب الكهربائي	I (في الداخل)
متطلبات الطاقة	12 فولت تيار مباشر، 400 مللي أمبير كحد أقصى (توفرهما وحدة التحكم)
درجة حرارة التشغيل	من 5 إلى 40 درجة مئوية (من 41 إلى 104 درجات فهرنهايت)
رطوبة التشغيل	من 0 إلى 90% رطوبة نسبية غير متكاثفة
درجة حرارة التخزين	-40 إلى 60 درجة مئوية (-40 إلى 140 درجة فهرنهايت)
التجهيزات	خط العينة: تجهيزة سريعة التوصيل قطرها الخارجي ¼ بوصة للأنابيب البلاستيكية أنابيب الصرف: تجهيزة انزلاقية قطرها الداخلي ½ بوصة للأنابيب البلاستيكية الرخوة
أضواء المؤشر	حالة المحلل ودورة القياس
الشهادات	EU DoC، UKCA DoC، FCC/ISED SDoC، ACMA DoC، KC، Morocco DoC
الضمان	عام واحد (الاتحاد الأوروبي: عمان)

الجدول 2 متطلبات العينة

المواصفات	التفاصيل
الضغط	من 0,31 إلى 5,17 بار (من 4,5 إلى 75 رطلاً/بوصة مربعة) للمصفاة على شكل Y، ومن 0,1 إلى 0,34 بار (1,5 إلى 5 أرطال/بوصة مربعة) للمحلل
معدل التدفق	من 60 إلى 200 مل/دقيقة عبر الجهاز (المقيس عند مصرف المحلل)
درجة الحرارة	من 5 إلى 40 درجة مئوية (من 41 إلى 104 درجات فهرنهايت)
الترشيح	مصفاة على شكل Y بها منخل شبكي مقاسه 40 أو أكبر

<sup>1</sup> تُغلق فتحات الصرف بقوابس لأغراض الاختبار.

### الجدول 3 مواصفات القياس

المواصفات	التفاصيل
مصدر الضوء	مؤشر LED، طول مساره 510 نانومتر؛ 1 سم
نطاق القياس	0.03-10 مجم/لتر كلور متيق حر أو كلي في صورة Cl <sub>2</sub>
الفترة الفاصلة للقياس	150 ثانية
الدقة	±5% أو 0.04 مجم/لتر بدءاً من 0 إلى 5 مجم/لتر (القيمة الأكبر) في صورة Cl <sub>2</sub> ±10% بدءاً من 5 إلى 10 مجم/لتر في صورة Cl <sub>2</sub>
ضبط الدقة	±5% أو 0.01 مجم/لتر (القيمة الأكبر) في صورة Cl <sub>2</sub>
حد الكشف	0.03 مجم/لتر في صورة Cl <sub>2</sub>
حد التقدير الكمي	0.07 مجم/لتر
المعايرة	معايرة المصنع اختياري: معايرة ثنائية النقطة يجريها المستخدم بمعايير المعايرة المتوفرة في عدة فحص المعايرة
استخدام المواد المتفاعلة	0.5 لتر من المحلول المنظم و0.5 لتر من محلول المؤشر في 31 يوماً

## القسم 2 معلومات عامة

لن تتحمل الشركة المصنعة بأي حال من الأحوال المسؤولية عن الأضرار الناتجة عن أي استخدام غير لائق للمنتج أو عدم الامتثال للتعليمات الواردة في الدليل. وتحفظ الشركة المصنعة بالحق في إجراء تغييرات على هذا الدليل والمنتجات الموضحة به في أي وقت، دون إشعار أو التزام مسبق. يمكن العثور على الإصدارات التي تمت مراجعتها على موقع الشركة المصنعة على الويب.

### 2.1 معلومات السلامة

الشركة المصنعة غير مسؤولة عن أية أضرار تنتج عن سوء استخدام هذا المنتج، بما في ذلك على سبيل المثال لا الحصر الأضرار المباشرة والعرضية واللاحقة، وتخلي مسؤوليتها عن مثل هذه الأضرار إلى الحد الكامل المسموح به وفق القانون المعمول به. يتحمل المستخدم وحده المسؤولية الكاملة عن تحديد مخاطر الاستخدام الحرجة وتركيب الآليات المناسبة لحماية العمليات أثناء أي قصور محتمل في تشغيل الجهاز. يُرجى قراءة هذا الدليل بالكامل قبل تفريغ محتويات العبوة أو إعداد هذا الجهاز أو تشغيله. انتبه جيداً لجميع بيانات الخطر والتنبيه. فإن عدم الالتزام بذلك قد يؤدي إلى إصابة خطيرة تلحق بالمشغل أو تلف بالجهاز.

تأكد أن الحماية التي يوفرها هذا الجهاز لم تضعف. تجنب استخدام هذا الجهاز أو تركيبه بأية طريقة بخلاف الموضحة في هذا الدليل.

#### 2.1.1 استخدام معلومات الخطر

#### ⚠ خطر

يشير إلى موقف خطير محتمل أو وشيك والذي إذا لم يتم تجنبه، فسوف يؤدي إلى الوفاة أو يتسبب في حدوث إصابة خطيرة.

#### ⚠ تحذير

يشير إلى موقف خطير محتمل أو وشيك والذي إذا لم يتم تجنبه، فسوف يؤدي إلى الوفاة أو يتسبب في حدوث إصابة خطيرة.

#### ⚠ تانبيه

يشير إلى موقف خطير محتمل يمكن أن يؤدي إلى إصابة طفيفة أو متوسطة.

#### ! إشعار

يشير إلى موقف، إذا لم يتم تجنبه، يمكن أن يؤدي إلى تلف الجهاز. معلومات تتطلب تأكيداً خاصاً.

### 2.1.2 الملصقات الوقائية

اقرأ جميع الملصقات والعلامات المرفقة بالجهاز. فمن الممكن أن تحدث إصابة شخصية أو يتعرض الجهاز للتلف في حالة عدم الانتباه لها. لاحظ أن كل رمز على الجهاز يُشار إليه في الدليل من خلال بيان وقائي.

لا يمكن التخلص من الأجهزة الكهربائية التي تحمل هذا الرمز في الأنظمة الأوروبية للتخلص من النفايات المحلية أو العامة. لكن يتم إرجاع الجهاز القديم أو منتهي الصلاحية إلى الشركة المصنعة للتخلص منه بدون أن يتحمل المستخدم أي رسوم.



## 2.1.3 الامتثال للتوافق الكهرومغناطيسي (EMC)

### ت ن ب ي ه

لم يتم تصميم هذا الجهاز لاستخدامه في البيئات السكنية وقد لا يوفر الحماية الكاملة من استقبال الراديو في هذه البيئات.

(CE EU)

تلي المعادمت المتطلبات الأساسية لتوجيه EMC رقم 2014/30.EU.

(UKCA UK)

يفي الجهاز بمتطلبات لوائح التوافق الكهرومغناطيسي لعام 2016 (S.I. 2016/1091).

الوائح الكندية للأجهزة المسببة للتداخل اللاسلكي، ICES-003، الفئة "A".

يتوافق مع سجلات الاختبارات التي تجريها الشركة المصنعة.

هذا الجهاز الرقمي من الفئة "A" يفي بجميع متطلبات اللوائح الكندية للأجهزة المسببة للتداخل.

Cet appareil numérique de classe A répond à toutes les exigences de la réglementation canadienne sur les équipements provoquant des interférences.

الفقرة 15 من قواعد لجنة الاتصالات الفيدرالية، قيود الفئة "A"

يتوافق مع سجلات الاختبارات التي تجريها الشركة المصنعة. يتوافق الجهاز مع الفقرة 15 من قواعد لجنة الاتصالات الفيدرالية. تخضع عملية التشغيل للشروطين التاليين:

1. قد لا يتسبب الجهاز في حدوث تداخل ضار.
2. يجب أن يتقبل الجهاز أي تداخل وارد، بما في ذلك التداخل الذي قد يؤدي إلى تشغيل غير مرغوب فيه.

إن إحداث تغييرات أو إدخال تعديلات على هذا الجهاز بدون الاعتماد الصريح بذلك من الجهة المسؤولة عن التوافق من شأنه أن يبطل حق المستخدم في تشغيل الجهاز. خضع هذا الجهاز للاختبارات وثبت أنه يمثل لقيود الأجهزة الرقمية من الفئة "A"، والمطابقة للجزء 15 من قواعد لجنة الاتصالات الفيدرالية (FCC). إن الغرض من هذه القيود هو توفير حماية معقولة من أي تداخل ضار عند تشغيل الجهاز في بيئة تجارية. يولد هذا الجهاز طاقة من الترددات اللاسلكية ويستخدمها ومن الممكن أن يشعها كذلك، وإذا لم يتم تركيبه واستخدامه وفقاً لدليل الإرشادات، فقد يتسبب في حدوث تداخل ضار مع الاتصالات اللاسلكية. قد يؤدي تشغيل هذا الجهاز في منطقة سكنية إلى حدوث تداخل ضار، وفي هذه الحالة يتعين على المستخدم تصحيح هذا التداخل على نفقته الخاصة. يمكن استخدام الأساليب التالية للحد من مشكلات التداخل:

1. افصل الجهاز عن مصدر الطاقة للتأكد أنه مصدر التداخل أو أن هناك مصدرًا آخر للتداخل.
2. إذا كان الجهاز متصلاً بالمخرج ذاته الذي يتصل به الجهاز الذي يتعرض للتداخل، فصل الجهاز بمخرج آخر.
3. انقل الجهاز بعيداً عن الجهاز الذي يستقبل التداخل.
4. عدّل موضع هوائي الاستقبال الخاص بالجهاز الذي يستقبل التداخل.
5. جَرِّب مجموعات مما تم ذكره أعلاه.

## 2.2 نظرة عامة على المنتج

### ⚠️ خطر

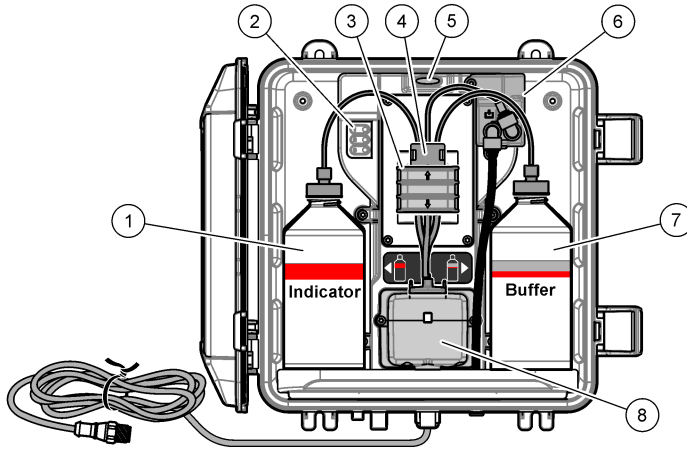
مخاطر كيميائية أو بيولوجية. إذا تم استخدام هذا الجهاز لمراقبة عملية معالجة أو لمراقبة مياه التغذية في عملية الميز الغشائي أو كليهما وإذا كانت هناك قيود تنظيمية ومتطلبات مراقبة تتحكم في هذه العمليات وتتعلق بالصحة العامة أو السلامة العامة أو تصنيع الأغذية أو المشروبات أو معالجتها، فيستعمل مستخدم هذا الجهاز مسؤولية معرفة أي لوائح معمول بها والالتزام بها والإمام بالاليات الكافية والمناسبة المطبقة للامتثال للوائح المعمول بها في حالة حدوث عطل في الجهاز.



يقيس المُحلّل CL17s تركيز الكلور الكلي في الماء بمعدل يتراوح ما بين 0,03 و 10 مجم/لتر على فواصل زمنية تبلغ 150 ثانية. بالإضافة إلى ذلك، يقدم الشكل 1 نظرة عامة على المُحلّل.

صل المحلل بإحدى وحدات التحكم SC في الطاقة والتشغيل وجمع البيانات ونقلها والتشخيص. راجع دليل وحدة التحكم SC للاطلاع على نظرة عامة على وحدة التحكم.

ملاحظة: يمكن توصيل أكثر من محلل بوحدة تحكم SC إذا كانت وحدة التحكم هذه مزودة بأكثر من تجهيزة للتوصيل السريع.



1	زجاجة محلول المؤشر	5	ضوء حالة المحلل (الجدول 5 في صفحة 585)
2	أضواء دورة القياس (الجدول 4 في صفحة 584)	6	مقياس التدفق
3	مشبك التوصيل بأنبوب	7	زجاجة المحلول المنظم
4	مشبك الأنايب	8	خلية قياس الألوان

### 2.2.1 مقياس التدفق

يحتوي المحلل على مقياس تدفق يقيس تدفق العينة عبر المحلل. راجع الشكل 1 في صفحة 584. في بعض الأوقات، تتدفق العينة عبر المحلل عندما يملأ المحلل الخلية بالماء. وفي أوقات أخرى، لا تتدفق العينة ويكون معدل التدفق صفرًا. اضغط على السهم **RIGHT** (إلى اليمين) في وحدة التحكم لإظهار معدل التدفق.

### 2.2.2 أضواء دورة القياس

توضح أضواء دورة القياس الخطوة التي يجري تنفيذها في دورة القياس. راجع الجدول 4.

الجدول 4 أضواء دورة القياس

الأضواء التي تعمل	الوصف
	يتم قياس العينة.
	تم إضافة المحلول المنظم ومحلول المؤشر إلى الخلية.
	يتم ملء الخلية بالماء.

### 2.2.3 ضوء حالة المحلل

يُتغير لون ضوء حالة المحلل من الأخضر إلى الأصفر في حالة وجود تحذير أو إلى الأحمر في حالة حدوث خطأ. راجع الجدول 5.



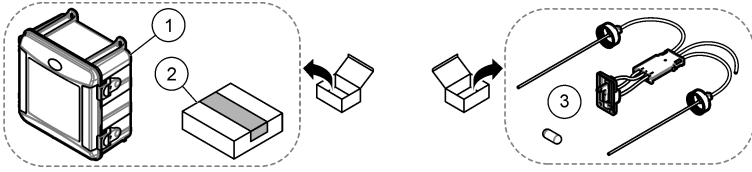
## الجدول 5 ضوء حالة المحلل

اللون	الوصف
أخضر	التشغيل العادي
أصفر	يتطلب النظام عناية لتفادي حدوث عطل في المستقبل. تستمر القياسات في هذه الحالة. لإظهار التحذيرات، اضغط على <b>menu</b> (القائمة) ثم حدد DIAGNOSTICS (التشخيص) < [حدد المحلل] < WARNING LIST (قائمة التحذيرات). راجع تحذيرات — الضوء الأصفر في صفحة 603.
أحمر	يتطلب النظام عناية فورية. تتوقف القياسات في هذه الحالة. لإظهار الأخطاء، اضغط على <b>menu</b> (القائمة) ثم حدد DIAGNOSTICS (التشخيص) < [حدد المحلل] < ERROR LIST (قائمة الأخطاء). راجع الأخطاء — الضوء الأحمر في صفحة 603.

### 2.3 مكونات المنتج

تأكد من استلام جميع المكونات. راجع الشكل 2. في حالة فقد أي عناصر أو تلفها، اتصل بالشركة المصنعة أو مندوب المبيعات على الفور.

#### الشكل 2 مكونات المنتج



1	محلل CL17sc	3	عدة الأنابيب (حزمة الأنابيب وقضيب التحريك)
2	عدة التركيب		

### القسم 3 التركيب

#### ⚠ تنبيه

مخاطر متعددة. يجب عدم إجراء المهام الموضحة في هذا القسم من المستند إلا بواسطة الموظفين المؤهلين لذلك فقط.



### 3.1 إرشادات التركيب

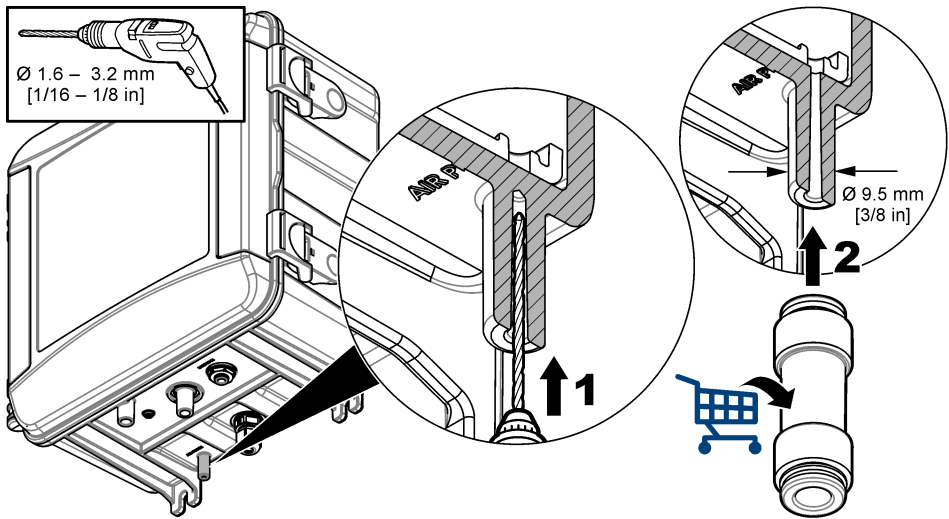
- يتوفر المحلل في عدة تركيب الأنابيب الرأسي أو عدة تركيب منظم الضغط للتحكم في ضغط الماء في المحلل. ويختار المستخدم عدة التركيب عند الشراء.
- ركب المحلل في الداخل في بيئة بها أقل قدر من الاهتزازات. راجع مواصفات درجة حرارة التشغيل والرطوبة في المواصفات في صفحة 581.
- لا تركيب المحلل في ضوء الشمس المباشر أو بالقرب من مصدر للحرارة.
- بالنسبة لتركيبات الأنابيب الرأسية، قم بتثبيت المحلل في مكان به مساحة خالية كافية فوق المحلل لتركيب الأنابيب الرأسية.
- ركب المحلل بالقرب من مصرف مكشوف. راجع تعليمات الهيئة التنظيمية المحلية الخاصة بالتصريف.

### 3.2 الخطوة 1: تنقية الهواء (اختياري)

قد يكون من الضروري تنقية الهواء إذا تم تركيب المحلل في موقع رطوبته عالية و/أو به أدخنة كثيفة تسبب التآكل. تحافظ تنقية الهواء على الضغط الإيجابي داخل الجهاز بجعل الهواء جافاً ونظيفاً.

قم بتزويد الجهاز بهواء نظيف وجاف وبالجودة المحددة له وبمعدل تدفق مقداره 0,003 م<sup>3</sup>/دقيقة (0,1 قدم<sup>3</sup>/دقيقة) وبمعدل ضغط مقداره 20 رطلاً/بوصة مربعة كحد أقصى.

راجع الخطوات المبينة في الصور التالية. يتولى المستخدم توفير الأنابيب وتجهيزه التوصيل السريع بحجم 3/8 بوصة.



### 3.3 الخطوة 2: تركيب المحلل وتوصيله بأنبوب

#### ⚠ تنبيه

تستخدم الأنابيب التي تحددها شركة Hach فقط مع الجهاز. يمكن أن تمتص الأنابيب الأخرى الكلور الموجود في عينة الماء وتؤثر بالسلب في قراءات نسب الكلور (تقلل قراءات نسب الكلور).



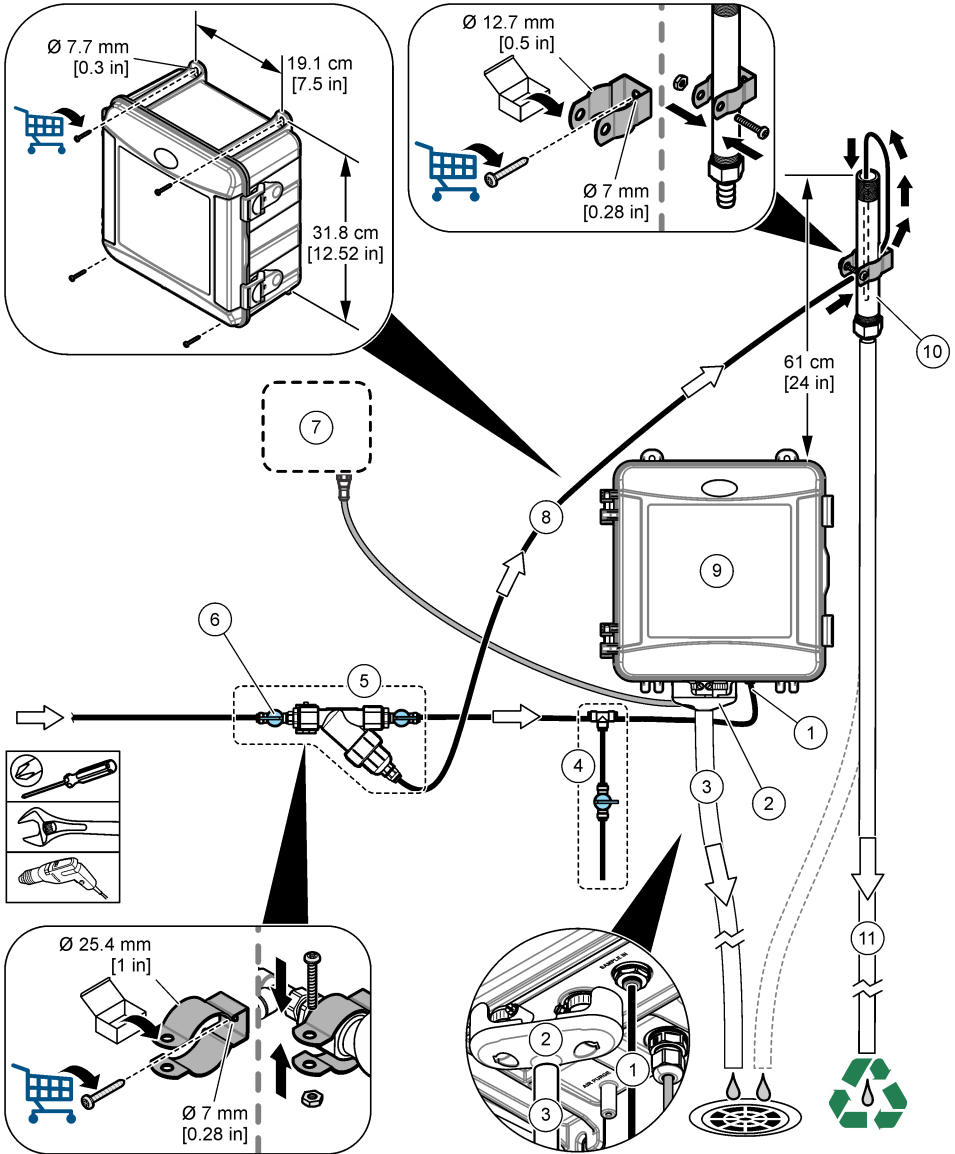
#### إشعار

يمكن أن يتسبب توصيل أنابيب المحلل بصورة غير صحيحة في حدوث تلف بسبب الضغط الزائد للعيننة. التزم دائما بالتعليمات المتبعة لترتيب المحلل وتوصيله بأنبوب.

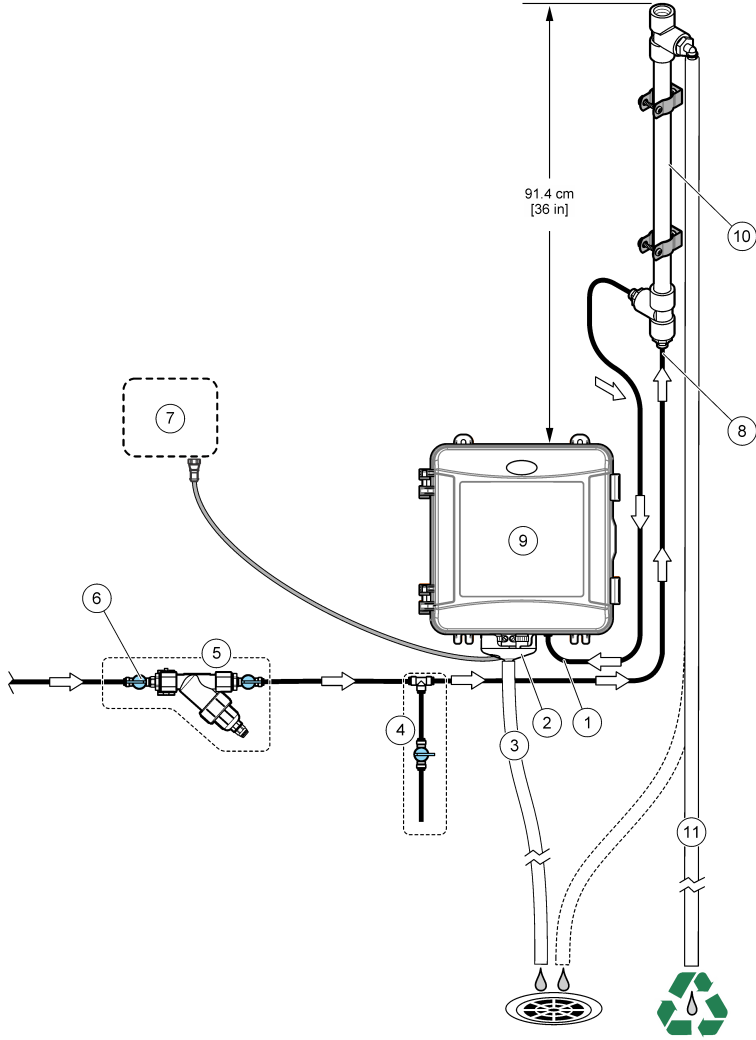
1. تُثبَّت المحلل (العنصر 9) على حائط باستخدام أربعة براغي. تأكد من أن المحلل مستو.  
*ملاحظة: يتولى المستخدم توفير مكونات التثبيت.*
  2. تُثبَّت وحدة التحكم SC (العنصر 7) بحائط أو لوحة أو أنبوب. راجع وثائق وحدة التحكم SC للاطلاع على التعليمات.
  3. ركب المصفاة على شكل Y. راجع التعليمات المذكورة على قائمة التعبئة.
  4. استخدم مشبك القناة مقاس 1 بوصة لترتيب مجموعة المصفاة Y (البند 5 في الشكل 3 أو الشكل 4 أو الشكل 5).
  5. قم بتركيب فاصل الهواء الخارجي على جهاز التحليل (البند 2 في الشكل 3 أو الشكل 4 أو الشكل 5). راجع التعليمات المذكورة على قائمة التعبئة.
  6. نفذ الخطوة 7 أو 8.  
يتم تزويد جهاز التحليل بمجموعة تركيب أنبوب حامل أو مجموعة تركيب منظم ضغط للتحكم في ضغط مياه المدخل. ويختار المستخدم عدة التركيب عند الشراء. مجموعة الأنابيب الثابتة الواحدة مخصصة لضغط ماء مدخل يبلغ 10 رطل لكل بوصة مربعة أو أقل، ومجموعة الأنابيب الحاملة واحدة لضغط ماء مدخل يزيد عن 10 رطل لكل بوصة مربعة. قم بقياس ضغط الماء الداخل قبل مجموعة المصفاة Y مباشرة.
  7. إذا تم اختيار عدة تركيب الأنبوب الرأسي عند الشراء، فركب الأنبوب الرأسي بالطريقة الآتية:
    - a. ركب الأنبوب الرأسي. راجع التعليمات المذكورة على قائمة التعبئة.
    - b. استخدم مشبك القناة الأصغر لترتيب مجموعة الأنبوب القائم أعلى الجزء العلوي من المحلل:
- 10 رطل لكل بوصة مربعة أو أقل - قم بتركيب مجموعة الأنبوب الرأسي على مسافة لا تقل عن 61 سم (24 بوصة) فوق الجزء العلوي من المحلل.
  - أكثر من 10 رطل لكل بوصة مربعة — قم بتركيب مجموعة الأنابيب القائمة على ارتفاع 91.4 سم (36 بوصة) على الأقل فوق الجزء العلوي من المحلل.

- c. 10 رطل في البوصة المربعة أو أقل - باستخدام الأنبوب الأسود، قم بتركيب أنبوب تجاوز العينة (البند 8 في الشكل 3). ادفع الأنبوب خلف الأنبوب الرأسي ثم أدخلها فيه. ضع الأنبوب على مسافة 10-13 سم (4-5 بوصات) في الجزء العلوي من الأنبوب الرأسي.
- d. أكثر من 10 رطل لكل بوصة مربعة - باستخدام الأنبوب الأسود، قم بتوصيل مخرج المصفاة Y بمدخل الأنبوب الحامل (البند 8 في الشكل 4).
- e. قم بقص قطعة من أنابيب صرف العينة (العنصر 3). استخدم الأنبوب لتوصيل الأنبوب الحامل إلى مصرف مفتوح (البند 11). راجع إرشادات خطوط التصريف في صفحة 591.
8. إذا تم اختيار عدة تركيب منظم الضغط عند الشراء، فركب منظم الضغط (العنصر 10 في الشكل 5).
9. باستخدام الأنابيب السوداء، صل مدخل المصفاة على شكل Y (العنصر 5) بمصدر العينة.
- راجع إرشادات خط العينة في صفحة 591 ومتطلبات العينة في صفحة 591.
10. باستخدام الأنبوب الأسود، قم بتوصيل العينة بتركيبية مدخل العينة (البند 1) على النحو التالي:  
واجعل الأنابيب أقصر ما يمكن بحيث يبلغ طولها 2,5 م (8 أقدام) بحد أقصى.
- 10 رطل في البوصة المربعة أو أقل - قم بتوصيل مخرج المصفاة Y بتركيبية مدخل العينة (البند 1) في الجزء السفلي من المحلل. الشكل 3
  - أكثر من 10 رطل لكل بوصة مربعة - قم بتوصيل مخرج الأنبوب الحامل بتركيبية مدخل العينة (البند 1) في الجزء السفلي من جهاز التحليل. الشكل 4
  - منظم الضغط - قم بتوصيل مخرج منظم الضغط بتركيبية مدخل العينة (البند 1) في الجزء السفلي من جهاز التحليل. الشكل 5
11. إذا تم تركيب منظم للضغط، فركب أنابيب تحويل العينات (العنصر 8 في الشكل 5).
12. قم بتجميع وتجميع عينة المسك (البند 4).
13. قم بتوصيل تركيبات نقطة الإنطلاق لتجميع عينة المسكة. ارجع إلى الشكل 3 أو الشكل 4 أو الشكل 5 حسب الاقتضاء.
14. قم بتوصيل أنابيب صرف العينة (العنصر 3) بمصرف مكشوف. راجع إرشادات خطوط التصريف في صفحة 591.

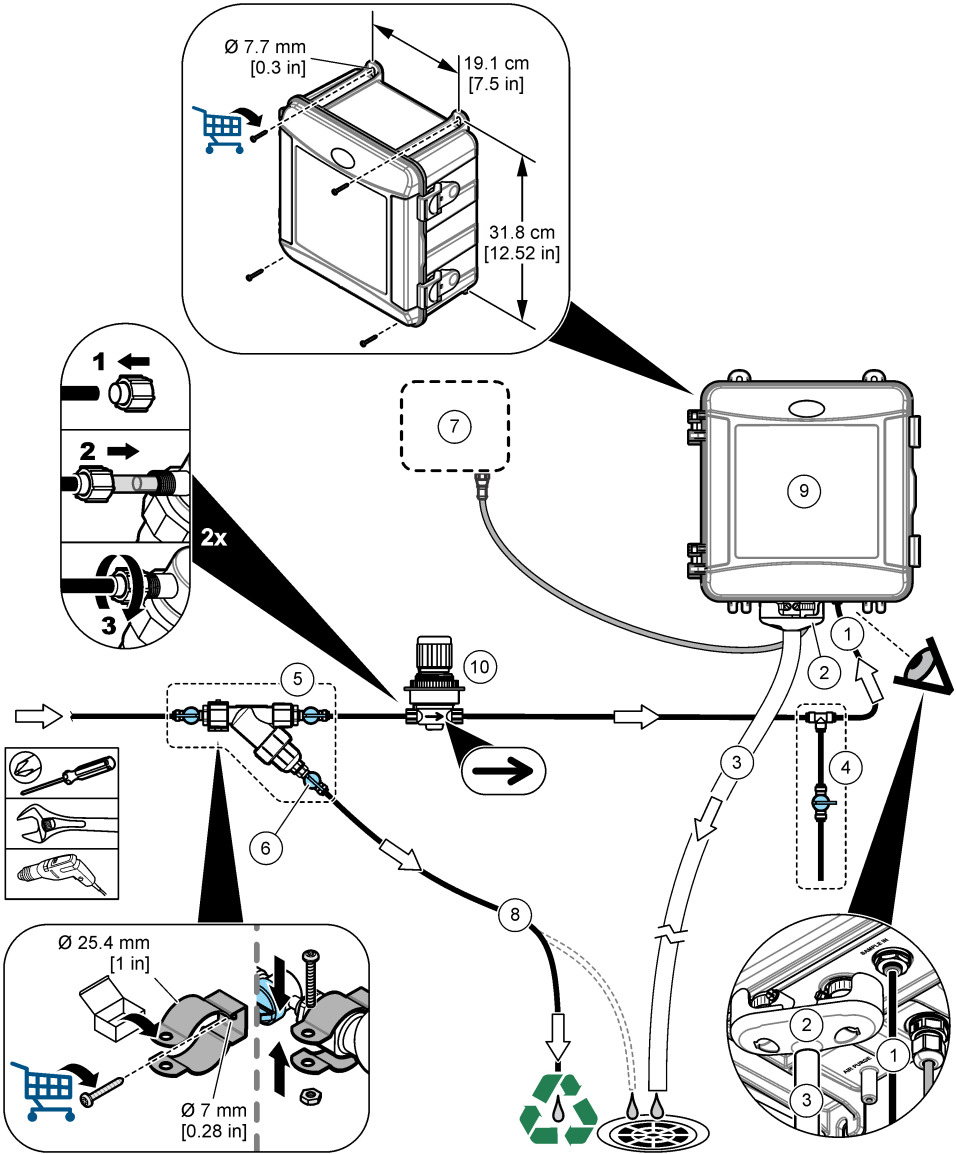
الشكل 3 التثبيت باستخدام أنبوب رأسي (10 رطل لكل بوصة مربعة أو أقل)



7 وحدة تحكم SC	1 تركيب مدخل العينة
8 أنابيب تحويل العينات	2 القاطع الهوائي الخارجي
9 محفل	3 أنابيب صرف العينة
10 أنبوب رأسي	4 مجمعة العينة العشوائية
11 أنابيب صرف الأنابيب الرأسي	5 مجمعة المصفاة على شكل Y
	6 صمام غلق عند مدخل المصفاة على شكل Y



7 وحدة تحكم SC	1 تركيب مدخل العينة
8 مدخل الأنابيب الحامل	2 القاطع الهوائي الخارجي
9 محل	3 أنابيب صرف العينة
10 أنبوب رأسي	4 مجموعة العينة العشوائية
11 أنابيب صرف الأنابيب الرأسي	5 مجموعة المصفاة على شكل Y
	6 صمام غلق عند مدخل المصفاة على شكل Y



6	صمام الإغلاق عند المصفاة Y الالتفافية	1	تركيب مدخل العينة
7	وحدة تحكم SC	2	القاطع الهوائي الخارجي
8	أنابيب تحويل العينات	3	أنابيب صرف العينة
9	محلل	4	مجموعة العينة العشوائية
10	منظم الضغط	5	مجموعة المصفاة على شكل Y

### 3.3.1 إرشادات خط العينة

اختر نقطة جيدة لأخذ العينات التمثيلية منها لتحقيق الأداء الأمثل للجهاز. يجب أن تُمثل العينة النظام بأكمله. لتجنب القراءات غير المنتظمة:

- اجمع عينات من مواقع بعيدة بشكل كافٍ عن نقاط الإضافات الكيميائية وصولاً إلى مسار العملية.
- تأكد من أن محتويات العينات مختلطة معاً بشكلٍ كافٍ.
- تأكد من اكتمال جميع التفاعلات الكيميائية.
- ركب المحلل في أقرب مكان ممكن من مصدر العينة (على بُعد 4.6 م (15 قدماً) كحد أقصى).

### 3.3.2 متطلبات العينة

يجب أن يتوافق الماء النابع من مصدر (مصادر) العينة مع المواصفات الواردة في **المواصفات** في صفحة 581. حافظ على ثبات معدل تدفق العينة ودرجة حرارة التشغيل قدر الإمكان لتحقيق الأداء الأمثل.

### 3.3.3 إرشادات خطوط التصريف

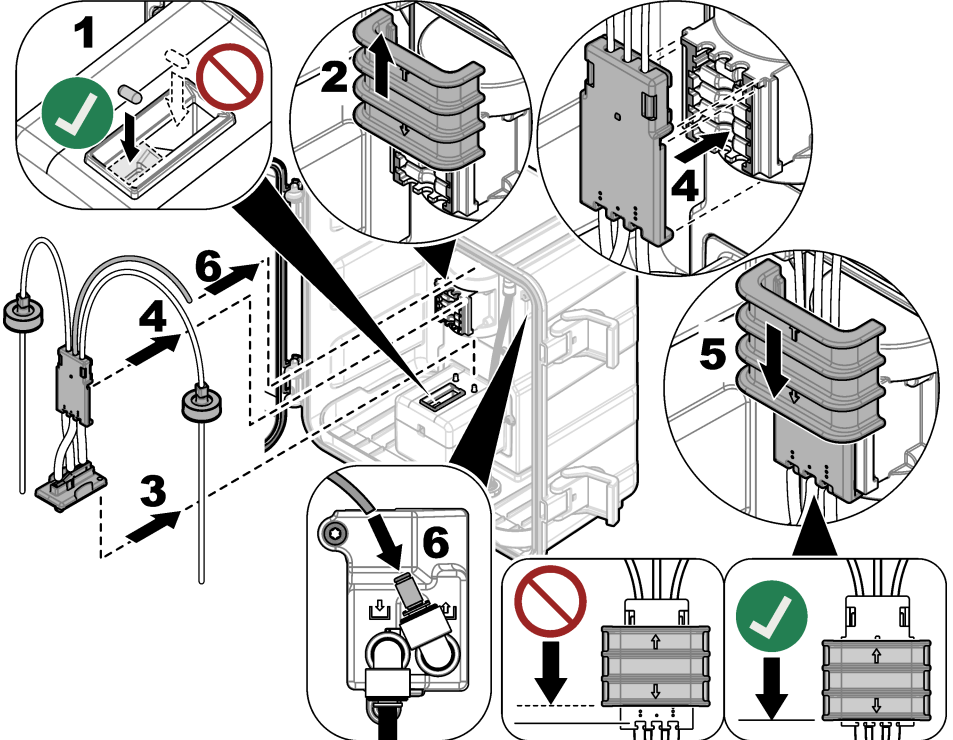
## إشعار

يتسبب التركيب غير الصحيح لأنابيب الصرف في إرجاع السوائل إلى الجهاز وحدوث تلف.

- تأكد من تركيب القاطع الهوائي الخارجي. راجع البند 2 في **الشكل 3** في صفحة 588 أو **الشكل 4** في صفحة 589 أو **الشكل 5** في صفحة 590.
- تأكد من أن أنابيب الصرف قصيرة قدر الإمكان.
- تأكد من ميل أنابيب التصريف بصورة ثابتة إلى أسفل.
- تأكد من عدم وجود التواءات حادة في خطوط التصريف وأنها ليست مضغوطة.

### 3.4 الخطوة 3: تركيب قضيب التحريك ومجموعة الأنابيب

نفذ الخطوات المبينة في الصور التالية.



### 3.5 الخطوة 4: تركيب زجاجات المواد التفاعلية

#### ⚠️ تنبيه

خطر التعرض الكيميائي. التزم بإجراءات الأمان المعملية وارتد جميع معدات الحماية الشخصية المناسبة للمواد الكيميائية التي يتم التعامل معها. اطلع على صحائف بيانات سلامة المواد (MSDS/SDS) الحالية للتعرف على بروتوكولات السلامة.



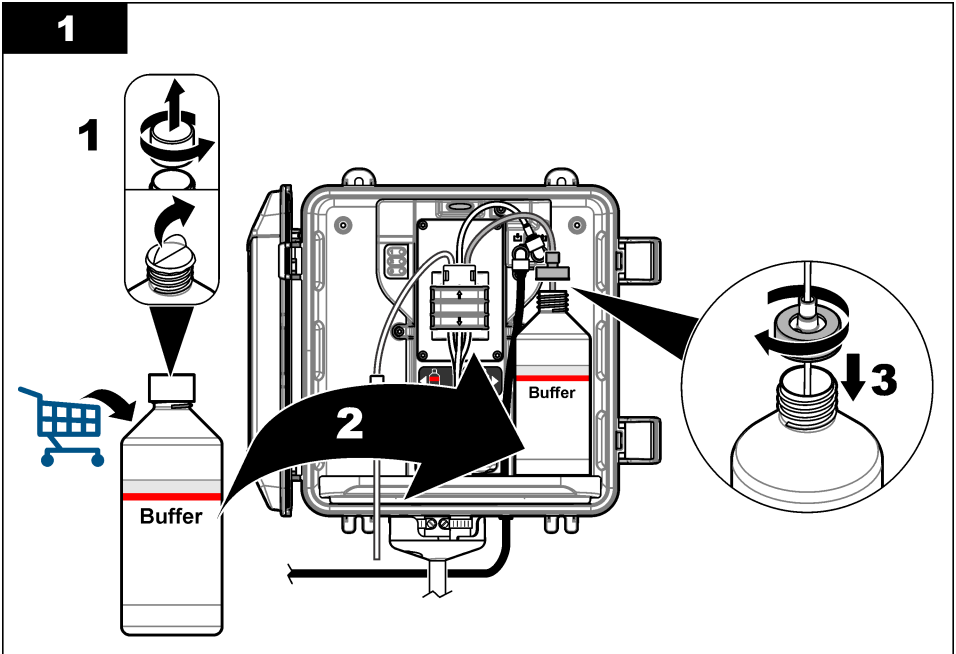
العناصر اللازمة:

- معدات الوقاية الشخصية (راجع MSDS/SDS)
- زجاجة محلول المؤشر
- زجاجة المحلول المنظم
- زجاجة مركب ثنائي ميثيل فينيلين ثنائي الأمين (DPD)

1. ارتد معدات الحماية الشخصية المحددة في صحائف بيانات السلامة (MSDS/SDS).

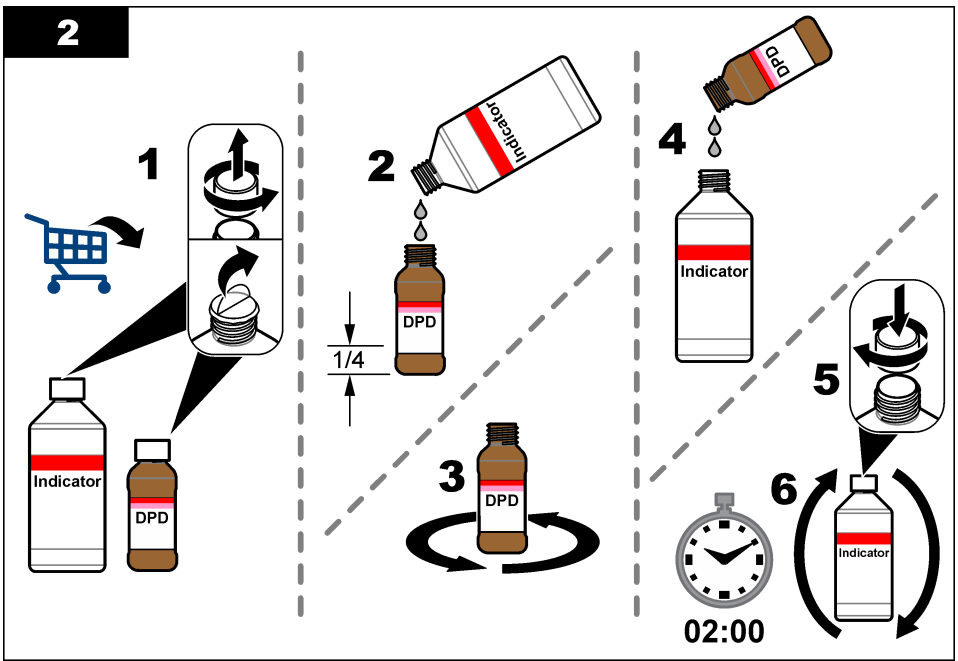
2. ركب زجاجة المحلول المنظم على الجانب الأيمن وزجاجة محلول المؤشر على الجانب الأيسر. راجع الخطوات المبينة في الصور التالية.

ملاحظة: (اختياري) استخدم الجزء العلوي من المحلل بوصفه رفًا.

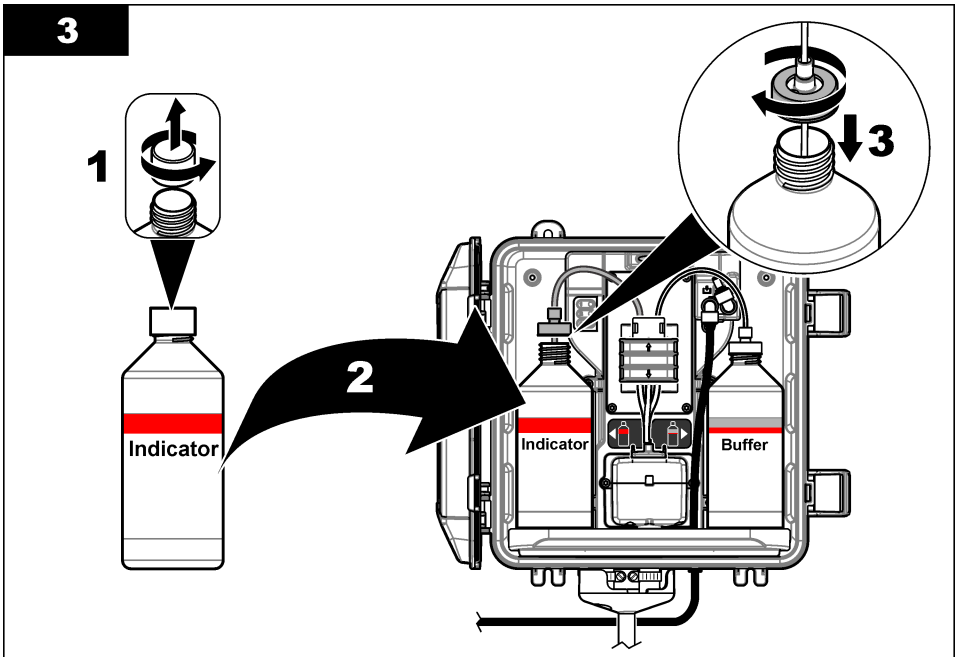




**2**



**3**



### 3.6 الخطوة 5: ضبط معدل التدفق على وضع التشغيل

1. أدر صمام (صمامات) الغلق ببطء إلى وضع الفتح ربع دورة.
2. تأكد من عدم وجود تسريبات عند وصلات الأنابيب. إذا كان ثمة تسريب، فأدخل الأنابيب في التركيبة إلى مسافة أبعد أو أحكم ربط الوصلة باستخدام مفتاح ربط.
3. بالنسبة إلى تركيبات الأنابيب الرأسي، نفذ الخطوات الآتية:
  - a. افتح صمام الغلق الموجود عند مخرج المصفاة على شكل Y بالكامل.
  - b. أدر صمام الإغلاق عند مدخل المصفاة Y (البند 6 في الشكل 3 في صفحة 588 أو الشكل 4 في صفحة 589) حتى يخرج تيار صغير من الماء من أنبوب تصريف الأنابيب الحامل.
4. بالنسبة إلى تركيبات منظم الضغط، نفذ الخطوات الآتية:
  - a. افتح صمامات الغلق الموجودة عند مدخل المصفاة على شكل Y ومخرجها بالكامل.
  - b. أدر صمام الغلق الموجود عند أنابيب تحويل المصفاة على شكل Y (العنصر 6 في الشكل 5 في صفحة 590) حتى يخرج تيار صغير من الماء عبر أنابيب تحويل المصفاة على شكل Y.

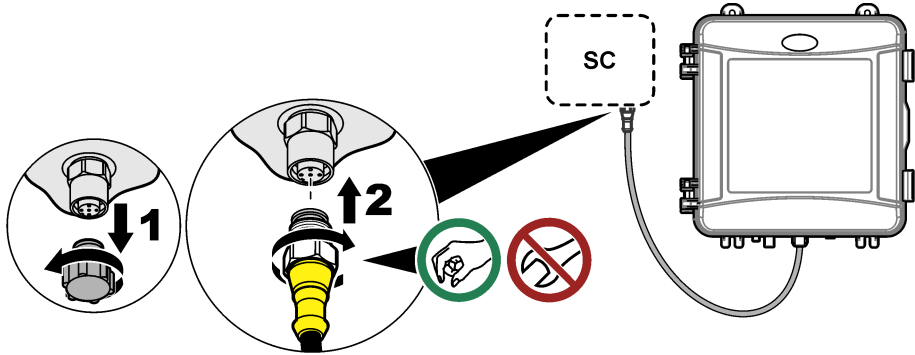
### 3.7 الخطوة 6: التركيب الكهربائي

#### 3.7.1 توصيل المحلل بوحدة التحكم

⚠️ تنبيه	
خطر التعرض لصدمة كهربائية. يجب أن يشمل الجهاز الذي يتم توصيله خارجيًا على تقييم معايير السلامة المعمول به داخل البلد.	

- وصل كابل المحلل بتجهيزة التوصيل السريع في وحدة التحكم SC. راجع الشكل 6.
- احتفظ بغطاء الموصل لإحكام غلق فتحة الموصل في حالة ضرورة إزالة الكابل.
- ملاحظة:** وتتوفر كابلات للإطالة. راجع قطع الغيار والملحقات في صفحة 604. أقصى طول للكابل هو 15 م (49 قدمًا).

#### الشكل 6 وصل الكابل بتجهيزة التوصيل السريع



#### 3.7.2 توصيل وحدة التحكم بالطاقة

وصل وحدة التحكم بخط الطاقة عن طريق توصيل الأسلاك من خلال أنبوب أو توصيل الأسلاك بسلك طاقة. راجع وثائق وحدة التحكم للاطلاع على التعليمات.

#### 3.7.3 توصيل أجهزة خارجية بوحدة التحكم

وصل مرحلات وحدة التحكم والمخرجات التناظرية والمدخلات الرقمية بأجهزة خارجية حسب الضرورة. راجع وثائق وحدة التحكم للاطلاع على التعليمات.

### 3.8 الخطوة 7: إعداد المحلل وتحضيره للتشغيل

1. اضغط على **menu** (القائمة)، ثم حدد **SENSOR SETUP** (إعداد وحدة الاستشعار) < [حدد المحلل] < **PRIME** (الطلاء الأولي).
2. إذا لم تكتشف وحدة التحكم أنه تم توصيل المحلل، فقم بإجراء الخطوات الآتية:
  - a. اضغط على **menu** (القائمة)، ثم حدد **TEST/MAINT** (اختبار/الصيانة) < **SCAN SENSORS** (مسح وحدات الاستشعار).
  - b. عند العثور على أداة الاستشعار وتركيبها، قم بالخطوة 1 مجدداً.

### 3.9 الخطوة 8: ضبط معدل التدفق

- يحتوي المحلل على مقياس تدفق يقيس تدفق العينة عبر المحلل. راجع الشكل 1 في صفحة 584.
1. اضغط على السهم لليمين في وحدة التحكم لإظهار معدل التدفق على الشاشة.  
في بعض الأوقات، تتدفق العينة عبر المحلل عندما يملأ المحلل الخلية بالماء. وفي أوقات أخرى، لا تتدفق العينة ويكون معدل التدفق صفراً. راجع الجدول 4 في صفحة 584 للاطلاع على أوصاف خطوات دورة القياس.  
**ملاحظة:** لقياس معدل التدفق يدوياً عبر المحلل، قم بقياس معدل التدفق عند صرف المحلل عندما يملأ المحلل الخلية بالماء.
  2. بالنسبة إلى تركيبات الأنابيب الرأسية، أدر صمام الغلق عند مخرج المصفية على شكل Y لتعيين معدل التدفق بين 60 و 200 مل/دقيقة عندما يملأ المحلل الخلية بالماء.
  3. بالنسبة إلى تركيبات منظم الضغط، اضبط منظم الضغط لتعيين معدل التدفق بين 60 و 200 مل/دقيقة عندما يملأ المحلل الخلية بالماء.

### 3.10 الخطوة 9: تثبيت أحدث برنامج

- تأكد من أن البرنامج المثبت على وحدة التحكم SC هو أحدث برنامج. استخدم بطاقة SD لتثبيت أحدث برنامج على وحدة التحكم SC.
1. انتقل إلى صفحة المنتج لمعرفة وحدة التحكم SC المناسبة على الموقع <http://hach.com>.
  2. انقر فوق علامة التبويب "الموارد".
  3. مرر إلى أسفل وصولاً إلى "Software/Firmware" (البرنامج/البرنامج الثابت).
  4. اضغط على الرابط لتنتقل إلى برنامج وحدة التحكم SC.
  5. احفظ الملفات على بطاقة SD.
  6. ثبت الملفات على وحدة التحكم SC. راجع تعليمات تثبيت البرنامج المرفقة مع ملفات البرنامج.

## القسم 4 التكوين

### 4.1 الخطوة 10: تكوين المحلل

عَيِّن اسم المحلل ومعدل الإشارة ونوع الكلور المقاس وخيار منع تكوين الفقاعات ونقاط ضبط تبيهات تركيز الكلور.

1. اضغط على **menu** (القائمة) ثم حدد **SENSOR SETUP** (إعداد وحدة الاستشعار) < [حدد المحلل] < **CONFIGURE** (تكوين).
2. حدد كل خيار وقم بتكوينه.

الخيار	الوصف
<b>EDIT NAME</b> (تحرير الاسم)	يعيِّن هذا الخيار اسم المحلل. يظهر اسم المحلل على شاشة وحدة التحكم وفي ملفات السجلات.

الخيار	الوصف
<b>SIGNAL AVERAGE</b> (معدل الإشارة)	يعين هذا الخيار أرقام القياسات المستخدمة لحساب قياسي المعدل الذي يظهر على الشاشة. الخيارات: 1 (افتراضي) أو 2 أو 3 أو IRREGULAR VALUE (القيمة غير المنتظمة). عند تعيين SIGNAL AVERAGE (معدل الإشارة) على 1، يتم تعطيل معدل الإشارة. عند تعيين SIGNAL AVERAGE (معدل الإشارة) على 2 أو 3، تظهر قراءة المعدل على الشاشة. على سبيل المثال، إن القياس الذي يظهر على الشاشة يساوي مجموع القياسين الأخير والسابق له مقسوماً على 2، وذلك عند تعيين SIGNAL AVERAGE (معدل الإشارة) على 2. عند تعيين SIGNAL AVERAGE (معدل الإشارة) على IRREGULAR VALUE (القيمة غير المنتظمة)، يرفض المحلل القراءة الأكبر من آخر قراءة أو الأقل منها بصورة غير طبيعية. عندما يرفض المحلل إحدى القراءات، تظهر آخر قراءة جيدة على الشاشة ويتم حفظها في سجل البيانات. لا يرفض المحلل أكثر من ثلاث قراءات متتالية. يصحح معدل الإشارة تارجح مستويات القراءة غير الصحيحة الناتجة عن الفقاعات و/أو الجسيمات الأكبر حجماً في العينة.
<b>MEASUREMENT</b> (القياس)	يعين هذا الخيار نوع الكلور المقاس. في حالة كتابة عبارة "الكلور الحر" على ملصقات زجاجات المحلول المنظم ومحلل المؤشر، حدد FREE CHLORINE (الكلور الحر) (الوضع الافتراضي). في حالة كتابة عبارة "الكلور الكلي" على ملصقات زجاجات المحلول المنظم ومحلل المؤشر، حدد TOTAL CHLORINE (الكلور الكلي).
<b>BUBBLE REJECT</b> (الفقاعة)	يقوم هذا الخيار بتعيين "منع تكوين الفقاعات" على تشغيل أو إيقاف (الوضع الافتراضي). عيّن خيار BUBBLE REJECT (رفض الفقاعة) على ON (تشغيل) لتقليل الضجيج الناتج عن الفقاعات في العينة. قد تتسبب فقاعات الهواء في العينة في عدم استقرار القراءات.
<b>HIGH CL ALARMS</b> (إنذارات الكلور العالي)	عيّن نقطة ضبط تركيز الكلور لإنذار HIGH CHLORINE (الكلور العالي) — من 0,00 إلى 10,00 ملجم/لتر (الافتراضي: 4,00 ملجم/لتر).
<b>LOW CL ALARMS</b> (إنذارات الكلور المنخفض)	عيّن نقطة ضبط تركيز الكلور لإنذار LOW CHLORINE (الكلور المنخفض) — من 0,00 إلى 10,00 ملجم/لتر (الافتراضي: 0,20 ملجم/لتر).
<b>SENSOR INFO</b> (معلومات وحدة الاستشعار)	يُظهر هذا الخيار الرقم التسلسلي للمحلل وإصدار البرنامج وإصدار التشغيل وإصدار برنامج التشغيل.
<b>DEFAULT SETTINGS</b> (الإعدادات الافتراضية)	حدد YES (نعم) لإعادة إعدادات التكوين إلى قيم المصنع الافتراضية.
<b>SERVICE</b> (الصيانة)	للاستخدام عند الصيانة فقط

## 4.2 تكوين النظام

راجع وثائق وحدة التحكم للاطلاع على تكوين النظام والإعدادات العامة لوحدة التحكم وإعداد المخرجات والاتصالات.

## 4.3 تنقل المستخدم

راجع وثائق وحدة التحكم للاطلاع على وصف لوحة المفاتيح ومعلومات التنقل.

اضغط على مفتاح السهم **RIGHT** (إلى اليمين) في وحدة التحكم عدة مرات لإظهار معلومات أكثر على الشاشة الرئيسية ولإظهار عرض رسومي.

## القسم 5 التشغيل

### 5.1 سجلات البيانات والأحداث والصيانة

توفر وحدة التحكم إمكانية الوصول إلى سجل بيانات وسجل أحداث وسجل صيانة لكل جهاز متصل. يتم حفظ قياسات المحلّل تلقائيًا في سجل البيانات كل فاصل زمني مقداره 150 ثانية. يُظهر سجل البيانات الأحداث التي وقعت. يحتفظ كل من سجلي البيانات والأحداث بالبيانات المدرجة على مدار أسبوعين تقريبًا عند تشغيل المحلل باستمرار. يحتفظ سجل الصيانة بالبيانات المدرجة على مدار 24 ساعة تقريبًا عند تشغيل المحلل باستمرار.

راجع وثائق وحدة التحكم لتتزيل سجل البيانات وسجل الأحداث وسجل الصيانة أو أحدها. سجل البيانات هو ملف XML يمكن حفظه كملف بتنسيق CSV أو Excel. سجلا الأحداث والصيانة عبارة عن ملفات بتنسيق CSV.

## 5.2 قياس GRAB SAMPLE IN (العينة المجمعة من موقع محدد)

عند الضرورة، استخدم القائمة GRAB SAMPLE IN (العينة المجمعة من موقع محدد) لإضافة عينة ماء تحتوي على نسبة كلور معلومة التركيز إلى الخلية للقياس. قس عينة عشوائية للتحقق أو لقياس عينة ماء جُمعت من مكان آخر.

1. اضغط على **menu** (القائمة)، ثم حدد **SENSOR SETUP** (إعداد وحدة الاستشعار) < [حدد المحلل] < **GRAB SAMPLE IN** (العينة المجمعة من موقع محدد).
2. أكمل الخطوات المبينة على الشاشة. وأزل غطاء الخلية وأضف 100 مل من العينة العشوائية إلى الخلية عندما يُطلب منك ذلك. سيتدفق جزء من العينة إلى أنبوب الصرف الخاص بها.

## 5.3 سجلات Modbus

تتوفر قائمة بسجلات Modbus لاتصالات الشبكة. راجع موقع الويب للشركة المصنعة للاطلاع على مزيد من المعلومات.

## القسم 6 المعايرة والضبط

يتم ضبط منحنى معايرة المحلل في المصنع من أجل تطبيق المواصفات. يمكن إجراء المعايرة من أجل التحقق من الأداء. لا يُوصى بإجراء المستخدم أي عمليات ضبط لمنحنى المعايرة الذي تم ضبطه في المصنع ما لم تتطلب هيئة تنظيمية معينة ذلك من أجل تقارير الامتثال أو إذا أُجريت عملية إصلاح كبيرة للمحلل. لمزيد من المعلومات، راجع التعليمات الواردة في "مجموعة فحص المعايرة" أو اتصل بالدعم الفني.

## القسم 7 الصيانة

### ⚠ تنبيه

مخاطر متعددة. يجب عدم إجراء المهام الموضحة في هذا القسم من المستند إلا بواسطة الموظفين المؤهلين لذلك فقط.



### إشعار

تجنب تفكيك الجهاز من أجل الصيانة. وفي حالة ضرورة تنظيف المكونات الداخلية أو إصلاحها، اتصل بالشركة المصنعة.

## 7.1 جدول الصيانة

الجدول 6 يعرض الجدول الموصى به لمهام الصيانة. قد تؤدي متطلبات المنشأة وظروف التشغيل إلى زيادة تكرار بعض المهام.

### الجدول 6 جدول الصيانة

المهمة	شهر واحد	6 أشهر	حسب الضرورة
تنظيف الخلية في صفحة 597	X <sup>2</sup>		
استبدال زجاجات المواد التفاعلية في صفحة 598	X		
استبدال قضيب التحريك وحزمة الأنايبب <sup>3</sup>		X	
تنظيف منخل المصفاة على شكل Y في صفحة 599			X

## 7.2 تنظيف الخلية

### ⚠ تنبيه

خطر التعرض الكيميائي. التزم بإجراءات الأمان العملية وارتد جميع معدات الحماية الشخصية المناسبة للمواد الكيميائية التي يتم التعامل معها. اطلع على صحائف بيانات سلامة المواد (MSDS/SDS) الحالية للتعرف على بروتوكولات السلامة.



نظف الخلية كل شهر أو أقل إذا لزم الأمر.

العناصر اللازمة:

<sup>2</sup> نظف الخلية بصورة أكثر أو أقل تكرارًا حسب الضرورة.

<sup>3</sup> راجع التعليمات المرفقة مع عدة الأنايبب.



1. ارتد معدات الحماية الشخصية المحددة في صحائف بيانات السلامة (MSDS/SDS).
2. اضغط على **menu** (القائمة) ثم حدد **SENSOR SETUP** (إعداد وحدة الاستشعار) < [حدد المحلل] **TASKS** (المهام) < **CLEAN CELL** (تنظيف الخلية).
- ملاحظة: لإيقاف مهمة محددة، اضغط على **home** (الصفحة الرئيسية).
3. اضغط على **enter** (إدخال) لإيقاف القياسات.
4. حدد أحد الخيارات.

## الوصف

## الخيار

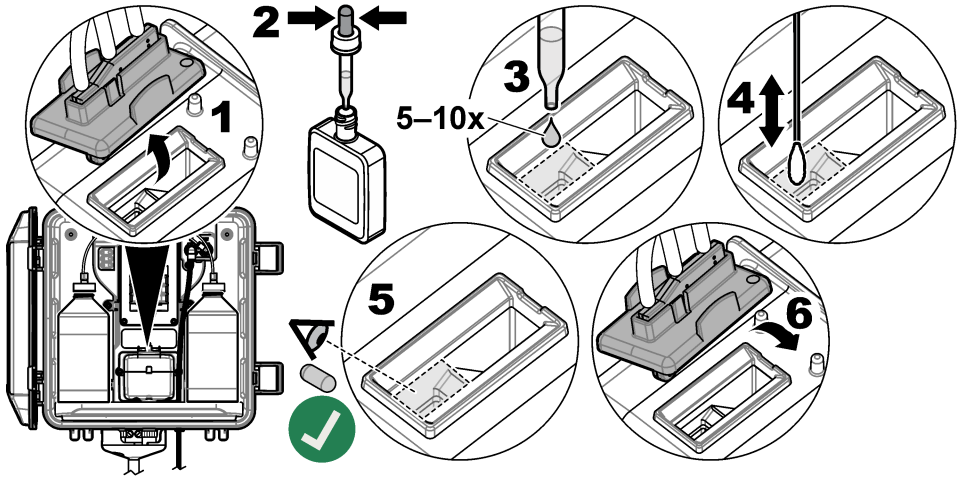
تظل مخرجات وحدة التحكم ثابتة على آخر قيمة مقاسة.

**HOLD** (تعليق)

تتغير مخرجات وحدة التحكم إلى قيمة النقل.

**TRANSFER** (نقل)

5. عندما يومض ضوء الحالة، اتخذ الخطوات المبينة في الصور التالية. بعد الانتهاء، اضغط على **enter** (إدخال). في الخطوة 5 الموضحة، تأكد من عدم وجود أي مواد غير مرغوب فيها داخل الخلية. استخدم مصباحًا كشافًا للبحث عن المواد غير المرغوب فيها حسب الضرورة.



6. عند ظهور "TASK COMPLETE" (اكتمال المهمة) على الشاشة، اضغط على **enter** (إدخال). يبدأ المحلل دورة قياس خلال 30 ثانية تقريبًا.

### 7.3 استبدال زجاجات المواد التفاعلية

#### ⚠️ تنبيه

خطر التعرض الكيميائي. التزم بإجراءات الأمان المعملية وارتد جميع معدات الحماية الشخصية المناسبة للمواد الكيميائية التي يتم التعامل معها. اطّلع على صحائف بيانات سلامة المواد (MSDS/SDS) الحالية للتعرف على بروتوكولات السلامة.



4 راجع قطع الغيار والملحقات في صفحة 604.

5 تجنب استخدام محاليل تنظيف أخرى. راجع قطع الغيار والملحقات في صفحة 604.



خطر التعرض الكيميائي. تخلص من المواد الكيميائية والنفايات بما يتوافق مع اللوائح المحلية والإقليمية والوطنية.

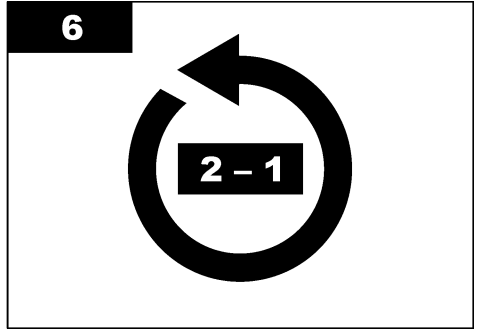
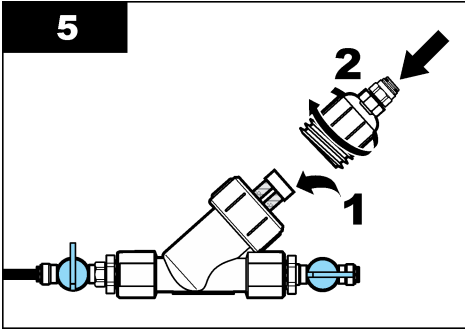
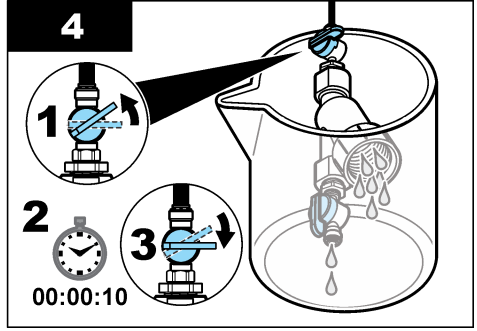
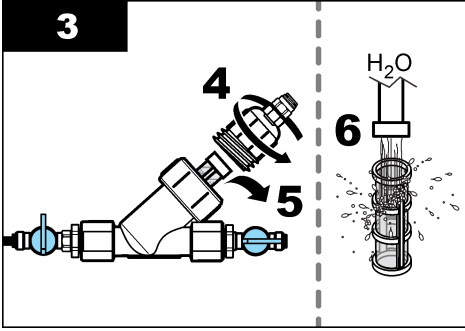
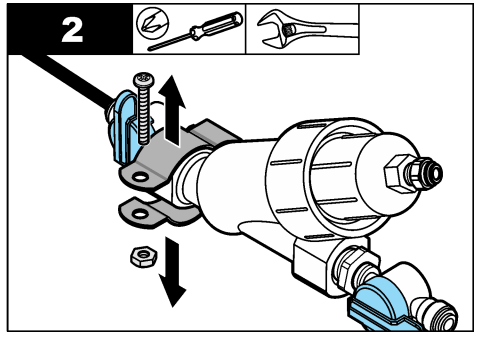
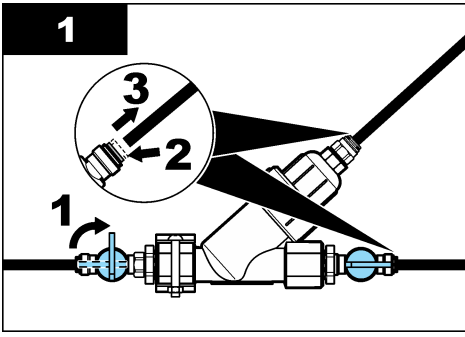
استبدل زجاجات المواد التفاعلية على فترات امتتها شهر واحد.

1. ارتد معدات الحماية الشخصية المحددة في صحائف بيانات السلامة (MSDS/SDS).
2. اضغط على **menu** (القائمة)، ثم حدد **SENSOR SETUP** (إعداد وحدة الاستشعار) < [حدد المحلل] < **TASKS** (المهام) < **CHANGE REAGENTS** (تغيير المواد الكاشفة).
- ملاحظة: لإيقاف مهمة محددة، اضغط على **home** (الصفحة الرئيسية).
3. اضغط على **enter** (إدخال) لإيقاف القياسات.
4. حدد أحد الخيارات.

الخيار	الوصف
<b>HOLD</b> (تعليق)	تظل مخرجات وحدة التحكم ثابتة على آخر قيمة مُقاسة.
<b>TRANSFER</b> (نقل)	تتغير مخرجات وحدة التحكم إلى قيمة النقل.
5.	انتظر وميض ضوء الحالة.
6.	استبدل زجاجة المحلول المنظم بالطريقة الآتية: ملاحظة: (اختياري) استخدم الجزء العلوي من المحلل بوصفه رفًا.
a.	أزل الغطاء والسدادة من زجاجة المحلول المنظم الجديدة.
b.	أزل زجاجة المحلول المنظم المستخدمة من المحلل.
c.	ضع أنابيب المحلول المنظم في زجاجة المحلول المنظم الجديدة على الجانب الأيمن من المحلل. أحكم ربط الغطاء.
7.	استبدل زجاجة محلول المؤشر بالطريقة الآتية:
a.	أزل الغطاء والسدادة من زجاجة محلول المؤشر وزجاجة مركب ثنائي ميثيل فينيلين ثنائي الأمين (DPD) النّبئية.
b.	املأ ما يُقارب ربع زجاجة مركب DPD النّبئية بمحلول المؤشر.
c.	رُج زجاجة مركب DPD لخلط المحتويات معًا.
d.	ضع محتويات زجاجة مركب DPD في زجاجة محلول المؤشر.
e.	اقلب زجاجة محلول المؤشر حتى تذوب كل كمية المسحوق (دقيقتين).
f.	أزل زجاجة محلول المؤشر المستخدمة من المحلل.
g.	ضع أنابيب محلول المؤشر في زجاجة محلول المؤشر الجديدة على الجانب الأيسر من المحلل. أحكم ربط الغطاء.
8.	اضغط على <b>enter</b> (إدخال).
9.	عند ظهور "TASK COMPLETE" (اكتمال المهمة) على الشاشة، اضغط على <b>enter</b> (إدخال). يبدأ المحلل دورة قياس خلال 30 ثانية تقريبًا.

#### 7.4 تنظيف منخل المصفاة على شكل Y

نظف منخل المصفاة على شكل Y في حالة حدوث انسداد يتم التعرف عليه بظهور تحذير LOW SAMPLE FLOW (تدفق العينة المنخفض). أكمل الخطوات المبينة في الصور التالية.



## 7.5 التجهيز للتخزين

### ⚠️ ت ا ن ب ي ه

خطر التعرض الكيميائي. التزم بإجراءات الأمان المعملية وارتن جميع معدات الحماية الشخصية المناسبة للمواد الكيميائية التي يتم التعامل معها. اطلع على صحائف بيانات سلامة المواد (MSDS/SDS) الحالية للتعرف على بروتوكولات السلامة.



إذا كان سيتم فصل الطاقة عن المحلل لمدة 3 أيام أو سيتم التوقف عن استخدامه لأكثر من 3 أيام، فقم بتجهيز المحلل للتخزين.  
العناصر اللازمة:

قطارة تُستخدم لمرة واحدة أو قطعة قماش خالية من النسالة



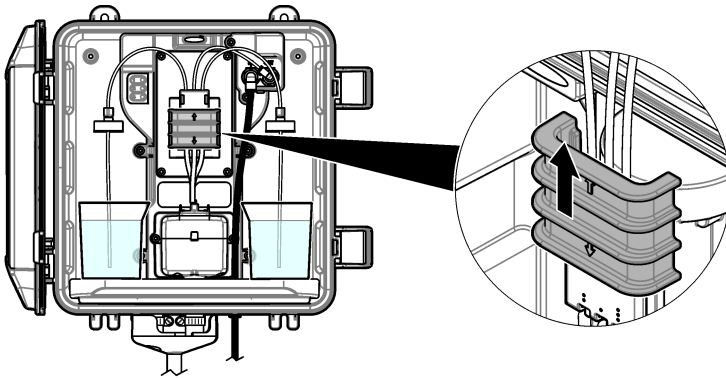
كوب به ماء منزوع الأيونات (2)





1. أزل المواد التفاعلية من الخطوط المخصصة لها بالطريقة الآتية:
  - a. أزل زجاجة محلول المؤشر وزجاجة المحلول المنظم من المحلل.
  - b. ضع كويبين (أو حاويين) بهما ماء منزوع الأيونات في المحلل.
  - c. ضع أنابيب زجاجة محلول المؤشر وأنابيب زجاجة المحلول المنظم في الكويبين.
  - d. اضغط على **menu (القائمة)**، ثم حدد **SENSOR SETUP** (إعداد وحدة الاستشعار) < [حدد المحلل] < **PRIME** (الطلاء الأولي).
- يزيل المحللُ المواد التفاعلية من الخطوط المخصصة لها.
2. أزل الماء منزوع الأيونات من الخطوط المخصصة للمواد التفاعلية بالطريقة الآتية:
  - a. أزل أنابيب زجاجة محلول المؤشر وأنابيب زجاجة المحلول المنظم من الكويبين.
  - b. أزل الكويبين من المحلل.
  - c. اضغط على **menu (القائمة)**، ثم حدد **SENSOR SETUP** (إعداد وحدة الاستشعار) < [حدد المحلل] < **PRIME** (الطلاء الأولي).
- يزيل المحلل جميع السوائل من الخطوط المخصصة للمواد التفاعلية.
3. افصل كابل المحلل عن وحدة التحكم (أو افصل الطاقة عن وحدة التحكم).
4. أدر صمام الغلق إلى وضع الغلق لمنع تدفق العينة إلى المصفاة على شكل Y.
5. أزل مشبك التوصيل بأنبوب. راجع **الشكل 7**. احتفظ بمشبك التوصيل بأنبوب لاستخدامه لاحقًا.
6. أزل الماء من الخلية كما يلي:
  - a. أزل الغطاء من الخلية.
  - b. أزل الماء من الخلية بقطارة تستخدم لمرة واحدة أو بقطعة قماش خالية من النسالة.
  - c. ركب الغطاء في الخلية.
7. لتشغيل المحلل بعد التخزين، نفذ الخطوات التالية:
  - a. ركب مشبك التوصيل بأنبوب. راجع **الشكل 7**.
  - b. ركب زجاجات المواد التفاعلية. راجع **الخطوة 4: تركيب زجاجات المواد التفاعلية** في صفحة 592.
  - c. أدر صمام الغلق إلى وضع الفتح لبدء تدفق العينة إلى المصفاة على شكل Y.
  - d. صل كابل المحلل بوحدة التحكم، إذا كان الكابل غير متصل.
  - e. زود وحدة التحكم بالطاقة، في حال تم فصلها عنها.
  - f. اضغط على **menu (القائمة)**، ثم حدد **SENSOR SETUP** (إعداد وحدة الاستشعار) < [حدد المحلل] < **PRIME** (الطلاء الأولي).

**الشكل 7** أزل مشبك التوصيل بأنبوب



## ⚠️ تنبيه

خطر التعرض الكيميائي. التزم بإجراءات الأمان المعملية وارزد جميع معدات الحماية الشخصية المناسبة للمواد الكيميائية التي يتم التعامل معها. اطلع على صحائف بيانات سلامة المواد (MSDS/SDS) الحالية للتعرف على بروتوكولات السلامة.



لتجهيز المحلل للشحن، نفذ الخطوات التالية.

العناصر اللازمة:

عبوة أصلية



كوب به ماء منزوع الأيونات (2)



1. أزل المواد التفاعلية من الخطوط المخصصة لها بالطريقة الآتية:
  - a. أزل زجاجة محلول المؤشر وزجاجة المحلول المنظم من المحلل.
  - b. ضع كوتين (أو حاويتين) بهما ماء منزوع الأيونات في المحلل.
  - c. ضع أنابيب زجاجة محلول المؤشر وأنابيب زجاجة المحلول المنظم في الكوتين.
  - d. اضغط على **menu** (القائمة)، ثم حدد **SENSOR SETUP** (إعداد وحدة الاستشعار) < [حدد المحلل] < **PRIME** (الطلاء الأولي).
2. أزل الماء منزوع الأيونات من الخطوط المخصصة للمواد التفاعلية بالطريقة الآتية:
  - a. أزل أنابيب زجاجة محلول المؤشر وأنابيب زجاجة المحلول المنظم من الكوتين.
  - b. أزل الكوتين من المحلل.
  - c. اضغط على **menu** (القائمة)، ثم حدد **SENSOR SETUP** (إعداد وحدة الاستشعار) < [حدد المحلل] < **PRIME** (الطلاء الأولي).
3. أفضل كابل المحلل عن وحدة التحكم.
4. أدر صمام الغلق إلى وضع الغلق لمنع تدفق العينة إلى المصفاة على شكل Y.
5. أفضل أنابيب مدخل العينة (السوداء) وأنابيب الصرف (الشفافة) عن المحلل.
6. أزل القاطع الهوائي الخارجي من المحلل.
7. أزل مشبك التوصيل بأنبوب. راجع الشكل 7 في صفحة 601.
8. أزل حزمة الأنايبب وقضيب التحريك من المحلل. احتفظ بحزمة الأنايبب لشحنها مع المحلل. راجع الخطوة 3: تركيب قضيب التحريك ومجموعة الأنايبب في صفحة 591.
9. ركب مشبك التوصيل بأنبوب من دون حزمة الأنايبب. ضع شريطاً لاصقاً لتثبيت مشبك الأنايبب بإحكام.
10. أزل الماء من الخلية بقطارة تستخدم لمرة واحدة أو بقطعة قماش خالية من النسالة.
11. قم بإزالة المحلل من الحائط.
12. ضع المحلل في العبوة الأصلية مرة أخرى.

## 7.7 تنظيف الجهاز

## إشعار

لا تستخدم مواد التنظيف مثل زيت التربنتين أو الأستيون أو المنتجات المماثلة مطلقاً لتنظيف الجهاز، بما في ذلك الشاشة والملحقات.

نظف الجزء الخارجي من الجهاز بقطعة قماش مبللة ومحلول صابون معتدل.

## ⚠️ تنبيه



خطر التعرض الكيميائي. تخلص من المواد الكيميائية والنفايات بما يتوافق مع اللوائح المحلية والإقليمية والوطنية.

1. التزم بجميع بروتوكولات الأمان الخاصة بالسيطرة على الانسكابات داخل المنشأة.
2. تخلص من النفايات وفقاً للوائح المعمول بها.

## القسم 8 استكشاف الأخطاء وإصلاحها

## 8.1 الأخطاء — الضوء الأحمر

لإظهار الأخطاء، اضغط على **menu** (القائمة) ثم حدد **DIAGNOSTICS** (التشخيص) < [حدد المحلل] < **ERROR LIST** (قائمة الأخطاء). تظهر قائمة بالأخطاء المحتملة في **الجدول 7**.  
عند حدوث خطأ، يتغير ضوء حالة المحلل إلى اللون الأحمر. تتوقف القياسات وتومض شاشة القياس ويتم الاحتفاظ بكل المخرجات كما هي محددة في قائمة وحدة التحكم.

الجدول 7 رسائل الخطأ

الحل	الوصف	الخطأ
اتصل بالدعم الفني.	لا يعمل أحد المستكشفات بشكل صحيح.	DETECTOR ERROR (خطأ في المستكشف)
نظف الخلية. راجع <b>تنظيف الخلية</b> في صفحة 597.	الخلية ملطخة أو متسخة. يمكن أن تنمو طبقة من الكائنات الدقيقة في الخلية عندما يكون تركيز الكلور منخفضاً جداً.	DIRTY CELL (الخلية المتسخة)
اتصل بالدعم الفني.	حدث خطأ في البرنامج الثابت.	CODE ERROR (خطأ في الرمز)
اتصل بالدعم الفني.	لا يعمل الضوء داخل الخلية بشكل صحيح.	LED ERROR (خطأ في مؤشر LED)
اتصل بالدعم الفني.	لا تعمل المضخة بشكل صحيح.	PUMP ERROR (خطأ في المضخة)
اتصل بالدعم الفني.	يوجد تسرب في العينة داخل المحلل.	SAMPLE LEAK (تسرب العينة)

## 8.2 تحذيرات — الضوء الأصفر

لإظهار التحذيرات، اضغط على **menu** (القائمة) ثم حدد **DIAGNOSTICS** (التشخيص) < [حدد المحلل] < **WARNING LIST** (قائمة التحذيرات). تظهر قائمة بالتحذيرات المحتملة في **الجدول 8**.  
عند ظهور تحذير، يتغير ضوء مؤشر الحالة إلى اللون الأصفر. يومض رمز التحذير وتظهر رسالة بأسفل شاشة وحدة التحكم. إذا كان ثمة تدفق كافٍ للعينة، فلا يؤثر التحذير في عمل القوائم. ولا يؤثر التحذير في تشغيل المرحلات والمخرجات.

الجدول 8 رسائل التحذير

الحل	الوصف	التحذير
نظف الخلية. راجع <b>تنظيف الخلية</b> في صفحة 597. (اختياري) قم بتعيين الإعداد <b>BUBBLE REJECT</b> (رفض الفقاعة) على <b>on</b> (تشغيل). راجع <b>الخطوة 10: تكوين المحلل</b> في صفحة 595.	ثمة فقاعات في الخلية.	BUBBLES DETECTED (تم اكتشاف الفقاعات)
نظف الخلية. راجع <b>تنظيف الخلية</b> في صفحة 597.	أصبحت الخلية ملطخة أو متسخة ويجب تنظيفها سريعاً لمنع حدوث خطأ.	CLEAN CELL SOON (تنظيف الخلية سريعاً)
اضبط الإعداد <b>HIGH CL ALARMS</b> (إنذارات الكلور العالي) على نقطة أعلى. راجع <b>الخطوة 10: تكوين المحلل</b> في صفحة 595. أو قلل تركيز الكلور في العينة التي يتم إدخالها في المحلل.	تركيز الكلور يساوي نقطة ضبط <b>HIGH CL ALARMS</b> (إنذارات الكلور العالي) أو أعلى منها.	HIGH CHLORINE (الكلور العالي)

## الجدول 8 رسائل التحذير (بتبع)

الحل	الوصف	التحذير
اضبط إعداد LOW CL ALARMS (إنذارات الكلور المنخفض) على نقطة أقل. راجع الخطوة 10: تكوين المحلل في صفحة 595. أو زد تركيز الكلور في العينة التي يتم إدخالها في المحلل.	تركيز الكلور يساوي نقطة ضبط LOW CL ALARMS (إنذارات الكلور المنخفض) أو أقل منها.	LOW CHLORINE (الكلور المنخفض)
اضبط معدل تدفق العينة. راجع الخطوة 8: ضبط معدل التدفق في صفحة 595. نظف مرشح المصفاة على شكل Y إذا كان ذلك ضروريًا لإزالة الانسداد. راجع تنظيف منخل المصفاة على شكل Y في صفحة 599.	تدقق العينة المقيس أقل من الحد الأدنى لمعدل تدفق العينة. راجع المواصفات في صفحة 581.	LOW SAMPLE FLOW (تدقق العينة المنخفض)
اضبط معدل تدفق العينة. راجع الخطوة 8: ضبط معدل التدفق في صفحة 595.	تدقق العينة المقيس أكبر من الحد الأقصى لمعدل تدفق العينة. راجع المواصفات في صفحة 581.	HIGH SAMPLE FLOW (تدقق العينة العالي)

## القسم 9 قطع الغيار والملحقات

⚠ تحذير	
خطر الإصابة الشخصية. قد يؤدي استخدام الأجزاء غير المعتمدة إلى الإصابة الشخصية أو تلف الجهاز أو قصور في تشغيله. قطع الغيار الواردة في هذا القسم هي قطع معتمدة من الشركة المصنعة.	

ملاحظة: تختلف أرقام المنتج والبنود حسب بعض مناطق البيع. اتصل بالموزع المناسب أو راجع موقع الشركة على الويب لمعرفة جهة الاتصال.

### الأجزاء المستهلكة

رقم العنصر	الكمية	الوصف
2556900	1	تشمل مجموعة المواد التفاعلية، الكلور الحر، زجاجة المحلول المنظم وزجاجة محلول المؤشر وزجاجة مركب DPD
2557000	1	تشمل مجموعة المواد التفاعلية، الكلور الكلي، زجاجة المحلول المنظم وزجاجة محلول المؤشر وزجاجة مركب DPD
8573100	1	تشمل عدة تنظيف الخلية: 100 مل من محلول حمض الكبريتيك 5.25 العادي، وزجاجة بقطارة ( زجاجات) وماسحات من الفظن (10 ماسحات)
8568200	1	عدة فحص المعايرة، تشمل على: محقنة، وأنابيب، وتركيبات أنابيب، وفتاحة أمبول، وماء منزوع الأيونات، وأمبول كلور قياسي
8573200	1	عدة إعادة ملء مواد فحص المعايرة، تشمل على: ماء منزوع الأيونات وأمبول كلور قياسي

### قطع الغيار

رقم العنصر	الوصف
الولايات المتحدة الأمريكية: 8560400	تشمل عدة الأنابيب: مجموعة الأنابيب وقضيب التحريك
الاتحاد الأوروبي: 8575000	
الولايات المتحدة الأمريكية: 8560500	طقم التثبيت مع أنبوب رأسي (10 رطل لكل بوصة مربعة أو أقل)
الاتحاد الأوروبي: 8575100	
8576001	مجموعة التثبيت مع أنبوب رأسي (< 10 رطل لكل بوصة مربعة)
الولايات المتحدة الأمريكية: 8565700	عدة التركيب باستخدام منظم الضغط
الاتحاد الأوروبي: 8575200	

رقم العنصر	الوصف
6122400	كابيل إطالة للمحلل، 1 م (3,2 أقدام)
5796000	كابيل إطالة للمحلل، 7,7 م (25 قدمًا)
5796100	كابيل إطالة للمحلل، 15 م (50 قدمًا)
A=4020=09184	محول أنابيب، حجم قطره الخارجي من 6 مم إلى 1/4 بوصة







**HACH COMPANY World Headquarters**

P.O. Box 389, Loveland, CO 80539-0389 U.S.A.  
Tel. (970) 669-3050  
(800) 227-4224 (U.S.A. only)  
Fax (970) 669-2932  
orders@hach.com  
www.hach.com

**HACH LANGE GMBH**

Willstätterstraße 11  
D-40549 Düsseldorf, Germany  
Tel. +49 (0) 2 11 52 88-320  
Fax +49 (0) 2 11 52 88-210  
info-de@hach.com  
www.de.hach.com

**HACH LANGE Sàrl**

6, route de Compois  
1222 Vézenaz  
SWITZERLAND  
Tel. +41 22 594 6400  
Fax +41 22 594 6499