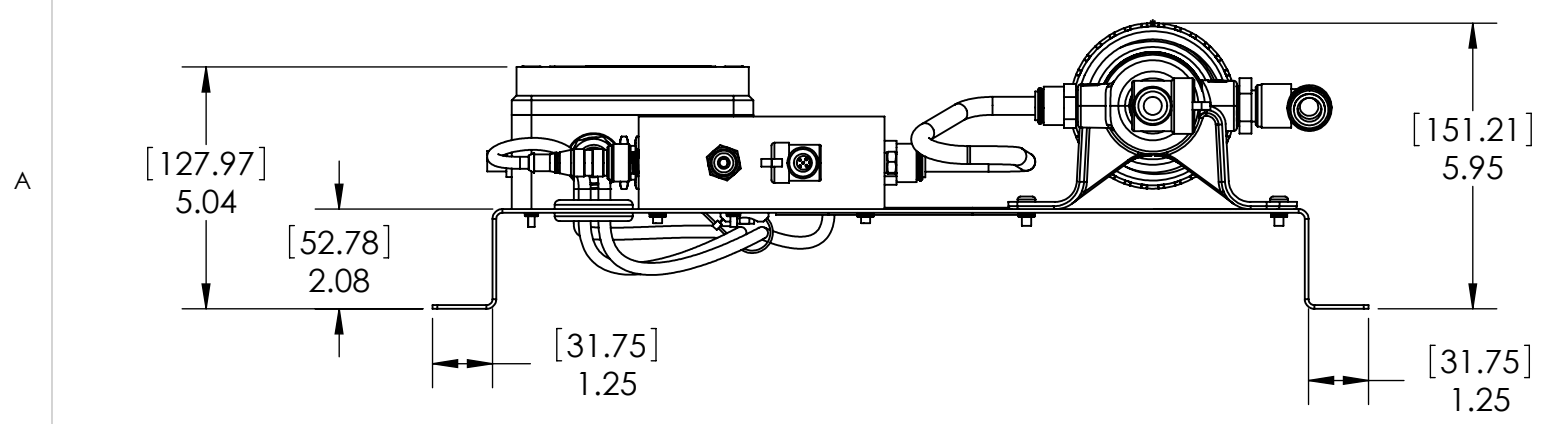
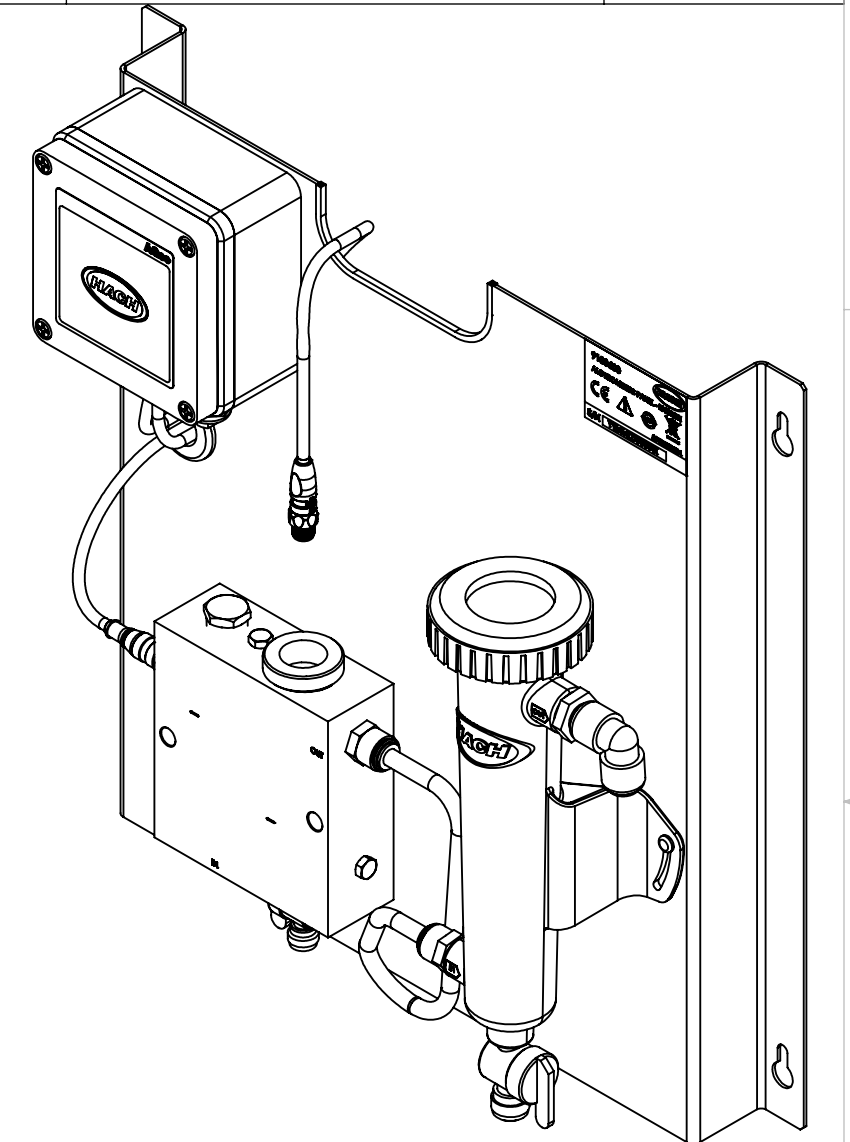

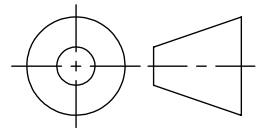


| REVISION | | |
|----------|--------------------|----------|
| REV | DESCRIPTION | APPROVED |
| A | PRODUCTION RELEASE | |



NOTICE--HACH COMPANY CLAIMS PROPRIETARY RIGHTS IN THE INFORMATION DISCLOSED ON THIS DRAWING. IT IS ISSUED IN CONFIDENCE FOR ENGINEERING INFORMATION ONLY AND MAY NOT, IN WHOLE OR IN PART, BE USED TO MANUFACTURE ANYTHING, WHETHER OR NOT SHOWN HEREON, REPRODUCED OR DISCLOSED TO ANYONE WITHOUT DIRECT PERMISSION FROM HACH COMPANY.

| | | | | |
|---|--|------------------------|---|--|
| MATERIAL | UNLESS OTHERWISE SPECIFIED: | NAME | DATE |  HACH COMPANY 5600 LINDBERGH DR. LOVELAND, CO. 80539 |
| | DIMENSIONS ARE IN INCHES TOLERANCES: .X = ±.03 .XX = ±.01 .XXX = ±.005 ANGLES = ±.25° | DRAWN | | |
| INTERPRET GEOMETRIC TOLERANCING PER: ANSI Y14.5M 1994 | DO NOT SCALE DRAWING | ENGINEER | | |
| | | THIRD ANGLE PROJECTION |  | |
| TITLE: TRANSMITTAL, AMPEROMETRIC CHLORINE SENSOR | | | | SIZE B DWG. NO. 9180687 REV A |
| SCALE: 1:4 | | WEIGHT: | SHEET 1 OF 1 | |