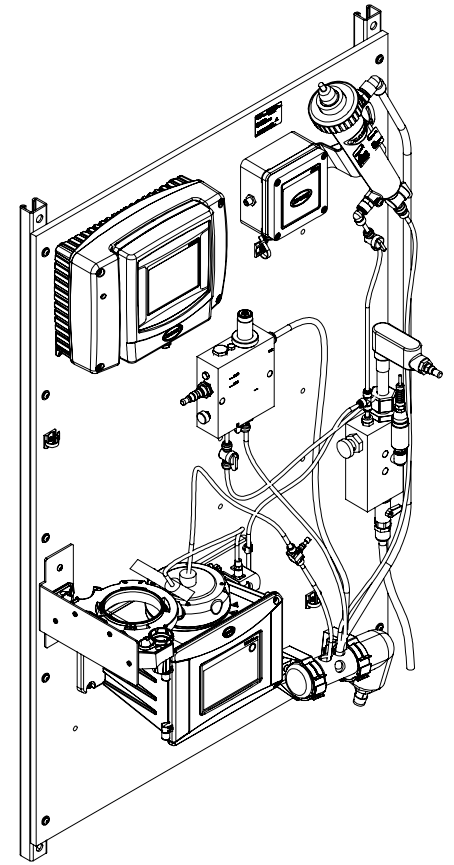
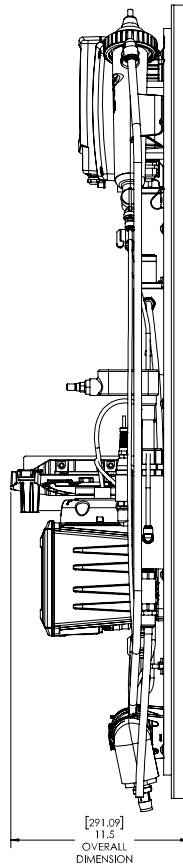
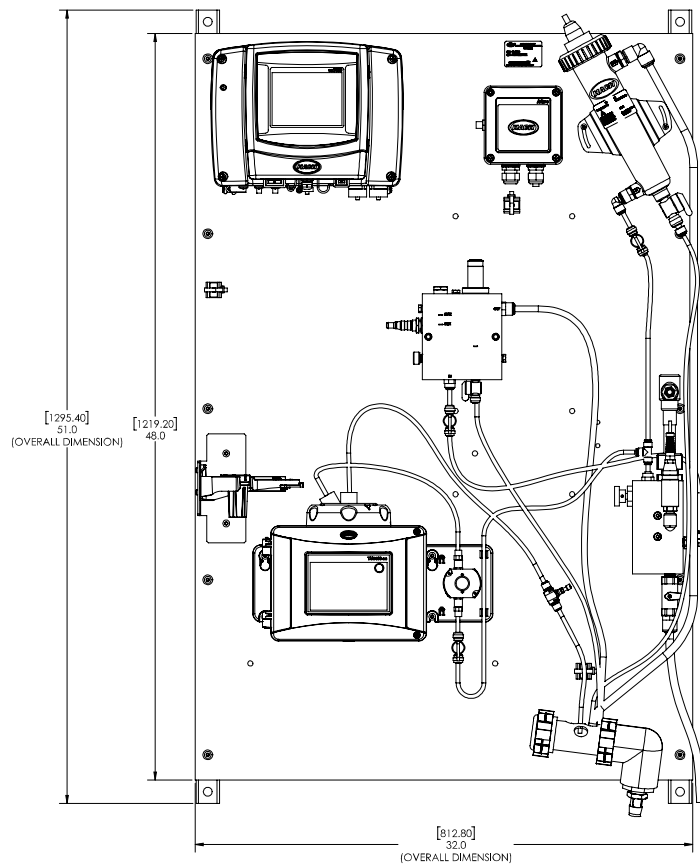


NOTES:

- ALL PARTS, MATERIALS AND PROCESSES SHALL COMPLY WITH HACH'S RESTRICTED MATERIALS SUPPLIER SPECIFICATION DOCUMENT, HACH P/N 8600000.

REVISION			
REV	DESCRIPTION	ECO #	DATE
C	RELEASED PER ECO	C132511	6/5/2023



PART CLASSIFICATION		DATE		HACH COMPANY	
MINOR B	REVISED FOR THE CONTROL (REV. AUTHORITY FOR ALL DIMENSIONS)	ISSUED	8/20/2019	8600 INDUSTRIES DR.	LOVELAND, CO. 80538
HACH MATERIAL PART NUMBER		DESIGNED	8/19/14	TITLE	
UNLESS OTHERWISE SPECIFIED:		DRAWN	8/19/14	WDMP SIX SENSORS, TU5300sc W/O ACM & CLF10sc	
TOLERANCES:		CHECKED	8/19/14	INSTRUMENTATION DIVISION	REV
FRACTIONAL = 1/64		PROJECTED	7/5/2023	INSTRUMENTATION DIVISION	C
DECIMAL = 0.01		DATE	7/5/2023	SHEET	D
HOLE DIMENSIONS = 0.015		THIRD ANGLE PROJECTION		DWG. NO.	8867400
HOLE POSITIONING = 0.015		3/4"		SCALE	1:4
HOLE DRILLING = 0.015		8.00"		SHEET 1 OF 2	
HOLE REAMER = 0.015		EQUIVALENT			