

## Challenge

Installing a full-blown station as a part of a Road Weather Information System (RWIS) with requires many sensors and technical components, which can be cost prohibitive. As a result, many places are left unmonitored.

## Solution

Using a combination of two, all-in-one sensors from OTT HydroMet can get a large array of data at a fraction of the cost. The compact weather station Lufft WS600 and the optical road weather sensor Lufft NIRS make a perfect pair.

## Benefits

Less maintenance, labor, and costs required while still providing the data that they need allows the end customers to maintain their roads. This frees up personnel to tend to other areas where sensor technology may not be prevalent.

## Project: Mini RWIS

When budgets are tight but accurate and reliable data is still important for specific locations, a slim “Mini RWIS” may be a smart solution. Combining a compact weather sensor as the Lufft WS600, that measures all atmospheric parameters with an optical road condition sensor Lufft NIRS31 provides reliable data for a variety of road weather parameters.

Not only does this keep the costs of hardware low but it minimizes the installation requirements, resulting in less time spent in the field, less cables, brackets, mounts, and points of failure.

This setup is especially useful to fill data gaps at locations that are not part of an extended RWIS network. Our customer achieved the desired result of monitoring all required parameters, at a fraction of the cost that comes with a standard RWIS.

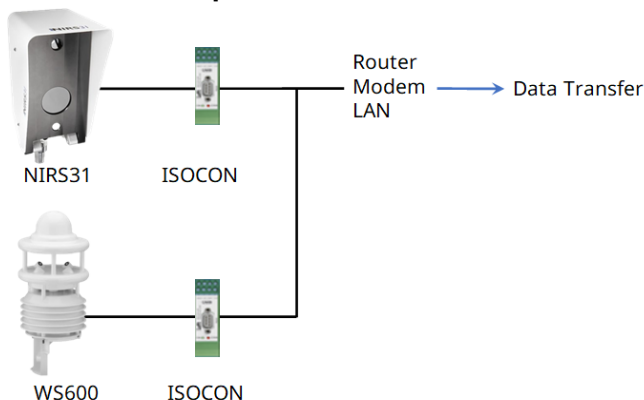


Slim yet powerful RWIS setup with a NIRS31 road sensor, a WS600 weather station, and a camera. *Credit: OTT HydroMet*

## Product List

Lufft NIRS31, Lufft WS600, Lufft Communicator LCOM, optional camera

## Schematic Setup



**Lufft**  
— an OTT HydroMet brand —

## Further information

Turn on weather warnings right on time with LCOM

## Contact

Questions? Let's talk!

